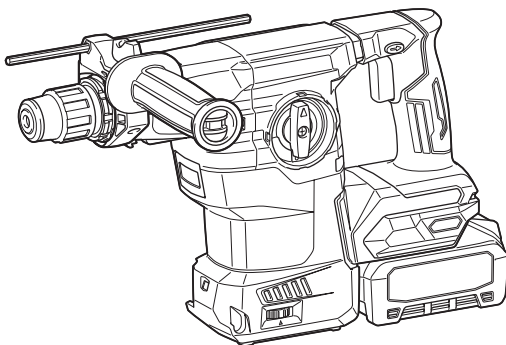
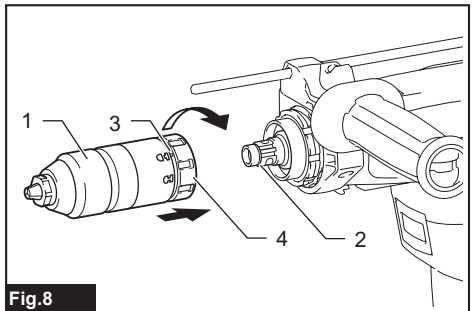
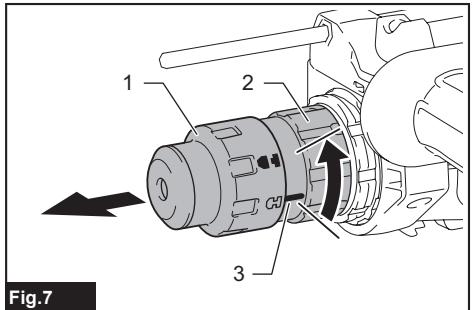
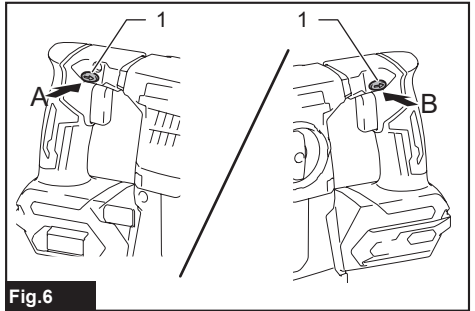
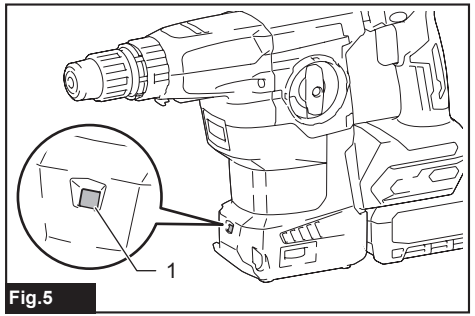
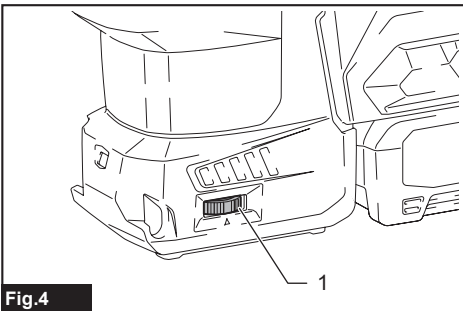
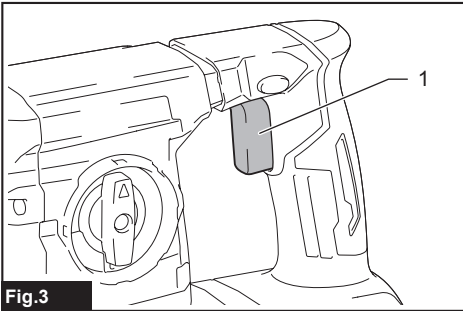
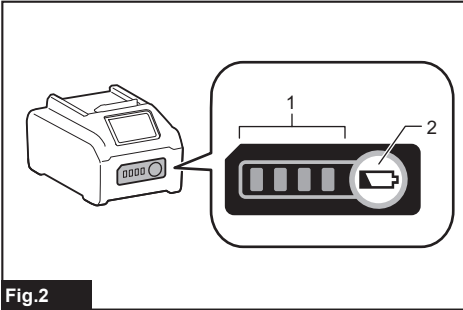
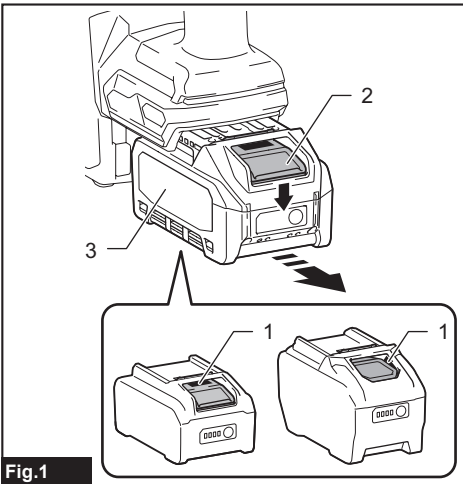




EN	Cordless Combination Hammer	INSTRUCTION MANUAL	12
FR	Marteau Combiné sans Fil	MANUEL D'INSTRUCTIONS	28
DE	Akku-Kombi-Bohrhammer	BETRIEBSANLEITUNG	46
IT	Tassellatore combinato a batteria	ISTRUZIONI PER L'USO	64
NL	Accucombihamer	GEBRUIKSAANWIJZING	83
ES	Martillo Rotativo Combinado Inalámbrico	MANUAL DE INSTRUCCIONES	101
PT	Martetele Combinado A Bateria	MANUAL DE INSTRUÇÕES	119
DA	Akku-kombinationshammer	BRUGSANVISNING	136
EL	Φορητό δράπανο συνδυασμού	ΕΓΧΕΙΡΙΔΙΟ ΟΔΗΓΙΩΝ	152
TR	Kablosuz Kombine Darbeli Matkap	KULLANMA KILAVUZU	170

HR008G
HR009G





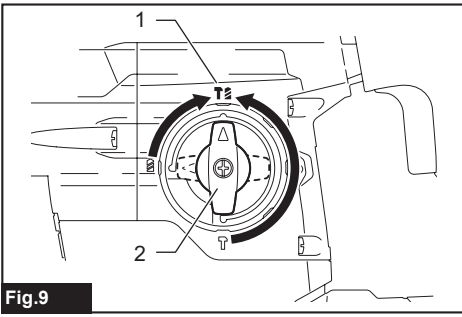


Fig.9

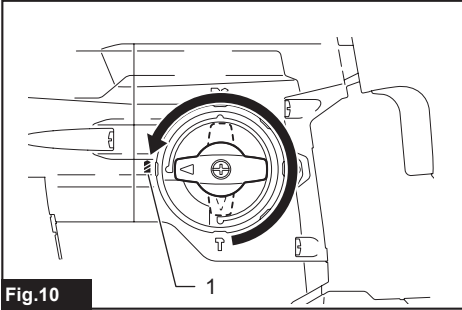


Fig.10

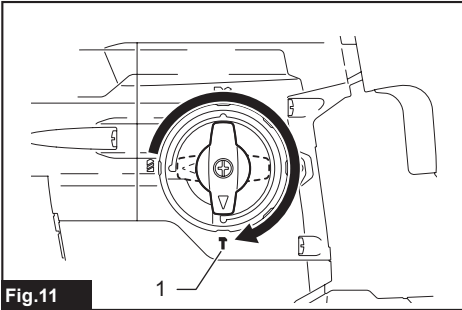


Fig.11

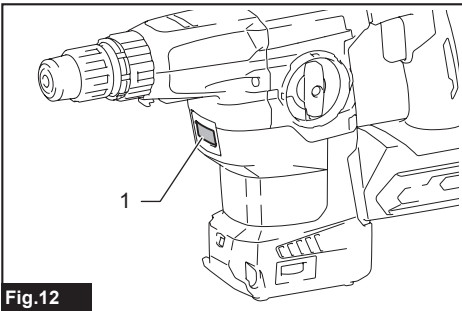


Fig.12

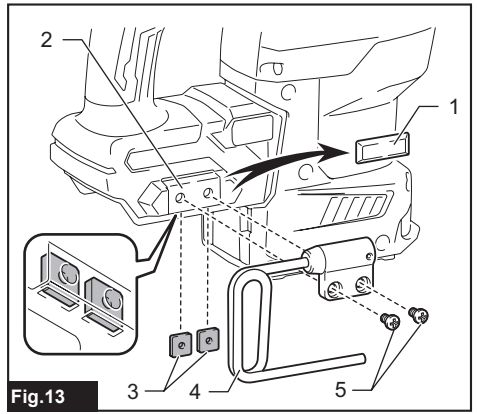


Fig.13

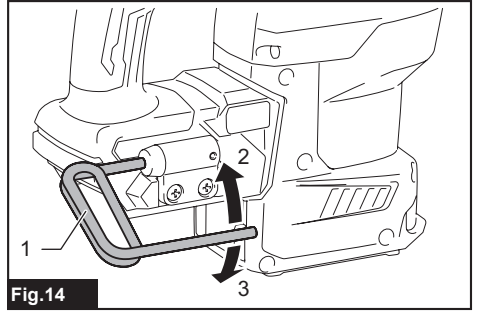


Fig.14

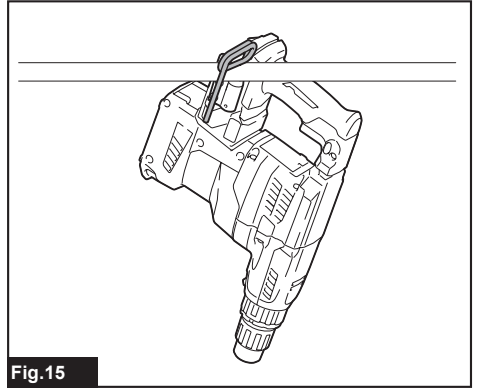


Fig.15

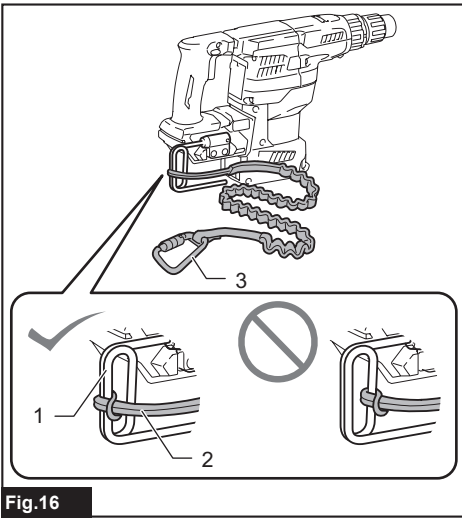


Fig. 16

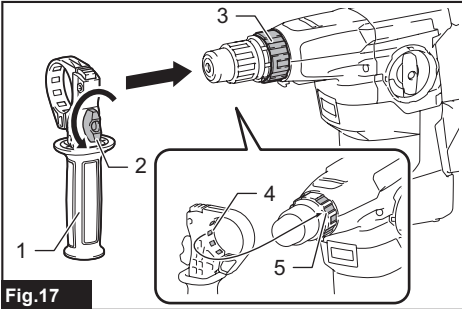


Fig. 17

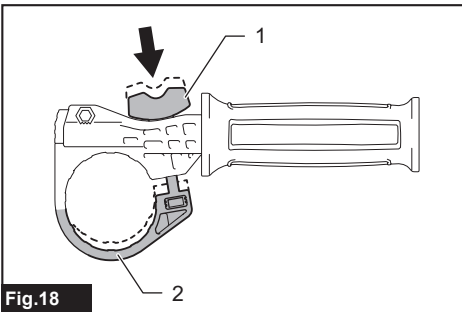


Fig. 18

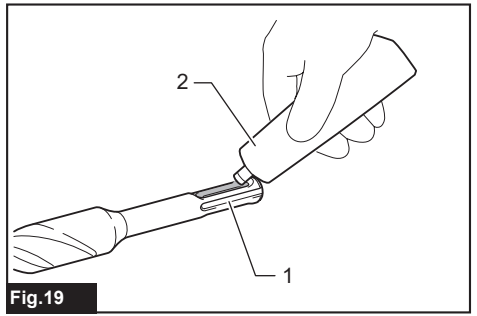


Fig. 19

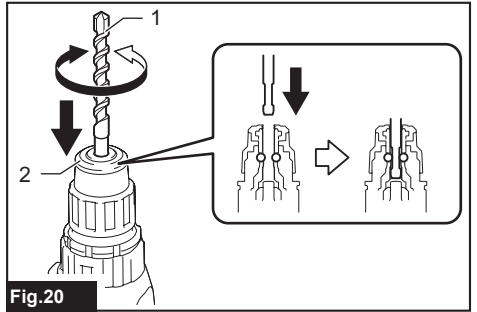


Fig. 20

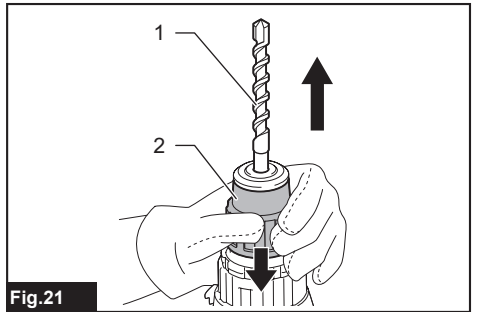


Fig. 21

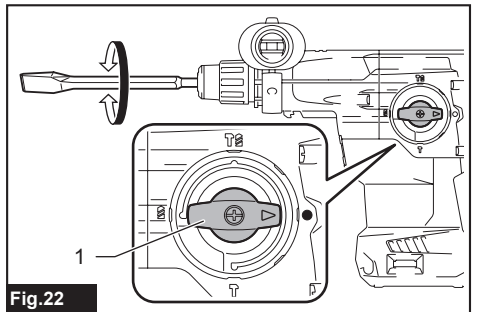
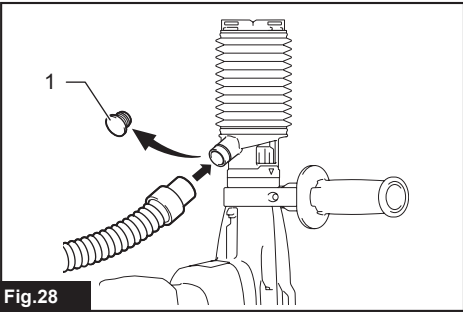
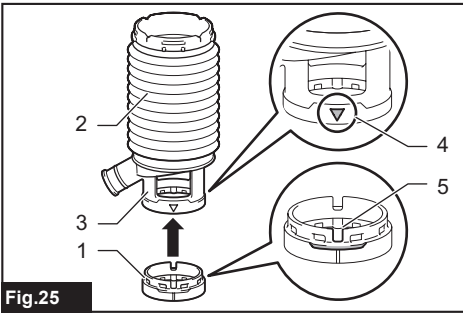
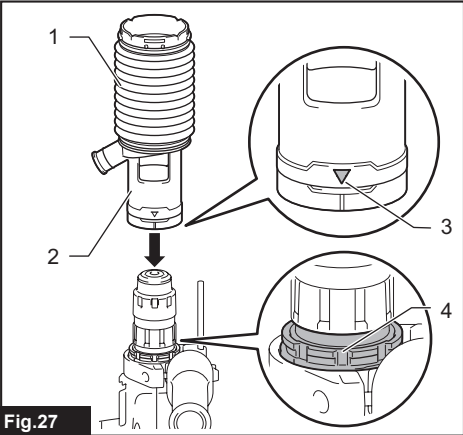
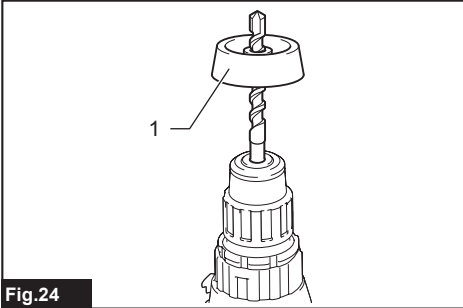
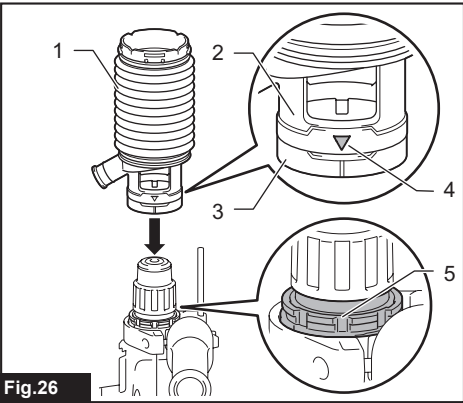
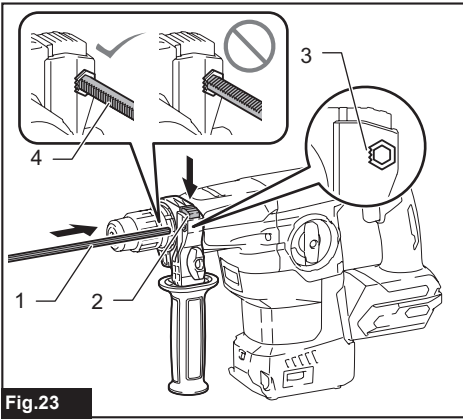


Fig. 22



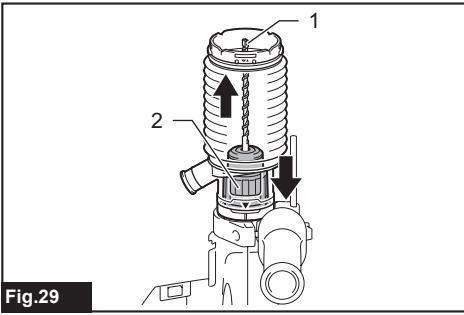


Fig.29

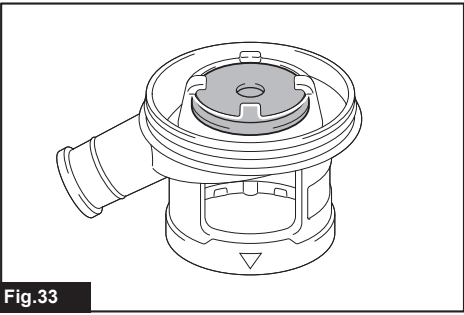


Fig.33

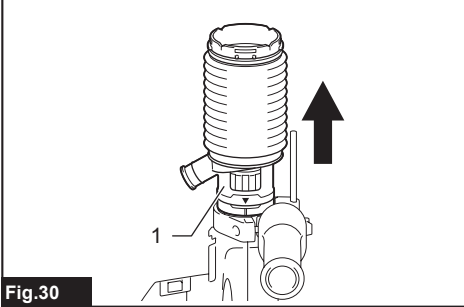


Fig.30

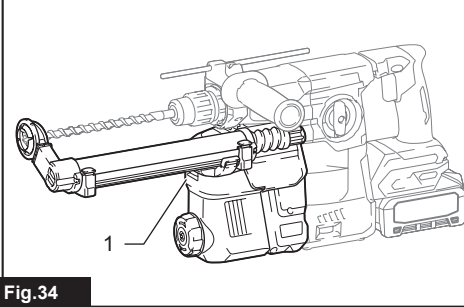


Fig.34

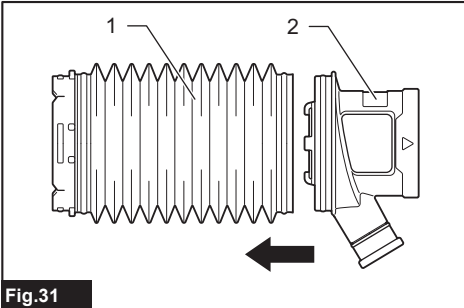


Fig.31

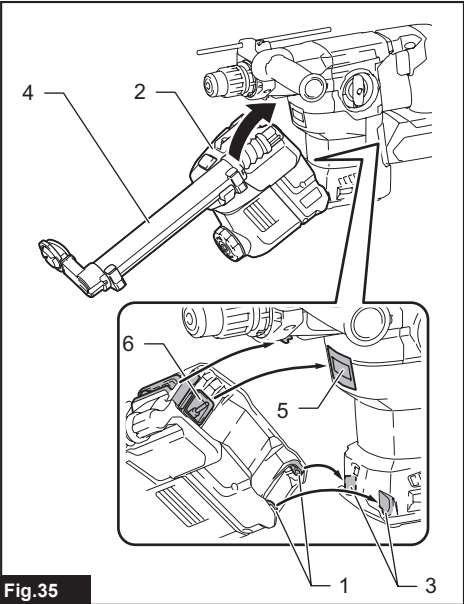


Fig.35

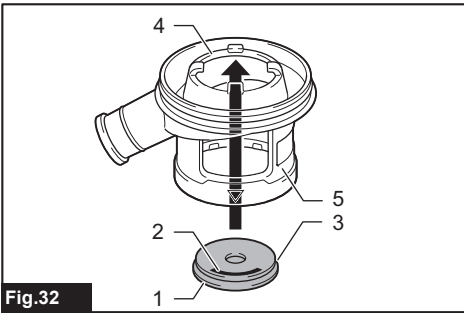


Fig.32

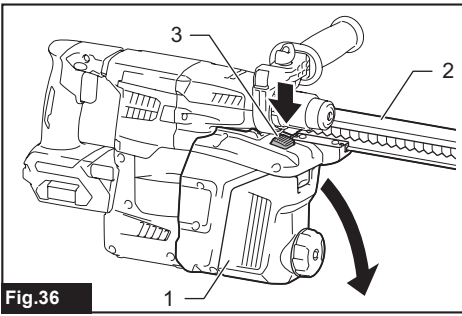


Fig.36

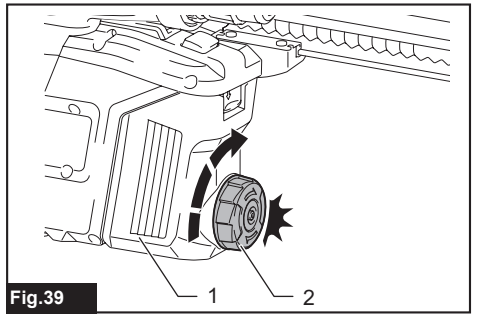


Fig.39

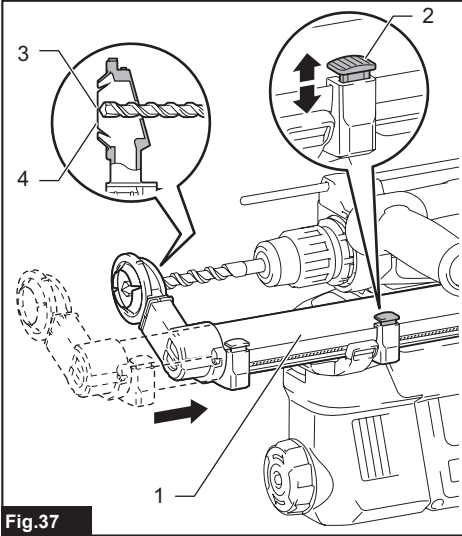


Fig.37

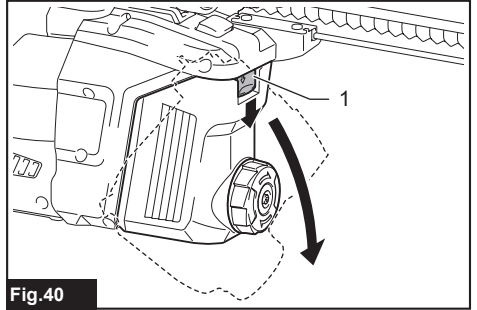


Fig.40

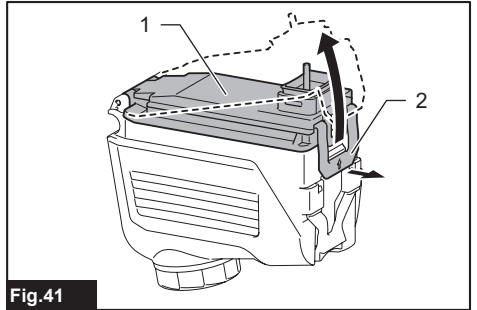


Fig.41

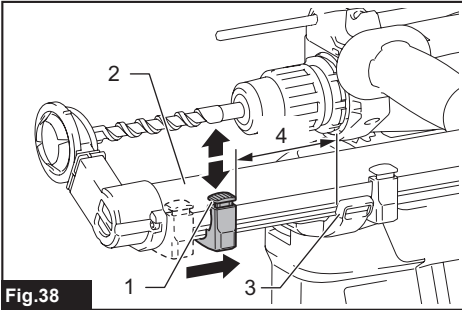


Fig.38

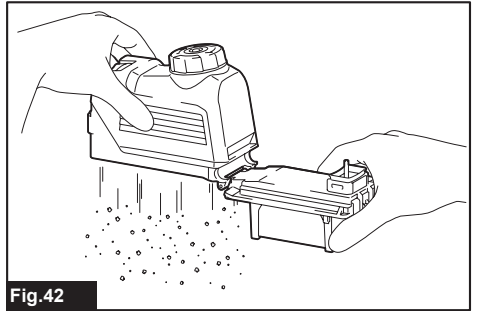


Fig.42

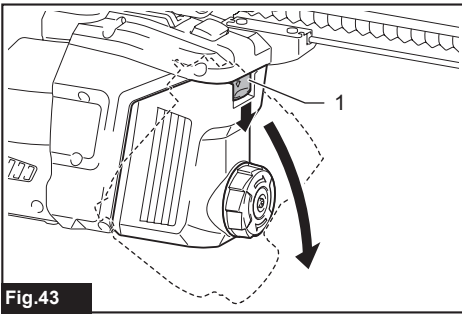


Fig.43

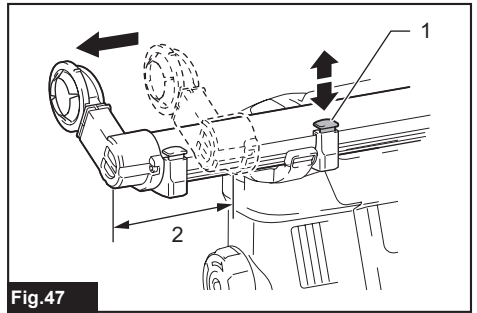


Fig.47

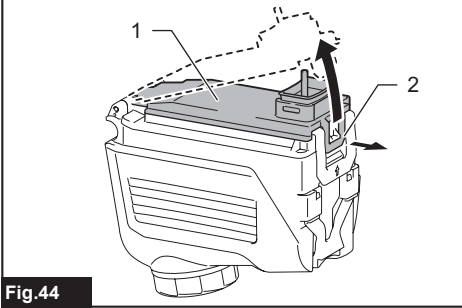


Fig.44

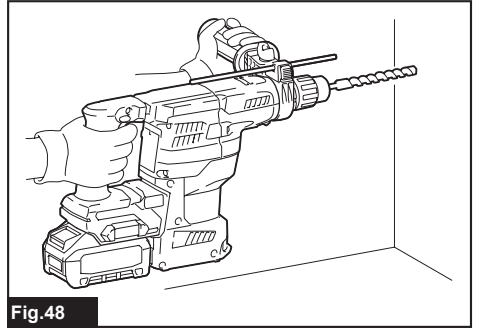


Fig.48

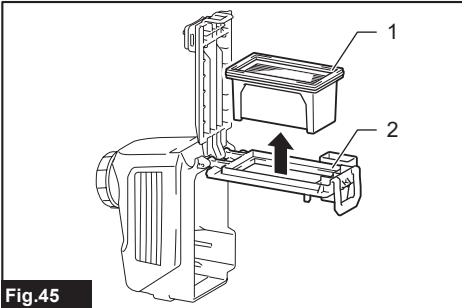


Fig.45

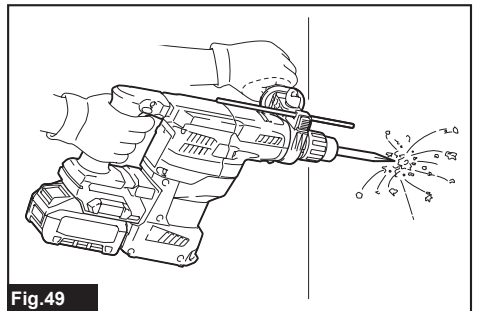


Fig.49

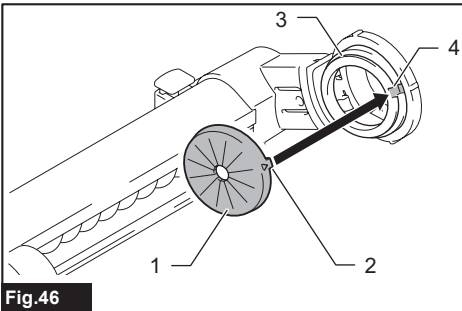


Fig.46

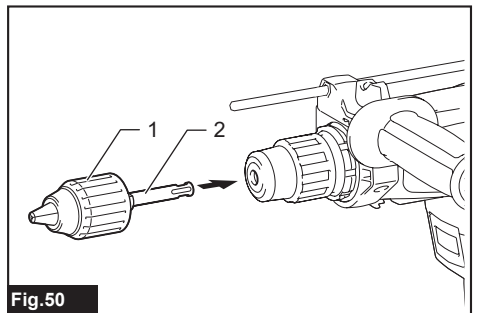
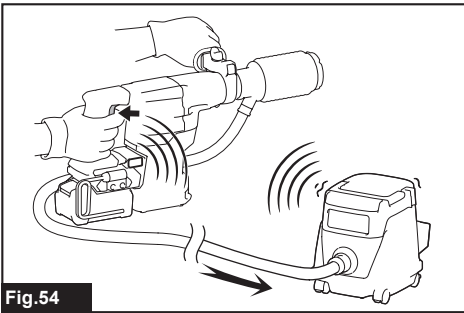
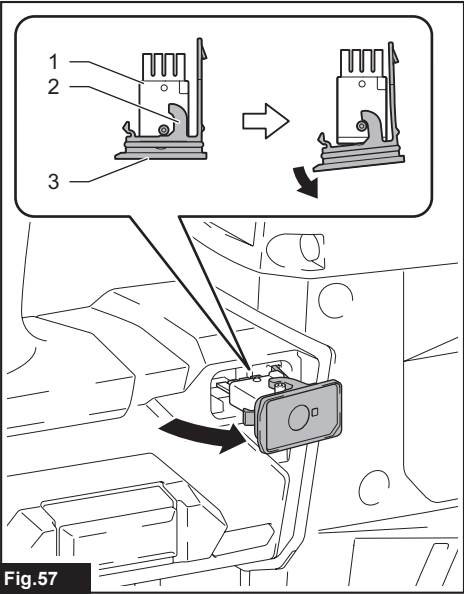
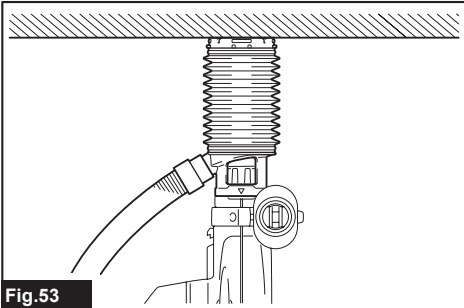
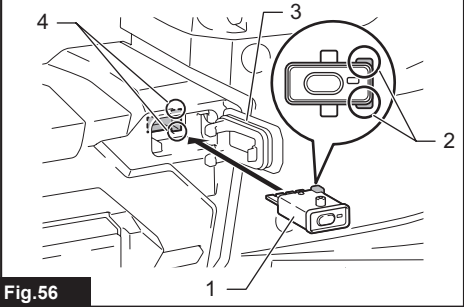
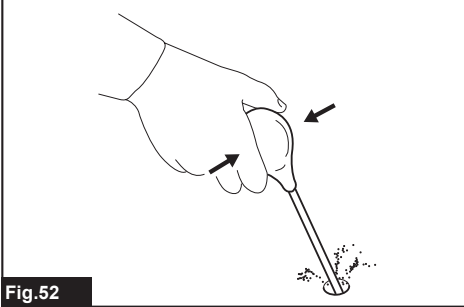
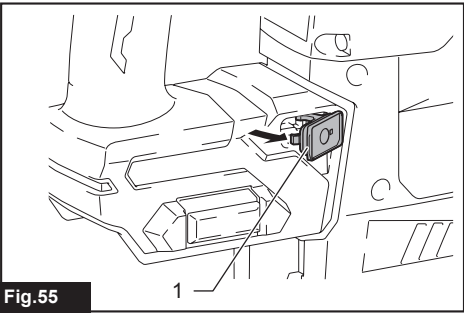
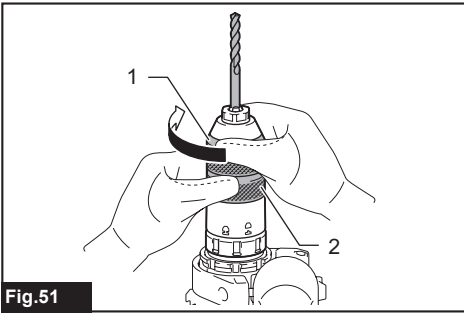
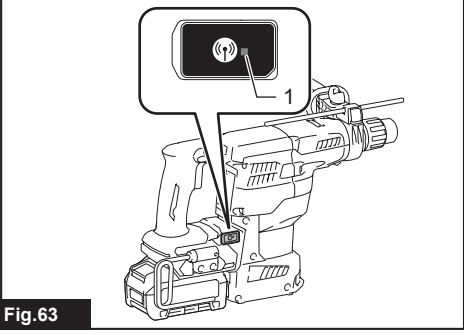
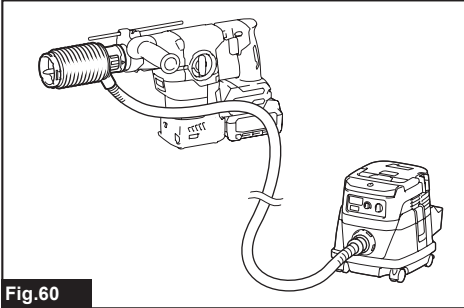
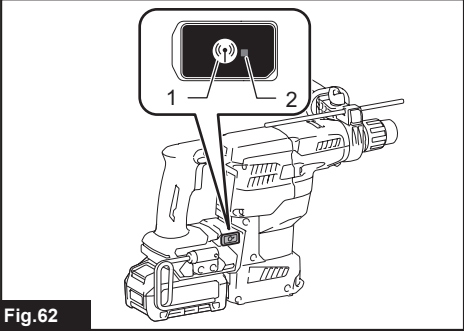
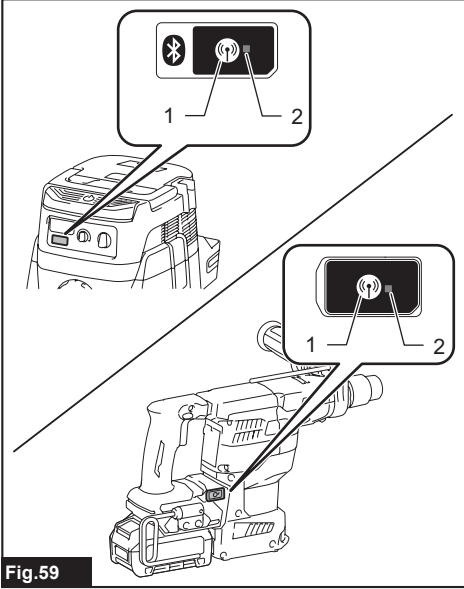
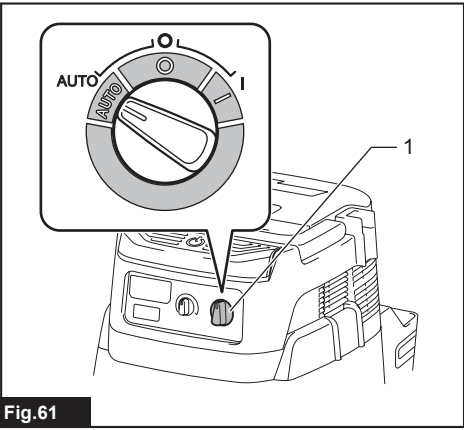
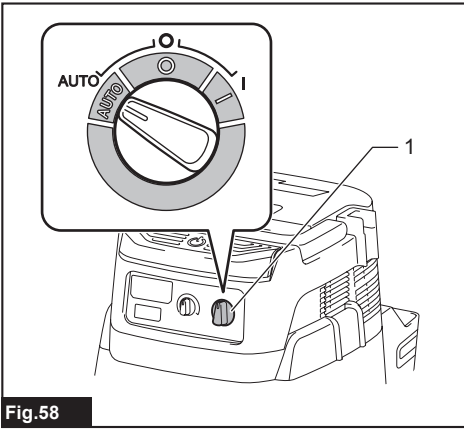


Fig.50





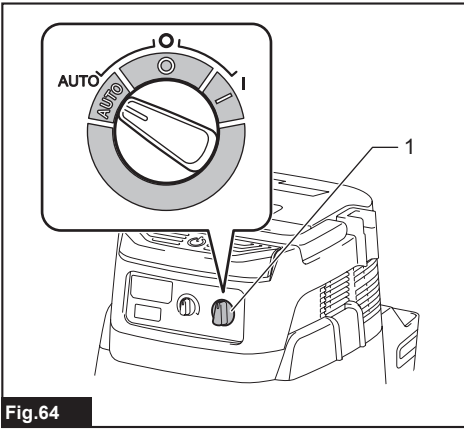


Fig.64

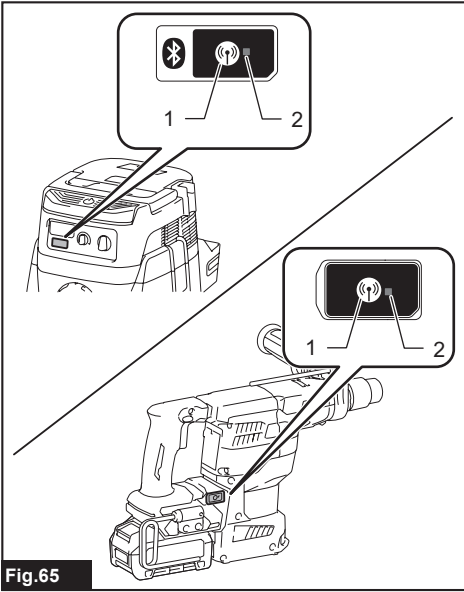


Fig.65

SPECIFICATIONS

Model:		HR008G	HR009G
Capacities	Concrete	30 mm	
	Core bit	80 mm	
	Diamond core bit (dry type)	80 mm	
	Steel	13 mm	
	Wood	32 mm	
No load speed		0 - 840 min ⁻¹	
Blows per minute		0 - 4,500 min ⁻¹	
Rated voltage		D.C. 36 V - 40 V max	
Overall length (with BL4040)		422 mm	439 mm
Net weight		5.2 - 6.8 kg	5.3 - 6.7 kg

Optional accessory

Model:	DX10 (For HR008G)	DX11 (For HR009G)
Applicable workpiece and workmode	for concrete drilling only (not for metal or wood, and not for core drilling or chiseling)	
Suction performance	350 l/min	
Operating stroke	Up to 190 mm	
Suitable drill bit	Up to 265 mm	
Net weight	1.2 kg	

- Due to our continuing program of research and development, the specifications herein are subject to change without notice.
- Specifications may differ from country to country.
- The weight may differ depending on the attachment(s), including the battery cartridge. The lightest and heaviest combinations, according to EPTA-Procedure 01/2014, are shown in the table.

Applicable battery cartridge and charger

Battery cartridge	BL4020 / BL4025 / BL4040* / BL4050F* / BL4080F * : Recommended battery
Charger	DC40RA / DC40RB / DC40RC

- Some of the battery cartridges and chargers listed above may not be available depending on your region of residence.

⚠ WARNING: Only use the battery cartridges and chargers listed above. Use of any other battery cartridges and chargers may cause injury and/or fire.

Recommended cord connected power source

Portable power pack	PDC01 / PDC1200
---------------------	-----------------

- The cord connected power source(s) listed above may not be available depending on your region of residence.
- Before using the cord connected power source, read instruction and cautionary markings on them.

Intended use

The tool is intended for hammer drilling and drilling in brick, concrete and stone as well as for chiselling work. It is also suitable for drilling without impact in wood, metal, ceramic and plastic.

Noise

The typical A-weighted noise level determined according to EN62841-2-6:

Model HR008G

Sound pressure level (L_{pA}) : 95 dB (A)

Sound power level (L_{WA}) : 103 dB (A)

Uncertainty (K) : 3 dB (A)

Model HR009G

Sound pressure level (L_{pA}) : 95 dB (A)

Sound power level (L_{WA}) : 103 dB (A)

Uncertainty (K) : 3 dB (A)

Model HR008G with DX10

Sound pressure level (L_{pA}) : 97 dB (A)

Sound power level (L_{WA}) : 105 dB (A)

Uncertainty (K) : 3 dB (A)

Model HR009G with DX11

Sound pressure level (L_{pA}) : 97 dB (A)

Sound power level (L_{WA}) : 105 dB (A)

Uncertainty (K) : 3 dB (A)

NOTE: The declared noise emission value(s) has been measured in accordance with a standard test method and may be used for comparing one tool with another.

NOTE: The declared noise emission value(s) may also be used in a preliminary assessment of exposure.

⚠ WARNING: Wear ear protection.

⚠ WARNING: The noise emission during actual use of the power tool can differ from the declared value(s) depending on the ways in which the tool is used especially what kind of workpiece is processed.

⚠ WARNING: Be sure to identify safety measures to protect the operator that are based on an estimation of exposure in the actual conditions of use (taking account of all parts of the operating cycle such as the times when the tool is switched off and when it is running idle in addition to the trigger time).

Vibration

The following table shows the vibration total value (tri-axial vector sum) determined according to applicable standard.

Model HR008G

Work mode	Vibration emission	Uncertainty (K)	Applicable standard / Test condition
Hammer drilling into concrete ($a_{h,HD}$)	11.8 m/s ²	1.5 m/s ²	EN62841-2-6
	9.1 m/s ²	1.5 m/s ²	Recommended practical operation*
Hammer drilling into concrete with DX10 ($a_{h,HD}$)	9.5 m/s ²	2.0 m/s ²	EN62841-2-6
	7.8 m/s ²	1.5 m/s ²	Recommended practical operation*
Chiselling ($a_{h,ChEq}$)	8.6 m/s ²	1.5 m/s ²	EN62841-2-6
	8.0 m/s ²	1.5 m/s ²	Recommended practical operation*

Model HR009G

Work mode	Vibration emission	Uncertainty (K)	Applicable standard / Test condition
Hammer drilling into concrete ($a_{h,HD}$)	11.5 m/s ²	1.5 m/s ²	EN62841-2-6
	9.1 m/s ²	1.5 m/s ²	Recommended practical operation*
Hammer drilling into concrete with DX11 ($a_{h,HD}$)	8.9 m/s ²	1.5 m/s ²	EN62841-2-6
	7.3 m/s ²	1.5 m/s ²	Recommended practical operation*
Chiselling ($a_{h,ChEq}$)	7.3 m/s ²	1.5 m/s ²	EN62841-2-6
	7.1 m/s ²	1.5 m/s ²	Recommended practical operation*

* The test condition of recommended practical operation meets EN 62841-2-6, except for the following points:

- Feed force is applied to the switch handle (main handle) for working accuracy and efficiency.
- The side grip/handle (auxiliary handle) is held to keep balance of the tool.

NOTE: The declared vibration total value(s) has been measured in accordance with a standard test method and may be used for comparing one tool with another.

NOTE: The declared vibration total value(s) may also be used in a preliminary assessment of exposure.

⚠ WARNING: The vibration emission during actual use of the power tool can differ from the declared value(s) depending on the ways in which the tool is used especially what kind of workpiece is processed.

⚠ WARNING: Be sure to identify safety measures to protect the operator that are based on an estimation of exposure in the actual conditions of use (taking account of all parts of the operating cycle such as the times when the tool is switched off and when it is running idle in addition to the trigger time).

Declarations of Conformity

For European countries only

The Declarations of conformity are included in Annex A to this instruction manual.

SAFETY WARNINGS

General power tool safety warnings

⚠WARNING: Read all safety warnings, instructions, illustrations and specifications provided with this power tool. Failure to follow all instructions listed below may result in electric shock, fire and/or serious injury.

Save all warnings and instructions for future reference.

The term "power tool" in the warnings refers to your mains-operated (corded) power tool or battery-operated (cordless) power tool.

CORDLESS ROTARY HAMMER SAFETY WARNINGS

Safety instructions for all operations

1. **Wear ear protectors.** Exposure to noise can cause hearing loss.
2. **Use auxiliary handle(s), if supplied with the tool.** Loss of control can cause personal injury.
3. **Hold the power tool by insulated gripping surfaces, when performing an operation where the cutting accessory may contact hidden wiring.** Cutting accessory contacting a "live" wire may make exposed metal parts of the power tool "live" and could give the operator an electric shock.

Safety instructions when using long drill bits with rotary hammers

1. **Always start drilling at low speed and with the bit tip in contact with the workpiece.** At higher speeds, the bit is likely to bend if allowed to rotate freely without contacting the workpiece, resulting in personal injury.
2. **Apply pressure only in direct line with the bit and do not apply excessive pressure.** Bits can bend, causing breakage or loss of control, resulting in personal injury.

Additional safety warnings

1. **Wear a hard hat (safety helmet), safety glasses and/or face shield.** Ordinary eye or sun glasses are NOT safety glasses. It is also highly recommended that you wear a dust mask and thickly padded gloves.
2. **Be sure the bit is secured in place before operation.**
3. **Under normal operation, the tool is designed to produce vibration.** The screws can come loose easily, causing a breakdown or accident. Check tightness of screws carefully before operation.

4. **In cold weather or when the tool has not been used for a long time, let the tool warm up for a while by operating it under no load.** This will loosen up the lubrication. Without proper warm-up, hammering operation is difficult.
5. **Always be sure you have a firm footing. Be sure no one is below when using the tool in high locations.**
6. **Hold the tool firmly with both hands.**
7. **Keep hands away from moving parts.**
8. **Do not leave the tool running. Operate the tool only when hand-held.**
9. **Do not point the tool at any one in the area when operating. The bit could fly out and injure someone seriously.**
10. **Do not touch the bit, parts close to the bit, or workpiece immediately after operation; they may be extremely hot and could burn your skin.**
11. **Some material contains chemicals which may be toxic. Take caution to prevent dust inhalation and skin contact. Follow material supplier safety data.**
12. **Always be sure that the tool is switched off and the battery cartridge and the bit are removed before handing the tool to other person.**
13. **Before operation, make sure that there is no buried object such as electric pipe, water pipe or gas pipe in the working area.** Otherwise, the drill bit/chisel may touch them, resulting an electric shock, electrical leakage or gas leak.
14. **Do not operate the tool at no-load unnecessarily.**

SAVE THESE INSTRUCTIONS.

⚠WARNING: DO NOT let comfort or familiarity with product (gained from repeated use) replace strict adherence to safety rules for the subject product. MISUSE or failure to follow the safety rules stated in this instruction manual may cause serious personal injury.

Important safety instructions for battery cartridge

1. **Before using battery cartridge, read all instructions and cautionary markings on (1) battery charger, (2) battery, and (3) product using battery.**
2. **Do not disassemble or tamper with the battery cartridge.** It may result in a fire, excessive heat, or explosion.
3. **If operating time has become excessively shorter, stop operating immediately.** It may result in a risk of overheating, possible burns and even an explosion.
4. **If electrolyte gets into your eyes, rinse them out with clear water and seek medical attention right away.** It may result in loss of your eyesight.

5. **Do not short the battery cartridge:**
 - (1) **Do not touch the terminals with any conductive material.**
 - (2) **Avoid storing battery cartridge in a container with other metal objects such as nails, coins, etc.**
 - (3) **Do not expose battery cartridge to water or rain.**

A battery short can cause a large current flow, overheating, possible burns and even a breakdown.

6. **Do not store and use the tool and battery cartridge in locations where the temperature may reach or exceed 50 °C (122 °F).**
7. **Do not incinerate the battery cartridge even if it is severely damaged or is completely worn out. The battery cartridge can explode in a fire.**
8. **Do not nail, cut, crush, throw, drop the battery cartridge, or hit against a hard object to the battery cartridge.** Such conduct may result in a fire, excessive heat, or explosion.
9. **Do not use a damaged battery.**
10. **The contained lithium-ion batteries are subject to the Dangerous Goods Legislation requirements.**

For commercial transports e.g. by third parties, forwarding agents, special requirement on packaging and labeling must be observed.

For preparation of the item being shipped, consulting an expert for hazardous material is required. Please also observe possibly more detailed national regulations.

Tape or mask off open contacts and pack up the battery in such a manner that it cannot move around in the packaging.

11. **When disposing the battery cartridge, remove it from the tool and dispose of it in a safe place. Follow your local regulations relating to disposal of battery.**
12. **Use the batteries only with the products specified by Makita.** Installing the batteries to non-compliant products may result in a fire, excessive heat, explosion, or leak of electrolyte.
13. **If the tool is not used for a long period of time, the battery must be removed from the tool.**
14. **During and after use, the battery cartridge may take on heat which can cause burns or low temperature burns. Pay attention to the handling of hot battery cartridges.**
15. **Do not touch the terminal of the tool immediately after use as it may get hot enough to cause burns.**
16. **Do not allow chips, dust, or soil stuck into the terminals, holes, and grooves of the battery cartridge.** It may cause heating, catching fire, burst and malfunction of the tool or battery cartridge, resulting in burns or personal injury.
17. **Unless the tool supports the use near high-voltage electrical power lines, do not use the battery cartridge near a high-voltage electrical power lines.** It may result in a malfunction or breakdown of the tool or battery cartridge.
18. **Keep the battery away from children.**

SAVE THESE INSTRUCTIONS.

⚠CAUTION: Only use genuine Makita batteries. Use of non-genuine Makita batteries, or batteries that have been altered, may result in the battery bursting causing fires, personal injury and damage. It will also void the Makita warranty for the Makita tool and charger.

Tips for maintaining maximum battery life

1. **Charge the battery cartridge before completely discharged. Always stop tool operation and charge the battery cartridge when you notice less tool power.**
2. **Never recharge a fully charged battery cartridge. Overcharging shortens the battery service life.**
3. **Charge the battery cartridge with room temperature at 10 °C - 40 °C (50 °F - 104 °F). Let a hot battery cartridge cool down before charging it.**
4. **When not using the battery cartridge, remove it from the tool or the charger.**
5. **Charge the battery cartridge if you do not use it for a long period (more than six months).**

Important safety instructions for wireless unit

1. **Do not disassemble or tamper with the wireless unit.**
2. **Keep the wireless unit away from young children. If accidentally swallowed, seek medical attention immediately.**
3. **Use the wireless unit only with Makita tools.**
4. **Do not expose the wireless unit to rain or wet conditions.**
5. **Do not use the wireless unit in places where the temperature exceeds 50 °C (122 °F).**
6. **Do not operate the wireless unit in places where medical instruments, such as heart pace makers are nearby.**
7. **Do not operate the wireless unit in places where automated devices are nearby.** If operated, automated devices may develop malfunction or error.
8. **Do not operate the wireless unit in places under high temperature or places where static electricity or electrical noise could be generated.**
9. **The wireless unit can produce electromagnetic fields (EMF) but they are not harmful to the user.**
10. **The wireless unit is an accurate instrument. Be careful not to drop or strike the wireless unit.**
11. **Avoid touching the terminal of the wireless unit with bare hands or metallic materials.**
12. **Always remove the battery on the product when installing the wireless unit into it.**
13. **When opening the lid of the slot, avoid the place where dust and water may come into the slot. Always keep the inlet of the slot clean.**

14. Always insert the wireless unit in the correct direction.
15. Do not press the wireless activation button on the wireless unit too hard and/or press the button with an object with a sharp edge.
16. Always close the lid of the slot when operating.
17. Do not remove the wireless unit from the slot while the power is being supplied to the tool. Doing so may cause a malfunction of the wireless unit.
18. Do not remove the sticker on the wireless unit.
19. Do not put any sticker on the wireless unit.
20. Do not leave the wireless unit in a place where static electricity or electrical noise could be generated.
21. Do not leave the wireless unit in a place subject to high heat, such as a car sitting in the sun.
22. Do not leave the wireless unit in a dusty or powdery place or in a place corrosive gas could be generated.
23. Sudden change of the temperature may bedew the wireless unit. Do not use the wireless unit until the dew is completely dried.
24. When cleaning the wireless unit, gently wipe with a dry soft cloth. Do not use benzine, thinner, conductive grease or the like.
25. When storing the wireless unit, keep it in the supplied case or a static-free container.
26. Do not insert any devices other than Makita wireless unit into the slot on the tool.
27. Do not use the tool with the lid of the slot damaged. Water, dust, and dirt come into the slot may cause malfunction.
28. Do not pull and/or twist the lid of the slot more than necessary. Restore the lid if it comes off from the tool.
29. Replace the lid of the slot if it is lost or damaged.

SAVE THESE INSTRUCTIONS.

FUNCTIONAL DESCRIPTION

CAUTION: Always be sure that the tool is switched off and the battery cartridge is removed before adjusting or checking function on the tool.

Installing or removing battery cartridge

CAUTION: Always switch off the tool before installing or removing of the battery cartridge.

CAUTION: Hold the tool and the battery cartridge firmly when installing or removing battery cartridge. Failure to hold the tool and the battery cartridge firmly may cause them to slip off your hands and result in damage to the tool and battery cartridge and a personal injury.

► Fig.1: 1. Red indicator 2. Button 3. Battery cartridge

To remove the battery cartridge, slide it from the tool while sliding the button on the front of the cartridge.

To install the battery cartridge, align the tongue on the battery cartridge with the groove in the housing and slip it into place. Insert it all the way until it locks in place with a little click. If you can see the red indicator as shown in the figure, it is not locked completely.

CAUTION: Always install the battery cartridge fully until the red indicator cannot be seen. If not, it may accidentally fall out of the tool, causing injury to you or someone around you.

CAUTION: Do not install the battery cartridge forcibly. If the cartridge does not slide in easily, it is not being inserted correctly.

Indicating the remaining battery capacity

Press the check button on the battery cartridge to indicate the remaining battery capacity. The indicator lamps light up for a few seconds.

► Fig.2: 1. Indicator lamps 2. Check button

Indicator lamps			Remaining capacity
Lighted	Off	Blinking	
■ ■ ■ ■			75% to 100%
■ ■ ■ □			50% to 75%
■ ■ □ □			25% to 50%
■ □ □ □			0% to 25%
▬ □ □ □			Charge the battery.
■ ■ □ □			The battery may have malfunctioned.
□ □ ■ ■			

NOTE: Depending on the conditions of use and the ambient temperature, the indication may differ slightly from the actual capacity.

NOTE: The first (far left) indicator lamp will blink when the battery protection system works.

Tool / battery protection system

The tool is equipped with a tool/battery protection system. This system automatically cuts off power to the motor to extend tool and battery life. The tool will automatically stop during operation if the tool or battery is placed under one of the following conditions:

Overload protection

When the battery is operated in a manner that causes it to draw an abnormally high current, the tool automatically stops without any indication. In this situation, turn the tool off and stop the application that caused the tool to become overloaded. Then turn the tool on to restart.

Overheat protection

When the tool or battery is overheated, the tool stops automatically. In this case, let the tool and battery cool before turning the tool on again.

NOTE: When the tool is overheated, the lamp blinks.

Overdischarge protection

When the battery capacity is not enough, the tool stops automatically. In this case, remove the battery from the tool and charge the battery.

Protections against other causes

Protection system is also designed for other causes that could damage the tool and allows the tool to stop automatically. Take all the following steps to clear the causes, when the tool has been brought to a temporary halt or stop in operation.

1. Turn the tool off, and then turn it on again to restart.
2. Charge the battery(ies) or replace it/them with recharged battery(ies).
3. Let the tool and battery(ies) cool down.

If no improvement can be found by restoring protection system, then contact your local Makita Service Center.

Switch action

⚠ WARNING: Before installing the battery cartridge into the tool, always check to see that the switch trigger actuates properly and returns to the "OFF" position when released.

► **Fig.3:** 1. Switch trigger

To start the tool, simply pull the switch trigger. Tool speed is increased by increasing pressure on the switch trigger. Release the switch trigger to stop.

Speed change

The revolutions and blows per minute can be changed by turning the adjusting dial to a given number setting from 1 to 5. Higher speed is obtained when the dial is turned in the direction of number 5. Lower speed is obtained when the dial is turned in the direction of number 1. A target speed can be obtained when the switch trigger is fully squeezed.

► **Fig.4:** 1. Adjusting dial

Refer to the table for the relationship between the number settings on the adjusting dial and the approximate revolutions and blows per minute.

Number	Revolutions per minute	Blows per minute
5	840	4,500
4	760	4,070
3	550	2,950
2	350	1,880
1	300	1,610

⚠ CAUTION: Do not turn the adjusting dial when the tool is running. Failure to do so may result in the loss of control of the tool and cause an injury.

NOTICE: If the tool is operated continuously at low speed for a long time, the motor will get overloaded, resulting in tool malfunction.

NOTICE: The adjusting dial turns between number setting 1 and 5. Avoid turning the dial back and forwards further as it may cause damage to the tool.

Lighting up the front lamp

► **Fig.5:** 1. Lamp

⚠ CAUTION: Do not look in the light or see the source of light directly.

Pull the switch trigger to light up the lamp. The lamp keeps on lighting while the switch trigger is being pulled. The lamp goes out approximately 10 seconds after releasing the switch trigger.

⚠ CAUTION: If the lamp goes off after blinking for a few seconds, the active feedback sensing technology is not working properly. Ask your local Makita Service Center for repair.

NOTE: Use a dry cloth to wipe the dirt off the lens of the lamp. Be careful not to scratch the lens of lamp, or it may lower the illumination.

NOTE: When the tool is overheated, the lamp flashes. In this case, release the switch trigger and then cool down the tool/battery before operating again.

NOTE: The front lamp cannot be used while the dust collection system (optional accessory) is installed in the tool.

Reversing switch action

► **Fig.6:** 1. Reversing switch lever

CAUTION: Always check the direction of rotation before operation.

CAUTION: Use the reversing switch only after the tool comes to a complete stop. Changing the direction of rotation before the tool stops may damage the tool.

CAUTION: When not operating the tool, always set the reversing switch lever to the neutral position.

This tool has a reversing switch to change the direction of rotation. Depress the reversing switch lever from the A side for clockwise rotation or from the B side for counterclockwise rotation.

When the reversing switch lever is in the neutral position, the switch trigger cannot be pulled.


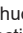
Changing the quick change chuck for SDS-plus

For model HR009G

The quick change chuck for SDS-plus can be easily exchanged for the quick change drill chuck.


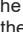
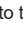
Removing the quick change chuck for SDS-plus

CAUTION: Before removing the quick change chuck for SDS-plus, be sure to remove the bit.

Grasp the change cover of the quick change chuck for SDS-plus and turn it in the direction of the arrow until the change cover line moves from the  symbol to the  symbol. Pull the quick change chuck for SDS-plus, forcefully if necessary, in the direction of the arrow.

► **Fig.7:** 1. Quick change chuck for SDS-plus
2. Change cover 3. Change cover line

Installing the quick change drill chuck

Check the line of the quick change drill chuck shows the  symbol. Grasp the change cover of the quick change drill chuck and set the line to the  symbol. Place the quick change drill chuck on the spindle of the tool. Grasp the change cover of the quick change drill chuck and turn the change cover line to the  symbol until a click can clearly be heard.


► **Fig.8:** 1. Quick change drill chuck 2. Spindle
3. Change cover line 4. Change cover

Selecting the action mode

NOTICE: Do not rotate the action mode changing knob when the tool is running. The tool will be damaged.


NOTICE: To avoid rapid wear on the mode change mechanism, be sure that the action mode changing knob is always positively located in one of the three action mode positions.

Rotation with hammering

For drilling in concrete, masonry, etc., rotate the action mode changing knob to the  symbol. Use a tungsten carbide tipped bit (optional accessory).


► **Fig.9:** 1. Rotation with hammering 2. Action mode changing knob

Rotation only

For drilling in wood, metal or plastic materials, rotate the action mode changing knob to the  symbol. Use a twist drill bit or wood drill bit.

► **Fig.10:** 1. Rotation only

Hammering only

For chipping, scaling or demolition operations, rotate the action mode changing knob to the  symbol. Use a bull point, cold chisel, scaling chisel, etc.

► **Fig.11:** 1. Hammering only

Air duct

CAUTION: Do not put your finger into the air duct or do not insert any other object into the air duct. Otherwise you may get injured or the tool may get damaged.

The air duct is designed to improve the suction performance of the dust collection system. For details on how to install the dust collection system, refer to the instructions on installing the dust collection system.

► **Fig.12:** 1. Air duct

Hook

Optional accessory

CAUTION: Always remove the battery when hanging the tool with the hook.

CAUTION: Never hook the tool at high location or on potentially unstable surface.

The hook is convenient for temporarily hanging the tool.

Before installing the hook, remove the rubber cap from the screw holes in the mounting bracket. Insert the plate washers under the bracket, and then tighten the hook with screws in place.

► **Fig.13:** 1. Rubber cap 2. Mounting bracket 3. Plate washers 4. Hook 5. Screws

For use, lift up the arm of the hook until it snaps into the open position. When not in use, be sure that the hook is folded back in the closed position.

► **Fig.14:** 1. Hook 2. Open position 3. Closed position

► **Fig.15:**

Connecting lanyard (tether strap) to the hook

⚠ CAUTION: Do not use damaged hook and screws. Before use, always check for damages, cracks or deformations, and make sure that the screws are tightened.

⚠ CAUTION: Make sure that the hook is securely installed with the screws.

⚠ CAUTION: Do not install or remove any accessory while hanging the tool. The tool may fall if the screws are not tightened.

⚠ CAUTION: Always use a locking carabiner (multi-action and screw gate type) and be sure to attach the lanyard (tether strap) to the double looped portion of the hook. Improper attachment may cause tool drop from the hook and result in personal injury.

The hook is also used for connecting the lanyard (tether strap). Be sure to connect the lanyard (tether strap) to the double looped portion of the hook.

- **Fig.16:** 1. Double looped portion of the hook
2. Lanyard (tether strap) 3. Locking carabiner (multi-action and screw gate type)

Safety warnings about connecting lanyard (tether strap) to the hook

⚠ Safety warnings specific for use at height
Read all safety warnings and instructions. Failure to follow the warnings and instructions may result in serious injury.

1. **Always keep the tool tethered when working "at height".** Maximum lanyard length is 2 m. The maximum permissible fall height for lanyard (tether strap) must not exceed 2 m.
2. **Use only with lanyards appropriate for this tool type and rated for at least 10 kg.**
3. **Do not anchor the tool lanyard to anything on your body or on movable components. Anchor the tool lanyard to a rigid structure that can withstand the forces of a dropped tool.**
4. **Make sure the lanyard is properly secured at each end prior to use.**
5. **Inspect the tool and lanyard before each use for damage and proper function (including fabric and stitching). Do not use if damaged or not functioning properly.**
6. **Do not wrap lanyards around or allow them to come in contact with sharp or rough edges.**
7. **Fasten the other end of the lanyard outside the working area so that a falling tool is held securely.**
8. **Attach the lanyard so that the tool will move away from the operator if it falls.** Dropped tools will swing on the lanyard, which could cause injury or loss of balance.
9. **Do not use near moving parts or running machinery.** Failure to do so may result in a crush or entanglement hazard.
10. **Do not carry the tool by the attachment device or the lanyard.**

11. **Only transfer the tool between your hands while you are properly balanced.**
12. **Do not attach lanyards to the tool in a way that keeps switches or trigger-lock (if supplied) from operating properly.**
13. **Avoid getting tangled in the lanyard.**
14. **Keep lanyard away from the drilling area of the tool.**
15. **Use a locking carabiner (multi-action and screw gate type). Do not use single action spring clip carabiners.**
16. **In the event the tool is dropped, it must be tagged and removed from service, and should be inspected by a Makita Factory or Authorized Service Center.**

Accidental restart preventive function

If you install the battery cartridge while pulling the switch trigger, the tool does not start. To start the tool, release the switch trigger, and then pull the switch trigger.

Torque limiter

NOTICE: As soon as the torque limiter actuates, switch off the tool immediately. This will help prevent premature wear of the tool.

NOTICE: Drill bits such as hole saw, which tend to pinch or catch easily in the hole, are not appropriate for this tool. This is because they will cause the torque limiter to actuate too frequently.

The torque limiter will actuate when a certain torque level is reached. The motor will disengage from the output shaft. When this happens, the drill bit will stop turning.

Electronic function

The tool is equipped with the electronic functions for easy operation.

- **Electric brake**
This tool is equipped with an electric brake. If the tool consistently fails to quickly cease to function after the switch trigger is released, have the tool serviced at a Makita service center.
- **Constant speed control**
The speed control function provides the constant rotation speed regardless of load conditions.
- **Active Feedback sensing Technology**
If the tool is swung at the predetermined acceleration during operation, the motor is forcibly stopped to reduce the burden on the wrist.

NOTE: This function does not work if the acceleration does not reach the predetermined one when the tool is swung.

NOTE: If the bit is swung at the predetermined acceleration during chipping, scaling, or demolishing, the motor is forcibly stopped. In this case, release the switch trigger, and then pull the switch trigger to restart the tool.

ASSEMBLY

⚠ CAUTION: Always be sure that the tool is switched off and the battery cartridge is removed before carrying out any work on the tool.

Side grip (auxiliary handle)

⚠ CAUTION: Always use the side grip to ensure safe operation.

⚠ CAUTION: After installing or adjusting the side grip, make sure that the side grip is firmly secured with its retaining projections fully engaged by the positioning recesses on the gear housing.

To install the side grip, follow the steps below.

1. Loosen the thumb screw on the side grip. Then install the side grip over the barrel neck of the gear housing.
▶ **Fig.17:** 1. Side grip 2. Thumb screw 3. Barrel neck of the gear housing 4. Retaining projection 5. Positioning recess

The attachment ring can be enlarged by pressing the thumb screw down so that the ring is easily and securely engaged over the barrel neck of the gear housing.

- ▶ **Fig.18:** 1. Thumb screw 2. Attachment ring
2. Tighten the thumb screw to secure the grip at your desired angle.

Installing and removing drill bit

Grease

Clean the shank end of the drill bit and apply grease before installing the drill bit.

Coat the shank end of the drill bit beforehand with a small amount of grease (about 0.5 - 1 g). This chuck lubrication assures smooth action and longer service life.

- ▶ **Fig.19:** 1. Shank end 2. Grease

Place the shank end of the drill bit into the chuck, and insert it further into the chuck while hand-turning the drill bit so the shank end well fits into the chuck slot and becomes fully engaged.

Having installed the drill bit, try pulling it back to ensure it is securely held in place.

- ▶ **Fig.20:** 1. Drill bit 2. Chuck


To remove the drill bit, push the chuck cover down all the way and pull the drill bit out.

- ▶ **Fig.21:** 1. Drill bit 2. Chuck cover

Chisel angle (when chipping, scaling or demolishing)

The chisel can be secured at the desired angle. To change the chisel angle, rotate the action mode changing knob to the O symbol. Turn the chisel to the desired angle.

- ▶ **Fig.22:** 1. Action mode changing knob

Rotate the action mode changing knob to the  symbol. Then make sure that the chisel is securely held in place by turning it slightly.

Depth gauge

The depth gauge is convenient for drilling holes of uniform depth. Press and hold the lock button, and then insert the depth gauge into the hex hole. Make sure that the toothed side of the depth gauge faces the marking.

- ▶ **Fig.23:** 1. Depth gauge 2. Lock button 3. Marking 4. Toothed side

Adjust the depth gauge by moving it back and forth while pressing the lock button. After the adjustment, release the lock button to lock the depth gauge.

NOTE: Make sure that the depth gauge does not touch the main body of the tool when attaching it.

Dust cup

Optional accessory

Use the dust cup to prevent dust from falling over the tool and on yourself when performing overhead drilling operations. Attach the dust cup to the bit as shown in the figure. The size of bits which the dust cup can be attached to is as follows.

Model	Bit diameter
Dust cup 5	6 mm - 14.5 mm
Dust cup 9	12 mm - 16 mm

- ▶ **Fig.24:** 1. Dust cup


Dust cup set


Optional accessory


⚠ CAUTION: Before installing and uninstalling the dust cup set, remove a bit from the tool.


Installation

For model HR008G


1. Attach the spacer to the attachment unit of the dust cup set aligning the  symbol on the attachment unit with one of the grooves in the spacer.


- ▶ **Fig.25:** 1. Spacer 2. Dust cup set 3. Attachment unit 4.  symbol 5. Groove

2. Place the dust cup set with the spacer onto the barrel neck of the gear housing aligning the  symbol on the dust cup set with one of the grooves in the barrel. Then hold the attachment unit of the dust cup set and push it down onto the barrel to secure it in place.

- ▶ **Fig.26:** 1. Dust cup set 2. Attachment unit 3. Spacer 4.  symbol 5. Groove

For model HR009G

Place the dust cup set onto the barrel neck of the gear housing aligning the  symbol on the dust cup set with one of the grooves in the barrel. Then hold the attachment unit of the dust cup set and push it down onto the barrel to secure it in place.

- ▶ **Fig.27:** 1. Dust cup set 2. Attachment unit 3.  symbol 4. Groove

NOTE: If you connect a vacuum cleaner to the dust cup set, remove the dust cap before connecting it.

- ▶ **Fig.28:** 1. Dust cap

Uninstallation

1. Push the chuck cover down all the way and pull a bit off.
▶ **Fig.29:** 1. Bit 2. Chuck cover
2. Hold the attachment unit of the dust cup set and pull it apart from the tool.
▶ **Fig.30:** 1. Attachment unit

NOTE: If the cap comes off from the dust cup set, place it back to the original position.

1. Detach the bellows from the attachment unit of the dust cup set.
▶ **Fig.31:** 1. Bellows 2. Attachment unit
2. Set the cap back in place with its printed side facing upwards.
▶ **Fig.32:** 1. Cap 2. Printed side 3. Grooves 4. Lips of upper opening 5. Attachment unit
3. Be sure that the grooves around the cap well fit in the lips of the upper opening of the attachment unit.
▶ **Fig.33**

DUST COLLECTION SYSTEM

Optional accessory

The dust collection system is designed to collect dusts effectively when the concrete drilling operation.

- ▶ **Fig.34:** 1. Dust collection system

CAUTION: The dust collection system is intended for drilling in concrete only. Do not use the dust collection system for drilling in metal or wood.

CAUTION: When using the tool with the dust collection system, be sure to attach the filter to the dust collection system to prevent dust inhalation.

CAUTION: Before using the dust collection system, check that the filter is not damaged. Failure to do so may cause dust inhalation.

CAUTION: The dust collection system collects the generated dust at a considerable rate, but not all dust can be collected.

NOTICE: Do not use the dust collection system for core drilling or chiseling.

NOTICE: Do not use the dust collection system for metal or wood. The dust collection system is intended for concrete only.

NOTICE: Do not use the dust collection system for drilling in wet concrete or use this system in wet environment. Failure to do so may cause malfunction.

Installation

NOTICE: Before installing the dust collection system, clean the joint parts of the tool and the dust collection system. Foreign matters on the joint parts may cause it difficult to install the dust collection system. If any dust remains on the air duct, the dust comes into the tool and causes jam in the airflow or breakage of the tool.

Hang the hooks of the dust collection system on the pockets at the bottom front of the tool. Lift the nozzle up to secure the dust collection system in place with a click, so the air duct of the tool becomes covered with the suction air outlet of the dust collection system.

- ▶ **Fig.35:** 1. Hooks 2. Dust collection system 3. Pockets 4. Nozzle 5. Air duct 6. Suction air outlet

Uninstallation

Press and hold the lock off button on the dust collection system, and lower the nozzle to release the upper part of the dust collection system. Unhook the lower part of the dust collection system from the tool.

- ▶ **Fig.36:** 1. Dust collection system 2. Nozzle 3. Lock off button

Adjusting nozzle position

CAUTION: Do not point the nozzle at yourself or others when releasing the nozzle by pushing the guide adjustment button.

Slide in and out the nozzle guide while pressing the guide adjustment button, and then release the button at an exact position where the tip of the drill bit sits just behind the front surface of the nozzle.

- ▶ **Fig.37:** 1. Nozzle guide 2. Guide adjustment button 3. Tip of drill bit 4. Front surface of nozzle

Adjusting drilling depths

Drilling depths can be adjusted by changing the lengths between the depth adjustment button and the support arm for nozzle guide. Press and hold the depth adjustment button and slide it to your desired position.

- ▶ **Fig.38:** 1. Depth adjustment button 2. Nozzle guide 3. Support arm for nozzle guide 4. Drilling depths

Beating dust on the filter

CAUTION: Do not turn the dial on the dust case while the dust case is removed from the dust collection system. Doing so may cause dust inhalation.

CAUTION: Always switch off the tool when turning the dial on the dust case. Turning the dial while the tool is running may result in the loss of control of the tool.

By beating the dust on the filter inside the dust case, you can keep the vacuum efficiency and also reduce the number of times to dispose of the dust. Turn the dial on the dust case three times after collecting every 50,000 mm³ of dust or when you feel the vacuum performance declined.

NOTE: 50,000 mm³ of dust equivalents to drilling 10 holes of ø10 mm and 65 mm depth.

► **Fig.39:** 1. Dust case 2. Dial

Disposing of dust

⚠ CAUTION: Always be sure that the tool is switched off and the battery cartridge is removed before carrying out any work on the tool.

⚠ CAUTION: Be sure to wear dust mask when disposing of dust.

⚠ CAUTION: Empty the dust case regularly before the dust case becomes full. Failure to do so may decrease the dust collection performance and cause dust inhalation.

⚠ CAUTION: The performance of dust collection decreases if the filter in the dust case become clogged. Replace the filter with new one after approximately 200 times of dust fulfillment as a guide. Failure to do so may cause dust inhalation.

1. Remove the dust case while pressing down the latch lever of the dust case.

► **Fig.40:** 1. Latch lever

2. Lift the lock tab slightly outwards and open the dust case cover.

► **Fig.41:** 1. Dust case cover 2. Lock tab

3. Dispose of the dust, and then clean the filter.

► **Fig.42**

NOTICE: When cleaning the filter, tap the case of the filter gently by hand to remove dust. Do not tap the filter directly; touch the filter with brush or similar; or blow compressed air on the filter. Doing so may damage the filter.

Replacing filter of dust case

1. Remove the dust case while pressing down the latch lever of the dust case.

► **Fig.43:** 1. Latch Lever

2. Lift the lock tab slightly outwards and open the filter cover of the dust case.

► **Fig.44:** 1. Filter cover 2. Lock tab

3. Remove the filter from the filter case.

► **Fig.45:** 1. Filter 2. Filter case

4. Attach a new filter to the filter case, and then attach the filter cover.

5. Close the cover of the dust case, and then attach the dust case to the dust collection system.

Replacing sealing cap

A damaged or worn-out sealing cap may affect the dust collecting performance. Replace the sealing cap with new one as appropriate, aligning its guide projection with guide notch on the nozzle head.

► **Fig.46:** 1. Sealing cap 2. Guide projection 3. Nozzle head 4. Guide notch

Storage

NOTICE: When not in use for a certain period of time, the nozzle guide needs to be extended to approximately 100 mm from its fully shortened position. Failing to do so may damage the duct hose pre-installed in the nozzle guide.

► **Fig.47:** 1. Guide adjustment button 2. Approx. 100 mm

OPERATION

⚠ CAUTION: Always use the side grip (auxiliary handle) and firmly hold the tool by both side grip and switch handle during operations.

⚠ CAUTION: Always make sure that the work-piece is secured before operation.

⚠ CAUTION: Do not pull the tool out forcibly even the bit gets stuck. Loss of control may cause injury.


NOTICE: Before using the dust collection system with the tool, read the section about the dust collection system.

NOTE: If the battery cartridge is in low temperature, the tool's capability may not be fully obtained. In this case, warm up the battery cartridge by using the tool with no load for a while to fully obtain the tool's capability.

► **Fig.48**

Hammer drilling operation

⚠ CAUTION: There is tremendous and sudden twisting force exerted on the tool/drill bit at the time of hole break-through, when the hole becomes clogged with chips and particles, or when striking reinforcing rods embedded in the concrete. **Always use the side grip (auxiliary handle) and firmly hold the tool by both side grip and switch handle during operations.** Failure to do so may result in the loss of control of the tool and potentially severe injury.

Set the action mode changing knob to the  symbol. Position the drill bit at the desired location for the hole, then pull the switch trigger.


Apply feed force to the switch handle (main handle) for working accuracy and efficiency, and hold the side grip (auxiliary handle) to keep balance of the tool.

Keep the tool in position and prevent it from slipping away from the hole.

Do not apply more pressure when the hole becomes clogged with chips or particles. Instead, run the tool at an idle, then remove the drill bit partially from the hole. By repeating this several times, the hole will be cleaned out and normal drilling may be resumed.

NOTE: Eccentricity in the drill bit rotation may occur while operating the tool with no load. The tool automatically centers itself during operation. This does not affect the drilling precision.

Chipping/Scaling/Demolition

Set the action mode changing knob to the  symbol. Hold the tool firmly with both hands. Turn the tool on. Apply feed force to the switch handle (main handle) for working accuracy and efficiency, and hold the side grip (auxiliary handle) to keep balance of the tool. Pressing very hard on the tool will not increase the efficiency.

► Fig.49

Drilling in wood or metal

CAUTION: Hold the tool firmly and exert care when the drill bit begins to break through the workpiece. There is a tremendous force exerted on the tool/drill bit at the time of hole break through.

CAUTION: A stuck drill bit can be removed simply by setting the reversing switch to reverse rotation in order to back out. However, the tool may back out abruptly if you do not hold it firmly.

CAUTION: Always secure workpieces in a vise or similar hold-down device.

NOTICE: Never use “rotation with hammering” when the drill chuck is installed on the tool. The drill chuck may be damaged.

Also, the drill chuck will come off when reversing the tool.

NOTICE: Pressing excessively on the tool will not speed up the drilling. In fact, this excessive pressure will only serve to damage the tip of your drill bit, decrease the tool performance and shorten the service life of the tool.

Set the action mode changing knob to the  symbol.

For model HR008G

Optional accessory

Attach the chuck adapter to a keyless drill chuck to which 1/2"-20 size screw can be installed, and then install them to the tool. For details on how to install the adapter into the chuck, refer to the instructions on installing drill bit.

► Fig.50: 1. Keyless drill chuck 2. Chuck adapter

For model HR009G

Use the quick change drill chuck as standard equipment. For details on how to install the quick change drill chuck, refer to the instructions on changing the quick change chuck for SDS-plus.


Hold the ring and turn the sleeve counterclockwise to open the chuck jaws. Place a drill bit in the chuck as far as it will go. Hold the ring firmly and turn the sleeve clockwise to tighten the chuck.

► Fig.51: 1. Sleeve 2. Ring

To remove the drill bit, hold the ring and turn the sleeve counterclockwise.

Diamond core drilling

NOTICE: If performing diamond core drilling operations using “rotation with hammering” action, the diamond core bit may be damaged.

When performing diamond core drilling operations, always set the action mode changing knob to the  position to use “rotation only” action.

Blow-out bulb

Optional accessory

After drilling the hole, use the blow-out bulb to clean the dust out of the hole.

► Fig.52

Using dust cup set

Optional accessory

Fit the dust cup set against the ceiling when operating the tool.

► Fig.53

NOTICE: Do not use the dust cup set when drilling in metal or similar. It may damage the dust cup set due to the heat produced by small metal dust or similar.

NOTICE: Do not install or remove the dust cup set with the drill bit installed in the tool. It may damage the dust cup set and cause dust leak.

WIRELESS ACTIVATION FUNCTION

What you can do with the wireless activation function

The wireless activation function enables clean and comfortable operation. By connecting a supported vacuum cleaner to the tool, you can run the vacuum cleaner automatically along with the switch operation of the tool.

► Fig.54

To use the wireless activation function, prepare following items:

- A wireless unit (optional accessory)
- A vacuum cleaner which supports the wireless activation function

The overview of the wireless activation function setting is as follows. Refer to each section for detail procedures.

1. Installing the wireless unit
2. Tool registration for the vacuum cleaner
3. Starting the wireless activation function

Installing the wireless unit

Optional accessory

CAUTION: Place the tool on a flat and stable surface when installing the wireless unit.

NOTICE: Clean the dust and dirt on the tool before installing the wireless unit. Dust or dirt may cause malfunction if it comes into the slot of the wireless unit.

NOTICE: To prevent the malfunction caused by static, touch a static discharging material, such as a metal part of the tool, before picking up the wireless unit.

NOTICE: When installing the wireless unit, always be sure that the wireless unit is inserted in the correct direction and the lid is completely closed.

1. Open the lid on the tool as shown in the figure.
▶ **Fig.55:** 1. Lid
2. Insert the wireless unit to the slot and then close the lid.

When inserting the wireless unit, align the projections with the recessed portions on the slot.

- ▶ **Fig.56:** 1. Wireless unit 2. Projection 3. Lid
4. Recessed portion

When removing the wireless unit, open the lid slowly. The hooks on the back of the lid will lift the wireless unit as you pull up the lid.

- ▶ **Fig.57:** 1. Wireless unit 2. Hook 3. Lid

After removing the wireless unit, keep it in the supplied case or a static-free container.

NOTICE: Always use the hooks on the back of the lid when removing the wireless unit. If the hooks do not catch the wireless unit, close the lid completely and open it slowly again.

Tool registration for the vacuum cleaner

NOTE: A Makita vacuum cleaner supporting the wireless activation function is required for the tool registration.

NOTE: Finish installing the wireless unit to the tool before starting the tool registration.

NOTE: During the tool registration, do not pull the switch trigger or turn on the power switch on the vacuum cleaner.

NOTE: Refer to the instruction manual of the vacuum cleaner, too.

If you wish to activate the vacuum cleaner along with the switch operation of the tool, finish the tool registration beforehand.

1. Install the batteries to the vacuum cleaner and the tool.
2. Set the stand-by switch on the vacuum cleaner to "AUTO".
▶ **Fig.58:** 1. Stand-by switch

3. Press the wireless activation button on the vacuum cleaner for 3 seconds until the wireless activation lamp blinks in green. And then press the wireless activation button on the tool in the same way.

▶ **Fig.59:** 1. Wireless activation button 2. Wireless activation lamp

If the vacuum cleaner and the tool are linked successfully, the wireless activation lamps will light up in green for 2 seconds and start blinking in blue.

NOTE: The wireless activation lamps finish blinking in green after 20 seconds elapsed. Press the wireless activation button on the tool while the wireless activation lamp on the cleaner is blinking. If the wireless activation lamp does not blink in green, push the wireless activation button briefly and hold it down again.

NOTE: When performing two or more tool registrations for one vacuum cleaner, finish the tool registration one by one.

Starting the wireless activation function

NOTE: Finish the tool registration for the vacuum cleaner prior to the wireless activation.

NOTE: Refer to the instruction manual of the vacuum cleaner, too.

After registering a tool to the vacuum cleaner, the vacuum cleaner will automatically runs along with the switch operation of the tool.

1. Install the wireless unit to the tool.
2. Connect the hose of the vacuum cleaner with the tool.
▶ **Fig.60**

3. Set the stand-by switch on the vacuum cleaner to "AUTO".

▶ **Fig.61:** 1. Stand-by switch

4. Push the wireless activation button on the tool briefly. The wireless activation lamp will blink in blue.

▶ **Fig.62:** 1. Wireless activation button 2. Wireless activation lamp

5. Turn on the tool. Check if the vacuum cleaner runs while the tool is operating.

To stop the wireless activation of the vacuum cleaner, push the wireless activation button on the tool.

NOTE: The wireless activation lamp on the tool will stop blinking in blue when there is no operation for 2 hours. In this case, set the stand-by switch on the vacuum cleaner to "AUTO" and push the wireless activation button on the tool again.

NOTE: The vacuum cleaner starts/stops with a delay. There is a time lag when the vacuum cleaner detects a switch operation of the tool.










NOTE: The transmission distance of the wireless unit may vary depending on the location and surrounding circumstances.

NOTE: When two or more tools are registered to one vacuum cleaner, the vacuum cleaner may start running even if you do not turn on your tool because another user is using the wireless activation function.

Description of the wireless activation lamp status

► Fig.63: 1. Wireless activation lamp

The wireless activation lamp shows the status of the wireless activation function. Refer to the table below for the meaning of the lamp status.

Status	Wireless activation lamp				Description
	Color	 On	 Blinking	Duration	
Standby	Blue			2 hours	The wireless activation of the vacuum cleaner is available. The lamp will automatically turn off when no operation is performed for 2 hours.
				When the tool is running.	The wireless activation of the vacuum cleaner is available and the tool is running.
Tool registration	Green			20 seconds	Ready for the tool registration. Waiting for the registration by the vacuum cleaner.
				2 seconds	The tool registration has been finished. The wireless activation lamp will start blinking in blue.
Cancelling tool registration	Red			20 seconds	Ready for the cancellation of the tool registration. Waiting for the cancellation by the vacuum cleaner.
				2 seconds	The cancellation of the tool registration has been finished. The wireless activation lamp will start blinking in blue.
Others	Red			3 seconds	The power is supplied to the wireless unit and the wireless activation function is starting up.
	Off	-		-	The wireless activation of the vacuum cleaner is stopped.

Cancelling tool registration for the vacuum cleaner

Perform the following procedure when cancelling the tool registration for the vacuum cleaner.

1. Install the batteries to the vacuum cleaner and the tool.
2. Set the stand-by switch on the vacuum cleaner to "AUTO".

► Fig.64: 1. Stand-by switch

3. Press the wireless activation button on the vacuum cleaner for 6 seconds. The wireless activation lamp blinks in green and then become red. After that, press the wireless activation button on the tool in the same way.

► Fig.65: 1. Wireless activation button 2. Wireless activation lamp

If the cancellation is performed successfully, the wireless activation lamps will light up in red for 2 seconds and start blinking in blue.

NOTE: The wireless activation lamps finish blinking in red after 20 seconds elapsed. Press the wireless activation button on the tool while the wireless activation lamp on the cleaner is blinking. If the wireless activation lamp does not blink in red, push the wireless activation button briefly and hold it down again.

Troubleshooting for wireless activation function

Before asking for repairs, conduct your own inspection first. If you find a problem that is not explained in the manual, do not attempt to dismantle the tool. Instead, ask Makita Authorized Service Centers, always using Makita replacement parts for repairs.

State of abnormality	Probable cause (malfunction)	Remedy
The wireless activation lamp does not light/blink.	The wireless unit is not installed into the tool. The wireless unit is improperly installed into the tool.	Install the wireless unit correctly.
	The terminal of the wireless unit and/or the slot is dirty.	Gently wipe off dust and dirt on the terminal of the wireless unit and clean the slot.
	The wireless activation button on the tool has not been pushed.	Push the wireless activation button on the tool briefly.
	The stand-by switch on the vacuum cleaner is not set to "AUTO".	Set the stand-by switch on the vacuum cleaner to "AUTO".
	No power supply	Supply the power to the tool and the vacuum cleaner.
Cannot finish tool registration / cancelling tool registration successfully.	The wireless unit is not installed into the tool. The wireless unit is improperly installed into the tool.	Install the wireless unit correctly.
	The terminal of the wireless unit and/or the slot is dirty.	Gently wipe off dust and dirt on the terminal of the wireless unit and clean the slot.
	The stand-by switch on the vacuum cleaner is not set to "AUTO".	Set the stand-by switch on the vacuum cleaner to "AUTO".
	No power supply	Supply the power to the tool and the vacuum cleaner.
	Incorrect operation	Push the wireless activation button briefly and perform the tool registration/cancellation procedures again.
	The tool and vacuum cleaner are away from each other (out of the transmission range).	Get the tool and vacuum cleaner closer to each other. The maximum transmission distance is approximately 10 m however it may vary according to the circumstances.
	Before finishing the tool registration/cancellation; - the switch of the tool is turned on or; - the power button on the vacuum cleaner is turned on.	Push the wireless activation button briefly and perform the tool registration/cancellation procedures again.
	The tool registration procedures for the tool or vacuum cleaner have not finished.	Perform the tool registration procedures for both the tool and the vacuum cleaner at the same timing.
	Radio disturbance by other appliances which generate high-intensity radio waves.	Keep the tool and vacuum cleaner away from the appliances such as Wi-Fi devices and microwave ovens.
The vacuum cleaner does not run along with the switch operation of the tool.	The wireless unit is not installed into the tool. The wireless unit is improperly installed into the tool.	Install the wireless unit correctly.
	The terminal of the wireless unit and/or the slot is dirty.	Gently wipe off dust and dirt on the terminal of the wireless unit and clean the slot.
	The wireless activation button on the tool has not been pushed.	Push the wireless activation button briefly and make sure that the wireless activation lamp is blinking in blue.
	The stand-by switch on the vacuum cleaner is not set to "AUTO".	Set the stand-by switch on the vacuum cleaner to "AUTO".
	More than 10 tools are registered to the vacuum cleaner.	Perform the tool registration again. If more than 10 tools are registered to the vacuum cleaner, the tool registered earliest will be cancelled automatically.
	The vacuum cleaner erased all tool registrations.	Perform the tool registration again.
	No power supply	Supply the power to the tool and the vacuum cleaner.
	The tool and vacuum cleaner are away from each other (out of the transmission range).	Get the tool and vacuum cleaner closer each other. The maximum transmission distance is approximately 10 m however it may vary according to the circumstances.
	Radio disturbance by other appliances which generate high-intensity radio waves.	Keep the tool and vacuum cleaner away from the appliances such as Wi-Fi devices and microwave ovens.
The vacuum cleaner runs while the tool is not operating.	Other users are using the wireless activation of the vacuum cleaner with their tools.	Turn off the wireless activation button of the other tools or cancel the tool registration of the other tools.

MAINTENANCE

⚠ CAUTION: Always be sure that the tool is switched off and the battery cartridge is removed before attempting to perform inspection or maintenance.

NOTICE: Never use gasoline, benzine, thinner, alcohol or the like. Discoloration, deformation or cracks may result.

To maintain product SAFETY and RELIABILITY, repairs, any other maintenance or adjustment should be performed by Makita Authorized or Factory Service Centers, always using Makita replacement parts.

OPTIONAL ACCESSORIES

⚠ CAUTION: These accessories or attachments are recommended for use with your Makita tool specified in this manual. The use of any other accessories or attachments might present a risk of injury to persons. Only use accessory or attachment for its stated purpose.

If you need any assistance for more details regarding these accessories, ask your local Makita Service Center.

- Carbide-tipped drill bits (SDS-Plus carbide-tipped bits)
- Core bit
- Bull point
- Diamond core bit
- Cold chisel
- Scaling chisel
- Grooving chisel
- Drill chuck set (chuck adapter / drill chuck)
- Bit grease
- Depth gauge
- Blow-out bulb
- Dust cup
- Dust cup set
- Spacer (for HR008G)
- Hook set
- Dust case set
- Filter set
- Joint
- Dust collection system
- Wireless unit
- Makita genuine battery and charger

NOTE: Some items in the list may be included in the tool package as standard accessories. They may differ from country to country.

SPÉCIFICATIONS

Modèle :		HR008G	HR009G
Capacités	Béton	30 mm	
	Trépan	80 mm	
	Trépan diamant (type sec)	80 mm	
	Acier	13 mm	
	Bois	32 mm	
Vitesse à vide		0 - 840 min ⁻¹	
Frappes par minute		0 - 4 500 min ⁻¹	
Tension nominale		36 V - 40 V c.c. max.	
Longueur totale (avec BL4040)		422 mm	439 mm
Poids net		5,2 - 6,8 kg	5,3 - 6,7 kg

Accessoire en option

Modèle :	DX10 (Pour HR008G)	DX11 (Pour HR009G)
Pièce et mode de travail applicables	pour percer dans le béton uniquement (non prévu pour le métal ou le bois, non plus pour le perçage avec un trépan ou le burinage)	
Performance d'aspiration	350 l/min	
Course de travail	Jusqu'à 190 mm	
Foret adéquat	Jusqu'à 265 mm	
Poids net	1,2 kg	

- Étant donné l'évolution constante de notre programme de recherche et de développement, les spécifications contenues dans ce manuel sont sujettes à modification sans préavis.
- Les spécifications peuvent varier suivant les pays.
- Le poids peut être différent selon les accessoires, notamment la batterie. Les associations la plus légère et la plus lourde, conformément à la procédure EPTA 01/2014, sont indiquées dans le tableau.

Batterie et chargeur applicables

Batterie	BL4020 / BL4025 / BL4040* / BL4050F* / BL4080F * : Batterie recommandée
Chargeur	DC40RA / DC40RB / DC40RC

- Certains chargeurs et batteries répertoriés ci-dessus peuvent ne pas être disponibles selon la région où vous résidez.

⚠ AVERTISSEMENT : N'utilisez que les batteries et les chargeurs répertoriés ci-dessus. L'utilisation d'autres batteries et chargeurs peut provoquer des blessures et/ou un incendie.

Source d'alimentation connectée par cordon recommandée

Support d'alimentation portable	PDC01 / PDC1200
---------------------------------	-----------------

- La ou les sources d'alimentation connectées par cordon répertoriées ci-dessus peuvent ne pas être disponibles selon la région où vous résidez.
- Avant d'utiliser la source d'alimentation connectée par cordon, lisez les instructions et les avertissements inscrits dessus.

Utilisation prévue

L'outil est conçu pour le perçage avec martelage et le perçage dans la brique, le béton et la pierre, ainsi que pour les tâches de ciselage.

Il convient également au perçage sans impact dans le bois, le métal, la céramique et le plastique.

Bruit

Niveau de bruit pondéré A typique, déterminé selon EN62841-2-6 :

Modèle HR008G

Niveau de pression sonore (L_{pA}) : 95 dB (A)

Niveau de puissance sonore (L_{WA}) : 103 dB (A)

Incertitude (K) : 3 dB (A)

Modèle HR009G

Niveau de pression sonore (L_{pA}) : 95 dB (A)

Niveau de puissance sonore (L_{WA}) : 103 dB (A)

Incertitude (K) : 3 dB (A)

Modèle HR008G avec DX10

Niveau de pression sonore (L_{pA}) : 97 dB (A)

Niveau de puissance sonore (L_{WA}) : 105 dB (A)

Incertitude (K) : 3 dB (A)

Modèle HR009G avec DX11

Niveau de pression sonore (L_{pA}) : 97 dB (A)

Niveau de puissance sonore (L_{WA}) : 105 dB (A)

Incertitude (K) : 3 dB (A)

NOTE : La ou les valeurs d'émission de bruit déclarées ont été mesurées conformément à la méthode de test standard et peuvent être utilisées pour comparer les outils entre eux.

NOTE : La ou les valeurs d'émission de bruit déclarées peuvent aussi être utilisées pour l'évaluation préliminaire de l'exposition.

⚠ AVERTISSEMENT : Portez un serre-tête antibruit.

⚠ AVERTISSEMENT : L'émission de bruit lors de l'usage réel de l'outil électrique peut être différente de la ou des valeurs déclarées, suivant la façon dont l'outil est utilisé, particulièrement selon le type de pièce usinée.

⚠ AVERTISSEMENT : Les mesures de sécurité à prendre pour protéger l'utilisateur doivent être basées sur une estimation de l'exposition dans des conditions réelles d'utilisation (en tenant compte de toutes les composantes du cycle d'utilisation, comme par exemple le moment de sa mise hors tension, lorsqu'il tourne à vide et le moment de son déclenchement).

Vibrations

Le tableau suivant indique la valeur totale de vibrations (somme de vecteur triaxial) déterminée selon la norme applicable.

Modèle HR008G

Mode de travail	Émission de vibrations	Incertitude (K)	Norme applicable/ Condition de test
Perçage avec martelage dans le béton ($a_{h,HD}$)	11,8 m/s ²	1,5 m/s ²	EN62841-2-6
	9,1 m/s ²	1,5 m/s ²	Opération pratique recommandée*
Perçage avec martelage dans le béton avec le DX10 ($a_{h,HD}$)	9,5 m/s ²	2,0 m/s ²	EN62841-2-6
	7,8 m/s ²	1,5 m/s ²	Opération pratique recommandée*
Ciselage ($a_{h,CHG}$)	8,6 m/s ²	1,5 m/s ²	EN62841-2-6
	8,0 m/s ²	1,5 m/s ²	Opération pratique recommandée*

Modèle HR009G

Mode de travail	Émission de vibrations	Incertitude (K)	Norme applicable/ Condition de test
Perçage avec martelage dans le béton ($a_{h,HD}$)	11,5 m/s ²	1,5 m/s ²	EN62841-2-6
	9,1 m/s ²	1,5 m/s ²	Opération pratique recommandée*
Perçage avec martelage dans le béton avec le DX11 ($a_{h,HD}$)	8,9 m/s ²	1,5 m/s ²	EN62841-2-6
	7,3 m/s ²	1,5 m/s ²	Opération pratique recommandée*
Ciselage ($a_{h,CHG}$)	7,3 m/s ²	1,5 m/s ²	EN62841-2-6
	7,1 m/s ²	1,5 m/s ²	Opération pratique recommandée*

* La condition de test de l'opération pratique recommandée satisfait la norme EN 62841-2-6, à l'exception des points suivants :

- La force d'avance est appliquée à la poignée pistolet (poignée principale) pour une précision et une efficacité du travail.
- La poignée latérale/poignée de côté (poignée auxiliaire) est tenue pour maintenir l'équilibre de l'outil.

NOTE : La ou les valeurs de vibration totales déclarées ont été mesurées conformément à la méthode de test standard et peuvent être utilisées pour comparer les outils entre eux.

NOTE : La ou les valeurs de vibration totales déclarées peuvent aussi être utilisées pour l'évaluation préliminaire de l'exposition.

⚠ AVERTISSEMENT : L'émission de vibrations lors de l'usage réel de l'outil électrique peut être différente de la ou des valeurs déclarées, suivant la façon dont l'outil est utilisé, particulièrement selon le type de pièce usinée.

⚠ AVERTISSEMENT : Les mesures de sécurité à prendre pour protéger l'utilisateur doivent être basées sur une estimation de l'exposition dans des conditions réelles d'utilisation (en tenant compte de toutes les composantes du cycle d'utilisation, comme par exemple le moment de sa mise hors tension, lorsqu'il tourne à vide et le moment de son déclenchement).

Déclarations de conformité

Pour les pays européens uniquement

Les déclarations de conformité sont fournies en Annexe A à ce mode d'emploi.

CONSIGNES DE SÉCURITÉ

Consignes de sécurité générales pour outils électriques

⚠ AVERTISSEMENT : Veuillez lire les consignes de sécurité, instructions, illustrations et spécifications qui accompagnent cet outil électrique. Le non-respect de toutes les instructions indiquées ci-dessous peut entraîner une électrocution, un incendie et/ou de graves blessures.

Conservez toutes les mises en garde et instructions pour référence ultérieure.

Le terme « outil électrique » dans les avertissements fait référence à l'outil électrique alimenté par le secteur (avec cordon d'alimentation) ou à l'outil électrique fonctionnant sur batterie (sans cordon d'alimentation).

CONSIGNES DE SÉCURITÉ POUR PERFORATEUR SANS FIL

Consignes de sécurité pour toutes les tâches

1. **Portez des protecteurs d'oreilles.** L'exposition au bruit peut entraîner la surdité.
2. **Utilisez la ou les poignées auxiliaires, si l'outil en possède.** Toute perte de maîtrise de l'outil comporte un risque de blessure.
3. **Tenez l'outil électrique par des surfaces de prise isolées lorsque vous effectuez une tâche au cours de laquelle l'accessoire de coupe peut entrer en contact avec des fils cachés.** Le contact de l'accessoire de coupe avec un fil sous tension peut transmettre du courant dans les pièces métalliques exposées de l'outil électrique et électrocuter l'opérateur.

Consignes de sécurité en cas d'utilisation de forets longs avec un marteau perforateur

1. **Commencez toujours le perçage à basse vitesse avec la pointe du foret en contact avec la pièce.** À une vitesse plus élevée, le foret risque de se tordre s'il lui est permis de tourner librement sans toucher la pièce, ce qui présente un risque de blessure.
2. **Appliquez une pression uniquement en ligne directe avec le foret et n'exercez pas une pression excessive.** Les forets peuvent se tordre et se casser ou provoquer la perte de contrôle, ce qui présente un risque de blessure.

Consignes de sécurité supplémentaires

1. **Portez un casque de sécurité (casque de chantier), des lunettes de sécurité et/ou un écran facial.** Les lunettes de vue ou les lunettes de soleil NE sont PAS des lunettes de sécurité. Il est également vivement recommandé de porter un masque anti-poussière et des gants matelassés.
2. **Avant utilisation, assurez-vous que le foret est bien fixé en place.**
3. **Dans des conditions normales de fonctionnement, l'outil est conçu pour émettre des vibrations.** Les vis peuvent se desserrer facilement et provoquer une panne ou un accident. Avant utilisation, vérifiez soigneusement que les vis sont bien serrées.
4. **Par temps froid ou si l'outil n'a pas été utilisé pendant longtemps, laissez-le chauffer un instant en le faisant fonctionner à vide.** Cela ramollira le lubrifiant. Si vous ne chauffez pas adéquatement l'outil, le martelage s'exécutera difficilement.
5. **Assurez-vous toujours de travailler en position stable.** Veillez à ce que personne ne se trouve en dessous de vous quand vous utilisez l'outil en hauteur.
6. **Tenez l'outil fermement à deux mains.**
7. **Éloignez les mains des pièces en mouvement.**
8. **Ne vous éloignez pas en laissant l'outil tourner.** Ne le faites fonctionner que lorsque vous l'avez bien en main.
9. **Ne pointez l'outil vers personne dans la zone d'utilisation.** Le foret peut être projeté et blesser gravement quelqu'un.
10. **Ne touchez pas le foret, les pièces proches du foret ou la pièce immédiatement après l'exécution du travail ; ils peuvent être extrêmement chauds et vous brûler la peau.**
11. **Certains matériaux contiennent des produits chimiques qui peuvent être toxiques.** Gardez de ne pas avaler la poussière et évitez tout contact avec la peau. Suivez les données de sécurité du fournisseur du matériau.
12. **Assurez-vous toujours que l'outil est hors tension et que la batterie et le foret sont retirés avant de passer l'outil à une autre personne.**
13. **Avant utilisation, assurez-vous qu'aucun objet tel que des conduites électriques, de tuyaux d'eau ou de tuyaux de gaz n'est pas enterré sous la zone de travail.** Sinon, le foret/burin risque d'entrer en contact avec eux, ce qui peut entraîner une électrocution, une dispersion électrique ou une fuite de gaz.

14. Ne faites pas tourner l'outil à vide inutilement.

CONSERVEZ CES INSTRUCTIONS.

⚠ AVERTISSEMENT : NE vous laissez PAS tromper (au fil d'une utilisation répétée) par un sentiment d'aisance et de familiarité avec le produit, en négligeant le respect rigoureux des consignes de sécurité qui accompagnent le produit en question. La MAUVAISE UTILISATION de l'outil ou l'ignorance des consignes de sécurité indiquées dans ce mode d'emploi peut entraîner de graves blessures.

Consignes de sécurité importantes pour la batterie

1. Avant d'utiliser la batterie, lisez toutes les instructions et précautions relatives (1) au chargeur de batterie, (2) à la batterie, et (3) au produit utilisant la batterie.
2. Ne désassemblez pas et ne modifiez pas la batterie. Cela pourrait entraîner un incendie, une chaleur excessive ou une explosion.
3. Cessez immédiatement l'utilisation si le temps de fonctionnement devient excessivement court. Il y a risque de surchauffe, de brûlures, voire d'explosion.
4. Si l'électrolyte pénètre dans vos yeux, rincez-les à l'eau claire et consultez immédiatement un médecin. Il y a risque de perte de la vue.
5. Ne court-circuitez pas la batterie :
 - (1) Ne touchez les bornes avec aucun matériau conducteur.
 - (2) Évitez de ranger la batterie dans un conteneur avec d'autres objets métalliques, par exemple des clous, des pièces de monnaie, etc.
 - (3) N'exposez pas la batterie à l'eau ou à la pluie.Un court-circuit de la batterie peut provoquer une intensité de courant élevée, une surchauffe, parfois des brûlures et même une panne.
6. Ne rangez ni n'utilisez l'outil et la batterie dans un endroit où la température risque d'atteindre ou de dépasser 50 °C.
7. Ne jetez pas la batterie au feu même si elle est sérieusement endommagée ou complètement épuisée. La batterie peut exploser au contact du feu.
8. Abstenez-vous de clouer, couper, écraser, jeter, laisser tomber la batterie, ou de la heurter contre un objet dur. Cela pourrait entraîner un incendie, une chaleur excessive ou une explosion.
9. N'utilisez pas la batterie si elle est endommagée.

10. Les batteries au lithium-ion contenues sont soumises aux exigences de la législation sur les marchandises dangereuses.

Lors du transport commercial par des tierces parties ou des transitaires par exemple, des exigences spécifiques en matière d'étiquetage et d'emballage doivent être respectées.

Pour la préparation de l'article expédié, il est nécessaire de consulter un expert en matériau dangereux. Veuillez également respecter les réglementations nationales susceptibles d'être plus détaillées.

Recouvrez les contacts exposés avec du ruban adhésif ou du ruban de masquage et emballez la batterie de telle sorte qu'elle ne puisse pas bouger dans l'emballage.

11. Lors de la mise au rebut de la batterie, retirez-la de l'outil et jetez-la en lieu sûr. Suivez les réglementations locales en matière de mise au rebut des batteries.
12. Utilisez les batteries uniquement avec les produits spécifiés par Makita. L'insertion de batteries dans des produits non conformes peut provoquer un incendie, une chaleur excessive, une explosion ou une fuite de l'électrolyte.
13. Lorsque vous n'utilisez pas l'outil pendant une période prolongée, la batterie doit être retirée de l'outil.
14. Pendant et après l'utilisation, la batterie peut chauffer, ce qui peut entraîner des brûlures, y compris en cas de température relativement basse. Manipulez les batteries chaudes avec précaution.
15. Ne touchez pas la borne de l'outil immédiatement après utilisation car elle peut être assez chaude pour provoquer des brûlures.
16. Évitez que des copeaux, de la poussière ou du sol adhèrent aux bornes, aux trous et aux rainures de la batterie. Cela peut provoquer un échauffement, un incendie, une explosion ou un dysfonctionnement de l'outil ou de la batterie, ce qui peut entraîner des brûlures ou des blessures.
17. À moins que l'outil prenne en charge un tel usage, n'utilisez pas la batterie à proximité de lignes électriques haute tension. Cela pourrait entraîner un dysfonctionnement ou casser l'outil ou la batterie.
18. Conservez la batterie hors de portée des enfants.

CONSERVEZ CES INSTRUCTIONS.

⚠ ATTENTION : N'utilisez que des batteries Makita d'origine. L'utilisation de batteries de marque autre que Makita ou de batteries modifiées peut provoquer l'explosion des batteries, ce qui présente un risque d'incendie, de dommages matériels et corporels. Cela annulera également la garantie Makita pour l'outil et le chargeur Makita.

Conseils pour assurer la durée de vie optimale de la batterie

1. Chargez la batterie avant qu'elle ne soit complètement déchargée. Arrêtez toujours l'outil et rechargez la batterie quand vous remarquez que la puissance de l'outil diminue.
2. Ne rechargez jamais une batterie complètement chargée. La surcharge réduit la durée de service de la batterie.
3. Chargez la batterie à une température ambiante comprise entre 10 °C et 40 °C. Avant de recharger une batterie chaude, laissez-la refroidir.
4. Lorsque vous n'utilisez pas la batterie, retirez-la de l'outil ou du chargeur.
5. Rechargez la batterie si elle est restée inutilisée pendant une période prolongée (plus de six mois).

Consignes de sécurité importantes pour le connecteur sans fil

1. Ne démontez ni ne modifiez le connecteur sans fil.
2. Conservez le connecteur sans fil hors de portée des jeunes enfants. En cas d'ingestion accidentelle, consultez immédiatement un médecin.
3. Utilisez le connecteur sans fil uniquement avec des outils Makita.
4. N'exposez pas le connecteur sans fil à la pluie ou à l'humidité.
5. N'utilisez pas le connecteur sans fil dans un endroit où la température dépasse 50 °C.
6. Ne faites pas fonctionner le connecteur sans fil dans un endroit où des appareils médicaux comme des simulateurs cardiaques sont utilisés.
7. Ne faites pas fonctionner le connecteur sans fil dans un endroit où des appareils automatiques sont utilisés. Sinon, ces appareils pourraient présenter un dysfonctionnement ou une erreur.
8. N'utilisez pas le connecteur sans fil dans un endroit à température élevée ou dans un endroit susceptible de générer de l'électricité statique ou du bruit électrique.
9. Le connecteur sans fil peut produire des champs électromagnétiques (CEM), mais ceux-ci ne sont pas dangereux pour l'utilisateur.
10. Le connecteur sans fil est un instrument de précision. Évitez de laisser tomber ou de cogner le connecteur sans fil.
11. Évitez de toucher la borne du connecteur sans fil avec les mains nues ou avec des objets métalliques.
12. Retirez toujours la batterie du produit avant d'y installer le connecteur sans fil.
13. Évitez d'ouvrir le couvercle de la fente dans un endroit où de la poussière ou de l'eau pourrait pénétrer dans la fente. Maintenez toujours propre l'entrée de la fente.
14. Insérez toujours le connecteur sans fil dans le bon sens.
15. N'appuyez pas trop fort sur le bouton d'activation sans fil du connecteur sans fil, ni n'appuyez dessus avec un objet pointu.
16. Fermez toujours le couvercle de la fente pendant le fonctionnement.
17. Ne retirez pas le connecteur sans fil de la fente alors que l'outil est sous tension. Vous risqueriez de provoquer un dysfonctionnement du connecteur sans fil.
18. Ne retirez pas l'autocollant du connecteur sans fil.
19. Ne placez pas d'autocollant sur le connecteur sans fil.
20. Ne laissez pas le connecteur sans fil dans un endroit susceptible de générer de l'électricité statique ou du bruit électrique.
21. Ne laissez pas le connecteur sans fil dans un endroit soumis à une forte chaleur, comme une voiture en plein soleil.
22. Ne laissez pas le connecteur sans fil dans un endroit poussiéreux ou sablonneux ou dans un endroit susceptible de générer des gaz corrosifs.
23. De la condensation peut se former sur le connecteur sans fil en cas de brusque changement de température. N'utilisez pas le connecteur sans fil tant que la condensation n'a pas complètement séché.
24. Pour nettoyer le connecteur sans fil, essuyez-le délicatement avec un chiffon doux et sec. N'utilisez pas de benzine, diluant, graisse conductrice ou autre.
25. Rangez le connecteur sans fil en le conservant dans l'étui fourni ou dans un récipient anti-statique.
26. N'insérez pas d'autres dispositifs que le connecteur sans fil Makita dans la fente sur l'outil.
27. N'utilisez pas l'outil si le couvercle de la fente est endommagé. L'eau, la poussière ou la saleté pourraient pénétrer dans la fente provoquant un dysfonctionnement.
28. Ne tirez, ni ne tordez plus que nécessaire le couvercle de la fente. Remettez le couvercle en place s'il se détache de l'outil.
29. Remplacez le couvercle de la fente si vous le perdez ou l'endommagez.

CONSERVEZ CES INSTRUCTIONS.

DESCRIPTION DU FONCTIONNEMENT

⚠ ATTENTION : Assurez-vous toujours que l'outil est hors tension et que sa batterie est retirée avant de l'ajuster ou de vérifier son fonctionnement.

Insertion ou retrait de la batterie

⚠ ATTENTION : Éteignez toujours l'outil avant de mettre en place ou de retirer la batterie.

⚠ ATTENTION : Tenez fermement l'outil et la batterie lors de la mise en place ou du retrait de la batterie. Si vous ne tenez pas fermement l'outil et la batterie, ils peuvent vous glisser des mains, et s'abîmer ou vous blesser.

► **Fig.1:** 1. Indicateur rouge 2. Bouton 3. Batterie

Pour retirer la batterie, faites-la glisser hors de l'outil tout en faisant glisser le bouton à l'avant de la batterie.

Pour mettre la batterie en place, alignez la languette de la batterie avec la rainure du compartiment puis insérez la batterie. Insérez-la entièrement jusqu'à entendre un léger déclic indiquant qu'elle est bien en place. Si vous pouvez voir l'indicateur rouge comme illustré sur la figure, c'est qu'elle n'est pas bien verrouillée.

⚠ ATTENTION : Insérez toujours complètement la batterie jusqu'à ce que l'indicateur rouge ne soit plus visible. Sinon, elle pourrait tomber accidentellement de l'outil, au risque de vous blesser ou de blesser quelqu'un se trouvant près de vous.

⚠ ATTENTION : N'insérez pas la batterie de force. Si elle ne glisse pas facilement, c'est que vous ne l'insérez pas correctement.

Indication de la charge restante de la batterie

Appuyez sur le bouton de vérification sur la batterie pour indiquer la charge restante de la batterie. Les témoins s'allument pendant quelques secondes.

► **Fig.2:** 1. Témoins 2. Bouton de vérification

Témoins			Charge restante
Allumé	Éteint	Clignotant	
■	□	◐	75 % à 100 %
■ ■ ■ ■	□ □ □ □		50 % à 75 %
■ ■ ■ □	□ □ □ □		25 % à 50 %
■ □ □ □	□ □ □ □		0 % à 25 %
◐ □ □ □	□ □ □ □		Chargez la batterie.
■ ■ □ □	□ □ ■ ■		Anomalie possible de la batterie.

NOTE : Selon les conditions d'utilisation et la température ambiante, l'indication peut être légèrement différente de la capacité réelle.

NOTE : Le premier témoin (complètement à gauche) clignotera pendant le fonctionnement du système de protection de la batterie.

Système de protection de l'outil/la batterie

L'outil est équipé d'un système de protection de l'outil/la batterie. Ce système coupe automatiquement l'alimentation vers le moteur pour prolonger la durée de vie de l'outil et de la batterie. Si l'outil ou la batterie se trouve dans l'une des situations suivantes, l'outil cessera automatiquement de fonctionner.

Protection contre la surcharge

Lorsque la batterie est utilisée d'une manière provoquant un appel de courant anormalement élevé, l'outil s'arrête automatiquement sans indication. Dans ce cas, éteignez l'outil et arrêtez la tâche ayant provoqué la surcharge de l'outil. Puis rallumez l'outil pour reprendre la tâche.

Protection contre la surchauffe

En cas de surchauffe de l'outil ou de la batterie, l'outil s'arrête automatiquement. Dans ce cas, laissez l'outil et la batterie refroidir avant de rallumer l'outil.

NOTE : Si l'outil surchauffe, la lampe clignote.

Protection contre la décharge totale de la batterie

Lorsque la charge de la batterie est insuffisante, l'outil s'arrête automatiquement. Dans ce cas, retirez la batterie de l'outil et chargez-la.

Protections contre d'autres causes

Le système de protection est également conçu pour d'autres causes qui pourraient endommager l'outil et lui permet de s'arrêter automatiquement. Suivez toutes les étapes ci-dessous pour éliminer les causes, lorsque l'outil a été arrêté provisoirement ou a cessé de fonctionner.

1. Éteignez l'outil, puis rallumez-le pour le redémarrer.
2. Chargez la ou les batteries ou remplacez-les par des batteries rechargées.
3. Laissez l'outil et la ou les batteries refroidir.

En l'absence d'amélioration après avoir rétabli le système de protection, contactez votre centre de service Makita local.

Fonctionnement de la gâchette

⚠ AVERTISSEMENT : Avant d'insérer la batterie dans l'outil, vérifiez toujours que la gâchette fonctionne bien et revient en position d'arrêt lorsque vous la relâchez.

► **Fig.3:** 1. Gâchette

Il suffit d'enclencher la gâchette pour démarrer l'outil. La vitesse de l'outil augmente à mesure que l'on accroît la pression exercée sur la gâchette. Pour l'arrêter, relâchez la gâchette.

Changement de vitesse

Le nombre de tours et de frappes par minute peut être modifié en tournant le cadran de réglage sur un numéro de réglage donné, de 1 à 5. Une vitesse plus élevée est obtenue lorsque le cadran est tourné en direction du numéro 5. Une vitesse moins élevée est obtenue lorsque le cadran est tourné en direction du numéro 1. La vitesse cible est atteinte lorsque la gâchette est complètement enclenchée.

► Fig.4: 1. Cadran de réglage

Reportez-vous au tableau pour le rapport entre les numéros de réglage sur le cadran de réglage et les tours et frappes approximatifs par minute.

Numéro	Tours par minute	Frappes par minute
5	840	4 500
4	760	4 070
3	550	2 950
2	350	1 880
1	300	1 610

ATTENTION : Ne tournez pas le cadran de réglage pendant que l'outil fonctionne. Si vous ne suivez pas cette directive, vous risquez de perdre la maîtrise de l'outil et de vous blesser.

REMARQUE : L'utilisation constante de l'outil à une vitesse basse pendant un long moment entraîne une surcharge du moteur, ce qui entraîne un dysfonctionnement de l'outil.

REMARQUE : Le cadran de réglage tourne entre le numéro de réglage 1 et 5. Évitez de tourner le cadran en arrière et en avant davantage sous peine d'endommager l'outil.

Allumage de la lampe avant

► Fig.5: 1. Lampe

ATTENTION : Évitez de regarder directement le faisceau lumineux ou sa source.

Enclenchez la gâchette pour allumer la lampe. La lampe reste allumée tant que la gâchette est enclenchée. La lampe s'éteint environ 10 secondes après avoir relâché la gâchette.

ATTENTION : Si la lampe s'éteint après avoir clignoté pendant quelques secondes, la technologie de détection de réaction active ne fonctionne pas correctement. Confiez la réparation à votre centre de service Makita.

NOTE : Retirez la saleté sur la lentille de la lampe avec un chiffon sec. Prenez soin de ne pas érafler la lentille de la lampe sous peine de diminuer son éclairage.

NOTE : Si l'outil surchauffe, la lampe clignote. Dans ce cas, relâchez la gâchette, puis laissez refroidir l'outil ou la batterie avant de réutiliser l'outil.

NOTE : La lampe avant ne peut pas être utilisée lorsque le système de collecte des poussières (accessoire en option) est installé dans l'outil.

Fonctionnement de l'inverseur

► Fig.6: 1. Levier de l'inverseur

ATTENTION : Vérifiez toujours le sens de rotation avant d'utiliser l'outil.

ATTENTION : N'utilisez l'inverseur qu'une fois que l'outil est complètement arrêté. Si vous changez le sens de rotation avant l'arrêt de l'outil, vous risquez de l'endommager.

ATTENTION : Lorsque vous n'utilisez pas l'outil, placez toujours le levier de l'inverseur en position neutre.

L'outil possède un inverseur qui permet de changer le sens de rotation. Enfoncez le levier de l'inverseur du côté A pour une rotation dans le sens des aiguilles d'une montre, ou du côté B pour une rotation dans le sens inverse des aiguilles d'une montre. La gâchette ne peut pas être enclenchée lorsque le levier de l'inverseur se trouve en position neutre.



Remplacement du mandrin de remplacement rapide pour SDS-plus

Pour le modèle HR009G

Il est facile de remplacer le mandrin de remplacement rapide pour SDS-plus par le mandrin à foret de remplacement rapide.



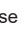
Retrait du mandrin de remplacement rapide pour SDS-plus

ATTENTION : Avant de retirer le mandrin de remplacement rapide pour SDS-plus, veillez à retirer le foret.

Saisissez le couvercle de remplacement du mandrin de remplacement rapide pour SDS-plus et tournez-le dans le sens de la flèche jusqu'à ce que la ligne du couvercle de remplacement passe du symbole  au symbole . Tirez le mandrin de remplacement rapide pour SDS-plus, en forçant si nécessaire, dans le sens de la flèche.

► Fig.7: 1. Mandrin de remplacement rapide pour SDS-plus 2. Couvercle de remplacement 3. Ligne du couvercle de remplacement

Installation du mandrin à foret de remplacement rapide

Vérifiez que la ligne du mandrin à foret de remplacement rapide présente le symbole . Saisissez le couvercle de remplacement du mandrin à foret de remplacement rapide et réglez la ligne sur le symbole . Placez le mandrin à foret de remplacement rapide sur l'axe de l'outil. Saisissez le couvercle de remplacement du mandrin à foret de remplacement rapide et faites tourner la ligne du couvercle de remplacement sur le symbole  jusqu'à ce qu'un clic se fasse clairement entendre.


► Fig.8: 1. Mandrin à foret de remplacement rapide 2. Axe 3. Ligne du couvercle de remplacement 4. Couvercle de remplacement

Sélection du mode de fonctionnement

REMARQUE : Ne tournez pas le bouton de changement de mode pendant que l'outil fonctionne. L'outil serait endommagé.

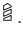
REMARQUE : Pour éviter que le mécanisme de changement de mode ne s'use rapidement, vous devez toujours vous assurer que le bouton de changement de mode est placé avec exactitude sur l'une des trois positions du mode de fonctionnement.

Rotation avec martelage

Pour percer dans le béton, de la maçonnerie, etc., tournez le bouton de changement de mode jusqu'au symbole . Utilisez un foret à pointe en carbure de tungstène (accessoire en option).


► Fig.9: 1. Rotation avec martelage 2. Bouton de changement de mode

Rotation uniquement

Pour percer dans le bois, le métal ou des matériaux en plastique, tournez le bouton de changement de mode jusqu'au symbole . Utilisez un foret hélicoïdal ou à bois.

► Fig.10: 1. Rotation uniquement

Martelage uniquement

Pour le burinage, l'écaillage ou la démolition, tournez le bouton de changement de mode jusqu'au symbole . Utilisez un pic, un ciseau à froid, un ciseau à écailler, etc.

► Fig.11: 1. Martelage uniquement

Conduit d'aération

ATTENTION : Ne mettez pas votre doigt dans le conduit d'aération, ni n'insérez tout autre objet dans le conduit d'aération. Autrement, vous pourriez vous blesser ou endommager l'outil.

Le conduit d'aération est conçu pour améliorer la performance d'aspiration du système de collecte des poussières. Pour savoir comment installer le système de collecte des poussières, consultez ses instructions d'installation.

► Fig.12: 1. Conduit d'aération

Crochet

Accessoire en option

ATTENTION : Retirez toujours la batterie lorsque l'outil est suspendu par son crochet.

ATTENTION : N'accrochez jamais l'outil dans un emplacement élevé ou sur une surface potentiellement instable.

Le crochet est pratique pour suspendre momentanément l'outil.

Avant d'installer le crochet, retirez le capuchon en caoutchouc des trous de vis du support de fixation. Insérez les rondelles plates sous le support, puis serrez le crochet en place avec les vis.

► Fig.13: 1. Capuchon en caoutchouc 2. Support de fixation 3. Rondelles plates 4. Crochet 5. Vis

Pour l'utiliser, soulevez le bras du crochet jusqu'à ce qu'il passe en position ouverte.

Si vous n'utilisez pas le crochet, veillez à le replier en position fermée.

► Fig.14: 1. Crochet 2. Position ouverte 3. Position fermée

► Fig.15

Raccordement de la longe (sangle de retenue) au crochet

ATTENTION : N'utilisez pas de crochet et de vis endommagés. Avant utilisation, vérifiez toujours l'absence de dommages, fissures ou déformations, et assurez-vous que les vis sont bien serrées.

ATTENTION : Assurez-vous que le crochet est bien installé avec les vis.

ATTENTION : N'installez et ne retirez aucun accessoire lorsque l'outil est suspendu. L'outil pourrait tomber si les vis ne sont pas serrées.

ATTENTION : Utilisez toujours un mousqueton à verrouillage (à bague vissée et à ouverture multi-action(s)) et veillez à raccorder la longe (sangle de retenue) à la partie à double boucle du crochet. Un raccordement incorrect peut entraîner le détachement de l'outil du crochet et sa chute, ce qui pourrait vous blesser.

Le crochet est également utilisé pour raccorder la longe (sangle de retenue). Veillez à raccorder la longe (sangle de retenue) à la partie à double boucle du crochet.

► Fig.16: 1. Partie à double boucle du crochet 2. Longe (sangle de retenue) 3. Mousqueton à verrouillage (bague vissée et à ouverture multi-action(s))

Consignes de sécurité à propos du raccordement de la longe (sangle de retenue) au crochet

ATTENTION : Consignes de sécurité spécifiques à l'utilisation en hauteur

Lisez toutes les consignes de sécurité et instructions. Le non-respect des avertissements et instructions peut entraîner de graves blessures.

1. L'outil doit toujours être attaché lorsque vous travaillez en hauteur. La longueur maximum de la longe est de 2 m. La hauteur de chute maximale autorisée pour la longe (sangle de retenue) ne doit pas dépasser 2 m.
2. Utilisez uniquement des longes convenant à ce type d'outil et conçues pour supporter au moins 10 kg.

3. **N'accrochez pas la longe de l'outil à quoi que ce soit sur votre corps ou à des éléments mobiles. Accrochez la longe de l'outil à une structure rigide capable de supporter la force exercée par la chute d'un outil.**
4. **Assurez-vous que la longe est correctement fixée à chaque extrémité avant utilisation.**
5. **Vérifiez que l'outil et la longe ne sont pas endommagés et fonctionnent correctement avant chaque utilisation (y compris le tissu et les coutures). Ne les utilisez pas s'ils sont endommagés ou fonctionnent mal.**
6. **N'enroulez pas les langes autour de bords rugueux ou coupants, ni ne les laissez entrer en contact avec des bords rugueux ou coupants.**
7. **Serrez l'autre extrémité de la longe en dehors de l'espace de travail de sorte qu'un outil tombant soit retenu en sécurité.**
8. **Fixez la longe de sorte que l'outil s'éloigne de l'utilisateur en cas de chute.** Les outils tombés se balanceront sur la longe, ce qui pourrait provoquer des blessures ou une perte d'équilibre.
9. **Ne les utilisez pas à proximité de pièces en mouvement ou de machines en fonctionnement.** Le non-respect de cette précaution présente un risque d'écrasement ou d'enchevêtrement.
10. **Ne transportez pas l'outil en le tenant par le dispositif de fixation ou par la longe.**
11. **Faites passer l'outil d'une main à l'autre uniquement si vous avez un bon équilibre.**
12. **Ne fixez pas les langes à l'outil d'une manière qui empêche les commutateurs ou le verrouillage de la gâchette (le cas échéant) de fonctionner correctement.**
13. **Évitez de vous empêtrer dans la longe.**
14. **Éloignez la longe de la zone de perçage de l'outil.**
15. **Utilisez un mousqueton à verrouillage (bague vissée et à ouverture multi-action(s)). N'utilisez pas de mousquetons à ressort à ouverture action unique.**
16. **Si l'outil tombe, il doit être marqué et mis hors service, puis être confié à une usine Makita ou à un centre de service après-vente Makita agréé pour inspection.**

Fonction de prévention de redémarrage accidentel

Si vous insérez la batterie tout en enclenchant la gâchette, l'outil ne démarrera pas. Pour démarrer l'outil, relâchez la gâchette, puis enclenchez-la.

Limiteur de couple

REMARQUE : Si le limiteur de couple se déclenche, éteignez immédiatement l'outil. Ceci permettra d'éviter l'usure prématurée de l'outil.

REMARQUE : Les forets, comme les scies cloches qui ont tendance à se coincer ou se prendre facilement dans le trou, ne sont pas appropriés pour cet outil. Ils déclenchent trop fréquemment le limiteur de couple.

Le limiteur de couple se déclenche lorsqu'un certain niveau de couple est atteint. Le moteur se dégage de l'arbre de sortie. Dans ce cas, le foret cesse de tourner.

Fonction électronique

L'outil est doté de fonctions électroniques pour en faciliter le fonctionnement.

- **Frein électrique**
Cet outil est équipé d'un frein électrique. Si systématiquement, le relâchement de la gâchette n'entraîne pas un arrêt rapide de l'outil, adressez-vous à un centre de service Makita pour faire réparer l'outil.
- **Contrôle de vitesse constante**
La fonction de contrôle de la vitesse offre une vitesse de rotation constante quelles que soient les conditions de charge.
- **Technologie de détection de réaction active**
Si l'outil est animé d'un mouvement oscillant à l'accélération prédéterminée pendant le fonctionnement, le moteur sera forcé à s'arrêter pour réduire la charge sur le poignet.

NOTE : Cette fonction est inopérante si l'accélération n'atteint pas celle prédéterminée lors du mouvement oscillant de l'outil.

NOTE : Si le foret est animé d'un mouvement oscillant à l'accélération prédéterminée pendant le burinage, l'écaillage ou la démolition, le moteur sera forcé à s'arrêter. Dans ce cas, relâchez la gâchette, puis enclenchez-la à nouveau pour redémarrer l'outil.

ASSEMBLAGE

ATTENTION : Assurez-vous toujours que l'outil est hors tension et que sa batterie est retirée avant d'effectuer toute tâche dessus.

Poignée latérale (poignée auxiliaire)

ATTENTION : Utilisez toujours la poignée latérale pour garantir votre sécurité.

ATTENTION : Après avoir installé ou réglé la poignée latérale, assurez-vous qu'elle est fermement fixée avec ses parties saillantes de retenue complètement engagées dans les évidements de positionnement sur le carter d'engrenage.

Suivez les étapes ci-dessous pour installer la poignée latérale.

1. Desserrez la vis à oreilles sur la poignée latérale. Installez ensuite la poignée latérale sur le col de barillet du carter d'engrenage.

► **Fig.17:** 1. Poignée latérale 2. Vis à oreilles 3. Col de barillet du carter d'engrenage 4. Partie saillante de retenue 5. Évidement de positionnement

Le porte-accessoire peut être agrandi en poussant la vis à oreilles vers le bas pour qu'il soit facilement et solidement engagé sur le col de barillet du carter d'engrenage.

► **Fig.18:** 1. Vis à oreilles 2. Porte-accessoire

2. Serrez la vis à oreilles pour maintenir en place la poignée à l'angle souhaité.

Pose et retrait du foret

Graisse

Nettoyez l'extrémité de la tige du foret et appliquez de la graisse avant de poser le foret. Enduisez au préalable l'extrémité de la tige du foret avec une petite quantité de graisse (environ 0,5 à 1 g). Cette lubrification du mandrin garantit un mouvement fluide et prolonge la durée de vie utile.

► **Fig.19:** 1. Extrémité de la tige 2. Graisse

Placez l'extrémité de la tige du foret dans le mandrin et insérez-la davantage dans le mandrin tout en tournant le foret à la main de manière à ce que l'extrémité de la tige s'insère bien dans la fente du mandrin et s'engage complètement.

Après avoir installé le foret, essayez de le tirer vers l'arrière pour vous assurer qu'il est bien maintenu en place.

► **Fig.20:** 1. Foret 2. Mandrin


Pour retirer le foret, poussez le carter du mandrin à fond vers le bas puis dégagez le foret.

► **Fig.21:** 1. Foret 2. Carter du mandrin

Angle du burin (lors du burinage, de l'écaillage ou de la démolition)

Le burin peut être fixé à l'angle souhaité. Pour changer l'angle du burin, tournez le bouton de changement de mode jusqu'au symbole O. Tournez le burin sur l'angle souhaité.

► **Fig.22:** 1. Bouton de changement de mode

Tournez le bouton de changement de mode jusqu'au symbole . Puis assurez-vous toujours que le burin est solidement maintenu en place en le tournant légèrement.

Jauge de profondeur

La jauge de profondeur est utile pour percer des trous de même profondeur.

Maintenez enfoncé le bouton de verrouillage, puis insérez la jauge de profondeur dans l'orifice hexagonal. Assurez-vous que le bord dentelé de la jauge de profondeur est tourné vers le repère.

► **Fig.23:** 1. Jauge de profondeur 2. Bouton de verrouillage 3. Repère 4. Côté denté

Réglez la jauge de profondeur en la déplaçant d'avant en arrière tout en enfonçant le bouton de verrouillage. Après le réglage, relâchez le bouton de verrouillage pour bloquer la jauge de profondeur.

NOTE : Assurez-vous que la jauge de profondeur n'entre pas en contact avec le corps principal de l'outil lorsque vous la fixez.

Collecteur de poussières

Accessoire en option

Utilisez le collecteur de poussières pour éviter que la poussière ne tombe sur l'outil et sur vous-même lorsque vous percez au-dessus de votre tête. Fixez le collecteur de poussières au foret comme illustré sur la figure. Le collecteur de poussières peut être fixé aux forets des tailles suivantes.

Modèle	Diamètre du foret
Collecteur de poussières 5	6 mm à 14,5 mm
Collecteur de poussières 9	12 mm à 16 mm

► **Fig.24:** 1. Collecteur de poussières


Ensemble du collecteur de poussières


Accessoire en option


ATTENTION : Avant d'installer et de désinstaller l'ensemble du collecteur de poussières, retirez un foret de l'outil.


Installation

Pour le modèle HR008G


1. Fixez l'entretoise à l'unité de fixation de l'ensemble du collecteur de poussières en alignant le symbole  sur l'unité de fixation avec l'une des rainures dans l'entretoise.


► **Fig.25:** 1. Entretoise 2. Ensemble du collecteur de poussières 3. Unité de fixation 4. Symbole  5. Rainure

2. Placez l'ensemble du collecteur de poussières avec l'entretoise sur le col de barillet du carter d'engrenage en alignant le symbole  sur l'ensemble du collecteur de poussières avec l'une des rainures sur le barillet. Tenez ensuite l'unité de fixation de l'ensemble du collecteur de poussières et poussez-la sur le barillet pour la fixer en place.

► **Fig.26:** 1. Ensemble du collecteur de poussières 2. Unité de fixation 3. Entretoise 4. Symbole  5. Rainure

Pour le modèle HR009G

Placez l'ensemble du collecteur de poussières sur le col de barillet du carter d'engrenage en alignant le symbole  sur l'ensemble du collecteur de poussières avec l'une des rainures sur le barillet. Tenez ensuite l'unité de fixation de l'ensemble du collecteur de poussières et poussez-la sur le barillet pour la fixer en place.

► **Fig.27:** 1. Ensemble du collecteur de poussières 2. Unité de fixation 3. Symbole  4. Rainure

NOTE : Si vous raccordez un aspirateur à l'ensemble du collecteur de poussières, retirez le bouchon à poussière avant de le raccorder.

► **Fig.28:** 1. Bouchon à poussière

Désinstallation

1. Poussez le carter du mandrin à fond vers le bas puis dégagez un foret.

► **Fig.29:** 1. Foret 2. Carter du mandrin

2. Tenez l'unité de fixation de l'ensemble du collecteur de poussières et séparez-la de l'outil.

► **Fig.30:** 1. Unité de fixation

NOTE : Si le capuchon se détache de l'ensemble du collecteur de poussières, remettez-le en place à sa position d'origine.

1. Enlevez le soufflet de l'unité de fixation de l'ensemble du collecteur de poussières.

► **Fig.31:** 1. Soufflet 2. Unité de fixation

2. Remettez le capuchon en place, avec son côté imprimé tourné vers le haut.

► **Fig.32:** 1. Capuchon 2. Côté imprimé 3. Rainures 4. Lèvres de l'ouverture supérieure 5. Unité de fixation

3. Assurez-vous que les rainures autour du capuchon s'insèrent bien dans les lèvres de l'ouverture supérieure de l'unité de fixation.

► **Fig.33**

SYSTÈME DE COLLECTE DES POUSSIÈRES

Accessoire en option

Le système de collecte des poussières est conçu pour recueillir efficacement les poussières lors du perçage du béton.

► **Fig.34:** 1. Système de collecte des poussières

⚠ATTENTION : Le système de collecte des poussières est exclusivement conçu pour le perçage du béton. N'utilisez pas le système de collecte des poussières pour le perçage du métal ou du bois.

⚠ATTENTION : Lorsque vous utilisez l'outil avec le système de collecte des poussières, veillez à y fixer le filtre pour éviter d'inhaler des poussières.

⚠ATTENTION : Avant d'utiliser le système de collecte des poussières, vérifiez que le filtre n'est pas endommagé. Le non-respect de cette règle peut entraîner une inhalation de poussières.

⚠ATTENTION : Bien que le système de collecte des poussières collecte en grande partie les poussières générées, toute la poussière ne peut pas être collectée.

REMARQUE : N'utilisez pas le système de collecte des poussières pour le perçage avec un trépan ou le burinage.

REMARQUE : N'utilisez pas le système de collecte des poussières pour le métal ou le bois. Le système de collecte des poussières est conçu pour le béton uniquement.

REMARQUE : N'utilisez pas le système de collecte des poussières pour le perçage dans du béton humide ou dans un environnement humide. Le non-respect de cette règle peut entraîner un dysfonctionnement.

Installation

REMARQUE : Avant d'installer le système de collecte des poussières, nettoyez les pièces de jonction de l'outil et du système de collecte des poussières. Les corps étrangers sur les pièces de jonction peuvent compliquer l'installation du système de collecte des poussières. Si de la poussière reste sur le conduit d'aération, la poussière entre dans l'outil et bloque la circulation d'air ou casse l'outil.

Accrochez les crochets du système de collecte des poussières sur les poches sur la partie inférieure avant de l'outil. Soulevez la buse pour maintenir en place le système de collecte des poussières d'un clic, de sorte que le conduit d'aération de l'outil soit recouvert par la sortie d'air aspiré du système de collecte des poussières.

► **Fig.35:** 1. Crochets 2. Système de collecte des poussières 3. Poches 4. Buse 5. Conduit d'aération 6. Sortie d'air aspiré

Désinstallation

Appuyez longuement sur le bouton de déverrouillage du système de collecte des poussières et abaissez la buse pour relâcher la partie supérieure du système de collecte des poussières. Décrochez la partie inférieure du système de collecte des poussières de l'outil.

► **Fig.36:** 1. Système de collecte des poussières 2. Buse 3. Bouton de déverrouillage

Réglage de la position de la buse du système de collecte des poussières

⚠ATTENTION : Ne dirigez pas la buse vers vous-même ou d'autres personnes lorsque vous la dégagez en poussant le bouton de réglage du guide.

Faites glisser le guide du raccord d'avant en arrière tout en appuyant sur le bouton de réglage du guide, puis relâchez le bouton à une position exacte où la pointe du foret se trouve juste derrière la surface avant de la buse.

► **Fig.37:** 1. Guide 2. Bouton de réglage du guide 3. Pointe du foret 4. Surface avant de la buse

Réglage des profondeurs de perçage

La profondeur de perçage peut être réglée en modifiant les longueurs entre le bouton de réglage de la profondeur et le bras de soutien du guide du raccord. Appuyez longuement sur le bouton de réglage de la profondeur et puis faites-le glisser jusqu'à la position souhaitée.

► **Fig.38:** 1. Bouton de réglage de la profondeur 2. Guide du raccord 3. Bras de soutien pour guide du raccord 4. Profondeurs de perçage

Battre la poussière sur le filtre

⚠ ATTENTION : Ne tournez pas le cadran sur le logement à poussières alors que le logement à poussières est détaché du système de collecte des poussières. Vous risqueriez d'inhaler la poussière.

⚠ ATTENTION : Éteignez toujours l'outil lorsque vous tournez le cadran sur le logement à poussières. Si vous tournez le cadran alors que l'outil fonctionne, vous risquez de perdre la maîtrise de l'outil.

En battant la poussière sur le filtre à l'intérieur du logement à poussières, vous pouvez conserver l'efficacité de l'aspiration et également réduire le nombre de retraits de la poussière.

Tournez le cadran sur le logement à poussières trois fois après avoir recueilli 50 000 mm³ de poussière ou lorsque vous trouvez que la performance d'aspiration a diminué.

NOTE : 50 000 mm³ de poussière est équivalent au perçage de 10 orifices de 10 mm de diamètre et 65 mm de profondeur.

► Fig.39: 1. Logement à poussières 2. Cadran

Élimination des poussières

⚠ ATTENTION : Assurez-vous toujours que l'outil est hors tension et que sa batterie est retirée avant d'effectuer toute tâche dessus.

⚠ ATTENTION : Veillez à porter un masque anti-poussière lorsque vous éliminez les poussières.

⚠ ATTENTION : Videz régulièrement le logement à poussières avant qu'il soit plein. Le non-respect de cette règle peut réduire les performances de collecte des poussières et entraîner une inhalation des poussières.

⚠ ATTENTION : Les performances de la collecte des poussières réduisent si le filtre présent dans le logement à poussières est obstrué. Pour référence, remplacez le filtre par un filtre neuf après environ 200 remplissages. Le non-respect de cette règle peut entraîner une inhalation de poussières.

1. Retirez le logement à poussières en appuyant sur son levier de fermeture.

► Fig.40: 1. Levier de fermeture

2. Soulevez légèrement la languette de verrouillage vers l'extérieur et ouvrez le couvercle du logement à poussières.

► Fig.41: 1. Couvercle du logement à poussières
2. Languette de verrouillage

3. Éliminez la poussière, puis nettoyez le filtre.

► Fig.42

REMARQUE : Lorsque vous nettoyez le filtre, tapotez légèrement à la main son étui pour retirer la poussière. Ne tapotez pas directement le filtre ; touchez-le avec une brosse ou un objet similaire, ou soufflez de l'air comprimé sur le filtre. Vous risqueriez d'endommager le filtre.

Remplacement du filtre du logement à poussières

1. Retirez le logement à poussières en appuyant sur son levier de fermeture.

► Fig.43: 1. Levier de fermeture

2. Soulevez légèrement la languette de verrouillage vers l'extérieur et ouvrez le couvercle du logement à poussières.

► Fig.44: 1. Couvercle du filtre 2. Languette de verrouillage

3. Retirez le filtre de son logement.

► Fig.45: 1. Filtre 2. Logement du filtre

4. Fixez un nouveau filtre sur le logement du filtre, puis fixez le couvercle du filtre.

5. Fermez le couvercle du logement à poussières, puis fixez celui-ci au système de collecte des poussières.

Remplacement du bouchon hermétique

Un bouchon hermétique endommagé ou usé peut affecter la performance de collecte des poussières.

Remplacez le bouchon hermétique par un neuf le cas échéant, en alignant la partie saillante de son guide sur l'encoche du guide sur la tête de la buse.

► Fig.46: 1. Bouchon hermétique 2. Partie saillante du guide 3. Tête de la buse 4. Encoche du guide

Rangement

REMARQUE : Lorsqu'il n'est pas utilisé pendant un certain temps, le guide du raccord doit être déployé à environ 100 mm de sa position complètement raccourcie. Autrement, vous risquez d'endommager le tuyau du conduit pré-installé dans le guide du raccord.

► Fig.47: 1. Bouton de réglage du guide 2. Environ 100 mm

UTILISATION

⚠ ATTENTION : Utilisez toujours la poignée latérale (poignée auxiliaire) et saisissez l'outil fermement par la poignée latérale et la poignée pistolet pendant l'utilisation.

⚠ ATTENTION : Avant l'utilisation, assurez-vous toujours que la pièce est bien fixée.

⚠ ATTENTION : Ne forcez pas pour extraire l'outil même si le foret est coincé. La perte de maîtrise est propice aux blessures.


REMARQUE : Avant d'utiliser le système de collecte des poussières avec l'outil, lisez la section sur le système de collecte des poussières.

NOTE : En cas de faible température de la batterie, l'outil risque de ne pas fonctionner à sa pleine capacité. Dans ce cas, chauffez la batterie en utilisant l'outil sans charge pendant un instant pour obtenir la pleine capacité de l'outil.

► Fig.48

Perçage avec percussion

ATTENTION : Une très grande force de torsion s'exerce soudainement sur l'outil ou le foret lorsqu'il émerge sur la face opposée, lorsque le trou est bouché par des copeaux ou particules ou lors du contact avec des armatures dans le béton. **Utilisez toujours la poignée latérale (poignée auxiliaire) et saisissez l'outil fermement par la poignée latérale et la poignée pistolet pendant l'utilisation.** Si vous ne suivez pas cette directive, vous risquez de perdre la maîtrise de l'outil et de vous blesser grièvement.

Réglez le bouton de changement de mode sur le symbole .

Placez le foret à l'emplacement désiré pour percer le trou, puis enclenchez la gâchette.

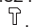
Appliquez la force d'avance à la poignée pistolet (poignée principale) pour une précision et une efficacité de travail, et tenez la poignée latérale (poignée auxiliaire) pour maintenir l'équilibre de l'outil.

Gardez l'outil en position et empêchez-le de glisser hors du trou.

N'appliquez pas plus de pression lorsque le trou est bouché par des copeaux ou particules. Laissez plutôt l'outil tourner au ralenti et retirez partiellement le foret du trou. En répétant cette opération plusieurs fois, le trou se débouchera et vous pourrez reprendre le perçage normalement.

NOTE : Lorsque l'outil fonctionne à vide, il se peut que le foret tourne de manière excentrique. L'outil se centrera lui-même automatiquement lors de l'utilisation avec charge. La précision du perçage n'est donc pas affectée.

Burinage/Écaillage/Démolition

Réglez le bouton de changement de mode sur le symbole .

Tenez l'outil fermement à deux mains. Mettez l'outil sous tension.

Appliquez la force d'avance à la poignée pistolet (poignée principale) pour une précision et une efficacité de travail, et tenez la poignée latérale (poignée auxiliaire) pour maintenir l'équilibre de l'outil.

Exercer une très grande pression sur l'outil n'augmentera pas l'efficacité de l'opération.

► Fig.49

Perçage dans le bois ou le métal

ATTENTION : Tenez l'outil fermement et redoublez d'attention lorsque le foret commence à sortir par la face opposée de la pièce. Une très grande force s'exerce sur l'outil/foret lorsque celui-ci émerge sur la face opposée.


ATTENTION : Un foret coincé peut être retiré en réglant simplement l'inverseur sur la rotation inverse pour faire marche arrière. L'outil peut toutefois faire brusquement marche arrière si vous ne le tenez pas fermement.

ATTENTION : Immobilisez toujours les pièces à travailler dans un étau ou un dispositif de retenue similaire.

REMARQUE : N'utilisez jamais la « rotation avec martelage » lorsque le mandrin à foret est installé sur l'outil. Le mandrin à foret risquerait d'être endommagé.

De plus, le mandrin à foret se détacherait lors de l'inversion de la rotation de l'outil.

REMARQUE : Une pression excessive sur l'outil n'accéléra pas le perçage. En fait, la pression excessive abîmera la pointe du foret, provoquera une baisse de rendement de l'outil et réduira sa durée de service.

Réglez le bouton de changement de mode sur le symbole .

Pour le modèle HR008G

Accessoire en option

Fixez l'adaptateur de mandrin à un mandrin à foret sans clé sur lequel une vis de taille 1/2"-20 peut être installée, puis installez-les sur l'outil. Pour savoir comment installer l'adaptateur dans le mandrin, reportez-vous aux instructions d'installation du foret.

► Fig.50: 1. Mandrin à foret sans clé 2. Adaptateur de mandrin

Pour le modèle HR009G

Utilisez le mandrin à foret de remplacement rapide comme équipement standard. Pour savoir comment installer le mandrin à foret de remplacement rapide, consultez les instructions de remplacement du mandrin de remplacement rapide pour SDS-plus.


Maintenez la bague et faites tourner le manchon dans le sens inverse des aiguilles d'une montre pour ouvrir les mors du mandrin. Insérez un foret à fond dans le mandrin. Maintenez fermement la bague et faites tourner le manchon dans le sens des aiguilles d'une montre pour serrer le mandrin.

► Fig.51: 1. Manchon 2. Bague

Pour retirer le foret, tenez la bague et tournez le manchon dans le sens inverse des aiguilles d'une montre.

Perçage avec trépan diamant

REMARQUE : Percer avec un trépan diamant en mode « Rotation avec martelage » peut endommager le trépan diamant.

Pour percer avec un trépan diamant, réglez toujours le bouton de changement de mode sur la position  afin d'utiliser le mode « Rotation uniquement ».

Poire soufflante

Accessoire en option

Une fois le trou percé, utilisez la poire soufflante pour en retirer la poussière.

► Fig.52

Utilisation de l'ensemble du collecteur de poussières

Accessoire en option

Appuyez l'ensemble du collecteur de poussières contre le plafond lorsque vous utilisez l'outil.

► Fig.53

REMARQUE : N'utilisez pas l'ensemble du collecteur de poussières pour le perçage du métal ou d'une matière similaire. Cela pourrait détériorer l'ensemble du collecteur de poussières en raison de la chaleur générée par les petites poussières métalliques ou similaires.

REMARQUE : N'installez pas ou ne retirez pas l'ensemble du collecteur de poussières avec le foret installé dans l'outil. Cela pourrait détériorer l'ensemble du collecteur de poussières et entraîner une fuite des poussières.

FONCTION D'ACTIVATION SANS FIL

À quoi sert la fonction d'activation sans fil

La fonction d'activation sans fil offre un fonctionnement propre et confortable. En raccordant un aspirateur compatible à l'outil, vous pouvez déclencher automatiquement l'aspirateur en utilisant l'interrupteur de l'outil.

► Fig.54

Pour utiliser la fonction d'activation sans fil, préparez les éléments suivants :

- Un connecteur sans fil (accessoire en option)
- Un aspirateur compatible avec la fonction d'activation sans fil

Vous trouverez ci-après une vue d'ensemble de la fonction d'activation sans fil. Consultez chaque section pour en savoir plus sur la marche à suivre.

1. Installation du connecteur sans fil
2. Enregistrement de l'outil pour l'aspirateur
3. Démarrage de la fonction d'activation sans fil

Installation du connecteur sans fil

Accessoire en option

ATTENTION : Placez l'outil sur une surface plane et stable pour y installer le connecteur sans fil.

REMARQUE : Retirez la poussière et la saleté sur l'outil avant d'installer le connecteur sans fil. La poussière ou la saleté peuvent provoquer des dysfonctionnements si elles pénètrent dans la fente sur le connecteur sans fil.

REMARQUE : Pour éviter un dysfonctionnement provoqué par l'électricité statique, touchez un matériau conducteur comme la partie métallique de l'outil, avant de prendre dans vos mains le connecteur sans fil.

REMARQUE : Lorsque vous installez le connecteur sans fil, veillez toujours à l'insérer dans le bon sens et assurez-vous que le couvercle est complètement fermé.

1. Ouvrez le couvercle sur l'outil comme illustré sur la figure.

► Fig.55: 1. Couvercle

2. Insérez le connecteur sans fil dans la fente, puis refermez le couvercle.

Lors de l'insertion du connecteur sans fil, alignez les parties saillantes avec les parties creuses sur la fente.

► Fig.56: 1. Connecteur sans fil 2. Partie saillante 3. Couvercle 4. Partie creuse

Pour retirer le connecteur sans fil, ouvrez lentement le couvercle. Les crochets au dos du couvercle soulèveront le connecteur sans fil à mesure que vous tirez le couvercle vers le haut.

► Fig.57: 1. Connecteur sans fil 2. Crochet 3. Couvercle

Après avoir retiré le connecteur sans fil, gardez-le dans l'étui fourni ou dans un récipient anti-statique.

REMARQUE : Utilisez toujours les crochets au dos du couvercle lorsque vous retirez le connecteur sans fil. Si les crochets ne s'attachent pas au connecteur sans fil, fermez complètement le couvercle, puis rouvrez-le lentement.

Enregistrement de l'outil pour l'aspirateur

NOTE : Un aspirateur Makita compatible avec la fonction d'activation sans fil est nécessaire pour l'enregistrement de l'outil.

NOTE : Terminez la mise en place du connecteur sans fil sur l'outil avant de commencer l'enregistrement de l'outil.

NOTE : Pendant l'enregistrement de l'outil, n'enclenchez pas la gâchette, ni ne mettez sous tension l'aspirateur.

NOTE : Consultez aussi le mode d'emploi de l'aspirateur.

Si vous souhaitez activer l'aspirateur en utilisant l'interrupteur de l'outil, terminez d'abord l'enregistrement de l'outil.

1. Insérez les batteries dans l'aspirateur et l'outil.
2. Placez le bouton de veille de l'aspirateur sur « AUTO ».

► **Fig.58:** 1. Bouton de veille

3. Appuyez sur le bouton d'activation sans fil de l'aspirateur pendant 3 secondes jusqu'à ce que le témoin d'activation sans fil clignote en vert. Puis appuyez sur le bouton d'activation sans fil de l'outil de la même façon.

► **Fig.59:** 1. Bouton d'activation sans fil 2. Témoin d'activation sans fil

Si la liaison entre l'aspirateur et l'outil est réussie, les témoins d'activation sans fil s'allumeront en vert pendant 2 secondes et se mettront à clignoter en bleu.

NOTE : Les témoins d'activation sans fil cessent de clignoter en vert au bout de 20 secondes. Appuyez sur le bouton d'activation sans fil de l'outil pendant que le témoin d'activation sans fil de l'aspirateur clignote. Si le témoin d'activation sans fil ne clignote pas en vert, appuyez brièvement sur le bouton d'activation sans fil et maintenez-le à nouveau enfoncé.

NOTE : Si vous effectuez plus de deux enregistrements d'outils pour un seul aspirateur, terminez-les l'un après l'autre.

Démarrage de la fonction d'activation sans fil

NOTE : Terminez l'enregistrement de l'outil pour l'aspirateur avant l'activation sans fil.

NOTE : Consultez aussi le mode d'emploi de l'aspirateur.

Après avoir enregistré un outil sur l'aspirateur, ce dernier se déclenchera automatiquement en utilisant l'interrupteur de l'outil.

1. Installez le connecteur sans fil sur l'outil.
2. Raccordez le tuyau de l'aspirateur à l'outil.

► **Fig.60**

3. Placez le bouton de veille de l'aspirateur sur « AUTO ».

► **Fig.61:** 1. Bouton de veille

4. Appuyez brièvement sur le bouton d'activation sans fil sur l'outil. Le témoin d'activation sans fil clignote en bleu.

► **Fig.62:** 1. Bouton d'activation sans fil 2. Témoin d'activation sans fil

5. Mettez l'outil sous tension. Vérifiez que l'aspirateur fonctionne pendant le fonctionnement de l'outil.

Pour arrêter l'activation sans fil de l'aspirateur, appuyez sur le bouton d'activation sans fil de l'outil.

NOTE : Le témoin d'activation sans fil de l'outil cessera de clignoter en bleu en l'absence d'opérations pendant 2 heures. Dans ce cas, placez le bouton de veille de l'aspirateur sur « AUTO » et appuyez à nouveau sur le bouton d'activation sans fil de l'outil.

NOTE : L'aspirateur démarre/s'arrête avec un léger retard. Il y a un décalage lorsque l'aspirateur détecte l'utilisation de l'interrupteur de l'outil.










NOTE : La distance de transmission du connecteur sans fil peut varier selon l'emplacement et les conditions environnantes.

NOTE : Si plus de deux outils sont enregistrés sur un aspirateur, ce dernier peut se mettre en marche sans que vous le mettiez sous tension, car un autre utilisateur emploie la fonction d'activation sans fil.

Description du statut du témoin d'activation sans fil

► Fig.63: 1. Témoin d'activation sans fil

Le témoin d'activation sans fil indique le statut de la fonction d'activation sans fil. Consultez le tableau ci-dessous pour la signification du statut du témoin.

Statut	Témoin d'activation sans fil			Durée	Description
	Couleur	 Allumé	 Clignotant		
Veille	Bleu			2 heures	L'activation sans fil de l'aspirateur est disponible. Le témoin s'éteint automatiquement en l'absence d'opérations pendant 2 heures.
				Pendant le fonctionnement de l'outil.	L'activation sans fil de l'aspirateur est disponible et l'outil fonctionne.
Enregistrement de l'outil	Vert			20 secondes	Prêt pour l'enregistrement de l'outil. En attente d'enregistrement par l'aspirateur.
				2 secondes	L'enregistrement de l'outil est terminé. Le témoin d'activation sans fil se met à clignoter en bleu.
Annulation de l'enregistrement de l'outil	Rouge			20 secondes	Prêt pour l'annulation de l'enregistrement de l'outil. En attente d'annulation par l'aspirateur.
				2 secondes	L'annulation de l'enregistrement de l'outil est terminée. Le témoin d'activation sans fil se met à clignoter en bleu.
Autres	Rouge			3 secondes	Le connecteur sans fil est alimenté en électricité et la fonction d'activation sans fil démarre.
	Éteint	-		-	L'activation sans fil de l'aspirateur est arrêtée.

Annulation de l'enregistrement de l'outil pour l'aspirateur

Procédez comme indiqué ci-après pour annuler l'enregistrement de l'outil pour l'aspirateur.

1. Insérez les batteries dans l'aspirateur et l'outil.
2. Placez le bouton de veille de l'aspirateur sur « AUTO ».

► Fig.64: 1. Bouton de veille

3. Appuyez sur le bouton d'activation sans fil de l'aspirateur pendant 6 secondes. Le témoin d'activation sans fil clignote en vert, puis devient rouge. Après cela, appuyez sur le bouton d'activation sans fil de l'outil de la même façon.

► Fig.65: 1. Bouton d'activation sans fil 2. Témoin d'activation sans fil

Si l'annulation est réussie, les témoins d'activation sans fil s'allumeront en rouge pendant 2 secondes et se mettront à clignoter en bleu.

NOTE : Les témoins d'activation sans fil arrêtent de clignoter en rouge au bout de 20 secondes. Appuyez sur le bouton d'activation sans fil de l'outil pendant que le témoin d'activation sans fil de l'aspirateur clignote. Si le témoin d'activation sans fil ne clignote pas en rouge, appuyez brièvement sur le bouton d'activation sans fil et maintenez-le à nouveau enfoncé.

Guide de dépannage de la fonction d'activation sans fil

Avant de faire une demande de réparation, effectuez d'abord vous-même une inspection. Si vous rencontrez un problème non documenté dans le mode d'emploi, n'essayez pas de démonter l'outil. Demandez plutôt à un centre de service après-vente Makita agréé d'effectuer la réparation au moyen de pièces de rechange Makita.

État d'anomalie	Cause probable (dysfonctionnement)	Solution
Le témoin d'activation sans fil ne s'allume pas ou ne clignote pas.	Le connecteur sans fil n'est pas installé sur l'outil. Le connecteur sans fil est mal installé sur l'outil.	Installez correctement le connecteur sans fil.
	La borne du connecteur sans fil et/ou la fente sont sales.	Essayez délicatement la poussière et la saleté sur la borne du connecteur sans fil et nettoyez la fente.
	Le bouton d'activation sans fil de l'outil n'a pas été enfoncé.	Appuyez brièvement sur le bouton d'activation sans fil sur l'outil.
	Le bouton de veille de l'aspirateur n'est pas placé sur « AUTO ».	Placez le bouton de veille de l'aspirateur sur « AUTO ».
	Pas d'alimentation électrique	Mettez sous tension l'outil électrique et l'aspirateur.
Impossible de terminer correctement l'enregistrement de l'outil/l'annulation de l'enregistrement de l'outil.	Le connecteur sans fil n'est pas installé sur l'outil. Le connecteur sans fil est mal installé sur l'outil.	Installez correctement le connecteur sans fil.
	La borne du connecteur sans fil et/ou la fente sont sales.	Essayez délicatement la poussière et la saleté sur la borne du connecteur sans fil et nettoyez la fente.
	Le bouton de veille de l'aspirateur n'est pas placé sur « AUTO ».	Placez le bouton de veille de l'aspirateur sur « AUTO ».
	Pas d'alimentation électrique	Mettez sous tension l'outil électrique et l'aspirateur.
	Fonctionnement incorrect	Appuyez brièvement sur le bouton d'activation sans fil et recommencez l'enregistrement de l'outil/l'annulation de l'enregistrement de l'outil.
	L'outil et l'aspirateur sont éloignés l'un de l'autre (hors de la portée de transmission).	Rapprochez l'outil de l'aspirateur. La distance de transmission maximum est d'environ 10 m, toutefois elle peut varier selon les circonstances.
	Avant de terminer l'enregistrement/l'annulation de l'outil ; - l'interrupteur de l'outil est en position de marche ou ; - le bouton d'alimentation de l'aspirateur est placé sur Marche.	Appuyez brièvement sur le bouton d'activation sans fil et recommencez l'enregistrement de l'outil/l'annulation de l'enregistrement de l'outil.
	Les procédures d'enregistrement de l'outil pour l'outil ou l'aspirateur ne sont pas terminées.	Procédez à l'enregistrement de l'outil à la fois pour l'outil et l'aspirateur en même temps.
L'aspirateur ne se met pas en marche avec l'utilisation de l'interrupteur de l'outil.	Le connecteur sans fil n'est pas installé sur l'outil. Le connecteur sans fil est mal installé sur l'outil.	Installez correctement le connecteur sans fil.
	La borne du connecteur sans fil et/ou la fente sont sales.	Essayez délicatement la poussière et la saleté sur la borne du connecteur sans fil et nettoyez la fente.
	Le bouton d'activation sans fil de l'outil n'a pas été enfoncé.	Appuyez brièvement sur le bouton d'activation sans fil et assurez-vous que le témoin d'activation sans fil clignote en bleu.
	Le bouton de veille de l'aspirateur n'est pas placé sur « AUTO ».	Placez le bouton de veille de l'aspirateur sur « AUTO ».
	Plus de 10 outils sont enregistrés sur l'aspirateur.	Recommencez l'enregistrement de l'outil. Si plus de 10 outils sont enregistrés sur l'aspirateur, l'outil enregistré le plus tôt sera automatiquement annulé.
	L'aspirateur a effacé tous les enregistrements d'outils.	Recommencez l'enregistrement de l'outil.
	Pas d'alimentation électrique	Mettez sous tension l'outil électrique et l'aspirateur.
	L'outil et l'aspirateur sont éloignés l'un de l'autre (hors de la portée de transmission).	Rapprochez l'outil de l'aspirateur. La distance de transmission maximum est d'environ 10 m, toutefois elle peut varier selon les circonstances.
L'aspirateur fonctionne alors que l'outil ne fonctionne pas.	Interférence radio d'autres appareils qui génèrent des ondes radio puissantes.	Maintenez l'outil et l'aspirateur à l'écart des appareils comme des appareils Wi-Fi et des fours à micro-ondes.
	D'autres utilisateurs emploient la fonction d'activation sans fil de l'aspirateur avec leurs outils.	Placez le bouton d'activation sans fil des autres outils sur Arrêt ou annulez l'enregistrement de l'outil des autres outils.

ENTRETIEN

⚠ ATTENTION : Assurez-vous toujours que l'outil est hors tension et que la batterie est retirée avant d'y effectuer tout travail d'inspection ou d'entretien.

REMARQUE : N'utilisez jamais d'essence, benzine, diluant, alcool ou autre produit similaire. Cela risquerait de provoquer la décoloration, la déformation ou la fissuration de l'outil.

Pour assurer la SÉCURITÉ et la FIABILITÉ du produit, toute réparation, tout travail d'entretien ou de réglage doivent être effectués par un centre d'entretien Makita agréé, avec des pièces de rechange Makita.

ACCESSOIRES EN OPTION

⚠ ATTENTION : Ces accessoires ou pièces complémentaires sont recommandés pour l'utilisation avec l'outil Makita spécifié dans ce mode d'emploi. L'utilisation de tout autre accessoire ou pièce complémentaire peut comporter un risque de blessure. N'utilisez les accessoires ou pièces complémentaires qu'aux fins auxquelles ils ont été conçus.

Pour obtenir plus de détails sur ces accessoires, contactez votre centre d'entretien local Makita.

- Forets à pointe de carbure (forets à pointe de carbure SDS-plus)
- Trépan
- Pic
- Trépan diamant
- Ciseau à froid
- Ciseau à écailler
- Ciseau à rainurer
- Ensemble du mandrin à foret (adaptateur de mandrin/mandrin à foret)
- Graisse à foret
- Jauge de profondeur
- Poire soufflante
- Collecteur de poussières
- Ensemble du collecteur de poussières Entretoise (pour HR008G)
- Ensemble crochet
- Ensemble logement à poussières
- Ensemble filtre
- Joint
- Système de collecte des poussières
- Connecteur sans fil
- Batterie et chargeur Makita d'origine

NOTE : Il se peut que certains éléments de la liste soient compris dans l'emballage de l'outil en tant qu'accessoires standard. Ils peuvent varier d'un pays à l'autre.

TECHNISCHE DATEN

Modell:		HR008G	HR009G
Kapazitäten	Beton	30 mm	
	Bohrkrone	80 mm	
	Diamant-Bohrkrone (Trockentyp)	80 mm	
	Stahl	13 mm	
	Holz	32 mm	
Leerlaufdrehzahl		0 - 840 min ⁻¹	
Schlagzahl pro Minute		0 - 4.500 min ⁻¹	
Nennspannung		36 V - 40 V Gleichstrom	
Gesamtlänge (mit BL4040)		422 mm	439 mm
Nettogewicht		5,2 - 6,8 kg	5,3 - 6,7 kg

Sonderzubehör

Modell:	DX10 (für HR008G)	DX11 (für HR009G)
Geeignete Werkstücke und Arbeitsmodus	nur für Bohren in Beton (nicht für Bohren in Metall oder Holz, und nicht für Kernbohr- oder Stemmarbeiten)	
Saugleistung	350 l/min	
Betriebshub	Bis zu 190 mm	
Geeigneter Bohrerereinsatz	Bis zu 265 mm	
Nettogewicht	1,2 kg	

- Wir behalten uns vor, Änderungen der technischen Daten im Zuge der Entwicklung und des technischen Fortschritts ohne vorherige Ankündigung vorzunehmen.
- Die technischen Daten können von Land zu Land unterschiedlich sein.
- Das Gewicht kann abhängig von dem Aufsatz (den Aufsätzen), einschließlich des Akkus, unterschiedlich sein. Die leichteste und die schwerste Kombination, gemäß dem EPTA-Verfahren 01/2014, sind in der Tabelle angegeben.

Zutreffende Akkus und Ladegeräte

Akku	BL4020 / BL4025 / BL4040* / BL4050F* / BL4080F * : Empfohlener Akku
Ladegerät	DC40RA / DC40RB / DC40RC

- Einige der oben aufgelisteten Akkus und Ladegeräte sind je nach Ihrem Wohngebiet eventuell nicht erhältlich.

⚠️ WARNUNG: Verwenden Sie nur die oben aufgeführten Akkus und Ladegeräte. Bei Verwendung irgendwelcher anderer Akkus und Ladegeräte besteht Verletzungs- und/oder Brandgefahr.

Empfohlene kabelgebundene Stromquelle

Rückentragbare Akku-Bank	PDC01 / PDC1200
--------------------------	-----------------

- Die oben aufgelisteten kabelgebundenen Stromquellen sind je nach Ihrem Wohngebiet eventuell nicht erhältlich.
- Lesen Sie vor Gebrauch der kabelgebundenen Stromquelle die daran angebrachten Anweisungen und Warnmarkierungen durch.

Vorgesehene Verwendung

Das Werkzeug ist für Schlagbohren und Bohren in Ziegel, Beton und Stein sowie für Stemmarbeiten vorgesehen.

Es eignet sich auch für normales Bohren in Holz, Metall, Keramik und Kunststoff.

Geräusch

Typischer A-bewerteter Geräuschpegel ermittelt gemäß EN62841-2-6:

Modell HR008G

Schalldruckpegel (L_{pA}): 95 dB (A)

Schalleistungspegel (L_{WA}): 103 dB (A)

Messunsicherheit (K): 3 dB (A)

Modell HR009G

Schalldruckpegel (L_{pA}): 95 dB (A)

Schalleistungspegel (L_{WA}): 103 dB (A)

Messunsicherheit (K): 3 dB (A)

Modell HR008G mit DX10

Schalldruckpegel (L_{pA}): 97 dB (A)

Schalleistungspegel (L_{WA}): 105 dB (A)

Messunsicherheit (K): 3 dB (A)

Modell HR009G mit DX11

Schalldruckpegel (L_{pA}): 97 dB (A)

Schalleistungspegel (L_{WA}): 105 dB (A)

Messunsicherheit (K): 3 dB (A)

HINWEIS: Der (Die) angegebene(n) Schallemissionswert(e) wurde(n) im Einklang mit der Standardprüfmethode gemessen und kann (können) für den Vergleich zwischen Werkzeugen herangezogen werden.

HINWEIS: Der (Die) angegebene(n) Schallemissionswert(e) kann (können) auch für eine Vorbewertung des Gefährdungsgrads verwendet werden.

⚠️ WARNUNG: Einen Gehörschutz tragen.

⚠️ WARNUNG: Die Schallemission während der tatsächlichen Benutzung des Elektrowerkzeugs kann je nach der Benutzungsweise des Werkzeugs, und speziell je nach der Art des bearbeiteten Werkstücks, von dem (den) angegebenen Wert(en) abweichen.

⚠️ WARNUNG: Identifizieren Sie Sicherheitsmaßnahmen zum Schutz des Benutzers anhand einer Schätzung des Gefährdungsgrads unter den tatsächlichen Benutzungsbedingungen (unter Berücksichtigung aller Phasen des Arbeitszyklus, wie z. B. Ausschalt- und Leerlaufzeiten des Werkzeugs zusätzlich zur Betriebszeit).

Schwingungen

Die folgende Tabelle zeigt den gemäß dem zutreffenden Standard ermittelten Vibrationsgesamtwert (Drei-Achsen-Vektorsumme).

Modell HR008G

Arbeitsmodus	Vibrationsemission	Messunsicherheit (K)	Zutreffender Standard/ Testbedingungen
Hammerbohren in Beton ($a_{h, HD}$)	11,8 m/s ²	1,5 m/s ²	EN62841-2-6
	9,1 m/s ²	1,5 m/s ²	Empfohlener praktischer Betrieb*
Hammerbohren in Beton mit DX10 ($a_{h, HD}$)	9,5 m/s ²	2,0 m/s ²	EN62841-2-6
	7,8 m/s ²	1,5 m/s ²	Empfohlener praktischer Betrieb*
Stemmen ($a_{h, Cheq}$)	8,6 m/s ²	1,5 m/s ²	EN62841-2-6
	8,0 m/s ²	1,5 m/s ²	Empfohlener praktischer Betrieb*

Modell HR009G

Arbeitsmodus	Vibrationsemission	Messunsicherheit (K)	Zutreffender Standard/ Testbedingungen
Hammerbohren in Beton ($a_{h, HD}$)	11,5 m/s ²	1,5 m/s ²	EN62841-2-6
	9,1 m/s ²	1,5 m/s ²	Empfohlener praktischer Betrieb*
Hammerbohren in Beton mit DX11 ($a_{h, HD}$)	8,9 m/s ²	1,5 m/s ²	EN62841-2-6
	7,3 m/s ²	1,5 m/s ²	Empfohlener praktischer Betrieb*
Stemmen ($a_{h, Cheq}$)	7,3 m/s ²	1,5 m/s ²	EN62841-2-6
	7,1 m/s ²	1,5 m/s ²	Empfohlener praktischer Betrieb*

* Die Testbedingungen des empfohlenen praktischen Betriebs entsprechen EN 62841-2-6, mit Ausnahme der folgenden Punkte:

- Die Vorschubkraft wird auf den Schaltergriff (Hauptgriff) angewandt, um genau und effizient zu arbeiten.
- Der Seitengriff/Seitenhandgriff (Zusatzgriff) wird gehalten, um das Werkzeug im Gleichgewicht zu halten.

HINWEIS: Der (Die) angegebene(n) Vibrationsgesamtwert(e) wurde(n) im Einklang mit der Standardprüfmethode gemessen und kann (können) für den Vergleich zwischen Werkzeugen herangezogen werden.

HINWEIS: Der (Die) angegebene(n) Vibrationsgesamtwert(e) kann (können) auch für eine Vorbewertung des Gefährdungsgrads verwendet werden.

⚠️ WARNUNG: Die Vibrationsemission während der tatsächlichen Benutzung des Elektrowerkzeugs kann je nach der Benutzungsweise des Werkzeugs, und speziell je nach der Art des bearbeiteten Werkstücks, von dem (den) angegebenen Emissionswert(en) abweichen.

⚠️ WARNUNG: Identifizieren Sie Sicherheitsmaßnahmen nach Schutz des Benutzers anhand einer Schätzung des Gefährdungsgrads unter den tatsächlichen Benutzungsbedingungen (unter Berücksichtigung aller Phasen des Arbeitszyklus, wie z. B. Ausschalt- und Leerlaufzeiten des Werkzeugs zusätzlich zur Betriebszeit).

Konformitätserklärungen

Nur für europäische Länder

Die Konformitätserklärungen sind in Anhang A dieser Betriebsanleitung enthalten.

SICHERHEITSWARNUNGEN

Allgemeine Sicherheitswarnungen für Elektrowerkzeuge

⚠️ WARNUNG: Lesen Sie alle mit diesem Elektrowerkzeug gelieferten Sicherheitswarnungen, Anweisungen, Abbildungen und technischen Daten durch. Eine Missachtung der unten aufgeführten Anweisungen kann zu einem elektrischen Schlag, Brand und/oder schweren Verletzungen führen.

Bewahren Sie alle Warnungen und Anweisungen für spätere Bezugnahme auf.

Der Ausdruck „Elektrowerkzeug“ in den Warnhinweisen bezieht sich auf Ihr mit Netzstrom (mit Kabel) oder Akku (ohne Kabel) betriebenes Elektrowerkzeug.

SICHERHEITSWARNUNGEN FÜR AKKU-BOHRHAMMER

Sicherheitsanweisungen für alle Betriebsvorgänge

1. **Tragen Sie Gehörschützer.** Lärmeinwirkung kann Gehörschädigung verursachen.
2. **Benutzen Sie (einen) Zusatzgriff(e), sofern er (sie) mit dem Werkzeug geliefert wurde(n).** Verlust der Kontrolle kann Personenschäden verursachen.
3. **Halten Sie das Elektrowerkzeug an den isolierten Griffflächen, wenn Sie Arbeiten ausführen, bei denen die Gefahr besteht, dass das Schneidzubehör verborgene Kabel kontaktiert.** Wenn das Schneidzubehör ein Strom führenden Kabel kontaktiert, können die freiliegenden Metallteile des Elektrowerkzeugs ebenfalls Strom führend werden, so dass der Benutzer einen elektrischen Schlag erleiden kann.

Sicherheitsanweisungen bei Verwendung von langen Bohreinsätzen mit Bohrhämmern

1. **Starten Sie den Bohrvorgang immer mit einer niedrigen Drehzahl und bei Kontakt der Einsatzspitze mit dem Werkstück.** Bei höheren Drehzahlen besteht die Gefahr, dass sich der Einsatz verbiegt, wenn zugelassen wird, dass er ohne Kontakt mit dem Werkstück frei rotiert, was zu Personenschäden führen kann.
2. **Üben Sie Druck nur in direkter Linie mit dem Einsatz aus, und wenden Sie keinen übermäßigen Druck an.** Einsätze können sich verbiegen, was Bruch oder Verlust der Kontrolle verursachen und zu Personenschäden führen kann.

Zusätzliche Sicherheitswarnungen

1. **Tragen Sie Schutzhelm, Schutzbrille und/oder Gesichtsschutz. Eine gewöhnliche Brille oder Sonnenbrille ist KEIN Ersatz für eine Schutzbrille.** Das Tragen einer Staubmaske und dick gepolsterter Handschuhe ist ebenfalls zu empfehlen.
2. **Vergewissern Sie sich vor der Arbeit, dass der Einsatz sicher montiert ist.**
3. **Das Werkzeug erzeugt konstruktionsbedingt Vibrationen bei normalem Betrieb.** Durch Lockerung von Schrauben kann es zu einem Ausfall oder Unfall kommen. Unterziehen Sie die Schrauben vor der Arbeit einer sorgfältigen Festigkeitsprüfung.
4. **Lassen Sie das Werkzeug bei niedrigen Temperaturen oder nach längerer Nichtbenutzung eine Zeit lang im Leerlauf warm laufen.** Dadurch wird die Schmierung verbessert. Betrieb im kalten Zustand erschwert die Schlagbohrarbeit.
5. **Achten Sie stets auf sicheren Stand.** Vergewissern Sie sich bei Einsatz des Werkzeugs an hochgelegenen Arbeitsplätzen, dass sich keine Personen darunter aufhalten.
6. **Halten Sie das Werkzeug mit beiden Händen fest.**
7. **Halten Sie Ihre Hände von beweglichen Teilen fern.**
8. **Lassen Sie das Werkzeug nicht unbeaufsichtigt laufen.** Benutzen Sie das Werkzeug nur mit Handhaltung.
9. **Richten Sie das Werkzeug während des Betriebs nicht auf umstehende Personen.** Der Einsatz könnte herausschnellen und schwere Verletzungen verursachen.
10. **Vermeiden Sie eine Berührung des Einsatzes, der umliegenden Teile oder des Werkstücks unmittelbar nach der Bearbeitung, weil die Teile noch sehr heiß sind und Hautverbrennungen verursachen können.**
11. **Manche Materialien können giftige Chemikalien enthalten.** Treffen Sie Vorsichtsmaßnahmen, um das Einatmen von Arbeitsstaub und Hautkontakt zu verhindern. Befolgen Sie die Sicherheitsdaten des Materiallieferanten.
12. **Vergewissern Sie sich stets, das Werkzeug ausgeschaltet ist und der Akku und der Einsatz abgenommen sind, bevor Sie das Werkzeug einer anderen Person aushändigen.**

13. Vergewissern Sie sich vor der Arbeit, dass sich keine verborgenen Objekte, wie etwa eine elektrische Leitung, ein Wasserrohr oder ein Gasrohr, im Arbeitsbereich befinden. Anderenfalls kann der Bohrereinsatz/Meißel damit in Berührung kommen und einen elektrischen Schlag, einen Leckstrom oder ein Gasleck verursachen.
14. Lassen Sie das Werkzeug nicht unnötig im Leerlauf laufen.
8. Unterlassen Sie Nageln, Schneiden, Zerquetschen, Werfen, Fallenlassen des Akkus oder Schlagen des Akkus mit einem harten Gegenstand. Eine solche Handlung kann zu einem Brand, übermäßiger Hitzeentwicklung oder einer Explosion führen.
9. Benutzen Sie keine beschädigten Akkus.
10. Die enthaltenen Lithium-Ionen-Akkus unterliegen den Anforderungen der Gefahrgut-Gesetzgebung.
Für kommerzielle Transporte, z. B. durch Dritte oder Spediteure, müssen besondere Anforderungen zu Verpackung und Etikettierung beachtet werden.
Zur Vorbereitung des zu transportierenden Artikels ist eine Beratung durch einen Experten für Gefahrgut erforderlich. Bitte beachten Sie möglicherweise ausführlichere nationale Vorschriften. Überkleben oder verdecken Sie offene Kontakte, und verpacken Sie den Akku so, dass er sich in der Verpackung nicht umher bewegen kann.

DIESE ANWEISUNGEN AUFBEWAHREN.

⚠️ WARNUNG: Lassen Sie sich NICHT durch Bequemlichkeit oder Vertrautheit mit dem Produkt (durch wiederholten Gebrauch erworben) von der strikten Einhaltung der Sicherheitsregeln für das vorliegende Produkt abhalten. MISSBRAUCH oder Missachtung der Sicherheitsvorschriften in dieser Anleitung können schwere Verletzungen verursachen.

Wichtige Sicherheitsanweisungen für Akku

1. Lesen Sie vor der Benutzung des Akkus alle Anweisungen und Warnhinweise, die an (1) Ladegerät, (2) Akku und (3) Akkuwerkzeug angebracht sind.
2. Unterlassen Sie Zerlegen oder Manipulieren des Akkus. Es kann sonst zu einem Brand, übermäßiger Hitzeentwicklung oder einer Explosion kommen.
3. Falls die Betriebszeit beträchtlich kürzer geworden ist, stellen Sie den Betrieb sofort ein. Anderenfalls besteht die Gefahr von Überhitzung, möglichen Verbrennungen und sogar einer Explosion.
4. Falls Elektrolyt in Ihre Augen gelangt, waschen Sie sie mit sauberem Wasser aus, und begeben Sie sich unverzüglich in ärztliche Behandlung. Anderenfalls können Sie Ihre Sehkraft verlieren.
5. Der Akku darf nicht kurzgeschlossen werden:
 - (1) Die Kontakte dürfen nicht mit leitfähigem Material berührt werden.
 - (2) Lagern Sie den Akku nicht in einem Behälter zusammen mit anderen Metallgegenständen, wie z. B. Nägel, Münzen usw.
 - (3) Setzen Sie den Akku weder Wasser noch Regen aus.

Ein Kurzschluss des Akkus verursacht starken Stromfluss, der Überhitzung, mögliche Verbrennungen und einen Defekt zur Folge haben kann.
6. Lagern und benutzen Sie das Werkzeug und den Akku nicht an Orten, an denen die Temperatur 50 °C erreichen oder überschreiten kann.
7. Versuchen Sie niemals, den Akku zu verbrennen, selbst wenn er stark beschädigt oder vollkommen verbraucht ist. Der Akku kann im Feuer explodieren.
11. Entfernen Sie den Akku zum Entsorgen vom Werkzeug, und entsorgen Sie ihn an einem sicheren Ort. Befolgen Sie die örtlichen Vorschriften bezüglich der Entsorgung von Akkus.
12. Verwenden Sie die Akkus nur mit den von Makita angegebenen Produkten. Das Einsetzen der Akkus in nicht konforme Produkte kann zu einem Brand, übermäßiger Hitzebildung, einer Explosion oder Auslaufen von Elektrolyt führen.
13. Soll das Werkzeug längere Zeit nicht benutzt werden, muss der Akku vom Werkzeug entfernt werden.
14. Bei und nach dem Gebrauch kann der Akku heiß werden, was Verbrennungen oder Niedertemperaturverbrennungen verursachen kann. Beachten Sie die Handhabung von heißen Akkus.
15. Berühren Sie nicht den Anschlusskontakt des Werkzeugs unmittelbar nach dem Gebrauch, da er heiß genug werden kann, um Verbrennungen zu verursachen.
16. Achten Sie darauf, dass sich keine Späne, Staub oder Schmutz in den Anschlusskontakten, Löchern und Nuten des Akkus absetzen. Es könnte sonst zu Erhitzung, Brandauslösung, Bersten und Funktionsstörungen des Werkzeugs oder des Akkus kommen, was zu Verbrennungen oder Personenschäden führen kann.
17. Wenn das Werkzeug den Einsatz in der Nähe einer Hochspannungs-Stromleitung nicht unterstützt, benutzen Sie den Akku nicht in der Nähe einer Hochspannungs-Stromleitung. Dies kann zu einer Funktionsstörung oder Betriebsstörung des Werkzeugs oder des Akkus führen.
18. Halten Sie die Batterie von Kindern fern.

DIESE ANWEISUNGEN AUFBEWAHREN.

⚠ VORSICHT: Verwenden Sie nur Original-Makita-Akkus. Die Verwendung von Nicht-Original-Makita-Akkus oder von Akkus, die abgeändert worden sind, kann zum Bersten des Akkus und daraus resultierenden Bränden, Personenschäden und Beschädigung führen. Außerdem wird dadurch die Makita-Garantie für das Makita-Werkzeug und -Ladegerät ungültig.

Hinweise zur Aufrechterhaltung der maximalen Akku-Nutzungsdauer

1. Laden Sie den Akku, bevor er vollkommen erschöpft ist. Schalten Sie das Werkzeug stets aus, und laden Sie den Akku, wenn Sie ein Nachlassen der Werkzeulleistung feststellen.
2. Unterlassen Sie erneutes Laden eines voll aufgeladenen Akkus. Überladen führt zu einer Verkürzung der Nutzungsdauer des Akkus.
3. Laden Sie den Akku bei Raumtemperatur zwischen 10 – 40 °C. Lassen Sie einen heißen Akku abkühlen, bevor Sie ihn laden.
4. Wenn Sie den Akku nicht benutzen, nehmen Sie ihn vom Werkzeug oder Ladegerät ab.
5. Der Akku muss geladen werden, wenn er lange Zeit (länger als sechs Monate) nicht benutzt wird.

Wichtige Sicherheitsanweisungen für Funk-Adapter

1. Unterlassen Sie Zerlegen oder Manipulieren des Funk-Adapters.
2. Halten Sie den Funk-Adapter von kleinen Kindern fern. Suchen Sie bei versehentlichem Verschlucken sofort ärztliche Behandlung auf.
3. Benutzen Sie den Funk-Adapter nur mit Makita-Werkzeugen.
4. Setzen Sie den Funk-Adapter keinem Regen oder Nässe aus.
5. Benutzen Sie den Funk-Adapter nicht an Orten, wo die Temperatur 50 °C überschreitet.
6. Betreiben Sie den Funk-Adapter nicht an Orten, in deren Nähe sich medizinische Geräte, wie z. B. Herzschrittmacher, befinden.
7. Betreiben Sie den Funk-Adapter nicht an Orten, in deren Nähe sich automatisierte Geräte befinden. Bei Betrieb kann in den automatisierten Geräten eine Funktionsstörung oder ein Fehler entstehen.
8. Betreiben Sie den Funk-Adapter nicht an Orten unter hohen Temperaturen oder an Orten, wo statische Elektrizität oder elektrisches Rauschen erzeugt werden könnte.
9. Der Funk-Adapter kann elektromagnetische Felder (EMF) erzeugen, die aber für den Benutzer nicht gesundheitsschädlich sind.
10. Der Funk-Adapter ist ein Präzisionsinstrument. Achten Sie darauf, dass der Funk-Adapter nicht fallen gelassen oder Stößen ausgesetzt wird.
11. Vermeiden Sie Berühren der Kontakte des Funk-Adapters mit bloßen Händen oder Metallgegenständen.
12. Entfernen Sie stets den Akku vom Produkt, bevor Sie den Funk-Adapter installieren.
13. Öffnen Sie den Deckel des Steckplatzes nicht an Orten, wo Staub und Wasser in den Steckplatz eindringen können. Halten Sie den Einlass des Steckplatzes stets sauber.
14. Führen Sie den Funk-Adapter stets in der korrekten Richtung ein.
15. Drücken Sie nicht zu fest und/oder mit einem scharfkantigen Gegenstand auf die Funk-Aktivierungstaste des Funk-Adapters.
16. Halten Sie den Deckel des Steckplatzes beim Betrieb immer geschlossen.
17. Entfernen Sie den Funk-Adapter nicht aus dem Steckplatz, während das Werkzeug mit Strom versorgt wird. Anderenfalls kann eine Funktionsstörung des Funk-Adapters verursacht werden.
18. Entfernen Sie nicht den Aufkleber vom Funk-Adapter.
19. Kleben Sie keinen anderen Aufkleber auf den Funk-Adapter.
20. Lassen Sie den Funk-Adapter nicht an einem Ort liegen, wo statische Elektrizität oder elektrisches Rauschen erzeugt werden könnte.
21. Lassen Sie den Funk-Adapter nicht an einem Ort liegen, der starker Hitze ausgesetzt ist, wie z. B. in einem in praller Sonne geparkten Auto.
22. Lassen Sie den Funk-Adapter nicht an einem Ort liegen, der Staub oder Puder aufweist, oder an dem ein korrosives Gas erzeugt werden könnte.
23. Plötzliche Temperaturschwankungen können den Funk-Adapter betauen. Benutzen Sie den Funk-Adapter nicht eher, bis der Tau vollständig getrocknet ist.
24. Wischen Sie den Funk-Adapter zum Reinigen sachte mit einem trockenen, weichen Tuch ab. Verwenden Sie kein Waschbenzin, kein leitfähiges Fett, keinen Verdünner oder dergleichen.
25. Bewahren Sie den Funk-Adapter zur Lagerung in der mitgelieferten Schachtel oder einem statikfreien Behälter auf.
26. Führen Sie keine anderen Geräte außer dem Makita-Funk-Adapter in den Steckplatz des Werkzeugs ein.
27. Benutzen Sie das Werkzeug nicht, wenn der Deckel des Steckplatzes beschädigt ist. Wasser, Staub und Schmutz, die in den Steckplatz eindringen, können eine Funktionsstörung verursachen.
28. Ziehen und/oder verdrehen Sie den Deckel des Steckplatzes nicht mehr als nötig. Bringen Sie den Deckel wieder an, falls er sich vom Werkzeug löst.
29. Ersetzen Sie den Deckel des Steckplatzes, falls er verloren geht oder beschädigt wird.

BEWAHREN SIE DIESE ANLEITUNG AUF.

FUNKTIONSBESCHREIBUNG

⚠ VORSICHT: Vergewissern Sie sich vor der Durchführung von Einstellungen oder Funktionsprüfungen des Werkzeugs stets, dass das Werkzeug ausgeschaltet und der Akku abgenommen ist.

Anbringen und Abnehmen des Akkus

⚠ VORSICHT: Schalten Sie das Werkzeug stets aus, bevor Sie den Akku anbringen oder abnehmen.

⚠ VORSICHT: Halten Sie das Werkzeug und den Akku beim Anbringen oder Abnehmen des Akkus sicher fest. Wenn Sie das Werkzeug und den Akku nicht sicher festhalten, können sie Ihnen aus der Hand rutschen, was zu einer Beschädigung des Werkzeugs und des Akkus und zu Körperverletzungen führen kann.

► **Abb.1:** 1. Rote Anzeige 2. Knopf 3. Akku

Ziehen Sie den Akku zum Abnehmen vom Werkzeug ab, während Sie den Knopf an der Vorderseite des Akkus verschieben.

Richten Sie zum Anbringen des Akkus dessen Führungsfeder auf die Nut im Gehäuse aus, und schieben Sie den Akku hinein. Schieben Sie ihn vollständig ein, bis er mit einem leisen Klicken einrastet. Wenn Sie die rote Anzeige sehen können, wie in der Abbildung gezeigt, ist der Akku nicht vollständig verriegelt.

⚠ VORSICHT: Schieben Sie den Akku stets bis zum Anschlag ein, bis die rote Anzeige nicht mehr sichtbar ist. Anderenfalls kann er aus dem Werkzeug herausfallen und Sie oder umstehende Personen verletzen.

⚠ VORSICHT: Unterlassen Sie Gewaltanwendung beim Anbringen des Akkus. Falls der Akku nicht reibungslos hineingleitet, ist er nicht richtig ausgerichtet.

Anzeigen der Akku-Restkapazität

Drücken Sie die Prüftaste am Akku, um die Akku-Restkapazität anzuzeigen. Die Anzeigelampen leuchten wenige Sekunden lang auf.

► **Abb.2:** 1. Anzeigelampen 2. Prüftaste

Anzeigelampen			Restkapazität
Erleuchtet	Aus	Blinkend	
■	□	◐	75% bis 100%
■ ■ ■ ■			
■ ■ ■	□		50% bis 75%
■ ■	□ □		25% bis 50%
■	□ □ □		0% bis 25%
◐	□ □ □		Den Akku aufladen.
■ ■ □ □	□ □		Möglicherweise liegt eine Funktionsstörung im Akku vor.
□ □ ■ ■			

HINWEIS: Abhängig von den Benutzungsbedingungen und der Umgebungstemperatur kann die Anzeige geringfügig von der tatsächlichen Kapazität abweichen.

HINWEIS: Die erste (äußerste linke) Anzeigelampe blinkt, wenn das Akku-Schutzsystem aktiv ist.

Werkzeug/Akku-Schutzsystem

Das Werkzeug ist mit einem Werkzeug/Akku-Schutzsystem ausgestattet. Dieses System schaltet die Stromversorgung des Motors automatisch ab, um die Lebensdauer von Werkzeug und Akku zu verlängern. Das Werkzeug bleibt während des Betriebs automatisch stehen, wenn das Werkzeug oder der Akku einer der folgenden Bedingungen unterliegt:

Überlastschutz

Wird der Akku auf eine Weise benutzt, die eine ungewöhnlich hohe Stromaufnahme bewirkt, bleibt das Werkzeug ohne jegliche Anzeige automatisch stehen. Schalten Sie in dieser Situation das Werkzeug aus, und brechen Sie die Arbeit ab, die eine Überlastung des Werkzeugs verursacht hat. Schalten Sie dann das Werkzeug wieder ein, um es neu zu starten.

Überhitzungsschutz

Wenn das Werkzeug oder der Akku überhitzt wird, bleibt das Werkzeug automatisch stehen. Lassen Sie das Werkzeug und den Akku in diesem Fall abkühlen, bevor Sie das Werkzeug wieder einschalten.

HINWEIS: Bei Überhitzung des Werkzeugs blinkt die Lampe.

Überentladungsschutz

Wenn die Akkukapazität unzureichend wird, bleibt das Werkzeug automatisch stehen. Nehmen Sie in diesem Fall den Akku vom Werkzeug ab, und laden Sie ihn auf.

Schutz gegen andere Ursachen

Das Schutzsystem ist auch für andere Ursachen ausgelegt, die eine Beschädigung des Werkzeugs bewirken könnten, und ermöglicht automatisches Anhalten des Werkzeugs. Führen Sie alle folgenden Schritte aus, um die Ursachen zu beseitigen, wenn das Werkzeug zu einem vorübergehenden Stillstand oder Betriebsstopp gekommen ist.

1. Schalten Sie das Werkzeug aus und wieder ein, um es neu zu starten.
2. Laden Sie den/die Akku(s) auf, oder tauschen Sie ihn/sie gegen einen aufgeladenen Akku/aufgeladene Akkus aus.
3. Lassen Sie das Werkzeug und den/die Akku(s) abkühlen.

Falls die Wiederherstellung des Schutzsystems keine Besserung bringt, wenden Sie sich an Ihre lokale Makita-Kundendienststelle.

Schalterfunktion

⚠️ WARNUNG: Vergewissern Sie sich vor dem Einsetzen des Akkus in das Werkzeug stets, dass der Ein-Aus-Schalter ordnungsgemäß funktioniert und beim Loslassen in die AUS-Stellung zurückkehrt.

► Abb.3: 1. Auslöseschalter

Drücken Sie zum Einschalten des Werkzeugs einfach den Ein-Aus-Schalter. Die Drehzahl erhöht sich durch verstärkte Druckausübung auf den Ein-Aus-Schalter. Lassen Sie den Ein-Aus-Schalter zum Anhalten los.

Drehzahl-Umschaltung

Die Drehzahl und die Schlagzahl pro Minute können durch Drehen des Stellrads auf eine der Stufen von 1 bis 5 verstellt werden. Durch Drehen des Stellrads in Richtung der Stufe 5 wird die Drehzahl erhöht. Durch Drehen des Stellrads in Richtung der Stufe 1 wird die Drehzahl verringert. Eine Zieldrehzahl kann erreicht werden, wenn der Auslöseschalter ganz durchgedrückt wird.

► Abb.4: 1. Stellrad

Die Beziehung zwischen der Nummer auf dem Stellrad und der ungefähren Drehzahl bzw. der Schlagzahl pro Minute ist aus der Tabelle ersichtlich.

Nummer	Drehzahl pro Minute	Schlagzahl pro Minute
5	840	4.500
4	760	4.070
3	550	2.950
2	350	1.880
1	300	1.610

⚠️ VORSICHT: Drehen Sie das Stellrad nicht bei laufendem Werkzeug. Eine Missachtung dieser Vorsichtsmaßnahme kann den Verlust der Kontrolle über das Werkzeug und Verletzungen zur Folge haben.

ANMERKUNG: Wird das Werkzeug über längere Zeitspannen im Dauerbetrieb mit niedriger Drehzahl betrieben, führt das zu einer Überlastung des Motors, die eine Funktionsstörung des Werkzeugs zur Folge haben kann.

ANMERKUNG: Das Stellrad kann zwischen den Nummern 1 und 5 gedreht werden. Vermeiden Sie es, das Stellrad weiter vor- und zurückzudrehen, da dies zu einer Beschädigung des Werkzeugs führen kann.

Einschalten der Frontlampe

► Abb.5: 1. Lampe

⚠️ VORSICHT: Blicken Sie nicht direkt in die Lampe oder die Lichtquelle.

Betätigen Sie den Auslöseschalter, um die Lampe einzuschalten. Die Lampe bleibt erleuchtet, solange der Auslöseschalter gedrückt gehalten wird. Die Lampe erlischt ungefähr 10 Sekunden nach dem Loslassen des Ein-Aus-Schalters.

⚠️ VORSICHT: Falls die Lampe erlischt, nachdem sie wenige Sekunden lang geblinkt hat, funktioniert die aktive Rückkopplungs-Erkennungstechnologie nicht ordnungsgemäß. Wenden Sie sich bezüglich einer Reparatur an Ihre örtliche Makita-Kundendienststelle.

HINWEIS: Wischen Sie Schmutz auf der Lampenlinse mit einem trockenen Tuch ab. Achten Sie sorgfältig darauf, dass Sie die Lampenlinse nicht verkratzen, weil sich sonst die Lichtstärke verringert.

HINWEIS: Bei Überhitzung des Werkzeugs blinkt die Lampe. Lassen Sie in diesem Fall den Auslöseschalter los, und lassen Sie dann das Werkzeug/den Akku abkühlen, bevor Sie die Arbeit fortsetzen.

HINWEIS: Die Frontlampe kann nicht verwendet werden, während das Staubabsaugsystem (Sonderzubehör) im Werkzeug installiert ist.

Funktion des Drehrichtungsumschalters

► Abb.6: 1. Drehrichtungsumschalthebel

⚠️ VORSICHT: Prüfen Sie stets die Drehrichtung, bevor Sie mit der Arbeit beginnen.

⚠️ VORSICHT: Betätigen Sie den Drehrichtungsumschalter erst, nachdem das Werkzeug völlig zum Stillstand gekommen ist. Durch Umschalten der Drehrichtung bei noch laufendem Werkzeug kann das Werkzeug beschädigt werden.

⚠️ VORSICHT: Stellen Sie den Drehrichtungsumschalthebel stets auf die Neutralstellung, wenn Sie das Werkzeug nicht benutzen.

Dieses Werkzeug besitzt einen Drehrichtungsumschalter. Drücken Sie auf die Seite A des Drehrichtungsumschalthebels für Rechtsdrehung, und auf die Seite B für Linksdrehung. In der Neutralstellung des Drehrichtungsumschalthebels ist der Ein-Aus-Schalter verriegelt.



Auswechseln des Schnellwechselfutters für SDS-plus

Für Modell HR009G

Das Schnellwechselfutter für SDS-plus kann leicht gegen das Schnellwechsel-Bohrfutter ausgewechselt werden.



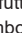
Entfernen des Schnellwechselfutters für SDS-plus

⚠️ VORSICHT: Nehmen Sie unbedingt den Einsatz heraus, bevor Sie das Schnellwechselfutter für SDS-plus entfernen.

Fassen Sie die Wechselhülse des Schnellwechselfutters für SDS-plus, und drehen Sie sie in Pfeilrichtung, um die Wechselhülse vom Symbol  zum Symbol  zu verstellen. Ziehen Sie das Schnellwechselfutter für SDS-plus gegebenenfalls kräftig in Pfeilrichtung.

► Abb.7: 1. Schnellwechselfutter für SDS-plus
2. Wechselhülse 3. Wechselhülselinie

Montieren des Schnellwechsel-Bohrfutters

Vergewissern Sie sich, dass die Linie des Schnellwechsel-Bohrfutters auf das Symbol  zeigt. Fassen Sie die Wechselhülse des Schnellwechsel-Bohrfutters, und richten Sie die Linie auf das Symbol  aus. Setzen Sie das Schnellwechsel-Bohrfutter auf die Spindel des Werkzeugs. Fassen Sie die Wechselhülse des Schnellwechsel-Bohrfutters, und drehen Sie die Wechselhülse zum Symbol  bis ein deutliches Klicken zu hören ist.


► **Abb.8:** 1. Schnellwechsel-Bohrfutter 2. Spindel
3. Wechselhülse 4. Wechselhülse

Wahl der Betriebsart

ANMERKUNG: Betätigen Sie den Betriebsart-Umschaltknopf nicht bei laufendem Werkzeug. Das Werkzeug kann sonst beschädigt werden.


ANMERKUNG: Um schnellen Verschleiß des Betriebsart-Umschaltmechanismus zu vermeiden, achten Sie stets darauf, dass der Betriebsart-Umschaltknopf einwandfrei in einer der drei Betriebsartpositionen eingerastet ist.

Schlagbohren

Für Bohren in Beton, Mauerwerk usw. drehen Sie den Betriebsart-Umschaltknopf auf das Symbol . Verwenden Sie einen Einsatz mit Hartmetallspitze (Sonderzubehör).


► **Abb.9:** 1. Schlagbohren
2. Betriebsart-Umschaltknopf

Bohren

Für Bohren in Holz-, Metall- oder Kunststoffmaterial drehen Sie den Betriebsart-Umschaltknopf auf das Symbol . Verwenden Sie einen Spiralbohrer oder Holzbohrer.

► **Abb.10:** 1. Bohren

Schlagen

Für Meißeln, Abklopfen oder Demolieren drehen Sie den Betriebsart-Umschaltknopf auf das Symbol . Verwenden Sie einen Spitzmeißel, Flachmeißel, Putzmeißel usw.

► **Abb.11:** 1. Schlagen

Luftkanal

⚠ VORSICHT: Stecken Sie nicht Ihren Finger in den Luftkanal, und führen Sie auch keine anderen Gegenstände in den Luftkanal ein. Anderenfalls können Sie verletzt werden, oder das Werkzeug kann beschädigt werden.

Der Luftkanal ist so konzipiert, dass er die Saugleistung des Staubabsaugsystems verbessert. Einzelheiten zur Installation des Staubabsaugsystems finden Sie in der Installationsanleitung für das Staubabsaugsystem.

► **Abb.12:** 1. Luftkanal

Haken

Sonderzubehör

⚠ VORSICHT: Nehmen Sie stets den Akku ab, wenn Sie das Werkzeug am Aufhänger aufhängen.

⚠ VORSICHT: Hängen Sie das Werkzeug auf keinen Fall an hoch gelegenen Stellen oder an einer potentiell instabilen Fläche auf.

Der Aufhänger ist praktisch, um das Werkzeug vorübergehend aufzuhängen.

Bevor Sie den Aufhänger installieren, entfernen Sie die Gummikappe von den Schraubenlöchern in der Montagehalterung. Führen Sie die Tellerscheiben unter die Halterung ein, und ziehen Sie dann den Aufhänger mit den Schrauben an seinem Platz fest.

► **Abb.13:** 1. Gummikappe 2. Montagehalterung
3. Tellerscheiben 4. Aufhänger
5. Schrauben

Heben Sie den Arm des Aufhängers zum Gebrauch an, bis er in die geöffnete Position einrastet. Achten Sie bei Nichtgebrauch darauf, dass der Aufhänger in die geschlossene Position zurückgeklappt ist.

► **Abb.14:** 1. Haken 2. Geöffnete Position
3. Geschlossene Position

► **Abb.15**

Anschließen einer Schnur (Haltegurt) am Aufhänger

⚠ VORSICHT: Benutzen Sie den Aufhänger und die Schrauben nicht, wenn sie beschädigt sind. Überprüfen Sie das Werkzeug vor Gebrauch stets auf Beschädigung, Risse oder Verformung, und vergewissern Sie sich, dass die Schrauben angezogen sind.

⚠ VORSICHT: Vergewissern Sie sich, dass der Aufhänger mit den Schrauben sicher montiert ist.

⚠ VORSICHT: Unterlassen Sie Montieren oder Demontieren von Zubehör, während Sie das Werkzeug aufhängen. Das Werkzeug kann herunterfallen, falls die Schrauben nicht festgezogen sind.

⚠ VORSICHT: Verwenden Sie stets einen Schraubkarabiner (Multi-Action- und Screw Gate-Ausführung), und befestigen Sie unbedingt die Schnur (Haltegurt) am Doppelschleifenenteil des Aufhängers. Ungeeignete Befestigung kann Herunterfallen des Werkzeugs vom Aufhänger verursachen, was zu Personenschäden führen kann.

Der Aufhänger ist auch zum Anschließen der Schnur (Haltegurt) vorgesehen. Schließen Sie die Schnur (Haltegurt) unbedingt an den Doppelschleifenenteil des Aufhängers an.

► **Abb.16:** 1. Doppelschleifenenteil des Aufhängers
2. Schnur (Haltegurt) 3. Schraubkarabiner (Multi-Action- und Screw Gate-Ausführung)

Sicherheitswarnungen über das Anschließen einer Schnur (Haltegurt) am Aufhänger

⚠️ Spezielle Sicherheitswarnungen für Gebrauch an hohen Orten

Lesen Sie alle Sicherheitswarnungen und Anweisungen durch. Eine Missachtung der Warnungen und Anweisungen kann zu schweren Verletzungen führen.

1. Halten Sie das Werkzeug stets angebunden, wenn Sie „an hohen Orten“ arbeiten. Die maximale Schnurlänge beträgt 2 m. Die maximal zulässige Fallhöhe für die Schnur (Haltegurt) darf 2 m nicht überschreiten.
2. Verwenden Sie nur für diesen Werkzeugtyp geeignete Schnüre, die für eine Belastung von mindestens 10 kg bemessen sind.
3. Verankern Sie die Werkzeugschnur nicht an irgendeinem Körperteil oder an beweglichen Komponenten. Verankern Sie die Werkzeugschnur an einer starren Struktur, die den Kräften eines herunterfallenden Werkzeugs widerstehen kann.
4. Vergewissern Sie sich vor der Benutzung, dass die Schnur an beiden Enden einwandfrei gesichert ist.
5. Überprüfen Sie Werkzeug und Schnur vor jeder Benutzung auf Beschädigung und ordnungsgemäße Funktion (einschließlich Stoff und Nähte). Unterlassen Sie den Gebrauch bei Beschädigung oder nicht ordnungsgemäßer Funktion.
6. Wickeln Sie die Schnüre nicht um scharfe oder raue Kanten, und lassen Sie sie auch nicht mit diesen in Berührung kommen.
7. Befestigen Sie das andere Ende der Schnur außerhalb des Arbeitsbereichs, so dass ein herunterfallendes Werkzeug sicher gehalten wird.
8. Bringen Sie die Schnur so an, dass sich das Werkzeug vom Bediener weg bewegt, falls es herunterfällt. Heruntergefallene Werkzeuge schwingen an der Schnur, was Verletzungen oder Verlust des Gleichgewichts verursachen kann.
9. Unterlassen Sie die Benutzung in der Nähe von beweglichen Teilen oder laufenden Maschinen. Anderenfalls besteht Gefährdung durch Zerquetschen oder Erfassen.
10. Tragen Sie das Werkzeug nicht an der Aufsatzvorrichtung oder der Schnur.
11. Übertragen Sie das Werkzeug nur zwischen Ihren Händen, wenn Sie einwandfreies Gleichgewicht haben.
12. Befestigen Sie Schnüre nicht in einer Weise am Werkzeug, die ordnungsgemäße Funktionieren von Schaltern oder der Auslösersperre (falls geliefert) verhindert.
13. Vermeiden Sie es, in der Schnur verwickelt zu werden.
14. Halten Sie die Schnur vom Bohrbereich des Werkzeugs fern.

15. Verwenden Sie einen Schraubkarabiner (Multi-Action- und Screw Gate-Ausführung). Verwenden Sie keine Single-Action-Karabiner mit Federschnapper.
16. Falls das Werkzeug herunterfällt, muss es markiert und außer Betrieb genommen werden und sollte von einem Makita-Werk oder einem autorisierten Service-Center überprüft werden.

Funktion zur Verhütung eines versehentlichen Wiederanlaufs

Das Werkzeug startet nicht, wenn Sie den Akku bei betätigtem Auslöseschalter einsetzen. Zum Starten des Werkzeugs lassen Sie den Auslöseschalter zunächst los, bevor Sie ihn betätigen.

Drehmomentbegrenzer

ANMERKUNG: Schalten Sie das Werkzeug bei Aktivierung des Drehmomentbegrenzers sofort aus. Dies verhindert vorzeitigen Verschleiß des Werkzeugs.

ANMERKUNG: Bohrereinsätze, wie z. B. eine Lochsäge, die zum Klemmen oder Hängenbleiben in der Bohrung neigen, sind für dieses Werkzeug nicht geeignet. Dies liegt daran, dass sie eine zu häufige Aktivierung des Drehmomentbegrenzers verursachen.

Der Drehmomentbegrenzer wird bei Erreichen eines bestimmten Drehmoments ausgelöst. Der Motor wird von der Ausgangswelle abgekuppelt. Wenn dies eintritt, bleibt der Bohrereinsatz stehen.

Elektronikfunktionen

Das Werkzeug ist für komfortablen Betrieb mit Elektronikfunktionen ausgestattet.

- Elektrische Bremse
Dieses Werkzeug ist mit einer elektrischen Bremse ausgestattet. Falls das Werkzeug nach dem Loslassen des Auslöseschalters ständig nicht sofort anhält, lassen Sie es von einer Makita-Kundendienststelle warten.
- Konstantdrehzahlregelung
Die Drehzahlregelungsfunktion liefert eine konstante Drehzahl ungeachtet der Lastbedingungen.
- Aktive Rückkopplungs-Erkennungstechnologie
Wird das Werkzeug während des Betriebs mit der vorbestimmten Beschleunigung geschwenkt, wird der Motor zwangsweise angehalten, um die Belastung des Handgelenks zu verringern.

HINWEIS: Diese Funktion ist unwirksam, falls die Beschleunigung nicht den vorbestimmten Wert beim Schwenken des Werkzeugs erreicht.

HINWEIS: Wird der Einsatz während des Betriebs beim Meißeln, Abklopfen oder Demolieren mit der vorbestimmten Beschleunigung geschwenkt, wird der Motor zwangsweise angehalten. Lassen Sie in diesem Fall den Auslöseschalter los, und betätigen Sie dann den Auslöseschalter, um das Werkzeug erneut zu starten.

MONTAGE

⚠ VORSICHT: Vergewissern Sie sich vor der Ausführung von Arbeiten am Werkzeug stets, dass das Werkzeug ausgeschaltet und der Akku abgenommen ist.

Seitengriff (Zusatzgriff)

⚠ VORSICHT: Verwenden Sie stets den Seitengriff, um sicheren Betrieb zu gewährleisten.

⚠ VORSICHT: Vergewissern Sie sich nach dem Installieren oder Einstellen des Seitengriffs, dass der Seitengriff mit seinen Haltevorsprüngen durch die Positionierungsaussparungen am Getriebegehäuse fest gesichert ist.

Befolgen Sie zum Montieren des Seitengriffs die nachstehenden Schritte.

1. Lösen Sie die Flügelschraube am Seitengriff. Installieren Sie dann den Seitengriff auf den Zylinderhals des Getriebegehäuses.
- ▶ **Abb.17:** 1. Seitengriff 2. Flügelschraube 3. Zylinderhals des Getriebegehäuses 4. Haltevorsprung 5. Positionierungsaussparung

Der Befestigungsring kann durch Drücken der Flügelschraube nach unten vergrößert werden, so dass der Ring leicht und sicher über den Zylinderhals des Getriebegehäuses eingerastet werden kann.

- ▶ **Abb.18:** 1. Flügelschraube 2. Befestigungsring

2. Ziehen Sie die Flügelschraube an, um den Griff im gewünschten Winkel sicher zu befestigen.

Montage und Demontage des Bohrereinsatzes

Schmierfett

Reinigen Sie das Schaftende des Bohrereinsatzes, und tragen Sie Schmierfett auf, bevor Sie den Bohrereinsatz montieren.

Tragen Sie vor der Arbeit eine kleine Menge Schmierfett (etwa 0,5 - 1 g) auf das Schaftende des Bohrereinsatzes auf.

Diese Futterschmierung gewährleistet reibungslosen Betrieb und längere Lebensdauer.

- ▶ **Abb.19:** 1. Schaftende 2. Schmierfett

Setzen Sie das Schaftende des Bohrereinsatzes in das Spannfutter ein und führen Sie ihn weiter in das Spannfutter ein, während Sie den Bohrereinsatz von Hand drehen, so dass das Schaftende gut in den Schlitz des Spannfutters passt und vollständig eingerastet wird. Nachdem Sie den Bohrereinsatz installiert haben, versuchen Sie, ihn zurückzuziehen, um sicherzustellen, dass er sicher an seinem Platz gehalten wird.

- ▶ **Abb.20:** 1. Bohrereinsatz 2. Spannfutter


Um den Bohrereinsatz zu entfernen, ziehen Sie die Futterabdeckung vollständig nach unten, und ziehen Sie den Bohrereinsatz heraus.

- ▶ **Abb.21:** 1. Bohrereinsatz 2. Futterabdeckung

Meißelwinkel (beim Meißeln, Abklopfen oder Demolieren)

Der Meißel kann im gewünschten Winkel eingespannt werden. Um den Meißelwinkel zu ändern, drehen Sie den Betriebsart-Umschaltknopf auf das Symbol O. Drehen Sie den Meißel auf den gewünschten Winkel.

- ▶ **Abb.22:** 1. Betriebsart-Umschaltknopf

Drehen Sie den Betriebsart-Umschaltknopf auf die Position des Symbols . Vergewissern Sie sich dann durch leichtes Drehen, dass der Meißel einwandfrei gesichert ist.

Tiefenanschlag

Der Tiefenanschlag ist praktisch, um Löcher von gleicher Tiefe zu bohren.

Halten Sie den Arretierknopf gedrückt, und führen Sie dann den Tiefenanschlag in das Sechskantloch ein. Vergewissern Sie sich, dass die gezahnte Seite des Tiefenanschlags auf die Markierung gerichtet ist.

- ▶ **Abb.23:** 1. Tiefenanschlag 2. Arretierknopf 3. Markierung 4. Gezahnte Seite

Stellen Sie den Tiefenanschlag ein, indem Sie ihn bei gedrücktem Sperrknopf vor und zurück schieben. Lassen Sie den Sperrknopf nach der Einstellung los, um den Tiefenanschlag zu verriegeln.

HINWEIS: Vergewissern Sie sich beim Anbringen, dass der Tiefenanschlag nicht den Hauptteil des Werkzeugs berührt.

Staubfangteller

Sonderzubehör

Verwenden Sie bei Überkopf-Bohrarbeiten den Staubfangteller, um zu verhüten, dass Staub auf Sie und das Werkzeug fällt. Bringen Sie den Staubfangteller so am Einsatz an, wie in der Abbildung gezeigt. Der Staubfangteller kann an Einsätzen der folgenden Größen angebracht werden.

Modell	Einsatzdurchmesser
Staubfangteller 5	6 mm - 14,5 mm
Staubfangteller 9	12 mm - 16 mm

- ▶ **Abb.24:** 1. Staubfangteller


Staubfangtellersatz


Sonderzubehör

⚠ VORSICHT: Entfernen Sie vor dem Installieren und Deinstallieren des Staubfangtellersatzes einen Einsatz aus dem Werkzeug.

Installation

Für Modell HR008G

1. Bringen Sie den Distanzring an der Befestigungseinheit des Staubfangtellersatzes an, und richten Sie dabei das Symbol  an der Befestigungseinheit auf eine der Nuten im Distanzring aus.

- ▶ **Abb.25:** 1. Distanzring 2. Staubfangtellersatz 3. Befestigungseinheit 4. Symbol  5. Nut

STAUBABSAUGSYSTEM

2. Setzen Sie den Staubfangtellersatz mit dem Distanzring auf den Zylinderhals des Getriebegehäuses, und richten Sie dabei das Symbol \triangle am Staubfangtellersatz auf eine der Nuten im Zylinder aus. Halten Sie dann die Befestigungseinheit des Staubfangtellersatzes fest, und drücken Sie sie nach unten auf den Zylinder, um sie sicher zu befestigen.

- **Abb.26:** 1. Staubfangtellersatz
2. Befestigungseinheit 3. Distanzring
4. Symbol \triangle 5. Nut

Für Modell HR009G

Setzen Sie den Staubfangtellersatz auf den Zylinderhals des Getriebegehäuses, und richten Sie dabei das Symbol \triangle auf dem Staubfangtellersatz auf eine der Nuten im Zylinder aus. Halten Sie dann die Befestigungseinheit des Staubfangtellersatzes fest, und drücken Sie sie nach unten auf den Zylinder, um sie sicher zu befestigen.

- **Abb.27:** 1. Staubfangtellersatz
2. Befestigungseinheit 3. Symbol \triangle 4. Nut

HINWEIS: Wenn Sie ein Sauggerät an den Staubfangtellersatz anschließen, entfernen Sie den Staubfangteller vor dem Anschließen.

- **Abb.28:** 1. Staubkappe

Demontage

1. Drücken Sie die Futterabdeckung ganz nach unten, und ziehen Sie einen Einsatz ab.

- **Abb.29:** 1. Einsatz 2. Futterabdeckung

2. Halten Sie die Befestigungseinheit des Staubfangtellersatzes fest, und ziehen Sie sie vom Werkzeug ab.

- **Abb.30:** 1. Befestigungseinheit

HINWEIS: Falls sich die Kappe vom Staubfangtellersatz ablöst, bringen Sie sie wieder in die ursprüngliche Position.

1. Lösen Sie den Faltenbalg von der Befestigungseinheit des Staubfangtellersatzes.

- **Abb.31:** 1. Faltenbalg 2. Befestigungseinheit

2. Setzen Sie die Kappe mit der bedruckten Seite nach oben wieder auf.

- **Abb.32:** 1. Kappe 2. Bedruckte Seite 3. Rillen
4. Lippen der oberen Öffnung
5. Befestigungseinheit

3. Vergewissern Sie sich, dass die Rillen um die Kappe gut auf die Lippen der oberen Öffnung der Befestigungseinheit passen.

- **Abb.33**

Sonderzubehör

Das Staubabsaugsystem ist dafür ausgelegt, Staub bei Bohrbetrieb in Beton effektiv abzusaugen.

- **Abb.34:** 1. Staubabsaugsystem

⚠ VORSICHT: Das Staubabsaugsystem ist nur für Bohren in Beton vorgesehen. Benutzen Sie das Staubabsaugsystem nicht zum Bohren in Metall oder Holz.

⚠ VORSICHT: Wenn Sie das Werkzeug mit dem Staubabsaugsystem verwenden, bringen Sie unbedingt den Filter am Staubabsaugsystem an, um Einatmen von Staub zu verhindern.

⚠ VORSICHT: Bevor Sie das Staubabsaugsystem benutzen, stellen Sie sicher, dass der Filter nicht beschädigt ist. Anderenfalls kann es zu Einatmen von Staub kommen.

⚠ VORSICHT: Das Staubabsaugsystem sammelt einen Großteil des erzeugten Staubs auf, aber es kann nicht den ganzen Staub auf sammeln.

ANMERKUNG: Verwenden Sie das Staubabsaugsystem nicht für Kernbohr- oder Stemmarbeiten.

ANMERKUNG: Benutzen Sie das Staubabsaugsystem nicht für Metall oder Holz. Das Staubabsaugsystem ist nur für Beton vorgesehen.

ANMERKUNG: Verwenden Sie das Staubabsaugsystem nicht zum Bohren in nassem Beton, und benutzen Sie dieses System auch nicht in nasser Umgebung. Anderenfalls kann es zu einer Funktionsstörung kommen.

Installation

ANMERKUNG: Bevor Sie das Staubabsaugsystem installieren, reinigen Sie die Verbindungsteile des Werkzeugs und des Staubabsaugsystems. Fremdkörper an den Verbindungsteilen können Schwierigkeiten beim Installieren des Staubabsaugsystems verursachen. Falls Staub am Luftkanal verbleibt, gelangt der Staub in das Werkzeug und verursacht Behinderung des Luftstroms oder Bruchschaden des Werkzeugs.

Hängen Sie die Haken des Staubabsaugsystems in die Taschen an der unteren Vorderseite des Werkzeugs ein. Heben Sie die Düse an, um das Staubabsaugsystem mit einem Klick zu befestigen, so dass der Luftkanal des Werkzeugs mit dem Saugluftausgang des Staubabsaugsystems abgedeckt wird.

- **Abb.35:** 1. Haken 2. Staubabsaugsystem
3. Taschen 4. Düse 5. Luftkanal
6. Saugluftausgang

Demontage

Halten Sie den Verriegelungsknopf am Staubabsaugsystem gedrückt und senken Sie die Düse ab, um den oberen Teil des Staubabsaugsystems zu lösen. Hängen Sie den unteren Teil des Staubabsaugsystems vom Werkzeug aus.

- **Abb.36:** 1. Staubabsaugsystem 2. Düse
3. Verriegelungsknopf

Einstellen der Düsenposition des Staubabsaugsystems

⚠ VORSICHT: Richten Sie die Düse nicht auf sich selbst oder andere, wenn Sie die Düse durch Drücken des Führungseinstellknopfes freigeben.

Schieben Sie die Düsenführung hinein und heraus, während Sie den Führungseinstellknopf drücken, und lassen Sie dann den Knopf an einer exakten Position los, an der die Spitze des Bohrereinsatzes gerade hinter der Stirnfläche der Düse sitzt.

- **Abb.37:** 1. Führung 2. Führungseinstellknopf
3. Spitze des Bohrereinsatzes
4. Stirnfläche der Düse

Einstellen der Bohrtiefen

Die Bohrtiefen können durch Ändern der Längen zwischen dem Tiefeneinstellknopf und dem Stützarm für die Düsenführung eingestellt werden. Halten Sie den Tiefeneinstellknopf gedrückt, und schieben Sie ihn in die gewünschte Position.

- **Abb.38:** 1. Tiefeneinstellknopf 2. Düsenführung
3. Stützarm für Düsenführung 4. Bohrtiefen

Ausklopfen des Filters

⚠ VORSICHT: Drehen Sie nicht das Einstellrad am Staubsammelbehälter, während der Staubsammelbehälter vom Staubabsaugsystem entfernt ist. Anderenfalls kann es zu Einatmen von Staub kommen.

⚠ VORSICHT: Schalten Sie stets das Werkzeug aus, wenn Sie das Einstellrad am Staubsammelbehälter drehen. Drehen des Einstellrads bei laufendem Werkzeug kann zum Verlust der Kontrolle über das Werkzeug führen.

Durch Ausklopfen des Filters im Staubsammelbehälter können Sie die Saugeffizienz aufrechterhalten und auch die Anzahl der Staubentleerungen verringern. Drehen Sie das Einstellrad am Staubsammelbehälter dreimal, nachdem sich jeweils 50.000 mm³ Staub angesammelt haben, oder wenn Sie das Gefühl haben, dass die Saugleistung nachgelassen hat.

HINWEIS: 50.000 mm³ Staub entsprechen dem Bohren von 10 Löchern von ø10 mm und 65 mm Tiefe.

- **Abb.39:** 1. Staubsammelbehälter 2. Einstellrad

Staubentsorgung

⚠ VORSICHT: Vergewissern Sie sich vor der Ausführung von Arbeiten am Werkzeug stets, dass das Werkzeug ausgeschaltet und der Akku abgenommen ist.

⚠ VORSICHT: Tragen Sie beim Entsorgen von Staub unbedingt eine Staubmaske.

⚠ VORSICHT: Leeren Sie den Staubsammelbehälter regelmäßig, bevor er voll wird. Anderenfalls kann die Staubsammelleistung nachlassen, so dass es zu Einatmen von Staub kommt.

⚠ VORSICHT: Die Staubsammelleistung lässt nach, wenn der Filter im Staubsammelbehälter zugesetzt wird. Ersetzen Sie den Filter als Richtlinie nach etwa 200 Stauffüllungen durch einen neuen. Anderenfalls kann es zu Einatmen von Staub kommen.

1. Entfernen Sie den Staubsammelbehälter, während Sie den Rasthebel des Staubsammelbehälters nach unten drücken.

- **Abb.40:** 1. Rasthebel

2. Heben Sie die Verriegelungslasche geringfügig nach außen an, und öffnen Sie die Staubsammelbehälterabdeckung.
► **Abb.41:** 1. Staubsammelbehälterabdeckung
2. Verriegelungslasche

3. Entsorgen Sie den Staub, und reinigen Sie dann den Filter.

- **Abb.42**

ANMERKUNG: Klopfen Sie zum Reinigen des Filters sanft mit der Hand auf das Filtergehäuse, um Staub zu entfernen. Klopfen Sie nicht direkt auf den Filter, berühren Sie den Filter nicht mit einer Bürste oder dergleichen, und blasen Sie auch keine Druckluft auf den Filter. Dadurch kann der Filter beschädigt werden.

Austauschen des Filters des Staubsammelbehälters

1. Entfernen Sie den Staubsammelbehälter, während Sie den Rasthebel des Staubsammelbehälters nach unten drücken.

- **Abb.43:** 1. Rasthebel

2. Heben Sie die Verriegelungslasche geringfügig nach außen an, und öffnen Sie die Filterabdeckung des Staubsammelbehälters.

- **Abb.44:** 1. Filterabdeckung 2. Verriegelungslasche

3. Entfernen Sie den Filter aus dem Filtergehäuse.

- **Abb.45:** 1. Filter 2. Filtergehäuse

4. Setzen Sie einen neuen Filter in das Filtergehäuse ein, und bringen Sie dann die Filterabdeckung an.

5. Schließen Sie die Abdeckung des Staubsammelbehälters, und bringen Sie ihn dann am Staubabsaugsystem an.

Austauschen der Dichtkappe

Eine beschädigte oder verschlissene Dichtkappe kann die Staubabsaugleistung beeinträchtigen. Ersetzen Sie die Dichtkappe durch eine neue, und richten Sie dabei ihren Führungsvorsprung auf die Führungskerbe des Düsenkopfes aus.

- **Abb.46:** 1. Dichtkappe 2. Führungsvorsprung
3. Düsenkopf 4. Führungskerbe

Lagerung

ANMERKUNG: Wenn die Düsenführung eine bestimmte Zeitlang nicht benutzt wird, muss sie aus ihrer vollständig verkürzten Position auf ca. 100 mm ausgefahren werden. Bei Nichtbeachtung kann der in der Düsenführung vorinstallierte Kanalschlauch beschädigt werden.

- **Abb.47:** 1. Führungseinstellknopf 2. Ca. 100 mm

BETRIEB

⚠ VORSICHT: Montieren Sie stets den Seitengriff (Zusatzgriff), und halten Sie das Werkzeug während der Arbeit mit beiden Händen am Seitengriff und Schaltergriff fest.

⚠ VORSICHT: Vergewissern Sie sich vor der Arbeit immer, dass das Werkstück gesichert ist.

⚠ VORSICHT: Ziehen Sie das Werkzeug selbst bei klemmendem Einsatz nicht gewaltsam heraus. Verlust der Kontrolle kann Verletzungen verursachen.

ANMERKUNG: Bevor Sie das Staubabsaugsystem mit dem Werkzeug verwenden, lesen Sie den Abschnitt über das Staubabsaugsystem.

HINWEIS: Wenn der Akku kalt ist, kann nicht die volle Leistungsfähigkeit des Werkzeugs erhalten werden. Erwärmen Sie in diesem Fall den Akku, indem Sie das Werkzeug eine Weile bei Nulllast laufen lassen, um die volle Leistungsfähigkeit des Werkzeugs zu erhalten.

- **Abb.48**

Hammerbohren

⚠ VORSICHT: Beim Durchbruch der Bohrung, bei Verstopfung der Bohrung mit Spänen und Partikeln, oder beim Auftreffen auf Betonstahl wirkt eine starke, plötzliche Drehkraft auf Werkzeug und Bohrereinsatz. **Montieren Sie stets den Seitengriff (Zusatzgriff), und halten Sie das Werkzeug während der Arbeit mit beiden Händen am Seitengriff und Schaltergriff fest.** Eine Missachtung dieser Vorsichtsmaßnahme kann den Verlust der Kontrolle über das Werkzeug und mögliche schwere Verletzungen zur Folge haben.


Stellen Sie den Betriebsart-Umschaltknopf auf die Position des Symbols .

Setzen Sie den Bohrereinsatz auf die gewünschte Bohrstelle, und drücken Sie dann den Auslöseschalter. Üben Sie die Vorschubkraft auf den Schaltergriff (Hauptgriff) aus, um genau und effizient zu arbeiten, und halten Sie den Seitengriff (Zusatzgriff) fest, um das Gleichgewicht des Werkzeugs zu halten. Halten Sie das Werkzeug in Position, und vermeiden Sie Abrutschen vom Loch.

Üben Sie keinen stärkeren Druck aus, wenn das Bohrloch mit Spänen oder Bohrmehl zugesetzt wird. Lassen Sie statt dessen das Werkzeug leer laufen, und ziehen Sie dann den Bohrereinsatz teilweise aus dem Bohrloch heraus. Durch mehrmaliges Wiederholen dieses Vorgangs wird das Bohrloch ausgeräumt, so dass der normale Bohrbetrieb fortgesetzt werden kann.

HINWEIS: Es kann zu einer Rundlaufabweichung in der Bohrereinsatzdrehung kommen, wenn das Werkzeug mit Nulllast betrieben wird. Während des Betriebs zentriert sich das Werkzeug automatisch. Dies hat keinen Einfluss auf die Bohrgenauigkeit.

Meißeln/Abklopfen/Demolieren

Stellen Sie den Betriebsart-Umschaltknopf auf die Position des Symbols .

Halten Sie das Werkzeug mit beiden Händen fest. Schalten Sie das Werkzeug ein.

Üben Sie die Vorschubkraft auf den Schaltergriff (Hauptgriff) aus, um genau und effizient zu arbeiten, und halten Sie den Seitengriff (Zusatzgriff) fest, um das Gleichgewicht des Werkzeugs zu halten. Übermäßige Druckausübung auf das Werkzeug bewirkt keine Erhöhung der Arbeitsleistung.

- **Abb.49**

Bohren in Holz oder Metall

⚠ VORSICHT: Halten Sie daher das Werkzeug mit festem Griff und lassen Sie Vorsicht walten, wenn der Bohrereinsatz im Begriff ist, aus dem Werkstück auszutreten. Beim Bohrungsdurchbruch wirkt ein hohes Rückdrehmoment auf Werkzeug und Bohrereinsatz.


⚠ VORSICHT: Ein feststehender Bohrereinsatz lässt sich durch einfaches Umschalten der Drehrichtung wieder herausdrehen. Dabei sollten Sie aber das Werkzeug gut festhalten, damit es nicht ruckartig herausgestoßen wird.

⚠ VORSICHT: Spannen Sie Werkstücke stets in einen Schraubstock oder eine ähnliche Aufspannvorrichtung ein.

ANMERKUNG: Verwenden Sie keinesfalls die Betriebsart „Schlagbohren“, wenn das Bohrfutter am Werkzeug angebracht ist. Das Bohrfutter kann sonst beschädigt werden.

Außerdem löst sich das Bohrfutter beim Umschalten der Drehrichtung.

ANMERKUNG: Übermäßige Druckausübung auf das Werkzeug bewirkt keine Beschleunigung der Bohrleistung. Im Gegenteil; übermäßiger Druck führt zu einer Beschädigung der Spitze des Bohrereinsatzes und damit zu einer Verringerung der Leistungsfähigkeit sowie zu einer Verkürzung der Lebensdauer des Werkzeugs.

Stellen Sie den Betriebsart-Umschaltknopf auf die Position des Symbols .

Für Modell HR008G

Sonderzubehör

Bringen Sie den Futteradapter an einem schlüssellosen Bohrfutter an, an dem eine Schraube der Größe 1/2"-20 montiert werden kann, und montieren Sie dann die Teile am Werkzeug. Einzelheiten zum Installieren des Adapters in das Spannfutter finden Sie in den Anweisungen zum Installieren des Bohrereinsatzes.

► **Abb.50:** 1. Schlüsselloses Bohrfutter 2. Futteradapter

Für Modell HR009G


Verwenden Sie das Schnellwechsel-Bohrfutter als Standardausstattung. Einzelheiten zum Installieren des Schnellwechsel-Bohrfutters finden Sie in der Anleitung zum Auswechseln des Schnellwechselfutters für SDS-plus. Halten Sie den Klemmring fest, und drehen Sie die Werkzeugaufnahme entgegen dem Uhrzeigersinn, um die Futterbacken zu öffnen. Führen Sie einen Bohrereinsatz bis zum Anschlag in das Futter ein. Halten Sie den Klemmring fest, und drehen Sie die Werkzeugaufnahme im Uhrzeigersinn, um das Spannfutter festzuziehen.

► **Abb.51:** 1. Werkzeugaufnahme 2. Klemmring

Zum Entfernen des Bohrereinsatzes halten Sie den Klemmring, und drehen Sie die Werkzeugaufnahme entgegen dem Uhrzeigersinn.

Bohren mit Diamant-Bohrkrone

ANMERKUNG: Werden Bohrarbeiten mit Diamant-Bohrkrone in der Betriebsart „Schlagbohren“ durchgeführt, kann die Diamant-Bohrkrone beschädigt werden.

Stellen Sie den Betriebsart-Umschaltknopf zum Bohren mit Diamant-Bohrkrone immer auf die Position , um die Betriebsart „Bohren“ zu benutzen.

Ausblaspipette

Sonderzubehör

Blasen Sie den Staub nach dem Bohren des Lochs mit einer Ausblaspipette aus dem Loch.

► **Abb.52**

Verwendung des Staubfangtellersatzes

Sonderzubehör

Halten Sie den Staubfangtellersatz beim Betreiben des Werkzeugs gegen die Decke.

► **Abb.53**

ANMERKUNG: Benutzen Sie den Staubfangtellersatz nicht, wenn Sie in Metall oder ähnlichem Material bohren. Der Staubfangtellersatz kann sonst durch die von feinem Metallstaub o. Ä. erzeugten Wärme beschädigt werden.

ANMERKUNG: Unterlassen Sie das Montieren oder Demontieren des Staubfangtellersatzes, wenn der Bohrereinsatz im Werkzeug montiert ist. Sonst kann der Staubfangtellersatz beschädigt und ein Staubleck verursacht werden.

FUNK- AKTIVIERUNGSFUNKTION

Mit der Funk-Aktivierungsfunktion verfügbare Möglichkeiten

Die Funk-Aktivierungsfunktion ermöglicht sauberen und komfortablen Betrieb. Wenn Sie ein unterstütztes Sauggerät an das Werkzeug anschließen, können Sie das Sauggerät automatisch mit der Schalterbetätigung des Werkzeugs betreiben.

► **Abb.54**

Um die Funk-Aktivierungsfunktion zu benutzen, benötigen Sie die folgenden Gegenstände:

- Einen Funk-Adapter (Sonderzubehör)
- Ein Sauggerät, das die Funk-Aktivierungsfunktion unterstützt

Die Übersicht über die Einstellung der Funk-Aktivierungsfunktion ist wie folgt. Ausführliche Verfahren entnehmen Sie bitte dem jeweiligen Abschnitt.

1. Installieren des Funk-Adapters
2. Werkzeugregistrierung für das Sauggerät
3. Starten der Funk-Aktivierungsfunktion

Installieren des Funk-Adapters

Sonderzubehör

⚠ VORSICHT: Legen Sie das Werkzeug zum Installieren des Funk-Adapters auf eine ebene und stabile Oberfläche.

ANMERKUNG: Entfernen Sie Staub und Schmutz vom Werkzeug, bevor Sie den Funk-Adapter installieren. Staub oder Schmutz können eine Funktionsstörung verursachen, falls sie in den Steckplatz des Funk-Adapters gelangen.

ANMERKUNG: Um eine durch statische Entladung verursachte Funktionsstörung zu verhindern, berühren Sie ein Statikentladungsmaterial, wie z. B. ein Metallteil des Werkzeugs, bevor Sie den Funk-Adapter anfassen.

ANMERKUNG: Achten Sie beim Installieren des Funk-Adapters immer darauf, dass der Funk-Adapter in der korrekten Richtung eingeführt wird und der Deckel vollständig geschlossen ist.

1. Öffnen Sie den Deckel am Werkzeug, wie in der Abbildung gezeigt.
- **Abb.55:** 1. Deckel

2. Führen Sie den Funk-Adapter in den Steckplatz ein, und schließen Sie dann den Deckel.

Wenn Sie den Funk-Adapter einführen, richten Sie die Vorsprünge auf die Vertiefungen des Steckplatzes aus.

- **Abb.56:** 1. Funk-Adapter 2. Vorsprung 3. Deckel 4. Vertiefung

Zum Entfernen des Funk-Adapters öffnen Sie den Deckel langsam. Die Haken an der Rückseite des Deckels heben den Funk-Adapter an, wenn Sie den Deckel hochziehen.

► **Abb.57:** 1. Funk-Adapter 2. Haken 3. Deckel

Bewahren Sie den Funk-Adapter nach der Entnahme in der mitgelieferten Schachtel oder einem statikfreien Behälter auf.

ANMERKUNG: Verwenden Sie immer die Haken an der Rückseite des Deckels zum Entfernen des Funk-Adapters. Falls die Haken den Funk-Adapter nicht greifen, schließen Sie den Deckel vollständig, und öffnen Sie ihn dann wieder langsam.

Werkzeugregistrierung für das Sauggerät

HINWEIS: Ein Makita-Sauggerät, das die Funk-Aktivierungsfunktion unterstützt, ist für die Werkzeugregistrierung erforderlich.

HINWEIS: Die Installation des Funk-Adapters im Werkzeug muss vollendet sein, bevor mit der Werkzeugregistrierung begonnen wird.

HINWEIS: Unterlassen Sie während der Werkzeugregistrierung die Betätigung des Auslöseschalters oder das Einschalten des Ein-Aus-Schalters am Sauggerät.

HINWEIS: Nehmen Sie auch auf die Betriebsanleitung des Sauggerätes Bezug.

Wenn Sie das Sauggerät zusammen mit der Schalterbetätigung des Werkzeugs aktivieren möchten, müssen Sie zuvor die Werkzeugregistrierung beenden.

1. Setzen Sie die Akkus in das Sauggerät und das Werkzeug ein.
2. Stellen Sie den Bereitschaftsschalter am Sauggerät auf „AUTO“.
► **Abb.58:** 1. Bereitschaftsschalter
3. Drücken Sie die Funk-Aktivierungstaste am Sauggerät für 3 Sekunden, bis die Funk-Aktivierungslampe in Grün blinkt. Drücken Sie dann die Funk-Aktivierungstaste am Werkzeug in der gleichen Weise.
► **Abb.59:** 1. Funk-Aktivierungstaste
2. Funk-Aktivierungslampe

Wenn Sauggerät und Werkzeug erfolgreich verbunden werden, leuchten die Funk-Aktivierungslampen 2 Sekunden lang in Grün auf und beginnen dann in Blau zu blinken.

HINWEIS: Nach Ablauf von 20 Sekunden hören die Funk-Aktivierungslampen auf, in Grün zu blinken. Drücken Sie die Funk-Aktivierungstaste am Werkzeug, während die Funk-Aktivierungslampe am Staubsauger blinkt. Falls die Funk-Aktivierungslampe nicht in Grün blinkt, drücken Sie die Funk-Aktivierungstaste kurz, und halten Sie sie erneut gedrückt.

HINWEIS: Wenn Sie zwei oder mehr Werkzeugregistrierungen für ein Sauggerät durchführen, beenden Sie die Werkzeugregistrierungen nacheinander.

Starten der Funk-Aktivierungsfunktion

HINWEIS: Beenden Sie die Werkzeugregistrierung für das Sauggerät vor der Funk-Aktivierung.

HINWEIS: Nehmen Sie auch auf die Betriebsanleitung des Sauggerätes Bezug.

Nachdem Sie ein Werkzeug im Sauggerät registriert haben, läuft das Sauggerät automatisch mit der Schalterbetätigung am Werkzeug an.

1. Installieren Sie den Funk-Adapter im Werkzeug.
2. Schließen Sie den Schlauch des Sauggerätes am Werkzeug an.
► **Abb.60**
3. Stellen Sie den Bereitschaftsschalter am Sauggerät auf „AUTO“.
► **Abb.61:** 1. Bereitschaftsschalter
4. Drücken Sie die Funk-Aktivierungstaste am Werkzeug kurz. Die Funk-Aktivierungslampe blinkt in Blau.
► **Abb.62:** 1. Funk-Aktivierungstaste
2. Funk-Aktivierungslampe
5. Schalten Sie das Werkzeug ein. Prüfen Sie, ob das Sauggerät während des Betriebs des Werkzeugs läuft.

Um die Funk-Aktivierung des Sauggerätes zu stoppen, drücken Sie die Funk-Aktivierungstaste am Werkzeug.

HINWEIS: Die Funk-Aktivierungslampe am Werkzeug hört auf, in Blau zu blinken, wenn 2 Stunden lang kein Betrieb erfolgt. Stellen Sie in diesem Fall den Bereitschaftsschalter am Sauggerät auf „AUTO“, und drücken Sie die Funk-Aktivierungstaste am Werkzeug erneut.

HINWEIS: Das Sauggerät startet/stoppt mit einer Verzögerung. Es tritt eine Zeitverzögerung auf, wenn das Sauggerät eine Schalterbetätigung des Werkzeugs erkennt.










HINWEIS: Die Übertragungreichweite des Funk-Adapters kann abhängig vom Ort und den Umgebungsbedingungen schwanken.

HINWEIS: Wenn zwei oder mehr Werkzeuge in einem Sauggerät registriert sind, kann das Sauggerät anlaufen, selbst wenn Sie Ihr Werkzeug nicht einschalten, weil ein anderer Benutzer die Funk-Aktivierungsfunktion benutzt.

Beschreibung des Zustands der Funk-Aktivierungslampe

► Abb.63: 1. Funk-Aktivierungslampe

Die Funk-Aktivierungslampe zeigt den Zustand der Funk-Aktivierungsfunktion an. Die Bedeutung des Lampenzustands ist aus der nachstehenden Tabelle ersichtlich.

Zustand	Funk-Aktivierungslampe				Beschreibung
	Farbe	 Ein	 Blinkend	Dauer	
Bereitschaft	Blau			2 Stunden	Die Funk-Aktivierung des Sauggerätes ist verfügbar. Die Lampe erlischt automatisch, wenn 2 Stunden lang kein Betrieb erfolgt.
				Wenn das Werkzeug läuft.	Die Funk-Aktivierung des Sauggerätes ist verfügbar, und das Werkzeug läuft.
Werkzeugregistrierung	Grün			20 Sekunden	Bereit für die Werkzeugregistrierung. Warten auf die Registrierung durch das Sauggerät.
				2 Sekunden	Die Werkzeugregistrierung ist beendet worden. Die Funk-Aktivierungslampe beginnt, in Blau zu blinken.
Aufheben der Werkzeugregistrierung	Rot			20 Sekunden	Bereit für die Aufhebung der Werkzeugregistrierung. Warten auf die Aufhebung durch das Sauggerät.
				2 Sekunden	Die Aufhebung der Werkzeugregistrierung ist beendet worden. Die Funk-Aktivierungslampe beginnt, in Blau zu blinken.
Sonstiges	Rot			3 Sekunden	Der Funk-Adapter wird mit Strom versorgt, und die Funk-Aktivierungsfunktion wird gestartet.
	Aus	-		-	Die Funk-Aktivierung des Sauggerätes ist gestoppt.

Aufheben der Werkzeugregistrierung für das Sauggerät

Führen Sie das folgende Verfahren durch, um die Werkzeugregistrierung für das Sauggerät aufzuheben.

1. Setzen Sie die Akkus in das Sauggerät und das Werkzeug ein.
2. Stellen Sie den Bereitschaftsschalter am Sauggerät auf „AUTO“.
3. Drücken Sie die Funk-Aktivierungstaste am Sauggerät für 6 Sekunden. Die Funk-Aktivierungslampe blinkt in Grün und wird dann rot. Drücken Sie danach die Funk-Aktivierungstaste am Werkzeug in der gleichen Weise.

- **Abb.65:** 1. Funk-Aktivierungstaste
2. Funk-Aktivierungslampe

Wenn die Aufhebung erfolgreich war, leuchten die Funk-Aktivierungslampen 2 Sekunden lang in Rot auf und beginnen dann in Blau zu blinken.

HINWEIS: Nach Ablauf von 20 Sekunden hören die Funk-Aktivierungslampen auf, in Rot zu blinken. Drücken Sie die Funk-Aktivierungstaste am Werkzeug, während die Funk-Aktivierungslampe am Staubsauger blinkt. Falls die Funk-Aktivierungslampe nicht in Rot blinkt, drücken Sie die Funk-Aktivierungstaste kurz, und halten Sie sie erneut gedrückt.

Fehlersuche für Funk-Aktivierungsfunktion

Bevor Sie den Reparaturdienst anrufen, führen Sie zunächst Ihre eigene Inspektion durch. Falls Sie ein Problem finden, das nicht in der Anleitung erläutert wird, versuchen Sie nicht, das Werkzeug zu zerlegen. Wenden Sie sich stattdessen an autorisierte Makita-Kundendienstzentren, und achten Sie darauf, dass stets Makita-Ersatzteile für Reparaturen verwendet werden.

Zustand der Unregelmäßigkeit	Wahrscheinliche Ursache (Funktionsstörung)	Abhilfemaßnahme
Die Funk-Aktivierungslampe leuchtet/blinkt nicht.	Es ist kein Funk-Adapter im Werkzeug installiert. Der Funk-Adapter ist falsch im Werkzeug installiert.	Installieren Sie den Funk-Adapter korrekt.
	Die Kontakte des Funk-Adapters und/oder des Steckplatzes sind verschmutzt.	Wischen Sie Staub und Schmutz an den Kontakten des Funk-Adapters sachte ab, und reinigen Sie den Steckplatz.
	Die Funk-Aktivierungstaste am Werkzeug ist nicht gedrückt worden.	Drücken Sie die Funk-Aktivierungstaste am Werkzeug kurz.
	Der Bereitschaftsschalter am Sauggerät ist nicht auf „AUTO“ eingestellt.	Stellen Sie den Bereitschaftsschalter am Sauggerät auf „AUTO“.
	Keine Stromversorgung	Versorgen Sie Werkzeug und Sauggerät mit Strom.
Die Werkzeugregistrierung/Aufhebung der Werkzeugregistrierung kann nicht erfolgreich beendet werden.	Es ist kein Funk-Adapter im Werkzeug installiert. Der Funk-Adapter ist falsch im Werkzeug installiert.	Installieren Sie den Funk-Adapter korrekt.
	Die Kontakte des Funk-Adapters und/oder des Steckplatzes sind verschmutzt.	Wischen Sie Staub und Schmutz an den Kontakten des Funk-Adapters sachte ab, und reinigen Sie den Steckplatz.
	Der Bereitschaftsschalter am Sauggerät ist nicht auf „AUTO“ eingestellt.	Stellen Sie den Bereitschaftsschalter am Sauggerät auf „AUTO“.
	Keine Stromversorgung	Versorgen Sie Werkzeug und Sauggerät mit Strom.
	Falsche Bedienung	Drücken Sie die Funk-Aktivierungstaste kurz, und führen Sie das Verfahren der Werkzeugregistrierung/Aufhebung der Werkzeugregistrierung erneut durch.
	Der Abstand zwischen Werkzeug und Sauggerät ist zu groß (außerhalb der Übertragungreichweite).	Verkleinern Sie den Abstand zwischen Werkzeug und Sauggerät. Die maximale Übertragungreichweite beträgt ungefähr 10 m, sie kann aber je nach den Umständen schwanken.
	Bevor Sie die Werkzeugregistrierung/Aufhebung der Werkzeugregistrierung beenden; - der Schalter des Werkzeugs wird eingeschaltet, oder; - die Betriebstaste am Sauggerät wird eingeschaltet.	Drücken Sie die Funk-Aktivierungstaste kurz, und führen Sie das Verfahren der Werkzeugregistrierung/Aufhebung der Werkzeugregistrierung erneut durch.
	Die Verfahren der Werkzeugregistrierung für das Werkzeug oder das Sauggerät sind nicht beendet.	Führen Sie die Verfahren der Werkzeugregistrierung sowohl für das Werkzeug als auch das Sauggerät zum selben Zeitpunkt durch.
Das Sauggerät läuft bei der Schalterbetätigung des Werkzeugs nicht an.	Es ist kein Funk-Adapter im Werkzeug installiert. Der Funk-Adapter ist falsch im Werkzeug installiert.	Installieren Sie den Funk-Adapter korrekt.
	Die Kontakte des Funk-Adapters und/oder des Steckplatzes sind verschmutzt.	Wischen Sie Staub und Schmutz an den Kontakten des Funk-Adapters sachte ab, und reinigen Sie den Steckplatz.
	Die Funk-Aktivierungstaste am Werkzeug ist nicht gedrückt worden.	Drücken Sie die Funk-Aktivierungstaste kurz, und vergewissern Sie sich, dass die Funk-Aktivierungslampe in Blau blinkt.
	Der Bereitschaftsschalter am Sauggerät ist nicht auf „AUTO“ eingestellt.	Stellen Sie den Bereitschaftsschalter am Sauggerät auf „AUTO“.
	Es sind mehr als 10 Werkzeuge im Sauggerät registriert.	Führen Sie die Werkzeugregistrierung erneut durch. Wenn mehr als 10 Werkzeuge im Sauggerät registriert werden, wird die Registrierung des ersten Werkzeugs automatisch gelöscht.
	Das Sauggerät hat alle Werkzeugregistrierungen gelöscht.	Führen Sie die Werkzeugregistrierung erneut durch.
	Keine Stromversorgung	Versorgen Sie Werkzeug und Sauggerät mit Strom.
	Der Abstand zwischen Werkzeug und Sauggerät ist zu groß (außerhalb der Übertragungreichweite).	Verkleinern Sie den Abstand zwischen Werkzeug und Sauggerät. Die maximale Übertragungreichweite beträgt ungefähr 10 m, sie kann aber je nach den Umständen schwanken.
	Funkstörungen durch andere Geräte, die starke Funkwellen erzeugen.	Halten Sie das Werkzeug und das Sauggerät von solchen Geräten wie WLAN-Geräten und Mikrowellenöfen fern.

Zustand der Unregelmäßigkeit	Wahrscheinliche Ursache (Funktionsstörung)	Abhilfemaßnahme
Das Sauggerät läuft, während das Werkzeug außer Betrieb ist.	Andere Benutzer nutzen die Funk-Aktivierung des Sauggerätes mit ihren Werkzeugen.	Schalten Sie die Funk-Aktivierungstaste der anderen Werkzeuge aus, oder heben Sie die Werkzeugregistrierung der anderen Werkzeuge auf.

WARTUNG

⚠ VORSICHT: Vergewissern Sie sich vor der Durchführung von Inspektions- oder Wartungsarbeiten stets, dass das Werkzeug ausgeschaltet und der Akku abgenommen ist.

ANMERKUNG: Verwenden Sie auf keinen Fall Benzin, Waschbenzin, Verdünnern, Alkohol oder dergleichen. Solche Mittel können Verfärbung, Verformung oder Rissbildung verursachen.

Um die SICHERHEIT und ZUVERLÄSSIGKEIT dieses Produkts zu gewährleisten, sollten Reparaturen und andere Wartungs- oder Einstellarbeiten nur von Makita-Vertragswerkstätten oder Makita-Kundendienstzentren unter ausschließlicher Verwendung von Makita-Originalersatzteilen ausgeführt werden.

- Original-Makita-Akku und -Ladegerät

HINWEIS: Manche Teile in der Liste können als Standardzubehör im Werkzeugsatz enthalten sein. Sie können von Land zu Land unterschiedlich sein.

SONDERZUBEHÖR

⚠ VORSICHT: Die folgenden Zubehörteile oder Vorrichtungen werden für den Einsatz mit dem in dieser Anleitung beschriebenen Makita-Werkzeug empfohlen. Die Verwendung anderer Zubehörteile oder Vorrichtungen kann eine Verletzungsgefahr darstellen. Verwenden Sie Zubehörteile oder Vorrichtungen nur für ihren vorgesehenen Zweck.

Wenn Sie weitere Einzelheiten bezüglich dieser Zubehörteile benötigen, wenden Sie sich bitte an Ihre Makita-Kundendienststelle.

- Bohrereinsätze mit Hartmetallschneide (SDS-plus-Einsätze mit Hartmetallschneide)
- Bohrkrone
- Spitzmeißel
- Diamant-Bohrkrone
- Flachmeißel
- Putzmeißel
- Nutenmeißel
- Bohrfuttersatz (Futteradapter/Bohrfutter)
- Bohrerfett
- Tiefenanschlag
- Ausblaspipette
- Staubfangteller
- Staubfangtellersatz
- Distanzring (für HR008G)
- Aufhängersatz
- Staubsammelbehältersatz
- Filtersatz
- Verbindungsstück
- Staubabsaugsystem
- Funk-Adapter

DATI TECNICI

Modello:		HR008G	HR009G
Capacità	Cemento	30 mm	
	Punta a corona	80 mm	
	Punta a corona diamantata (tipo a secco)	80 mm	
	Acciaio	13 mm	
	Legno	32 mm	
Velocità a vuoto		Da 0 a 840 min ⁻¹	
Colpi al minuto		Da 0 a 4.500 min ⁻¹	
Tensione nominale		Da 36 V a 40 V CC max	
Lunghezza complessiva (con BL4040)		422 mm	439 mm
Peso netto		5,2 - 6,8 kg	5,3 - 6,7 kg

Accessorio opzionale

Modello:	DX10 (per il modello HR008G)	DX11 (per il modello HR009G)
Pezzi in lavorazione e modalità di lavorazione applicabili	solo per la foratura di calcestruzzo (non per metallo o legno, né per i carotaggi o la cesellatura)	
Prestazioni di aspirazione	350 l/min	
Corsa operativa	Fino a 190 mm	
Punta per trapano idonea	Fino a 265 mm	
Peso netto	1,2 kg	

- A causa del nostro programma continuativo di ricerca e sviluppo, i dati tecnici sono soggetti a modifiche senza preavviso.
- I dati tecnici possono variare da nazione a nazione.
- Il peso può variare a seconda dell'accessorio o degli accessori, inclusa la cartuccia della batteria. La combinazione più leggera e quella più pesante, secondo la procedura EPTA 01/2014, sono indicate nella tabella.

Cartuccia della batteria e caricabatterie applicabili

Cartuccia della batteria	BL4020 / BL4025 / BL4040* / BL4050F* / BL4080F * : Batteria consigliata
Caricabatterie	DC40RA / DC40RB / DC40RC

- Alcune cartucce delle batterie e alcuni caricabatterie elencati sopra potrebbero non essere disponibili a seconda della propria area geografica di residenza.

⚠AVVERTIMENTO: Utilizzare solo le cartucce delle batterie e i caricabatterie elencati sopra. L'utilizzo di altre cartucce delle batterie e di altri caricabatterie potrebbe causare lesioni personali e/o un incendio.

Fonte di alimentazione collegata via cavo consigliata

Gruppo di alimentazione portatile	PDC01 / PDC1200
-----------------------------------	-----------------

- La fonte o le fonti di alimentazione collegate via cavo elencate sopra potrebbero non essere disponibili, a seconda della propria area geografica di residenza.
- Prima di utilizzare la fonte di alimentazione collegata via cavo, leggere le istruzioni e le indicazioni delle avvertenze riportate su quest'ultima.

Uso previsto

Questo utensile è destinato alla foratura a percussione e normale di mattoni, calcestruzzo e pietre, nonché al lavoro di scalpellatura.

L'utensile è anche adatto alla foratura senza impulsi di legno, metallo, ceramica e plastica.

Rumore

Livello tipico di rumore pesato A determinato in base allo standard EN62841-2-6:

Modello HR008G

Livello di pressione sonora (L_{pA}): 95 dB (A)

Livello di potenza sonora (L_{WA}): 103 dB (A)

Incertezza (K): 3 dB (A)

Modello HR009G

Livello di pressione sonora (L_{pA}): 95 dB (A)

Livello di potenza sonora (L_{WA}): 103 dB (A)

Incertezza (K): 3 dB (A)

Modello HR008G con DX10

Livello di pressione sonora (L_{pA}): 97 dB (A)

Livello di potenza sonora (L_{WA}): 105 dB (A)

Incertezza (K): 3 dB (A)

Modello HR009G con DX11

Livello di pressione sonora (L_{pA}): 97 dB (A)

Livello di potenza sonora (L_{WA}): 105 dB (A)

Incertezza (K): 3 dB (A)

NOTA: Il valore o i valori dichiarati delle emissioni di rumori sono stati misurati in conformità a un metodo standard di verifica, e possono essere utilizzati per confrontare un utensile con un altro.

NOTA: Il valore o i valori dichiarati delle emissioni di rumori possono venire utilizzati anche per una valutazione preliminare dell'esposizione.

AVVERTIMENTO: Indossare protezioni per le orecchie.

AVVERTIMENTO: L'emissione di rumori durante l'utilizzo effettivo dell'utensile elettrico può variare rispetto al valore o ai valori dichiarati, a seconda dei modi in cui viene utilizzato l'utensile e specialmente a seconda di che tipo di pezzo venga lavorato.

AVVERTIMENTO: Accertarsi di identificare misure di sicurezza per la protezione dell'operatore che siano basate su una stima dell'esposizione nelle condizioni effettive di utilizzo (tenendo conto di tutte le parti del ciclo operativo, ad esempio del numero di spegnimenti dell'utensile e di quando giri a vuoto, oltre al tempo di attivazione).

Vibrazioni

La tabella seguente mostra il valore complessivo delle vibrazioni (somma vettoriale triassiale) determinato in base allo standard applicabile.

Modello HR008G

Modalità operativa	Emissione di vibrazioni	Incertezza (K)	Standard applicabile / condizioni del test
Foratura a percussione del calcestruzzo ($a_{h, HD}$)	11,8 m/s ²	1,5 m/s ²	EN62841-2-6
	9,1 m/s ²	1,5 m/s ²	Utilizzo pratico consigliato*
Foratura a percussione del calcestruzzo con DX10 ($a_{h, HD}$)	9,5 m/s ²	2,0 m/s ²	EN62841-2-6
	7,8 m/s ²	1,5 m/s ²	Utilizzo pratico consigliato*
Scalpellatura ($a_{h, CHeg}$)	8,6 m/s ²	1,5 m/s ²	EN62841-2-6
	8,0 m/s ²	1,5 m/s ²	Utilizzo pratico consigliato*

Modello HR009G

Modalità operativa	Emissione di vibrazioni	Incertezza (K)	Standard applicabile / condizioni del test
Foratura a percussione del calcestruzzo ($a_{h, HD}$)	11,5 m/s ²	1,5 m/s ²	EN62841-2-6
	9,1 m/s ²	1,5 m/s ²	Utilizzo pratico consigliato*
Foratura a percussione del calcestruzzo con DX11 ($a_{h, HD}$)	8,9 m/s ²	1,5 m/s ²	EN62841-2-6
	7,3 m/s ²	1,5 m/s ²	Utilizzo pratico consigliato*
Scalpellatura ($a_{h, CHeg}$)	7,3 m/s ²	1,5 m/s ²	EN62841-2-6
	7,1 m/s ²	1,5 m/s ²	Utilizzo pratico consigliato*

*Le condizioni del test relativo all'utilizzo pratico consigliato soddisfano lo standard EN 62841-2-6, fatta eccezione per i punti seguenti:

- La forza di avanzamento viene applicata alla maniglia con gli interruttori (maniglia principale) per la precisione e l'efficienza nel lavoro.
- L'impugnatura o il manico laterali (manico ausiliario) vengono afferrati per mantenere l'equilibrio dell'utensile.

NOTA: Il valore o i valori complessivi delle vibrazioni dichiarati sono stati misurati in conformità a un metodo standard di verifica, e possono essere utilizzati per confrontare un utensile con un altro.

NOTA: Il valore o i valori complessivi delle vibrazioni dichiarati possono venire utilizzati anche per una valutazione preliminare dell'esposizione.

⚠AVVERTIMENTO: L'emissione delle vibrazioni durante l'utilizzo effettivo dell'utensile elettrico può variare rispetto al valore o ai valori dichiarati, a seconda dei modi in cui viene utilizzato l'utensile, specialmente a seconda di che tipo di pezzo venga lavorato.

⚠AVVERTIMENTO: Accertarsi di identificare misure di sicurezza per la protezione dell'operatore che siano basate su una stima dell'esposizione nelle condizioni effettive di utilizzo (tenendo conto di tutte le parti del ciclo operativo, ad esempio del numero di spegnimenti dell'utensile e di quando giri a vuoto, oltre al tempo di attivazione).

Dichiarazioni di conformità

Solo per i paesi europei

Le Dichiarazioni di conformità sono incluse nell'Allegato A al presente manuale d'uso.

AVVERTENZE DI SICUREZZA

Avvertenze generali relative alla sicurezza dell'utensile elettrico

⚠AVVERTIMENTO: Leggere tutte le avvertenze di sicurezza, le istruzioni, le illustrazioni e i dati tecnici forniti con il presente utensile elettrico. La mancata osservanza di tutte le istruzioni elencate di seguito potrebbe risultare in scosse elettriche, incendi e/o gravi lesioni personali.

Conservare tutte le avvertenze e le istruzioni come riferimento futuro.

Il termine "utensile elettrico" nelle avvertenze si riferisce sia all'utensile elettrico (cablato) nel funzionamento alimentato da rete elettrica che all'utensile elettrico (a batteria) nel funzionamento alimentato a batteria.

AVVERTENZE PER LA SICUREZZA DEL MARTELLO ROTATIVO A BATTERIA

Istruzioni di sicurezza relative a tutte le operazioni

- 1. Indossare protezioni per le orecchie.**
L'esposizione al rumore può causare la perdita dell'udito.
- 2. Utilizzare la maniglia o le maniglie ausiliarie, se in dotazione con l'utensile.** La perdita di controllo può causare lesioni personali.
- 3. Mantenere l'utensile elettrico mediante le superfici di impugnatura isolate, quando si intende eseguire un'operazione in cui l'accessorio da taglio potrebbe entrare in contatto con fili elettrici nascosti.** Qualora l'accessorio da taglio entri in contatto con un cavo sotto tensione, potrebbe mettere sotto tensione le parti metalliche esposte dell'utensile elettrico e trasmettere una scossa elettrica all'operatore.
- 4. Indossare sempre a perforare a bassa velocità e con l'estremità della punta in contatto con il pezzo in lavorazione.** Alle velocità più elevate, è probabile che la punta si pieghi, qualora la si lasci ruotare liberamente senza entrare in contatto con il pezzo in lavorazione, il che potrebbe risultare in lesioni personali.
- 5. Applicare pressione solo allineandosi senza inclinazioni con la punta, e non applicare pressione eccessiva.** Le punte possono piegarsi, causando rotture o perdita di controllo e risultando in lesioni personali.

Avvertenze aggiuntive per la sicurezza

- 1. Indossare un casco (elmetto di protezione), occhiali di sicurezza e/o una visiera.** I normali occhiali da vista o da sole NON sono occhiali di sicurezza. Inoltre, si consiglia caldamente di indossare una mascherina antipolvere e guanti dall'imbottitura spessa.
- 2. Accertarsi che la punta sia fissata saldamente in sede prima dell'utilizzo.**
- 3. Nell'utilizzo normale, l'utensile è progettato per produrre vibrazioni.** Le viti potrebbero allentarsi facilmente, causando un guasto o un incidente. Controllare con cura che le viti siano serrate prima dell'uso.
- 4. In condizioni di bassa temperatura o quando l'utensile non è stato utilizzato per un periodo di tempo prolungato, lasciar riscaldare l'utensile per un po' di tempo facendolo funzionare a vuoto.** Questa operazione ammorbidisce il lubrificante. Senza un appropriato riscaldamento, l'operazione di percussione risulta difficile.
- 5. Accertarsi sempre di appoggiare i piedi saldamente.** Quando si intende utilizzare l'utensile in ubicazioni elevate, accertarsi sempre che non sia presente alcuna persona sotto.
- 6. Tenere l'utensile saldamente con entrambe le mani.**
- 7. Tenere le mani lontane dalle parti mobili.**
- 8. Non lasciare l'utensile mentre sta funzionando.** Far funzionare l'utensile solo mentre lo si tiene in mano.
- 9. Non puntare l'utensile verso alcuna persona nelle vicinanze durante l'uso.** La punta potrebbe volare via e causare gravi lesioni personali.
- 10. Non toccare la punta, le parti vicine alla punta o il pezzo in lavorazione, subito dopo l'uso;** potrebbero essere estremamente caldi e causare ustioni sulla pelle.
- 11. Alcuni materiali contengono sostanze chimiche che potrebbero essere tossiche.** Fare attenzione a evitare l'inalazione della polvere e il contatto con la pelle. Attenersi ai dati relativi alla sicurezza del fornitore del materiale.
- 12. Prima di consegnare l'utensile ad altre persone, accertarsi sempre che l'utensile sia spento e che la cartuccia della batteria e la punta siano state rimosse.**

13. **Prima dell'uso, accertarsi che non siano presenti oggetti interrati quali canaline elettriche, tubi dell'acqua o tubi del gas nell'area di lavoro.** In caso contrario, la punta per trapano/scalpello potrebbe toccarli, causando scosse elettriche, dispersioni elettriche o fughe di gas.
14. **Non far funzionare l'utensile a vuoto inutilmente.**
8. **Non inchiodare, tagliare, schiacciare, lanciare o far cadere la cartuccia della batteria, né farla urtare con forza contro un oggetto duro.** Questi comportamenti potrebbero risultare in un incendio, calore eccessivo o un'esplosione.
9. **Non utilizzare una batteria danneggiata.**
10. **Le batterie a ioni di litio contenute sono soggette ai requisiti del regolamento sul trasporto di merci pericolose (Dangerous Goods Legislation).**

CONSERVARE LE PRESENTI ISTRUZIONI.

⚠AVVERTIMENTO: NON lasciare che la comodità o la familiarità d'uso con il prodotto (acquisita con l'uso ripetuto) sostituiscano la stretta osservanza delle norme di sicurezza. L'USO IMPROPRIO o la mancata osservanza delle norme di sicurezza riportate nel presente manuale possono causare lesioni personali gravi.

Istruzioni di sicurezza importanti per la cartuccia della batteria

1. **Prima di utilizzare la cartuccia della batteria, leggere tutte le istruzioni e le avvertenze riportate (1) sul caricabatteria, (2) sulla batteria e (3) sul prodotto che utilizza la batteria.**
2. **Non smantellare né manomettere la cartuccia della batteria.** In caso contrario, si potrebbe causare un incendio, calore eccessivo o un'esplosione.
3. **Qualora il tempo di utilizzo si riduca eccessivamente, interrompere immediatamente l'utilizzo dell'utensile.** In caso contrario, si può incorrere nel rischio di surriscaldamento, possibili ustioni e persino un'esplosione.
4. **Qualora l'elettrolita entri in contatto con gli occhi, sciacquarli con acqua pulita e richiedere immediatamente assistenza medica.** Questa eventualità può risultare nella perdita della vista.
5. **Non cortocircuitare la cartuccia della batteria:**
 - (1) **Non toccare i terminali con alcun materiale conduttivo.**
 - (2) **Evitare di conservare la cartuccia della batteria in un contenitore insieme ad altri oggetti metallici quali chiodi, monete, e così via.**
 - (3) **Non esporre la cartuccia della batteria all'acqua o alla pioggia.**

Un cortocircuito della batteria può causare un grande flusso di corrente, un surriscaldamento, possibili ustioni e persino un guasto.
6. **Non conservare e utilizzare l'utensile e la cartuccia della batteria in ubicazioni in cui la temperatura possa raggiungere o superare i 50 °C.**
7. **Non incenerire la cartuccia della batteria anche qualora sia gravemente danneggiata o completamente esaurita. La cartuccia della batteria può esplodere se a contatto con il fuoco.**
11. **Quando si intende smaltire la cartuccia della batteria, rimuoverla dall'utensile e smaltirla in un luogo sicuro. Attenersi alle normative locali relative allo smaltimento della batteria.**
12. **Utilizzare le batterie esclusivamente con i prodotti specificati da Makita.** L'installazione delle batterie in prodotti non compatibili potrebbe risultare in incendi, calore eccessivo, esplosioni o perdite di liquido elettrolitico.
13. **Se l'utensile non viene utilizzato per un periodo di tempo prolungato, la batteria deve essere rimossa dall'utensile.**
14. **Durante e dopo l'uso, la cartuccia della batteria potrebbe assorbire calore, che può causare ustioni o ustioni a bassa temperatura.** Fare attenzione a come si maneggiano le cartucce delle batterie estremamente calde.
15. **Non toccare i terminali dell'utensile subito dopo l'uso, in quanto potrebbero diventare estremamente caldi al punto da causare ustioni.**
16. **Evitare di far incastrare schegge, polveri o terreno nei terminali, nei fori e nelle scanalature della cartuccia della batteria.** In caso contrario, l'utensile o la cartuccia della batteria potrebbero riscaldarsi, prendere fuoco, scoppiare o guastarsi, causando ustioni o lesioni personali.
17. **A meno che l'utensile supporti l'uso in prossimità di linee elettriche ad alta tensione, non utilizzare la cartuccia della batteria in prossimità di linee elettriche ad alta tensione.** In caso contrario, si potrebbe causare un malfunzionamento o la rottura dell'utensile o della cartuccia della batteria.
18. **Tenere la batteria lontana dai bambini.**

CONSERVARE LE PRESENTI ISTRUZIONI.

⚠ATTENZIONE: Utilizzare solo batterie originali Makita. L'utilizzo di batterie Makita non originali, o di batterie che siano state alterate, potrebbe risultare nello scoppio della batteria, causando incendi, lesioni personali e danni. Inoltre, ciò potrebbe invalidare la garanzia Makita per l'utensile e il caricabatterie Makita.

Suggerimenti per preservare la durata massima della batteria

1. Caricare la cartuccia della batteria prima che si scarichi completamente. Smettere sempre di utilizzare l'utensile e caricare la cartuccia della batteria quando si nota che la potenza dell'utensile è diminuita.
2. Non ricaricare mai una cartuccia della batteria completamente carica. La sovraccarica riduce la vita utile della batteria.
3. Caricare la cartuccia della batteria a una temperatura ambiente compresa tra 10 °C e 40 °C. Lasciar raffreddare una cartuccia della batteria prima di caricarla.
4. Quando non si utilizza la cartuccia della batteria, rimuoverla dall'utensile o dal caricabatterie.
5. Caricare la cartuccia della batteria se non la si è utilizzata per un periodo di tempo prolungato (più di sei mesi).

Istruzioni importanti per la sicurezza dell'unità senza fili

1. Non smontare né manomettere l'unità senza fili.
2. Tenere l'unità senza fili lontana dai bambini piccoli. Qualora venga inghiottita accidentalmente, richiedere immediatamente assistenza medica.
3. Utilizzare l'unità senza fili esclusivamente con utensili Makita.
4. Non esporre l'unità senza fili alla pioggia o a condizioni di bagnato.
5. Non utilizzare l'unità senza fili in luoghi in cui la temperatura superi i 50 °C.
6. Non utilizzare l'unità senza fili in luoghi in cui siano presenti strumenti medici, ad esempio pacemaker, nelle vicinanze.
7. Non utilizzare l'unità senza fili in luoghi in cui siano presenti dispositivi automatizzati nelle vicinanze. In caso contrario, i dispositivi automatizzati potrebbero sviluppare un malfunzionamento o un errore.
8. Non far funzionare l'unità senza fili in ubicazioni con temperatura ambiente elevata o in ubicazioni in cui potrebbero venire generati elettricità statica o disturbi elettrici.
9. L'unità senza fili può produrre campi elettromagnetici (EMF) ma questi ultimi non sono dannosi per l'utente.
10. L'unità senza fili è uno strumento preciso. Fare attenzione a non far cadere e a non colpire l'unità senza fili.
11. Evitare di toccare il terminale dell'unità senza fili a mani nude o con materiali metallici.
12. Rimuovere sempre la batteria sul prodotto quando si intende installare su quest'ultimo l'unità senza fili.
13. Quando si intende aprire il coperchio dell'alloggiamento, evitare ubicazioni in cui polvere e acqua potrebbero penetrare nell'alloggiamento. Mantenere sempre l'apertura di entrata dell'alloggiamento pulita.

14. Inserire sempre l'unità senza fili nella direzione corretta.
15. Non premere con forza eccessiva il pulsante di attivazione della comunicazione senza fili sull'unità senza fili, né premere il pulsante con un oggetto dal bordo affilato.
16. Chiudere sempre il coperchio dell'alloggiamento durante il funzionamento.
17. Non rimuovere l'unità senza fili dall'alloggiamento mentre viene fornita l'alimentazione all'utensile. In caso contrario, si potrebbe causare un malfunzionamento dell'unità senza fili.
18. Non rimuovere l'adesivo sull'unità senza fili.
19. Non applicare alcun adesivo sull'unità senza fili.
20. Non lasciare l'unità senza fili in un'ubicazione in cui potrebbero venire generati elettricità statica o disturbi elettrici.
21. Non lasciare l'unità senza fili in ubicazioni soggette a calore elevato, ad esempio in un'auto parcheggiata al sole.
22. Non lasciare l'unità senza fili in ubicazioni polverose o in ubicazioni in cui potrebbero venire generati gas corrosivi.
23. Una variazione improvvisa di temperatura potrebbe far bagnare di condensa l'unità senza fili. Non utilizzare l'unità senza fili fino alla completa asciugatura della condensa.
24. Quando si intende pulire l'unità senza fili, passarvi sopra delicatamente un panno morbido asciutto. Non utilizzare benzina per pulizia, diluenti, grasso conduttivo o simili.
25. Quando si intende riporre l'unità senza fili, conservarla nella custodia in dotazione o in un contenitore antistatico.
26. Non inserire alcun dispositivo diverso dall'unità senza fili Makita nell'alloggiamento presente sull'utensile.
27. Non utilizzare l'utensile con il coperchio dell'alloggiamento danneggiato. Qualora nell'alloggiamento penetrino acqua, polvere e sporco, potrebbero causare un malfunzionamento.
28. Non tirare né attorcigliare il coperchio dell'alloggiamento oltre il necessario. Qualora il coperchio si stacchi dall'utensile, riapplicarlo.
29. Qualora il coperchio dell'alloggiamento vada perso o venga danneggiato, sostituirlo.

CONSERVARE LE PRESENTI ISTRUZIONI.

DESCRIZIONE DELLE FUNZIONI

⚠ATTENZIONE: Accertarsi sempre che l'utensile sia spento e che la cartuccia della batteria sia stata rimossa prima di regolare o di controllare il funzionamento dell'utensile.

Installazione o rimozione della cartuccia della batteria

⚠ATTENZIONE: Spegnerne sempre l'utensile prima di installare o rimuovere la cartuccia della batteria.

⚠ATTENZIONE: Mantenere saldamente lo strumento e la batteria quando si intende installare o rimuovere la cartuccia della batteria. Qualora non si mantengano saldamente lo strumento e la cartuccia della batteria, questi ultimi potrebbero scivolare dalle mani, con la possibilità di causare un danneggiamento dello strumento e della cartuccia della batteria, nonché una lesione personale.

► **Fig. 1:** 1. Indicatore rosso 2. Pulsante 3. Cartuccia della batteria

Per rimuovere la cartuccia della batteria, farla scorrere via dall'utensile mentre si fa scorrere allo stesso tempo il pulsante sulla parte anteriore della cartuccia.

Per installare la cartuccia della batteria, allineare la linguetta sulla cartuccia della batteria con la scanalatura nell'alloggiamento e farla scivolare in sede. Inserirli completamente fino al suo blocco in sede con un leggero scatto. Se è possibile vedere l'indicatore rosso, come indicato nella figura, non è bloccata completamente.

⚠ATTENZIONE: Installare sempre fino in fondo la cartuccia della batteria, fino a quando l'indicatore rosso non è più visibile. In caso contrario, la batteria potrebbe cadere accidentalmente dall'utensile, causando lesioni personali all'operatore o a chi gli è vicino.

⚠ATTENZIONE: Non installare forzatamente la cartuccia della batteria. Qualora la batteria non si inserisca scorrendo agevolmente, vuol dire che non viene inserita correttamente.

Indicazione della carica residua della batteria

Premere il pulsante di controllo sulla cartuccia della batteria per indicare la carica residua della batteria. Gli indicatori luminosi si illuminano per alcuni secondi.

► **Fig. 2:** 1. Indicatori luminosi 2. Pulsante di controllo

Indicatori luminosi			Carica residua
■ Illuminato	□ Spento	▬ Lampeggiante	
■ ■ ■ ■			Dal 75% al 100%
■ ■ ■ □			Dal 50% al 75%
■ ■ □ □			Dal 25% al 50%
■ □ □ □			Dallo 0% al 25%
▬ □ □ □			Caricare la batteria.
■ ■ □ □			La batteria potrebbe essersi guastata.
□ □ ■ ■	↑ ↓		

NOTA: A seconda delle condizioni d'uso e della temperatura ambiente, l'indicazione potrebbe variare leggermente rispetto alla carica effettiva.

NOTA: Il primo indicatore luminoso (all'estremità sinistra) lampeggia quando il sistema di protezione della batteria è in funzione.

Sistema di protezione strumento/batteria

L'utensile è dotato di un sistema di protezione dell'utensile stesso e della batteria. Tale sistema interrompe automaticamente l'alimentazione al motore per prolungare la vita utile dell'utensile e della batteria. L'utensile si arresta automaticamente durante il funzionamento, qualora l'utensile o la batteria vengano a trovarsi in una delle condizioni seguenti:

Protezione dal sovraccarico

Quando la batteria viene utilizzata in modo tale da causare un assorbimento di corrente elevato in modo anomalo, l'utensile si arresta automaticamente senza alcuna indicazione. In questa situazione, spegnere l'utensile e interrompere l'applicazione che ha fatto sovraccaricare l'utensile. Quindi, accendere l'utensile per ricominciare.

Protezione dal surriscaldamento

Quando l'utensile o la batteria sono surriscaldati, l'utensile si arresta automaticamente. In questo caso, lasciar raffreddare l'utensile e la batteria prima di riaccendere l'utensile.

NOTA: Quando l'utensile è surriscaldato, l'indicatore luminoso lampeggia.

Protezione dalla sovrascarica

Quando la carica della batteria non è sufficiente, l'utensile si arresta automaticamente. In tal caso, rimuovere la batteria dall'utensile e caricarla.

Protezione da altre cause

Il sistema di protezione è progettato anche per altre cause che potrebbero danneggiare l'utensile, e consente all'utensile di arrestarsi automaticamente. Adottare tutte le misure seguenti per rimuovere le cause, quando l'utensile è stato portato a un'interruzione temporanea o a un arresto del funzionamento.

1. Spegnerne l'utensile, quindi riaccenderlo per ricominciare.
2. Caricare la batteria o le batterie, o sostituirla/sostituirle con una batteria o delle batterie ricaricate.
3. Lasciar raffreddare l'utensile e la batteria o le batterie.

Qualora non si riscontrino alcun miglioramento ripristinando il sistema di protezione, contattare il proprio centro di assistenza locale Makita.

Funzionamento dell'interruttore

AVVERTIMENTO: Prima di inserire la cartuccia della batteria nell'utensile, controllare sempre che l'interruttore a grilletto funzioni correttamente e torni sulla posizione "OFF" quando viene rilasciato.

► Fig.3: 1. Interruttore a grilletto

Per avviare l'utensile, è sufficiente premere l'interruttore a grilletto. La velocità dell'utensile viene aumentata incrementando la pressione sull'interruttore a grilletto. Rilasciare l'interruttore a grilletto per arrestare l'utensile.

Modifica della velocità

È possibile modificare il numero di giri e colpi al minuto ruotando la manopola di regolazione su un'impostazione numerica specifica da 1 a 5. Si ottiene una maggiore velocità ruotando la manopola in direzione del numero 5. Si ottiene una minore velocità ruotando la manopola in direzione del numero 1. È possibile ottenere la velocità desiderata quando l'interruttore a grilletto è completamente schiacciato.

► Fig.4: 1. Manopola di regolazione

Per informazioni sul rapporto tra le impostazioni numeriche sulla manopola di regolazione e il numero approssimativo di giri e di colpi al minuto, fare riferimento alla tabella.

Numero	Giri al minuto	Colpi al minuto
5	840	4.500
4	760	4.070
3	550	2.950
2	350	1.880
1	300	1.610

ATTENZIONE: Non ruotare la manopola di regolazione quando l'utensile è in funzione. La mancata osservanza di questa indicazione potrebbe risultare nella perdita di controllo dell'utensile e causare lesioni personali.

AVVISO: Qualora l'utensile venga fatto funzionare continuamente a bassa velocità per un periodo di tempo prolungato, il motore viene sovraccaricato, causando il malfunzionamento dell'utensile.

AVVISO: La manopola di regolazione ruota tra le impostazioni numeriche 1 e 5. Evitare di ruotare la manopola avanti e indietro oltre questi valori, in quanto ciò potrebbe causare il danneggiamento dell'utensile.

Accensione della lampadina anteriore

► Fig.5: 1. Lampadina

ATTENZIONE: Non osservare né guardare direttamente la fonte di luce.

Premere l'interruttore a grilletto per accendere la lampadina. La lampadina resta accesa fintanto che l'interruttore a grilletto è premuto. La lampadina si spegne circa 10 secondi dopo che si è rilasciato l'interruttore a grilletto.

ATTENZIONE: Qualora l'indicatore luminoso si spenga dopo aver lampeggiato per qualche secondo, la tecnologia di rilevamento attivo della retroazione non sta funzionando correttamente. Rivolgersi al proprio centro di assistenza Makita locale per le riparazioni.

NOTA: Per pulire la sporcizia dalla lente della lampadina, utilizzare un panno asciutto. Fare attenzione a non graffiare la lente della lampadina, altrimenti si potrebbe ridurre l'illuminazione.

NOTA: Quando l'utensile è surriscaldato, la lampada lampeggia. In questo caso, rilasciare l'interruttore a grilletto, quindi far raffreddare l'utensile o la batteria, prima di riprendere l'utilizzo.

NOTA: Non è possibile utilizzare la lampadina anteriore mentre sull'utensile è installato il sistema di raccolta polveri (accessorio opzionale).

Uso del commutatore di inversione della rotazione

► Fig.6: 1. Leva del commutatore di inversione della rotazione

ATTENZIONE: Controllare sempre la direzione di rotazione prima dell'uso.

ATTENZIONE: Utilizzare il commutatore di inversione della rotazione solo dopo l'arresto completo dell'utensile. Qualora si cambi la direzione di rotazione prima dell'arresto dell'utensile, si potrebbe danneggiare quest'ultimo.

ATTENZIONE: Quando l'utensile non è in uso, impostare sempre la leva del commutatore di inversione della rotazione sulla posizione centrale.

Questo utensile è dotato di un commutatore di inversione della rotazione, per cambiare la direzione di rotazione. Premere la leva del commutatore di inversione della rotazione dal lato A per la rotazione in senso orario, o dal lato B per la rotazione in senso antiorario. Quando la leva del commutatore di inversione della rotazione si trova sulla posizione centrale, non è possibile premere l'interruttore a grilletto.



Sostituzione del mandrino a sgancio rapido per SDS-plus

Per il modello HR009G

Il mandrino a sgancio rapido per SDS-plus può venire sostituito facilmente con il mandrino a sgancio rapido.




Rimozione del mandrino a sgancio rapido per SDS-plus

ATTENZIONE: Prima di rimuovere il mandrino a sgancio rapido per SDS-plus, accertarsi di rimuovere la punta.

Afferrare la copertura di sgancio del mandrino a sgancio rapido per SDS-plus e ruotarla nella direzione della freccia fino a quando la linea della copertura di sgancio si sposta dal simbolo  al simbolo . Tirare il mandrino a sgancio rapido per SDS-plus, se necessario con forza, nella direzione della freccia.

- **Fig.7:** 1. Mandrino a sgancio rapido per SDS-plus
2. Copertura di sgancio 3. Linea della copertura di sgancio

Installazione del mandrino a sgancio rapido

Verificare che la linea del mandrino a sgancio rapido mostri il simbolo . Afferrare la copertura di sgancio del mandrino a sgancio rapido e impostare la linea sul simbolo . Posizionare il mandrino a sgancio rapido sull'albero dell'utensile. Afferrare la copertura di sgancio del mandrino a sgancio rapido e ruotare la linea della copertura di sgancio sul simbolo  fino a sentire chiaramente uno scatto.


- **Fig.8:** 1. Mandrino a sgancio rapido 2. Albero
3. Linea della copertura di sgancio
4. Copertura di sgancio

Selezione della modalità operativa

AVVISO: Non ruotare la manopola di modifica della modalità operativa mentre l'utensile è in funzione. In caso contrario, l'utensile viene danneggiato.


AVVISO: Per evitare una rapida usura del meccanismo di modifica della modalità operativa, accertarsi che la manopola di modifica della modalità operativa sia sempre posizionata con precisione in una delle tre posizioni delle modalità operative.

Rotazione con percussione

Per forare calcestruzzo, muratura, e così via, ruotare la manopola di modifica della modalità operativa sul simbolo . Utilizzare una punta con estremità al carburo di tungsteno (accessorio opzionale).


- **Fig.9:** 1. Rotazione con percussione 2. Manopola di modifica della modalità operativa

Solo rotazione

Per forare legno, metallo o materiali in plastica, ruotare la manopola di modifica della modalità operativa sul simbolo . Utilizzare una punta per trapano elicoidale o una punta per trapano per legno.

- **Fig.10:** 1. Solo rotazione

Solo percussione

Per operazioni di scalpellatura, disincrostazione o demolizione, ruotare la manopola di modifica della modalità operativa sul simbolo . Utilizzare uno scalpello per cemento, un tagliolo a freddo, uno scalpello largo, e così via.

- **Fig.11:** 1. Solo percussione

Condotto dell'aria

ATTENZIONE: Non mettere le dita all'interno del condotto dell'aria, né inserire altri oggetti di alcun genere nel condotto dell'aria. In caso contrario, l'utilizzatore potrebbe subire lesioni personali o l'utensile potrebbe venire danneggiato.

Il condotto dell'aria è progettato per migliorare le prestazioni di aspirazione del sistema di raccolta polveri. Per i dettagli su come installare il sistema di raccolta polveri, fare riferimento alle istruzioni relative all'installazione del sistema di raccolta polveri.

- **Fig.12:** 1. Condotto dell'aria

Gancio

Accessorio opzionale

ATTENZIONE: Rimuovere sempre la batteria quando si intende appendere l'utensile con il gancio.

ATTENZIONE: Non appendere mai l'utensile in un'ubicazione elevata o su una superficie potenzialmente instabile.

Il gancio è comodo per appendere temporaneamente l'utensile.

Prima di installare il gancio, rimuovere il tappo di gomma dai fori per le viti nella staffa di montaggio. Inserire le rondelle quadrate sotto la staffa, quindi serrare il gancio in sede con le viti.

- **Fig.13:** 1. Tappo di gomma 2. Staffa di montaggio
3. Rondelle quadrate 4. Gancio 5. Viti

Per utilizzarlo, è sufficiente sollevare il braccio del gancio fino a quando si innesta nella posizione aperta. Quando non è in uso, accertarsi che il gancio venga ripiegato di nuovo nella posizione chiusa.

- **Fig.14:** 1. Gancio 2. Posizione aperta 3. Posizione chiusa

- **Fig.15**

Collegamento di un cordino (cinghia di sicurezza) al gancio

⚠ATTENZIONE: Non utilizzare un gancio e viti danneggiati. Prima dell'uso, verificare sempre l'eventuale presenza di danni, spaccature o deformazioni, e accertarsi che le viti siano serrate.

⚠ATTENZIONE: Accertarsi che il gancio sia installato saldamente con le viti.

⚠ATTENZIONE: Non installare né rimuovere alcun accessorio mentre si tiene appeso l'utensile. L'utensile potrebbe cadere, qualora le viti non siano serrate.

⚠ATTENZIONE: Utilizzare sempre un moschetone con ghiera (ad azionamento multiplo e con leva dotata di ghiera a vite) e accertarsi di fissare il cordino (cinghia di sicurezza) alla sezione con doppio anello del gancio. Un fissaggio errato potrebbe causare la caduta dell'utensile dal gancio e causare lesioni personali.

Il gancio va utilizzato anche per collegare il cordino (cinghia di sicurezza). Accertarsi di fissare il cordino (cinghia di sicurezza) alla sezione con doppio anello del gancio.

- **Fig. 16:** 1. Sezione con doppio anello del gancio 2. Cordino (cinghia di sicurezza) 3. Moschetone con ghiera (ad azionamento multiplo e con leva dotata di ghiera a vite).

Avvertenze di sicurezza relative al collegamento di un cordino (cinghia di sicurezza) al gancio

⚠Avvertenze di sicurezza specifiche per l'utilizzo in altezza

Leggere tutte le avvertenze di sicurezza e le istruzioni. La mancata osservanza delle avvertenze e delle istruzioni potrebbe risultare in gravi lesioni personali.

1. **Tenere sempre l'utensile legato con un cordino quando si lavora "in altezza".** La lunghezza massima del cordino è di 2 m. L'altezza di caduta massima consentita per il cordino (cinghia di sicurezza) non deve superare i 2 m.
2. Utilizzare esclusivamente cordini appropriati per questo tipo di utensile e omologati per almeno 10 kg.
3. Non ancorare il cordino dell'utensile ad alcunché sul proprio corpo o su componenti mobili. Ancorare il cordino dell'utensile a una struttura rigida in grado di resistere alle forze di un utensile caduto.
4. Accertarsi che il cordino sia fissato correttamente a ciascuna estremità, prima dell'uso.
5. Ispezionare l'utensile e il cordino prima di ciascun utilizzo alla ricerca di eventuali danni e per verificarne il funzionamento corretto (incluso il tessuto e le cuciture). Non utilizzarlo qualora sia danneggiato o non funzioni correttamente.

6. Non avvolgere i cordini intorno a bordi affilati o ruvidi, né consentire che entrino in contatto con bordi affilati o ruvidi.
7. Fissare l'altra estremità del cordino al di fuori dell'area di lavoro, in modo che un utensile che cada venga mantenuto saldamente.
8. Montare il cordino in modo che l'utensile, in caso di caduta, si allontani dall'operatore. Gli utensili caduti dondolano sul cordino, il che potrebbe causare lesioni personali o perdita di equilibrio.
9. Non utilizzarlo in prossimità di parti mobili o macchinari in funzione. La mancata osservanza di questa indicazione potrebbe risultare in uno schiacciamento o nel pericolo che resti impigliato.
10. Non trasportare l'utensile mediante il dispositivo di fissaggio o il cordino.
11. Passare l'utensile da una mano all'altra solo quando si è correttamente bilanciati.
12. Non fissare cordini all'utensile in un modo che impedisca il corretto funzionamento degli interruttori o del blocco del grilletto (se presente).
13. Evitare di restare impigliati nel cordino.
14. Tenere il cordino lontano dall'area di perforazione dell'utensile.
15. Utilizzare un moschetone con ghiera (ad azionamento multiplo e con leva dotata di ghiera a vite). Non utilizzare moschettoni a scatto con clip a molla.
16. Nel caso che l'utensile venga fatto cadere, deve essere etichettato e rimosso dal servizio, e dovrebbe venire sottoposto a ispezione presso una fabbrica Makita o un centro di assistenza autorizzato Makita.

Funzione di prevenzione del riavvio accidentale

Se si installa la cartuccia della batteria mentre si tiene premuto l'interruttore a grilletto, l'utensile non si avvia. Per avviare l'utensile, rilasciare l'interruttore a grilletto, quindi premere l'interruttore a grilletto.

Limitatore di coppia

AVVISO: Non appena si attiva il limitatore di coppia, spegnere immediatamente l'utensile. Questa operazione contribuisce a evitare un'usura prematura dell'utensile.

AVVISO: Le punte per trapano come le seghe a tazza, che tendono a incepparsi o incastrarsi facilmente nel foro, non sono appropriate per questo utensile. Ciò è dovuto al fatto che causano un'attivazione troppo frequente del limitatore di coppia.

Il limitatore di coppia si attiva quando si raggiunge un determinato livello di coppia. Il motore si sgancia dall'albero condotto. Quando si verifica questa eventualità, la punta per trapano smette di girare.

Funzione elettronica

L'utensile è dotato di funzioni elettroniche, per un facile utilizzo.

- **Freno elettrico**
Questo utensile è dotato di un freno elettrico. Qualora l'utensile non riesca ripetutamente a cessare di funzionare rapidamente dopo il rilascio dell'interruttore a grilletto, far sottoporre a riparazione l'utensile presso un centro di assistenza Makita.
- **Controllo costante della velocità**
La funzione di controllo della velocità fornisce una velocità di rotazione costante, indipendentemente dalle condizioni di carico.
- **Tecnologia di rilevamento attivo della retroazione**
Qualora si faccia roteare con il braccio l'utensile durante il funzionamento all'accelerazione prestabilita, il motore viene arrestato forzatamente per ridurre il carico sul polso.

NOTA: Questa funzione non si attiva qualora l'accelerazione non raggiunga quella prestabilita quando si fa roteare l'utensile con il braccio.

NOTA: Qualora si faccia roteare con il braccio la punta all'accelerazione prestabilita durante la scalpellatura, la disincrostazione o la demolizione, il motore viene arrestato forzatamente. In questo caso, rilasciare l'interruttore a grilletto, quindi premere l'interruttore a grilletto per riavviare l'utensile.

MONTAGGIO

⚠ATTENZIONE: Accertarsi sempre che l'utensile sia spento e che la cartuccia della batteria sia stata rimossa, prima di effettuare qualsiasi intervento sull'utensile.

Impugnatura laterale (maniglia ausiliaria)

⚠ATTENZIONE: Utilizzare sempre l'impugnatura laterale per garantire un funzionamento in sicurezza.

⚠ATTENZIONE: Dopo aver installato o regolato l'impugnatura laterale, accertarsi che quest'ultima sia fissata saldamente con le sue parti sporgenti di fissaggio innestate completamente nelle rientranze di posizionamento sull'alloggiamento degli ingranaggi.

Per installare l'impugnatura laterale, attenersi alla procedura seguente.

1. Allentare la vite ad alette sull'impugnatura laterale. Quindi, installare l'impugnatura laterale sul collo a cilindro dell'alloggiamento degli ingranaggi.
- ▶ **Fig.17:** 1. Impugnatura laterale 2. Vite ad alette 3. Collo a cilindro dell'alloggiamento degli ingranaggi 4. Sporgenza di fissaggio 5. Rientranza di posizionamento

È possibile allargare l'anello di montaggio premendo la vite ad alette verso il basso, in modo che l'anello si innesti facilmente e saldamente sul collo a cilindro dell'alloggiamento degli ingranaggi.

▶ **Fig.18:** 1. Vite ad alette 2. Anello di montaggio

2. Serrare la vite ad alette per fissare l'impugnatura sull'angolazione desiderata.

Installazione e rimozione della punta per trapano

Grasso

Pulire l'estremità con il gambo della punta per trapano e applicare il grasso prima di installare la punta per trapano.

Ricoprire anticipatamente l'estremità con il gambo della punta per trapano con una piccola quantità di grasso (circa 0,5 - 1 g).

Questa lubrificazione del mandrino assicura un azionamento fluido e ne prolunga la vita utile.

▶ **Fig.19:** 1. Estremità con il gambo 2. Grasso

Posizionare l'estremità con il gambo della punta per trapano nel mandrino, quindi inserirla più a fondo nel mandrino mentre si gira a mano la punta per trapano, in modo che l'estremità con il gambo entri bene nell'alloggiamento del mandrino e si innesti completamente.

Dopo aver installato la punta per trapano, provare a tirarla all'indietro per accertarsi che sia fissata saldamente in sede.

▶ **Fig.20:** 1. Punta per trapano 2. Mandrino


Per rimuovere la punta per trapano, spingere verso il basso fino in fondo la copertura del mandrino ed estrarre la punta per trapano.

▶ **Fig.21:** 1. Punta per trapano 2. Copertura del mandrino

Angolazione dello scalpello (durante le operazioni di scalpellatura, disincrostazione o demolizione)

È possibile fissare lo scalpello all'angolazione desiderata. Per modificare l'angolazione dello scalpello, ruotare la manopola di modifica della modalità operativa sul simbolo O. Ruotare lo scalpello sull'angolazione desiderata.

▶ **Fig.22:** 1. Manopola di modifica della modalità operativa

Ruotare la manopola di modifica della modalità operativa sul simbolo . Quindi, accertarsi che lo scalpello sia fissato saldamente in sede ruotandolo leggermente.

Calibro di profondità

Il calibro di profondità è comodo per praticare fori di profondità uniforme.

Premere e tenere premuto il pulsante di blocco, quindi inserire il calibro di profondità nel foro esagonale.

Accertarsi che il lato dentato del calibro di profondità sia orientato nella stessa direzione indicata dal simbolo.

▶ **Fig.23:** 1. Calibro di profondità 2. Pulsante di blocco 3. Simbolo 4. Lato dentato

Regolare il calibro di profondità spostandolo avanti e indietro mentre si tiene premuto il pulsante di blocco. Dopo la regolazione, rilasciare il pulsante di blocco per bloccare il calibro di profondità.

NOTA: Accertarsi che il calibro di profondità non tocchi il corpo principale dell'utensile quando lo si monta.

Coppa raccogli-polvere

Accessorio opzionale

Utilizzare la coppa raccogli-polvere per evitare che la polvere cada sull'utensile e sull'operatore quando si effettuano operazioni di perforazione al di sopra della testa. Montare la coppa raccogli-polvere sulla punta come indicato nella figura. Le dimensioni delle punte su cui è possibile montare la coppa raccogli-polvere sono le seguenti.

Modello	Diametro della punta
Coppa raccogli-polvere 5	Da 6 mm a 14,5 mm
Coppa raccogli-polvere 9	Da 12 mm a 16 mm

► Fig.24: 1. Coppa raccogli-polvere

Kit coppa antipolvere

Accessorio opzionale

⚠ATTENZIONE: Prima di installare e disinstallare il kit coppa antipolvere, rimuovere la punta dall'utensile.

Installazione

Per il modello HR008G

1. Montare il distanziatore sull'unità di montaggio del kit coppa antipolvere, allineando il simbolo \triangle sull'unità di montaggio con una delle scanalature nel distanziatore.

► Fig.25: 1. Distanziatore 2. Kit coppa antipolvere 3. Unità di montaggio 4. Simbolo \triangle 5. Scanalatura

2. Posizionare il kit coppa antipolvere insieme al distanziatore sul collo a cilindro dell'alloggiamento degli ingranaggi, allineando il simbolo \triangle sul kit coppa antipolvere con una delle scanalature nel cilindro. Quindi, afferrare l'unità di montaggio del kit coppa antipolvere e premerla verso il basso sul cilindro per fissarla in sede.

► Fig.26: 1. Kit coppa antipolvere 2. Unità di montaggio 3. Distanziatore 4. Simbolo \triangle 5. Scanalatura

Per il modello HR009G

Posizionare il kit coppa antipolvere sul collo a cilindro dell'alloggiamento degli ingranaggi, allineando il simbolo \triangle sul kit coppa antipolvere con una delle scanalature nel cilindro. Quindi, afferrare l'unità di montaggio del kit coppa antipolvere e premerla verso il basso sul cilindro per fissarla in sede.

► Fig.27: 1. Kit coppa antipolvere 2. Unità di montaggio 3. Simbolo \triangle 4. Scanalatura

NOTA: Se si intende collegare un aspirapolvere al kit coppa raccogli-polvere, rimuovere il tappo della polvere prima di collegarlo.

► Fig.28: 1. Tappo della polvere

Disinstallazione

1. Premere verso il basso fino in fondo la copertura del mandrino ed estrarre la punta.

► Fig.29: 1. Punta 2. Copertura del mandrino

2. Afferrare l'unità di montaggio del kit coppa antipolvere e staccarla dall'utensile tirandola.

► Fig.30: 1. Unità di montaggio

NOTA: Qualora il cappuccio si stacchi dal kit coppa antipolvere, riapplicarlo nella posizione originale.

1. Staccare il soffietto dall'unità di montaggio del kit coppa antipolvere.

► Fig.31: 1. Soffietto 2. Unità di montaggio

2. Riposizionare in sede il cappuccio con il suo lato stampato rivolto verso l'alto.

► Fig.32: 1. Cappuccio 2. Lato stampato 3. Scanalature 4. Bordi dell'apertura superiore 5. Unità di montaggio

3. Accertarsi che le scanalature intorno al cappuccio si inseriscano bene nei bordi dell'apertura superiore dell'unità di montaggio.

► Fig.33

SISTEMA DI RACCOLTA POLVERI

Accessorio opzionale

Il sistema di raccolta polveri è progettato per raccogliere efficacemente le polveri durante l'operazione di foratura del calcestruzzo.

► Fig.34: 1. Sistema di raccolta polveri

⚠ATTENZIONE: Il sistema di raccolta polveri è destinato esclusivamente alla foratura nel calcestruzzo. Non utilizzare il sistema di raccolta polveri per la foratura nel metallo o nel legno.

⚠ATTENZIONE: Quando si intende utilizzare l'utensile con il sistema di raccolta polveri, accertarsi di montare il filtro sul sistema di raccolta polveri, per evitare l'inalazione delle polveri.

⚠ATTENZIONE: Prima di utilizzare il sistema di raccolta polveri, verificare che il filtro non sia danneggiato. La mancata osservanza di questa indicazione potrebbe causare l'inalazione delle polveri.

⚠ATTENZIONE: Il sistema di raccolta polveri raccoglie una percentuale notevole delle polveri generate, ma non è possibile raccogliere tutte le polveri.

AVVISO: Non utilizzare il sistema di raccolta polveri per i carotaggi o la cesellatura.

AVVISO: Non utilizzare il sistema di raccolta polveri per metallo o legno. Il sistema di raccolta polveri è destinato esclusivamente al calcestruzzo.

AVVISO: Non utilizzare il sistema di raccolta polveri per la foratura nel calcestruzzo bagnato, né utilizzare questo sistema in ambiente bagnato. La mancata osservanza di questa indicazione potrebbe causare un malfunzionamento.

Installazione

AVVISO: Prima di installare il sistema di raccolta polveri, pulire le parti di giunzione dell'utensile e del sistema di raccolta polveri. Corpi estranei sulle parti di giunzione potrebbero rendere difficoltosa l'installazione del sistema di raccolta polveri. Qualora sul condotto dell'aria si depositino delle polveri, queste ultime penetrano nell'utensile e causano l'ostruzione del flusso dell'aria o la rottura dell'utensile.

Appendere i ganci del sistema di raccolta polveri alle tasche presenti in basso sul lato anteriore dell'utensile. Sollevare la bocchetta verso l'alto per fissare in sede con uno scatto il sistema di raccolta polveri, affinché il condotto dell'aria dell'utensile venga coperto con l'uscita dell'aria di aspirazione del sistema di raccolta polveri.

- **Fig.35:** 1. Ganci 2. Sistema di raccolta polveri
3. Tasche 4. Bocchetta 5. Condotto dell'aria
6. Uscita dell'aria di aspirazione

Disinstallazione

Premere e tenere premuto il pulsante di sblocco sul sistema di raccolta polveri, quindi abbassare la bocchetta per rilasciare la parte superiore del sistema di raccolta polveri. Sganciare la parte inferiore del sistema di raccolta polveri dall'utensile.

- **Fig.36:** 1. Sistema di raccolta polveri 2. Bocchetta
3. Pulsante di sblocco

Regolazione della posizione della bocchetta del sistema di raccolta polveri

ATTENZIONE: Non puntare la bocchetta verso se stessi o altri quando si intende sbloccare la bocchetta premendo il pulsante di regolazione della guida.

Far scorrere verso l'interno e verso l'esterno la guida della bocchetta mentre si tiene premuto il pulsante di regolazione della guida, quindi rilasciare il pulsante in una posizione precisa in cui l'estremità della punta per trapano si trovi subito dietro la superficie anteriore della bocchetta.

- **Fig.37:** 1. Guida 2. Pulsante di regolazione della guida 3. Estremità della punta per trapano
4. Superficie anteriore della bocchetta

Regolazione delle profondità di foratura

È possibile regolare la profondità di foratura modificando le lunghezze tra il pulsante di regolazione della profondità e il braccio di supporto per la guida della bocchetta. Premere e tenere premuto il pulsante di regolazione della profondità e farlo scorrere sulla posizione desiderata.

- **Fig.38:** 1. Pulsante di regolazione della profondità 2. Guida della bocchetta 3. Braccio di supporto per la guida della bocchetta
4. Profondità di foratura

Abbattimento delle polveri presenti sul filtro

ATTENZIONE: Non ruotare la manopola sul contenitore polveri mentre quest'ultimo è rimosso dal sistema di raccolta polveri. In caso contrario, si potrebbe causare l'inalazione delle polveri.

ATTENZIONE: Spegnerne sempre l'utensile quando si intende ruotare la manopola sul contenitore polveri. Qualora si ruoti la manopola mentre l'utensile è in funzione, si potrebbe causare la perdita di controllo dell'utensile.

Abbattendo le polveri presenti sul filtro all'interno del contenitore polveri, è possibile preservare l'efficienza dell'aspiratore, nonché ridurre il numero di interventi di smaltimento delle polveri.

Ruotare la manopola sul contenitore polveri tre volte ogni volta che sono stati raccolti circa 50.000 mm³ di polveri o quando si nota che le prestazioni di aspirazione si sono ridotte.

NOTA: 50.000 mm³ di polveri sono equivalenti alla foratura di 10 fori di diametro pari a 10 mm e di profondità pari a 65 mm.

- **Fig.39:** 1. Contenitore polveri 2. Manopola

Smaltimento delle polveri

ATTENZIONE: Accertarsi sempre che l'utensile sia spento e che la cartuccia della batteria sia stata rimossa, prima di effettuare qualsiasi intervento sull'utensile.

ATTENZIONE: Quando si intende smaltire le polveri, accertarsi di indossare una maschera antipolvere.

ATTENZIONE: Svuotare a intervalli regolari il contenitore polveri prima che diventi pieno. La mancata osservanza di questa indicazione potrebbe ridurre le prestazioni di raccolta delle polveri e causare l'inalazione delle polveri.

ATTENZIONE: Le prestazioni di raccolta delle polveri si riducono, qualora il filtro nel contenitore polveri diventi intasato. Come riferimento, sostituire il filtro con uno nuovo dopo circa 200 riempimenti di polveri. La mancata osservanza di questa indicazione potrebbe causare l'inalazione delle polveri.

1. Rimuovere il contenitore polveri mentre si tiene premuta la leva del dispositivo di chiusura del contenitore polveri.

- **Fig.40:** 1. Leva del dispositivo di chiusura

2. Sollevare leggermente verso l'esterno la linguetta di blocco e aprire lo sportellino del contenitore polveri.

- **Fig.41:** 1. Sportellino del contenitore polveri
2. Linguetta di blocco

3. Smaltire le polveri, quindi pulire il filtro.

- **Fig.42**

AVVISO: Quando si intende pulire il filtro, dare dei delicati colpetti con la mano sul contenitore del filtro per rimuovere le polveri. Non dare colpetti direttamente sul filtro né toccarlo con una spazzola o simili, e non soffiare aria compressa sul filtro. In caso contrario, si potrebbe danneggiare il filtro.

Sostituzione del filtro del contenitore polveri

1. Rimuovere il contenitore polveri mentre si tiene premuta la leva del dispositivo di chiusura del contenitore polveri.
► **Fig.43:** 1. Leva del dispositivo di chiusura
2. Sollevare leggermente verso l'esterno la linguetta di blocco e aprire il coperchio del filtro del contenitore polveri.
► **Fig.44:** 1. Coperchio del filtro 2. Linguetta di blocco
3. Rimuovere il filtro dal contenitore del filtro.
► **Fig.45:** 1. Filtro 2. Contenitore del filtro
4. Montare un nuovo filtro nel contenitore del filtro, quindi montare il coperchio del filtro.
5. Chiudere il coperchio del contenitore polveri, quindi montare il contenitore polveri nel sistema di raccolta polveri.

Sostituzione del cappuccio sigillante

- Un cappuccio sigillante danneggiato o usurato potrebbe compromettere le prestazioni di raccolta delle polveri. Sostituire il cappuccio sigillante con uno nuovo, se necessario, allineandone la sporgenza guida con la tacca guida sulla testa della bocchetta.
- **Fig.46:** 1. Cappuccio sigillante 2. Sporgenza guida 3. Testa della bocchetta 4. Tacca guida

Conservazione

AVVISO: Quando non deve essere utilizzata per un determinato periodo di tempo, è necessario allungare la guida della bocchetta a circa 100 mm dalla sua posizione completamente accorciata. In caso contrario, si potrebbe danneggiare il tubo flessibile del condotto preinstallato nella guida della bocchetta.

- **Fig.47:** 1. Pulsante di regolazione della guida 2. Circa 100 mm

FUNZIONAMENTO

ATTENZIONE: Utilizzare sempre l'impugnatura laterale (manico ausiliario) e mantenere saldamente l'utensile utilizzando sia l'impugnatura laterale che il manico con l'interruttore durante l'uso.

ATTENZIONE: Accertarsi sempre che il pezzo in lavorazione sia fissato prima dell'operazione.

ATTENZIONE: Non tirare forzatamente l'utensile, anche qualora la punta resti incastrata. La perdita di controllo potrebbe causare lesioni personali.


AVVISO: Prima di utilizzare il sistema di raccolta polveri con l'utensile, leggere la sezione relativa al sistema di raccolta polveri.

NOTA: Qualora la cartuccia della batteria si trovi in condizioni di bassa temperatura, potrebbe non essere possibile ottenere le prestazioni massime dell'utensile. In questo caso, far riscaldare la cartuccia della batteria utilizzando l'utensile a vuoto per qualche momento, per raggiungere le prestazioni massime dell'utensile.

► **Fig.48**

Operazione di foratura a percussione

ATTENZIONE: Sull'utensile/punta per trapano viene esercitata una fortissima e improvvisa forza torcente quando si verifica la fuoriuscita dal foro, qualora il foro diventi intasato di trucioli e scorie o qualora si colpiscano i tondini per armatura incorporati nel cemento. **Utilizzare sempre l'impugnatura laterale (manico ausiliario) e mantenere saldamente l'utensile utilizzando sia l'impugnatura laterale che il manico con l'interruttore durante l'uso.** In caso contrario, si potrebbe causare la perdita di controllo dell'utensile e la possibilità di gravi lesioni personali.


Impostare la manopola di modifica della modalità operativa sul simbolo .

Posizionare la punta per trapano sul punto desiderato per il foro, quindi premere l'interruttore a grilletto. Applicare la forza di avanzamento alla maniglia con gli interruttori (maniglia principale) per la precisione e l'efficienza nel lavoro, e afferrare l'impugnatura laterale (manico ausiliario) per mantenere l'equilibrio dell'utensile. Mantenere l'utensile in posizione ed evitare che scivoli via dal foro.

Non esercitare una pressione maggiore se il foro diventa intasato di trucioli o scorie. Far girare a vuoto l'utensile, invece, quindi rimuovere parzialmente la punta per trapano dal foro. Ripetendo tale procedura diverse volte, il foro si ripulisce e si può continuare con la foratura normale.

NOTA: Durante il funzionamento dell'utensile a vuoto, potrebbe verificarsi un'eccentricità nella rotazione della punta per trapano. L'utensile si centra automaticamente durante l'uso. Ciò non influenza negativamente la precisione della foratura.

Scalpellatura/disincrostazione/ demolizione

Impostare la manopola di modifica della modalità operativa sul simbolo .

Mantenere saldamente l'utensile con entrambe le mani. Accendere l'utensile.

Applicare la forza di avanzamento alla maniglia con gli interruttori (maniglia principale) per la precisione e l'efficienza nel lavoro, e afferrare l'impugnatura laterale (manico ausiliario) per mantenere l'equilibrio dell'utensile.

Una forte pressione sull'utensile non ne incrementa l'efficienza.

► Fig.49

Foratura di legno o metallo


⚠ATTENZIONE: Tenere saldamente l'utensile e fare attenzione quando la punta per trapano inizia a fuoriuscire dal pezzo. Sull'utensile/punta per trapano viene esercitata una forza estrema al momento della fuoriuscita dal foro.

⚠ATTENZIONE: Una punta per trapano incastrata può venire rimossa semplicemente impostando il commutatore di inversione della rotazione sulla rotazione invertita, in modo da far tornare indietro l'utensile. Tuttavia, l'utensile potrebbe tornare indietro bruscamente, qualora non venga impugnato saldamente.

⚠ATTENZIONE: Fissare sempre i pezzi in lavorazione in una morsa o un dispositivo simile per tenerli fermi.

AVVISO: Non utilizzare mai la "rotazione con percussione" quando sull'utensile è installato il mandrino per trapano. In caso contrario, il mandrino per trapano potrebbe venire danneggiato. Inoltre, il mandrino per trapano si stacca durante l'inversione della rotazione dell'utensile.

AVVISO: Se si esercita una pressione eccessiva sull'utensile, non si accelera la foratura. In realtà, tale pressione eccessiva produce solo l'effetto di danneggiare l'estremità della punta per trapano e di ridurre le prestazioni e la vita utile dell'utensile.

Impostare la manopola di modifica della modalità operativa sul simbolo .

Per il modello HR008G

Accessorio opzionale

Montare l'adattatore per mandrino su un mandrino autoserrante per trapano su cui sia possibile installare una vite di dimensioni 1/2"-20, quindi installarli sull'utensile. Per i dettagli su come installare l'adattatore nel mandrino, fare riferimento alle istruzioni sull'installazione della punta per trapano.

► Fig.50: 1. Mandrino autoserrante per trapano
2. Adattatore per mandrino

Per il modello HR009G

Utilizzare il mandrino a sgancio rapido come attrezzatura standard. Per i dettagli su come installare il mandrino a sgancio rapido, fare riferimento alle istruzioni sulla sostituzione del mandrino a sgancio rapido per SDS-plus.


Mantenere l'anello e ruotare il manicotto in senso antiorario per aprire le griffe del mandrino. Inserire una punta per trapano nel mandrino fino in fondo. Mantenere saldamente l'anello e ruotare il manicotto in senso orario per serrare il mandrino.

► Fig.51: 1. Manicotto 2. Anello

Per rimuovere la punta per trapano, mantenere l'anello e ruotare il manicotto in senso antiorario.

Foratura con punta a corona diamantata

AVVISO: Se si effettuano operazioni di foratura con punta a corona diamantata utilizzando la modalità operativa "rotazione con percussione", la punta a corona diamantata potrebbe venire danneggiata.

Quando si intende effettuare operazioni di foratura con punta a corona diamantata, impostare sempre la manopola di modifica della modalità operativa sulla posizione  per utilizzare la modalità operativa "solo rotazione".

Soffietto a peretta

Accessorio opzionale

Dopo aver praticato il foro, utilizzare il soffietto a peretta per pulire la polvere dal foro.

► Fig.52

Uso del kit coppa antipolvere

Accessorio opzionale

Applicare il kit coppa antipolvere contro il soffitto, quando si utilizza l'utensile.

► Fig.53

AVVISO: Non utilizzare il kit coppa antipolvere durante la foratura nel metallo o in materiali simili. In caso contrario, si potrebbe danneggiare il kit coppa antipolvere, a causa del calore prodotto dalle polveri sottili del metallo o di materiali simili.

AVVISO: Non installare né rimuovere il kit coppa antipolvere quando nell'utensile è installata la punta per trapano. In caso contrario, si potrebbe danneggiare il kit coppa antipolvere e causare fuoriuscite di polveri.

FUNZIONE DI ATTIVAZIONE DELLA COMUNICAZIONE SENZA FILI

Cosa si può fare con la funzione di attivazione della comunicazione senza fili

La funzione di attivazione della comunicazione senza fili consente un funzionamento pulito e comodo. Collegando un aspirapolvere supportato all'utensile, è possibile far funzionare automaticamente l'aspirapolvere insieme all'attivazione dell'interruttore dell'utensile.

► Fig.54

Per utilizzare la funzione di attivazione della comunicazione senza fili, preparare gli elementi seguenti:

- Un'unità senza fili (accessorio opzionale)
- Un aspirapolvere che supporti la funzione di attivazione della comunicazione senza fili

L'impostazione della funzione di attivazione della comunicazione senza fili è ripiegata di seguito. Per le procedure dettagliate, consultare ciascuna sezione.

1. Installazione dell'unità senza fili
2. Registrazione dell'utensile per l'aspirapolvere
3. Avvio della funzione di attivazione della comunicazione senza fili

Installazione dell'unità senza fili

Accessorio opzionale

⚠ATTENZIONE: Posizionare l'utensile su una superficie piana e stabile, quando si intende installare l'unità senza fili.

AVVISO: Pulire la polvere e lo sporco sull'utensile prima di installare l'unità senza fili. La polvere o lo sporco potrebbero causare un malfunzionamento, qualora penetrino nell'alloggiamento dell'unità senza fili.

AVVISO: Per evitare il malfunzionamento causato dall'elettricità statica, toccare un materiale per scaricarla, ad esempio una parte metallica dell'utensile, prima di prendere in mano l'unità senza fili.

AVVISO: Quando si installa l'unità senza fili, accertarsi sempre che quest'ultima sia inserita nella direzione corretta e che il coperchio sia completamente chiuso.

1. Aprire il coperchio sull'utensile come indicato nella figura.

► Fig.55: 1. Coperchio

2. Inserire l'unità senza fili nell'alloggiamento, quindi chiudere il coperchio.

Quando si inserisce l'unità senza fili, allineare le sporgenze con le rientranze presenti nell'alloggiamento.

► Fig.56: 1. Unità senza fili 2. Sporgenza 3. Coperchio 4. Rientranza

Quando si intende rimuovere l'unità senza fili, aprire lentamente il coperchio. I ganci sul retro del coperchio sollevano l'unità senza fili mentre si tira su il coperchio.

► Fig.57: 1. Unità senza fili 2. Gancio 3. Coperchio

Dopo aver rimosso l'unità senza fili, conservarla nella custodia in dotazione o in un contenitore antistatico.

AVVISO: Utilizzare sempre i ganci sul retro del coperchio quando si intende rimuovere l'unità senza fili. Qualora i ganci non si inseriscano nell'unità senza fili, chiudere completamente il coperchio e riaprirlo lentamente.

Registrazione dell'utensile per l'aspirapolvere

NOTA: È richiesto un aspirapolvere Makita che supporti la funzione di attivazione della comunicazione senza fili per la registrazione dell'utensile.

NOTA: Completare l'installazione dell'unità senza fili nello strumento prima di avviare la registrazione dell'utensile.

NOTA: Durante la registrazione dell'utensile, non premere l'interruttore a grilletto né attivare l'interruttore di accensione sull'aspirapolvere.

NOTA: Fare riferimento anche al manuale d'uso dell'aspirapolvere.

Se si desidera attivare l'aspirapolvere insieme all'attivazione dell'interruttore dell'utensile, completare anticipatamente la registrazione dell'utensile.

1. Installare le batterie nell'aspirapolvere e nell'utensile.

2. Impostare il commutatore di standby sull'aspirapolvere su "AUTO".

► Fig.58: 1. Commutatore di standby

3. Premere il pulsante di attivazione della comunicazione senza fili sull'aspirapolvere per 3 secondi, fino a quando l'indicatore luminoso di attivazione della comunicazione senza fili lampeggia in verde. Quindi, premere il pulsante di attivazione della comunicazione senza fili sull'utensile in modo analogo.

► Fig.59: 1. Pulsante di attivazione della comunicazione senza fili 2. Indicatore luminoso di attivazione della comunicazione senza fili

Se l'aspirapolvere e l'utensile sono collegati con esito positivo, gli indicatori luminosi di attivazione della comunicazione senza fili si illuminano in verde per 2 secondi, quindi iniziano a lampeggiare in blu.

NOTA: Gli indicatori luminosi di attivazione della comunicazione senza fili smettono di lampeggiare in verde dopo 20 secondi. Premere il pulsante di attivazione della comunicazione senza fili sull'utensile mentre l'indicatore luminoso di attivazione della comunicazione senza fili sull'aspiratore sta lampeggiando. Qualora l'indicatore luminoso di attivazione della comunicazione senza fili non lampeggi in verde, premere brevemente e tenere premuto di nuovo il pulsante di attivazione della comunicazione senza fili.

NOTA: Quando si intende effettuare due o più registrazioni di utensili per un unico aspirapolvere, completare la registrazione degli utensili uno alla volta.

Avvio della funzione di attivazione della comunicazione senza fili

NOTA: Completare la registrazione dell'utensile per l'aspirapolvere prima dell'attivazione della comunicazione senza fili.

NOTA: Fare riferimento anche al manuale d'uso dell'aspirapolvere.

Dopo aver registrato un utensile sull'aspirapolvere, quest'ultimo entra in funzione automaticamente insieme all'attivazione dell'interruttore dell'utensile.

1. Installare l'unità senza fili sull'utensile.
2. Collegare il tubo flessibile dell'aspirapolvere all'utensile.

► **Fig.60**

3. Impostare il commutatore di standby sull'aspirapolvere su "AUTO".

► **Fig.61:** 1. Commutatore di standby

4. Premere brevemente il pulsante di attivazione della comunicazione senza fili sull'utensile. L'indicatore luminoso di attivazione della comunicazione senza fili lampeggia in blu.

► **Fig.62:** 1. Pulsante di attivazione della comunicazione senza fili 2. Indicatore luminoso di attivazione della comunicazione senza fili

5. Accendere l'utensile. Verificare se l'aspirapolvere sia in funzione quando l'utensile sta funzionando.

Per interrompere l'attivazione della comunicazione senza fili dell'aspirapolvere, premere il pulsante di attivazione della comunicazione senza fili sull'utensile.

NOTA: L'indicatore luminoso di attivazione della comunicazione senza fili sull'utensile smette di lampeggiare in blu quando non viene effettuata alcuna operazione per 2 ore. In questo caso, impostare il commutatore di standby sull'aspirapolvere su "AUTO" e premere di nuovo il pulsante di attivazione della comunicazione senza fili sull'utensile.

NOTA: L'aspirapolvere si avvia o si arresta con un ritardo. Si verifica un ritardo temporale quando l'aspirapolvere rileva un'attivazione dell'interruttore sull'utensile.










NOTA: La distanza di trasmissione dell'unità senza fili può variare a seconda dell'ubicazione e della situazione circostante.

NOTA: Quando due o più utensili sono registrati su un unico aspirapolvere, quest'ultimo potrebbe iniziare a funzionare anche se non si accende l'utensile, in quanto un altro utente sta utilizzando la funzione di attivazione della comunicazione senza fili.

Descrizione dello stato dell'indicatore luminoso di attivazione della comunicazione senza fili

► **Fig.63:** 1. Indicatore luminoso di attivazione della comunicazione senza fili

L'indicatore luminoso di attivazione della comunicazione senza fili mostra lo stato della funzione di attivazione della comunicazione senza fili. Per informazioni sul significato dello stato dell'indicatore luminoso, fare riferimento alla tabella seguente.

Stato	Indicatore luminoso di attivazione della comunicazione senza fili			Durata	Descrizione
	Colore	 Acceso	 Lampeggiante		
Standby	Blu			2 ore	È disponibile l'attivazione della funzione di comunicazione senza fili dell'aspirapolvere. L'indicatore luminoso si spegne automaticamente quando non viene eseguita alcuna operazione per 2 ore.
				Quando l'utensile è in funzione.	È disponibile l'attivazione della funzione di comunicazione senza fili dell'aspirapolvere e l'utensile è in funzione.
Registrazione dell'utensile	Verde			20 secondi	Pronto alla registrazione dell'utensile. In attesa della registrazione da parte dell'aspirapolvere.
				2 secondi	La registrazione dell'utensile è stata completata. L'indicatore luminoso di attivazione della comunicazione senza fili inizia a lampeggiare in blu.
Annullamento della registrazione dell'utensile	Rosso			20 secondi	Pronto alla cancellazione della registrazione dell'utensile. In attesa della cancellazione da parte dell'aspirapolvere.
				2 secondi	La cancellazione della registrazione dell'utensile è stata completata. L'indicatore luminoso di attivazione della comunicazione senza fili inizia a lampeggiare in blu.
Altro	Rosso			3 secondi	L'alimentazione è fornita all'unità senza fili e la funzione di attivazione della comunicazione senza fili si sta avviando.
	Spento	-		-	L'attivazione della funzione di comunicazione senza fili dell'aspirapolvere è stata arrestata.

Annullamento della registrazione dell'utensile per l'aspirapolvere

Quando si intende annullare la registrazione dell'utensile per l'aspirapolvere, attenersi alla procedura seguente.

1. Installare le batterie nell'aspirapolvere e nell'utensile.
2. Impostare il commutatore di standby sull'aspirapolvere su "AUTO".

► **Fig.64:** 1. Commutatore di standby

3. Premere il pulsante di attivazione della comunicazione senza fili sull'aspirapolvere per 6 secondi. L'indicatore luminoso di attivazione della comunicazione senza fili lampeggia in verde, quindi diventa rosso. Dopodiché, premere il pulsante di attivazione della comunicazione senza fili sull'utensile in modo analogo.

► **Fig.65:** 1. Pulsante di attivazione della comunicazione senza fili 2. Indicatore luminoso di attivazione della comunicazione senza fili

Se l'annullamento è stato eseguito con esito positivo, gli indicatori luminosi di attivazione della comunicazione senza fili si illuminano in rosso per 2 secondi, quindi iniziano a lampeggiare in blu.

NOTA: Gli indicatori luminosi di attivazione della comunicazione senza fili smettono di lampeggiare in rosso dopo 20 secondi. Premere il pulsante di attivazione della comunicazione senza fili sull'utensile mentre l'indicatore luminoso di attivazione della comunicazione senza fili sull'aspiratore sta lampeggiando. Qualora l'indicatore luminoso di attivazione della comunicazione senza fili non lampeggi in rosso, premere brevemente e tenere premuto di nuovo il pulsante di attivazione della comunicazione senza fili.

Risoluzione dei problemi per la funzione di attivazione della comunicazione senza fili

Prima di richiedere riparazioni, eseguire un'ispezione personalmente. Qualora si rilevi un problema che non è illustrato nel manuale, non tentare di smontare l'utensile. Rivolgersi, invece, a un centro di assistenza autorizzato Makita, utilizzando sempre pezzi di ricambio Makita per le riparazioni.

Stato di anomalia	Causa probabile (guasto)	Azione correttiva
L'indicatore luminoso di attivazione della comunicazione senza fili non si illumina o non lampeggia.	L'unità senza fili non è installata nell'utensile. L'unità senza fili è installata in modo errato nell'utensile.	Installare l'unità senza fili correttamente.
	Il terminale dell'unità senza fili e/o l'alloggiamento sono sporchi.	Asportare delicatamente polvere e sporco presenti sul terminale dell'unità senza fili e pulire l'alloggiamento.
	Il pulsante di attivazione della comunicazione senza fili sull'utensile non è stato premuto.	Premere brevemente il pulsante di attivazione della comunicazione senza fili sull'utensile.
	Il commutatore di standby sull'aspirapolvere non è impostato su "AUTO".	Impostare il commutatore di standby sull'aspirapolvere su "AUTO".
	Alimentazione assente	Fornire l'alimentazione all'utensile e all'aspirapolvere.
Impossibile completare con esito positivo la registrazione dell'utensile o l'annullamento della registrazione dell'utensile.	L'unità senza fili non è installata nell'utensile. L'unità senza fili è installata in modo errato nell'utensile.	Installare l'unità senza fili correttamente.
	Il terminale dell'unità senza fili e/o l'alloggiamento sono sporchi.	Asportare delicatamente polvere e sporco presenti sul terminale dell'unità senza fili e pulire l'alloggiamento.
	Il commutatore di standby sull'aspirapolvere non è impostato su "AUTO".	Impostare il commutatore di standby sull'aspirapolvere su "AUTO".
	Alimentazione assente	Fornire l'alimentazione all'utensile e all'aspirapolvere.
	Funzionamento errato	Premere brevemente il pulsante di attivazione della comunicazione senza fili ed eseguire di nuovo la procedura di registrazione o di annullamento dell'utensile.
	L'utensile e l'aspirapolvere sono lontani l'uno dall'altro (fuori dalla portata di trasmissione).	Avvicinare l'utensile e l'aspirapolvere tra di loro. La distanza massima di trasmissione è di circa 10 m, ma può variare in base alle circostanze.
	Prima di completare la registrazione o l'annullamento dell'utensile: - l'interruttore dell'utensile è attivato, oppure; - il pulsante di accensione sull'aspirapolvere è attivato.	Premere brevemente il pulsante di attivazione della comunicazione senza fili ed eseguire di nuovo la procedura di registrazione o di annullamento dell'utensile.
	Le procedure di registrazione per l'utensile o per l'aspirapolvere non sono state completate.	Eseguire le procedure di registrazione dell'utensile sia per l'utensile che per l'aspirapolvere allo stesso tempo.
	Sono presenti disturbi radio dovuti ad altri apparecchi che generano onde radio ad alta intensità.	Tenere l'utensile e l'aspirapolvere lontani da apparecchi quali dispositivi Wi-Fi e forni a microonde.
L'aspirapolvere non entra in funzione insieme all'attivazione dell'interruttore dell'utensile.	L'unità senza fili non è installata nell'utensile. L'unità senza fili è installata in modo errato nell'utensile.	Installare l'unità senza fili correttamente.
	Il terminale dell'unità senza fili e/o l'alloggiamento sono sporchi.	Asportare delicatamente polvere e sporco presenti sul terminale dell'unità senza fili e pulire l'alloggiamento.
	Il pulsante di attivazione della comunicazione senza fili sull'utensile non è stato premuto.	Premere brevemente il pulsante di attivazione della comunicazione senza fili e accertarsi che l'indicatore luminoso di attivazione della comunicazione senza fili stia lampeggiando in blu.
	Il commutatore di standby sull'aspirapolvere non è impostato su "AUTO".	Impostare il commutatore di standby sull'aspirapolvere su "AUTO".
	Sull'aspirapolvere sono registrati più di 10 utensili.	Effettuare di nuovo la registrazione dell'utensile. Qualora sull'aspirapolvere siano registrati più di 10 utensili, l'utensile registrato per primo viene annullato automaticamente.
	L'aspirapolvere ha cancellato tutte le registrazioni degli utensili.	Effettuare di nuovo la registrazione dell'utensile.
	Alimentazione assente	Fornire l'alimentazione all'utensile e all'aspirapolvere.
	L'utensile e l'aspirapolvere sono lontani l'uno dall'altro (fuori dalla portata di trasmissione).	Avvicinare l'utensile e l'aspirapolvere tra di loro. La distanza massima di trasmissione è di circa 10 m, ma può variare in base alle circostanze.
	Sono presenti disturbi radio dovuti ad altri apparecchi che generano onde radio ad alta intensità.	Tenere l'utensile e l'aspirapolvere lontani da apparecchi quali dispositivi Wi-Fi e forni a microonde.
L'aspirapolvere è in funzione mentre l'utensile non sta funzionando.	Altri utenti stanno utilizzando l'attivazione della comunicazione senza fili dell'aspirapolvere con i loro utensili.	Disattivare il pulsante di attivazione della comunicazione senza fili degli altri utensili oppure annullare la registrazione degli altri utensili.

MANUTENZIONE

⚠ATTENZIONE: Accertarsi sempre che l'utensile sia spento e che la cartuccia della batteria sia stata rimossa prima di tentare di eseguire interventi di ispezione o manutenzione.

AVVISO: Non utilizzare mai benzina, benzene, solventi, alcol o altre sostanze simili. In caso contrario, si potrebbero causare scolorimenti, deformazioni o crepe.

Per preservare la SICUREZZA e l'AFFIDABILITÀ del prodotto, le riparazioni e qualsiasi altro intervento di manutenzione e di regolazione devono essere eseguiti da un centro di assistenza autorizzato Makita, utilizzando sempre ricambi Makita.

ACCESSORI OPZIONALI

⚠ATTENZIONE: Questi accessori o componenti aggiuntivi sono consigliati per l'uso con l'utensile Makita specificato nel presente manuale. L'impiego di altri accessori o componenti aggiuntivi può costituire un rischio di lesioni alle persone. Utilizzare gli accessori o i componenti aggiuntivi solo per il loro scopo prefissato.

Per ottenere ulteriori dettagli relativamente a questi accessori, rivolgersi a un centro di assistenza Makita.

- Punta per trapano rivestite in carburo (punte SDS-plus rivestite in carburo)
- Punta a corona
- Scalpello per cemento
- Punta a corona diamantata
- Tagliolo a freddo
- Scalpello largo
- Scalpello per scanalatura
- Kit mandrino per trapano (adattatore per mandrino/mandrino per trapano)
- Grasso per punta
- Calibro di profondità
- Soffietto a peretta
- Coppa raccogli-polvere
- Kit coppa raccogli-polvere
- Distanziatore (per il modello HR008G)
- Kit gancio
- Kit contenitore polveri
- Kit filtro
- Giunto
- Sistema di raccolta polveri
- Unità senza fili
- Batteria e caricabatterie originali Makita

NOTA: Alcuni articoli nell'elenco potrebbero essere inclusi nell'imballaggio dell'utensile come accessori standard. Tali articoli potrebbero variare da nazione a nazione.

TECHNISCHE GEGEVENS

Model:		HR008G	HR009G
Capaciteiten	Steen/cement	30 mm	
	Kernboor	80 mm	
	Diamantkernboor (droog type)	80 mm	
	Staal	13 mm	
	Hout	32 mm	
Nullasttoerental		0 - 840 min ⁻¹	
Slagen per minuut		0 - 4.500 min ⁻¹	
Nominale spanning		Max. 36 V - 40 V gelijkspanning	
Totale lengte (met BL4040)		422 mm	439 mm
Nettogewicht		5,2 - 6,8 kg	5,3 - 6,7 kg

Optioneel accessoire

Model:	DX10 (voor HR008G)	DX11 (voor HR009G)
Toepasselijk werkstuk en gebruikstoepassing	alleen voor boren in beton (niet voor metaal of hout, en niet voor kernboren of beitelen)	
Afzuigcapaciteit	350 l/min	
Werkslag	Max. 190 mm	
Geschikte boorbit	Max. 265 mm	
Nettogewicht	1,2 kg	

- In verband met ononderbroken research en ontwikkeling, behouden wij ons het recht voor de bovenstaande technische gegevens zonder voorafgaande kennisgeving te wijzigen.
- De technische gegevens kunnen van land tot land verschillen.
- Het gewicht kan verschillen afhankelijk van de hulpstukken, waaronder de accu. De lichtste en zwaarste combinatie, overeenkomstig de EPTA-procedure 01/2014, worden getoond in de tabel.

Toepasselijke accu's en laders

Accu	BL4020 / BL4025 / BL4040* / BL4050F* / BL4080F * : Aanbevolen accu
Lader	DC40RA / DC40RB / DC40RC

- Sommige van de hierboven vermelde accu's en laders zijn mogelijk niet leverbaar afhankelijk van waar u woont.

⚠ WAARSCHUWING: Gebruik uitsluitend de accu's en laders die hierboven worden genoemd. Gebruik van enige andere accu of lader kan leiden tot letsel en/of brand.

Aanbevolen bekabelde voedingsbron

Draagbare voedingseenheid	PDC01 / PDC1200
---------------------------	-----------------

- De hierboven vermelde bekabelde voedingsbron(nen) is/zijn mogelijk niet leverbaar afhankelijk van waar u woont.
- Alvorens de bekabelde voedingsbron te gebruiken, leest u de instructies en waarschuwingsopchriften erop.

Bedoeld gebruik

Dit gereedschap is bedoeld voor hamerboren en boren in baksteen, beton en steen, en tevens voor beitelwerk. Het is ook geschikt voor boren zonder slagwerking in hout, metaal, keramisch materiaal en kunststof.

Geluidsniveau

De typische, A-gewogen geluidsniveaus zijn gemeten volgens EN62841-2-6:

Model HR008G

Geluidsdrukniveau (L_{pA}): 95 dB (A)
Geluidsvermogeniveau (L_{WA}): 103 dB (A)
Onzekerheid (K): 3 dB (A)

Model HR009G

Geluidsdrukniveau (L_{pA}): 95 dB (A)
Geluidsvermogeniveau (L_{WA}): 103 dB (A)
Onzekerheid (K): 3 dB (A)

Model HR008G met DX10

Geluidsdrukniveau (L_{pA}): 97 dB (A)
Geluidsvermogeniveau (L_{WA}): 105 dB (A)
Onzekerheid (K): 3 dB (A)

Model HR009G met DX11

Geluidsdrukniveau (L_{pA}): 97 dB (A)
Geluidsvermogeniveau (L_{WA}): 105 dB (A)
Onzekerheid (K): 3 dB (A)

OPMERKING: De opgegeven geluidsemissiewaarde(n) is/zijn gemeten volgens een standaardtestmethode en kan/kunnen worden gebruikt om dit gereedschap te vergelijken met andere gereedschappen.

OPMERKING: De opgegeven geluidsemissiewaarde(n) kan/kunnen ook worden gebruikt voor een beoordeling vooraf van de blootstelling.

⚠ WAARSCHUWING: Draag gehoorbescherming.

⚠ WAARSCHUWING: De geluidsemissie tijdens het gebruik van het elektrisch gereedschap in de praktijk kan verschillen van de opgegeven waarde(n) afhankelijk van de manier waarop het gereedschap wordt gebruikt, met name van het soort werkstuk waarmee wordt gewerkt.

⚠ WAARSCHUWING: Zorg ervoor dat veiligheidsmaatregelen worden getroffen ter bescherming van de gebruiker die zijn gebaseerd op een schatting van de blootstelling onder praktijkomstandigheden (rekening houdend met alle fasen van de bedrijfscyclus, zoals de tijdsduur gedurende welke het gereedschap is uitgeschakeld en stationair draait, naast de ingeschakelde tijdsduur).

Trilling

De volgende tabel toont de trillingstotaalwaarde (triaxiale vectorsom) zoals vastgesteld conform de toepasselijke norm:

Model HR008G

Toepassing	Trillingsemissie	Onzekerheid (K)	Toepasselijke norm / Testvoorwaarden
Hamerboren in beton ($a_{h, HD}$)	11,8 m/s ²	1,5 m/s ²	EN62841-2-6
	9,1 m/s ²	1,5 m/s ²	Aanbevolen bediening in de praktijk*
Hamerboren in beton met DX10 ($a_{h, HD}$)	9,5 m/s ²	2,0 m/s ²	EN62841-2-6
	7,8 m/s ²	1,5 m/s ²	Aanbevolen bediening in de praktijk*
Beitelen ($a_{h, Chreq}$)	8,6 m/s ²	1,5 m/s ²	EN62841-2-6
	8,0 m/s ²	1,5 m/s ²	Aanbevolen bediening in de praktijk*

Model HR009G

Toepassing	Trillingsemissie	Onzekerheid (K)	Toepasselijke norm / Testvoorwaarden
Hamerboren in beton ($a_{h, HD}$)	11,5 m/s ²	1,5 m/s ²	EN62841-2-6
	9,1 m/s ²	1,5 m/s ²	Aanbevolen bediening in de praktijk*
Hamerboren in beton met DX11 ($a_{h, HD}$)	8,9 m/s ²	1,5 m/s ²	EN62841-2-6
	7,3 m/s ²	1,5 m/s ²	Aanbevolen bediening in de praktijk*
Beitelen ($a_{h, Chreq}$)	7,3 m/s ²	1,5 m/s ²	EN62841-2-6
	7,1 m/s ²	1,5 m/s ²	Aanbevolen bediening in de praktijk*

* De testvoorwaarden van het aanbevolen gebruik in de praktijk voldoen aan EN 62841-2-6, behalve op de volgende punten:

- De aanvoerkraft wordt uitgeoefend op de schakelaarhandgreep (hoofdhandgreep) voor nauwkeurigheid en efficiëntie van het werk.
- De zijhandgreep/het zijhandvat (extra handgreep) wordt gebruikt om het gereedschap in balans te houden.

OPMERKING: De totale trillingswaarde(n) is/zijn gemeten volgens een standaardtestmethode en kan/kunnen worden gebruikt om dit gereedschap te vergelijken met andere gereedschappen.

OPMERKING: De opgegeven totale trillingswaarde(n) kan/kunnen ook worden gebruikt voor een beoordeling vooraf van de blootstelling.

⚠️ WAARSCHUWING: De trillingsemisatie tijdens het gebruik van het elektrisch gereedschap in de praktijk kan verschillen van de opgegeven waarde(n) afhankelijk van de manier waarop het gereedschap wordt gebruikt, met name van het soort werkstuk waarmee wordt gewerkt.

⚠️ WAARSCHUWING: Zorg ervoor dat veiligheidsmaatregelen worden getroffen ter bescherming van de gebruiker die zijn gebaseerd op een schatting van de blootstelling onder praktijkomstandigheden (rekening houdend met alle fasen van de bedrijfscyclus, zoals de tijdsduur gedurende welke het gereedschap is uitgeschakeld en stationair draait, naast de ingeschakelde tijdsduur).

Verklaringen van conformiteit

Alleen voor Europese landen

De verklaringen van conformiteit zijn bijgevoegd in Bijlage A bij deze gebruiksaanwijzing.

VEILIGHEIDSWAARSCHUWINGEN

Algemene veiligheidswaarschuwingen voor elektrisch gereedschap

⚠️ WAARSCHUWING: Lees alle veiligheidswaarschuwingen, aanwijzingen, afbeeldingen en technische gegevens behorend bij dit elektrische gereedschap aandachtig door. Als u niet alle onderstaande aanwijzingen naleeft, kan dat resulteren in brand, elektrische schokken en/of ernstig letsel.

Bewaar alle waarschuwingen en instructies om in de toekomst te kunnen raadplegen.

De term "elektrisch gereedschap" in de veiligheidsvoorschriften duidt op gereedschappen die op stroom van het lichtnet werken (met snoer) of gereedschappen met een accu (snoerloos).

VEILIGHEIDSWAARSCHUWINGEN VOOR EEN ACCUBOORHAMER

Veiligheidsinstructies voor alle werkzaamheden

1. **Draag gehoorbescherming.** Blootstelling aan het lawaai kan uw gehoor aantasten.
2. **Gebruik hulphandgreep (hulphandgrepen), indien bij het gereedschap geleverd.** Verliezen van de macht over het gereedschap kan letsel veroorzaken.
3. **Houd het elektrisch gereedschap alleen vast aan de geïsoleerde handgrepen wanneer de kans bestaat dat het accessoire in aanraking komt met verborgen bedrading.** Wanneer het accessoire in aanraking komt met onder spanning staande draden, zullen de niet-geïsoleerde metalen delen van het gereedschap onder spanning komen te staan zodat de gebruiker een elektrische schok kan krijgen.

Veiligheidsinstructies bij gebruik van lange boorbits in boorhamers

1. **Begin altijd te boren op een laag toerental en terwijl de punt van het bit contact maakt met het werkstuk.** Op een hoger toerental zal het bit waarschijnlijk verbuigen als het vrij ronddraait zonder contact met het werkstuk, waardoor persoonlijk letsel kan ontstaan.
2. **Oefen alleen druk uit in een rechte lijn met het bit en oefen geen buitensporige druk uit.** Bits kunnen verbuigen, waardoor ze kunnen breken of u de controle kunt verliezen, met persoonlijk letsel tot gevolg.

Aanvullende veiligheidsvoorschriften

1. **Draag een helm (veiligheidshelm), veiligheidsbril en/of spatscherm.** Een gewone bril of een zonnebril is GEEN veiligheidsbril. Het wordt tevens sterk aanbevolen een stofmasker en dik gevoerde handschoenen te dragen.
2. **Controleer of het bit stevig op zijn plaats zit voordat u het gereedschap gebruikt.**
3. **Bij normale bediening behoort het gereedschap te trillen.** De schroeven kunnen gemakkelijk losraken, waardoor een defect of ongeval kan ontstaan. Controleer of de schroeven goed zijn aangedraaid, alvorens het gereedschap te gebruiken.
4. **In koude weersomstandigheden of wanneer het gereedschap gedurende een lange tijd niet is gebruikt, laat u het gereedschap eerst opwarmen door het onbelast te laten werken.** Hierdoor zal de smering worden verbeterd. Zonder degelijk opwarmen, zal de hamerwerking moeilijk zijn.
5. **Zorg ook altijd dat u stevig op een solide bodem staat.** Let bij het werken op hoge plaatsen op dat er zich niemand recht onder u bevindt.
6. **Houd het gereedschap stevig met beide handen vast.**
7. **Houd uw handen uit de buurt van bewegende delen.**
8. **Laat het gereedschap niet draaiend achter.** Schakel het gereedschap alleen in wanneer u het stevig vasthoudt.
9. **Richt het gereedschap niet op iemand in de buurt terwijl het is ingeschakeld.** Het bit zou eruit kunnen vliegen en iemand ernstig verwonden.
10. **Raak het bit, onderdelen in de buurt van het bit en het werkstuk niet onmiddellijk na gebruik aan.** Zij kunnen bijzonder heet zijn en brandwonden op uw huid veroorzaken.
11. **Bepaalde materialen kunnen giftige chemicaliën bevatten.** Vermijd contact met uw huid en zorg dat u geen stof inademt. Volg de veiligheidsvoorschriften van de fabrikant van het materiaal.
12. **Zorg er altijd voor dat het gereedschap is uitgeschakeld en de accu en bit zijn verwijderd voordat u het gereedschap aan een andere persoon overhandigt.**

13. Verzeker u er vóór aanvang van de werkzaamheden van dat er geen voorwerpen, zoals elektriciteits-, gas- en waterleidingen, begraven liggen in het werkgebied. Anders kan de boor/beitel deze raken, waardoor een elektrische schok, een lekstroom of een gaslek kan ontstaan.
14. Laat het gereedschap niet onnodig onbelast draaien.

BEWAAR DEZE VOORSCHRIFTEN.

⚠ WAARSCHUWING: Laat u NIET misleiden door een vals gevoel van comfort en bekendheid met het gereedschap (na veelvuldig gebruik) en neem alle veiligheidsvoorschriften van het betreffende gereedschap altijd strikt in acht. VERKEERD GEBRUIK of het niet naleven van de veiligheidsvoorschriften in deze gebruiksaanwijzing kan leiden tot ernstig letsel.

Belangrijke veiligheidsinstructies voor een accu

1. Lees alle voorschriften en waarschuwingen op (1) de acculader, (2) de accu, en (3) het product waarvoor de accu wordt gebruikt, alvorens de accu in gebruik te nemen.
2. Haal de accu niet uit elkaar en saboteer hem niet. Dit kan leiden tot brand, buitensporige hitte of een explosie.
3. Als de gebruikstijd van een opgeladen accu aanzienlijk korter is geworden, moet u het gebruik ervan onmiddellijk stopzetten. Voortgezet gebruik kan oververhitting, brandwonden en zelfs een ontploffing veroorzaken.
4. Als elektrolyt in uw ogen is terechtgekomen, spoelt u uw ogen met schoon water en roept u onmiddellijk de hulp van een dokter in. Elektrolyt in de ogen kan blindheid veroorzaken.
5. Voorkom kortsluiting van de accu:
 - (1) Raak de accuklemmen nooit aan met een geleidend materiaal.
 - (2) Bewaar de accu niet in een bak waarin andere metalen voorwerpen zoals spijkers, munten e.d. worden bewaard.
 - (3) Stel de accu niet bloot aan water of regen. Kortsluiting van de accu kan oorzaak zijn van een grote stroomafgifte, oververhitting, brandwonden, en zelfs defecten.
6. Bewaar en gebruik het gereedschap en de accu niet op plaatsen waar de temperatuur kan oplopen tot 50 °C of hoger.
7. Werp de accu nooit in het vuur, ook niet wanneer hij zwaar beschadigd of volledig versleten is. De accu kan ontploffen in het vuur.
8. Laat de accu niet vallen, sla er geen spijker in, snijd er niet in, gooi er niet mee en stoot hem niet tegen een hard voorwerp. Dergelijke handelingen kunnen leiden tot brand, buitensporige hitte of een explosie.
9. Gebruik nooit een beschadigde accu.
10. De bijgeleverde lithium-ionbatterijen zijn onderhevig aan de vereisten in de wetgeving omtrent gevaarlijke stoffen.

Voor commercieel transport en dergelijke door derden en transporteurs moeten speciale vereisten ten aanzien van verpakking en etikettering worden nageleefd.

Als voorbereiding van het artikel dat wordt getransporteerd is het noodzakelijk een expert op het gebied van gevaarlijke stoffen te raadplegen. Houd u tevens aan mogelijk strengere nationale regelgeving.

Blootliggende contactpunten moeten worden afgedekt met tape en de accu moet zodanig worden verpakt dat deze niet kan bewegen in de verpakking.
11. Wanneer u de accu wilt weggooien, verwijdert u de accu vanaf het gereedschap en gooit u hem op een veilige manier weg. Volg bij het weggooien van de accu de plaatselijke voorschriften.
12. Gebruik de accu's uitsluitend met de gereedschappen die door Makita zijn aanbevolen. Als de accu's worden aangebracht in niet-compatibele gereedschappen, kan dat leiden tot brand, buitensporige warmteontwikkeling, een explosie of lekkage van elektrolyt.
13. Als u het gereedschap gedurende een lange tijd niet denkt te gaan gebruiken, moet de accu vanaf het gereedschap worden verwijderd.
14. Tijdens en na gebruik, kan de accu heet worden waardoor brandwonden of koude brandwonden kunnen worden veroorzaakt. Wees voorzichtig bij het hanteren van een hete accu.
15. Raak de aansluitpunten van het gereedschap niet onmiddellijk na gebruik aan omdat deze heet genoeg kunnen zijn om brandwonden te veroorzaken.
16. Zorg ervoor dat geen steenslag, stof of grond vast komt te zitten op/in de aansluitpunten, openingen en groeven van de accu. Hierdoor kan oververhitting, brand, een barst en een storing in het gereedschap of de accu ontstaan waardoor brandwonden of persoonlijk letsel kunnen ontstaan.
17. Behalve indien gebruik van het gereedschap is toegestaan in de buurt van hoogspanningsleidingen, mag u de accu niet gebruiken in de buurt van een hoogspanningsleiding. Dit kan leiden tot een storing of een defect van het gereedschap of de accu.
18. Houd de accu uit de buurt van kinderen.

BEWAAR DEZE INSTRUCTIES.

⚠ LET OP: Gebruik uitsluitend originele Makita accu's. Het gebruik van niet-originele accu's, of accu's die zijn gewijzigd, kan ertoe leiden dat de accu ontploft en brand, persoonlijk letsel en schade veroorzaakt. Ook vervalt daarmee de garantie van Makita op het gereedschap en de lader van Makita.

Tips voor een maximale levensduur van de accu

1. Laad de accu op voordat hij volledig ontladen is. Stop het gebruik van het gereedschap en laad de accu op telkens wanneer u vaststelt dat het vermogen van het gereedschap is afgenomen.
2. Laad een volledig opgeladen accu nooit opnieuw op. Te lang opladen verkort de levensduur van de accu.
3. Laad de accu op bij een omgevingstemperatuur tussen 10 °C en 40 °C. Laat een warme accu afkoelen alvorens hem op te laden.
4. Als de accu niet wordt gebruikt, verwijdert u hem vanaf het gereedschap of de lader.
5. Laad de accu op als u deze gedurende een lange tijd (meer dan zes maanden) niet gaat gebruiken.

Belangrijke veiligheidsinstructies voor de draadloos-eenheid

1. Haal de draadloos-eenheid niet uit elkaar en knoei er niet aan.
2. Houd de draadloos-eenheid uit de buurt van kinderen. Indien per ongeluk ingeslikt, raadpleegt u onmiddellijk een arts.
3. Gebruik de draadloos-eenheid uitsluitend met Makita-gereedschap.
4. Stel de draadloos-eenheid niet bloot aan regen of natte omstandigheden.
5. Gebruik de draadloos-eenheid niet op plaatsen waar de temperatuur hoger is dan 50 °C.
6. Bedien de draadloos-eenheid niet op plaatsen in de buurt van medische instrumenten, zoals een pacemaker.
7. Bedien de draadloos-eenheid niet op plaatsen in de buurt van geautomatiseerde apparaten. Bij bediening ervan kan in de geautomatiseerde apparaten een storing of fout optreden.
8. Bedien de draadloos-eenheid niet op plaatsen met een hoge temperatuur of op plaatsen waar statische elektriciteit of elektrische ruis kan worden gegenereerd.
9. De draadloos-eenheid kan elektromagnetische velden genereren, maar deze zijn niet schadelijk voor de gebruiker.
10. De draadloos-eenheid is een nauwkeurig instrument. Wees voorzichtig dat u de draadloos-eenheid niet laat vallen of ergens tegenaan stoot.
11. Raak de aansluitpunten van de draadloos-eenheid niet aan met blote handen of metaalachtige materialen.
12. Verwijder altijd de accu uit het apparaat wanneer u de draadloos-eenheid erin aanbrengt.
13. Open de afdekking van de gleuf niet op plaatsen waar stof of vocht in de gleuf kan binnendringen. Houd de ingang van de gleuf altijd schoon.
14. Breng de draadloos-eenheid altijd in de juiste richting aan.
15. Druk niet te hard op de knop voor draadloos inschakelen op de draadloos-eenheid en/of druk niet op de knop met een scherp voorwerp.
16. Sluit altijd de afdekking van de gleuf tijdens gebruik.
17. Verwijder de draadloos-eenheid niet uit de gleuf terwijl voeding wordt geleverd aan het gereedschap. Als u dit doet, kan een storing optreden in de draadloos-eenheid.
18. Verwijder de sticker op de draadloos-eenheid niet.
19. Plak geen stickers op de draadloos-eenheid.
20. Laat de draadloos-eenheid niet liggen op een plaats waar statische elektriciteit of elektrische ruis kan worden gegenereerd.
21. Laat de draadloos-eenheid niet liggen op een plaats die is blootgesteld aan hoge temperaturen, zoals in een auto die in de zon staat geparkeerd.
22. Laat de draadloos-eenheid niet liggen op een plaats met veel stof of poeder, of op een plaats waar corrosief gas kan worden gegenereerd.
23. Door een plotselinge verandering in temperatuur kan condens op de draadloos-eenheid worden gevormd. Gebruik de draadloos-eenheid niet voordat de condens volledig is verdamp.
24. Veeg de draadloos-eenheid voorzichtig schoon met een droge, zachte doek. Gebruik geen wasbenzine, thinner, geleidend vet en dergelijke.
25. Bewaar de draadloos-eenheid in de bijgeleverde doos of een antistatische container.
26. Breng geen andere apparaten dan een draadloos-eenheid van Makita aan in de gleuf van het gereedschap.
27. Gebruik het gereedschap niet als de afdekking van de gleuf beschadigd is. Water, stof en vuil die in de gleuf binnendringen, kunnen een storing veroorzaken.
28. Trek en draai niet meer dan nodig is aan de afdekking van de gleuf. Plaats de afdekking terug als deze los komt van het gereedschap.
29. Vervang de afdekking van de gleuf als deze verloren of beschadigd is.

BEWAAR DEZE INSTRUCTIES.

BESCHRIJVING VAN DE FUNCTIES

⚠ LET OP: Zorg altijd dat het gereedschap is uitgeschakeld en de accu ervan is verwijderd alvorens de functies op het gereedschap af te stellen of te controleren.

De accu aanbrengen en verwijderen

⚠ LET OP: Schakel het gereedschap altijd uit voordat u de accu aanbrengt of verwijdert.

⚠ LET OP: Houd het gereedschap en de accu stevig vast tijdens het aanbrengen of verwijderen van de accu. Als u het gereedschap en de accu niet stevig vasthoudt, kunnen deze uit uw handen glippen en het gereedschap of de accu beschadigen, of kan persoonlijk letsel worden veroorzaakt.

► Fig.1: 1. Rood deel 2. Knop 3. Accu

Om de accu te verwijderen verschuift u de knop aan de voorkant van de accu en schuift u tegelijkertijd de accu uit het gereedschap.

Om de accu aan te brengen lijnt u de lip op de accu uit met de groef in de behuizing en duwt u de accu op zijn plaats. Steek de accu zo ver mogelijk in het gereedschap tot u een klikgekluid hoort. Wanneer het rode deel zichtbaar is, zoals aangegeven in de afbeelding, is de accu niet geheel vergrendeld.

⚠ LET OP: Breng de accu altijd helemaal aan totdat het rode deel niet meer zichtbaar is. Als u dit niet doet, kan de accu per ongeluk uit het gereedschap vallen en u of anderen in uw omgeving verwonden.

⚠ LET OP: Breng de accu niet met kracht aan. Als de accu niet gemakkelijk in het gereedschap kan worden geschoven, wordt deze niet goed aangebracht.

De resterende acculading controleren

Druk op de testknop op de accu om de resterende acculading te zien. De indicatorlampjes branden gedurende enkele seconden.

► Fig.2: 1. Indicatorlampjes 2. Testknop

Indicatorlampjes			Resterende acculading
Brandt	Uit	Knippert	
■	□	▧	75% tot 100%
■	■	■	50% tot 75%
■	■	□	25% tot 50%
■	□	□	0% tot 25%
▧	□	□	Laad de accu op.
■	■	□	Er kan een storing zijn opgetreden in de accu.
□	□	■	

OPMERKING: Afhankelijk van de gebruiksomstandigheden en de omgevingstemperatuur, is het mogelijk dat de aangegeven acculading verschilt van de werkelijke acculading.

OPMERKING: Het eerste (meest linker) indicatorlampje knippert wanneer het accubeveiligingssysteem in werking is getreden.

Gereedschap-/accubeveiligingssysteem

Het gereedschap is voorzien van een gereedschap-/accubeveiligingssysteem. Dit systeem schakelt automatisch de voeding naar de motor uit om de levensduur van het gereedschap en de accu te verlengen. Het gereedschap kan tijdens het gebruik automatisch stoppen als het gereedschap of de accu aan één van de volgende omstandigheden wordt blootgesteld:

Overbelastingsbeveiliging

Als de accu wordt gebruikt op een manier die ertoe leidt dat een abnormaal hoge stroomsterkte wordt getrokken, stopt het gereedschap automatisch zonder enige aanduiding. In dat geval schakelt u het gereedschap uit en stopt u met het gebruik dat er toe leidde dat het gereedschap overbelast raakte. Schakel vervolgens het gereedschap in om weer te starten.

Oververhittingsbeveiliging

Als het gereedschap of de accu oververhit is, stopt het gereedschap automatisch. Laat in dat geval het gereedschap en de accu afkoelen voordat u het gereedschap weer inschakelt.

OPMERKING: Wanneer het gereedschap oververhit is, knippert de lamp.

Beveiliging tegen te ver ontladen

Als de acculading onvoldoende is, stopt het gereedschap automatisch. In dit geval verwijdert u de accu vanaf het gereedschap en laadt u de accu op.

Beveiliging tegen andere oorzaken

Het beveiligingssysteem is ook ontworpen voor andere oorzaken die het gereedschap kunnen beschadigen, en zorgt ervoor dat het gereedschap automatisch stopt. Voer alle volgende stappen uit om de oorzaken op te heffen, wanneer het gereedschap tijdelijk is onderbroken of tijdens het gebruik is gestopt.

1. Schakel het gereedschap uit en schakel het daarna weer in om het opnieuw te starten.
2. Laad de accu('s) op of vervang hem/ze door (een) opgeladen accu('s).
3. Laat het gereedschap en de accu('s) afkoelen.

Als geen verbetering optreedt nadat het beveiligingssysteem is gereset, neemt u contact op met uw lokale Makita-servicecentrum.

De trekkerschakelaar gebruiken

⚠ WAARSCHUWING: Alvorens de accu in het gereedschap te plaatsen, moet u altijd controleren of de trekkerschakelaar goed werkt en bij het loslaten terugkeert naar de stand "OFF".

► Fig.3: 1. Trekkerschakelaar

Om het gereedschap te starten, knijpt u gewoon de trekkerschakelaar in. Hoe harder u de trekkerschakelaar inknijpt, hoe sneller het gereedschap draait. Laat de trekkerschakelaar los om het gereedschap te stoppen.

Het toerental veranderen

U kunt het toerental en aantal slagen per minuut veranderen door de instelknop te draaien en in te stellen op een cijfer van 1 tot 5. Het toerental wordt hoger wanneer u de knop in de richting van het cijfer 5 draait. Het toerental wordt lager wanneer u de knop in de richting van het cijfer 1 draait. Het doeltoerental wordt bereikt door de trekkerschakelaar helemaal in te knijpen.

► Fig.4: 1. Regelaar

Zie de tabel voor het verband tussen het cijfer op de instelknop en het toerental (aantal omwentelingen per minuut) en aantal slagen per minuut.

Cijfer	Omwentelingen per minuut	Slagen per minuut
5	840	4.500
4	760	4.070
3	550	2.950
2	350	1.880
1	300	1.610

⚠ LET OP: Draai niet aan de regelaar terwijl het gereedschap nog draait. Als u dit niet doet, kan u de controle over het gereedschap verliezen en letsel veroorzaken.

KENNISGEVING: Als het gereedschap gedurende een lange tijd ononderbroken op een laag toerental wordt gebruikt, zal de motor overbelast raken, waardoor een storing zal optreden.

KENNISGEVING: De instelknop kan worden gedraaid tussen de cijfers 1 en 5. Draai de knop niet verder vooruit of achteruit omdat dit het gereedschap kan beschadigen.

De lamp op de voorkant gebruiken

► Fig.5: 1. Lamp

⚠ LET OP: Kijk niet direct in het lamplicht of in de lichtbron.

Knijp de trekkerschakelaar in om de lamp in te schakelen. De lamp blijft branden zo lang de trekkerschakelaar wordt ingeknepen. Ongeveer 10 seconden nadat u de trekkerschakelaar hebt losgelaten, gaat de lamp uit.

⚠ LET OP: Als de lamp uitgaat na enkele seconden te hebben geknipperd, werkt de actieve terugkoppelingstechnologie niet correct. Vraag uw plaatselijke Makita-servicecentrum het gereedschap te repareren.

OPMERKING: Gebruik een droge doek om vuil van de lens van de lamp af te vegen. Wees voorzichtig dat u de lens van de lamp niet bekrast omdat dan de verlichting minder wordt.

OPMERKING: Wanneer het gereedschap oververhit is, knippert de lamp. Laat in dat geval de trekkerschakelaar los en laat het gereedschap/de accu afkoelen voordat u deze weer gebruikt.

OPMERKING: De lamp op de voorkant kan niet worden gebruikt terwijl het stofopvangsysteem (optioneel accessoire) is aangebracht op het gereedschap.

De omkeerschakelaar bedienen

► Fig.6: 1. Omkeerschakelaar

⚠ LET OP: Controleer altijd de draairichting alvorens het gereedschap te starten.

⚠ LET OP: Verander de stand van de omkeerschakelaar alleen nadat het gereedschap volledig tot stilstand is gekomen. Als u de draairichting verandert terwijl het gereedschap nog draait, kan het gereedschap beschadigd raken.

⚠ LET OP: Zet de omkeerschakelaar altijd in de neutrale stand wanneer u het gereedschap niet gebruikt.

Dit gereedschap heeft een omkeerschakelaar voor het veranderen van de draairichting. Druk de omkeerschakelaar in vanaf kant A voor de draairichting rechtsom, of vanaf kant B voor de draairichting linksom. Wanneer de omkeerschakelaar in de neutrale stand staat, kan de trekkerschakelaar niet worden ingeknepen.


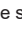
De snelwisselkop voor SDS-plus verwisselen

Voor model HR009G

De snelwisselkop voor SDS-plus kan eenvoudig worden verwisseld voor een snelwisselboorkop.




De snelwisselkop voor SDS-plus verwijderen

⚠ LET OP: Voordat u de snelwisselkop voor SDS-plus verwijdert, moet u eerst het bit verwijderen.

Pak de wisselmof van de snelwisselkop voor SDS-plus vast en draai hem in de richting van de pijl totdat de wisselmoflijn is verplaatst van het symbool  naar het symbool . Trek zo nodig met kracht aan de snelwisselkop voor SDS-plus in de richting van de pijl.

► Fig.7: 1. Snelwisselkop voor SDS-plus
2. Wisselmof 3. Wisselmoflijn

De snelwisselboorkop aanbrengen

Controleer of de lijn van de snelwisselboorkop op het symbool  staat. Pak de wisselmof van de snelwisselboorkop vast en beweeg de lijn naar het symbool . Plaats de snelwisselboorkop op de as van het gereedschap. Pak de wisselmof van de snelwisselboorkop vast en draai de wisselmoflijn naar het symbool  totdat een klikgeluid duidelijk hoorbaar is.


- **Fig.8:** 1. Snelwisselboorkop 2. As 3. Wisselmoflijn 4. Wisselmof

De werkingsfunctie kiezen

KENNISGEVING: Draai de werkingsfunctiekeuzeknop niet terwijl het gereedschap draait. Het gereedschap zal hierdoor worden beschadigd.


KENNISGEVING: Om snelle slijtage van het werkingsfunctiekeuzemechanisme te voorkomen, zorgt u ervoor dat de werkingsfunctiekeuzeknop altijd precies in een van de drie werkingsfunctiestanden staat.

Hamerboren

Voor het boren in beton, metselwerk, enz., draait u de werkingsfunctiekeuzeknop naar het symbool . Gebruik een boorbit met een hardmetalen punt (optioneel accessoire).


- **Fig.9:** 1. Hamerboren 2. Werkingsfunctiekeuzeknop

Alleen boren

Voor het boren in hout, metaal of kunststofmaterialen, draait u de werkingsfunctiekeuzeknop naar het symbool . Gebruik een spiraalboor of houtboor.

- **Fig.10:** 1. Alleen boren

Alleen hameren

Voor het beitelen, bikken of sloopwerkzaamheden, draait u de werkingsfunctiekeuzeknop naar het symbool . Gebruik een puntbeitel, koudbeitel, bikbeitel, enz.

- **Fig.11:** 1. Alleen hameren

Luchtkanaal

▲LET OP: Steek uw vinger niet in het luchtkanaal en steek geen ander voorwerp in het luchtkanaal. Anders kunt u letsel oplopen of kan het gereedschap beschadigd raken.

Het luchtkanaal is ontworpen om de afzuigcapaciteit van het stofopvangsysteem te verbeteren. Voor meer informatie over het aanbrengen van het stofopvangsysteem raadpleegt u de instructies voor het aanbrengen van het stofopvangsysteem.

- **Fig.12:** 1. Luchtkanaal

Haak

Optioneel accessoire

▲LET OP: Verwijder altijd eerst de accu, voordat u het gereedschap aan de haak ophangt.

▲LET OP: Hang het gereedschap nooit op een hoge plaats of aan een mogelijk instabiel oppervlak.

De haak is handig om het gereedschap tijdelijk aan op te hangen.

Voordat u de haak aanbrengt, verwijdert u de rubber dop vanaf de boutgaten in de bevestigingsbeugel. Plaats de vierkante moeren onder de beugel en bevestig daarna de haak met behulp van de bouten op zijn plaats.

- **Fig.13:** 1. Rubber dop 2. Bevestigingsbeugel 3. Vierkante moeren 4. Haak 5. Bouten

Om de haak te gebruiken, tilt u de arm van de haak op totdat deze vastklikt in de geopende stand.

Als de haak niet in gebruik is, vouwt u de arm van de haak omlaag naar de gesloten stand.

- **Fig.14:** 1. Haak 2. Geopende stand 3. Gesloten stand

- **Fig.15**

Het touw (tui riem) vastmaken aan de haak

▲LET OP: Gebruik de haak en schroeven niet wanneer deze beschadigd zijn. Controleer voor gebruik altijd op beschadigingen, barsten en vervormingen, en verzeker u ervan dat de schroeven zijn vastgedraaid.

▲LET OP: Verzeker u ervan dat de haak stevig is aangebracht met behulp van de schroeven.

▲LET OP: Terwijl het gereedschap is opgehangen, mag u geen accessoires aanbrengen of verwijderen. Het gereedschap kan vallen als de schroeven niet zijn vastgedraaid.

▲LET OP: Vergrendel altijd de karabijnhaak met vergrendeling (multiactie- en schroefsluiting-type) en verzeker u ervan dat het touw (tui riem) is vastgemaakt aan het dubbele-ring-deel van de haak. Een verkeerde bevestiging kan ertoe leiden dat het gereedschap van de haak afvalt en persoonlijk letsel ontstaat.

De haak wordt ook gebruikt om een touw (tui riem) aan te bevestigen. Verzeker u ervan het touw (tui riem) aan het dubbele-ring-deel van de haak te bevestigen.

- **Fig.16:** 1. Dubbele-ring-deel van de haak 2. Touw (tui riem) 3. Karabijnhaak met vergrendeling (multiactie- en schroefsluiting-type)

Veiligheidswaarschuwingen voor het vastmaken van een touw (tuiem) aan de haak

⚠ Veiligheidswaarschuwingen specifiek voor werken op hoogte

Lees alle veiligheidswaarschuwingen en alle instructies. Het niet volgen van de waarschuwingen en instructies kan leiden tot ernstig letsel.

1. Houd het gereedschap altijd vastgebonden tijdens het werken 'op hoogte'. De maximale lengte van het touw is 2 m. De maximaal toegestane valhoogte van het touw (tuiem) mag niet meer zijn dan 2 meter.
2. Gebruik uitsluitend met een touw dat geschikt is voor dit type gereedschap en een draagvermogen heeft van minstens 10 kg.
3. Veranker het touw van het gereedschap niet aan iets op uw lichaam of aan een verplaatsbaar voorwerp. Veranker het touw van het gereedschap aan een stevige constructie die de krachten van een vallend gereedschap kan opvangen.
4. Verzeker u er vóór gebruik van dat het touw goed is vastgemaakt aan beide uiteinden.
5. Inspecteer het gereedschap en touw vóór elk gebruik op beschadigingen en correcte werking (inclusief het materiaal en de stiksels). Gebruik het niet wanneer het beschadigd is of niet correct werkt.
6. Wikkel touwen niet rondom scherpe of ruwe randen en laat ze er niet mee in aanraking komen.
7. Bevestig het andere uiteinde van het touw buiten het werkgebied zodat een vallend gereedschap stevig bevestigd blijft.
8. Bevestig het touw zodanig dat het gereedschap tijdens het vallen zich verwijderd van de gebruiker. Een gereedschap dat valt zal aan het touw slingeren, waardoor letsel kan worden veroorzaakt of u uw evenwicht kunt verliezen.
9. Gebruik niet nabij bewegende onderdelen of draaiende machines. Als u zich hier niet aan houdt, kan dat leiden tot beknellingsgevaar of verstrikkingsgevaar.
10. Draag het gereedschap niet aan de bevestigingsvoorziening of het touw.
11. Verplaats het gereedschap uitsluitend tussen uw handen terwijl u een goed evenwicht hebt.
12. Bevestig een touw niet aan het gereedschap op een manier waardoor schakelaars of de trekkervergrendeling (indien aanwezig) niet correct kunnen werken.
13. Voorkom dat u verstrikt raakt in het touw.
14. Houd het touw uit de buurt van het boorge-deelte van het gereedschap.
15. Gebruik een karabijnhaak met vergrendeling (multiactie- en schroefsluiting-type). Gebruik geen enkelvoudige karabijnhaken met veersluiting.
16. Nadat een gereedschap is gevallen, moet het worden gelabeld en buiten bedrijf worden gesteld, en moet het worden geïnspecteerd door de Makita-fabriek of een erkend servicecentrum.

Beveiliging tegen onopzettelijk herstarten

Wanneer u de accu aanbrengt terwijl de trekkerschakelaar ingeknepen wordt gehouden, start het gereedschap niet. Om het gereedschap te kunnen starten, laat u eerst de trekkerschakelaar los en knijpt u vervolgens de trekkerschakelaar in.

Koppelbegrenzer

KENNISGEVING: Schakel het gereedschap onmiddellijk uit wanneer de koppelbegrenzer in werking treedt. Hiermee helpt u vroegtijdige slijtage van het gereedschap te voorkomen.

KENNISGEVING: Boren, zoals gatenzagen, die gemakkelijk bekneld raken in het boorgat, mogen niet worden gebruikt met dit gereedschap. Dit is omdat zij de koppelbegrenzer te vaak in werking doen treden.

De koppelbegrenzer treedt in werking wanneer de motor een bepaald koppel bereikt. De motor wordt dan ontkoppeld van de uitgaande as. Wanneer dit gebeurt, zal de boor ophouden met draaien.

Elektronische functies

Het gereedschap is uitgerust met elektronische functies voor een eenvoudige bediening.

- Elektrische rem
Dit gereedschap is voorzien van een elektrische rem. Als het gereedschap continu niet snel stopt met werken nadat de trekkerschakelaar is losgelaten, laat u het gereedschap onderhouden door een Makita-servicecentrum.
- Constant-toerentalregeling
De toerentalregelfunctie zorgt voor een constant toerental ongeacht de belastingsomstandigheden.
- Actieve-terugkoppelingsdetectietechnologie
Als tijdens gebruik met het gereedschap wordt gezwaaid met een vooraf bepaalde versnelling, wordt de motor geforceerd gestopt om de belasting op de pols te verminderen.

OPMERKING: Deze functie werkt niet als de versnelling niet het vooraf bepaalde niveau bereikt wanneer met het gereedschap wordt gezwaaid.

OPMERKING: Als tijdens beitelten, bikken of slopen met het bit wordt gezwaaid met een vooraf bepaalde versnelling, wordt de motor geforceerd gestopt. Laat in dat geval de trekkerschakelaar los en knijp daarna de trekkerschakelaar weer in om het gereedschap weer te starten.

MONTAGE

⚠ LET OP: Zorg altijd dat het gereedschap is uitgeschakeld en de accu ervan is verwijderd alvorens enig werk aan het gereedschap uit te voeren.

Zijhandgreep (extra handgreep)

⚠ LET OP: Gebruik altijd de zijhandgreep om veilig te kunnen werken.

⚠ LET OP: Na het aanbrengen of afstellen van de zijhandgreep, verzekert u zich ervan dat de zijhandgreep stevig is waarbij zijn uitsteeksels volledig aangrijpen in de uitsparingen in het tandwielhuis.

Om de zijhandgreep aan te brengen, volgt u de onderstaande stappen.

1. Draai de vingerschroef op de zijhandgreep los. Breng vervolgens de zijhandgreep aan over de nek van het tandwielhuis.

► **Fig.17:** 1. Zijhandgreep 2. Vingerschroef 3. Nek van het tandwielhuis 4. Uitsteeksel 5. Uitsparing

De bevestigingsring kan groter gemaakt worden door de vingerschroef omlaag te duwen zodat de ring gemakkelijk en veilig aangrijpt rondom de nek van het tandwielhuis.

► **Fig.18:** 1. Vingerschroef 2. Bevestigingsring

2. Draai de vingerschroef vast om de handgreep onder de gewenste hoek vast te zetten.

De boor aanbrengen en verwijderen

Smeren

Reinig het uiteinde van de schacht van de boor en smeer het met vet voordat u de boor aanbrengt. Smeer het uiteinde van de schacht van de boor vooraf in met een beetje vet (ong. 0,5 tot 1 gram). Met een ingevette boorkop zal het gereedschap beter werken en langer meegaan.

► **Fig.19:** 1. Uiteinde van de schacht 2. Smeren

Steek het uiteinde van de schacht van de boor in de spankop en terwijl u de boor met de hand draait, duwt u hem verder in de spankop zodat het uiteinde van de schacht goed past in de opening van de spankop en de boor volledig wordt vergrendeld.

Nadat u de boor hebt aangebracht, probeert u hem terug te trekken om er zeker van te zijn dat hij goed op zijn plaats is vergrendeld.

► **Fig.20:** 1. Boor 2. Spankop

Om de boor te verwijderen, duwt u de boorkopmof helemaal omlaag en trekt u de boor eruit.

► **Fig.21:** 1. Boor 2. Boorkopmof

Beitelhoek (bij beitelen, bikken of slopen)

De beitel kan onder de gewenste hoek worden vastgezet. Om de beitelhoek te veranderen, draait u de werkingfunctiekeuzeknop naar het symbool O. Draai de beitel naar de gewenste hoek.

► **Fig.22:** 1. Werkingfunctiekeuzeknop

Draai de werkingfunctiekeuzeknop naar het symbool T. Controleer daarna of de beitel stevig op zijn plaats vastzit door deze iets te verdraaien.

Dieptemaat

De dieptemaat is nuttig voor het boren van gaten van gelijke diepte.

Houd de vergrendelknop ingedrukt en steek daarna de dieptemaat in het zeskantgat. Zorg ervoor dat de getande kant van de dieptemaat overeenkomstig de markering is gericht.

► **Fig.23:** 1. Dieptemaat 2. Vergrendelknop 3. Markering 4. Getande kant

Stel de dieptemaat af door hem naar voren en achteren te bewegen terwijl de vergrendelknop ingedrukt wordt gehouden. Laat na het afstellen de vergrendelknop los om de dieptemaat te vergrendelen.

OPMERKING: Zorg ervoor dat de dieptemaat niet tegen de behuizing van het gereedschap aan komt wanneer u hem aanbrengt.

Stofvanger

Optioneel accessoire

Gebruik de stofvanger om te voorkomen dat stof op het gereedschap en op uzelf terecht komt wanneer u boven uw hoofd boort. Bevestig de stofvanger aan het bit zoals aangegeven in de afbeelding. De diameter van de bits waaraan de stofvanger kan worden bevestigd is als volgt.

Model	Bitdiameter
Stofvanger 5	6 mm - 14,5 mm
Stofvanger 9	12 mm - 16 mm

► **Fig.24:** 1. Stofvanger

Stofvangerset

Optioneel accessoire

⚠ LET OP: Alvorens de stofvangerset aan te brengen of te verwijderen, verwijdert u het boorbit vanaf het gereedschap.

Aanbrengen

Voor model HR008G

1. Bevestig de afstandshouder aan het bevestigingsdeel van de stofvangerset door het symbool Δ op het bevestigingsdeel uit te lijnen met een van de groeven in de afstandshouder.

► **Fig.25:** 1. Afstandshouder 2. Stofvangerset 3. Bevestigingsdeel 4. Symbool Δ 5. Groef

- Plaats de stofvangerset met de afstandshouder op de nek van het tandwielhuis en lijn daarbij het symbool Δ op de stofvangerset uit met één van de groeven in de nek. Pak vervolgens het bevestigingsdeel van de stofvangerset vast en duw dit omlaag op de nek om de stofvangerset op zijn plaats te bevestigen.

► **Fig.26:** 1. Stofvangerset 2. Bevestigingsdeel 3. Afstandshouder 4. Symbool Δ 5. Groef

Voor model HR009G

Plaats de stofvangerset op de nek van het tandwielhuis en lijn daarbij het symbool Δ op de stofvangerset uit met één van de groeven in de nek. Pak vervolgens het bevestigingsdeel van de stofvangerset vast en duw dit omlaag op de nek om de stofvangerset op zijn plaats te bevestigen.

► **Fig.27:** 1. Stofvangerset 2. Bevestigingsdeel 3. Symbool Δ 4. Groef

OPMERKING: Als u een stofzuiger aansluit op de stofvangerset, verwijdert u de stofdop voordat u hem aansluit.

► **Fig.28:** 1. Stofdop

Verwijderen

- Duw de boorkopmof helemaal omlaag en trek het boorbit eruit.

► **Fig.29:** 1. Bit 2. Boorkopmof

- Pak het bevestigingsdeel van de stofvangerset vast en trek het van het gereedschap af.

► **Fig.30:** 1. Bevestigingsdeel

OPMERKING: Als de dop van de stofvangerset los raakt, plaatst u deze terug op zijn oorspronkelijk plaats.

- Maak de balg los van het bevestigingsdeel van de stofvangerset.

► **Fig.31:** 1. Balg 2. Bevestigingsdeel

- Plaats de dop terug met de zijde waarop tekst staat omhoog gericht.

► **Fig.32:** 1. Dop 2. Zijde met tekst 3. Groeven 4. Lippen van de bovenopening 5. Bevestigingsdeel

- Verzeker u de lippen van de bovenopening van het bevestigingsdeel goed vallen in de groeven rondom de dop.

► **Fig.33**

STOFOPVANGSYSTEEM

Optioneel accessoire

Het stofopvangsysteem is ontworpen om effectief stof op te vangen tijdens het boren in beton.

► **Fig.34:** 1. Stofopvangsysteem

⚠ LET OP: Het stofopvangsysteem is alleen bedoeld voor het boren in beton. Gebruik het stofopvangsysteem niet bij het boren in metaal of hout.

⚠ LET OP: Als u het gereedschap gebruikt met het stofopvangsysteem, zorgt u ervoor dat het filter is bevestigd aan het stofopvangsysteem om inademing van stof te voorkomen.

⚠ LET OP: Voordat u het stofopvangsysteem gebruikt, controleert u of het filter niet beschadigd is. Als u dit niet doet, kan dat leiden tot inademing van stof.

⚠ LET OP: Het stofopvangsysteem voert het vrijgekomen stof met hoge snelheid af, maar niet al het stof kan worden afgevoerd.

KENNISGEVING: Gebruik het stofopvangsysteem niet bij kernboren of beitelten.

KENNISGEVING: Gebruik het stofopvangsysteem niet voor metaal of hout. Het stofopvangsysteem is alleen bedoeld voor beton.

KENNISGEVING: Gebruik het stofopvangsysteem niet bij het boren in nat beton en gebruik dit systeem niet in een natte omgeving. Als u dit toch doet, kan dat leiden tot een storing.

Aanbrengen

KENNISGEVING: Voordat u het stofopvangsysteem aanbrengt, reinigt u de verbindingsonderdelen op het gereedschap en het stofopvangsysteem. Vreemde stoffen op de verbindingsonderdelen kunnen ertoe leiden dat het stofopvangsysteem moeilijk aan te brengen is. Als er nog stof op het luchtkanaal zit, komt het stof in het gereedschap en veroorzaakt een verstopping van de luchtstroom of een defect van het gereedschap.

Haak de haken van het stofopvangsysteem in de uitsparingen onderaan de voorkant van het gereedschap. Kantel het mondstuk omhoog om het stofopvangsysteem op zijn plaats vast te klikken zodat het luchtkanaal van het gereedschap wordt afgedekt door de uitlaat van de luchtafzuiging van het stofopvangsysteem.

► **Fig.35:** 1. Haken 2. Stofopvangsysteem 3. Uitsparingen 4. Mondstuk 5. Luchtkanaal 6. Uitlaat van de luchtafzuiging

Verwijderen

Houd de ontgrendelknop van het stofopvangsysteem ingedrukt en klap het mondstuk omlaag om het bovenste deel van het stofopvangsysteem los te maken. Maak de haken op het onderste deel van het stofopvangsysteem los van het gereedschap.

► **Fig.36:** 1. Stofopvangsysteem 2. Mondstuk 3. Ontgrendelknop

De stand van het mondstuk van het stofopvangsysteem afstellen

⚠ALLET OP: Richt het mondstuk niet op uzelf of anderen wanneer u het mondstuk ontgrendelt door op de ontgrendelknop van de schuifarm te drukken.

Houd de ontgrendelknop van de schuifarm ingedrukt terwijl u de mondstukgeleider in- en uitschuift en laat de knop los in de exacte stand waarin de punt van het boorbit zich vlak achter het voorvlak van het mondstuk bevindt.

- **Fig.37:** 1. Schuifarm 2. Ontgrendelknop van de schuifarm 3. Punt van het boorbit 4. Voorvlak van het mondstuk

De boordiepte instellen

De boordiepte kan worden ingesteld door de afstand tussen de instelknop voor de boordiepte en de steunarm voor de mondstukgeleider te veranderen. Houd de instelknop voor de boordiepte ingedrukt en schuif deze naar de gewenste stand.

- **Fig.38:** 1. Instelknop voor de boordiepte 2. Mondstukgeleider 3. Steunarm voor de mondstukgeleider 4. Boordiepte

Het stof van het filter afkloppen

⚠ALLET OP: Draai de knop op de stofopvangdoos niet terwijl de stofopvangdoos van het stofopvangsysteem af is gehaald. Als u dit toch doet, kan dat leiden tot inademing van stof.

⚠ALLET OP: Schakel het gereedschap altijd uit voordat u de knop op de stofopvangdoos draait. Als u de knop draait terwijl het gereedschap in werking is, kunt u de controle over het gereedschap verliezen.

Door het stof van het filter binnenin de stofopvangdoos af te kloppen, behoudt u de efficiëntie van de stofzuiger en verlaagt u tevens het aantal keren dat u het stof moet weggooiën.

Draai de knop op de stofopvangdoos drie keer rond na het verzamelen van 50.000 mm³ aan stof, of wanneer u de indruk krijgt dat de prestaties van de stofzuiger zijn afgenomen.

OPMERKING: 50.000 mm³ aan stof staat gelijk aan het boren van 10 gaten met een ø10 mm en een diepte van 65 mm.

- **Fig.39:** 1. Stofopvangdoos 2. Knop

Het stof weggooiën

⚠ALLET OP: Zorg altijd dat het gereedschap is uitgeschakeld en de accu ervan is verwijderd alvorens enig werk aan het gereedschap uit te voeren.

⚠ALLET OP: U moet een stofmasker dragen wanneer u het stof weggooit.

⚠ALLET OP: Maak de stofopvangdoos regelmatig leeg, voordat hij vol is. Als u dit niet doet, wordt het stof mogelijk minder goed opgevangen en kan dat leiden tot inademing van stof.

⚠ALLET OP: Het stof wordt minder goed opgevangen als het filter in de stofopvangdoos verstopt is. Vervang het filter door een nieuwe nadat de stofopvangdoos ongeveer 200 keer is geleegd. Als u dit niet doet, kan dat leiden tot inademing van stof.

1. Houd de vergrendelhendel van de stofopvangdoos omlaag gedrukt en verwijder de stofopvangdoos.

- **Fig.40:** 1. Vergrendelhendel

2. Til de vergrendellip iets naar buiten toe op en open de afdekking van de stofopvangdoos.

- **Fig.41:** 1. Afdekking van de stofopvangdoos 2. Vergrendellip

3. Gooi het stof weg en reinig het filter.

- **Fig.42**

KENNISGEVING: Bij het reinigen van het filter tikt u voorzichtig met uw hand tegen de behuizing van het filter om het stof te verwijderen. Tik niet rechtstreeks tegen het filter, raak het filter niet aan met een borstel of iets dergelijks, en blaas geen perslucht tegen het filter. Als u dit toch doet, kan het filter worden beschadigd.

Het filter in de stofopvangdoos vervangen

1. Houd de vergrendelhendel van de stofopvangdoos omlaag gedrukt en verwijder de stofopvangdoos.

- **Fig.43:** 1. Vergrendelhendel

2. Til de vergrendellip iets naar buiten toe op en open het filterdeksel van de stofopvangdoos.

- **Fig.44:** 1. Filterdeksel 2. Vergrendellip

3. Verwijder het filter uit het filterhuis.

- **Fig.45:** 1. Filter 2. Filterhuis

4. Breng een nieuw filter aan in het filterhuis en bevestig daarna het filterdeksel.

5. Sluit het deksel van de stofopvangdoos en bevestig deze daarna aan het stofopvangsysteem.

De afdichtdop vervangen

Een beschadigde of versleten afdichtdop kan de prestaties van de stofopvang negatief beïnvloeden. Vervang zo nodig de afdichtdop door een nieuwe en lijn daarbij zijn uitsteeksel uit met de inkeping in de mondstukkop.

- **Fig.46:** 1. Afdichtdop 2. Uitsteeksel 3. Mondstukkop 4. Inkeping

Opbergen

KENNISGEVING: Wanneer de mondstukgeleider gedurende een bepaalde tijdsduur niet wordt gebruikt, moet de mondstukgeleider worden uitgeschoven naar ongeveer 100 mm vanaf zijn volledig ingeschoven stand. Als u dit niet doet, kan de kanaalslang worden beschadigd die binnenin de mondstukgeleider is gemonteerd.

- Fig.47: 1. Ontgrendelknop van de schuifarm
2. Ongeveer 100 mm

BEDIENING

⚠ LET OP: Gebruik altijd de zijhandgreep (hulphandgreep) en houd het gereedschap tijdens het gebruik stevig vast bij zowel de zijhandgreep als de hoofdhandgreep.

⚠ LET OP: Zorg er altijd vóór gebruik voor dat het werkstuk stevig vast staat.

⚠ LET OP: Trek niet met grote kracht aan het gereedschap, ook niet wanneer de bit klem zit. Als u de controle verliest, kan letsel worden veroorzaakt.


KENNISGEVING: Voordat u het stofopvangsysteem gebruikt, leest u het tekstdeel over het stofopvangsysteem.

OPMERKING: Als de temperatuur van de accu laag is, werkt het gereedschap mogelijk niet op volledig vermogen. Warm in dat geval de accu op door het gereedschap enige tijd op nullastoerental te gebruiken zodat u het volledige vermogen van het gereedschap weer kunt gebruiken.

- Fig.48

Gebruik als hamerboor

⚠ LET OP: Op het moment dat het boorgat doorbreekt, het boorgat verstopt raakt met schilfertjes of metaaldeeltjes, of de klopper de bewapening in het steen raakt, wordt een plotselinge en enorme torsiekracht uitgeoefend op het gereedschap/boorbit. **Gebruik altijd de zijhandgreep (hulphandgreep) en houd het gereedschap tijdens het gebruik stevig vast bij zowel de zijhandgreep als de hoofdhandgreep.** Als u dit niet doet, kunt u de controle over het gereedschap verliezen en mogelijk ernstig letsel veroorzaken.

Draai de werksfunctiekeuzeknop naar het symbool .

Plaats de punt van de boor op de plaats waar u een gat wilt boren en knijp dan de trekverschakelaar in. Oefen aanvoerkracht uit op de schakelaarhandgreep (hoofdhandgreep) voor nauwkeurigheid en efficiëntie van het werk, en houd de zijhandgreep (extra handgreep) vast om het gereedschap in balans te houden. Houd het gereedschap zorgvuldig op zijn plaats en zorg dat het niet uit het boorgat raakt.

Oefen niet méér druk uit wanneer het boorgat verstopt raakt met schilfertjes of boorgruis. Laat daarentegen het gereedschap "stationair" draaien en trek de boor gedeeltelijk terug uit het boorgat. Door dit enkele malen te herhalen, kunt u het boorgat gruisvrij maken, zodat u het normale boren kunt hervatten.

OPMERKING: Terwijl het gereedschap onbelast wordt gebruikt, kan de boor excentrisch draaien. Het gereedschap centreert zichzelf automatisch tijdens het gebruik. Dit heeft geen nadelige invloed op de nauwkeurigheid van het boren.

Beitelen, bikken en slopen

Draai de werksfunctiekeuzeknop naar het symbool .

Houd het gereedschap met beide handen stevig vast. Schakel het gereedschap in.

Oefen aanvoerkracht uit op de schakelaarhandgreep (hoofdhandgreep) voor nauwkeurigheid en efficiëntie van het werk, en houd de zijhandgreep (extra handgreep) vast om het gereedschap in balans te houden. Het gereedschap werkt niet efficiënter als u grote druk op het gereedschap uitoefent.

- Fig.49

Boren in hout of metaal

⚠ LET OP: Houd het gereedschap stevig vast en let vooral goed op wanneer het boorbit door het werkstuk heen breekt. Op het moment dat het boorgat doorbreekt wordt een enorme wringende kracht uitgeoefend op het gereedschap/boorbit.


⚠ LET OP: Een vastgelopen boorbit kan eenvoudig verwijderd worden door de draairichting te veranderen met de omkeerschakelaar, om zo het boorbit eruit te draaien. Houd het gereedschap daarbij wel stevig vast, want er is kans op een plotselinge terugslag.

⚠ LET OP: Zet het werkstuk altijd vast in een bankschroef of soortgelijke klemvoorziening.

KENNISGEVING: Gebruik nooit "Hamerboren" wanneer de adapterboorkop op het gereedschap is aangebracht. De adapterboorkop kan worden beschadigd.

Bovendien zal de adapterboorkop loskomen wanneer de draairichting van het gereedschap wordt omgekeerd.

KENNISGEVING: Het boren zal niet sneller verlopen als u hard op het gereedschap drukt. In feite zal dergelijk hard drukken alleen maar leiden tot beschadiging van het boorbit, lagere prestaties van het gereedschap en een kortere levensduur van het gereedschap.

Draai de werkingsfunctiekeuzeknop naar het symbool .

Voor model HR008G

Optioneel accessoire

Bevestig de boorkopadapter op een sleutellose boorkop waarop een schroefmaat 1/2"-20 kan worden gemonteerd, en breng het geheel aan op het gereedschap. Voor informatie over het aanbrengen van de adapter in de spankop raadpleeg u de instructies voor het aanbrengen van het boorbit.

► **Fig.50:** 1. Sleutellose boorkop 2. Boorkopadapter

Voor model HR009G


Gebruik de snelwisselboorkop als standaarduitrusting. Voor meer informatie over het aanbrengen van de snelwisselboorkop, raadpleeg u de instructies voor het vervangen van de snelwisselkop voor SDS-plus. Houd de ring vast en draai de bus linksom om de klauwen van de boorkop te openen. Plaats een boorbit zo ver mogelijk in de boorkop. Houd de ring stevig vast en draai de bus rechtsom om de boorkop te sluiten.

► **Fig.51:** 1. Bus 2. Ring

Om het boorbit te verwijderen, houdt u de ring vast en draait u de bus linksom.

Diamantkernboren

KENNISGEVING: Als u werkzaamheden met diamantkernboren uitvoert in de stand "hamerboren", kan de diamantkernboor worden beschadigd.

Als u werkzaamheden met diamantkernboren uitvoert, draait u de werkingsfunctiekeuzeknop altijd naar de stand  om "alleen boren" te gebruiken.

Luchtblazer

Optioneel accessoire

Nadat het gat geboord is, gebruikt u de luchtblazer om het stof uit het gat te blazen.

► **Fig.52**

De stofvangerset gebruiken

Optioneel accessoire

Houd de stofvangerset tegen het plafond wanneer u het gereedschap bedient.

► **Fig.53**

KENNISGEVING: Gebruik de stofvangerset niet bij het boren in metaal of dergelijke. Door de warmte die wordt gegenereerd door kleine metalen deeltjes en dergelijke kan de stofvangerset worden beschadigd.

KENNISGEVING: U mag de stofvangerset niet aanbrengen of verwijderen terwijl het boorbit in het gereedschap is aangebracht. Hierdoor kan de stofvangerset worden beschadigd waardoor stof vrijkomt.

FUNCTIE VOOR DRAADLOOS INSCHAKELN

Mogelijkheden van de functie voor draadloos inschakelen

Met de functie voor draadloos inschakelen kunt u schoon en comfortabel werken. Door een ondersteunde stofzuiger aan te sluiten op het gereedschap, kunt u de stofzuiger automatisch laten in- en uitschakelen bij bediening van de schakelaar van het gereedschap.

► **Fig.54**

Om de functie voor draadloos inschakelen te gebruiken, dient u de volgende zaken voor te bereiden:

- Een draadloos-eenheid (optioneel accessoire)
- Een stofzuiger die de functie voor draadloos inschakelen ondersteunt

In het kort bestaat het instellen van de functie voor draadloos inschakelen uit de volgende punten. Raadpleeg elke paragraaf voor informatie over de procedure.

1. De draadloos-eenheid aanbrengen
2. Registratie van het gereedschap op de stofzuiger
3. De functie voor draadloos inschakelen starten

De draadloos-eenheid aanbrengen

Optioneel accessoire

⚠ LET OP: Plaats het gereedschap op een vlakke en stabiele ondergrond wanneer u de draadloos-eenheid aanbrengt.

KENNISGEVING: Verwijder het stof en vuil vanaf het gereedschap voordat u de draadloos-eenheid aanbrengt. Stof en vuil kunnen een storing veroorzaken wanneer ze binnendingen in de gleuf voor de draadloos-eenheid.

KENNISGEVING: Om een storing als gevolg van statische elektriciteit te voorkomen, raakt u een materiaal aan dat statische elektriciteit ontlaaft, zoals een metalen onderdeel van het gereedschap, voordat u de draadloos-eenheid oppakt.

KENNISGEVING: Let er bij het aanbrengen van de draadloos-eenheid altijd op dat de draadloos-eenheid in de correcte richting wordt aangebracht en dat de afdekking volledig wordt gesloten.

1. Open de afdekking op het gereedschap, zoals aangegeven in de afbeelding.

► **Fig.55:** 1. Afdekking

2. Breng de draadloos-eenheid aan in de gleuf en sluit vervolgens de afdekking.

Wanneer u de draadloos-eenheid aanbrengt, lijnt u de uitsteeksels uit met de uitsparingen in de gleuf.

► **Fig.56:** 1. Draadloos-eenheid 2. Uitsteeksel 3. Afdekking 4. Uitsparing

Wanneer u de draadloos-eenheid verwijdert, opent u langzaam de afdekking. De haken op de achterkant van de afdekking, tillen de draadloos-eenheid op terwijl u de afdekking omhoog trekt.

► **Fig.57:** 1. Draadloos-eenheid 2. Haak 3. Afdekking

Nadat de draadloos-eenheid is verwijderd, bewaart u hem in de bijgeleverde doos of een antistatische container.

KENNISGEVING: Gebruik altijd de haken op de achterkant van de afdekking wanneer u de draadloos-eenheid verwijdert. Als de haken niet aangrijpen op de draadloos-eenheid, sluit u de afdekking volledig en opent u hem weer langzaam.

Registratie van het gereedschap op de stofzuiger

OPMERKING: Een stofzuiger van Makita die de functie voor draadloos inschakelen ondersteunt, is vereist voor registratie van het gereedschap.

OPMERKING: Voltooi het aanbrengen van de draadloos-eenheid in het gereedschap voordat u de registratie van het gereedschap start.

OPMERKING: Gedurende de registratie van het gereedschap mag u de trekkerschakelaar van het gereedschap niet inknijpen en de aan-uitknop van de stofzuiger niet bedienen.

OPMERKING: Raadpleeg tevens de gebruiksaanwijzing van de stofzuiger.

Als u wilt dat de stofzuiger wordt ingeschakeld tegelijk met de bediening van de schakelaar van het gereedschap, moet u van tevoren de registratie van het gereedschap voltooien.

1. Breng de accu's aan in de stofzuiger en het gereedschap.

2. Zet de standbyschakelaar op de stofzuiger op "AUTO".

► **Fig.58:** 1. Standbyschakelaar

3. Houd de knop voor draadloos inschakelen op de stofzuiger gedurende 3 seconden ingedrukt totdat de lamp van draadloos inschakelen groen knippert. En houd daarna op dezelfde manier de knop voor draadloos inschakelen op het gereedschap ingedrukt.

► **Fig.59:** 1. Knop voor draadloos inschakelen
2. Lamp van draadloos inschakelen

Nadat de stofzuiger en het gereedschap met succes aan elkaar zijn gekoppeld, zullen de lampen van draadloos inschakelen gedurende 2 seconden groen branden, waarna ze blauw gaan knipperen.

OPMERKING: De lampen van draadloos inschakelen stoppen na 20 seconden met groen knipperen. Druk op de knop voor draadloos inschakelen op het gereedschap terwijl de lamp van draadloos inschakelen op de stofzuiger knippert. Als de lamp van draadloos inschakelen niet groen knippert, drukt u kort op de knop voor draadloos inschakelen en houdt u deze weer ingedrukt.

OPMERKING: Als u twee of meer gereedschappen registreert op één stofzuiger, voltooit u de registratie van de gereedschappen één voor één.

De functie voor draadloos inschakelen starten

OPMERKING: Voltooi de registratie van het gereedschap op de stofzuiger voordat u de functie draadloos inschakelen gebruikt.

OPMERKING: Raadpleeg tevens de gebruiksaanwijzing van de stofzuiger.

Nadat een gereedschap in de stofzuiger is geregistreerd, wordt de stofzuiger automatisch in- en uitgeschakeld door de bediening van de schakelaar van het gereedschap.

1. Breng de draadloos-eenheid aan in het gereedschap.

2. Sluit de slang van de stofzuiger aan op het gereedschap.

► **Fig.60**

3. Zet de standbyschakelaar op de stofzuiger op "AUTO".

► **Fig.61:** 1. Standbyschakelaar

4. Druk kort op de knop voor draadloos inschakelen op het gereedschap. De lamp van draadloos inschakelen knippert blauw.

► **Fig.62:** 1. Knop voor draadloos inschakelen
2. Lamp van draadloos inschakelen

5. Schakel het gereedschap in. Controleer of de stofzuiger is ingeschakeld terwijl het gereedschap in gebruik is.

Om het draadloos inschakelen van de stofzuiger te stoppen, drukt u op de knop voor draadloos inschakelen op het gereedschap.

OPMERKING: De lamp van draadloos inschakelen op het gereedschap stopt met blauw knipperen wanneer gedurende 2 uur geen bediening plaatsvindt. In dat geval zet u de standbyschakelaar van de stofzuiger op "AUTO" en drukt u nogmaals op de knop voor draadloos inschakelen op het gereedschap.

OPMERKING: De stofzuiger wordt met een vertraagde in- en uitgeschakeld. Er treedt een tijdsvertraging op wanneer de stofzuiger de bediening van de schakelaar van het gereedschap detecteert.










OPMERKING: Het zendbereik van de draadloos-eenheid kan variëren afhankelijk van de locatie en omgevingsomstandigheden.

OPMERKING: Als twee of meer gereedschappen zijn geregistreerd in één stofzuiger, kan de stofzuiger worden ingeschakeld ondanks dat u uw gereedschap niet inschakelt omdat een andere gebruiker de functie voor draadloos inschakelen gebruikt.

Beschrijving van de status van de lamp van draadloos inschakelen

► Fig.63: 1. Lamp van draadloos inschakelen

De lamp van draadloos inschakelen toont de status van de functie voor draadloos inschakelen. Raadpleeg de onderstaande tabel voor de betekenis van de status van de lamp.

Status	Lamp van draadloos inschakelen				Beschrijving
	Kleur	 Brandt	 Knippert	Duur	
Standby	Blauw			2 uur	Het draadloos inschakelen van de stofzuiger is beschikbaar. De lamp wordt automatisch uitgeschakeld wanneer gedurende 2 uur geen bediening plaatsvindt.
				Bij ingeschakeld gereedschap.	Het draadloos inschakelen van de stofzuiger is beschikbaar en het gereedschap is ingeschakeld.
Registratie van het gereedschap	Groen			20 seconden	Klaar voor registratie van het gereedschap. Wachten op registratie door de stofzuiger.
				2 seconden	De registratie van het gereedschap is voltooid. De lamp van draadloos inschakelen knippert blauw.
Registratie van het gereedschap annuleren	Rood			20 seconden	Klaar om de registratie van het gereedschap te annuleren. Wachten op annuleren door de stofzuiger.
				2 seconden	Het annuleren van de registratie van het gereedschap is voltooid. De lamp van draadloos inschakelen knippert blauw.
Overig	Rood			3 seconden	De draadloos-eenheid wordt van stroom voorzien en de functie voor draadloos inschakelen start nu op.
	Uit	-		-	Het draadloos inschakelen van de stofzuiger is gestopt.

Registratie van het gereedschap op de stofzuiger annuleren

Voer de volgende procedure uit om de registratie van het gereedschap in de stofzuiger te annuleren.

1. Breng de accu's aan in de stofzuiger en het gereedschap.

2. Zet de standbyschakelaar op de stofzuiger op "AUTO".

► Fig.64: 1. Standbyschakelaar

3. Houd de knop voor draadloos inschakelen op de stofzuiger gedurende 6 seconden ingedrukt. De lamp van draadloos inschakelen knippert groen en brandt daarna rood. Houd daarna op dezelfde manier de knop voor draadloos inschakelen op het gereedschap ingedrukt.

► Fig.65: 1. Knop voor draadloos inschakelen 2. Lamp van draadloos inschakelen

Als het annuleren met succes is uitgevoerd, zullen de lampen van draadloos inschakelen gedurende 2 seconden rood branden, waarna ze blauw gaan knipperen.

OPMERKING: De lampen van draadloos inschakelen stoppen na 20 seconden met rood knipperen. Druk op de knop voor draadloos inschakelen op het gereedschap terwijl de lamp van draadloos inschakelen op de stofzuiger knippert. Als de lamp van draadloos inschakelen niet rood knippert, drukt u kort op de knop voor draadloos inschakelen en houdt u deze weer ingedrukt.

Storingzoeken van de functie voor draadloos inschakelen

Alvorens u verzoekt om reparatie, kunt u zelf als volgt het probleem opsporen en oplossen. Als u met een probleem kampt dat in deze handleiding niet wordt beschreven, probeer dan niet het gereedschap te demonteren. Laat reparaties over aan een erkend Makita-servicecentrum, uitsluitend met gebruik van originele Makita-ervangingsonderdelen.

Probleemomschrijving	Waarschijnlijke oorzaak (storing)	Oplossing
De lamp van draadloos inschakelen brandt/knippert niet.	De draadloos-eenheid is niet aangebracht in het gereedschap. De draadloos-eenheid is verkeerd aangebracht in het gereedschap.	Breng de draadloos-eenheid op de juiste wijze aan.
	De aansluitingen van de draadloos-eenheid en/of de gleuf zijn vuil.	Veeg het stof en vuil op de aansluitingen van de draadloos-eenheid voorzichtig af en reinig de gleuf.
	Er is niet op de knop voor draadloos inschakelen op het gereedschap gedrukt.	Druk kort op de knop voor draadloos inschakelen op het gereedschap.
	De standbyschakelaar op de stofzuiger is niet op "AUTO" gezet.	Zet de standbyschakelaar op de stofzuiger op "AUTO".
	Geen voeding.	Voorzie het gereedschap en de stofzuiger van voeding.
De registratie van het gereedschap/het annuleren van de registratie van het gereedschap kan niet met succes worden voltooid.	De draadloos-eenheid is niet aangebracht in het gereedschap. De draadloos-eenheid is verkeerd aangebracht in het gereedschap.	Breng de draadloos-eenheid op de juiste wijze aan.
	De aansluitingen van de draadloos-eenheid en/of de gleuf zijn vuil.	Veeg het stof en vuil op de aansluitingen van de draadloos-eenheid voorzichtig af en reinig de gleuf.
	De standbyschakelaar op de stofzuiger is niet op "AUTO" gezet.	Zet de standbyschakelaar op de stofzuiger op "AUTO".
	Geen voeding.	Voorzie het gereedschap en de stofzuiger van voeding.
	Onjuiste bediening	Druk kort op de knop voor draadloos inschakelen en voer de procedures voor de registratie/het annuleren van de registratie opnieuw uit.
	Het gereedschap en de stofzuiger staan te ver uit elkaar (buiten het zendbereik).	Plaats het gereedschap en de stofzuiger dicht bij elkaar. Het maximale zendbereik is ongeveer 10 meter, echter, dit kan verschillen afhankelijk van de omstandigheden.
	Voordat de registratie van het gereedschap/het annuleren van de registratie van het gereedschap werd voltooid: - de schakelaar van het gereedschap werd aan gezet of; - de aan-uitknop op de stofzuiger werd ingeschakeld.	Druk kort op de knop voor draadloos inschakelen en voer de procedures voor de registratie/het annuleren van de registratie opnieuw uit.
	De procedure voor de registratie van het gereedschap op het gereedschap of de stofzuiger is niet voltooid.	Voer de procedure voor de registratie van het gereedschap tegelijkertijd uit op het gereedschap en de stofzuiger.
	Radiostoring door andere apparaten die sterke radiogolven genereren.	Houd het gereedschap en de stofzuiger uit de buurt van apparaten zoals Wi-Fi-apparaten en magnetrons.

Probleemomschrijving	Waarschijnlijke oorzaak (storing)	Oplossing
De stofzuiger wordt niet in- en uitgeschakeld tegelijk met de bediening van de schakelaar van het gereedschap.	De draadloos-eenheid is niet aangebracht in het gereedschap. De draadloos-eenheid is verkeerd aangebracht in het gereedschap.	Breng de draadloos-eenheid op de juiste wijze aan.
	De aansluitingen van de draadloos-eenheid en/of de gleuf zijn vuil.	Veeg het stof en vuil op de aansluitingen van de draadloos-eenheid voorzichtig af en reinig de gleuf.
	Er is niet op de knop voor draadloos inschakelen op het gereedschap gedrukt.	Druk kort op de knop voor draadloos inschakelen en controleer of de lamp van draadloos inschakelen blauw knippert.
	De standbyschakelaar op de stofzuiger is niet op "AUTO" gezet.	Zet de standbyschakelaar op de stofzuiger op "AUTO".
	Meer dan 10 gereedschappen zijn geregistreerd in de stofzuiger.	Voer de registratie van het gereedschap opnieuw uit. Als meer dan 10 gereedschappen zijn geregistreerd in de stofzuiger, wordt de eerste registratie van een gereedschap automatisch gewist.
	De stofzuiger heeft alle registraties van de gereedschappen gewist.	Voer de registratie van het gereedschap opnieuw uit.
	Geen voeding.	Voorzie het gereedschap en de stofzuiger van voeding.
	Het gereedschap en de stofzuiger staan te ver uit elkaar (buiten het zendbereik).	Plaats het gereedschap en de stofzuiger dicht bij elkaar. Het maximale zendbereik is ongeveer 10 meter, echter, dit kan verschillen afhankelijk van de omstandigheden.
	Radiostoring door andere apparaten die sterke radiogolven genereren.	Houd het gereedschap en de stofzuiger uit de buurt van apparaten zoals Wi-Fi-apparaten en magnetrons.
De stofzuiger is ingeschakeld terwijl het gereedschap niet in gebruik is.	Andere gebruikers gebruiken op hun gereedschap de functie voor draadloos inschakelen van de stofzuiger.	Schakel de knop voor draadloos inschakelen van de andere gereedschappen uit of annuleer de registratie van de andere gereedschappen.

ONDERHOUD

⚠ LET OP: Zorg altijd dat het gereedschap is uitgeschakeld en de accu ervan is verwijderd alvorens te beginnen met onderhoud of inspectie.

KENNISGEVING: Gebruik nooit benzine, wasbenzine, thinner, alcohol en dergelijke. Hierdoor kunnen verkleuring, vervormingen en barsten worden veroorzaakt.

Om de VEILIGHEID en BETROUWBAARHEID van het gereedschap te handhaven, dienen alle reparaties, onderhoud of afstellingen te worden uitgevoerd bij een erkend Makita-servicecentrum of de Makita-fabriek, en altijd met gebruik van Makita-vervangingsonderdelen.

OPTIONELE ACCESSOIRES

⚠ LET OP: Deze accessoires of hulpstukken worden aanbevolen voor gebruik met het Makita gereedschap dat in deze gebruiksaanwijzing is beschreven. Bij gebruik van andere accessoires of hulpstukken bestaat het gevaar van persoonlijke letsel. Gebruik de accessoires of hulpstukken uitsluitend voor hun bestemde doel.

- Boren met een hardmetalen punt (SDS-plus-bits met een hardmetalen punt)
- Kernboor
- Puntbeitel
- Diamantkernboor
- Koudbeitel
- Bikbeitel
- Groefbeitel
- Boorspankopset (boorkopadapter/boorspankop)
- Boorvet
- Dieptemaat
- Luchtblazer
- Stofvanger
- Stofvangerset
- Afstandshouder (voor HR008G)
- Haakset
- Stofopvangdoosset
- Filterset
- Koppelstuk
- Stofopvangsysteem
- Draadloos-eenheid
- Originele Makita accu's en acculaders

OPMERKING: Sommige items op de lijst kunnen zijn inbegrepen in de doos van het gereedschap als standaard toebehoren. Deze kunnen van land tot land verschillen.

Wenst u meer bijzonderheden over deze accessoires, neem dan contact op met het plaatselijke Makita-servicecentrum.

ESPECIFICACIONES

Modelo:		HR008G	HR009G
Capacidades	Cemento	30 mm	
	Barrena tubular	80 mm	
	Barrena tubular de diamante (tipo seco)	80 mm	
	Acero	13 mm	
	Madera	32 mm	
Velocidad sin carga		0 - 840 min ⁻¹	
Percusiones por minuto		0 - 4.500 min ⁻¹	
Tensión nominal		CC 36 V - 40 V máx.	
Longitud total (con BL4040)		422 mm	439 mm
Peso neto		5,2 - 6,8 kg	5,3 - 6,7 kg

Accesorio opcional

Modelo:	DX10 (Para HR008G)	DX11 (Para HR009G)
Pieza de trabajo y modo de trabajo aplicables	para perforar en cemento solamente (no para metal o madera, ni para perforar con corona o cincelar)	
Rendimiento de succión	350 l/min	
Carrera de operación	Hasta 190 mm	
Broca apropiada	Hasta 265 mm	
Peso neto	1,2 kg	

- Debido a nuestro continuado programa de investigación y desarrollo, las especificaciones aquí dadas están sujetas a cambios sin previo aviso.
- Las especificaciones pueden ser diferentes de país a país.
- El peso puede variar dependiendo del accesorio(s), incluyendo el cartucho de batería. La combinación menos pesada y la más pesada, de acuerdo con el procedimiento EPTA 01/2014, se muestran en la tabla.

Cartucho de batería y cargador aplicables

Cartucho de batería	BL4020 / BL4025 / BL4040* / BL4050F* / BL4080F * : Batería recomendada
Cargador	DC40RA / DC40RB / DC40RC

- Algunos de los cartuchos de batería y cargadores indicados arriba puede que no estén disponibles dependiendo de su región de residencia.

⚠ ADVERTENCIA: Utilice solamente los cartuchos de batería y cargadores indicados arriba. La utilización de cualquier otro cartucho de batería y cargador puede ocasionar heridas y/o un incendio.

Fuente de alimentación conectada por cable recomendada

Unidad portátil de alimentación eléctrica	PDC01 / PDC1200
---	-----------------

- La fuente o fuentes de alimentación conectadas por cable indicadas arriba puede que no estén disponibles dependiendo de su región de residencia.
- Antes de utilizar la fuente de alimentación conectada por cable, lea las instrucciones e indicaciones de precaución sobre ella.

Uso previsto

La herramienta ha sido prevista para perforar con percusión y perforar en ladrillo, hormigón y piedra así como también para trabajo de cincelado.

También es apropiada para perforar sin impacto en madera, metal, cerámica y plástico.

Ruido

El nivel de ruido A-ponderado típico determinado de acuerdo con la norma EN62841-2-6:

Modelo HR008G

Nivel de presión sonora (L_{pA}): 95 dB (A)

Nivel de potencia sonora (L_{WA}): 103 dB (A)

Error (K): 3 dB (A)

Modelo HR009G

Nivel de presión sonora (L_{pA}): 95 dB (A)

Nivel de potencia sonora (L_{WA}): 103 dB (A)

Error (K): 3 dB (A)

Modelo HR008G con DX10

Nivel de presión sonora (L_{pA}): 97 dB (A)

Nivel de potencia sonora (L_{WA}): 105 dB (A)

Error (K): 3 dB (A)

Modelo HR009G con DX11

Nivel de presión sonora (L_{pA}): 97 dB (A)

Nivel de potencia sonora (L_{WA}): 105 dB (A)

Error (K): 3 dB (A)

NOTA: El valor (o los valores) de emisión de ruido declarado ha sido medido de acuerdo con un método de prueba estándar y se puede utilizar para comparar una herramienta con otra.

NOTA: El valor (o valores) de emisión de ruido declarado también se puede utilizar en una valoración preliminar de exposición.

⚠ ADVERTENCIA: Póngase protectores para oídos.

⚠ ADVERTENCIA: La emisión de ruido durante la utilización real de la herramienta eléctrica puede variar del valor (o los valores) de emisión declarado dependiendo de las formas en las que la herramienta sea utilizada, especialmente que qué tipo de pieza de trabajo se procesa.

⚠ ADVERTENCIA: Asegúrese de identificar medidas de seguridad para proteger al operario que estén basadas en una estimación de la exposición en las condiciones reales de utilización (teniendo en cuenta todas las partes del ciclo operativo como las veces cuando la herramienta está apagada y cuando está funcionando en vacío además del tiempo de gatillo).

Vibración

La tabla siguiente muestra el valor total de la vibración (suma de vectores triaxiales) determinado de acuerdo con el estándar aplicable.

Modelo HR008G

Modo de trabajo	Emisión de vibración	Incertidumbre (K)	Estándar aplicable/ Condición del test
Perforación con percusión en hormigón ($a_{h, HD}$)	11,8 m/s ²	1,5 m/s ²	EN62841-2-6
	9,1 m/s ²	1,5 m/s ²	Operación práctica recomendada*
Perforación con percusión en hormigón con DX10 ($a_{h, HD}$)	9,5 m/s ²	2,0 m/s ²	EN62841-2-6
	7,8 m/s ²	1,5 m/s ²	Operación práctica recomendada*
Cincelado ($a_{h, CHeg}$)	8,6 m/s ²	1,5 m/s ²	EN62841-2-6
	8,0 m/s ²	1,5 m/s ²	Operación práctica recomendada*

Modelo HR009G

Modo de trabajo	Emisión de vibración	Incertidumbre (K)	Estándar aplicable/ Condición del test
Perforación con percusión en hormigón ($a_{h, HD}$)	11,5 m/s ²	1,5 m/s ²	EN62841-2-6
	9,1 m/s ²	1,5 m/s ²	Operación práctica recomendada*
Perforación con percusión en hormigón con DX11 ($a_{h, HD}$)	8,9 m/s ²	1,5 m/s ²	EN62841-2-6
	7,3 m/s ²	1,5 m/s ²	Operación práctica recomendada*
Cincelado ($a_{h, CHeg}$)	7,3 m/s ²	1,5 m/s ²	EN62841-2-6
	7,1 m/s ²	1,5 m/s ²	Operación práctica recomendada*

* La condición del test de la operación práctica recomendada satisface EN 62841-2-6, excepto para los puntos siguientes:

- La fuerza de avance se aplica a la empuñadura del interruptor (empuñadura principal) para precisión y eficiencia del trabajo.
- La empuñadura/mango lateral (mango auxiliar) se agarra para mantener el equilibrio de la herramienta.

NOTA: El valor (o los valores) total de emisión de vibración declarado ha sido medido de acuerdo con un método de prueba estándar y se puede utilizar para comparar una herramienta con otra.

NOTA: El valor (o los valores) total de emisión de vibración declarado también se puede utilizar en una valoración preliminar de exposición.

⚠️ ADVERTENCIA: La emisión de vibración durante la utilización real de la herramienta eléctrica puede variar del valor (o los valores) de emisión declarado dependiendo de las formas en las que la herramienta sea utilizada, especialmente qué tipo de pieza de trabajo se procesa.

⚠️ ADVERTENCIA: Asegúrese de identificar medidas de seguridad para proteger al operario que estén basadas en una estimación de la exposición en las condiciones reales de utilización (teniendo en cuenta todas las partes del ciclo operativo como las veces cuando la herramienta está apagada y cuando está funcionando en vacío además del tiempo de gatillo).

Declaraciones de conformidad

Para países europeos solamente

Las declaraciones de conformidad están incluidas como Anexo A de este manual de instrucciones.

ADVERTENCIAS DE SEGURIDAD

Advertencias de seguridad para herramientas eléctricas en general

⚠️ ADVERTENCIA: Lea todas las advertencias de seguridad, instrucciones, ilustraciones y especificaciones provistas con esta herramienta eléctrica. Si no sigue todas las instrucciones indicadas abajo podrá resultar en una descarga eléctrica, un incendio y/o heridas graves.

Guarde todas las advertencias e instrucciones para futuras referencias.

El término "herramienta eléctrica" en las advertencias se refiere a su herramienta eléctrica de funcionamiento con conexión a la red eléctrica (con cable) o herramienta eléctrica de funcionamiento a batería (sin cable).

ADVERTENCIAS DE SEGURIDAD PARA EL MARTILLO ROTATIVO INALÁMBRICO

Instrucciones de seguridad para todas las operaciones

1. **Póngase protectores de oídos.** La exposición al ruido puede ocasionar pérdida auditiva.
2. **Utilice el mango(s) auxiliar, si se suministra con la herramienta.** Una pérdida de control puede ocasionar heridas personales.
3. **Cuando realice una operación en la que el accesorio de corte pueda entrar en contacto con cableado oculto, sujete la herramienta eléctrica por las superficies de aislamiento aisladas.** El contacto del accesorio de corte con un cable con corriente puede hacer que la corriente circule por las partes metálicas expuestas de la herramienta eléctrica y soltar una descarga eléctrica al operario.

Instrucciones de seguridad cuando se utilizan brocas largas con martillos rotativos

1. **Comience a perforar siempre a velocidad baja y con la punta de la broca haciendo contacto con la pieza de trabajo.** A velocidades más altas, es probable que la broca se doble si se deja girar libremente sin hacer contacto con la pieza de trabajo, resultando en heridas personales.
2. **Aplique presión solamente en línea directa con la broca y no aplique una presión excesiva.** Las brocas se pueden doblar, ocasionando su rotura o la pérdida de control, resultando en heridas personales.

Advertencias de seguridad adicionales

1. **Póngase casco protector (casco de seguridad), gafas de seguridad y/o pantalla facial.** Las gafas normales o de sol NO sirven para proteger los ojos. También es muy recomendable ponerse una máscara contra el polvo y guantes espesamente acolchados.
2. **Asegúrese de que la broca está sujeta en su sitio antes de iniciar la operación.**
3. **La herramienta ha sido diseñada de modo que produzca vibración durante la utilización normal.** Los tornillos se pueden aflojar fácilmente, ocasionando una rotura o un accidente. Compruebe con cuidado el apriete de los tornillos antes de iniciar la operación.
4. **En clima frío o cuando la herramienta no haya sido utilizada durante un tiempo largo, deje que la herramienta se caliente durante un rato utilizándola sin carga.** Esto diluirá la lubricación. Sin un calentamiento apropiado, la operación de percusión resultará difícil.
5. **Asegúrese siempre de apoyar los pies firmemente.** Asegúrese de que no haya nadie debajo cuando utilice la herramienta en lugares altos.
6. **Sujete la herramienta firmemente con ambas manos.**
7. **Mantenga las manos alejadas de las partes en movimiento.**
8. **No deje la herramienta en marcha.** Tenga en marcha la herramienta solamente cuando la tenga en la mano.
9. **No apunte la herramienta hacia nadie que esté en el área cuando la esté utilizando.** La broca puede salir despedida y herir a alguien gravemente.
10. **No toque la broca, las partes cerca de la broca, o la pieza de trabajo inmediatamente después de la operación; podrán estar muy calientes y quemarle la piel.**
11. **Algunos materiales contienen sustancias químicas que pueden ser tóxicas.** Tenga precaución para evitar la inhalación de polvo y el contacto con la piel. Siga los datos de seguridad del abastecedor del material.
12. **Asegúrese siempre de que la herramienta está apagada y que el cartucho de batería y la broca han sido retirados antes de entregar la herramienta a otra persona.**

13. **Antes de la operación, asegúrese de que no hay objetos enterrados como tubos de cables eléctricos, tuberías de agua o tuberías de gas en el área de trabajo.** De lo contrario, la broca/cinzel podrá tocarlos, resultando en una descarga eléctrica, fuga eléctrica o fuga de gas.
14. **No utilice la herramienta en vacío innecesariamente.**

GUARDE ESTAS INSTRUCCIONES.

⚠ADVERTENCIA: NO deje que la comodidad o familiaridad con el producto (a base de utilizarlo repetidamente) sustituya la estricta observancia de las normas de seguridad para el producto en cuestión. El MAL USO o el no seguir las normas de seguridad establecidas en este manual de instrucciones podrá ocasionar heridas personales graves.

Instrucciones de seguridad importantes para el cartucho de batería

1. **Antes de utilizar el cartucho de batería, lea todas las instrucciones e indicaciones de precaución sobre (1) el cargador de baterías, (2) la batería, y (3) el producto con el que se utiliza la batería.**
2. **No desensamble ni manipule el cartucho de batería.** Podrá resultar en un incendio, calor excesivo, o una explosión.
3. **Si el tiempo de uso se acorta demasiado, cese la operación inmediatamente.** Podría resultar en un riesgo de recalentamiento, posibles quemaduras e incluso una explosión.
4. **Si entra electrolito en sus ojos, aclárelos con agua limpia y acuda a un médico inmediatamente.** Existe el riesgo de poder perder la vista.
5. **No cortocircuite el cartucho de batería:**
 - (1) **No toque los terminales con ningún material conductor.**
 - (2) **Evite guardar el cartucho de batería en un cajón junto con otros objetos metálicos, como clavos, monedas, etc.**
 - (3) **No exponga el cartucho de batería al agua ni a la lluvia.**

Un cortocircuito en la batería puede producir una gran circulación de corriente, un recalentamiento, posibles quemaduras e incluso una rotura de la misma.
6. **No guarde ni utilice la herramienta y el cartucho de batería en lugares donde la temperatura pueda alcanzar o exceder los 50 °C.**
7. **Nunca incinere el cartucho de batería incluso en el caso de que esté dañado seriamente o ya no sirva en absoluto.** El cartucho de batería puede explotar si se tira al fuego.
8. **No clave, corte, aplaste, lance, deje caer el cartucho de batería, ni golpee contra un objeto duro el cartucho de batería.** Tal conducta podrá resultar en un incendio, calor excesivo, o una explosión.

9. **No utilice una batería dañada.**
10. **Las baterías de litio-ion contenidas están sujetas a los requisitos de la Legislación para Materiales Peligrosos.**
Para transportes comerciales, p.ej., por terceras personas y agentes de transportes, se deberán observar requisitos especiales para el empaquetado y etiquetado.
Para la preparación del artículo que se va a enviar, se requiere consultar con un experto en materiales peligrosos. Por favor, observe también la posibilidad de reglamentos nacionales más detallados.
Cubra con cinta aislante o enmascare los contactos expuestos y empaquete la batería de tal manera que no se pueda mover alrededor dentro del embalaje.
11. **Para desechar el cartucho de batería, retírelo de la herramienta y deséchelo en un lugar seguro. Siga los reglamentos locales referentes al desecho de la batería.**
12. **Utilice las baterías solamente con los productos especificados por Makita.** La instalación de las baterías en productos no compatibles puede resultar en un incendio, calor excesivo, explosión, o fuga de electrolito.
13. **Si la herramienta no va a ser utilizada durante un periodo de tiempo largo, la batería deberá ser retirada de la herramienta.**
14. **Durante y después de la utilización, el cartucho de batería podrá acumular calor, lo cual puede ocasionar quemaduras o quemaduras de baja temperatura.** Preste atención al manejo de cartuchos de batería calientes.
15. **No toque el terminal de la herramienta inmediatamente después de utilizar, dado que puede calentarse lo suficiente como para ocasionar quemaduras.**
16. **No permita que virutas, polvo, o tierra se adhieran dentro de los terminales, orificios, y ranuras del cartucho de batería.** Esto podría ocasionar calentamiento, que coja fuego, reviente y un mal funcionamiento de la herramienta o el cartucho de batería, resultando en quemaduras o heridas personales.
17. **A menos que la herramienta pueda utilizarse cerca de cables eléctricos de alta tensión, no utilice el cartucho de batería cerca de cables eléctricos de alta tensión.** Podrá resultar en un mal funcionamiento o rotura de la herramienta o el cartucho de batería.
18. **Mantenga la batería alejada de los niños.**

GUARDE ESTAS INSTRUCCIONES.

⚠PRECAUCIÓN: Utilice solamente baterías genuinas de Makita. La utilización de baterías no genuinas de Makita, o baterías que han sido alteradas, puede resultar en una explosión de la batería ocasionando incendios, heridas personales y daños. También anulará la garantía de Makita para la herramienta y el cargador de Makita.

Consejos para alargar al máximo la vida de servicio de la batería

1. Cargue el cartucho de batería antes de que se descargue completamente. Detenga siempre la operación y cargue el cartucho de batería cuando note menos potencia en la herramienta.
2. No cargue nunca un cartucho de batería que esté completamente cargado. La sobrecarga acortará la vida de servicio de la batería.
3. Cargue el cartucho de batería a temperatura ambiente de 10 °C - 40 °C. Si un cartucho de batería está caliente, déjelo enfriar antes de cargarlo.
4. Cuando no esté utilizando el cartucho de batería, retírelo de la herramienta o del cargador.
5. Cargue el cartucho de batería si no lo utiliza durante un período de tiempo prolongado (más de seis meses).

Instrucciones de seguridad importantes para la unidad inalámbrica

1. No desmonte o manipule la unidad inalámbrica.
2. Mantenga la unidad inalámbrica alejada de niños pequeños. Si se ingiere accidentalmente, solicite atención médica inmediatamente.
3. Utilice la unidad inalámbrica solamente con herramientas Makita.
4. No exponga la unidad inalámbrica a la lluvia o a condiciones que se pueda mojar.
5. No utilice la unidad inalámbrica en lugares donde la temperatura exceda los 50 °C.
6. No utilice la unidad inalámbrica en lugares donde se encuentren cerca instrumentos médicos, tales como marcapasos cardiacos.
7. No utilice la unidad inalámbrica en lugares donde se encuentren cerca dispositivos automatizados. Si la utiliza, los dispositivos automatizados podrán desarrollar un mal funcionamiento o error.
8. No utilice la unidad inalámbrica en lugares de temperatura alta o lugares donde se pueda generar electricidad estática o ruido eléctrico.
9. La unidad inalámbrica puede producir campos electromagnéticos (CEM), pero no son perjudiciales para el usuario.
10. La unidad inalámbrica es un instrumento de precisión. Tenga cuidado de no dejar caer o golpear la unidad inalámbrica.
11. Evite tocar el terminal de la unidad inalámbrica con las manos desnudas o materiales metálicos.
12. Retire siempre la batería del producto cuando vaya a instalar la unidad inalámbrica en él.
13. Cuando abra la tapa de la ranura, evite los lugares donde polvo y agua puedan entrar en la ranura. Mantenga siempre limpia la abertura de la ranura.
14. Inserte siempre la unidad inalámbrica en la dirección correcta.
15. No presione el botón de activación inalámbrica en la unidad inalámbrica con fuerza ni presione el botón con un objeto de borde cortante.
16. Cierre siempre la tapa de la ranura cuando esté realizando operaciones.
17. No retire la unidad inalámbrica de la ranura mientras se esté suministrando alimentación a la herramienta. Si lo hace podrá ocasionar un mal funcionamiento de la unidad inalámbrica.
18. No retire la etiqueta adhesiva de la unidad inalámbrica.
19. No ponga ninguna etiqueta adhesiva en la unidad inalámbrica.
20. No deje la unidad inalámbrica en un lugar donde se pueda generar electricidad estática o ruido eléctrico.
21. No deje la unidad inalámbrica en un lugar expuesto a mucho calor, tal como dentro de un automóvil aparcado al sol.
22. No deje la unidad inalámbrica en un lugar polvoriento o polvoroso o en un lugar donde se pueda generar gas corrosivo.
23. Un cambio repentino de la temperatura puede cubrir de rocío la unidad inalámbrica. No utilice la unidad inalámbrica hasta que el rocío se haya secado completamente.
24. Cuando limpie la unidad inalámbrica, frote con cuidado con un paño suave y seco. No utilice benzina, disolvente, grasa conductora o algo similar.
25. Cuando almacene la unidad inalámbrica, manténgala en la funda suministrada o en un contenedor libre de electricidad estática.
26. No inserte ningún dispositivo excepto la unidad inalámbrica de Makita en la ranura de la herramienta.
27. No utilice la herramienta con la tapa de la ranura dañada. Si entra en la ranura agua, polvo o suciedad puede ocasionar un mal funcionamiento.
28. No tire de la tapa de la ranura ni la retuerza más de lo necesario. Vuelva a colocar la tapa si se desprende de la herramienta.
29. Reemplace la tapa de la ranura si se pierde o se daña.

GUARDE ESTAS INSTRUCCIONES.

DESCRIPCIÓN DEL FUNCIONAMIENTO

⚠️ PRECAUCIÓN: Asegúrese siempre de que la herramienta esté apagada y el cartucho de batería retirado antes de realizar cualquier ajuste o comprobación en la herramienta.

Instalación o extracción del cartucho de batería

⚠️ PRECAUCIÓN: Apague siempre la herramienta antes de instalar o retirar el cartucho de batería.

⚠️ PRECAUCIÓN: Sujete la herramienta y el cartucho de batería firmemente cuando instale o retire el cartucho de batería. Si no sujeta la herramienta y el cartucho de batería firmemente podrán caérsele de las manos y resultar en daños a la herramienta y al cartucho de batería y heridas personales.

► Fig.1: 1. Indicador rojo 2. Botón 3. Cartucho de batería

Para retirar el cartucho de batería, deslícelo de la herramienta mientras desliza el botón de la parte frontal del cartucho.

Para instalar el cartucho de batería, alinee la lengüeta del cartucho de batería con la ranura del alojamiento y deslícelo al interior hasta encajarlo en su sitio. Insértelo por completo hasta que se bloquee en su sitio con un pequeño chasquido. Si puede ver el indicador rojo como se muestra en la figura, no estará bloqueado completamente.


















⚠️ PRECAUCIÓN: Instale siempre el cartucho de batería completamente hasta que no pueda verse el indicador rojo. En caso contrario, podrá caerse accidentalmente de la herramienta y ocasionarle heridas a usted o a alguien que esté cerca de usted.

⚠️ PRECAUCIÓN: No instale el cartucho de batería empleando fuerza. Si el cartucho no se desliza al interior fácilmente, será porque no está siendo insertado correctamente.

Modo de indicar la capacidad de batería restante

Presione el botón de comprobación en el cartucho de batería para indicar la capacidad de batería restante. Las lámparas indicadoras se iluminan durante unos pocos segundos.

► Fig.2: 1. Lámparas indicadoras 2. Botón de comprobación

Lámparas indicadoras			Capacidad restante
 Iluminada	 Apagada	 Parpadeando	
			75% a 100%
			50% a 75%
			25% a 50%
			0% a 25%
			Cargue la batería.
			Puede que la batería no esté funcionando bien.
			

NOTA: Dependiendo de las condiciones de utilización y de la temperatura ambiente, la indicación podrá variar ligeramente de la capacidad real.

NOTA: La primera lámpara indicadora (extremo izquierdo) parpadeará cuando el sistema de protección de la batería esté funcionando.

Sistema de protección de la herramienta / batería

La herramienta está equipada con un sistema de protección de la herramienta/batería. Este sistema corta automáticamente la alimentación al motor para alargar la vida de servicio de la herramienta y la batería. La herramienta se detendrá automáticamente durante la operación si la herramienta o la batería es puesta en una de las condiciones siguientes:

Protección contra sobrecarga

Cuando la batería sea operada de manera que le haga extraer una corriente anormalmente alta, la herramienta se detendrá automáticamente sin ninguna indicación. En esta situación, apague la herramienta y detenga la aplicación que ocasiona la sobrecarga de la herramienta. Después encienda la herramienta para volver a empezar.

Protección contra el recalentamiento

Cuando la herramienta o la batería se recalienta, la herramienta se detiene automáticamente. En este caso, deje que la herramienta y la batería se enfríen antes de encender la herramienta otra vez.

NOTA: Cuando la herramienta está recalentada, la lámpara parpadea.

Protección contra descarga excesiva

Cuando la capacidad de batería no es suficiente, la herramienta se detiene automáticamente. En este caso, retire la batería de la herramienta y cargue la batería.

Protecciones contra otras causas

También hay un sistema de protección diseñado para otras causas que pueden dañar la herramienta y permite a la herramienta detenerse automáticamente. Realice todos los pasos siguientes para despejar las causas, cuando la herramienta haya sido llevada a una pausa temporal o a una parada en la operación.

1. Apague la herramienta, y después enciéndala otra vez para volver a empezar.
2. Cargue la(s) batería(s) o reemplácela(s) con una batería(s) recargada(s).
3. Deje que la herramienta y la(s) batería(s) se enfríen.

Si no se nota una mejora al restablecer el sistema de protección, póngase en contacto con el centro de servicio Makita local.

Accionamiento del interruptor

ADVERTENCIA: Antes de insertar el cartucho de batería en la herramienta, compruebe siempre para cerciorarse de que el gatillo interruptor se acciona debidamente y que vuelve a la posición "OFF" cuando lo suelta.

► Fig.3: 1. Gatillo interruptor

Para poner en marcha la herramienta, simplemente apriete el gatillo interruptor. La velocidad de la herramienta aumenta incrementando la presión en el gatillo interruptor. Suelte el gatillo interruptor para parar.

Cambio de velocidad

Las revoluciones y golpes por minuto se pueden cambiar girando el dial de ajuste hasta un número de ajuste dado de 1 a 5. Se obtiene velocidad más alta cuando el dial es girado en la dirección del número 5. Se obtiene velocidad más baja cuando el dial es girado en la dirección del número 1. Una velocidad elegida se puede obtener apretando completamente el gatillo interruptor.

► Fig.4: 1. Dial de ajuste

Consulte la tabla para ver la relación entre los ajustes numerales del dial de ajuste y las revoluciones y golpes por minuto aproximados.

Número	Revoluciones por minuto	Golpes por minuto
5	840	4.500
4	760	4.070
3	550	2.950
2	350	1.880
1	300	1.610

PRECAUCIÓN: No gire el dial de ajuste cuando la herramienta esté en marcha. De lo contrario, podrá resultar en la pérdida del control de la herramienta y ocasionar heridas.

AVISO: Si se utiliza la herramienta de manera continua a una velocidad baja y por un tiempo prolongado, el motor se sobrecargará y la herramienta comenzará a funcionar mal.

AVISO: El dial de ajuste gira entre los ajustes numerales 1 y 5. Evite girar el dial hacia atrás y hacia adelante más allá porque podría ocasionar daños a la herramienta.

Encendido de la lámpara delantera

► Fig.5: 1. Lámpara

PRECAUCIÓN: No mire a la luz ni vea la fuente de luz directamente.

Apriete el gatillo interruptor para encender la lámpara. La lámpara seguirá encendida mientras el gatillo interruptor esté siendo apretado. La lámpara se apagará 10 segundos aproximadamente después de soltar el gatillo interruptor.

PRECAUCIÓN: Si la lámpara se apaga después de parpadear durante unos pocos segundos, la tecnología de detección de retroalimentación activa no estará funcionando debidamente. Pida a su centro de servicio Makita local que le hagan las reparaciones.

NOTA: Utilice un paño seco para quitar la suciedad de la lente de la lámpara. Tenga cuidado de no rayar la lente de la lámpara, porque podrá disminuir la iluminación.

NOTA: Cuando la herramienta se recalienta, la lámpara parpadeará. En este caso, libere el gatillo interruptor y después deje enfriar la herramienta/batería antes de utilizarla otra vez.

NOTA: La lámpara delantera no se puede utilizar mientras el sistema de recolección de polvo (accesorio opcional) está instalado en la herramienta.

Accionamiento del interruptor inversor

► Fig.6: 1. Palanca del interruptor inversor

PRECAUCIÓN: Confirme siempre la dirección de giro antes de la operación.

PRECAUCIÓN: Utilice el interruptor inversor solamente después de que la herramienta se haya parado completamente. Si cambia la dirección de giro antes de que la herramienta se haya parado podrá dañarla.

PRECAUCIÓN: Cuando no esté utilizando la herramienta, ponga siempre la palanca del interruptor inversor en la posición neutral.

Esta herramienta tiene un interruptor inversor para cambiar la dirección de giro. Presione hacia dentro la palanca del interruptor inversión del lado A para giro hacia la derecha o del lado B para giro hacia la izquierda.

Cuando la palanca del interruptor inversor está en la posición neutral, el gatillo interruptor no se puede apretar.



Cambio del mandril de cambio rápido para SDS-plus

Para el modelo HR009G

El mandril de cambio rápido para SDS-plus se puede intercambiar fácilmente por el mandril para taladro de cambio rápido.




Extracción del mandril de cambio rápido para SDS-plus

⚠PRECAUCIÓN: Antes de extraer el mandril de cambio rápido para SDS-plus, asegúrese de retirar la broca.

Sujete la cubierta de cambio del mandril de cambio rápido para SDS-plus y gírela en la dirección de la flecha hasta que la línea de la cubierta de cambio se mueva del símbolo  al símbolo . Tire del mandril de cambio rápido para SDS-plus, con fuerza si es necesario, en la dirección de la flecha.

► **Fig.7:** 1. Mandril de cambio rápido para SDS-plus 2. Cubierta de cambio 3. Línea de la cubierta de cambio

Instalación del mandril para taladro de cambio rápido

Compruebe que la línea del mandril para taladro de cambio rápido muestre el símbolo . Sujete la cubierta de cambio del mandril para taladro de cambio rápido y alinee la línea con el símbolo . Coloque el mandril para taladro de cambio rápido en el eje giratorio de la herramienta. Sujete la cubierta de cambio del mandril para taladro de cambio rápido y gire la línea de la cubierta de cambio para alinearla con el símbolo  hasta que se pueda oír un claro chasquido.


► **Fig.8:** 1. Mandril para taladro de cambio rápido 2. Eje giratorio 3. Línea de la cubierta de cambio 4. Cubierta de cambio

Selección del modo de accionamiento

AVISO: No gire el pomo de cambio del modo de accionamiento cuando la herramienta esté en marcha. La herramienta se dañará.


AVISO: Para evitar un desgaste rápido del mecanismo de cambio de modo, asegúrese de que el pomo de cambio del modo de accionamiento está siempre situado en uno de los tres modos de accionamiento.

Giro con percusión

Para perforar en hormigón, mampostería, etc., gire el pomo de cambio del modo de accionamiento hasta el símbolo . Utilice una broca con punta de carburo de tungsteno (accesorio opcional).


► **Fig.9:** 1. Giro con percusión 2. Pomo de cambio del modo de accionamiento

Giro solamente

Para perforar en madera, metal o materiales de plástico, gire el pomo de cambio del modo de accionamiento hasta el símbolo . Utilice una broca helicoidal o broca para madera.

► **Fig.10:** 1. Giro solamente

Percusión solamente

Para operaciones de desincrustar, decapar o demoler, gire el pomo de cambio del modo de accionamiento hasta el símbolo . Utilice un barreno, cortafríos, cincel desincrustador, etc.

► **Fig.11:** 1. Percusión solamente

Conducto de aire

⚠PRECAUCIÓN: No ponga el dedo en el conducto de aire ni inserte ningún otro objeto en el conducto de aire. De lo contrario, podrá herirse o la herramienta se podrá dañar.

El conducto de aire ha sido diseñado para mejorar el rendimiento de succión del sistema de recolección de polvo. Para ver detalles sobre cómo instalar el sistema de recolección de polvo, consulte las instrucciones sobre la instalación del sistema de recolección de polvo.

► **Fig.12:** 1. Conducto de aire

Gancho

Accesorio opcional

⚠PRECAUCIÓN: Retire siempre la batería cuando cuelgue la herramienta con el gancho.

⚠PRECAUCIÓN: No cuelgue nunca la herramienta en un lugar alto o en una superficie potencialmente inestable.

El gancho es útil para colgar la herramienta temporalmente.

Antes de instalar el gancho, retire la tapa de goma de los agujeros para tornillos del soporte de montaje. Inserte las arandelas cuadradas planas debajo del soporte, y después apriete el gancho con los tornillos en su sitio.

► **Fig.13:** 1. Tapa de goma 2. Soporte de montaje 3. Arandelas cuadradas planas 4. Gancho 5. Tornillos

Para utilizar, levante el brazo del gancho hasta que quede en la posición abierta con un chasquido. Cuando no se esté usando, asegúrese de que el gancho está replegado en la posición cerrada.

► **Fig.14:** 1. Gancho 2. Posición abierta 3. Posición cerrada

► **Fig.15**

Conexión del acollador (correa de amarre) al gancho

⚠️ PRECAUCIÓN: No utilice el gancho y tornillos dañados. Antes de la utilización compruebe siempre por si hay daños, grietas o deformaciones, y asegúrese de que los tornillos están apretados.

⚠️ PRECAUCIÓN: Asegúrese de que el gancho está instalado firmemente con los tornillos.

⚠️ PRECAUCIÓN: No instale ni retire ningún accesorio mientras la herramienta está colgada. La herramienta podrá caerse si los tornillos no están apretados.

⚠️ PRECAUCIÓN: Utilice siempre un mosquetón con cierre de seguridad (tipo acción múltiple y cierre de rosca) y asegúrese de colocar el acollador (correa de amarre) en la parte de doble argolla del gancho. Una colocación incorrecta podrá ocasionar que la herramienta se caiga del gancho y resultar en heridas personales.

El gancho también se utiliza para conectar el acollador (correa de amarre). Asegúrese de conectar el acollador (correa de amarre) en la parte de doble argolla del gancho.

- **Fig. 16:** 1. Parte de doble argolla del gancho 2. Acollador (correa de amarre) 3. Mosquetón con cierre de seguridad (tipo acción múltiple y cierre de rosca)

Advertencias de seguridad sobre la conexión del acollador (correa de amarre) al gancho

⚠️ Advertencias de seguridad específicas para utilización en altura

Lea todas las advertencias de seguridad e instrucciones. Si no sigue las advertencias e instrucciones podrá resultar en heridas graves.

1. **Mantenga siempre atada la herramienta cuando trabaje “en altura”.** La longitud máxima del acollador es de 2 m. La altura de caída máxima permisible para el acollador (correa de amarre) no debe exceder los 2 m.
2. **Utilice solamente con acolladores apropiados para este tipo de herramienta y con capacidad para al menos 10 kg.**
3. **No amarre el acollador de la herramienta a ninguna parte de su cuerpo ni a componentes móviles. Amarre el acollador de la herramienta a una estructura rígida que pueda soportar las fuerzas de una herramienta que se caiga.**
4. **Asegúrese de que el acollador está sujetado debidamente en cada extremo antes de utilizar.**
5. **Inspeccione la herramienta y el acollador antes de cada utilización por si están dañados y comprobar que funcionan correctamente (incluidos el tejido y la costura). No los utilice si están dañados o no funcionan debidamente.**

6. **No enrolle los acolladores ni permita que entren en contacto con bordes cortantes o ásperos.**
7. **Amarre el otro extremo del acollador fuera del área de trabajo de forma que si la herramienta se cae sea sujeta firmemente.**
8. **Sujete el acollador de forma que si la herramienta se cae lo haga alejándose del operario.** Las herramientas dejadas caer se balancearán en el acollador, lo que podrá ocasionar heridas o pérdida del equilibrio.
9. **No utilice cerca de partes en movimiento o maquinaria en marcha.** De lo contrario, podrá resultar en un riesgo de aplastamiento o enredo.
10. **No transporte la herramienta cogiéndola por el dispositivo de sujeción o el acollador.**
11. **Transfiera la herramienta entre sus manos solamente mientras se encuentre equilibrado debidamente.**
12. **No sujete los acolladores a la herramienta de una manera que impidan a los interruptores o al bloqueo del gatillo (si se ha suministrado) funcionar debidamente.**
13. **Evite enredarse en el acollador.**
14. **Mantenga el acollador alejado del área de perforación de la herramienta.**
15. **Utilice un mosquetón con cierre de seguridad (tipo acción múltiple y cierre de rosca). No utilice mosquetones con pestillo de resorte de acción simple.**
16. **En el caso de que la herramienta se caiga, se deberá etiquetar y poner fuera de servicio, y deberá ser inspeccionada en una fábrica Makita o en un centro de servicio autorizado.**

Función de prevención de reinicio de puesta en marcha accidental

Si instala el cartucho de batería mientras aprieta el gatillo interruptor, la herramienta no se pondrá en marcha. Para poner en marcha la herramienta, suelte el gatillo interruptor, y después apriete el gatillo interruptor.

Limitador del par de torsión

AVISO: En cuanto se accione el limitador del par de torsión, apague la herramienta inmediatamente. Esto ayudará a evitar un desgaste prematuro de la herramienta.

AVISO: Las brocas tales como las sierras cilíndricas, que tienden a pincharse o engancharse fácilmente en el agujero, no son apropiadas para esta herramienta. Esto es así porque harán que el limitador del par de torsión actúe con mucha frecuencia.

El limitador del par de torsión se acciona cuando se alcanza un cierto nivel de torsión. El motor se desembragará del eje de salida. Cuando ocurra esto, la broca dejará de girar.

Función electrónica

La herramienta está equipada con funciones electrónicas para facilitar su funcionamiento.

- Freno eléctrico
Esta herramienta está equipada con un freno eléctrico. Si la herramienta consistentemente falla en dejar de funcionar rápidamente después de soltar el gatillo interruptor, haga que la herramienta sea servida en un centro de servicio Makita.
- Control de velocidad constante
La función de control de velocidad brinda la velocidad de rotación constante independientemente de las condiciones de carga.
- Tecnología de detección de retroalimentación activa
Si la herramienta se balancea a una aceleración predeterminada durante la operación, se forzará la parada del motor para reducir la carga en la muñeca.

NOTA: Esta función no responderá si la aceleración no alcanza la predeterminada cuando la herramienta se balancea.

NOTA: Si la broca se balancea a una aceleración predeterminada al desincrustar, decapar o demoler, se forzará la parada del motor. En este caso, suelte el gatillo interruptor, y después apriete el gatillo interruptor para volver a poner en marcha la herramienta.

MONTAJE

⚠PRECAUCIÓN: Asegúrese siempre de que la herramienta está apagada y el cartucho de batería retirado antes de realizar cualquier trabajo en la herramienta.

Empuñadura lateral (mango auxiliar)

⚠PRECAUCIÓN: Utilice siempre la empuñadura lateral para garantizar una operación segura.

⚠PRECAUCIÓN: Después de instalar o ajustar la empuñadura lateral, asegúrese de que la empuñadura lateral está sujeta firmemente con sus salientes de retención completamente acoplados en los recesos de posicionamiento del alojamiento de engranajes.

Para instalar la empuñadura lateral, siga los pasos de abajo.

1. Afloje el tornillo de palometa de la empuñadura lateral. Después instale la empuñadura lateral sobre el cuello de barril del alojamiento de engranajes.

- **Fig.17:** 1. Empuñadura lateral 2. Tornillo de palometa 3. Cuello de barril del alojamiento de engranajes 4. Saliente de retención 5. Recesso de posicionamiento

La anilla de fijación se puede agrandar presionando el tornillo de palometa hacia abajo de manera que la anilla se acople fácil y firmemente sobre el cuello de barril del alojamiento de engranajes.

- **Fig.18:** 1. Tornillo de palometa 2. Anilla de fijación

2. Apriete el tornillo de palometa para sujetar la empuñadura en el ángulo que desee.

Instalación y desmontaje de la broca

Grasa

Limpie el extremo de la espiga de la broca y aplique grasa antes de instalar la broca. Cubra el extremo de la espiga de la broca previamente con una pequeña cantidad de grasa (aprox. 0,5 - 1 g). Esta lubricación del mandril asegurará un accionamiento suave y una vida de servicio más larga.

- **Fig.19:** 1. Extremo de la espiga 2. Grasa

Ponga el extremo de la espiga de la broca en el mandril, e insértela más aún dentro del mandril mientras gira la broca con la mano de forma que el extremo de la espiga encaje bien dentro de la ranura del mandril y se acople completamente.

Una vez instalada la broca, intente volver a sacarla para asegurarse de que está sujeta firmemente en su sitio.

- **Fig.20:** 1. Broca 2. Mandril

Para retirar la broca, empuje la cubierta del mandril hacia abajo a tope y extraiga la broca.

- **Fig.21:** 1. Broca 2. Cubierta del mandril

Ángulo del cincel (para desincrustar, decapar o demoler)

El cincel se puede sujetar en el ángulo deseado. Para cambiar el ángulo del cincel, gire el pomo de cambio del modo de accionamiento hasta el símbolo O. Gire el cincel hasta el ángulo que desee.

- **Fig.22:** 1. Pomo de cambio del modo de accionamiento

Gire el pomo de cambio del modo de accionamiento hasta el símbolo T. Después asegúrese siempre de que el cincel está sujeta firmemente en su sitio girándolo ligeramente.

Tope de profundidad

El tope de profundidad resulta útil para perforar agujeros de profundidad uniforme.

Mantenga presionado el botón de bloqueo, y después inserte el tope de profundidad, en el agujero hexagonal. Asegúrese de que el lado dentado del tope de profundidad esté orientado hacia la marca.

- **Fig.23:** 1. Tope de profundidad 2. Botón de bloqueo 3. Marca 4. Lado dentado

Ajuste el tope de profundidad moviéndolo hacia atrás y adelante mientras presiona el botón de bloqueo. Después del ajuste, suelte el botón de bloqueo para bloquear el tope de profundidad.

NOTA: Asegúrese de que el tope de profundidad no toca el cuerpo principal de la herramienta cuando lo coloque.

Colector de polvo

Accesorio opcional

Utilice el colector de polvo para evitar que el polvo caiga sobre la herramienta y sobre usted cuando realice operaciones de perforación en lo alto. Coloque el colector de polvo en la broca como se muestra en la figura. El tamaño de las brocas en las que se puede colocar el colector de polvo es como se indica a continuación.

Modelo	Diámetro de la broca
Colector de polvo 5	6 mm - 14,5 mm
Colector de polvo 9	12 mm - 16 mm

► Fig.24: 1. Colector de polvo

Juego colector de polvo

Accesorio opcional

⚠PRECAUCIÓN: Antes de instalar y desinstalar el juego colector de polvo, retire la broca de la herramienta.

Instalación

Para el modelo HR008G

1. Coloque el espaciador en la unidad de fijación del juego colector de polvo alineando el símbolo \triangle de la unidad de fijación con una de las ranuras del espaciador.

► Fig.25: 1. Espaciador 2. Juego colector de polvo 3. Unidad de fijación 4. Símbolo \triangle 5. Ranura

2. Coloque el juego colector de polvo con el espaciador sobre el cuello de barril del alojamiento de engranajes alineando el símbolo \triangle del juego colector de polvo con una de las ranuras del barril. Después sujete la unidad de fijación del juego colector de polvo y empújela hacia abajo sobre el barril para sujetarla en su sitio.

► Fig.26: 1. Juego colector de polvo 2. Unidad de fijación 3. Espaciador 4. Símbolo \triangle 5. Ranura

Para el modelo HR009G

Coloque el juego colector de polvo sobre el cuello de barril del alojamiento de engranajes alineando el símbolo \triangle del juego colector de polvo con una de las ranuras del barril. Después sujete la unidad de fijación del juego colector de polvo y empújela hacia abajo sobre el barril para sujetarla en su sitio.

► Fig.27: 1. Juego colector de polvo 2. Unidad de fijación 3. Símbolo \triangle 4. Ranura

NOTA: Si conecta un aspirador al juego colector de polvo, retire la tapa de polvo antes de conectarlo.

► Fig.28: 1. Tapa de polvo

Desinstalación

1. Empuje la cubierta del mandril hacia abajo a tope y extraiga la broca.

► Fig.29: 1. Broca 2. Cubierta del mandril

2. Sujete la unidad de fijación del juego colector de polvo y extráigala de la herramienta.

► Fig.30: 1. Unidad de fijación

NOTA: Si la tapa se desprende del juego colector de polvo, vuelva a ponerla en la posición original.

1. Retire el fuelle de la unidad de fijación del juego colector de polvo.

► Fig.31: 1. Fuelle 2. Unidad de fijación

2. Vuelva a poner la tapa en su sitio con su cara impresa orientada hacia arriba.

► Fig.32: 1. Tapa 2. Cara impresa 3. Ranuras 4. Rebordes de la abertura superior 5. Unidad de fijación

3. Asegúrese de que las ranuras alrededor de la tapa encajan en los rebordes de la abertura superior de la unidad de fijación.

► Fig.33

SISTEMA DE RECOLECCIÓN DE POLVO

Accesorio opcional

El sistema de recolección de polvo ha sido diseñado para recoger el polvo de forma eficaz durante la operación de perforación en cemento.

► Fig.34: 1. Sistema de recolección de polvo

⚠PRECAUCIÓN: El sistema de recolección de polvo está diseñado únicamente para perforar en hormigón. No utilice el sistema de recolección de polvo para perforar en metal o en madera.

⚠PRECAUCIÓN: Cuando utilice la herramienta con el sistema de recolección de polvo, asegúrese de colocar el filtro en el sistema de recolección de polvo para evitar inhalar el polvo.

⚠PRECAUCIÓN: Antes de utilizar el sistema de recolección de polvo, compruebe que el filtro no esté dañado. En caso contrario, es posible que inhale polvo.

⚠PRECAUCIÓN: El sistema de recolección de polvo recolecta el polvo generado a un ritmo considerable, pero no se recolecta todo el polvo.

AVISO: No utilice el sistema de recolección de polvo para perforar con corona o cincelar.

AVISO: No utilice el sistema de recolección de polvo para metal o madera. El sistema de recolección de polvo ha sido previsto para cemento solamente.

AVISO: No utilice el sistema de recolección de polvo para perforar en hormigón mojado y no lo utilice en un ambiente húmedo. En caso contrario, es posible que funcione mal.

Instalación

AVISO: Antes de instalar el sistema de recolección de polvo, limpie las partes de unión de la herramienta y del sistema de recolección de polvo. Las materias extrañas en las partes de unión pueden dificultar la instalación del sistema de recolección de polvo. Si queda cualquier resto de polvo en el conducto de aire, el polvo entrará en la herramienta y ocasionará un atasco en el flujo de aire o la rotura de la herramienta.

Cuelgue los ganchos del sistema de recolección de polvo en las cavidades de la parte frontal inferior de la herramienta. Levante la boquilla para sujetar el sistema de recolección de polvo en su sitio con un chasquido, de manera que el conducto de aire de la herramienta quede cubierto con la salida de aire de succión del sistema de recolección de polvo.

► **Fig.35:** 1. Ganchos 2. Sistema de recolección de polvo 3. Cavidades 4. Boquilla 5. Conducto de aire 6. Salida de aire de succión

Desinstalación

Mantenga presionado el botón de desbloqueo del sistema de recolección de polvo, y baje la boquilla para liberar la parte superior del sistema de recolección de polvo. Desenganche la parte inferior del sistema de recolección de polvo de la herramienta.

► **Fig.36:** 1. Sistema de recolección de polvo 2. Boquilla 3. Botón de desbloqueo

Ajuste de la posición de la boquilla del sistema de recolección de polvo

PRECAUCIÓN: No apunte con la boquilla hacia usted u otros cuando libere la boquilla empujando el botón de ajuste de la guía.

Deslice hacia dentro y hacia afuera la guía de la boquilla mientras presiona el botón de ajuste de la guía, y después libere el botón en la posición exacta donde la punta de la broca esté situada justo por detrás de la superficie delantera de la boquilla.

► **Fig.37:** 1. Guía 2. Botón de ajuste de la guía 3. Punta de la broca 4. Superficie delantera de la boquilla

Ajuste de profundidades de perforación

Las profundidades de perforación se pueden ajustar cambiando las longitudes entre el botón de ajuste de profundidad y el brazo de apoyo para la guía de la boquilla. Mantenga presionado el botón de ajuste de profundidad y deslícelo hasta la posición que desee.

► **Fig.38:** 1. Botón de ajuste de profundidad 2. Guía de la boquilla 3. Brazo de apoyo para la guía de la boquilla 4. Profundidades de perforación

Sacudir el polvo del filtro

PRECAUCIÓN: No gire el dial del recipiente para polvo mientras el recipiente para polvo está retirado del sistema de recolección de polvo. Si lo hace podrá ocasionar inhalación de polvo.

PRECAUCIÓN: Apague siempre la herramienta cuando vaya a girar el dial del recipiente para polvo. Si gira el dial mientras la herramienta está en marcha podrá resultar en la pérdida del control de la herramienta.

Al sacudir el polvo del filtro de dentro del recipiente para polvo, puede mantener la eficacia de aspiración y también reducir el número de veces que hay que desecharlo el polvo.

Gire el dial del recipiente para polvo tres veces después de la recogida de cada 50.000 mm³ de polvo o cuando sienta que el rendimiento de aspiración ha disminuido.

NOTA: 50.000 mm³ de polvo equivale a perforar 10 agujeros de \varnothing 10 mm y 65 mm de profundidad.

► **Fig.39:** 1. Recipiente para polvo 2. Dial

Desechado del polvo

PRECAUCIÓN: Asegúrese siempre de que la herramienta está apagada y el cartucho de batería retirado antes de realizar cualquier trabajo en la herramienta.

PRECAUCIÓN: Utilice una máscara contra el polvo cuando deseche el polvo.

PRECAUCIÓN: Vacíe el recipiente para polvo con regularidad antes de que el recipiente se llene. En caso contrario, es posible que disminuya el rendimiento de la recolección de polvo y usted inhale polvo.

PRECAUCIÓN: El rendimiento de la recolección de polvo disminuye si el filtro del recipiente para polvo se atasca. Reemplace el filtro por uno nuevo después de que el recipiente se haya llenado unas 200 veces. En caso contrario, es posible que inhale polvo.

1. Retire el recipiente para polvo mientras presiona hacia abajo la palanca de enganche del recipiente para polvo.

► **Fig.40:** 1. Palanca de enganche

2. Levante la lengüeta de bloqueo ligeramente hacia afuera y abra la cubierta del recipiente para polvo.

► **Fig.41:** 1. Cubierta del recipiente para polvo 2. Lengüeta de bloqueo

3. Deseche el polvo y luego limpie el filtro.

► **Fig.42**

AVISO: Cuando limpie el filtro, golpee la caja del filtro suavemente con la mano para retirar el polvo. No golpee el filtro directamente; no toque el filtro con un cepillo o similar; ni sople el filtro con aire comprimido. Si lo hace podrá dañar el filtro.

Reemplazo del filtro del recipiente para polvo

1. Retire el recipiente para polvo mientras presiona hacia abajo la palanca de enganche del recipiente para polvo.

► **Fig.43:** 1. Palanca de enganche

2. Levante la lengüeta de bloqueo ligeramente hacia afuera y abra la cubierta del filtro del recipiente para polvo.

► **Fig.44:** 1. Cubierta del filtro 2. Lengüeta de bloqueo

3. Retire el filtro de la caja del filtro.

► **Fig.45:** 1. Filtro 2. Caja del filtro

4. Coloque un filtro nuevo en la caja del filtro, y después coloque la cubierta del filtro.

5. Cierre la cubierta del recipiente para polvo, y después coloque el recipiente para polvo en el sistema de recolección de polvo.

Reemplazo de la tapa de sellado

Una tapa de sellado dañada o desgastada puede afectar al rendimiento de recolección de polvo. Reemplace la tapa de sellado con una nueva según convenga, alineando su saliente guía con la muesca guía de la cabeza de la boquilla.

► **Fig.46:** 1. Tapa de sellado 2. Saliente guía
3. Cabeza de la boquilla 4. Muesca guía

Almacenamiento

AVISO: Cuando no vaya a ser utilizada durante un cierto periodo de tiempo, la guía de la boquilla necesitará ser alargada hasta aproximadamente 100 mm desde su posición completamente acortada. No hacerlo, podrá dañar la manguera del conducto preinstalada en la guía de la boquilla.

► **Fig.47:** 1. Botón de ajuste de la guía 2. Aprox. 100 mm

OPERACIÓN

⚠PRECAUCIÓN: Utilice siempre la empuñadura lateral (mango auxiliar) y sujete la herramienta firmemente por ambos la empuñadura lateral y el mango del interruptor durante las operaciones.

⚠PRECAUCIÓN: Asegúrese siempre de que la pieza de trabajo está sujetada firmemente antes de iniciar la operación.

⚠PRECAUCIÓN: No extraiga la herramienta a la fuerza aunque la broca se quede atascada. La pérdida de control puede ocasionar heridas.


AVISO: Antes de utilizar el sistema de recolección de polvo con la herramienta, lea la sección sobre el sistema de recolección de polvo.

NOTA: Si el cartucho de batería está en temperatura baja, la capacidad de la herramienta podrá no lograrse completamente. En este caso, caliente el cartucho de batería utilizando la herramienta sin carga durante un rato para obtener completamente la capacidad de la herramienta.

► **Fig.48**

Operación de perforación con percusión

⚠PRECAUCIÓN: En el momento de comenzar a penetrar, cuando se atasca el agujero con virutas y partículas, o cuando se topa con varillas de refuerzo incrustadas en el hormigón, se ejerce una tremenda y repentina fuerza de contorsión sobre la herramienta/broca. **Utilice siempre la empuñadura lateral (mango auxiliar) y sujete la herramienta firmemente por ambos la empuñadura lateral y el mango del interruptor durante las operaciones.** De lo contrario, podrá resultar en la pérdida del control de la herramienta y potencialmente heridas graves.


Ajuste el pomo de cambio del modo de accionamiento en el símbolo .

Coloque la broca en el lugar deseado para el agujero, después apriete el gatillo interruptor. Aplique la fuerza de avance a la empuñadura del interruptor (empuñadura principal) para precisión y eficiencia del trabajo, y agarre la empuñadura lateral (mango auxiliar) para mantener el equilibrio de la herramienta. Mantenga la herramienta en posición y evite que se deslice y salga del agujero.

No aplique más presión cuando el agujero se atasque con virutas o partículas. En su lugar, haga funcionar la herramienta sin ejercer presión, y después saque parcialmente la broca del agujero. Repitiendo esto varias veces, se limpiará el agujero y podrá reanudarse la perforación normal.

NOTA: Es posible que se produzca excentricidad en el giro de la broca mientras la herramienta funciona sin carga. La herramienta se vuelve a centrar automáticamente durante la operación. Esto no afecta a la precisión de perforación.

Desincrustar/decapar/demoler

Ajuste el pomo de cambio del modo de accionamiento en el símbolo .

Sujete la herramienta firmemente con ambas manos. Encienda la herramienta.

Aplique la fuerza de avance a la empuñadura del interruptor (empuñadura principal) para precisión y eficiencia del trabajo, y agarre la empuñadura lateral (mango auxiliar) para mantener el equilibrio de la herramienta. Presionando muy fuerte en la herramienta no aumentará la eficacia.

► **Fig.49**

Perforación en madera o metal

⚠️ PRECAUCIÓN: Sujete la herramienta firmemente y tenga cuidado cuando la broca comience a penetrar en la pieza de trabajo. En el momento de comenzar a penetrar se ejerce una fuerza tremenda sobre la herramienta/broca.


⚠️ PRECAUCIÓN: Una broca atascada podrá extraerse simplemente poniendo el interruptor inversor en giro inverso para que retroceda. Sin embargo, la herramienta podrá retroceder bruscamente si no la sujeta firmemente.

⚠️ PRECAUCIÓN: Sujete siempre las piezas de trabajo en un tornillo de banco o dispositivo de sujeción similar.

AVISO: No utilice nunca “giro con percusión” cuando esté instalado el mandril para taladro en la herramienta. El mandril para taladro podrá dañarse.

Además, el mandril para taladro se caerá cuando invierta el giro de la herramienta.

AVISO: Con ejercer una presión excesiva sobre la herramienta no conseguirá perforar más rápido. De hecho, esta presión excesiva sólo servirá para dañar la punta de la broca, disminuir el rendimiento de la herramienta y acortar la vida de servicio de la herramienta.

Ajuste el pomo de cambio del modo de accionamiento en el símbolo .

Para el modelo HR008G

Accesorio opcional

Coloque el adaptador de mandril en un mandril de broca sin llave en el que se pueda instalar un tornillo de 1/2"-20, y luego, instálelos en la herramienta. Para ver detalles sobre cómo instalar el adaptador en el mandril, consulte las instrucciones sobre la instalación de la broca.

- **Fig.50:** 1. Mandril para taladro sin llave
2. Adaptador de mandril

Para el modelo HR009G

Utilice el mandril para taladro de cambio rápido como equipo estándar. Para ver detalles sobre cómo instalar el mandril para taladro de cambio rápido, consulte las instrucciones sobre el cambio del mandril de cambio rápido para SDS-plus.


Sujete el anillo y gire el manguito hacia la izquierda para abrir las mordazas del mandril. Ponga una broca a fondo en el mandril. Sujete el anillo firmemente y gire el manguito hacia la derecha para apretar el mandril.

- **Fig.51:** 1. Manguito 2. Anillo

Para retirar la broca, sujete el anillo y gire el manguito hacia la izquierda.

Perforación con corona de diamante

AVISO: Si realiza operaciones de perforación con corona de diamante utilizando el accionamiento de “giro con percusión”, es posible que la barrena tubular de diamante se dañe.

Cuando realice operaciones de perforación con corona de diamante, ponga siempre el pomo de cambio del modo de accionamiento en la posición  para utilizar el accionamiento de “giro solamente”.

Soplador

Accesorio opcional

Después de perforar un orificio, utilice el soplador para limpiar el polvo del orificio.

- **Fig.52**

Utilización del juego colector de polvo

Accesorio opcional

Encaje el juego colector de polvo contra el techo cuando utilice la herramienta.

- **Fig.53**

AVISO: No utilice el juego colector de polvo para perforar en metal o un material similar. Esto podría dañar el juego colector de polvo debido al calor producido por las pequeñas partículas metálicas u otras partículas similares.

AVISO: No instale ni extraiga el juego colector de polvo si la broca está instalada en la herramienta. Esto podría dañar el juego colector de polvo y hacer que el polvo se filtre.

FUNCIÓN DE ACTIVACIÓN INALÁMBRICA

Lo que puede hacer con la función de activación inalámbrica

La función de activación inalámbrica permite realizar una operación limpia y cómoda. Conectando un aspirador compatible a la herramienta, puede poner en marcha automáticamente el aspirador junto con la operación del interruptor de la herramienta.

- **Fig.54**

Para utilizar la función de activación inalámbrica, prepare los elementos siguientes:

- Una unidad inalámbrica (accesorio opcional)
- Un aspirador compatible con la función de activación inalámbrica

El resumen del ajuste de la función de activación inalámbrica es como sigue. Consulte cada sección para ver los procedimientos en detalle.

1. Instalación de la unidad inalámbrica
2. Registro de herramienta para el aspirador
3. Inicio de la función de activación inalámbrica

Instalación de la unidad inalámbrica

Accesorios opcionales

⚠ PRECAUCIÓN: Ponga la herramienta sobre una superficie plana y estable cuando instale la unidad inalámbrica.

AVISO: Limpie el polvo y la suciedad de la herramienta antes de instalar la unidad inalámbrica. El polvo o la suciedad puede ocasionar un mal funcionamiento si entra en la ranura de la unidad inalámbrica.

AVISO: Para evitar el mal funcionamiento causado por la electricidad estática, toque un material en el que descarga la electricidad estática, tal como una parte metálica de la herramienta, antes de cerrar la unidad inalámbrica.

AVISO: Cuando instale la unidad inalámbrica, asegúrese siempre de que la unidad inalámbrica está insertada en la dirección correcta y que la tapa está completamente cerrada.

1. Abra la tapa de la herramienta como se muestra en la figura.

► **Fig.55:** 1. Tapa

2. Inserte la unidad inalámbrica en la ranura y después cierre la tapa.

Cuando inserte la unidad inalámbrica, alinee los salientes con las porciones embutidas de la ranura.

► **Fig.56:** 1. Unidad inalámbrica 2. Saliente 3. Tapa 4. Porción embutida

Cuando retire la unidad inalámbrica, abra la tapa despacio. Los ganchos de la parte trasera de la tapa alzarán la unidad inalámbrica a medida que usted levanta la tapa.

► **Fig.57:** 1. Unidad inalámbrica 2. Gancho 3. Tapa

Después de retirar la unidad inalámbrica, manténgala dentro de la funda suministrada o en un contenedor libre de electricidad estática.

AVISO: Utilice siempre los ganchos de la parte trasera de la tapa cuando retire la unidad inalámbrica. Si los ganchos no agarran la unidad inalámbrica, cierre la tapa completamente y ábrala despacio otra vez.

Registro de herramienta para el aspirador

NOTA: Para el registro de herramienta se requiere un aspirador Makita compatible con la función de activación inalámbrica.

NOTA: Termine de instalar la unidad inalámbrica en la herramienta antes de comenzar el registro de herramienta.

NOTA: Durante el registro de herramienta, no apriete el gatillo interruptor o active el interruptor de alimentación del aspirador.

NOTA: Consulte el manual de instrucciones del aspirador, también.

Si desea activar el aspirador junto con la operación del interruptor de la herramienta, termine el registro de herramienta de antemano.

1. Instale las baterías en el aspirador y la herramienta.

2. Ajuste el interruptor de espera del aspirador a "AUTO".

► **Fig.58:** 1. Interruptor de espera

3. Presione el botón de activación inalámbrica en el aspirador durante 3 segundos hasta que la lámpara de activación inalámbrica parpadee en verde. Y después presione el botón de activación inalámbrica en la herramienta de la misma manera.

► **Fig.59:** 1. Botón de activación inalámbrica
2. Lámpara de activación inalámbrica

Si el aspirador y la herramienta están vinculados correctamente, las lámparas de activación inalámbrica se iluminarán en verde durante 2 segundos y comenzarán a parpadear en azul.

NOTA: Las lámparas de activación inalámbrica dejarán de parpadear en verde después de transcurrir 20 segundos. Presione el botón de activación inalámbrica en la herramienta mientras la lámpara de activación inalámbrica en la aspiradora está parpadeando. Si la lámpara de activación inalámbrica no parpadea en verde, presione el botón de activación inalámbrica brevemente y manténgalo presionado otra vez.

NOTA: Cuando realice dos o más registros de herramienta para un aspirador, termine el registro de herramienta de uno en uno.

Inicio de la función de activación inalámbrica

NOTA: Termine el registro de herramienta para el aspirador antes de la activación inalámbrica.

NOTA: Consulte el manual de instrucciones del aspirador, también.

Después de registrar una herramienta en el aspirador, el aspirador se pondrá en marcha automáticamente junto con la operación del interruptor de la herramienta.

1. Instale la unidad inalámbrica en la herramienta.

2. Conecte la manguera del aspirador a la herramienta.

► **Fig.60**

3. Ajuste el interruptor de espera del aspirador a "AUTO".

► **Fig.61:** 1. Interruptor de espera

4. Presione el botón de activación inalámbrica en la herramienta brevemente. La lámpara de activación inalámbrica parpadeará en azul.

► **Fig.62:** 1. Botón de activación inalámbrica
2. Lámpara de activación inalámbrica

5. Encienda la herramienta. Compruebe si el aspirador está en marcha mientras la herramienta está funcionando.

Para detener la activación inalámbrica del aspirador, presione el botón de activación inalámbrica en la herramienta.

NOTA: La lámpara de activación inalámbrica en la herramienta dejará de parpadear en azul cuando no se realice ninguna operación durante 2 horas. En este caso, ajuste el interruptor de espera del aspirador a "AUTO" y presione el botón de activación inalámbrica en la herramienta otra vez.

NOTA: El aspirador se pone en marcha/se detiene con una demora. Hay un lapso de tiempo cuando el aspirador detecta una operación del interruptor de la herramienta.










NOTA: La distancia de transmisión de la unidad inalámbrica puede variar dependiendo de la ubicación y las circunstancias circundantes.

NOTA: Cuando haya registradas dos o más herramientas en un aspirador, el aspirador podrá ponerse en marcha aunque usted no encienda la herramienta porque otro usuario está utilizando la función de activación inalámbrica.

Descripción del estado de la lámpara de activación inalámbrica

► **Fig.63:** 1. Lámpara de activación inalámbrica

La lámpara de activación inalámbrica muestra el estado de la función de activación inalámbrica. Consulte la tabla de abajo para ver el significado del estado de la lámpara.

Estado	Lámpara de activación inalámbrica			Descripción	
	Color	 Encendida	 Parpadeando		Duración
En espera	Azul			2 horas	La activación inalámbrica del aspirador está disponible. La lámpara se apagará automáticamente cuando no se realice ninguna operación durante 2 horas.
				Cuando la herramienta está en marcha.	La activación inalámbrica del aspirador está disponible y la herramienta está en marcha.
Registro de herramienta	Verde			20 segundos	Preparada para el registro de herramienta. Esperando para el registro en el aspirador.
				2 segundos	El registro de herramienta ha terminado. La lámpara de activación inalámbrica comenzará a parpadear en azul.
Cancelación del registro de herramienta	Rojo			20 segundos	Preparada para la cancelación del registro de herramienta. Esperando para la cancelación en el aspirador.
				2 segundos	La cancelación del registro de herramienta ha terminado. La lámpara de activación inalámbrica comenzará a parpadear en azul.
Otros	Rojo			3 segundos	La alimentación se suministra a la unidad inalámbrica y la función de activación inalámbrica se está poniendo en marcha.
	Apagada	-		-	La activación inalámbrica del aspirador está detenida.

Cancelación del registro de herramienta para el aspirador

Realice el procedimiento siguiente cuando vaya a cancelar el registro de herramienta para el aspirador.

1. Instale las baterías en el aspirador y la herramienta.
2. Ajuste el interruptor de espera del aspirador a "AUTO".

► **Fig.64:** 1. Interruptor de espera

3. Presione el botón de activación inalámbrica en el aspirador durante 6 segundos. La lámpara de activación inalámbrica parpadea en verde y después se vuelve roja. Después de esto, presione el botón de activación inalámbrica en la herramienta de la misma manera.

- **Fig.65:** 1. Botón de activación inalámbrica
2. Lámpara de activación inalámbrica

Si la cancelación se realiza correctamente, las lámparas de activación inalámbrica se iluminarán en rojo durante 2 segundos y comenzarán a parpadear en azul.

NOTA: Las lámparas de activación inalámbrica dejarán de parpadear en rojo después de transcurrir 20 segundos. Presione el botón de activación inalámbrica en la herramienta mientras la lámpara de activación inalámbrica en la aspiradora está parpadeando. Si la lámpara de activación inalámbrica no parpadea en rojo, presione el botón de activación inalámbrica brevemente y manténgalo presionado otra vez.

Solución de problemas para la función de activación inalámbrica

Antes de solicitar reparaciones, realice su propia inspección en primer lugar. Si encuentra un problema que no está explicado en el manual, no intente desmontar la herramienta. En su lugar, pregunte en los centros de servicio autorizados Makita, utilizando siempre piezas de recambio Makita para las reparaciones.

Estado de anomalía	Causa probable (mal funcionamiento)	Remedio
La lámpara de activación inalámbrica no se ilumina/parpadea.	La unidad inalámbrica no está instalada en la herramienta. La unidad inalámbrica está instalada incorrectamente en la herramienta.	Instale la unidad inalámbrica correctamente.
	El terminal de la unidad inalámbrica y/o la ranura están sucios.	Retire con cuidado el polvo y la suciedad del terminal de la unidad inalámbrica y limpie la ranura.
	El botón de activación inalámbrica en la herramienta no ha sido presionado.	Presione el botón de activación inalámbrica en la herramienta brevemente.
	El interruptor de espera del aspirador no está ajustado a "AUTO".	Ajuste el interruptor de espera del aspirador a "AUTO".
	No se está suministrando alimentación.	Suministre alimentación a la herramienta y al aspirador.
No se puede terminar el registro de herramienta / cancelación del registro de herramienta correctamente.	La unidad inalámbrica no está instalada en la herramienta. La unidad inalámbrica está instalada incorrectamente en la herramienta.	Instale la unidad inalámbrica correctamente.
	El terminal de la unidad inalámbrica y/o la ranura están sucios.	Retire con cuidado el polvo y la suciedad del terminal de la unidad inalámbrica y limpie la ranura.
	El interruptor de espera del aspirador no está ajustado a "AUTO".	Ajuste el interruptor de espera del aspirador a "AUTO".
	No se está suministrando alimentación.	Suministre alimentación a la herramienta y al aspirador.
	Operación incorrecta	Presione el botón de activación inalámbrica brevemente y realice los procedimientos de registro/cancelación de herramienta otra vez.
	La herramienta y el aspirador están alejados uno del otro (fuera del rango de transmisión).	Ponga la herramienta y el aspirador más cerca uno del otro. La distancia de transmisión es de aproximadamente 10 m, sin embargo, podrá variar de acuerdo con las circunstancias.
	Antes de terminar el registro/cancelación de herramienta; - se aprieta el interruptor de la herramienta o; - se activa el botón de alimentación del aspirador.	Presione el botón de activación inalámbrica brevemente y realice los procedimientos de registro/cancelación de herramienta otra vez.
	Los procedimientos de registro de herramienta para la herramienta o el aspirador no han terminado.	Realice los procedimientos de registro de herramienta para la herramienta y el aspirador en el mismo momento.
Interferencia de radio de otros aparatos que generan ondas de radio de alta intensidad.	Mantenga la herramienta y el aspirador alejados de aparatos tales como dispositivos Wi-Fi y hornos de microondas.	

Estado de anomalía	Causa probable (mal funcionamiento)	Remedio
El aspirador no se pone en marcha junto con la operación del interruptor de la herramienta.	La unidad inalámbrica no está instalada en la herramienta. La unidad inalámbrica está instalada incorrectamente en la herramienta.	Instale la unidad inalámbrica correctamente.
	El terminal de la unidad inalámbrica y/o la ranura están sucios.	Retire con cuidado el polvo y la suciedad del terminal de la unidad inalámbrica y limpie la ranura.
	El botón de activación inalámbrica en la herramienta no ha sido presionado.	Presione el botón de activación inalámbrica brevemente y asegúrese de que la lámpara de activación inalámbrica está parpadeando en azul.
	El interruptor de espera del aspirador no está ajustado a "AUTO".	Ajuste el interruptor de espera del aspirador a "AUTO".
	Hay más de 10 herramientas registradas en el aspirador.	Realice el registro de herramienta otra vez. Si hay más de 10 herramientas registradas en el aspirador, la herramienta que más tiempo lleve registrada se cancelará automáticamente.
	El aspirador borró todos los registros de herramienta.	Realice el registro de herramienta otra vez.
	No se está suministrando alimentación.	Suministre alimentación a la herramienta y al aspirador.
	La herramienta y el aspirador están alejados uno del otro (fuera del rango de transmisión).	Ponga la herramienta y el aspirador más cerca uno del otro. La distancia de transmisión es de aproximadamente 10 m, sin embargo, podrá variar de acuerdo con las circunstancias.
	Interferencia de radio de otros aparatos que generan ondas de radio de alta intensidad.	Mantenga la herramienta y el aspirador alejados de aparatos tales como dispositivos Wi-Fi y hornos de microondas.
El aspirador se pone en marcha mientras la herramienta no está funcionando.	Otros usuarios están utilizando la activación inalámbrica del aspirador con sus herramientas.	Desactive el botón de activación inalámbrica de las otras herramientas o cancele el registro de herramienta de las otras herramientas.

MANTENIMIENTO

⚠PRECAUCIÓN: Asegúrese siempre de que la herramienta está apagada y de que el cartucho de batería está retirado antes de intentar hacer una inspección o mantenimiento.

AVISO: No utilice nunca gasolina, bencina, disolvente, alcohol o similares. Podría producir descoloración, deformación o grietas.

Para mantener la SEGURIDAD y FIABILIDAD del producto, las reparaciones, y cualquier otra tarea de mantenimiento o ajuste deberán ser realizadas en centros de servicio o de fábrica autorizados por Makita, empleando siempre repuestos Makita.

ACCESORIOS OPCIONALES

⚠PRECAUCIÓN: Estos accesorios o aditamentos están recomendados para su uso con la herramienta Makita especificada en este manual.

El uso de cualquier otro accesorio o aditamento puede suponer un riesgo de heridas personales. Utilice el accesorio o aditamento solamente con la finalidad indicada para el mismo.

- Brocas con punta de carburo (brocas con punta de carburo SDS-Plus)
- Barrena tubular
- Barreno
- Barrena tubular de diamante
- Cortafíos
- Cíncel desincrustador
- Cíncel para ranuras
- Juego de mandril de broca (adaptador de mandril/mandril de broca)
- Grasa para brocas
- Tope de profundidad
- Soplador
- Colector de polvo
- Juego colector de polvo Espaciador (para HR008G)
- Juego de gancho
- Juego de recipiente para polvo
- Juego de filtro
- Acoplador
- Sistema de recolección de polvo
- Unidad inalámbrica
- Batería y cargador genuinos de Makita

NOTA: Algunos elementos de la lista podrán estar incluidos en el paquete de la herramienta como accesorios estándar. Pueden variar de un país a otro.

Si necesita cualquier ayuda para más detalles en relación con estos accesorios, pregunte al centro de servicio Makita local.

ESPECIFICAÇÕES

Modelo:		HR008G	HR009G
Capacidades	Cimento	30 mm	
	Broca de núcleo	80 mm	
	Broca de núcleo diamantada (tipo seca)	80 mm	
	Aço	13 mm	
	Madeira	32 mm	
Velocidade sem carga		0 - 840 min ⁻¹	
Impactos por minuto		0 - 4.500 min ⁻¹	
Tensão nominal		C.C. 36 V - 40 V máx.	
Comprimento total (com BL4040)		422 mm	439 mm
Peso líquido		5,2 - 6,8 kg	5,3 - 6,7 kg

Acessório opcional

Modelo:	DX10 (para HR008G)	DX11 (para HR009G)
Peça de trabalho e modo de funcionamento aplicáveis	apenas para perfuração de cimento (não indicado para metal ou madeira nem para perfurar com broca de núcleo ou burilar)	
Desempenho de sucção	350 l/min	
Curso operacional	Até 190 mm	
Broca de perfuração adequada	Até 265 mm	
Peso líquido	1,2 kg	

- Devido a um programa contínuo de pesquisa e desenvolvimento, estas especificações estão sujeitas a alteração sem aviso prévio.
- As especificações podem variar de país para país.
- O peso poderá diferir em função do acessório(s), incluindo a bateria. A combinação mais leve e mais pesada, de acordo com o Procedimento EPTA 01/2014, é apresentada na tabela.

Bateria e carregador aplicável

Bateria	BL4020 / BL4025 / BL4040* / BL4050F* / BL4080F *: Bateria recomendada
Carregador	DC40RA / DC40RB / DC40RC

- Algumas das baterias e carregadores listados acima poderão não estar disponíveis, dependendo da sua região de residência.

⚠️ AVISO: Utilize apenas as baterias e carregadores listados acima. A utilização de quaisquer outras baterias e carregadores pode causar ferimentos e/ou um incêndio.

Fonte de alimentação ligada por fio recomendada

Adaptador de baterias tipo mochila	PDC01 / PDC1200
------------------------------------	-----------------

- A(s) fonte(s) de alimentação ligada(s) por fio listada(s) acima pode(m) não estar disponível(eis) dependendo da sua região de residência.
- Antes de utilizar a fonte de alimentação ligada por fio, leia as instruções e etiquetas de precaução na mesma.

Utilização prevista

A ferramenta serve para perfuração com martelo e perfuração em tijolo, cimento e pedra, bem como para trabalho de burilagem.

É também adequada para perfurar sem impacto em madeira, metal, cerâmica e plástico.

Ruído

A característica do nível de ruído A determinado de acordo com a EN62841-2-6:

Modelo HR008G

Nível de pressão acústica (L_{pA}): 95 dB (A)

Nível de potência acústica (L_{WA}): 103 dB (A)

Variabilidade (K): 3 dB (A)

Modelo HR009G

Nível de pressão acústica (L_{pA}): 95 dB (A)

Nível de potência acústica (L_{WA}): 103 dB (A)

Variabilidade (K): 3 dB (A)

Modelo HR008G com DX10

Nível de pressão acústica (L_{pA}): 97 dB (A)

Nível de potência acústica (L_{WA}): 105 dB (A)

Variabilidade (K): 3 dB (A)

Modelo HR009G com DX11

Nível de pressão acústica (L_{pA}): 97 dB (A)

Nível de potência acústica (L_{WA}): 105 dB (A)

Variabilidade (K): 3 dB (A)

NOTA: O(s) valor(es) da emissão de ruído indicado(s) foi medido de acordo com um método de teste padrão e pode ser utilizado para comparar duas ferramentas.

NOTA: O(s) valor(es) da emissão de ruído indicado(s) pode também ser utilizado na avaliação preliminar da exposição.

AVISO: Utilize protetores auriculares.

AVISO: A emissão de ruído durante a utilização real da ferramenta elétrica pode diferir do(s) valor(es) indicado(s), dependendo das formas como a ferramenta é utilizada, especialmente o tipo de peça de trabalho que é processada.

AVISO: Certifique-se de identificar as medidas de segurança para proteção do operador que sejam baseadas em uma estimativa de exposição em condições reais de utilização (considerando todas as partes do ciclo de operação, tal como quando a ferramenta está desligada e quando está a funcionar em marcha lenta além do tempo de acionamento).

Vibração

A tabela seguinte mostra o valor total da vibração (soma vetorial tri-axial) determinado de acordo com o padrão aplicável:

Modelo HR008G

Modo de funcionamento	Emissão de vibração	Incerteza (K)	Norma aplicável / Condição de teste
Perfuração com martelo em cimento ($a_{h, HD}$)	11,8 m/s ²	1,5 m/s ²	EN62841-2-6
	9,1 m/s ²	1,5 m/s ²	Operação prática recomendada*
Perfuração com martelo em cimento com DX10 ($a_{h, HD}$)	9,5 m/s ²	2,0 m/s ²	EN62841-2-6
	7,8 m/s ²	1,5 m/s ²	Operação prática recomendada*
Burilagem ($a_{h, Cheq}$)	8,6 m/s ²	1,5 m/s ²	EN62841-2-6
	8,0 m/s ²	1,5 m/s ²	Operação prática recomendada*

Modelo HR009G

Modo de funcionamento	Emissão de vibração	Incerteza (K)	Norma aplicável / Condição de teste
Perfuração com martelo em cimento ($a_{h, HD}$)	11,5 m/s ²	1,5 m/s ²	EN62841-2-6
	9,1 m/s ²	1,5 m/s ²	Operação prática recomendada*
Perfuração com martelo em cimento com DX11 ($a_{h, HD}$)	8,9 m/s ²	1,5 m/s ²	EN62841-2-6
	7,3 m/s ²	1,5 m/s ²	Operação prática recomendada*
Burilagem ($a_{h, Cheq}$)	7,3 m/s ²	1,5 m/s ²	EN62841-2-6
	7,1 m/s ²	1,5 m/s ²	Operação prática recomendada*

* A condição de teste da operação prática recomendada cumpre a norma EN 62841-2-6, exceto nos seguintes aspetos:

- A força de alimentação é aplicada na pega do interruptor (pega principal) para precisão de trabalho e eficiência.
- A pega lateral (pega auxiliar) é segurada para manter o equilíbrio da ferramenta.

NOTA: O(s) valor(es) total(ais) de vibração indicado(s) foi medido de acordo com um método de teste padrão e pode ser utilizado para comparar duas ferramentas.

NOTA: O(s) valor(es) total(ais) de vibração indicado(s) pode também ser utilizado na avaliação preliminar da exposição.

⚠️ AVISO: A emissão de vibração durante a utilização real da ferramenta elétrica pode diferir do(s) valor(es) indicado(s), dependendo das formas como a ferramenta é utilizada, especialmente o tipo de peça de trabalho que é processada.

⚠️ AVISO: Certifique-se de identificar as medidas de segurança para proteção do operador que sejam baseadas em uma estimativa de exposição em condições reais de utilização (considerando todas as partes do ciclo de operação, tal como quando a ferramenta está desligada e quando está a funcionar em marcha lenta além do tempo de acionamento).

Declarações de conformidade

Apenas para os países europeus

As Declarações de conformidade estão incluídas no Anexo A deste manual de instruções.

AVISOS DE SEGURANÇA

Avisos gerais de segurança para ferramentas elétricas

⚠️ AVISO: Leia todos os avisos de segurança, instruções, ilustrações e especificações fornecidos com esta ferramenta elétrica. O não cumprimento de todas as instruções indicadas em baixo pode resultar em choque elétrico, incêndio e/ou ferimentos graves.

Guarde todos os avisos e instruções para futuras referências.

O termo "ferramenta elétrica" nos avisos refere-se às ferramentas elétricas ligadas à corrente elétrica (com cabo) ou às ferramentas elétricas operadas por meio de bateria (sem cabo).

AVISOS DE SEGURANÇA PARA MARTELETE ROTATIVO A BATERIA

Instruções de segurança para todas as operações

1. Use protetores auditivos. A exposição ao ruído pode causar perda auditiva.
 2. Utilize pega(s) auxiliar(es), se fornecida(s) com a ferramenta. A perda de controlo pode causar ferimentos pessoais.
 3. Segure a ferramenta elétrica pelas superfícies de agarrar isoladas, quando executar uma operação em que o acessório de corte possa entrar em contacto com fios ocultos. O contacto do acessório de corte com um fio sob tensão pode colocar as peças metálicas expostas da ferramenta elétrica sob tensão e pode provocar um choque elétrico no operador.
- #### Instruções de segurança quando utilizar brocas de perfuração longas com marteletes rotativos
1. Comece sempre a perfurar a baixa velocidade e com a ponta da broca em contacto com a peça de trabalho. A velocidades mais elevadas, é provável que a broca se dobre se for permitida a respetiva rotação livre sem entrar em contacto com a peça de trabalho, resultando em ferimentos pessoais.
 2. Aplique pressão apenas em linha direta com a broca e não aplique pressão excessiva. As brocas podem dobrar-se provocando quebra ou perda de controlo, resultando em ferimentos pessoais.
- #### Avisos adicionais de segurança
1. Use capacete (capacete de segurança), óculos de proteção e/ou viseira. Os óculos com graduação ou óculos de sol NÃO são óculos de segurança. Recomenda-se também o uso de uma máscara antipoeira e luvas forradas grossas.
 2. Certifique-se de que a broca está fixa na posição correta antes da operação.
 3. Nas condições normais de operação, a ferramenta destina-se a produzir vibração. Os parafusos podem ser facilmente desapertados, causando uma avaria ou acidente. Verifique cuidadosamente o aperto dos parafusos antes da operação.
 4. No tempo frio ou no caso de a ferramenta não ter sido utilizada por um longo período, deixe a ferramenta a aquecer durante algum tempo, operando-a sem carga. Isto irá soltar a lubrificação. Sem o aquecimento apropriado, a operação de martelagem torna-se difícil.
 5. Certifique-se sempre que possui uma base firme. Certifique-se de que ninguém está por baixo quando usa a ferramenta em locais elevados.
 6. Segure a ferramenta firmemente com as duas mãos.
 7. Mantenha as mãos afastadas das peças móveis.
 8. Não deixe a ferramenta a funcionar. Opere a ferramenta apenas quando a estiver a agarrar.
 9. Não aponte a ferramenta a ninguém que se encontre na área quando estiver a operá-la. A broca pode ser projetada e ferir alguém gravemente.
 10. Não toque na broca, nas peças próximo da broca ou na peça de trabalho imediatamente após a operação; estas podem estar extremamente quentes e podem queimar a sua pele.
 11. Alguns materiais contêm químicos que podem ser tóxicos. Tome cuidado para evitar a inalação de poeira e o contacto com a pele. Siga os dados de segurança do fornecedor do material.
 12. Certifique-se sempre de que a ferramenta está desligada e que retirou a bateria e a broca antes de passar a ferramenta a outra pessoa.
 13. Antes da operação, certifique-se de que não existem objetos enterrados tais como um tubo elétrico, tubo de água ou tubo de gás na área de trabalho. Caso contrário, a broca de perfurar/buril pode tocar nos mesmos, provocando um choque elétrico, uma fuga elétrica ou uma fuga de gás.

14. Não opere a ferramenta sem carga desnecessariamente.

GUARDE ESTAS INSTRUÇÕES.

⚠️AVISO: NÃO permita que conforto ou familiaridade com o produto (adquirido com o uso repetido) substitua a aderência estrita às regras de segurança da ferramenta. **MÁ INTERPRETAÇÃO** ou não seguimento das regras de segurança estabelecidas neste manual de instruções pode causar danos pessoais sérios.

Instruções de segurança importantes para a bateria

1. Antes de utilizar a bateria, leia todas as instruções e etiquetas de precaução no (1) carregador de bateria (2) bateria e (3) produto que utiliza a bateria.
2. Não desmonte ou manipule a bateria. Pode resultar num incêndio, em calor excessivo ou numa explosão.
3. Se o tempo de funcionamento se tornar excessivamente curto, pare o funcionamento imediatamente. Pode resultar em sobreaquecimento, possíveis queimaduras e mesmo explosão.
4. Se entrar eletrólito nos seus olhos, lave-os com água e consulte imediatamente um médico. Pode resultar em perda de visão.
5. Não coloque a bateria em curto-circuito:
 - (1) Não toque nos terminais com qualquer material condutor.
 - (2) Evite guardar a bateria juntamente com outros objetos metálicos tais como pregos, moedas, etc.
 - (3) Não exponha a bateria à água ou chuva. Um curto-circuito pode ocasionar um enorme fluxo de corrente, sobreaquecimento, possíveis queimaduras e mesmo estragar-se.
6. Não guarde nem utilize a ferramenta e a bateria em locais onde a temperatura pode atingir ou exceder 50 °C.
7. Não queime a bateria mesmo que esteja estragada ou completamente gasta. A bateria pode explodir no fogo.
8. Não pregue, corte, esmague, atire, deixe cair a bateria, nem bata a bateria contra um objeto rijo. Esta conduta pode resultar num incêndio, em calor excessivo ou numa explosão.
9. Não utilize uma bateria danificada.
10. As baterias de íões de lítio contidas na ferramenta são sujeitas aos requisitos da DGL (Dangerous Goods Legislation - Legislação de bens perigosos).

Para o transporte comercial, por exemplo, por terceiros ou agentes de expedição, têm de ser observados os requisitos referentes à embalagem e etiquetagem. Para preparação do artigo a ser expedido, é necessário consultar um perito em materiais perigosos. Tenha ainda em conta a possibilidade de existirem regulamentos nacionais mais detalhados. Coloque fita-cola ou tape os contactos abertos e embale a bateria de tal forma que não possa mover-se dentro da embalagem.

11. Quando eliminar a bateria, remova-a da ferramenta e elimine-a num local seguro. Siga os regulamentos locais relacionados com a eliminação de baterias.
12. Utilize as baterias apenas com os produtos especificados pela Makita. Instalar as baterias em produtos não-conformes poderá resultar num incêndio, calor excessivo, explosão ou fuga de eletrólito.
13. Se a ferramenta não for utilizada durante um período de tempo prolongado, a bateria deve ser removida da ferramenta.
14. Durante e após a utilização, a bateria pode aquecer, o que pode provocar queimaduras ou queimaduras a baixa temperatura. Preste atenção ao manuseamento de baterias quentes.
15. Não toque no terminal da ferramenta imediatamente após a utilização, pois pode ficar suficientemente quente para provocar queimaduras.
16. Não permita a adesão de aparas, pó ou sujidade nos terminais, nos orifícios e nas ranhuras da bateria. Poderá fazer com que a ferramenta ou a bateria aqueça, incendeie, rebente e avarie, resultando em queimaduras ou ferimentos corporais.
17. A menos que a ferramenta suporte a utilização perto de linhas elétricas de alta tensão, não utilize a bateria perto de linhas elétricas de alta tensão. Pode resultar no mau funcionamento ou na avaria da ferramenta ou bateria.
18. Mantenha a bateria afastada das crianças.

GUARDE ESTAS INSTRUÇÕES.

⚠️PRECAUÇÃO: Utilize apenas baterias genuínas da Makita. A utilização de baterias não genuínas da Makita ou de baterias que foram alteradas, pode resultar no rebentamento da bateria provocando incêndios, ferimentos pessoais e danos. Além disso, anulará a garantia da Makita no que se refere à ferramenta e ao carregador Makita.

Conselhos para manter a máxima vida útil da bateria

1. Carregue a bateria antes que esteja completamente descarregada. Pare sempre o funcionamento da ferramenta e carregue a bateria quando notar menos poder na ferramenta.
2. Nunca carregue uma bateria completamente carregada. Carregamento excessivo diminui a vida útil da bateria.
3. Carregue a bateria à temperatura ambiente de 10 °C – 40 °C. Deixe que uma bateria quente arrefeça antes de a carregar.
4. Quando não utilizar a bateria, remova-a da ferramenta ou do carregador.
5. Carregue a bateria se não a utilizar durante um longo período de tempo (mais de seis meses).

Instruções de segurança importantes para a unidade sem fios

1. Não desmonte ou manipule a unidade sem fios.
2. Mantenha a unidade sem fios afastada das crianças. Se ocorrer a ingestão accidental, procure imediatamente cuidados médicos.
3. Utilize a unidade sem fios apenas com ferramentas Makita.
4. Não exponha a unidade sem fios à chuva ou a condições húmidas.
5. Não utilize a unidade sem fios em locais onde a temperatura excede 50 °C.
6. Não utilize a unidade sem fios em locais próximos de instrumentos médicos, tais como estimuladores cardíacos.
7. Não utilize a unidade sem fios em locais próximos de dispositivos automatizados. Se utilizada, os dispositivos automatizados podem desenvolver anomalias ou erros.
8. Não utilize a unidade sem fios em locais sob temperaturas altas ou locais nos quais possa ser gerada eletricidade estática ou ruído elétrico.
9. A unidade sem fios pode produzir campos eletromagnéticos (CEM) mas estes não são nocivos para o utilizador.
10. A unidade sem fios é um instrumento preciso. Tenha cuidado para não deixar cair a unidade sem fios nem bater nesta.
11. Evite tocar no terminal da unidade sem fios com as mãos desprotegidas ou com materiais metálicos.
12. Retire sempre a bateria do produto quando instalar a unidade sem fios.
13. Quando abrir a tampa da ranhura, evite o local no qual a poeira e a água podem entrar para a ranhura. Mantenha sempre a entrada da ranhura limpa.
14. Insira sempre a unidade sem fios na direção correta.
15. Não pressione o botão de ativação sem fios na unidade sem fios com demasiada força e/ou pressione o botão com um objeto com aresta afiada.
16. Feche sempre a tampa da ranhura quando utilizar a ferramenta.
17. Não remova a unidade sem fios da ranhura enquanto estiver a ser fornecida alimentação elétrica à ferramenta. Fazê-lo pode causar a anomalia da unidade sem fios.
18. Não remova o adesivo da unidade sem fios.
19. Não coloque qualquer adesivo na unidade sem fios.
20. Não deixe a unidade sem fios num local em que possa ser gerada eletricidade estática ou ruído elétrico.
21. Não deixe a unidade sem fios num local sujeito a calor intenso, tal como um veículo exposto ao sol.
22. Não deixe a unidade sem fios num local poeirento ou pulverulento ou num local onde possa ser gerado gás corrosivo.

23. A mudança súbita da temperatura pode molhar a unidade sem fios com condensação. Não utilize a unidade sem fios até que a condensação esteja completamente seca.
24. Quando limpar a unidade sem fios, limpe-a suavemente com um pano macio e seco. Não utilize benzina, diluente, massa lubrificante condutora ou similar.
25. Quando armazenar a unidade sem fios, guarde-a na caixa fornecida ou num recipiente anti-estática.
26. Não insira quaisquer dispositivos diferentes da unidade sem fios Makita na ranhura na ferramenta.
27. Não utilize a ferramenta com a tampa da ranhura danificada. A entrada de água, poeira e sujidade na ranhura pode causar o mau funcionamento.
28. Não puxe e/ou torça a tampa da ranhura além do necessário. Recoloque a tampa se esta sair da ferramenta.
29. Substitua a tampa da ranhura se a perder ou danificar.

GUARDE ESTAS INSTRUÇÕES.

DESCRIÇÃO FUNCIONAL

⚠PRECAUÇÃO: Certifique-se sempre de que a ferramenta está desligada e a bateria foi retirada antes de regular ou verificar qualquer função na ferramenta.

Instalação ou remoção da bateria

⚠PRECAUÇÃO: Desligue sempre a ferramenta antes de colocar ou retirar a bateria.

⚠PRECAUÇÃO: Segure firmemente a ferramenta e a bateria quando instalar ou remover a bateria. Se não segurar firmemente a ferramenta e a bateria pode fazer com que escorreguem das suas mãos resultando em danos na ferramenta e na bateria e ferimentos pessoais.

► Fig.1: 1. Indicador vermelho 2. Botão 3. Bateria

Para retirar a bateria, deslize-a para fora da ferramenta enquanto desliza o botão na frente da bateria.

Para instalar a bateria, alinhe a lingueta na bateria com a ranhura na caixa e deslize-a para a posição correta. Insira-a por completo até bloquear na posição correta com um pequeno clique. Se conseguir ver o indicador vermelho conforme apresentado na figura, não está completamente bloqueada.

⚠PRECAUÇÃO: Instale sempre a bateria até ao fim, até deixar de ver o indicador vermelho. Caso contrário, a bateria poderá cair da ferramenta acidentalmente e provocar ferimentos em si mesmo ou em alguém próximo.

⚠PRECAUÇÃO: Não instale a bateria à força. Se a bateria não deslizar facilmente é porque não foi colocada corretamente.

Indicação da capacidade restante da bateria

Prima o botão de verificação na bateria para indicar a capacidade restante da bateria. As luzes indicadoras acendem durante alguns segundos.

► **Fig.2:** 1. Luzes indicadoras 2. Botão de verificação

Luzes indicadoras			Capacidade restante
Aceso	Apagado	A piscar	
■	□	▧	75% a 100%
■	■	■	
■	■	□	50% a 75%
■	□	□	25% a 50%
■	□	□	0% a 25%
▧	□	□	Carregar a bateria.
■	■	□	A bateria pode estar avariada.
□	□	■	

NOTA: Dependendo das condições de utilização e da temperatura ambiente, a indicação pode ser ligeiramente diferente da capacidade real.

NOTA: A primeira luz indicadora (extremo esquerdo) pisca quando o sistema de proteção da bateria funciona.

Sistema de proteção da ferramenta/bateria

A ferramenta está equipada com um sistema de proteção da ferramenta/bateria. Este sistema corta automaticamente a corrente para o motor para aumentar a vida da ferramenta e da bateria. A ferramenta para automaticamente durante o funcionamento se a ferramenta ou bateria for colocada mediante uma das seguintes condições:

Proteção contra sobrecarga

Quando a bateria é operada de forma a puxar uma corrente anormalmente elevada, a ferramenta para automaticamente sem qualquer indicação. Nesse caso, desligue a ferramenta e pare a operação que provocou a sobrecarga da ferramenta. Em seguida, volte a ligar a ferramenta para a reiniciar.

Proteção contra sobreaquecimento

Quando a ferramenta ou a bateria estiver sobreaquecida, a ferramenta para automaticamente. Neste caso, deixe a ferramenta e a bateria arrefecerem antes de voltar a ligar a ferramenta.

NOTA: Quando a ferramenta estiver sobreaquecida, a lâmpada fica intermitente.

Proteção contra descarga excessiva

Quando a capacidade da bateria não é suficiente, a ferramenta para automaticamente. Neste caso, retire a bateria da ferramenta e carregue-a.

Proteções contra outras causas

O sistema de proteção foi também concebido para outras causas que possam danificar a ferramenta e permite à ferramenta parar automaticamente. Tome todas as medidas que se seguem para eliminar as causas quando a ferramenta tiver parado ou interrompido temporariamente a operação.

1. Desligue a ferramenta e, em seguida, volte a ligá-la para reiniciar.
2. Carregue a(s) bateria(s) ou substitua-a(s) por bateria(s) recarregada(s).
3. Deixe a ferramenta e a(s) bateria(s) arrefecerem.

Se não for possível constatar qualquer melhoria através do restauro do sistema de proteção, contacte o centro de assistência Makita local.

Ação do interruptor

AVISO: Antes de colocar a bateria na ferramenta, verifique sempre se o gatilho do interruptor funciona corretamente e volta para a posição "OFF" quando libertado.

► **Fig.3:** 1. Gatilho do interruptor

Para iniciar a ferramenta, carregue simplesmente no gatilho. A velocidade da ferramenta aumenta quando aumenta a pressão no gatilho. Liberte o gatilho para parar.

Mudança de velocidade

As rotações e os golpes por minuto podem ser alterados rodando o indicador de ajuste para um determinado número definido de 1 a 5. Obtém-se uma velocidade maior quando o indicador é rodado em direção ao número 5. Obtém-se uma velocidade menor quando o indicador é rodado em direção ao número 1. É possível obter uma velocidade-alvo quando o gatilho do interruptor é totalmente apertado.

► **Fig.4:** 1. Disco de ajuste

Consulte a tabela para saber a relação entre as definições de número no indicador de ajuste e o valor aproximado de rotações e golpes por minuto.

Número	Rotações por minuto	Golpes por minuto
5	840	4.500
4	760	4.070
3	550	2.950
2	350	1.880
1	300	1.610

PRECAUÇÃO: Não rode o disco de ajuste quando a ferramenta está a funcionar. O não cumprimento desta instrução pode resultar em perda de controlo da ferramenta e provocar ferimentos.

OBSERVAÇÃO: Se a ferramenta for operada continuamente a velocidade baixa durante um período prolongado, o motor fica sobrecarregado resultando na avaria da ferramenta.

OBSERVAÇÃO: O indicador de ajuste roda entre a definição de número 1 e 5. Evite rodar mais o indicador para a frente e para trás, pois tal pode causar danos na ferramenta.

Acender a lâmpada da frente

► Fig.5: 1. Lâmpada

PRECAUÇÃO: Não olhe para a luz ou para a fonte de iluminação diretamente.

Puxe o gatilho do interruptor para acender a lâmpada. A lâmpada mantém-se acesa enquanto o gatilho do interruptor estiver a ser premido. A lâmpada apaga-se aproximadamente 10 segundos após soltar o gatilho do interruptor.

PRECAUÇÃO: Se a lâmpada apagar após piscar durante alguns segundos, a tecnologia de deteção de retorno ativa não está a funcionar corretamente. Solicite a reparação ao Centro de Assistência Makita local.

NOTA: Utilize um pano seco para limpar a sujidade da lente da lâmpada. Tenha cuidado para não riscar a lente da lâmpada ou a iluminação pode ficar enfraquecida.

NOTA: Quando a ferramenta estiver sobreaquecida, a luz pisca. Neste caso, solte o gatilho do interruptor e, em seguida, arrefeça a ferramenta/bateria antes de voltar a operar.

NOTA: A lâmpada frontal não pode ser utilizada enquanto o sistema de coleta de pó (acessório opcional) estiver instalado na ferramenta.

Ação do interruptor de inversão

► Fig.6: 1. Alavanca do interruptor de inversão

PRECAUÇÃO: Verifique sempre a direção de rotação antes da operação.

PRECAUÇÃO: Só utilize o interruptor de inversão depois de a ferramenta estar completamente parada. Mudar a direção de rotação antes de a ferramenta parar pode estragar a ferramenta.

PRECAUÇÃO: Quando não estiver a utilizar a ferramenta, coloque sempre a alavanca do interruptor de inversão na posição neutra.

Esta ferramenta tem um interruptor de inversão para mudar a direção de rotação. Pressione a alavanca do interruptor de inversão no lado A para rotação para a direita ou no lado B para rotação para a esquerda. Quando a alavanca do interruptor de inversão está na posição neutra, não é possível carregar no gatilho.



Substituir o mandril de troca rápida para SDS-plus

Para o modelo HR009G

O mandril de troca rápida para SDS-plus pode ser facilmente substituído pelo mandril da broca de troca rápida.




Remover o mandril de troca rápida para SDS-plus

PRECAUÇÃO: Antes de remover o mandril de troca rápida para SDS-plus certifique-se de que remove a broca.

Agarre a tampa de troca do mandril de troca rápida para SDS-plus e rode-a no sentido da seta até a linha da tampa de troca se mover do símbolo  para o símbolo . Puxe o mandril de troca rápida para SDS-plus, com força se necessário, no sentido da seta.

► Fig.7: 1. Mandril de troca rápida para SDS-plus
2. Tampa de troca 3. Linha da tampa de troca

Instalar o mandril da broca de troca rápida

Verifique se a linha do mandril da broca de troca rápida indica o símbolo . Agarre a tampa de troca do mandril da broca de troca rápida e defina a linha para o símbolo . Coloque o mandril da broca de troca rápida no eixo da ferramenta. Agarre a tampa de troca do mandril da broca de troca rápida e rode a linha da tampa de troca para o símbolo  até ouvir claramente a encaixar.

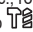
► Fig.8: 1. Mandril da broca de troca rápida 2. Eixo
3. Linha da tampa de troca 4. Tampa de troca

Selecionar o modo de ação

OBSERVAÇÃO: Não rode o botão de alteração do modo de ação quando a ferramenta estiver em funcionamento. A ferramenta sofrerá danos.


OBSERVAÇÃO: Para evitar o desgaste rápido no mecanismo de alteração do modo, certifique-se de que o botão de alteração do modo de ação está sempre posicionado numa das três posições do modo de ação.

Rotação com martelagem

Para perfuração em cimento, alvenaria, etc., rode o botão de alteração do modo de ação para o símbolo . Utilize uma broca com ponta em carboneto de tungsténio (acessório opcional).


► Fig.9: 1. Rotação com martelagem 2. Botão de alteração do modo de ação

Apenas rotação

Para perfurar em materiais de madeira, metal ou plástico, rode o botão de alteração do modo de ação para o símbolo . Utilize uma broca de perfurar helicoidal ou broca de perfurar em madeira.

► Fig.10: 1. Apenas rotação

Apenas martelagem

Para operações de apartamento, raspagem ou demolição, rode o botão de alteração do modo de ação para o símbolo . Utilize um buril de ponta, buril, buril de raspagem, etc.

► Fig.11: 1. Apenas martelagem

Entrada de ar

⚠️ PRECAUÇÃO: Não coloque o dedo na entrada de ar nem insira qualquer outro objeto na entrada de ar. Caso contrário, pode sofrer ferimentos ou a ferramenta pode ficar danificada.

A entrada de ar foi concebida para melhorar o desempenho de sucção do sistema de coleta de pó. Para obter informações sobre a instalação do sistema de coleta de pó, consulte as instruções sobre a instalação do sistema de coleta de pó.

► **Fig.12:** 1. Entrada de ar

Gancho

Acessório opcional

⚠️ PRECAUÇÃO: Remova sempre a bateria quando pendurar a ferramenta com o gancho.

⚠️ PRECAUÇÃO: Nunca enganche a ferramenta num local alto ou numa superfície potencialmente instável.

O gancho é conveniente para pendurar a ferramenta temporariamente.

Antes de instalar o gancho, remova a tampa de borracha dos orifícios de parafuso no suporte de montagem. Insira as anilhas de placa sob o suporte e, em seguida, aperte o gancho com os parafusos no devido lugar.

► **Fig.13:** 1. Tampa de borracha 2. Suporte de montagem 3. Anilhas de placa 4. Gancho 5. Parafusos

Durante a utilização, levante o braço do gancho até encaixar na posição aberta.

Quando não estiver em utilização, certifique-se de que o gancho está dobrado para trás na posição fechada.

► **Fig.14:** 1. Gancho 2. Posição aberta 3. Posição fechada

► **Fig.15**

Ligar o cordão (tirante) ao gancho

⚠️ PRECAUÇÃO: Não utilize o gancho e os parafusos danificados. Antes de usar, verifique sempre quanto a danos, fendas ou deformações e certifique-se de que os parafusos estão apertados.

⚠️ PRECAUÇÃO: Certifique-se de que o gancho está firmemente instalado com os parafusos.

⚠️ PRECAUÇÃO: Não instale nem remova qualquer acessório enquanto pendura a ferramenta. A ferramenta pode cair se os parafusos não estiverem apertados.

⚠️ PRECAUÇÃO: Utilize sempre um mosquetão de bloqueio (de ação múltipla e do tipo parafuso) e certifique-se de que prende o cordão (tirante) à parte de volta dupla do gancho. A fixação inadequada pode causar a queda da ferramenta do gancho e provocar ferimentos pessoais.

O gancho também é utilizado para ligar o cordão (tirante). Certifique-se de que liga o cordão (tirante) à parte de volta dupla do gancho.

► **Fig.16:** 1. Parte de volta dupla do gancho 2. Cordão (tirante) 3. Mosquetão de bloqueio (de ação múltipla e do tipo parafuso)

Avisos de segurança sobre a ligação do cordão (tirante) ao gancho

⚠️ Avisos de segurança específicos para utilização em altura
Leia todos os avisos e instruções de segurança. A inobservância dos avisos e das instruções pode resultar em ferimentos graves.

1. **Mantenha sempre a ferramenta amarrada quando trabalhar “em altura”.** O comprimento máximo do cordão é de 2 m. A altura de queda máxima admissível para cordão (tirante) não deve exceder 2 m.
2. **Utilize apenas com cordões apropriados para este tipo de ferramenta e com classificação nominal mínima de 10 kg.**
3. **Não amarre o cordão da ferramenta em nada no seu corpo ou em componentes móveis.** Amarre o cordão da ferramenta a uma estrutura rígida capaz de suportar as forças de uma ferramenta caída.
4. **Certifique-se de que o cordão está devidamente seguro em cada extremidade antes da utilização.**
5. **Inspeccione a ferramenta e o cordão antes de cada utilização quanto a danos e ao funcionamento correto (incluindo tecido e costura).** Não utilize em caso de danos ou se não estiver a funcionar corretamente.
6. **Não ate os cordões em redor de bordos afiados ou ásperos nem permita que entrem em contacto com estes.**
7. **Aperte a outra extremidade do cordão fora da área de trabalho, de modo a segurar firmemente uma ferramenta caída.**
8. **Prenda o cordão, de modo que a ferramenta se afaste do operador no caso de cair.** As ferramentas caídas balançam no cordão, o que pode causar ferimentos ou perda de equilíbrio.
9. **Não utilize próximo de peças móveis ou máquinas em funcionamento.** O não cumprimento desta instrução pode resultar em perigo de esmagamento ou emaranhamento.
10. **Não transporte a ferramenta através do dispositivo de fixação ou do cordão.**
11. **Transfira a ferramenta de uma mão para a outra apenas enquanto estiver devidamente equilibrado.**
12. **Não prenda cordões à ferramenta de uma forma que impeça os interruptores ou bloqueio de gatilho (se fornecido) de funcionarem corretamente.**
13. **Evite ficar preso no cordão.**
14. **Mantenha o cordão afastado da área de perfuração da ferramenta.**
15. **Utilize um mosquetão de bloqueio (de ação múltipla e do tipo parafuso). Não utilize mosquetões de mola de ação única.**
16. **No caso de a ferramenta cair, esta deve ser etiquetada e retirada de serviço e deve ser inspecionada por uma fábrica ou centro de assistência autorizado da Makita.**

Função de prevenção de reinício acidental

Se instalar a bateria ao mesmo tempo que puxa o gatilho do interruptor, a ferramenta não arranca. Para arrancar a ferramenta, solte o gatilho do interruptor e, em seguida, puxe o gatilho do interruptor.

Limitador de binário

OBSERVAÇÃO: Logo que o limitador de binário atuar, desligue imediatamente a ferramenta. Isto irá ajudar a prevenir o desgaste prematuro da ferramenta.

OBSERVAÇÃO: As brocas de perfurar, tais como serra-copo com tendência a apertar ou a ficar facilmente presa no orifício, não são apropriadas para esta ferramenta. Isto deve-se ao facto de estas causarem a atuação demasiado frequente do limitador de binário.

O limitador de binário atua quando é atingido um determinado nível de binário. O motor desengata do eixo de saída. Quando isso acontece, a broca de perfurar pára de rodar.

Função eletrónica

A ferramenta está equipada com as funções eletrónicas para fácil operação.

- **Travão elétrico**
Esta ferramenta está equipada com um travão elétrico. Se a ferramenta consistentemente não deixar de funcionar rapidamente após a libertação do gatilho do interruptor, solicite a reparação da ferramenta num centro de assistência da Makita.
- **Controlo constante da velocidade**
A função de controlo da velocidade assegura a velocidade constante da rotação independentemente das condições de carga.
- **Tecnologia de deteção de retorno ativa**
Se a ferramenta for basculada na aceleração predeterminada durante o funcionamento, o motor para forçosamente para reduzir o esforço no pulso.

NOTA: Esta função não funciona se a aceleração não atingir o valor predeterminado quando a ferramenta é basculada.

NOTA: Se a broca for basculada na aceleração predeterminada durante o aparelamento, a raspagem ou a demolição, o motor para forçosamente. Neste caso, solte o gatilho do interruptor e puxe o gatilho do interruptor para reiniciar a ferramenta.

MONTAGEM

⚠PRECAUÇÃO: Certifique-se sempre de que a ferramenta está desligada e a bateria retirada antes de executar qualquer trabalho na ferramenta.

Pega lateral (pega auxiliar)

⚠PRECAUÇÃO: Utilize sempre a pega lateral para garantir uma operação segura.

⚠PRECAUÇÃO: Após instalar ou ajustar o punho lateral, certifique-se de que o punho lateral está firmemente fixado com as respetivas projeções de retenção totalmente engatadas pelas reentrâncias de posicionamento na caixa da transmissão.

Para instalar o punho lateral, siga os passos seguintes.

1. Solte o parafuso de orelhas no punho lateral. Em seguida, instale o punho lateral sobre o pescoço do tubo da caixa da transmissão.

► **Fig.17:** 1. Punho lateral 2. Parafuso de orelhas 3. Pescoço do tubo da caixa da transmissão 4. Projeção de retenção 5. Reentrância de posicionamento

O anel de fixação pode ser aumentado pressionando o parafuso de orelhas para baixo de modo que o anel fique fácil e firmemente engatado sobre o pescoço do tubo da caixa da transmissão.

► **Fig.18:** 1. Parafuso de orelhas 2. Anel de fixação

2. Aperte o parafuso de orelhas para fixar o punho no ângulo pretendido.

Instalar e remover a broca de perfurar

Massa lubrificante

Limpe a extremidade da haste da broca de perfurar e aplique massa lubrificante antes de instalar a broca de perfurar.

Aplique previamente uma pequena camada de massa lubrificante (cerca de 0,5 - 1 g) na extremidade da haste da broca de perfurar.

Esta lubrificação do mandril garante uma ação sem problemas e uma vida útil mais prolongada.

► **Fig.19:** 1. Extremidade da haste 2. Massa lubrificante

Coloque a extremidade da haste da broca de perfurar no mandril e insira-a mais no mandril enquanto roda manualmente a broca de perfurar de modo que a extremidade da haste encaixe bem na ranhura do mandril e fique totalmente engatada.

Tendo instalado a broca de perfurar, tente puxá-la para trás para garantir que está firmemente fixada na devida posição.

► **Fig.20:** 1. Broca de perfurar 2. Mandril


Para remover a broca de perfurar, empurre a tampa do mandril completamente para baixo e retire a broca de perfurar.

► **Fig.21:** 1. Broca de perfurar 2. Tampa do mandril

Ângulo do buril (nas operações de aparelamento, raspagem ou demolição)

O buril pode ser fixo no ângulo pretendido. Para alterar o ângulo do buril, rode o botão de alteração do modo de ação para o símbolo O. Rode o buril para o ângulo pretendido.

► **Fig.22:** 1. Botão de alteração do modo de ação

Rode o botão de alteração do modo de ação para o símbolo . De seguida, certifique-se de que o buril está bem seguro na posição correta, rodando-o ligeiramente.

Micrômetro de profundidade

O micrômetro de profundidade é conveniente para perfurar orifícios de profundidade uniforme. Pressione e mantenha o botão de bloqueio pressionado e, em seguida, insira o micrômetro de profundidade no orifício hexagonal. Certifique-se de que o lado dentado do micrômetro de profundidade fica virado para a marcação.

► **Fig.23:** 1. Micrômetro de profundidade 2. Botão de bloqueio 3. Marca 4. Lado dentado

Ajuste o micrômetro de profundidade movendo-o para a frente e para trás enquanto prime o botão de bloqueio. Depois de ajustar, solte o botão de bloqueio para bloquear o micrômetro de profundidade.

NOTA: Certifique-se de que o micrômetro de profundidade não toca no corpo principal da ferramenta quando o liga.

Reservatório de pó

Acessório opcional

Utilize o reservatório de pó para evitar que o pó caia sobre a ferramenta e sobre si quando realizar operações de perfuração acima da cabeça. Ligue o reservatório de pó à broca, conforme indicado na figura. O tamanho das brocas às quais o reservatório de pó pode ser ligado é o seguinte.

Modelo	Diâmetro da broca
Reservatório de pó 5	6 mm - 14,5 mm
Reservatório de pó 9	12 mm - 16 mm

► **Fig.24:** 1. Reservatório de pó

Conjunto do reservatório de pó

Acessório opcional

⚠PRECAUÇÃO: Antes de instalar e desinstalar o conjunto do reservatório de pó, remova uma broca da ferramenta.

Instalação

Para o modelo HR008G

1. Prenda o espaçador na unidade de fixação do conjunto do reservatório de pó alinhando o símbolo Δ na unidade de fixação com uma das ranhuras no espaçador.

► **Fig.25:** 1. Espaçador 2. Conjunto do reservatório de pó 3. Unidade de fixação 4. Símbolo Δ 5. Ranhura

2. Coloque o conjunto do reservatório de pó com o espaçador no pescoço do tubo da caixa da transmissão alinhando o símbolo Δ no conjunto do reservatório de pó com uma das ranhuras no tubo. Em seguida, segure a unidade de fixação do conjunto do reservatório de pó e pressione-a para baixo no tubo para a fixar no devido lugar.

► **Fig.26:** 1. Conjunto do reservatório de pó 2. Unidade de fixação 3. Espaçador 4. Símbolo Δ 5. Ranhura

Para o modelo HR009G

Coloque o conjunto do reservatório de pó no pescoço do tubo da caixa da transmissão alinhando o símbolo Δ no conjunto do reservatório de pó com uma das ranhuras no tubo. Em seguida, segure a unidade de fixação do conjunto do reservatório de pó e pressione-a para baixo no tubo para a fixar no devido lugar.

► **Fig.27:** 1. Conjunto do reservatório de pó 2. Unidade de fixação 3. Símbolo Δ 4. Ranhura

NOTA: Se ligar um aspirador ao conjunto do reservatório de pó, remova a tampa de pó antes de ligá-lo.

► **Fig.28:** 1. Tampa de pó

Desinstalação

1. Pressione a tampa do mandril para baixo até ao fim e remova uma broca.

► **Fig.29:** 1. Broca 2. Tampa do mandril

2. Segure a unidade de fixação do conjunto do reservatório de pó e desmonte-a da ferramenta.

► **Fig.30:** 1. Unidade de fixação

NOTA: Se a tampa se soltar do conjunto do reservatório de pó, volte a colocá-la na posição original.

1. Desprenda os foles da unidade de fixação do conjunto do reservatório de pó.

► **Fig.31:** 1. Foles 2. Unidade de fixação

2. Volte a colocar a tampa no devido lugar com o respetivo lado impresso virado para cima.

► **Fig.32:** 1. Tampa 2. Lado impresso 3. Ranhuras 4. Bordas da abertura superior 5. Unidade de fixação

3. Certifique-se de que as ranhuras em torno da tampa encaixam bem nas bordas da abertura superior da unidade de fixação.

► **Fig.33**

SISTEMA DE COLETA DE PÓ

Acessório opcional

O sistema de coleta de pó destina-se a recolher pó eficazmente durante a operação de perfuração de cimento.

► **Fig.34:** 1. Sistema de coleta de pó

⚠PRECAUÇÃO: O sistema de coleta de pó destina-se à perfuração unicamente em cimento. Não utilize o sistema de coleta de pó para perfurar em metal ou madeira.

⚠PRECAUÇÃO: Quando utilizar a ferramenta com o sistema de coleta de pó, certifique-se de que coloca o filtro no sistema de coleta de pó para evitar a inalação de pó.

⚠PRECAUÇÃO: Antes de utilizar o sistema de coleta de pó, verifique se o filtro não está danificado. Caso não o faça, pode causar a inalação de pó.

⚠PRECAUÇÃO: O sistema de coleta de pó recolhe o pó produzido a uma taxa considerável, mas nem todo o pó pode ser recolhido.

OBSERVAÇÃO: Não utilize o sistema de coleta de pó para perfurar com broca de núcleo ou burilar.

OBSERVAÇÃO: Não utilize o sistema de coleta de pó para metal ou madeira. O sistema de coleta de pó destina-se apenas a cimento.

OBSERVAÇÃO: Não utilize o sistema de coleta de pó para perfurar em cimento molhado nem utilize este sistema num ambiente húmido. Caso não o faça, pode provocar anomalias.

Instalação

OBSERVAÇÃO: Antes de instalar o sistema de coleta de pó, limpe as peças da junta da ferramenta e o sistema de coleta de pó. Os materiais estranhos nas peças da junta podem dificultar a instalação do sistema de coleta de pó. Se algum pó permanecer na entrada de ar, o pó entra na ferramenta e provoca o encravamento no fluxo de ar ou a quebra da ferramenta.

Prenda os ganchos do sistema de coleta de pó nas cavidades situadas na parte dianteira inferior da ferramenta. Levante o bocal para fixar o sistema de coleta de pó no devido lugar com um clique, de modo que a entrada de ar da ferramenta fique coberta com a saída de ar de sucção do sistema de coleta de pó.

- **Fig.35:** 1. Ganchos 2. Sistema de coleta de pó
3. Cavidades 4. Bocal 5. Entrada de ar
6. Saída de ar de sucção

Desinstalação

Pressione e mantenha pressionado o botão de desbloqueio no sistema de coleta de pó e desça o bocal para soltar a parte superior do sistema de coleta de pó. Desenganche a parte inferior do sistema de coleta de pó da ferramenta.

- **Fig.36:** 1. Sistema de coleta de pó 2. Bocal
3. Botão de desbloqueio

Ajustar a posição do bocal do sistema de coleta de pó

PRECAUÇÃO: Não aponte o bocal na sua direção ou na direção de outras pessoas quando soltar o bocal pressionando o botão de ajuste da guia.

Deslize a guia do bocal para dentro e para fora enquanto pressiona o botão de ajuste da guia e, em seguida, solte o botão numa posição exata em que a ponta da broca de perfurar assente imediatamente atrás da superfície frontal do bocal.

- **Fig.37:** 1. Guia 2. Botão de ajuste da guia 3. Ponta da broca de perfurar 4. Superfície frontal do bocal

Ajustar as profundidades de perfuração

As profundidades de perfuração podem ser ajustadas alterando os comprimentos entre o botão de ajuste da profundidade e o braço de suporte da guia do bocal. Pressione e mantenha o botão de ajuste da profundidade pressionado e deslize-o para a posição pretendida.

- **Fig.38:** 1. Botão de ajuste da profundidade 2. Guia do bocal 3. Braço de suporte da guia do bocal 4. Profundidades de perfuração

Bater no filtro para sacudir o pó

PRECAUÇÃO: Não rode o indicador na caixa do pó enquanto esta é removida do sistema de coleta de pó. Se o fizer, pode causar a inalação de pó.

PRECAUÇÃO: Desligue sempre a ferramenta quando rodar o indicador na caixa do pó. Rodar o indicador enquanto a ferramenta estiver a funcionar pode resultar na perda de controlo da ferramenta.

Ao bater no filtro para sacudir o pó no interior da caixa do pó, pode manter a eficiência de aspiração e também reduzir o número de vezes que elimina o pó. Rode o indicador na caixa do pó três vezes após recolher cada 50.000 mm³ de pó ou quando detetar a redução do desempenho de aspiração.

NOTA: 50.000 mm³ de pó equivale a perfurar 10 orifícios de $\varnothing 10$ mm e 65 mm de profundidade.

- **Fig.39:** 1. Caixa do pó 2. Indicador

Eliminação de pó

PRECAUÇÃO: Certifique-se sempre de que a ferramenta está desligada e a bateria retirada antes de executar qualquer trabalho na ferramenta.

PRECAUÇÃO: Certifique-se de que usa máscara antipoeira quando elimina o pó.

PRECAUÇÃO: Esvazie a caixa do pó regularmente antes de esta ficar cheia. Caso não o faça, pode diminuir o desempenho da coleta de pó e causar a inalação de pó.

PRECAUÇÃO: O desempenho da coleta de pó diminui se o filtro na caixa do pó ficar obstruído. Substitua o filtro por um novo após aproximadamente 200 vezes de enchimento de pó como guia. Caso não o faça, pode causar a inalação de pó.

1. Remova a caixa do pó enquanto pressiona a alavanca de fecho da caixa do pó para baixo.

- **Fig.40:** 1. Alavanca de fecho

2. Levante a patilha de bloqueio ligeiramente para fora e abra a tampa da caixa do pó.

- **Fig.41:** 1. Tampa da caixa do pó 2. Patilha de bloqueio

3. Elimine o pó e, de seguida, limpe o filtro.

- **Fig.42**

OBSERVAÇÃO: Quando limpar o filtro, bata leve e suavemente na caixa do filtro com a mão para remover o pó. Não bata levemente no filtro de forma direta, não toque no filtro com uma escova ou um objeto similar nem sopre ar comprimido para o filtro. Se o fizer pode danificar o filtro.

Substituir o filtro da caixa do pó

1. Remova a caixa do pó enquanto pressiona a alavanca de fecho da caixa do pó para baixo.
► **Fig.43:** 1. Alavanca de fecho
2. Levante a patilha de bloqueio ligeiramente para fora e abra a tampa do filtro da caixa do pó.
► **Fig.44:** 1. Tampa do filtro 2. Patilha de bloqueio
3. Remova o filtro da caixa do filtro.
► **Fig.45:** 1. Filtro 2. Caixa do filtro
4. Prenda um filtro novo à caixa do filtro e, em seguida, prenda a tampa do filtro.
5. Feche a tampa da caixa do pó e, em seguida, prenda a caixa do pó ao sistema de coleta de pó.

Substituir a tampa do vedante

Uma tampa do vedante danificada ou gasta pode afetar o desempenho de recolha de pó. Substitua a tampa do vedante por uma nova conforme apropriado, alinhando a respetiva projeção de guia com o entalhe de guia na cabeça do bocal.

- **Fig.46:** 1. Tampa do vedante 2. Projeção de guia
3. Cabeça do bocal 4. Entalhe de guia

Armazenamento

OBSERVAÇÃO: Quando não estiver em utilização durante um determinado período de tempo, a guia do bocal tem de ser estendida para aproximadamente 100 mm a partir da respetiva posição totalmente encurtada. O incumprimento desta instrução pode danificar a mangueira da entrada pré-instalada na guia do bocal.

- **Fig.47:** 1. Botão de ajuste da guia 2. Aprox. 100 mm

OPERAÇÃO

⚠PRECAUÇÃO: Utilize sempre o punho lateral (pega auxiliar) e segure firmemente a ferramenta pelos dois punhos laterais e troque a pega durante as operações.

⚠PRECAUÇÃO: Certifique-se sempre de que a peça de trabalho está fixa antes da operação.

⚠PRECAUÇÃO: Não puxe a ferramenta com força para a retirar mesmo que a broca fique presa. A perda de controlo pode provocar ferimentos.


OBSERVAÇÃO: Antes de utilizar o sistema de coleta de pó com a ferramenta, leia a secção relativa ao sistema de coleta de pó.

NOTA: Se a bateria estiver a baixa temperatura, a capacidade da ferramenta poderá não ser totalmente obtida. Neste caso, aqueça a bateria utilizando a ferramenta sem carga durante algum tempo para obter a capacidade total da ferramenta.

► **Fig.48**

Operação de perfuração com martelo

⚠PRECAUÇÃO: Uma força de torção enorme e repentina é exercida na ferramenta/broca de perfuração na altura em que o orifício avança, quando o orifício fica bloqueado com aparas ou partículas ou quando bate em vigas reforçadas no cimento. **Utilize sempre o punho lateral (pega auxiliar) e segure firmemente a ferramenta pelos dois punhos laterais e troque a pega durante as operações.** Se assim não for pode resultar em perda de controlo da ferramenta e possíveis ferimentos graves.

Defina o botão de alteração do modo de ação para o símbolo .

Coloque a broca de perfurar na posição pretendida para o orifício e, em seguida, puxe o gatilho do interruptor.


Aplique a força de alimentação na pega do interruptor (pega principal) para precisão de trabalho e eficiência e segure a pega lateral (pega auxiliar) para manter o equilíbrio da ferramenta.

Mantenha a ferramenta em posição e evite que deslize para fora do orifício.

Não aplique mais pressão quando o orifício fica bloqueado com aparas ou partículas. Em vez disso, coloque a ferramenta em ponto morto e retire a broca de perfurar parcialmente do orifício. Repetindo isto várias vezes, o orifício ficará limpo e pode voltar à perfuração normal.

NOTA: A excentricidade na rotação da broca de perfurar poderá ocorrer enquanto opera a ferramenta sem carga. A ferramenta centra-se automaticamente durante a operação. Isto não afeta a precisão de perfuração.

Aparamento/raspagem/demolição

Defina o botão de alteração do modo de ação para o símbolo .

Segure a ferramenta firmemente com as duas mãos. Ligue a ferramenta.

Aplique a força de alimentação na pega do interruptor (pega principal) para precisão de trabalho e eficiência e segure a pega lateral (pega auxiliar) para manter o equilíbrio da ferramenta.

Pressionar a ferramenta com muita força não aumenta a eficiência.

► **Fig.49**

Perfuração em madeira ou metal

⚠️ PRECAUÇÃO: Segure a ferramenta com firmeza e tenha cuidado quando a broca de perfuração começar a atravessar a peça de trabalho. No momento de atravessar o orifício, exercer-se-á uma enorme força na ferramenta/broca de perfuração.


⚠️ PRECAUÇÃO: Uma broca de perfuração presa pode ser retirada colocando-se simplesmente o interruptor de inversão para rotação inversa para fazê-la sair. No entanto, a ferramenta pode saltar para trás de repente se não a agarrar firmemente.

⚠️ PRECAUÇÃO: Fixe sempre as peças de trabalho num torno ou outro dispositivo de fixação semelhante.

OBSERVAÇÃO: Nunca utilize “rotação com martelagem” quando o mandril porta-broca estiver instalado na ferramenta. O mandril porta-brocas sofrerá danos.

Além disso, o mandril porta-brocas será extraído quando a ferramenta efetuar a rotação.

OBSERVAÇÃO: Não acelerará a perfuração se exercer demasiada pressão na ferramenta. Na realidade, esta pressão excessiva servirá apenas para danificar a ponta da broca de perfuração, diminuir o desempenho da ferramenta e encurtar o tempo de vida útil da ferramenta.

Defina o botão de alteração do modo de ação para o símbolo .

Para o modelo HR008G

Acessório opcional

Fixe o adaptador do mandril num mandril da broca sem chave no qual pode ser instalado o parafuso de tamanho 1/2"-20 e, em seguida, instale-os na ferramenta. Para obter informações sobre como instalar o adaptador no mandril, consulte as instruções sobre a instalação da broca de perfurar.

► **Fig.50:** 1. Mandril da broca sem chave 2. Adaptador do mandril

Para o modelo HR009G

Utilize o mandril da broca de troca rápida como equipamento padrão. Para obter informações sobre a instalação do mandril da broca de troca rápida, consulte as instruções sobre a alteração do mandril de troca rápida para SDS-plus.


Segure o anel e rode a manga para a esquerda para abrir os mordentes do mandril. Coloque uma broca de perfuração no mandril até ao fim. Segure o anel firmemente e rode a manga para a direita para apertar o mandril.

► **Fig.51:** 1. Manga 2. Anel

Para retirar a broca de perfuração, segure o anel e rode a manga para a esquerda.

Perfuração com broca de núcleo diamantada

OBSERVAÇÃO: Se realizar operações de perfuração com broca de núcleo diamantada com a ação “rotação com martelagem”, a broca de núcleo diamantada poderá sofrer danos.

Quando realizar operações de perfuração com broca de núcleo diamantada, coloque sempre o botão de alteração do modo de ação na posição  para utilizar a ação de “apenas rotação”.

Ampola de sopragem

Acessório opcional

Após perfurar o orifício, utilize a ampola de sopragem para limpar o pó do orifício.

► **Fig.52**

Utilizar o conjunto do reservatório de pó

Acessório opcional

Encaixe o conjunto do reservatório de pó contra o teto quando operar a ferramenta.

► **Fig.53**

OBSERVAÇÃO: Não utilize o conjunto do reservatório de pó para perfurar em metal ou materiais similares. Pode danificar o conjunto do reservatório de pó devido ao calor produzido por pó metálico pequeno ou outro similar.

OBSERVAÇÃO: Não instale ou remova o conjunto do reservatório de pó com a broca de perfurar instalada na ferramenta. Pode danificar o conjunto do reservatório de pó e causar a fuga de pó.

FUNÇÃO DE ATIVAÇÃO SEM FIOS

O que pode fazer com a função de ativação sem fios

A função de ativação sem fios possibilita um funcionamento limpo e confortável. Ao ligar um aspirador suportado à ferramenta, pode utilizar o aspirador automaticamente juntamente com o funcionamento por interruptor da ferramenta.

► **Fig.54**

Para utilizar a função de ativação sem fios, prepare os seguintes itens:

- Uma unidade sem fios (acessório opcional)
- Um aspirador que suporta a função de ativação sem fios

A vista geral da definição da função de ativação sem fios é a seguinte. Consulte cada secção para obter os procedimentos detalhados.

1. Instalar a unidade sem fios
2. Registo da ferramenta para o aspirador
3. Iniciar a função de ativação sem fios

Instalar a unidade sem fios

Acessório opcional

⚠️ PRECAUÇÃO: Coloque a ferramenta num superfície plana e estável quando instalar a unidade sem fios.

OBSERVAÇÃO: Limpe a poeira e a sujidade da ferramenta antes de instalar a unidade sem fios. A poeira ou a sujidade podem causar o mau funcionamento caso entrem na ranhura da unidade sem fios.

OBSERVAÇÃO: Para evitar o mau funcionamento causado pela estática, toque num material de descarga estática, tal como uma peça metálica da ferramenta, antes de pegar na unidade sem fios.

OBSERVAÇÃO: Quando instalar a unidade sem fios, certifique-se sempre de que a unidade sem fios é inserida na direção correta e que a tampa está completamente fechada.

1. Abra a tampa da ferramenta conforme ilustrado na figura.

► **Fig.55:** 1. Tampa

2. Insira a unidade sem fios na ranhura e feche a tampa, em seguida.

Quando inserir a unidade sem fios, alinhe as projeções com as partes encaixadas na ranhura.

► **Fig.56:** 1. Unidade sem fios 2. Projeção 3. Tampa 4. Parte encaixada

Quando remover a unidade sem fios, abra a tampa lentamente. Os ganchos na parte traseira da tampa elevam a unidade sem fios à medida que puxa a tampa para cima.

► **Fig.57:** 1. Unidade sem fios 2. Gancho 3. Tampa

Após remover a unidade sem fios, guarde-a na caixa fornecida ou num recipiente anti-estática.

OBSERVAÇÃO: Utilize sempre os ganchos da parte traseira da tampa quando remover a unidade sem fios. Se os ganchos não agarrarem a unidade sem fios, feche a tampa completamente e volte a abri-la lentamente.

Registo da ferramenta para o aspirador

NOTA: O aspirador Makita que suporta a função de ativação sem fios é necessário para o registo da ferramenta.

NOTA: Conclua a instalação da unidade sem fios na ferramenta antes de iniciar o registo da ferramenta.

NOTA: Durante o registo da ferramenta, não puxe o gatilho do interruptor ou ligue o interruptor de alimentação do aspirador.

NOTA: Consulte também o manual de instruções do aspirador.

Se pretender ativar o aspirador juntamente com o funcionamento por interruptor da ferramenta, conclua primeiramente o registo da ferramenta.

1. Instale as baterias no aspirador e na ferramenta.
2. Regule o interruptor do modo de espera no aspirador para "AUTO".

► **Fig.58:** 1. Interruptor do modo de espera

3. Pressione o botão de ativação sem fios do aspirador durante 3 segundos até a lâmpada de ativação sem fios piscar a verde. Em seguida, pressione o botão de ativação sem fios da ferramenta da mesma forma.

► **Fig.59:** 1. Botão de ativação sem fios 2. Lâmpada de ativação sem fios

Se o aspirador e a ferramenta forem ligados com sucesso, as lâmpadas de ativação sem fios acendem a verde durante 2 segundos e começam a piscar a azul.

NOTA: As lâmpadas de ativação sem fios acabam de piscar a verde após decorridos 20 segundos. Pressione o botão de ativação sem fios da ferramenta enquanto a lâmpada de ativação sem fios do aspirador estiver a piscar. Se a lâmpada de ativação sem fios não piscar a verde, pressione o botão de ativação sem fios por breves instantes e mantenha-o pressionado novamente.

NOTA: Quando realizar dois ou mais registos da ferramenta para um aspirador, conclua o registo da ferramenta um por um.

Iniciar a função de ativação sem fios

NOTA: Conclua o registo da ferramenta para o aspirador antes de realizar a ativação sem fios.

NOTA: Consulte também o manual de instruções do aspirador.

Após registar uma ferramenta para o aspirador, o aspirador funciona automaticamente com o funcionamento por interruptor da ferramenta.

1. Instale a unidade sem fios na ferramenta.
2. Ligue a mangueira do aspirador à ferramenta.

► **Fig.60**

3. Regule o interruptor do modo de espera no aspirador para "AUTO".

► **Fig.61:** 1. Interruptor do modo de espera

4. Pressione o botão de ativação sem fios da ferramenta por breves instantes. A lâmpada de ativação sem fios pisca a azul.

► **Fig.62:** 1. Botão de ativação sem fios 2. Lâmpada de ativação sem fios

5. Ligue a ferramenta. Verifique se o aspirador funciona enquanto a ferramenta está a funcionar.

Para parar a ativação sem fios do aspirador, pressione o botão de ativação sem fios da ferramenta.

NOTA: A lâmpada de ativação sem fios da ferramenta para de piscar a azul quando não ocorre qualquer utilização durante 2 horas. Neste caso, regule o interruptor do modo de espera do aspirador para "AUTO" e pressione novamente o botão de ativação sem fios da ferramenta.

NOTA: O aspirador inicia/para com um atraso. Ocorre um atraso temporal quando o aspirador deteta o funcionamento por interruptor da ferramenta.

NOTA: A distância de transmissão da unidade sem fios poderá variar em função do local e das circunstâncias envolventes.

NOTA: Quando duas ou mais ferramentas forem registadas para um aspirador, o aspirador poderá iniciar o seu funcionamento mesmo que não ligue a ferramenta devido ao facto de outro utilizador estar a utilizar a função de ativação sem fios.

Descrição do estado da lâmpada de ativação sem fios

► Fig.63: 1. Lâmpada de ativação sem fios

A lâmpada de ativação sem fios exhibe o estado da função de ativação sem fios. Consulte a tabela seguinte para obter o significado do estado da lâmpada.

Estado	Lâmpada de ativação sem fios				Descrição
	Cor	<input type="checkbox"/> Ligada	<input type="checkbox"/> A piscar	Duração	
Modo de espera	Azul	<input checked="" type="checkbox"/>		2 horas	A ativação sem fios do aspirador está disponível. A lâmpada desliga automaticamente quando o aspirador não é utilizado durante 2 horas.
		<input type="checkbox"/>	<input checked="" type="checkbox"/>	Quando a ferramenta estiver a funcionar.	A ativação sem fios do aspirador está disponível e a ferramenta está a funcionar.
Registo da ferramenta	Verde	<input checked="" type="checkbox"/>		20 segundos	Preparado para o registo da ferramenta. A aguardar o registo pelo aspirador.
		<input type="checkbox"/>	<input checked="" type="checkbox"/>	2 segundos	O registo da ferramenta foi concluído. A lâmpada de ativação sem fios começa a piscar a azul.
Cancelar o registo da ferramenta	Vermelho	<input checked="" type="checkbox"/>		20 segundos	Preparado para o cancelamento do registo da ferramenta. A aguardar o cancelamento pelo aspirador.
		<input type="checkbox"/>	<input checked="" type="checkbox"/>	2 segundos	O cancelamento do registo da ferramenta foi concluído. A lâmpada de ativação sem fios começa a piscar a azul.
Outros	Vermelho	<input type="checkbox"/>	<input checked="" type="checkbox"/>	3 segundos	A alimentação elétrica é fornecida à unidade sem fios e a função de ativação sem fios é iniciada.
	Desligada	-	-	-	A ativação sem fios do aspirador é interrompida.

Cancelar o registo da ferramenta para o aspirador

Realize o procedimento seguinte quando cancelar o registo da ferramenta para o aspirador.

1. Instale as baterias no aspirador e na ferramenta.
2. Regule o interruptor do modo de espera no aspirador para "AUTO".

► Fig.64: 1. Interruptor do modo de espera

3. Pressione o botão de ativação sem fios do aspirador durante 6 segundos. A lâmpada de ativação sem fios pisca a verde e fica vermelha, em seguida. Seguidamente, pressione o botão de ativação sem fios da ferramenta da mesma forma.

► Fig.65: 1. Botão de ativação sem fios 2. Lâmpada de ativação sem fios

Se o cancelamento for realizado com sucesso, as lâmpadas de ativação sem fios acendem a vermelho durante 2 segundos e começam a piscar a azul.

NOTA: As lâmpadas de ativação sem fios acabam de piscar a vermelho após decorridos 20 segundos. Pressione o botão de ativação sem fios da ferramenta enquanto a lâmpada de ativação sem fios do aspirador estiver a piscar. Se a lâmpada de ativação sem fios não piscar a vermelho, pressione o botão de ativação sem fios por breves instantes e mantenha-o pressionado novamente.

Resolução de problemas para a função de ativação sem fios

Antes de pedir uma reparação, realize primeiro a sua própria inspeção. Se encontrar um problema que não esteja explicado no manual, não tente desmontar a ferramenta. Em vez disso, peça as reparações nos centros de assistência técnica autorizados da Makita, usando sempre peças de substituição da Makita.

Estado da anomalia	Causa provável (avaria)	Correção
A lâmpada de ativação sem fios não acende/pisca.	A unidade sem fios não está instalada na ferramenta. A unidade sem fios está instalada incorretamente na ferramenta.	Instale a unidade sem fios corretamente.
	O terminal da unidade sem fios e/ou a ranhura estão sujos.	Limpe delicadamente a poeira e a sujidade do terminal da unidade sem fios e limpe a ranhura.
	O botão de ativação sem fios da ferramenta não foi pressionado.	Pressione o botão de ativação sem fios da ferramenta por breves instantes.
	O interruptor do modo de espera do aspirador não está regulado para "AUTO".	Regule o interruptor do modo de espera no aspirador para "AUTO".
	Sem fornecimento de alimentação elétrica	Forneça alimentação elétrica à ferramenta e ao aspirador.
Não foi possível concluir o registo da ferramenta / o cancelamento do registo da ferramenta com sucesso.	A unidade sem fios não está instalada na ferramenta. A unidade sem fios está instalada incorretamente na ferramenta.	Instale a unidade sem fios corretamente.
	O terminal da unidade sem fios e/ou a ranhura estão sujos.	Limpe delicadamente a poeira e a sujidade do terminal da unidade sem fios e limpe a ranhura.
	O interruptor do modo de espera do aspirador não está regulado para "AUTO".	Regule o interruptor do modo de espera no aspirador para "AUTO".
	Sem fornecimento de alimentação elétrica	Forneça alimentação elétrica à ferramenta e ao aspirador.
	Funcionamento incorreto	Pressione o botão de ativação sem fios por breves instantes e volte a realizar os procedimentos de registo da ferramenta/cancelamento.
	A ferramenta e o aspirador estão afastados um do outro (fora do alcance da transmissão).	Aproxime a ferramenta do aspirador. A distância máxima de transmissão é aproximadamente 10 m, contudo, poderá variar de acordo com as circunstâncias.
	Antes de terminar o registo/cancelamento da ferramenta; - o interruptor da ferramenta é ativado; ou - o botão de alimentação no aspirador é ativado.	Pressione o botão de ativação sem fios por breves instantes e volte a realizar os procedimentos de registo da ferramenta/cancelamento.
	Os procedimentos de registo da ferramenta para a ferramenta ou aspirador não foram concluídos.	Realize os procedimentos de registo da ferramenta para a ferramenta e para o aspirador ao mesmo tempo.
	Interferência radioelétrica por outros aparelhos que geram ondas de rádio de alta intensidade.	Mantenha a ferramenta e o aspirador afastados de aparelhos como dispositivos Wi-Fi e fornos microondas.
	O aspirador não funciona juntamente com o funcionamento por interruptor da ferramenta.	A unidade sem fios não está instalada na ferramenta. A unidade sem fios está instalada incorretamente na ferramenta.
O terminal da unidade sem fios e/ou a ranhura estão sujos.		Limpe delicadamente a poeira e a sujidade do terminal da unidade sem fios e limpe a ranhura.
O botão de ativação sem fios da ferramenta não foi pressionado.		Pressione o botão de ativação sem fios por breves instantes e certifique-se de que a lâmpada de ativação sem fios está a piscar a azul.
O interruptor do modo de espera do aspirador não está regulado para "AUTO".		Regule o interruptor do modo de espera no aspirador para "AUTO".
Estão registadas mais de 10 ferramentas para o aspirador.		Realize o registo da ferramenta novamente. Se estiverem registadas mais de 10 ferramentas para o aspirador, a ferramenta registada mais cedo será cancelada automaticamente.
O aspirador apagou todos os registos da ferramenta.		Realize o registo da ferramenta novamente.
Sem fornecimento de alimentação elétrica		Forneça alimentação elétrica à ferramenta e ao aspirador.
A ferramenta e o aspirador estão afastados um do outro (fora do alcance da transmissão).		Aproxime a ferramenta do aspirador. A distância máxima de transmissão é aproximadamente 10 m, contudo, poderá variar de acordo com as circunstâncias.
Interferência radioelétrica por outros aparelhos que geram ondas de rádio de alta intensidade.		Mantenha a ferramenta e o aspirador afastados de aparelhos como dispositivos Wi-Fi e fornos microondas.

Estado da anomalia	Causa provável (avaria)	Correção
O aspirador funciona enquanto a ferramenta não está a funcionar.	Outros utilizadores estão a utilizar a ativação sem fios do aspirador com as respetivas ferramentas.	Desligue o botão de ativação sem fios das outras ferramentas ou cancele o registo da ferramenta das outras ferramentas.

MANUTENÇÃO

⚠PRECAUÇÃO: Certifique-se sempre de que a ferramenta se encontra desligada e de que a bateria foi retirada antes de executar qualquer inspeção ou manutenção.

OBSERVAÇÃO: Nunca utilize gasolina, benzina, diluente, álcool ou produtos semelhantes. Pode ocorrer a descoloração, deformação ou rachaduras.

Para manter a SEGURANÇA e a FIABILIDADE do produto, as reparações e qualquer outra manutenção ou ajuste devem ser levados a cabo pelos centros de assistência Makita autorizados ou pelos centros de assistência de fábrica, utilizando sempre peças de substituição Makita.

- Sistema de coleta de pó
- Unidade sem fios
- Bateria e carregador genuínos da Makita

NOTA: Alguns itens da lista podem estar incluídos na embalagem da ferramenta como acessórios padrão. Eles podem variar de país para país.

ACESSÓRIOS OPCIONAIS

⚠PRECAUÇÃO: Estes acessórios ou peças são recomendados para utilização com a ferramenta Makita especificada neste manual. A utilização de outros acessórios ou peças pode ser perigosa para as pessoas. Utilize apenas acessórios ou peças para os fins indicados.

Se necessitar de informações adicionais relativas a estes acessórios, solicite-as ao seu centro de assistência Makita.

- Brocas de perfurar com ponta de carboneto (brocas de perfurar com ponta de carboneto SDS-plus)
- Broca de núcleo
- Butil de ponta
- Broca de núcleo diamantada
- Butil
- Butil de raspagem
- Butil para ranhuras
- Conjunto do mandril da broca (adaptador do mandril/mandril da broca)
- Massa lubrificante da broca
- Micrómetro de profundidade
- Ampola de sopragem
- Reservatório de pó
- Conjunto do reservatório de pó Espaçador (para HR008G)
- Conjunto do gancho
- Conjunto da caixa do pó
- Conjunto do filtro
- Junta

SPECIFIKATIONER

Model:		HR008G	HR009G
Kapacitet	Beton	30 mm	
	Kernebit	80 mm	
	Diamantkernebit (tør type)	80 mm	
	Stål	13 mm	
	Træ	32 mm	
Hastighed uden belastning		0 - 840 min ⁻¹	
Slag pr. minut		0 - 4.500 min ⁻¹	
Mærkespænding		D.C. 36 V - 40 V maks.	
Samlet længde (med BL4040)		422 mm	439 mm
Nettovægt		5,2 - 6,8 kg	5,3 - 6,7 kg

Ekstraudstyr

Model:	DX10 (til HR008G)	DX11 (til HR009G)
Anvendeligt arbejdsemne og arbejdstilstand	kun til betonboring (ikke til metal eller træ, og ikke til boring med kerne eller mejsling)	
Sugeevne	350 l/min	
Driftsslaglængde	Op til 190 mm	
Passende borebit	Op til 265 mm	
Nettovægt	1,2 kg	

- På grund af vores kontinuerlige forsknings- og udviklingsprogrammer kan hosstående specifikationer blive ændret uden varsel.
- Specifikationer kan variere fra land til land.
- Vægten kan være anderledes afhængigt af tilbehøret, inklusive akkuen. Den letteste og tungeste kombination i henhold til EPTA-procedure 01/2014 er vist i tabellen.

Anvendelig akku og oplader

Akku	BL4020 / BL4025 / BL4040* / BL4050F* / BL4080F * : Anbefalet batteri
Oplader	DC40RA / DC40RB / DC40RC

- Nogle af de akkuer og opladere, der er angivet ovenfor, er muligvis ikke tilgængelige, afhængigt af hvilket område du bor i.

⚠ ADVARSEL: Brug kun de akkuer og opladere, der er angivet ovenfor. Brug af andre akkuer og opladere kan medføre personskaade og/eller brand.

Anbefalet ledningstilsluttet strømforsyningskilde

Bærbar strømforsyning	PDC01 / PDC1200
-----------------------	-----------------

- Den eller de ovenfor anførte ledningstilsluttede strømforsyningskilder er muligvis ikke tilgængelige, afhængigt af hvilket område du bor i.
- Inden du bruger den ledningstilsluttede strømforsyningskilde, skal du læse instruktionen og advarselsskiltene på dem.

Tilsigtet brug

Denne maskine er beregnet til hammerboring og boring i mursten, beton og sten samt til mejslingsarbejde. Den er også egnet til boring uden slag i træ, metal, keramik og plastik.

Støj

Det typiske A-vægtede støjniveau bestemt i overensstemmelse med EN62841-2-6:

Model HR008G

Lydtryksniveau (L_{pA}): 95 dB (A)
Lydeffektniveau (L_{WA}): 103 dB (A)
Usikkerhed (K): 3 dB (A)

Model HR009G

Lydtryksniveau (L_{pA}): 95 dB (A)
Lydeffektniveau (L_{WA}): 103 dB (A)
Usikkerhed (K): 3 dB (A)

Model HR008G med DX10

Lydtryksniveau (L_{pA}): 97 dB (A)
Lydeffektniveau (L_{WA}): 105 dB (A)
Usikkerhed (K): 3 dB (A)

Model HR009G med DX11

Lydtryksniveau (L_{pA}): 97 dB (A)
Lydeffektniveau (L_{WA}): 105 dB (A)
Usikkerhed (K): 3 dB (A)

BEMÆRK: De(n) angivne støjemissionsværdi(er) er målt i overensstemmelse med en standardtestmetode og kan anvendes til at sammenligne en maskine med en anden.

BEMÆRK: De(n) angivne støjemissionsværdi(er) kan også anvendes i en præliminær eksponeringsvurdering.

⚠ ADVARSEL: Bær høreværn.

⚠ ADVARSEL: Støjemissionen under den faktiske anvendelse af maskinen kan være forskellig fra de(n) angivne værdi(er), afhængigt af den måde hvorpå maskinen anvendes, især den type arbejdsemne der behandles.

⚠ ADVARSEL: Sørg for at identificere de sikkerhedsforskrifter til beskyttelse af operatøren, som er baseret på en vurdering af eksponering under de faktiske brugsforhold (med hensyntagen til alle dele i brugscyklussen, f.eks. de gange, hvor maskinen er slukket, og når den kører i tomgang i tilgift til afbrydertiden).

Vibration

Følgende tabel viser vibrationens totalværdi (tre-aksial vektorsum) bestemt i overensstemmelse med den gældende standard.

Model HR008G

Arbejdstilstand	Vibrationsemission	Usikkerhed (K)	Gældende standard/prøvningsbetingelse
Slagboring i beton ($a_{h, HD}$)	11,8 m/s ²	1,5 m/s ²	EN62841-2-6
	9,1 m/s ²	1,5 m/s ²	Anbefalet praktisk anvendelse*
Slagboring i beton med DX10 ($a_{h, HD}$)	9,5 m/s ²	2,0 m/s ²	EN62841-2-6
	7,8 m/s ²	1,5 m/s ²	Anbefalet praktisk anvendelse*
Mejpling ($a_{h, Chreq}$)	8,6 m/s ²	1,5 m/s ²	EN62841-2-6
	8,0 m/s ²	1,5 m/s ²	Anbefalet praktisk anvendelse*

Model HR009G

Arbejdstilstand	Vibrationsemission	Usikkerhed (K)	Gældende standard/prøvningsbetingelse
Slagboring i beton ($a_{h, HD}$)	11,5 m/s ²	1,5 m/s ²	EN62841-2-6
	9,1 m/s ²	1,5 m/s ²	Anbefalet praktisk anvendelse*
Slagboring i beton med DX11 ($a_{h, HD}$)	8,9 m/s ²	1,5 m/s ²	EN62841-2-6
	7,3 m/s ²	1,5 m/s ²	Anbefalet praktisk anvendelse*
Mejpling ($a_{h, Chreq}$)	7,3 m/s ²	1,5 m/s ²	EN62841-2-6
	7,1 m/s ²	1,5 m/s ²	Anbefalet praktisk anvendelse*

* Prøvningsbetingelsen for anbefalet praktisk anvendelse opfylder EN 62841-2-6, bortset fra følgende punkter:

- Tilspændingskraft påføres kontakthåndtaget (hovedhåndtag) for at opnå arbejdsnøjagtighed og effektivitet.
- Sidehåndtaget/grebet (ekstra håndtag) holdes fast for at holde maskinens balance.

BEMÆRK: De(n) angivne totalværdi(er) for vibration er målt i overensstemmelse med en standardtestmetode og kan anvendes til at sammenligne en maskine med en anden.

BEMÆRK: De(n) angivne totalværdi(er) for vibration kan også anvendes i en præliminær eksponeringsvurdering.

⚠ ADVARSEL: Vibrationsemissionen under den faktiske anvendelse af maskinen kan være forskellig fra de(n) angivne værdi(er), afhængigt af den måde hvorpå maskinen anvendes, især den type arbejdsemne der behandles.

⚠ ADVARSEL: Sørg for at identificere de sikkerhedsforskrifter til beskyttelse af operatøren, som er baseret på en vurdering af eksponering under de faktiske brugsforhold (med hensyntagen til alle dele i brugscyklussen, f.eks. de gange, hvor maskinen er slukket, og når den kører i tomgang i tilgift til afbrydertiden).

Overensstemmelseserklæringer

Kun for lande i Europa

Overensstemmelseserklæringerne er inkluderet i Bilag A i denne brugsanvisning.

SIKKERHEDSADVARSLER

Almindelige sikkerhedsregler for el-værktøj

⚠ ADVARSEL: Læs alle de sikkerhedsadvarsler, instruktioner, illustrationer og specifikationer, der følger med denne maskine. Forsømmelse af at overholde alle nedenstående instruktioner kan medføre elektrisk stød, brand og/eller alvorlig personskade.

Gem alle advarsler og instruktioner til fremtidig reference.

Ordet "el-værktøj" i advarslerne henviser til det netforsyede (netledning) el-værktøj eller batteriforsyede (akku) el-værktøj.

SIKKERHEDSADVARSLER FOR AKKU-BOREHAMMER

Sikkerhedsinstruktioner for alle betjening

1. **Bær høreværn.** Udsættelse for støj kan medføre høreskader.
2. **Brug hjælpehåndtaget (-håndtagene), hvis sådanne følger med maskinen.** Hvis herredømmet over maskinen mistes, kan det føre til tilskadekomst.
3. **Hold maskinen i de isolerede gribeblader, når du udfører en handling, hvor skæretilbehøret kan komme i kontakt med skjulte ledninger.** Skæretilbehør, der kommer i kontakt med en "strømførende" ledning, kan gøre maskinens udsatte metaldele "strømførende" og kan give operatøren et elektrisk stød.

Sikkerhedsinstruktioner under brug af lange borebits med borehamre

1. **Begynd altid at bore ved lav hastighed og med bitspidsen i kontakt med arbejdsemnet.** Ved højere hastigheder vil bittens sandsynligvis bøje, hvis den tillades at rotere frit uden at berøre arbejdsemnet, hvilket resulterer i personskade.

2. **Påfør kun tryk i bittens retning og påfør ikke for stort tryk.** Bits kan bøje, hvilket forårsager brud eller tab af kontrol, hvilket resulterer i personskade.

Supplerende sikkerhedsforskrifter

1. **Bær hjelm (sikkerhedshjelm), sikkerhedsbriller og/eller ansigtsskjold.** Almindelige briller eller solbriller er IKKE sikkerhedsbriller. Det anbefales desuden på det kraftigste at bære støvmaske og kraftigt polstrede handsker.
2. **Sørg for, at bittens sidder godt fast før brugen.**
3. **Maskinen er designet til at forårsage vibration ved normal brug.** Skruerne kan nemt løsne sig og medføre et nedbrud eller en ulykke. Kontroller før brugen, at skruerne sidder stramt.
4. **I koldt vejr, eller hvis maskinen ikke har været anvendt i længere tid, skal du lade maskinen varme op et stykke tid ved at lade den køre i tomgang.** Derved blødgøres smøremidlet. Uden korrekt opvarmning kan det være vanskeligt at betjene hammeren.
5. **Vær altid sikker på, at De har et godt fodfæste.** Vær sikker på, at der ikke befinder sig nogen nedenunder, når maskinen anvendes i højden.
6. **Hold godt fast i maskinen med begge hænder.**
7. **Hold hænderne på afstand fra bevægelige dele.**
8. **Lad ikke maskinen køre i tomgang.** Anvend kun maskinen håndholdt.
9. **Ret ikke maskinen mod personer i nærheden, mens den kører.** Bittens kan flyve ud og forårsage alvorlig personskade.
10. **Rør ikke ved bittens eller dele i nærheden af bittens eller arbejdsemnet umiddelbart efter brugen.** De kan være meget varme og kan forårsage forbrændinger af huden.
11. **Nogle materialer indeholder kemikalier, som kan være giftige.** Vær påpasselig med at forhindre inhalering af støv og hudkontakt. Følg materiale-leverandørens sikkerhedsdata.
12. **Sørg altid for, at der er slukket for maskinen, og at akkuen og bittens er fjernet, før du overdrager maskinen til en anden person.**
13. **Inden betjening skal du sørge for, at der ikke er nogen skjulte genstande som fx elektriske rør, vandrør eller gasrør i arbejdsområdet.** Ellers kan borebittens/mejslens muligvis røre dem, hvilket kan resultere i et elektrisk stød, elektrisk lækage eller gaslækage.
14. **Anvend ikke maskinen unødvendigt i ubelastet tilstand.**

GEM DENNE BRUGSANVISNING.

⚠ ADVARSEL: LAD IKKE bekvemmelighed eller kendskab til produktet (opnået gennem gentagen brug) forhindre, at sikkerhedsforskrifterne for produktet nøje overholdes. MISBRUG eller forsømmelse af at følge de i denne brugsvejledning givne sikkerhedsforskrifter kan føre til, at De kommer alvorligt til skade.

Vigtige sikkerhedsinstruktioner for akkuen

1. Læs alle instruktioner og advarselmærkater på (1) akku-opladeren, (2) akkuen og (3) produktet, som anvender akku.
2. Adskil eller ændr ikke akkuen. Det kan muligvis resultere i en brand, overdreven varme eller eksplosion.
3. Hold straks op med anvendelsen, hvis brugstiden er blevet stærkt afkortet. Forsat anvendelse kan resultere i risiko for overophedning, forbrændinger og endog eksplosion.
4. Hvis De har fået elektrolytvæske i øjnene, skal De straks skylle den ud med rent vand og derefter øjeblikkeligt søge lægehjælp. I modsat fald kan De miste synet.
5. Vær påpasselig med ikke at komme til at kortslutte akkuen:
 - (1) Rør ikke ved terminalerne med noget ledende materiale.
 - (2) Undgå at opbevare akkuen i en beholder sammen med andre genstande af metal, for eksempel søm, mønter og lignende.
 - (3) Udsæt ikke akkuen for vand eller regn. Kortslutning af akkuen kan forårsage en kraftig øgning af strømmen, overophedning, mulige forbrændinger og endog værkøjtstop.
6. Opbevar og brug ikke maskinen og akkuen på steder, hvor temperaturen muligvis kan nå eller overstige 50 °C.
7. Lad være med at brænde akkuen, selv ikke i tilfælde, hvor den har lidt alvorlig skade eller er fuldstændig udtjent. Akkuen kan eksplodere, hvis man forsøger at brænde den.
8. Slå ikke søm i, skær ikke i, knus, kast, tab ikke akkuen og stød ikke akkuen mod en hård genstand. Sådant adfærd kan muligvis resultere i en brand, overdreven varme eller eksplosion.
9. Anvend ikke en beskadiget akku.
10. De indbyggede litium-ion-batterier er underlagt lovkrav vedrørende farligt gods. Ved kommerciel transport, f.eks. af tredjeparts transportselskaber, skal særlige krav til forpakning og mærkning overholdes. Ved forberedelse af udstyret til forsendelse skal du kontakte en ekspert i farligt gods. Overhold også eventuel mere detaljeret national lovgivning. Tape eller tildæk åbne kontakter, og pak batteriet på en måde, så det ikke kan flytte sig rundt i pakningen.
11. Når akkuen bortskaffes, skal du fjerne den fra maskinen og bortskaffe den på et sikkert sted. Følg de lokale love vedrørende bortskaffelsen af batterier.
12. Brug kun batterierne med de produkter, som Makita specificerer. Hvis batterierne installeres i ikke-kompatible produkter, kan det medføre brand, kraftig varme, eksplosion eller udsvining af elektrolyt.
13. Hvis maskinen ikke skal bruges i længere tid ad gangen, skal du fjerne batteriet fra maskinen.
14. Akkuen kan muligvis under og efter brug være varm, hvilket kan forårsage forbrændinger eller lavtemperaturforbrændinger. Vær påpasselig med håndtering af varme akkuer.

15. Rør ikke terminalen på maskinen straks efter brug, da den bliver varm nok til at forårsage forbrændinger.
16. Sørg for, at spåner, støv eller jord ikke sætter sig fast i akkuens terminaler, huller og riller. Det kan forårsage opvarmning, antændelse, sprængning og funktionsfejl i maskinen eller akkuen, hvilket kan medføre forbrændinger eller personskade.
17. Medmindre maskinen understøtter brugen i nærheden af elektriske højspændingsledninger, skal du ikke anvende akkuen i nærheden af elektriske højspændingsledninger. Det kan muligvis medføre funktionsfejl på eller nedbrud af maskinen eller akkuen.
18. Opbevar batteriet utilgængeligt for børn.

GEM DENNE BRUGSANVISNING.

⚠FORSIGTIG: Brug kun originale batterier fra Makita. Brug af uoriginale Makita-batterier, eller batterier som er blevet ændret, kan muligvis medføre brud på batteriet, hvilket kan forårsage brand, personskade eller beskadigelse. Det ugyldiggør også Makita-garantien for Makita-maskinen og opladeren.

Tips til opnåelse af maksimal akku-levetid

1. Oplad akkuen, inden den er helt afladet. Stop altid værkøjet, og oplad akkuen, hvis De bemærker, at værkøjeffekten er aftagende.
2. Genoplad aldrig en fuldt opladet akku. Overopladning vil afkorte akkuens levetid.
3. Oplad akkuen ved stuetemperatur ved 10 °C - 40 °C. Lad altid en varm akku få tid til at køle af, inden den oplades.
4. Når du ikke anvender akkuen, skal du fjerne den fra maskinen eller opladeren.
5. Oplad akkuen, hvis De ikke skal bruge den i længere tid (mere end seks måneder).

Vigtige sikkerhedsinstruktioner for trådløs enhed

1. Undlad at adskille eller ændre den trådløse enhed.
2. Opbevar den trådløse enhed utilgængeligt for små børn. Søg øjeblikkeligt læge, hvis den sluges ved et uheld.
3. Brug kun den trådløse enhed sammen med maskiner fra Makita.
4. Udsæt ikke den trådløse enhed for regn eller våde omgivelser.
5. Brug ikke den trådløse enhed på steder, hvor temperaturen overskrider 50 °C.
6. Brug ikke den trådløse enhed i nærheden af medicinske instrumenter som f.eks. pacemakere.
7. Brug ikke den trådløse enhed i nærheden af automatiske enheder. Hvis den bruges, kan automatiske enheder udvikle fejlfunktion eller fejl.
8. Undlad at betjene den trådløse enhed på steder med høje temperaturer eller steder, hvor der kan genereres statisk elektricitet eller elektrisk støj.

9. Den trådløse enhed kan frembringe elektromagnetiske felter (EMF), men de er ikke skadelige for brugeren.
10. Den trådløse enhed er et præcisionsinstrument. Undgå at tabe eller slå på den trådløse enhed.
11. Undgå at berøre terminalen på den trådløse enhed med de bare hænder eller metalliske materialer.
12. Tag altid batteriet ud af produktet, når den trådløse enhed monteres på det.
13. Når låget på åbningen åbnes, skal du undgå steder, hvor der kan komme støv eller vand ind i åbningen. Hold altid indgangen til åbningen ren.
14. Indsæt altid den trådløse enhed i den rigtige retning.
15. Undgå at trykke for hårdt på den trådløse aktiveringsknap på den trådløse enhed og/eller at trykke på knappen med en genstand med en skarp kant.
16. Luk altid låget på åbningen under brug.
17. Undlad at fjerne den trådløse enhed fra åbningen, når der er sluttet strøm til maskinen. Hvis du gør dette, kan det medføre funktionsfejl i den trådløse enhed.
18. Undlad at fjerne etiketten på den trådløse enhed.
19. Undlad at sætte nogen etiket på den trådløse enhed.
20. Lad ikke den trådløse enhed ligge på steder, hvor der kan genereres statisk elektricitet eller elektrisk støj.
21. Lad ikke den trådløse enhed ligge på steder, der er udsat for høj varme, for eksempel en bil, der står i solen.
22. Lad ikke den trådløse enhed ligge på et sted med støv eller pulver eller på et sted, hvor der kan udvikles ætsende gas.
23. En pludselig temperaturændring kan forårsage dug på den trådløse enhed, før duggen er tørret helt bort.
24. Ved rengøring af den trådløse enhed skal den aftørres forsigtigt med en tør, blød klud. Brug ikke rensebenzin, fortynder, ledende fedtstof eller lignende.
25. Ved opbevaring af den trådløse enhed skal den opbevares i den medfølgende æske eller i en beholder, der er fri for statisk elektricitet.
26. Indsæt ikke andre enheder end den trådløse enhed fra Makita i åbningen på maskinen.
27. Undlad at bruge maskinen, hvis låget til åbningen er beskadiget. Vand, støv og snavs, der kommer ind i åbningen, kan forårsage fejlfunktion.
28. Undlad at trække og/eller vride låget til åbningen mere end nødvendigt. Sæt låget på igen, hvis det falder af maskinen.
29. Udskift låget til åbningen, hvis det bliver væk eller ødelægges.

GEM DISSE FORSKRIFTER.

FUNKTIONSBESKRIVELSE

⚠FORSIGTIG: Sørg altid for at maskinen er slukket, og at akkuen er taget ud, før der udføres justering eller kontrol af funktioner på maskinen.

Isætning eller fjernelse af akkuen

⚠FORSIGTIG: Sluk altid for værktøjet, før De monterer eller fjerner akkuen.

⚠FORSIGTIG: Hold værktøjet og akkuen fast ved montering eller fjernelse af akkuen. Hvis De ikke holder værktøjet og akkuen fast, kan de glide ud af hænderne på Dem og forårsage beskadigelse af værktøjet og akkuen eller personskade.

► Fig.1: 1. Rød indikator 2. Knap 3. Akku

Akkuen fjernes ved, at De trækker den ud af værktøjet, idet De skyder knappen på forsiden af akkuen i stilling.

For at montere akkuen skal du justere tungen på akkuen med rillen i huset og skubbe den på plads. Indsæt den hele vejen, indtil den låses på plads med et lille klik. Hvis du kan se den røde indikator, som vist i figuren, er den ikke helt låst.

⚠FORSIGTIG: Monter altid akkuen helt, indtil den røde indikator ikke længere er synlig. Hvis dette ikke gøres, kan den falde ud af værktøjet ved et uheld, hvorved De selv eller personer i nærheden kan komme til skade.

⚠FORSIGTIG: Brug ikke magt ved montering af akkuen. Hvis akkuen ikke glider på plads uden problemer, betyder det, at den ikke sættes i på korrekt vis.

Indikation af den resterende batteriladning

Tryk på kontrolknappen på akkuen for at få vist den resterende batteriladning. Indikatorlampen lyser i nogle sekunder.

► Fig.2: 1. Indikatorlamper 2. Kontrolknap

Indikatorlamper			Resterende ladning
Tændt	Slukket	Blinker	
■ ■ ■ ■			75% til 100%
■ ■ ■ □			50% til 75%
■ ■ □ □			25% til 50%
■ □ □ □			0% til 25%
▬ □ □ □			Genoplad batteriet.
■ ■ □ □			Der er muligvis fejl i batteriet.
□ □ ■ ■			

BEMÆRK: Afhængigt af brugsforholdene og den omgivende temperatur kan indikationen afvige en smule fra den faktiske ladning.

BEMÆRK: Den første indikatorlampe (længst mod venstre) vil blinke, når batteribeskyttelsessystemet aktiveres.

Beskyttelsessystem til værktøj/batteri

Maskinen er udstyret med et beskyttelsessystem til maskinen/batteriet. Dette system afbryder automatisk strømmen til motoren for at forlænge maskinens og batteriets levetid. Maskinen stopper automatisk under brugen, hvis maskinen eller batteriet udsættes for et af følgende forhold:

Overbelastningsbeskyttelse

Hvis batteriet bruges på en måde, der får det til at trække en unormalt høj strøm, stopper maskinen automatisk uden indikation. Sluk i så fald for maskinen, og stop den anvendelse, der medførte overbelastningen af maskinen. Tænd derefter for maskinen for at starte igen.

Beskyttelse mod overophedning

Hvis maskinen eller batteriet bliver overophedet, stopper maskinen automatisk. Lad i så fald maskinen og batteriet køle ned, før der tændes for maskinen igen.

BEMÆRK: Når maskinen er overophedet, blinker lampen.

Beskyttelse mod overafledning

Når batteriladningen er utilstrækkelig, stopper maskinen automatisk. Tag i så fald akkuen ud af maskinen, og oplad akkuen.

Beskyttelse mod andre årsager

Beskyttelsessystemet er også designet til andre årsager, der kan beskadige maskinen og gør det muligt for maskinen at stoppe automatisk. Træf alle følgende foranstaltninger for at fjerne årsagerne, når maskinen midlertidigt er blevet bragt til standsning eller stoppet i drift.

1. Sluk for maskinen, og tænd den igen for at genstarte.
2. Oplad batteriet/batterierne eller udskift det/dem med genopladet/genopladede batteri/batterier.
3. Lad maskinen og batteriet/batterierne køle af.

Hvis der ikke kan findes nogen forbedring ved at gendanne beskyttelsessystemet, skal det lokale Makita-servicecenter kontaktes.

Afbryderbetjening

⚠ ADVARSEL: Inden akkuen sættes i maskinen, bør De altid kontrollere, at afbryderknappen fungerer korrekt, og returnerer til "OFF"-positionen, når den slippes.

► Fig.3: 1. Afbryderknop

For at starte maskinen trykkes der blot på afbryderknappen. Maskinens hastighed øges ved at øge trykket på afbryderknappen. Slip afbryderknappen for at stoppe.

Hastighedsændring

Omdrejningerne og slag pr. minut kan ændres ved at dreje justeringsdrejknappen til en given nummerindstilling fra 1 til 5. Højere hastighed opnås, når drejknappen drejes i retningen af nummer 5. Lavere hastighed opnås, når drejknappen drejes i retningen af nummer 1. Der kan opnås en målhastighed, når afbryderknappen er trykket helt ind.

► Fig.4: 1. Justeringsdrejknop

Se tabellen for forholdet mellem nummerindstillingerne på justeringsdrejknappen og de omtrentlige omdrejninger og slag pr. minut.

Nummer	Omdrejninger pr. minut	Slag pr. minut
5	840	4.500
4	760	4.070
3	550	2.950
2	350	1.880
1	300	1.610

⚠ FORSIGTIG: Undlad at dreje justeringsdrejknappen, når maskinen kører. Hvis du ikke overholder dette, kan det medføre tab af kontrollen med maskinen og forårsage personskade.

BEMÆRKNING: Hvis maskinen anvendes kontinuerligt ved lav hastighed i længere tid ad gangen, bliver motoren overbelastet med funktionsforstyrrelser til følge.

BEMÆRKNING: Justeringsdrejknappen drejer mellem nummerindstilling 1 og 5. Undgå at dreje drejknappen længere frem og tilbage, da det kan forårsage skade på maskinen.

Tænding af lampen foran

► Fig.5: 1. Lampe

⚠ FORSIGTIG: Kig aldrig direkte på lyskilden. Lad ikke lyset falde i Deres øjne.

Tryk afbryderknappen ind for at tænde for lampen. Lampen fortsætter med at lyse, så længe afbryderknappen trykkes ind. Lampen slukker omkring 10 sekunder efter at afbryderknappen er udløst.

⚠ FORSIGTIG: Hvis lampen slukkes efter at have blinket i nogle sekunder, fungerer teknologien til aktiv registrering af feedback ikke korrekt. Kontakt det lokale Makita servicecenter for reparation.

BEMÆRK: Brug en tør klud til at tørre snavset af lampens linse. Pas på ikke at ride lampens linse, da dette muligvis kan dæmpe belysningen.

BEMÆRK: Når maskinen er overophedet, blinker lampen. I dette tilfælde skal du slippe afbryderknappen og derefter afkøle maskinen/batteriet, før du betjener maskinen igen.

BEMÆRK: Frontlampen kan ikke bruges, mens systemet til støvopsamling (ekstraudstyr) er monteret på maskinen.

Omløbsvælgerbetjening

► **Fig.6:** 1. Omløbsvælger

⚠FORSIGTIG: Kontrollér altid omløbsretningen, inden arbejdet påbegyndes.

⚠FORSIGTIG: Flyt kun omløbsvælgeren, når maskinen er helt standset. Hvis omløbsretningen ændres, inden maskinen er helt stoppet, kan det beskadige maskinen.

⚠FORSIGTIG: Sæt altid omløbsvælgeren i neutral stilling, når maskinen ikke anvendes.

Denne maskinen har en omløbsvælger til at skifte omløbsretning. Skub omløbsvælgeren ind fra A-siden for omdrejning med uret, og fra B-siden for omdrejning mod uret. Når omløbsvælgeren er i neutral stilling, kan afbryderknappen ikke trykkes ind.


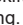
Udskiftning af patron til hurtigskift til SDS-plus

Til model HR009G

Det er let at skifte patronen til hurtigskift til SDS-plus ud med borepatronen til hurtigskift.




Fjernelse af patronen til hurtigskift til SDS-plus

⚠FORSIGTIG: Sørg altid for at fjerne bitten, før patronen til hurtigskift til SDS-plus fjernes.

Tag fat i skifteholderen på patronen til hurtigskift til SDS-plus, og drej den i pilens retning, indtil skifteholderlinjen flyttes fra -symbolet til -symbolet. Træk patronen til hurtigskift til SDS-plus, om nødvendigt med kraft, i pilens retning.

► **Fig.7:** 1. Patron til hurtigskift til SDS-plus
2. Skifteholder 3. Skifteholderlinje

Montering af borepatronen til hurtigskift

Kontroller, at linjen på borepatronen til hurtigskift viser -symbolet. Tag fat i skifteholderen på borepatronen til hurtigskift, og indstil linjen til -symbolet. Sæt borepatronen til hurtigskift på maskinens spindel. Tag fat i skifteholderen på borepatronen til hurtigskift, og drej skifteholderlinjen til -symbolet, indtil der høres et tydeligt klik.


► **Fig.8:** 1. Borepatron til hurtigskift 2. Spindel
3. Skifteholderlinje 4. Skifteholder

Valg af funktionsmåden

BEMÆRKNING: Undlad at dreje omskifterknappen til ændring af funktionsmåde, mens maskinen kører. Maskinen vil blive beskadiget.

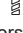
BEMÆRKNING: For at undgå hurtigt slid på mekanismen til funktionsskift skal du sikre dig, at omskifterknappen til ændring af funktionsmåde altid er forsvarligt placeret i en af de tre funktionspositioner.

Rotation med hamring

Ved boring i beton, murværk osv. drejes omskifterknappen til ændring af funktionsmåde til -symbolet. Brug en bit med tungstenkarbidspids (ekstraudstyr).

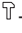
► **Fig.9:** 1. Rotation med hamring 2. Omskifterknapp til ændring af funktionsmåde

Kun rotation

Ved boring i træ, metal eller plastikmaterialer skal omskifterknappen til ændring af funktionsmåde drejes til -symbolet. Brug en snegleborsbit eller en træborsbit.

► **Fig.10:** 1. Kun rotation

Kun hamring

Til mejslings-, afbanknings- eller nedrivningsformål skal omskifterknappen til ændring af funktionsmåde drejes til -symbolet. Brug en spidshammer, koldmejsel, afbankningsmejsel osv.

► **Fig.11:** 1. Kun hamring

Luftkanal

⚠FORSIGTIG: Undlad at stikke fingrene ind i luftkanalen, eller at sætte andre genstande ind i luftkanalen. Ellers kan du komme til skade, eller maskinen kan blive beskadiget.

Luftkanalen er designet til at forbedre sugeevnen på systemet til støvopsamling. For nærmere oplysninger om, hvordan systemet til støvopsamling monteres, se instruktionerne til montering af systemet til støvopsamling.

► **Fig.12:** 1. Luftkanal

Krog

Ekstraudstyr

⚠FORSIGTIG: Tag altid batteriet ud, når du hænger maskinen på krogen.

⚠FORSIGTIG: Hæng aldrig maskinen på et højt sted eller på en potentielt ustabil overflade.

Krogen er praktisk til midlertidig ophængning af maskinen.

Før du monterer krogen, skal du fjerne gummihætten fra skruerhullerne i monteringsbeslaget. Indsæt pladeskiverne under beslaget, og tilspænd derefter krogen med skruerne på plads.

► **Fig.13:** 1. Gummihætte 2. Monteringsbeslag
3. Pladeskiver 4. Krog 5. Skrue

Til brug løftes krogens arm op, indtil den klikker på plads i den åbne position.

Når den ikke er i brug, skal du sørge for, at krogen er foldet tilbage i den lukkede position.

► **Fig.14:** 1. Krog 2. Åben position 3. Lukket position

► **Fig.15**

Montering af tøjresnor (sikkerhedsline) på krogen

⚠️FORSIGTIG: Brug ikke en beskadiget krog og skrue. Før brugen skal du altid se efter skader, revner eller deformationer og sikre dig, at skrueene er stramme.

⚠️FORSIGTIG: Sørg for, at krogen er monteret ordentligt med skrueene.

⚠️FORSIGTIG: Du må ikke montere eller afmontere tilbehør, mens du hænger maskinen op. Maskinen kan falde ned, hvis skrueene ikke er tilspændt.

⚠️FORSIGTIG: Brug altid en låsekarabinhage (flerfunktions- og skrueporttype) og sørg for at tøjresnoren (sikkerhedslinen) monteres til den del af krogen med den dobbelte løkke. Forkert montering kan muligvis medføre, at maskinen falder af krogen og resultere i personskade.

Krogen anvendes også til tilslutning af tøjresnoren (sikkerhedslinen). Sørg for at tilslutte tøjresnoren (sikkerhedslinen) til den del af krogen med den dobbelte løkke.

- **Fig.16:** 1. Del af krogen med dobbelt løkke 2. Tøjresnor (sikkerhedsline) 3. Låsekarabinhage (flerfunktions- og skrueporttype)

Sikkerhedsadvarsler om tilslutning af tøjresnor (sikkerhedsline) til krogen

⚠️ Specifikke sikkerhedsadvarsler for brug på høje steder

Læs alle sikkerhedsadvarsler og instruktioner. Hvis alle advarsler og instruktioner ikke følges, kan det medføre alvorlig personskade.

1. Hold altid maskinen tøjret, når du arbejder "i højden". Den maksimale længde af tøjresnoren er 2 m. Den maksimale tilladte faldhøjde for tøjresnoren (sikkerhedslinen) må ikke overstige 2 m.
2. Brug kun sammen med tøjresnore, der passer til denne maskintype og er normeret til mindst 10 kg.
3. Undlad at forankre maskinens tøjresnor til nogen del af din krop eller til bevægelige komponenter. Fastgør maskinens tøjresnor til en fast struktur, som kan modstå kraften af en maskine, der tabes.
4. Sørg for, at tøjresnoren er korrekt fastgjort i begge ender før brugen.
5. Inspicer maskinen og tøjresnoren før hver gang, den bruges, for beskadigelser og korrekt funktion (inklusive stof og sammenhæftning). Undlad brug, hvis de er beskadiget eller ikke fungerer korrekt.
6. Undlad at vikle tøjresnore omkring skarpe eller ru kanter eller at lade dem komme i kontakt med disse.
7. Fastgør den anden ende af tøjresnoren uden for arbejdsområdet, så en nedfaldende maskine fastholdes sikkert.
8. Fastgør tøjresnoren på en sådan måde, at maskinen vil bevæge sig væk fra operatøren, hvis den falder ned. Tabte maskiner vil svinge i tøjresnoren, hvilket kan medføre personskade eller tab af balancen.

9. Undlad brug i nærheden af dele i bevægelse eller maskiner, der kører. Hvis du ikke gør dette, kan det medføre risiko for knusning eller indvikling.
10. Undlad at bære maskinen ved at holde i monteringsenheden eller tøjresnoren.
11. Overfør kun maskinen mellem dine hænder, når du har korrekt balance.
12. Undlad at fastgøre tøjresnore til maskinen på en måde, der forhindrer kontakter eller afbryderlåsen (hvis de medfølger) i at fungere korrekt.
13. Undgå at blive viklet ind i tøjresnoren.
14. Hold tøjresnoren væk fra maskinens boreområde.
15. Brug en låsekarabinhage (flerfunktions- og skrueporttype). Brug ikke karabinhager med enkeltfunktions fjederklemmer.
16. Hvis maskinen tabes, skal den mærkes og tages ud af tjeneste og inspiceres af en Makita-fabrik eller et autoriseret servicecenter.

Funktion til forhindring af utilsigtet genstart

Hvis du monterer akkuen, mens du trykker på afbryderknappen, starter maskinen ikke. For at starte maskinen skal du slippe afbryderknappen og derefter trykke på afbryderknappen.

Momentbegrænser

BEMÆRKNING: Så snart momentbegrænsen udløses, skal du med det samme slukke for maskinen. Dette hjælper med til at forhindre, at maskinen nedslides for tidligt.

BEMÆRKNING: Borebits som f.eks. hulsave, der næmt kommer i klemme eller sætter sig fast i hullet, er ikke egnede til brug sammen med denne maskine. Dette skyldes, at de vil få momentbegrænsen til at blive udløst for tit.

Momentbegrænseren udløses, når et vist momentniveau nås. Motoren vil koble fra udgangsakslen. Når dette sker, holder borebitten op med at dreje rundt.

Elektronisk funktion

Maskinen er udstyret med elektroniske funktioner for nem betjening.

- Elektrisk bremse
Denne maskine er udstyret med en elektrisk bremse. Hvis maskinen konsekvent undlader at stoppe hurtigt, efter at afbryderknappen slippes, skal der udføres service på maskinen hos et Makita-servicecenter.
- Konstant hastighedskontrol
Funktionen til hastighedskontrol sørger for konstant rotationshastighed uanset belastningsforholdene.
- Teknologi til aktiv registrering af feedback
Hvis maskinen svinges med den forudbestemte acceleration under brugen, stoppes motoren med magt for at reducere belastningen af håndledet.

BEMÆRK: Denne funktion fungerer ikke, hvis accelerationen ikke når den forudbestemte værdi, når maskinen svinges.

BEMÆRK: Hvis bittens svinges med den forudbestemte acceleration under mejsling, afbankning eller nedrivning, stoppes motoren med magt. Slip i så fald afbryderknappen, og tryk på afbryderknappen for at starte maskinen igen.

SAMLING

⚠FORSIGTIG: Sørg altid for at maskinen er slukket, og at akkuen er taget ud, før der udføres noget arbejde på maskinen.

Sidehåndtag (ekstra håndtag)

⚠FORSIGTIG: Brug altid sidehåndtaget for sikker betjening.

⚠FORSIGTIG: Efter montering eller justering af sidehåndtaget skal du sørge for, at sidehåndtaget er solidt fastgjort med dets fastholdende fremspring helt i indgreb med positioneringsforbyrningerne på gearhuset.

Følg nedenstående fremgangsmåde for at montere sidehåndtaget.

1. Løsn fingerskruen på sidehåndtaget. Monter derefter sidehåndtaget over gearhusets cylinderhals.
▶ **Fig.17:** 1. Sidehåndtag 2. Fingerskrue 3. Gearhusets cylinderhals 4. Fastholdende fremspring 5. Positioneringsforbyrning

Fastgørelsesringen kan forstørres ved at trykke fingerskruen ned, så ringen let og sikkert går i indgreb over gearhusets cylinderhals.

▶ **Fig.18:** 1. Fingerskrue 2. Fastgørelsesring

2. Tilspænd fingerskruen for at sikre håndtaget i den ønskede vinkel.

Montering og afmontering af borebit

Fedtstof

Rengør skaftenden på borebitten, og påsmør fedtstof, før borebitten monteres.

Dæk skaftenden af borebitten med en lille smule fedtstof (cirka 0,5 - 1 g) på forhånd.

Denne smøring af patronen sikrer en jævn funktion og længere levetid.

▶ **Fig.19:** 1. Skaftende 2. Fedtstof

Anbring borebittens skaftende i patronen, og indsæt den længere ind i patronen, mens borebitten vendes i hånden, så skaftenden passer godt ind i patronens åbning og bliver helt tilkoblet.

Når du har monteret borebitten, skal du prøve at trække den tilbage for at sikre, at den holdes sikkert på plads.

▶ **Fig.20:** 1. Borebit 2. Patron

For at afmontere borebitten skal du skubbe patrondækslet helt ned og trække borebitten ud.

▶ **Fig.21:** 1. Borebit 2. Patrondæksel

Vinkel på mejsel (under mejsling, afbankning eller nedrivning)

Mejslen kan fastgøres i den ønskede vinkel. Hvis du vil ændre vinklen på mejslen, skal du dreje omskifterknappen til ændring af funktionsmåde til O-symbolet. Drej mejslen til den ønskede vinkel.

▶ **Fig.22:** 1. Omskifterknop til ændring af funktionsmåde

Drej omskifterknappen til ændring af funktionsmåde til ∇ -symbolet. Sørg derefter for, at mejslen sidder fast på plads, ved at dreje den en smule.

Dybdemåler

Dybdemåleren er praktisk til at bore huller med den samme dybde. Tryk på og hold låseknappen, og indsæt derefter dybdemåleren i det sekskantede hul. Sørg for, at dybdemålerens side med tænderne vender mod mærket.

▶ **Fig.23:** 1. Dybdemåler 2. Låseknop 3. Mærke 4. Side med tænder

Juster dybdemåleren ved at flytte den frem og tilbage, idet der trykkes på låseknappen. Slip låseknappen efter justeringen for at låse dybdemåleren fast.

BEMÆRK: Sørg for, at dybdemåleren ikke berører maskinens kabinet, når den monteres.

Støvopsamler

Ekstraudstyr

Brug støvopsamleren til at undgå, at støv falder ned over maskinen og dig selv, når du borer over hovedet på dig selv. Monter støvopsamleren på bittens som vist i figuren. Størrelsen af de bits, som støvopsamleren kan monteres på, er som følger.

Model	Bitdiameter
Støvopsamler 5	6 mm - 14,5 mm
Støvopsamler 9	12 mm - 16 mm

▶ **Fig.24:** 1. Støvopsamler

Støvopsamlersæt

Ekstraudstyr

⚠FORSIGTIG: Før du monterer og afmonterer støvopsamlersættet, skal du afmontere en bit fra maskinen.

Montering

Til model HR008G

1. Fastgør afstandsstykket til fastgørelsesenheden på støvopsamlersættet, så \triangle -symbolet på fastgørelsesenheden flugter med en af rillerne på afstandsstykket.

▶ **Fig.25:** 1. Afstandsstykke 2. Støvopsamlersæt 3. Fastgørelsesenhed 4. \triangle -symbol 5. Rille

2. Placer støvopsamlersættet med afstandsstykket på gearhusets cylinderhals, så \triangle -symbolet på støvopsamlersættet flugter med en af rillerne på cylinderen. Hold derefter fastgørelsesenheden på støvopsamlersættet, og skub den ned på cylinderen for at fastgøre den på plads.

▶ **Fig.26:** 1. Støvopsamlersæt 2. Fastgørelsesenhed 3. Afstandsstykke 4. \triangle -symbol 5. Rille

Til model HR009G

Placer støvopsamlersættet på gearhusets cylinderhals, så Δ -symbolet på støvopsamlersættet flugter med en af rillerne på cylinderen. Hold derefter fastgørelsesenheden på støvopsamlersættet, og skub den ned på cylinderen for at fastgøre den på plads.

- **Fig.27:** 1. Støvopsamlersæt 2. Fastgørelsesenhed 3. Δ -symbol 4. Rille

BEMÆRK: Hvis du forbinder en støvsuger til støvopsamlersættet, skal du fjerne støvhætten, før du tilslutter den.

- **Fig.28:** 1. Støvhætte

Afmontering

1. Skub patrondækslet helt ned, og træk en bit af.
► **Fig.29:** 1. Bit 2. Patrondæksel
2. Hold støvopsamlersættets fastgørelsesenhed, og træk den afskilt fra maskinen.
► **Fig.30:** 1. Fastgørelsesenhed

BEMÆRK: Hvis hættten tages af støvopsamlersættet, skal den sættes tilbage til den oprindelige position.

1. Løsn bælgventilerne fra fastgørelsesenheden på støvopsamlersættet.
► **Fig.31:** 1. Bælgventiler 2. Fastgørelsesenhed
2. Sæt hættten tilbage på plads med den trykte side opad.
► **Fig.32:** 1. Hætte 2. Trykt side 3. Riller 4. Læber i øverste åbning 5. Fastgørelsesenhed
3. Sørg for, at rillerne omkring hættten passer godt ind i læberne på den øverste åbning på fastgørelsesenheden.
► **Fig.33**

SYSTEM TIL STØVOPSAMLING

Ekstraudstyr

Systemet til støvopsamling er designet til effektiv opsamling af støv, når der bores i beton.

- **Fig.34:** 1. System til støvopsamling

⚠FORSIGTIG: Systemet til støvopsamling er kun beregnet til boring i beton. Brug ikke systemet til støvopsamling til boring i metal eller lignende.

⚠FORSIGTIG: Når maskinen bruges sammen med systemet til støvopsamling, skal du sørge for at montere filteret på systemet til støvopsamling for at undgå at indånde støv.

⚠FORSIGTIG: Før du bruger systemet til støvopsamling, skal du kontrollere, at filteret ikke er beskadiget. Hvis du ikke gør dette, kan det medføre indånding af støv.

⚠FORSIGTIG: Systemet til støvopsamling indsamler det genererede støv med stor hastighed, men ikke alt støv kan opsamles.

BEMÆRKNING: Brug ikke systemet til støvopsamling til boring med kerne eller mejsling.

BEMÆRKNING: Brug ikke systemet til støvopsamling til metal eller træ. Systemet til støvopsamling er kun beregnet til beton.

BEMÆRKNING: Brug ikke systemet til støvopsamling til boring i våd beton, og brug ikke systemet i våde omgivelser. Undladelse af dette kan medføre fejlfunktion.

Montering

BEMÆRKNING: Før du monterer systemet til støvopsamling, skal du rengøre koblingsstykkerne på maskinen og systemet til støvopsamling. Fremmedlegemer på koblingsstykkerne kan gøre det vanskeligt at montere systemet til støvopsamling. Hvis der stadig er støv tilbage på luftkanalen, kommer støvet ind i maskinen og forårsager blokering af luftstrømmen, eller at maskinen går i stykker.

Hæng kroge på systemet til støvopsamling på lommerne nederst foran på maskinen. Løft studsene op for at fastgøre systemet til støvopsamling på plads med et klik, så maskinens luftkanal bliver dækket af sugeluftudløbet til systemet til støvopsamling.

- **Fig.35:** 1. Kroe 2. System til støvopsamling 3. Lommer 4. Studs 5. Luftkanal 6. Sugeluftudløb

Afmontering

Tryk på og hold aflåseknapen på systemet til støvopsamling nede, og sænk studsene for at frigøre den øverste del af systemet til støvopsamling. Hægt den nederste del af systemet til støvopsamling af fra maskinen.

- **Fig.36:** 1. System til støvopsamling 2. Studs 3. Aflåseknap

Justering af positionen af studsene på systemet til støvopsamling

⚠FORSIGTIG: Undlad at rette studsene mod dig selv eller andre, når du frigør studsene ved at trykke på styrjusteringsknappen.

Skub studsstyret ind og ud, mens du trykker på styrjusteringsknappen, og slip derefter knappen i en nøjagtig position, hvor spidsen af borebitten sidder lige bag studsens forside.

- **Fig.37:** 1. Styr 2. Styrjusteringsknap 3. Spids på borebit 4. Studsens forside

Justering af boreddybder

Boreddybder kan justeres ved at ændre længderne mellem dybdejusteringsknappen og støttearmen til studsstyret. Tryk på og hold dybdejusteringsknappen nede, og skub den til den ønskede position.

- **Fig.38:** 1. Dybdejusteringsknap 2. Studsstyr 3. Støttearm til studsstyret 4. Boreddybder

Afbankning af støv på filteret

⚠FORSIGTIG: Drej ikke drejeknappen på støvbakken, mens støvbakken er fjernet fra systemet til støvopsamling. Gør du det, kan du komme til at inhalere støvet.

⚠FORSIGTIG: Sluk altid maskinen, mens du drejer drejeknappen på støvbakken. Hvis du drejer drejeknappen, mens maskinen kører, kan det medføre, at du mister kontrollen over maskinen.

Hvis du banker støvet af filteret i støvbakken, kan du holde støvsugeren effektiv og reducerer, hvor ofte du skal bortskaffe støvet. Drej på drejeknappen på støvbakken tre gange efter opsamling af hver 50.000 mm³ støv, eller når du føler, at støvsugerens ydelse er forringet.

BEMÆRK: 50.000 mm³ støv svarer til at bore 10 huller på ø10 mm og 65 mm dybde.

► Fig.39: 1. Støvbakke 2. Drejeknap

Bortskaffelse af støv

⚠FORSIGTIG: Sørg altid for at maskinen er slukket, og at akkuen er taget ud, før der udføres noget arbejde på maskinen.

⚠FORSIGTIG: Sørg for at bære støvmaske, når du bortskaffer støv.

⚠FORSIGTIG: Tøm støvbakken regelmæssigt, før den bliver fuld. Hvis du ikke gør dette, kan det reducere ydelsen af støvopsamlingen og medføre indånding af støv.

⚠FORSIGTIG: Ydelsen af støvopsamlingen reduceres, hvis filteret i støvbakken bliver tilstoppet. Udskift som tommelfingerregel filteret med et nyt efter cirka 200 støvtømninger. Hvis du ikke gør dette, kan det medføre indånding af støv.

1. Afmonter støvbakken, mens du trykker støvbakkens låsehåndtag ned.
► Fig.40: 1. Låsehåndtag
2. Løft låsetappen lidt udad, og åbn dækslet til støvbakken.
► Fig.41: 1. Dæksel til støvbakke 2. Låsetap
3. Bortskaf støvet, og rengør derefter filteret.
► Fig.42

BEMÆRKNING: Når filteret renses, skal du banke let med hånden på filterets hus for at fjerne støv. Bank ikke direkte på filteret. Berør filteret med en børste eller lignende eller blæs komprimeret luft på filteret. Hvis du gør dette, kan det beskadige filteret.

Udskiftning af filteret på støvbakken

1. Afmonter støvbakken, mens du trykker støvbakkens låsehåndtag ned.
► Fig.43: 1. Låsehåndtag
2. Løft låsetappen lidt udad, og åbn filterdækslet på støvbakken.
► Fig.44: 1. Filterdæksel 2. Låsetap

3. Fjern filteret fra filterhuset.

► Fig.45: 1. Filter 2. Filterhus

4. Sæt et nyt filter i filterhuset, og monter derefter filterdækslet.
5. Luk dækslet på støvbakken, og monter derefter støvbakken på systemet til støvopsamling.

Udskiftning af tætningshætten

En beskadiget eller slidt tætningshætte kan påvirke støvopsamlingsdyeevnen. Udskift tætningshætten med en ny efter behov, og juster dens styrfremspring med styrindhakket på studshovedet.

► Fig.46: 1. Tætningshætte 2. Styrfremspring
3. Studshoved 4. Styrindhak

Opbevaring

BEMÆRKNING: Når studsstyret ikke er i brug i en vis periode, skal det forlænges til ca. 100 mm fra sin helt afkortede position. Hvis dette ikke gøres, kan kanalslangen, der er forudmonteret i studsstyret, blive beskadiget.

► Fig.47: 1. Styrjusteringsknap 2. Ca. 100 mm

ANVENDELSE

⚠FORSIGTIG: Brug altid sidehåndtaget (ekstra håndtag), og hold godt fast i maskinen i både sidehåndtaget og omskifterhåndtaget under brug.

⚠FORSIGTIG: Sørg altid for, at arbejdsområdet er fastgjort for anvendelsen.

⚠FORSIGTIG: Undlad at trække maskinen ud med magt, selvom bitten sætter sig fast. Tab af kontrollen kan medføre personskaade.


BEMÆRKNING: Før du bruger systemet til støvopsamling med maskinen, skal du læse afsnittet om systemet til støvopsamling.

BEMÆRK: Hvis akkuen har lav temperatur, kan maskinen muligvis ikke opnå sin fulde kapacitet. Varm i så fald akkuen op ved at bruge maskinen uden belastning et stykke tid for at nå maskinens fulde kapacitet.

► Fig.48

Hammerboring

⚠FORSIGTIG: Maskinen/borebitten udsættes for kraftig og pludselig vridning på det tidspunkt, hvor der brydes igennem hullet, når hullet bliver tilstoppet med spåner og partikler, eller hvis forstærkningsrørene i betonen rammes. **Brug altid sidehåndtaget (ekstra håndtag), og hold godt fast i maskinen i både sidehåndtaget og omskifterhåndtaget under brug.** Hvis du ikke gør dette, kan det medføre tab af kontrollen og risiko for alvorlig personskaade.

Indstil omskifterknappen til ændring af funktionsmåde til  -symbolet.

Placer borebitten på det ønskede sted for hullet, og træk derefter i afbryderknappen.


Påfør tilspændingskraft på kontakthåndtaget (hovedhåndtag) for at opnå arbejdsnøjagtighed og effektivitet, og hold fast i sidehåndtaget (ekstra håndtag) for at holde maskinens balance.

Hold maskinen på plads, og undgå, at den glider væk fra hullet.

Udøv ikke et større tryk, når hullet bliver tilstoppet af spåner eller partikler. Kør i stedet maskinen i tomgang, og fjern derefter borebitten delvist fra hullet. Ved at gentage dette flere gange vil hullet blive renset ud, og normal boring kan genoptages.

BEMÆRK: Der kan forekomme excentricitet i borebitens rotation, når maskinen betjenes uden belastning. Maskinen centrerer automatisk sig selv under brug. Dette har ikke betydning for præcisionen under boring.

Mejsling/afbankning/nedrivning

Indstil omskifterknappen til ændring af funktionsmåde til  -symbolet.

Hold godt fast i maskinen med begge hænder. Tænd for maskinen.

Påfør tilspændingskraft på kontakthåndtaget (hovedhåndtag) for at opnå arbejdsnøjagtighed og effektivitet, og hold fast i sidehåndtaget (ekstra håndtag) for at holde maskinens balance.

Hvis der trykkes meget hårdt på maskinen, øges effektiviteten ikke.

► Fig.49

Boring i træ eller metal


⚠FORSIGTIG: Hold godt fast i maskinen og udvis forsigtighed, når borebitten begynder at bryde igennem arbejdsstykket. Maskinen/borebitten udsættes for en kraftig påvirkning på det tidspunkt, hvor der brydes igennem hullet.

⚠FORSIGTIG: En borebit, der har sat sig fast, kan fjernes ved at man ganske enkelt sætter omløbsvælgeren til baglæns rotation for at bakke ud. Imidlertid kan maskinen pludselig bakke ud, hvis man ikke holder godt fast i den.

⚠FORSIGTIG: Fastgør altid arbejdsemner i en skruestik eller lignende udstyr til fastgørelse.

BEMÆRKNING: Brug aldrig "rotation med hamring", når borepatronen er monteret på maskinen. Borepatronen kan blive beskadiget. Borepatronen vil desuden blive frigjort, når maskinen kører baglæns.

BEMÆRKNING: Et kraftigere tryk på maskinen vil ikke gøre boringen hurtigere. Faktisk vil et kraftigere tryk kun føre til skade på spidsen af borebitten, nedsætte maskinen ydelse og afkorte maskinens levetid.

Indstil omskifterknappen til ændring af funktionsmåde til  -symbolet.

Til model HR008G

Ekstraudstyr

Monter patronadapteren på en nøglefri borepatron, hvor der kan monteres en skrue i størrelse 1/2"-20, og monter dem derefter på maskinen. For detaljer om, hvordan du monterer adapteren i patronen, se vejledningen om montering af borebit.

► Fig.50: 1. Nøglefri borepatron 2. Patronadapter

Til model HR009G

Brug borepatronen til hurtigskift som standardudstyr.

For yderligere oplysninger om, hvordan du monterer borepatronen til hurtigskift, se instruktionerne om udsiftning af patronen til hurtigskift til SDS-plus.

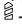
Hold i ringen, og drej muffen i retningen mod uret for at åbne patronkæberne. Placer en borebit så langt ind i patronen, som den kan komme. Hold godt fast i ringen, og drej muffen med uret for at tilspænde patronen.

► Fig.51: 1. Muffe 2. Ring

For at afmontere borebitten skal du holde i ringen og dreje muffen mod uret.

Boring med diamantkerne

BEMÆRKNING: Hvis der bores med diamantkerne med indstillingen "rotation med hamring", kan diamantkernebitten blive beskadiget.

Når der bores med diamantkerne, skal omskifterknappen til ændring af funktionsmåde altid indstilles til  -positionen for at benytte funktionsmåden "kun rotation".

Udblæsningskolbe

Ekstraudstyr

Når hullet er boret, skal du bruge udblæsningskolben til at fjerne støv fra hullet.

► Fig.52

Brug af støvopsamlersættet

Ekstraudstyr

Monter støvopsamlersættet mod loftet under betjening af maskinen.

► Fig.53

BEMÆRKNING: Brug ikke støvopsamlersættet, når du borer i metal eller lignende. Dette kan beskadige støvopsamlersættet på grund af den varme, som fint metalstøv eller lignende frembringer.

BEMÆRKNING: Undlad at montere eller fjerne støvopsamlersættet, mens borebitten er monteret på maskinen. Dette kan beskadige støvopsamlersættet og forårsage lækage af støv.

TRÅDLØS AKTIVERINGSFUNKTION

Hvad kan du foretage dig med den trådløse aktiveringsfunktion

Den trådløse aktiveringsfunktion muliggør ren og behagelig anvendelse. Hvis der slutes en understøttet støvsuger til maskinen, kan du lade støvsugeren køre automatisk, når kontakten på maskinen betjenes.

► Fig.54

Hvis du vil bruge den trådløse aktiveringsfunktion, skal du forberede følgende genstande:

- En trådløs enhed (ekstraudstyr)
- En støvsuger, der understøtter den trådløse aktiveringsfunktion

Følgende er et overblik over indstilling af den trådløse aktiveringsfunktion. Se de enkelte afsnit for detaljerede procedurer.

1. Montering af en trådløs enhed
2. Maskinregistrering til støvsugeren
3. Start af den trådløse aktiveringsfunktion

Montering af en trådløs enhed

Ekstraudstyr

⚠ FORSIGTIG: Placer maskinen på en flad og stabil overflade, når den trådløse enhed monteres.

BEMÆRKNING: Fjern støv og snavs fra maskinen, før den trådløse enhed monteres. Støv eller snavs kan forårsage funktionsfejl, hvis det kommer ind i åbningen til den trådløse enhed.

BEMÆRKNING: For at forhindre fejlfunktion forårsaget af statisk elektricitet skal du berøre et statisk afledende materiale som f.eks. en metaldele på maskinen, før du tager den trådløse enhed op.

BEMÆRKNING: Ved montering af den trådløse enhed skal du altid sikre dig, at den trådløse enhed er indsat i den korrekte retning, og at låget er lukket helt.

1. Åbn låget på maskinen som vist på figuren.

► Fig.55: 1. Låg

2. Indsæt den trådløse enhed i åbningen, og luk derefter låget.

Ved indsættelse af den trådløse enhed skal fremspringene justeres i forhold til de forsænkede dele på åbningen.

► Fig.56: 1. Trådløs enhed 2. Fremspring 3. Låg
4. Forsænket del

Ved fjernelse af den trådløse enhed åbnes låget langsomt. Krogene bag på låget løfter den trådløse enhed, når du trækker låget op.

► Fig.57: 1. Trådløs enhed 2. Krog 3. Låg

Når den trådløse enhed er fjernet, skal den opbevares i den medfølgende æske eller i en beholder, der er fri for statisk elektricitet.

BEMÆRKNING: Brug altid kroge bag på låget ved fjernelse af den trådløse enhed. Hvis kroge ikke griber fat i den trådløse enhed, skal du lukke låget helt og åbne det langsomt igen.

Maskinregistrering til støvsugeren

BEMÆRK: Du skal bruge en Makita-støvsuger, der understøtter den trådløse aktiveringsfunktion, til maskinregistreringen.

BEMÆRK: Afslut monteringen af den trådløse enhed på maskinen, før maskinregistreringen startes.

BEMÆRK: Under maskinregistreringen må du ikke trykke på afbryderknappen eller tænde for hovedafbryderen på støvsugeren.

BEMÆRK: Se også i brugsanvisningen til støvsugeren.

Hvis du vil aktivere støvsugeren, når kontakten på maskinen betjenes, skal du først afslutte maskinregistreringen.

1. Sæt batterierne i støvsugeren og maskinen.

2. Sæt standby-kontakten på støvsugeren til "AUTO".

► Fig.58: 1. Standby-kontakt

3. Tryk på den trådløse aktiveringsknap på støvsugeren i 3 sekunder, indtil den trådløse aktiveringslampe blinker grønt. Tryk derefter på den trådløse aktiveringsknap på maskinen på samme måde.

► Fig.59: 1. Trådløs aktiveringsknap 2. Trådløs aktiveringslampe

Hvis støvsugeren og maskinen sammenkædes korrekt, lyser de trådløse aktiveringslamper grønt i 2 sekunder og begynder at blinke blåt.

BEMÆRK: De trådløse aktiveringslamper holder op med at blinke grønt efter 20 sekunder. Tryk på den trådløse aktiveringsknap på maskinen, når den trådløse aktiveringslampe på støvsugeren blinker. Hvis den trådløse aktiveringslampe ikke blinker grønt, skal du trykke kortvarigt på den trådløse aktiveringsknap og holde den nede igen.

BEMÆRK: Når der udføres to eller flere maskinregistreringer for én støvsuger, skal maskinregistreringerne udføres en for en.

Start af den trådløse aktiveringsfunktion

BEMÆRK: Afslut maskinregistreringen for støvsugeren før den trådløse aktivering.

BEMÆRK: Se også i brugsanvisningen til støvsugeren.

Når en maskine er registreret til støvsugeren, kører støvsugeren automatisk, når kontakten på maskinen betjenes.

1. Monter den trådløse enhed på maskinen.
2. Slut støvsugerens slange til maskinen.

► Fig.60

3. Sæt standby-kontakten på støvsugeren til "AUTO".

► Fig.61: 1. Standby-kontakt

4. Tryk kortvarigt på den trådløse aktiveringsknap på maskinen. Den trådløse aktiveringslampe blinker blåt.

► Fig.62: 1. Trådløs aktiveringsknap 2. Trådløs aktiveringslampe

5. Tænd for maskinen. Kontroller, om støvsugeren kører, mens maskinen er i drift.

Tryk på den trådløse aktiveringsknap på maskinen for at stoppe den trådløse aktivering af støvsugeren.

BEMÆRK: Den trådløse aktiveringslampe på maskinen holder op med at blinke blåt, hvis der ikke sker nogen betjening i 2 timer. Indstil i så fald standby-kontakten på støvsugeren til "AUTO", og tryk på den trådløse aktiveringsknap på maskinen igen.

BEMÆRK: Støvsugeren starter/stopper med en forsinkelse. Der er en forsinkelse, når støvsugeren registrerer en betjening af kontakten på maskinen.










BEMÆRK: Den trådløse enheds transmissionsafstand kan variere afhængigt af placeringen og de omgivende forhold.

BEMÆRK: Når to eller flere maskiner er registreret til én støvsuger, kan støvsugeren begynde at køre, selvom du ikke tænder for maskinen, fordi en anden bruger anvender den trådløse aktiveringsfunktion.

Beskrivelse af den trådløse aktiveringslampes status

► **Fig.63:** 1. Trådløs aktiveringslampe

Den trådløse aktiveringslampe viser status for den trådløse aktiveringsfunktion. Se i tabellen nedenfor vedrørende betydningen af lampens status.

Status	Trådløs aktiveringslampe			Varighed	Beskrivelse
	Farve	 Tændt	 Blinker		
Standby	Blå		2 timer	Den trådløse aktivering af støvsugeren er tilgængelig. Lampen slukkes automatisk, hvis der ikke sker nogen betjening i 2 timer.	
			Når maskinen kører.	Den trådløse aktivering af støvsugeren er tilgængelig, og maskinen kører.	
Maskinregistrering	Grøn		20 sekunder	Klar til maskinregistrering. Venter på registrering fra støvsugeren.	
			2 sekunder	Maskinregistreringen er fuldført. Den trådløse aktiveringslampe begynder at blinke blåt.	
Annullerer maskinregistrering	Rød		20 sekunder	Klar til annullering af maskinregistrering. Venter på annullering fra støvsugeren.	
			2 sekunder	Annulleringen af maskinregistreringen er fuldført. Den trådløse aktiveringslampe begynder at blinke blåt.	
Andre	Rød		3 sekunder	Der er strøm til den trådløse enhed, og den trådløse aktiveringsfunktion starter.	
	Slukket	-	-	Den trådløse aktivering af støvsugeren er stoppet.	

Annullerer maskinregistrering for støvsugeren

Benyt følgende fremgangsmåde ved annullering af maskinregistreringen for støvsugeren.

1. Sæt batterierne i støvsugeren og maskinen.
2. Sæt standby-kontakten på støvsugeren til "AUTO".

► **Fig.64:** 1. Standby-kontakt

3. Tryk på den trådløse aktiveringsknap på støvsugeren i 6 sekunder. Den trådløse aktiveringslampe blinker grønt og bliver derefter rød. Tryk derefter på den trådløse aktiveringsknap på maskinen på samme måde.

► **Fig.65:** 1. Trådløs aktiveringsknap 2. Trådløs aktiveringslampe

Hvis annulleringen gennemføres korrekt, lyser de trådløse aktiveringslamper rød i 2 sekunder og begynder at blinke blåt.

BEMÆRK: De trådløse aktiveringslamper holder op med at blinke rødt efter 20 sekunder. Tryk på den trådløse aktiveringsknap på maskinen, når den trådløse aktiveringslampe på støvsugeren blinker. Hvis den trådløse aktiveringslampe ikke blinker rødt, skal du trykke kortvarigt på den trådløse aktiveringsknap og holde den nede igen.

Fejlfinding i forbindelse med den trådløse aktiveringsfunktion

Udfør selv en inspektion, inden De anmoder om reparation. Hvis De opdager et problem, som ikke er forklaret i brugsanvisningen, må De ikke forsøge at adskille maskinen. Rådfør Dem i stedet med et autoriseret Makita Servicecenter, og brug altid originale Makita udskiftningsdele til reparationer.

Unormal tilstand	Sandsynlig årsag (fejl)	Afhjælpning
Den trådløse aktiveringslampe tændes/blinker ikke.	Den trådløse enhed er ikke monteret på maskinen. Den trådløse enhed er ikke monteret korrekt på maskinen.	Monter den trådløse enhed korrekt.
	Terminalen på den trådløse enhed og/eller åbningen er snavset.	Aftør forsigtigt støv og snavs på terminalen på den trådløse enhed, og rengør åbningen.
	Der er ikke trykket på den trådløse aktiveringsknap på maskinen.	Tryk kortvarigt på den trådløse aktiveringsknap på maskinen.
	Standby-kontakten på støvsugeren er ikke indstillet til "AUTO".	Sæt standby-kontakten på støvsugeren til "AUTO".
	Ingen strømforsyning	Tilfør strøm til maskinen og støvsugeren.
Kan ikke afslutte maskinregistrering/annullering af maskinregistrering korrekt.	Den trådløse enhed er ikke monteret på maskinen. Den trådløse enhed er ikke monteret korrekt på maskinen.	Monter den trådløse enhed korrekt.
	Terminalen på den trådløse enhed og/eller åbningen er snavset.	Aftør forsigtigt støv og snavs på terminalen på den trådløse enhed, og rengør åbningen.
	Standby-kontakten på støvsugeren er ikke indstillet til "AUTO".	Sæt standby-kontakten på støvsugeren til "AUTO".
	Ingen strømforsyning	Tilfør strøm til maskinen og støvsugeren.
	Forkert betjening	Tryk kortvarigt på den trådløse aktiveringsknap, og udfør procedurerne for maskinregistrering/annullering igen.
	Maskinen og støvsugeren er ikke i nærheden af hinanden (uden for transmissionsafstand).	Flyt maskinen og støvsugeren tættere på hinanden. Den maksimale transmissionsafstand er cirka 10 m, men kan variere afhængigt af forholdene.
	Før du afslutter registreringen/annulleringen af maskinen; - er kontakten på maskinen tændt eller; - er tænd/sluk-knappen på støvsugeren tændt.	Tryk kortvarigt på den trådløse aktiveringsknap, og udfør procedurerne for maskinregistrering/annullering igen.
	Maskinregistreringsprocedurerne på maskinen eller støvsugeren er ikke fuldført.	Gennemfør maskinregistreringsprocedurerne både på maskinen og støvsugeren på samme tid.
Radiointerferens fra andre apparater, der udsender højintense radiobølger.	Hold maskinen og støvsugeren væk fra apparater som f.eks. Wi-Fi-enheder og mikrobølgeovne.	
Støvsugeren kører ikke, når kontakten på maskinen betjenes.	Den trådløse enhed er ikke monteret på maskinen. Den trådløse enhed er ikke monteret korrekt på maskinen.	Monter den trådløse enhed korrekt.
	Terminalen på den trådløse enhed og/eller åbningen er snavset.	Aftør forsigtigt støv og snavs på terminalen på den trådløse enhed, og rengør åbningen.
	Der er ikke trykket på den trådløse aktiveringsknap på maskinen.	Tryk kortvarigt på den trådløse aktiveringsknap, og kontroller, at den trådløse aktiveringslampe blinker blå.
	Standby-kontakten på støvsugeren er ikke indstillet til "AUTO".	Sæt standby-kontakten på støvsugeren til "AUTO".
	Der er registreret mere end 10 maskiner til støvsugeren.	Udfør maskinregistreringen igen. Hvis der er registreret mere end 10 maskiner til støvsugeren, bliver den maskine, der blev registreret tidligst, automatisk annulleret.
	Støvsugeren har slettet alle maskinregistreringer.	Udfør maskinregistreringen igen.
	Ingen strømforsyning	Tilfør strøm til maskinen og støvsugeren.
	Maskinen og støvsugeren er ikke i nærheden af hinanden (uden for transmissionsafstand).	Flyt maskinen og støvsugeren tættere på hinanden. Den maksimale transmissionsafstand er cirka 10 m, men kan variere afhængigt af forholdene.
	Radiointerferens fra andre apparater, der udsender højintense radiobølger.	Hold maskinen og støvsugeren væk fra apparater som f.eks. Wi-Fi-enheder og mikrobølgeovne.
	Støvsugeren kører, mens maskinen ikke er i drift.	Andre brugere anvender den trådløse aktivering af støvsugeren med deres maskiner. Deaktiver den trådløse aktiveringsknap på de andre maskiner, eller annuller maskinregistreringen af de andre maskiner.

VEDLIGEHOOLDSE

⚠FORSIGTIG: Vær altid sikker på, at værktøjet er slukket, og at akkuen er taget ud, inden De begynder at udføre inspektion eller vedligeholdelse.

BEMÆRKNING: Anvend aldrig benzin, rensebenzin, fortynder, alkohol og lignende. Det kan medføre misfarvning, deformation eller revner.

For at opretholde produktets SIKKERHED og PÅLIDELIGHED må reparation, vedligeholdelse eller justering kun udføres af et autoriseret Makita servicecenter eller fabrikksservicecenter med anvendelse af Makita reservedele.

EKSTRAUDSTYR

⚠FORSIGTIG: Det følgende tilbehør og ekstraudstyr er anbefalet til brug med Deres Makita maskine, der er beskrevet i denne brugsanvisning. Anvendelse af andet tilbehør eller ekstraudstyr kan udgøre en risiko for personskade. Anvend kun tilbehør og ekstraudstyr til det beskrevne formål.

Hvis De behøver hjælp ved valg af tilbehør eller ønsker yderligere informationer, bedes De kontakte Deres lokale Makita servicecenter.

- Karbidforstærkede borebits (SDS-plus karbidforstærkede bits)
- Kernebit
- Spidshammer
- Diamantkernebit
- Koldmejsel
- Afbankningsmejsel
- Kanalmejsel
- Borepatronsæt (patronadapter/borepatron)
- Smørelse til bit
- Dybdemåler
- Udblæsningskolbe
- Støvopsamler
- Støvopsamlersæt
- Afstandsstykke (til HR008G)
- Krogsæt
- Støvbakkesæt
- Filtersæt
- Samling
- System til støvopsamling
- Trådløs enhed
- Original Makita-akku og oplader

BEMÆRK: Nogle ting på denne liste kan være inkluderet i værktøjspakken som standardtilbehør. Det kan være forskellige fra land til land.

ΠΡΟΔΙΑΓΡΑΦΕΣ

Μοντέλο:		HR008G	HR009G
Ικανότητες	Τσιμέντο	30 mm	
	Μύτη πυρήνα	80 mm	
	Μύτη αδαμάντινου πυρήνα (ξηρού τύπου)	80 mm	
	Ατσάλι	13 mm	
	Ξύλο	32 mm	
Ταχύτητα χωρίς φορτίο		0 - 840 min ⁻¹	
Κρούσεις το λεπτό		0 - 4.500 min ⁻¹	
Ονομαστική τάση		D.C. 36 V - 40 V μεγ.	
Συνολικό μήκος (με BL4040)		422 mm	439 mm
Καθαρό βάρος		5,2 - 6,8 kg	5,3 - 6,7 kg

Προαιρετικό εξάρτημα

Μοντέλο:	DX10 (Για HR008G)	DX11 (Για HR009G)
Εφαρμοσίμο τεμάχιο εργασίας και τρόπος εργασίας	για τρυπάνισμα σε σκυρόδεμα μόνο (δεν προορίζεται για μέταλλο ή ξύλο, ούτε για πυρηνοληψία ή σμίλευμα)	
Απόδοση αναρρόφησης	350 l/min	
Διαδρομή λειτουργίας	Μέχρι 190 mm	
Κατάλληλη μύτη τρυπανιού	Μέχρι 265 mm	
Καθαρό βάρος	1,2 kg	

- Λόγω του συνεχιζόμενου προγράμματος έρευνας και ανάπτυξης, οι προδιαγραφές αυτές υπόκεινται σε αλλαγές χωρίς προειδοποίηση.
- Τα τεχνικά χαρακτηριστικά μπορεί να διαφέρουν από χώρα σε χώρα.
- Το βάρος μπορεί να διαφέρει ανάλογα με τα προσαρτήματα, συμπεριλαμβάνοντας την κασέτα μπαταριών. Ο ελαφρύτερος και ο βαρύτερος συνδυασμός, σύμφωνα με τη διαδικασία ΕΡΤΑ 01/2014, παρουσιάζονται στον πίνακα.

Ισχύουσα κασέτα μπαταριών και φορτιστής

Κασέτα μπαταρίας	BL4020 / BL4025 / BL4040* / BL4050F* / BL4080F *: Συνιστώμενη μπαταρία
Φορτιστής	DC40RA / DC40RB / DC40RC

- Ορισμένες από τις κασέτες και τους φορτιστές μπαταριών που αναγράφονται παραπάνω ίσως να μην είναι διαθέσιμοι, ανάλογα με την τοποθεσία κατοικίας σας.

⚠ ΠΡΟΕΙΔΟΠΟΙΗΣΗ: Να χρησιμοποιείτε μόνο τις κασέτες μπαταριών και τους φορτιστές που παρατίθενται ανωτέρω. Η χρήση οποιασδήποτε άλλης κασέτας μπαταριών ή φορτιστή μπορεί να προκαλέσει τραυματισμό ή/και πυρκαγιά.

Συνιστώμενη ενσύρματη πηγή τροφοδοσίας

Φορητή ηλεκτρική τροφοδότηση	PDC01 / PDC1200
------------------------------	-----------------

- Οι ενσύρματες πηγές τροφοδοσίας που αναγράφονται παραπάνω μπορεί να μην είναι διαθέσιμες, ανάλογα με την περιοχή της κατοικίας σας.
- Πριν χρησιμοποιήσετε την ενσύρματη πηγή τροφοδοσίας, διαβάστε τις οδηγίες και τις ενδείξεις προφυλάξεων που αναγράφονται σε αυτή.

Προβλεπόμενη χρήση

Το εργαλείο προορίζεται για την κρουστική διάτρηση και τη διάτρηση σε τούβλο, σκυρόδεμα και πέτρα, καθώς και για καλέμισμα.

Είναι επίσης κατάλληλο διάτρηση χωρίς κρούση σε ξύλο, μέταλλο, κεραμικό και πλαστικό.

Θορύβος

Το τυπικό Α επίπεδο καταμετρημένου θορύβου καθορίζεται σύμφωνα με το EN62841-2-6:

Μοντέλο HR008G

Στάθμη ηχητικής πίεσης (L_{pA}): 95 dB (A)

Στάθμη ηχητικής ισχύος (L_{WA}): 103 dB (A)

Αβεβαιότητα (K): 3 dB (A)

Μοντέλο HR009G

Στάθμη ηχητικής πίεσης (L_{pA}): 95 dB (A)

Στάθμη ηχητικής ισχύος (L_{WA}): 103 dB (A)

Αβεβαιότητα (K): 3 dB (A)

Μοντέλο HR008G με DX10

Στάθμη ηχητικής πίεσης (L_{pA}): 97 dB (A)

Στάθμη ηχητικής ισχύος (L_{WA}): 105 dB (A)

Αβεβαιότητα (K): 3 dB (A)

Μοντέλο HR009G με DX11

Στάθμη ηχητικής πίεσης (L_{pA}): 97 dB (A)

Στάθμη ηχητικής ισχύος (L_{WA}): 105 dB (A)

Αβεβαιότητα (K): 3 dB (A)

ΠΑΡΑΤΗΡΗΣΗ: Η δηλωμένη τιμή(ές) εκπομπής θορύβου έχει μετρηθεί σύμφωνα με την πρότυπη μέθοδο δοκιμής και μπορεί να χρησιμοποιηθεί για τη σύγκριση ενός εργαλείου με κάποιο άλλο.

ΠΑΡΑΤΗΡΗΣΗ: Η δηλωμένη τιμή(ές) εκπομπής θορύβου μπορεί να χρησιμοποιηθεί και στην προκαταρκτική αξιολόγηση της έκθεσης.

⚠ ΠΡΟΕΙΔΟΠΟΙΗΣΗ: Να φοράτε ωτοασπίδες.

⚠ ΠΡΟΕΙΔΟΠΟΙΗΣΗ: Η εκπομπή θορύβου κατά τη χρήση του ηλεκτρικού εργαλείου σε πραγματικές συνθήκες μπορεί να διαφέρει από τη δηλωμένη τιμή(ές) ανάλογα με τους τρόπους χρήσης του εργαλείου, ιδιαίτερα το είδος του τεμαχίου εργασίας που υπόκειται επεξεργασία.

⚠ ΠΡΟΕΙΔΟΠΟΙΗΣΗ: Φροντίστε να λάβετε τα κατάλληλα μέτρα προστασίας του χειριστή βάσει ενός υπολογισμού της έκθεσης σε πραγματικές συνθήκες χρήσης (λαμβάνοντας υπόψη όλες τις συνιστώσες του κύκλου λειτουργίας όπως τους χρόνους που το εργαλείο είναι εκτός λειτουργίας και όταν βρίσκεται σε αδρανή λειτουργία πέραν του χρόνου ενεργοποίησης).

Κραδασμός

Στον πίνακα που ακολουθεί φαίνεται η ολική τιμή κραδασμών (άθροισμα τρι-αξονικού διανύσματος) που καθορίζεται σύμφωνα με το ισχύον πρότυπο.

Μοντέλο HR008G

Είδος εργασίας	Εκπομπή κραδασμών	Αβεβαιότητα (K)	Ισχύον πρότυπο / Κατάσταση δοκιμής
Κρουστική διάτρηση σε σκυρόδεμα ($a_{h,HD}$)	11,8 m/s ²	1,5 m/s ²	EN62841-2-6
	9,1 m/s ²	1,5 m/s ²	Συνιστώμενη πρακτική λειτουργία*
Κρουστική διάτρηση σε σκυρόδεμα με DX10 ($a_{h,HD}$)	9,5 m/s ²	2,0 m/s ²	EN62841-2-6
	7,8 m/s ²	1,5 m/s ²	Συνιστώμενη πρακτική λειτουργία*
Καλέμισμα ($a_{h,CHeq}$)	8,6 m/s ²	1,5 m/s ²	EN62841-2-6
	8,0 m/s ²	1,5 m/s ²	Συνιστώμενη πρακτική λειτουργία*

Μοντέλο HR009G

Είδος εργασίας	Εκπομπή κραδασμών	Αβεβαιότητα (K)	Ισχύον πρότυπο / Κατάσταση δοκιμής
Κρουστική διάτρηση σε σκυρόδεμα ($a_{h,HD}$)	11,5 m/s ²	1,5 m/s ²	EN62841-2-6
	9,1 m/s ²	1,5 m/s ²	Συνιστώμενη πρακτική λειτουργία*
Κρουστική διάτρηση σε σκυρόδεμα με DX11 ($a_{h,HD}$)	8,9 m/s ²	1,5 m/s ²	EN62841-2-6
	7,3 m/s ²	1,5 m/s ²	Συνιστώμενη πρακτική λειτουργία*
Καλέμισμα ($a_{h,CHeq}$)	7,3 m/s ²	1,5 m/s ²	EN62841-2-6
	7,1 m/s ²	1,5 m/s ²	Συνιστώμενη πρακτική λειτουργία*

* Η κατάσταση δοκιμής της συνιστώμενης πρακτικής λειτουργίας ικανοποιεί το πρότυπο EN 62841-2-6, εκτός από τα ακόλουθα σημεία:

- Εφαρμόζεται δύναμη τροφοδοσίας στη λαβή διακόπτη (κύρια λαβή) για εργασία με ακρίβεια και αποδοτικότητα.
- Κρατάτε την πλάγια λαβή/χειρολαβή (βοηθητική χειρολαβή) για να διατηρήσετε την ισορροπία του εργαλείου.

ΠΑΡΑΤΗΡΗΣΗ: Η δηλωμένη τιμή(ές) συνολικών κραδασμών έχει μετρηθεί σύμφωνα με την πρότυπη μέθοδο δοκιμής και μπορεί να χρησιμοποιηθεί για τη σύγκριση ενός εργαλείου με κάποιο άλλο.

ΠΑΡΑΤΗΡΗΣΗ: Η δηλωμένη τιμή(ές) συνολικών κραδασμών μπορεί να χρησιμοποιηθεί και στην προκαταρκτική αξιολόγηση της έκθεσης.

⚠️ ΠΡΟΕΙΔΟΠΟΙΗΣΗ: Η εκπομπή κραδασμών κατά τη χρήση του ηλεκτρικού εργαλείου σε πραγματικές συνθήκες μπορεί να διαφέρει από τη δηλωμένη τιμή(ές) εκπομπής ανάλογα με τους τρόπους χρήσης του εργαλείου, ιδιαίτερα το είδος του τεμαχίου εργασίας που υπόκειται επεξεργασία.

⚠️ ΠΡΟΕΙΔΟΠΟΙΗΣΗ: Φροντίστε να λάβετε τα κατάλληλα μέτρα προστασίας του χειριστή βάσει ενός υπολογισμού της έκθεσης σε πραγματικές συνθήκες χρήσης (Λαμβάνοντας υπόψη όλες τις συνιστώσες του κύκλου λειτουργίας όπως τους χρόνους που το εργαλείο είναι εκτός λειτουργίας και όταν βρίσκεται σε αδρανή λειτουργία πέραν του χρόνου ενεργοποίησης).

Δήλωση Συμμόρφωσης

Μόνο για χώρες της Ευρώπης

Οι Δήλώσεις Συμμόρφωσης περιλαμβάνονται στο Παράρτημα Α στο παρόν εγχειρίδιο οδηγιών.

ΠΡΟΕΙΔΟΠΟΙΗΣΕΙΣ ΑΣΦΑΛΕΙΑΣ

Γενικές προειδοποιήσεις ασφαλείας για το ηλεκτρικό εργαλείο

⚠️ ΠΡΟΕΙΔΟΠΟΙΗΣΗ: Διαβάστε όλες τις προειδοποιήσεις ασφαλείας, οδηγίες, εικονογραφίες και προδιαγραφές που παρέχονται με αυτό το ηλεκτρικό εργαλείο. Η μη τήρηση όλων των οδηγιών που αναγράφονται κατωτέρω μπορεί να καταλήξει σε ηλεκτροπληξία, πυρκαγιά ή/και σοβαρό τραυματισμό.

Φυλάξτε όλες τις προειδοποιήσεις και τις οδηγίες για μελλοντική παραπομπή.

Στις προειδοποιήσεις, ο όρος «ηλεκτρικό εργαλείο» αναφέρεται σε ηλεκτρικό εργαλείο που τροφοδοτείται από την κύρια παροχή ηλεκτρικού ρεύματος (με ηλεκτρικό καλώδιο) ή σε ηλεκτρικό εργαλείο που τροφοδοτείται από μπαταρία (χωρίς ηλεκτρικό καλώδιο).

ΠΡΟΕΙΔΟΠΟΙΗΣΕΙΣ ΑΣΦΑΛΕΙΑΣ ΓΙΑ ΤΟ ΦΟΡΗΤΟ ΣΦΥΡΟΤΡΥΠΑΝΟ

Οδηγίες ασφαλείας για όλες τις εργασίες

1. **Φοράτε ωτοασπίδες.** Η έκθεση σε θόρυβο μπορεί να προκαλέσει απώλεια ακοής.
2. **Να χρησιμοποιείτε τις βοηθητικές λαβές, εάν παρέχονται με το εργαλείο.** Η απώλεια του ελέγχου μπορεί να προκαλέσει προσωπικό τραυματισμό.
3. **Να κρατάτε το ηλεκτρικό εργαλείο από τις μονωμένες επιφάνειες λαβής όταν εκτελείτε εργασίες κατά τις οποίες το εξάρτημα κοπής μπορεί να έρθει σε επαφή με κρυμμένα καλώδια.** Σε περίπτωση επαφής του εξαρτήματος κοπής με ηλεκτροφόρο καλώδιο, μπορεί να εκτεθειμένα μεταλλικά εξαρτήματα του ηλεκτρικού εργαλείου να καταστούν τα ίδια ηλεκτροφόρα και να προκαλέσουν ηλεκτροπληξία στο χειριστή.

Οδηγίες ασφαλείας όταν χρησιμοποιείται μακρίες μύτες τρυπανιού με σφυροτύπανο

1. **Να αρχίζετε πάντα να τρυπνίζετε σε χαμηλή ταχύτητα και με τη μύτη τρυπανίσματος σε επαφή με το τεμάχιο εργασίας.** Σε υψηλότερες ταχύτητες, η μύτη είναι πιθανό να λυγίσει αν επιτραπεί να περιστραφεί ελεύθερα χωρίς να έρχεται σε επαφή με το τεμάχιο εργασίας, έχοντας ως αποτέλεσμα προσωπικό τραυματισμό.
2. **Να ασκείτε πίεση μόνο σε ευθεία γραμμή με τη μύτη και μην ασκείτε υπερβολική πίεση.** Οι μύτες μπορούν να λυγίσουν προκαλώντας σπάσιμο ή απώλεια ελέγχου, έχοντας ως αποτέλεσμα προσωπικό τραυματισμό.

Πρόσθετες προειδοποιήσεις ασφαλείας

1. **Φοράτε σκληρό καπέλο (κράνος ασφαλείας), γυαλιά ασφαλείας και/ή προσωπίδα.** Τα κοινά γυαλιά οράσεως ή η λήυο ΔΕΝ είναι γυαλιά ασφαλείας. Επίσης, συνιστάται ιδιαίτέρως να φοράτε μάσκα προστασίας από τη σκόνη και γάντια με χοντρή επένδυση.
2. **Πριν από τη λειτουργία, βεβαιωθείτε ότι η μύτη έχει ασφαλιστεί.**
3. **Σε κανονικές συνθήκες λειτουργίας, το εργαλείο είναι σχεδιασμένο να παράγει κραδασμούς. Οι βιβες μπορεί να χαλαρώσουν εύκολα, προκαλώντας βλάβη ή ατύχημα. Ελέγξτε προσεκτικά το σφίξιμο των βιδών πριν από τη λειτουργία.**
4. **Όταν κάνει κρύο ή αν δεν έχετε χρησιμοποιήσει το εργαλείο για μεγάλο χρονικό διάστημα, αφήστε το να ζεσταθεί για λίγο επιτρέποντάς του να λειτουργήσει χωρίς φορτίο. Με αυτόν τον τρόπο βελτιώνεται η λίπανση. Αν δεν ζεσταθεί σωστά, η κρουστική λειτουργία είναι δύσκολη.**
5. **Να βεβαιώνεστε πάντοτε ότι στέκεστε σταθερά. Όταν χρησιμοποιείτε το εργαλείο σε υψηλές τοποθεσίες, να βεβαιώνεστε ότι δεν βρίσκεται κανένας από κάτω.**
6. **Κρατήστε το εργαλείο σταθερά με τα δύο χέρια.**
7. **Διατηρείτε τα χέρια σας μακριά από κινούμενα μέρη.**
8. **Μην αφήνετε το εργαλείο σε λειτουργία. Το εργαλείο πρέπει να βρίσκεται σε λειτουργία μόνο όταν το κρατάτε.**
9. **Μην στρέφετε το εργαλείο στους παρευρισκομένους στο χώρο όταν το χρησιμοποιείτε. Η μύτη μπορεί να εκτοξευτεί και να προκαλέσει σοβαρό τραυματισμό.**
10. **Μην αγγίζετε τη μύτη, τμήματα κοντά στη μύτη ή το τεμάχιο εργασίας αμέσως μετά τη λειτουργία. Μπορεί να είναι εξαιρετικά ζεστά και να προκληθεί έγκαιμα στο δέρμα σας.**
11. **Μερικά υλικά περιέχουν χημικά που μπορεί να είναι τοξικά. Προσέχετε ώστε να αποφεύγετε την εισπνοή σκόνης και την επαφή με το δέρμα. Ακολουθείτε τα δεδομένα ασφαλείας υλικού που παρέχονται από τον προμηθευτή.**
12. **Βεβαιώνεστε πάντα ότι το εργαλείο είναι απενεργοποιημένο και ότι έχετε βγάλει την κασέτα μπαταριών και τη μύτη πριν δώσετε το εργαλείο σε άλλο άτομο.**

13. Πριν τη λειτουργία, βεβαιωθείτε ότι δεν υπάρχει κάποιο θαμμένο αντικείμενο όπως ηλεκτρικός σωλήνας, σωλήνας νερού ή σωλήνας αερίου στην περιοχή εργασίας. Διαφορετικά, η μύτη τρυπανιού/καλέμι μπορεί να τα ακουμπήσει, έχοντας ως αποτέλεσμα ηλεκτροπληξία, ηλεκτρική διαρροή ή διαρροή αερίου.
14. **Μη θέσετε το εργαλείο σε λειτουργία χωρίς φλόρα, αν αυτό δεν είναι απαραίτητο.**
9. **Μη χρησιμοποιείτε μπαταρία που έχει υποστεί ζημία.**
10. **Οι μπαταρίες ιόντων λιθίου που περιέχονται υπόκεινται στις απαιτήσεις της νομοθεσίας για επικίνδυνα αγαθά.**
Για εμπορικές μεταφορές, για παράδειγμα από τρίτα μέρη, πρέπει να τηρούνται οι διαμεταφορείς, οι ειδικές απαιτήσεις στη συσκευασία και η επισήμανση.
Για προετοιμασία του στοιχείου που αποστέλλεται, είναι απαραίτητο να συμβουλευτείτε έναν ειδικό για επικίνδυνα υλικά. Επίσης, τηρήστε τους πιθανούς, πιο αναλυτικούς εθνικούς κανονισμούς.
Καλύψτε με αυτοκόλλητη ταινία ή κρύψτε τις ανοικτές επαφές και συσκευάστε την μπαταρία με τρόπο που να μην μπορεί να μετακινείται μέσα στη συσκευασία.

ΦΥΛΑΞΤΕ ΤΙΣ ΟΔΗΓΙΕΣ ΑΥΤΕΣ.

▲ΠΡΟΕΙΔΟΠΟΙΗΣΗ: ΜΗΝ επιτρέψετε το βαθμό άνεσης ή εξοικείωσης με το προϊόν (λόγω επανειλημμένης χρήσης) να αντικαταστήσει την αυστηρή τήρηση των κανόνων ασφαλείας του παρόντος εργαλείου. Η ΛΑΝΘΑΣΜΕΝΗ ΧΡΗΣΗ ή η αμέλεια να ακολουθήσετε τους κανόνες ασφαλείας που διατυπώνονται στο παρόν εγχειρίδιο οδηγιών μπορεί να προκαλέσει σοβαρό προσωπικό τραυματισμό.

Σημαντικές οδηγίες ασφάλειας για κασέτα μπαταριών

1. Πριν χρησιμοποιήσετε την κασέτα μπαταριών, διαβάστε όλες τις οδηγίες και σημειώσεις προφύλαξης (1) στον φορτιστή μπαταριών, (2) στην μπαταρία και (3) στο προϊόν που χρησιμοποιεί την μπαταρία.
2. Μην αποσυναρμολογήσετε ή παραβιάσετε την κασέτα μπαταριών. Μπορεί να έχει ως αποτέλεσμα πυρκαγιά, υπερθέρμανση ή έκρηξη.
3. Εάν ο χρόνος λειτουργίας έχει γίνει υπερβολικά βραχύς, σταματήστε τη λειτουργία αμέσως. Αλλιώς, μπορεί να έχει ως αποτέλεσμα κίνδυνο υπερθέρμανσης, πιθανά εγκαύματα ή ακόμη και έκρηξη.
4. Εάν ηλεκτρολύτης μπει στα μάτια σας, ξεπλύνετε τα με καθαρό νερό και ζητήστε ιατρική φροντίδα αμέσως. Αλλιώς, μπορεί να έχει ως αποτέλεσμα απώλεια της όρασης σας.
5. **Μη βραχυκυκλώνετε την κασέτα μπαταριών:**
 - (1) Μην αγγίζετε τους πόλους με οτιδήποτε αγώγιμο υλικό.
 - (2) Αποφεύγετε να αποθηκεύετε την κασέτα μπαταριών μέσα σε ένα δοχείο μαζί με άλλα μεταλλικά αντικείμενα όπως καρφιά, νομίσματα, κλπ.
 - (3) Μην εκθέτετε την κασέτα μπαταριών στο νερό ή στη βροχή.

Ένα βραχυκύκλωμα μπαταρίας μπορεί να προκαλέσει μεγάλη ροή ρεύματος, υπερθέρμανση, πιθανά εγκαύματα ακόμη και σοβαρή βλάβη.
6. Μην αποθηκεύετε και μην χρησιμοποιείτε το εργαλείο και την κασέτα μπαταριών σε τοποθεσίες όπου η θερμοκρασία μπορεί να φτάσει ή να ξεπεράσει τους 50 °C.
7. Μην καίτε την κασέτα μπαταριών ακόμη και εάν έχει σοβαρή ζημιά ή είναι εντελώς φθαρμένη. Η κασέτα μπαταριών μπορεί να εκραγεί στη φωτιά.
8. Μην καρφώσετε, κόψετε, συνθλίψετε, πετάξετε ή ρίξετε κάτω την κασέτα μπαταριών, ούτε να χτυπήσετε ένα σκληρό αντικείμενο επάνω στην κασέτα μπαταριών. Τέτοια συμπεριφορά μπορεί να έχει ως αποτέλεσμα πυρκαγιά, υπερθέρμανση ή έκρηξη.
9. **Μη χρησιμοποιείτε μπαταρία που έχει υποστεί ζημία.**
10. **Οι μπαταρίες ιόντων λιθίου που περιέχονται υπόκεινται στις απαιτήσεις της νομοθεσίας για επικίνδυνα αγαθά.**
Για εμπορικές μεταφορές, για παράδειγμα από τρίτα μέρη, πρέπει να τηρούνται οι διαμεταφορείς, οι ειδικές απαιτήσεις στη συσκευασία και η επισήμανση.
Για προετοιμασία του στοιχείου που αποστέλλεται, είναι απαραίτητο να συμβουλευτείτε έναν ειδικό για επικίνδυνα υλικά. Επίσης, τηρήστε τους πιθανούς, πιο αναλυτικούς εθνικούς κανονισμούς.
Καλύψτε με αυτοκόλλητη ταινία ή κρύψτε τις ανοικτές επαφές και συσκευάστε την μπαταρία με τρόπο που να μην μπορεί να μετακινείται μέσα στη συσκευασία.
11. **Όταν απορρίπτετε την κασέτα μπαταριών, αφαιρέστε την από το εργαλείο και διαθέστε τη σε ένα ασφαλές μέρος. Τηρήστε τους τοπικούς κανονισμούς που σχετίζονται με τη διάθεση της μπαταρίας.**
12. **Χρησιμοποιήστε τις μπαταρίες μόνο με τα προϊόντα που καθορίζει η Makita.** Αν τοποθετήσετε τις μπαταρίες σε μη συμβατά προϊόντα μπορεί να έχει ως αποτέλεσμα πυρκαγιά, υπερβολική θερμότητα, έκρηξη ή διαρροή ηλεκτρολύτη.
13. **Αν δεν χρησιμοποιείτε το εργαλείο για μεγάλο χρονικό διάστημα, πρέπει να βγάλετε την μπαταρία από το εργαλείο.**
14. **Κατά τη διάρκεια και μετά τη χρήση, η κασέτα μπαταριών μπορεί να θερμανθεί, γεγονός που μπορεί να προκαλέσει εγκαύματα ή εγκαύματα από χαμηλή θερμοκρασία. Προσέχετε το χειρισμό των ζεστών κασετών μπαταριών.**
15. **Μην αγγίζετε τον ακροδέκτη του εργαλείου αμέσως μετά τη χρήση επειδή μπορεί να έχει ζεσταθεί αρκετά για να προκαλέσει εγκαύματα.**
16. **Μην αφήνετε θραύσματα, σκόνη ή βρομιά να κολλήσει στους ακροδέκτες, τις οπές και τις εγκοπές της κασέτας μπαταριών.** Μπορεί να προκαλέσει θέρμανση, φωτιά, έκρηξη και δυσλειτουργία του εργαλείου ή της κασέτας μπαταριών, έχοντας ως αποτέλεσμα εγκαύματα ή προσωπικό τραυματισμό.
17. **Εκτός αν το εργαλείο υποστηρίζει τη χρήση κοντά σε ηλεκτρικές γραμμές υψηλής τάσης, μην χρησιμοποιείτε την κασέτα μπαταριών κοντά σε ηλεκτρικές γραμμές υψηλής τάσης.** Μπορεί να έχει ως αποτέλεσμα δυσλειτουργία ή στάσιμο του εργαλείου ή της κασέτας μπαταριών.
18. **ΚρΦυλάξτε την μπαταρία μακριά από παιδιά.**

ΦΥΛΑΞΤΕ ΤΙΣ ΟΔΗΓΙΕΣ ΑΥΤΕΣ.

▲ΠΡΟΣΟΧΗ: Να χρησιμοποιείτε μόνο γνήσιες μπαταρίες της Makita. Η χρήση μη γνήσιων μπαταριών Makita, ή μπαταριών που έχουν τροποποιηθεί, μπορεί να έχει ως αποτέλεσμα τη ρήξη της μπαταρίας, προκαλώντας πυρκαγιά, προσωπικό τραυματισμό και βλάβη. Επίσης, θα ακρωρωθεί η εγγύηση της Makita για το εργαλείο και φορτιστή Makita.

Συμβουλές για τη διατήρηση της μέγιστης ζωής μπαταρίας

1. Φορτίζετε την κασέτα μπαταριών πριν από την πλήρη αποφόρτιση της. Πάντοτε να σταματάτε τη λειτουργία του εργαλείου και να φορτίζετε την κασέτα μπαταριών όταν παρατηρείτε μειωμένη ισχύ εργαλείου.
2. Ποτέ μην επαναφορτίζετε μια πλήρως φορτισμένη κασέτα μπαταριών. Η υπερφόρτιση μειώνει την ωφέλιμη ζωή της μπαταρίας.
3. Να φορτίζετε την κασέτα μπαταριών σε θερμοκρασία δωματίου, δηλαδή στους 10 °C έως 40 °C. Αφήστε μια θερμή κασέτα μπαταριών να κρυώσει πριν την φορτίσετε.
4. Όταν δεν χρησιμοποιείτε την κασέτα μπαταριών, αφαιρέστε την από το εργαλείο ή τον φορτιστή.
5. Να φορτίζετε την κασέτα μπαταριών εάν δεν τη χρησιμοποιείτε για μεγάλη χρονική περίοδο (περισσότερο από έξι μήνες).

Σημαντικές οδηγίες ασφάλειας για την ασύρματη μονάδα

1. Μην αποσυναρμολογείτε ή παραβιάζετε την ασύρματη μονάδα.
2. Διατηρείτε την ασύρματη μονάδα μακριά από μικρά παιδιά. Αν καταποθεί κατά λάθος, αναζητήστε αμέσως ιατρική βοήθεια.
3. Να χρησιμοποιείτε την ασύρματη μονάδα μόνο με εργαλεία της Makita.
4. Μην εκθέτετε την ασύρματη μονάδα στη βροχή ή σε υγρές συνθήκες.
5. Μην χρησιμοποιείτε την ασύρματη μονάδα σε μέρη όπου η θερμοκρασία ξεπερνάει τους 50 °C.
6. Μην θέτετε την ασύρματη μονάδα σε λειτουργία σε μέρη όπου υπάρχουν ιατρικά όργανα, όπως καρδιακοί βηματοδότες.
7. Μην θέτετε την ασύρματη μονάδα σε λειτουργία σε μέρη όπου υπάρχουν αυτοματοποιημένες διατάξεις. Αν τεθούν σε λειτουργία, οι αυτοματοποιημένες συσκευές μπορεί να εμφανίσουν δυσλειτουργία ή σφάλμα.
8. Μην θέσετε σε λειτουργία την ασύρματη μονάδα σε μέρη με υψηλή θερμοκρασία ή σε μέρη όπου μπορεί να παραχθεί στατικός ηλεκτρισμός ή ηλεκτρικός θόρυβος.
9. Η ασύρματη μονάδα μπορεί να παράγει ηλεκτρομαγνητικά πεδία (ΗΜΠ) αλλά δεν είναι επιβλαβή για τον χρήστη.
10. Η ασύρματη μονάδα είναι ένα όργανο ακριβείας. Προσέχετε να μη ρίξετε κάτω ή να χτυπήσετε την ασύρματη μονάδα.
11. Αποφύγετε να αγγίζετε τον ακροδέκτη της ασύρματης μονάδας με γυμνά χέρια ή μεταλλικά υλικά.
12. Αφαιρείτε πάντοτε την μπαταρία από το προϊόν όταν τοποθετείτε σε αυτό την ασύρματη μονάδα.
13. Όταν ανοίγετε το καπάκι της σχισμής, αποφύγετε μέρη όπου μπορεί να εισέλθει σκόνη και νερό μέσα στη σχισμή. Να διατηρείτε πάντα καθαρή την είσοδο της σχισμής.
14. Να φορτώνετε πάντα την ασύρματη μονάδα με τη σωστή κατεύθυνση.
15. Μην πατήσετε το κουμπί ασύρματης ενεργοποίησης στην ασύρματη μονάδα πολύ δυνατά ή/και μην πατήσετε το κουμπί με ένα αντικείμενο με αιχμηρό άκρο.
16. Κατά τη λειτουργία, να κλείνετε πάντα το καπάκι της σχισμής.
17. Μην αφαιρείτε την ασύρματη μονάδα από τη σχισμή ενώ παρέχεται ισχύς στο εργαλείο. Αν το κάνετε αυτό, μπορεί να προκληθεί δυσλειτουργία της ασύρματης μονάδας.
18. Μην αφαιρείτε το αυτοκόλλητο στην ασύρματη μονάδα.
19. Μην τοποθετείτε αυτοκόλλητα επάνω στην ασύρματη μονάδα.
20. Μην αφήνετε την ασύρματη μονάδα σε ένα μέρος όπου μπορεί να παραχθεί στατικός ηλεκτρισμός ή ηλεκτρικός θόρυβος.
21. Μην αφήνετε την ασύρματη μονάδα σε ένα μέρος που υπόκειται σε υψηλή θερμότητα, όπως ένα αυτοκίνητο στον ήλιο.
22. Μην αφήνετε την ασύρματη μονάδα σε ένα μέρος με πολλή σκόνη ή πούδρα ή σε ένα μέρος όπου μπορεί να παραχθεί διαβρωτικό αέριο.
23. Η απότομη αλλαγή της θερμοκρασίας μπορεί να υγραίνει την ασύρματη μονάδα. Μην χρησιμοποιείτε την ασύρματη μονάδα μέχρι να στεγνώσει εντελώς όλη η υγρασία.
24. Όταν καθαρίζετε την ασύρματη μονάδα, σκουπίστε απαλά με ένα στεγνό μαλακό πανί. Μην χρησιμοποιείτε βενζίνη, νέφτι, αγωγίμο γράσο ή παρόμοιες ουσίες.
25. Όταν αποθηκεύετε την ασύρματη μονάδα, να τη διατηρείτε μέσα στην παρεχόμενη θήκη ή μέσα σε δοχείο χωρίς στατικό ηλεκτρισμό.
26. Μην εισαγάγετε καμία συσκευή διαφορετική από την ασύρματη μονάδα Makita μέσα στη σχισμή στο εργαλείο.
27. Μην χρησιμοποιείτε το εργαλείο αν το καπάκι της σχισμής είναι κατεστραμμένο. Αν εισέλθει νερό, σκόνη και βρομιά μέσα στη σχισμή, μπορεί να προκληθεί δυσλειτουργία.
28. Μην τραβάτε ή/και μη συστρέψετε το καπάκι της σχισμής περισσότερο από ότι απαιτείται. Τοποθετήστε ξανά το καπάκι αν βγει από το εργαλείο.
29. Αντικαταστήστε ξανά το καπάκι της σχισμής αν χαθεί ή καταστραφεί.

ΦΥΛΑΞΕΤΕ ΑΥΤΕΣ ΤΙΣ ΟΔΗΓΙΕΣ.

ΠΕΡΙΓΡΑΦΗ ΛΕΙΤΟΥΡΓΙΑΣ

▲ ΠΡΟΣΟΧΗ: Να φροντίζετε πάντα για την απενεργοποίηση του εργαλείου και την αφαίρεση της κασέτας μπαταρίας, πριν από οποιαδήποτε ρύθμιση ή έλεγχο της λειτουργίας του.

Τοποθέτηση ή αφαίρεση της κασέτας μπαταριών

▲ ΠΡΟΣΟΧΗ: Να σβήνετε πάντα το εργαλείο πριν τοποθετήσετε ή αφαιρέσετε την κασέτα μπαταριών.

▲ ΠΡΟΣΟΧΗ: Κρατήστε το εργαλείο και την κασέτα μπαταριών σταθερά κατά την τοποθέτηση ή αφαίρεση της κασέτας μπαταριών. Εάν δεν κρατάτε το εργαλείο και την κασέτα μπαταριών σταθερά μπορεί να γλιστρήσουν από τα χέρια σας και να προκληθεί βλάβη στο εργαλείο και την κασέτα μπαταριών και προσωπικός τραυματισμός.

► **Εικ.1:** 1. Κόκκινος δείκτης 2. Κουμπί 3. Κασέτα μπαταριών

Για να αφαιρέσετε την κασέτα μπαταριών, ολισθήστε την από το εργαλείο ενώ σύρετε το κουμπί στο μπροστινό μέρος της κασέτας.

Για να τοποθετήσετε την κασέτα μπαταριών, ευθυγραμμίστε τη γλώσσα στην κασέτα μπαταριών με την εγκοπή στο περίβλημα και ολισθήστε τη στη θέση της. Τοποθετήστε την μέχρι τέρμα μέχρι να ασφαλίσει στη θέση της, γεγονός που υποδεικνύεται με ένα χαρακτηριστικό ήχο. Αν μπορείτε να δείτε τον κόκκινο δείκτη όπως απεικονίζεται στην εικόνα, δεν έχει κλειδωθεί τελείως.

▲ ΠΡΟΣΟΧΗ: Να τοποθετείτε πάντα την κασέτα μπαταριών πλήρως μέχρι να μη βλέπετε τον κόκκινο δείκτη. Εάν δεν ασφαλιστεί, μπορεί να πέσει από το εργαλείο τυχαία, προκαλώντας σωματική βλάβη σε εσάς ή κάποιον άλλο γύρω σας.

▲ ΠΡΟΣΟΧΗ: Μην τοποθετείτε την κασέτα μπαταριών με βία. Εάν η κασέτα δεν ολισθαίνει με ευκολία, τότε δεν έχει τοποθετηθεί κατάλληλα.

Εμφάνιση υπολειπόμενης χωρητικότητας μπαταρίας

Πίστετε το κουμπί ελέγχου στην κασέτα μπαταριών για να υποδείξετε την υπολειπόμενη χωρητικότητα μπαταρίας. Οι ενδεικτικές λυχνίες ανάβουν για λίγα δευτερόλεπτα.

► **Εικ.2:** 1. Ενδεικτικές λυχνίες 2. Κουμπί ελέγχου

Ενδεικτικές λυχνίες			Υπολειπόμενη χωρητικότητα
Αναμμένες	Σβηστές	Αναβοσβήνουν	
■ ■ ■ ■	□ □ □ □		75% έως 100%
■ ■ ■ □	□ □ □ □		50% έως 75%
■ ■ □ □	□ □ □ □		25% έως 50%
■ □ □ □	□ □ □ □		0% έως 25%
■ □ □ □	□ □ □ □	▲ □ □ □	Φορτίστε την μπαταρία.
■ ■ □ □	□ □ □ □	▲ □ □ □	Μπορεί να προέκυψε δυσλειτουργία στην μπαταρία.
□ □ □ □	■ ■ ■ ■	▲ □ □ □	

ΠΑΡΑΤΗΡΗΣΗ: Ανάλογα με τις συνθήκες χρήσης και τη θερμοκρασία περιβάλλοντος, η ένδειξη μπορεί να διαφέρει λίγο από την πραγματική χωρητικότητα.

ΠΑΡΑΤΗΡΗΣΗ: Η πρώτη (τέρμα αριστερά) ενδεικτική λυχνία θα αναβοσβήνει όταν λειτουργεί το σύστημα προστασίας μπαταρίας.

Σύστημα προστασίας εργαλείου/ μπαταρίας

Το εργαλείο είναι εξοπλισμένο με σύστημα προστασίας εργαλείου/μπαταρίας. Αυτό το σύστημα αποκόπτει αυτόματα την ισχύ προς το μοτέρ για να παραταθεί η διάρκεια λειτουργίας του εργαλείου και της μπαταρίας. Το εργαλείο σταματάει αυτόματα κατά τη διάρκεια της λειτουργίας εάν το εργαλείο ή η μπαταρία βρεθούν κάτω από τις παρακάτω συνθήκες:

Προστασία υπερφόρτωσης

Όταν η μπαταρία λειτουργεί με τρόπο ώστε να αναγκάζεται να καταναλώνει ασυνήθιστα υψηλό ρεύμα, το εργαλείο σταματάει αυτόματα χωρίς καμία ένδειξη. Σε αυτή την κατάσταση, σβήστε το εργαλείο και διακόψτε την εφαρμογή που προκαλεί την υπερφόρτωση του εργαλείου. Μετά, ενεργοποιήστε το εργαλείο για επανεκκίνηση.

Προστασία υπερθέρμανσης

Όταν το εργαλείο ή η μπαταρία υπερθερμαίνεται, το εργαλείο σταματάει αυτόματα. Σε αυτή την περίπτωση, αφήστε το εργαλείο και την μπαταρία να ψυχθούν πριν ενεργοποιήσετε ξανά το εργαλείο.

ΠΑΡΑΤΗΡΗΣΗ: Όταν το εργαλείο υπερθερμαίνεται, η λυχνία αναβοσβήνει.

Προστασία υπερβολικής αποφόρτισης

Όταν η φόρτιση μπαταρίας δεν είναι αρκετή, το εργαλείο σταματάει αυτόματα. Σε αυτή την περίπτωση, βγάλτε την μπαταρία από το εργαλείο και φορτίστε την μπαταρία.

Προστασία και από άλλες αιτίες

Το σύστημα προστασίας έχει επίσης σχεδιαστεί για άλλες αιτίες που μπορούν να προκαλέσουν ζημιά στο εργαλείο και επιτρέπει την αυτόματη διακοπή του εργαλείου. Λάβετε όλα τα ακόλουθα βήματα για να διορθώσετε τις αιτίες, όταν το εργαλείο τειθεί σε προσωρινή διακοπή ή διακοπή κατά τη διάρκεια της λειτουργίας.

1. Απενεργοποιήστε το εργαλείο και, στη συνέχεια, ενεργοποιήστε το ξανά για να επανεκκινήση.
2. Φορίστε την μπαταρία ή τις μπαταρίες ή αντικαταστήστε τις με επαναφορτιζόμενες μπαταρίες.
3. Αφήστε το εργαλείο και τις μπαταρίες να ψυχθούν.

Εάν δεν υπάρχει βελτίωση με την επαναφορά του συστήματος προστασίας, επικοινωνήστε με το τοπικό σας κέντρο εξυπηρέτησης της Makita.

Δράση διακόπτη

⚠️ ΠΡΟΕΙΔΟΠΟΙΗΣΗ: Πριν βάλετε την κασέτα μπαταρίας μέσα στο εργαλείο, να ελέγχετε πάντα να δείτε αν η σκανδάλη διακόπτης ενεργοποιείται κανονικά και επιστρέφει στη θέση «OFF» όταν ελευθερώνεται.

► **Εικ.3:** 1. Σκανδάλη διακόπτης

Για να ξεκινήσετε το εργαλείο, απλώς τραβήξτε τη σκανδάλη διακόπτη. Η ταχύτητα του εργαλείου αυξάνει αν αυξήσετε την πίεση στη σκανδάλη διακόπτη. Ελευθερώστε τη σκανδάλη διακόπτη για να σταματήσει.

Αλλαγή ταχύτητας

Μπορείτε να αλλάξετε τις στροφές και κρούσεις ανά λεπτό αν γυρίσετε τον ρυθμιστικό επιλογέα σε μια δεδομένη αριθμητική ρύθμιση από το 1 έως το 5. Λαμβάνεται υψηλότερη ταχύτητα όταν ο επιλογέας περιστρέφεται προς την κατεύθυνση του αριθμού 5. Λαμβάνεται χαμηλότερη ταχύτητα όταν ο επιλογέας περιστρέφεται προς την κατεύθυνση του αριθμού 1. Μπορείτε να λάβετε την προοριζόμενη ταχύτητα όταν πατήσετε πλήρως τη σκανδάλη διακόπτη.

► **Εικ.4:** 1. Ρυθμιστικός επιλογέας

Για τη σχέση μεταξύ των ρυθμίσεων αριθμού στον ρυθμιστικό επιλογέα και των στροφών και κρούσεων ανά λεπτό, κατά προσέγγιση, ανατρέξτε στον πίνακα.

Αριθμός	Στροφές το λεπτό	Κρούσεις το λεπτό
5	840	4.500
4	760	4.070
3	550	2.950
2	350	1.880
1	300	1.610

⚠️ ΠΡΟΣΟΧΗ: Μη γυρίζετε το ρυθμιστικό επιλογέα ενώ λειτουργεί το εργαλείο. Διαφορετικά, μπορεί να χάσετε τον έλεγχο του εργαλείου και να προκληθεί τραυματισμός.

ΕΙΔΟΠΟΙΗΣΗ: Αν το εργαλείο λειτουργεί συνεχόμενα με χαμηλή ταχύτητα για μεγάλο χρονικό διάστημα, το μοτέρ θα υπερφορτωθεί και θα προκαλέσει δυσλειτουργία του εργαλείου.

ΕΙΔΟΠΟΙΗΣΗ: Ο ρυθμιστικός επιλογέας περιστρέφεται μεταξύ της ρύθμισης αριθμού 1 και 5. Αποφύγετε να περιστρέψετε τον επιλογέα περισσότερο προς τα μπροστά και πίσω επειδή μπορεί να προκληθεί ζημιά στο εργαλείο.

Αναμμα της μπροστινής λάμπας

► **Εικ.5:** 1. Λάμπα

⚠️ ΠΡΟΣΟΧΗ: Μη κοιτάζετε κατευθείαν μέσα στο φως ή στην πηγή φωτός.

Τραβήξτε τη σκανδάλη διακόπτη για να ενεργοποιήσετε τη λάμπα. Η λάμπα εξακολουθεί να είναι αναμμένη όσο τραβάτε τη σκανδάλη διακόπτη. Η λάμπα σβήνει περίπου 10 δευτερόλεπτα αφού αφήσετε τη σκανδάλη διακόπτη.

⚠️ ΠΡΟΣΟΧΗ: Αν η λυχνία σβήσει αφού αναβοσβήνει για λίγα δευτερόλεπτα, η τεχνολογία αίσθησης ενεργής ανάδρασης δεν λειτουργεί σωστά. Απευθυνθείτε στο τοπικό σας κέντρο εξυπηρέτησης Makita για επισκευή.

ΠΑΡΑΤΗΡΗΣΗ: Χρησιμοποιήστε ένα στεγνό πανί για να σκουπίσετε τη σκόνη από το φακό της λάμπας. Προσέχετε να μη γρατζουνίσετε το φακό της λάμπας, επειδή μπορεί να μειωθεί η ένταση του φωτισμού.

ΠΑΡΑΤΗΡΗΣΗ: Όταν το εργαλείο έχει υπερθερμανθεί, η λάμπα αναβοσβήνει. Σε αυτή την περίπτωση, αφήστε τη σκανδάλη διακόπτη και, στη συνέχεια, αφήστε το εργαλείο/μπαταρία να κρυώσει πριν το θέσετε ξανά σε λειτουργία.

ΠΑΡΑΤΗΡΗΣΗ: Η μπροστινή λυχνία δεν μπορεί να χρησιμοποιηθεί ενώ το σύστημα συλλογής σκόνης (προαιρετικό εξάρτημα) είναι εγκατεστημένο στο εργαλείο.

Δράση διακόπτη αντιστροφής

► **Εικ.6:** 1. Μοχλός διακόπτης αντιστροφής

⚠️ ΠΡΟΣΟΧΗ: Να ελέγχετε πάντα τη διεύθυνση περιστροφής πριν από τη λειτουργία.

⚠️ ΠΡΟΣΟΧΗ: Να χρησιμοποιείτε τον διακόπτη αντιστροφής μόνο αφού το εργαλείο σταματήσει εντελώς. Η αλλαγή της διεύθυνσης περιστροφής πριν σταματήσει το εργαλείο μπορεί να προκαλέσει ζημιά στο εργαλείο.

⚠️ ΠΡΟΣΟΧΗ: Όταν δεν χρησιμοποιείτε το εργαλείο, να βάζετε πάντα το μοχλό διακόπτη αντιστροφής στην ουδέτερη θέση.

Αυτό το εργαλείο διαθέτει έναν διακόπτη αντιστροφής για να αλλάξετε τη διεύθυνση περιστροφής. Πιέστε το μοχλό διακόπτη αντιστροφής από την πλευρά A για δεξιόστροφη περιστροφή ή από την πλευρά B για αριστερόστροφη περιστροφή. Όταν ο μοχλός διακόπτης αντιστροφής είναι στην ουδέτερη θέση, η σκανδάλη διακόπτης δεν μπορεί να τραβηχθεί.



Αλλαγή σφινγκτήρα ταχείας αλλαγής για SDS-plus

Για το μοντέλο HR009G

Μπορείτε να αλλάξετε με ευκολία το σφινγκτήρα ταχείας αλλαγής για SDS-plus με το σφινγκτήρα ταχείας αλλαγής τρυπανιού.




Αφαίρεση του σφινγκτήρα ταχείας αλλαγής για SDS-plus

▲ ΠΡΟΣΟΧΗ: Πριν από την αφαίρεση του σφινγκτήρα ταχείας αλλαγής για SDS-plus, βεβαιωθείτε ότι έχετε αφαιρέσει τη μύτη.

Κρατήστε το κάλυμμα αλλαγής του σφινγκτήρα ταχείας αλλαγής για SDS-plus και περιστρέψτε το προς την κατεύθυνση του βέλους έως ότου η γραμμή καλύμματος αλλαγής μετακινηθεί από το σύμβολο  στο σύμβολο . Τραβήξτε τον σφινγκτήρα ταχείας αλλαγής για SDS-plus, με δύναμη αν απαιτείται, προς την κατεύθυνση του βέλους.

► **Εικ.7:** 1. Σφινγκτήρας ταχείας αλλαγής για SDS-plus
2. Κάλυμμα αλλαγής 3. Γραμμή καλύμματος αλλαγής

Τοποθέτηση του σφινγκτήρα ταχείας αλλαγής τρυπανιού

Ελέγξτε εάν η γραμμή του σφινγκτήρα ταχείας αλλαγής τρυπανιού υποδεικνύει το σύμβολο . Κρατήστε το κάλυμμα αλλαγής του σφινγκτήρα ταχείας αλλαγής τρυπανιού και ρυθμίστε τη γραμμή στο σύμβολο . Τοποθετήστε το σφινγκτήρα ταχείας αλλαγής τρυπανιού στην άτρακτο του εργαλείου. Κρατήστε το κάλυμμα αλλαγής του σφινγκτήρα ταχείας αλλαγής τρυπανιού και ρυθμίστε τη γραμμή καλύμματος αλλαγής στο σύμβολο  μέχρι να ακουστεί καθαρά ένας χαρακτηριστικός ήχος ασφάλισης.


► **Εικ.8:** 1. Σφινγκτήρας ταχείας αλλαγής τρυπανιού
2. Άτρακτος 3. Γραμμή καλύμματος αλλαγής
4. Κάλυμμα αλλαγής

Επιλογή τρόπου λειτουργίας δράσης

ΕΙΔΟΠΟΙΗΣΗ: Μη γυρίζετε το κουμπί αλλαγής τρόπου λειτουργίας ενώ λειτουργεί το εργαλείο. Θα υποστεί ζημιά το εργαλείο.

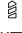
ΕΙΔΟΠΟΙΗΣΗ: Για να αποφευχθεί η γρήγορη φθορά του μηχανισμού αλλαγής τρόπου λειτουργίας, βεβαιωθείτε ότι το κουμπί αλλαγής τρόπου λειτουργίας βρίσκεται πάντοτε ακριβώς σε κάποια από τις τρεις θέσεις τρόπου λειτουργίας.

Περιστροφή με κρούση

Για τη διάτρηση σε σκυρόδεμα, τοιχοποιία κτλ., γυρίστε το κουμπί αλλαγής του τρόπου λειτουργίας στο σύμβολο . Χρησιμοποιήστε μύτη με άκρο από καρβίδιο βολφραμίου (προαιρετικό εξάρτημα).

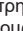
► **Εικ.9:** 1. Περιστροφή με κρούση 2. Κουμπί αλλαγής τρόπου λειτουργίας

Μόνο περιστροφή

Για τη διάτρηση σε ξύλο, μέταλλο ή πλαστικά υλικά, γυρίστε το κουμπί αλλαγής τρόπου λειτουργίας στο σύμβολο . Χρησιμοποιήστε μύτη με ελικοειδείς τρυπάνι ή τρυπάνι για ξύλο.

► **Εικ.10:** 1. Μόνο περιστροφή

Μόνο κρούση

Για εργασίες κοπιδιάσματος, αφαίρεσης σκουριάς ή κατεδάφισης, γυρίστε το κουμπί αλλαγής τρόπου λειτουργίας στο σύμβολο . Χρησιμοποιήστε διατρητική βελόνα, κοπίδι χαρακτών, κοπίδι αφαίρεσης σκουριάς κτλ.

► **Εικ.11:** 1. Μόνο κρούση

Αγωγός αέρα

▲ ΠΡΟΣΟΧΗ: Μην τοποθετείτε το δάχτυλό σας μέσα στον αγωγό αέρα και μην εισαγάγετε οποιοδήποτε άλλο αντικείμενο μέσα στον αγωγό αέρα. Διαφορετικά, μπορεί να τραυματιστείτε ή να προκληθεί ζημιά στο εργαλείο.

Ο αγωγός αέρα έχει σχεδιαστεί για να βελτιώνει την απόδοση αναρρόφησης του συστήματος συλλογής σκόνης. Για λεπτομέρειες σχετικά με τον τρόπο εγκατάστασης του συστήματος συλλογής σκόνης, ανατρέξτε στις οδηγίες για την εγκατάσταση του συστήματος συλλογής σκόνης.

► **Εικ.12:** 1. Αγωγός αέρα

Γάντζος

Προαιρετικό εξάρτημα

▲ ΠΡΟΣΟΧΗ: Να αφαιρείτε πάντα την μπαταρία όταν κρεμάτε το εργαλείο με το γάντζο.

▲ ΠΡΟΣΟΧΗ: Ποτέ μην κρεμάτε το εργαλείο σε υψηλές τοποθεσίες ή σε δυνητικά ασταθείς επιφάνειες.

Ο γάντζος είναι βολικός για το προσωρινό κρέμασμα του εργαλείου.

Πριν εγκαταστήσετε τον γάντζο, αφαιρέστε το λαστιχένιο καπάκι από τις οπές βίδας στον βραχίονα στερέωσης. Εισαγάγετε τις τετράγωνες ροδέλες κάτω από τον βραχίονα και, στη συνέχεια, σφίξτε τον γάντζο με τις βίδες.

► **Εικ.13:** 1. Λαστιχένιο καπάκι 2. Βραχίονας στερέωσης 3. Τετράγωνες ροδέλες 4. Γάντζος 5. Βίδες

Για χρήση, σηκώστε τον βραχίονα του γάντζου έως ότου ασφαλίσει στην ανοιχτή θέση.

Όταν δεν χρησιμοποιείται, βεβαιωθείτε ότι ο γάντζος έχει διπλωθεί ξανά στην κλειστή θέση.

► **Εικ.14:** 1. Γάντζος 2. Ανοιχτή θέση 3. Κλειστή θέση

► **Εικ.15**

Σύνδεση αναδέτη (ιμάντας πρόσδεσης) στον γάντζο

▲ ΠΡΟΣΟΧΗ: Μην χρησιμοποιείτε γάντζο και βίδες αν έχουν υποστεί ζημία. Πριν από τη χρήση, να ελέγχετε πάντα για ζημιές, ρωγμές ή παραμορφώσεις, και να βεβαιώνετε ότι οι βίδες είναι σφιγμένες.

▲ ΠΡΟΣΟΧΗ: Βεβαιωθείτε ότι ο γάντζος έχει τοποθετηθεί καλά με τις βίδες.

▲ ΠΡΟΣΟΧΗ: Μην τοποθετείτε ή αφαιρείτε οποιοδήποτε εξάρτημα ενώ το εργαλείο είναι κρεμασμένο. Το εργαλείο μπορεί να πέσει αν οι βίδες δεν είναι σφιγμένες.

▲ ΠΡΟΣΟΧΗ: Να χρησιμοποιείτε πάντα καραμπίνερ ασφάλισης (τύπου πολλών δράσεων και βιδωτού κλεισίματος) και να φροντίστε να προσδέσετε τον αναδέτη (ιμάντα πρόσδεσης) στο τμήμα διπλού βρόχου του γάντζου. Η λανθασμένη προσάρτηση μπορεί να προκαλέσει την πτώση του εργαλείου από τον γάντζο και να έχει ως αποτέλεσμα προσωπικό τραυματισμό.

Ο γάντζος επίσης χρησιμοποιείται για τη σύνδεση του αναδέτη (ιμάντα πρόσδεσης). Φροντίστε να προσδέσετε τον αναδέτη (ιμάντα πρόσδεσης) στο τμήμα διπλού βρόχου του γάντζου.

- **Εικ. 16:**
1. Τμήμα διπλού βρόχου του γάντζου
 2. Αναδέτης (ιμάντας πρόσδεσης)
 3. Καραμπίνερ ασφάλισης (τύπου πολλών δράσεων και βιδωτού κλεισίματος)

Προειδοποιήσεις ασφάλειας για τη σύνδεση αναδέτη (ιμάντα πρόσδεσης) στον γάντζο

▲ Προειδοποιήσεις ασφαλείας ειδικά για χρήση από ύψος

Διαβάστε όλες τις προειδοποιήσεις για την ασφάλεια και τις οδηγίες. Αν δεν τηρήσετε τις προειδοποιήσεις και οδηγίες μπορεί να έχει ως αποτέλεσμα σοβαρό τραυματισμό.

1. **Να διατηρείτε πάντα το εργαλείο προσδεμένο όταν εργάζεστε από ύψος. Το μέγιστο μήκος αναδέτη είναι 2 m.**
Το μέγιστο επιτρεπτό ύψος πτώσης για τον αναδέτη (ιμάντα πρόσδεσης) δεν πρέπει να ξεπερνάει τα 2 m.
2. **Να χρησιμοποιείτε μόνο με αναδέτες κατάλληλους για αυτόν τον τύπο εργαλείου και με ονομαστική τιμή τουλάχιστον 10 kg.**
3. **Μην ακυρώνετε τον αναδέτη εργαλείου σε οτιδήποτε υπάρχει επάνω στο σώμα σας ή σε κινητά εξαρτήματα. Να ακυρώνετε τον αναδέτη εργαλείου σε μια ακαμπη δομή που μπορεί να αντέχει στις δυνάμεις που ασκεί ένα εργαλείο που πέφτει.**
4. **Βεβαιωθείτε ότι ο αναδέτης είναι σωστά ασφαλισμένος σε κάθε άκρο πριν από τη χρήση.**
5. **Επιθεωρήστε το εργαλείο και τον αναδέτη πριν από κάθε χρήση για ζημιά και σωστή λειτουργία (συμπεριλαμβανομένου του υφάσματος και των ραφών). Μην χρησιμοποιείτε αν υπάρχει ζημιά ή δεν λειτουργεί σωστά.**

6. **Μην περιτυλίγετε τους αναδέτες και μην τους αφήνετε να έρθουν σε επαφή με αιχμηρά ή σκληρά άκρα.**
7. **Συνδέστε το άλλο άκρο του αναδέτη σε ένα σημείο έξω από το χώρο εργασίας ώστε το εργαλείο να συγκρατηθεί με ασφάλεια στην περίπτωση που πέσει.**
8. **Προσδέστε τον αναδέτη με τρόπο ώστε το εργαλείο να απομακρυνθεί από τον χειριστή σε περίπτωση που πέσει.** Τα εργαλεία που πέφτουν αιωρούνται στον αναδέτη, γεγονός που μπορεί να προκαλέσει τραυματισμό και απώλεια ισορροπίας.
9. **Μην χρησιμοποιείτε κοντά σε κινούμενα μέρη ή σε μηχανήματα που βρίσκονται σε λειτουργία. Η μη τήρηση αυτού μπορεί να έχει ως αποτέλεσμα κίνδυνο σύνθλιψης ή εμπλοκής.**
10. **Μην μεταφέρετε το εργαλείο από τη διάταξη σύνδεσης ή τον αναδέτη.**
11. **Να μεταφέρετε το εργαλείο μεταξύ των χεριών σας μόνο ενώ είστε καλά ισορροπημένοι.**
12. **Μη συνδέετε αναδέτες στο εργαλείο με τρόπο που να εμποδίζει τη σωστή λειτουργία των διακοπών ή ασφαλειών σκανδάλης (αν παρέχονται).**
13. **Αποφεύγετε την εμπλοκή με τον αναδέτη.**
14. **Κρατήστε τον αναδέτη μακριά από την περιοχή τρυπανίσματος του εργαλείου.**
15. **Χρησιμοποιήστε καραμπίνερ ασφάλισης (τύπου πολλών δράσεων και βιδωτού κλεισίματος). Μην χρησιμοποιείτε καραμπινέρ με ελατηριωτά κλιπ μίας δράσης.**
16. **Στην περίπτωση που το εργαλείο πέσει, πρέπει να ετισημανθεί και να μην χρησιμοποιηθεί ξανά, και να επιθεωρηθεί από εργοστάσιο ή εξουσιοδοτημένο κέντρο σέρβις της Makita.**

Λειτουργία αποφυγής τυχαίας επανεκκίνησης

Αν τοποθετήσετε την κασέτα μπαταριών ενώ τραβάτε τη σκανδάλη διακόπτη, το εργαλείο δεν ξεκινά. Για να ξεκινήσετε τη λειτουργία του εργαλείου, αφήστε τη σκανδάλη διακόπτη και μετά τραβήξτε τη σκανδάλη διακόπτη.

Περιοριστής ροπής

ΕΙΔΟΠΟΙΗΣΗ: Μόλις ενεργοποιηθεί ο περιοριστής ροπής, απενεργοποιήστε αμέσως το εργαλείο. Έτσι αποτρέπεται η πρόωρη φθορά του εργαλείου.

ΕΙΔΟΠΟΙΗΣΗ: Κάποιες μύτες, όπως τα ποτηροτρύπανα, που έχουν τάση να μαγκώνουν ή να σκαλίζουν εύκολα μέσα την οπή, δεν είναι κατάλληλες για αυτό το εργαλείο. Αυτό οφείλεται στο γεγονός ότι προκαλούν την πολύ συχνή ενεργοποίηση του περιοριστή ροπής.

Ο περιοριστής ροπής ενεργοποιείται όταν επιτευχθεί συγκεκριμένος επίπεδο ροπής. Το μόντερ αποσυμπλέκεται από τον άξονα εξόδου. Όταν συμβεί αυτό, η μύτη σταματά να περιστρέφεται.

Ηλεκτρονική λειτουργία

Το εργαλείο είναι εξοπλισμένο με ηλεκτρονικές λειτουργίες για εύκολη λειτουργία.

- **Ηλεκτρικό φρένο**
Το εργαλείο αυτό είναι εξοπλισμένο με ηλεκτρικό φρένο. Αν το εργαλείο αποτυγχάνει συνεχώς να διακόπτει γρήγορα τη λειτουργία αφού αφήσετε τη σκανδάλη διακόπτη, ζητήστε την επισκευή του εργαλείου από κέντρο εξυπηρέτησης της Makita.
- **Έλεγχος σταθερής ταχύτητας**
Η λειτουργία ελέγχου ταχύτητας παρέχει σταθερή ταχύτητα περιστροφής, ανεξάρτητα από τις συνθήκες φόρτου.
- **Τεχνολογία αίσθησης ενεργής ανάδρασης**
Αν το εργαλείο ταλαντεύεται στην προκαθορισμένη επιτάχυνση κατά τη λειτουργία, το μοτέρ σταματάει εξαναγκαστικά για να μειωθεί το φόρτο στον καρπό.

ΠΑΡΑΤΗΡΗΣΗ: Η λειτουργία αυτή δεν είναι εφικτή αν η επιτάχυνση δεν φτάσει την προκαθορισμένη τιμή όταν το εργαλείο ταλαντεύεται.

ΠΑΡΑΤΗΡΗΣΗ: Αν η μύτη ταλαντωθεί με την προκαθορισμένη επιτάχυνση κατά τη διάρκεια κοπιδιάσματος, αφαίρεσης σκουριάς ή κατεδάφισης, το μοτέρ σταματάει εξαναγκαστικά. Σε αυτή την περίπτωση, αφήστε τη σκανδάλη διακόπτη και μετά τραβήξτε τη σκανδάλη διακόπτη για να εκκινήσετε ξανά το εργαλείο.

ΣΥΝΑΡΜΟΛΟΓΗΣΗ

⚠ ΠΡΟΣΟΧΗ: Να βεβαιώνετε πάντα ότι το εργαλείο είναι σβηστό και η κασέτα μπαταρίας έχει αφαιρεθεί πριν εκτελέσετε κάποια εργασία στο εργαλείο.

Πλευρική λαβή (βοηθητική χειρολαβή)

⚠ ΠΡΟΣΟΧΗ: Χρησιμοποιείτε πάντοτε την πλευρική λαβή, έτσι ώστε να διασφαλίζεται η ασφαλής λειτουργία.

⚠ ΠΡΟΣΟΧΗ: Μετά την εγκατάσταση ή ρύθμιση της πλάγιας λαβής, βεβαιωθείτε ότι η πλάγια λαβή είναι καλά ασφαλισμένη με τις προεξοχές συγκράτησης πλήρως δεσμευμένες, τοποθετώντας τις εσοχές στο περιβλήμα γκρανάζιων.

Για την εγκατάσταση της πλάγιας λαβής, ακολουθήστε τα παρακάτω βήματα.

1. Χαλαρώστε την πεταλούδα στην πλάγια λαβή. Στη συνέχεια, τοποθετήστε την πλάγια λαβή πάνω από το τσοκ του περιβλήματος γκρανάζιων.
- ▶ **Εικ.17:** 1. Πλάγια λαβή 2. Πεταλούδα 3. Τσοκ του περιβλήματος γκρανάζιων 4. Προεξοχή συγκράτησης 5. Εσοχή τοποθέτησης

Ο δακτύλιος πρόσδεσης μπορεί να μεγεθυνθεί εάν πιέσετε την πεταλούδα προς τα κάτω ώστε ο δακτύλιος να δεσμευτεί εύκολο και καλά πάνω από το τσοκ του περιβλήματος γκρανάζιων.

▶ **Εικ.18:** 1. Πεταλούδα 2. Δακτύλιος πρόσδεσης

2. Σφίξτε την πεταλούδα για να ασφαλίσετε τη λαβή στην επιθυμητή γωνία.

Τοποθέτηση και αφαίρεση της μύτης τρυπανιού

Γράσο

Καθαρίστε το άκρο στελέχους της μύτης τρυπανιού και βάλτε γράσο πριν τοποθετήσετε τη μύτη τρυπανιού. Επαλείψτε από πριν το άκρο στελέχους της μύτης τρυπανιού με μια μικρή ποσότητα γράσου (περίπου 0,5 - 1 g).

Η λίπανση του σφιγκτήρα εξασφαλίζει ομαλή λειτουργία και μεγαλύτερη διάρκεια ζωής.

▶ **Εικ.19:** 1. Άκρο στελέχους 2. Γράσο

Τοποθετήστε το άκρο στελέχους της μύτης τρυπανιού μέσα στον σφιγκτήρα και εισαγάγετέ το περισσότερο μέσα στον σφιγκτήρα ενώ γυρίζετε με το χέρι τη μύτη τρυπανιού, με τρόπο ώστε το άκρο στελέχους να ταιριάζει καλά μέσα στη σχισμή σφιγκτήρα και να δεσμευτεί πλήρως.

Αφού εγκαταστήσετε τη μύτη τρυπανιού, δοκιμάστε να την τραβήξετε προς τα έξω για να εξασφαλίσετε ότι συγκρατείτε καλά στη θέση της.

▶ **Εικ.20:** 1. Μύτη τρυπανιού 2. Σφιγκτήρας

Για να αφαιρέσετε τη μύτη τρυπανιού, στρώξτε το κάλυμμα σφιγκτήρα εντελώς προς τα κάτω και μετά τραβήξτε τη μύτη τρυπανιού προς τα έξω.

▶ **Εικ.21:** 1. Μύτη τρυπανιού 2. Κάλυμμα σφιγκτήρα

Γωνία καλεμιού (κατά το κοπιδίασμα, την αφαίρεση σκουριάς ή την κατεδάφιση)

Το καλέμι μπορεί να ασφαλίσει στην επιθυμητή γωνία. Για να αλλάξετε τη γωνία του καλεμιού, γυρίστε το κουμπί αλλαγής τρόπου λειτουργίας στο σύμβολο O. Στρέψτε το καλέμι στην επιθυμητή γωνία.

▶ **Εικ.22:** 1. Κουμπί αλλαγής τρόπου λειτουργίας

Γυρίστε το κουμπί αλλαγής τρόπου λειτουργίας στο σύμβολο T. Στη συνέχεια, βεβαιωθείτε ότι το καλέμι έχει ασφαλιστεί σταθερά περιστρέφοντας το απαλά.

Ρυθμιστής βάθους

Ο ρυθμιστής βάθους διευκολύνει τη διάνοιξη οπών ομοιόμορφου βάθους.

Πατήστε παρατεταμένα το κουμπί ασφάλισης και μετά εισαγάγετε τον ρυθμιστή βάθους στην εξαγωνική οπή. Φροντίστε η οδοντωτή πλευρά του ρυθμιστή βάθους να είναι στραμμένη προς την ένδειξη.

▶ **Εικ.23:** 1. Ρυθμιστής βάθους 2. Κουμπί ασφάλισης 3. Σήμανση 4. Οδοντωτή πλευρά

Ρυθμίστε το ρυθμιστή βάθους μετακινώντας τον μπρος-πίσω, πιέζοντας ταυτόχρονα το κουμπί ασφάλισης. Μετά τη ρύθμιση, αφήστε το κουμπί ασφάλισης για να ασφαλίσει ο ρυθμιστής βάθους.

ΠΑΡΑΤΗΡΗΣΗ: Βεβαιωθείτε ότι ο ρυθμιστής βάθους δεν αγγίζει το κυρίως σώμα του εργαλείου όταν το συνδέετε.

Κάλυμμα σκόνης

Προαιρετικό εξάρτημα

Χρησιμοποιήστε το κάλυμμα σκόνης για να αποτρέψετε την πτώση της σκόνης πάνω στο εργαλείο και στον εαυτό σας όταν εκτελείτε εργασίες διάτρησης σε κάποιο σημείο πάνω από το κεφάλι σας. Προσαρμόστε το κάλυμμα σκόνης στη μύτη, όπως απεικονίζεται στην εικόνα. Ακολουθεί πίνακας με τα μεγέθη των μυτιών στις οποίες μπορείτε να προσαρμόσετε το κάλυμμα σκόνης.

Μοντέλο	Διάμετρος μύτης
Κάλυμμα σκόνης 5	6 mm - 14,5 mm
Κάλυμμα σκόνης 9	12 mm - 16 mm

► **Εικ.24:** 1. Κάλυμμα σκόνης

Σετ καλύμματος σκόνης

Προαιρετικό εξάρτημα

▲ ΠΡΟΣΟΧΗ: Πριν τοποθετήσετε ή αφαιρέσετε το σετ καλύμματος σκόνης, αφαιρέστε τη μύτη από το εργαλείο.

Εγκατάσταση

Για το μοντέλο HR008G

1. Συνδέστε τον αποστάτη στη μονάδα προσαρτήματος του σετ καλύμματος σκόνης, ευθυγραμμίζοντας το σύμβολο Δ στη μονάδα προσαρτήματος με μία από τις εγκοπές στον αποστάτη.

► **Εικ.25:** 1. Αποστάτης 2. Σετ καλύμματος σκόνης 3. Μονάδα προσαρτήματος 4. Σύμβολο Δ 5. Εγκοπτή

2. Τοποθετήστε το σετ καλύμματος σκόνης με τον αποστάτη στο τσοκ του περιβλήματος γραναζιών ευθυγραμμίζοντας το σύμβολο Δ στο σετ καλύμματος σκόνης με μία από τις εγκοπές στο τσοκ. Στη συνέχεια, κρατήστε τη μονάδα προσαρτήματος του σετ καλύμματος σκόνης και σπρώξτε το κάτω επάνω στο τσοκ για να το ασφαλίσετε στη θέση του.

► **Εικ.26:** 1. Σετ καλύμματος σκόνης 2. Μονάδα προσαρτήματος 3. Αποστάτης 4. Σύμβολο Δ 5. Εγκοπτή

Για το μοντέλο HR009G

Τοποθετήστε το σετ καλύμματος σκόνης στο τσοκ του περιβλήματος γραναζιών ευθυγραμμίζοντας το σύμβολο Δ στο σετ καλύμματος σκόνης με μία από τις εγκοπές στο τσοκ. Στη συνέχεια, κρατήστε τη μονάδα προσαρτήματος του σετ καλύμματος σκόνης και σπρώξτε το κάτω επάνω στο τσοκ για να το ασφαλίσετε στη θέση του.

► **Εικ.27:** 1. Σετ καλύμματος σκόνης 2. Μονάδα προσαρτήματος 3. Σύμβολο Δ 4. Εγκοπτή

ΠΑΡΑΤΗΡΗΣΗ: Αν συνδέσετε ηλεκτρική σκούπα στο σετ καλύμματος σκόνης, αφαιρέστε το καπάκι σκόνης πριν την συνδέσετε.

► **Εικ.28:** 1. Καπάκι σκόνης

Απεγκατάσταση

1. Σπρώξτε το κάλυμμα σφικτήρα τέρμα κάτω και τραβήξτε και βγάλτε τη μύτη.

► **Εικ.29:** 1. Μύτη 2. Κάλυμμα σφικτήρα

2. Κρατήστε τη μονάδα προσαρτήματος του σετ καλύμματος σκόνης και τραβήξτε το ώστε να αποσπαστεί από το εργαλείο.

► **Εικ.30:** 1. Μονάδα προσαρτήματος

ΠΑΡΑΤΗΡΗΣΗ: Εάν το καπάκι βγει από το σετ καλύμματος σκόνης, τοποθετήστε το ξανά στην αρχική του θέση.

1. Αφαιρέστε τις φυσούνες από τη μονάδα προσαρτήματος του σετ καλύμματος σκόνης.

► **Εικ.31:** 1. Φυσούνες 2. Μονάδα προσαρτήματος

2. Τοποθετήστε το καπάκι ξανά στη θέση του με την εκτυπωμένη πλευρά στραμμένη προς τα πάνω.

► **Εικ.32:** 1. Καπάκι 2. Εκτυπωμένη πλευρά 3. Εγκοπές 4. Άκρα του άνω ανοίγματος 5. Μονάδα προσαρτήματος

3. Βεβαιωθείτε ότι οι εγκοπές γύρω από το καπάκι ταιριάζουν καλά στα άκρα του άνω ανοίγματος της μονάδας προσαρτήματος.

► **Εικ.33**

ΣΥΣΤΗΜΑ ΣΥΛΛΟΓΗΣ ΣΚΟΝΗΣ

Προαιρετικό εξάρτημα

Το σύστημα συλλογής σκόνης έχει σχεδιαστεί για την αποδοτική συλλογή σκόνης κατά τη λειτουργία τρυπανίσματος σε σκυρόδεμα.

► **Εικ.34:** 1. Σύστημα συλλογής σκόνης

▲ ΠΡΟΣΟΧΗ: Το σύστημα συλλογής σκόνης προορίζεται μόνο για τρυπάνισμα σετσιμέντο. Μη χρησιμοποιείτε το σύστημα συλλογής σκόνης για τρυπάνισμα σε μέταλλο ή ξύλο.

▲ ΠΡΟΣΟΧΗ: Όταν χρησιμοποιείτε το εργαλείο με το σύστημα συλλογής σκόνης, βεβαιωθείτε να συνδέσετε το φίλτρο στο σύστημα συλλογής σκόνης για να αποφύγετε την εισπνοή σκόνης.

▲ ΠΡΟΣΟΧΗ: Πριν χρησιμοποιείτε το σύστημα συλλογής σκόνης, ελέγξτε ότι το φίλτρο δεν είναι κατεστραμμένο. Αν δεν τηρήσετε αυτή την οδηγία, μπορεί να προκληθεί εισπνοή της σκόνης.

▲ ΠΡΟΣΟΧΗ: Το σύστημα συλλογής σκόνης συλλέγει τη σκόνη που παράγεται σε σημαντικό ποσοστό, αλλά δεν είναι δυνατό να γίνει συλλογή όλης της σκόνης.

ΕΙΔΟΠΟΙΗΣΗ: Μη χρησιμοποιείτε το σύστημα συλλογής σκόνης για πυρηνοληψία ή σμίλευμα.

ΕΙΔΟΠΟΙΗΣΗ: Μη χρησιμοποιείτε το σύστημα συλλογής σκόνης για μέταλλο ή ξύλο. Το σύστημα συλλογής σκόνης προορίζεται μόνο για σκυρόδεμα.

ΕΙΔΟΠΟΙΗΣΗ: Μη χρησιμοποιείτε το σύστημα συλλογής σκόνης για τρυπάνισμα σε υγρό τσιμέντο και μη χρησιμοποιείτε αυτό το σύστημα σε υγρό περιβάλλον. Αν δεν τηρήσετε αυτή την οδηγία, μπορεί να προκληθεί δυσλειτουργία.

Εγκατάσταση

ΕΙΔΟΠΟΙΗΣΗ: Πριν εγκαταστήσετε το σύστημα συλλογής σκόνης, καθαρίστε τα αρθρωτά μέρη του εργαλείου και το σύστημα συλλογής σκόνης. Η ξένη ύλη στα αρθρωτά μέρη μπορεί να καταστήσει δύσκολη την εγκατάσταση του συστήματος συλλογής σκόνης. Αν παραμένει σκόνη στον αγωγό αέρα, η σκόνη εισχωρεί στο εργαλείο και προκαλεί εμπλοκή στη ροή αέρα ή σπάσιμο του εργαλείου.

Κρεμάστε τους γάντζους του συστήματος συλλογής σκόνης στις θήκες στο κάτω μπροστινό μέρος του εργαλείου. Σηκώστε το ακροφύσιο για να ασφαλίσετε το σύστημα συλλογής σκόνης στη θέση του, ακούγοντας έναν χαρακτηριστικό ήχο ασφάλισης, ώστε ο αγωγός αέρα του εργαλείου να καλυφθεί με την έξοδο αέρα αναρρόφησης του συστήματος συλλογής σκόνης.

- **Εικ.35:** 1. Γάντζοι 2. Σύστημα συλλογής σκόνης 3. Θήκες 4. Ακροφύσιο 5. Αγωγός αέρα 6. Έξοδος αέρα αναρρόφησης

Απεγκατάσταση

Πατήστε παρατεταμένα το κουμπί απασφάλισης στο σύστημα συλλογής σκόνης και χαμηλώστε το ακροφύσιο για να απελευθερώσετε το άνω τμήμα του συστήματος συλλογής σκόνης. Απαγκιστρώστε το κάτω τμήμα του συστήματος συλλογής σκόνης από το εργαλείο.

- **Εικ.36:** 1. Σύστημα συλλογής σκόνης 2. Ακροφύσιο 3. Κουμπί απασφάλισης

Ρύθμιση της θέσης ακροφυσίου του συστήματος συλλογής σκόνης

ΠΡΟΣΟΧΗ: Μη στρέψετε το ακροφύσιο προς το μέρος σας ή προς άλλους όταν απελευθερώνετε το ακροφύσιο πατώντας το κουμπί ρύθμισης οδηγού.

Σύρετε τον οδηγό ακροφυσίου μέσα και έξω ενώ πατάτε το κουμπί ρύθμισης οδηγού και, στη συνέχεια, αφήστε το κουμπί σε μια ακριβή θέση όπου το άκρο της μύτες τρυπανιού ακουμπά μόλις πίσω από την μπροστινή επιφάνεια του ακροφυσίου.

- **Εικ.37:** 1. Οδηγός 2. Κουμπί ρύθμισης οδηγού 3. Άκρο της μύτες τρυπανιού 4. Μπροστινή επιφάνεια του ακροφυσίου

Ρύθμιση των βαθών τρυπανίσματος

Τα βάθη τρυπανίσματος μπορεί να ρυθμιστούν αν αλλάξετε τα μήκη μεταξύ του κουμπιού ρύθμισης βάθους και του βραχίονα στήριξη για τον οδηγό ακροφυσίου. Πατήστε παρατεταμένα το κουμπί ρύθμισης βάθους και συρρέτε το στην επιθυμητή θέση.

- **Εικ.38:** 1. Κουμπί ρύθμισης βάθους 2. Οδηγός ακροφυσίου 3. Βραχίονας στήριξης για τον οδηγό ακροφυσίου 4. Βάθη τρυπανίσματος

Κτύπημα σκόνης στο φίλτρο

ΠΡΟΣΟΧΗ: Μη γυρίσετε τον επιλογέα στη θήκη σκόνης ενώ η θήκη σκόνης έχει αφαιρεθεί από το σύστημα συλλογής σκόνης. Αν το κάνετε αυτό, μπορεί να προκληθεί εισπνοή της σκόνης.

ΠΡΟΣΟΧΗ: Να σβήνετε πάντα το εργαλείο όταν γυρίζετε τον επιλογέα στη θήκη σκόνης. Αν γυρίσετε τον επιλογέα ενώ το εργαλείο λειτουργεί, μπορεί να έχει ως αποτέλεσμα την απώλεια ελέγχου του εργαλείου.

Αν κτυπήσετε τη σκόνη στο φίλτρο μέσα στη θήκη σκόνης, μπορείτε να διατηρήσετε την αποδοτικότητα αναρρόφησης και επίσης να μειώσετε τον αριθμό των φορών που θα απορρίψετε τη σκόνη.

Γυρίστε τον επιλογέα στη θήκη σκόνης τρεις φορές μετά τη συλλογή 50.000 mm³ σκόνης ή όταν πιστεύετε ότι η απόδοση αναρρόφησης έχει μειωθεί.

ΠΑΡΑΤΗΡΗΣΗ: 50.000 mm³ σκόνης ισοδυναμεί με το τρυπάνισμα 10 οπών ø10 mm και βάρους 65 mm.

- **Εικ.39:** 1. Θήκη σκόνης 2. Επιλογέας

Απόρριψη της σκόνης

ΠΡΟΣΟΧΗ: Να βεβαιώνετε πάντα ότι το εργαλείο είναι σβηστό και η κασέτα μπαταρίας έχει αφαιρεθεί πριν εκτελέσετε κάποια εργασία στο εργαλείο.

ΠΡΟΣΟΧΗ: Να φροντίζετε να φοράτε μάσκα για τη σκόνη όταν απορρίπτετε τη σκόνη.

ΠΡΟΣΟΧΗ: Να αδειάζετε τη θήκη σκόνης τακτικά πριν γεμίσει η θήκη σκόνης. Αν δεν τηρήσετε αυτή την οδηγία, μπορεί να μειωθεί η απόδοση συλλογής σκόνης και να προσκληθεί εισπνοή της σκόνης.

ΠΡΟΣΟΧΗ: Η απόδοση της συλλογής σκόνης μειώνεται αν φράξει το φίλτρο στη θήκη σκόνης. Ως οδηγό, να αντικαθιστάτε το φίλτρο με ένα καινούριο μετά από περίπου 200 φορές πλήρωσής του με σκόνη. Αν δεν τηρήσετε αυτή την οδηγία, μπορεί να προκληθεί εισπνοή της σκόνης.

1. Αφαιρέστε τη θήκη σκόνης ενώ πατάτε τον μοχλό συγκράτησης της θήκης σκόνης.

- **Εικ.40:** 1. Μοχλός συγκράτησης

2. Σηκώστε τη γλωττίδα ασφάλισης ελαφρώς προς τα έξω και ανοίξτε το κάλυμμα θήκης σκόνης.

- **Εικ.41:** 1. Κάλυμμα θήκης σκόνης 2. Γλωττίδα ασφάλισης

3. Απορρίψτε τη σκόνη και μετά καθαρίστε το φίλτρο.

- **Εικ.42**

ΕΙΔΟΠΟΙΗΣΗ: Όταν καθαρίζετε το φίλτρο, κτυπήστε τη θήκη του φίλτρου απαλά με το χέρι για να αφαιρέσετε τη σκόνη. Μη κτυπάτε απευθείας το φίλτρο. Αγγίξτε το φίλτρο με μια βούρτσα ή παρόμοιο εργαλείο. Ή φυσήξτε πεπιεσμένο αέρα στο φίλτρο. Αν το κάνετε αυτό, μπορεί να προκληθεί ζημιά στο φίλτρο.

Αντικατάσταση του φίλτρου της θήκης σκόνης

1. Αφαιρέστε τη θήκη σκόνης ενώ πατάτε τον μοχλό συγκράτησης της θήκης σκόνης.

► **Εικ.43:** 1. Μοχλός συγκράτησης

2. Σηκώστε τη γλωττίδα ασφάλισης ελαφρώς προς τα έξω και ανοίξτε το κάλυμμα φίλτρου της θήκης σκόνης.

► **Εικ.44:** 1. Κάλυμμα φίλτρου 2. Γλωττίδα ασφάλισης

3. Αφαιρέστε το φίλτρο από τη θήκη φίλτρου.

► **Εικ.45:** 1. Φίλτρο 2. Θήκη φίλτρου

4. Προσαρτήστε ένα καινούριο φίλτρο στη θήκη φίλτρου και μετά προσαρτήστε το κάλυμμα φίλτρου.

5. Κλείστε το κάλυμμα της θήκης σκόνης και μετά προσαρτήστε τη θήκη σκόνης στο σύστημα συλλογής σκόνης.

Αντικατάσταση του κατακίου σφράγισης

Ένα κατεστραμμένο ή φθαρμένο καπάκι σφράγισης μπορεί να επηρεάσει την απόδοση της συλλογής σκόνης. Αντικαταστήστε καταλλήλως το καπάκι σφράγισης με ένα καινούριο, ευθυγραμμίζοντας την προεξοχή οδηγού του με την εγκοπή οδηγού στην κεφαλή ακροφυσίου.

► **Εικ.46:** 1. Καπάκι σφράγισης 2. Προεξοχή οδηγού 3. Κεφαλή ακροφυσίου 4. Εγκοπή οδηγού

Αποθήκευση

ΕΙΔΟΠΟΙΗΣΗ: Όταν δεν χρησιμοποιείται για ορισμένη χρονική περίοδο, ο οδηγός ακροφυσίου πρέπει να επεκταθεί σε περίπου 100 mm από την πλήρως μαζεμένη θέση του. Εάν δεν το κάνετε αυτό, μπορεί να προκληθεί ζημιά στον εύκαμπτο σωλήνα αγωγού που έχει προεγκατασταθεί στον οδηγό ακροφυσίου.

► **Εικ.47:** 1. Κομπι ρύθμισης οδηγού 2. Περίπου 100 mm

ΛΕΙΤΟΥΡΓΙΑ

▲ ΠΡΟΣΟΧΗ: Να χρησιμοποιείτε πάντα την πλάγια λαβή (βοηθητική λαβή) και να κρατάτε σταθερά το εργαλείο από την πλάγια λαβή και τη λαβή διακόπτη κατά την εκτέλεση των εργασιών.

▲ ΠΡΟΣΟΧΗ: Πριν από τη λειτουργία, βεβαιώστε πάντοτε ότι το τεμάχιο εργασίας έχει ασφαλίσει.

▲ ΠΡΟΣΟΧΗ: Μην τραβάτε το εργαλείο με δύναμη προς τα έξω, ακόμα και αν κολλήσει η μύτη. Η απώλεια ελέγχου ενδέχεται να προκαλέσει τραυματισμό.

ΕΙΔΟΠΟΙΗΣΗ: Πριν χρησιμοποιήσετε το σύστημα συλλογής σκόνης με το εργαλείο, διαβάστε την ενότητα για το σύστημα συλλογής σκόνης.

ΠΑΡΑΤΗΡΗΣΗ: Αν η κασέτα μπαταρίας βρίσκεται σε χαμηλή θερμοκρασία, η ικανότητα του εργαλείου μπορεί να μην επιτευχθεί πλήρως. Σε αυτή την περίπτωση, ζεστάνετε την κασέτα μπαταρίας χρησιμοποιώντας το εργαλείο χωρίς φορτίο για λίγη ώρα, για να επιτευχθεί πλήρως η ικανότητα του εργαλείου.

► **Εικ.48**

Λειτουργία κρουστικού τρυπανιού

▲ ΠΡΟΣΟΧΗ: Το εργαλείο/μύτη τρυπανιού υφίσταται ισχυρή και ξαφνική περιστροφική δύναμη τη στιγμή που διέρχεται από την οπή, όταν η οπή παρουσιάζει έμφραξη με θραύσματα και σωματίδια ή όταν συναντήσει βέργες ενίσχυσης πακτωμένες στο σκυρόδεμα. **Να χρησιμοποιείτε πάντα την πλάγια λαβή (βοηθητική λαβή) και να κρατάτε σταθερά το εργαλείο από την πλάγια λαβή και τη λαβή διακόπτη κατά την εκτέλεση των εργασιών.** Η μη συμμόρφωση μπορεί να έχει ως αποτέλεσμα την απώλεια ελέγχου του εργαλείου και την ενδεχόμενη πρόκληση σοβαρού τραυματισμού.

Ρυθμίστε το κομπι αλλαγής του τρόπου λειτουργίας στο σύμβολο .

Τοποθετήστε τη μύτη τρυπανιού στο επιθυμητό σημείο για διάνοιξη της οπής και μετά τραβήξτε τη σκανδάλη διακόπτη.

Εφαρμόστε δύναμη τροφοδοσίας στη λαβή διακόπτη (κύρια λαβή) για εργασία με ακρίβεια και αποδοτικότητα και κρατήστε την πλάγια λαβή (βοηθητική χειρολαβή) για να διατηρήσετε την ισορροπία του εργαλείου. Κρατήστε το εργαλείο στη θέση του και εμποδίστε το από το να γλιστρήσει από την οπή.

Μην ασκείτε μεγαλύτερη πίεση, όταν η οπή βουλώνει με θραύσματα ή σωματίδια. Αντ' αυτού, θέστε το εργαλείο στη λειτουργία ρελαντί και μετά τραβήξτε ελαφρώς τη μύτη έξω από την οπή. Αν επαναλάβετε το ίδιο αρκετές φορές, η οπή καθαρίζεται από τα θραύσματα και μπορείτε να συνεχίσετε την εργασία διάτρησης.

ΠΑΡΑΤΗΡΗΣΗ: Όταν χρησιμοποιείτε το εργαλείο χωρίς φορτίο, μπορεί να παρουσιαστεί σφάλμα ομοκεντρότητας στην περιστροφή της μύτης. Το εργαλείο αυτοκεντράρεται αυτόματα κατά τη διάρκεια της λειτουργίας. Αυτό δεν επηρεάζει την ακρίβεια της διάτρησης.

Κοπή/αφαίρεση σκουριάς/κατεδάφιση

Ρυθμίστε το κομπι αλλαγής του τρόπου λειτουργίας στο σύμβολο .

Κρατήστε σταθερά το εργαλείο με τα δύο χέρια. Ενεργοποιήστε το εργαλείο.

Εφαρμόστε δύναμη τροφοδοσίας στη λαβή διακόπτη (κύρια λαβή) για εργασία με ακρίβεια και αποδοτικότητα και κρατήστε την πλάγια λαβή (βοηθητική χειρολαβή) για να διατηρήσετε την ισορροπία του εργαλείου. Αν πιέσετε το εργαλείο πολύ δυνατά, δεν αυξάνεται η αποτελεσματικότητά του.

► **Εικ.49**

Διάρθρωση σε ξύλο ή μέταλλο

▲ ΠΡΟΣΟΧΗ: Κρατήστε σταθερά το εργαλείο και προσέχετε ιδιαίτερα τη στιγμή που η μύτη τρυπανιού διέρχεται από το άλλο άκρο της οπής. Ασκείται τεράστια δύναμη στο εργαλείο/μύτη τρυπανιού τη στιγμή που διαπερνάει τη οπή.

▲ ΠΡΟΣΟΧΗ: Μπορείτε να αφαιρέσετε μια μπλοκαρισμένη μύτη τρυπανιού με απλή ρύθμιση του διακόπτη αντιστροφής στη θέση αντίστροφης περιστροφής, ώστε η μύτη να οπισθοχωρήσει. Ωστόσο, το εργαλείο μπορεί να οπισθοχωρήσει έξω από την οπή απότομα, αν δεν το κρατάτε σταθερά.

▲ ΠΡΟΣΟΧΗ: Να ασφαρίζετε πάντα τα τεμάχια εργασίας σε μέγγεννη ή παρόμοια διάταξη συγκράτησης.

ΕΙΔΟΠΟΙΗΣΗ: Μη χρησιμοποιήσετε ποτέ την «περιστροφή με κρούση» όταν στο εργαλείο είναι τοποθετημένος ο σφιγκτήρας του τρυπανιού. Μπορεί να υποστεί ζημιά ο σφιγκτήρας του τρυπανιού.

Επίσης, ο σφιγκτήρας του τρυπανιού θα βγει κατά την αναστροφή της κίνησης του εργαλείου.

ΕΙΔΟΠΟΙΗΣΗ: Η υπερβολική πίεση στο εργαλείο δεν επιταχύνει τη διάρθρωση. Στην πραγματικότητα, αυτή η υπερβολική πίεση προκαλεί ζημιά στο άκρο της μύτης τρυπανιού, μείωση της απόδοσης όπως και της διάρκειας ζωής του εργαλείου.

Ρυθμίστε το κουμπί αλλαγής τρόπου λειτουργίας στο σύμβολο .

Για το μοντέλο HR008G

Προαιρετικό εξάρτημα

Συνδέστε τον προσαρμογέα σφιγκτήρα με σφιγκτήρα τρυπανιού χωρίς κλειδί στο οποίο μπορεί να τοποθετηθεί βίδα μεγέθους 1/2"-20 και μετά τοποθετήστε τους στο εργαλείο. Για λεπτομέρειες σχετικά με τον τρόπο εγκατάστασης του προσαρμογέα στον σφιγκτήρα, ανατρέξτε στις οδηγίες για την τοποθέτηση της μύτης τρυπανιού.

- **Εικ.50:** 1. Σφιγκτήρας τρυπανιού χωρίς κλειδί
2. Προσαρμογέας σφιγκτήρα

Για το μοντέλο HR009G

Χρησιμοποιήστε το σφιγκτήρα ταχείας αλλαγής τρυπανιού ως τυπικό εξοπλισμό. Για λεπτομέρειες σχετικά με τον τρόπο εγκατάστασης του σφιγκτήρα ταχείας αλλαγής τρυπανιού, ανατρέξτε στις οδηγίες για την αλλαγή του σφιγκτήρα ταχείας αλλαγής για SDS-plus.


Κρατήστε το δακτύλιο και γυρίστε το σοκ αριστερόστροφα για να ανοίξετε τις σιαγόνες του σφιγκτήρα. Τοποθετήστε μια μύτη τρυπανιού στο σφιγκτήρα μέχρι τέρμα. Κρατήστε σταθερά το δακτύλιο και γυρίστε το σοκ δεξιόστροφα για να σφίξετε το σφιγκτήρα.

- **Εικ.51:** 1. Σοκ 2. Δακτύλιος

Για να αφαιρέσετε τη μύτη τρυπανιού, κρατήστε το δακτύλιο και γυρίστε το σοκ αριστερόστροφα.

Διάρθρωση με αδαμάντινο πυρήνα

ΕΙΔΟΠΟΙΗΣΗ: Κατά την εκτέλεση εργασιών διάρθρωσης με αδαμάντινο πυρήνα σε συνδυασμό με την «περιστροφή με κρούση», μπορεί να υποστεί ζημιά η μύτη αδαμάντινου πυρήνα.

Κατά την εκτέλεση εργασιών διάρθρωσης με αδαμάντινο πυρήνα, να ρυθμίζετε πάντα το κουμπί αλλαγής του τρόπου λειτουργίας στη θέση  για να χρησιμοποιήσετε τη λειτουργία «μόνο περιστροφή».

Φυσερό

Προαιρετικό εξάρτημα

Μετά από τη διάρθρωση της οπής, χρησιμοποιήστε το φυσερό για να καθαρίσετε τη σκόνη από το εσωτερικό της οπής.

- **Εικ.52**

Χρήση του σετ καλύμματος σκόνης

Προαιρετικό εξάρτημα

Τοποθετήστε το σετ καλύμματος σκόνης επάνω στην οροφή όταν χρησιμοποιείτε το εργαλείο.

- **Εικ.53**

ΕΙΔΟΠΟΙΗΣΗ: Μη χρησιμοποιείτε το σετ καλύμματος σκόνης κατά το τρυπάνισμα σε μέταλλο ή παρόμοιο. Μπορεί να προκληθεί ζημιά στο σετ καλύμματος σκόνης λόγω της θερμότητας που παράγεται από τη μικρή σκόνη μετάλλου ή παρόμοιο.

ΕΙΔΟΠΟΙΗΣΗ: Μην τοποθετείτε και μην αφαιρείτε το σετ καλύμματος σκόνης με τη μύτη τρυπανιού τοποθετημένη στο εργαλείο. Μπορεί να προκληθεί ζημιά στο σετ καλύμματος σκόνης και να προκληθεί διαρροή σκόνης.

ΛΕΙΤΟΥΡΓΙΑ ΑΣΥΡΜΑΤΗΣ ΕΝΕΡΓΟΠΟΙΗΣΗΣ

Τι μπορείτε να κάνετε με τη λειτουργία ασύρματης ενεργοποίησης

Η λειτουργία ασύρματης ενεργοποίησης επιτρέπει την καθαρή και άνετη λειτουργία. Αν συνδέσετε μια υποστηριζόμενη ηλεκτρική σκούπα στο εργαλείο, μπορείτε να χρησιμοποιείτε την ηλεκτρική σκούπα αυτόματα μαζί με τη λειτουργία διακόπτη του εργαλείου.

- **Εικ.54**

Για να χρησιμοποιήσετε τη λειτουργία ασύρματης ενεργοποίησης, προετοιμάστε τα ακόλουθα στοιχεία:

- Μια ασύρματη μονάδα (προαιρετικό εξάρτημα)
- Ηλεκτρική σκούπα που υποστηρίζει τη λειτουργία ασύρματης ενεργοποίησης

Η όσωση της ρύθμισης λειτουργίας ασύρματης ενεργοποίησης είναι η εξής. Ανατρέξτε σε κάθε τμήμα για λεπτομερείς διαδικασίες.

1. Εγκατάσταση της ασύρματης μονάδας
2. Καταχώρηση εργαλείου για την ηλεκτρική σκούπα
3. Έναρξη της λειτουργίας ασύρματης ενεργοποίησης

Εγκατάσταση της ασύρματης μονάδας

Προαιρετικό εξάρτημα

ΠΡΟΣΟΧΗ: Τοποθετήστε το εργαλείο σε μια επίπεδη και σταθερή επιφάνεια όταν εγκαθιστάτε την ασύρματη μονάδα.

ΕΙΔΟΠΟΙΗΣΗ: Καθαρίστε τη σκόνη και τη βρομιά στο εργαλείο πριν τοποθετήσετε την ασύρματη μονάδα. Η σκόνη ή η βρομιά μπορεί να προκαλέσει δυσλειτουργία αν έρθει σε επαφή με τη σχισμή της ασύρματης μονάδας.

ΕΙΔΟΠΟΙΗΣΗ: Για να αποτρέψετε τη δυσλειτουργία που προκαλείται από στατικό ηλεκτρισμό, αγγίξτε κάποιο υλικό στατικής εκκένωσης, όπως ένα μεταλλικό εξάρτημα του εργαλείου, πριν σηκώσετε την ασύρματη μονάδα.

ΕΙΔΟΠΟΙΗΣΗ: Όταν τοποθετείτε την ασύρματη μονάδα, να βεβαιώνετε πάντα ότι η ασύρματη μονάδα έχει εισαχθεί με τη σωστή κατεύθυνση και το καπάκι είναι εντελώς κλειστό.

1. Ανοίξτε το καπάκι στο εργαλείο όπως απεικονίζεται στην εικόνα.

► **Εικ.55:** 1. Καπάκι

2. Εισαγάγετε την ασύρματη μονάδα στη σχισμή και μετά κλείστε το καπάκι.

Όταν εισαγάγετε την ασύρματη μονάδα, ευθυγραμμίστε τις προεξοχές με τα βαθουλωτά τμήματα στη σχισμή.

► **Εικ.56:** 1. Ασύρματη μονάδα 2. Προεξοχή 3. Καπάκι 4. Βαθουλωτό τμήμα

Όταν αφαιρείτε την ασύρματη μονάδα, ανοίξτε το καπάκι αργά. Οι γάντζοι στο πίσω μέρος του καπακιού θα σηκώσουν την ασύρματη μονάδα καθώς τραβάτε το καπάκι προς τα πάνω.

► **Εικ.57:** 1. Ασύρματη μονάδα 2. Γάντζος 3. Καπάκι

Αφού αφαιρέσετε την ασύρματη μονάδα, να τη διατηρείτε μέσα στην παρεχόμενη θήκη ή μέσα σε δοχείο χωρίς στατικό ηλεκτρισμό.

ΕΙΔΟΠΟΙΗΣΗ: Να χρησιμοποιείτε πάντα τους γάντζους στο πίσω μέρος του καπακιού όταν αφαιρείτε την ασύρματη μονάδα. Αν οι γάντζοι δεν ασφαλισουν την ασύρματη μονάδα, κλείστε εντελώς το καπάκι και ανοίξτε το ξανά αργά.

Καταχώρηση εργαλείου για την ηλεκτρική σκούπα

ΠΑΡΑΤΗΡΗΣΗ: Για την καταχώρηση εργαλείου, απαιτείται ηλεκτρική σκούπα Makita που υποστηρίζει τη λειτουργία ασύρματης ενεργοποίησης.

ΠΑΡΑΤΗΡΗΣΗ: Ολοκληρώστε την εγκατάσταση της ασύρματης μονάδας στο εργαλείο πριν ξεκινήσετε την καταχώρηση εργαλείου.

ΠΑΡΑΤΗΡΗΣΗ: Κατά την καταχώρηση εργαλείου, μην τραβήξετε τη σκανδάλη διακόπτη ούτε να ενεργοποιήσετε το διακόπτη λειτουργίας στην ηλεκτρική σκούπα.

ΠΑΡΑΤΗΡΗΣΗ: Ανατρέξτε και στο εγχειρίδιο οδηγιών της ηλεκτρικής σκούπας.

Αν επιθυμείτε να ενεργοποιήσετε την ηλεκτρική σκούπα μαζί με τη λειτουργία διακόπτη του εργαλείου, ολοκληρώστε εκ των προτέρων την καταχώρηση εργαλείου.

1. Τοποθετήστε τις μπαταρίες στην ηλεκτρική σκούπα και στο εργαλείο.

2. Θέστε τον διακόπτη αναμονής στην ηλεκτρική σκούπα στη θέση «ΑΥΤΟ».

► **Εικ.58:** 1. Διακόπτης αναμονής

3. Πατήστε το κουμπί ασύρματης ενεργοποίησης στην ηλεκτρική σκούπα για 3 δευτερόλεπτα μέχρι η λυχνία ασύρματης ενεργοποίησης αναβοσβήνει με πράσινο χρώμα. Και μετά πατήστε το κουμπί ασύρματης ενεργοποίησης στο εργαλείο με τον ίδιο τρόπο.

► **Εικ.59:** 1. Κουμπί ασύρματης ενεργοποίησης
2. Λυχνία ασύρματης ενεργοποίησης

Αν η ηλεκτρική σκούπα και το εργαλείο συνδεθούν με επιτυχία, οι λυχνίες ασύρματης ενεργοποίησης θα ανάψουν με πράσινο χρώμα για 2 δευτερόλεπτα και θα αρχίσουν να αναβοσβήνουν με μπλε χρώμα.

ΠΑΡΑΤΗΡΗΣΗ: Οι λυχνίες ασύρματης ενεργοποίησης θα αρχίσουν να αναβοσβήνουν με πράσινο χρώμα αφού περάσουν 20 δευτερόλεπτα. Πατήστε το κουμπί ασύρματης ενεργοποίησης στο εργαλείο ενώ η λυχνία ασύρματης ενεργοποίησης αναβοσβήνει στη σκούπα. Αν η λυχνία ασύρματης ενεργοποίησης δεν αναβοσβήνει με πράσινο χρώμα, πατήστε για λίγο το κουμπί ασύρματης ενεργοποίησης και κρατήστε το ξανά πατημένο.

ΠΑΡΑΤΗΡΗΣΗ: Όταν εκτελείτε δύο ή περισσότερες καταχωρήσεις εργαλείων για μία ηλεκτρική σκούπα, ολοκληρώστε την καταχώρηση εργαλείου ένα τη φορά.

Έναρξη της λειτουργίας ασύρματης ενεργοποίησης

ΠΑΡΑΤΗΡΗΣΗ: Ολοκληρώστε την καταχώρηση εργαλείου για την ηλεκτρική σκούπα πριν από την ασύρματη ενεργοποίηση.

ΠΑΡΑΤΗΡΗΣΗ: Ανατρέξτε και στο εγχειρίδιο οδηγιών της ηλεκτρικής σκούπας.

Αφού καταχωρήσετε ένα εργαλείο με την ηλεκτρική σκούπα, η ηλεκτρική σκούπα θα λειτουργεί αυτόματα μαζί με τη λειτουργία διακόπτη του εργαλείου.

1. Εγκαταστήστε την ασύρματη μονάδα στο εργαλείο.

2. Συνδέστε τον εύκαμπτο σωλήνα της ηλεκτρικής σκούπας με το εργαλείο.

► **Εικ.60**

3. Θέστε τον διακόπτη αναμονής στην ηλεκτρική σκούπα στη θέση «ΑΥΤΟ».

► **Εικ.61:** 1. Διακόπτης αναμονής

4. Πατήστε σύντομα το κουμπί ασύρματης ενεργοποίησης στο εργαλείο. Η λυχνία ασύρματης ενεργοποίησης θα αναβοσβήνει με μπλε χρώμα.

► **Εικ.62:** 1. Κουμπί ασύρματης ενεργοποίησης
2. Λυχνία ασύρματης ενεργοποίησης

5. Ενεργοποιήστε το εργαλείο. Ελέγξτε αν η ηλεκτρική σκούπα λειτουργεί ενώ το εργαλείο λειτουργεί.

Για να σταματήσετε την ασύρματη ενεργοποίηση της ηλεκτρικής σκούπας, πατήστε το κουμπί ασύρματης ενεργοποίησης στο εργαλείο.

ΠΑΡΑΤΗΡΗΣΗ: Η λυχνία ασύρματης ενεργοποίησης στο εργαλείο θα σταματήσει να αναβοσβήνει με μπλε χρώμα όταν δεν υπάρχει λειτουργία για 2 ώρες. Σε αυτή την περίπτωση, θέστε το διακόπτη αναμονής στην ηλεκτρική σκούπα στη θέση «ΑΥΤΟ» και πατήστε ξανά το κουμπί ασύρματης ενεργοποίησης στο εργαλείο.

ΠΑΡΑΤΗΡΗΣΗ: Η ηλεκτρική σκούπα αρχίζει/σταματάει με καθυστέρηση. Υπάρχει χρονική καθυστέρηση όταν η ηλεκτρική σκούπα ανιχνεύει τη λειτουργία διακόπτη του εργαλείου.

ΠΑΡΑΤΗΡΗΣΗ: Η απόσταση μετάδοσης της ασύρματης μονάδας μπορεί να ποικίλλει ανάλογα με την τοποθεσία και τις περιβάλλουσες συνθήκες.

ΠΑΡΑΤΗΡΗΣΗ: Όταν δύο ή περισσότερα εργαλεία καταχωρούνται σε μία ηλεκτρική σκούπα, η ηλεκτρική σκούπα μπορεί να αρχίσει να λειτουργεί ακόμη κι αν δεν ενεργοποιείτε το εργαλείο επειδή κάποιος άλλος χρήστης χρησιμοποιεί τη λειτουργία ασύρματης ενεργοποίησης.

Περιγραφή της κατάστασης της λυχνίας ασύρματης ενεργοποίησης

► Εικ.63: 1. Λυχνία ασύρματης ενεργοποίησης

Η λυχνία ασύρματης ενεργοποίησης δείχνει την κατάσταση της λειτουργίας ασύρματης ενεργοποίησης. Ανατρέξτε στον παρακάτω πίνακα για τη σημασία της κατάστασης λυχνίας.

Κατάσταση	Λυχνία ασύρματης ενεργοποίησης			Περιγραφή	
	Χρώμα	<input type="checkbox"/> Αναμμένη	<input type="checkbox"/> Αναβοσβήνει		Διάρκεια
Αναμονή	Μπλε	<input checked="" type="checkbox"/>		2 ώρες	Η ασύρματη ενεργοποίηση της ηλεκτρικής σκούπας είναι διαθέσιμη. Η λυχνία θα σβήσει αυτόματα όταν δεν εκτελεστεί καμία λειτουργία για 2 ώρες.
		<input type="checkbox"/>		Όταν το εργαλείο λειτουργεί.	Η ασύρματη ενεργοποίηση της ηλεκτρικής σκούπας είναι διαθέσιμη και το εργαλείο λειτουργεί.
Καταχώρηση εργαλείου	Πράσινη	<input checked="" type="checkbox"/>		20 δευτερόλεπτα	Έτοιμο για καταχώρηση εργαλείου. Σε αναμονή για καταχώρηση από την ηλεκτρική σκούπα.
		<input type="checkbox"/>		2 δευτερόλεπτα	Η καταχώρηση εργαλείου έχει ολοκληρωθεί. Η λυχνία ασύρματης ενεργοποίησης θα αρχίσει να αναβοσβήνει με μπλε χρώμα.
Ακύρωση καταχώρησης εργαλείου	Κόκκινη	<input checked="" type="checkbox"/>		20 δευτερόλεπτα	Έτοιμο για ακύρωση της καταχώρησης εργαλείου. Σε αναμονή για ακύρωση από την ηλεκτρική σκούπα.
		<input type="checkbox"/>		2 δευτερόλεπτα	Η ακύρωση της καταχώρησης εργαλείου έχει ολοκληρωθεί. Η λυχνία ασύρματης ενεργοποίησης θα αρχίσει να αναβοσβήνει με μπλε χρώμα.
Άλλες	Κόκκινη	<input type="checkbox"/>		3 δευτερόλεπτα	Η ισχύς παρέχεται στην ασύρματη μονάδα και η λειτουργία ασύρματης ενεργοποίησης εκκινείται.
	Σβηστή	-		-	Η ασύρματη ενεργοποίηση της ηλεκτρικής σκούπας έχει σταματήσει.

Ακύρωση καταχώρησης εργαλείου για την ηλεκτρική σκούπα

Εκτελέστε την ακόλουθη διαδικασία όταν ακυρώνετε την καταχώρηση εργαλείου για την ηλεκτρική σκούπα.

1. Τοποθετήστε τις μπαταρίες στην ηλεκτρική σκούπα και στο εργαλείο.
2. Θέστε τον διακόπτη αναμονής στην ηλεκτρική σκούπα στη θέση «ΑΥΤΟ».

► Εικ.64: 1. Διακόπτης αναμονής

3. Πατήστε το κουμπί ασύρματης ενεργοποίησης στην ηλεκτρική σκούπα για 6 δευτερόλεπτα. Η λυχνία ασύρματης ενεργοποίησης αναβοσβήνει με πράσινο χρώμα και μετά γίνεται κόκκινη. Μετά από αυτό, πατήστε το κουμπί ασύρματης ενεργοποίησης στο εργαλείο με τον ίδιο τρόπο.

- Εικ.65: 1. Κουμπί ασύρματης ενεργοποίησης
2. Λυχνία ασύρματης ενεργοποίησης

Αν η ακύρωση εκτελεστεί με επιτυχία, οι λυχνίες ασύρματης ενεργοποίησης θα ανάψουν με κόκκινο χρώμα για 2 δευτερόλεπτα και θα αρχίσουν να αναβοσβήνουν με μπλε χρώμα.

ΠΑΡΑΤΗΡΗΣΗ: Οι λυχνίες ασύρματης ενεργοποίησης θα αρχίσουν να αναβοσβήνουν με κόκκινο χρώμα αφού περάσουν 20 δευτερόλεπτα. Πατήστε το κουμπί ασύρματης ενεργοποίησης στο εργαλείο ενώ η λυχνία ασύρματης ενεργοποίησης αναβοσβήνει στη σκούπα. Αν η λυχνία ασύρματης ενεργοποίησης δεν αναβοσβήνει με κόκκινο χρώμα, πατήστε για λίγο το κουμπί ασύρματης ενεργοποίησης και κρατήστε το ξανά πατημένο.

Αντιμετώπιση προβλημάτων για τη λειτουργία ασύρματης ενεργοποίησης

Πριν ζητήσετε επισκευές, εκτελέστε αρχικά τη δική σας επιθεώρηση. Αν εντοπίσετε πρόβλημα που δεν επεξηγείται στο εγχειρίδιο, μην επιχειρήσετε να αποσυναρμολογήσετε το εργαλείο. Αντ' αυτού, ζητήστε βοήθεια από εξουσιοδοτημένα κέντρα εξυπηρέτησης της Makita και πάντοτε να χρησιμοποιείτε γνήσια ανταλλακτικά της Makita.

Κατάσταση προβλήματος	Πιθανή αιτία (δυσλειτουργία)	Αποκατάσταση
Η λυχνία ασύρματης ενεργοποίησης δεν ανάβει/αναβοσβήνει.	Η ασύρματη μονάδα δεν είναι εγκατεστημένη στο εργαλείο. Η ασύρματη μονάδα είναι εγκατεστημένη στο εργαλείο λανθασμένα.	Τοποθετήστε σωστά την ασύρματη μονάδα.
	Ο ακροδέκτης της ασύρματης μονάδας ή/και η σχισμή είναι βρόμικα.	Σκουπίστε απαλά τη σκόνη και τη βρομιά από τον ακροδέκτη της ασύρματης μονάδας και καθαρίστε τη σχισμή.
	Το κουμπί ασύρματης ενεργοποίησης στο εργαλείο δεν έχει πατηθεί.	Πατήστε σύντομα το κουμπί ασύρματης ενεργοποίησης στο εργαλείο.
	Ο διακόπτης αναμονής στην ηλεκτρική σκούπα δεν έχει τεθεί στη θέση «AUTO».	Θέστε τον διακόπτη αναμονής στην ηλεκτρική σκούπα στη θέση «AUTO».
	Δεν υπάρχει παροχή ρεύματος	Παρέχετε ισχύ στο εργαλείο και την ηλεκτρική σκούπα.
Δεν είναι δυνατή η ολοκλήρωση της καταχώρησης εργαλείου / ακύρωσης καταχώρησης εργαλείου με επιτυχία.	Η ασύρματη μονάδα δεν είναι εγκατεστημένη στο εργαλείο. Η ασύρματη μονάδα είναι εγκατεστημένη στο εργαλείο λανθασμένα.	Τοποθετήστε σωστά την ασύρματη μονάδα.
	Ο ακροδέκτης της ασύρματης μονάδας ή/και η σχισμή είναι βρόμικα.	Σκουπίστε απαλά τη σκόνη και τη βρομιά από τον ακροδέκτη της ασύρματης μονάδας και καθαρίστε τη σχισμή.
	Ο διακόπτης αναμονής στην ηλεκτρική σκούπα δεν έχει τεθεί στη θέση «AUTO».	Θέστε τον διακόπτη αναμονής στην ηλεκτρική σκούπα στη θέση «AUTO».
	Δεν υπάρχει παροχή ρεύματος	Παρέχετε ισχύ στο εργαλείο και την ηλεκτρική σκούπα.
	Λανθασμένη λειτουργία	Πατήστε σύντομα το κουμπί ασύρματης ενεργοποίησης και πραγματοποιήστε ξανά τις διαδικασίες καταχώρησης/ακύρωσης εργαλείου.
	Το εργαλείο και η ηλεκτρική σκούπα βρίσκονται σε αρκετή απόσταση μεταξύ τους (εκτός του εύρους μετάδοσης).	Φέρετε το εργαλείο και την ηλεκτρική σκούπα πιο κοντά. Η μέγιστη απόσταση μετάδοσης είναι περίπου 10 μέτρα, ωστόσο, μπορεί να διαφέρει ανάλογα με τις συνθήκες.
	Πριν τελειώσετε την καταχώρηση/ακύρωση του εργαλείου, - ο διακόπτης του εργαλείου είναι τραβηγμένος, ή - το κουμπί λειτουργίας στην ηλεκτρική σκούπα είναι ενεργοποιημένο.	Πατήστε σύντομα το κουμπί ασύρματης ενεργοποίησης και πραγματοποιήστε ξανά τις διαδικασίες καταχώρησης/ακύρωσης εργαλείου.
	Δεν έχουν ολοκληρωθεί οι διαδικασίες καταχώρησης εργαλείου για το εργαλείο ή την ηλεκτρική σκούπα.	Εκτελέστε τις διαδικασίες καταχώρησης εργαλείου για το εργαλείο και την ηλεκτρική σκούπα ταυτόχρονα.
	Ραδιοφωνικά παράσιτα από άλλες συσκευές που παράγουν ραδιοκύματα υψηλής έντασης.	Διατηρήστε το εργαλείο και την ηλεκτρική σκούπα μακριά από τις συσκευές, όπως συσκευές Wi-Fi και φούρνους μικροκυμάτων.

Κατάσταση προβλήματος	Πιθανή αιτία (δυσλειτουργία)	Αποκατάσταση
Η ηλεκτρική σκούπα δεν λειτουργεί μαζί με τη λειτουργία διακοπής του εργαλείου.	Η ασύρματη μονάδα δεν είναι εγκατεστημένη στο εργαλείο. Η ασύρματη μονάδα είναι εγκατεστημένη στο εργαλείο λανθασμένα.	Τοποθετήστε σωστά την ασύρματη μονάδα.
	Ο ακροδέκτης της ασύρματης μονάδας ή/και η σχισμή είναι βρόμικα.	Σκουπίστε απαλά τη σκόνη και τη βρομιά από τον ακροδέκτη της ασύρματης μονάδας και καθαρίστε τη σχισμή.
	Το κουμπί ασύρματης ενεργοποίησης στο εργαλείο δεν έχει πατηθεί.	Πατήστε για λίγο το κουμπί ασύρματης ενεργοποίησης και βεβαιωθείτε ότι η λυχνία ασύρματης ενεργοποίησης αναβοσβήνει με μπλε χρώμα.
	Ο διακόπτης αναμονής στην ηλεκτρική σκούπα δεν έχει τεθεί στη θέση «AUTO».	Θέστε τον διακόπτη αναμονής στην ηλεκτρική σκούπα στη θέση «AUTO».
	Περισσότερα από 10 εργαλεία έχουν καταχωρηθεί με την ηλεκτρική σκούπα.	Πραγματοποιήστε ξανά την καταχώρηση εργαλείου. Αν περισσότερα από 10 εργαλεία είναι καταχωρημένα στην ηλεκτρική σκούπα, το εργαλείο που είχε καταχωρηθεί πιο νωρίς θα ακυρωθεί αυτόματα.
	Η ηλεκτρική σκούπα έσβησε όλες τις καταχωρήσεις εργαλείων.	Πραγματοποιήστε ξανά την καταχώρηση εργαλείου.
Δεν υπάρχει παροχή ρεύματος	Παρέχετε ισχύ στο εργαλείο και την ηλεκτρική σκούπα.	
Το εργαλείο και η ηλεκτρική σκούπα βρίσκονται σε αρκετή απόσταση μεταξύ τους (εκτός του εύρους μετάδοσης).	Φέρετε το εργαλείο και την ηλεκτρική σκούπα πιο κοντά. Η μέγιστη απόσταση μετάδοσης είναι περίπου 10 μέτρα, ωστόσο, μπορεί να διαφέρει ανάλογα με τις συνθήκες.	
Ραδιοφωνικά παράσιτα από άλλες συσκευές που παράγουν ραδιοκύματα υψηλής έντασης.	Διατηρήστε το εργαλείο και την ηλεκτρική σκούπα μακριά από τις συσκευές, όπως συσκευές Wi-Fi και φούρνους μικροκυμάτων.	
Η ηλεκτρική σκούπα λειτουργεί ενώ το εργαλείο δεν λειτουργεί.	Άλλοι χρήστες χρησιμοποιούν την ασύρματη ενεργοποίηση της ηλεκτρικής σκούπας με τα εργαλεία τους.	Κλείστε το κουμπί ασύρματης ενεργοποίησης των άλλων εργαλείων ή ακυρώστε την καταχώρηση εργαλείου των άλλων εργαλείων.

ΣΥΝΤΗΡΗΣΗ

⚠ ΠΡΟΣΟΧΗ: Πριν την εκτέλεση εργασιών επιθεώρησης ή συντήρησης, πάντοτε να βεβαιώνεστε ότι η συσκευή απενεργοποιήθηκε και η κασέτα μπαταριών έχει αφαιρεθεί.

ΕΙΔΟΠΟΙΗΣΗ: Μην χρησιμοποιείτε ποτέ βενζίνη, πετρελαϊκό αιθέρα, διαλυτικό, αλκοόλη ή παρόμοιες ουσίες. Μπορεί να προκληθεί αποχρωματισμός, παραμόρφωση ή ρωγμές.

Για τη διατήρηση της ΑΣΦΑΛΕΙΑΣ και ΑΞΙΟΠΙΣΤΙΑΣ του προϊόντος, οι επισκευές και οποιαδήποτε άλλη εργασία συντήρησης ή ρύθμισης πρέπει να εκτελούνται από εξουσιοδοτημένα ή εργοστασιακά κέντρα εξυπηρέτησης της Makita, χρησιμοποιώντας πάντοτε ανταλλακτικά της Makita.

ΠΡΟΑΙΡΕΤΙΚΑ ΕΞΑΡΤΗΜΑΤΑ

⚠ ΠΡΟΣΟΧΗ: Αυτά τα εξαρτήματα ή προσαρτήματα συνιστώνται για χρήση με το εργαλείο Makita που περιγράφηκε στις οδηγίες αυτές. Η χρήση οποιωνδήποτε άλλων εξαρτημάτων ή προσαρτημάτων μπορεί να προκαλέσει κίνδυνο τραυματισμού σε άτομα. Να χρησιμοποιείτε τα εξαρτήματα ή προσαρτήματα μόνο για την χρήση που προορίζονται.

- Μύτες τρυπανιού με άκρο καρβιδίου (μύτες με άκρο καρβιδίου SDS-plus)
- Μύτη πυρήνα
- Διατηρητική βελόνα
- Μύτη με αδαμάντινο πυρήνα
- Κοπίδι χαρακτών
- Κοπίδι αφαίρεσης σκουριάς
- Κοπίδι δημιουργίας αυλάκων
- Σετ σφινγκτήρα τρυπανιού (προσαρμογέας σφινγκτήρα / σφινγκτήρας τρυπανιού)
- Γράσο μυτών
- Ρυθμιστής βάθους
- Φουσερό
- Κάλυμμα σκόνης
- Σετ καλύμματος σκόνης Αποστάτης (για HR008G)
- Σετ γάντζου
- Σετ θήκης σκόνης
- Σετ φίλτρου
- Σύνδεσμος
- Σύστημα συλλογής σκόνης
- Ασύρματη μονάδα
- Γνήσια μπαταρία και φορτιστής της Makita

ΠΑΡΑΤΗΡΗΣΗ: Μερικά στοιχεία στη λίστα μπορεί να συμπεριλαμβάνονται στη συσκευασία εργαλείου ως στάνταρ εξαρτήματα. Μπορεί να διαφέρουν ανάλογα με τη χώρα.

Εάν χρειάζεστε οποιαδήποτε βοήθεια για περισσότερες πληροφορίες σε σχέση με αυτά τα εξαρτήματα, απαντήστε στο τοπικό σας κέντρο εξυπηρέτησης Makita.

TEKNİK ÖZELLİKLER

Model:		HR008G	HR009G
Kapasiteler	Beton	30 mm	
	Karot matkap ucu	80 mm	
	Elmas karot matkap ucu (kuru tip)	80 mm	
	Çelik	13 mm	
	Tahta	32 mm	
Yüksüz hız		0 - 840 min ⁻¹	
Dakikadaki darbe sayısı		0 - 4.500 min ⁻¹	
Anma voltajı		D.C. 36 V - 40 V maks	
Toplam uzunluk (BL4040 ile)		422 mm	439 mm
Net ağırlık		5,2 - 6,8 kg	5,3 - 6,7 kg

İsteğe bağlı aksesuar

Model:	DX10 (HR008G için)	DX11 (HR009G için)
Kullanılabilir iş parçası ve çalışma modu	sadece beton delmek için (metal veya ahşap için değil ve karotla delme veya yontma işlemi için değil)	
Emme performans	350 l/min	
Çalışma kursu	190 mm'ye kadar	
Uygun matkap ucu	265 mm'ye kadar	
Net ağırlık	1,2 kg	

- Sürekli yapılan araştırma ve geliştirmelerden dolayı, burada belirtilen özellikler önceden bildirilmeksizin değiştirilebilir.
- Özellikler ülkeden ülkeye değişebilir.
- Ağırlık, ekli aksesuara/aksesuarlara ve batarya kartuşuna bağlı olarak farklılık gösterebilir. EPTA-Prosedürü 01/2014'e göre en hafif ve en ağır kombinasyonlar tabloda verilmiştir.

Geçerli batarya kartuşu ve şarj aleti

Batarya kartuşu	BL4020 / BL4025 / BL4040* / BL4050F* / BL4080F * : Önerilen batarya
Şarj aleti	DC40RA / DC40RB / DC40RC

- Yukarıda listelenen batarya kartuşlarının ve şarj aletlerinin bazıları yaşadığınız bölgeye bağlı olarak mevcut olmayabilir.

⚠UYARI: Sadece yukarıda listelenen batarya kartuşlarını ve şarj aletlerini kullanın. Başka batarya kartuşlarının ve şarj aletlerinin kullanılması yaralanma ve/veya yangına neden olabilir.

Önerilen kablo bağlantılı güç kaynağı

Taşınabilir güç ünitesi	PDC01 / PDC1200
-------------------------	-----------------

- Yukarıda listelenen kablo bağlantılı güç kaynakları yaşadığınız bölgeye bağlı olarak mevcut olmayabilir.
- Kablo bağlantılı güç kaynağını kullanmadan önce, üzerindeki uyarı işaretlerini ve talimatı okuyun.

Kullanım amacı

Bu alet tuğla, beton ve taş malzemelerde delme, darbeli delme ve bunun yanı sıra yontma işlemi için tasarlanmıştır.

Bu alet ahşap, metal, seramik ve plastik malzemelerde darbesiz delme işlemleri için de uygundur.

Gürültü

Tipik A-ağırlıklı gürültü düzeyi (EN62841-2-6 standardına göre belirlenen):

Model HR008G

Ses basınç seviyesi (L_{pA}): 95 dB (A)

Ses gücü düzeyi (L_{WA}): 103 dB (A)

Belirsizlik (K): 3 dB (A)

Model HR009G

Ses basınç seviyesi (L_{pA}): 95 dB (A)

Ses gücü düzeyi (L_{WA}): 103 dB (A)

Belirsizlik (K): 3 dB (A)

Model HR008G, DX10 ile

Ses basınç seviyesi (L_{pA}): 97 dB (A)

Ses gücü düzeyi (L_{WA}): 105 dB (A)

Belirsizlik (K): 3 dB (A)

Model HR009G, DX11 ile

Ses basınç seviyesi (L_{pA}): 97 dB (A)

Ses gücü düzeyi (L_{WA}): 105 dB (A)

Belirsizlik (K): 3 dB (A)

NOT: Beyan edilen gürültü emisyonu değer(ler) bir standart test yöntemine uygun şekilde ölçülmüştür ve bir aleti bir başkasıyla karşılaştırmak için kullanılabilir.

NOT: Beyan edilen gürültü emisyonu değer(ler) i bir ön maruz kalma değerlendirmesi olarak da kullanılabilir.

UYARI: Kulak koruyucuları takın.

UYARI: Elektrikli aletin gerçek kullanımı sırasındaki gürültü emisyonu, aletin kullanım biçimlerine, özellikle işlenen iş parçasının türüne bağlı olarak beyan edilen değer(ler)den farklı olabilir.

UYARI: Gerçek kullanım koşullarındaki tahmini maruziyeti baz alan, operatörü koruyacak güvenlik önlemlerini mutlaka belirleyin (çalışma döngüsü içerisinde aletin kapalı olduğu ve aktif durumda olmasının yanı sıra boşta çalıştığı zamanlar gibi, bütün zaman dilimleri göz önünde bulundurarak).

Titreşim

Aşağıdaki tabloda ilgili standarda uygun olarak belirlenmiş olan titreşim toplam değeri (üç eksenli vektör toplamı) gösterilmiştir.

Model HR008G

Çalışma modu	Titreşim emisyonu	Belirsizlik (K)	Geçerli standart / Test koşulu
Darbeli beton delme ($a_{h, HD}$)	11,8 m/s ²	1,5 m/s ²	EN62841-2-6
	9,1 m/s ²	1,5 m/s ²	Önerilen pratik çalışma*
DX10 ile darbeli beton delme ($a_{h, HD}$)	9,5 m/s ²	2,0 m/s ²	EN62841-2-6
	7,8 m/s ²	1,5 m/s ²	Önerilen pratik çalışma*
Yontma ($a_{h, CHeg}$)	8,6 m/s ²	1,5 m/s ²	EN62841-2-6
	8,0 m/s ²	1,5 m/s ²	Önerilen pratik çalışma*

Model HR009G

Çalışma modu	Titreşim emisyonu	Belirsizlik (K)	Geçerli standart / Test koşulu
Darbeli beton delme ($a_{h, HD}$)	11,5 m/s ²	1,5 m/s ²	EN62841-2-6
	9,1 m/s ²	1,5 m/s ²	Önerilen pratik çalışma*
DX11 ile darbeli beton delme ($a_{h, HD}$)	8,9 m/s ²	1,5 m/s ²	EN62841-2-6
	7,3 m/s ²	1,5 m/s ²	Önerilen pratik çalışma*
Yontma ($a_{h, CHeg}$)	7,3 m/s ²	1,5 m/s ²	EN62841-2-6
	7,1 m/s ²	1,5 m/s ²	Önerilen pratik çalışma*

* Önerilen pratik çalışmanın test koşulu, aşağıdaki hususlar dışında EN 62841-2-6'yi karşılar:

- Çalışma hassasiyeti ve verimliliği için anahtar koluna (ana tutamak) besleme kuvveti uygulanır.
- Aletin dengesini sağlamak için yan kavrama kolu/tutamak (yardımcı tutamak) tutulur.

NOT: Beyan edilen titreşim toplam değer(ler) i bir standart test yöntemine uygun şekilde ölçülmüştür ve bir aleti bir başkasıyla karşılaştırmak için kullanılabilir.

NOT: Beyan edilen titreşim toplam değer(ler) i bir ön maruz kalma değerlendirmesi olarak da kullanılabilir.

UYARI: Elektrikli aletin gerçek kullanımı sırasındaki titreşim emisyonu, aletin kullanım biçimlerine, özellikle işlenen iş parçasının türüne bağlı olarak beyan edilen değer(ler)den farklı olabilir.

UYARI: Gerçek kullanım koşullarındaki tahmini maruziyeti baz alan, operatörü koruyacak güvenlik önlemlerini mutlaka belirleyin (çalışma döngüsü içerisinde aletin kapalı olduğu ve aktif durumda olmasının yanı sıra boşta çalıştığı zamanlar gibi, bütün zaman dilimleri göz önünde bulundurarak).

Uygunluk Beyanları

Sadece Avrupa ülkeleri için

Uygunluk beyanları bu kullanma kılavuzuna Ek A olarak eklenmiştir.

GÜVENLİK UYARILARI

Genel elektrikli alet güvenliği uyarıları

⚠UYARI: Bu elektrikli aletle birlikte sunulan tüm güvenlik uyarılarını, talimatları, çizimleri ve teknik özellikleri okuyun. Aşağıda verilen talimatlara uyulmaması elektrik şoku, yangın ve/veya ciddi yaralanmalar ile sonuçlanabilir.

Tüm uyarıları ve talimatları ile-ride başvurmak için saklayın.

Uyarılardaki "elektrikli alet" terimi ile ya prizden çalışan (kordonlu) elektrikli aletinizi ya da kendi aküsü ile çalışan (kordsuz) elektrikli aletinizi kastedilmektedir.

AKÜLÜ KIRICI DELİCİ İLE İLGİLİ GÜVENLİK UYARILARI

Tüm işlemler için güvenlik talimatları

- Kulak koruyucuları takın.** Gürültüye maruz kalmak işitme kaybına neden olabilir.
- Aletle birlikte sağlanmışsa yardımcı tutamağı/tutamakları kullanın.** Kontrol kaybı yaralanmaya neden olabilir.
- Kesici aksesuarın görünmeyen kablolarına temas etme olasılığı bulunan yerlerde çalışırken elektrikli aleti yalıtımlı kavrama yüzeylerinden tutun.** Kesici aksesuarın "akımlı" bir telle temas etmesi elektrikli aletin yalıtımsız metal kısımlarını "akımlı" hale getirebilir ve kullanıcıyı elektrik çarpmasına maruz bırakabilir.

Kırcı delicilerle uzun matkap uçları kullanırken güvenlik talimatları

- Her zaman düşük devirde ve uç, iş parçasına temas edecek şekilde delmeye başlayın.** Yüksek devirlerde, iş parçasına dokunmadan serbest dönmesine izin verilirse ucun bükülmesi muhtemel olup yaralanmaya neden olabilir.
- Sadece uç ile aynı hatta baskı uygulayın ve fazla baskı uygulamayın.** Uçlar bükülerek kırılma veya kontrol kaybına neden olmak suretiyle yaralanmaya yol açabilir.

Ek güvenlik uyarıları

- Sert bir başlık (emniyet kaskı), koruyucu gözlük ve/veya yüz siperi kullanın.** Normal gözlükler veya güneş gözlükleri koruyucu gözlük DEĞİLDİR. Ayrıca bir toz maskesi ve kalın eldivenler giymeniz de önerilir.
- Çalışmaya başlamadan önce ucun yerine sağlam bir şekilde takıldığından emin olun.**

- Normal kullanımda, alet titreşim üretecek şekilde tasarlanmıştır.** Vidalar kolayca gevşeyebilir, arızaya ya da kazaya sebep olabilir. Kullanmadan önce vidaların sıklığını kontrol edin.
- Soğuk havalarda ya da alet uzun bir süre kullanılmamışsa, yüksek olarak bir müddet çalıştırıp aletin ısınmasını sağlayın.** Bu işlem yağın çözülmesini sağlar. Uygun bir şekilde ısıtılmadığında, kırma işleminde zorluk görülür.
- Her zaman yere sağlam basın.** Aleti yüksekte kullandığınızda, altında kimsenin olmadığından emin olun.
- Aleti iki elle sıkıca tutun.**
- Ellerinizi hareketli parçalardan uzak tutun.**
- Aleti çalışır durumda bırakmayın.** Aleti sadece elinizde iken çalıştırın.
- Kullanım sırasında aleti etraftaki herhangi birine doğrultmayın.** Uç yerinden fırlayıp ciddi yaralanmalara sebep olabilir.
- Çalışmanız bittikten hemen sonra uca, uca yakın kısımlara veya iş parçasına dokunmayın;** bunlar aşırı sıcak olabilir ve yanıklara yol açabilir.
- Bazı malzemeler zehirli olabilen kimyasallar içerirler.** Toz yutmayı ve cilt temasını önlemek için tedbir alın. Malzeme sağlayıcısının güvenlik bilgilerine uyun.
- Aleti başka bir kişiye vermeden önce mutlaka aletin kapalı olduğundan ve batarya kartuşu ile ucun çıkarıldığından emin olun.**
- Çalışma öncesinde çalışma alanında elektrikli borusu, su borusu veya gaz borusu gibi gömülü nesnelere olmadığından emin olun.** Aksi takdirde matkap ucu/keski bunlara dokunarak elektrik çarpmasına, elektrik kaçağına veya gaz sızıntısına neden olabilir.
- Aleti gereksiz yere yüksüz çalıştırmayın.**

BU TALİMATLARI SAKLAYIN.

⚠UYARI: Ürünü kullanırken (defalarca kullanınca kazanılan) rahatlık ve tanıdıklık duygusunun ilgili ürünün güvenlik kurallarına sıkı sıkıya bağlı kalmanızı yerine geçmesine İZİN VERMEYİN. YANLIŞ KULLANIM veya bu kullanma kılavuzunda belirtilen emniyet kurallarına uymama ciddi yaralanmaya neden olabilir.

Batarya kartuşu hakkında önemli güvenlik talimatları

- Batarya kartuşunu kullanmadan önce, tüm talimatları ve (1) batarya kartuşu, (2) batarya ve (3) ürün üzerindeki tüm uyarı işaretlerini okuyun.**
- Batarya kartuşunu parçalarına ayırmayın veya kuralamayın.** Yangın, aşırı ısı veya patlamaya neden olabilir.
- Çalışma süresi aşırı derecede kısalmışsa kullanmayı derhal bırakın.** Aşırı ısınma, yanma riski hatta patlamaya neden olabilir.
- Gözünüze elektrolit kaçarsa, gözlerinizi temiz suyla durulayın ve hemen tıbbi yardım alın.** Görme kaybına yol açabilir.

5. **Batarya kartuşuna kısa devre yaptırmayın:**
 - (1) Terminallere herhangi bir iletken madde deędirmeyin.
 - (2) Batarya kartuşunu çiviler, madeni paralar, vb. gibi başka metal nesnelere aynı kaba koymaktan kaçınınız.
 - (3) Batarya kartuşunu yağmura ya da suya maruz bırakmayın.

Kısa devre, büyük bir akım akışına, aşırı ısınmaya, olası yanıklara hatta bataryanın bozulmasına yol açabilir.

6. Aleti ve batarya kartuşunu sıcaklığın 50 °C ya da daha yüksekçe ulaştığı yerlerde saklamayınız ve kullanmayınız.
7. Aşırı derecede hasar görmüş ya da tamamen kullanılamaz durumda olsa bile batarya kartuşunu yakmayın. Batarya kartuşu ateşe atılırsa patlayabilir.
8. Batarya kartuşunu çivilememeyi, kesmemeyi, ezmeyi, fırlatmayı, düşürmeyi ya da batarya kartuşuna sert bir nesne ile vurmeyi. Bu eylemler yangın, aşırı ısı veya patlamaya neden olabilir.
9. **Hasarlı bataryayı kullanmayınız.**
10. **Aletin içerdığı lityum-iyon bataryalar Tehlikeli Eşyalar Yönetmeliğinin gereksinimlerine tabidir.**
Ticari nakliye işlemleri için, örneğin üçüncü taraf, nakliye acenteleri tarafından yapılan nakliyelerde, paketiye ve etiketleme gereksinimlerine uyulmalıdır.
Nakliyesi yapılacak ürünün hazırlanması için, tehlikeli maddeler konusunda uzman bir kişiye danışın. Lütfen muhtemelen daha ayrıntılı olan ulusal yönetmeliklere de uyun.
Açık kontakları bantlayınız ya da maskeleyiniz ve bataryayı paketin içinde hareket etmeyecek şekilde paketleniniz.
11. **Batarya kartuşunu bertaraf ederken aletten çıkarınız ve güvenli bir yerde bertaraf edin.** Bataryanın bertaraf edilmesi ile ilgili yerel düzenlemelere uyunuz.
12. **Bataryaları sadece Makita tarafından belirtilen ürünlerle kullanınız.** Bataryaların uyumsuz ürünlere takılması; yangın, aşırı ısınma, patlama ya da elektrolit sızıntısına neden olabilir.
13. **Alet uzun süre kullanılmayacaksa batarya aletten çıkarılmalıdır.**
14. **Kullanma sırasında ve sonrasında batarya kartuşu ısınarak yanıklara veya düşük sıcaklık yanıklarına yol açabilir.** Sıcak batarya kartuşları ile işlem yaparken dikkat ediniz.
15. **Yanıklara neden olabilecek kadar sıcak olabileceğinden kullandıktan hemen sonra aletin terminaline dokunmayınız.**
16. **Batarya kartuşunun terminallerine, deliklerine ve kanallarına micir, toz veya toprak girmesine izin vermeyiniz.** Aletin veya batarya kartuşunun ısınmasına, alev almasına, patlamasına ve arızalanmasına neden olarak yanıklara veya yaralanmaya yol açabilir.

17. **Alet yüksek gerilim elektrik güç hatları yakınında kullanımı desteklemediği sürece batarya kartuşunu yüksek gerilim elektrik güç hatlarının yakınında kullanmayınız.** Aletin veya batarya kartuşunun arızalanmasına veya bozulmasına neden olabilir.
18. **Bataryayı çocuklardan uzak tutunuz.**

BU TALİMATLARI MUHAFAZA EDİNİZ.

▲DİKKAT: Sadece orijinal Makita bataryalarını kullanınız. Orijinal olmayan Makita bataryaları ya da üzerine değişiklik yapılmış bataryaların kullanımı bataryanın patlamasına ve sonuç olarak yangın, kişisel yaralanma ve hasara neden olabilir. Ayrıca Makita aleti ve şarj aletinin Makita tarafından sunulan garantisini de geçersiz olmaktadır.

Maksimum batarya ömrü için ipuçları

1. **Batarya kartuşunu tamamen boşalmadan önce şarj ediniz.** Aletin gücünün zayıflamaya başladığını fark ettiğinizde aleti durdurunuz ve batarya kartuşunu şarj ediniz.
2. **Tam dolu bir batarya kartuşunu asla yeniden şarj etmeyiniz.** Aşırı şarj etme bataryanın hizmet ömrünü kısaltır.
3. **Batarya kartuşunu 10 °C - 40 °C oda sıcaklığında şarj ediniz.** Sıcak bir batarya kartuşunu şarj etmeden önce soğumasını bekleyiniz.
4. **Batarya kartuşunu kullanılmıyorken aletten veya şarj aletinden çıkarınız.**
5. **Uzun bir süre (altı aydan daha fazla) kullanmadığınız durumlarda batarya kartuşunu şarj ediniz.**

Kablosuz ünitesi için önemli güvenlik talimatları

1. **Kablosuz ünitesini parçalarına ayırmayınız veya kurcalamayınız.**
2. **Kablosuz ünitesini küçük çocuklardan uzak tutunuz.** Kazara yutulursa derhal tıbbi yardım alın.
3. **Kablosuz ünitesini sadece Makita aletlerle kullanınız.**
4. **Kablosuz ünitesini yağmura veya ıslak koşullara maruz bırakmayınız.**
5. **Kablosuz ünitesini sıcaklığın 50 °C'yi aşacağı yerlerde kullanmayınız.**
6. **Kablosuz ünitesini, kalp pilleri gibi tıbbi cihazların yakınında bulunan yerlerde kullanmayınız.**
7. **Kablosuz ünitesini, otomatik cihazların yakınında bulunan yerlerde kullanmayınız.** Kullanılırsa otomatik cihazlar arızalanabilir veya hata verebilir.
8. **Kablosuz ünitesini, yüksek sıcaklık altındaki yerlerde veya statik elektrik veya elektrik gürültüsü üretilen yerlerde kullanmayınız.**
9. **Kablosuz ünitesi elektromanyetik alanlar üretilebilir ancak onlar kullanıcıya zararlı değildir.**

10. Kablosuz ünitesi hassas bir cihazdır. Kablosuz ünitesini düşürmemeye veya çarpmamaya dikkat edin.
11. Kablosuz ünitesinin terminaline çıplak ellerle veya metalik malzemelerle dokunmaktan kaçının.
12. Kablosuz ünitesini ürüne takarken ürünün üzerindeki bataryayı mutlaka çıkarın.
13. Yuva kapağını açarken yuvaya toz ve suyun girebileceği yerlerden kaçının. Yuva girişini daima temiz tutun.
14. Kablosuz ünitesi her zaman doğru yönde takın.
15. Kablosuz ünitesinin üzerindeki kablosuz çalıştırma düğmesine çok sert basmayın ve/veya düğmeye keskin uçlu bir cisim ile basmayın.
16. Kullanırken yuva kapağını mutlaka kapatın.
17. Alete güç beslenirken kablosuz ünitesini yuvadan çıkarmayın. Aksi takdirde kablosuz ünitesi arızalanabilir.
18. Kablosuz ünitesinin üzerindeki etiketi çıkarmayın.
19. Kablosuz ünitesinin üzerine hiçbir etiket koymayın.
20. Kablosuz ünitesini, statik elektrik veya elektrik gürtülü üretilen yerlerde bırakmayın.
21. Kablosuz ünitesini, güneşin altında duran bir araba gibi yüksek ısıya maruz yerlerde bırakmayın.
22. Kablosuz ünitesini, tozlu veya aşındırıcı gaz üretilen yerlerde bırakmayın.
23. Ani sıcaklık değişimleri kablosuz ünitesini nemlendirebilir. Nem tamamen kuruyana dek kablosuz ünitesini kullanmayın.
24. Kablosuz ünitesini temizlerken kuru yumuşak bir bezle nazikçe silin. Benzin, tiner, iletken gres veya benzeri maddeler kullanmayın.
25. Kablosuz ünitesini saklarken ürünle verilen kutusunda veya anti-statik bir kaptaki saklayın.
26. Alet üzerindeki yuvaya Makita kablosuz ünitesi dışında başka hiçbir aygıt sokmayın.
27. Aleti, yuvanın kapağı hasarlı iken kullanmayın. Yuvaya giren su, toz ve pislik arızaya neden olabilir.
28. Yuvanın kapağını gerekenden fazla çekmeyin ve/veya bükmeyin. Aletten çıkması durumunda kapağı yeniden takın.
29. Kaybolur veya hasar görürse kapağı değiştirin.

BU TALİMATLARI MUHAFAZA EDİNİZ.

İŞLEVSEL NİTELİKLER

⚠DİKKAT: Alet üzerinde ayarlama veya işleyiş kontrolü yapmadan önce aletin kapalı ve batarya kartuşunun ayrılmış olduğundan daima emin olun.

Batarya kartuşunun takılması ve çıkarılması

⚠DİKKAT: Batarya kartuşunu takmadan ya da çıkarmadan önce aleti daima kapatın.

⚠DİKKAT: Batarya kartuşunu takarken veya çıkarırken aleti ve batarya kartuşunu sıkıca tutun. Aletin ve batarya kartuşunun sıkıca tutulmaması bunların düşürülmesine sebep olabilir ve alet ve batarya kartuşunun zarar görmesine ya da ciddi yaralanmasına yol açabilir.

► **Şek.1:** 1. Kırmızı gösterge 2. Düğme 3. Batarya kartuşu

Batarya kartuşunu çıkarmak için, kartuşun ön tarafındaki düğmeyi kaydırarak kartuşu aletten çıkarın.

Batarya kartuşunu takmak için, batarya kartuşu üzerindeki dili yuvanın oluğu ile hizalayın ve kartuşu yerine oturtun. Kartuşu, küçük bir tik sesi ile yerine sabitlenene dek sonuna kadar ittirin. Şekilde gösterildiği gibi kırmızı göstergeli görebiliyorsanız tam olarak kilitlenmemiş demektir.

⚠DİKKAT: Batarya kartuşunu daima kırmızı gösterge görünmeyecek şekilde tam olarak takın. Yerine tam oturmazsa, aletten yanlışlıkla düşebilir, sizin ya da çevrenizdeki kişilerin yaralanmasına neden olabilir.

⚠DİKKAT: Batarya kartuşunu zorlayarak takmayın. Kartuş kolay bir şekilde kaymıyorsa doğru yerleştirilmemiş demektir.

Kalan batarya kapasitesinin gösterilmesi

Kalan batarya kapasitesini göstermesi için batarya kartuşu üzerindeki kontrol düğmesine basın. Gösterge lambaları birkaç saniye yanar.

► **Şek.2:** 1. Gösterge lambaları 2. Kontrol düğmesi

Gösterge lambaları			Kalan kapasite
Yanıyor	Kapalı	Yanıp sönmüyor	
■	■	■	%75 ila %100
■	■	□	%50 ila %75
■	□	□	%25 ila %50
■	□	□	%0 ila %25
▣	□	□	Bataryayı şarj edin.
■	□	□	Batarya arızalanmış olabilir.
□	□	■	

NOT: Kullanım koşullarına ve ortam sıcaklığına bağlı olarak, gösterilen değer gerçek kapasiteden biraz farklılık gösterebilir.

NOT: İlk (en soldaki) gösterge lambası, batarya koruma sistemi çalıştığında yanıp söner.

Alet/batarya koruma sistemi

Bu alet bir alet/batarya koruma sistemi ile donatılmıştır. Bu sistem motora giden gücü otomatik olarak keserek uzun alet ve batarya ömrü sağlar. Alet veya batarya için aşağıdaki durumlardan biri söz konusu olduğunda aletin işleyişi otomatik olarak durur:

Aşırı yük koruması

Batarya, anormal derecede yüksek akım çekmesine neden olacak şekilde kullanıldığında, alet hiçbir belirti vermeden otomatik olarak durur. Bu durumda, aleti kapatın ve aletin aşırı yüklenmesine neden olan uygulamayı durdurun. Daha sonra aleti yeniden başlaması için çalıştırın.

Aşırı ısınma koruması

Alet veya batarya aşırı ısındığında alet otomatik olarak durur. Bu durumda aleti yeniden açmadan önce alet ve bataryanın soğumasını bekleyin.

NOT: Alet aşırı ısındığında lamba yanıp söner.

Aşırı deşarj koruması

Batarya kapasitesi yeterli olmadığında, alet otomatik olarak durur. Bu durumda, bataryayı aletten çıkarın ve bataryayı tekrar şarj edin.

Diğer nedenlere karşı korumalar

Koruma sistemi, alete zarar verebilecek diğer nedenler için de tasarlanmıştır ve aletin otomatik olarak durmasını sağlar. Alet çalışırken geçici duraklama ve durma yaparsa nedenleri ortadan kaldırmak için aşağıdaki tüm adımları uygulayın.

1. Aleti kapatın ve ardından tekrar açarak yeniden çalıştırın.
2. Bataryaları şarj edin veya şarjlı bataryalarla değiştirin.
3. Aletin ve bataryaların soğumasını bekleyin.

Koruma sistemi eski haline getirilerek ilerleme kaydedilemezse yerel Makita Servis Merkezimize başvurun.

Anahtar işlemi

UYARI: Batarya kartuşunu alete takmadan önce anahtar tetiğinin doğru çalıştığından ve bırakıldığında "OFF" (kapalı) konumuna döndüğünden emin olun.

► **Şek.3:** 1. Anahtar tetik

Aleti çalıştırmak için, sadece anahtar tetiği çekin. Aletin çalışma hızı anahtar tetik üstüne daha fazla baskı yapılarak artırılır. Durdurmak için anahtar tetiği serbest bırakın.

Hız değişimi

Dakikadaki devir ve darbe sayısı, ayar kadranı işaretlenmiş 1 ila 5 numaraları arasında çevrilerek değiştirilebilir. Kadran 5 rakamı yönünde döndürüldüğünde hız artar. Kadran 1 rakamı yönünde döndürüldüğünde hız azalır. Hedef hız, anahtar tetik sonuna kadar çekildiğinde elde edilebilir.

► **Şek.4:** 1. Ayar kadranı

Ayar kadranı üzerindeki rakam ayarları ile dakikadaki yaklaşık devir ve darbe sayısı arasındaki ilişki için tabloya bakın.

Rakam	Dakikadaki devir sayısı	Dakikadaki darbe sayısı
5	840	4.500
4	760	4.070
3	550	2.950
2	350	1.880
1	300	1.610

DİKKAT: Alet çalışırken ayar kadranını çevirmeyin. Aksi takdirde aletin kontrolünün kaybedilmesine yol açarak yaralanmaya neden olabilir.

ÖNEMLİ NOT: Alet düşük hızda uzun süre kesintisiz olarak çalıştırılırsa motor aşırı yüklenerek aletin arızalanmasına neden olur.

ÖNEMLİ NOT: Ayar kadranı 1 ile 5 rakam ayarı arasında çevrilir. Alete zarar verebileceği için kadranı daha fazla ileri veya geri çevirmekten kaçının.

Ön lambanın yakılması

► **Şek.5:** 1. Lamba

DİKKAT: Işığa bakmayın ya da ışık kaynağını doğrudan görmeyin.

Lambayı yakmak için anahtar tetiği çekin. Anahtar tetik çekilirken lamba yanmaya devam eder. Anahtar tetik serbest bırakıldıktan yaklaşık 10 saniye sonra lamba söner.

DİKKAT: Lamba birkaç saniye yanıp söndükten sonra kapanırsa aktif geri besleme algılama teknolojisi düzgün çalışmamıştır. Yerel Makita Servis Merkezimize iletin.

NOT: Lamba lensini temizlemek için kuru bir bez kullanın. Aydınlatmayı azaltacağı için lamba lensinin çizilmemesine dikkat edin.

NOT: Alet aşırı ısındığında lamba yanıp söner. Bu durumda anahtar tetiği bırakın ve ardından yeniden çalıştırmadan önce aleti/bataryayı soğutun.

NOT: Alete toz toplama sistemi (isteğe bağlı aksesuar) takılıyken ön lamba kullanılamaz.

Ters dönüş mandalı işlemi

► **Şek.6:** 1. Ters dönüş mandalı anahtarı

⚠DİKKAT: Kullanmadan önce dönüş yönünü daima kontrol edin.

⚠DİKKAT: Ters döndürme anahtarını sadece alet tamamen durduktan sonra kullanın. Dönüş yönünün alet durmadan önce değiştirilmesi alete zarar verebilir.

⚠DİKKAT: Aleti kullanmadığınız zaman, ters döndürme anahtarını daima nötr konumuna ayarlayın.

Bu aletin dönüş yönünü değiştirmek için bir ters döndürme anahtarı vardır. Ters döndürme anahtarına saat yönünde dönüş için A tarafından tersi yönde dönüş içinse B tarafından bastırın. Ters döndürme anahtarı nötr konumundayken tetik anahtar çekilemez.


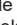
SDS-plus için hızlı değiştirilebilir mandrenin değiştirilmesi

HR009G modeli için

SDS-plus için hızlı değiştirilebilir mandren, hızlı değiştirilebilir matkap mandreni için kolayca değiştirilebilir.




SDS-plus için hızlı değiştirilebilir mandrenin çıkarılması

⚠DİKKAT: SDS-plus için hızlı değiştirilebilir mandreni çıkarmadan önce ucu çıkardığınızdan emin olun.

SDS-plus için hızlı değiştirilebilir mandrenin değiştirme kapağını kavrayın ve değiştirme kapağı çizgisi,  simgesinden  simgesine gelene kadar ok yönünde çevirin. SDS-plus için hızlı değiştirilebilir mandreni, gerekirse güçlü bir şekilde, ok yönünde çekin.

► **Şek.7:** 1. SDS-plus için hızlı değiştirilebilir mandren 2. Değiştirme kapağı 3. Değiştirme kapağı çizgisi

Hızlı değiştirilebilir matkap mandreninin takılması

Hızlı değiştirilebilir matkap mandreninin çizgisinin  simgesini gösterdiğinden emin olun. Hızlı değiştirilebilir matkap mandreninin değiştirme kapağını kavrayın ve çizgiyi  simgesine getirin. Hızlı değiştirilebilir matkap mandrenini aletin miline yerleştirin. Hızlı değiştirilebilir matkap mandreninin değiştirme kapağını kavrayın ve bir tık sesi duyulana dek değiştirme kapağı çizgisini  simgesine çevirin.


► **Şek.8:** 1. Hızlı değiştirilebilir matkap mandreni 2. Mil 3. Değiştirme kapağı çizgisi 4. Değiştirme kapağı

Bir eylem modu seçme

ÖNEMLİ NOT: Alet çalışırken eylem modu değiştirme düğmesini döndürmeyin. Alet zarar görebilir.


ÖNEMLİ NOT: Mod değiştirme mekanizmasının hızlı aşınmasını önlemek için, eylem modu değiştirme düğmesinin üç eylem modu pozisyonundan birine tam olarak döndürüldüğünden emin olun.

Kırmalı dönüş

Beton, taş vb. delerken, eylem modu değiştirme düğmesini  sembolüne doğru döndürün. Bir tungsten karbür uç (isteğe bağlı aksesuar) kullanın.


► **Şek.9:** 1. Kırmalı dönüş 2. Eylem modu değiştirme düğmesi

Sadece dönüş

Tahta, metal veya plastik malzemeleri delerken, eylem modu değiştirme düğmesini  sembolüne doğru döndürün. Spiral matkap ucu veya ahşap matkap ucu kullanın.

► **Şek.10:** 1. Sadece dönüş

Sadece kırma

Yontma, rasplama veya kırma işlemleri için, eylem modu değiştirme düğmesini  sembolüne doğru döndürün. Sivri keski, soğuk keski, yassı keski vb. kullanın.

► **Şek.11:** 1. Sadece kırma

Hava kanalı

⚠DİKKAT: Hava kanalına parmağınızı veya başka nesnelere sokmayın. Aksi takdirde yaralana bilirsiniz veya alet hasar görebilir.

Hava kanalı, toz toplama sisteminin emme performansını artırmak için tasarlanmıştır. Toz toplama sisteminin takılması ile ilgili ayrıntılar için toz toplama sisteminin takılması talimatlarına bakın.

► **Şek.12:** 1. Hava kanalı

Kanca

İsteğe bağlı aksesuarlar

⚠DİKKAT: Aleti kanca ile asarken bataryayı daima çıkarın.

⚠DİKKAT: Aleti hiçbir zaman yüksek bir yere veya potansiyel olarak dengesiz bir zemine asmayın.

Kanca, aleti geçici olarak asmak için kullanılırdır.

Kancayı takmadan önce montaj braketindeki vida deliklerinden kauçuk kapağı çıkarın. Pulları braketin altına takın ve ardından kancayı vidalarla yerine sabitleyin.

► **Şek.13:** 1. Kauçuk kapak 2. Montaj braket 3. Pullar 4. Kanca 5. Vidalar

Kullanmak için kanca kolunu, açık konuma oturana dek yukarı kaldırın.

Kullanımda değilken kancanın kapalı konuma geri katlandığından emin olun.

► **Şek.14:** 1. Kanca 2. Açık konum 3. Kapalı konum

► **Şek.15**

Halatın (bağlama kayışı) kancaya bağlanması

⚠️ DİKKAT: Hasarlı kanca ve vidaları kullanmayın. Kullanmadan önce daima hasar, çatlak veya deformasyon olup olmadığını kontrol edin ve vidaların sıkılı olduğundan emin olun.

⚠️ DİKKAT: Kancanın vidalarını sıkıca takıldığından emin olun.

⚠️ DİKKAT: Aleti asarken hiçbir aksesuarı takıp çıkarmayın. Vidalar sıkılmazsa alet düşebilir.

⚠️ DİKKAT: Her zaman bir kilitleme karabinası (çok işlemlili ve vidalı tip) kullanın ve halatı (bağlama kayışı) mutlaka kancanın çift döngümlü kısmına takın. Hatallı takmak aletin kancadan düşmesine neden olabilir ve yaralanmaya yol açabilir.

Kanca, halatı (bağlama kayışı) bağlamak için de kullanılır. Halatı (bağlama kayışı) mutlaka kancanın çift döngümlü kısmına bağlayın.

► **Şek. 16:** 1. Kancanın çift döngümlü kısmı 2. Halat (bağlama kayışı) 3. Kilitleme karabinası (çok işlemlili ve vidalı tip)

Halatın (bağlama kayışı) kancaya bağlanması hakkındaki güvenlik uyarıları

⚠️ Yüksekte kullanıma özel güvenlik uyarıları
Tüm güvenlik uyarılarını ve talimatları okuyun. Uyarıların ve talimatların izlenmemesi ciddi yaralanmaya yol açabilir.

1. “Yüksekte” çalışırken aleti her zaman bağlı tutun. Maksimum halat uzunluğu 2 m’dir. Halat (bağlama kayışı) için izin verilebilir maksimum düşme yüksekliği 2 m’yi geçmemelidir.
2. Yalnızca bu alet türüne uygun ve taşıma kapasitesi en az 10 kg olan halatlarla kullanın.
3. Alet halatını vücudunuzdaki hiçbir şeye veya hareketli parçalara bağlamayın. Alet halatını, düşen bir aletin kuvvetlerine dayanabilecek sabit bir yapıya bağlayın.
4. Kullanmadan önce halatın iki ucunun da uygun şekilde tutturulduğunu kontrol edin.
5. Her kullanımdan önce aleti ve halatı (örgü ve dikiş dahil) hasar ve uygun çalışma açısından kontrol edin. Hasarlı ise veya düzgün çalışmıyorsa kullanmayın.
6. Halatları keskin veya pürüzlü kenarların etrafına sarmayın veya bunlara temas etmesine izin vermeyin.
7. Halatın diğer ucunu, düşen alet güvenli bir şekilde tutulacak şekilde çalışma alanının dışına bağlayın.
8. Halatı, alet düştüğünde operatörden uzaklaşacak şekilde bağlayın. Düşen aletler halatın ucunda sallanır, bu durum yaralanmaya veya denge kaybına neden olabilir.
9. Hareketli parçaların veya çalışan makinelerin yakınında kullanmayın. Aksi takdirde parçalanma veya takılma tehlikesine neden olabilir.

10. Aleti bağlantı aygıtından veya halattan taşımayın.
11. Aleti elden ele yalnızca dengeniz tam iken aktarın.
12. Halatları alete, anahtarların veya tetik kilitleme düğmesinin (varsa) düzgün çalışmasını engelleyecek şekilde takmayın.
13. Halata takılmaktan sakının.
14. Halatı aletin delme alanından uzak tutun.
15. Bir kilitleme karabinası (çok işlemlili ve vidalı tip) kullanın. Tek işlemlili yaylı karabinalar kullanmayın.
16. Aletin düşmesi durumunda alet etiketlenmeli ve servis dışı bırakılmalıdır; Makita fabrikası veya yetkili servis merkezi tarafından kontrol edilmelidir.

İstemsiz yeniden başlatma önleyici işlev

Batarya kartuşunu anahtar tetiği çekerken takarsanız alet çalışmaz. Aleti başlatmak için anahtar tetiği bırakın ve ardından anahtar tetiği çekin.

Tork sınırlandırıcı

ÖNEMLİ NOT: Tork sınırlandırıcı etkinleştildiğinde, aleti hemen kapatın. Bu işlem, aletin erkenden aşınmasını önler.

ÖNEMLİ NOT: Delik açma testeresi gibi, kolayca deliğe sıkışma veya takılma olasılığı bulunan matkap uçları bu aletle kullanım için uygun değildir. Bunun nedeni, tork sınırlandırıcının çok sık etkinleşmesine neden olmalarıdır.

Belli bir tork seviyesine ulaştığında tork sınırlandırıcı etkinleştirilir. Motor, çıkış şaftından ayrılır. Bunun sonucunda da matkap ucunun dönmesi durur.

Elektronik fonksiyonu

Alet kolay kullanım için elektronik fonksiyonlarla donatılmıştır.

- Elektrikli fren
Bu alet bir elektrikli fren ile donatılmıştır. Anahtar tetik bırakıldıktan sonra alet sürekli olarak çabucak çalışmayı durduruyorsa alete Makita servis merkezinde bakım yaptırın.
- Sabit hız kontrolü
Hız kontrol fonksiyonu, yük koşullarından bağımsız olarak sabit devir hızı sağlar.
- Aktif Geri Besleme algılama Teknolojisi
Çalışma sırasında alet önceden belirlenmiş ivmede döndürülürse bileğe uygulanan yükü azaltmak için motor zorla durdurulur.

NOT: Alet döndürülürken ivme önceden belirlenmiş değere ulaşmazsa bu işlev çalışmaz.

NOT: Yontma, raspalama veya kırma sırasında uç önceden belirlenmiş ivmede döndürülürse motor zorla durdurulur. Bu durumda anahtar tetiği bırakın ve ardından anahtar tetiği çekerek aleti yeniden çalıştırın.

MONTAJ

⚠ DİKKAT: Alet üzerinde herhangi bir iş yapmadan önce aletin kapalı ve batarya kartuşunun ayrılmış olduğundan daima emin olun.

Yan kavrama kolu (yardımcı tutamak)

⚠ DİKKAT: Çalışma güvenliği için daima yan kavrama kolunu kullanın.

⚠ DİKKAT: Yan kavrama kolunu taktıktan veya ayarladıktan sonra yan kavrama kolunun, tespit çıkıntılarında vidanın konumlandırma girintilerine tam olarak geçmesi olarak sıkıca sabitlendiğinden emin olun.

Yan kavrama kolunu takmak için aşağıdaki adımları izleyin.

1. Yan kavrama kolu üzerindeki kelebek somunu gevşetin. Ardından yan kavrama kolunu vida yuvasının kovan boğazının üzerine takın.

► **Şek.17:** 1. Yan kavrama kolu 2. Kelebek somun 3. Vida yuvasının kovan boğazı 4. Tespit çıkıntısı 5. Konumlandırma girintisi

Montaj bileziği, kelebek somun aşağı bastırılarak büyütülebilir, böylece bilezik vida yuvasının kovan boğazının üzerine kolayca ve güvenli bir şekilde geçirilebilir.

► **Şek.18:** 1. Kelebek somun 2. Montaj bileziği

2. Kavrama kolunu istediğiniz açıda sabitlemek için kelebek somunu sıkın.

Matkap ucunun takılması ve çıkarılması

Gres yağı

Matkap ucunu takmadan önce matkap ucunun mil ucunu temizleyin ve gres ile yağlayın. Matkap ucunun mil ucunu önceden küçük bir miktar gres ile yağlayın (yaklaşık 0,5 - 1 g). Mandrenin yağlanması yumuşak bir çalışma ve daha uzun servis ömrü sağlar.

► **Şek.19:** 1. Mil ucu 2. Gres yağı

Matkap ucunun mil tarafını mandrene yerleştirin ve mil tarafı mandren yuvasına güzelce oturacak ve tam olarak geçecek şekilde matkap ucunu elle çevirerek mandrene biraz daha sokun. Matkap ucunu taktıktan sonra yerinde sıkıca tutulduğundan emin olmak için geri çekmeye çalışın.

► **Şek.20:** 1. Matkap ucu 2. Mandren


Matkap ucunu çıkarmak için, mandren kapağını tamamen aşağı itirin ve matkap ucunu çekip çıkarın.

► **Şek.21:** 1. Matkap ucu 2. Mandren kapağı

Keski açısı (yontma, raspalama veya kırma sırasında)

Keski, istenen açıda sabitlenebilir. Keski açısını değiştirmek için, eylem modu değiştirme düğmesini O sembolüne doğru döndürün. Keskiyi istenen açığa döndürün.

► **Şek.22:** 1. Eylem modu değiştirme düğmesi

Eylem modu değiştirme düğmesini  sembolüne ayarlayın. Ardından, keskiyi hafifçe döndürerek yerine sağlam bir şekilde oturduğundan emin olun.

Derinlik mastarı

Derinlik mastarı eşit derinlikte delikler delmeye yarar. Kilitleme düğmesini basılı tutun ve ardından derinlik mastarını altıgen deliğe sokun. Derinlik mastarının dışı tarafının işarete baktığından emin olun.

► **Şek.23:** 1. Derinlik mastarı 2. Kilitleme düğmesi 3. İşaretleme 4. Dış taraf

Sabitleme düğmesini basarak derinlik mastarını, ileri geri hareket ettirerek ayarlayın. Ayarladıktan sonra sabitleme düğmesini bırakarak derinlik mastarını sabitleyin.

NOT: Derinlik mastarını takarken, derinlik mastarının aletin ana gövdesine temas etmediğinden emin olun.

Toz başlığı

İsteğe bağlı aksesuarlar

Tozun yere ve üzerinize dökülmesini önlemek için başınızdaki daha yukarıdaki delme işlemlerini gerçekleştirirken toz başlığını kullanın. Toz başlığını şekilde gösterildiği gibi uca takın. Toz başlığının takılabileceği uç boyutları aşağıda verilmiştir.

Model	Uç çapı
Toz başlığı 5	6 mm - 14,5 mm
Toz başlığı 9	12 mm - 16 mm

► **Şek.24:** 1. Toz başlığı


Toz başlığı seti


İsteğe bağlı aksesuarlar


⚠ DİKKAT: Toz başlığı setini takmadan ve çıkarmadan önce ucu aletten çıkarın.


Takma

HR008G modeli için


1. Montaj ünitesi üzerindeki  simgesini ara parçadaki yivlerden biriyle hizalayarak ara parçayı toz başlığı setinin montaj ünitesine takın.


► **Şek.25:** 1. Ara parça 2. Toz başlığı seti 3. Montaj ünitesi 4.  simgesi 5. Yiv

2. Toz başlığı seti üzerindeki  simgesini kovandaki yivlerden biriyle hizalayarak ara parça ile birlikte toz başlığı setini vida yuvasının kovan boğazına yerleştirin. Ardından toz başlığı setinin montaj ünitesini tutun ve kovana aşağı doğru bastırarak yerine sabitleyin.

► **Şek.26:** 1. Toz başlığı seti 2. Montaj ünitesi 3. Ara parça 4.  simgesi 5. Yiv

HR009G modeli için

Toz başlığı seti üzerindeki  simgesini kovandaki yivlerden biriyle hizalayarak toz başlığı setini vida yuvasının kovan boğazına yerleştirin. Ardından toz başlığı setinin montaj ünitesini tutun ve kovana aşağı doğru bastırarak yerine sabitleyin.

► **Şek.27:** 1. Toz başlığı seti 2. Montaj ünitesi 3.  simgesi 4. Yiv

NOT: Toz başlığı setine bir elektrikli süpürge bağlıyorsanız, bunu yapmadan önce toz kapağını çıkarın.

► **Şek.28:** 1. Toz kapağı

Sökme

1. Mandren kapağını sonuna kadar aşağı bastırın ve ucu çekerek çıkarın.

► **Şek.29:** 1. Uç 2. Mandren kapağı

2. Toz başlığı setinin montaj ünitesini tutun ve aletten çekerek ayırın.

► **Şek.30:** 1. Montaj ünitesi

NOT: Kapak, toz başlığı setinden çıkarsa orijinal konuma geri koyun.

1. Körüğü toz başlığı setinin montaj ünitesinden ayırın.

► **Şek.31:** 1. Körük 2. Montaj ünitesi

2. Kapağı, baskılı tarafı yukarı bakacak şekilde yerine geri yerleştirin.

► **Şek.32:** 1. Kapak 2. Baskılı taraf 3. Yivler 4. Üst açıklığın dudakları 5. Montaj ünitesi

3. Kapağın etrafındaki yivlerin montaj ünitesinin üst açıklığının dudaklarına iyice oturduğundan emin olun.

► **Şek.33**

TOZ TOPLAMA SİSTEMİ

İsteğe bağlı aksesuarlar

Toz toplama sistemi, beton delme işlemi sırasında tozları etkin bir şekilde toplamak için tasarlanmıştır.

► **Şek.34:** 1. Toz toplama sistemi

⚠DİKKAT: Toz toplama sistemi sadece beton delme işlemi için tasarlanmıştır. Toz toplama sistemini metal veya tahta delme işlemi için kullanmayın.

⚠DİKKAT: Aleti toz toplama sistemi ile kullanırken toz solunmayı engellemek için toz toplama sistemine mutlaka filtre takın.

⚠DİKKAT: Toz toplama sistemini kullanmadan önce filtrenin hasarlı olmadığını kontrol edin. Aksi takdirde toz solunmasına neden olabilir.

⚠DİKKAT: Toz toplama sistemi üretilen tozu makul bir oranda toplar, ancak tozun tamamı toplanamayabilir.

ÖNEMLİ NOT: Toz toplama sistemini karotla delme veya yontma işlemi için kullanmayın.

ÖNEMLİ NOT: Toz toplama sistemini metal veya ahşap için kullanmayın. Toz toplama sistemi sadece beton için tasarlanmıştır.

ÖNEMLİ NOT: Toz toplama sistemini yaş beton delme işlemi için veya ıslak ortamda kullanmayın. Aksi takdirde arızaya neden olabilir.

Takma

ÖNEMLİ NOT: Toz toplama sistemini takmadan önce aletin ve toz toplama sisteminin birleşme kısımlarını temizleyin. Birleşme kısımlarındaki yabancı maddeler toz toplama sisteminin takılmasını zorlaştırabilir. Hava kanalında toz kalırsa toz aletin içine girer ve hava akışında tıkanmaya veya aletin bozulmasına yol açar.

Toz toplama sisteminin kancalarını aletin ön alt kısmındaki ceplere takın. Aletin hava kanalı toz toplama sisteminin emme hava çıkışı ile örtülecek şekilde toz toplama sistemini bir tık sesiyle yerine sabitlemek için emme ünitesini yukarı kaldırın.

► **Şek.35:** 1. Kancalar 2. Toz toplama sistemi 3. Cepler 4. Emme ünitesi 5. Hava kanalı 6. Emme hava çıkışı

Sökme

Toz toplama sistemi üzerindeki kilit açma düğmesini basılı tutup emme ünitesini indirerek toz toplama sisteminin üst kısmını serbest bırakın. Toz toplama sisteminin alt kısmını aletten kurtarın.

► **Şek.36:** 1. Toz toplama sistemi 2. Emme ünitesi 3. Kilit açma düğmesi

Toz toplama sisteminin emme ünitesi konumunun ayarlanması

⚠DİKKAT: Kılavuz ayarlama düğmesine basarak emme ünitesini serbest bırakırken emme ünitesini kendinize veya başkalarına doğrultmayın.

Kılavuz ayarlama düğmesine basarken emme ünitesi kılavuzunu içeri ve dışarı kaydırın ve ardından matkap ucunun ucu emme ünitesinin ön yüzeyinin hemen arkasına oturduğu konumda düğmeyi bırakın.

► **Şek.37:** 1. Kılavuz 2. Kılavuz ayarlama düğmesi 3. Matkap ucunun ucu 4. Emme ünitesinin ön yüzeyi

Delme derinliklerinin ayarlanması

Delme derinlikleri, derinlik ayarlama düğmesi ile emme ünitesi kılavuzu destek kolu arasındaki uzunluklar değiştirilerek ayarlanabilir. Derinlik ayarlama düğmesine basıp basılı tutun ve istediğiniz konuma kaydırın.

► **Şek.38:** 1. Derinlik ayarlama düğmesi 2. Emme ünitesi kılavuzu 3. Emme ünitesi kılavuzu destek kolu 4. Delme derinlikleri

Filtre üzerindeki tozun vurarak çıkarılması

⚠DİKKAT: Toz kutusu toz toplama sisteminde çıkarılmışken toz kutusu üzerindeki kadranı çevirmeyin. Böyle yapılması toz solunmasına neden olabilir.

⚠DİKKAT: Toz kutusu üzerindeki kadranı çevirirken aleti daima kapatın. Alet çalışırken kadranın çevrilmesi aletin kontrolünün kaybedilmesine neden olabilir.

Toz kutusunun içindeki filtre üzerindeki tozu vurarak çıkarmak suretiyle vakum etkisini koruyabilir ve tozu boşaltma sayısını azaltabilirsiniz.

Her 50.000 mm³ toz topladıktan sonra veya vakum performansının düştüğünü hissettiğinizde toz kutusu üzerindeki kadranı üç kez çevirin.

NOT: 50.000 mm³ toz, ø10 mm ve 65 mm derinliğinde 10 delik delmeye eşittir.

► **Şek.39:** 1. Toz kutusu 2. Kadran

Tozun atılması

⚠DİKKAT: Alet üzerinde herhangi bir iş yapmadan önce aletin kapalı ve batarya kartuşunun ayrılmış olduğundan daima emin olun.

⚠DİKKAT: Tozu atarken mutlaka toz maskesi takın.

⚠DİKKAT: Toz kutusunu düzenli olarak, toz kutusu dolmadan önce boşaltın. Aksi davranış toz toplama performansını düşürebilir ve tozun solunmasına neden olabilir.

⚠DİKKAT: Toz toplama performansı, toz kutusundaki filtre tıkanırca düşer. Bir rehber olarak yaklaşık 200 toz toplama işleminin ardından filtreyi yeniisi ile değiştirin. Aksi takdirde toz solunmasına neden olabilir.

1. Toz kutusunun kilitleme kolunu aşağı bastırarak toz kutusunu çıkarın.

► **Şek.40:** 1. Kilitleme kolu

2. Kilitleme tırnağını hafif dışarı doğru kaldırın ve toz kutusu kapağını açın.

► **Şek.41:** 1. Toz kutusu kapağı 2. Kilitleme tırnağı

3. Tozu boşaltın ve daha sonra filtreyi temizleyin.

► **Şek.42**

ÖNEMLİ NOT: Filtreyi temizlerken filtre mahfazasına elinizle hafifçe vurarak tozu giderin. Doğrudan filtreye vurmayın; filtreye fırça veya benzeri bir cisimle dokunmayın ya da filtrenin üzerine basınçlı hava üfleme. Aksi takdirde filtre hasar görebilir.

Toz kutusunun filtresinin değiştirilmesi

1. Toz kutusunun kilitleme kolunu aşağı bastırarak toz kutusunu çıkarın.

► **Şek.43:** 1. Kilitleme kolu

2. Kilitleme tırnağını hafif dışarı doğru kaldırın ve toz kutusunun filtre kapağını açın.

► **Şek.44:** 1. Filtre kapağı 2. Kilitleme tırnağı

3. Filtreyi filtre mahfazasından çıkarın.

► **Şek.45:** 1. Filtre 2. Filtre mahfazası

4. Filtre mahfazasına yeni bir filtre takın ve daha sonra filtre kapağını takın.

5. Toz kutusunun kapağını kapatın ve daha sonra toz kutusunu toz toplama sistemine takın.

Sızdırmazlık başlığının değiştirilmesi

Hasarlı veya yıpranmış bir sızdırmazlık başlığı toz toplama performansını etkileyebilir. Kılavuz çıkıntısını emme ünitesi kafası üzerindeki kılavuz çentikle hizalayarak sızdırmazlık başlığını uygun şekilde yenisiyle değiştirin.

► **Şek.46:** 1. Sızdırmazlık başlığı 2. Kılavuz çıkıntı 3. Emme ünitesi kafası 4. Kılavuz çentik

Saklama

ÖNEMLİ NOT: Belirli bir süre kullanılmadığında emme ünitesi kılavuzunun tamamen kısaltılmış konumdan yaklaşık 100 mm uzatılması gerekir. Aksi takdirde emme ünitesi kılavuzuna önceden takılan kanal hortumu zarar görebilir.

► **Şek.47:** 1. Kılavuz ayarlama düğmesi 2. Yaklaşık 100 mm

KULLANIM

⚠DİKKAT: Çalışırken daima yan kavrama kolunu (yardımcı tutamak) kullanın ve aleti hem yan kavrama kolundan hem de anahtar kabzasından sıkıca kavrayın.

⚠DİKKAT: Çalışmaya başlamadan önce iş parçasının sabitlenmiş olduğundan daima emin olun.

⚠DİKKAT: Uç sıkışsa bile aleti zorlayarak çekmeyin. Kontrol kaybı yaralanmaya neden olabilir.


ÖNEMLİ NOT: Toz toplama sistemini aletle kullanmadan önce toz toplama sistemi ile ilgili kısmı okuyun.

NOT: Batarya kartuşunun sıcaklığı düşük olduğunda, aletten tam verim alınamayabilir. Bu durumda, aletten tam verim alabilmek için aleti yüksüz olarak bir müddet çalıştırıp batarya kartuşunu ısıtın.

► **Şek.48**

Darbeli matkap işleyişi

⚠DİKKAT: Delik delme sırasında delik talaşlar ya da parçacıklarla tıkanırdığı ya da betona gömülü betonarme demirlerine çarpıldığı zaman, alet/matkap ucu üstüne çok büyük ve ani bir burulma kuvveti etki eder. **Çalışırken daima yan kavrama kolunu (yardımcı tutamak) kullanın ve aleti hem yan kavrama kolundan hem de anahtar kabzasından sıkıca kavrayın.** Bunu yapmazsanız aletin kontrolünü kaybedebilir ve ciddi şekilde yaralanmaya neden olabilirsiniz.

Eylem modu değiştirme düğmesini  simbole ayarlayın.

Matkap ucunu delmek istediğiniz noktaya yerleştirin ve ardından anahtar tetiği çekin.


Çalışma hassasiyeti ve verimliliği için anahtar koluna (ana tutamak) besleme kuvveti uygulayın ve aletin dengesini sağlamak için yan kavrama kolunu (yardımcı tutamak) tutun.

Aletin konumunu koruyun ve deliğin dışına kaymasını önleyin.

Delik talaş ya da parçacıklardan dolayı tıkanırsa daha fazla basınç uygulamayın. Bunun yerine aleti rölantide çalıştırın ve ardından matkap ucunu kısmen delikten çıkarın. Bunu birkaç kez tekrarladığınızda delik temizler ve normal delme işlemine devam edilebilir.

NOT: Alet yüksüz olarak çalıştığı anda matkap ucunun dönüşünde merkezden sapma meydana gelebilir. Kullanım sırasında alet otomatik olarak konumu düzeltir. Delme işleminin kesinliği etkilenmez.

Yontma/Raspalama/Kırma

Eylem modu değiştirme düğmesini  sembolüne ayarlayın.

Aleti iki elle sıkıca tutun. Aleti açın.

Çalışma hassasiyeti ve verimliliği için anahtar koluna (ana tutamak) besleme kuvveti uygulayın ve aletin dengesini sağlamak için yan kavrama kolunu (yardımcı tutamak) tutun.

Alete çok fazla bastırmak verimliliği artırır.

► **Şek.49**

Tahta veya metal delme

⚠ DİKKAT: Matkap ucu, iş parçasını delip çıkmaya başladığında aleti sıkı tutun ve dikkat sarf edin. Deliğin açılması sırasında alet/matkap ucu üzerine çok büyük güç uygulanır.

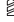
⚠ DİKKAT: Sıkışan bir matkap ucu, aleti ters yöne döndürerek kolayca çıkartılabilir. Fakat bu durumda aleti sıkıca tutmak gerekir, aksi halde alet darbe ile aniden elden çıkabilir.

⚠ DİKKAT: İş parçalarını daima bir mengene ya da benzer sıkıştırma aygıtlarıyla sabitleyin.

ÖNEMLİ NOT: Matkap mandreni aletin üzerine takılı olduğunda “kırmalı dönüş” özelliğini asla kullanmayın. Matkap mandreni zarar görebilir.

Ayrıca, alet ters dönerken matkap mandreni yerinden çıkar.

ÖNEMLİ NOT: Alete aşırı baskı yapıldığında delme işlemi hızlanmayacaktır. Aşırı baskı matkap ucunun yıpranmasına, alet performansının düşmesine ve aletin kullanım ömrünün kılmasına yol açacaktır.

Eylem modu değiştirme düğmesini  sembolüne ayarlayın.

HR008G modeli için

İsteğe bağlı aksesuarlar

Mandren adaptörünü, 1/2"-20 boy vida takılabilen anahtarsız matkap mandrenine takın ve daha sonra bunları alete takın. Adaptörün mandrene takılması ile ilgili ayrıntılar için matkap ucunun takılması hakkındaki talimatlara bakın.

► **Şek.50:** 1. Anahtarsız matkap mandreni 2. Mandren adaptörü

HR009G modeli için

Hızlı değiştirilebilir matkap mandrenini standart ekipman olarak kullanın. Hızlı değiştirilebilir matkap mandreninin takılması ile ilgili ayrıntılar için SDS-plus için hızlı değiştirilebilir mandreni değiştirme talimatlarına bakın.


Bileziği tutun ve kovani saatin aksi yönünde çevirerek mandren çenelerini açın. Matkap ucunu mandrenin içine sonuna kadar sokun. Bileziği sıkıca tutun ve kovani saat yönünde çevirerek mandreni sıkın.

► **Şek.51:** 1. Kovan 2. Bilezik

Matkap ucunu çıkarmak için, bileziği tutun ve kovani saatin aksi yönünde çevirin.

Elmas karotla delme

ÖNEMLİ NOT: “Kırmalı dönüş” eylem modu kullanılarak elmas karotla delme işlemi gerçekleştirilir, elmas karot matkap ucu zarar görebilir.

Elmas karotla delme işlemleri sırasında “sadece dönüş” eylemini kullanmak için eylem modu değiştirme düğmesini daima  konumuna ayarlayın.

Toz üfleme aparatı

İsteğe bağlı aksesuarlar

Deliği deldikten sonra, deliğin içindeki tozu temizlemek için toz üfleme aparatını kullanın.

► **Şek.52**

Toz başlığı setinin kullanılması

İsteğe bağlı aksesuarlar

Aleti kullanırken toz başlığı setini tavana yerleştirin.

► **Şek.53**

ÖNEMLİ NOT: Toz başlığı setini metal veya benzeri materyal üzerinde delme işlemi yaparken kullanmayın. Küçük metal tozu veya benzeri tarafından üretilen ısıdan dolayı, toz başlığı setine zarar verebilir.

ÖNEMLİ NOT: Alete matkap ucu takılı iken toz başlığı setini takmayın veya çıkarmayın. Toz başlığı setine zarar verebilir ve toz sızıntısına neden olabilir.

KABLOSUZ ÇALIŞTIRMA İŞLEVİ

Kablosuz çalıştırma işlevi ile yapabileceğiniz

Kablosuz çalıştırma işlevi temiz ve rahat kullanım sağlar. Alete desteklenen bir elektrikli süpürge bağlayarak elektrikli süpürgeyi aletin anahtarla çalıştırılması ile birlikte çalıştırabilirsiniz.

► **Şek.54**

Kablosuz çalıştırma işlevini kullanmak için aşağıdaki unsurları hazırlayın:

- Bir kablosuz ünitesi (isteğe bağlı aksesuar)
- Kablosuz çalıştırma işlevini destekleyen bir elektrikli süpürge

Kablosuz çalıştırma işlevi ayarına genel bakış aşağıda verilmiştir. Ayrıntılı işlemler için her bir kısma bakın.

1. Kablosuz ünitesinin takılması
2. Elektrikli süpürge için alet kaydı
3. Kablosuz çalıştırma işlevinin başlatılması

Kablosuz ünitesinin takılması

İsteğe bağlı aksesuar

⚠ DİKKAT: Kablosuz ünitesini takarken aleti düz ve dengeli bir zemine yerleştirin.

ÖNEMLİ NOT: Kablosuz ünitesini takmadan önce aletin üzerindeki toz ve kiri temizleyin. Toz veya kir, kablosuz ünitesinin yuvasına girerse arızaya neden olabilir.

ÖNEMLİ NOT: Statik elektrik kaynaklı arızaları engellemek için kablosuz ünitesini almadan önce aletin metal kısmı gibi statik dışarı özellikli bir materyale dokununuz.

ÖNEMLİ NOT: Kablosuz ünitesini takarken kablosuz ünitesinin doğru yönde sokulduğundan ve kapağın tamamen kapatıldığından mutlaka emin olun.

1. Aletin üzerindeki kapağı şekilde gösterildiği gibi açın.

► **Şek.55:** 1. Kapak

2. Kablosuz ünitesini yuvaya sokun ve daha sonra kapağı kapatın.

Kablosuz ünitesini sokarken çıkıntıları yuva üzerindeki girintili kısımlarla hizalayın.

► **Şek.56:** 1. Kablosuz ünitesi 2. Çıkıntı 3. Kapak 4. Girintili kısım

Kablosuz ünitesini çıkarırken kapağı yavaşça açın. Kapağın arka kısmındaki kancalar, kapağı yukarı çektikçe kablosuz ünitesini kaldıracaktır.

► **Şek.57:** 1. Kablosuz ünitesi 2. Kanca 3. Kapak

Kablosuz ünitesini çıkardıktan sonra ürünle verilen kutusunda veya anti-statik bir kaptaki saklayın.

ÖNEMLİ NOT: Kablosuz ünitesini çıkarırken daima kapağın arka kısmındaki kancaları kullanın. Kancalar kablosuz ünitesini yakalamazsa kapağı tamamen kapatın ve yavaşça tekrar açın.

Elektrikli süpürge için alet kaydı

NOT: Alet kaydı için kablosuz çalıştırma işlevini destekleyen bir Makita elektrikli süpürge gerekir.

NOT: Alet kaydına başlamadan önce kablosuz ünitesini alete takmayı bitirin.

NOT: Alet kaydı sırasında anahtar tetiği çekmeyin veya elektrikli süpürge üzerindeki güç düğmesini açmayın.

NOT: Elektrikli süpürge kullanma kılavuzuna da bakın.

Elektrikli süpürgeyi aletin anahtarla çalıştırılması ile birlikte çalıştırmak isterseniz önceden alet kaydını tamamlayın.

1. Elektrikli süpürge ve alete bataryaları takın.
2. Elektrikli süpürge üzerindeki bekleme düğmesini "AUTO" konumuna alın.

► **Şek.58:** 1. Bekleme düğmesi

3. Kablosuz çalıştırma lambası yeşil yanıp sönene kadar elektrikli süpürge üzerindeki kablosuz çalıştırma düğmesine 3 saniye süreyle basın. Daha sonra aletin üzerindeki kablosuz çalıştırma düğmesine aynı şekilde basın.

► **Şek.59:** 1. Kablosuz çalıştırma düğmesi 2. Kablosuz çalıştırma lambası

Elektrikli süpürge ve alet başarıyla birbirlerine bağlanırsa kablosuz çalıştırma lambaları 2 saniye süreyle yeşil yanar ve mavi yanıp sönmeye başlar.

NOT: Kablosuz çalıştırma lambaları 20 saniye geçtikten sonra yeşil yanıp sönmeyi keser. Süpürge üzerindeki kablosuz çalıştırma lambası yanıp sönen aletin üzerindeki kablosuz çalıştırma düğmesine basın. Kablosuz çalıştırma lambası yeşil yanıp sönmeye kablosuz çalıştırma düğmesine kısa süreli basın ve tekrar basılı tutun.

NOT: Tek bir elektrikli süpürge için iki veya daha fazla alet kaydı yaparken alet kaydını birer birer tamamlayın.

Kablosuz çalıştırma işlevinin başlatılması

NOT: Kablosuz çalıştırma öncesinde elektrikli süpürge için alet kaydını tamamlayın.

NOT: Elektrikli süpürge kullanma kılavuzuna da bakın.

Elektrikli süpürgeye bir aleti kaydettikten sonra elektrikli süpürge, aletin anahtarla çalıştırılması ile birlikte otomatik olarak çalışır.

1. Kablosuz ünitesini alete takın.
2. Elektrikli süpürge hortumunu alete bağlayın.

► **Şek.60**

3. Elektrikli süpürge üzerindeki bekleme düğmesini "AUTO" konumuna alın.

► **Şek.61:** 1. Bekleme düğmesi

4. Aletin üzerindeki kablosuz çalıştırma düğmesine kısa süreyle basın. Kablosuz çalıştırma lambası mavi yanıp söner.

► **Şek.62:** 1. Kablosuz çalıştırma düğmesi 2. Kablosuz çalıştırma lambası

5. Aleti açın. Alet çalışırken elektrikli süpürge çalıştığını kontrol edin.

Elektrikli süpürgeyi kablosuz çalıştırılmasını durdurmak için alet üzerindeki kablosuz çalıştırma düğmesine basın.

NOT: Alet üzerindeki kablosuz çalıştırma lambası, 2 saat süreyle işlem yapılmazsa mavi yanıp sönmeyi keser. Bu durumda elektrikli süpürge üzerindeki bekleme düğmesini "AUTO" konumuna alın ve alet üzerindeki kablosuz çalıştırma düğmesine tekrar basın.

NOT: Elektrikli süpürge bir gecikmeyle başlar/durur. Elektrikli süpürge, aletin anahtarla çalıştırıldığını algıladığında bir gecikme söz konusu olur.










NOT: Kablosuz ünitesinin iletim mesafesi konum ve çevre şartlarına bağlı olarak değişebilir.

NOT: Tek bir elektrikli süpürgeye iki veya daha fazla alet kaydedildiğinde başka bir kullanıcı kablosuz çalıştırma işlevini kullandığından aletinizi açmasanız bile elektrikli süpürge çalışmaya başlayabilir.

Kablosuz çalıştırma lambası durumunun açıklanması

► Şek.63: 1. Kablosuz çalıştırma lambası

Kablosuz çalıştırma lambası kablosuz çalıştırma işlevinin durumunu gösterir. Lamba durumunun anlamı için aşağıdaki tabloya bakın.

Durum	Kablosuz çalıştırma lambası				Açıklama
	Renk	 Kapalı	 Yanıp sönmeye	Süre	
Beklemede	Mavi			2 saat	Elektrikli süpürge kablosuz çalıştırılması kullanılabilir. 2 saat süreyle işlem yapılmazsa lamba otomatik olarak söner.
				Alet çalışırken.	Elektrikli süpürge kablosuz çalıştırılması kullanılabilir ve alet çalışıyor.
Alet kaydı	Yeşil			20 saniye	Alet kaydı için hazır. Elektrikli süpürge tarafından alet kaydı bekleniyor.
				2 saniye	Alet kaydı tamamlandı. Kablosuz çalıştırma lambası mavi yanıp sönmeye başlar.
Alet kaydının iptal edilmesi	Kırmızı			20 saniye	Alet kaydının iptali için hazır. Elektrikli süpürge tarafından iptal bekleniyor.
				2 saniye	Alet kaydı iptali tamamlandı. Kablosuz çalıştırma lambası mavi yanıp sönmeye başlar.
Diğer	Kırmızı			3 saniye	Kablosuz ünitesine güç besleniyor ve kablosuz çalıştırma işlevi başlıyor.
	Kapalı	-		-	Elektrikli süpürge kablosuz çalıştırılması durduruldu.

Elektrikli süpürge için alet kaydının iptal edilmesi

Elektrikli süpürge için alet kaydını iptal ederken aşağıdaki prosedürü uygulayın.

1. Elektrikli süpürge ve alete bataryaları takın.
2. Elektrikli süpürge üzerindeki bekleme düğmesini "AUTO" konumuna alın.

► Şek.64: 1. Bekleme düğmesi

3. Elektrikli süpürge üzerindeki kablosuz çalıştırma düğmesine 6 saniye süreyle basın. Kablosuz çalıştırma lambası yeşil yanıp söner ve daha sonra kırmızı olur. Ondan sonra aletin üzerindeki kablosuz çalıştırma düğmesine aynı şekilde basın.

- Şek.65: 1. Kablosuz çalıştırma düğmesi
2. Kablosuz çalıştırma lambası

İptal başarıyla yapılırsa kablosuz çalıştırma lambaları 2 saniye süreyle kırmızı yanar ve mavi yanıp sönmeye başlar.

NOT: Kablosuz çalıştırma lambaları 20 saniye geçtikten sonra kırmızı yanıp sönmeyi keser. Süpürge üzerindeki kablosuz çalıştırma lambası yanıp sönerken aletin üzerindeki kablosuz çalıştırma düğmesine basın. Kablosuz çalıştırma lambası kırmızı yanıp sönmeye başlar. Kablosuz çalıştırma düğmesine kısa süreli basın ve tekrar basılı tutun.

Kablosuz çalışma işlevi için sorun giderme

Onarım için servise gitmeden önce kontrolleri yapın. Kılavuzda açıklanmayan bir problemle karşılaşırsanız aleti demonte etmeyin. Bunun yerine, Makita Yetkili Servis Merkezlerine başvurun ve daima orijinal Makita yedek parçaları kullanın.

Anormal durum	Olası nedeni (arıza)	Çözümü
Kablosuz çalışma lambası yanmıyor/yanıp sönmüyor.	Kablosuz ünitesi alete takılmamış. Kablosuz ünitesi alete hatalı takılmış.	Kablosuz ünitesini doğru takın.
	Kablosuz ünitesinin terminali ve/veya yuva kirlidir.	Kablosuz ünitesinin terminalindeki tozu ve kiri hafifçe silin ve yuvayı temizleyin.
	Aletin üzerindeki kablosuz çalışma düğmesine basılmamış.	Aletin üzerindeki kablosuz çalışma düğmesine kısa süreyle basın.
	Elektrikli süpürge üzerindeki bekleme düğmesi "AUTO" konumuna alınmamış.	Elektrikli süpürge üzerindeki bekleme düğmesini "AUTO" konumuna alın.
	Güç beslemesi yok	Alete ve elektrikli süpürgeye güç besleyin.
Alet kaydı / alet kaydı iptali başarıyla tamamlanmıyor.	Kablosuz ünitesi alete takılmamış. Kablosuz ünitesi alete hatalı takılmış.	Kablosuz ünitesini doğru takın.
	Kablosuz ünitesinin terminali ve/veya yuva kirlidir.	Kablosuz ünitesinin terminalindeki tozu ve kiri hafifçe silin ve yuvayı temizleyin.
	Elektrikli süpürge üzerindeki bekleme düğmesi "AUTO" konumuna alınmamış.	Elektrikli süpürge üzerindeki bekleme düğmesini "AUTO" konumuna alın.
	Güç beslemesi yok	Alete ve elektrikli süpürgeye güç besleyin.
	Hatalı çalışma	Kablosuz çalışma düğmesine kısa süreyle basın ve alet kaydı/iptal prosedürlerini yeniden uygulayın.
	Alet ve elektrikli süpürge birbirlerinden uzakta (iletim aralığının dışında).	Aleti ve elektrikli süpürgeyi birbirlerine yaklaştırın. Maksimum iletim mesafesi yaklaşık 10 m'dir, ancak şartlara bağlı olarak değişebilir.
	Alet kaydını/iptalini tamamlamadan önce; - aletin anahtarını açılıyor veya; - elektrikli süpürge üzerindeki güç düğmesi açılıyor.	Kablosuz çalışma düğmesine kısa süreyle basın ve alet kaydı/iptal prosedürlerini yeniden uygulayın.
	Alet veya elektrikli süpürge için alet kaydı prosedürleri tamamlanmamış.	Alet ve elektrikli süpürge için alet kaydı prosedürlerini aynı zamanda uygulayın.
	Yüksek güçte radyo dalgaları üreten diğer cihazlardan radyo paraziti.	Aleti ve elektrikli süpürgeyi, Wi-Fi cihazları ve mikro-dalga fırınlar gibi cihazlardan uzak tutun.
Elektrikli süpürge, aletin anahtarla çalıştırılması ile birlikte çalışmıyor.	Kablosuz ünitesi alete takılmamış. Kablosuz ünitesi alete hatalı takılmış.	Kablosuz ünitesini doğru takın.
	Kablosuz ünitesinin terminali ve/veya yuva kirlidir.	Kablosuz ünitesinin terminalindeki tozu ve kiri hafifçe silin ve yuvayı temizleyin.
	Aletin üzerindeki kablosuz çalışma düğmesine basılmamış.	Kablosuz çalışma düğmesine kısa süreli basın ve kablosuz çalışma lambasının mavi yanıp söndüğünü kontrol edin.
	Elektrikli süpürge üzerindeki bekleme düğmesi "AUTO" konumuna alınmamış.	Elektrikli süpürge üzerindeki bekleme düğmesini "AUTO" konumuna alın.
	Elektrikli süpürgeye 10'dan fazla alet kayıtlı.	Alet kaydını yeniden yapın. Elektrikli süpürgeye 10'dan fazla alet kayıtlı ise ilk önce kaydedilen alet otomatik olarak iptal edilir.
	Elektrikli süpürge tüm alet kayıtlarını silmiş.	Alet kaydını yeniden yapın.
	Güç beslemesi yok	Alete ve elektrikli süpürgeye güç besleyin.
	Alet ve elektrikli süpürge birbirlerinden uzakta (iletim aralığının dışında).	Aleti ve elektrikli süpürgeyi birbirlerine yaklaştırın. Maksimum iletim mesafesi yaklaşık 10 m'dir, ancak şartlara bağlı olarak değişebilir.
	Yüksek güçte radyo dalgaları üreten diğer cihazlardan radyo paraziti.	Aleti ve elektrikli süpürgeyi, Wi-Fi cihazları ve mikro-dalga fırınlar gibi cihazlardan uzak tutun.
Alet çalışmıyorken elektrikli süpürge çalışıyor.	Diğer kullanıcılar, elektrikli süpürgeyi kablosuz çalıştırılmasını kendi aletleriyle kullanıyor.	Diğer aletlerin kablosuz çalışma düğmesini kapatın veya diğer aletlerin alet kaydını iptal edin.

BAKIM

⚠ DİKKAT: Muayene ya da bakım yapmadan önce aletin kapalı ve batarya kartuşunun çıkartılmış olduğundan daima emin olun.

ÖNEMLİ NOT: Benzin, tiner, alkol ve benzeri maddeleri kesinlikle kullanmayın. Renk değişimi, deformasyon veya çatlaklar oluşabilir.

Aleti EMNİYETLİ ve ÇALIŞMAYA HAZIR durumda tutmak için onarımlar, başka her türlü bakım ve ayarlamalar daima Makita yedek parçaları kullanılarak Makita yetkili servis merkezleri veya Fabrikanın Servis Merkezleri tarafından yapılmalıdır.

İSTEĞE BAĞLI AKSESUARLAR

⚠ DİKKAT: Bu aksesuarlar ve ek parçalar bu el kitabında belirtilen Makita aletiniz ile kullanılmak için tavsiye edilmektedir. Herhangi başka bir aksesuar ya da ek parça kullanılması insanlar için bir yaralanma riski getirebilir. Aksesuarları ya da ek parçaları yalnızca belirtilmiş olan kullanım amaçlarına uygun olarak kullanın.

Bu aksesuarlarla ilgili daha fazla bilgiye ihtiyaç duyarsanız bulunduğunuz yerdeki yetkili Makita servisine başvurun.

- Karbür matkap uçları (SDS-plus karbür matkap uçları)
- Karot matkap ucu
- Sivri keski
- Elmas karot matkap ucu
- Soğuk keski
- Yassı keski
- Kanal açma keskisi
- Matkap mandreni seti (mandren adaptörü / matkap mandreni)
- Uç gresi
- Derinlik mastarı
- Toz üfleme aparatı
- Toz başlığı
- Toz başlığı seti
Ara parça (HR008G için)
- Kanca seti
- Toz kutusu seti
- Filtre seti
- Rakor
- Toz toplama sistemi
- Kablosuz ünitesi
- Orijinal Makita batarya ve şarj aleti

NOT: Listedeki parçaların bazıları alet paketi içerisinde standart aksesuar olarak dahil edilmiş olabilir. Bunlar ülkeden ülkeye farklılık gösterebilir.

Makita Europe N.V.

Jan-Baptist Vinkstraat 2, 3070 Kortenberg, Belgium

Makita Corporation

3-11-8, Sumiyoshi-cho, Anjo, Aichi 446-8502 Japan

www.makita.com



885964C994
EN, FR, DE, IT, NL,
ES, PT, DA, EL, TR
20220526