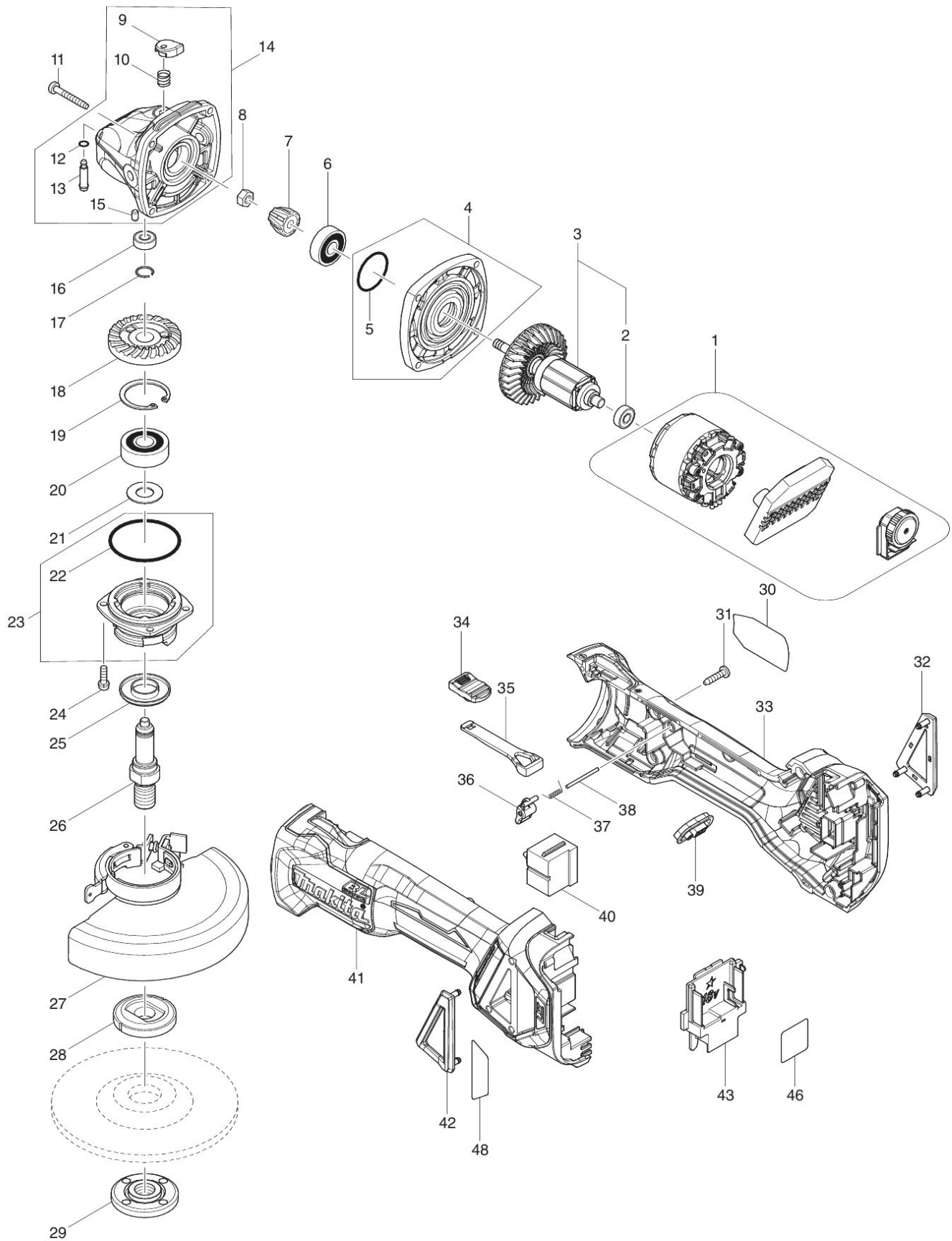


# Partdrawing for DGA511Z - Haakse slijper



2017/08  
DGA511