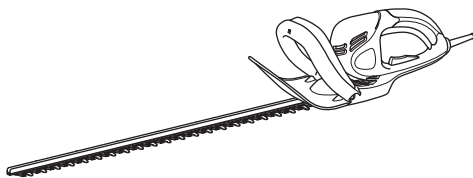
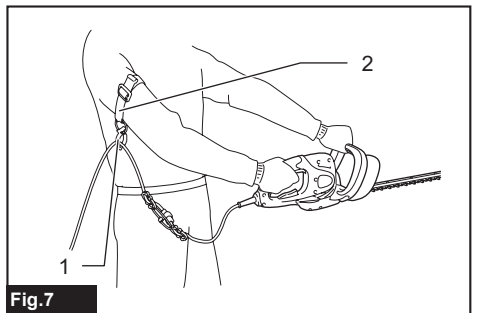
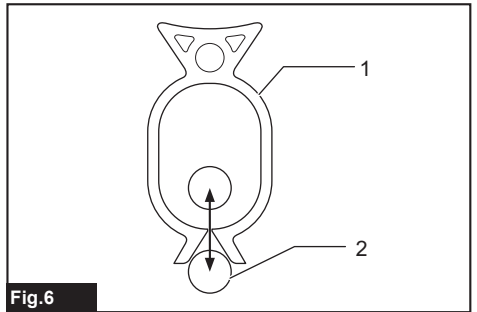
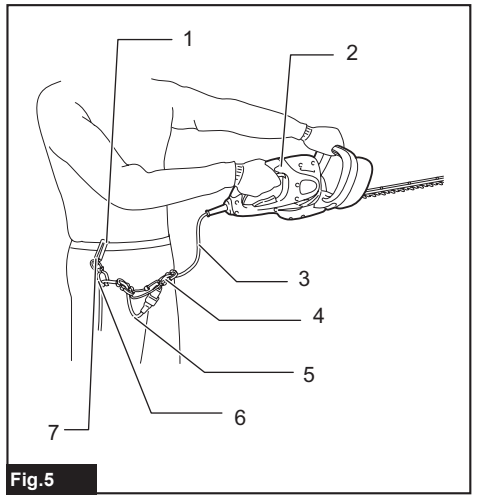
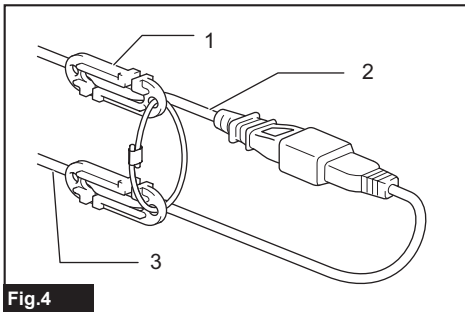
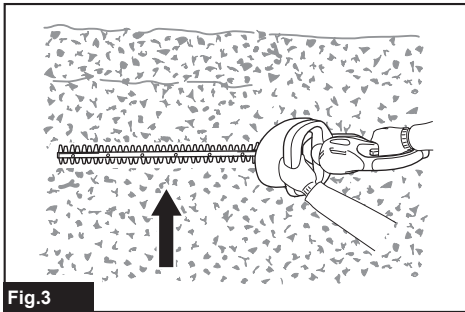
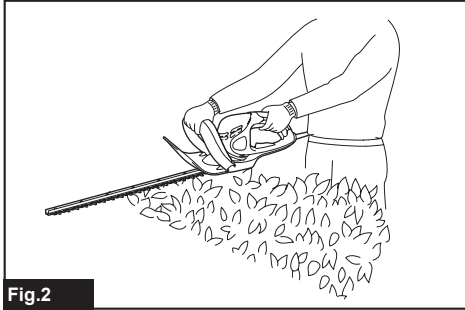
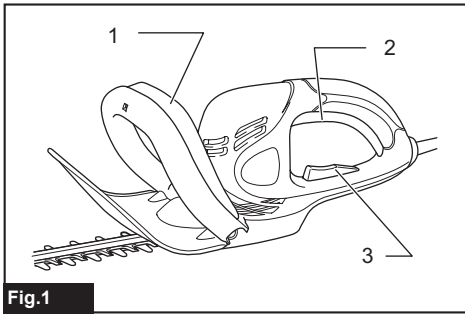




EN	Hedge Trimmer	INSTRUCTION MANUAL	5
FR	Taille-haie	MANUEL D'INSTRUCTIONS	11
DE	Heckenschere	BETRIEBSANLEITUNG	17
IT	Tagliasiepi	ISTRUZIONI PER L'USO	23
NL	Heggenschaar	GEBRUIKSAANWIJZING	29
ES	Desmalezadora Eléctrica	MANUAL DE INSTRUCCIONES	35
PT	Aparador de Cerca Viva Eléctrico	MANUAL DE INSTRUÇÕES	41
DA	Hækkeklipper	BRUGSANVISNING	47
EL	Ψαλίδι Μπορντούρας	ΕΓΧΕΙΡΙΔΙΟ ΟΔΗΓΙΩΝ	53
TR	Çit Budama	KULLANMA KILAVUZU	59

UH4261
UH4861
UH5261





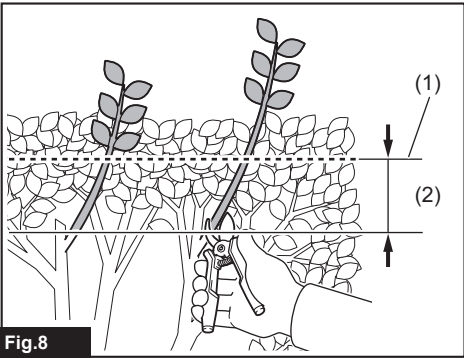


Fig.8

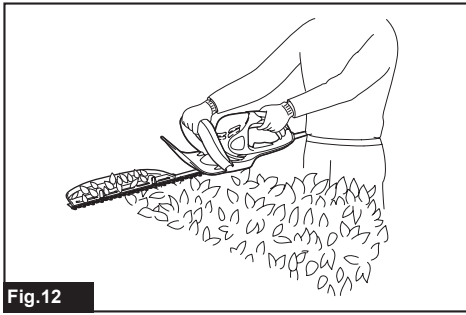


Fig.12

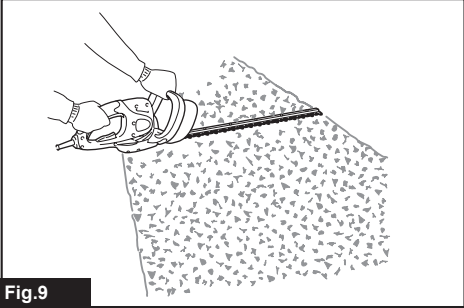


Fig.9

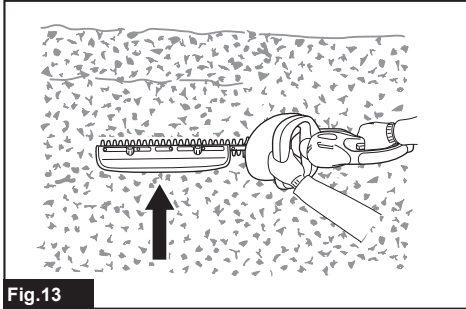


Fig.13

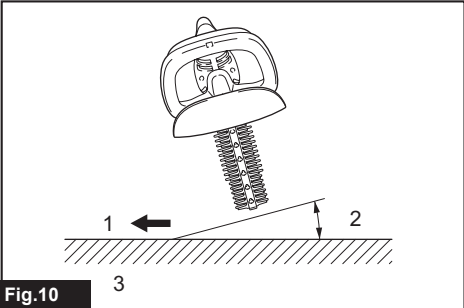


Fig.10

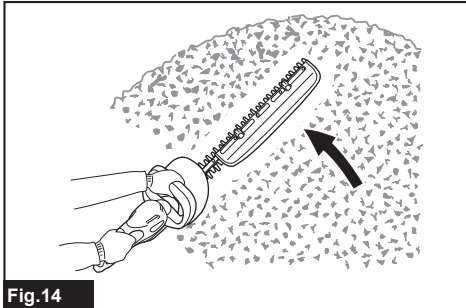


Fig.14

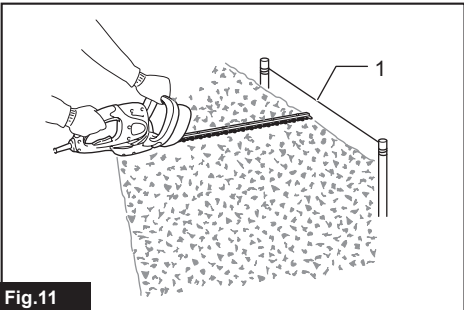


Fig.11

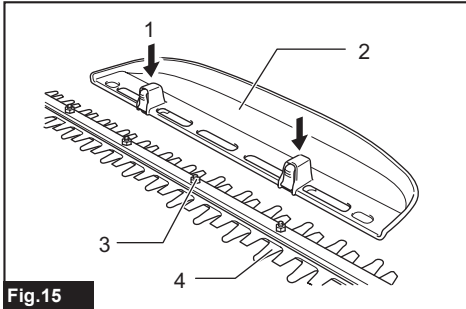
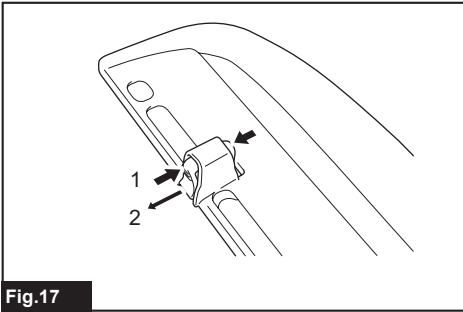
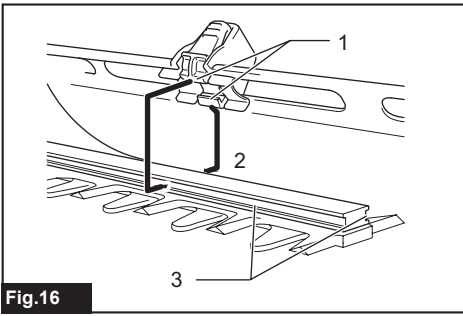


Fig.15



SPECIFICATIONS

Model:	UH4261	UH4861	UH5261
Blade length	420 mm	480 mm	520 mm
Strokes per minute	1,600 min ⁻¹		
Overall length	821 mm	871 mm	921 mm
Net weight	3.0 - 3.1 kg		
Safety class	□/II		

- Due to our continuing program of research and development, the specifications herein are subject to change without notice.
- Specifications may differ from country to country.
- The weight may differ depending on the attachment(s). The lightest and heaviest combinations, according to EPTA-Procedure 01/2014, are shown in the table.

Symbols

The followings show the symbols which may be used for the equipment. Be sure that you understand their meaning before use.

	Read instruction manual.
	DOUBLE INSULATION
	Wear safety glasses.
	Wear eye and ear protection.
	DANGER - Keep hands away from blade.
	Do not expose to rain.
	Do not expose to rain.
	Remove plug from the mains immediately if the cable is damaged or cut.



Only for EU countries

Due to the presence of hazardous components in the equipment, used electrical and electronic equipment may have a negative impact on the environment and human health.

Do not dispose of electrical and electronic appliances with household waste!

In accordance with the European Directive on waste electrical and electronic equipment and its adaptation to national law, used electrical and electronic equipment should be collected separately and delivered to a separate collection point for municipal waste, operating in accordance with the environmental protection regulations.

This is indicated by the symbol of the crossed-out wheeled bin placed on the equipment.



Guaranteed sound power level according to EU Outdoor Noise Directive.



Sound power level according to Australia NSW Noise Control Regulation.

Intended use

The tool is intended for trimming hedges.

Power supply

The tool should be connected only to a power supply of the same voltage as indicated on the nameplate, and can only be operated on single-phase AC supply. They are double-insulated and can, therefore, also be used from sockets without earth wire.

Noise

The typical A-weighted noise level determined according to EN62841-4-2:

Model	Sound pressure level		Guaranteed sound power level	Measured sound power level	
	L _{pA} (dB(A))	Uncertainty K (dB(A))		L _{WA} (dB(A))	Uncertainty K (dB(A))
UH4261	85	3	96	93	2.1
UH4861	85	3	96	93	2.1
UH5261	85	3	96	93	2.1

NOTE: The declared noise emission value(s) has been measured in accordance with a standard test method and may be used for comparing one tool with another.

NOTE: The declared noise emission value(s) may also be used in a preliminary assessment of exposure.

⚠ WARNING: Wear ear protection.

⚠ WARNING: The noise emission during actual use of the power tool can differ from the declared value(s) depending on the ways in which the tool is used especially what kind of workpiece is processed.

⚠ WARNING: Be sure to identify safety measures to protect the operator that are based on an estimation of exposure in the actual conditions of use (taking account of all parts of the operating cycle such as the times when the tool is switched off and when it is running idle in addition to the trigger time).

Vibration

The vibration total value (tri-axial vector sum) determined according to EN62841-4-2:

Work mode: hedge trimming

Model	Vibration emission (a _h) : (m/s ²)	Uncertainty (K) : (m/s ²)
UH4261	6.7	1.5
UH4861	6.7	1.5
UH5261	6.7	1.5

NOTE: The declared vibration total value(s) has been measured in accordance with a standard test method and may be used for comparing one tool with another.

NOTE: The declared vibration total value(s) may also be used in a preliminary assessment of exposure.

⚠ WARNING: The vibration emission during actual use of the power tool can differ from the declared value(s) depending on the ways in which the tool is used especially what kind of workpiece is processed.

⚠ WARNING: Be sure to identify safety measures to protect the operator that are based on an estimation of exposure in the actual conditions of use (taking account of all parts of the operating cycle such as the times when the tool is switched off and when it is running idle in addition to the trigger time).

Declarations of Conformity

For European countries only

The Declarations of conformity are included in Annex A to this instruction manual.

SAFETY WARNINGS

General power tool safety warnings

⚠ WARNING Read all safety warnings, instructions, illustrations and specifications provided with this power tool. Failure to follow all instructions listed below may result in electric shock, fire and/or serious injury.

Save all warnings and instructions for future reference.

The term "power tool" in the warnings refers to your mains-operated (corded) power tool or battery-operated (cordless) power tool.

Hedge trimmer safety warnings

1. **Do not use the hedge trimmer in bad weather conditions, especially when there is a risk of lightning.** This decreases the risk of being struck by lightning.
2. **Keep all power cords and cables away from cutting area.** Power cords or cables may be hidden in hedges or bushes and can be accidentally cut by the blade.
3. **Wear ear protection.** Adequate protective equipment will reduce the risk of hearing loss.

4. **Hold the hedge trimmer by insulated gripping surfaces only, because the blade may contact hidden wiring or its own cord.** Blades contacting a "live" wire may make exposed metal parts of the hedge trimmer "live" and could give the operator an electric shock.
5. **Keep all parts of the body away from the blade. Do not remove cut material or hold material to be cut when blades are moving.** Blades continue to move after the switch is turned off. A moment of inattention while operating the hedge trimmer may result in serious personal injury.
6. **When clearing jammed material or servicing the hedge trimmer, make sure all power switches are off and the power cord is disconnected.** Unexpected actuation of the hedge trimmer while clearing jammed material or servicing may result in serious personal injury.
7. **Carry the hedge trimmer by the handle with the blade stopped and taking care not to operate any power switch.** Proper carrying of the hedge trimmer will decrease the risk of inadvertent starting and resultant personal injury from the blades.
8. **When transporting or storing the hedge trimmer, always use the blade cover.** Proper handling of the hedge trimmer will decrease the risk of personal injury from the blades.
9. **Keep cable away from the cutting area.** Always work in such a way that the extension power cord is behind you.
10. **Remove plug from the mains immediately if cable is damaged or cut.**
11. **Make sure you have a secure footing before starting operation.**
12. **Overreaching with a hedge trimmer, particularly from a ladder, is extremely dangerous.** Do not work from anything wobbly or infirm.
13. **Hold the tool firmly when using the tool.**
14. **Check the hedges and bushes for foreign objects, such as wire fences or hidden wiring before operating the tool.**
15. **Immediately switch off the motor and unplug the mains plug if the cutter should come into contact with a fence or other hard object.** Check the cutter for damage, and if damaged repair immediately.
16. **Before checking the cutter, taking care of faults, or removing material caught in the cutter, always switch off the trimmer and unplug the mains plug.**
17. **Switch off the trimmer and disconnect and secure the mains plug before doing any maintenance work.**
18. **When moving the hedge trimmer to another location, including during work, always unplug the mains plug and put the blade cover on the cutter blades.** Never carry or transport the trimmer with the cutter running. Never grasp the cutter with your hands.

Additional Safety Warnings:

1. **Do not use the hedge trimmer in the rain or in wet or very damp conditions.** The electric motor is not waterproof.
2. **First-time users should have an experienced hedge trimmer user show them how to use the trimmer.**
3. **The hedge trimmer must not be used by children or young persons under 18 years of age.** Young persons over 16 years of age may be exempted from this restriction if they are undergoing training under the supervision of an expert.
4. **Use the hedge trimmer only if you are in good physical condition.** If you are tired, your attention will be reduced. Be especially careful at the end of a working day. Perform all work calmly and carefully. The user is responsible for all damages to third parties.
5. **Never use the trimmer when under the influence of alcohol, drugs or medication.**
6. **Check to make sure that the voltage and frequency of the power supply correspond to the specifications given on the identification plate.** We recommend the use of a residual-current-operated circuit breaker (ground-fault circuit interrupter) with a tripping current of 30 mA or less, or an earth leakage current protector.
7. **Work gloves of stout leather are part of the basic equipment of the hedge trimmer and must always be worn when working with it.** Also wear sturdy shoes with anti-skid soles.
8. **Before starting work check to make sure that the trimmer is in good and safe working order.** Ensure guards are fitted properly. Check cable for damage before starting work and replace if necessary. The hedge trimmer must not be used unless fully assembled.
19. **Clean the hedge trimmer and especially the cutter after use, and before putting the trimmer into storage for extended periods.** Lightly oil the cutter and put on the cover. The cover supplied with the unit can be hung on the wall, providing a safe and practical way to store the hedge trimmer.
20. **Store the hedge trimmer with the cover on, in a dry room.** Keep it out of reach of children. Never store the trimmer outdoors.
21. **Never point the shear blades to yourself or others.**
22. **If the blades stop moving due to the stuck of foreign objects between the blades during operation, switch off the tool and unplug the mains plug, and then remove the foreign objects using tools such as pliers.** Removing the foreign objects by hand may cause an injury for the reason that the blades may move in reaction to removing the foreign objects.
23. **Avoid dangerous environment. Don't use the tool in damp or wet locations or expose it to rain. Water entering the tool will increase the risk of electric shock.**

SAVE THESE INSTRUCTIONS.

⚠WARNING: DO NOT let comfort or familiarity with product (gained from repeated use) replace strict adherence to safety rules for the subject product. **MISUSE** or failure to follow the safety rules stated in this instruction manual may cause serious personal injury.

FUNCTIONAL DESCRIPTION

CAUTION: Always be sure that the tool is switched off and unplugged before adjusting or checking function on the tool.

CAUTION: Put the blade cover on the shear blades before adjusting or checking function on the tool.

Switch action

- **Fig.1:** 1. Switch trigger B 2. Switch trigger A 3. Switch trigger C

For your safety, this tool is equipped with a triple switching system. To turn on the tool, press switch trigger B and press switch trigger A or C at the same time. Release either one of the two pressed switch triggers to turn off. The sequence of switching is unimportant as the tool only starts when both switches are activated.

Straight cut

- **Fig.2**

To trim the hedge straight, pull switch triggers A and B.

Vertical cut

- **Fig.3**

Cut upwards with both hands pull the switch triggers B and C and move it in front of your body.

ASSEMBLY

CAUTION: Always be sure that the tool is switched off and unplugged before carrying out any work on the tool.

Engage the extension cord

CAUTION: Make sure that the extension cord is unplugged to the mains outlet.

- **Fig.4:** 1. Hook complete 2. Extension cord 3. Tool's cord

When engaging the extension cord, secure it to the tool's cord with the hook complete. Attach the hook about 100 - 200 mm from the extension cord connector. This will help prevent unintentional disconnection.

Waist cord hook

CAUTION: Do not attach the holder of waist cord hook to other than the extension cord. Do not attach it in a position closer to the tool beyond the hook complete. Failure to do so may cause an accident or personal injury.

CAUTION: Attach firmly one hook of the hook complete to the tool's cord and the other hook of hook complete to the extension cord. Working with the tool with a sole hook only attached may cause an accident and injury.

Using the waist cord hook helps to minimizing a risk of cutting off the extension cord unexpectedly caused by the loose extension cord.

- **Fig.5:** 1. Hook 2. Tool 3. Tool's cord 4. Hook complete 5. Extension cord 6. Holder 7. Waist cord hook

Press in or pull out the cord through the opening of the holder.

- **Fig.6:** 1. Holder 2. Cord

CAUTION: Do not force the opening of the holder. Failure to do so may cause deflection and damage to it.

Arm cord hook (Accessory)

CAUTION: Do not attach the holder of arm cord hook to other than the extension cord. Do not attach it in a position closer to the tool beyond the hook complete. Failure to do so may cause an accident or personal injury.

CAUTION: Attach firmly one hook of the hook complete to the tool's cord and the other hook of hook complete to the extension cord. Working with the tool with a sole hook only attached may cause an accident and injury.

Using the arm cord hook helps to minimize a risk of cutting off the extension cord unexpectedly caused by the loose extension cord.

- **Fig.7:** 1. Holder 2. Arm cord hook

Attach firmly the arm cord hook placing around your arm and pass the extension cord through the holder. The length of the arm cord hook band is adjustable.

NOTE: Do not pass the extension cord through the band.

NOTE: Do not force the opening of the holder. Failure to do so may cause deflection and damage to it.

NOTE: Using the arm cord hook together with the waist cord hook is more helpful.

OPERATION

CAUTION: Be careful not to accidentally contact a metal fence or other hard objects while trimming. The blade will break and may cause serious injury.

CAUTION: Overreaching with a hedge trimmer, particularly from a ladder, is extremely dangerous. Do not work from anything wobbly or infirm.

NOTICE: Do not attempt to cut branches thicker than 10 mm in diameter with the tool. Cut branches to 10 cm lower than the cutting height using branch cutters before using the tool.

► **Fig.8:** (1) Cutting height (2) 10 cm

CAUTION: Do not cut off dead trees or similar hard objects. Failure to do so may damage the tool.

Hold the trimmer with both hands pull the switch trigger A or B and move it in front of your body.

► **Fig.9**

As a basic operation, tilt the blades towards the trimming direction and move it calmly and slowly at the speed rate of 3 - 4 seconds per meter.

► **Fig.10:** 1. Trimming direction 2. Tilt the blades 3. Hedge surface to be trimmed

To cut a hedge top evenly, it helps to tie a string at the desired hedge height and to trim along it, using it as a reference line.

► **Fig.11:** 1. String

Attaching the chip receiver (accessory) on the tool when trimming the hedge straight can avoid cut off leaves' being thrown away.

► **Fig.12**

To cut a hedge side evenly, it helps to cut from the bottom upwards.

► **Fig.13**

Trim boxwood or rhododendron from the base toward the top for a nice appearance and good job.

► **Fig.14**

Installing or removing chip receiver (accessory)

CAUTION: Always be sure that the tool is switched off and unplugged before installing or removing chip receiver.

NOTE: When replacing the chip receiver, always wear gloves so that hands and face does not directly contact the blade. Failure to do so may cause personal injury.

NOTE: Always be sure to remove the blade cover before installing the chip receiver.

NOTE: The chip receiver receives cut-off leaves and alleviates collecting thrown-away leaves. This can be installed on either side of the tool.

► **Fig.15:** 1. Press 2. Chip receiver 3. Nut 4. Shear blade

At this time, the chip receiver needs to be installed so that its hooks fit into grooves in the shear blade unit.

► **Fig.16:** 1. Hooks 2. Fit the hooks into groove 3. Grooves

To remove the chip receiver, press its lever on both sides so that the hooks are unlocked.

► **Fig.17:** 1. Press the levers on both sides 2. Unlock the hooks

CAUTION: The blade cover (standard equipment) cannot be installed on the tool with the chip receiver being installed. Before carrying or storing, uninstall the chip receiver and then install the blade cover to avoid blade exposure.

NOTE: Check the chip receiver for secure installment before use.

NOTE: Never try to uninstall the chip receiver by an excessive force with its hooks locked in the blade unit grooves. Using the excessive force may damage it.

MAINTENANCE

CAUTION: Always be sure that the tool is switched off and unplugged before attempting to perform inspection or maintenance.

Cleaning the tool

Clean out the tool by wiping off dust with a dry or soap-dipped rag.

NOTICE: Never use gasoline, benzine, thinner, alcohol or the like. Discoloration, deformation or cracks may result.

Blade maintenance

Smear the blade before and once per half an hour during operation using machine oil or similars. After operation, remove dust from both sides of the blade with wired brush, wipe off it with a rag and then apply enough low-viscosity oil, such as machine oil etc. and spray-type lubricating oil.

CAUTION: Do not wash the blades in water. Failure to do so may cause rust or damage on the tool.

CAUTION: Wear gloves when performing the blade maintenance.

Storage

Put the blade cover on the shear blades so that the blades are not exposed. Store the tool out of the reach of children carefully.

Store the tool in the place not exposed to water and rain.

To maintain product SAFETY and RELIABILITY, repairs, carbon brush inspection and replacement, any other maintenance or adjustment should be performed by Makita Authorized or Factory Service Centers, always using Makita replacement parts.

OPTIONAL ACCESSORIES

⚠ CAUTION: These accessories or attachments are recommended for use with your Makita tool specified in this manual. The use of any other accessories or attachments might present a risk of injury to persons. Only use accessory or attachment for its stated purpose.

If you need any assistance for more details regarding these accessories, ask your local Makita Service Center.

- Blade cover
- Hook complete
- Chip receiver
- Waist cord hook
- Arm cord hook

NOTE: Some items in the list may be included in the tool package as standard accessories. They may differ from country to country.









SPÉCIFICATIONS

Modèle :	UH4261	UH4861	UH5261
Longueur de la lame	420 mm	480 mm	520 mm
Nombre de courses par minute	1 600 min ⁻¹		
Longueur totale	821 mm	871 mm	921 mm
Poids net	3,0 - 3,1 kg		
Catégorie de sécurité	□/II		

- Étant donné l'évolution constante de notre programme de recherche et de développement, les spécifications contenues dans ce manuel sont sujettes à modification sans préavis.
- Les spécifications peuvent varier suivant les pays.
- Le poids peut être différent selon les accessoires. Les associations la plus légère et la plus lourde, conformément à la procédure EPTA 01/2014, sont indiquées dans le tableau.

Symboles

Vous trouverez ci-dessous les symboles susceptibles d'être utilisés pour l'appareil. Veuillez à comprendre leur signification avant toute utilisation.

	Lire le mode d'emploi.
	DOUBLE ISOLATION
	Portez des lunettes de sécurité.
	Porter des lunettes de protection et un serre-tête antibruit.
	DANGER - Gardez vos mains à l'écart de la lame.
	Ne pas exposer la machine à la pluie.
	Ne pas exposer la machine à la pluie.
	Retirez immédiatement la fiche de la prise secteur si le câble est endommagé ou coupé.



Pour les pays de l'Union européenne uniquement

En raison de la présence de composants dangereux dans l'équipement, les équipements électriques et électroniques usagés peuvent avoir un impact négatif sur l'environnement et la santé humaine.

Ne jetez pas les appareils électriques et électroniques avec les ordures ménagères !

Conformément à la directive européenne relative aux déchets d'équipements électriques et électroniques et à son adaptation à la législation nationale, les équipements électriques et électroniques usagés doivent être collectés séparément et déposés dans un point de collecte distinct pour déchets urbains, conformément aux réglementations en matière de protection de l'environnement.

Cela est indiqué par le symbole de la poubelle à roulettes barrée sur l'équipement.



Niveau de puissance sonore garanti selon la directive européenne sur le bruit dans l'environnement.



Niveau de puissance sonore selon la réglementation australienne NSW sur le contrôle du bruit

Utilisations

L'outil est conçu pour tailler les haies.

Alimentation

L'outil ne devra être raccordé qu'à une alimentation de la même tension que celle qui figure sur la plaque signalétique, et il ne pourra fonctionner que sur un courant secteur monophasé. Réalisé avec une double isolation, il peut de ce fait être alimenté par une prise sans mise à la terre.

Bruit

Niveau de bruit pondéré A typique, déterminé selon EN62841-4-2 :

Modèle	Niveau de pression acoustique		Niveau de puissance sonore garanti	Niveau de puissance sonore mesuré	
	L _{pA} (dB(A))	Incertitude K (dB(A))	L _{WA} (dB(A))	L _{WA} (dB(A))	Incertitude K (dB(A))
UH4261	85	3	96	93	2,1
UH4861	85	3	96	93	2,1
UH5261	85	3	96	93	2,1

NOTE : La ou les valeurs d'émission de bruit déclarées ont été mesurées conformément à la méthode de test standard et peuvent être utilisées pour comparer les outils entre eux.

NOTE : La ou les valeurs d'émission de bruit déclarées peuvent aussi être utilisées pour l'évaluation préliminaire de l'exposition.

⚠ AVERTISSEMENT : Portez un serre-tête antibruit.

⚠ AVERTISSEMENT : L'émission de bruit lors de l'usage réel de l'outil électrique peut être différente de la ou des valeurs déclarées, suivant la façon dont l'outil est utilisé, particulièrement selon le type de pièce usinée.

⚠ AVERTISSEMENT : Les mesures de sécurité à prendre pour protéger l'utilisateur doivent être basées sur une estimation de l'exposition dans des conditions réelles d'utilisation (en tenant compte de toutes les composantes du cycle d'utilisation, comme par exemple le moment de sa mise hors tension, lorsqu'il tourne à vide et le moment de son déclenchement).

Vibrations

Valeur totale de vibrations (somme de vecteur triaxial) déterminée selon EN62841-4-2 :

Mode de travail : taille de haies

Modèle	Émission de vibrations (a _v) : (m/s ²)	Incertitude (K) : (m/s ²)
UH4261	6,7	1,5
UH4861	6,7	1,5
UH5261	6,7	1,5

NOTE : La ou les valeurs de vibration totales déclarées ont été mesurées conformément à la méthode de test standard et peuvent être utilisées pour comparer les outils entre eux.

NOTE : La ou les valeurs de vibration totales déclarées peuvent aussi être utilisées pour l'évaluation préliminaire de l'exposition.

⚠ AVERTISSEMENT : L'émission de vibrations lors de l'usage réel de l'outil électrique peut être différente de la ou des valeurs déclarées, suivant la façon dont l'outil est utilisé, particulièrement selon le type de pièce usinée.

⚠ AVERTISSEMENT : Les mesures de sécurité à prendre pour protéger l'utilisateur doivent être basées sur une estimation de l'exposition dans des conditions réelles d'utilisation (en tenant compte de toutes les composantes du cycle d'utilisation, comme par exemple le moment de sa mise hors tension, lorsqu'il tourne à vide et le moment de son déclenchement).

Déclarations de conformité

Pour les pays européens uniquement

Les déclarations de conformité sont fournies en Annexe A à ce mode d'emploi.

CONSIGNES DE SÉCURITÉ

Consignes de sécurité générales pour outils électriques

⚠️ AVERTISSEMENT Veuillez lire toutes les consignes de sécurité, instructions, illustrations et spécifications qui accompagnent cet outil électrique. Le non-respect de toutes les instructions indiquées ci-dessous peut entraîner une électrocution, un incendie et/ou de graves blessures.

Conservez toutes les mises en garde et instructions pour référence ultérieure.

Le terme « outil électrique » dans les avertissements fait référence à l'outil électrique alimenté par le secteur (avec cordon d'alimentation) ou à l'outil électrique fonctionnant sur batterie (sans cordon d'alimentation).

Consignes de sécurité pour taille-haie

- N'utilisez pas le taille-haie par mauvais temps, particulièrement en cas d'orage.** Vous éviterez ainsi d'être frappé par la foudre.
 - Éloignez les cordons d'alimentation et les câbles de la zone de coupe.** Les cordons d'alimentation ou les câbles peuvent être cachés derrière les haies ou les buissons et peuvent être coupés accidentellement par la lame.
 - Portez un serre-tête antibruit.** Un équipement de protection adéquat réduira le risque de perte auditive.
 - Tenez le taille-haie uniquement par ses surfaces de prise isolées, car la lame pourrait entrer en contact avec le câblage caché ou son propre cordon.** Le contact des lames avec un fil sous tension peut transmettre du courant dans les pièces métalliques exposées du taille-haie et électrocuter l'opérateur.
 - Prenez soin de n'approcher aucune partie du corps de la lame. Ne retirez pas le matériau coupé, ni ne tenez le matériau à couper lorsque les lames sont en mouvement.** Les lames continuent de bouger même après que l'interrupteur est en position d'arrêt. Un moment d'inattention en cours d'utilisation du taille-haie peut entraîner des blessures graves.
 - Lorsque vous dégagez un matériau bloqué ou dépannez le taille-haie, assurez-vous que tous les interrupteurs d'alimentation sont en position d'arrêt et que le cordon d'alimentation est débranché.** Le déclenchement inopiné du taille-haie pendant que vous dégagez un matériau bloqué ou dépannez l'appareil peut provoquer de graves blessures corporelles.
 - Transportez le taille-haie par la poignée avec la lame arrêtée et en prenant soin de ne pas actionner l'interrupteur d'alimentation.** En transportant correctement le taille-haie, vous diminuez le risque d'un démarrage intempestif et le risque de blessure présenté par les lames.
 - Lors du transport ou du rangement du taille-haie, utilisez toujours le couvre-lame.** Une manipulation correcte du taille-haie réduira le risque de blessure présenté par les lames.
- Consignes de sécurité supplémentaires :**
- N'utilisez pas le taille-haie sous la pluie ou dans des conditions mouillées ou très humides.** Le moteur électrique n'est pas étanche.
 - Les utilisateurs novices doivent être formés par un utilisateur de taille-haie expérimenté qui leur montrera comment l'utiliser.**
 - Le taille-haie ne doit pas être utilisé par des enfants ou des adolescents de moins de 18 ans.** Cette restriction peut ne pas s'appliquer aux mineurs de plus de 16 ans s'ils sont en cours de formation sous la surveillance d'un expert.
 - N'utilisez le taille-haie que si vous êtes en bonne condition physique.** Si vous êtes fatigué, votre attention sera réduite. Redoublez de précaution à la fin d'une journée de travail. Travaillez toujours en faisant preuve de calme et de prudence. L'utilisateur est responsable de tous les dommages causés à des tiers.
 - N'utilisez jamais le taille-haie sous l'emprise d'alcool, de drogues ou de médicaments.**
 - Assurez-vous que la tension et la fréquence de l'alimentation correspondent aux spécifications qui figurent sur la plaque d'identification.** Nous recommandons l'utilisation d'un disjoncteur différentiel résiduel (disjoncteur de fuite à la terre) au courant de déclenchement de 30 mA ou moins, ou un protecteur de courant de fuite à la terre.
 - Les gants de travail en cuir robuste font partie de l'équipement de base du taille-haie, et leur port est obligatoire pendant que vous l'utilisez.** Portez également des chaussures solides à semelles antidérapantes.
 - Avant de commencer la tâche, assurez-vous que le taille-haie est dans un bon état de marche sécuritaire.** Assurez-vous que les carters de protection sont correctement installés. Vérifiez si le câble est endommagé avant de commencer la tâche et remplacez-le au besoin. Le taille-haie ne doit pas être utilisé tant qu'il n'est pas complètement assemblé.
 - Éloignez le câble de la zone de coupe.** Travaillez toujours de sorte que la rallonge se trouve derrière vous.
 - Retirez immédiatement la fiche de la prise secteur si le câble est endommagé ou coupé.**
 - Assurez-vous que vous avez une bonne assise avant la mise en marche.**
 - Il est très dangereux de se pencher trop loin avec un taille-haie, particulièrement depuis une échelle.** Ne travaillez pas depuis une surface bancale ou molle.
 - Tenez l'outil fermement lorsque vous l'utilisez.**
 - Vérifiez l'absence de corps étrangers comme du fil barbelé ou un câblage caché dans les haies et les buissons avant d'utiliser l'outil.**

15. **Coupez immédiatement le moteur et débranchez la fiche secteur si le coupoir entre en contact avec une clôture ou un autre objet dur.** Vérifiez si le coupoir est endommagé et réparez-le sur-le-champ, le cas échéant.
16. **Avant de vérifier le coupoir, de le dépanner ou de retirer les matériaux pris dedans, éteignez toujours la taille-haie et débranchez la fiche secteur.**
17. **Éteignez la taille-haie, puis débranchez et sécurisez la fiche secteur avant de procéder à l'entretien.**
18. **Lorsque vous déplacez la taille-haie dans un autre endroit, y compris pendant le travail, débranchez toujours la fiche secteur et placez le couvre-lame sur les lames du coupoir.** Ne transportez jamais la taille-haie avec le coupoir fonctionnant. Ne saisissez jamais le coupoir avec les mains.
19. **Nettoyez la taille-haie et particulièrement le coupoir après utilisation et avant de ranger la taille-haie pendant une période prolongée.** Huilez légèrement le coupoir et mettez le couvercle en place. Le couvercle fourni avec l'appareil peut être accroché au mur, fournissant un moyen sûr et pratique pour ranger la taille-haie.
20. **Rangez la taille-haie avec son couvercle en place dans une pièce sèche.** Gardez-le hors de portée des enfants. Ne rangez jamais la taille-haie à l'extérieur.
21. **Ne dirigez jamais les lames de cisaille vers vous-même ou quelqu'un d'autre.**
22. **Si les lames cessent de bouger, car des corps étrangers sont collés entre elles pendant le fonctionnement, éteignez l'outil et débranchez la fiche secteur, puis ôtez les corps étrangers en utilisant un outil comme une pince.** Ôter les corps étrangers à la main présente un risque de blessure, du fait que les lames peuvent bouger en réaction au retrait des corps étrangers.
23. **Évitez les environnements dangereux. N'utilisez pas l'outil dans un endroit humide, ni ne l'exposez à la pluie. Le risque d'électrocution augmente si de l'eau pénètre dans l'outil.**

CONSERVEZ CES INSTRUCTIONS.

⚠️ AVERTISSEMENT : NE vous laissez PAS tromper (au fil d'une utilisation répétée) par un sentiment d'aisance et de familiarité avec le produit, en négligeant le respect rigoureux des consignes de sécurité qui accompagnent le produit en question. La MAUVAISE UTILISATION de l'outil ou l'ignorance des consignes de sécurité indiquées dans ce mode d'emploi peut entraîner de graves blessures.

DESCRIPTION DU FONCTIONNEMENT

⚠️ ATTENTION : Assurez-vous toujours que l'outil est hors tension et débranché avant de l'ajuster ou de vérifier son fonctionnement.

⚠️ ATTENTION : Placez le couvre-lame sur les lames de cisaille avant d'ajuster ou de vérifier le fonctionnement de l'outil.

Fonctionnement de la gâchette

► **Fig.1:** 1. Gâchette B 2. Gâchette A 3. Gâchette C

Par mesure de sécurité, cet outil est équipé d'un système de triple gâchette. Pour allumer l'outil, appuyez sur la gâchette B et appuyez simultanément sur la gâchette A ou C. Relâchez l'une ou l'autre des deux gâchettes enfoncées pour l'éteindre. Peu importe dans quel ordre vous enclenchez les gâchettes étant donné que l'outil ne démarre que lorsque les deux gâchettes sont actionnées.

Coupe rectiligne

► **Fig.2**

Pour tailler la haie droit, enclenchez les gâchettes A et B.

Coupe verticale

► **Fig.3**

Coupez vers le haut avec les deux mains, enclenchez les gâchettes B et C et déplacez-le devant votre corps.

ASSEMBLAGE

⚠️ ATTENTION : Avant d'effectuer toute intervention sur l'outil, assurez-vous toujours qu'il est hors tension et débranché.

Utiliser la rallonge

⚠️ ATTENTION : Assurez-vous que la rallonge est débranchée de la prise secteur.

► **Fig.4:** 1. Ensemble de crochets 2. Rallonge 3. Cordon de l'outil

Lorsque vous utilisez la rallonge, fixez-la au cordon de l'outil avec l'ensemble de crochets. Fixez le crochet à environ 100 - 200 mm du connecteur de la rallonge. Cela aidera à empêcher une déconnexion accidentelle.

Crochet pour ceinture

⚠ ATTENTION : Ne fixez pas le support du crochet pour ceinture à autre chose que la rallonge. Ne le fixez pas à un emplacement plus proche de l'outil au-delà de l'ensemble de crochets. Le non-respect de cette consigne peut entraîner un accident ou des blessures.

⚠ ATTENTION : Fixez fermement un crochet de l'ensemble de crochets au cordon de l'outil et l'autre crochet de l'ensemble de crochets à la rallonge. Si vous travaillez avec l'outil avec un seul crochet fixé, cela pourrait provoquer un accident et des blessures.

Utiliser le crochet pour ceinture vous aide à réduire le risque de coupe accidentelle de la rallonge que présente une rallonge lâche.

- **Fig.5:** 1. Crochet 2. Outil 3. Cordon de l'outil
4. Ensemble de crochets 5. Rallonge
6. Support 7. Crochet pour ceinture

Enfoncez ou sortez le cordon par l'ouverture sur le support.

- **Fig.6:** 1. Support 2. Cordon

⚠ ATTENTION : Ne forcez pas l'ouverture sur le support. Le non-respect de cette consigne peut provoquer une déviation et l'endommager.

Crochet du cordon pour bras (accessoire)

⚠ ATTENTION : Ne fixez pas le support du crochet du cordon pour bras à autre chose que la rallonge. Ne le fixez pas à un emplacement plus proche de l'outil au-delà de l'ensemble de crochets. Le non-respect de cette consigne peut entraîner un accident ou des blessures.

⚠ ATTENTION : Fixez fermement un crochet de l'ensemble de crochets au cordon de l'outil et l'autre crochet de l'ensemble de crochets à la rallonge. Si vous travaillez avec l'outil avec un seul crochet fixé, cela pourrait provoquer un accident et des blessures.

Utiliser le crochet du cordon pour bras vous aide à réduire le risque de coupe accidentelle de la rallonge que présente une rallonge lâche.

- **Fig.7:** 1. Support 2. Crochet du cordon pour bras

Fixez fermement la bande du crochet du cordon autour de votre bras et faites passer la rallonge par le support. La longueur de la bande du crochet du cordon pour bras est ajustable.

NOTE : Ne faites pas passer la rallonge par la bande.

NOTE : Ne forcez pas l'ouverture sur le support. Le non-respect de cette consigne peut provoquer une déviation et l'endommager.

NOTE : Vous trouverez plus utile d'utiliser ensemble le crochet du cordon pour bras et le crochet pour ceinture.

UTILISATION

⚠ ATTENTION : Prenez soin de ne pas toucher accidentellement une clôture en métal ou d'autres objets durs pendant la taille. La lame cassera et pourrait provoquer de graves blessures.

⚠ ATTENTION : Il est très dangereux de se pencher trop loin avec un taille-haie, particulièrement depuis une échelle. Ne travaillez pas depuis une surface bancale ou molle.

REMARQUE : N'essayez pas de couper avec l'outil des branches dont l'épaisseur dépasse 10 mm de diamètre. Coupez les branches à 10 cm plus bas que la hauteur de coupe au moyen d'un coupe-branches avant d'utiliser l'outil.

- **Fig.8:** (1) Hauteur de coupe (2) 10 cm

⚠ ATTENTION : Ne coupez pas d'arbres morts ou d'objets durs semblables. Vous risqueriez d'endommager l'outil.

Tenez le taille-haie des deux mains, enclenchez la gâchette A ou B et déplacez-le devant votre corps.

- **Fig.9**

Pour une utilisation élémentaire, inclinez les lames dans le sens de la taille et déplacez-le calmement et lentement à une vitesse de 3 à 4 secondes par mètre.

- **Fig.10:** 1. Sens de la taille 2. Incliner les lames
3. Surface de la haie à tailler

Pour couper le haut d'une haie de manière uniforme, il est utile de nouer une ficelle à la hauteur de haie souhaitée et de tailler autour en vous en servant comme référence.

- **Fig.11:** 1. Ficelle

Fixer le collecteur de copeaux (accessoire) sur l'outil pour tailler la haie droit permet d'éviter la projection des feuilles coupées.

- **Fig.12**

Pour couper uniformément le côté d'une haie, il est utile de couper de bas en haut.

- **Fig.13**

Taillez le buis ou les rhododendrons depuis la base vers le haut pour une belle apparence et un beau travail.

- **Fig.14**

Installation ou retrait du collecteur de copeaux (accessoire)

⚠ ATTENTION : Avant de poser ou de retirer le collecteur de copeaux, assurez-vous toujours que l'outil est hors tension et débranché.

NOTE : Lorsque vous remplacez le collecteur de copeaux, portez toujours des gants de sorte que vos mains et votre visage n'entrent pas en contact direct avec la lame. Vous risqueriez autrement de vous blesser.

NOTE : Veillez toujours à retirer le couvre-lame avant d'installer le collecteur de copeaux.

NOTE : Le collecteur de copeaux reçoit les feuilles coupées et facilite la collecte des feuilles projetées. Il s'installe d'un côté comme de l'autre de l'outil.

- **Fig.15:** 1. Appuyer 2. Collecteur de copeaux 3. Écrou 4. Lame de cisaille

À cette étape, le collecteur de copeaux doit être installé de sorte que ses crochets s'insèrent dans les rainures sur l'unité de lame de cisaille.

- **Fig.16:** 1. Crochets 2. Insérer les crochets dans les rainures 3. Rainures

Pour retirer le collecteur de copeaux, appuyez sur son levier des deux côtés de sorte à déverrouiller les crochets.

- **Fig.17:** 1. Appuyer sur les leviers des deux côtés 2. Déverrouiller les crochets

⚠ ATTENTION : Le couvre-lame (équipement standard) ne peut pas être installé sur l'outil alors que le collecteur de copeaux est installé. Avant le transport ou le rangement, désinstallez le collecteur de copeaux, puis installez le couvre-lame pour éviter d'exposer les lames.

NOTE : Vérifiez que le collecteur de copeaux est solidement installé avant utilisation.

NOTE : N'essayez jamais de désinstaller le collecteur de copeaux en exerçant une force excessive alors que ses crochets sont verrouillés dans les rainures de l'unité de lame. Une force excessive pourrait l'endommager.

ENTRETIEN

⚠ ATTENTION : Assurez-vous toujours que l'outil est hors tension et débranché avant d'y effectuer tout travail d'inspection ou d'entretien.

Nettoyage de l'outil

Nettoyez l'outil en essuyant la poussière avec un chiffon sec ou imbibé de savon.

REMARQUE : N'utilisez jamais d'essence, benzine, diluant, alcool ou autre produit similaire. Cela risquerait de provoquer la décoloration, la déformation ou la fissuration de l'outil.

Entretien de la lame

Enduisez la lame d'huile machine ou autre avant l'utilisation et une fois toutes les demi-heures pendant l'utilisation.

Après utilisation, retirez la poussière des deux côtés de la lame avec une brosse métallique, essuyez-la avec un chiffon, puis appliquez assez d'huile à faible viscosité, comme de l'huile machine ou autre et de l'huile lubrifiante en vaporisateur.

⚠ ATTENTION : Ne lavez pas les lames dans l'eau. Cela peut corroder ou endommager l'outil.

⚠ ATTENTION : Lorsque vous effectuez l'entretien des lames, portez toujours des gants.

Rangement

Fixez le couvre-lame sur les lames de cisaille de sorte que les lames ne soient pas exposées. Rangez soigneusement l'outil hors de portée des enfants. Rangez l'outil dans un endroit non exposé à l'eau et à la pluie.

Pour maintenir la SÉCURITÉ et la FIABILITÉ du produit, les réparations, l'inspection et le remplacement des balais en carbone, ainsi que tout autre travail d'entretien ou de réglage doivent être effectués par un centre d'entretien Makita agréé, avec des pièces de rechange Makita.

ACCESSOIRES EN OPTION

⚠ ATTENTION : Ces accessoires ou pièces complémentaires sont recommandés pour l'utilisation avec l'outil Makita spécifié dans ce mode d'emploi. L'utilisation de tout autre accessoire ou pièce complémentaire peut comporter un risque de blessure. N'utilisez les accessoires ou pièces complémentaires qu'aux fins auxquelles ils ont été conçus.

Pour obtenir plus de détails sur ces accessoires, contactez votre centre d'entretien local Makita.

- Couvre-lame
- Ensemble de crochets
- Collecteur de copeaux
- Crochet pour ceinture
- Crochet du cordon pour bras

NOTE : Il se peut que certains éléments de la liste soient compris dans l'emballage de l'outil en tant qu'accessoires standard. Ils peuvent varier d'un pays à l'autre.









TECHNISCHE DATEN

Modell:	UH4261	UH4861	UH5261
Messerlänge	420 mm	480 mm	520 mm
Hubzahl pro Minute	1.600 min ⁻¹		
Gesamtlänge	821 mm	871 mm	921 mm
Nettogewicht	3,0 - 3,1 kg		
Sicherheitsklasse	□/II		

- Wir behalten uns vor, Änderungen der technischen Daten im Zuge der Entwicklung und des technischen Fortschritts ohne vorherige Ankündigung vorzunehmen.
- Die technischen Daten können von Land zu Land unterschiedlich sein.
- Das Gewicht kann abhängig von den Aufsätzen unterschiedlich sein. Die leichteste und die schwerste Kombination, gemäß dem EPTA-Verfahren 01/2014, sind in der Tabelle angegeben.

Symbole

Nachfolgend werden Symbole beschrieben, die für das Gerät verwendet werden können. Machen Sie sich unbedingt vor der Benutzung mit ihrer Bedeutung vertraut.

	Betriebsanleitung lesen.
	DOPPELTE ISOLIERUNG
	Schutzbrille tragen.
	Augen- und Gehörschutz tragen.
	GEFAHR- Halten Sie Ihre Hände vom Messer fern.
	Setzen Sie das Gerät keinem Regen aus.
	Setzen Sie das Gerät keinem Regen aus.
	Falls das Kabel beschädigt oder angeschnitten ist, ziehen Sie sofort den Stecker aus der Steckdose.



Nur für EU-Länder
Aufgrund des Vorhandenseins gefährlicher Komponenten in der Ausrüstung können Elektro- und Elektronik-Altgeräte sich negativ auf die Umwelt und die menschliche Gesundheit auswirken. Entsorgen Sie Elektro- und Elektronikgeräte nicht mit dem Hausmüll! In Übereinstimmung mit der Europäischen Richtlinie über Elektro- und Elektronik-Altgeräte und ihrer Anpassung an nationales Recht sollten Elektro- und Elektronik-Altgeräte gemäß den Umweltschutzbestimmungen getrennt gesammelt und zu einer getrennten Sammelstelle für Siedlungsabfälle geliefert werden. Dies wird durch das am Gerät angebrachte Symbol der durchgestrichenen Abfalltonne auf Rädern angezeigt.



Garantierter Schalleistungspegel gemäß der EU-Richtlinie über Außenlärm.



Schalleistungspegel gemäß der australischen NSW-Lärmschutzverordnung

Vorgesehene Verwendung

Das Werkzeug ist zum Trimmen von Hecken vorgesehen.

Stromversorgung

Das Werkzeug sollte nur an eine Stromquelle angeschlossen werden, deren Spannung mit der Angabe auf dem Typenschild übereinstimmt, und kann nur mit Einphasen-Wechselstrom betrieben werden. Diese sind doppelt schutzisoliert und können daher auch an Steckdosen ohne Erdleiter verwendet werden.

Geräusch

Typischer A-bewerteter Geräuschpegel ermittelt gemäß EN62841-4-2:

Modell	Schalldruckpegel		Garantierter Schallleistungspegel	Gemessener Schalleistungspegel	
	L _{pA} (dB(A))	Messunsicherheit K (dB (A))		L _{WA} (dB(A))	L _{WA} (dB(A))
UH4261	85	3	96	93	2,1
UH4861	85	3	96	93	2,1
UH5261	85	3	96	93	2,1

HINWEIS: Der (Die) angegebene(n) Schallemissionswert(e) wurde(n) im Einklang mit der Standardprüfmethode gemessen und kann (können) für den Vergleich zwischen Werkzeugen herangezogen werden.

HINWEIS: Der (Die) angegebene(n) Schallemissionswert(e) kann (können) auch für eine Vorbewertung des Gefährdungsgrads verwendet werden.

⚠️ WARNUNG: Einen Gehörschutz tragen.

⚠️ WARNUNG: Die Schallemission während der tatsächlichen Benutzung des Elektrowerkzeugs kann je nach der Benutzungsweise des Werkzeugs, und speziell je nach der Art des bearbeiteten Werkstücks, von dem (den) angegebenen Wert(en) abweichen.

⚠️ WARNUNG: Identifizieren Sie Sicherheitsmaßnahmen zum Schutz des Benutzers anhand einer Schätzung des Gefährdungsgrads unter den tatsächlichen Benutzungsbedingungen (unter Berücksichtigung aller Phasen des Arbeitszyklus, wie z. B. Ausschalt- und Leerlaufzeiten des Werkzeugs zusätzlich zur Betriebszeit).

Schwingungen

Schwingungsgesamtwert (Drei-Achsen-Vektorsumme) ermittelt gemäß EN62841-4-2:

Arbeitsmodus: Heckenschneiden

Modell	Schwingungsemission (a _n) : (m/s ²)	Messunsicherheit (K): (m/s ²)
UH4261	6,7	1,5
UH4861	6,7	1,5
UH5261	6,7	1,5

HINWEIS: Der (Die) angegebene(n) Vibrationsgesamtwert(e) wurde(n) im Einklang mit der Standardprüfmethode gemessen und kann (können) für den Vergleich zwischen Werkzeugen herangezogen werden.

HINWEIS: Der (Die) angegebene(n) Vibrationsgesamtwert(e) kann (können) auch für eine Vorbewertung des Gefährdungsgrads verwendet werden.

⚠️ WARNUNG: Die Vibrationsemission während der tatsächlichen Benutzung des Elektrowerkzeugs kann je nach der Benutzungsweise des Werkzeugs, und speziell je nach der Art des bearbeiteten Werkstücks, von dem (den) angegebenen Emissionswert(en) abweichen.

⚠️ WARNUNG: Identifizieren Sie Sicherheitsmaßnahmen zum Schutz des Benutzers anhand einer Schätzung des Gefährdungsgrads unter den tatsächlichen Benutzungsbedingungen (unter Berücksichtigung aller Phasen des Arbeitszyklus, wie z. B. Ausschalt- und Leerlaufzeiten des Werkzeugs zusätzlich zur Betriebszeit).

Konformitätserklärungen

Nur für europäische Länder

Die Konformitätserklärungen sind in Anhang A dieser Betriebsanleitung enthalten.

SICHERHEITSWARNUNGEN

Allgemeine Sicherheitswarnungen für Elektrowerkzeuge

⚠️ WARNUNG Lesen Sie alle Sicherheitshinweise, Anweisungen, Abbildungen und Spezifikationen, die diesem Elektrowerkzeug beiliegen. Eine Missachtung der unten aufgeführten Anweisungen kann zu einem elektrischen Schlag, Brand und/oder schweren Verletzungen führen.

Bewahren Sie alle Warnungen und Anweisungen für spätere Bezugnahme auf.

Der Ausdruck „Elektrowerkzeug“ in den Warnhinweisen bezieht sich auf Ihr mit Netzstrom (mit Kabel) oder Akku (ohne Kabel) betriebenes Elektrowerkzeug.

Sicherheitswarnungen für Heckenschere

1. **Benutzen Sie die Heckenschere nicht bei schlechten Witterungsverhältnissen, besonders bei Blitzschlaggefahr.** Dadurch wird die Blitzschlaggefahr verringert.
2. **Halten Sie alle Netzkabel und Kabel vom Schneidbereich fern.** Netzkabel oder Kabel können in Hecken oder Büschen verborgen sein und versehentlich durch das Messer abgeschnitten werden.
3. **Gehörschutz tragen.** Eine angemessene Schutzausrüstung verringert das Risiko von Hörverlust.
4. **Halten Sie die Heckenschere nur an den isolierten Griffflächen, weil die Gefahr besteht, dass das Messer verborgene Kabel oder das eigene Kabel kontaktiert.** Bei Kontakt der Messer mit einem Strom führenden Kabel können die freiliegenden Metallteile der Heckenschere ebenfalls Strom führend werden, so dass der Benutzer einen elektrischen Schlag erleiden kann.
5. **Halten Sie alle Körperteile vom Messer fern. Versuchen Sie nicht, abgeschnittenes Material zu entfernen oder zu schneidendes Material zu halten, während die Messer sich bewegen.** Die Messer bewegen sich nach dem Ausschalten des Schalters noch weiter. Ein Augenblick der Unachtsamkeit während der Benutzung der Heckenschere kann zu schweren Personenschäden führen.
6. **Wenn Sie eingeklemmtes Material entfernen oder die Heckenschere warten, stellen Sie sicher, dass alle Schalter ausgeschaltet sind und das Netzkabel abgezogen ist.** Unerwartete Betätigung der Heckenschere beim Beseitigen von eingeklemmtem Material oder Warten kann zu schweren Personenschäden führen.
7. **Tragen Sie die Heckenschere bei still stehendem Messer am Handgriff, und achten Sie darauf, keinen Ein-Aus-Schalter zu betätigen.** Sachgemäßes Tragen der Heckenschere verringert die Gefahr von versehentlichem Starten und daraus resultierenden Personenschäden durch die Messer.

8. **Verwenden Sie für den Transport oder die Lagerung der Heckenschere immer die Messerabdeckung.** Sachgemäße Handhabung der Heckenschere verringert die Gefahr von Personenschäden durch die Messer.

Zusätzliche Sicherheitswarnungen:

1. **Benutzen Sie die Heckenschere nicht bei Regen oder unter nassen oder sehr feuchten Bedingungen.** Der Elektromotor ist nicht wasserdicht.
2. **Anfänger sollten sich von einem erfahrenen Heckenscherenbenutzer im Gebrauch der Schere unterweisen lassen.**
3. **Die Heckenschere darf nicht von Kindern oder Jugendlichen unter 18 Jahren benutzt werden.** Jugendliche über 16 Jahre können von dieser Einschränkung ausgenommen werden, wenn sie eine Schulung unter der Aufsicht eines Fachmanns durchmachen.
4. **Benutzen Sie die Heckenschere nur, wenn Sie sich in guter körperlicher Verfassung befinden.** Ermüdung führt zu verminderter Aufmerksamkeit. Besonders hohe Aufmerksamkeit ist am Ende eines Arbeitstages erforderlich. Führen Sie alle Arbeiten ruhig und sorgfältig durch. Der Benutzer ist für alle Schäden an Dritten verantwortlich.
5. **Benutzen Sie die Schere niemals unter dem Einfluss von Alkohol, Drogen oder Medikamenten.**
6. **Vergewissern Sie sich, dass die Spannung und Netzfrequenz der Stromversorgung mit den auf dem Typenschild angegebenen Spezifikationen übereinstimmen.** Wir empfehlen die Verwendung eines Fehlerstrom-Schutzschalters (FI-Schutzschalter) mit einem Auslösestrom von maximal 30 mA, oder eines Erdschlussstrom-Schutzschalters.
7. **Arbeitshandschuhe aus robustem Leder sind Teil der Grundausrüstung der Heckenschere und müssen bei der Arbeit immer getragen werden.** Tragen Sie auch robuste Schuhe mit rutschfesten Sohlen.
8. **Bevor Sie mit der Arbeit beginnen, vergewissern Sie sich, dass die Schere in gutem und sicherem Arbeitszustand ist.** Vergewissern Sie sich, dass Schutzhauben ordnungsgemäß angebracht sind. Überprüfen Sie das Kabel vor dem Start auf Beschädigungen und ersetzen Sie es gegebenenfalls. Die Heckenschere darf nur in vollständig montiertem Zustand benutzt werden.
9. **Halten Sie das Kabel vom Schneidbereich fern.** Arbeiten Sie immer so, dass das Verlängerungskabel hinter Ihnen liegt.
10. **Falls das Kabel beschädigt oder angeschnitten ist, ziehen Sie sofort den Stecker aus der Steckdose.**
11. **Achten Sie auf sicheren Stand, bevor Sie mit der Arbeit beginnen.**
12. **Strecken Sie sich beim Schneiden mit einer Heckenschere, besonders auf einer Leiter, nicht zu weit nach vorn, da dies äußerst gefährlich ist.** Arbeiten Sie nicht auf einer wackligen oder instabilen Unterlage.
13. **Halten Sie das Werkzeug während der Benutzung mit festem Griff.**

14. Überprüfen Sie die Hecken und Büsche auf Fremdkörper, wie z. B. Drahtzäune oder verborbene Kabel, bevor Sie das Werkzeug betreiben.
15. Schalten Sie sofort den Motor aus und ziehen Sie den Netzstecker, falls das Messer mit einem Zaun oder einem anderen harten Objekt in Berührung kommt. Überprüfen Sie das Messer auf Beschädigung, und reparieren Sie es bei Bedarf unverzüglich.
16. Bevor Sie das Messer überprüfen, sich um Störungen kümmern oder Material entfernen, das sich im Messer verfangen hat, schalten Sie immer die Schere aus, und ziehen Sie den Netzstecker ab.
17. Schalten Sie die Schere aus, und ziehen Sie den Netzstecker ab, bevor Sie Wartungsarbeiten durchführen.
18. Wenn Sie die Heckenschere an einen anderen Ort bringen, auch während der Arbeit, ziehen Sie immer den Netzstecker ab, und setzen Sie die Messerabdeckung auf die Schneidmesser. Die Schere darf auf keinen Fall mit laufendem Messer getragen oder transportiert werden. Ergreifen Sie das Messer niemals mit Ihren Händen.
19. Reinigen Sie die Heckenschere und insbesondere das Messer nach jedem Gebrauch und vor längerer Lagerung der Schere. Ölen Sie das Messer leicht ein, und bringen Sie die Abdeckung an. Die mit der Einheit gelieferte Abdeckung kann an die Wand gehängt werden und bietet somit eine sichere und praktische Aufbewahrungsart der Heckenschere.
20. Lagern Sie die Heckenschere mit aufgesetzter Abdeckung in einem trockenen Raum. Halten Sie sie außer Reichweite von Kindern. Lagern Sie die Schere niemals im Freien.
21. Richten Sie die Schermesser niemals auf sich selbst oder andere Personen.
22. Falls die Messer stehen bleiben, weil sich Fremdkörper während des Betriebs zwischen den Messern verfangen haben, schalten Sie das Werkzeug aus, ziehen Sie den Netzstecker ab, und beseitigen Sie dann die Fremdkörper mithilfe von Werkzeugen, wie z. B. einer Zange. Beseitigen der Fremdkörper von Hand kann zu einer Verletzung führen, da sich die Messer als Reaktion auf die Beseitigung der Fremdkörper bewegen können.
23. Vermeiden Sie gefährliche Umgebungen. Benutzen Sie das Werkzeug nicht an feuchten oder nassen Orten, und setzen Sie es auch keinem Regen aus. Wasser, das in das Werkzeug eindringt, erhöht die Stromschlaggefahr.

DIESE ANWEISUNGEN AUFBEWAHREN.

⚠️ WARNUNG: Lassen Sie sich NICHT durch Bequemlichkeit oder Vertrautheit mit dem Produkt (durch wiederholten Gebrauch erworben) von der strikten Einhaltung der Sicherheitsregeln für das vorliegende Produkt abhalten. MISSBRAUCH oder Missachtung der Sicherheitsvorschriften in dieser Anleitung können schwere Verletzungen verursachen.

FUNKTIONSBE-SCHREIBUNG

⚠️ VORSICHT: Vergewissern Sie sich vor jeder Einstellung oder Funktionsprüfung des Werkzeugs stets, dass es ausgeschaltet und vom Stromnetz getrennt ist.

⚠️ VORSICHT: Setzen Sie die Messerabdeckung auf die Schermesser, bevor Sie das Werkzeug einstellen oder dessen Funktion überprüfen.

Schalterfunktion

- **Abb.1:** 1. Auslöseschalter B 2. Auslöseschalter A 3. Auslöseschalter C

Zu Ihrer Sicherheit ist dieses Werkzeug mit einem dreifachen Schaltsystem ausgestattet. Um das Werkzeug einzuschalten, drücken Sie den Auslöseschalter B und gleichzeitig den Auslöseschalter A oder C. Lassen Sie zum Ausschalten einen der beiden gedrückten Auslöseschalter los. Die Reihenfolge des Schaltens ist unerheblich, da das Werkzeug nur startet, wenn beide Schalter aktiviert sind.

Geradschnitt

- **Abb.2**

Um die Hecke gerade zu schneiden, betätigen Sie die Auslöseschalter A und B.

Vertikalschnitt

- **Abb.3**

Schneiden Sie mit beiden Händen nach oben, betätigen Sie die Auslöseschalter B und C, und bewegen Sie es vor Ihren Körper.

MONTAGE

⚠️ VORSICHT: Vergewissern Sie sich vor der Ausführung von Arbeiten am Werkzeug stets, dass es ausgeschaltet und vom Stromnetz getrennt ist.

Verlängerungskabel einstecken

⚠️ VORSICHT: Vergewissern Sie sich, dass das Verlängerungskabel aus der Netzsteckdose herausgezogen ist.

- **Abb.4:** 1. Karabiner 2. Verlängerungskabel 3. Kabel des Werkzeugs

Wenn Sie das Verlängerungskabel einstecken, sichern Sie es mit dem Karabiner am Kabel des Werkzeugs. Bringen Sie den Haken etwa 100 - 200 mm vom Verbinder des Verlängerungskabels an. Dies verhindert ein unbeabsichtigtes Trennen der Verbindung.

Hüftschnurhaken

⚠ VORSICHT: Bringen Sie den Halter des Hüftschnurhakens nicht an etwas anderem als am Verlängerungskabel an. Bringen Sie ihn nicht in einer Position an, die näher am Werkzeug liegt als der Karabiner. Anderenfalls kann es zu Unfällen oder Personenschäden kommen.

⚠ VORSICHT: Bringen Sie einen Haken des Karabiners fest am Kabel des Werkzeugs und den anderen Haken des Karabiners fest am Verlängerungskabel an. Das Arbeiten mit diesem Werkzeug, an dem nur ein einziger Haken angebracht ist, kann einen Unfall und Verletzungen verursachen.

Die Verwendung des Hüftschnurhakens hilft, das Risiko zu minimieren, dass das Verlängerungskabel unerwartet geschnitten wird, verursacht durch das lose Verlängerungskabel.

- **Abb.5:** 1. Haken 2. Werkzeug 3. Kabel des Werkzeugs 4. Karabiner 5. Verlängerungskabel 6. Halter 7. Hüftschnurhaken

Drücken Sie die Schnur durch die Öffnung des Halters hinein oder ziehen Sie sie heraus.

- **Abb.6:** 1. Halter 2. Schnur

⚠ VORSICHT: Öffnen Sie den Halter nicht gewaltsam. Anderenfalls kann er verbogen und beschädigt werden.

Armschnurhaken (Zubehör)

⚠ VORSICHT: Bringen Sie den Halter des Armschnurhakens nicht an etwas anderem als am Verlängerungskabel an. Bringen Sie ihn nicht in einer Position an, die näher am Werkzeug liegt als der Karabiner. Anderenfalls kann es zu Unfällen oder Personenschäden kommen.

⚠ VORSICHT: Bringen Sie einen Haken des Karabiners fest am Kabel des Werkzeugs und den anderen Haken des Karabiners fest am Verlängerungskabel an. Das Arbeiten mit diesem Werkzeug, an dem nur ein einziger Haken angebracht ist, kann einen Unfall und Verletzungen verursachen.

Die Verwendung des Armschnurhakens hilft, das Risiko zu minimieren, dass das Verlängerungskabel unerwartet geschnitten wird, verursacht durch das lose Verlängerungskabel.

- **Abb.7:** 1. Halter 2. Armschnurhaken

Bringen Sie den Armschnurhaken fest an, indem Sie ihn um Ihren Arm platzieren, und führen Sie das Verlängerungskabel durch den Halter. Die Länge des Armschnurhakenbands ist einstellbar.

HINWEIS: Führen Sie das Verlängerungskabel nicht durch das Band.

HINWEIS: Öffnen Sie den Halter nicht gewaltsam. Anderenfalls kann er verbogen und beschädigt werden.

HINWEIS: Die Benutzung des Armschnurhakens zusammen mit dem Hüftschnurhaken ist hilfreicher.

BETRIEB

⚠ VORSICHT: Lassen Sie beim Trimmen Vorsicht walten, damit die Messer nicht versehentlich einen Metallzaun oder andere harte Gegenstände berühren. Anderenfalls können die Messer brechen und schwere Verletzungen verursachen.

⚠ VORSICHT: Strecken Sie sich beim Schneiden mit einer Heckenschere, besonders auf einer Leiter, nicht zu weit nach vorn, da dies äußerst gefährlich ist. Arbeiten Sie nicht auf einer wackligen oder instabilen Unterlage.

ANMERKUNG: Versuchen Sie nicht, Äste von mehr als 10 mm Durchmesser mit dem Werkzeug zu schneiden. Schneiden Sie Äste vor Gebrauch dieses Werkzeugs mit Astschneidern auf 10 cm unter der Schnitthöhe.

- **Abb.8:** (1) Schnitthöhe (2) 10 cm

⚠ VORSICHT: Schneiden Sie keine toten Bäume oder ähnliche harte Objekte ab. Anderenfalls kann das Werkzeug beschädigt werden.

Halten Sie die Heckenschere mit beiden Händen, betätigen Sie den Auslöseschalter A oder B, und führen Sie sie vor Ihren Körper.

- **Abb.9**

Neigen Sie die Messer bei grundlegendem Betrieb in die Schneidrichtung, und bewegen sie das Werkzeug ruhig und langsam mit einer Geschwindigkeit von 3 -4 Sekunden pro Meter vor.

- **Abb.10:** 1. Schneidrichtung 2. Messer neigen 3. Zu beschneidende Heckenfläche

Um eine Hecke gleichmäßig zu schneiden, ist es hilfreich, eine Schnur in der gewünschten Höhe zu binden und entlang dieser Schnur zu schneiden, indem man sie als Bezugslinie verwendet.

- **Abb.11:** 1. Schnur

Durch Anbringen des Spänefängers (Zubehör) am Werkzeug beim geraden Schneiden der Hecke kann vermieden werden, dass abgeschnittene Blätter weggeworfen werden.

- **Abb.12**

Um eine Heckenseite gleichmäßig zu schneiden, hilft es, von unten nach oben zu schneiden.

- **Abb.13**

Schneiden Sie Buchsbaum oder Rhododendron von der Basis nach oben, um ein schönes Aussehen und einen gelungeneren Job zu erhalten.

- **Abb.14**

Montieren und Demontieren des Spänefängers (Zubehör)

⚠ VORSICHT: Vergewissern Sie sich vor der Montage oder Demontage des Spänefängers stets, dass das Werkzeug ausgeschaltet und vom Stromnetz getrennt ist.

HINWEIS: Tragen Sie beim Auswechseln des Spänefängers immer Handschuhe, damit Hände und Gesicht nicht direkt mit dem Messer in Berührung kommen. Anderenfalls kann es zu Personenschäden kommen.

HINWEIS: Entfernen Sie immer die Messerabdeckung, bevor Sie den Spänefänger montieren.

HINWEIS: Der Spänefänger nimmt geschnittene Blätter auf und erleichtert das Sammeln weggeworfener Blätter. Dieser kann auf beiden Seiten des Werkzeugs montiert werden.

- **Abb.15:** 1. Drücken 2. Spänefänger 3. Mutter 4. Schermesser

Zu diesem Zeitpunkt muss der Spänefänger so installiert werden, dass seine Haken in die Nuten der Schermesser-Einheit passen.

- **Abb.16:** 1. Haken 2. Setzen Sie die Haken in die Nut ein 3. Nuten

Um den Spänefänger zu entfernen, drücken Sie den Hebel auf beiden Seiten, so dass die Haken entriegelt werden.

- **Abb.17:** 1. Drücken Sie die Hebel auf beiden Seiten 2. Entriegeln Sie die Haken

⚠ VORSICHT: Die Messerabdeckung (Standardausstattung) kann nicht am Werkzeug montiert werden, wenn der Spänefänger montiert ist. Entfernen Sie vor dem Tragen oder Lagern den Spänefänger und installieren Sie dann die Messerabdeckung, damit die Messer nicht freiliegen.

HINWEIS: Überprüfen Sie vor der Benutzung, ob der Spänefänger sicher installiert ist.

HINWEIS: Versuchen Sie niemals, den Spänefänger mit übermäßiger Kraft zu demontieren, wenn seine Haken in den Nuten der Messereinheit verriegelt sind. Bei Anwendung von übermäßiger Kraft kann er beschädigt werden.

WARTUNG

⚠ VORSICHT: Vergewissern Sie sich vor der Durchführung von Überprüfungen oder Wartungsarbeiten des Werkzeugs stets, dass es ausgeschaltet und vom Stromnetz getrennt ist.

Reinigen des Werkzeugs

Reinigen Sie das Werkzeug, indem Sie den Staub mit einem trockenen oder in Seife getauchten Lappen abwischen.

ANMERKUNG: Verwenden Sie auf keinen Fall Benzin, Waschbenzin, Verdünner, Alkohol oder dergleichen. Solche Mittel können Verfärbung, Verformung oder Rissbildung verursachen.

Messerwartung

Schmieren Sie das Messer vor und einmal pro halbe Stunde während des Betriebs mit Maschinenöl oder ähnlichem ein.

Nachdem Sie nach dem Betrieb den Staub von beiden Seiten des Messers mit einer Drahtbürste entfernt und mit einem Lappen abgewischt haben, tragen Sie ausreichend dünnflüssiges Öl auf, z. B. Maschinenöl usw. und Sprühschmieröl.

⚠ VORSICHT: Waschen Sie die Messer nicht in Wasser. Anderenfalls kann Rostbildung oder eine Beschädigung des Werkzeugs verursacht werden.

⚠ VORSICHT: Tragen Sie Handschuhe bei der Durchführung der Messerwartung.

Lagerung

Bringen Sie die Messerabdeckung an den Schermessern an, damit die Messer nicht freiliegen. Lagern Sie das Werkzeug sorgfältig außer Reichweite von Kindern.

Lagern Sie das Werkzeug an einem Ort, an dem es weder Wasser noch Regen ausgesetzt ist.

Um die SICHERHEIT und ZUVERLÄSSIGKEIT dieses Produkts aufrechtzuerhalten, sollten Reparaturen, Überprüfung und Austausch der Kohlebürsten und andere Wartungs- oder Einstellarbeiten nur von Makita-Vertragswerkstätten oder Makita-Kundendienstzentren unter ausschließlicher Verwendung von Makita-Originalersatzteilen ausgeführt werden.

SONDERZUBEHÖR

⚠ VORSICHT: Die folgenden Zubehörteile oder Vorrichtungen werden für den Einsatz mit dem in dieser Anleitung beschriebenen Makita-Werkzeug empfohlen. Die Verwendung anderer Zubehörteile oder Vorrichtungen kann eine Verletzungsgefahr darstellen. Verwenden Sie Zubehörteile oder Vorrichtungen nur für ihren vorgesehenen Zweck.

Wenn Sie weitere Einzelheiten bezüglich dieser Zubehörteile benötigen, wenden Sie sich bitte an Ihre Makita-Kundendienststelle.

- Messerabdeckung
- Haken komplett
- Spänefänger
- Haken für Taillenschnur
- Haken für Armschnur

HINWEIS: Manche Teile in der Liste können als Standardzubehör im Werkzeugsatz enthalten sein. Sie können von Land zu Land unterschiedlich sein.





DATI TECNICI

Modello:	UH4261	UH4861	UH5261
Lunghezza della lama	420 mm	480 mm	520 mm
Corse al minuto	1.600 min ⁻¹		
Lunghezza complessiva	821 mm	871 mm	921 mm
Peso netto	3,0 - 3,1 kg		
Classe di sicurezza	□/II		

- In conseguenza del nostro programma di ricerca e sviluppo continui, i dati tecnici nel presente manuale sono soggetti a modifiche senza preavviso.
- I dati tecnici possono variare da nazione a nazione.
- Il peso può variare a seconda dell'accessorio o degli accessori. La combinazione più leggera e quella più pesante, in base alla Procedura EPTA 01/2014, sono indicate nella tabella.

Simboli

Le figure seguenti mostrano i simboli utilizzati per l'apparecchio. Accertarsi di comprenderne il significato prima dell'uso.

	Leggere il manuale d'uso.
	DOPPIO ISOLAMENTO
	Indossare occhiali di sicurezza.
	Indossare protezioni per gli occhi e le orecchie.
	PERICOLO: tenere le mani lontane dalla lama.
	Non esporre alla pioggia.
	Non esporre alla pioggia.
	Qualora il cavo venga danneggiato o tagliato, scollegare immediatamente la spina dalla rete elettrica.



Solo per le nazioni dell'EU
A causa della presenza di componenti pericolosi nelle apparecchiature, le apparecchiature elettriche ed elettroniche usate potrebbero produrre un impatto negativo sull'ambiente e sulla salute umana. Non smaltire elettrodomestici elettrici ed elettronici insieme ai rifiuti domestici! In conformità alla direttiva europea sui rifiuti di apparecchiature elettriche ed elettroniche (RAEE), e al suo adattamento alle normative nazionali, le apparecchiature elettriche ed elettroniche usate vanno sottoposte a raccolta differenziata e conferite a un punto di raccolta separato per i rifiuti comunali, operando in conformità alle normative per la protezione dell'ambiente. Tale requisito viene indicato mediante il simbolo del bidone della spazzatura con ruote barrato apposto sull'apparecchio.



Livello di potenza sonora garantita in base alla Direttiva rumore macchine all'aperto UE.



Livello di potenza sonora in base alla normativa sul controllo del rumore NSW australiana

Utilizzo previsto

L'utensile è destinato alla rifilatura delle siepi.

Alimentazione

L'utensile deve essere collegato a una fonte di alimentazione con la stessa tensione indicata sulla targhetta del nome, e può funzionare solo a corrente alternata monofase. L'utensile è dotato di doppio isolamento, per cui può essere utilizzato con prese elettriche sprovviste di messa a terra.

Rumore

Livello tipico di rumore pesato A determinato in base allo standard EN62841-4-2:

Modello	Livello di pressione sonora		Livello di potenza sonora garantito	Livello di potenza sonora misurato	
	L _{pA} (dB(A))	Incertezza K (dB(A))	L _{WA} (dB(A))	L _{WA} (dB(A))	Incertezza K (dB(A))
UH4261	85	3	96	93	2,1
UH4861	85	3	96	93	2,1
UH5261	85	3	96	93	2,1

NOTA: Il valore o i valori dichiarati delle emissioni di rumori sono stati misurati in conformità a un metodo standard di verifica, e possono essere utilizzati per confrontare un utensile con un altro.

NOTA: Il valore o i valori dichiarati delle emissioni di rumori possono venire utilizzati anche per una valutazione preliminare dell'esposizione.

⚠AVVERTIMENTO: Indossare protezioni per le orecchie.

⚠AVVERTIMENTO: L'emissione di rumori durante l'utilizzo effettivo dell'utensile elettrico può variare rispetto al valore o ai valori dichiarati, a seconda dei modi in cui viene utilizzato l'utensile e specialmente a seconda di che tipo di pezzo venga lavorato.

⚠AVVERTIMENTO: Accertarsi di identificare misure di sicurezza per la protezione dell'operatore che siano basate su una stima dell'esposizione nelle condizioni effettive di utilizzo (tenendo conto di tutte le parti del ciclo operativo, ad esempio del numero di spegnimenti dell'utensile e di quando giri a vuoto, oltre al tempo di attivazione).

Vibrazioni

Valore totale delle vibrazioni (somma vettoriale triassiale) determinato in base allo standard EN62841-4-2:

Modalità operativa: rifilatura delle siepi

Modello	Emissione di vibrazioni (a _v): (m/s ²)	Incertezza (K): (m/s ²)
UH4261	6,7	1,5
UH4861	6,7	1,5
UH5261	6,7	1,5

NOTA: Il valore o i valori complessivi delle vibrazioni dichiarati sono stati misurati in conformità a un metodo standard di verifica, e possono essere utilizzati per confrontare un utensile con un altro.

NOTA: Il valore o i valori complessivi delle vibrazioni dichiarati possono venire utilizzati anche per una valutazione preliminare dell'esposizione.

⚠AVVERTIMENTO: L'emissione delle vibrazioni durante l'utilizzo effettivo dell'utensile elettrico può variare rispetto al valore o ai valori dichiarati, a seconda dei modi in cui viene utilizzato l'utensile, specialmente a seconda di che tipo di pezzo venga lavorato.

⚠AVVERTIMENTO: Accertarsi di identificare misure di sicurezza per la protezione dell'operatore che siano basate su una stima dell'esposizione nelle condizioni effettive di utilizzo (tenendo conto di tutte le parti del ciclo operativo, ad esempio del numero di spegnimenti dell'utensile e di quando giri a vuoto, oltre al tempo di attivazione).

Dichiarazioni di conformità

Solo per i paesi europei

Le Dichiarazioni di conformità sono incluse nell'Allegato A al presente manuale d'uso.

AVVERTENZE DI SICUREZZA

Avvertenze generali relative alla sicurezza dell'utensile elettrico

AVVERTIMENTO Leggere tutte le avvertenze di sicurezza, le istruzioni, le illustrazioni e i dati tecnici forniti insieme a questo utensile elettrico. La mancata osservanza di tutte le istruzioni seguenti potrebbe risultare in scosse elettriche, incendi e/o gravi lesioni personali.

Conservare tutte le avvertenze e le istruzioni come riferimento futuro.

Il termine "utensile elettrico" nelle avvertenze si riferisce sia all'utensile elettrico (cablato) nel funzionamento alimentato da rete elettrica che all'utensile elettrico (a batteria) nel funzionamento alimentato a batteria.

Avvertenze di sicurezza relative al tagliasepi

1. **Evitare di utilizzare il tagliasepi in condizioni meteorologiche avverse, specialmente quando sussiste il rischio di fulmini.** In tal modo si riduce il rischio di venire colpiti da un fulmine.
 2. **Tenere tutti i cavi elettrici e di altro genere lontani dall'area di taglio.** Nelle siepi o nei cespugli potrebbero essere nascosti cavi elettrici o di altro genere, che potrebbero venire tagliati accidentalmente dalla lama.
 3. **Indossare protezioni per le orecchie.** Un'attrezzatura di protezione adeguata riduce il rischio di perdite dell'udito.
 4. **Mantenere il tagliasepi solo mediante le superfici di impugnatura isolate, poiché la lama potrebbe entrare in contatto con cablaggi nascosti o con il proprio cavo.** Qualora le lame entrino in contatto con un filo elettrico sotto tensione, potrebbero mettere sotto tensione le parti metalliche esposte del tagliasepi e dare una scossa elettrica all'operatore.
 5. **Tenere tutte le parti del corpo lontane dalla lama. Non rimuovere il materiale tagliato né tenere in mano il materiale da tagliare quando le lame sono in movimento.** Le lame continuano a muoversi dopo la disattivazione dell'interruttore. Un momento di disattenzione durante il funzionamento del tagliasepi potrebbe risultare in gravi lesioni personali.
 6. **Quando si intende rimuovere materiale inceppato o sottoporre a interventi di assistenza il tagliasepi, accertarsi che tutti gli interruttori di accensione siano disattivati e che il cavo di alimentazione sia stato scollegato.** L'azionamento imprevisto del tagliasepi durante la rimozione di materiale inceppato o l'esecuzione di interventi di assistenza potrebbe risultare in gravi lesioni personali.
 7. **Trasportare il tagliasepi tenendolo per il manico con la lama arrestata e facendo attenzione a non azionare alcun interruttore di accensione.** Se si trasporta correttamente il tagliasepi, si riduce la possibilità di avvii accidentali e delle conseguenti lesioni personali dovute alle lame.
 8. **Quando si intende trasportare o riporre il tagliasepi, utilizzare sempre il coprilama.** Se si maneggia correttamente il tagliasepi, si riduce la possibilità di lesioni personali dovute alle lame.
- Avvertenze aggiuntive per la sicurezza:**
1. **Non utilizzare il tagliasepi sotto la pioggia o in condizioni di bagnato o di estrema umidità.** Il motore elettrico non è impermeabile.
 2. **Chi utilizza il prodotto per la prima volta dovrebbe farsi mostrare da un utente esperto di tagliasepi come utilizzare quest'ultimo.**
 3. **Il tagliasepi non deve essere utilizzato da bambini o giovani al di sotto dei 18 anni di età.** I giovani di età superiore ai 16 anni possono venire esentati da questa restrizione se stanno seguendo un addestramento sotto la supervisione di un esperto.
 4. **Utilizzare il tagliasepi solo se si è in buone condizioni fisiche.** In condizioni di stanchezza, il livello di attenzione si riduce. Fare particolarmente attenzione alla fine di una giornata di lavoro. Effettuare tutti i lavori con calma e con attenzione. L'utente è responsabile per qualsiasi danno arrecato a terzi.
 5. **Non utilizzare mai il tagliasepi se si è sotto l'effetto di alcol, droghe o farmaci.**
 6. **Controllare per accertarsi che la tensione e la frequenza dell'alimentazione elettrica corrispondano ai dati tecnici forniti sulla targhetta di identificazione.** Si consiglia di utilizzare un interruttore automatico differenziale (salvavita) con una corrente di intervento di 30 mA o inferiore, oppure un dispositivo di protezione dalle correnti di dispersione a terra.
 7. **I quanti da lavoro in pelle robusta fanno parte dell'attrezzatura di base del tagliasepi, e devono essere sempre indossati quando si lavora con quest'ultimo.** Indossare anche scarpe robuste con soles antiscivolo.
 8. **Prima di iniziare il lavoro, accertarsi che il tagliasepi sia in condizioni operative ottimali e sicure.** Accertarsi che le protezioni siano applicate correttamente. Controllare l'eventuale presenza di danni al cavo prima di iniziare il lavoro e sostituirlo, se necessario. Il tagliasepi non va utilizzato se non è stato montato completamente.
 9. **Tenere il cavo lontano dall'area di taglio.** Lavorare sempre in modo tale che il cavo elettrico di prolunga si trovi dietro di sé.
 10. **Qualora il cavo venga danneggiato o tagliato, scollegare immediatamente la spina dalla rete elettrica.**
 11. **Accertarsi di avere un equilibrio saldo sui piedi, prima di iniziare l'operazione.**
 12. **Sporgersi con un tagliasepi, specialmente da una scala a pioli, è estremamente pericoloso.** Non lavorare da alcuna superficie traballante o malferma.
 13. **Mantenere saldamente l'utensile quando lo si utilizza.**
 14. **Prima di utilizzare l'utensile, verificare l'eventuale presenza di corpi estranei nelle siepi e nei cespugli, ad esempio recinzioni in fil di ferro o cablaggi nascosti.**

15. Qualora il dispositivo di taglio entri in contatto con una recinzione o un altro oggetto duro, spegnere immediatamente il motore e scollegare la spina dell'alimentazione da rete elettrica. Controllare il dispositivo di taglio alla ricerca di eventuali danni, e qualora sia danneggiato ripararlo immediatamente.
16. Prima di controllare il dispositivo di taglio, riparare guasti o rimuovere materiale incastrato nel dispositivo di taglio, spegnere sempre il taglia siepi e scollegare la spina dell'alimentazione da rete elettrica.
17. Prima di effettuare qualunque lavoro di manutenzione, spegnere il taglia siepi, scollegare e mettere al sicuro la spina dell'alimentazione da rete elettrica.
18. Quando si intende spostare il taglia siepi in un'altra ubicazione, anche durante il lavoro, scollegare sempre la spina dell'alimentazione da rete elettrica e applicare il coprilama sulle lame del dispositivo di taglio. Non portare né trasportare mai il taglia siepi con il dispositivo di taglio in funzione. Non afferrare mai il dispositivo di taglio con le mani.
19. Pulire il taglia siepi e particolarmente il dispositivo di taglio dopo l'uso, e prima di riporre il taglia siepi per periodi di tempo prolungati. Oliare leggermente il dispositivo di taglio e applicare la copertura. La copertura in dotazione con l'unità può venire appesa al muro, fornendo un modo sicuro e pratico per riporre il taglia siepi.
20. Riporre il taglia siepi con la copertura applicata, in una stanza asciutta. Tenerlo fuori dalla portata dei bambini. Non riporre mai il taglia siepi all'aperto.
21. Non puntare mai le lame a cesoie verso se stessi o altri.
22. Qualora le lame smettano di muoversi a causa di corpi estranei incastrati tra le lame durante l'uso, spegnere l'utensile e scollegare la spina dell'alimentazione elettrica, quindi rimuovere i corpi estranei utilizzando degli utensili, ad esempio delle pinze. La rimozione dei corpi estranei con le mani potrebbe causare lesioni personali, in quanto le lame potrebbero muoversi in risposta alla rimozione dei corpi estranei.
23. Evitare gli ambienti pericolosi. Non utilizzare l'utensile in luoghi umidi o bagnati né esporlo alla pioggia. La penetrazione di acqua nell'utensile incrementa il rischio di scosse elettriche.

CONSERVARE LE PRESENTI ISTRUZIONI.

AVVERTIMENTO: NON lasciare che la comodità o la familiarità d'uso con il prodotto (acquisita con l'uso ripetuto) sostituiscano la stretta osservanza delle norme di sicurezza. L'USO IMPROPRIO o la mancata osservanza delle norme di sicurezza riportate nel presente manuale manuale di istruzioni potrebbero causare lesioni personali gravi.

DESCRIZIONE DELLE FUNZIONI

ATTENZIONE: Accertarsi sempre che l'utensile sia spento e scollegato dall'alimentazione prima di regolare o controllare le sue funzioni.

ATTENZIONE: Prima di regolare o controllare le funzioni sull'utensile, applicare il coprilama sulle lame a cesoie.

Funzionamento degli interruttori

- Fig.1: 1. Interruttore a grilletto B 2. Interruttore a grilletto A 3. Interruttore a grilletto C

Per la sicurezza dell'utente, questo utensile è dotato di un sistema a tre interruttori. Per accendere l'utensile, premere l'interruttore a grilletto

B e premere contemporaneamente l'interruttore a grilletto A o C. Per spegnerlo, rilasciare uno dei due interruttori a grilletto premuti. La sequenza di azionamento degli interruttori non ha importanza, in quanto l'utensile si avvia solo quando entrambi gli interruttori sono attivati.

Taglio diritto

- Fig.2

Per tagliare la siepe diritta, premere gli interruttori a grilletto A e B.

Taglio verticale

- Fig.3

Tagliare verso l'alto con entrambe le mani premendo gli interruttori a grilletto B e C e spostando l'utensile davanti al proprio corpo.

MONTAGGIO

ATTENZIONE: Accertarsi sempre che l'utensile sia spento e scollegato dall'alimentazione elettrica, prima di effettuare qualsiasi intervento su di esso.

Innesto del cavo di prolunga

ATTENZIONE: Accertarsi che il cavo di prolunga sia scollegato dalla presa elettrica di rete.

- Fig.4: 1. Gancio completo 2. Cavo di prolunga 3. Cavo elettrico dell'utensile

Quando si intende innestare il cavo di prolunga, fissarlo al cavo elettrico dell'utensile con il gancio completo. Fissare il gancio a una distanza compresa tra 100 e 200 mm circa dal connettore del cavo di prolunga. In tal modo, si contribuisce a evitare lo scollegamento accidentale.

Gancio per cavo su cintola

ATTENZIONE: Non agganciare il supporto del gancio per cavo su cintola ad alcunché di diverso dal cavo di prolunga. Non agganciarlo in una posizione a una distanza dall'utensile inferiore a quella del gancio completo. La mancata osservanza di questa indicazione potrebbe causare un incidente o lesioni personali.

ATTENZIONE: Agganciare saldamente uno dei ganci del gancio completo al cavo elettrico dell'utensile, e l'altro gancio del gancio completo al cavo di prolunga. Qualora si lavori con l'utensile con un solo gancio agganciato, si potrebbero causare un incidente e lesioni personali.

L'utilizzo di un gancio per cavo su cintola contribuisce a ridurre al minimo il rischio di troncatura del cavo di prolunga in modo imprevisto, causato da un cavo di prolunga lasco.

► **Fig.5:** 1. Gancio 2. Utensile 3. Cavo elettrico dell'utensile 4. Gancio completo 5. Cavo di prolunga 6. Supporto 7. Gancio per cavo su cintola

Premere il cavo elettrico per farlo entrare attraverso l'apertura del supporto, oppure tirarlo per farlo uscire.

► **Fig.6:** 1. Supporto 2. Cavo elettrico

ATTENZIONE: Non forzare l'apertura del supporto. La mancata osservanza di questa indicazione potrebbe causarne la distorsione e il danneggiamento.

Gancio per cavo su braccio (accessorio)

ATTENZIONE: Non agganciare il supporto del gancio per cavo su braccio ad alcunché di diverso dal cavo di prolunga. Non agganciarlo in una posizione più vicina all'utensile, che vada oltre il gancio completo. La mancata osservanza di questa indicazione potrebbe causare un incidente o lesioni personali.

ATTENZIONE: Agganciare saldamente uno dei ganci del gancio completo al cavo elettrico dell'utensile, e l'altro gancio del gancio completo al cavo di prolunga. Qualora si lavori con l'utensile con un solo gancio agganciato, si potrebbero causare un incidente e lesioni personali.

L'utilizzo di un gancio per cavo su braccio contribuisce a ridurre al minimo il rischio di troncatura del cavo di prolunga in modo imprevisto, causato da un cavo di prolunga lasco.

► **Fig.7:** 1. Supporto 2. Gancio per cavo su braccio

Agganciare saldamente il gancio per cavo su braccio posizionandolo intorno al braccio, e far passare il cavo di prolunga attraverso il supporto. La lunghezza della fascetta del gancio per cavo su braccio è regolabile.

NOTA: Non far passare il cavo di prolunga attraverso la fascetta.

NOTA: Non forzare l'apertura del supporto. La mancata osservanza di questa indicazione potrebbe causarne la distorsione e il danneggiamento.

NOTA: L'utilizzo del gancio per cavo su braccio insieme al gancio per cavo su cintola è di maggiore utilità.

FUNZIONAMENTO

ATTENZIONE: Fare attenzione a non entrare in contatto accidentalmente con una recinzione in metallo o con altri oggetti duri durante la rifilatura. In caso contrario, le lame si romperebbero e potrebbero causare gravi lesioni personali.

ATTENZIONE: Sporgersi con un tagliasiepi, specialmente da una scala a pioli, è estremamente pericoloso. Non lavorare da alcuna superficie traballante o malferma.

AVVISO: Non tentare di tagliare rami di spessore superiore ai 10 mm di diametro con l'utensile.

Tagliare i rami a un'altezza di 10 cm inferiore a quella di taglio utilizzando dei troncareami, prima di utilizzare l'utensile.

► **Fig.8:** (1) Altezza di taglio (2) 10 cm

ATTENZIONE: Non tagliare alberi morti oppure oggetti duri simili. La mancata osservanza di questa indicazione potrebbe danneggiare l'utensile.

Mantenere il tagliasiepi con entrambe le mani, premere l'interruttore a grilletto A o B e spostarlo davanti al proprio corpo.

► **Fig.9**

Per il funzionamento di base, inclinare le lame verso la direzione di rifilatura e spostarle con calma e lentamente a una velocità compresa tra 3 e 4 secondi per metro.

► **Fig.10:** 1. Direzione di rifilatura 2. Inclinare le lame 3. Superficie della siepe da rifilare

Per tagliare in modo uniforme la sommità di una siepe, può essere di aiuto legare un nastro all'altezza desiderata della siepe e seguirlo durante la rifilatura, utilizzandolo come linea di riferimento.

► **Fig.11:** 1. Nastro

Il montaggio del raccogliatore di residui (accessorio) sull'utensile quando si intende rifilare la siepe dritta può evitare che le foglie tagliate vengano scagliate via.

► **Fig.12**

Per tagliare il lato di una siepe in modo omogeneo, è utile eseguire il taglio dal basso verso l'alto.

► **Fig.13**

Rifilare il bosso o il rododendro dalla base verso la cima, per ottenere un aspetto piacevole e un buon lavoro.

► **Fig.14**

Installazione o rimozione del raccogliitore di residui (accessorio)

⚠ATTENZIONE: Prima di installare o rimuovere il raccogliitore di residui, accertarsi sempre che l'utensile sia spento e scollegato dall'alimentazione elettrica.

NOTA: Quando si intende sostituire il raccogliitore di residui, indossare sempre dei guanti, in modo che le mani e il viso non entrino in contatto direttamente con la lama. La mancata osservanza di questa indicazione potrebbe causare lesioni personali.

NOTA: Accertarsi sempre di rimuovere il coprilama prima di installare il raccogliitore di residui.

NOTA: Il raccogliitore di residui riceve le foglie tagliate e facilita la raccolta delle foglie scagliate via. Questo accessorio può venire installato da entrambi i lati dell'utensile.

- **Fig.15:** 1. Premere 2. Raccogliitore di residui
3. Dado 4. Lama a cesoie

In questa fase, è necessario installare il raccogliitore di residui in modo che i suoi ganci entrino nelle scanalature presenti nell'unità lama a cesoie.

- **Fig.16:** 1. Ganci 2. Inserire i ganci nella scanalatura
3. Scanalature

Per rimuovere il raccogliitore di residui, premerne le leve da entrambi i lati, in modo che i ganci vengano sbloccati.

- **Fig.17:** 1. Premere le leve su entrambi i lati
2. Sbloccare i ganci

⚠ATTENZIONE: Non è possibile installare il coprilama (attrezzatura di serie) sull'utensile mentre è installato il raccogliitore di residui. Prima del trasporto o della conservazione, disinstallare il raccogliitore di residui, quindi installare il coprilama per evitare che le lame restino esposte.

NOTA: Prima dell'uso, verificare che il raccogliitore di residui sia installato saldamente.

NOTA: Non tentare mai di disinstallare il raccogliitore di residui applicando forza eccessiva con i suoi ganci bloccati nelle scanalature dell'unità lama. L'utilizzo di forza eccessiva potrebbe danneggiarlo.

MANUTENZIONE

⚠ATTENZIONE: Accertarsi sempre che l'utensile sia spento e scollegato dall'alimentazione elettrica, prima di tentare di eseguire interventi di ispezione o manutenzione.

Pulizia dell'utensile

Pulire l'utensile rimuovendo le polveri con uno straccio asciutto o insaponato.

AVVISO: Non utilizzare mai benzina, benzene, solventi, alcol o altre sostanze simili. In caso contrario, si potrebbero causare scolorimenti, deformazioni o crepe.

Manutenzione delle lame

Unghere la lama prima dell'uso e una volta ogni mezz'ora durante l'uso, utilizzando olio per macchine o prodotti simili.

Dopo l'uso, rimuovere la polvere da entrambi i lati della lama con una spazzola metallica, pulirla passandovi sopra uno straccio, quindi applicare una quantità sufficiente di olio a bassa viscosità, ad esempio olio per macchine, e così via, oppure olio lubrificante di tipo spray.

⚠ATTENZIONE: Non lavare le lame in acqua. La mancata osservanza di questa indicazione potrebbe causare la formazione di ruggine o danneggiare l'utensile.

⚠ATTENZIONE: Quando si effettua la manutenzione della lama, indossare dei guanti.

Conservazione

Applicare il coprilama sulle lame a cesoie in modo che le lame non siano esposte. Conservare con cura l'utensile fuori dalla portata dei bambini.

Conservare l'utensile in un'ubicazione non esposta all'acqua e alla pioggia.

Per preservare la SICUREZZA e l'AFFIDABILITÀ del prodotto, le riparazioni, l'ispezione e la sostituzione delle spazzole in carbonio e qualsiasi altro intervento di manutenzione o di regolazione devono essere eseguiti da un centro di assistenza autorizzato Makita, utilizzando sempre ricambi Makita.

ACCESSORI OPZIONALI

⚠ATTENZIONE: Questi accessori o componenti aggiuntivi sono consigliati per l'uso con l'utensile Makita specificato nel presente manuale. L'impiego di altri accessori o componenti aggiuntivi può costituire un rischio di lesioni alle persone. Utilizzare gli accessori o i componenti aggiuntivi solo per il loro scopo prefissato.

Per ottenere ulteriori dettagli relativamente a questi accessori, rivolgersi a un centro di assistenza Makita.

- Coprilama
- Gancio completo
- Raccogliitore di residui
- Gancio per cavo su cintola
- Gancio per cavo su braccio

NOTA: Alcuni articoli nell'elenco potrebbero essere inclusi nell'imballaggio dell'utensile come accessori standard. Tali articoli potrebbero variare da nazione a nazione.

TECHNISCHE GEGEVENS

Model:	UH4261	UH4861	UH5261
Lengte messenbladen	420 mm	480 mm	520 mm
Slagen per minuut	1.600 min ⁻¹		
Totale lengte	821 mm	871 mm	921 mm
Nettogewicht	3,0 - 3,1 kg		
Veiligheidsklasse	□/II		

- In verband met ononderbroken research en ontwikkeling behouden wij ons het recht voor bovenstaande technische gegevens te wijzigen zonder voorafgaande kennisgeving.
- De technische gegevens kunnen van land tot land verschillen.
- Het gewicht kan verschillen afhankelijk van de hulpstukken. De lichtste en zwaarste combinatie, volgens EPTA-procedure 01/2014, worden vermeld in de tabel.

Symbolen

Hieronder staan de symbolen die voor het gereedschap kunnen worden gebruikt. Zorg ervoor dat u de betekenis ervan kent voordat u het gereedschap gaat gebruiken.

	Lees de gebruiksaanwijzing.
	DUBBEL GEÏSOLEERD
	Draag een veiligheidsbril.
	Draag oog- en gehoorbescherming.
	GEVAAR - Houd handen uit de buurt van het snijgarmentuur.
	Stel niet bloot aan regen.
	Stel niet bloot aan regen.
	Trek de stekker onmiddellijk uit het stopcontact als de kabel beschadigd of doorgesneden is.



Alleen voor EU-landen

Als gevolg van de aanwezigheid van schadelijke componenten in het apparaat, kunnen gebruikte elektrische en elektronische apparaten negatieve gevolgen hebben voor het milieu en de gezondheid van mensen.

Gooi elektrische en elektronische apparaten niet met het huisvuil weg!

In overeenstemming met de Europese richtlijn inzake oude elektrische en elektronische apparaten en de toepassing daarvan binnen de nationale wetgeving, dienen gebruikte elektrische en elektronische apparaten gescheiden te worden ingezameld en te worden ingeleverd bij een apart inzamelingspunt voor huishoudelijk afval dat de milieubeschermingsvoorschriften in acht neemt.

Dit wordt op het apparaat aangegeven door het symbool van een doorgekruiste afvalcontainer.



Gegarandeerd geluidsvermogeniveau conform EU-richtlijn inzake geluidsemisatie buitenhuis.



Geluidsvermogeniveau conform de Regeling Geluidsregeling van NSW, Australië

Gebruiksdoelinden

Het gereedschap is bedoeld om heggen te snoeien.

Voeding

Het gereedschap mag alleen worden aangesloten op een voeding van dezelfde spanning als aangegeven op het typeplaatje, en kan alleen worden gebruikt op enkelfase-wisselstroom. Het gereedschap is dubbel-geïsoleerd en kan derhalve ook op een niet-geaard stopcontact worden aangesloten.

Geluidsniveau

De typische, A-gewogen geluidsniveaus zijn gemeten volgens EN62841-4-2:

Model	Geluidsdruk niveau		Gega-randeerd geluids-vernogen-niveau	Gemeten geluidsvermogeniveau	
	L _{pA} (dB(A))	Onzekerheid K (dB (A))		L _{WA} (dB(A))	Onzekerheid K (dB (A))
UH4261	85	3	96	93	2,1
UH4861	85	3	96	93	2,1
UH5261	85	3	96	93	2,1

OPMERKING: De opgegeven geluidsemissiewaarde(n) is/zijn gemeten volgens een standaardtestmethode en kan/kunnen worden gebruikt om dit gereedschap te vergelijken met andere gereedschappen.

OPMERKING: De opgegeven geluidsemissiewaarde(n) kan/kunnen ook worden gebruikt voor een beoordeling vooraf van de blootstelling.

⚠ WAARSCHUWING: Draag gehoorbescherming.

⚠ WAARSCHUWING: De geluidsemissie tijdens het gebruik van het elektrisch gereedschap in de praktijk kan verschillen van de opgegeven waarde(n) afhankelijk van de manier waarop het gereedschap wordt gebruikt, met name van het soort werkstuk waarmee wordt gewerkt.

⚠ WAARSCHUWING: Zorg ervoor dat veiligheidsmaatregelen worden getroffen ter bescherming van de gebruiker die zijn gebaseerd op een schatting van de blootstelling onder praktijkomstandigheden (rekening houdend met alle fasen van de bedrijfscyclus, zoals de tijdsduur gedurende welke het gereedschap is uitgeschakeld en stationair draait, naast de ingeschakelde tijdsduur).

Trilling

De totale trillingswaarde (triaxiale vectorsom) zoals vastgesteld volgens EN62841-4-2:

Toepassing: heg snoeien

Model	Trillingsemissie (a _n): (m/s ²)	Onzekerheid (K): (m/s ²)
UH4261	6,7	1,5
UH4861	6,7	1,5
UH5261	6,7	1,5

OPMERKING: De totale trillingswaarde(n) is/zijn gemeten volgens een standaardtestmethode en kan/kunnen worden gebruikt om dit gereedschap te vergelijken met andere gereedschappen.

OPMERKING: De opgegeven totale trillingswaarde(n) kan/kunnen ook worden gebruikt voor een beoordeling vooraf van de blootstelling.

⚠ WAARSCHUWING: De trillingsemissie tijdens het gebruik van het elektrisch gereedschap in de praktijk kan verschillen van de opgegeven waarde(n) afhankelijk van de manier waarop het gereedschap wordt gebruikt, met name van het soort werkstuk waarmee wordt gewerkt.

⚠ WAARSCHUWING: Zorg ervoor dat veiligheidsmaatregelen worden getroffen ter bescherming van de gebruiker die zijn gebaseerd op een schatting van de blootstelling onder praktijkomstandigheden (rekening houdend met alle fasen van de bedrijfscyclus, zoals de tijdsduur gedurende welke het gereedschap is uitgeschakeld en stationair draait, naast de ingeschakelde tijdsduur).

Verklaringen van conformiteit

Alleen voor Europese landen

De verklaringen van conformiteit zijn bijgevoegd in Bijlage A bij deze gebruiksaanwijzing.

VEILIGHEIDSWAAR- SCHUWINGEN

Algemene veiligheids waarschuwingen voor elektrisch gereedschap

⚠️WAARSCHUWING Lees alle veiligheidswaar-
schuwingen, instructies, afbeeldingen en techni-
sche gegevens die bij dit elektrisch gereedschap
worden geleverd. Als niet alle onderstaande instructies
worden opgevolgd, kan dat leiden tot een elektrische
shok, brand en/of ernstig letsel.

Bewaar alle waarschuwingen en instructies om in de toekomst te kunnen raadplegen.

De term "elektrisch gereedschap" in de veiligheidsvoor-
schriften duidt op gereedschappen die op stroom van
het lichtnet werken (met snoer) of gereedschappen met
een accu (snoerloos).

Veiligheids waarschuwingen voor een heggenschaar

1. **Gebruik de heggenschaar niet onder slechte weersomstandigheden, met name wanneer de kans op bliksem bestaat.** Dit verkleint de kans om door de bliksem getroffen te worden.
2. **Houd alle netsnoeren en kabels uit de buurt van het snoeigebied.** Netsnoeren en kabels kunnen verborgen liggen in heggen of struiken en kunnen per ongeluk worden doorgesneden door de messenbladen.
3. **Draag gehoorbescherming.** Afdoende beschermingsmiddelen verkleint het risico van gehoorschade.
4. **Houd de heggenschaar alleen vast bij de geïsoleerde oppervlakken omdat de messenbladen met verborgen bedrading of het eigen snoer in aanraking kunnen komen.** Wanneer de messenbladen in aanraking komen met onder spanning staande draden, zullen de niet-geïsoleerde metalen delen van de heggenschaar onder spanning komen te staan zodat de gebruiker een elektrische schok kan krijgen.
5. **Houd alle lichaamsdelen uit de buurt van de messenbladen. Verwijder geen snoeiafval en houd geen materiaal om te snoeien vast terwijl de messenbladen bewegen.** De messenbladen blijven bewegen nadat de schakelaar is uitgezet. Een ogenblik van onoplettendheid kan tijdens het gebruik van de heggenschaar leiden tot ernstig persoonlijk letsel.
6. **Bij het verwijderen van vastgelopen materiaal of uitvoeren van onderhoud aan de heggenschaar, verzekert u zich ervan dat alle aan-uitschakelaars uit staan en de stekker van het netsnoer uit het stopcontact is getrokken.** Onverwachte inschakeling van de heggenschaar tijdens het verwijderen van vastgelopen materiaal of uitvoeren van onderhoud, kan leiden tot ernstig persoonlijk letsel.

7. **Draag de heggenschaar aan de handgreep met stilstande messenbladen en let erop dat u geen enkele aan-uitschakelaar bedient.** Door op de juiste manier de heggenschaar te dragen, verkleint u de kans op per ongeluk starten met als gevolg persoonlijk letsel door de messenbladen.
8. **Bij het transporteren of opbergen van de heggenschaar moet altijd de schede worden aangebracht over de messenbladen.** Door op de juiste manier met de heggenschaar om te gaan, verkleint u de kans op persoonlijk letsel door de messenbladen.

Aanvullende veiligheids waarschuwingen:

1. **Gebruik de heggenschaar niet in de regen of onder natte of zeer vochtige omstandigheden.** De elektromotor is niet waterdicht.
2. **Beginnende gebruikers dienen door een ervaren gebruiker van heggenscharen te worden voorgedaan hoe de heggenschaar moet worden gebruikt.**
3. **De heggenschaar mag niet worden gebruikt door kinderen of jeugd jonger dan 18 jaar.** Jongeren ouder dan 16 jaar kunnen uitgezonderd worden van deze regel mits zij les krijgen onder toezicht van een expert.
4. **Gebruik de heggenschaar alleen als u in goede lichamelijke conditie bent.** Als u vermoeid bent, kunt u zich minder goed concentreren. Wees met name voorzichtig aan het einde van de werkdag. Werk altijd rustig en voorzichtig. De gebruiker is aansprakelijk voor alle schade toegebracht aan derden.
5. **Gebruik de heggenschaar nooit onder invloed van alcohol, drugs of medicijnen.**
6. **Controleer of de spanning en frequentie van de netvoeding overeenkomen met de technische gegevens vermeld op het typeplaatje.** Wij adviseren u een op reststroom werkende stroomonderbreker (aardlekstroomonderbreker) met een uitschakelstroomsterkte van 30 mA of minder, of een aardlekstroombeveiliging te gebruiken.
7. **Werkhandschoenen van stevig leer maken deel uit van de standaard werkuitrusting van de heggenschaar en moeten tijdens het werken ermee altijd worden gedragen.** Draag tevens stevige schoenen met antislip zolen.
8. **Alvorens met de werkzaamheden te beginnen, moet u controleren of de heggenschaar in goede en veilige staat verkeert.** Controleer dat de beschermkappen stevig gemonteerd zijn. Controleer de kabel op beschadigingen voordat u de werkzaamheden begint, en vervang hem zo nodig. De heggenschaar mag niet worden gebruikt voordat deze geheel compleet en afgemonteerd is.
9. **Houd het snoer uit de buurt van de plaats waar u snoeit.** Werk altijd zodanig dat het verlengsnoer achter u ligt.
10. **Trek de stekker onmiddellijk uit het stopcontact als de kabel beschadigd of doorgesneden is.**
11. **Zorg alvorens met de werkzaamheden te beginnen ervoor dat u stevig staat.**
12. **Het is bijzonder gevaarlijk met de heggenschaar te ver te reiken, met name op een ladder.** Werk niet vanaf een wankel of instabiel iets.
13. **Houd tijdens het gebruik het gereedschap stevig vast.**

14. Controleer de heggen en struiken op vreemde voorwerpen, zoals draadafrastering of verborgen draden, voordat u het gereedschap gebruikt.
15. Schakel de motor onmiddellijk uit en trek de stekker uit het stopcontact wanneer het snijgarnituur in aanraking komt met een afrastering of ander hard voorwerp. Controleer het snijgarnituur op beschadigingen en indien nodig repareer het onmiddellijk.
16. Alvorens het snijgarnituur te controleren, storingen te verhelpen of vastgelopen materiaal uit het snijgarnituur te verwijderen, schakelt u de heggenschaar altijd uit en trekt u de stekker uit het stopcontact.
17. Schakel de heggenschaar uit, trek de stekker uit het stopcontact en beveilig deze voordat u enige onderhoudswerkzaamheden uitvoert.
18. Wanneer u de heggenschaar naar een andere plaats overbrengt, ook tijdens het werk, trekt u altijd de stekker uit het stopcontact en brengt u de schede aan over de messenbladen. Draag of vervoer de heggenschaar nooit met ingeschaarde snijgarnituur. Pak het snijgarnituur nooit met uw handen beet.
19. Reinig de heggenschaar, en met name het snijgarnituur, na ieder gebruik en voordat de heggenschaar langdurig wordt opgeborgen. Smeer het snijgarnituur met een beetje olie en breng de schede aan. De schede die bij het gereedschap is geleverd kan aan een muur worden gehangen zodat de heggenschaar praktisch en veilig opgeborgen kan worden.
20. Berg de heggenschaar op met aangebrachte schede in een droog vertrek. Houd het gereedschap buiten bereik van kinderen. Bewaar de heggenschaar nooit buiten.
21. Richt de messenbladen nooit op uzelf of anderen.
22. Als de messenbladen tijdens gebruik stoppen met bewegen doordat vreemde voorwerpen verstrikt geraakt zijn tussen de messenbladen, schakelt u het gereedschap uit en trekt u de stekker uit het stopcontact, en verwijdert u vervolgens de vreemde voorwerpen met behulp van gereedschappen, zoals een tang. Als u de vreemde voorwerpen met de hand verwijdert, kan dat leiden tot letsel omdat de messenbladen kunnen gaan bewegen als reactie op het verwijderen van de vreemde voorwerpen.
23. Vermijd gevaarlijke omgevingen. Gebruik het gereedschap niet op vochtige of natte plaatsen en stel het niet bloot aan regen. Als water binnendringt in het gereedschap, wordt de kans op een elektrische schok groter.

BEWAAR DEZE VOORSCHRIFTEN.

⚠WAARSCHUWING: Laat u NIET misleiden door een vals gevoel van comfort en bekendheid met het gereedschap (na veelvuldig gebruik) en neem alle veiligheidsvoorschriften van het betreffende gereedschap altijd strikt in acht. VERKEERD GEBRUIK of het niet naleven van de veiligheidsvoorschriften in deze gebruiksaanwijzing kan leiden tot ernstig letsel.

BESCHRIJVING VAN DE FUNCTIES

⚠LET OP: Controleer altijd of het gereedschap is uitgeschakeld en de stekker ervan uit het stopcontact is verwijderd alvorens de functies op het gereedschap te controleren of af te stellen.

⚠LET OP: Plaats de schede over de messenbladen voordat u de werking van het gereedschap aanpast of controleert.

In- en uitschakelen

- Fig. 1: 1. Trekkerschakelaar B 2. Trekkerschakelaar A 3. Trekkerschakelaar C

Omwille van uw veiligheid is dit gereedschap uitgerust met een drievoudig in-/uitschakelsysteem. Om het gereedschap in te schakelen, knijpt u trekkerschakelaar B in en drukt u tegelijkertijd trekkerschakelaar A of C in. Laat een van de twee ingedrukte trekkerschakelaars los om het gereedschap uit te schakelen. De bedieningsvolgorde van de schakelaars is niet van belang aangezien het gereedschap alleen start wanneer beide schakelaars worden bediend.

Horizontaal snoeien

- Fig. 2

Om de heg horizontaal te snoeien, bedient u de trekkerschakelaars A en B.

Verticaal snoeien

- Fig. 3

Om met beide handen verticaal omhoog te snoeien, bedient u de trekkerschakelaars B en C en houdt u het gereedschap vóór uw lichaam.

MONTAGE

⚠LET OP: Zorg altijd dat het gereedschap is uitgeschakeld en dat zijn stekker uit het stopcontact is verwijderd alvorens enig werk aan het gereedschap uit te voeren.

Het verlengsnoer aansluiten

⚠LET OP: Verzeker u ervan dat de stekker van het verlengsnoer uit het stopcontact is getrokken.

- Fig. 4: 1. Hakenpaar 2. Verlengsnoer 3. Netsnoer van het gereedschap

Wanneer u het verlengsnoer aansluit, bevestigt u dit met behulp van het hakenpaar aan het netsnoer van het gereedschap. Bevestig de haak ongeveer 100 tot 200 mm vanaf de stekker van het verlengsnoer. Dit helpt onbedoeld losraken te voorkomen.

Heupsnoerhaak

⚠️ LET OP: Bevestig de houder van de heupsnoerhaak niet aan iets anders dan het verlengsnoer. Bevestig hem niet in een positie dicht bij het gereedschap, voorbij het hakenpaar. Als u dat toch doet, kan dat leiden tot een ongeval of persoonlijk letsel.

⚠️ LET OP: Bevestig één haak van het hakenpaar stevig aan het netsnoer van het gereedschap en de andere haak van het hakenpaar aan het verlengsnoer. Als u met het gereedschap werkt terwijl slechts één haak is bevestigd, kan dat leiden tot een ongeval of letsel.

Het gebruik van de heupsnoerhaak minimaliseert het risico van onbedoeld doorsnijden van het verlengsnoer als gevolg van een loshangend verlengsnoer.

► **Fig.5:** 1. Haak 2. Gereedschap 3. Netsnoer van het gereedschap 4. Hakenpaar 5. Verlengsnoer 6. Houder 7. Heupsnoerhaak

Druk het snoer door de opening van de houder of trek het eruit.

► **Fig.6:** 1. Houder 2. Snoer

⚠️ LET OP: Forceer de opening van de houder niet. Als u dat toch doet, kan deze vervormd en beschadigd raken.

Armsnoerhaak (accessoire)

⚠️ LET OP: Bevestig de houder van de armsnoerhaak niet aan iets anders dan het verlengsnoer. Bevestig hem niet in een positie dicht bij het gereedschap, voorbij het hakenpaar. Als u dat toch doet, kan dat leiden tot een ongeval of persoonlijk letsel.

⚠️ LET OP: Bevestig één haak van het hakenpaar stevig aan het netsnoer van het gereedschap en de andere haak van het hakenpaar aan het verlengsnoer. Als u met het gereedschap werkt terwijl slechts één haak is bevestigd, kan dat leiden tot een ongeval of letsel.

Het gebruik van de armsnoerhaak minimaliseert het risico van onbedoeld doorsnijden van het verlengsnoer als gevolg van een loshangend verlengsnoer.

► **Fig.7:** 1. Houder 2. Armsnoerhaak

Bevestig de armsnoerhaak stevig om uw arm en druk het verlengsnoer in de houder. De lengte van de band van de armsnoerhaak is verstelbaar.

OPMERKING: Plaats het verlengsnoer niet onder de band.

OPMERKING: Forceer de opening van de houder niet. Als u dat toch doet, kan deze vervormd en beschadigd raken.

OPMERKING: Het is nog handiger om de armsnoerhaak te gebruiken in combinatie met de heupsnoerhaak.

BEDIENING

⚠️ LET OP: Wees voorzichtig niet per ongeluk een metalen afrastering of andere harde voorwerpen te raken tijdens het snoeien. De messenbladen zullen breken en kunnen ernstig letsel veroorzaken.

⚠️ LET OP: Het is bijzonder gevaarlijk met de heggenschaar te ver te reiken, met name op een ladder. Werk niet vanaf iets dat wankel of instabiel is.

KENNISGEVING: Probeer geen takken dikker dan 10 mm diameter te snoeien met het gereedschap. Snoei deze takken met behulp van een snoeischaar af op 10 cm lager dan de snoeihoogte voordat u het gereedschap gebruikt.

► **Fig.8:** (1) Snoeihoogte (2) 10 cm

⚠️ LET OP: Snoei geen dode bomen of andere harde voorwerpen. Als u zich hier niet aan houdt, kan het gereedschap worden beschadigd.

Houd de heggenschaar met beide handen vast, bedien de trekkerschakelaar A of B en houd het gereedschap vóór uw lichaam.

► **Fig.9**

Als standaardmethode houdt u de messenbladen gekanteld in de snoeirichting en beweegt u ze rustig en langzaam met een snelheid van 3 - 4 seconden per meter.

► **Fig.10:** 1. Snoeirichting 2. Kantel de messenbladen 3. Oppervlak om te snoeien

Om de bovenkant van een heg gelijkmatig te snoeien, is het handig een touwtje op de gewenste hoogte te spannen en er langs te snoeien met dit touwtje als referentielijn.

► **Fig.11:** 1. Touwtje

Door de snoeiafvalvanger (accessoire) aan het gereedschap te bevestigen wanneer u de heg snoeit, kunt u voorkomen dat het snoeisel op de grond valt.

► **Fig.12**

Om de zijkant van een heg gelijkmatig te snoeien, is het handig om van onder naar boven te snoeien.

► **Fig.13**

Snoei buxus en rododendron van onder naar boven voor een mooie afwerking en een professioneel resultaat.

► **Fig.14**

De snoeiafvalvanger (accessoire) aanbrengen en verwijderen

⚠ LET OP: Verzeker u er altijd van dat het gereedschap is uitgeschakeld en de stekker uit het stopcontact is getrokken alvorens de snoeiafvalvanger aan te brengen of te verwijderen.

OPMERKING: Draag tijdens het vervangen van de snoeiafvalvanger altijd handschoenen zodat uw handen en gezicht niet rechtstreeks in aanraking komen met de messenbladen. Als u dit niet doet, kan persoonlijk letsel ontstaan.

OPMERKING: Verwijder altijd de schede voordat u de snoeiafvalvanger aanbrengt.

OPMERKING: De snoeiafvalvanger vangt snoeisels op en vereenvoudigt het opruimen van het snoeisels. Hij kan aan beide kanten van het gereedschap worden aangebracht.

- **Fig.15:** 1. Indrukken 2. Snoeiafvalvanger 3. Moer 4. Messenbladen

De snoeiafvalvanger moet zodanig worden aangebracht dat de haken ervan vallen in de groeven in de messenbladen.

- **Fig.16:** 1. Haken 2. Pas de haken in de groeven 3. Groeven

Om de snoeiafvalvanger te verwijderen, drukt u de hendels aan beide kanten in zodat de haken worden ontgrendeld.

- **Fig.17:** 1. Druk de hendels aan beide kanten in 2. De haken worden ontgrendeld

⚠ LET OP: De schede (standaard toebehoren) kan niet worden aangebracht op het gereedschap terwijl de snoeiafvalvanger is aangebracht.

Alvorens te dragen of op te bergen, verwijdert u de snoeiafvalvanger en brengt u de schede aan om blootstelling aan de messenbladen te voorkomen.

OPMERKING: Controleer vóór gebruik of de snoeiafvalvanger stevig is aangebracht.

OPMERKING: Probeer de snoeiafvalvanger nooit met grote kracht te verwijderen terwijl de haken vergrendeld zijn in de groeven van de messenbladen. Door het uitoefenen van grote kracht kan hij worden beschadigd.

ONDERHOUD

⚠ LET OP: Zorg altijd dat het gereedschap is uitgeschakeld en zijn stekker uit het stopcontact is verwijderd alvorens te beginnen met inspectie of onderhoud.

Het gereedschap reinigen

Reinig het gereedschap door het vuil eraf te vegen met een droge of met zeepwater bevochtigde doek.

KENNISGEVING: Gebruik nooit benzine, wasbenzine, thinner, alcohol en dergelijke. Hierdoor kunnen verkleuring, vervormingen en barsten worden veroorzaakt.

Onderhoud van messenbladen

Smeer de messenbladen vóór gebruik en elk half uur tijdens gebruik met machineolie of een soortgelijk smeermiddel.

Verwijder na gebruik het vuil vanaf beide kanten van de messenbladen met behulp van een draadborstel, veeg ze schoon met een doek en breng daarna voldoende olie met een lage viscositeit aan, zoals machineolie, e.d. of smeerolie uit een spuitbus.

⚠ LET OP: Was de messenbladen niet in water. Als u dit toch doet, kan het gereedschap gaan roesten of worden beschadigd.

⚠ LET OP: Draag handschoenen tijdens het onderhouden van de messenbladen.

Opbergen

Breng de schede aan over de messenbladen om blootstelling aan de messenbladen te voorkomen. Bewaar het gereedschap voorzichtig buiten bereik van kinderen. Bewaar het gereedschap op een plaats die niet is blootgesteld aan water of regen.

Om de VEILIGHEID en BETROUWBAARHEID van het gereedschap te handhaven, dienen alle reparaties, inspectie en vervanging van de koolborstels, en alle andere onderhoudswerkzaamheden of afstellingen te worden uitgevoerd bij een erkend Makita-servicecentrum of Makita-fabrieksservicecentrum, en altijd met gebruik van Makita-vervangingsonderdelen.

OPTIONELE ACCESSOIRES

⚠ LET OP: Deze accessoires of hulpstukken worden aanbevolen voor gebruik met het Makita gereedschap dat in deze gebruiksaanwijzing is beschreven. Bij gebruik van andere accessoires of hulpstukken bestaat het gevaar van persoonlijke letsel. Gebruik de accessoires of hulpstukken uitsluitend voor hun bestemde doel.

Wenst u meer bijzonderheden over deze accessoires, neem dan contact op met het plaatselijke Makita-servicecentrum.

- Schede
- Haak compleet
- Snoeiafvalvanger
- Haak voor heupkoord
- Haak voor armkoord

OPMERKING: Sommige items op de lijst kunnen zijn inbegrepen in de doos van het gereedschap als standaard toebehoren. Deze kunnen van land tot land verschillen.

ESPECIFICACIONES

Modelo:	UH4261	UH4861	UH5261
Longitud de la cuchilla	420 mm	480 mm	520 mm
Carreras por minuto	1.600 min ⁻¹		
Longitud total	821 mm	871 mm	921 mm
Peso neto	3,0 - 3,1 kg		
Clase de seguridad	□/II		

- Debido a nuestro continuado programa de investigación y desarrollo, las especificaciones aquí dadas están sujetas a cambios sin previo aviso.
- Las especificaciones pueden ser diferentes de país a país.
- El peso puede variar dependiendo del accesorio(s). La combinación menos pesada y la más pesada, de acuerdo con el procedimiento EPTA 01/2014, se muestran en la tabla.

Símbolos

A continuación se muestran los símbolos que pueden ser utilizados para el equipo. Asegúrese de que entienda su significado antes de utilizar.

	Lea el manual de instrucciones.
	DOBLE AISLAMIENTO
	Póngase gafas de seguridad.
	Utilice protección para los ojos y oídos.
	PELIGRO - Mantenga las manos alejadas de la cuchilla.
	No exponer a la lluvia.
	No exponer a la lluvia.
	Retire la clavija de la toma de corriente inmediatamente si el cable está dañado o cortado.



Sólo para países de la Unión Europea
Debido a la presencia de componentes peligrosos en el equipo, el equipo eléctrico y electrónico desechado puede tener un impacto negativo para el medioambiente y la salud humana.

¡No tire los aparatos eléctricos y electrónicos junto con los residuos domésticos!
De conformidad con las Directivas Europeas sobre residuos de aparatos eléctricos y electrónicos, y su adaptación a la ley nacional, el equipo eléctrico y electrónico desechado deberá ser recogido por separado y trasladado a un punto distinto de recogida de desechos municipales, que cumpla con los reglamentos de protección medioambiental.

Esto se indica mediante el símbolo de cubo de basura tachado colocado en el equipo.



Nivel de potencia del sonido garantizado de acuerdo con la Directiva UE sobre ruido ambiental.



Nivel de potencia del sonido de acuerdo con el reglamento para el control de ruido en NSW, Australia

Uso previsto

La herramienta ha sido prevista para recortar setos.

Alimentación

La herramienta deberá ser conectada solamente a una fuente de alimentación de la misma tensión que la indicada en la placa de características, y solamente puede ser utilizada con alimentación de CA monofásica. La herramienta tiene doble aislamiento y puede, por lo tanto, utilizarse también en tomas de corriente sin conductor de tierra.

Ruido

El nivel de ruido A-ponderado típico determinado de acuerdo con la norma EN62841-4-2:

Modelo	Nivel de presión del sonido		Nivel de potencia de sonido garantizado	Nivel de potencia de sonido medido	
	L _{pA} (dB(A))	Incertidumbre K (dB(A))	L _{WA} (dB(A))	L _{WA} (dB(A))	Incertidumbre K (dB(A))
UH4261	85	3	96	93	2,1
UH4861	85	3	96	93	2,1
UH5261	85	3	96	93	2,1

NOTA: El valor (o los valores) de emisión de ruido declarado ha sido medido de acuerdo con un método de prueba estándar y se puede utilizar para comparar una herramienta con otra.

NOTA: El valor (o valores) de emisión de ruido declarado también se puede utilizar en una valoración preliminar de exposición.

⚠ ADVERTENCIA: Póngase protectores para oídos.

⚠ ADVERTENCIA: La emisión de ruido durante la utilización real de la herramienta eléctrica puede variar del valor (o los valores) de emisión declarado dependiendo de las formas en las que la herramienta sea utilizada, especialmente qué tipo de pieza de trabajo se procesa.

⚠ ADVERTENCIA: Asegúrese de identificar medidas de seguridad para proteger al operario que estén basadas en una estimación de la exposición en las condiciones reales de utilización (teniendo en cuenta todas las partes del ciclo operativo como las veces cuando la herramienta está apagada y cuando está funcionando en vacío además del tiempo de gatillo).

Vibración

El valor total de la vibración (suma de vectores triaxiales) determinado de acuerdo con la norma EN62841-4-2:

Modo de trabajo: recorte de setos

Modelo	Emisión de vibración (a _v) : (m/s ²)	Incertidumbre (K) : (m/s ²)
UH4261	6,7	1,5
UH4861	6,7	1,5
UH5261	6,7	1,5

NOTA: El valor (o los valores) total de emisión de vibración declarado ha sido medido de acuerdo con un método de prueba estándar y se puede utilizar para comparar una herramienta con otra.

NOTA: El valor (o los valores) total de emisión de vibración declarado también se puede utilizar en una valoración preliminar de exposición.

⚠ ADVERTENCIA: La emisión de vibración durante la utilización real de la herramienta eléctrica puede variar del valor (o los valores) de emisión declarado dependiendo de las formas en las que la herramienta sea utilizada, especialmente qué tipo de pieza de trabajo se procesa.

⚠ ADVERTENCIA: Asegúrese de identificar medidas de seguridad para proteger al operario que estén basadas en una estimación de la exposición en las condiciones reales de utilización (teniendo en cuenta todas las partes del ciclo operativo como las veces cuando la herramienta está apagada y cuando está funcionando en vacío además del tiempo de gatillo).

Declaraciones de conformidad

Para países europeos solamente

Las declaraciones de conformidad están incluidas como Anexo A de este manual de instrucciones.

ADVERTENCIAS DE SEGURIDAD

Advertencias de seguridad para herramientas eléctricas en general

⚠ADVERTENCIA Lea todas las advertencias de seguridad, instrucciones, ilustraciones y especificaciones provistas con esta herramienta eléctrica. Si no sigue todas las instrucciones indicadas abajo, podrá resultar en una descarga eléctrica, un incendio y/o heridas graves.

Guarde todas las advertencias e instrucciones para futuras referencias.

El término "herramienta eléctrica" en las advertencias se refiere a su herramienta eléctrica de funcionamiento con conexión a la red eléctrica (con cable) o herramienta eléctrica de funcionamiento a batería (sin cable).

Advertencias de seguridad para el cortasetos

1. **No utilice el cortasetos en malas condiciones meteorológicas, especialmente cuando haya riesgo de relámpagos.** Esto disminuirá el riesgo de sufrir el impacto de un rayo.
2. **Mantenga todos los cables de alimentación y otros cables alejados del área de corte.** Puede haber cables de alimentación u otros cables ocultos en los setos o arbustos y la cuchilla puede cortarlos accidentalmente.
3. **Póngase protectores para oídos.** Un equipo de protección adecuado reducirá el riesgo de pérdida auditiva.
4. **Sujete el cortasetos por las superficies de aislamiento aisladas solamente, porque la cuchilla puede entrar en contacto con cableado oculto o con su propio cable.** El contacto de las cuchillas con un cable con corriente hará que la corriente circule por las partes metálicas expuestas del cortasetos y podrá soltar una descarga eléctrica al operario.
5. **Mantenga todas las partes del cuerpo alejadas de la cuchilla. No retire el material cortado o sujete el material que va a cortar cuando las cuchillas estén moviéndose.** Las cuchillas siguen moviéndose después de desactivar el interruptor. Un momento de inatención mientras está operando el cortasetos puede resultar en heridas personales graves.
6. **Cuando retire material atascado o haga el servicio al cortasetos, asegúrese de que todos los interruptores de alimentación están desactivados y que el cable de alimentación está desconectado.** Una puesta en marcha inesperada del cortasetos mientras retira material atascado o hace el servicio podrá resultar en heridas personales graves.
7. **Transporte el cortasetos agarrándolo por el mango con la cuchilla parada y teniendo cuidado de no activar ningún interruptor de alimentación.** Un transporte correcto del cortasetos disminuirá el riesgo de una puesta en marcha involuntaria que podría resultar en heridas personales con las cuchillas.

8. **Cuando transporte o almacene el cortasetos, utilice siempre la cubierta de las cuchillas.** Un manejo correcto del cortasetos disminuirá el riesgo de heridas personales con las cuchillas.

Advertencias de seguridad adicionales:

1. **No utilice el cortasetos en la lluvia ni en condiciones mojadas o muy húmedas.** El motor eléctrico no es a prueba de agua.
2. **Los usuarios que utilicen el cortasetos por primera vez tendrán que tener con ellos un usuario con experiencia en el uso de cortasetos para enseñarles cómo utilizar el cortasetos.**
3. **El cortasetos no debe ser utilizado por niños ni personas jóvenes de menos de 18 años de edad.** Las personas jóvenes de más de 16 años de edad pueden excluirse de esta restricción si están recibiendo preparación bajo la supervisión de un experto.
4. **Utilice el cortasetos solamente si se encuentra en buena condición física.** Si está cansado, su atención se reducirá. Tenga cuidado especial al final de la jornada laboral. Realice todo el trabajo con calma y con cuidado. El usuario es responsable de todos los daños causados a terceros.
5. **No utilice nunca el cortasetos cuando esté bajo la influencia de alcohol, drogas o medicamento.**
6. **Compruebe para asegurarse de que la tensión y la frecuencia del suministro de alimentación corresponden con las especificaciones ofrecidas en la placa de identificación.** Se recomienda utilizar un disyuntor accionado por corriente residual (interruptor diferencial) con una corriente de desconexión de 30 mA o menos, o un protector de fuga de corriente a tierra.
7. **Los guantes de trabajo de cuero resistente son parte del equipo básico del cortasetos y se deben llevar puestos siempre que se trabaje con él.** Póngase también zapatos robustos con suelas antideslizantes.
8. **Antes de comenzar el trabajo, compruebe para asegurarse de que el cortasetos está en buen estado de funcionamiento y que se puede usar con seguridad.** Asegúrese de que los protectores están colocados debidamente. Compruebe el cable por si está dañado antes de comenzar el trabajo y reemplácelo si es necesario. El cortasetos no debe ser utilizado a menos que esté totalmente ensamblado.
9. **Mantenga el cable alejado del área de corte.** Trabaje siempre de una manera que el cable de alimentación de extensión esté detrás de usted.
10. **Retire la clavija de la toma de corriente inmediatamente si el cable está dañado o cortado.**
11. **Asegúrese de que tiene suelo firme antes de comenzar la operación.**
12. **Recortar con un cortasetos donde no se alcanza, particularmente desde una escalera, es extremadamente peligroso.** No trabaje desde cualquier cosa que se tambalee o no esté bien firme.
13. **Sujete la herramienta firmemente cuando la esté utilizando.**

14. Compruebe los setos y arbustos por si tienen objetos extraños, tal como cercas alambradas o cables ocultos antes de utilizar la herramienta.
15. Apague el motor inmediatamente y desenchufe la clavija de la toma de corriente si la cuchilla entra en contacto con una valla u otro objeto duro. Compruebe la cuchilla por si está dañada, y si está dañada repárela inmediatamente.
16. Antes de comprobar la cuchilla, ocuparse de los fallos, o retirar material enganchado en la cuchilla, siempre apague el cortasetos y desenchufe la clavija de la toma de corriente.
17. Apague el cortasetos y desconecte la clavija de la toma de corriente y protéjala antes de hacer cualquier trabajo de mantenimiento.
18. Cuando mueva el cortasetos a otro lugar, incluyendo durante el trabajo, siempre desenchufe la clavija de la toma de corriente y ponga la cubierta de las cuchillas sobre las cuchillas de corte. No transporte nunca el cortasetos con la cuchilla en movimiento. No agarre nunca la cuchilla con las manos.
19. Limpie el cortasetos y especialmente la cuchilla después de la utilización, y antes de almacenar el cortasetos durante periodos de tiempo largos. Enaceite ligeramente la cuchilla y póngale la cubierta. La cubierta suministrada con la unidad se puede colgar en la pared, ofreciendo una forma segura y práctica de almacenar el cortasetos.
20. Almacene el cortasetos con la cubierta puesta, en un cuarto seco. Manténgalo alejado del alcance de los niños. No almacene nunca el cortasetos en exteriores.
21. No dirija nunca las cuchillas de tijeras hacia usted u otros.
22. Si las cuchillas dejan de moverse debido al atasco de objetos extraños entre las cuchillas durante la operación, apague la herramienta y desenchufe la clavija de la toma de corriente, y después retire los objetos extraños utilizando implementos como unos alicates. Retirar los objetos extraños con la mano puede ocasionar heridas por el hecho de que las cuchillas pueden moverse como reacción al retirar los objetos extraños.
23. Evite los entornos peligrosos. No utilice la herramienta en lugares húmedos o mojados ni la esponja a la lluvia. La entrada de agua en la herramienta aumentará el riesgo de que se produzca una descarga eléctrica.

GUARDE ESTAS INSTRUCCIONES.

⚠ADVERTENCIA: NO deje que la comodidad o familiaridad con el producto (a base de utilizarlo repetidamente) sustituya la estricta observancia de las normas de seguridad para el producto en cuestión. El MAL USO o el no seguir las normas de seguridad establecidas en este manual de instrucciones podrá ocasionar heridas personales graves.

DESCRIPCIÓN DEL FUNCIONAMIENTO

⚠PRECAUCIÓN: Asegúrese siempre de que la herramienta está apagada y desenchufada antes de intentar realizar cualquier tipo de ajuste o comprobación en ella.

⚠PRECAUCIÓN: Ponga la cubierta de las cuchillas sobre las cuchillas de tijeras antes de ajustar o comprobar una función de la herramienta.

Accionamiento del interruptor

► Fig.1: 1. Gatillo interruptor B 2. Gatillo interruptor A 3. Gatillo interruptor C

Por su propia seguridad, esta herramienta está equipada con un sistema de conmutación triple. Para poner en marcha la herramienta, presione el gatillo interruptor B y, al mismo tiempo, presione el gatillo interruptor A o C. Para apagar, libere cualquiera de los dos gatillos interruptores que ha presionado. El orden de la conmutación no es importante porque la herramienta solamente se pone en marcha cuando se activan ambos interruptores.

Corte recto

► Fig.2

Para recortar el seto en línea recta, apriete los gatillos interruptores A y B.

Corte vertical

► Fig.3

Corte hacia arriba apretando los gatillos interruptores B y C con ambas manos y moviendo la herramienta por delante de su cuerpo.

MONTAJE

⚠PRECAUCIÓN: Asegúrese siempre de que la herramienta está apagada y desenchufada antes de realizar cualquier trabajo en la herramienta.

Enlazamiento del cable de extensión

⚠PRECAUCIÓN: Asegúrese de que el cable de extensión está desenchufado de la toma de corriente.

► Fig.4: 1. Gancho completo 2. Cable de extensión 3. Cable de la herramienta

Cuando enlace el cable de extensión, sujételo en el cable de la herramienta con el gancho completo. Coloque el gancho a unos 100 - 200 mm del conector del cable de extensión. Esto ayudará a evitar una desconexión involuntaria.

Gancho de cintura para cable

⚠️ PRECAUCIÓN: No coloque el soporte del gancho de cintura para cable en ningún sitio que no sea el cable de extensión. No lo coloque en una posición cercana a la herramienta más allá del gancho completo. En caso contrario podrá ocasionar un accidente o heridas personales.

⚠️ PRECAUCIÓN: Coloque firmemente un gancho del gancho completo en el cable de la herramienta y el otro gancho del gancho completo en el cable de extensión. Trabajar con la herramienta con solo un único gancho colocado podrá ocasionar un accidente y heridas.

La utilización del gancho de cintura para cable ayudará a reducir el riesgo de que el cable de extensión ande suelto y sea cortado inesperadamente.

► **Fig.5:** 1. Gancho 2. Herramienta 3. Cable de la herramienta 4. Gancho completo 5. Cable de extensión 6. Soporte 7. Gancho de cintura para cable

Presione hacia dentro o extraiga el cable a través de la abertura del soporte.

► **Fig.6:** 1. Soporte 2. Cable

⚠️ PRECAUCIÓN: No fuerce la abertura del soporte. En caso contrario podrá ocasionar una desviación y daños al mismo.

Gancho de brazo para cable (accesorio)

⚠️ PRECAUCIÓN: No coloque el soporte del gancho de brazo para cable en ningún sitio que no sea el cable de extensión. No lo coloque en una posición cercana a la herramienta más allá del gancho completo. En caso contrario podrá ocasionar un accidente o heridas personales.

⚠️ PRECAUCIÓN: Coloque firmemente un gancho del gancho completo en el cable de la herramienta y el otro gancho del gancho completo en el cable de extensión. Trabajar con la herramienta con solo un único gancho colocado podrá ocasionar un accidente y heridas.

La utilización del gancho de brazo para cable ayuda a reducir el riesgo de que el cable de extensión ande suelto y sea cortado inesperadamente.

► **Fig.7:** 1. Soporte 2. Gancho de brazo para cable

Coloque firmemente el gancho de brazo para cable colocándolo alrededor de su brazo y pasando el cable de extensión a través del soporte. La longitud de la banda del gancho de brazo para cable es ajustable.

NOTA: No pase el cable de extensión a través de la banda.

NOTA: No fuerce la abertura del soporte. En caso contrario podrá ocasionar una desviación y daños al mismo.

NOTA: Utilizar el gancho de brazo para cable junto con el gancho de cintura para cable es más favorable.

OPERACIÓN

⚠️ PRECAUCIÓN: Tenga cuidado de no hacer contacto accidental con una valla de metal u otros objetos duros mientras recorta. La cuchilla se romperá y podrá ocasionar heridas graves.

⚠️ PRECAUCIÓN: Recortar con un cortasetos donde no se alcanza, particularmente desde una escalera, es extremadamente peligroso. No trabaje desde cualquier cosa que se tambalee o no esté bien firme.

AVISO: No intente cortar ramas más gruesas de 10 mm de diámetro con la herramienta. Corte las ramas a 10 cm por debajo de la altura de corte utilizando cortadores de ramas antes de utilizar la herramienta.

► **Fig.8:** (1) Altura de corte (2) 10 cm

⚠️ PRECAUCIÓN: No corte árboles muertos u objetos duros similares. En caso contrario podrá dañar la herramienta.

Sujete el cortasetos con ambas manos, apriete el gatillo interruptor A o B, y mueva el cortasetos por delante de su cuerpo.

► **Fig.9**

Como operación básica, incline las cuchillas hacia la dirección de recorte y avance con calma y despacio a una velocidad de 3 - 4 segundos por metro.

► **Fig.10:** 1. Dirección de recorte 2. Incline las cuchillas 3. Superficie del seto a recortar

Para cortar uniformemente la parte superior de un seto, ayudará el atar una cuerda a la altura deseada del seto y recortar a lo largo de ella, utilizándola como línea de referencia.

► **Fig.11:** 1. Cuerda

La colocación del receptor de virutas (accesorio) en la herramienta cuando se recorte el seto en línea recta puede evitar que las hojas cortadas se esparzan.

► **Fig.12**

Para cortar el costado de un seto uniformemente, ayudará si se corta desde abajo hacia arriba.

► **Fig.13**

Recorte el boj o rododendro desde la base hacia la parte superior para una apariencia bonita y un buen trabajo.

► **Fig.14**

Instalación o desmontaje del receptor de virutas (acesorio)

⚠PRECAUCIÓN: Asegúrese siempre de que la herramienta está apagada y desenchufada antes de instalar o desmontar el receptor de virutas.

NOTA: Cuando reemplace el receptor de virutas, póngase siempre guantes de forma que sus manos y cara no entren en contacto directo con la cuchilla. En caso contrario podrán producirse heridas personales.

NOTA: Asegúrese siempre de retirar la cubierta de las cuchillas antes de instalar el receptor de virutas.

NOTA: El receptor de virutas recibe las hojas cortadas y alivia la recogida de hojas esparcidas. Se puede instalar en cualquiera de los costados de la herramienta.

- **Fig.15:** 1. Presionar 2. Receptor de virutas
3. Tuerca 4. Cuchilla de tijeras

Ahora, el receptor de virutas necesita ser instalado de forma que sus ganchos encajen en las acanaladuras en la unidad de cuchilla de tijeras.

- **Fig.16:** 1. Ganchos 2. Encaje los ganchos en la acanaladura 3. Acanaladuras

Para retirar el receptor de virutas, presione su palanca en ambos lados de forma que se desbloqueen los ganchos.

- **Fig.17:** 1. Presione las palancas en ambos lados
2. Desbloquee los ganchos

⚠PRECAUCIÓN: La cubierta de las cuchillas (equipo estándar) no se puede instalar en la herramienta estando instalado el receptor de virutas. Antes de transportar o almacenar, desinstale el receptor de virutas y después instale la cubierta de las cuchillas para evitar la exposición de la cuchilla.

NOTA: Compruebe el receptor de virutas para ver que está instalado de forma segura antes de utilizar.

NOTA: No intente nunca desinstalar el receptor de virutas haciendo fuerza excesiva con sus ganchos bloqueados en las acanaladuras de la unidad de cuchilla. La utilización de fuerza excesiva puede dañarlo.

MANTENIMIENTO

⚠PRECAUCIÓN: Asegúrese siempre de que la herramienta está apagada y desenchufada antes de intentar realizar la inspección o el mantenimiento.

Limpieza de la herramienta

Limpie la herramienta quitando el polvo con un trapo seco o sumergido en agua jabonosa.

AVISO: No utilice nunca gasolina, bencina, disolvente, alcohol o similares. Podría producir descoloración, deformación o grietas.

Mantenimiento de las cuchillas

Unte la cuchilla antes y una vez cada media hora durante la operación con aceite para máquinas o similar.

Después de la operación, retire el polvo de ambas caras de la cuchilla con un cepillo de alambres, límpiela con un trapo y después aplique suficiente aceite de baja viscosidad, tal como aceite para máquinas, etc., y aceite de lubricación de tipo aerosol.

⚠PRECAUCIÓN: No lave las cuchillas en agua. En caso contrario podrá ocasionar oxidación o daños a la herramienta.

⚠PRECAUCIÓN: Cuando realice el mantenimiento a la cuchilla, póngase siempre guantes.

Almacenamiento

Ponga la cubierta de las cuchillas sobre las cuchillas de tijeras de forma que las cuchillas no queden expuestas. Almacene la herramienta con cuidado alejada del alcance de los niños.

Almacene la herramienta en un lugar no expuesto al agua ni a la lluvia.

Para mantener la SEGURIDAD y FIABILIDAD del producto, las reparaciones, la inspección y el reemplazo de la escobilla de carbón, y cualquier otra tarea de mantenimiento o ajuste deberán ser realizados en centros de servicio autorizados o de fábrica de Makita, empleando siempre repuestos Makita.

ACCESORIOS OPCIONALES

⚠PRECAUCIÓN: Estos accesorios o aditamentos están recomendados para su uso con la herramienta Makita especificada en este manual. El uso de cualquier otro accesorio o aditamento puede suponer un riesgo de heridas personales. Utilice el accesorio o aditamento solamente con la finalidad indicada para el mismo.

Si necesita cualquier ayuda para más detalles en relación con estos accesorios, pregunte al centro de servicio Makita local.

- Cubierta de las cuchillas
- Gancho completo
- Receptor de virutas
- Gancho de cintura para cable
- Gancho de brazo para cable

NOTA: Algunos elementos de la lista podrán estar incluidos en el paquete de la herramienta como accesorios estándar. Pueden variar de un país a otro.

ESPECIFICAÇÕES

Modelo:	UH4261	UH4861	UH5261
Comprimento da lâmina	420 mm	480 mm	520 mm
Golpes por minuto	1.600 min ⁻¹		
Comprimento geral	821 mm	871 mm	921 mm
Peso líquido	3,0 - 3,1 kg		
Classe de segurança	□/II		

- Devido a um programa contínuo de pesquisa e desenvolvimento, estas especificações podem ser alteradas sem aviso prévio.
- As especificações podem variar de país para país.
- O peso poderá diferir em função do(s) acessório(s). A combinação mais leve e a mais pesada, de acordo com o Procedimento EPTA 01/2014, são apresentadas na tabela.

Símbolos

A seguir são apresentados os símbolos que podem ser utilizados para o equipamento. Certifique-se de que compreende o seu significado antes da utilização.

	Leia o manual de instruções.
	ISOLAMENTO DUPLO
	Use óculos de segurança.
	Utilizar proteção ocular e auditiva.
	PERIGO - Mantenha as mãos afastadas da lâmina.
	Não exponha à chuva.
	Não exponha à chuva.
	Remova a ficha da tomada principal imediatamente se o cabo estiver danificado ou cortado.



Apenas para países da UE
Devido à presença de componentes perigosos no equipamento, o equipamento elétrico e eletrônico usado pode ter um impacto negativo no meio ambiente e na saúde humana.
Não elimine aparelhos elétricos e eletrônicos juntamente com resíduos domésticos! De acordo com a Diretiva europeia relativa aos resíduos de equipamentos elétricos e eletrônicos e a respetiva adaptação à legislação nacional, os equipamentos elétricos e eletrônicos usados devem ser recolhidos separadamente e entregues num ponto de recolha separado para resíduos municipais, que opere de acordo com os regulamentos de proteção ambiental. Tal é indicado pelo símbolo de contentor de lixo com rodas barrado com uma cruz colocado no equipamento.



Nível de potência sonora garantido de acordo com a Diretiva de ruído ambiente da UE.



Nível de potência sonora de acordo com o Regulamento de controlo do ruído de NSW da Austrália

Utilização a que se destina

A ferramenta destina-se a aparar sebes.

Alimentação

A ferramenta só deve ser ligada a uma fonte de alimentação com a mesma tensão da indicada na placa de características, e só funciona com alimentação de corrente alterna (CA) monofásica. Tem um sistema de isolamento duplo e pode, por isso, utilizar tomadas sem ligação à terra.

Ruído

A característica do nível de ruído A determinado de acordo com a EN62841-4-2:

Modelo	Nível de pressão sonora		Nível garantido de potência sonora	Nível medido de potência sonora	
	L_{pA} [dB(A)]	K de incerteza (dB(A))	L_{WA} [dB(A)]	L_{WA} [dB(A)]	K de incerteza (dB(A))
UH4261	85	3	96	93	2,1
UH4861	85	3	96	93	2,1
UH5261	85	3	96	93	2,1

NOTA: O(s) valor(es) da emissão de ruído indicado(s) foi medido de acordo com um método de teste padrão e pode ser utilizado para comparar duas ferramentas.

NOTA: O(s) valor(es) da emissão de ruído indicado(s) pode também ser utilizado na avaliação preliminar da exposição.

AVISO: Utilize protetores auriculares.

AVISO: A emissão de ruído durante a utilização real da ferramenta elétrica pode diferir do(s) valor(es) indicado(s), dependendo das formas como a ferramenta é utilizada, especialmente o tipo de peça de trabalho que é processada.

AVISO: Certifique-se de identificar as medidas de segurança para proteção do operador que sejam baseadas em uma estimativa de exposição em condições reais de utilização (considerando todas as partes do ciclo de operação, tal como quando a ferramenta está desligada e quando está a funcionar em marcha lenta além do tempo de acionamento).

Vibração

Valor total da vibração (soma vetorial tri-axial) determinado de acordo com a EN62841-4-2:

Modo de funcionamento: aparar cercas vivas

Modelo	Emissão de vibração (a_n): (m/s ²)	Incerteza (K): (m/s ²)
UH4261	6,7	1,5
UH4861	6,7	1,5
UH5261	6,7	1,5

NOTA: O(s) valor(es) total(ais) de vibração indicado(s) foi medido de acordo com um método de teste padrão e pode ser utilizado para comparar duas ferramentas.

NOTA: O(s) valor(es) total(ais) de vibração indicado(s) pode também ser utilizado na avaliação preliminar da exposição.

AVISO: A emissão de vibração durante a utilização real da ferramenta elétrica pode diferir do(s) valor(es) indicado(s), dependendo das formas como a ferramenta é utilizada, especialmente o tipo de peça de trabalho que é processada.

AVISO: Certifique-se de identificar as medidas de segurança para proteção do operador que sejam baseadas em uma estimativa de exposição em condições reais de utilização (considerando todas as partes do ciclo de operação, tal como quando a ferramenta está desligada e quando está a funcionar em marcha lenta além do tempo de acionamento).

Declarações de conformidade

Apenas para os países europeus

As Declarações de conformidade estão incluídas no Anexo A deste manual de instruções.

AVISOS DE SEGURANÇA

Avisos gerais de segurança para ferramentas elétricas

AVISO Leia todos os avisos de segurança, instruções, ilustrações e especificações fornecidos com esta ferramenta elétrica. O incumprimento de todas as instruções abaixo enumeradas pode resultar em choque elétrico, incêndio e/ou ferimentos graves.

Guarde todos os avisos e instruções para futuras referências.

O termo "ferramenta elétrica" nos avisos refere-se às ferramentas elétricas ligadas à corrente elétrica (com cabo) ou às ferramentas elétricas operadas por meio de bateria (sem cabo).

Avisos de segurança do aparador de cerca viva

- Não utilize o aparador de cerca viva em más condições atmosféricas, especialmente quando existe o risco de relâmpagos.** Isto reduz o risco de ser atingido por um relâmpago.
 - Mantenha todos os cabos de alimentação afastados da área de corte.** Os cabos de alimentação podem estar ocultos em sebes ou arbustos e podem ser acidentalmente cortados pela lâmina.
 - Utilize proteção auditiva.** Um equipamento de proteção adequado reduz o risco de perda auditiva.
 - Segure o aparador de cerca viva apenas pelas superfícies de agarrar isoladas, porque a lâmina pode entrar em contacto com fios ocultos ou o seu próprio cabo.** O contacto das lâminas com um fio sob tensão pode colocar sob tensão as peças metálicas expostas do aparador de cerca viva e pode provocar um choque elétrico no operador.
 - Mantenha todas as partes do corpo afastadas da lâmina. Não remova material cortado nem segure material a cortar quando as lâminas estiverem em movimento.** As lâminas continuam a mover-se depois de desligar o interruptor. Um momento de desatenção durante a operação do aparador de cerca viva pode resultar em ferimentos pessoais graves.
 - Quando desimpedir material encravado ou efetuar a manutenção do aparador de cerca viva, certifique-se de que todos os interruptores de alimentação estão desligados e que o cabo de alimentação está desligado.** A atuação inesperada do aparador de cerca viva, ao desimpedir material encravado ou efetuar a manutenção, pode resultar em ferimentos pessoais graves.
 - Transporte o aparador de cerca viva segurando a pega com a lâmina imobilizada e tendo cuidado para não operar qualquer interruptor de alimentação.** O transporte apropriado do aparador de cerca viva reduz o risco de arranque inadvertido e consequentes ferimentos pessoais resultantes das lâminas.
 - Quando transportar ou guardar o aparador de cerca viva, utilize sempre a tampa da lâmina.** O manuseamento apropriado do aparador de cerca viva reduz o risco de ferimentos pessoais resultantes das lâminas.
- Avisos de segurança adicionais:**
- Não utilize o aparador de cerca viva à chuva ou em condições chuvosas ou de muita humidade.** O motor elétrico não é à prova de água.
 - As pessoas que utilizam o aparador de cerca viva pela primeira vez devem ser instruídas por um utilizador experiente capaz de lhes demonstrar como utilizar o aparador.**
 - O aparador de cerca viva não deve ser utilizado por crianças ou jovens com idade inferior a 18 anos.** Os jovens com mais de 16 anos poderão estar isentos desta restrição se estiverem a receber formação sob a supervisão de um utilizador experiente.
 - Utilize o aparador de cerca viva apenas se estiver em boas condições físicas.** Se estiver cansado, a sua atenção será reduzida. Tenha especial atenção no final de um dia de trabalho. Efetue todo o trabalho com calma e cuidado. O utilizador é responsável por todos os danos causados a terceiros.
 - Nunca utilize o aparador se estiver sob a influência de álcool, drogas ou medicamentos.**
 - Certifique-se de que a tensão e a frequência da fonte de alimentação correspondem às especificações indicadas na placa de identificação.** Recomendamos a utilização de um disjuntor operado por corrente residual (interruptor de circuito de falha de terra) com uma corrente de disparo de 30 mA ou inferior ou um protetor de corrente de fuga à terra.
 - As luvas de trabalho de couro robusto fazem parte do equipamento básico do aparador de cerca viva e têm de ser sempre usadas quando trabalhar com o mesmo.** Utilize também calçado robusto com solas antidesslizantes.
 - Antes de iniciar o trabalho, certifique-se de que o aparador apresenta condições de trabalho adequadas e seguras.** Certifique-se de que os resguardos estão corretamente instalados. Verifique o cabo quanto a danos antes de iniciar o trabalho e substitua, se necessário. O aparador de cerca viva não deve ser utilizado se não estiver completamente montado.
 - Mantenha o cabo afastado da área de corte.** Trabalhe sempre de forma que o cabo de alimentação de extensão fique atrás de si.
 - Remova a ficha da tomada principal imediatamente se o cabo estiver danificado ou cortado.**
 - Certifique-se de que usou uma posição segura antes de iniciar a operação.**
 - Esticar-se para alcançar um local com um aparador de cerca viva, particularmente desde uma escada, é extremamente perigoso.** Não trabalhe a partir de um suporte trémulo ou instável.
 - Segure a ferramenta firmemente durante a sua utilização.**

14. Verifique as sebes e os arbustos quanto a objetos estranhos, tais como cercas de arame ou fios ocultos antes de utilizar a ferramenta.
15. Desligue imediatamente o motor e desligue a ficha da tomada principal se o cortador entrar em contacto com uma cerca ou outro objeto duro. Verifique o cortador quanto a danos e, caso se encontre danificado, repare imediatamente.
16. Antes de verificar o cortador, reparar avarias ou remover material preso no cortador, desligue sempre o aparador e desligue a ficha da tomada principal.
17. Desligue o aparador e desligue e proteja a ficha da tomada principal antes de efetuar qualquer trabalho de manutenção.
18. Quando mover o aparador de cerca viva para outro local, incluindo durante o trabalho, desligue sempre a ficha da tomada principal e coloque a tampa da lâmina nas lâminas de corte. Nunca carregue nem transporte o aparador com o cortador em funcionamento. Nunca agarre o cortador com as mãos.
19. Limpe o aparador de cerca viva, e especialmente o cortador, após a utilização e antes de armazenar o aparador por períodos prolongados. Lubrifique ligeiramente o cortador e coloque a tampa. A tampa fornecida com a unidade pode ser pendurada na parede, proporcionando uma forma segura e prática de guardar o aparador de cerca viva.
20. Guarde o aparador de cerca viva com a tampa colocada num local seco. Mantenha-o fora do alcance das crianças. Nunca guarde o aparador em espaços exteriores.
21. Nunca aponte as lâminas de corte na sua direção ou na direção de terceiros.
22. Se as lâminas pararem devido ao encravamento de objetos estranhos entre as lâminas durante o funcionamento, desligue a ferramenta e retire a ficha da tomada elétrica e, em seguida, remova os objetos estranhos utilizando ferramentas, tais como um alicate. A remoção manual dos objetos estranhos pode causar ferimentos, uma vez que as lâminas podem mover-se como reação à remoção dos objetos estranhos.
23. Evite ambientes perigosos. Não utilize a ferramenta em locais húmidos ou molhados, nem a exponha à chuva. A água que entra na ferramenta aumenta o risco de choque elétrico.

GUARDE ESTAS INSTRUÇÕES.

AVISO: NÃO permita que conforto ou familiaridade com o produto (adquirido com o uso repetido) substitua a aderência estrita às regras de segurança da ferramenta. **MÁ INTERPRETAÇÃO** ou não seguimento das regras de segurança estabelecidas neste manual de instruções pode causar danos pessoais sérios.

DESCRIÇÃO FUNCIONAL

PRECAUÇÃO: Certifique-se sempre de que a ferramenta está desligada e com a ficha retirada da tomada, antes de proceder a afinações ou de verificar o funcionamento da respetiva ferramenta.

PRECAUÇÃO: Coloque a tampa da lâmina nas lâminas de corte antes de ajustar ou verificar o funcionamento na ferramenta.

Ação do interruptor

► Fig.1: 1. Gatilho do interruptor B 2. Gatilho do interruptor A 3. Gatilho do interruptor C

Para sua segurança, esta ferramenta está equipada com um sistema de comutação triplo. Para ligar a ferramenta, pressione o gatilho do interruptor B e pressione o gatilho do interruptor A ou C ao mesmo tempo. Solte um dos dois gatilhos do interruptor pressionados para desligar. A sequência de comutação não é importante uma vez que a ferramenta apenas arranca quando ambos os interruptores estão ativados.

Corte reto

► Fig.2

Para efetuar um corte reto da cerca viva, puxe os gatilhos do interruptor A e B.

Corte vertical

► Fig.3

Corte no sentido ascendente com ambas as mãos, puxe os gatilhos do interruptor B e C e mova o aparador em frente do seu corpo.

MONTAGEM

PRECAUÇÃO: Certifique-se sempre de que a ferramenta está desligada e com a ficha retirada da tomada antes de executar quaisquer trabalhos na ferramenta.

Prender o cabo de extensão

PRECAUÇÃO: Certifique-se de que o cabo de extensão está desligado da tomada de alimentação.

► Fig.4: 1. Gancho completo 2. Cabo de extensão 3. Cabo da ferramenta

Quando prender o cabo de extensão, fixe-o no cabo da ferramenta com o gancho completo. Fixe o gancho a cerca de 100 - 200 mm do conector do cabo de extensão. Tal irá ajudar a evitar a desconexão acidental.

Gancho para o cabo da cintura

⚠️ PRECAUÇÃO: Não fixe o suporte do gancho para o cabo da cintura num cabo que não seja o cabo de extensão. Não o fixe numa posição mais próxima da ferramenta e além do gancho completo. O incumprimento desta instrução pode provocar um acidente ou ferimentos pessoais.

⚠️ PRECAUÇÃO: Fixe firmemente um gancho do gancho completo no cabo da ferramenta e o outro gancho do gancho completo no cabo de extensão. Ao trabalhar com a ferramenta com apenas um único gancho fixado pode provocar um acidente e ferimentos.

A utilização do gancho para o cabo da cintura ajuda a minimizar o risco de corte do cabo de extensão inesperadamente provocado pelo cabo de extensão solto.

► **Fig.5:** 1. Gancho 2. Ferramenta 3. Cabo da ferramenta 4. Gancho completo 5. Cabo de extensão 6. Suporte 7. Gancho para o cabo da cintura

Pressione ou retire o cabo através da abertura do suporte.

► **Fig.6:** 1. Suporte 2. Cabo

⚠️ PRECAUÇÃO: Não force a abertura do suporte. O incumprimento desta instrução pode provocar deflexão e danificá-lo.

Gancho para o cabo do braço (acessório)

⚠️ PRECAUÇÃO: Não fixe o suporte do gancho para o cabo do braço num cabo que não seja o cabo de extensão. Não o fixe numa posição mais próxima da ferramenta e além do gancho completo. O incumprimento desta instrução pode provocar um acidente ou ferimentos pessoais.

⚠️ PRECAUÇÃO: Fixe firmemente um gancho do gancho completo no cabo da ferramenta e o outro gancho do gancho completo no cabo de extensão. Ao trabalhar com a ferramenta com apenas um único gancho fixado pode provocar um acidente e ferimentos.

A utilização do gancho para o cabo do braço ajuda a minimizar o risco de corte do cabo de extensão inesperadamente provocado pelo cabo de extensão solto.

► **Fig.7:** 1. Suporte 2. Gancho para o cabo do braço

Fixe firmemente o gancho para o cabo do braço colocando-o em volta do seu braço e passe o cabo de extensão através do suporte. O comprimento da fita do gancho para o cabo do braço é ajustável.

NOTA: Não passe o cabo de extensão através da fita.

NOTA: Não force a abertura do suporte. O incumprimento desta instrução pode provocar deflexão e danificá-lo.

NOTA: A utilização do gancho para o cabo do braço em conjunto com o gancho para o cabo da cintura é mais útil.

OPERAÇÃO

⚠️ PRECAUÇÃO: Tenha cuidado para não entrar acidentalmente em contacto com uma cerca de metal ou outros objetos duros enquanto apara. A lâmina parte-se e pode causar ferimentos graves.

⚠️ PRECAUÇÃO: Esticar-se para alcançar um local com um aparador de cerca viva, particularmente desde uma escada, é extremamente perigoso. Não trabalhe a partir de um suporte trémulo ou instável.

OBSERVAÇÃO: Não tente cortar ramos mais grossos do que 10 mm de diâmetro com a ferramenta. Apare ramos 10 cm mais baixo do que a altura de corte utilizando lâminas para ramos antes de utilizar a ferramenta.

► **Fig.8:** (1) Altura de corte (2) 10 cm

⚠️ PRECAUÇÃO: Não corte árvores secas ou objetos duros similares. O incumprimento desta indicação pode danificar a ferramenta.

Segure o aparador com ambas as mãos, puxe o gatilho do interruptor A ou B e mova-o em frente do seu corpo.

► **Fig.9**

Como um funcionamento básico, incline as lâminas em direção ao sentido de aparar e mova-as calma e lentamente à velocidade de 3 - 4 segundos por metro.

► **Fig.10:** 1. Sentido de aparar 2. Inclinação das lâminas 3. Superfície de cerca viva a ser aparada

Para cortar o topo de uma cerca viva de modo uniforme, ajuda atar uma corda à altura de cerca viva pretendida e aparar ao longo desta, utilizando-a como uma linha de referência.

► **Fig.11:** 1. Corda

A fixação do recipiente de aparas (acessório) na ferramenta quando efetua um corte reto da cerca viva pode evitar que as folhas cortadas sejam lançadas.

► **Fig.12**

Para cortar o lado de uma cerca viva de modo uniforme, ajuda cortar a partir de baixo para cima.

► **Fig.13**

Apare um buxo ou um rododendro a partir da base e em direção ao topo para proporcionar uma aparência agradável e um bom trabalho.

► **Fig.14**

Instalar ou remover o recipiente de aparas (acessório)

⚠️ PRECAUÇÃO: Certifique-se sempre de que a ferramenta está desativada e desligada da corrente antes de instalar ou remover o recipiente de aparas.

NOTA: Quando substituir o recipiente de aparas, utilize sempre luvas de modo que as mãos e o rosto não entrem diretamente em contacto com a lâmina. O incumprimento desta instrução pode provocar ferimentos pessoais.

NOTA: Certifique-se sempre de que remove a tampa da lâmina antes de instalar o recipiente de aparas.

NOTA: O recipiente de aparas recebe as folhas cortadas e atenua a acumulação de folhas lançadas. Este pode ser instalado em ambos os lados da ferramenta.

- **Fig.15:** 1. Pressionar 2. Recipiente de aparas 3. Porca 4. Lâmina de corte

Neste momento, o recipiente de aparas tem de ser instalado de modo que os seus ganchos encaixem nas ranhuras na unidade da lâmina de corte.

- **Fig.16:** 1. Ganchos 2. Encaixe dos ganchos nas ranhuras 3. Ranhuras

Para remover o recipiente de aparas, pressione a sua alavanca em ambos os lados de modo que os ganchos fiquem desbloqueados.

- **Fig.17:** 1. Aperto das alavancas em ambos os lados 2. Desbloqueio dos ganchos

⚠️ PRECAUÇÃO: A tampa da lâmina (equipamento de série) não pode ser instalada na ferramenta com o recipiente de aparas a ser instalado. Antes de transportar ou armazenar, desinstale o recipiente de aparas e, em seguida, instale a tampa da lâmina de modo a evitar a exposição da lâmina.

NOTA: Verifique se o recipiente de aparas está instalado de forma segura antes da utilização.

NOTA: Nunca tente desinstalar o recipiente de aparas exercendo força excessiva com os respetivos ganchos bloqueados nas ranhuras da unidade de lâmina. A utilização de força excessiva pode danificá-lo.

MANUTENÇÃO

⚠️ PRECAUÇÃO: Certifique-se sempre de que a ferramenta está desligada e com a ficha retirada da tomada antes de tentar proceder à inspeção ou à manutenção.

Limpar a ferramenta

Limpe a ferramenta limpando o pó com um pano seco ou embebido em sabão.

OBSERVAÇÃO: Nunca utilize gasolina, benzina, diluente, álcool ou produtos semelhantes. Pode ocorrer a descoloração, deformação ou rachaduras.

Manutenção da lâmina

Aplique óleo de máquina ou produtos semelhantes na lâmina antes da operação e uma vez a cada meia hora durante a operação.

Após a operação, remova o pó de ambos os lados da lâmina com uma escova de fios, limpe-a com um pano e, em seguida, aplique suficiente óleo de baixa viscosidade, tal como óleo de máquina, óleo lubrificante de pulverização, etc.

⚠️ PRECAUÇÃO: Não lave as lâminas na água. O incumprimento desta instrução pode causar ferrugem ou danos na ferramenta.

⚠️ PRECAUÇÃO: Utilize luvas quando efetuar a manutenção das lâminas.

Armazenamento

Coloque a tampa da lâmina nas lâminas de corte de modo que as lâminas não fiquem expostas. Guarde cuidadosamente a ferramenta fora do alcance das crianças.

Guarde a ferramenta num local não exposto a água e precipitação.

Para manter a SEGURANÇA e a FIABILIDADE do produto, as reparações, a inspeção e substituição das escovas de carvão e qualquer outra manutenção ou ajuste devem ser levados a cabo pelos centros de assistência autorizados ou pelos centros de assistência de fábrica Makita, utilizando sempre peças de substituição Makita.

ACESSÓRIOS OPCIONAIS

⚠️ PRECAUÇÃO: Estes acessórios ou peças são recomendados para utilização com a ferramenta Makita especificada neste manual. A utilização de outros acessórios ou peças pode ser perigosa para as pessoas. Utilize apenas acessórios ou peças para os fins indicados.

Se necessitar de informações adicionais relativas a estes acessórios, solicite-as ao seu centro de assistência Makita.

- Tampa da lâmina
- Gancho completo
- Recipiente de aparas
- Gancho para o cabo da cintura
- Gancho para o cabo do braço

NOTA: Alguns itens da lista podem estar incluídos na embalagem da ferramenta como acessórios padrão. Eles podem variar de país para país.

SPECIFIKATIONER

Model:	UH4261	UH4861	UH5261
Klingelængde	420 mm	480 mm	520 mm
Antal slag pr. minut	1.600 min ⁻¹		
Samlet længde	821 mm	871 mm	921 mm
Nettovægt	3,0 - 3,1 kg		
Sikkerhedsklasse	□/II		

- På grund af vores kontinuerlige forsknings- og udviklingsprogrammer kan hosstående specifikationer blive ændret uden varsel.
- Specifikationer kan variere fra land til land.
- Vægten kan være anderledes afhængigt af tilbehøret. Den letteste og tungeste kombination i henhold til EPTA-procedure 01/2014 er vist i tabellen.

Symboler

Følgende viser de symboler, der muligvis anvendes til udstyret. Sørg for, at du forstår deres betydning før brugen.

	Læs brugsanvisningen.
	DOBBELT ISOLERING
	Bær sikkerhedsbriller.
	Bær beskyttelsesbriller og høreværn.
	FARE - Hold hænder væk fra klingens.
	Udsæt ikke for regn.
	Udsæt ikke for regn.
	Tag straks stikket ud af stikkontakten, hvis kablet er beskadiget eller skåret over.



Kun for lande inden for EU
Brugt elektrisk og elektronisk udstyr kan have en negativ indvirkning på miljøet og folkesundheden på grund af tilstedeværelsen af farlige komponenter i udstyret. Bortskaf ikke elektriske og elektroniske apparater sammen med husholdningsaffald!

I overensstemmelse med EF-direktiv om affaldshåndtering af elektrisk og elektronisk udstyr, og i overensstemmelse med national lovgivning, skal brugt elektrisk og elektronisk udstyr opbevares separat og leveres til et separat indsamlingssted til kommunalt affald, der er etableret i henhold til bestemmelserne om miljøbeskyttelse. Dette er angivet ved symbolet på den krydsede skraldespand, der er placeret på udstyret.



Garanteret lydeffektniveau i henhold til EU-direktivet om maskiner til udendørs brug.



Lydeffektniveau i henhold til Australiens NSW forordning om støjemission

Tilsigtet anvendelse

Maskinen er beregnet til at trimme hække.

Strømforsyning

Maskinen må kun tilsluttes en strømforsyning med samme spænding som angivet på typeskiltet og kan kun anvendes på enfaset vekselstrømforsyning. Den er dobbeltisoleret og kan derfor også tilsluttes netstik uden jordforbindelse.

Støj

Det typiske A-vægtede støjniveau bestemt i overensstemmelse med EN62841-4-2:

Model	Lydtrykniveau		Garanteret lydeffektniveau	Målt lydeffektniveau	
	L _{PA} (dB(A))	Usikkerhed K (dB(A))	L _{WA} (dB(A))	L _{WA} (dB(A))	Usikkerhed K (dB(A))
UH4261	85	3	96	93	2,1
UH4861	85	3	96	93	2,1
UH5261	85	3	96	93	2,1

BEMÆRK: De(n) angivne støjemissionsværdi(er) er målt i overensstemmelse med en standardtestmetode og kan anvendes til at sammenligne en maskine med en anden.

BEMÆRK: De(n) angivne støjemissionsværdi(er) kan også anvendes i en præliminær eksponeringsvurdering.

⚠ ADVARSEL: Bær høreværn.

⚠ ADVARSEL: Støjemissionen under den faktiske anvendelse af maskinen kan være forskellig fra de(n) angivne værdi(er), afhængigt af den måde hvorpå maskinen anvendes, især den type arbejdsemne der behandles.

⚠ ADVARSEL: Sørg for at identificere de sikkerhedsforskrifter til beskyttelse af operatøren, som er baseret på en vurdering af eksponering under de faktiske brugsforhold (med hensyntagen til alle dele i brugscykklussen, f.eks. de gange, hvor maskinen er slukket, og når den kører i tomgang i tilgift til afbrydertiden).

Vibration

Vibrationens totalværdi (tre-aksial vektorsum) bestemt i overensstemmelse med EN62841-4-2:

Arbejdstilstand: Trimning af hæk

Model	Vibrationsemission (a _h) : (m/s ²)	Usikkerhed (K): (m/s ²)
UH4261	6,7	1,5
UH4861	6,7	1,5
UH5261	6,7	1,5

BEMÆRK: De(n) angivne totalværdi(er) for vibration er målt i overensstemmelse med en standardtestmetode og kan anvendes til at sammenligne en maskine med en anden.

BEMÆRK: De(n) angivne totalværdi(er) for vibration kan også anvendes i en præliminær eksponeringsvurdering.

⚠ ADVARSEL: Vibrationsemissionen under den faktiske anvendelse af maskinen kan være forskellig fra de(n) angivne værdi(er), afhængigt af den måde hvorpå maskinen anvendes, især den type arbejdsemne der behandles.

⚠ ADVARSEL: Sørg for at identificere de sikkerhedsforskrifter til beskyttelse af operatøren, som er baseret på en vurdering af eksponering under de faktiske brugsforhold (med hensyntagen til alle dele i brugscykklussen, f.eks. de gange, hvor maskinen er slukket, og når den kører i tomgang i tilgift til afbrydertiden).

Overensstemmelseserklæringer

Kun for lande i Europa

Overensstemmelseserklæringerne er inkluderet i Bilag A i denne brugsanvisning.

SIKKERHEDSADVARSLER

Almindelige sikkerhedsregler for el-værktøj

⚠ ADVARSEL Læs alle sikkerhedsadvarsler, instruktioner, illustrationer og specifikationer, der følger med denne maskine. Hvis du ikke følger alle nedenstående instruktioner, kan det medføre elektrisk stød, brand og/eller alvorlig personskade.

Gem alle advarsler og instruktioner til fremtidig reference.

Ordet "el-værktøj" i advarslerne henviser til det netforsyede (netledning) el-værktøj eller batteriforsyede (akku) el-værktøj.

Sikkerhedsadvarsler for hæktrimmer

- Brug ikke hæktrimmeren i dårligt vejr, især hvis der er risiko for lynnedslag.** Dette reducerer risikoen for, at du rammes af lynnedslag.
- Hold alle netledninger væk fra skæreamrådet.** Netledninger eller kabler kan muligvis være skjult i hække eller buske og kan ved et uheld skæres over af klingerne.
- Bær høreværn.** Passende beskyttelsesudstyr vil reducere risikoen for høretab.
- Hold altid kun i hæktrimmeren i de isolerede grebflader, da klingerne muligvis kan komme i berøring med skjulte ledninger eller dens egen ledning.** Klinge, der kommer i berøring med en "strømførende" ledning, kan gøre udsatte metaldele af hæktrimmeren "strømførende" og kan give operatøren et elektrisk stød.
- Hold alle dele af kroppen væk fra klingerne.** Undlad at fjerne afskåret materiale eller at holde materiale, der skal skæres, når klingerne bevæger sig. Klinge fortsætter med at rotere, efter at afbryderen er slået fra. Ved brug af hæktrimmeren kan ét øjeblik uopmærksomhed medføre alvorlig personskade.
- Når du fjerner fastklemt materiale eller serviceer hæktrimmeren, skal du sørge for, at alle tænd/sluk-knapper er slukket, og at netledningen er afbrudt.** Uventet aktivering af hæktrimmeren, mens du fjerner fastklemt materiale eller udfører servicering, kan medføre alvorlig personskade.
- Bær hæktrimmeren i håndtaget med klingerne stoppet og pas på ikke at betjene nogen tænd/sluk-knap.** Korrekt bæring af hæktrimmeren reducerer risikoen for utilsigtet start og medfølgende personskade fra klingerne.
- Når du transporterer eller opbevarer hæktrimmeren, skal du altid bruge klingedækslet.** Korrekt håndtering af hæktrimmeren mindsker risikoen for personskade fra klingerne.

Supplerende sikkerhedsadvarsler:

- Undlad at bruge hæktrimmeren i regnvejr eller i våde eller meget fugtige forhold.** Den elektriske motor er ikke vandtæt.
- Førstegangbrugere bør have en erfaren hæktrimmerbruger til at vise dem, hvordan man bruger trimmeren.**
- Hæktrimmeren må ikke anvendes af børn eller unge under 18 år.** Unge personer over 16 år kan undtages fra denne begrænsning, hvis de er under uddannelse under opsyn af en ekspert.
- Brug kun hæktrimmeren, hvis du er i god fysisk form.** Hvis du er træt, vil din opmærksomhed være nedsat. Vær særlig forsigtig ved slutningen af en arbejdsdag. Udfør alt arbejde roligt og omhyggeligt. Brugeren er ansvarlig for alle skader på tredjeparter.
- Undlad at bruge trimmeren, når du er påvirket af alkohol, narkotika eller medicin.**
- Kontrollér, at spændingen og frekvensen på strømforsyningen svarer til specifikationer på identifikationspladen.** Vi anbefaler brug af en reststrømbryder (jordfejlfafbryder) med en udløserstrøm på 30 mA eller mindre eller en jordfejlstømsbeskytter.
- Arbejdshandsker af kraftigt læder er en del af det grundlæggende udstyr til hæktrimmeren og skal altid bæres, når der arbejdes med den.** Bær også robuste sko med skridsikre såler.
- Før arbejdet påbegyndes, skal du kontrollere, at trimmeren er i god og funktionsdygtig stand.** Sørg for, at afskærmningerne er korrekt monteret. Kontrollér kablet for skader, inden arbejdet påbegyndes, og udskift det om nødvendigt. Hæktrimmeren må ikke anvendes, medmindre den er helt samlet.
- Hold kablet væk fra skæreamrådet.** Arbejd altid på en sådan måde, at forlængerledningen er bag dig.
- Tag straks stikket ud af stikkontakten, hvis kablet er beskadiget eller skåret over.**
- Sørg for, at du har et sikkert fodfæste, før du starter anvendelsen.**
- Det er ekstremt farligt at strække sig for lang med en hæktrimmer, især fra en stige.** Undlad at arbejde fra nogen som helst ustabil eller usikker platform.
- Hold godt fast i maskinen, når du bruger maskinen.**
- Kontrollér hækken og buskene for fremmedlegemer som f.eks. trædregn eller skjulte ledninger, før maskinen anvendes.**
- Sluk straks for motoren, og tag stikket ud af stikkontakten, hvis skæreren kommer i berøring med et hegn eller en anden hård genstand.** Kontrollér skæreren for beskadigelse, og hvis den er beskadiget, skal den straks repareres.
- Før du kontrollerer skæreren, tager hånd om fejl eller fjerner materiale, der sidder fast i skæreren, skal du altid slukke for trimmeren og tage stikket ud af stikkontakten.**
- Sluk for trimmeren, træk stikket ud og fastgør det, før du udfører vedligeholdelsesarbejde.**
- Når du flytter hæktrimmeren til et andet sted, også under arbejdet, skal du altid tage stikket ud af stikkontakten og sætte klingedækslet på klingerne.** Undlad at bære eller transportere trimmeren, mens skæreren kører. Undlad at tage fat i skæreren med hænderne.
- Rengør hæktrimmeren og især skæreren efter brug, og før du opbevarer trimmeren i længere tid.** Smør skæreren let med olie, og sæt dækslet på. Dækslet, der følger med enheden, kan hænges op på væggen, hvilket giver en sikker og praktisk måde at opbevare hæktrimmeren på.
- Opbevar hæktrimmeren med dækslet på i et tørt rum.** Opbevar den utilgængelig for børn. Undlad at opbevare trimmeren udendørs.
- Ret aldrig klingerne mod dig selv eller andre.**
- Hvis klingerne holder op med at bevæge sig under brugen på grund af fremmedlegemer, der sidder fast mellem klingerne, skal du slukke for maskinen og tage stikket ud af stikkontakten og derefter fjerne fremmedlegemerne ved hjælp af redskaber som f.eks. en tang.** Hvis du fjerner fremmedlegemerne i hånden, kan det medføre personskade, da klingerne kan bevæge sig som reaktion på fjernelsen af fremmedlegemerne.
- Undgå farlige miljøer.** Brug ikke maskinen på fugtige eller våde steder, og udsæt den ikke for regn. Hvis der kommer vand ind i maskinen, forøger det risikoen for elektrisk stød.

GEM DENNE BRUGSANVISNING.

⚠ ADVARSEL: LAD IKKE bekvemmelighed eller kendskab til produktet (opnået gennem gentagen brug) forhindre, at sikkerhedsforskrifterne for produktet nøje overholdes. MISBRUG eller forsømmelse af at følge de i denne brugsvejledning givne sikkerhedsforskrifter kan føre til, at De kommer alvorligt til skade.

FUNKTIONSBESKRIVELSE

⚠️FORSIGTIG: Kontrollér altid, at maskinen er slået fra, og at netstikket er trukket ud, før der udføres justeringer, eller funktioner kontrolleres på maskinen.

⚠️FORSIGTIG: Sæt klingedækslet på klingerne, før du justerer eller kontrollerer funktionen på maskinen.

Afbryderfunktion

- **Fig.1:** 1. Afbryderknop B 2. Afbryderknop A 3. Afbryderknop C

Af hensyn til din sikkerhed er denne maskine udstyret med et tredobbelt kontaktsystem. For at tænde maskinen skal du trykke på afbryderknappen B og trykke på afbryderknappen A eller C på samme tid. Slip den ene af de to trykkede afbryderknapper for at slukke. Skiftesekvensen er uvæsentlig, da maskinen kun starter, når begge afbrydere er aktiveret.

Lige beskæring

- **Fig.2**

For at klippe hækken lige skal du trykke på afbryderknapperne A og B.

Lodret beskæring

- **Fig.3**

Beskær opad, mens du trykker på afbryderknapperne B og C med begge hænder, og flyt den foran kroppen.

SAMLING

⚠️FORSIGTIG: Sørg altid for, at maskinen er slukket og taget ud af forbindelse, inden der udføres nogen form for arbejde på maskinen.

Sådan tilsluttes forlængerledningen

⚠️FORSIGTIG: Sørg for, at forlængerledningen er taget ud af stikkontakten.

- **Fig.4:** 1. Krog komplet 2. Forlængerledning 3. Maskinens ledning

Når du tilslutter forlængerledningen, skal du fastgøre den til maskinens ledning med kroget komplet. Fastgør kroget ca. 100 - 200 mm fra forlængerledningens stik. Dette vil hjælpe med at forhindre utilsigtet afbrydelse.

Ledningskrog til livrem

⚠️FORSIGTIG: Undlad at fastgøre holderen til ledningskroget til livremmen til andet end forlængerledningen. Undlad at fastgøre den i en position tættere på maskinen ud over kroget komplet. Hvis du ikke gør dette, kan det medføre en ulykke eller personskade.

⚠️FORSIGTIG: Fastgør den ene krog på kroget komplet til maskinens ledning og den anden på krog komplet til forlængerledningen forsvarligt. Hvis du arbejder med maskinen med kun en krog monteret, kan det medføre en ulykke og personskade.

Ved at bruge ledningskroget til livremmen kan du minimere risikoen for, at forlængerledningen uventet bliver skåret over på grund af den løse forlængerledning.

- **Fig.5:** 1. Krog 2. Maskine 3. Maskinens ledning 4. Krog komplet 5. Forlængerledning 6. Holder 7. Ledningskrog til livrem

Tryk ledningen ind eller træk den ud gennem åbningen på holderen.

- **Fig.6:** 1. Holder 2. Ledning

⚠️FORSIGTIG: Undlad at tvinge holderens åbning. Hvis du ikke gør dette, kan det medføre deformation og beskadigelse af den.

Ledningskrog til arm (tilbehør)

⚠️FORSIGTIG: Undlad at fastgøre holderen til ledningskroget til armen til andet end forlængerledningen. Undlad at fastgøre den i en position tættere på maskinen ud over kroget komplet. Hvis du ikke gør dette, kan det medføre en ulykke eller personskade.

⚠️FORSIGTIG: Fastgør den ene krog på kroget komplet til maskinens ledning og den anden på krog komplet til forlængerledningen forsvarligt. Hvis du arbejder med maskinen med kun en krog monteret, kan det medføre en ulykke og personskade.

Ved at bruge ledningskroget til armen kan du minimere risikoen for, at forlængerledningen uventet bliver skåret over på grund af den løse forlængerledning.

- **Fig.7:** 1. Holder 2. Ledningskrog til arm

Fastgør ledningskroget til armen forsvarligt, så den sidder omkring armen, og før forlængerledningen gennem holderen. Længden af ledningskroget til armen kan justeres.

BEMÆRK: Undlad at føre forlængerledningen gennem båndet.

BEMÆRK: Undlad at tvinge holderens åbning. Hvis du ikke gør dette, kan det medføre deformation og beskadigelse af den.

BEMÆRK: Det er meget nyttigt at bruge ledningskroget til armen sammen med ledningskroget til livremmen.

ANVENDELSE

⚠️FORSIGTIG: Pas på, at du ikke ved et uheld kommer i kontakt med et metalhegn eller andre hårde genstande under trimningen. Klingens vil gå i stykker og kan forårsage alvorlig personskade.

⚠️FORSIGTIG: Det er ekstremt farligt at strække sig for langt med en hæktrimmer, især fra en stige. Undlad at arbejde fra nogen som helst ustabil eller usikker platform.

BEMÆRKNING: Undlad at forsøge at beskære grene, der er tykkere end 10 mm i diameter med maskinen. Beskær grene til 10 cm lavere end klippehøjden ved hjælp af en grensaks, før du bruger denne maskine.

► Fig.8: (1) Skærehøjde (2) 10 cm

⚠️FORSIGTIG: Undlad at beskære døde træer eller lignende hårde genstande. Hvis du ikke gør dette, kan maskinen blive beskadiget.

Hold trimmeren, mens du trykker på afbryderknappen A eller B med begge hænder, og flyt den foran kroppen.

► Fig.9

Vip klingerne som en grundlæggende handling mod trimningsretningen, og bevæg dem roligt og langsomt med en hastighed på 3 - 4 sekunder pr. meter.

► Fig.10: 1. Trimningsretning 2. Vip klingerne 3. Hækoverflade, der skal trimmes

For at beskære toppen af en hæk jævnt hjælper det at binde en snor i den ønskede højde og trimme langs den ved at bruge den som en referencelinje.

► Fig.11: 1. Snor

Fastgørelse af spånbakken (tilbehør) på maskinen, når hækken trimmes lige, kan forhindre, at afskårne blade kastes væk.

► Fig.12

For at beskære siden af en hæk jævnt hjælper det at beskære fra bunden og opad.

► Fig.13

Beskær buksbom eller rododendron fra bunden mod toppen for et flot udseende og godt stykke arbejde.

► Fig.14

Montering eller afmontering af spånbakke (tilbehør)

⚠️FORSIGTIG: Sørg altid for, at maskinen er slukket og frakoblet, før du monterer eller afmonterer spånbakken.

BEMÆRK: Når du udskifter spånbakken, skal du altid bære handsker, så hænder og ansigt ikke kommer i direkte kontakt med klingens. Hvis du ikke gør dette, kan det medføre personskade.

BEMÆRK: Sørg altid for at afmontere klingedækslet, før du monterer spånbakken.

BEMÆRK: Spånbakken modtager de afklippede blade og hjælper med opsamling af bortkastede blade. Den kan monteres på begge sider af maskinen.

► Fig.15: 1. Tryk 2. Spånbakke 3. Møtrik 4. Klinge

På dette tidspunkt skal spånbakken monteres, så dens kroge passer ind i rillerne i klingeenheden.

► Fig.16: 1. Kroge 2. Sæt krogene ind i rillen 3. Riller

Hvis du vil afmontere spånbakken, skal du trykke på dens arm på begge sider, så krogene låses op.

► Fig.17: 1. Tryk på armene på begge sider 2. Lås krogene op

⚠️FORSIGTIG: Klingedækslet (standardudstyr) kan ikke monteres på maskinen, mens spånbakken er monteret. Før du bærer eller opbevarer maskinen, skal du afmontere spånbakken og derefter montere klingedækslet for at undgå eksponering af klingerne.

BEMÆRK: Kontrollér, at spånbakken er sikkert monteret før brug.

BEMÆRK: Undlad at forsøge at afmontere spånbakken med overdreven kraft med dens kroge låst fast i klingeenhedens riller. Brug af overdreven kraft kan beskadige den.

VEDLIGEHOLDELSE

⚠️FORSIGTIG: Kontrollér altid, at der er slukket for maskinen, og at netstikket er trukket ud, før der udføres eftersyn eller vedligeholdelse.

Rengøring af maskinen

Rengør maskinen ved at tørre støv af med en tør klud eller en klud dyppet i sæbevand.

BEMÆRKNING: Anvend aldrig benzin, rensebenzin, fortynder, alkohol og lignende. Det kan medføre misfarvning, deformation eller revner.

Vedligeholdelse af klinger

Smør klingen før og en gang hver halve time under drift med maskinolie eller lignende.

Efter anvendelse skal du fjerne støv fra begge sider af klingen med en stålborste, tørre den af med en klud og derefter påføre tilstrækkelig olie med lav viskositet, f.eks. maskinolie osv. og smøreolie af spraytypen.

⚠️FORSIGTIG: Undlad at vaske klingerne i vand. Hvis du ikke gør dette, kan det medføre rust eller beskadigelse af maskinen.

⚠️FORSIGTIG: Bær altid handsker, når du udfører vedligeholdelse af klingen.

Opbevaring

Sæt klingedækslet på klingerne, så klingerne ikke er blottede. Opbevar maskinen omhyggeligt uden for børns rækkevidde.

Opbevar maskinen på et sted, hvor det ikke udsættes for vand og regn.

For at opretholde produktets SIKKERHED og PALIDELIGHED må reparation, inspektion og udskiftning af kulborster samt al anden vedligeholdelse eller justering kun udføres af et autoriseret Makita servicecenter eller fabrikksservicecenter med anvendelse af Makita reservedele.

EKSTRAUDSTYR

⚠️FORSIGTIG: Det følgende tilbehør og ekstraudstyr er anbefalet til brug med Deres Makita maskine, der er beskrevet i denne brugsanvisning. Anvendelse af andet tilbehør eller ekstraudstyr kan udgøre en risiko for personskade. Anvend kun tilbehør og ekstraudstyr til det beskrevne formål.

Hvis De behøver hjælp ved valg af tilbehør eller ønsker yderligere informationer, bedes De kontakte Deres lokale Makita servicecenter.

- Klingedæksel
- Krog komplet
- Spånbakke
- Ledningskrog til livrem
- Ledningskrog til arm

BEMÆRK: Nogle ting på denne liste kan være inkluderet i værktøjspakken som standardtilbehør. Det kan være forskellige fra land til land.


ΠΡΟΔΙΑΓΡΑΦΕΣ

Μοντέλο:	UH4261	UH4861	UH5261
Μήκος λαμίων	420 mm	480 mm	520 mm
Διαδρομές ανά λεπτό	1.600 min ⁻¹		
Συνολικό μήκος	821 mm	871 mm	921 mm
Καθαρό βάρος	3,0 - 3,1 kg		
Τάξη ασφάλειας	⊠/II		

- Λόγω του συνεχόμενου προγράμματος που εφαρμόζουμε για έρευνα και ανάπτυξη, τα τεχνικά χαρακτηριστικά στο παρόν έντυπο υπόκεινται σε αλλαγή χωρίς προειδοποίηση.
- Τα τεχνικά χαρακτηριστικά μπορεί να διαφέρουν από χώρα σε χώρα.
- Το βάρος μπορεί να διαφέρει ανάλογα με το(α) εξάρτημα(τα). Ο ελαφρύτερος και βαρύτερος συνδυασμός, σύμφωνα με τη διαδικασία EPTA 01/2014, απεικονίζονται στον πίνακα.

Σύμβολα

Παρακάτω παρουσιάζονται τα σύμβολα που μπορούν να χρησιμοποιηθούν για τον εξοπλισμό. Βεβαιωθείτε ότι κατανοείτε τη σημασία τους πριν από τη χρήση.

	Διαβάστε το εγχειρίδιο οδηγιών.
	ΔΙΠΛΗ ΜΟΝΩΣΗ
	Φοράτε γυαλιά ασφαλείας.
	Να φοράτε προστασία ματιών και υποασπίδες.
	ΚΙΝΔΥΝΟΣ - Κρατήστε τα χέρια μακριά από τη λάμα.
	Μην εκθέτετε σε βροχή.
	Μην εκθέτετε σε βροχή.
	Αφαιρέστε αμέσως το φως από την κεντρική ηλεκτρική παροχή στην περίπτωση που το καλώδιο είναι κατεστραμμένο ή κομμένο.



Μόνο για τις χώρες της ΕΕ
Λόγω της παρουσίας των επικίνδυνων συστατικών μερών στον εξοπλισμό, ο χρησιμοποιημένος ηλεκτρικός και ηλεκτρονικός εξοπλισμός μπορεί να έχει αρνητική επίδραση στο περιβάλλον και την ανθρώπινη υγεία.

Μην απορρίπτετε τις ηλεκτρικές και ηλεκτρονικές συσκευές μαζί με τα οικιακά απορρίμματα!

Σύμφωνα με την Ευρωπαϊκή Οδηγία για τον απόβλητο ηλεκτρικό και ηλεκτρονικό εξοπλισμό, καθώς και την προσαρμογή της στην εθνική νομοθεσία, ο χρησιμοποιημένος ηλεκτρικός και ηλεκτρονικός εξοπλισμός θα πρέπει να συλλέγεται ξεχωριστά και να παραδίδεται σε ξεχωριστό σημείο συλλογής για δημοτικά απόβλητα, το οποίο λειτουργεί σύμφωνα με τους κανονισμούς προστασίας του περιβάλλοντος.

Αυτό υποδεικνύεται από το σύμβολο του διαγραμμένου τροχοφόρου κάδου που βρίσκεται αναρτημένο επάνω στον εξοπλισμό.



Εγγυημένη στάθμη ηχητικής ισχύος σύμφωνα με την Οδηγία της ΕΕ για την εκπομπή θορύβου σε εξωτερικούς χώρους.



Στάθμη ηχητικής ισχύος σύμφωνα με τον Κανονισμό ελέγχου θορύβου της Νέας Νότιας Ουαλίας της Αυστραλίας

Προοριζόμενη χρήση

Το εργαλείο προορίζεται για το ψαλίδισμα μπορντούρας.

Ηλεκτρική παροχή

Το εργαλείο πρέπει να συνδέεται μόνο με ηλεκτρική παροχή της ίδιας τάσης με αυτή που αναγράφεται στην πινακίδα ονομαστικών τιμών και μπορεί να λειτουργήσει μόνο με εναλλασσόμενο μονοφασικό ρεύμα. Υπάρχει διπλή μόνωση και κατά συνέπεια, μπορεί να γίνει σύνδεση σε ακροδέκτες χωρίς σύρμα γείωσης.

Θόρυβος

Το τυπικό Α επίπεδο καταμετρημένου θορύβου καθορίζεται σύμφωνα με το EN62841-4-2:

Μοντέλο	Στάθμη ηχητικής πίεσης		Εγγυημένο επίπεδο ηχητικής ισχύος	Μετρούμενο επίπεδο ηχητικής ισχύος	
	L _{PA} (dB(A))	Αβεβαιότητα K (dB(A))	L _{WA} (dB(A))	L _{WA} (dB(A))	Αβεβαιότητα K (dB(A))
UH4261	85	3	96	93	2,1
UH4861	85	3	96	93	2,1
UH5261	85	3	96	93	2,1

ΠΑΡΑΤΗΡΗΣΗ: Η δηλωμένη τιμή(ές) εκπομπής θορύβου έχει μετρηθεί σύμφωνα με την πρότυπη μέθοδο δοκιμής και μπορεί να χρησιμοποιηθεί για τη σύγκριση ενός εργαλείου με κάποιο άλλο.

ΠΑΡΑΤΗΡΗΣΗ: Η δηλωμένη τιμή(ές) εκπομπής θορύβου μπορεί να χρησιμοποιηθεί και στην προκαταρκτική αξιολόγηση της έκθεσης.

⚠ ΠΡΟΕΙΔΟΠΟΙΗΣΗ: Να φοράτε ωτοασπίδες.

⚠ ΠΡΟΕΙΔΟΠΟΙΗΣΗ: Η εκπομπή θορύβου κατά τη χρήση του ηλεκτρικού εργαλείου σε πραγματικές συνθήκες μπορεί να διαφέρει από τη δηλωμένη τιμή(ές) ανάλογα με τους τρόπους χρήσης του εργαλείου, ιδιαίτερα το είδος του τεμαχίου εργασίας που υπόκειται επεξεργασία.

⚠ ΠΡΟΕΙΔΟΠΟΙΗΣΗ: Φροντίστε να λάβετε τα κατάλληλα μέτρα προστασίας του χειριστή βάσει ενός υπολογισμού της έκθεσης σε πραγματικές συνθήκες χρήσης (λαμβάνοντας υπόψη όλες τις συνιστώσες του κύκλου λειτουργίας όπως τους χρόνους που το εργαλείο είναι εκτός λειτουργίας και όταν βρίσκεται σε αδρανή λειτουργία πέραν του χρόνου ενεργοποίησης).

Κραδασμός

Η ολική τιμή δόνησης (άθροισμα τρι-αξονικού διανύσματος) καθορίζεται σύμφωνα με το EN62841-4-2:

Είδος εργασίας: ψαλίδισμα φυλλωδών φραχτών

Μοντέλο	Εκπομπή δόνησης (a _n) : (m/s ²)	Αβεβαιότητα (K): (m/s ²)
UH4261	6,7	1,5
UH4861	6,7	1,5
UH5261	6,7	1,5

ΠΑΡΑΤΗΡΗΣΗ: Η δηλωμένη τιμή(ές) συνολικών κραδασμών έχει μετρηθεί σύμφωνα με την πρότυπη μέθοδο δοκιμής και μπορεί να χρησιμοποιηθεί για τη σύγκριση ενός εργαλείου με κάποιο άλλο.

ΠΑΡΑΤΗΡΗΣΗ: Η δηλωμένη τιμή(ές) συνολικών κραδασμών μπορεί να χρησιμοποιηθεί και στην προκαταρκτική αξιολόγηση της έκθεσης.

⚠ ΠΡΟΕΙΔΟΠΟΙΗΣΗ: Η εκπομπή κραδασμών κατά τη χρήση του ηλεκτρικού εργαλείου σε πραγματικές συνθήκες μπορεί να διαφέρει από τη δηλωμένη τιμή(ές) εκπομπής ανάλογα με τους τρόπους χρήσης του εργαλείου, ιδιαίτερα το είδος του τεμαχίου εργασίας που υπόκειται επεξεργασία.

⚠ ΠΡΟΕΙΔΟΠΟΙΗΣΗ: Φροντίστε να λάβετε τα κατάλληλα μέτρα προστασίας του χειριστή βάσει ενός υπολογισμού της έκθεσης σε πραγματικές συνθήκες χρήσης (λαμβάνοντας υπόψη όλες τις συνιστώσες του κύκλου λειτουργίας όπως τους χρόνους που το εργαλείο είναι εκτός λειτουργίας και όταν βρίσκεται σε αδρανή λειτουργία πέραν του χρόνου ενεργοποίησης).

Δήλωση Συμμόρφωσης

Μόνο για χώρες της Ευρώπης

Οι Δηλώσεις Συμμόρφωσης περιλαμβάνονται στο Παράρτημα Α στο παρόν εγχειρίδιο οδηγιών.

ΠΡΟΕΙΔΟΠΟΙΗΣΕΙΣ ΑΣΦΑΛΕΙΑΣ

Γενικές προειδοποιήσεις ασφαλείας για το ηλεκτρικό εργαλείο

▲ΠΡΟΕΙΔΟΠΟΙΗΣΗ Διαβάστε όλες τις προειδοποιήσεις ασφαλείας, οδηγίες, εικονογραφίες και προδιαγραφές που παρέχονται με αυτό το ηλεκτρικό εργαλείο. Η μη τήρηση όλων των οδηγιών που αναγράφονται κατωτέρω μπορεί να καταλήξει σε ηλεκτροπληξία, πυρκαγιά ή/και σοβαρό τραυματισμό.

Φυλάξτε όλες τις προειδοποιήσεις και τις οδηγίες για μελλοντική παραπομπή.

Στις προειδοποιήσεις, ο όρος «ηλεκτρικό εργαλείο» αναφέρεται σε ηλεκτρικό εργαλείο που τροφοδοτείται από την κύρια παροχή ηλεκτρικού ρεύματος (με ηλεκτρικό καλώδιο) ή σε ηλεκτρικό εργαλείο που τροφοδοτείται από μπαταρία (χωρίς ηλεκτρικό καλώδιο).

Προειδοποίηση ασφαλείας για το ψαλίδι μπορντούρας

1. Μην χρησιμοποιείτε το ψαλίδι μπορντούρας σε άσχημες καιρικές συνθήκες, ειδικά όταν υπάρχει κίνδυνος κεραυνού. Αυτό μειώνει τον κίνδυνο να χτυπηθείτε από κεραυνό.
2. Να κρατάτε όλα τα ηλεκτρικά καλώδια και τα σύρματα μακριά από την περιοχή κοπής. Τα ηλεκτρικά καλώδια ή τα σύρματα μπορεί να είναι κρυμμένα στις μπορντούρες ή τους θάμνους και να κοπούν κατά λάθος από τη λάμα.
3. Φοράτε γυαλιά ασφαλείας. Ο επαρκής προστατευτικός εξοπλισμός θα μειώσει τον κίνδυνο απώλειας της ακοής.
4. Κρατάτε το ψαλίδι μπορντούρας μόνο από τις μονωμένες επιφάνειες λαβής επειδή η λάμα μπορεί να κάνει επαφή με το κρυμμένο καλώδιο ή το δικό της καλώδιο. Σε περίπτωση επαφής των λαμών με ηλεκτροφόρο καλώδιο, μπορεί να εκτεθειμένα μεταλλικά εξαρτήματα του ψαλιδιού μπορντούρας να καταστούν τα ίδια ηλεκτροφόρα και να προκαλέσουν ηλεκτροπληξία στον χειριστή.
5. Απομακρύνετε όλα τα μέρη του σώματος από τη λάμα. Μην αφαιρείτε το κορμινό υλικό και μην κρατάτε το υλικό προς κοπή όταν οι λάμες κινούνται. Οι λάμες συνεχίζουν να κινούνται μετά την απενεργοποίηση του διακόπτη. Μια στιγμή απροσεξίας κατά τη διάρκεια χειρισμού του ψαλιδιού μπορντούρας μπορεί να προκαλέσει σοβαρό προσωπικό τραυματισμό.
6. Όταν καθαρίζετε μπλοκαρισμένο υλικό ή πραγματοποιείτε σέρβις στο ψαλίδι μπορντούρας, να βεβαιώνετε ότι όλοι οι διακόπτες λειτουργίας είναι σβηστοί και το ηλεκτρικό καλώδιο είναι αποσυνδεδεμένο. Η απρόσμενη ενεργοποίηση του ψαλιδιού μπορντούρας κατά τον καθαρισμό του μπλοκαρισμένου υλικού ή το σέρβις μπορεί να έχει ως αποτέλεσμα σοβαρό προσωπικό τραυματισμό.
7. Μεταφέρετε το ψαλίδι μπορντούρας από τη λαβή με τη λάμα σταματημένη και προσέχετε να μην θέσετε τον διακόπτη λειτουργίας σε λειτουργία. Η σωστή μεταφορά του ψαλιδιού μπορντούρας θα μειώσει τον κίνδυνο αθέλητης έναρξης και θα εκακώλουθο προσωπικό τραυματισμό από τις λάμες.

8. Κατά τη μεταφορά ή την αποθήκευση του ψαλιδιού μπορντούρας, να τοποθετείτε πάντα το κάλυμμα λαμών. Ο σωστός χειρισμός του ψαλιδιού μπορντούρας θα μειώσει τον κίνδυνο προσωπικού τραυματισμού από τις λάμες.

Πρόσθετες προειδοποιήσεις ασφαλείας:

1. Μην χρησιμοποιείτε το ψαλίδι μπορντούρας στη βροχή ή σε βρεγμένες ή πολύ υγρές συνθήκες. Το ηλεκτρικό μωτέρ δεν είναι αδιάβροχο.
2. Όσοι χρησιμοποιούν το ψαλίδι για πρώτη φορά θα πρέπει να ζητήσουν από έναν έμπειρο χρήστη του ψαλιδιού μπορντούρας να τους δείξει πώς να χρησιμοποιήσουν το ψαλίδι.
3. Το ψαλίδι μπορντούρας δεν πρέπει να χρησιμοποιείται από παιδιά και νέους κάτω των 18 ετών. Εξαιρούνται από αυτή την απαγόρευση οι νέοι άνω των 16 ετών που εκπαιδεύονται υπό την επίβλεψη ειδικού.
4. Να χρησιμοποιείτε το ψαλίδι μπορντούρας μόνο αν βρισκόσθε σε καλή σωματική κατάσταση. Αν είστε κουρασμένοι, ή προσοχή σας θα είναι μειωμένη. Προσέξτε ιδιαίτερα κατά το τέλος της ημέρας εργασίας. Εκτελέστε όλες τις εργασίες με ηρεμία και προσοχή. Ο χρήστης είναι υπεύθυνος για όλες τις ζημιές σε άλλα άτομα.
5. Μην χρησιμοποιείτε ποτέ το ψαλίδι υπό την επίρρεια αλκοόλ, ναρκωτικών ουσιών ή φαρμάκων.
6. Βεβαιωθείτε ότι η τάση και η συχνότητα της ηλεκτρικής παροχής αντιστοιχούν στις προδιαγραφές που αναγράφονται στην αναγνωριστική πινακίδα. Συνιστάται η χρήση ενός αυτόματου διακόπτη που λειτουργεί με παραμένον ρεύμα (διακόπτης κυκλώματος βλάβης γείωσης) με ρεύμα απεμπλοκής των 30 mA ή λιγότερο, ή προστατευτικό ρεύματος διαρροής γείωσης.
7. Τα γάντια εργασίας από ανθεκτικό δέρμα αποτελούν μέρος του βασικού εξοπλισμού του ψαλιδιού μπορντούρας και πρέπει πάντα να φοριούνται κατά την εργασία με αυτό. Επίσης, να φοράτε σταθερά παπούτσια με αντιολισθητικές σόλες.
8. Πριν ξεκινήσετε οποιαδήποτε εργασία, ελέγξτε για να βεβαιωθείτε ότι το ψαλίδι βρίσκεται σε καλή και ασφαλή κατάσταση εργασίας. Βεβαιωθείτε ότι οι προφυλακτικές είναι τοποθετημένοι σωστά. Ελέγξτε το καλώδιο για ζημιά πριν ξεκινήσετε την εργασία και αντικαταστήστε, αν απαιτείται. Το ψαλίδι μπορντούρας δεν πρέπει να χρησιμοποιηθεί αν δεν είναι πλήρως συναρμολογημένο.
9. Να κρατάτε το καλώδιο μακριά από την περιοχή κοπής. Να εργάζεστε πάντα με τρόπο ώστε το ηλεκτρικό καλώδιο προέκτασης να βρίσκεται πίσω σας.
10. Αφαιρέστε αμέσως το φως από την κεντρική ηλεκτρική παροχή στην περίπτωση που το καλώδιο είναι κατεστραμμένο ή κομμένο.
11. Να βεβαιώνετε ότι σταθερά πριν ξεκινήσετε μια εργασία.
12. Είναι εξαιρετικά επικίνδυνο να τεντώνετε με το ψαλίδι μπορντούρας, ειδικά όταν βρίσκεστε επάνω σε ο,τιδήποτε ασταθές ή αδύναμο.
13. Κρατήστε το εργαλείο σταθερά όταν χρησιμοποιείτε το εργαλείο.
14. Ελέγχετε τους φράχτες από θάμνους και τους θάμνους για ξένα αντικείμενα, όπως συρματινούς φράχτες ή κρυμμένα καλώδια, πριν θέσετε σε λειτουργία το εργαλείο.

15. Να σβήνεται αμέσως το μοτέρ και να βγάξετε το φως από την κεντρική ηλεκτρική παροχή στην περίπτωση που το κοπτικό έρθει σε επαφή με φράχτη ή άλλο σκληρό αντικείμενο. Ελέγξτε το κοπτικό για ζημιά και, αν υπάρχει ζημιά, επισκευάστε αμέσως.
16. Πριν ελέγξετε το κοπτικό, διορθώστε μια βλάβη ή αφαιρέστε υλικά που πιάστηκαν στο κοπτικό, να σβήνεται πάντα το ψαλίδι και να βγάξετε το φως από την κεντρική ηλεκτρική παροχή.
17. Απενεργοποιήστε το ψαλίδι και αποσυνδέστε το φως από την κεντρική ηλεκτρική παροχή και ασφαλίστε το, πριν εκτελέσετε οποιαδήποτε εργασία συντήρησης.
18. Όταν μετακινείτε το ψαλίδι μπορντούρας σε άλλη τοποθεσία, συμπεριλαμβανοντας κατά τη διάρκεια της εργασίας, πάντα να βγάξετε το φως από την κεντρική ηλεκτρική παροχή και να τοποθετείτε το κάλυμμα λαμών στις κοπτικές λάμες. Μη μεταφέρετε ποτέ το ψαλίδι με το κοπτικό να λειτουργεί. Μην πιάνετε ποτέ το κοπτικό με τα χέρια σας.
19. Να καθαρίζετε το ψαλίδι μπορντούρας, και ειδικά το κοπτικό, μετά τη χρήση και πριν τοποθετήσετε το ψαλίδι για αποθήκευση για μεγάλες χρονικές περιόδους. Λιπάνετε ελαφρά το κοπτικό και τοποθετήστε το κάλυμμα. Το κάλυμμα που παρέχεται με τη μονάδα μπορεί να κρεμαστεί στον τοίχο, παρέχοντας έναν ασφαλή και πρακτικό τρόπο αποθήκευσης του ψαλιδιού μπορντούρας.
20. Να αποθηκεύετε το ψαλίδι μπορντούρας με τοποθετημένο το κάλυμμα, σε ένα δωμάτιο χωρίς υγρασία. Φυλάξτε το μακριά από παιδιά. Μην αποθηκεύετε ποτέ το ψαλίδι σε εξωτερικό χώρο.
21. Μην στρέφετε ποτέ τις λάμες κουρευτικού προς το μέρος σας ή προς τους άλλους.
22. Αν οι λάμες σταματήσουν να κινούνται επειδή κόλλησαν ξένα αντικείμενα μεταξύ των λαμών κατά τη λειτουργία, σβήστε το εργαλείο και βγάλτε το φως του ηλεκτρικού καλωδίου από την πρίζα, μετά αφαιρέστε τα ξένα αντικείμενα χρησιμοποιώντας κάποιο εργαλείο, όπως μια πένσα. Η αφαίρεση των ξένων αντικειμένων με το χέρι μπορεί να προκαλέσει τραυματισμό, επειδή οι λάμες μπορεί να κινηθούν σε αντίδραση της αφαίρεσης των ξένων αντικειμένων.
23. Να αποφεύγετε τα επικίνδυνα περιβάλλοντα. Μη χρησιμοποιείτε το εργαλείο σε υγραμένο ή υγρό χώρο ούτε να το εκθέτετε στη βροχή. Η είσοδος νερού στο εργαλείο μπορεί να αυξήσει τον κίνδυνο πρόκλησης ηλεκτροπληξίας.

ΦΥΛΑΞΤΕ ΤΙΣ ΟΔΗΓΙΕΣ ΑΥΤΕΣ.

▲ΠΡΟΕΙΔΟΠΟΙΗΣΗ: ΜΗΝ επιτρέψετε το βαθμό άνεσης ή εξοικείωσης με το προϊόν (λόγω επανειλημμένης χρήσης) να αντικαταστήσει την αυστηρή τήρηση των κανόνων ασφαλείας του παρόντος εργαλείου. Η ΛΑΝΘΑΣΜΕΝΗ ΧΡΗΣΗ ή η αμέλεια να ακολουθήσετε τους κανόνες ασφαλείας που διατυπώνονται στο παρόν εγχειρίδιο οδηγιών μπορεί να προκαλέσει σοβαρό προσωπικό τραυματισμό.

ΠΕΡΙΓΡΑΦΗ ΛΕΙΤΟΥΡΓΙΑΣ

▲ΠΡΟΣΟΧΗ: Να βεβαιώνεστε πάντα ότι το εργαλείο είναι σβηστό και αποσυνδεδεμένο από την ηλεκτρική παροχή πριν ρυθμίσετε ή ελέγξετε κάποια λειτουργία του.

▲ΠΡΟΣΟΧΗ: Τοποθετήστε το κάλυμμα λαμών στις λάμες κουρευτικού πριν ρυθμίσετε ή ελέγξετε τη λειτουργία στο εργαλείο.

Δράση διακόπτη

- **Εικ.1:** 1. Σκανδάλη διακόπτης B 2. Σκανδάλη διακόπτης A 3. Σκανδάλη διακόπτης C

Για την ασφάλειά σας, αυτό το εργαλείο είναι εξοπλισμένο με σύστημα τριπλής εναλλαγής. Για να ενεργοποιήσετε το εργαλείο, πατήστε τη σκανδάλη διακόπτη B και πατήστε τη σκανδάλη διακόπτη A ή C ταυτόχρονα. Απελευθερώστε οποιαδήποτε από τις δύο πατημένες σκανδάλες διακόπτες για απενεργοποίηση. Η ακουθια της εναλλαγής δεν είναι σημαντική επειδή το εργαλείο ξεκινάει μόνο όταν και οι δύο διακόπτες είναι ενεργοποιημένοι.

Ίσια κοπή

- **Εικ.2**

Για ψαλίδισμα της μπορντούρας ίσια, τραβήξτε τις σκανδάλες διακόπτες A και B.

Κατακόρυφη κοπή

- **Εικ.3**

Κόψτε προς τα πάνω και με τα δύο χέρια, τραβήξτε τις σκανδάλες διακόπτες B και C και μετακινήστε το μπροστά από το σώμα σας.

ΣΥΝΑΡΜΟΛΟΓΗΣΗ

▲ΠΡΟΣΟΧΗ: Να βεβαιώνεστε πάντα ότι το εργαλείο είναι σβηστό και αποσυνδεδεμένο από την ηλεκτρική παροχή πριν εκτελέσετε οποιαδήποτε εργασία σε αυτό.

Δέσμευση του καλωδίου προέκτασης

▲ΠΡΟΣΟΧΗ: Βεβαιωθείτε ότι το καλώδιο προέκτασης είναι αποσυνδεδεμένο από την κεντρική πρίζα.

- **Εικ.4:** 1. Διάταξη γάντζων 2. Καλώδιο προέκτασης 3. Καλώδιο εργαλείου

Όταν δεσμεύετε το καλώδιο προέκτασης, ασφαλίστε το στο καλώδιο του εργαλείου με τη διάταξη γάντζων. Προσαρτήστε τον γάντζο περίπου 100 - 200 mm από τον συνδετήρα του καλωδίου προέκτασης. Αυτό θα αποτρέπει την απρόσμενη αποσύνδεση.

Γάντζος κορδονιού μέσης

⚠️ ΠΡΟΣΟΧΗ: Μην προσαρτάτε τον συγκρατητή του γάντζου κορδονιού μέσης σε οτιδήποτε άλλο εκτός από το καλώδιο προέκτασης. Μην το προσαρτάτε σε μια θέση πιο κοντά στο εργαλείο από αυτή της διάταξης γάντζων. Αν δεν το κάνετε αυτό, μπορεί να προκληθεί ατύχημα ή προσωπικός τραυματισμός.

⚠️ ΠΡΟΣΟΧΗ: Προσαρτήστε σταθερά τον ένα γάντζο της διάταξης γάντζων στο καλώδιο του εργαλείου και το άλλο γάντζο της διάταξης γάντζων στο καλώδιο προέκτασης. Αν εργάζεστε με το εργαλείο μόνο με έναν γάντζο προσαρτημένο, μπορεί να προκληθεί ατύχημα και τραυματισμός.

Η χρήση του γάντζου κορδονιού μέσης συμβάλλει στην ελαχιστοποίηση του κινδύνου απρόσμενης κοπής του καλωδίου προέκτασης που προκαλείται από ένα χαλαρό καλώδιο προέκτασης.

► **Εικ.5:** 1. Γάντζος 2. Εργαλείο 3. Καλώδιο εργαλείου 4. Διάταξη γάντζων 5. Καλώδιο προέκτασης 6. Συγκρατητής 7. Γάντζος κορδονιού μέσης

Πατήστε προς τα μέσα ή τραβήξτε το καλώδιο μέσα από το άνοιγμα του συγκρατητή.

► **Εικ.6:** 1. Συγκρατητής 2. Καλώδιο

⚠️ ΠΡΟΣΟΧΗ: Μην εξαναγκάζετε το άνοιγμα του συγκρατητή. Αν δεν το κάνετε αυτό, μπορεί να προκληθεί εκτροπή και ζημιά σε αυτό.

Γάντζος κορδονιού βραχίονα (Εξάρτημα)

⚠️ ΠΡΟΣΟΧΗ: Μην προσαρτάτε τον συγκρατητή του γάντζου κορδονιού βραχίονα σε οτιδήποτε άλλο εκτός από το καλώδιο προέκτασης. Μην το προσαρτάτε σε μια θέση πιο κοντά στο εργαλείο από αυτή της διάταξης γάντζων. Αν δεν το κάνετε αυτό, μπορεί να προκληθεί ατύχημα ή προσωπικός τραυματισμός.

⚠️ ΠΡΟΣΟΧΗ: Προσαρτήστε σταθερά τον ένα γάντζο της διάταξης γάντζων στο καλώδιο του εργαλείου και το άλλο γάντζο της διάταξης γάντζων στο καλώδιο προέκτασης. Αν εργάζεστε με το εργαλείο μόνο με έναν γάντζο προσαρτημένο, μπορεί να προκληθεί ατύχημα και τραυματισμός.

Η χρήση του γάντζου κορδονιού βραχίονα συμβάλλει στην ελαχιστοποίηση του κινδύνου απρόσμενης κοπής του καλωδίου προέκτασης που προκαλείται από ένα χαλαρό καλώδιο προέκτασης.

► **Εικ.7:** 1. Συγκρατητής 2. Γάντζος κορδονιού βραχίονα

Προσαρτήστε σταθερά το γάντζο κορδονιού βραχίονα τοποθετώντας το γύρω από τον βραχίονά σας και περάστε το καλώδιο προέκτασης μέσα από τον συγκρατητή. Το μήκος του ιμάντα γάντζου κορδονιού βραχίονα είναι ρυθμιζόμενο.

ΠΑΡΑΤΗΡΗΣΗ: Μην περάσετε το καλώδιο προέκτασης μέσα από τον ιμάντα.

ΠΑΡΑΤΗΡΗΣΗ: Μην εξαναγκάζετε το άνοιγμα του συγκρατητή. Αν δεν το κάνετε αυτό, μπορεί να προκληθεί εκτροπή και ζημιά σε αυτό.

ΠΑΡΑΤΗΡΗΣΗ: Η χρήση του γάντζου κορδονιού βραχίονα μαζί με τον γάντζο κορδονιού μέσης είναι πιο χρήσιμη.

ΛΕΙΤΟΥΡΓΙΑ

⚠️ ΠΡΟΣΟΧΗ: Κατά το ψαλίδισμα, προσέχετε να μην έρθει το εργαλείο σε επαφή με μεταλλικό φράχτη ή άλλα σκληρά αντικείμενα. Η λάμα θα σπάσει και μπορεί να προκαλέσει σοβαρό τραυματισμό.

⚠️ ΠΡΟΣΟΧΗ: Είναι εξαιρετικά επικίνδυνο να τεντώνεστε με το ψαλίδι μπορντούρας, ειδικά όταν βράστε επάνω σε σκάλα. Μην εργάζεστε ενώ στέκεστε επάνω σε ο,τιδήποτε ασταθές ή αδύναμο.

ΕΙΔΟΠΟΙΗΣΗ: Μην επιχειρήσετε να κόβετε κλαδιά με διάμετρο μεγαλύτερη από 10 mm με το εργαλείο. Κόψτε τα κλαδιά στα 10 cm κάτω από το ύψος κοπής χρησιμοποιώντας κλαδευτήρες πριν χρησιμοποιήσετε το εργαλείο.

► **Εικ.8:** (1) Ύψος κουρέματος (2) 10 cm

⚠️ ΠΡΟΣΟΧΗ: Μην κόβετε νεκρά δέντρα ή παρόμοια σκληρά αντικείμενα. Διαφορετικά, μπορεί να προκληθεί ζημιά στο εργαλείο.

Κρατήστε το κουρευτικό με τα δύο χέρια, τραβήξτε τη σκανδάλη διακόπτη Α ή Β και μετακινήστε το μπροστά από το σώμα σας.

► **Εικ.9**

Ως βασική λειτουργία, γείρετε τις λάμες προς την κατεύθυνση ψαλιδίσματος και μετακινήστε τις ήρεμα και αργά με ταχύτητα 3 - 4 δευτερόλεπτα το μέτρο.

► **Εικ.10:** 1. Κατεύθυνση ψαλιδίσματος 2. Γείρετε τις λάμες 3. Επιφάνεια μπορντούρας για ψαλίδισμα

Για να κόψετε το πάνω μέρος μιας μπορντούρας ομοιόμορφα, βοηθάει αν δέσετε ένα σκοινί στο επιθυμητό ύψος μπορντούρας και ψαλιδίσετε κατά μήκος αυτού, χρησιμοποιώντας το ως γραμμική αναφοράς.

► **Εικ.11:** 1. Σκοινί

Αν προσαρτήσετε τον συλλογέα θραυσμάτων (εξάρτημα) στο εργαλείο όταν ψαλιδίζετε την μπορντούρα ίσια, μπορεί να αποφευχθεί το πέταγμα των φύλλων.

► **Εικ.12**

Για να κόψετε ομοιόμορφα την πλευρά μπορντούρας, βοηθάει να κόβετε από το κάτω μέρος προς τα πάνω.

► **Εικ.13**

Ψαλιδίστε το πιεζάρι ή το ροδόδεντρο από τη βάση προς τα πάνω, για μια όμορφη εμφάνιση και καλή δουλειά.

► **Εικ.14**

Τοποθέτηση ή αφαίρεση του συλλογέα θραυσμάτων (εξάρτημα)

⚠ ΠΡΟΣΟΧΗ: Να βεβαιώνετε πάντα ότι το εργαλείο είναι σβηστό και αποσυνδεδεμένο από το ηλεκτρικό ρεύμα πριν τοποθετήσετε ή αφαιρέσετε τον συλλογέα θραυσμάτων.

ΠΑΡΑΤΗΡΗΣΗ: Όταν αντικαθιστάτε τον συλλογέα θραυσμάτων, να φοράτε πάντα γάντια για να μην έρχονται τα χέρια και το πρόσωπό σας σε απευθείας επαφή με τη λάμα. Αν δεν το κάνετε αυτό, μπορεί να προκληθεί προσωπικός τραυματισμός.

ΠΑΡΑΤΗΡΗΣΗ: Να βεβαιώνετε πάντα να αφαιρείτε το κάλυμμα λαμών πριν τοποθετήσετε τον συλλογέα θραυσμάτων.

ΠΑΡΑΤΗΡΗΣΗ: Ο συλλογέας θραυσμάτων λαμβάνει τα κομμένα φύλλα και μετριάζει τη συλλογή των πεταμένων φύλλων. Μπορεί να τοποθετηθεί σε οποιαδήποτε πλευρά του εργαλείου.

- **Εικ.15:** 1. Πάτημα 2. Συλλογέας θραυσμάτων 3. Παξιμάδι 4. Λάμα κουρευτικού

Αυτή τη στιγμή, πρέπει να τοποθετηθεί ο συλλογέας θραυσμάτων ώστε οι γάντζοι του να ταιριάζουν στις εγκοπές στη μονάδα λάμας κουρευτικού.

- **Εικ.16:** 1. Γάντζοι 2. Προσαρμόστε τους γάντζους στην εγκοπή 3. Εγκοπές

Για να αφαιρέσετε τον συλλογέα θραυσμάτων, πατήστε τον μοχλό του και στις δύο πλευρές, ώστε οι γάντζοι να ξεκλειδώσουν.

- **Εικ.17:** 1. Πατήστε τους μοχλούς και στις δύο πλευρές 2. Ξεκλειδώστε τους γάντζους

⚠ ΠΡΟΣΟΧΗ: Το κάλυμμα λαμών (τυπικός εξοπλισμός) δεν μπορεί να εγκατασταθεί στο εργαλείο ενώ ο συλλογέας θραυσμάτων είναι τοποθετημένος. Πριν τη μεταφορά ή αποθήκευση, αφαιρέστε τον συλλογέα θραυσμάτων και, στη συνέχεια, τοποθετήστε το κάλυμμα λαμών για να αποφύγετε την έκθεση της λάμας.

ΠΑΡΑΤΗΡΗΣΗ: Πριν από τη χρήση, ελέγξτε ότι ο συλλογέας θραυσμάτων είναι τοποθετημένος με ασφάλεια.

ΠΑΡΑΤΗΡΗΣΗ: Μην προσπαθήσετε ποτέ να αφαιρέσετε τον συλλογέα θραυσμάτων με υπερβολική δύναμη, με τους γάντζους κλειδωμένους στις εγκοπές της μονάδας λαμών. Η χρήση υπερβολικής δύναμης μπορεί να προκαλέσει ζημιά σε αυτό.

ΣΥΝΤΗΡΗΣΗ

⚠ ΠΡΟΣΟΧΗ: Να βεβαιώνετε πάντα ότι το εργαλείο είναι σβηστό και αποσυνδεδεμένο από την ηλεκτρική παροχή πριν εκτελέσετε οποιαδήποτε εργασία επιθεώρησης ή συντήρησης σε αυτό.

Καθαρισμός του εργαλείου

Καθαρίστε το εργαλείο σκουπίζοντας τη σκόνη με ένα στεγνό πανί ή με ένα πανί εμποτισμένο με σαπούνι.

ΕΙΔΟΠΟΙΗΣΗ: Μην χρησιμοποιείτε ποτέ βενζίνη, πετρελαϊκό αιθέρα, διαλυτικό, αλκοόλη ή παρόμοιες ουσίες. Μπορεί να προκληθεί αποχρωματισμός, παραμόρφωση ή ρωγμές.

Συντήρηση λαμών

Επαλείψτε τη λάμα με μηχανέλαιο ή παρόμοιο πριν από τη λειτουργία ή μία φορά ανά μισάωρο κατά τη διάρκεια της λειτουργίας.

Μετά τη λειτουργία, αφαιρέστε τη σκόνη και από τις δύο πλευρές των λαμών με μια συρματίνη βούρτσα, σκουπίστε τις με ένα πανί και μετά εφαρμόστε λάδι χαμηλού ιξώδους, όπως μηχανέλαιο, κτλ. και λιπαντικό λάδι σε μορφή σπρέι.

⚠ ΠΡΟΣΟΧΗ: Μην πλένετε τις λάμες σε νερό. Αν δεν το κάνετε αυτό, μπορεί να προκληθεί σκουριά ή ζημιά στο εργαλείο.

⚠ ΠΡΟΣΟΧΗ: Να φοράτε γάντια όταν εκτελείτε συντήρηση λαμών.

Αποθήκευση

Τοποθετήστε το κάλυμμα λαμών στις λάμες κουρευτικού με τρόπο ώστε οι λάμες να μην είναι εκτεθειμένες. Αποθηκεύστε προσεκτικά το εργαλείο μακριά από παιδιά.

Αποθηκεύστε το εργαλείο σε ένα μέρος που δεν εκτίθεται σε νερό και βροχή.

Για να διατηρήσετε την ΑΣΦΑΛΕΙΑ και ΑΞΙΟΠΙΣΤΙΑ του προϊόντος, οι επισκευές, έλεγχος και αντικατάσταση καρβουνακιού, καθώς και οποιαδήποτε άλλη εργασία συντήρησης ή ρύθμισης πρέπει να εκτελούνται από εξουσιοδοτημένα ή εργοστασιακά κέντρα εξυπηρέτησης της Makita, πάντα χρησιμοποιώντας ανταλλακτικά της Makita.

ΠΡΟΑΙΡΕΤΙΚΑ ΕΞΑΡΤΗΜΑΤΑ

⚠ ΠΡΟΣΟΧΗ: Αυτά τα εξαρτήματα ή προσαρτήματα συνιστώνται για χρήση με το εργαλείο Makita που περιγράφηκε στις οδηγίες αυτές. Η χρήση οποιωνδήποτε άλλων εξαρτημάτων ή προσαρτημάτων μπορεί να προκαλέσει κίνδυνο τραυματισμού σε άτομα. Να χρησιμοποιείτε τα εξαρτήματα ή προσαρτήματα μόνο για την χρήση που προορίζονται.

Εάν χρειάζεστε οποιαδήποτε βοήθεια για περισσότερες πληροφορίες σε σχέση με αυτά τα εξαρτήματα, απαντήστε στο τοπικό σας κέντρο εξυπηρέτησης Makita.

- Κάλυμμα λαμών
- Ολόκληρος γάντζος
- Συλλογέας θραυσμάτων
- Γάντζος κορδονιού μέσης
- Γάντζος κορδονιού βραχίονα

ΠΑΡΑΤΗΡΗΣΗ: Μερικά στοιχεία στη λίστα μπορεί να συμπεριλαμβάνονται στη συσκευασία εργαλείου ως στάνταρ εξαρτήματα. Μπορεί να διαφέρουν ανάλογα με τη χώρα.

TEKNİK ÖZELLİKLER

Model:	UH4261	UH4861	UH5261
Bıçak uzunluğu	420 mm	480 mm	520 mm
Dakikadaki hareket	1.600 min ⁻¹		
Tam uzunluk	821 mm	871 mm	921 mm
Net ağırlık	3,0 - 3,1 kg		
Güvenlik sınıfı	□/II		

- Sürekli yapılan araştırma ve geliştirmelerden dolayı, burada belirtilen özellikler önceden bildirilmeksizin değiştirilebilir.
- Özellikler ülkeden ülkeye değişebilir.
- Ağırlık, ek parçaya(parçalara) bağlı olarak değişebilir. En hafif ve en ağır kombinasyon, EPTA Prosedürü 01/2014'e göre, tabloda gösterilmiştir.

Semboller

Ekipmanı için kullanılacak semboller aşağıda gösterilmiştir. Kullanmadan önce anlamlarını anladığınızdan emin olun.



Kullanma kılavuzunu okuyun.



ÇİFT YALITIMLI



Güvenlik gözlüğü takın.



Koruyucu gözlük ve kulaklık takın.



TEHLİKE - Elleri bıçaktan uzak tutun.



Yağmura maruz bırakmayın.



Yağmura maruz bırakmayın.



Kablo hasar görür veya kesilirse fişi prizden derhal çekin.



Sadece AB ülkeleri için
Ekipmanda tehlikeli bileşenler bulunduğundan dolayı eski elektrikli ve elektronik ekipmanlar çevre ve insan sağlığı üzerinde olumsuz etkiye yol açabilir.

Elektrikli ve elektronik cihazları evsel atıklarla birlikte atmayın!

Atık elektrikli ve elektronik ekipmanlar hakkındaki Avrupa Direktifi ve söz konusu direktifin ulusal yasalara uyarlanması gereğince eski elektrikli ve elektronik ekipmanlar ayrı olarak toplanmalı ve çevre koruma mevzuatına uygun olarak faaliyet gösteren ayrı bir kentsel atık toplama noktasına teslim edilmelidir.

Bu husus, ekipmanın üzerine yerleştirilmiş üzerinde çarpı işareti bulunan tekerlekli çöp kovası simgesi ile belirtilmiştir.



AB Dış Mekan Gürültü Direktifi uyarınca garanti edilen ses gücü seviyesi.



Avustralya NSW Gürültü Kontrol Mevzuatı uyarınca ses gücü seviyesi

Kullanım amacı

Bu alet çit budamak için tasarlanmıştır.

Güç kaynağı

Aletin, yalnızca isim levhasında belirtilenle aynı voltajlı güç kaynağına bağlanması gerekir ve yalnızca tek fazlı AC güç kaynağıyla çalıştırılabilir. Çifte yalıtımlıdır ve topraklamasız prizlerle de kullanılabilir.

Gürültü

Tipik A-ağırlıklı gürültü düzeyi (EN62841-4-2 standardına göre belirlenen):

Model	Ses basıncı seviyesi		Garanti edilen ses gücü seviyesi	Ölçülen ses gücü seviyesi	
	L _{PA} (dB(A))	Belirsizlik K (dB(A))		L _{WA} (dB(A))	Belirsizlik K (dB(A))
UH4261	85	3	96	93	2,1
UH4861	85	3	96	93	2,1
UH5261	85	3	96	93	2,1

NOT: Beyan edilen gürültü emisyonu değer(ler)i bir standart test yöntemine uygun şekilde ölçülmüştür ve bir aleti bir başkasıyla karşılaştırmak için kullanılabilir.

NOT: Beyan edilen gürültü emisyonu değer(ler)i bir ön maruz kalma değerlendirmesi olarak da kullanılabilir.

⚠UYARI: Kulak koruyucuları takın.

⚠UYARI: Elektrikli aletin gerçek kullanımı sırasındaki gürültü emisyonu, aletin kullanım biçimlerine, özellikle işlenen iş parçasının türüne bağlı olarak beyan edilen değer(ler)den farklı olabilir.

⚠UYARI: Gerçek kullanım koşullarındaki tahmini maruziyeti baz alan, operatörü koruyacak güvenlik önlemlerini mutlaka belirleyin (çalışma döngüsü içerisinde aletin kapalı olduğu ve aktif durumda olmasının yanı sıra boşta çalıştığı zamanlar gibi, bütün zaman dilimleri göz önünde bulundurarak).

Titreşim

Titreşim toplam değeri (üç eksenli vektör toplamı) (EN62841-4-2 standardına göre hesaplanan):

Çalışma modu: çit budama

Model	Titreşim emisyonu (a _n) : (m/s ²)	Belirsizlik (K): (m/s ²)
UH4261	6,7	1,5
UH4861	6,7	1,5
UH5261	6,7	1,5

NOT: Beyan edilen titreşim toplam değer(ler)i bir standart test yöntemine uygun şekilde ölçülmüştür ve bir aleti bir başkasıyla karşılaştırmak için kullanılabilir.

NOT: Beyan edilen titreşim toplam değer(ler)i bir ön maruz kalma değerlendirmesi olarak da kullanılabilir.

⚠UYARI: Elektrikli aletin gerçek kullanımı sırasındaki titreşim emisyonu, aletin kullanım biçimlerine, özellikle işlenen iş parçasının türüne bağlı olarak beyan edilen değer(ler)den farklı olabilir.

⚠UYARI: Gerçek kullanım koşullarındaki tahmini maruziyeti baz alan, operatörü koruyacak güvenlik önlemlerini mutlaka belirleyin (çalışma döngüsü içerisinde aletin kapalı olduğu ve aktif durumda olmasının yanı sıra boşta çalıştığı zamanlar gibi, bütün zaman dilimleri göz önünde bulundurarak).

Uygunluk Beyanları

Sadece Avrupa ülkeleri için

Uygunluk beyanları bu kullanma kılavuzuna Ek A olarak eklenmiştir.

GÜVENLİK UYARILARI

Genel elektrikli alet güvenliği uyarıları

⚠UYARI Bu elektrikli aletle birlikte verilen tüm güvenlik uyarılarını, talimatları, resimli açıklamaları ve teknik özellikleri okuyun. Aşağıda listelenen talimatların herhangi birine uyulmaması elektrik çarpması, yangın ve/veya ciddi yaralanma ile sonuçlanabilir.

Tüm uyarıları ve talimatları ile-ride başlamak için saklayın.

Uyarılardaki "elektrikli alet" terimi ile ya prizden çalışan (kordonlu) elektrikli aletiniz ya da kendi aküsü ile çalışan (kordonsuz) elektrikli aletiniz kastedilmektedir.

Çit budama güvenliği uyarıları

- Özellikle yıldırım düşmesi riski olan kötü hava koşullarında çit budamayı kullanmayın.** Bu şekilde yıldırım çarpması riskini azaltabilirsiniz.
- Tüm elektrik kablolarını kesim alanından uzak tutun.** Elektrik kabloları çitlere veya çalılara saklanabilir ve bıçak tarafından yanlışlıkla kesilebilir.
- Kulak koruyucu takın.** Uygun koruyucu ekipman işitme kaybı riskini azaltır.

4. **Bıçak gizli kabloları veya kendi kablosuna temas edebileceği için, çit budamayı sadece yalıtımlı kavrama yüzeylerinden tutun.** Bıçakların "akımlı" bir telle temas etmesi çit budamanın yalıtımsız metal kısımlarını "akımlı" hale getirebilir ve kullanıcıyı elektrik şokuna maruz bırakabilir.
5. **Vücudunuzun tüm kısımlarını bıçaktan uzak tutun.** Bıçaklar hareket halindeyken kesilen malzemeyi çıkarmaya ve kesilecek malzemeyi tutmaya çalışmayın. Anahtar kapatıldıktan sonra bıçaklar hareket etmeye devam eder. Çit budamayı kullanırken bir anlık dikkatsizlik ciddi bir yaralanmayla sonuçlanabilir.
6. **Sıkışan maddeleri çıkarırken veya çit budamaya bakım yaparken tüm güç anahtarlarının kapalı ve güç kablosunun çıkarılmış olduğundan emin olun.** Sıkışan maddeleri çıkarırken veya bakım yaparken çit budamanın beklenmedik şekilde çalışmaya başlaması ciddi yaralanmalara neden olabilir.
7. **Çit budamayı, bıçak durmuş halde ve hiçbir güç anahtarını kullanmamaya dikkat ederek koldan tutarak taşıyın.** Çit budamanın doğru bir şekilde taşınması, istemsiz başlatma ve bunun sonucunda bıçaklardan kaynaklanan yaralanma riskini azaltır.
8. **Çit budamayı naklederken veya saklarken bıçak kılıfını mutlaka kullanın.** Çit budamayı doğru bir şekilde taşımak bıçaklarla yaralanma riskini azaltır.
9. **Kabloyu kesim alanından uzak tutun.** Her zaman elektrik uzatma kablosu arkanızda olacak şekilde çalışın.
10. **Kablo hasar görür veya kesilirse fişi prizden derhal çekin.**
11. **Çalışmaya başlamadan önce, yere sağlam bastığınızdan emin olun.**
12. **Çit budama ile fazla ileriye uzanmak, özellikle bir merdivenden, aşırı dercedede tehlikelidir.** Sallanan veya sağlam olmayan hiçbir yerden çalışmayın.
13. **Aleti kullanırken sıkıca tutun.**
14. **Aleti çalıştırmadan önce çitleri ve çalılıkları, tel örgü veya gizli kablo gibi yabancı maddelere karşı kontrol edin.**
15. **Kesici, tel örgüye ya da sert bir nesneye temas ederse motoru hemen kapatın ve fişi prizden çekin.** Kesiciye zarar gelip gelmediğini kontrol edin ve zarar gelmişse hemen tamir edin.
16. **Kesiciyi kontrol etmeden, arızalarla ilgilenmeden ya da kesiciye takılan bir maddeyi çıkarmadan önce daima budama aletini kapatın ve fişi prizden çekin.**
17. **Herhangi bir bakım işlemi yapmadan önce budama aletini kapatın ve fişi çekin ve emniyete alın.**
18. **Çit budama aletini başka bir konuma taşımadan önce ve çalışma sırasında, daima fişi prizden çekin ve kesici bıçaklara bıçak kılıfı takın.** Kesici çalışırken çit budama aletini asla taşımayın ya da nakletmeyin. Kesiciyi asla elinizle kavramayın.

Ek Güvenlik Uyarıları:

1. **Çit budamayı yağmura ya da ıslak veya çok nemli koşullara maruz bırakmayın.** Elektrikli motor su geçirmez değildir.
2. **Aleti ilk kez kullanacak olanlar, budama aletinin nasıl kullanıldığını göstermesi için deneyimli bir çit budama kullanıcısından yardım almalıdır.**
3. **Çit budama, çocuklar veya 18 yaşın altındaki gençler tarafından kullanılmamalıdır.** 16 yaşın üzerindeki gençler, bir uzmanın gözetiminde eğitim alıyorsa bu kısıtlamadan muaf tutulabilirler.
4. **Çit budamayı yalnızca fiziksel durumunuz uygunsa kullanın.** Yorgunsanız dikkatiniz azalır. Özellikle çalışma gününün son saatlerinde dikkatli olun. Tüm işlerinizi sakın ve dikkatli bir şekilde yürütün. Üçüncü taraflara gelebilecek tüm zararlardan kullanıcı sorumludur.
5. **Budama aletini alkol, uyuşturucu ya da ilaçların etkisi altındayken asla kullanmayın.**
6. **Güç kaynağının gerilim ve frekansının tip plakasında verilen teknik özelliklere karşılık geldiğine emin olmak için kontrol edin.** Atma akımı en fazla 30 mA olan artık akımla çalışan devre kesici (kaçak akım rölesi) veya toprak kaçağı akım koruyucu aygıt kullanılmasına önerilir.
7. **Dayanıklı deriden yapılmış iş eldivenleri çit budama aletinin temel ekipmanının parçasıdır ve bu aletle çalışırken daima giyilmelidir.** Daima kaymaz tabanlı sağlam ayakkabılar giyin.
8. **İşe başlamadan önce, budama aletinin iyi ve güvenli bir şekilde çalışır durumda olduğundan emin olun.** Siperlerin yerine düzgün bir şekilde takıldığından emin olun. Çalışmaya başlamadan önce kabloda hasar olup olmadığını kontrol edin ve gerekirse değiştirin. Çit budama, tam olarak monte edilmediği durumlarda kullanılmamalıdır.
9. **Kesiciyi kontrol etmeden, arızalarla ilgilenmeden ya da kesiciye takılan bir maddeyi çıkarmadan önce daima budama aletini kapatın ve fişi prizden çekin.**
10. **Herhangi bir bakım işlemi yapmadan önce budama aletini kapatın ve fişi çekin ve emniyete alın.**
11. **Çit budama aletini başka bir konuma taşımadan önce ve çalışma sırasında, daima fişi prizden çekin ve kesici bıçaklara bıçak kılıfı takın.** Kesici çalışırken çit budama aletini asla taşımayın ya da nakletmeyin. Kesiciyi asla elinizle kavramayın.
12. **Kesiciyi kontrol etmeden, arızalarla ilgilenmeden ya da kesiciye takılan bir maddeyi çıkarmadan önce daima budama aletini kapatın ve fişi prizden çekin.**
13. **Herhangi bir bakım işlemi yapmadan önce budama aletini kapatın ve fişi çekin ve emniyete alın.**
14. **Çit budama aletini başka bir konuma taşımadan önce ve çalışma sırasında, daima fişi prizden çekin ve kesici bıçaklara bıçak kılıfı takın.** Kesici çalışırken çit budama aletini asla taşımayın ya da nakletmeyin. Kesiciyi asla elinizle kavramayın.
15. **Çocukların ulaşamayacağı yerlerde saklayın.** Budama aletini asla dışarıda saklamayın.
16. **Keski bıçaklarının asla kendinize veya başkalarına doğrultmayın.**
17. **Çalışma sırasında bıçakların arasına yabancı maddelerin sıkışmasından dolayı bıçaklar hareket etmeyi kersenize aleti kapatın ve fişi prizden çekin, ardından yabancı maddeleri pense, vb. kullanarak çıkarın.** Yabancı maddelerin elle çıkarılması, yabancı maddeleri çıkarmaya tepki olarak bıçaklar hareket edebileceğinden dolayı yaralanmaya neden olabilir.
18. **Tehlikeli ortamlardan kaçının.** Aleti nemli ya da ıslak yerlerde kullanmayın ve yağmura maruz bırakmayın. Makinenin içine su girmesi elektrik çarpması riskini arttıracaktır.

BU TALİMATLARI SAKLAYIN.

⚠UYARI: Ürünü kullanırken (defalarca kullanınca kazanılan) rahatlık ve tanıdıklık duygusunun ilgili ürünün güvenlik kurallarına sıkı sıkıya bağlı kalmanızı yerine geçmesine İZİN VERMEYİN. YANLIŞ KULLANIM veya bu kullanma kılavuzunda belirtilen emniyet kurallarına uymama ciddi yaralanmaya neden olabilir.

İŞLEVSEL NİTELİKLER

⚠️ DİKKAT: Alet üzerinde ayarlamaya ya da işleyiş kontrolü yapmadan önce aletin kapalı ve fişinin çekili olduğundan daima emin olun.

⚠️ DİKKAT: Alet üzerinde ayarlama veya çalışma kontrolü yapmadan önce bıçak kılıfını keski bıçaklarının üzerine yerleştirin.

Anahtar işleyişi

- **Şek.1:** 1. Anahtar tetik B 2. Anahtar tetik A 3. Anahtar tetik C

Güvenliğimiz için bu alet üçlü anahtarlama sistemi ile donatılmıştır. Aleti açmak için anahtar tetik B'ye basın ve aynı anda anahtar tetik A veya C'ye basın. Kapatmak için basılan iki anahtar tetikten birini bırakın. Alet sadece iki anahtara basıldığında çalıştığından anahtarlama sırasının önemi yoktur.

Düz kesim

- **Şek.2**

Çiti düz budamak için anahtar tetik A ve B'yi çekin.

Dikey kesim

- **Şek.3**

Her iki elinizle anahtar tetik B ve C'yi çekerken yukarı doğru kesin ve aleti vücudunuzun önünde hareket ettirin.

MONTAJ

⚠️ DİKKAT: Alet üzerinde herhangi bir iş yapmadan önce aletin kapalı ve fişinin çekili olduğundan daima emin olun.

Uzatma kablosunun takılması

⚠️ DİKKAT: Uzatma kablosunun prize takılı olmadığından emin olun.

- **Şek.4:** 1. Kanca takımı 2. Uzatma kablosu 3. Aletin kablosu

Uzatma kablosunu takarken kabloyu aletin kablosuna kanca takımı ile sabitleyin. Kancayı uzatma kablosu konektöründen yaklaşık 100 - 200 mm öteye takın. Bu, bağlantının yanlışlıkla çıkmasını önlemeye yardımcı olacaktır.

Bel kablo kancası

⚠️ DİKKAT: Bel kablo kancasının tutucusunu uzatma kablosu dışında başka bir yere takmayın. Alete, kanca takımını geçecek şekilde daha yakın bir konuma takmayın. Aksi takdirde kaza veya yaralanmaya neden olabilir.

⚠️ DİKKAT: Kanca takımının bir kancasını aletin kablosuna ve kanca takımının diğer kancasını uzatma kablosuna sıkıca takın. Sadece tek kancanın takılı olduğu aletle çalışmak kaza ve yaralanmaya neden olabilir.

Bel kablo kancasının kullanılması, gevşek uzatma kablosundan kaynaklanan uzatma kablosunun beklenmedik şekilde kesilme riskini en alt düzeye indirmeye yardımcı olur.

- **Şek.5:** 1. Kanca 2. Alet 3. Aletin kablosu 4. Kanca takımı 5. Uzatma kablosu 6. Tutucu 7. Bel kablo kancası

Kabloyu tutucunun açıklığından içeri bastırın veya dışarı çekin.

- **Şek.6:** 1. Tutucu 2. Kablo

⚠️ DİKKAT: Tutucunun açıklığını zorlamayın. Aksi takdirde eğilmesine ve hasar görmesine neden olabilir.

Kol kablo kancası (Aksesuar)

⚠️ DİKKAT: Kol kablo kancasının tutucusunu uzatma kablosu dışında başka bir yere takmayın. Alete, kanca takımını geçecek şekilde daha yakın bir konuma takmayın. Aksi takdirde kaza veya yaralanmaya neden olabilir.

⚠️ DİKKAT: Kanca takımının bir kancasını aletin kablosuna ve kanca takımının diğer kancasını uzatma kablosuna sıkıca takın. Sadece tek kancanın takılı olduğu aletle çalışmak kaza ve yaralanmaya neden olabilir.

Kol kablo kancasının kullanılması, gevşek uzatma kablosundan kaynaklanan uzatma kablosunun beklenmedik şekilde kesilme riskini en alt düzeye indirmeye yardımcı olur.

- **Şek.7:** 1. Tutucu 2. Kol kablo kancası

Kol kablo kancasını kolunuzun etrafına yerleştirerek sıkıca takın ve uzatma kablosunu tutucudan geçirin. Kol kablo kancası budamının uzunluğu ayarlanabilir.

NOT: Uzatma kablosunu banttan geçirmeyin.

NOT: Tutucunun açıklığını zorlamayın. Aksi takdirde eğilmesine ve hasar görmesine neden olabilir.

NOT: Kol kablo kancasının bel kablo kancası ile kullanılması daha faydalıdır.

KULLANIM

⚠️ DİKKAT: Budama sırasında metal bir çite ya da başka sert nesnelere temas etmemeye dikkat edin. Bıçak kırılır ve ciddi yaralanmaya neden olabilir.

⚠️ DİKKAT: Çit budama ile fazla ileriye uzanmak, özellikle bir merdivenden, aşırı derecede tehlikelidir. Sallanan veya sağlam olmayan hiçbir yerden çalışmayın.

ÖNEMLİ NOT: Aletle, çapı 10 mm'den daha kalın dalları kesmeye çalışmayın. Aleti kullanmadan önce, dal budayıcı kullanarak dalları kesim yüksekliğinden 10 cm aşağıda olacak şekilde kesin.

- **Şek.8:** (1) Kesim yüksekliği (2) 10 cm

⚠️ DİKKAT: Ölü ağaçları veya benzer sert nesnelere kesmeyin. Aksi takdirde alete hasar verebilirsiniz.

Budama aletini her iki elinizle tutun, anahtar tetik A veya B'yi çekin ve aleti vücudunuzun önünde hareket ettirin.

► Şek.9

Temel çalışma olarak, bıçakları budama yönüne doğru eğin ve metre başına 3 - 4 saniye bir hızla sakın ve yavaş bir biçimde hareket ettirin.

- **Şek.10:** 1. Budama yönü 2. Bıçakları eğin
3. Budanacak çit yüzeyi

Çitin üstünü eşit şekilde kesmek için istenilen çit yüksekliğinde bir ip germe ve ipi bir referans hat olarak kullanarak ip boyunca budamak yardımcı olur.

- **Şek.11:** 1. İp

Çiti düz budarken talaş yakalayıcının (aksesuar) alete takılması kesilen yaprakların fırlamasını engelleyebilir.

- **Şek.12**

Çitin yan kısmını düzgün bir şekilde kesmek için aşağıdan yukarı doğru kesmek yardımcı olabilir.

- **Şek.13**

Güzel bir görünüm ve iyi iş için şimsir veya orman gülünü tabandan yukarı doğru budayın.

- **Şek.14**

Talaş yakalayıcının (aksesuar) takılması veya çıkarılması

⚠DİKKAT: Talaş yakalayıcıyı takıp çıkarmadan önce mutlaka aletin kapalı ve fişinin çekili olduğundan emin olun.

NOT: Talaş yakalayıcıyı değiştirirken ellerin ve yüzün bıçakla doğrudan temas etmemesi için daima eldiven kullanın. Aksi takdirde yaralanmaya sebep olabilir.

NOT: Talaş yakalayıcıyı takmadan önce bıçak kılıfını her zaman mutlaka çıkarın.

NOT: Talaş yakalayıcı kesilen yaprakları yakalar ve fırlayan yaprakları toplama işini azaltır. Bu, aletin her iki yanına da takılabilir.

- **Şek.15:** 1. Basın 2. Talaş yakalayıcı 3. Somun
4. Keski bıçağı

O esnada talaş yakalayıcının, kancaları keski bıçağı ünitesindeki kanallara geçecek şekilde takılması gerekir.

- **Şek.16:** 1. Kancalar 2. Kancaları kanala geçirin
3. Kanallar

Talaş yakalayıcıyı çıkarmak için, kancaları açılacak şekilde her iki taraftan mandalina bastırın.

- **Şek.17:** 1. Her iki taraftan mandallara bastırın
2. Kancaları açın

⚠DİKKAT: Talaş yakalayıcı takılı iken bıçak kılıfı (standart ekipman) alete takılamaz. Taşımadan veya depolamadan önce talaş yakalayıcıyı çıkarın ve ardından bıçağın açıkta kalmasını engellemek için bıçak kılıfını takın.

NOT: Kullanmadan önce talaş yakalayıcının sıkıca takılıp takılmadığını kontrol edin.

NOT: Talaş yakalayıcıyı, kancaları bıçak ünitesi kanallarına kilitlemiş durumda aşırı güç uygulayarak çıkarmaya çalışmayın. Aşırı güç kullanılması ona hasar verebilir.

BAKIM

⚠DİKKAT: Muayene ya da bakım yapmadan önce aletin kapalı ve fişinin çekili olduğundan daima emin olun.

Aletin temizlenmesi

Aleti kuru veya sabunlu suya batırılmış bir bezle silerek temizleyin.

ÖNEMLİ NOT: Benzin, tiner, alkol ve benzeri maddeleri kesinlikle kullanmayın. Renk değişimi, deformasyon veya çatlaklar oluşabilir.

Bıçak bakımı

Bıçağa önceden ve çalışma sırasında yarım saatte bir makine yağı veya benzerlerini sürün.

Çalışmanın ardından, bıçağın her iki tarafından tozu tel fırça ile temizleyin, bir bezle silin ve bıçaklara yeterli miktarda makine yağı vb. gibi düşük viskoziteli yağ veya sprey tipi yağlama yağı uygulayın.

⚠DİKKAT: Bıçakları suda yıkamayın. Aksi takdirde paslanmaya veya aletin hasar görmesine neden olabilir.

⚠DİKKAT: Bıçak bakımı yaparken eldiven giyin.

Saklama

Bıçak kılıfını bıçaklar dışarıda kalmayacak şekilde keski bıçaklarına takın. Aleti çocukların erişemeyeceği bir yerde dikkatlice saklayın. Aleti su ya yağmura maruz kalmayan bir yerde saklayın.

Aleti EMNİYETLİ ve ÇALIŞMAYA HAZIR durumda tutmak için onarımlar, karbon fırça muayenesi ve değiştirilmesi, başka her türlü bakım veya ayarlamaları daima Makita yedek parçaları kullanılarak Makita Yetkili Servis Merkezleri ya da Fabrika Servis Merkezleri tarafından yapılmalıdır.

İSTEĞE BAĞLI AKSESUARLAR

⚠DİKKAT: Bu aksesuarlar ve ek parçalar bu el kitabında belirtilen Makita aletiniz ile kullanılmak için tavsiye edilmektedir. Herhangi başka bir aksesuar ya da ek parça kullanılması insanlar için bir yaralanma riski getirebilir. Aksesuarları ya da ek parçaları yalnızca belirtilmiş olan kullanım amaçlarına uygun olarak kullanın.

Bu aksesuarlarla ilgili daha fazla bilgiye ihtiyaç duyarsanız bulunduğunuz yerdeki yetkili Makita servisine başvurun.

- Bıçak kılıfı
- Kanca takımı
- Talaş yakalayıcı
- Bel kablo kancası
- Kol kablo kancası

NOT: Listedeki parçaların bazıları alet paketi içerisinde standart aksesuar olarak dahil edilmiş olabilir. Bunlar ülkeden ülkeye farklılık gösterebilir.

Makita Europe N.V.

Jan-Baptist Vinkstraat 2, 3070 Kortenberg, Belgium

Makita Corporation

3-11-8, Sumiyoshi-cho, Anjo, Aichi 446-8502 Japan

www.makita.com



885005G996
EN, FR, DE, IT, NL,
ES, PT, DA, EL, TR
20230707