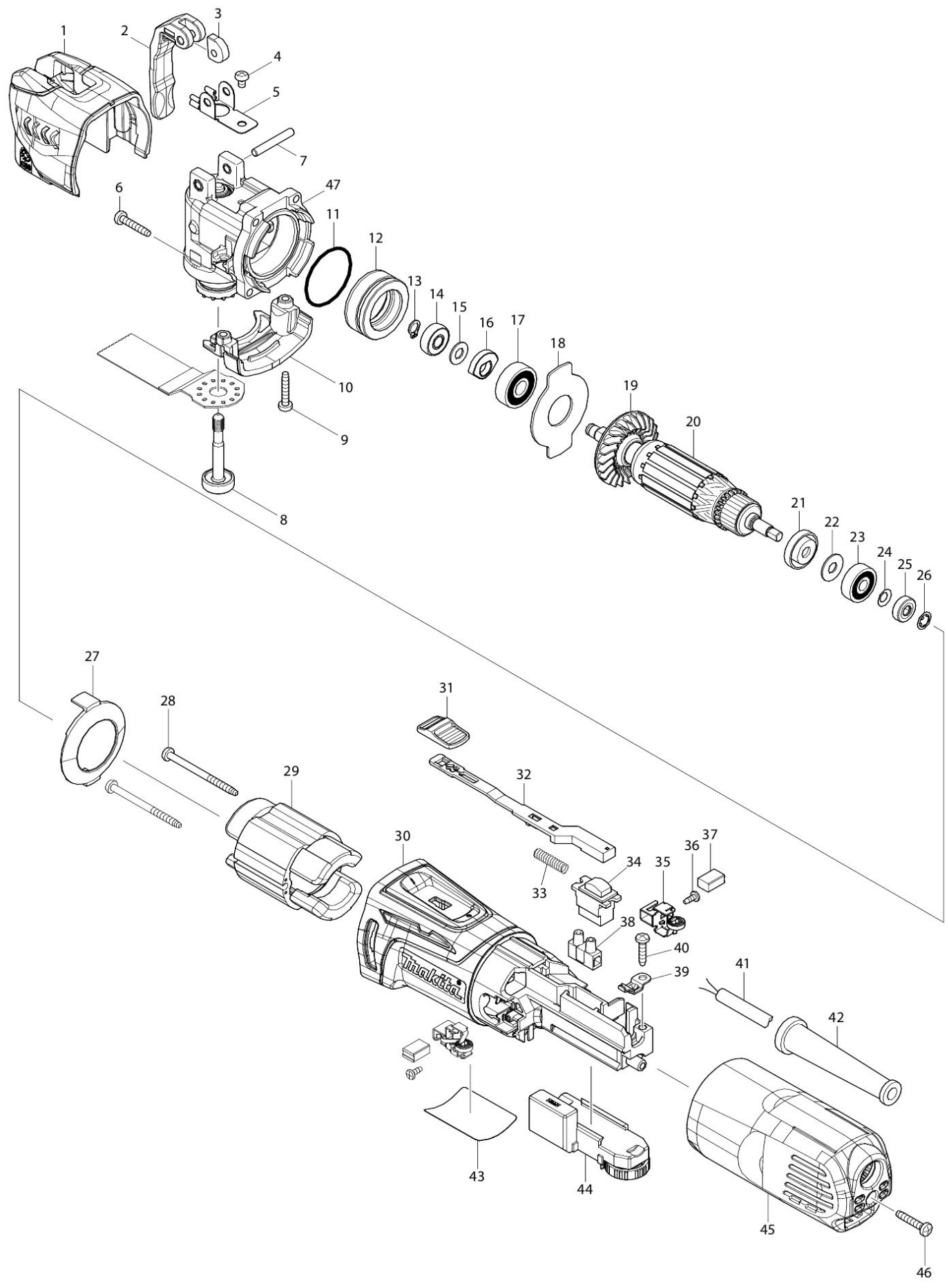


Partdrawing for TM3010CX2J - Multitool



2013/03
TM3010C