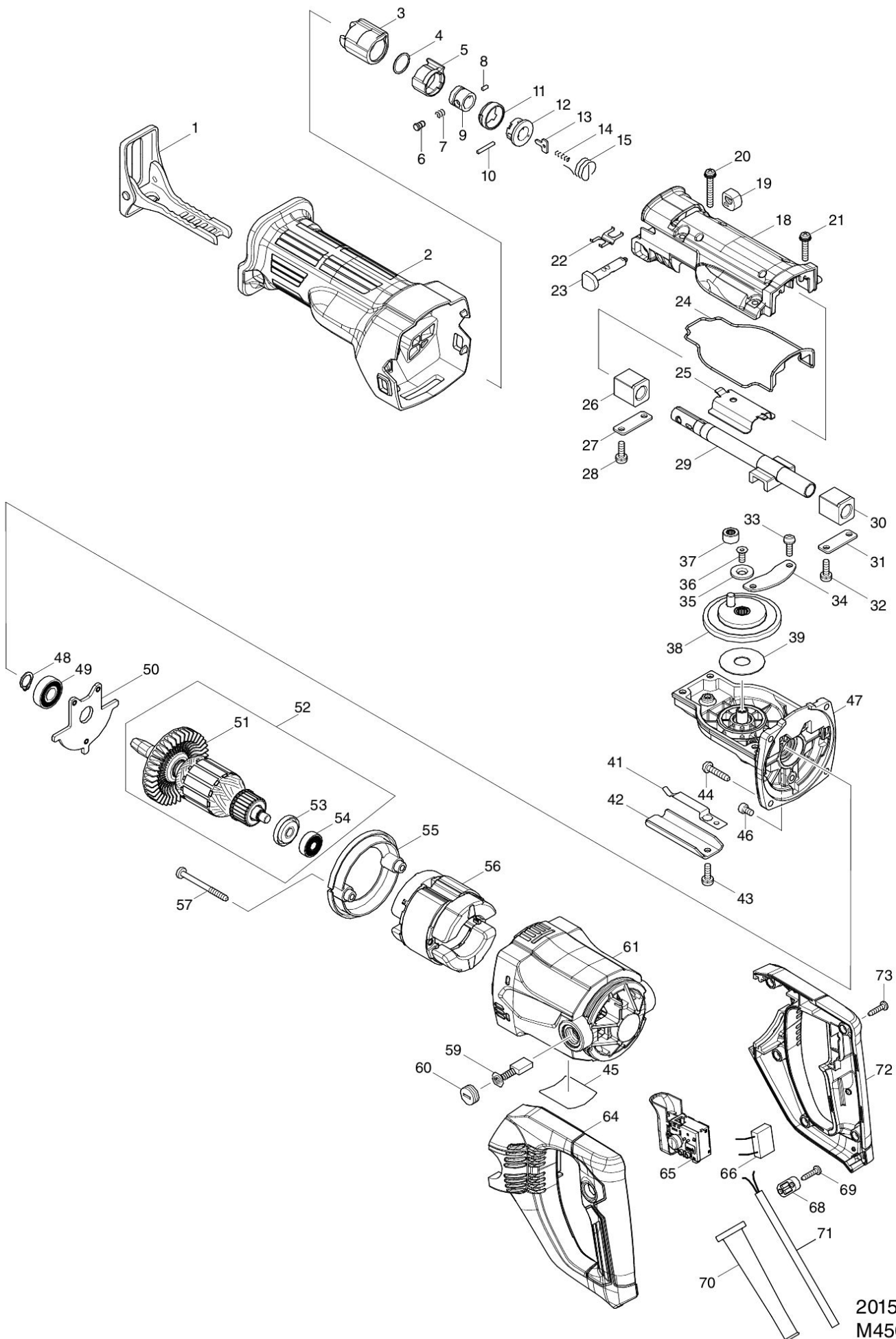


Partdrawing for M4501 - Reciprozaag



2015/10
M4501