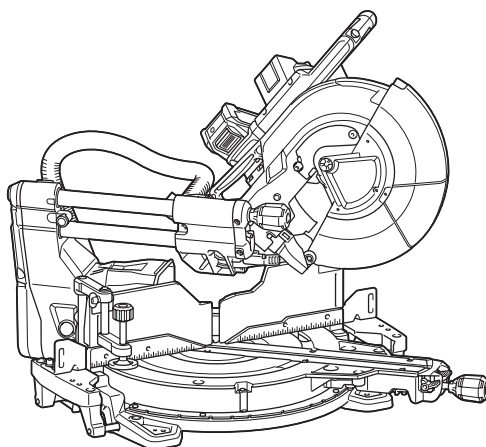




EN	Cordless Slide Compound Miter Saw	INSTRUCTION MANUAL	19
FR	Scie Radiale Sans Fil	MANUEL D'INSTRUCTIONS	42
DE	Akku-Kapp. und Gehrungssäge	BETRIEBSANLEITUNG	69
IT	Troncatrice composta a slitta a batteria	ISTRUZIONI PER L'USO	97
NL	Schuifbare accu-afkortverstekzaag	GEBRUIKSAANWIJZING	125
ES	Sierra de Inglete Inalámbrica	MANUAL DE INSTRUCCIONES	152
PT	Serra de Esquadria a Bateria	MANUAL DE INSTRUÇÕES	180
DA	Kombineret afkorter-geringssav med akku	BRUGSANVISNING	206
EL	Ολισθαίνον πριόνι σύνθετης λοξότμησης με μπαταρία	ΕΓΧΕΙΡΙΔΙΟ ΟΔΗΓΙΩΝ	230
TR	Akülü Gönye Kesme Makinası	KULLANMA KILAVUZU	258

LS003G



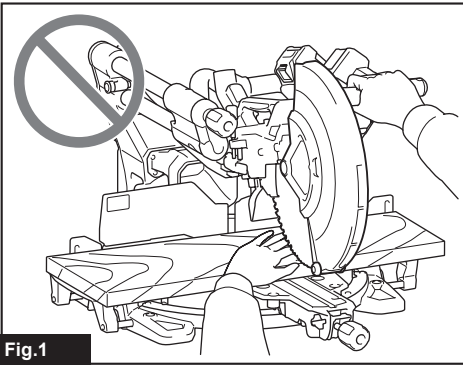


Fig.1

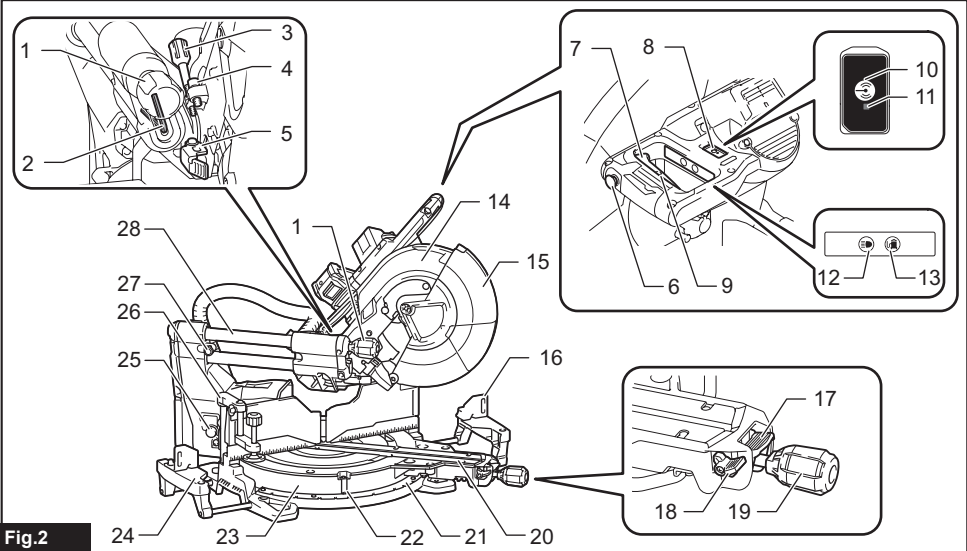


Fig.2

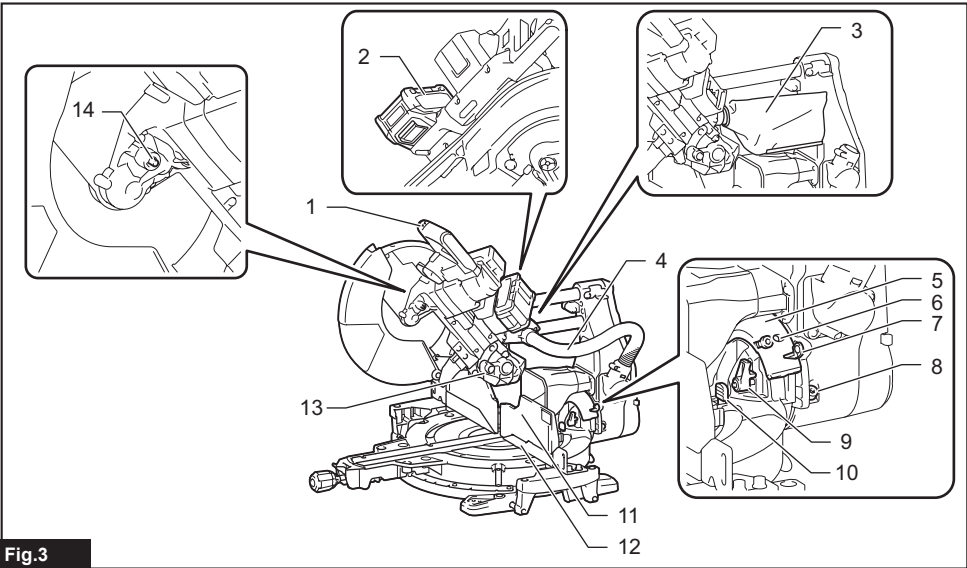


Fig.3

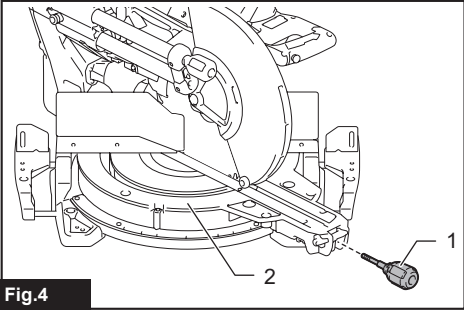


Fig.4

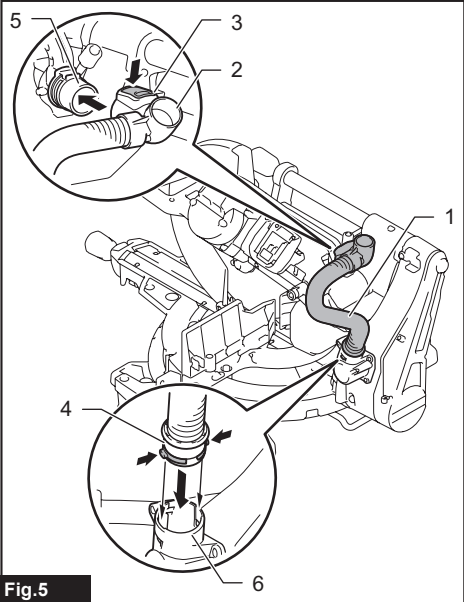


Fig.5

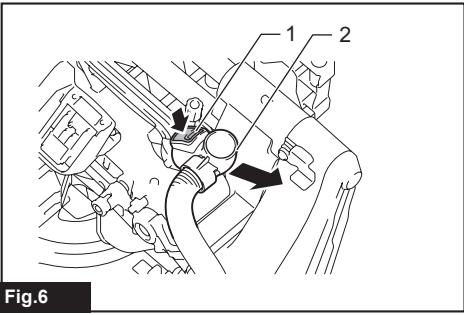


Fig.6

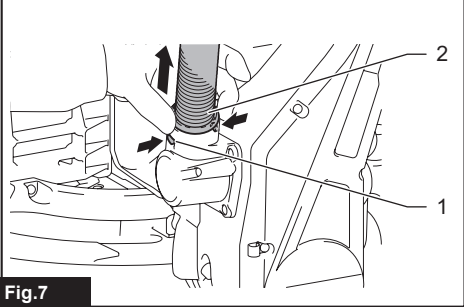


Fig.7

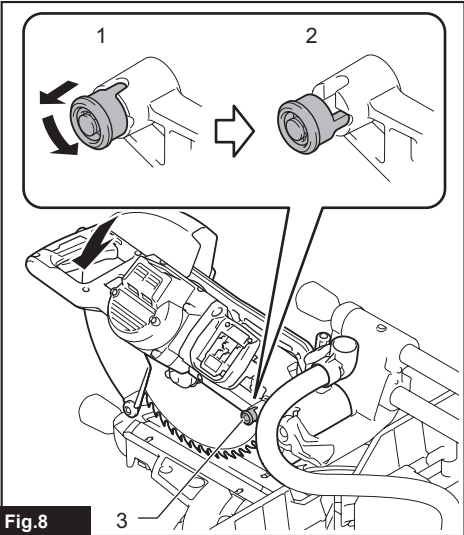


Fig.8

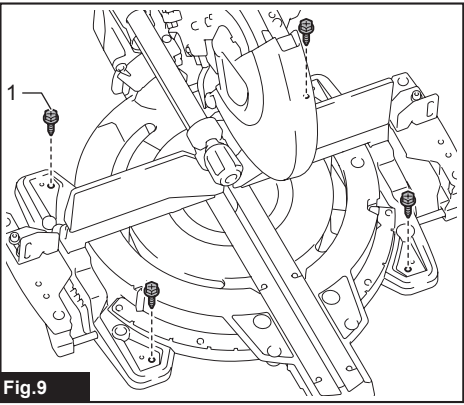


Fig.9

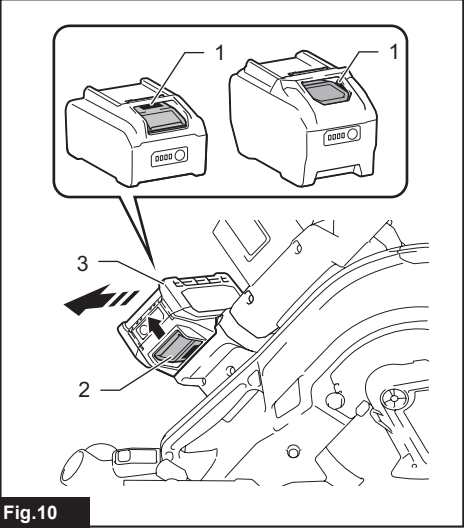


Fig.10

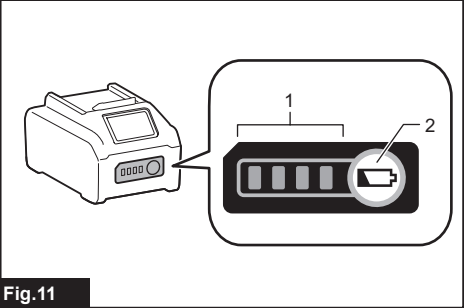
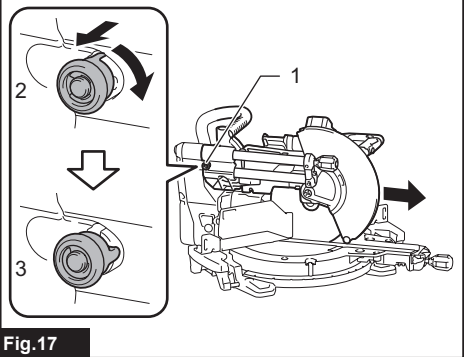
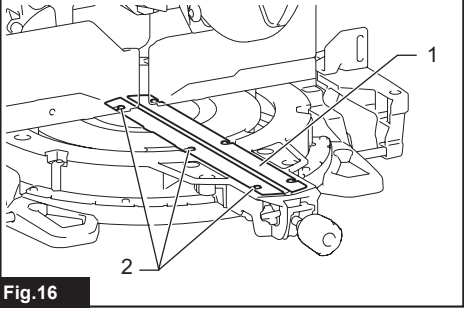
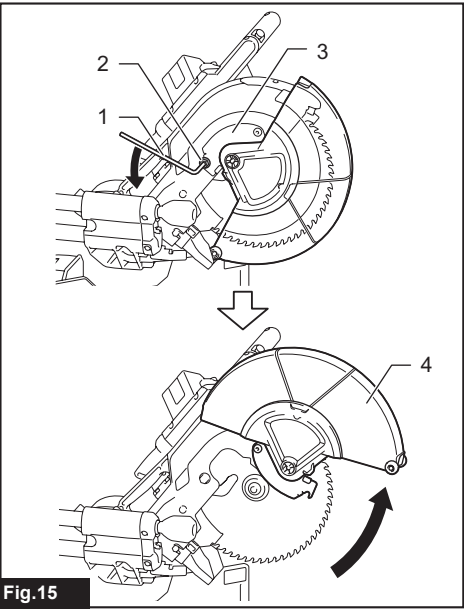
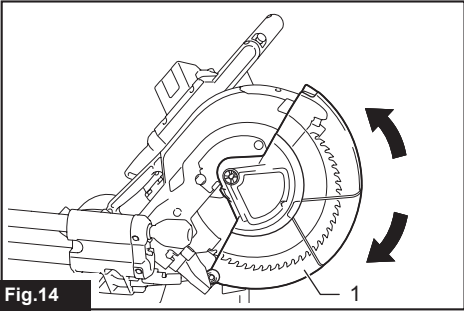
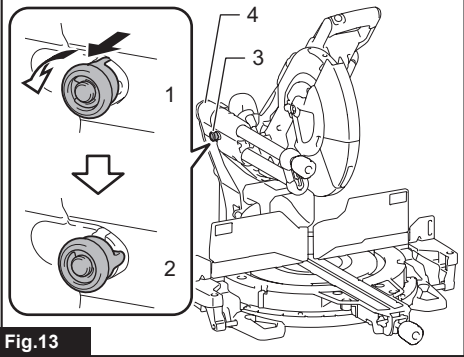
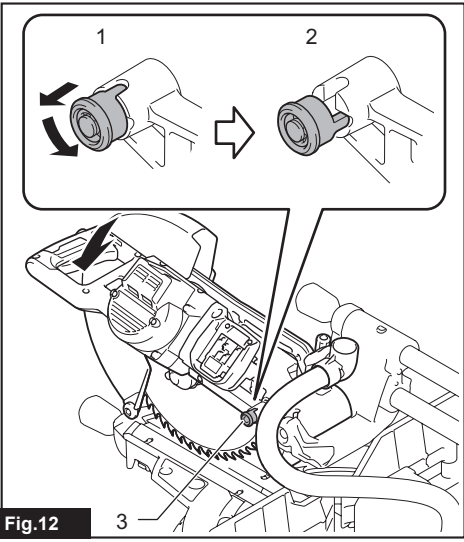


Fig.11



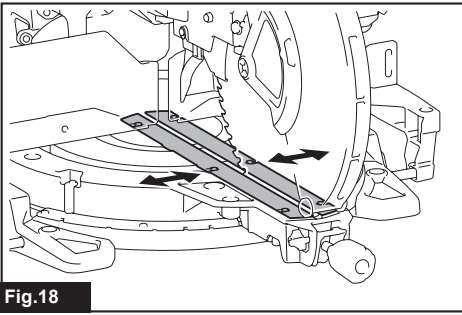


Fig.18

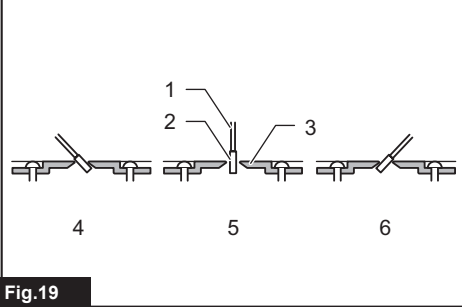


Fig.19

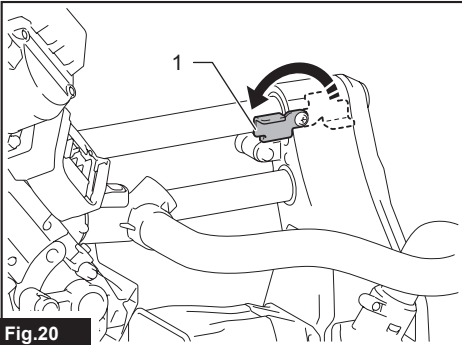


Fig.20

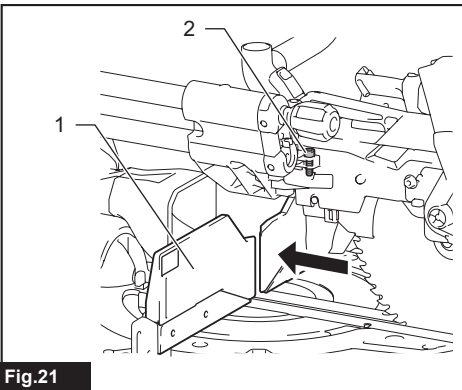


Fig.21

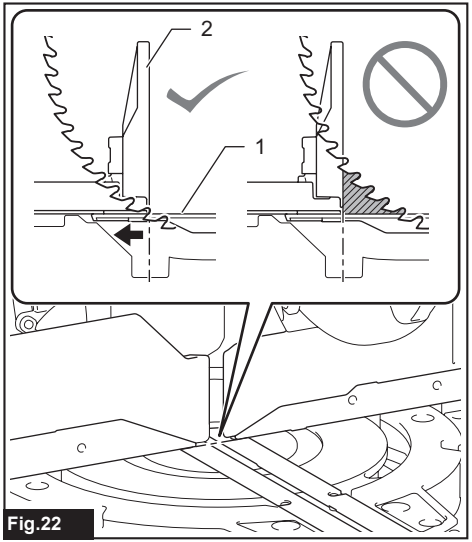


Fig.22

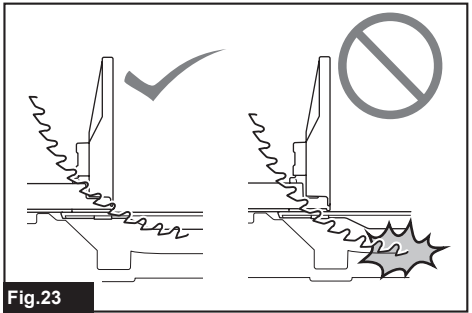


Fig.23

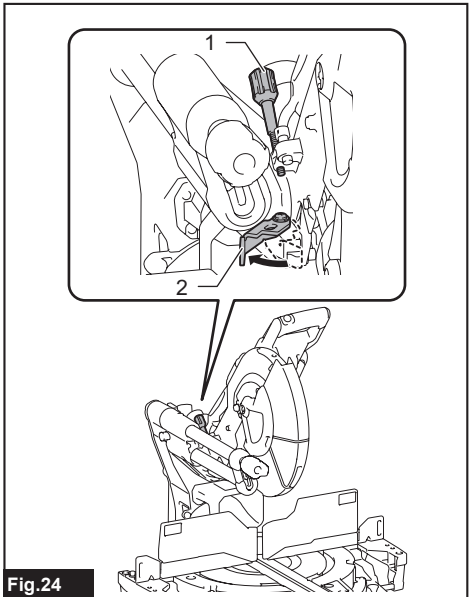


Fig.24

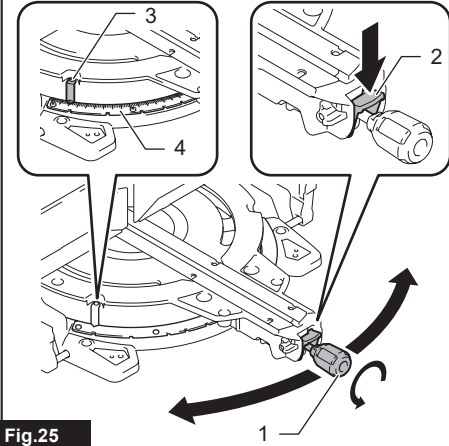


Fig.25

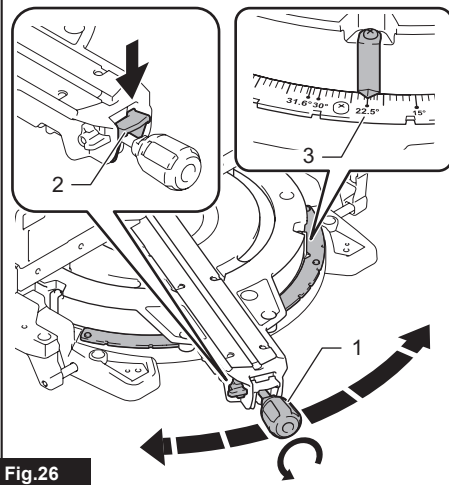


Fig.26

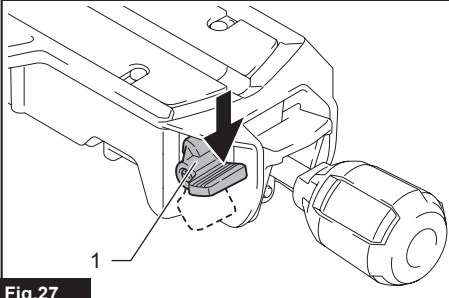


Fig.27

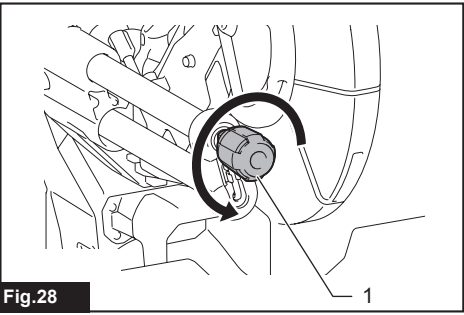


Fig.28

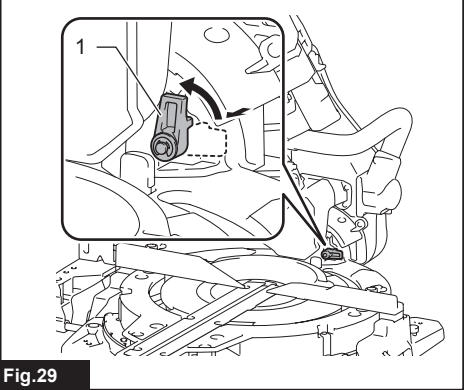


Fig.29

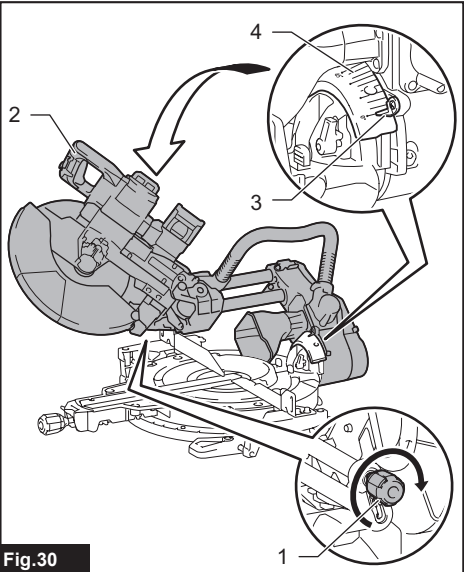


Fig.30

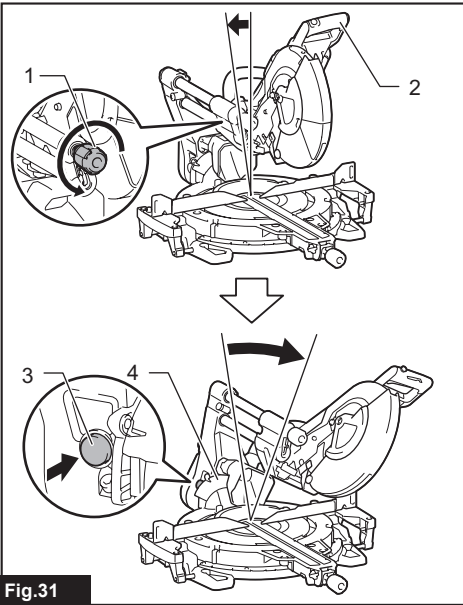


Fig.31

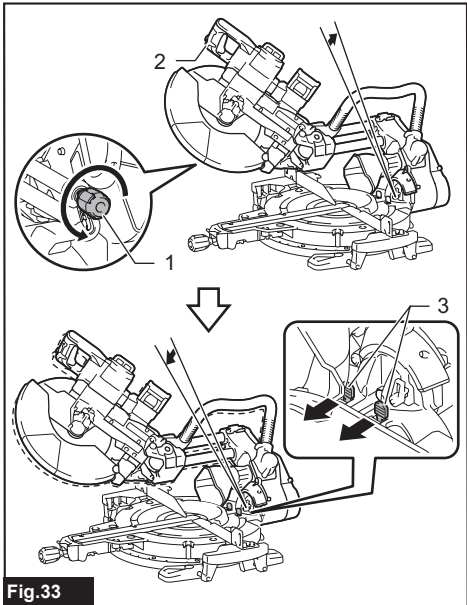


Fig.33

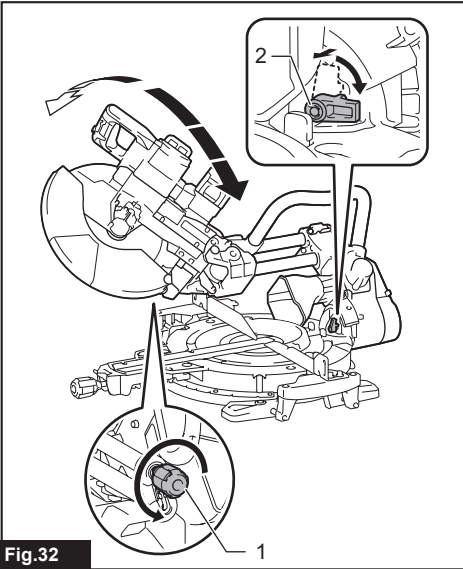


Fig.32

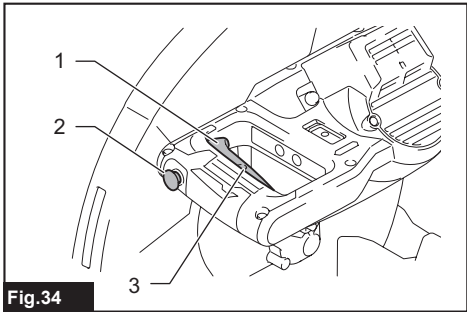


Fig.34

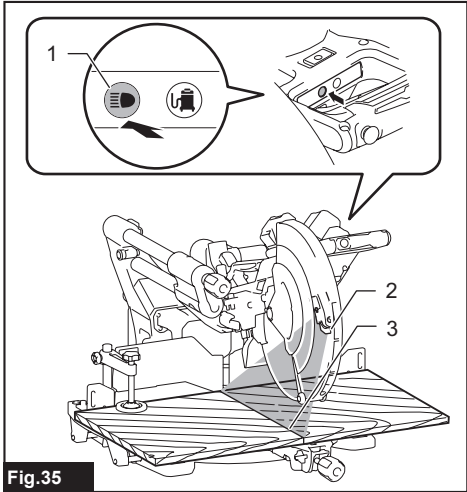


Fig.35

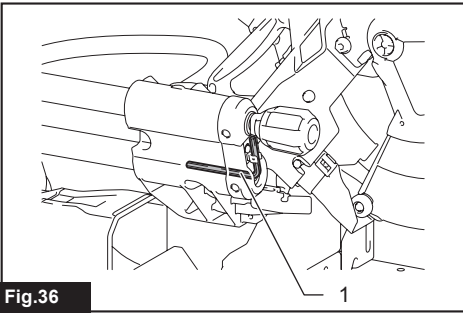


Fig. 36

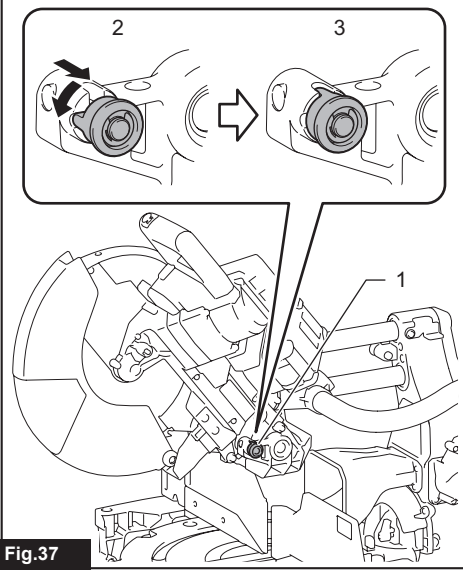


Fig. 37

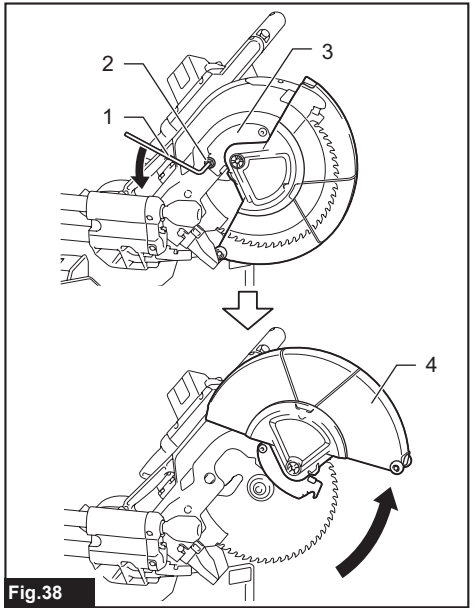


Fig. 38

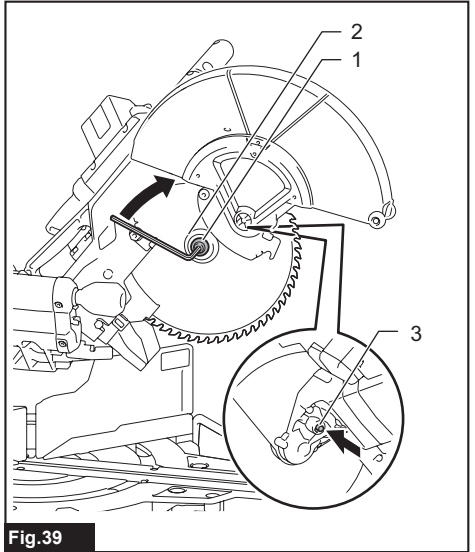
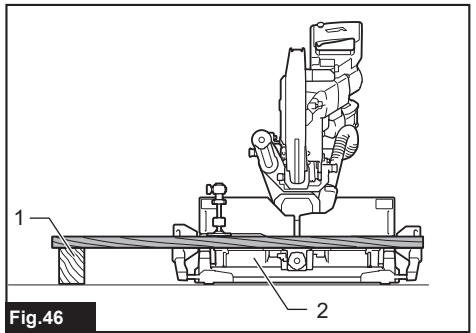
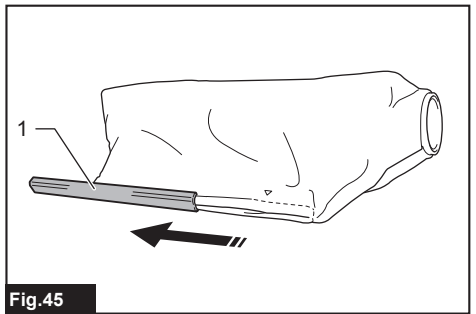
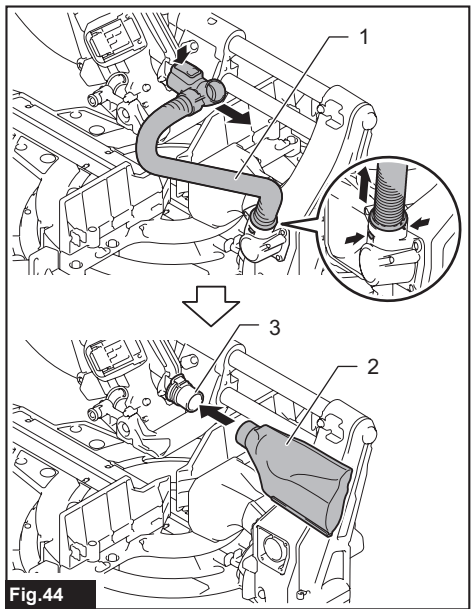
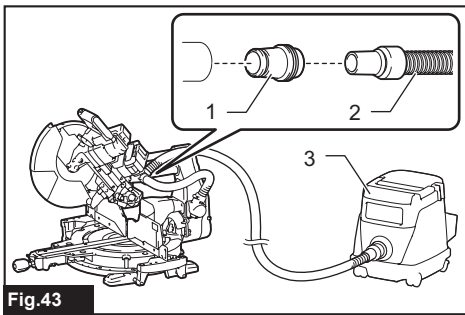
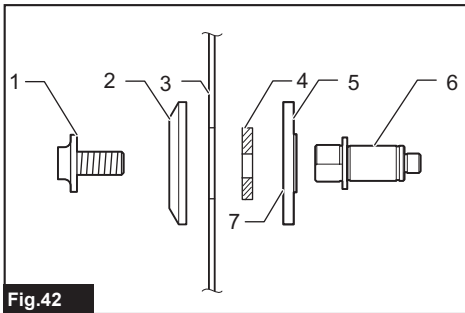
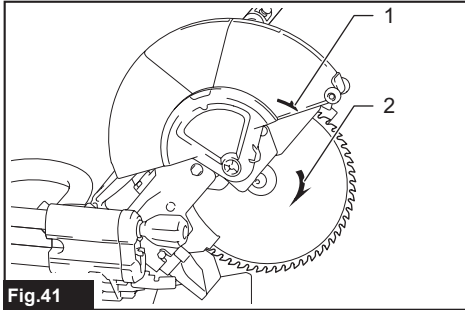
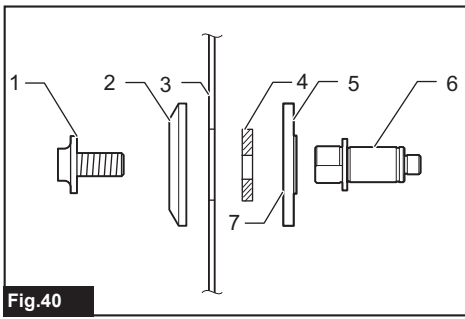


Fig. 39



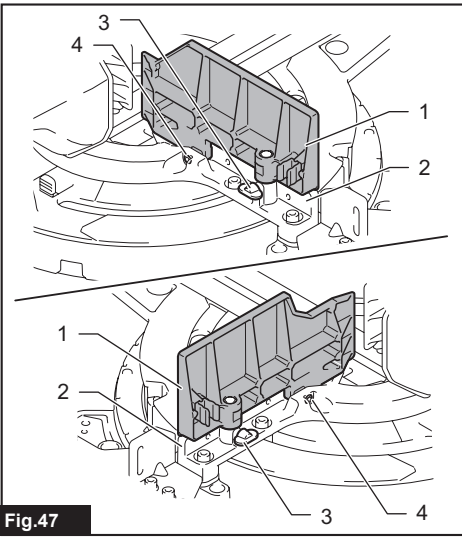


Fig.47

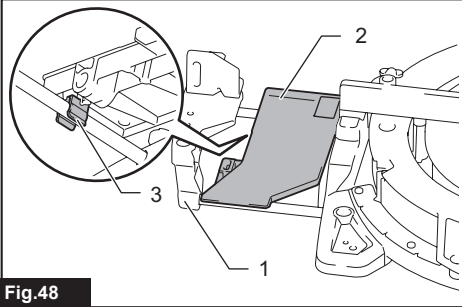


Fig.48

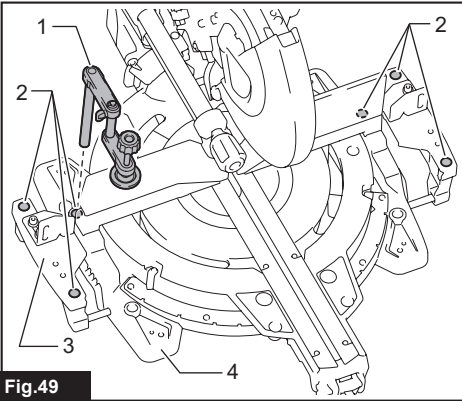


Fig.49

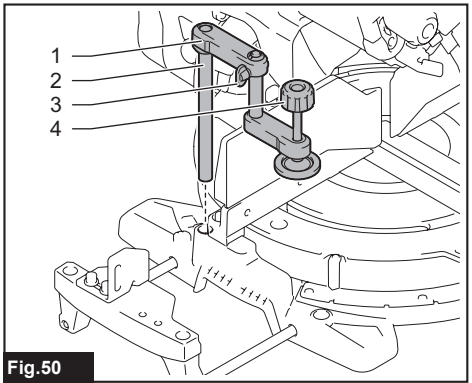


Fig.50

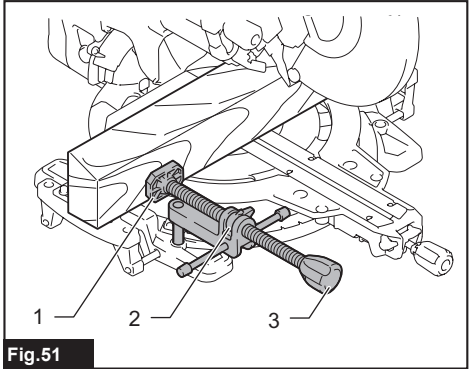


Fig.51

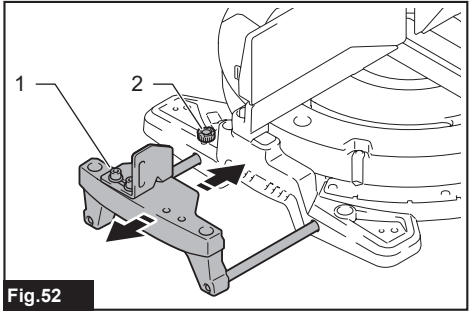


Fig.52

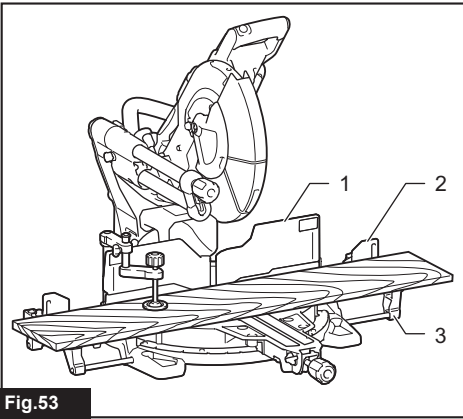


Fig.53

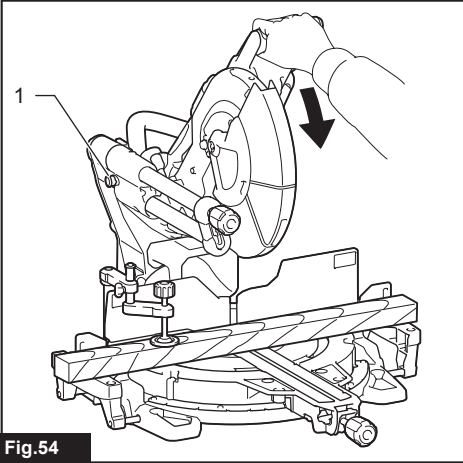


Fig.54

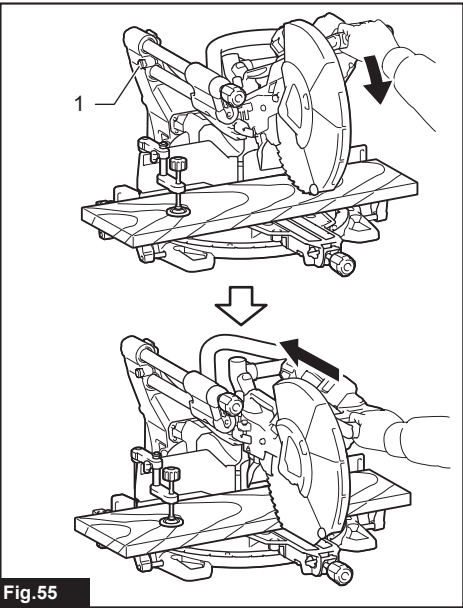


Fig.55

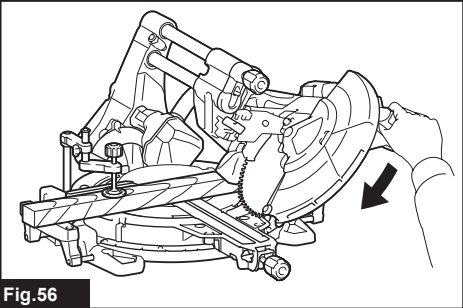


Fig.56

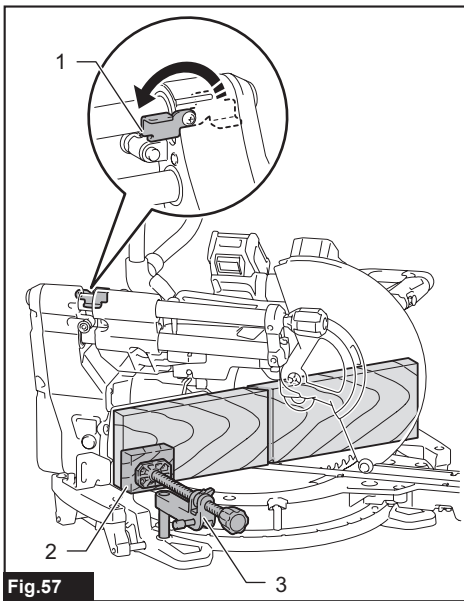


Fig. 57

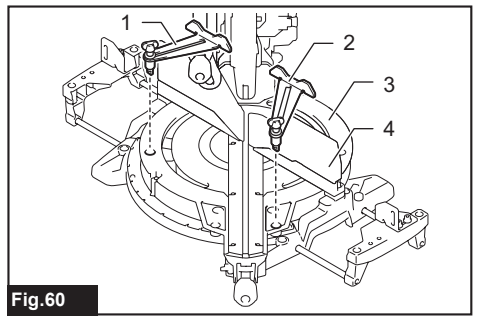


Fig. 60

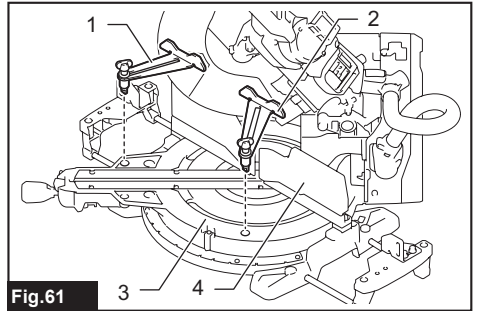


Fig. 61

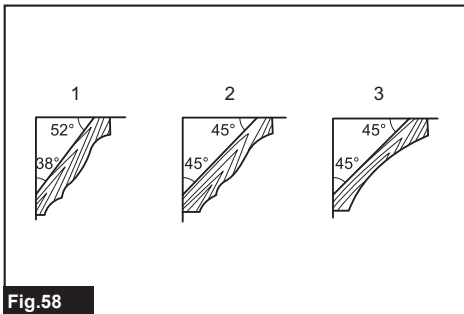


Fig. 58

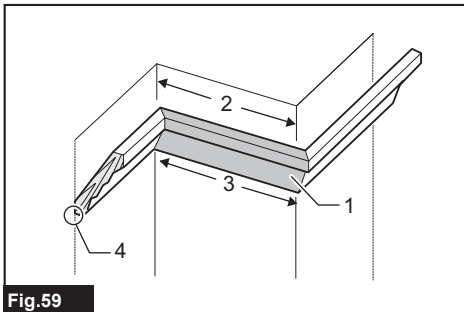


Fig. 59

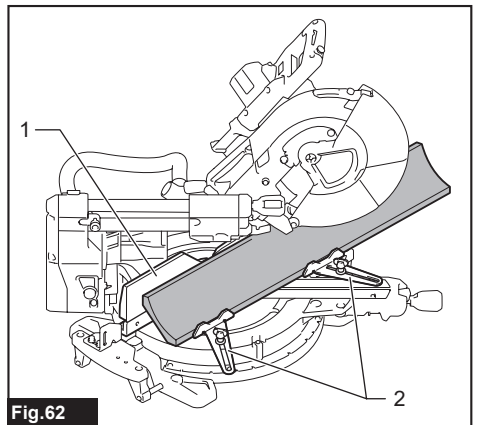


Fig. 62

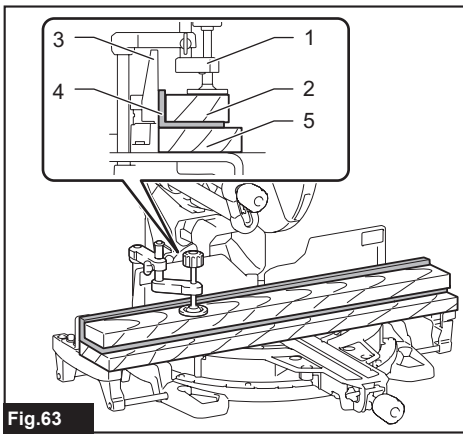


Fig.63

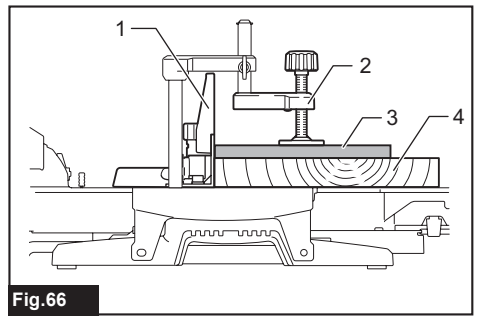


Fig.66

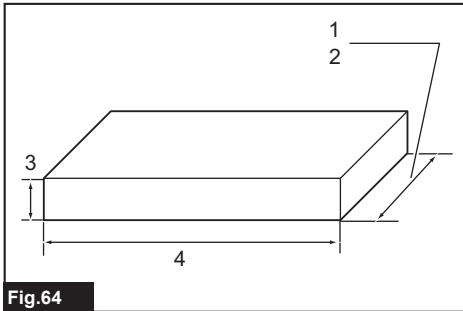


Fig.64

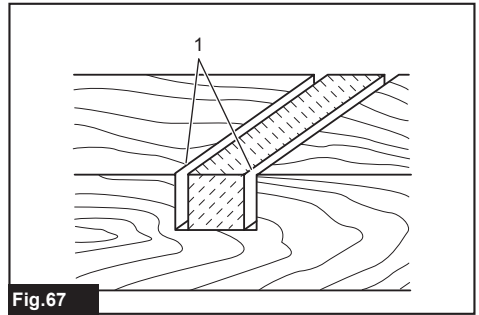


Fig.67

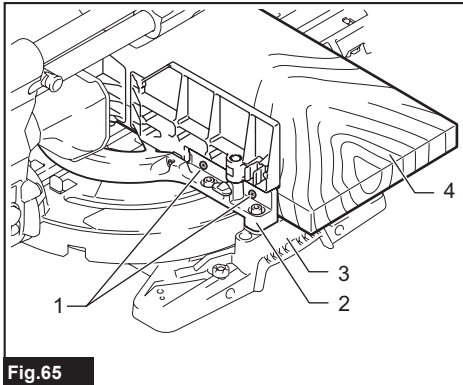


Fig.65

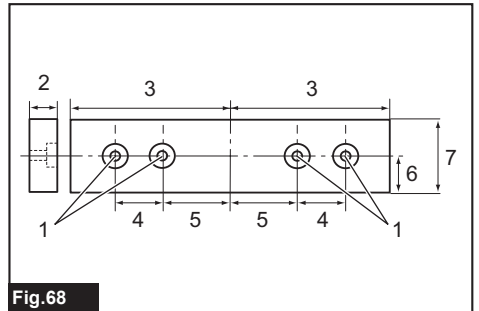


Fig.68

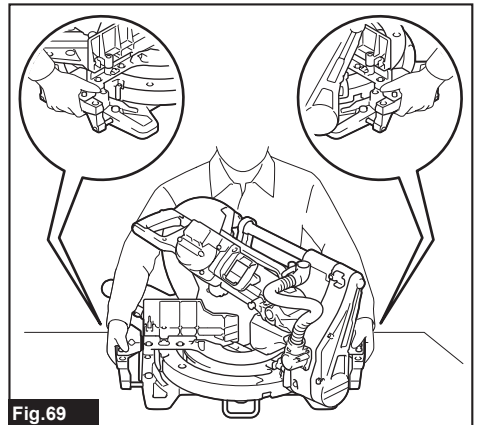


Fig.69

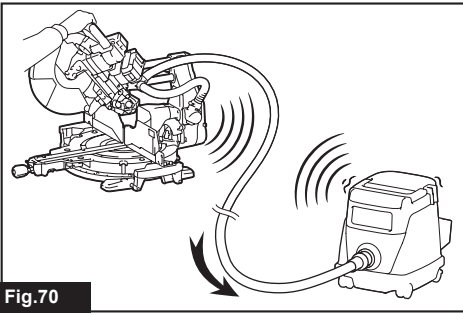


Fig.70

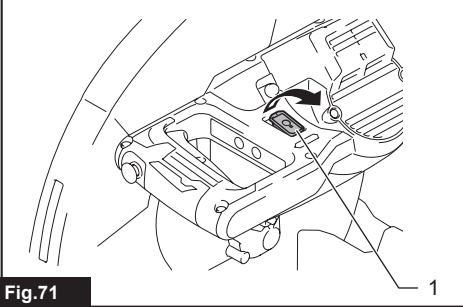


Fig.71

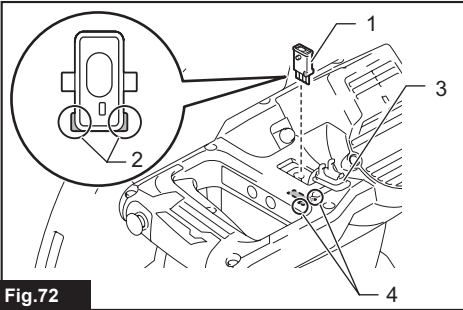


Fig.72

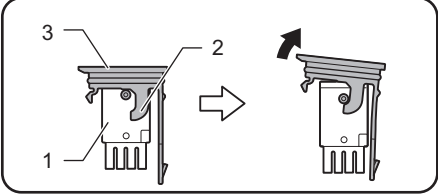
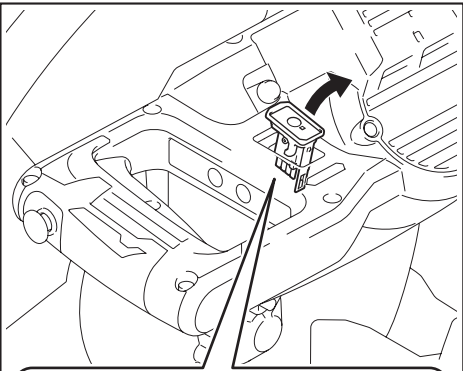


Fig.73

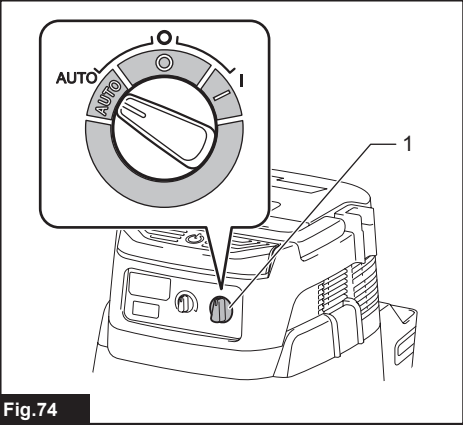


Fig.74

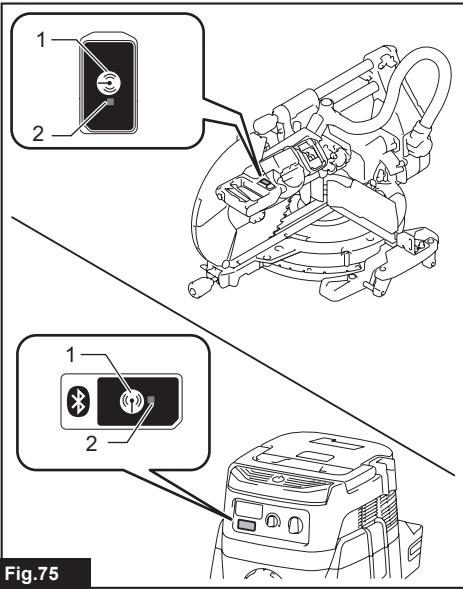


Fig.75

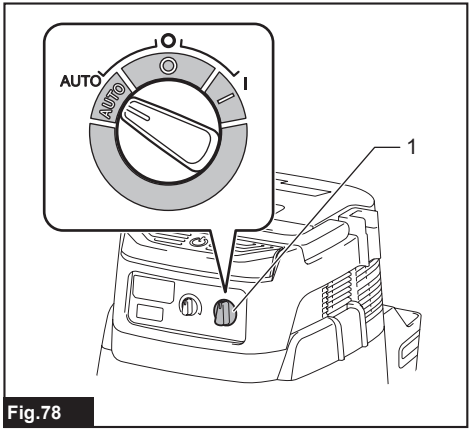


Fig.78

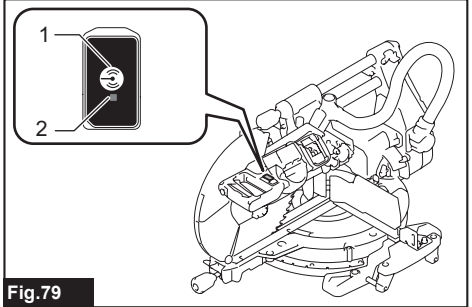


Fig.79

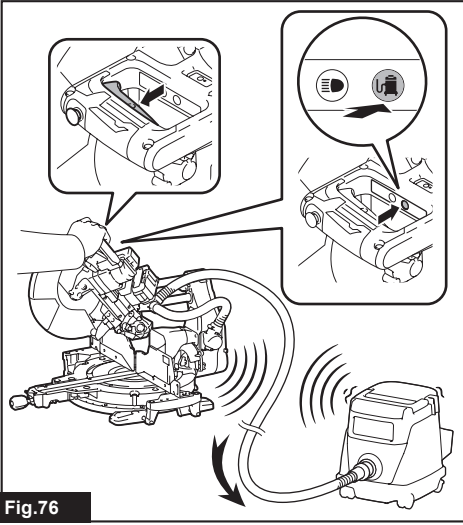


Fig.76

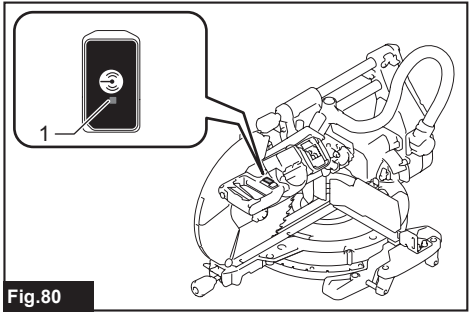


Fig.80

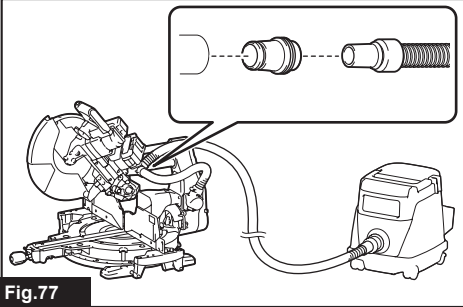


Fig.77

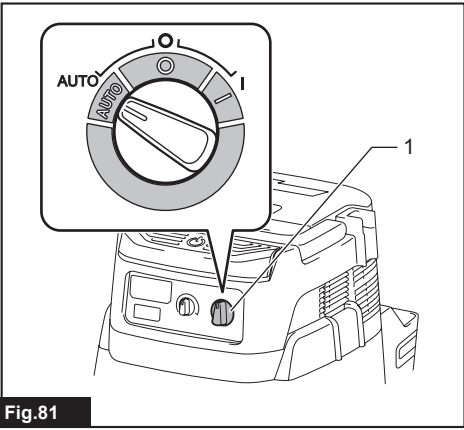


Fig.81

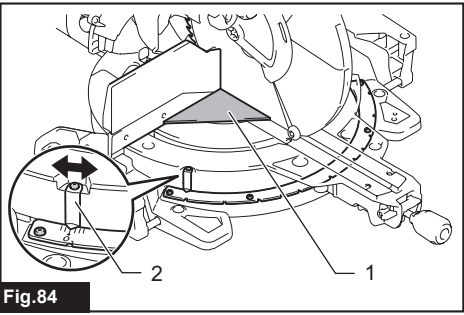


Fig.84

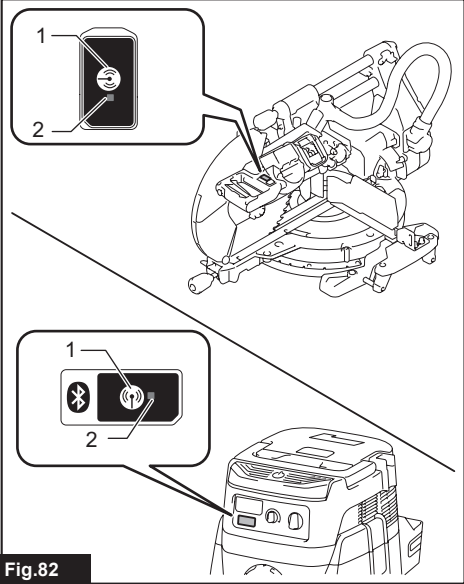


Fig.82

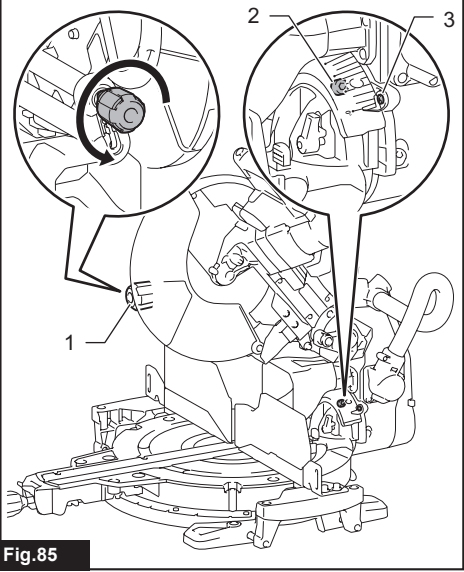


Fig.85

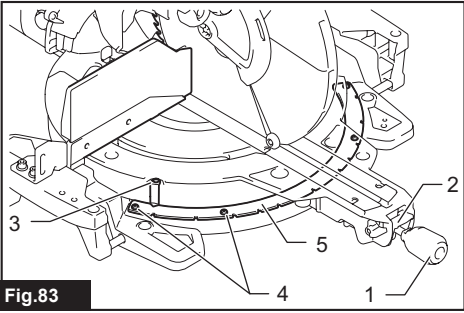


Fig.83

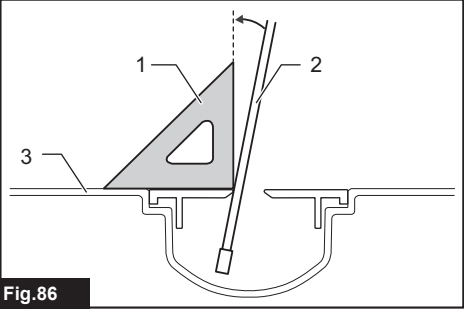


Fig.86

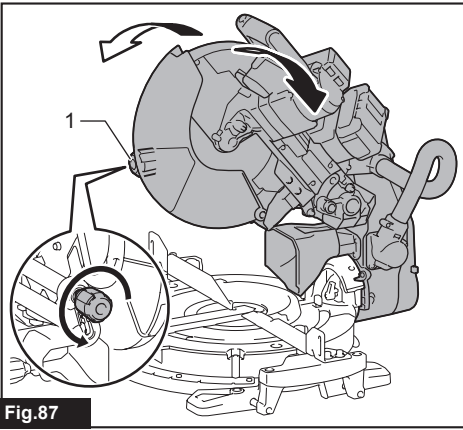


Fig.87

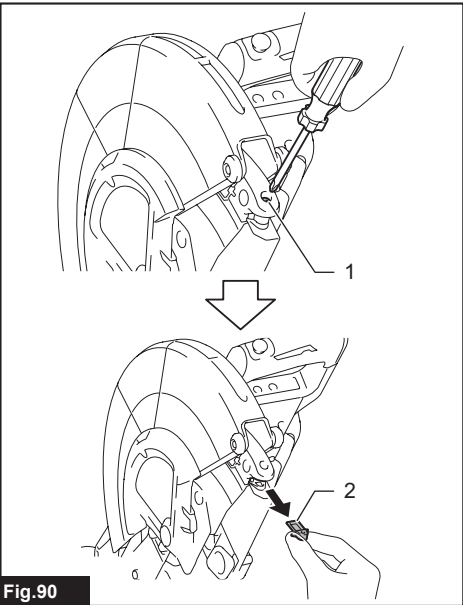


Fig.90

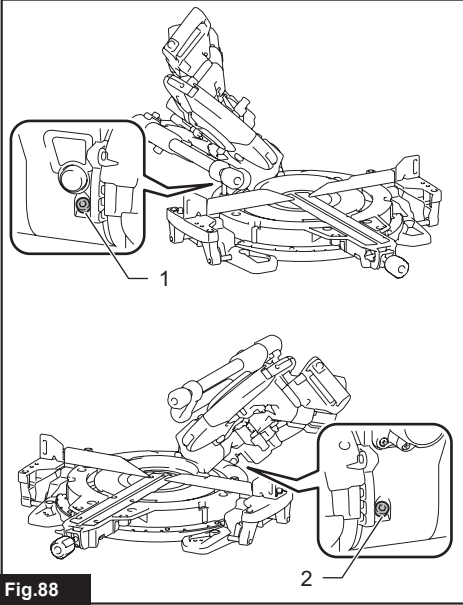


Fig.88

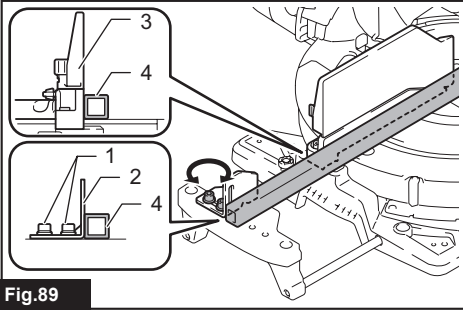


Fig.89

SPECIFICATIONS

Model:		LS003G
Blade diameter	European countries	305 mm
	Countries other than Europe	305 mm
Hole diameter	European countries	30 mm
	Countries other than Europe	30 mm or 25.4 mm (country specific)
Max. kerf thickness of the saw blade		3.2 mm
Max. miter angle		Right 60°, Left 60°
Max. bevel angle		Right 48°, Left 48°
No load speed (RPM)		3,600 min ⁻¹
Dimensions (L x W x H)		898 mm x 690 mm x 725 mm
Rated voltage		D.C. 36 V - 40 V max
Net weight		30.5 - 31.7 kg

Cutting capacities (H x W)

Miter angle			Bevel angle		
			45° (left)	0°	45° (right)
0°	-	-	61 mm x 382 mm 71 mm x 363 mm	92 mm x 382 mm 107 mm x 363 mm	44 mm x 382 mm 54 mm x 363 mm
	Thickness of wood facing on guide fence for increased height of cut	20 mm	78 mm x 325 mm	115 mm x 325 mm	61 mm x 325 mm
		38 mm	80 mm x 292 mm	120 mm x 292 mm	-
45° (right and left)	-	-	61 mm x 268 mm 71 mm x 255 mm	92 mm x 268 mm 107 mm x 255 mm	44 mm x 268 mm 54 mm x 255 mm
	Thickness of wood facing on guide fence for increased height of cut	15 mm	-	115 mm x 227 mm	-
		25 mm		120 mm x 212 mm	
60° (right and left)	-	-	-	92 mm x 185 mm 107 mm x 178 mm	-
	Thickness of wood facing on guide fence for increased height of cut	15 mm	-	115 mm x 155 mm	-
		25 mm		120 mm x 140 mm	

Cutting capacities for special cuttings

Type of cutting	Cutting capacity
Crown molding 45° type (with crown molding stopper used)	203 mm
Base board (with horizontal vise used)	171 mm

- Due to our continuing program of research and development, the specifications herein are subject to change without notice.
- Specifications may differ from country to country.
- The weight may differ depending on the attachment(s), including the battery cartridge. The lightest and heaviest combination, according to EPTA-Procedure 01/2014, are shown in the table.

Applicable battery cartridge and charger

Battery cartridge	BL4020 / BL4025 / BL4040* / BL4040F* / BL4050F* / BL4080F* * : Recommended battery
Charger	DC40RA / DC40RB / DC40RC / DC40WA













- Some of the battery cartridges and chargers listed above may not be available depending on your region of

residence.

⚠ WARNING: Only use the battery cartridges and chargers listed above. Use of any other battery cartridges and chargers may cause injury and/or fire.

Symbols

The followings show the symbols which may be used for the equipment. Be sure that you understand their meaning before use.

	Read instruction manual.
	Wear eye protection.
	To avoid injury from flying debris, keep holding the saw head down, after making cuts, until the blade has come to a complete stop.
	When performing bevel cut, first turn the knob counterclockwise and then tilt the carriage. After that, turn the knob clockwise to tighten.
	When performing slide cut, first pull carriage fully and press down handle, then push carriage toward the guide fence.
	Hold down the releasing button when tilting the carriage to the right.
	Engage the stopper lever when cutting a base board in 45° miter angle.
	Do not place hand or fingers close to the blade.
	Do not stare at operating lamp.
	A: Blade diameter B: Hole diameter
	Do not install the horizontal vise to the same direction as the miter cutting. (This symbol is applied on the horizontal vise)
	Only for EU countries Due to the presence of hazardous components in the equipment, waste electrical and electronic equipment, accumulators and batteries may have a negative impact on the environment and human health. Do not dispose of electrical and electronic appliances or batteries with household waste! In accordance with the European Directive on waste electrical and electronic equipment and on accumulators and batteries and waste accumulators and batteries, as well as their adaptation to national law, waste electrical equipment, batteries and accumulators should be stored separately and delivered to a separate collection point for municipal waste, operating in accordance with the regulations on environmental protection. This is indicated by the symbol of the crossed-out wheeled bin placed on the equipment.

Intended use

The tool is intended for accurate straight and miter cutting in wood. With appropriate saw blades, aluminum can also be sawed.

Do not use the saw to cut other than wood, aluminum or similar materials.

Noise

The typical A-weighted noise level determined according to EN62841-3-9:

Sound pressure level (L_{pA}) : 91 dB (A)

Sound power level (L_{WA}) : 100 dB (A)

Uncertainty (K) : 3 dB (A)

NOTE: The declared noise emission value(s) has been measured in accordance with a standard test method and may be used for comparing one tool with another.

NOTE: The declared noise emission value(s) may also be used in a preliminary assessment of exposure.

⚠ WARNING: Wear ear protection.

⚠ WARNING: The noise emission during actual use of the power tool can differ from the declared value(s) depending on the ways in which the tool is used especially what kind of workpiece is processed.

⚠ WARNING: Be sure to identify safety measures to protect the operator that are based on an estimation of exposure in the actual conditions of use (taking account of all parts of the operating cycle such as the times when the tool is switched off and when it is running idle in addition to the trigger time).

Declarations of Conformity

For European countries only

The Declarations of conformity are included in Annex A to this instruction manual.

SAFETY WARNINGS

General power tool safety warnings

⚠ WARNING Read all safety warnings, instructions, illustrations and specifications provided with this power tool. Failure to follow all instructions listed below may result in electric shock, fire and/or serious injury.

Save all warnings and instructions for future reference.

The term "power tool" in the warnings refers to your

mains-operated (corded) power tool or battery-operated (cordless) power tool.

Safety instructions for mitre saws

- Mitre saws are intended to cut wood or wood-like products, they cannot be used with abrasive cut-off wheels for cutting ferrous material such as bars, rods, studs, etc.** Abrasive dust causes moving parts such as the lower guard to jam. Sparks from abrasive cutting will burn the lower guard, the kerf insert and other plastic parts.
 - Use clamps to support the workpiece whenever possible. If supporting the workpiece by hand, you must always keep your hand at least 100 mm from either side of the saw blade. Do not use this saw to cut pieces that are too small to be securely clamped or held by hand.** If your hand is placed too close to the saw blade, there is an increased risk of injury from blade contact.
 - The workpiece must be stationary and clamped or held against both the fence and the table. Do not feed the workpiece into the blade or cut "freehand" in any way.** Unrestrained or moving workpieces could be thrown at high speeds, causing injury.
 - Push the saw through the workpiece. Do not pull the saw through the workpiece. To make a cut, raise the saw head and pull it out over the workpiece without cutting, start the motor, press the saw head down and push the saw through the workpiece.** Cutting on the pull stroke is likely to cause the saw blade to climb on top of the workpiece and violently throw the blade assembly towards the operator.
 - Never cross your hand over the intended line of cutting either in front or behind the saw blade.** Supporting the workpiece "cross handed" i.e. holding the workpiece to the right of the saw blade with your left hand or vice versa is very dangerous.
- Fig.1
- Do not reach behind the fence with either hand closer than 100 mm from either side of the saw blade, to remove wood scraps, or for any other reason while the blade is spinning.** The proximity of the spinning saw blade to your hand may not be obvious and you may be seriously injured.
 - Inspect your workpiece before cutting. If the workpiece is bowed or warped, clamp it with the outside bowed face toward the fence. Always make certain that there is no gap between the workpiece, fence and table along the line of the cut.** Bent or warped workpieces can twist or shift and may cause binding on the spinning saw blade while cutting. There should be no nails or foreign objects in the workpiece.
 - Do not use the saw until the table is clear of all tools, wood scraps, etc., except for the workpiece.** Small debris or loose pieces of wood or other objects that contact the revolving blade can be thrown with high speed.
 - Cut only one workpiece at a time.** Stacked multiple workpieces cannot be adequately clamped or braced and may bind on the blade or shift during cutting.
- Ensure the mitre saw is mounted or placed on a level, firm work surface before use.** A level and firm work surface reduces the risk of the mitre saw becoming unstable.
 - Plan your work. Every time you change the bevel or mitre angle setting, make sure the adjustable fence is set correctly to support the workpiece and will not interfere with the blade or the guarding system.** Without turning the tool "ON" and with no workpiece on the table, move the saw blade through a complete simulated cut to assure there will be no interference or danger of cutting the fence.
 - Provide adequate support such as table extensions, saw horses, etc. for a workpiece that is wider or longer than the table top.** Workpieces longer or wider than the mitre saw table can tip if not securely supported. If the cut-off piece or workpiece tips, it can lift the lower guard or be thrown by the spinning blade.
 - Do not use another person as a substitute for a table extension or as additional support.** Unstable support for the workpiece can cause the blade to bind or the workpiece to shift during the cutting operation pulling you and the helper into the spinning blade.
 - The cut-off piece must not be jammed or pressed by any means against the spinning saw blade.** If confined, i.e. using length stops, the cut-off piece could get wedged against the blade and thrown violently.
 - Always use a clamp or a fixture designed to properly support round material such as rods or tubing.** Rods have a tendency to roll while being cut, causing the blade to "bite" and pull the work with your hand into the blade.
 - Let the blade reach full speed before contacting the workpiece.** This will reduce the risk of the workpiece being thrown.
 - If the workpiece or blade becomes jammed, turn the mitre saw off. Wait for all moving parts to stop and disconnect the plug from the power source and/or remove the battery pack. Then work to free the jammed material.** Continued sawing with a jammed workpiece could cause loss of control or damage to the mitre saw.
 - After finishing the cut, release the switch, hold the saw head down and wait for the blade to stop before removing the cut-off piece.** Reaching with your hand near the coasting blade is dangerous.
 - Hold the handle firmly when making an incomplete cut or when releasing the switch before the saw head is completely in the down position.** The braking action of the saw may cause the saw head to be suddenly pulled downward, causing a risk of injury.
 - Only use the saw blade with the diameter that is marked on the tool or specified in the manual.** Use of an incorrectly sized blade may affect the proper guarding of the blade or guard operation which could result in serious personal injury.
 - Only use the saw blades that are marked with a speed equal or higher than the speed marked**

on the tool.

22. Do not use the saw to cut other than wood, aluminum or similar materials.
23. (For European countries only) Always use the blade which conforms to EN847-1.

Additional instructions

1. Make workshop kid proof with padlocks.
2. Never stand on the tool. Serious injury could occur if the tool is tipped or if the cutting tool is unintentionally contacted.
3. Never leave the tool running unattended. Turn the power off. Do not leave tool until it comes to a complete stop.
4. Do not operate saw without guards in place. Check blade guard for proper closing before each use. Do not operate saw if blade guard does not move freely and close instantly. Never clamp or tie the blade guard into the open position.
5. Keep hands out of path of saw blade. Avoid contact with any coasting blade. It can still cause severe injury.
6. To reduce the risk of injury, return carriage to the full rear position after each crosscut operation.
7. Always secure all moving portions before carrying the tool.
8. Stopper pin or stopper lever which locks the saw head down is for carrying and storage purposes only and not for any cutting operations.
9. Check the blade carefully for cracks or damage before operation. Replace cracked or damaged blade immediately. Gum and wood pitch hardened on blades slows saw and increases potential for kickback. Keep blade clean by first removing it from tool, then cleaning it with gum and pitch remover, hot water or kerosene. Never use gasoline to clean blade.
10. While making a slide cut, KICKBACK can occur. KICKBACK occurs when the blade binds in the workpiece during a cutting operation and the saw blade is driven rapidly towards the operator. Loss of control and serious personal injury can result. If blade begins to bind during a cutting operation, do not continue to cut and release switch immediately.
11. Use only flanges specified for this tool.
12. Be careful not to damage the arbor, flanges (especially the installing surface) or bolt. Damage to these parts could result in blade breakage.
13. Make sure that the turn base is properly secured so it will not move during operation. Use the holes in the base to fasten the saw to a stable work platform or bench. NEVER use tool where operator positioning would be awkward.
14. Make sure the shaft lock is released before the switch is turned on.
15. Be sure that the blade does not contact the turn base in the lowest position.
16. Hold the handle firmly. Be aware that the saw moves up or down slightly during start-up and

stopping.

17. Make sure the blade is not contacting the workpiece before the switch is turned on.
18. Before using the tool on an actual workpiece, let it run for a while. Watch for vibration or wobbling that could indicate poor installation or a poorly balanced blade.
19. Stop operation immediately if you notice anything abnormal.
20. Do not attempt to lock the trigger in the "ON" position.
21. Always use accessories recommended in this manual. Use of improper accessories such as abrasive wheels may cause an injury.
22. Some material contains chemicals which may be toxic. Take caution to prevent dust inhalation and skin contact. Follow material supplier safety data.
23. Do not use a corded power supply with this tool.

Additional safety rules for operating lamp

1. Do not look in the light or see the source of light directly.

SAVE THESE INSTRUCTIONS.

⚠WARNING: DO NOT let comfort or familiarity with product (gained from repeated use) replace strict adherence to safety rules for the subject product. MISUSE or failure to follow the safety rules stated in this instruction manual may cause serious personal injury.

Important safety instructions for battery cartridge

1. Before using battery cartridge, read all instructions and cautionary markings on (1) battery charger, (2) battery, and (3) product using battery.
2. Do not disassemble or tamper with the battery cartridge. It may result in a fire, excessive heat, or explosion.
3. If operating time has become excessively shorter, stop operating immediately. It may result in a risk of overheating, possible burns and even an explosion.
4. If electrolyte gets into your eyes, rinse them out with clear water and seek medical attention right away. It may result in loss of your eyesight.
5. Do not short the battery cartridge:
 - (1) Do not touch the terminals with any conductive material.
 - (2) Avoid storing battery cartridge in a container with other metal objects such as nails, coins, etc.
 - (3) Do not expose battery cartridge to water or rain.A battery short can cause a large current flow, overheating, possible burns and even a breakdown.
6. Do not store and use the tool and battery cartridge in locations where the temperature may

reach or exceed 50 °C (122 °F).

7. Do not incinerate the battery cartridge even if it is severely damaged or is completely worn out. The battery cartridge can explode in a fire.
8. Do not nail, cut, crush, throw, drop the battery cartridge, or hit against a hard object to the battery cartridge. Such conduct may result in a fire, excessive heat, or explosion.
9. Do not use a damaged battery.
10. The contained lithium-ion batteries are subject to the Dangerous Goods Legislation requirements.
For commercial transports e.g. by third parties, forwarding agents, special requirement on packaging and labeling must be observed.
For preparation of the item being shipped, consulting an expert for hazardous material is required.
Please also observe possibly more detailed national regulations.
Tape or mask off open contacts and pack up the battery in such a manner that it cannot move around in the packaging.
11. When disposing the battery cartridge, remove it from the tool and dispose of it in a safe place. Follow your local regulations relating to disposal of battery.
12. Use the batteries only with the products specified by Makita. Installing the batteries to non-compliant products may result in a fire, excessive heat, explosion, or leak of electrolyte.
13. If the tool is not used for a long period of time, the battery must be removed from the tool.
14. During and after use, the battery cartridge may take on heat which can cause burns or low temperature burns. Pay attention to the handling of hot battery cartridges.
15. Do not touch the terminal of the tool immediately after use as it may get hot enough to cause burns.
16. Do not allow chips, dust, or soil stuck into the terminals, holes, and grooves of the battery cartridge. It may cause heating, catching fire, burst and malfunction of the tool or battery cartridge, resulting in burns or personal injury.
17. Unless the tool supports the use near high-voltage electrical power lines, do not use the battery cartridge near high-voltage electrical power lines. It may result in a malfunction or breakdown of the tool or battery cartridge.
18. Keep the battery away from children.

SAVE THESE INSTRUCTIONS.

⚠ CAUTION: Only use genuine Makita batteries. Use of non-genuine Makita batteries, or batteries that have been altered, may result in the battery bursting causing fires, personal injury and damage. It will also void the Makita warranty for the Makita tool and charger.

Tips for maintaining maximum battery life

1. Charge the battery cartridge before completely discharged. Always stop tool operation and charge the battery cartridge when you notice

less tool power.

2. Never recharge a fully charged battery cartridge. Overcharging shortens the battery service life.
3. Charge the battery cartridge with room temperature at 10 °C - 40 °C (50 °F - 104 °F). Let a hot battery cartridge cool down before charging it.
4. When not using the battery cartridge, remove it from the tool or the charger.
5. Charge the battery cartridge if you do not use it for a long period (more than six months).

Important safety instructions for wireless unit

1. Do not disassemble or tamper with the wireless unit.
2. Keep the wireless unit away from young children. If accidentally swallowed, seek medical attention immediately.
3. Use the wireless unit only with Makita tools.
4. Do not expose the wireless unit to rain or wet conditions.
5. Do not use the wireless unit in places where the temperature exceeds 50 °C (122 °F).
6. Do not operate the wireless unit in places where medical instruments, such as heart pace makers are nearby.
7. Do not operate the wireless unit in places where automated devices are nearby. If operated, automated devices may develop malfunction or error.
8. Do not operate the wireless unit in places under high temperature or places where static electricity or electrical noise could be generated.
9. The wireless unit can produce electromagnetic fields (EMF) but they are not harmful to the user.
10. The wireless unit is an accurate instrument. Be careful not to drop or strike the wireless unit.
11. Avoid touching the terminal of the wireless unit with bare hands or metallic materials.
12. Always remove the battery on the product when installing the wireless unit into it.
13. When opening the lid of the slot, avoid the place where dust and water may come into the slot. Always keep the inlet of the slot clean.
14. Always insert the wireless unit in the correct direction.
15. Do not press the wireless activation button on the wireless unit too hard and/or press the button with an object with a sharp edge.
16. Always close the lid of the slot when operating.
17. Do not remove the wireless unit from the slot while the power is being supplied to the tool. Doing so may cause a malfunction of the wireless unit.
18. Do not remove the sticker on the wireless unit.
19. Do not put any sticker on the wireless unit.
20. Do not leave the wireless unit in a place where

- static electricity or electrical noise could be generated.
21. Do not leave the wireless unit in a place subject to high heat, such as a car sitting in the sun.
 22. Do not leave the wireless unit in a dusty or powdery place or in a place corrosive gas could be generated.
 23. Sudden change of the temperature may bedew the wireless unit. Do not use the wireless unit until the dew is completely dried.
 24. When cleaning the wireless unit, gently wipe with a dry soft cloth. Do not use benzine, thinner, conductive grease or the like.

25. When storing the wireless unit, keep it in the supplied case or a static-free container.
26. Do not insert any devices other than Makita wireless unit into the slot on the tool.
27. Do not use the tool with the lid of the slot damaged. Water, dust, and dirt come into the slot may cause malfunction.
28. Do not pull and/or twist the lid of the slot more than necessary. Restore the lid if it comes off from the tool.
29. Replace the lid of the slot if it is lost or damaged.

SAVE THESE INSTRUCTIONS.

PARTS DESCRIPTION

► Fig.2

1	Knob (for bevel angle)	2	Hex wrench	3	Adjusting screw (for lower limit position)	4	Adjusting bolt (for maximum cutting capacity)
5	Stopper arm	6	Lock-off button	7	Switch trigger	8	Lid (for wireless unit)
9	Hole for padlock	10	Wireless activation button	11	Wireless activation lamp	12	Lamp button
13	Vacuum button	14	Blade case	15	Blade guard	16	Sub fence
17	Lock lever (for turn base)	18	Releasing lever (for turn base)	19	Grip (for turn base)	20	Kerf board
21	Miter angle scale	22	Pointer (for miter angle)	23	Turn base	24	Sub base
25	Releasing button (for right side bevel angle)	26	Vertical vise	27	Stopper pin (for carriage sliding)	28	Slide pole

► Fig.3

1	Handle	2	Battery cartridge	3	Dust bag (when replaced with dust extraction hose)	4	Hose (for dust extraction)
5	Bevel angle scale	6	0° adjusting bolt (for bevel angle)	7	Pointer (for bevel angle)	8	45° adjusting bolt (for bevel angle)
9	Latch lever (for bevel angle)	10	Releasing lever (for 48° bevel angle)	11	Guide fence (upper fence)	12	Guide fence (lower fence)
13	Stopper pin (for carriage elevation)	14	Shaft lock	-	-	-	-

INSTALLATION

Installing the grip

Screw the threaded shaft of the grip into the turn base.

► Fig.4: 1. Grip 2. Turn base

Installing and removing dust extraction hose

Attach the hose elbow to the upper port with the lock button facing upwards. Insert the sleeve of the hose into the lower port, pressing and aligning the stopper buttons on the sleeve with the guide notches on the port. Make sure that the elbow and sleeve fit properly to the ports of the tool.

► Fig.5: 1. Dust extraction hose 2. Elbow 3. Lock

button 4. Sleeve 5. Upper Port 6. Lower Port

To remove the hose elbow from the port, pull the elbow while pressing down the lock button.

► Fig.6: 1. Lock button 2. Elbow

To remove the sleeve of the hose from the port, pull the sleeve while pressing the stopper buttons on both sides of the port.

► Fig.7: 1. Stopper button 2. Sleeve

Bench mounting

When the tool is shipped, the handle is locked in the lowered position by the stopper pin. While lowering the handle slightly, pull the stopper pin and rotate it 90°.

► Fig.8: 1. Locked position 2. Unlocked position 3. Stopper pin

This tool should be bolted with four bolts to a level and

stable surface using the bolt holes provided in the tool's base. This will help prevent tipping and possible injury.

► **Fig.9:** 1. Bolt

⚠WARNING: Ensure that the tool will not move on the supporting surface. Movement of the miter saw on the supporting surface while cutting may result in loss of control and serious personal injury.

FUNCTIONAL DESCRIPTION

⚠WARNING: Always be sure that the tool is switched off and the battery cartridge is removed before adjusting or checking the functions on the tool. Failure to switch off and remove the battery cartridge may result in serious personal injury from accidental start-up.

Installing or removing battery cartridge

⚠CAUTION: Always switch off the tool before installing or removing of the battery cartridge.

⚠CAUTION: Hold the tool and the battery cartridge firmly when installing or removing battery cartridge. Failure to hold the tool and the battery cartridge firmly may cause them to slip off your hands and result in damage to the tool and battery cartridge and a personal injury.

To install the battery cartridge, align the tongue on the battery cartridge with the groove in the housing and slip it into place. Insert it all the way until it locks in place with a little click. If you can see the red indicator as shown in the figure, it is not locked completely.

To remove the battery cartridge, slide it from the tool while sliding the button on the front of the cartridge.

► **Fig.10:** 1. Red indicator 2. Button 3. Battery cartridge

⚠CAUTION: Always install the battery cartridge fully until the red indicator cannot be seen. If not, it may accidentally fall out of the tool, causing injury to you or someone around you.

⚠CAUTION: Do not install the battery cartridge forcibly. If the cartridge does not slide in easily, it is not being inserted correctly.

Tool / battery protection system

The tool is equipped with a tool/battery protection system. This system automatically cuts off power to the motor to extend tool and battery life. The tool will automatically stop during operation if the tool or battery is placed under one of the following conditions.

Overload protection

When the tool/battery is operated in a manner that causes it to draw an abnormally high current, the tool automatically stops. In this situation, turn the tool off and stop the application that caused the tool to become overloaded. Then turn the tool on to restart.

Overheat protection

When the tool/battery is overheated, the tool stops automatically and the lamp will blink. In this situation, let the tool cool down before turning the tool on again.















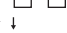



Overdischarge protection

When the battery capacity becomes low, the tool stops automatically. If the tool does not run along with the switch operation, remove the battery from the tool and charge it.

Indicating the remaining battery capacity

Press the check button on the battery cartridge to indicate the remaining battery capacity. The indicator lamps light up for a few seconds.

► **Fig.11:** 1. Indicator lamps 2. Check button

Indicator lamps			Remaining capacity
 Lighted	 Off	 Blinking	
			75% to 100%
			50% to 75%
			25% to 50%
			0% to 25%
			Charge the battery.
			The battery may have malfunctioned.
			

NOTE: Depending on the conditions of use and the ambient temperature, the indication may differ slightly from the actual capacity.

NOTE: The first (far left) indicator lamp will blink when the battery protection system works.

Handle lock

⚠CAUTION: Always hold the handle when releasing the stopper pin. Otherwise the handle springs up and it may result in personal injury.

The handle can be locked either in the lowered position or raised position with the stopper pin. Lower or raise the handle fully and then pull and rotate the stopper pin in a locked position. To unlock the handle, pull the

stopper pin and rotate it 90° in an unlocked position while lowering the handle slightly.

- **Fig.12:** 1. Locked position 2. Unlocked position
3. Stopper pin

Slide lock

Pull the stopper pin and turn it 90° in an unlocked position to allow free movement of the carriage. To lock the sliding movement of the carriage, push the carriage toward the arm until it stops, and then return the stopper pin in a locked position.

- **Fig.13:** 1. Locked position 2. Unlocked position
3. Stopper pin 4. Arm

Blade guard

⚠WARNING: Never defeat or remove the blade guard or the spring which attaches to the guard. An exposed blade as a result of defeated guarding may result in serious personal injury during operation.

⚠WARNING: Never use the tool if the blade guard or spring are damaged, faulty or removed. Operation of the tool with a damaged, faulty or removed guard may result in serious personal injury.

⚠CAUTION: Always maintain the blade guard in good condition for safe operation. Stop the operation immediately if there are any irregularity of the blade guard. Check to assure spring loaded return action of guard.

When lowering the handle, the blade guard raises automatically. The guard is spring loaded so it returns to its original position when the cut is completed and the handle is raised.

- **Fig.14:** 1. Blade guard

Cleaning

If the transparent blade guard becomes dirty, or sawdust adheres to it in such a way that the blade and/or workpiece is no longer easily visible, remove the battery cartridge and clean the guard carefully with a damp cloth. Do not use solvents or any petroleum-based cleaners on the plastic guard because this may cause damage to the guard.

Follow the step-by-step instructions listed on how to prepare for cleaning.

1. Make sure that the tool is switched off and the battery cartridge is removed.
2. Turn the hex bolt counterclockwise using the supplied hex wrench while holding the center cover.
3. Raise the blade guard and center cover.
4. When cleaning is complete, return the center cover and tighten the hex bolt by performing the steps above in reverse.
5. Make sure to return the circular saw blade and center cover to their original positions and tighten the hex bolt.

- **Fig.15:** 1. Hex wrench 2. Hex bolt 3. Center cover
4. Blade guard

⚠WARNING: Do not remove spring holding blade guard. If guard becomes damaged in course of time or UV light exposure, contact a Makita service center for replacement. **DO NOT DEFEAT OR REMOVE GUARD.**

Positioning kerf board

This tool is provided with the kerf boards in the turn base to minimize tearing on the exit side of a cut. The kerf boards are factory adjusted so that the circular saw blade does not contact the kerf boards. Before use, adjust the kerf boards as follows:

1. Make sure to remove the battery cartridge. Then, loosen all the screws (3 each on left and right) securing the kerf boards.

- **Fig.16:** 1. Kerf board 2. Screw

NOTE: The far rear screws can easily be loosened and tightened by turning the turn base at an angle. Make sure to raise the handle fully when turning the turn base.

2. Re-tighten them only to the extent that the kerf boards can still be easily moved by hand.

NOTE: Be sure to return the turn base to the original angle (0° miter angle) when repositioning the kerf boards.

3. Lower the handle fully, then pull and turn the stopper pin to lock the handle in the lowered position.

4. Pull and turn the stopper pin on the slide pole to allow the carriage sliding.

- **Fig.17:** 1. Stopper pin 2. Locked position
3. Unlocked position

5. Pull the carriage toward you fully.

6. Adjust the kerf boards so that they just contact the sides of the blade teeth.

- **Fig.18**

- **Fig.19:** 1. Saw blade 2. Blade teeth 3. Kerf board
4. Left bevel cut 5. Straight cut 6. Right bevel cut

7. Tighten the front screws (do not tighten firmly).

8. Push the carriage toward the guide fences fully and then adjust the kerf boards so that they just contact the sides of the blade teeth.

9. Tighten the center screws (do not tighten firmly).

10. After adjusting the kerf boards, release the stopper pin for handle lock and raise the handle. Then tighten all the screws securely.

NOTICE: After setting the bevel angle, ensure that the kerf boards are adjusted properly. Correct adjustment of the kerf boards helps to provide proper support of the workpiece and minimizing workpiece tear out.

Maintaining maximum cutting capacity

This tool is factory adjusted to provide the maximum cutting capacity for a 305 mm saw blade.

When installing a new circular saw blade, always check the lower limit position of the circular saw blade, and if necessary, adjust it as follows:

1. Remove the battery cartridge. Then turn the stopper lever to engaged position.

► **Fig.20:** 1. Stopper lever

2. Push the carriage toward the guide fences fully and lower the handle completely.

► **Fig.21:** 1. Guide fence 2. Adjusting bolt

3. Use the hex wrench to turn the adjusting bolt until the circular saw blade comes slightly below the cross section of the guide fences and the top surface of the turn base.

► **Fig.22:** 1. Top surface of turn base 2. Guide fence

4. Rotate the blade by hand while holding the handle all the way down to be sure that the circular saw blade does not contact any part of the lower base. Re-adjust slightly, if necessary.

⚠WARNING: After installing a new circular saw blade and with the battery cartridge removed, always be sure that the circular saw blade does not contact any part of the lower base when the handle is lowered completely. If a circular saw blade makes contact with the base, it may cause kickback and result in serious personal injury.

► **Fig.23**

⚠CAUTION: Always return the stopper lever to the original position after adjustment.

Stopper arm

The lower limit position of the circular saw blade can be easily adjusted with the stopper arm. To adjust it, move the stopper arm in the direction of the arrow as shown in the figure. Turn the adjusting screw so that the circular saw blade stops at the desired position when lowering the handle fully.

► **Fig.24:** 1. Adjusting screw 2. Stopper arm

⚠CAUTION: Always hold the handle firmly when adjusting. Failure to do so may cause the carriage to jump up and result in injury.

Adjusting the miter angle

⚠CAUTION: After changing the miter angle, always secure the turn base by returning the lock/releasing lever to a locked position and tightening the grip firmly.

NOTICE: When turning the turn base, be sure to raise the handle fully.

1. Rotate the grip counterclockwise. Then press and hold down the lock lever into an unlocked position.

2. Hold and swing the grip from side to side to turn the turn base.

3. Align the pointer with your desired angle on the miter angle scale.

4. Release the lock lever and tighten the grip.

► **Fig.25:** 1. Grip 2. Lock lever 3. Pointer 4. Miter angle scale

Positive stop function

This miter saw employs positive stop function. You can set 0°, 15°, 22.5°, 31.6°, 45°, and 60° right/left miter angle quickly.

1. Rotate the grip counterclockwise

2. Press and hold down the lock lever in an unlocked position.

3. Turn the turn base close to your desired positive stop angle and release the lock lever.

4. Turn the turn base at your desired positive stop angle until it is secured.

5. Tighten the grip.

► **Fig.26:** 1. Grip 2. Lock lever 3. Positive stop angle

NOTE: To set the turn base free from the positive stop function, press down the releasing lever. The turn base can be moved freely without holding down the lock lever. Swing the grip to turn the turn base to your desired angle, and then tighten the grip.

► **Fig.27:** 1. Releasing lever

Adjusting the bevel angle

⚠CAUTION: After changing the bevel angle, always secure the arm by tightening the knob on the slide pole clockwise.

NOTICE: Always remove the upper guide fences and vertical vise before adjusting the bevel angle.

NOTICE: When tilting the circular saw blade, be sure that the carriage is fully raised.

NOTICE: When changing bevel angles, be sure to reposition the kerf boards appropriately as explained in the section for positioning kerf boards.

NOTICE: Do not tighten the knob on the slide pole too hard. Doing so may cause malfunction of the locking mechanism of the bevel angle.

Tilting the circular saw blade to the left

1. Rotate the knob on the slide pole counterclockwise.

► **Fig.28:** 1. Knob

2. Pull and raise the latch lever up to allow free movement of the carriage arm.

► **Fig.29:** 1. Latch lever

3. Hold the handle and tilt the carriage to the left.

4. Align the pointer with your desired angle on the bevel angle scale.

5. Tighten the knob clockwise to secure the carriage arm.

► **Fig.30:** 1. Knob 2. Handle 3. Pointer 4. Bevel angle scale

Tilting the circular saw blade to the right

1. Rotate the knob on the slide pole counterclockwise.
2. Hold the handle and tilt the carriage to the left slightly.
3. Tilt the carriage to the right while pressing the releasing button for right side bevel angle.
4. Align the pointer with your desired angle on the bevel angle scale.
5. Tighten the knob clockwise to secure the carriage arm.

► **Fig.31:** 1. Knob 2. Handle 3. Releasing button for right side bevel angle 4. Bevel angle scale

Tilting the circular saw blade using positive stop function

This miter saw employs positive stop function. You can set 22.5° and 33.9° angle to both right and left quickly.

1. Rotate the knob on the slide pole counterclockwise.
2. Tilt the carriage close to your desired positive stop angle while raising the latch lever up.
3. Set the latch lever in a horizontal position.
4. Tilt the carriage at your desired positive stop angle until it is secured.
5. To change the angle, pull the latch lever towards the front of the tool, and then re-tilt the carriage.
6. Tighten the knob clockwise to secure the carriage arm.

► **Fig.32:** 1. Knob 2. Latch lever

Tilting the circular saw blade beyond the range 0° - 45°

1. Rotate the knob on the slide pole counterclockwise.
2. Hold the handle and tilt the carriage through 45° either to the left or right.
3. Pull the carriage back slightly and slide the releasing lever for 48° bevel angle towards the front of the tool.
4. Tilt the carriage further to the left or right while keeping the lever released.
5. Tighten the knob clockwise to secure the carriage arm.

► **Fig.33:** 1. Knob 2. Handle 3. Releasing lever for 48° bevel angle

Switch action

⚠ WARNING: Before installing the battery cartridge(s) into the tool, always check to see that the switch trigger actuates properly and returns to the "OFF" position when released. Do not pull the switch trigger hard without pressing in the lock-off button. This can cause switch breakage. Operating a tool with a switch that does not actuate properly can lead to loss of control and serious personal injury.

⚠ WARNING: NEVER use tool without a fully operative switch trigger. Any tool with an inoperative switch is HIGHLY DANGEROUS and must be repaired before further usage or serious personal injury may occur.

⚠ WARNING: NEVER defeat the lock-off button by taping down or some other means. A switch with a negated lock-off button may result in unintentional operation and serious personal injury.

⚠ WARNING: NEVER use the tool if it runs when you simply pull the switch trigger without pressing the lock-off button. A switch in need of repair may result in unintentional operation and serious personal injury. Return tool to a Makita service center for proper repairs BEFORE further usage.

► **Fig.34:** 1. Switch trigger 2. Lock-off button 3. Hole for padlock

To prevent the switch trigger from being accidentally pulled, a lock-off button is provided. To start the tool, press in the lock-off button and pull the switch trigger. Release the switch trigger to stop.

A hole is provided in the switch trigger for insertion of a padlock to lock the tool off.

⚠ WARNING: Do not use a lock with a shank or cable any smaller than 6.35 mm in diameter. A smaller shank or cable may not properly lock the tool in the off position and unintentional operation may occur resulting in serious personal injury.

Casting a cutting line

⚠ CAUTION: The lamp is not a rainproof. Do not wash the lamp in water or use it in a rain or a wet area. Such a conduct can cause an electric shock and fume.

⚠ CAUTION: Do not touch the lens of the lamp as it is very hot while it is lighted or shortly after it is turned off. This may cause burns.

⚠ CAUTION: Do not apply impact to the lamp, which may cause damage or shorted service time to it.

⚠ CAUTION: Do not look in the light or see the source of light directly.

The LED lamp casts a light over the circular saw blade, and a shadow of the blade falls onto a workpiece serving as a calibration-free cutting line indicator. Press the lamp button to shed a light. A line appears in which the blade will meet the surface of the workpiece, becoming deepened as the blade gets lowered.

- **Fig.35:** 1. Lamp button 2. Lamp 3. Cutting line

The indicator helps cut through an existing cut-off line penciled on a workpiece.

1. Hold the handle and lower the circular saw blade so a dense shadow of the blade is thrown against a workpiece.
2. Align a cut-off line drawn on the workpiece with the shadowed cutting line.
3. Adjust the miter angles and bevel angles if necessary.

NOTE: Be sure to turn off the lamp switch after use because turning on the light consumes the battery power.

NOTE: The light automatically goes off 5 minutes after you cease operation.

Electronic function

Electric brake

This tool is equipped with an electric blade brake. If the tool consistently fails to quickly cease to function after the switch trigger is released, have the tool serviced at a Makita service center.

CAUTION: The blade brake system is not a substitute for the blade guard. Never use tool without a functioning blade guard. An unguarded blade may result in serious personal injury.

Constant speed control

The tool is provided with an electronic speed control which helps maintain a constant blade rotation speed even under load. A constant blade rotation speed will result in a very smooth cut.

Soft start feature

This function allows the smooth start-up of the tool by limiting the start-up torque.

ASSEMBLY

WARNING: Always be sure that the tool is switched off and the battery cartridge is removed before working on the tool. Failure to switch off and remove the battery cartridge may result in serious personal injury.

Hex wrench storage

When not in use, store the hex wrench as shown in the figure to keep it from being lost.

- **Fig.36:** 1. Hex wrench

Removing and installing saw blade

WARNING: Always be sure that the tool is switched off and the battery cartridge is removed before removing and installing the circular saw blade. Accidental start up of the tool may result in serious personal injury.

WARNING: Use only the Makita wrench provided to remove and install the circular saw blade. Failure to use the wrench may result in overtightening or insufficient tightening of the hex socket bolt and serious personal injury.

WARNING: Never use or substitute the parts which are not supplied with this tool. Using such parts can cause serious personal injury.

WARNING: After installing the circular saw blade, always make sure that it is securely installed. Loose attachment of the circular saw blade can cause serious personal injury.

Removing the blade

To remove the circular saw blade, perform the following steps:

1. Lock the carriage in the raised position by pulling and turning the stopper pin in a locked position.
► **Fig.37:** 1. Stopper pin 2. Unlocked position 3. Locked position
2. Use the hex wrench to loosen the hex bolt holding the center cover. Then, raise the blade guard and center cover.
► **Fig.38:** 1. Hex wrench 2. Hex bolt 3. Center cover 4. Blade guard
3. Press the shaft lock to lock the spindle and use the hex wrench to loosen the hex socket bolt clockwise. Then remove the hex socket bolt, outer flange and circular saw blade.
► **Fig.39:** 1. Hex socket bolt (left-handed) 2. Outer flange 3. Shaft lock
4. If the inner flange is removed, install it on the spindle with its recessed side facing the circular saw blade. If the flange is installed incorrectly the flange will rub against the machine.
► **Fig.40:** 1. Hex socket bolt (left-handed) 2. Outer flange 3. Circular saw blade 4. Ring 5. Inner flange 6. Spindle 7. Recessed side

Installing the blade

WARNING: Before mounting the blade onto the spindle, always be sure that the correct ring for the blade's arbor hole you intend to use is installed between the inner and the outer flanges. Use of the incorrect arbor hole ring may result in the improper mounting of the blade causing blade movement and severe vibration resulting in possible loss of control during operation and in serious personal injury.

CAUTION: Make sure to install the circular saw blade so that the direction of the arrow on the blade matches that on the blade case. Failure to do so may result in personal injury and cause damage to the tool and/or the workpiece.

To install the circular saw blade, perform the following steps:

1. Mount the circular saw blade carefully onto the inner flange. Make sure that the direction of the arrow on the circular saw blade matches the direction of the arrow on the blade case.
► **Fig.41:** 1. Arrow on blade case 2. Arrow on circular saw blade
2. Install the outer flange and hex socket bolt, and then use the hex wrench to tighten the hex socket bolt counterclockwise securely while pressing the shaft lock.
► **Fig.42:** 1. Hex socket bolt (left-handed) 2. Outer flange 3. Circular saw blade 4. Ring 5. Inner flange 6. Spindle 7. Recessed side
3. Return the blade guard and center cover to its original position. Then tighten the hex bolt clockwise to secure the center cover.
4. Pull and turn the stopper pin in an unlocked position to release the carriage from the raised position. Lower the carriage and check that the blade guard moves properly.

CAUTION: Make sure shaft lock has released spindle before making cut.

Connecting a vacuum cleaner

When you wish to perform clean cutting operation, connect a Makita vacuum cleaner to the dust nozzle (upper dust port) using a front cuff 24 (optional accessory).

- **Fig.43:** 1. Front cuff 24 2. Hose 3. Vacuum cleaner

Dust bag

CAUTION: When performing a cutting, always attach the dust bag or connect a vacuum cleaner to prevent dust-related hazards.

The use of the dust bag makes cutting operations clean and dust collection easy. To attach the dust bag, remove the dust extraction hose from the tool and connect the dust bag to the dust nozzle (upper dust port).

- **Fig.44:** 1. Dust extraction hose 2. Dust bag 3. Dust nozzle (upper dust port)

When the dust bag is about half full, remove the dust bag from the tool and pull the fastener out. Empty the dust bag of its contents, tapping it lightly so as to remove particles adhering to the insides which might hamper further collection.

- **Fig.45:** 1. Fastener

Securing workpiece

WARNING: It is extremely important to always secure the workpiece correctly with the proper type of vise or crown molding stoppers. Failure to do so may result in serious personal injury and cause damage to the tool and/or the workpiece.

WARNING: When cutting a workpiece that is longer than the support base of the miter saw, support the entire length of the material beyond the support base keeping the material level. Proper workpiece support helps to avoid blade pinch and possible kickback which may result in serious personal injury. Do not rely solely on the vertical vise and/or horizontal vise to secure the workpiece. Thin material tends to sag. Support workpiece over its entire length to avoid blade pinch and possible KICKBACK.

- **Fig.46:** 1. Support 2. Turn base

Guide fences

WARNING: Before operating the tool, make sure that the upper fence is secured firmly.

WARNING: Before bevel-cutting, make sure that no part of the tool, especially the saw blade, contacts the upper and lower fences when fully lowering and raising the handle in any position and while moving the carriage through its full range of travel. If the tool or blade makes contact with the fence, this may result in kickback or unexpected movement of the material and serious personal injury.

Use upper fences to support the material higher than the lower fences. Insert the upper fence into the hole on the lower fence and tighten the clamping screw.

- **Fig.47:** 1. Upper fence 2. Lower fence 3. Clamping screw 4. Adjusting screw

NOTICE: The lower fences are fixed to the base in the factory. Do not remove the lower fences.

NOTICE: If the upper fence is still loose after tightening the clamping screw, turn the adjusting screw to close a gap. The adjusting screw is factory adjusted. You don't need to use it unless needed.

When not using the upper fence, you can store it onto the pipe of the sub base. Use the clip on the upper fence to hold it on the pipe of the sub base.

- **Fig.48:** 1. Sub base 2. Upper fence 3. Clip

Vertical vise

WARNING: The workpiece must be secured firmly against the turn base and guide fence with the vise during all operations. If the workpiece is not properly secured against the fence, the material may move during the cutting operation causing possible damage to the saw blade, causing the material to be thrown and loss of control resulting in serious personal injury.

The vertical vise can be installed into either the left or

right side of the base and sub base. Insert the vise rod into the hole in the base or sub base.

► **Fig.49:** 1. Vertical vise 2. Hole for vertical vise 3. Sub base 4. Base

► **Fig.50:** 1. Vise arm 2. Vise rod 3. Clamping screw 4. Vise knob

Position the vise arm according to the thickness and shape of the workpiece and secure the vise arm by tightening the screw. If the clamping screw contacts the carriage, install the vertical vise to the sub base or the opposite side on the base. Make sure that no part of the tool contacts the vise when lowering the handle all the way. If some part contacts the vise, re-position the vise. Press the workpiece flat against the guide fence and the turn base. Position the workpiece at the desired cutting position and secure it firmly by tightening the vise knob.

NOTE: For a quick setting of workpiece, turning the vise knob to 90° counterclockwise allows the vise knob to be moved up and down. To secure the workpiece after setting, turn the vise knob clockwise.

Horizontal vise

Optional accessory

⚠WARNING: Always rotate the vise nut clockwise until the workpiece is properly secured. If the workpiece is not properly secured, the material may move during the cutting operation causing possible damage to the circular saw blade, causing the material to be thrown and loss of control resulting in serious personal injury.

⚠WARNING: When cutting a thin workpiece, such as base boards, against the fence, always use the horizontal vise.

⚠CAUTION: When cutting the workpiece of the thickness 20 mm or thinner, make sure to use a spacer block to secure the workpiece.

The horizontal vise can be installed in either the left or right side of the base. When performing 22.5° or greater miter cuts, install the horizontal vise in the side opposed to the direction in which the turn base is to be turned.

► **Fig.51:** 1. Vise plate 2. Vise nut 3. Vise knob

By flipping the vise nut counterclockwise, the vise is released, and rapidly moves in and out. To grip the workpiece, push the vise knob forward until the vise plate contacts the workpiece and flip the vise nut clockwise. Then turn the vise knob clockwise to secure the workpiece.

NOTE: The maximum width of workpiece which can be secured by the horizontal vise is 228 mm.

Sub base

⚠WARNING: Always support a long workpiece so it is level with the top surface of the turn base for an accurate cut and to prevent dangerous loss of tool control. Proper workpiece support will help avoid blade pinch and possible kickback which may result in serious personal injury.

⚠WARNING: Before the cutting operation, always be sure that the sub bases are secured by the screws.

To hold long workpieces horizontally, sub bases are provided on both sides of the tool. Loosen the screws and extend the sub bases to the appropriate length for holding the workpiece. Then tighten the screws.

► **Fig.52:** 1. Sub base 2. Screw

When cutting, place the workpiece flat against the guide fence and the sub fence on the sub base.

► **Fig.53:** 1. Guide fence 2. Sub fence 3. Sub base

OPERATION

This tool is intended to cut wood products. With appropriate Makita genuine saw blades, following materials can also be sawed :

— Aluminum products

Refer to our website or contact your local Makita dealer for the correct circular saw blades to be used for the material to be cut.

⚠WARNING: Make sure the saw blade is not contacting the workpiece, etc. before the switch is turned on. Turning the tool on with the blade in contact with the workpiece may result in kickback and serious personal injury.

⚠WARNING: After a cutting operation, do not raise the saw blade until it has come to a complete stop. The raising of a coasting blade may result in serious personal injury and damage to the workpiece.

⚠WARNING: Do not perform any adjustment such as turning grip, knob, and levers on the tool while the saw blade is rotating. Adjustment while the blade is rotating may result in serious personal injury.

⚠CAUTION: Do not release the saw head uncontrolled from the fully down position. Uncontrolled saw head may hit you and it will result in personal injury.

NOTICE: Before use, be sure to unlock the stopper pin and release the handle from the lowered position.

NOTICE: Do not apply excessive pressure on the handle when cutting. Too much force may result in overload of the motor and/or decreased cutting efficiency. Press down handle with only as much force as necessary for smooth cutting and without significant decrease in blade speed.

NOTICE: Gently press down the handle to perform the cut. If the handle is pressed down with force or if lateral force is applied, the blade may vibrate and leave a mark (saw mark) in the workpiece and the precision of the cut may be impaired.

NOTICE: During a slide cut, gently push the carriage toward the guide fence without stopping. If the carriage movement is stopped during the cut, a mark will be left in the workpiece and the precision of the cut will be impaired.

Press cutting

WARNING: Always lock the sliding movement of the carriage when performing a press cutting. Cutting without lock may cause possible kickback which may result in serious personal injury.

Workpieces up to 92 mm high and 183 mm wide can be cut in the following manner.

► **Fig.54:** 1. Stopper pin

1. Push the carriage toward the guide fence until it stops and lock it with the stopper pin.
2. Secure the workpiece with the proper type of vise.
3. Switch on the tool without the circular saw blade making any contact and wait until the circular saw blade attains full speed before lowering.
4. Gently lower the handle to the fully lowered position to cut the workpiece.
5. When the cut is completed, switch off the tool and wait until the circular saw blade has come to a complete stop before returning the circular saw blade to its fully elevated position.

Slide (push) cutting (cutting wide workpieces)

WARNING: Whenever performing a slide cut, first pull the carriage full towards you and press the handle all the way down, then push the carriage toward the guide fence. Never start the cut with the carriage not pulled fully toward you. If you perform the slide cut without the carriage pulled fully toward you, unexpected kickback may occur and serious personal injury may result.

WARNING: Never attempt to perform a slide cut by pulling the carriage towards you. Pulling the carriage towards you while cutting may cause unexpected kickback resulting in possible serious personal injury.

WARNING: Never perform the slide cut with the handle locked in the lowered position.

► **Fig.55:** 1. Stopper pin

1. Unlock the stopper pin so that the carriage can slide freely.
2. Secure the workpiece with the proper type of vise.
3. Pull the carriage toward you fully.
4. Switch on the tool without the saw blade making any contact and wait until the saw blade attains full speed.
5. Press the handle down and push the carriage toward the guide fence and through the workpiece.
6. When the cut is completed, switch off the tool and wait until the saw blade has come to a complete stop before returning the blade to its fully elevated position.

Miter cutting

Refer to the section for adjusting the miter angle.

Bevel cutting

WARNING: After setting the blade for a bevel cut, ensure that the carriage and saw blade will have free travel throughout the entire range of the intended cut before operating the tool. Interruption of the carriage or blade travel during the cutting operation may result in kickback and serious personal injury.

WARNING: While making a bevel cut, keep hands out of the path of the saw blade. The angle of the blade may confuse the operator as to the actual blade path while cutting and contact with the blade will result in serious personal injury.

WARNING: The saw blade should not be raised until it has come to a complete stop. During a bevel cut, the piece cut off may come to rest against the saw blade. If the blade is raised while it is rotating, the cut-off piece may be ejected by the blade causing the material to fragment which may result in serious personal injury.

NOTICE: When pressing down the handle, apply pressure in parallel with the blade. If a force is applied perpendicularly to the turn base or if the pressure direction is changed during a cut, the precision of the cut will be impaired.

► Fig.56

1. Remove the upper fence on the side that you are going to tilt the carriage.
2. Unlock the stopper pin.
3. Adjust the bevel angle according to the procedure explained in the section for bevel angle adjustment. Then tighten the knob.
4. Secure the workpiece with a vise.
5. Pull the carriage toward you fully.
6. Switch on the tool without the blade making any contact and wait until the blade attains full speed.
7. Gently lower the handle to the fully lowered position while applying pressure in parallel with the blade and **push the carriage toward the guide fence to cut the workpiece.**
8. When the cut is completed, switch off the tool and **wait until the blade has come to a complete stop** before returning the blade to its fully elevated position.

Compound cutting

Compound cutting is the process in which a bevel angle is made at the same time in which a miter angle is being cut on a workpiece. Compound cutting can be performed at the angle shown in the table.

Miter angle	Bevel angle
Left and Right 0° - 45°	Left and Right 0° - 45°

When performing compound cutting, refer to the section for press cutting, slide (push) cutting, miter cutting and bevel cut.

Cutting base boards

CAUTION: Make sure to use the horizontal vise (optional accessory) when cutting the base board.

CAUTION: When cutting the workpiece of the thickness 20 mm or thinner, make sure to use a spacer block to secure the workpiece.

When cutting the base board in 45° miter angle, engage the stopper lever to prevent the blade case from contacting the base board. This will keep the clearance between the base board and the blade case when the carriage is fully pushed forward. Refer to the SPECIFICATIONS for base board cutting capacity.

- Fig.57: 1. Stopper lever 2. Spacer block
3. Horizontal vise

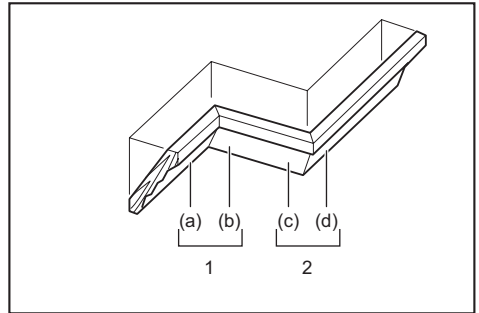
Cutting crown and cove moldings

Crown and cove moldings can be cut on a compound miter saw with the moldings laid flat on the turn base. There are two common types of crown moldings and one type of cove moldings; 52/38° wall angle crown

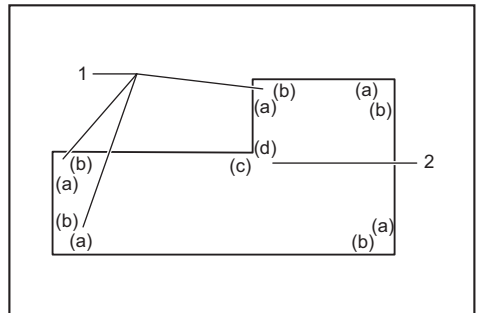
molding, 45° wall angle crown molding and 45° wall angle cove molding.

- Fig.58: 1. 52/38° type crown molding 2. 45° type crown molding 3. 45° type cove molding

There are crown and cove molding joints which are made to fit "Inside" 90° corners ((a) and (b) in the figure) and "Outside" 90° corners ((c) and (d) in the figure.)



1. Inside corner 2. Outside corner



1. Inside corner 2. Outside corner

Measuring

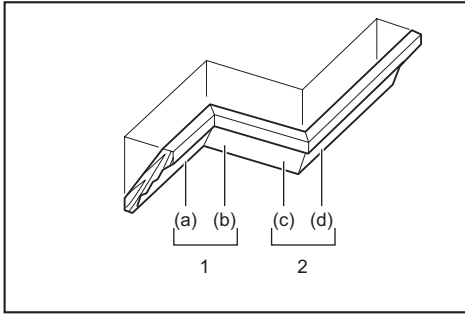
Measure the wall width, and adjust the width of the workpiece according to it. Always make sure that width of the workpiece's wall contact edge is the same as wall length.

- Fig.59: 1. Workpiece 2. Wall width 3. Width of the workpiece 4. Wall contact edge

Always use several pieces for test cuts to check the saw angles.

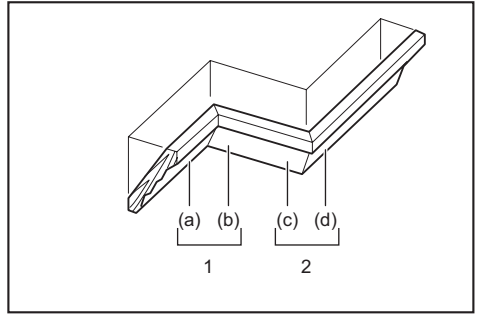
When cutting crown and cove moldings, set the bevel angle and miter angle as indicated in the table (A) and position the moldings on the top surface of the saw base as indicated in the table (B).

In the case of left bevel cut



1. Inside corner 2. Outside corner

In the case of right bevel cut



1. Inside corner 2. Outside corner

Table (A)

-	Molding position in the figure	Bevel angle		Miter angle	
		52/38° type	45° type	52/38° type	45° type
For inside corner	(a)	Left 33.9°	Left 30°	Right 31.6°	Right 35.3°
	(b)			Left 31.6°	Left 35.3°
For outside corner	(c)			Right 31.6°	Right 35.3°
	(d)			Right 31.6°	Right 35.3°

Table (A)

-	Molding position in the figure	Bevel angle		Miter angle	
		52/38° type	45° type	52/38° type	45° type
For inside corner	(a)	Right 33.9°	Right 30°	Right 31.6°	Right 35.3°
	(b)			Left 31.6°	Left 35.3°
For outside corner	(c)			Right 31.6°	Right 35.3°
	(d)			Right 31.6°	Right 35.3°

Table (B)

-	Molding position in the figure	Molding edge against guide fence	Finished piece
For inside corner	(a)	Ceiling contact edge should be against guide fence.	Finished piece will be on the Left side of blade.
	(b)	Wall contact edge should be against guide fence.	
For outside corner	(c)	Wall contact edge should be against guide fence.	Finished piece will be on the Right side of blade.
	(d)	Ceiling contact edge should be against guide fence.	

Table (B)

-	Molding position in the figure	Molding edge against guide fence	Finished piece
For inside corner	(a)	Wall contact edge should be against guide fence.	Finished piece will be on the Right side of blade.
	(b)	Ceiling contact edge should be against guide fence.	
For outside corner	(c)	Wall contact edge should be against guide fence.	Finished piece will be on the Left side of blade.
	(d)	Ceiling contact edge should be against guide fence.	

Example:

In the case of cutting 52/38° type crown molding for position (a) in the above figure:

- Tilt and secure bevel angle setting to 33.9° LEFT.
- Adjust and secure miter angle setting to 31.6° RIGHT.
- Lay crown molding with its broad back (hidden) surface down on the turn base with its CEILING CONTACT EDGE against the guide fence on the saw.
- The finished piece to be used will always be on the LEFT side of the blade after the cut has been made.

Example:

In the case of cutting 52/38° type crown molding for position (a) in the above figure:

- Tilt and secure bevel angle setting to 33.9° RIGHT.
- Adjust and secure miter angle setting to 31.6° RIGHT.
- Lay crown molding with its broad back (hidden) surface down on the turn base with its WALL CONTACT EDGE against the guide fence on the saw.
- The finished piece to be used will always be on the RIGHT side of the blade after the cut has been made.

Crown molding stopper

Optional accessory

Crown molding stoppers allow easier cuts of crown molding without tilting the saw blade. Install them on the turn base as shown in the figures.

At right 45° miter angle

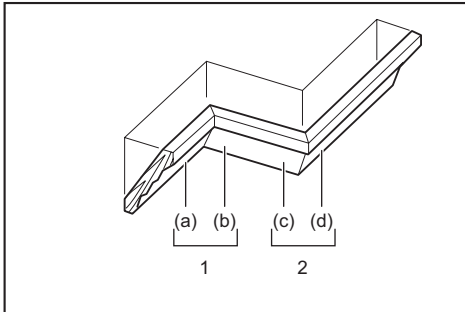
► **Fig.60:** 1. Crown molding stopper L 2. Crown molding stopper R 3. Turn base 4. Guide fence

At left 45° miter angle

► **Fig.61:** 1. Crown molding stopper L 2. Crown molding stopper R 3. Turn base 4. Guide fence

Position crown molding with its WALL CONTACT EDGE against the guide fence and its CEILING CONTACT EDGE against the crown molding stoppers as shown in the figure. Adjust the crown molding stoppers according to the size of the crown molding. Tighten the screws to secure the crown molding stoppers. Refer to the table (C) for the miter angle.

► **Fig.62:** 1. Guide fence 2. Crown molding stopper



1. Inside corner 2. Outside corner

Table (C)

–	Molding position in the figure	Miter angle	Finished piece
For inside corner	(a)	Right 45°	Save the right side of blade
	(b)	Left 45°	Save the left side of blade
For outside corner	(c)	Right 45°	Save the right side of blade
	(d)		Save the left side of blade

Cutting aluminum extrusion

► **Fig.63:** 1. Vise 2. Spacer block 3. Guide fence 4. Aluminum extrusion 5. Spacer block

When securing aluminum extrusions, use spacer blocks or pieces of scrap as shown in the figure to prevent deformation of the aluminum. Use a cutting lubricant when cutting the aluminum extrusion to prevent build-up of the aluminum material on the circular saw blade.

⚠WARNING: Never attempt to cut thick or round aluminum extrusions. Thick or round aluminum extrusions can be difficult to secure and the work may loosen during the cutting operation which may result in loss of control and serious personal injury.

Special max width cutting capacities technique

The maximum cutting capacity of width can be achieved by following the steps below:

For the maximum cutting width of this tool, refer to the cutting capacities for special cuttings in the SPECIFICATIONS section.

1. Set the tool at 0° or 45° miter angle and make sure that the turn base is locked. (Refer to the section for miter angle adjustment.)
2. Remove both right and left upper fences temporarily and set aside them.
3. Cut a platform to the dimensions indicated in the figure using a 38 mm thick, flat stock material such as wood, plywood or particle board.

► **Fig.64:** 1. 0° Miter angle: Over 450 mm 2. 45° Miter angle: Over 325 mm 3. 38 mm 4. Over 760 mm

⚠WARNING: Be sure to use flat stock as a platform. Stock that is not flat may move during the cutting operation which may result in kickback and serious personal injury.

NOTE: The maximum cutting capacity in height will be reduced by the same amount as the platform thickness.

4. Place the platform on the tool so that it extends equally over each side of the tool base. Secure the platform to the tool using four 6 mm wood screws through four holes in the lower fences.

► **Fig.65:** 1. Screws (two each side) 2. Lower fence 3. Base 4. Platform

⚠WARNING: Make sure that the platform is laying flat against the tool base and secured firmly to the lower fences using the four screw holes provided. Failure to properly secure the platform may result in movement and possible kickback resulting in serious personal injury.

⚠WARNING: Ensure that the tool is firmly mounted to a stable and flat surface. Failure to properly mount and secure the tool could cause the tool to be unstable resulting in a loss of control and/or the tool falling which may result in serious personal injury.

5. Install the upper fences on the tool.

⚠WARNING: Do not use the tool without upper fences installed. The upper fences provide the adequate support required to cut the workpiece. If the workpiece is not supported properly, it may move resulting in possible loss of control, kickback and serious personal injury.

6. Place the workpiece to be cut on the platform

secured to the tool.

7. Secure the workpiece firmly against the upper fences with a vise before cutting.

► **Fig.66:** 1. Upper fence 2. Vertical vise 3. Workpiece 4. Platform

8. Make a cut through the workpiece slowly according to the operation explained in the section for slide (push) cutting.

⚠WARNING: Ensure that the workpiece is secured with the vise and make the cut slowly. Failure to do so may cause the workpiece to move resulting in possible kickback and serious personal injury.

⚠WARNING: Be aware that the platform may become weakened after several cuts are performed at various miter angles. If the platform becomes weakened due to the multiple kerf cuts left in the material, the platform should be replaced. If the weakened platform is not replaced, it may cause the workpiece to move, during cutting, resulting in possible kickback and serious personal injury.

Groove cutting

⚠WARNING: Do not attempt to perform this type of cut by using a wider type blade or dado blade. Attempting to make a groove cut with a wider blade or dado blade could lead to unexpected cutting results and kickback which may result in serious personal injury.

⚠WARNING: Be sure to return the stopper arm to the original position when performing other than groove cutting. Attempting to make cuts with the stopper arm in the incorrect position could lead to unexpected cutting results and kickback which may result in serious personal injury.

For a dado type cut, perform as follows:

1. Adjust the lower limit position of the circular saw blade using the adjusting screw and the stopper arm to limit the cutting depth of the circular saw blade. Refer to the section for stopper arm.

2. After adjusting the lower limit position of the circular saw blade, cut parallel grooves across the width of the workpiece using a slide (push) cut.

► **Fig.67:** 1. Cut grooves with blade

3. Remove the workpiece material between the grooves with a chisel.

Wood facing

⚠WARNING: Use screws to attach the wood facing to the guide fence. The screws should be installed so that the screw heads are below the surface of the wood facing so that they will not interfere with the positioning of the material being cut. Misalignment of the material being cut can cause unexpected movement during the cutting operation which may result in a loss of control and serious personal injury.

⚠CAUTION: Use straight wood of even thickness for the wood facing.

⚠CAUTION: In order to completely cut through workpieces with a height of 107 mm to 120 mm, a wood facing should be used on the guide fence. The wood facing will space the workpiece away from the fence allowing the blade to complete a deeper cut.

NOTICE: When the wood facing is attached, do not turn the turn base with the handle lowered. The blade and/or the wood facing will be damaged.

Use of wood facing helps to assure splinter-free cuts in workpieces. Attach a wood facing to the guide fence using the holes in the guide fence and 6 mm screws. See the figure concerning the dimensions for a suggested wood facing.

► **Fig.68:** 1. Hole 2. Over 15 mm 3. Over 270 mm 4. 90 mm 5. 145 mm 6. 19 mm 7. 115 - 120 mm

EXAMPLE When cutting workpieces 115 mm and 120 mm high, use a wood facing with the following thickness.

Miter angle	Thickness of wood facing	
	115 mm	120 mm
0°	20 mm	38 mm
Left and Right 45°	15 mm	25 mm
Left and Right 60°	15 mm	25 mm

Carrying tool

Before carrying the tool, be sure to remove the battery cartridge and all movable parts of the miter saw are secured. Always check the following:

- The battery cartridge is removed.
- The carriage is at 0° bevel angle position and secured.
- The carriage is lowered and locked.
- The carriage is fully slid to the guide fences and locked.
- The turn base is at the full right miter angle position and secured.
- The sub bases are stored and secured.

Carry the tool by holding both sides of the tool base.

► **Fig.69**

⚠WARNING: Stopper pin for carriage elevation is for carrying and storage purposes only and not for any cutting operations. The use of the stopper pin for cutting operations may cause unexpected movement of the circular saw blade resulting in kickback and serious personal injury.

CAUTION: Always secure all moving portions before carrying the tool. If portions of the tool move or slide while being carried, loss of control or balance may occur and result in personal injury.

CAUTION: Be sure that the carriage elevation is properly locked at its bottom by the stopper pin. If the stopper pin is not engaged properly, the carriage may jump up suddenly and cause personal injury.

WIRELESS ACTIVATION FUNCTION

What you can do with the wireless activation function

The wireless activation function enables clean and comfortable operation. By connecting a supported vacuum cleaner to the tool, you can run the vacuum cleaner automatically along with the switch operation of the tool.

► Fig.70

To use the wireless activation function, prepare following items:

- A wireless unit (optional accessory)
- A vacuum cleaner which supports the wireless activation function

The overview of the wireless activation function setting is as follows. Refer to each section for detail procedures.

1. Installing the wireless unit
2. Tool registration for the vacuum cleaner
3. Starting the wireless activation function

Installing the wireless unit

Optional accessory

CAUTION: Place the tool on a flat and stable surface when installing the wireless unit.

NOTICE: Clean the dust and dirt on the tool before installing the wireless unit. Dust or dirt may cause malfunction if it comes into the slot of the wireless unit.

NOTICE: To prevent the malfunction caused by static, touch a static discharging material, such as a metal part of the tool, before picking up the wireless unit.

NOTICE: When installing the wireless unit, always be sure that the wireless unit is inserted in the correct direction and the lid is completely closed.

1. Open the lid on the tool as shown in the figure.

► Fig.71: 1. Lid

2. Insert the wireless unit to the slot and then close the lid.

When inserting the wireless unit, align the projections with the recessed portions on the slot.

► Fig.72: 1. Wireless unit 2. Projection 3. Lid 4. Recessed portion

When removing the wireless unit, open the lid slowly. The hooks on the back of the lid will lift the wireless unit as you pull up the lid.

► Fig.73: 1. Wireless unit 2. Hook 3. Lid

After removing the wireless unit, keep it in the supplied case or a static-free container.

NOTICE: Always use the hooks on the back of the lid when removing the wireless unit. If the hooks do not catch the wireless unit, close the lid completely and open it slowly again.

Tool registration for the vacuum cleaner

NOTE: A Makita vacuum cleaner supporting the wireless activation function is required for the tool registration.

NOTE: Finish installing the wireless unit to the tool before starting the tool registration.

NOTE: Avoid turning the following switches on during tool registration:

- switch trigger on the tool
- vacuum switch on the tool
- power switch on the vacuum cleaner

NOTE: Refer to the instruction manual of the vacuum cleaner, too.

If you wish to activate the vacuum cleaner along with the switch operation of the tool, finish the tool registration beforehand.

1. Install the batteries to the vacuum cleaner and the tool.

2. Set the stand-by switch on the vacuum cleaner to "AUTO".

► Fig.74: 1. Stand-by switch

3. Press the wireless activation button on the vacuum cleaner for 3 seconds until the wireless activation lamp blinks in green. And then press the wireless activation button on the tool in the same way.

► Fig.75: 1. Wireless activation button 2. Wireless activation lamp

If the vacuum cleaner and the tool are linked successfully, the wireless activation lamps will light up in green for 2 seconds and start blinking in blue.

NOTE: The wireless activation lamps finish blinking in green after 20 seconds elapsed. Press the wireless activation button on the tool while the wireless activation lamp on the cleaner is blinking. If the wireless activation lamp does not blink in green, push the wireless activation button briefly and hold it down again.

NOTE: When performing two or more tool registrations for one vacuum cleaner, finish the tool registration one by one.

Starting the wireless activation function

NOTE: Finish the tool registration for the vacuum cleaner prior to the wireless activation.

NOTE: Refer to the instruction manual of the vacuum cleaner, too.

After registering a tool to the vacuum cleaner, the vacuum cleaner will automatically runs along with the switch operation of the tool. Pull the switch trigger on the tool to function the vacuum cleaner during operation. The vacuum cleaner also starts to function by pressing the vacuum button on the tool out of any cutting operation.

► Fig.76

1. Install the wireless unit to the tool.
2. Connect the hose of the vacuum cleaner with the tool.

► Fig.77

3. Set the stand-by switch on the vacuum cleaner to "AUTO".

► Fig.78: 1. Stand-by switch

4. Push the wireless activation button on the tool briefly. The wireless activation lamp will blink in blue.

► Fig.79: 1. Wireless activation button 2. Wireless activation lamp

5. Pull the switch trigger of the tool. Check if the vacuum cleaner runs while the switch trigger is being pulled.

6. Press the vacuum button to function the vacuum cleaner. Check if the wireless activation lamp lights up in blue and the cleaner keeps running until you press the button again.

7. To cease vacuum operation, either release the switch trigger or press the vacuum button again. The vacuum cleaner stops running a few seconds after the switch operation, and then the lamp turns to blink in blue.

NOTE: Switch status (turning the cleaner on/off) can be learned in the wireless activation lamp. For details, refer to the section for description of the wireless activation lamp status.

8. To stop the wireless activation of the vacuum cleaner, push the wireless activation button on the tool.

NOTE: The wireless activation lamp on the tool will stop blinking in blue when there is no operation for 2 hours. In this case, set the stand-by switch on the vacuum cleaner to "AUTO" and push the wireless activation button on the tool again.

NOTE: The vacuum cleaner starts/stops with a delay. There is a time lag when the vacuum cleaner detects a switch operation of the tool.










NOTE: The transmission distance of the wireless unit may vary depending on the location and surrounding circumstances.

NOTE: When two or more tools are registered to one vacuum cleaner, the vacuum cleaner may start running even if you do not pull the switch trigger or turn on the vacuum button because another user is using the wireless activation function.

Description of the wireless activation lamp status

► Fig.80: 1. Wireless activation lamp

The wireless activation lamp shows the status of the wireless activation function. Refer to the table below for the meaning of the lamp status.

Status	Wireless activation lamp				Description
	Color	 On	 Blinking	Duration	
Standby	Blue			2 hours	The wireless activation of the vacuum cleaner is available. The lamp will automatically turn off when no operation is performed for 2 hours.
				When the tool is running.	The wireless activation of the vacuum cleaner is available and the tool is running.
Tool registration	Green			20 seconds	Ready for the tool registration. Waiting for the registration by the vacuum cleaner.
				2 seconds	The tool registration has been finished. The wireless activation lamp will start blinking in blue.
Cancelling tool registration	Red			20 seconds	Ready for the cancellation of the tool registration. Waiting for the cancellation by the vacuum cleaner.
				2 seconds	The cancellation of the tool registration has been finished. The wireless activation lamp will start blinking in blue.
Others	Red			3 seconds	The power is supplied to the wireless unit and the wireless activation function is starting up.
	Off	-		-	The wireless activation of the vacuum cleaner is stopped.

Cancelling tool registration for the vacuum cleaner

Perform the following procedure when cancelling the tool registration for the vacuum cleaner.

1. Install the batteries to the vacuum cleaner and the tool.

2. Set the stand-by switch on the vacuum cleaner to "AUTO".

► **Fig.81:** 1. Stand-by switch

3. Press the wireless activation button on the vacuum cleaner for 6 seconds. The wireless activation lamp blinks in green and then become red. After that,

press the wireless activation button on the tool in the same way.

► **Fig.82:** 1. Wireless activation button 2. Wireless activation lamp

If the cancellation is performed successfully, the wireless activation lamps will light up in red for 2 seconds and start blinking in blue.

NOTE: The wireless activation lamps finish blinking in red after 20 seconds elapsed. Press the wireless activation button on the tool while the wireless activation lamp on the cleaner is blinking. If the wireless activation lamp does not blink in red, push the wireless activation button briefly and hold it down again.

Troubleshooting for wireless activation function

Before asking for repairs, conduct your own inspection first. If you find a problem that is not explained in the manual, do not attempt to disassemble the tool. Instead, ask Makita Authorized Service Centers, always using Makita replacement parts for repairs.

State of abnormality	Probable cause (malfunction)	Remedy
The wireless activation lamp does not light/blink.	The wireless unit is not installed into the tool. The wireless unit is improperly installed into the tool.	Install the wireless unit correctly.
	The terminal of the wireless unit and/or the slot is dirty.	Gently wipe off dust and dirt on the terminal of the wireless unit and clean the slot.
	The wireless activation button on the tool has not been pushed.	Push the wireless activation button on the tool briefly.
	The stand-by switch on the vacuum cleaner is not set to "AUTO".	Set the stand-by switch on the vacuum cleaner to "AUTO".
	No power supply	Supply the power to the tool and the vacuum cleaner.
Cannot finish tool registration / cancelling tool registration successfully.	The wireless unit is not installed into the tool. The wireless unit is improperly installed into the tool.	Install the wireless unit correctly.
	The terminal of the wireless unit and/or the slot is dirty.	Gently wipe off dust and dirt on the terminal of the wireless unit and clean the slot.
	The stand-by switch on the vacuum cleaner is not set to "AUTO".	Set the stand-by switch on the vacuum cleaner to "AUTO".
	No power supply	Supply the power to the tool and the vacuum cleaner.
	Incorrect operation	Push the wireless activation button briefly and perform the tool registration/cancellation procedures again.
	The tool and vacuum cleaner are away from each other (out of the transmission range).	Get the tool and vacuum cleaner closer to each other. The maximum transmission distance is approximately 10 m however it may vary according to the circumstances.
	Before finishing the tool registration/cancellation; - the switch trigger on the tool is pulled or; - the vacuuming button on the tool is turned on or; - the power button on the vacuum cleaner is turned on.	Push the wireless activation button briefly and perform the tool registration/cancellation procedures again.
	The tool registration procedures for the tool or vacuum cleaner have not finished.	Perform the tool registration procedures for both the tool and the vacuum cleaner at the same timing.
	Radio disturbance by other appliances which generate high-intensity radio waves.	Keep the tool and vacuum cleaner away from the appliances such as Wi-Fi devices and microwave ovens.

State of abnormality	Probable cause (malfunction)	Remedy
The vacuum cleaner does not run along with the switch operation of the tool.	The wireless unit is not installed into the tool. The wireless unit is improperly installed into the tool.	Install the wireless unit correctly.
	The terminal of the wireless unit and/or the slot is dirty.	Gently wipe off dust and dirt on the terminal of the wireless unit and clean the slot.
	The wireless activation button on the tool has not been pushed.	Push the wireless activation button briefly and make sure that the wireless activation lamp is blinking in blue.
	The stand-by switch on the vacuum cleaner is not set to "AUTO".	Set the stand-by switch on the vacuum cleaner to "AUTO".
	More than 10 tools are registered to the vacuum cleaner.	Perform the tool registration again. If more than 10 tools are registered to the vacuum cleaner, the tool registered earliest will be cancelled automatically.
	The vacuum cleaner has failed to register tools successfully.	Renew tool registrations.
	The vacuum cleaner erased all tool registrations.	Perform the tool registration again.
	No power supply	Supply the power to the tool and the vacuum cleaner.
	The tool and vacuum cleaner are away from each other (out of the transmission range).	Get the tool and vacuum cleaner closer each other. The maximum transmission distance is approximately 10 m however it may vary according to the circumstances.
	Radio disturbance by other appliances which generate high-intensity radio waves.	Keep the tool and vacuum cleaner away from the appliances such as Wi-Fi devices and microwave ovens.
The vacuum cleaner runs while no switches for the tool are in operation.	Other users are using the wireless activation of the vacuum cleaner with their tools.	Turn off the wireless activation button of the other tools or cancel the tool registration of the other tools.

MAINTENANCE

⚠ WARNING: Always be sure that the tool is switched off and the battery cartridge is removed before attempting to perform inspection or maintenance. Failure to removing the battery cartridge and switch off the tool may result in accidental start up of the tool which may result in serious personal injury.

⚠ WARNING: Always be sure that the circular saw blade is sharp and clean for the best and safest performance. Attempting a cut with a dull and /or dirty blade may cause kickback and result in a serious personal injury.

⚠ CAUTION: Always be sure that the blade guard is being closed in the original position before attempting to perform inspection or maintenance. Never clamp or tie the blade guard into the open position during cleaning operations. An exposed blade may result in personal injury.

NOTICE: Never use gasoline, benzine, thinner, alcohol or the like. Discoloration, deformation or cracks may result.

To maintain product SAFETY and RELIABILITY, repairs, any other maintenance or adjustment should be performed by Makita Authorized or Factory Service Centers, always using Makita replacement parts.

Adjusting the cutting angle

This tool is carefully adjusted and aligned at the factory, but rough handling may have affected the alignment. If your tool is not aligned properly, perform the following:

Miter angle

Lower the handle fully and lock it in the lowered position with the stopper pin. Push the carriage towards the guide fence.

Rotate the grip counterclockwise and have the turn base ready for the positive stop function using the lock lever.

Then loosen the screws which secure the pointer and miter angle scale.

► **Fig.83:** 1. Grip 2. Lock lever 3. Screw on pointer 4. Screws on miter angle scale 5. Miter angle scale

Set the turn base to the 0° position using the positive stop function. Square the side of the circular saw blade with the face of the guide fence using a triangular rule or try-square. While keeping the square, tighten the screws on the miter angle scale. After that, align the pointers (both right and left) with the 0° position in the miter angle scale and then tighten the screw on the pointer.

► **Fig.84:** 1. Triangular rule 2. Pointer

Bevel angle

0° bevel angle

Push the carriage towards the guide fences and lock the sliding movement with the stopper pin. Lower the carriage fully and lock it in the lowered position with the stopper pin. Rotate the knob counterclockwise, and then turn the 0° adjusting bolt through two or three revolutions counterclockwise to tilt the circular saw blade to the right.

► **Fig.85:** 1. Knob 2. 0° Adjusting bolt 3. Screw on the pointer

Carefully square the side of the circular saw blade with the top surface of the turn base using the triangular rule, try-square, etc. by turning the 0° adjusting bolt clockwise. Then tighten the knob firmly to secure the 0° angle you have set.

► **Fig.86:** 1. Triangular rule 2. Saw blade 3. Top surface of turn base

Check if the side of the circular saw blade squares with the turn base surface once again. Loosen the screw on the pointer. Align the pointer with 0° position in the bevel angle scale and then tighten the screw.

45° bevel angle

NOTICE: Before adjusting the 45° bevel angle, finish 0° bevel angle adjustment.

Loosen the knob and fully tilt the carriage to the side that you want to check. Check if the pointer indicates the 45° position in the bevel angle scale.

► **Fig.87:** 1. Knob

If the pointer does not indicate the 45° position, align it with the 45° position by turning the adjusting bolt in the bevel angle scale on the opposite side of the base.

► **Fig.88:** 1. Left 45° adjusting bolt 2. Right 45° adjusting bolt

Adjusting the sub fences

Adjust the sub fences on the sub bases if they are not aligned with guide fences.

1. Loosen the bolts securing the sub fences using the hex wrench.
2. Place a straight rigid bar, such as a square steel member, flat against the guide fences.
3. While the bar is flat against the guide fences, place the sub fences so that the face of the sub fence becomes flat against the bar. After that, tighten the bolts.

► **Fig.89:** 1. Bolt 2. Sub fence 3. Guide fence 4. Rigid bar

Cleaning lamp lens

CAUTION: Always remove the circular saw blade before cleaning the lamp lens.

NOTICE: Do not remove the screw which secures the lens. If the lens does not come out, loosen the screw further.

NOTICE: Use a dry cloth to wipe the dirt off the lens of the lamp. Be careful not to scratch the lens of lamp, or it may lower the illumination.

NOTICE: Do not use solvents or any petroleum-based cleaners on the lens.

The LED light becomes hard to see as the lens for the light gets dirty. Clean the lens at regular intervals. Remove the battery cartridge. Loosen the screw and pull out the lens. Clean the lens gently with a damp soft cloth.

► **Fig.90:** 1. Screw 2. Lens

After use

After use, wipe off chips and dust adhering to the tool with a cloth or the like. Keep the blade guard clean according to the directions in the previously covered section titled "Blade guard". Lubricate the sliding portions with machine oil to prevent rust.

OPTIONAL ACCESSORIES

WARNING: These Makita accessories or attachments are recommended for use with your Makita tool specified in this manual. The use of any other accessories or attachments may result in serious personal injury.

WARNING: Only use the Makita accessory or attachment for its stated purpose. Misuse of an accessory or attachment may result in serious personal injury.

If you need any assistance for more details regarding these accessories, ask your local Makita Service Center.

- Carbide-tipped saw blades
- Vertical vise
- Horizontal vise
- Crown molding stopper set
- Dust bag
- Triangular rule
- Hex wrench
- Wireless unit
- Stand set
- Makita genuine battery and charger

NOTE: Some items in the list may be included in the tool package as standard accessories. They may differ from country to country.

SPÉCIFICATIONS

Modèle :		LS003G
Diamètre de lame	Pays européens	305 mm
	Pays en dehors de l'Europe	305 mm
Diamètre d'orifice	Pays européens	30 mm
	Pays en dehors de l'Europe	30 mm ou 25,4 mm (selon le pays)
Épaisseur max. du trait de la lame de scie		3,2 mm
Angle de coupe d'onglet max.		Droite 60°, Gauche 60°
Angle de coupe en biseau max.		Droite 48°, Gauche 48°
Vitesse à vide (tr/min)		3 600 min ⁻¹
Dimensions (L x l x H)		898 mm x 690 mm x 725 mm
Tension nominale		C.C. 36 V - 40 V max.
Poids net		30,5 - 31,7 kg

Capacités de coupe (H x l)

Angle de coupe d'onglet			Angle de coupe en biseau		
			45° (gauche)	0°	45° (droite)
0°	-	-	61 mm x 382 mm 71 mm x 363 mm	92 mm x 382 mm 107 mm x 363 mm	44 mm x 382 mm 54 mm x 363 mm
	Épaisseur du parement de bois sur le guide pour une hauteur de coupe accrue	20 mm	78 mm x 325 mm	115 mm x 325 mm	61 mm x 325 mm
		38 mm	80 mm x 292 mm	120 mm x 292 mm	-
45° (droite et gauche)	-	-	61 mm x 268 mm 71 mm x 255 mm	92 mm x 268 mm 107 mm x 255 mm	44 mm x 268 mm 54 mm x 255 mm
	Épaisseur du parement de bois sur le guide pour une hauteur de coupe accrue	15 mm	-	115 mm x 227 mm	-
		25 mm	-	120 mm x 212 mm	-
60° (droite et gauche)	-	-	-	92 mm x 185 mm 107 mm x 178 mm	-
	Épaisseur du parement de bois sur le guide pour une hauteur de coupe accrue	15 mm	-	115 mm x 155 mm	-
		25 mm	-	120 mm x 140 mm	-

Capacités de coupe pour les coupes spéciales

Type de coupe	Capacité de coupe
Moulure couronnée du type 45° (en utilisant la butée pour moulure couronnée)	203 mm
Plinthe (en utilisant l'étau horizontal)	171 mm

- Étant donné l'évolution constante de notre programme de recherche et de développement, les spécifications contenues dans ce manuel sont sujettes à modification sans préavis.
- Les spécifications peuvent varier suivant les pays.
- Le poids peut être différent selon les accessoires, notamment la batterie. Les associations la plus légère et la plus lourde, conformément à la procédure EPTA 01/2014, sont indiquées dans le tableau.

Batterie et chargeur applicables












Batterie	BL4020 / BL4025 / BL4040* / BL4040F* / BL4050F* / BL4080F* *: Batterie recommandée
----------	---

- Certains chargeurs et batteries répertoriés ci-dessus peuvent ne pas être disponibles selon la région où vous résidez.

AVERTISSEMENT : N'utilisez que les batteries et les chargeurs répertoriés ci-dessus. L'utilisation d'autres batteries et chargeurs peut provoquer des blessures et/ou un incendie.

Symboles

Vous trouverez ci-dessous les symboles susceptibles d'être utilisés pour l'appareil. Veuillez à comprendre leur signification avant toute utilisation.

	Lire le mode d'emploi.
	Portez une protection oculaire.
	Pour éviter les blessures provoquées par les objets projetés, maintenir la tête de la scie en position basse une fois la coupe terminée, jusqu'à ce que la lame soit complètement arrêtée.
	Lors des coupes en biseau, commencez par tourner la molette dans le sens inverse des aiguilles d'une montre, puis inclinez le chariot. Ceci fait, tournez la molette dans le sens des aiguilles d'une montre pour serrer.
	Lorsqu'on effectue une coupe en glissière, tirer d'abord complètement le chariot et enfoncer la poignée, puis pousser le chariot vers le guide.
	Maintenez le bouton de libération enfoncé lorsque vous inclinez le chariot vers la droite.
	Engagez le frein de blocage lors de la coupe d'une plinthe à un angle de coupe d'onglet de 45°.
	Ne pas placer les mains ou les doigts près de la lame.
	Ne pas fixer la lampe en fonctionnement.
	A : Diamètre de lame B : Diamètre d'orifice
	N'installez pas l'étau horizontal dans le même sens que la coupe d'onglet. (Ce symbole est gravé sur l'étau horizontal)



Pour les pays de l'Union européenne uniquement

En raison de la présence de composants dangereux dans l'équipement, les déchets d'équipements électriques et électroniques, les accumulateurs et les batteries peuvent avoir un impact négatif sur l'environnement et la santé humaine.

Ne jetez pas les appareils électriques et électroniques ou les batteries avec les ordures ménagères !

Conformément à la directive européenne relative aux déchets d'équipements électriques et électroniques et aux déchets d'accumulateurs et de batteries, ainsi qu'à son adaptation à la législation nationale, les déchets d'équipements électriques, les batteries et les accumulateurs doivent être collectés séparément et déposés dans un point de collecte distinct pour déchets urbains, conformément aux réglementations en matière de protection de l'environnement.

Cela est indiqué par le symbole de la poubelle à roulettes barrée sur l'équipement.

Utilisation prévue

L'outil est conçu pour effectuer des coupes rectilignes et des coupes d'onglet dans le bois, avec précision. N'utilisez pas la scie pour couper autre chose que du bois, de l'aluminium ou des matériaux similaires.

Bruit

Niveau de bruit pondéré A typique, déterminé selon EN62841-3-9 :

Niveau de pression sonore (L_{pA}) : 91 dB (A)

Niveau de puissance sonore (L_{WA}) : 100 dB (A)

Incertitude (K) : 3 dB (A)

NOTE : La ou les valeurs d'émission de bruit déclarées ont été mesurées conformément à la méthode de test standard et peuvent être utilisées pour comparer les outils entre eux.

NOTE : La ou les valeurs d'émission de bruit déclarées peuvent aussi être utilisées pour l'évaluation préliminaire de l'exposition.

⚠️ AVERTISSEMENT : Portez un serre-tête antibruit.

⚠️ AVERTISSEMENT : L'émission de bruit lors de l'usage réel de l'outil électrique peut être différente de la ou des valeurs déclarées, suivant la façon dont l'outil est utilisé, particulièrement selon le type de pièce usinée.

⚠️ AVERTISSEMENT : Les mesures de sécurité à prendre pour protéger l'utilisateur doivent être basées sur une estimation de l'exposition dans des conditions réelles d'utilisation (en tenant compte de toutes les composantes du cycle d'utilisation, comme par exemple le moment de sa mise hors tension, lorsqu'il tourne à vide et le moment de son déclenchement).

Déclarations de conformité

Pour les pays européens uniquement

Les déclarations de conformité sont fournies en Annexe A à ce mode d'emploi.

CONSIGNES DE SÉCURITÉ

Consignes de sécurité générales pour outils électriques

⚠️ AVERTISSEMENT Veuillez lire toutes les consignes de sécurité, instructions, illustrations et spécifications qui accompagnent cet outil électrique. Le non-respect de toutes les instructions indiquées ci-dessous peut entraîner une électrocution, un incendie et/ou de graves blessures.

Conservez toutes les mises en garde et instructions pour référence ultérieure.

Le terme « outil électrique » dans les avertissements fait référence à l'outil électrique alimenté par le secteur (avec cordon d'alimentation) ou à l'outil électrique fonctionnant sur batterie (sans cordon d'alimentation).

Consignes de sécurité pour scies radiales

1. **Les scies radiales sont conçues pour couper le bois ou des produits similaires au bois ; elles ne peuvent pas être utilisées avec des meules à tronçonner pour couper des matériaux ferreux comme des barres, des tiges, des goujons, etc.** La poussière abrasive provoque le blocage des pièces mobiles comme le protecteur inférieur. Les étincelles produites par le tronçonnage abrasif brûleront le protecteur inférieur, le pare-éclats et les autres pièces en plastique.
2. **Utilisez des dispositifs de serrage pour soutenir la pièce si possible. Si vous soutenez la pièce avec la main, vous devez toujours tenir**

vosre main à au moins 100 mm des côtés de la lame de scie. N'utilisez pas cette scie pour découper des morceaux trop petits pour être solidement bloqués ou tenus avec la main. Si votre main est placée trop près de la lame de scie, cela présente un risque accru de blessures en cas de contact avec la lame.

3. **La pièce doit être immobile et bloquée ou maintenue à la fois contre le guide et la table. En aucun cas, ne poussez la pièce dans la lame, ni ne coupez « à main levée ».** Les pièces non retenues ou en mouvement pourraient être projetées à grande vitesse et vous blesser.
4. **Poussez la scie à travers la pièce. Ne tirez pas la scie à travers la pièce. Pour faire une coupe, soulevez la tête de scie et placez-la au-dessus de la pièce sans couper, démarrez le moteur, appuyez la tête de scie vers le bas et poussez la scie à travers la pièce.** Couper en tirant peut faire que la lame de scie monte sur le haut de la pièce et projette violemment l'ensemble de la lame en direction de l'utilisateur.
5. **Ne croisez jamais les mains sur la ligne de coupe prévue devant ou derrière la lame de scie.** Soutenir la pièce les « mains croisées », à savoir en tenant la pièce à droite de la lame de scie avec la main gauche et inversement, est très dangereux.

► Fig.1

6. **Ne tendez pas les mains derrière le guide plus près que 100 mm d'un côté ou de l'autre de la lame de scie pour retirer les chutes de bois ou pour tout autre motif pendant que la lame tourne.** La proximité de la lame de scie en rotation avec votre main pourrait ne pas être évidente et vous pourriez gravement vous blesser.
7. **Inspectez votre pièce avant la coupe. Si la pièce est arquée ou tordue, serrez-la en place avec la face externe arquée tournée vers le guide. Assurez-vous toujours qu'il n'y a pas d'espace entre la pièce, le guide et la table le long de la ligne de coupe.** Les pièces courbées ou tordues peuvent se tordre ou bouger et pincer la lame de scie en rotation pendant la coupe. La pièce ne doit pas avoir de clous ou corps étrangers.
8. **N'utilisez pas la scie tant que la table n'est pas dégagée de tous les outils, chutes de bois, etc., à l'exception de la pièce.** Les petits débris, les morceaux de bois détachés ou d'autres objets entrant en contact avec la lame en rotation peuvent être projetés à grande vitesse.
9. **Coupez uniquement une pièce à la fois.** Plusieurs pièces empilées ne peuvent pas être correctement serrées ou attachées et risquent de pincer la lame ou de bouger pendant la coupe.
10. **Avant utilisation, assurez-vous que la scie radiale est installée ou posée sur un plan de travail plat et solide.** Un plan de travail plat et solide réduit le risque d'instabilité de la scie radiale.
11. **Planifiez votre travail. Chaque fois que vous changez le réglage de l'angle de coupe en biseau ou l'angle de coupe d'onglet, assurez-vous que le guide réglable est placé**

- correctement pour soutenir la pièce et qu'il ne gênera pas la lame ou le dispositif de protection.** Sans mettre l'outil sous tension (ON) et sans pièce sur la table, déplacez la lame de scie pour une simulation de coupe complète afin de vous assurer qu'il n'y aura pas d'interférence ou de risque de couper le guide.
12. **Prévoyez des supports adéquats comme des rallonges de table, un chevalet de sciage, etc., pour les pièces plus larges ou plus longues que la table.** Les pièces plus longues ou plus larges que la table d'appui de la scie radiale peuvent basculer si elles ne sont pas solidement soutenues. Si la partie coupée de la pièce ou la pièce elle-même bascule, elle peut soulever le protecteur inférieur ou être projetée par la lame en rotation.
 13. **Ne vous servez pas d'une autre personne à la place d'une rallonge de table ou d'un support supplémentaire.** Un soutien instable de la pièce peut pincer la lame ou faire bouger la pièce pendant la coupe vous entraînant vous et votre assistant vers la lame en rotation.
 14. **La partie coupée de la pièce ne doit pas être coincée ou appuyée par quelque moyen que ce soit contre la lame de scie en rotation.** Si elle est emprisonnée, au moyen de butées longitudinales par exemple, la partie coupée de la pièce risque de se coincer contre la lame et d'être violemment projetée.
 15. **Utilisez toujours un dispositif de serrage ou de fixation conçu pour soutenir adéquatement les pièces rondes comme les barres ou les tuyaux.** Les barres ont tendance à rouler pendant la coupe, faisant « mordre » la lame et entraînant la pièce et votre main sur la lame.
 16. **Attendez que la lame ait atteint sa pleine vitesse avant de la mettre en contact avec la pièce.** Vous réduirez ainsi le risque de projection de la pièce.
 17. **Si la pièce ou la lame se coince, mettez la scie radiale hors tension. Attendez que toutes les pièces en mouvement s'arrêtent et débranchez la fiche du cordon d'alimentation de la prise secteur et/ou retirez la batterie. Puis essayez de libérer la pièce coincée.** Si vous continuez à scier avec une pièce coincée, vous risquez de perdre le contrôle de la scie radiale ou de l'endommager.
 18. **Une fois la coupe terminée, relâchez l'interrupteur, tenez la tête de scie vers le bas et attendez l'arrêt de la lame avant de retirer la partie coupée de la pièce.** Approcher votre main de la lame « en roue libre » est dangereux.
 19. **Tenez fermement la poignée lorsque vous faites une coupe incomplète ou lorsque vous relâchez l'interrupteur avant d'avoir complètement abaissé la tête de scie.** Le freinage de la scie peut tirer brusquement la tête de scie vers le bas, ce qui présente un risque de blessure.
 20. **Utilisez uniquement une lame de scie ayant le diamètre indiqué sur l'outil ou spécifié dans le mode d'emploi.** L'utilisation d'une taille incorrecte de lame peut affecter la protection de la lame ou le fonctionnement du carter de protection, ce qui pourrait provoquer de graves blessures.
 21. **Utilisez uniquement des lames de scie sur lesquelles est indiquée une vitesse égale ou supérieure à la vitesse figurant sur l'outil.**
 22. **N'utilisez pas la scie pour couper autre chose que du bois, de l'aluminium ou des matériaux similaires.**
 23. **(Pour les pays européens uniquement) Utilisez toujours une lame conforme à la norme EN847-1.**
- Instructions supplémentaires**
1. **Faites en sorte que l'atelier ne présente pas de dangers pour les enfants en plaçant des cadenas.**
 2. **Ne vous tenez jamais debout sur l'outil.** Vous risqueriez de gravement vous blesser si l'outil bascule ou si vous touchez par inadvertance l'outil de coupe.
 3. **Ne laissez jamais sans surveillance un outil en marche. Mettez-le hors tension. Attendez que l'outil soit complètement arrêté avant de vous éloigner.**
 4. **N'utilisez jamais la scie sans les protecteurs en place. Vérifiez le bon fonctionnement du protecteur de lame avant chaque utilisation. N'utilisez pas la scie si le protecteur de lame ne se déplace pas librement et ne se referme pas instantanément. N'immobilisez jamais le protecteur de lame en position ouverte.**
 5. **Gardez bien les mains à l'écart de la lame de scie. Évitez tout contact avec une lame « en roue libre ». Vous pourriez vous blesser gravement.**
 6. **Pour réduire le risque de blessure, ramenez le chariot à la position arrière complète après chaque coupe transversale.**
 7. **Immobilisez toujours toutes les pièces mobiles de l'outil avant de le transporter.**
 8. **La broche d'arrêt ou le frein de blocage qui verrouille en position basse la tête de scie sert uniquement à des fins de transport et de rangement et pas pour les opérations de coupe.**
 9. **Vérifiez soigneusement l'absence de fissures ou de dommages sur les lames avant l'utilisation. Remplacez immédiatement les lames fissurées ou abîmées. Les dépôts de colle et les copeaux de bois qui durcissent contre la lame ralentissent la scie et entraînent une augmentation des risques de choc en retour. Pour nettoyer la lame, retirez-la d'abord de l'outil, puis nettoyez-la avec un décapant, de l'eau chaude ou du kérosène. N'utilisez jamais d'essence pour nettoyer la lame.**
 10. **Les coupes en glissière peuvent entraîner un CHOC EN RETOUR. Un CHOC EN RETOUR survient lorsque la lame se pince dans la pièce pendant la coupe et que la lame de scie est entraînée rapidement vers l'utilisateur. Cela présente un risque de perte de contrôle et de graves blessures. Si la lame commence à accrocher pendant la coupe, ne continuez pas à couper et relâchez immédiatement l'interrupteur.**
 11. **N'utilisez que les flasques spécifiés pour cet outil.**

Consignes de sécurité importantes pour la batterie

- Prenez garde de ne pas endommager l'alésage, les flasques (tout particulièrement leur surface d'installation) ou le boulon. Si ces pièces sont endommagées, la lame peut se casser.
- Assurez-vous que le socle rotatif est bien immobilisé, afin qu'il ne risque pas de se déplacer pendant l'opération. Utilisez les orifices sur le socle pour fixer la scie sur une plateforme de travail ou un établi stable. N'utilisez JAMAIS l'outil si vous vous trouvez dans une position inconfortable.
- Assurez-vous que le blocage de l'arbre est relâché avant de mettre la sous tension.
- Assurez-vous que la lame ne touche pas le socle rotatif quand elle est abaissée au maximum.
- Tenez la poignée fermement. N'oubliez pas que la scie se déplace légèrement de haut en bas au démarrage et à l'arrêt.
- Assurez-vous que la lame ne touche pas la pièce avant de mettre la sous tension.
- Avant d'utiliser l'outil sur la pièce, faites-le tourner un instant à vide. Vérifiez que la lame ne présente ni balourd ni shimmy qui pourraient résulter d'un montage incorrect ou d'un déséquilibre.
- Arrêtez immédiatement si vous remarquez quoi que ce soit d'anormal.
- Ne tentez pas de bloquer la gâchette sur la position de marche (ON).
- N'utilisez que les accessoires recommandés dans ce manuel. L'utilisation d'accessoires différents, disques à tronçonner notamment, peut entraîner des blessures.
- Certains matériaux contiennent des produits chimiques qui peuvent être toxiques. Prenez garde de ne pas avaler la poussière et évitez tout contact avec la peau. Suivez les données de sécurité du fournisseur du matériau.
- N'utilisez pas de source d'alimentation câblée avec cet outil.

Consignes de sécurité supplémentaires pour la lampe en fonctionnement

- Évitez de regarder directement le faisceau lumineux ou sa source.

CONSERVEZ CES INSTRUCTIONS.

⚠ AVERTISSEMENT : NE vous laissez PAS tromper (au fil d'une utilisation répétée) par un sentiment d'aisance et de familiarité avec le produit, en négligeant le respect rigoureux des consignes de sécurité qui accompagnent le produit en question. La MAUVAISE UTILISATION de l'outil ou l'ignorance des consignes de sécurité indiquées dans ce mode d'emploi peut entraîner de graves blessures.

- Avant d'utiliser la batterie, lisez toutes les instructions et précautions relatives (1) au chargeur de batterie, (2) à la batterie, et (3) au produit utilisant la batterie.
- Ne désassemblez pas et ne modifiez pas la batterie. Cela pourrait entraîner un incendie, une chaleur excessive ou une explosion.
- Cessez immédiatement l'utilisation si le temps de fonctionnement devient excessivement court. Il y a risque de surchauffe, de brûlures, voire d'explosion.
- Si l'électrolyte pénètre dans vos yeux, rincez-les à l'eau claire et consultez immédiatement un médecin. Il y a risque de perte de la vue.
- Ne court-circuitez pas la batterie :
 - Ne touchez les bornes avec aucun matériau conducteur.
 - Évitez de ranger la batterie dans un conteneur avec d'autres objets métalliques, par exemple des clous, des pièces de monnaie, etc.
 - N'exposez pas la batterie à l'eau ou à la pluie.

Un court-circuit de la batterie peut provoquer une intensité de courant élevée, une surchauffe, parfois des brûlures et même une panne.

- Ne rangez ni n'utilisez l'outil et la batterie dans un endroit où la température risque d'atteindre ou de dépasser 50 °C.
- Ne jetez pas la batterie au feu même si elle est sérieusement endommagée ou complètement épuisée. La batterie peut exploser au contact du feu.
- Abstenez-vous de clouer, couper, écraser, jeter, laisser tomber la batterie, ou de la heurter contre un objet dur. Cela pourrait entraîner un incendie, une chaleur excessive ou une explosion.
- N'utilisez pas la batterie si elle est endommagée.
- Les batteries au lithium-ion contenues sont soumises aux exigences de la législation sur les marchandises dangereuses. Lors du transport commercial par des tiers parties ou des transitaires par exemple, des exigences spécifiques en matière d'étiquetage et d'emballage doivent être respectées. Pour la préparation de l'article expédié, il est nécessaire de consulter un expert en matériau dangereux. Veuillez également respecter les réglementations nationales susceptibles d'être plus détaillées. Recouvrez les contacts exposés avec du ruban adhésif ou du ruban de masquage et emballez la batterie de telle sorte qu'elle ne puisse pas bouger dans l'emballage.
- Lors de la mise au rebut de la batterie, retirez-la de l'outil et jetez-la en lieu sûr. Suivez les réglementations locales en matière de mise au

rebut des batteries.

12. **Utilisez les batteries uniquement avec les produits spécifiés par Makita.** L'insertion de batteries dans des produits non conformes peut provoquer un incendie, une chaleur excessive, une explosion ou une fuite de l'électrolyte.
13. **Lorsque vous n'utilisez pas l'outil pendant une période prolongée, la batterie doit être retirée de l'outil.**
14. **Pendant et après l'utilisation, la batterie peut chauffer, ce qui peut entraîner des brûlures, y compris en cas de température relativement basse.** Manipulez les batteries chaudes avec précaution.
15. **Ne touchez pas la borne de l'outil immédiatement après utilisation car elle peut être assez chaude pour provoquer des brûlures.**
16. **Évitez que des copeaux, de la poussière ou du sol adhèrent aux bornes, aux trous et aux rainures de la batterie.** Cela peut provoquer un échauffement, un incendie, une explosion ou un dysfonctionnement de l'outil ou de la batterie, ce qui peut entraîner des brûlures ou des blessures.
17. **À moins que l'outil prenne en charge un tel usage, n'utilisez pas la batterie à proximité de lignes électriques haute tension.** Cela pourrait entraîner un dysfonctionnement ou casser l'outil ou la batterie.
18. **Conservez la batterie hors de portée des enfants.**

CONSERVEZ CES INSTRUCTIONS.

⚠ATTENTION : N'utilisez que des batteries Makita d'origine. L'utilisation de batteries de marque autre que Makita ou de batteries modifiées peut provoquer l'explosion des batteries, ce qui présente un risque d'incendie, de dommages matériels et corporels. Cela annulera également la garantie Makita pour l'outil et le chargeur Makita.

Conseils pour assurer la durée de vie optimale de la batterie

1. **Chargez la batterie avant qu'elle ne soit complètement déchargée.** Arrêtez toujours l'outil et rechargez la batterie quand vous remarquez que la puissance de l'outil diminue.
2. **Ne rechargez jamais une batterie complètement chargée.** La surcharge réduit la durée de service de la batterie.
3. **Chargez la batterie à une température ambiante comprise entre 10 °C et 40 °C.** Avant de charger une batterie chaude, laissez-la refroidir.
4. **Lorsque vous n'utilisez pas la batterie, retirez-la de l'outil ou du chargeur.**
5. **Rechargez la batterie si elle est restée inutilisée pendant une période prolongée (plus de six mois).**

Consignes de sécurité importantes pour le connecteur sans fil

1. **Ne démontez ni ne modifiez le connecteur sans fil.**
2. **Conservez le connecteur sans fil hors de portée des jeunes enfants.** En cas d'ingestion accidentelle, consultez immédiatement un médecin.
3. **Utilisez le connecteur sans fil uniquement avec des outils Makita.**
4. **N'exposez pas le connecteur sans fil à la pluie ou à l'humidité.**
5. **N'utilisez pas le connecteur sans fil dans un endroit où la température dépasse 50 °C.**
6. **Ne faites pas fonctionner le connecteur sans fil dans un endroit où des appareils médicaux comme des simulateurs cardiaques sont utilisés.**
7. **Ne faites pas fonctionner le connecteur sans fil dans un endroit où des appareils automatiques sont utilisés.** Sinon, ces appareils pourraient présenter un dysfonctionnement ou une erreur.
8. **N'utilisez pas le connecteur sans fil dans un endroit à température élevée ou dans un endroit susceptible de générer de l'électricité statique ou du bruit électrique.**
9. **Le connecteur sans fil peut produire des champs électromagnétiques (CEM), mais ceux-ci ne sont pas dangereux pour l'utilisateur.**
10. **Le connecteur sans fil est un instrument de précision.** Évitez de laisser tomber ou de cogner le connecteur sans fil.
11. **Évitez de toucher la borne du connecteur sans fil avec les mains nues ou avec des objets métalliques.**
12. **Retirez toujours la batterie du produit avant d'y installer le connecteur sans fil.**
13. **Évitez d'ouvrir le couvercle de la fente dans un endroit où de la poussière ou de l'eau pourrait pénétrer dans la fente.** Maintenez toujours propre l'entrée de la fente.
14. **Insérez toujours le connecteur sans fil dans le bon sens.**
15. **N'appuyez pas trop fort sur le bouton d'activation sans fil du connecteur sans fil, ni n'appuyez dessus avec un objet pointu.**
16. **Fermez toujours le couvercle de la fente pendant le fonctionnement.**
17. **Ne retirez pas le connecteur sans fil de la fente alors que l'outil est sous tension.** Vous risqueriez de provoquer un dysfonctionnement du connecteur sans fil.
18. **Ne retirez pas l'autocollant du connecteur sans fil.**
19. **Ne placez pas d'autocollant sur le connecteur sans fil.**
20. **Ne laissez pas le connecteur sans fil dans un endroit susceptible de générer de l'électricité statique ou du bruit électrique.**
21. **Ne laissez pas le connecteur sans fil dans un**

- endroit soumis à une forte chaleur, comme une voiture en plein soleil.
22. Ne laissez pas le connecteur sans fil dans un endroit poussiéreux ou sablonneux ou dans un endroit susceptible de générer des gaz corrosifs.
 23. De la condensation peut se former sur le connecteur sans fil en cas de brusque changement de température. N'utilisez pas le connecteur sans fil tant que la condensation n'a pas complètement séché.
 24. Pour nettoyer le connecteur sans fil, essuyez-le délicatement avec un chiffon doux et sec. N'utilisez pas de benzine, diluant, graisse conductrice ou autre.
 25. Rangez le connecteur sans fil en le conservant dans l'étui fourni ou dans un récipient anti-statique.
 26. N'insérez pas d'autres dispositifs que le connecteur sans fil Makita dans la fente sur l'outil.
 27. N'utilisez pas l'outil si le couvercle de la fente est endommagé. L'eau, la poussière ou la saleté pourraient pénétrer dans la fente provoquant un dysfonctionnement.
 28. Ne tirez, ni ne tordez plus que nécessaire le couvercle de la fente. Remettez le couvercle en place s'il se détache de l'outil.
 29. Remplacez le couvercle de la fente si vous le perdez ou l'endommagez.

CONSERVEZ CES INSTRUCTIONS.

DESCRIPTION DES PIÈCES

► Fig.2

1	Molette (pour l'angle de coupe en biseau)	2	Clé hexagonale	3	Vis de réglage (pour la position limite inférieure)	4	Boulon de réglage (pour la capacité de coupe maximale)
5	Bras de blocage	6	Bouton de sécurité	7	Gâchette	8	Couvercle (pour le connecteur sans fil)
9	Orifice pour cadenas	10	Bouton d'activation sans fil	11	Témoin d'activation sans fil	12	Bouton de la lampe
13	Bouton d'aspiration	14	Porte-lame	15	Protecteur de lame	16	Guide inférieur
17	Levier de verrouillage (pour le socle rotatif)	18	Levier de déverrouillage (pour le socle rotatif)	19	Manche (pour le socle rotatif)	20	Plateau de découpe
21	Graduation d'angles de coupe d'onglet	22	Index (pour l'angle de coupe d'onglet)	23	Socle rotatif	24	Socle secondaire
25	Bouton de libération (pour l'angle de coupe en biseau côté droit)	26	Étau vertical	27	Broche d'arrêt (pour le coulissement du chariot)	28	Tige de glissement

► Fig.3

1	Poignée	2	Batterie	3	Sac à poussière (en cas de remplacement par un tuyau d'extraction de poussière)	4	Tuyau (pour l'extraction de poussière)
5	Graduation d'angles de coupe en biseau	6	Boulon de réglage à 0° (pour l'angle de coupe en biseau)	7	Index (pour l'angle de coupe en biseau)	8	Boulon de réglage à 45° (pour l'angle de coupe en biseau)
9	Levier de fermeture (pour l'angle de coupe en biseau)	10	Levier de déverrouillage (pour l'angle de coupe en biseau à 48°)	11	Guide (guide supérieur)	12	Guide (guide inférieur)
13	Broche d'arrêt (pour le soulèvement du chariot)	14	Blocage de l'arbre	-	-	-	-

INSTALLATION

Mise en place du manche

Vissez l'axe fileté du manche dans le socle rotatif.

► Fig.4: 1. Manche 2. Socle rotatif

Mise en place et retrait du tuyau d'extraction de poussière

Fixez le coude de tuyau sur l'orifice supérieur avec le bouton de verrouillage tourné vers le haut. Insérez le manchon du tuyau dans l'orifice inférieur, en appuyant sur les boutons de blocage sur le manchon et en les alignant sur les entailles de guidage sur l'orifice. Assurez-vous que le coude et le manchon s'insèrent

correctement dans les orifices de l'outil.

- **Fig.5:** 1. Tuyau d'extraction de poussière 2. Coude
3. Bouton de verrouillage 4. Manchon
5. Orifice supérieur 6. Orifice inférieur

Pour retirer le coude de tuyau de l'orifice, tirez sur le coude tout en appuyant sur le bouton de verrouillage.

- **Fig.6:** 1. Bouton de verrouillage 2. Coude

Pour retirer le manchon du tuyau de l'orifice, tirez sur le manchon tout en appuyant sur les boutons de blocage des deux côtés de l'orifice.

- **Fig.7:** 1. Bouton de blocage 2. Manchon

Montage sur établi

À la sortie d'usine, la poignée est verrouillée en position abaissée au moyen de la broche d'arrêt. Tout en abaissant légèrement la poignée, tirez sur la broche d'arrêt et tournez-la de 90°.

- **Fig.8:** 1. Position verrouillée 2. Position déverrouillée 3. Broche d'arrêt

Cet outil doit être boulonné avec quatre boulons sur une surface plane et stable au moyen des orifices pour boulon prévus sur le socle de l'outil. Ceci permettra d'éviter tout risque de renversement et de blessure.

- **Fig.9:** 1. Boulon

⚠ AVERTISSEMENT : Assurez-vous que l'outil ne bouge pas sur la surface de soutien. Si la scie radiale bouge sur la surface de soutien pendant la coupe, il y a risque de perte de contrôle et de graves blessures.

DESCRIPTION DU FONCTIONNEMENT

⚠ AVERTISSEMENT : Assurez-vous toujours que l'outil est hors tension et que la batterie est retirée avant de régler ou de vérifier le fonctionnement de l'outil. Si vous ne mettez pas l'outil hors tension et ne retirez pas la batterie, cela présente un risque de graves blessures en cas de démarrage accidentel.

Insertion ou retrait de la batterie

⚠ ATTENTION : Éteignez toujours l'outil avant de mettre en place ou de retirer la batterie.

⚠ ATTENTION : Tenez fermement l'outil et la batterie lors de la mise en place ou du retrait de la batterie. Si vous ne tenez pas fermement l'outil et la batterie, ils peuvent vous glisser des mains, et s'abîmer ou vous blesser.

Pour mettre la batterie en place, alignez la languette de la batterie avec la rainure du compartiment puis insérez la batterie. Insérez-la entièrement jusqu'à entendre un léger déclic indiquant qu'elle est bien en place. Si vous pouvez voir l'indicateur rouge comme illustré sur la figure, c'est qu'elle n'est pas bien verrouillée.

Pour retirer la batterie, faites-la glisser hors de l'outil tout en faisant glisser le bouton à l'avant de la batterie.

- **Fig.10:** 1. Indicateur rouge 2. Bouton 3. Batterie

⚠ ATTENTION : Insérez toujours complètement la batterie jusqu'à ce que l'indicateur rouge ne soit plus visible. Sinon, elle pourrait tomber accidentellement de l'outil, au risque de vous blesser ou de blesser quelqu'un se trouvant près de vous.

⚠ ATTENTION : N'insérez pas la batterie de force. Si elle ne glisse pas facilement, c'est que vous ne l'insérez pas correctement.

Système de protection de l'outil/la batterie

L'outil est équipé d'un système de protection de l'outil/la batterie. Ce système coupe automatiquement l'alimentation vers le moteur pour prolonger la durée de vie de l'outil et de la batterie. Si l'outil ou la batterie se trouve dans l'une des situations suivantes, l'outil cessera automatiquement de fonctionner. Dans certaines situations, les témoins s'allument.

Protection contre la surcharge

Lorsque l'outil ou la batterie est utilisé(e) d'une manière provoquant un appel de courant anormalement élevé, l'outil s'arrête automatiquement. Dans ce cas, éteignez l'outil et arrêtez la tâche ayant provoqué la surcharge de l'outil. Puis rallumez l'outil pour reprendre la tâche.

Protection contre la surchauffe

En cas de surchauffe de l'outil/de la batterie, l'outil s'arrête automatiquement et le témoin clignote. Dans ce cas, laissez l'outil refroidir avant de le rallumer.

Protection contre la décharge totale de la batterie
















Lorsque la charge restante de la batterie devient faible, l'outil s'arrête automatiquement. Si l'outil ne fonctionne pas en utilisant l'interrupteur, retirez la batterie de l'outil et chargez-la.

Indication de la charge restante de la batterie

Appuyez sur le bouton de vérification sur la batterie pour indiquer la charge restante de la batterie. Les témoins s'allument pendant quelques secondes.

- **Fig.11:** 1. Témoins 2. Bouton de vérification

Témoins			Charge restante
Allumé	Éteint	Clignotant	
■	□	◐	75 % à 100 %
■ ■ ■ ■			
■ ■ ■ □			50 % à 75 %
■ ■ □ □			25 % à 50 %

Témoins			Charge restante
Allumé	Éteint	Clignotant	
			0 % à 25 %
			
			Chargez la batterie.
			Anomalie possible de la batterie.
			

NOTE : Selon les conditions d'utilisation et la température ambiante, l'indication peut être légèrement différente de la capacité réelle.

NOTE : Le premier témoin (complètement à gauche) clignotera pendant le fonctionnement du système de protection de la batterie.

Verrouillage de la poignée

ATTENTION : Tenez toujours la poignée lorsque vous libérez la broche d'arrêt. Autrement, la poignée peut sauter et provoquer des blessures.

La poignée peut être verrouillée en position abaissée ou relevée avec la broche d'arrêt. Abaissez ou relevez complètement la poignée, puis tirez sur la broche d'arrêt et tournez-la en position verrouillée. Pour déverrouiller la poignée, tirez sur la broche d'arrêt et tournez-la de 90° en position déverrouillée tout en abaissant légèrement la poignée.

► **Fig.12:** 1. Position verrouillée 2. Position déverrouillée 3. Broche d'arrêt

Verrouillage du coulissement

Tirez sur la broche d'arrêt et tournez-la de 90° en position déverrouillée pour permettre le libre mouvement du chariot. Pour verrouiller le mouvement coulissant du chariot, poussez le chariot vers le bras jusqu'à ce qu'il s'arrête, puis ramenez la broche d'arrêt en position verrouillée.

► **Fig.13:** 1. Position verrouillée 2. Position déverrouillée 3. Broche d'arrêt 4. Bras

Protecteur de lame

AVERTISSEMENT : Ne modifiez, ni ne retirez le protecteur de lame ou son ressort. Une lame exposée suite à la modification du protecteur peut entraîner de graves blessures lors de l'utilisation.

AVERTISSEMENT : N'utilisez jamais l'outil si le protecteur de lame ou le ressort est endommagé, défectueux ou retiré. L'utilisation de l'outil avec un protecteur endommagé, défectueux ou retiré peut entraîner de graves blessures.

ATTENTION : Maintenez toujours le protecteur de lame en bon état pour un fonctionnement sécuritaire. Arrêtez immédiatement le fonctionnement en présence d'anomalies du protecteur de lame. Vérifiez que le mécanisme de rappel par ressort du protecteur fonctionne correctement.

Le protecteur de lame s'élève automatiquement lorsque vous abaissez la poignée. Le protecteur étant équipé d'un ressort de rappel, il revient à sa position d'origine une fois la coupe terminée et la poignée relevée.

► **Fig.14:** 1. Protecteur de lame

Nettoyage

Si le protecteur de lame transparent devient sale ou si la sciure de bois y adhère au point que la lame et/ou la pièce à travailler ne soit plus bien visible, retirez la batterie et nettoyez soigneusement le protecteur avec un chiffon humide. N'utilisez aucun solvant ou nettoyant à base de pétrole sur le protecteur en plastique, car cela risquerait de l'abîmer.

Suivez les instructions détaillées fournies sur les préparatifs du nettoyage.

1. Assurez-vous que l'outil est éteint et la batterie retirée.
2. Tournez le boulon hexagonal dans le sens inverse des aiguilles d'une montre au moyen de la clé hexagonale fournie tout en tenant le capot central.
3. Soulevez le protecteur de lame et le capot central.
4. Une fois que le nettoyage est terminé, remettez le capot central en place et serrez le boulon hexagonal en suivant les étapes ci-dessus dans l'ordre inverse.
5. Veillez bien à ramener la lame de scie circulaire et le capot central à leurs positions d'origine et serrez le boulon hexagonal.

► **Fig.15:** 1. Clé hexagonale 2. Boulon hexagonal 3. Capot central 4. Protecteur de lame

AVERTISSEMENT : Ne retirez pas le ressort du protecteur de lame. Si le protecteur se détériore avec le temps ou sous l'effet des rayons ultraviolets, contactez un centre d'entretien Makita pour le remplacer. **NE NEUTRALISEZ NI NE RETIREZ LE PROTECTEUR.**

Positionnement du plateau de découpe

Le socle rotatif de cet outil est équipé de plateaux de découpe pour minimiser la déchirure du côté de sortie de la coupe. Les plateaux de découpe sont réglés en usine de sorte que la lame de scie circulaire n'entre pas en contact avec les plateaux de découpe. Avant l'utilisation, ajustez les plateaux de découpe comme suit :

1. Veillez à retirer la batterie. Desserrez ensuite toutes les vis (3 à droite et à gauche) qui retiennent les plateaux de découpe.

► **Fig.16:** 1. Plateau de découpe 2. Vis

NOTE : Les vis arrière peuvent facilement être desserrées et serrées en tournant le socle rotatif en angle. Veillez à relever complètement la poignée lorsque vous tournez le socle rotatif.

2. Ne les resserrez que partiellement, de sorte qu'il soit facile de déplacer manuellement les plateaux de découpe.

NOTE : Veillez à remettre le socle rotatif à l'angle d'origine (angle de coupe d'onglet de 0°) lors de la remise en place des plateaux de découpe.

3. Abaissez complètement la poignée, puis tirez et tournez la broche d'arrêt pour verrouiller la poignée en position abaissée.

4. Tirez et tournez la broche d'arrêt sur la tige de glissement pour permettre le glissement du chariot.

► **Fig.17:** 1. Broche d'arrêt 2. Position verrouillée 3. Position déverrouillée

5. Tirez complètement le chariot vers vous.

6. Ajustez les plateaux de découpe de sorte qu'ils touchent très légèrement les côtés des dents de la lame.

► **Fig.18**

► **Fig.19:** 1. Lame de scie 2. Dents de lame 3. Plateau de découpe 4. Coupe en biseau sur la gauche 5. Coupe rectiligne 6. Coupe en biseau sur la droite

7. Serrez les vis à l'avant (ne serrez pas fermement).

8. Poussez complètement le chariot vers les guides puis ajustez les plateaux de découpe de sorte qu'ils touchent très légèrement les côtés des dents de la lame.

9. Serrez les vis centrales (ne serrez pas fermement).

10. Après avoir ajusté les plateaux de découpe, dégagez la broche d'arrêt pour le verrouillage de la poignée et levez la poignée. Serrez ensuite toutes les vis fermement.

REMARQUE : Après avoir réglé l'angle de coupe en biseau, assurez-vous que les plateaux de découpe sont bien ajustés. Des plateaux de découpe bien ajustés contribuent au soutien adéquat de la pièce et réduisent l'effet d'arrachement sur la pièce.

Maintien de la capacité de coupe maximale

Cet outil est réglé en usine pour offrir la capacité de coupe maximale avec une lame de scie de 305 mm. Lorsque vous installez une nouvelle lame de scie circulaire, vérifiez toujours la position limite inférieure de la lame de scie circulaire, et réglez-la comme suit si nécessaire :

1. Retirez la batterie. Puis, tournez le frein de blocage sur la position enclenchée.

► **Fig.20:** 1. Frein de blocage

2. Poussez le chariot à fond vers les guides et abaissez complètement la poignée.

► **Fig.21:** 1. Guide 2. Boulon de réglage

3. Avec la clé hexagonale, tournez le boulon de réglage jusqu'à ce que la lame de scie circulaire se trouve légèrement sous la section transversale des guides et de la surface supérieure du socle rotatif.

► **Fig.22:** 1. Surface supérieure du socle rotatif 2. Guide

4. Faites tourner la lame manuellement en maintenant la poignée en position complètement abaissée, afin d'être certain que la lame de scie circulaire n'entre en contact avec aucune partie du plateau inférieur. Au besoin, effectuez un léger réajustement.

AVERTISSEMENT : Après avoir installé une nouvelle lame de scie circulaire et avoir retiré la batterie, assurez-vous toujours que la lame de scie circulaire ne touche aucune partie du plateau inférieur lorsque la poignée est complètement abaissée. Si la lame de scie circulaire entre en contact avec le socle, elle risque de provoquer un choc en retour et d'entraîner de graves blessures.

► **Fig.23**

ATTENTION : Ramenez toujours le frein de blocage sur la position d'origine après le réglage.

Bras de blocage

Le bras de blocage permet de régler facilement la position limite inférieure de la lame de scie circulaire. Pour l'ajuster, déplacez le bras de blocage dans le sens de la flèche comme indiqué sur la figure. Tournez la vis de réglage de sorte que la lame de scie circulaire s'arrête sur la position souhaitée lorsque la poignée est complètement abaissée.

► **Fig.24:** 1. Vis de réglage 2. Bras de blocage

ATTENTION : Tenez toujours la poignée fermement lors du réglage. Sinon, le chariot risque de sauter et de vous blesser.

Réglage de l'angle de coupe d'onglet

ATTENTION : Après avoir modifié l'angle de coupe d'onglet, fixez toujours le socle rotatif en ramenant le levier de verrouillage/déverrouillage en position verrouillée et en serrant fermement le manche.

REMARQUE : Lorsque vous tournez le socle rotatif, veillez à relever complètement la poignée.

1. Tournez le manche dans le sens inverse des aiguilles d'une montre. Appuyez ensuite sur le levier de verrouillage et maintenez-le enfoncé en position déverrouillée.

2. Tenez le manche et faites-le pivoter latéralement pour tourner le socle rotatif.

3. Alignez l'index avec l'angle souhaité sur la graduation d'angles de coupe d'onglet.

4. Relâchez le levier de verrouillage et serrez le manche.

► **Fig.25:** 1. Manche 2. Levier de verrouillage 3. Index

4. Graduation d'angles de coupe d'onglet

Fonction de butée fixe

Cette scie radiale utilise la fonction de butée fixe. Vous pouvez régler rapidement les angles de coupe d'onglet droit/gauche à 0°, 15°, 22,5°, 31,6°, 45° et 60°.

1. Tournez le manche dans le sens inverse des aiguilles d'une montre.
 2. Appuyez sur le levier de verrouillage et maintenez-le enfoncé en position déverrouillée.
 3. Tournez le socle rotatif près de l'angle de la butée fixe souhaité et relâchez le levier de verrouillage.
 4. Tournez le socle rotatif à l'angle de butée fixe souhaité jusqu'à ce qu'il soit bien fixé.
 5. Serrez le manche.
- **Fig.26:** 1. Manche 2. Levier de verrouillage 3. Angle de butée fixe

NOTE : Pour libérer le socle rotatif de la fonction de butée fixe, appuyez sur le levier de déverrouillage. Le socle rotatif peut être déplacé librement sans maintenir le levier de verrouillage enfoncé. Faites pivoter le manche pour tourner le socle rotatif à l'angle souhaité, puis serrez le manche.

► **Fig.27:** 1. Levier de déverrouillage

Réglage de l'angle de coupe en biseau

⚠ ATTENTION : Après avoir modifié l'angle de coupe en biseau, fixez toujours le bras en serrant la molette sur la tige de glissement dans le sens des aiguilles d'une montre.

REMARQUE : Retirez toujours les guides supérieurs et l'étau vertical avant de régler l'angle de coupe en biseau.

REMARQUE : Quand vous inclinez la lame de scie circulaire, assurez-vous que le chariot est complètement relevé.

REMARQUE : Lorsque vous changez d'angle de coupe en biseau, veillez à replacer les plateaux de découpe correctement comme expliqué dans la section sur le positionnement des plateaux de découpe.

REMARQUE : Ne serrez pas la molette sur la tige de glissement trop fort. Vous risqueriez de provoquer un dysfonctionnement du mécanisme de verrouillage de l'angle de coupe en biseau.

Inclinaison de la lame de scie circulaire vers la gauche

1. Tournez la molette sur la tige de glissement dans le sens inverse des aiguilles d'une montre.

► **Fig.28:** 1. Molette

2. Tirez et tournez le levier de fermeture sur la position comme illustré.

► **Fig.29:** 1. Levier de fermeture

3. Tenez la poignée et inclinez le chariot vers la

gauche.

4. Alignez l'index avec l'angle souhaité sur la graduation d'angles de coupe en biseau.

5. Serrez la molette dans le sens des aiguilles d'une montre pour fixer le bras du chariot.

► **Fig.30:** 1. Molette 2. Poignée 3. Index 4. Graduation d'angles de coupe en biseau

Inclinaison de la lame de scie circulaire vers la droite

1. Tournez la molette sur la tige de glissement dans le sens inverse des aiguilles d'une montre.

2. Tenez la poignée et inclinez légèrement le chariot vers la gauche.

3. Inclinez le chariot vers la droite tout en appuyant sur le bouton de libération pour un angle de coupe en biseau côté droit.

4. Alignez l'index avec l'angle souhaité sur la graduation d'angles de coupe en biseau.

5. Serrez la molette dans le sens des aiguilles d'une montre pour fixer le bras du chariot.

► **Fig.31:** 1. Molette 2. Poignée 3. Bouton de libération pour l'angle de coupe en biseau côté droit 4. Graduation d'angles de coupe en biseau

Inclinaison de la lame de scie circulaire au moyen de la fonction de butée fixe

Cette scie radiale utilise la fonction de butée fixe. Vous pouvez régler rapidement un angle de 22,5° et 33,9° vers la droite et la gauche.

1. Tournez la molette sur la tige de glissement dans le sens inverse des aiguilles d'une montre.

2. Inclinez le chariot près de l'angle de butée fixe souhaité tout en relevant le levier de fermeture.

3. Placez le levier de fermeture en position horizontale.

4. Inclinez le chariot à l'angle de butée fixe souhaité jusqu'à ce qu'il soit bien fixé.

5. Pour modifier l'angle, tirez le levier de fermeture vers l'avant de l'outil, puis inclinez à nouveau le chariot.

6. Serrez la molette dans le sens des aiguilles d'une montre pour fixer le bras du chariot.

► **Fig.32:** 1. Molette 2. Levier de fermeture

Inclinaison de la lame de scie circulaire au-delà de la plage 0° - 45°

1. Tournez la molette sur la tige de glissement dans le sens inverse des aiguilles d'une montre.

2. Tenez la poignée et inclinez le chariot jusqu'à 45° vers la gauche ou la droite.

3. Tirez légèrement le chariot en arrière et faites glisser le levier de déverrouillage pour obtenir un angle de coupe en biseau à 48° vers l'avant de l'outil.

4. Inclinez le chariot davantage vers la gauche ou la droite tout en maintenant le levier relâché.

5. Serrez la molette dans le sens des aiguilles d'une montre pour fixer le bras du chariot.

► **Fig.33:** 1. Molette 2. Poignée 3. Levier de déverrouillage pour l'angle de coupe en biseau à 48°

Interrupteur

⚠ AVERTISSEMENT : Avant d'insérer la ou les batteries dans l'outil, vérifiez toujours que la gâchette fonctionne bien et revient en position d'arrêt lorsqu'elle est relâchée. Évitez d'appuyer sur la gâchette avec force lorsque le bouton de sécurité n'est pas enfoncé. Vous risqueriez de briser l'interrupteur. L'utilisation d'un outil dont l'interrupteur est défectueux comporte un risque de perte de contrôle et de graves blessures.

⚠ AVERTISSEMENT : N'utilisez JAMAIS un outil dont le fonctionnement de la gâchette est défectueux. Tout outil dont la gâchette est défectueuse est EXTRÊMEMENT DANGEREUX et doit être réparé avant toute nouvelle utilisation, autrement cela présente un risque de graves blessures.

⚠ AVERTISSEMENT : NE bloquez JAMAIS le bouton de sécurité avec du ruban ou de toute autre manière. Une gâchette dont le bouton de sécurité est bloqué comporte un risque d'activation accidentelle pouvant entraîner de graves blessures.

⚠ AVERTISSEMENT : N'utilisez JAMAIS l'outil s'il se met en marche lorsque vous enclenchez simplement la gâchette sans avoir enfoncé le bouton de sécurité. Une gâchette devant être réparée comporte un risque d'activation accidentelle pouvant entraîner de graves blessures. Confiez l'outil à un centre d'entretien Makita pour le faire réparer AVANT de poursuivre l'utilisation.

► **Fig.34:** 1. Gâchette 2. Bouton de sécurité 3. Orifice pour cadenas

Pour éviter tout déclenchement accidentel de la gâchette, l'outil est muni d'un bouton de sécurité. Pour démarrer l'outil, enfoncez le bouton de sécurité puis appuyez sur la gâchette. Pour l'arrêter, relâchez la gâchette.

Un orifice a été prévu sur la gâchette pour insérer un cadenas afin de verrouiller l'outil.

⚠ AVERTISSEMENT : N'utilisez pas un cadenas dont la tige ou le câble a un diamètre inférieur à 6,35 mm. Une tige ou un câble plus mince risquerait de ne pas verrouiller correctement l'outil en position d'arrêt, ce qui comporte un risque d'activation accidentelle pouvant entraîner de graves blessures.

Projection d'une ligne de coupe

⚠ ATTENTION : La lampe n'est pas étanche à la pluie. Ne lavez pas la lampe avec de l'eau, et ne l'utilisez sous la pluie ou dans un endroit mouillé. Une telle action pourrait provoquer une décharge électrique et de la fumée.

⚠ ATTENTION : Ne touchez pas la lentille de la lampe, car elle est très chaude lorsqu'elle est allumée ou juste après l'avoir éteinte. Vous risqueriez de vous brûler.

⚠ ATTENTION : N'exercez aucun impact sur la lampe sous peine de l'endommager ou de réduire sa durée de service.

⚠ ATTENTION : Évitez de regarder directement le faisceau lumineux ou sa source.

La lampe LED projette une lumière sur la lame de scie circulaire tandis qu'une ombre de la lame est projetée sur une pièce servant d'indicateur de ligne de coupe sans étalonnage. Appuyez sur le bouton de la lampe pour éclairer. Apparaît alors une ligne sur laquelle la lame rencontre la surface de la pièce, s'approfondissant au fur et à mesure de l'abaissement de la lame.

► **Fig.35:** 1. Bouton de la lampe 2. Lampe 3. Ligne de coupe

L'indicateur aide à découper une ligne de découpe existante tracée au crayon sur une pièce.

1. Tenez la poignée et abaissez la lame de scie circulaire de sorte qu'une ombre dense de la lame soit projetée contre une pièce.
2. Alignez une ligne de découpe tracée sur la pièce avec la ligne de coupe sous l'ombre.
3. Ajustez les angles de coupe d'onglet et les angles de coupe en biseau si nécessaire.

NOTE : Veillez à éteindre la lampe avec l'interrupteur après utilisation car la lampe allumée consomme de l'énergie de la batterie.

NOTE : La lumière s'éteint automatiquement 5 minutes après l'arrêt du fonctionnement.

Fonction électronique

Frein électrique

Cet outil est équipé d'un frein de lame électrique. Si systématiquement l'outil n'arrive pas rapidement à arrêter de fonctionner après le relâchement de la gâchette, faites réparer l'outil dans un centre de service après-vente Makita.

⚠ ATTENTION : Le système de frein de lame n'est pas destiné à remplacer le protecteur de lame. N'utilisez jamais un outil dont le protecteur de lame est défectueux. Une lame non protégée présente un risque de grave blessure.

Commande de vitesse constante

L'outil est pourvu d'une commande de vitesse électronique permettant de maintenir une vitesse de rotation de la lame constante même sous charge. Une vitesse

de rotation de la lame constante produit des coupes très régulières.

Fonction de démarrage en douceur

Cette fonction permet le démarrage en douceur de l'outil en limitant le couple de démarrage.

ASSEMBLAGE

⚠ AVERTISSEMENT : Assurez-vous toujours que l'outil est hors tension et que la batterie est retirée avant de travailler dessus. Si vous ne mettez pas l'outil hors tension et ne retirez pas la batterie, cela présente un risque de graves blessures.

Rangement de la clé hexagonale

Lorsque vous n'utilisez pas la clé hexagonale, rangez-la tel qu'indiqué sur l'illustration pour éviter de la perdre.

► **Fig.36:** 1. Clé hexagonale

Retrait et pose de la lame de scie

⚠ AVERTISSEMENT : Assurez-vous toujours que l'outil est hors tension et que la batterie est retirée avant de retirer ou de poser la lame de scie circulaire. Le démarrage accidentel de l'outil peut entraîner de graves blessures.

⚠ AVERTISSEMENT : Utilisez exclusivement la clé Makita fournie pour déposer ou poser la lame de scie circulaire. Si vous n'utilisez pas la clé, le boulon à tête cylindrique à six pans creux risque d'être trop ou pas assez serré, ce qui pourrait entraîner de graves blessures.

⚠ AVERTISSEMENT : N'utilisez jamais des pièces qui ne sont pas fournies avec cet outil même en remplacement. Vous risqueriez de vous blesser grièvement.

⚠ AVERTISSEMENT : Après avoir installé la lame de scie circulaire, assurez-vous toujours qu'elle est solidement installée. Une lame de scie circulaire mal serrée peut entraîner de graves blessures corporelles.

Retrait de la lame

Pour enlever la lame de scie circulaire, procédez comme suit :

1. Bloquez le chariot sur la position relevée en tirant et tournant la broche d'arrêt en position verrouillée.

► **Fig.37:** 1. Broche d'arrêt 2. Position déverrouillée 3. Position verrouillée

2. Desserrez le boulon hexagonal de fixation du capot central à l'aide de la clé hexagonale. Soulevez ensuite le protecteur de lame et le capot central.

► **Fig.38:** 1. Clé hexagonale 2. Boulon hexagonal 3. Capot central 4. Protecteur de lame

3. Appuyez sur le blocage de l'arbre pour verrouiller l'axe et desserrez le boulon à tête cylindrique à six pans

creux à l'aide de la clé hexagonale, en tournant dans le sens des aiguilles d'une montre. Retirez ensuite le boulon à tête cylindrique à six pans creux, le flasque extérieur et la lame de scie circulaire.

► **Fig.39:** 1. Boulon à tête cylindrique à six pans creux (filetage à gauche) 2. Flasque extérieur 3. Blocage de l'arbre

4. Si le flasque intérieur a été retiré, posez-le sur l'axe avec son côté encastré tourné vers la lame de scie circulaire. Si le flasque n'est pas posé correctement, il frotera contre l'outil.

► **Fig.40:** 1. Boulon à tête cylindrique à six pans creux (filetage à gauche) 2. Flasque extérieur 3. Lame de scie circulaire 4. Anneau 5. Flasque intérieur 6. Axe 7. Côté encastré

Pose de la lame

⚠ AVERTISSEMENT : Avant de poser la lame sur l'axe, assurez-vous toujours qu'une bague adéquate pour l'alésage central de la lame que vous prévoyez d'utiliser est installée entre les flasques intérieur et extérieur. L'utilisation d'une bague d'alésage central inadéquate peut être à l'origine d'une pose incorrecte de la lame, provoquant le mouvement de la lame et d'importantes vibrations susceptibles d'entraîner la perte de contrôle en cours de fonctionnement et de graves blessures.

⚠ ATTENTION : Assurez-vous de poser la lame de scie circulaire de sorte que le sens de la flèche sur la lame corresponde à celui sur le porte-lame. Autrement, vous risquez de vous blesser et d'abîmer l'outil et/ou la pièce à travailler.

Pour installer la lame de scie circulaire, procédez comme suit :

1. Montez la lame de scie circulaire avec soin sur le flasque intérieur. Assurez-vous que le sens de la flèche sur la lame de scie circulaire correspond au sens de la flèche sur le porte-lame.

► **Fig.41:** 1. Flèche sur le porte-lame 2. Flèche sur la lame de scie circulaire

2. Installez le flasque extérieur et le boulon à tête cylindrique à six pans creux, puis, à l'aide de la clé hexagonale, serrez à fond le boulon à tête cylindrique à six pans creux dans le sens inverse des aiguilles d'une montre, tout en appuyant sur le blocage de l'arbre.

► **Fig.42:** 1. Boulon à tête cylindrique à six pans creux (filetage à gauche) 2. Flasque extérieur 3. Lame de scie circulaire 4. Anneau 5. Flasque intérieur 6. Axe 7. Côté encastré

3. Remettez le protecteur de lame et le capot central sur leurs positions d'origine. Puis serrez le boulon hexagonal dans le sens des aiguilles d'une montre pour fixer le capot central.

4. Tirez sur la broche d'arrêt et tournez-la en position non verrouillée pour dégager le chariot de la position relevée. Abaissez le chariot et vérifiez que le protecteur de lame se déplace adéquatement.

⚠ ATTENTION : Avant de passer à la coupe, vérifiez que le blocage de l'arbre n'est pas engagé sur l'axe.

Raccordement à un aspirateur

Pour effectuer une opération de coupe propre, raccordez un aspirateur Makita au raccord à poussière (orifice supérieur pour la poussière) au moyen d'un manchon avant 24 (accessoire en option).

- **Fig.43:** 1. Manchons avant 24 2. Tuyau 3. Aspirateur

Sac à poussière

ATTENTION : Lors d'une coupe, fixez toujours le sac à poussière ou raccordez un aspirateur afin d'éviter les risques liés à la poussière.

L'utilisation du sac à poussière garantit une coupe propre et facilite la collecte de la poussière. Pour fixer le sac à poussière, retirez le tuyau d'extraction de poussière de l'outil et raccordez le sac à poussière au raccord à poussière (orifice supérieur pour la poussière).

- **Fig.44:** 1. Tuyau d'extraction de poussière 2. Sac à poussière 3. Raccord à poussière (orifice supérieur pour la poussière)

Lorsque le sac à poussière est environ à moitié plein, retirez-le de l'outil et tirez sur la barrette. Videz le sac à poussière en le tapotant légèrement pour retirer les particules qui adhèrent à sa surface intérieure et risqueraient de faire obstacle à la collecte de la poussière par la suite.

- **Fig.45:** 1. Barrette

Fixation de la pièce de travail

AVERTISSEMENT : Il est très important de toujours immobiliser fermement la pièce au moyen d'un étau du bon type ou des butées pour moulure couronnée. Autrement, vous risquez de gravement vous blesser et d'abîmer l'outil et/ou la pièce à travailler.

AVERTISSEMENT : Lorsque vous coupez une pièce plus longue que la base du support de la scie radiale, la pièce doit être soutenue sur toute sa longueur au-delà de la base du support en la maintenant à plat. Une pièce bien soutenue réduit les risques de coincements de la lame et de chocs en retour, qui peuvent entraîner de graves blessures. Ne vous fiez pas uniquement à un étau vertical et/ou un étau horizontal pour immobiliser la pièce. Les matériaux minces ont tendance à s'affaisser. Soutenez la pièce sur toute sa longueur, pour éviter que la lame ne se coince et provoque un éventuel CHOC EN RETOUR.

- **Fig.46:** 1. Support 2. Socle rotatif

Guides

AVERTISSEMENT : Avant d'utiliser l'outil, assurez-vous que le guide supérieur est solidement fixé.

AVERTISSEMENT : Avant la coupe en biseau, assurez-vous qu'aucune partie de l'outil, particulièrement la lame de scie, n'entre en contact avec les guides supérieur et inférieur lors de l'abaissement et du soulèvement complets de la poignée sur n'importe quelle position et pendant le déplacement du chariot sur toute sa course. Si l'outil ou la lame entre en contact avec le guide, cela peut provoquer un choc en retour ou le déplacement inattendu de la pièce et de graves blessures.

Utilisez des guides supérieurs pour soutenir la pièce plus haut que les guides inférieurs. Insérez le guide supérieur dans l'orifice sur le guide inférieur et serrez la vis de serrage.

- **Fig.47:** 1. Guide supérieur 2. Guide inférieur 3. Vis de serrage 4. Vis de réglage

REMARQUE : Les guides inférieurs sont fixés sur le socle en usine. Ne retirez pas les guides inférieurs.

REMARQUE : Si le guide supérieur demeure lâche après avoir serré la vis de serrage, tournez la vis de réglage pour combler le vide. La vis de réglage est ajustée en usine. Son utilisation est facultative.

Lorsque vous n'utilisez pas le guide supérieur, vous pouvez le ranger sur le tuyau du socle secondaire. Utilisez la pince sur le guide supérieur pour le maintenir sur le tuyau du socle secondaire.

- **Fig.48:** 1. Socle secondaire 2. Guide supérieur 3. Pince

Étau vertical

AVERTISSEMENT : La pièce doit être fixée fermement sur le socle rotatif et le guide avec l'étau pendant toutes les opérations. Si la pièce n'est pas correctement fixée contre le guide, elle peut bouger pendant l'opération de coupe endommageant potentiellement la lame de scie, provoquant la projection de la pièce et la perte de contrôle, ce qui présente un risque de graves blessures.

L'étau vertical peut être installé du côté gauche ou du côté droit du socle et du socle secondaire. Engagez la tige de l'étau dans l'orifice du socle ou du socle secondaire.

- **Fig.49:** 1. Étau vertical 2. Orifice pour étau vertical 3. Socle secondaire 4. Socle

- **Fig.50:** 1. Bras de l'étau 2. Tige de l'étau 3. Vis de serrage 4. Poignée de l'étau

Placez le bras de l'étau en fonction de l'épaisseur et de la forme de la pièce et fixez le bras de l'étau en serrant la vis. Si la vis de serrage entre en contact avec le chariot, installez l'étau vertical sur le socle secondaire ou de l'autre côté sur le socle. Assurez-vous qu'aucune partie de l'outil n'entre en contact avec l'étau lorsque

vous abaissez complètement la poignée. Si une quelconque partie de l'outil entre en contact avec l'étau, modifiez son emplacement.

Appuyez la pièce à plat contre le guide et le socle rotatif. Placez la pièce sur la position de coupe désirée et maintenez-la en place en serrant à fond la poignée de l'étau.

NOTE : Pour un réglage rapide de la pièce, tourner la poignée de l'étau de 90° dans le sens inverse des aiguilles d'une montre permet de la déplacer en haut et en bas. Pour fixer en place la pièce après le réglage, tournez la poignée de l'étau dans le sens des aiguilles d'une montre.

Étau horizontal

Accessoire en option

⚠ AVERTISSEMENT : Tournez toujours l'écrou de l'étau dans le sens des aiguilles d'une montre jusqu'à ce que la pièce soit solidement fixée. Si la pièce n'est pas correctement fixée, elle peut bouger pendant l'opération de coupe endommageant potentiellement la lame de scie circulaire, provoquant la projection de la pièce et la perte de contrôle, ce qui présente un risque de graves blessures.

⚠ AVERTISSEMENT : Pour couper une pièce fine, comme une plinthe, contre le guide, utilisez toujours l'étau horizontal.

⚠ ATTENTION : Lors de la coupe d'une pièce d'une épaisseur de 20 mm ou plus mince, veillez à utiliser un bloc espaceur pour maintenir la pièce.

L'étau horizontal peut être installé du côté gauche ou du côté droit du socle. Lors de coupes d'onglet de 22,5° ou plus, installez l'étau horizontal sur le côté inverse au sens de rotation du socle rotatif.

► Fig.51: 1. Talon de l'étau 2. Écrou de l'étau
3. Poignée de l'étau

En faisant basculer l'écrou de l'étau dans le sens inverse des aiguilles d'une montre, l'étau est libéré et se déplace rapidement d'avant en arrière. Pour saisir la pièce, poussez la poignée de l'étau vers l'avant jusqu'à ce que le talon de l'étau entre en contact avec la pièce et faites basculer l'écrou de l'étau dans le sens des aiguilles d'une montre. Ensuite, tournez la poignée de l'étau dans le sens des aiguilles d'une montre pour maintenir la pièce en place.

NOTE : La largeur maximum d'une pièce pouvant être maintenue par l'étau horizontal est de 228 mm.

Socle secondaire

⚠ AVERTISSEMENT : Soutenez toujours une pièce de grande longueur de sorte qu'elle se trouve au même niveau que la surface supérieure du socle rotatif pour effectuer une coupe de précision et prévenir la perte de contrôle de l'outil. Une pièce bien soutenue réduit les risques de coincements de la lame et de chocs en retour, qui peuvent entraîner de graves blessures.

⚠ AVERTISSEMENT : Avant la coupe, veillez toujours à ce que les socles secondaires soient fixés en place avec les vis.

Pour soutenir horizontalement les longues pièces, des socles secondaires sont prévus de chaque côté de l'outil. Desserrez les vis et étendez les socles secondaires à la longueur appropriée pour soutenir la pièce. Serrez ensuite les vis.

► Fig.52: 1. Socle secondaire 2. Vis

Lors de la coupe, placez la pièce à plat contre le guide et le sous-guide sur le socle secondaire.

► Fig.53: 1. Guide 2. Sous-guide 3. Socle secondaire

UTILISATION

Cet outil est conçu pour couper des produits en bois. Si vous utilisez des lames de scie de marque Makita appropriées, vous pouvez également scier les matériaux suivants :

— Produits en aluminium

Consultez notre site Web ou contactez votre revendeur Makita local pour connaître les bonnes lames de scie circulaire à utiliser selon le matériau à couper.

⚠ AVERTISSEMENT : Avant de mettre l'outil sous tension, assurez-vous que la lame de scie ne touche pas la pièce, etc. Il y a risque de choc en retour et de graves blessures si vous mettez la sous tension alors que la lame est en contact avec la pièce à travailler.

⚠ AVERTISSEMENT : Après une opération de coupe, ne soulevez pas la lame de scie tant qu'elle n'est pas complètement arrêtée. Vous risquez de gravement vous blesser et d'abîmer la pièce si vous soulevez la lame alors qu'elle tourne encore.

⚠ AVERTISSEMENT : Ne procédez à aucun réglage comme tourner le manche, la molette et les leviers sur l'outil pendant la rotation de la lame de scie. Tout réglage pendant la rotation de la lame présente un risque de graves blessures.

⚠ ATTENTION : Ne relâchez pas la tête de scie incontrôlée de la position complètement abaissée. Une tête de scie incontrôlée peut vous frapper et vous blesser.

REMARQUE : Avant utilisation, veillez à déverrouiller la broche d'arrêt et à dégager la poignée de la position abaissée.

REMARQUE : Pendant la coupe, n'appliquez pas une pression excessive sur la poignée. Une force excessive risquerait de provoquer une surcharge du moteur et/ou une diminution de la capacité de coupe. Appuyez sur la poignée en appliquant uniquement la force nécessaire pour obtenir une coupe en douceur sans diminuer de façon significative la vitesse de la lame.

REMARQUE : Appuyez doucement sur la poignée pour effectuer la coupe. Si vous appuyez trop fort sur la poignée ou appuyez latéralement, la lame risque de vibrer et de laisser une marque (marque de sciage) sur la pièce ; la précision de coupe sera également affectée.

REMARQUE : Lors d'une coupe en glissière, poussez doucement le chariot vers le guide, sans arrêter. Si le mouvement du chariot est arrêté pendant la coupe, cela risque de laisser une marque sur la pièce et la précision de la coupe pourrait en souffrir.

Coupe sous presse

AVERTISSEMENT : Verrouillez toujours le mouvement de coulissement du chariot lorsque vous effectuez une coupe sous presse. Couper sans verrouiller peut provoquer un choc en retour, ce qui présente un risque de graves blessures.

Vous pouvez couper des pièces pouvant atteindre 92 mm de haut et 183 mm de large, en procédant comme suit.

► Fig.54: 1. Broche d'arrêt

1. Poussez le chariot vers le guide jusqu'à ce qu'il s'arrête et verrouillez-le avec la broche d'arrêt.
2. Immobilisez la pièce à travailler avec un étau du bon type.
3. Mettez l'outil en marche alors que la lame de scie circulaire ne touche à rien et attendez qu'elle ait atteint sa pleine vitesse avant de l'abaisser.
4. Abaissez doucement la poignée sur la position la plus basse pour couper la pièce.
5. Lorsque la coupe est terminée, mettez l'outil hors tension et attendez que la lame de scie circulaire se soit complètement arrêtée avant de ramener la lame de scie circulaire en position complètement relevée.

Coupe en glissière (poussée) (coupe de grandes pièces)

AVERTISSEMENT : Chaque fois que vous effectuez une coupe en glissière, tirez d'abord le chariot complètement vers vous et abaissez complètement la poignée, puis poussez le chariot vers le guide. Ne commencez jamais la coupe alors que le chariot n'est pas complètement tiré vers vous. Si vous effectuez une coupe en glissière sans avoir tiré complètement le chariot vers vous, il se peut que la lame effectue un soudain choc en retour pouvant entraîner de graves blessures.

AVERTISSEMENT : N'essayez jamais d'effectuer une coupe en glissière en tirant le chariot vers vous. Si vous tirez le chariot vers vous pendant la coupe, il se peut que la lame effectue un soudain choc en retour pouvant entraîner de graves blessures.

AVERTISSEMENT : N'effectuez jamais une coupe en glissière alors que la poignée a été verrouillée en position abaissée.

► Fig.55: 1. Broche d'arrêt

1. Déverrouillez la broche d'arrêt de sorte que le chariot puisse coulisser librement.
2. Immobilisez la pièce à travailler avec un étau du bon type.
3. Tirez complètement le chariot vers vous.
4. Mettez l'outil en marche alors que la lame de scie ne touche à rien et attendez qu'elle ait atteint sa pleine vitesse.
5. Appuyez sur la poignée et poussez le chariot vers le guide et tout au long de la pièce.
6. Lorsque la coupe est terminée, mettez l'outil hors tension et attendez que la lame de scie se soit complètement arrêtée avant de ramener la lame en position complètement relevée.

Coupe d'onglet

Reportez-vous à la section de réglage de l'angle de coupe d'onglet.

Coupe en biseau

⚠ AVERTISSEMENT : Après avoir réglé la lame pour une coupe en biseau, assurez-vous que le chariot et la lame de scie pourront se déplacer librement sur toute l'étendue prévue pour la coupe avant d'utiliser l'outil. L'interruption du chariot ou de la lame en cours de déplacement lors de la coupe peut causer un choc en retour et entraîner de graves blessures.

⚠ AVERTISSEMENT : Lors de l'exécution d'une coupe en biseau, gardez les mains hors de la trajectoire de la lame de scie. L'angle de la lame peut induire l'utilisateur en erreur concernant la véritable trajectoire de la lame pendant la coupe, ce qui comporte un risque de graves blessures au contact de la lame.

⚠ AVERTISSEMENT : La lame de scie ne doit être soulevée qu'une fois complètement arrêtée. Lors d'une coupe en biseau, il se peut que la partie coupée de la pièce vienne s'appuyer contre la lame de scie. Si vous soulevez la lame alors qu'elle tourne encore, la partie coupée de la pièce risquera d'être éjectée par la lame, et ce fragment éjecté peut provoquer de graves blessures.

REMARQUE : En appuyant sur la poignée, exercez une pression en parallèle à la lame. Si vous appuyez perpendiculairement au socle rotatif, ou si la pression change de sens pendant la coupe, la précision de coupe en souffrira.

► Fig.56

1. Retirez le guide supérieur sur le côté duquel vous inclinerez le chariot.
2. Déverrouillez la broche d'arrêt.
3. Ajustez l'angle de coupe en biseau selon la procédure expliquée dans la section de réglage de l'angle de coupe en biseau. Puis serrez la molette.
4. Assurez la pièce avec un étau.
5. Tirez complètement le chariot vers vous.
6. Mettez l'outil en marche alors que la lame ne touche à rien et attendez qu'elle ait atteint sa pleine vitesse.
7. Abaissez doucement la poignée sur la position la plus basse tout en appliquant une pression parallèle à la lame et **poussez le chariot vers le guide pour couper la pièce.**
8. Lorsque la coupe est terminée, coupez le contact de l'outil et **attendez que la lame se soit complètement arrêtée** avant de ramener la lame en position complètement relevée.

Coupe mixte

La coupe mixte consiste à appliquer un angle de coupe en biseau tout en effectuant une coupe d'onglet sur une pièce. La coupe mixte est possible à l'angle indiqué dans le tableau.

Angle de coupe d'onglet	Angle de coupe en biseau
Gauche et droite 0° - 45°	Gauche et droite 0° - 45°

Lors de la coupe mixte, consultez la section de la coupe sous presse, de la coupe en glissière (poussée), de la coupe d'onglet et de la coupe en biseau.

Coupe de plinthes

⚠ ATTENTION : Veillez à utiliser l'étau horizontal (accessoire en option) lors de la coupe d'une plinthe.

⚠ ATTENTION : Lors de la coupe d'une pièce d'une épaisseur de 20 mm ou plus mince, veillez à utiliser un bloc espaceur pour maintenir la pièce.

Si vous coupez la plinthe à un angle de coupe d'onglet de 45°, serrez le frein de blocage pour empêcher le porte-lame d'entrer en contact avec la plinthe. Cela permettra de conserver un espace entre la plinthe et le porte-lame lorsque le chariot est complètement poussé vers l'avant.

Consultez les SPÉCIFICATIONS pour connaître la capacité de coupe de plinthes.

- Fig.57: 1. Frein de blocage 2. Bloc espaceur
3. Étau horizontal

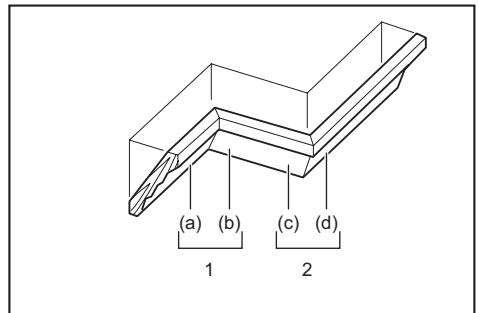
Coupe de moulures couronnées et concaves

Les moulures couronnées et concaves peuvent être coupées avec une scie radiale combinée, en les déposant à plat sur le socle rotatif.

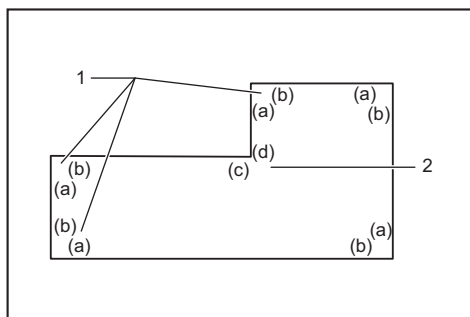
Il existe deux types courants de moulures couronnées et un type de moulure concave, à savoir : les moulures couronnées pour angles de murs respectifs de 52/38° et 45°, et les moulures concaves pour angle de mur de 45°.

- Fig.58: 1. Moulure couronnée du type 52/38°
2. Moulure couronnée du type 45°
3. Moulure concave du type 45°

Il existe des joints de moulures couronnées et concaves qui s'adaptent aux coins « intérieurs » de 90° ((a) et (b) sur la figure), et aux coins « extérieurs » de 90° ((c) et (d) sur la figure).



1. Coin intérieur 2. Coin extérieur



1. Coin intérieur 2. Coin extérieur

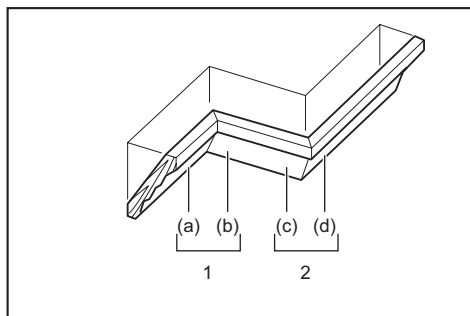
Mesure

Mesurez la largeur du mur et ajustez la largeur de la pièce conformément. Assurez-vous toujours que la largeur du bord de contact avec le mur de la pièce est identique à la longueur du mur.

► **Fig.59:** 1. Pièce 2. Largeur du mur 3. Largeur de la pièce 4. Bord de contact avec le mur

Vérifiez toujours les angles de coupe de la scie en effectuant des tests sur quelques morceaux. Pour couper des moulures couronnées et concaves, réglez l'angle de coupe en biseau et l'angle de coupe d'onglet tel qu'indiqué dans le tableau (A), et placez les moulures sur la face supérieure du socle de la scie, tel qu'indiqué dans le tableau (B).

Dans le cas d'une coupe en biseau sur la gauche



1. Coin intérieur 2. Coin extérieur

Tableau (B)

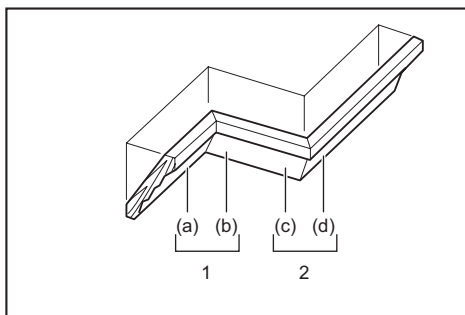
-	Position de moulure sur la figure	Bord de moulure contre le guide	Partie de la pièce à utiliser
Pour coin intérieur	(a)	Le bord de contact avec le plafond doit être contre le guide.	La partie de la pièce à utiliser sera du côté gauche de la lame.
	(b)	Le bord de contact avec le mur doit être contre le guide.	
Pour coin extérieur	(c)	Le bord de contact avec le plafond doit être contre le guide.	La partie de la pièce à utiliser sera du côté droit de la lame.
	(d)	Le bord de contact avec le mur doit être contre le guide.	

Exemple :

Dans le cas d'une coupe de moulure couronnée du type 52/38° pour la position (a) sur la figure ci-dessus :

- Réglez l'angle de coupe en biseau et immobilisez-le sur 33,9° vers la GAUCHE.
- Réglez l'angle de coupe d'onglet et immobilisez-le sur 31,6° vers la DROITE.
- Déposez sur le socle rotatif la moulure couronnée, face arrière large (cachée) orientée vers le bas, et en plaçant le BORD DE CONTACT AVEC LE PLAFOND contre le guide de la scie.
- La partie de la pièce à utiliser doit toujours être du côté GAUCHE de la lame une fois la coupe terminée.

Pour la coupe en biseau droite



1. Coin intérieur 2. Coin extérieur

Tableau (A)

-	Position de moulure sur la figure	Angle de coupe en biseau		Angle de coupe d'onglet	
		Type 52/38°	Type 45°	Type 52/38°	Type 45°
Pour coin intérieur	(a)	Gauche 33,9°	Gauche 30°	Droite 31,6°	Droite 35,3°
	(b)			Gauche 31,6°	Gauche 35,3°
Pour coin extérieur	(c)			Droite 31,6°	Droite 35,3°
	(d)				

Tableau (A)

-	Position de moulure sur la figure	Angle de coupe en biseau		Angle de coupe d'onglet	
		Type 52/38°	Type 45°	Type 52/38°	Type 45°
Pour coin intérieur	(a)	Droite 33,9°	Droite 30°	Droite 31,6°	Droite 35,3°
	(b)			Gauche 31,6°	Gauche 35,3°
Pour coin extérieur	(c)			Droite 31,6°	Droite 35,3°
	(d)			Droite 31,6°	Droite 35,3°

Tableau (B)

-	Position de moulure sur la figure	Bord de moulure contre le guide	Partie de la pièce à utiliser
Pour coin intérieur	(a)	Le bord de contact avec le mur doit être contre le guide.	La partie de la pièce à utiliser sera du côté droit de la lame.
	(b)	Le bord de contact avec le plafond doit être contre le guide.	
Pour coin extérieur	(c)	Le bord de contact avec le mur doit être contre le guide.	La partie de la pièce à utiliser sera du côté gauche de la lame.
	(d)	Le bord de contact avec le mur doit être contre le guide.	

Exemple :

Dans le cas d'une coupe de moulure couronnée du type 52/38° pour la position (a) sur la figure ci-dessus :

- Inclinez et fixez le réglage de l'angle de coupe en biseau sur 33,9° DROITE.
- Réglez l'angle de coupe d'onglet et immobilisez-le sur 31,6° vers la DROITE.
- Déposez sur le socle rotatif la moulure couronnée, face arrière large (cachée) orientée vers le bas, et en plaçant le BORD DE CONTACT AVEC LE MUR contre le guide de la scie.
- La partie de la pièce à utiliser doit toujours être du côté DROIT de la lame une fois la coupe terminée.

Butée pour moulure couronnée

Accessoire en option

Les butées pour moulure couronnée facilitent les coupes de moulure couronnée sans avoir à incliner la lame de scie. Installez-les sur le socle rotatif comme illustré sur les figures.

À un angle de coupe d'onglet droit de 45°

- **Fig.60:** 1. Butée pour moulure couronnée G
2. Butée pour moulure couronnée D
3. Socle rotatif 4. Guide

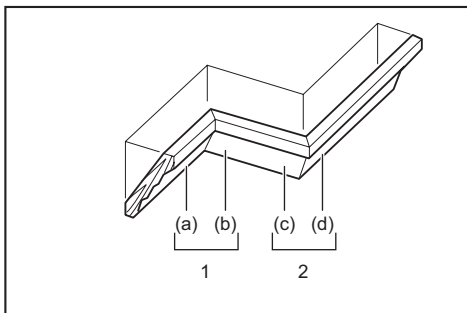
À un angle de coupe d'onglet gauche de 45°

- **Fig.61:** 1. Butée pour moulure couronnée G
2. Butée pour moulure couronnée D
3. Socle rotatif 4. Guide

Positionnez la moulure couronnée avec son BORD DE

CONTACT AVEC LE MUR contre le guide et son BORD DE CONTACT AVEC LE PLAFOND contre les butées pour moulure couronnée comme illustré sur la figure. Réglez les butées pour moulure couronnée selon les dimensions de la moulure couronnée. Serrez les vis pour maintenir en place les butées pour moulure couronnée. Reportez-vous au tableau (C) pour l'angle de coupe d'onglet.

► **Fig.62:** 1. Guide 2. Butée pour moulure couronnée



1. Coin intérieur 2. Coin extérieur

Tableau (C)

-	Position de moulure sur la figure	Angle de coupe d'onglet	Partie de la pièce à utiliser
Pour coin intérieur	(a)	Droite 45°	Conservé la pièce à droite de la lame
	(b)	Gauche 45°	Conservé la pièce à gauche de la lame
Pour coin extérieur	(c)	Droite 45°	Conservé la pièce à droite de la lame
	(d)		Conservé la pièce à gauche de la lame

Coupe d'aluminium extrudé

► **Fig.63:** 1. Étau 2. Bloc espaceur 3. Guide
4. Aluminium extrudé 5. Bloc espaceur

Pour immobiliser des pièces en aluminium extrudé, utilisez des blocs espaceurs ou des morceaux de ferraille comme illustré sur la figure pour éviter une déformation de l'aluminium. Utilisez un lubrifiant de coupe pour couper de l'aluminium extrudé afin d'éviter l'accumulation de matériau en aluminium sur la lame de scie circulaire.

AVERTISSEMENT : N'essayez jamais de couper des morceaux épais ou arrondis d'aluminium extrudé. Les morceaux épais ou arrondis d'aluminium extrudé peuvent être difficiles à maintenir en place et la pièce peut se desserrer pendant l'opération de coupe, ce qui peut provoquer une perte de contrôle et de graves blessures.

Technique spéciale pour les capacités de coupe de largeur maximum

La capacité de coupe de largeur maximum peut être obtenue en suivant les étapes ci-dessous :
Pour la largeur de coupe maximum de cet outil, consultez les capacités de coupe pour les coupes spéciales dans la section SPÉCIFICATIONS.

1. Réglez l'outil à un angle de coupe d'onglet de 0° ou 45° et assurez-vous que le socle rotatif est verrouillé. (Reportez-vous à la section de réglage de l'angle de coupe d'onglet.)
 2. Retirez provisoirement les guides supérieurs droit et gauche et mettez-les de côté.
 3. Découpez une plateforme aux dimensions indiquées sur la figure en utilisant un matériau plat d'une épaisseur de 38 mm comme du bois, du contreplaqué ou un panneau de particule.
- **Fig.64:** 1. Angle de coupe d'onglet 0° : Plus de 450 mm 2. Angle de coupe d'onglet 45° : Plus de 325 mm 3. 38 mm 4. Plus de 760 mm

AVERTISSEMENT : Veillez à utiliser un matériau plat comme plateforme. Un matériau non plat peut bouger pendant la coupe, ce qui peut provoquer un recul et de graves blessures.

NOTE : La capacité de coupe maximale en hauteur sera réduite du montant correspondant à l'épaisseur de la plateforme.

4. Placez la plateforme sur l'outil de sorte qu'elle s'étende de manière égale de chaque côté du socle de l'outil.
Fixez la plateforme à l'outil avec quatre vis à bois de 6 mm par les quatre trous sur les guides inférieurs.
- **Fig.65:** 1. Vis (deux de chaque côté) 2. Guide inférieur 3. Socle 4. Plateforme

AVERTISSEMENT : Assurez-vous que la plateforme repose à plat contre le socle de l'outil et est solidement attachée aux guides inférieurs par les quatre trous de vis prévus. Ne pas fixer correctement en place la plateforme peut provoquer un mouvement et un éventuel recul entraînant de graves blessures corporelles.

AVERTISSEMENT : Assurez-vous que l'outil est fermement monté sur une surface stable et plate. Ne pas monter et fixer correctement l'outil pourrait le rendre instable et provoquer une perte de maîtrise et/ou la chute de l'outil, ce qui pourrait entraîner de graves blessures.

5. Installez les guides supérieurs sur l'outil.

AVERTISSEMENT : N'utilisez pas l'outil sans avoir installé les guides supérieurs. Les guides supérieurs garantissent le soutien adéquat nécessaire pour couper la pièce.
Si la pièce n'est pas correctement soutenue, elle peut bouger et potentiellement provoquer une perte de la maîtrise, un recul et de graves blessures.

6. Placez la pièce à couper sur la plateforme fixée à

l'outil.

7. Avant la coupe, fixez la pièce fermement contre les guides supérieurs avec un étai.
- **Fig.66:** 1. Guide supérieur 2. Étau vertical 3. Pièce 4. Plateforme
8. Faites une coupe à travers la pièce lentement en suivant l'opération expliquée dans la section pour la coupe en glissière (poussée).

AVERTISSEMENT : Assurez-vous que la pièce est maintenue avec l'étai et réalisez lentement la coupe. Autrement, la pièce pourrait bouger et potentiellement provoquer un recul et de graves blessures.

AVERTISSEMENT : Ayez à l'esprit que la plateforme peut s'affaiblir après plusieurs coupes à différents angles de coupe d'onglet. Si la plateforme s'affaiblit en raison des multiples traits de scie laissés dans le matériau, il est nécessaire de la remplacer. Si la plateforme affaiblie n'est pas remplacée, elle peut faire bouger la pièce pendant la coupe provoquant potentiellement un recul et de graves blessures.

Rainurage

AVERTISSEMENT : Ne tentez pas d'effectuer ce type de coupe au moyen d'une lame plus large ou d'une lame à rainer. La coupe risque de donner des résultats décevants si vous tentez d'effectuer le rainurage avec une lame plus large ou une lame à rainer, et il y a un risque de choc en retour pouvant provoquer de graves blessures.

AVERTISSEMENT : Assurez-vous d'avoir remis le bras de blocage en position initiale avant d'effectuer un autre type de coupe que le rainurage. La coupe risque de donner des résultats décevants si vous tentez de l'effectuer avec le bras de blocage en position incorrecte, et il y a un risque de choc en retour pouvant provoquer de graves blessures.

Des rainures peuvent être effectuées en procédant comme suit :

1. Ajustez la position limite inférieure de la lame de scie circulaire au moyen de la vis de réglage et du bras de blocage pour limiter la profondeur de coupe de la lame de scie circulaire. Consultez la section sur le bras de blocage.
 2. Après avoir ajusté la position limite inférieure de la lame de scie circulaire, coupez des rainures parallèles sur la largeur de la pièce, en procédant par coupe en glissière (poussée).
- **Fig.67:** 1. Couper des rainures avec la lame
3. Retirez le matériau de la pièce entre les rainures, au moyen d'un ciseau.

Parement de bois

⚠ AVERTISSEMENT : Utilisez des vis pour fixer le parement de bois au guide. Les vis doivent être posées de sorte que leur tête se trouve sous la surface du parement de bois, afin qu'elles ne gênent pas la mise en place de la pièce à couper. Si la pièce à couper est mal alignée, elle risquera d'effectuer un déplacement inattendu pendant la coupe, ce qui peut causer une perte de contrôle et de graves blessures.

⚠ ATTENTION : Pour le parement de bois, utilisez un morceau de bois droit d'épaisseur régulière.

⚠ ATTENTION : Afin de couper complètement à travers les pièces ayant une hauteur comprise entre 107 mm et 120 mm, il est recommandé d'utiliser un parement de bois sur le guide. Le parement de bois éloignera la pièce du guide permettant à la lame de réaliser une coupe plus profonde.

REMARQUE : Une fois le parement de bois fixé, ne touchez pas le socle rotatif avec le bras abaissé. Vous risqueriez d'endommager la lame et/ou le parement de bois.

L'utilisation de parements de bois permet d'effectuer des coupes sans éclats. Fixez un parement de bois sur le guide en utilisant les orifices du guide et des vis de 6 mm.

Pour les dimensions recommandées du parement de bois, voir l'illustration.

► **Fig.68:** 1. Orifice 2. Plus de 15 mm 3. Plus de 270 mm 4. 90 mm 5. 145 mm 6. 19 mm 7. 115 à 120 mm

EXEMPLE Lors de la coupe de pièces ayant une hauteur de 115 mm et 120 mm, utilisez un parement de bois de l'épaisseur suivante.

Angle de coupe d'onglet	Épaisseur du parement de bois	
	115 mm	120 mm
0°	20 mm	38 mm
Gauche et droite 45°	15 mm	25 mm
Gauche et droite 60°	15 mm	25 mm

Transport de l'outil

Avant de transporter l'outil, assurez-vous que vous avez retiré la batterie et que toutes les pièces mobiles de la scie radiale sont maintenues en place. Vérifiez toujours les points suivants :

- La batterie est retirée.
- Le chariot est à un angle de coupe en biseau de 0° et fixé.
- Le chariot est abaissé et verrouillé.
- Le chariot est complètement couléssé sur les guides et verrouillé.
- Le socle rotatif est dans la position d'angle de coupe d'onglet complètement à droite et fixé.

- Les socles secondaires sont rangés et maintenus en place.

Saisissez l'outil par les deux côtés du socle pour le transporter.

► **Fig.69**

⚠ AVERTISSEMENT : La broche d'arrêt pour le soulèvement du chariot sert à des fins de transport et de rangement uniquement et pas pour les opérations de coupe. L'utilisation de la broche d'arrêt pour les opérations de coupe peut causer le déplacement inattendu de la lame de scie circulaire et provoquer un choc en retour et de graves blessures.

⚠ ATTENTION : Immobilisez toujours toutes les pièces mobiles de l'outil avant de le transporter. Si des pièces de l'outil bougent ou glissent pendant que vous le transportez, vous risquez d'en perdre le contrôle ou de perdre l'équilibre, ce qui comporte un risque de blessure.

⚠ ATTENTION : Veillez à ce que l'élévation du chariot soit correctement verrouillée à sa base par la broche d'arrêt. Si la broche d'arrêt est mal engagée, le chariot risque de se dégager soudainement et de provoquer des blessures.

FONCTION D'ACTIVATION SANS FIL

À quoi sert la fonction d'activation sans fil

La fonction d'activation sans fil offre un fonctionnement propre et confortable. En raccordant un aspirateur compatible à l'outil, vous pouvez déclencher automatiquement l'aspirateur en utilisant l'interrupteur de l'outil.

► **Fig.70**

Pour utiliser la fonction d'activation sans fil, préparez les éléments suivants :

- Un connecteur sans fil (accessoire en option)
- Un aspirateur compatible avec la fonction d'activation sans fil

Vous trouverez ci-après une vue d'ensemble de la fonction d'activation sans fil. Consultez chaque section pour en savoir plus sur la marche à suivre.

1. Installation du connecteur sans fil
2. Enregistrement de l'outil pour l'aspirateur
3. Démarrage de la fonction d'activation sans fil

Installation du connecteur sans fil

Accessoire en option

⚠ ATTENTION : Placez l'outil sur une surface plane et stable pour y installer le connecteur sans fil.

REMARQUE : Retirez la poussière et la saleté sur l'outil avant d'installer le connecteur sans fil. La poussière ou la saleté peuvent provoquer des dysfonctionnements si elles pénètrent dans la fente sur le connecteur sans fil.

REMARQUE : Pour éviter un dysfonctionnement provoqué par l'électricité statique, touchez un matériau conducteur comme la partie métallique de l'outil, avant de prendre dans vos mains le connecteur sans fil.

REMARQUE : Lorsque vous installez le connecteur sans fil, veillez toujours à l'insérer dans le bon sens et assurez-vous que le couvercle est complètement fermé.

1. Ouvrez le couvercle sur l'outil comme illustré sur la figure.

► **Fig.71:** 1. Couvercle

2. Insérez le connecteur sans fil dans la fente, puis refermez le couvercle.

Lors de l'insertion du connecteur sans fil, alignez les parties saillantes avec les parties creuses sur la fente.

► **Fig.72:** 1. Connecteur sans fil 2. Partie saillante 3. Couvercle 4. Partie creuse

Pour retirer le connecteur sans fil, ouvrez lentement le couvercle. Les crochets au dos du couvercle soulèveront le connecteur sans fil à mesure que vous tirez le couvercle vers le haut.

► **Fig.73:** 1. Connecteur sans fil 2. Crochet 3. Couvercle

Après avoir retiré le connecteur sans fil, gardez-le dans l'étui fourni ou dans un récipient anti-statique.

REMARQUE : Utilisez toujours les crochets au dos du couvercle lorsque vous retirez le connecteur sans fil. Si les crochets ne s'attachent pas au connecteur sans fil, fermez complètement le couvercle, puis rouvrez-le lentement.

Enregistrement de l'outil pour l'aspirateur

NOTE : Un aspirateur Makita compatible avec la fonction d'activation sans fil est nécessaire pour l'enregistrement de l'outil.

NOTE : Terminez la mise en place du connecteur sans fil sur l'outil avant de commencer l'enregistrement de l'outil.

NOTE : Évitez de tourner les interrupteurs suivants pendant l'enregistrement de l'outil :

- gâchette sur l'outil
- interrupteur de l'aspirateur sur l'outil
- interrupteur d'alimentation sur l'aspirateur

NOTE : Consultez aussi le mode d'emploi de l'aspirateur.

Si vous souhaitez activer l'aspirateur en utilisant l'interrupteur de l'outil, terminez d'abord l'enregistrement de l'outil.

1. Insérez les batteries dans l'aspirateur et l'outil.
2. Placez le bouton de veille de l'aspirateur sur « AUTO ».

► **Fig.74:** 1. Bouton de veille

3. Appuyez sur le bouton d'activation sans fil de l'aspirateur pendant 3 secondes jusqu'à ce que le témoin d'activation sans fil clignote en vert. Puis appuyez sur le bouton d'activation sans fil de l'outil de la même façon.

► **Fig.75:** 1. Bouton d'activation sans fil 2. Témoin d'activation sans fil

Si la liaison entre l'aspirateur et l'outil est réussie, les témoins d'activation sans fil s'allumeront en vert pendant 2 secondes et se mettront à clignoter en bleu.

NOTE : Les témoins d'activation sans fil cessent de clignoter en vert au bout de 20 secondes. Appuyez sur le bouton d'activation sans fil de l'outil pendant que le témoin d'activation sans fil de l'aspirateur clignote. Si le témoin d'activation sans fil ne clignote pas en vert, appuyez brièvement sur le bouton d'activation sans fil et maintenez-le à nouveau enfoncé.

NOTE : Si vous effectuez plus de deux enregistrements d'outils pour un seul aspirateur, terminez-les l'un après l'autre.

Démarrage de la fonction d'activation sans fil

NOTE : Terminez l'enregistrement de l'outil pour l'aspirateur avant l'activation sans fil.

NOTE : Consultez aussi le mode d'emploi de l'aspirateur.

Après avoir enregistré un outil sur l'aspirateur, ce dernier se déclenchera automatiquement en utilisant l'interrupteur de l'outil. Enclenchez la gâchette sur l'outil pour faire fonctionner l'aspirateur pendant le fonctionnement. L'aspirateur commence également à fonctionner en appuyant sur le bouton d'aspiration sur l'outil en dehors de toute opération de coupe.

► **Fig.76**

1. Installez le connecteur sans fil sur l'outil.
 2. Raccordez le tuyau de l'aspirateur à l'outil.
- **Fig.77**

3. Placez le bouton de veille de l'aspirateur sur « AUTO ».

► **Fig.78:** 1. Bouton de veille

4. Appuyez brièvement sur le bouton d'activation sans fil sur l'outil. Le témoin d'activation sans fil clignote en bleu.

► **Fig.79:** 1. Bouton d'activation sans fil 2. Témoin d'activation sans fil

5. Enclenchez la gâchette de l'outil. Vérifiez que l'aspirateur fonctionne alors que la gâchette est enclenchée.

6. Appuyez sur le bouton d'aspiration pour faire fonctionner l'aspirateur. Vérifiez que le témoin d'activation sans fil s'allume en bleu et que l'aspirateur continue de fonctionner jusqu'à ce que vous appuyiez à nouveau sur le bouton.

7. Pour interrompre l'aspiration, relâchez la gâchette ou appuyez de nouveau sur le bouton d'aspiration. L'aspirateur cesse de fonctionner quelques secondes après avoir actionné l'interrupteur, puis le témoin se met

à clignoter en bleu.

NOTE : Le statut de l'interrupteur (mise sous/hors tension de l'aspirateur) peut être lu sur le témoin d'activation sans fil. Pour en savoir plus, reportez-vous à la section décrivant le statut du témoin d'activation sans fil.

8. Pour arrêter l'activation sans fil de l'aspirateur, appuyez sur le bouton d'activation sans fil de l'outil.

NOTE : Le témoin d'activation sans fil de l'outil cessera de clignoter en bleu en l'absence d'opérations pendant 2 heures. Dans ce cas, placez le bouton de veille de l'aspirateur sur « AUTO » et appuyez à nouveau sur le bouton d'activation sans fil de l'outil.

NOTE : L'aspirateur démarre/s'arrête avec un léger retard. Il y a un décalage lorsque l'aspirateur détecte l'utilisation de l'interrupteur de l'outil.








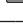

NOTE : La distance de transmission du connecteur sans fil peut varier selon l'emplacement et les conditions environnantes.

NOTE : Si plus de deux outils sont enregistrés sur un aspirateur, ce dernier peut se mettre en marche sans que vous enclenchiez la gâchette ou placiez le bouton d'aspiration sur Marche, car un autre utilisateur emploie la fonction d'activation sans fil.

Description du statut du témoin d'activation sans fil

► **Fig.80:** 1. Témoin d'activation sans fil

Le témoin d'activation sans fil indique le statut de la fonction d'activation sans fil. Consultez le tableau ci-dessous pour la signification du statut du témoin.

Statut	Témoin d'activation sans fil			Description	
	Couleur	 Allumé	 Clignotant		Durée
Veille	Bleu			2 heures	L'activation sans fil de l'aspirateur est disponible. Le témoin s'éteint automatiquement en l'absence d'opérations pendant 2 heures.
				Pendant le fonctionnement de l'outil.	L'activation sans fil de l'aspirateur est disponible et l'outil fonctionne.
Enregistrement de l'outil	Vert			20 secondes	Prêt pour l'enregistrement de l'outil. En attente d'enregistrement par l'aspirateur.
				2 secondes	L'enregistrement de l'outil est terminé. Le témoin d'activation sans fil se met à clignoter en bleu.
Annulation de l'enregistrement de l'outil	Rouge			20 secondes	Prêt pour l'annulation de l'enregistrement de l'outil. En attente d'annulation par l'aspirateur.
				2 secondes	L'annulation de l'enregistrement de l'outil est terminée. Le témoin d'activation sans fil se met à clignoter en bleu.
Autres	Rouge			3 secondes	Le connecteur sans fil est alimenté en électricité et la fonction d'activation sans fil démarre.
	Éteint	-		-	L'activation sans fil de l'aspirateur est arrêtée.

Annulation de l'enregistrement de l'outil pour l'aspirateur

Procédez comme indiqué ci-après pour annuler l'enregistrement de l'outil pour l'aspirateur.

1. Insérez les batteries dans l'aspirateur et l'outil.
2. Placez le bouton de veille de l'aspirateur sur « AUTO ».

► **Fig.81:** 1. Bouton de veille

3. Appuyez sur le bouton d'activation sans fil de l'aspirateur pendant 6 secondes. Le témoin d'activation sans fil clignote en vert, puis devient rouge. Après cela, appuyez sur le bouton d'activation sans fil de l'outil de la même façon.

► **Fig.82:** 1. Bouton d'activation sans fil 2. Témoin d'activation sans fil

Si l'annulation est réussie, les témoins d'activation sans fil s'allumeront en rouge pendant 2 secondes et se mettront à clignoter en bleu.

NOTE : Les témoins d'activation sans fil arrêtent de clignoter en rouge au bout de 20 secondes. Appuyez sur le bouton d'activation sans fil de l'outil pendant que le témoin d'activation sans fil de l'aspirateur clignote. Si le témoin d'activation sans fil ne clignote pas en rouge, appuyez brièvement sur le bouton d'activation sans fil et maintenez-le à nouveau enfoncé.

Guide de dépannage de la fonction d'activation sans fil

Avant de faire une demande de réparation, effectuez d'abord vous-même une inspection. Si vous rencontrez un problème non documenté dans le mode d'emploi, n'essayez pas de démonter l'outil. Demandez plutôt à un centre de service après-vente Makita agréé d'effectuer la réparation au moyen de pièces de rechange Makita.

État d'anomalie	Cause probable (dysfonctionnement)	Solution
Le témoin d'activation sans fil ne s'allume pas ou ne clignote pas.	Le connecteur sans fil n'est pas installé sur l'outil. Le connecteur sans fil est mal installé sur l'outil.	Installez correctement le connecteur sans fil.
	La borne du connecteur sans fil et/ou la fente sont sales.	Essayez délicatement la poussière et la saleté sur la borne du connecteur sans fil et nettoyez la fente.
	Le bouton d'activation sans fil de l'outil n'a pas été enfoncé.	Appuyez brièvement sur le bouton d'activation sans fil sur l'outil.
	Le bouton de veille de l'aspirateur n'est pas placé sur « AUTO ».	Placez le bouton de veille de l'aspirateur sur « AUTO ».
	Pas d'alimentation électrique	Mettez sous tension l'outil électrique et l'aspirateur.
Impossible de terminer correctement l'enregistrement de l'outil/l'annulation de l'enregistrement de l'outil.	Le connecteur sans fil n'est pas installé sur l'outil. Le connecteur sans fil est mal installé sur l'outil.	Installez correctement le connecteur sans fil.
	La borne du connecteur sans fil et/ou la fente sont sales.	Essayez délicatement la poussière et la saleté sur la borne du connecteur sans fil et nettoyez la fente.
	Le bouton de veille de l'aspirateur n'est pas placé sur « AUTO ».	Placez le bouton de veille de l'aspirateur sur « AUTO ».
	Pas d'alimentation électrique	Mettez sous tension l'outil électrique et l'aspirateur.
	Fonctionnement incorrect	Appuyez brièvement sur le bouton d'activation sans fil et recommencez l'enregistrement de l'outil/l'annulation de l'enregistrement de l'outil.
	L'outil et l'aspirateur sont éloignés l'un de l'autre (hors de la portée de transmission).	Rapprochez l'outil de l'aspirateur. La distance de transmission maximum est d'environ 10 m, toutefois elle peut varier selon les circonstances.
	Avant de terminer l'enregistrement/l'annulation de l'outil ; - la gâchette de l'outil est enclenchée ou ; - le bouton d'aspiration de l'outil est placé sur Marche ou ; - le bouton d'alimentation de l'aspirateur est placé sur Marche.	Appuyez brièvement sur le bouton d'activation sans fil et recommencez l'enregistrement de l'outil/l'annulation de l'enregistrement de l'outil.
	Les procédures d'enregistrement de l'outil pour l'outil ou l'aspirateur ne sont pas terminées.	Procédez à l'enregistrement de l'outil à la fois pour l'outil et l'aspirateur en même temps.
Interférence radio d'autres appareils qui génèrent des ondes radio puissantes.	Maintenez l'outil et l'aspirateur à l'écart des appareils comme des appareils Wi-Fi et des fours à micro-ondes.	

État d'anomalie	Cause probable (dysfonctionnement)	Solution
L'aspirateur ne se met pas en marche avec l'utilisation de l'interrupteur de l'outil.	Le connecteur sans fil n'est pas installé sur l'outil. Le connecteur sans fil est mal installé sur l'outil.	Installez correctement le connecteur sans fil.
	La borne du connecteur sans fil et/ou la fente sont sales.	Essayez délicatement la poussière et la saleté sur la borne du connecteur sans fil et nettoyez la fente.
	Le bouton d'activation sans fil de l'outil n'a pas été enfoncé.	Appuyez brièvement sur le bouton d'activation sans fil et assurez-vous que le témoin d'activation sans fil clignote en bleu.
	Le bouton de veille de l'aspirateur n'est pas placé sur « AUTO ».	Placez le bouton de veille de l'aspirateur sur « AUTO ».
	Plus de 10 outils sont enregistrés sur l'aspirateur.	Recommencez l'enregistrement de l'outil. Si plus de 10 outils sont enregistrés sur l'aspirateur, l'outil enregistré le plus tôt sera automatiquement annulé.
	L'aspirateur n'a pas réussi à enregistrer les outils.	Renouvelez les enregistrements d'outils.
	L'aspirateur a effacé tous les enregistrements d'outils.	Recommencez l'enregistrement de l'outil.
	Pas d'alimentation électrique	Mettez sous tension l'outil électrique et l'aspirateur.
	L'outil et l'aspirateur sont éloignés l'un de l'autre (hors de la portée de transmission).	Rapprochez l'outil de l'aspirateur. La distance de transmission maximum est d'environ 10 m, toutefois elle peut varier selon les circonstances.
L'aspirateur fonctionne alors qu'un interrupteur de l'outil n'est actionné.	Interférence radio d'autres appareils qui génèrent des ondes radio puissantes.	Maintenez l'outil et l'aspirateur à l'écart des appareils comme des appareils Wi-Fi et des fours à micro-ondes.
	D'autres utilisateurs emploient la fonction d'activation sans fil de l'aspirateur avec leurs outils.	Placez le bouton d'activation sans fil des autres outils sur Arrêt ou annulez l'enregistrement de l'outil des autres outils.

ENTRETIEN

⚠ AVERTISSEMENT : Assurez-vous toujours que l'outil est hors tension et que la batterie est retirée avant d'y effectuer tout travail d'inspection ou d'entretien. Si vous ne retirez pas la batterie et ne mettez pas l'outil hors tension, cela présente un risque de graves blessures en cas de démarrage accidentel.

⚠ AVERTISSEMENT : Pour obtenir de l'outil une performance optimale et une sécurité maximale, assurez-vous toujours que la lame de scie circulaire est affûtée et propre. Si vous tentez d'effectuer la coupe avec une lame émoussée et/ou sale, cela présente un risque de choc en retour et de graves blessures.

⚠ ATTENTION : Assurez-vous toujours que le protecteur de lame est fermé sur la position initiale avant d'effectuer tout travail d'inspection ou d'entretien. N'immobilisez jamais le protecteur de lame en position ouverte pendant les opérations de nettoyage. Une lame exposée peut entraîner des blessures.

REMARQUE : N'utilisez jamais d'essence, benzine, diluant, alcool ou autre produit similaire. Cela risquerait de provoquer la décoloration, la déformation ou la fissuration de l'outil.

Pour assurer la SÉCURITÉ et la FIABILITÉ du produit,

toute réparation, tout travail d'entretien ou de réglage doivent être effectués par un centre d'entretien Makita agréé, avec des pièces de rechange Makita.

Réglage de l'angle de coupe

L'outil a été soigneusement réglé et aligné en usine, mais une manipulation maladroite a pu dérégler l'alignement. Si l'outil n'est pas aligné correctement, effectuez les opérations suivantes :

Angle de coupe d'onglet

Abaissez complètement la poignée et verrouillez-la sur la position abaissée avec la broche d'arrêt. Poussez le chariot vers le guide.

Tournez le manche dans le sens inverse des aiguilles d'une montre et préparez le socle rotatif pour la fonction de butée fixe au moyen du levier de verrouillage.

Desserrez ensuite les vis qui fixent l'index et la graduation d'angles de coupe d'onglet.

► **Fig.83:** 1. Manche 2. Levier de verrouillage 3. Vis sur l'index 4. Vis sur la graduation d'angles de coupe d'onglet 5. Graduation d'angles de coupe d'onglet

Réglez le socle rotatif sur la position 0° au moyen de la fonction de butée fixe. Redressez le côté de la lame de scie circulaire avec la face du guide à l'aide d'une règle triangulaire ou d'une équerre de menuisier. Tout en maintenant l'angle droit, serrez les vis sur la graduation d'angles de coupe d'onglet. Après cela, alignez les index (gauche et droit) sur la position 0° sur la graduation d'angles de coupe d'onglet, puis serrez la vis sur

l'index.

► **Fig.84:** 1. Règle triangulaire 2. Index

Angle de coupe en biseau

Angle de coupe en biseau 0°

Poussez le chariot vers les guides et verrouillez le mouvement de coulissement avec la broche d'arrêt. Abaissez complètement le chariot et verrouillez-le sur la position abaissée avec la broche d'arrêt. Tournez la molette dans le sens inverse des aiguilles d'une montre, puis tournez le boulon de réglage à 0° de deux ou trois tours dans le sens inverse des aiguilles d'une montre pour incliner la lame de scie circulaire vers la droite.

► **Fig.85:** 1. Molette 2. Boulon de réglage à 0° 3. Vis sur l'index

Redressez soigneusement le côté de la lame de scie circulaire avec la surface supérieure du socle rotatif à l'aide d'une règle triangulaire, d'une équerre de menuisier, etc. en tournant le boulon de réglage à 0° dans le sens des aiguilles d'une montre. Serrez ensuite fermement la molette pour fixer l'angle de 0° que vous avez réglé.

► **Fig.86:** 1. Règle triangulaire 2. lame de scie 3. Surface supérieure du socle rotatif

Vérifiez à nouveau si le côté de la lame de scie circulaire est perpendiculaire à la surface du socle rotatif. Desserrez la vis sur l'index. Alignez l'index sur la position 0° sur la graduation d'angles de coupe en biseau, puis serrez la vis.

Angle de coupe en biseau 45°

REMARQUE : Avant de régler l'angle de coupe en biseau de 45°, terminez le réglage de l'angle de coupe en biseau de 0°.

Desserrez la molette et inclinez complètement le chariot vers le côté que vous souhaitez vérifier. Vérifiez si l'index indique la position 45° sur la graduation d'angles de coupe en biseau.

► **Fig.87:** 1. Molette

Si l'index n'indique pas la position 45°, alignez-le sur la position 45° en tournant le boulon de réglage sur la graduation d'angles de coupe en biseau sur le côté opposé du socle.

► **Fig.88:** 1. Boulon de réglage de 45° vers la gauche 2. Boulon de réglage de 45° vers la droite

Réglage des sous-guides

Réglez les sous-guides sur les socles secondaires s'ils ne sont pas alignés avec les guides.

1. Avec la clé hexagonale, desserrez les boulons qui retiennent les sous-guides.
2. Placez une barre rigide droite, comme un élément d'acier carré, à plat contre les guides.
3. Avec la barre à plat contre les guides, placez les sous-guides de sorte que leurs faces se trouvent à plat contre la barre. Ceci fait, serrez les boulons.

► **Fig.89:** 1. Boulon 2. Sous-guide 3. Guide 4. Barre rigide

Nettoyage de la lentille de la lampe

ATTENTION : Retirez toujours la lame de scie circulaire avant de nettoyer la lentille de la lampe.

REMARQUE : Ne retirez pas la vis qui maintient la lentille en place. Si la lentille ne sort pas, desserrez davantage la vis.

REMARQUE : Retirez la saleté sur la lentille de la lampe avec un chiffon sec. Prenez soin de ne pas érafler la lentille de la lampe sous peine de diminuer son éclairage.

REMARQUE : N'utilisez aucun solvant ou nettoyant à base de pétrole sur la lentille.

La DEL d'éclairage devient difficile à voir à mesure que sa lentille devient sale. Nettoyez régulièrement la lentille.

Retirez la batterie. Desserrez la vis et sortez la lentille. Nettoyez délicatement la lentille avec un chiffon doux humide.

► **Fig.90:** 1. Vis 2. Lentille

Après l'utilisation

Après l'utilisation, essuyez les copeaux et poussières qui adhèrent à l'outil à l'aide d'un chiffon ou d'un objet similaire. Gardez le protecteur de lame propre, conformément aux instructions fournies dans la section précédente intitulée « Protecteur de lame ». Lubrifiez les parties coulissantes avec de l'huile machine pour prévenir la formation de rouille.

ACCESSOIRES EN OPTION

AVERTISSEMENT : Les accessoires ou pièces supplémentaires Makita qui suivent sont recommandés pour l'utilisation avec l'outil Makita spécifié dans ce manuel. L'utilisation de tout autre accessoire ou pièce supplémentaire peut entraîner de graves blessures.

AVERTISSEMENT : Utilisez l'accessoire ou la pièce supplémentaire Makita uniquement dans le but spécifié. La mauvaise utilisation d'un accessoire ou d'une pièce supplémentaire peut entraîner de graves blessures.

Pour obtenir plus de détails sur ces accessoires, contactez votre centre d'entretien local Makita.

- Lames à dents de carbure
- Étau vertical
- Étau horizontal
- Ensemble de butées pour moule couronné
- Sac à poussière
- Règle triangulaire
- Clé hexagonale
- Connecteur sans fil
- Jeu de supports

- Batterie et chargeur Makita d'origine

NOTE : Il se peut que certains éléments de la liste soient compris dans l'emballage de l'outil en tant qu'accessoires standard. Ils peuvent varier d'un pays à l'autre.

TECHNISCHE DATEN

Modell:		LS003G
Sägeblattdurchmesser	Europäische Länder	305 mm
	Länder außerhalb Europas	305 mm
Lochdurchmesser	Europäische Länder	30 mm
	Länder außerhalb Europas	30 mm oder 25,4 mm (länderspezifisch)
Max. Schnittfugenbreite des Sägeblatts		3,2 mm
Max. Gehrungswinkel		Rechts 60°, Links 60°
Max. Neigungswinkel		Rechts 48°, Links 48°
Leerlaufdrehzahl (U/min)		3.600 min ⁻¹
Abmessungen (L x B x H)		898 mm x 690 mm x 725 mm
Nennspannung		D.C. 36 V - 40 V max.
Nettogewicht		30,5 - 31,7 kg

Schnittleistung (H x B)

Gehrungswinkel			Neigungswinkel		
			45° (links)	0°	45° (rechts)
0°	-	-	61 mm x 382 mm 71 mm x 363 mm	92 mm x 382 mm 107 mm x 363 mm	44 mm x 382 mm 54 mm x 363 mm
	Dicke des Zwischenbretts auf dem Gehrungsanschlag für größere Schnitthöhe	20 mm	78 mm x 325 mm	115 mm x 325 mm	61 mm x 325 mm
		38 mm	80 mm x 292 mm	120 mm x 292 mm	-
45° (rechts und links)	-	-	61 mm x 268 mm 71 mm x 255 mm	92 mm x 268 mm 107 mm x 255 mm	44 mm x 268 mm 54 mm x 255 mm
	Dicke des Zwischenbretts auf dem Gehrungsanschlag für größere Schnitthöhe	15 mm	-	115 mm x 227 mm	-
		25 mm	-	120 mm x 212 mm	-
60° (rechts und links)	-	-	-	92 mm x 185 mm 107 mm x 178 mm	-
	Dicke des Zwischenbretts auf dem Gehrungsanschlag für größere Schnitthöhe	15 mm	-	115 mm x 155 mm	-
		25 mm	-	120 mm x 140 mm	-

Schnittleistung für Sonderschnitte

Schnitttyp	Schnittleistung
Deckenleiste 45°-Typ (bei Verwendung eines Deckenleistenanschlages)	203 mm
Fußleiste (bei Verwendung eines Horizontal-Schraubstocks)	171 mm

- Wir behalten uns vor, Änderungen der technischen Daten im Zuge der Entwicklung und des technischen Fortschritts ohne vorherige Ankündigung vorzunehmen.
- Die technischen Daten können von Land zu Land unterschiedlich sein.
- Das Gewicht kann abhängig von dem Aufsatz (den Aufsätzen), einschließlich des Akkus, unterschiedlich sein. Die leichteste und die schwerste Kombination, gemäß dem EPTA-Verfahren 01/2014, sind in der Tabelle angegeben.

Zutreffende Akkus und Ladegeräte










Akku	BL4020 / BL4025 / BL4040* / BL4040F* / BL4050F* / BL4080F* * : Empfohlener Akku
Ladegerät	DC40RA / DC40RB / DC40RC / DC40WA

- Einige der oben aufgelisteten Akkus und Ladegeräte sind je nach Ihrem Wohngebiet eventuell nicht erhältlich.

⚠ WARNUNG: Verwenden Sie nur die oben aufgeführten Akkus und Ladegeräte. Bei Verwendung irgendwelcher anderer Akkus und Ladegeräte besteht Verletzungs- und/oder Brandgefahr.

Symbole

Nachfolgend werden Symbole beschrieben, die für das Gerät verwendet werden können. Machen Sie sich unbedingt vor der Benutzung mit ihrer Bedeutung vertraut.

	Betriebsanleitung lesen.
	Tragen Sie einen Augenschutz.
	Um Verletzungen durch herausgeschleuderte Teile zu vermeiden, halten Sie den Sägekopf nach Ausführung von Schnitten abgesenkt, bis das Sägeblatt völlig zum Stillstand gekommen ist.
	Wenn Sie Neigungsschnitte durchführen, drehen Sie den Knopf zuerst entgegen dem Uhrzeigersinn, und neigen Sie dann den Schlitten. Drehen Sie den Knopf danach im Uhrzeigersinn zum Festziehen.
	Ziehen Sie den Schlitten zur Ausführung von Schiebeschnitten zunächst ganz vor, drücken Sie den Griff nach unten, und schieben Sie dann den Schlitten zum Gehrungsanschlag.
	Halten Sie den Entriegelungsknopf gedrückt, wenn Sie den Schlitten nach rechts neigen.
	Rücken Sie den Anschlaghebel ein, wenn Sie eine Fußleiste in einem Gehrungswinkel von 45° schneiden.
	Halten Sie Hände oder Finger vom Sägeblatt fern.
	Starren Sie nicht auf die Betriebslampe.
	A: Sägeblattdurchmesser B: Lochdurchmesser
	Installieren Sie den Horizontal-Schraubstock nicht in derselben Richtung wie bei Gehrungsschnitt. (Dieses Symbol ist am Horizontal-Schraubstock angebracht.)



Nur für EU-Länder
Aufgrund des Vorhandenseins gefährlicher Komponenten in der Ausrüstung können Elektro- und Elektronik-Altgeräte, Akkumulatoren und Batterien sich negativ auf die Umwelt und die menschliche Gesundheit auswirken.
Entsorgen Sie Elektro- und Elektronikgeräte oder Batterien nicht mit dem Hausmüll!
In Übereinstimmung mit der Europäischen Richtlinie über Elektro- und Elektronik-Altgeräte, Akkumulatoren und Batterien, verbrauchte Akkumulatoren und Batterien sowie ihrer Anpassung an nationales Recht sollten Elektro-Altgeräte, Batterien und Akkumulatoren gemäß den Umweltschutzbestimmungen getrennt gelagert und zu einer getrennten Sammelstelle für Siedlungsabfälle geliefert werden.
Dies wird durch das am Gerät angebrachte Symbol der durchgestrichenen Abfalltonne auf Rädern angezeigt.

Vorgesehene Verwendung

Das Werkzeug ist für genaue Gerad- und Gehrungsschnitte in Holz vorgesehen. Verwenden Sie die Säge nur zum Schneiden von Holz, Aluminium oder ähnlichen Materialien.

Geräusch

Typischer A-bewerteter Geräuschpegel ermittelt gemäß EN62841-3-9:
Schalldruckpegel (L_{pA}): 91 dB (A)
Schalleistungspegel (L_{WA}): 100 dB (A)
Messunsicherheit (K): 3 dB (A)

HINWEIS: Der (Die) angegebene(n) Schallemissionswert(e) wurde(n) im Einklang mit der Standardprüfmethode gemessen und kann (können) für den Vergleich zwischen Werkzeugen herangezogen werden.

HINWEIS: Der (Die) angegebene(n) Schallemissionswert(e) kann (können) auch für eine Vorbewertung des Gefährdungsgrads verwendet werden.

⚠️ WARNUNG: Einen Gehörschutz tragen.

⚠️ WARNUNG: Die Schallemission während der tatsächlichen Benutzung des Elektrowerkzeugs kann je nach der Benutzungsweise des Werkzeugs, und speziell je nach der Art des bearbeiteten Werkstücks, von dem (den) angegebenen Wert(en) abweichen.

⚠️ WARNUNG: Identifizieren Sie Sicherheitsmaßnahmen zum Schutz des Benutzers anhand einer Schätzung des Gefährdungsgrads unter den tatsächlichen Benutzungsbedingungen (unter Berücksichtigung aller Phasen des Arbeitszyklus, wie z. B. Ausschalt- und Leerlaufzeiten des Werkzeugs zusätzlich zur Betriebszeit).

Konformitätserklärungen

Nur für europäische Länder

Die Konformitätserklärungen sind in Anhang A dieser Betriebsanleitung enthalten.

SICHERHEITSWARNUNGEN

Allgemeine Sicherheitswarnungen für Elektrowerkzeuge

⚠️ WARNUNG Lesen Sie alle Sicherheitshinweise, Anweisungen, Abbildungen und Spezifikationen, die diesem Elektrowerkzeug beiliegen. Eine Missachtung der unten aufgeführten Anweisungen kann zu einem elektrischen Schlag, Brand und/oder schweren Verletzungen führen.

Bewahren Sie alle Warnungen und Anweisungen für spätere Bezugnahme auf.

Der Ausdruck „Elektrowerkzeug“ in den Warnhinweisen bezieht sich auf Ihr mit Netzstrom (mit Kabel) oder Akku (ohne Kabel) betriebenes Elektrowerkzeug.

Sicherheitsanweisungen für Gehrungssägen

1. **Gehrungssägen sind zum Schneiden von Holz oder holzähnlichen Produkten vorgesehen. Sie können nicht mit Trennschleifscheiben zum Schneiden von Eisenmaterial, wie z. B. Stäben, Stangen, Bolzen usw., verwendet werden.** Schleifstaub kann Klemmen von beweglichen Teilen, wie z. B. der unteren Schutzhaube, verursachen. Beim Trennschleifen entstehende Funken verbrennen die untere Schutzhaube, den Schnitffugeneinsatz und andere Kunststoffteile.
2. **Stützen Sie das Werkstück nach Möglichkeit immer mit Klemmen ab. Wenn Sie das Werkstück mit der Hand abstützen, müssen Sie Ihre Hand immer mindestens 100 mm**

von beiden Seiten des Sägeblatts entfernt halten. Verwenden Sie diese Säge nicht zum Schneiden von Werkstücken, die zu klein sind, um sicher eingespannt oder von Hand gehalten zu werden. Wenn Sie Ihre Hand zu nah an das Sägeblatt halten, besteht erhöhte Verletzungsgefahr durch Kontakt mit dem Sägeblatt.

3. **Das Werkstück muss stationär sein und sowohl gegen den Gehrungsanschlag als auch den Tisch geklemmt oder gehalten werden. Schieben Sie das Werkstück nicht in das Sägeblatt, und schneiden Sie auch nicht „freihändig“ in irgendeiner Weise.** Nicht gesicherte oder bewegliche Werkstücke könnten mit hoher Geschwindigkeit herausgeschleudert werden und Verletzungen verursachen.
4. **Schieben Sie die Säge durch das Werkstück. Ziehen Sie die Säge nicht durch das Werkstück. Um einen Schnitt auszuführen, heben Sie den Sägekopf an, ziehen Sie ihn über das Werkstück heraus, ohne es zu schneiden, starten Sie den Motor, drücken Sie den Sägekopf nach unten, und schieben Sie die Säge durch das Werkstück.** Beim Schneiden in Zugrichtung ist die Wahrscheinlichkeit groß, dass das Sägeblatt am Werkstück hoch klettert und die Sägeblatteinheit heftig gegen den Bediener schleudert.
5. **Halten Sie niemals Ihre Hand über die beabsichtigte Schnittlinie, weder vor noch hinter dem Sägeblatt.** Abstützen des Werkstücks mit „überkreuzter Hand“, d. h. Halten des Werkstücks rechts vom Sägeblatt mit der linken Hand oder umgekehrt, ist sehr gefährlich.

► Abb.1

6. **Reichen Sie bei rotierendem Sägeblatt nicht hinter den Gehrungsanschlag, so dass sich eine Ihrer Hände näher als 100 mm links oder rechts des Sägeblatts befindet, um Holzabfälle zu entfernen, oder aus anderen Gründen.** Es mag nicht offensichtlich sein, wie nah sich Ihre Hand am Sägeblatt befindet, und Sie können sich ernsthaft verletzen.
7. **Überprüfen Sie Ihr Werkstück vor dem Schneiden. Falls das Werkstück verbogen oder verzogen ist, spannen Sie es mit der äußeren gebogenen Seite zum Gehrungsanschlag gerichtet ein. Vergewissern Sie sich stets, dass keine Lücke zwischen Werkstück, Gehrungsanschlag und Tisch entlang der Schnittlinie vorhanden ist.** Verbogene oder verzogene Werkstücke neigen zum Drehen oder Verlagern und können beim Schneiden Klemmen am rotierenden Sägeblatt verursachen. Es dürfen keine Nägel oder Fremdkörper im Werkstück vorhanden sein.
8. **Benutzen Sie die Säge nicht eher, bis sämtliche Werkzeuge, Holzabfälle usw. außer dem Werkstück vom Tisch weggeräumt sind.** Kleine Bruchstücke, lose Holzstücke oder andere Objekte, die das rotierende Sägeblatt berühren, können mit hoher Geschwindigkeit herausgeschleudert werden.
9. **Schneiden Sie nur jeweils ein Werkstück.** Mehrere übereinander gestapelte Werkstücke

- lassen sich nicht angemessen einspannen oder abstützen und können am Sägeblatt klemmen oder sich während des Schneidens verlagern.
10. **Vergewissern Sie sich vor Gebrauch, dass die Gehrungssäge auf einer ebenen, stabilen Arbeitsfläche montiert oder platziert ist.** Eine ebene und stabile Arbeitsfläche verringert die Gefahr, dass die Gehrungssäge instabil wird.
 11. **Planen Sie Ihre Arbeit. Stellen Sie bei jeder Änderung der Neigungs- oder Gehrungswinkeleinstellung sicher, dass der verstellbare Gehrungsanschlag korrekt eingestellt ist, um das Werkstück abzustützen, und dass er nicht mit dem Sägeblatt oder dem Schutzsystem in Berührung kommt.** Bewegen Sie das Sägeblatt durch einen vollständigen simulierten Schnitt, ohne das Werkzeug einzuschalten und ein Werkstück auf den Tisch zu legen, um zu gewährleisten, dass es nicht zu einer Berührung oder der Gefahr des Schneidens in den Gehrungsanschlag kommt.
 12. **Sorgen Sie für angemessene Abstützung eines Werkstücks, das breiter oder länger als die Tischplatte ist, z. B. durch Tischverlängerungen, Sägeböcke usw.** Werkstücke, die länger oder breiter als der Tisch der Gehrungssäge sind, können kippen, wenn sie nicht sicher abgestützt werden. Falls das abgeschnittene Stück oder Werkstück kippt, kann es die untere Schutzhaube anheben oder vom rotierenden Sägeblatt weggeschleudert werden.
 13. **Verwenden Sie keine zweite Person als Ersatz für eine Tischverlängerung oder zur zusätzlichen Abstützung.** Instabile Abstützung des Werkstücks kann dazu führen, dass das Sägeblatt klemmt oder das Werkstück sich während des Schneidvorgangs verlagert, so dass Sie und der Helfer in das rotierende Sägeblatt gezogen werden.
 14. **Das abgeschnittene Stücke darf nicht in irgendeiner Weise gegen das rotierende Sägeblatt geklemmt oder gedrückt werden.** Bei Einengung, z. B. durch Längenanschläge, könnte sich das abgeschnittene Stück gegen das Sägeblatt verkeilen und heftig herausgeschleudert werden.
 15. **Verwenden Sie stets eine Klemme oder eine Einspannvorrichtung, um Rundmaterial, wie z. B. Stangen oder Rohre, einwandfrei abzustützen.** Stangen neigen beim Schneiden zum Rollen, so dass das Sägeblatt „beißt“ und das Werkstück mit Ihrer Hand in das Sägeblatt zieht.
 16. **Warten Sie, bis das Sägeblatt die volle Drehzahl erreicht, bevor es das Werkstück kontaktiert.** Dadurch wird die Gefahr des Herausschleuderns des Werkstücks verringert.
 17. **Falls das Werkstück oder das Sägeblatt eingeklemmt wird, schalten Sie die Gehrungssäge aus. Warten Sie, bis alle beweglichen Teile zum Stillstand gekommen sind, und ziehen Sie dann den Stecker von der Stromquelle ab und/oder nehmen Sie den Akku ab. Befreien Sie dann das eingeklemmte Material.** Fortgesetztes Sägen mit einem eingeklemmten Werkstück könnte zum Verlust der Kontrolle oder zu einer Beschädigung der Gehrungssäge führen.
 18. **Nachdem Sie den Schnitt vollendet haben, lassen Sie den Schalter los, halten Sie den Sägekopf nach unten, und warten Sie, bis das Sägeblatt zum Stillstand kommt, bevor Sie das abgeschnittene Stück entfernen.** Es ist gefährlich, mit Ihrer Hand in die Nähe des auslaufenden Sägeblatts zu reichen.
 19. **Halten Sie den Handgriff sicher fest, wenn Sie einen unvollständigen Schnitt ausführen oder den Schalter loslassen, bevor sich der Sägekopf vollständig in der abgesenkten Position befindet.** Die Abbremsung der Säge kann bewirken, dass der Sägekopf plötzlich nach unten gezogen wird, so dass Verletzungsgefahr besteht.
 20. **Verwenden Sie nur Sägeblätter mit einem Durchmesser, der am Werkzeug markiert oder im Handbuch angegeben ist.** Die Verwendung eines Sägeblatts mit falscher Größe kann den einwandfreien Schutz des Sägeblatts oder den Schutzbetrieb beeinträchtigen, was ernsthaften Personenschaden zur Folge haben kann.
 21. **Verwenden Sie nur Sägeblätter, die mit einer Drehzahl markiert sind, die der am Werkzeug angegebenen Drehzahl entspricht oder diese übertrifft.**
 22. **Verwenden Sie die Säge nur zum Schneiden von Holz, Aluminium oder ähnlichen Materialien.**
 23. **(Nur für europäische Länder)** Verwenden Sie immer ein Sägeblatt, das EN847-1 entspricht.
- Zusätzliche Anweisungen**
1. **Machen Sie die Werkstatt mit Vorhängeschlossern kindersicher.**
 2. **Stellen Sie sich niemals auf das Werkzeug.** Durch Kippen des Werkzeugs oder versehentliche Berührung mit dem Schneidwerkzeug könnten ernsthafte Verletzungen auftreten.
 3. **Lassen Sie das Werkzeug niemals unbeaufsichtigt laufen. Schalten Sie die Stromversorgung aus. Verlassen Sie das Werkzeug nicht eher, bis es zu einem vollständigen Stillstand gekommen ist.**
 4. **Betreiben Sie die Säge nicht ohne Schutzhauben. Überprüfen Sie die Sägeblattschutzhaube vor jeder Benutzung auf einwandfreies Schließen. Betreiben Sie die Säge nicht, wenn sich die Schutzhaube nicht ungehindert bewegt und sich nicht sofort schließt. Die Schutzhaube darf auf keinen Fall in der geöffneten Stellung festgeklemmt oder festgebunden werden.**
 5. **Halten Sie Ihre Hände von der Schnittlinie des Sägeblatts fern. Vermeiden Sie die Berührung eines auslaufenden Sägeblatts. Es kann auch in diesem Zustand noch schwere Verletzungen verursachen.**
 6. **Um die Verletzungsgefahr zu verringern, führen Sie den Schlitten nach jedem Ablängschnittvorgang auf seine hintere Anschlagstellung zurück.**
 7. **Sichern Sie stets alle beweglichen Teile, bevor Sie das Werkzeug tragen.**
 8. **Der Anschlagstift oder Anschlaghebel, der**

- den Sägekopf verriegelt, ist nur zum Tragen und zur Lagerung, nicht für irgendwelche Schneidarbeiten, vorgesehen.
9. Überprüfen Sie das Sägeblatt vor dem Betrieb sorgfältig auf Risse oder Beschädigung. Wechseln Sie ein gerissenes oder beschädigtes Sägeblatt unverzüglich aus. An den Sägeblättern haftendes und verhärtetes Gummi und Harz verlangsamen die Säge und erhöhen die Rückschlaggefahr. Halten Sie das Sägeblatt sauber, indem Sie es vom Werkzeug abmontieren und dann mit Gummi- und Harzentferner, heißem Wasser oder Petroleum reinigen. Verwenden Sie niemals Benzin zum Reinigen des Sägeblatts.
 10. Bei der Durchführung eines Schiebeschnitts kann RÜCKSCHLAG auftreten. RÜCKSCHLAG tritt auf, wenn das Sägeblatt während eines Schneidvorgangs im Werkstück klemmt und plötzlich auf den Bediener zu getrieben wird. Es kann zum Verlust der Kontrolle und zu ernsthaften Personenschäden kommen. Falls das Sägeblatt während eines Schneidvorgangs zu klemmen beginnt, brechen Sie den Schnitt ab und lassen Sie den Schalter unverzüglich los.
 11. Verwenden Sie nur die für dieses Werkzeug vorgeschriebenen Flansche.
 12. Achten Sie sorgfältig darauf, dass die Spindel, die Flansche (insbesondere die Ansatzfläche) oder die Schraube nicht beschädigt werden. Eine Beschädigung dieser Teile kann zu einem Sägeblattbruch führen.
 13. Vergewissern Sie sich, dass der Drehteller einwandfrei gesichert ist, damit er sich während des Betriebs nicht bewegt. Verwenden Sie die Löcher in der Grundplatte, um die Säge an einer stabilen Arbeitsbühne oder Werkbank zu befestigen. Benutzen Sie das Werkzeug NIEMALS in Situationen, bei denen der Bediener gezwungen wäre, eine ungünstige Position einzunehmen.
 14. Vergewissern Sie sich vor dem Einschalten des Werkzeugs, dass die Spindelarretierung freigegeben ist.
 15. Vergewissern Sie sich, dass das Sägeblatt in der tiefsten Position nicht mit dem Drehteller in Berührung kommt.
 16. Halten Sie den Handgriff sicher fest. Beachten Sie, dass sich die Säge beim Anlaufen und Abstellen geringfügig nach oben oder unten bewegt.
 17. Vergewissern Sie sich vor dem Einschalten des Werkzeugs, dass das Sägeblatt nicht das Werkstück berührt.
 18. Lassen Sie das Werkzeug vor dem eigentlichen Schneiden eines Werkstücks eine Weile laufen. Achten Sie auf Vibrationen oder Taumelbewegungen, die Anzeichen für schlechte Montage oder ein schlecht ausgewuchtetes Sägeblatt sein können.
 19. Brechen Sie sofort den Betrieb ab, wenn Sie irgend etwas Ungewöhnliches bemerken.
 20. Versuchen Sie nicht, den Auslöser in der EIN-Stellung zu verriegeln.

21. Verwenden Sie stets das in dieser Anleitung empfohlene Zubehör. Der Gebrauch ungeeigneten Zubehörs, wie z. B. Schleifscheiben, kann Verletzungen zur Folge haben.
22. Manche Materialien können giftige Chemikalien enthalten. Treffen Sie Vorsichtsmaßnahmen, um das Einatmen von Arbeitsstaub und Hautkontakt zu verhindern. Befolgen Sie die Sicherheitsdaten des Materialherstellers.
23. Verwenden Sie keine verkabelte Stromversorgung mit diesem Werkzeug.

Zusätzliche Sicherheitsregeln für die Betriebslampe

1. Blicken Sie nicht direkt in das Licht oder die Lichtquelle.

BEWAHREN SIE DIESE ANLEITUNG AUF.

⚠️ WARNUNG: Lassen Sie sich NICHT durch Bequemlichkeit oder Vertrautheit mit dem Produkt (durch wiederholten Gebrauch erworben) von der strikten Einhaltung der Sicherheitsregeln für das vorliegende Produkt abhalten. MISSBRAUCH oder Missachtung der Sicherheitsvorschriften in dieser Anleitung können schwere Personenschäden verursachen.

Wichtige Sicherheitsanweisungen für Akku

1. Lesen Sie vor der Benutzung des Akkus alle Anweisungen und Warnhinweise, die an (1) Ladegerät, (2) Akku und (3) Akkuwerkzeug angebracht sind.
2. Unterlassen Sie Zerlegen oder Manipulieren des Akkus. Es kann sonst zu einem Brand, übermäßiger Hitzeentwicklung oder einer Explosion kommen.
3. Falls die Betriebszeit beträchtlich kürzer geworden ist, stellen Sie den Betrieb sofort ein. Anderenfalls besteht die Gefahr von Überhitzung, möglichen Verbrennungen und sogar einer Explosion.
4. Falls Elektrolyt in Ihre Augen gelangt, waschen Sie sie mit sauberem Wasser aus, und begeben Sie sich unverzüglich in ärztliche Behandlung. Anderenfalls können Sie Ihre Sehkraft verlieren.
5. Der Akku darf nicht kurzgeschlossen werden:
 - (1) Die Kontakte dürfen nicht mit leitfähigem Material berührt werden.
 - (2) Lagern Sie den Akku nicht in einem Behälter zusammen mit anderen Metallgegenständen, wie z. B. Nägel, Münzen usw.
 - (3) Setzen Sie den Akku weder Wasser noch Regen aus.
 Ein Kurzschluss des Akkus verursacht starken Stromfluss, der Überhitzung, mögliche Verbrennungen und einen Defekt zur Folge haben kann.
6. Lagern und benutzen Sie das Werkzeug und den Akku nicht an Orten, an denen die

Temperatur 50 °C erreichen oder überschreiten kann.

7. **Versuchen Sie niemals, den Akku zu verbrennen, selbst wenn er stark beschädigt oder vollkommen verbraucht ist. Der Akku kann im Feuer explodieren.**
8. **Unterlassen Sie Nageln, Schneiden, Zerquetschen, Werfen, Fallenlassen des Akkus oder Schlagen des Akkus mit einem harten Gegenstand.** Eine solche Handlung kann zu einem Brand, übermäßiger Hitzeentwicklung oder einer Explosion führen.
9. **Benutzen Sie keine beschädigten Akkus.**
10. **Die enthaltenen Lithium-Ionen-Akkus unterliegen den Anforderungen der Gefahrengut-Gesetzgebung.**

Für kommerzielle Transporte, z. B. durch Dritte oder Spediteure, müssen besondere Anforderungen zu Verpackung und Etikettierung beachtet werden.

Zur Vorbereitung des zu transportierenden Artikels ist eine Beratung durch einen Experten für Gefahrengut erforderlich. Bitte beachten Sie möglicherweise ausführlichere nationale Vorschriften. Überkleben oder verdecken Sie offene Kontakte, und verpacken Sie den Akku so, dass er sich in der Verpackung nicht umher bewegen kann.
11. **Entfernen Sie den Akku zum Entsorgen vom Werkzeug, und entsorgen Sie ihn an einem sicheren Ort. Befolgen Sie die örtlichen Vorschriften bezüglich der Entsorgung von Akkus.**
12. **Verwenden Sie die Akkus nur mit den von Makita angegebenen Produkten.** Das Einsetzen der Akkus in nicht konforme Produkte kann zu einem Brand, übermäßiger Hitzebildung, einer Explosion oder Auslaufen von Elektrolyt führen.
13. **Soll das Werkzeug längere Zeit nicht benutzt werden, muss der Akku vom Werkzeug entfernt werden.**
14. **Bei und nach dem Gebrauch kann der Akku heiß werden, was Verbrennungen oder Niedertemperaturverbrennungen verursachen kann. Beachten Sie die Handhabung von heißen Akkus.**
15. **Berühren Sie nicht den Anschlusskontakt des Werkzeugs unmittelbar nach dem Gebrauch, da er heiß genug werden kann, um Verbrennungen zu verursachen.**
16. **Achten Sie darauf, dass sich keine Späne, Staub oder Schmutz in den Anschlusskontakten, Löchern und Nuten des Akkus absetzen.** Es könnte sonst zu Erhitzung, Brandauslösung, Bersten und Funktionsstörungen des Werkzeugs oder des Akkus kommen, was zu Verbrennungen oder Personenschäden führen kann.
17. **Wenn das Werkzeug den Einsatz in der Nähe einer Hochspannungs-Stromleitung nicht unterstützt, benutzen Sie den Akku nicht in der Nähe einer Hochspannungs-Stromleitung.** Dies kann zu einer Funktionsstörung oder Betriebsstörung des Werkzeugs oder des Akkus führen.
18. **Halten Sie die Batterie von Kindern fern.**

DIESE ANWEISUNGEN AUFBEWAHREN.

⚠ VORSICHT: Verwenden Sie nur Original-Makita-Akkus. Die Verwendung von Nicht-Original-Makita-Akkus oder von Akkus, die abgeändert worden sind, kann zum Bersten des Akkus und daraus resultierenden Bränden, Personenschäden und Beschädigung führen. Außerdem wird dadurch die Makita-Garantie für das Makita-Werkzeug und -Ladegerät ungültig.

Hinweise zur Aufrechterhaltung der maximalen Akku-Nutzungsdauer

1. **Laden Sie den Akku, bevor er vollkommen erschöpft ist. Schalten Sie das Werkzeug stets aus, und laden Sie den Akku, wenn Sie ein Nachlassen der Werkzeugleistung feststellen.**
2. **Unterlassen Sie erneutes Laden eines voll aufgeladenen Akkus. Überladen führt zu einer Verkürzung der Nutzungsdauer des Akkus.**
3. **Laden Sie den Akku bei Raumtemperatur zwischen 10 – 40 °C. Lassen Sie einen heißen Akku abkühlen, bevor Sie ihn laden.**
4. **Wenn Sie den Akku nicht benutzen, nehmen Sie ihn vom Werkzeug oder Ladegerät ab.**
5. **Der Akku muss geladen werden, wenn er lange Zeit (länger als sechs Monate) nicht benutzt wird.**

Wichtige Sicherheitsanweisungen für Funk-Adapter

1. **Unterlassen Sie Zerlegen oder Manipulieren des Funk-Adapters.**
2. **Halten Sie den Funk-Adapter von kleinen Kindern fern. Suchen Sie bei versehentlichem Verschlucken sofort ärztliche Behandlung auf.**
3. **Benutzen Sie den Funk-Adapter nur mit Makita-Werkzeugen.**
4. **Setzen Sie den Funk-Adapter keinem Regen oder Nässe aus.**
5. **Benutzen Sie den Funk-Adapter nicht an Orten, wo die Temperatur 50 °C überschreitet.**
6. **Betreiben Sie den Funk-Adapter nicht an Orten, in deren Nähe sich medizinische Geräte, wie z. B. Herzschrittmacher, befinden.**
7. **Betreiben Sie den Funk-Adapter nicht an Orten, in deren Nähe sich automatisierte Geräte befinden.** Bei Betrieb kann in den automatisierten Geräten eine Funktionsstörung oder ein Fehler entstehen.
8. **Betreiben Sie den Funk-Adapter nicht an Orten unter hohen Temperaturen oder an Orten, wo statische Elektrizität oder elektrisches Rauschen erzeugt werden könnte.**
9. **Der Funk-Adapter kann elektromagnetische Felder (EMF) erzeugen, die aber für den Benutzer nicht gesundheitsschädlich sind.**
10. **Der Funk-Adapter ist ein Präzisionsinstrument. Achten Sie darauf, dass der Funk-Adapter**

- nicht fallen gelassen oder Stößen ausgesetzt wird.
11. Vermeiden Sie Berühren der Kontakte des Funk-Adapters mit bloßen Händen oder Metallgegenständen.
 12. Entfernen Sie stets den Akku vom Produkt, bevor Sie den Funk-Adapter installieren.
 13. Öffnen Sie den Deckel des Steckplatzes nicht an Orten, wo Staub und Wasser in den Steckplatz eindringen können. Halten Sie den Einlass des Steckplatzes stets sauber.
 14. Führen Sie den Funk-Adapter stets in der korrekten Richtung ein.
 15. Drücken Sie nicht zu fest und/oder mit einem scharfkantigen Gegenstand auf die Funk-Aktivierungstaste des Funk-Adapters.
 16. Halten Sie den Deckel des Steckplatzes beim Betrieb immer geschlossen.
 17. Entfernen Sie den Funk-Adapter nicht aus dem Steckplatz, während das Werkzeug mit Strom versorgt wird. Anderenfalls kann eine Funktionsstörung des Funk-Adapters verursacht werden.
 18. Entfernen Sie nicht den Aufkleber vom Funk-Adapter.
 19. Kleben Sie keinen anderen Aufkleber auf den Funk-Adapter.
 20. Lassen Sie den Funk-Adapter nicht an einem Ort liegen, wo statische Elektrizität oder elektrisches Rauschen erzeugt werden könnte.
 21. Lassen Sie den Funk-Adapter nicht an einem Ort liegen, der starker Hitze ausgesetzt ist, wie

- z. B. in einem in praller Sonne geparkten Auto.
22. Lassen Sie den Funk-Adapter nicht an einem Ort liegen, der Staub oder Puder aufweist, oder an dem ein korrosives Gas erzeugt werden könnte.
 23. Plötzliche Temperaturschwankungen können den Funk-Adapter betauen. Benutzen Sie den Funk-Adapter nicht eher, bis der Tau vollständig getrocknet ist.
 24. Wischen Sie den Funk-Adapter zum Reinigen sanft mit einem trockenen, weichen Tuch ab. Verwenden Sie kein Waschbenzin, kein leitfähiges Fett, keinen Verdünnern oder dergleichen.
 25. Bewahren Sie den Funk-Adapter zur Lagerung in der mitgelieferten Schachtel oder einem statikfreien Behälter auf.
 26. Führen Sie keine anderen Geräte außer dem Makita-Funk-Adapter in den Steckplatz des Werkzeugs ein.
 27. Benutzen Sie das Werkzeug nicht, wenn der Deckel des Steckplatzes beschädigt ist. Wasser, Staub und Schmutz, die in den Steckplatz eindringen, können eine Funktionsstörung verursachen.
 28. Ziehen und/oder verdrehen Sie den Deckel des Steckplatzes nicht mehr als nötig. Bringen Sie den Deckel wieder an, falls er sich vom Werkzeug löst.
 29. Ersetzen Sie den Deckel des Steckplatzes, falls er verloren geht oder beschädigt wird.

BEWAHREN SIE DIESE ANLEITUNG AUF.

BEZEICHNUNG DER TEILE

► Abb.2

1	Knopf (für Neigungswinkel)	2	Inbusschlüssel	3	Einstellschraube (für Minimalgrenzposition)	4	Einstellschraube (für maximale Schnittleistung)
5	Anschlagarm	6	Einschaltsperrknopf	7	Auslöseschalter	8	Deckel (für Funk-Adapter)
9	Loch für Vorhängeschloss	10	Funk-Aktivierungstaste	11	Funk-Aktivierungslampe	12	Lampentaste
13	Vakuumentaste	14	Sägeblattgehäuse	15	Sägeblattschutzhaube	16	Zusatzanschlag
17	Verriegelungshebel (für Drehteller)	18	Freigabehebel (für Drehteller)	19	Griff (für Drehteller)	20	Schlitzplatte
21	Gehrungswinkelskala	22	Zeiger (für Gehrungswinkel)	23	Drehteller	24	Zusatzaufgabe
25	Entriegelungsknopf (für rechten Neigungswinkel)	26	Vertikal-Schraubstock	27	Anschlagstift (für Schlittenverschiebung)	28	Gleitstange

► Abb.3

1	Handgriff	2	Akku	3	Staubsaugbeutel (bei Austausch mit Staubabsaugschlauch)	4	Schlauch (für Staubabsaugung)
5	Neigungswinkelskala	6	0° Einstellschraube (für Neigungswinkel)	7	Zeiger (für Neigungswinkel)	8	45° Einstellschraube (für Neigungswinkel)
9	Rasthebel (für Neigungswinkel)	10	Freigabehebel (für 48° Neigungswinkel)	11	Gehrungsanschlag (oberer Anschlag)	12	Gehrungsanschlag (unterer Anschlag)

13	Anschlagstift (für Schlittenanhebung)	14	Spindelarretierung	-	-	-	-
----	---------------------------------------	----	--------------------	---	---	---	---

INSTALLATION

Montieren des Griffs

Schrauben Sie den Gewindeschaf des Griffs in den Drehteller.

► **Abb.4:** 1. Griff 2. Drehteller

Montieren und Demontieren des Staubabsaugschlauchs

Befestigen Sie das Schlauchkniestück so am oberen Anschluss, dass der Sperrknopf nach oben gerichtet ist. Führen Sie die Muffe des Schlauchs in den unteren Anschluss ein, indem Sie die Anschlagknöpfe an der Muffe drücken und auf die Führungsnuten am Anschluss ausrichten.

Vergewissern Sie sich, dass das Kniestück und die Muffe einwandfrei in den Anschlüssen des Werkzeugs sitzen.

► **Abb.5:** 1. Staubabsaugschlauch 2. Kniestück 3. Sperrknopf 4. Muffe 5. Oberer Anschluss 6. Unterer Anschluss

Um das Schlauchkniestück vom Anschluss zu entfernen, ziehen Sie das Kniestück, während Sie den Sperrknopf niederdrücken.

► **Abb.6:** 1. Sperrknopf 2. Kniestück

Um die Muffe des Schlauchs vom Anschluss zu entfernen, ziehen Sie die Muffe, während Sie die Anschlagknöpfe auf beiden Seiten des Anschlusses drücken.

► **Abb.7:** 1. Anschlagknopf 2. Muffe

Werkbankmontage

Der Handgriff wurde werkseitig vor dem Versand mit dem Anschlagstift in der Tiefstellung verriegelt. Während Sie den Handgriff geringfügig absenken, ziehen Sie den Anschlagstift, und drehen Sie ihn um 90°.

► **Abb.8:** 1. Verriegelte Position 2. Entriegelte Position 3. Anschlagstift

Dieses Werkzeug sollte unter Verwendung der Schraubenbohrungen im Werkzeugsockel mit vier Schrauben auf einer ebenen und stabilen Oberfläche befestigt werden. Dadurch werden Umkippen und mögliche Verletzungen vermieden.

► **Abb.9:** 1. Schraube

⚠️ WARNUNG: Stellen Sie sicher, dass sich das Werkzeug auf der Stützfläche nicht verschiebt. Eine Verschiebung der Gehrungssäge auf der Stützfläche während des Schneidbetriebs kann zu einem Verlust der Kontrolle und schweren Verletzungen führen.

FUNKTIONSBE-SCHREIBUNG

⚠️ WARNUNG: Vergewissern Sie sich vor der Durchführung von Einstellungen oder Funktionsprüfungen des Werkzeugs stets, dass das Werkzeug ausgeschaltet und der Akku abgenommen ist. Werden Ausschalten des Werkzeugs und Abnehmen des Akkus unterlassen, kann es zu schweren Verletzungen durch versehentliches Anlaufen kommen.

Anbringen und Abnehmen des Akkus

⚠️ VORSICHT: Schalten Sie das Werkzeug stets aus, bevor Sie den Akku anbringen oder abnehmen.

⚠️ VORSICHT: Halten Sie das Werkzeug und den Akku beim Anbringen oder Abnehmen des Akkus sicher fest. Wenn Sie das Werkzeug und den Akku nicht sicher festhalten, können sie Ihnen aus der Hand rutschen, was zu einer Beschädigung des Werkzeugs und des Akkus und zu Körperverletzungen führen kann.

Richten Sie zum Anbringen des Akkus dessen Führungsfeder auf die Nut im Gehäuse aus, und schieben Sie den Akku hinein. Schieben Sie ihn vollständig ein, bis er mit einem leisen Klicken einrastet. Wenn Sie die rote Anzeige sehen können, wie in der Abbildung gezeigt, ist der Akku nicht vollständig verriegelt.

Ziehen Sie den Akku zum Abnehmen vom Werkzeug ab, während Sie den Knopf an der Vorderseite des Akkus verschieben.

► **Abb.10:** 1. Rote Anzeige 2. Knopf 3. Akku

⚠️ VORSICHT: Schieben Sie den Akku stets bis zum Anschlag ein, bis die rote Anzeige nicht mehr sichtbar ist. Anderenfalls kann er aus dem Werkzeug herausfallen und Sie oder umstehende Personen verletzen.

⚠️ VORSICHT: Unterlassen Sie Gewaltanwendung beim Anbringen des Akkus. Falls der Akku nicht reibungslos hineingleitet, ist er nicht richtig ausgerichtet.

Werkzeug/Akku-Schutzsystem

Das Werkzeug ist mit einem Werkzeug/Akku-Schutzsystem ausgestattet. Dieses System schaltet die Stromversorgung des Motors automatisch ab, um die Lebensdauer von Werkzeug und Akku zu verlängern. Das Werkzeug bleibt während des Betriebs automatisch stehen, wenn das Werkzeug oder der Akku einer der folgenden Bedingungen unterliegt. Bei manchen Bedingungen leuchten die Anzeigen auf.

Überlastschutz

Wird das Werkzeug/der Akku auf eine Weise benutzt, die eine ungewöhnlich hohe Stromaufnahme bewirkt, bleibt das Werkzeug automatisch stehen. Schalten Sie in dieser Situation das Werkzeug aus, und brechen Sie die Arbeit ab, die eine Überlastung des Werkzeugs verursacht hat. Schalten Sie dann das Werkzeug wieder ein, um es neu zu starten.

Überhitzungsschutz

Wenn das Werkzeug/der Akku überhitzt wird, bleibt das Werkzeug automatisch stehen, und die Lampe beginnt zu blinken. Lassen Sie das Werkzeug in dieser Situation abkühlen, bevor Sie es wieder einschalten.

Überentladungsschutz

Wenn die Akkukapazität niedrig wird, bleibt das Werkzeug automatisch stehen. Falls das Werkzeug nicht gemäß der Schalterbetätigung läuft, entfernen Sie den Akku vom Werkzeug, und laden Sie ihn auf.

Anzeigen der Akku-Restkapazität

Drücken Sie die Prüftaste am Akku, um die Akku-Restkapazität anzuzeigen. Die Anzeigelampen leuchten wenige Sekunden lang auf.

► **Abb.11:** 1. Anzeigelampen 2. Prüftaste

Anzeigelampen			Restkapazität
Erleuchtet	Aus	Blinkend	
			75% bis 100%
			50% bis 75%
			25% bis 50%
			0% bis 25%
			Den Akku aufladen.
			Möglicherweise liegt eine Funktionsstörung im Akku vor.

HINWEIS: Abhängig von den Benutzungsbedingungen und der Umgebungstemperatur kann die Anzeige geringfügig von der tatsächlichen Kapazität abweichen.

HINWEIS: Die erste (äußerste linke) Anzeigelampe blinkt, wenn das Akku-Schutzsystem aktiv ist.

Handgriffverriegelung

⚠ VORSICHT: Halten Sie stets den Handgriff fest, wenn Sie den Anschlagstift freigeben. Anderenfalls kann der Handgriff hochschnellen und Personenschaden verursachen.

Der Handgriff kann mit dem Anschlagstift entweder

in der abgesenkten Position oder der angehobenen Position verriegelt werden. Senken oder Heben Sie den Handgriff vollständig, und ziehen und drehen Sie dann den Anschlagstift in die verriegelte Position. Um den Handgriff zu entriegeln, ziehen Sie den Anschlagstift, und drehen Sie ihn um 90° in die entriegelte Position, während Sie den Handgriff geringfügig absenken.

► **Abb.12:** 1. Verriegelte Position 2. Entriegelte Position 3. Anschlagstift

Gleitsperre

Ziehen Sie den Anschlagstift, und drehen Sie ihn um 90° in einer entriegelten Position, um freie Bewegung des Schlittens zu ermöglichen. Um die Gleitbewegung des Schlittens zu verriegeln, schieben Sie den Schlitten bis zum Anschlag auf den Arm zu, und stellen Sie dann den Anschlagstift auf eine verriegelte Position zurück.

► **Abb.13:** 1. Verriegelte Position 2. Entriegelte Position 3. Anschlagstift 4. Arm

Sägeblattschutzhaube

⚠ WARNUNG: Die Sägeblattschutzhaube oder die daran angebrachte Feder darf auf keinen Fall funktionsunfähig gemacht oder entfernt werden. Ein wegen fehlender Schutzhaube freiliegendes Sägeblatt kann schwere Verletzungen während des Betriebs verursachen.

⚠ WARNUNG: Benutzen Sie das Werkzeug niemals mit beschädigter, defekter oder fehlender Sägeblattschutzhaube oder Feder. Der Betrieb des Werkzeugs mit beschädigter, defekter oder entfernter Schutzhaube kann zu schweren Personenschäden führen.

⚠ VORSICHT: Halten Sie die Schutzhaube stets in gutem Zustand, um sicheren Betrieb zu gewährleisten. Halten Sie den Betrieb sofort an, falls Sie irgendeine Unregelmäßigkeit an der Sägeblattschutzhaube feststellen. Überprüfen Sie die gefederte Rückkehrbewegung der Schutzhaube.

Wird der Handgriff abgesenkt, hebt sich die Sägeblattschutzhaube automatisch. Die Schutzhaube ist gefedert, so dass sie in ihre Ausgangsstellung zurückkehrt, wenn der Schnitt vollendet ist und der Handgriff angehoben wird.

► **Abb.14:** 1. Sägeblattschutzhaube

Reinigen

Wenn die transparente Sägeblattschutzhaube schmutzig wird oder so viel Sägemehl an ihr haftet, dass das Sägeblatt und/oder Werkstück nicht mehr ohne weiteres sichtbar ist, sollten Sie den Akku abnehmen und die Schutzhaube mit einem feuchten Tuch sorgfältig reinigen. Verwenden Sie keine Lösungsmittel oder Reinigungsmittel auf Petroleumbasis zum Reinigen der Kunststoff-Schutzhaube, weil sie dadurch beschädigt werden kann.

Befolgen Sie die aufgelisteten Anweisungen zur Vorbereitung für eine Reinigung Schritt für Schritt.

1. Vergewissern Sie sich, dass das Werkzeug

ausgeschaltet ist und der Akku abgenommen ist.

2. Drehen Sie die Innensechskantschraube mit dem mitgelieferten Inbusschlüssel gegen den Uhrzeigersinn, während Sie die Mittenabdeckung festhalten.
 3. Heben Sie die Sägeblattschutzhaube und die Mittenabdeckung an.
 4. Wenn die Reinigung abgeschlossen ist, bringen Sie die Mittenabdeckung wieder an, und ziehen Sie die Innensechskantschraube an, indem Sie die obigen Schritte umgekehrt anwenden.
 5. Bringen Sie unbedingt das Kreissägeblatt und die Mittenabdeckung wieder an ihren ursprünglichen Positionen an, und ziehen Sie die Innensechskantschraube an.
- **Abb.15:** 1. Inbusschlüssel
2. Innensechskantschraube
3. Mittenabdeckung
4. Sägeblattschutzhaube

⚠ WARNUNG: Entfernen Sie nicht die Feder, welche die Sägeblattschutzhaube hält. Falls die Schutzhaube im Laufe der Zeit oder durch UV-Strahlung beschädigt wird, wenden Sie sich für ein Ersatzteil an eine Makita-Kundendienststelle. **DIE SCHUTZHAUBE DARF NICHT FUNKTIONSFÄHIG GEMACHT ODER ENTFERNT WERDEN.**

Positionieren der Schlitzplatte

Dieses Werkzeug ist mit Schlitzplatten im Drehteller versehen, um Reißen am Austrittsende eines Schnitts auf ein Minimum zu reduzieren. Die Schlitzplatten sind werkseitig so eingestellt, dass das Kreissägeblatt nicht mit ihnen in Berührung kommt. Stellen Sie die Schlitzplatten vor dem Gebrauch wie folgt ein:

1. Nehmen Sie unbedingt den Akku ab. Lösen Sie dann alle Schrauben der Schlitzplatten (je 3 auf der linken und rechten Seite).
- **Abb.16:** 1. Schlitzplatte 2. Schraube

HINWEIS: Die fernen hinteren Schrauben können leicht gelöst und angezogen werden, indem der Drehteller in einem Winkel gedreht wird. Heben Sie den Handgriff unbedingt vollständig an, bevor Sie den Drehteller drehen.

2. Ziehen Sie die Schrauben nur so weit an, dass sich die Schlitzplatten noch leicht von Hand bewegen lassen.

HINWEIS: Stellen Sie den Drehteller unbedingt wieder auf den Ausgangswinkel (0°-Gehrungswinkel) zurück, wenn Sie die Schlitzplatten neu positionieren.

3. Senken Sie den Handgriff vollständig ab, und ziehen und drehen Sie dann den Anschlagstift, um den Handgriff in der Tiefstellung zu verriegeln.
 4. Ziehen und drehen Sie den Anschlagstift an der Gleitstange, damit der Schlitten gleiten kann.
- **Abb.17:** 1. Anschlagstift 2. Verriegelte Position
3. Entriegelte Position
5. Ziehen Sie den Schlitten ganz auf sich zu.
 6. Stellen Sie die Schlitzplatten so ein, dass sie die Seiten der Sägeblattzähne nur leicht berühren.

► Abb.18

- **Abb.19:** 1. Sägeblatt 2. Sägeblattzähne
3. Schlitzplatte 4. Linksseitiger Neigungsschnitt 5. Geradschnitt
6. Rechtsseitiger Neigungsschnitt
7. Ziehen Sie die vorderen Schrauben an (nicht festziehen).
 8. Schieben Sie den Schlitten vollständig in Richtung der Gehrungsanschläge, und stellen Sie dann die Schlitzplatten so ein, dass sie die Seiten der Sägeblattzähne nur leicht berühren.
 9. Ziehen Sie die mittleren Schrauben an (nicht festziehen).
 10. Lassen Sie den Anschlagstift für die Handgriffverriegelung nach der Einstellung der Schlitzplatten los, und heben Sie den Handgriff an. Ziehen Sie dann alle Schrauben fest.

ANMERKUNG: Nachdem Sie den Neigungswinkel eingestellt haben, vergewissern Sie sich, dass die Schlitzplatten korrekt eingestellt sind. Die korrekte Einstellung der Schlitzplatten trägt zu einwandfreier Abstützung des Werkstücks und Minimieren von Ausreißen des Werkstücks bei.

Aufrechterhaltung der maximalen Schnittleistung

Dieses Werkzeug wurde werkseitig so eingestellt, dass die maximale Schnittleistung mit einem Sägeblatt von 305 mm erreicht wird.

Wenn Sie ein neues Kreissägeblatt montieren, überprüfen Sie immer die untere Grenzposition des Kreissägeblatts, und nehmen Sie nötigenfalls eine Einstellung vor, wie folgt:

1. Nehmen Sie den Akku ab. Stellen Sie dann den Anschlaghebel auf die eingerastete Position.
- **Abb.20:** 1. Anschlaghebel
2. Schieben Sie den Schlitten vollständig bis zu den Gehrungsanschlägen, und senken Sie den Handgriff vollkommen ab.
- **Abb.21:** 1. Gehrungsanschlag 2. Einstellschraube
3. Drehen Sie die Einstellschraube mit dem Inbusschlüssel, bis das Kreissägeblatt geringfügig unter dem Querschnitt der Gehrungsanschläge und der Oberfläche des Drehtellers liegt.
- **Abb.22:** 1. Drehteller-Oberfläche
2. Gehrungsanschlag
4. Drehen Sie das Sägeblatt von Hand, während Sie den Handgriff in der Tiefstellung halten, um sicherzugehen, dass das Kreissägeblatt keinen Teil des Auflagetisches berührt. Nötigenfalls ist eine Nachjustierung vorzunehmen.

⚠ WARNUNG: Vergewissern Sie sich nach der Montage eines neuen Kreissägeblatts bei abgenommenem Akku stets, dass das Kreissägeblatt keinen Teil des Auflagetisches berührt, wenn der Handgriff vollständig abgesenkt wird. Falls das Kreissägeblatt mit dem Auflagetisch in Berührung kommt, kann es Rückschlag verursachen, was zu schweren Personenschäden führen kann.

► Abb.23

⚠ VORSICHT: Bringen Sie den Anschlaghebel nach der Einstellung stets wieder in seine Ausgangsposition.

Anschlagarm

Die untere Grenzposition des Kreissägeblatts kann mit dem Anschlagarm leicht eingestellt werden. Schwenken Sie den Anschlagarm zum Einstellen in Pfeilrichtung, wie in der Abbildung gezeigt. Drehen Sie die Einstellschraube so, dass das Kreissägeblatt an der gewünschten Position anhält, wenn der Handgriff ganz abgesenkt wird.

► **Abb.24:** 1. Einstellschraube 2. Anschlagarm

⚠ VORSICHT: Halten Sie den Handgriff beim Einstellen immer sicher fest. Anderenfalls kann der Schlitten hoch springen, was zu Personenschäden führen kann.

Einstellen des Gehrungswinkels

⚠ VORSICHT: Nachdem Sie den Gehrungswinkel geändert haben, sichern Sie stets den Drehteller, indem Sie den Verriegelungs-/Freigabehebel auf eine verriegelte Position zurückstellen und den Griff einwandfrei festziehen.

ANMERKUNG: Heben Sie den Handgriff unbedingt vollständig an, bevor Sie den Drehteller drehen.

1. Drehen Sie den Griff entgegen dem Uhrzeigersinn. Halten Sie dann den Verriegelungshebel in einer entriegelten Position niedergedrückt.

2. Halten Sie den Griff, und schwenken Sie ihn von einer Seite zur anderen, um den Drehteller zu drehen.

3. Richten Sie den Zeiger auf Ihren gewünschten Winkel auf der Gehrungswinkelskala aus.

4. Lassen Sie den Verriegelungshebel los, und ziehen Sie den Griff an.

► **Abb.25:** 1. Griff 2. Verriegelungshebel 3. Zeiger
4. Gehrungswinkelskala

Festanschlagfunktion

Diese Gehrungssäge verwendet die Festanschlagfunktion. Damit können Sie den rechten/ linken Gehrungswinkel schnell auf 0°, 15°, 22,5°, 31,6°, 45° und 60° einstellen.

1. Drehen Sie den Griff entgegen dem Uhrzeigersinn.

2. Halten Sie den Verriegelungshebel in einer entriegelten Position niedergedrückt.

3. Drehen Sie den Drehteller in die Nähe des gewünschten Festanschlagwinkels, und lassen Sie den Verriegelungshebel los.

4. Drehen Sie den Drehteller an Ihrem gewünschten Festanschlagwinkel, bis er gesichert ist.

5. Ziehen Sie den Griff an.

► **Abb.26:** 1. Griff 2. Verriegelungshebel
3. Festanschlagwinkel

HINWEIS: Um den Drehteller von der Festanschlagfunktion zu befreien, drücken Sie den Freigabehebel nieder. Der Drehteller kann frei bewegt werden, ohne den Verriegelungshebel niedergedrückt zu halten. Schwenken Sie den Griff, um den Drehteller auf Ihren gewünschten Winkel zu drehen, und ziehen Sie dann den Griff an.

► **Abb.27:** 1. Freigabehebel

Einstellen des Neigungswinkels

⚠ VORSICHT: Sichern Sie den Arm nach jeder Änderung des Neigungswinkels stets durch Anziehen des Knopfes an der Gleitstange im Uhrzeigersinn.

ANMERKUNG: Entfernen Sie stets die oberen Gehrungsanschlüge und den Vertikal-Schraubstock, bevor Sie den Neigungswinkel einstellen.

ANMERKUNG: Achten Sie beim Neigen des Kreissägeblatts darauf, dass der Schlitten vollständig angehoben ist.

ANMERKUNG: Wenn die Neigungswinkel geändert werden, müssen die Schlitzplatten gemäß der Beschreibung im Abschnitt zum Positionieren der Schlitzplatten entsprechend neu positioniert werden.

ANMERKUNG: Ziehen Sie den Knopf an der Gleitstange nicht zu fest an. Anderenfalls kann eine Funktionsstörung des Neigungswinkel-Verriegelungsmechanismus verursacht werden.

Neigen des Kreissägeblatts nach links

1. Drehen Sie den Knopf an der Gleitstange entgegen dem Uhrzeigersinn.

► **Abb.28:** 1. Knopf

2. Ziehen und drehen Sie den Rasthebel auf die in der Abbildung gezeigte Position.

► **Abb.29:** 1. Rasthebel

3. Halten Sie den Handgriff fest, und neigen Sie den Schlitten nach links.

4. Richten Sie den Zeiger auf Ihren gewünschten Winkel auf der Neigungswinkelskala aus.

5. Ziehen Sie den Knopf im Uhrzeigersinn fest, um den Schlittenarm einwandfrei zu sichern.

► **Abb.30:** 1. Knopf 2. Handgriff 3. Zeiger
4. Neigungswinkelskala

Neigen des Kreissägeblatts nach rechts

1. Drehen Sie den Knopf an der Gleitstange entgegen dem Uhrzeigersinn.

2. Halten Sie den Handgriff fest, und neigen Sie den Schlitten geringfügig nach links.

3. Neigen Sie den Schlitten nach rechts, während Sie den Entriegelungsknopf für den rechten Neigungswinkel drücken.
 4. Richten Sie den Zeiger auf Ihren gewünschten Winkel auf der Neigungswinkelskala aus.
 5. Ziehen Sie den Knopf im Uhrzeigersinn fest, um den Schlittenarm einwandfrei zu sichern.
- **Abb.31:** 1. Knopf 2. Handgriff 3. Entriegelungsknopf für rechten Neigungswinkel
4. Neigungswinkelskala

Neigen des Kreissägeblatts mit Hilfe der Festanschlagfunktion

Diese Gehrungssäge verwendet die Festanschlagfunktion. Damit können Sie einen Winkel von 22,5° und 33,9° schnell auf der rechten und linken Seite einstellen.

1. Drehen Sie den Knopf an der Gleitstange entgegen dem Uhrzeigersinn.
 2. Neigen Sie den Schlitten in die Nähe Ihres gewünschten Festanschlagwinkels, während Sie den Rasthebel anheben.
 3. Bringen Sie den Rasthebel in eine horizontale Position.
 4. Neigen Sie den Schlitten an Ihrem gewünschten Festanschlagwinkel, bis er gesichert ist.
 5. Um den Winkel zu ändern, ziehen Sie den Rasthebel zur Vorderseite des Werkzeugs, und neigen Sie dann den Schlitten erneut.
 6. Ziehen Sie den Knopf im Uhrzeigersinn fest, um den Schlittenarm einwandfrei zu sichern.
- **Abb.32:** 1. Knopf 2. Rasthebel

Neigen des Kreissägeblatts über den Bereich von 0° - 45° hinaus

1. Drehen Sie den Knopf an der Gleitstange entgegen dem Uhrzeigersinn.
 2. Halten Sie den Handgriff fest, und neigen Sie den Schlitten entweder nach links oder rechts auf 45°.
 3. Ziehen Sie den Schlitten geringfügig zurück, und schieben Sie den Freigabehebel für den 48°-Neigungswinkel zur Vorderseite des Werkzeugs.
 4. Neigen Sie den Schlitten weiter nach links oder rechts, während Sie den Hebel gelöst halten.
 5. Ziehen Sie den Knopf im Uhrzeigersinn fest, um den Schlittenarm einwandfrei zu sichern.
- **Abb.33:** 1. Knopf 2. Handgriff 3. Freigabehebel für 48° Neigungswinkel

Schalterfunktion

⚠️ WARNUNG: Vergewissern Sie sich vor dem Einsetzen des (der) Akkus in das Werkzeug stets, dass der Auslöseschalter ordnungsgemäß funktioniert und beim Loslassen in die AUS-Stellung zurückkehrt. Betätigen Sie den Auslöseschalter nicht gewaltsam, ohne den Einschaltsperrknopf hineinzudrücken. Dies kann zu Beschädigung des Schalters führen. Der Betrieb des Werkzeugs mit fehlerhaftem Schalter kann zum Verlust der Kontrolle und zu schweren Verletzungen führen.

⚠️ WARNUNG: Benutzen Sie das Werkzeug NIEMALS, wenn der Ein-Aus-Schalter nicht voll funktionsfähig ist. Ein Werkzeug mit funktionsunfähigem Schalter ist ÄUSSERST GEFÄHRLICH und muss vor weiterem Gebrauch repariert werden. Anderenfalls kann es zu schweren Verletzungen kommen.

⚠️ WARNUNG: Versuchen Sie NIEMALS, den Einschaltsperrknopf mit Klebeband oder anderen Mitteln unwirksam zu machen. Ein Schalter mit unwirksamem Einschaltsperrknopf kann zu ungewolltem Betrieb und daraus resultierenden schweren Personenschäden führen.

⚠️ WARNUNG: Betreiben Sie das Werkzeug NIEMALS, wenn es durch einfache Betätigung des Ein-Aus-Schalters eingeschaltet werden kann, ohne den Einschaltsperrknopf zu drücken. Ein reparaturbedürftiger Schalter kann zu ungewolltem Betrieb und daraus resultierenden schweren Personenschäden führen. Lassen Sie das Werkzeug von einer Makita-Kundendienststelle ordnungsgemäß reparieren, BEVOR Sie es weiter benutzen.

- **Abb.34:** 1. Auslöseschalter 2. Einschaltsperrknopf
3. Loch für Vorhängeschloss

Um versehentliche Betätigung des Auslöseschalters zu verhüten, ist das Werkzeug mit einem Einschaltsperrknopf ausgestattet. Betätigen Sie zum Starten des Werkzeugs den Auslöseschalter bei gedrücktem Einschaltsperrknopf. Lassen Sie zum Ausschalten den Auslöseschalter los. Der Auslöseschalter ist mit einem Loch für ein Vorhängeschloss versehen, um das Werkzeug zu verriegeln.

⚠️ WARNUNG: Verwenden Sie kein Schloss, dessen Schaft oder Kabel einen kleineren Durchmesser als 6,35 mm hat. Ein kleinerer Schaft oder ein kleineres Kabel verriegelt das Werkzeug möglicherweise nicht richtig in der Aus-Stellung, so dass es zu ungewolltem Betrieb mit daraus resultierenden schweren Verletzungen kommen kann.

Projizieren einer Schnittlinie

⚠ VORSICHT: Die Lampe ist nicht regenfest. Waschen Sie die Lampe nicht mit Wasser, und benutzen Sie sie auch nicht bei Regen oder in nasser Umgebung. Anderenfalls kann es zu einem elektrischen Schlag oder Rauchentwicklung kommen.

⚠ VORSICHT: Berühren Sie nicht die Linse der Lampe, da sie während des Betriebs oder unmittelbar nach dem Ausschalten sehr heiß ist. Dies kann Verbrennungen verursachen.

⚠ VORSICHT: Setzen Sie die Lampe keinen Erschütterungen aus, weil sie sonst beschädigt werden oder ihre Lebensdauer sich verkürzen kann.

⚠ VORSICHT: Blicken Sie nicht direkt in die Lampe oder die Lichtquelle.

Die LED-Lampe wirft ein Licht auf das Kreissägeblatt, und ein Schatten des Sägeblatts fällt auf ein Werkstück, das als ein kalibrierungsfreier Schnittlinienindikator dient. Drücken Sie die Lampentaste, um ein Licht zu werfen. Eine Linie erscheint, auf der das Sägeblatt die Oberfläche des Werkstücks trifft, die vertieft wird, je weiter das Sägeblatt abgesenkt wird.

► **Abb.35:** 1. Lampentaste 2. Lampe 3. Schnittlinie

Der Indikator hilft beim Schneiden durch eine existierende Trennlinie, die auf ein Werkstück angezeichnet wurde.

1. Halten Sie den Handgriff, und senken Sie das Kreissägeblatt ab, so dass ein dichter Schatten des Sägeblatts auf ein Werkstück geworfen wird.
2. Richten Sie eine auf das Werkstück angezeichnete Trennlinie auf die schattierte Schnittlinie aus.
3. Stellen Sie gegebenenfalls Gehrungs- und Neigungswinkel ein.

HINWEIS: Schalten Sie den Lampenschalter nach Gebrauch unbedingt aus, da bei eingeschalteter Leuchte Akkustrom verbraucht wird.

HINWEIS: Das Licht erlischt 5 Minuten nach Abschluss des Betriebs automatisch.

Elektronikfunktion

Elektrische Bremse

Dieses Werkzeug ist mit einer elektrischen Sägeblattbremse ausgestattet. Falls das Werkzeug nach dem Loslassen des Auslöseschalters ständig nicht sofort anhält, lassen Sie es von einer Makita-Kundendienststelle warten.

⚠ VORSICHT: Das Sägeblatt-Bremssystem ist kein Ersatz für die Sägeblattschutzhaube. Benutzen Sie das Werkzeug niemals ohne eine funktionierende Sägeblattschutzhaube. Ein ungeschütztes Sägeblatt kann zu ernsthaften Personenschäden führen.

Konstantdrehzahlregelung

Das Werkzeug verfügt über einen elektronischen Drehzahlregler, der selbst unter Belastung zur Aufrechterhaltung einer konstanten Sägeblattdrehzahl beiträgt. Eine konstante Sägeblattdrehzahl resultiert in einem sehr glatten Schnitt.

Soft-Start-Funktion

Diese Funktion ermöglicht weiches Anlaufen des Werkzeugs durch Begrenzung des Anlaufdrehmoments.

MONTAGE

⚠ WARNUNG: Vergewissern Sie sich vor dem Arbeiten am Werkzeug stets, dass das Werkzeug ausgeschaltet und der Akku abgenommen ist. Das Versäumnis, das Werkzeug auszuschalten und den Akku abzunehmen, kann zu schweren Personenschäden führen.

Aufbewahrung des Inbusschlüssels

Der Inbusschlüssel kann an der in der Abbildung gezeigten Stelle aufbewahrt werden, damit er nicht verloren geht.

► **Abb.36:** 1. Inbusschlüssel

Demontieren und Montieren des Sägeblatts

⚠ WARNUNG: Vergewissern Sie sich vor dem Demontieren und Montieren des Kreissägeblatts stets, dass das Werkzeug ausgeschaltet und der Akku abgenommen ist. Versehentliches Anlaufen des Werkzeugs kann zu schweren Personenschäden führen.

⚠ WARNUNG: Verwenden Sie nur den mitgelieferten Makita-Schraubenschlüssel zum Demontieren und Montieren des Kreissägeblatts. Wird der Schraubenschlüssel nicht benutzt, kann es zu übermäßigem oder unzureichendem Anziehen der Innensechskantschraube mit daraus resultierenden schweren Verletzungen kommen.

⚠ WARNUNG: Verwenden oder ersetzen Sie niemals Teile, die nicht im Lieferumfang dieses Werkzeugs enthalten sind. Die Verwendung solcher Teile kann ernsthafte Personenschäden verursachen.

⚠ WARNUNG: Stellen Sie außerdem nach der Montage des Kreissägeblatts sicher, dass es sicher montiert ist. Lockere Anbringung des Kreissägeblatts kann schwere Personenschäden verursachen.

Demontieren des Sägeblatts

Zum Abnehmen des Kreissägeblatts müssen die folgenden Schritte ausgeführt werden:

1. Verriegeln Sie den Schlitten in der Hochstellung durch Ziehen und Drehen des Anschlagstifts in die verriegelte Position.

- **Abb.37:** 1. Anschlagstift 2. Entriegelte Position
3. Verriegelte Position

2. Lösen Sie die Innensechskantschraube, mit der die Mittenabdeckung befestigt ist, mit dem Inbusschlüssel. Heben Sie dann die Sägeblattschutzhaube und die Mittenabdeckung an.

- **Abb.38:** 1. Inbusschlüssel
2. Innensechskantschraube
3. Mittenabdeckung
4. Sägeblattschutzhaube

3. Blockieren Sie die Spindel durch Drücken der Spindelarretierung, und lösen Sie die Innensechskantschraube (linksgängig) durch Rechtsdrehung des Inbusschlüssels. Nehmen Sie dann Innensechskantschraube, Außenflansch und Kreissägeblatt ab.

- **Abb.39:** 1. Innensechskantschraube (Linksgewinde) 2. Außenflansch
3. Spindelarretierung

4. Falls der Innenflansch entfernt wird, bringen Sie ihn so an der Spindel an, dass seine vertiefte Seite zum Kreissägeblatt gerichtet ist. Wird der Flansch falsch montiert, schleift er an der Maschine.

- **Abb.40:** 1. Innensechskantschraube (Linksgewinde) 2. Außenflansch
3. Kreissägeblatt 4. Ring 5. Innenflansch
6. Spindel 7. Vertiefte Seite

Montieren des Sägeblatts

⚠️ WARNUNG: Bevor Sie das Sägeblatt auf die Spindel montieren, sollten Sie sich stets vergewissern, dass der korrekte Ring für die Spindelbohrung des zu benutzenden Sägeblatts zwischen Innen- und Außenflansch installiert ist. Die Verwendung eines falschen Spindelbohrungsringes kann zu unzulässiger Montage des Sägeblatts führen, so dass es zu Sägeblattbewegung und starker Vibration kommt, die möglichen Verlust der Kontrolle während des Betriebs und schwere Personenschäden zur Folge haben kann.

⚠️ VORSICHT: Montieren Sie das Kreissägeblatt unbedingt so, dass die Richtung des Pfeils auf dem Sägeblatt mit derjenigen am Sägeblattgehäuse übereinstimmt. Anderenfalls kann es zu Personenschäden und einer Beschädigung des Werkzeugs und/oder des Werkstücks kommen.

Führen Sie zum Montieren des Kreissägeblatts die folgenden Schritte aus:

1. Montieren Sie das Kreissägeblatt sorgfältig am Innenflansch. Achten Sie darauf, dass die Richtung des Pfeils auf dem Kreissägeblatt mit der Richtung des Pfeils auf dem Sägeblattgehäuse übereinstimmt.

- **Abb.41:** 1. Pfeil am Sägeblattgehäuse 2. Pfeil am Kreissägeblatt

2. Montieren Sie den Außenflansch und die Innensechskantschraube, und ziehen Sie dann die Innensechskantschraube (linksgängig) bei gedrückter Spindelarretierung durch Linksdrehung des Inbusschlüssels fest.

- **Abb.42:** 1. Innensechskantschraube (Linksgewinde) 2. Außenflansch
3. Kreissägeblatt 4. Ring 5. Innenflansch
6. Spindel 7. Vertiefte Seite

3. Bringen Sie die Sägeblattschutzhaube und die Mittenabdeckung wieder in ihre Ausgangsstellung. Ziehen Sie dann die Innensechskantschraube zur Sicherung der Mittenabdeckung im Uhrzeigersinn an.

4. Ziehen und drehen Sie den Anschlagstift in die entriegelte Position, um den Schlitten aus der Hochstellung freizugeben. Senken Sie den Schlitten ab, um zu prüfen, ob sich die Sägeblattschutzhaube einwandfrei bewegt.

⚠️ VORSICHT: Vergewissern Sie sich vor der Benutzung des Werkzeugs, dass die Spindelarretierung gelöst ist.

Anschließen eines Saugergeräts

Wenn Sie saubere Schneidarbeiten durchführen wollen, schließen Sie ein Makita-Sauggerät mit einer Frontmanschette 24 (Sonderzubehör) an den Absaugstutzen (oberen Absauganschluss) an.

- **Abb.43:** 1. Frontmanschette 24 2. Schlauch
3. Saugergerät

Staubsack

⚠️ VORSICHT: Wenn Sie Schnitte ausführen, bringen Sie immer den Staubsack an, oder schließen Sie ein Saugergerät an, um staubbezogene Gefahren zu verhindern.

Der Staubsack ermöglicht sauberes Arbeiten und einfaches Staubsammeln. Um den Staubsack anzubringen, entfernen Sie den Staubabsaugschlauch vom Werkzeug, und schließen Sie den Staubsack an den Absaugstutzen (oberen Absauganschluss) an.

- **Abb.44:** 1. Staubabsaugschlauch 2. Staubsack
3. Absaugstutzen (oberer Absauganschluss)

Wenn der Staubsack etwa halb voll ist, nehmen Sie ihn vom Werkzeug ab und ziehen den Verschluss heraus. Entleeren Sie den Staubsack, indem Sie ihn leicht abklopfen, um die an den Innenflächen haftenden Staubpartikel, die den Durchlass behindern können, zu lösen.

- **Abb.45:** 1. Verschluss

Sicherung von Werkstücken

⚠️ WARNUNG: Es ist äußerst wichtig, das Werkstück stets mit dem geeigneten Schraubstocktyp oder mit Deckenleistenanschlägen korrekt zu sichern. Anderenfalls kann es zu schweren Personenschäden und Beschädigung des Werkzeugs und/oder Werkstücks kommen.

⚠️ WARNUNG: Wenn Sie ein Werkstück schneiden, das länger als der Auflagetisch der Gehrungssäge ist, sollte das Material auf der gesamten Länge außerhalb des Auflagetisches und auf derselben Höhe abgestützt werden, um es waagrecht zu halten. Korrekte Werkstückabstützung trägt zur Vermeidung von Sägeblattklemmen und möglichem Rückschlag bei, was zu schweren Personenschäden führen kann. Verlassen Sie sich nicht nur auf die Vertikal- und/oder Horizontal-Schraubstock zur Sicherung des Werkstücks. Dünnes Material neigt zum Durchhängen. Stützen Sie das Werkstück auf seiner gesamten Länge ab, um Klemmen des Sägeblatts und möglichen RÜCKSCHLAG zu vermeiden.

▶ **Abb.46:** 1. Stütze 2. Drehteller

Gehrungsanschläge

⚠️ WARNUNG: Vergewissern Sie sich vor der Benutzung des Werkzeugs, dass der obere Anschlag einwandfrei gesichert ist.

⚠️ WARNUNG: Vergewissern Sie sich vor der Ausführung von Neigungsschnitten, dass kein Teil des Werkzeugs, besonders das Sägeblatt, mit dem oberen und unteren Anschlag in Berührung kommt, wenn der Handgriff aus jeder beliebigen Position vollständig abgesenkt und angehoben und der Schlitten bis zum Anschlag gezogen oder geschoben wird. Falls das Werkzeug oder Sägeblatt mit dem Anschlag in Berührung kommt, kann es zu Rückschlag oder unerwarteter Verschiebung des Materials mit daraus resultierenden schweren Personenschäden kommen.

Verwenden Sie die oberen Anschnläge, um das Material höher als die unteren Anschnläge abzustützen. Führen Sie den oberen Anschlag in die Bohrung des unteren Anschlags ein, und ziehen Sie die Klemmschraube fest.

▶ **Abb.47:** 1. Oberer Anschlag 2. Unterer Anschlag 3. Klemmschraube 4. Einstellschraube

ANMERKUNG: Die unteren Anschnläge wurden werksseitig an der Grundplatte befestigt. Entfernen Sie die unteren Anschnläge nicht.

ANMERKUNG: Falls der obere Anschlag nach dem Festziehen der Klemmschraube noch immer locker ist, drehen Sie die Einstellschraube, um eine Lücke zu schließen. Die Einstellschraube wurde werksseitig eingestellt. Sie bedarf keiner Verstellung, wenn dies nicht unbedingt notwendig ist.

Wenn Sie den oberen Anschlag nicht benutzen, können Sie ihn am Rohr der Zusatzaufgabe aufbewahren. Verwenden Sie die Klammer am oberen Anschlag, um

ihn am Rohr der Zusatzaufgabe zu halten.

▶ **Abb.48:** 1. Zusatzaufgabe 2. Oberer Anschlag 3. Klammer

Vertikal-Schraubstock

⚠️ WARNUNG: Das Werkstück muss bei allen Operationen mit dem Schraubstock fest gegen Drehteller und Gehrungsanschlag gesichert werden. Wird das Werkstück nicht einwandfrei am Anschlag gesichert, kann sich das Material während des Schneidbetriebs verschieben und eine mögliche Beschädigung des Sägeblatts verursachen, was zu Herausschleudern des Materials und Verlust der Kontrolle mit daraus resultierenden schweren Personenschäden führen kann.

Der Vertikal-Schraubstock kann entweder auf der linken oder rechten Seite der Grundplatte und Zusatzaufgabe montiert werden. Führen Sie die Schraubstockstange in das Loch der Grundplatte oder Zusatzaufgabe ein.

▶ **Abb.49:** 1. Vertikal-Schraubstock 2. Loch für Vertikal-Schraubstock 3. Zusatzaufgabe 4. Grundplatte

▶ **Abb.50:** 1. Schraubstockarm 2. Schraubstockstange 3. Klemmschraube 4. Schraubstockknopf

Stellen Sie den Schraubstockarm auf die Abmessungen des Werkstücks ein, und sichern Sie ihn durch Anziehen der Schraube. Falls die Klemmschraube mit dem Schlitten in Kontakt kommt, installieren Sie den Vertikal-Schraubstock an der Zusatzaufgabe oder auf der entgegengesetzten Seite an der Grundplatte. Vergewissern Sie sich, dass keine Werkzeugteile mit dem Schraubstock in Berührung kommen, wenn der Handgriff bis zum Anschlag abgesenkt wird. Falls irgendwelche Teile mit dem Schraubstock in Berührung kommen, ist der Schraubstock zu versetzen. Drücken Sie das Werkstück flach gegen Gehrungsanschlag und Drehteller. Bringen Sie das Werkstück in die gewünschte Schnittposition, und sichern Sie es einwandfrei durch Anziehen des Schraubstockknopfes.

HINWEIS: Um schnelles Einlegen des Werkstücks zu ermöglichen, kann der Schraubstockknopf durch Drehen um 90° entgegen dem Uhrzeigersinn auf und ab bewegt werden. Um das Werkstück nach dem Einlegen zu sichern, drehen Sie den Schraubstockknopf im Uhrzeigersinn.

Horizontal-Schraubstock

Sonderzubehör

⚠️ WARNUNG: Drehen Sie die Schraubstockmutter stets im Uhrzeigersinn, bis das Werkstück einwandfrei gesichert ist. Wird das Werkstück nicht einwandfrei gesichert, kann sich das Material während des Schneidbetriebs verschieben und eine mögliche Beschädigung des Kreissägeblatts verursachen, was zu Herausschleudern des Materials und Verlust der Kontrolle mit daraus resultierenden schweren Verletzungen führen kann.

⚠️ WARNUNG: Um dünne Werkstücke, wie z. B. Fußleisten, gegen den Anschlag abzuschneiden, verwenden Sie stets den Horizontal-Schraubstock.

⚠️ VORSICHT: Wenn Sie Werkstücke mit einer Dicke von 20 mm oder weniger schneiden, verwenden Sie unbedingt einen Distanzblock zum Sichern des Werkstücks.

Der Horizontal-Schraubstock kann entweder auf der linken oder rechten Seite des Auflagetisches montiert werden. Wenn Gehrungsschnitte in einem Winkel von 22,5° oder mehr ausgeführt werden, ist der Horizontal-Schraubstock auf der entgegengesetzten Seite der Drehteller-Drehrichtung zu montieren.

► **Abb.51:** 1. Schraubstockbacke
2. Schraubstockmutter
3. Schraubstockknopf

Durch Umliegen der Schraubstockmutter entgegen dem Uhrzeigersinn wird der Schraubstock gelöst, so dass er sich schnell hin und her schieben lässt. Zum Einspannen des Werkstücks schieben Sie den Schraubstockknopf nach vorn, bis die Schraubstockbacke das Werkstück berührt, und legen Sie dann die Schraubstockmutter im Uhrzeigersinn um. Drehen Sie dann den Schraubstockknopf im Uhrzeigersinn, um das Werkstück zu sichern.

HINWEIS: Werkstücke von maximal 228 mm Breite können mit dem Horizontal-Schraubstock eingespannt werden.

Zusatzauflage

⚠️ WARNUNG: Stützen Sie ein langes Werkstück stets so ab, dass es waagrecht zur Oberseite des Drehtellers liegt, um akkurate Schnitte auszuführen und gefährlichen Verlust der Kontrolle über das Werkzeug zu verhüten. Korrekte Werkstückabstützung trägt zur Vermeidung von Sägeblattklemmen und möglichem Rückschlag bei, was zu schweren Verletzungen führen kann.

⚠️ WARNUNG: Vergewissern Sie sich vor dem Schneidbetrieb immer, dass die Zusatzauflagen mit den Schrauben gesichert sind.

Um lange Werkstücke horizontal zu halten, sind Zusatzauflagen auf beiden Seiten des Werkzeugs vorhanden. Lösen Sie die Schrauben, und ziehen Sie die Zusatzauflagen auf die entsprechende Länge zum Abstützen des Werkstücks aus. Ziehen Sie dann die

Schrauben an.

► **Abb.52:** 1. Zusatzauflage 2. Schraube

Legen Sie das Werkstück beim Schneiden flach an den Gehrungsanschlag und den Zusatzanschlag an der Zusatzauflage an.

► **Abb.53:** 1. Gehrungsanschlag 2. Zusatzanschlag
3. Zusatzauflage

BETRIEB

Dieses Werkzeug ist zum Schneiden von Holzprodukten vorgesehen. Mit geeigneten Original-Makita-Sägeblättern können auch die folgenden Materialien gesägt werden:

— Aluminiumprodukte

Besuchen Sie unsere Website, oder wenden Sie sich an Ihren Makita-Händler vor Ort, um zu erfahren, welche Sägeblätter für das zu schneidende Material korrekt sind.

⚠️ WARNUNG: Vergewissern Sie sich vor dem Einschalten des Werkzeugs, dass das Sägeblatt nicht das Werkstück usw. berührt. Wird das Werkzeug eingeschaltet, während das Sägeblatt mit dem Werkstück in Berührung ist, kann es zu Rückschlag mit daraus resultierenden schweren Personenschäden kommen.

⚠️ WARNUNG: Heben Sie das Sägeblatt nach erfolgtem Schnitt erst an, nachdem es zum völligen Stillstand gekommen ist. Das Anheben eines noch rotierenden Sägeblatts kann zu schweren Personenschäden und Beschädigung des Werkstücks führen.

⚠️ WARNUNG: Führen Sie keine Einstellungen, wie z. B. Drehen von Griff, Knopf und Hebeln, am Werkzeug durch, während das Sägeblatt rotiert. Einstellungen bei rotierendem Sägeblatt können zu ernsthaften Personenschäden führen.

⚠️ VORSICHT: Lösen Sie den Sägekopf nicht unkontrolliert aus der vollständig abgesenkten Position. Der unkontrollierte Sägekopf könnte Sie treffen und Personenschäden verursachen.

ANMERKUNG: Vor der Benutzung sollten Sie unbedingt den Anschlagstift entriegeln und den Handgriff aus der abgesenkten Position freigeben.

ANMERKUNG: Üben Sie beim Schneiden keinen übermäßigen Druck auf den Handgriff aus. Zu starker Druck kann zu Überlastung des Motors und/ oder verminderter Schnittleistung führen. Drücken Sie den Handgriff nur mit so viel Kraft nieder, wie für reibungslosen Sägebetrieb notwendig ist, ohne einen beträchtlichen Abfall der Sägeblatt Drehzahl zu verursachen.

ANMERKUNG: Drücken Sie den Handgriff zur Ausföhrung des Schnitts sachte nieder. Bei zu großer oder seitlicher Kraftausübung kann das Sägeblatt in Schwingung versetzt werden, wodurch zusätzliche Sägespuren im Werkstück erzeugt werden und die Schnittgenauigkeit beeinträchtigt werden kann.

ANMERKUNG: Schieben Sie den Schlitten bei Schiebescnitten sachte und ohne anzuhalten zum Gehrungsanschlag. Wird die Schlittenbewegung während des Schnitts unterbrochen, hinterlässt das Sägeblatt eine Markierung im Werkstück, und die Schnittgenauigkeit wird beeinträchtigt.

Kappschnitt

⚠️ WARNUNG: Sperren Sie stets die Gleitbewegung des Schlittens, wenn Sie Kappschnitte durchföhren. Schneiden ohne Sperre kann möglichen Rückschlag verursachen, der zu ernsthaften Personenschäden führen kann.

Werkstücke bis zu 92 mm Höhe und 183 mm Breite können auf die folgende Weise geschnitten werden.

► **Abb.54:** 1. Anschlagstift

1. Schieben Sie den Schlitten bis zum Anschlag gegen den Gehrungsanschlag, und verriegeln Sie ihn mit dem Anschlagstift.
2. Sichern Sie das Werkstück mit einem geeigneten Schraubstocktyp.
3. Schalten Sie das Werkzeug ein, ohne dass das Kreissägeblatt Kontakt hat, und warten Sie, bis das Kreissägeblatt seine volle Drehzahl erreicht, bevor Sie es absenken.
4. Senken Sie den Handgriff zum Schneiden des Werkstücks sachte vollständig ab.
5. Wenn der Schnitt ausgeföhrt ist, schalten Sie das Werkzeug aus, und warten Sie, bis das Kreissägeblatt zum vollständigen Stillstand gekommen ist, bevor Sie das Kreissägeblatt auf seine vollständig angehobene Position zurücföhren.

Schiebeschnitt (Schneiden breiter Werkstücke)

⚠️ WARNUNG: Ziehen Sie bei jeder Durchföhrung eines Schiebescchnitts zuerst den Schlitten ganz auf sich zu, und drücken Sie den Handgriff ganz nach unten, bevor Sie den Schlitten auf den Gehrungsanschlag zu schieben. Starten Sie den Schnitt niemals, ohne den Schlitten ganz auf sich zu gezogen zu haben. Wenn Sie den Schiebescchnitt durchföhren, ohne den Schlitten ganz auf sich zu gezogen zu haben, kann ein unerwarteter Rückschlag auftreten, der zu schweren Personenschäden führen kann.

⚠️ WARNUNG: Versuchen Sie niemals, einen Schiebescchnitt durchzuföhren, indem Sie den Schlitten auf sich zu ziehen. Wenn Sie den Schlitten während des Schneidbetriebs auf sich zu ziehen, kann ein unerwarteter Rückschlag verursacht werden, der zu schweren Personenschäden führen kann.

⚠️ WARNUNG: Föhren Sie niemals einen Schiebescchnitt aus, wenn der Handgriff in der Tiefstellung verriegelt ist.

► **Abb.55:** 1. Anschlagstift

1. Entriegeln Sie den Anschlagstift, so dass der Schlitten ungehindert gleiten kann.
2. Sichern Sie das Werkstück mit einem geeigneten Schraubstocktyp.
3. Ziehen Sie den Schlitten ganz auf sich zu.
4. Schalten Sie das Werkzeug ein, ohne dass das Sägeblatt Kontakt hat, und warten Sie, bis das Sägeblatt seine volle Drehzahl erreicht.
5. Drücken Sie den Handgriff nach unten, und schieben Sie den Schlitten auf den Gehrungsanschlag zu und durch das Werkstück.
6. Wenn der Schnitt ausgeföhrt ist, schalten Sie das Werkzeug aus, und warten Sie, bis das Sägeblatt zum vollständigen Stillstand gekommen ist, bevor Sie das Sägeblatt auf seine vollständig angehobene Position zurücföhren.

Gehrungsschnitt

Nehmen Sie auf den Abschnitt zum Einstellen des Gehrungswinkels Bezug.

Neigungsschnitt

⚠️ WARNUNG: Nachdem Sie das Sägeblatt für einen Neigungsschnitt eingestellt haben, vergewissern Sie sich, dass Schlitten und Sägeblatt über den gesamten Bereich des beabsichtigten Schnitts Freigang haben, bevor Sie das Werkzeug in Betrieb nehmen. Eine Unterbrechung des Schlitten- oder Sägeblattwegs während des Schneidbetriebs kann zu einem Rückschlag mit daraus resultierenden schweren Personenschäden führen.

⚠️ WARNUNG: Halten Sie Ihre Hände während der Ausführung eines Neigungsschnitts aus dem Weg des Sägeblatts. Der Winkel des Sägeblatts kann den Bediener hinsichtlich des tatsächlichen Sägeblattwegs während des Schneidbetriebs verwirren, und Kontakt mit dem Sägeblatt kann zu schweren Personenschäden führen.

⚠️ WARNUNG: Heben Sie das Sägeblatt erst an, nachdem es zum völligen Stillstand gekommen ist. Während eines Neigungsschnitts kann das abgesägte Stück am Sägeblatt anliegen. Wird das Sägeblatt in rotierendem Zustand angehoben, kann das abgesägte Stück vom Sägeblatt herausgeschleudert werden, so dass das Material zersplittert, was zu schweren Personenschäden führen kann.

ANMERKUNG: Wenn Sie den Handgriff niederdrücken, üben Sie den Druck parallel zum Sägeblatt aus. Falls eine Kraft senkrecht zum Drehteller ausgeübt oder die Druckrichtung während eines Schnitts geändert wird, kann die Genauigkeit des Schnitts beeinträchtigt werden.

► Abb.56

- Entfernen Sie den oberen Anschlag auf der Seite, auf der Sie den Schlitten neigen werden.
- Entriegeln Sie den Anschlagstift.
- Stellen Sie den Neigungswinkel nach dem im Abschnitt zum Einstellen des Neigungswinkels erläuterten Verfahren ein. Ziehen Sie dann den Knopf fest.
- Spannen Sie das Werkstück mit einem Schraubstock ein.
- Ziehen Sie den Schlitten ganz auf sich zu.
- Schalten Sie das Werkzeug ein, ohne dass das Sägeblatt Kontakt hat, und warten Sie, bis es seine volle Drehzahl erreicht.
- Senken Sie dann den Handgriff sacht auf die Tiefstellung ab, während Sie Druck parallel zum Sägeblatt ausüben, und schieben Sie den Schlitten auf den Gehrungsanschlag zu, um das Werkstück zu schneiden.
- Wenn der Schnitt ausgeführt ist, schalten Sie das Werkzeug aus, und warten Sie, bis das Sägeblatt zum vollständigen Stillstand gekommen ist, bevor Sie das Sägeblatt auf seine vollständig angehobene Position zurückführen.

Compoundsschnitt

Unter Compoundsschnitt versteht man das Schneiden eines Werkstücks mit gleichzeitiger Gehrungs- und

Neigungswinkeleinstellung. Compoundsschnitte können in dem in der nachstehenden Tabelle angegebenen Winkel durchgeführt werden.

Gehrungswinkel	Neigungswinkel
Links und Rechts 0° - 45°	Links und Rechts 0° - 45°

Nehmen Sie zur Durchführung von Compoundsschnitten auf den Abschnitt für Kappschnitt, Schiebeschnitt, Gehrungsschnitt und Neigungsschnitt Bezug.

Schneiden von Fußleisten

⚠️ VORSICHT: Verwenden Sie unbedingt den Horizontal-Schraubstock (Sonderzubehör) zum Schneiden von Fußleisten.

⚠️ VORSICHT: Wenn Sie Werkstücke mit einer Dicke von 20 mm oder weniger schneiden, verwenden Sie unbedingt einen Distanzblock zum Sichern des Werkstücks.

Wenn Sie Fußleisten in einem Gehrungswinkel von 45° schneiden, rasten Sie den Anschlaghebel ein, um zu verhindern, dass das Sägeblattgehäuse mit der Fußleiste in Berührung kommt. Dadurch wird der Abstand zwischen der Fußleiste und dem Sägeblattgehäuse eingehalten, wenn der Schlitten vollständig nach vorn geschoben wird. Angaben zur Fußleisten-Schnittleistung entnehmen Sie bitte den TECHNISCHEN DATEN.

- **Abb.57:** 1. Anschlaghebel 2. Distanzblock
3. Horizontal-Schraubstock

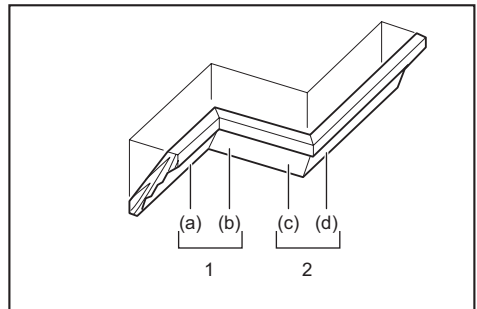
Schneiden von Decken- und Hohlleisten

Decken- und Hohlleisten können flach auf dem Drehteller liegend mit einer Kapp- und Gehrungssäge geschnitten werden.

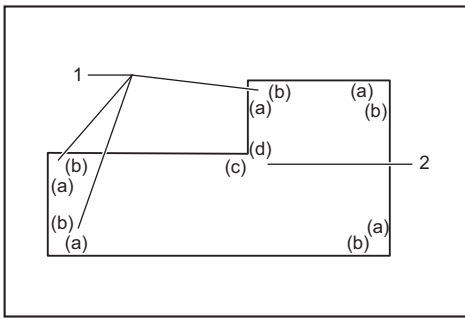
Es gibt zwei allgemeine Deckenleistentypen und einen Hohlleistentyp: Deckenleiste mit 52/38° Wandwinkel, Deckenleiste mit 45° Wandwinkel und Hohlleiste mit 45° Wandwinkel.

- **Abb.58:** 1. 52/38°-Deckenleistentyp
2. 45°-Deckenleistentyp
3. 45°-Hohlleistentyp

Es gibt Decken- und Hohlleisteinstöße, die in 90°-Innenecken ((a) und (b) in der Abbildung) und 90°-Außenecken ((c) und (d) in der Abbildung) passen.



1. Innenecke 2. Außenecke



1. Innenecke 2. Außenecke

Messen

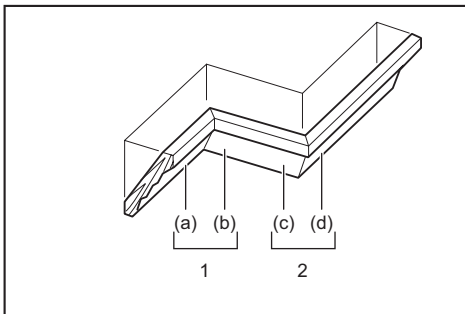
Messen Sie die Wandbreite, und stellen Sie die Breite des Werkstücks dementsprechend ein. Vergewissern Sie sich stets, dass die Breite der Wandkontaktkante des Werkstücks der Wandlänge entspricht.

► **Abb.59:** 1. Werkstück 2. Wandbreite 3. Breite des Werkstücks 4. Wandkontaktkante

Verwenden Sie stets mehrere Stücke für Probeschnitte, um die Sägewinkel zu überprüfen.

Wenn Sie Decken- und Hohlleisten schneiden, stellen Sie den Neigungs- und Gehrungswinkel gemäß den Angaben in Tabelle (A) ein, und legen Sie die Leisten auf die Oberseite der Grundplatte, wie in Tabelle (B) angegeben.

Im Falle eines Linksneigungsschnitts



1. Innenecke 2. Außenecke

Tabelle (A)

-	Leistenposition in der Abbildung	Neigungswinkel		Gehrungswinkel	
		52/38°-Typ	45°-Typ	52/38°-Typ	45°-Typ
Für Innenecke	(a)	Links 33,9°	Links 30°	Rechts 31,6°	Rechts 35,3°
	(b)			Links 31,6°	Links 35,3°
Für Außenecke	(c)			Rechts 31,6°	Rechts 35,3°
	(d)				

Tabelle (B)

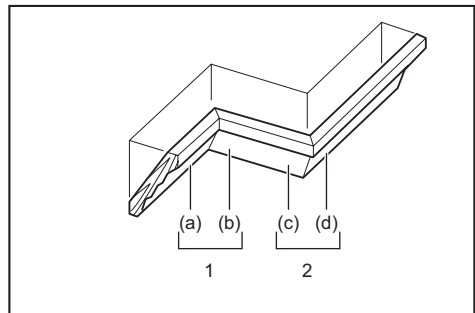
-	Leistenposition in der Abbildung	Leistenkante gegen Gehrungsanschlag	Fertiges Stück
Für Innenecke	(a)	Die Deckenkontaktkante muss am Gehrungsanschlag anliegen.	Das fertige Stück befindet sich auf der linken Seite des Sägeblatts.
	(b)	Die Wandkontaktkante muss am Gehrungsanschlag anliegen.	
Für Außenecke	(c)	Die Wandkontaktkante muss am Gehrungsanschlag anliegen.	Das fertige Stück befindet sich auf der rechten Seite des Sägeblatts.
	(d)	Die Deckenkontaktkante muss am Gehrungsanschlag anliegen.	

Beispiel:

Schneiden einer 52/38°-Deckenleiste für Position (a) in der obigen Abbildung:

- Neigungswinkel auf 33,9° LINKS einstellen und sichern.
- Gehrungswinkel auf 31,6° RECHTS einstellen und sichern.
- Legen Sie die Deckenleiste mit ihrer breiten (verborgenen) Rückseite auf den Drehteller, so dass ihre DECKENKONTAKTKANTE am Gehrungsanschlag der Säge anliegt.
- Das zu verwendende fertige Stück befindet sich nach der Ausführung des Schnitts immer auf der LINKEN Seite des Sägeblatts.

Im Falle eines Rechtsneigungsschnitts



1. Innenecke 2. Außenecke

Tabelle (A)

-	Leistenposition in der Abbildung	Neigungswinkel		Gehrungswinkel	
		52/38°-Typ	45°-Typ	52/38°-Typ	45°-Typ
Für Innenecke	(a)	Rechts 33,9°	Rechts 30°	Rechts 31,6°	Rechts 35,3°
	(b)			Links 31,6°	Links 35,3°
Für Außenecke	(c)			Rechts 31,6°	Rechts 35,3°
	(d)			Rechts 31,6°	Rechts 35,3°

Tabelle (B)

-	Leistenposition in der Abbildung	Leistenkante gegen Gehrungsanschlag	Fertiges Stück
Für Innenecke	(a)	Die Wandkontaktkante muss am Gehrungsanschlag anliegen.	Das fertige Stück befindet sich auf der rechten Seite des Sägeblatts.
	(b)	Die Deckenkontaktkante muss am Gehrungsanschlag anliegen.	
Für Außenecke	(c)	Die Wandkontaktkante muss am Gehrungsanschlag anliegen.	Das fertige Stück befindet sich auf der linken Seite des Sägeblatts.
	(d)	Die Deckenkontaktkante muss am Gehrungsanschlag anliegen.	

Beispiel:

Schneiden einer 52/38°-Deckenleiste für Position (a) in der obigen Abbildung:

- Neigungswinkel auf 33,9° RECHTS einstellen und sichern.
- Gehrungswinkel auf 31,6° RECHTS einstellen und sichern.
- Legen Sie die Deckenleiste mit ihrer breiten (verborgenen) Rückseite auf den Drehteller, so dass ihre WANDKONTAKTKANTE am Gehrungsanschlag der Säge anliegt.
- Das zu verwendende fertige Stück befindet sich nach der Ausführung des Schnitts immer auf der RECHTEN Seite des Sägeblatts.

Deckenleistenanschlag

Sonderzubehör

Deckenleistenanschlüsse gestatten bequemeres Schneiden von Deckenleisten, ohne das Sägeblatt neigen zu müssen. Montieren Sie diese auf dem Drehteller, wie in den Abbildungen gezeigt.

Rechter 45°-Gehrungswinkel

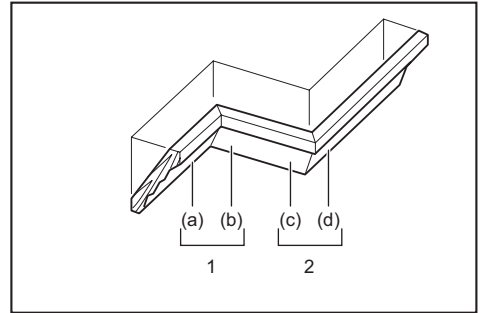
- **Abb.60:** 1. Deckenleistenanschlag L
2. Deckenleistenanschlag R 3. Drehteller
4. Gehrungsanschlag

Linker 45°-Gehrungswinkel

- **Abb.61:** 1. Deckenleistenanschlag L
2. Deckenleistenanschlag R 3. Drehteller
4. Gehrungsanschlag

Positionieren Sie die Deckenleiste mit ihrer WANDKONTAKTKANTE gegen den Gehrungsanschlag und mit ihrer DECKENKONTAKTKANTE gegen die Deckenleistenanschlüsse, wie in der Abbildung gezeigt. Stellen Sie die Deckenleistenanschlüsse der Größe der Deckenleiste entsprechend ein. Ziehen Sie die Schrauben fest, um die Deckenleistenanschlüsse zu sichern. Nehmen Sie für den Gehrungswinkel auf die Tabelle (C) Bezug.

- **Abb.62:** 1. Gehrungsanschlag
2. Deckenleistenanschlag



1. Innenecke 2. Außenecke

Tabelle (C)

-	Leistenposition in der Abbildung	Gehrungs-winkel	Fertiges Stück
Für Innenecke	(a)	Rechts 45°	Stück auf rechter Sägeblattseite verwenden
	(b)	Links 45°	Stück auf linker Sägeblattseite verwenden
Für Außenecke	(c)		Stück auf rechter Sägeblattseite verwenden
	(d)	Rechts 45°	Stück auf linker Sägeblattseite verwenden

Schneiden von Aluminium-Strangpressprofilen

- **Abb.63:** 1. Schraubstock 2. Distanzblock
3. Gehrungsanschlag 4. Aluminium-Strangpressprofil 5. Distanzblock

Verwenden Sie zum Einspannen von Aluminium-Strangpressprofilen Distanzblöcke oder Abfallholzstücke, wie in der Abbildung gezeigt, um eine Verformung des Aluminiums zu vermeiden. Verwenden Sie Schneidschmiermittel zum Schneiden von Aluminium-Strangpressprofilen, um die Ablagerung von Aluminium-Rückständen am Kreissägeblatt zu verhüten.

⚠️ WARNUNG: Versuchen Sie niemals, dicke oder runde Aluminium-Strangpressprofile zu schneiden. Dicke oder runde Aluminium-Strangpressprofile können schwierig zu sichern sein. Sie können sich während des Schneidbetriebs lockern, was zu Verlust der Kontrolle und ernsthaften Personenschäden führen kann.

Technik für spezielle Maximalbreiten-Schnittleistung

Die maximale Breitenschnittleistung kann durch Ausführen der folgenden Schritte erreicht werden: Angaben zur maximalen Schnittbreite dieses Werkzeugs entnehmen Sie bitte „Schnittleistung für Sonderschnitte“ im Abschnitt TECHNISCHE DATEN.

1. Stellen Sie das Werkzeug auf einen Gehrungswinkel von 0° oder 45° ein, und vergewissern Sie sich, dass der Drehteller verriegelt ist. (Siehe den Abschnitt zum Einstellen des Gehrungswinkels.)
2. Entfernen Sie vorübergehend den rechten und linken oberen Anschlag, und legen Sie die Anschläge zur Seite.
3. Schneiden Sie eine Plattform auf die in der Zeichnung angegebenen Abmessungen zu. Verwenden Sie dazu ein 38 mm dickes, ebenes Material, wie z. B. Holz, Sperrholz oder Pressspan.
▶ **Abb.64:** 1. 0°-Gehrungswinkel: Über 450 mm
2. 45°-Gehrungswinkel: Über 325 mm
3. 38 mm 4. Über 760 mm

⚠️ WARNUNG: Verwenden Sie unbedingt ebenes Material als Plattform. Unebenes Material kann sich während des Schneidvorgangs bewegen, was zu Rückschlag und schweren Verletzungen führen kann.

HINWEIS: Die maximale Schnittleistung in der Höhe wird um den Betrag der Plattformdicke reduziert.

4. Legen Sie die Plattform auf das Werkzeug, so dass sie auf beiden Seiten der Grundplatte gleich weit übersteht.
Befestigen Sie die Plattform mit vier 6-mm-Holzschrauben in vier Löchern der unteren Anschläge am Werkzeug.
▶ **Abb.65:** 1. Schrauben (zwei auf jeder Seite)
2. Unterer Anschlag 3. Auflagetisch
4. Plattform

⚠️ WARNUNG: Vergewissern Sie sich, dass die Plattform flach auf der Grundplatte aufliegt und an den vier vorhandenen Schraubenlöchern einwandfrei an den unteren Anschlägen befestigt ist. Eine unzulänglich gesicherte Plattform kann sich bewegen und möglicherweise Rückschläge verursachen, die zu schweren Verletzungen führen können.

⚠️ WARNUNG: Vergewissern Sie sich, dass das Werkzeug auf einer stabilen und ebenen Fläche fest montiert ist. Unzulängliche Montage und Sicherung des Werkzeugs können Instabilität verursachen, die zu einem Verlust der Kontrolle und/oder Herunterfallen des Werkzeugs führen und schwere Personenschäden zur Folge haben können.

5. Installieren Sie die oberen Anschläge am Werkzeug.

⚠️ WARNUNG: Benutzen Sie das Werkzeug nicht ohne die oberen Anschläge. Die oberen Anschläge sorgen für eine angemessene Abstützung, die zum Schneiden des Werkstücks erforderlich ist. Wird das Werkstück nicht richtig abgestützt, kann es sich bewegen, was zu möglichem Verlust der Kontrolle, Rückschlag und schweren Verletzungen führen kann.

6. Legen Sie das zu schneidende Werkstück auf die am Werkzeug befestigte Plattform.
7. Sichern Sie das Werkstück vor dem Schneiden mit einem Schraubstock fest an den oberen Anschlägen.
▶ **Abb.66:** 1. Oberer Anschlag 2. Vertikal-Schraubstock 3. Werkstück 4. Plattform
8. Führen Sie einen Schnitt durch das Werkstück gemäß dem in dem Abschnitt für Schiebeschnitt erklärten Vorgang langsam aus.

⚠️ WARNUNG: Vergewissern Sie sich, dass das Werkstück mit dem Schraubstock einwandfrei gesichert ist, und führen Sie den Schnitt langsam aus. Anderenfalls kann sich das Werkstück bewegen, was zu möglichem Rückschlag und schweren Personenschäden führen kann.

⚠️ WARNUNG: Beachten Sie, dass die Plattform nach der Durchführung mehrerer Schnitte bei unterschiedlichen Gehrungswinkeln schwach werden kann. Falls die Plattform aufgrund der im Material hinterlassenen mehrfachen Kerbschnitte schwach wird, sollte sie ausgewechselt werden. Wird die geschwächte Plattform nicht ausgewechselt, kann sich das Werkstück während des Schneidvorgangs bewegen, was zu möglichem Rückschlag und schweren Personenschäden führen kann.

Nutenschneiden

⚠️ WARNUNG: Versuchen Sie nicht, derartige Schnitte mit einem breiteren Sägeblatt oder einem Dado-Sägeblatt auszuführen. Der Versuch, einen Nutenschnitt mit einem breiteren Sägeblatt oder Dado-Sägeblatt durchzuführen, könnte zu unerwarteten Schnittergebnissen und Rückschlag führen, was schwere Personenschäden zur Folge haben könnte.

⚠️ WARNUNG: Stellen Sie den Anschlagarm unbedingt wieder auf die Ausgangsstellung zurück, wenn Sie andere Schnitte als Nutenschnitte ausführen. Der Versuch, Schnitte mit dem Anschlagarm in der falschen Position durchzuführen, könnte zu unerwarteten Schnittergebnissen und Rückschlag führen, was schwere Personenschäden zur Folge haben könnte.

Führen Sie Dado-Schnitte wie folgt aus:

1. Stellen Sie die untere Grenzposition des Kreissägenblatts mit der Einstellschraube und dem Anschlagarm ein, um die Schnitttiefe des Kreissägenblatts zu begrenzen. Nehmen Sie auf den Abschnitt für den Anschlagarm Bezug.
2. Nachdem Sie die untere Grenzposition des

Kreissägeblatts eingestellt haben, schneiden Sie mittels Schiebesschnitt parallele Nuten über die Breite des Werkstücks.

► **Abb.67:** 1. Nuten mit dem Sägeblatt schneiden

3. Heben Sie dann das Werkstückmaterial zwischen den Nuten mit einem Stemmeisen aus.

Zwischenbrett

⚠️ WARNUNG: Befestigen Sie das Zwischenbrett mit Schrauben am Gehrungsanschlag. Die Schrauben sind so zu installieren, dass die Schraubenköpfe unter der Oberfläche des Zwischenbretts versenkt sind, damit sie nicht die Lage des zu schneidenden Materials behindern. Eine Fehlausrichtung des zu schneidenden Materials kann unerwartete Bewegung während des Schneidvorgangs verursachen, die zum Verlust der Kontrolle und schweren Personenschäden führen kann.

⚠️ VORSICHT: Verwenden Sie glatt gehobeltes Holz von gleichmäßiger Dicke als Zwischenbrett.

⚠️ VORSICHT: Um Werkstücke mit einer Höhe von 107 mm bis 120 mm vollständig durchzuschneiden, sollte ein Zwischenbrett auf dem Gehrungsanschlag verwendet werden. Das Zwischenbrett sorgt für einen Abstand zwischen Werkstück und Anschlag, um einen tieferen Schnitt auszuführen.

ANMERKUNG: Drehen Sie den Drehteller bei montiertem Zwischenbrett nicht mit abgenutztem Handgriff. Anderenfalls kommt es zu einer Beschädigung des Sägeblatts und/oder des Zwischenbretts.

Durch die Verwendung eines Zwischenbretts lassen sich Werkstücke splinterfrei sägen. Befestigen Sie ein Zwischenbrett mit 6-mm-Schrauben in den Bohrungen des Gehrungsanschlags.

Die Maße für ein vorgeschlagenes Zwischenbrett sind aus der Abbildung ersichtlich.

► **Abb.68:** 1. Bohrung 2. Über 15 mm 3. Über 270 mm 4. 90 mm 5. 145 mm 6. 19 mm 7. 115 - 120 mm

BEISPIEL Um Werkstücke von 115 mm und 120 mm Höhe zu schneiden, verwenden Sie ein Zwischenbrett der folgenden Dicke.

Gehrungswinkel	Dicke des Zwischenbretts	
	115 mm	120 mm
0°	20 mm	38 mm
Links und Rechts 45°	15 mm	25 mm
Links und Rechts 60°	15 mm	25 mm

Tragen des Werkzeugs

Denken Sie vor dem Tragen des Werkzeugs daran, den Akku abzunehmen, und vergewissern Sie sich, dass alle beweglichen Teile der Gehrungssäge gesichert

sind. Überprüfen Sie stets Folgendes:

- Der Akku ist abgenommen.
- Der Schlitten befindet sich in der 0°-Neigungswinkelposition und ist gesichert.
- Der Schlitten ist abgesenkt und verriegelt.
- Der Schlitten ist vollständig zu den Gehrungsanschlagen hin geschoben und verriegelt.
- Der Drehteller befindet sich an der rechten Gehrungswinkel-Anschlagposition und ist gesichert.
- Die Zusatzaufgaben sind verstaut und gesichert.

Tragen Sie das Werkzeug, indem Sie den Auflagetisch auf beiden Seiten halten.

► **Abb.69**

⚠️ WARNUNG: Der Anschlagstift für Schlittenanhebung ist nur zum Tragen und zur Lagerung, nicht für irgendwelche Schneidarbeiten, vorgesehen. Der Gebrauch des Anschlagstifts für Schneidarbeiten kann eine unerwartete Bewegung des Kreissägeblatts verursachen, die zu Rückschlag und schweren Personenschäden führen kann.

⚠️ VORSICHT: Sichern Sie stets alle beweglichen Teile, bevor Sie das Werkzeug tragen. Falls Teile des Werkzeugs sich beim Tragen bewegen oder verschieben, kann es zu Verlust der Kontrolle oder Balance kommen, was Personenschäden zur Folge haben kann.

⚠️ VORSICHT: Vergewissern Sie sich, dass die Schlittenanhebung an ihrer Unterseite durch den Anschlagstift ordnungsgemäß verriegelt ist. Falls der Anschlagstift nicht ordnungsgemäß eingerückt ist, kann der Schlitten plötzlich hoch springen und Personenschäden verursachen.

FUNK-AKTIVIERUNGS-FUNKTION

Mit der Funk-Aktivierungsfunktion verfügbare Möglichkeiten

Die Funk-Aktivierungsfunktion ermöglicht sauberen und komfortablen Betrieb. Wenn Sie ein unterstütztes Saugergerät an das Werkzeug anschließen, können Sie das Saugergerät automatisch mit der Schalterbetätigung des Werkzeugs betreiben.

► **Abb.70**

Um die Funk-Aktivierungsfunktion zu benutzen, benötigen Sie die folgenden Gegenstände:

- Einen Funk-Adapter (Sonderzubehör)
- Ein Saugergerät, das die Funk-Aktivierungsfunktion unterstützt

Die Übersicht über die Einstellung der Funk-Aktivierungsfunktion ist wie folgt. Ausführliche Verfahren entnehmen Sie bitte dem jeweiligen Abschnitt.

1. Installieren des Funk-Adapters
2. Werkzeugregistrierung für das Sauggerät
3. Starten der Funk-Aktivierungsfunktion

Installieren des Funk-Adapters

Sonderzubehör

⚠ VORSICHT: Legen Sie das Werkzeug zum Installieren des Funk-Adapters auf eine ebene und stabile Oberfläche.

ANMERKUNG: Entfernen Sie Staub und Schmutz vom Werkzeug, bevor Sie den Funk-Adapter installieren. Staub oder Schmutz können eine Funktionsstörung verursachen, falls sie in den Steckplatz des Funk-Adapters gelangen.

ANMERKUNG: Um eine durch statische Entladung verursachte Funktionsstörung zu verhindern, berühren Sie ein Statikentladungsmaterial, wie z. B. ein Metallteil des Werkzeugs, bevor Sie den Funk-Adapter anfassen.

ANMERKUNG: Achten Sie beim Installieren des Funk-Adapters immer darauf, dass der Funk-Adapter in der korrekten Richtung eingeführt wird und der Deckel vollständig geschlossen ist.

1. Öffnen Sie den Deckel am Werkzeug, wie in der Abbildung gezeigt.

► **Abb.71:** 1. Deckel

2. Führen Sie den Funk-Adapter in den Steckplatz ein, und schließen Sie dann den Deckel.

Wenn Sie den Funk-Adapter einführen, richten Sie die Vorsprünge auf die Vertiefungen des Steckplatzes aus.

► **Abb.72:** 1. Funk-Adapter 2. Vorsprung 3. Deckel 4. Vertiefung

Zum Entfernen des Funk-Adapters öffnen Sie den Deckel langsam. Die Haken an der Rückseite des Deckels heben den Funk-Adapter an, wenn Sie den Deckel hochziehen.

► **Abb.73:** 1. Funk-Adapter 2. Haken 3. Deckel

Bewahren Sie den Funk-Adapter nach der Entnahme in der mitgelieferten Schachtel oder einem statikfreien Behälter auf.

ANMERKUNG: Verwenden Sie immer die Haken an der Rückseite des Deckels zum Entfernen des Funk-Adapters. Falls die Haken den Funk-Adapter nicht greifen, schließen Sie den Deckel vollständig, und öffnen Sie ihn dann wieder langsam.

Werkzeugregistrierung für das Sauggerät

HINWEIS: Ein Makita-Sauggerät, das die Funk-Aktivierungsfunktion unterstützt, ist für die Werkzeugregistrierung erforderlich.

HINWEIS: Die Installation des Funk-Adapters im Werkzeug muss vollendet sein, bevor mit der Werkzeugregistrierung begonnen wird.

HINWEIS: Vermeiden Sie das Einschalten der folgenden Schalter während der Werkzeugregistrierung:

- Auslöseschalter am Werkzeug
- Vakuumschalter am Werkzeug
- Hauptschalter am Sauggerät

HINWEIS: Nehmen Sie auch auf die Betriebsanleitung des Sauggerätes Bezug.

Wenn Sie das Sauggerät zusammen mit der Schalterbetätigung des Werkzeugs aktivieren möchten, müssen Sie zuvor die Werkzeugregistrierung beenden.

1. Setzen Sie die Akkus in das Sauggerät und das Werkzeug ein.

2. Stellen Sie den Bereitschaftsschalter am Sauggerät auf „AUTO“.

► **Abb.74:** 1. Bereitschaftsschalter

3. Drücken Sie die Funk-Aktivierungstaste am Sauggerät für 3 Sekunden, bis die Funk-Aktivierungslampe in Grün blinkt. Drücken Sie dann die Funk-Aktivierungstaste am Werkzeug in der gleichen Weise.

► **Abb.75:** 1. Funk-Aktivierungstaste

2. Funk-Aktivierungslampe

Wenn Sauggerät und Werkzeug erfolgreich verbunden werden, leuchten die Funk-Aktivierungslampen 2 Sekunden lang in Grün auf und beginnen dann in Blau zu blinken.

HINWEIS: Nach Ablauf von 20 Sekunden hören die Funk-Aktivierungslampen auf, in Grün zu blinken. Drücken Sie die Funk-Aktivierungstaste am Werkzeug, während die Funk-Aktivierungslampe am Staubsauger blinkt. Falls die Funk-Aktivierungslampe nicht in Grün blinkt, drücken Sie die Funk-Aktivierungstaste kurz, und halten Sie sie erneut gedrückt.

HINWEIS: Wenn Sie zwei oder mehr Werkzeugregistrierungen für ein Sauggerät durchführen, beenden Sie die Werkzeugregistrierungen nacheinander.

Starten der Funk-Aktivierungsfunktion

HINWEIS: Beenden Sie die Werkzeugregistrierung für das Sauggerät vor der Funk-Aktivierung.

HINWEIS: Nehmen Sie auch auf die Betriebsanleitung des Sauggerätes Bezug.

Nachdem Sie ein Werkzeug im Sauggerät registriert haben, läuft das Sauggerät automatisch mit der Schalterbetätigung am Werkzeug an. Betätigen Sie den Auslöseschalter am Werkzeug, um das Sauggerät

während des Betriebs zu betreiben. Das Sauggerät läuft auch an, indem die Vakuumentaste am Werkzeug aus einem beliebigen Schneidbetrieb heraus gedrückt wird.

► **Abb.76**

1. Installieren Sie den Funk-Adapter im Werkzeug.
2. Schließen Sie den Schlauch des Sauggerätes am Werkzeug an.

► **Abb.77**

3. Stellen Sie den Bereitschaftsschalter am Sauggerät auf „AUTO“.

► **Abb.78: 1.** Bereitschaftsschalter

4. Drücken Sie die Funk-Aktivierungstaste am Werkzeug kurz. Die Funk-Aktivierungslampe blinkt in Blau.

► **Abb.79: 1.** Funk-Aktivierungstaste
2. Funk-Aktivierungslampe

5. Betätigen Sie den Auslöseschalter des Werkzeugs. Prüfen Sie, ob das Sauggerät läuft, während der Auslöseschalter betätigt wird.

6. Drücken Sie die Vakuumentaste, um das Sauggerät in Betrieb zu nehmen. Prüfen Sie, ob die Funk-Aktivierungslampe in Blau aufleuchtet und das Sauggerät bis zum erneuten Drücken der Taste weiter läuft.

7. Um den Saugbetrieb zu beenden, lassen Sie entweder den Auslöseschalter los, oder drücken Sie die Vakuumentaste erneut. Das Sauggerät bleibt wenige

Sekunden nach der Schalterbetätigung stehen, und dann beginnt die Lampe in Blau zu blinken.

HINWEIS: Der Schalterstatus (Ein-/Ausschalten des Sauggerätes) kann anhand der Funk-Aktivierungslampe festgestellt werden. Einzelheiten finden Sie im Abschnitt zur Beschreibung des Funk-Aktivierungslampenstatus.

8. Um die Funk-Aktivierung des Sauggerätes zu stoppen, drücken Sie die Funk-Aktivierungstaste am Werkzeug.

HINWEIS: Die Funk-Aktivierungslampe am Werkzeug hört auf, in Blau zu blinken, wenn 2 Stunden lang kein Betrieb erfolgt. Stellen Sie in diesem Fall den Bereitschaftsschalter am Sauggerät auf „AUTO“, und drücken Sie die Funk-Aktivierungstaste am Werkzeug erneut.

HINWEIS: Das Sauggerät startet/stoppt mit einer Verzögerung. Es tritt eine Zeitverzögerung auf, wenn das Sauggerät eine Schalterbetätigung des Werkzeugs erkennt.










HINWEIS: Die Übertragungreichweite des Funk-Adapters kann abhängig vom Ort und den Umgebungsbedingungen schwanken.

HINWEIS: Wenn zwei oder mehr Werkzeuge in einem Sauggerät registriert sind, kann das Sauggerät anlaufen, selbst wenn Sie den Auslöseschalter nicht betätigen oder die Vakuumentaste nicht drücken, weil ein anderer Benutzer die Funk-Aktivierungsfunktion benutzt.

Beschreibung des Zustands der Funk-Aktivierungslampe

► **Abb.80: 1.** Funk-Aktivierungslampe

Die Funk-Aktivierungslampe zeigt den Zustand der Funk-Aktivierungsfunktion an. Die Bedeutung des Lampenzustands ist aus der nachstehenden Tabelle ersichtlich.

Zustand	Funk-Aktivierungslampe			Dauer	Beschreibung
	Farbe	 Ein	 Blinkend		
Bereitschaft	Blau			2 Stunden	Die Funk-Aktivierung des Sauggerätes ist verfügbar. Die Lampe erlischt automatisch, wenn 2 Stunden lang kein Betrieb erfolgt.
				Wenn das Werkzeug läuft.	Die Funk-Aktivierung des Sauggerätes ist verfügbar, und das Werkzeug läuft.
Werkzeugregistrierung	Grün			20 Sekunden	Bereit für die Werkzeugregistrierung. Warten auf die Registrierung durch das Sauggerät.
				2 Sekunden	Die Werkzeugregistrierung ist beendet worden. Die Funk-Aktivierungslampe beginnt, in Blau zu blinken.
Aufheben der Werkzeugregistrierung	Rot			20 Sekunden	Bereit für die Aufhebung der Werkzeugregistrierung. Warten auf die Aufhebung durch das Sauggerät.
				2 Sekunden	Die Aufhebung der Werkzeugregistrierung ist beendet worden. Die Funk-Aktivierungslampe beginnt, in Blau zu blinken.
Sonstiges	Rot			3 Sekunden	Der Funk-Adapter wird mit Strom versorgt, und die Funk-Aktivierungsfunktion wird gestartet.
	Aus	-		-	Die Funk-Aktivierung des Sauggerätes ist gestoppt.

Aufheben der Werkzeugregistrierung für das Sauggerät

Führen Sie das folgende Verfahren durch, um die Werkzeugregistrierung für das Sauggerät aufzuheben.

1. Setzen Sie die Akkus in das Sauggerät und das Werkzeug ein.
2. Stellen Sie den Bereitschaftsschalter am Sauggerät auf „AUTO“.
► **Abb.81:** 1. Bereitschaftsschalter
3. Drücken Sie die Funk-Aktivierungstaste am Sauggerät für 6 Sekunden. Die Funk-Aktivierungslampe blinkt in Grün und wird dann rot. Drücken Sie danach

die Funk-Aktivierungstaste am Werkzeug in der gleichen Weise.

- **Abb.82:** 1. Funk-Aktivierungstaste
2. Funk-Aktivierungslampe

Wenn die Aufhebung erfolgreich war, leuchten die Funk-Aktivierungslampen 2 Sekunden lang in Rot auf und beginnen dann in Blau zu blinken.

HINWEIS: Nach Ablauf von 20 Sekunden hören die Funk-Aktivierungslampen auf, in Rot zu blinken. Drücken Sie die Funk-Aktivierungstaste am Werkzeug, während die Funk-Aktivierungslampe am Staubsauger blinkt. Falls die Funk-Aktivierungslampe nicht in Rot blinkt, drücken Sie die Funk-Aktivierungstaste kurz, und halten Sie sie erneut gedrückt.

Fehlersuche für Funk-Aktivierungsfunktion

Bevor Sie den Reparaturdienst anrufen, führen Sie zunächst Ihre eigene Inspektion durch. Falls Sie ein Problem finden, das nicht in der Anleitung erläutert wird, versuchen Sie nicht, das Werkzeug zu zerlegen. Wenden Sie sich stattdessen an autorisierte Makita-Kundendienstzentren, und achten Sie darauf, dass stets Makita-Ersatzteile für Reparaturen verwendet werden.

Zustand der Unregelmäßigkeit	Wahrscheinliche Ursache (Funktionsstörung)	Abhilfemaßnahme
Die Funk-Aktivierungslampe leuchtet/blinkt nicht.	Es ist kein Funk-Adapter im Werkzeug installiert. Der Funk-Adapter ist falsch im Werkzeug installiert.	Installieren Sie den Funk-Adapter korrekt.
	Die Kontakte des Funk-Adapters und/oder des Steckplatzes sind verschmutzt.	Wischen Sie Staub und Schmutz an den Kontakten des Funk-Adapters sachte ab, und reinigen Sie den Steckplatz.
	Die Funk-Aktivierungstaste am Werkzeug ist nicht gedrückt worden.	Drücken Sie die Funk-Aktivierungstaste am Werkzeug kurz.
	Der Bereitschaftsschalter am Sauggerät ist nicht auf „AUTO“ eingestellt.	Stellen Sie den Bereitschaftsschalter am Sauggerät auf „AUTO“.
	Keine Stromversorgung	Versorgen Sie Werkzeug und Sauggerät mit Strom.

Zustand der Unregelmäßigkeit	Wahrscheinliche Ursache (Funktionsstörung)	Abhilfemaßnahme
Die Werkzeugregistrierung/ Aufhebung der Werkzeugregistrierung kann nicht erfolgreich beendet werden.	Es ist kein Funk-Adapter im Werkzeug installiert. Der Funk-Adapter ist falsch im Werkzeug installiert.	Installieren Sie den Funk-Adapter korrekt.
	Die Kontakte des Funk-Adapters und/oder des Steckplatzes sind verschmutzt.	Wischen Sie Staub und Schmutz an den Kontakten des Funk-Adapters sachte ab, und reinigen Sie den Steckplatz.
	Der Bereitschaftsschalter am Sauggerät ist nicht auf „AUTO“ eingestellt.	Stellen Sie den Bereitschaftsschalter am Sauggerät auf „AUTO“.
	Keine Stromversorgung	Versorgen Sie Werkzeug und Sauggerät mit Strom.
	Falsche Bedienung	Drücken Sie die Funk-Aktivierungstaste kurz, und führen Sie das Verfahren der Werkzeugregistrierung/Aufhebung der Werkzeugregistrierung erneut durch.
	Der Abstand zwischen Werkzeug und Sauggerät ist zu groß (außerhalb der Übertragungreichweite).	Verkleinern Sie den Abstand zwischen Werkzeug und Sauggerät. Die maximale Übertragungreichweite beträgt ungefähr 10 m, sie kann aber je nach den Umständen schwanken.
	Bevor Sie die Werkzeugregistrierung/ Aufhebung der Werkzeugregistrierung beenden; - der Auslöseschalter am Werkzeug wird betätigt, oder; - die Vakuumtaste am Werkzeug wird gedrückt, oder; - die Betriebstaste am Sauggerät wird eingeschaltet.	Drücken Sie die Funk-Aktivierungstaste kurz, und führen Sie das Verfahren der Werkzeugregistrierung/Aufhebung der Werkzeugregistrierung erneut durch.
	Die Verfahren der Werkzeugregistrierung für das Werkzeug oder das Sauggerät sind nicht beendet.	Führen Sie die Verfahren der Werkzeugregistrierung sowohl für das Werkzeug als auch das Sauggerät zum selben Zeitpunkt durch.
	Funkstörungen durch andere Geräte, die starke Funkwellen erzeugen.	Halten Sie das Werkzeug und das Sauggerät von solchen Geräten wie WLAN-Geräten und Mikrowellenöfen fern.
Das Sauggerät läuft bei der Schalterbetätigung des Werkzeugs nicht an.	Es ist kein Funk-Adapter im Werkzeug installiert. Der Funk-Adapter ist falsch im Werkzeug installiert.	Installieren Sie den Funk-Adapter korrekt.
	Die Kontakte des Funk-Adapters und/oder des Steckplatzes sind verschmutzt.	Wischen Sie Staub und Schmutz an den Kontakten des Funk-Adapters sachte ab, und reinigen Sie den Steckplatz.
	Die Funk-Aktivierungstaste am Werkzeug ist nicht gedrückt worden.	Drücken Sie die Funk-Aktivierungstaste kurz, und vergewissern Sie sich, dass die Funk-Aktivierungslampe in Blau blinkt.
	Der Bereitschaftsschalter am Sauggerät ist nicht auf „AUTO“ eingestellt.	Stellen Sie den Bereitschaftsschalter am Sauggerät auf „AUTO“.
	Es sind mehr als 10 Werkzeuge im Sauggerät registriert.	Führen Sie die Werkzeugregistrierung erneut durch. Wenn mehr als 10 Werkzeuge im Sauggerät registriert werden, wird die Registrierung des ersten Werkzeugs automatisch gelöscht.
	Das Sauggerät hat Werkzeuge nicht erfolgreich registriert.	Erneuern Sie alle Werkzeugregistrierungen.
	Das Sauggerät hat alle Werkzeugregistrierungen gelöscht.	Führen Sie die Werkzeugregistrierung erneut durch.
	Keine Stromversorgung	Versorgen Sie Werkzeug und Sauggerät mit Strom.
	Der Abstand zwischen Werkzeug und Sauggerät ist zu groß (außerhalb der Übertragungreichweite).	Verkleinern Sie den Abstand zwischen Werkzeug und Sauggerät. Die maximale Übertragungreichweite beträgt ungefähr 10 m, sie kann aber je nach den Umständen schwanken.
	Funkstörungen durch andere Geräte, die starke Funkwellen erzeugen.	Halten Sie das Werkzeug und das Sauggerät von solchen Geräten wie WLAN-Geräten und Mikrowellenöfen fern.
Das Sauggerät läuft, ohne dass Schalter für das Werkzeug in Betrieb sind.	Andere Benutzer nutzen die Funk-Aktivierung des Sauggerätes mit ihren Werkzeugen.	Schalten Sie die Funk-Aktivierungstaste der anderen Werkzeuge aus, oder heben Sie die Werkzeugregistrierung der anderen Werkzeuge auf.

WARTUNG

⚠️ WARNUNG: Vergewissern Sie sich vor der Durchführung von Inspektions- oder Wartungsarbeiten stets, dass das Werkzeug ausgeschaltet und der Akku abgenommen ist. Das Versäumnis, den Akku abzunehmen und das Werkzeug auszuschalten, kann versehentliches Anlaufen des Werkzeugs und schwere Personenschäden verursachen.

⚠️ WARNUNG: Achten Sie stets darauf, dass das Kreissägeblatt scharf und sauber ist, um die bestmögliche und sicherste Leistung zu erzielen. Der Versuch, einen Schnitt mit einem stumpfen und/oder verschmutzten Sägeblatt auszuführen, kann Rückschlag verursachen und zu schweren Personenschäden führen.

⚠️ VORSICHT: Vergewissern Sie sich stets, dass die Sägeblattschutzhäube in der ursprünglichen Position geschlossen ist, bevor Sie sich anschnicken, eine Inspektion oder Wartung durchzuführen. Die Sägeblattschutzhäube darf bei Reinigungsarbeiten auf keinen Fall in der geöffneten Stellung festgeklemmt oder festgebunden werden. Anderenfalls kann das freiliegende Sägeblatt Personenschäden verursachen.

ANMERKUNG: Verwenden Sie auf keinen Fall Benzin, Waschbenzin, Verdünner, Alkohol oder dergleichen. Solche Mittel können Verfärbung, Verformung oder Rissbildung verursachen.

Um die SICHERHEIT und ZUVERLÄSSIGKEIT dieses Produkts zu gewährleisten, sollten Reparaturen und andere Wartungs- oder Einstellarbeiten nur von Makita-Vertragswerkstätten oder Makita-Kundendienstzentren unter ausschließlicher Verwendung von Makita-Originalersatzteilen ausgeführt werden.

Einstellen des Schnittwinkels

Dieses Werkzeug wurde werksseitig sorgfältig eingestellt und justiert, doch grobe Behandlung kann die Justierung beeinträchtigen. Sollte Ihr Werkzeug einer Nachjustierung bedürfen, gehen Sie folgendermaßen vor:

Gehrungswinkel

Senken Sie den Handgriff ganz ab, und verriegeln Sie ihn in der Tiefstellung mit dem Anschlagstift. Schieben Sie den Schlitten auf den Gehrungsanschlag zu. Drehen Sie den Griff entgegen dem Uhrzeigersinn, und machen Sie den Drehteller mit Hilfe des Verriegelungshebels für die Festanschlagfunktion bereit.

Lösen Sie dann die Schrauben, die den Zeiger und die Gehrungswinkelskala sichern.

- **Abb.83:** 1. Griff 2. Verriegelungshebel
3. Schraube am Zeiger 4. Schrauben an der Gehrungswinkelskala
5. Gehrungswinkelskala

Stellen Sie den Drehteller mit der Festanschlagfunktion auf die 0°-Position. Bringen Sie die Seitenfläche des

Kreissägeblatts mit Hilfe eines Einstelldreiecks oder Anschlagwinkels in den rechten Winkel mit der Fläche des Gehrungsanschlags. Während Sie den rechten Winkel beibehalten, ziehen Sie die Schrauben an der Gehrungswinkelskala fest. Richten Sie danach die Zeiger (rechts und links) auf die 0°-Position der Gehrungswinkelskala aus, und ziehen Sie dann die Schraube am Zeiger fest.

- **Abb.84:** 1. Einstelldreieck 2. Zeiger

Neigungswinkel

0°-Neigungswinkel

Schieben Sie den Schlitten in Richtung der Gehrungsanschlüge, und arretieren Sie die Gleitbewegung mit dem Anschlagstift. Senken Sie den Schlitten vollständig ab, und verriegeln Sie ihn in der Tiefstellung mit dem Anschlagstift. Drehen Sie den Knopf entgegen dem Uhrzeigersinn, und drehen Sie dann die 0°-Einstellschraube um zwei oder drei Umdrehungen entgegen dem Uhrzeigersinn, um das Kreissägeblatt nach rechts zu neigen.

- **Abb.85:** 1. Knopf 2. 0°-Einstellschraube
3. Schraube am Zeiger

Bringen Sie die Seitenfläche des Kreissägeblatts mit Hilfe eines Einstelldreiecks, Anschlagwinkels usw. sorgfältig in den rechten Winkel mit der Drehtelleroberfläche, indem Sie die 0°-Einstellschraube im Uhrzeigersinn drehen. Ziehen Sie dann den Knopf sicher fest, um den eingestellten 0°-Winkel zu sichern.

- **Abb.86:** 1. Einstelldreieck 2. Sägeblatt
3. Drehteller-Oberfläche

Prüfen Sie erneut, ob die Seite des Kreissägeblatts im rechten Winkel zur Drehtelleroberfläche steht. Lösen Sie die Schraube am Zeiger. Richten Sie den Zeiger auf die 0°-Position der Neigungswinkelskala aus, und ziehen Sie dann die Schraube fest.

45°-Neigungswinkel

ANMERKUNG: Bevor Sie den 45°-Neigungswinkel einstellen, beenden Sie die 0°-Neigungswinkeleinstellung.

Lösen Sie den Knopf, und neigen Sie den Schlitten vollständig zu der zu überprüfenden Seite.

Prüfen Sie, ob der Zeiger die 45°-Position auf der Neigungswinkelskala anzeigt.

- **Abb.87:** 1. Knopf

Falls der Zeiger nicht die 45°-Position anzeigt, richten Sie ihn auf die 45°-Position aus, indem Sie die Einstellschraube in der Neigungswinkelskala auf der entgegengesetzten Seite des Auflagetisches drehen.

- **Abb.88:** 1. Linke 45°-Einstellschraube 2. Rechte 45°-Einstellschraube

Einstellen der Zusatzanschläge

Stellen Sie die Zusatzanschläge an den Zusatzaufgaben ein, falls sie nicht auf die Gehrungsanschläge ausgerichtet sind.

1. Lösen Sie die Befestigungsschrauben der Zusatzanschläge mit dem Inbusschlüssel.
2. Platzieren Sie eine gerade starre Stange, wie

z. B. ein Vierkant-Stahlelement, flach gegen die Gehrungsanschläge.

3. Während die Stange flach an den Gehrungsanschlägen anliegt, platzieren Sie die Zusatzanschläge so, dass die Stirnseite des Zusatzanschlags flach an der Stange anliegt. Ziehen Sie danach die Schrauben fest.

► **Abb.89:** 1. Schraube 2. Zusatzanschlag
3. Gehrungsanschlag 4. Starre Stange

Reinigen der Lampenlinse

⚠ VORSICHT: Entfernen Sie stets das Kreissägeblatt, bevor Sie die Lampenlinse reinigen.

ANMERKUNG: Entfernen Sie nicht die Schraube, mit der die Linse gesichert ist. Falls sich die Linse nicht herausziehen lässt, lösen Sie die Schraube weiter.

ANMERKUNG: Wischen Sie Schmutz auf der Lampenlinse mit einem trockenen Tuch ab.

Achten Sie darauf, dass die Lampenlinse nicht verkratzt wird, weil sich sonst die Beleuchtung verringert.

ANMERKUNG: Verwenden Sie keine Lösungsmittel oder Reinigungsmittel auf Petroleumbasis zum Reinigen der Linse.

Die Sichtbarkeit des LED-Lichts verschlechtert sich, wenn die Lampenlinse schmutzig wird. Reinigen Sie die Linse in regelmäßigen Abständen.

Nehmen Sie den Akku ab. Lösen Sie die Schraube, und ziehen Sie die Linse heraus. Reinigen Sie die Linse sanft mit einem feuchten, weichen Tuch.

► **Abb.90:** 1. Schraube 2. Linse

Nach dem Gebrauch

Wischen Sie nach dem Gebrauch am Werkzeug haftende Späne und Staub mit einem Tuch oder dergleichen ab. Halten Sie die Sägeblattschutzhaube gemäß den Anweisungen im vorhergehenden Abschnitt „Sägeblattschutzhaube“ sauber. Schmieren Sie die Gleitteile des Werkzeugs mit Öl, um Rostbildung zu verhüten.

SONDERZUBEHÖR

⚠ WARNUNG: Die folgenden Makita-Zubehörteile oder Vorrichtungen werden für den Einsatz mit dem in dieser Anleitung beschriebenen Makita-Werkzeug empfohlen. Der Gebrauch anderer Zubehörteile oder Vorrichtungen kann zu schweren Personenschäden führen.

⚠ WARNUNG: Verwenden Sie die Makita-Zubehörteile oder -Vorrichtungen nur für ihren vorgesehenen Zweck. Fehlgebrauch eines Zubehörteils oder einer Vorrichtung kann zu schweren Verletzungen führen.

Zubehörteile benötigen, wenden Sie sich bitte an Ihre Makita-Kundendienststelle.

- Hartmetallbestückte Sägeblätter
- Vertikal-Schraubstock
- Horizontal-Schraubstock
- Deckenleistenanschlagsatz
- Staubsack
- Einstelldreieck
- Inbusschlüssel
- Funkadapter
- Ständersatz
- Original-Makita-Akku und -Ladegerät

HINWEIS: Manche Teile in der Liste können als Standardzubehör im Werkzeugsatz enthalten sein. Sie können von Land zu Land unterschiedlich sein.

Wenn Sie weitere Einzelheiten bezüglich dieser

DATI TECNICI

Modello:		LS003G
Diametro lama	Nazioni europee	305 mm
	Nazioni diverse dall'Europa	305 mm
Diametro foro	Nazioni europee	30 mm
	Nazioni diverse dall'Europa	30 mm o 25,4 mm (a seconda della nazione)
Spessore max. di taglio della lama		3,2 mm
Angolo di taglio obliquo max.		A destra 60°, a sinistra 60°
Angolo di taglio a unghia max.		A destra 48°, a sinistra 48°
Velocità a vuoto (giri/min)		3.600 min ⁻¹
Dimensioni (L x P x A)		898 mm x 690 mm x 725 mm
Tensione nominale		CC Da 36 V a 40 V max
Peso netto		Da 30,5 a 31,7 kg

Capacità di taglio (A x P)

Angolo di taglio obliquo			Angolo di taglio a unghia		
			45° (a sinistra)	0°	45° (a destra)
0°	-		61 mm x 382 mm 71 mm x 363 mm	92 mm x 382 mm 107 mm x 363 mm	44 mm x 382 mm 54 mm x 363 mm
	Altezza dello spessore di legno sulla guida pezzo per una maggiore altezza di taglio	20 mm	78 mm x 325 mm	115 mm x 325 mm	61 mm x 325 mm
		38 mm	80 mm x 292 mm	120 mm x 292 mm	-
45° (a destra e a sinistra)	-		61 mm x 268 mm 71 mm x 255 mm	92 mm x 268 mm 107 mm x 255 mm	44 mm x 268 mm 54 mm x 255 mm
	Altezza dello spessore di legno sulla guida pezzo per una maggiore altezza di taglio	15 mm	-	115 mm x 227 mm	-
		25 mm	-	120 mm x 212 mm	-
60° (a destra e a sinistra)	-		-	92 mm x 185 mm 107 mm x 178 mm	-
	Altezza dello spessore di legno sulla guida pezzo per una maggiore altezza di taglio	15 mm	-	115 mm x 155 mm	-
		25 mm	-	120 mm x 140 mm	-

Capacità di taglio per tagli speciali

Tipo di taglio	Capacità di taglio
Modanatura a corona di tipo a 45° (utilizzando un fermo per modanatura a corona)	203 mm
Battiscopa (quando si utilizza la morsa orizzontale)	171 mm

- A causa del nostro programma continuativo di ricerca e sviluppo, i dati tecnici sono soggetti a modifiche senza preavviso.
- I dati tecnici possono variare da nazione a nazione.
- Il peso può variare a seconda dell'accessorio o degli accessori, inclusa la cartuccia della batteria. La combinazione più leggera e quella più pesante, secondo la procedura EPTA 01/2014, sono indicate nella tabella.

Cartuccia della batteria e caricabatterie applicabili

Cartuccia della batteria	BL4020 / BL4025 / BL4040* / BL4040F* / BL4050F* / BL4080F* *: Batteria consigliata
--------------------------	---

- Alcune cartucce delle batterie e alcuni caricabatterie elencati sopra potrebbero non essere disponibili a seconda della propria area geografica di residenza.

AVVERTIMENTO: Utilizzare solo le cartucce delle batterie e i caricabatterie elencati sopra. L'utilizzo di altre cartucce delle batterie e di altri caricabatterie potrebbe causare lesioni personali e/o un incendio.

Simboli

Le figure seguenti mostrano i simboli utilizzati per l'apparecchio. Accertarsi di comprenderne il significato prima dell'uso.



Leggere il manuale d'uso.



Indossare una protezione per gli occhi.



Per evitare lesioni personali causate da frammenti volanti, dopo aver effettuato dei tagli, mantenere la testa della sega rivolta verso il basso fino all'arresto completo della lama.



Quando si intende eseguire un taglio a unghia, ruotare innanzitutto la manopola in senso antiorario, quindi inclinare il carrello. Dopodiché, ruotare la manopola in senso orario per serrarla.



Quando si intende eseguire un taglio a scorrimento, innanzitutto tirare completamente il carrello e premere verso il basso il manico, quindi spingere il carrello verso la guida pezzo.



Tenere premuto il pulsante di sblocco quando si inclina il carrello verso destra.



Attivare la leva di fermo quando si intende tagliare un battiscopa con un angolo di taglio obliquo di 45°.



Non posizionare la mano o le dita in prossimità della lama.



Non fissare lo sguardo sulla lampada accesa.



A: Diametro lama
B: Diametro foro



Non installare la morsa orizzontale nella stessa direzione del taglio obliquo. (Questo simbolo è applicato sulla morsa orizzontale.)



Solo per le nazioni dell'EU
A causa della presenza di componenti pericolosi nelle apparecchiature, i rifiuti di apparecchiature elettriche ed elettroniche, accumulatori e batterie potrebbero produrre un impatto negativo sull'ambiente e sulla salute umana.

Non smaltire elettrodomestici elettrici ed elettronici o batterie insieme ai rifiuti domestici!

In conformità alla direttiva europea sui rifiuti di apparecchiature elettriche ed elettroniche (RAEE), sugli accumulatori e le batterie, nonché sui rifiuti di accumulatori e batterie, e al suo adattamento alle normative nazionali, i rifiuti di apparecchiature elettriche ed elettroniche, batterie e accumulatori vanno conservati separatamente e conferiti a un punto di raccolta separato per i rifiuti comunali, operando in conformità alle normative per la protezione dell'ambiente.

Tale requisito viene indicato mediante il simbolo del bidone della spazzatura con ruote barrato apposto sull'apparecchio.

Utilizzo previsto

Questo utensile va utilizzato per eseguire tagli di precisione diritti e inclinati del legno.

Non utilizzare la sega per tagliare materiali diversi da legno, alluminio o simili.

Rumore

Livello tipico di rumore pesato A determinato in base allo standard EN62841-3-9:

Livello di pressione sonora (L_{pA}): 91 dB (A)

Livello di potenza sonora (L_{WA}): 100 dB (A)

Incertezza (K): 3 dB (A)

NOTA: Il valore o i valori dichiarati delle emissioni di rumori sono stati misurati in conformità a un metodo standard di verifica, e possono essere utilizzati per confrontare un utensile con un altro.

NOTA: Il valore o i valori dichiarati delle emissioni di rumori possono venire utilizzati anche per una valutazione preliminare dell'esposizione.

⚠AVVERTIMENTO: Indossare protezioni per le orecchie.

⚠AVVERTIMENTO: L'emissione di rumori durante l'utilizzo effettivo dell'utensile elettrico può variare rispetto al valore o ai valori dichiarati, a seconda dei modi in cui viene utilizzato l'utensile e specialmente a seconda di che tipo di pezzo venga lavorato.

⚠AVVERTIMENTO: Accertarsi di identificare misure di sicurezza per la protezione dell'operatore che siano basate su una stima dell'esposizione nelle condizioni effettive di utilizzo (tenendo conto di tutte le parti del ciclo operativo, ad esempio del numero di spegnimenti dell'utensile e di quando giri a vuoto, oltre al tempo di attivazione).

Dichiarazioni di conformità

Solo per i paesi europei

Le Dichiarazioni di conformità sono incluse nell'Allegato A al presente manuale d'uso.

AVVERTENZE DI SICUREZZA

Avvertenze generali relative alla sicurezza dell'utensile elettrico

⚠AVVERTIMENTO Leggere tutte le avvertenze di sicurezza, le istruzioni, le illustrazioni e i dati tecnici forniti insieme a questo utensile elettrico. La mancata osservanza di tutte le istruzioni seguenti potrebbe risultare in scosse elettriche, incendi e/o gravi lesioni personali.

Conservare tutte le avvertenze e le istruzioni come riferimento futuro.

Il termine "utensile elettrico" nelle avvertenze si riferisce sia all'utensile elettrico (cablato) nel funzionamento alimentato da rete elettrica che all'utensile elettrico (a batteria) nel funzionamento alimentato a batteria.

Istruzioni di sicurezza relative alle troncatrici

1. **Le troncatrici sono destinate a tagliare legno o prodotti simili al legno, non possono essere utilizzate con mole abrasive per il taglio di materiali ferrosi quali barre, aste, montanti, e così via.** La polvere abrasiva causa l'inceppamento delle parti mobili, ad esempio della protezione inferiore. Le scintille dovute al taglio abrasivo bruciano la protezione inferiore, la placchetta di taglio e altre parti in plastica.
2. **Utilizzare sempre delle morse per sostenere il pezzo in lavorazione, se possibile. Qualora si mantenga il pezzo in lavorazione con le mani, è necessario sempre tenere la mano ad almeno**

100 mm da entrambi i lati della lama. Non utilizzare questa sega per tagliare pezzi che siano troppo piccoli per poter essere fissati saldamente con delle morse o mantenuti in mano. Qualora si posizioni la mano troppo vicina alla lama, sussiste un maggior rischio di lesioni personali dovute al contatto con la lama.

3. **Il pezzo in lavorazione deve essere immobile e fissato con delle morse o tenuto fermo appoggiandolo sia contro la guida che contro il tavolo. Non passare il pezzo in lavorazione nella lama né tagliarlo "a mani libere" in alcun modo.** Pezzi in lavorazione non bloccati o in movimento potrebbero venire scagliati ad alte velocità, causando lesioni personali.
 4. **Spingere la sega attraverso il pezzo in lavorazione. Non tirare la sega attraverso il pezzo in lavorazione. Per effettuare un taglio, sollevare la testa della sega e tirarla verso l'esterno sopra il pezzo in lavorazione senza tagliare, avviare il motore, premere la testa della sega verso il basso e spingere la sega attraverso il pezzo in lavorazione.** Qualora si tagli durante il movimento per tirare la sega, è probabile che la lama fuoriesca al di sopra del pezzo in lavorazione e che il gruppo lama venga scagliato con violenza verso l'operatore.
 5. **Non attraversare mai con la mano la linea di taglio stabilita, né davanti né dietro la lama.** È molto pericoloso sostenere il pezzo in lavorazione "con la mano incrociata", vale a dire mantenendo il pezzo in lavorazione a destra della lama con la mano sinistra o viceversa.
- Fig.1
6. **Non allungare le mani dietro la guida a una distanza inferiore a 100 mm da entrambi i lati della lama, per rimuovere sfridi di legno o per qualsiasi altro motivo, mentre la lama sta ruotando.** La prossimità della lama in rotazione alla mano potrebbe non risultare evidente, e si potrebbero subire gravi lesioni personali.
 7. **Ispezionare il pezzo in lavorazione prima di effettuare il taglio. Qualora il pezzo in lavorazione sia curvato o distorto, fissarlo con una morsa con il lato esterno curvato rivolto verso la guida. Accertarsi sempre che non vi siano spazi tra il pezzo in lavorazione, la guida e il tavolo lungo la linea di taglio.** Pezzi in lavorazione piegati o distorti possono torcersi o spostarsi, e potrebbero causare l'inceppamento della lama in rotazione durante il taglio. Nel pezzo in lavorazione non devono essere presenti chiodi o corpi estranei.
 8. **Non utilizzare la sega fino a quando il tavolo è libero da tutti gli utensili, gli sfridi di legno, e così via, tranne il pezzo in lavorazione.** Piccoli detriti o pezzi allentati di legno o altri oggetti che entrano in contatto con la lama in rotazione possono venire scagliati ad alta velocità.
 9. **Tagliare un solo pezzo in lavorazione alla volta.** Non è possibile fissare con una morsa o supportare in modo adeguato più pezzi in lavorazione impilati, e questi ultimi potrebbero incepparsi nella lama o spostarsi durante il taglio.
 10. **Accertarsi che la troncatrice venga montata o posizionata su una superficie di lavoro piana**

e stabile prima dell'uso. Una superficie di lavoro piana e stabile riduce il rischio che la troncatrice diventi instabile.

11. **Pianificare il lavoro. Ogni volta che si cambia l'impostazione dell'angolo di taglio a unghia od obliquo, accertarsi che la guida regolabile sia impostata correttamente per sostenere il pezzo in lavorazione e che non interferisca con la lama o il sistema di protezione.** Senza accendere l'utensile e senza alcun pezzo in lavorazione sul tavolo, spostare la lama attraverso un taglio simulato completo per accertarsi che non vi siano interferenze o pericolo di tagliare la guida.
12. **Fornire un supporto adeguato, ad esempio prolungamenti del tavolo, cavalletti per segare la legna, e così via, per un pezzo in lavorazione che sia più largo o più lungo della superficie del tavolo.** I pezzi in lavorazione più lunghi o più larghi del tavolo della troncatrice possono rovesciarsi, se non vengono supportati saldamente. Qualora il pezzo tagliato o il pezzo in lavorazione si rovesci, può sollevare la protezione inferiore o venire scagliato dalla lama in rotazione.
13. **Non utilizzare un'altra persona come sostituto per un prolungamento del tavolo o come supporto aggiuntivo.** Il supporto instabile per il pezzo in lavorazione può causare l'inceppamento della lama o lo spostamento del pezzo in lavorazione durante l'operazione di taglio, tirando sia l'operatore che l'aiutante verso la lama in rotazione.
14. **Il pezzo tagliato non deve venire spinto con forza né premuto in alcun modo contro la lama in rotazione.** Il pezzo tagliato, qualora sia confinato, ad esempio mediante l'uso di battute longitudinali, potrebbe incunearsi contro la lama e venire scagliato con violenza.
15. **Utilizzare sempre una morsa o un dispositivo di fissaggio progettato per sostenere correttamente materiali tondi, quali aste o tubazioni.** Le aste tendono a rotolare mentre vengono tagliate, facendo sì che la lama "morda" e tiri il pezzo in lavorazione insieme alla mano verso la lama.
16. **Lasciar raggiungere la massima velocità alla lama, prima di mettere quest'ultima in contatto con il pezzo in lavorazione.** In tal modo si riduce il rischio che il pezzo in lavorazione venga scagliato.
17. **Qualora il pezzo in lavorazione o la lama si inceppino, spegnere la troncatrice. Attendere che tutte le parti mobili si arrestino, scollegare la spina dalla fonte di alimentazione, e/o rimuovere la cartuccia della batteria. Quindi, intervenire per liberare il materiale inceppato.** Qualora si continui a segare con un pezzo in lavorazione inceppato, si potrebbe causare la perdita di controllo o il danneggiamento della troncatrice.
18. **Dopo aver terminato il taglio, rilasciare l'interruttore, mantenere la testa della sega abbassata e attendere che la lama si arresti, prima di rimuovere il pezzo tagliato.** È pericoloso allungare una mano dietro la lama che si sta arrestando.
19. **Mantenere il manico saldamente quando si intende effettuare un taglio incompleto o quando si intende rilasciare l'interruttore**

prima che la testa della sega sia completamente in posizione abbassata. L'operazione di frenatura della sega potrebbe far sì che la testa della sega venga tirata improvvisamente verso il basso, causando un rischio di lesione personale.

20. **Utilizzare esclusivamente una lama che abbia il diametro indicato sull'utensile o specificato nel manuale.** L'uso di una lama di dimensioni errate potrebbe influire sulla corretta protezione della lama o sul funzionamento della protezione, il che potrebbe risultare in gravi lesioni personali.
21. **Utilizzare solo lame che siano contrassegnate con una velocità pari o superiore a quella contrassegnata sull'utensile.**
22. **Non utilizzare la sega per tagliare materiali diversi da legno, alluminio o simili.**
23. **(Solo per le nazioni europee)
Utilizzare sempre una lama conforme allo standard EN847-1.**

Istruzioni aggiuntive

1. **Rendere le officine a prova di bambino utilizzando lucchetti.**
2. **Non salire mai sull'utensile.** Qualora l'utensile si rovesci o si entri accidentalmente in contatto con l'utensile da taglio, si potrebbero verificare gravi lesioni personali.
3. **Non lasciare mai l'utensile in funzione incustodito. Spegnerlo. Non abbandonare l'utensile fino al suo arresto completo.**
4. **Non utilizzare la sega senza le protezioni in posizione. Controllare che la protezione lama si chiuda correttamente prima di ciascun utilizzo. Non utilizzare la sega qualora la protezione lama non si muova liberamente e non si chiuda istantaneamente. Non bloccare o legare mai la protezione lama in posizione di apertura.**
5. **Tenere le mani fuori dal percorso della lama. Evitare il contatto con la lama durante il moto inziale. La lama può ancora causare gravi lesioni personali.**
6. **Per ridurre il rischio di lesioni personali, riportare il carrello nella posizione più arretrata dopo ciascuna operazione di taglio di testa.**
7. **Fissare sempre tutte le parti mobili prima di trasportare l'utensile.**
8. **Il perno di fermo o la leva del fermo che bloccano verso il basso la testa della sega vanno utilizzati solo per trasportare o riporre l'utensile, non per operazioni di taglio di alcun genere.**
9. **Controllare con cura che la lama non presenti crepe o danneggiamenti prima dell'utilizzo. Sostituire immediatamente le lame spaccate o danneggiate. Gomma e pece nera indurite sulle lame rallentano la sega e fanno aumentare il rischio di contraccolpi. Mantenere la lama pulita rimuovendola innanzitutto dall'utensile, e quindi pulendola con sostanze di rimozione della gomma e della pece, acqua calda o cherosene. Non utilizzare mai benzina per pulire la lama.**
10. **Mentre si effettua un taglio a scorrimento, può verificarsi un CONTRACCOLPO. Il**

CONTRACCOLPO si verifica quando la lama si inceppa nel pezzo in lavorazione durante un'operazione di taglio, e la lama viene spinta rapidamente verso l'operatore. Di conseguenza, si possono verificare la perdita di controllo e gravi lesioni personali. Qualora la lama inizi a incepparsi durante un'operazione di taglio, non proseguire il taglio e rilasciare immediatamente l'interruttore.

11. Utilizzare esclusivamente le flange specificate per il presente utensile.
12. Fare attenzione a non danneggiare l'albero, le flange (soprattutto la superficie di installazione) o il bullone. Eventuali danni a queste parti potrebbero risultare nella rottura della lama.
13. Accertarsi che la base girevole sia fissata saldamente, affinché non si muova durante l'uso dell'utensile. Utilizzare i fori presenti nella base per fissare la sega a una piattaforma di lavoro o un banco stabili. Non utilizzare MAI l'utensile qualora il posizionamento dell'operatore risulti scomodo.
14. Prima di accendere l'utensile, accertarsi di aver rilasciato il blocco albero.
15. Accertarsi che la lama non sia a contatto con la base girevole nella posizione più bassa.
16. Tenere saldamente l'utensile per il manico. Tenere presente che la sega si muove leggermente verso l'alto o verso il basso durante l'avvio e l'arresto.
17. Accertarsi che la lama non sia a contatto con il pezzo prima di accendere l'utensile.
18. Prima di utilizzare l'utensile su un pezzo, lasciarlo funzionare per qualche momento. Accertarsi che non siano presenti vibrazioni oppure oscillazioni che potrebbero indicare un'installazione inadeguata o un bilanciamento imperfetto della lama.
19. Interrompere immediatamente l'uso qualora si noti qualcosa di anomalo.
20. Non tentare di bloccare l'interruttore a grilletto nella posizione di accensione.
21. Utilizzare sempre gli accessori consigliati nel presente manuale. L'uso di accessori inadeguati, ad esempio ruote abrasive, potrebbe causare lesioni personali.
22. Alcuni materiali contengono sostanze chimiche che potrebbero essere tossiche. Adottare delle precauzioni per evitare l'inalazione delle polveri e il contatto con la pelle. Attenersi ai dati sulla sicurezza del fornitore del materiale.
23. Non utilizzare un alimentatore con cavo insieme a questo utensile.

Regole di sicurezza aggiuntive per la lampada accesa

1. Non osservare né guardare direttamente la fonte di luce.

CONSERVARE LE PRESENTI ISTRUZIONI.

AVVERTIMENTO: NON lasciare che comodità o la familiarità d'utilizzo con il prodotto (acquisita con l'uso ripetuto) sostituisca la stretta osservanza delle norme di sicurezza per il prodotto in questione. L'USO IMPROPRIO o la mancata osservanza delle norme di sicurezza indicate nel presente manuale di istruzioni potrebbero causare gravi lesioni personali.

Istruzioni di sicurezza importanti per la cartuccia della batteria

1. Prima di utilizzare la cartuccia della batteria, leggere tutte le istruzioni e le avvertenze riportate (1) sul caricabatteria, (2) sulla batteria e (3) sul prodotto che utilizza la batteria.
2. Non smantellare né manomettere la cartuccia della batteria. In caso contrario, si potrebbe causare un incendio, calore eccessivo o un'esplosione.
3. Qualora il tempo di utilizzo si riduca eccessivamente, interrompere immediatamente l'utilizzo dell'utensile. In caso contrario, si può incorrere nel rischio di surriscaldamento, possibili ustioni e persino un'esplosione.
4. Qualora l'elettrolita entri in contatto con gli occhi, sciacquarli con acqua pulita e richiedere immediatamente assistenza medica. Questa eventualità può risultare nella perdita della vista.
5. Non cortocircuitare la cartuccia della batteria:
 - (1) Non toccare i terminali con alcun materiale conduttivo.
 - (2) Evitare di conservare la cartuccia della batteria in un contenitore insieme ad altri oggetti metallici quali chiodi, monete, e così via.
 - (3) Non esporre la cartuccia della batteria all'acqua o alla pioggia.Un cortocircuito della batteria può causare un grande flusso di corrente, un surriscaldamento, possibili ustioni e persino un guasto.
6. Non conservare e utilizzare l'utensile e la cartuccia della batteria in ubicazioni in cui la temperatura possa raggiungere o superare i 50 °C.
7. Non incenerire la cartuccia della batteria anche qualora sia gravemente danneggiata o completamente esaurita. La cartuccia della batteria può esplodere se a contatto con il fuoco.
8. Non inchiodare, tagliare, schiacciare, lanciare o far cadere la cartuccia della batteria, né farla urtare con forza contro un oggetto duro. Questi comportamenti potrebbero risultare in un incendio, calore eccessivo o un'esplosione.
9. Non utilizzare una batteria danneggiata.
10. Le batterie a ioni di litio contenute sono soggette ai requisiti del regolamento sul trasporto di merci pericolose (Dangerous Goods Legislation). Per trasporti commerciali, ad esempio da parte di terzi o spedizionieri, è necessario osservare dei requisiti speciali sull'imballaggio e sull'etichetta. Per la preparazione dell'articolo da spedire, è

richiesta la consulenza di un esperto in materiali pericolosi. Attenersi anche alle normative nazionali, che potrebbero essere più dettagliate.

Nastrare o coprire i contatti aperti e imballare la batteria in modo tale che non si possa muovere liberamente all'interno dell'imballaggio.

11. **Quando si intende smaltire la cartuccia della batteria, rimuoverla dall'utensile e smaltirla in un luogo sicuro. Attenersi alle normative locali relative allo smaltimento della batteria.**
12. **Utilizzare le batterie esclusivamente con i prodotti specificati da Makita.** L'installazione delle batterie in prodotti non compatibili potrebbe risultare in incendi, calore eccessivo, esplosioni o perdite di liquido elettrolitico.
13. **Se l'utensile non viene utilizzato per un periodo di tempo prolungato, la batteria deve essere rimossa dall'utensile.**
14. **Durante e dopo l'uso, la cartuccia della batteria potrebbe assorbire calore, che può causare ustioni o ustioni a bassa temperatura. Fare attenzione a come si maneggiano le cartucce delle batterie estremamente calde.**
15. **Non toccare i terminali dell'utensile subito dopo l'uso, in quanto potrebbero diventare estremamente caldi al punto da causare ustioni.**
16. **Evitare di far incastrare schegge, polveri o terreno nei terminali, nei fori e nelle scanalature della cartuccia della batteria.** In caso contrario, l'utensile o la cartuccia della batteria potrebbero riscaldarsi, prendere fuoco, scoppiare o guastarsi, causando ustioni o lesioni personali.
17. **A meno che l'utensile supporti l'uso in prossimità di linee elettriche ad alta tensione, non utilizzare la cartuccia della batteria in prossimità di linee elettriche ad alta tensione.** In caso contrario, si potrebbe causare un malfunzionamento o la rottura dell'utensile o della cartuccia della batteria.
18. **Tenere la batteria lontana dai bambini.**

CONSERVARE LE PRESENTI ISTRUZIONI.

⚠ATTENZIONE: Utilizzare solo batterie originali Makita. L'utilizzo di batterie Makita non originali, o di batterie che siano state alterate, potrebbe risultare nello scoppio della batteria, causando incendi, lesioni personali e danni. Inoltre, ciò potrebbe invalidare la garanzia Makita per l'utensile e il caricabatterie Makita.

Suggerimenti per preservare la durata massima della batteria

1. **Caricare la cartuccia della batteria prima che si scarichi completamente. Smettere sempre di utilizzare l'utensile e caricare la cartuccia della batteria quando si nota che la potenza dell'utensile è diminuita.**
2. **Non ricaricare mai una cartuccia della batteria completamente carica. La sovraccarica riduce la vita utile della batteria.**
3. **Caricare la cartuccia della batteria a una**

temperatura ambiente compresa tra 10 °C e 40 °C. Lasciar raffreddare una cartuccia della batteria prima di caricarla.

4. **Quando non si utilizza la cartuccia della batteria, rimuoverla dall'utensile o dal caricabatterie.**
5. **Caricare la cartuccia della batteria se non la si è utilizzata per un periodo di tempo prolungato (più di sei mesi).**

Istruzioni importanti per la sicurezza dell'unità senza fili

1. **Non smontare né manomettere l'unità senza fili.**
2. **Tenere l'unità senza fili lontana dai bambini piccoli. Qualora venga inghiottita accidentalmente, richiedere immediatamente assistenza medica.**
3. **Utilizzare l'unità senza fili esclusivamente con utensili Makita.**
4. **Non esporre l'unità senza fili alla pioggia o a condizioni di bagnato.**
5. **Non utilizzare l'unità senza fili in luoghi in cui la temperatura superi i 50 °C.**
6. **Non utilizzare l'unità senza fili in luoghi in cui siano presenti strumenti medici, ad esempio pacemaker, nelle vicinanze.**
7. **Non utilizzare l'unità senza fili in luoghi in cui siano presenti dispositivi automatizzati nelle vicinanze.** In caso contrario, i dispositivi automatizzati potrebbero sviluppare un malfunzionamento o un errore.
8. **Non far funzionare l'unità senza fili in ubicazioni con temperatura ambiente elevata o in ubicazioni in cui potrebbero venire generati elettricità statica o disturbi elettrici.**
9. **L'unità senza fili può produrre campi elettromagnetici (EMF) ma questi ultimi non sono dannosi per l'utente.**
10. **L'unità senza fili è uno strumento preciso. Fare attenzione a non far cadere e a non colpire l'unità senza fili.**
11. **Evitare di toccare il terminale dell'unità senza fili a mani nude o con materiali metallici.**
12. **Rimuovere sempre la batteria sul prodotto quando si intende installare su quest'ultimo l'unità senza fili.**
13. **Quando si intende aprire il coperchio dell'alloggiamento, evitare ubicazioni in cui polvere e acqua potrebbero penetrare nell'alloggiamento. Mantenere sempre l'apertura di entrata dell'alloggiamento pulita.**
14. **Inserire sempre l'unità senza fili nella direzione corretta.**
15. **Non premere con forza eccessiva il pulsante di attivazione della comunicazione senza fili sull'unità senza fili, né premere il pulsante con un oggetto dal bordo affilato.**
16. **Chiudere sempre il coperchio dell'alloggiamento durante il funzionamento.**
17. **Non rimuovere l'unità senza fili dall'alloggiamento mentre viene fornita l'alimentazione all'utensile. In caso contrario, si potrebbe**

- causare un malfunzionamento dell'unità senza fili.
18. **Non rimuovere l'adesivo sull'unità senza fili.**
 19. **Non applicare alcun adesivo sull'unità senza fili.**
 20. **Non lasciare l'unità senza fili in un'ubicazione in cui potrebbero venire generati elettricità statica o disturbi elettrici.**
 21. **Non lasciare l'unità senza fili in ubicazioni soggette a calore elevato, ad esempio in un'auto parcheggiata al sole.**
 22. **Non lasciare l'unità senza fili in ubicazioni polverose o in ubicazioni in cui potrebbero venire generati gas corrosivi.**
 23. **Una variazione improvvisa di temperatura potrebbe far bagnare di condensa l'unità senza fili. Non utilizzare l'unità senza fili fino alla completa asciugatura della condensa.**
 24. **Quando si intende pulire l'unità senza fili, passarvi sopra delicatamente un panno morbido asciutto. Non utilizzare benzina per pulizia, diluenti, grasso conduttivo o simili.**
 25. **Quando si intende riporre l'unità senza fili, conservarla nella custodia in dotazione o in un contenitore antistatico.**
 26. **Non inserire alcun dispositivo diverso dall'unità senza fili Makita nell'alloggiamento presente sull'utensile.**
 27. **Non utilizzare l'utensile con il coperchio dell'alloggiamento danneggiato. Qualora nell'alloggiamento penetrino acqua, polvere e sporco, potrebbero causare un malfunzionamento.**
 28. **Non tirare né attorcigliare il coperchio dell'alloggiamento oltre il necessario. Qualora il coperchio si stacchi dall'utensile, riapplicarlo.**
 29. **Qualora il coperchio dell'alloggiamento vada perso o venga danneggiato, sostituirlo.**

CONSERVARE LE PRESENTI ISTRUZIONI.

DESCRIZIONE DELLE PARTI

► Fig.2

1	Manopola (per l'angolo di taglio a unghia)	2	Chiave esagonale	3	Vite di regolazione (per la posizione limite inferiore)	4	Bullone di regolazione (per la capacità massima di taglio)
5	Braccio di fermo	6	Pulsante di sblocco	7	Interruttore a grilletto	8	Coperchio (per unità senza fili)
9	Foro per lucchetto	10	Pulsante di attivazione della comunicazione senza fili	11	Indicatore luminoso di attivazione della comunicazione senza fili	12	Pulsante della lampada
13	Pulsante di aspirazione	14	Cassa lama	15	Protezione lama	16	Guida secondaria
17	Leva di blocco (per la base girevole)	18	Leva di sblocco (per la base girevole)	19	Impugnatura (per la base girevole)	20	Piano di taglio
21	Scala dell'angolo di taglio obliquo	22	Indice (per l'angolo di taglio obliquo)	23	Base girevole	24	Base secondaria
25	Pulsante di sblocco (per l'angolo di taglio a unghia dal lato destro)	26	Morsa verticale	27	Perno di fermo (per lo scorrimento del carrello)	28	Polo di scorrimento

► Fig.3

1	Maniglia	2	Cartuccia della batteria	3	Sacchetto segatura (in sostituzione del tubo flessibile di estrazione polveri)	4	Tubo flessibile (per l'estrazione delle polveri)
5	Scala dell'angolo di taglio a unghia	6	Bullone di regolazione di 0° (per l'angolo di taglio a unghia)	7	Indice (per l'angolo di taglio a unghia)	8	Bullone di regolazione di 45° (per l'angolo di taglio a unghia)
9	Leva del meccanismo di blocco (per l'angolo di taglio a unghia)	10	Leva di sblocco (per l'angolo di taglio a unghia di 48°)	11	Guida pezzo (guida superiore)	12	Guida pezzo (guida inferiore)
13	Perno di fermo (per l'altezza del carrello)	14	Blocco albero	-	-	-	-

INSTALLAZIONE

Installazione dell'impugnatura

Avvitare l'albero filettato dell'impugnatura nella base girevole.

► **Fig.4:** 1. Impugnatura 2. Base girevole

Installazione e rimozione del tubo flessibile di estrazione polveri

Montare il gomito del tubo flessibile sull'apertura superiore con il pulsante di blocco rivolto verso l'alto. Inserire il manicotto del tubo flessibile nell'apertura inferiore, premendo e allineando i pulsanti dei fermi sul manicotto con le tacche guida sull'apertura.

Accertarsi che il gomito e il manicotto entrino correttamente nelle aperture dell'utensile.

► **Fig.5:** 1. Tubo flessibile di estrazione polveri
2. Gomito 3. Pulsante di blocco 4. Manicotto
5. Apertura superiore 6. Apertura inferiore

Per rimuovere il gomito del tubo flessibile dall'apertura, tirare il gomito mentre si tiene premuto il pulsante di blocco.

► **Fig.6:** 1. Pulsante di blocco 2. Gomito

Per rimuovere il manicotto del tubo flessibile dall'apertura, tirare il manicotto mentre si tengono premuti i pulsanti dei fermi da entrambi i lati dell'apertura.

► **Fig.7:** 1. Pulsante del fermo 2. Manicotto

Montaggio su banco

Quando l'utensile viene consegnato, il manico è bloccato nella posizione abbassata mediante il perno di fermo. Mentre si abbassa leggermente il manico, tirare il perno di fermo e ruotarlo di 90°.

► **Fig.8:** 1. Posizione bloccata 2. Posizione sbloccata
3. Perno di fermo

Questo utensile va imbullonato con quattro bulloni su una superficie piana e stabile utilizzando i fori per i bulloni forniti nella base dell'utensile. Ciò contribuisce a evitare il rovesciamento dell'utensile e le eventuali lesioni personali conseguenti.

► **Fig.9:** 1. Bullone

AVVERTIMENTO: Accertarsi che l'utensile non si sposti sulla superficie di supporto. Il movimento della troncatrice sul piano di appoggio durante il taglio potrebbe causare la perdita del controllo della medesima e provocare gravi lesioni personali.

DESCRIZIONE DELLE FUNZIONI

AVVERTIMENTO: Accertarsi sempre che l'utensile sia spento e di aver rimosso la batteria prima di regolare o di controllare le funzioni dell'utensile. Qualora non si spenga l'utensile e non si rimuova la batteria, si potrebbero verificare gravi lesioni personali causate dal suo avvio accidentale.

Installazione o rimozione della cartuccia della batteria

ATTENZIONE: Spegnerne sempre l'utensile prima di installare o rimuovere la cartuccia della batteria.

ATTENZIONE: Mantenere saldamente lo strumento e la batteria quando si intende installare o rimuovere la cartuccia della batteria. Qualora non si mantengano saldamente lo strumento e la cartuccia della batteria, questi ultimi potrebbero scivolare dalle mani, con la possibilità di causare un danneggiamento dello strumento e della cartuccia della batteria, nonché una lesione personale.

Per installare la cartuccia della batteria, allineare la linguetta sulla cartuccia della batteria con la scanalatura nell'alloggiamento e farla scivolare in sede. Inserirla completamente fino al suo blocco in sede con un leggero scatto. Se è possibile vedere l'indicatore rosso, come indicato nella figura, non è bloccata completamente.

Per rimuovere la cartuccia della batteria, farla scorrere via dall'utensile mentre si fa scorrere allo stesso tempo il pulsante sulla parte anteriore della cartuccia.

► **Fig.10:** 1. Indicatore rosso 2. Pulsante 3. Cartuccia della batteria

ATTENZIONE: Installare sempre fino in fondo la cartuccia della batteria, fino a quando l'indicatore rosso non è più visibile. In caso contrario, la batteria potrebbe cadere accidentalmente dall'utensile, causando lesioni personali all'operatore o a chi gli è vicino.

ATTENZIONE: Non installare forzatamente la cartuccia della batteria. Qualora la batteria non si inserisca scorrendo agevolmente, vuol dire che non viene inserita correttamente.

Sistema di protezione strumento/batteria

Lo strumento è dotato di un sistema di protezione strumento/batteria. Questo sistema interrompe automaticamente l'alimentazione al motore, per prolungare la vita utile dello strumento e della batteria. L'utensile si arresta automaticamente durante il funzionamento, qualora l'utensile stesso o la batteria vengano a trovarsi in una delle condizioni seguenti: In alcune condizioni, gli indicatori si illuminano.

Protezione dal sovraccarico

Quando l'utensile o la batteria vengono utilizzati in un modo che causi un assorbimento di energia elevato in modo anomalo, l'utensile si arresta automaticamente. In questa situazione, spegnere l'utensile e interrompere l'applicazione che ha causato il sovraccarico dell'utensile. Quindi, accendere l'utensile per ricominciare.

Protezione dal surriscaldamento

Quando l'utensile o la batteria sono surriscaldati, l'utensile si arresta automaticamente e la lampada lampeggia. In questa circostanza, lasciar raffreddare l'utensile prima di riaccenderlo.

Protezione dalla sovrascarica

Quando la carica della batteria diventa bassa, l'utensile si arresta automaticamente. Qualora l'utensile non entri in funzione con l'azionamento dell'interruttore, rimuovere la batteria dall'utensile e caricarla.

Indicazione della carica residua della batteria

Premere il pulsante di controllo sulla cartuccia della batteria per indicare la carica residua della batteria. Gli indicatori luminosi si illuminano per alcuni secondi.

► Fig.11: 1. Indicatori luminosi 2. Pulsante di controllo

Indicatori luminosi			Carica residua
■ Illuminato	□ Spento	◐ Lampeggiante	
■ ■ ■ ■			Dal 75% al 100%
■ ■ ■ □			Dal 50% al 75%
■ ■ □ □			Dal 25% al 50%
■ □ □ □			Dallo 0% al 25%
◐ □ □ □			Caricare la batteria.
■ ■ □ □ ↑ ↓ □ □ ■ ■			La batteria potrebbe essersi guastata.

NOTA: A seconda delle condizioni d'uso e della temperatura ambiente, l'indicazione potrebbe variare leggermente rispetto alla carica effettiva.

NOTA: Il primo indicatore luminoso (all'estremità sinistra) lampeggia quando il sistema di protezione della batteria è in funzione.

Blocco della maniglia

ATTENZIONE: Mantenere sempre ferma la maniglia quando si intende sbloccare il perno di fermo. In caso contrario, il manico scatta verso l'alto, e questo potrebbe risultare in lesioni personali.

È possibile bloccare la maniglia sia nella posizione abbassata che nella posizione sollevata con il perno di fermo. Abbassare o sollevare completamente la maniglia, quindi tirare e ruotare il perno di fermo in posizione bloccata. Per sbloccare la maniglia, tirare il perno di fermo e ruotarlo di 90° in posizione sbloccata mentre si abbassa leggermente la maniglia.

► Fig.12: 1. Posizione bloccata 2. Posizione sbloccata 3. Perno di fermo

Blocco dello scorrimento

Tirare il perno di fermo e ruotarlo di 90° in posizione sbloccata per consentire il movimento libero del carrello. Per bloccare il movimento di scorrimento del carrello, spingere il carrello verso il braccio fino al suo arresto, quindi riportare il perno di fermo in posizione bloccata.

► Fig.13: 1. Posizione bloccata 2. Posizione sbloccata 3. Perno di fermo 4. Braccio

Protezione lama

AVVERTIMENTO: Non rendere mai inoperante né rimuovere la protezione lama o la molla agganciata alla protezione. Una lama esposta a causa di una protezione resa inoperante potrebbe risultare in gravi lesioni personali durante il funzionamento.

AVVERTIMENTO: Non utilizzare mai l'utensile con la protezione lama o la molla danneggiate, difettose o rimosse. L'uso dell'utensile con una protezione danneggiata, difettosa o rimossa potrebbe risultare in gravi lesioni personali.

ATTENZIONE: Per un funzionamento sicuro, mantenere sempre la protezione lama in buone condizioni. In presenza di qualsiasi irregolarità nella protezione lama, arrestare immediatamente l'utilizzo. Accertarsi che l'azione della carica della molla faccia tornare la protezione in posizione.

Quando si abbassa il manico, la protezione lama si solleva automaticamente. La protezione è caricata da una molla, per cui torna sulla sua posizione originale quando si solleva il manico al completamento del taglio.

► Fig.14: 1. Protezione lama

Pulizia

Qualora la protezione trasparente della lama si sporchi, oppure qualora la segatura si depositi sulla protezione in modo tale da non rendere più visibili la lama e/o il pezzo, rimuovere la cartuccia della batteria e pulire con cura la protezione con un panno umido. Non utilizzare sulla protezione in plastica solventi o prodotti di pulizia a base di petrolio, poiché potrebbero danneggiarla. Per informazioni su come prepararsi per la pulizia, attenersi alle istruzioni passo-passo indicate.

1. Accertarsi che l'utensile sia spento e che la cartuccia della batteria sia stata rimossa.
2. Ruotare il bullone esagonale in senso antiorario utilizzando la chiave esagonale in dotazione, mentre si mantiene fermo il coperchio centrale.
3. Sollevare la protezione lama e il coperchio

centrale.

4. Al completamento della pulizia, riportare in posizione il coperchio centrale e serrare il bullone esagonale eseguendo al contrario la procedura indicata sopra.

5. Accertarsi di riportare la lama per sega circolare e il coperchio centrale sulle loro posizioni originali, quindi serrare il bullone esagonale.

► **Fig.15:** 1. Chiave esagonale 2. Bullone esagonale 3. Coperchio centrale 4. Protezione lama

⚠AVVERTIMENTO: Non rimuovere la molla che fissa la protezione lama. Qualora la protezione venga danneggiata con il passare del tempo o a causa dell'esposizione alla luce ultravioletta, contattare un centro di assistenza Makita per la sostituzione. **NON RENDERE INOPERANTE NÉ RIMUOVERE LA PROTEZIONE.**

Posizionamento del piano di taglio

Questo utensile è dotato di piani di taglio nella base girevole, per minimizzare la frammentazione sul lato d'uscita del taglio. I piani di taglio sono stati regolati in fabbrica in modo che la lama per sega circolare non entri in contatto con questi ultimi. Prima di procedere, regolare i piani di taglio come segue:

1. Accertarsi di rimuovere la cartuccia della batteria. Quindi, allentare tutte le viti (3 su ciascun lato, a sinistra e a destra) che fissano i piani di taglio.

► **Fig.16:** 1. Piano di taglio 2. Vite

NOTA: È possibile allentare e serrare facilmente le viti più lontane sul retro ruotando la base girevole ad angolo. Quando si intende ruotare la base girevole, accertarsi di sollevare completamente la maniglia.

2. Serrarle di nuovo solo entro un limite che consenta comunque di poter spostare facilmente i piani di taglio a mano.

NOTA: Quando si intende riposizionare i piani di taglio, accertarsi di riportare la base girevole all'angolazione originale (angolo di taglio obliquo di 0°).

3. Abbassare completamente il manico, quindi premere e ruotare il perno di fermo per bloccare il manico nella posizione abbassata.

4. Tirare e ruotare il perno di fermo sul polo di scorrimento per consentire lo scorrimento del carrello.

► **Fig.17:** 1. Perno di fermo 2. Posizione bloccata 3. Posizione sbloccata

5. Tirare completamente il carrello verso di sé.

6. Regolare i piani di taglio in modo che sfiorino appena i fianchi dei denti della lama.

► **Fig.18**

► **Fig.19:** 1. Lama 2. Denti lama 3. Piano di taglio 4. Taglio a unghia sinistro 5. Taglio diritto 6. Taglio a unghia destro

7. Serrare le viti anteriori (non serrarle saldamente).

8. Spingere completamente il carrello verso le guide pezzo, quindi regolare i piani di taglio in modo che questi ultimi sfiorino appena i fianchi dei denti della lama.

9. Serrare le viti centrali (non serrarle saldamente).

10. Dopo aver regolato i piani di taglio, rilasciare il perno di fermo per il blocco della maniglia e sollevare quest'ultima. Quindi, serrare saldamente tutte le viti.

AVVISO: Dopo aver impostato l'angolo di taglio a unghia, accertarsi che i piani di taglio siano regolati correttamente. La corretta regolazione dei piani di taglio contribuisce a fornire un sostegno appropriato al pezzo e a ridurlo al minimo la frammentazione.

Mantenimento della capacità massima di taglio

Il presente utensile è stato regolato in fabbrica in modo da fornire la capacità massima di taglio con le lame da 305 mm.

Quando si intende installare una nuova lama per sega circolare, controllare sempre la posizione del limite inferiore della lama per sega circolare e, se necessario, regolarla nel modo seguente:

1. Rimuovere la cartuccia della batteria. Quindi, ruotare la leva del fermo nella posizione innestata.

► **Fig.20:** 1. Leva del fermo

2. Spingere completamente il carrello verso le guide pezzo e abbassare completamente la maniglia.

► **Fig.21:** 1. Guida pezzo 2. Bullone di regolazione

3. Utilizzare la chiave esagonale per ruotare il bullone di regolazione fino a quando la lama per sega circolare viene a trovarsi leggermente al di sotto della sezione trasversale tra le guide pezzo e la superficie superiore della base girevole.

► **Fig.22:** 1. Superficie superiore della base girevole 2. Guida pezzo

4. Ruotare la lama a mano, tenendo al tempo stesso la maniglia completamente abbassata, per assicurare che la lama per sega circolare non entri in contatto con alcuna parte della base inferiore. Se necessario, effettuare di nuovo una leggera regolazione.

⚠AVVERTIMENTO: Dopo aver installato una nuova lama per sega circolare e con la cartuccia della batteria rimossa, verificare sempre che la lama per sega circolare non entri in contatto con alcuna parte della base inferiore, quando la maniglia viene abbassata completamente. Qualora una lama per sega circolare entri in contatto con la base, potrebbe causare un contraccolpo e risultare in gravi lesioni personali.

► **Fig.23**

⚠ATTENZIONE: Dopo la regolazione, riportare sempre la leva del fermo nella posizione originale.

Braccio di fermo

È possibile regolare facilmente con il braccio di fermo la posizione del limite inferiore della lama per sega circolare. Per regolarla, spostare il braccio di fermo nella direzione della freccia, come mostrato nella figura. Ruotare le viti di regolazione in modo che la lama per sega circolare si arresti nella posizione desiderata, quando si abbassa completamente la maniglia.

► **Fig.24:** 1. Vite di regolazione 2. Braccio di fermo

⚠ATTENZIONE: Durante la regolazione, afferrare sempre saldamente la maniglia. La mancata osservanza di questa indicazione potrebbe far saltare verso l'alto il carrello e causare lesioni personali.

Regolazione dell'angolo di taglio obliquo

⚠ATTENZIONE: Dopo aver modificato l'angolo di taglio obliquo, fissare sempre la base girevole riportando la leva di blocco/sblocco in una posizione bloccata e serrando saldamente l'impugnatura.

AVVISO: Quando si intende ruotare la base girevole, accertarsi di sollevare completamente la maniglia.

1. Ruotare l'impugnatura in senso antiorario. Quindi, tenere premuta verso il basso la leva di blocco in posizione sbloccata.
 2. Afferrare e spostare con un movimento ad arco l'impugnatura da un lato all'altro per ruotare la base girevole.
 3. Allineare l'indice con l'angolo desiderato sulla scala dell'angolo di taglio obliquo.
 4. Sbloccare la leva di blocco e serrare l'impugnatura.
- **Fig.25:** 1. Impugnatura 2. Leva di blocco 3. Indice
4. Scala dell'angolo di taglio obliquo

Funzione di arresto meccanico

Questa troncatrice utilizza una funzione di arresto meccanico. È possibile impostare rapidamente un angolo di taglio obliquo a destra o a sinistra di 0°, 15°, 22,5°, 31,6°, 45° e 60°.

1. Ruotare l'impugnatura in senso antiorario.
 2. Tenere premuta verso il basso la leva di blocco in posizione sbloccata.
 3. Ruotare la base girevole in prossimità dell'angolazione di arresto meccanico desiderata e rilasciare la leva di blocco.
 4. Ruotare la base girevole sull'angolazione di arresto meccanico desiderata fino a quando viene fissata.
 5. Serrare l'impugnatura.
- **Fig.26:** 1. Impugnatura 2. Leva di blocco 3. Angolo di arresto meccanico

NOTA: Per liberare la base girevole dalla funzione di arresto meccanico, premere verso il basso la leva di sblocco. È possibile spostare liberamente la base girevole senza tenere premuta verso il basso la leva di blocco. Spostare con un movimento ad arco l'impugnatura per ruotare la base girevole sull'angolazione desiderata, quindi serrare l'impugnatura.

- **Fig.27:** 1. Leva di sblocco

Regolazione dell'angolo di taglio a unghia

⚠ATTENZIONE: Dopo aver modificato l'angolo di taglio a unghia, fissare sempre il braccio serrando la manopola sul polo di scorrimento in senso orario.

AVVISO: Rimuovere sempre le guide pezzo superiori e la morsa verticale prima di regolare l'angolo di taglio a unghia.

AVVISO: Quando si intende inclinare la lama per sega circolare, accertarsi che il carrello sia rialzato completamente.

AVVISO: Quando si intende modificare gli angoli di taglio a unghia, accertarsi di riposizionare in modo appropriato i piani di taglio, come illustrato nella sezione relativa al posizionamento dei piani di taglio.

AVVISO: Non serrare eccessivamente la manopola sul polo di scorrimento. In caso contrario, si potrebbe causare un malfunzionamento del meccanismo di blocco dell'angolo di taglio a unghia.

Inclinazione della lama per sega circolare verso sinistra

1. Ruotare la manopola sul polo di scorrimento in senso antiorario.
► **Fig.28:** 1. Manopola
2. Tirare e ruotare la leva del meccanismo di blocco nella posizione indicata nella figura.
► **Fig.29:** 1. Leva del meccanismo di blocco
3. Afferrare la maniglia e inclinare il carrello verso sinistra.
4. Allineare l'indice con l'angolo desiderato sulla scala dell'angolo di taglio a unghia.
5. Serrare la manopola in senso orario per fissare il braccio del carrello.
► **Fig.30:** 1. Manopola 2. Maniglia 3. Indice 4. Scala dell'angolo di taglio a unghia

Inclinazione della lama per sega circolare verso destra

1. Ruotare la manopola sul polo di scorrimento in senso antiorario.
2. Afferrare la maniglia e inclinare leggermente il carrello verso sinistra.
3. Inclinare il carrello verso destra, premendo al tempo stesso il pulsante di sblocco per l'angolo di taglio a unghia dal lato destro.
4. Allineare l'indice con l'angolo desiderato sulla scala dell'angolo di taglio a unghia.
5. Serrare la manopola in senso orario per fissare il braccio del carrello.
► **Fig.31:** 1. Manopola 2. Maniglia 3. Pulsante di sblocco per l'angolo di taglio a unghia dal lato destro 4. Scala dell'angolo di taglio a unghia

Inclinazione della lama per sega circolare utilizzando la funzione di arresto meccanico

Questa troncatrice utilizza una funzione di arresto meccanico. È possibile impostare rapidamente un angolo di 22,5° e 33,9° sia a destra che a sinistra.

1. Ruotare la manopola sul polo di scorrimento in senso antiorario.
2. Inclinare il carrello in prossimità dell'angolazione di arresto meccanico desiderata mentre si mantiene sollevata la leva del meccanismo di blocco.
3. Disporre la leva del meccanismo di blocco in posizione orizzontale.
4. Inclinare il carrello sull'angolazione di arresto meccanico desiderata fino a quando viene fissata.
5. Per cambiare l'angolazione, tirare la leva del meccanismo di blocco verso la parte anteriore dell'utensile, quindi inclinare di nuovo il carrello.
6. Serrare la manopola in senso orario per fissare il braccio del carrello.

► **Fig.32:** 1. Manopola 2. Leva del meccanismo di blocco

Inclinazione della lama per sega circolare oltre l'escursione da 0° a 45°

1. Ruotare la manopola sul polo di scorrimento in senso antiorario.
2. Afferrare la maniglia e inclinare il carrello fino a 45° verso sinistra o verso destra.
3. Tirare il carrello leggermente all'indietro e far scorrere la leva di sblocco per l'angolo di taglio a unghia di 48° verso la parte anteriore dell'utensile.
4. Inclinare ulteriormente il carrello verso sinistra o verso destra mentre si continua a mantenere sbloccata la leva.
5. Serrare la manopola in senso orario per fissare il braccio del carrello.

► **Fig.33:** 1. Manopola 2. Maniglia 3. Leva di sblocco per l'angolo di taglio a unghia di 48°

Utilizzo dell'interruttore

⚠AVVERTIMENTO: Prima di installare le cartucce delle batterie nell'utensile, controllare sempre che l'interruttore a grilletto funzioni correttamente e torni sulla posizione di spegnimento quando viene rilasciato. Non premere con forza l'interruttore a grilletto senza aver fatto rientrare il pulsante di sblocco premendolo. In caso contrario, si potrebbe causare la rottura dell'interruttore. L'uso dell'utensile con un interruttore che non funzioni correttamente potrebbe causare la perdita del controllo e gravi lesioni personali.

⚠AVVERTIMENTO: Non utilizzare MAI l'utensile quando l'interruttore a grilletto non è perfettamente funzionante. Qualsiasi utensile con un interruttore non funzionante è ESTREMAMENTE PERICOLOSO e deve essere riparato prima di un ulteriore utilizzo; in caso contrario, si potrebbero verificare gravi lesioni personali.

⚠AVVERTIMENTO: Non rendere MAI inefficace il pulsante di sblocco tenendolo premuto con nastro adesivo o in altri modi. Un interruttore con un pulsante di sblocco che sia stato reso inefficace potrebbe risultare in un funzionamento accidentale e in gravi lesioni personali.

⚠AVVERTIMENTO: Non utilizzare MAI l'utensile qualora si avvii semplicemente premendo l'interruttore a grilletto senza tenere premuto il pulsante di sblocco. Un interruttore che necessiti di riparazione potrebbe risultare in un funzionamento accidentale e in gravi lesioni personali. Riportare l'utensile a un centro di assistenza Makita per le riparazioni necessarie PRIMA di un ulteriore utilizzo.

► **Fig.34:** 1. Interruttore a grilletto 2. Pulsante di sblocco 3. Foro per lucchetto

L'utensile è dotato di un pulsante di sblocco, per evitare che l'interruttore a grilletto venga premuto accidentalmente. Per avviare l'utensile, far rientrare il pulsante di sblocco premendolo e premere l'interruttore a grilletto. Per arrestare l'utensile, rilasciare l'interruttore a grilletto. Nell'interruttore a grilletto è presente un foro per l'inserimento di un lucchetto, in modo da bloccare lo strumento in condizione di spegnimento.

⚠AVVERTIMENTO: Non utilizzare un lucchetto con diametro del gambo o del cavo inferiore a 6,35 mm. Un gambo o un cavo più piccolo potrebbe non bloccare correttamente l'utensile nella posizione di spento, e potrebbe verificarsi un funzionamento accidentale che potrebbe risultare in gravi lesioni personali.

Proiezione di una linea di taglio

⚠ATTENZIONE: La lampada non è impermeabile alla pioggia. Non lavare la lampada in acqua né utilizzarla sotto la pioggia o in un'area bagnata. Tale comportamento potrebbe causare scosse elettriche e fumi.

⚠ATTENZIONE: Non toccare la lente della lampada, in quanto è estremamente calda mentre la lampada è accesa o subito dopo il suo spegnimento. In caso contrario, si potrebbero causare ustioni.

⚠ATTENZIONE: Non sottoporre la lampada a impatti, che potrebbero danneggiarla o ridurne la vita utile.

⚠ATTENZIONE: Non osservare né guardare direttamente la fonte di luce.

La lampada a LED proietta una luce sulla lama per sega circolare, e un'ombra della lama cade su un pezzo in lavorazione, fungendo da indicatore della linea di taglio senza necessità di calibrazione. Premere il pulsante della lampada per proiettare una luce. Appare una linea in cui la lama incontra la superficie del pezzo in lavorazione, e tale linea diventa più profonda man mano che si abbassa la lama.

► **Fig.35:** 1. Pulsante della lampada 2. Lampada
3. Linea di taglio

L'indicatore aiuta a tagliare attraverso una linea di troncatura esistente tracciata a matita su un pezzo in lavorazione.

1. Afferrare la maniglia e abbassare la lama per sega circolare in modo che un'ombra densa della lama venga proiettata contro un pezzo in lavorazione.
2. Allineare una linea di troncatura disegnata sul pezzo in lavorazione con la linea di taglio dell'ombreggiatura.
3. Regolare gli angoli di taglio obliquo e di taglio a unghia, se necessario.

NOTA: Dopo l'uso, accertarsi di disattivare l'interruttore della lampada, in quanto l'accensione della luce consuma la carica della batteria.

NOTA: La luce si spegne automaticamente 5 minuti dopo l'interruzione dell'utilizzo.

Funzione elettronica

Freno elettrico

Questo utensile è dotato di un freno lama elettrico. Qualora l'utensile non riesca ripetutamente a cessare di funzionare rapidamente dopo il rilascio dell'interruttore a grilletto, far sottoporre a riparazione l'utensile presso un centro di assistenza Makita.

⚠ATTENZIONE: Il sistema del freno lama non rappresenta un sostituto della protezione lama. Non utilizzare mai l'utensile senza una protezione lama funzionante. Una lama priva di protezione potrebbe risultare in gravi lesioni personali.

Controllo della velocità costante

L'utensile è dotato di un controllo elettronico della velocità che contribuisce a mantenere una velocità costante di rotazione della lama anche sotto carico. Una velocità costante di rotazione della lama risulta in un taglio estremamente uniforme.

Funzione di avvio "morbido"

Questa funzione consente di avviare con delicatezza l'utensile limitando la coppia di avviamento.

MONTAGGIO

⚠AVVERTIMENTO: Accertarsi sempre che l'utensile sia spento e che la batteria sia stata rimossa, prima di qualsiasi intervento sull'utensile. Qualora l'utensile non venga spento e la batteria non venga rimossa, potrebbero verificarsi gravi lesioni personali.

Conservazione della chiave esagonale

Quando non si utilizza la chiave esagonale, riporla come mostrato nella figura per evitare di perderla.

► **Fig.36:** 1. Chiave esagonale

Rimozione e installazione della lama

⚠AVVERTIMENTO: Accertarsi sempre che l'utensile sia spento e che la cartuccia della batteria sia stata rimossa, prima di rimuovere e installare la lama per sega circolare. L'avvio accidentale dell'utensile potrebbe risultare in gravi lesioni personali.

⚠AVVERTIMENTO: Utilizzare esclusivamente la chiave Makita in dotazione per rimuovere e installare la lama per sega circolare. Il mancato utilizzo della chiave potrebbe causare il serraggio eccessivo o insufficiente del bullone a esagono incassato e gravi lesioni personali.

⚠AVVERTIMENTO: Non utilizzare né applicare in sostituzione pezzi che non siano in dotazione con questo utensile. L'utilizzo di tali pezzi può causare gravi lesioni personali.

⚠AVVERTIMENTO: Dopo aver installato la lama per sega circolare, accertarsi sempre che sia installata saldamente. Un fissaggio allentato della lama per sega circolare può causare gravi lesioni personali.

Rimozione della lama

Per rimuovere la lama per sega circolare, attenersi alla procedura seguente:

1. Bloccare il carrello nella posizione sollevata tirando e ruotando il perno di fermo in posizione bloccata.

► **Fig.37:** 1. Perno di fermo 2. Posizione sbloccata
3. Posizione bloccata

2. Utilizzare la chiave esagonale per allentare il bullone esagonale che fissa il coperchio centrale. Quindi, sollevare la protezione lama e il coperchio centrale.

► **Fig.38:** 1. Chiave esagonale 2. Bullone esagonale 3. Coperchio centrale 4. Protezione lama

3. Premere il blocco albero per bloccare il mandrino e utilizzare la chiave esagonale per allentare il bullone a esagono incassato in senso orario. Quindi, rimuovere il bullone a esagono incassato, la flangia esterna e la lama per sega circolare.

► **Fig.39:** 1. Bullone a esagono incassato (sinistrorso) 2. Flangia esterna 3. Blocco albero

4. Se la flangia interna è stata rimossa, installarla sul mandrino con la parte incassata rivolta verso la lama per sega circolare. Se la flangia viene installata in modo errato, verrà sfregata contro la macchina.

► **Fig.40:** 1. Bullone a esagono incassato (sinistrorso) 2. Flangia esterna 3. Lama per sega circolare 4. Anello 5. Flangia interna 6. Mandrino 7. Parte incassata

Installazione della lama

⚠AVVERTIMENTO: Prima di montare la lama sul mandrino, accertarsi sempre che l'anello corretto per il foro per l'albero della lama che si intende utilizzare sia installato tra la flangia interna e quella esterna. L'utilizzo dell'anello errato per il foro per l'albero potrebbe risultare nel montaggio errato della lama, causando lo spostamento di quest'ultima e notevoli vibrazioni che potrebbero risultare nella perdita di controllo durante l'uso e in gravi lesioni personali.

⚠ATTENZIONE: Accertarsi di installare la lama per sega circolare in modo che la direzione della freccia sulla lama coincida con quella sulla cassa della lama. La mancata osservanza di questa indicazione potrebbe risultare in gravi lesioni personali e causare il danneggiamento dell'utensile e/o del pezzo in lavorazione.

Per installare la lama per sega circolare, attenersi alla procedura seguente:

1. Montare con cautela la lama per sega circolare sulla flangia interna. Accertarsi che la direzione della freccia sulla lama per sega circolare coincida con la direzione della freccia sulla cassa della lama.

► **Fig.41:** 1. Freccia sulla cassa della lama 2. Freccia sulla lama per sega circolare

2. Installare la flangia esterna e il bullone a esagono incassato, quindi utilizzare la chiave esagonale per serrare saldamente il bullone a esagono incassato in senso antiorario, tenendo premuto contemporaneamente il blocco albero.

► **Fig.42:** 1. Bullone a esagono incassato (sinistrorso) 2. Flangia esterna 3. Lama per sega circolare 4. Anello 5. Flangia interna 6. Mandrino 7. Parte incassata

3. Riportare la protezione lama e il coperchio centrale sulla loro posizione originale. Quindi, serrare il bullone esagonale in senso orario per fissare il coperchio centrale.

4. Tirare e ruotare il perno di fermo in posizione sbloccata per sbloccare il carrello dalla posizione sollevata. Abbassare il carrello e verificare che la protezione lama si muova correttamente.

⚠ATTENZIONE: Accertarsi che il blocco albero abbia sbloccato il mandrino, prima di eseguire il taglio.

Collegamento di un aspiratore

Quando si desidera effettuare un'operazione di taglio pulita, collegare un aspirapolvere Makita al bocchettone segatura (apertura superiore per le polveri) utilizzando un manicotto anteriore 24 (accessorio opzionale).

► **Fig.43:** 1. Manicotto anteriore 24 2. Tubo flessibile 3. Aspirapolvere

Sacchetto segatura

⚠ATTENZIONE: Quando si intende eseguire un taglio, montare sempre il sacchetto segatura o collegare un aspirapolvere per evitare pericoli correlati alle polveri.

L'utilizzo del sacchetto segatura consente operazioni di taglio pulite e facilita la raccolta della segatura. Per applicare il sacchetto segatura, rimuovere il tubo flessibile di estrazione polveri dall'utensile e collegare il sacchetto segatura al bocchettone segatura (apertura superiore per le polveri).

► **Fig.44:** 1. Tubo flessibile di estrazione polveri 2. Sacchetto segatura 3. Bocchettone segatura (apertura superiore per le polveri)

Quando il sacchetto segatura è quasi pieno a metà, rimuoverlo dall'utensile ed estrarre la chiusura. Svuotare il sacchetto segatura dandogli dei leggeri colpetti, in modo da rimuovere le particelle attaccate all'interno che potrebbero ostacolare l'ulteriore raccolta della segatura.

► **Fig.45:** 1. Chiusura

Fissaggio del pezzo

⚠AVVERTIMENTO: È estremamente importante fissare sempre correttamente il pezzo in lavorazione utilizzando il tipo adatto di morsa o di fermi per modanatura a corona. La mancata osservanza di questa indicazione potrebbe risultare in gravi lesioni personali e causare il danneggiamento dell'utensile e/o del pezzo.

⚠AVVERTIMENTO: Quando si intende tagliare un pezzo in lavorazione più lungo della base di supporto della troncatrice, sostenere l'intera lunghezza del materiale che sporge dalla base di supporto, mantenendo il materiale in piano. Un sostegno corretto del pezzo in lavorazione contribuisce a evitare inceppamenti della lama e potenziali contraccolpi, che potrebbero risultare in gravi lesioni personali. Per fissare il pezzo in lavorazione, non fare affidamento solo sulla morsa verticale e/o orizzontale. I materiali sottili tendono a incurvarsi. Sostenere il pezzo in lavorazione per la sua intera lunghezza, al fine di evitare inceppamenti della lama e potenziali CONTRACCOLPI.

► Fig.46: 1. Sostegno 2. Base girevole

Guide pezzo

⚠AVVERTIMENTO: Prima di utilizzare l'utensile, accertarsi che la guida superiore sia fissata saldamente.

⚠AVVERTIMENTO: Prima di effettuare un taglio a unghia, accertarsi che nessuna parte dell'utensile, specialmente la lama, sia in contatto con la guida superiore e quella inferiore quando si intende abbassare e sollevare completamente il manico in qualsiasi posizione, nonché durante lo spostamento del carrello per l'intera lunghezza della sua corsa. Qualora l'utensile o la lama entrino in contatto con la guida, si potrebbero causare un contraccolpo o un movimento imprevisto del materiale e gravi lesioni personali.

Utilizzare le guide superiori per sostenere materiali più alti delle guide inferiori. Inserire la guida superiore nel foro presente sulla guida inferiore e serrare la vite di fissaggio.

► Fig.47: 1. Guida superiore 2. Guida inferiore 3. Vite di fissaggio 4. Vite di regolazione

AVVISO: Le guide inferiori sono fissate alla base in fabbrica. Non rimuovere le guide inferiori.

AVVISO: Qualora la guida superiore sia ancora allentata dopo il serraggio della vite di fissaggio, ruotare la vite di regolazione per colmare lo spazio vuoto. La vite di regolazione è regolata in fabbrica. Non va utilizzata, se non necessario.

Quando non si intende utilizzare la guida superiore, è possibile riporla sul tubo della base secondaria. Utilizzare la staffa di bloccaggio presente sulla guida superiore per fissare quest'ultima sul tubo della base secondaria.

► Fig.48: 1. Base secondaria 2. Guida superiore 3. Staffa di bloccaggio

Morsa verticale

⚠AVVERTIMENTO: Il pezzo in lavorazione deve essere fissato saldamente contro la base girevole e la guida pezzo con la morsa durante tutte le operazioni. Qualora il pezzo in lavorazione non sia fissato saldamente contro la guida, il materiale potrebbe spostarsi durante l'operazione di taglio, con la possibilità di causare danni alla lama, scagliare il materiale e provocare una perdita di controllo, risultando in gravi lesioni personali.

La morsa verticale può venire installata sul lato sinistro o sul lato destro della base e della base secondaria. Inserire l'asta morsa nel foro presente nella base o nella base secondaria.

► Fig.49: 1. Morsa verticale 2. Foro per la morsa verticale 3. Base secondaria 4. Base

► Fig.50: 1. Braccio morsa 2. Asta morsa 3. Vite di fissaggio 4. Manopola morsa

Posizionare il braccio morsa in base allo spessore e alla forma del pezzo in lavorazione, e fissare il braccio morsa serrando la vite. Qualora la vite di fissaggio entri in contatto con il carrello, installare la morsa verticale sulla base secondaria o sul lato opposto della base. Accertarsi che nessuna parte dell'utensile entri in contatto con la morsa, quando si intende abbassare completamente il manico. Qualora una qualsiasi parte sia in contatto con la morsa, riposizionare quest'ultima. Premere il pezzo appoggiato di piatto contro la guida pezzo e la base girevole. Posizionare il pezzo sulla posizione di taglio desiderata e fissarlo saldamente serrando la manopola morsa.

NOTA: Per una rapida impostazione del pezzo in lavorazione, la rotazione della manopola morsa a 90° in senso antiorario consente di spostare verso l'alto e verso il basso la manopola morsa. Per fissare il pezzo in lavorazione dopo impostazione, ruotare la manopola morsa in senso orario.

Morsa orizzontale

Accessorio opzionale

⚠AVVERTIMENTO: Ruotare sempre il dado della morsa in senso orario fino a quando il pezzo in lavorazione è fissato saldamente. Qualora il pezzo in lavorazione non sia fissato saldamente, il materiale potrebbe spostarsi durante l'operazione di taglio, con la possibilità di causare danni alla lama per sega circolare, scagliare il materiale e provocare una perdita di controllo, risultando in gravi lesioni personali.

⚠AVVERTIMENTO: Quando si intende tagliare pezzi in lavorazione sottili, ad esempio battiscopa, contro la guida, utilizzare sempre la morsa orizzontale.

⚠ATTENZIONE: Quando si intende tagliare il pezzo in lavorazione con uno spessore di 20 mm o più sottile, accertarsi di utilizzare un blocchetto distanziatore per fissare il pezzo in lavorazione.

È possibile installare la morsa orizzontale nel lato sinistro o nel lato destro della base. Quando si intende

eseguire tagli obliqui a 22,5° o a inclinazione superiore, installare la morsa orizzontale nel lato opposto rispetto alla direzione in cui deve ruotare la base girevole.

- **Fig.51:** 1. Piastra morsa 2. Dado morsa
3. Manopola morsa

Ribaltando il dado morsa in senso antiorario, la morsa viene rilasciata e si sposta rapidamente verso l'interno o l'esterno. Per fermare il pezzo in lavorazione, spingere la manopola morsa in avanti fino a quando la piastra morsa entra in contatto con il pezzo in lavorazione, quindi ribaltare il dado morsa in senso orario. Quindi, ruotare la manopola morsa in senso orario per fissare il pezzo in lavorazione.

NOTA: La larghezza massima del pezzo in lavorazione che può essere fissato mediante la morsa orizzontale è pari a 228 mm.

Base secondaria

AVVERTIMENTO: Sostenere sempre i pezzi lunghi in modo che siano paralleli alla superficie superiore della base girevole, per effettuare tagli di precisione ed evitare pericolose perdite di controllo dell'utensile. Un sostegno corretto del pezzo in lavorazione contribuisce a evitare inceppamenti della lama e potenziali contraccolpi, che potrebbero risultare in gravi lesioni personali.

AVVERTIMENTO: Prima dell'operazione di taglio, accertarsi sempre che le basi secondarie siano fissate saldamente mediante le viti.

Per mantenere orizzontalmente i pezzi in lavorazione lunghi, sono fornite delle basi secondarie su entrambi i lati dell'utensile. Allentare le viti ed estendere le basi secondarie sulla lunghezza appropriata per mantenere il pezzo in lavorazione. Quindi, serrare saldamente le viti.

- **Fig.52:** 1. Base secondaria 2. Vite

Durante il taglio, appoggiare il pezzo in lavorazione di piatto contro la guida pezzo e la guida secondaria sulla base secondaria.

- **Fig.53:** 1. Guida pezzo 2. Guida secondaria 3. Base secondaria

FUNZIONAMENTO

Questo utensile è destinato al taglio di prodotti in legno. Utilizzando lame appropriate Makita originali, è possibile segare anche i materiali seguenti:

— Prodotti in alluminio

Per informazioni sulle lame circolari corrette da utilizzare per il materiale da tagliare, consultare il nostro sito web o contattare il proprio rivenditore locale Makita.

AVVERTIMENTO: Prima di attivare l'interruttore, accertarsi che la lama non sia in contatto con il pezzo in lavorazione, e così via. L'accensione dell'utensile con la lama in contatto con il pezzo potrebbe risultare in un contraccolpo e in gravi lesioni personali.

AVVERTIMENTO: Dopo un'operazione di taglio, non sollevare la lama fino al suo arresto completo. Il sollevamento di una lama che sia in moto inerziale potrebbe risultare in gravi lesioni personali e nel danneggiamento del pezzo.

AVVERTIMENTO: Mentre la lama è in rotazione, non effettuare alcuna regolazione quali la rotazione dell'impugnatura, della manopola e delle leve sull'utensile. La regolazione mentre la lama è in rotazione potrebbe risultare in gravi lesioni personali.

ATTENZIONE: Non rilasciare la testa della sega incontrollata dalla posizione completamente abbassata. Una testa della sega incontrollata potrebbe colpire l'utilizzatore causando lesioni personali.

AVVISO: Prima dell'uso, accertarsi di sbloccare il perno di fermo e di sbloccare il manico dalla posizione abbassata.

AVVISO: Non esercitare una pressione eccessiva sul manico durante il taglio. Una forza eccessiva può risultare nel sovraccarico del motore e/o in una diminuzione dell'efficienza di taglio. Premere verso il basso il manico solo con la forza necessaria a un taglio uniforme e senza una notevole riduzione della velocità della lama.

AVVISO: Premere delicatamente verso il basso il manico per eseguire il taglio. Qualora si preme con forza verso il basso il manico o si applichi una pressione laterale, la lama potrebbe vibrare lasciando un segno sul pezzo (segno della lama), e la precisione del taglio potrebbe venire compromessa.

AVVISO: Durante un taglio a scorrimento, spingere delicatamente il carrello verso la guida pezzo senza fermarsi. Qualora il movimento del carrello venga arrestato durante il taglio, sul pezzo in lavorazione viene lasciato un segno e la precisione del taglio viene compromessa.

Taglio con pressione

AVVERTIMENTO: Bloccare sempre il movimento di scorrimento del carrello, quando si intende eseguire un taglio con pressione. Un taglio senza blocco potrebbe causare un potenziale contraccolpo, che potrebbe risultare in gravi lesioni personali.

È possibile tagliare pezzi fino a 92 mm di altezza e 183 mm di larghezza nel modo seguente.

- **Fig.54:** 1. Perno di fermo

1. Spingere il carrello verso la guida pezzo fino al suo arresto e bloccarlo con il perno di fermo.
2. Fissare il pezzo utilizzando una morsa di tipo

appropriato.

3. Accendere l'utensile senza mettere in contatto la lama per sega circolare con il pezzo in lavorazione, e attendere che la lama per sega circolare raggiunga la piena velocità, prima di abbassarla.
4. Abbassare delicatamente il manico sulla posizione completamente abbassata per tagliare il pezzo.
5. Al completamento del taglio, spegnere l'utensile e **attendere che la lama per sega circolare si arresti completamente**, prima di riportarla alla posizione di elevazione massima.

Taglio a scorrimento (spinta) (taglio di pezzi larghi)

⚠AVVERTIMENTO: Durante il taglio con scorrimento, innanzitutto tirare completamente verso di sé il carrello e premere completamente verso il basso il manico, quindi spingere il carrello verso la guida pezzo. Non iniziare mai a tagliare se il carrello non è completamente tirato verso di sé. Se si effettua il taglio con scorrimento senza aver tirato completamente verso di sé il carrello, potrebbe verificarsi un contraccolpo imprevisto, e potrebbero risultare gravi lesioni personali.

⚠AVVERTIMENTO: Non tentare mai di effettuare un taglio con scorrimento tirando il carrello verso di sé. Qualora si tiri il carrello verso di sé durante il taglio, si potrebbe causare un contraccolpo imprevisto che potrebbe risultare in gravi lesioni personali.

⚠AVVERTIMENTO: Non eseguire mai tagli con scorrimento con il manico bloccato in posizione abbassata.

► Fig.55: 1. Perno di fermo

1. Sbloccare il perno di fermo in modo che il carrello possa scorrere liberamente.
2. Fissare il pezzo utilizzando una morsa di tipo appropriato.
3. Tirare completamente il carrello verso di sé.
4. Accendere l'utensile senza mettere in contatto la lama con il pezzo, e attendere che la lama raggiunga la velocità massima.
5. Premere il manico verso il basso e **spingere il carrello verso la guida pezzo e attraverso il pezzo**.
6. Al completamento del taglio, spegnere l'utensile e **attendere che la lama si arresti completamente** prima di riportarla alla posizione di elevazione massima.

Taglio obliquo

Fare riferimento alla sezione relativa alla regolazione dell'angolo di taglio obliquo.

Taglio a unghia

⚠AVVERTIMENTO: Dopo aver regolato la lama per un taglio a unghia, accertarsi che il carrello e la lama abbiano corsa libera per tutta la lunghezza del taglio che si intende effettuare prima di utilizzare l'utensile. L'arresto della corsa del carrello o della lama durante l'operazione di taglio potrebbe risultare in un contraccolpo e in gravi lesioni personali.

⚠AVVERTIMENTO: Mentre si effettua un taglio a unghia, tenere le mani lontane dal percorso della lama. L'angolo della lama potrebbe ingannare l'operatore per quanto riguarda l'effettivo percorso della lama durante il taglio, e il contatto con la lama risulterebbe in gravi lesioni personali.

⚠AVVERTIMENTO: La lama non deve essere sollevata fino al suo arresto completo. Durante un taglio a unghia, la parte di materiale troncata potrebbe restare appoggiata contro la lama. Qualora la lama venga sollevata mentre sta girando, la parte troncata potrebbe venire espulsa dalla lama causando la frammentazione del materiale, il che potrebbe risultare in gravi lesioni personali.

AVVISO: Quando si preme il manico verso il basso, esercitare la pressione parallelamente alla lama. Qualora si eserciti la forza perpendicolarmente alla base girevole, o qualora si cambi la direzione della pressione durante un taglio, la precisione del taglio viene compromessa.

► Fig.56

1. Rimuovere la guida superiore dal lato verso il quale si intende inclinare il carrello.
2. Sbloccare il perno di fermo.
3. Regolare l'angolo di taglio a unghia in base alla procedura illustrata nella sezione relativa alla regolazione dell'angolo di taglio a unghia. Quindi, serrare la manopola.
4. Fissare il pezzo con una morsa.
5. Tirare completamente il carrello verso di sé.
6. Accendere l'utensile senza mettere in contatto la lama con il pezzo, e attendere che la lama raggiunga la velocità massima.
7. Abbassare delicatamente il manico sulla posizione completamente abbassata esercitando una pressione parallelamente alla lama, quindi **spingere il carrello verso la guida pezzo per tagliare il pezzo**.
8. Al completamento del taglio, spegnere l'utensile e **attendere che la lama si arresti completamente** prima di riportarla alla posizione di elevazione massima.

Taglio composito

Il taglio composito è una procedura in cui sul pezzo viene realizzato un taglio a unghia contemporaneamente a un taglio obliquo. Il taglio composito può venire eseguito all'angolazione indicata nella tabella.

Angolo di taglio obliquo	Angolo di taglio a unghia
Da 0° a 45° a sinistra e a destra	Da 0° a 45° a sinistra e a destra

Quando si intende eseguire un taglio composito, fare riferimento alle sezioni relative al taglio con pressione, al taglio a scorrimento (spinta), al taglio obliquo e al taglio a unghia.

Taglio di battiscopa

⚠ATTENZIONE: Quando si intende tagliare un battiscopa, accertarsi di utilizzare la morsa orizzontale (accessorio opzionale).

⚠ATTENZIONE: Quando si intende tagliare il pezzo in lavorazione con uno spessore di 20 mm o più sottile, accertarsi di utilizzare un blocchetto distanziatore per fissare il pezzo in lavorazione.

Quando si intende tagliare il battiscopa con un angolo di taglio obliquo di 45°, azionare la leva del fermo per evitare che la cassa della lama entri in contatto con il battiscopa. In tal modo si mantiene la distanza tra il battiscopa e la cassa della lama quando il carrello viene spinto completamente in avanti.

Per la capacità di taglio dei battiscopa, fare riferimento ai DATI TECNICI.

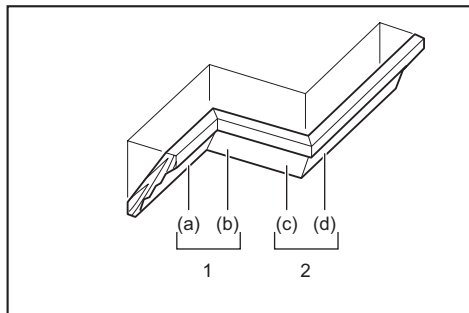
► **Fig.57:** 1. Leva del fermo 2. Cubetto distanziatore 3. Morsa orizzontale

Tagli di modanature a corona e concave

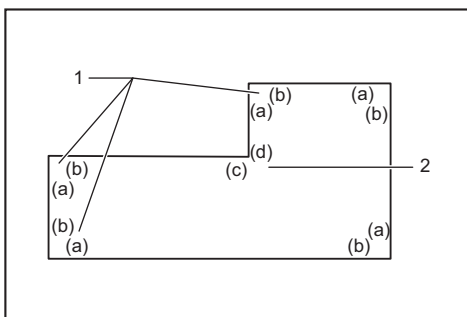
È possibile eseguire tagli con modanatura a corona e concava su una sega composita a slitta, con le modanature disposte orizzontalmente sulla base girevole. Esistono due tipi comuni di modanature a corona e un tipo di modanatura concava: modanatura a corona con angolo della parete a 52/38°, modanatura a corona con angolo della parete a 45° e modanatura concava con angolo della parete a 45°.

► **Fig.58:** 1. Modanatura a corona a 52/38°
2. Modanatura a corona a 45°
3. Modanatura concava a 45°

Esistono commessure di modanature a corona e concave che sono fatte per adattarsi ad angoli a 90° "interni" ((a) e (b) nella figura) e ad angoli a 90° "esterni" ((c) e (d) nella figura).



1. Angolo interno 2. Angolo esterno



1. Angolo interno 2. Angolo esterno

Misurazioni

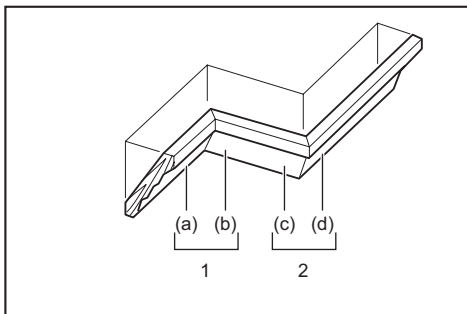
Misurare la larghezza della parete e regolare in base ad essa la larghezza del pezzo. Accertarsi sempre che la larghezza del bordo di contatto del pezzo con la parete sia identica alla lunghezza della parete.

► **Fig.59:** 1. Pezzo 2. Larghezza della parete 3. Larghezza del pezzo 4. Bordo di contatto con la parete

Utilizzare sempre svariati pezzi per tagli di prova, in modo da controllare gli angoli della sega.

Quando si eseguono tagli per modanature a corona e concave, impostare l'angolo di taglio a unghia e l'angolo di taglio obliquo come indicato nella tabella (A), quindi posizionare le modanature sulla superficie superiore della base della sega, come indicato nella tabella (B).

Nel caso di taglio a unghia a sinistra



1. Angolo interno 2. Angolo esterno

Tabella (A)

-	Posizione della modanatura nella figura	Angolo di taglio a unghia		Angolo di taglio obliquo	
		Tipo a 52/38°	Tipo a 45°	Tipo a 52/38°	Tipo a 45°
Per l'angolo interno	(a)	33,9° a sinistra	30° a sinistra	31,6° a destra	35,3° a destra
	(b)			31,6° a sinistra	35,3° a sinistra
Per l'angolo esterno	(c)	33,9° a sinistra	30° a sinistra	31,6° a destra	35,3° a sinistra
	(d)				35,3° a destra

Tabella (B)

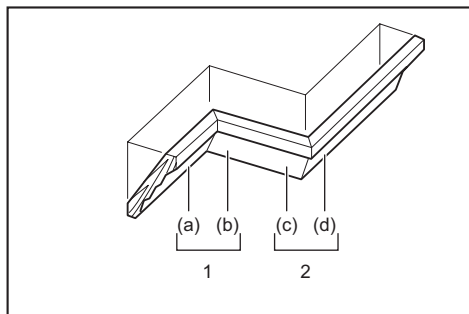
–	Posizione della modanatura nella figura	Bordo della modanatura appoggiato contro la guida pezzo	Pezzo finito
Per l'angolo interno	(a)	Il bordo di contatto con il soffitto deve essere appoggiato contro la guida pezzo.	Il pezzo finito si troverà sul lato sinistro della lama.
Per l'angolo esterno	(b)	Il bordo di contatto con la parete deve essere appoggiato contro la guida pezzo.	
	(c)	Il bordo di contatto con il soffitto deve essere appoggiato contro la guida pezzo.	Il pezzo finito si troverà sul lato destro della lama.
(d)			

Esempio:

Nel caso del taglio di una modanatura di tipo a corona a 52/38° per la posizione (a) nella figura sopra:

- Inclinare e fissare l'impostazione dell'angolo di taglio a unghia su 33,9° a SINISTRA.
- Regolare e fissare l'impostazione dell'angolo di taglio obliquo su 31,6° a DESTRA.
- Disporre la modanatura a corona con la sua superficie posteriore ampia (nascosta) appoggiata sulla base girevole con il suo BORDO DI CONTATTO CON IL SOFFITTO appoggiato contro la guida pezzo sulla sega.
- Il pezzo finito da utilizzare si troverà sempre sul lato SINISTRO della lama dopo aver effettuato il taglio.

Nel caso di taglio a unghia a destra



1. Angolo interno 2. Angolo esterno

Tabella (A)

–	Posizione della modanatura nella figura	Angolo di taglio a unghia		Angolo di taglio obliquo	
		Tipo a 52/38°	Tipo a 45°	Tipo a 52/38°	Tipo a 45°
Per l'angolo interno	(a)	33,9° a destra	30° a destra	31,6° a destra	35,3° a destra
	(b)			31,6° a sinistra	35,3° a sinistra
Per l'angolo esterno	(c)			31,6° a destra	35,3° a destra
	(d)			31,6° a sinistra	35,3° a sinistra

Tabella (B)

–	Posizione della modanatura nella figura	Bordo della modanatura appoggiato contro la guida pezzo	Pezzo finito
Per l'angolo interno	(a)	Il bordo di contatto con la parete deve essere appoggiato contro la guida pezzo.	Il pezzo finito si troverà sul lato destro della lama.
	(b)	Il bordo di contatto con il soffitto deve essere appoggiato contro la guida pezzo.	
Per l'angolo esterno	(c)	Il bordo di contatto con la parete deve essere appoggiato contro la guida pezzo.	Il pezzo finito si troverà sul lato sinistro della lama.
	(d)	Il bordo di contatto con il soffitto deve essere appoggiato contro la guida pezzo.	

Esempio:

Nel caso del taglio di una modanatura di tipo a corona a 52/38° per la posizione (a) nella figura sopra:

- Inclinare e fissare l'impostazione dell'angolo di taglio a unghia su 33,9° a DESTRA.
- Regolare e fissare l'impostazione dell'angolo di taglio obliquo su 31,6° a DESTRA.
- Disporre la modanatura a corona con la sua superficie posteriore ampia (nascosta) appoggiata sulla base girevole con il suo BORDO DI CONTATTO CON LA PARETE appoggiato contro la guida pezzo sulla sega.
- Il pezzo finito da utilizzare si troverà sempre sul lato DESTRO della lama dopo aver effettuato il taglio.

Fermo per modanatura a corona

Accessorio opzionale

I fermi per modanatura a corona consentono tagli più facili di modanature a corona senza inclinare la lama. Installarli sulla base girevole come indicato nelle figure.

A un angolo di taglio obliquo di 45° a destra

► **Fig.60:** 1. Fermo per modanatura a corona S

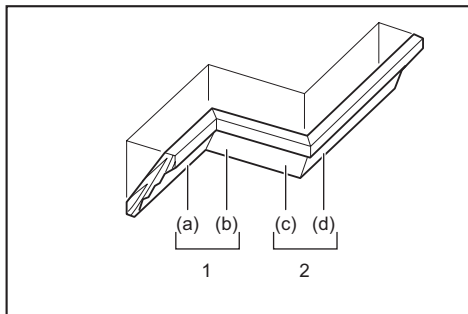
2. Fermo per modanatura a corona D
3. Base girevole 4. Guida pezzo

A un angolo di taglio obliquo di 45° a sinistra

- **Fig.61:** 1. Fermo per modanatura a corona S
2. Fermo per modanatura a corona D
3. Base girevole 4. Guida pezzo

Posizionare la modanatura a corona con il suo BORDO DI CONTATTO CON LA PARETE appoggiato contro la guida pezzo e il suo BORDO DI CONTATTO CON IL SOFFITTO appoggiato contro i fermi per modanatura a corona, come indicato nella figura. Regolare i fermi per modanatura a corona in base alle dimensioni della modanatura a corona. Serrare le viti per fissare i fermi per modanatura a corona. Fare riferimento alla tabella (C) per l'angolo di taglio obliquo.

- **Fig.62:** 1. Guida pezzo 2. Fermo per modanatura a corona



1. Angolo interno 2. Angolo esterno

Tabella (C)

-	Posizione della modanatura nella figura	Angolo di taglio obliquo	Pezzo finito
Per l'angolo interno	(a)	45° a destra	Salvare il lato a destra della lama
	(b)	45° a sinistra	Salvare il lato a sinistra della lama
Per l'angolo esterno	(c)		Salvare il lato a destra della lama
	(d)	45° a destra	Salvare il lato a sinistra della lama

Taglio di estrusioni di alluminio

- **Fig.63:** 1. Morsa 2. Cubetto distanziatore 3. Guida pezzo 4. Estrusione di alluminio 5. Cubetto distanziatore

Quando si intende fissare estrusioni di alluminio, utilizzare dei cubetti distanziatori o degli sfridi come indicato nella figura, per evitare la deformazione dell'alluminio. Quando si intende tagliare l'estrusione di alluminio, utilizzare un lubrificante da taglio per evitare l'accumulo di materiale in alluminio sulla lama per sega circolare.

AVVERTIMENTO: Non tentare mai di tagliare estrusioni di alluminio spesse o rotonde. Estrusioni di alluminio spesse o rotonde possono risultare difficili da fissare, e il pezzo in lavorazione potrebbe allentarsi durante l'operazione di taglio, il che potrebbe risultare in una perdita di controllo e in gravi lesioni personali.

Tecnica speciale per larghezza massima delle capacità di taglio

È possibile ottenere la capacità di taglio massima in larghezza attenendosi alla procedura seguente: Per informazioni sulla larghezza massima di taglio di questo utensile, fare riferimento alle capacità di taglio per tagli speciali nella sezione DATI TECNICI.

1. Impostare l'utensile a un angolo di taglio obliquo di 0° o 45°, quindi accertarsi che la base girevole sia bloccata. (Fare riferimento alla sezione relativa alla regolazione dell'angolo di taglio obliquo.)
2. Rimuovere temporaneamente entrambe le guide superiori, destra e sinistra, e metterle da parte.
3. Tagliare una piattaforma alle dimensioni indicate nella figura utilizzando un blocco di materiale piatto di spessore pari a 38 mm, ad esempio legno, compensato o agglomerato di legno.

- **Fig.64:** 1. Angolo di taglio obliquo di 0°: Più di 450 mm 2. Angolo di taglio obliquo di 45°: Più di 325 mm 3. 38 mm 4. Più di 760 mm

AVVERTIMENTO: Accertarsi di utilizzare il blocco di materiale piatto come piattaforma. Un blocco di materiale che non sia piatto potrebbe spostarsi durante l'operazione di taglio, il che potrebbe risultare in un contraccolpo e in gravi lesioni personali.

NOTA: La capacità massima di taglio in altezza viene ridotta di questa misura dello spessore della piattaforma.

4. Posizionare la piattaforma sull'utensile, in modo che sporga in misura equidistante da ciascun lato della base dell'utensile. Fissare la piattaforma all'utensile utilizzando quattro viti per legno da 6 mm attraverso i quattro fori nelle guide inferiori.

- **Fig.65:** 1. Viti (due da ciascun lato) 2. Guida inferiore 3. Base 4. Piattaforma

⚠AVVERTIMENTO: Accertarsi che la piattaforma sia appoggiata di piatto contro la base dell'utensile e sia fissata saldamente alle guide inferiori utilizzando i quattro fori per le viti disponibili. Il mancato fissaggio saldo della piattaforma potrebbe risultare in uno spostamento e nella possibilità di un contraccolpo, causando gravi lesioni personali.

⚠AVVERTIMENTO: Accertarsi che l'utensile sia montato saldamente su una superficie stabile e piana. Qualora l'utensile non venga montato e fissato correttamente, si potrebbe causare l'instabilità dell'utensile, risultando in una perdita di controllo e/o nella caduta dell'utensile, che potrebbe causare gravi lesioni personali.

5. Installare le guide superiori sull'utensile.

⚠AVVERTIMENTO: Non utilizzare l'utensile senza le guide superiori installate. Le guide superiori forniscono il supporto adeguato richiesto per tagliare il pezzo in lavorazione.

Qualora il pezzo in lavorazione non sia supportato correttamente, potrebbe spostarsi, il che potrebbe risultare nella possibilità di perdite di controllo, contraccolpi e gravi lesioni personali.

6. Posizionare il pezzo in lavorazione da tagliare sulla piattaforma fissata all'utensile.

7. Fissare saldamente il pezzo in lavorazione contro le guide superiori con una morsa prima del taglio.

► **Fig.66:** 1. Guida superiore 2. Morsa verticale 3. Pezzo in lavorazione 4. Piattaforma

8. Effettuare un taglio attraverso il pezzo in lavorazione lentamente, seguendo l'operazione illustrata nella sezione relativa al taglio a scorrimento (spinta).

⚠AVVERTIMENTO: Accertarsi che il pezzo in lavorazione sia fissato con la morsa ed effettuare il taglio lentamente. La mancata osservanza di questa indicazione potrebbe causare lo spostamento del pezzo in lavorazione, che potrebbe risultare nella possibilità di un contraccolpo e in gravi lesioni personali.

⚠AVVERTIMENTO: Tenere presente che la piattaforma potrebbe indebolirsi, dopo aver effettuato svariati tagli a vari angoli di taglio obliquo. Qualora la piattaforma si indebolisca a causa delle molteplici intaccature lasciate nel materiale, occorre sostituire la piattaforma. Qualora la piattaforma indebolita non venga sostituita, potrebbe causare lo spostamento del pezzo in lavorazione durante il taglio, risultando nella possibilità di un contraccolpo e in gravi lesioni personali.

Taglio scanalato

⚠AVVERTIMENTO: Non tentare di effettuare questo tipo di taglio utilizzando una lama di tipo più largo o una lama per zoccoli. Il tentativo di effettuare un taglio scanalato con una lama più larga o una lama per zoccoli potrebbe portare a risultati imprevisti e contraccolpi, che potrebbero risultare in gravi lesioni personali.

⚠AVVERTIMENTO: Riportare il braccio di fermo sulla sua posizione originale quando si intende eseguire tagli diversi da quelli scanalati. Il tentativo di tagliare con il braccio di fermo in posizione errata potrebbe portare a risultati di taglio inaspettati e contraccolpi, che potrebbero risultare in gravi lesioni personali.

Per effettuare un taglio di tipo a zoccolo, procedere nel modo seguente:

1. Regolare la posizione del limite inferiore della lama per sega circolare utilizzando la vite di regolazione e il braccio di fermo per limitare la profondità di taglio della lama per sega circolare. Fare riferimento alla sezione relativa al braccio di fermo.

2. Dopo aver regolato la posizione di limite inferiore della lama per sega circolare, tagliare scanalature parallele lungo la larghezza del pezzo in lavorazione utilizzando un taglio a scorrimento (spinta).

► **Fig.67:** 1. Scanalature tagliate con la lama

3. Rimuovere il materiale del pezzo tra le scanalature con uno scalpello.

Spessore di legno

⚠AVVERTIMENTO: Utilizzare delle viti per montare lo spessore di legno sulla guida pezzo. Le viti devono essere installate in modo che le loro teste vengano a trovarsi sotto la superficie dello spessore di legno, affinché non interferiscano con il posizionamento del materiale che viene tagliato. Il disallineamento del materiale che viene tagliato può causare uno spostamento imprevisto durante l'operazione di taglio, che potrebbe risultare in una perdita di controllo e in gravi lesioni personali.

⚠ATTENZIONE: Come spessore di legno, utilizzare legno diritto di spessore uniforme.

⚠ATTENZIONE: Al fine di tagliare completamente pezzi in lavorazione di altezza compresa tra 107 mm e 120 mm, è necessario utilizzare uno spessore di legno sulla guida pezzo. Lo spessore di legno distanzia il pezzo in lavorazione dalla guida, consentendo alla lama di completare un taglio più profondo.

AVVISO: Quando è montato lo spessore di legno, non ruotare la base girevole con il manico abbassato. In caso contrario, la lama e/o lo spessore di legno verrebbero danneggiati.

L'impiego di uno spessore di legno contribuisce ad assicurare tagli senza schegge dei pezzi in lavorazione. Montare lo spessore di legno sulla guida pezzo

utilizzando i fori presenti nella guida pezzo e viti da 6 mm.

Per lo spessore di legno consigliato, fare riferimento alla figura relativa alle dimensioni.

► **Fig.68:** 1. Foro 2. Più di 15 mm 3. Più di 270 mm
4. 90 mm 5. 145 mm 6. 19 mm 7. Tra 115 mm e 120 mm

ESEMPIO Quando si intende tagliare pezzi in lavorazione con altezza di 115 mm e 120 mm, utilizzare uno spessore di legno con l'altezza seguente.

Angolo di taglio obliquo	Altezza dello spessore di legno	
	115 mm	120 mm
0°	20 mm	38 mm
45° a destra e a sinistra	15 mm	25 mm
60° a destra e a sinistra	15 mm	25 mm

Trasporto dell'utensile

Prima di trasportare l'utensile, accertarsi di rimuovere la cartuccia della batteria e di aver fissato tutte le parti mobili della troncatrice. Controllare sempre quanto segue:

- Che la cartuccia della batteria sia stata rimossa.
- Che il carrello sia alla posizione dell'angolo di taglio a unghia di 0° e che sia fissato.
- Che il carrello sia abbassato e bloccato.
- Che il carrello sia stato fatto scorrere fino in fondo verso le guide pezzo e sia stato bloccato.
- Che la base girevole si trovi nella posizione dell'angolo pieno di taglio obliquo a destra e che sia fissata.
- Che le basi secondarie siano state riposte e fissate.

Trasportare l'utensile mantenendo entrambi i lati della sua base.

► **Fig.69**

AVVERTIMENTO: Il perno di fermo per il sollevamento del carrello serve solo per trasportare o riporre l'utensile, non per operazioni di taglio di alcun genere. L'utilizzo del perno di fermo per operazioni di taglio potrebbe causare un movimento inaspettato della lama per sega circolare che potrebbe risultare in un contraccolpo e in gravi lesioni personali.

ATTENZIONE: Fissare sempre tutte le parti mobili prima di trasportare l'utensile. Qualora delle parti dell'utensile si spostino o scorrano durante il trasporto, si potrebbe verificare una perdita di controllo o dell'equilibrio e, di conseguenza, lesioni personali.

ATTENZIONE: Accertarsi che l'elevazione del carrello sia bloccata correttamente all'estremità inferiore mediante il perno di fermo. Qualora il perno di fermo non sia innestato correttamente, il carrello potrebbe saltare improvvisamente verso l'alto e causare lesioni personali.

FUNZIONE DI ATTIVAZIONE DELLA COMUNICAZIONE SENZA FILI

Cosa si può fare con la funzione di attivazione della comunicazione senza fili

La funzione di attivazione della comunicazione senza fili consente un funzionamento pulito e comodo. Collegando un aspirapolvere supportato all'utensile, è possibile far funzionare automaticamente l'aspirapolvere insieme all'attivazione dell'interruttore dell'utensile.

► **Fig.70**

Per utilizzare la funzione di attivazione della comunicazione senza fili, preparare gli elementi seguenti:

- Un'unità senza fili (accessorio opzionale)
- Un aspirapolvere che supporti la funzione di attivazione della comunicazione senza fili

L'impostazione della funzione di attivazione della comunicazione senza fili è riepilogata di seguito. Per le procedure dettagliate, consultare ciascuna sezione.

1. Installazione dell'unità senza fili
2. Registrazione dell'utensile per l'aspirapolvere
3. Avvio della funzione di attivazione della comunicazione senza fili

Installazione dell'unità senza fili

Accessorio opzionale

ATTENZIONE: Posizionare l'utensile su una superficie piana e stabile, quando si intende installare l'unità senza fili.

AVVISO: Pulire la polvere e lo sporco sull'utensile prima di installare l'unità senza fili. La polvere o lo sporco potrebbero causare un malfunzionamento, qualora penetrino nell'alloggiamento dell'unità senza fili.

AVVISO: Per evitare il malfunzionamento causato dall'elettricità statica, toccare un materiale per scaricarla, ad esempio una parte metallica dell'utensile, prima di prendere in mano l'unità senza fili.

AVVISO: Quando si installa l'unità senza fili, accertarsi sempre che quest'ultima sia inserita nella direzione corretta e che il coperchio sia completamente chiuso.

1. Aprire il coperchio sull'utensile come indicato nella figura.

► **Fig.71:** 1. Coperchio

2. Inserire l'unità senza fili nell'alloggiamento, quindi chiudere il coperchio.

Quando si inserisce l'unità senza fili, allineare le sporgenze con le rientranze presenti nell'alloggiamento.

- **Fig.72:** 1. Unità senza fili 2. Sporgenza
3. Coperchio 4. Rientranza

Quando si intende rimuovere l'unità senza fili, aprire lentamente il coperchio. I ganci sul retro del coperchio sollevano l'unità senza fili mentre si tira su il coperchio.

- **Fig.73:** 1. Unità senza fili 2. Gancio 3. Coperchio

Dopo aver rimosso l'unità senza fili, conservarla nella custodia in dotazione o in un contenitore antistatico.

AVVISO: Utilizzare sempre i ganci sul retro del coperchio quando si intende rimuovere l'unità senza fili. Qualora i ganci non si inseriscano nell'unità senza fili, chiudere completamente il coperchio e riaprirlo lentamente.

Registrazione dell'utensile per l'aspirapolvere

NOTA: È richiesto un aspirapolvere Makita che supporti la funzione di attivazione della comunicazione senza fili per la registrazione dell'utensile.

NOTA: Completare l'installazione dell'unità senza fili nello strumento prima di avviare la registrazione dell'utensile.

NOTA: Evitare di attivare gli interruttori seguenti durante la registrazione dell'utensile:

- interruttore a grilletto sull'utensile
- interruttore di aspirazione sull'utensile
- interruttore di accensione sull'aspirapolvere

NOTA: Fare riferimento anche al manuale d'uso dell'aspirapolvere.

Se si desidera attivare l'aspirapolvere insieme all'attivazione dell'interruttore dell'utensile, completare anticipatamente la registrazione dell'utensile.

1. Installare le batterie nell'aspirapolvere e nell'utensile.
 2. Impostare il commutatore di standby sull'aspirapolvere su "AUTO".
- **Fig.74:** 1. Commutatore di standby

3. Premere il pulsante di attivazione della comunicazione senza fili sull'aspirapolvere per 3 secondi, fino a quando l'indicatore luminoso di attivazione della comunicazione senza fili lampeggia in verde. Quindi, premere il pulsante di attivazione della comunicazione senza fili sull'utensile in modo analogo.

- **Fig.75:** 1. Pulsante di attivazione della comunicazione senza fili 2. Indicatore luminoso di attivazione della comunicazione senza fili

Se l'aspirapolvere e l'utensile sono collegati con esito positivo, gli indicatori luminosi di attivazione della comunicazione senza fili si illuminano in verde per 2 secondi, quindi iniziano a lampeggiare in blu.

NOTA: Gli indicatori luminosi di attivazione della comunicazione senza fili smettono di lampeggiare in verde dopo 20 secondi. Premere il pulsante di attivazione della comunicazione senza fili sull'utensile mentre l'indicatore luminoso di attivazione della comunicazione senza fili sull'aspiratore sta lampeggiando. Qualora l'indicatore luminoso di attivazione della comunicazione senza fili non lampeggi in verde, premere brevemente e tenere premuto di nuovo il pulsante di attivazione della comunicazione senza fili.

NOTA: Quando si intende effettuare due o più registrazioni di utensili per un unico aspirapolvere, completare la registrazione degli utensili uno alla volta.

Avvio della funzione di attivazione della comunicazione senza fili

NOTA: Completare la registrazione dell'utensile per l'aspirapolvere prima dell'attivazione della comunicazione senza fili.

NOTA: Fare riferimento anche al manuale d'uso dell'aspirapolvere.

Dopo aver registrato un utensile sull'aspirapolvere, quest'ultimo entra in funzione automaticamente insieme all'attivazione dell'interruttore dell'utensile. Premere l'interruttore a grilletto sull'utensile per far funzionare l'aspirapolvere durante l'uso. L'aspirapolvere inizia a funzionare anche premendo il pulsante di aspirazione sull'utensile alla fine di qualsiasi operazione di taglio.

- **Fig.76**

1. Installare l'unità senza fili sull'utensile.
 2. Collegare il tubo flessibile dell'aspirapolvere all'utensile.
- **Fig.77**
3. Impostare il commutatore di standby sull'aspirapolvere su "AUTO".
- **Fig.78:** 1. Commutatore di standby
4. Premere brevemente il pulsante di attivazione della comunicazione senza fili sull'utensile. L'indicatore luminoso di attivazione della comunicazione senza fili lampeggia in blu.
- **Fig.79:** 1. Pulsante di attivazione della comunicazione senza fili 2. Indicatore luminoso di attivazione della comunicazione senza fili
5. Premere l'interruttore a grilletto dell'utensile. Controllare se l'aspirapolvere entra in funzione mentre si preme l'interruttore a grilletto.
 6. Premere il pulsante di aspirazione per far funzionare l'aspirapolvere. Verificare se l'indicatore luminoso di attivazione della comunicazione senza fili si illumina in blu e l'aspiratore continua a funzionare fino a quando si preme di nuovo il pulsante.
 7. Per interrompere l'operazione di aspirazione, rilasciare l'interruttore a grilletto o premere di nuovo il pulsante di aspirazione. L'aspirapolvere smette di funzionare qualche secondo dopo l'operazione con l'interruttore, quindi l'indicatore luminoso inizia a lampeggiare in blu.

NOTA: È possibile conoscere lo stato dell'interruttore (accensione o spegnimento dell'aspiratore) con l'indicatore luminoso di attivazione della comunicazione senza fili. Per i dettagli, fare riferimento alla sezione con la descrizione dello stato dell'indicatore luminoso di attivazione della comunicazione senza fili.

8. Per interrompere l'attivazione della comunicazione senza fili dell'aspirapolvere, premere il pulsante di attivazione della comunicazione senza fili sull'utensile.

NOTA: L'indicatore luminoso di attivazione della comunicazione senza fili sull'utensile smette di lampeggiare in blu quando non viene effettuata alcuna operazione per 2 ore. In questo caso, impostare il commutatore di standby sull'aspirapolvere su "AUTO" e premere di nuovo il pulsante di attivazione della comunicazione senza fili sull'utensile.

NOTA: L'aspirapolvere si avvia o si arresta con un ritardo. Si verifica un ritardo temporale quando l'aspirapolvere rileva un'attivazione dell'interruttore sull'utensile.










NOTA: La distanza di trasmissione dell'unità senza fili può variare a seconda dell'ubicazione e della situazione circostante.

NOTA: Quando due o più utensili sono registrati su un unico aspirapolvere, quest'ultimo potrebbe iniziare a funzionare anche se non si preme l'interruttore a grilletto o se non si attiva il pulsante di aspirazione, a causa di un altro utente che sta utilizzando la funzione di attivazione della comunicazione senza fili.

Descrizione dello stato dell'indicatore luminoso di attivazione della comunicazione senza fili

► **Fig.80:** 1. Indicatore luminoso di attivazione della comunicazione senza fili

L'indicatore luminoso di attivazione della comunicazione senza fili mostra lo stato della funzione di attivazione della comunicazione senza fili. Per informazioni sul significato dello stato dell'indicatore luminoso, fare riferimento alla tabella seguente.

Stato	Indicatore luminoso di attivazione della comunicazione senza fili				Descrizione
	Colore	 Acceso	 Lampeggiante	Durata	
Standby	Blu			2 ore	È disponibile l'attivazione della funzione di comunicazione senza fili dell'aspirapolvere. L'indicatore luminoso si spegne automaticamente quando non viene eseguita alcuna operazione per 2 ore.
				Quando l'utensile è in funzione.	È disponibile l'attivazione della funzione di comunicazione senza fili dell'aspirapolvere e l'utensile è in funzione.
Registrazione dell'utensile	Verde			20 secondi	Pronto alla registrazione dell'utensile. In attesa della registrazione da parte dell'aspirapolvere.
				2 secondi	La registrazione dell'utensile è stata completata. L'indicatore luminoso di attivazione della comunicazione senza fili inizia a lampeggiare in blu.
Annullamento della registrazione dell'utensile	Rosso			20 secondi	Pronto alla cancellazione della registrazione dell'utensile. In attesa della cancellazione da parte dell'aspirapolvere.
				2 secondi	La cancellazione della registrazione dell'utensile è stata completata. L'indicatore luminoso di attivazione della comunicazione senza fili inizia a lampeggiare in blu.
Altro	Rosso			3 secondi	L'alimentazione è fornita all'unità senza fili e la funzione di attivazione della comunicazione senza fili si sta avviando.
	Spento	-		-	L'attivazione della funzione di comunicazione senza fili dell'aspirapolvere è stata arrestata.

Annullamento della registrazione dell'utensile per l'aspirapolvere

Quando si intende annullare la registrazione dell'utensile per l'aspirapolvere, attenersi alla procedura seguente.

1. Installare le batterie nell'aspirapolvere e nell'utensile.
2. Impostare il commutatore di standby sull'aspirapolvere su "AUTO".
► **Fig.81:** 1. Commutatore di standby
3. Premere il pulsante di attivazione della

comunicazione senza fili sull'aspirapolvere per 6 secondi. L'indicatore luminoso di attivazione della comunicazione senza fili lampeggia in verde, quindi diventa rosso. Dopodiché, premere il pulsante di attivazione della comunicazione senza fili sull'utensile in modo analogo.

► **Fig.82:** 1. Pulsante di attivazione della comunicazione senza fili 2. Indicatore luminoso di attivazione della comunicazione senza fili

Se l'annullamento è stato eseguito con esito positivo, gli indicatori luminosi di attivazione della comunicazione senza fili si illuminano in rosso per 2 secondi, quindi

iniziano a lampeggiare in blu.

NOTA: Gli indicatori luminosi di attivazione della comunicazione senza fili smettono di lampeggiare in rosso dopo 20 secondi. Premere il pulsante di attivazione della comunicazione senza fili sull'utensile mentre l'indicatore luminoso di attivazione della comunicazione senza fili sull'aspiratore sta lampeggiando. Qualora l'indicatore luminoso di attivazione della comunicazione senza fili non lampeggi in rosso, premere brevemente e tenere premuto di nuovo il pulsante di attivazione della comunicazione senza fili.

Risoluzione dei problemi per la funzione di attivazione della comunicazione senza fili

Prima di richiedere riparazioni, eseguire un'ispezione personalmente. Qualora si rilevi un problema che non è illustrato nel manuale, non tentare di smontare l'utensile. Rivolgersi, invece, a un centro di assistenza autorizzato Makita, utilizzando sempre pezzi di ricambio Makita per le riparazioni.

Stato di anomalia	Causa probabile (guasto)	Azione correttiva
L'indicatore luminoso di attivazione della comunicazione senza fili non si illumina o non lampeggia.	L'unità senza fili non è installata nell'utensile. L'unità senza fili è installata in modo errato nell'utensile.	Installare l'unità senza fili correttamente.
	Il terminale dell'unità senza fili e/o l'alloggiamento sono sporchi.	Asportare delicatamente polvere e sporco presenti sul terminale dell'unità senza fili e pulire l'alloggiamento.
	Il pulsante di attivazione della comunicazione senza fili sull'utensile non è stato premuto.	Premere brevemente il pulsante di attivazione della comunicazione senza fili sull'utensile.
	Il commutatore di standby sull'aspirapolvere non è impostato su "AUTO".	Impostare il commutatore di standby sull'aspirapolvere su "AUTO".
	Alimentazione assente	Fornire l'alimentazione all'utensile e all'aspirapolvere.

Stato di anomalia	Causa probabile (guasto)	Azione correttiva
Impossibile completare con esito positivo la registrazione dell'utensile o l'annullamento della registrazione dell'utensile.	L'unità senza fili non è installata nell'utensile. L'unità senza fili è installata in modo errato nell'utensile.	Installare l'unità senza fili correttamente.
	Il terminale dell'unità senza fili e/o l'alloggiamento sono sporchi.	Asportare delicatamente polvere e sporco presenti sul terminale dell'unità senza fili e pulire l'alloggiamento.
	Il commutatore di standby sull'aspirapolvere non è impostato su "AUTO".	Impostare il commutatore di standby sull'aspirapolvere su "AUTO".
	Alimentazione assente	Fornire l'alimentazione all'utensile e all'aspirapolvere.
	Funzionamento errato	Premere brevemente il pulsante di attivazione della comunicazione senza fili ed eseguire di nuovo la procedura di registrazione o di annullamento dell'utensile.
	L'utensile e l'aspirapolvere sono lontani l'uno dall'altro (fuori dalla portata di trasmissione).	Avvicinare l'utensile e l'aspirapolvere tra di loro. La distanza massima di trasmissione è di circa 10 m, ma può variare in base alle circostanze.
	Prima di completare la registrazione o la cancellazione dell'utensile: - l'interruttore a grilletto sull'utensile è premuto, oppure - il pulsante di aspirazione sull'utensile è attivato, oppure - il pulsante di accensione sull'aspirapolvere è attivato.	Premere brevemente il pulsante di attivazione della comunicazione senza fili ed eseguire di nuovo la procedura di registrazione o di annullamento dell'utensile.
	Le procedure di registrazione per l'utensile o per l'aspirapolvere non sono state completate.	Eseguire le procedure di registrazione dell'utensile sia per l'utensile che per l'aspirapolvere allo stesso tempo.
	Sono presenti disturbi radio dovuti ad altri apparecchi che generano onde radio ad alta intensità.	Tenere l'utensile e l'aspirapolvere lontani da apparecchi quali dispositivi Wi-Fi e forni a microonde.
L'aspirapolvere non entra in funzione insieme all'attivazione dell'interruttore dell'utensile.	L'unità senza fili non è installata nell'utensile. L'unità senza fili è installata in modo errato nell'utensile.	Installare l'unità senza fili correttamente.
	Il terminale dell'unità senza fili e/o l'alloggiamento sono sporchi.	Asportare delicatamente polvere e sporco presenti sul terminale dell'unità senza fili e pulire l'alloggiamento.
	Il pulsante di attivazione della comunicazione senza fili sull'utensile non è stato premuto.	Premere brevemente il pulsante di attivazione della comunicazione senza fili e accertarsi che l'indicatore luminoso di attivazione della comunicazione senza fili stia lampeggiando in blu.
	Il commutatore di standby sull'aspirapolvere non è impostato su "AUTO".	Impostare il commutatore di standby sull'aspirapolvere su "AUTO".
	Sull'aspirapolvere sono registrati più di 10 utensili.	Effettuare di nuovo la registrazione dell'utensile. Qualora sull'aspirapolvere siano registrati più di 10 utensili, l'utensile registrato per primo viene annullato automaticamente.
	L'aspirapolvere non è riuscito a registrare con esito positivo gli utensili.	Rinnovare le registrazioni degli utensili.
	L'aspirapolvere ha cancellato tutte le registrazioni degli utensili.	Effettuare di nuovo la registrazione dell'utensile.
	Alimentazione assente	Fornire l'alimentazione all'utensile e all'aspirapolvere.
	L'utensile e l'aspirapolvere sono lontani l'uno dall'altro (fuori dalla portata di trasmissione).	Avvicinare l'utensile e l'aspirapolvere tra di loro. La distanza massima di trasmissione è di circa 10 m, ma può variare in base alle circostanze.
	Sono presenti disturbi radio dovuti ad altri apparecchi che generano onde radio ad alta intensità.	Tenere l'utensile e l'aspirapolvere lontani da apparecchi quali dispositivi Wi-Fi e forni a microonde.
L'aspirapolvere entra in funzione mentre nessun interruttore relativo all'utensile è in uso.	Altri utenti stanno utilizzando l'attivazione della comunicazione senza fili dell'aspirapolvere con i loro utensili.	Disattivare il pulsante di attivazione della comunicazione senza fili degli altri utensili oppure annullare la registrazione degli altri utensili.

MANUTENZIONE

⚠AVVERTIMENTO: Accertarsi sempre che l'utensile sia spento e che la cartuccia della batteria sia stata rimossa prima di tentare di eseguire interventi di ispezione o manutenzione. Qualora non si spenga l'utensile e non si rimuova la cartuccia della batteria, si potrebbe causare l'avvio accidentale dell'utensile, che potrebbe risultare in gravi lesioni personali.

⚠AVVERTIMENTO: Per ottenere prestazioni ottimali e la massima sicurezza, accertarsi sempre che la lama per sega circolare sia affilata e pulita. Il tentativo di tagliare con una lama non affilata e/o sporca potrebbe causare un contraccolpo e risultare in gravi lesioni personali.

⚠ATTENZIONE: Prima di tentare di effettuare interventi di ispezione o manutenzione, accertarsi sempre che la protezione lama sia chiusa nella posizione originale. Non bloccare né legare mai la protezione lama nella posizione aperta durante le operazioni di pulizia. Una lama esposta potrebbe causare lesioni personali.

AVVISO: Non utilizzare mai benzina, benzene, solventi, alcol o altre sostanze simili. In caso contrario, si potrebbero causare scolorimenti, deformazioni o crepe.

Per preservare la SICUREZZA e l'AFFIDABILITÀ del prodotto, le riparazioni e qualsiasi altro intervento di manutenzione e di regolazione devono essere eseguiti da un centro di assistenza autorizzato Makita, utilizzando sempre ricambi Makita.

Regolazione dell'angolo di taglio

Il presente utensile è stato regolato e allineato con cura in fabbrica, ma l'incrinatura nell'utilizzo potrebbe influenzare l'allineamento. Qualora lo strumento non sia allineato correttamente, attenersi alla procedura seguente:

Angolo di taglio obliquo

Abbassare completamente la maniglia e bloccarla nella posizione abbassata con il perno di fermo. Spingere il carrello verso la guida pezzo.

Ruotare l'impugnatura in senso antiorario e preparare la base girevole per la funzione di arresto meccanico utilizzando la leva di blocco.

Quindi, allentare le viti che fissano l'indice e la scala dell'angolo di taglio obliquo.

► **Fig.83:** 1. Impugnatura 2. Leva di blocco 3. Vite sull'indice 4. Viti sulla scala dell'angolo di taglio obliquo 5. Scala dell'angolo di taglio obliquo

Impostare la base girevole sulla posizione di 0° utilizzando la funzione di arresto meccanico. Disporre ad angolo retto il lato della lama per sega circolare rispetto al lato della guida pezzo utilizzando un righello triangolare o una squadra battente. Mantenendo l'angolo retto, serrare le viti sulla scala dell'angolo di taglio obliquo. Dopodiché, allineare gli indici (sia destro che sinistro) con la posizione di 0° sulla scala dell'angolo di taglio

obliquo, quindi serrare la vite sull'indice.

► **Fig.84:** 1. Righello triangolare 2. Indice

Angolo di taglio a unghia

Angolo di taglio a unghia di 0°

Spingere il carrello verso le guide pezzo e bloccare il movimento di scorrimento con il perno di fermo. Abbassare completamente il carrello e bloccarlo nella posizione abbassata mediante il perno di fermo. Ruotare la manopola in senso antiorario, quindi ruotare di due o tre giri in senso antiorario il bullone di regolazione di 0° per inclinare la lama per sega circolare verso destra.

► **Fig.85:** 1. Manopola 2. Bullone di regolazione di 0° 3. Vite sull'indice

Disporre con cura ad angolo retto il lato della lama per sega circolare rispetto alla superficie superiore della base girevole utilizzando un righello triangolare, una squadra battente, e così via, ruotando in senso orario il bullone di regolazione di 0°. Quindi, serrare saldamente la manopola per fissare l'angolo di 0° impostato.

► **Fig.86:** 1. Righello triangolare 2. Lama 3. Superficie superiore della base girevole

Verificare di nuovo se il lato della lama per sega circolare sia ad angolo retto con la superficie della base girevole. Allentare la vite sull'indice. Allineare l'indice con la posizione di 0° sulla scala dell'angolo di taglio a unghia, quindi serrare la vite.

Angolo di taglio a unghia di 45°

AVVISO: Prima di regolare l'angolo di taglio a unghia di 45°, terminare la regolazione dell'angolo di taglio a unghia di 0°.

Allentare la manopola e inclinare completamente il carrello verso il lato che si desidera controllare. Verificare se l'indice indichi la posizione di 45° sulla scala dell'angolo di taglio a unghia.

► **Fig.87:** 1. Manopola

Qualora l'indice non indichi la posizione di 45°, allinearlo con la posizione di 45° ruotando il bullone di regolazione sulla scala dell'angolo di taglio a unghia sul lato opposto della base.

► **Fig.88:** 1. Bullone di regolazione di 45° a sinistra 2. Bullone di regolazione di 45° a destra

Regolazione delle guide secondarie

Regolare le guide secondarie sulle basi secondarie, qualora non siano allineate con le guide pezzo.

1. Allentare i bulloni che fissano le guide secondarie utilizzando la chiave esagonale.

2. Appoggiare di piatto contro le guide pezzo una barra rigida dritta, ad esempio l'elemento di acciaio di una squadra.

3. Mentre la barra è appoggiata di piatto contro le guide pezzo, posizionare le guide secondarie in modo che la faccia della guida secondaria sia appoggiata di piatto contro la barra. Dopodiché, serrare i bulloni.

► **Fig.89:** 1. Bullone 2. Guida secondaria 3. Guida pezzo 4. Barra rigida

Pulizia della lente della lampada

⚠ATTENZIONE: Prima di pulire la lente della lampada, rimuovere sempre la lama per sega circolare.

AVVISO: Non rimuovere la vite che fissa la lente. Qualora non si riesca a estrarre la lente, allentare ulteriormente la vite.

AVVISO: Per pulire lo sporco dalla lente della lampada, utilizzare un panno asciutto. Fare attenzione a non graffiare la lente della lampada, altrimenti si potrebbe ridurre l'illuminazione.

AVVISO: Non utilizzare sulla lente solventi o prodotti di pulizia a base di petrolio.

La luce a LED diventa scarsamente visibile, man mano che la lente della luce si sporca. Pulire la lente a intervalli regolari.

Rimuovere la cartuccia della batteria. Allentare la vite ed estrarre la lente. Pulire delicatamente la lente con un panno morbido inumidito.

► Fig.90: 1. Vite 2. Lente

Dopo l'uso

Dopo l'uso, rimuovere i trucioli e la segatura attaccati all'utensile con un panno o uno straccio. Mantenere pulita la protezione della lama attenendosi alle indicazioni fornite nella sezione precedente "Protezione lama". Per evitare la ruggine, lubrificare le parti scorrevoli con olio per macchine.

ACCESSORI OPZIONALI

⚠AVVERTIMENTO: Questi accessori o componenti aggiuntivi Makita sono consigliati per l'uso con l'utensile Makita specificato nel presente manuale. L'uso di qualsiasi altro accessorio o componente aggiuntivo potrebbe risultare in gravi lesioni personali.

⚠AVVERTIMENTO: Utilizzare l'accessorio o il componente aggiuntivo Makita unicamente per il suo scopo specificato. L'uso improprio di un accessorio o di un componente aggiuntivo potrebbe risultare in gravi lesioni personali.

Per ottenere ulteriori dettagli relativamente a questi accessori, rivolgersi a un centro di assistenza Makita.

- Lame al carburo
- Morsa verticale
- Morsa orizzontale
- Kit di fermi per modanatura a corona
- Sacchetto segatura
- Righello triangolare
- Chiave esagonale
- Unità senza fili
- Kit supporti
- Batteria e caricabatterie originali Makita

NOTA: Alcuni articoli nell'elenco potrebbero essere inclusi nell'imballaggio dell'utensile come accessori standard. Tali articoli potrebbero variare da nazione a nazione.

TECHNISCHE GEGEVENS

Model:		LS003G
Diameter zaagblad	Europese landen	305 mm
	Niet-Europese landen	305 mm
Diameter middengat	Europese landen	30 mm
	Niet-Europese landen	30 mm of 25,4 mm (afhankelijk van het land)
Maximale breedte van de zaagsnede van het zaagblad		3,2 mm
Max. verstekhoek		Rechts 60°, links 60°
Max. schuine hoek		Rechts 48°, links 48°
Nullasttoerental (t/min)		3.600 min ⁻¹
Afmetingen (l x b x h)		898 mm x 690 mm x 725 mm
Nominale spanning		D.C. 36 V - 40 V max.
Nettogewicht		30,5 - 31,7 kg

Zaagcapaciteiten (h x b)

Verstekhoek			Schuine hoek		
			45° (links)	0°	45° (rechts)
0°	-	-	61 mm x 382 mm 71 mm x 363 mm	92 mm x 382 mm 107 mm x 363 mm	44 mm x 382 mm 54 mm x 363 mm
	Dikte van houten hulpstuk op de geleider voor extra zaaghoogte	20 mm	78 mm x 325 mm	115 mm x 325 mm	61 mm x 325 mm
		38 mm	80 mm x 292 mm	120 mm x 292 mm	-
45° (links en rechts)	-	-	61 mm x 268 mm 71 mm x 255 mm	92 mm x 268 mm 107 mm x 255 mm	44 mm x 268 mm 54 mm x 255 mm
	Dikte van houten hulpstuk op de geleider voor extra zaaghoogte	15 mm	-	115 mm x 227 mm	-
		25 mm	-	120 mm x 212 mm	-
60° (links en rechts)	-	-	-	92 mm x 185 mm 107 mm x 178 mm	-
	Dikte van houten hulpstuk op de geleider voor extra zaaghoogte	15 mm	-	115 mm x 155 mm	-
		25 mm	-	120 mm x 140 mm	-

Zaagcapaciteiten voor speciale zaagsneden

Type zaagsnede	Zaagdiepte
Kroon-profiellijst, type 45° (met gebruik van de kroon-profiellijstaanslag)	203 mm
Plint (met gebruik van horizontale spanschroef)	171 mm

- In verband met ononderbroken research en ontwikkeling, behouden wij ons het recht voor de bovenstaande technische gegevens zonder voorafgaande kennisgeving te wijzigen.
- De technische gegevens kunnen van land tot land verschillen.
- Het gewicht kan verschillen afhankelijk van de hulpstukken, waaronder de accu. De lichtste en zwaarste combinatie, overeenkomstig de EPTA-procedure 01/2014, worden getoond in de tabel.

Toepasselijke accu's en laders

Accu	BL4020 / BL4025 / BL4040* / BL4040F* / BL4050F* / BL4080F* *: Aanbevolen accu
Lader	DC40RA / DC40RB / DC40RC / DC40WA

- Sommige van de hierboven vermelde accu's en laders zijn mogelijk niet leverbaar afhankelijk van waar u

WAARSCHUWING: Gebruik uitsluitend de accu's en laders die hierboven worden genoemd. Gebruik van enige andere accu of lader kan leiden tot letsel en/of brand.

Symbolen

Hieronder staan de symbolen die voor het gereedschap kunnen worden gebruikt. Zorg ervoor dat u de betekenis ervan kent voordat u het gereedschap gaat gebruiken.



Lees de gebruiksaanwijzing.



Draag oogbescherming.



Om letsel door rondvliegende houtsnippers te voorkomen, blijft u na het zagen de zaagkop omlaag gedruwd houden totdat het zaagblad volledig tot stilstand is gekomen.



Wanneer u een schuine zaagsnede maakt, draait u de knop eerst linksom en kantelt u vervolgens de slede. Draai daarna de knop rechtsom om vast te zetten.



Voor het uitvoeren van schuivend zagen trekt u eerst de slede helemaal naar u toe, brengt u vervolgens het handvat omlaag, en duwt u tenslotte de slede naar de geleider.



Houd de ontgrendelknop ingedrukt wanneer u de slede naar rechts kantelt.



Stel de aanslaghendel in wanneer u een plint onder een verstekhoek van 45° zaagt.



Houd handen en vingers uit de buurt van het zaagblad.



Kijk niet rechtstreeks in de lamp wanneer deze aan is.



A: Diameter zaagblad
B: Diameter middengat



Breng de horizontale spanschroef niet aan in dezelfde richting als het verstekzagen. (Dit symbool staat op de horizontale spanschroef.)



Alleen voor EU-landen
Als gevolg van de aanwezigheid van schadelijke componenten in het apparaat, kunnen oude elektrische en elektronische apparaten, accu's en batterijen negatieve gevolgen hebben voor het milieu en de gezondheid van mensen.

Gooi elektrische en elektronische apparaten en accu's niet met het huisvuil weg! In overeenstemming met de Europese richtlijn inzake oude elektrische en elektronische apparaten en inzake accu's en batterijen, alsmede de toepassing daarvan binnen de nationale wetgeving, dienen oude elektrische apparaten, accu's en batterijen gescheiden te worden opgeslagen en te worden ingeleverd bij een apart inzamelingspunt voor huishoudelijk afval dat de milieubeschermingsvoorschriften in acht neemt.

Dit wordt op het apparaat aangegeven door het symbool van een doorgekruiste afvalcontainer.

Doelinden van gebruik

Dit gereedschap is bedoeld voor nauwkeurig recht zagen en verstekzagen in hout.

Gebruik de zaag niet voor het zagen van iets anders dan hout, aluminium of soortgelijke materialen.

Geluidsniveau

De typische, A-gewogen geluidsniveaus zijn gemeten volgens EN62841-3-9:

Geluidsdrukniveau (L_{pA}): 91 dB (A)

Geluidsvermogeniveau (L_{WA}): 100 dB (A)

Onzekerheid (K): 3 dB (A)

OPMERKING: De opgegeven geluidsemisiewaarde(n) is/zijn gemeten volgens een standaardtestmethode en kan/kunnen worden gebruikt om dit gereedschap te vergelijken met andere gereedschappen.

OPMERKING: De opgegeven geluidsemisiewaarde(n) kan/kunnen ook worden gebruikt voor een beoordeling vooraf van de blootstelling.

⚠️ WAARSCHUWING: Draag gehoorbescherming.

⚠️ WAARSCHUWING: De geluidsemissie tijdens het gebruik van het elektrisch gereedschap in de praktijk kan verschillen van de opgegeven waarde(n) afhankelijk van de manier waarop het gereedschap wordt gebruikt, met name van het soort werkstuk waarmee wordt gewerkt.

⚠️ WAARSCHUWING: Zorg ervoor dat veiligheidsmaatregelen worden getroffen ter bescherming van de gebruiker die zijn gebaseerd op een schatting van de blootstelling onder praktijkomstandigheden (rekening houdend met alle fasen van de bedrijfscyclus, zoals de tijdsduur gedurende welke het gereedschap is uitgeschakeld en stationair draait, naast de ingeschakelde tijdsduur).

Verklaringen van conformiteit

Alleen voor Europese landen

De verklaringen van conformiteit zijn bijgevoegd in Bijlage A bij deze gebruiksaanwijzing.

VEILIGHEIDSWAARSCHUWINGEN

Algemene veiligheidswaarschuwingen voor elektrisch gereedschap

⚠️ WAARSCHUWING Lees alle veiligheidswaarschuwingen, instructies, afbeeldingen en technische gegevens die bij dit elektrisch gereedschap worden geleverd. Als niet alle onderstaande instructies worden opgevolgd, kan dat leiden tot een elektrische schok, brand en/of ernstig letsel.

Bewaar alle waarschuwingen en instructies om in de toekomst te kunnen raadplegen.

De term "elektrisch gereedschap" in de veiligheidsvoorschriften duidt op gereedschappen die op stroom van het lichtnet werken (met snoer) of gereedschappen met een accu (snoerloos).

Veiligheidsinstructies voor verstekzagen

1. **Verstekzagen zijn bedoeld voor het zagen van hout of houtachtige materialen. Ze kunnen niet worden gebruikt met doorslijpschijven voor het doorslijpen van ferro-materialen, zoals stangen, staven, draaieinden, enz.** Door het slijpstof zullen bewegende delen, zoals de onderste beschermkap, vastlopen. De vonken die bij doorslijpen worden geproduceerd, verbranden de onderste beschermkap, het zaagsnede-inzetstuk en andere kunststofonderdelen.

2. **Gebruik klemmen om het werkstuk vast te zetten wanneer dat mogelijk is. Als u het werkstuk met de hand vasthoudt, moet u uw hand altijd minstens 100 mm van beide kanten van het zaagblad weg houden. Gebruik deze zaag niet voor het zagen van werkstukken die te klein zijn om stevig vast te klemmen of met de hand vast te houden.** Als uw hand te dicht bij het zaagblad is geplaatst, is de kans groter dat u letsel oploopt door het aanraken van het zaagblad.
 3. **Het werkstuk moet stil liggen en vastgeklemd zijn of vastgehouden worden tegen zowel de geleider als de tafel. Voer het werkstuk niet in het zaagblad aan, en zaag nooit 'uit de vrije hand'.** Losliggende of bewegende werkstukken kunnen op hoge snelheid worden weggeworpen en letsel veroorzaken.
 4. **Duw het zaagblad door het werkstuk. Trek het zaagblad niet door het werkstuk. Om een zaagsnede te maken, brengt u de zaagkop omhoog en trekt u het naar u toe boven het werkstuk zonder te zagen. Start de motor, duw de zaagkop omlaag en duw het zaagblad door het werkstuk.** Als tijdens de trekkende beweging wordt gezaagd, klimt het zaagblad waarschijnlijk uit het werkstuk en wordt de zaagkop met kracht in de richting van de gebruiker geworpen.
 5. **Kruis met uw hand nooit de beoogde zaaglijn, hetzij vóór dan wel achter het zaagblad.** Het 'kruisings' vasthouden van het werkstuk, waarbij het werkstuk aan de rechterkant van het zaagblad wordt vastgehouden met de linkerhand, of vice versa, is bijzonder gevaarlijk.
- Fig.1
6. **Reik niet achter de geleider met een van uw handen dichterbij dan 100 mm bij een van de kanten van het zaagblad, om houtsnippers te verwijderen of om welke andere reden dan ook, terwijl het zaagblad draait.** U realiseert zich mogelijk niet hoe dicht uw hand bij het draaiende zaagblad is en u kunt ernstig letsel oplopen.
 7. **Inspecteer uw werkstuk voordat u begint te zagen. Als het werkstuk gebogen of verdraaid is, klemt u het vast met de buitenkant van het gebogen oppervlak tegen de geleider. Verzekert u er altijd van dat er geen opening is tussen het werkstuk, de geleider en de tafel langs de zaaglijn.** Gebogen of verdraaide werkstukken kunnen zich draaien of verschuiven, en kunnen het draaiende zaagblad doen verlopen tijdens het zagen. Er mogen geen spijkers of vreemde voorwerpen in het werkstuk zitten.
 8. **Gebruik de zaag niet totdat de tafel vrij is van alle gereedschappen, houtsnippers, enz., behalve het werkstuk.** Kleine stukjes afval, losse stukjes hout of andere voorwerpen die in aanraking komen met het draaiende zaagblad, kunnen met hoge snelheid worden weggeworpen.
 9. **Zaag slechts één werkstuk tegelijkertijd.** Meerdere, opgestapelde werkstukken kunnen niet goed worden vastgeklemd of vastgehouden, en kunnen het zaagblad doen vastlopen of tijdens het zagen verschuiven.
 10. **Verzekert u er vóór gebruik van dat de verstekzaag is bevestigd of geplaatst op een stevig werkoppervlak.** Een horizontaal en stevig

werkoppervlak verkleint de kans dat de verstek-
zaag instabiel wordt.

11. **Plan uw werkzaamheden. Elke keer wanneer u de instelling voor de schuine hoek of verstekhoek, verzekert u zich ervan dat de verstelbare geleider correct is afgesteld om het werkstuk te steunen en tevens het zaagblad of beschermingssysteem niet raakt tijdens gebruik.** Zonder het gereedschap in te schakelen en zonder een werkstuk op de tafel, beweegt u het zaagblad langs een volledige, gesimuleerde zaagsnede om er zeker van te zijn dat het zaagblad niets raakt en er geen gevaar is dat in de geleider wordt gezaagd.
12. **Zorg voor voldoende ondersteuning, zoals tafelverlengingen, zaagbokken, enz. voor een werkstuk dat breder of langer is dan het bovenoppervlak van de tafel.** Werkstukken die breder of langer zijn dan de verstekzaagtafel, kunnen kantelen als ze niet goed worden ondersteunt. Als het afgezaagde deel of het werkstuk kantelt, kan het de onderste beschermkap optillen of worden weggeworpen door het draaiende zaagblad.
13. **Gebruik niet een andere persoon als vervanging van een tafelverlenging of als extra ondersteuning.** Een instabiele ondersteuning van het werkstuk kan ertoe leiden dat het zaagblad vastloopt of het werkstuk verschuift tijdens het zagen, waardoor u en de helper in het draaiende zaagblad worden getrokken.
14. **Het afgezaagde deel van het werkstuk mag op geen enkele wijze tegen het draaiende zaagblad bekneld raken of gedrukt worden.** Indien opgesloten, d.w.z. bij gebruik van lengteaanslagen, kan het afgezaagde deel tegen het zaagblad bekneld raken en met kracht weggeworpen worden.
15. **Gebruik altijd een klem of een bevestigingsmethode die bedoeld is om ronde werkstukken, zoals een staaf of buis, te ondersteunen.** Staven neigen te verrollen tijdens het zagen, waardoor het zaagblad zich 'vastbijt' en het werkstuk met uw hand in het zaagblad wordt getrokken.
16. **Laat het zaagblad de volle snelheid bereiken voordat deze het werkstuk raakt.** Dit verkleint de kans dat het werkstuk wordt weggeworpen.
17. **Als het werkstuk of zaagblad vastloopt, schakelt u de verstekzaag uit. Wacht totdat alle bewegende delen tot stilstand zijn gekomen en trek de stekker uit het stopcontact en/of verwijder de accu. Verwijder daarna het vastgelopen materiaal.** Als u blijft zagen met een vastgelopen zaagblad, kunt u de controle over de verstekzaag verliezen of deze beschadigen.
18. **Nadat u de zaagsnede hebt voltooid, laat u de schakelaar los, blijft u de zaagkop omlaag gedrukt houden en wacht u tot het zaagblad stilstaat voordat u het afgezaagde deel verwijderd.** Het is gevaarlijk om met uw hand in de buurt van het nalopende zaagblad te reiken.
19. **Houd het handvat stevig vast bij het maken van een onvolledige zaagsnede en bij het loslaten van de schakelaar voordat de zaagkop helemaal omlaag is geduwd.** Door het remeffect van het zaagblad kan ertoe leiden dat de zaagkop

plotseling omlaag getrokken wordt, waardoor een kans op letsel ontstaat.

20. **Gebruik uitsluitend een zaagblad met een diameter zoals aangegeven op het gereedschap of vermeld in de gebruiksaanwijzing.** Het gebruik van een zaagblad met een verkeerde afmeting, kan een goede bescherming of werking van het zaagblad verhinderen, wat kan leiden tot ernstig persoonlijk letsel.
21. **Gebruik altijd een zaagblad dat is gemarkeerd met een toerental dat gelijk is aan of hoger is dan het toerental dat is aangegeven op het gereedschap.**
22. **Gebruik de zaag niet voor het zagen van iets anders dan hout, aluminium of soortgelijke materialen.**
23. **(Alleen voor Europese landen)**
Gebruik altijd een zaagblad dat voldoet aan EN847-1.

Aanvullende instructies

1. **Houd de werkplaats kinderveilig met hangsloten.**
2. **Ga nooit op het gereedschap staan.** Er kan ernstig letsel ontstaan als het gereedschap omvalt of als het snij-/zaaggarmituur per ongeluk wordt aangeraakt.
3. **Laat het gereedschap nooit ingeschakeld achter. Schakel de voeding uit. Laat het gereedschap niet achter totdat het volledig tot stilstand is gekomen.**
4. **Gebruik de zaag niet zonder dat de beschermkappen zijn aangebracht. Controleer vóór elk gebruik of de beschermkap goed sluit. Gebruik de zaag niet indien de beschermkap niet goed beweegt en niet snel over het zaagblad sluit. Klem of bind de beschermkap nooit in de openende stand vast.**
5. **Houd uw handen uit de buurt van het zaagblad. Voorkom contact met het nog nadraaiende zaagblad. Het kan nog steeds ernstig letsel veroorzaken.**
6. **Om de kans op letsel te verkleinen, schuift u de slede terug naar zijn achterste stand na elke afkortzaagsnede.**
7. **Zet alle bewegende onderdelen vast alvorens het gereedschap te dragen.**
8. **De aanslagen of aanslaghendel die de zaagkop in de onderste stand vergrendelt, wordt alleen gebruikt voor het dragen en opbergen van het gereedschap en niet voor zaagbedieningen.**
9. **Controleer vóór het gebruik het zaagblad zorgvuldig op barsten of beschadiging. Vervang een gebarsten of beschadigd zaagblad onmiddellijk. Gom of hars dat op het zaagblad is opgedroogd vertraagt het zaagblad en verhoogt de kans op terugslag. Houd het zaagblad schoon door dit eerst van het gereedschap te demonteren en het vervolgens schoon te maken met een schoonmaakmiddel voor gom en hars, heet water of kerosine. Gebruik nooit benzine om het zaagblad schoon te maken.**
10. **Tijdens het uitvoeren van schuivend**

zagen, kan een TERUGSLAG optreden. Een TERUGSLAG treedt op wanneer het zaagblad vastloopt in het werkstuk tijdens het zagen en het zaagblad snel in de richting van de gebruiker wordt bewogen. Dit kan leiden tot verlies van controle over het gereedschap en ernstig persoonlijk letsel. Wanneer het zaagblad begint vast te lopen tijdens het zagen, zaagt u niet verder maar laat u de schakelaar onmiddellijk los.

11. Gebruik alleen flenzen die voor dit gereedschap zijn bestemd.
12. Pas op dat u de as, de flenzen (vooral hun montagevlak) of de bout niet beschadigt. Beschadiging van deze onderdelen kan zaagbladbreuk veroorzaken.
13. Zorg dat het draaibaar voetstuk goed vastgezet is, zodat het tijdens het zagen niet kan bewegen. Gebruik de gaten in het voetstuk om de zaag te bevestigen op een stevig werkplatform of een stevige werkbank. Gebruik het gereedschap NOOIT wanneer de gebruiker in een ongemakkelijke houding moet staan.
14. Zet de asblokkering in de vrije stand alvorens de schakelaar in te drukken.
15. Zorg ervoor dat het zaagblad in zijn laagste positie niet in aanraking komt met het draaibaar voetstuk.
16. Houd het handvat stevig vast. Denk eraan dat de zaag bij het starten en stoppen even op- en neergaat.
17. Zorg dat het zaagblad bij het inschakelen niet in contact is met het werkstuk.
18. Laat het gereedschap een tijdje draaien alvorens het op het werkstuk te gebruiken. Controleer op trillingen of schommelingen die op onjuiste montage of op een slecht uitgebalanceerd zaagblad kunnen wijzen.
19. Stop onmiddellijk met zagen indien u iets abnormaals opmerkt.
20. Probeer niet om de trekkerschakelaar in de ingeschakeld stand te vergrendelen.
21. Gebruik uitsluitend de accessoires die in deze gebruiksaanwijzing worden aanbevolen. Het gebruik van ongeschikte accessoires, zoals slijpschijven, kan letsel veroorzaken.
22. Sommige materialen bevatten chemische stoffen die giftig kunnen zijn. Wees voorzichtig dat u geen stof inademt en het stof niet op uw huid komt. Volg de veiligheidsinstructies van de leverancier van het materiaal op.
23. Gebruik geen bekabelde voeding met dit gereedschap.

Aanvullende veiligheidsvoorschriften voor een lamp wanneer deze aan is

1. Kijk niet direct in het lamplicht of in de lichtbron.

BEWAAR DEZE INSTRUCTIES.

⚠️ WAARSCHUWING: Laat u NIET misleiden door een vals gevoel van comfort en bekendheid met het gereedschap (na veelvuldig gebruik) en neem alle veiligheidsvoorschriften van het betreffende gereedschap altijd strikt in acht. VERKEERD GEBRUIK of het niet naleven van de veiligheidsvoorschriften in deze gebruiksaanwijzing kan leiden tot ernstig persoonlijk letsel.

Belangrijke veiligheidsinstructies voor een accu

1. Lees alle voorschriften en waarschuwingen op (1) de acculader, (2) de accu, en (3) het product waarvoor de accu wordt gebruikt, alvorens de accu in gebruik te nemen.
2. Haal de accu niet uit elkaar en saboteer hem niet. Dit kan leiden tot brand, buitensporige hitte of een explosie.
3. Als de gebruikstijd van een opgeladen accu aanzienlijk korter is geworden, moet u het gebruik ervan onmiddellijk stopzetten. Voortgezet gebruik kan oververhitting, brandwonden en zelfs een ontploffing veroorzaken.
4. Als elektrolyt in uw ogen is terechtgekomen, spoelt u uw ogen met schoon water en roept u onmiddellijk de hulp van een dokter in. Elektrolyt in de ogen kan blindheid veroorzaken.
5. Voorkom kortsluiting van de accu:
 - (1) Raak de accuklemmen nooit aan met een geleidend materiaal.
 - (2) Bewaar de accu niet in een bak waarin andere metalen voorwerpen zoals spijkers, munten e.d. worden bewaard.
 - (3) Stel de accu niet bloot aan water of regen. Kortsluiting van de accu kan oorzaak zijn van een grote stroomafgifte, oververhitting, brandwonden, en zelfs defecten.
6. Bewaar en gebruik het gereedschap en de accu niet op plaatsen waar de temperatuur kan oplopen tot 50 °C of hoger.
7. Werp de accu nooit in het vuur, ook niet wanneer hij zwaar beschadigd of volledig versleten is. De accu kan ontploffen in het vuur.
8. Laat de accu niet vallen, sla er geen spijker in, snijd er niet in, gooi er niet mee en stoot hem niet tegen een hard voorwerp. Dergelijke handelingen kunnen leiden tot brand, buitensporige hitte of een explosie.
9. Gebruik nooit een beschadigde accu.
10. De bijgeleverde lithium-ionbatterijen zijn onderhevig aan de vereisten in de wetgeving omtrent gevaarlijke stoffen.

Voor commercieel transport en dergelijke door derden en transporteurs moeten speciale vereisten ten aanzien van verpakking en etikettering worden nageleefd.

Als voorbereiding van het artikel dat wordt getransporteerd is het noodzakelijk een expert op het gebied van gevaarlijke stoffen te raadplegen. Houd u tevens aan mogelijk strengere nationale regelgeving.

Blootliggende contactpunten moeten worden

afgedekt met tape en de accu moet zodanig worden verpakt dat deze niet kan bewegen in de verpakking.

11. **Wanneer u de accu wilt weggooien, verwijdert u de accu vanaf het gereedschap en gooit u hem op een veilige manier weg. Volg bij het weggooien van de accu de plaatselijke voorschriften.**
12. **Gebruik de accu's uitsluitend met de gereedschappen die door Makita zijn aanbevolen.** Als de accu's worden aangebracht in niet-compatibele gereedschappen, kan dat leiden tot brand, buitensporige warmteontwikkeling, een explosie of lekkage van elektrolyt.
13. **Als u het gereedschap gedurende een lange tijd niet denkt te gaan gebruiken, moet de accu vanaf het gereedschap worden verwijderd.**
14. **Tijdens en na gebruik, kan de accu heet worden waardoor brandwonden of koude brandwonden kunnen worden veroorzaakt. Wees voorzichtig bij het hanteren van een hete accu.**
15. **Raak de aansluitpunten van het gereedschap niet onmiddellijk na gebruik aan omdat deze heet genoeg kunnen zijn om brandwonden te veroorzaken.**
16. **Zorg ervoor dat geen steenslag, stof of grond vast komt te zitten op/in de aansluitpunten, openingen en groeven van de accu.** Hierdoor kan oververhitting, brand, een barst en een storing in het gereedschap of de accu ontstaan waardoor brandwonden of persoonlijk letsel kunnen ontstaan.
17. **Behalve indien gebruik van het gereedschap is toegestaan in de buurt van hoogspanningsleidingen, mag u de accu niet gebruiken in de buurt van een hoogspanningsleiding.** Dit kan leiden tot een storing of een defect van het gereedschap of de accu.
18. **Houd de accu uit de buurt van kinderen.**

BEWAAR DEZE INSTRUCTIES.

⚠ LET OP: Gebruik uitsluitend originele Makita accu's. Het gebruik van niet-originele accu's, of accu's die zijn gewijzigd, kan ertoe leiden dat de accu ontploft en brand, persoonlijk letsel en schade veroorzaakt. Ook vervalt daarmee de garantie van Makita op het gereedschap en de lader van Makita.

Tips voor een maximale levensduur van de accu

1. **Laad de accu op voordat hij volledig ontladen is. Stop het gebruik van het gereedschap en laad de accu op telkens wanneer u vaststelt dat het vermogen van het gereedschap is afgenomen.**
2. **Laad een volledig opgeladen accu nooit opnieuw op. Te lang opladen verkort de levensduur van de accu.**
3. **Laad de accu op bij een omgevingstemperatuur tussen 10 °C en 40 °C. Laat een warme accu afkoelen alvorens hem op te laden.**
4. **Als de accu niet wordt gebruikt, verwijdert u hem vanaf het gereedschap of de lader.**
5. **Laad de accu op als u deze gedurende een**

lange tijd (meer dan zes maanden) niet gaat gebruiken.

Belangrijke veiligheidsinstructies voor de draadloos-eenheid

1. **Haal de draadloos-eenheid niet uit elkaar en knoei er niet aan.**
2. **Houd de draadloos-eenheid uit de buurt van kinderen. Indien per ongeluk ingeslikt, raadpleegt u onmiddellijk een arts.**
3. **Gebruik de draadloos-eenheid uitsluitend met Makita-gereedschap.**
4. **Stel de draadloos-eenheid niet bloot aan regen of natte omstandigheden.**
5. **Gebruik de draadloos-eenheid niet op plaatsen waar de temperatuur hoger is dan 50 °C.**
6. **Bedien de draadloos-eenheid niet op plaatsen in de buurt van medische instrumenten, zoals een pacemaker.**
7. **Bedien de draadloos-eenheid niet op plaatsen in de buurt van geautomatiseerde apparaten. Bij bediening ervan kan in de geautomatiseerde apparaten een storing of fout optreden.**
8. **Bedien de draadloos-eenheid niet op plaatsen met een hoge temperatuur of op plaatsen waar statische elektriciteit of elektrische ruis kan worden gegenereerd.**
9. **De draadloos-eenheid kan elektromagnetische velden genereren, maar deze zijn niet schadelijk voor de gebruiker.**
10. **De draadloos-eenheid is een nauwkeurig instrument. Wees voorzichtig dat u de draadloos-eenheid niet laat vallen of ergens tegenaan stoot.**
11. **Raak de aansluitpunten van de draadloos-eenheid niet aan met blote handen of metaalachtige materialen.**
12. **Verwijder altijd de accu uit het apparaat wanneer u de draadloos-eenheid erin aanbrengt.**
13. **Open de afdekking van de gleuf niet op plaatsen waar stof of vocht in de gleuf kan binnendringen. Houd de ingang van de gleuf altijd schoon.**
14. **Breng de draadloos-eenheid altijd in de juiste richting aan.**
15. **Druk niet te hard op de knop voor draadloos inschakelen op de draadloos-eenheid en/of druk niet op de knop met een scherp voorwerp.**
16. **Sluit altijd de afdekking van de gleuf tijdens gebruik.**
17. **Verwijder de draadloos-eenheid niet uit de gleuf terwijl voeding wordt geleverd aan het gereedschap. Als u dit doet, kan een storing optreden in de draadloos-eenheid.**
18. **Verwijder de sticker op de draadloos-eenheid niet.**
19. **Plak geen stickers op de draadloos-eenheid.**
20. **Laat de draadloos-eenheid niet liggen op een plaats waar statische elektriciteit of elektrische ruis kan worden gegenereerd.**
21. **Laat de draadloos-eenheid niet liggen op een plaats die is blootgesteld aan hoge**

- temperaturen, zoals in een auto die in de zon staat geparkeerd.
22. Laat de draadloos-eenheid niet liggen op een plaats met veel stof of poeder, of op een plaats waar corrosief gas kan worden gegenereerd.
 23. Door een plotselinge verandering in temperatuur kan condens op de draadloos-eenheid worden gevormd. Gebruik de draadloos-eenheid niet voordat de condens volledig is verdampt.
 24. Veeg de draadloos-eenheid voorzichtig schoon met een droge, zachte doek. Gebruik geen wasbenzine, thinner, geleidend vet en dergelijke.
 25. Bewaar de draadloos-eenheid in de

- bijgeleverde doos of een antistatische container.
26. Breng geen andere apparaten dan een draadloos-eenheid van Makita aan in de gleuf van het gereedschap.
 27. Gebruik het gereedschap niet als de afdekking van de gleuf beschadigd is. Water, stof en vuil die in de gleuf binnendringen, kunnen een storing veroorzaken.
 28. Trek en draai niet meer dan nodig is aan de afdekking van de gleuf. Plaats de afdekking terug als deze los komt van het gereedschap.
 29. Vervang de afdekking van de gleuf als deze verloren of beschadigd is.

BEWAAR DEZE INSTRUCTIES.

BESCHRIJVING VAN DE ONDERDELEN

► Fig.2

1	Knop (voor schuine hoek)	2	Inbussleutel	3	Stelschroef (aanslag van onderste stand)	4	Stelbout (voor maximale zaagdiepte)
5	Aanslagarm	6	Uit-vergrendelknop	7	Trekverschakelaar	8	Afdekking (voor draadloos-eenheid)
9	Gat voor hangslot	10	Knop voor draadloos inschakelen	11	Lamp van draadloos inschakelen	12	Lampknop
13	Vacuümknop	14	Zaagbladkast	15	Beschermkap	16	Hulpgeleider
17	Vergrendelhendel (voor draaibaar voetstuk)	18	Ontgrendelhendel (voor draaibaar voetstuk)	19	Handgreep (voor draaibaar voetstuk)	20	Zaagsnedeplaat
21	Verstekhoekschaal	22	Wijzer (voor verstekhoek)	23	Draaibaar voetstuk	24	Hulpvoetstuk
25	Ontgrendelknop (voor schuine hoek rechts)	26	Verticale spanschroef	27	Aanslagpen (voor schuiven van slede)	28	Sledestang

► Fig.3

1	Handvat	2	Accu	3	Stofzak (indien vervangen door stofzuigslang)	4	Slang (voor stofzuiging)
5	Schuine-hoekschaal	6	Stelbout voor 0° (voor schuine hoek)	7	Wijzer (voor schuine hoek)	8	Stelbout voor 45° (voor schuine hoek)
9	Vergrendelhendel (voor schuine hoek)	10	Ontgrendelhendel (voor schuine hoek van 48°)	11	Geleider (bovenste geleider)	12	Geleider (onderste geleider)
13	Aanslagpen (voor omhoog brengen van slede)	14	Asblokkering	-	-	-	-

BEVESTIGEN

De handgreep aanbrengen

Draai de draadstang van de handgreep in het draaibaar voetstuk.

► **Fig.4:** 1. Handgreep 2. Draaibaar voetstuk

De stofzuigslang aanbrengen en verwijderen

Bevestig de knie koppeling van de slang aan de bovenste poort met de vergrendelknop omhoog gericht. Steek de mof van de slang in de onderste poort door de aanslagknoppen op de mof in te drukken en uit te lijnen met de geleiderinkepingen in de poort.

Zorg ervoor dat de knie koppeling en de mof goed passen op de poorten van het gereedschap.

► **Fig.5:** 1. Stofzuigslang 2. Knie koppeling 3. Vergrendelknop 4. Mof 5. Bovenste poort 6. Onderste poort

Om de knie koppeling van de slang uit de poort te verwijderen, houdt u de vergrendelknop ingedrukt en trekt u aan de knie koppeling.

► **Fig.6:** 1. Vergrendelknop 2. Kniekoppeling

Om de mof van de slang vanaf de poort te verwijderen, drukt u de aanslagknoppen aan beide zijden van de poort in terwijl u aan de mof trekt.

► **Fig.7:** 1. Aanslagknop 2. Mof

Op een werktafel bevestigen

Tijdens verzending is het handvat met behulp van de aanslagpen vergrendeld in de onderste stand. Duw het handvat iets omlaag, trek aan de aanslagpen en draai hem 90°.

► **Fig.8:** 1. Vergrendelde stand 2. Ontgrendelde stand 3. Aanslagpen

Dit gereedschap moet met vier bouten worden gemonteerd op een horizontale en stabiele ondergrond met gebruikmaking van de boutgaten in het voetstuk van het gereedschap. Hierdoor wordt voorkomen dat het gereedschap kan omvallen en letsel kan veroorzaken.

► **Fig.9:** 1. Bout

WAARSCHUWING: Zorg ervoor dat het gereedschap niet beweegt op de ondergrond.

Als de verstekzaag tijdens het zagen beweegt ten opzichte van de ondergrond, kan dat leiden tot verlies van controle over het gereedschap en ernstig persoonlijk letsel.

BESCHRIJVING VAN DE FUNCTIES

WAARSCHUWING: Zorg ervoor dat het gereedschap is uitgeschakeld en dat de accu is verwijderd voordat u de functies van het gereedschap aanpast of controleert. Als het gereedschap niet wordt uitgeschakeld en de accu niet uit het gereedschap wordt verwijderd, kan dat na per ongeluk inschakelen leiden tot ernstig persoonlijk letsel.

De accu aanbrengen en verwijderen

LET OP: Schakel het gereedschap altijd uit voordat u de accu aanbrengt of verwijderd.

LET OP: Houd het gereedschap en de accu stevig vast tijdens het aanbrengen of verwijderen van de accu. Als u het gereedschap en de accu niet stevig vasthoudt, kunnen deze uit uw handen glijpen en het gereedschap of de accu beschadigen, of kan persoonlijk letsel worden veroorzaakt.

Om de accu aan te brengen lijnt u de lip op de accu uit met de groef in de behuizing en duwt u de accu op zijn plaats. Steek de accu zo ver mogelijk in het gereedschap tot u een klikgeluid hoort. Wanneer het rode deel zichtbaar is, zoals aangegeven in de afbeelding, is de accu niet geheel vergrendeld.

Om de accu te verwijderen verschuift u de knop aan de

voorkant van de accu en schuift u tegelijkertijd de accu uit het gereedschap.

► **Fig.10:** 1. Rood deel 2. Knop 3. Accu

LET OP: Breng de accu altijd helemaal aan totdat het rode deel niet meer zichtbaar is. Als u dit niet doet, kan de accu per ongeluk uit het gereedschap vallen en u of anderen in uw omgeving verwonden.

LET OP: Breng de accu niet met kracht aan. Als de accu niet gemakkelijk in het gereedschap kan worden geschoven, wordt deze niet goed aangebracht.

Gereedschap-/accubeveiligingssysteem

Het gereedschap is uitgerust met een gereedschap-/accubeveiligingssysteem. Dit systeem kan automatisch de stroomtoevoer naar de motor afsluiten om de levensduur van het gereedschap en de accu te verlengen. Het gereedschap zal tijdens gebruik automatisch stoppen wanneer het gereedschap of de accu zich in een van de volgende omstandigheden bevindt: Onder bepaalde omstandigheden gaan de indicatorlampjes branden.

Overbelastingsbeveiliging

Als het gereedschap/de accu wordt bediend op een manier waardoor een abnormaal hoge stroom wordt getrokken, stopt het gereedschap automatisch. Schakel in die situatie het gereedschap uit en stop het gebruik dat ertoe leidde dat het gereedschap overbelast raakte. Schakel daarna het gereedschap in om het weer te starten.

Oververhittingsbeveiliging

Wanneer het gereedschap of de accu oververhit is, stopt het gereedschap automatisch en knippert de lamp. In die situatie laat u het gereedschap eerst afkoelen voordat u het gereedschap opnieuw inschakelt.





Beveiliging tegen te ver ontladen

Als de acculading laag is, stopt het gereedschap automatisch. Als het gereedschap niet in- en uitschakelt volgens de bediening van de schakelaar, verwijderd u de accu vanaf het gereedschap en laadt u hem op.

De resterende acculading controleren

Druk op de testknop op de accu om de resterende acculading te zien. De indicatorlampjes branden gedurende enkele seconden.

► **Fig.11:** 1. Indicatorlampjes 2. Testknop

Indicatorlampjes			Resterende acculading
 Brandt	 Uit	 Knippert	
			75% tot 100%

Indicatorlampjes			Resterende accuclading
Brandt	Uit	Knippert	
■	□	▧	50% tot 75%
■	■	□	
■	■	□	25% tot 50%
■	□	□	0% tot 25%
▧	□	□	Laad de accu op.
■	■	□	Er kan een storing zijn opgetreden in de accu.
□	□	■	

OPMERKING: Afhankelijk van de gebruiksomstandigheden en de omgevingstemperatuur, is het mogelijk dat de aangegeven accuclading verschilt van de werkelijke accuclading.

OPMERKING: Het eerste (meest linker) indicatorlampje knippert wanneer het accuveiligingssysteem in werking is getreden.

Handvatvergrendeling

LET OP: Houd altijd het handvat vast wanneer u de aanslagen ontgrendelt. Anders springt het handvat omhoog en kan persoonlijk letsel ontstaan.

Het handvat kan worden vergrendeld in de onderste stand of in de bovenste stand met behulp van de aanslagen. Breng het handvat volledig omlaag of omhoog, en trek daarna de aanslagen uit en draai deze naar een vergrendelde stand. Om het handvat te ontgrendelen, duwt u het handvat iets omlaag, trekt u aan de aanslagen en draait u hem 90° naar een ontgrendelde stand.

► **Fig.12:** 1. Vergrendelde stand 2. Ontgrendelde stand 3. Aanslagen

Schuifvergrendeling

Trek aan de aanslagen en draai hem 90° naar de ontgrendelde stand zodat de slede vrij kan bewegen. Om de schuifbeweging te vergrendelen, duwt u de slede zo ver mogelijk tegen de arm en plaatst u de aanslagen terug in de vergrendelde stand.

► **Fig.13:** 1. Vergrendelde stand 2. Ontgrendelde stand 3. Aanslagen 4. Arm

Beschermkap

WAARSCHUWING: Zet de beschermkap nooit vast en verwijder nooit de beschermkap of de veer die eraan is bevestigd. Een blootliggend zaagblad als gevolg van een buiten werking gestelde beschermkap kan tijdens gebruik leiden tot ernstig persoonlijk letsel.

WAARSCHUWING: Gebruik het gereedschap nooit wanneer de beschermkap of de veer beschadigd, defect, of verwijderd is. Het gebruik van het gereedschap met een beschadigde, defecte of verwijderde beschermkap kan leiden tot ernstig persoonlijk letsel.

LET OP: Voor een veilig gebruik zorgt u ervoor dat de beschermkap altijd goed werkt. Stop het gebruik onmiddellijk als de beschermkap zich abnormaal gedraagt. Controleer of de veer goed werkt zodat de beschermkap goed terugkeert.

Wanneer het handvat omlaag wordt gebracht, gaat de beschermkap automatisch omhoog. De beschermkap is veerbelast zodat zij naar haar oorspronkelijke positie terugkeert wanneer het zagen voltooid is en het handvat omhoog wordt gebracht.

► **Fig.14:** 1. Beschermkap

Reinigen

Als de doorzichtige beschermkap vuil is geworden of er zaagsel aan kleeft zodat het zaagblad en/of het werkstuk niet meer goed zichtbaar is, verwijdert u de accu en maakt u de beschermkap voorzichtig schoon met een vochtige doek. Gebruik geen oplosmiddelen of een schoonmaakmiddel op petroleumbasis op de kunststoffen beschermkap omdat hierdoor de beschermkap kan worden beschadigd.

Volg de vermelde stapsgewijze instructies voor het voorbereiden van de reiniging.

1. Zorg ervoor dat het gereedschap is uitgeschakeld en de accu is verwijderd.
 2. Draai de inbusbout met de bijgeleverde inbusleutel linksom terwijl u de middenkap tegenhoudt.
 3. Breng de beschermkap en de middenkap omhoog.
 4. Nadat het reinigen klaar is, plaatst u de middenkap terug en draait u de inbusbout vast door de bovenstaande stappen in omgekeerde volgorde uit te voeren.
 5. Zorg ervoor dat het cirkelzaagblad en de middenkap weer worden aangebracht in hun oorspronkelijke posities en de inbusbout wordt vastgedraaid.
- **Fig.15:** 1. Inbusleutel 2. Inbusbout 3. Middenkap 4. Beschermkap

WAARSCHUWING: Verwijder de veer van de beschermkap niet. Als de beschermkap beschadigd is na verloop van tijd of door blootstelling aan ultraviolet licht, neemt u contact op met een Makita-servicecentrum om een vervangingsonderdeel te bestellen. **DE BESCHERMKAP NOOIT VASTZETTEN OF VERWIJDEREN.**

De zaagsnedeplaat afstellen

Om scheuren op de uitlaatkant van een snede tot een minimum te beperken, is dit gereedschap voorzien van zaagsnedeplaten in het draaibaar voetstuk. De zaagsnedeplaten zijn in de fabriek zodanig afgesteld dat het cirkelzaagblad niet met de zaagsnedeplaten in aanraking komt. Stel de zaagsnedeplaten als volgt af alvorens de zaag in gebruik te nemen:

1. Zorg ervoor dat de accu is verwijderd. Draai daarna alle schroeven (3 aan zowel de linkerzijde als de rechterzijde) los waarmee de zaagsnedeplaten zijn bevestigd.

► **Fig.16:** 1. Zaagsnedeplaat 2. Schroef

OPMERKING: De achterste schroeven kunnen gemakkelijk worden los- en vastgedraaid door het draaibare voetstuk onder een hoek te draaien. Verzeker u ervan het handvat volledig omhoog te brengen wanneer u het draaibare voetstuk wilt draaien.

2. Trek de schroeven weer aan in zulke mate dat de zaagsnedeplaten nog gemakkelijk met de hand kunnen worden bewogen.

OPMERKING: Verzeker u ervan het draaibare voetstuk terug te draaien naar zijn oorspronkelijke stand (0° verstekhoek) voordat u de zaagsnedeplaten weer aanbrengt.

3. Breng het handvat volledig omlaag en trek en draai daarna de aanslagpen om het handvat in de onderste positie te vergrendelen.

4. Trek aan de aanslagpen op de sledestang en draai deze zodat de slede kan schuiven.

► **Fig.17:** 1. Aanslagpen 2. Vergrendelde stand
3. Ontgrendelde stand

5. Trek de slede helemaal naar u toe.

6. Stel de positie van de zaagsnedeplaten af zodat deze net in aanraking komen met de zijanten van de zaagbladtanden.

► **Fig.18**

► **Fig.19:** 1. Zaagblad 2. Zaagbladtanden
3. Zaagsnedeplaat 4. Linkse schuine snede
5. Rechte snede 6. Rechtse schuine snede

7. Trek de voorste schroeven aan (niet te hard aantrekken).

8. Duw de slede zo ver mogelijk naar de geleiders en stel daarna de positie van de zaagsnedeplaten zodanig af dat deze net in aanraking komen met de zijanten van de zaagbladtanden.

9. Trek de middelste schroeven aan (niet te hard aantrekken).

10. Nadat de zaagsnedeplaten zijn afgesteld, ontgrendelt u de aanslagpen voor het vergrendelen van het handvat en brengt u het handvat omhoog. Trek vervolgens alle schroeven stevig aan.

KENNISGEVING: Zorg na het instellen van de schuine hoek ervoor dat de zaagsnedeplaten goed worden afgesteld. Een juiste afstelling van de zaagsnedeplaten bevordert een goede ondersteuning van het werkstuk en minimaliseert het splinteren van het werkstuk.

Een maximale zaagdiepte behouden

Dit gereedschap is in de fabriek afgesteld om de maximale zaagdikte te leveren met een zaagblad met een diameter van 305 mm.

Controleer bij het aanbrengen van een nieuw cirkelzaagblad altijd de onderste stand van het cirkelzaagblad en stel deze zo nodig als volgt af:

1. Verwijder de accu. Draai daarna de aanslaghendel naar de ingeschakelde stand.

► **Fig.20:** 1. Aanslaghendel

2. Duw de slede zo ver mogelijk naar de geleiders en breng het handvat volledig omlaag.

► **Fig.21:** 1. Geleider 2. Stelbout

3. Draai met behulp van de inbussleutel de stelbout tot het cirkelzaagblad iets lager komt dan het kruispunt van de geleiders en het bovenoppervlak van het draaibare voetstuk.

► **Fig.22:** 1. Bovenoppervlak van draaibaar voetstuk
2. Geleider

4. Houd het handvat helemaal omlaag gedrukt en draai het cirkelzaagblad met de hand rond om u ervan te verzekeren dat het cirkelzaagblad geen enkel onderdeel van het onderste voetstuk raakt. Stel opnieuw een beetje af, indien nodig.

WAARSCHUWING: Na het aanbrengen van een nieuw cirkelzaagblad controleert u, terwijl de accu is verwijderd, altijd of het cirkelzaagblad geen enkel onderdeel van het voetstuk raakt wanneer de handvat zo ver mogelijk omlaag wordt geduwd. Als het cirkelzaagblad het voetstuk raakt, kan dit een terugslag veroorzaken en leiden tot ernstig persoonlijk letsel.

► **Fig.23**

LET OP: Zet na het afstellen altijd de aanslaghendel terug in zijn oorspronkelijke stand.

Aanslagarm

Met de aanslagarm kunt u de onderste stand van het cirkelzaagblad gemakkelijk instellen. Stel in door de aanslagarm in de richting van het pijltje te bewegen, zoals afgebeeld. Draai de stelschroef zodanig dat het cirkelzaagblad stopt in de gewenste stand wanneer het handvat helemaal omlaag wordt gebracht.

► **Fig.24:** 1. Stelschroef 2. Aanslagarm

LET OP: Houd bij het afstellen het handvat altijd stevig vast. Als u dit niet doet, kan dat ertoe leiden dat de slede omhoog springt en letsel veroorzaakt.

Afstellen van de verstekhoek

⚠ LET OP: Na het veranderen van de verstekhoek, zet u altijd het draaibare voetstuk vast door de vergrendel-/ontgrendelhendel terug te zetten in de vergrendelde stand en de handgreep stevig vast te zetten.

KENNISGEVING: Verzekeer u ervan het handvat volledig omhoog te brengen voordat u het draaibare voetstuk draait.

1. Draai de handgreep linksom. Houd daarna de vergrendelhendel ingedrukt in een ontgrendelde stand.
2. Houd de handgreep vast en zwenk hem van links naar rechts om het draaibare voetstuk te draaien.
3. Lijn de wijzer uit met uw gewenste hoek op de verstekhoekschaal.
4. Laat de vergrendelhendel los en draai de handgreep vast.
▶ **Fig.25:** 1. Handgreep 2. Vergrendelhendel 3. Wijzer 4. Verstekhoekschaal

Klikstopfunctie

Deze verstekzaag heeft een klikstopfunctie. U kunt snel een linkse/rechtse verstekhoek van 0°, 15°, 22,5°, 31,6°, 45° en 60° instellen.

1. Draai de handgreep linksom.
2. Houd de vergrendelhendel ingedrukt in een ontgrendelde stand.
3. Draai het draaibare voetstuk tot vlakbij de gewenste klikstophoek en laat de vergrendelhendel los.
4. Draai het draaibare voetstuk naar uw gewenste klikstophoek tot het wordt vergrendeld.
5. Draai de handgreep vast.
▶ **Fig.26:** 1. Handgreep 2. Vergrendelhendel 3. Klikstophoek

OPMERKING: Om de klikstopfunctie van het draaibare voetstuk uit te schakelen, drukt u de ontgrendelhendel omlaag. Het draaibare voetstuk kan dan vrij draaien zonder de vergrendelhendel te moeten indrukken. Zwenk de handgreep om het draaibare voetstuk naar uw gewenste hoek te draaien en draai daarna de handgreep vast.

- ▶ **Fig.27:** 1. Ontgrendelhendel

Afstellen van de schuine hoek

⚠ LET OP: Na het wijzigen van de schuine hoek, dient u altijd de arm vast te zetten door de knop op de sledestang rechtsom vast te draaien.

KENNISGEVING: Verwijder altijd de bovenste geleiders en de verticale spanschroef voordat u de schuine hoek instelt.

KENNISGEVING: Wanneer u het cirkelzaagblad gaat kantelen, verzekert u zich ervan dat de slede helemaal omhoog staat.

KENNISGEVING: Wanneer u de schuine hoek wijzigt, dient u de zaagsnedeplaten in de juiste positie te zetten zoals beschreven in het tekstdeel over het afstellen van de zaagsnedeplaten.

KENNISGEVING: Draai de knop op de sledestang niet te strak vast. Als u dat doet, kan een storing ontstaan in het vergrendelingsmechanisme voor de schuine hoek.

Het cirkelzaagblad naar links kantelen

1. Draai de knop op de sledestang linksom.
▶ **Fig.28:** 1. Knop
2. Trek aan de vergrendelhendel en draai hem naar de afgebeelde stand.
▶ **Fig.29:** 1. Vergrendelhendel
3. Houd het handvat vast en kantel de slede naar links.
4. Lijn de wijzer uit met uw gewenste hoek op de schuine-hoekschaal.
5. Draai de knop rechtsom vast om de sledearm vast te zetten.
▶ **Fig.30:** 1. Knop 2. Handvat 3. Wijzer 4. Schuine-hoekschaal

Het cirkelzaagblad naar rechts kantelen

1. Draai de knop op de sledestang linksom.
2. Houd het handvat vast en kantel de slede iets naar links.
3. Kantel de slede naar rechts terwijl u op de ontgrendelknop voor een schuine hoek rechts drukt.
4. Lijn de wijzer uit met uw gewenste hoek op de schuine-hoekschaal.
5. Draai de knop rechtsom vast om de sledearm vast te zetten.
▶ **Fig.31:** 1. Knop 2. Handvat 3. Ontgrendelknop voor schuine hoek rechts 4. Schuine-hoekschaal

Het cirkelzaagblad kantelen met behulp van de klikstopfunctie

Deze verstekzaag heeft een klikstopfunctie. U kunt een hoek van 22,5° en 33,9° naar zowel links als rechts snel instellen.

1. Draai de knop op de sledestang linksom.
2. Zet de vergrendelhendel in de verticale stand en kantel de slede tot vlakbij de gewenste klikstophoek.
3. Zet de vergrendelhendel in de horizontale stand.
4. Kantel de slede naar uw gewenste klikstophoek tot deze wordt vergrendeld.

5. Om de hoek te veranderen, trekt u de vergrendelhendel naar de voorkant van het gereedschap en kantelt u de slede opnieuw.

6. Draai de knop rechtsom vast om de sledearm vast te zetten.

► Fig.32: 1. Knop 2. Vergrendelhendel

Het cirkelzaagblad verder dan het bereik 0° - 45° kantelen

1. Draai de knop op de sledestang linksom.

2. Houd het handvat vast en kantel de slede over 45° naar links of rechts.

3. Trek de slede iets terug en schuif de ontgrendelhendel voor een schuine hoek van 48° naar de voorkant van het gereedschap.

4. Kantel de slede verder naar links of rechts terwijl u de hendel ontgrendeld houdt.

5. Draai de knop rechtsom vast om de sledearm vast te zetten.

► Fig.33: 1. Knop 2. Handvat 3. Ontgrendelhendel voor een schuine hoek van 48°

Werking van de schakelaar

WAARSCHUWING: Voordat u de accu('s) aanbrengt in het gereedschap, controleert u altijd of de trekkerschakelaar correct werkt en na loslaten terugkeert naar de uit-stand. Druk de trekker-schakelaar niet hard in zonder dat de uit-vergrendelknop is ingedrukt. Hierdoor kan de schakelaar kapot gaan. Het gereedschap gebruiken zonder dat de schakelaar goed werkt, kan leiden tot verlies van controle en ernstig persoonlijk letsel.

WAARSCHUWING: Gebruik het gereedschap NOOIT met een defecte trekkerschakelaar. Ieder gereedschap met een defecte trekkerschakelaar is UITERST GEVAARLIJK en moet worden gerepareerd voordat het gereedschap wordt gebruikt of ernstig persoonlijk letsel wordt veroorzaakt.

WAARSCHUWING: U mag NOOIT de uit-vergrendelknop buiten werking stellen door hem met tape vast te zetten of iets dergelijks. Een schakelaar met een buiten werking gestelde uit-vergrendelknop, kan leiden tot onbedoeld inschakelen en ernstig persoonlijk letsel.

WAARSCHUWING: Gebruik het gereedschap NOOIT als het start door alleen maar de trekkerschakelaar in te knijpen zonder de uit-vergrendelknop in te drukken. Een schakelaar die moet worden gerepareerd, kan leiden tot onbedoeld inschakelen en ernstig persoonlijk letsel. Stuur het gereedschap op naar een Makita-servicecentrum voor reparatie ZONDER het verder te gebruiken.

► Fig.34: 1. Trekkerschakelaar 2. Uit-vergrendelknop 3. Gat voor hangslot

Een uit-vergrendelknop is aanwezig om te voorkomen dat de trekkerschakelaar per ongeluk wordt ingedrukt. Om het gereedschap te starten, drukt u de uit-vergrendelknop in en drukt u vervolgens de trekkerschakelaar in. Laat de trekkerschakelaar los om het gereedschap te stoppen.

In de trekkerschakelaar is een gat aangebracht waar een hangslot door past om het gereedschap af te sluiten.

WAARSCHUWING: Gebruik geen slot met een beugel of kabel met een diameter kleiner dan 6,35 mm. Met een dunnere beugel of kabel wordt het gereedschap mogelijk niet goed in de uit-stand vergrendeld, waardoor onbedoelde bediening kan plaatsvinden die kan leiden tot ernstig persoonlijk letsel.

Een zaaglijn weergeven

LET OP: De lamp is niet waterdicht. Was de lamp niet met water en gebruik het gereedschap niet in de regen of op een vochtige plaats. Als u dat toch doet, kunnen elektrische schokken en rook ontstaan.

LET OP: Raak de lens van de lamp niet aan aangezien deze zeer heet is wanneer de lamp brandt en kort na het uitschakelen. Dit kan brandwonden veroorzaken.

LET OP: Stoot niet tegen de lamp omdat deze hierdoor kan worden beschadigd of de levensduur ervan kan worden verkort.

LET OP: Kijk niet direct in het lamplicht of in de lichtbron.

De LED-lamp werpt een lichtbundel over het cirkelzaagblad en de schaduw van het zaagblad valt op het werkstuk en dient als een kalibratie-vrije zaaglijn-aanduiding. Druk op de lampknop om een lichtbundel te werpen. Een schaduwlijn wordt geworpen waar het zaagblad het oppervlak van het werkstuk zal raken, en deze wordt donkerder naar mate het zaagblad omlaag komt.

► Fig.35: 1. Lampknop 2. Lamp 3. Zaaglijn

De aanduiding helpt bij het doorzagen over een bestaande zaaglijn die op het werkstuk is getekend.

1. Houd het handvat vast en breng het cirkelzaagblad omlaag zodat een donkere schaduw van het zaagblad wordt weergegeven op het werkstuk.

2. Lijn de zaaglijn die op het werkstuk is getekend uit met de schaduwlijn van het zaagblad.

3. Stel de verstekhoek en schuine hoek zo nodig af.

OPMERKING: Vergeet niet na gebruik om de lampschakelaar uit te zetten omdat een ingeschakelde lamp acculading verbruikt.

OPMERKING: De lamp gaat automatisch uit 5 minuten nadat u de bediening stopt.

Elektronische functie

Elektrische rem

Dit gereedschap is voorzien van een elektrische zaagbladrem. Als het gereedschap voortdurend niet snel de werking afbreekt nadat de trekkerschakelaar is losgelaten, laat u het gereedschap onderhouden door een Makita-servicecentrum.

⚠ LET OP: Het zaagbladremstelsysteem is geen vervanging van de beschermkap. Gebruik het gereedschap nooit zonder een werkende beschermkap. Een onbeschermde zaagblad kan leiden tot ernstig persoonlijk letsel.

Constant-toerentalregeling

Het gereedschap is uitgerust met een elektronische toerentalregeling die helpt een constant toerental van het zaagblad te handhaven, ook onder belasting. Een constant toerental van het zaagblad zorgt voor een zeer gladde zaagsnede.

Zachte-startfunctie

Deze functie laat het gereedschap soepel starten door het startkoppel te beperken.

MONTAGE

⚠ WAARSCHUWING: Controleer altijd of het gereedschap is uitgeschakeld en de accu ervan is verwijderd voordat u aan het gereedschap gaat werken. Als u het gereedschap niet uitschakelt en de accu niet verwijdert, kan dat leiden tot ernstig persoonlijk letsel.

Opbergen van de inbus sleutel

Wanneer u de inbus sleutel niet gebruikt, bergt u deze op de plaats aangegeven in de afbeelding op, om te voorkomen dat deze wordt verloren.

► Fig.36: 1. Inbus sleutel

Het zaagblad aanbrengen en verwijderen

⚠ WAARSCHUWING: Zorg er altijd voor dat het gereedschap is uitgeschakeld en de accu is verwijderd, voordat u het cirkelzaagblad verwijdert of aanbrengt. Als het gereedschap per ongeluk start, kan dat leiden tot ernstig persoonlijk letsel.

⚠ WAARSCHUWING: Gebruik voor het verwijderen of aanbrengen van het cirkelzaagblad uitsluitend de bijgeleverde Makita-sleutel. Als deze sleutel niet wordt gebruikt, kan de inbusbout te strak of onvoldoende strak worden vastgezet met ernstig persoonlijk letsel tot gevolg.

⚠ WAARSCHUWING: Gebruik of vervang nooit onderdelen die niet bij dit gereedschap werden geleverd. Het gebruik van dergelijke onderdelen kan leiden tot ernstig persoonlijk letsel.

⚠ WAARSCHUWING: Nadat het cirkelzaagblad is aangebracht, verzekert u zich er altijd van dat het stevig is bevestigd. Een losse bevestiging van het cirkelzaagblad kan leiden tot ernstig persoonlijk letsel.

Het zaagblad verwijderen

Om het cirkelzaagblad te verwijderen, gaat u als volgt te werk:

1. Vergrendel de slede in de bovenste stand door aan de aanslagpen te trekken en deze naar de vergrendelde stand te draaien.

► Fig.37: 1. Aanslagpen 2. Ontgrendelde stand 3. Vergrendelde stand

2. Gebruik de inbus sleutel om de inbusbout, waarmee de middenkap is vastgezet, los te draaien. Breng daarna de beschermkap en de middenkap omhoog.

► Fig.38: 1. Inbus sleutel 2. Inbusbout 3. Middenkap 4. Beschermkap

3. Druk de asblokkering in om de as te vergrendelen en draai met de inbus sleutel de inbusbout rechtsom los. Verwijder daarna de inbusbout, de buitenflens en het cirkelzaagblad.

► Fig.39: 1. Inbusbout (linkse schroefdraad) 2. Buitenflens 3. Asblokkering

4. Als de binnenflens verwijderd is, brengt u deze aan op de as met zijn verzonken zijde naar het cirkelzaagblad gericht. Als de binnenflens verkeerd wordt aangebracht, zal de flens tegen het gereedschap aanlopen.

► Fig.40: 1. Inbusbout (linkse schroefdraad) 2. Buitenflens 3. Cirkelzaagblad 4. Ring 5. Binnenflens 6. As 7. Verzonken zijde

Het zaagblad aanbrengen

⚠ WAARSCHUWING: Voordat het zaagblad op de as wordt geplaatst, moet u ervoor zorgen, dat de juiste ring, passend voor het asgat van het zaagblad, is aangebracht tussen de binnen- en buitenflens. Het gebruik van een verkeerde asgating kan resulteren in een gebrekkige montage van het zaagblad, waardoor dit gaat bewegen en sterk trillen met als gevolg dat u de controle over het gereedschap kunt verliezen en ernstig persoonlijk letsel kan worden veroorzaakt.

⚠ LET OP: Zorg ervoor dat u het cirkelzaagblad zodanig aanbrengt dat de richting van de pijl op het zaagblad overeenkomt met die op het zaagbladhuis. Als u dat niet doet, kan dat leiden tot persoonlijk letsel en schade aan het gereedschap en/of het werkstuk.

Om het cirkelzaagblad aan te brengen, gaat u als volgt te werk:

1. Breng het cirkelzaagblad zorgvuldig aan op de binnenflens. Zorg ervoor dat de richting van de pijl op het cirkelzaagblad overeenkomt met de richting van de pijl op het zaagbladhuis.

► Fig.41: 1. Pijl op het zaagbladhuis 2. Pijl op het cirkelzaagblad

2. Monteer de buitenflens en de inbusbout, en draai daarna met de inbus sleutel de inbusbout stevig linksom vast terwijl u de asblokkering ingedrukt houdt.

► Fig.42: 1. Inbusbout (linkse schroefdraad) 2. Buitenflens 3. Cirkelzaagblad 4. Ring 5. Binnenflens 6. As 7. Verzonken zijde

- Breng de beschermkap en de middenkap terug naar hun oorspronkelijke positie. Draai daarna de inbusbout rechtsom vast om de middenkap vast te zetten.
- Trek aan de aanslagpen en draai deze naar een ontgrendelde stand om de slede te ontgrendelen uit zijn bovenste stand. Breng de slede omlaag en controleer of de beschermkap goed beweegt.

▲LET OP: Controleer voordat u begint te zagen of de asblokkering de as niet langer vergrendelt.

Een stofzuiger aansluiten

Wanneer u tijdens het zagen schoon wilt werken, sluit u een Makita-stofzuiger aan op het mondstuk (bovenste stofuitwerppoot) met behulp van aansluitmond 24 (optioneel accessoire).

► **Fig.43:** 1. Aansluitmond 24 2. Slang 3. Stofzuiger

Stofzak

▲LET OP: Bij het zagen bevestigt u altijd de stofzak of sluit u een stofzuiger aan om gevaar door stof te voorkomen.

Door de stofzak te gebruiken werkt u schoon en kan het zaagsel eenvoudig worden opgeruimd. Om de stofzak aan te brengen, verwijdert u de stofafzuigslang vanaf het gereedschap en bevestigt u de stofzak op het mondstuk (bovenste stofuitwerppoot).

► **Fig.44:** 1. Stofafzuigslang 2. Stofzak 3. Mondstuk (bovenste stofuitwerppoot)

Wanneer de stofzak ongeveer halfvol is, maakt u hem los van het gereedschap en trekt u de sluitstrip eruit. Maak de stofzak leeg en tik er zachtjes op voor het verwijderen van achtergebleven stofdeeltjes die verdere stofopvang zouden kunnen belemmeren.

► **Fig.45:** 1. Sluitstrip

Werkstuk vastklemmen

▲WAARSCHUWING: Het is uiterst belangrijk om het werkstuk altijd goed vast te klemmen in het juiste type spanschroef of kroon-profiel-lijstaanslag. Als u dat niet doet, kan dat leiden tot ernstig persoonlijk letsel en schade aan het gereedschap en/of het werkstuk.

▲WAARSCHUWING: Wanneer u een werkstuk zaagt dat langer is dan het voetstuk van de verstekzaag, ondersteunt u de volledige lengte van het werkstuk buiten het voetstuk zodat het werkstuk horizontaal blijft. Een goede ondersteuning van het werkstuk helpt voorkomen dat het zaagblad vastloopt en een mogelijke terugslag optreedt die kan leiden tot ernstig persoonlijk letsel. Vertrouw niet alleen op de verticale en/of horizontale spanschroef om het werkstuk op zijn plaats te houden. Dun materiaal hangt gemakkelijk door. Ondersteun het werkstuk over zijn hele lengte om vastklemmen van het zaagblad en mogelijke TERUGSLAG te voorkomen.

► **Fig.46:** 1. Steun 2. Draaibaar voetstuk

Geleiders

▲WAARSCHUWING: Alvorens het gereedschap te bedienen, controleert u of de bovenste geleider stevig is vastgezet.

▲WAARSCHUWING: Controleer voor het zagen van een schuine hoek of geen enkel onderdeel van het gereedschap, vooral het zaagblad, de bovenste en onderste geleiders raakt wanneer het handvat in elke positie volledig omlaag en omhoog wordt gebracht en de slede over het hele bereik wordt verschoven. Als het gereedschap of het zaagblad de geleider raakt, kan terugslag of een onverwachte beweging van het werkstuk worden veroorzaakt met ernstig persoonlijk letsel tot gevolg.

Gebruik de bovenste geleiders om een werkstuk te ondersteunen dat hoger is dan de onderste geleiders. Steek de bovenste geleider in het gat in de onderste geleider en draai de klemschroef vast.

► **Fig.47:** 1. Bovenste geleider 2. Onderste geleider 3. Klemschroef 4. Stelschroef

KENNISGEVING: De onderste geleiders zijn in de fabriek bevestigd aan het voetstuk. Verwijder de onderste geleiders niet.

KENNISGEVING: Als de bovenste geleider nog steeds los is nadat de klemschroef is vastgedraaid, draait u de stelschroef om de spleet te dichten. De stelschroef is in de fabriek afgesteld. U hoeft deze niet te gebruiken, behalve indien nodig.

Wanneer de bovenste geleider niet wordt gebruikt, kan deze worden opgeborgen op de pijp van het hulpvoetstuk. Gebruik de klem op de bovenste geleider om hem op de pijp van het hulpvoetstuk te bevestigen.

► **Fig.48:** 1. Hulpvoetstuk 2. Bovenste geleider 3. Klem

Verticale spanschroef

▲WAARSCHUWING: Tijdens alle bedieningen moet het werkstuk door de spanschroef stevig tegen het draaibaar voetstuk en de geleider worden gedrukt. Als het werkstuk niet goed wordt vastgezet tegen de geleider, kan het tijdens het zagen bewegen en zo het zaagblad beschadigen, waardoor materiaal kan worden weggeslingerd en u de controle over het gereedschap kunt verliezen met ernstig persoonlijk letsel als gevolg.

De verticale spanschroef kan worden aangebracht in de linker- of rechterkant van het voetstuk en hulpvoetstuk. Steek de spanschroefstang in het gat in het voetstuk of hulpvoetstuk.

► **Fig.49:** 1. Verticale spanschroef 2. Gat voor verticale spanschroef 3. Hulpvoetstuk 4. Voetstuk

► **Fig.50:** 1. Spanschroefarm 2. Spanschroefstang 3. Klemschroef 4. Spanschroefknop

Zet de spanschroefarm in de positie die geschikt is voor de dikte en vorm van het werkstuk, en zet de spanschroefarm vast door de schroef vast te draaien. Als de klemschroef de slede raakt, brengt u de verticale spanschroef aan op het hulpvoetstuk of op de

tegenovergestelde kant van het voetstuk. Controleer of geen enkel deel van het gereedschap in aanraking komt met de spanschroef wanneer het handvat helemaal omlaag wordt gebracht. Als enig deel de spanschroef raakt, moet u de positie van de spanschroef veranderen.

Druk het werkstuk vlak tegen de geleider en het draaibaar voetstuk. Plaats het werkstuk in de gewenste zaagpositie en zet het stevig vast door de spanschroefknop vast te draaien.

OPMERKING: Om het werkstuk snel te plaatsen, draait u de spanschroefknop 90° linksom waarna de spanschroefknop omhoog en omlaag kan worden bewogen. Om na het plaatsen van het werkstuk dit vast te zetten, draait u de spanschroefknop rechtsom.

Horizontale spanschroef

Optioneel accessoire

WAARSCHUWING: Draai altijd de spanschroefmoer rechtsom tot het werkstuk stevig is vastgezet. Als het werkstuk niet goed wordt vastgezet, kan het tijdens het zagen bewegen en zo het cirkelzaagblad beschadigen, waardoor materiaal kan worden weggeslingerd en u de controle over het gereedschap kunt verliezen met ernstig persoonlijk letsel als gevolg.

WAARSCHUWING: Bij het zagen van een dun werkstuk, zoals een plint, tegen de geleider, gebruikt u altijd de horizontale spanschroef.

LET OP: Wanneer u een werkstuk met een dikte van 20 mm of minder zaagt, moet u altijd een vulblok gebruiken om het werkstuk vast te klemmen.

De horizontale spanschroef kan worden aangebracht in de linker- of rechterkant van het voetstuk. Als de hoek van de verstekzaagsnede 22,5° of groter is, plaatst u de horizontale spanschroef in de kant tegenovergesteld aan de richting waarin het draaibare voetstuk wordt gedraaid.

► **Fig.51:** 1. Spanschroefplaat 2. Spanschroefmoer 3. Spanschroefknop

Door de spanschroefmoer linksom te kantelen, wordt de spanschroef ontgrendeld en kan deze snel naar voren en achteren worden getrokken. Om het werkstuk vast te zetten, duwt u de spanschroefknop naar voren tot de spanschroefplaat het werkstuk raakt, waarna u de spanschroefmoer rechtsom kantelt. Draai daarna de spanschroefknop rechtsom om het werkstuk vast te zetten.

OPMERKING: De maximumbreedte van het werkstuk dat door de horizontale spanschroef kan worden vastgezet is 228 mm.

Hulpvoetstuk

WAARSCHUWING: Ondersteun een lang werkstuk altijd zodanig dat het horizontaal ligt met de draaibaar voetstuk om een nauwkeurige zaagsnede te verkrijgen en om gevaarlijk verlies van controle over het gereedschap te voorkomen. Een goede ondersteuning van het werkstuk helpt voorkomen dat het zaagblad vastloopt en een mogelijke terugslag optreedt die kan leiden tot ernstig persoonlijk letsel.

WAARSCHUWING: Verzeker u er vóór het zagen van dat de hulpvoetstukken zijn vastgezet met de schroeven.

Om lange werkstukken horizontaal te houden, zijn hulpvoetstukken aangebracht op beide zijanten van het gereedschap. Draai de schroeven los en schuif de hulpvoetstukken uit tot een lengte die geschikt is voor het ondersteunen van het werkstuk. Draai daarna de schroeven vast.

► **Fig.52:** 1. Hulpvoetstuk 2. Schroef

Plaats voor het zagen het werkstuk plat tegen de geleider en de hulpgeleider op het hulpvoetstuk.

► **Fig.53:** 1. Geleider 2. Hulpgeleider 3. Hulpvoetstuk

BEDIENING

Dit gereedschap is bedoeld voor het zagen van houtproducten. Met geschikte, originele Makita-zaagbladen kunnen ook de volgende materialen worden gezaagd:

— Aluminiumproducten

Raadpleeg onze website of neem contact op met uw plaatselijke Makita-dealer voor de correcte cirkelzaagbladen die moeten worden gebruikt voor het te zagen materiaal.

WAARSCHUWING: Zorg ervoor dat het zaagblad niet het werkstuk, e.d. raakt voordat u de schakelaar inkniijpt. Wanneer u het gereedschap inschakelt terwijl het zaagblad reeds het werkstuk aanraakt, kan dat leiden tot een terugslag en ernstig persoonlijk letsel.

WAARSCHUWING: Nadat u klaar bent met zagen, mag u het zaagblad pas omhoog brengen nadat het volledig tot stilstand is gekomen. Als u het handvat omhoog brengt terwijl het zaagblad nog ronddraait, kan dat leiden tot ernstig persoonlijk letsel en schade aan het werkstuk.

WAARSCHUWING: Voer geen afstellingen op het gereedschap uit, zoals het draaien van de handgreep, knop en hendels, terwijl het zaagblad draait. Afstellen terwijl het zaagblad draait, kan leiden tot ernstig persoonlijk letsel.

LET OP: Laat de zaagkop niet ongecontroleerd los vanuit de laagste stand. De ongecontroleerde zaagkop kan tegen u aan komen waardoor persoonlijk letsel zal ontstaan.

KENNISGEVING: Vergeet niet vóór gebruik de aanslagpen naar buiten te trekken op het handvat uit de onderste stand te ontgrendelen.

KENNISGEVING: Oefen tijdens het zagen geen overmatige druk op het handvat uit. Wanneer u te hard drukt, kan de motor overbelast raken en/of de zaagefficiëntie afnemen. Druk alleen zo hard als nodig is voor soepel zagen zonder dat het toerental van het zaagblad aanzienlijk vermindert.

KENNISGEVING: Druk het handvat zachtjes naar beneden om te zagen. Als u het handvat met kracht omlaag drukt of zijwaartse druk erop uitoefent, kan het zaagblad gaan trillen en een vlek (brandplek) op het werkstuk achterlaten, en kan ook de zaagsnede minder nauwkeurig zijn.

KENNISGEVING: Voor schuivend zagen duwt u de zaagslede langzaam en zonder te stoppen naar de geleider. Als de beweging van de slede tijdens het zagen wordt gestopt, zal een vlek op het werkstuk ontstaan en zal de zaagsnede minder nauwkeurig zijn.

Rechtzagen

⚠WAARSCHUWING: Vergrendel altijd de schuifbeweging van de slede wanneer rechtzagen wordt uitgevoerd. Door te zagen zonder vergrendeling kan een terugslag worden veroorzaakt, wat kan leiden tot ernstig persoonlijk letsel.

Werkstukken tot 92 mm hoog en 183 mm breed kunnen op de volgende manier worden gezaagd:

► **Fig.54:** 1. Aanslagpen

1. Duw de slede helemaal naar de geleider en vergrendel hem met behulp van de aanslagpen.
2. Klem het werkstuk vast met het juiste type spanschroef.
3. Schakel het gereedschap in zonder dat het cirkelzaagblad het werkstuk raakt en wacht totdat het cirkelzaagblad op maximaal toerental draait voordat u het omlaag brengt.
4. Breng het handvat langzaam omlaag naar de laagste positie om het werkstuk te zagen.
5. Nadat de zaagsnede klaar is, schakelt u het gereedschap uit en **wacht u tot het cirkelzaagblad volledig tot stilstand is gekomen** voordat u het cirkelzaagblad omhoog brengt tot in de hoogste positie.

Schuivend (duwend) zagen (zagen van brede werkstukken)

⚠WAARSCHUWING: Bij het schuivend zagen, trekt u eerst de slede helemaal naar u toe en brengt u het handvat helemaal omlaag, waarna u de slede helemaal naar de geleider duwt. **Begin nooit met zagen zonder de slede helemaal naar u toe te trekken.** Als u schuivend zaagt zonder dat de slede helemaal naar u toe is getrokken, kan een onverwachte terugslag optreden die kan leiden tot ernstig persoonlijk letsel.

⚠WAARSCHUWING: Probeer nooit schuivend te zagen terwijl u de slede naar u toe trekt. Door de slede zagen naar u toe te trekken, kan een onverwachte terugslag optreden die kan leiden tot ernstig persoonlijk letsel.

⚠WAARSCHUWING: Schuivend zagen mag nooit worden uitgevoerd terwijl het handvat in de laagste positie is vergrendeld.

► **Fig.55:** 1. Aanslagpen

1. Ontgrendel de aanslagpen zodat de slede vrij kan schuiven.
2. Klem het werkstuk vast met het juiste type spanschroef.
3. Trek de slede helemaal naar u toe.
4. Schakel het gereedschap in zonder dat het zaagblad het werkstuk raakt en wacht totdat het zaagblad op maximaal toerental draait.
5. Duw het handvat omlaag en **duw de slede zo ver mogelijk naar de geleider en door het werkstuk.**
6. Nadat de zaagsnede klaar is, schakelt u het gereedschap uit en **wacht u tot het zaagblad volledig tot stilstand is gekomen** voordat u het zaagblad omhoog brengt tot in de hoogste positie.

Verstekzagen

Raadpleeg het tekstdeel over het afstellen van de verstekhoeks.

Een schuine zaagsnede maken

⚠ WAARSCHUWING: Nadat het zaagblad is ingesteld op een schuine zaagsnede, controleert u of de slede en het zaagblad vrij kunnen bewegen over de hele lengte van de te maken zaagsnede voordat u het gereedschap bedient. Wanneer de beweging van de slede of het zaagblad tijdens het zagen wordt onderbroken, kan een terugslag worden veroorzaakt die kan leiden tot ernstig persoonlijk letsel.

⚠ WAARSCHUWING: Houd bij het maken van een schuine zaagsnede uw handen uit de buurt van het pad van het zaagblad. De hoek van het zaagblad kan verwarrend werken op de gebruiker met betrekking tot het werkelijke zaagpad dat tijdens het zagen beschreven wordt, en aanraking van het zaagblad zal leiden tot ernstig persoonlijk letsel.

⚠ WAARSCHUWING: Het zaagblad mag niet omhoog gebracht worden voordat het volledig tot stilstand is gekomen. Tijdens het maken van een schuine zaagsnede kan het afgezaagde deel van het werkstuk tegen het zaagblad aan liggen. Als het zaagblad omhoog wordt gebracht terwijl het nog ronddraait, kan het afgezaagde deel door het zaagblad weggeslingerd worden waardoor het uiteenvalt en ernstig persoonlijk letsel kan veroorzaken.

KENNISGEVING: Wanneer u het handvat omlaag drukt, dient u druk uit te oefenen evenwijdig met het zaagblad. Indien u verticale druk op het draaibaar voetstuk uitoefent of de drukrichting tijdens het zagen verandert, zal de zaagsnede minder nauwkeurig zijn.

► Fig.56

1. Verwijder de bovenste geleider aan de kant waar naar u de slede gaat kantelen.
2. Ontgrendel de aanslagpen.
3. Stel de schuine hoek af aan de hand van de procedure beschreven in het tekstdeel over het afstellen van de schuine hoek. Draai daarna de knop vast.
4. Zet het werkstuk vast met een spanschroef.
5. Trek de slede helemaal naar u toe.
6. Schakel het gereedschap in zonder dat het zaagblad met het werkstuk in contact is en wacht totdat het zaagblad op maximaal toerental draait.
7. Breng dan het handvat langzaam omlaag naar de laagste positie terwijl u druk uitoefent parallel aan het zaagblad en **duw de slede zo ver mogelijk naar de geleider om het werkstuk te zagen.**
8. Nadat de zaagsnede klaar is, schakelt u het gereedschap uit en **wacht u tot het zaagblad volledig tot stilstand is gekomen** voordat u het zaagblad omhoog brengt tot in de hoogste positie.

Gecombineerd zagen

Gecombineerd zagen betekent dat het werkstuk tegelijk met een schuine hoek en een verstekhoek wordt gezaagd. Gecombineerd zagen is mogelijk voor de hoeken aangegeven in de onderstaande tabel.

Verstekhoek	Schuine hoek
Links en rechts 0° - 45°	Links en rechts 0° - 45°

Voor het uitvoeren van gecombineerd zagen, raadpleegt u het tekstdeel over rechtzagen, schuivend (duwend) zagen, verstekzagen en schuine zaagsnede.

Plinten zagen

⚠ LET OP: Gebruik altijd de horizontale spanschroef (optioneel accessoire) wanneer u een plint zaagt.

⚠ LET OP: Wanneer u een werkstuk met een dikte van 20 mm of minder zaagt, moet u altijd een vulblok gebruiken om het werkstuk vast te klemmen.

Als u de plint onder een verstekhoek van 45° zaagt, stelt u de aanslaghendel in om te voorkomen dat het zaagbladhuis tegen de plint komt. Dit handhaaft de speling tussen de plint en het zaagbladhuis wanneer de slede helemaal naar voren is geduwd. Raadpleeg de TECHNISCHE GEGEVENS voor de capaciteit bij het zagen van plinten.

► Fig.57: 1. Aanslaghendel 2. Vulblok 3. Horizontale spanschroef

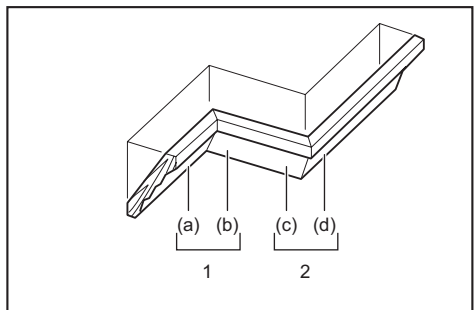
Kroon-profiellijsten en kwarthol-profiellijsten zagen

Kroon-profiellijsten en kwarthol-profiellijsten kunnen worden gezaagd op een gecombineerd-verstekzaag waarbij de sierlijsten plat op het draaibaar voetstuk liggen.

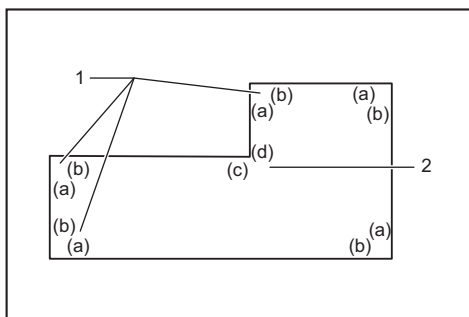
Er zijn twee veelvoorkomende typen kroon-profiellijsten en één veelvoorkomend type kwarthol-profiellijsten: kroon-profiellijsten met een wandhoek van 52/38°, kroon-profiellijsten met een wandhoek van 45°, en kwarthol-profiellijsten met een wandhoek van 45°.

► Fig.58: 1. Kroon-profiellijst met een wandhoek van 52/38° 2. Kroon-profiellijst met een wandhoek van 45° 3. Kwarthol-profiellijst met een wandhoek van 45°

Er zijn verbindingen van kroon-profiellijsten en van kwarthol-profiellijsten die passen in binnenhoeken van 90° (zie (a) en (b) in de afb.), en om buitenboeken van 90° (zie (c) en (d) in de afb.).



1. Binnenhoek 2. Buitenhoek



1. Binnenhoek 2. Buitenhoek

Opmeten

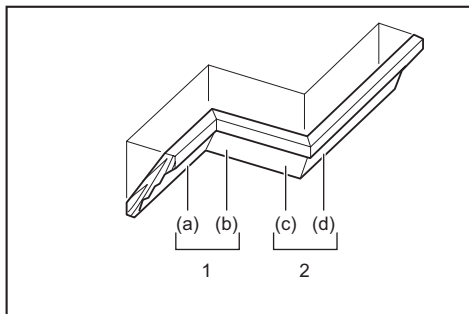
Meet de breedte van de wand, en pas de breedte van het werkstuk daarop aan. Zorg er altijd voor dat de breedte van het raakvlak met de wand van het werkstuk hetzelfde is als de breedte van de wand.

- **Fig.59:** 1. Werkstuk 2. Breedte van de wand
3. Breedte van het werkstuk 4. Raakvlak met de wand

Gebruik altijd meerdere proefwerkstukken om de benodigde zaaghoek te controleren.

Bij het zagen van kroon-profiellijsten en kwarthol-profiellijsten stelt u de verstekhoek en schuine hoek in, zoals aangegeven in tabel (A), en legt u de sierlijst op het bovenoppervlak van het draaibaar voetstuk, zoals aangegeven in tabel (B).

Voor een linker schuine zaagsnede



1. Binnenhoek 2. Buitenhoek

Tabel (A)

-	Gedeelte van de profiellijst in de afbeelding	Schuine hoek		Verstekhoek	
		Hoek 52/38°	Hoek 45°	Hoek 52/38°	Hoek 45°
Binnenhoek	(a)	Links 33,9°	Links 30°	Rechts 31,6°	Rechts 35,3°
	(b)			Links 31,6°	Links 35,3°
Buitenhoek	(c)			Rechts 31,6°	Rechts 35,3°
	(d)				

Tabel (B)

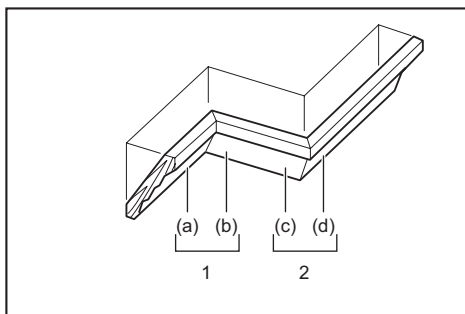
-	Gedeelte van de profiellijst in de afbeelding	Kant van de sierlijst die tegen de geleider moet liggen	Afgewerkt werkstuk
Binnenhoek	(a)	Kant die tegen het plafond komt moet tegen de geleider liggen.	Het afgewerkte werkstuk ligt aan de linkerkant van het zaagblad.
	(b)	Kant die tegen de wand komt moet tegen de geleider liggen.	
Buitenhoek	(c)	Kant die tegen het plafond komt moet tegen de geleider liggen.	Het afgewerkte werkstuk ligt aan de rechterkant van het zaagblad.
	(d)	Kant die tegen de geleider ligt.	

Voorbeeld:

In het geval u een kroon-profiellijst zaagt van het type 52/38° voor gedeelte (a) in de bovenstaande afbeelding:

- Kantel de zaag naar de stand voor een schuine hoek van 33,9° LINKS.
- Stel een verstekhoek in van 31,6° RECHTS.
- Leg de kroon-profiellijst op het gereedschap met de achterkant (verborgen) naar onderen gericht op het draaibaar voetstuk en de KANT DIE TEGEN HET PLAFOND KOMT tegen de geleider.
- Het afgewerkte werkstuk dat u gaat gebruiken ligt altijd LINKS van het zaagblad nadat het zagen klaar is.

Voor een rechter schuine zaagsnede



1. Binnenhoek 2. Buitenhoek

Tabel (A)

-	Gedeelte van de profiellijst in de afbeelding	Schuine hoek		Verstekhoek	
		Hoek 52/38°	Hoek 45°	Hoek 52/38°	Hoek 45°
Binnenhoek	(a)	Rechts 33,9°	Rechts 30°	Rechts 31,6°	Rechts 35,3°
	(b)			Links 31,6°	Links 35,3°
Buitenhoek	(c)			Rechts 31,6°	Rechts 35,3°
	(d)			Rechts 31,6°	Rechts 35,3°

Tabel (B)

-	Gedeelte van de profiellijst in de afbeelding	Kant van de sierlijst die tegen de geleider moet liggen	Afgewerkt werkstuk
Binnenhoek	(a)	Kant die tegen de wand komt moet tegen de geleider liggen.	Het afgewerkte werkstuk ligt aan de rechterkant van het zaagblad.
	(b)	Kant die tegen het plafond komt moet tegen de geleider liggen.	
Buitenhoek	(c)	Kant die tegen de wand komt moet tegen de geleider liggen.	Het afgewerkte werkstuk ligt aan de linkerkant van het zaagblad.
	(d)	Kant die tegen de wand komt moet tegen de geleider liggen.	

Voorbeeld:

In het geval u een kroon-profiellijst zaagt van het type 52/38° voor gedeelte (a) in de bovenstaande afbeelding:

- Kantel de zaagkop en zet hem vast op de instelling voor een schuine hoek van 33,9° RECHTS.
- Stel een verstekhoek in van 31,6° RECHTS.
- Leg de kroon-profiellijst op het gereedschap met de achterkant (verborgen) naar onderen gericht op het draaibaar voetstuk en de KANT DIE TEGEN DE WAND KOMT tegen de geleider.
- Het afgewerkte werkstuk dat u gaat gebruiken ligt altijd RECHTS van het zaagblad nadat de zaagsnede is gemaakt.

Kroon-profiellijstaanslag

Optioneel accessoire

Kroon-profiellijstaanslagen maken het gemakkelijker profiellijsten te zagen doordat het niet nodig is het zaagblad te kantelen. Breng deze aan op het draaibare voetstuk zoals aangegeven in de afbeelding.

Met een verstekhoek van 45° naar rechts

► **Fig.60:** 1. Kroon-profiellijstaanslag L 2. Kroon-profiellijstaanslag R 3. Draaibaar voetstuk 4. Geleider

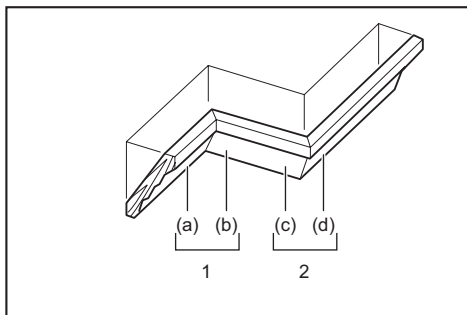
Met een verstekhoek van 45° naar links

► **Fig.61:** 1. Kroon-profiellijstaanslag L

2. Kroon-profiellijstaanslag R 3. Draaibaar voetstuk 4. Geleider

Leg de kroon-profiellijst met de KANT DIE TEGEN DE WAND KOMT tegen de geleider en de KANT DIE TEGEN HET PLAFOND KOMT tegen de kroon-profiellijstaanslagen, zoals aangegeven in de afbeelding. Stel de kroon-profiellijstaanslagen in overeenkomstig het formaat van de kroon-profiellijst. Draai de schroeven vast om de kroon-profiellijstaanslagen vast te zetten. Raadpleeg tabel (C) voor de verstekhoek.

► **Fig.62:** 1. Geleider 2. Kroon-profiellijstaanslag



1. Binnenhoek 2. Buitenhoek

Tabel (C)

-	Gedeelte van de profiellijst in de afbeelding	Verstekhoek	Afgewerkt werkstuk
Binnenhoek	(a)	Rechts 45°	Werkstuk rechts naast zaagblad
	(b)	Links 45°	Werkstuk links naast zaagblad
Buitenhoek	(c)		Werkstuk rechts naast zaagblad
	(d)	Rechts 45°	Werkstuk links naast zaagblad

Aluminiumprofielen zagen

► **Fig.63:** 1. Spanschroef 2. Vulblok 3. Geleider 4. Aluminiumprofiel 5. Vulblok

Als u een aluminiumprofiel wilt vastklemmen in de spanschroef, maakt u gebruik van vulblokken of stukken afvalhout, zoals aangegeven in de afbeelding, om te voorkomen dat het aluminiumprofiel vervormt. Gebruik snijolie als smeermiddel bij het zagen van een aluminiumprofiel om te voorkomen dat aluminiumslijpsel zich op het cirkelzaagblad ophoopt.

WAARSCHUWING: Probeer nooit dikke of ronde aluminiumprofielen te zagen. Dikke of ronde aluminiumprofielen zijn moeilijk vast te zetten en kunnen tijdens het zagen loskomen, waardoor u de controle over het gereedschap kunt verliezen en ernstig persoonlijk letsel kan worden veroorzaakt.

Werkwijze voor speciale maximale zaagbreedte

De maximale zaagmaat in de breedte van dit gereedschap kan worden bereikt door de onderstaande stappen te volgen:

Voor de maximale zaagmaat in de breedte van dit gereedschap raadpleegt u de maximale zaagmaten voor speciale zaagsneden in het hoofdstuk "TECHNISCHE GEGEVENS".

1. Stel het gereedschap in op een verstekhoek van 0° of 45° en zorg ervoor dat het draaibaar voetstuk vast staat. (Raadpleeg het tekstdeel over het afstellen van de verstekhoek.)

2. Verwijder tijdelijk de bovenste geleiders links en rechts, en leg ze aan de kant.

3. Zaag een grondplaat met de afmetingen aangegeven in de afbeelding en een dikte van 38 mm uit een vlakke plaat van bijvoorbeeld hout, multiplex of spaanplaat.

► **Fig.64:** 1. 0° verstekhoek: Meer dan 450 mm 2. 45° verstekhoek: Meer dan 325 mm 3. 38 mm 4. Meer dan 760 mm

WAARSCHUWING: Zorg ervoor dat de grondplaat vlak is. Als de grondplaat niet vlak is, kan deze tijdens het zagen gaan bewegen, wat kan leiden tot terugslag en ernstig persoonlijk letsel.

OPMERKING: De maximale zaagdikte wordt verminderd met dezelfde afstand als de dikte van de grondplaat.

4. Plaats de grondplaat op het gereedschap zodat het even ver uitsteekt over beide zijanten van het voetstuk van het gereedschap. Bevestig de grondplaat op het gereedschap met behulp van vier houtschroeven van 6 mm door de vier gaten in de onderste geleiders.

► **Fig.65:** 1. Schroeven (twee aan elke kant) 2. Onderste geleider 3. Voetstuk 4. Grondplaat

WAARSCHUWING: Zorg ervoor dat de grondplaat vlak ligt op de zool van het gereedschap en bevestig hem stevig aan de onderste geleiders met gebruikmaking van de vier schroefgaten. Als u de grondplaat niet stevig bevestigt, kan deze tijdens het zagen gaan bewegen, wat kan leiden tot terugslag en ernstig persoonlijk letsel.

WAARSCHUWING: Zorg ervoor dat het gereedschap stevig is bevestigd op een stabiele en vlakke ondergrond. Als het gereedschap instabiel goed wordt bevestigd, kan het gereedschap instabiel worden, waardoor u de controle over het gereedschap kunt verliezen, en/of vallen, wat kan leiden tot ernstig persoonlijk letsel.

5. Monteer de bovenste geleiders op het gereedschap.

WAARSCHUWING: Gebruik het gereedschap niet zonder dat de bovenste geleiders zijn aanwezig. De bovenste geleiders bieden voldoende steun, vereist voor het zagen van het werkstuk. Als het werkstuk niet voldoende wordt gesteund, kan het tijdens het zagen gaan bewegen, waardoor u de controle over het gereedschap kunt verliezen, wat kan leiden tot terugslag en ernstig persoonlijk letsel.

6. Plaats het werkstuk dat u wilt zagen op de grondplaat die aan het gereedschap is bevestigd.

7. Klem het werkstuk stevig tegen de bovenste geleiders met behulp van een spanschroef voordat u begint te zagen.

► **Fig.66:** 1. Bovenste geleider 2. Verticale spanschroef 3. Werkstuk 4. Grondplaat

8. Maak langzaam een zaagsnede door het werkstuk aan de hand van de bedieningen beschreven in het tekstdeel over schuivend (duwend) zagen.

WAARSCHUWING: Zorg ervoor dat het werkstuk wordt vastgeklemd door de spanschroef en zaag langzaam. Als u dat niet doet, kan het werkstuk tijdens het zagen gaan bewegen, wat kan leiden tot terugslag en ernstig persoonlijk letsel.

WAARSCHUWING: Wees erop bedacht dat na meerdere zaagsneden onder verschillende verstekhoeken de grondplaat verzwakt kan zijn. Als de grondplaat verzwakt is als gevolg van meerdere kerfsneden die in de grondplaat zijn gemaakt, moet de grondplaat worden vervangen. Als de verzwakte grondplaat niet wordt vervangen, kan het werkstuk tijdens het zagen gaan bewegen, wat kan leiden tot terugslag en ernstig persoonlijk letsel.

Groeven zagen

WAARSCHUWING: Probeer niet dit type zaagsnede uit te voeren met een breder zaagblad of sokkelzaagblad. Als u probeert een groef te zagen met een breder zaagblad of een sokkelzaagblad, kan dat resulteren in een onverwacht zaagresultaat en een terugslag die kan leiden tot ernstig persoonlijk letsel.

WAARSCHUWING: Breng de aanslagarm terug naar zijn oorspronkelijke positie voor andere zaagbedieningen dan het zagen van groeven. Als u een zaagsnede probeert te zagen met de aanslagarm in de verkeerde positie, kan dat resulteren in een onverwacht zaagresultaat en een terugslag die kan leiden tot ernstig persoonlijk letsel.

U kunt als volgt een groef in een werkstuk zagen:

1. Stel de laagste positie van het cirkelzaagblad in met behulp van de stelschroef en de aanslagarm, om de zaagdiepte van het cirkelzaagblad te beperken. Raadpleeg het tekstdeel over de aanslagarm.

2. Nadat de laagste positie van het cirkelzaagblad is ingesteld, kunt u evenwijdige groeven over de breedte van het werkstuk zagen met behulp van schuivend (duwend) zagen.

► **Fig.67:** 1. Groeven zagen met het zaagblad

3. Verwijder het werkstukmateriaal tussen de

groeven met behulp van een beitel.

Houten bekleding

⚠ WAARSCHUWING: Bevestig het houten hulpstuk aan de geleider met behulp van schroeven. De schroeven moeten zodanig worden gemonteerd dat de schoefkoppen onder het oppervlak van het houten hulpstuk vallen zo dat ze niet in de weg zitten van het werkstuk dat wordt gezaagd. Als het werkstuk dat wordt gezaagd verkeerd is uitgelijnd, kan het tijdens het zagen onverwacht gaan bewegen, wat kan leiden tot verlies van controle over het gereedschap en ernstig persoonlijk letsel.

⚠ LET OP: Gebruik voor het houten hulpstuk een recht stuk hout van gelijkmatige dikte.

⚠ LET OP: Om een werkstuk met een hoogte van 107 mm tot 120 mm volledig door te zagen, dient op de geleider een houten hulpstuk te worden gebruikt. Het houten hulpstuk houdt het werkstuk weg van de geleider zodat het zaagblad dieper in het werkstuk kan zagen.

KENNISGEVING: Als de houten bekleding op de geleider is bevestigd, mag u het draaibaar voetstuk niet meer draaien terwijl het handvat omlaag staat. Als u dit doet, kan het zaagblad en/of het houten hulpstuk worden beschadigd.

Het gebruik van een houten hulpstuk helpt om splinter-vrije sneden te krijgen. Gebruik de gaten in de geleider en schroeven van 6 mm om een houten hulpstuk aan de geleider te bevestigen.

Zie de afbeelding voor de afmetingen van een dergelijk houten hulpstuk.

► Fig.68: 1. Gat 2. Meer dan 15 mm 3. Meer dan 270 mm 4. 90 mm 5. 145 mm 6. 19 mm 7. 115 - 120 mm

VOORBEELD Wanneer u een werkstuk van 115 mm en 120 mm hoog zaagt, gebruikt u een houten hulpstuk van de volgende dikte.

Verstekhoek	Dikte van houten hulpstuk	
	115 mm	120 mm
0°	20 mm	38 mm
Links en Rechts 45°	15 mm	25 mm
Links en Rechts 60°	15 mm	25 mm

Het gereedschap dragen

Verzekert u ervan dat de accu is verwijderd en alle beweegbare delen van de verstekzaag zijn vastgezet voordat u het gereedschap draagt. Controleer altijd het volgende punten:

- De accu is verwijderd.
- De slede moet ingesteld en vastgezet zijn op een schuine hoek van 0°.
- De slede moet omlaag gebracht en vergrendeld zijn.

- De slede moet helemaal naar de geleiders geschoven en vergrendeld zijn.
- Het draaibare voetstuk moet in de stand voor maximale rechter verstekhoek staan en vergrendeld zijn.
- De hulpvoetstukken moeten ingeschoven en vastgezet zijn.

Draag het gereedschap door beide zijden van de gereedschapsvoet vast te houden.

► Fig.69

⚠ WAARSCHUWING: De aanslagen voor het omhoog brengen van de slede wordt alleen gebruikt voor het dragen en opbergen van het gereedschap en niet tijdens het zagen. Het gebruik van de aanslagen tijdens het zagen kan leiden tot onverwachte bewegingen van het cirkelzaagblad, wat kan leiden tot een terugslag en ernstig persoonlijk letsel.

⚠ LET OP: Zet alle bewegende onderdelen vast alvorens het gereedschap te dragen. Als tijdens het dragen onderdelen van het gereedschap bewegen of verschuiven, kunt u uw balans of de controle over het gereedschap verliezen, wat kan leiden tot persoonlijk letsel.

⚠ LET OP: Verzekert u ervan dat de slede goed wordt vergrendeld in de onderste stand door de aanslagen. Als de aanslagen niet correct is geplaatst, kan de slede plotseling omhoog springen en persoonlijk letsel veroorzaken.

FUNCTIE VOOR DRAADLOOS INSCHAKELN

Mogelijkheden van de functie voor draadloos inschakelen

Met de functie voor draadloos inschakelen kunt u schoon en comfortabel werken. Door een ondersteunde stofzuiger aan te sluiten op het gereedschap, kunt u de stofzuiger automatisch laten in- en uitschakelen bij bediening van de schakelaar van het gereedschap.

► Fig.70

Om de functie voor draadloos inschakelen te gebruiken, dient u de volgende zaken voor te bereiden:

- Een draadloos-eenheid (optioneel accessoire)
- Een stofzuiger die de functie voor draadloos inschakelen ondersteunt

In het kort bestaat het instellen van de functie voor draadloos inschakelen uit de volgende punten. Raadpleeg elke paragraaf voor informatie over de procedure.

1. De draadloos-eenheid aanbrengen
2. Registratie van het gereedschap op de stofzuiger
3. De functie voor draadloos inschakelen starten

De draadloos-eenheid aanbrengen

Optioneel accessoire

⚠ LET OP: Plaats het gereedschap op een vlakke en stabiele ondergrond wanneer u de draadloos-eenheid aanbrengt.

KENNISGEVING: Verwijder het stof en vuil vanaf het gereedschap voordat u de draadloos-eenheid aanbrengt. Stof en vuil kunnen een storing veroorzaken wanneer ze binnendringen in de gleuf voor de draadloos-eenheid.

KENNISGEVING: Om een storing als gevolg van statische elektriciteit te voorkomen, raakt u een materiaal aan dat statische elektriciteit ontlaaft, zoals een metalen onderdeel van het gereedschap, voordat u de draadloos-eenheid oppakt.

KENNISGEVING: Let er bij het aanbrengen van de draadloos-eenheid altijd op dat de draadloos-eenheid in de correcte richting wordt aangebracht en dat de afdekking volledig wordt gesloten.

1. Open de afdekking op het gereedschap, zoals aangegeven in de afbeelding.

► **Fig.71:** 1. Afdekking

2. Breng de draadloos-eenheid aan in de gleuf en sluit vervolgens de afdekking.

Wanneer u de draadloos-eenheid aanbrengt, lijnt u de uitsteeksel uit met de uitsparingen in de gleuf.

► **Fig.72:** 1. Draadloos-eenheid 2. Uitsteeksel 3. Afdekking 4. Uitsparing

Wanneer u de draadloos-eenheid verwijdert, opent u langzaam de afdekking. De haken op de achterkant van de afdekking, tillen de draadloos-eenheid op terwijl u de afdekking omhoog trekt.

► **Fig.73:** 1. Draadloos-eenheid 2. Haak 3. Afdekking

Nadat de draadloos-eenheid is verwijderd, bewaart u hem in de bijgeleverde doos of een antistatische container.

KENNISGEVING: Gebruik altijd de haken op de achterkant van de afdekking wanneer u de draadloos-eenheid verwijdert. Als de haken niet aangrijpen op de draadloos-eenheid, sluit u de afdekking volledig en opent u hem weer langzaam.

Registratie van het gereedschap op de stofzuiger

OPMERKING: Een stofzuiger van Makita die de functie voor draadloos inschakelen ondersteunt, is vereist voor registratie van het gereedschap.

OPMERKING: Voltooi het aanbrengen van de draadloos-eenheid in het gereedschap voordat u de registratie van het gereedschap start.

OPMERKING: Voorkom dat de volgende schakelaars worden ingeschakeld tijdens registratie van het gereedschap:

- trekkerschakelaar op het gereedschap
- vacuümschakelaar op het gereedschap
- aan-uitschakelaar op de stofzuiger

OPMERKING: Raadpleeg tevens de gebruiksaanwijzing van de stofzuiger.

Als u wilt dat de stofzuiger wordt ingeschakeld tegelijk met de bediening van de schakelaar van het gereedschap, moet u van tevoren de registratie van het gereedschap voltooien.

1. Breng de accu's aan in de stofzuiger en het gereedschap.

2. Zet de standbyschakelaar op de stofzuiger op "AUTO".

► **Fig.74:** 1. Standbyschakelaar

3. Houd de knop voor draadloos inschakelen op de stofzuiger gedurende 3 seconden ingedrukt totdat de lamp van draadloos inschakelen groen knippert. En houd daarna op dezelfde manier de knop voor draadloos inschakelen op het gereedschap ingedrukt.

► **Fig.75:** 1. Knop voor draadloos inschakelen 2. Lamp van draadloos inschakelen

Nadat de stofzuiger en het gereedschap met succes aan elkaar zijn gekoppeld, zullen de lampen van draadloos inschakelen gedurende 2 seconden groen branden, waarna ze blauw gaan knipperen.

OPMERKING: De lampen van draadloos inschakelen stoppen na 20 seconden met groen knipperen. Druk op de knop voor draadloos inschakelen op het gereedschap terwijl de lamp van draadloos inschakelen op de stofzuiger knippert. Als de lamp van draadloos inschakelen niet groen knippert, drukt u kort op de knop voor draadloos inschakelen en houdt u deze weer ingedrukt.

OPMERKING: Als u twee of meer gereedschappen registreert op één stofzuiger, voltooit u de registratie van de gereedschappen één voor één.

De functie voor draadloos inschakelen starten

OPMERKING: Voltooi de registratie van het gereedschap op de stofzuiger voordat u de functie draadloos inschakelen gebruikt.

OPMERKING: Raadpleeg tevens de gebruiksaanwijzing van de stofzuiger.

Nadat een gereedschap in de stofzuiger is geregistreerd, wordt de stofzuiger automatisch in- en

uitgeschakeld door de bediening van de schakelaar van het gereedschap. Knijp de trekverschakelaar van het gereedschap in om tijdens het gebruik de stofzuiger in te schakelen. De stofzuiger wordt ook ingeschakeld door tijdens het zagen op de vacuümknop op het gereedschap te drukken.

► **Fig.76**

1. Breng de draadloos-eenheid aan in het gereedschap.
2. Sluit de slang van de stofzuiger aan op het gereedschap.

► **Fig.77**

3. Zet de standbyschakelaar op de stofzuiger op "AUTO".

► **Fig.78: 1.** Standbyschakelaar

4. Druk kort op de knop voor draadloos inschakelen op het gereedschap. De lamp van draadloos inschakelen knippert blauw.

► **Fig.79: 1.** Knop voor draadloos inschakelen
2. Lamp van draadloos inschakelen

5. Knijp de trekverschakelaar van het gereedschap in. Controleer of de stofzuiger wordt ingeschakeld wanneer de trekverschakelaar wordt ingeknepen.

6. Druk op de vacuümknop om de stofzuiger in te schakelen. Controleer of de lamp van draadloos inschakelen blauw brandt en de stofzuiger ingeschakeld blijft tot u weer op de knop drukt.

7. Om de stofzuiger uit te schakelen, laat u de trekverschakelaar los of drukt u nogmaals op de

vacuümknop. De stofzuiger stopt enkele seconden nadat de bediening van de schakelaar, waarna de lamp blauw knippert.

OPMERKING: De status van schakelaar (in-/uitschakelen van de stofzuiger) kan worden afgelezen aan de lamp van draadloos inschakelen. Raadpleeg voor meer informatie het tekstdeel met de beschrijving van de status van de lamp van draadloos inschakelen.

8. Om het draadloos inschakelen van de stofzuiger te stoppen, drukt u op de knop voor draadloos inschakelen op het gereedschap.

OPMERKING: De lamp van draadloos inschakelen op het gereedschap stopt met blauw knipperen wanneer gedurende 2 uur geen bediening plaatsvindt. In dat geval zet u de standbyschakelaar van de stofzuiger op "AUTO" en drukt u nogmaals op de knop voor draadloos inschakelen op het gereedschap.

OPMERKING: De stofzuiger wordt met een vertraging in- en uitgeschakeld. Er treedt een tijdsvertraging op wanneer de stofzuiger de bediening van de schakelaar van het gereedschap detecteert.










OPMERKING: Het zenbereik van de draadloos-eenheid kan variëren afhankelijk van de locatie en omgevingsomstandigheden.

OPMERKING: Als twee of meer gereedschappen zijn geregistreerd in één stofzuiger, kan de stofzuiger worden ingeschakeld ondanks dat u niet de trekverschakelaar inknijpt of op de vacuümknop drukt omdat een andere gebruiker de functie voor draadloos inschakelen gebruikt.

Beschrijving van de status van de lamp van draadloos inschakelen

► **Fig.80: 1.** Lamp van draadloos inschakelen

De lamp van draadloos inschakelen toont de status van de functie voor draadloos inschakelen. Raadpleeg de onderstaande tabel voor de betekenis van de status van de lamp.

Status	Lamp van draadloos inschakelen				Beschrijving
	Kleur	 Brandt	 Knippert	Duur	
Standby	Blauw			2 uur	Het draadloos inschakelen van de stofzuiger is beschikbaar. De lamp wordt automatisch uitgeschakeld wanneer gedurende 2 uur geen bediening plaatsvindt.
				Bij ingeschakeld gereedschap.	Het draadloos inschakelen van de stofzuiger is beschikbaar en het gereedschap is ingeschakeld.
Registratie van het gereedschap	Groen			20 seconden	Klaar voor registratie van het gereedschap. Wachten op registratie door de stofzuiger.
				2 seconden	De registratie van het gereedschap is voltooid. De lamp van draadloos inschakelen knippert blauw.
Registratie van het gereedschap annuleren	Rood			20 seconden	Klaar om de registratie van het gereedschap te annuleren. Wachten op annuleren door de stofzuiger.
				2 seconden	Het annuleren van de registratie van het gereedschap is voltooid. De lamp van draadloos inschakelen knippert blauw.
Overig	Rood			3 seconden	De draadloos-eenheid wordt van stroom voorzien en de functie voor draadloos inschakelen start nu op.
	Uit	-	-	-	Het draadloos inschakelen van de stofzuiger is gestopt.

Registratie van het gereedschap op de stofzuiger annuleren

Voer de volgende procedure uit om de registratie van het gereedschap in de stofzuiger te annuleren.

1. Breng de accu's aan in de stofzuiger en het gereedschap.
2. Zet de standbyschakelaar op de stofzuiger op "AUTO".
► **Fig.81:** 1. Standbyschakelaar
3. Houd de knop voor draadloos inschakelen op de stofzuiger gedurende 6 seconden ingedrukt. De lamp van draadloos inschakelen knippert groen en brandt daarna rood. Houd daarna op dezelfde manier de

knop voor draadloos inschakelen op het gereedschap ingedrukt.

- **Fig.82:** 1. Knop voor draadloos inschakelen
2. Lamp van draadloos inschakelen

Als het annuleren met succes is uitgevoerd, zullen de lampen van draadloos inschakelen gedurende 2 seconden rood branden, waarna ze blauw gaan knipperen.

OPMERKING: De lampen van draadloos inschakelen stoppen na 20 seconden met rood knipperen. Druk op de knop voor draadloos inschakelen op het gereedschap terwijl de lamp van draadloos inschakelen op de stofzuiger knippert. Als de lamp van draadloos inschakelen niet rood knippert, drukt u kort op de knop voor draadloos inschakelen en houdt u deze weer ingedrukt.

Storingzoeken van de functie voor draadloos inschakelen

Alvorens u verzoekt om reparatie, kunt u zelf als volgt het probleem opsporen en oplossen. Als u met een probleem kampt dat in deze handleiding niet wordt beschreven, probeer dan niet het gereedschap te demonteren. Laat reparaties over aan een erkend Makita-servicecentrum, uitsluitend met gebruik van originele Makita-ervangingsonderdelen.

Probleemomschrijving	Waarschijnlijke oorzaak (storing)	Oplossing
De lamp van draadloos inschakelen brandt/knippert niet.	De draadloos-eenheid is niet aangebracht in het gereedschap. De draadloos-eenheid is verkeerd aangebracht in het gereedschap.	Breng de draadloos-eenheid op de juiste wijze aan.
	De aansluitingen van de draadloos-eenheid en/of de gleuf zijn vuil.	Veeg het stof en vuil op de aansluitingen van de draadloos-eenheid voorzichtig af en reinig de gleuf.
	Er is niet op de knop voor draadloos inschakelen op het gereedschap gedrukt.	Druk kort op de knop voor draadloos inschakelen op het gereedschap.
	De standbyschakelaar op de stofzuiger is niet op "AUTO" gezet.	Zet de standbyschakelaar op de stofzuiger op "AUTO".
	Geen voeding.	Voorzie het gereedschap en de stofzuiger van voeding.

Probleemomschrijving	Waarschijnlijke oorzaak (storing)	Oplossing
De registratie van het gereedschap/het annuleren van de registratie van het gereedschap kan niet met succes worden voltooid.	De draadloos-eenheid is niet aangebracht in het gereedschap. De draadloos-eenheid is verkeerd aangebracht in het gereedschap.	Breng de draadloos-eenheid op de juiste wijze aan.
	De aansluitingen van de draadloos-eenheid en/of de gleuf zijn vuil.	Veeg het stof en vuil op de aansluitingen van de draadloos-eenheid voorzichtig af en reinig de gleuf.
	De standbyschakelaar op de stofzuiger is niet op "AUTO" gezet.	Zet de standbyschakelaar op de stofzuiger op "AUTO".
	Geen voeding.	Voorzie het gereedschap en de stofzuiger van voeding.
	Onjuiste bediening	Druk kort op de knop voor draadloos inschakelen en voer de procedures voor de registratie/het annuleren van de registratie opnieuw uit.
	Het gereedschap en de stofzuiger staan te ver uit elkaar (buiten het zendbereik).	Plaats het gereedschap en de stofzuiger dichterbij elkaar. Het maximale zendbereik is ongeveer 10 meter, echter, dit kan verschillen afhankelijk van de omstandigheden.
	Voordat de registratie van het gereedschap/het annuleren van de registratie van het gereedschap werd voltooid: - de trekkerschakelaar van het gereedschap werd ingeknepen of; - de vacuümknop op het gereedschap werd ingeschakeld of; - de aan-uitknop op de stofzuiger werd ingeschakeld.	Druk kort op de knop voor draadloos inschakelen en voer de procedures voor de registratie/het annuleren van de registratie opnieuw uit.
	De procedure voor de registratie van het gereedschap op het gereedschap of de stofzuiger is niet voltooid.	Voer de procedure voor de registratie van het gereedschap tegelijkertijd uit op het gereedschap en de stofzuiger.
	Radiostoring door andere apparaten die sterke radiogolven genereren.	Houd het gereedschap en de stofzuiger uit de buurt van apparaten zoals Wi-Fi-apparaten en magnetrons.
	De stofzuiger wordt niet in- en uitgeschakeld tegelijk met de bediening van de schakelaar van het gereedschap.	De draadloos-eenheid is niet aangebracht in het gereedschap. De draadloos-eenheid is verkeerd aangebracht in het gereedschap.
De aansluitingen van de draadloos-eenheid en/of de gleuf zijn vuil.		Veeg het stof en vuil op de aansluitingen van de draadloos-eenheid voorzichtig af en reinig de gleuf.
Er is niet op de knop voor draadloos inschakelen op het gereedschap gedrukt.		Druk kort op de knop voor draadloos inschakelen en controleer of de lamp van draadloos inschakelen blauw knippert.
De standbyschakelaar op de stofzuiger is niet op "AUTO" gezet.		Zet de standbyschakelaar op de stofzuiger op "AUTO".
Meer dan 10 gereedschappen zijn geregistreerd in de stofzuiger.		Voer de registratie van het gereedschap opnieuw uit. Als meer dan 10 gereedschappen zijn geregistreerd in de stofzuiger, wordt de eerste registratie van een gereedschap automatisch gewist.
De stofzuiger kon de gereedschappen niet met succes registreren.		Alle gereedschappen opnieuw registreren.
De stofzuiger heeft alle registraties van de gereedschappen gewist.		Voer de registratie van het gereedschap opnieuw uit.
Geen voeding.		Voorzie het gereedschap en de stofzuiger van voeding.
Het gereedschap en de stofzuiger staan te ver uit elkaar (buiten het zendbereik).		Plaats het gereedschap en de stofzuiger dichterbij elkaar. Het maximale zendbereik is ongeveer 10 meter, echter, dit kan verschillen afhankelijk van de omstandigheden.
Radiostoring door andere apparaten die sterke radiogolven genereren.		Houd het gereedschap en de stofzuiger uit de buurt van apparaten zoals Wi-Fi-apparaten en magnetrons.
De stofzuiger is ingeschakeld terwijl geen schakelaar op het gereedschap is bediend.	Andere gebruikers gebruiken op hun gereedschap de functie voor draadloos inschakelen van de stofzuiger.	Schakel de knop voor draadloos inschakelen van de andere gereedschappen uit of annuleer de registratie van de andere gereedschappen.

ONDERHOUD

⚠️ WAARSCHUWING: Zorg altijd dat het gereedschap is uitgeschakeld en de accu ervan is verwijderd alvorens te beginnen met onderhoud of inspectie. Als het gereedschap niet is uitgeschakeld en de accu niet is verwijderd, kan het gereedschap per ongeluk worden ingeschakeld, waardoor ernstig persoonlijk letsel kan worden veroorzaakt.

⚠️ WAARSCHUWING: Zorg altijd dat het cirkelzaagblad scherp en schoon is om optimale en veilige prestaties te krijgen. Als u probeert te zagen met een bot en/of vuil zaagblad, kan een terugslag optreden die kan leiden tot ernstig persoonlijk letsel.

⚠️ LET OP: Verzeker u er altijd van dat de beschermkap wordt gesloten tot in de oorspronkelijke stand voordat u inspectie- of onderhoudswerkzaamheden probeert uit te voeren. Klem of bind de beschermkap nooit in de geopende stand vast tijdens reinigingswerkzaamheden. Een blootliggend zaagblad kan leiden tot persoonlijk letsel.

KENNISGEVING: Gebruik nooit benzine, wasbenzine, thinner, alcohol en dergelijke. Hierdoor kunnen verkleuring, vervormingen en barsten worden veroorzaakt.

Om de VEILIGHEID en BETROUWBAARHEID van het gereedschap te handhaven, dienen alle reparaties, onderhoud of afstellingen te worden uitgevoerd bij een erkend Makita-servicecentrum of de Makita-fabriek, en altijd met gebruik van Makita-ervangingsonderdelen.

Afstellen van de zaaghoek

Dit gereedschap werd in de fabriek nauwkeurig afgesteld en uitgelijnd, maar door ruwe behandeling kan de uitlijning ervan verslechterd zijn. Doe het volgende indien uw gereedschap niet meer juist is uitgelijnd:

Verstekhoek

Breng het handvat volledig omlaag en vergrendel het in de onderste stand met behulp van de aanslagpen. Duw de slede naar de geleider.

Draai de handgreep linksom en zet het draaibare voetstuk klaar voor de klikstopfunctie met behulp van de vergrendelhendel.

Draai vervolgens de schroeven los waarmee de wijzer en verstekhoekschaal zijn vastgezet.

► **Fig.83:** 1. Handgreep 2. Vergrendelhendel
3. Schroef op wijzer 4. Schroeven op verstekhoekschaal 5. Verstekhoekschaal

Zet het draaibare voetstuk in de stand 0° met behulp van de klikstopfunctie. Zet de zijkant van het cirkelzaagblad haaks op de voorzijde van de geleider met behulp van een geodriehoek of winkelhaak. Houd deze haaks en draai de schroeven op de verstekhoekschaal vast. Lijn daarna de wijzers (zowel links als rechts) uit met de stand 0° op de verstekhoekschaal en draai daarna de schroef op de wijzer vast.

► **Fig.84:** 1. Geodriehoek 2. Wijzer

Schuine hoek

Schuine hoek van 0°

Duw de slede naar de geleiders en vergrendel de schuifbeweging met behulp van de aanslagpen. Breng de slede volledig omlaag en vergrendel hem in de onderste stand met behulp van de aanslagpen. Draai de knop linksom en draai daarna de stelbout voor 0° twee of drie slagen linksom om het cirkelzaagblad naar rechts te kantelen.

► **Fig.85:** 1. Knop 2. Stelbout voor 0° 3. Schroef op de wijzer

Zet met behulp van een geodriehoek, winkelhaak, enz., de zijkant van het cirkelzaagblad nauwkeurig haaks op het bovenoppervlak van het draaibare voetstuk door de stelbout voor 0° rechtsonder te draaien. Draai vervolgens de knop stevig vast om de ingestelde hoek van 0° vast te zetten.

► **Fig.86:** 1. Geodriehoek 2. Zaagblad
3. Bovenoppervlak van draaibaar voetstuk

Controleer opnieuw of de zijkant van het cirkelzaagblad haaks staat op het oppervlak van het draaibare voetstuk. Draai de schroef op de wijzer los. Lijn de wijzer uit met de stand 0° op de schuine-hoekschaal en draai daarna de schroef vast.

Schuine hoek van 45°

KENNISGEVING: Alvorens de schuine hoek van 45° af te stellen, voltooit u de afstelling van de schuine hoek van 0°.

Draai de knop los en kantel de slede volledig naar de kant die u wilt controleren. Controleer of de wijzer de stand 45° op de schuine-hoekschaal aanwijst.

► **Fig.87:** 1. Knop

Als de wijzer niet de stand 45° aanwijst, lijnt u deze uit met de stand 45° door de stelbout in de schuine-hoekschaal aan de tegenovergestelde kant van het voetstuk te draaien.

► **Fig.88:** 1. Stelbout voor 45° links 2. Stelbout voor 45° rechts

De hulpgeleiders afstellen

Stel de hulpgeleiders op de hulpvoetstukken af als deze niet zijn uitgelijnd met de geleiders.

1. Draai de bouten los waarmee de hulpgeleiders zijn vastgezet met behulp van de inbusleutel.
2. Leg een recht staaf, zoals een stalen kokerprofiel, plat tegen de geleiders.
3. Terwijl de staaf plat tegen de geleiders ligt, plaatst u de hulpgeleiders zodanig dat het voorvlak van de hulpgeleider vlak tegen de staaf ligt. Draai daarna de bouten vast.

► **Fig.89:** 1. Bout 2. Hulpgeleider 3. Geleider 4. Staaf

De lens van de lamp reinigen

⚠️ LET OP: Verwijder altijd het cirkelzaagblad voordat u de lens van de lamp reinigt.

KENNISGEVING: Verwijder de schroef waarmee de lens is bevestigd niet. Als de lens niet eruit komt, draait u de schroef verder los.

KENNISGEVING: Gebruik een droge doek om het vuil van de lens van de lamp af te vegen. Wees voorzichtig dat u de lens van de lamp niet bekrast omdat dan de verlichting minder wordt.

KENNISGEVING: Gebruik geen oplosmiddelen of op petroleum gebaseerde schoonmaakmiddelen op de lens.

OPMERKING: Sommige items op de lijst kunnen zijn inbegrepen in de doos van het gereedschap als standaard toebehoren. Deze kunnen van land tot land verschillen.

De LED-lamp is moeilijk zichtbaar wanneer de lens van de lamp vuil is geworden. Maak de lens regelmatig schoon.

Verwijder de accu. Draai de schroef los en trek de lens eruit. Reinig de lens voorzichtig met een vochtige, zachte doek.

► **Fig.90:** 1. Schroef 2. Lens

Na het gebruik

Veeg na gebruik alle zaagsel en stof op het gereedschap eraf met een doek of iets dergelijks. Houd de beschermkap schoon volgens de instructies die in de paragraaf "Beschermkap" werden beschreven. Smeer de schuivende delen in met machineolie om roestvorming te voorkomen.

OPTIONELE ACCESSOIRES

⚠WAARSCHUWING: Deze Makita-accessoires of hulpstukken worden aanbevolen voor gebruik met het Makita-gereedschap dat in deze gebruiksaanwijzing is beschreven. Het gebruik van enige andere accessoires of hulpstukken kan leiden tot ernstig persoonlijk letsel.

⚠WAARSCHUWING: Gebruik de Makita-accessoires of -hulpstukken uitsluitend voor de aangegeven gebruiksdoeleinden. Misbruik van een accessoire of hulpstuk kan leiden tot ernstig persoonlijk letsel.

Wenst u meer bijzonderheden over deze accessoires, neem dan contact op met het plaatselijke Makita-servicecentrum.

- Hardmetalen zaagbladen
- Verticale spanschroef
- Horizontale spanschroef
- Set kroon-profiellijstaanslagen
- Stofzak
- Geodriehoek
- Inbussleutel
- Draadloos-eenheid
- Standaard, set
- Originele Makita accu's en acculaders

ESPECIFICACIONES

Modelo:		LS003G
Diámetro del disco	Países de Europa	305 mm
	Países aparte de los de Europa	305 mm
Diámetro del agujero	Países de Europa	30 mm
	Países aparte de los de Europa	30 mm o 25,4 mm (específico para cada país)
Grosor máximo de la hendidura del disco		3,2 mm
Ángulo de inglete máximo		Derecho 60°, Izquierdo 60°
Ángulo de bisel máximo		Derecho 48°, Izquierdo 48°
Velocidad sin carga (RPM)		3.600 min ⁻¹
Dimensiones (La x An x Al)		898 mm x 690 mm x 725 mm
Tensión nominal		CC 36 V - 40 V máx.
Peso neto		30,5 - 31,7 kg

Capacidades de corte (Al x An)

Ángulo de inglete			Ángulo de bisel		
			45° (izquierdo)	0°	45° (derecho)
0°	-	-	61 mm x 382 mm 71 mm x 363 mm	92 mm x 382 mm 107 mm x 363 mm	44 mm x 382 mm 54 mm x 363 mm
	Grosor de la garnición de madera en la guía lateral para aumentar la altura del corte	20 mm	78 mm x 325 mm	115 mm x 325 mm	61 mm x 325 mm
		38 mm	80 mm x 292 mm	120 mm x 292 mm	-
45° (derecho e izquierdo)	-	-	61 mm x 268 mm 71 mm x 255 mm	92 mm x 268 mm 107 mm x 255 mm	44 mm x 268 mm 54 mm x 255 mm
	Grosor de la garnición de madera en la guía lateral para aumentar la altura del corte	15 mm	-	115 mm x 227 mm	-
		25 mm	-	120 mm x 212 mm	-
60° (derecho e izquierdo)	-	-	-	92 mm x 185 mm 107 mm x 178 mm	-
	Grosor de la garnición de madera en la guía lateral para aumentar la altura del corte	15 mm	-	115 mm x 155 mm	-
		25 mm	-	120 mm x 140 mm	-

Capacidades de corte para cortes especiales

Tipo de corte	Capacidad de corte
Tipo moldura corona 45° (usando con tope de moldura corona)	203 mm
Placa base (usando con mordaza horizontal)	171 mm

- Debido a nuestro continuado programa de investigación y desarrollo, las especificaciones aquí dadas están sujetas a cambios sin previo aviso.
- Las especificaciones pueden ser diferentes de país a país.
- El peso puede variar dependiendo del accesorio(s), incluyendo el cartucho de batería. La combinación menos pesada y la más pesada, de acuerdo con el procedimiento EPTA 01/2014, se muestran en la tabla.

Cartucho de batería y cargador aplicables

Cartucho de batería	BL4020 / BL4025 / BL4040* / BL4040F* / BL4050F* / BL4080F* * : Batería recomendada
---------------------	---

- Algunos de los cartuchos de batería y cargadores indicados arriba puede que no estén disponibles dependiendo de su región de residencia.

⚠ ADVERTENCIA: Utilice solamente los cartuchos de batería y cargadores indicados arriba. La utilización de cualquier otro cartucho de batería y cargador puede ocasionar heridas y/o un incendio.

Símbolos

A continuación se muestran los símbolos que pueden ser utilizados para el equipo. Asegúrese de que entiende su significado antes de utilizar.



Lea el manual de instrucciones.



Póngase protección para los ojos.



Para evitar heridas causadas por restos que salen volando, siga sujetando el cabezal de la sierra en posición bajada, después de hacer cortes, hasta que el disco se haya parado completamente.



Cuando realice un corte en bisel, primero gire el pomo hacia la izquierda y después incline el carro. Después de eso, gire el pomo hacia la derecha para apretar.



Cuando vaya a realizar un corte de deslizamiento, primero tire del carro completamente y presione hacia abajo la empuñadura, después empuje el carro hacia la guía lateral.



Mantenga presionado el botón de liberación cuando incline el carro hacia la derecha.



Accione la palanca del retenedor cuando corte una placa base en ángulo de inglete de 45°.



No ponga la mano o los dedos cerca del disco.



No se quede mirando a la lámpara de operación.



A: Diámetro del disco
B: Diámetro del agujero



No instale la mordaza horizontal en la misma dirección que el corte en inglete. (Este símbolo se aplica en la mordaza horizontal)



Sólo para países de la Unión Europea
Debido a la presencia de componentes peligrosos en el equipo, el equipo eléctrico y electrónico, los acumuladores y las baterías desechados pueden tener un impacto negativo para el medioambiente y la salud humana.

¡No tire los aparatos eléctricos y electrónicos ni las baterías junto con los residuos domésticos!

De conformidad con las Directivas Europeas sobre residuos de aparatos eléctricos y electrónicos y sobre acumuladores y baterías, así como la adaptación de las mismas a la ley nacional, el equipo eléctrico, las baterías y los acumuladores desechados deberán ser almacenados por separado y trasladados a un punto distinto de recogida de desechos municipales, que cumpla con los reglamentos sobre protección medioambiental.

Esto se indica mediante el símbolo de cubo de basura tachado colocado en el equipo.

Uso previsto

La herramienta ha sido prevista para hacer cortes precisos rectos y de inglete en madera. No utilice la sierra para cortar otra cosa que no sea madera, aluminio y materiales similares.

Ruido

El nivel de ruido A-ponderado típico determinado de acuerdo con la norma EN62841-3-9:

Nivel de presión sonora (L_{pA}) : 91 dB (A)

Nivel de potencia sonora (L_{WA}) : 100 dB (A)

Error (K) : 3 dB (A)

NOTA: El valor (o los valores) de emisión de ruido declarado ha sido medido de acuerdo con un método de prueba estándar y se puede utilizar para comparar una herramienta con otra.

NOTA: El valor (o los valores) de emisión de ruido declarado también se puede utilizar en una valoración preliminar de exposición.

⚠ADVERTENCIA: Póngase protectores para oídos.

⚠ADVERTENCIA: La emisión de ruido durante la utilización real de la herramienta eléctrica puede variar del valor (o los valores) de emisión declarado dependiendo de las formas en las que la herramienta sea utilizada, especialmente qué tipo de pieza de trabajo se procesa.

⚠ADVERTENCIA: Asegúrese de identificar medidas de seguridad para proteger al operario que estén basadas en una estimación de la exposición en las condiciones reales de utilización (teniendo en cuenta todas las partes del ciclo operativo como las veces cuando la herramienta está apagada y cuando está funcionando en vacío además del tiempo de gatillo).

Declaraciones de conformidad

Para países europeos solamente

Las declaraciones de conformidad están incluidas como Anexo A de este manual de instrucciones.

ADVERTENCIAS DE SEGURIDAD

Advertencias de seguridad para herramientas eléctricas en general

⚠ADVERTENCIA Lea todas las advertencias de seguridad, instrucciones, ilustraciones y especificaciones provistas con esta herramienta eléctrica. Si no sigue todas las instrucciones indicadas abajo, podrá resultar en una descarga eléctrica, un incendio y/o heridas graves.

Guarde todas las advertencias e instrucciones para futuras referencias.

El término "herramienta eléctrica" en las advertencias se refiere a su herramienta eléctrica de funcionamiento con conexión a la red eléctrica (con cable) o herramienta eléctrica de funcionamiento a batería (sin cable).

Instrucciones de seguridad para las sierras de inglete

1. Las sierras de inglete han sido previstas para cortar madera o productos semejantes a la madera, no han sido previstas para ser utilizadas con muelas de corte abrasivas para cortar materiales ferrosos tales como barras, vástagos, espárragos roscados, etc. El polvo abrasivo ocasiona que las partes móviles tal como el protector inferior se atasquen. Las chispas del corte abrasivo quemarán el protector inferior, la inserción de hendidura y otras partes de plástico.
2. Utilice abrazaderas para sostener la pieza de

trabajo siempre que sea posible. Si sostiene la pieza de trabajo con la mano, deberá mantener la mano siempre a al menos 100 mm de cualquiera de los lados del disco. No utilice esta sierra para cortar piezas que sean demasiado pequeñas para ser fijadas firmemente o sujetadas con la mano. Si pone la mano demasiado cerca del disco, aumentará el riesgo de heridas producidas por el contacto con el disco.

3. La pieza de trabajo debe estar inmóvil y fijada o sujetada contra la guía y la mesa. No avance la pieza de trabajo hacia el disco o corte "a pulso" de ninguna forma. Las piezas de trabajo sin sujetar o moviéndose pueden ser lanzadas a grandes velocidades, causando heridas.
4. Empuje la sierra a través de la pieza de trabajo. No tire de la sierra a través de la pieza de trabajo. Para hacer un corte, suba el cabezal de la sierra y tire de él hacia afuera por encima de la pieza de trabajo sin cortarla, ponga en marcha el motor, presione el cabezal de la sierra hacia abajo y empuje la sierra a través de la pieza de trabajo. El cortar cuando se tira de la sierra es probable que ocasione que el disco se suba encima de la pieza de trabajo y lance violentamente el conjunto del disco hacia el operario.
5. No cruce nunca la mano sobre la línea de corte prevista ya sea por delante o por detrás del disco. El sostener la pieza de trabajo con la "mano cruzada", por ejemplo, sujetando la pieza de trabajo por la derecha del disco con la mano izquierda o viceversa es muy peligroso.

► Fig.1

6. No extienda ninguna de las manos por detrás de la guía hasta más cerca de 100 mm de cualquiera de los lados del disco, para retirar restos de madera, o por cualquier otra razón mientras el disco está girando. La proximidad a su mano del disco girando puede no ser obvia y usted se puede herir gravemente.
7. Inspeccione su pieza de trabajo antes de cortar. Si la pieza de trabajo está curvada o combada, fijela con la cara curvada exterior hacia la guía. Asegúrese siempre de que no hay holgura entre la pieza de trabajo, la guía y la mesa a lo largo de la línea del corte. Las piezas de trabajo curvadas o combadas se pueden retorcer o cambiar de posición y pueden ocasionar que el disco girando se trabe mientras corta. No debe haber clavos u objetos extraños en la pieza de trabajo.
8. No utilice la sierra hasta que la mesa esté despejada de todas las herramientas, restos de madera, etc., excepto la pieza de trabajo. Los restos pequeños o trozos de madera sueltos u otros objetos que entren en contacto con el disco mientras está girando pueden salir lanzados a gran velocidad.
9. Corte solamente una pieza de trabajo al mismo tiempo. Múltiples piezas de trabajo apiladas no se pueden fijar o sujetar debidamente y se pueden trabar en el disco o cambiar de posición durante el corte.
10. Asegúrese de que la sierra de inglete está montada o colocada sobre una superficie de trabajo nivelada y firme antes de utilizar. Una

superficie de trabajo nivelada y firme reduce el riesgo de que la sierra de inglete se vuelva inestable.

11. **Planee su trabajo. Cada vez que cambie el ajuste del ángulo de bisel o inglete, asegúrese de que la guía ajustable esté ajustada correctamente para sostener la pieza de trabajo y que no va a interferir con el disco o el sistema de protección.** Sin "ENCENDER" la herramienta y sin pieza de trabajo encima de la mesa, mueva el disco a través de un corte simulado completo para asegurarse de que no va a haber interferencia o peligro de cortar la guía.
12. **Proporcione un apoyo adecuado tales como extensiones de mesa, caballetes, etc., para una pieza de trabajo que sea más ancha o larga que la parte superior de la mesa.** Las piezas de trabajo más largas o anchas que la mesa de la sierra de inglete se pueden ladear si no se apoyan firmemente. Si la pieza cortada o la pieza de trabajo se ladea, podrá levantar el protector inferior o ser lanzada por el disco que está girando.
13. **No utilice a otra persona como sustitución de una mesa de extensión o como apoyo adicional.** Un apoyo inestable de la pieza de trabajo puede ocasionar que el disco se trabo o que la pieza de trabajo cambie de posición durante la operación de corte arrastrando a usted y al ayudante hacia el disco que está girando.
14. **La pieza cortada no deberá ser empujada o presionada de ningún modo contra el disco que está girando.** Si se confina, por ejemplo, utilizando topes de longitud, la pieza cortada puede incrustarse contra el disco y ser lanzada violentamente.
15. **Asegúrese siempre de utilizar una abrazadera o accesorio designado para sostener debidamente material redondo tales como vástagos o tubos.** Los vástagos tienen tendencia a rodar mientras están siendo cortados, ocasionando que el disco "muerda" y tire de la pieza de trabajo junto con su mano hacia el disco.
16. **Deje que el disco alcance plena velocidad antes de que haga contacto con la pieza de trabajo.** Esto reducirá el riesgo de que la pieza de trabajo sea lanzada.
17. **Si la pieza de trabajo o el disco se atasca, apague la sierra de inglete. Espere hasta que todas las partes móviles se detengan y desconecte la clavija de la fuente de alimentación y/o retire la batería. Después realice la tarea de liberar el material atascado.** Si continúa serrando con una pieza de trabajo atascada podrá ocasionar la pérdida de control o daños a la sierra de inglete.
18. **Después de terminar el corte, libere el interruptor, mantenga el cabezal de la sierra bajado y espere hasta que el disco se detenga antes de retirar la pieza cortada.** El alargar la mano hasta cerca del disco que está girando por inercia es peligroso.
19. **Sujete la empuñadura firmemente cuando haga un corte incompleto o cuando libere el interruptor antes de que el cabezal de la sierra esté completamente en la posición bajada. La**

acción de frenado de la sierra puede ocasionar que el cabezal de la sierra sea arrastrado repentinamente hacia abajo, ocasionando un riesgo de heridas.

20. **Utilice solamente el disco de sierra con el diámetro que está marcado en la herramienta o especificado en el manual.** La utilización de un disco de tamaño incorrecto puede afectar a la protección apropiada del disco o a la operación del protector lo que puede resultar en heridas personales graves.
21. **Utilice solamente discos que tengan marcada una velocidad igual o mayor que la velocidad marcada en la herramienta.**
22. **No utilice la sierra para cortar otra cosa que no sea madera, aluminio y materiales similares.**
23. **(Para países de Europa solamente) Utilice siempre el disco que cumpla con EN847-1.**

Instrucciones adicionales

1. **Haga el taller a prueba de niños utilizando candados.**
2. **No se ponga nunca encima de la herramienta.** Si la herramienta se vuelca o si se hace contacto involuntario con el implemento de corte se podrán producir heridas graves.
3. **No deje nunca la herramienta en marcha sin atender. Desconecte la alimentación. No deje la herramienta hasta que se haya detenido completamente.**
4. **No utilice la sierra sin los protectores puestos. Compruebe que el protector de disco se cierra debidamente antes de cada uso. No utilice la sierra si el protector de disco no se mueve libremente y se cierra instantáneamente. No sujete ni ate nunca el protector de disco en la posición abierta.**
5. **Mantenga las manos apartadas del recorrido del disco. Evite el contacto con cualquier disco cuando esté girando por inercia. Incluso entonces puede causar heridas graves.**
6. **Para reducir el riesgo de heridas, devuelva el carro a la posición trasera completa después de cada operación de corte cruzado.**
7. **Sujete siempre todas las partes móviles antes de transportar la herramienta.**
8. **El pasador de retención o la palanca del retenedor que bloquea el cabezal de la sierra en posición bajada es solamente para transportar y almacenar la herramienta y no para ninguna operación de corte.**
9. **Compruebe el disco cuidadosamente por si tiene grietas o daños antes de comenzar la operación. Reemplace el disco agrietado o dañado inmediatamente. La goma y resina de madera endurecida en los discos ralentiza la sierra y aumenta la posibilidad de que se produzca un retroceso brusco. Mantenga el disco limpio retirándolo primero de la herramienta, después límpielo con un eliminador de goma y resina, agua caliente o keroseno. No utilice nunca gasolina para limpiar el disco.**
10. **Cuando haga un corte de deslizamiento, podrá producirse un RETROCESO BRUSCO. Los**

RETROCESOS BRUSCOS se producen cuando el disco se traba en la pieza de trabajo durante una operación de corte y es conducido rápidamente hacia el operario. Puede resultar en pérdida de control y heridas graves. Si el disco comienza a trabarse durante una operación de corte, no continúe cortando y libere el interruptor inmediatamente.

11. Utilice solamente las bridas especificadas para esta herramienta.
12. Tenga cuidado de no dañar el eje, las bridas (en especial la superficie de instalación) o el perno. Los daños en estas piezas pueden resultar en rotura del disco.
13. Asegúrese de que la base giratoria está debidamente sujeta de forma que no se mueva durante la operación. Utilice los agujeros en la base para sujetar la sierra a una plataforma o banco de trabajo estable. No utilice NUNCA la herramienta donde la postura del operario no sea práctica.
14. Antes de activar el interruptor, asegúrese de que el bloqueo del eje está quitado.
15. Asegúrese de que el disco no toca la base giratoria cuando está en la posición más baja.
16. Sujete la empuñadura firmemente. Tenga presente que la sierra se mueve un poco hacia arriba y hacia abajo durante el inicio y la parada.
17. Asegúrese de que el disco no está tocando la pieza de trabajo antes de activar el interruptor.
18. Antes de utilizar la herramienta en la pieza de trabajo definitiva, déjala funcionar durante un rato. Observe para ver si se producen vibraciones o bamboleos que puedan indicar que el disco está mal instalado o mal equilibrado.
19. Detenga la operación inmediatamente si nota algo anormal.
20. No intente bloquear el gatillo en la posición "ACTIVADA".
21. Utilice siempre los accesorios recomendados en este manual. La utilización de accesorios incorrectos como muelas abrasivas puede ocasionar heridas.
22. Algunos materiales contienen sustancias químicas que pueden ser tóxicas. Tenga precaución para evitar la inhalación de polvo y el contacto con la piel. Siga los datos de seguridad del abastecedor del material.
23. No utilice un suministro de alimentación con cable con esta herramienta.

Normas de seguridad adicionales para la lámpara de operación

1. No mire la luz ni vea la fuente de luz directamente.

GUARDE ESTAS INSTRUCCIONES.

ADVERTENCIA: NO deje que la comodidad o familiaridad con el producto (a base de utilizarlo repetidamente) sustituya la estricta observancia de las normas de seguridad para el producto en cuestión. El MAL USO o el no seguir las normas de seguridad establecidas en este manual de instrucciones podrá ocasionar graves heridas personales.

Instrucciones de seguridad importantes para el cartucho de batería

1. Antes de utilizar el cartucho de batería, lea todas las instrucciones e indicaciones de precaución sobre (1) el cargador de baterías, (2) la batería, y (3) el producto con el que se utiliza la batería.
2. No desensamble ni manipule el cartucho de batería. Podrá resultar en un incendio, calor excesivo, o una explosión.
3. Si el tiempo de uso se acorta demasiado, cese la operación inmediatamente. Podría resultar en un riesgo de recalentamiento, posibles quemaduras e incluso una explosión.
4. Si entra electrolito en sus ojos, aclárelos con agua limpia y acuda a un médico inmediatamente. Existe el riesgo de poder perder la vista.
5. No cortocircuite el cartucho de batería:
 - (1) No toque los terminales con ningún material conductor.
 - (2) Evite guardar el cartucho de batería en un cajón junto con otros objetos metálicos, como clavos, monedas, etc.
 - (3) No exponga el cartucho de batería al agua ni a la lluvia.

Un cortocircuito en la batería puede producir una gran circulación de corriente, un recalentamiento, posibles quemaduras e incluso una rotura de la misma.
6. No guarde ni utilice la herramienta y el cartucho de batería en lugares donde la temperatura pueda alcanzar o exceder los 50 °C.
7. Nunca incinere el cartucho de batería incluso en el caso de que esté dañado seriamente o ya no sirva en absoluto. El cartucho de batería puede explotar si se tira al fuego.
8. No clave, corte, aplaste, lance, deje caer el cartucho de batería, ni golpee contra un objeto duro el cartucho de batería. Tal conducta podrá resultar en un incendio, calor excesivo, o una explosión.
9. No utilice una batería dañada.
10. Las baterías de litio-ion contenidas están sujetas a los requisitos de la Legislación para Materiales Peligrosos.

Para transportes comerciales, p.ej., por terceras personas y agentes de transportes, se deberán observar requisitos especiales para el empaquetado y etiquetado.

Para la preparación del artículo que se va a enviar, se requiere consultar con un experto en

materiales peligrosos. Por favor, observe también la posibilidad de reglamentos nacionales más detallados.

Cubra con cinta aislante o enmascare los contactos expuestos y empaquete la batería de tal manera que no se pueda mover alrededor dentro del embalaje.

11. **Para desechar el cartucho de batería, retírelo de la herramienta y deséchelo en un lugar seguro. Siga los reglamentos locales referentes al desecho de la batería.**
12. **Utilice las baterías solamente con los productos especificados por Makita.** La instalación de las baterías en productos no compatibles puede resultar en un incendio, calor excesivo, explosión, o fuga de electrolito.
13. **Si la herramienta no va a ser utilizada durante un periodo de tiempo largo, la batería deberá ser retirada de la herramienta.**
14. **Durante y después de la utilización, el cartucho de batería podrá acumular calor, lo cual puede ocasionar quemaduras o quemaduras de baja temperatura. Preste atención al manejo de cartuchos de batería calientes.**
15. **No toque el terminal de la herramienta inmediatamente después de utilizar, dado que puede calentarse lo suficiente como para ocasionar quemaduras.**
16. **No permita que virutas, polvo, o tierra se adhieran dentro de los terminales, orificios, y ranuras del cartucho de batería.** Esto podría ocasionar calentamiento, que coja fuego, reviente y un mal funcionamiento de la herramienta o el cartucho de batería, resultando en quemaduras o heridas personales.
17. **A menos que la herramienta pueda utilizarse cerca de cables eléctricos de alta tensión, no utilice el cartucho de batería cerca de cables eléctricos de alta tensión.** Podrá resultar en un mal funcionamiento o rotura de la herramienta o el cartucho de batería.
18. **Mantenga la batería alejada de los niños.**

GUARDE ESTAS INSTRUCCIONES.

⚠️ PRECAUCIÓN: Utilice solamente baterías genuinas de Makita. La utilización de baterías no genuinas de Makita, o baterías que han sido alteradas, puede resultar en una explosión de la batería ocasionando incendios, heridas personales y daños. También anulará la garantía de Makita para la herramienta y el cargador de Makita.

Consejos para alargar al máximo la vida de servicio de la batería

1. **Cargue el cartucho de batería antes de que se descargue completamente. Detenga siempre la operación y cargue el cartucho de batería cuando note menos potencia en la herramienta.**
2. **No cargue nunca un cartucho de batería que esté completamente cargado. La sobrecarga acortará la vida de servicio de la batería.**

3. **Cargue el cartucho de batería a temperatura ambiente de 10 °C - 40 °C. Si un cartucho de batería está caliente, déjelo enfriar antes de cargarlo.**
4. **Cuando no esté utilizando el cartucho de batería, retírelo de la herramienta o del cargador.**
5. **Cargue el cartucho de batería si no lo utiliza durante un periodo de tiempo prolongado (más de seis meses).**

Instrucciones de seguridad importantes para la unidad inalámbrica

1. **No desmonte o manipule la unidad inalámbrica.**
2. **Mantenga la unidad inalámbrica alejada de niños pequeños. Si se ingiere accidentalmente, solicite atención médica inmediatamente.**
3. **Utilice la unidad inalámbrica solamente con herramientas Makita.**
4. **No exponga la unidad inalámbrica a la lluvia o a condiciones que se pueda mojar.**
5. **No utilice la unidad inalámbrica en lugares donde la temperatura exceda los 50 °C.**
6. **No utilice la unidad inalámbrica en lugares donde se encuentren cerca instrumentos médicos, tales como marcapasos cardíacos.**
7. **No utilice la unidad inalámbrica en lugares donde se encuentren cerca dispositivos automatizados. Si la utiliza, los dispositivos automatizados podrán desarrollar un mal funcionamiento o error.**
8. **No utilice la unidad inalámbrica en lugares de temperatura alta o lugares donde se pueda generar electricidad estática o ruido eléctrico.**
9. **La unidad inalámbrica puede producir campos electromagnéticos (CEM), pero no son perjudiciales para el usuario.**
10. **La unidad inalámbrica es un instrumento de precisión. Tenga cuidado de no dejar caer o golpear la unidad inalámbrica.**
11. **Evite tocar el terminal de la unidad inalámbrica con las manos desnudas o materiales metálicos.**
12. **Retire siempre la batería del producto cuando vaya a instalar la unidad inalámbrica en él.**
13. **Cuando abra la tapa de la ranura, evite los lugares donde polvo y agua puedan entrar en la ranura. Mantenga siempre limpia la abertura de la ranura.**
14. **Inserte siempre la unidad inalámbrica en la dirección correcta.**
15. **No presione el botón de activación inalámbrica en la unidad inalámbrica con fuerza ni presione el botón con un objeto de borde cortante.**
16. **Cierre siempre la tapa de la ranura cuando esté realizando operaciones.**
17. **No retire la unidad inalámbrica de la ranura mientras se esté suministrando alimentación a la herramienta. Si lo hace podrá ocasionar un mal funcionamiento de la unidad inalámbrica.**

18. No retire la etiqueta adhesiva de la unidad inalámbrica.
19. No ponga ninguna etiqueta adhesiva en la unidad inalámbrica.
20. No deje la unidad inalámbrica en un lugar donde se pueda generar electricidad estática o ruido eléctrico.
21. No deje la unidad inalámbrica en un lugar expuesto a mucho calor, tal como dentro de un automóvil aparcado al sol.
22. No deje la unidad inalámbrica en un lugar polvoriento o polvoroso o en un lugar donde se pueda generar gas corrosivo.
23. Un cambio repentino de la temperatura puede cubrir de rocío la unidad inalámbrica. No utilice la unidad inalámbrica hasta que el rocío se haya secado completamente.
24. Cuando limpie la unidad inalámbrica, frote con cuidado con un paño suave y seco. No utilice benzina, disolvente, grasa conductora o algo similar.
25. Cuando almacene la unidad inalámbrica, manténgala en la funda suministrada o en un contenedor libre de electricidad estática.
26. No inserte ningún dispositivo excepto la unidad inalámbrica de Makita en la ranura de la herramienta.
27. No utilice la herramienta con la tapa de la ranura dañada. Si entra en la ranura agua, polvo o suciedad puede ocasionar un mal funcionamiento.
28. No tire de la tapa de la ranura ni la retuerza más de lo necesario. Vuelva a colocar la tapa si se desprende de la herramienta.
29. Reemplace la tapa de la ranura si se pierde o se daña.

GUARDE ESTAS INSTRUCCIONES.

DESCRIPCIÓN DE LAS PARTES

► Fig.2

1	Pomo (para ángulo de bisel)	2	Llave hexagonal	3	Tornillo de ajuste (para posición del límite inferior)	4	Perno de ajuste (para capacidad de corte máxima)
5	Brazo de retención	6	Botón de desbloqueo	7	Gatillo interruptor	8	Tapa (para la unidad inalámbrica)
9	Agujero para candado	10	Botón de activación inalámbrica	11	Lámpara de activación inalámbrica	12	Botón de la lámpara
13	Botón de aspiración	14	Caja del disco	15	Protector de disco	16	Guía secundaria
17	Palanca de bloqueo (para base giratoria)	18	Palanca de liberación (para base giratoria)	19	Mango (para base giratoria)	20	Placa de corte
21	Escala de ángulo de inglete	22	Puntero (para ángulo de inglete)	23	Base giratoria	24	Base secundaria
25	Botón de liberación (para ángulo de bisel del lado derecho)	26	Mordaza vertical	27	Pasador de retención (para deslizamiento del carro)	28	Barra deslizable

► Fig.3

1	Empuñadura	2	Cartucho de batería	3	Bolsa de polvo (cuando se reemplaza con la manguera de extracción de polvo)	4	Manguera (para extracción de polvo)
5	Escala de ángulo de bisel	6	Perno de ajuste de 0° (para ángulo de bisel)	7	Puntero (para ángulo de bisel)	8	Perno de ajuste de 45° (para ángulo de bisel)
9	Palanca de enganche (para ángulo de bisel)	10	Palanca de liberación (para ángulo de bisel de 48°)	11	Guía lateral (guía superior)	12	Guía lateral (guía inferior)
13	Pasador de retención (para elevación del carro)	14	Bloqueo del eje	-	-	-	-

INSTALACIÓN

Instalación del mango

Rosque el eje roscado del mango en la base giratoria.

► Fig.4: 1. Mango 2. Base giratoria

Instalación y desmontaje de la manguera de extracción de polvo

Coloque el codo de la manguera en el conector superior con el botón de bloqueo orientado hacia arriba. Inserte el manguito de la manguera en el conector inferior, presionando y alineando los botones de retención del manguito con las muescas de guía del conector. Asegúrese de que el codo y el manguito encajen debidamente en los conectores de la herramienta.

► **Fig.5:** 1. Manguera de extracción de polvo 2. Codo 3. Botón de bloqueo 4. Manguito 5. Conector superior 6. Conector inferior

Para retirar el codo de la manguera del conector, tire del codo mientras presiona hacia abajo el botón de bloqueo.

► **Fig.6:** 1. Botón de bloqueo 2. Codo

Para retirar el manguito de la manguera del conector, tire del manguito mientras presiona los botones de retención de ambos costados del conector.

► **Fig.7:** 1. Botón de retención 2. Manguito

Montaje en un banco de trabajo

Cuando la herramienta sale de fábrica, la empuñadura está bloqueada en la posición bajada con el pasador de retención. Mientras baja la empuñadura ligeramente, tire del pasador de retención y gírelo 90°.

► **Fig.8:** 1. Posición bloqueada 2. Posición desbloqueada 3. Pasador de retención

Esta herramienta se deberá fijar con cuatro pernos en una superficie nivelada y estable utilizando los agujeros para pernos provistos en la base de la herramienta. Esto ayudará a evitar que se vuelque y pueda ocasionar heridas.

► **Fig.9:** 1. Perno

⚠ADVERTENCIA: Asegúrese de que la herramienta no se moverá en la superficie de apoyo.

El movimiento de la sierra de inglete en la superficie de apoyo mientras hace el corte puede resultar en la pérdida del control y heridas personales graves.

DESCRIPCIÓN DEL FUNCIONAMIENTO

⚠ADVERTENCIA: Asegúrese siempre de que la herramienta está apagada y el cartucho de batería retirado antes de ajustar o comprobar las funciones de la herramienta. Si no apaga la herramienta y retira el cartucho de batería podrá resultar en heridas personales graves a causa de una puesta en marcha accidental.

Instalación o extracción del cartucho de batería

⚠PRECAUCIÓN: Apague siempre la herramienta antes de instalar o retirar el cartucho de batería.

⚠PRECAUCIÓN: Sujete la herramienta y el cartucho de batería firmemente cuando instale o retire el cartucho de batería. Si no sujeta la herramienta y el cartucho de batería firmemente podrán caerse de las manos y resultar en daños a la herramienta y al cartucho de batería y heridas personales.

Para instalar el cartucho de batería, alinee la lengüeta del cartucho de batería con la ranura del alojamiento y deslícelo al interior hasta encajarlo en su sitio. Insértelo por completo hasta que se bloquee en su sitio con un pequeño chasquido. Si puede ver el indicador rojo como se muestra en la figura, no estará bloqueado completamente.

Para retirar el cartucho de batería, deslícelo de la herramienta mientras desliza el botón de la parte frontal del cartucho.

► **Fig.10:** 1. Indicador rojo 2. Botón 3. Cartucho de batería

⚠PRECAUCIÓN: Instale siempre el cartucho de batería completamente hasta que no pueda verse el indicador rojo. En caso contrario, podrá caerse accidentalmente de la herramienta y ocasionarle heridas a usted o a alguien que esté cerca de usted.

⚠PRECAUCIÓN: No instale el cartucho de batería empleando fuerza. Si el cartucho no se desliza al interior fácilmente, será porque no está siendo insertado correctamente.

Sistema de protección de la herramienta / batería

La herramienta está equipada con un sistema de protección de la herramienta/batería. Este sistema corta automáticamente la alimentación del motor para alargar la vida útil de la herramienta y la batería. La herramienta se detendrá automáticamente durante la operación si la herramienta o la batería es puesta en una de las condiciones siguientes. En algunas condiciones, los indicadores se iluminan.

Protección contra sobrecarga

Cuando la herramienta/batería sea operada de una manera que le haga absorber una corriente anormalmente alta, la herramienta se detendrá automáticamente. En esta situación, apague la herramienta y detenga la tarea que ocasiona la sobrecarga de la herramienta. Después encienda la herramienta para volver a empezar.

Protección contra el recalentamiento

Cuando la herramienta/batería se recaliente, la herramienta se detendrá automáticamente y la lámpara parpadeará. En esta situación, deje que la herramienta

se enfríe antes de encenderla otra vez.

Protección contra descarga excesiva

Cuando la capacidad de batería sea baja, la herramienta se detendrá automáticamente. Si la herramienta no se pone en marcha paralelamente con la operación del interruptor, retire la batería de la herramienta y cárguela.

Modo de indicar la capacidad de batería restante

Presione el botón de comprobación en el cartucho de batería para indicar la capacidad de batería restante. Las lámparas indicadoras se iluminan durante unos pocos segundos.

► **Fig.11:** 1. Lámparas indicadoras 2. Botón de comprobación

Lámparas indicadoras			Capacidad restante
Iluminada	Apagada	Parpadeando	
■	□	▧	75% a 100%
■ ■ ■ ■	□ □ □ □		
■ ■ ■ ■	□ □ □ □		50% a 75%
■ ■ ■ ■	□ □ □ □		25% a 50%
■ ■ ■ ■	□ □ □ □		0% a 25%
▧	□ □ □ □		Cargue la batería.
■ ■ ■ ■	□ □ □ □		Puede que la batería no esté funcionando bien.
□ □ □ □	■ ■ ■ ■		

NOTA: Dependiendo de las condiciones de utilización y de la temperatura ambiente, la indicación podrá variar ligeramente de la capacidad real.

NOTA: La primera lámpara indicadora (extremo izquierdo) parpadeará cuando el sistema de protección de la batería esté funcionando.

Bloqueo de la empuñadura

PRECAUCIÓN: Sujete siempre la empuñadura cuando vaya a soltar el pasador de retención. De lo contrario la empuñadura saltará hacia arriba y podrá resultar en heridas personales.

La empuñadura se puede bloquear tanto en la posición bajada como en la posición levantada con el pasador de retención. Baje o suba completamente la empuñadura y después tire del pasador de retención y gírelo a una posición bloqueada. Para desbloquear la empuñadura, tire del pasador de retención y gírelo 90° a una posición desbloqueada mientras baja la empuñadura ligeramente.

► **Fig.12:** 1. Posición bloqueada 2. Posición desbloqueada 3. Pasador de retención

Bloqueo de deslizamiento

Tire del pasador de retención y gírelo 90° en una posición desbloqueada para permitir mover libremente el carro. Para bloquear el movimiento de deslizamiento del carro, empuje el carro hacia el brazo hasta que se detenga, y después vuelva a poner el pasador de retención en una posición bloqueada.

► **Fig.13:** 1. Posición bloqueada 2. Posición desbloqueada 3. Pasador de retención 4. Brazo

Protector de disco

ADVERTENCIA: No anule ni retire nunca el protector de disco ni el resorte que hay en el protector. Un disco expuesto como resultado de un protector anulado puede resultar en heridas personales graves durante la operación.

ADVERTENCIA: No utilice nunca la herramienta si el protector de disco o el resorte está dañado, defectuoso o ha sido retirado. La utilización de la herramienta con protector dañado, defectuoso o retirado puede resultar en heridas personales graves.

PRECAUCIÓN: Mantenga siempre el protector de disco en buenas condiciones para realizar la operación con seguridad. Detenga inmediatamente la operación si nota alguna irregularidad en el protector de disco. Compruebe para asegurarse de que el protector retorna accionado por resorte.

Al bajar la empuñadura, el protector de disco se sube automáticamente. El protector se acciona por resorte por lo que retorna a su posición original cuando se completa el corte y se sube la empuñadura.

► **Fig.14:** 1. Protector de disco

Limpieza

Si el protector de disco transparente se ensucia, o si se adhiere a él serrín de tal forma que no puede verse fácilmente el disco y/o la pieza de trabajo, retire el cartucho de batería y limpie el protector cuidadosamente con un paño húmedo. No utilice disolventes ni ningún producto de limpieza a base de petróleo para limpiar el protector de plástico porque pueden causar daños al protector.

Siga las instrucciones paso a paso indicadas en cómo preparar para la limpieza.

1. Asegúrese de que la herramienta está apagada y que el cartucho de batería ha sido retirado.
2. Gire el perno hexagonal hacia la izquierda utilizando la llave hexagonal suministrada mientras sujeta la cubierta central.
3. Suba el protector de disco y la cubierta central.
4. Cuando haya completado la limpieza, vuelva a poner la cubierta central y apriete el perno hexagonal realizando los pasos de arriba a la inversa.
5. Asegúrese de volver a poner el disco de sierra circular y la cubierta central en sus posiciones originales y de apretar el perno hexagonal.

► **Fig.15:** 1. Llave hexagonal 2. Perno hexagonal

⚠ADVERTENCIA: No retire el resorte que sujeta el protector de disco. Si el protector se daña con el paso del tiempo o por la exposición a los rayos ultravioleta, póngase en contacto con el Centro de servicio Makita para reemplazarlo. **NO ANULE NI RETIRE EL PROTECTOR.**

Posicionamiento de la placa de corte

Esta herramienta se provee con placas de corte en la base giratoria para minimizar el desgarro en el lado de salida de un corte. Las placas de corte se ajustan en fábrica para que el disco de sierra circular no las toque. Antes de utilizar la herramienta, ajuste las placas de corte de la forma siguiente:

1. Asegúrese de retirar el cartucho de batería. Después, afloje todos los tornillos (3 en cada lado derecho e izquierdo) que sujetan las placas de corte. ▶ **Fig.16:** 1. Placa de corte 2. Tornillo

NOTA: Los tornillos del extremo trasero se pueden aflojar y apretar fácilmente girando la base giratoria a un ángulo. Asegúrese de subir la empuñadura completamente cuando vaya a girar la base giratoria.

2. Apriételes otra vez pero solamente hasta el punto en el que las placas de corte puedan seguir moviéndose fácilmente con la mano.

NOTA: Asegúrese de volver a poner la base giratoria en el ángulo original (ángulo de inglete de 0°) cuando vaya a reposicionar las placas de corte.

3. Baje la empuñadura completamente, después tire del pasador de retención y gírelo para bloquear la empuñadura en la posición bajada.
4. Tire del pasador de retención de la barra deslizante y gírelo para permitir el deslizamiento del carro. ▶ **Fig.17:** 1. Pasador de retención 2. Posición bloqueada 3. Posición desbloqueada
5. Tire del carro hacia usted completamente.
6. Ajuste las placas de corte de forma que justamente hagan contacto con los laterales de los dientes del disco. ▶ **Fig.18**
- ▶ **Fig.19:** 1. Disco 2. Dientes del disco 3. Placa de corte 4. Corte en bisel izquierdo 5. Corte recto 6. Corte en bisel derecho
7. Apriete los tornillos delanteros (no los apriete mucho).
8. Empuje el carro hacia las guías laterales completamente y después ajuste las placas de corte de forma que justamente hagan contacto con los laterales de los dientes del disco.
9. Apriete los tornillos centrales (no los apriete mucho).
10. Después de ajustar las placas de corte, libere el pasador de retención para bloqueo de la empuñadura y suba la empuñadura. Después apriete todos los tornillos firmemente.

AVISO: Después de ajustar el ángulo de bisel, asegúrese de que las placas de corte están ajustadas debidamente. El correcto ajuste de las placas de corte ayuda a proveer un apoyo adecuado de la pieza de trabajo y a reducir al mínimo el desgarro de la pieza de trabajo.

Para mantener la máxima capacidad de corte

Esta herramienta se ajusta en fábrica para lograr su capacidad de corte máxima con un disco de 305 mm. Cuando instale un disco de sierra circular nuevo, compruebe siempre la posición del límite inferior del disco de sierra circular y, si es necesario, ajústelo de la forma siguiente:

1. Retire el cartucho de batería. Después gire la palanca del retenedor hasta la posición accionada. ▶ **Fig.20:** 1. Palanca del retenedor
2. Empuje el carro a tope hacia las guías laterales y baje la empuñadura completamente. ▶ **Fig.21:** 1. Guía lateral 2. Perno de ajuste
3. Utilice la llave hexagonal para girar el perno de ajuste hasta que el disco de sierra circular quede ligeramente por debajo de la sección transversal de las guías laterales y la superficie superior de la base giratoria. ▶ **Fig.22:** 1. Parte superior de la base giratoria 2. Guía lateral
4. Gire el disco con la mano mientras mantiene la empuñadura bajada completamente para asegurarse de que el disco de sierra circular no hace contacto con ninguna parte de la base inferior. Reajuste ligeramente, si es necesario.

⚠ADVERTENCIA: Después de instalar un disco de sierra circular nuevo y con el cartucho de batería retirado, asegúrese siempre de que el disco de sierra circular no hace contacto con ninguna parte de la base inferior cuando la empuñadura está bajada completamente. Si un disco de sierra circular hace contacto con la base, podrá ocasionar un retroceso brusco y resultar en heridas personales graves.

▶ **Fig.23**

⚠PRECAUCIÓN: Devuelva siempre la palanca del retenedor a la posición original después de hacer el ajuste.

Brazo de retención

La posición del límite inferior del disco de sierra circular se puede ajustar fácilmente con el brazo de retención. Para ajustarla, mueva el brazo de retención en la dirección de la flecha como se muestra en la figura. Gire el tornillo de ajuste de forma que el disco de sierra circular se pare en la posición deseada cuando baje la empuñadura completamente.

- ▶ **Fig.24:** 1. Tornillo de ajuste 2. Brazo de retención

⚠PRECAUCIÓN: Sujete siempre la empuñadura firmemente cuando haga el ajuste. En caso contrario podrá ocasionar que el carro salte hacia arriba y resultar en heridas.

Ajuste del ángulo de inglete

⚠PRECAUCIÓN: Después de cambiar el ángulo de inglete, sujete siempre la base giratoria volviendo a poner la palanca de bloqueo/liberación en una posición bloqueada y apretando el mango firmemente.

AVISO: Cuando vaya a girar la base giratoria, asegúrese de subir la empuñadura completamente.

1. Gire el mango hacia la izquierda. Después mantenga presionada la palanca de bloqueo en una posición desbloqueada.
 2. Sujete el mango y hágalo oscilar de un lado para otro para girar la base giratoria.
 3. Alinee el puntero con el ángulo que desea de la escala de ángulo de inglete.
 4. Libere la palanca de bloqueo y apriete el mango.
- **Fig.25:** 1. Mango 2. Palanca de bloqueo 3. Puntero
4. Escala de ángulo de inglete

Función de parada positiva

Esta sierra de inglete emplea la función de parada positiva. Puede ajustar un ángulo de inglete izquierdo/derecho de 0°, 15°, 22,5°, 31,6°, 45°, y 60° rápidamente.

1. Gire el mango hacia la izquierda.
 2. Mantenga presionada la palanca de bloqueo en una posición desbloqueada.
 3. Gire la base giratoria hasta cerca del ángulo de parada positiva deseado y libere la palanca de bloqueo.
 4. Gire la base giratoria al ángulo de parada positiva deseado hasta que se sujete.
 5. Apriete el mango.
- **Fig.26:** 1. Mango 2. Palanca de bloqueo 3. Ángulo de parada positiva

NOTA: Para dejar la base giratoria libre de la función de parada positiva, presione hacia abajo la palanca de liberación. La base giratoria se puede mover libremente sin mantener bajada la palanca de bloqueo. Haga oscilar el mango para girar la base giratoria hasta el ángulo que desee, y después apriete el mango.

► **Fig.27:** 1. Palanca de liberación

Ajuste del ángulo de bisel

⚠PRECAUCIÓN: Después de cambiar el ángulo de bisel, sujete siempre el brazo apretando el pomo de la barra deslizante hacia la derecha.

AVISO: Retire siempre las guías laterales superiores y la mordaza vertical antes de ajustar el ángulo de bisel.

AVISO: Cuando incline el disco de sierra circular, asegúrese de que el carro está subido completamente.

AVISO: Cuando cambie ángulos de bisel, asegúrese de volver a posicionar las placas de corte debidamente como se explica en la sección para posicionamiento de las placas de corte.

AVISO: No apriete el pomo de la barra deslizante con demasiada fuerza. Si lo hace, podrá ocasionar un mal funcionamiento del mecanismo de bloqueo del ángulo de bisel.

Inclinación del disco de sierra circular hacia la izquierda

1. Gire el pomo de la barra deslizante hacia la izquierda.
► **Fig.28:** 1. Pomo
2. Tire de la palanca de enganche y gírela hasta la posición mostrada en la ilustración.
► **Fig.29:** 1. Palanca de enganche
3. Sujete la empuñadura e incline el carro hacia la izquierda.
4. Alinee el puntero con el ángulo que desea de la escala de ángulo de bisel.
5. Apriete el pomo hacia la derecha para sujetar el brazo del carro.
► **Fig.30:** 1. Pomo 2. Empuñadura 3. Puntero
4. Escala de ángulo de bisel

Inclinación del disco de sierra circular hacia la derecha

1. Gire el pomo de la barra deslizante hacia la izquierda.
2. Sujete la empuñadura e incline el carro hacia la izquierda ligeramente.
3. Incline el carro hacia la derecha mientras presiona el botón de liberación para ángulo de bisel del lado derecho.
4. Alinee el puntero con el ángulo que desea de la escala de ángulo de bisel.
5. Apriete el pomo hacia la derecha para sujetar el brazo del carro.
► **Fig.31:** 1. Pomo 2. Empuñadura 3. Botón de liberación para ángulo de bisel del lado derecho
4. Escala de ángulo de bisel

Inclinación del disco de sierra circular usando la función de parada positiva

Esta sierra de inglete emplea la función de parada positiva. Puede ajustar el ángulo de 22,5° y 33,9° hacia la derecha o izquierda rápidamente.

1. Gire el pomo de la barra deslizante hacia la izquierda.

2. Incline el carro hasta cerca del ángulo de parada positiva deseado mientras sube la palanca de enganche.
 3. Ponga la palanca de enganche en una posición horizontal.
 4. Incline el carro hasta el ángulo de parada positiva que desea hasta que se sujete.
 5. Para cambiar el ángulo, tire de la palanca de enganche hacia la parte frontal de la herramienta, y después vuelva a inclinar el carro.
 6. Apriete el pomo hacia la derecha para sujetar el brazo del carro.
- **Fig.32:** 1. Pomo 2. Palanca de enganche

Inclinación del disco de sierra circular más allá del rango de 0° - 45°

1. Gire el pomo de la barra deslizante hacia la izquierda.
 2. Sujete la empuñadura e incline el carro a través de 45° hacia la izquierda o hacia la derecha.
 3. Tire del carro hacia atrás ligeramente y deslice la palanca de liberación para ángulo de bisel de 48° hacia la parte frontal de la herramienta.
 4. Incline más el carro hacia la izquierda o hacia la derecha mientras mantiene liberada la palanca.
 5. Apriete el pomo hacia la derecha para sujetar el brazo del carro.
- **Fig.33:** 1. Pomo 2. Empuñadura 3. Palanca de liberación para ángulo de bisel de 48°

Accionamiento del interruptor

⚠ADVERTENCIA: Antes de instalar el cartucho(s) de batería en la herramienta, compruebe siempre para ver que el gatillo interruptor se acciona debidamente y que vuelve a la posición “desactivada” cuando se libera. No apriete con fuerza el gatillo interruptor sin presionar hacia dentro el botón de desbloqueo. Podría romper el interruptor. La utilización de una herramienta con un interruptor que no se acciona debidamente puede resultar en la pérdida de control y heridas personales graves.

⚠ADVERTENCIA: No utilice NUNCA la herramienta si el gatillo interruptor no funciona perfectamente bien. Cualquier herramienta con un interruptor que no funciona bien es MUY PELIGROSA y deberá ser reparada antes de seguir utilizándola o podrán producirse heridas personales graves.

⚠ADVERTENCIA: No anule NUNCA la función del botón de desbloqueo sujetándolo con cinta adhesiva o alguna otra manera. Un interruptor con un botón de desbloqueo anulado puede resultar en una puesta en marcha involuntaria y a heridas personales graves.

⚠ADVERTENCIA: No utilice NUNCA la herramienta si se pone en marcha cuando usted simplemente aprieta el gatillo interruptor sin presionar el botón de desbloqueo. Un interruptor con necesidad de reparación puede resultar en una puesta en marcha involuntaria y a heridas personales graves. Lleve la herramienta a un centro de servicio Makita para que le hagan las reparaciones apropiadas ANTES de seguir utilizándola.

► **Fig.34:** 1. Gatillo interruptor 2. Botón de desbloqueo 3. Agujero para candado

Para evitar que el gatillo interruptor pueda accionarse accidentalmente, se ha provisto un botón de desbloqueo. Para poner en marcha la herramienta, presione hacia dentro el botón de desbloqueo y apriete el gatillo interruptor. Suelte el gatillo interruptor para parar. En el gatillo interruptor se ha provisto un agujero para insertar un candado a fin de bloquear la herramienta en posición apagada.

⚠ADVERTENCIA: No utilice un candado con un fuste o cable de menos de 6,35 mm de diámetro. Un fuste o cable más pequeño podrá no bloquear debidamente la herramienta en la posición apagada y es posible que se produzca una puesta en marcha involuntaria resultando en heridas personales graves.

Emisión de una línea de corte

⚠PRECAUCIÓN: La lámpara no es a prueba de lluvia. No lave la lámpara en agua ni la utilice bajo la lluvia ni en un área mojada. Tal conducta puede ocasionar una descarga eléctrica y humo.

⚠PRECAUCIÓN: No toque la lente de la lámpara, porque estará muy caliente mientras está encendida o poco después de haberla apagado. Esto puede ocasionar quemaduras.

⚠PRECAUCIÓN: No aplique impactos a la lámpara, los cuales podrán ocasionar daños o reducir el tiempo de servicio de la misma.

⚠PRECAUCIÓN: No mire a la luz ni vea la fuente de luz directamente.

La lámpara LED emite una luz sobre el disco de sierra circular, y la sombra del disco se proyecta sobre la pieza de trabajo haciendo las veces de indicador de línea de corte sin necesidad de calibración. Presione el botón de la lámpara para arrojar una luz. Aparecerá una línea en la que el disco convergerá con la superficie de la pieza de trabajo, volviéndose más intensa a medida que el disco sea bajado.

► **Fig.35:** 1. Botón de la lámpara 2. Lámpara 3. Línea de corte

El indicador ayuda a cortar a través de una línea para cortar existente trazada sobre una pieza de trabajo.

1. Sujete la empuñadura y baje el disco de sierra circular de forma que una sombra densa del disco se proyecte contra una pieza de trabajo.
2. Alinee una línea para cortar trazada sobre la pieza de trabajo con la línea de corte sombreada.
3. Ajuste los ángulos de inglete y los ángulos de bisel si es necesario.

NOTA: Asegúrese de desactivar el interruptor de la lámpara después de utilizarla porque encender la luz consume energía de la batería.

NOTA: La luz se apaga automáticamente 5 minutos después de cesar la operación.

Función electrónica

Freno eléctrico

Esta herramienta está equipada con un freno eléctrico de disco. Si la herramienta consistentemente falla en dejar de funcionar rápidamente después de soltar el gatillo interruptor, haga que la herramienta sea servida en un centro de servicio Makita.

⚠PRECAUCIÓN: El sistema de freno de disco no es un sustituto para el protector de disco. No utilice nunca la herramienta sin un protector de disco que funcione bien. Un disco desprotegido puede resultar en heridas personales graves.

Control de velocidad constante

La herramienta está provista de un control de velocidad electrónico que ayuda a mantener una velocidad constante de giro del disco incluso bajo carga. Una

velocidad constante de giro del disco resultará en un corte muy uniforme.

Característica de inicio suave

Esta función permite un inicio suave de la herramienta limitando el par de inicio.

MONTAJE

⚠ADVERTENCIA: Asegúrese siempre de que la herramienta está apagada y el cartucho de batería retirado antes de trabajar en la herramienta. El no apagar y retirar el cartucho de batería puede resultar en heridas personales graves.

Para guardar la llave hexagonal

Cuando no la esté utilizando, coloque la llave hexagonal como se muestra en la figura para evitar perderla.

► **Fig.36:** 1. Llave hexagonal

Desmontaje e instalación del disco

⚠ADVERTENCIA: Asegúrese siempre de que la herramienta está apagada y el cartucho de batería ha sido retirado antes de desmontar e instalar el disco de sierra circular. Una puesta en marcha involuntaria de la herramienta puede resultar en heridas personales graves.

⚠ADVERTENCIA: Utilice solamente la llave Makita provista para desmontar e instalar el disco de sierra circular. El no utilizar la llave puede resultar en un apriete excesivo o insuficiente del perno de cabeza hueca hexagonal y heridas personales graves.

⚠ADVERTENCIA: Nunca utilice ni sustituya con piezas que no hayan sido suministradas con esta herramienta. La utilización de dichas piezas puede ocasionar heridas personales graves.

⚠ADVERTENCIA: Después de instalar el disco de sierra circular, asegúrese siempre de que está instalado firmemente. Una instalación floja del disco de sierra circular puede ocasionar heridas personales graves.

Desmontaje del disco

Para retirar el disco de sierra circular, realice los pasos siguientes:

1. Bloquee el carro en la posición levantada tirando del pasador de retención y girándolo a una posición bloqueada.

► **Fig.37:** 1. Pasador de retención 2. Posición desbloqueada 3. Posición bloqueada

2. Utilice la llave hexagonal para aflojar el perno hexagonal que sujeta la cubierta central. Después, suba el protector de disco y la cubierta central.

► **Fig.38:** 1. Llave hexagonal 2. Perno hexagonal 3. Cubierta central 4. Protector de disco

3. Presione el bloqueo del eje para bloquear el mandril y utilice la llave hexagonal para aflojar el perno de cabeza hueca hexagonal hacia la derecha. Después retire el perno de cabeza hueca hexagonal, la brida exterior y el disco de sierra circular.

► **Fig.39:** 1. Perno de cabeza hueca hexagonal (rosca hacia la izquierda) 2. Brida exterior 3. Bloqueo del eje

4. Si retira la brida interior, instálala en el mandril con su cara rebajada orientada hacia el disco de sierra circular. Si la brida está instalada incorrectamente rozará contra la máquina.

► **Fig.40:** 1. Perno de cabeza hueca hexagonal (rosca hacia la izquierda) 2. Brida exterior 3. Disco de sierra circular 4. Anillo 5. Brida interior 6. Eje 7. Cara rebajada

Instalación del disco

⚠ADVERTENCIA: Antes de montar el disco en el mandril, asegúrese siempre de que el anillo correcto para el agujero de eje del disco que piensa utilizar está instalado entre las bridas interior y exterior. La utilización de un anillo para agujero de eje incorrecto puede resultar en un montaje incorrecto del disco ocasionando movimiento del disco y vibración fuerte resultando en una posible pérdida de control durante la operación y en heridas personales graves.

⚠PRECAUCIÓN: Asegúrese de instalar el disco de sierra circular de forma que la dirección de la flecha del disco coincida con la de la caja del disco. El no hacerlo puede resultar en heridas personales y ocasionar daños a la herramienta y/o la pieza de trabajo.

Para instalar el disco de sierra circular, realice los pasos siguientes:

1. Monte el disco de sierra circular con cuidado sobre la brida interior. Asegúrese de que la dirección de la flecha en el disco de sierra circular coincide con la dirección de la flecha en la caja del disco.

► **Fig.41:** 1. Flecha en la caja del disco 2. Flecha en el disco de sierra circular

2. Instale la brida exterior y el perno de cabeza hueca hexagonal, y después utilice la llave hexagonal para apretar el perno de cabeza hueca hexagonal hacia la izquierda firmemente mientras presiona el bloqueo del eje.

► **Fig.42:** 1. Perno de cabeza hueca hexagonal (rosca hacia la izquierda) 2. Brida exterior 3. Disco de sierra circular 4. Anillo 5. Brida interior 6. Mandril 7. Cara rebajada

3. Devuelva el protector de disco y la cubierta central a sus posiciones originales. Después apriete el perno hexagonal hacia la derecha para sujetar la cubierta central.

4. Tire del pasador de retención y gírelo a una posición desbloqueada para liberar el carro de la posición subida. Baje el carro y compruebe que el protector de disco se mueve debidamente.

⚠PRECAUCIÓN: Asegúrese de que el bloqueo del eje ha liberado el mandril antes de hacer el corte.

Conexión de un aspirador

Cuando quiera realizar una operación de corte limpia, conecte un aspirador Makita a la boquilla de polvo (conector superior para polvo) utilizando un manguito delantero de 24 (accesorio opcional).

► **Fig.43:** 1. Manguito delantero de 24 2. Manguera 3. Aspirador

Bolsa de polvo

⚠PRECAUCIÓN: Cuando realice un corte, coloque siempre la bolsa de polvo o conecte un aspirador para evitar riesgos relacionados con el polvo.

La utilización de la bolsa de polvo permite realizar operaciones de corte limpias y la recogida de polvo de forma fácil. Para colocar la bolsa de polvo, retire la manguera de extracción de polvo de la herramienta y conecte la bolsa de polvo a la boquilla de polvo (conector superior para polvo).

► **Fig.44:** 1. Manguera de extracción de polvo 2. Bolsa de polvo 3. Boquilla de polvo (conector superior para polvo)

Cuando la bolsa de polvo esté medio llena, retírela de la herramienta y abra el cierre. Vacíe la bolsa de polvo golpeándola ligeramente con objeto de retirar las partículas adheridas en el interior para que no impidan la posterior recogida de polvo.

► **Fig.45:** 1. Cierre

Sujeción de la pieza de trabajo

⚠ADVERTENCIA: Es muy importante sujetar siempre la pieza de trabajo correctamente con el tipo apropiado de mordaza o topes de moldura corona. El no hacerlo puede resultar en heridas personales graves y ocasionar daños a la herramienta y/o la pieza de trabajo.

⚠ADVERTENCIA: Cuando vaya a cortar una pieza de trabajo que sea más larga que la base de apoyo de la sierra de inglete, apoye la longitud completa del material más allá de la base de apoyo manteniendo nivelado el material. Un apoyo apropiado de la pieza de trabajo ayuda a evitar que el disco se atranque y un posible retroceso brusco lo que puede resultar en heridas personales graves. No dependa únicamente de la mordaza vertical y/o mordaza horizontal para sujetar la pieza de trabajo. El material fino tiende a combarse. Apoye la pieza de trabajo en toda su longitud para evitar que el disco se atranque y que posiblemente se produzca un RETROCESO BRUSCO.

► **Fig.46:** 1. Apoyo 2. Base giratoria

Guías laterales

⚠️ ADVERTENCIA: Antes de utilizar la herramienta, asegúrese de que la guía superior está sujeta firmemente.

⚠️ ADVERTENCIA: Antes de hacer un corte en bisel, asegúrese de que ninguna parte de la herramienta, especialmente el disco, hace contacto con las guías superior e inferior cuando baja y sube completamente la empuñadura en cualquier posición y mientras mueve el carro a lo largo de todo su rango de desplazamiento. Si la herramienta o el disco hace contacto con la guía, esto puede resultar en un retroceso brusco o movimiento inesperado del material y heridas personales graves.

Utilice las guías superiores para apoyar el material que sea más alto que las guías inferiores. Inserte la guía superior en el agujero de la guía inferior y apriete el tornillo de fijación.

► **Fig.47:** 1. Guía superior 2. Guía inferior 3. Tornillo de fijación 4. Tornillo de ajuste

AVISO: Las guías inferiores se fijan en la base en fábrica. No retire las guías inferiores.

AVISO: Si la guía superior todavía está floja después de apretar el tornillo de fijación, gire el tornillo de ajuste para eliminar la holgura. El tornillo de ajuste se ajusta en fábrica. No necesita utilizarlo a menos que sea necesario.

Cuando no esté utilizando la guía superior, puede guardarla en el tubo de la base secundaria. Utilice la pinza de la guía superior para sujetarla en el tubo de la base secundaria.

► **Fig.48:** 1. Base secundaria 2. Guía superior 3. Pinza

Mordaza vertical

⚠️ ADVERTENCIA: La pieza de trabajo deberá estar sujeta firmemente contra la base giratoria y la guía lateral con la mordaza durante todas las operaciones. Si la pieza de trabajo no está sujeta debidamente contra la guía, el material podrá moverse durante la operación de corte ocasionando posibles daños al disco, haciendo que el material salga lanzado y que se pierda el control resultando en heridas personales graves.

La mordaza vertical se puede instalar tanto en el lado derecho como el izquierdo de la base y la base secundaria. Inserte la barra de la mordaza en el agujero de la base o base secundaria.

► **Fig.49:** 1. Mordaza vertical 2. Agujero para la mordaza vertical 3. Base secundaria 4. Base

► **Fig.50:** 1. Brazo de la mordaza 2. Barra de la mordaza 3. Tornillo de fijación 4. Pomo de la mordaza

Posicione el brazo de la mordaza de acuerdo con el grosor y forma de la pieza de trabajo y sujete el brazo de la mordaza apretando el tornillo. Si el tornillo de fijación hace contacto con el carro, instale la mordaza vertical en la base secundaria o en el lado opuesto de la base. Asegúrese de que ninguna parte de la

herramienta hace contacto con la mordaza cuando baje la empuñadura a tope. Si alguna parte toca la mordaza, reposicione la mordaza.

Presione la pieza de trabajo a ras contra la guía lateral y la base giratoria. Ponga la pieza de trabajo en la posición de corte deseada y sujétela firmemente apretando el pomo de la mordaza.

NOTA: Para un ajuste rápido de la pieza de trabajo, el girar el pomo de la mordaza a 90° hacia la izquierda permite mover el pomo de la mordaza hacia arriba y abajo. Para sujetar la pieza de trabajo después del ajuste, gire el pomo de la mordaza hacia la derecha.

Mordaza horizontal

Accesorios opcionales

⚠️ ADVERTENCIA: Gire siempre la tuerca de la mordaza hacia la derecha hasta que la pieza de trabajo esté sujeta debidamente. Si la pieza de trabajo no está sujeta debidamente, el material podrá moverse durante la operación de corte ocasionando posibles daños al disco de sierra circular, haciendo que el material salga lanzado y que se pierda el control resultando en heridas personales graves.

⚠️ ADVERTENCIA: Cuando corte una pieza de trabajo fina, tales como placas de base, contra la guía, utilice siempre la mordaza horizontal.

⚠️ PRECAUCIÓN: Cuando corte una pieza de trabajo de 20 mm de grosor o más fina, asegúrese de utilizar un bloque espaciador para sujetar la pieza de trabajo.

La mordaza horizontal se puede instalar tanto en el lado derecho como el izquierdo de la base. Cuando realice cortes en inglete de 22.5° o mayores, instale la mordaza horizontal en el lado opuesto a la dirección en la que se va a girar la base giratoria.

► **Fig.51:** 1. Placa de mordaza 2. Tuerca de la mordaza 3. Pomo de la mordaza

Volteando la tuerca de la mordaza hacia la izquierda, la mordaza se libera, y se mueve rápidamente hacia adentro y afuera. Para sujetar la pieza de trabajo, empuje el pomo de la mordaza hacia adelante hasta que la placa de mordaza haga contacto con la pieza de trabajo y voltee la tuerca de la mordaza hacia la derecha. Después gire el pomo de la mordaza hacia la derecha para sujetar la pieza de trabajo.

NOTA: La anchura máxima de la pieza de trabajo que se puede sujetar con la mordaza horizontal es de 228 mm.

Base secundaria

⚠ADVERTENCIA: Apoye siempre una pieza de trabajo larga de forma que quede nivelada con la superficie superior de la base giratoria para poder realizar un corte preciso y evitar una peligrosa pérdida de control de la herramienta. Un apoyo apropiado de la pieza de trabajo ayudará a evitar que el disco se atranque y un posible retroceso brusco que puede resultar en heridas personales graves.

⚠ADVERTENCIA: Antes de la operación de corte, asegúrese siempre de que las bases secundarias están sujetadas con los tornillos.

Para sujetar piezas de trabajo largas horizontalmente, se han provisto bases secundarias en ambos lados de la herramienta. Afloje los tornillos y extienda las bases secundarias hasta la longitud apropiada para sujetar la pieza de trabajo. Después apriete los tornillos.

► **Fig.52:** 1. Base secundaria 2. Tornillo

Cuando corte, coloque la pieza de trabajo a ras contra la guía lateral y la guía secundaria en la base secundaria.

► **Fig.53:** 1. Guía lateral 2. Guía secundaria 3. Base secundaria

OPERACIÓN

Esta herramienta ha sido prevista para cortar productos de madera. Con discos genuinos de Makita apropiados, también se pueden serrar los materiales siguientes:

— Productos de aluminio

Consulte nuestro sitio web o póngase en contacto con el distribuidor Makita local para ver los discos de sierra circular correctos que hay que utilizar para el material que se va a cortar.

⚠ADVERTENCIA: Asegúrese de que el disco no está tocando la pieza de trabajo, etc., antes de activar el interruptor. El encender la herramienta con el disco haciendo contacto con la pieza de trabajo puede resultar en un retroceso brusco y heridas personales graves.

⚠ADVERTENCIA: Después de una operación de corte, no suba el disco hasta que se haya parado completamente. La subida de un disco girando por inercia puede resultar en heridas personales graves y daños a la pieza de trabajo.

⚠ADVERTENCIA: No realice ningún ajuste como girar el mango, pomo, y palancas de la herramienta mientras el disco está girando. El ajustar mientras el disco está girando puede resultar en heridas personales graves.

⚠PRECAUCIÓN: No libere el cabezal de la sierra de forma incontrolada desde la posición totalmente bajada. Sin control, el cabezal de la sierra podrá golpearle y resultará en heridas personales.

AVISO: Antes de la utilización, asegúrese de desbloquear el pasador de retención y liberar la empuñadura de la posición bajada.

AVISO: No ejerza presión excesiva en la empuñadura cuando corte. Una fuerza excesiva podrá resultar en una sobrecarga del motor y/o reducir la eficacia de corte. Presione hacia abajo la empuñadura con la fuerza únicamente necesaria para cortar suavemente y sin reducir significativamente la velocidad del disco.

AVISO: Presione hacia abajo suavemente la empuñadura para realizar el corte. Si presiona la empuñadura hacia abajo con fuerza o si ejerce fuerza lateral, el disco podrá vibrar y dejar una marca (marca de sierra) en la pieza de trabajo y puede que la precisión del corte se vea afectada.

AVISO: Durante un corte de deslizamiento, empuje suavemente el carro hacia la guía lateral sin parar. Si el movimiento del carro se para durante el corte, quedará una marca en la pieza de trabajo y la precisión del corte se deteriorará.

Corte por presión

⚠ADVERTENCIA: Bloquee siempre el movimiento de deslizamiento del carro cuando realice un corte por presión. El cortar sin bloquear puede ocasionar un posible retroceso brusco que puede resultar en heridas personales graves.

Piezas de trabajo de hasta 92 mm de altura y 183 mm de anchura se pueden cortar de esta manera.

► **Fig.54:** 1. Pasador de retención

1. Empuje el carro hacia la guía lateral hasta que se detenga y bloquéelo con el pasador de retención.
2. Sujete la pieza de trabajo con el tipo de mordaza apropiado.
3. Encienda la herramienta sin que el disco de sierra circular esté tocando nada y espere hasta que el disco de sierra circular alcance plena velocidad antes de bajar.
4. Baje suavemente la empuñadura hasta la posición totalmente bajada para cortar la pieza de trabajo.
5. Cuando haya completado el corte, apague la herramienta y espere hasta que el disco de sierra circular se haya parado completamente antes de devolver el disco de sierra circular a su posición completamente elevada.

Corte de deslizamiento (empujando) (corte de piezas de trabajo anchas)

⚠ADVERTENCIA: Siempre que realice un corte de deslizamiento, primero tire del carro hacia usted completamente y presione la empuñadura hacia abajo completamente, después empuje el carro hacia la guía lateral. No inicie nunca el corte sin haber tirado del carro completamente hacia usted. Si realiza el corte de deslizamiento sin haber tirado del carro completamente hacia usted podrá producirse un retroceso brusco inesperado y resultar en heridas personales graves.

⚠ADVERTENCIA: No intente nunca realizar un corte de deslizamiento tirando del carro hacia usted. Si tira del carro hacia usted durante el corte podrá ocasionar un retroceso brusco inesperado resultando en posibles heridas personales graves.

⚠ADVERTENCIA: No realice nunca el corte de deslizamiento con la empuñadura bloqueada en la posición bajada.

► Fig.55: 1. Pasador de retención

1. Desbloquee el pasador de retención de forma que el carro se pueda deslizar libremente.
2. Sujete la pieza de trabajo con el tipo de mordaza apropiado.
3. Tire del carro hacia usted completamente.
4. Encienda la herramienta sin que el disco esté tocando nada y espere hasta que el disco alcance plena velocidad.
5. Presione la empuñadura hacia abajo y **empuje el carro hacia la guía lateral y a través de la pieza de trabajo.**
6. Cuando haya completado el corte, apague la herramienta y **espere hasta que el disco se haya parado completamente** antes de devolver el disco a su posición completamente elevada.

Corte en inglete

Consulte la sección para el ajuste del ángulo de inglete.

Corte en bisel

⚠ADVERTENCIA: Después de ajustar el disco para un corte en bisel, asegúrese de que el carro y el disco podrán desplazarse libremente a todo lo largo de rango del corte que piensa hacer antes de utilizar la herramienta. Una interrupción del desplazamiento del carro o el disco durante la operación de corte puede resultar en un retroceso brusco y a heridas personales graves.

⚠ADVERTENCIA: Mientras esté haciendo un corte en bisel mantenga las manos alejadas de la trayectoria del disco. El ángulo del disco puede confundir al operario sobre la trayectoria real del disco durante el corte y el contacto con el disco resultará en heridas personales graves.

⚠ADVERTENCIA: El disco no deberá ser subido hasta que se haya parado completamente. Durante un corte en bisel la pieza cortada podrá detenerse contra el disco. Si sube el disco mientras está girando, la pieza cortada podrá ser expulsada por el disco haciendo que el material se fragmente, lo que puede resultar en heridas personales graves.

AVISO: Cuando presione hacia abajo la empuñadura, aplique fuerza paralela al disco. Si la fuerza es aplicada perpendicularmente a la base giratoria o si se cambia la dirección de la presión durante el corte, la precisión de corte se deteriorará.

► Fig.56

1. Retire la guía superior del lado que va a inclinar el carro.
2. Desbloquee el pasador de retención.
3. Ajuste el ángulo de bisel de acuerdo con el procedimiento explicado en la sección para el ajuste del ángulo de bisel. Después apriete el pomo.
4. Sujete la pieza de trabajo con una mordaza.
5. Tire del carro hacia usted completamente.
6. Encienda la herramienta sin que el disco esté tocando nada y espere hasta que el disco alcance plena velocidad.
7. Baje con cuidado la empuñadura hasta la posición completamente bajada mientras aplica presión en dirección paralela al disco y **empuje el carro hacia la guía lateral para cortar la pieza de trabajo.**
8. Cuando haya completado el corte, apague la herramienta y **espere hasta que el disco se haya parado completamente** antes de devolver el disco a su posición completamente elevada.

Corte compuesto

El corte compuesto es el procedimiento en el que se hace un ángulo de bisel al mismo tiempo que se corta un ángulo de inglete en una pieza de trabajo. El corte compuesto se puede realizar a los ángulos mostrados en la tabla.

Ángulo de inglete	Ángulo de bisel
Izquierdo y derecho 0° - 45°	Izquierdo y derecho 0° - 45°

Cuando vaya a realizar un corte compuesto, consulte la

sección para corte por presión, corte de deslizamiento (empujando), corte en inglete y corte en bisel.

Corte de placas base

⚠ PRECAUCIÓN: Asegúrese de utilizar la mordaza horizontal (accesorio opcional) cuando corte la placa base.

⚠ PRECAUCIÓN: Cuando corte una pieza de trabajo de 20 mm de grosor o más fina, asegúrese de utilizar un bloque espaciador para sujetar la pieza de trabajo.

Cuando corte la placa base en ángulo de inglete de 45°, accione la palanca del retenedor para evitar que la caja del disco haga contacto con la placa base. Esto mantendrá la distancia entre la placa base y la caja del disco cuando el carro sea empujado completamente hacia adelante.

Consulte las ESPECIFICACIONES para ver la capacidad de corte de placa base.

► **Fig.57:** 1. Palanca del retenedor 2. Bloque espaciador 3. Mordaza horizontal

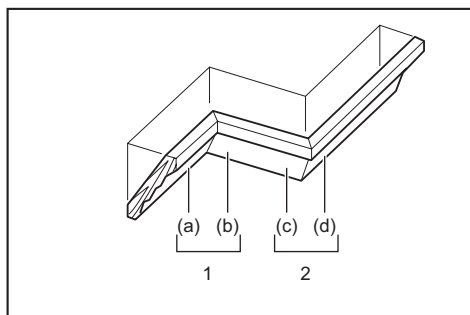
Corte de molduras corona y cóncavas

Las molduras corona y cóncavas pueden cortarse en una sierra de inglete mixta con las molduras apoyadas horizontalmente en la base giratoria.

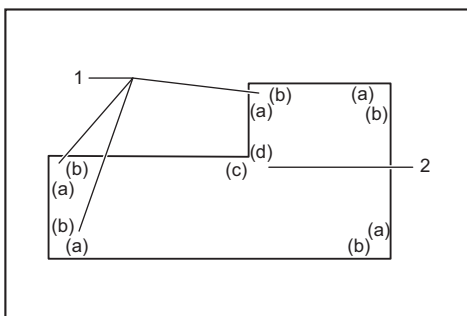
Existen dos tipos comunes de molduras corona y un tipo de moldura cóncava; moldura corona de ángulo mural de 52/38°, moldura corona de ángulo mural de 45° y moldura cóncava de ángulo mural de 45°.

► **Fig.58:** 1. Moldura corona tipo 52/38° 2. Moldura corona tipo 45° 3. Moldura cóncava tipo 45°

Existen juntas de moldura corona y cóncava que han sido hechas para encajar en esquinas "interiores" de 90° ((a) y (b) en la figura) y esquinas "exteriores" de 90° ((c) y (d) en la figura).



1. Esquina interior 2. Esquina exterior



1. Esquina interior 2. Esquina exterior

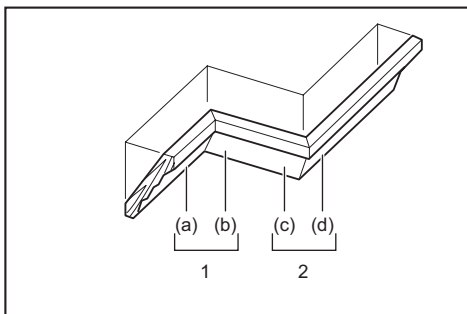
Medición

Mida la anchura de la pared, y ajuste la anchura de la pieza de trabajo de acuerdo con esto. Asegúrese siempre de que la anchura del borde de contacto con la pared de la pieza de trabajo es la misma que la longitud de la pared.

► **Fig.59:** 1. Pieza de trabajo 2. Anchura de la pared 3. Anchura de la pieza de trabajo 4. Borde de contacto con la pared

Utilice siempre varias piezas para realizar cortes de prueba a fin de comprobar los ángulos de la sierra. Cuando vaya a cortar molduras corona y cóncavas, ajuste el ángulo de bisel y el ángulo de inglete como se indica en la tabla (A) y posicione las molduras sobre la superficie superior de la base de la sierra como se indica en la tabla (B).

En el caso de corte en bisel izquierdo



1. Esquina interior 2. Esquina exterior

Tabla (A)

-	Posición de la moldura en la figura	Ángulo de bisel		Ángulo de inglete	
		Tipo 52/38°	Tipo 45°	Tipo 52/38°	Tipo 45°
Para esquina interior	(a)	Izquierdo 33,9°	Izquierdo 30°	Derecho 31,6°	Derecho 35,3°
	(b)			Izquierdo 31,6°	Izquierdo 35,3°
Para esquina exterior	(c)			Derecho 31,6°	Derecho 35,3°
	(d)			Derecho 31,6°	Derecho 35,3°

Tabla (B)

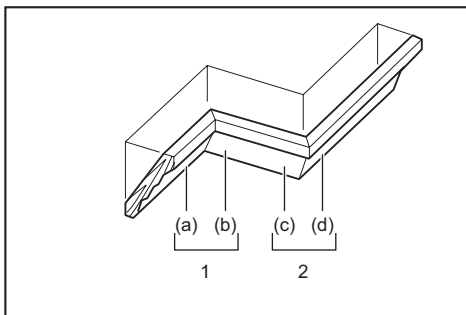
-	Posición de la moldura en la figura	Borde de moldura contra la guía lateral	Pieza acabada
Para esquina interior	(a)	El borde de contacto con el techo debe estar contra la guía lateral.	La pieza acabada estará en el lado izquierdo del disco.
	(b)	El borde de contacto con la pared debe estar contra la guía lateral.	La pieza acabada estará en el lado derecho del disco.
Para esquina exterior	(c)	El borde de contacto con el techo debe estar contra la guía lateral.	
	(d)	El borde de contacto con la pared debe estar contra la guía lateral.	

Ejemplo:

En el caso de corte de moldura corona tipo 52/38° para posición (a) en la figura de arriba:

- Incline y sujete el ajuste de ángulo de bisel para 33,9° IZQUIERDO.
- Ajuste y sujete el ajuste de ángulo de inglete para 31,6° DERECHO.
- Apoye la moldura corona con su superficie posterior vasta (oculta) hacia abajo sobre la base giratoria con su BORDE DE CONTACTO CON EL TECHO contra la guía lateral en la sierra.
- La pieza acabada a utilizar estará siempre en el lado IZQUIERDO del disco después de haber realizado el corte.

En el caso de corte en bisel derecho



1. Esquina interior 2. Esquina exterior

Tabla (A)

-	Posición de la moldura en la figura	Ángulo de bisel		Ángulo de inglete	
		Tipo 52/38°	Tipo 45°	Tipo 52/38°	Tipo 45°
Para esquina interior	(a)	Derecho 33,9°	Derecho 30°	Derecho 31,6°	Derecho 35,3°
	(b)			Izquierdo 31,6°	Izquierdo 35,3°
Para esquina exterior	(c)			Derecho 31,6°	Derecho 35,3°
	(d)			Derecho 31,6°	Derecho 35,3°

Tabla (B)

-	Posición de la moldura en la figura	Borde de moldura contra la guía lateral	Pieza acabada
Para esquina interior	(a)	El borde de contacto con la pared debe estar contra la guía lateral.	La pieza acabada estará en el lado derecho del disco.
	(b)	El borde de contacto con el techo debe estar contra la guía lateral.	La pieza acabada estará en el lado izquierdo del disco.
Para esquina exterior	(c)	El borde de contacto con la pared debe estar contra la guía lateral.	
	(d)	El borde de contacto con el techo debe estar contra la guía lateral.	

Ejemplo:

En el caso de corte de moldura corona tipo 52/38° para posición (a) en la figura de arriba:

- Incline y sujete el ajuste de ángulo de bisel a 33,9° DERECHO.
- Ajuste y sujete el ajuste de ángulo de inglete para 31,6° DERECHO.
- Apoye la moldura corona con su superficie posterior vasta (oculta) hacia abajo sobre la base giratoria con su BORDE DE CONTACTO CON LA PARED contra la guía lateral de la sierra.
- La pieza acabada a utilizar estará siempre en el lado DERECHO del disco después de haber

Topo de moldura corona

Accesorios opcionales

Los topes de moldura corona permiten cortes más fáciles de moldura corona sin inclinar el disco. Instálelos en la base giratoria como se muestra en las figuras.

A ángulo de inglete de 45° derecho

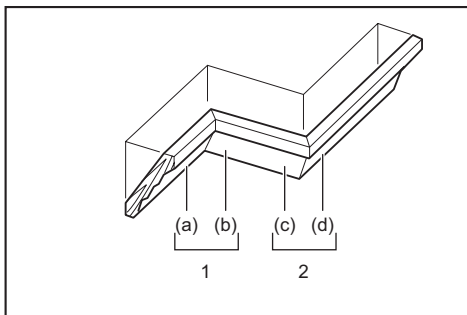
► **Fig.60:** 1. Topo de moldura corona izquierdo
2. Topo de moldura corona derecho 3. Base giratoria 4. Guía lateral

A ángulo de inglete de 45° izquierdo

► **Fig.61:** 1. Topo de moldura corona izquierdo
2. Topo de moldura corona derecho 3. Base giratoria 4. Guía lateral

Posicione la moldura corona con su BORDE DE CONTACTO CON LA PARED contra la guía lateral y su BORDE DE CONTACTO CON EL TECHO contra los topes de moldura corona como se muestra en la figura. Ajuste los topes de moldura corona de acuerdo con el tamaño de la moldura corona. Apriete los tornillos para sujetar los topes de moldura corona. Consulte la tabla (C) para ver el ángulo de inglete.

► **Fig.62:** 1. Guía lateral 2. Topo de moldura corona



1. Esquina interior 2. Esquina exterior

Tabla (C)

–	Posición de la moldura en la figura	Ángulo de inglete	Pieza acabada
Para esquina interior	(a)	Derecho 45°	Se conserva el lado derecho del disco
	(b)	Izquierdo 45°	Se conserva el lado izquierdo del disco
Para esquina exterior	(c)		Se conserva el lado derecho del disco
	(d)	Derecho 45°	Se conserva el lado izquierdo del disco

Corte de extrusión de aluminio

► **Fig.63:** 1. Mordaza 2. Bloque espaciador 3. Guía lateral 4. Extrusión de aluminio 5. Bloque

Cuando sujete extrusiones de aluminio, utilice bloques espaciadores o piezas de desecho como se muestra en la figura para evitar la deformación del aluminio. Utilice un lubricante para cortar cuando corte extrusión de aluminio para evitar la acumulación de material de aluminio en el disco de sierra circular.

⚠ADVERTENCIA: No intente nunca cortar extrusiones de aluminio gruesas o redondas. Las extrusiones de aluminio gruesas o redondas pueden resultar difíciles de sujetar y la pieza de trabajo se puede aflojar durante la operación de corte y resultar en una pérdida de control y heridas personales graves.

Técnica especial para capacidades máximas de corte en anchura

La capacidad de corte máxima de anchura se puede lograr siguiendo los pasos de abajo:
Para la anchura de corte máxima de esta herramienta, consulte las capacidades de corte para cortes especiales en la sección ESPECIFICACIONES.

1. Ajuste la herramienta a un ángulo de inglete de 0° o 45° y asegúrese de que la base giratoria está bloqueada. (Consulte la sección para el ajuste de ángulo de inglete).

2. Retire las guías superiores derecha e izquierda temporalmente y déjelas a un lado.

3. Corte una plataforma con las dimensiones indicadas en la figura utilizando una pieza plana de material de 38 mm de grosor tal como madera, madera contrachapada o madera aglomerada.

► **Fig.64:** 1. Ángulo de inglete de 0°: Más de 450 mm
2. Ángulo de inglete de 45°: Más de 325 mm 3. 38 mm 4. Más de 760 mm

⚠ADVERTENCIA: Asegúrese de utilizar una pieza plana como plataforma. Una pieza que no sea plana se puede mover durante la operación de corte lo que puede resultar en un retroceso brusco y heridas personales graves.

NOTA: La capacidad máxima de corte en altura se reducirá en la misma proporción que el grosor de la plataforma.

4. Ponga la plataforma en la herramienta de forma que sobresalga lo mismo por cada lado de la base de la herramienta.

Sujete la plataforma en la herramienta utilizando cuatro tornillos para madera de 6 mm a través de los cuatro agujeros de las guías inferiores.

► **Fig.65:** 1. Tornillos (dos en cada lado) 2. Guía inferior 3. Base 4. Plataforma

⚠ADVERTENCIA: Asegúrese de que la plataforma está apoyada plana contra la base de la herramienta y sujeta firmemente en las guías inferiores utilizando los cuatro agujeros provistos para tornillos. No sujetar debidamente la plataforma puede resultar en un movimiento y posibles retrocesos bruscos dando lugar a heridas personales graves.

⚠ADVERTENCIA: Asegúrese de que la herramienta está montada firmemente en una superficie estable y plana. No montar y sujetar debidamente la herramienta puede ocasionar que la herramienta se vuelva inestable resultando en una pérdida de control y/o en que la herramienta se caiga lo que puede resultar en heridas personales graves.

5. Instale las guías superiores en la herramienta.

⚠ADVERTENCIA: No utilice la herramienta sin las guías superiores instaladas. Las guías superiores proporcionan el apoyo adecuado requerido para cortar la pieza de trabajo.

Si la pieza de trabajo no está apoyada debidamente, podrá moverse resultando en una posible pérdida de control, retroceso brusco y heridas personales graves.

6. Coloque la pieza de trabajo que va a cortar sobre la plataforma sujeta en la herramienta.

7. Sujete la pieza de trabajo firmemente contra las guías superiores con una mordaza antes de cortar.

► **Fig.66:** 1. Guía superior 2. Mordaza vertical
3. Pieza de trabajo 4. Plataforma

8. Haga un corte a través de la pieza de trabajo despacio de acuerdo con la operación explicada en la sección para corte de deslizamiento (empujando).

⚠ADVERTENCIA: Asegúrese de que la pieza de trabajo está sujeta con la mordaza y haga el corte despacio. En caso contrario puede ocasionar que la pieza de trabajo se mueva resultando en un posible retroceso brusco y heridas personales graves.

⚠ADVERTENCIA: Sea consciente de que la plataforma se puede debilitar después de realizar varios cortes a distintos ángulo de inglete. Si la plataforma se debilita debido a los múltiples cortes de hendidura dejados en el material, la plataforma deberá ser sustituida. Si la plataforma debilitada no es sustituida, podrá ocasionar que la pieza de trabajo se mueva, durante el corte, resultando en un posible retroceso brusco y heridas personales graves.

Ranurado

⚠ADVERTENCIA: No intente realizar este tipo de corte utilizando un disco de tipo más grueso o un disco de moldurar. Si intenta hacer un corte de ranura con un disco más grueso o disco de moldurar podrá resultar en un corte inesperado y en un retroceso brusco que puede resultar en heridas personales graves.

⚠ADVERTENCIA: Asegúrese de volver a poner el brazo de retención en la posición original cuando realice otros cortes que no sean de ranurado. Si intenta hacer cortes con el brazo de retención en una posición incorrecta podrá resultar en un corte inesperado y en un retroceso brusco que puede resultar en heridas personales graves.

Para corte tipo ranura, realice lo siguiente:

1. Ajuste la posición del límite inferior del disco de sierra circular utilizando el tornillo de ajuste y el brazo de retención para limitar la profundidad de corte del disco de sierra circular. Consulte la sección para el brazo de retención.

2. Después de ajustar la posición del límite inferior del disco de sierra circular, corte ranuras paralelas a lo ancho de la pieza de trabajo utilizando un corte de deslizamiento (empujando).

► **Fig.67:** 1. Ranuras cortadas con el disco

3. Retire con un formón el material que queda entre las ranuras hechas en la pieza de trabajo.

Guarnición de madera

⚠ADVERTENCIA: Utilice tornillos para colocar la guarnición de madera en la guía lateral. Los tornillos deberán ser instalados de forma que sus cabezas queden por debajo de la superficie de la guarnición de madera para que no interfieran con el posicionamiento del material que se va a cortar. Una desalineación del material que está siendo cortado puede ocasionar un movimiento inesperado durante la operación de corte y resultar en una pérdida de control y heridas personales graves.

⚠PRECAUCIÓN: Utilice madera recta de grosor uniforme para la guarnición de madera.

⚠PRECAUCIÓN: Para cortar completamente a través de piezas de trabajo con una altura de 107 mm a 120 mm, se deberá utilizar una guarnición de madera en la guía lateral. La guarnición de madera separará la pieza de trabajo de la guía permitiendo al disco completar un corte más profundo.

AVISO: Cuando esté puesta la guarnición de madera, no gire la base giratoria con la empuñadura bajada. El disco y/o la guarnición de madera se dañarán.

La utilización de la guarnición de madera ayuda a conseguir cortes sin astillar la pieza de trabajo. Coloque una guarnición de madera en la guía lateral utilizando los agujeros de la guía lateral y tornillos de 6 mm. Consulte la figura referente a las dimensiones para elegir una guarnición de madera sugerida.

- **Fig.68:** 1. Agujero 2. Más de 15 mm 3. Más de 270 mm 4. 90 mm 5. 145 mm 6. 19 mm 7. 115 - 120 mm

EJEMPLO Cuando corte piezas de trabajo de 115 mm y 120 mm de altura, utilice una guarnición de madera con el grosor siguiente.

Ángulo de inglete	Grosor de la guarnición de madera	
	115 mm	120 mm
0°	20 mm	38 mm
Izquierdo y Derecho 45°	15 mm	25 mm
Izquierdo y Derecho 60°	15 mm	25 mm

Transporte de la herramienta

Antes de transportar la herramienta, asegúrese de retirar el cartucho de batería y de que todas las partes móviles de la sierra de inglete están sujetadas. Compruebe siempre lo siguiente:

- El cartucho de batería ha sido retirado.
- El carro está en la posición de ángulo de bisel de 0° y sujetado.
- El carro está bajado y bloqueado.
- El carro está deslizado completamente hasta las guías laterales y bloqueado.
- La base giratoria está en la posición completa de ángulo de inglete derecho y sujetada.
- Las bases secundarias están guardadas y sujetadas.

Transporte la herramienta cogiéndola por ambos costados de la base.

► **Fig.69**

⚠ADVERTENCIA: El pasador de retención para elevación del carro es solamente para transportar y almacenar la herramienta y no para ninguna operación de corte. La utilización del pasador de retención para operaciones de corte podrá ocasionar un movimiento inesperado del disco de sierra circular resultando en un retroceso brusco y heridas personales graves.

⚠PRECAUCIÓN: Sujete siempre todas las partes móviles antes de transportar la herramienta.

Si algunas partes de la herramienta se mueven o deslizan mientras se transporta, podrá producirse una pérdida del control o del equilibrio y resultar heridas personales.

⚠PRECAUCIÓN: Asegúrese de que la elevación del carro está bloqueada debidamente en su parte inferior con el pasador de retención. Si el pasador de retención no está accionado debidamente, el carro podrá saltar hacia arriba repentinamente y ocasionar heridas personales.

FUNCIÓN DE ACTIVACIÓN INALÁMBRICA

Lo que puede hacer con la función de activación inalámbrica

La función de activación inalámbrica permite realizar una operación limpia y cómoda. Conectando un aspirador compatible a la herramienta, puede poner en marcha automáticamente el aspirador junto con la operación del interruptor de la herramienta.

► **Fig.70**

Para utilizar la función de activación inalámbrica, prepare los elementos siguientes:

- Una unidad inalámbrica (accesorio opcional)
- Un aspirador compatible con la función de activación inalámbrica

El resumen del ajuste de la función de activación inalámbrica es como sigue. Consulte cada sección para ver los procedimientos en detalle.

1. Instalación de la unidad inalámbrica
2. Registro de herramienta para el aspirador
3. Inicio de la función de activación inalámbrica

Instalación de la unidad inalámbrica

Accesorios opcionales

⚠PRECAUCIÓN: Ponga la herramienta sobre una superficie plana y estable cuando instale la unidad inalámbrica.

AVISO: Limpie el polvo y la suciedad de la herramienta antes de instalar la unidad inalámbrica. El polvo o la suciedad puede ocasionar un mal funcionamiento si entra en la ranura de la unidad inalámbrica.

AVISO: Para evitar el mal funcionamiento causado por la electricidad estática, toque un material en el que descarga la electricidad estática, tal como una parte metálica de la herramienta, antes de coger la unidad inalámbrica.

AVISO: Cuando instale la unidad inalámbrica, asegúrese siempre de que la unidad inalámbrica está insertada en la dirección correcta y que la tapa está completamente cerrada.

1. Abra la tapa de la herramienta como se muestra en la figura.

► **Fig.71:** 1. Tapa

2. Inserte la unidad inalámbrica en la ranura y después cierre la tapa.

Cuando inserte la unidad inalámbrica, alinee los salientes con las porciones embutidas de la ranura.

► **Fig.72:** 1. Unidad inalámbrica 2. Saliente 3. Tapa 4. Porción embutida

Cuando retire la unidad inalámbrica, abra la tapa despacio. Los ganchos de la parte trasera de la tapa

alzarán la unidad inalámbrica a medida que usted levanta la tapa.

► **Fig.73:** 1. Unidad inalámbrica 2. Gancho 3. Tapa

Después de retirar la unidad inalámbrica, manténgala dentro de la funda suministrada o en un contenedor libre de electricidad estática.

AVISO: Utilice siempre los ganchos de la parte trasera de la tapa cuando retire la unidad inalámbrica. Si los ganchos no agarran la unidad inalámbrica, cierre la tapa completamente y ábrala despacio otra vez.

Registro de herramienta para el aspirador

NOTA: Para el registro de herramienta se requiere un aspirador Makita compatible con la función de activación inalámbrica.

NOTA: Termine de instalar la unidad inalámbrica en la herramienta antes de comenzar el registro de herramienta.

NOTA: Evite activar los interruptores siguientes durante el registro de herramienta:

- gatillo interruptor de la herramienta
- interruptor de aspiración de la herramienta
- interruptor de alimentación del aspirador

NOTA: Consulte el manual de instrucciones del aspirador, también.

Si desea activar el aspirador junto con la operación del interruptor de la herramienta, termine el registro de herramienta de antemano.

1. Instale las baterías en el aspirador y la herramienta.
2. Ajuste el interruptor de espera del aspirador a "AUTO".

► **Fig.74:** 1. Interruptor de espera

3. Presione el botón de activación inalámbrica en el aspirador durante 3 segundos hasta que la lámpara de activación inalámbrica parpadee en verde. Y después presione el botón de activación inalámbrica en la herramienta de la misma manera.

► **Fig.75:** 1. Botón de activación inalámbrica
2. Lámpara de activación inalámbrica

Si el aspirador y la herramienta están vinculados correctamente, las lámparas de activación inalámbrica se iluminarán en verde durante 2 segundos y comenzarán a parpadear en azul.

NOTA: Las lámparas de activación inalámbrica dejarán de parpadear en verde después de transcurrir 20 segundos. Presione el botón de activación inalámbrica en la herramienta mientras la lámpara de activación inalámbrica en la aspiradora está parpadeando. Si la lámpara de activación inalámbrica no parpadea en verde, presione el botón de activación inalámbrica brevemente y manténgalo presionado otra vez.

NOTA: Cuando realice dos o más registros de herramienta para un aspirador, termine el registro de herramienta de uno en uno.

Inicio de la función de activación inalámbrica

NOTA: Termine el registro de herramienta para el aspirador antes de la activación inalámbrica.

NOTA: Consulte el manual de instrucciones del aspirador, también.

Después de registrar una herramienta en el aspirador, el aspirador se pondrá en marcha automáticamente junto con la operación del interruptor de la herramienta. Apriete el gatillo interruptor de la herramienta para que funcione el aspirador durante la operación. El aspirador también comenzará a funcionar presionando el botón de aspiración de la herramienta fuera de cualquier operación de corte.

► **Fig.76**

1. Instale la unidad inalámbrica en la herramienta.
2. Conecte la manguera del aspirador a la herramienta.

► **Fig.77**

3. Ajuste el interruptor de espera del aspirador a "AUTO".

► **Fig.78:** 1. Interruptor de espera

4. Presione el botón de activación inalámbrica en la herramienta brevemente. La lámpara de activación inalámbrica parpadeará en azul.

► **Fig.79:** 1. Botón de activación inalámbrica
2. Lámpara de activación inalámbrica

5. Apriete el gatillo interruptor de la herramienta. Compruebe si el aspirador se pone en marcha mientras el gatillo interruptor está siendo apretado.

6. Presione el botón de aspiración para que funcione el aspirador. Compruebe si la lámpara de activación inalámbrica se ilumina en azul y el aspirador sigue funcionando hasta que presiona el botón otra vez.

7. Para cesar la operación de aspiración, libere el gatillo interruptor o bien presione el botón de aspiración otra vez. El aspirador dejará de funcionar unos segundos después de la operación del interruptor, y después la lámpara pasará a parpadear en azul.

NOTA: El estado del interruptor (encender/apagar el aspirador) se puede aprender en la lámpara de activación inalámbrica. Para ver detalles, consulte la sección para descripción del estado de la lámpara de activación inalámbrica.

8. Para detener la activación inalámbrica del aspirador, presione el botón de activación inalámbrica en la herramienta.

NOTA: La lámpara de activación inalámbrica en la herramienta dejará de parpadear en azul cuando no se realice ninguna operación durante 2 horas. En este caso, ajuste el interruptor de espera del aspirador a "AUTO" y presione el botón de activación inalámbrica en la herramienta otra vez.

NOTA: El aspirador se pone en marcha/se detiene con una demora. Hay un lapso de tiempo cuando el aspirador detecta una operación del interruptor de la herramienta.










NOTA: La distancia de transmisión de la unidad inalámbrica puede variar dependiendo de la ubicación y las circunstancias circundantes.

NOTA: Cuando haya registradas dos o más herramientas en un aspirador, el aspirador podrá ponerse en marcha aunque no apriete el gatillo interruptor o active el botón de aspiración porque otro usuario está utilizando la función de activación inalámbrica.

Descripción del estado de la lámpara de activación inalámbrica

► **Fig.80:** 1. Lámpara de activación inalámbrica

La lámpara de activación inalámbrica muestra el estado de la función de activación inalámbrica. Consulte la tabla de abajo para ver el significado del estado de la lámpara.

Estado	Lámpara de activación inalámbrica			Descripción	
	Color	 Encendida	 Parpadeando		Duración
En espera	Azul			2 horas	La activación inalámbrica del aspirador está disponible. La lámpara se apagará automáticamente cuando no se realice ninguna operación durante 2 horas.
				Cuando la herramienta está en marcha.	La activación inalámbrica del aspirador está disponible y la herramienta está en marcha.
Registro de herramienta	Verde			20 segundos	Preparada para el registro de herramienta. Esperando para el registro en el aspirador.
				2 segundos	El registro de herramienta ha terminado. La lámpara de activación inalámbrica comenzará a parpadear en azul.
Cancelación del registro de herramienta	Rojo			20 segundos	Preparada para la cancelación del registro de herramienta. Esperando para la cancelación en el aspirador.
				2 segundos	La cancelación del registro de herramienta ha terminado. La lámpara de activación inalámbrica comenzará a parpadear en azul.
Otros	Rojo			3 segundos	La alimentación se suministra a la unidad inalámbrica y la función de activación inalámbrica se está poniendo en marcha.
	Apagada	-		-	La activación inalámbrica del aspirador está detenida.

Cancelación del registro de herramienta para el aspirador

Realice el procedimiento siguiente cuando vaya a cancelar el registro de herramienta para el aspirador.

1. Instale las baterías en el aspirador y la herramienta.
2. Ajuste el interruptor de espera del aspirador a "AUTO".

► **Fig.81:** 1. Interruptor de espera

3. Presione el botón de activación inalámbrica en el aspirador durante 6 segundos. La lámpara de activación inalámbrica parpadea en verde y después se

vuelve roja. Después de esto, presione el botón de activación inalámbrica en la herramienta de la misma manera.

► **Fig.82:** 1. Botón de activación inalámbrica
2. Lámpara de activación inalámbrica

Si la cancelación se realiza correctamente, las lámparas de activación inalámbrica se iluminarán en rojo durante 2 segundos y comenzarán a parpadear en azul.

NOTA: Las lámparas de activación inalámbrica dejarán de parpadear en rojo después de transcurrir 20 segundos. Presione el botón de activación inalámbrica en la herramienta mientras la lámpara de activación inalámbrica en la aspiradora está parpadeando. Si la lámpara de activación inalámbrica no parpadea en rojo, presione el botón de activación inalámbrica brevemente y manténgalo presionado otra vez.

Solución de problemas para la función de activación inalámbrica

Antes de solicitar reparaciones, realice su propia inspección en primer lugar. Si encuentra un problema que no está explicado en el manual, no intente desmontar la herramienta. En su lugar, pregunte en los centros de servicio autorizados Makita, utilizando siempre piezas de recambio Makita para las reparaciones.

Estado de anomalía	Causa probable (mal funcionamiento)	Remedio
La lámpara de activación inalámbrica no se ilumina/parpadea.	La unidad inalámbrica no está instalada en la herramienta. La unidad inalámbrica está instalada incorrectamente en la herramienta.	Instale la unidad inalámbrica correctamente.
	El terminal de la unidad inalámbrica y/o la ranura están sucios.	Retire con cuidado el polvo y la suciedad del terminal de la unidad inalámbrica y limpie la ranura.
	El botón de activación inalámbrica en la herramienta no ha sido presionado.	Presione el botón de activación inalámbrica en la herramienta brevemente.
	El interruptor de espera del aspirador no está ajustado a "AUTO".	Ajuste el interruptor de espera del aspirador a "AUTO".
	No se está suministrando alimentación.	Suministre alimentación a la herramienta y al aspirador.
No se puede terminar el registro de herramienta / cancelación del registro de herramienta correctamente.	La unidad inalámbrica no está instalada en la herramienta. La unidad inalámbrica está instalada incorrectamente en la herramienta.	Instale la unidad inalámbrica correctamente.
	El terminal de la unidad inalámbrica y/o la ranura están sucios.	Retire con cuidado el polvo y la suciedad del terminal de la unidad inalámbrica y limpie la ranura.
	El interruptor de espera del aspirador no está ajustado a "AUTO".	Ajuste el interruptor de espera del aspirador a "AUTO".
	No se está suministrando alimentación.	Suministre alimentación a la herramienta y al aspirador.
	Operación incorrecta	Presione el botón de activación inalámbrica brevemente y realice los procedimientos de registro/cancelación de herramienta otra vez.
	La herramienta y el aspirador están alejados uno del otro (fuera del rango de transmisión).	Ponga la herramienta y el aspirador más cerca uno del otro. La distancia de transmisión es de aproximadamente 10 m, sin embargo, podrá variar de acuerdo con las circunstancias.
	Antes de terminar el registro/cancelación de herramienta; - se aprieta el gatillo interruptor de la herramienta o; - se activa el botón de aspiración de la herramienta o; - se activa el botón de alimentación del aspirador.	Presione el botón de activación inalámbrica brevemente y realice los procedimientos de registro/cancelación de herramienta otra vez.
	Los procedimientos de registro de herramienta para la herramienta o el aspirador no han terminado.	Realice los procedimientos de registro de herramienta para la herramienta y el aspirador en el mismo momento.
Interferencia de radio de otros aparatos que generan ondas de radio de alta intensidad.	Mantenga la herramienta y el aspirador alejados de aparatos tales como dispositivos Wi-Fi y hornos de microondas.	

Estado de anomalía	Causa probable (mal funcionamiento)	Remedio
El aspirador no se pone en marcha junto con la operación del interruptor de la herramienta.	La unidad inalámbrica no está instalada en la herramienta. La unidad inalámbrica está instalada incorrectamente en la herramienta.	Instale la unidad inalámbrica correctamente.
	El terminal de la unidad inalámbrica y/o la ranura están sucios.	Retire con cuidado el polvo y la suciedad del terminal de la unidad inalámbrica y limpie la ranura.
	El botón de activación inalámbrica en la herramienta no ha sido presionado.	Presione el botón de activación inalámbrica brevemente y asegúrese de que la lámpara de activación inalámbrica está parpadeando en azul.
	El interruptor de espera del aspirador no está ajustado a "AUTO".	Ajuste el interruptor de espera del aspirador a "AUTO".
	Hay más de 10 herramientas registradas en el aspirador.	Realice el registro de herramienta otra vez. Si hay más de 10 herramientas registradas en el aspirador, la herramienta que más tiempo lleve registrada se cancelará automáticamente.
	El aspirador ha fallado en registrar con éxito herramientas.	Renueve el registro de herramienta.
	El aspirador borró todos los registros de herramienta.	Realice el registro de herramienta otra vez.
	No se está suministrando alimentación.	Suministre alimentación a la herramienta y al aspirador.
	La herramienta y el aspirador están alejados uno del otro (fuera del rango de transmisión).	Ponga la herramienta y el aspirador más cerca uno del otro. La distancia de transmisión es de aproximadamente 10 m, sin embargo, podrá variar de acuerdo con las circunstancias.
	Interferencia de radio de otros aparatos que generan ondas de radio de alta intensidad.	Mantenga la herramienta y el aspirador alejados de aparatos tales como dispositivos Wi-Fi y hornos de microondas.
El aspirador se pone en marcha mientras no hay en operación interruptores para la herramienta.	Otros usuarios están utilizando la activación inalámbrica del aspirador con sus herramientas.	Desactive el botón de activación inalámbrica de las otras herramientas o cancele el registro de herramienta de las otras herramientas.

MANTENIMIENTO

⚠️ ADVERTENCIA: Asegúrese siempre de que la herramienta está apagada y de que el cartucho de batería está retirado antes de intentar hacer una inspección o mantenimiento. No retirar el cartucho de batería y apagar la herramienta puede resultar en una puesta en marcha accidental de la herramienta, lo que puede resultar en heridas personales graves.

⚠️ ADVERTENCIA: Asegúrese siempre de que el disco de sierra circular está afilado y limpio para obtener el mejor y más seguro rendimiento. El tratar de hacer un corte con un disco embotado y/o sucio puede ocasionar un retroceso brusco y resultar en heridas personales graves.

⚠️ PRECAUCIÓN: Asegúrese siempre de que el protector de disco se está cerrando a la posición original antes de intentar realizar una inspección o mantenimiento. No sujete ni ate nunca el protector de disco en la posición abierta durante las operaciones de limpieza. Un disco expuesto puede resultar en heridas personales.

AVISO: No utilice nunca gasolina, bencina, disolvente, alcohol o similares. Podría producir descoloración, deformación o grietas.

producto, las reparaciones, y cualquier otra tarea de mantenimiento o ajuste deberán ser realizadas en centros de servicio o de fábrica autorizados por Makita, empleando siempre repuestos Makita.

Ajuste del ángulo de corte

Esta herramienta ha sido ajustada y alineada cuidadosamente en fábrica, pero un manejo brusco podrá haber afectado la alineación. Si su herramienta no está debidamente alineada, realice lo siguiente:

Ángulo de inglete

Baje la empuñadura completamente y bloquéela en la posición bajada con el pasador de retención. Empuje el carro hacia la guía lateral.

Gire el mango hacia la izquierda y tenga lista la base giratoria para la función de parada positiva usando la palanca de bloqueo.

Después afloje los tornillos que sujetan el puntero y la escala de ángulo de inglete.

► **Fig.83:** 1. Mango 2. Palanca de bloqueo 3. Tornillo del puntero 4. Tornillos de la escala de ángulo de inglete 5. Escala de ángulo de inglete

Ajuste la base giratoria en la posición de 0° utilizando la función de parada positiva. Escuadre el costado del disco de sierra circular con la cara de la guía lateral utilizando una escuadra o regla L. Mientras mantiene el escuadre, apriete los tornillos de la escala de ángulo de inglete. Después, alinee los punteros (derecho e

Para mantener la SEGURIDAD y FIABILIDAD del

izquierdo) con la posición de 0° en la escala de ángulo de inglete y después apriete el tornillo del puntero.

► **Fig.84:** 1. Escuadra 2. Puntero

Ángulo de bisel

Ángulo de bisel de 0°

Empuje el carro hacia las guías laterales y bloquee el movimiento de deslizamiento con el pasador de retención. Baje el carro completamente y bloquéelo en la posición bajada con el pasador de retención. Gire el pomo hacia la izquierda, y después gire perno de ajuste de 0° dos o tres vueltas hacia la izquierda para inclinar el disco de sierra circular hacia la derecha.

► **Fig.85:** 1. Pomo 2. Perno de ajuste de 0° 3. Tornillo del puntero

Escuadre cuidadosamente el costado del disco de sierra circular con la superficie superior de la base giratoria utilizando la escuadra, regla L, etc., y girando el perno de ajuste de 0° hacia la derecha. Después apriete el pomo firmemente para sujetar el ángulo de 0° que ha ajustado.

► **Fig.86:** 1. Escuadra 2. Disco 3. Parte superior de la base giratoria

Compruebe si el costado del disco de sierra circular está escuadrado con la superficie de la base giratoria otra vez. Afloje el tornillo del puntero. Alinee el puntero con la posición de 0° en la escala de ángulo de bisel y después apriete el tornillo.

Ángulo de bisel de 45°

AVISO: Antes de ajustar el ángulo de bisel de 45°, termine el ajuste de ángulo de bisel de 0°.

Afloje el pomo e incline completamente el carro hacia el lado que quiere comprobar. Compruebe si el puntero indica la posición de 45° en la escala de ángulo de bisel.

► **Fig.87:** 1. Pomo

Si el puntero no indica la posición de 45°, alinéelo con la posición de 45° girando el perno de ajuste en la escala de ángulo de bisel del lado opuesto de la base.

► **Fig.88:** 1. Perno de ajuste de 45° izquierdo
2. Perno de ajuste de 45° derecho

Ajuste de las guías secundarias

Ajuste las guías secundarias en las bases secundarias si no están alineadas con las guías laterales.

1. Afloje los pernos que sujetan las guías secundarias utilizando la llave hexagonal.
2. Coloque una barra rígida recta, como una sección de tubo de hierro cuadrado, a ras contra las guías laterales.
3. Mientras la barra está a ras contra las guías laterales, coloque las guías secundarias de forma que la cara de la guía secundaria quede a ras contra la barra. Después de eso, apriete los pernos.

► **Fig.89:** 1. Perno 2. Guía secundaria 3. Guía lateral
4. Barra rígida

Limpieza de la lente de la lámpara

⚠PRECAUCIÓN: Retire siempre el disco de sierra circular antes de limpiar la lente de la lámpara.

AVISO: No retire el tornillo que sujeta la lente. Si la lente no se puede extraer, afloje más el tornillo.

AVISO: Utilice un paño seco para quitar la suciedad de la lente de la lámpara. Tenga cuidado de no rayar la lente de la lámpara, porque podrá disminuir la iluminación.

AVISO: No utilice disolventes ni ningún producto de limpieza a base de petróleo en la lente.

La luz LED se vuelve difícil de ver a medida que la lente de la luz se ensucia. Limpie la lente a intervalos regulares.

Retire el cartucho de batería. Afloje el tornillo y extraiga la lente. Limpie la lente con cuidado con un paño suave humedecido.

► **Fig.90:** 1. Tornillo 2. Lente

Después de la utilización

Después de la utilización, limpie las virutas y el polvo adheridos a la herramienta con un paño o similar. Mantenga el protector de disco limpio de acuerdo con las indicaciones de la sección ya vista titulada "Protector de disco". Lubrique las partes deslizables con aceite para máquinas para evitar que se oxiden.

ACCESORIOS OPCIONALES

⚠ADVERTENCIA: Estos accesorios o acoplamientos de Makita están recomendados para utilizar con su herramienta Makita especificada en este manual. La utilización de cualesquiera otros accesorios o acoplamientos puede resultar en heridas personales graves.

⚠ADVERTENCIA: Utilice el accesorio o acoplamiento Makita solamente para el propósito que ha sido diseñado. El uso indebido de un accesorio o acoplamiento puede resultar en heridas personales graves.

Si necesita cualquier ayuda para más detalles en relación con estos accesorios, pregunte al centro de servicio Makita local.

- Discos de carburo
- Mordaza vertical
- Mordaza horizontal
- Conjunto de tope de moldura corona
- Bolsa de polvo
- Escuadra
- Llave hexagonal
- Unidad inalámbrica
- Juego de soporte

- Batería y cargador genuinos de Makita

NOTA: Algunos elementos de la lista podrán estar incluidos en el paquete de la herramienta como accesorios estándar. Pueden variar de un país a otro.

ESPECIFICAÇÕES

Modelo:		LS003G
Diâmetro da lâmina	Países europeus	305 mm
	Países além da Europa	305 mm
Diâmetro do furo	Países europeus	30 mm
	Países além da Europa	30 mm ou 25,4 mm (específico do país)
Espessura máx. de corte da lâmina de serra		3,2 mm
Ângulo de esquadria máx.		Direita 60°, esquerda 60°
Ângulo de bisel máx.		Direita 48°, esquerda 48°
Velocidade sem carga (RPM)		3.600 min ⁻¹
Dimensões (C x L x A)		898 mm x 690 mm x 725 mm
Tensão nominal		C.C. 36 V - 40 V máx.
Peso líquido		30,5 - 31,7 kg

Capacidades de corte (A x L)

Ângulo de esquadria			Ângulo de bisel		
			45° (esquerda)	0°	45° (direita)
0°	-	-	61 mm x 382 mm 71 mm x 363 mm	92 mm x 382 mm 107 mm x 363 mm	44 mm x 382 mm 54 mm x 363 mm
		Espessura do revestimento de madeira na placa guia para uma maior altura de corte	20 mm	78 mm x 325 mm	115 mm x 325 mm
	38 mm		80 mm x 292 mm	120 mm x 292 mm	-
45° (direita e esquerda)	-	-	61 mm x 268 mm 71 mm x 255 mm	92 mm x 268 mm 107 mm x 255 mm	44 mm x 268 mm 54 mm x 255 mm
		Espessura do revestimento de madeira na placa guia para uma maior altura de corte	15 mm	-	115 mm x 227 mm
	25 mm		120 mm x 212 mm		
60° (direita e esquerda)	-	-	-	92 mm x 185 mm 107 mm x 178 mm	-
		Espessura do revestimento de madeira na placa guia para uma maior altura de corte		15 mm	
	25 mm			120 mm x 140 mm	

Capacidades de corte para cortes especiais

Tipo de corte	Capacidade de corte
Moldura do tipo 45° (com bloqueio de moldura utilizado)	203 mm
Rodapé (com torno horizontal utilizado)	171 mm

- Devido a um programa contínuo de pesquisa e desenvolvimento, estas especificações estão sujeitas a alteração sem aviso prévio.
- As especificações podem variar de país para país.
- O peso poderá diferir em função do acessório(s), incluindo a bateria. A combinação mais leve e mais pesada, de acordo com o Procedimento EPTA 01/2014, é apresentada na tabela.

Bateria e carregador aplicável

Bateria	BL4020 / BL4025 / BL4040* / BL4040F* / BL4050F* / BL4080F* *: Bateria recomendada
Carregador	DC40RA / DC40RB / DC40RC / DC40WA

- Algumas das baterias e carregadores listados acima poderão não estar disponíveis, dependendo da sua região de residência.

AVISO: Utilize apenas as baterias e carregadores listados acima. A utilização de quaisquer outras baterias e carregadores pode causar ferimentos e/ou um incêndio.

Símbolos

A seguir são apresentados os símbolos que podem ser utilizados para o equipamento. Certifique-se de que compreende o seu significado antes da utilização.

	Leia o manual de instruções.
	Utilize proteção ocular.
	Para evitar ferimentos provocados por resíduos soltos, mantenha a cabeça da serra virada para baixo, depois de realizar cortes, até a lâmina ficar completamente parada.
	Quando executar o corte de bisel, rode o botão primeiro para a esquerda e incline o carreto em seguida. Em seguida, rode o botão para a direita para apertar.
	Quando realizar o corte correção, puxe primeiro o carreto até ao fim e empurre a pega para baixo, depois, empurre o carreto em direção à placa guia.
	Mantenha o botão de libertação pressionado enquanto inclina o carreto para a direita.
	Engate a alavanca de bloqueio quando cortar um rodapé num ângulo de esquadria de 45°.
	Não coloque a mão ou os dedos perto da lâmina.
	Não olhe fixamente para a lâmpada em funcionamento.
	A: Diâmetro da lâmina B: Diâmetro do furo
	Não instale o torno horizontal na mesma direção que o corte de esquadria. (Este símbolo está aplicado no torno horizontal.)



Apenas para países da UE
Devido à presença de componentes perigosos no equipamento, os resíduos de equipamentos elétricos e eletrônicos, acumuladores e baterias podem ter um impacto negativo no meio ambiente e na saúde humana.
Não elimine aparelhos elétricos e eletrônicos ou baterias juntamente com resíduos domésticos!
De acordo com a Diretiva europeia relativa aos resíduos de equipamentos elétricos e eletrônicos, acumuladores e baterias, bem como a respetiva adaptação à legislação nacional, os resíduos de equipamentos elétricos e eletrônicos, acumuladores e baterias devem ser armazenados separadamente e entregues num ponto de recolha separado para resíduos municipais, que opere de acordo com os regulamentos de proteção ambiental.
Tal é indicado pelo símbolo de contendor de lixo com rodas barrado com uma cruz colocado no equipamento.

Fins a que se destina

Esta ferramenta destina-se a realizar cortes de precisão, retos e de meia esquadria, em madeira. Utilize a serra apenas para cortar madeira, alumínio ou materiais similares.

Ruído

A característica do nível de ruído A determinado de acordo com a EN62841-3-9:

Nível de pressão acústica (L_{pA}): 91 dB (A)
Nível de potência acústica (L_{WA}): 100 dB (A)
Variabilidade (K): 3 dB (A)

NOTA: O(s) valor(es) da emissão de ruído indicado(s) foi medido de acordo com um método de teste padrão e pode ser utilizado para comparar duas ferramentas.

NOTA: O(s) valor(es) da emissão de ruído indicado(s) pode também ser utilizado na avaliação preliminar da exposição.

⚠️ AVISO: Utilize protetores auriculares.

⚠️ AVISO: A emissão de ruído durante a utilização real da ferramenta elétrica pode diferir do(s) valor(es) indicado(s), dependendo das formas como a ferramenta é utilizada, especialmente o tipo de peça de trabalho que é processada.

⚠️ AVISO: Certifique-se de identificar as medidas de segurança para proteção do operador que sejam baseadas em uma estimativa de exposição em condições reais de utilização (considerando todas as partes do ciclo de operação, tal como quando a ferramenta está desligada e quando está a funcionar em marcha lenta além do tempo de acionamento).

Declarações de conformidade

Apenas para os países europeus

As Declarações de conformidade estão incluídas no Anexo A deste manual de instruções.

AVISOS DE SEGURANÇA

Avisos gerais de segurança para ferramentas elétricas

⚠️ AVISO Leia todos os avisos de segurança, instruções, ilustrações e especificações fornecidos com esta ferramenta elétrica. O incumprimento de todas as instruções abaixo enumeradas pode resultar em choque elétrico, incêndio e/ou ferimentos graves.

Guarde todos os avisos e instruções para futuras referências.

O termo “ferramenta elétrica” nos avisos refere-se às ferramentas elétricas ligadas à corrente elétrica (com cabo) ou às ferramentas elétricas operadas por meio de bateria (sem cabo).

Instruções de segurança para serras de esquadria

1. **As serras de esquadria destinam-se a cortar madeira ou produtos semelhantes a madeira, não podem ser utilizadas com rodas de corte abrasivas para cortar material ferroso, tal como barras, varões, pinos, etc.** A poeira abrasiva provoca o encravamento de peças móveis, tais como o resguardo inferior. As faíscas do corte abrasivo queimam o resguardo inferior, a inserção de corte e outras peças de plástico.
 2. **Utilize braçadeiras para apoiar a peça de trabalho sempre que possível. Se apoiar a peça de trabalho manualmente, deve manter sempre as mãos afastadas pelo menos 100 mm de cada lado da lâmina de serra. Não utilize esta serra para cortar peças demasiado pequenas para serem apertadas ou seguras à mão. Se a sua mão estiver colocada demasiado próxima da lâmina de serra, existe um maior risco de lesão**
 3. **A peça de trabalho deve estar fixa e apertada ou segura contra a placa e a mesa. Não alimente a peça de trabalho na lâmina nem corte “com as mãos livres” em qualquer direção.** As peças sem fixação ou móveis podem ser projetadas a altas velocidades, causando ferimentos.
 4. **Empurre a serra através da peça de trabalho. Não puxe a serra através da peça de trabalho. Para realizar um corte, eleve a cabeça da serra e puxe-a para fora sobre a peça de trabalho sem realizar cortes, efetue o arranque do motor, pressione a cabeça da serra para baixo e empurre a serra através da peça de trabalho.** Cortar no tirante de puxar provavelmente faz com que a lâmina de serra suba para cima da peça de trabalho e atire violentamente a conjunto de lâmina na direção do operador.
 5. **Nunca cruze a sua mão sobre a linha de corte pretendida, tanto à frente como atrás da lâmina de serra.** Apoiar a peça de trabalho “com as mãos cruzadas”, isto é, segurando a peça de trabalho do lado direito da lâmina de serra com a mão esquerda ou vice versa é muito perigoso.
- Fig.1
6. **Não tente chegar mais próximo do que 100 mm por trás da placa com as duas mãos a partir dos dois lados da lâmina de serra para remover restos de madeira ou por qualquer outro motivo enquanto a lâmina estiver a rodar.** A proximidade da lâmina de serra em rotação em relação à sua mão poderá não ser óbvia e poderá sofrer lesões graves.
 7. **Inspeccione a sua peça de trabalho antes de realizar o corte. Se a peça de trabalho for encurvada ou deformada, aperte-a com a face encurvada exterior virada para a placa. Certifique-se sempre de que não existe nenhuma lacuna entre a peça de trabalho, a placa e a mesa ao longo da linha de corte.** As peças de trabalho encurvadas ou deformadas podem torcer ou deslocar-se e causar emperramento na lâmina de serra em rotação durante o corte. A peça de trabalho não deve ter pregos ou objetos estranhos.
 8. **Não utilize a serra até que a mesa esteja desimpedida de todas as ferramentas, restos de madeira, etc., exceto da peça de trabalho.** Os pequenos resíduos ou pedaços soltos de madeira ou outros objetos que estabeleçam contacto com a lâmina em rotação podem ser projetados a alta velocidade.
 9. **Corte apenas uma peça de trabalho de cada vez.** As peças de trabalho múltiplas empilhadas não podem ser apertadas ou fixadas adequadamente e podem prender na lâmina ou deslocar-se durante o corte.
 10. **Assegure que a serra de esquadria está montada ou colocada numa superfície de trabalho nivelada e firme antes de ser utilizada.** Uma superfície de trabalho nivelada e firme reduz o risco de a serra de esquadria se tornar instável.
 11. **Planeie o seu trabalho. Cada vez que altera a definição do ângulo de bisel e do ângulo de esquadria, certifique-se de que a placa**

devido ao contacto com a lâmina.

- ajustável está corretamente definida para apoiar a peça de trabalho e que não interfere com a lâmina ou o sistema de resguardo.** Sem “LIGAR” a ferramenta e sem qualquer peça de trabalho na mesa, mova a lâmina de serra através de um corte simulado completo, de modo a assegurar que não haverá interferência ou perigo de corte da placa.
12. **Assegure um apoio adequado, tal como extensões da mesa, cavaletes, etc. para uma peça de trabalho que é mais ampla ou mais comprida do que o topo da mesa.** As peças de trabalho mais compridas ou mais amplas do que a mesa da serra de esquadria podem virar se não estiverem apoiadas em segurança. Se a peça cortada ou a peça de trabalho virarem, estas podem levantar o resguardo inferior ou serem projetadas pela lâmina em rotação.
 13. **Não utilize outra pessoa como substituição de uma extensão de mesa ou um suporte adicional.** O apoio instável para a peça de trabalho pode fazer com que a lâmina fique presa ou a peça de trabalho se desloque durante a operação de corte, puxando-o a si e ao seu assistente na direção da lâmina em rotação.
 14. **A peça de corte não deve estar encravada ou ser pressionada por qualquer meio contra a lâmina de serra em rotação.** Se estiver limitada, isto é, utilizando batentes de comprimento, a peça de corte pode ficar entalada contra a lâmina e ser projetada com violência.
 15. **Utilize sempre uma braçadeira ou uma fixação concebida para apoiar adequadamente material redondo, tal como varões ou tubagens.** Os varões têm tendência de se enrolar enquanto são cortados, fazendo com que a lâmina “morda” e puxe a peça de trabalho com a sua mão para a lâmina.
 16. **Aguarde que o disco atinja a velocidade máxima antes de estabelecer contacto com a peça de trabalho.** Isto reduz o risco de projeção da peça de trabalho.
 17. **Se a peça de trabalho ou a lâmina ficar encravada, desligue a serra de esquadria. Aguarde que todas as peças móveis parem e desligue a ficha da fonte de alimentação e/ou remova a bateria. Em seguida, trabalhe para soltar o material encravado.** A serração contínua com uma peça de trabalho encravada pode causar a perda de controlo ou danos na serra de esquadria.
 18. **Após concluir o corte, solte o interruptor, segure a cabeça da serra para baixo e aguarde que a lâmina pare antes de remover a peça de corte.** É perigoso tentar alcançar a lâmina com a mão enquanto esta está a rodar por inércia.
 19. **Segure firmemente na pega quando realizar um corte incompleto ou quando soltar o interruptor antes de a cabeça da serra estar completamente na posição inferior.** A ação de travagem da serra pode fazer com que a cabeça da serra seja subitamente puxada para baixo, causando o risco de lesão.
 20. **Utilize a lâmina de serra apenas com o diâmetro que está marcado na ferramenta ou especificado no manual.** A utilização de uma lâmina de tamanho incorreto pode afetar a proteção adequada da lâmina ou o funcionamento do resguardo, resultando em ferimentos pessoais graves.
 21. **Apenas use lâminas de serra marcadas com uma velocidade igual ou superior à velocidade marcada na ferramenta.**
 22. **Utilize a serra apenas para cortar madeira, alumínio ou materiais similares.**
 23. **(Apenas para países europeus) Utilize sempre a lâmina que possui conformidade com a norma EN847-1.**
- ### Instruções adicionais
1. **Fechem a oficina com cadeados para segurança das crianças.**
 2. **Nunca se coloque sobre a ferramenta.** Podem ocorrer lesões graves se a ferramenta virar ou se estabelecer contacto inadvertidamente com a ferramenta de corte.
 3. **Nunca deixa a ferramenta ligada sem supervisão. Desligue a ferramenta. Não deixe a ferramenta sem supervisão antes de estar completamente parada.**
 4. **Não utilize a serra sem os resguardos montados. Verifique se o resguardo da lâmina se encontra devidamente fechado antes de cada utilização. Não trabalhe com a serra se o resguardo da lâmina não se movimentar livremente e fechar instantaneamente. Nunca fixe nem prenda o resguardo da lâmina em posição aberta.**
 5. **Mantenha as mãos afastadas da parte cortante da lâmina da serra. Evite tocar na lâmina quando esta rodar por inércia. Mesmo assim, esta pode provocar lesões.**
 6. **Para reduzir o risco de lesão, reposicione o carro na posição traseira completa após cada operação de corte transversal.**
 7. **Fixe sempre os componentes móveis antes de proceder ao transporte da ferramenta.**
 8. **O pino de bloqueio ou a alavanca de bloqueio que bloqueia a cabeça da serra para baixo serve apenas para fins de transporte e armazenamento e não para quaisquer operações de corte.**
 9. **Verifique a lâmina com cuidado quanto a rachaduras ou danos antes da utilização. Substitua imediatamente a lâmina rachada ou danificada. A pastilha e o passo da madeira endurecidos nas lâminas torna a serra lenta e aumenta o potencial de contragolpe. Mantenha a lâmina limpa, removendo-a primeiramente da ferramenta e, em seguida, limpando-a com removedor de pastilha e de passo, água quente ou querosene. Nunca utilize gasolina para limpar a lâmina.**
 10. **Enquanto realiza um corte correção podem ocorrer CONTRAGOLPES. O CONTRAGOLPE ocorre quando a lâmina prende na peça de trabalho durante uma operação de corte e a lâmina de serra é puxada rapidamente na direção do operador. Pode resultar na perda de controlo e em lesões físicas graves. Se a lâmina começar a prender durante uma operação de corte, não continue a cortar e solte o interruptor imediatamente.**

11. Utilize exclusivamente as flanges especificadas para esta ferramenta.
12. Tenha cuidado para não danificar o eixo, as flanges (especialmente a superfície de instalação) ou o perno. Os danos nestes componentes podem provocar a fratura da lâmina.
13. Certifique-se de que a base giratória está bem fixa, de modo a que não se movimente durante a operação. Utilize os furos na base para apertar a serra a uma plataforma de trabalho estável ou bancada. NUNCA utilize a ferramenta no caso em que o posicionamento do operador fosse considerado estranho.
14. Certifique-se de que soltou o travão do eixo antes de ligar o interruptor.
15. Certifique-se de que, na posição mais baixa, a lâmina não fica em contacto com a base giratória.
16. Agarre na pega com firmeza. Tenha em conta que a serra se movimenta um pouco para cima e para baixo, durante o arranque e a paragem da ferramenta.
17. Verifique se a lâmina não está em contacto com a peça a trabalhar antes de ligar o interruptor.
18. Antes de utilizar a ferramenta na peça a trabalhar, deixe-a funcionar em vazio durante algum tempo. Verifique se existem vibrações ou movimento irregular que possam indicar má instalação ou desequilíbrio da lâmina.
19. Pare a ferramenta de imediato se notar algo no funcionamento que não seja normal.
20. Não tente bloquear o gatilho na posição de ligado.
21. Utilize sempre os acessórios recomendados neste manual. A utilização de acessórios inadequados tais como rodas abrasivas podem dar origem a lesões.
22. Algum material contém produtos químicos que podem ser tóxicos. Tenha cuidado para evitar a inalação de poeira e o contacto com a pele. Respeite os dados de segurança do fornecedor do material.
23. Não utilize uma fonte de alimentação com fio com esta ferramenta.

Normas de segurança adicionais para a lâmpada em funcionamento

1. Não olhe para a luz ou para a fonte de iluminação diretamente.

GUARDE ESTAS INSTRUÇÕES.

⚠️ AVISO: NÃO permita que o conforto ou familiaridade com o produto (adquirido com o uso repetido) substitua o cumprimento estrito das regras de segurança da ferramenta. A MÁ INTERPRETAÇÃO ou o não seguimento das regras de segurança estabelecidas neste manual de instruções pode provocar ferimentos pessoais graves.

Instruções de segurança importantes para a bateria

1. Antes de utilizar a bateria, leia todas as instruções e etiquetas de precaução no (1) carregador de bateria (2) bateria e (3) produto que utiliza a bateria.
2. Não desmonte ou manipule a bateria. Pode resultar num incêndio, em calor excessivo ou numa explosão.
3. Se o tempo de funcionamento se tornar excessivamente curto, pare o funcionamento imediatamente. Pode resultar em sobreaquecimento, possíveis queimaduras e mesmo explosão.
4. Se entrar eletrólito nos seus olhos, lave-os com água e consulte imediatamente um médico. Pode resultar em perda de visão.
5. Não coloque a bateria em curto-circuito:
 - (1) Não toque nos terminais com qualquer material condutor.
 - (2) Evite guardar a bateria juntamente com outros objetos metálicos tais como pregos, moedas, etc.
 - (3) Não exponha a bateria à água ou chuva. Um curto-circuito pode ocasionar um enorme fluxo de corrente, sobreaquecimento, possíveis queimaduras e mesmo estragar-se.
6. Não guarde nem utilize a ferramenta e a bateria em locais onde a temperatura pode atingir ou exceder 50 °C.
7. Não queime a bateria mesmo que esteja estragada ou completamente gasta. A bateria pode explodir no fogo.
8. Não pregue, corte, esmague, atire, deixe cair a bateria, nem bata a bateria contra um objeto rijo. Esta conduta pode resultar num incêndio, em calor excessivo ou numa explosão.
9. Não utilize uma bateria danificada.
10. As baterias de iões de lítio contidas na ferramenta são sujeitas aos requisitos da DGL (Dangerous Goods Legislation - Legislação de bens perigosos).
Para o transporte comercial, por exemplo, por terceiros ou agentes de expedição, têm de ser observados os requisitos referentes à embalagem e etiquetagem.
Para preparação do artigo a ser expedido, é necessário consultar um perito em materiais perigosos. Tenha ainda em conta a possibilidade de existirem regulamentos nacionais mais detalhados.
Coloque fita-cola ou tape os contactos abertos e embale a bateria de tal forma que não possa mover-se dentro da embalagem.
11. Quando eliminar a bateria, remova-a da ferramenta e elimine-a num local seguro. Siga os regulamentos locais relacionados com a eliminação de baterias.
12. Utilize as baterias apenas com os produtos especificados pela Makita. Instalar as baterias em produtos não-conformes poderá resultar num incêndio, calor excessivo, explosão ou fuga de eletrólito.

13. Se a ferramenta não for utilizada durante um período de tempo prolongado, a bateria deve ser removida da ferramenta.
14. Durante e após a utilização, a bateria pode aquecer, o que pode provocar queimaduras ou queimaduras a baixa temperatura. Preste atenção ao manuseamento de baterias quentes.
15. Não toque no terminal da ferramenta imediatamente após a utilização, pois pode ficar suficientemente quente para provocar queimaduras.
16. Não permita a adesão de aparas, pó ou sujidade nos terminais, nos orifícios e nas ranhuras da bateria. Poderá fazer com que a ferramenta ou a bateria aqueça, incendeie, rebente e avarie, resultando em queimaduras ou ferimentos corporais.
17. A menos que a ferramenta suporte a utilização perto de linhas elétricas de alta tensão, não utilize a bateria perto de linhas elétricas de alta tensão. Pode resultar no mau funcionamento ou na avaria da ferramenta ou bateria.
18. Mantenha a bateria afastada das crianças.

GUARDE ESTAS INSTRUÇÕES.

⚠️ PRECAUÇÃO: Utilize apenas baterias genuínas da Makita. A utilização de baterias não genuínas da Makita ou de baterias que foram alteradas, pode resultar no rebentamento da bateria provocando incêndios, ferimentos pessoais e danos. Além disso, anulará a garantia da Makita no que se refere à ferramenta e ao carregador Makita.

Conselhos para manter a máxima vida útil da bateria

1. Carregue a bateria antes que esteja completamente descarregada. Pare sempre o funcionamento da ferramenta e carregue a bateria quando notar menos poder na ferramenta.
2. Nunca carregue uma bateria completamente carregada. Carregamento excessivo diminui a vida útil da bateria.
3. Carregue a bateria à temperatura ambiente de 10 °C – 40 °C. Deixe que uma bateria quente arrefeça antes de a carregar.
4. Quando não utilizar a bateria, remova-a da ferramenta ou do carregador.
5. Carregue a bateria se não a utilizar durante um longo período de tempo (mais de seis meses).

Instruções de segurança importantes para a unidade sem fios

1. Não desmonte ou manipule a unidade sem fios.
2. Mantenha a unidade sem fios afastada das crianças. Se ocorrer a ingestão acidental, procure imediatamente cuidados médicos.
3. Utilize a unidade sem fios apenas com ferramentas Makita.
4. Não exponha a unidade sem fios à chuva ou a condições húmidas.
5. Não utilize a unidade sem fios em locais onde a temperatura excede 50 °C.
6. Não utilize a unidade sem fios em locais próximos de instrumentos médicos, tais como estimuladores cardíacos.
7. Não utilize a unidade sem fios em locais próximos de dispositivos automatizados. Se utilizada, os dispositivos automatizados podem desenvolver anomalias ou erros.
8. Não utilize a unidade sem fios em locais sob temperaturas altas ou locais nos quais possa ser gerada eletricidade estática ou ruído elétrico.
9. A unidade sem fios pode produzir campos eletromagnéticos (CEM) mas estes não são nocivos para o utilizador.
10. A unidade sem fios é um instrumento preciso. Tenha cuidado para não deixar cair a unidade sem fios nem bater nesta.
11. Evite tocar no terminal da unidade sem fios com as mãos desprotegidas ou com materiais metálicos.
12. Retire sempre a bateria do produto quando instalar a unidade sem fios.
13. Quando abrir a tampa da ranhura, evite o local no qual a poeira e a água podem entrar para a ranhura. Mantenha sempre a entrada da ranhura limpa.
14. Insira sempre a unidade sem fios na direção correta.
15. Não pressione o botão de ativação sem fios na unidade sem fios com demasiada força e/ou pressione o botão com um objeto com aresta afiada.
16. Feche sempre a tampa da ranhura quando utilizar a ferramenta.
17. Não remova a unidade sem fios da ranhura enquanto estiver a ser fornecida alimentação elétrica à ferramenta. Fazê-lo pode causar a anomalia da unidade sem fios.
18. Não remova o adesivo da unidade sem fios.
19. Não coloque qualquer adesivo na unidade sem fios.
20. Não deixe a unidade sem fios num local em que possa ser gerada eletricidade estática ou ruído elétrico.
21. Não deixe a unidade sem fios num local sujeito a calor intenso, tal como um veículo exposto ao sol.
22. Não deixe a unidade sem fios num local poeirento ou pulverulento ou num local onde possa ser gerado gás corrosivo.
23. A mudança súbita da temperatura pode molhar a unidade sem fios com condensação. Não utilize a unidade sem fios até que a condensação esteja completamente seca.
24. Quando limpar a unidade sem fios, limpe-a suavemente com um pano macio e seco. Não utilize benzina, diluente, massa lubrificante condutora ou similar.
25. Quando armazenar a unidade sem fios, guarde-a na caixa fornecida ou num recipiente anti-estática.
26. Não insira quaisquer dispositivos diferentes da unidade sem fios Makita na ranhura na

ferramenta.

27. **Não utilize a ferramenta com a tampa da ranhura danificada.** A entrada de água, poeira e sujidade na ranhura pode causar o mau funcionamento.
28. **Não puxe e/ou torça a tampa da ranhura além**

do necessário. Recoloque a tampa se esta sair da ferramenta.

29. **Substitua a tampa da ranhura se a perder ou danificar.**

GUARDE ESTAS INSTRUÇÕES.

DESCRIÇÃO DAS PEÇAS

► Fig.2

1	Botão (para ângulo de bisel)	2	Chave hexagonal	3	Parafuso de ajuste (para a posição de limite inferior)	4	Perno de regulação (para a capacidade máxima de corte)
5	Placa de retenção	6	Botão de segurança	7	Gatilho do interruptor	8	Tampa (para unidade sem fios)
9	Furo para o cadeado	10	Botão de ativação sem fios	11	Lâmpada de ativação sem fios	12	Botão da lâmpada
13	Botão de aspiração	14	Caixa da lâmina	15	Resguardo da lâmina	16	Sub-guia
17	Alavanca de bloqueio (para a base giratória)	18	Alavanca de libertação (para a base giratória)	19	Punho (para a base giratória)	20	Placa de corte
21	Escala do ângulo de esquadria	22	Ponteiro (para o ângulo de esquadria)	23	Base giratória	24	Sub-base
25	Botão de libertação (para ângulo de bisel do lado direito)	26	Torno vertical	27	Pino de bloqueio (para deslizamento de carreto)	28	Braçadeira deslizante

► Fig.3

1	Pega	2	Bateria	3	Saco do pó (quando substituído pela mangueira de extração de poeiras)	4	Mangueira (para extração de poeiras)
5	Escala do ângulo de bisel	6	Perno de regulação de 0° (para ângulo de bisel)	7	Ponteiro (para ângulo de bisel)	8	Perno de regulação de 45° (para ângulo de bisel)
9	Alavanca de fecho (para ângulo de bisel)	10	Alavanca de libertação (para ângulo de bisel de 48°)	11	Placa guia (placa superior)	12	Placa guia (placa inferior)
13	Pino de bloqueio (para elevação de carreto)	14	Travão do eixo	-	-	-	-

INSTALAÇÃO

Instalar o punho

Aparafuse o eixo roscado do punho na base giratória.

► Fig.4: 1. Punho 2. Base giratória

Instalar e remover a mangueira de extração de poeiras

Prenda o cotovelo da mangueira na entrada superior com o botão de bloqueio voltado para cima. Insira a manga da mangueira na entrada inferior, pressionando e alinhando os botões de retenção na manga com os entalhes da guia na entrada.

Certifique-se de que o cotovelo e a manga encaixam adequadamente nas entradas da ferramenta.

► Fig.5: 1. Mangueira de extração de poeiras 2. Cotovelo 3. Botão de bloqueio 4. Manga

5. Entrada superior 6. Entrada inferior

Para remover o cotovelo da mangueira da entrada, puxe o cotovelo enquanto pressiona o botão de bloqueio para baixo.

► Fig.6: 1. Botão de bloqueio 2. Cotovelo

Para remover a manga da mangueira da entrada, puxe a manga enquanto pressiona os botões de retenção em ambos os lados da entrada.

► Fig.7: 1. Botão de retenção 2. Manga

Montagem da bancada

Quando a ferramenta é enviada, a pega está bloqueada na posição inferior pelo pino de bloqueio. Enquanto desce a pega ligeiramente, puxe o pino de bloqueio e rode-o 90°.

► Fig.8: 1. Posição bloqueada 2. Posição desbloqueada 3. Pino de bloqueio

Esta ferramenta deve estar fixa com quatro pernos

numa superfície nivelada e estável utilizando os orifícios para os pernos fornecidos na base da ferramenta. Isto ajudará a evitar que tombe e a evitar possíveis ferimentos.

► **Fig.9:** 1. Perno

⚠️ AVISO: Certifique-se de que a ferramenta não se move na superfície de suporte. O movimento da serra de esquadria sobre a superfície de suporte durante o corte pode resultar em perda de controlo e provocar ferimentos pessoais graves.

DESCRIÇÃO FUNCIONAL

⚠️ AVISO: Certifique-se sempre de que a ferramenta esteja desligada e a bateria retirada antes de regular ou inspecionar qualquer função da ferramenta. Se não desligar a ferramenta e retirar a bateria pode provocar o arranque acidental e resultar em ferimentos pessoais graves.

Instalação ou remoção da bateria

⚠️ PRECAUÇÃO: Desligue sempre a ferramenta antes de colocar ou retirar a bateria.

⚠️ PRECAUÇÃO: Segure firmemente a ferramenta e a bateria quando instalar ou remover a bateria. Se não segurar firmemente a ferramenta e a bateria pode fazer com que escorreguem das suas mãos resultando em danos na ferramenta e na bateria e ferimentos pessoais.

Para instalar a bateria, alinhe a lingueta na bateria com a ranhura na caixa e deslize-a para a posição correta. Insira-a por completo até bloquear na posição correta com um pequeno clique. Se conseguir ver o indicador vermelho conforme apresentado na figura, não está completamente bloqueada.

Para retirar a bateria, deslize-a para fora da ferramenta enquanto desliza o botão na frente da bateria.

► **Fig.10:** 1. Indicador vermelho 2. Botão 3. Bateria

⚠️ PRECAUÇÃO: Instale sempre a bateria até ao fim, até deixar de ver o indicador vermelho. Caso contrário, a bateria poderá cair da ferramenta acidentalmente e provocar ferimentos em si mesmo ou em alguém próximo.

⚠️ PRECAUÇÃO: Não instale a bateria à força. Se a bateria não deslizar facilmente é porque não foi colocada corretamente.

Sistema de proteção da ferramenta/bateria

A ferramenta está equipada com um sistema de proteção da ferramenta/bateria. Este sistema corta automaticamente a corrente ao motor para prolongar a vida útil da ferramenta e da bateria. A ferramenta para automaticamente durante o funcionamento se a ferramenta ou a bateria se encontrarem numa das seguintes condições. Nalgumas condições, a luz indicadora acende.

Proteção contra sobrecarga

Quando a ferramenta/bateria é utilizada de forma a causar a absorção anormalmente elevada de corrente, a ferramenta para automaticamente. Nesta situação, desligue a ferramenta e pare a aplicação que causou a sobrecarga da ferramenta. Em seguida, ligue a ferramenta para reiniciar.

Proteção contra sobreaquecimento

Quando a ferramenta/bateria estiver sobreaquecida, a ferramenta para automaticamente e a lâmpada pisca. Nesse caso, aguarde até a ferramenta arrefecer antes de a ligar outra vez.

















Proteção contra descarga excessiva

Quando a capacidade da bateria ficar fraca, a ferramenta para automaticamente. Se a ferramenta não funcionar em conjunto com a operação do interruptor, remova a bateria da ferramenta e carregue-a.

Indicação da capacidade restante da bateria

Prima o botão de verificação na bateria para indicar a capacidade restante da bateria. As luzes indicadoras acendem durante alguns segundos.

► **Fig.11:** 1. Luzes indicadoras 2. Botão de verificação

Luzes indicadoras			Capacidade restante
 Aceso	 Apagado	 A piscar	
			75% a 100%
			50% a 75%
			25% a 50%
			0% a 25%
			Carregar a bateria.
			A bateria pode estar avariada.
			

NOTA: Dependendo das condições de utilização e da temperatura ambiente, a indicação pode ser ligeiramente diferente da capacidade real.

NOTA: A primeira luz indicadora (extremo esquerdo) pisca quando o sistema de proteção da bateria funciona.

Bloqueio da pega

⚠️ PRECAUÇÃO: Segure sempre a pega quando soltar o pino de bloqueio. Caso contrário, a pega salta para cima e pode resultar em ferimentos pessoais.

A pega pode ser bloqueada na posição descida ou na posição elevada com o pino de bloqueio. Desça ou eleve a pega completamente e, em seguida, puxe e rode o pino de bloqueio numa posição bloqueada. Para desbloquear a pega, puxe o pino de bloqueio e rode-o em 90° numa posição desbloqueada enquanto desce a pega ligeiramente.

► **Fig.12:** 1. Posição bloqueada 2. Posição desbloqueada 3. Pino de bloqueio

Bloqueio contra deslizamento

Puxe o pino de bloqueio e rode-o em 90° para uma posição desbloqueada para permitir o movimento livre do carro. Para bloquear o movimento de deslizamento do carro, empurre o carro em direção ao braço até parar e, em seguida, volte a colocar o pino de bloqueio numa posição bloqueada.

► **Fig.13:** 1. Posição bloqueada 2. Posição desbloqueada 3. Pino de bloqueio 4. Braço

Resguardo da lâmina

AVISO: Nunca estrague ou retire o resguardo da lâmina ou o dispositivo de mola que prende o resguardo. Se retirar o resguardo de segurança, a lâmina exposta pode provocar ferimentos pessoais graves durante o funcionamento.

AVISO: Nunca utilize a ferramenta se o resguardo da lâmina ou o dispositivo de mola estiverem danificados, avariados ou não estiverem montados. O funcionamento da ferramenta com um resguardo de segurança danificado, avariado ou retirado pode provocar ferimentos pessoais graves.

PRECAUÇÃO: Mantenha sempre o resguardo da lâmina em boas condições para funcionamento seguro. Pare a operação imediatamente se existirem irregularidades no resguardo da lâmina. Verifique para se assegurar que o retorno do resguardo com a mola funciona bem.

Ao descer a pega, o resguardo da lâmina sobe automaticamente. O resguardo dispõe de um dispositivo de mola pelo que volta à posição original depois de concluído o corte e quando se ergue a pega.

► **Fig.14:** 1. Resguardo da lâmina

Limpeza

Se o resguardo da lâmina transparente ficar sujo ou partículas de pó aderirem de modo que a lâmina e/ou a peça de trabalho deixem de ser facilmente visíveis, retire a bateria e limpe cuidadosamente o resguardo com um pano húmido. Não utilize solventes ou produtos de limpeza à base de petróleo no resguardo em plástico, pois esses podem danificá-lo.

Siga as instruções passo a passo indicadas sobre como efetuar a preparação para a limpeza.

1. Certifique-se de que a ferramenta está desligada e que a bateria foi removida.
2. Rode o perno hexagonal para a esquerda utilizando a chave hexagonal fornecida enquanto segura a cobertura central.
3. Levante o resguardo da lâmina e a cobertura

central.

4. Quando a limpeza estiver concluída, volte a colocar a cobertura central e aperte o perno hexagonal realizando os passos indicados acima pela ordem inversa.

5. Certifique-se de que volta a colocar a lâmina de serra circular e a cobertura central nas respetivas posições originais e que aperta o perno hexagonal.

► **Fig.15:** 1. Chave hexagonal 2. Perno hexagonal 3. Cobertura central 4. Resguardo da lâmina

AVISO: Não remova a mola que prende o resguardo da lâmina. Se o resguardo ficar danificado ou o decorrer do tempo ou pela ação dos raios UV, contacte um centro de assistência Makita para substituição. **NÃO FORCE NEM DESMONTE O RESGUARDO.**

Posicionar a placa de corte

Esta ferramenta é fornecida com placas de corte na base giratória para minimizar a produção de estilhaços no lado de saída de um corte. As placas de corte foram ajustadas na fábrica de modo que a lâmina de serra circular não entre em contacto com as placas de corte. Antes da utilização regule as placas de corte como se segue:

1. Certifique-se de que remove a bateria. Depois, desaperte todos os parafusos (3 em cada lado esquerdo e direito) que prendem as placas de corte.

► **Fig.16:** 1. Placa de corte 2. Parafuso

NOTA: Os parafusos da extremidade traseira podem ser facilmente desapertados e apertados ao rodar a base giratória num ângulo. Certifique-se de que levanta a pega totalmente ao fazer rodar a base giratória.

2. Volte a apertá-los de modo que as placas de corte sejam facilmente movimentadas com a mão.

NOTA: Certifique-se de que volta a colocar a base giratória no ângulo original (ângulo de esquadria de 0°) quando reposicionar as placas de corte.

3. Desça completamente a pega e puxe e rode o pino de bloqueio para bloquear a pega na posição inferior.

4. Puxe e rode o pino de bloqueio na braçadeira deslizante para permitir o deslizamento do carro.

► **Fig.17:** 1. Pino de bloqueio 2. Posição bloqueada 3. Posição desbloqueada

5. Puxe os carros completamente para si.

6. Ajuste as placas de corte de modo que entrem ligeiramente em contacto com os lados dos dentes da lâmina.

► **Fig.18**

► **Fig.19:** 1. Lâmina da serra 2. Dentes da lâmina 3. Placa de corte 4. Corte de bisel à esquerda 5. Corte direito 6. Corte de bisel à direita

7. Aperte os parafusos da frente (não aperte demasiado).

8. Empurre o carro completamente em direção à

placas guia e, em seguida, ajuste as placas de corte de modo que entrem ligeiramente em contacto com os lados dos dentes da lâmina.

9. Aperte os parafusos centrais (não aperte demasiado).

10. Após ajustar as placas de corte, solte o pino de bloqueio para o bloqueio da pega e eleve a pega. Em seguida aperte todos os parafusos firmemente.

OBSERVAÇÃO: Depois de ajustar o ângulo de bisel, certifique-se de que as placas de corte estão corretamente ajustadas. O ajuste correto das placas de corte ajuda a proporcionar um suporte adequado à peça de trabalho, minimizando o desgaste da peça de trabalho.

Manter a máxima capacidade de corte

Esta ferramenta foi regulada na fábrica para fornecer a máxima capacidade de corte para uma lâmina de serra de 305 mm.

Quando instalar uma nova lâmina de serra circular, verifique sempre a posição de limite inferior da lâmina de serra circular e, se necessário, ajuste-a como se segue:

1. Retire a bateria. Depois, rode a alavanca de bloqueio para a posição engatada.

► **Fig.20:** 1. Alavanca de bloqueio

2. Empurre o carreto completamente até à placa guia e desça a pega completamente.

► **Fig.21:** 1. Placa guia 2. Perno de regulação

3. Utilize a chave hexagonal para rodar o perno de ajuste até a lâmina de serra circular entrar ligeiramente abaixo da secção de corte da placa guia e da superfície superior da base giratória.

► **Fig.22:** 1. Superfície superior da base giratória
2. Placa guia

4. Rode a lâmina com a mão enquanto agarra a pega completamente para baixo para se certificar de que a lâmina de serra circular não fica em contacto com qualquer parte da base inferior. Reajuste ligeiramente, se necessário.

AVISO: Depois de instalar uma nova lâmina de serra circular, certifique-se sempre, com a bateria removida, de que a lâmina de serra circular não fica em contacto com qualquer parte da base inferior quando a pega se encontra totalmente baixada. Se uma lâmina de serra circular entrar em contacto com a base, pode causar um contragolpe e provocar ferimentos pessoais graves.

► **Fig.23**

PRECAUÇÃO: Recoloque sempre a alavanca de bloqueio na posição original após a regulação.

Placa de retenção

A posição de limite inferior da lâmina de serra circular pode ser facilmente ajustada com a placa de retenção. Para a regular, rode a placa de retenção na direção da seta como indicado na figura. Rode o parafuso de ajuste de modo a que a lâmina de serra circular

pare na posição desejada quando descer a pega completamente.

► **Fig.24:** 1. Parafuso de regulação 2. Placa de retenção

PRECAUÇÃO: Segure sempre a pega firmemente durante o ajuste. Se não o fizer poderá causar o ressalto do carreto e resultar em ferimentos.

Regulação do ângulo de esquadria

PRECAUÇÃO: Depois de mudar o ângulo de esquadria, prenda sempre a base giratória voltando a colocar a alavanca de bloqueio/libertação numa posição bloqueada e apertando firmemente o punho.

OBSERVAÇÃO: Ao fazer rodar a base giratória, certifique-se de que levanta a pega totalmente.

1. Rode o punho para a esquerda. Depois, pressione e segure a alavanca de bloqueio numa posição desbloqueada.

2. Segure e balance o punho de lado a lado para rodar a base giratória.

3. Alinhe o ponteiro com o seu ângulo pretendido na escala do ângulo de esquadria.

4. Liberte a alavanca de bloqueio e aperte o punho.

► **Fig.25:** 1. Punho 2. Alavanca de bloqueio
3. Ponteiro 4. Escala do ângulo de esquadria

Função de paragem positiva

Esta serra de esquadria utiliza uma função de paragem positiva. Pode definir rapidamente um ângulo de esquadria com 0°, 15°, 22,5°, 31,6°, 45° e 60° à direita/à esquerda.

1. Rode o punho para a esquerda.

2. Pressione e segure a alavanca de bloqueio numa posição desbloqueada.

3. Rode a base giratória pretendido e liberte a alavanca de bloqueio.

4. Rode a base giratória em direção ao seu ângulo de paragem positiva pretendido até estar fixada.

5. Aperte o punho.

► **Fig.26:** 1. Punho 2. Alavanca de bloqueio 3. Ângulo de paragem positiva

NOTA: Para regular a base giratória sem a função de paragem positiva, pressione a alavanca de libertação. A base giratória pode ser movida livremente sem segurar a alavanca de bloqueio. Balance o punho para rodar a base giratória até ao seu ângulo pretendido e, depois, aperte o punho.

► **Fig.27:** 1. Alavanca de libertação

Regulação do ângulo de bisel

⚠ PRECAUÇÃO: Depois de mudar o ângulo de bisel, prenda sempre o braço apertando o botão na braçadeira deslizante para a direita.

OBSERVAÇÃO: Remova sempre as placas guia superiores e o torno vertical antes de ajustar o ângulo de bisel.

OBSERVAÇÃO: Quando inclinar a lâmina de serra circular, certifique-se de que o carreto está totalmente elevado.

OBSERVAÇÃO: Quando mudar os ângulos de bisel, certifique-se de que reposiciona as placas de corte corretamente conforme explicado na secção para posicionar as placas de corte.

OBSERVAÇÃO: Não aperte o botão na braçadeira deslizante com muita força. Se o fizer poderá causar uma avaria do mecanismo de bloqueio do ângulo de bisel.

Inclinar a lâmina de serra circular para a esquerda

1. Rode o botão na braçadeira deslizante para a esquerda.
▶ **Fig.28:** 1. Botão
2. Puxe e rode a alavanca de fecho para a posição, conforme ilustrado.
▶ **Fig.29:** 1. Alavanca de fecho
3. Segure a pega e incline o carreto para a esquerda.
4. Alinhe o ponteiro com o seu ângulo pretendido na escala do ângulo de bisel.
5. Aperte o botão para a direita para prender o braço do carreto.
▶ **Fig.30:** 1. Botão 2. Pega 3. Ponteiro 4. Escala do ângulo de bisel

Inclinar a lâmina de serra circular para a direita

1. Rode o botão na braçadeira deslizante para a esquerda.
2. Segure a pega e incline o carreto ligeiramente para a esquerda.
3. Incline o carreto para a direita enquanto pressiona o botão de libertação para o ângulo de bisel do lado direito.
4. Alinhe o ponteiro com o seu ângulo pretendido na escala do ângulo de bisel.
5. Aperte o botão para a direita para prender o braço do carreto.
▶ **Fig.31:** 1. Botão 2. Pega 3. Botão de libertação para o ângulo de bisel do lado direito 4. Escala do ângulo de bisel

Inclinar a lâmina de serra circular utilizando a função de paragem positiva

Esta serra de esquadria utiliza uma função de paragem positiva. Pode definir rapidamente um ângulo de 22,5° e 33,9° à direita e à esquerda.

1. Rode o botão na braçadeira deslizante para a esquerda.
2. Incline o carreto próximo do ângulo de paragem positiva pretendido enquanto eleva a alavanca de fecho.
3. Regule a alavanca de fecho numa posição horizontal.
4. Incline o carreto em direção ao seu ângulo de paragem positiva pretendido até estar fixado.
5. Para alterar o ângulo, puxe a alavanca de fecho em direção à parte frontal da ferramenta e depois volte a inclinar o carreto.
6. Aperte o botão para a direita para prender o braço do carreto.
▶ **Fig.32:** 1. Botão 2. Alavanca de fecho

Inclinar a lâmina de serra circular além do intervalo de 0° - 45°

1. Rode o botão na braçadeira deslizante para a esquerda.
2. Segure a pega e incline o carreto ao longo de 45° para a esquerda ou para a direita.
3. Puxe o carreto ligeiramente para trás e deslize a alavanca de libertação para o ângulo de bisel de 48° na direção da parte frontal da ferramenta.
4. Incline o carreto ainda mais para a esquerda ou para a direita enquanto mantém a alavanca solta.
5. Aperte o botão para a direita para prender o braço do carreto.
▶ **Fig.33:** 1. Botão 2. Pega 3. Alavanca de libertação para ângulo de bisel de 48°

Ação do interruptor

⚠️ AVISO: Antes de instalar a(s) bateria(s) na ferramenta, verifique sempre se o gatilho do interruptor aciona adequadamente e volta à posição de desligado quando libertado. Não carregue a fundo o gatilho do interruptor sem pressionar o botão de segurança. Esta ação pode estragar o interruptor. Utilizar uma ferramenta com um interruptor que não opera devidamente, pode provocar a perda de controlo e resultar em ferimentos pessoais graves.

⚠️ AVISO: NUNCA utilize a ferramenta sem que esta disponha de um gatilho totalmente operacional. Qualquer ferramenta com um interruptor inoperante é ALTAMENTE PERIGOSA e tem de ser reparada antes de ser utilizada novamente, caso contrário pode causar ferimentos pessoais graves.

⚠️ AVISO: NUNCA tente anular o botão de desbloqueio dando-lhe pancadadas para baixo nem por qualquer outro meio. Um interruptor com um botão de desbloqueio anulado pode resultar em operação não intencional e em ferimentos pessoais graves.

⚠️ AVISO: NUNCA utilize a ferramenta se ela funcionar premindo apenas o gatilho, sem ter de carregar no botão de desbloqueio. Um interruptor que necessita de reparação pode resultar em operação não intencional e em ferimentos pessoais graves. Envie a ferramenta para um centro de assistência da Makita para receber uma reparação adequada ANTES de voltar a utilizá-la.

► **Fig.34:** 1. Gatilho do interruptor 2. Botão de segurança 3. Furo para o cadeado

Para evitar que o gatilho do interruptor seja acidentalmente acionado, existe um botão de segurança. Para iniciar a ferramenta pressione o botão de segurança e carregue no gatilho do interruptor. Liberte o gatilho do interruptor para parar.

Há um furo no gatilho do interruptor para instalar um cadeado e travar a ferramenta.

⚠️ AVISO: Não utilize um cadeado com haste ou cabo inferior a 6,35 mm de diâmetro. Uma haste ou cabo menor pode não travar corretamente a ferramenta na posição de desligada e o funcionamento acidental pode provocar ferimentos pessoais graves.

Projetar uma linha de corte

⚠️ PRECAUÇÃO: A lâmpada não é à prova de chuva. Não lave a lâmpada com água nem a utilize numa área exposta a chuva ou a humidade. Uma conduta desta natureza pode causar choque elétrico e fumo.

⚠️ PRECAUÇÃO: Não toque na lente da lâmpada, dado estar muito quente enquanto está acesa ou logo após ser desligada. Tal pode provocar queimaduras.

⚠️ PRECAUÇÃO: Não aplique impacto na lâmpada, o que poderá causar danos ou um tempo de serviço curto.

⚠️ PRECAUÇÃO: Não olhe para a luz ou para a fonte de iluminação diretamente.

A lâmpada LED projeta uma luz sobre a lâmina de serra circular e uma sombra da lâmina cai sobre uma peça de trabalho servindo como um indicador de linha de corte sem calibração. Prima o botão da lâmpada para iluminar. Surge uma linha onde a lâmina entra em contacto com a superfície da peça de trabalho, ficando aprofundada à medida que a lâmina é descida.

► **Fig.35:** 1. Botão da lâmpada 2. Lâmpada 3. Linha de corte

O indicador ajuda a cortar uma linha de corte existente marcada a lápis numa peça de trabalho.

1. Segure a peça e desça a lâmina de serra circular de modo que uma sombra densa da lâmina seja projetada contra uma peça de trabalho.
2. Alinhe uma linha de corte traçada na peça de trabalho com a linha de corte sombreada.
3. Ajuste os ângulos de esquadria e os ângulos de bisel, se necessário.

NOTA: Certifique-se de que desliga o interruptor da lâmpada após a utilização, porque ligar a luz consome a potência da bateria.

NOTA: A luz apaga automaticamente 5 minutos após terminar a operação.

Função eletrónica

Travão elétrico

Esta ferramenta está equipada com um travão elétrico da lâmina. Se a ferramenta consistentemente não deixar de funcionar rapidamente após a libertação do gatilho do interruptor, solicite a reparação da ferramenta num centro de assistência da Makita.

⚠️ PRECAUÇÃO: O sistema de travão da lâmina não substitui o resguardo da lâmina. Nunca utilize a ferramenta sem um resguardo da lâmina funcional. Uma lâmina sem resguardo pode resultar em ferimentos pessoais graves.

Controlo de velocidade constante

A ferramenta é fornecida com um controlo de velocidade eletrónico que ajuda a manter uma velocidade de rotação constante da lâmina mesmo com carga. Uma

velocidade de rotação constante da lâmina resulta num corte muito suave.

Funcionalidade de arranque suave

Esta função permite o arranque suave da ferramenta ao limitar o binário de arranque.

MONTAGEM

AVISO: Certifique-se sempre de que a ferramenta está desligada e a bateria retirada antes de trabalhar na ferramenta. Se não desligar a ferramenta e retirar a bateria, pode resultar em ferimentos pessoais graves.

Armazenamento da chave hexagonal

Quando não a estiver a utilizar, guarde a chave hexagonal como indicado na figura para não a perder.

► **Fig.36:** 1. Chave hexagonal

Remover e instalar a lâmina de serra

AVISO: Certifique-se sempre de que a ferramenta está desligada e que a bateria foi removida antes de remover e instalar a lâmina de serra circular. O arranque acidental da ferramenta pode resultar em ferimentos pessoais graves.

AVISO: Utilize apenas a chave Makita fornecida para remover e instalar a lâmina de serra circular. Se não utilizar a chave pode resultar em aperto excessivo ou insuficiente do perno de encaixe hexagonal e em lesões físicas graves.

AVISO: Nunca utilize ou substitua as peças que não sejam fornecidas com esta ferramenta. A utilização de tais peças pode provocar ferimentos pessoais graves.

AVISO: Depois de instalar a lâmina de serra circular, certifique-se sempre de que está firmemente instalada. Um aperto insuficiente da lâmina de serra circular pode provocar ferimentos pessoais graves.

Remover a lâmina

Para remover a lâmina de serra circular, realize os seguintes passos:

1. Bloqueie o carroto na posição elevada puxando e rodando o pino de bloqueio para uma posição bloqueada.

► **Fig.37:** 1. Pino de bloqueio 2. Posição desbloqueada 3. Posição bloqueada

2. Utilize a chave hexagonal para soltar o perno hexagonal que prende a cobertura central. Depois, levante o resguardo da lâmina e a cobertura central.

► **Fig.38:** 1. Chave hexagonal 2. Perno hexagonal 3. Cobertura central 4. Resguardo da lâmina

3. Pressione o travão do eixo para prender o veio e utilize a chave hexagonal para libertar o perno de encaixe hexagonal para a direita. Depois, remova o perno de encaixe hexagonal, a flange exterior e a lâmina de serra circular.

► **Fig.39:** 1. Perno de encaixe hexagonal (rosca para a esquerda) 2. Flange exterior 3. Travão do eixo

4. Se a flange interior for removida, instale-a no veio com o respetivo lado do recesso voltado para a lâmina de serra circular. Se a flange for instalada incorretamente, essa irá roçar contra a máquina.

► **Fig.40:** 1. Perno de encaixe hexagonal (lado esquerdo) 2. Flange exterior 3. Lâmina de serra circular 4. Anel 5. Flange interior 6. Veio 7. Lado do recesso

Instalar a lâmina

AVISO: Antes de montar a lâmina no veio, certifique-se sempre de que o anel correto para o furo do suporte da lâmina que pretende utilizar está instalado entre as flanges interior e exterior. A utilização do anel do furo de suporte incorreto pode resultar na montagem imprópria da lâmina, causando o movimento da lâmina e forte vibração, o que resulta na possível perda de controlo durante o funcionamento e em lesões físicas graves.

PRECAUÇÃO: Certifique-se de que instala a lâmina de serra circular de modo que a direção da seta na lâmina corresponda à direção da seta na caixa da lâmina. O incumprimento desta instrução pode resultar em ferimentos pessoais e causar danos na ferramenta e/ou na peça de trabalho.

Para instalar a lâmina de serra circular, realize os seguintes passos:

1. Monte cuidadosamente a lâmina de serra circular na flange interior. Certifique-se de que a direção da seta na lâmina de serra circular corresponde à direção da seta na caixa da lâmina.

► **Fig.41:** 1. Seta na caixa da lâmina 2. Seta na lâmina de serra circular

2. Instale a flange exterior e o perno de encaixe hexagonal e, em seguida, utilize a chave hexagonal para apertar firmemente o perno de encaixe hexagonal para a esquerda enquanto pressiona o travão do eixo.

► **Fig.42:** 1. Perno de encaixe hexagonal (esquerdo) 2. Flange exterior 3. Lâmina de serra circular 4. Anel 5. Flange interior 6. Veio 7. Lado do recesso

3. Volte a colocar o resguardo da lâmina e a cobertura central na sua posição original. Em seguida aperte o perno hexagonal para a direita para prender a cobertura central.

4. Puxe e rode o pino de bloqueio numa posição desbloqueada para soltar o carroto da posição elevada. Desça o carroto e verifique se o resguardo da lâmina se desloca corretamente.

PRECAUÇÃO: Certifique-se de que o travão do eixo soltou o veio antes de realizar o corte.

Ligar um aspirador

Quando pretender efetuar uma operação de corte limpa, ligue um aspirador Makita ao bocal do pó (entrada do pó superior) utilizando um punho frontal 24 (acessório opcional).

- **Fig.43:** 1. Punhos frontais 24 2. Mangueira 3. Aspirador

Saco do pó

⚠PRECAUÇÃO: Quando realizar um corte, prenda sempre o saco do pó ou ligue um aspirador para evitar os perigos relacionados com o pó.

A utilização do saco do pó torna as operações de corte limpas e a recolha do pó fácil. Para instalar o saco do pó, remova a mangueira de extração de poeiras da ferramenta e ligue o saco do pó ao bocal do pó (entrada do pó superior).

- **Fig.44:** 1. Mangueira de extração de poeiras 2. Saco do pó 3. Bocal do pó (entrada do pó superior)

Quando o saco do pó se encontrar meio cheio, retire-o da ferramenta e tire o fecho. Esvazie o saco do pó, batendo-lhe ligeiramente para remover as partículas aderentes no interior que podem dificultar a recolha.

- **Fig.45:** 1. Fecho

Prender a peça de trabalho

⚠AVISO: É de extrema importância prender sempre a peça de trabalho de maneira correta com o tipo de torno ou bloqueios de moldura apropriados. A não observância desta instrução pode resultar em ferimentos pessoais graves e danificar a ferramenta e/ou a peça de trabalho.

⚠AVISO: Ao cortar peças de trabalho mais longas do que a base de suporte da serra de esquadria, apoie o material a todo o seu comprimento, mesmo para além da base de suporte, mantendo-o nivelado. O apoio adequado da peça de trabalho ajuda a evitar o encravamento da lâmina e um possível contragolpe, o que pode provocar ferimentos pessoais graves. Não confie apenas no torno vertical e/ou horizontal para efeitos de fixação da peça de trabalho. O material fino tende a dobrar. Apoie a peça de trabalho em todo o comprimento, para evitar esmagamentos da lâmina e eventuais CONTRAGOLPES.

- **Fig.46:** 1. Suporte 2. Base giratória

Placas guia

⚠AVISO: Antes de operar a ferramenta, certifique-se de que a placa superior está firmemente segura.

⚠AVISO: Antes de realizar o corte em bisel, certifique-se de que nenhuma parte da ferramenta, especialmente a lâmina de serra, estabelece contacto com as placas superior e inferior quando descer e levantar completamente a pega em qualquer posição e enquanto move o carreto ao longo do respetivo alcance completo de deslocação. Se a ferramenta ou lâmina entrar em contacto com a placa, pode resultar em contragolpe ou no movimento inesperado do material e provocar lesões pessoais graves.

Utilize placas superiores para apoiar o material numa posição mais elevada do que as placas inferiores. Introduza a placa superior no furo existente na placa inferior e aperte o parafuso de aperto.

- **Fig.47:** 1. Placa superior 2. Placa inferior 3. Parafuso de aperto 4. Parafuso de ajuste

OBSERVAÇÃO: As placas inferiores são fixas na base na fábrica. Não remova as placas inferiores.

OBSERVAÇÃO: Se a placa superior ainda estiver solta após apertar o parafuso de aperto, rode o parafuso de ajuste para fechar uma lacuna. O parafuso de ajuste é regulado na fábrica. Não tem de utilizá-lo, salvo necessário.

Quando não utilizar a placa superior, pode guardá-la no tubo da sub-base. Utilize o clipe na placa superior para segurá-la no tubo da sub-base.

- **Fig.48:** 1. Sub-base 2. Placa superior 3. Clipe

Torno vertical

⚠AVISO: A peça de trabalho tem de ser fixa com segurança contra a base giratória, e a placa guia com o torno durante todas as operações. Se a peça de trabalho não estiver devidamente segura contra a placa, o material pode mover-se durante a operação de corte provocando eventuais danos na lâmina de serra, fazendo com que seja projetado e ocorra a perda de controlo, resultando em lesões pessoais graves.

O torno vertical pode ser instalado no lado esquerdo ou direito da base e da sub-base. Insira o varão do torno no furo na base ou sub-base.

- **Fig.49:** 1. Torno vertical 2. Furo para o torno vertical 3. Sub-base 4. Base

- **Fig.50:** 1. Braço do torno 2. Varão do torno 3. Parafuso de aperto 4. Botão do torno

Posicione o braço do torno de acordo com a espessura e forma da peça de trabalho e prenda o braço do torno apertando o parafuso. Se o parafuso de aperto entrar em contacto com o carreto, instale o torno vertical na sub-base ou no lado oposto da base. Certifique-se de que nenhuma parte da ferramenta contacta o torno quando desce completamente a pega. Se algumas partes contactar o torno, volte a posicionar o torno.

Pressione a peça de trabalho direita contra a placa guia e a base giratória. Posicione a peça de trabalho na posição de corte desejada e fixe-a com firmeza apertando o botão do torno.

NOTA: Para regular rapidamente a peça de trabalho, rodar o botão do torno 90° para a esquerda permite que o botão do torno seja movido para cima e para baixo. Para fixar a peça de trabalho após a regulação, rode o botão do torno para a direita.

Torno horizontal

Acessório opcional

AVISO: Rode sempre a porca do torno para a direita até a peça de trabalho ficar devidamente segura. Se a peça de trabalho não estiver devidamente segura, o material pode mover-se durante a operação de corte provocando eventuais danos na lâmina de serra circular, fazendo com que seja projetado e ocorra a perda de controlo, resultando em ferimentos pessoais graves.

AVISO: Quando cortar uma peça de trabalho fina, tais como rodapés, contra a placa, utilize sempre o torno horizontal.

PRECAUÇÃO: Quando cortar a peça de trabalho com a espessura de 20 mm ou mais fina, certifique-se de que utiliza um bloco espaçador para fixar a peça de trabalho.

O torno horizontal pode ser instalado no lado esquerdo ou direito da base. Quando efetuar cortes de esquadria com 22,5° ou superiores, instale o torno horizontal no lado oposto à direção na qual a base giratória deve ser rodada.

► **Fig.51:** 1. Placa do torno 2. Porca do torno 3. Botão do torno

Ao virar a porca do torno para a esquerda, o torno é solto e move-se rapidamente para dentro e para fora. Para agarrar a peça de trabalho, empurre o botão do torno para a frente até a placa do torno entrar em contacto com a peça de trabalho e vire a porca do torno para a direita. Em seguida, rode o botão do torno para a direita para fixar a peça de trabalho.

NOTA: A largura máxima da peça de trabalho que pode ser fixada pelo torno horizontal é 228 mm.

Sub-base

AVISO: Suporte sempre as peças de trabalho compridas de forma que fiquem niveladas com a superfície superior da base giratória para obter cortes precisos e evitar o perigo de perda de controlo. O apoio adequado da peça de trabalho ajuda a evitar o encravamento da lâmina e um possível contragolpe, o que pode resultar em lesões pessoais graves.

AVISO: Antes da operação de corte, certifique-se sempre que as sub-bases estão seguras pelos parafusos.

Para segurar peças de trabalho compridas na horizontal, a ferramenta possui sub-bases nos dois lados.

Desaperte os parafusos e estenda as sub-bases até o comprimento apropriado para segurar a peça de trabalho. Em seguida, aperte os parafusos.

► **Fig.52:** 1. Sub-base 2. Parafuso

Quando cortar, coloque a peça de trabalho direita contra a placa guia e a sub-guida na sub-base.

► **Fig.53:** 1. Placa guia 2. Sub-guida 3. Sub-base

OPERAÇÃO

Esta ferramenta destina-se a cortar produtos de madeira. Se possuir lâminas da serra genuínas apropriadas da Makita, também pode serrar os seguintes materiais:

— Produtos de alumínio

Consulte o nosso website ou contacte o seu distribuidor Makita local para obter as lâminas de serra circulares corretas a utilizar para o material a cortar.

AVISO: Verifique se a lâmina de serra não está em contacto com a peça de trabalho, etc., antes de ligar o interruptor. Ligar a ferramenta enquanto a lâmina está em contacto com a peça de trabalho pode provocar contragolpes e ferimentos pessoais graves.

AVISO: Depois de terminar o corte, não levante a lâmina de serra até que esta esteja completamente parada. Levantar a lâmina enquanto está a rodar por inércia pode causar ferimentos pessoais graves e danificar a peça de trabalho.

AVISO: Não realize qualquer ajuste, tal como rodar o punho, o botão e as alavancas na ferramenta enquanto a lâmina de serra estiver a rodar. Se realizar o ajuste enquanto a lâmina estiver a rodar pode resultar em lesões pessoais graves.

PRECAUÇÃO: Não solte a cabeça da serra sem controlo da posição totalmente para baixo. A cabeça da serra sem controlo atinge-o e resulta em lesões físicas.

OBSERVAÇÃO: Antes de utilizar, certifique-se de que desbloqueia o pino de bloqueio e que solta a pega da posição inferior.

OBSERVAÇÃO: Não aplique pressão excessiva na pega enquanto corta. Força demasiada pode resultar em sobrecarga do motor e/ou diminuição de eficiência do corte. Empurre a pega para baixo só com a força necessária para um corte suave e sem diminuição significativa da velocidade da lâmina.

OBSERVAÇÃO: Pressione suavemente a pega para baixo para executar o corte. Se a pega for pressionada para baixo com força ou se aplicar força lateral, a lâmina poderá vibrar e deixará uma marca (marca da serra) na peça de trabalho e o corte poderá não ser perfeito.

OBSERVAÇÃO: Quando executa corte correção empurre o carroto suavemente na direção da placa guia sem parar. Se o movimento do carroto parar durante o corte, ficará uma marca na peça de trabalho e a precisão do corte será prejudicada.

Corte de pressão

AVISO: Bloquee sempre o movimento correção do carroto quando realizar um corte de pressão. Realizar cortes sem bloqueio pode causar um eventual contragolpe, o qual pode resultar em lesões pessoais graves.

As peças de trabalho até 92 mm de altura e 183 mm de largura podem ser cortadas da seguinte forma.

► **Fig.54:** 1. Pino de bloqueio

1. Empurre o carroto completamente na direção da placa guia e bloqueie-o com o pino de bloqueio.
2. Prenda a peça de trabalho com o tipo de torno apropriado.
3. Ligue a ferramenta sem que a lâmina de serra circular faça qualquer contacto e espere até que a lâmina de serra circular atinja a velocidade máxima antes de descer.
4. Desça a pega suavemente para a posição completamente descida para cortar a peça de trabalho.
5. Quando o corte está concluído, desligue a ferramenta e **aguarde até a lâmina de serra circular parar completamente** antes de voltar a colocar a lâmina de serra circular na sua posição totalmente elevada.

Corte correção (empurrão) (corte de peças largas)

AVISO: Quando executa o corte correção, primeiro puxe os carretos completamente para si e pressione a pega para a posição mais baixa e, em seguida, empurre os carretos na direção da placa guia. Nunca inicie o corte sem que o carroto esteja completamente puxado para si. Se executar o corte correção sem puxar completamente o carroto para si, pode ocorrer um contragolpe inesperado e causar ferimentos pessoais graves.

AVISO: Nunca tente executar o corte correção puxando o carroto para si. Puxar o carroto para si enquanto executa o corte pode provocar um contragolpe inesperado e provocar ferimentos pessoais graves.

AVISO: Nunca execute o corte correção com a pega bloqueada na posição inferior.

► **Fig.55:** 1. Pino de bloqueio

1. Desbloqueie o pino de bloqueio para que o carroto deslize livremente.
2. Prenda a peça de trabalho com o tipo de torno apropriado.
3. Puxe os carretos completamente para si.
4. Ligue a ferramenta sem que a lâmina de serra faça qualquer contacto e espere até que a lâmina de serra atinja a velocidade máxima.
5. Empurre a pega para baixo e **empurre os carretos até à placa guia e ao longo da peça de trabalho.**
6. Quando o corte está concluído, desligue a ferramenta e **aguarde até a lâmina de serra parar completamente** antes de voltar a colocar a lâmina na sua posição totalmente elevada.

Corte de esquadria

Consulte a secção para regular o ângulo de esquadria.

Corte de bisel

AVISO: Depois de regular a lâmina para um corte de bisel, verifique, antes de operar a ferramenta, se o carroto e a lâmina de serra poderão se deslocar livremente por toda a distância do corte desejado. A interrupção do deslocamento do carroto ou da lâmina durante o corte pode provocar um contragolpe e causar ferimentos pessoais graves.

AVISO: Mantenha as mãos afastadas do percurso da lâmina de serra durante um corte de bisel. O ângulo da lâmina pode confundir o operador com respeito ao percurso real da lâmina durante o corte, e o contacto com a lâmina pode provocar ferimentos pessoais graves.

AVISO: Não levante a lâmina de serra antes de estar completamente parada. Durante o corte de bisel, o pedaço cortado pode ficar encostado à parte lateral da lâmina de serra. Se levantar a lâmina enquanto está ainda a rodar, o pedaço cortado pode ser atirado pela lâmina e fragmentar-se, provocando ferimentos pessoais graves.

OBSERVAÇÃO: Quando descer a pega, exerça pressão paralelamente pela lâmina. Se a força for exercida perpendicularmente à base giratória ou se mudar a direção da pressão durante o corte, provocará um corte imperfeito.

► **Fig.56**

1. Remova a placa superior no lado para o qual vai inclinar o carroto.
2. Desbloqueie o pino de bloqueio.
3. Ajuste o ângulo de bisel de acordo com o procedimento explicado na secção para regulação do ângulo de bisel. Em seguida, aperte o botão.
4. Prenda a peça de trabalho com um torno.
5. Puxe os carretos completamente para si.
6. Ligue a ferramenta sem que a lâmina faça qualquer contacto e espere até que a lâmina atinja a velocidade máxima.
7. Baixe suavemente a pega até à posição mais baixa ao mesmo tempo que aplica pressão em paralelo com a lâmina e **empurra o carroto em direção à placa guia para cortar a peça de trabalho.**
8. Quando o corte está concluído, desligue a ferramenta e **aguarde até a lâmina parar completamente** antes de voltar a colocar a lâmina na sua posição totalmente elevada.

Corte composto

Corte composto é o processo em que um ângulo de bisel é feito ao mesmo tempo em que um ângulo de esquadria é cortado na peça de trabalho. O corte composto pode ser executado no ângulo indicado na tabela.

Ângulo de esquadria	Ângulo de bisel
Esquerdo e direito 0° - 45°	Esquerdo e direito 0° - 45°

Quando executar o corte composto, consulte a secção para corte de pressão, corte corredeço (empurrão), corte de esquadria e corte de bisel.

Corte de rodapés

⚠️ PRECAUÇÃO: Certifique-se de que utiliza o torno horizontal (acessório opcional) quando cortar o rodapé.

⚠️ PRECAUÇÃO: Quando cortar a peça de trabalho com a espessura de 20 mm ou mais fina, certifique-se de que utiliza um bloco espaçador para fixar a peça de trabalho.

Quando efetuar o corte de rodapés num ângulo de esquadria de 45°, engate a alavanca de bloqueio para impedir a caixa da lâmina de tocar no rodapé. Isto mantém a folga entre o rodapé e a caixa da lâmina quando o carroto é empurrado totalmente para a frente. Consulte as ESPECIFICAÇÕES para obter a capacidade de corte do rodapé.

► **Fig.57:** 1. Alavanca de bloqueio 2. Bloco espaçador 3. Torno horizontal

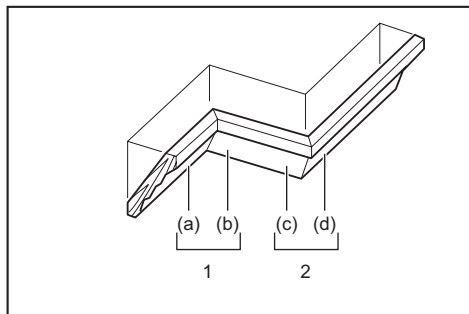
Corte de sancas e molduras

As sancas e molduras podem ser cortadas com uma serra de esquadria composta colocando-se as molduras retas na base giratória.

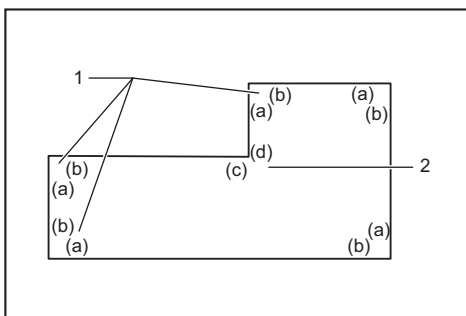
Há dois tipos comuns de molduras e um tipo de sanca; molduras com ângulos de 52/38° e 45° e sancas com ângulo de 45°.

► **Fig.58:** 1. Moldura do tipo 52/38° 2. Moldura do tipo 45° 3. Sanca do tipo 45°

Há juntas de sancas e molduras que são próprias para encaixar em cantos "internos" de 90° ((a) e (b) na figura) e cantos "externos" de 90° ((c) e (d) na figura).



1. Canto interno 2. Canto externo



1. Canto interno 2. Canto externo

Medir

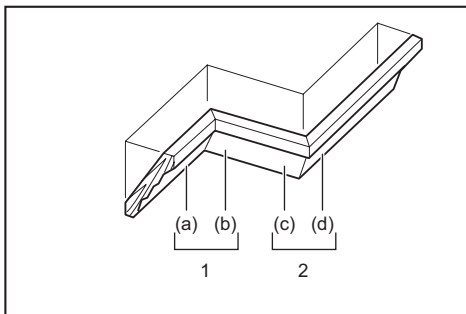
Meça a largura da parede e ajuste a largura da peça de trabalho de acordo com a mesma. Certifique-se sempre de que a largura da extremidade de contacto da parede com a peça de trabalho é a mesma do comprimento da parede.

► **Fig.59:** 1. Peça de trabalho 2. Largura da parede 3. Largura da peça de trabalho 4. Extremidade de contacto da parede

Corte sempre vários pedaços para fazer cortes de teste a fim de verificar os ângulos da serra.

Ao cortar sancas e molduras, regule o ângulo de bisel e o ângulo de esquadria como indicado na tabela (A) e posicione as molduras na superfície superior da base da serra como indicado na tabela (B).

Corte de bisel para a esquerda



1. Canto interno 2. Canto externo

Tabela (A)

-	Posição da moldura na figura	Ângulo de bisel		Ângulo de esquadria	
		Tipo 52/38°	Tipo 45°	Tipo 52/38°	Tipo 45°
Para canto interno	(a)	Esquerdo 33,9°	Esquerdo 30°	Direito 31,6°	Direito 35,3°
	(b)			Esquerdo 31,6°	Esquerdo 35,3°
Para canto externo	(c)			Direito 31,6°	Direito 35,3°
	(d)			Direito 31,6°	Direito 35,3°

Tabela (B)

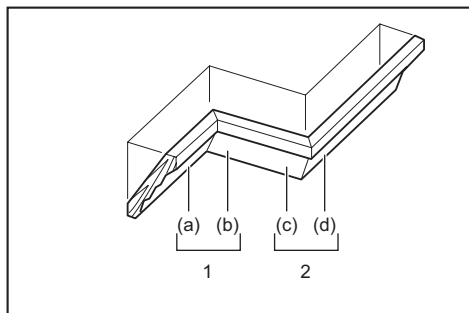
-	Posição da moldura na figura	Borda da moldura contra a placa guia	Peça acabada
Para canto interno	(a)	A borda de contacto com o teto deve ficar contra a placa guia.	A peça acabada ficará no lado esquerdo da lâmina.
	(b)	A borda de contacto com a parede deve ficar contra a placa guia.	
Para canto externo	(c)	A borda de contacto com o teto deve ficar contra a placa guia.	A peça acabada ficará no lado direito da lâmina.
	(d)	A borda de contacto com o teto deve ficar contra a placa guia.	

Exemplo:

Se cortar uma moldura do tipo 52/38° para a posição (a) na figura acima:

- Incline e prenda a regulação do ângulo de bisel em 33,9° para a ESQUERDA.
- Ajuste e prenda a regulação do ângulo de esquadria em 31,6° para a DIREITA.
- Coloque a moldura na serra com a superfície traseira mais larga (oculta) na base giratória e com a BORDA DE CONTACTO COM O TETO contra a placa guia.
- A peça acabada a ser utilizada ficará sempre no lado ESQUERDO da lâmina depois de cortar.

No caso do corte de bisel para a direita



1. Canto interno 2. Canto externo

Tabela (A)

-	Posição da moldura na figura	Ângulo de bisel		Ângulo de esquadria	
		Tipo 52/38°	Tipo 45°	Tipo 52/38°	Tipo 45°
Para canto interno	(a)	Direito 33,9°	Direito 30°	Direito 31,6°	Direito 35,3°
	(b)			Esquerdo 31,6°	Esquerdo 35,3°
Para canto externo	(c)			Direito 31,6°	Direito 35,3°
	(d)			Direito 31,6°	Direito 35,3°

Tabela (B)

-	Posição da moldura na figura	Borda da moldura contra a placa guia	Peça acabada
Para canto interno	(a)	A borda de contacto com a parede deve ficar contra a placa guia.	A peça acabada ficará no lado direito da lâmina.
	(b)	A borda de contacto com o teto deve ficar contra a placa guia.	
Para canto externo	(c)	A borda de contacto com a parede deve ficar contra a placa guia.	A peça acabada ficará no lado esquerdo da lâmina.
	(d)	A borda de contacto com o teto deve ficar contra a placa guia.	

Exemplo:

Se cortar uma moldura do tipo 52/38° para a posição (a) na figura acima:

- Incline e prenda a definição do ângulo de bisel em 33,9° para a DIREITA.
- Ajuste e prenda a regulação do ângulo de esquadria em 31,6° para a DIREITA.
- Coloque a moldura na serra com a superfície traseira mais larga (oculta) na base giratória e com a BORDA DE CONTACTO COM A PAREDE contra a placa guia.
- A peça acabada a ser utilizada ficará sempre no lado DIREITO da lâmina depois de cortar.

Bloqueio de moldura

Acessório opcional

Os bloqueios de moldura permitem realizar cortes mais fáceis da moldura sem inclinar a lâmina de serra. Instale-os na base giratória como indicado nas figuras.

Ângulo de esquadria de 45° para a direita

► Fig.60: 1. Bloqueio de moldura E 2. Bloqueio de moldura D 3. Base giratória 4. Placa guia

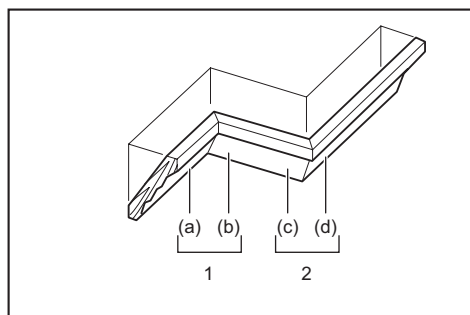
Ângulo de esquadria de 45° para a esquerda

► Fig.61: 1. Bloqueio de moldura E 2. Bloqueio de moldura D 3. Base giratória 4. Placa guia

Posicione a moldura com a respetiva BORDA DE CONTACTO COM A PAREDE contra a placa guia e a respetiva BORDA DE CONTACTO COM O TETO contra os bloqueios da moldura, conforme apresentado na

figura. Ajuste os bloqueios da moldura de acordo com o tamanho da moldura. Aperte os parafusos para fixar os bloqueios da moldura. Consulte a tabela (C) para o ângulo de esquadria.

► **Fig.62:** 1. Placa guia 2. Bloqueio de moldura



1. Canto interno 2. Canto externo

Tabela (C)

–	Posição da moldura na figura	Ângulo de esquadria	Peça acabada
Para canto interno	(a)	Direito 45°	Guardar o lado direito da lâmina
	(b)	Esquerdo 45°	Guardar o lado esquerdo da lâmina
Para canto externo	(c)		Guardar o lado direito da lâmina
	(d)	Direito 45°	Guardar o lado esquerdo da lâmina

Corte de extrusão de alumínio

► **Fig.63:** 1. Torno 2. Bloco espaçador 3. Placa guia 4. Extrusão de alumínio 5. Bloco espaçador

Quando fixar extrusões de alumínio, utilize blocos espaçadores ou pedaços de refugo, como indicado na figura, para evitar deformações do alumínio. Quando cortar extrusão de alumínio, utilize um lubrificante de corte para evitar a acumulação do material de alumínio na lâmina de serra circular.

AVISO: Nunca tente executar o corte de extrusões em alumínio grossas ou redondas. As extrusões em alumínio grossas ou redondas podem ser difíceis de fixar e a peça de trabalho pode soltar durante a operação de corte, o que pode resultar na perda de controlo e em lesões pessoais graves.

Técnica de capacidades de corte de largura máxima especial

A capacidade de corte de largura máxima pode ser obtida seguindo os passos seguintes:
Para obter a largura de corte máxima desta ferramenta, consulte as capacidades de corte para cortes especiais

na secção de ESPECIFICAÇÕES.

1. Coloque a ferramenta a um ângulo de esquadria de 0° ou 45° e certifique-se de que a base giratória está bloqueada. (Consulte a secção para regulação do ângulo de esquadria.)

2. Remova as placas superiores direita e esquerda temporariamente e coloque-as de lado.

3. Corte uma plataforma de acordo com as dimensões indicadas na figura, utilizando um material plano e com 38 mm de espessura como, por exemplo, madeira, contraplacado ou aglomerado de partículas.

► **Fig.64:** 1. Ângulo de esquadria de 0°: Superior a 450 mm 2. Ângulo de esquadria de 45°: Superior a 325 mm 3. 38 mm 4. Superior a 760 mm

AVISO: Certifique-se de que utiliza material plano como plataforma. O material que não é plano pode mover-se durante a operação de corte, podendo provocar um contragolpe e causar ferimentos pessoais graves.

NOTA: A capacidade máxima de corte em altura é reduzida pela mesma quantidade que a espessura da plataforma.

4. Coloque a plataforma na ferramenta, de modo a estender-se uniformemente sobre cada um dos lados da base da ferramenta.

Prenda a plataforma à ferramenta utilizando quatro parafusos de madeira de 6 mm através de quatro furos nas placas inferiores.

► **Fig.65:** 1. Parafusos (dois em cada lado) 2. Placa inferior 3. Base 4. Plataforma

AVISO: Certifique-se de que a plataforma está colocada plana contra a base da ferramenta e firmemente segura às placas inferiores, utilizando os quatro furos de parafusos fornecidos. Se não fixar a plataforma devidamente, pode ocorrer o movimento e possíveis contragolpes resultando em lesões físicas graves.

AVISO: Certifique-se de que a ferramenta está montada firmemente numa superfície estável e plana. Se não montar e fixar a ferramenta devidamente, esta pode tornar-se instável, resultando na perda de controlo e/ou na queda da ferramenta, o que pode resultar em lesões físicas graves.

5. Instale as placas superiores na ferramenta.

AVISO: Não utilize a ferramenta sem as placas superiores instaladas. As placas superiores proporcionam o suporte adequado necessário para cortar a peça de trabalho. Se a peça de trabalho não estiver devidamente suportada, pode mover-se resultando na possível perda de controlo, contragolpes e em ferimentos pessoais graves.

6. Coloque a peça de trabalho a cortar na plataforma fixa à ferramenta.

7. Fixe a peça de trabalho firmemente contra as placas superiores com um torno antes de realizar o corte.

► **Fig.66:** 1. Placa superior 2. Torno vertical 3. Peça de trabalho 4. Plataforma

8. Realize um corte na peça de trabalho lentamente de acordo com a operação explicada na secção para corte correção (empurrão).

⚠️ AVISO: Certifique-se de que a peça de trabalho está fixa com o torno e realize o corte lentamente. Caso contrário, a peça de trabalho pode mover-se, resultando em possíveis contragolpes e em ferimentos pessoais graves.

⚠️ AVISO: Tenha em consideração que a plataforma pode enfraquecer após serem realizados vários cortes em vários ângulos de esquadria. Se a plataforma enfraquecer devido aos múltiplos cortes deixados no material, a plataforma deve ser substituída. Se a plataforma enfraquecida não for substituída, a peça de trabalho pode mover-se durante o corte, resultando em possíveis contragolpes e em ferimentos pessoais graves.

Corte de ranhura

⚠️ AVISO: Não tente executar este tipo de corte usando uma lâmina larga ou uma lâmina dado. Tentar cortar ranhuras com uma lâmina larga ou uma lâmina dado pode resultar em cortes imprevistos bem como contragolpes, o que pode provocar ferimentos pessoais graves.

⚠️ AVISO: Certifique-se que volta a colocar a placa de retenção na posição original quando executa cortes que não sejam de ranhuras. Tentar cortar com a placa de retenção na posição incorreta pode resultar em cortes imprevistos e contragolpes, o que pode resultar em ferimentos pessoais graves.

Para um corte do tipo dado, realize o seguinte:

1. Ajuste a posição de limite inferior da lâmina de serra circular utilizando o parafuso de ajuste e a placa de retenção para limitar a profundidade de corte da lâmina de serra circular. Consulte a secção para a placa de retenção.

2. Depois de ajustar a posição de limite inferior da lâmina de serra circular, corte ranhuras paralelas ao longo da largura da peça de trabalho utilizando um corte correção (empurrão).

▶ **Fig.67:** 1. Corte de ranhuras com a lâmina

3. Retire o material da peça de trabalho entre as ranhuras com um cinzel.

Revestimento de madeira

⚠️ AVISO: Utilize parafusos para prender o revestimento de madeira à placa guia. Os parafusos devem ser instalados de modo a que as cabeças dos parafusos estejam abaixo da superfície do revestimento de madeira para que não interfiram com o posicionamento do material a ser cortado. O mau alinhamento do material a ser cortado pode provocar movimentos imprevistos durante a operação de corte, causando a perda de controlo e ferimentos pessoais graves.

⚠️ PRECAUÇÃO: Utilize madeira lisa com espessura uniforme para o revestimento de madeira.

⚠️ PRECAUÇÃO: Para efetuar o corte completo de peças de trabalho com uma altura de 107 mm a 120 mm, deve utilizar um revestimento de madeira na placa guia. O revestimento de madeira distancia a peça de trabalho da placa, permitindo que a lâmina realize um corte mais profundo.

OBSERVAÇÃO: Quando o revestimento de madeira está colocado, não rode a base giratória com a pega descida. A lâmina e/ou o revestimento de madeira ficarão estragados.

A utilização de um revestimento de madeira assegura que as peças de trabalho não estilhacem. Prenda um revestimento de madeira à placa guia utilizando os orifícios na placa guia e parafusos de 6 mm. Veja a figura relativamente às dimensões sugeridas de um revestimento de madeira.

▶ **Fig.68:** 1. Orifício 2. Superior a 15 mm 3. Superior a 270 mm 4. 90 mm 5. 145 mm 6. 19 mm 7. 115 - 120 mm

EXEMPLO Quando efetuar o corte de peças de trabalho com 115 mm e 120 mm de altura, utilize um revestimento de madeira com a seguinte espessura.

Ângulo de esquadria	Espessura do revestimento de madeira	
	115 mm	120 mm
0°	20 mm	38 mm
Esquerdo e Direito 45°	15 mm	25 mm
Esquerdo e Direito 60°	15 mm	25 mm

Transporte de ferramenta

Antes de transportar a ferramenta, certifique-se de que remove a bateria e que todas as peças móveis da serra de esquadria estão fixadas. Verifique sempre o seguinte:

- A bateria está removida.
- O carreto está numa posição de ângulo de bisel de 0° e fixo.
- O carreto está descido e bloqueado.
- O carreto está totalmente deslizado até às placas guia e bloqueado.
- A base giratória está na posição de ângulo de esquadria totalmente à direita e fixa.
- As sub-bases estão armazenadas e fixas.

Transporte a ferramenta agarrando nos dois lados da base da ferramenta.

▶ **Fig.69**

⚠️ AVISO: O pino de bloqueio para a elevação do carreto serve apenas para fins de transporte e armazenamento e não para quaisquer operações de corte. A utilização do pino de bloqueio para operações de corte pode provocar movimento inesperado da lâmina de serra circular, resultando em ressaltos e ferimentos pessoais graves.

⚠️ PRECAUÇÃO: Fixe sempre todos os componentes móveis antes de proceder ao transporte da ferramenta. Se componentes da ferramenta se moverem ou deslizarem durante o transporte, pode ocorrer a perda de controlo ou equilíbrio e resultar em ferimentos pessoais.

⚠️ PRECAUÇÃO: Certifique-se de que a elevação do carreto está devidamente bloqueada na respetiva parte inferior pelo pino de bloqueio. Se o pino de bloqueio não estiver devidamente engatado, o carreto pode saltar subitamente e provocar ferimentos pessoais.

FUNÇÃO DE ATIVAÇÃO SEM FIOS

O que pode fazer com a função de ativação sem fios

A função de ativação sem fios possibilita um funcionamento limpo e confortável. Ao ligar um aspirador suportado à ferramenta, pode utilizar o aspirador automaticamente juntamente com o funcionamento por interruptor da ferramenta.

► Fig.70

Para utilizar a função de ativação sem fios, prepare os seguintes itens:

- Uma unidade sem fios (acessório opcional)
- Um aspirador que suporta a função de ativação sem fios

A vista geral da definição da função de ativação sem fios é a seguinte. Consulte cada secção para obter os procedimentos detalhados.

1. Instalar a unidade sem fios
2. Registo da ferramenta para o aspirador
3. Iniciar a função de ativação sem fios

Instalar a unidade sem fios

Acessório opcional

⚠️ PRECAUÇÃO: Coloque a ferramenta num superfície plana e estável quando instalar a unidade sem fios.

OBSERVAÇÃO: Limpe a poeira e a sujidade da ferramenta antes de instalar a unidade sem fios. A poeira ou a sujidade podem causar o mau funcionamento caso entrem na ranhura da unidade sem fios.

OBSERVAÇÃO: Para evitar o mau funcionamento causado pela estática, toque num material de descarga estática, tal como uma peça metálica da ferramenta, antes de pegar na unidade sem fios.

OBSERVAÇÃO: Quando instalar a unidade sem fios, certifique-se sempre de que a unidade sem fios é inserida na direção correta e que a tampa está completamente fechada.

1. Abra a tampa da ferramenta conforme ilustrado na figura.

► Fig.71: 1. Tampa

2. Insira a unidade sem fios na ranhura e feche a tampa, em seguida.

Quando inserir a unidade sem fios, alinhe as projeções com as partes encaixadas na ranhura.

► Fig.72: 1. Unidade sem fios 2. Projeção 3. Tampa 4. Parte encaixada

Quando remover a unidade sem fios, abra a tampa lentamente. Os ganchos na parte traseira da tampa elevam a unidade sem fios à medida que puxa a tampa para cima.

► Fig.73: 1. Unidade sem fios 2. Gancho 3. Tampa

Após remover a unidade sem fios, guarde-a na caixa fornecida ou num recipiente anti-estática.

OBSERVAÇÃO: Utilize sempre os ganchos da parte traseira da tampa quando remover a unidade sem fios. Se os ganchos não agarrarem a unidade sem fios, feche a tampa completamente e volte a abri-la lentamente.

Registo da ferramenta para o aspirador

NOTA: O aspirador Makita que suporta a função de ativação sem fios é necessário para o registo da ferramenta.

NOTA: Conclua a instalação da unidade sem fios na ferramenta antes de iniciar o registo da ferramenta.

NOTA: Evite ligar os seguintes interruptores durante o registo da ferramenta:

- gatilho do interruptor na ferramenta
- interruptor de aspiração na ferramenta
- interruptor de alimentação no aspirador

NOTA: Consulte também o manual de instruções do aspirador.

Se pretender ativar o aspirador juntamente com o funcionamento por interruptor da ferramenta, conclua primeiramente o registo da ferramenta.

1. Instale as baterias no aspirador e na ferramenta.
2. Regule o interruptor do modo de espera no aspirador para "AUTO".

► Fig.74: 1. Interruptor do modo de espera

3. Pressione o botão de ativação sem fios do aspirador durante 3 segundos até a lâmpada de ativação sem fios piscar a verde. Em seguida, pressione o botão de ativação sem fios da ferramenta da mesma forma.

► Fig.75: 1. Botão de ativação sem fios 2. Lâmpada de ativação sem fios

Se o aspirador e a ferramenta forem ligados com sucesso, as lâmpadas de ativação sem fios acendem a verde durante 2 segundos e começam a piscar a azul.

NOTA: As lâmpadas de ativação sem fios acabam de piscar a verde após decorridos 20 segundos. Pressione o botão de ativação sem fios da ferramenta enquanto a lâmpada de ativação sem fios do aspirador estiver a piscar. Se a lâmpada de ativação sem fios não piscar a verde, pressione o botão de ativação sem fios por breves instantes e mantenha-o pressionado novamente.

NOTA: Quando realizar dois ou mais registos da ferramenta para um aspirador, conclua o registo da ferramenta um por um.

Iniciar a função de ativação sem fios

NOTA: Conclua o registo da ferramenta para o aspirador antes de realizar a ativação sem fios.

NOTA: Consulte também o manual de instruções do aspirador.

Após registar uma ferramenta para o aspirador, o aspirador funciona automaticamente com o funcionamento por interruptor da ferramenta. Puxe o gatilho do interruptor na ferramenta para operar o aspirador durante o funcionamento. O aspirador também começa a funcionar premindo o botão de aspiração na ferramenta a partir de qualquer operação de corte.

► Fig.76

1. Instale a unidade sem fios na ferramenta.

2. Ligue a mangueira do aspirador à ferramenta.

► Fig.77

3. Regule o interruptor do modo de espera no aspirador para "AUTO".

► Fig.78: 1. Interruptor do modo de espera

4. Pressione o botão de ativação sem fios da ferramenta por breves instantes. A lâmpada de ativação sem fios pisca a azul.

► Fig.79: 1. Botão de ativação sem fios 2. Lâmpada de ativação sem fios

5. Puxe o gatilho do interruptor da ferramenta. Verifique se o aspirador funciona enquanto o gatilho do interruptor estiver puxado.

6. Pressione o botão de aspiração para operar o aspirador. Verifique se a lâmpada de ativação sem fios acende a azul e se o aspirador continua a funcionar até voltar a premir o botão.

7. Para terminar a operação de aspiração, solte o gatilho do interruptor ou prima novamente o botão de aspiração. O aspirador deixa de funcionar alguns segundos após a utilização do interruptor e, em seguida, a lâmpada começa a piscar a azul.

NOTA: O estado do interruptor (ligar/desligar o aspirador) pode ser constatado na lâmpada de ativação sem fios. Para obter informações, consulte a secção relativa à descrição do estado da lâmpada de ativação sem fios.

8. Para parar a ativação sem fios do aspirador, pressione o botão de ativação sem fios da ferramenta.

NOTA: A lâmpada de ativação sem fios da ferramenta para de piscar a azul quando não ocorre qualquer utilização durante 2 horas. Neste caso, regule o interruptor do modo de espera do aspirador para "AUTO" e pressione novamente o botão de ativação sem fios da ferramenta.

NOTA: O aspirador inicia/para com um atraso. Ocorre um atraso temporal quando o aspirador deteta o funcionamento por interruptor da ferramenta.







NOTA: A distância de transmissão da unidade sem fios poderá variar em função do local e das circunstâncias envolventes.






NOTA: Quando duas ou mais ferramentas forem registadas para um aspirador, o aspirador poderá iniciar o seu funcionamento mesmo que não puxe o gatilho do interruptor ou ative o botão de aspiração devido ao facto de outro utilizador estar a utilizar a função de ativação sem fios.

Descrição do estado da lâmpada de ativação sem fios

► Fig.80: 1. Lâmpada de ativação sem fios

A lâmpada de ativação sem fios exhibe o estado da função de ativação sem fios. Consulte a tabela seguinte para obter o significado do estado da lâmpada.

Estado	Lâmpada de ativação sem fios				Descrição
	Cor	 Ligada	 A piscar	Duração	
Modo de espera	Azul			2 horas	A ativação sem fios do aspirador está disponível. A lâmpada desliga automaticamente quando o aspirador não é utilizado durante 2 horas.
				Quando a ferramenta estiver a funcionar.	A ativação sem fios do aspirador está disponível e a ferramenta está a funcionar.
Registo da ferramenta	Verde			20 segundos	Preparado para o registo da ferramenta. A aguardar o registo pelo aspirador.
				2 segundos	O registo da ferramenta foi concluído. A lâmpada de ativação sem fios começa a piscar a azul.

Estado	Lâmpada de ativação sem fios				Descrição
	Cor	 Ligada	 A piscar	Duração	
Cancelar o registo da ferramenta	Vermelho			20 segundos	Preparado para o cancelamento do registo da ferramenta. A aguardar o cancelamento pelo aspirador.
				2 segundos	O cancelamento do registo da ferramenta foi concluído. A lâmpada de ativação sem fios começa a piscar a azul.
Outros	Vermelho			3 segundos	A alimentação elétrica é fornecida à unidade sem fios e a função de ativação sem fios é iniciada.
	Desligada	-		-	A ativação sem fios do aspirador é interrompida.

Cancelar o registo da ferramenta para o aspirador

Realize o procedimento seguinte quando cancelar o registo da ferramenta para o aspirador.

1. Instale as baterias no aspirador e na ferramenta.
2. Regule o interruptor do modo de espera no aspirador para "AUTO".

► **Fig.81:** 1. Interruptor do modo de espera

3. Pressione o botão de ativação sem fios do aspirador durante 6 segundos. A lâmpada de ativação sem fios pisca a verde e fica vermelha, em seguida. Seguidamente, pressione o botão de ativação sem fios

da ferramenta da mesma forma.

► **Fig.82:** 1. Botão de ativação sem fios 2. Lâmpada de ativação sem fios

Se o cancelamento for realizado com sucesso, as lâmpadas de ativação sem fios acendem a vermelho durante 2 segundos e começam a piscar a azul.

NOTA: As lâmpadas de ativação sem fios acabam de piscar a vermelho após decorridos 20 segundos. Pressione o botão de ativação sem fios da ferramenta enquanto a lâmpada de ativação sem fios do aspirador estiver a piscar. Se a lâmpada de ativação sem fios não piscar a vermelho, pressione o botão de ativação sem fios por breves instantes e mantenha-o pressionado novamente.

Resolução de problemas para a função de ativação sem fios

Antes de pedir uma reparação, realize primeiro a sua própria inspeção. Se encontrar um problema que não esteja explicado no manual, não tente desmontar a ferramenta. Em vez disso, peça as reparações nos centros de assistência técnica autorizados da Makita, usando sempre peças de substituição da Makita.

Estado da anomalia	Causa provável (avaria)	Correção
A lâmpada de ativação sem fios não acende/pisca.	A unidade sem fios não está instalada na ferramenta. A unidade sem fios está instalada incorretamente na ferramenta.	Instale a unidade sem fios corretamente.
	O terminal da unidade sem fios e/ou a ranhura estão sujos.	Limpe delicadamente a poeira e a sujidade do terminal da unidade sem fios e limpe a ranhura.
	O botão de ativação sem fios da ferramenta não foi pressionado.	Pressione o botão de ativação sem fios da ferramenta por breves instantes.
	O interruptor do modo de espera do aspirador não está regulado para "AUTO".	Regule o interruptor do modo de espera no aspirador para "AUTO".
	Sem fornecimento de alimentação elétrica	Forneça alimentação elétrica à ferramenta e ao aspirador.

Estado da anomalia	Causa provável (avaria)	Correção
Não foi possível concluir o registo da ferramenta / o cancelamento do registo da ferramenta com sucesso.	A unidade sem fios não está instalada na ferramenta. A unidade sem fios está instalada incorretamente na ferramenta.	Instale a unidade sem fios corretamente.
	O terminal da unidade sem fios e/ou a ranhura estão sujos.	Limpe delicadamente a poeira e a sujidade do terminal da unidade sem fios e limpe a ranhura.
	O interruptor do modo de espera do aspirador não está regulado para "AUTO".	Regule o interruptor do modo de espera no aspirador para "AUTO".
	Sem fornecimento de alimentação elétrica	Forneça alimentação elétrica à ferramenta e ao aspirador.
	Funcionamento incorreto	Pressione o botão de ativação sem fios por breves instantes e volte a realizar os procedimentos de registo da ferramenta/cancelamento.
	A ferramenta e o aspirador estão afastados um do outro (fora do alcance da transmissão).	Aproxime a ferramenta do aspirador. A distância máxima de transmissão é aproximadamente 10 m, contudo, poderá variar de acordo com as circunstâncias.
	Antes de terminar o registo/cancelamento da ferramenta; - o gatilho do interruptor na ferramenta é puxado; ou - o botão de aspiração na ferramenta é ativado; ou - o botão de alimentação no aspirador é ativado.	Pressione o botão de ativação sem fios por breves instantes e volte a realizar os procedimentos de registo da ferramenta/cancelamento.
	Os procedimentos de registo da ferramenta para a ferramenta ou aspirador não foram concluídos.	Realize os procedimentos de registo da ferramenta para a ferramenta e para o aspirador ao mesmo tempo.
	Interferência radioelétrica por outros aparelhos que geram ondas de rádio de alta intensidade.	Mantenha a ferramenta e o aspirador afastados de aparelhos como dispositivos Wi-Fi e fornos microondas.
O aspirador não funciona juntamente com o funcionamento por interruptor da ferramenta.	A unidade sem fios não está instalada na ferramenta. A unidade sem fios está instalada incorretamente na ferramenta.	Instale a unidade sem fios corretamente.
	O terminal da unidade sem fios e/ou a ranhura estão sujos.	Limpe delicadamente a poeira e a sujidade do terminal da unidade sem fios e limpe a ranhura.
	O botão de ativação sem fios da ferramenta não foi pressionado.	Pressione o botão de ativação sem fios por breves instantes e certifique-se de que a lâmpada de ativação sem fios está a piscar a azul.
	O interruptor do modo de espera do aspirador não está regulado para "AUTO".	Regule o interruptor do modo de espera no aspirador para "AUTO".
	Estão registadas mais de 10 ferramentas para o aspirador.	Realize o registo da ferramenta novamente. Se estiverem registadas mais de 10 ferramentas para o aspirador, a ferramenta registada mais cedo será cancelada automaticamente.
	O aspirador não registou as ferramentas com sucesso.	Renove os registos da ferramenta.
	O aspirador apagou todos os registos da ferramenta.	Realize o registo da ferramenta novamente.
	Sem fornecimento de alimentação elétrica	Forneça alimentação elétrica à ferramenta e ao aspirador.
	A ferramenta e o aspirador estão afastados um do outro (fora do alcance da transmissão).	Aproxime a ferramenta do aspirador. A distância máxima de transmissão é aproximadamente 10 m, contudo, poderá variar de acordo com as circunstâncias.
Interferência radioelétrica por outros aparelhos que geram ondas de rádio de alta intensidade.	Mantenha a ferramenta e o aspirador afastados de aparelhos como dispositivos Wi-Fi e fornos microondas.	
O aspirador funciona enquanto não estiverem em operação quaisquer interruptores para a ferramenta.	Outros utilizadores estão a utilizar a ativação sem fios do aspirador com as respetivas ferramentas. Desligue o botão de ativação sem fios das outras ferramentas ou cancele o registo da ferramenta das outras ferramentas.	

MANUTENÇÃO

⚠️ AVISO: Certifique-se sempre de que a ferramenta se encontra desligada e de que a bateria foi retirada antes de executar qualquer inspeção ou manutenção. Se não remover a bateria e desligar a ferramenta, pode resultar no arranque acidental da ferramenta, o que pode resultar em ferimentos pessoais graves.

⚠️ AVISO: Certifique-se sempre de que a lâmina de serra circular está afiada e limpa para obter o melhor e mais seguro desempenho. Tentar cortar com uma lâmina não afiada e/ou suja pode causar contragolpes e provocar ferimentos pessoais graves.

⚠️ PRECAUÇÃO: Certifique-se sempre de que o resguardo da lâmina está a ser fechado na posição original antes de tentar realizar a inspeção ou manutenção. Nunca fixe nem prenda o resguardo da lâmina na posição aberta durante as operações de limpeza. Uma lâmina exposta pode provocar ferimentos pessoais.

OBSERVAÇÃO: Nunca utilize gasolina, benzina, diluente, álcool ou produtos semelhantes. Pode ocorrer a descoloração, deformação ou rachaduras.

Para manter a SEGURANÇA e a FIABILIDADE do produto, as reparações e qualquer outra manutenção ou ajuste devem ser levados a cabo pelos centros de assistência Makita autorizados ou pelos centros de assistência de fábrica, utilizando sempre peças de substituição Makita.

Regulação do ângulo do corte

Esta ferramenta foi cuidadosamente regulada e alinhada na fábrica, mas manuseamento pouco cuidado pode afetar o alinhamento. Se a sua ferramenta não estiver alinhada corretamente proceda como se segue:

Ângulo de esquadria

Desça a pega completamente e prenda-a na posição descida com o pino de bloqueio. Empurre o carroto na direção da placa guia.

Rode o punho para a esquerda e prepare a base giratória para a função de paragem positiva, utilizando a alavanca de bloqueio.

Em seguida, desaperte os parafusos que fixam o ponteiro e a escala do ângulo de esquadria.

► **Fig.83:** 1. Punho 2. Alavanca de bloqueio 3. Parafuso no ponteiro 4. Parafusos na escala do ângulo de esquadria 5. Escala do ângulo de esquadria

Coloque a base giratória na posição 0° utilizando a função de paragem positiva. Coloque a parte lateral da lâmina de serra circular em esquadria com a superfície da placa guia utilizando uma régua triangular ou esquadro. Enquanto mantém a esquadria, aperte os parafusos na escala do ângulo de esquadria. Depois disso, alinhe os ponteiros (direito e esquerdo) com a posição 0° na escala do ângulo de esquadria e, em seguida, aperte o parafuso no ponteiro.

► **Fig.84:** 1. Régua triangular 2. Ponteiro

Ângulo de bisel

Ângulo de bisel de 0°

Empurre o carroto em direção às placas guia e bloqueie o movimento de deslizamento com o pino de bloqueio. Desça o carroto completamente e prenda-o na posição descida com o pino de bloqueio. Rode o botão para a esquerda e, em seguida, rode o perno de ajuste de 0° ao longo de duas ou três voltas para a esquerda para inclinar a lâmina de serra circular para a direita.

► **Fig.85:** 1. Botão 2. Perno de ajuste de 0° 3. Parafuso no ponteiro

Coloque cuidadosamente a parte lateral da lâmina de serra circular em esquadria com a superfície superior da base giratória utilizando uma régua triangular, esquadro, etc., rodando o perno de ajuste de 0° para a direita. Em seguida aperte o botão firmemente para fixar o ângulo de 0° que definiu.

► **Fig.86:** 1. Régua triangular 2. Lâmina da serra 3. Superfície superior da base giratória

Verifique novamente se a parte lateral da lâmina de serra circular fica em esquadria com a superfície da base giratória. Desaperte o parafuso no ponteiro. Alinhe o ponteiro com a posição 0° na escala do ângulo de bisel e, em seguida, aperte o parafuso.

Ângulo de bisel de 45°

OBSERVAÇÃO: Antes de ajustar o ângulo de bisel de 45°, conclua o ajuste do ângulo de bisel de 0°.

Solte o botão e incline o carroto completamente para o lado que deseje inspecionar. Verifique se o ponteiro indica a posição de 45° na escala de ângulo de bisel.

► **Fig.87:** 1. Botão

Se o ponteiro não indicar a posição de 45°, alinhe-o com a posição de 45°, rodando o perno de ajuste na escala do ângulo de bisel no lado oposto da base.

► **Fig.88:** 1. Perno de ajuste de 45° à esquerda 2. Perno de regulação de 45° à direita

Regulação das sub-guias

Ajuste as sub-guias nas sub-bases se não estiverem alinhadas com as placas guia.

1. Liberte os parafusos que prendem as sub-guias utilizando a chave hexagonal.
2. Coloque uma barra rígida reta, tal como um membro de aço quadrado, direita contra as placas guia.
3. Com a barra direita contra as placas guia, coloque as sub-guias de modo que a face da sub-guia se torne direita contra a barra. Em seguida, aperte os parafusos.

► **Fig.89:** 1. Perno 2. Sub-guia 3. Placa guia 4. Barra rígida

Limpar a lente da lâmpada

⚠️ PRECAUÇÃO: Remova sempre a lâmina de serra circular antes de limpar a lente da lâmpada.

OBSERVAÇÃO: Não remova o parafuso que prende a lente. Se a lente não sair, continue a soltar o parafuso.

OBSERVAÇÃO: Utilize um pano seco para limpar a sujidade da lente da lâmpada. Tenha cuidado para não riscar a lente da lâmpada ou a iluminação pode ficar enfraquecida.

OBSERVAÇÃO: Não utilize solventes ou produtos de limpeza à base de petróleo na lente.

A luz LED torna-se difícil de ver, dado que a lente para a luz fica suja. Limpe a lente regularmente. Retire a bateria. Desaperte o parafuso e remova a lente. Limpe a lente delicadamente com um pano macio húmido.

► **Fig.90:** 1. Parafuso 2. Lente

Depois da utilização

Depois da utilização, limpe as aparas e o pó que aderiu à ferramenta com um pano ou material semelhante. Mantenha o resguardo da lâmina limpo conforme instruções constantes da anterior secção com o título "Resguardo da lâmina". Lubrifique os componentes deslizantes com óleo de máquina para evitar a ferrugem.

ACESSÓRIOS OPCIONAIS

⚠AVISO: Estes acessórios ou extensões Makita são recomendados para utilização com a sua ferramenta Makita especificada neste manual. A utilização de quaisquer outros acessórios ou extensões pode resultar em ferimentos pessoais graves.

⚠AVISO: Utilize apenas um acessório ou extensão Makita para o fim a que se destina. A utilização inadequada de um acessório ou extensão pode resultar em ferimentos pessoais graves.

Se necessitar de informações adicionais relativas a estes acessórios, solicite-as ao seu centro de assistência Makita.

- Lâminas da serra com pontas de carbono
- Torno vertical
- Torno horizontal
- Conjunto do bloqueio de moldura
- Saco do pó
- Régua triangular
- Chave hexagonal
- Unidade sem fios
- Conjunto de suporte
- Bateria e carregador genuínos da Makita

NOTA: Alguns itens da lista podem estar incluídos na embalagem da ferramenta como acessórios padrão. Eles podem variar de país para país.

SPECIFIKATIONER

Model:		LS003G
Klangediameter	Lande i Europa	305 mm
	Lande uden for Europa	305 mm
Diameter af hul	Lande i Europa	30 mm
	Lande uden for Europa	30 mm eller 25,4 mm (landespecifik)
Maks. tykkelse af savsnit for savklinge		3,2 mm
Maks. geringsvinkel		Højre 60°, Venstre 60°
Maks. skråvinkel		Højre 48°, Venstre 48°
Hastighed uden belastning (omdrejninger pr. minut)		3.600 min ⁻¹
Dimensioner (L x B x H)		898 mm x 690 mm x 725 mm
Mærkespænding		DC 36 V - 40 V maks.
Nettovægt		30,5 - 31,7 kg

Skæredybde (H x B)

Geringsvinkel			Skråvinkel		
			45° (venstre)	0°	45° (højre)
0°	-		61 mm x 382 mm 71 mm x 363 mm	92 mm x 382 mm 107 mm x 363 mm	44 mm x 382 mm 54 mm x 363 mm
	Tykkelse af træanlæg på anslag for større snithøjde	20 mm	78 mm x 325 mm	115 mm x 325 mm	61 mm x 325 mm
		38 mm	80 mm x 292 mm	120 mm x 292 mm	-
45° (højre og venstre)	-		61 mm x 268 mm 71 mm x 255 mm	92 mm x 268 mm 107 mm x 255 mm	44 mm x 268 mm 54 mm x 255 mm
	Tykkelse af træanlæg på anslag for større snithøjde	15 mm	-	115 mm x 227 mm	-
		25 mm		120 mm x 212 mm	
60° (højre og venstre)	-		-	92 mm x 185 mm 107 mm x 178 mm	-
	Tykkelse af træanlæg på anslag for større snithøjde	15 mm		115 mm x 155 mm	
		25 mm		120 mm x 140 mm	

Skæredybde for specialsnit

Type af snit	Skæredybde
Kronefremspring 45° type (ved brug af stopper til kronefremspring)	203 mm
Fodliste (ved brug af vandret skruestik)	171 mm

- På grund af vores kontinuerlige forsknings- og udviklingsprogrammer kan hosstående specifikationer blive ændret uden varsel.
- Specifikationer kan variere fra land til land.
- Vægten kan være anderledes afhængigt af tilbehøret, inklusive akkuen. Den letteste og tungeste kombination i henhold til EPTA-procedure 01/2014 er vist i tabellen.

Anvendelig akku og oplader

Akku	BL4020 / BL4025 / BL4040* / BL4040F* / BL4050F* / BL4080F* * : Anbefalet batteri
Oplader	DC40RA / DC40RB / DC40RC / DC40WA

- Nogle af de akkuer og opladere, der er angivet ovenfor, er muligvis ikke tilgængelige, afhængigt af hvilket område du bor i.

⚠ ADVARSEL: Brug kun de akkuer og opladere, der er angivet ovenfor. Brug af andre akkuer og opladere kan medføre personskaade og/eller brand.

Symboler

Følgende viser de symboler, der muligvis anvendes til udstyret. Sørg for, at du forstår deres betydning før brugen.



Læs brugsanvisningen.



Brug beskyttelsesbriller.



For at undgå personskaade fra flyvende rester skal De holde savhovedet nede, når De har foretaget snit, indtil klingens er stoppet helt.



Ved udførelse af skrånslit, drej først knappen mod uret og vip derefter slæden. Drej derefter knappen med uret for at stramme det.



Ved glidende snit skal De først trække slæden helt imod Dem selv og trykke håndtaget ned og derefter skubbe slæden mod anslaget.



Hold udløserknappen nedtrykket, når slæden vippes mod højre.



Aktiver stoparmen, når der skæres en fodliste i 45° geringsvinkel.



Placer ikke hænder eller fingrene i nærheden af klingens.



Stir ikke på en anvendt lampe.



A: Klingsdiameter
B: Diameter af hul



Undlad at montere det vandrette skruestik i samme retning som geringsnittet. (Dette symbol gælder for det vandrette skruestik)



Kun for lande inden for EU
På grund af tilstedeværelsen af farlige komponenter i udstyret kan affald af elektrisk og elektronisk udstyr, akkumulatører og batterier have en negativ indvirkning på miljøet og folkesundheden.
Bortskaf ikke elektriske og elektroniske apparater eller batterier sammen med husholdningsaffald!
I overensstemmelse med EF-direktiv om affaldshåndtering af elektrisk og elektronisk udstyr og om akkumulatører og batterier og affaldsakkumulatører og -batterier, og i overensstemmelse med national lovgivning, skal brugt elektrisk udstyr, batterier og akkumulatører opbevares separat og leveres til et separat indsamlingssted for kommunalt affald, der er etableret i henhold til bestemmelserne om miljøbeskyttelse. Dette er angivet ved symbolet på den krydsede skraldespand, der er placeret på udstyret.

Tilsigtet anvendelse

Dette værktøj er beregnet til udførelse af præcis lige afkorting og geringsssnit i træ.
Anvend ikke saven til at skære i andet end træ, aluminium eller lignende materialer.

Støj

Det typiske A-vægtede støjniveau bestemt i overensstemmelse med EN62841-3-9:
Lydtryksniveau (L_{pA}) : 91 dB (A)
Lydeffektniveau (L_{WA}) : 100 dB (A)
Usikkerhed (K): 3 dB (A)

BEMÆRK: De(n) angivne støjemissionsværdi(er) er målt i overensstemmelse med en standardtestmetode og kan anvendes til at sammenligne en maskine med en anden.

BEMÆRK: De(n) angivne støjemissionsværdi(er) kan også anvendes i en præliminær eksponeringsvurdering.

⚠ ADVARSEL: Bær høreværn.

⚠ ADVARSEL: Støjemissionen under den faktiske anvendelse af maskinen kan være forskellig fra de(n) angivne værdi(er), afhængigt af den måde hvorpå maskinen anvendes, især den type arbejdsemne der behandles.

⚠ ADVARSEL: Sørg for at identificere de sikkerhedsforskrifter til beskyttelse af operatøren, som er baseret på en vurdering af eksponering under de faktiske brugsforhold (med hensyntagen til alle dele i brugscyklussen, f.eks. de gange, hvor maskinen er slukket, og når den kører i tomgang i tilgift til afbrydertiden).

Overensstemmelseserklæringer

Kun for lande i Europa

Overensstemmelseserklæringerne er inkluderet i Bilag A i denne brugsanvisning.

SIKKERHEDSADVARSLER

Almindelige sikkerhedsregler for el-værktøj

⚠ ADVARSEL Læs alle sikkerhedsadvarsler, instruktioner, illustrationer og specifikationer, der følger med denne maskine. Hvis du ikke følger alle nedenstående instruktioner, kan det medføre elektrisk stød, brand og/eller alvorlig personskaade.

Gem alle advarsler og

instruktioner til fremtidig reference.

Ordet "el-værktøj" i advarslerne henviser til det netforsynede (netledning) el-værktøj eller batteriforsynede (akku) el-værktøj.

Sikkerhedsinstruktioner for geringsssave

- 1. Geringssave er beregnet til at save i træ eller træliggende produkter. De kan ikke anvendes med slibende afskæringsskiver til at skære i jernholdige metaller som f.eks. bjælker, stænger, stivere osv.** Slibestøv får bevægelige dele som f.eks. den nederste beskyttelsesskærm til at sætte sig fast. Gnister fra slibeskæring vil forbrænde den nederste beskyttelsesskærm, savsnitsindlæg og andre plastikdele.
- 2. Brug skruevinger til at understøtte arbejdsmenet, når som helst det er muligt.** Hvis du understøtter arbejdsmenet i hånden, skal du altid holde hånden mindst 100 mm fra begge sider af savklingen. Anvend ikke denne sav til at skære stykker, der er for små til at kunne fastgøres forsvarligt eller holdes i hånden. Hvis din hånd er placeret for tæt på savklingen, er der større risiko for personskade pga. kontakt med klingens.
- 3. Arbejdsmenet skal være i ro og fastgjort eller holdt mod både anslaget og bordet.** Undlad at indføre arbejdsmenet til klingens eller at skære "på frihånd" på nogen måde. Ikke-fastholdte eller bevægelige arbejdsmener kan blive slynget bort ved høj hastighed og forårsage personskade.
- 4. Skub saven gennem arbejdsmenet.** Undlad at trække saven gennem arbejdsmenet. For at foretage et snit skal du løfte savhovedet og trække det ud over arbejdsmenet uden at skære, starte motoren, trykke savhovedet nedad og skubbe saven gennem arbejdsmenet. Hvis der skæres på tilbagestrøget, vil det sandsynligvis få savklingen til at klatre op oven på arbejdsmenet og kaste klingemonteringen voldsomt mod operatøren.
- 5. Placer aldrig din hånd over den tilsigtede skærelinje, hverken foran eller bag ved savklingen.** Understøttelse af arbejdsmenet med "krydsede hænder", dvs. at holde arbejdsmenet til højre for savklingen med venstre hånd eller omvendt, er meget farligt.
► Fig.1
- 6. Undlad at række bag ved anslaget med nogen af hænderne tættere end 100 mm fra begge sider af savklingen, at fjerne træstykker eller af nogen anden årsag, så længe klingens roterer.** Det er muligvis ikke tydeligt, hvor tæt den roterende savklinge er på din hånd, og du kan komme alvorligt til skade.
- 7. Inspicer arbejdsmenet, før der skæres.** Hvis arbejdsmenet er buet eller skævt, skal du fastgøre det med den udvendige buede side mod anslaget. Sørg altid for, at der ikke er mellemrum mellem arbejdsmenet, anslaget og bordet langs skærelinjen. Buede eller skæve arbejdsmener kan vride sig eller flytte sig og kan medføre binding af den roterende savklinge, mens der skæres. Der må ikke være søm eller fremmedlegemer i arbejdsmenet.
- 8. Undlad at bruge saven, før bordet er ryddet for alle værktøjer, træstykker osv. bortset fra arbejdsmenet.** Små rester eller løse stykker træ eller andre genstande, der kommer i kontakt med den roterende klinge, kan blive slynget bort med høj hastighed.
- 9. Skær kun i ét arbejdsemne ad gangen.** Flere stablede arbejdsmener kan ikke fastgøres eller understøttes tilstrækkeligt og kan binde klingens eller flytte sig under skæringen.
- 10. Sørg for, at geringsssaven er monteret eller placeret på en jævn, stabil arbejdsoverflade, før den bruges.** En jævn og stabil arbejdsoverflade mindsker risikoen for, at geringsssaven bliver ustabil.
- 11. Planlæg dit arbejde.** Hver gang du ændrer indstillingen for skræ- eller geringsvinkel, skal du sikre dig, at det justerbare anlæg er indstillet korrekt til at understøtte arbejdsmenet, og at det ikke kommer i vejen for klingens eller beskyttelsessystemet. Uden at slå maskinen "TIL" og uden arbejdsmenet på bordet skal du flytte savklingen gennem et komplet simuleret snit for at sikre dig, at der ikke er noget i vejen eller risiko for at skære i anlaget.
- 12. Sørg for tilstrækkelig understøttelse, for eksempel bordforlængelser, savbukke osv., for et arbejdsemne, der er bredere eller længere end bordpladen.** Arbejdsmener, der er længere eller bredere end geringsssavens bord, kan vippe, hvis de ikke er tilstrækkeligt understøttet. Hvis det afskære stykke eller arbejdsmenet vipper, kan det løfte den nederste beskyttelsesskærm eller blive slynget bort af den roterende klinge.
- 13. Undlad at bruge en anden person som erstatning for en bordforlængelse eller som ekstra støtte.** Ustabil understøttelse af arbejdsmenet kan få klingens til at binde eller arbejdsmenet til at flytte sig under skæringen, så du selv og hjælperen bliver trukket ind i den roterende klinge.
- 14. Det afskårne stykke må ikke på nogen måde sidde fast eller blive trykket imod den roterende savklinge.** Hvis det begrænses, for eksempel med længdestopper, kan det afskårne stykke blive klemt mod klingens og slynget voldsomt bort.
- 15. Brug altid en skruevinge eller et stykke inventar, der er beregnet til korrekt at støtte runde materialer som f.eks. stænger eller rør.** Stænger har tendens til at rulle, når de skæres, hvilket får klingens til at "bide" og trække emnet med din hånd ind i klingens.
- 16. Lad klingens til fuld hastighed, før den sættes mod arbejdsmenet.** Dette reducerer risikoen for, at arbejdsmenet slynkes bort.
- 17. Sluk for geringsssaven, hvis arbejdsmenet eller klingens klemmer sig fast.** Vent, til alle bevægelige dele er stoppet, og tag stikket ud af strømkilden og/eller fjern akkuen. Begynd derefter at frigøre det fastklemede materiale. Fortsat savning med et fastklemt arbejdsemne kan medføre, at du mister kontrollen, eller beskadigelse af geringsssaven.

18. Når et snit er færdigt, skal du slippe afbryderen, holde savhovedet nede og vente, til klingen er stoppet, før du fjerner det afskårne stykke. Det er farligt at stikke hånden hen til klingens, mens den stadig kører.
19. Hold godt fast i håndtaget, når der foretages et ufærdigt snit, eller hvis du slipper afbryderen, inden savhovedet er helt nede i den nederste position. Savens bremsefunktion kan medføre, at savhovedet pludseligt trækkes nedad, og medføre risiko for personskade.
20. Brug kun savklingen med den diameter, som er markeret på maskinen eller angivet i vejledningen. Brug af en klinge med forkert størrelse kan muligvis påvirke den korrekte afskærmning af klingens eller skærmfunktionen, hvilket muligvis kan resultere i alvorlig personskade.
21. Brug kun savklinger, der er mærket med en hastighed svarende til eller større end den hastighed, der er angivet på maskinen.
22. Anvend ikke saven til at skære i andet end træ, aluminium eller lignende materialer.
23. (Kun for lande i Europa)
Brug altid en klinge, der overholder EN847-1.

Yderligere instruktioner

1. Gør dit værksted børnesikkert med hængelåse.

2. Stå aldrig på maskinen. Det kan medføre alvorlig personskade, hvis maskinen vælter, eller ved utilsigtet kontakt med skæremaskinen.

3. Lad aldrig maskinen køre uovervåget. Sluk for strømmen. Gå ikke fra maskinen, før den er stoppet helt.

4. Anvend ikke saven, uden at beskyttelsesskærmene er på plads. Kontrollér beskyttelsesskærmen for korrekt funktion før hver brug. Anvend ikke saven, hvis beskyttelsesskærmen ikke bevæger sig frit og lukker øjeblikkeligt. Beskyttelsesskærmen må aldrig klemmes eller bindes til åben position.

5. Hold hænderne væk fra savklingsbanen. Undgå kontakt med klingens, mens denne kører i frihjul. Dette kan stadig medføre alvorlig personskade.

6. For at reducere risikoen for personskade skal du sætte slæden tilbage til den bageste position efter hvert tværnsnit.

7. Fastgør altid bevægelige dele, før maskinen transporteres.

8. Stopstiften eller stoparmen, som låser savhovedet nede, er kun beregnet til transport- og opbevaringsformål og ikke til nogen form for skæring.

9. Efterse omhyggeligt klingens for revner eller beskadigelser før brugen. Udskift øjeblikkeligt en revnet eller beskadiget klinge. Gummi og tjære, der hærdes mod klingen, gør saven langsommere og øger risikoen for tilbageslag. Hold klingens ren ved først at tage den ud af maskinen og derefter rense den med gummi- og tjærefjerner, varmt vand eller petroleum. Benyt aldrig benzin til at rense klingens.

10. Ved foretagelse af et glidende snit kan der forekomme TILBAGESLAG. TILBAGESLAG sker, når klingens binder i arbejdsemnet under

en skæring, og savklingen drives hurtigt mod operatøren. Det kan medføre tab af kontrol og alvorlig personskade. Hvis klingens begynder at binde under en skæring, må du ikke fortsætte med at skære, men slip med det samme afbryderen.

11. Anvend kun flanger, der er anbefalet til brug med denne maskine.
12. Sørg for ikke at beskadige akslen, flangerne (specielt monteringsfladen) eller boltens. Beskadigelse af disse dele kan medføre beskadigelse af klingens.
13. Sørg for, at drejeskiven er fastlåst og ikke bevæger sig under brug. Brug hullerne i foden til at fastgøre saven til en stabil arbejdsplatform eller bænk. Anvend ALDRIG maskinen, hvis operatørens position kan blive akavet.
14. Sørg for, at spindellåsen er løsnet, før der tændes på afbryderen.
15. Sørg for, at klingens ikke rører drejeskiven i nederste position.
16. Hold godt fast i håndtaget. Vær opmærksom på, at saven ved start og stop bevæger sig let op og ned.
17. Sørg for, at klingens ikke er i berøring med arbejdsemnet, før der tændes på afbryderen.
18. Før maskinen anvendes på arbejdsemnet, skal den køre i tomgang et stykke tid. Vær opmærksom på vibrationer eller rystelser, der kan være forårsaget af forkert montage eller manglende afbalancering af klingens.
19. Afbryd straks anvendelsen, hvis du bemærker noget unormalt under brugen.
20. Forsøg aldrig at fastlåse afbryderen i "TIL"-stillingens.
21. Anvend altid kun det tilbehør, der er anbefalet i denne brugsanvisning. Anvendelse af forkert tilbehør, eksempelvis slibeskiver, kan medføre personskade.
22. Nogle materialer indeholder kemikalier, der kan være giftige. Sørg omhyggeligt for at undgå at indånde støv samt kontakt med huden. Følg materialeleverandørens sikkerhedsdata.
23. Brug ikke en ledningsbaseret strømforsyning med dette værktøj.

Yderligere sikkerhedsregler for anvendt lampe

1. Kig ikke ind i lyset, og se ikke direkte ind i lyskilden.

GEM DISSE FORSKRIFTER.

⚠ ADVARSEL: LAD IKKE bekvemmelighed eller kendskab til produktet (opnået gennem gentagen brug) forhindre, at sikkerhedsforskrifterne for produktet nøje overholdes. MISBRUG eller forsømmelse af at følge de i denne brugsvejledning givne sikkerhedsforskrifter kan medføre alvorlig personskade.

Vigtige sikkerhedsinstruktioner for akkuen

1. Læs alle instruktioner og advarselmærkater på (1) akku-opladeren, (2) akkuen og (3) produktet, som anvender akku.
2. Adskil eller ændr ikke akkuen. Det kan muligvis resultere i en brand, overdreven varme eller eksplosion.
3. Hold straks op med anvendelsen, hvis brugstiden er blevet stærkt afkortet. Fortsat anvendelse kan resultere i risiko for overophedning, forbrændinger og endog eksplosion.
4. Hvis De har fået elektrolytvæske i øjnene, skal De straks skylle den ud med rent vand og derefter øjeblikkeligt søge lægehjælp. I modsat fald kan De miste synet.
5. Vær påpasselig med ikke at komme til at kortslutte akkuen:
 - (1) Rør ikke ved terminalerne med noget ledende materiale.
 - (2) Undgå at opbevare akkuen i en beholder sammen med andre genstande af metal, for eksempel søm, mønter og lignende.
 - (3) Udsæt ikke akkuen for vand eller regn. Kortslutning af akkuen kan forårsage en kraftig øgning af strømmen, overophedning, mulige forbrændinger og endog værktøjstop.
6. Opbevar og brug ikke maskinen og akkuen på steder, hvor temperaturen muligvis kan nå eller overstige 50 °C.
7. Lad være med at brænde akkuen, selv ikke i tilfælde, hvor den har lidt alvorlig skade eller er fuldstændig udtjent. Akkuen kan eksplodere, hvis man forsøger at brænde den.
8. Slå ikke søm i, skær ikke i, knus, kast, tab ikke akkuen og stød ikke akkuen mod en hård genstand. Sådan adfærd kan muligvis resultere i en brand, overdreven varme eller eksplosion.
9. Anvend ikke en beskadiget akku.
10. De indbyggede litium-ion-batterier er underlagt lovkrav vedrørende farligt gods. Ved kommerciel transport, f.eks. af tredjeparts transportselskaber, skal særlige krav til forpakning og mærkning overholdes. Ved forberedelse af udstyret til forsendelse skal du kontakte en ekspert i farligt gods. Overhold også eventuel mere detaljeret national lovgivning. Tape eller tildæk åbne kontakter, og pak batteriet på en måde, så det ikke kan flytte sig rundt i pakningen.
11. Når akkuen bortskaffes, skal du fjerne den fra maskinen og bortskaffe den på et sikkert sted. Følg de lokale love vedrørende bortskaffelsen af batterier.
12. Brug kun batterierne med de produkter, som Makita specificerer. Hvis batterierne installeres i ikke-kompatible produkter, kan det medføre brand, kraftig varme, eksplosion eller udsivning af elektrolyt.
13. Hvis maskinen ikke skal bruges i længere tid ad gangen, skal du fjerne batteriet fra maskinen.
14. Akkuen kan muligvis under og efter brug være

varm, hvilket kan forårsage forbrændinger eller lavtemperaturforbrændinger. Vær påpasselig med håndtering af varme akkuer.

15. Rør ikke terminalen på maskinen straks efter brug, da den bliver varm nok til at forårsage forbrændinger.
16. Sørg for, at spåner, støv eller jord ikke sætter sig fast i akkuens terminaler, huller eller riller. Det kan forårsage opvarmning, antændelse, sprængning og funktionsfejl i maskinen eller akkuen, hvilket kan medføre forbrændinger eller personskade.
17. Medmindre maskinen understøtter brugen i nærheden af elektriske højspændingsledninger, skal du ikke anvende akkuen i nærheden af elektriske højspændingsledninger. Det kan muligvis medføre funktionsfejl på eller nedbrud af maskinen eller akkuen.
18. Opbevar batteriet utilgængeligt for børn.

GEM DENNE BRUGSANVISNING.

⚠FORSIGTIG: Brug kun originale batterier fra Makita. Brug af uoriginale Makita-batterier, eller batterier som er blevet ændret, kan muligvis medføre brud på batteriet, hvilket kan forårsage brand, personskade eller beskadigelse. Det ugyldiggør også Makita-garantien for Makita-maskinen og opladeren.

Tips til opnåelse af maksimal akku-levetid

1. Oplad akkuen, inden den er helt afladet. Stop altid værktøjet, og oplad akkuen, hvis De bemærker, at værktøjeffekten er aftagende.
2. Genoplad aldrig en fuldt opladet akku. Overopladning vil afkorte akkuens levetid.
3. Oplad akkuen ved stuetemperatur ved 10 °C - 40 °C. Lad altid en varm akku få tid til at køle af, inden den oplades.
4. Når du ikke anvender akkuen, skal du fjerne den fra maskinen eller opladeren.
5. Oplad akkuen, hvis De ikke skal bruge den i længere tid (mere end seks måneder).

Vigtige sikkerhedsinstruktioner for trådløs enhed

1. Undlad at adskille eller ændre den trådløse enhed.
2. Opbevar den trådløse enhed utilgængeligt for små børn. Søg øjeblikkeligt læge, hvis den sluges ved et uheld.
3. Brug kun den trådløse enhed sammen med maskiner fra Makita.
4. Udsæt ikke den trådløse enhed for regn eller våde omgivelser.
5. Brug ikke den trådløse enhed på steder, hvor temperaturen overskrider 50 °C.
6. Brug ikke den trådløse enhed i nærheden af medicinske instrumenter som f.eks. pacemakere.
7. Brug ikke den trådløse enhed i nærheden af automatiske enheder. Hvis den bruges, kan automatiske enheder udvikle fejlfunktion eller fejl.

8. Undlad at betjene den trådløse enhed på steder med høje temperaturer eller steder, hvor der kan genereres statisk elektricitet eller elektrisk støj.
9. Den trådløse enhed kan frembringe elektromagnetiske felter (EMF), men de er ikke skadelige for brugeren.
10. Den trådløse enhed er et præcisionsinstrument. Undgå at tabe eller slå på den trådløse enhed.
11. Undgå at berøre terminalen på den trådløse enhed med de bare hænder eller metalliske materialer.
12. Tag altid batteriet ud af produktet, når den trådløse enhed monteres på det.
13. Når låget på åbningen åbnes, skal du undgå steder, hvor der kan komme støv eller vand ind i åbningen. Hold altid indgangen til åbningen ren.
14. Indsæt altid den trådløse enhed i den rigtige retning.
15. Undgå at trykke for hårdt på den trådløse aktiveringsknap på den trådløse enhed og/eller at trykke på knappen med en genstand med en skarp kant.
16. Luk altid låget på åbningen under brug.
17. Undlad at fjerne den trådløse enhed fra åbningen, når der er sluttet strøm til maskinen. Hvis du gør dette, kan det medføre funktionsfejl i den trådløse enhed.
18. Undlad at fjerne etiketten på den trådløse enhed.
19. Undlad at sætte nogen etiket på den trådløse enhed.
20. Lad ikke den trådløse enhed ligge på steder, hvor der kan genereres statisk elektricitet eller elektrisk støj.
21. Lad ikke den trådløse enhed ligge på steder, der er udsat for høj varme, for eksempel en bil, der står i solen.
22. Lad ikke den trådløse enhed ligge på et sted med støv eller pulver eller på et sted, hvor der kan udvikles ætsende gas.
23. En pludselig temperaturændring kan forårsage dug på den trådløse enhed. Brug ikke den trådløse enhed, før duggen er tørret helt bort.
24. Ved rengøring af den trådløse enhed skal den aftørres forsigtigt med en tør, blød klud. Brug ikke rensebensen, fortynder, ledende fedtstof eller lignende.
25. Ved opbevaring af den trådløse enhed skal den opbevares i den medfølgende æske eller i en beholder, der er fri for statisk elektricitet.
26. Indsæt ikke andre enheder end den trådløse enhed fra Makita i åbningen på maskinen.
27. Undlad at bruge maskinen, hvis låget til åbningen er beskadiget. Vand, støv og snavs, der kommer ind i åbningen, kan forårsage fejlfunktion.
28. Undlad at trække og/eller vride låget til åbningen mere end nødvendigt. Sæt låget på igen, hvis det falder af maskinen.
29. Udskift låget til åbningen, hvis det bliver væk eller ødelægges.

GEM DISSE FORSKRIFTER.

BESKRIVELSE AF DELENE

► Fig.2

1	Knap (til skråvinkel)	2	Sekskantnøgle	3	Justeringskrue (til nedre grænseposition)	4	Justeringsbolt (til maksimal skæredybde)
5	Stoparm	6	Aflåseknop	7	Afbryderknop	8	Låg (til trådløs enhed)
9	Hul til hængelås	10	Trådløs aktiveringsknap	11	Trådløs aktiveringslampe	12	Lampeknop
13	Støvsugerknop	14	Klingehus	15	Beskyttelsesskærm	16	Underanslag
17	Låsearm (til drejeskive)	18	Udløserarm (til drejeskive)	19	Indstillingsgreb (til drejeskive)	20	Indlægsplade
21	Geringsvinkelskala	22	Viser (til geringsvinkel)	23	Drejeskive	24	Undergrundplade
25	Udløserknop (til skråvinkel i højre side)	26	Lodret skruestik	27	Stopstift (til skubning af slæden)	28	Skydestang

► Fig.3

1	Håndtag	2	Akku	3	Støvpose (ved udskiftning med støvudtrækningslange)	4	Slange (til støvudtrækning)
5	Skråvinkelskala	6	Justeringsbolt til 0° (til skråvinkel)	7	Viser (til skråvinkel)	8	Justeringsbolt til 45° (til skråvinkel)
9	Låsearm (til skråvinkel)	10	Udløserarm (til 48° skråvinkel)	11	Anslag (øverste anslag)	12	Anslag (nederste anslag)
13	Stopstift (til hævnning af slæden)	14	Spindellås	-	-	-	-

MONTERING

Montering af indstillingsgrebet

Skrue det gevindskårne skaft på indstillingsgrebet ind i drejeskiven.

► **Fig.4:** 1. Indstillingsgreb 2. Drejeskive

Montering og fjernelse af støvudtrækningslangen

Fastgør slangealbuen til den øverste åbning med låseknappen opad. Indsæt slangens muffe i den nederste port. Tryk og juster muffens stopknapper med portens guide hak.

Sørg for, at albuen og muffen passer korrekt til portene på maskinen.

► **Fig.5:** 1. Støvudtrækningslange 2. Albue
3. Låseknop 4. Muffe 5. Øverste port
6. Nederste port

Fjern slangealbuen fra porten ved at trække i albuen, mens du trykker låseknappen ned.

► **Fig.6:** 1. Låseknop 2. Albue

For at fjerne slangens muffe fra porten skal du trække i muffen, mens du trykker på stopknapperne på begge sider af porten.

► **Fig.7:** 1. Stopknop 2. Muffe

Montering på bænk

Ved leveringen af maskinen er håndtaget låst i den sænkede position ved hjælp af stopstiften. Mens du sænker håndtaget en smule, skal du trække i stopstiften og dreje den 90°.

► **Fig.8:** 1. Låst position 2. Ulåst position 3. Stopstift

Denne maskine skal fastgøres med fire bolte til en plan og stabil overflade ved hjælp af bolthullerne i maskinens bund. Dette hjælper med til at forhindre, at den vipper med personskaade til følge.

► **Fig.9:** 1. Bolt

⚠ ADVARSEL: Sørg for, at maskinen ikke vil bevæge sig på den understøttende flade. Hvis geringssaven bevæger sig på den understøttede flade under skæringen, risikerer du at miste herredømmet over saven og alvorlig personskaade.

FUNKTIONSBEKRI- VELSE

⚠ ADVARSEL: Vær altid sikker på, at der er slukket for værktøjet, og at akkuen er fjernet, inden De justerer eller kontrollerer værktøjets funktioner. Hvis De ikke slukker for værktøjet og fjerner akkuen, kan det medføre alvorlig personskaade forårsaget af utilsigtet start af værktøjet.

Isætning eller fjernelse af akkuen

⚠ FORSIGTIG: Sluk altid for værktøjet, før De monterer eller fjerner akkuen.

⚠ FORSIGTIG: Hold værktøjet og akkuen fast ved montering eller fjernelse af akkuen. Hvis De ikke holder værktøjet og akkuen fast, kan de glide ud af hænderne på Dem og forårsage beskadigelse af værktøjet og akkuen eller personskaade.

For at montere akkuen skal du justere tungen på akkuen med rillen i huset og skubbe den på plads. Indsæt den hele vejen, indtil den låses på plads med et lille klik. Hvis du kan se den røde indikator, som vist i figuren, er den ikke helt låst.

Akkuen fjernes ved, at De trækker den ud af værktøjet, idet De skyder knappen på forsiden af akkuen i stilling.

► **Fig.10:** 1. Rød indikator 2. Knap 3. Akku

⚠ FORSIGTIG: Monter altid akkuen helt, indtil den røde indikator ikke længere er synlig. Hvis dette ikke gøres, kan den falde ud af værktøjet ved et uheld, hvorved De selv eller personer i nærheden kan komme til skade.

⚠ FORSIGTIG: Brug ikke magt ved montering af akkuen. Hvis akkuen ikke glider på plads uden problemer, betyder det, at den ikke sættes i på korrekt vis.

Beskyttelsessystem til værktøj/ batteri

Værktøjet er forsynet med et beskyttelsessystem til værktøj/batteri. Dette system afbryder automatisk strømmen til motoren for at forlænge levetiden for værktøjet og batteriet. Værktøjet stopper automatisk under driften, hvis det eller batteriet kommer i en af følgende situationer. I nogle tilfælde lyser indikatorerne.

Overbelastningsbeskyttelse

Hvis maskinen/batteriet bruges på en måde, der får den/det til at trække en unormalt høj strøm, stopper maskinen automatisk. Sluk i så fald for maskinen, og ophør med den anvendelse, som medførte, at maskinen blev overbelastet. Tænd derefter for maskinen for at starte den igen.

Beskyttelse mod overophedning

Hvis maskinen/batteriet er overophedet, stopper maskinen automatisk, og lampen blinker. I denne situation skal du lade maskinen køle af, inden du tænder for den igen.

Beskyttelse mod afladning

Når batteriladningen bliver lav, stopper maskinen automatisk. Hvis maskinen ikke kører sammen med kontakttøjningen, afmonter batteriet fra maskinen og oplad det.

Indikation af den resterende batteriladning

Tryk på kontrolknappen på akkuen for at få vist den resterende batteriladning. Indikatorlampen lyser i nogle sekunder.

► **Fig.11:** 1. Indikatorlamper 2. Kontrolknap

Indikatorlamper			Resterende ladning
Tændt	Slukket	Blinker	
■ ■ ■ ■			75% til 100%
■ ■ ■ □			50% til 75%
■ ■ □ □			25% til 50%
■ □ □ □			0% til 25%
▣ □ □ □			Genoplad batteriet.
■ ■ □ □			Der er muligvis fejl i batteriet.
□ □ ■ ■			

BEMÆRK: Afhængigt af brugsforholdene og den omgivende temperatur kan indikationen afvige en smule fra den faktiske ladning.

BEMÆRK: Den første indikatorlampe (længst mod venstre) vil blinke, når batteribeskyttelsessystemet aktiveres.

Håndtagslås

⚠FORSIGTIG: Hold altid i håndtaget, når stopstiften frigøres. Ellers springer håndtaget op, hvilket kan medføre personskaade.

Håndtaget kan låses med stopstiften enten i den nedre position eller i hævet position. Sænk eller hæv håndtaget helt, og træk og drej derefter stopstiften i en låst position. For at låse håndtaget op skal du trække i stopstiften og dreje den 90° i ulåst position, mens du sænker håndtaget en smule.

► **Fig.12:** 1. Låst position 2. Ulåst position 3. Stopstift

Skydelås

Træk i stopstiften og drej den 90° i en ulåst position for at tillade fri bevægelse af slæden. For at låse slædens glidebevægelse, skal du skubbe slæden mod armen, indtil den stopper, og derefter sætte stopstiften tilbage på en låst position.

► **Fig.13:** 1. Låst position 2. Ulåst position 3. Stopstift 4. Arm

Beskyttelsesskærm

⚠ADVARSEL: Beskyttelsesskærmen må aldrig sættes ud af funktion, og fjederen på skærmen må aldrig fjernes. En synlig klinge på grund af en manglende beskyttelsesskærm kan medføre alvorlig personskaade under anvendelsen.

⚠ADVARSEL: Brug aldrig værktøjet, hvis beskyttelsesskærmen eller fjederen er beskadiget, defekt eller mangler. Anvendelse af værktøjet med en beskadiget, fejlbehæftet eller afmonteret beskyttelsesskærm kan medføre alvorlig personskaade.

⚠FORSIGTIG: Hold altid beskyttelsesskærmen i god stand for sikker brug. Hold øjeblikkeligt op med brugen, hvis der er uregelmæssigheder i beskyttelsesskærmen. Bekræft, at de fjederbelastede beskyttelsesskærme returnerer.

Når De sænker grebet, hæves beskyttelsesskærmen automatisk. Beskyttelsesskærmen er fjederbelastet og vender tilbage til udgangspositionen, når arbejdet er afsluttet, og grebet atter hæves.

► **Fig.14:** 1. Beskyttelsesskærm

Rengøring

Hvis den gennemsigtige beskyttelsesskærm bliver snavset, eller der sidder så meget savsmuld på den og på en sådan måde, at savklingen og/eller arbejdsemnet ikke længere er synligt, skal akkuen tages ud, og beskyttelsesskærmen skal rengøres med en fugtig klud. Anvend ikke opløsningsmidler eller petroleumbaserede rengøringsmidler på plastikbeskyttelsesskærmen, da dette kan beskadige skærmen.

Følg de angivne trin-for-trin-instruktioner om hvordan du gør klar til rengøring.

1. Sørg for, at der er slukket for maskinen, og at akkuen er taget ud.
2. Drej sekskantbolten mod uret ved hjælp af den medfølgende sekskantsnøgle, idet der holdes på midterafdækningen.
3. Løft beskyttelsesskærmen og midterafdækningen.
4. Sæt midterafdækningen tilbage efter rengøring og stram sekskantbolten ved at udføre ovenstående trin i omvendt rækkefølge.
5. Sørg for at sætte rundsavsklingen og midterafdækningen tilbage til deres originale position og stram sekskantbolten.

► **Fig.15:** 1. Sekskantsnøgle 2. Sekskantbolt 3. Midterafdækning 4. Beskyttelsesskærm

⚠ADVARSEL: Fjern ikke den fjeder, der holder beskyttelsesskærmen. Hvis beskyttelsesskærmen bliver beskadiget i tidens løb eller på grund af udsættelse for ultraviolet lys, bedes De kontakte et Makita servicecenter for at få den udskiftet. **OMGÅ ELLER AFMONTER IKKE BESKYTTELSSESKÆRMEN.**

Placering af indlægsplade

Denne maskine er udstyret med indlægsplader i drejeskiven med det formål at minimere slitage på udgangssiden for et snit. Indlægspladerne er fra fabrikken indstillet således, at rundsavsklingen ikke kommer i berøring med indlægspladerne. Indstil indlægspladerne inden brugen på følgende måde:

1. Sørg for at fjerne akkuen. Løsn derefter alle de skruer (3 hver i venstre og højre side), der fastholder indlægspladerne.

► **Fig.16:** 1. Indlægsplade 2. Skruer

BEMÆRK: De bageste skruer kan let løsnes og strammes ved at dreje drejeskiven i en vinkel. Sørg for at løfte håndtaget helt, når du drejer drejeskive.

2. Stram kun skruerne så meget, at indlægspladerne stadig nemt kan flyttes med hånden.

BEMÆRK: Sørg for at sætte drejeskiven tilbage til den oprindelige vinkel (0° geringsvinkel), når indlægspladerne flyttes.

3. Sænk håndtaget helt, og træk og drej derefter stopstiften for at låse håndtaget i den sænkede position.

4. Træk i og drej stopstiften på skydestangen, så slæden kan glide.

► **Fig.17:** 1. Stopstift 2. Låst position 3. Ulåst position

5. Træk slæden helt imod dig.

6. Indstil indlægspladerne således, at de lige netop berører siderne af klingetænderne.

► **Fig.18**

► **Fig.19:** 1. Savklinge 2. Klingetænder
3. Indlægsplade 4. Venstre skrånit 5. Lige snit 6. Højre skrånit

7. Stram de forreste skruer (stram ikke for meget).

8. Skub slæden helt mod anslagene, og indstil derefter indlægspladerne således, at de lige netop berører siderne af klingetænderne.

9. Stram midterskruerne (stram ikke for meget).

10. Fjergør stopstiften for håndtagsslåsen, efter justering af indlægspladerne, og hæv håndtaget. Stram derefter alle skruerne godt til.

BEMÆRKNING: Sørg for, når skråninklen er indstillet, at indlægspladerne er korrekt justeret. Korrekt indstilling af indlægspladerne bidrager til at yde den rigtige støtte til arbejdsemnet og gøre risikoen for udvinding minimal.

Vedligeholdelse af maksimal skæredybde

Denne maskine er fabriksindstillet til at give den maksimale skæredybde med en 305 mm savklinge.

Når der monteres en ny rundsavklinge, skal den nedre grænseposition på rundsavsklingen altid kontrolleres og, såfremt det er påkrævet, justeres som beskrevet herunder:

1. Fjern akkuen. Drej derefter stoparmen til den aktiverede position.

► **Fig.20:** 1. Stoparm

2. Skub slæden helt mod anslagene, og sænk håndtaget helt.

► **Fig.21:** 1. Anslag 2. Justeringsbolt

3. Brug sekskantnøglen til at dreje justeringsbolten, indtil rundsavsklingen sidder lidt under det sted, hvor anslagene og den øverste flade af drejeskiven mødes.

► **Fig.22:** 1. Overflade af drejeskiven 2. Anslag

4. Drej klingens håndtag, idet du holder håndtaget helt nede, for at sikre dig, at rundsavsklingen ikke kommer i berøring med nogen del af den nederste bund. Juster om nødvendigt en smule.

⚠ ADVARSEL: Sørg altid for, når en ny rundsavklinge er monteret, og med akkuen fjernet, at rundsavsklingen ikke kommer i berøring med nogen dele på den nederste bund, når håndtaget sænkes helt. Hvis rundsavsklingen kommer i berøring med bunden, kan det medføre tilbageslag med alvorlig personskade til følge.

► **Fig.23**

⚠ FORSIGTIG: Sæt altid stoparmen tilbage til den oprindelige position efter justering.

Stoparm

Rundsavsklingens nedre grænseposition kan nemt indstilles med stoparmen. For at indstille den, drej stoparmen i pilens retning som vist på illustrationen. Drej justeringsskruen, så rundsavsklingen stopper i den ønskede position, når håndtaget sænkes helt.

► **Fig.24:** 1. Justeringsskruer 2. Stoparm

⚠ FORSIGTIG: Hold altid fast i håndtaget ved justering. Hvis du ikke gør dette, kan slæden hoppe op og resultere i personskade.

Justering af geringsvinklen

⚠ FORSIGTIG: Efter ændring af geringsvinklen skal du altid fastgøre drejeskiven ved at sætte låsearmen/udløserarmen tilbage i en låst position og stramme indstillingsgrebet godt til.

BEMÆRKNING: Når du drejer drejeskiven, skal du løfte håndtaget helt.

1. Drej indstillingsgrebet mod uret. Tryk og hold derefter ned på låsearmen til en ulåst position.

2. Hold og sving indstillingsgrebet fra side til side for at dreje drejeskiven.

3. Juster viseren til den ønskede vinkel på geringsvinkelskalaen.

4. Slip låsearmen, og stram indstillingsgrebet.

► **Fig.25:** 1. Indstillingsgreb 2. Låsearm 3. Viser
4. Geringsvinkelskala

Fast stop-funktion

Denne geringsssav har en funktion til fast stop. Du kan hurtigt indstille en geringsvinkel på 0°, 15°, 22,5°, 31,6°, 45° og 60° mod højre eller venstre.

1. Drej indstillingsgrebet mod uret.

- Tryk derefter på låsearmen og hold nede i en ulåst position.
 - Drej drejeskiven tæt på din ønskede fast stop-vinkel og slippe låsearmen.
 - Drej drejeskiven på din ønskede fast stop-vinkel, indtil den er fastgjort.
 - Stram indstillingsgrebet til.
- **Fig.26:** 1. Indstillingsgreb 2. Låsearm 3. Fast stop-vinkel

BEMÆRK: For at frigøre drejeskiven fra fast stop-funktionen skal du trykke udløserarmen ned. Drejeskiven kan bevæges frit uden at holde låsearmen nede. Sving indstillingsgrebet for at dreje drejeskiven til den ønskede vinkel, og stram derefter indstillingsgrebet.

- **Fig.27:** 1. Udløserarm

Justering af skråvinklen

⚠FORSIGTIG: Efter ændring af skråvinklen skal du altid fastgøre armen ved at stramme knappen på skydestangen med uret.

BEMÆRKNING: Fjern altid de øverste anslag og den lodrette skruestik, før skråvinklen justeres.

BEMÆRKNING: Når rundsavsklingen vipres, skal du sørge for, at slæden er helt hævet.

BEMÆRKNING: Når skråvinklerne ændres, skal du sørge for at genplacere indlægspladerne korrekt, som forklaret i afsnittet for placering af indlægsplader.

BEMÆRKNING: Stram ikke knappen for skydestangen for hårdt. Dette kan medføre funktionsfejl i låsemekanismen til skråvinklen.

Vipning af rundsavsklingen til venstre

- Drej knappen på skydestangen i retningen mod uret.

- **Fig.28:** 1. Knap

- Træk i og drej låsearmen til positionen som vist.

- **Fig.29:** 1. Låsearm

- Hold i håndtaget og vip slæden mod venstre.

- Juster viseren til den ønskede vinkel på skråvinkelskalaen.

- Stram knappen i retningen med uret for at sikre slædens arm.

- **Fig.30:** 1. Knap 2. Håndtag 3. Viser
4. Skråvinkelskala

Vipning af rundsavsklingen til højre

- Drej knappen på skydestangen i retningen mod uret.

- Hold i håndtaget og vip slæden en smule mod venstre.

- Vip slæden til højre, mens du trækker i udløserknappen for skråvinkel i højre side.

- Juster viseren til den ønskede vinkel på skråvinkelskalaen.

- Stram knappen i retningen med uret for at sikre slædens arm.

- **Fig.31:** 1. Knap 2. Håndtag 3. Udløserknap til skråvinkel i højre side 4. Skråvinkelskala

Vipning af rundsavsklinge ved hjælp af fast stop-funktion

Denne geringsssav har en funktion til fast stop. Du kan hurtigt indstille en vinkel på 22,5° og 33,9° mod både venstre og højre.

- Drej knappen på skydestangen i retningen mod uret.

- Vip slæden tæt på den ønskede fast stop-vinkel, mens du løfter låsearmen op.

- Sæt låsearmen i vandret position.

- Drej slæden på din ønskede fast stop-vinkel, indtil den er fastgjort.

- For at ændre vinklen skal du trække låsearmen mod maskinens forside og derefter vippe slæden igen.

- Stram knappen i retningen med uret for at sikre slædens arm.

- **Fig.32:** 1. Knap 2. Låsearm

Vipning af rundsavsklingen uden for området 0° - 45°

- Drej knappen på skydestangen i retningen mod uret.

- Hold i håndtaget og vip slæden gennem 45° til enten venstre eller højre.

- Træk slæden en smule tilbage og drej udløserarmen for 48° skråvinkel mod maskinens forside.

- Vip slæden yderligere til venstre eller højre, mens du holder håndtaget sluppet.

- Stram knappen i retningen med uret for at sikre slædens arm.

- **Fig.33:** 1. Knap 2. Håndtag 3. Udløserarm for 48° skråvinkel

Afbryderfunktion

⚠ ADVARSEL: Før du sætter akkuen/akkuerne ind i maskinen, skal du altid kontrollere, at afbryderknappen aktiveres korrekt og at den vender tilbage til "FRA"-positionen, når den slippes. Tryk ikke hårdt på afbryderknappen uden først at trykke aflåseknappen ind. Dette kan ødelægge afbryderen. Anvendelse af maskinen med en afbryder, som ikke fungerer korrekt, kan medføre tab af kontrollen over maskinen og alvorlig personskade.

⚠ ADVARSEL: Anvend ALDRIG maskinen, hvis afbryderknappen ikke fungerer, som den skal. Enhver maskine med en ikke-fungerende afbryderknop er YDERST FARLIG og skal repareres før yderligere anvendelse, da det ellers kan medføre alvorlig personskade.

⚠ ADVARSEL: Omgå ALDRIG lås fra-knappens funktion ved at tape den fast eller på andre måder. En afbryder med en blokeret lås fra-knap kan medføre utilsigtet funktion og alvorlig personskade.

⚠ ADVARSEL: Brug ALDRIG maskinen, hvis den kører, når du blot trykker på afbryderknappen uden at trykke på lås fra-knappen. En afbryder, der skal repareres, kan medføre utilsigtet funktion og alvorlig personskade. Returner maskinen til et Makita-servicecenter for nødvendige reparationer INDEN yderligere brug.

► Fig.34: 1. Afbryderknop 2. Aflåseknop 3. Hul til hængelås

Før at forhindre, at afbryderknappen trykkes ind ved et uheld, er maskinen udstyret med en aflåseknop. Maskinen startes ved at trykke aflåseknappen ind og derefter trykke på afbryderknappen. Slip afbryderknappen for at stoppe.

Afbryderknappen er forsynet med et hul til indsættelse af en hængelås, så maskinen kan aflåses.

⚠ ADVARSEL: Anvend ikke en lås med et skaft eller et kabel, som er mindre end 6,35 mm i diameter. Et mindre skaft eller kabel vil muligvis ikke låse maskinen i fra-stilling, og utilsigtet brug kan ske med alvorlig personskade som følge.

Kastning af en skærelinje

⚠ FORSIGTIG: Lampen er ikke regntæt. Undlad at vaske lampen i vand eller at bruge den i regnvejrr eller i et vådt område. Hvis du gør dette, kan det medføre elektrisk stød og dampe.

⚠ FORSIGTIG: Undlad at berøre lampens linse, da den er meget varm, når den er tændt, eller kort efter der er slukket for den. Det kan medføre forbrændinger.

⚠ FORSIGTIG: Undlad at bruge magt på lampen, da det kan medføre beskadigelse eller forkortet levetid.

⚠ FORSIGTIG: Kig aldrig direkte på lyskilden. Lad ikke lyset falde i Deres øjne.

LED-lampen kaster lys over rundsavsklingen, og en skygge af klingens falder på arbejdsområdet og fungerer

som en kalibreringsfri skærelinjeindikator. Tryk på lampeknapen for at udsende lys. Der vises en linje, hvorpå klingens vil møde overfladen af arbejdsområdet, hvilken bliver dybere, efterhånden som klingens bliver sænket.

► Fig.35: 1. Lampeknap 2. Lampe 3. Skærelinje

Indikatoren hjælper med at skære gennem en eksisterende afskærningslinje, som er markeret med blyant på arbejdsområdet.

1. Hold i håndtaget og sænk rundsavsklingen, så der falder en tæt skygge af klingens på arbejdsområdet.
2. Ret afskærningslinjen, som er tegnet på arbejdsområdet, ind med skyggeskærelinjen.
3. Juster geringsvinkler og skråvinkler om nødvendigt.

BEMÆRK: Sørg altid for at slukke på lampekontakten efter brug, da der forbruges batteristrøm, når der er tændt for lyset.

BEMÆRK: Lyset slukker automatisk 5 minutter efter, du er færdig med anvendelsen.

Elektronisk funktion

Elektrisk bremse

Maskinen har en elektrisk klingebræms. Hvis maskinen konsekvent undlader at opføre sig med at fungere hurtigt, efter at afbryderknappen slippes, skal der udføres service på maskinen hos et Makita servicecenter.

⚠ FORSIGTIG: Klingebremsesystemet er ikke en erstatning for en beskyttelsesskærm. Anvend aldrig maskinen uden en fungerende beskyttelsesskærm. En ubeskyttet klinge kan medføre alvorlig personskade.

Konstant hastighedskontrol

Maskinen er udstyret med en elektronisk hastighedskontrol, der hjælper med at opretholde en konstant klingerotationshastighed også under belastning. En konstant klingerotationshastighed giver et meget jævnt snit.

Funktion til blød start

Denne funktion tillader blød start af maskinen ved at begrænse drejningsmomentet ved start.

SAMLING

⚠ ADVARSEL: Sørg altid for, at værktøjet er slukket, og at akkuen er taget ud, før der arbejdes på værktøjet. Hvis værktøjet ikke afbrydes og tages ud af forbindelse, kan det medføre alvorlig personskade.

Opbevaring af unbrakonøgle

Når unbrakonøglen ikke anvendes, skal den opbevares som vist på illustrationen, så den ikke bortkommer.

Afmontering eller montering af savklinge

⚠ ADVARSEL: Sørg altid for, at maskinen er slukket, og at akkuen er fjernet før afmontering eller montering af rundsavsklingen. Utilsigtet start af maskinen kan medføre alvorlig personskade.

⚠ ADVARSEL: Brug kun den medfølgende Makita-nøgle til afmontering og installation af rundsavsklingen. Manglende brug af nøglen kan resultere i for hård eller utilstrækkelig tilspænding af boltten med indvendig sekskant med alvorlig personskade til følge.

⚠ ADVARSEL: Brug aldrig eller udskift de dele, der ikke er leveret sammen med dette værktøj. Brugen af sådanne dele kan forårsage alvorlige personskader.

⚠ ADVARSEL: Efter montering af rundsavsklingen skal du altid sikre dig, at den er forsvarligt monteret. Løs montering af rundsavsklingen kan forårsage alvorlige personskader.

Afmontering af klingens

For at fjerne rundsavsklingen skal du udføre følgende trin:

1. Lås slæden i den hævede position ved at trække i og dreje stopstiften hen i en låst position.

► Fig.37: 1. Stopstift 2. Ulåst position 3. Låst position

2. Brug sekskantnøglen til at løse den sekskantbolt, der holder midterafdækningen. Løft derefter beskyttelseskærmen og midterafdækningen.

► Fig.38: 1. Sekskantnøgle 2. Sekskantbolt 3. Midterafdækning 4. Beskyttelseskærm

3. Tryk på spindelåsen for at låse spindlen, og brug sekskantnøglen til at løse boltten med indvendig sekskant med uret. Fjern derefter boltten med indvendig sekskant, den ydre flange og rundsavsklingen.

► Fig.39: 1. Bolt med indvendig sekskant (venstreskåret gevind) 2. Ydre flange 3. Spindelås

4. Hvis den indre flange fjernes, skal den monteres på spindelen med siden med fordybning vendende mod rundsavsklingen. Hvis flangen monteres forkert, vil flangen gnide mod maskinen.

► Fig.40: 1. Bolt med indvendig sekskant (venstreskåret) 2. Ydre flange 3. Rundsavsklinge 4. Ring 5. Indre flange 6. Spindel 7. Side med fordybning

Montering af klingens

⚠ ADVARSEL: Før klingens monteres på spindelen, skal det altid kontrolleres, at den rigtige ring til akselhullet på den klinge, du vil bruge, er monteret mellem de indre og ydre flanger. Brug af den forkerte ring til akselhullet kan medføre forkert montering af klingens, hvilket kan forårsage, at klingens bevæger sig, og kraftig rotation, hvilket kan medføre tab af kontrollen under brug og alvorlig personskade.

⚠ FORSIGTIG: Sørg for at installere rundsavsklingen, så pilens retning på klingens svarer til retningen af den på klingehuset. Manglende overholdelse kan medføre personskade og forvoldede skade på maskinen og/eller arbejdsmønt.

For at montere rundsavsklingen skal du udføre følgende trin:

1. Monter rundsavsklingen forsigtigt på den indre flange. Kontroller, at retningen af pilen på rundsavsklingen svarer til retningen af pilen på klingehuset.

► Fig.41: 1. Pil på klingehuset 2. Pil på rundsavsklingen

2. Monter den ydre flange og boltten med indvendig sekskant. Benyt derefter sekskantnøglen til at spænde boltten med indvendig sekskant godt til mod uret, mens der trykkes på spindelåsen.

► Fig.42: 1. Bolt med indvendig sekskant (venstreskåret gevind) 2. Ydre flange 3. Rundsavsklinge 4. Ring 5. Indre flange 6. Spindel 7. Side med fordybning

3. Sæt beskyttelseskærmen og midterafdækningen tilbage på plads. Stram dernæst boltten med indvendig sekskant i retningen med uret for at holde midterafdækningen fast.

4. Træk i og drej på stopstiften i en ulåst position for at frigøre slæden fra den hævede position. Sænk slæden og kontroller at beskyttelseskærmen bevæger sig på korrekt vis.

⚠ FORSIGTIG: Sørg for, at spindelåsen har frigivet spindelen, før der skæres.

Tilslutning af en støvsuger

Hvis du ønsker en ren skæreoperation, skal du tilslutte en Makita-støvsuger til støvmundstykket (øverste støvport) ved hjælp af en forreste manchete 24 (ekstraudstyr).

► Fig.43: 1. Forreste manchete 24 2. Slange 3. Støvsuger

Støvpose

⚠ FORSIGTIG: Når der udføres skæring, skal du altid montere støvposen eller tilslutte støvsugeren for at forhindre støvrelaterede risici.

Brug af støvposen giver rene skæreoperationer og gør det let at opsamle støv. For at montere støvposen, fjern støvudtrækningsslangen fra maskinen og tilslut støvposen til støvmundstykket (øverste støvport).

► Fig.44: 1. Støvudtrækningslange 2. Støvpose 3. Støvmundstykke (øverste støvport)

Når støvposen er cirka halvt fyldt, tages den af maskinen, og lukkeskinnen trækkes ud. Tøm støvposen, og bank let på den, så de støvpartikler, der har samlet sig på de indvendige flader, og som kan nedsætte effektiviteten af støvopsamlingen, fjernes.

► Fig.45: 1. Lukkeskinne

Fastspænding af arbejdsemnet

⚠ ADVARSEL: Det er yderst vigtigt altid at sørge for, at arbejdsemnet er ordentligt fastspændt i den rigtige type skruestik eller stoppere til kronrefremspring. Forsømmelse af at gøre dette kan medføre alvorlig personskade og forvolde skade på maskinen og/eller arbejdsemnet.

⚠ ADVARSEL: Når der skæres i et arbejdsemne, som er længere end geringsssavens støtteplade, skal materialet understøttes i hele dets længde ud over støttepladen, mens du holder materialet plant. Korrekt understøttelse af arbejdsemnet bidrager til at undgå fastklemning af klingens og eventuelt tilbageslag, hvilket kan medføre alvorlig personskade. Når du fastgør arbejdsemnet skal du ikke nøjes med kun at stole på den lodrette og/eller vandrette skruestik. Tyndt materiale har tendens til at synke. Understøt emnet i hele dets længde for at undgå klemme på klingens og mulig tilbageslag.

► Fig.46: 1. Støtte 2. Drejeskive

Anslag

⚠ ADVARSEL: Før du bruger maskinen, skal du sikre dig, at det øverste anslag er fastgjort forsvarligt.

⚠ ADVARSEL: Før der udføres et skrånsnit, sørg for, at ingen del af værktøjet, specielt savklingen, kommer i kontakt med de øverste og nederste anslag, når håndtaget sænkes og hæves helt i den givne position under flytning af slæden gennem hele sit bevægelsesområde. Hvis værktøjet eller klingens kommer i kontakt med anslaget, kan det resultere i tilbageslag eller uventet bevægelse af materialet og alvorlige personskader.

Brug de øverste anslag til at støtte materialet højere end de nederste anslag. Sæt det øverste anslag i hullet på det nederste anslag, og tilspænd blokeringskruen.

► Fig.47: 1. Øverste anslag 2. Nederste anslag
3. Blokeringskruer 4. Justeringskruer

BEMÆRKNING: De nederste anslag er fastgjort til foden fra fabrikken. Fjern ikke de nederste anslag.

BEMÆRKNING: Hvis det øverste anslag stadig sidder løst, efter at du har strammet blokeringskruen, skal du dreje justeringskruen for at lukke et mellemrum. Justeringskruen er indstillet fra fabrikken. Du behøver ikke at bruge den, medmindre det er nødvendigt.

Når det øverste anslag ikke er i brug, kan det opbevares i røret på undergrundplade. Brug klemmen på det øverste anslag for at holde det på undergrundpladens rør.

► Fig.48: 1. Undergrundplade 2. Øverste anslag
3. Klemme

Lodret skruestik

⚠ ADVARSEL: Emnet bør være helt fastspændt mod drejeskiven og anslaget med skruestikken under alle typer arbejde. Hvis emnet ikke er ordentligt fastgjort mod anslaget, kan materialet bevæge sig under skæringen med risiko for beskadigelse af savklingen, hvilket vil få materialet til at blive slynget bort og medføre manglende kontrol og dermed forårsage alvorlige personskader.

Det lodrette skruestik kan monteres enten i venstre eller højre side af skiven og undergrundpladen. Indsæt skruestangen i hullet i skiven eller undergrundpladen.

► Fig.49: 1. Lodret skruestik 2. Hul til lodret skruestik
3. Undergrundplade 4. Bund

► Fig.50: 1. Skruearm 2. Skruestang
3. Blokeringskruer 4. Skruenap

Placer skruearmen efter emnets tykkelse og form, og fastgør skruearmen ved at stramme skruen. Hvis blokeringskruen kommer i kontakt med slæden, monter det lodrette skruestik på undergrundpladen eller den modsatte side af skiven. Sørg for, at ingen del af maskinen kommer i kontakt med skruestikken, når håndtaget sænkes helt. Hvis nogen dele berører skruestikket, skal skruestikket sættes på plads igen.

Tryk arbejdsemnet fladt mod anslaget og drejeskiven. Juster arbejdsemnet til den ønskede skrånsnitposition, og fastgør det ved at stramme skruenappen.

BEMÆRK: For hurtig indstilling af arbejdsemnet skal du dreje skruenappen til 90° i retningen mod uret for at gøre det muligt at flytte skruenappen op og ned. Drej skruenappen i retningen med uret for at fastgøre arbejdsemnet efter indstillingen.

Vandret skruestik

Ekstraudstyr

⚠ ADVARSEL: Drej altid skruemøtrikken med uret, indtil emnet er forsvarligt fastgjort. Hvis arbejdsemnet ikke er ordentligt fastgjort, kan materialet bevæge sig under skæringen med risiko for beskadigelse af rundsavklingen, hvilket kan få materialet til at blive slynget bort og medføre manglende kontrol med alvorlige personskader til følge.

⚠ ADVARSEL: Når der skæres i et tyndt arbejdsemne som f.eks. fodlister mod anslaget, skal den vandrette skruestik altid anvendes.

⚠ FORSIGTIG: Ved skæring i et arbejdsemne med en tykkelse på 20 mm eller mindre skal du sørge for at benytte en mellemblok til at fastgøre arbejdsemnet.

Den vandrette skruestik kan installeres i enten venstre eller højre side af bunden. Ved udførelse af geringsnsnit med 22,5° eller derover skal den vandrette skruestik monteres i den side, der er modsat den retning, som drejeskiven skal drejes i.

► Fig.51: 1. Skruenap 2. Skruemøtrik 3. Skruenap

Ved at vippe skruemøtrikken i retningen mod uret frigøres skruestikken, og den kan bevæges hurtigt ind og ud. Arbejdsemnet fastholdes ved at skubbe skruenappen

fremad, indtil skruelåsen berører arbejdsemnet, og derefter vipper skruemøtrikken i retningen med uret. Drej derefter skruenappen i retningen med uret for at fastgøre arbejdsemnet.

BEMÆRK: Den maksimale bredde af det arbejdsemne, der kan fastgøres af den vandrette skruestik, er 228 mm.

Undergrundplade

⚠ ADVARSEL: Understøt altid et langt arbejdsemne således, at det flugter med drejescivens øverste overflade, således at skæringen bliver nøjagtig, og for at undgå farligt tab af kontrollen med maskinen. En ordentlig understøttelse af arbejdsemnet vil bidrage til at undgå fastklemning af klingens og eventuelt tilbageslag, hvilket kan medføre alvorlig personskade.

⚠ ADVARSEL: Inden skæringen, sørg altid for, at undergrundpladen er fastgjort med skruer.

Undergrundplader findes på begge sider af værktøjet for at holde lange emner vandrette. Løsn skrueene, og træk undergrundpladerne til en passende længde for at holde emnet. Tilspænd derefter skrueene.

► **Fig.52:** 1. Undergrundplade 2. Skruer

Ved skæring, læg emnet fladt mod anslaget og underanslaget på undergrundpladen.

► **Fig.53:** 1. Anslag 2. Underanslag
3. Undergrundplade

ANVENDELSE

Dette værktøj er beregnet til at skære i træprodukter. Der kan også saves i følgende materialer med passende originale Makita-savklinger:

— Aluminiumsprodukter

Se vores hjemmeside eller kontakt din lokale Makita forhandler for at få oplyst de korrekte rundsavsklinger til brug for det materiale, der skal skæres.

⚠ ADVARSEL: Kontroller, at savklingen ikke kommer i berøring med emnet osv., før der tændes på kontakten. Hvis der tændes for maskinen, mens klingens er i berøring med arbejdsemnet, kan det medføre tilbageslag og alvorlig personskade.

⚠ ADVARSEL: Efter en skæring, hæv ikke savklingen, før den er standset fuldstændigt. Hvis en klinge, der kører i frihjul, hæves, kan det medføre alvorlig personskade og beskadige arbejdsemnet.

⚠ ADVARSEL: Undlad at foretage justeringer såsom at dreje indstillingsgreb, knappen og armene på værktøjet, mens savklingen roterer. Hvis du justerer, mens klingens roterer, kan det medføre alvorlig personskade.

⚠ FORSIGTIG: Undlad at frigøre savhovedet ukontrolleret fra den helt nedadgående position. Et ukontrolleret savhoved kan ramme dig og resultere i personskade.

BEMÆRKNING: Før brugen skal du sørge for at låse stopstiften op og frigøre håndtaget fra den nederste stilling.

BEMÆRKNING: Læg ikke for meget tryk på håndtaget, når der saves. Et for kraftigt tryk kan resultere i overbelastning af motoren og/eller formindret saveeffektivitet. Tryk kun håndtaget ned med så megen kraft, som der kræves for at udføre ubesværet savning, og uden at klingens hastighed reduceres ret meget.

BEMÆRKNING: Tryk forsigtigt håndtaget ned for at udføre savningen. Hvis håndtaget trykkes ned med magt, eller hvis det udsættes for sidelæns tryk, kan savklingen vibrere og efterlade mærker (savmærker) på arbejdsemnet, og savningen vil muligvis ikke være nøjagtig.

BEMÆRKNING: Ved glidende snit skal slæden forsigtigt skubbes mod anslaget uden at stoppe. Hvis slædens bevægelse stoppes under en skæring, vil der komme et mærke på arbejdsemnet, og snittet vil muligvis ikke være nøjagtigt.

Savning ved tryk

⚠ ADVARSEL: Lås altid slædens glidebevægelse, når der udføres en savning ved tryk. Savning uden lås kan medføre risiko for tilbageslag, hvilket kan føre til alvorlig personskade.

Arbejdsemner op til 92 mm i højden og 183 mm i bredden kan saves på følgende måde.

► **Fig.54:** 1. Stopstift

1. Skub slæden mod anslaget, indtil den stopper, og lås den fast med stopstiften.
2. Fastspænd arbejdsemnet med den rigtige type skruestik.
3. Tænd for maskinen uden at rundsavsklingen får kontakt med arbejdsemnet, og vent indtil rundsavsklingen har opnået sin højeste hastighed, inden du sænker den.
4. Sænk derefter grebet forsigtigt til den helt sænkede position for at skære arbejdsemnet.
5. Når afskæringen er færdig, skal du slukke for maskinen og vente indtil rundsavsklingen er standset helt, før rundsavsklingen returneres til sin fuldt hævede position.

Glidende (tryk) snit (skæring af brede arbejdssemner)

⚠ ADVARSEL: Når De udfører et glidende snit, skal slæden først trækkes hele vejen mod Dem, mens grebet trykkes helt ned, og derefter skubbes slæden fremad mod anslaget. Start aldrig skæringen, hvis slæden ikke er trukket hele vejen mod Dem. Hvis De foretager det glidende snit, uden at slæden er trukket hele vejen mod Dem, kan der opstå uventede tilbageslag med alvorlig personskade til følge.

⚠ ADVARSEL: Forsøg aldrig at udføre et glidende snit ved at trække slæden mod Dem. Hvis De trækker slæden mod Dem under skæring, kan der opstå uventede tilbageslag, hvilket kan medføre med alvorlig personskade.

⚠ ADVARSEL: Udfør aldrig savning ved gliden med håndtaget låst i den nederste position.

► Fig.55: 1. Stopstift

1. Lås stopstiften op, så slæden kan glide frit.
2. Fastspænd arbejdssemnet med den rigtige type skruestik.
3. Træk slæden helt imod dem.
4. Tænd for værktøjet uden at savklingen får kontakt med emnet, og vent indtil savklingen har opnået sin højeste hastighed.
5. Tryk håndtaget ned, og **skub slæden frem mod anslaget og gennem arbejdssemnet.**
6. Når afskæringen er færdig, sluk for værktøjet og **vent indtil savklingen er standstøt helt**, før savklingen returneres til sin øverste position.

Geringssnit

Se afsnittet om justering af geringsvinklen.

Skråsnit

⚠ ADVARSEL: Efter indstilling af klingens vinkel til et skråsnit, sørg for, at slæden og savklingen kan bevæge sig uhindret gennem hele området for det planlagte snit, inden værktøjet betjenes. Afbrydelse af slædens eller klingens bevægelse under skæringen kan medføre tilbageslag og alvorlig personskade.

⚠ ADVARSEL: Hold hænderne væk fra savklingens bane, når et skråsnit udføres. Vinklen på klingens faktiske bane under skæringen, og kontakt med klingens bane kan forårsage alvorlige personskader.

⚠ ADVARSEL: Savklingen må ikke hæves, før den er stoppet helt. Under et skråsnit kan det afskårne stykke komme til at hvile mod savklingen. Hvis klingens bane hæves, mens den roterer, kan det afskårne stykke blive slynget bort fra klingens bane, hvilket kan forårsage en fragmentering af materialet og medføre alvorlige personskader.

BEMÆRKNING: Når håndtaget trykkes ned, skal trykket lægges parallelt med klingens bane. Hvis der bruges magt vinkelret på drejeskiven, eller hvis trykrets retning ændres under skæringen, bliver det udførte snit ikke nøjagtigt.

► Fig.56

1. Fjern det øverste anslag på den side, hvor du vil vippe slæden.
2. Lås stopstiften op.
3. Juster skråvinklen ifølge den procedure, der er beskrevet i afsnittet for justering af skråvinkel. Stram derefter knappen.
4. Fastspænd arbejdssemnet i skruestikken.
5. Træk slæden helt imod dig.
6. Tænd for værktøjet, uden at savklingen berører arbejdssemnet, og vent, til klingens bane er kommet op på fulde omdrejninger.
7. Sænk forsigtigt håndtaget til den laveste position, mens der lægges tryk parallelt med savklingen, og **skyd slæden mod anslaget for at skære arbejdssemnet.**
8. Når savningen er færdig, skal De slukke for værktøjet og **vente, til klingens bane er stoppet helt**, før klingens bane returneres til dens øverste position.

Kombineret snit

Kombineret snit er betegnelsen for den proces, hvor der frembringes en skråvinkel, samtidig med at der laves en geringsvinkel i arbejdssemnet. Kombineret snit kan udføres i en vinkel som vist i nedenstående tabel.

Geringsvinkel	Skråvinkel
Venstre og højre 0° - 45°	Venstre og højre 0° - 45°

Når der udføres et kombineret snit, se afsnittet om savning ved tryk, glidende (tryk) snit, geringssnit og skråsnit.

Skæring i fodlister

⚠ FORSIGTIG: Sørg for at bruge den vandrette skruestik (ekstraudstyr) ved skæring i fodlisten.

⚠ FORSIGTIG: Ved skæring i et arbejdssemne med en tykkelse på 20 mm eller mindre skal du sørge for at benytte en mellemblok til at fastgøre arbejdssemnet.

Ved skæring i fodlisten ved en geringsvinkel på 45° skal du aktivere stoparmen for at forhindre klingehuset i at komme i kontakt med fodlisten. Dette vil bevare mellemrummet mellem fodlisten og klingehuset, når slæden skubbes helt frem. Se under SPECIFIKATIONER vedrørende skærekapacitet i fodlister.

► Fig.57: 1. Stoparm 2. Mellemblok 3. Vandret skruestik

Skærekroner og indskæringsdele

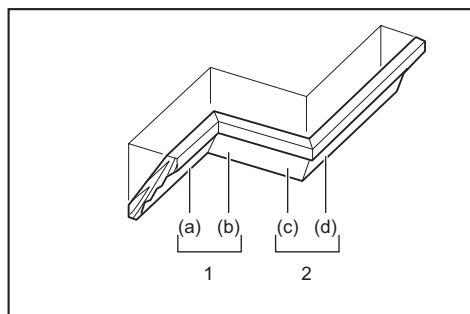
Krone- og indskæringsdele kan skæres med en afkorter-geringsnav med delene placeret fladt på drejeskiven.

Der er to almindelige typer kronefremspring og

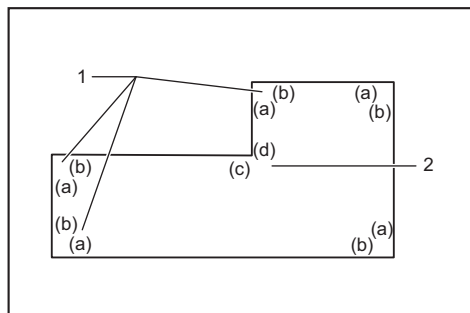
en type indskæringsdel, 52/38° vægvinkelkronefremspring, 45° vægvinkelkronefremspring og 45° vægvinkelindskæringsdele.

► **Fig.58:** 1. 52/38° type kronefremspring 2. 45° type kronefremspring 3. 45° type indskæringsdel

Der er krone- og indskæringsled, som er lavet til at passe "indvendige" 90° hjørner ((a) og (b) i figuren) og "udvendige" 90° hjørner ((c) og (d) i figuren).



1. Indvendigt hjørne 2. Udvendigt hjørne



1. Indvendigt hjørne 2. Udvendigt hjørne

Måling

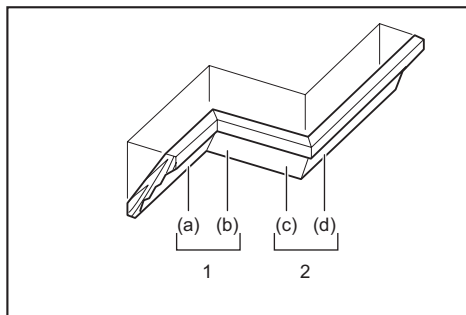
Mål vægbredden, og juster bredden af arbejdsemnet i forhold til denne. Sørg altid for, at bredden af arbejdsemnets vægkontaktkant er den samme som væglængden.

► **Fig.59:** 1. Arbejdsemne 2. Vægbrødder 3. Bredden af arbejdsemnet 4. Vægkontaktkant

Anvend altid flere stykker til prøveskæringer for at kontrollere savvinklerne.

Når De skærer kronefremspring og indskæringsdele, skal skråvinklen og geringsvinklen indstilles som indikeret i tabellen (A) og delene på topfladen af savpladen placeres som indikeret i tabellen (B).

Ved venstre skråsnit



1. Indvendigt hjørne 2. Udvendigt hjørne

Tablet (A)

-	Frem-springs-position i figuren	Skråvinkel		Geringsvinkel	
		52/38° type	45° type	52/38° type	45° type
Til indvendigt hjørne	(a)	Venstre 33,9°	Venstre 30°	Højre 31,6°	Højre 35,3°
	(b)			Venstre 31,6°	Venstre 35,3°
Til udvendigt hjørne	(c)			Højre 31,6°	Højre 35,3°
	(d)			Højre 31,6°	Højre 35,3°

Tablet (B)

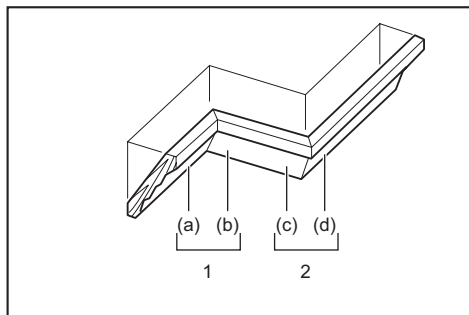
-	Frem-springs-position i figuren	Frem-springs-kant mod anslaget	Færdiggjort stykke
Til indvendigt hjørne	(a)	Loftskontakt-kanten bør hvile mod anslaget.	Afsluttet stykke vil være på venstre side af klingens.
	(b)	Vægkontakt-kanten bør hvile mod anslaget.	Afsluttet stykke vil være på højre side af klingens.
Til udvendigt hjørne	(c)	Loftskontakt-kanten bør hvile mod anslaget.	Afsluttet stykke vil være på højre side af klingens.
	(d)	Vægkontakt-kanten bør hvile mod anslaget.	Afsluttet stykke vil være på venstre side af klingens.

Eksempel:

I tilfælde af skæring af 52/38° type kronefremspring til stilling (a) i figuren ovenfor:

- Vip og fastgør skråvinkelindstillingen til 33,9° VENSTRE.
- Juster og fastgør geringsvinkelindstillingen til 31,6° HØJRE.
- Læg kronefremspringet med den brede bagside (skjult) nedad på drejeskiven med dens LOFTSKONTAKTKANT mod anslaget på saven.
- Det færdige stykke, som skal anvendes, vil altid være på den VENSTRE side af klingens, efter at skæringen er lavet.

Ved højre skrånit



1. Indvendigt hjørne 2. Udvendigt hjørne

Tabel (A)

-	Frem-springs-position i figuren	Skråvinkel		Geringsvinkel	
		52/38° type	45° type	52/38° type	45° type
Til indvendigt hjørne	(a)	Højre 33,9°	Højre 30°	Højre 31,6°	Højre 35,3°
	(b)			Venstre 31,6°	Venstre 35,3°
Til udvendigt hjørne	(c)			Højre 31,6°	Højre 35,3°
	(d)				

Tabel (B)

-	Frem-springs-position i figuren	Frem-springs-kant mod anslag	Færdiggjort stykke
Til indvendigt hjørne	(a)	Vægkontaktkanten bør hvile mod anslaget.	Det færdige stykke vil være på højre side af klingens.
	(b)	Loftskontaktkanten bør hvile mod anslaget.	Det færdige stykke vil være på venstre side af klingens.
Til udvendigt hjørne	(c)	Vægkontaktkanten bør hvile mod anslaget.	
	(d)		

Eksempel:

I tilfælde af skæring af 52/38° type kronefrem-spring til stilling (a) i figuren ovenfor:

- Vip og fastgør skråvinkelindstillingen til 33,9° HØJRE.
- Juster og fastgør geringsvinkelindstillingen til 31,6° HØJRE.
- Læg kronefrem-springet med den brede bagside (skjult) flade nedad på drejeskiven med dens VÆGKONTAKTKANT mod anslaget på saven.
- Det færdige stykke, som skal anvendes, vil altid være på den HØJRE side af klingens, efter at skæringen er lavet.

Stopper til kronefrem-spring

Ekstraudstyr

Stoppere til kronefrem-spring gør det lettere at skære

kronefrem-spring uden at vippe savklingen. Monter dem på drejeskiven som vist i illustrationerne.

Ved højre 45° geringsvinkel

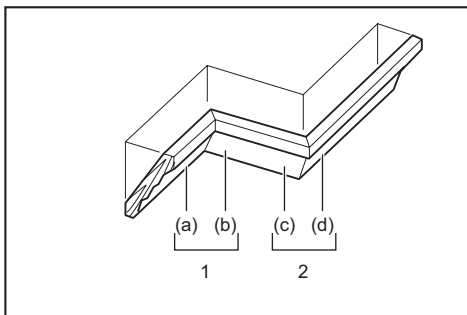
- Fig.60: 1. Stopper L til kronefrem-spring 2. Stopper R til kronefrem-spring 3. Drejeskive 4. Anslag

Ved venstre 45° geringsvinkel

- Fig.61: 1. Stopper L til kronefrem-spring 2. Stopper R til kronefrem-spring 3. Drejeskive 4. Anslag

Placer kronefrem-springet med dens VÆGKONTAKTKANT mod anslaget og dens LOFTSKONTAKTKANT mod stopperne til kronefrem-spring som vist i illustrationen. Juster stopperne til kronefrem-springet i overensstemmelse med kronefrem-springets størrelse. Tilspænd skruerne for at fastgøre stopperne til kronefrem-spring. Se tabel (C) angående geringsvinklen.

- Fig.62: 1. Anslag 2. Stopper til kronefrem-spring



1. Indvendigt hjørne 2. Udvendigt hjørne

Tabel (C)

-	Frem-springs-position i figuren	Geringsvinkel	Færdiggjort stykke
Til indvendigt hjørne	(a)	Højre 45°	Gem den højre side af klingens
	(b)	Venstre 45°	Gem den venstre side af klingens
Til udvendigt hjørne	(c)		Gem den højre side af klingens
	(d)	Højre 45°	Gem den venstre side af klingens

Skæring af aluminiumekstruderung

- Fig.63: 1. Skruestik 2. Mellemblok 3. Anslag 4. Aluminiumekstruderung 5. Mellemblok

Ved fastgøring af aluminiumekstruderung skal der benyttes mellemblokke eller stykker af affaldstræ som vist i figuren til at forhindre deformation af aluminiummet. Brug et skæresmøremiddel ved skæring af aluminiumekstruderung for at forhindre, at der opsamles aluminiumsmateriale på rundsavklingen.

⚠ ADVARSEL: Forsøg aldrig at skære i tykke eller runde aluminiumekstruderinger. Trykke eller runde aluminiumekstruderinger kan være svære at fastgøre, og arbejdsemnet kan løsne sig under skæringen, hvilket kan medføre tab af kontrollen og alvorlig personskaade.

Teknik for speciel maks. skærebredde kapaciteter

Breddens maksimale skærekapacitet kan opnås ved at følge nedenstående trin:

For dette værktøjs maksimale skærebredde henvises til skæredybde for specialsnit i afsnittet SPECIFIKATIONER.

1. Indstil maskinen til en 0° eller 45° geringsvinkel, og kontroller, at drejeskiven er låst. (Se afsnittet om justering af geringsvinkel.)
2. Fjern både højre og venstre øverste anslag midlertidigt og sæt dem til side.
3. Skær en platform til de mål, der er angivet i figuren, ved hjælp af et stykke 38 mm tykt, fladt materiale som f.eks. træ, krydsfiner eller spånplade.
► **Fig.64:** 1. 0° geringsvinkel: Over 450 mm 2. 45° geringsvinkel: Over 325 mm 3. 38 mm 4. Over 760 mm

⚠ ADVARSEL: Sørg for at anvende fladt materiale som platform. Materiale, der ikke er fladt, kan bevæge sig under skæringen, hvilket kan medføre tilbageslag og alvorlig personskaade.

BEMÆRK: Den største skærekapacitet i højden reduceres med samme mængde som platformens tykkelse.

4. Placer platformen på maskinen, så den går lige langt ud over begge sider af maskinens bund. Fastgør platformen til maskinen ved hjælp af fire 6 mm træskruer gennem fire huller i de nederste anslag.
► **Fig.65:** 1. Skruer (to i hver side) 2. Nederste anslag 3. Bund 4. Platform

⚠ ADVARSEL: Sørg for, at platformen ligger fladt mod maskinens bund, og at den er fastgjort forsvarligt til de nederste anslag ved hjælp af de fire tilgængelige skruehuller. Hvis platformen ikke er fastgjort forsvarligt, kan det medføre, at den bevæger sig, og risiko for tilbageslag, der kan medføre alvorlig personskaade.

⚠ ADVARSEL: Sørg for, at maskinen er forsvarligt monteret på en stabil og flad overflade. Hvis maskinen ikke er monteret og fastgjort korrekt, kan det føre til, at maskinen bliver ustabil, hvilket kan medføre tab af kontrollen, og/eller at maskinen vælter, hvilket kan forårsage alvorlig personskaade.

5. Monter de øverste anslag på maskinen.

⚠ ADVARSEL: Anvend ikke maskinen, uden at de øverste anslag er monteret. De øverste anslag sørger for den nødvendige støtte, der kræves for at skære i arbejdsemnet. Hvis arbejdsemnet ikke er korrekt understøttet, kan det bevæge sig, hvilket kan medføre tab af kontrollen, tilbageslag og alvorlig personskaade.

6. Placer det arbejdsemne, der skal skæres i, på platformen, som er fastgjort til maskinen.
7. Fastgør arbejdsemnet solidt mod de øverste anslag ved hjælp af en skruestik, før der skæres.
► **Fig.66:** 1. Øverste anslag 2. Lodret skruestik 3. Arbejdsemne 4. Platform
8. Foretag et langsomt snit gennem emnet ifølge fremgangsmåden forklaret i afsnittet for glidende (tryk) snit.

⚠ ADVARSEL: Sørg for, at arbejdsemnet er fastgjort ved hjælp af skruestikken, og foretag snittet langsomt. Hvis du ikke gør dette, kan det medføre, at arbejdsemnet bevæger sig, og forårsage tilbageslag og alvorlig personskaade.

⚠ ADVARSEL: Bemærk, at platformen kan blive svækket efter flere snit, der udføres med forskellige geringsvinkler. Hvis platformen bliver svækket, fordi der efterlades flere indlæggssnit i materialet, skal platformen udskiftes. Hvis den svækkede platform ikke udskiftes, kan det medføre, at arbejdsemnet bevæger sig under snittet, og forårsage tilbageslag og alvorlig personskaade.

Notskæring

⚠ ADVARSEL: Forsøg ikke at udføre denne type skæring ved at anvende en bredere type klinge eller friseskæringsklinge. Forsøg på at udføre en notskæring med en bredere type klinge eller en friseskæringsklinge kan medføre uventede skæringsresultater og tilbageslag, hvilket kan forårsage alvorlig personskaade.

⚠ ADVARSEL: Sørg altid for at sætte stoparmen tilbage til udgangsstillingen, når De udfører andet end notskæring. Forsøg på at udføre skæringen med stoparmen i en forkert stilling kan medføre uventede skæringsresultater og tilbageslag, hvilket kan forårsage alvorlig personskaade.

Benyt følgende fremgangsmåde for en skæring af frisetypen:

1. Juster den nederste grænseposition for rundsavsklingen ved hjælp af justeringsskruen og stoparmen for at begrænse rundsavsklingens skæredybde. Se afsnittet om stoparm.
2. Efter justering af rundsavsklingens nedre grænseposition, skæres parallelle riller på tværs af emnets bredde ved anvendelse af glidende (tryk) snit.
► **Fig.67:** 1. Skær noter med klingen
3. Fjern materialet mellem noterne med en mejsl.

Træanlæg

⚠ ADVARSEL: Anvend skruer til at fastgøre træanlægget på anslaget. Skruerne bør installeres således, at skruhovederne er under overfladen på træanlægget, således at de ikke kommer i vejen for det materiale, der skæres i. Hvis det materiale, der skæres i, ikke er rettet korrekt ind, kan det medføre uventet bevægelse under skæringen, hvilket kan resultere i, at De mister kontrollen med værktøjet med alvorlig personskade til følge.

⚠ FORSIGTIG: Anvend et lige stykke træ med ensartet tykkelse som træanlæg.

⚠ FORSIGTIG: For at skære helt gennem arbejdsemner med en højde på 107 mm til 120 mm bør der anvendes et træanlæg på anslaget. Træanlægget skaber afstand mellem arbejdsemnet og anslaget, så klingens kan foretage et dybere snit.

BEMÆRKNING: Når træanlægget er monteret, må De ikke dreje drejeskiven med håndtaget sænket. Klingens og/eller træanlægget vil i så fald lide skade.

Anvendelse af træanlæg hjælper med til opnåelse af snit, der er fri for splinter. Fastgør et træanlæg til anslaget ved hjælp af hullerne i anslaget og 6 mm skruer. Se illustrationen angående målene for et foreslået træanlæg.

► **Fig.68:** 1. Hul 2. Over 15 mm 3. Over 270 mm 4. 90 mm 5. 145 mm 6. 19 mm 7. 115 - 120 mm

EKSEMPEL Ved skæring i arbejdsemner med en højde på 115 mm og 120 mm skal der anvendes et træanlæg med følgende tykkelse.

Geringsvinkel	Tykkelse af træanlæg	
	115 mm	120 mm
0°	20 mm	38 mm
Venstre og højre 45°	15 mm	25 mm
Venstre og højre 60°	15 mm	25 mm

Transport af værktøjet

Før maskinen bæres, sørg for at fjerne akkuen, og at alle geringsssavens bevægelige dele er fastgjort. Kontroller altid følgende:

- Akkuen er fjernet.
- Slæden er i positionen 0° skråvinkel og fastgjort.
- Slæden er sænket og låst fast.
- Slæden er skubbet helt ind til anslagene og låst fast.
- Drejeskiven er i den helt retvinklede geringsvinkel og fastgjort.
- Undergrundpladerne opbevares og er fastgjort.

Bær maskinen ved at holde i begge sider af maskinens bund.

► **Fig.69**

⚠ ADVARSEL: Stopstiften til hævnning af slæden er kun til transport- og opbevaringsformål og ikke til nogen form for skæring. Anvendelse af stopstiften til skærearbejde kan føre til, at rundsavsklingen uventet bevæger sig med tilbageslag og alvorlig personskade til følge.

⚠ FORSIGTIG: Fastgør altid alle bevægelige dele, før maskinen transporteres. Hvis dele af maskinen bevæger sig eller glider, når maskinen bæres, kan du miste herredømmet over maskinen eller miste balancen, hvilket kan medføre personskade.

⚠ FORSIGTIG: Sørg for at hævnningen af slæden er ordentligt låst ved dens bund med stopstiften. Hvis stopstiften ikke er aktiveret ordentligt, kan slæden muligvis springe pludseligt op og forårsage personskade.

TRÅDLØS AKTIVERINGSFUNKTION

Hvad kan du foretage dig med den trådløse aktiveringsfunktion

Den trådløse aktiveringsfunktion muliggør ren og behagelig anvendelse. Hvis der sluttes en understøttet støvsuger til maskinen, kan du lade støvsugeren køre automatisk, når kontakten på maskinen betjenes.

► **Fig.70**

Hvis du vil bruge den trådløse aktiveringsfunktion, skal du forberede følgende genstande:

- En trådløs enhed (ekstraudstyr)
- En støvsuger, der understøtter den trådløse aktiveringsfunktion

Følgende er et overblik over indstilling af den trådløse aktiveringsfunktion. Se de enkelte afsnit for detaljerede procedurer.

1. Montering af en trådløs enhed
2. Maskinregistrering til støvsugeren
3. Start af den trådløse aktiveringsfunktion

Montering af en trådløs enhed

Ekstraudstyr

⚠ FORSIGTIG: Placer maskinen på en flad og stabil overflade, når den trådløse enhed monteres.

BEMÆRKNING: Fjern støv og snavs fra maskinen, før den trådløse enhed monteres. Støv eller snavs kan forårsage funktionsfejl, hvis det kommer ind i åbningen til den trådløse enhed.

BEMÆRKNING: For at forhindre fejlfunktion forårsaget af statisk elektricitet skal du berøre et statisk afledende materiale som f.eks. en metaldele på maskinen, før du tager den trådløse enhed op.

BEMÆRKNING: Ved montering af den trådløse enhed skal du altid sikre dig, at den trådløse enhed er indsat i den korrekte retning, og at låget er lukket helt.

1. Åbn låget på maskinen som vist på figuren.

► **Fig.71:** 1. Låg

2. Indsæt den trådløse enhed i åbningen, og luk derefter låget.

Ved indsættelse af den trådløse enhed skal fremspringene justeres i forhold til de forsinkede dele på åbningen.

► **Fig.72:** 1. Trådløs enhed 2. Fremspring 3. Låg 4. Forsænket del

Ved fjernelse af den trådløse enhed åbnes låget langsomt. Krogene bag på låget løfter den trådløse enhed, når du trækker låget op.

► **Fig.73:** 1. Trådløs enhed 2. Krog 3. Låg

Når den trådløse enhed er fjernet, skal den opbevares i den medfølgende æske eller i en beholder, der er fri for statisk elektricitet.

BEMÆRKNING: Brug altid krogene bag på låget ved fjernelse af den trådløse enhed. Hvis krogene ikke griber fat i den trådløse enhed, skal du lukke låget helt og åbne det langsomt igen.

Maskinregistrering til støvsugeren

BEMÆRK: Du skal bruge en Makita-støvsuger, der understøtter den trådløse aktiveringsfunktion, til maskinregistreringen.

BEMÆRK: Afslut monteringen af den trådløse enhed på maskinen, før maskinregistreringen startes.

BEMÆRK: Undgå at slå følgende kontakter til under maskinregistrering:

- afbryderknop på maskinen
- støvsugerkontakt på maskinen
- tænd/sluk-kontakten på støvsugeren

BEMÆRK: Se også i brugsanvisningen til støvsugeren.

Hvis du vil aktivere støvsugeren, når kontakten på maskinen betjenes, skal du først afslutte maskinregistreringen.

1. Sæt batterierne i støvsugeren og maskinen.

2. Sæt standby-kontakten på støvsugeren til "AUTO".

► **Fig.74:** 1. Standby-kontakt

3. Tryk på den trådløse aktiveringsknop på støvsugeren i 3 sekunder, indtil den trådløse aktiveringslampe blinker grønt. Tryk derefter på den trådløse aktiveringsknop på maskinen på samme måde.

► **Fig.75:** 1. Trådløs aktiveringsknop 2. Trådløs aktiveringslampe

Hvis støvsugeren og maskinen sammenkædes korrekt, lyser de trådløse aktiveringslamper grønt i 2 sekunder og begynder at blinke blåt.

BEMÆRK: De trådløse aktiveringslamper holder op med at blinke grønt efter 20 sekunder. Tryk på den trådløse aktiveringsknop på maskinen, når den trådløse aktiveringslampe på støvsugeren blinker. Hvis den trådløse aktiveringslampe ikke blinker grønt, skal du trykke kortvarigt på den trådløse aktiveringsknop og holde den nede igen.

BEMÆRK: Når der udføres to eller flere maskinregistreringer for én støvsuger, skal maskinregistreringerne udføres en for en.

Start af den trådløse aktiveringsfunktion

BEMÆRK: Afslut maskinregistreringen for støvsugeren før den trådløse aktivering.

BEMÆRK: Se også i brugsanvisningen til støvsugeren.

Når en maskine er registreret til støvsugeren, kører støvsugeren automatisk, når kontakten på maskinen betjenes. Tryk på afbryderknappen på maskinen for at starte støvsugeren under betjening. Støvsugeren starter også med at fungere vha. tryk på støvsugerknappen på maskinen under et hvilket som helst skærebearbejde.

► **Fig.76**

1. Monter den trådløse enhed på maskinen.

2. Slut støvsugerens slange til maskinen.

► **Fig.77**

3. Sæt standby-kontakten på støvsugeren til "AUTO".

► **Fig.78:** 1. Standby-kontakt

4. Tryk kortvarigt på den trådløse aktiveringsknop på maskinen. Den trådløse aktiveringslampe blinker blåt.

► **Fig.79:** 1. Trådløs aktiveringsknop 2. Trådløs aktiveringslampe

5. Tryk på maskinens afbryderknop. Kontroller, om støvsugeren kører, når der trykkes på afbryderknappen.

6. Tryk på støvsugerknappen for at starte støvsugeren. Kontroller, om den trådløse aktiveringslampe lyser blåt, og om støvsugeren bliver ved med at køre, indtil du trykker på knappen igen.

7. For at stoppe anvendelsen af støvsugeren, skal du enten slippe afbryderknappen eller trykke på støvsugerknappen igen. Støvsugeren stopper med at køre nogle få sekunder efter kontaktbetjeningen, og lampen begynder derefter at blinke blåt.

BEMÆRK: Kontaktstatus (tænding/slukning af støvsugeren) kan ses på den trådløse aktiveringslampe. Se afsnittet for beskrivelse af den trådløse aktiveringslampes status angående detaljer.

8. Tryk på den trådløse aktiveringsknop på maskinen for at stoppe den trådløse aktivering af støvsugeren.

BEMÆRK: Den trådløse aktiveringslampe på maskinen holder op med at blinke blåt, hvis der ikke sker nogen betjening i 2 timer. Indstil i så fald standby-kontakten på støvsugeren til "AUTO", og tryk på den trådløse aktiveringsknap på maskinen igen.

BEMÆRK: Støvsugeren starter/stopper med en forsinkelse. Der er en forsinkelse, når støvsugeren registrerer en betjening af kontakten på maskinen.










BEMÆRK: Den trådløse enheds transmissionsafstand kan variere afhængigt af placeringen og de omgivende forhold.

BEMÆRK: Når to eller flere maskiner er registreret til én støvsuger, begynder støvsugeren muligvis at køre, selvom du ikke trykker på afbryderknappen, eller tænder på støvsugerknappen, fordi en anden bruger anvender den trådløse aktiveringsfunktion.

Beskrivelse af den trådløse aktiveringslampes status

► **Fig.80:** 1. Trådløs aktiveringslampe

Den trådløse aktiveringslampe viser status for den trådløse aktiveringsfunktion. Se i tabellen nedenfor vedrørende betydningen af lampens status.

Status	Trådløs aktiveringslampe				Beskrivelse
	Farve	 Tændt	 Blinker	Varighed	
Standby	Blå			2 timer	Den trådløse aktivering af støvsugeren er tilgængelig. Lampen slukkes automatisk, hvis der ikke sker nogen betjening i 2 timer.
				Når maskinen kører.	Den trådløse aktivering af støvsugeren er tilgængelig, og maskinen kører.
Maskinregistrering	Grøn			20 sekunder	Klar til maskinregistrering. Venter på registrering fra støvsugeren.
				2 sekunder	Maskinregistreringen er fuldført. Den trådløse aktiveringslampe begynder at blinke blåt.
Annullerer maskinregistrering	Rød			20 sekunder	Klar til annullering af maskinregistrering. Venter på annullering fra støvsugeren.
				2 sekunder	Annulleringen af maskinregistreringen er fuldført. Den trådløse aktiveringslampe begynder at blinke blåt.
Andre	Rød			3 sekunder	Der er strøm til den trådløse enhed, og den trådløse aktiveringsfunktion starter.
		Slukket	-	-	Den trådløse aktivering af støvsugeren er stoppet.

annullerer maskinregistrering for støvsugeren

Benyt følgende fremgangsmåde ved annullering af maskinregistreringen for støvsugeren.

1. Sæt batterierne i støvsugeren og maskinen.
2. Sæt standby-kontakten på støvsugeren til "AUTO".

► **Fig.81:** 1. Standby-kontakt

3. Tryk på den trådløse aktiveringsknap på støvsugeren i 6 sekunder. Den trådløse aktiveringslampe blinker grønt og bliver derefter rød. Tryk derefter på den

trådløse aktiveringsknap på maskinen på samme måde.

► **Fig.82:** 1. Trådløs aktiveringsknap 2. Trådløs aktiveringslampe

Hvis annulleringen gennemføres korrekt, lyser de trådløse aktiveringslamper rødt i 2 sekunder og begynder at blinke blåt.

BEMÆRK: De trådløse aktiveringslamper holder op med at blinke rødt efter 20 sekunder. Tryk på den trådløse aktiveringsknap på maskinen, når den trådløse aktiveringslampe på støvsugeren blinker. Hvis den trådløse aktiveringslampe ikke blinker rødt, skal du trykke kortvarigt på den trådløse aktiveringsknap og holde den nede igen.

Fejlfinding i forbindelse med den trådløse aktiveringsfunktion

Udfør selv en inspektion, inden De anmoder om reparation. Hvis De opdager et problem, som ikke er forklaret i brugsanvisningen, må De ikke forsøge at adskille maskinen. Rådfør Dem i stedet med et autoriseret Makita Servicecenter, og brug altid originale Makita udskiftingsdele til reparationer.

Unormal tilstand	Sandsynlig årsag (fejl)	Afhjælpning
Den trådløse aktiveringslampe tændes/blinker ikke.	Den trådløse enhed er ikke monteret på maskinen. Den trådløse enhed er ikke monteret korrekt på maskinen.	Monter den trådløse enhed korrekt.
	Terminalen på den trådløse enhed og/eller åbningen er snavset.	Aftør forsigtigt støv og snavs på terminalen på den trådløse enhed, og rengør åbningen.
	Der er ikke trykket på den trådløse aktiveringsknap på maskinen.	Tryk kortvarigt på den trådløse aktiveringsknap på maskinen.
	Standby-kontakten på støvsugeren er ikke indstillet til "AUTO".	Sæt standby-kontakten på støvsugeren til "AUTO".
	Ingen strømforsyning	Tilfør strøm til maskinen og støvsugeren.
Kan ikke afslutte maskinregistrering/annullering af maskinregistrering korrekt.	Den trådløse enhed er ikke monteret på maskinen. Den trådløse enhed er ikke monteret korrekt på maskinen.	Monter den trådløse enhed korrekt.
	Terminalen på den trådløse enhed og/eller åbningen er snavset.	Aftør forsigtigt støv og snavs på terminalen på den trådløse enhed, og rengør åbningen.
	Standby-kontakten på støvsugeren er ikke indstillet til "AUTO".	Sæt standby-kontakten på støvsugeren til "AUTO".
	Ingen strømforsyning	Tilfør strøm til maskinen og støvsugeren.
	Forkert betjening	Tryk kortvarigt på den trådløse aktiveringsknap, og udfør procedurerne for maskinregistrering/annullering igen.
	Maskinen og støvsugeren er ikke i nærheden af hinanden (uden for transmissionsafstand).	Flyt maskinen og støvsugeren tættere på hinanden. Den maksimale transmissionsafstand er cirka 10 m, men kan variere afhængigt af forholdene.
	Inden afslutning af maskinregistreringen/annulleringen; - der er trykket på afbryderknappen på maskinen eller; - der er tændt på støvsugerknappen på maskinen eller; - der er tændt på tænd/sluk-knappen på støvsugeren.	Tryk kortvarigt på den trådløse aktiveringsknap, og udfør procedurerne for maskinregistrering/annullering igen.
	Maskinregistreringsprocedurerne på maskinen eller støvsugeren er ikke fuldført.	Gennemfør maskinregistreringsprocedurerne både på maskinen og støvsugeren på samme tid.
Radiointerferens fra andre apparater, der udsender højintens radiobølger.	Hold maskinen og støvsugeren væk fra apparater som f.eks. Wi-Fi-enheder og mikrobølgeovne.	
Støvsugeren kører ikke, når kontakten på maskinen betjenes.	Den trådløse enhed er ikke monteret på maskinen. Den trådløse enhed er ikke monteret korrekt på maskinen.	Monter den trådløse enhed korrekt.
	Terminalen på den trådløse enhed og/eller åbningen er snavset.	Aftør forsigtigt støv og snavs på terminalen på den trådløse enhed, og rengør åbningen.
	Der er ikke trykket på den trådløse aktiveringsknap på maskinen.	Tryk kortvarigt på den trådløse aktiveringsknap, og kontroller, at den trådløse aktiveringslampe blinker blåt.
	Standby-kontakten på støvsugeren er ikke indstillet til "AUTO".	Sæt standby-kontakten på støvsugeren til "AUTO".
	Der er registreret mere end 10 maskiner til støvsugeren.	Udfør maskinregistreringen igen. Hvis der er registreret mere end 10 maskiner til støvsugeren, bliver den maskine, der blev registreret tidligst, automatisk annulleret.
	Det lykkedes ikke for støvsugeren at registrere maskiner.	Forny maskinregistreringer.
	Støvsugeren har slettet alle maskinregistreringer.	Udfør maskinregistreringen igen.
	Ingen strømforsyning	Tilfør strøm til maskinen og støvsugeren.
	Maskinen og støvsugeren er ikke i nærheden af hinanden (uden for transmissionsafstand).	Flyt maskinen og støvsugeren tættere på hinanden. Den maksimale transmissionsafstand er cirka 10 m, men kan variere afhængigt af forholdene.
	Radiointerferens fra andre apparater, der udsender højintens radiobølger.	Hold maskinen og støvsugeren væk fra apparater som f.eks. Wi-Fi-enheder og mikrobølgeovne.

Unormal tilstand	Sandsynlig årsag (fejl)	Afhjælpning
Støvsugeren kører, mens der ikke er nogen af maskinens kontakter i brug.	Andre brugere anvender den trådløse aktivering af støvsugeren med deres maskiner.	Deaktiver den trådløse aktiveringsknap på de andre maskiner, eller annuller maskinregistreringen af de andre maskiner.

VEDLIGEHOJDELSE

⚠ ADVARSEL: Vær altid sikker på, at værktøjet er slukket, og at akkuen er taget ud, inden De begynder at udføre inspektion eller vedligeholdelse. Hvis du ikke fjerner akkuen og slukker for maskinen, kan det medføre utilsigtet start af maskinen, hvilket kan forårsage alvorlig personskade.

⚠ ADVARSEL: Sørg altid for, at rundsavsklingen er skarp og ren, for at opnå det bedste og sikreste resultat. Forsøg på at skære med en sløv og/eller snavset klinge kan medføre tilbageslag og resultere i alvorlig personskade.

⚠ FORSIGTIG: Sørg altid for, at beskyttelsesskærmen lukkes i den oprindelige position, inden du prøver at udføre inspektion eller vedligeholdelse. Under rengøring må beskyttelsesskærmen aldrig klemmes eller bindes til åben position. En udsat klinge kan resultere i personskade.

BEMÆRKNING: Anvend aldrig benzin, rensebenzin, fortynder, alkohol og lignende. Det kan medføre misfarvning, deformation eller revner.

For at opretholde produktets SIKKERHED og PÅLIDELIGHED må reparation, vedligeholdelse eller justering kun udføres af et autoriseret Makita servicecenter eller fabrikksservicecenter med anvendelse af Makita reservedele.

Justering af skærevinklen

Dette værktøj er omhyggeligt indstillet og justeret på fabrikken, men indstillingerne kan ændre sig under transport og brug. De kan selv foretage indstillinger som beskrevet herunder, hvis værktøjet ikke er indstillet korrekt:

Geringsvinkel

Sænk håndtaget helt, og lås det i den laveste position ved hjælp af stopstiften. Skub slæden mod anslaget. Drej indstillingsgrebet mod uret, og gør drejeskiven klar til fast stop-funktionen ved hjælp af låsearmen. Løsn derefter de skruer, der fastgør viseren og geringsvinkelskalaen.

► **Fig.83:** 1. Indstillingsgreb 2. Låsearm 3. Skruer på viseren 4. Skruer på geringsvinkelskala 5. Geringsvinkelskala

Indstil drejeskiven til positionen 0° ved hjælp af fast stop-funktionen. Vinkl siden af rundsavsklingen i forhold til anslagsflade ved hjælp af en trekantslineal eller anslagsvinkel. Oprethold denne justering mens du strammer skruerne på geringsvinkelskalaen. Juster derefter viserne (både højre og venstre) i forhold til 0°-positionen på geringsvinkelskalaen, og stram derefter skruen på viseren.

► **Fig.84:** 1. Trekantslineal 2. Viser

Skråvinkel

0° skråvinkel

Skub slæden mod anslagene, og lås glidebevægelsen med stopstiften. Sænk slæden helt, og lås den i den sænkede position med stopstiften. Drej knappen mod uret, og drej derefter 0°-justeringsbolten gennem to eller tre omdrejninger mod uret for at vippe rundsavsklingen til højre.

► **Fig.85:** 1. Knap 2. Justeringsbolt til 0° 3. Skruer på viseren

Vinkl omhyggeligt siden af rundsavsklingen i forhold til drejeskivens øverste flade ved hjælp af en trekantslineal, anslagsvinkel osv. ved at dreje justeringsbolten til 0° med uret. Stram derefter knappen godt til for at fastholde den indstillede vinkel på 0°.

► **Fig.86:** 1. Trekantslineal 2. Savklinge 3. Øverste flade af drejeskiven

Kontroller igen, om siden af rundsavsklingen er vinklet i forhold til drejeskivens overflade. Løsn skruen på viseren. Juster viseren i forhold til 0°-positionen på skråvinkelskalaen, og stram derefter skruen.

45° skråvinkel

BEMÆRKNING: Før du justerer 45° skråvinklen, skal du fuldføre justeringen af 0° skråvinklen.

Løsn knappen, og vip slæden helt til den side, du vil kontrollere. Kontroller, at viseren angiver positionen 45° på skråvinkelskalaen.

► **Fig.87:** 1. Knap

Hvis viseren ikke angiver 45°-positionen, skal du justere den i forhold til 45°-positionen ved at dreje på justeringsbolten på skråvinkelskalaen på bundens modsatte side.

► **Fig.88:** 1. Venstre justeringsbolt til 45° 2. Højre justeringsbolt til 45°

Justering af underanslag

Juster underanslagene på undergrundpladerne, hvis de ikke flugter med anslagene.

1. Løsn boltene, der fastgør underanslagene, med sekskantnøglen.

2. Placer en lige forlængerstang, såsom et kvadratisk stålørselement, fladt mod anslagene.

3. Mens stangen sidder fladt mod anslagene, placer underanslagene, så forside på underanslagene bliver flade mod stangen. Tilspænd derefter boltene.

► **Fig.89:** 1. Bolt 2. Underanslag 3. Anslag 4. Forlængerstang

Rengøring af lampens linse

⚠ FORSIGTIG: Fjern altid rundsavsklingen inden du rengør lampens linse.

BEMÆRKNING: Undlad at fjerne den skrue, der holder linsen. Løsn skruen lidt mere, hvis linsen ikke kommer ud.

BEMÆRKNING: Brug en tør klud til at tørre snavset af lampens linse. Pas på ikke at ridse lampens linse, da dette muligvis kan dæmpe belysningen.

BEMÆRKNING: Anvend ikke opløsningsmidler eller oliebaseerede rengøringsmidler på linsen.

LED-lyset bliver svært at se, hvis linsen til lyset bliver snavset. Rengør linsen med regelmæssige mellemrum. Fjern akkuen. Løsn skruen, og træk linsen ud. Rengør forsigtigt linsen med en fugtig blød klud.

► **Fig.90:** 1. Skruer 2. Linse

Efter anvendelse

Efter anvendelse aftørres spåner eller støv, der måtte klæbe til værktøjet, med en klud eller lignende. Hold beskyttelsesskærmen ren som beskrevet i afsnittet "Beskyttelsesskærm". Smør de glidende dele på værktøjet med maskinolie for at forhindre rustdannelse.

EKSTRAUDSTYR

⚠ ADVARSEL: Dette Makita udstyr og tilbehør bør anvendes sammen med den Makita maskine, der er beskrevet i denne brugsanvisning.

Anvendelse af andet ekstraudstyr eller tilbehør kan medføre alvorlig personskade.

⚠ ADVARSEL: Anvend kun Makita ekstraudstyr eller tilbehør til det beregnede formål. Misbrug af ekstraudstyr eller tilbehør kan medføre alvorlig personskade.

Hvis De behøver hjælp ved valg af tilbehør eller ønsker yderligere informationer, bedes De kontakte Deres lokale Makita servicecenter.

- Savklinge med hårdmetalplade
- Lodret skruestik
- Vandret skruestik
- Stoppersæt til kronefremspring
- Støpose
- Trekantslineal
- Sekskantnøgle
- Trådløs enhed
- Understel
- Original Makita-akku og oplader

BEMÆRK: Nogle ting på denne liste kan være inkluderet i værktøjspakken som standardtilbehør. Det kan være forskellige fra land til land.

ΠΡΟΔΙΑΓΡΑΦΕΣ

Μοντέλο:		LS003G
Διάμετρος λάμας	Ευρωπαϊκές χώρες	305 mm
	Χώρες εκτός Ευρώπης	305 mm
Διάμετρος οπής	Ευρωπαϊκές χώρες	30 mm
	Χώρες εκτός Ευρώπης	30 mm ή 25,4 mm (ειδικό της χώρας)
Μέγιστο πάχος εγκοπής της λάμας προιουί		3,2 mm
Μέγιστη λοξή γωνία		Δεξιά 60°, Αριστερά 60°
Μέγιστη κωνική γωνία		Δεξιά 48°, Αριστερά 48°
Ταχύτητα χωρίς φορτίο (RPM)		3.600 min ⁻¹
Διαστάσεις (Μ x Π x Υ)		898 mm x 690 mm x 725 mm
Ονομαστική τάση		D.C. 36 V - 40 V μεγ
Καθαρό βάρος		30,5 - 31,7 kg

Ικανότητες κοπής (Υ x Π)

Λοξή γωνία			Κωνική γωνία		
			45° (αριστερά)	0°	45° (δεξιά)
0°	-	-	61 mm x 382 mm 71 mm x 363 mm	92 mm x 382 mm 107 mm x 363 mm	44 mm x 382 mm 54 mm x 363 mm
	Πάχος της επένδυσης ξύλου στο φράχτη οδηγό για αυξημένο ύψος κοπής	20 mm	78 mm x 325 mm	115 mm x 325 mm	61 mm x 325 mm
		38 mm	80 mm x 292 mm	120 mm x 292 mm	-
45° (δεξιά και αριστερά)	-	-	61 mm x 268 mm 71 mm x 255 mm	92 mm x 268 mm 107 mm x 255 mm	44 mm x 268 mm 54 mm x 255 mm
	Πάχος της επένδυσης ξύλου στο φράχτη οδηγό για αυξημένο ύψος κοπής	15 mm	-	115 mm x 227 mm	-
		25 mm	-	120 mm x 212 mm	-
60° (δεξιά και αριστερά)	-	-	-	92 mm x 185 mm 107 mm x 178 mm	-
	Πάχος της επένδυσης ξύλου στο φράχτη οδηγό για αυξημένο ύψος κοπής	15 mm	-	115 mm x 155 mm	-
		25 mm	-	120 mm x 140 mm	-

Ικανότητες κοπής για ειδικές κοπές

Τύπος κοπής	Ικανότητα κοπής
Ανάγλυφη μόρφωση στέψης τύπου 45° (με χρήση του αναστολέα ανάγλυφης μόρφωσης στέψης)	203 mm
Σοβατεπί (με χρήση οριζόντιας μέγγενσης)	171 mm

- Λόγω του συνεχιζόμενου προγράμματος έρευνας και ανάπτυξης, οι προδιαγραφές αυτές υπόκεινται σε αλλαγές χωρίς προειδοποίηση.
- Τα τεχνικά χαρακτηριστικά μπορεί να διαφέρουν από χώρα σε χώρα.
- Το βάρος μπορεί να διαφέρει ανάλογα με τα προσαρτήματα, συμπεριλαμβάνοντας την κασέτα μπαταριών. Ο ελαφρύτερος και ο βαρύτερος συνδυασμός, σύμφωνα με τη διαδικασία ΕΡΤΑ 01/2014, παρουσιάζονται στον πίνακα.

Ισχύουσα κασέτα μπαταριών και φορτιστής

Κασέτα μπαταρίας	BL4020 / BL4025 / BL4040* / BL4040F* / BL4050F* / BL4080F* * : Συνιστώμενη μπαταρία
Φορτιστής	DC40RA / DC40RB / DC40RC / DC40WA

- Ορισμένες από τις κασέτες και τους φορτιστές μπαταριών που αναγράφονται παραπάνω ίσως να μην είναι διαθέσιμοι, ανάλογα με την τοποθεσία κατοικίας σας.

⚠ ΠΡΟΕΙΔΟΠΟΙΗΣΗ: Να χρησιμοποιείτε μόνο τις κασέτες μπαταριών και τους φορτιστές που παρατίθενται ανωτέρω. Η χρήση οποιασδήποτε άλλης κασέτας μπαταριών ή φορτιστή μπορεί να προκαλέσει τραυματισμό ή/και πυρκαγιά.

Σύμβολα

Παρακάτω παρουσιάζονται τα σύμβολα που μπορούν να χρησιμοποιηθούν για τον εξοπλισμό. Βεβαιωθείτε ότι κατανοείτε τη σημασία τους πριν από τη χρήση.

	Διαβάστε το εγχειρίδιο οδηγιών.
	Φοράτε προστατευτικά ματιών.
	Για να αποφεύγετε τον τραυματισμό από εκτοξευόμενα θραύσματα, να κρατάτε την κεφαλή του τριονιού προς τα κάτω μετά την ολοκλήρωση των κοπών, έως ότου η λάμα ακινητοποιηθεί εντελώς.
	Όταν πραγματοποιείτε κωνική κοπή, γυρίστε πρώτα το κουμπί αριστερόστροφα και μετά γείρετε την κινητή βάση. Μετά, γυρίστε το κουμπί δεξιόστροφα για να σφίξετε.
	Όταν εκτελείτε την ολισθητική κοπή, τραβήξτε πρώτα την κινητή βάση πλήρως και πατήστε κάτω τη λαβή, μετά σπρώξτε την κινητή βάση προς τον φράχτη οδηγό.
	Πατήστε παρατεταμένα το κουμπί απασφάλισης όταν γέρετε την κινητή βάση προς τα δεξιά.
	Δεσμεύστε το μοχλό αναστολής όταν κόβετε ένα σοβατεπί με λοξή γωνία 45°.
	Μην πλησιάζετε τα χέρια και τα δάκτυλά σας κοντά στη λάμα.
	Μην κοιτάτε τη λυχνία λειτουργίας.
	A: Διάμετρος λάμας B: Διάμετρος οπής
	Μην εγκαθιστάτε την οριζόντια μέγγενη με την ίδια κατεύθυνση όπως η λοξή κοπή. (Το σύμβολο αυτό εφαρμόζεται στην οριζόντια μέγγενη)



Μόνο για τις χώρες της ΕΕ
Λόγω της παρουσίας των επικίνδυνων συστατικών μερών στον εξοπλισμό, ο απόβλητος ηλεκτρικός και ηλεκτρονικός εξοπλισμός, οι συσσωρευτές και οι μπαταρίες μπορεί να έχουν αρνητική επίδραση στο περιβάλλον και την ανθρώπινη υγεία. Μην απορρίπτετε τις ηλεκτρικές και ηλεκτρονικές συσκευές ή μπαταρίες μαζί με τα οικιακά απορρίμματα!
Σύμφωνα με την Ευρωπαϊκή Οδηγία για τον απόβλητο ηλεκτρικό και ηλεκτρονικό εξοπλισμό και για τους συσσωρευτές και μπαταρίες και τους απόβλητους συσσωρευτές και μπαταρίες, καθώς και την προσαρμογή τους στην εθνική νομοθεσία, ο απόβλητος ηλεκτρικός εξοπλισμός, οι μπαταρίες και οι συσσωρευτές θα πρέπει να αποθηκεύονται ξεχωριστά και να παραδίδονται σε ξεχωριστό σημείο συλλογής για δημοτικά απόβλητα, το οποίο λειτουργεί σύμφωνα με τους κανονισμούς για την προστασία του περιβάλλοντος. Αυτό υποδεικνύεται από το σύμβολο του διαγραμμένου τροχοφόρου κάδου που βρίσκεται ανατημένο επάνω στον εξοπλισμό.

Προοριζόμενη χρήση

Το εργαλείο προορίζεται για ευθείες και λοξές κοπές ακριβείας σε ξύλο.
Μη χρησιμοποιείτε το τριόνι για να κόψετε οτιδήποτε άλλο εκτός από ξύλο, αλουμίνιο ή παρόμοια υλικά.

Θόρυβος

Το τυπικό Α επίπεδο καταμετρημένου θορύβου καθορίζεται σύμφωνα με το EN62841-3-9:
Στάθμη ηχητικής πίεσης (L_{pA}): 91 dB (A)
Αβηθική ηχητικής ισχύος (L_{WA}): 100 dB (A)
Αβεβαιότητα (K): 3 dB (A)

ΠΑΡΑΤΗΡΗΣΗ: Η δηλωμένη τιμή(ές) εκπομπής θορύβου έχει μετρηθεί σύμφωνα με την πρότυπη μέθοδο δοκιμής και μπορεί να χρησιμοποιηθεί για τη σύγκριση ενός εργαλείου με κάποιο άλλο.

ΠΑΡΑΤΗΡΗΣΗ: Η δηλωμένη τιμή(ές) εκπομπής θορύβου μπορεί να χρησιμοποιηθεί και στην προκαταρκτική αξιολόγηση της έκθεσης.

▲ ΠΡΟΕΙΔΟΠΟΙΗΣΗ: Να φοράτε ωτοασπίδες.

▲ ΠΡΟΕΙΔΟΠΟΙΗΣΗ: Η εκπομπή θορύβου κατά τη χρήση του ηλεκτρικού εργαλείου σε πραγματικές συνθήκες μπορεί να διαφέρει από τη δηλωμένη τιμή(ές) ανάλογα με τους τρόπους χρήσης του εργαλείου, ιδιαίτερα το είδος του τεμαχίου εργασίας που υπόκειται επεξεργασία.

▲ ΠΡΟΕΙΔΟΠΟΙΗΣΗ: Φροντίστε να λάβετε τα κατάλληλα μέτρα προστασίας του χειριστή βάσει ενός υπολογισμού της έκθεσης σε πραγματικές συνθήκες χρήσης (λαμβάνοντας υπόψη όλες τις συνιστώσες του κύκλου λειτουργίας όπως τους χρόνους που το εργαλείο είναι εκτός λειτουργίας και όταν βρίσκεται σε αδρανή λειτουργία πέραν του χρόνου ενεργοποίησης).

Δήλωση Συμμόρφωσης

Μόνο για χώρες της Ευρώπης

Οι Δήλώσεις Συμμόρφωσης περιλαμβάνονται στο Παράρτημα Α στο παρόν εγχειρίδιο οδηγιών.

ΠΡΟΕΙΔΟΠΟΙΗΣΕΙΣ ΑΣΦΑΛΕΙΑΣ

Γενικές προειδοποιήσεις ασφαλείας για το ηλεκτρικό εργαλείο

▲ ΠΡΟΕΙΔΟΠΟΙΗΣΗ Διαβάστε όλες τις προειδοποιήσεις ασφαλείας, οδηγίες, εικονογραφήσεις και προδιαγραφές που παρέχονται με αυτό το ηλεκτρικό εργαλείο. Η μη τήρηση όλων των οδηγιών που αναγράφονται κατωτέρω μπορεί να καταλήξει σε ηλεκτροπληξία, πυρκαγιά ή/και σοβαρό τραυματισμό.

Φυλάξτε όλες τις προειδοποιήσεις και τις οδηγίες για μελλοντική παραπομπή.

Στις προειδοποιήσεις, ο όρος «ηλεκτρικό εργαλείο» αναφέρεται σε ηλεκτρικό εργαλείο που τροφοδοτείται από την κύρια παροχή ηλεκτρικού ρεύματος (με ηλεκτρικό καλώδιο) ή σε ηλεκτρικό εργαλείο που τροφοδοτείται από μπαταρία (χωρίς ηλεκτρικό καλώδιο).

Οδηγίες ασφαλείας για πριόνια λοξότμησης

1. Τα πριόνια λοξότμησης προορίζονται για την κοπή ξύλου ή ξυλοειδών προϊόντων. Δεν μπορούν να χρησιμοποιηθούν με λειαντικούς τροχούς αποκοπής για την κοπή σιδηρούχων υλικών όπως μπάρες, ράβδους, στελέχη, κτλ. Η λειαντική σκόνη προκαλεί τη εμπλοκή των κινούμενων μερών, όπως του κάτω προφυλακτήρα. Οι σπινθήρες από τη λειαντική κοπή θα κάψουν τον κάτω προφυλακτήρα, το ένθετο εγκοπή και άλλα πλαστικά μέρη.
2. Χρησιμοποιήστε συγκρατητές για να στηρίξετε το τεμάχιο εργασίας, όπου είναι εφικτό. Αν

στηρίζετε το τεμάχιο εργασίας με το χέρι, πρέπει πάντα να έχετε το χέρι σας τουλάχιστον 100 mm από κάθε πλευρά της λάμας πριονιού. Μη χρησιμοποιείτε αυτό το πριόνι για να κόψετε κομμάτια που είναι πολύ μικρά για να συγκρατήσετε με ασφάλεια ή να κρατήσετε με το χέρι. Αν τοποθετήσετε το χέρι σας πολύ κοντά στη λάμα πριονιού, υπάρχει αυξημένος κίνδυνος τραυματισμός λόγω επαφής με τη λάμα.

3. Το τεμάχιο εργασίας πρέπει να είναι ακινητοποιημένο και να συγκρατείται ή να κρατείται επάνω στο φράχτη και τον πάγκο. Μην τροφοδοτείτε ποτέ το τεμάχιο εργασίας στη λάμα και μην κόβετε «με το χέρι». Τα τεμάχια εργασίας που δεν συγκρατούνται ή που κινούνται μπορούν να εκτοξευτούν με υψηλές ταχύτητες, προκαλώντας τραυματισμό.
4. Σπρώξτε το πριόνι μέσα από το τεμάχιο εργασίας. Μην τραβάτε το πριόνι μέσα από το τεμάχιο εργασίας. Για να κάνετε μια κοπή, σηκώστε την κεφαλή πριονιού και τραβήξτε και βγάλτε την από το τεμάχιο εργασίας χωρίς κοπή, εκκινήστε το μοτέρ, πιέστε την κεφαλή πριονιού προς τα κάτω και σπρώξτε το πριόνι μέσα από το τεμάχιο εργασίας. Αν κόβετε στη διαδρομή τραβήγματος, είναι πιθανό η λάμα πριονιού να αναρριχηθεί στο πάνω μέρος του τεμαχίου εργασίας και να πετάξει βίαια τη διάταξη λάμας προς το χειριστή.
5. Μην περνάτε ποτέ το χέρι σας πάνω από την ενδεδειγμένη γραμμή κοπής, ούτε μπροστά ούτε πίσω από τη λάμα πριονιού. Είναι πολύ επικίνδυνο να στηρίζετε το τεμάχιο εργασίας με διασταυρωμένα χέρια, δηλαδή κρατάτε το τεμάχιο εργασίας στα δεξιά της λάμας πριονιού με το αριστερό χέρι σας, ή αντίστροφα.

► Εικ.1

6. Μη απλώνετε οποιοδήποτε χέρι πίσω από το φράχτη πιο κοντά από 100 mm από οποιαδήποτε πλευρά της λάμας πριονιού για να απομακρύνετε υπολείμματα ξύλου ή για οποιοδήποτε άλλο λόγο ενώ η λάμα περιστρέφεται. Η απόσταση της περιστρεφόμενης λάμας από το χέρι σας μπορεί να μην είναι προφανής και να τραυματιστείτε σοβαρά.
7. Επιθεωρήστε το τεμάχιο εργασίας σας πριν την κοπή. Αν το τεμάχιο εργασίας είναι καμπυλωμένο ή περιστραμμένο, συγκρατήστε το με την εξωτερική πρόσοψη της καμπύλης προς το φράχτη. Να βεβαιώνετε πάντα ότι δεν υπάρχει κενό μεταξύ του τεμαχίου εργασίας, του φράχτη και του πάγκου κατά μήκος της γραμμής κοπής. Τα λυγισμένα ή περιστραμμένα τεμάχια εργασίας μπορούν να ευστραφούν ή να μετατοπιστούν, και μπορεί να εμπλακούν στην περιστρεφόμενη λάμα πριονιού κατά την κοπή. Δεν πρέπει να υπάρχουν καρφιά ή ξένα αντικείμενα στο τεμάχιο εργασίας.
8. Μη χρησιμοποιείτε το πριόνι αν υπάρχουν εργαλεία, υπολείμματα ξύλου, κτλ. επάνω στον πάγκο, θα πρέπει να υπάρχει μόνο το τεμάχιο εργασίας. Τα υπολείμματα μικρού μεγέθους ή τα χαλαρά κομμάτια ξύλου ή άλλα αντικείμενα που μπορεί να έρθουν σε επαφή με την περιστρεφόμενη λάμα μπορεί να εκτοξευτούν με υψηλή ταχύτητα.

9. **Μην κόβετε ποτέ περισσότερα από ένα τεμάχια εργασίας ταυτόχρονα.** Τα πολλά στοιβαγμένα τεμάχια εργασίας δεν γίνεται να συγκρατηθούν ή να στηριχθούν σωστά και μπορεί να εμπλακούν στη λάμα ή να μετατοπιστούν κατά την κοπή.
10. **Βεβαιωθείτε ότι το πριόνι λοξότμησης είναι στερεωμένο ή τοποθετημένο σε μια επίπεδη, σταθερή επιφάνεια πριν τη χρήση.** Μια επίπεδη και σταθερή επιφάνεια εργασίας μειώνει τον κίνδυνο ασάφειας του πριονιού λοξότμησης.
11. **Να προγραμματίζετε την εργασία σας. Κάθε φορά που αλλάζετε τη ρύθμιση της κωνικής γωνίας ή της λοξής γωνίας, να βεβαιώνετε ότι ο ρυθμιζόμενος φράχτης είναι σωστά ρυθμισμένος για να στηρίξει το τεμάχιο εργασίας καθώς και ότι δεν παρεμβαίνει με τη λάμα ή το σύστημα προστασίας.** Χωρίς να ενεργοποιήσετε το εργαλείο και χωρίς τεμάχιο εργασίας στον πάγκο, μετακινήστε τη λάμα πριονιού σε μια ολοκληρωμένη προσομοιωμένη κοπή για να βεβαιωθείτε ότι δεν θα υπάρχει καμία παρεμβολή ή κίνδυνος κοπής του φράχτη.
12. **Παράσχετε επαρκή στήριξη, όπως επεκτάσεις πάγκου, τρίποδα πριονίσματος, κτλ. για ένα τεμάχιο εργασίας με πλάτος ή μήκος μεγαλύτερο από την επιφάνεια του πάγκου.** Τα τεμάχια εργασίας που είναι μακρύτερα ή πλατύτερα από τον πάγκο του πριονιού λοξότμησης μπορούν να ανατραπούν αν δεν υποστηρίζονται με ασφάλεια. Αν το αποκομμένο κομμάτι ή το τεμάχιο εργασίας ανατραπεί, μπορεί να ανασκηωθεί ο κάτω προφυλακτήρας ή να εκτοξευτεί από την περιστρεφόμενη λάμα.
13. **Μη χρησιμοποιείτε κάποιο άλλο άτομο ως υποκατάστατο μιας επέκτασης πάγκου ή ως επιπρόσθετη στήριξη.** Η ασταθής στήριξη του τεμαχίου εργασίας μπορεί να προκαλέσει την εμπλοκή της λάμας ή τη μετατόπιση του τεμαχίου εργασίας κατά την εργασία κοπής, τραβώντας εσάς και το βοηθό μέσα στην περιστρεφόμενη λάμα.
14. **Το αποκομμένο κομμάτι δεν πρέπει να εμπλακεί ή να πιοστεί με οιοδήποτε τρόπο επάνω σε μια περιστρεφόμενη λάμα πριονιού.** Αν περιοριστεί, δηλ. με τη χρήση αναστολέων μήκους, το αποκομμένο κομμάτι μπορεί να σφηνώσει επάνω στη λάμα και να εκτοξευτεί βίαια.
15. **Να χρησιμοποιείτε πάντα συγκρατητήρα ή μηχανισμό που έχει σχεδιαστεί για τη σωστή στήριξη στρογγυλεμένων υλικών όπως ράβδους ή σωληνώσεις.** Οι ράβδοι έχουν την τάση να κυλούνται ενώ κόβονται, προκαλώντας την εμπλοκή της λάμας και το τράβηγμα του τεμαχίου εργασίας μαζί με το χέρι σας μέσα στη λάμα.
16. **Αφήστε τη λάμα να αποκτήσει μέγιστη ταχύτητα πριν έρθει σε επαφή με το τεμάχιο εργασίας.** Έτσι θα μειωθεί ο κίνδυνος εκτόξευσης του τεμαχίου εργασίας.
17. **Αν το τεμάχιο εργασίας ή η λάμα εμπλακεί, απενεργοποιήστε το πριόνι λοξότμησης.** Περιμένετε να ακινητοποιηθούν όλα τα κινούμενα μέρη και αποσυνδέστε το φιν από την πηγή τροφοδοσίας ή/και βγάλετε το πακέτο μπαταριών. Μετά, εργαστείτε για να ελευθερώσετε το υλικό που έχει εμπλακεί. Το

συνεχιζόμενο πριόνισμα με τεμάχιο εργασίας που έχει εμπλακεί μπορεί να προκαλέσει την απώλεια ελέγχου ή ζημιά στο πριόνι λοξότμησης.

18. **Αφού τελειώσετε την κοπή, αφήστε το διακόπτη, κρατήστε την κεφαλή πριονιού προς τα κάτω και περιμένετε να ακινητοποιηθεί η λάμα πριν αφαιρέσετε το αποκομμένο κομμάτι.** Είναι επικίνδυνο να τοποθετήσετε το χέρι σας κοντά σε λάμα που συνεχίζει να περιστρέφεται.
19. **Κρατήστε τη λαβή σταθερά όταν εκτελείτε μια ατελή κοπή ή όταν αφήνετε το διακόπτη πριν η κεφαλή πριονιού βρεθεί πλήρως στην κάτω θέση.** Η ενέργεια πέδησης του πριονιού μπορεί να προκαλέσει το ξαφικό τράβηγμα της κεφαλής πριονιού προς τα κάτω, προκαλώντας κίνδυνο τραυματισμού.
20. **Χρησιμοποιείτε μόνο τη λάμα πριονιού με τη διάμετρο που είναι επισημασμένη στο εργαλείο ή που καθορίζεται στο εγχειρίδιο.** Η χρήση μιας λάμας λανθασμένου μεγέθους μπορεί να επηρεάσει τη σωστή προστασία της λάμας ή τη λειτουργία του προφυλακτήρα, γεγονός που μπορεί να έχει ως αποτέλεσμα σοβαρό προσωπικό τραυματισμό.
21. **Να χρησιμοποιείτε μόνο λάμες πριονιού που είναι επισημασμένες με ταχύτητα ίση με ή υψηλότερη από την ταχύτητα που είναι επισημασμένη στο εργαλείο.**
22. **Μη χρησιμοποιείτε το πριόνι για να κόψετε οτιδήποτε άλλο εκτός από ξύλο, αλουμίνιο ή παρόμοια υλικά.**
23. **(Για τις Ευρωπαϊκές χώρες μόνο) Να χρησιμοποιείτε πάντα λάμα που συμμορφώνεται με το πρότυπο EN847-1.**

Επιπρόσθετες οδηγίες

1. **Χρησιμοποιήστε Δουκέτα για να καταστήσετε το συνεργείο ασφαλές για παιδιά.**
2. **Ποτέ μην στέκεστε πάνω στο εργαλείο.** Μπορεί να προκληθεί σοβαρός τραυματισμός αν το εργαλείο ανατραπεί ή αν αγγίξετε κατά λάθος το εργαλείο κοπής.
3. **Μην αφήνετε ποτέ το εργαλείο σε λειτουργία αν δεν το προσέχετε.** Απενεργοποιήστε την ισχύ. Μην αφήσετε το εργαλείο μέχρι να ακινητοποιηθεί εντελώς.
4. **Μη χειρίζεστε το εργαλείο χωρίς τους προφυλακτήρες στη θέση τους.** Ελέγξτε τον προφυλακτήρα λάμας για κανονικό κλείσιμο πριν από κάθε χρήση. Μη θέτετε το πριόνι σε λειτουργία αν ο προφυλακτήρας λάμας δεν κινείται ελεύθερα και δεν κλείνει αμέσως. Ποτέ μη σφίξετε ή δέσετε τον προφυλακτήρα λάμας στη θέση ανοίγματος.
5. **Κρατάτε τα χέρια μακριά από την τροχιά της λάμας πριονιού.** Αποφύγετε επαφή και με λάμες μικρής ταχύτητας. Μπορεί επίσης να προκαλέσουν σοβαρό τραυματισμό.
6. **Για να μειώσετε τον κίνδυνο πρόκλησης τραυματισμού, να επιστρέψετε την κινητή βάση στην πλήρως πίσω θέση μετά από κάθε εργασία εγκάρσιας τομής.**
7. **Να ασφαρίζετε πάντα όλα τα κινούμενα τμήματα πριν μεταφέρετε το εργαλείο.**
8. **Ο ανασταλτικός πείρος ή ο μοχλός αναστολής**

που κλειδώνει την κεφαλή πριονιού κάτω είναι μόνο για τον σκοπό μεταφοράς και αποθήκευσης και όχι για λειτουργίες κοπής.

9. Πριν από τη λειτουργία, να ελέγχετε προσεκτικά τη λάμα για ραγίσματα ή ζημιά. Να αντικαθιστάτε αμέσως ραγισμένη ή κατεστραμμένη λάμα. Η κόλλα και τα πριονίσματα ζύλου που έχουν ξεραθεί επάνω στις λάμες επιβραδύνουν το πριόνι και αυξάνουν την πιθανότητα κλοστήματος. Διατηρείτε τη λάμα καθαρή αφού πρώτα τη βγάλετε από το εργαλείο και μετά την καθαρίσετε με καθαριστικό για κόλλα και πριονίσματα, ζεστό νερό ή κηροζίνη. Μην χρησιμοποιείτε ποτέ βενζίνη για να καθαρίσετε τη λάμα.
10. Ενώ πραγματοποιείτε μια ολισθητική κοπή, μπορεί να συμβεί ΚΛΟΤΣΗΜΑ. ΤΟ ΚΛΟΤΣΗΜΑ συμβαίνει όταν η λάμα εμπλέκεται μέσα στο τεμάχιο εργασίας κατά την εργασία κοπής και η λάμα πριονιού οδηγείται γρήγορα προς το χειριστή. Μπορεί να προκαλέσει απώλεια ελέγχου και σοβαρός προσωπικός τραυματισμός. Αν η λάμα αρχίσει να εμπλέκεται κατά την εργασία κοπής, μη συνεχίσετε την κοπή και αφήστε το διακόπτη αμέσως.
11. Χρησιμοποιείτε μόνο τις ειδικές φλάντζες για το εργαλείο αυτό.
12. Προσέξτε να μη κάνετε ζημιά στην άτρακτο, στις φλάντζες (ειδικά στην επιφάνεια εγκατάστασης) ή στο μπουλόνι. Ζημιά στα εξαρτήματα αυτά μπορεί να προκαλέσει σπάσιμο της λάμας.
13. Να βεβαιώνετε ότι η περιστροφική βάση είναι κατάλληλα ασφαλισμένη, ώστε να μη μετακινήθει κατά τη λειτουργία. Χρησιμοποιήστε τις οπές στη βάση για να στερεώσετε το πριόνι σε μια σταθερή πλατφόρμα εργασίας ή πάγκο. Μη χρησιμοποιείτε ΠΟΤΕ εργαλείο όταν η στάση του χειριστή μπορεί να είναι αδέξια.
14. Να βεβαιώνετε ότι η ασφάλιση άξονα είναι ελεύθερη πριν ενεργοποιήσετε τον διακόπτη.
15. Να βεβαιώνετε ότι η λάμα δεν αγγίζει την περιστροφική βάση στην κατώτατη θέση.
16. Να κρατάτε σταθερά τη λαβή. Έχετε υπόψη σας ότι το πριόνι κινείται πάνω και κάτω ελαφρά κατά το ξεκίνημα και το σταμάτημα.
17. Να βεβαιώνετε ότι η λάμα δεν αγγίζει το τεμάχιο εργασίας πριν την ενεργοποίηση του διακόπτη.
18. Πριν χρησιμοποιήσετε το εργαλείο στο πραγματικό τεμάχιο εργασίας, αφήστε το να τρέξει για λίγο. Παρακολουθήστε το για κραδασμούς ή ταλαντώσεις που μπορεί να δείχνουν κακή τοποθέτηση ή κακή ισοζύγηση λάμας.
19. Σταματήστε αμέσως τη λειτουργία εάν παρατηρήσετε κάτι αφύσικο.
20. Μην προσπαθήσετε να κλειδώσετε τη σκανδάλη στη θέση «ΕΝΕΡΓΟΠΟΙΗΣΗΣ».
21. Να χρησιμοποιείτε πάντα τα ανταλλακτικά που συνιστώνται στο εγχειρίδιο αυτό. Η χρήση ακατάλληλων ανταλλακτικών όπως λειαντικών τροχών μπορεί να προκαλέσει τραυματισμό.
22. Μερικά υλικά περιέχουν χημικά που μπορεί να είναι τοξικά. Να προσέχετε ώστε να αποφεύγετε την εισπνοή σκόνης και την επαφή με το

δέρμα. Να ακολουθείτε τα δεδομένα ασφαλείας του προμηθευτή υλικού.

23. Μην χρησιμοποιείτε ηλεκτρική παροχή με καλώδιο με αυτό το εργαλείο.

Πρόσθετοι κανόνες ασφαλείας για τη λυχνία λειτουργίας

1. Μην κοιτάζετε κατευθείαν μέσα στο φως ή στην πηγή φωτός.

ΦΥΛΑΞΤΕ ΑΥΤΕΣ ΤΙΣ ΟΔΗΓΙΕΣ.

▲ΠΡΟΕΙΔΟΠΟΙΗΣΗ: ΜΗΝ επιτρέψετε στην άνεση ή στην εξοικειωσή σας με το προϊόν (που αποκτήθηκε από επανειλημμένη χρήση) να αντικαταστήσει την αυστηρή τήρηση των κανόνων ασφαλείας του παρόντος εργαλείου. Η ΛΑΝΘΑΣΜΕΝΗ ΧΡΗΣΗ ή η αμέλεια να ακολουθήσετε τους κανόνες ασφαλείας που διατυπώνονται στο παρόν εγχειρίδιο οδηγιών μπορεί να προκαλέσει σοβαρό προσωπικό τραυματισμό.

Σημαντικές οδηγίες ασφαλείας για κασέτα μπαταριών

1. Πριν χρησιμοποιήσετε την κασέτα μπαταριών, διαβάστε όλες τις οδηγίες και σημειώσεις προφύλαξης (1) στον φορτιστή μπαταριών, (2) στην μπαταρία και (3) στο προϊόν που χρησιμοποιεί την μπαταρία.
2. Μην αποσυναρμολογήσετε ή παραβιάσετε την κασέτα μπαταριών. Μπορεί να έχει ως αποτέλεσμα πυρκαγιά, υπερθέρμανση ή έκρηξη.
3. Εάν ο χρόνος λειτουργίας έχει γίνει υπερβολικά βραχύς, σταματήστε τη λειτουργία αμέσως. Αλλιώς, μπορεί να έχει ως αποτέλεσμα κίνδυνο υπερθέρμανσης, πιθανά εγκαύματα ή ακόμη και έκρηξη.
4. Εάν ηλεκτρολύτης μπει στα μάτια σας, ξεπλύνετε τα με καθαρό νερό και ζητήστε ιατρική φροντίδα αμέσως. Αλλιώς, μπορεί να έχει ως αποτέλεσμα απώλεια της όρασης σας.
5. Μην βραχυκυκλώνετε την κασέτα μπαταριών:
 - (1) Μην αγγίζετε τους πόλους με οτιδήποτε αγώγιμο υλικό.
 - (2) Αποφεύγετε να αποθηκεύετε την κασέτα μπαταριών μέσα σε ένα δοχείο μαζί με άλλα μεταλλικά αντικείμενα όπως καρφιά, νομίσματα, κλπ.
 - (3) Μην εκθέτετε την κασέτα μπαταριών στο νερό ή στη βροχή.Ένα βραχυκύκλωμα μπαταρίας μπορεί να προκαλέσει μεγάλη ροή ρεύματος, υπερθέρμανση, πιθανά εγκαύματα ακόμη και σοβαρή βλάβη.
6. Μην αποθηκεύετε και μην χρησιμοποιείτε το εργαλείο και την κασέτα μπαταριών σε τοποθεσίες όπου η θερμοκρασία μπορεί να φτάσει ή να ξεπεράσει τους 50 °C.
7. Μην καίτε την κασέτα μπαταριών ακόμη και εάν έχει σοβαρή ζημιά ή είναι εντελώς φθαρμένη. Η κασέτα μπαταριών μπορεί να εκραγεί στη φωτιά.
8. Μην καρφώσετε, κόψετε, συνθλίψετε, πετάξετε ή ρίξετε κάτω την κασέτα μπαταριών, ούτε να

χτυπήσετε ένα σκληρό αντικείμενο επάνω στην κασέτα μπαταριών. Τέτοια συμπεριφορά μπορεί να έχει ως αποτέλεσμα πυρκαγιά, υπερθέρμανση ή έκρηξη.

9. **Μη χρησιμοποιείτε μπαταρία που έχει υποστεί ζημία.**
10. **Οι μπαταρίες ιόντων λιθίου που περιέχονται υπόκεινται στις απαιτήσεις της νομοθεσίας για επικίνδυνα αγαθά.**

Για εμπορικές μεταφορές, για παράδειγμα από τρίτα μέρη, πρέπει να τηρούνται οι διαμεταφορές, οι ειδικές απαιτήσεις στη συσκευασία και η επισήμανση.

Για προετοιμασία του στοιχείου που αποστέλλεται, είναι απαραίτητο να συμβουλευτείτε έναν ειδικό για επικίνδυνα υλικά. Επίσης, τηρήστε τους πιθανούς, πιο αναλυτικούς εθνικούς κανονισμούς. Καλύψτε με αυτοκόλλητη ταινία ή κρύψτε τις ανοικτές επαφές και συσκευάστε την μπαταρία με τρόπο που να μην μπορεί να μετακινείται μέσα στη συσκευασία.
11. **Όταν απορρίπτετε την κασέτα μπαταριών, αφαιρέστε την από το εργαλείο και διαθέστε την σε ένα ασφαλές μέρος. Τηρήστε τους τοπικούς κανονισμούς που σχετίζονται με τη διάθεση της μπαταρίας.**
12. **Χρησιμοποιήστε τις μπαταρίες μόνο με τα προϊόντα που καθορίζει η Makita.** Αν τοποθετήσετε τις μπαταρίες σε μη συμβατά προϊόντα μπορεί να έχει ως αποτέλεσμα πυρκαγιά, υπερβολική θερμότητα, έκρηξη ή διαρροή ηλεκτρολύτη.
13. **Αν δεν χρησιμοποιείτε το εργαλείο για μεγάλο χρονικό διάστημα, πρέπει να βγάλετε την μπαταρία από το εργαλείο.**
14. **Κατά τη διάρκεια και μετά τη χρήση, η κασέτα μπαταριών μπορεί να θερμανθεί, γεγονός που μπορεί να προκαλέσει εγκαύματα ή εγκαύματα από χαμηλή θερμοκρασία. Προσέχετε το χειρισμό των ζεστών κασετών μπαταριών.**
15. **Μην αγγίζετε τον ακροδέκτη του εργαλείου αμέσως μετά τη χρήση επειδή μπορεί να έχει ζεσταθεί αρκετά για να προκαλέσει εγκαύματα.**
16. **Μην αφήνετε θραύσματα, σκόνη ή βρομιά να κολλήσει στους ακροδέκτες, τις οπές και τις εγχοπές της κασέτας μπαταριών.** Μπορεί να προκαλέσει θέρμανση, φωτιά, έκρηξη και δυσλειτουργία του εργαλείου ή της κασέτας μπαταριών, έχοντας ως αποτέλεσμα εγκαύματα ή προσωπικό τραυματισμό.
17. **Εκτός αν το εργαλείο υποστηρίζει τη χρήση κοντά σε ηλεκτρικές γραμμές υψηλής τάσης, μην χρησιμοποιείτε την κασέτα μπαταριών κοντά σε ηλεκτρικές γραμμές υψηλής τάσης.** Μπορεί να έχει ως αποτέλεσμα δυσλειτουργία ή σπάσιμο του εργαλείου ή της κασέτας μπαταριών.
18. **Κρυσταλλίστε την μπαταρία μακριά από παιδιά.**

ΦΥΛΑΞΤΕ ΤΙΣ ΟΔΗΓΙΕΣ ΑΥΤΕΣ.

▲ΠΡΟΣΟΧΗ: Να χρησιμοποιείτε μόνο γνήσιες μπαταρίες της Makita. Η χρήση μη γνήσιων μπαταριών Makita, ή μπαταριών που έχουν τροποποιηθεί, μπορεί να έχει ως αποτέλεσμα τη ρήξη της μπαταρίας, προκαλώντας πυρκαγιά, προσωπικό τραυματισμό και βλάβη. Επίσης, θα ακυρωθεί η εγγύηση της Makita για το εργαλείο και φορτιστή Makita.

Συμβουλές για τη διατήρηση της μέγιστης ζωής μπαταρίας

1. **Φορτίζετε την κασέτα μπαταριών πριν από την πλήρη αποφόρτισή της.** Πάντοτε να σταματάτε τη λειτουργία του εργαλείου και να φορτίζετε την κασέτα μπαταριών όταν παρατηρείτε μειωμένη ισχύ εργαλείου.
2. **Ποτέ μην επαναφορτίζετε μια πλήρως φορτισμένη κασέτα μπαταριών.** Η υπερφόρτιση μειώνει την ωφέλιμη ζωή της μπαταρίας.
3. **Να φορτίζετε την κασέτα μπαταριών σε θερμοκρασία δωματίου, δηλαδή στους 10 °C έως 40 °C.** Αφήστε μια θερμή κασέτα μπαταριών να κρυώσει πριν την φορτίσετε.
4. **Όταν δεν χρησιμοποιείτε την κασέτα μπαταριών, αφαιρέστε την από το εργαλείο ή τον φορτιστή.**
5. **Να φορτίζετε την κασέτα μπαταριών εάν δεν τη χρησιμοποιείτε για μεγάλη χρονική περίοδο (περισσότερο από έξι μήνες).**

Σημαντικές οδηγίες ασφάλειας για την ασύρματη μονάδα

1. **Μην αποσυναρμολογείτε ή παραβιάζετε την ασύρματη μονάδα.**
2. **Διατηρείτε την ασύρματη μονάδα μακριά από μικρά παιδιά.** Αν καταποθεί κατά λάθος, αναζητήστε αμέσως ιατρική βοήθεια.
3. **Να χρησιμοποιείτε την ασύρματη μονάδα μόνο με εργαλεία της Makita.**
4. **Μην εκθέτετε την ασύρματη μονάδα στη βροχή ή σε υγρές συνθήκες.**
5. **Μη χρησιμοποιείτε την ασύρματη μονάδα σε μέρη όπου η θερμοκρασία ξεπερνάει τους 50 °C.**
6. **Μη θέτετε την ασύρματη μονάδα σε λειτουργία σε μέρη όπου υπάρχουν ιατρικά όργανα, όπως καρδιακοί βηματοδότες.**
7. **Μη θέτετε την ασύρματη μονάδα σε λειτουργία σε μέρη όπου υπάρχουν αυτοματοποιημένες διατάξεις.** Αν τεθούν σε λειτουργία, οι αυτοματοποιημένες συσκευές μπορεί να εμφανίσουν δυσλειτουργία ή σφάλμα.
8. **Μη θέσετε σε λειτουργία την ασύρματη μονάδα σε μέρη με υψηλή θερμοκρασία ή σε μέρη όπου μπορεί να παραχθεί στατικός ηλεκτρισμός ή ηλεκτρικός θόρυβος.**
9. **Η ασύρματη μονάδα μπορεί να παράγει ηλεκτρομαγνητικά πεδία (ΗΜΠ) αλλά δεν είναι επιβλαβή για τον χρήστη.**
10. **Η ασύρματη μονάδα είναι ένα όργανο ακριβείας.** Προσέχετε να μη ριζέτε κάτω ή να χτυπήσετε την ασύρματη μονάδα.
11. **Αποφύγετε να αγγίζετε τον ακροδέκτη της ασύρματης μονάδας με γυμνά χέρια ή μεταλλικά υλικά.**
12. **Αφαιρέτε πάντοτε την μπαταρία από το προϊόν όταν τοποθετείτε σε αυτό την ασύρματη μονάδα.**
13. **Όταν ανοίγετε το καπάκι της σχισμής, αποφύγετε μέρη όπου μπορεί να εισέλθει σκόνη και νερό μέσα στη σχισμή.** Να διατηρείτε πάντα

- καθαρή την είσοδο της σχισμής.
14. Να φορτώνετε πάντα την ασύρματη μονάδα με τη σωστή κατεύθυνση.
 15. Μην πατήσετε το κουμπί ασύρματης ενεργοποίησης στην ασύρματη μονάδα πολύ δυνατά ή/και μην πατήσετε το κουμπί με ένα αντικείμενο με αιχμηρό άκρο.
 16. Κατά τη λειτουργία, να κλείνετε πάντα το καπάκι της σχισμής.
 17. Μην αφαιρείτε την ασύρματη μονάδα από τη σχισμή ενώ παρέχεται ισχύς στο εργαλείο. Αν το κάνετε αυτό, μπορεί να προκληθεί δυσλειτουργία της ασύρματης μονάδας.
 18. Μην αφαιρείτε το αυτοκόλλητο στην ασύρματη μονάδα.
 19. Μην τοποθετείτε αυτοκόλλητα επάνω στην ασύρματη μονάδα.
 20. Μην αφήνετε την ασύρματη μονάδα σε ένα μέρος όπου μπορεί να παραχθεί στατικός ηλεκτρισμός ή ηλεκτρικός θόρυβος.
 21. Μην αφήνετε την ασύρματη μονάδα σε ένα μέρος που υπόκειται σε υψηλή θερμότητα, όπως ένα αυτοκίνητο στον ήλιο.
 22. Μην αφήνετε την ασύρματη μονάδα σε ένα μέρος με πολλή σκόνη ή πούδρα ή σε ένα μέρος όπου μπορεί να παραχθεί διαβρωτικό αέριο.
 23. Η απότομη αλλαγή της θερμοκρασίας μπορεί να υγραίνει την ασύρματη μονάδα. Μη χρησιμοποιείτε την ασύρματη μονάδα μέχρι να στεγνώσει εντελώς όλη η υγρασία.
 24. Όταν καθαρίζετε την ασύρματη μονάδα, σκουπίστε απαλά με ένα στεγνό μαλακό πανί. Μη χρησιμοποιείτε βενζίνη, νέφτι, αγωγίμο γράσο ή παρόμοιες ουσίες.
 25. Όταν αποθηκεύετε την ασύρματη μονάδα, να τη διατηρείτε μέσα στην παρεχόμενη θήκη ή μέσα σε δοχείο χωρίς στατικό ηλεκτρισμό.
 26. Μην εισαγάγετε καμία συσκευή διαφορετική από την ασύρματη μονάδα Makita μέσα στη σχισμή στο εργαλείο.
 27. Μη χρησιμοποιείτε το εργαλείο αν το καπάκι της σχισμής είναι καταστραμμένο. Αν εισέλθει νερό, σκόνη και βρομιά μέσα στη σχισμή, μπορεί να προκληθεί δυσλειτουργία.
 28. Μην τραβάτε ή/και μη συστρέψετε το καπάκι της σχισμής περισσότερο από ότι απαιτείται. Τοποθετήστε ξανά το καπάκι αν βγει από το εργαλείο.
 29. Αντικαταστήστε ξανά το καπάκι της σχισμής αν χαθεί ή καταστραφεί.

ΦΥΛΑΞΕΤΕ ΑΥΤΕΣ ΤΙΣ ΟΔΗΓΙΕΣ.

ΠΕΡΙΓΡΑΦΗ ΕΞΑΡΤΗΜΑΤΩΝ

► Εικ.2

1	Κουμπί (για κωνική γωνία)	2	Εξαγωνικό κλειδί	3	Ρυθμιστική βίδα (για θέση κάτω οριού)	4	Ρυθμιστικό μπουλόνι (για μέγιστη ικανότητα κοπής)
5	Ανασταλτικός βραχίονας	6	Κουμπί κλειδώματος	7	Σκανδάλη διακόπτης	8	Καπάκι (για ασύρματη μονάδα)
9	Οπή λουκέτου	10	Κουμπί ασύρματης ενεργοποίησης	11	Λυχνία ασύρματης ενεργοποίησης	12	Κουμπί λυχνίας
13	Κουμπί αναρόφησης	14	Θήκη λάμας	15	Προφυλακτικής λάμας	16	Βοηθητικός φράχτης
17	Μοχλός ασφάλισης (για περιστροφική βάση)	18	Μοχλός απασφάλισης (για περιστροφική βάση)	19	Λαβή (για περιστροφική βάση)	20	Ξανίδα εγκοπής
21	Κλίμακα λοξής γωνίας	22	Δείκτης (για λοξή γωνία)	23	Περιστροφική βάση	24	Βοηθητική βάση
25	Κουμπί απασφάλισης (για κωνική γωνία δεξιάς πλευράς)	26	Κάθετη μέγγενη	27	Ανασταλτικός πείρος (για ολίσθηση κινητής βάσης)	28	Στύλος ολίσθησης

► Εικ.3

1	Λαβή	2	Κασέτα μπαταριών	3	Σάκος σκόνης (όταν αντικαθίσταται από τον εύκαμπτο σωλήνα εξαγωγής σκόνης)	4	Εύκαμπτος σωλήνας (για εξαγωγή σκόνης)
5	Κλίμακα κωνικής γωνίας	6	Ρυθμιστικό μπουλόνι 0° (για κωνική γωνία)	7	Δείκτης (για κωνική γωνία)	8	Ρυθμιστικό μπουλόνι 45° (για κωνική γωνία)
9	Μοχλός συγκράτησης (για κωνική γωνία)	10	Μοχλός απασφάλισης (για κωνική γωνία 48°)	11	Φράχτης οδηγός (άνω φράχτης)	12	Φράχτης οδηγός (κάτω φράχτης)
13	Ανασταλτικός πείρος (για ανύψωση κινητής βάσης)	14	Ασφάλεια άξονα	-	-	-	-

ΤΟΠΟΘΕΤΗΣΗ

Τοποθέτηση της λαβής

Βιδώστε τον κοχλιωτό άξονα της λαβής μέσα στην περιστροφική βάση.

► **Εικ.4:** 1. Λαβή 2. Περιστροφική βάση

Τοποθέτηση και αφαίρεση του εύκαμπτου σωλήνα εξαγωγής σκόνης

Προσαρτήστε τη γωνία εύκαμπτου σωλήνα στην άνω θύρα με το κουμπί ασφάλισης στραμμένο προς τα πάνω. Εισαγάγετε το χιτώνιο του εύκαμπτου σωλήνα στην κάτω θύρα, πιέζοντας και ευθυγραμμίζοντας τα κουμπιά αναστολέα στο χιτώνιο με τις εγκοπές οδήγησης στη θύρα.

Βεβαιωθείτε ότι η γωνία και το χιτώνιο ταιριάζουν σωστά στις θύρες του εργαλείου.

► **Εικ.5:** 1. Εύκαμπτος σωλήνας εξαγωγής σκόνης 2. Γωνία 3. Κουμπί ασφάλισης 4. Χιτώνιο 5. Άνω θύρα 6. Κάτω θύρα

Για να αφαιρέσετε τη γωνία του εύκαμπτου σωλήνα από τη θύρα, τραβήξτε τη γωνία ενώ πατάτε το κουμπί ασφάλισης.

► **Εικ.6:** 1. Κουμπί ασφάλισης 2. Γωνία

Για να αφαιρέσετε το χιτώνιο του εύκαμπτου σωλήνα από τη θύρα, τραβήξτε το χιτώνιο ενώ πατάτε τα κουμπιά αναστολέα και στις δύο πλευρές της θύρας.

► **Εικ.7:** 1. Κουμπί αναστολέα 2. Χιτώνιο

Στερέωση στον πάγκο

Κατά την αποστολή του εργαλείου, η λαβή είναι κλειδωμένη στη χαμηλωμένη θέση με τον ανασταλτικό πείρο. Ενώ χαμηλώνετε λίγο τη λαβή, τραβήξτε τον ανασταλτικό πείρο και περιστρέψτε τον κατά 90°.

► **Εικ.8:** 1. Κλειδωμένη θέση 2. Ξεκλειδωτή θέση 3. Ανασταλτικός πείρος

Το εργαλείο αυτό πρέπει να είναι βιδωμένο με τέσσερα μπουλόνια σε μια επίπεδη και σταθερή επιφάνεια χρησιμοποιώντας τις σπές για μπουλόνια που παρέχονται στη βάση του εργαλείου. Αυτό θα βοηθήσει στην αποφυγή ανατροπής και πιθανού τραυματισμού.

► **Εικ.9:** 1. Μπουλόνι

▲ΠΡΟΕΙΔΟΠΟΙΗΣΗ: Βεβαιωθείτε ότι το εργαλείο δεν θα μετακινηθεί πάνω στην επιφάνεια στήριξης. Η μετακίνηση του πριονιού λοξότμησης πάνω στην επιφάνεια στήριξης κατά την κοπή μπορεί να καταλήξει σε απώλεια ελέγχου και σοβαρό τραυματισμό.

ΠΕΡΙΓΡΑΦΗ ΛΕΙΤΟΥΡΓΙΑΣ

▲ΠΡΟΕΙΔΟΠΟΙΗΣΗ: Να φροντίζετε πάντα ώστε το εργαλείο να έχει απενεργοποιηθεί και η κασέτα μπαταριών να έχει αφαιρεθεί πριν από τη ρύθμιση ή τον έλεγχο λειτουργίας του εργαλείου. Εάν δεν σβήσετε το εργαλείο και δεν βγάλετε την κασέτα μπαταριών, μπορεί να προκληθεί σοβαρός προσωπικός τραυματισμός από την τυχαία εκκίνηση.

Τοποθέτηση ή αφαίρεση της κασέτας μπαταριών

▲ΠΡΟΣΟΧΗ: Να σβήνετε πάντα το εργαλείο πριν τοποθετήσετε ή αφαιρέσετε την κασέτα μπαταριών.

▲ΠΡΟΣΟΧΗ: Κρατήστε το εργαλείο και την κασέτα μπαταριών σταθερά κατά την τοποθέτηση ή αφαίρεση της κασέτας μπαταριών. Εάν δεν κρατάτε το εργαλείο και την κασέτα μπαταριών σταθερά μπορεί να γλιστρήσουν από τα χέρια σας και να προκληθεί βλάβη στο εργαλείο και την κασέτα μπαταριών και προσωπικός τραυματισμός.

Για να τοποθετήσετε την κασέτα μπαταριών, ευθυγραμμίστε τη γλώσσα στην κασέτα μπαταριών με την εγκοπή στο περίβλημα και ολισθήστε τη στη θέση της. Τοποθετήστε την μέχρι τέρμα μέχρι να ασφαλίσει στη θέση της, γεγονός που υποδεικνύεται με ένα χαρακτηριστικό ήχο. Αν μπορείτε να δείτε τον κόκκινο δείκτη όπως απεικονίζεται στην εικόνα, δεν έχει κλειδώσει τελείως.

Για να αφαιρέσετε την κασέτα μπαταριών, ολισθήστε την από το εργαλείο ενώ σύρετε το κουμπί στο μπροστινό μέρος της κασέτας.

► **Εικ.10:** 1. Κόκκινος δείκτης 2. Κουμπί 3. Κασέτα μπαταριών

▲ΠΡΟΣΟΧΗ: Να τοποθετείτε πάντα την κασέτα μπαταριών πλήρως μέχρι να μη βλέπετε τον κόκκινο δείκτη. Εάν δεν ασφαλιστεί, μπορεί να πέσει από το εργαλείο τυχαία, προκαλώντας σωματική βλάβη σε εσάς ή κάποιον άλλο γύρω σας.

▲ΠΡΟΣΟΧΗ: Μην τοποθετείτε την κασέτα μπαταριών με βία. Εάν η κασέτα δεν ολισθαίνει με ευκολία, τότε δεν έχει τοποθετηθεί κατάλληλα.

Σύστημα προστασίας εργαλείου/ μπαταρίας

Το εργαλείο είναι εξοπλισμένο με σύστημα προστασίας εργαλείου/μπαταρίας. Αυτό το σύστημα αποκόπτει αυτόματα την ισχύ προς το μοτέρ για να παραταθεί η διάρκεια λειτουργίας του εργαλείου και της μπαταρίας. Το εργαλείο σταματάει αυτόματα κατά τη διάρκεια της λειτουργίας εάν το εργαλείο ή η μπαταρία βρεθούν κάτω από τις παρακάτω συνθήκες. Σε μερικές συνθήκες, οι ενδείξεις ανάβουν.

Προστασία υπερφόρτωσης

Όταν το εργαλείο/μπαταρία λειτουργεί με τρόπο που προκαλεί την κατανάλωση ενός ασυνήθιστα υψηλού ηλεκτρικού ρεύματος, το εργαλείο σταματάει αυτόματα. Σε αυτή την κατάσταση, σβήστε το εργαλείο και διακόψτε την εφαρμογή που προκαλεί την υπερφόρτωση του εργαλείου. Μετά, ενεργοποιήστε το εργαλείο για επανεκκίνηση.

Προστασία υπερθέρμανσης

Όταν το εργαλείο/μπαταρία υπερθερμανθεί, η λειτουργία του εργαλείου σταματάει αυτόματα και η λυχνία αναβοσβήνει. Σε αυτή την κατάσταση, αφήστε το εργαλείο να ψυχθεί πριν ενεργοποιήσετε ξανά το εργαλείο.

Προστασία υπερβολικής αποφόρτισης

Όταν η χωρητικότητα μπαταρίας είναι χαμηλή, η λειτουργία του εργαλείου σταματάει αυτόματα. Αν το εργαλείο δεν λειτουργεί μαζί με τη λειτουργία διακόπτη, αφαιρέστε την μπαταρία από το εργαλείο και φορτίστε την.

Εμφάνιση υπολειπόμενης χωρητικότητας μπαταρίας

Πίστετε το κουμπί ελέγχου στην κασέτα μπαταριών για να υποδείξετε την υπολειπόμενη χωρητικότητα μπαταρίας. Οι ενδεικτικές λυχνίες ανάβουν για λίγα δευτερόλεπτα.

► **Εικ.11:** 1. Ενδεικτικές λυχνίες 2. Κουμπί ελέγχου

Ενδεικτικές λυχνίες			Υπολειπόμενη χωρητικότητα
■ Αναμμένες	□ Σβηστές	▧ Αναβοσβήνουν	
■ ■ ■ ■			75% έως 100%
■ ■ ■ □			50% έως 75%
■ ■ □ □			25% έως 50%
■ □ □ □			0% έως 25%
▧ □ □ □			Φορτίστε την μπαταρία.
■ ■ □ □	↑ ↓	□ □ ■ ■	Μπορεί να προέκυψε δυσλειτουργία στην μπαταρία.

ΠΑΡΑΤΗΡΗΣΗ: Ανάλογα με τις συνθήκες χρήσης και τη θερμοκρασία περιβάλλοντος, η ένδειξη μπορεί να διαφέρει λίγο από την πραγματική χωρητικότητα.

ΠΑΡΑΤΗΡΗΣΗ: Η πρώτη (τέρμα αριστερά) ενδεικτική λυχνία θα αναβοσβήνει όταν λειτουργεί το σύστημα προστασίας μπαταρίας.

Κλειδωμα λαβής

▲ ΠΡΟΣΟΧΗ: Να κρατάτε πάντα τη λαβή όταν ελευθερώνετε τον ανασταλτικό πείρο. Διαφορετικά, η λαβή πετάγεται με ελατήριο και μπορεί να προκληθεί προσωπικός τραυματισμός.

Η λαβή μπορεί να κλειδωθεί είτε στη χαμηλωμένη θέση είτε στην ανυψωμένη θέση με τον ανασταλτικό πείρο. Χαμηλώστε ή ανυψώστε τη λαβή εντελώς και, στη συνέχεια, τραβήξτε και περιστρέψτε τον ανασταλτικό πείρο σε μια κλειδωμένη θέση. Για να ξεκλειδώσετε τη λαβή, τραβήξτε τον ανασταλτικό πείρο και περιστρέψτε τον κατά 90° σε μια ξεκλειδωτή θέση ενώ χαμηλώνετε λίγο τη λαβή.

► **Εικ.12:** 1. Κλειδωμένη θέση 2. Ξεκλειδωτή θέση 3. Ανασταλτικός πείρος

Ολισθαίνον κλειδωμα

Τραβήξτε τον ανασταλτικό πείρο και γυρίστε τον κατά 90° σε μια ξεκλειδωτή θέση, για να επιτρέψετε την ελεύθερη κίνηση της κινητής βάσης. Για να ασφαλίσετε την ολισθαίνουσα κίνηση της κινητής βάσης, σπρώξτε την κινητή βάση προς τον βραχίονα μέχρι να σταματήσει και, στη συνέχεια, επιστρέψτε τον ανασταλτικό πείρο σε μια κλειδωμένη θέση.

► **Εικ.13:** 1. Κλειδωμένη θέση 2. Ξεκλειδωτή θέση 3. Ανασταλτικός πείρος 4. Βραχίονας

Προφυλακτήρας λάμας

▲ ΠΡΟΕΙΔΟΠΟΙΗΣΗ: Ποτέ μην εξουδετερώνετε ή αφαιρέσετε τον προφυλακτήρα λάμας ή το ελατήριο που προσαρμόζεται στον προφυλακτήρα. Μια εκτεθειμένη λάμα λόγω αχρήστευσης του προφυλακτήρα μπορεί να καταλήξει σε σοβαρό τραυματισμό στη διάρκεια της λειτουργίας.

▲ ΠΡΟΕΙΔΟΠΟΙΗΣΗ: Ποτέ μη χρησιμοποιείτε το εργαλείο εάν ο προφυλακτήρας λάμας ή το ελατήριο έχουν πάθει ζημιά, βλάβη ή έχουν αφαιρεθεί. Η λειτουργία του εργαλείου με προφυλακτήρα ο οποίος έχει υποστεί ζημιά, είναι ελαττωματικός ή έχει αφαιρεθεί μπορεί να καταλήξει σε σοβαρό τραυματισμό.

▲ ΠΡΟΣΟΧΗ: Για ασφαλή λειτουργία, να διατηρείτε πάντα τον προφυλακτήρα λάμας σε καλή κατάσταση. Διακόψτε αμέσως τη λειτουργία στην περίπτωση που υπάρχουν ανωμαλίες στον προφυλακτήρα λάμας. Ελέγξτε να βεβαιωθείτε για τη δράση του ελατηρίου επαναφοράς του προφυλακτήρα.

Όταν χαμηλώνετε τη λαβή, ο προφυλακτήρας λάμας ανυψώνεται αυτόματα. Ο προφυλακτήρας έχει ελατήρια ώστε να επιστρέφει στην αρχική του θέση όταν η κοπή έχει συμπληρωθεί και η λαβή έχει ανυψωθεί.

► **Εικ.14:** 1. Προφυλακτήρας λάμας

Καθαρισμός

Εάν συσσωρευτούν ακαθαρσίες στο διάφανο προφυλακτήρα λάμας, ή έχει προσκολληθεί πριονίδι ώστε να μην είναι πλέον ορατή η λάμα ή/και το τεμάχιο εργασίας,

αφαιρέστε την κασέτα μπαταριών και καθαρίστε τον προφυλακτήρα με προσοχή χρησιμοποιώντας ένα υγρό πανάι. Μην χρησιμοποιείτε διαλυτικά ή καθαριστικά με βάση το πετρέλαιο στον πλαστικό προφυλακτήρα επειδή αυτό μπορεί να προκαλέσει φθορά στον προφυλακτήρα.

Ακολουθήστε τις βηματικές οδηγίες που παρατίθενται στον τρόπο προετοιμασίας για καθαρισμό.

1. Να βεβαιώνετε πάντα ότι το εργαλείο είναι σβηστό και έχετε βγάλει την κασέτα μπαταριών.
 2. Περιστρέψτε το εξαγωνικό μπουλόνι αριστερό-στροφα χρησιμοποιώντας το παρεχόμενο εξαγωνικό κλειδί ενώ κρατάτε το κάλυμμα κέντρου.
 3. Σηκώστε τον προφυλακτήρα λάμας και το κάλυμμα κέντρου.
 4. Όταν ολοκληρωθεί ο καθαρισμός, επιστρέψτε το κάλυμμα κέντρου και σφίξτε το εξαγωνικό μπουλόνι εκτελώντας τα ανωτέρω βήματα με αντίστροφη σειρά.
 5. Βεβαιωθείτε να επιστρέψετε τη λάμα δισκοπρίονου και το κάλυμμα κέντρου στην αρχική τους θέση και να σφίξετε το εξαγωνικό μπουλόνι.
- **Εικ.15:** 1. Εξαγωνικό κλειδί 2. Εξαγωνικό μπουλόνι 3. Κάλυμμα κέντρου 4. Προφυλακτήρας λάμας

ΠΡΟΕΙΔΟΠΟΙΗΣΗ: Μην αφαιρέσετε τον ελατηριωτό προφυλακτήρα λάμας. Εάν ο προφυλακτήρας υποστεί φθορά με την πάροδο του χρόνου ή έκθεσης σε ακτινοβολία UV, απευθυνθείτε σε κάποιο κέντρο σέρβις της Makita για αντικατάσταση.
ΜΗΝ ΕΞΟΥΔΕΤΕΡΩΣΕΤΕ Ή ΑΦΑΙΡΕΣΕΤΕ ΤΟΝ ΠΡΟΦΥΛΑΚΤΗΡΑ.

Τοποθέτηση σανίδων εγκοπών

Αυτό το εργαλείο είναι εφοδιασμένο με τις σανίδες εγκοπών στην περιστροφική βάση του για να ελαχιστοποιεί το σχίσμο στην πλευρά εξόδου κοπής. Οι σανίδες εγκοπών είναι εργοστασιακά ρυθμισμένες έτσι ώστε η λάμα δισκοπρίονου να μην κάνει επαφή με τις σανίδες εγκοπών. Πριν από τη χρήση, ρυθμίστε τις σανίδες εγκοπών ως εξής:

1. Βεβαιωθείτε να αφαιρέσετε την κασέτα μπαταριών. Μετά, χαλαρώστε όλες τις βίδες (από 3 στα αριστερά και δεξιά) που ασφαλίζουν τις σανίδες εγκοπών.
- **Εικ.16:** 1. Σανίδα εγκοπής 2. Βίδα

ΠΑΡΑΤΗΡΗΣΗ: Μπορείτε εύκολα να χαλαρώσετε και να σφίξετε τις τέρμα πίσω βίδες αν περιστρέψετε την περιστροφική βάση υπό γωνία. Να βεβαιώνετε ότι ανυψώνετε τη λαβή εντελώς όταν γυρίζετε την περιστροφική βάση.

2. Ξανασφίξτε τις βίδες έτσι ώστε οι σανίδες εγκοπών να μπορούν να κινηθούν με το χέρι.

ΠΑΡΑΤΗΡΗΣΗ: Βεβαιωθείτε να επιστρέψετε την περιστροφική βάση στην αρχική γωνία (λοξή γωνία 0°) όταν επανατοποθετείτε τις σανίδες εγκοπών.

3. Χαμηλώστε τη λαβή πλήρως, μετά τραβήξτε και γυρίστε τον ανασταλτικό πείρο να κλειδώσει τη λαβή στην κάτω θέση.
4. Τραβήξτε και γυρίστε τον ανασταλτικό πείρο στον στύλο ολίσθησης για να επιτραπεί η ολίσθηση της

κινητής βάσης.

- **Εικ.17:** 1. Ανασταλτικός πείρος 2. Κλειδωμένη θέση 3. Ξεκλειδωτή θέση

5. Τραβήξτε την κινητή βάση προς το μέρος σας πλήρως.

6. Ρυθμίστε τις σανίδες εγκοπών έτσι ώστε μόλις να αγγίζουν τις πλευρές των δοντιών της λάμας.

► **Εικ.18**

- **Εικ.19:** 1. Λάμα πριονιού 2. Δόντια λάμας 3. Σανίδα εγκοπής 4. Αριστερή κωνική κοπή 5. Ίσια κοπή 6. Δεξιά κωνική κοπή

7. Σφίξτε τις εμπρόσθιες βίδες (μην τις σφίξετε πολύ).
8. Σπρώξτε την κινητή βάση προς τους φράχτες οδηγούς πλήρως και, στη συνέχεια, ρυθμίστε τις σανίδες εγκοπών έτσι ώστε μόλις να αγγίζουν τις πλευρές των δοντιών της λάμας.
9. Σφίξτε τις κεντρικές βίδες (μην τις σφίξετε πολύ).
10. Μετά τη ρύθμιση των σανίδων εγκοπών, ελευθερώστε τον ανασταλτικό πείρο για το κλειδώμα λαβής και σηκώστε τη λαβή. Μετά σφίξτε όλες τις βίδες με ασφάλεια.

ΕΙΔΟΠΟΙΗΣΗ: Μόλις ρυθμίσετε την κωνική γωνία, βεβαιωθείτε ότι οι σανίδες εγκοπών είναι ρυθμισμένες κατάλληλα. Η σωστή ρύθμιση των σανίδων εγκοπών διευκολύνει την κατάλληλη στήριξη του τεμαχίου εργασίας ελαχιστοποιώντας το σχίσμο του τεμαχίου εργασίας.

Διατήρηση της μέγιστης ικανότητας κοπής

Αυτό το εργαλείο είναι εργοστασιακά ρυθμισμένο για να παρέχει τη μέγιστη ικανότητα κοπής για μια λάμα πριονιού 305 mm.

Όταν τοποθετείτε μια νέα λάμα δισκοπρίονου, πάντοτε να ελέγχετε την κάτω οριακή θέση της λάμας δισκοπρίονου, και εάν είναι απαραίτητο, ρυθμίστε ως εξής:

1. Αφαιρέστε την κασέτα μπαταριών. Μετά, γυρίστε τον μοχλό αναστολής στη δεσμευμένη θέση.
- **Εικ.20:** 1. Μοχλός αναστολής
2. Σπρώξτε την κινητή βάση προς τους φράχτες οδηγούς πλήρως και χαμηλώστε εντελώς τη λαβή.
- **Εικ.21:** 1. Φράχτης οδηγός 2. Ρυθμιστικό μπουλόνι
3. Χρησιμοποιήστε το εξαγωνικό κλειδί για να περιστρέψετε το ρυθμιστικό μπουλόνι μέχρι η λάμα δισκοπρίονου να έρθει λίγο κάτω από τη διατομή των φραχτών οδηγών και την άνω επιφάνεια της περιστροφικής βάσης.
- **Εικ.22:** 1. Άνω επιφάνεια της περιστροφικής βάσης 2. Φράχτης οδηγός
4. Περιστρέψτε τη λάμα με το χέρι ενώ κρατάτε τη λαβή στην κάτω θέση για να βεβαιωθείτε ότι η λάμα δισκοπρίονου δεν έρχεται σε επαφή με κανένα τμήμα της κάτω βάσης. Επαναρρυθμίστε ελαφρά, εάν είναι απαραίτητο.

▲ ΠΡΟΕΙΔΟΠΟΙΗΣΗ: Μετά από την τοποθέτηση νέας λάμας δισκοπρίονου και με την κασέτα μπαταριών αφαιρεμένη, φροντίστε κάθε φορά ώστε η λάμα δισκοπρίονου να μην έρχεται σε επαφή με οποιοδήποτε μέρος της κάτω βάσης όταν χαμηλώνετε πλήρως τη λαβή. Σε περίπτωση επαφής της λάμας δισκοπρίονου με τη βάση, μπορεί να προκληθεί κλότσημα και σοβαρός τραυματισμός.

► **Εικ.23**

▲ ΠΡΟΣΟΧΗ: Να επιστρέψετε πάντα τον μοχλό αναστολής στην αρχική θέση μετά τη ρύθμιση.

Ανασταλτικός βραχίονας

Η θέση κάτω ορίου της λάμας δισκοπρίονου μπορεί εύκολα να ρυθμιστεί με τον ανασταλτικό βραχίονα. Για τη ρύθμισή του, μετακινήστε τον ανασταλτικό βραχίονα κατά τη διεύθυνση του βέλους όπως φαίνεται στην εικόνα. Γυρίστε τη ρυθμιστική βίδα με τρόπο ώστε η λάμα δισκοπρίονου να σταματήσει στην επιθυμητή θέση όταν χαμηλώνετε πλήρως τη λαβή.

► **Εικ.24:** 1. Ρυθμιστική βίδα 2. Ανασταλτικός βραχίονας

▲ ΠΡΟΣΟΧΗ: Κρατάτε πάντα καλά τη λαβή κατά τη διάρκεια της ρύθμισης. Αν δεν το κάνετε αυτό, μπορεί να προκληθεί η εκτόξευση της κινητής βάσης προς τα πάνω και να έχει ως αποτέλεσμα τραυματισμό.

Ρύθμιση της λοξής γωνίας

▲ ΠΡΟΣΟΧΗ: Αφού αλλάξετε τη λοξή γωνία, να ασφαλίσετε πάντα την περιστροφική βάση επιστρέφοντας τον μοχλό ασφάλισης/απασφάλισης σε μια κλειδωμένη θέση και σφίγγοντας τη λαβή καλά.

ΕΙΔΟΠΟΙΗΣΗ: Όταν γυρίζετε την περιστροφική βάση, να βεβαιώνετε ότι ανυψώνετε τη λαβή εντελώς.

1. Περιστρέψτε τη λαβή αριστερόστροφα. Στη συνέχεια, πατήστε παρατεταμένα τον μοχλό ασφάλισης σε μια ξεκλειδωτή θέση.
 2. Κρατήστε και κινήστε τη λαβή από τη μία πλευρά στην άλλη, για να περιστρέψετε την περιστροφική βάση.
 3. Ευθυγραμμίστε τον δείκτη με την επιθυμητή γωνία στην κλίμακα λοξής γωνίας.
 4. Απελευθερώστε τον μοχλό ασφάλισης και σφίξτε τη λαβή.
- **Εικ.25:** 1. Λαβή 2. Μοχλός ασφάλισης 3. Δείκτης 4. Κλίμακα λοξής γωνίας

Λειτουργία θετικής διακοπής

Αυτό το πριόνι λοξότμησης χρησιμοποιεί τη λειτουργία θετικής διακοπής. Μπορείτε να ρυθμίσετε γρήγορα δεξιά/αριστερή λοξή γωνία 0°, 15°, 22,5°, 31,6°, 45° και 60°.

1. Περιστρέψτε τη λαβή αριστερόστροφα.
2. Πατήστε παρατεταμένα τον μοχλό ασφάλισης σε

μια ξεκλειδωτή θέση.

3. Περιστρέψτε την περιστροφική βάση κοντά στην επιθυμητή γωνία θετικής διακοπής και απελευθερώστε τον μοχλό ασφάλισης.
 4. Γυρίστε την περιστροφική βάση στην επιθυμητή γωνία θετικής διακοπής μέχρι να ασφαλίσει.
 5. Σφίξτε τη λαβή.
- **Εικ.26:** 1. Λαβή 2. Μοχλός ασφάλισης 3. Γωνία θετικής διακοπής

ΠΑΡΑΤΗΡΗΣΗ: Για να απελευθερώσετε την περιστροφική βάση από τη λειτουργία θετικής διακοπής, πατήστε τον μοχλό απασφάλισης. Η περιστροφική βάση μπορεί να κινείται ελεύθερα χωρίς να πατάτε τον μοχλό ασφάλισης. Κινήστε τη λαβή για να περιστρέψετε την περιστροφική βάση στην επιθυμητή σας γωνία και, στη συνέχεια, σφίξτε τη λαβή.

► **Εικ.27:** 1. Μοχλός απασφάλισης

Ρύθμιση της κωνικής γωνίας

▲ ΠΡΟΣΟΧΗ: Αφού αλλάξετε την κωνική γωνία, να ασφαλίσετε πάντα τον βραχίονα σφίγγοντας το κουμπί στον στύλο ολίσθησης δεξιάστροφα.

ΕΙΔΟΠΟΙΗΣΗ: Να αφαιρείτε πάντα τους άνω φράχτες οδηγούς και την κάθete μέγγενη πριν ρυθμίσετε την κωνική γωνία.

ΕΙΔΟΠΟΙΗΣΗ: Όταν γέρνετε τη λάμα δισκοπρίονου, να φροντίζετε ώστε η κινητή βάση να είναι πλήρως ανυψωμένη.

ΕΙΔΟΠΟΙΗΣΗ: Όταν αλλάξετε κωνικές γωνίες, να βεβαιώνετε ότι επανατοποθετείτε τις σανίδες εγκοπών κατάλληλα όπως εξηγείται στην ενότητα για την τοποθέτηση των σανίδων εγκοπών.

ΕΙΔΟΠΟΙΗΣΗ: Μην σφίξτε πάρα πολύ σκληρά το κουμπί στον στύλο ολίσθησης. Αν το κάνετε αυτό, μπορεί να προκληθεί δυσλειτουργία του μηχανισμού ασφάλισης της κωνικής γωνίας.

Κλίση της λάμας δισκοπρίονου προς τα αριστερά

1. Περιστρέψτε το κουμπί στον στύλο ολίσθησης αριστερόστροφα.
- **Εικ.28:** 1. Κουμπί
2. Τραβήξτε και γυρίστε το μοχλό συγκράτησης στη θέση που απεικονίζεται.
- **Εικ.29:** 1. Μοχλός συγκράτησης
3. Κρατήστε τη λαβή και γείρετε την κινητή βάση προς τα αριστερά.
 4. Ευθυγραμμίστε τον δείκτη με την επιθυμητή γωνία στην κλίμακα κωνικής γωνίας.
 5. Σφίξτε το κουμπί δεξιάστροφα να ασφαλίσετε τον βραχίονα της κινητής βάσης.
- **Εικ.30:** 1. Κουμπί 2. Λαβή 3. Δείκτης 4. Κλίμακα κωνικής γωνίας

Κλίση της λάμας δισκοπρίονου προς τα δεξιά

1. Περιστρέψτε το κουμπί στον στύλο ολίσθησης αριστερόστροφα.
2. Κρατήστε τη λαβή και γείρετε την κινητή βάση λίγο προς τα αριστερά.
3. Γείρετε την κινητή βάση προς τα δεξιά ενώ πατάτε το κουμπί απασφάλισης για κωνική γωνία δεξιάς πλευράς.
4. Ευθυγραμμίστε τον δείκτη με την επιθυμητή γωνία στην κλίμακα κωνικής γωνίας.
5. Σφίξτε το κουμπί δεξιόστροφα να ασφαλίσετε τον βραχίονα της κινητής βάσης.
► **Εικ.31:** 1. Κουμπί 2. Λαβή 3. Κουμπί απασφάλισης για κωνική γωνία δεξιάς πλευράς 4. Κλίμακα κωνικής γωνίας

Κλίση της λάμας δισκοπρίονου με τη χρήση της λειτουργίας θετικής διακοπής

Αυτό το πριόνι λοξότμησης χρησιμοποιεί τη λειτουργία θετικής διακοπής. Μπορείτε να ρυθμίσετε γωνία 22,5° και 33,9° προς τα δεξιά και αριστερά γρήγορα.

1. Περιστρέψτε το κουμπί στον στύλο ολίσθησης αριστερόστροφα.
2. Γείρετε την κινητή βάση κοντά στην επιθυμητή σας γωνία θετικής διακοπής ενώ σηκώνετε τον μοχλό συγκράτησης προς τα πάνω.
3. Ρυθμίστε τον μοχλό συγκράτησης σε μια οριζόντια θέση.
4. Δώστε κλίση στην κινητή βάση στην επιθυμητή γωνία θετικής διακοπής μέχρι να ασφαλίσει.
5. Για να αλλάξετε τη γωνία, τραβήξτε τον μοχλό συγκράτησης προς το μπροστινό μέρος του εργαλείου και, στη συνέχεια, δώστε ξανά κλίση στην κινητή βάση.
6. Σφίξτε το κουμπί δεξιόστροφα να ασφαλίσετε τον βραχίονα της κινητής βάσης.
► **Εικ.32:** 1. Κουμπί 2. Μοχλός συγκράτησης

Κλίση της λάμας δισκοπρίονου πέρα από το εύρος 0° - 45°

1. Περιστρέψτε το κουμπί στον στύλο ολίσθησης αριστερόστροφα.
2. Κρατήστε τη λαβή και γείρετε την κινητή βάση μέσω 45° είτε αριστερά είτε δεξιά.
3. Τραβήξτε την κινητή βάση λίγο προς τα πίσω και ολίσθηστε τον μοχλό απασφάλισης για κωνική γωνία 48° προς το μπροστινό μέρος του εργαλείου.
4. Γείρετε την κινητή βάση περαιτέρω προς τα αριστερά ή δεξιά ενώ κρατάτε τον μοχλό απασφαλισμένους.
5. Σφίξτε το κουμπί δεξιόστροφα να ασφαλίσετε τον βραχίονα της κινητής βάσης.
► **Εικ.33:** 1. Κουμπί 2. Λαβή 3. Μοχλός απασφάλισης για κωνική γωνία 48°

Δράση διακόπτη

▲ΠΡΟΕΙΔΟΠΟΙΗΣΗ: Πριν τοποθετήσετε την(ις) κασέτα(ες) μπαταριών στο εργαλείο, να ελέγχετε πάντα ότι η σκανδάλη διακόπτης ενεργοποιείται κανονικά και επιστρέφει στη θέση απενεργοποίησης όταν ελευθερώνεται. Μην τραβάτε τη σκανδάλη διακόπτη δυνατά χωρίς να πατήσετε μέσα το κουμπί κλειδώματος. Αυτό μπορεί να προκαλέσει βλάβη του διακόπτη. Η λειτουργία ενός εργαλείου με διακόπτη ο οποίος δεν ενεργοποιείται κατάλληλα μπορεί να οδηγήσει σε απώλεια ελέγχου και σοβαρό τραυματισμό.

▲ΠΡΟΕΙΔΟΠΟΙΗΣΗ: Μη χρησιμοποιείτε ΠΟΤΕ εργαλείο χωρίς πλήρως λειτουργική σκανδάλη διακόπτη. Οποιοδήποτε εργαλείο με διακόπτη εκτός λειτουργίας είναι ΕΞΑΙΡΕΤΙΚΑ ΕΠΙΚΙΝΔΥΝΟ και απαιτείται η επισκευή του πριν από περαιτέρω χρήση, διαφορετικά μπορεί να προκληθεί σοβαρός προσωπικός τραυματισμός.

▲ΠΡΟΕΙΔΟΠΟΙΗΣΗ: Μην παρακάμπετε ΠΟΤΕ το κουμπί απασφάλισης συγκρατώντας το πιεσμένο με αυτοκόλλητη ταινία ή άλλο μέσο. Ένας διακόπτης με παραβιασμένο κουμπί απασφάλισης μπορεί να προκαλέσει ακούσια λειτουργία και σοβαρό ατομικό τραυματισμό.

▲ΠΡΟΕΙΔΟΠΟΙΗΣΗ: Μη χρησιμοποιείτε ΠΟΤΕ το εργαλείο αν μπορείτε να το θέσετε σε λειτουργία πιέζοντας απλά τη σκανδάλη διακόπτη, χωρίς να πατήσετε και το κουμπί απασφάλισης. Ένας διακόπτης που απαιτεί επισκευή μπορεί να προκαλέσει ακούσια λειτουργία και σοβαρό ατομικό τραυματισμό. Στείλτε το εργαλείο σε κέντρο εξυπηρέτησης της Makita για να το επισκευάσουν σωστά ΠΡΙΝ το χρησιμοποιήσετε ξανά.

- **Εικ.34:** 1. Σκανδάλη διακόπτης 2. Κουμπί κλειδώματος 3. Οπή λουκέτου

Για να εμποδιστεί το τυχαίο τράβηγμα της σκανδάλης διακόπτη, υπάρχει ένα κουμπί κλειδώματος. Για να ξεκινήσει το εργαλείο, πατήστε μέσα το κουμπί κλειδώματος και πατήστε τη σκανδάλη διακόπτη. Ελευθερώστε τη σκανδάλη διακόπτη για να σταματήσετε. Παρέχεται οπή στη σκανδάλη διακόπτη για την εισαγωγή λουκέτου, ώστε να επιτυγχάνεται κλειδωμά του εργαλείου.

▲ΠΡΟΕΙΔΟΠΟΙΗΣΗ: Μη χρησιμοποιείτε λουκέτο με στέλεχος ή συρματοσχοίνο με διάμετρο μικρότερη από 6,35 mm. Ένα μικρότερο στέλεχος ή συρματοσχοίνο μπορεί να μην ασφαλίσει κατάλληλα το εργαλείο στην ανενεργή θέση και μπορεί να προκαλέσει ανεπιθύμητη λειτουργία και πρόκληση σοβαρού τραυματισμού.

Δημιουργία γραμμής κοπής

⚠ ΠΡΟΣΟΧΗ: Η λυχνία δεν είναι αδιάβροχη. Μην πλένετε τη λυχνία με νερό και μην την χρησιμοποιείτε στη βροχή ή σε βρεγμένη περιοχή. Κάτι τέτοιο μπορεί να προκαλέσει ηλεκτροπληξία και αναθυμιάσεις.

⚠ ΠΡΟΣΟΧΗ: Μην αγγίζετε το φακό της λυχνίας επειδή είναι πολύ ζεστή ενόσω είναι αναμμένη ή λίγο αφού σβήσει. Μπορεί να προκληθούν εγκαύματα.

⚠ ΠΡΟΣΟΧΗ: Μην ασκείτε δύναμη στη λυχνία επειδή μπορεί να προκληθεί ζημιά σε αυτή ή να συντομεύσει η διάρκεια λειτουργίας της.

⚠ ΠΡΟΣΟΧΗ: Μην κοιτάζετε κατευθείαν μέσα στο φως ή στην πηγή φωτός.

Η λυχνία LED ρίχνει ένα φως πάνω στη λάμα δισκοπρίνου και μια σκιά της λάμας πέφτει στο τεμάχιο εργασίας, εξυπηρετώντας ως μια γραμμική ένδειξη κοπής χωρίς βαθμονόμηση. Πατήστε το κουμπί λυχνίας για να ρίξετε το φως. Εμφανίζεται η γραμμή στην οποία η λάμα θα συναντήσει την επιφάνεια του τεμαχίου εργασίας, η οποία θα γίνεται πιο βαθιά καθώς η λάμα χαμηλώνεται.

► **Εικ.35:** 1. Κουμπί λυχνίας 2. Λυχνία 3. Γραμμή κοπής

Η ένδειξη βοηθάει στην κοπή μιας υπάρχουσας γραμμής κοπής που έχει σχεδιαστεί με μολύβι σε ένα τεμάχιο εργασίας.

1. Κρατήστε τη λαβή και χαμηλώστε τη λάμα δισκοπρίνου, ώστε να πέσει μια πυκνή σκιά της λάμας επάνω στο τεμάχιο εργασίας.
2. Ευθυγραμμίστε μια γραμμή κοπής που έχει σχεδιαστεί στο τεμάχιο εργασίας με τη γραμμή κοπής από τη σκιά.
3. Ρυθμίστε τις λοξές γωνίες και τις κωνικές γωνίες, αν απαιτείται.

ΠΑΡΑΤΗΡΗΣΗ: Κλείστε οπωσδήποτε τον διακόπτη λυχνίας μετά τη χρήση, επειδή το φως καταναλώνει την ενέργεια της μπαταρίας όταν είναι αναμμένο.

ΠΑΡΑΤΗΡΗΣΗ: Το φως σβήνει αυτόματα 5 λεπτά αφού διακόψετε τη λειτουργία.

Ηλεκτρονική λειτουργία

Ηλεκτρικό φρένο

Το εργαλείο αυτό είναι εξοπλισμένο με ηλεκτρικό φρένο λάμας. Αν το εργαλείο αποτυγχάνει συνεχώς να διακόπτει γρήγορα τη λειτουργία αφού αφήνετε τη σκανδάλη διακόπτη, ζητήστε την επισκευή του εργαλείου από κέντρο εξυπηρέτησης της Makita.

⚠ ΠΡΟΣΟΧΗ: Το σύστημα φρεναρίσματος λάμας δεν αντικαθιστά το προφυλακτήρα λάμας. Μην χρησιμοποιήσετε ποτέ το εργαλείο χωρίς λειτουργικό προφυλακτήρα λάμας. Μια απροσäumτη λάμα μπορεί να προκαλέσει σοβαρό προσωπικό τραυματισμό.

Έλεγχος σταθερής ταχύτητας

Το εργαλείο παρέχεται με ηλεκτρονικό έλεγχο ταχύτητας που βοηθάει στη διατήρηση μιας σταθερής ταχύτητας περιστροφής λάμας ακόμη και υπό φόρτο. Μια σταθερή ταχύτητα περιστροφής λάμας θα έχει ως αποτέλεσμα μια πολύ ομαλή κοπή.

Δυνατότητα ομαλής έναρξης

Αυτή η λειτουργία επιτρέπει την ομαλή έναρξη του εργαλείου αφού περιορίζεται η ροπή εκκίνησης.

ΣΥΝΑΡΜΟΛΟΓΗΣΗ

⚠ ΠΡΟΕΙΔΟΠΟΙΗΣΗ: Πάντοτε να βεβαιώνετε ότι το εργαλείο είναι σβηστό και η κασέτα μπαταριών έχει αφαιρεθεί πριν εργαστείτε με το εργαλείο. Η μη απενεργοποίηση και αφαίρεση της κασέτας μπαταριών μπορεί να καταλήξει σε σοβαρό τραυματισμό.

Φύλαξη εξαγωνικού κλειδιού

Όταν δεν χρησιμοποιείτε το εξαγωνικό κλειδί, αποθηκεύστε το όπως απεικονίζεται, για να μην το χάσετε.

► **Εικ.36:** 1. Εξαγωνικό κλειδί

Αφαίρεση ή τοποθέτηση λάμας πριονιού

⚠ ΠΡΟΕΙΔΟΠΟΙΗΣΗ: Να φροντίζετε πάντα ώστε το εργαλείο να έχει απενεργοποιηθεί και η κασέτα μπαταριών να έχει αφαιρεθεί πριν από την αφαίρεση και την τοποθέτηση της λάμας δισκοπρίνου. Η τυχαία εκκίνηση του εργαλείου μπορεί να καταλήξει σε σοβαρό τραυματισμό.

⚠ ΠΡΟΕΙΔΟΠΟΙΗΣΗ: Να χρησιμοποιείτε μόνο το παρεχόμενο κλειδί της Makita για να αφαιρέτε και να τοποθετείτε τη λάμα δισκοπρίνου. Η μη χρήση του κλειδιού μπορεί να καταλήξει σε υπερβολικό σφίξιμο ή ανεπαρκές σφίξιμο του μπουλονιού εξαγωνικού κοιλώματος και σοβαρό τραυματισμό.

⚠ ΠΡΟΕΙΔΟΠΟΙΗΣΗ: Μη χρησιμοποιείτε ποτέ και μην υποκαθιστάτε εξαρτήματα που δεν παρέχονται με το εργαλείο αυτό. Η χρήση τέτοιων εξαρτημάτων μπορεί να προκληθεί σοβαρός προσωπικός τραυματισμός.

⚠ ΠΡΟΕΙΔΟΠΟΙΗΣΗ: Μετά την τοποθέτηση της λάμας δισκοπρίνου, να βεβαιώνετε πάντα ότι έχει τοποθετηθεί με ασφάλεια. Η χαλαρή προσάρτηση της λάμας δισκοπρίνου μπορεί να προκαλέσει σοβαρό προσωπικό τραυματισμό.

Αφαίρεση της λάμας

Για να αφαιρέσετε τη λάμα δισκοπρίνου, εκτελέστε τα ακόλουθα βήματα:

1. Ασφαλίστε την κινητή βάση στην ανυψωμένη θέση τραβώντας και περιστρέφοντας τον ανασταλτικό πείρο σε μια κλειδωμένη θέση.

► **Εικ.37:** 1. Ανασταλτικό πείρος 2. Ξεκλειδωτή θέση

3. Κλειδωμένη θέση

2. Χρησιμοποιήστε το εξαγωνικό κλειδί για να χαλαρώσετε το εξαγωνικό μπουλόνι που κρατάει το κάλυμμα κέντρου. Μετά, σηκώστε τον προφυλακτήρα λάμας και το κάλυμμα κέντρου.

► **Εικ.38:** 1. Εξαγωνικό κλειδί 2. Εξαγωνικό μπουλόνι 3. Κάλυμμα κέντρου 4. Προφυλακτήρας λάμας

3. Πατήστε την ασφάλιση άξονα για να κλειδώσετε τον αξονίσκο και χρησιμοποιήστε το εξαγωνικό κλειδί για να χαλαρώσετε το μπουλόνι εξαγωνικού κοιλώματος δεξιάστροφα. Μετά, αφαιρέστε το μπουλόνι εξαγωνικού κοιλώματος, την εξωτερική φλάντζα και τη λάμα δισκοπρίονου.

► **Εικ.39:** 1. Μπουλόνι εξαγωνικού κοιλώματος (αριστερόστροφο σπείρωμα) 2. Εξωτερική φλάντζα 3. Ασφάλιση άξονα

4. Αν η εσωτερική φλάντζα αφαιρεθεί, εγκαταστήστε τη στον αξονίσκο με την πλευρά με κοίλωμα στραμμένη προς τη λάμα δισκοπρίονου. Σε περίπτωση εσφαλμένης τοποθέτησης της φλάντζας, αυτό θα τριβεται πάνω στο μηχανήμα.

► **Εικ.40:** 1. Εξαγωνικό μπουλόνι (αριστερόχειρο) 2. Εξωτερική φλάντζα 3. Λάμα δισκοπρίονου 4. Δακτύλιος 5. Εσωτερική φλάντζα 6. Αξονίσκος 7. Πλευρά με κοίλωμα

Τοποθέτηση λάμας

▲ΠΡΟΕΙΔΟΠΟΙΗΣΗ: Πριν στερεώσετε τη λάμα στον αξονίσκο, να βεβαιώνετε πάντα ότι έχει τοποθετηθεί ο σωστός δακτύλιος για την οπή ατράκτου της λάμας που σκοπεύετε να χρησιμοποιήσετε, μεταξύ της εσωτερικής και εξωτερικής φλάντζας. Η χρήση εσφαλμένου δακτυλίου για την οπή ατράκτου μπορεί να καταλήξει σε εσφαλμένη στερέωση της λάμας προκαλώντας κίνηση της λάμας και σοβαρό κραδασμό με αποτέλεσμα πιθανή απώλεια ελέγχου κατά τη διάρκεια της λειτουργίας και σοβαρό προσωπικό τραυματισμό.

▲ΠΡΟΣΟΧΗ: Βεβαιωθείτε να τοποθετήσετε τη λάμα δισκοπρίονου με τρόπο ώστε η κατεύθυνση του βέλους στη λάμα να ταιριάζει με αυτή στη θήκη λάμας. Η μη συμμόρφωση μπορεί να έχει ως αποτέλεσμα προσωπικό τραυματισμό και να προκαλέσει ζημία στο εργαλείο ή/και στο τεμάχιο εργασίας.

Για να τοποθετήσετε τη λάμα δισκοπρίονου, εκτελέστε τα ακόλουθα βήματα:

1. Στερεώστε τη λάμα δισκοπρίονου προσεκτικά πάνω στην εσωτερική φλάντζα. Βεβαιωθείτε ότι η κατεύθυνση του βέλους στη λάμα δισκοπρίονου ταιριάζει στην κατεύθυνση του βέλους στη θήκη λάμας.

► **Εικ.41:** 1. Βέλος στη θήκη λάμας 2. Βέλος στη λάμα δισκοπρίονου

2. Τοποθετήστε την εξωτερική φλάντζα και το μπουλόνι εξαγωνικού κοιλώματος και μετά χρησιμοποιήστε το εξαγωνικό κλειδί για να σφίξετε το μπουλόνι εξαγωνικού κοιλώματος αριστερόστροφα με ασφάλεια ενώ πιέζετε την ασφάλιση άξονα.

► **Εικ.42:** 1. Μπουλόνι εξαγωνικού κοιλώματος (αριστερόστροφο) 2. Εξωτερική φλάντζα 3. Λάμα δισκοπρίονου 4. Δακτύλιος

5. Εσωτερική φλάντζα 6. Αξονίσκος

7. Πλευρά με κοίλωμα

3. Επαναφέρετε τον προφυλακτήρα λάμας και κάλυμμα κέντρου στην αρχική τους θέση. Μετά, σφίξτε το εξαγωνικό μπουλόνι δεξιάστροφα για να ασφαλίσετε το κάλυμμα κέντρου.

4. Τραβήξτε και περιστρέψτε τον ανασταλτικό πείρο σε μια ξεκλειδωτή θέση για να απελευθερώσετε την κινητή βάση από την ανυψωμένη θέση. Χαμηλώστε την κινητή βάση και ελέγξτε ότι ο προφυλακτήρας λάμας κινείται σωστά.

▲ΠΡΟΣΟΧΗ: Βεβαιωθείτε ότι η ασφάλιση άξονα έχει απελευθερώσει τον αξονίσκο πριν κάνετε την κοπή.

Σύνδεση με ηλεκτρική σκούπα

Όταν θέλετε να εκτελέσετε την εργασία κοπής καθαρά, συνδέστε μια ηλεκτρική σκούπα Makita στο ακροφύσιο σκόνης (άνω θύρα σκόνης) χρησιμοποιώντας μπροστινό στόμιο 24 (προαιρετικό εξάρτημα).

► **Εικ.43:** 1. Μπροστινά στόμια 24 2. Εύκαμπτος σωλήνας 3. Ηλεκτρική σκούπα

Σάκος σκόνης

▲ΠΡΟΣΟΧΗ: Όταν εκτελείται μια κοπή, να συνδέετε πάντα τον σάκο σκόνης ή να συνδέετε ηλεκτρική σκούπα ώστε να αποφεύγετε τους κινδύνους που σχετίζονται με τη σκόνη.

Η χρήση του σάκου σκόνης καθιστά καθαρές τις λειτουργίες κοπής και εύκολη τη συλλογή της σκόνης. Για να συνδέσετε το σάκο σκόνης, αφαιρέστε τον εύκαμπτο σωλήνα εξαγωγής σκόνης από το εργαλείο και συνδέστε το σάκο σκόνης στο ακροφύσιο σκόνης (άνω θύρα σκόνης).

► **Εικ.44:** 1. Εύκαμπτος σωλήνας εξαγωγής σκόνης 2. Σάκος σκόνης 3. Ακροφύσιο σκόνης (άνω θύρα σκόνης)

Όταν ο σάκος σκόνης είναι περίπου μισογεμάτος, αφαιρέστε τον από το εργαλείο και τραβήξτε τον προσδετήρα έξω. Αδειάστε τον σάκο σκόνης από τα περιεχόμενά του, χτυπήστε τον ελαφρά έτσι ώστε να αφαιρεθούν τα σωματίδια που είναι κολλημένα από μέσα και μπορεί να εμποδίζουν την περαιτέρω συλλογή.

► **Εικ.45:** 1. Προσδετήρας

Ασφάλιση του τεμαχίου εργασίας

▲ ΠΡΟΕΙΔΟΠΟΙΗΣΗ: Είναι εξαιρετικά σημαντικό να ασφαρίζετε πάντα το τεμάχιο εργασίας σωστά με μέγγενη κατάλληλου τύπου ή με αναστολές ανάγλυφης μόρφωσης στέψης. Η μη συμμόρφωση μπορεί να καταλήξει σε σοβαρό τραυματισμό και να προκαλέσει ζημιά στο εργαλείο ή/και στο τεμάχιο εργασίας.

▲ ΠΡΟΕΙΔΟΠΟΙΗΣΗ: Κατά την κοπή ενός τεμαχίου εργασίας με μήκος μεγαλύτερο από εκείνο της βάσης στήριξης του πριονιού λοξότμησης, στηρίξτε ολόκληρο το μήκος του υλικού πέραν της βάσης στήριξης, ώστε το υλικό να παραμένει σε οριζόντια θέση. Η κατάλληλη στήριξη του τεμαχίου εργασίας διευκολύνει στο να αποτρέπεται η σύσφιξη της λάμας και ενδεχόμενο κλότσημα που μπορεί να καταλήξει σε πρόκληση σοβαρού τραυματισμού. Μη βασίζεστε αποκλειστικά στην κάθετη ή/και οριζόντια μέγγενη για να ασφαλίσετε το τεμάχιο εργασίας. Τα λεπτά υλικά έχουν την τάση να λυγίζουν. Υποστηρίξτε το τεμάχιο εργασίας καθ' όλο το μήκος του για να αποφύγετε τσίμπημα της λάμας και πιθανό ΚΛΟΤΣΗΜΑ.

► **Εικ.46:** 1. Υποστήριξη 2. Περιστροφική βάση

Φράχτες οδηγού

▲ ΠΡΟΕΙΔΟΠΟΙΗΣΗ: Πριν θέσετε το εργαλείο σε λειτουργία, βεβαιωθείτε ότι ο άνω φράχτης είναι ασφαλισμένος σταθερά.

▲ ΠΡΟΕΙΔΟΠΟΙΗΣΗ: Πριν την κωνική κοπή, βεβαιωθείτε ότι κανένα μέρος του εργαλείου, ειδικά η λάμα πριονιού, δεν έρχεται σε επαφή με τον άνω και κάτω φράχτη όταν χαμηλώνετε και ανυψώνετε εντελώς τη λαβή σε οποιαδήποτε θέση καθώς και όταν μετακινείτε την κινητή βάση σε ολόκληρη τη διαδρομή κίνησής της. Αν το εργαλείο ή η λάμα έρθει σε επαφή με το φράχτη, μπορεί να προκληθεί κλότσημα ή απρόσμενη κίνηση του υλικού και σοβαρός προσωπικός τραυματισμός.

Χρησιμοποιήστε άνω φράχτες για να στηρίξετε το υλικό υψηλότερα από τους κάτω φράχτες. Εισαγάγετε τον άνω φράχτη μέσα στην οπή στον κάτω φράχτη και σφίξτε τη βίδα συγκράτησης.

► **Εικ.47:** 1. Άνω φράχτης 2. Κάτω φράχτης 3. Βίδα συγκράτησης 4. Ρυθμιστική βίδα

ΕΙΔΟΠΟΙΗΣΗ: Οι κάτω φράχτες είναι στερεωμένοι στη βάση από το εργοστάσιο. Μην αφαιρέσετε τους κάτω φράχτες.

ΕΙΔΟΠΟΙΗΣΗ: Αν ο άνω φράχτης είναι ακόμη χαλαρός μετά το σφίξιμο της βίδας συγκράτησης, περιστρέψτε τη ρυθμιστική βίδα για να κλείσετε ένα κενό. Η ρυθμιστική βίδα είναι εργοστασιακά ρυθμισμένη. Δεν χρειάζεται να τη χρησιμοποιήσετε αν δεν απαιτείται.

Όταν δεν χρησιμοποιείτε τον άνω φράχτη, μπορείτε να τον αποθηκεύσετε στο σωλήνα της βοηθητικής βάσης. Χρησιμοποιήστε το κλιπ στον άνω φράχτη για να τον συγκρατήσετε στο σωλήνα της βοηθητικής βάσης.

► **Εικ.48:** 1. Βοηθητική βάση 2. Άνω φράχτης 3. Κλιπ

Κάθετη μέγγενη

▲ ΠΡΟΕΙΔΟΠΟΙΗΣΗ: Το τεμάχιο εργασίας πρέπει να ασφαρίζεται σταθερά στην περιστροφική βάση και στο φράχτη οδηγό με την μέγγενη κατά τη διάρκεια όλων των εργασιών. Αν το τεμάχιο εργασίας δεν είναι σωστά ασφαλισμένο επάνω στο φράχτη, το υλικό μπορεί να μετακινηθεί κατά τη διάρκεια της εργασίας κοπής προκαλώντας πιθανή ζημιά στη λάμα πριονιού, εκτόξευση του υλικού και απώλεια ελέγχου, γεγονός που μπορεί να έχει ως αποτέλεσμα σοβαρό προσωπικό τραυματισμό.

Η κάθετη μέγγενη μπορεί να τοποθετηθεί είτε στην αριστερή είτε στη δεξιά πλευρά της βάσης και της βοηθητικής βάσης. Εισαγάγετε τη ράβδο μέγγενης στην οπή στη βάση ή στη βοηθητική βάση.

► **Εικ.49:** 1. Κάθετη μέγγενη 2. Οπή για κάθετη μέγγενη 3. Βοηθητική βάση 4. Βάση

► **Εικ.50:** 1. Βραχίονας μέγγενης 2. Ράβδος μέγγενης 3. Βίδα συγκράτησης 4. Κουμπί μέγγενης

Τοποθετήστε τον βραχίονα μέγγενης ανάλογα με το πάχος και το σχήμα του τεμαχίου εργασίας και ασφαλίστε τον βραχίονα μέγγενης σφίγγοντας τη βίδα. Αν η βίδα συγκράτησης έρθει σε επαφή με την κινητή βάση, εγκαταστήστε την κάθετη μέγγενη στη βοηθητική βάση ή στην απαντανί πλευρά στη βάση. Βεβαιωθείτε ότι κανένα μέρος του εργαλείου δεν έχει έρθει σε επαφή με τη μέγγενη όταν χαμηλώνετε εντελώς τη λαβή. Αν κάποιο μέρος έχει έρθει σε επαφή, επανατοποθετήστε την μέγγενη.

Πιέστε το τεμάχιο εργασίας επίπεδα επί του φράχτη οδηγού και της περιστροφικής βάσης. Τοποθετήστε το τεμάχιο εργασίας στην επιθυμητή θέση κοπής και ασφαλίστε το σταθερά σφίγγοντας το κουμπί της μέγγενης.

ΠΑΡΑΤΗΡΗΣΗ: Για μια γρήγορη ρύθμιση του τεμαχίου εργασίας, αν γυρίστε το κουμπί μέγγενης κατά 90° αριστερόστροφα, το κουμπί μέγγενης μπορεί να μετακινηθεί πάνω και κάτω. Για να ασφαλίσετε το τεμάχιο εργασίας μετά τη ρύθμιση, γυρίστε το κουμπί μέγγενης δεξιόστροφα.

Οριζόντια μέγγενη

Προαιρετικό εξάρτημα

▲ ΠΡΟΕΙΔΟΠΟΙΗΣΗ: Να περιστρέψετε πάντα το παζιμάδι μέγγενης δεξιόστροφα μέχρι το τεμάχιο εργασίας να είναι κατάλληλα ασφαλισμένο. Αν το τεμάχιο εργασίας δεν είναι σωστά ασφαλισμένο, το υλικό μπορεί να μετακινηθεί κατά τη διάρκεια της εργασίας κοπής προκαλώντας πιθανή ζημιά στη λάμα δισκοπριονίου, εκτόξευση του υλικού και απώλεια ελέγχου, γεγονός που μπορεί να έχει ως αποτέλεσμα σοβαρό προσωπικό τραυματισμό.

▲ ΠΡΟΕΙΔΟΠΟΙΗΣΗ: Όταν εκτελείτε κοπή σε ένα λεπτό τεμάχιο εργασίας, όπως σοβατεπί, επάνω στο φράχτη, να χρησιμοποιείτε πάντα την οριζόντια μέγγενη.

▲ ΠΡΟΣΟΧΗ: Όταν κόβετε το τεμάχιο εργασίας σε πάχος 20 mm ή μικρότερο, βεβαιωθείτε να χρησιμοποιείτε τάκο ρύθμισης απόστασης για να ασφαλίσετε το τεμάχιο εργασίας.

Η οριζόντια μέγγενη μπορεί να τοποθετηθεί είτε στην αριστερή είτε στη δεξιά πλευρά της βάσης. Όταν εκτελείτε λοξές κοπές 22,5° ή μεγαλύτερες, τοποθετήστε την οριζόντια μέγγενη στην πλευρά αντίθετα από την κατεύθυνση που πρόκειται να περιστραφεί η περιστροφητική βάση.

► **Εικ.51:** 1. Πλάκα μέγγενης 2. Παξιμάδι μέγγενης 3. Κουμπί μέγγενης

Αν αναστρέψετε το παξιμάδι μέγγενης αριστερόστροφα, η μέγγενη απελευθερώνεται και μετακινείται γρήγορα προς τα μέσα και έξω. Για να συγκρατήσετε το τεμάχιο εργασίας, στρώστε το κουμπί μέγγενης προς τα εμπρός μέχρι η πλάκα μέγγενης να έρθει σε επαφή με το τεμάχιο εργασίας και μετά αναστρέψτε το παξιμάδι μέγγενης δεξιόστροφα. Μετά, περιστρέψτε το κουμπί μέγγενης δεξιόστροφα για να ασφαλίσετε το τεμάχιο εργασίας.

ΠΑΡΑΤΗΡΗΣΗ: Το μέγιστο πλάτος του τεμαχίου εργασίας που μπορεί να ασφαλιστεί από την οριζόντια μέγγενη είναι 228 mm.

Βοηθητική βάση

ΠΡΟΕΙΔΟΠΟΙΗΣΗ: Να φροντίζετε πάντα για τη στήριξη ενός τεμαχίου εργασίας μεγάλου μήκους, ώστε να παραμένει σε οριζόντια θέση στην άνω επιφάνεια της περιστροφικής βάσης για να επιτυγχάνεται κοπή με ακρίβεια και να αποτρέπεται επικίνδυνη απώλεια ελέγχου του εργαλείου. Η κατάλληλη στήριξη του τεμαχίου εργασίας θα διευκολύνει ώστε να αποτραπεί η σύσφιξη της λάμας και το ενδεχόμενο κλότσημα που μπορεί να καταλήξει σε πρόκληση σοβαρού τραυματισμού.

ΠΡΟΕΙΔΟΠΟΙΗΣΗ: Πριν τη λειτουργία κοπής, να βεβαιώνετε πάντα ότι οι βοηθητικές βάσεις είναι ασφαλισμένες με τις βίδες.

Για να κρατάτε μακριά τεμάχια εργασίας οριζόντια, παρέχονται βοηθητικές βάσεις και στις δύο πλευρές του εργαλείου. Χαλαρώστε τις βίδες και επεκτείνετε τις βοηθητικές βάσεις στο κατάλληλο μήκος για τη συγκράτηση του τεμαχίου εργασίας. Μετά, σφίξτε τις βίδες.

► **Εικ.52:** 1. Βοηθητική βάση 2. Βίδα

Κατά την κοπή, τοποθετήστε το τεμάχιο εργασίας επίπεδα επάνω στο φράχτη οδηγό και τον βοηθητικό φράχτη επάνω στη βοηθητική βάση.

► **Εικ.53:** 1. Φράχτης οδηγός 2. Βοηθητικός φράχτης 3. Βοηθητική βάση

ΛΕΙΤΟΥΡΓΙΑ

Το εργαλείο αυτό προορίζεται για την κοπή ξύλινων προϊόντων. Με κατάλληλες γνήσιες λάμες πριονιού της Makita, μπορείτε να πριονίσετε και τα ακόλουθα υλικά:

— Αλουμινένια προϊόντα

Ανατρέξτε στον ιστότοπό μας ή επικοινωνήστε με τον τοπικό σας αντιπρόσωπο της Makita για τις σωστές κυκλικές λάμες πριονιού για χρήση με το υλικό προς κοπή.

ΠΡΟΕΙΔΟΠΟΙΗΣΗ: Βεβαιωθείτε ότι η λάμα πριονιού δεν έχει έρθει σε επαφή με το τεμάχιο εργασίας, κτλ., πριν ενεργοποιήσετε το εργαλείο. Η ενεργοποίηση του εργαλείου όταν η λάμα είναι σε επαφή με το τεμάχιο εργασίας μπορεί να καταλήξει σε κλότσημα και την πρόκληση σοβαρού τραυματισμού.

ΠΡΟΕΙΔΟΠΟΙΗΣΗ: Μετά το πέρας της εργασίας κοπής, μην ανυψώσετε τη λάμα πριονιού αν δεν έχει ακινητοποιηθεί πλήρως. Η ανύψωση μιας λάμας που συνεχίζει να περιστρέφεται εξ αδρανείας μπορεί να καταλήξει σε σοβαρό τραυματισμό και στην πρόκληση ζημίας στο τεμάχιο εργασίας.

ΠΡΟΕΙΔΟΠΟΙΗΣΗ: Μην εκτελείτε καμία ρύθμιση, όπως περιστροφή της λαβής, του κουμπιού και των μοχλών, στο εργαλείο ενώ περιστρέφεται η λάμα πριονιού. Οποιαδήποτε ρύθμιση ενώ περιστρέφεται η λάμα μπορεί να έχει ως αποτέλεσμα σοβαρό προσωπικό τραυματισμό.

ΠΡΟΣΟΧΗ: Μην αφήσετε την κεφαλή πριονιού χωρίς έλεγχο από την τέρμα θέση. Μια κεφαλή πριονιού χωρίς έλεγχο μπορεί να σας χτυπήσει και θα έχει ως αποτέλεσμα προσωπικό τραυματισμό.

ΕΙΔΟΠΟΙΗΣΗ: Πριν τη χρήση, βεβαιωθείτε να ασφαλίσετε τον ανασταλτικό πείρο και να απελευθερώσετε τη λαβή από την κάτω θέση.

ΕΙΔΟΠΟΙΗΣΗ: Μην εφαρμόζετε υπερβολική πίεση στη λαβή όταν κόβετε. Η υπερβολική δύναμη μπορεί να έχει ως αποτέλεσμα υπερφόρτωση του κινητήρα ή/και μειωμένη επάρκεια κοπής. Πιέστε τη λαβή μόνο με όση δύναμη είναι απαραίτητη για απαλή κοπή και χωρίς σημαντική μείωση στην ταχύτητα της λάμας.

ΕΙΔΟΠΟΙΗΣΗ: Πιέστε προς τα κάτω απαλά τη λαβή για να πραγματοποιήσετε την κοπή. Εάν η λαβή πιεστεί κάτω με δύναμη ή εάν εφαρμοστεί πλευρική δύναμη, η λάμα θα δονείται και θα αφήσει κάποιο σημάδι (σημάδι πριονιού) στο τεμάχιο εργασίας και η ακρίβεια της κοπής θα ελαττωθεί.

ΕΙΔΟΠΟΙΗΣΗ: Κατά τη διάρκεια ολισθητικής κοπής, στρώστε απαλά την κινητή βάση προς το φράχτη οδηγό χωρίς να σταματήσετε. Αν η κίνηση της κινητής βάσης διακοπεί κατά την κοπή, ένα σημάδι θα μείνει στο τεμάχιο εργασίας και η ακρίβεια της κοπής θα ελαττωθεί.

Κοπή πίεσης

ΠΡΟΕΙΔΟΠΟΙΗΣΗ: Να ασφαλίσετε πάντα την ολισθαίνουσα κίνηση της κινητής βάσης όταν εκτελείτε κοπή πίεσης. Αν πραγματοποιήσετε κοπή χωρίς ασφάλιση, μπορεί να προκληθεί πιθανό κλότσημα με αποτέλεσμα σοβαρό προσωπικό τραυματισμό.

Τεμάχια εργασίας μέχρι ύψος 92 mm και πλάτος 183 mm μπορούν να κοπούν με τον ακόλουθο τρόπο.

► **Εικ.54:** 1. Ανασταλτικός πείρος

1. Στρώστε την κινητή βάση προς τον φράχτη οδηγό μέχρι να σταματήσει και ασφαλίστε την με τον

ανασταλτικό πείρο.

2. Ασφαλίστε το τεμάχιο εργασίας με μέγγενη κατάλληλου τύπου.
3. Ανάψτε το εργαλείο χωρίς η λάμα δισκοπρίονου να έρχεται σε καμιά επαφή και περιμένετε μέχρι η λάμα δισκοπρίονου να αποκτήσει πλήρη ταχύτητα πριν τη χαμηλώσετε.
4. Χαμηλώστε απαλά τη λαβή στην κατώτερη δυνατή θέση για να κόψετε το τεμάχιο εργασίας.
5. Όταν ολοκληρωθεί η κοπή, σβήστε το εργαλείο και περιμένετε μέχρι η λάμα δισκοπρίονου να έχει ακινητοποιηθεί τελείως πριν επιστρέψετε τη λάμα δισκοπρίονου στην πλήρως ανυψωμένη θέση της.

Κοπή ολίσθησης (ώθησης) (κοπή τεμαχίων εργασίας μεγάλου πλάτους)

▲ ΠΡΟΕΙΔΟΠΟΙΗΣΗ: Κάθε φορά που εκτελείτε ολισθητική κοπή, τραβήξτε πρώτα την κινητή βάση προς το μέρος σας και πιέστε τη λαβή πλήρως προς τα κάτω, στη συνέχεια ωθήστε την κινητή βάση προς το φράχτη οδηγό. Μην αρχίζετε ποτέ την κοπή, εάν δεν έχετε τραβήξει πλήρως την κινητή βάση προς το μέρος σας. Εάν εκτελέσετε την ολισθητική κοπή χωρίς να έχετε τραβήξει την κινητή βάση πλήρως προς το μέρος σας, μπορεί να προκληθεί μη αναμενόμενο κλότσημα και κατά συνέπεια σοβαρός τραυματισμός.

▲ ΠΡΟΕΙΔΟΠΟΙΗΣΗ: Μην επιχειρήσετε ποτέ να εκτελέσετε ολισθητική κοπή τραβώντας την κινητή βάση προς το μέρος σας. Εάν τραβήξετε την κινητή βάση προς το μέρος σας στη διάρκεια της κοπής, μπορεί να προκληθεί μη αναμενόμενο κλότσημα με αποτέλεσμα σοβαρό τραυματισμό.

▲ ΠΡΟΕΙΔΟΠΟΙΗΣΗ: Ποτέ μην εκτελείτε την ολισθητική κοπή με τη λαβή κλειδωμένη στη χαμηλωμένη θέση.

► **Εικ.55:** 1. Ανασταλτικό πείρο

1. Απασφαλίστε τον ανασταλτικό πείρο για να ολισθαίνει ελεύθερα η κινητή βάση.
2. Ασφαλίστε το τεμάχιο εργασίας με μέγγενη κατάλληλου τύπου.
3. Τραβήξτε την κινητή βάση προς το μέρος σας πλήρως.
4. Ανάψτε το εργαλείο χωρίς η λάμα πριονιού να έρχεται σε επαφή καμιά επαφή και περιμένετε μέχρι η λάμα πριονιού να αποκτήσει πλήρη ταχύτητα.
5. Πατήστε προς τα κάτω τη λαβή και τραβήξτε την κινητή βάση προς το φράχτη οδηγό και μέσα από το τεμάχιο εργασίας.
6. Όταν ολοκληρωθεί η κοπή, σβήστε το εργαλείο και περιμένετε μέχρι η λάμα πριονιού να έχει ακινητοποιηθεί τελείως πριν επιστρέψετε τη λάμα στην πλήρως αυξημένη θέση της.

Λοξή κοπή

Ανατρέξτε στην ενότητα για τη ρύθμιση της λοξής γωνίας.

Κωνική κοπή

▲ ΠΡΟΕΙΔΟΠΟΙΗΣΗ: Μόλις ρυθμίσετε τη λάμα για κωνική κοπή, βεβαιωθείτε ότι η κινητή βάση και η λάμα πριονιού μπορούν να κινηθούν ελεύθερα σε ολόκληρο το εύρος της προοριζόμενης κοπής πριν θέσετε το εργαλείο σε λειτουργία. Τυχόν παρεμπόδιση της διαδρομής της κινητής βάσης ή της λάμας κατά την εργασία κοπής μπορεί να καταλήξει σε κλότσημα και σοβαρό τραυματισμό.

▲ ΠΡΟΕΙΔΟΠΟΙΗΣΗ: Όταν πραγματοποιείτε κωνική κοπή, φροντίστε ώστε να χέρια σας να μη βρίσκονται στη διαδρομή της λάμας πριονιού. Η γωνία της λάμας μπορεί να προκαλέσει αβεβαιότητα στο χειριστή όσον αφορά την πραγματική διαδρομή της λάμας κατά την κοπή και οποιαδήποτε επαφή με τη λάμα θα προκαλέσει σοβαρό προσωπικό τραυματισμό.

▲ ΠΡΟΕΙΔΟΠΟΙΗΣΗ: Απαγορεύεται η ανύψωση της λάμας πριονιού, αν δεν ακινητοποιηθεί πρώτα η λάμα. Κατά την εκτέλεση κωνικής κοπής, το τεμάχιο που αποκόπεται μπορεί να ακουμπήσει επάνω στη λάμα πριονιού. Αν η λάμα ανυψωθεί ενώ ακόμη περιστρέφεται, το τεμάχιο που έχει αποκοπεί μπορεί να εκτιναχθεί κατά την επαφή με τη λάμα προκαλώντας διάλυση του τεμαχίου σε θραύσματα τα οποία μπορεί να προκαλέσουν σοβαρό προσωπικό τραυματισμό.

ΕΙΔΟΠΟΙΗΣΗ: Όταν πατάτε κάτω τη λαβή, εφαρμόστε πίεση παράλληλα της λάμας. Εάν μια δύναμη εφαρμοστεί κάθετα στην περιστροφική βάση ή εάν η διεύθυνση της πίεσης αλλάξει κατά τη διάρκεια της κοπής, η ακρίβεια της κοπής θα ελαττωθεί.

► **Εικ.56**

1. Αφαιρέστε τον άνω φράχτη στην πλευρά που πρόκειται να γείρετε την κινητή βάση.
2. Απασφαλίστε τον ανασταλτικό πείρο.
3. Ρυθμίστε την κωνική γωνία σύμφωνα με τη διαδικασία που περιγράφεται στην ενότητα για τη ρύθμιση της κωνικής γωνίας. Μετά, σφίξτε το κουμπί.
4. Ασφαλίστε το τεμάχιο εργασίας με μια μέγγενη.
5. Τραβήξτε την κινητή βάση πλήρως προς το μέρος σας.
6. Ανάψτε το εργαλείο χωρίς η λάμα να κάνει καμιά επαφή και περιμένετε μέχρι η λάμα να αποκτήσει πλήρη ταχύτητα.
7. Χαμηλώστε αργά τη λαβή μέχρι την πλήρως χαμηλωμένη θέση ενώ ασκείτε πίεση παράλληλα με τη λάμα και **σπρώξτε την κινητή βάση προς το φράχτη οδηγό για να κόψετε το τεμάχιο εργασίας.**
8. Όταν ολοκληρωθεί η κοπή, σβήστε το εργαλείο και περιμένετε μέχρι η λάμα να έχει ακινητοποιηθεί τελείως πριν επιστρέψετε τη λάμα στην πλήρως αυξημένη θέση της.

Σύνθετη κοπή

Η σύνθετη κοπή είναι η διαδικασία κατά την οποία μια κωνική γωνία γίνεται την ίδια στιγμή που μια λοξή γωνία κόβεται σε ένα τεμάχιο εργασίας. Η σύνθετη κοπή μπορεί να εκτελεστεί στη γωνία που φαίνεται στον πίνακα.

Λοξή γωνία	Κωνική γωνία
Αριστερά και δεξιά 0° - 45°	Αριστερά και δεξιά 0° - 45°

Όταν εκτελείτε σύνθετη κοπή, ανατρέξτε στην ενότητα για την κοπή πίεσης, την κοπή ολίσθησης (ώθησης), τη λοξή κοπή και την κωνική κοπή.

Κοπή σοβατεπί

▲ ΠΡΟΣΟΧΗ: Βεβαιωθείτε να χρησιμοποιείτε οριζόντια μέγγενη (προαιρετικό εξάρτημα) όταν κόβετε το σοβατεπί.

▲ ΠΡΟΣΟΧΗ: Όταν κόβετε το τεμάχιο εργασίας σε πάχος 20 mm ή μικρότερο, βεβαιωθείτε να χρησιμοποιείτε τάκο ρύθμισης απόστασης για να ασφαλίσετε το τεμάχιο εργασίας.

Όταν κόβετε το σοβατεπί σε λοξή γωνία 45°, δεσμεύστε το μοχλό αναστολής για να εμποδίσετε την επαφή της θήκης λάμας με το σοβατεπί. Έτσι θα διατηρείται το διάκενο μεταξύ του σοβατεπί και της θήκης λάμας όταν η κινητή βάση έχει σπρωχτεί τέρμα μπροστά. Ανατρέξτε στις ΠΡΟΔΙΑΓΡΑΦΕΣ για την ικανότητα κοπής σοβατεπί.

► **Εικ.57:** 1. Μοχλός αναστολής 2. Τάκος ρύθμισης απόστασης 3. Οριζόντια μέγγενη

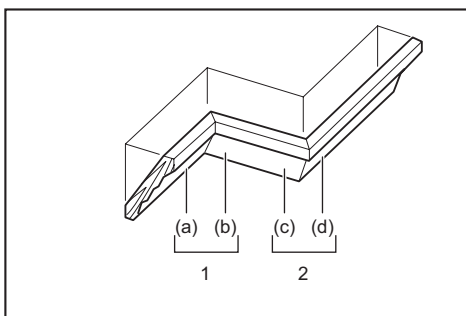
Κοπή ανάγλυφων μορφώσεων στέψης και μορφώσεων κοιλωτής μαρκίζας

Η κοπή ανάγλυφων μορφώσεων στέψης και μορφώσεων κοιλωτής μαρκίζας είναι εφικτή με πριόνι σύνθετης λοξότμησης με τις μορφώσεις τοποθετημένες σε επίπεδη θέση πάνω στην περιστροφική βάση.

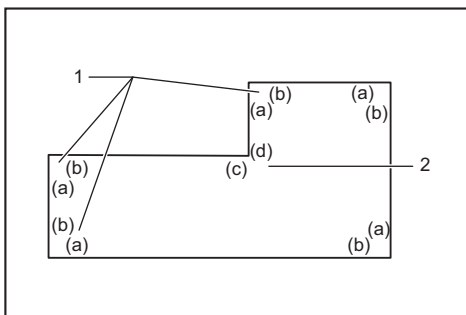
Υπάρχουν δύο συνήθεις τύποι ανάγλυφων μορφώσεων στέψης και ένας τύπος μόρφωσης κοιλωτής μαρκίζας, μόρφωση στέψης υπό γωνία 52/38° προς τον τοίχο, μόρφωση στέψης υπό γωνία 45° προς τον τοίχο και μόρφωση κοιλωτής μαρκίζας υπό γωνία 45° προς τον τοίχο.

► **Εικ.58:** 1. Ανάγλυφη μόρφωση στέψης υπό γωνία 52/38° 2. Ανάγλυφη μόρφωση στέψης υπό γωνία 45° 3. Μόρφωση κοιλωτής μαρκίζας υπό γωνία 45°

Υπάρχουν ενώσεις μορφώσεων στέψης και κοιλωτής μαρκίζας που προορίζονται για τοποθέτηση σε «Εσωτερικές» γωνίες τοίχου 90° ((a) και (b) στην εικόνα) και σε «Εξωτερικές» γωνίες τοίχου 90° ((c) και (d) στην εικόνα).



1. Εσωτερική γωνία τοίχου 2. Εξωτερική γωνία τοίχου



1. Εσωτερική γωνία τοίχου 2. Εξωτερική γωνία τοίχου

Μέτρηση

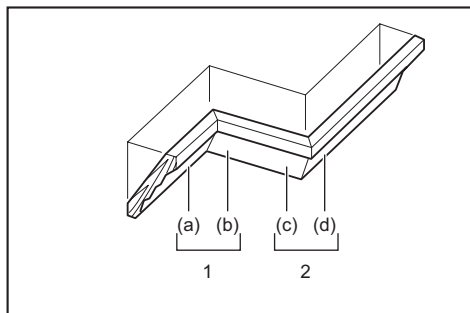
Μετρήστε το πλάτος τοιχώματος και ρυθμίστε το πλάτος του τεμαχίου εργασίας ανάλογα με αυτό. Να βεβαιώνετε πάντα ότι το πλάτος του άκρου επαφής τοιχώματος του τεμαχίου εργασίας είναι το ίδιο με το μήκος του τοιχώματος.

► **Εικ.59:** 1. Τεμάχιο εργασίας 2. Πλάτος τοιχώματος 3. Πλάτος του τεμαχίου εργασίας 4. Άκρο επαφής τοιχώματος

Να χρησιμοποιείτε πάντα αρκετά τεμάχια δοκιμής της κοπής, ώστε να ελέγχετε τις γωνίες του πριονιού.

Κατά την εκτέλεση εργασιών κοπής ανάγλυφων μορφώσεων στέψης και μορφώσεων κοιλωτής μαρκίζας, καθορίστε την κωνική γωνία και τη λοξή γωνία όπως υποδεικνύεται στον πίνακα (A) και τοποθετήστε τις μορφώσεις στην πάνω επιφάνεια της βάσης της λάμας πριονιού όπως υποδεικνύεται στον πίνακα (B).

Στην περίπτωση αριστερής κωνικής κοπής



1. Εσωτερική γωνία 2. Εξωτερική γωνία

Πίνακας (Α)

-	Θέση μόρφωσης στην εικόνα	Κωνική γωνία		Λοξή γωνία	
		Τύπος 52/38°	Τύπος 45°	Τύπος 52/38°	Τύπος 45°
Για εσωτερική γωνία	(a)	Αριστερά 33,9°	Αριστερά 30°	Δεξιά 31,6°	Δεξιά 35,3°
	(b)			Αριστερά 31,6°	Αριστερά 35,3°
Για εξωτερική γωνία	(c)			Δεξιά 31,6°	Δεξιά 35,3°
	(d)			Δεξιά 31,6°	Δεξιά 35,3°

Πίνακας (Β)

-	Θέση μόρφωσης στην εικόνα	Το άκρο μόρφωσης εφάπτεται στο φράχτη οδηγό	Ολοκληρωμένο τεμάχιο
Για εσωτερική γωνία	(a)	Το άκρο επαφής στο ταβάνι θα πρέπει να εφάπτεται στο φράχτη οδηγό.	Το ολοκληρωμένο τεμάχιο θα βρίσκεται στην αριστερή πλευρά της λάμας.
	(b)	Το άκρο επαφής στον τοίχο θα πρέπει να εφάπτεται στο φράχτη οδηγό.	
Για εξωτερική γωνία	(c)	Το άκρο επαφής στο ταβάνι θα πρέπει να εφάπτεται στο φράχτη οδηγό.	Το ολοκληρωμένο τεμάχιο θα βρίσκεται στη δεξιά πλευρά της λάμας.
	(d)	Το άκρο επαφής στο ταβάνι θα πρέπει να εφάπτεται στο φράχτη οδηγό.	

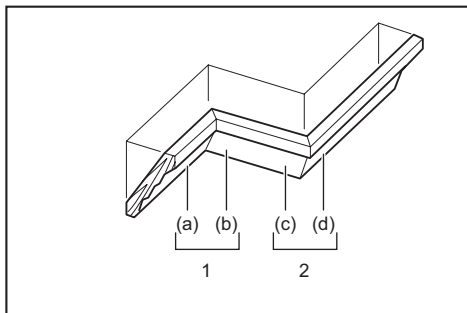
Παράδειγμα:

Στην περίπτωση κοπής ανάγλυφης μόρφωσης στέψης τύπου 52/38° για τη θέση (a) στην ανωτέρω εικόνα:

- Δώστε κλίση και ασφαλίστε τη ρύθμιση της κωνικής γωνίας σε 33,9° ΑΡΙΣΤΕΡΑ.
- Ρυθμίστε και ασφαλίστε τη λοξή γωνία σε 31,6° ΔΕΞΙΑ.

- Τοποθετήστε την ανάγλυφη μόρφωση στέψης, ώστε η πλατιά πίσω επιφάνειά της (δεν φαίνεται) να εφάπτεται στην περιστροφική βάση και το ΑΚΡΟ ΕΠΑΦΗΣ ΣΤΟ ΤΑΒΑΝΙ να εφάπτεται στο φράχτη οδηγό του πριονιού.
- Το ολοκληρωμένο τεμάχιο προς χρήση θα βρίσκεται πάντα στην ΑΡΙΣΤΕΡΗ πλευρά της λάμας μετά το πέρας της κοπής.

Στην περίπτωση δεξιάς κωνικής κοπής



1. Εσωτερική γωνία 2. Εξωτερική γωνία

Πίνακας (Α)

-	Θέση μόρφωσης στην εικόνα	Κωνική γωνία		Λοξή γωνία	
		Τύπος 52/38°	Τύπος 45°	Τύπος 52/38°	Τύπος 45°
Για εσωτερική γωνία	(a)	Δεξιά 33,9°	Δεξιά 30°	Δεξιά 31,6°	Δεξιά 35,3°
	(b)			Αριστερά 31,6°	Αριστερά 35,3°
Για εξωτερική γωνία	(c)			Δεξιά 31,6°	Δεξιά 35,3°
	(d)			Δεξιά 31,6°	Δεξιά 35,3°

Πίνακας (B)

–	Θέση μόρφωσης στην εικόνα	Το άκρο μόρφωσης εφάπτεται στο φράχτη οδηγό	Ολοκληρωμένο τεμάχιο
Για εσωτερική γωνία	(a)	Το άκρο επαφής στον τοίχο θα πρέπει να εφάπτεται στο φράχτη οδηγό.	Το ολοκληρωμένο τεμάχιο θα βρίσκεται στη δεξιά πλευρά της λάμας.
	(b)	Το άκρο επαφής στο ταβάνι θα πρέπει να εφάπτεται στο φράχτη οδηγό.	
Για εξωτερική γωνία	(c)	Το άκρο επαφής στον τοίχο θα πρέπει να εφάπτεται στο φράχτη οδηγό.	Το ολοκληρωμένο τεμάχιο θα βρίσκεται στην αριστερή πλευρά της λάμας.
	(d)	Το άκρο επαφής στον τοίχο θα πρέπει να εφάπτεται στο φράχτη οδηγό.	

Παράδειγμα:

Στην περίπτωση κοπής ανάγλυφης μόρφωσης στέψης τύπου 52/38° για τη θέση (a) στην ανωτέρω εικόνα:

- Δώστε κλίση και ασφαλίστε τη ρύθμιση της κωνικής γωνίας σε 33,9° ΔΕΞΙΑ.
- Ρυθμίστε και ασφαλίστε τη λοξή γωνία σε 31,6° ΔΕΞΙΑ.
- Τοποθετήστε την ανάγλυφη μόρφωση στέψης, ώστε η πλατιά πίσω επιφάνειά της (δεν φαίνεται) να εφάπτεται στην περιστροφική βάση και το ΑΚΡΟ ΕΠΑΦΗΣ ΣΤΟ ΤΟΙΧΩΜΑ να εφάπτεται στο φράχτη οδηγό του πριονιού.
- Το ολοκληρωμένο τεμάχιο προς χρήση θα βρίσκεται πάντα στη ΔΕΞΙΑ πλευρά της λάμας μετά το πέρας της κοπής.

Αναστολέας ανάγλυφης μόρφωσης στέψης

Προαιρετικό εξάρτημα

Οι αναστολείς ανάγλυφης μόρφωσης στέψης επιτρέπουν πιο εύκολες κοπές των ανάγλυφων μόρφωσης στέψης χωρίς την κλίση της λάμας πριονιού. Τοποθετήστε τις στην περιστροφική βάση όπως απεικονίζεται στις εικόνες.

Σε δεξιά λοξή γωνία 45°

► **Εικ.60:** 1. Αριστερός αναστολέας ανάγλυφης μόρφωσης στέψης 2. Δεξιός αναστολέας ανάγλυφης μόρφωσης στέψης 3. Περιστροφική βάση 4. Φράχτης οδηγός

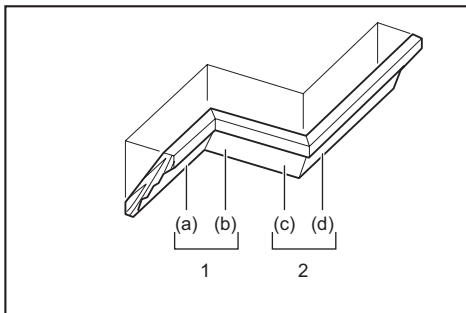
Σε αριστερή λοξή γωνία 45°

► **Εικ.61:** 1. Αριστερός αναστολέας ανάγλυφης μόρφωσης στέψης 2. Δεξιός αναστολέας ανάγλυφης μόρφωσης στέψης 3. Περιστροφική βάση 4. Φράχτης οδηγός

Τοποθετήστε την ανάγλυφη μόρφωση στέψης με το ΑΚΡΟ ΕΠΑΦΗΣ ΣΤΟ ΤΟΙΧΩΜΑ επάνω στο φράχτη οδηγό και το ΑΚΡΟ ΕΠΑΦΗΣ ΣΤΟ ΤΑΒΑΝΙ επάνω στους αναστολείς ανάγλυφης μόρφωσης στέψης όπως

απεικονίζεται στην εικόνα. Ρυθμίστε τους αναστολείς ανάγλυφης μόρφωσης στέψης ανάλογα με το μέγεθος της ανάγλυφης μόρφωσης στέψης. Σφίξτε τις βίδες για να ασφαλίσετε τους αναστολείς ανάγλυφης μόρφωσης στέψης. Ανατρέξτε στον Πίνακα (C) για τη λοξή γωνία.

► **Εικ.62:** 1. Φράχτης οδηγός 2. Αναστολέας ανάγλυφης μόρφωσης στέψης



1. Εσωτερική γωνία 2. Εξωτερική γωνία τοίχου

Πίνακας (C)

–	Θέση μόρφωσης στην εικόνα	Λοξή γωνία	Ολοκληρωμένο τεμάχιο
Για εσωτερική γωνία	(a)	Δεξιά 45°	Φυλάξτε την πλευρά δεξιά της λάμας
	(b)	Αριστερά 45°	Φυλάξτε την πλευρά αριστερά της λάμας
Για εξωτερική γωνία	(c)		Φυλάξτε την πλευρά δεξιά της λάμας
	(d)	Δεξιά 45°	Φυλάξτε την πλευρά αριστερά της λάμας

Κοπή αλουμινένιας προεξοχής

► **Εικ.63:** 1. Μέγγηση 2. Τάκος ρύθμισης απόστασης 3. Φράχτης οδηγός 4. Αλουμινένια προεξοχή 5. Τάκος ρύθμισης απόστασης

Όταν ασφαλίσετε τις αλουμινένιες προεξοχές, χρησιμοποιήστε τάκος ρύθμισης απόστασης ή παλιά κομμάτια ξύλου, όπως απεικονίζεται στην εικόνα, για να εμποδίσετε την παραμόρφωση του αλουμινίου. Να χρησιμοποιείτε ένα λιπαντικό κοπής κατά την κοπή της αλουμινένιας προεξοχής, ώστε να αποφευχθεί η συσσώρευση του αλουμινιού υλικού στη λάμα δισκοπριονιού.

▲ ΠΡΟΕΙΔΟΠΟΙΗΣΗ: Μην επιχειρήσετε ποτέ να κόψετε αλουμινένιες προεξοχές με μεγάλο πάχος ή στρογγυλής διατομής. Οι παχιές ή στρογγυλές αλουμινένιες προεξοχές μπορεί να είναι δύσκολες να ασφαλιστούν και το τεμάχιο εργασίας μπορεί να χαλαρώσει κατά τη διάρκεια της εργασίας κοπής, γεγονός που μπορεί να έχει ως αποτέλεσμα την απώλεια ελέγχου και σοβαρό προσωπικό τραυματισμό.

Ειδική τεχνική για ικανότητα μέγιστου πλάτους κοπής

Η ικανότητα μέγιστου πλάτους κοπής αυτού του εργαλείου μπορεί να επιτευχθεί αν ακολουθήσετε τα παρακάτω βήματα:

Για το μέγιστο πλάτος κοπής αυτού του εργαλείου, ανατρέξτε στις ικανότητες κοπής για ειδικές κοπές στην ενότητα ΠΡΟΔΙΑΓΡΑΦΕΣ.

1. Ρυθμίστε το εργαλείο σε λοξή γωνία 0° ή 45° και βεβαιωθείτε ότι η περιστροφική βάση είναι κλειδωμένη. (Ανατρέξτε στην ενότητα για τη ρύθμιση της λοξής γωνίας).

2. Αφαιρέστε προσωρινά το δεξιό και αριστερό άνω φράκτη και αφήστε τους στην άκρη.

3. Κόψτε μια πλατφόρμα στις διαστάσεις που υποδεικνύεται στην εικόνα χρησιμοποιώντας κάποιο επίπεδο υλικό πάχους 38 mm, όπως ξύλο, κόντρα πλακέ ή μοριοσανίδα.

► **Εικ.64:** 1. Λοξή γωνία 0°: Μεγαλύτερη από 450 mm
2. Λοξή γωνία 45°: Μεγαλύτερη από 325 mm
3. 38 mm 4. Μεγαλύτερη από 760 mm

▲ΠΡΟΕΙΔΟΠΟΙΗΣΗ: Βεβαιωθείτε να χρησιμοποιήσετε ένα επίπεδο υλικό για πλατφόρμα. Υλικό που δεν είναι επίπεδο μπορεί να κουνηθεί κατά τη διάρκεια της κοπής, γεγονός που μπορεί να έχει ως αποτέλεσμα κλότσημα και σοβαρό προσωπικό τραυματισμό.

ΠΑΡΑΤΗΡΗΣΗ: Η μέγιστη ικανότητα κοπής όσον αφορά το ύψος θα μειωθεί περίπου όσο είναι το πάχος πλατφόρμας.

4. Τοποθετήστε την πλατφόρμα στο εργαλείο με τρόπο ώστε να προεκτείνεται ίσα σε κάθε πλευρά της βάσης του εργαλείου.

Ασφαλίστε την πλατφόρμα στο εργαλείο χρησιμοποιώντας τέσσερις ξυλόβιδες 6 mm μέσα από τις τέσσερις οπές στους κάτω φράχτες.

► **Εικ.65:** 1. Βίδες (δύο σε κάθε πλευρά) 2. Κάτω φράχτης 3. Βάση 4. Πλατφόρμα

▲ΠΡΟΕΙΔΟΠΟΙΗΣΗ: Βεβαιωθείτε ότι η πλατφόρμα ακουμπά επίπεδα επάνω στη βάση του εργαλείου και είναι καλά ασφαλισμένη στους κάτω φράχτες χρησιμοποιώντας τις τέσσερις παρεχόμενες οπές βιδών. Αν δεν ασφαλίσετε σωστά την πλατφόρμα, μπορεί να έχει ως αποτέλεσμα την κίνηση και το πιθανό κλότσημα, καταλήγοντας σε σοβαρό προσωπικό τραυματισμό.

▲ΠΡΟΕΙΔΟΠΟΙΗΣΗ: Βεβαιωθείτε ότι το εργαλείο είναι καλά στερεωμένο σε μια σταθερή και επίπεδη επιφάνεια. Αν δεν στερεώσετε καλά και ασφαλίσετε το εργαλείο, το εργαλείο μπορεί να είναι ασταθές έχοντας ως αποτέλεσμα την απώλεια του ελέγχου ή/και την πτώση του εργαλείου, γεγονός που μπορεί να καταλήξει σε σοβαρό προσωπικό τραυματισμό.

5. Τοποθετήστε τους άνω φράχτες στο εργαλείο.

▲ΠΡΟΕΙΔΟΠΟΙΗΣΗ: Μη χρησιμοποιείτε το εργαλείο χωρίς να είναι τοποθετημένοι οι άνω φράχτες. Οι άνω φράχτες παρέχουν την επαρκή στήριξη που απαιτείται για την κοπή του τεμαχίου εργασίας.

Αν το τεμάχιο εργασίας δεν στηρίζεται σωστά, μπορεί να μετακινηθεί έχοντας ως αποτέλεσμα πιθανή απώλεια ελέγχου, κλότσημα και σοβαρό προσωπικό τραυματισμό.

6. Τοποθετήστε το τεμάχιο εργασίας για κοπή στην πλατφόρμα που είναι ασφαλισμένη στο εργαλείο.

7. Ασφαλίστε το τεμάχιο εργασίας καλά επάνω στους άνω φράχτες με μια μέγγηνη πριν από την κοπή.

► **Εικ.66:** 1. Άνω φράχτης 2. Κάθετη μέγγηνη

3. Τεμάχιο εργασίας 4. Πλατφόρμα

8. Πραγματοποιήστε αργά μια κοπή μέσα από το τεμάχιο εργασίας σύμφωνα με τη λειτουργία που περιγράφεται στην ενότητα για τη κοπή ολισθήσης (ώθησης).

▲ΠΡΟΕΙΔΟΠΟΙΗΣΗ: Βεβαιωθείτε ότι το τεμάχιο εργασίας είναι ασφαλισμένο με τη μέγγηνη και πραγματοποιήστε αργά την κοπή. Αν δεν το κάνετε αυτό, μπορεί να προκληθεί η μετακίνηση του τεμαχίου εργασίας, έχοντας ως αποτέλεσμα πιθανό κλότσημα και σοβαρό προσωπικό τραυματισμό.

▲ΠΡΟΕΙΔΟΠΟΙΗΣΗ: Να γνωρίζετε ότι η πλατφόρμα μπορεί να εξασθενίσει μετά από την εκτέλεση αρκετών κοπών σε διάφορες λοξές γωνίες.

Αν η πλατφόρμα εξασθενήσει λόγω των πολλαπλών εγκοπών που απομένουν στο υλικό, η πλατφόρμα θα τρέπεται να αντικατασταθεί. Αν δεν αντικαταστήσετε την εξασθενημένη πλατφόρμα, μπορεί να προκληθεί η μετακίνηση του τεμαχίου εργασίας, κατά τη διάρκεια της κοπής, έχοντας ως αποτέλεσμα πιθανό κλότσημα και σοβαρό προσωπικό τραυματισμό.

Κοπή αυλάκωσης

▲ΠΡΟΕΙΔΟΠΟΙΗΣΗ: Μην επιχειρήσετε να εκτελέσετε κοπή αυτού του είδους χρησιμοποιώντας λάμα μεγαλύτερου πάχους ή λάμα πολλαπλής αυλάκωσης. Εάν επιχειρήσετε να δημιουργήσετε κοπή αυλάκα χρησιμοποιώντας λάμα μεγαλύτερου πάχους ή λάμα πολλαπλής αυλάκωσης, το αποτέλεσμα της κοπής μπορεί να είναι απρόβλεπτο και μπορεί να προκληθεί κλότσημα με πιθανό σοβαρό τραυματισμό.

▲ΠΡΟΕΙΔΟΠΟΙΗΣΗ: Βεβαιωθείτε ότι επαναφέρετε τον ανασταλτικό βραχίονα στην αρχική θέση όταν εκτελείτε οτιδήποτε άλλο εκτός από κοπή αυλακώσεων. Εάν επιχειρήσετε να εκτελέσετε κοπή όταν ο ανασταλτικός βραχίονας βρίσκεται σε εσφαλμένη θέση, το αποτέλεσμα της κοπής μπορεί να είναι απρόβλεπτο και μπορεί να προκληθεί κλότσημα με πιθανό σοβαρό τραυματισμό.

Για κοπή τύπου αυλάκωσης, πραγματοποιήστε τα εξής:

1. Ρυθμίστε τη θέση του κάτω ορίου της λάμας δισκοπρίονου χρησιμοποιώντας τη ρυθμιστική βίδα και τον ανασταλτικό βραχίονα για να περιορίσετε το βάθος κοπής της λάμας δισκοπρίονου. Ανατρέξτε στην ενότητα για τον ανασταλτικό βραχίονα.

2. Αφού ρυθμίσετε τη θέση κάτω ορίου της λάμας δισκοπριονίου, κόψτε παράλληλες αυλακώσεις κατά πλάτος του τεμαχίου εργασίας χρησιμοποιώντας μια κοπή ολισθήσης (ώθησης).

► **Εικ.67:** 1. Κόψτε αυλακώσεις με τη λάμα

3. Αφαιρέστε το υλικό του τεμαχίου εργασίας μεταξύ των αυλακώσεων με ένα σκαρπέλο.

Επένδυση ξύλου

▲ΠΡΟΕΙΔΟΠΟΙΗΣΗ: Χρησιμοποιήστε βίδες για να προσαρμόσετε την επένδυση ξύλου στο φράχτη οδηγό. Οι βίδες θα πρέπει να τοποθετούνται έτσι ώστε οι κεφαλές των βιδών να βρίσκονται κάτω από την επιφάνεια της επένδυσης ξύλου και να μην εμποδίζουν την τοποθέτηση του υλικού προς κοπή. Τυχόν κακή ευθυγράμμιση του υλικού προς κοπή μπορεί να προκαλέσει μη αναμενόμενη κίνηση στη διάρκεια της εργασίας κοπής η οποία μπορεί να καταλήξει σε απώλεια ελέγχου και σοβαρό τραυματισμό.

▲ΠΡΟΣΟΧΗ: Να χρησιμοποιείτε ίσιο ξύλο ομοιόμορφου πάχους για την επένδυση ξύλου.

▲ΠΡΟΣΟΧΗ: Προκειμένου να κόψετε εντελώς μέσα από τεμάχια εργασίας με ύψος 107 mm έως 120 mm, θα πρέπει να χρησιμοποιήσετε επένδυση ξύλου στον φράχτη οδηγό. Η επένδυση ξύλου θα αποστασιοποιήσει το τεμάχιο εργασίας από το φράχτη επιτρέποντας στη λάμα να ολοκληρώσει βαθύτερη κοπή.

ΕΙΔΟΠΟΙΗΣΗ: Όταν η επένδυση ξύλου προσαρμόζεται, μην περιστρέψετε την περιστροφική βάση με τη λαβή χαμηλωμένη. Η λάμα ή/και η επένδυση ξύλου μπορεί να πάθουν ζημιά.

Η χρήση επένδυσης ξύλου βοηθάει στην εξασφάλιση κοπών χωρίς σκλήθρες στα τεμάχια εργασίας. Προσαρμόστε μια επένδυση ξύλου στον φράχτη οδηγό χρησιμοποιώντας τις οπές στο φράχτη οδηγό και βίδες 6 mm.

Δείτε την εικόνα σχετικά με τις διαστάσεις για μια προτεινόμενη επένδυση ξύλου.

► **Εικ.68:** 1. Οπή 2. Μεγαλύτερη από 15 mm
3. Μεγαλύτερη από 270 mm 4. 90 mm
5. 145 mm 6. 19 mm 7. 115 έως 120 mm

ΠΑΡΑΔΕΙΓΜΑ Όταν κόβετε τεμάχια εργασίας με ύψος 115 mm και 120 mm, χρησιμοποιήστε επένδυση ξύλου με το ακόλουθο πάχος.

Λοξή γωνία	Πάχος επένδυσης ξύλου	
	115 mm	120 mm
0°	20 mm	38 mm
Αριστερά και δεξιά 45°	15 mm	25 mm
Αριστερά και δεξιά 60°	15 mm	25 mm

Μεταφορά εργαλείου

Πριν τη μεταφορά του εργαλείου, βεβαιωθείτε να αφαιρέσετε την κασέτα μπαταριών αλλά και ότι όλα τα

κινούμενα μέρη του πριονιού λοξότμησης είναι ασφαλισμένα. Να ελέγχετε πάντα τα ακόλουθα:

- Η κασέτα μπαταριών έχει αφαιρεθεί.
- Η κινητή βάση βρίσκεται σε θέση κωνικής γωνίας 0° και είναι ασφαλισμένη.
- Η κινητή βάση χαμηλώνεται και κλειδώνεται.
- Η κινητή βάση έχει ολισθήσει πλήρως στους φράχτες οδηγούς και έχει ασφαλιστεί.
- Η περιστροφική βάση βρίσκεται στην τέρμα δεξιά θέσης λοξής γωνίας και έχει ασφαλιστεί.
- Οι βοηθητικές βάσεις είναι αποθηκευμένες και ασφαλισμένες.

Μεταφέρετε το εργαλείο κρατώντας και τις δύο πλευρές της βάσης του εργαλείου.

► **Εικ.69**

▲ΠΡΟΕΙΔΟΠΟΙΗΣΗ: Ο ανασταλτικός πείρος για την ανύψωση κινητής βάσης προορίζεται μόνο για τον σκοπό μεταφοράς και αποθήκευσης και όχι για εργασίες κοπής. Η χρήση του ανασταλτικού πείρου για εργασίες κοπής μπορεί να προκαλέσει μη αναμενόμενη κίνηση της λάμας δισκοπριονίου προκαλώντας κλότσημα και σοβαρό προσωπικό τραυματισμό.

▲ΠΡΟΣΟΧΗ: Να ασφαλίσετε πάντα όλα τα κινούμενα τμήματα πριν μεταφέρετε το εργαλείο. Σε περίπτωση μετακίνησης ή ολισθήσης μερών του εργαλείου μπορεί να προκύψει απώλεια ελέγχου ή ισορροπίας προκαλώντας προσωπικό τραυματισμό.

▲ΠΡΟΣΟΧΗ: Βεβαιωθείτε ότι η ανύψωση κινητής βάσης έχει ασφαλιστεί σωστά στο κάτω μέρος της με τον ανασταλτικό πείρο. Αν ο ανασταλτικός πείρος δεν δεσμευτεί σωστά, η κινητή βάση μπορεί να πεταχτεί απότομα προς τα πάνω και να προκληθεί προσωπικός τραυματισμός.

ΛΕΙΤΟΥΡΓΙΑ ΑΣΥΡΜΑΤΗΣ ΕΝΕΡΓΟΠΟΙΗΣΗΣ

Τι μπορείτε να κάνετε με τη λειτουργία ασύρματης ενεργοποίησης

Η λειτουργία ασύρματης ενεργοποίησης επιτρέπει την καθαρή και άνετη λειτουργία. Αν συνδέσετε μια υποστηριζόμενη ηλεκτρική σκούπα στο εργαλείο, μπορείτε να χρησιμοποιείτε την ηλεκτρική σκούπα αυτόματα μαζί με τη λειτουργία διακόπτη του εργαλείου.

► **Εικ.70**

Για να χρησιμοποιήσετε τη λειτουργία ασύρματης ενεργοποίησης, προετοιμάστε τα ακόλουθα στοιχεία:

- Μια ασύρματη μονάδα (προαιρετικό εξάρτημα)
- Ηλεκτρική σκούπα που υποστηρίζει τη λειτουργία ασύρματης ενεργοποίησης

Η σύνοψη της ρύθμισης λειτουργίας ασύρματης ενεργοποίησης είναι η εξής. Ανατρέξτε σε κάθε τμήμα για λεπτομερείς διαδικασίες.

1. Εγκατάσταση της ασύρματης μονάδας
2. Καταχώρηση εργαλείου για την ηλεκτρική σκούπα
3. Έναρξη της λειτουργίας ασύρματης ενεργοποίησης

Εγκατάσταση της ασύρματης μονάδας

Προαιρετικό εξάρτημα

▲ ΠΡΟΣΟΧΗ: Τοποθετήστε το εργαλείο σε μια επίπεδη και σταθερή επιφάνεια όταν εγκαθιστάτε την ασύρματη μονάδα.

ΕΙΔΟΠΟΙΗΣΗ: Καθαρίστε τη σκόνη και τη βρομιά στο εργαλείο πριν τοποθετήσετε την ασύρματη μονάδα. Η σκόνη ή η βρομιά μπορεί να προκαλέσει δυσλειτουργία αν έρθει σε επαφή με τη σχισμή της ασύρματης μονάδας.

ΕΙΔΟΠΟΙΗΣΗ: Για να αποτρέψετε τη δυσλειτουργία που προκαλείται από στατικό ηλεκτρισμό, αγγίξτε κάποιο υλικό στατικής εκκένωσης, όπως ένα μεταλλικό εξάρτημα του εργαλείου, πριν σηκώσετε την ασύρματη μονάδα.

ΕΙΔΟΠΟΙΗΣΗ: Όταν τοποθετείτε την ασύρματη μονάδα, να βεβαιώνετε πάντα ότι η ασύρματη μονάδα έχει εισαχθεί με τη σωστή κατεύθυνση και το καπάκι είναι εντελώς κλειστό.

1. Ανοίξτε το καπάκι στο εργαλείο όπως απεικονίζεται στην εικόνα.
▶ **Εικ.71:** 1. Καπάκι
2. Εισαγάγετε την ασύρματη μονάδα στη σχισμή και μετά κλείστε το καπάκι.
Όταν εισαγάγετε την ασύρματη μονάδα, ευθυγραμμίστε τις προεξοχές με τα βαθουλωτά τμήματα στη σχισμή.
▶ **Εικ.72:** 1. Ασύρματη μονάδα 2. Προεξοχή 3. Καπάκι 4. Βαθουλωτό τμήμα

Όταν αφαιρείτε την ασύρματη μονάδα, ανοίξτε το καπάκι αργά. Οι γάντζοι στο πίσω μέρος του καπακιού θα σηκώσουν την ασύρματη μονάδα καθώς τραβάτε το καπάκι προς τα πάνω.

▶ **Εικ.73:** 1. Ασύρματη μονάδα 2. Γάντζος 3. Καπάκι
Αφού αφαιρέσετε την ασύρματη μονάδα, να τη διατηρείτε μέσα στην παρεχόμενη θήκη ή μέσα σε δοχείο χωρίς στατικό ηλεκτρισμό.

ΕΙΔΟΠΟΙΗΣΗ: Να χρησιμοποιείτε πάντα τους γάντζους στο πίσω μέρος του καπακιού όταν αφαιρείτε την ασύρματη μονάδα. Αν οι γάντζοι δεν ασφαλίσουν την ασύρματη μονάδα, κλείστε εντελώς το καπάκι και ανοίξτε το ξανά αργά.

Καταχώρηση εργαλείου για την ηλεκτρική σκούπα

ΠΑΡΑΤΗΡΗΣΗ: Για την καταχώρηση εργαλείου, απαιτείται ηλεκτρική σκούπα Makita που υποστηρίζει τη λειτουργία ασύρματης ενεργοποίησης.

ΠΑΡΑΤΗΡΗΣΗ: Ολοκληρώστε την εγκατάσταση της ασύρματης μονάδας στο εργαλείο πριν ξεκινήσετε την καταχώρηση εργαλείου.

ΠΑΡΑΤΗΡΗΣΗ: Αποφεύγετε να ενεργοποιείτε τους ακόλουθους διακόπτες κατά την καταχώρηση εργαλείου:

- σκανδάλη διακόπτης στο εργαλείο
- διακόπτης αναρρόφησης στο εργαλείο
- διακόπτης λειτουργίας στην ηλεκτρική σκούπα

ΠΑΡΑΤΗΡΗΣΗ: Ανατρέξτε και στο εγχειρίδιο οδηγιών της ηλεκτρικής σκούπας.

Αν επιθυμείτε να ενεργοποιήσετε την ηλεκτρική σκούπα μαζί με τη λειτουργία διακόπτη του εργαλείου, ολοκληρώστε εκ των προτέρων την καταχώρηση εργαλείου.

1. Τοποθετήστε τις μπαταρίες στην ηλεκτρική σκούπα και στο εργαλείο.
2. Θέστε τον διακόπτη αναμονής στην ηλεκτρική σκούπα στη θέση «ΑΥΤΟ».
▶ **Εικ.74:** 1. Διακόπτης αναμονής
3. Πατήστε το κουμπί ασύρματης ενεργοποίησης στην ηλεκτρική σκούπα για 3 δευτερόλεπτα μέχρι η λυχνία ασύρματης ενεργοποίησης αναβοσβήνει με πράσινο χρώμα. Και μετά πατήστε το κουμπί ασύρματης ενεργοποίησης στο εργαλείο με τον ίδιο τρόπο.
▶ **Εικ.75:** 1. Κουμπί ασύρματης ενεργοποίησης 2. Λυχνία ασύρματης ενεργοποίησης

Αν η ηλεκτρική σκούπα και το εργαλείο συνδεθούν με επιτυχία, οι λυχνίες ασύρματης ενεργοποίησης θα ανάψουν με πράσινο χρώμα για 2 δευτερόλεπτα και θα αρχίσουν να αναβοσβήνουν με μπλε χρώμα.

ΠΑΡΑΤΗΡΗΣΗ: Οι λυχνίες ασύρματης ενεργοποίησης θα αρχίσουν να αναβοσβήνουν με πράσινο χρώμα αφού περάσουν 20 δευτερόλεπτα. Πατήστε το κουμπί ασύρματης ενεργοποίησης στο εργαλείο ενώ η λυχνία ασύρματης ενεργοποίησης αναβοσβήνει στη σκούπα. Αν η λυχνία ασύρματης ενεργοποίησης δεν αναβοσβήνει με πράσινο χρώμα, πατήστε για λίγο το κουμπί ασύρματης ενεργοποίησης και κρατήστε το ξανά πατημένο.

ΠΑΡΑΤΗΡΗΣΗ: Όταν εκτελείτε δύο ή περισσότερες καταχωρήσεις εργαλείων για μία ηλεκτρική σκούπα, ολοκληρώστε την καταχώρηση εργαλείου ένα τη φορά.

Έναρξη της λειτουργίας ασύρματης ενεργοποίησης

ΠΑΡΑΤΗΡΗΣΗ: Ολοκληρώστε την καταχώρηση εργαλείου για την ηλεκτρική σκούπα πριν από την ασύρματη ενεργοποίηση.

ΠΑΡΑΤΗΡΗΣΗ: Ανατρέξτε και στο εγχειρίδιο οδηγιών της ηλεκτρικής σκούπας.

Αφού καταχωρήσετε ένα εργαλείο με την ηλεκτρική

σκούπα, η ηλεκτρική σκούπα θα λειτουργεί αυτόματα μαζί με τη λειτουργία διακόπτη του εργαλείου. Τραβήξτε τη σκανδάλη διακόπτη στο εργαλείο για να χρησιμοποιήσετε την ηλεκτρική σκούπα κατά τη λειτουργία. Ξεκινάει η λειτουργία της ηλεκτρικής σκούπας και αν πιάσετε το κουμπί αναρρόφησης στο εργαλείο κατά τη διάρκεια οποιασδήποτε εργασίας κοπής.

► **Εικ.76**

1. Εγκαταστήστε την ασύρματη μονάδα στο εργαλείο.
2. Συνδέστε τον εύκαμπτο σωλήνα της ηλεκτρικής σκούπας με το εργαλείο.

► **Εικ.77**

3. Θέστε τον διακόπτη αναμονής στην ηλεκτρική σκούπα στη θέση «AUTO».

► **Εικ.78:** 1. Διακόπτης αναμονής

4. Πατήστε σύντομα το κουμπί ασύρματης ενεργοποίησης στο εργαλείο. Η λυχνία ασύρματης ενεργοποίησης θα αναβοσβήνει με μπλε χρώμα.

► **Εικ.79:** 1. Κουμπί ασύρματης ενεργοποίησης
2. Λυχνία ασύρματης ενεργοποίησης

5. Τραβήξτε τη σκανδάλη διακόπτη του εργαλείου. Ελέγξτε αν η ηλεκτρική σκούπα λειτουργεί όσο τραβάτε τη σκανδάλη διακόπτη.

6. Πατήστε το κουμπί αναρρόφησης για να θέσετε την ηλεκτρική σκούπα σε λειτουργία. Ελέγξτε αν η λυχνία ασύρματης ενεργοποίησης ανάβει με μπλε χρώμα και η ηλεκτρική σκούπα συνεχίζει να λειτουργεί μέχρι να πατήσετε ξανά το κουμπί.

7. Για να διακόψετε τη λειτουργία αναρρόφησης, είτε αφήστε τη σκανδάλη διακόπτη ή πατήστε ξανά το κουμπί αναρρόφησης. Η ηλεκτρική σκούπα σταματάει

να λειτουργεί λίγα δευτερόλεπτα μετά τη λειτουργία του διακόπτη και, στη συνέχεια, η λυχνία αναβοσβήνει με μπλε χρώμα.

ΠΑΡΑΤΗΡΗΣΗ: Μπορείτε να μάθετε την κατάσταση διακόπτη (ενεργοποίηση/απενεργοποίηση της ηλεκτρικής σκούπας) από τη λυχνία ασύρματης ενεργοποίησης. Για λεπτομέρειες, ανατρέξτε στην παράγραφο για την περιγραφή της κατάστασης της λυχνίας ασύρματης ενεργοποίησης.

8. Για να σταματήσετε την ασύρματη ενεργοποίηση της ηλεκτρικής σκούπας, πατήστε το κουμπί ασύρματης ενεργοποίησης στο εργαλείο.

ΠΑΡΑΤΗΡΗΣΗ: Η λυχνία ασύρματης ενεργοποίησης στο εργαλείο θα σταματήσει να αναβοσβήνει με μπλε χρώμα όταν δεν υπάρχει λειτουργία για 2 ώρες. Σε αυτή την περίπτωση, θέστε το διακόπτη αναμονής στην ηλεκτρική σκούπα στη θέση «AUTO» και πατήστε ξανά το κουμπί ασύρματης ενεργοποίησης στο εργαλείο.

ΠΑΡΑΤΗΡΗΣΗ: Η ηλεκτρική σκούπα αρχίζει/σταματάει με καθυστέρηση. Υπάρχει χρονική καθυστέρηση όταν η ηλεκτρική σκούπα ανιχνεύει τη λειτουργία διακόπτη του εργαλείου.










ΠΑΡΑΤΗΡΗΣΗ: Η απόσταση μετάδοσης της ασύρματης μονάδας μπορεί να ποικίλλει ανάλογα με την τοποθεσία και τις περιβάλλουσες συνθήκες.

ΠΑΡΑΤΗΡΗΣΗ: Όταν δύο ή περισσότερα εργαλεία καταχωρούνται σε μία ηλεκτρική σκούπα, η ηλεκτρική σκούπα μπορεί να αρχίσει να λειτουργεί ακόμη κι αν δεν τραβήξετε τη σκανδάλη διακόπτη ή ενεργοποιήσετε το κουμπί αναρρόφησης επειδή κάποιος άλλος χρήστης χρησιμοποιεί τη λειτουργία ασύρματης ενεργοποίησης.

Περιγραφή της κατάστασης της λυχνίας ασύρματης ενεργοποίησης

► **Εικ.80:** 1. Λυχνία ασύρματης ενεργοποίησης

Η λυχνία ασύρματης ενεργοποίησης δείχνει την κατάσταση της λειτουργίας ασύρματης ενεργοποίησης. Ανατρέξτε στον παρακάτω πίνακα για τη σημασία της κατάστασης λυχνίας.

Κατάσταση	Λυχνία ασύρματης ενεργοποίησης			Περιγραφή
	Χρώμα	 Αναμμένη	 Αναβοσβήνει	
Αναμονή	Μπλε		2 ώρες	Η ασύρματη ενεργοποίηση της ηλεκτρικής σκούπας είναι διαθέσιμη. Η λυχνία θα σβήσει αυτόματα όταν δεν εκτελεστεί καμία λειτουργία για 2 ώρες.
			Όταν το εργαλείο λειτουργεί.	Η ασύρματη ενεργοποίηση της ηλεκτρικής σκούπας είναι διαθέσιμη και το εργαλείο λειτουργεί.
Καταχώρηση εργαλείου	Πράσινη		20 δευτερόλεπτα	Έτοιμο για καταχώρηση εργαλείου. Σε αναμονή για καταχώρηση από την ηλεκτρική σκούπα.
			2 δευτερόλεπτα	Η καταχώρηση εργαλείου έχει ολοκληρωθεί. Η λυχνία ασύρματης ενεργοποίησης θα αρχίσει να αναβοσβήνει με μπλε χρώμα.
Ακύρωση καταχώρησης εργαλείου	Κόκκινη		20 δευτερόλεπτα	Έτοιμο για ακύρωση της καταχώρησης εργαλείου. Σε αναμονή για ακύρωση από την ηλεκτρική σκούπα.
			2 δευτερόλεπτα	Η ακύρωση της καταχώρησης εργαλείου έχει ολοκληρωθεί. Η λυχνία ασύρματης ενεργοποίησης θα αρχίσει να αναβοσβήνει με μπλε χρώμα.
Άλλες	Κόκκινη		3 δευτερόλεπτα	Η ισχύς παρέχεται στην ασύρματη μονάδα και η λειτουργία ασύρματης ενεργοποίησης εκκινείται.
	Σβηστή	-	-	Η ασύρματη ενεργοποίηση της ηλεκτρικής σκούπας έχει σταματήσει.

Ακύρωση καταχώρησης εργαλείου για την ηλεκτρική σκούπα

Εκτελέστε την ακόλουθη διαδικασία όταν ακυρώνετε την καταχώρηση εργαλείου για την ηλεκτρική σκούπα.

1. Τοποθετήστε τις μπαταρίες στην ηλεκτρική σκούπα και στο εργαλείο.
2. Θέστε τον διακόπτη αναμονής στην ηλεκτρική σκούπα στη θέση «ΑΥΤΟ».
► **Εικ.81:** 1. Διακόπτης αναμονής
3. Πατήστε το κουμπί ασύρματης ενεργοποίησης στην ηλεκτρική σκούπα για 6 δευτερόλεπτα. Η λυχνία ασύρματης ενεργοποίησης αναβοσβήνει με πράσινο χρώμα και μετά γίνεται κόκκινη. Μετά από αυτό, πατήστε το κουμπί ασύρματης ενεργοποίησης στο εργαλείο

με τον ίδιο τρόπο.

- **Εικ.82:** 1. Κουμπί ασύρματης ενεργοποίησης
2. Λυχνία ασύρματης ενεργοποίησης

Αν η ακύρωση εκτελεστεί με επιτυχία, οι λυχνίες ασύρματης ενεργοποίησης θα ανάψουν με κόκκινο χρώμα για 2 δευτερόλεπτα και θα αρχίσουν να αναβοσβήνουν με μπλε χρώμα.

ΠΑΡΑΤΗΡΗΣΗ: Οι λυχνίες ασύρματης ενεργοποίησης θα αρχίσουν να αναβοσβήνουν με κόκκινο χρώμα αφού περάσουν 20 δευτερόλεπτα. Πατήστε το κουμπί ασύρματης ενεργοποίησης στο εργαλείο ενώ η λυχνία ασύρματης ενεργοποίησης αναβοσβήνει στη σκούπα. Αν η λυχνία ασύρματης ενεργοποίησης δεν αναβοσβήνει με κόκκινο χρώμα, πατήστε για λίγο το κουμπί ασύρματης ενεργοποίησης και κρατήστε το ξανά πατημένο.

Αντιμετώπιση προβλημάτων για τη λειτουργία ασύρματης ενεργοποίησης

Πριν ζητήσετε επισκευές, εκτελέστε αρχικά τη δική σας επιθεώρηση. Αν εντοπίσετε πρόβλημα που δεν επεξηγείται στο εγχειρίδιο, μην επιχειρήσετε να αποσυναρμολογήσετε το εργαλείο. Αντ' αυτού, ζητήστε βοήθεια από εξουσιοδοτημένα κέντρα εξυπηρέτησης της Makita και πάντοτε να χρησιμοποιείτε γνήσια ανταλλακτικά της Makita.

Κατάσταση προβλήματος	Πιθανή αιτία (δυσλειτουργία)	Αποκατάσταση
Η λυχνία ασύρματης ενεργοποίησης δεν ανάβει/αναβοσβήνει.	Η ασύρματη μονάδα δεν είναι εγκατεστημένη στο εργαλείο. Η ασύρματη μονάδα είναι εγκατεστημένη στο εργαλείο λανθασμένα.	Τοποθετήστε σωστά την ασύρματη μονάδα.
	Ο ακροδέκτης της ασύρματης μονάδας ή/και η σχισμή είναι βρόμικα.	Σκουπίστε απαλά τη σκόνη και τη βρομιά από τον ακροδέκτη της ασύρματης μονάδας και καθαρίστε τη σχισμή.
	Το κουμπί ασύρματης ενεργοποίησης στο εργαλείο δεν έχει πατηθεί.	Πατήστε σύντομα το κουμπί ασύρματης ενεργοποίησης στο εργαλείο.
	Ο διακόπτης αναμονής στην ηλεκτρική σκούπα δεν έχει τεθεί στη θέση «ΑΥΤΟ».	Θέστε τον διακόπτη αναμονής στην ηλεκτρική σκούπα στη θέση «ΑΥΤΟ».
	Δεν υπάρχει παροχή ρεύματος	Παρέχετε ισχύ στο εργαλείο και την ηλεκτρική σκούπα.

Κατάσταση προβλήματος	Πιθανή αιτία (δυσλειτουργία)	Αποκατάσταση
Δεν είναι δυνατή η ολοκλήρωση της καταχώρησης εργαλείου / ακύρωσης καταχώρησης εργαλείου με επιτυχία.	Η ασύρματη μονάδα δεν είναι εγκατεστημένη στο εργαλείο. Η ασύρματη μονάδα είναι εγκατεστημένη στο εργαλείο λανθασμένα.	Τοποθετήστε σωστά την ασύρματη μονάδα.
	Ο ακροδέκτης της ασύρματης μονάδας ή/και η σχισμή είναι βρόμικα.	Σκουπίστε απαλά τη σκόνη και τη βρομιά από τον ακροδέκτη της ασύρματης μονάδας και καθαρίστε τη σχισμή.
	Ο διακόπτης αναμονής στην ηλεκτρική σκούπα δεν έχει τεθεί στη θέση «AUTO».	Θέστε τον διακόπτη αναμονής στην ηλεκτρική σκούπα στη θέση «AUTO».
	Δεν υπάρχει παροχή ρεύματος	Παρέχετε ισχύ στο εργαλείο και την ηλεκτρική σκούπα.
	Λανθασμένη λειτουργία	Πατήστε σύντομα το κουμπί ασύρματης ενεργοποίησης και πραγματοποιήστε ξανά τις διαδικασίες καταχώρησης/ακύρωσης εργαλείου.
	Το εργαλείο και η ηλεκτρική σκούπα βρίσκονται σε αρκετή απόσταση μεταξύ τους (εκτός του εύρους μετάδοσης).	Φέρετε το εργαλείο και την ηλεκτρική σκούπα πιο κοντά. Η μέγιστη απόσταση μετάδοσης είναι περίπου 10 μέτρα, ωστόσο, μπορεί να διαφέρει ανάλογα με τις συνθήκες.
	Πριν τελειώσετε την καταχώρηση/ακύρωση του εργαλείου, - η σκανδάλη διακόπτης στο εργαλείο είναι τραβηγμένη, ή - το κουμπί αναρρόφησης στο εργαλείο είναι ενεργοποιημένο, ή - το κουμπί λειτουργίας στην ηλεκτρική σκούπα είναι ενεργοποιημένο.	Πατήστε σύντομα το κουμπί ασύρματης ενεργοποίησης και πραγματοποιήστε ξανά τις διαδικασίες καταχώρησης/ακύρωσης εργαλείου.
	Δεν έχουν ολοκληρωθεί οι διαδικασίες καταχώρησης εργαλείων για το εργαλείο ή την ηλεκτρική σκούπα.	Εκτελέστε τις διαδικασίες καταχώρησης εργαλείου για το εργαλείο και την ηλεκτρική σκούπα ταυτόχρονα.
	Ραδιοφωνικά παράσιτα από άλλες συσκευές που παράγουν ραδιοκύματα υψηλής έντασης.	Διατηρήστε το εργαλείο και την ηλεκτρική σκούπα μακριά από τις συσκευές, όπως συσκευές Wi-Fi και φούρνους μικροκυμάτων.
Η ηλεκτρική σκούπα δεν λειτουργεί μαζί με τη λειτουργία διακόπτη του εργαλείου.	Η ασύρματη μονάδα δεν είναι εγκατεστημένη στο εργαλείο. Η ασύρματη μονάδα είναι εγκατεστημένη στο εργαλείο λανθασμένα.	Τοποθετήστε σωστά την ασύρματη μονάδα.
	Ο ακροδέκτης της ασύρματης μονάδας ή/και η σχισμή είναι βρόμικα.	Σκουπίστε απαλά τη σκόνη και τη βρομιά από τον ακροδέκτη της ασύρματης μονάδας και καθαρίστε τη σχισμή.
	Το κουμπί ασύρματης ενεργοποίησης στο εργαλείο δεν έχει πατηθεί.	Πατήστε για λίγο το κουμπί ασύρματης ενεργοποίησης και βεβαιωθείτε ότι η λυχνία ασύρματης ενεργοποίησης αναβοσβήνει με μπλε χρώμα.
	Ο διακόπτης αναμονής στην ηλεκτρική σκούπα δεν έχει τεθεί στη θέση «AUTO».	Θέστε τον διακόπτη αναμονής στην ηλεκτρική σκούπα στη θέση «AUTO».
	Περισσότερα από 10 εργαλεία έχουν καταχωρηθεί με την ηλεκτρική σκούπα.	Πραγματοποιήστε ξανά την καταχώρηση εργαλείου. Αν περισσότερα από 10 εργαλεία είναι καταχωρημένα στην ηλεκτρική σκούπα, το εργαλείο που είχε καταχωρηθεί πιο νωρίς θα ακυρωθεί αυτόματα.
	Η ηλεκτρική σκούπα απέτυχε να καταχωρήσει τα εργαλεία με επιτυχία.	Ανανέωση των καταχωρήσεων εργαλείων.
	Η ηλεκτρική σκούπα έσβησε όλες τις καταχωρήσεις εργαλείων.	Πραγματοποιήστε ξανά την καταχώρηση εργαλείου.
	Δεν υπάρχει παροχή ρεύματος	Παρέχετε ισχύ στο εργαλείο και την ηλεκτρική σκούπα.
	Το εργαλείο και η ηλεκτρική σκούπα βρίσκονται σε αρκετή απόσταση μεταξύ τους (εκτός του εύρους μετάδοσης).	Φέρετε το εργαλείο και την ηλεκτρική σκούπα πιο κοντά. Η μέγιστη απόσταση μετάδοσης είναι περίπου 10 μέτρα, ωστόσο, μπορεί να διαφέρει ανάλογα με τις συνθήκες.
	Ραδιοφωνικά παράσιτα από άλλες συσκευές που παράγουν ραδιοκύματα υψηλής έντασης.	Διατηρήστε το εργαλείο και την ηλεκτρική σκούπα μακριά από τις συσκευές, όπως συσκευές Wi-Fi και φούρνους μικροκυμάτων.
	Η ηλεκτρική σκούπα λειτουργεί ενώ κανένας διακόπτης του εργαλείου δεν βρίσκεται σε λειτουργία.	Κλείστε το κουμπί ασύρματης ενεργοποίησης των άλλων εργαλείων ή ακυρώστε την καταχώρηση εργαλείου των άλλων εργαλείων.

ΣΥΝΤΗΡΗΣΗ

▲ ΠΡΟΕΙΔΟΠΟΙΗΣΗ: Πριν την εκτέλεση εργασιών επιθεώρησης ή συντήρησης, πάντοτε να βεβαιώνετε ότι η συσκευή απενεργοποιήθηκε και η κασέτα μπαταριών έχει αφαιρεθεί. Αν δεν αφαιρέσετε την κασέτα μπαταριών και απενεργοποιήσετε το εργαλείο, μπορεί να έχει ως αποτέλεσμα την τυχαία εκκίνηση του εργαλείου, γεγονός που μπορεί να έχει ως αποτέλεσμα σοβαρό προσωπικό τραυματισμό.

▲ ΠΡΟΕΙΔΟΠΟΙΗΣΗ: Πάντοτε να επιβεβαιώνετε ότι η λάμα δισκοπρίονου είναι ακονισμένη και καθαρή για την καλύτερη και ασφαλέστερη απόδοση. Εάν επιχειρήσετε να εκτελέσετε κοπή χρησιμοποιώντας στομωμένη ή/και ακάθαρτη λάμα, μπορεί να προκληθεί κλότσημα και κατά συνέπεια σοβαρός τραυματισμός.

▲ ΠΡΟΣΟΧΗ: Πάντα να βεβαιώνετε ότι ο προφυλακτήρας λάμας κλείνει στην αρχική θέση, πριν επιχειρήσετε να εκτελέσετε κάποια εργασία επιθεώρησης ή συντήρησης. Ποτέ μη σφίξετε ή δέσετε τον προφυλακτήρα λάμας στη θέση ανοίγματος κατά τη διάρκεια των εργασιών καθαρισμού. Μια εκτεθειμένη λάμα μπορεί να έχει ως αποτέλεσμα προσωπικό τραυματισμό.

ΕΙΔΟΠΟΙΗΣΗ: Μην χρησιμοποιείτε ποτέ βενζίνη, πετρελαϊκό αιθέρα, διαλυτικό, αλκοόλη ή παρόμοιες ουσίες. Μπορεί να προκληθεί αποχρωματισμός, παραμόρφωση ή ρωγμές.

Για τη διατήρηση της ΑΣΦΑΛΕΙΑΣ και ΑΞΙΟΠΙΣΤΙΑΣ του προϊόντος, οι επισκευές και οποιαδήποτε άλλη εργασία συντήρησης ή ρύθμισης πρέπει να εκτελούνται από εξουσιοδοτημένα ή εργοστασιακά κέντρα εξυπηρέτησης της Makita, χρησιμοποιώντας πάντοτε ανταλλακτικά της Makita.

Ρύθμιση της γωνίας κοπής

Αυτό το εργαλείο είναι προσεκτικά ρυθμισμένο και ευθυγραμμισμένο στο εργοστάσιο, αλλά σκληρή μεταχείριση μπορεί να έχει επηρεάσει την ευθυγράμμιση. Εάν το εργαλείο σας δεν είναι ευθυγραμμισμένο κατάλληλα, εκτελέστε τα ακόλουθα:

Λοξή γωνία

Χαμηλώστε εντελώς τη λαβή και ασφαλίστε τη στη χαμηλωμένη θέση με τον ανασταλτικό πείρο. Σπρώξτε την κινητή βάση προς τον φράχτη οδηγό. Περιστρέψτε τη λαβή αριστερόστροφα και ετοιμάστε την περιστροφική βάση για τη λειτουργία θετικής διακοπής χρησιμοποιώντας τον μοχλό ασφάλισης. Στη συνέχεια, χαλαρώστε τις βίδες που ασφαλίζουν τον δείκτη και την κλίμακα λοξής γωνίας.

► **Εικ.83:** 1. Λαβή 2. Μοχλός ασφάλισης 3. Βίδα στο δείκτη 4. Βίδες στην κλίμακα λοξής γωνίας 5. Κλίμακα λοξής γωνίας

Θέστε την περιστροφική βάση στη θέση 0° χρησιμοποιώντας τη λειτουργία θετικής διακοπής. Ορθογωνίστε το πλαινό της λάμας δισκοπρίονου με την πρόσωση του φράχτη οδηγού χρησιμοποιώντας τριγωνικό κανόνα ή

τετράγωνο κανόνα. Ενώ τα διατηρείτε ορθογωνισμένα, σφίξτε τις βίδες στην κλίμακα λοξής γωνίας. Μετά, ευθυγραμμίστε τους δείκτες (δεξιό και αριστερό) με τη θέση 0° στην κλίμακα λοξής γωνίας και σφίξτε τη βίδα στο δείκτη.

► **Εικ.84:** 1. Τριγωνικός κανόνας 2. Δείκτης

Κωνική γωνία

0° κωνική γωνία

Σπρώξτε την κινητή βάση προς τους φράχτες οδηγούς και ασφαλίστε την ολισθαίνουσα κίνηση με τον ανασταλτικό πείρο. Χαμηλώστε εντελώς την κινητή βάση και ασφαλίστε τη στη χαμηλωμένη θέση με τον ανασταλτικό πείρο. Περιστρέψτε το κουμπί αριστερόστροφα και, στη συνέχεια, γυρίστε το ρυθμιστικό μπουλόνι 0° δύο ή τρεις στροφές αριστερόστροφα για να γείρετε τη λάμα δισκοπρίονου προς τα δεξιά.

► **Εικ.85:** 1. Κουμπί 2. Ρυθμιστικό μπουλόνι 0° 3. Βίδα στο δείκτη

Ορθογωνίστε προσεκτικά το πλαινό της λάμας δισκοπρίονου με την άνω επιφάνεια της περιστροφικής βάσης χρησιμοποιώντας έναν τριγωνικό κανόνα, τετράγωνο κανόνα, κτλ., περιστρέφοντας το ρυθμιστικό μπουλόνι 0° δεξιόστροφα. Μετά, σφίξτε καλά το κουμπί για να ασφαλίσετε τη γωνία 0° που έχετε ρυθμίσει.

► **Εικ.86:** 1. Τριγωνικός κανόνας 2. Λάμα πριονιού 3. Άνω επιφάνεια της περιστροφικής βάσης

Ελέγξτε μία ακόμη φορά αν το πλάι της λάμας δισκοπρίονου είναι ορθογωνισμένο με την επιφάνεια περιστροφικής βάσης. Χαλαρώστε τη βίδα στο δείκτη. Ευθυγραμμίστε το δείκτη με τη θέση 0° στην κλίμακα κωνικής γωνίας και μετά σφίξτε τη βίδα.

45° κωνική γωνία

ΕΙΔΟΠΟΙΗΣΗ: Πριν ρυθμίσετε την κωνική γωνία 45°, ολοκληρώστε τη ρύθμιση κωνικής γωνίας 0°.

Χαλαρώστε το κουμπί και γείρε πλήρως την κινητή βάση στην πλευρά που θέλετε να ελέγξετε. Ελέγξτε αν ο δείκτης υποδεικνύει τη θέση 45° στην κλίμακα κωνικής γωνίας.

► **Εικ.87:** 1. Κουμπί

Αν ο δείκτης δεν δείχνει τη θέση 45°, ευθυγραμμίστε τον με τη θέση 45° περιστρέφοντας το ρυθμιστικό μπουλόνι στην κλίμακα κωνικής γωνίας στην αντίθετη πλευρά της βάσης.

► **Εικ.88:** 1. Ρυθμιστικό μπουλόνι αριστερά 45° 2. Ρυθμιστικό μπουλόνι δεξιά 45°

Ρύθμιση των βοηθητικών φραχτών

Ρυθμίστε τους βοηθητικούς φράχτες στις βοηθητικές βάσεις αν δεν είναι ευθυγραμμισμένες με τους φράχτες οδηγούς.

1. Χαλαρώστε τα μπουλόνια που ασφαλίζουν τους βοηθητικούς φράχτες χρησιμοποιώντας το εξαγωνικό κλειδί.

2. Τοποθετήστε μια ίσια άκαμπτη ράβδο, όπως μια χαλύβδινη ράβδος τετράγωνης διατομής, επίπεδα επάνω στους φράχτες οδηγούς.

3. Ενώ η ράβδος βρίσκεται επίπεδα επάνω στους φράχτες οδηγούς, τοποθετήστε τους βοηθητικούς

φράχτες με τρόπο ώστε η πρόσοψη του βοηθητικού φράχτη να γίνει επίπεδη επάνω στη ράβδο. Μετά από αυτό, σφίξτε τα μπουλόνια.

- **Εικ.89:** 1. Μπουλόνι 2. Βοηθητικός φράχτης 3. Φράχτης οδηγός 4. Άκαμπτη ράβδος

Καθαρισμός του φακού λυχνίας

⚠ ΠΡΟΣΟΧΗ: Να αφαιρείτε πάντα τη λάμα δισκοπρίονου πριν καθαρίσετε τον φακό λυχνίας.

ΕΙΔΟΠΟΙΗΣΗ: Μην αφαιρέσετε τη βίδα που ασφαλίζει το φακό. Αν ο φακός δεν βγαίνει, χαλαρώστε τη βίδα περισσότερο.

ΕΙΔΟΠΟΙΗΣΗ: Χρησιμοποιήστε ένα στεγνό πανί για να σκουπίσετε τη σκόνη από το φακό της λυχνίας. Προσέχετε να μην γρατζουνίσετε τον φακό της λυχνίας, επειδή μπορεί να μειωθεί η ένταση του φωτισμού.

ΕΙΔΟΠΟΙΗΣΗ: Μην χρησιμοποιείτε διαλύτες ή καθαριστικά με βάση το πετρέλαιο στον φακό.

Το φως LED δεν φαίνεται εύκολα καθώς ο φακός για το φως βρομίζει. Να καθαρίζετε τον φακό σε τακτά χρονικά διαστήματα.

Αφαιρέστε την κασέτα μπαταριών. Χαλαρώστε τη βίδα και τραβήξτε το φακό για να τον βγάλετε. Καθαρίστε το φακό απαλά με ένα βρεγμένο μαλακό πανί.

- **Εικ.90:** 1. Βίδα 2. Φακός

Μετά τη χρήση

Μετά τη χρήση, σφουγγίστε τα τεμαχίδια και τη σκόνη που είναι κολλημένα στο εργαλείο με ένα πανί ή κάτι παρόμοιο. Κρατήστε τον προφυλακτήρα λάμας καθαρό σύμφωνα με τις οδηγίες στην προηγούμενως καλυφθείσα ενότητα με τίτλο «Προφυλακτήρας λάμας». Λιπαίνετε τα μέρη που γλιστρούν με μηχανικό έλαιο για να μην οξειδωθούν.

ΠΡΟΑΙΡΕΤΙΚΑ ΕΞΑΡΤΗΜΑΤΑ

⚠ ΠΡΟΕΙΔΟΠΟΙΗΣΗ: Αυτά τα εξαρτήματα Makita ή προσαρτήματα συνιστώνται για χρήση με το εργαλείο Makita που περιγράφηκε στις οδηγίες αυτές. Η χρήση οποιωνδήποτε άλλων εξαρτήματα ή προσαρτημάτων μπορεί να καταλήξει σε πρόκληση σοβαρού τραυματισμού.

⚠ ΠΡΟΕΙΔΟΠΟΙΗΣΗ: Το εξαρτήματα ή το προσαρτήματα της Makita να χρησιμοποιείται μόνο για την προοριζόμενη χρήση του. Η κακή χρήση ενός εξαρτήματος ή προσαρτήματος μπορεί να καταλήξει σε πρόκληση σοβαρού τραυματισμού.

Εάν χρειάζεστε οποιαδήποτε βοήθεια για περισσότερες πληροφορίες σε σχέση με αυτά τα εξαρτήματα, απευθυνθείτε στο τοπικό σας κέντρο εξυπηρέτησης Makita.

- Λάμες πριονιού καρβιδικών άκρων
- Κάθετη μέγγενη
- Οριζόντια μέγγενη

- Σει αναστολέα ανάγλυφης μόρφωσης στέψης
- Σάκος σκόνης
- Τριγωνικός κανόνας
- Εξαγωνικό κλειδί
- Ασύρματη μονάδα
- Σει σταντ
- Γνήσια μπαταρία και φορτιστής της Makita

ΠΑΡΑΤΗΡΗΣΗ: Μερικά στοιχεία στη λίστα μπορεί να συμπεριλαμβάνονται στη συσκευασία εργαλείου ως στάνταρ εξαρτήματα. Μπορεί να διαφέρουν ανάλογα με τη χώρα.

TEKNİK ÖZELLİKLER

Model:		LS003G
Bıçak çapı	Avrupa ülkeleri	305 mm
	Avrupa dışındaki ülkeler	305 mm
Delik çapı	Avrupa ülkeleri	30 mm
	Avrupa dışındaki ülkeler	30 mm veya 25,4 mm (ülkeye özgü)
Testere bıçağı maks. kesim kalınlığı		3,2 mm
Maks. gönye açısı		Sağ 60°, Sol 60°
Maks. eğim açısı		Sağ 48°, Sol 48°
Yüksüz hız (Devir/Dak)		3.600 min ⁻¹
Ebat (U x G x Y)		898 mm x 690 mm x 725 mm
Anma voltajı		D.C. 36 V - 40 V maks
Net ağırlık		30,5 - 31,7 kg

Kesme kapasiteleri (Y x G)

Gönye açısı			Eğim açısı		
			45° (sol)	0°	45° (sağ)
0°	-	-	61 mm x 382 mm 71 mm x 363 mm	92 mm x 382 mm 107 mm x 363 mm	44 mm x 382 mm 54 mm x 363 mm
	Arttırılmış kesim yüksekliği için kılavuz bariyeri üzerindeki ahşap kaplamanın kalınlığı	20 mm	78 mm x 325 mm	115 mm x 325 mm	61 mm x 325 mm
		38 mm	80 mm x 292 mm	120 mm x 292 mm	-
45° (sağ ve sol)	-	-	61 mm x 268 mm 71 mm x 255 mm	92 mm x 268 mm 107 mm x 255 mm	44 mm x 268 mm 54 mm x 255 mm
	Arttırılmış kesim yüksekliği için kılavuz bariyeri üzerindeki ahşap kaplamanın kalınlığı	15 mm	-	115 mm x 227 mm	-
		25 mm	-	120 mm x 212 mm	-
60° (sağ ve sol)	-	-	-	92 mm x 185 mm 107 mm x 178 mm	-
	Arttırılmış kesim yüksekliği için kılavuz bariyeri üzerindeki ahşap kaplamanın kalınlığı	15 mm	-	115 mm x 155 mm	-
		25 mm	-	120 mm x 140 mm	-

Özel kesimler için kesme kapasiteleri

Kesim türü	Kesme kapasitesi
Kartonpiyer, 45° (kartonpiyer sabitleyici kullanıldığında)	203 mm
Süpürgelik (yatay mengene kullanıldığında)	171 mm

- Sürekli yapılan araştırma ve geliştirmelerden dolayı, burada belirtilen özellikler önceden bildirilmeksizin değiştirilebilir.
- Özellikler ülkeden ülkeye değişebilir.
- Ağırlık, ekli aksesuar/aksesuarlara ve batarya kartuşuna bağlı olarak farklılık gösterebilir. EPTA-Prosedürü 01/2014'e göre en hafif ve en ağır kombinasyonlar tabloda verilmiştir.

Geçerli batarya kartuşu ve şarj aleti

Batarya kartuşu	BL4020 / BL4025 / BL4040* / BL4040F* / BL4050F* / BL4080F* * : Önerilen batarya
-----------------	--

- Yukarıda listelenen batarya kartuşlarının ve şarj aletlerinin bazıları yaşadığımız bölgeye bağlı olarak mevcut olmayabilir.

UYARI: Sadece yukarıda listelenen batarya kartuşlarını ve şarj aletlerini kullanın. Başka batarya kartuşlarının ve şarj aletlerinin kullanılması yaralanma ve/veya yangına neden olabilir.

Semboller

Ekipmanı için kullanılacak semboller aşağıda gösterilmiştir. Kullanmadan önce anlamlarını anladığınızdan emin olun.



Kullanma kılavuzunu okuyun.



Koruyucu gözlük takın.



Sıçrayan parçalardan yaralanmayı önlemek için kesim bitikten sonra bıçak tamamen durana kadar testere başını daima aşağıda tutun.



Eğimli kesim yaparken önce topuzu saatin aksi yönünde çevirin ve ardından taşıyıcıyı yatırın. Ardından, topuzu saat yönünde çevirerek sıkın.



Kızaklı kesme sırasında önce taşıyıcıyı tamamen çekin ve kola bastırın, ardından taşıyıcıyı kılavuz bariyeri boyunca itin.



Taşıyıcıyı sağa yatırırken serbest bırakma düğmesini basılı tutun.



Bir süpürgeliği 45° gönye açısı ile keserken durdurucu mandalı takın.



Elinizi ve parmaklarınızı bıçağa yaklaştırmayın.



Çalışan lambaya bakmayın.



A: Bıçak çapı
B: Delik çapı



Yatay mengene, gönye kesme ile aynı yönde takmayın. (Bu simge yatay mengene üzerinde bulunur)



Sadece AB ülkeleri için
Ekipmanda tehlikeli bileşenler bulunduğundan dolayı atık elektrikli ve elektronik ekipmanlar, aküler ve bataryalar çevre ve insan sağlığı üzerinde olumsuz etkiye yol açabilir.

Elektrikli ve elektronik cihazları veya bataryaları evsel atıklarla birlikte atmayın!
Atık elektrikli ve elektronik ekipmanlar ile akümülatörler ve bataryalar hakkındaki Avrupa Direktifi ve söz konusu direktifin ulusal yasalara uyarlanması gereğince atık elektrikli ekipmanlar, bataryalar ve akümülatörler ayrı olarak depolanmalı ve çevre koruma hakkındaki mevzuata uygun olarak faaliyet gösteren ayrı bir kentsel atık toplama noktasına teslim edilmelidir.
Bu husus, ekipmanın üzerine yerleştirilmiş üzerinde çarpı işareti bulunan tekerlekli çöp kovası simgesi ile belirtilmiştir.

Kullanım amacı

Bu alet, ahşap malzemede düz ve gönyeli hassas kesimler yapmak için tasarlanmıştır. Testereyi tahta, alüminyum ve benzeri dışındaki malzemeleri kesmek için kullanmayın.

Gürültü

Tipik A-ağırlıklı gürültü düzeyi (EN62841-3-9 standardına göre belirlenen):

Ses basınç seviyesi (L_{pA}): 91 dB (A)

Ses gücü düzeyi (L_{WA}): 100 dB (A)

Belirsizlik (K): 3 dB (A)

NOT: Beyan edilen gürültü emisyonu değer(ler)i bir standart test yöntemine uygun şekilde ölçülmüştür ve bir aleti bir başkasıyla karşılaştırmak için kullanılabilir.

NOT: Beyan edilen gürültü emisyonu değer(ler)i bir ön maruz kalma değerlendirmesi olarak da kullanılabilir.

UYARI: Kulak koruyucuları takın.

UYARI: Elektrikli aletin gerçek kullanımı sırasındaki gürültü emisyonu, aletin kullanım biçimlerine, özellikle işlenen iş parçasının türüne bağlı olarak beyan edilen değer(ler)den farklı olabilir.

UYARI: Gerçek kullanım koşullarındaki tahmini maruziyeti baz alan, operatörü koruyacak güvenlik önlemlerini mutlaka belirleyin (çalışma döngüsü içerisinde aletin kapalı olduğu ve aktif durumda olmasının yanı sıra boşta çalıştığı zamanlar gibi, bütün zaman dilimleri göz önünde bulundurarak).

Uygunluk Beyanları

Sadece Avrupa ülkeleri için

Uygunluk beyanları bu kullanma kılavuzuna Ek A olarak eklenmiştir.

GÜVENLİK UYARILARI

Genel elektrikli alet güvenliği uyarıları

UYARI Bu elektrikli aletle birlikte verilen tüm güvenlik uyarılarını, talimatları, resimli açıklamaları ve teknik özellikleri okuyun. Aşağıda listelenen talimatların herhangi birine uyulmaması elektrik çarpması, yangın ve/veya ciddi yaralanma ile sonuçlanabilir.

Tüm uyarıları ve talimatları iletide başvurmak için saklayın.

Uyarılardaki "elektrikli alet" terimi ile ya prizden çalışan (kordonlu) elektrikli aletiniz ya da kendi aküsü ile çalışan (kordonsuz) elektrikli aletiniz kastedilmektedir.

Gönye kesme testereleri için güvenlik talimatları

- Gönye kesme testereleri ahşap veya ahşap benzeri ürünleri kesmek için tasarlanmıştır, çubuklar, rodlar, saplamalar, vb. gibi demir malzemeleri kesmek için aşındırıcı kesim diskleriyle kullanılamaz.** Aşındırıcı toz alt siperi gibi hareketli parçaların sıkışmasına neden olur. Aşındırıcı kesimden kaynaklanan kıvılcıklar alt siperi, kesim kanalı ve diğer plastik parçaları yakar.
 - Mümkün olan her durumda iş parçasını mengener kullanarak destekleyin.** İş parçasını elle destekliyorsanız elini daima testere bıçağının her iki tarafından en az 100 mm uzakta tutun. Bu testereyi, sabitlenemeyecek veya elle tutulamayacak kadar küçük parçaları kesmek için kullanmayın. Eliniz testere bıçağına çok yakın yerleştirilirse yüksek oranda bıçağa temas ederek yaralanma riski vardır.
 - İş parçası sabit olmalı ve mengene ile sabitlenmeli veya bariyer ve tezgaha dayanacak şekilde tutulmalıdır.** İş parçasını "sabitlenmeden" hiçbir şekilde bıçağa sürmeyin veya kesmeyin. Sabitlenmemiş veya hareket eden iş parçaları yüksek hızlarda fırlayarak yaralanmaya neden olabilir.
 - Testereyi iş parçası boyunca itin.** Testereyi iş parçası boyunca çekmeyin. Kesim yapmak için testere kafasını kaldırın ve kesmeden iş parçasının üzerinden dışarı çekin, motoru çalıştırın, testere kafasını aşağı doğru bastırın ve testereyi iş parçası boyunca itin. Çekmek suretiyle kesim yapılması testere bıçağının iş parçasının üzerine tırmanmasına ve bıçak takırını operatöre doğru şiddetle fırlatmasına neden olabilir.
 - Elinizi, testere bıçağının önünden veya arkasından tasarlanan kesim çizgisinin öbür tarafına geçirmeyin.** İş parçasının "çapraz şekilde" yani iş parçasını testere bıçağının sağında sol elinizde tutarak veya tersi şekilde desteklemek çok tehlikelidir.
- **Şek.1**
- Bıçak dönerken atık ahşap parçalarını kaldırmak veya başka herhangi bir nedenle testere bıçağının her iki tarafına 100 mm'den daha yakın olacak şekilde ellerinizle bariyerine arkasına uzanmayın.** Dönen testere bıçağının elinize olan yakınlığı belli olmayabilir ve ciddi şekilde yaralanabilirsiniz.
 - Kesmeden önce iş parçanızı inceleyin.** İş parçası eğri veya çarpık ise dış eğri kısmı bariyere gelecek şekilde mengene ile sabitleyin. Kesim çizgisi boyunca iş parçası, bariyer ve tezgah arasında boşluk kalmadığından daima emin olun. Eğri veya çarpık iş parçaları dönebiller veya kayabilir ve kesim sırasında dönen testere bıçağına takılmasına neden olabilir. İş parçasında çivi veya yabancı maddeler olmamalıdır.
 - Tezgahta iş parçası dışındaki tüm aletler, atık**

ahşap parçaları, vb. kaldırılmadan testereyi kullanmayın. Dönen bıçağa temas eden küçük atıklar veya gevşek ahşap parçaları ya da başka nesnelere yüksek hızla fırlayabilir.

- Tek seferde sadece bir adet iş parçası kesin.** Üst üste dizilen birden fazla iş parçası yeterli kadar sabitlenemeyebilir veya desteklenemeyebilir ve kesim sırasında bıçağa takılabilir veya kayabilir.
- Kullanmadan önce gönye kesme makinasının düz, sabit bir çalışma yüzeyine monte edildiğinden veya yerleştirildiğinden emin olun.** Düz ve sabit çalışma yüzeyi gönye kesme makinasının dengesini yitirme riskini azaltır.
- İşinizi planlayın.** Eğim veya gönye açısı ayarını her değiştirdiğinizde ayarlanabilir bariyerin iş parçasını destekleyecek şekilde doğru ayarlandığından ve bıçak veya koruma siperi sistemine müdahale etmeyeceğinden emin olun. Aleti "Açık" konuma almadan önce ve tezgahta iş parçası yokken bariyere müdahale edilmeyeceğinden veya bariyerin kesilme tehlikesi olmadığından emin olmak için testere bıçağını tam bir temsili kesim yapacak şekilde hareket ettirin.
- Tezgahtan daha geniş veya uzun iş parçası için tezgah uzantıları, testere tezgahları, vb. gibi yeterli destek sağlayın.** Gönye kesme makinasının tezgahından daha uzun veya daha geniş iş parçaları emniyetli bir şekilde desteklenmezse devrilebilir. Kesilen parça veya iş parçası devrilsen alt siperi kaldırabilir veya dönen bıçak tarafından fırlatılabilir.
- Tezgah uzantısı veya ilave destek yerine başka bir kişiyi kullanmayın.** İş parçasının dengesiz şekilde desteklenmesi kesim işlemi sırasında bıçağın takılmasına veya iş parçasının kaymasına neden olarak sizi veya yardım eden kişiyi dönen bıçağa çekebilir.
- Kesilen parça dönen testere bıçağına dayanacak şekilde hiçbir biçimde sıkıştırılmamalı veya bastırılmamalıdır.** Uzunluk dayanakları kullanarak sınırlandırılması durumunda kesilen parça bıçağa dayanıp kalarak şiddetli bir şekilde fırlayabilir.
- Daima çubuklar veya borular gibi yuvarlak malzemeleri düzgün şekilde desteklemek üzere tasarlanmış mengene veya sabitleme aparatı kullanın.** Çubuklar kesilirken dönme eğilimi gösterdiklerinden bıçak iş parçasını kavrayarak elinizle birlikte bıçağa çekilmesine neden olur.
- İş parçasına temas ettirmeden önce bıçağın tam hız çıkmasını bekleyin.** Bu, iş parçasının fırlatılma riskini düşürecektir.
- İş parçası veya bıçak sıkışırsa gönye kesme makinasını kapatın.** Tüm hareketli parçaların durmasını bekleyin ve fişi elektrikli prizden çekin ve/veya bataryayı çıkarın. Daha sonra sıkışan malzemeyi çıkarmaya çalışın. Sıkışan iş parçası ile kesmeye devam etmek kontrol kaybına veya gönye kesme makinasının hasar görmesine neden olabilir.
- Kesimi tamamladıktan sonra anahtarları bira-
n, testere kafasını aşağıda tutun ve kesilen parçayı çıkarmadan önce bıçağın durmasını bekleyin.** Boşta dönen bıçağın yakınına elinizle uzanmak tehlikelidir.

19. Eksik kesim yaparken veya testere kafası tamamen aşağı konuma gelmeden önce anahtarları bırakırken tutamağı sıkıca tutun. Testerenin frenleme hareketi testere kafasının aniden aşağı doğru çekilmesine neden olarak yaralanma riskine yol açabilir.
20. Sadece alet üzerinde işaretli olan ya da kılavuzda belirtilen çapta testere bıçağı kullanın. Yanlış boyutta bir bıçak kullanılması bıçağın doğru bir şekilde korunmasını ya da koruma parçasının işleyişini etkileyebilir, bu da ciddi kişisel yaralanmalara neden olabilir.
21. Sadece hızı alet üzerinde işaretli olan hıza eşit ya da ondan daha yüksek olan testere bıçaklarını kullanın.
22. Testereyi tahta, alüminyum ve benzeri dışındaki malzemeleri kesmek için kullanmayın.
23. (Sadece Avrupa ülkeleri için) Daima EN847-1'e uygun bıçak kullanın.

Ek talimatlar

1. Atölyeyi asma kilitlerle çocukların erişemeyeceği hale getirin.
2. Hiçbir zaman aletin üzerine çıkmayın. Alet devrilir veya kesim aleti kazara temas ederse ciddi yaralanma meydana gelebilir.
3. Aleti hiçbir zaman çalışır durumda başı boş bırakmayın. Gücü kapatın. Tamamen durmadan aletin başından ayrılmayın.
4. Koruma siperlerini yerine takmadan testereyi kullanmayın. Her kullanımdan önce bıçak siperinin doğru bir şekilde kapatılıp kapatılmadığını kontrol edin. Bıçak siperi serbest bir şekilde hareket etmiyor ve anında kapanmıyorsa testereyi kullanmayın. Bıçak siperini asla açık konumda kalacak şekilde sıkıştırma-
yın ve bağlamayın.
5. Ellerinizi testere bıçağının hareket alanından uzak tutun. Alet durdurulduktan sonra durana kadar boşta dönen bıçağa temastan sakının. Ciddi yaralanmalara sebep olabilir.
6. Yaralanma riskini azaltmak için her enine kesimden sonra taşıyıcıyı tam geri konuma döndürün.
7. Aleti taşımadan önce hareket eden tüm parçaları sabitleyin.
8. Kesici kafanın aşağı sabitlenmesini sağlayan sabitleme pimi veya durdurucu mandal sadece taşıma ve saklama amacıyla kullanılmalı, hiçbir kesim işlemi sırasında kullanılmamalıdır.
9. Kullanmadan önce bıçaktaki çatlak ya da hasar olup olmadığını dikkatlice kontrol edin. Çatlak veya hasarlı bıçağı hemen değiştirin. Bıçakların üzerinde sertleşen sakız ve odun katranı testereyi yavaşlatır ve geri tepme potansiyelini artırır. Bıçağı ilk önce aletten çıkarıp daha sonra sakız veya katran temizleyici, sıcak su veya gaz yağı ile temizleyerek temiz tutun. Bıçağı temizlemek için asla benzin kullanmayın.
10. Kızıklı kesim yaparken GERİ TEPME meydana gelebilir. GERİ TEPME, kesim işlemi sırasında bıçak iş parçasına takıldığında ve testere bıçağı hızlı bir şekilde operatöre doğru sürüldüğünde meydana gelir. Kontrol kaybı ve ciddi

- yaralanmayla sonuçlanabilir. Kesim işlemi sırasında bıçak takılmaya başlarsa kesime devam etmeyin ve anahtarları hemen bırakın.
11. Sadece bu alete uygun olan flanşları kullanın.
12. Mil, flanş (özellikle montaj yüzeyi) ve civatalara zarar gelmemesine dikkat edin. Bu parçalara zarar gelirse bıçak kırılabilir.
13. Dönüş kaidesinin iyice sabitlendiğinden, kullanım sırasında hareket etmeyeceğinden emin olun. Testereyi sabit bir çalışma platformuna veya tezgaha sabitlemek işin kaide üzerindeki delikleri kullanın. Aleti, operatörün konumu biçimsiz olacak şekilde ASLA kullanmayın.
14. Anahtar açılmadan önce mil kilidinin serbest olduğundan emin olun.
15. Bıçağın en düşük konumda dönüş kaidesine temas etmediğinden emin olun.
16. Tutamağı elinizle sıkıca tutun. Başlatma ve durma sırasında testerenin hafifçe yukarı veya aşağı hareket ettiğini unutmayın.
17. Anahtar açılmadan önce bıçağın iş parçasına temas etmediğinden emin olun.
18. Aleti iş parçası üzerinde kullanmadan önce bir müddet çalıştırın. İyi takılmamış veya tam dengelenmemiş bir bıçağın belirtileri olan vibrasyon ya da sallanma olup olmadığına bakın.
19. Anormal bir durum fark ederseniz kullanımı derhal durdurun.
20. Tetiği "Açık" konumda kilitlemeye çalışmayın.
21. Daima bu kılavuzda tavsiye edilen aksesuarları kullanın. Aşındırıcı disk gibi uygun olmayan aksesuarların kullanımı yaralanmaya sebep olabilir.
22. Bazı malzemeler zehirli olabilecek kimyasal maddeler içerir. Tozun solunmasını ve cilde temas etmesini önlemek için dikkatli olun. Malzeme tedarikçisinin güvenlik bilgilerini izleyin.
23. Bu aletle kablolu güç kaynağı kullanmayın.

Çalışan lamba için ek güvenlik kuralları

1. Işığa bakmayın ya da ışık kaynağını doğrudan görmeyin.

BU TALİMATLARI MUHAFAZA EDİNİZ.

⚠UYARI: Ürünü kullanırken (defalarca kullanınca kazanılan) rahatlık ve tanıdıklık duygusunun ilgili ürünün güvenlik kurallarına sıkı sıkıya bağlı kalmanızı yerine geçmesine İZİN VERMEYİN. YANLIŞ KULLANIM veya bu kullanma kılavuzunda belirtilen emniyet kurallarına uymama ciddi yaralanmaya neden olabilir.

Batarya kartuşu hakkında önemli güvenlik talimatları

1. Batarya kartuşunu kullanmadan önce, tüm talimatları ve (1) batarya kartuşu, (2) batarya ve (3) ürün üzerindeki tüm uyarı işaretlerini okuyun.
2. Batarya kartuşunu parçalarına ayırmayın veya kurcalamayın. Yangın, aşırı ısı veya patlamaya neden olabilir.

3. Çalışma süresi aşırı derecede kısalmışsa kullanmayı derhal bırakın. Aşırı ısınma, yanma riski hatta patlamaya neden olabilir.
4. Gözünüze elektrolit kaçarsa, gözlerinizi temiz suyla durulayın ve hemen tıbbi yardım alın. Görme kaybına yol açabilir.
5. Batarya kartuşuna kısa devre yaptırmayın:
 - (1) Terminallere herhangi bir iletken madde değdirmeyin.
 - (2) Batarya kartuşunu çiviler, madeni paralar, vb. gibi başka metal nesnelere aynı kaba koymaktan kaçının.
 - (3) Batarya kartuşunu yağmura ya da suya maruz bırakmayın.

Kısa devre, büyük bir akım akışına, aşırı ısınmaya, olası yanıklara hatta bataryanın bozulmasına yol açabilir.

6. Aleti ve batarya kartuşunu sıcaklığın 50 °C ya da daha yükseğe ulaştığı yerlerde saklamayın ve kullanmayın.
7. Aşırı derecede hasar görmüş ya da tamamen kullanılamaz durumda olsa bile batarya kartuşunu yakmayın. Batarya kartuşu ateşe atılırsa patlayabilir.
8. Batarya kartuşunu çivilememeyin, kesmeyin, ezmeyin, fırlatmayın, düşürmeyin ya da batarya kartuşuna sert bir nesne ile vurmeyin. Bu eylemler yangın, aşırı ısı veya patlamaya neden olabilir.
9. Hasarlı bataryayı kullanmayın.
10. Aletin içerdiği lityum-iyon bataryalar Tehlikeli Eşyalar Yönetmeliğinin gereksinimlerine tabidir.

Ticari nakliye işlemleri için, örneğin üçüncü taraflar, nakliye acenteleri tarafından yapılan nakliyelerde, paketleme ve etiketleme gereksinimlerine uyulmalıdır.

Nakliyesi yapılacak ürünün hazırlanması için, tehlikeli maddeler konusunda uzman bir kişiye danışın. Lütfen muhtemelen daha ayrıntılı olan ulusal yönetmeliklere de uyun.

Açık kontakları bantlayın ya da maskeleyin ve bataryayı paketin içinde hareket etmeyecek şekilde paketleyin.
11. Batarya kartuşunu bertaraf ederken aletten çıkarın ve güvenli bir yerde bertaraf edin. Bataryanın bertaraf edilmesi ile ilgili yerel düzenlemelere uyunuz.
12. Bataryaları sadece Makita tarafından belirtilen ürünlerle kullanın. Bataryaların uyumsuz ürünlere takılması; yangın, aşırı ısınma, patlama ya da elektrolit sızıtmasına neden olabilir.
13. Alet uzun süre kullanılmıyacaksa batarya aletten çıkarılmalıdır.
14. Kullanma sırasında ve sonrasında batarya kartuşu ısınarak yanıklara veya düşük sıcaklık yanıklarına yol açabilir. Sıcak batarya kartuşları ile işlem yaparken dikkat edin.
15. Yanıklara neden olabilecek kadar sıcak olabileceğinden kullandıktan hemen sonra aletin terminaline dokunmayın.
16. Batarya kartuşunun terminallerine, deliklerine ve kanallarına mıcır, toz veya toprak girmesine izin vermeyin. Aletin veya batarya kartuşunun

ısınmasına, alev almasına, patlamasına ve arızalanmasına neden olarak yanıklara veya yaralanmaya yol açabilir.

17. Alet yüksek gerilim elektrik güç hatları yakınında kullanımı desteklemediği sürece batarya kartuşunu yüksek gerilim elektrik güç hatlarının yakınında kullanmayın. Aletin veya batarya kartuşunun arızalanmasına veya bozulmasına neden olabilir.
18. Bataryayı çocuklardan uzak tutun.

BU TALİMATLARI MUHAFAZA EDİNİZ.

⚠DİKKAT: Sadece orijinal Makita bataryalarını kullanın. Orijinal olmayan Makita bataryaları ya da üzerine değişiklik yapılmış bataryaların kullanımı bataryanın patlamasına ve sonuç olarak yangın, kişisel yaralanma ve hasara neden olabilir. Ayrıca Makita aleti ve şarj aletinin Makita tarafından sunulan garantisini geçersiz olur.

Maksimum batarya ömrü için ipuçları

1. Batarya kartuşunu tamamen boşalmadan önce şarj edin. Aletin gücünün zayıflamaya başladığını fark ettiğinizde aleti durdurun ve batarya kartuşunu şarj edin.
2. Tam dolu bir batarya kartuşunu asla yeniden şarj etmeyin. Aşırı şarj etme bataryanın hizmet ömrünü kısaltır.
3. Batarya kartuşunu 10 °C - 40 °C oda sıcaklığında şarj edin. Sıcak bir batarya kartuşunu şarj etmeden önce soğumasını bekleyin.
4. Batarya kartuşunu kullanmıyorken aletten veya şarj aletinden çıkarın.
5. Uzun bir süre (altı aydan daha fazla) kullanmadığınız durumlarda batarya kartuşunu şarj edin.

Kablosuz ünitesi için önemli güvenlik talimatları

1. Kablosuz ünitesini parçalarına ayırmayın veya kurcalamayın.
2. Kablosuz ünitesini küçük çocuklardan uzak tutun. Kazara yutulursa derhal tıbbi yardım alın.
3. Kablosuz ünitesini sadece Makita aletlerle kullanın.
4. Kablosuz ünitesini yağmura veya ıslak koşullara maruz bırakmayın.
5. Kablosuz ünitesini sıcaklığın 50 °C'yi aştığı yerlerde kullanmayın.
6. Kablosuz ünitesini, kalp pilleri gibi tıbbi cihazların yakınında bulunan yerlerde kullanmayın.
7. Kablosuz ünitesini, otomatik cihazların yakınında bulunan yerlerde kullanmayın. Kullanılırsa otomatik cihazlar arızalanabilir veya hata verebilir.
8. Kablosuz ünitesini, yüksek sıcaklık altındaki yerlerde veya statik elektrik veya elektrik gürültüsü üretilebilecek yerlerde kullanmayın.
9. Kablosuz ünitesi elektromanyetik alanlar

- üretilebilir ancak onlar kullanıcıya zararlı değildir.
- Kablosuz ünitesi hassas bir cihazdır. Kablosuz ünitesini düşürmemeye veya çarpmamaya dikkat edin.
 - Kablosuz ünitesinin terminaline çıplak ellerle veya metalik malzemelerle dokunmaktan kaçının.
 - Kablosuz ünitesini ürüne takarken ürünün üzerindeki bataryayı mutlaka çıkarın.
 - Yuva kapağını açarken yuvaya toz ve suyun girebileceği yerlerden kaçının. Yuva girişini daima temiz tutun.
 - Kablosuz ünitesi her zaman doğru yönde takın.
 - Kablosuz ünitesinin üzerindeki kablosuz çalıştırma düğmesine çok sert basmayın ve/veya düğmeye keskin uçlu bir cisim ile basmayın.
 - Kullanırken yuva kapağını mutlaka kapatın.
 - Alete güç beslenirken kablosuz ünitesini yuvadan çıkarmayın. Aksi takdirde kablosuz ünitesi arızalanabilir.
 - Kablosuz ünitesinin üzerindeki etiketi çıkarmayın.
 - Kablosuz ünitesinin üzerine hiçbir etiket koymayın.
 - Kablosuz ünitesini, statik elektrik veya elektrik

- gürültüsü üretilebilecek yerlerde bırakmayın.
- Kablosuz ünitesini, güneşin altında duran bir araba gibi yüksek ısıya maruz yerlerde bırakmayın.
 - Kablosuz ünitesini, tozlu veya aşındırıcı gaz üretilebilecek yerlerde bırakmayın.
 - Anı sıcaklık değişimleri kablosuz ünitesini nemiendirebilir. Nem tamamen kuruyana dek kablosuz ünitesini kullanmayın.
 - Kablosuz ünitesini temizlerken kuru yumuşak bir bezle nazikçe silin. Benzin, tiner, iletken gres veya benzeri maddeler kullanmayın.
 - Kablosuz ünitesini saklarken ürünle verilen kutusunda veya anti-statik bir kaptaki saklayın.
 - Alet üzerindeki yuvaya Makita kablosuz ünitesi dışında başka hiçbir aygıt sokmayın.
 - Aleti, yuvanın kapağı hasarlı iken kullanmayın. Yuvaya giren su, toz ve pislik arızaya neden olabilir.
 - Yuvanın kapağını gerekenden fazla çekmeyin ve/veya bükmeyin. Aletten çıkması durumunda kapağı yeniden takın.
 - Kaybolur veya hasar görürse kapağı değiştirin.

BU TALİMATLARI MUHAFAZA EDİNİZ.

PARÇALARIN TANIMI

► Şek.2

1	Topuz (eğim açısı için)	2	Altıgen anahtar	3	Ayar vidası (alt limit konumu için)	4	Ayar civatası (maksimum kesme kapasitesi için)
5	Durdurucu kol	6	Güvenlik kilidi düğmesi	7	Anahtar tetik	8	Kapak (kablosuz ünitesi için)
9	Asma kilit deliği	10	Kablosuz çalıştırma düğmesi	11	Kablosuz çalıştırma lambası	12	Lamba düğmesi
13	Vakum düğmesi	14	Bıçak kılıfı	15	Bıçak siperi	16	Alt bariyer
17	Kilitleme kolu (dönüş kaidesi için)	18	Serbest bırakma kolu (dönüş kaidesi için)	19	Kavrama kolu (dönüş kaidesi için)	20	Kesim kanalı
21	Gönye açısı ölçeği	22	İşaretçi (gönye açısı için)	23	Dönüş kaidesi	24	Alt kaide
25	Serbest bırakma düğmesi (sağ taraf eğim açısı için)	26	Dikey mengene	27	Sabitlenme pimi (taşiyıcıyı kaydırmak için)	28	Kızak çubuğu

► Şek.3

1	Tutamak	2	Batarya kartuşu	3	Toz torbası (toz çekme hortumu ile değiştirildiğinde)	4	Hortum (toz çekmek için)
5	Eğim açısı ölçeği	6	0° ayar civatası (eğim açısı için)	7	İşaretçi (eğim açısı için)	8	45° ayar civatası (eğim açısı için)
9	Kilitleme kolu (eğim açısı için)	10	Serbest bırakma kolu (48° eğim açısı için)	11	Kılavuz bariyeri (üst bariyer)	12	Kılavuz bariyeri (alt bariyer)
13	Sabitlenme pimi (taşiyıcı yüksekliği için)	14	Mil kilidi	-	-	-	-

KURULUM

Kavrama kolunun takılması

Kavrama kolunun diđi milini dönüş kaidesine vidalayın.

► **Şek.4:** 1. Kavrama kolu 2. Dönüş kaidesi

Toz çekme hortumunun takılması ve çıkarılması

Hortum dirseğini, kilitleme düğmesi yukarı bakar durumda üst ağızlığa takın. Rakorun üzerindeki durdurucu düğmelerine basıp ağızlık üzerindeki kılavuz çentikleriyle hizalayarak hortumun rakorunu alt ağızlığa sokun.

Dirsek ve rakorun aletin ağızlıklarına düzgün şekilde oturduğundan emin olun.

► **Şek.5:** 1. Toz çekme hortumu 2. Dirsek 3. Kilitleme düğmesi 4. Rakor 5. Üst ağızlık 6. Alt ağızlık

Hortum dirseğini ağızlıktan çıkarmak için kilitleme düğmesine basarak dirseği çekin.

► **Şek.6:** 1. Kilitleme düğmesi 2. Dirsek

Hortumun rakorunu ağızlıktan çıkarmak için ağızlığın her iki tarafındaki durdurucu düğmelerine basarak rakoru çekin.

► **Şek.7:** 1. Durdurucu düğmesi 2. Rakor

Tezgahın montajı

Alet gönderildiğinde, sabitleme pimi tutamağı aşağı indirilmiş konumda kilitleli tutar. Tutamağı hafifçe indirirken sabitleme pimini çekin ve 90°döndürün.

► **Şek.8:** 1. Kilitleli konum 2. Açık konum 3. Sabitleme pimi

Bu alet, aletin kaidesindeki civata delikleri kullanılarak, dört civatayla düz ve dengeli bir yüzeye sabitlenmelidir. Bu, kaymayı ve olası yaralanmaları önlemeye yardımcı olacaktır.

► **Şek.9:** 1. Civata

UYARI: Aletin destek yüzeyinin üzerine gelmemesine dikkat edin. Gönye kesme makinasının kesim sırasında destek yüzeyine gelmesi, kontrolün kaybedilmesine ve ciddi yaralanmalara sebep olabilir.

İŞLEVSEL NİTELİKLER

UYARI: Alet üzerinde ayarlama ya da işleyiş kontrolü yapmadan önce aletin kapalı ve batarya kartuşunun çıkartılmış olduğundan daima emin olun. Aletin kapatılmaması ve batarya kartuşunun çıkarılmaması istemsiz olarak aletin başlatılması sonucu ciddi kişisel yaralanmalara neden olabilir.

Batarya kartuşunun takılması ve çıkarılması

DİKKAT: Batarya kartuşunu takmadan ya da çıkarmadan önce aleti daima kapatın.

DİKKAT: Batarya kartuşunu takarken veya çıkarırken aleti ve batarya kartuşunu sıkıca tutun. Aletin ve batarya kartuşunun sıkıca tutulmaması bunların düşürülmesine sebep olabilir ve alet ve batarya kartuşunun zarar görmesine ya da ciddi yaralanmasına yol açabilir.

Batarya kartuşunu takmak için, batarya kartuşu üzerindeki dili yuvanın oluğu ile hizalayın ve kartuşu yerine oturtun. Kartuşu, küçük bir tık sesi ile yerine sabitlenene dek sonuna kadar ittirin. Şekilde gösterildiği gibi kırmızı göstergeyi görebiliyorsanız tam olarak kilitlenmemiştir demektir.

Batarya kartuşunu çıkarmak için, kartuşun ön tarafındaki düğmeyi kaydırarak kartuşu aletten çıkarın.

► **Şek.10:** 1. Kırmızı gösterge 2. Düğme 3. Batarya kartuşu

DİKKAT: Batarya kartuşunu daima kırmızı gösterge görünmeyecek şekilde tam olarak takın. Yerine tam oturmazsa, aletten yanlışlıkla düşebilir, sizin ya da çevrenizdeki kişilerin yaralanmasına neden olabilir.

DİKKAT: Batarya kartuşunu zorlayarak takmayın. Kartuş kolay bir şekilde kaymıyorsa doğru yerleştirilmemiştir demektir.

Alet/batarya koruma sistemi

Bu alet bir alet/batarya koruma sistemi ile donatılmıştır. Bu sistem motora giden gücü otomatik olarak keserek uzun alet ve batarya ömrü sağlar. Alet veya batarya için aşağıdaki durumlardan biri söz konusu olduğunda aletin işleyişi otomatik olarak durur. Bazı durumlarda göstergeler yanar.

Aşırı yük koruması

Alet/batarya, anormal derecede yüksek akım çekmesine neden olacak şekilde kullanıldığında, alet otomatik olarak durur. Bu durumda, aleti kapatın ve aletin aşırı yüklenmesine neden olan uygulamayı durdurun. Daha sonra aleti yeniden başlaması için çalıştırın.

Aşırı ısınma koruması

Alet/batarya aşırı ısındığında otomatik olarak durur ve lamba yanıp söner. Bu durumda, yeniden çalıştırmadan önce aletin soğumasını bekleyin.

Aşırı deşarj koruması

Batarya kapasitesi düştüğünde, alet otomatik olarak durur. Alet, anahtar kullanımı ile çalışmazsa bataryayı aletten çıkarın ve şarj edin.

Kalan batarya kapasitesinin gösterilmesi

Kalan batarya kapasitesini göstermesi için batarya kartuşu üzerindeki kontrol düğmesine basın. Gösterge lambaları birkaç saniye yanar.

► **Şek.11:** 1. Gösterge lambaları 2. Kontrol düğmesi

Gösterge lambaları			Kalan kapasite
Yanıyor	Kapalı	Yanıp söniyor	
■	□	▣	
■ ■ ■ ■			%75 ila %100
■ ■ ■ □			%50 ila %75
■ ■ □ □			%25 ila %50
■ □ □ □			%0 ila %25
▣ □ □ □			Bataryayı şarj edin.
■ ■ □ □	↑ ↓	□ □ ■ ■	Batarya arızalanmış olabilir.

NOT: Kullanım koşullarına ve ortam sıcaklığına bağlı olarak, gösterilen değer gerçek kapasiteden biraz farklılık gösterebilir.

NOT: İlk (en soldaki) gösterge lambası, batarya koruma sistemi çalıştığı anda yanıp söner.

Tutamak kilidi

⚠DİKKAT: Sabitleme pimini serbest bırakırken daima tutamağı tutun. Aksi takdirde kol sıçrar ve kişisel yaralanmalara neden olabilir.

Tutamak indirilmiş konuma veya kaldırılmış konuma sabitleme pimi ile kilitlenebilir. Tutamağı tamamen indirin veya kaldırın ve ardından sabitleme pimini çekip kilitleti bir konuma döndürün. Tutamağı açmak için tutamağı hafifçe indirerek sabitleme pimini çekin ve 90° açık bir konuma döndürün.

► **Şek.12:** 1. Kilitleti konum 2. Açık konum 3. Sabitleme pimi

Kaydırma kilidi

Taşıyıcının rahatça hareket etmesini sağlamak için sabitleme pimini çekin ve 90° kilitsiz bir konuma çevirin. Taşıyıcının kayma hareketini kilitlemek için taşıyıcıyı durana kadar kola doğru itirin ve ardından sabitleme pimini kilitleti bir konuma geri getirin.

► **Şek.13:** 1. Kilitleti konum 2. Açık konum 3. Sabitleme pimi 4. Kol

Bıçak siperi

⚠UYARI: Bıçak siperini veya sipere bağlı olan yayı asla devre dışı bırakmayın ve çıkarmayın. Siperin devre dışı bırakılması sonucu açıkta kalan bıçak kullanımı sırasında ciddi kişisel yaralanmalara neden olabilir.

⚠UYARI: Bıçak siperi ya da yayı hasarlı, arızalı ya da çıkmış ise aleti asla kullanmayın. Hasarlı, arızalı ya da çıkmış bir siperle aletin kullanılması ciddi kişisel yaralanmalara neden olabilir.

⚠DİKKAT: Güvenli çalışma için, bıçak siperini daima iyi durumda muhafaza edin. Bıçak siperinin işleyişinde herhangi bir düzensizlik olması durumunda kullanımı derhal durdurun. Siperin yaylı geri dönüş hareketini kontrol edin.

Kolu indirirken, bıçak siperi otomatik olarak kalkar. Siper yaylı olduğu için kesim tamamlanıp kol kaldırıldığında orijinal konumuna döner.

► **Şek.14:** 1. Bıçak siperi

Temizleme

Şeffaf bıçak siperi kirlenirse ya da testereden çıkan tozların yapışması sonucu bıçak ya da iş parçası görünmez hale gelirse, batarya kartuşunu çıkarın ve siperi nemli bir bezle temizleyin. Plastik siper üzerinde çözücü ya da petrol bazlı temizleyiciler kullanmayın, aksi takdirde siper hasar görebilir.

Temizlik hazırlıkları kısmında listelenen adım adım talimatları izleyin.

1. Aletin kapalı ve batarya kartuşunun çıkartılmış olduğundan emin olun.
 2. Orta kapağı tutarken, altıgen civatayı aletle birlikte verilen altıgen anahtarla saatin aksi yönünde çevirin.
 3. Bıçak siperini ve orta kapağı kaldırın.
 4. Temizlik tamamladığınızda, orta kapağı geri getirin ve yukarıdaki işlemleri tersten uygulayarak altıgen civatayı sıkın.
 5. Mutlaka daire testere bıçağını ve orta kapağı orijinal konumlarına geri getirin ve altıgen civatayı sıkın.
- **Şek.15:** 1. Altıgen anahtar 2. Altıgen civata 3. Orta kapak 4. Bıçak siperi

⚠UYARI: Bıçak siperini tutan yayı çıkarmayın. Siper zamanla aşınır ya da UV ışınlarına maruz kalma sonucu hasar görürse, yeni bir siper almak için Makita servisimize başvurun. **SİPERİ DEVRE DIŞI BIRAKMAYIN VE ÇIKARMAYIN.**

Kesim tahtasını konumlandırma

Kesimin çıkış tarafında yarılımları azaltmak için, bu alet dönüş kaidesi kesim kanalı ile birlikte sunulmuştur. Kesim kanalı, daire testere bıçağı kesim kanalına temas etmeyecek şekilde fabrikada ayarlanmıştır. Kullanmadan önce, kesim kanalını aşağıdaki gibi ayarlayın:

1. Batarya kartuşunu çıkardığınızdan emin olun. Ardından, kesim kanallarını sabitleyen tüm vidaları (sağda ve solda üçer adet) gevşetin.

► **Şek.16:** 1. Kesim tahtası 2. Vida

NOT: En arkadaki vidalar, dönüş kaidesini bir açıda çevirerek kolayca gevşetilebilir ve sıkılabilir. Dönüş kaidesini çevirirken, tutamağı tam olarak yukarı kaldırdığınızdan emin olun.

2. Kesim tahtaları elle kolayca hareket ettirilebilecek kadar sıkılayın.

NOT: Kesim kanallarını yeniden konumlandırırken dönüş kaidesini orijinal açığa (0° gönye açısı) geri döndürdüğünüzden emin olun.

3. Tutamağı tam aşağıya indirin, daha sonra tutamağı bu alt konumda kilitlemek için sabitleme pimini çekerek döndürün.

4. Taşıyıcının kaymasına izin vermek için kızak çubuğu üzerindeki sabitleme pimini çekip çevirin.

► **Şek.17:** 1. Sabitleme pimi 2. Kilitli konum 3. Açık konum

5. Taşıyıcıyı tamamen kendinize doğru çekin.

6. Kesim kanalını, sadece bıçağın dişlerinin yan yüzeylerine temas edecek şekilde ayarlayın.

► **Şek.18**

► **Şek.19:** 1. Testere bıçağı 2. Bıçak dişleri 3. Kesim tahtası 4. Sola eğimli kesim 5. Düz kesim 6. Sağa eğimli kesim

7. Ön vidaları sıkılayın (çok fazla sıkıştırmayın).

8. Taşıyıcıyı kılavuz bariyerlerine doğru sonuna kadar itin ve ardından kesim kanalını, sadece bıçağın dişlerinin yan yüzeylerine temas edecek şekilde ayarlayın.

9. Orta vidaları sıkın (çok fazla sıkımayın).

10. Kesim kanalını ayarladıktan sonra tutamak kilidi sabitleme pimini serbest bırakıp tutamağı kaldırın. Ardından tüm vidaları iyice sıkın.

ÖNEMLİ NOT: Eğim açısını ayarladıktan sonra kesim kanallarının doğru şekilde ayarlandığından emin olun. Kesim tahtalarının doğru bir şekilde ayarlanması; iş parçasının düzgün bir şekilde desteklenmesine ve iş parçasının aşınmasının en aza indirgenmesine yardımcı olur.

Maksimum kesme kapasitesinin sağlanması

Bu alet fabrikada 305 mm testere bıçağı için maksimum kesme kapasitesi sunacak şekilde ayarlanmıştır. Yeni bir daire testere bıçağı takarken, daire testere bıçağının alt limit konumunu her zaman kontrol edin ve gerekirse, aşağıdaki gibi ayarlayın:

1. Batarya kartuşunu çıkarın. Ardından durdurucu mandalı takılı konuma çevirin.

► **Şek.20:** 1. Durdurucu mandal

2. Taşıyıcıyı kılavuz bariyerlerine doğru sonuna kadar itin ve tutamağı tam olarak aşağı indirin.

► **Şek.21:** 1. Kılavuz bariyeri 2. Ayar civatası

3. Ayar civatasını çevirmek için altıgen anahtarı kullanın ve daire testere bıçağının kılavuz bariyerleri ile dönüş kaidesinin ön yüzünün keşiştiği noktadan altından hafifçe uzanana kadar çevirin.

► **Şek.22:** 1. Dönüş kaidesinin üst yüzeyi 2. Kılavuz bariyeri

4. Tutamağı sonuna kadar aşağıda tutarken daire testere bıçağının alt kaidenin herhangi bir parçasına dokunmadığına emin olmak için bıçağı elle döndürün. Gerekirse yeniden hafifçe ayarlayın.

UYARI: Yeni bir daire testere bıçağı taktıktan sonra ve batarya kartuşu takılmadan önce, tutamak tam olarak aşağı indirildiğinde daire testere bıçağının alt kaidenin herhangi bir parçasına dokunmadığına her zaman emin olun. Daire testere bıçağı kaideye temas ederse geri tepmeye neden olabilir ve ciddi yaralanmalara yol açabilir.

► **Şek.23**

DİKKAT: Ayardan sonra durdurucu mandalı daima orijinal konumuna geri alın.

Durdurucu kol

Daire testere bıçağının alt limit konumu durdurucu kol ile kolayca ayarlanabilir. Ayarlamak için, durdurucu kolu şekilde gösterildiği gibi ok yönünde hareket ettirin. Ayar vidasını, tutamak sonuna kadar indirildiğinde daire testere bıçağı istenen konumda duracak şekilde çevirin.

► **Şek.24:** 1. Ayar vidası 2. Durdurucu kol

DİKKAT: Ayarlarken tutamağı daima sıkıca tutun. Aksi takdirde taşıyıcının fırlamasına neden olarak yaralanmaya yol açabilir.

Gönye açısının ayarlanması

DİKKAT: Gönye açısını değiştirdikten sonra kilitleme/serbest bırakma kolunu kilitli bir konuma çevirip kavrama kolunu iyice sıkarak dönüş kaidesini mutlaka sabitleyin.

ÖNEMLİ NOT: Dönüş kaidesini çevirirken, tutamağı tam olarak yukarı kaldırdığınızdan emin olun.

1. Kavrama kolunu saatin aksi yönünde çevirin. Ardından kilitleme kolunu bastırıp açık bir konuma getirin.

2. Dönüş kaidesini çevirmek için kavrama kolunu tutarak bir taraftan diğerine döndürün.

3. İşaretçiyi gönye açısı ölçeği üzerinde istenen açığa hizalayın.

4. Kilitleme kolunu bırakın ve kavrama kolunu sıkın.

► **Şek.25:** 1. Kavrama kolu 2. Kilitleme kolu 3. İşaretçi 4. Gönye açısı ölçeği

Pozitif durma fonksiyonu

Bu gönye kesme makinası pozitif durma fonksiyonu kullanır. 0°, 15°, 22,5°, 31,6°, 45° ve 60° sağ/sol gönye açısını çabucak ayarlayabilirsiniz.

1. Kavrama kolunu saatin aksi yönünde çevirin.

2. Kilitleme kolunu bastırıp açık bir konuma getirin.

3. Dönüş kaidesini istenilen pozitif durma açısına yakın çevirin ve kilitleme kolunu bırakın.

4. Dönüş kaidesini sabitlenene kadar istediğiniz pozitif durma açısına çevirin.
5. Kavrama kolunu sıkın.
► **Şek.26:** 1. Kavrama kolu 2. Kilitleme kolu 3. Pozitif durma açısı

NOT: Dönüş kaidesini pozitif durma fonksiyonundan kurtarmak için serbest bırakma koluna basın. Dönüş kaidesi, kilitleme koluna bastırılmadan rahatça hareket ettirilebilir. Dönüş kaidesini istediğiniz açığa çevirmek için kavrama kolunu döndürün ve ardından kavrama kolunu sıkın.

- **Şek.27:** 1. Serbest bırakma kolu

Eğim açısının ayarlanması

⚠DİKKAT: Eğim açısını değiştirdikten sonra, kızak çubuğu üzerindeki topuzu saat yönünde sıkarak kolu mutlaka sabitleyin.

ÖNEMLİ NOT: Eğim açısını ayarlamadan önce daima üst kılavuz bariyerlerini ve dikey menge-neyi çıkarın.

ÖNEMLİ NOT: Daire testere bıçağını yatırırken taşıyıcının sonuna kadar kaldırılmış olduğundan emin olun.

ÖNEMLİ NOT: Eğim açılarını değiştirirken, kesim kanalını konumlandırma kısmında açıklan-dığı üzere kesim kanalını uygun şekilde yeniden konumlandığından emin olun.

ÖNEMLİ NOT: Kızak çubuğu üzerindeki topuzu çok sert sıkmayın. Aksi takdirde eğim açısı kilit-leme mekanizmasının arızalanmasına neden olabilir.

Daire testere bıçağının sola yatırılması

1. Kızak çubuğu üzerindeki topuzu saatin aksi yönünde çevirin.
► **Şek.28:** 1. Topuz
2. Kilitleme kolunu çekin ve şekilde gösterilen konuma çevirin.
► **Şek.29:** 1. Kilitleme kolu
3. Tutamağı tutun ve taşıyıcıyı sola yatırın.
4. İşaretçiyi eğim açısı ölçeği üzerinde istenen açığa hizalayın.
5. Taşıyıcı kolunu sabitlemek için topuzu saat yönünde sıkın.
► **Şek.30:** 1. Topuz 2. Tutamak 3. İşaretçi 4. Eğim açısı ölçeği

Daire testere bıçağının sağa yatırılması

1. Kızak çubuğu üzerindeki topuzu saatin aksi yönünde çevirin.
2. Tutamağı tutun ve taşıyıcıyı sola hafifçe yatırın.
3. Sağ taraf eğim açısı için serbest bırakma düğme-sine basarken taşıyıcıyı sağa yatırın.

4. İşaretçiyi eğim açısı ölçeği üzerinde istenen açığa hizalayın.
5. Taşıyıcı kolunu sabitlemek için topuzu saat yönünde sıkın.
► **Şek.31:** 1. Topuz 2. Tutamak 3. Sağ taraf eğim açısı için serbest bırakma düğmesi 4. Eğim açısı ölçeği

Daire testere bıçağını pozitif durma fonksiyonunu kullanarak yatırma

Bu gönye kesme makinası pozitif durma fonksiyonu kullanır. 22,5° ve 33,9° açığı sağa ve sola çabucak ayarlayabilirsiniz.

1. Kızak çubuğu üzerindeki topuzu saatin aksi yönünde çevirin.
2. Kilitleme kolunu yukarı kaldırırken taşıyıcıyı istedi-ğiniz pozitif durma açısına yakın yatırın.
3. Kilitleme kolunu yatay konuma ayarlayın.
4. Taşıyıcıyı sabitlenene kadar istediğiniz pozitif durma açısına yatırın.
5. Açığı değiştirmek için kilitleme kolunu aletin önüne doğru çekin ve ardından taşıyıcıyı yeniden yatırın.
6. Taşıyıcı kolunu sabitlemek için topuzu saat yönünde sıkın.
► **Şek.32:** 1. Topuz 2. Kilitleme kolu

Daire testere bıçağının 0° - 45° aralığının ötesinde yatırılması

1. Kızak çubuğu üzerindeki topuzu saatin aksi yönünde çevirin.
2. Tutamağı tutun ve taşıyıcıyı 45° sola veya sağa yatırın.
3. Taşıyıcıyı hafif geri çekin ve serbest bırakma kolunu 48° eğim açısı için aletin önüne doğru kaydırın.
4. Kolu serbest bırakılmış tutarken taşıyıcıyı sola veya sağa daha fazla yatırın.
5. Taşıyıcı kolunu sabitlemek için topuzu saat yönünde sıkın.
► **Şek.33:** 1. Topuz 2. Tutamak 3. 48° eğim açısı için serbest bırakma kolu

Anahtar işlemi

⚠UYARI: Batarya kartuşunu(kartuşlarını) alete takmadan önce anahtar tetiği mutlaka kontrol ederek düzgün çalıştığını ve bırakıldığında kapalı konuma döndüğünü görün. Güvenlik kilidi düğmesine basmadan anahtar tetiği sıkıca çekmeyin. Bu, anahtarın kırılmasına neden olabilir. Anahtarı düzgün bir şekilde çalışmayan bir aletle işlem yapmak kontrolün kaybedilmesine ve ciddi yaralanmalara neden olabilir.

⚠UYARI: Anahtar tetiği tam olarak çalışmayan bir aleti ASLA kullanmayın. Anahtarı çalışmayan bir alet SON DERECE TEHLİKELİ'dir ve kullanıma devam edilmeden önce onarılmalıdır, aksi takdirde ciddi kişisel yaralanmalara yol açabilir.

⚠UYARI: Güvenlik kilidi düğmesini ASLA bantlayarak ya da başka bir yöntemle devre dışı bırakmaya çalışmayın. Güvenlik kilidi düğmesi devre dışı bırakılmış bir anahtar, istem dışı çalışmaya ve ciddi kişisel yaralanmalara neden olabilir.

⚠UYARI: Güvenlik kilidi düğmesine basmadan sadece anahtar tetik çekildiğinde çalışan bir aleti ASLA kullanmayın. Tamir edilmesi gereken bir anahtar, istem dışı çalışmaya ve ciddi kişisel yaralanmalara neden olabilir. Daha fazla kullanmadan ÖNCE doğru bir şekilde tamir ettirmek için aleti bir Makita servisine götürün.

- **Şek.34:** 1. Anahtar tetik 2. Güvenlik kilidi düğmesi 3. Asma kilit deliği

Anahtar tetiğin kazara çekilmesini önlemek için, bir güvenlik kilidi düğmesi sunulmuştur. Aleti başlatmak için güvenlik kilidi düğmesine bastırın ve anahtar tetiği çekin. Durdurmak için anahtar tetiği bırakın.

Anahtar tetikte, aleti kilitlemek için bir asma kilit deliği bulunur.

⚠UYARI: Kanca ya da kablo çapı 6,35 mm'den küçük kilitler kullanmayın. Küçük bir kanca ya da kablo, aleti tam olarak kapalı konuma kilitleyemez ve istem dışı olarak çalışma sonucu ciddi yaralanmalar oluşabilir.

Işıkla kesim çizgisi oluşturma

⚠DİKKAT: Lamba yağmur geçirmez değildir. Lambayı suda yıkamayın veya yağmur ya da ıslak alanda kullanmayın. Aksi takdirde elektrik çarpmasına ve dumana neden olabilir.

⚠DİKKAT: Yanarken veya kapatıldıktan hemen sonra çok sıcak olduğundan lambanın lensine dokunmayın. Yanıklara neden olabilir.

⚠DİKKAT: Lambaya hasar vermemesi veya kullanım ömrünü kısaltmaması için lambayı darbeye maruz bırakmayın.

⚠DİKKAT: Işığa bakmayın ya da ışık kaynağını doğrudan görmeyin.

LED lamba daire testere bıçağının üzerine bir ışık yayar ve bıçağın gölgesi iş parçasının üzerine düşerek kalibrasyon gerektirmeyen bir kesim çizgisi göstergesi işlevi görür. Işık tutmak için lamba düğmesine basın. Bıçağın

iş parçası yüzeyi ile karşılaşacağı noktada bir çizgi belirir ve bu çizgi bıçak indirildikçe yoğunlaşır.

► **Şek.35:** 1. Lamba düğmesi 2. Lamba 3. Kesim çizgisi

Gösterge, iş parçasına önceden kalemle işaretlenmiş kesim çizgisi boyunca kesmeye yardımcı olur.

1. Tutamağı tutun ve daire testere bıçağını indirin, böylece iş parçasının yüzeyine bıçağın yoğun bir gölgesi düşer.
2. İş parçasına çizilen kesim çizgisini gölgesi düşen kesim çizgisi ile hizalayın.
3. Gerekirse gönye açılarını ve eğim açılarını ayarlayın.

NOT: Işığın açılması batarya gücünü tükettiğinden kullandıktan sonra lamba düğmesini mutlaka kapatın.

NOT: Işık, işlemi durdurduktan 5 dakika sonra otomatik olarak kapanır.

Elektronik fonksiyon

Elektrikli fren

Bu alet bir elektrikli bıçak freni ile donatılmıştır. Anahtar tetik bırakıldıktan sonra alet sürekli olarak çabucak çalışmayı durmuyorsa alete Makita servis merkezinde bakım yaptırın.

⚠DİKKAT: Bıçak fren sistemi, bıçak siperinin yerine geçmez. Çalışan bir bıçak siperi olmadan aleti asla kullanmayın. Sipersiz bıçak, ciddi yaralanmaya neden olabilir.

Sabit devir kontrolü

Bu alette, yarı altında bile sabit bıçak devir hızının sürdürülmesine yardımcı olan bir elektronik devir kontrolü bulunmaktadır. Sabit bıçak devir hızı, oldukça pürüzsüz kesim sağlar.

Hafif başlatma özelliği

Bu fonksiyon, başlama torkunu sınırlayarak aletin pürüzsüz başlamasını sağlar.

MONTAJ

⚠UYARI: Alet üzerinde çalışmadan önce aletin kapalı ve batarya kartuşunun çıkarılmış olduğundan daima emin olun. Aletin kapatılmaması ve batarya kartuşunun çıkarılmaması ciddi kişisel yaralanmalara neden olabilir.

Altıgen anahtarın saklanması

Kullanılmadığı zamanlarda, altıgen anahtarın kaybolmasını önlemek için anahtarı şekilde gösterildiği gibi saklayın.

- **Şek.36:** 1. Altıgen anahtar

Testere bıçağının çıkarılıp takılması

⚠UYARI: Daire testere bıçağını çıkarmadan ve takmadan önce aletin kapalı ve batarya kartuşunun çıkartılmış olduğundan daima emin olun. Aletin istem dışı olarak başlatılması ciddi yaralanmalara neden olabilir.

⚠UYARI: Daire testere bıçağını takip çıkarmak için sadece ürünle verilen Makita anahtarını kullanın. Anahtarın kullanılmaması altıgen soket civatının aşırı derecede veya yetersiz sıkılmasına ve ciddi yaralanmalara neden olabilir.

⚠UYARI: Hiçbir zaman bu aletle verilmemiş parçaları kullanmayın veya değiştirmeyin. Bu tür parçaların kullanılması ciddi yaralanmaya sebep olabilir.

⚠UYARI: Daire testere bıçağını taktıktan sonra sıkı bir şekilde takıldığından mutlaka emin olun. Daire testere bıçağının gevşek takılması ciddi yaralanmaya sebep olabilir.

Bıçağın çıkarılması

Daire testere bıçağını çıkarmak için aşağıdaki adımları gerçekleştirin:

1. Sabitleme pimini çekip kilittli bir konuma çevirerek taşıyıcıyı kaldırılmış konumda kilitleyin.

► **Şek.37:** 1. Sabitleme pimi 2. Açık konum 3. Kilittli konum

2. Orta kapağı tutan altıgen civatayı gevşetmek için altıgen anahtarını kullanın. Ardından, bıçak siperini ve orta kapağı kaldırın.

► **Şek.38:** 1. Altıgen anahtar 2. Altıgen civata 3. Orta kapak 4. Bıçak siperi

3. Mili kilitlemek için mil kilidine bastırın ve altıgen soket civatayı saat yönünde çevirerek gevşetmek için altıgen anahtarını kullanın. Ardından altıgen soket civatayı, dış flanş ve daire testere bıçağını çıkarın.

► **Şek.39:** 1. Altıgen soket civata (sol tarafta) 2. Dış flanş 3. Mil kilidi

4. İç flanş çıkartılırsa, girintili tarafı daire testere bıçağına bakacak şekilde mile takın. Flanş yanlış bir şekilde takılırsa makineye sürütür.

► **Şek.40:** 1. Altıgen soket civata (sol) 2. Dış flanş 3. Daire testere bıçağı 4. Bilezik 5. İç flanş 6. İğ 7. Girintili taraf

Bıçağın takılması

⚠UYARI: Bıçağı mile takmadan önce daima iç ve dış flanş arasında kullanmayı düşündüğünüz bıçağın mil deliği için doğru bileziğin monte edildiğinden emin olun. Hatalı mil deliği bileziğinin kullanılması bıçağın uygun olmayan şekilde takılarak bıçağın oynamasına ve ciddi titreşime yol açmak suretiyle çalışma sırasında muhtemel kontrol kaybı ve ciddi yaralanmalara neden olabilir.

⚠DİKKAT: Daire testere bıçağını mutlaka bıçak üzerindeki okun yönü bıçak kılıfı üzerindeki okun yönü ile aynı olacak şekilde takın. Aksi takdirde yaralanma, alet ve/veya iş parçası üzerinde hasar oluşabilir.

Daire testere bıçağını takmak için aşağıdaki adımları gerçekleştirin:

1. Daire testere bıçağını dikkatli bir şekilde iç flanşın üzerine monte edin. Daire testere bıçağının yüzeyindeki okun yönünün bıçak kılıfı üzerindeki okun yönü ile aynı olduğundan emin olun.

► **Şek.41:** 1. Bıçak kılıfı üzerindeki ok 2. Daire testere bıçağı üzerindeki ok

2. Dış flanş ve altıgen soket civatayı takın ve mil kilidini basılı tutarken altıgen anahtarla altıgen soket civatayı saatin aksi yönünde sıkın.

► **Şek.42:** 1. Altıgen soket civata (sol) 2. Dış flanş 3. Daire testere bıçağı 4. Bilezik 5. İç flanş 6. Mil 7. Girintili taraf

3. Bıçak siperini ve orta kapağı orijinal konumlarına geri getirin. Ardından orta kapağı sabitlemek için altıgen civatayı saat yönünde çevirerek sıkın.

4. Taşıyıcıyı kaldırılmış konumdan serbest bırakmak için sabitleme pimini çekip açık bir konuma çevirin. Taşıyıcıyı indirin ve bıçak siperinin düzgün hareket ettiğini kontrol edin.

⚠DİKKAT: Kesim yapmadan önce mil kilidinin mili serbest bıraktığından emin olun.

Bir elektrikli süpürge bağlanması

Temiz kesim işlemi yapmak isterseniz ön rakor 24 (isteğe bağlı aksesuar) kullanarak toz ağızlığına (üst toz ağızlığı) bir Makita elektrik süpürge bağlayın.

► **Şek.43:** 1. Ön rakor 24 2. Hortum 3. Elektrik süpürgesi

Toz torbası

⚠DİKKAT: Kesim yaparken tozla ilgili tehlikeleri önlemek için mutlaka toz torbasını takın veya bir elektrikli süpürge bağlayın.

Toz torbasının kullanımı, kesim işlemlerinin temiz, toz toplanmasını da kolay bir şekilde yapılmasını sağlar. Toz torbasını takmak için toz çekme hortumunu aletten çıkarın ve toz torbasını toz ağızlığına (üst toz ağızlığı) bağlayın.

► **Şek.44:** 1. Toz çekme hortumu 2. Toz torbası 3. Toz ağızlığı (üst toz ağızlığı)

Toz torbasının yarısı dolduğunda toz torbasını aletten ayırın ve bağlama elemanını çekip çıkarın. Toz torbasının içine yapışan ve daha fazla toplama yapılmasını engelleyebilecek olan parçacıkların çıkması için torbaya hafifçe vurarak içindekileri boşaltın.

► **Şek.45:** 1. Bağlama elemanı

İş parçasının sabitlemesi

UYARI: İş parçasını daima doğru tip mengene veya kartonpiyer sabitleyici kullanarak sabitlemek oldukça önemlidir. Aksi takdirde ciddi yaralanmalar, alet ve/veya iş parçası üzerinde hasar oluşabilir.

UYARI: Gönye kesme makinasının destek kaidesinden daha uzun bir iş parçasının keserken, malzeme seviyesi koruyarak destek kaidesinin dışında kalan kısmın tamamının desteklendiğinden emin olun. İş parçasının doğru bir şekilde desteklenmesi bıçağın sıkışmasının ve ciddi yaralanmayla sonuçlanabilecek olası geri tepmelerin önlenmesine yardımcı olur. İş parçasını sabitlemek için sadece dikey mengene ve/veya yatay mengene yeterli olmayabilir. İnce malzemeler eğilebilir. Bıçağın sıkışmasını ve olası bir GERİ TEPMEYİ önlemek için iş parçasının tüm uzunluğu boyunca desteklendiğinden emin olun.

► **Şek.46:** 1. Destek 2. Dönüş kaidesi

Kılavuz bariyerleri

UYARI: Aleti kullanmadan önce üst bariyerin iyice sabitlendiğinden emin olun.

UYARI: Eğimli kesim yapmadan önce aletin hiçbir parçasının, özellikle testere bıçağının, tutamağı her durumda tam aşağı ve yukarı kaldırırken ve taşıyıcı tüm hareket aralığı boyunca hareket ettirirken üst ve alt bariyerlere temas etmediğinden emin olun. Alet veya bıçak bariyere temas ederse bu, geri tepmeye veya malzemenin beklenmedik hareketine ve ciddi yaralanmalara neden olabilir.

Alt bariyerlerden yüksek malzemeyi desteklemek için üst bariyerleri kullanın. Üst bariyeri alt bariyer üzerinden deliğe sokun ve sabitleme vidasını sıkın.

► **Şek.47:** 1. Üst bariyer 2. Alt bariyer 3. Sabitleme vidası 4. Ayar vidası

ÖNEMLİ NOT: Alt bariyerler fabrikada kaideye sabitlenmiştir. Alt bariyerleri çıkarmayın.

ÖNEMLİ NOT: Sabitleme vidası sıkıldıktan sonra üst bariyer hala gevşek ise ayar vidasını çevirerek boşluğu kapatın. Ayar vidası fabrikada ayarlanmıştır. Gereksiz kılavuz kullanmanız gerekmez.

Üst bariyeri kullanmazken alt kaidenin borusunun üzerine yerleştirerek saklayabilirsiniz. Alt kaidenin borusunu tutturmak için üst bariyer üzerindeki kelepçeyi kullanın.

► **Şek.48:** 1. Alt kaide 2. Üst bariyer 3. Kelepçe

Dikey vida

UYARI: Tüm işlemler sırasında iş parçası dönüş kaidesine ve kılavuz bariyerine mengene ile sıkıca sabitlenmelidir. İş parçası bariyere dayanacak şekilde düzgün sabitlenmezse malzeme kesim işlemi sırasında hareket ederek testere bıçağının zarar görmesine, malzemenin fırlatılmasına ve kontrol kaybına neden olmak suretiyle ciddi yaralanmalara yol açabilir.

tarafına monte edilebilir. Mengene rodunu kaide veya alt kaidedeki deliğe sokun.

► **Şek.49:** 1. Dikey mengene 2. Dikey mengene deliği 3. Alt kaide 4. Kaide

► **Şek.50:** 1. Mengene kolu 2. Mengene rodu 3. Sabitleme vidası 4. Mengene topuzu

Mengene kolunu iş parçasının kalınlığına ve şekline göre konumlandırın ve vidayı sıkarak mengene kolunu sabitleyin. Sabitleme vidası taşıyıcıya temas ediyorsa dikey mengeneyi alt kaideye veya kaidenin diğer tarafına takın. Tutamağı tam olarak aşağı indirdiğinizde aletin hiçbir parçasının mengeneye temas etmediğinden emin olun. Bazı parçalar mengeneye temas ederse mengeneyi yeniden konumlandırın.

İş parçasını kılavuz bariyere tam olarak bastırın ve kaidiye döndürün. İş parçasını istenen kesim konumunda konumlandırın ve vidalı topuz ile sıkıştırarak sabitleyin.

NOT: İş parçasının hızlı ayarlanması için mengene topuzunun 90° saatin aksi yönünde döndürülmesi mengene topuzunun yukarı ve aşağı alınmasına imkan tanır. Ayarladıktan sonra iş parçasını sabitlemek için mengene topuzunu saat yönünde döndürün.

Yatay mengene

İsteğe bağlı aksesuar

UYARI: Mengene somununu saat yönünde, daima iş parçası düzgün bir şekilde sabitlene kadar döndürün. İş parçası düzgün sabitlenmezse malzeme kesim işlemi sırasında hareket ederek daire testere bıçağının zarar görmesine, malzemenin fırlatılmasına ve kontrol kaybına neden olmak suretiyle ciddi yaralanmalara yol açabilir.

UYARI: Süpürgecik gibi ince bir iş parçasını bariyere dayayarak keserken daima yatay mengeneyi kullanın.

DİKKAT: Kalınlığı 20 mm veya daha ince olan iş parçasını keserken iş parçasını sabitlemek için mutlaka bir ara blok kullanın.

Yatay mengene, kaidenin sol veya sağ tarafına monte edilebilir. 22,5° veya daha büyük gönye kesimleri yaparken yatay mengeneyi, dönüş kaidesinin çevrildiği yönün aksi tarafına takın.

► **Şek.51:** 1. Mengene plakası 2. Mengene somunu 3. Mengene topuzu

Mengene somunu saatin aksi yönünde çevrilerek mengene serbest kalır ve hızlı bir şekilde içeri ve dışarı alınabilir. İş parçasını kavramak için mengene plakası iş parçasına temas edene kadar mengene topuzunu ileri itin ve mengene somununu saat yönünde çevirin. İş parçasını sabitlemek için mengene topuzunu saat yönünde çevirin.

NOT: Yatay mengene ile sabitlenebilecek maksimum iş parçası genişliği 228 mm'dir.

Dikey mengene, kaide ve alt kaidenin sol veya sağ

Alt kaide

⚠UYARI: Doğru bir kesim ve alet kontrolünün kaybedilmesi tehlikesini önlemek için uzun iş parçalarını daima dönüş kaidesinin üst yüzeyi ile aynı hızda olacak şekilde destekleyin. İş parçasının doğru şekilde desteklenmesi bıçağın sıkışmasını ve yaralanmayla sonuçlanabilecek olası geri tepmelerin önlenmesine yardımcı olur.

⚠UYARI: Kesme işleminden önce alt kaidelerin vidalarla sabitlendiğinden daima emin olun.

Uzun iş parçalarını yatay olarak tutmak için aletin her iki tarafında alt kaideler sağlanmıştır. İş parçasını tutmak için vidaları gevşetin ve alt kaideleri uygun boyda uzatın. Ardından vidaları sıkın.

► **Şek.52:** 1. Alt kaide 2. Vida

Kesim yaparken, iş parçasını kılavuz bariyerine dayanacak şekilde ve alt bariyeri alt kaide üzerine yerleştirin.

► **Şek.53:** 1. Kılavuz bariyeri 2. Alt bariyer 3. Alt kaide

KULLANIM

Bu alet, ahşap ürünlerini kesmek için tasarlanmıştır. Uygun Makita orijinal testere bıçaklarıyla aşağıdaki malzemeler de kesilebilir:

— Alüminyum ürünleri

Kesilecek materyalde kullanılacak doğru dairesel testere bıçakları için web sitemize bakın veya Makita satıcınıza başvurun.

⚠UYARI: Anahtar açılmadan önce testere bıçağının iş parçasına veya başka bir yere temas etmediğinden emin olun. Bıçak iş parçasına temas ederken alet çalıştırılırsa geri tepme ya da ciddi yaralanmalar oluşabilir.

⚠UYARI: Bir kesme işleminden sonra testere bıçağı tam olarak durmadan bıçağı kaldırmayın. Boşta dönen bıçağın kalkması ciddi yaralanmalara ve iş parçasının zarar görmesine neden olabilir.

⚠UYARI: Testere bıçağı dönerken alet üzerindeki kavrama kolunun, topuzun veya kolların döndürülmesi gibi hiçbir ayar yapmayın. Bıçak dönerken ayar yapılması ciddi yaralanmalara neden olabilir.

⚠DİKKAT: Testere kafasını tam aşağı konumdan kontrolsüz bırakmayın. Kontrolsüz testere kafası size vurabilir ve yaralanmaya neden olur.

ÖNEMLİ NOT: Kullanmadan önce mutlaka sabitleme pimini açın ve tutamağı alt konumdan serbest bırakın.

ÖNEMLİ NOT: Kesim sırasında tutamağa aşırı basıncı uygulamayın. Fazla güç kullanılması motorun aşırı yüklenmesine ve/veya kesim etkinliğinin düşmesine neden olabilir. Yumuşak bir kesim ve bıçak hızında önemli bir düşüş yaşanmaması için tutamağa sadece gereken oranda bir güçle aşağı doğru bastırın.

ÖNEMLİ NOT: Kesimi gerçekleştirmek için tutamağa hafifçe bastırın. Tutamağa güç kullanılarak basılırsa veya yatay güç uygulanırsa, bıçak titreşebilir ve iş parçasında bir iz (testere izi) bırakabilir, kesimin hassasiyeti zarar görebilir.

ÖNEMLİ NOT: Kızaklı kesme sırasında, taşıyıcıyı durdurmadan kılavuz bariyerine doğru hafifçe itin. Kesim sırasında taşıyıcı hareketi durdurulursa, iş parçasında bir iz kalır ve kesimin hassasiyeti zarar görür.

Kalıp kesme

⚠UYARI: Kalıp kesme yaparken taşıyıcının kızak hareketini mutlaka kilitleyin. Kilitlemeden kesim yapmak ciddi yaralanmalarla sonuçlanabilecek geri tepmelere neden olabilir.

İş parçaları 92 mm yüksekliği ve 183 mm genişliği aşmıyorsa, aşağıdaki yöntemle kesilebilirler.

► **Şek.54:** 1. Sabitleme pimi

1. Taşıyıcıyı kılavuz bariyerine doğru, durana kadar itin ve sabitleme pimi ile kilitleyin.
2. İş parçasını uygun tipteki vidayla sabitleyin.
3. Daire testere bıçağı hiçbir şeyle temas etmeyecek konumdayken aleti çalıştırın ve indirmeden önce daire testere bıçağının tam hıza ulaşmasını bekleyin.
4. İş parçasını kesmek için bıçağı yavaşça en alt konuma indirin.
5. Kesim tamamlandığında, aleti kapatın ve daire testere bıçağını en üst konumuna döndürmeden önce daire testere bıçağı tam olarak durana kadar bekleyin.

Kızaklı (itmeli) kesme (geniş iş parçalarını kesme)

UYARI: Kızaklı kesme yaparken, önce taşıyıcıyı tamamen kendinize doğru çekin ve kola bastırın, ardından taşıyıcıyı kılavuz bariyeri boyunca itin. Taşıyıcı tamamen size doğru çekilmeden kesimi asla başlatmayın. Taşıyıcıyı tamamen kendinize doğru çekmeden kızaklı kesme yaparsanız beklenmeyen bir geri tepme meydana gelebilir ve ciddi kişisel yaralanmalar yaşanabilir.

UYARI: Kızaklı bir kesim yaparken taşıyıcıyı kendinize doğru çekmeye asla çalışmayın. Kesim sırasında taşıyıcıyı kendinize doğru çekmek beklenmeyen bir geri tepmeye ve ciddi kişisel yaralanmalara yol açabilir.

UYARI: Tutamak alt konumda kilitli iken asla kızaklı kesim yapmayın.

► **Şek.55:** 1. Sabitleme pimi

1. Sabitleme pimini açarak taşıyıcının serbestçe kaymasına izin verin.
2. İş parçasını uygun tipteki vidayla sabitleyin.
3. Taşıyıcıyı tamamen kendinize doğru çekin.
4. Testere bıçağı hiçbir şeyle temas etmeyecek konumdayken aleti çalıştırın ve testere bıçağının tam hızına ulaşmasını bekleyin.
5. Tutamağa bastırın ve taşıyıcıyı kılavuz bariyeri boyunca ve iş parçasına doğru ittirin.
6. Kesim tamamlandığında, aleti kapatın ve testere bıçağının en üst konuma döndürmeden önce bıçak tam olarak durana kadar bekleyin.

Gönye kesme

Gönye açısının ayarlanması kısmına bakın.

Eğimli kesim

UYARI: Bıçağı eğimli bir kesim için ayarladıktan sonra, aleti kullanmadan önce, taşıyıcının ve testere bıçağının kesilmek istenen alan boyunca serbest bir şekilde hareket ettiğinden emin olun. Kesme işlemi sırasında taşıyıcının ya da bıçağın çalışmasının kesintiye uğraması geri tepmeye ve ciddi yaralanmalara neden olabilir.

UYARI: Eğimli bir kesim yaparken ellerinizi testere bıçağının izlediği yoldan uzakta tutun. Bıçağın açısı operatörün bıçağın kesim işlemi sırasında izleyeceği yol konusunda yanılmasına yol açabilir ve bıçakla temas ciddi kişisel yaralanmalara neden olur.

UYARI: Testere bıçağı tamamen durmadan yukarı kaldırılmamalıdır. Eğimli bir kesim sırasında kesilen parça testere bıçağının önüne gelebilir. Bıçak dönerken yukarı kaldırılırsa kesilen parça bıçaktan çıkabilir ve malzemenin parçalanarak ciddi yaralanmalara yol açmasına neden olabilir.

ÖNEMLİ NOT: Tutamağı aşağı bastırırken bıçak ile paralel bir basınç uygulayın. Dönüş kaidesine dik olarak basınç uygulanırsa ya da kesim sırasında basıncın yönü değiştirilirse, kesimin hassasiyeti zarar görür.

► **Şek.56**

1. Taşıyıcı yatıracağınız taraftaki üst bariyeri çıkarın.
2. Sabitleme pimini açın.
3. Eğim açısını, eğim açısının ayarlanması kısmında anlatılan prosedüre göre ayarlayın. Ardından topuzu sıkın.
4. İş parçasını bir mengene ile sabitleyin.
5. Taşıyıcıyı tamamen kendinize doğru çekin.
6. Bıçak hiçbir şeyle temas etmeyecek konumdayken aleti çalıştırın ve bıçağın tam hızına ulaşmasını bekleyin.
7. Bıçakla paralel olarak basınç uygulayarak tutamağı hafifçe en alt konuma indirin ve iş parçasını kesmek için taşıyıcıyı kılavuz bariyeri boyunca itin.
8. Kesim tamamlandığında, aleti kapatın ve bıçağı en üst konuma döndürmeden önce bıçak tam olarak durana kadar bekleyin.

Birleşik kesme

Birleşik kesme, bir iş parçası üzerinde gönye açısı ile kesme yapılırken aynı anda eğimli açılı yapılmış işlemdir. Birleşik kesme, tabloda gösterilen açılarda gerçekleştirilebilir.

Gönye açısı	Eğim açısı
Sol ve Sağ 0° - 45°	Sol ve Sağ 0° - 45°

Birleşik kesme yaparken, kalıp kesme, kızaklı (itmeli) kesme, gönye kesme ve eğimli kesim kısmına başvurun.

Süpürgelik kesimi

⚠DİKKAT: Süpürgelik keserken mutlaka yatay mengenyeyi (isteğe bağlı aksesuar) kullanın.

⚠DİKKAT: Kalınlığı 20 mm veya daha ince olan iş parçasını keserken iş parçasını sabitlemek için mutlaka bir ara blok kullanın.

Süpürgelliği 45° gönye açısı ile keserken bıçak kılıfının süpürgeliğe temas etmesini engellemek için durdurucu mandalı takın. Bu sayede taşıyıcı ileri sonuna kadar ittirildiğinde süpürgelik ile bıçak kılıfı arasındaki boşluk korunacaktır.

Süpürgelik kesim kapasitesi için TEKNİK ÖZELLİKLER'e bakın.

► **Şek.57:** 1. Durdurucu mandal 2. Ara blok 3. Yatay mengene

Kartonpiyer ve iç bükey kartonpiyer kesme

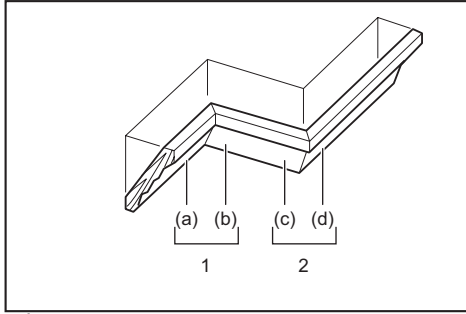
Kartonpiyer ve iç bükey kartonpiyerler birleşik bir gönye kesme makinasında dönüş kaidesinin üzerine düz yatırılarak kesilebilir.

Yaygın olarak kullanılan iki tip kartonpiyer, bir tip de

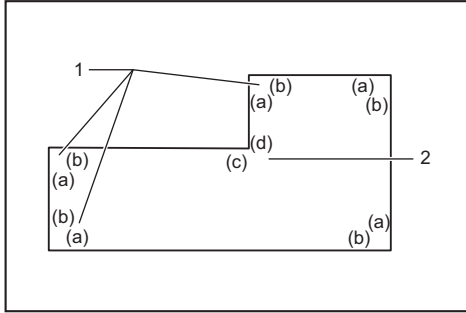
İçbükey kartonpiyer uygulaması vardır. Bunlar; 52/38° duvar açılı kartonpiyer, 45° duvar açılı kartonpiyer ve 45° duvar açılı içbükey kartonpiyer.

► **Şek.58:** 1. 52/38° kartonpiyer 2. 45° kartonpiyer
3. 45° içbükey kartonpiyer

“İç” 90° köşelere uyan (şekilde (a) ve (b)) ve “Dış” 90° köşelere uyan (şekilde (c) ve (d)) kartonpiyer ve içbükey kartonpiyer bağlantıları bulunur.



1. İç köşe 2. Dış köşe



1. İç köşe 2. Dış köşe

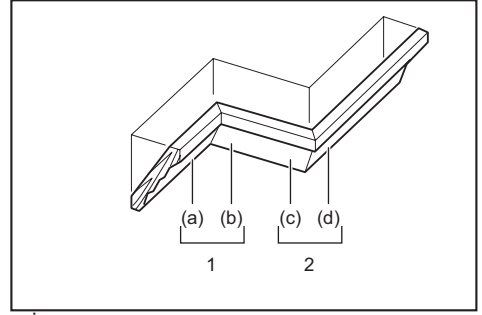
Ölçüm

Duvar genişliğini ölçün ve iş parçasını genişliğe göre ayarlayın. İş parçasının duvara temas eden kenarının genişliğinin duvarın uzunluğu ile aynı olduğundan emin olun.

► **Şek.59:** 1. İş parçası 2. Duvar genişliği 3. İş parçasının genişliği 4. Duvara temas eden kenar

Testere açısını kontrol etmek için deneme kesimleri yapmak üzere mutlaka birkaç parça kullanın. Dış bükey ve iç bükey kartonpiyer kesimleri sırasında, eğim açısını ve gönye açısını tablo (A)'da gösterildiği gibi ayarlayın ve kartonpiyerleri tablo (B)'de gösterildiği gibi testere kaidesinin üst yüzüne konumlandırın.

Sola eğimli kesimlerde



1. İç köşe 2. Dış köşe

Tablo (A)

-	Şekildeki kartonpiyer konumu	Eğim açısı		Gönye açısı	
		52/38° tipi	45° tipi	52/38° tipi	45° tipi
İç köşe için	(a)	Sol 33,9°	Sol 30°	Sağ 31,6°	Sağ 35,3°
	(b)			Sol 31,6°	Sol 35,3°
Dış köşe için	(c)			Sağ 31,6°	Sağ 35,3°
	(d)			Sağ 31,6°	Sağ 35,3°

Tablo (B)

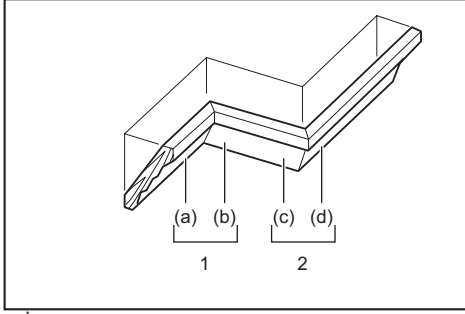
-	Şekildeki kartonpiyer konumu	Kılavuz bariyerinin karşısındaki kartonpiyer kenarı	Tamamlanmış parça
İç köşe için	(a)	Tavana temas edecek kenar kılavuz bariyerine dayanmalıdır.	Bitirilen parça bıçağın Sol tarafında yer alacaktır.
	(b)	Tavana temas edecek kenar kılavuz bariyerine dayanmalıdır.	Bitirilen parça bıçağın Sağ tarafında yer alacaktır.
Dış köşe için	(c)	Tavana temas edecek kenar kılavuz bariyerine dayanmalıdır.	Bitirilen parça bıçağın Sağ tarafında yer alacaktır.
	(d)	Tavana temas edecek kenar kılavuz bariyerine dayanmalıdır.	Bitirilen parça bıçağın Sol tarafında yer alacaktır.

Örneğin:

Yukarıdaki şekilde (a) ile gösterilen konum için 52/38° dış bükey kartonpiyer keserken:

- Eğim açısı ayarını 33,9° SOLA eğin ve ayarlayın.
- Gönye açısı ayarını 31,6° SAĞA ayarlayıp sabitleyin.
- Dış bükey kartonpiyeri geniş arka (görünmeyen) yüzeyi dönüş kaidesinin üzerine, TAVANA TEMAS EDECEK KENARI makine üzerindeki kılavuz bariyerine dayanacak şekilde yerleştirin.
- Kesim yapıldıktan sonra kullanılacak parçalardan biten kısım her zaman bıçağın SOL tarafında olacak.

Sağa eğimli kesimlerde



1. İç köşe 2. Dış köşe

Tablo (A)

-	Şekildeki kartonpiyer konumu	Eğim açısı		Gönye açısı	
		52/38° tipi	45° tipi	52/38° tipi	45° tipi
İç köşe için	(a)	Sağ 33,9°	Sağ 30°	Sağ 31,6°	Sağ 35,3°
	(b)			Sol 31,6°	Sol 35,3°
Dış köşe için	(c)	Sağ 33,9°	Sağ 30°	Sağ 31,6°	Sağ 35,3°
	(d)			Sol 31,6°	Sol 35,3°

Tablo (B)

-	Şekildeki kartonpiyer konumu	Kılavuz bariyerinin karşısındaki kartonpiyer kenarı	Tamamlanmış parça
İç köşe için	(a)	Duvara temas edecek kenar, kılavuz bariyerine dayanmalıdır.	Bitirilen parça bıçağın Sağ tarafında yer alacaktır.
	(b)	Tavana temas edecek kenar, kılavuz bariyerine dayanmalıdır.	Bitirilen parça bıçağın Sol tarafında yer alacaktır.
Dış köşe için	(c)	Duvara temas edecek kenar, kılavuz bariyerine dayanmalıdır.	Bitirilen parça bıçağın Sol tarafında yer alacaktır.
	(d)	Duvara temas edecek kenar, kılavuz bariyerine dayanmalıdır.	Bitirilen parça bıçağın Sağ tarafında yer alacaktır.

Örneğin:

Yukarıdaki şekilde (a) ile gösterilen konum için 52/38° dış bükey kartonpiyer keserken:

- Yatırın ve eğim açısını ayarını 33,9° SAĞA ayarlayın.
- Gönye açısını ayarını 31,6° SAĞA ayarlayıp sabitleyin.
- Kartonpiyeri geniş arka (görünmeyen) yüzeyi dönüş kaidesinin üzerine, DUVARA TEMAS EDECEK KENARI makine üzerindeki kılavuz bariyerine dayanacak şekilde yerleştirin.
- Kesim yapıldıktan sonra kullanılacak parçalardan biten kısım her zaman bıçağın SAĞ tarafında olacaktır.

Kartonpiyer sabitleyici

İsteğe bağlı aksesuar

Kartonpiyer sabitleyiciler, testere bıçağını yatırmadan kartonpiyerin daha kolay kesilmesi sağlar. Bunları şekillerde gösterildiği gibi dönüş kaidesine takın.

Sağ 45° gönye açısında

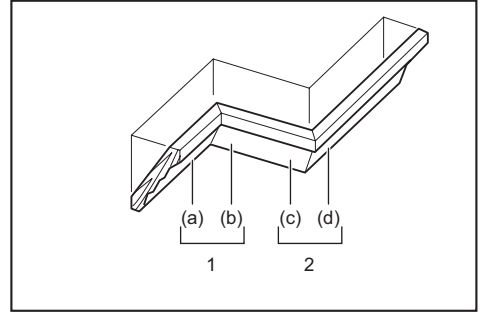
- **Şek.60:** 1. Kartonpiyer sabitleyici Sol 2. Kartonpiyer sabitleyici Sağ 3. Dönüş kaidesi 4. Kılavuz bariyeri

Sol 45° gönye açısında

- **Şek.61:** 1. Kartonpiyer sabitleyici Sol 2. Kartonpiyer sabitleyici Sağ 3. Dönüş kaidesi 4. Kılavuz bariyeri

Kartonpiyeri, DUVARA TEMAS EDECEK KENARI kılavuz bariyerine ve TAVANA TEMAS EDECEK KENARI kartonpiyer sabitleyicilere dayanacak şekilde, şekilde gösterildiği gibi yerleştirin. Kartonpiyer sabitleyicileri kartonpiyer boyutuna göre ayarlayın. Kartonpiyer sabitleyicileri sabitlemek için vidaları sıkın. Gönye açısı için tablo (C)'ye bakın.

- **Şek.62:** 1. Kılavuz bariyeri 2. Kartonpiyer sabitleyici



1. İç köşe 2. Dış köşe

Tablo (C)

-	Şekildeki kartonpiyer konumu	Gönye açısı	Tamamlanmış parça
İç köşe için	(a)	Sağ 45°	Bıçağın sağ tarafını saklayın
	(b)	Sol 45°	Bıçağın sol tarafını saklayın
Dış köşe için	(c)	Sağ 45°	Bıçağın sağ tarafını saklayın
	(d)	Sağ 45°	Bıçağın sol tarafını saklayın

Alüminyum doğramanın kesilmesi

- **Şek.63:** 1. Vida 2. Ara blok 3. Kılavuz bariyeri 4. Alüminyum doğrama 5. Ara blok

Alüminyum doğramaları sabitleirken, alüminyumun deforme olmasını önlemek için ara blokları veya hurda parçalarını kullanın. Daire testere bıçağı üzerinde alüminyum malzeme birikmesini önlemek için alüminyum

doğramayı keserken bir kesim yağı kullanın.

⚠UYARI: Kalın veya yuvarlak alüminyum doğramaları asla kesmeye çalışmayın. Kalın veya yuvarlak alüminyum doğramaların sabitlenmesi zor olabilir ve kesme işlemi sırasında gevşeyerek kontrolün kaybedilmesine ve ciddi yaralanmalara sebep olabilir.

Özel Maks. Genişlikte Kesme Kapasitesi Tekniği

Maksimum genişlikte kesme kapasitesi aşağıdaki adımlar izlenerek elde edilebilir:

Bu aletin maksimum kesim genişliği için TEKNİK ÖZELLİKLER kısmındaki özel kesimler için kesme kapasitelerine bakın.

1. Aleti 0° veya 45° gönye açısına ayarlayın ve dönüş kaidesinin kilitletiğinden emin olun. (Gönye açısının ayarlanması kısmına bakın.)
2. Sağ ve sol üst bariyerleri geçici olarak çıkarın ve bunları kenara koyun.
3. Ahşap, kontrplak veya tahta parçası gibi 38 mm kalınlığında, düz bir kütük malzemesi kullanarak şekilde gösterilen ölçülerde bir platform kesin.
▶ **Şek.64:** 1. 0° Gönye açısı: En az 450 mm 2. 45° Gönye açısı: En az 325 mm 3. 38 mm 4. En az 760 mm

⚠UYARI: Platform olarak mutlaka düz bir kütük kullanın. Düz olmayan kütük, kesme işlemi sırasında kayarak geri tepmeye ve ciddi yaralanmalara neden olabilir.

NOT: Yükseklik açısından maksimum kesme kapasitesi, platform kalınlığı ile aynı miktarda azalacaktır.

4. Platformu aletin üzerine, alet kaidesinin her iki tarafından eşit olarak uzanacak şekilde yerleştirin. Platformu alete, alt bariyerlerdeki dört deliğe dört adet 6 mm ağaç vidası geçirmek suretiyle sabitleyin.
▶ **Şek.65:** 1. Vidalar (her bir tarafta iki adet) 2. Alt bariyer 3. Kaide 4. Platform

⚠UYARI: Platformun aletin kaidesine düz bir şekilde yaslandığından ve sağlanan dört vida deliği kullanılarak alt bariyerlere sıkıca sabitlendiğinden emin olun. Platformun düzgün bir şekilde sabitlenmemesi harekete ve olası geri tepmeye yol açarak ciddi yaralanmalara neden olabilir.

⚠UYARI: Aletin dengeli ve düz bir yüzeye sıkıca monte edildiğinden emin olun. Aletin düzgün monte edilmemesi ve sabitlenmemesi aletin dengesini kaybederek kontrol kaybına ve/veya aletin düşmesine yol açarak suretiyle ciddi yaralanmalara neden olabilir.

5. Üst bariyerleri alete takın.

⚠UYARI: Üst bariyerler takılmadan aleti kullanmayın. Üst bariyerler, iş parçasını kesmek için gereken yeterli desteği sağlar. İş parçası düzgün desteklenmezse hareket ederek olası kontrol kaybına, geri tepmeye ve ciddi yaralanmalara neden olabilir.

6. Kesilecek iş parçasını alete sabitlenmiş platform üzerine yerleştirin.

7. Kesim öncesinde iş parçasını bir mengene ile üst bariyerlere sıkıca sabitleyin.

▶ **Şek.66:** 1. Üst bariyer 2. Dikey mengene 3. İş parçası 4. Platform

8. Kızaklı (itmeli) kesme kısmında açıklanan işleme göre iş parçası boyunca yavaşça bir kesim yapın.

⚠UYARI: İş parçasının bir mengene ile sabitlendiğinden emin olun ve kesimi yavaşça yapın. Aksi takdirde iş parçası hareket ederek olası geri tepmeye ve ciddi yaralanmalara neden olabilir.

⚠UYARI: Çeşitli gönye açılarında yapılan birkaç kesim sonrasında platformun zayıflayabileceğini unutmayın. Malzemede bırakılan birden çok kesim kanalı kesimi nedeniyle platform zayıflarsa platform değiştirilmelidir. Zayıflayan platform değiştirilmezse kesim sırasında iş parçasının hareket etmesine yol açarak olası geri tepmeye ve ciddi yaralanmalara neden olabilir.

Oluk açma

⚠UYARI: Bu tip kesimleri, daha geniş bıçaklar ya da dado bıçaklar kullanarak gerçekleştirmeye çalışmayın. Daha geniş bir bıçakla ya da dado bıçakla oluk açmaya çalışmak beklenmeyen kesim sonuçlarına ve ciddi kişisel yaralanmalara yol açabilecek geri tepmelere neden olabilir.

⚠UYARI: Oluk açma dışındaki işlemler sırasında durdurucu kolu orijinal konumuna döndürdüğünüzden emin olun. Durdurucu kol yanlış konumdayken kesim yapmaya çalışmak beklenmeyen kesim sonuçlarına ve ciddi kişisel yaralanmalara yol açabilecek geri tepmelere neden olabilir.

Dado kesim yapmak için aşağıdaki prosedürü izleyin:

1. Ayar vidasını kullanarak daire testere bıçağının alt limit konumunu ve daire testere bıçağının kesim derinliğini kısıtlamak için durdurucu kolu ayarlayın. Durdurucu kol kısmına bakın.

2. Daire testere bıçağının alt limit konumunu ayarladıktan sonra, kızaklı (itmeli) kesim kullanarak iş parçasının eni boyunca paralel oluklar açın.

▶ **Şek.67:** 1. Bıçakla oluk kesme

3. Oluklar arasındaki iş parçası malzemelerini bir keski ile kaldırın.

Ahşap kaplama

⚠UYARI: Ahşap kaplamayı kılavuz bariyerine monte etmek için vidaları kullanın. Vidalar, vida başları ahşap kaplamanın yüzeyinin altında kalacak şekilde takılmalıdır, böylece kesilen malzemenin konumuna etki etmezler. Kesilen malzemenin yanlış hizalanması kesme işlemi sırasında beklenmeyen harekete, bu da kontrolün kaybedilmesine ve ciddi kişisel yaralanmalara sebep olabilir.

⚠DİKKAT: Ahşap kaplama için eşit kalınlıktaki düz bir tahta kullanın.

⚠DİKKAT: Yüksekliği 107 mm ila 120 mm olan iş parçalarını tamamen kesmek için kılavuz bariyeri üzerinde bir ahşap kaplama kullanılmalıdır. Ahşap kaplama iş parçasını bariyerden aralayarak bıçağın daha derin kesim yapmasını sağlayacaktır.

ÖNEMLİ NOT: Ahşap kaplama takılı olduğunda, dönüş kadesini tutamak aşağı konumdayken çevirmeyin. Bıçağa ve/veya ahşap kaplamaya zarar gelebilir.

Ahşap kaplama kullanımı iş parçalarında kıymıksız kesim yapılmasına yardımcı olur. Kılavuz bariyerindeki delikleri ve 6 mm yadaları kullanarak kılavuz bariyere bir ahşap kaplama takın.

Tavsiye edilen bir ahşap kaplamanın boyutlarını öğrenmek için ilgili şekle bakın.

► **Şek.68:** 1. Delik 2. En az 15 mm 3. En az 270 mm 4. 90 mm 5. 145 mm 6. 19 mm 7. 115 - 120 mm

ÖRNEK Yüksekliği 115 mm ve 120 mm olan iş parçalarını keserken kalınlığı aşağıda verilen bir ahşap kaplama kullanın.

Gönye açısı	Ahşap kaplama kalınlığı	
	115 mm	120 mm
0°	20 mm	38 mm
Sol ve Sağ 45°	15 mm	25 mm
Sol ve Sağ 60°	15 mm	25 mm

Aletin taşınması

Aleti taşımadan önce gönye kesme makinasının batarya kartuşunun çıkarıldığından ve tüm hareketli parçalarının sabitlendiğinden emin olun. Mutlaka aşağıdakileri kontrol edin:

- Batarya kartuşu çıkarıldı.
- Taşıyıcı 0° eğim açısı konumunda ve sabitlenmiş.
- Taşıyıcı indirilmiş ve kilitlemiş.
- Taşıyıcı kılavuz bariyerlerine tam olarak kaydırılmış ve kilitleti.
- Dönüş kadesi tam sağ gönye açısı konumunda ve sabitlenmiş.
- Alt kaideler saklanmış ve sabitlenmiş.

Aleti, alet kadesinin her iki yanından tutarak taşıyın.

► **Şek.69**

⚠UYARI: Taşıyıcı yüksekliği için olan sabitleme pimi sadece taşıma ve saklama amacıyla kullanılmalı, hiçbir kesim işlemi sırasında kullanılmamalıdır. Kesim işlemleri sırasında sabitleme piminin kullanılması daire testere bıçağının beklenmedik şekilde hareket etmesine, bu da geri tepme ya da ciddi yaralanmalara yol açabilir.

⚠DİKKAT: Aleti taşımadan önce hareket eden tüm parçaları sabitleyin. Aletin parçaları taşıma sırasında hareket eder ya da kayarsa, kontrolün ya da dengenin kaybedilmesi sonucu ciddi yaralanmalar yaşanabilir.

⚠DİKKAT: Taşıyıcı yüksekliğinin sabitleme pimi ile alt noktasında düzgün bir şekilde kilitletiğinden emin olun. Sabitleme pimi düzgün geçirilmezse taşıyıcı aniden yukarı fırlayarak yaralanmaya neden olabilir.

KABLOSUZ ÇALIŞTIRMA İŞLEVİ

Kablosuz çalıştırma işlevi ile yapabileceğiniz

Kablosuz çalıştırma işlevi temiz ve rahat kullanım sağlar. Alete desteklenen bir elektrikli süpürge bağlayarak elektrikli süpürgeyi aletin anahtarla çalıştırılması ile birlikte çalıştırabilirsiniz.

► **Şek.70**

Kablosuz çalıştırma işlevini kullanmak için aşağıdaki unsurları hazırlayın:

- Bir kablosuz ünitesi (isteğe bağlı aksesuar)
- Kablosuz çalıştırma işlevini destekleyen bir elektrikli süpürge

Kablosuz çalıştırma işlevi ayarına genel bakış aşağıda verilmiştir. Ayrıntılı işlemler için her bir kısma bakın.

1. Kablosuz ünitesinin takılması
2. Elektrikli süpürge için alet kaydı
3. Kablosuz çalıştırma işlevinin başlatılması

Kablosuz ünitesinin takılması

İsteğe bağlı aksesuar

⚠DİKKAT: Kablosuz ünitesini takarken aleti düz ve dengeli bir zemine yerleştirin.

ÖNEMLİ NOT: Kablosuz ünitesini takmadan önce aletin üzerindeki toz ve kiri temizleyin. Toz veya kir, kablosuz ünitesinin yuvasına girerse arızaya neden olabilir.

ÖNEMLİ NOT: Statik elektrik kaynaklı arızaları engellemek için kablosuz ünitesini almadan önce aletin metal kısmı gibi statik deşarj özellikli bir materyale dokununuz.

ÖNEMLİ NOT: Kablosuz ünitesini takarken kablosuz ünitesinin doğru yönde sokulduğundan ve kapağın tamamen kapatıldığından mutlaka emin olun.

1. Aletin üzerindeki kapağı şekilde gösterildiği gibi açın.

► **Şek.71:** 1. Kapak

2. Kablosuz ünitesini yuvaya sokun ve daha sonra kapağı kapatın.

Kablosuz ünitesini sokarken çıkıntıları yuva üzerindeki girintili kısımlarla hizalayın.

► **Şek.72:** 1. Kablosuz ünitesi 2. Çıkıntı 3. Kapak 4. Girintili kısım

Kablosuz ünitesini çıkarırken kapağı yavaşça açın. Kapağın arka kısmındaki kancalar, kapağı yukarı çektiğinizde kablosuz ünitesini kaldıracaktır.

► **Şek.73:** 1. Kablosuz ünitesi 2. Kanca 3. Kapak

Kablosuz ünitesini çıkardıktan sonra ürünle verilen kutusunda veya anti-statik bir kaptaki saklayın.

ÖNEMLİ NOT: Kablosuz ünitesini çıkarırken daima kapağın arka kısmındaki kancaları kullanın. Kancalar kablosuz ünitesini yakalamazsa kapağı tamamen kapatın ve yavaşça tekrar açın.

Elektrikli süpürge için alet kaydı

NOT: Alet kaydı için kablosuz çalıştırma işlevini destekleyen bir Makita elektrikli süpürge gerekir.

NOT: Alet kaydına başlamadan önce kablosuz ünitesini alete takmayı bitirin.

NOT: Alet kaydı sırasında aşağıdaki düğmeleri açmaktan kaçınınız:

- aletin üzerindeki anahtar tetik
- aletin üzerindeki vakum düğmesi
- elektrikli süpürge üzerindeki güç düğmesi

NOT: Elektrikli süpürge kullanma kılavuzuna da bakın.

Elektrikli süpürgeyi aletin anahtarla çalıştırılması ile birlikte çalıştırmak isterseniz önceden alet kaydını tamamlayın.

1. Elektrikli süpürge ve alete bataryaları takın.
2. Elektrikli süpürge üzerindeki bekleme düğmesini "AUTO" konumuna alın.
► **Şek.74:** 1. Bekleme düğmesi
3. Kablosuz çalıştırma lambası yeşil yanıp sönmeye kadar elektrikli süpürge üzerindeki kablosuz çalıştırma düğmesine 3 saniye süreyle basın. Daha sonra aletin üzerindeki kablosuz çalıştırma düğmesine aynı şekilde basın.
► **Şek.75:** 1. Kablosuz çalıştırma düğmesi
2. Kablosuz çalıştırma lambası

Elektrikli süpürge ve alet başlarıyla birbirlerine bağlanırsa kablosuz çalıştırma lambaları 2 saniye süreyle yeşil yanar ve mavi yanıp sönmeye başlar.

NOT: Kablosuz çalıştırma lambaları 20 saniye geçtikten sonra yeşil yanıp sönmeyi keser. Süpürge üzerindeki kablosuz çalıştırma lambası yanıp sönmeye aletin üzerindeki kablosuz çalıştırma düğmesine basın. Kablosuz çalıştırma lambası yeşil yanıp sönmeye kablosuz çalıştırma düğmesine kısa süreli basın ve tekrar basılı tutun.

NOT: Tek bir elektrikli süpürge için iki veya daha fazla alet kaydı yaparken alet kaydını birer birer tamamlayın.

Kablosuz çalıştırma işlevinin başlatılması

NOT: Kablosuz çalıştırma öncesinde elektrikli süpürge için alet kaydını tamamlayın.

NOT: Elektrikli süpürge kullanma kılavuzuna da bakın.

Elektrikli süpürgeye bir aleti kaydettikten sonra elektrikli süpürge, aletin anahtarla çalıştırılması ile birlikte otomatik olarak çalışır. Kullanım sırasında elektrikli süpürgeyi çalıştırmak için aletin üzerindeki anahtar tetiği çekin. Elektrikli süpürge, herhangi bir kesim işlemi sırasında aletin üzerindeki vakum düğmesine basıldığında da çalışmaya başlar.

► **Şek.76**

1. Kablosuz ünitesini alete takın.
2. Elektrikli süpürgeyi hortumunu alete bağlayın.
► **Şek.77**
3. Elektrikli süpürge üzerindeki bekleme düğmesini "AUTO" konumuna alın.
► **Şek.78:** 1. Bekleme düğmesi
4. Aletin üzerindeki kablosuz çalıştırma düğmesine kısa süreyle basın. Kablosuz çalıştırma lambası mavi yanıp söner.
► **Şek.79:** 1. Kablosuz çalıştırma düğmesi
2. Kablosuz çalıştırma lambası

5. Aletin anahtar tetiğini çekin. Anahtar tetik çekilene elektrikli süpürgeyi çalıştırma kontrol edin.
6. Elektrikli süpürgeyi çalıştırmak için vakum düğmesine basın. Kablosuz çalıştırma lambasının mavi yanıp sönmeye ve süpürgeyi çalıştırmaya yeniden basılana kadar çalışmaya devam ettiğini kontrol edin.
7. Süpürgeyi kapatmak için anahtar tetiği bırakın veya vakum düğmesine tekrar basın. Anahtarlar işlem yaptıktan birkaç saniye sonra elektrikli süpürge çalışmayı durdurur ve ardından lamba mavi yanıp sönmeye başlar.

NOT: Anahtar durumu (süpürgeyi açma/kapama) kablosuz çalıştırma lambasından öğrenilebilir. Ayrıntılar için kablosuz çalıştırma lambası durumunun açıklandığı kısma bakın.

8. Elektrikli süpürgeyi kablosuz çalıştırılmasını durdurmak için alet üzerindeki kablosuz çalıştırma düğmesine basın.

NOT: Alet üzerindeki kablosuz çalıştırma lambası, 2 saat süreyle işlem yapılmazsa mavi yanıp sönmeyi keser. Bu durumda elektrikli süpürge üzerindeki bekleme düğmesini "AUTO" konumuna alın ve alet üzerindeki kablosuz çalıştırma düğmesine tekrar basın.

NOT: Elektrikli süpürge bir gecikmeyle başlar/durur. Elektrikli süpürge, aletin anahtarla çalıştırıldığını algıladığında bir gecikme söz konusu olur.

NOT: Kablosuz ünitesinin iletim mesafesi konum ve çevre şartlarına bağlı olarak değişebilir.

NOT: Tek bir elektrikli süpürgeye iki veya daha fazla alet kaydedildiğinde başka bir kullanıcı kablosuz çalıştırma işlevini kullandığından anahtar tetiği çekmeseniz veya vakum düğmesini açmasanız bile elektrikli süpürge çalışmaya başlayabilir.

Kablosuz çalıştırma lambası durumunun açıklanması

► Şek.80: 1. Kablosuz çalıştırma lambası

Kablosuz çalıştırma lambası kablosuz çalıştırma işlevinin durumunu gösterir. Lamba durumunun anlamı için aşağıdaki tabloya bakın.

Durum	Kablosuz çalıştırma lambası			Açıklama
	Renk	<input type="checkbox"/> Kapalı	<input type="checkbox"/> Yanıp sönmüyor	
Beklemede	Mavi	<input checked="" type="checkbox"/>	2 saat	Elektrikli süpürge kablosuz çalıştırılması kullanılabilir. 2 saat süreyle işlem yapılmazsa lamba otomatik olarak söner.
		<input type="checkbox"/>	Alet çalışırken.	Elektrikli süpürge kablosuz çalıştırılması kullanılabilir ve alet çalışıyor.
Alet kaydı	Yeşil	<input checked="" type="checkbox"/>	20 saniye	Alet kaydı için hazır. Elektrikli süpürge tarafından alet kaydı bekleniyor.
		<input type="checkbox"/>	2 saniye	Alet kaydı tamamlandı. Kablosuz çalıştırma lambası mavi yanıp sönmeye başlar.
Alet kaydının iptal edilmesi	Kırmızı	<input checked="" type="checkbox"/>	20 saniye	Alet kaydının iptali için hazır. Elektrikli süpürge tarafından iptal bekleniyor.
		<input type="checkbox"/>	2 saniye	Alet kaydı iptali tamamlandı. Kablosuz çalıştırma lambası mavi yanıp sönmeye başlar.
Diğer	Kırmızı	<input type="checkbox"/>	3 saniye	Kablosuz ünitesine güç besleniyor ve kablosuz çalıştırma işlevi başlıyor.
		Kapalı	-	Elektrikli süpürge kablosuz çalıştırılması durduruldu.

Elektrikli süpürge için alet kaydının iptal edilmesi

Elektrikli süpürge için alet kaydını iptal ederken aşağıdaki prosedürü uygulayın.

1. Elektrikli süpürge ve alete bataryaları takın.
2. Elektrikli süpürge üzerindeki bekleme düğmesini "AUTO" konumuna alın.
► Şek.81: 1. Bekleme düğmesi
3. Elektrikli süpürge üzerindeki kablosuz çalıştırma düğmesine 6 saniye süreyle basın. Kablosuz çalıştırma lambası yeşil yanıp söner ve daha sonra kırmızı olur. Ondan sonra aletin üzerindeki kablosuz çalıştırma

düğmesine aynı şekilde basın.

- Şek.82: 1. Kablosuz çalıştırma düğmesi
2. Kablosuz çalıştırma lambası

İptal başarıyla yapılırsa kablosuz çalıştırma lambaları 2 saniye süreyle kırmızı yanar ve mavi yanıp sönmeye başlar.

NOT: Kablosuz çalıştırma lambaları 20 saniye geçtikten sonra kırmızı yanıp sönmeyi keser. Süpürge üzerindeki kablosuz çalıştırma lambası yanıp sönerken aletin üzerindeki kablosuz çalıştırma düğmesine basın. Kablosuz çalıştırma lambası kırmızı yanıp sönmese kablosuz çalıştırma düğmesine kısa süreli basın ve tekrar basılı tutun.

Kablosuz çalıştırma işlevi için sorun giderme

Onarım için servise gitmeden önce kontrolleri yapın. Kılavuzda açıklanmayan bir problemle karşılaşırsanız aleti demonte etmeyin. Bunun yerine, Makita Yetkili Servis Merkezlerine başvurun ve daima orijinal Makita yedek parçaları kullanın.

Anormal durum	Olası nedeni (arıza)	Çözümü
Kablosuz çalıştırma lambası yanmıyor/yanıp sönmüyor.	Kablosuz ünitesi alete takılmamış. Kablosuz ünitesi alete hatalı takılmış.	Kablosuz ünitesini doğru takın.
	Kablosuz ünitesinin terminali ve/veya yuva kirlî.	Kablosuz ünitesinin terminalindeki tozu ve kiri hafifçe silin ve yuvayı temizleyin.
	Aletin üzerindeki kablosuz çalıştırma düğmesine basılmamış.	Aletin üzerindeki kablosuz çalıştırma düğmesine kısa süreyle basın.
	Elektrikli süpürge üzerindeki bekleme düğmesi "AUTO" konumuna alınmamış.	Elektrikli süpürge üzerindeki bekleme düğmesini "AUTO" konumuna alın.
	Güç beslemesi yok	Alete ve elektrikli süpürgeye güç besleyin.
Alet kaydı / alet kaydı iptali başarıyla tamamlanmıyor.	Kablosuz ünitesi alete takılmamış. Kablosuz ünitesi alete hatalı takılmış.	Kablosuz ünitesini doğru takın.
	Kablosuz ünitesinin terminali ve/veya yuva kirlî.	Kablosuz ünitesinin terminalindeki tozu ve kiri hafifçe silin ve yuvayı temizleyin.
	Elektrikli süpürge üzerindeki bekleme düğmesi "AUTO" konumuna alınmamış.	Elektrikli süpürge üzerindeki bekleme düğmesini "AUTO" konumuna alın.
	Güç beslemesi yok	Alete ve elektrikli süpürgeye güç besleyin.
	Hatalı çalışma	Kablosuz çalıştırma düğmesine kısa süreyle basın ve alet kaydı/iptal prosedürlerini yeniden uygulayın.
	Alet ve elektrikli süpürge birbirlerinden uzakta (iletim aralığının dışında).	Aleti ve elektrikli süpürgeyi birbirlerine yaklaştırın. Maksimum iletim mesafesi yaklaşık 10 m'dir, ancak şartlara bağlı olarak değişebilir.
	Alet kaydını/iptalini tamamlamadan önce; - alet üzerindeki anahtar tetik çekiliyor veya; - aletin üzerindeki vakum düğmesi açılıyor veya; - elektrikli süpürge üzerindeki güç düğmesi açılıyor.	Kablosuz çalıştırma düğmesine kısa süreyle basın ve alet kaydı/iptal prosedürlerini yeniden uygulayın.
	Alet veya elektrikli süpürge için alet kaydı prosedürleri tamamlanmamış.	Alet ve elektrikli süpürge için alet kaydı prosedürlerini aynı zamanda uygulayın.
	Yüksek güçte radyo dalgaları üreten diğer cihazlardan radyo paraziti.	Aleti ve elektrikli süpürgeyi, Wi-Fi cihazları ve mikro-dalga fırınlar gibi cihazlardan uzak tutun.
Elektrikli süpürge, aletin anahtarla çalıştırılması ile birlikte çalışmıyor.	Kablosuz ünitesi alete takılmamış. Kablosuz ünitesi alete hatalı takılmış.	Kablosuz ünitesini doğru takın.
	Kablosuz ünitesinin terminali ve/veya yuva kirlî.	Kablosuz ünitesinin terminalindeki tozu ve kiri hafifçe silin ve yuvayı temizleyin.
	Aletin üzerindeki kablosuz çalıştırma düğmesine basılmamış.	Kablosuz çalıştırma düğmesine kısa süreyle basın ve kablosuz çalıştırma lambasının mavi yanıp söndüğünü kontrol edin.
	Elektrikli süpürge üzerindeki bekleme düğmesi "AUTO" konumuna alınmamış.	Elektrikli süpürge üzerindeki bekleme düğmesini "AUTO" konumuna alın.
	Elektrikli süpürgeye 10'dan fazla alet kayıtlı.	Alet kaydını yeniden yapın. Elektrikli süpürgeye 10'dan fazla alet kayıtlı ise ilk önce kaydedilen alet otomatik olarak iptal edilir.
	Elektrikli süpürge aletleri başarıyla kaydedemedi.	Alet kayıtlarını yenileyin.
	Elektrikli süpürge tüm alet kayıtlarını silmiş.	Alet kaydını yeniden yapın.
	Güç beslemesi yok	Alete ve elektrikli süpürgeye güç besleyin.
	Alet ve elektrikli süpürge birbirlerinden uzakta (iletim aralığının dışında).	Aleti ve elektrikli süpürgeyi birbirlerine yaklaştırın. Maksimum iletim mesafesi yaklaşık 10 m'dir, ancak şartlara bağlı olarak değişebilir.
Yüksek güçte radyo dalgaları üreten diğer cihazlardan radyo paraziti.	Aleti ve elektrikli süpürgeyi, Wi-Fi cihazları ve mikro-dalga fırınlar gibi cihazlardan uzak tutun.	
Alet için düğmelerle işlem yapılmadan elektrikli süpürge çalışıyor.	Diğer kullanıcılar, elektrikli süpürge için kablosuz çalıştırılmasını kendi aletleriyle kullanıyor.	Diğer aletlerin kablosuz çalıştırma düğmesini kapatın veya diğer aletlerin alet kaydını iptal edin.

BAKIM

⚠UYARI: Muayene ya da bakım yapmadan önce aletin kapalı ve batarya kartuşunun çıkartılmış olduğundan daima emin olun. Batarya kartuşlarının çıkarılmaması ve aletin kapatılmaması aletin kazara çalışmasına yol açarak ciddi yaralanmalara neden olabilir.

⚠UYARI: En iyi ve en güvenli performans için daire testere bıçağının daima temiz ve keskin olduğundan emin olun. Kör ve/veya kirli bir bıçakla kesim yapmaya çalışmak, geri tepmeye yol açabilir ya da ciddi kişisel yaralanmalarla sonuçlanabilir.

⚠DİKKAT: Kontrol veya bakım yapmaya çalışmadan önce bıçak siperinin orijinal konumda kapalı olduğundan mutlaka emin olun. Temizleme işlemleri sırasında bıçak siperini asla açık konumda kalacak şekilde sıkıştırmayın ve bağlamayın. Açıkta kalan bıçak yaralanmaya neden olabilir.

ÖNEMLİ NOT: Benzin, tiner, alkol ve benzeri maddeleri kesinlikle kullanmayın. Renk değişimi, deformasyon veya çatlaklar oluşabilir.

Aleti EMNİYETLİ ve ÇALIŞMAYA HAZIR durumda tutmak için onarımlar, başka her türlü bakım ve ayarlamalar daima Makita yedek parçaları kullanılarak Makita yetkili servis merkezleri veya Fabrikanın Servis Merkezleri tarafından yapılmalıdır.

Kesim açısının ayarlanması

Bu alet fabrikada dikkatli bir şekilde ayarlanmış ve hizalanmıştır fakat kötü bir şekilde taşımak hizalamayı bozabilir. Aletinüz doğru bir şekilde hizalanmamışsa aşağıdakileri gerçekleştirin:

Gönye açısı

Tutamağı tamamen aşağı indirin ve sabitleme pimi ile alt konumda kilitleyin. Taşıyıcıyı kılavuz bariyerine doğru itinir. Kavrama kolunu saatin aksi yönünde çevirin ve kilitleme kolunu kullanarak dönüş kaidesini pozitif durma fonksiyonu için hazır edin. Ardından işaretçi ve gönye açısı ölçeğini sabitleyen vidaları gevşetin.

► **Şek.83:** 1. Kavrama kolu 2. Kilitleme kolu 3. İşaretçi üzerindeki vida 4. Gönye açısı ölçeği üzerindeki vidalar 5. Gönye açısı ölçeği

Dönüş kaidesini, pozitif durma fonksiyonunu kullanarak 0° konumuna ayarlayın. Üçgen cetvel veya ayarlı gönye kullanarak daire testere bıçağının yan yüzeyini kılavuz bariyerin yüzeyine dik duruma getirin. Gönyeyi tutarken gönye açısı ölçeği üzerindeki vidaları sıkın. Bundan sonra işaretçileri (sağ ve sol) gönye açısı ölçeğindeki 0° konumu ile hizalayın ve daha sonra işaretçi üzerindeki vidayı sıkın.

► **Şek.84:** 1. Üçgen cetvel 2. İşaretçi

Eğim açısı

0° eğim açısı

Taşıyıcıyı kılavuz bariyerlerine doğru itin ve kızak hareketini sabitleme pimi ile kilitleyin. Taşıyıcıyı tamamen aşağı indirin ve sabitleme pimi ile alt konumda kilitleyin. Topuzu saatin aksi yönünde çevirin ve ardından 0° ayar civatasını saatin aksi yönünde iki veya üç tur çevirerek daire testere bıçağını sağa yatırın.

► **Şek.85:** 1. Topuz 2. 0° ayar civatası 3. İşaretçi üzerindeki vida

Üçgen cetvel, ayarlı gönye, vb. kullanarak, 0° ayar civatasını saat yönünde çevirmek suretiyle dönüş kaidesinin üst yüzeyini daire testere bıçağının yan yüzeyi ile dik-katli bir şekilde dik duruma getirin. Ardından, ayarladığınız 0° açısını sabitlemek için topuzu iyice sıkın.

► **Şek.86:** 1. Üçgen cetvel 2. Testere bıçağı 3. Dönüş kaidesinin üst yüzeyi

Daire testere bıçağının yan yüzeyinin dönüş kaidesi yüzeyi ile dik olup olmadığını bir kez daha kontrol edin. İşaretçi üzerindeki vidayı gevşetin. İşaretçiyi eğim açısı ölçeğindeki 0° konumu ile hizalayarak vidayı sıkın.

45° eğim açısı

ÖNEMLİ NOT: 45° eğim açısını ayarlamadan önce 0° eğim açısı ayarını tamamlayın.

Topuzu gevşetin ve taşıyıcıyı kontrol etmek istediğiniz tarafa tam olarak yatırın. İşaretçinin eğim açısı ölçeğinde 45° konumunu gösterip göstermediğini kontrol edin.

► **Şek.87:** 1. Topuz

İşaretçi 45° konumunu göstermiyorsa, kaidenin öbür tarafında eğim açısı ölçeğindeki ayar civatasını çevirerek 45° konumuyla hizalayın.

► **Şek.88:** 1. Sol 45° ayar civatası 2. Sağ 45° ayar civatası

Alt bariyerlerin ayarlanması

Alt kaideler üzerindeki alt bariyerleri, kılavuz bariyerleriyle hizalı değilse ayarlayın.

1. Alt bariyerleri sabitleyen civatalarını altıgen anahtar kullanarak gevşetin.

2. Dört köşe bir çelik eleman gibi düz bir rijit çubuğu kılavuz bariyerlerine düz bir şekilde dayayın.

3. Çubuk, kılavuz bariyerlerine dayanırken alt bariyerleri, alt bariyerin yüzeyi çubuğa dayanacak şekilde yerleştirin. Ondan sonra civataları sıkın.

► **Şek.89:** 1. Civata 2. Alt bariyer 3. Kılavuz bariyeri 4. Rijit çubuk

Lamba lensinin temizlenmesi

⚠DİKKAT: Lamba lensini temizlemeden önce daire testere bıçağı mutlaka çıkarın.

ÖNEMLİ NOT: Lensi sabitleyen vidayı sökmeyin. Lens dışarı gelmezse vidayı daha fazla gevşeyin.

ÖNEMLİ NOT: Lamba lensini temizlemek için kuru bir bez kullanın. Lamba lensini çizmemeye dikkat edin; aksi takdirde aydınlatmayı azaltabilir.

ÖNEMLİ NOT: Lens üzerinde solvent veya petrol bazlı temizlik maddesi kullanmayın.

Işık lensi kirlendiğinden LED ışığının görülmesi zorlaşır. Lens düzenli aralıklarla temizleyin.

Batarya kartuşunu çıkarın. Vidayı gevşetin ve lensi dışarı çekin. Lensi nemli yumuşak bir bezle hafifçe silin.

► **Şek.90:** 1. Vida 2. Lens

Kullanımdan sonra

Kullanımdan sonra, parçacıkları ve alete yapışan tozları nemli bir bez veya benzeri ile temizleyin. “Bıçak siperi” bölümünde anlatılan talimatlar uyarınca bıçak siperini temiz tutun. Paslanmayı önlemek için kızaklı bölümleri makine yağı ile yağlayın.

İSTEĞE BAĞLI AKSESUARLAR

⚠UYARI: Bu el kitabında belirtilen Makita aletiniz ile kullanılmaları için bu aksesuarlar ve ek parçalar tavsiye edilmektedir. Başka aksesuar ve ek parçaların kullanımı ciddi yaralanmalara yol açabilir.

⚠UYARI: Makita aksesuarları ya da ek parçaları yalnızca belirtilmiş olan kullanım amaçlarına uygun olarak kullanın. Bir aksesuarın ya da ek parçanın hatalı kullanımı ciddi yaralanmalara yol açabilir.

Bu aksesuarlarla ilgili daha fazla bilgiye ihtiyaç duyar-sanız bulunduğunuz yerdeki yetkili Makita servisine başvurun.

- Karbid uçlu testere bıçakları
- Dikey vida
- Yatay mengene
- Kartonpiyer sabitleyici seti
- Toz torbası
- Üçgen cetvel
- Altıgen anahtar
- Kablosuz ünitesi
- Stant seti
- Orijinal Makita batarya ve şarj aleti

NOT: Listedeki parçaların bazıları alet paketi içerisinde standart aksesuar olarak dahil edilmiş olabilir. Bunlar ülkeden ülkeye farklılık gösterebilir.

Makita Europe N.V.

Jan-Baptist Vinkstraat 2, 3070 Kortenberg, Belgium

Makita Corporation

3-11-8, Sumiyoshi-cho, Anjo, Aichi 446-8502 Japan

www.makita.com



885882C996
EN, FR, DE, IT, NL,
ES, PT, DA, EL, TR
20240328