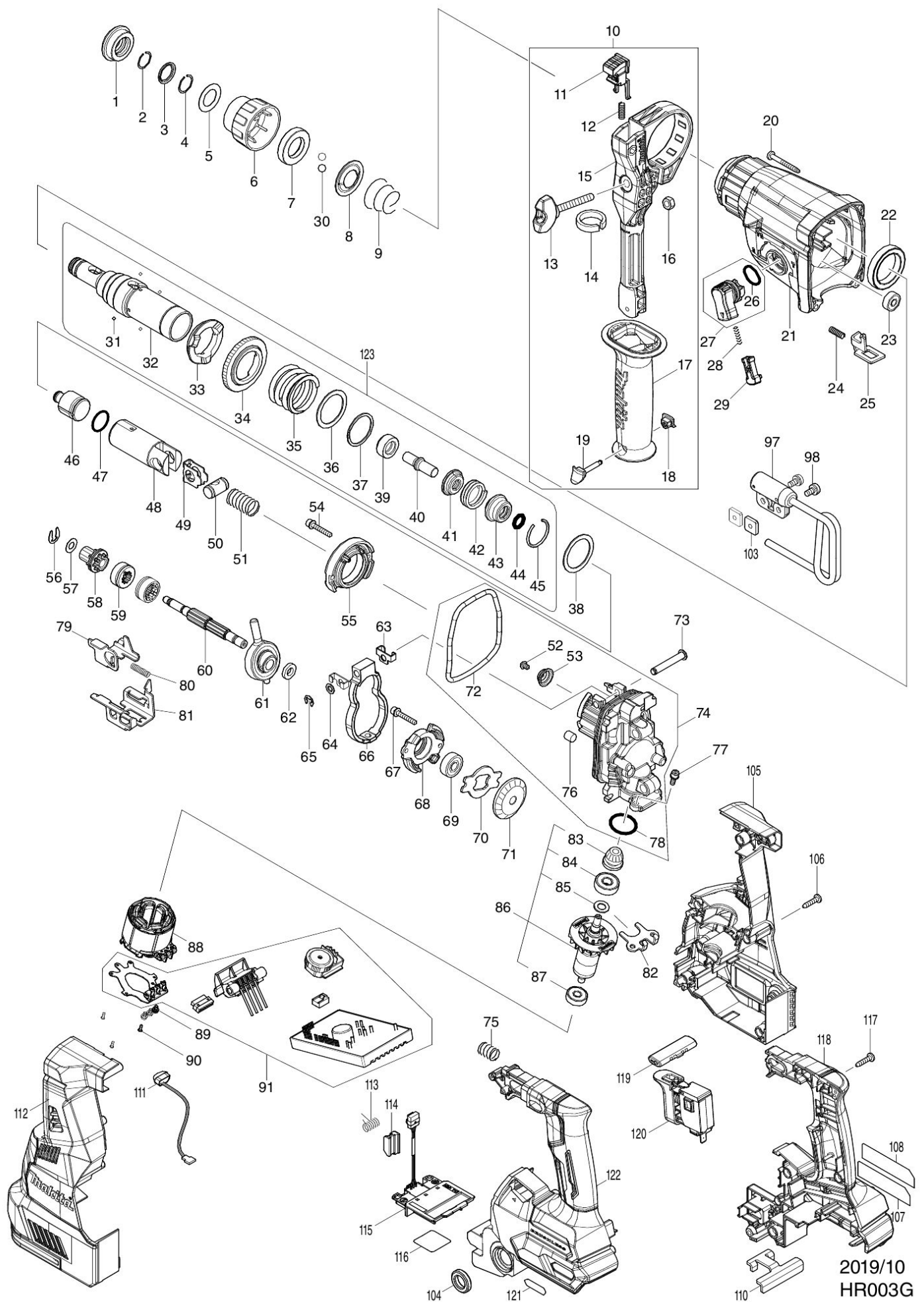


Partdrawing for HR003GZ02 - Combihamer



2019/10
HR003G