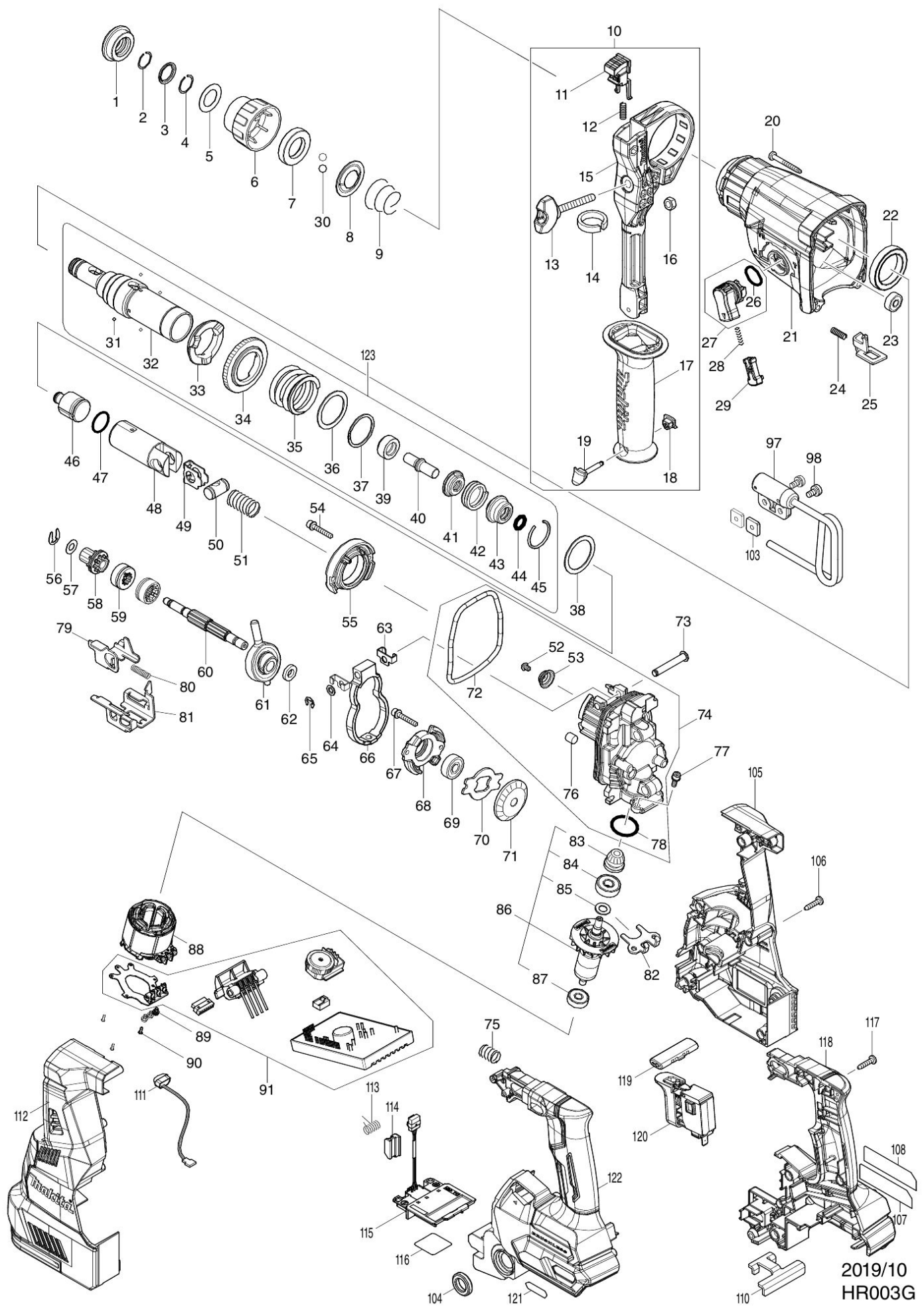


# Partdrawing for HR003GM202 - Combihammer



2019/10  
HR003G