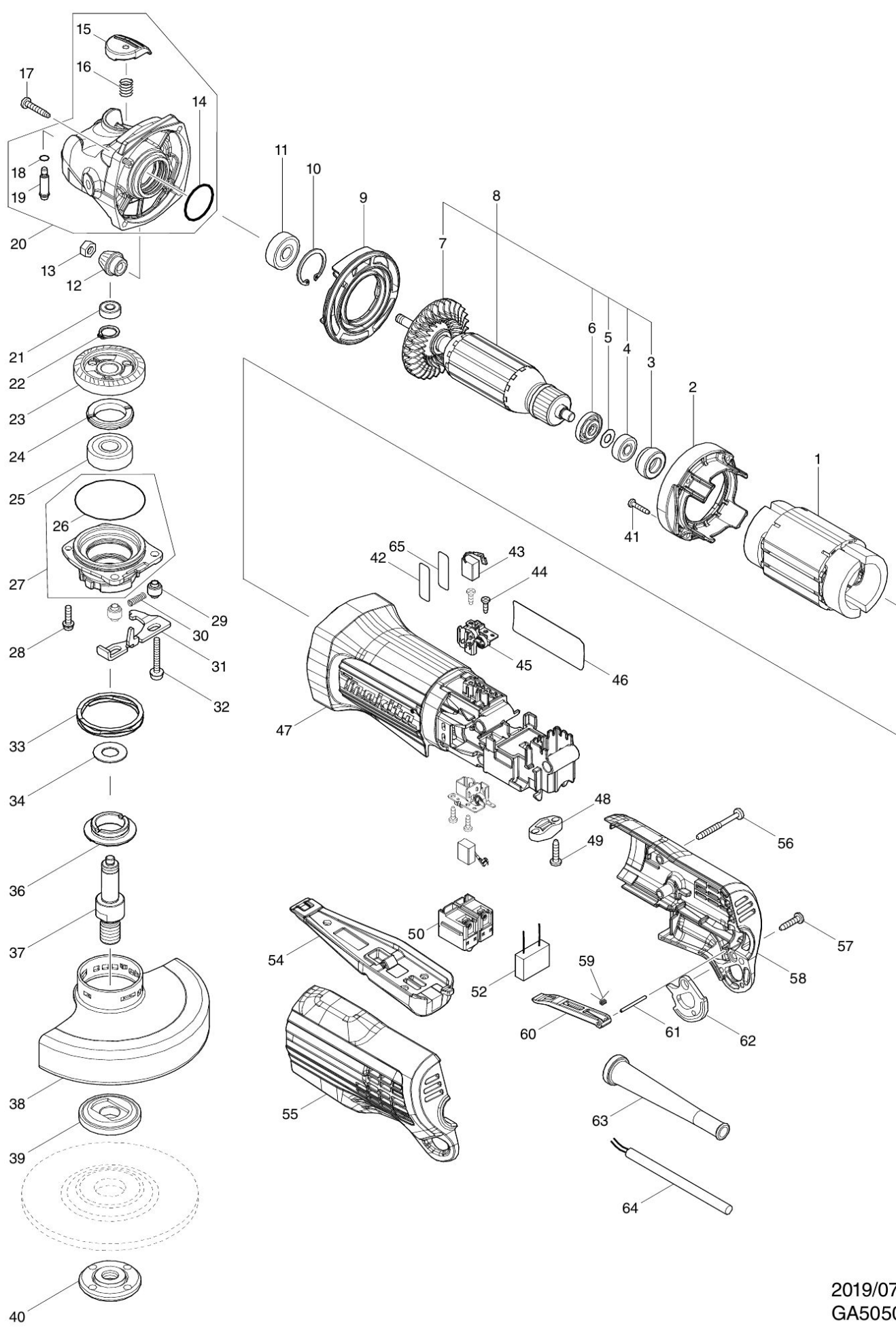


# Partdrawing for GA5050 - Haakse slijper



2019/07  
GA5050