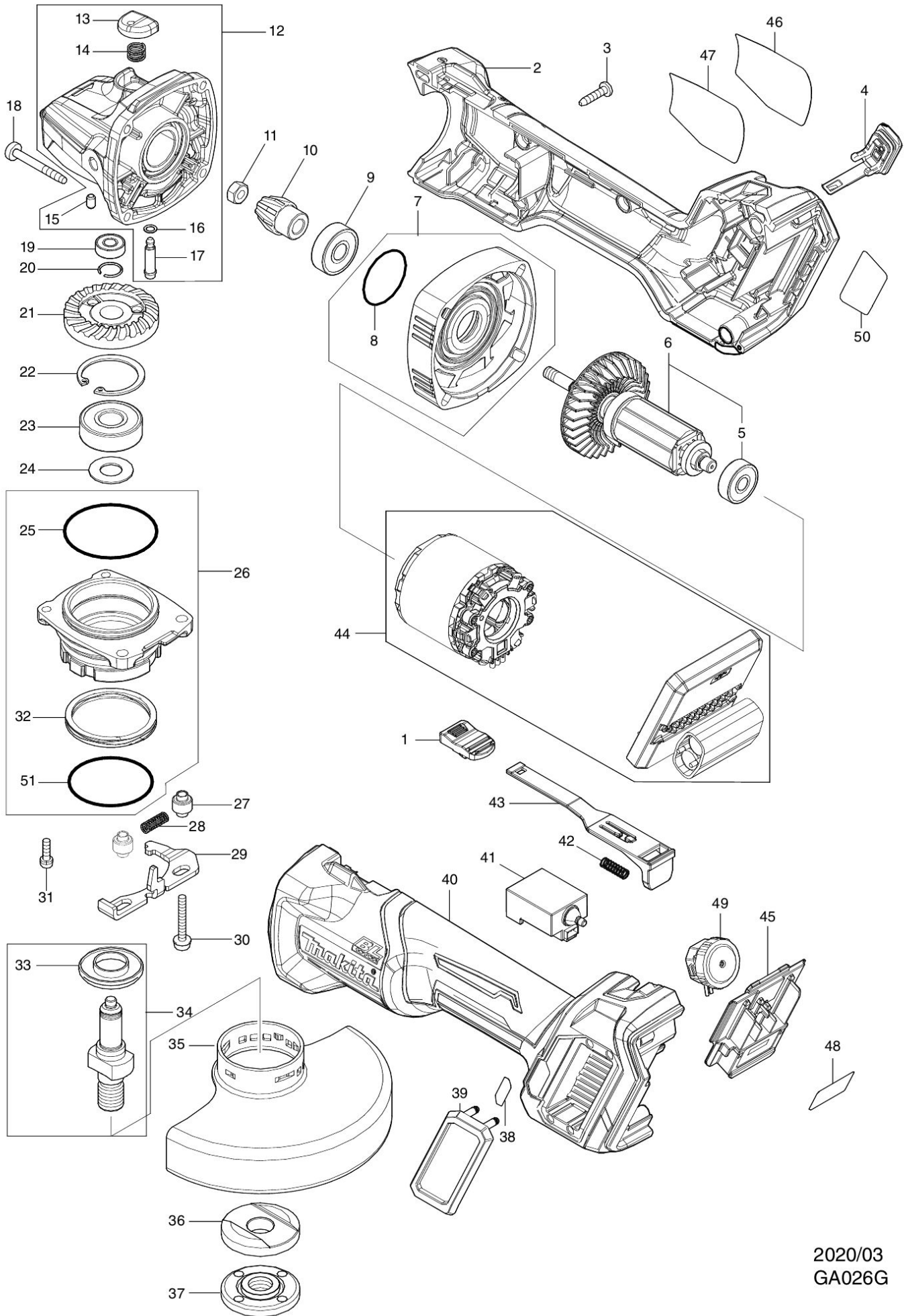


# Partdrawing for GA026GM201 - Haakse slijper



2020/03  
GA026G