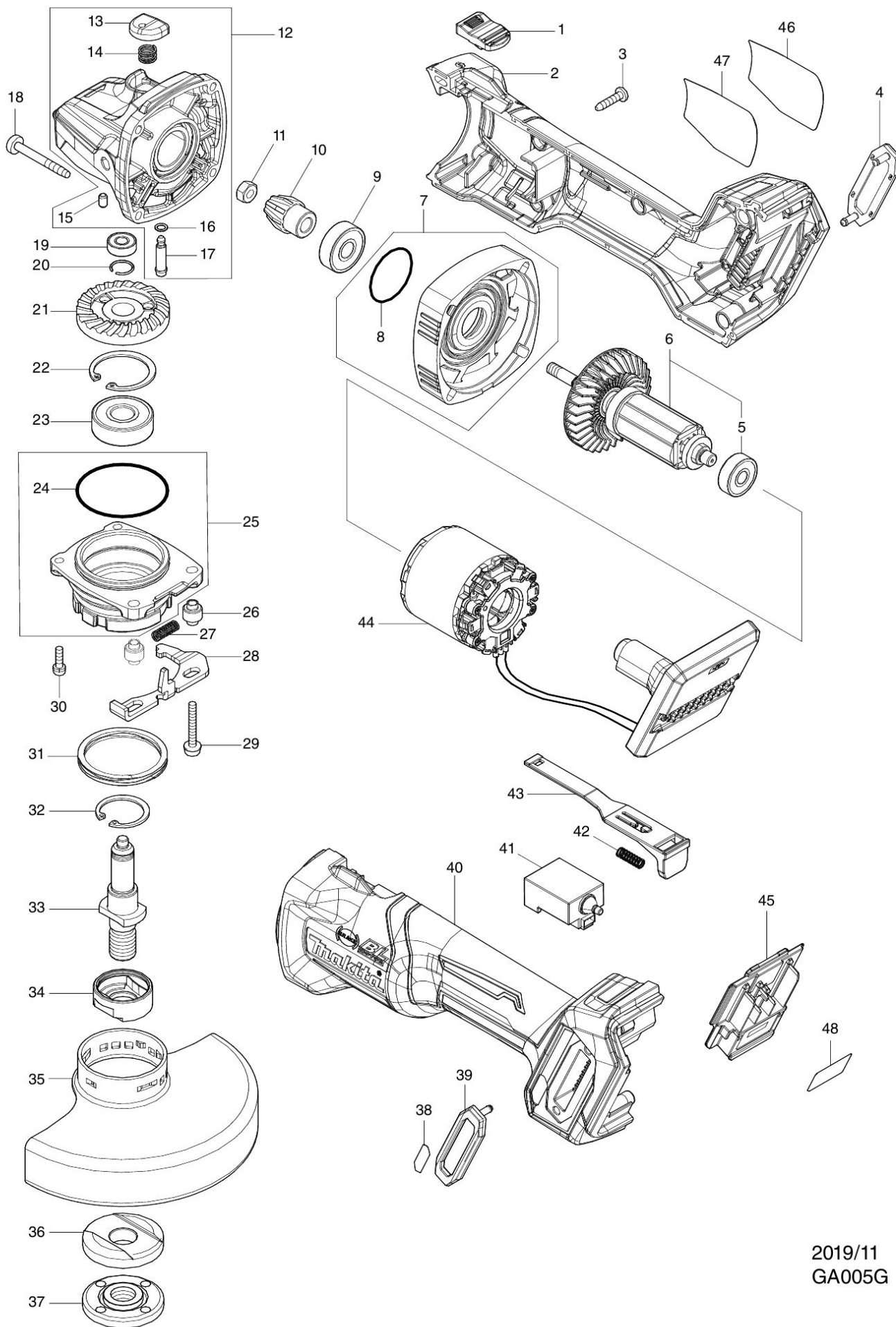


Partdrawing for GA005GZ - Haakse slijper



2019/11
GA005G