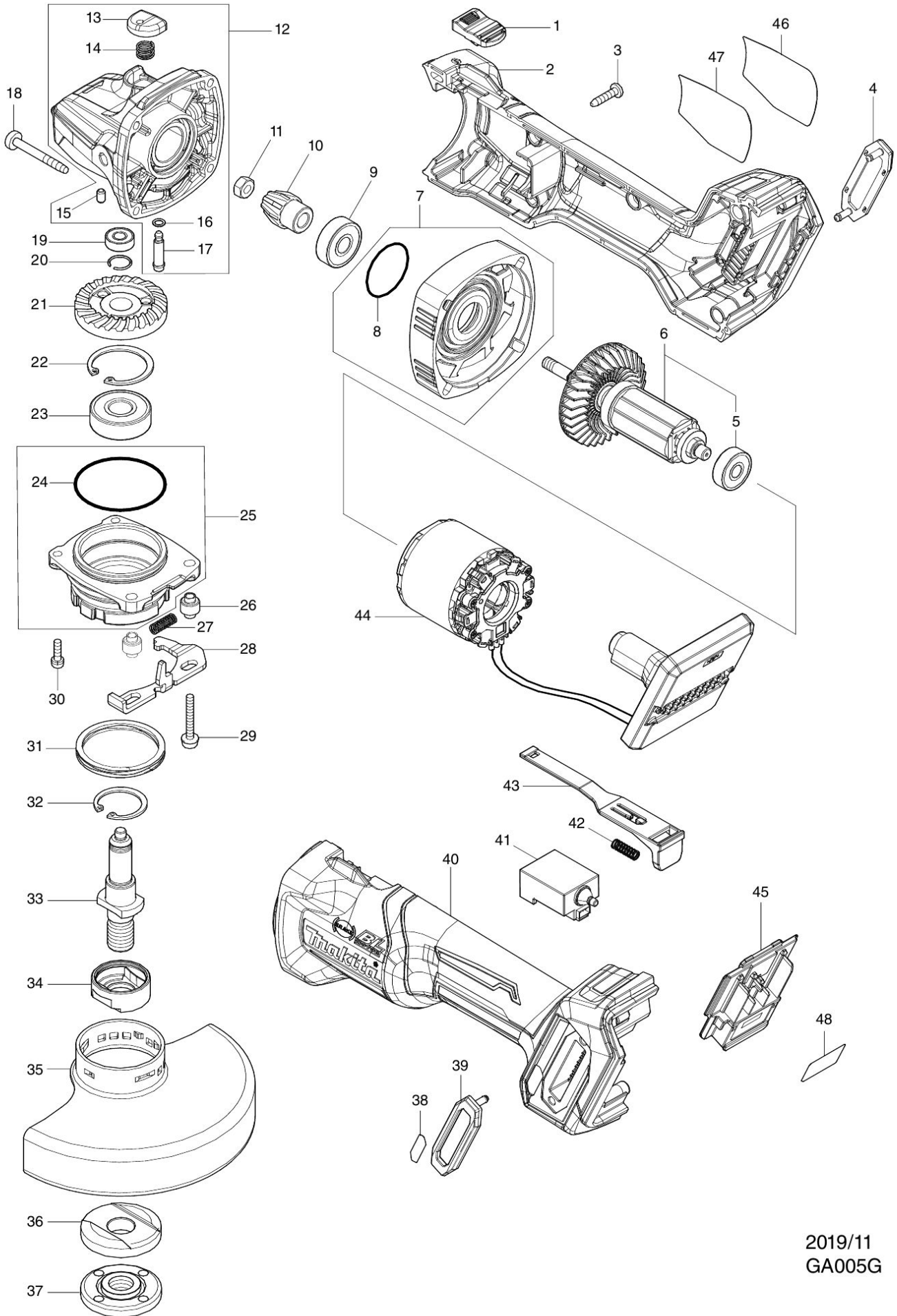


Partdrawing for GA005GM201 - Haakse slijper



2019/11
GA005G