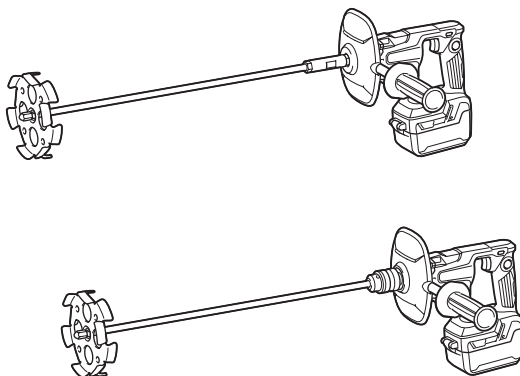




<b>EN</b>	<b>Cordless Mixer</b>	<b>INSTRUCTION MANUAL</b>	<b>5</b>
<b>FR</b>	<b>Malaxeur sans fil</b>	<b>MANUEL D'INSTRUCTIONS</b>	<b>11</b>
<b>DE</b>	<b>Akku-Rührwerk</b>	<b>BETRIEBSANLEITUNG</b>	<b>17</b>
<b>IT</b>	<b>Miscelatore a batteria</b>	<b>ISTRUZIONI PER L'USO</b>	<b>23</b>
<b>NL</b>	<b>Accumenger</b>	<b>GEBRUIKSAANWIJZING</b>	<b>29</b>
<b>ES</b>	<b>Mezclador Inalámbrico</b>	<b>MANUAL DE INSTRUCCIONES</b>	<b>35</b>
<b>PT</b>	<b>Misturador a Bateria</b>	<b>MANUAL DE INSTRUÇÕES</b>	<b>41</b>
<b>DA</b>	<b>Akku blandemaskine</b>	<b>BRUGSANVISNING</b>	<b>47</b>
<b>EL</b>	<b>Φορητός αναδευτήρας</b>	<b>ΕΓΧΕΙΡΙΔΙΟ ΟΔΗΓΙΩΝ</b>	<b>53</b>
<b>TR</b>	<b>Akülü Mikser</b>	<b>KULLANMA KILAVUZU</b>	<b>59</b>

**DUT130**  
**DUT131**



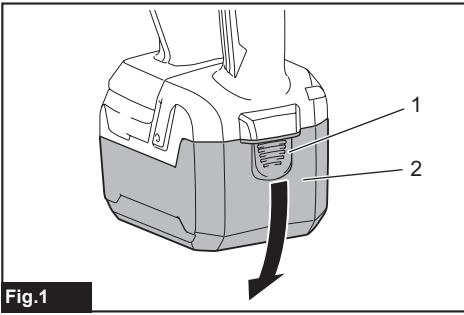


Fig.1

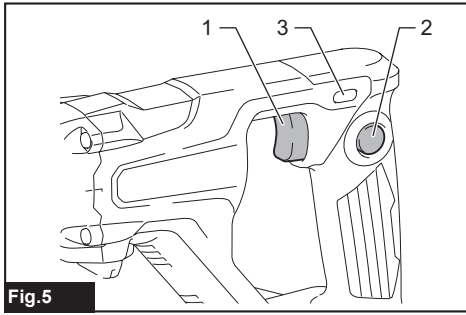


Fig.5

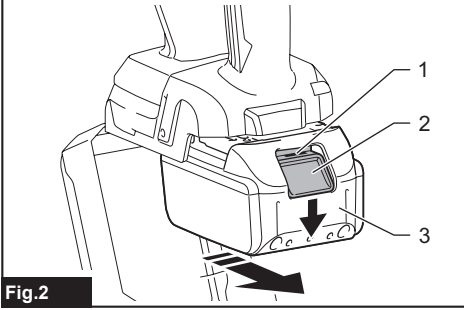


Fig.2

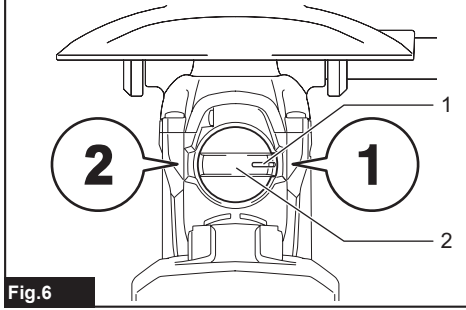


Fig.6

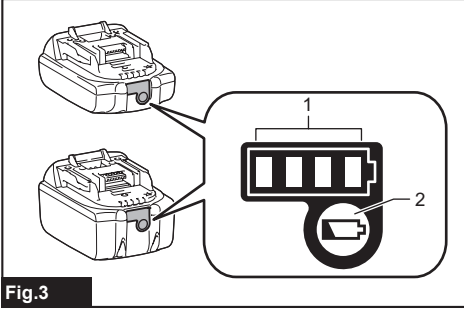


Fig.3

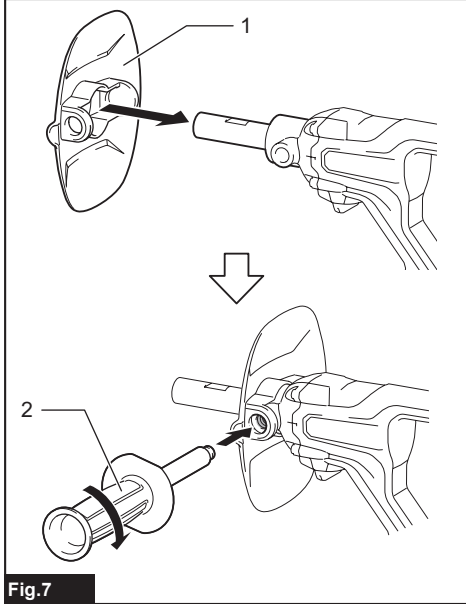


Fig.7

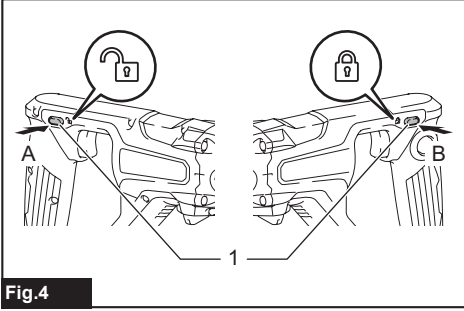
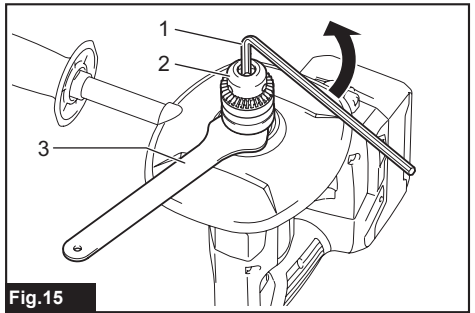
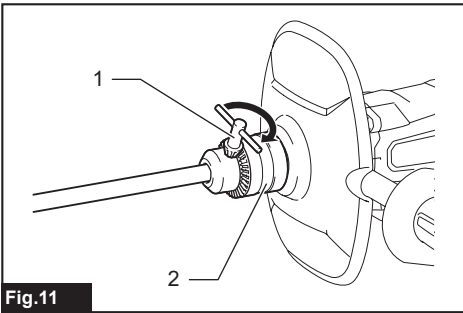
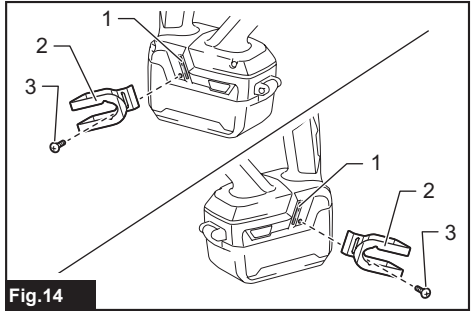
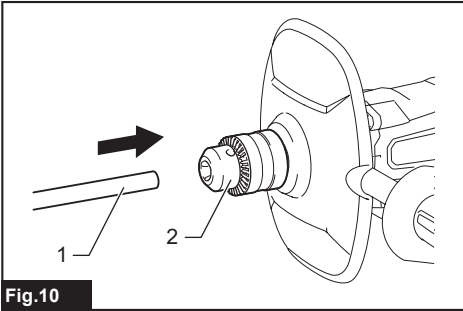
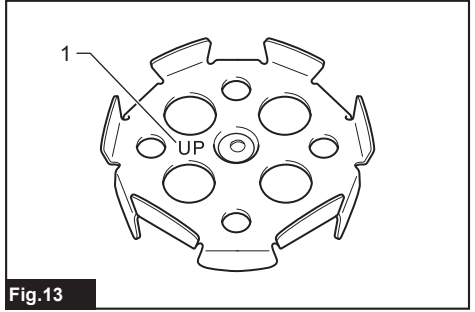
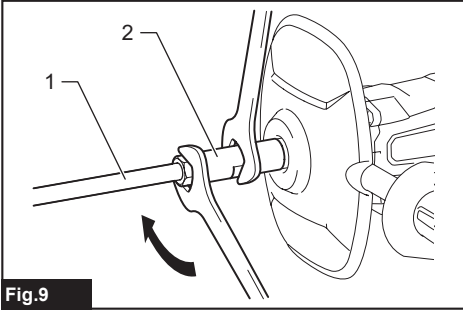
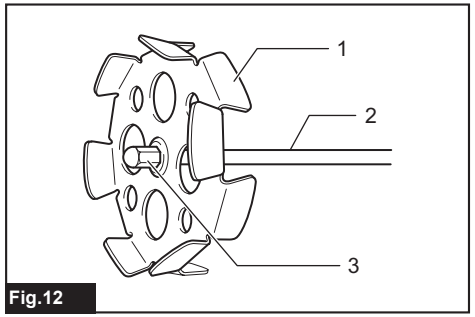
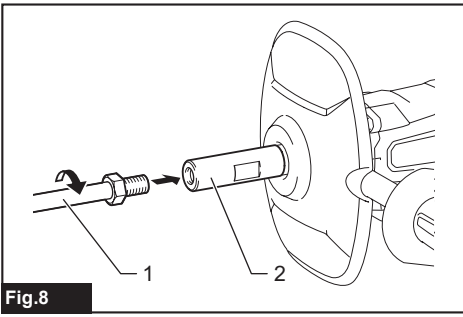
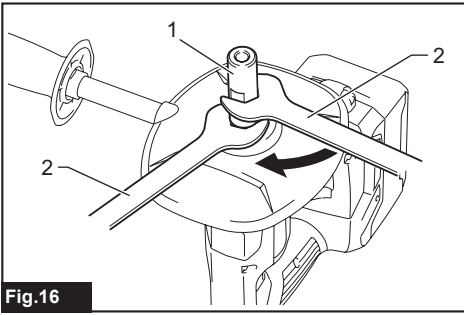


Fig.4





**Fig.16**

## SPECIFICATIONS

Model:		DUT130	DUT131
No load speed	High speed	0 - 1,300 min <sup>-1</sup>	
	Low speed	0 - 350 min <sup>-1</sup>	
Maximum mixing blade diameter		165 mm	
Overall length (without shaft and mixing blade)		320 mm	307 mm
Rated voltage		D.C. 18 V	
Net weight		2.5 - 2.8 kg	2.7 - 3.0 kg

- Due to our continuing program of research and development, the specifications herein are subject to change without notice.
- Specifications and battery cartridge may differ from country to country.
- The weight may differ depending on the attachment(s), including the battery cartridge. The lightest and heaviest combination, according to EPTA-Procedure 01/2014, are shown in the table.

## Applicable battery cartridge and charger

Battery cartridge	BL1815N / BL1820 / BL1820B / BL1830 / BL1830B / BL1840 / BL1840B / BL1850 / BL1850B / BL1860B
Charger	DC18RC / DC18RD / DC18RE / DC18SD / DC18SE / DC18SF

- Some of the battery cartridges and chargers listed above may not be available depending on your region of residence.

**⚠ WARNING: Only use the battery cartridges and chargers listed above.** Use of any other battery cartridges and chargers may cause injury and/or fire.

## Symbols

The followings show the symbols used for the equipment. Be sure that you understand their meaning before use.



Read instruction manual.



Do not use the tool in the rain.



Do not clean the tool with water.



Only for EU countries  
Do not dispose of electric equipment or battery pack together with household waste material!  
In observance of the European Directives, on Waste Electric and Electronic Equipment and Batteries and Accumulators and Waste Batteries and Accumulators and their implementation in accordance with national laws, electric equipment and batteries and battery pack(s) that have reached the end of their life must be collected separately and returned to an environmentally compatible recycling facility.

## Intended use

The tool is intended for mixing wall materials, etc. (except flammable materials).

## Noise

The typical A-weighted noise level determined according to EN60745-2-1:

### Model DUT130

Sound pressure level ( $L_{pA}$ ) : 74 dB(A)

Uncertainty (K) : 3 dB(A)

### Model DUT131

Sound pressure level ( $L_{pA}$ ) : 74 dB(A)

Uncertainty (K) : 3 dB(A)

The noise level under working may exceed 80 dB (A).

**NOTE:** The declared noise emission value(s) has been measured in accordance with a standard test method and may be used for comparing one tool with another.

**NOTE:** The declared noise emission value(s) may also be used in a preliminary assessment of exposure.

**⚠ WARNING: Wear ear protection.**

**⚠ WARNING: The noise emission during actual use of the power tool can differ from the declared value(s) depending on the ways in which the tool is used especially what kind of workpiece is processed.**

**⚠ WARNING: Be sure to identify safety measures to protect the operator that are based on an estimation of exposure in the actual conditions of use (taking account of all parts of the operating cycle such as the times when the tool is switched off and when it is running idle in addition to the trigger time).**

## Vibration

The vibration total value (tri-axial vector sum) determined according to EN60745-2-1:

### Model DUT130

Work mode: operation without load  
Vibration emission ( $a_{rh}$ ): 2.5 m/s<sup>2</sup> or less  
Uncertainty (K): 1.5 m/s<sup>2</sup>

### Model DUT131

Work mode: operation without load  
Vibration emission ( $a_{rh}$ ): 2.5 m/s<sup>2</sup> or less  
Uncertainty (K): 1.5 m/s<sup>2</sup>

**NOTE:** The declared vibration total value(s) has been measured in accordance with a standard test method and may be used for comparing one tool with another.

**NOTE:** The declared vibration total value(s) may also be used in a preliminary assessment of exposure.

**⚠WARNING:** The vibration emission during actual use of the power tool can differ from the declared value(s) depending on the ways in which the tool is used especially what kind of workpiece is processed.

**⚠WARNING:** Be sure to identify safety measures to protect the operator that are based on an estimation of exposure in the actual conditions of use (taking account of all parts of the operating cycle such as the times when the tool is switched off and when it is running idle in addition to the trigger time).

## EC Declaration of Conformity

### For European countries only

The EC declaration of conformity is included as Annex A to this instruction manual.

## SAFETY WARNINGS

### General power tool safety warnings

**⚠WARNING:** Read all safety warnings, instructions, illustrations and specifications provided with this power tool. Failure to follow all instructions listed below may result in electric shock, fire and/or serious injury.

### Save all warnings and instructions for future reference.

The term "power tool" in the warnings refers to your mains-operated (corded) power tool or battery-operated (cordless) power tool.

### Cordless mixer safety warnings

1. **Hold the tool with both hands at the intended handles.** Loss of control can cause personal injury.
2. **Ensure sufficient ventilation when mixing flammable materials to avoid a hazardous atmosphere.** Developing vapour may be inhaled or be ignited by the sparks the power tool produces.
3. **Do not mix food.** Power tools and their accessories are not designed for processing food.

4. **Ensure that the mixing container is placed in a firm and secure position.** A container that is not properly secured may move unexpectedly.
5. **Follow the instructions and warnings for the material to be mixed.** Material to be mixed may be harmful.
6. **Do not reach into the mixing container with your hands or insert any other objects into it while mixing.** Contact with the mixer blade may lead to serious personal injury.
7. **Start up and run down the tool in the mixing container only.** The mixer blade may bend or spin in an uncontrolled manner.
8. **Ensure that no liquid splashes against the housing of the power tool.** Liquid that has penetrated the power tool can cause damage to the tool.
9. **Use auxiliary handles, if supplied with the tool.** Loss of control may cause personal injury.
10. **Hold power tool by insulated gripping surfaces, when performing an operation where the cutting accessory may contact hidden wiring.** Cutting accessory contacting a "live" wire may make exposed metal parts of the power tool "live" and could give the operator an electric shock.
11. **Always be sure you have a firm footing. Be sure no one is below when using the tool in high locations.**
12. **Hold the tool firmly.**
13. **Keep hands away from rotating parts.**
14. **Do not leave the tool running. Operate the tool only when you are holding it.**
15. **Some materials contain chemicals which may be toxic. Take caution to prevent dust inhalation and skin contact. Follow safety warnings by supplier of the material.**
16. **When performing the mixing operation, place the mixing container on a flat and stable surface.**

## SAVE THESE INSTRUCTIONS.

**⚠WARNING:** DO NOT let comfort or familiarity with product (gained from repeated use) replace strict adherence to safety rules for the subject product. MISUSE or failure to follow the safety rules stated in this instruction manual may cause serious personal injury.

### Important safety instructions for battery cartridge

1. **Before using battery cartridge, read all instructions and cautionary markings on (1) battery charger, (2) battery, and (3) product using battery.**
2. **Do not disassemble battery cartridge.**
3. **If operating time has become excessively shorter, stop operating immediately. It may result in a risk of overheating, possible burns and even an explosion.**
4. **If electrolyte gets into your eyes, rinse them out with clear water and seek medical attention right away. It may result in loss of your eyesight.**

5. **Do not short the battery cartridge:**
  - (1) **Do not touch the terminals with any conductive material.**
  - (2) **Avoid storing battery cartridge in a container with other metal objects such as nails, coins, etc.**
  - (3) **Do not expose battery cartridge to water or rain.**

A battery short can cause a large current flow, overheating, possible burns and even a breakdown.

6. **Do not store the tool and battery cartridge in locations where the temperature may reach or exceed 50 °C (122 °F).**
7. **Do not incinerate the battery cartridge even if it is severely damaged or is completely worn out. The battery cartridge can explode in a fire.**
8. **Be careful not to drop or strike battery.**
9. **Do not use a damaged battery.**
10. **The contained lithium-ion batteries are subject to the Dangerous Goods Legislation requirements.**

For commercial transports e.g. by third parties, forwarding agents, special requirement on packaging and labeling must be observed.

For preparation of the item being shipped, consulting an expert for hazardous material is required. Please also observe possibly more detailed national regulations.

Tape or mask off open contacts and pack up the battery in such a manner that it cannot move around in the packaging.

11. **Follow your local regulations relating to disposal of battery.**
12. **Use the batteries only with the products specified by Makita.** Installing the batteries to non-compliant products may result in a fire, excessive heat, explosion, or leak of electrolyte.

## SAVE THESE INSTRUCTIONS.

**CAUTION:** Only use genuine Makita batteries. Use of non-genuine Makita batteries, or batteries that have been altered, may result in the battery bursting causing fires, personal injury and damage. It will also void the Makita warranty for the Makita tool and charger.

## Tips for maintaining maximum battery life

1. **Charge the battery cartridge before completely discharged. Always stop tool operation and charge the battery cartridge when you notice less tool power.**
2. **Never recharge a fully charged battery cartridge. Overcharging shortens the battery service life.**
3. **Charge the battery cartridge with room temperature at 10 °C - 40 °C (50 °F - 104 °F). Let a hot battery cartridge cool down before charging it.**
4. **Charge the battery cartridge if you do not use it for a long period (more than six months).**

## FUNCTIONAL DESCRIPTION

**CAUTION:** Always be sure that the tool is switched off and the battery cartridge is removed before adjusting or checking function on the tool.

## Installing or removing battery cartridge

**CAUTION:** Always switch off the tool before installing or removing of the battery cartridge.

**CAUTION:** Hold the tool and the battery cartridge firmly when installing or removing battery cartridge. Failure to hold the tool and the battery cartridge firmly may cause them to slip off your hands and result in damage to the tool and battery cartridge and a personal injury.

**CAUTION:** Do not use this tool with the battery adapter. If you connect the battery adapter to the tool, the battery cover cannot be closed, and using the tool with battery cover opened may cause an injury.

Open the battery cover while pressing the button on the battery cover.

► **Fig.1:** 1. Button 2. Battery cover

To remove the battery cartridge, slide it from the tool while sliding the button on the front of the cartridge.

► **Fig.2:** 1. Red indicator 2. Button 3. Battery cartridge

To install the battery cartridge, align the tongue on the battery cartridge with the groove in the housing and slip it into place. Insert it all the way until it locks in place with a little click. If you can see the red indicator on the upper side of the button, it is not locked completely.

After installing the battery cartridge, close the battery cover securely.

**CAUTION:** Always install the battery cartridge fully until the red indicator cannot be seen. If not, it may accidentally fall out of the tool, causing injury to you or someone around you.

**CAUTION:** Do not install the battery cartridge forcibly. If the cartridge does not slide in easily, it is not being inserted correctly.

## Indicating the remaining battery capacity

Only for battery cartridges with the indicator

► Fig.3: 1. Indicator lamps 2. Check button

Press the check button on the battery cartridge to indicate the remaining battery capacity. The indicator lamps light up for a few seconds.

Indicator lamps			Remaining capacity
Lighted	Off	Blinking	
■	□	▧	75% to 100%
■ ■ ■ ■			
■ ■ ■ □			50% to 75%
■ ■ □ □			25% to 50%
■ □ □ □			0% to 25%
▧ □ □ □			Charge the battery.
■ ■ □ □			The battery may have malfunctioned.
□ □ ■ ■			

**NOTE:** Depending on the conditions of use and the ambient temperature, the indication may differ slightly from the actual capacity.

## Tool / battery protection system

The tool is equipped with a tool/battery protection system. This system automatically cuts off power to the motor to extend tool and battery life. The tool will automatically stop during operation if the tool or battery is placed under one of the following conditions:

### Overload protection

When the tool or battery is operated in a manner that causes it to draw an abnormally high current, the tool automatically stops without any indication. In this situation, turn the tool off and stop the application that caused the tool to become overloaded. Then turn the tool on to restart.

### Overheat protection

When the tool or battery is overheated, the tool stops automatically. In this case, let the tool and battery cool before turning the tool on again.

### Overdischarge protection


When the battery capacity is not enough, the tool stops automatically. In this case, remove the battery from the tool and charge the battery.

## Switch action

**CAUTION:** Before installing the battery cartridge into the tool, always check to see that the switch trigger actuates properly and returns to the "OFF" position when released.



**CAUTION:** Switch can be locked in "ON" position for ease of operator comfort during extended use. Apply caution when locking tool in "ON" position and maintain firm grasp on tool.

**CAUTION:** Do not install the battery cartridge with the lock button engaged.

**CAUTION:** When not operating the tool, depress the trigger-lock button from  side to lock the switch trigger in the OFF position.

► Fig.4: 1. Trigger-lock button

► Fig.5: 1. Switch trigger 2. Lock button 3. Trigger-lock button

To prevent the switch trigger from accidentally pulled, the trigger-lock button is provided. To start the tool, depress the trigger-lock button from A () side and pull the switch trigger. Tool speed is increased by increasing pressure on the switch trigger. Release the switch trigger to stop. After use, depress the trigger-lock button from B () side.

For continuous operation, depress the lock button while pulling the switch trigger, and then release the switch trigger. To stop the tool, pull the switch trigger fully, then release it.

## Speed change

**NOTICE:** Use the speed change knob only after the tool comes to a complete stop. Changing the tool speed before the tool stops may damage the tool.

**NOTICE:** Always set the speed change knob carefully into the correct position. If you operate the tool with the speed change knob positioned halfway between the position 1 and the position 2, the tool may be damaged.

**NOTICE:** If the rotation speed significantly decreases during operation in the high speed mode, stop the tool and change the mode to the low speed mode. Otherwise, the motor may get overloaded and cause a malfunction or fire.

Two speed ranges can be preselected with the speed change knob.

To change the speed, turn the speed change knob so that the pointer points to the position 1 for low speed or the position 2 for high speed.

► Fig.6: 1. Pointer 2. Speed change knob

## Accidental restart preventive function

If you install the battery cartridge while pulling the switch trigger or locking the switch trigger, the tool does not start. To start the tool, release the switch trigger, and then pull the switch trigger.



## Electronic function

The tool is equipped with the electronic functions for easy operation.

- Soft start  
The soft-start function minimizes start-up shock, and makes the tool start smoothly.

## ASSEMBLY

**CAUTION:** Always be sure that the tool is switched off and the battery cartridge is removed before carrying out any work on the tool.

### Installing the front cover and side grip

**CAUTION:** Tighten the side grip firmly. Otherwise, the front cover may fall and cause an injury.

- Fig.7: 1. Front cover 2. Side grip

Attach the front cover to the tool and screw the side grip on the tool securely.

The side grip can be installed on either side of the tool.

### Installing the shaft

#### Optional accessory

##### For DUT130

1. Tighten the shaft into the shaft holder.

- Fig.8: 1. Shaft 2. Shaft holder

2. Tighten the shaft with wrench while holding the shaft holder with another wrench.

- Fig.9: 1. Shaft 2. Shaft holder

##### For DUT131

1. Insert the shaft into the chuck as far as it will go.

- Fig.10: 1. Shaft 2. Chuck

2. Tighten the chuck by hand, and then place the chuck key in each of three holes and tighten it clockwise. Be sure to tighten the chuck key at all three holes evenly.

- Fig.11: 1. Chuck key 2. Chuck

To remove the shaft, turn the chuck key counterclockwise at one of the holes, and then loosen the chuck by hand.

### Installing the mixing blade

#### Optional accessory

Attach the mixing blade on the top of the shaft, and then secure it with the hex bolt.

- Fig.12: 1. Mixing blade 2. Shaft 3. Hex bolt

**NOTICE:** Be sure to attach the mixing blade with "UP" mark facing the tool.

- Fig.13: 1. Mark

## Hook

#### Optional accessory

**CAUTION:** Always remove the battery when hanging the tool with the hook.

**CAUTION:** Never hook the tool at high location or on potentially unstable surface.

- Fig.14: 1. Groove 2. Hook 3. Screw

The hook is convenient for temporarily hanging the tool. This can be installed on either side of the tool.

To install the hook, insert it into a groove in the tool housing on either side and then secure it with a screw.

To remove, loosen the screw and then take it out.

### Installing or removing the shaft holder

#### Optional accessory

##### For DUT131

1. Insert the hex wrench into the chuck, and then loosen the chuck with the hex wrench while holding the spindle with the wrench.

- Fig.15: 1. Hex wrench 2. Chuck 3. Wrench

2. Tighten the shaft holder with a wrench while holding the spindle with another wrench.

- Fig.16: 1. Shaft holder 2. Wrench

To remove the shaft holder, perform the installation procedure in reverse.

## OPERATION

**CAUTION:** Do not mix flammable materials or operate the tool around flammable materials such as paint with thinner used as solvent. Failure to do so may cause an injury.

**CAUTION:** Do not mix high viscosity material, such as mortar or adhesive, in the high speed mode. You may lose the control of the tool and cause an injury.

**NOTICE:** When you mix the material while the mixing blade floating out of the material, be careful not to splash the material.

1. Select high speed or low speed according to the material to be mixed.
2. Hold the rear handle of the tool with one hand and the grip with the other hand firmly, place the mixing blade under material fully and turn on the tool after making sure work site safety.
3. Move the mixing blade up and down during the mixing operation so that whole part of material can be mixed.
4. When finishing mixing, turn off the tool, make sure that the mixing blade has come to a complete stop, and then pull it out of the mixing container.

# MAINTENANCE

**⚠ CAUTION:** Always be sure that the tool is switched off and the battery cartridge is removed before attempting to perform inspection or maintenance.

**NOTICE:** Never use gasoline, benzine, thinner, alcohol or the like. Discoloration, deformation or cracks may result.

To maintain product SAFETY and RELIABILITY, repairs, any other maintenance or adjustment should be performed by Makita Authorized or Factory Service Centers, always using Makita replacement parts.

# OPTIONAL ACCESSORIES

**⚠ CAUTION:** These accessories or attachments are recommended for use with your Makita tool specified in this manual. The use of any other accessories or attachments might present a risk of injury to persons. Only use accessory or attachment for its stated purpose.

If you need any assistance for more details regarding these accessories, ask your local Makita Service Center.

- Mixing blade
- Shaft
- Shaft holder
- Hook
- Makita genuine battery and charger

**NOTE:** Some items in the list may be included in the tool package as standard accessories. They may differ from country to country.

## SPÉCIFICATIONS

Modèle :		DUT130	DUT131
Vitesse à vide	Grande vitesse	0 - 1 300 min <sup>-1</sup>	
	Basse vitesse	0 - 350 min <sup>-1</sup>	
Diamètre maximum de la lame de malaxage		165 mm	
Longueur totale (sans axe et lame de malaxage)		320 mm	307 mm
Tension nominale		18 VCC	
Poids net		2,5 - 2,8 kg	2,7 - 3,0 kg

- Étant donné l'évolution constante de notre programme de recherche et de développement, les spécifications contenues dans ce manuel sont sujettes à modification sans préavis.
- Les spécifications et la batterie peuvent être différentes suivant les pays.
- Le poids peut être différent selon les accessoires, notamment la batterie. Les associations la plus légère et la plus lourde, conformément à la procédure EPTA 01/2014, sont indiquées dans le tableau.

## Batterie et chargeur applicables

Batterie	BL1815N / BL1820 / BL1820B / BL1830 / BL1830B / BL1840 / BL1840B / BL1850 / BL1850B / BL1860B
Chargeur	DC18RC / DC18RD / DC18RE / DC18SD / DC18SE / DC18SF

- Certains chargeurs et batteries répertoriés ci-dessus peuvent ne pas être disponibles selon la région où vous résidez.

**⚠ AVERTISSEMENT : N'utilisez que les batteries et les chargeurs répertoriés ci-dessus.** L'utilisation d'autres batteries et chargeurs peut provoquer des blessures et/ou un incendie.

## Symboles

Vous trouverez ci-dessous les symboles utilisés pour l'appareil. Veuillez à comprendre leur signification avant toute utilisation.



Lire le mode d'emploi.



N'utilisez pas l'outil sous la pluie.



Ne nettoyez pas l'outil avec de l'eau.



Pour les pays de l'Union européenne uniquement  
**Ne jetez pas les appareils électriques ou les batteries avec vos ordures ménagères !** Conformément aux directives européennes relatives aux déchets d'équipements électriques et électroniques et aux piles et accumulateurs ainsi qu'aux déchets de piles et d'accumulateurs et leur mise en œuvre conformément aux lois nationales, les équipements électriques, les piles et les batteries en fin de vie doivent faire l'objet d'une collecte sélective et être confiés à une usine de recyclage respectueuse de l'environnement.

## Utilisations

L'outil est conçu pour mélanger des matériaux pour mur, etc. (sauf les matériaux inflammables).

## Bruit

Niveau de bruit pondéré A typique, déterminé selon EN60745-2-1 :

**Modèle DUT130**  
 Niveau de pression sonore ( $L_{pA}$ ) : 74 dB (A)  
 Incertitude (K) : 3 dB (A)

**Modèle DUT131**  
 Niveau de pression sonore ( $L_{pA}$ ) : 74 dB (A)  
 Incertitude (K) : 3 dB (A)

Le niveau de bruit en fonctionnement peut dépasser 80 dB (A).

**NOTE** : La ou les valeurs d'émission de bruit déclarées ont été mesurées conformément à la méthode de test standard et peuvent être utilisées pour comparer les outils entre eux.

**NOTE** : La ou les valeurs d'émission de bruit déclarées peuvent aussi être utilisées pour l'évaluation préliminaire de l'exposition.

**⚠️ AVERTISSEMENT** : Portez un serre-tête antibruit.

**⚠️ AVERTISSEMENT** : L'émission de bruit lors de l'usage réel de l'outil électrique peut être différente de la ou des valeurs déclarées, suivant la façon dont l'outil est utilisé, particulièrement selon le type de pièce usinée.

**⚠️ AVERTISSEMENT** : Les mesures de sécurité à prendre pour protéger l'utilisateur doivent être basées sur une estimation de l'exposition dans des conditions réelles d'utilisation (en tenant compte de toutes les composantes du cycle d'utilisation, comme par exemple le moment de sa mise hors tension, lorsqu'il tourne à vide et le moment de son déclenchement).

## Vibrations

Valeur totale de vibrations (somme de vecteur triaxial) déterminée selon EN60745-2-1 :

### Modèle DUT130

Mode de travail : fonctionnement à vide  
Émission de vibrations ( $a_h$ ) : 2,5 m/s<sup>2</sup> ou moins  
Incertitude (K) : 1,5 m/s<sup>2</sup>

### Modèle DUT131

Mode de travail : fonctionnement à vide  
Émission de vibrations ( $a_h$ ) : 2,5 m/s<sup>2</sup> ou moins  
Incertitude (K) : 1,5 m/s<sup>2</sup>

**NOTE** : La ou les valeurs de vibration totales déclarées ont été mesurées conformément à la méthode de test standard et peuvent être utilisées pour comparer les outils entre eux.

**NOTE** : La ou les valeurs de vibration totales déclarées peuvent aussi être utilisées pour l'évaluation préliminaire de l'exposition.

**⚠️ AVERTISSEMENT** : L'émission de vibrations lors de l'usage réel de l'outil électrique peut être différente de la ou des valeurs déclarées, suivant la façon dont l'outil est utilisé, particulièrement selon le type de pièce usinée.

**⚠️ AVERTISSEMENT** : Les mesures de sécurité à prendre pour protéger l'utilisateur doivent être basées sur une estimation de l'exposition dans des conditions réelles d'utilisation (en tenant compte de toutes les composantes du cycle d'utilisation, comme par exemple le moment de sa mise hors tension, lorsqu'il tourne à vide et le moment de son déclenchement).

## Déclaration de conformité CE

### *Pour les pays européens uniquement*

La déclaration de conformité CE est fournie en Annexe A à ce mode d'emploi.

# CONSIGNES DE SÉCURITÉ

## Consignes de sécurité générales pour outils électriques

**⚠️ AVERTISSEMENT** : Veuillez lire les consignes de sécurité, instructions, illustrations et spécifications qui accompagnent cet outil électrique. Le non-respect de toutes les instructions indiquées ci-dessous peut entraîner une électrocution, un incendie et/ou de graves blessures.

## Conservez toutes les mises en garde et instructions pour référence ultérieure.

Le terme « outil électrique » dans les avertissements fait référence à l'outil électrique alimenté par le secteur (avec cordon d'alimentation) ou à l'outil électrique fonctionnant sur batterie (sans cordon d'alimentation).

## Consignes de sécurité pour malaxeur sans fil

1. **Tenez l'outil des deux mains par les poignées prévues.** Toute perte de maîtrise de l'outil comporte un risque de blessure.
2. **Prévoyez une aération suffisante lorsque vous mélangez des matériaux inflammables afin d'éviter de créer une atmosphère dangereuse.** Les vapeurs émises peuvent être inhalées ou s'enflammer au contact des étincelles produites par l'outil électrique.
3. **Ne mélangez pas de nourriture.** Les outils électriques et leurs accessoires ne sont pas conçus pour préparer les aliments.
4. **Assurez-vous que la cuve de mélange est placée dans une position stable et sûre.** Une cuve mal sécurisée peut bouger brusquement.
5. **Suivez les instructions et les avertissements du matériau à mélanger.** Le matériau à mélanger peut être dangereux.
6. **Ne mettez pas les mains dans la cuve de mélange, ni n'insérez tout autre objet dedans pendant le malaxage.** Le contact avec la lame du malaxeur peut entraîner de graves blessures corporelles.
7. **Démarrez et arrêtez l'outil dans la cuve de mélange uniquement.** La lame du malaxeur peut se tordre ou tourner de manière imprévisible.
8. **Assurez-vous qu'aucun liquide n'éclabousse le logement de l'outil électrique.** La pénétration de liquide dans l'outil électrique peut l'endommager.
9. **Utilisez les poignées auxiliaires, si l'outil en possède.** Toute perte de maîtrise de l'outil peut présenter un risque de blessure.
10. **Tenez l'outil électrique par des surfaces de prise isolées lorsque vous effectuez une tâche au cours de laquelle l'accessoire de coupe peut entrer en contact avec des fils cachés.** Le contact de l'accessoire de coupe avec un fil sous tension peut transmettre du courant dans les pièces métalliques exposées de l'outil électrique et électrocuter l'utilisateur.

11. Assurez-vous toujours d'avoir une bonne assise. Veillez à ce que personne ne se trouve dessous lorsque vous utilisez l'outil en hauteur.
12. Tenez l'outil fermement.
13. Gardez vos mains à l'écart des pièces en rotation.
14. N'abandonnez pas l'outil alors qu'il tourne. Faites fonctionner l'outil uniquement lorsque vous le tenez.
15. Certains matériaux contiennent des produits chimiques susceptibles d'être toxiques. Prenez les précautions nécessaires pour éviter que la poussière dégagée lors du travail ne soit inhalée et n'entre en contact avec la peau. Suivez les consignes de sécurité du fabricant du matériau.
16. Lors du malaxage, placez la cuve de mélange sur une surface plane et stable.
7. Ne jetez pas la batterie au feu même si elle est sérieusement endommagée ou complètement épuisée. La batterie peut exploser au contact du feu.
8. Évitez de laisser tomber ou de cogner la batterie.
9. N'utilisez pas la batterie si elle est endommagée.
10. Les batteries au lithium-ion contenues sont soumises aux exigences de la législation sur les marchandises dangereuses. Lors du transport commercial par des tierces parties ou des transitaires par exemple, des exigences spécifiques en matière d'étiquetage et d'emballage doivent être respectées. Pour la préparation de l'article expédié, il est nécessaire de consulter un expert en matériau dangereux. Veuillez également respecter les réglementations nationales susceptibles d'être plus détaillées. Recouvrez les contacts exposés avec du ruban adhésif ou du ruban de masquage et emballez la batterie de telle sorte qu'elle ne puisse pas bouger dans l'emballage.

## CONSERVEZ CES INSTRUCTIONS.

**⚠️ AVERTISSEMENT** : NE vous laissez PAS tromper (au fil d'une utilisation répétée) par un sentiment d'aisance et de familiarité avec le produit, en négligeant le respect rigoureux des consignes de sécurité qui accompagnent le produit en question. La MAUVAISE UTILISATION de l'outil ou l'ignorance des consignes de sécurité indiquées dans ce mode d'emploi peut entraîner de graves blessures.

### Consignes de sécurité importantes pour la batterie

1. Avant d'utiliser la batterie, lisez toutes les instructions et précautions relatives (1) au chargeur de batterie, (2) à la batterie, et (3) au produit utilisant la batterie.
2. Ne démontez pas la batterie.
3. Cessez immédiatement l'utilisation si le temps de fonctionnement devient excessivement court. Il y a risque de surchauffe, de brûlures, voire d'explosion.
4. Si l'électrolyte pénètre dans vos yeux, rincez-les à l'eau claire et consultez immédiatement un médecin. Il y a risque de perte de la vue.
5. Ne court-circuitez pas la batterie :
  - (1) Ne touchez les bornes avec aucun matériau conducteur.
  - (2) Évitez de ranger la batterie dans un conteneur avec d'autres objets métalliques, par exemple des clous, des pièces de monnaie, etc.
  - (3) N'exposez pas la batterie à l'eau ou à la pluie.

Un court-circuit de la batterie peut provoquer une intensité de courant élevée, une surchauffe, parfois des brûlures et même une panne.
6. Ne rangez pas l'outil et la batterie dans un endroit où la température risque d'atteindre ou de dépasser 50 °C.

11. Suivez les réglementations locales en matière de mise au rebut des batteries.
12. Utilisez les batteries uniquement avec les produits spécifiés par Makita. L'insertion de batteries dans des produits non conformes peut provoquer un incendie, une chaleur excessive, une explosion ou une fuite de l'électrolyte.

## CONSERVEZ CES INSTRUCTIONS.

**⚠️ ATTENTION** : N'utilisez que des batteries Makita d'origine. L'utilisation de batteries de marque autre que Makita ou de batteries modifiées peut provoquer l'explosion des batteries, ce qui présente un risque d'incendie, de dommages matériels et corporels. Cela annulera également la garantie Makita pour l'outil et le chargeur Makita.

## Conseils pour assurer la durée de vie optimale de la batterie

1. Chargez la batterie avant qu'elle ne soit complètement déchargée. Arrêtez toujours l'outil et rechargez la batterie quand vous remarquez que la puissance de l'outil diminue.
2. Ne rechargez jamais une batterie complètement chargée. La surcharge réduit la durée de service de la batterie.
3. Chargez la batterie à une température ambiante comprise entre 10 °C et 40 °C. Avant de charger une batterie chaude, laissez-la refroidir.
4. Rechargez la batterie si elle est restée inutilisée pendant une période prolongée (plus de six mois).

# DESCRIPTION DU FONCTIONNEMENT

**ATTENTION** : Assurez-vous toujours que l'outil est hors tension et que sa batterie est retirée avant de l'ajuster ou de vérifier son fonctionnement.

## Insertion ou retrait de la batterie

**ATTENTION** : Éteignez toujours l'outil avant de mettre en place ou de retirer la batterie.

**ATTENTION** : Tenez fermement l'outil et la batterie lors de la mise en place ou du retrait de la batterie. Si vous ne tenez pas fermement l'outil et la batterie, ils peuvent vous glisser des mains, et s'abîmer ou vous blesser.

**ATTENTION** : N'utilisez pas cet outil avec l'adaptateur de batterie. Si vous connectez l'adaptateur de batterie à l'outil, le couvercle de la batterie ne pourra pas fermer. Utiliser l'outil avec le couvercle de la batterie ouvert présente un risque de blessure.

Ouvrez le couvercle de la batterie en appuyant sur le bouton dessus.

► Fig.1: 1. Bouton 2. Couvercle de la batterie

Pour retirer la batterie, faites-la glisser hors de l'outil tout en faisant glisser le bouton à l'avant de la batterie.

► Fig.2: 1. Voyant rouge 2. Bouton 3. Batterie

Pour mettre en place la batterie, alignez la languette sur la batterie avec la rainure sur le compartiment et insérez-la. Insérez-la à fond jusqu'à ce qu'un léger déclic se fasse entendre. Si le voyant rouge sur le dessus du bouton est visible, cela signifie qu'elle n'est pas bien verrouillée.

Après avoir installé la batterie, refermez bien le couvercle de la batterie.

**ATTENTION** : Insérez toujours complètement la batterie jusqu'à ce que le voyant rouge ne soit plus visible. Sinon, elle pourrait tomber accidentellement de l'outil, au risque de vous blesser ou de blesser quelqu'un se trouvant près de vous.

**ATTENTION** : N'insérez pas la batterie de force. Si elle ne glisse pas facilement, c'est que vous ne l'insérez pas correctement.

## Indication de la charge restante de la batterie

Uniquement pour les batteries avec voyant lumineux

► Fig.3: 1. Témoins 2. Bouton de vérification

Appuyez sur le bouton de vérification sur la batterie pour indiquer la charge restante de la batterie. Les témoins s'allument pendant quelques secondes.

Témoins			Charge restante
Allumé	Éteint	Clignotant	
■	□	◐	75 % à 100 %
■	■	□	50 % à 75 %
■	■	□	25 % à 50 %
■	□	□	0 % à 25 %
◐	□	□	Chargez la batterie.
■	■	□	Anomalie possible de la batterie.
□	□	■	

**NOTE** : Selon les conditions d'utilisation et la température ambiante, l'indication peut être légèrement différente de la capacité réelle.

## Système de protection de l'outil/la batterie

L'outil est équipé d'un système de protection de l'outil/la batterie. Ce système coupe automatiquement l'alimentation vers le moteur pour prolonger la durée de vie de l'outil et de la batterie. Si l'outil ou la batterie se trouve dans l'une des situations suivantes, l'outil cessera automatiquement de fonctionner.

### Protection contre la surcharge

Lorsque l'outil ou la batterie est utilisé d'une manière provoquant un appel de courant anormalement élevé, l'outil s'arrête automatiquement sans indication. Dans ce cas, éteignez l'outil et arrêtez la tâche ayant provoqué la surcharge de l'outil. Puis rallumez l'outil pour reprendre la tâche.

### Protection contre la surchauffe

En cas de surchauffe de l'outil ou de la batterie, l'outil s'arrête automatiquement. Dans ce cas, laissez l'outil et la batterie refroidir avant de rallumer l'outil.

### Protection contre la décharge totale de la batterie


Lorsque la charge de la batterie est insuffisante, l'outil s'arrête automatiquement. Dans ce cas, retirez la batterie de l'outil et chargez-la.

## Fonctionnement de la gâchette

**⚠ ATTENTION** : Avant d'insérer la batterie dans l'outil, vérifiez toujours que la gâchette fonctionne bien et revient en position d'arrêt lorsque vous la relâchez.



**⚠ ATTENTION** : Vous pouvez verrouiller l'interrupteur sur la position « Marche » pour plus de confort en cas d'utilisation prolongée. Soyez prudent lorsque vous verrouillez l'outil sur la position « Marche », et gardez une prise ferme sur l'outil.

**⚠ ATTENTION** : N'installez pas la batterie alors que le bouton de verrouillage est enclenché.

**⚠ ATTENTION** : Lorsque vous n'utilisez pas l'outil, appuyez sur le côté  du bouton de verrouillage de la gâchette pour verrouiller la gâchette en position d'arrêt.

► Fig.4: 1. Bouton de verrouillage de la gâchette

► Fig.5: 1. Gâchette 2. Bouton de verrouillage 3. Bouton de verrouillage de la gâchette

Pour éviter tout déclenchement accidentel de la gâchette, l'outil est muni d'un bouton de verrouillage de la gâchette. Pour démarrer l'outil, appuyez sur le côté A () du bouton de verrouillage de la gâchette et enclenchez la gâchette. La vitesse de l'outil augmente à mesure que vous augmentez la pression sur la gâchette. Pour l'arrêter, relâchez la gâchette. Après utilisation, appuyez sur le côté B () du bouton de verrouillage de la gâchette.

Pour un fonctionnement en continu, enfoncez le bouton de verrouillage tout en enclenchant la gâchette, puis relâchez-la. Pour arrêter l'outil, enclenchez complètement la gâchette, puis relâchez-la.

## Changement de vitesse

**REMARQUE** : N'utilisez le bouton de changement de vitesse qu'une fois l'outil complètement arrêté. Si vous changez la vitesse de l'outil avant l'arrêt de l'outil, vous risquez de l'endommager.

**REMARQUE** : Mettez toujours le bouton de changement de vitesse soigneusement sur la bonne position. En utilisant l'outil avec le bouton de changement de vitesse placé à mi-chemin entre la position 1 et la position 2, vous risquez d'endommager l'outil.

**REMARQUE** : Si la vitesse de rotation diminue considérablement pendant le fonctionnement en mode grande vitesse, arrêtez l'outil et réglez le mode sur le mode basse vitesse. Autrement, cela pourrait provoquer la surcharge du moteur et entraîner un dysfonctionnement ou un incendie.

Deux plages de vitesse peuvent être présélectionnées avec le bouton de changement de vitesse.

Pour changer la vitesse, tournez le bouton de changement de vitesse de sorte que l'index soit tourné vers la position 1 pour la basse vitesse ou la position 2 pour la grande vitesse.

► Fig.6: 1. Index 2. Bouton de changement de vitesse

## Fonction de prévention de redémarrage accidentel

Si vous installez la batterie tout en enclenchant ou en verrouillant la gâchette, l'outil ne démarrera pas. Pour démarrer l'outil, relâchez la gâchette, puis enclenchez-la.

## Fonction électronique

L'outil est doté de fonctions électroniques pour faciliter le fonctionnement.

- Démarrage progressif  
La fonction de démarrage progressif réduit le choc du démarrage et permet à l'outil de démarrer doucement.

## ASSEMBLAGE

**⚠ ATTENTION** : Assurez-vous toujours que l'outil est hors tension et que sa batterie est retirée avant d'effectuer toute tâche dessus.

## Installation du couvercle avant et de la poignée latérale

**⚠ ATTENTION** : Serrez fermement la poignée latérale. Autrement, le couvercle avant pourrait tomber et provoquer des blessures.

► Fig.7: 1. Couvercle avant 2. Poignée latérale

Fixez le couvercle avant sur l'outil et vissez solidement la poignée latérale sur l'outil.

La poignée latérale peut être installée des deux côtés de l'outil.

## Installation de l'axe

*Accessoire en option*

Pour le DUT130

1. Serrez l'axe dans le porte-axe.

► Fig.8: 1. Axe 2. Porte-axe

2. Serrez l'axe avec une clé de tout en tenant le porte-axe avec une autre clé de.

► Fig.9: 1. Axe 2. Porte-axe

Pour le DUT131

1. Insérez l'axe dans le mandrin en l'insérant à fond.

► Fig.10: 1. Axe 2. Mandrin

2. Serrez le mandrin manuellement, puis placez la clé de mandrin dans chacun des trois orifices et serrez-la dans le sens des aiguilles d'une montre. Assurez-vous de serrer la clé de mandrin sur les trois orifices de manière uniforme.

► Fig.11: 1. Clé de mandrin 2. Mandrin

Pour retirer l'axe, tournez la clé de mandrin dans le sens inverse des aiguilles d'une montre sur un des orifices, puis desserrez manuellement le mandrin.

## Pose de la lame de malaxage

### Accessoire en option

Fixez la lame de malaxage sur le haut de l'axe, puis maintenez-la en place avec le boulon hexagonal.

► **Fig.12:** 1. Lame de malaxage 2. Axe 3. Boulon hexagonal

**REMARQUE :** Veillez à fixer la lame de malaxage avec le repère « UP » tourné vers l'outil.

► **Fig.13:** 1. Repère

## Crochet

### Accessoire en option

**⚠ ATTENTION :** Retirez toujours la batterie lorsque l'outil est suspendu par son crochet.

**⚠ ATTENTION :** N'accrochez jamais l'outil dans un emplacement élevé ou sur une surface potentiellement instable.

► **Fig.14:** 1. Rainure 2. Crochet 3. Vis

Le crochet est pratique pour suspendre provisoirement l'outil. Il s'installe d'un côté comme de l'autre de l'outil. Pour installer le crochet, insérez-le dans une rainure du carter de l'outil sur l'un des deux côtés, puis fixez-le avec une vis. Pour le retirer, desserrez la vis et enlevez-le.

## Installation ou retrait du porte-axe

### Accessoire en option

Pour le DUT131

1. Insérez la clé hexagonale dans le mandrin, puis serrez le mandrin à l'aide de la clé hexagonale tout en tenant la tige avec la clé.

► **Fig.15:** 1. Clé hexagonale 2. Mandrin 3. Clé

2. Serrez le porte-axe avec une clé de tout en tenant la tige avec une autre clé de.

► **Fig.16:** 1. Porte-axe 2. Clé

Pour retirer le porte-axe, effectuez la procédure de pose en sens inverse.

## UTILISATION

**⚠ ATTENTION :** Ne mélangez pas de matériaux inflammables, ni n'utilisez l'outil à proximité de matériaux inflammables comme de la peinture avec du diluant utilisé comme solvant. Vous risqueriez autrement de vous blesser.

**⚠ ATTENTION :** Ne mélangez pas de matériau à viscosité élevée comme du mortier ou de la colle dans le mode grande vitesse. Vous risqueriez de perdre la maîtrise de l'outil et de vous blesser.

**REMARQUE :** Lorsque vous mélangez le matériau alors que la lame de malaxage flotte hors du matériau, prenez garde de ne pas asperger de matériau autour de vous.

1. Sélectionnez la grande ou basse vitesse en fonction du matériau à mélanger.
2. Tenez fermement la poignée arrière de l'outil d'une main et la poignée de l'autre main, placez la lame de malaxage complètement sous le matériau et mettez l'outil sous tension après vous être assuré de la sécurité du chantier.
3. Déplacez la lame de malaxage de haut en bas pendant le malaxage de sorte que l'ensemble du matériau puisse être mélangé.
4. Lorsque le malaxage est terminé, mettez l'outil hors tension, assurez-vous de l'arrêt complet de la lame de malaxage, puis sortez-la de la cuve de mélange.

## ENTRETIEN

**⚠ ATTENTION :** Assurez-vous toujours que l'outil est hors tension et que la batterie est retirée avant d'y effectuer tout travail d'inspection ou d'entretien.

**REMARQUE :** N'utilisez jamais d'essence, benzine, diluant, alcool ou autre produit similaire. Cela risquerait de provoquer la décoloration, la déformation ou la fissuration de l'outil.

Pour assurer la SÉCURITÉ et la FIABILITÉ du produit, toute réparation, tout travail d'entretien ou de réglage doivent être effectués par un centre d'entretien Makita agréé, avec des pièces de rechange Makita.

## ACCESSOIRES EN OPTION

**⚠ ATTENTION :** Ces accessoires ou pièces complémentaires sont recommandés pour l'utilisation avec l'outil Makita spécifié dans ce mode d'emploi. L'utilisation de tout autre accessoire ou pièce complémentaire peut comporter un risque de blessure. N'utilisez les accessoires ou pièces complémentaires qu'aux fins auxquelles ils ont été conçus.

Pour obtenir plus de détails sur ces accessoires, contactez votre centre d'entretien local Makita.

- Lame de malaxage
- Axe
- Porte-axe
- Crochet
- Batterie et chargeur Makita d'origine

**NOTE :** Il se peut que certains éléments de la liste soient compris dans l'emballage de l'outil en tant qu'accessoires standard. Ils peuvent varier d'un pays à l'autre.



## TECHNISCHE DATEN

Modell:		DUT130	DUT131
Leerlaufdrehzahl	Hohe Drehzahl	0 - 1.300 min <sup>-1</sup>	
	Niedrige Drehzahl	0 - 350 min <sup>-1</sup>	
Maximaler Rührblattdurchmesser		165 mm	
Gesamtlänge (ohne Welle und Rührblatt)		320 mm	307 mm
Nennspannung		18 V Gleichstrom	
Nettogewicht		2,5 - 2,8 kg	2,7 - 3,0 kg

- Wir behalten uns vor, Änderungen der technischen Daten im Zuge der Entwicklung und des technischen Fortschritts ohne vorherige Ankündigung vorzunehmen.
- Die technischen Daten und der Akku können von Land zu Land unterschiedlich sein.
- Das Gewicht kann abhängig von dem Aufsatz (den Aufsätzen), einschließlich des Akkus, unterschiedlich sein. Die leichteste und die schwerste Kombination, gemäß dem EPTA-Verfahren 01/2014, sind in der Tabelle angegeben.

## Zutreffende Akkus und Ladegeräte





Akku	BL1815N / BL1820 / BL1820B / BL1830 / BL1830B / BL1840 / BL1840B / BL1850 / BL1850B / BL1860B
Ladegerät	DC18RC / DC18RD / DC18RE / DC18SD / DC18SE / DC18SF

- Einige der oben aufgelisteten Akkus und Ladegeräte sind je nach Ihrem Wohngebiet eventuell nicht erhältlich.

**⚠️ WARNUNG:** Verwenden Sie nur die oben aufgeführten Akkus und Ladegeräte. Bei Verwendung irgendwelcher anderer Akkus und Ladegeräte besteht Verletzungs- und/oder Brandgefahr.

## Symbole

Nachfolgend werden die für das Gerät verwendeten Symbole beschrieben. Machen Sie sich vor der Benutzung mit ihrer Bedeutung vertraut.

	Betriebsanleitung lesen.
	Benutzen Sie das Werkzeug nicht bei Regen.
	Reinigen Sie das Werkzeug nicht mit Wasser.
	Nur für EU-Länder Werfen Sie Elektrogeräte oder Akkus nicht in den Hausmüll! Unter Einhaltung der Europäischen Richtlinie über Elektro- und Elektronik-Altgeräte, Batterien, Akkus sowie verbrauchte Batterien und Akkus und ihre Umsetzung gemäß den Landesgesetzen müssen Elektrogeräte und Batterien bzw. Akkus, die das Ende ihrer Lebensdauer erreicht haben, getrennt gesammelt und einer umweltgerechten Recycling-Einrichtung zugeführt werden.

## Vorgesehene Verwendung

Das Werkzeug ist zum Mischen von Wandmaterial usw. (außer brennbaren Materialien) vorgesehen.

## Geräusch

Typischer A-bewerteter Geräuschpegel ermittelt gemäß EN60745-2-1:

**Modell DUT130**  
Schalldruckpegel ( $L_{pA}$ ): 74 dB (A)  
Messunsicherheit (K): 3 dB (A)

**Modell DUT131**  
Schalldruckpegel ( $L_{pA}$ ): 74 dB (A)  
Messunsicherheit (K): 3 dB (A)

Der Geräuschpegel kann während des Betriebs 80 dB (A) überschreiten.

**HINWEIS:** Der (Die) angegebene(n) Schallemissionswert(e) wurde(n) im Einklang mit der Standardprüfmethode gemessen und kann (können) für den Vergleich zwischen Werkzeugen herangezogen werden.

**HINWEIS:** Der (Die) angegebene(n) Schallemissionswert(e) kann (können) auch für eine Vorbewertung des Gefährdungsgrads verwendet werden.

**⚠️ WARNUNG:** Einen Gehörschutz tragen.

**⚠️ WARNUNG:** Die Schallemission während der tatsächlichen Benutzung des Elektrowerkzeugs kann je nach der Benutzungsweise des Werkzeugs, und speziell je nach der Art des bearbeiteten Werkstücks, von dem (den) angegebenen Wert(en) abweichen.

**⚠️ WARNUNG:** Identifizieren Sie Sicherheitsmaßnahmen zum Schutz des Benutzers anhand einer Schätzung des Gefährdungsgrads unter den tatsächlichen Benutzungsbedingungen (unter Berücksichtigung aller Phasen des Arbeitszyklus, wie z. B. Ausschalt- und Leerlaufzeiten des Werkzeugs zusätzlich zur Betriebszeit).

## Schwingungen

Schwingungsgesamtwert (Drei-Achsen-Vektorsumme) ermittelt gemäß EN60745-2-1:

### Modell DUT130

Arbeitsmodus: Leerlaufbetrieb  
Schwingungsemission ( $a_n$ ): 2,5 m/s<sup>2</sup> oder weniger  
Messunsicherheit (K): 1,5 m/s<sup>2</sup>

### Modell DUT131

Arbeitsmodus: Leerlaufbetrieb  
Schwingungsemission ( $a_n$ ): 2,5 m/s<sup>2</sup> oder weniger  
Messunsicherheit (K): 1,5 m/s<sup>2</sup>

**HINWEIS:** Der (Die) angegebene(n) Vibrationsgesamtwert(e) wurde(n) im Einklang mit der Standardprüfmethode gemessen und kann (können) für den Vergleich zwischen Werkzeugen herangezogen werden.

**HINWEIS:** Der (Die) angegebene(n) Vibrationsgesamtwert(e) kann (können) auch für eine Vorbewertung des Gefährdungsgrads verwendet werden.

**⚠️ WARNUNG:** Die Vibrationsemission während der tatsächlichen Benutzung des Elektrowerkzeugs kann je nach der Benutzungsweise des Werkzeugs, und speziell je nach der Art des bearbeiteten Werkstücks, von dem (den) angegebenen Emissionswert(en) abweichen.

**⚠️ WARNUNG:** Identifizieren Sie Sicherheitsmaßnahmen zum Schutz des Benutzers anhand einer Schätzung des Gefährdungsgrads unter den tatsächlichen Benutzungsbedingungen (unter Berücksichtigung aller Phasen des Arbeitszyklus, wie z. B. Ausschalt- und Leerlaufzeiten des Werkzeugs zusätzlich zur Betriebszeit).

## EG-Konformitätserklärung

### Nur für europäische Länder

Die EG-Konformitätserklärung ist als Anhang A in dieser Bedienungsanleitung enthalten.

## SICHERHEITSWARNUNGEN

### Allgemeine Sicherheitswarnungen für Elektrowerkzeuge

**⚠️ WARNUNG:** Lesen Sie alle mit diesem Elektrowerkzeug gelieferten Sicherheitswarnungen, Anweisungen, Abbildungen und technischen Daten durch. Eine Missachtung der unten aufgeführten Anweisungen kann zu einem elektrischen Schlag, Brand und/oder schweren Verletzungen führen.

### Bewahren Sie alle Warnungen und Anweisungen für spätere Bezugnahme auf.

Der Ausdruck „Elektrowerkzeug“ in den Warnhinweisen bezieht sich auf Ihr mit Netzstrom (mit Kabel) oder Akku (ohne Kabel) betriebenes Elektrowerkzeug.

### Sicherheitswarnungen für Akku-Rührwerk

- Halten Sie das Werkzeug mit beiden Händen an den vorgesehenen Handgriffen fest.** Verlust der Kontrolle kann Personenschäden verursachen.
- Sorgen Sie beim Mischen von brennbaren Materialien für ausreichende Belüftung, um die Entstehung einer gefährlichen Atmosphäre zu vermeiden.** Anderenfalls können die entstehenden Dämpfe eingeatmet oder von den Funken, die das Elektrowerkzeug erzeugt, entzündet werden.
- Verrühren Sie keine Lebensmittel.** Elektrowerkzeuge und ihre Zubehörteile sind nicht für die Verarbeitung von Lebensmitteln ausgelegt.
- Gewährleisten Sie, dass der Mischbehälter sich an einer festen und sicheren Position befindet.** Ein Behälter, der nicht ordnungsgemäß gesichert ist, kann sich unerwartet bewegen.
- Befolgen Sie die Anweisungen und Warnungen für das zu mischende Material.** Das zu mischende Material kann gesundheitsschädlich sein.
- Greifen Sie während des Mischens nicht mit Ihren Händen in den Mischbehälter hinein, und stecken Sie auch keine anderen Gegenstände hinein.** Kontakt mit dem Rührblatt kann zu schweren Personenschäden führen.
- Starten und stoppen Sie das Werkzeug nur im Mischbehälter.** Das Rührblatt könnte sonst verbogen werden oder sich in unkontrollierter Weise drehen.
- Stellen Sie sicher, dass keine Flüssigkeit gegen das Gehäuse des Elektrowerkzeugs spritzt.** In das Elektrowerkzeug eingedrungene Flüssigkeit kann eine Beschädigung des Werkzeugs verursachen.
- Benutzen Sie Zusatzgriffe, sofern sie mit dem Werkzeug geliefert wurden.** Verlust der Kontrolle kann Personenschäden verursachen.

10. Halten Sie das Elektrowerkzeug an den isolierten Griffflächen, wenn Sie Arbeiten ausführen, bei denen die Gefahr besteht, dass das Schneidzubehör verborgene Kabel kontaktiert. Bei Kontakt mit einem Strom führenden Kabel können die freiliegenden Metallteile des Elektrowerkzeugs ebenfalls Strom führend werden, so dass der Benutzer einen elektrischen Schlag erleiden kann.
11. Achten Sie stets auf sicheren Stand. Vergewissern Sie sich bei Einsatz des Werkzeugs an hochgelegenen Arbeitsplätzen, dass sich keine Personen darunter aufhalten.
12. Halten Sie das Werkzeug mit festem Griff.
13. Halten Sie Ihre Hände von rotierenden Teilen fern.
14. Lassen Sie das Werkzeug nicht unbeaufsichtigt laufen. Betreiben Sie das Werkzeug nur im handgehaltenen Zustand.
15. Manche Materialien können giftige Chemikalien enthalten. Treffen Sie Vorsichtsmaßnahmen, um das Einatmen von Arbeitsstaub und Hautkontakt zu verhüten. Befolgen Sie die Sicherheitswarnungen des Materiallieferanten.
16. Stellen Sie den Mischbehälter bei der Durchführung der Rührarbeit auf eine ebene und stabile Oberfläche.

## DIESE ANWEISUNGEN AUFBEWAHREN.

**⚠️ WARNUNG:** Lassen Sie sich NICHT durch Bequemlichkeit oder Vertrautheit mit dem Produkt (durch wiederholten Gebrauch erworben) von der strikten Einhaltung der Sicherheitsregeln für das vorliegende Produkt abhalten. MISSBRAUCH oder Missachtung der Sicherheitsvorschriften in dieser Anleitung können schwere Personenschäden verursachen.

### Wichtige Sicherheitsanweisungen für Akku

1. Lesen Sie vor der Benutzung des Akkus alle Anweisungen und Warnhinweise, die an (1) Ladegerät, (2) Akku und (3) Akkuwerkzeug angebracht sind.
2. Unterlassen Sie ein Zerlegen des Akkus.
3. Falls die Betriebszeit beträchtlich kürzer geworden ist, stellen Sie den Betrieb sofort ein. Anderenfalls besteht die Gefahr von Überhitzung, möglichen Verbrennungen und sogar einer Explosion.
4. Falls Elektrolyt in Ihre Augen gelangt, waschen Sie sie mit sauberem Wasser aus, und begeben Sie sich unverzüglich in ärztliche Behandlung. Anderenfalls können Sie Ihre Sehkraft verlieren.
5. Der Akku darf nicht kurzgeschlossen werden:
  - (1) Die Kontakte dürfen nicht mit leitfähigem Material berührt werden.
  - (2) Lagern Sie den Akku nicht in einem Behälter zusammen mit anderen Metallgegenständen, wie z. B. Nägel, Münzen usw.
  - (3) Setzen Sie den Akku weder Wasser noch Regen aus.

6. Ein Kurzschluss des Akkus verursacht starken Stromfluss, der Überhitzung, mögliche Verbrennungen und einen Defekt zur Folge haben kann.
6. Lagern Sie das Werkzeug und den Akku nicht an Orten, an denen die Temperatur 50 °C erreichen oder überschreiten kann.
7. Versuchen Sie niemals, den Akku zu verbrennen, selbst wenn er stark beschädigt oder vollkommen verbraucht ist. Der Akku kann im Feuer explodieren.
8. Achten Sie darauf, dass der Akku nicht fallen gelassen oder Stößen ausgesetzt wird.
9. Benutzen Sie keine beschädigten Akkus.
10. Die enthaltenen Lithium-Ionen-Akkus unterliegen den Anforderungen der Gefahrgut-Gesetzgebung.
 

Für kommerzielle Transporte, z. B. durch Dritte oder Spediteure, müssen besondere Anforderungen zu Verpackung und Etikettierung beachtet werden.

Zur Vorbereitung des zu transportierenden Artikels ist eine Beratung durch einen Experten für Gefahrgut erforderlich. Bitte beachten Sie möglicherweise ausführlichere nationale Vorschriften. Überkleben oder verdecken Sie offene Kontakte, und verpacken Sie den Akku so, dass er sich in der Verpackung nicht umher bewegen kann.
11. Befolgen Sie die örtlichen Bestimmungen bezüglich der Entsorgung von Akkus.
12. Verwenden Sie die Akkus nur mit den von Makita angebotenen Produkten. Das Einsetzen der Akkus in nicht konforme Produkte kann zu einem Brand, übermäßiger Hitzebildung, einer Explosion oder Auslaufen von Elektrolyt führen.

## DIESE ANWEISUNGEN AUFBEWAHREN.

**⚠️ VORSICHT:** Verwenden Sie nur Original-Makita-Akkus. Die Verwendung von Nicht-Original-Makita-Akkus oder von Akkus, die abgeändert worden sind, kann zum Bersten des Akkus und daraus resultierenden Bränden, Personenschäden und Beschädigung führen. Außerdem wird dadurch die Makita-Garantie für das Makita-Werkzeug und -Ladegerät ungültig.

## Hinweise zur Aufrechterhaltung der maximalen Akku-Nutzungsdauer

1. Laden Sie den Akku, bevor er vollkommen erschöpft ist. Schalten Sie das Werkzeug stets aus, und laden Sie den Akku, wenn Sie ein Nachlassen der Werkzeugleistung feststellen.
2. Unterlassen Sie erneutes Laden eines voll aufgeladenen Akkus. Überladen führt zu einer Verkürzung der Nutzungsdauer des Akkus.
3. Laden Sie den Akku bei Raumtemperatur zwischen 10 – 40 °C. Lassen Sie einen heißen Akku abkühlen, bevor Sie ihn laden.
4. Der Akku muss geladen werden, wenn er lange Zeit (länger als sechs Monate) nicht benutzt wird.

# FUNKTIONSBESCHREIBUNG

**⚠ VORSICHT:** Vergewissern Sie sich vor der Durchführung von Einstellungen oder Funktionsprüfungen des Werkzeugs stets, dass das Werkzeug ausgeschaltet und der Akku abgenommen ist.

## Anbringen und Abnehmen des Akkus

**⚠ VORSICHT:** Schalten Sie das Werkzeug stets aus, bevor Sie den Akku anbringen oder abnehmen.

**⚠ VORSICHT:** Halten Sie das Werkzeug und den Akku beim Anbringen oder Abnehmen des Akkus sicher fest. Wenn Sie das Werkzeug und den Akku nicht sicher festhalten, können sie Ihnen aus der Hand rutschen, was zu einer Beschädigung des Werkzeugs und des Akkus und zu Körperverletzungen führen kann.

**⚠ VORSICHT:** Benutzen Sie dieses Werkzeug nicht mit dem Akku-Adapter. Wenn Sie den Akku-Adapter an das Werkzeug anschließen, kann die Akkuabdeckung nicht geschlossen werden, und die Benutzung des Werkzeugs bei offener Akkuabdeckung kann eine Verletzung verursachen.

Öffnen Sie die Akkuabdeckung, während Sie den Knopf an der Akkuabdeckung drücken.

► **Abb.1:** 1. Knopf 2. Akkuabdeckung

Ziehen Sie den Akku zum Abnehmen vom Werkzeug ab, während Sie den Knopf an der Vorderseite des Akkus verschieben.

► **Abb.2:** 1. Rote Anzeige 2. Knopf 3. Akku

Richten Sie zum Anbringen des Akkus dessen Führungsfeder auf die Nut im Gehäuse aus, und schieben Sie den Akku hinein. Schieben Sie ihn vollständig ein, bis er mit einem hörbaren Klicken einrastet. Falls die rote Anzeige an der Oberseite des Knopfes sichtbar ist, ist der Akku nicht vollständig verriegelt.

Schließen Sie die Akkuabdeckung sicher, nachdem Sie den Akku eingesetzt haben.

**⚠ VORSICHT:** Schieben Sie den Akku stets bis zum Anschlag ein, bis die rote Anzeige nicht mehr sichtbar ist. Anderenfalls kann er aus dem Werkzeug herausfallen und Sie oder umstehende Personen verletzen.

**⚠ VORSICHT:** Unterlassen Sie Gewaltanwendung beim Anbringen des Akkus. Falls der Akku nicht reibungslos hineingleitet, ist er nicht richtig ausgerichtet.

## Anzeigen der Akku-Restkapazität

Nur für Akkus mit Anzeige

► **Abb.3:** 1. Anzeigelampen 2. Prüftaste

Drücken Sie die Prüftaste am Akku, um die Akku-Restkapazität anzuzeigen. Die Anzeigelampen leuchten wenige Sekunden lang auf.

Anzeigelampen			Restkapazität
Erleuchtet	Aus	Blinkend	
■ ■ ■ ■			75% bis 100%
■ ■ ■	□		50% bis 75%
■ ■	□ □		25% bis 50%
■	□ □ □		0% bis 25%
▬	□ □ □		Den Akku aufladen.
■ ■ □ □		□ □	Möglicherweise liegt eine Funktionsstörung im Akku vor.
□ □		■ ■	

**HINWEIS:** Abhängig von den Benutzungsbedingungen und der Umgebungstemperatur kann die Anzeige geringfügig von der tatsächlichen Kapazität abweichen.

## Werkzeug/Akku-Schutzsystem

Das Werkzeug ist mit einem Werkzeug/Akku-Schutzsystem ausgestattet. Dieses System schaltet die Stromversorgung des Motors automatisch ab, um die Lebensdauer von Werkzeug und Akku zu verlängern. Das Werkzeug bleibt während des Betriebs automatisch stehen, wenn das Werkzeug oder der Akku einer der folgenden Bedingungen unterliegt:

### Überlastschutz

Wird das Werkzeug oder der Akku auf eine Weise benutzt, die eine ungewöhnlich hohe Stromaufnahme bewirkt, bleibt das Werkzeug ohne jegliche Anzeige automatisch stehen. Schalten Sie in dieser Situation das Werkzeug aus, und brechen Sie die Arbeit ab, die eine Überlastung des Werkzeugs verursacht hat. Schalten Sie dann das Werkzeug wieder ein, um es neu zu starten.

### Überhitzungsschutz

Wenn das Werkzeug oder der Akku überhitzt wird, bleibt das Werkzeug automatisch stehen. Lassen Sie das Werkzeug und den Akku in diesem Fall abkühlen, bevor Sie das Werkzeug wieder einschalten.

### Überentladungsschutz


Wenn die Akkukapazität unzureichend wird, bleibt das Werkzeug automatisch stehen. Nehmen Sie in diesem Fall den Akku vom Werkzeug ab, und laden Sie ihn auf.

## Schalterfunktion

**⚠ VORSICHT:** Vergewissern Sie sich vor dem Einsetzen des Akkus in das Werkzeug stets, dass der Ein-Aus-Schalter ordnungsgemäß funktioniert und beim Loslassen in die AUS-Stellung zurückkehrt.

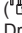

**⚠ VORSICHT:** Der Schalter kann zur Arbeitserleichterung bei längerem Einsatz in der EIN-Stellung verriegelt werden. Lassen Sie Vorsicht walten, wenn Sie den Schalter in der EIN-Stellung verriegeln, und halten Sie das Werkzeug mit festem Griff.

**⚠ VORSICHT:** Montieren Sie den Akku nicht bei eingerastetem Arretierknopf.

**⚠ VORSICHT:** Wenn Sie das Werkzeug nicht benutzen, drücken Sie den Auslösersperknopf auf der Seite  hinein, um den Auslöserschalter in der Stellung AUS zu verriegeln.

► **Abb.4:** 1. Auslösersperknopf

► **Abb.5:** 1. Ein-Aus-Schalter 2. Arretierknopf  
3. Auslösersperknopf

Um versehentliche Betätigung des Auslöserschalters zu verhüten, ist das Werkzeug mit einem Auslösersperknopf ausgestattet. Um das Werkzeug zu starten, drücken Sie den Auslösersperknopf auf der Seite A () hinein, und betätigen Sie den Auslöserschalter. Die Drehzahl erhöht sich durch verstärkte Druckausübung auf den Auslöserschalter. Zum Anhalten lassen Sie den Auslöserschalter los. Drücken Sie den Auslösersperknopf nach der Benutzung auf der Seite B () hinein.

Für Dauerbetrieb drücken Sie den Arretierknopf hinein, während Sie den Auslöserschalter betätigen, und lassen Sie dann den Auslöserschalter los. Zum Anhalten des Werkzeugs betätigen Sie den Auslöserschalter vollständig, und lassen Sie ihn dann los.

## Drehzahl-Umschaltung

**ANMERKUNG:** Betätigen Sie den Drehzahl-Umschaltknopf erst, nachdem das Werkzeug zu einem vollständigen Stillstand gekommen ist. Durch Umschalten der Drehzahl bei noch laufendem Werkzeug kann das Werkzeug beschädigt werden.

**ANMERKUNG:** Rasten Sie den Drehzahl-Umschaltknopf stets sorgfältig in die korrekte Position ein. Wird das Werkzeug bei einer Zwischenstellung des Drehzahl-Umschaltknopfes zwischen den Positionen 1 und 2 betrieben, kann es beschädigt werden.

**ANMERKUNG:** Falls die Drehzahl während des Betriebs im Hochdrehzahl-Modus erheblich abfällt, stoppen Sie das Werkzeug, und schalten Sie es auf den Niederdrehzahl-Modus um. Anderenfalls kann der Motor überlastet werden und eine Funktionsstörung oder einen Brand verursachen.

Zwei Drehzahlbereiche können mit dem Drehzahl-Umschaltknopf vorgewählt werden.

Drehen Sie zum Umschalten der Drehzahl den Drehzahl-Umschaltknopf so, dass der Zeiger auf die Position 1 für niedrige Drehzahl bzw. auf die Position 2 für hohe Drehzahl zeigt.

► **Abb.6:** 1. Zeiger 2. Drehzahl-Umschaltknopf

## Funktion zur Verhütung eines versehentlichen Wiederanlaufs

Falls Sie den Akku montieren, während Sie den Auslöserschalter betätigen oder sperren, startet das Werkzeug nicht. Zum Starten des Werkzeugs lassen Sie den Auslöserschalter zunächst los, bevor Sie ihn betätigen.

## Elektronikfunktionen

Das Werkzeug ist für komfortablen Betrieb mit Elektronikfunktionen ausgestattet.

- Sanftanlauf  
Die Sanftanlauf-Funktion reduziert Anlaufstöße auf ein Minimum und bewirkt ruckfreies Anlaufen des Werkzeugs.

## MONTAGE

**⚠ VORSICHT:** Vergewissern Sie sich vor der Ausführung von Arbeiten am Werkzeug stets, dass das Werkzeug ausgeschaltet und der Akku abgenommen ist.

## Installieren der Frontabdeckung und des Seitengriffs

**⚠ VORSICHT:** Ziehen Sie den Seitengriff fest an. Anderenfalls kann die Frontabdeckung herunterfallen und eine Verletzung verursachen.

► **Abb.7:** 1. Frontabdeckung 2. Seitengriff

Bringen Sie die Frontabdeckung am Werkzeug an, und schrauben Sie den Seitengriff sicher an das Werkzeug an. Der Seitengriff kann auf beiden Seiten des Werkzeugs montiert werden.

## Installieren der Welle

### Sonderzubehör

#### Für DUT130

1. Drehen Sie die Welle in den Wellenhalter ein.

► **Abb.8:** 1. Welle 2. Wellenhalter

2. Ziehen Sie die Welle mit einem Schraubenschlüssel an, während Sie den Wellenhalter mit einem anderen Schraubenschlüssel festhalten.

► **Abb.9:** 1. Welle 2. Wellenhalter

#### Für DUT131

1. Führen Sie die Welle bis zum Anschlag in das Spannfutter ein.

► **Abb.10:** 1. Welle 2. Spannfutter

2. Ziehen Sie das Spannfutter zunächst von Hand an, stecken Sie dann den Futterschlüssel in jedes der drei Löcher, und ziehen Sie das Spannfutter dann im Uhrzeigersinn fest. Ziehen Sie den Futterschlüssel unbedingt in allen drei Löchern gleichmäßig an.

► **Abb.11:** 1. Futterschlüssel 2. Spannfutter

Um die Welle zu entfernen, drehen Sie den Futterschlüssel in einem der Löcher gegen den Uhrzeigersinn, und lösen Sie dann das Spannfutter von Hand.

## Installieren des Rührblatts

### Sonderzubehör

Befestigen Sie das Rührblatt am Ende der Welle, und sichern Sie es dann mit der Sechskantschraube.

► **Abb.12:** 1. Rührblatt 2. Welle 3. Sechskantschraube

**ANMERKUNG:** Befestigen Sie das Rührblatt unbedingt so, dass die Markierung „UP“ zum Werkzeug gerichtet ist.

► **Abb.13:** 1. Markierung

## Aufhänger

### Sonderzubehör

**⚠ VORSICHT:** Nehmen Sie stets den Akku ab, wenn Sie das Werkzeug am Aufhänger aufhängen.

**⚠ VORSICHT:** Hängen Sie das Werkzeug auf keinen Fall an hoch gelegenen Stellen oder an einer potentiell instabilen Fläche auf.

► **Abb.14:** 1. Nut 2. Aufhänger 3. Schraube

Der Aufhänger ist praktisch, um das Werkzeug vorübergehend aufzuhängen. Dieser kann auf beiden Seiten des Werkzeugs angebracht werden.

Um den Aufhänger anzubringen, führen Sie ihn in die Nut entweder auf der linken oder rechten Seite des Werkzeuggehäuses ein, und sichern Sie ihn dann mit einer Schraube. Um ihn zu entfernen, lösen Sie die Schraube, und nehmen Sie dann ihn heraus.

## Anbringen und Abnehmen des Wellenhalters

### Sonderzubehör

#### Für DUT131

1. Führen Sie den Inbusschlüssel in das Spannfutter ein, und lösen Sie dann das Spannfutter mit dem Inbusschlüssel, während Sie die Spindel mit dem Schraubenschlüssel festhalten.

► **Abb.15:** 1. Inbusschlüssel 2. Spannfutter 3. Schraubenschlüssel

2. Ziehen Sie den Wellenhalter mit einem Schraubenschlüssel an, während Sie die Spindel mit einem anderen Schraubenschlüssel festhalten.

► **Abb.16:** 1. Wellenhalter 2. Schraubenschlüssel

Zum Abnehmen des Wellenhalters wenden Sie das Montageverfahren umgekehrt an.

## BETRIEB

**⚠ VORSICHT:** Unterlassen Sie das Mischen von brennbaren Materialien oder das Betreiben des Werkzeugs im Umfeld von brennbaren Materialien, wie z. B. Lack mit Verdüner als Lösungsmittel. Anderenfalls kann es zu Verletzungen kommen.

**⚠ VORSICHT:** Mischen Sie Material mit hoher Viskosität, wie z. B. Mörtel oder Klebstoff, nicht im Hochdrehzahl-Modus. Anderenfalls können Sie die Kontrolle über das Werkzeug verlieren und eine Verletzung verursachen.

**ANMERKUNG:** Wenn Sie das Material verrühren, während das Rührblatt aus dem Material herausdriftet, achten Sie darauf, dass Sie das Material nicht verspritzen.

1. Wählen Sie den Hochdrehzahl- oder Niederdrehzahl-Modus entsprechend dem zu verrührenden Material.

2. Halten Sie den hinteren Handgriff des Werkzeugs mit einer Hand und den Seitengriff mit der anderen Hand gut fest, tauchen Sie das Rührblatt vollständig in das Material ein, und schalten Sie das Werkzeug erst ein, nachdem Sie sich vergewissert haben, dass der Arbeitsplatz sicher ist.

3. Bewegen Sie das Rührblatt während des Mischvorgangs auf und ab, so dass alle Teile des Materials vermischt werden.

4. Wenn Sie mit dem Mischen fertig sind, schalten Sie das Werkzeug aus. Vergewissern Sie sich, dass das Rührblatt vollständig zum Stillstand gekommen ist, und ziehen Sie es dann aus dem Mischbehälter heraus.

## WARTUNG

**⚠ VORSICHT:** Vergewissern Sie sich vor der Durchführung von Inspektions- oder Wartungsarbeiten stets, dass das Werkzeug ausgeschaltet und der Akku abgenommen ist.

**ANMERKUNG:** Verwenden Sie auf keinen Fall Benzin, Waschbenzin, Verdüner, Alkohol oder dergleichen. Solche Mittel können Verfärbung, Verformung oder Rissbildung verursachen.

Um die SICHERHEIT und ZUVERLÄSSIGKEIT dieses Produkts zu gewährleisten, sollten Reparaturen und andere Wartungs- oder Einstellarbeiten nur von Makita-Vertragswerkstätten oder Makita-Kundendienstzentren unter ausschließlicher Verwendung von Makita-Originalersatzteilen ausgeführt werden.

## SONDERZUBEHÖR

**⚠ VORSICHT:** Die folgenden Zubehörteile oder Vorrichtungen werden für den Einsatz mit dem in dieser Anleitung beschriebenen Makita-Werkzeug empfohlen. Die Verwendung anderer Zubehörteile oder Vorrichtungen kann eine Verletzungsgefahr darstellen. Verwenden Sie Zubehörteile oder Vorrichtungen nur für ihren vorgesehenen Zweck.

Wenn Sie weitere Einzelheiten bezüglich dieser Zubehörteile benötigen, wenden Sie sich bitte an Ihre Makita-Kundendienststelle.

- Rührblatt
- Welle
- Wellenhalter
- Aufhänger
- Original-Makita-Akku und -Ladegerät

**HINWEIS:** Manche Teile in der Liste können als Standardzubehör im Werkzeugsatz enthalten sein. Sie können von Land zu Land unterschiedlich sein.

## DATI TECNICI

Modello:		DUT130	DUT131
Velocità a vuoto	Alta velocità	Da 0 a 1.300 min <sup>-1</sup>	
	Bassa velocità	Da 0 a 350 min <sup>-1</sup>	
Diametro massimo frusta di miscelazione		165 mm	
Lunghezza complessiva (senza albero e frusta di miscelazione)		320 mm	307 mm
Tensione nominale		18 V C.C.	
Peso netto		Da 2,5 a 2,8 kg	Da 2,7 a 3,0 kg

- A causa del nostro programma continuativo di ricerca e sviluppo, i dati tecnici sono soggetti a modifiche senza preavviso.
- I dati tecnici e la cartuccia della batteria potrebbero differire da nazione a nazione.
- Il peso può variare a seconda dell'accessorio o degli accessori, inclusa la cartuccia della batteria. La combinazione più leggera e quella più pesante, secondo la procedura EPTA 01/2014, sono indicate nella tabella.

## Cartuccia della batteria e caricabatterie applicabili

Cartuccia della batteria	BL1815N / BL1820 / BL1820B / BL1830 / BL1830B / BL1840 / BL1840B / BL1850 / BL1850B / BL1860B
Caricabatterie	DC18RC / DC18RD / DC18RE / DC18SD / DC18SE / DC18SF

- Alcune cartucce delle batterie e alcuni caricabatterie elencati sopra potrebbero non essere disponibili a seconda della propria area geografica di residenza.

**⚠ AVVERTIMENTO:** Utilizzare solo le cartucce delle batterie e i caricabatterie elencati sopra. L'utilizzo di altre cartucce delle batterie e di altri caricabatterie potrebbe causare lesioni personali e/o un incendio.

## Simboli

La figura seguente mostra i simboli utilizzati per l'apparecchio. accertarsi di comprendere il loro significato prima dell'uso.



Leggere il manuale d'uso.



Non utilizzare l'utensile sotto la pioggia.



Non pulire l'utensile con acqua.



Solo per le nazioni dell'EU  
Non smaltire apparecchiature elettriche o batterie insieme ai rifiuti domestici!  
In osservanza delle Direttive Europee sui rifiuti di apparecchiature elettriche ed elettroniche (RAEE), sulle batterie e gli accumulatori esausti, e dell'implementazione di tali direttive in conformità alle leggi locali, gli apparecchi elettrici e le batteria/e che hanno raggiunto la fine della loro vita utile devono essere raccolti separatamente e conferiti a una struttura di smaltimento ecocompatibile.

## Utilizzo previsto

Questo utensile è progettato per miscelare materiali per pareti, e così via (eccettuati materiali infiammabili).

## Rumore

Livello tipico di rumore pesato A determinato in base allo standard EN60745-2-1:

### Modello DUT130

Livello di pressione sonora ( $L_{pA}$ ): 74 dB (A)

Incertezza (K): 3 dB (A)

### Modello DUT131

Livello di pressione sonora ( $L_{pA}$ ): 74 dB (A)

Incertezza (K): 3 dB (A)

Il livello del rumore nelle condizioni di lavoro può superare gli 80 dB (A).

**NOTA:** Il valore o i valori dichiarati delle emissioni di rumori sono stati misurati in conformità a un metodo standard di verifica, e possono essere utilizzati per confrontare un utensile con un altro.

**NOTA:** Il valore o i valori dichiarati delle emissioni di rumori possono venire utilizzati anche per una valutazione preliminare dell'esposizione.

**⚠AVVERTIMENTO:** Indossare protezioni per le orecchie.

**⚠AVVERTIMENTO:** L'emissione di rumori durante l'utilizzo effettivo dell'utensile elettrico può variare rispetto al valore o ai valori dichiarati, a seconda dei modi in cui viene utilizzato l'utensile e specialmente a seconda di che tipo di pezzo venga lavorato.

**⚠AVVERTIMENTO:** Accertarsi di identificare misure di sicurezza per la protezione dell'operatore che siano basate su una stima dell'esposizione nelle condizioni effettive di utilizzo (tenendo conto di tutte le parti del ciclo operativo, ad esempio del numero di spegnimenti dell'utensile e di quando giri a vuoto, oltre al tempo di attivazione).

## Vibrazioni

Valore totale delle vibrazioni (somma vettoriale triassiale) determinato in base allo standard EN60745-2-1:

### Modello DUT130

Modalità di lavoro: funzionamento a vuoto  
Emissione di vibrazioni ( $a_w$ ): 2,5 m/s<sup>2</sup> o inferiore  
Incertezza (K): 1,5 m/s<sup>2</sup>

### Modello DUT131

Modalità di lavoro: funzionamento a vuoto  
Emissione di vibrazioni ( $a_w$ ): 2,5 m/s<sup>2</sup> o inferiore  
Incertezza (K): 1,5 m/s<sup>2</sup>

**NOTA:** Il valore o i valori complessivi delle vibrazioni dichiarati sono stati misurati in conformità a un metodo standard di verifica, e possono essere utilizzati per confrontare un utensile con un altro.

**NOTA:** Il valore o i valori complessivi delle vibrazioni dichiarati possono venire utilizzati anche per una valutazione preliminare dell'esposizione.

**⚠AVVERTIMENTO:** L'emissione delle vibrazioni durante l'utilizzo effettivo dell'utensile elettrico può variare rispetto al valore o ai valori dichiarati, a seconda dei modi in cui viene utilizzato l'utensile, specialmente a seconda di che tipo di pezzo venga lavorato.

**⚠AVVERTIMENTO:** Accertarsi di identificare misure di sicurezza per la protezione dell'operatore che siano basate su una stima dell'esposizione nelle condizioni effettive di utilizzo (tenendo conto di tutte le parti del ciclo operativo, ad esempio del numero di spegnimenti dell'utensile e di quando giri a vuoto, oltre al tempo di attivazione).

## Dichiarazione di conformità CE

### Solo per i paesi europei

La dichiarazione di conformità CE è inclusa nell'Allegato A al presente manuale di istruzioni.

## AVVERTENZE DI SICUREZZA

### Avvertenze generali relative alla sicurezza dell'utensile elettrico

**⚠AVVERTIMENTO:** Leggere tutte le avvertenze di sicurezza, le istruzioni, le illustrazioni e i dati tecnici forniti con il presente utensile elettrico. La mancata osservanza di tutte le istruzioni elencate di seguito potrebbe risultare in scosse elettriche, incendi e/o gravi lesioni personali.

### Conservare tutte le avvertenze e le istruzioni come riferimento futuro.

Il termine "utensile elettrico" nelle avvertenze si riferisce sia all'utensile elettrico (cablato) nel funzionamento alimentato da rete elettrica che all'utensile elettrico (a batteria) nel funzionamento alimentato a batteria.

### Avvertenze di sicurezza relative al miscelatore a batteria

1. **Mantenere l'utensile con entrambe le mani sulle apposite maniglie.** La perdita di controllo può causare lesioni personali.
2. **Assicurare una ventilazione sufficiente durante la miscelazione di materiali infiammabili, per evitare un'atmosfera pericolosa.** I vapori sviluppati potrebbero venire inalati o incendiati dalle scintille prodotte dall'utensile elettrico.
3. **Non miscelare alimenti.** Gli utensili elettrici e i relativi accessori non sono progettati per la lavorazione di alimenti.
4. **Accertarsi che il contenitore di miscelazione sia collocato in una posizione stabile e fissata.** Un contenitore che non sia fissato correttamente potrebbe spostarsi improvvisamente.
5. **Attenersi alle istruzioni e alle avvertenze relative al materiale da miscelare.** Il materiale da miscelare potrebbe essere pericoloso.
6. **Non infilare le mani nel contenitore di miscelazione né inserire alcun oggetto nel contenitore durante la miscelazione.** Il contatto con la frusta di miscelazione potrebbe portare a gravi lesioni personali.
7. **Avviare e far rallentare fino all'arresto l'utensile solo nel contenitore di miscelazione.** In caso contrario, la frusta di miscelazione potrebbe piegarsi o girare in modo incontrollato.
8. **Accertarsi che nessun liquido schizzi contro il corpo dell'utensile elettrico.** Un liquido che penetri nell'utensile elettrico può causare danni all'utensile.
9. **Utilizzare le maniglie ausiliarie, se in dotazione con l'utensile.** La perdita di controllo potrebbe causare lesioni personali.
10. **Mantenere l'utensile elettrico mediante le superfici di impugnature isolate, quando si intende eseguire un'operazione in cui l'accessorio da taglio potrebbe entrare in contatto con fili elettrici nascosti.** Un accessorio da taglio che entri in contatto con un filo elettrico sotto tensione potrebbe mettere sotto tensione le parti metalliche esposte dell'utensile elettrico e causare una scossa elettrica all'operatore.



11. Accertarsi sempre di avere un appoggio saldo sui piedi. Accertarsi che non sia presente alcuna persona sotto di sé quando si intende utilizzare l'utensile in ubicazioni elevate.
12. Mantenere saldamente l'utensile.
13. Tenere le mani lontane dalle parti rotanti.
14. Non lasciare l'utensile mentre è in funzione. Far funzionare l'utensile solo mentre lo si mantiene con le mani.
15. Alcuni materiali contengono sostanze chimiche potenzialmente tossiche. Fare attenzione a evitare l'inalazione delle polveri e il contatto con la pelle. Attenersi alle avvertenze di sicurezza del fornitore del materiale.
16. Quando si intende eseguire l'operazione di miscelazione, posizionare il contenitore di miscelazione su una superficie piana e stabile.
7. Non incenerire la cartuccia della batteria anche qualora sia gravemente danneggiata o completamente esaurita. La cartuccia della batteria può esplodere se a contatto con il fuoco.
8. Fare attenzione a non far cadere e a non colpire la batteria.
9. Non utilizzare una batteria danneggiata.
10. Le batterie a ioni di litio contenute sono soggette ai requisiti del regolamento sul trasporto di merci pericolose (Dangerous Goods Legislation).  
Per trasporti commerciali, ad esempio da parte di terzi o spedizionieri, è necessario osservare dei requisiti speciali sull'imballaggio e sull'etichetta. Per la preparazione dell'articolo da spedire, è richiesta la consulenza di un esperto in materiali pericolosi. Attenersi anche alle normative nazionali, che potrebbero essere più dettagliate. Nastrare o coprire i contatti aperti e imballare la batteria in modo tale che non si possa muovere liberamente all'interno dell'imballaggio.

## CONSERVARE LE PRESENTI ISTRUZIONI.

**⚠AVVERTIMENTO:** NON lasciare che comodità o la familiarità d'utilizzo con il prodotto (acquisita con l'uso ripetuto) sostituisca la stretta osservanza delle norme di sicurezza per il prodotto in questione. L'USO IMPROPRIO o la mancata osservanza delle norme di sicurezza indicate nel presente manuale di istruzioni potrebbero causare gravi lesioni personali.

### Istruzioni di sicurezza importanti per la cartuccia della batteria

1. Prima di utilizzare la cartuccia della batteria, leggere tutte le istruzioni e le avvertenze riportate (1) sul caricabatteria, (2) sulla batteria e (3) sul prodotto che utilizza la batteria.
2. Non smontare la cartuccia della batteria.
3. Qualora il tempo di utilizzo si riduca eccessivamente, interrompere immediatamente l'utilizzo dell'utensile. In caso contrario, si può incorrere nel rischio di surriscaldamento, possibili ustioni e persino un'esplosione.
4. Qualora l'elettrolita entri in contatto con gli occhi, sciacquarli con acqua pulita e richiedere immediatamente assistenza medica. Questa eventualità può risultare nella perdita della vista.
5. Non cortocircuitare la cartuccia della batteria:
  - (1) Non toccare i terminali con alcun materiale conduttivo.
  - (2) Evitare di conservare la cartuccia della batteria in un contenitore insieme ad altri oggetti metallici quali chiodi, monete, e così via.
  - (3) Non esporre la cartuccia della batteria all'acqua o alla pioggia.

Un cortocircuito della batteria può causare un grande flusso di corrente, un surriscaldamento, possibili ustioni e persino un guasto.
6. Non conservare l'utensile e la cartuccia della batteria in ubicazioni in cui la temperatura possa raggiungere o superare i 50°C.

11. Attenersi alle normative locali relative allo smaltimento della batteria.
12. Utilizzare le batterie esclusivamente con i prodotti specificati da Makita. L'installazione delle batterie in prodotti non compatibili potrebbe risultare in incendi, calore eccessivo, esplosioni o perdite di liquido elettrolitico.

## CONSERVARE LE PRESENTI ISTRUZIONI.

**⚠ATTENZIONE:** Utilizzare solo batterie originali Makita. L'utilizzo di batterie Makita non originali, o di batterie che siano state alterate, potrebbe risultare nello scoppio della batteria, causando incendi, lesioni personali e danni. Inoltre, ciò potrebbe invalidare la garanzia Makita per l'utensile e il caricabatterie Makita.

## Suggerimenti per preservare la durata massima della batteria

1. Caricare la cartuccia della batteria prima che si scarichi completamente. Smettere sempre di utilizzare l'utensile e caricare la cartuccia della batteria quando si nota che la potenza dell'utensile è diminuita.
2. Non ricaricare mai una cartuccia della batteria completamente carica. La sovraccarica riduce la vita utile della batteria.
3. Caricare la cartuccia della batteria a una temperatura ambiente compresa tra 10°C e 40°C. Lasciar raffreddare una cartuccia della batteria prima di caricarla.
4. Caricare la cartuccia della batteria se non la si è utilizzata per un periodo di tempo prolungato (più di sei mesi).

## DESCRIZIONE DELLE FUNZIONI

**ATTENZIONE:** Accertarsi sempre che l'utensile sia spento e che la cartuccia della batteria sia stata rimossa prima di regolare o di controllare il funzionamento dell'utensile.

## Installazione o rimozione della cartuccia della batteria

**ATTENZIONE:** Spegnerne sempre l'utensile prima di installare o rimuovere la cartuccia della batteria.

**ATTENZIONE:** Mantenere saldamente lo strumento e la batteria quando si intende installare o rimuovere la cartuccia della batteria. Qualora non si mantengano saldamente lo strumento e la cartuccia della batteria, questi ultimi potrebbero scivolare dalle mani, con la possibilità di causare un danneggiamento dello strumento e della cartuccia della batteria, nonché una lesione personale.

**ATTENZIONE:** Non utilizzare questo utensile con l'adattatore per batterie. Qualora si colleghi l'adattatore per batterie all'utensile, non è possibile chiudere lo sportellino della batteria, e l'utilizzo dell'utensile con lo sportellino della batteria aperto potrebbe causare lesioni personali.

Aprire lo sportellino della batteria tenendo premuto il pulsante sullo sportellino della batteria.

► Fig.1: 1. Pulsante 2. Sportellino della batteria

Per rimuovere la cartuccia della batteria, farla scorrere via dall'utensile mentre si fa scorrere allo stesso tempo il pulsante sulla parte anteriore della cartuccia.

► Fig.2: 1. Indicatore rosso 2. Pulsante 3. Cartuccia della batteria

Per installare la cartuccia della batteria, allineare l'appendice della batteria con la scanalatura nell'alloggiamento e farla scivolare in sede. Inserirla completamente fino al suo blocco in sede con un leggero scatto. Se è possibile vedere l'indicatore rosso sul lato superiore del pulsante, la batteria non è bloccata completamente.

Dopo aver installato la cartuccia della batteria, chiudere saldamente lo sportellino della batteria.

**ATTENZIONE:** Installare sempre fino in fondo la cartuccia della batteria, fino a quando l'indicatore rosso non è più visibile. In caso contrario, la batteria potrebbe cadere accidentalmente dall'utensile, causando lesioni personali all'operatore o a chi gli è vicino.

**ATTENZIONE:** Non installare forzatamente la cartuccia della batteria. Qualora la batteria non si inserisca scorrendo agevolmente, vuol dire che non viene inserita correttamente.

## Indicazione della carica residua della batteria

Solo per cartucce delle batterie dotate di indicatore

► Fig.3: 1. Indicatori luminosi 2. Pulsante di controllo

Premere il pulsante di controllo sulla cartuccia della batteria per indicare la carica residua della batteria. Gli indicatori luminosi si illuminano per alcuni secondi.

Indicatori luminosi			Carica residua
■ Illuminato	□ Spento	◐ Lampeggiante	
■	■	■	Dal 75% al 100%
■	■	□	Dal 50% al 75%
■	□	□	Dal 25% al 50%
◐	□	□	Dallo 0% al 25%
◐	□	□	Caricare la batteria.
■	■	□	La batteria potrebbe essersi guastata.
□	□	■	

**NOTA:** A seconda delle condizioni d'uso e della temperatura ambiente, l'indicazione potrebbe variare leggermente rispetto alla carica effettiva.

## Sistema di protezione strumento/batteria

L'utensile è dotato di un sistema di protezione dell'utensile stesso e della batteria. Tale sistema interrompe automaticamente l'alimentazione al motore per prolungare la vita utile dell'utensile e della batteria. L'utensile si arresta automaticamente durante il funzionamento, qualora l'utensile o la batteria vengano a trovarsi in una delle condizioni seguenti:

### Protezione dal sovraccarico

Quando l'utensile o la batteria vengono fatti funzionare in un modo che causi un assorbimento di corrente elevato in modo anomalo, l'utensile si arresta automaticamente senza alcuna indicazione. In questa circostanza, spegnere l'utensile e interrompere l'applicazione che ha causato il sovraccarico dell'utensile. Quindi, accendere l'utensile per ricominciare.

### Protezione dal surriscaldamento

Quando l'utensile o la batteria sono surriscaldati, l'utensile si arresta automaticamente. In questo caso, lasciar raffreddare l'utensile e la batteria prima di riaccendere l'utensile.

### Protezione dalla sovrascarica


Quando la carica della batteria non è sufficiente, l'utensile si arresta automaticamente. In tal caso, rimuovere la batteria dall'utensile e caricarla.

## Funzionamento dell'interruttore

**⚠ATTENZIONE:** Prima di inserire la cartuccia della batteria nell'utensile, controllare sempre che l'interruttore a grilletto funzioni correttamente e torni sulla posizione "OFF" quando viene rilasciato.



**⚠ATTENZIONE:** L'interruttore può essere bloccato sulla posizione "ON" per comodità dell'operatore durante l'uso prolungato. Fare attenzione quando si blocca l'utensile sulla posizione "ON", e mantenere una presa salda sull'utensile.

**⚠ATTENZIONE:** Non installare la cartuccia della batteria con il pulsante di blocco attivato.

**⚠ATTENZIONE:** Quando non si intende utilizzare l'utensile, far rientrare il pulsante di blocco del grilletto premendolo dal lato  per bloccare l'interruttore a grilletto sulla posizione di spegnimento.

► Fig.4: 1. Pulsante di blocco del grilletto

► Fig.5: 1. Interruttore a grilletto 2. Pulsante di blocco 3. Pulsante di blocco del grilletto

Per evitare che l'interruttore a grilletto venga premuto accidentalmente, è fornito un pulsante di blocco del grilletto. Per avviare l'utensile, far rientrare il pulsante di blocco del grilletto premendolo dal lato A () quindi premere l'interruttore a grilletto. La velocità dell'utensile viene aumentata incrementando la pressione sull'interruttore a grilletto. Per arrestare l'utensile, rilasciare l'interruttore a grilletto. Dopo l'uso, far rientrare il pulsante di blocco del grilletto premendolo dal lato B ()

Per il funzionamento continuo, far rientrare il pulsante di blocco mentre si tiene premuto l'interruttore a grilletto, quindi rilasciare l'interruttore a grilletto. Per arrestare l'utensile, premere a fondo l'interruttore a grilletto, quindi rilasciarlo.

## Modifica della velocità

**AVVISO:** Utilizzare la manopola di modifica della velocità solo dopo che l'utensile si è arrestato completamente. La modifica della velocità dell'utensile prima che quest'ultimo si arresti potrebbe danneggiare l'utensile.

**AVVISO:** Impostare sempre la manopola di modifica della velocità con precisione sulla posizione corretta. Qualora si utilizzi l'utensile con la manopola di modifica della velocità su una posizione intermedia tra la posizione 1 e la posizione 2, l'utensile potrebbe venire danneggiato.

**AVVISO:** Qualora la velocità di rotazione si riduca notevolmente durante il funzionamento in modalità ad alta velocità, arrestare l'utensile e cambiare la modalità su quella a bassa velocità. In caso contrario, il motore potrebbe sovraccaricarsi e causare un malfunzionamento o un incendio.

È possibile preselezionare due gamme di velocità con la manopola di modifica della velocità.

Per cambiare la velocità, ruotare la manopola di modifica della velocità in modo che la freccia punti verso la posizione 1 per la bassa velocità o verso la posizione 2 per l'alta velocità.

► Fig.6: 1. Freccia 2. Manopola di modifica della velocità

## Funzione di prevenzione del riavvio accidentale

Se si installa la cartuccia della batteria mentre si tiene premuto o bloccato l'interruttore a grilletto, l'utensile non si avvia. Per avviare l'utensile, rilasciare l'interruttore a grilletto, quindi premere l'interruttore a grilletto.

## Funzione elettronica

L'utensile è dotato di funzioni elettroniche, per un facile utilizzo.

- Avvio morbido  
La funzione di avvio morbido riduce al minimo l'impatto all'avvio, e fa avviare l'utensile in modo fluido.

## MONTAGGIO

**⚠ATTENZIONE:** Accertarsi sempre che l'utensile sia spento e che la cartuccia della batteria sia stata rimossa, prima di effettuare qualsiasi intervento sull'utensile.

## Installazione della protezione anteriore e dell'impugnatura laterale

**⚠ATTENZIONE:** Serrare saldamente l'impugnatura laterale. In caso contrario, la protezione anteriore potrebbe cadere e causare lesioni personali.

► Fig.7: 1. Protezione anteriore 2. Impugnatura laterale

Montare la protezione anteriore sull'utensile e avvitare saldamente l'impugnatura laterale sull'utensile.

È possibile installare l'impugnatura laterale da entrambi i lati dell'utensile.

## Installazione dell'albero

### Accessorio opzionale

Per il modello DUT130

1. Serrare l'albero nel supporto dell'albero.

► Fig.8: 1. Albero 2. Supporto dell'albero

2. Serrare l'albero con una chiave mentre si tiene fermo il supporto dell'albero con un'altra chiave.

► Fig.9: 1. Albero 2. Supporto dell'albero

Per il modello DUT131

1. Inserire fino in fondo l'albero nel mandrino.

► Fig.10: 1. Albero 2. Mandrino

2. Serrare il mandrino con la mano, quindi inserire la chiave del mandrino in ciascuno dei tre fori e serrarla in senso orario. Accertarsi di serrare la chiave del mandrino in tutti e tre i fori in modo omogeneo.

► Fig.11: 1. Chiave del mandrino 2. Mandrino

Per rimuovere l'albero, ruotare la chiave del mandrino in senso antiorario in uno dei fori, quindi allentare il mandrino con la mano.

## Installazione della frusta di miscelazione

### Accessorio opzionale

Montare la frusta di miscelazione sulla cima dell'albero, quindi fissarla con il bullone esagonale.

- Fig.12: 1. Frusta di miscelazione 2. Albero  
3. Bullone esagonale

**AVVISO:** Accertarsi di montare la frusta di miscelazione con l'indicazione "UP" (lato superiore) rivolta verso l'utensile.

- Fig.13: 1. Indicazione

## Gancio

### Accessorio opzionale

**ATTENZIONE:** Rimuovere sempre la batteria quando si intende appendere l'utensile con il gancio.

**ATTENZIONE:** Non appendere mai l'utensile in un'ubicazione elevata o su una superficie potenzialmente instabile.

- Fig.14: 1. Scanalatura 2. Gancio 3. Vite

Il gancio è pratico per appendere temporaneamente l'utensile. Può venire installato su entrambi i lati dell'utensile.

Per installare il gancio, inserirlo in una delle scanalature presenti su entrambi i lati dell'alloggiamento dell'utensile, quindi fissarlo con una vite. Per rimuoverlo, allentare la vite e quindi estrarlo.

## Installazione o rimozione del supporto dell'albero

### Accessorio opzionale

Per il modello DUT131

1. Inserire la brugola nel mandrino, quindi allentare il mandrino con la brugola mentre si tiene fermo l'alberino con la chiave.

- Fig.15: 1. Brugola 2. Mandrino 3. Chiave

2. Serrare il supporto dell'albero con una chiave mentre si tiene fermo l'alberino con un'altra chiave.

- Fig.16: 1. Supporto dell'albero 2. Chiave

Per rimuovere il supporto dell'albero, eseguire la procedura di installazione al contrario.

## FUNZIONAMENTO

**ATTENZIONE:** Non miscelare materiali infiammabili né far funzionare l'utensile in prossimità di materiali infiammabili, quali vernice con diluente utilizzato come solvente. In caso contrario, si potrebbero causare lesioni personali.

**ATTENZIONE:** Non miscelare materiali ad elevata viscosità, ad esempio malta o adesivo, in modalità ad alta velocità. In caso contrario, si potrebbe perdere il controllo dell'utensile e causare lesioni personali.

**AVVISO:** Quando si mescola il materiale con la frusta di miscelazione che galleggia fuori dal materiale, fare attenzione a non schizzare il materiale.

1. Selezionare l'alta velocità o la bassa velocità in base al materiale da miscelare.
2. Mantenere saldamente la maniglia posteriore dell'utensile con una mano e l'impugnatura con l'altra mano, immergere completamente la frusta di miscelazione sotto il materiale e accendere l'utensile dopo aver verificato la sicurezza della sede di lavoro.
3. Muovere la frusta di miscelazione verso l'alto e verso il basso durante l'operazione di miscelazione, in modo che tutto il materiale venga miscelato.
4. Al completamento della miscelazione, spegnere l'utensile, accertarsi che la frusta di miscelazione si sia arrestata completamente, quindi estrarla dal contenitore di miscelazione.

## MANUTENZIONE

**ATTENZIONE:** Accertarsi sempre che l'utensile sia spento e che la cartuccia della batteria sia stata rimossa prima di tentare di eseguire interventi di ispezione o manutenzione.

**AVVISO:** Non utilizzare mai benzina, benzene, solventi, alcol o altre sostanze simili. In caso contrario, si potrebbero causare scolorimenti, deformazioni o crepe.

Per preservare la SICUREZZA e l'AFFIDABILITÀ del prodotto, le riparazioni e qualsiasi altro intervento di manutenzione e di regolazione devono essere eseguiti da un centro di assistenza autorizzato Makita, utilizzando sempre ricambi Makita.

## ACCESSORI OPZIONALI

**ATTENZIONE:** Questi accessori o componenti aggiuntivi sono consigliati per l'uso con l'utensile Makita specificato nel presente manuale. L'impiego di altri accessori o componenti aggiuntivi può costituire un rischio di lesioni alle persone. Utilizzare gli accessori o i componenti aggiuntivi solo per il loro scopo prefissato.

Per ottenere ulteriori dettagli relativamente a questi accessori, rivolgersi a un centro di assistenza Makita.

- Frusta di miscelazione
- Albero
- Supporto dell'albero
- Gancio
- Batteria e caricabatterie originali Makita

**NOTA:** Alcuni articoli nell'elenco potrebbero essere inclusi nell'imballaggio dell'utensile come accessori standard. Tali articoli potrebbero variare da nazione a nazione.

## TECHNISCHE GEGEVENS

Model:		DUT130	DUT131
Nullasttoerental	Hoge snelheid	0 - 1.300 min <sup>-1</sup>	
	Lage snelheid	0 - 350 min <sup>-1</sup>	
Maximale diameter mengblad		165 mm	
Totale lengte (zonder as en mengblad)		320 mm	307 mm
Nominale spanning		18 V gelijkspanning	
Nettogewicht		2,5 - 2,8 kg	2,7 - 3,0 kg

- In verband met ononderbroken research en ontwikkeling, behouden wij ons het recht voor de bovenstaande technische gegevens zonder voorafgaande kennisgeving te wijzigen.
- De technische gegevens van de accu kunnen van land tot land verschillen.
- Het gewicht kan verschillen afhankelijk van de hulpstukken, waaronder de accu. De lichtste en zwaarste combinatie, overeenkomstig de EPTA-procedure 01/2014, worden getoond in de tabel.

## Toepasselijke accu's en laders

Accu	BL1815N / BL1820 / BL1820B / BL1830 / BL1830B / BL1840 / BL1840B / BL1850 / BL1850B / BL1860B
Lader	DC18RC / DC18RD / DC18RE / DC18SD / DC18SE / DC18SF

- Sommige van de hierboven vermelde accu's en laders zijn mogelijk niet leverbaar afhankelijk van waar u woont.

**⚠ WAARSCHUWING:** Gebruik uitsluitend de accu's en laders die hierboven worden genoemd. Gebruik van enige andere accu of lader kan leiden tot letsel en/of brand.

## Symbolen

Hieronder staan de symbolen die voor het gereedschap worden gebruikt. Zorg ervoor dat u weet wat ze betekenen alvorens het gereedschap te gebruiken.



Lees de gebruiksaanwijzing.



Gebruik het gereedschap niet in de regen.



Reinig het gereedschap niet met water.



Alleen voor EU-landen  
Geef elektrisch gereedschap en accu's niet met het huisvuil mee!  
Volgens de Europese richtlijn inzake oude elektrische en elektronische apparaten, en inzake batterijen en accu's, en de toepassing daarvan binnen de nationale wetgeving, dienen elektrisch gereedschap, accu's en batterijen die het einde van hun levensduur hebben bereikt, gescheiden te worden ingezameld en te worden afgevoerd naar een recyclebedrijf dat voldoet aan de geldende milieu-eisen.

## Gebruiksdoeleinden

Dit gereedschap is bedoeld voor het mengen van materialen voor wandafwerking, enz. (uitgezonderd brandbare materialen).

## Geluidsniveau

De typische, A-gewogen geluidsniveaus zijn gemeten volgens EN60745-2-1:

### Model DUT130

Geluidsdrukniveau (L<sub>pa</sub>): 74 dB (A)

Onzekerheid (K): 3 dB (A)

### Model DUT131

Geluidsdrukniveau (L<sub>pa</sub>): 74 dB (A)

Onzekerheid (K): 3 dB (A)

Het geluidsniveau kan tijdens gebruik hoger worden dan 80 dB (A).

**OPMERKING:** De opgegeven geluidsemisiewaarde(n) is/zijn gemeten volgens een standaardtestmethode en kan/kunnen worden gebruikt om dit gereedschap te vergelijken met andere gereedschappen.

**OPMERKING:** De opgegeven geluidsemisiewaarde(n) kan/kunnen ook worden gebruikt voor een beoordeling vooraf van de blootstelling.

**⚠WAARSCHUWING:** Draag gehoorbescherming.

**⚠WAARSCHUWING:** De geluidsemissie tijdens het gebruik van het elektrisch gereedschap in de praktijk kan verschillen van de opgegeven waarde(n) afhankelijk van de manier waarop het gereedschap wordt gebruikt, met name van het soort werkstuk waarmee wordt gewerkt.

**⚠WAARSCHUWING:** Zorg ervoor dat veiligheidsmaatregelen worden getroffen ter bescherming van de gebruiker die zijn gebaseerd op een schatting van de blootstelling onder praktijkomstandigheden (rekening houdend met alle fasen van de bedrijfscyclus, zoals de tijdsduur gedurende welke het gereedschap is uitgeschakeld en stationair draait, naast de ingeschakelde tijdsduur).

## Trilling

De totale trillingswaarde (triaxiale vectorsom) zoals vastgesteld volgens EN60745-2-1:

### Model DUT130

Gebruikstoepassing: onbelaste werking  
Trillingsemissie ( $a_{h,r}$ ): 2,5 m/s<sup>2</sup> of lager  
Onzekerheid (K): 1,5 m/s<sup>2</sup>

### Model DUT131

Gebruikstoepassing: onbelaste werking  
Trillingsemissie ( $a_{h,r}$ ): 2,5 m/s<sup>2</sup> of lager  
Onzekerheid (K): 1,5 m/s<sup>2</sup>

**OPMERKING:** De totale trillingswaarde(n) is/zijn gemeten volgens een standaardtestmethode en kan/kunnen worden gebruikt om dit gereedschap te vergelijken met andere gereedschappen.

**OPMERKING:** De opgegeven totale trillingswaarde(n) kan/kunnen ook worden gebruikt voor een beoordeling vooraf van de blootstelling.

**⚠WAARSCHUWING:** De trillingsemissie tijdens het gebruik van het elektrisch gereedschap in de praktijk kan verschillen van de opgegeven waarde(n) afhankelijk van de manier waarop het gereedschap wordt gebruikt, met name van het soort werkstuk waarmee wordt gewerkt.

**⚠WAARSCHUWING:** Zorg ervoor dat veiligheidsmaatregelen worden getroffen ter bescherming van de gebruiker die zijn gebaseerd op een schatting van de blootstelling onder praktijkomstandigheden (rekening houdend met alle fasen van de bedrijfscyclus, zoals de tijdsduur gedurende welke het gereedschap is uitgeschakeld en stationair draait, naast de ingeschakelde tijdsduur).

## EG-verklaring van conformiteit

### Alleen voor Europese landen

De EG-verklaring van conformiteit is bijgevoegd als Bijlage A bij deze gebruiksaanwijzing.

# VEILIGHEIDSWAARSCHUWINGEN

## Algemene veiligheidswaarschuwingen voor elektrisch gereedschap

**⚠WAARSCHUWING:** Lees alle veiligheidswaarschuwingen, aanwijzingen, afbeeldingen en technische gegevens behorend bij dit elektrische gereedschap aandachtig door. Als u niet alle onderstaande aanwijzingen naleeft, kan dat resulteren in brand, elektrische schokken en/of ernstig letsel.

## Bewaar alle waarschuwingen en instructies om in de toekomst te kunnen raadplegen.

De term "elektrisch gereedschap" in de veiligheidsvoorwaarden duidt op gereedschappen die op stroom van het lichtnet werken (met snoer) of gereedschappen met een accu (snoerloos).

## Veiligheidswaarschuwingen voor een accumenger

1. **Houd het gereedschap met beide handen vast aan de daarvoor bedoelde handvaten.** Als u de controle over het gereedschap verliest, kan dit leiden tot persoonlijk letsel.
2. **Zorg voor voldoende ventilatie wanneer u brandbare materialen mengt om te voorkomen dat een gevaarlijke omgeving ontstaat.** De gevormde dampen kunnen worden ingeademd of worden ontstoken door de vonken die het elektrisch gereedschap genereert.
3. **Meng geen etenswaren.** Elektrisch gereedschap en hun accessoires zijn niet ontworpen om etenswaren te verwerken.
4. **Verzek er ervan dat de mengbak op een stevige en veilige plaats staat.** Een bak die niet stevig staat, kan onverwacht verschuiven.
5. **Volg de instructies en waarschuwingen voor het materiaal dat u gaat mengen.** Het materiaal dat u gaat mengen kan schadelijk zijn.
6. **Steek tijdens het mengen niet uw handen in de mengbak en steek er geen andere voorwerpen in.** Door aanraking van het mengblad kan ernstig persoonlijk letsel ontstaan.
7. **Het gereedschap mag alleen in de mengbak worden gestart en gestopt.** Het mengblad kan ongecontroleerd buigen of ronddraaien.
8. **Zorg ervoor dat geen vloeistof tegen de behuizing van het elektrisch gereedschap spettert.** Als vloeistof binnendringt in het elektrisch gereedschap, kan het gereedschap worden beschadigd.
9. **Gebruik hulphandgrepen, indien bij het gereedschap geleverd.** Als u de controle over het gereedschap verliest, kan dit leiden tot persoonlijk letsel.

10. Houd elektrisch gereedschap vast bij het geïsoleerde oppervlak van de handgrepen wanneer u werkt op plaatsen waar het accessoire in aanraking kan komen met verborgen bedrading. Wanneer het accessoire in aanraking komt met onder spanning staande draden, zullen de niet-geïsoleerde metalen delen van het gereedschap onder spanning komen te staan zodat de gebruiker een elektrische schok kan krijgen.
11. Zorg er altijd voor dat u stevig staat. Zorg ervoor dat niemand zich onder u bevindt wanneer u het gereedschap op een hoge plaats gebruikt.
12. Houd het gereedschap stevig vast.
13. Houd uw handen uit de buurt van draaiende delen.
14. Laat het gereedschap niet draaiend achter. Bedien het gereedschap alleen terwijl u het vasthoudt.
15. Sommige materialen kunnen giftige chemicaliën bevatten. Wees voorzichtig dat u geen stof inademt en het stof niet op uw huid komt. Houd u aan de veiligheidswaarschuwingen van de leverancier van het materiaal.
16. Plaats de mengbak op een vlakke en stabiele ondergrond tijdens het mengen.

## BEWAAR DEZE INSTRUCTIES.

**⚠WAARSCHUWING:** Laat u NIET misleiden door een vals gevoel van comfort en bekendheid met het gereedschap (na veelvuldig gebruik) en neem alle veiligheidsvoorschriften van het betreffende gereedschap altijd strikt in acht. VERKEERD GEBRUIK of het niet naleven van de veiligheidsvoorschriften in deze gebruiksaanwijzing kan leiden tot ernstig persoonlijk letsel.

### Belangrijke veiligheidsinstructies voor een accu

1. Lees alle voorschriften en waarschuwingen op (1) de acculader, (2) de accu, en (3) het product waarvoor de accu wordt gebruikt, alvorens de accu in gebruik te nemen.
2. Neem de accu niet uit elkaar.
3. Als de gebruikstijd van een opgeladen accu aanzienlijk korter is geworden, moet u het gebruik ervan onmiddellijk stopzetten. Voortgezet gebruik kan oververhitting, brandwonden en zelfs een ontploffing veroorzaken.
4. Als elektrolyt in uw ogen is terechtgekomen, spoelt u uw ogen met schoon water en roept u onmiddellijk de hulp van een dokter in. Elektrolyt in de ogen kan blindheid veroorzaken.
5. Voorkom kortsluiting van de accu:
  - (1) Raak de accuklemmen nooit aan met een geleidend materiaal.
  - (2) Bewaar de accu niet in een bak waarin andere metalen voorwerpen zoals spijkers, munten e.d. worden bewaard.
  - (3) Stel de accu niet bloot aan water of regen.

Kortsluiting van de accu kan oorzaak zijn van een grote stroomafgifte, oververhitting, brandwonden, en zelfs defecten.

6. Bewaar het gereedschap en de accu niet op plaatsen waar de temperatuur kan oplopen tot 50°C of hoger.
7. Werp de accu nooit in het vuur, ook niet wanneer hij zwaar beschadigd of volledig versleten is. De accu kan ontploffen in het vuur.
8. Wees voorzichtig dat u de accu niet laat vallen en hem niet blootstelt aan schokken of stoten.
9. Gebruik nooit een beschadigde accu.
10. De bijgeleverde lithium-ionbatterijen zijn onderhevig aan de vereisten in de wetgeving omtrent gevaarlijke stoffen.
 

Voor commercieel transport en dergelijke door derden en transporteurs moeten speciale vereisten ten aanzien van verpakking en etikettering worden nageleefd.

Als voorbereiding van het artikel dat wordt getransporteerd is het noodzakelijk een expert op het gebied van gevaarlijke stoffen te raadplegen. Houd u tevens aan mogelijk strengere nationale regelgeving.

Blootliggende contactpunten moeten worden afgedekt met tape en de accu moet zodanig worden verpakt dat deze niet kan bewegen in de verpakking.

11. Volg bij het weggooien van de accu de plaatselijke voorschriften.
12. Gebruik de accu's uitsluitend met de gereedschappen die door Makita zijn aanbevolen. Als de accu's worden aangebracht in niet-compatibele gereedschappen, kan dat leiden tot brand, buitensporige warmteontwikkeling, een explosie of lekkage van elektrolyt.

## BEWAAR DEZE INSTRUCTIES.

**⚠LET OP:** Gebruik uitsluitend originele Makita accu's. Het gebruik van niet-originele accu's, of accu's die zijn gewijzigd, kan ertoe leiden dat de accu ontploft en brand, persoonlijk letsel en schade veroorzaakt. Ook vervalt daarmee de garantie van Makita op het gereedschap en de lader van Makita.

## Tips voor een maximale levensduur van de accu

1. Laad de accu op voordat hij volledig ontladen is. Stop het gebruik van het gereedschap en laad de accu op telkens wanneer u vaststelt dat het vermogen van het gereedschap is afgenomen.
2. Laad een volledig opgeladen accu nooit opnieuw op. Te lang opladen verkort de levensduur van de accu.
3. Laad de accu op bij een omgevingstemperatuur tussen 10°C en 40°C. Laat een warme accu afkoelen alvorens hem op te laden.
4. Laad de accu op als u deze gedurende een lange tijd (meer dan zes maanden) niet gaat gebruiken.

# BESCHRIJVING VAN DE FUNCTIES

**⚠ LET OP:** Zorg altijd dat het gereedschap is uitgeschakeld en de accu ervan is verwijderd alvorens de functies op het gereedschap af te stellen of te controleren.

## De accu aanbrengen en verwijderen

**⚠ LET OP:** Schakel het gereedschap altijd uit voordat u de accu aanbrengt of verwijderd.

**⚠ LET OP:** Houd het gereedschap en de accu stevig vast tijdens het aanbrengen of verwijderen van de accu. Als u het gereedschap en de accu niet stevig vasthoudt, kunnen deze uit uw handen glippen en het gereedschap of de accu beschadigen, of kan persoonlijk letsel worden veroorzaakt.

**⚠ LET OP:** Gebruik dit gereedschap niet met de accuadapter. Als u de accuadapter aansluit op het gereedschap, kan het accudeksel niet worden gesloten, en het gebruik van het gereedschap met een open accudeksel kan leiden tot letsel.

Open het accudeksel terwijl u de knop op het accudeksel indrukt.

► Fig.1: 1. Knop 2. Accudeksel

Om de accu te verwijderen verschuift u de knop aan de voorkant van de accu en schuift u tegelijkertijd de accu uit het gereedschap.

► Fig.2: 1. Rood deel 2. Knop 3. Accu

Om de accu aan te brengen lijnt u de lip op de accu uit met de groef in de behuizing en duwt u de accu op zijn plaats. Steek de accu zo ver mogelijk in het gereedschap tot u een klikgeluid hoort. Als u het rode deel aan de bovenkant van de knop kunt zien, is de accu niet goed aangebracht.

Nadat de accu is aangebracht, sluit u het accudeksel stevig.

**⚠ LET OP:** Breng de accu altijd helemaal aan totdat het rode deel niet meer zichtbaar is. Als u dit niet doet, kan de accu per ongeluk uit het gereedschap vallen en u of anderen in uw omgeving verwonden.

**⚠ LET OP:** Breng de accu niet met kracht aan. Als de accu niet gemakkelijk in het gereedschap kan worden geschoven, wordt deze niet goed aangebracht.

## De resterende acculading controleren

*Alleen voor accu's met indicatorlampjes*

► Fig.3: 1. Indicatorlampjes 2. Testknop

Druk op de testknop op de accu om de resterende acculading te zien. De indicatorlampjes branden gedurende enkele seconden.

Indicatorlampjes			Resterende acculading
Brandt	Uit	Knippert	
■ ■ ■ ■			75% tot 100%
■ ■ ■ □			50% tot 75%
■ ■ □ □			25% tot 50%
■ □ □ □			0% tot 25%
▬ □ □ □			Laad de accu op.
■ ■ □ □			Er kan een storing zijn opgetreden in de accu.
□ □ ■ ■			

**OPMERKING:** Afhankelijk van de gebruiksomstandigheden en de omgevingstemperatuur, is het mogelijk dat de aangegeven acculading verschilt van de werkelijke acculading.

## Gereedschap-/accubeveiligingssysteem

Het gereedschap is voorzien van een gereedschap-/accubeveiligingssysteem. Dit systeem schakelt automatisch de voeding naar de motor uit om de levensduur van het gereedschap en de accu te verlengen. Het gereedschap kan tijdens het gebruik automatisch stoppen als het gereedschap of de accu aan één van de volgende omstandigheden wordt blootgesteld:

### Overbelastingsbeveiliging

Wanneer het gereedschap of de accu wordt gebruikt op een wijze die ertoe leidt dat er een abnormaal sterke stroom wordt onttrokken, stopt het gereedschap automatisch zonder indicatie. Schakel in dit geval het gereedschap uit en stop de toepassing die ertoe geleid heeft dat het gereedschap overbelast is geraakt. Schakel vervolgens het gereedschap in om het opnieuw op te starten.

### Oververhittingsbeveiliging

Wanneer het gereedschap of de accu oververhit raakt, stopt het gereedschap automatisch. Laat in dit geval het gereedschap en de accu afkoelen voordat u het gereedschap weer inschakelt.

### Beveiliging tegen te ver ontladen

Als de acculading onvoldoende is, stopt het gereedschap automatisch. In dit het geval verwijderd u de accu vanaf het gereedschap en laadt u de accu op.




## De trekkerschakelaar gebruiken

**⚠ LET OP:** Alvorens de accu in het gereedschap te plaatsen, moet u altijd controleren of de trekkerschakelaar goed werkt en bij het loslaten terugkeert naar de stand "OFF".



**⚠ LET OP:** De schakelaar kan in de aan-stand vergrendeld worden, hetgeen bij langdurig gebruik comfortabeler werkt. Wees extra voorzichtig wanneer u de schakelaar in de aan-stand vergrendelt en houd het gereedschap altijd stevig vast.

**⚠ LET OP:** Breng de accu niet aan terwijl de vergrendelknop is ingedrukt.

**⚠ LET OP:** Wanneer u het gereedschap niet gebruikt, drukt u op de trekkevergrendelknop vanaf de -kant om de trekkerschakelaar te vergrendelen in de uit-stand.

► Fig.4: 1. Trekkervergrendelknop

► Fig.5: 1. Trekkerschakelaar 2. Vergrendelknop  
3. Trekkervergrendelknop

Om te voorkomen dat de trekkerschakelaar per ongeluk wordt bediend, is de trekkevergrendelknop aangebracht. Om het gereedschap te starten, drukt u vanaf de A-kant () op de trekkevergrendelknop en knijpt u de trekkerschakelaar in. Hoe harder u de trekkerschakelaar inknijpt, hoe hoger het toerental van het gereedschap. Laat de trekkerschakelaar los om het gereedschap te stoppen. Na gebruik drukt u op de trekkevergrendelknop vanaf de B-kant ()

Om het gereedschap continu te laten werken, knijpt u eerst de trekkerschakelaar in, drukt u daarna de vergrendelknop in, en laat u tenslotte de trekkerschakelaar los. Om het gereedschap te stoppen, knijpt u de trekkerschakelaar helemaal in en laat u deze vervolgens weer los.

## Snelheidskeuze

**KENNISGEVING:** Gebruik de snelheidskeuzeknop alleen nadat het gereedschap volledig tot stilstand is gekomen. Als de snelheid van het gereedschap wordt veranderd voordat het gereedschap tot stilstand is gekomen, kan het gereedschap worden beschadigd.

**KENNISGEVING:** Zet de snelheidskeuzeknop altijd voorzichtig in de juiste stand. Als u het gereedschap gebruikt met de snelheidskeuzeknop halverwege tussen de standen 1 en 2, kan het gereedschap beschadigd worden.

**KENNISGEVING:** Als de draaisnelheid aanzienlijk afneemt tijdens het gebruik in de hoge-snelheidsfunctie, stopt u het gereedschap en verandert u de functie naar de lage-snelheidsfunctie. Anders kan de motor overbelast raken en een storing of brand veroorzaken.

De twee snelheidsbereiken kunnen vooraf worden geselecteerd met behulp van de snelheidskeuzeknop. Om de snelheid te veranderen, draait u de snelheidskeuzeknop zodanig dat de pijlpunt is uitgelijnd met stand 1 voor lage snelheid of met stand 2 voor hoge snelheid.

► Fig.6: 1. Pijlpunt 2. Snelheidskeuzeknop

## Beveiliging tegen onopzettelijk herstarten

Als u de accu aanbrengt terwijl de trekkerschakelaar ingeknepen wordt gehouden of de trekkerschakelaar wordt vergrendeld, start het gereedschap niet. Om het gereedschap te kunnen starten, laat u eerst de trekkerschakelaar los en knijpt u vervolgens de trekkerschakelaar in.

## Elektronische functies

Het gereedschap is uitgerust met elektronische functies voor een eenvoudige bediening.

- Zachte start  
De functie zachte-start minimaliseert de startshock en laat het gereedschap geleidelijk starten.

## MONTAGE

**⚠ LET OP:** Zorg altijd dat het gereedschap is uitgeschakeld en de accu ervan is verwijderd alvorens enig werk aan het gereedschap uit te voeren.

## De voorkap en zijhandgreep aanbrengen

**⚠ LET OP:** Draai de zijhandgreep stevig vast. Anders kan de voorkap eraf vallen en letsel veroorzaken.

► Fig.7: 1. Voorkap 2. Zijhandgreep

Breng de voorkap aan op het gereedschap en draai de zijhandgreep stevig op het gereedschap. De zijhandgreep kan aan beide zijkanten van het gereedschap worden gemonteerd.

## De as aanbrengen

### Optioneel accessoire

#### Voor DUT130

1. Draai de as vast op de ashouder.

► Fig.8: 1. As 2. Ashouder

2. Draai de as vast met behulp van een sleutel terwijl u de ashouder vasthoudt met een andere sleutel.

► Fig.9: 1. As 2. Ashouder

#### Voor DUT131

1. Steek de as zo ver mogelijk in de spankop.

► Fig.10: 1. As 2. Spankop

2. Draai de spankop met de hand vast en steek daarna de spankopsleutel in elk van de drie openingen en draai hem rechtsom vast. Zorg ervoor dat de spankopsleutel in elk van de drie openingen gelijkmatig wordt vastgedraaid.

► Fig.11: 1. Spankopsleutel 2. Spankop

Om de as te verwijderen, draait u de spankopsleutel in slechts één opening linksom en draait u vervolgens de spankop met de hand los.

## Het mengblad aanbrengen

### Optioneel accessoire

Bevestig het mengblad aan het uiteinde van de as en zet hem vast met behulp van de zeskantbout.

► Fig.12: 1. Mengblad 2. As 3. Zeskantbout

**KENNISGEVING:** Verzeker u ervan dat het mengblad wordt bevestigd met de markering "UP" in de richting van het gereedschap.

► Fig.13: 1. Markering

## Haak

### Optioneel accessoire

**▲LET OP:** Verwijder altijd eerst de accu, voordat u het gereedschap aan de haak ophangt.

**▲LET OP:** Hang het gereedschap nooit op een hoge plaats of aan een mogelijk instabiel oppervlak.

► Fig.14: 1. Groef 2. Haak 3. Schroef

De haak is handig om het gereedschap tijdelijk aan op te hangen. Deze kan aan beide kanten van het gereedschap worden aangebracht.

U brengt de haak aan door deze in een groef in de behuizing van het gereedschap te steken en vast te zetten met een schroef. Om te verwijderen, draait u de schroef los en haalt u hem van het gereedschap af.

## De ashouder aanbrengen en verwijderen

### Optioneel accessoire

Voor DUT131

1. Steek de inbussleutel in de spankop en draai vervolgens de spankop los met behulp van de inbussleutel terwijl u de spindel vasthoudt met behulp van de sleutel.

► Fig.15: 1. Inbussleutel 2. Spankop 3. Sleutel

2. Draai de ashouder vast met behulp van een sleutel terwijl u de spindel vasthoudt met een andere sleutel.

► Fig.16: 1. Ashouder 2. Sleutel

Om de ashouder te verwijderen, volgt u de procedure voor het aanbrengen in de omgekeerde volgorde.

## BEDIENING

**▲LET OP:** Meng geen brandbare materialen en bedien het gereedschap niet in de buurt van brandbare materialen, zoals verf waarin thinner zit als oplosmiddel. Anders kan dat leiden tot letsel.

**▲LET OP:** Meng geen materialen met een hoge viscositeit, zoals specie of lijm, in de hoge-snelheidsfunctie. U kunt de controle over het gereedschap verliezen waardoor letsel kan worden veroorzaakt.

**KENNISGEVING:** Wanneer u het mengblad uit het materiaal haalt terwijl u aan het mengen bent, let u erop dat het materiaal niet in het rond spettert.

1. Selecteer hoge snelheid en lage snelheid aan de hand van het materiaal dat moet worden gemengd.

2. Houd de achterhandgreep van het gereedschap met één hand en de zijhandgreep met de andere hand stevig vast. Duw het mengblad volledig in het materiaal en schakel het gereedschap in wanneer u er zeker van bent dat de werkplek veilig is.

3. Beweeg het mengblad omhoog en omlaag tijdens het mengen zodat al het materiaal wordt gemengd.

4. Als u klaar bent met mengen, schakelt u het gereedschap uit, wacht u tot het mengblad volledig tot stilstand is gekomen en trekt u het vervolgens uit de mengbak.

## ONDERHOUD

**▲LET OP:** Zorg altijd dat het gereedschap is uitgeschakeld en de accu ervan is verwijderd alvorens te beginnen met onderhoud of inspectie.

**KENNISGEVING:** Gebruik nooit benzine, wasbenzine, thinner, alcohol en dergelijke. Hierdoor kunnen verkleuring, vervormingen en barsten worden veroorzaakt.

Om de VEILIGHEID en BETROUWBAARHEID van het gereedschap te handhaven, dienen alle reparaties, onderhoud of afstellingen te worden uitgevoerd bij een erkend Makita-servicecentrum of de Makita-fabriek, en altijd met gebruik van Makita-vervangingsonderdelen.

## OPTIONELE ACCESSOIRES

**▲LET OP:** Deze accessoires of hulpstukken worden aanbevolen voor gebruik met het Makita gereedschap dat in deze gebruiksaanwijzing is beschreven. Bij gebruik van andere accessoires of hulpstukken bestaat het gevaar van persoonlijke letsel. Gebruik de accessoires of hulpstukken uitsluitend voor hun bestemde doel.

Wenst u meer bijzonderheden over deze accessoires, neem dan contact op met het plaatselijke Makita-servicecentrum.

- Mengblad
- As
- Ashouder
- Haak
- Originele Makita accu's en acculaders

**OPMERKING:** Sommige items op de lijst kunnen zijn inbegrepen in de doos van het gereedschap als standaard toebehoren. Deze kunnen van land tot land verschillen.

## ESPECIFICACIONES

Modelo:		DUT130	DUT131
Velocidad sin carga	Velocidad alta	0 - 1.300 min <sup>-1</sup>	
	Velocidad baja	0 - 350 min <sup>-1</sup>	
Diámetro máximo del disco mezclador		165 mm	
Longitud total (sin eje y disco mezclador)		320 mm	307 mm
Tensión nominal		CC18 V	
Peso neto		2,5 - 2,8 kg	2,7 - 3,0 kg

- Debido a nuestro continuado programa de investigación y desarrollo, las especificaciones aquí dadas están sujetas a cambios sin previo aviso.
- Las especificaciones y el cartucho de batería pueden diferir de país a país.
- El peso puede variar dependiendo del accesorio(s), incluyendo el cartucho de batería. La combinación menos pesada y la más pesada, de acuerdo con el procedimiento EPTA 01/2014, se muestran en la tabla.

## Cartucho de batería y cargador aplicables

Cartucho de batería	BL1815N / BL1820 / BL1820B / BL1830 / BL1830B / BL1840 / BL1840B / BL1850 / BL1850B / BL1860B
Cargador	DC18RC / DC18RD / DC18RE / DC18SD / DC18SE / DC18SF

- Algunos de los cartuchos de batería y cargadores indicados arriba puede que no estén disponibles dependiendo de su región de residencia.

**⚠ ADVERTENCIA:** Utilice solamente los cartuchos de batería y cargadores listados arriba. La utilización de cualquier otro cartucho de batería y cargador puede ocasionar heridas y/o un incendio.

## Símbolos

A continuación se muestran los símbolos utilizados con este equipo. Asegúrese de que entiende su significado antes de usarlo.



Lea el manual de instrucciones.



No utilice la herramienta en la lluvia.



No limpie la herramienta con agua.



Sólo para países de la Unión Europea  
 ¡No deseche los aparatos eléctricos o baterías junto con los residuos domésticos!  
 De conformidad con las Directivas Europeas, sobre residuos de aparatos eléctricos y electrónicos y baterías y acumuladores y residuos de baterías y acumuladores y su aplicación de acuerdo con la legislación nacional, los aparatos eléctricos y pilas y baterías cuya vida útil haya llegado a su fin deberán ser recogidos por separado y trasladados a una planta de reciclaje que cumpla con las exigencias ecológicas.

## Uso previsto

La herramienta ha sido prevista para mezclar materiales para paredes, etc. (excepto materiales inflamables).

## Ruido

El nivel de ruido A-ponderado típico determinado de acuerdo con la norma EN60745-2-1:

**Modelo DUT130**

Nivel de presión sonora ( $L_{pA}$ ) : 74 dB (A)

Error (K) : 3 dB (A)

**Modelo DUT131**

Nivel de presión sonora ( $L_{pA}$ ) : 74 dB (A)

Error (K) : 3 dB (A)

El nivel de ruido en situación de trabajo puede exceder 80 dB (A).

**NOTA:** El valor (o los valores) de emisión de ruido declarado ha sido medido de acuerdo con un método de prueba estándar y se puede utilizar para comparar una herramienta con otra.

**NOTA:** El valor (o valores) de emisión de ruido declarado también se puede utilizar en una valoración preliminar de exposición.

**⚠ADVERTENCIA:** Póngase protectores para oídos.

**⚠ADVERTENCIA:** La emisión de ruido durante la utilización real de la herramienta eléctrica puede variar del valor (o los valores) de emisión declarado dependiendo de las formas en las que la herramienta sea utilizada, especialmente qué tipo de pieza de trabajo se procesa.

**⚠ADVERTENCIA:** Asegúrese de identificar medidas de seguridad para proteger al operario que estén basadas en una estimación de la exposición en las condiciones reales de utilización (teniendo en cuenta todas las partes del ciclo operativo como las veces cuando la herramienta está apagada y cuando está funcionando en vacío además del tiempo de gatillo).

## Vibración

El valor total de la vibración (suma de vectores triaxiales) determinado de acuerdo con la norma EN60745-2-1:

### Modelo DUT130

Modo de trabajo: operación sin carga

Emisión de vibración ( $a_{hv}$ ): 2,5 m/s<sup>2</sup> o menos

Error (K): 1,5 m/s<sup>2</sup>

### Modelo DUT131

Modo de trabajo: operación sin carga

Emisión de vibración ( $a_{hv}$ ): 2,5 m/s<sup>2</sup> o menos

Error (K): 1,5 m/s<sup>2</sup>

**NOTA:** El valor (o los valores) total de emisión de vibración declarado ha sido medido de acuerdo con un método de prueba estándar y se puede utilizar para comparar una herramienta con otra.

**NOTA:** El valor (o los valores) total de emisión de vibración declarado también se puede utilizar en una valoración preliminar de exposición.

**⚠ADVERTENCIA:** La emisión de vibración durante la utilización real de la herramienta eléctrica puede variar del valor (o los valores) de emisión declarado dependiendo de las formas en las que la herramienta sea utilizada, especialmente qué tipo de pieza de trabajo se procesa.

**⚠ADVERTENCIA:** Asegúrese de identificar medidas de seguridad para proteger al operario que estén basadas en una estimación de la exposición en las condiciones reales de utilización (teniendo en cuenta todas las partes del ciclo operativo como las veces cuando la herramienta está apagada y cuando está funcionando en vacío además del tiempo de gatillo).

## Declaración CE de conformidad

### Para países europeos solamente

La declaración CE de conformidad está incluida como Anexo A de esta manual de instrucciones.

# ADVERTENCIAS DE SEGURIDAD

## Advertencias de seguridad para herramientas eléctricas en general

**⚠ADVERTENCIA:** Lea todas las advertencias de seguridad, instrucciones, ilustraciones y especificaciones provistas con esta herramienta eléctrica. Si no sigue todas las instrucciones indicadas abajo podrá resultar en una descarga eléctrica, un incendio y/o heridas graves.

## Guarde todas las advertencias e instrucciones para futuras referencias.

El término "herramienta eléctrica" en las advertencias se refiere a su herramienta eléctrica de funcionamiento con conexión a la red eléctrica (con cable) o herramienta eléctrica de funcionamiento a batería (sin cable).

## Advertencias de seguridad para el mezclador inalámbrico

1. **Sujete la herramienta con ambas manos en los mangos previstos para ello.** Una pérdida del control puede ocasionar heridas personales.
2. **Asegure una ventilación suficiente cuando mezcle materiales inflamables para evitar que se forme un ambiente peligroso.** Los vapores emanados podrían ser inhalados o prendidos con las chispas que produce la herramienta eléctrica.
3. **No mezcle alimentos.** Las herramientas eléctricas y sus accesorios no han sido diseñados para procesar alimentos.
4. **Asegúrese de que el recipiente de mezcla está colocado en una posición firme y segura.** Un recipiente que no esté sujetado firmemente podrá moverse inesperadamente.
5. **Siga las instrucciones y advertencias para el material que se va a mezclar.** El material que se va a mezclar puede ser nocivo.
6. **No acerque las manos al interior del recipiente de mezcla ni inserte cualquier otro objeto en él mientras mezcla.** El contacto con el disco mezclador podrá dar lugar a heridas personales graves.
7. **Ponga en marcha y detenga la herramienta solamente en el recipiente de mezcla.** El disco mezclador podrá doblarse o girar de manera incontrolada.
8. **Asegúrese de que no salpique líquido contra la carcasa de la herramienta eléctrica.** Si entra líquido en la herramienta eléctrica puede causar daño a la herramienta.
9. **Utilice los mangos auxiliares, si se han suministrado con la herramienta.** Una pérdida del control podrá ocasionar heridas personales.

10. Cuando realice una operación en la que el accesorio de corte pueda entrar en contacto con cableado oculto, sujete la herramienta eléctrica por las superficies de aislamiento aisladas. El contacto del accesorio de corte con un cable con corriente hará que la corriente circule por las partes metálicas expuestas de la herramienta eléctrica y podrá soltar una descarga eléctrica al operario.
11. Asegúrese siempre de que tiene suelo firme. Asegúrese de que no haya nadie debajo cuando utilice la herramienta en lugares altos.
12. Sujete la herramienta firmemente.
13. Mantenga las manos alejadas de las partes giratorias.
14. No deje la herramienta en marcha. Utilice la herramienta solamente cuando la esté sujetando.
15. Algunos materiales contienen sustancias químicas que podrán ser tóxicas. Tenga precaución para evitar la inhalación de polvo y el contacto con la piel. Siga las advertencias de seguridad del proveedor del material.
16. Cuando realice la operación de mezclar, coloque el recipiente de mezcla sobre una superficie plana y estable.

## GUARDE ESTAS INSTRUCCIONES.

**⚠ADVERTENCIA:** NO deje que la comodidad o familiaridad con el producto (a base de utilizarlo repetidamente) sustituya la estricta observancia de las normas de seguridad para el producto en cuestión. El MAL USO o el no seguir las normas de seguridad establecidas en este manual de instrucciones podrá ocasionar graves heridas personales.

### Instrucciones de seguridad importantes para el cartucho de batería

1. Antes de utilizar el cartucho de batería, lea todas las instrucciones e indicaciones de precaución sobre (1) el cargador de baterías, (2) la batería, y (3) el producto con el que se utiliza la batería.
2. No desarme el cartucho de batería.
3. Si el tiempo de uso se acorta demasiado, cese la operación inmediatamente. Podría resultar en un riesgo de recalentamiento, posibles quemaduras e incluso una explosión.
4. Si entra electrolito en sus ojos, aclárelos con agua limpia y acuda a un médico inmediatamente. Existe el riesgo de poder perder la vista.
5. No cortocircuite el cartucho de batería:
  - (1) No toque los terminales con ningún material conductor.
  - (2) Evite guardar el cartucho de batería en un cajón junto con otros objetos metálicos, como clavos, monedas, etc.
  - (3) No exponga el cartucho de batería al agua ni a la lluvia.

Un cortocircuito en la batería puede producir una gran circulación de corriente, un recalentamiento, posibles quemaduras e incluso una rotura de la misma.

6. No guarde la herramienta y el cartucho de batería en lugares donde la temperatura pueda alcanzar o exceder los 50 °C.
7. Nunca incinere el cartucho de batería incluso en el caso de que esté dañado seriamente o ya no sirva en absoluto. El cartucho de batería puede explotar si se tira al fuego.
8. Tenga cuidado de no dejar caer ni golpear el cartucho de batería.
9. No utilice una batería dañada.
10. Las baterías de litio-ion contenidas están sujetas a los requisitos de la Legislación para Materiales Peligrosos.

Para transportes comerciales, p.ej., por terceras personas y agentes de transportes, se deberán observar requisitos especiales para el empaquetado y etiquetado.

Para la preparación del artículo que se va a enviar, se requiere consultar con un experto en materiales peligrosos. Por favor, observe también la posibilidad de reglamentos nacionales más detallados.

Cubra con cinta aislante o enmascare los contactos expuestos y empaque la batería de tal manera que no se pueda mover alrededor dentro del embalaje.

11. Siga los reglamentos locales referentes al desecho de la batería.
12. Utilice las baterías solamente con los productos especificados por Makita. La instalación de las baterías en productos no compatibles puede resultar en un incendio, calor excesivo, explosión, o fuga de electrolito.

## GUARDE ESTAS INSTRUCCIONES.

**⚠PRECAUCIÓN:** Utilice solamente baterías genuinas de Makita. La utilización de baterías no genuinas de Makita, o baterías que han sido alteradas, puede resultar en una explosión de la batería ocasionando incendios, heridas personales y daños. También anulará la garantía de Makita para la herramienta y el cargador de Makita.

## Consejos para alargar al máximo la vida de servicio de la batería

1. Cargue el cartucho de batería antes de que se descargue completamente. Detenga siempre la operación y cargue el cartucho de batería cuando note menos potencia en la herramienta.
2. No cargue nunca un cartucho de batería que esté completamente cargado. La sobrecarga acortará la vida de servicio de la batería.
3. Cargue el cartucho de batería a temperatura ambiente de 10 °C - 40 °C. Si un cartucho de batería está caliente, déjelo enfriar antes de cargarlo.
4. Cargue el cartucho de batería si no lo utiliza durante un periodo de tiempo prolongado (más de seis meses).

## DESCRIPCIÓN DEL FUNCIONAMIENTO

**⚠ PRECAUCIÓN:** Asegúrese siempre de que la herramienta esté apagada y el cartucho de batería retirado antes de realizar cualquier ajuste o comprobación en la herramienta.

## Instalación o extracción del cartucho de batería

**⚠ PRECAUCIÓN:** Apague siempre la herramienta antes de instalar o retirar el cartucho de batería.

**⚠ PRECAUCIÓN:** Sujete la herramienta y el cartucho de batería firmemente cuando instale o retire el cartucho de batería. Si no sujeta la herramienta y el cartucho de batería firmemente podrán caérsele de las manos y resultar en daños a la herramienta y al cartucho de batería y heridas personales.

**⚠ PRECAUCIÓN:** No utilice esta herramienta con el adaptador de batería. Si conecta el adaptador de batería a la herramienta, la cubierta de la batería no se podrá cerrar, y utilizar la herramienta con la cubierta de la batería abierta puede ocasionar heridas.

Abra la cubierta de la batería mientras presiona el botón en la cubierta de la batería.

► **Fig.1:** 1. Botón 2. Cubierta de la batería

Para retirar el cartucho de batería, deslícelo de la herramienta mientras desliza el botón de la parte frontal del cartucho.

► **Fig.2:** 1. Indicador rojo 2. Botón 3. Cartucho de batería

Para instalar el cartucho de batería, alinee la lengüeta del cartucho de batería con la ranura de la carcasa y deslícelo hasta que encaje en su sitio. Insértelo a tope hasta que se bloquee en su sitio produciendo un pequeño chasquido. Si puede ver el indicador rojo en el lado superior del botón, no estará bloqueado completamente.

Después de instalar el cartucho de batería, cierre la cubierta de la batería firmemente.

**⚠ PRECAUCIÓN:** Instale siempre el cartucho de batería completamente hasta que no pueda verse el indicador rojo. En caso contrario, podrá caerse accidentalmente de la herramienta y ocasionarle heridas a usted o a alguien que esté cerca de usted.

**⚠ PRECAUCIÓN:** No instale el cartucho de batería empleando fuerza. Si el cartucho no se desliza al interior fácilmente, será porque no está siendo insertado correctamente.

## Modo de indicar la capacidad de batería restante

**Solamente para cartuchos de batería con el indicador**

► **Fig.3:** 1. Lámparas indicadoras 2. Botón de comprobación

Presione el botón de comprobación en el cartucho de batería para indicar la capacidad de batería restante. Las lámparas indicadoras se iluminan durante unos pocos segundos.

Lámparas indicadoras			Capacidad restante
Iluminada	Apagada	Parpadeando	
■ ■ ■ ■			75% a 100%
■ ■ ■ □			50% a 75%
■ ■ □ □			25% a 50%
■ □ □ □			0% a 25%
▣ □ □ □			Cargue la batería.
■ ■ □ □			Puede que la batería no esté funcionando bien.
□ □ ■ ■			

**NOTA:** Dependiendo de las condiciones de utilización y de la temperatura ambiente, la indicación podrá variar ligeramente de la capacidad real.

## Sistema de protección de la herramienta / batería

La herramienta está equipada con un sistema de protección de la herramienta/batería. Este sistema corta automáticamente la alimentación al motor para alargar la vida de servicio de la herramienta y la batería. La herramienta se detendrá automáticamente durante la operación si la herramienta o la batería es puesta en una de las condiciones siguientes:

### Protección contra sobrecarga

Cuando la herramienta o la batería sea operada de manera que le haga absorber una corriente anormalmente alta, la herramienta se detendrá automáticamente sin ninguna indicación. En esta situación, apague la herramienta y detenga la tarea que ocasiona la sobrecarga de la herramienta. Después encienda la herramienta para volver a empezar.

### Protección contra el recalentamiento

Cuando la herramienta o la batería se recalienta, la herramienta se detiene automáticamente. En este caso, deje que la herramienta y la batería se enfríen antes de encender la herramienta otra vez.

### Protección contra descarga excesiva


Cuando la capacidad de batería no es suficiente, la herramienta se detiene automáticamente. En este caso, retire la batería de la herramienta y cargue la batería.

## Accionamiento del interruptor

**⚠ PRECAUCIÓN:** Antes de insertar el cartucho de batería en la herramienta, compruebe siempre para cerciorarse de que el gatillo interruptor se acciona debidamente y que vuelve a la posición “OFF” cuando lo suelta.



**⚠ PRECAUCIÓN:** El interruptor puede ser bloqueado en la posición “Encendida” para mayor comodidad del operario durante una utilización prolongada. Tenga precaución cuando bloquee la herramienta en la posición “Encendida” y mantenga la herramienta firmemente empuñada.

**⚠ PRECAUCIÓN:** No instale el cartucho de batería con el botón de bloqueo accionado.

**⚠ PRECAUCIÓN:** Cuando no esté utilizando la herramienta, presione hacia dentro el botón de bloqueo del gatillo desde el lado  para bloquear el gatillo interruptor en la posición apagada.

► Fig.4: 1. Botón de bloqueo del gatillo

► Fig.5: 1. Gatillo interruptor 2. Botón de bloqueo 3. Botón de bloqueo del gatillo

Para evitar que el gatillo interruptor pueda ser apretado accidentalmente, se ha provisto el botón de bloqueo del gatillo. Para poner en marcha la herramienta, presione hacia dentro el botón de bloqueo del gatillo desde el lado A () y apriete el gatillo interruptor. La velocidad de la herramienta incrementa aumentando la presión en el gatillo interruptor. Suelte el gatillo interruptor para parar. Después de la utilización, presione hacia dentro el botón de bloqueo del gatillo desde el lado B ()

Para operación continua, presione hacia dentro el botón de bloqueo mientras aprieta el gatillo interruptor, y después suelte el gatillo interruptor. Para parar la herramienta, apriete el gatillo interruptor completamente, después suéltelo.

## Cambio de velocidad

**AVISO:** Utilice el pomo de cambio de velocidad solamente después de que la herramienta se haya parado completamente. Si cambia la velocidad de la herramienta antes de que la herramienta se haya parado la herramienta se podrá dañar.

**AVISO:** Ponga siempre el pomo de cambio de velocidad con cuidado en la posición correcta. Si utiliza la herramienta con el pomo de cambio de velocidad puesto a mitad entre la posición 1 y la posición 2, la herramienta se podrá dañar.

**AVISO:** Si la velocidad de giro se reduce significativamente durante la operación en modo de velocidad alta, detenga la herramienta y cambie el modo al modo de velocidad baja. De lo contrario, el motor se podrá sobrecargar y ocasionar un mal funcionamiento o un incendio.

Con el pomo de cambio de velocidad se pueden seleccionar dos gamas de velocidades.

Para cambiar la velocidad, gire el pomo de cambio de velocidad de manera que el puntero apunte a la posición 1 para velocidad baja o a la posición 2 para velocidad alta.

► Fig.6: 1. Puntero 2. Pomo de cambio de velocidad

## Función de prevención de reinicio de puesta en marcha accidental

Si instala el cartucho de batería mientras aprieta el gatillo interruptor o bloquea el gatillo interruptor, la herramienta no se pondrá en marcha. Para poner en marcha la herramienta, suelte el gatillo interruptor, y después apriete el gatillo interruptor.

## Función electrónica

La herramienta está equipada con funciones electrónicas para facilitar su funcionamiento.

- Inicio suave  
La función de inicio suave minimiza el impacto durante el arranque para que la herramienta se inicie sin sobresaltos.

## MONTAJE

**⚠ PRECAUCIÓN:** Asegúrese siempre de que la herramienta está apagada y el cartucho de batería retirado antes de realizar cualquier trabajo en la herramienta.

## Instalación de la cubierta frontal y la empuñadura lateral

**⚠ PRECAUCIÓN:** Apriete la empuñadura lateral firmemente. De lo contrario, la cubierta frontal podrá caerse y ocasionar heridas.

► Fig.7: 1. Cubierta frontal 2. Empuñadura lateral

Coloque la cubierta frontal en la herramienta y rosque la empuñadura lateral en la herramienta firmemente. La empuñadura lateral se puede instalar en cualquiera de los lados de la herramienta.

## Instalación del eje

### Accesorio opcional

#### Para DUT130

1. Apriete el eje en el soporte del eje.

► Fig.8: 1. Eje 2. Soporte del eje

2. Apriete el eje con la llave de mientras sujeta el soporte del eje con otra llave de.

► Fig.9: 1. Eje 2. Soporte del eje

#### Para DUT131

1. Inserte el eje a fondo en el mandril.

► Fig.10: 1. Eje 2. Mandril

2. Apriete el mandril a mano, y después coloque la llave de mandril en cada uno de los tres agujeros y apriételo girando hacia la derecha. Asegúrese de apretar con la llave de mandril en los tres agujeros uniformemente.

► Fig.11: 1. Llave de mandril 2. Mandril

Para retirar el eje, gire la llave de mandril hacia la izquierda en uno de los agujeros, y después afloje el mandril a mano.

## Instalación del disco mezclador

### Accesorio opcional

Coloque el disco mezclador en la parte superior del eje, y después sujételo con el perno de cabeza hexagonal.

- **Fig.12:** 1. Disco mezclador 2. Eje 3. Perno de cabeza hexagonal

**AVISO:** Asegúrese de colocar el disco mezclador con la marca "UP" orientada hacia la herramienta.

- **Fig.13:** 1. Marca

## Gancho

### Accesorio opcional

**⚠PRECAUCIÓN:** Retire siempre la batería cuando cuelgue la herramienta con el gancho.

**⚠PRECAUCIÓN:** No cuelgue nunca la herramienta en un lugar alto o en una superficie potencialmente inestable.

- **Fig.14:** 1. Ranura 2. Gancho 3. Tornillo

El gancho resulta útil para colgar la herramienta temporalmente. Se puede instalar en cualquiera de los lados de la herramienta.

Para instalar el gancho, insértelo en una ranura de cualquiera de los lados de la carcasa de la herramienta y después sujételo con un tornillo. Para retirarlo, afloje el tornillo y después sáquelo.

## Instalación o desmontaje del soporte del eje

### Accesorio opcional

Para DUT131

1. Inserte la llave hexagonal en el mandril, y después afloje el mandril con la llave hexagonal mientras sujeta el eje de la herramienta con la llave.

- **Fig.15:** 1. Llave hexagonal 2. Mandril 3. Llave

2. Apriete el soporte del eje con una llave de mientras sujeta el eje de la herramienta con otra llave de.

- **Fig.16:** 1. Soporte del eje 2. Llave

Para retirar el soporte del eje, realice el procedimiento de instalación a la inversa.

## OPERACIÓN

**⚠PRECAUCIÓN:** No mezcle materiales inflamables ni utilice la herramienta alrededor de materiales inflamables como pintura con diluyente utilizado como disolvente. En caso contrario podrá ocasionar heridas.

**⚠PRECAUCIÓN:** No mezcle materiales de alta viscosidad, como mortero o adhesivo, en el modo de velocidad alta. Podrá perder el control de la herramienta y ocasionar heridas.

**AVISO:** Cuando mezcle el material mientras el disco mezclador esté flotando fuera del material, tenga cuidado de no salpicar el material.

1. Seleccione velocidad alta o velocidad baja de acuerdo con el material que se va a mezclar.
2. Sujete firmemente el mango trasero de la herramienta con una mano y la empuñadura con la otra mano, coloque el disco mezclador completamente debajo del material y encienda la herramienta después de cerciorarse de la seguridad del lugar de trabajo.
3. Mueva el disco mezclador hacia arriba y hacia abajo durante la operación de mezclar de manera que se pueda mezclar todo el material.
4. Cuando termine de mezclar, apague la herramienta, asegúrese de que el disco mezclador se ha detenido completamente, y después extráigalo del recipiente de mezcla.

## MANTENIMIENTO

**⚠PRECAUCIÓN:** Asegúrese siempre de que la herramienta está apagada y de que el cartucho de batería está retirado antes de intentar hacer una inspección o mantenimiento.

**AVISO:** No utilice nunca gasolina, bencina, disolvente, alcohol o similares. Podría producir descoloración, deformación o grietas.

Para mantener la SEGURIDAD y FIABILIDAD del producto, las reparaciones, y cualquier otra tarea de mantenimiento o ajuste deberán ser realizadas en centros de servicio o de fábrica autorizados por Makita, empleando siempre repuestos Makita.

## ACCESORIOS OPCIONALES

**⚠PRECAUCIÓN:** Estos accesorios o aditamentos están recomendados para su uso con la herramienta Makita especificada en este manual. El uso de cualquier otro accesorio o aditamento puede suponer un riesgo de heridas personales. Utilice el accesorio o aditamento solamente con la finalidad indicada para el mismo.

Si necesita cualquier ayuda para más detalles en relación con estos accesorios, pregunte al centro de servicio Makita local.

- Disco mezclador
- Eje
- Soporte del eje
- Gancho
- Batería y cargador genuinos de Makita

**NOTA:** Algunos elementos de la lista podrán estar incluidos en el paquete de la herramienta como accesorios estándar. Pueden variar de un país a otro.



## ESPECIFICAÇÕES

Modelo:		DUT130	DUT131
Velocidade sem carga	Alta velocidade	0 - 1.300 min <sup>-1</sup>	
	Baixa velocidade	0 - 350 min <sup>-1</sup>	
Diâmetro máximo da lâmina de mistura		165 mm	
Comprimento total (sem eixo e lâmina de mistura)		320 mm	307 mm
Tensão nominal		C.C. 18 V	
Peso líquido		2,5 - 2,8 kg	2,7 - 3,0 kg

- Devido a um programa contínuo de pesquisa e desenvolvimento, estas especificações estão sujeitas a alteração sem aviso prévio.
- As especificações e a bateria podem variar de país para país.
- O peso poderá diferir em função do acessório(s), incluindo a bateria. A combinação mais leve e mais pesada, de acordo com o Procedimento EPTA 01/2014, é apresentada na tabela.

## Bateria e carregador aplicável

Bateria	BL1815N / BL1820 / BL1820B / BL1830 / BL1830B / BL1840 / BL1840B / BL1850 / BL1850B / BL1860B
Carregador	DC18RC / DC18RD / DC18RE / DC18SD / DC18SE / DC18SF

- Algumas das baterias e carregadores listados acima poderão não estar disponíveis, dependendo da sua região de residência.

**AVISO:** Utilize apenas as baterias e carregadores listados acima. A utilização de quaisquer outras baterias e carregadores pode causar ferimentos e/ou um incêndio.

## Símbolos

A seguir são apresentados os símbolos utilizados para o equipamento. Certifique-se de que compreende o seu significado antes de utilizar o equipamento.



Leia o manual de instruções.



Não utilize a ferramenta à chuva.



Não limpe a ferramenta com água.



Apenas para países da UE  
 Não elimine equipamentos elétricos ou baterias juntamente com o material residual doméstico!  
 Em cumprimento com as Diretivas Europeias relativas aos resíduos de equipamentos elétricos e eletrónicos e pilhas e acumuladores e resíduos de pilhas e acumuladores e a sua implementação de acordo com as leis nacionais, o equipamento elétrico e as baterias e pacote(s) de bateria(s) que atingiram o fim de vida têm de ser recolhidos separadamente e devolvidos a instalações de reciclagem compatíveis a nível ambiental.

## Utilização a que se destina

A ferramenta destina-se a misturar materiais de parede, etc. (exceto materiais inflamáveis).

## Ruído

A característica do nível de ruído A determinado de acordo com a EN60745-2-1:

**Modelo DUT130**  
 Nível de pressão acústica ( $L_{pA}$ ): 74 dB (A)  
 Variabilidade (K): 3 dB (A)

**Modelo DUT131**  
 Nível de pressão acústica ( $L_{pA}$ ): 74 dB (A)  
 Variabilidade (K): 3 dB (A)

O nível de ruído durante o funcionamento pode exceder 80 dB (A).

**NOTA:** O(s) valor(es) da emissão de ruído indicado(s) foi medido de acordo com um método de teste padrão e pode ser utilizado para comparar duas ferramentas.

**NOTA:** O(s) valor(es) da emissão de ruído indicado(s) pode também ser utilizado na avaliação preliminar da exposição.

**⚠️ AVISO:** Utilize protetores auriculares.

**⚠️ AVISO:** A emissão de ruído durante a utilização real da ferramenta elétrica pode diferir do(s) valor(es) indicado(s), dependendo das formas como a ferramenta é utilizada, especialmente o tipo de peça de trabalho que é processada.

**⚠️ AVISO:** Certifique-se de identificar as medidas de segurança para proteção do operador que sejam baseadas em uma estimativa de exposição em condições reais de utilização (considerando todas as partes do ciclo de operação, tal como quando a ferramenta está desligada e quando está a funcionar em marcha lenta além do tempo de acionamento).

## Vibração

Valor total da vibração (soma vetorial tri-axial) determinado de acordo com a EN60745-2-1:

### Modelo DUT130

Modo de trabalho: funcionamento sem carga  
Emissão de vibração ( $a_h$ ): 2,5 m/s<sup>2</sup> ou menos  
Variabilidade (K): 1,5 m/s<sup>2</sup>

### Modelo DUT131

Modo de trabalho: funcionamento sem carga  
Emissão de vibração ( $a_h$ ): 2,5 m/s<sup>2</sup> ou menos  
Variabilidade (K): 1,5 m/s<sup>2</sup>

**NOTA:** O(s) valor(es) total(ais) de vibração indicado(s) foi medido de acordo com um método de teste padrão e pode ser utilizado para comparar duas ferramentas.

**NOTA:** O(s) valor(es) total(ais) de vibração indicado(s) pode também ser utilizado na avaliação preliminar da exposição.

**⚠️ AVISO:** A emissão de vibração durante a utilização real da ferramenta elétrica pode diferir do(s) valor(es) indicado(s), dependendo das formas como a ferramenta é utilizada, especialmente o tipo de peça de trabalho que é processada.

**⚠️ AVISO:** Certifique-se de identificar as medidas de segurança para proteção do operador que sejam baseadas em uma estimativa de exposição em condições reais de utilização (considerando todas as partes do ciclo de operação, tal como quando a ferramenta está desligada e quando está a funcionar em marcha lenta além do tempo de acionamento).

## Declaração de conformidade da CE

### Apenas para os países europeus

A declaração de conformidade da CE está incluída como Anexo A neste manual de instruções.

# AVISOS DE SEGURANÇA

## Avisos gerais de segurança para ferramentas elétricas

**⚠️ AVISO:** Leia todos os avisos de segurança, instruções, ilustrações e especificações fornecidos com esta ferramenta elétrica. O não cumprimento de todas as instruções indicadas em baixo pode resultar em choque elétrico, incêndio e/ou ferimentos graves.

## Guarde todos os avisos e instruções para futuras referências.

O termo “ferramenta elétrica” nos avisos refere-se às ferramentas elétricas ligadas à corrente elétrica (com cabo) ou às ferramentas elétricas operadas por meio de bateria (sem cabo).

## Avisos de segurança do misturador a bateria

- 1. Agarre na ferramenta com as duas mãos nas pegadas previstas.** A perda de controlo pode causar ferimentos pessoais.
- 2. Assegure ventilação suficiente quando misturar materiais inflamáveis para evitar uma atmosfera perigosa.** O vapor produzido pode ser inalado ou provocar a ignição através das faíscas que a ferramenta elétrica produz.
- 3. Não misture alimentos.** As ferramentas elétricas e os respetivos acessórios não são adequados para processar alimentos.
- 4. Certifique-se de que o recipiente de mistura está colocado numa posição firme e segura.** Um recipiente que não esteja devidamente seguro pode mover-se inesperadamente.
- 5. Siga as instruções e avisos para o material a misturar.** O material a misturar pode ser nocivo.
- 6. Não tente alcançar o recipiente de mistura com as mãos ou insira quaisquer outros objetos neste durante a mistura.** O contacto com a lâmina do misturador pode resultar em ferimentos pessoais graves.
- 7. Efetue o arranque da ferramenta e pare a ferramenta apenas no recipiente de mistura.** A lâmina do misturador pode dobrar ou girar de forma descontrolada.
- 8. Assegure que não ocorre o salpico de líquido contra o compartimento da ferramenta elétrica.** O líquido que tenha penetrado na ferramenta elétrica pode causar danos na ferramenta.
- 9. Utilize pegadas auxiliares, se fornecidas com a ferramenta.** A perda de controlo pode causar ferimentos pessoais.
- 10. Segure a ferramenta elétrica através das superfícies isoladas quando executar uma operação na qual o acessório de corte possa estabelecer contacto com os fios ocultos.** O acessório de corte que estabeleça contacto com um fio sob tensão pode colocar as peças metálicas expostas da ferramenta elétrica sob tensão e pode provocar choque elétrico no operador.

11. **Assegure sempre uma posição firme. Certifique-se de que ninguém se encontra sob locais elevados quando utiliza a ferramenta nestes locais.**
12. **Segure a ferramenta com firmeza.**
13. **Mantenha as mãos afastadas de peças rotativas.**
14. **Não deixe a ferramenta a funcionar. Opere a ferramenta apenas quando estiver a segurar nesta.**
15. **Alguns materiais contêm produtos químicos que podem ser tóxicos. Tenha cuidado para evitar a inalação de poeira e o contacto com a pele. Respeite os avisos de segurança do fornecedor do material.**
16. **Quando executar a operação de mistura, coloque o recipiente de mistura numa superfície plana e estável.**
9. **Não utilize uma bateria danificada.**
10. **As baterias de iões de lítio contidas na ferramenta são sujeitas aos requisitos da DGL (Dangerous Goods Legislation - Legislação de bens perigosos).**  
Para o transporte comercial, por exemplo, por terceiros ou agentes de expedição, têm de ser observados os requisitos referentes à embalagem e etiquetagem.  
Para preparação do artigo a ser expedido, é necessário consultar um perito em materiais perigosos. Tenha ainda em conta a possibilidade de existirem regulamentos nacionais mais detalhados.  
Coloque fita-cola ou tape os contactos abertos e embale a bateria de tal forma que não possa mover-se dentro da embalagem.
11. **Siga os regulamentos locais relacionados com a eliminação de baterias.**
12. **Utilize as baterias apenas com os produtos especificados pela Makita.** Instalar as baterias em produtos não-conformes poderá resultar num incêndio, calor excessivo, explosão ou fuga de eletrólito.

## GUARDE ESTAS INSTRUÇÕES.

**⚠AVISO:** NÃO permita que o conforto ou familiaridade com o produto (adquirido com o uso repetido) substitua o cumprimento estrito das regras de segurança da ferramenta. A MÁ INTERPRETAÇÃO ou o não seguimento das regras de segurança estabelecidas neste manual de instruções pode provocar ferimentos pessoais graves.

### Instruções de segurança importantes para a bateria

1. **Antes de utilizar a bateria, leia todas as instruções e etiquetas de precaução no (1) carregador de bateria (2) bateria e (3) produto que utiliza a bateria.**
2. **Não abra a bateria.**
3. **Se o tempo de funcionamento se tornar excessivamente curto, pare o funcionamento imediatamente. Pode resultar em sobreaquecimento, possíveis queimaduras e mesmo explosão.**
4. **Se entrar eletrólito nos seus olhos, lave-os com água e consulte imediatamente um médico. Pode resultar em perda de visão.**
5. **Não coloque a bateria em curto-circuito:**
  - (1) **Não toque nos terminais com qualquer material condutor.**
  - (2) **Evite guardar a bateria juntamente com outros objetos metálicos tais como pregos, moedas, etc.**
  - (3) **Não exponha a bateria à água ou chuva. Um curto-circuito pode ocasionar um enorme fluxo de corrente, sobreaquecimento, possíveis queimaduras e mesmo estragar-se.**
6. **Não guarde a ferramenta e a bateria em locais onde a temperatura pode atingir ou exceder 50°C.**
7. **Não queime a bateria mesmo que esteja estragada ou completamente gasta. A bateria pode explodir no fogo.**
8. **Tenha cuidado para não deixar cair ou dar pancadas na bateria.**

## GUARDE ESTAS INSTRUÇÕES.

**⚠PRECAUÇÃO:** Utilize apenas baterias genuínas da Makita. A utilização de baterias não genuínas da Makita ou de baterias que foram alteradas, pode resultar no rebentamento da bateria provocando incêndios, ferimentos pessoais e danos. Além disso, anulará a garantia da Makita no que se refere à ferramenta e ao carregador Makita.

## Conselhos para manter a máxima vida útil da bateria

1. **Carregue a bateria antes que esteja completamente descarregada. Pare sempre o funcionamento da ferramenta e carregue a bateria quando notar menos poder na ferramenta.**
2. **Nunca carregue uma bateria completamente carregada. Carregamento excessivo diminui a vida útil da bateria.**
3. **Carregue a bateria à temperatura ambiente de 10°C – 40°C. Deixe que uma bateria quente arrefeça antes de a carregar.**
4. **Carregue a bateria se não a utilizar durante um longo período de tempo (mais de seis meses).**

# DESCRIÇÃO FUNCIONAL

**⚠️ PRECAUÇÃO:** Certifique-se sempre de que a ferramenta está desligada e a bateria foi retirada antes de regular ou verificar qualquer função na ferramenta.

## Instalação ou remoção da bateria

**⚠️ PRECAUÇÃO:** Desligue sempre a ferramenta antes de colocar ou retirar a bateria.

**⚠️ PRECAUÇÃO:** Segure firmemente a ferramenta e a bateria quando instalar ou remover a bateria. Se não segurar firmemente a ferramenta e a bateria pode fazer com que escorreguem das suas mãos resultando em danos na ferramenta e na bateria e ferimentos pessoais.

**⚠️ PRECAUÇÃO:** Não utilize esta ferramenta com o adaptador da bateria. Se ligar o adaptador da bateria à ferramenta, a tampa da bateria não pode ser fechada e utilizar a ferramenta com a tampa da bateria aberta pode causar lesão.

Abra a tampa da bateria enquanto pressiona o botão na tampa da bateria.

► **Fig.1:** 1. Botão 2. Tampa da bateria

Para retirar a bateria, deslize-a para fora da ferramenta enquanto desliza o botão na frente da bateria.

► **Fig.2:** 1. Indicador vermelho 2. Botão 3. Bateria

Para instalar a bateria, alinhe a lingueta da bateria com a ranhura no compartimento e deslize-a no lugar. Empurre-a até o fim para que a mesma encaixe no lugar com um clique. Se puder ver a parte vermelha no lado superior do botão, significa que não está completamente bloqueada.

Fechada a tampa da bateria em segurança após instalar a bateria.

**⚠️ PRECAUÇÃO:** Instale sempre a bateria até ao fim, até deixar de ver o indicador vermelho.

Caso contrário, a bateria poderá cair da ferramenta acidentalmente e provocar ferimentos em si mesmo ou em alguém próximo.















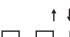


**⚠️ PRECAUÇÃO:** Não instale a bateria à força. Se a bateria não deslizar facilmente é porque não foi colocada corretamente.

## Indicação da capacidade restante da bateria

*Apenas para baterias com indicador*

► **Fig.3:** 1. Luzes indicadoras 2. Botão de verificação

Prima o botão de verificação na bateria para indicar a capacidade restante da bateria. As luzes indicadoras acendem durante alguns segundos.

Luzes indicadoras			Capacidade restante
 Aceso	 Apagado	 A piscar	
			75% a 100%
			50% a 75%
			25% a 50%
			0% a 25%
			Carregar a bateria.
			A bateria pode estar avariada.
			

**NOTA:** Dependendo das condições de utilização e da temperatura ambiente, a indicação pode ser ligeiramente diferente da capacidade real.

## Sistema de proteção da ferramenta/bateria

A ferramenta está equipada com um sistema de proteção da ferramenta/bateria. Este sistema corta automaticamente a corrente para o motor para aumentar a vida da ferramenta e da bateria. A ferramenta para automaticamente durante o funcionamento se a ferramenta ou bateria for colocada mediante uma das seguintes condições:

### Proteção contra sobrecarga

Quando a ferramenta ou a bateria é operada de tal forma que a faça retirar uma corrente anormalmente alta, a ferramenta para automaticamente sem qualquer indicação. Nesta situação, desligue a ferramenta e pare a aplicação que fez com que a ferramenta ficasse sobrecarregada. Depois, ligue a ferramenta para reiniciar.

### Proteção contra sobreaquecimento

Quando a ferramenta ou a bateria estiver sobreaquecida, a ferramenta para automaticamente. Nesta situação, deixe a ferramenta e a bateria arrefecerem antes de voltar a ligar a ferramenta.

### Proteção contra descarga excessiva


Quando a capacidade da bateria não é suficiente, a ferramenta para automaticamente. Neste caso, retire a bateria da ferramenta e carregue-a.

## Ação do interruptor

**⚠️ PRECAUÇÃO:** Antes de colocar a bateria na ferramenta, verifique sempre se o gatilho do interruptor funciona corretamente e volta para a posição “OFF” quando libertado.



**⚠️ PRECAUÇÃO:** O interruptor pode ser bloqueado na posição de ligado para facilidade e conforto do utilizador durante uma utilização alargada. Tenha todo o cuidado quando bloquear a ferramenta na posição de ligado e mantenha a ferramenta firmemente segura em posição.

**⚠️ PRECAUÇÃO:** Não instale a bateria com o botão de bloqueio engatado.

**⚠️ PRECAUÇÃO:** Quando não está a utilizar a ferramenta, prima o botão de bloqueio do gatilho  na parte lateral para bloquear o gatilho do interruptor na posição desligado.

► Fig.4: 1. Botão de bloqueio do gatilho

► Fig.5: 1. Gatilho 2. Botão de bloqueio 3. Botão de bloqueio do gatilho

Para evitar que o gatilho do interruptor seja puxado acidentalmente, existe um botão de bloqueio do gatilho. Para iniciar a ferramenta, prima o botão de bloqueio do gatilho no lado A () e puxe o gatilho do interruptor. A velocidade da ferramenta aumenta à medida que se vai aumentando a pressão no gatilho do interruptor. Solte o gatilho para parar. Após a utilização, prima o botão de bloqueio do gatilho no lado B ()

Para uma operação contínua, prima o botão de bloqueio enquanto puxa o gatilho do interruptor e, depois, solte o gatilho do interruptor. Para parar a ferramenta, puxe o gatilho do interruptor até ao fim, soltando-o em seguida.

## Mudança de velocidade

**OBSERVAÇÃO:** Utilize o botão de mudança de velocidade apenas após a paragem completa da ferramenta. Se mudar a velocidade da ferramenta antes de a ferramenta parar pode danificar a ferramenta.

**OBSERVAÇÃO:** Regule sempre o botão de mudança de velocidade cuidadosamente para a posição correta. Se operar a ferramenta com o botão de mudança de velocidade posicionado a meio entre a posição 1 e a posição 2, a ferramenta pode ficar danificada.

**OBSERVAÇÃO:** Se a velocidade de rotação diminuir significativamente durante o funcionamento no modo de alta velocidade, pare a ferramenta e altere o modo para o modo de baixa velocidade. Caso contrário, o motor pode ficar sobrecarregado e causar uma anomalia ou incêndio.

É possível pré-selecionar duas gamas de velocidade com o botão de mudança de velocidade.

Para alterar a velocidade, rode o botão de mudança de velocidade, de modo que o indicador aponte para a posição 1 para baixa velocidade ou a posição 2 para alta velocidade.

► Fig.6: 1. Indicador 2. Botão de mudança de velocidade

## Função de prevenção de reinício acidental

Se instalar a bateria e, ao mesmo tempo puxar ou bloquear o gatilho do interruptor, a ferramenta não efetua o arranque. Para iniciar a ferramenta, solte o gatilho do interruptor e, em seguida, puxe o gatilho do interruptor.

## Função eletrónica

A ferramenta está equipada com as funções eletrónicas para fácil operação.

- Arranque suave  
A função de arranque suave minimiza o choque do arranque e torna o arranque da ferramenta suave.

## MONTAGEM

**⚠️ PRECAUÇÃO:** Certifique-se sempre de que a ferramenta está desligada e a bateria retirada antes de executar qualquer trabalho na ferramenta.

## Instalar a tampa frontal e o punho lateral

**⚠️ PRECAUÇÃO:** Aperte o punho lateral firmemente. Caso contrário, a tampa frontal pode cair e causar uma lesão.

► Fig.7: 1. Tampa frontal 2. Punho lateral

Prenda a tampa frontal à ferramenta e aparafuse o punho lateral na ferramenta em segurança. O punho lateral pode ser instalado num dos dois lados da ferramenta.

## Instalar o eixo

### Accessório opcional

#### Para DUT130

1. Aperte o eixo no suporte do eixo.

► Fig.8: 1. Eixo 2. Suporte do eixo

2. Aperte o eixo com a chave enquanto segura o suporte do eixo com outra chave.

► Fig.9: 1. Eixo 2. Suporte do eixo

#### Para DUT131

1. Insira o eixo no mandril até ao fim.

► Fig.10: 1. Eixo 2. Mandril

2. Aperte o mandril manualmente e coloque a chave do mandril em cada um dos três orifícios e aperte-a para a direita. Assegure que aperta a chave do mandril nos três orifícios uniformemente.

► Fig.11: 1. Chave do mandril 2. Mandril

Para remover o eixo, rode a chave do mandril para a esquerda num dos orifícios e depois solte o mandril à mão.

## Instalar a lâmina de mistura

### Acessório opcional

Prenda a lâmina de mistura na parte superior do eixo e depois prenda-a com o perno hexagonal.

► **Fig.12:** 1. Lâmina de mistura 2. Eixo 3. Perno hexagonal

**OBSERVAÇÃO:** Certifique-se de que prende a lâmina de mistura com a marca “UP” (para cima) virada para a ferramenta.

► **Fig.13:** 1. Marca

## Gancho

### Acessório opcional

**⚠PRECAUÇÃO:** Remova sempre a bateria quando pendurar a ferramenta com o gancho.

**⚠PRECAUÇÃO:** Nunca enganche a ferramenta num local alto ou numa superfície potencialmente instável.

► **Fig.14:** 1. Ranhura 2. Gancho 3. Parafuso

O gancho é conveniente para pendurar a ferramenta temporariamente. Este pode ser instalado em ambos os lados da ferramenta.

Para instalar o gancho, insira-o numa ranhura no compartimento da ferramenta em qualquer um dos lados e fixe-o com um parafuso. Para removê-lo, solte o parafuso e, de seguida, remova-o.

## Instalar ou remover o suporte do eixo

### Acessório opcional

#### Para DUT131

1. Insira a chave hexagonal no mandril e, em seguida, solte o mandril com a chave hexagonal enquanto segura no eixo da ferramenta com a chave.

► **Fig.15:** 1. Chave hexagonal 2. Mandril 3. Chave

2. Aperte a suporte do eixo com uma chave enquanto segura o eixo com outra chave.

► **Fig.16:** 1. Suporte do eixo 2. Chave

Para remover o suporte do eixo, execute o procedimento de instalação pela ordem inversa.

## OPERAÇÃO

**⚠PRECAUÇÃO:** Não misture materiais inflamáveis ou opere a ferramenta em redor de materiais inflamáveis, tais como tinta com diluente utilizado como solvente. Caso contrário, pode causar uma lesão.

**⚠PRECAUÇÃO:** Não misture material de alta viscosidade, tal como argamassa ou adesivo no modo de alta velocidade. Pode perder o controlo da ferramenta e provocar ferimentos.

**OBSERVAÇÃO:** Quando misturar o material enquanto a lâmina de mistura estiver a flutuar fora do material, tenha cuidado para não salpicar o material.

1. Selecione alta velocidade ou baixa velocidade de acordo com o material a misturar.
2. Segure a pega traseira da ferramenta com uma mão e o punho com a outra mão firmemente, coloque a lâmina de mistura totalmente sob o material e ligue a ferramenta após assegurar a segurança do local de trabalho.
3. Mova a lâmina de mistura para cima e para baixo durante a operação de mistura para que toda a parte do material possa ser misturada.
4. Quando concluir a mistura, desligue a ferramenta, assegure que a lâmina de mistura parou completamente e retire-a do recipiente de mistura.

## MANUTENÇÃO

**⚠PRECAUÇÃO:** Certifique-se sempre de que a ferramenta se encontra desligada e de que a bateria foi retirada antes de executar qualquer inspeção ou manutenção.

**OBSERVAÇÃO:** Nunca utilize gasolina, benzina, diluente, álcool ou produtos semelhantes. Pode ocorrer a descoloração, deformação ou rachaduras.

Para manter a SEGURANÇA e a FIABILIDADE do produto, as reparações e qualquer outra manutenção ou ajuste devem ser levados a cabo pelos centros de assistência Makita autorizados ou pelos centros de assistência de fábrica, utilizando sempre peças de substituição Makita.

## ACESSÓRIOS OPCIONAIS

**⚠PRECAUÇÃO:** Estes acessórios ou peças são recomendados para utilização com a ferramenta Makita especificada neste manual. A utilização de outros acessórios ou peças pode ser perigosa para as pessoas. Utilize apenas acessórios ou peças para os fins indicados.

Se necessitar de informações adicionais relativas a estes acessórios, solicite-as ao seu centro de assistência Makita.

- Lâmina de mistura
- Eixo
- Suporte do eixo
- Gancho
- Bateria e carregador genuínos da Makita

**NOTA:** Alguns itens da lista podem estar incluídos na embalagem da ferramenta como acessórios padrão. Eles podem variar de país para país.

## SPECIFIKATIONER

Model:		DUT130	DUT131
Hastighed uden belastning	Høj hastighed	0 - 1.300 min <sup>-1</sup>	
	Lav hastighed	0 - 350 min <sup>-1</sup>	
Maks. diameter af blanderblad		165 mm	
Samlet længde (uden aksel og blanderblad)		320 mm	307 mm
Mærkespænding		18 V DC	
Nettovægt		2,5 - 2,8 kg	2,7 - 3,0 kg

- På grund af vores kontinuerlige forsknings- og udviklingsprogrammer kan hosstående specifikationer blive ændret uden varsel.
- Specifikationer og akku kan variere fra land til land.
- Vægten kan være anderledes afhængigt af tilbehøret, inklusive akkuen. Den letteste og tungeste kombination i henhold til EPTA-procedure 01/2014 er vist i tabellen.

## Anvendelig akku og oplader





Akku	BL1815N / BL1820 / BL1820B / BL1830 / BL1830B / BL1840 / BL1840B / BL1850 / BL1850B / BL1860B
Oplader	DC18RC / DC18RD / DC18RE / DC18SD / DC18SE / DC18SF

- Nogle af de akkuer og opladere, der er angivet ovenfor, er muligvis ikke tilgængelige, afhængigt af hvilket område du bor i.

**⚠ ADVARSEL: Brug kun de akkuer og opladere, der er angivet ovenfor. Brug af andre akkuer og opladere kan medføre personskade og/eller brand.**

## Symboler

Følgende viser de symboler, der anvendes til udstyret. Vær sikker på, at De forstår betydningen af symbolerne før brugen.

	Læs brugsanvisningen.
	Brug ikke maskinen i regnvejr.
	Undlad at rengøre maskinen med vand.
	Kun for lande inden for EU Bortskaf ikke elektrisk udstyr eller akkuen sammen med almindeligt husholdningsaffald! I overensstemmelse med EU-direktiverne vedrørende Affald af elektrisk og elektronisk udstyr samt Batterier og akkumulatorer og Batteri- og akkumulatoraffald og deres anvendelse i overensstemmelse med nationale love skal elektrisk udstyr og batterier og batteripakker, der har nået slutningen af deres levetid, indsamles separat og returneres til en miljøvenlig genbrugsstation.

## Tilsigtet anvendelse

Maskinen er beregnet til at blande vægmateriale osv. (undtagen brændbare materialer).

## Lyd

Det typiske A-vægtede støjniveau bestemt i overensstemmelse med EN60745-2-1:

### Model DUT130

Lydtrykniveau (L<sub>pA</sub>) : 74 dB (A)

Usikkerhed (K): 3 dB (A)

### Model DUT131

Lydtrykniveau (L<sub>pA</sub>) : 74 dB (A)

Usikkerhed (K): 3 dB (A)

Støjniveauet under arbejdet kan overskride 80 dB (A).

**BEMÆRK:** De(n) angivne støjemissionsværdi(er) er målt i overensstemmelse med en standardtestmetode og kan anvendes til at sammenligne en maskine med en anden.

**BEMÆRK:** De(n) angivne støjemissionsværdi(er) kan også anvendes i en præliminær eksponeringsvurdering.

**⚠ ADVARSEL: Bær høreværn.**

**⚠ ADVARSEL:** Støjemissionen under den faktiske anvendelse af maskinen kan være forskellig fra de(n) angivne værdi(er), afhængigt af den måde hvorpå maskinen anvendes, især den type arbejdsemne der behandles.

**⚠ ADVARSEL:** Sørg for at identificere de sikkerhedsforskrifter til beskyttelse af operatøren, som er baseret på en vurdering af eksponering under de faktiske brugsforhold (med hensyntagen til alle dele i brugscyklussen, f.eks. de gange, hvor maskinen er slukket, og når den kører i tomgang i tilgift til afbrydertiden).

## Vibration

Vibrationens totalværdi (tre-aksial vektorsum) bestemt i overensstemmelse med EN60745-2-1:

### Model DUT130

Arbejdstilstand: brug uden belastning

Vibrationsemission ( $a_v$ ): 2,5 m/s<sup>2</sup> eller mindre

Usikkerhed (K): 1,5 m/s<sup>2</sup>

### Model DUT131

Arbejdstilstand: brug uden belastning

Vibrationsemission ( $a_v$ ): 2,5 m/s<sup>2</sup> eller mindre

Usikkerhed (K): 1,5 m/s<sup>2</sup>

**BEMÆRK:** De(n) angivne totalværdi(er) for vibration er målt i overensstemmelse med standardtestmetode og kan anvendes til at sammenligne en maskine med en anden.

**BEMÆRK:** De(n) angivne totalværdi(er) for vibration kan også anvendes i en præliminær eksponeringsvurdering.

**⚠ ADVARSEL:** Vibrationsemissionen under den faktiske anvendelse af maskinen kan være forskellig fra de(n) angivne værdi(er), afhængigt af den måde hvorpå maskinen anvendes, især den type arbejdsmønstre der behandles.

**⚠ ADVARSEL:** Sørg for at identificere de sikkerhedsforskrifter til beskyttelse af operatøren, som er baseret på en vurdering af eksponering under de faktiske brugsforhold (med hensyntagen til alle dele i brugscyklussen, f.eks. de gange, hvor maskinen er slukket, og når den kører i tomgang i tilgift til afbrydertiden).

## EU-overensstemmelseserklæring

### Kun for lande i Europa

EU-overensstemmelseserklæringen er inkluderet som Bilag A i denne brugsanvisning.

## SIKKERHEDSADVARSLER

### Almindelige sikkerhedsregler for el-værktøj

**⚠ ADVARSEL:** Læs alle de sikkerhedsadvarsler, instruktioner, illustrationer og specifikationer, der følger med denne maskine. Forsømmelse af at overholde alle nedenstående instruktioner kan medføre elektrisk stød, brand og/eller alvorlig personskade.

### Gem alle advarsler og instruktioner til fremtidig reference.

Ordet "el-værktøj" i advarslerne henviser til det netforsynede (netledning) el-værktøj eller batteriforsynede (akku) el-værktøj.

## Sikkerhedsadvarsler for akku blandemaskine

- Hold fast i maskinen med begge hænder på de tilsigtede håndtag.** Hvis herredømmet over maskinen mistes, kan det medføre tilskadekomst.
- Sørg for tilstrækkelig ventilation, når der blandes brændbare materialer, for at undgå dannelse af en farlig atmosfære.** Dampe, der udvikles, kan indåndes eller antændes af de gnister, som maskinen frembringer.
- Brug ikke til at blande fødevarer.** Maskiner og deres tilbehør er ikke beregnet til at behandle fødevarer.
- Sørg for, at blandebeholderen er placeret på fast og stabil overflade.** En beholder, der ikke er sikkert fastgjort, kan flytte sig uventet.
- Følg instruktionerne og advarslerne for materiale, der skal blandes.** Det materiale, der skal blandes, kan være skadeligt.
- Undlad at stikke hænderne ned i blandebeholderen eller at sætte andre genstande i den, mens der blandes.** Kontakt med blanderbladet kan medføre alvorlig personskade.
- Maskinen må kun startes og stoppes i blandebeholderen.** Blanderbladet kan blive bøjet eller rotere på ukontrolleret vis.
- Sørg for, at der ikke sprøjtes væske på maskinens kabinet.** Væske, der trænger ind i maskinen, kan medføre beskadigelse af maskinen.
- Brug hjælpemåtagene, hvis sådanne følger med maskinen.** Hvis herredømmet mistes, kan det medføre personskade.
- Hold maskinen i de isolerede gribeblader, når der udføres et arbejde, hvor skæretilbehøret kan komme i kontakt med skjulte ledninger.** Skærende tilbehør, som kommer i kontakt med en strømførende ledning, kan bevirke, at udsatte metaldele på maskinen bliver strømførende, hvorved operatøren kan få elektrisk stød.
- Sørg altid for, at du har et godt fodfæste. Sørg for, at der ikke befinder sig nogen under dig, når maskinen anvendes på højtliggende steder.**
- Hold godt fast i maskinen.**
- Hold hænderne på afstand af roterende dele.**
- Lad ikke maskinen ligge og køre. Brug kun maskinen, mens du holder fast i den.**
- Nogle materialer indeholder kemikalier, der kan være giftige. Sørg omhyggeligt for at undgå at indånde støv samt kontakt med huden. Følg materialeleverandørens sikkerhedsadvarsler.**
- Når der udføres blandeoperationer, skal blandebeholderen placeres på en flad og stabil overflade.**

### GEM DISSE FORSKRIFTER.

**⚠ ADVARSEL:** LAD IKKE bekvemmelighed eller kendskab til produktet (opnået gennem gentagen brug) forhindre, at sikkerhedsforskrifterne for produktet nøje overholdes. MISBRUG eller forsømmelse af at følge de i denne brugsvejledning givne sikkerhedsforskrifter kan medføre alvorlig personskade.



## Vigtige sikkerhedsinstruktioner for akkuen

1. Læs alle instruktioner og advarselmærkater på (1) akku-opladeren, (2) akkuen og (3) produktet, som anvender akku.
2. Lad være med at skille akkuen ad.
3. Hold straks op med anvendelsen, hvis brugstiden er blevet stærkt afkortet. Fortsat anvendelse kan resultere i risiko for overophedning, forbrændinger og endog eksplosion.
4. Hvis De har fået elektrolytvæske i øjnene, skal De straks skylle den ud med rent vand og derefter øjeblikkeligt søge lægehjælp. I modsat fald kan De miste synet.
5. Vær påpasselig med ikke at komme til at kortslutte akkuen:
  - (1) Rør ikke ved terminalerne med noget ledende materiale.
  - (2) Undgå at opbevare akkuen i en beholder sammen med andre genstande af metal, for eksempel søm, mønter og lignende.
  - (3) Udsæt ikke akkuen for vand eller regn. Kortslutning af akkuen kan forårsage en kraftig øgning af strømmen, overophedning, mulige forbrændinger og endog værktøjstop.
6. Opbevar ikke værktøjet og akkuen på et sted, hvor temperaturen kan nå eller overstige 50 °C.
7. Lad være med at brænde akkuen, selv ikke i tilfælde, hvor den har lidt alvorlig skade eller er fuldstændig udtjent. Akkuen kan eksplodere, hvis man forsøger at brænde den.
8. Lad være med at brænde akkuen eller udsætte den for stød.
9. Anvend ikke en beskadiget akku.
10. De indbyggede litium-ion-batterier er underlagt lovkrav vedrørende farligt gods.

Ved kommerciel transport, f.eks. af tredjeparts transportselskaber, skal særlige krav til forpakning og mærkning overholdes.

Ved forberedelse af udstyret til forsendelse skal du kontakte en ekspert i farligt gods. Overhold også eventuel mere detaljeret national lovgivning.

Tape eller tildæk åbne kontakter, og pak batteriet på en måde, så det ikke kan flytte sig rundt i pakningen.
11. Følg de lokale love vedrørende bortskaffelsen af batterier.
12. Brug kun batterierne med de produkter, som Makita specificerer. Hvis batterierne installeres i ikke-kompatible produkter, kan det medføre brand, kraftig varme, eksplosion eller udsivning af elektrolyt.

## GEM DENNE BRUGSANVISNING.

**⚠FORSIGTIG:** Brug kun originale batterier fra Makita. Brug af uoriginale Makita-batterier, eller batterier som er blevet ændret, kan muligvis medføre brud på batteriet, hvilket kan forårsage brand, personskade eller beskadigelse. Det ugyldiggør også Makita-garantien for Makita-maskinen og opladeren.

## Tips til opnåelse af maksimal akku-levetid

1. Oplad akkuen, inden den er helt afladet. Stop altid værktøjet, og oplad akkuen, hvis De bemærker, at værktøjeffekten er aftagende.
2. Genoplad aldrig en fuldt opladet akku. Overopladning vil afkorte akkuens levetid.
3. Oplad akkuen ved stuetemperatur ved 10 °C - 40 °C. Lad altid en varm akku få tid til at køle af, inden den oplades.
4. Oplad akkuen, hvis De ikke skal bruge den i længere tid (mere end seks måneder).

## FUNKTIONSBESKRIVELSE

**⚠FORSIGTIG:** Sørg altid for at maskinen er slukket, og at akkuen er taget ud, før der udføres justering eller kontrol af funktioner på maskinen.

## Isætning eller fjernelse af akkuen

**⚠FORSIGTIG:** Sluk altid for værktøjet, før De monterer eller fjerner akkuen.

**⚠FORSIGTIG:** Hold værktøjet og akkuen fast ved montering eller fjernelse af akkuen. Hvis De ikke holder værktøjet og akkuen fast, kan de glide ud af hænderne på Dem og forårsage beskadigelse af værktøjet og akkuen eller personskade.

**⚠FORSIGTIG:** Undlad at bruge maskinen sammen med batteriadapteren. Hvis du slutter batteriadapteren til maskinen, kan batteridækslet ikke lukkes, og brug af maskinen, når batteridækslet er åbent, kan medføre personskade.

Åbn batteridækslet, idet der trykkes på knappen på batteridækslet.

► Fig.1: 1. Knap 2. Batteridæksel

Akkuen fjernes ved, at De trækker den ud af værktøjet, idet De skyder knappen på forsiden af akkuen i stilling.

► Fig.2: 1. Rød indikator 2. Knap 3. Akku

Akkuen monteres ved, at De sætter tungen på akkuen ud for noten i kabinettet og lader den glide på plads. Sæt den hele vejen ind, så den låses på plads med et lille klik. Hvis den røde indikator på oversiden af knappen er synlig, betyder det, at den ikke er tilstrækkeligt låst.

Luk batteridækslet forsvarligt efter installation af akkuen.

**⚠FORSIGTIG:** Monter altid akkuen helt, indtil den røde indikator ikke længere er synlig. Hvis dette ikke gøres, kan den falde ud af værktøjet ved et uheld, hvorved De selv eller personer i nærheden kan komme til skade.











**⚠FORSIGTIG:** Brug ikke magt ved montering af akkuen. Hvis akkuen ikke glider på plads uden problemer, betyder det, at den ikke sættes i på korrekt vis.

## Indikation af den resterende batteriladning

**Kun til akkuer med indikatoren**

► **Fig.3:** 1. Indikatorlamper 2. Kontrolknop

Tryk på kontrolknappen på akkuen for at få vist den resterende batteriladning. Indikatorlampen lyser i nogle sekunder.

Indikatorlamper			Resterende ladning
 Tændt	 Slukket	 Blinker	
			75% til 100%
			50% til 75%
			25% til 50%
			0% til 25%
			Genoplad batteriet.
 ↑ ↓ 			Der er muligvis fejl i batteriet.

**BEMÆRK:** Afhængigt af brugsforholdene og den omgivende temperatur kan indikationen afvige en smule fra den faktiske ladning.

## Beskyttelsessystem til værktøj/batteri

Maskinen er udstyret med et beskyttelsessystem til maskinen/batteriet. Dette system afbryder automatisk strømmen til motoren for at forlænge maskinens og batteriets levetid. Maskinen stopper automatisk under brugen, hvis maskinen eller batteriet udsættes for et af følgende forhold:

### Overbelastningsbeskyttelse

Hvis maskinen eller batteriet bruges på en måde, der får den/det til at trække en unormalt høj strøm, stopper maskinen automatisk uden indikation. Sluk i så fald for maskinen, og ophør med den anvendelse, som medførte, at maskinen blev overbelastet. Tænd derefter for maskinen for at starte den igen.

### Beskyttelse mod overophedning

Hvis maskinen eller batteriet bliver overophedet, stopper maskinen automatisk. Lad i så fald maskinen og batteriet køle ned, før der tændes for maskinen igen.

### Beskyttelse mod overafledning

Når batteriladningen er utilstrækkelig, stopper maskinen automatisk. Tag i så fald akkuen ud af maskinen, og oplad akkuen.

## Afbryderbetjening

**⚠FORSIGTIG:** Inden akkuen sættes i maskinen, bør De altid kontrollere, at afbryderknappen fungerer korrekt, og returnerer til "OFF"-positionen, når den slippes.

**⚠FORSIGTIG:** Kontakten kan låses i "ON"-stillingen for at gøre det nemmere for brugeren ved længere tids brug af maskinen. Vær forsigtig, når maskinen låses i "ON"-stillingen, og hold godt fast i maskinen.

**⚠FORSIGTIG:** Undlad at montere akkuen med låseknappen aktiveret.

**⚠FORSIGTIG:** Når maskinen ikke er i brug, skal du trykke på afbryderlåseknappen fra A-siden for at låse afbryderknappen fast i FRA-stillingen.

► **Fig.4:** 1. Afbryderlåseknop

► **Fig.5:** 1. Afbryderknop 2. Låseknop 3. Afbryderlåseknop

En afbryderlåseknop forhindrer, at der trykkes på afbryderlåseknappen ved et uheld. Maskinen startes ved at trykke på afbryderlåseknappen ind fra A-siden (1) og trykke på afbryderknappen. Maskinens hastighed øges ved at øge trykket på afbryderknappen. Slip afbryderknappen for at stoppe. Tryk på afbryderlåseknappen ind fra B-siden (2) efter brug.

For kontinuerlig brug skal du trykke låseknappen ind, idet der trykkes på afbryderknappen, og derefter slippe afbryderknappen. For at stoppe maskinen skal du trykke afbryderknappen helt ind og derefter slippe den.

## Skift af hastighed

**BEMÆRKNING:** Brug kun hastighedsvælgerknappen, efter at maskinen er stoppet helt. Hvis maskinens hastighed ændres, før maskinen er stoppet, kan det beskadige maskinen.

**BEMÆRKNING:** Sæt altid omhyggeligt hastighedsvælgerknappen i den korrekte position. Hvis maskinen anvendes med hastighedsvælgerknappen sat halvvejs mellem position 1 og position 2, kan maskinen lide skade.

**BEMÆRKNING:** Hvis rotationshastigheden falder væsentligt under brug i højhastighedstilstand, skal du stoppe maskinen og skifte til lavhastighedstilstand. Ellers kan motoren blive overbelastet og forårsage fejlfunktion eller brand.

Der kan forudindstilles to hastighedsintervaller ved hjælp af hastighedsvælgerknappen. Hvis du vil skifte hastighed, skal du dreje hastighedsvælgerknappen, så pilen peger mod position 1 for lav hastighed eller position 2 for høj hastighed.

► **Fig.6:** 1. Pil 2. Hastighedsvælgerknop

## Funktion til forhindring af utilsigtet genstart

Maskinen starter ikke, selvom akkuen sættes i, mens der trykkes på afbryderknappen, eller afbryderknappen låses. Maskinen startes ved at slippe afbryderknappen og derefter trykke på afbryderknappen.

## Elektronisk funktion

Maskinen er udstyret med elektroniske funktioner for nem betjening.

- Blød start  
Funktionen til blød start minimerer stødet ved start og får maskinen til at starte blødt.

## SAMLING

**⚠FORSIGTIG:** Sørg altid for at maskinen er slukket, og at akkuen er taget ud, før der udføres noget arbejde på maskinen.

## Montering af frontdækslet og sidehåndtaget

**⚠FORSIGTIG:** Stram sidehåndtaget fast. Ellers kan frontdækslet falde af og forårsage personskade.

► Fig.7: 1. Frontdæksel 2. Sidehåndtag

Monter frontdækslet på maskinen, og skru sidehåndtaget forsvarligt fast på maskinen. Sidehåndtaget kan monteres på begge sider af maskinen.

## Montering af akslen

### Ekstraudstyr

#### For DUT130

1. Sæt akslen stramt ind i akselholderen.

► Fig.8: 1. Aksel 2. Akselholder

2. Stram akslen med en nøgle, idet du holder i akselholderen med en anden nøgle.

► Fig.9: 1. Aksel 2. Akselholder

#### For DUT131

1. Sæt akslen så langt ind i patronen, som den kan komme.

► Fig.10: 1. Aksel 2. Patron

2. Tilspænd patronen i hånden, og sæt derefter patronnøglen i hvert af de tre huller, og stram den i retningen med uret. Sørg for at stramme patronnøglen ligeligt i alle tre huller.

► Fig.11: 1. Patronnøgle 2. Patron

For at fjerne akslen drejes patronnøglen i retningen mod uret i et af hullerne, hvorefter patronen løsnes i hånden.

## Montering af blanderbladet

### Ekstraudstyr

Monter blanderbladet øverst på akslen, og fastgør det derefter med sekskantbolten.

► Fig.12: 1. Blanderblad 2. Aksel 3. Sekskantbolt

**BEMÆRKNING:** Sørg for at montere blanderbladene med "UP"-mærket vendende mod maskinen.

► Fig.13: 1. Mærke

## Krog

### Ekstraudstyr

**⚠FORSIGTIG:** Tag altid batteriet ud, når du hænger maskinen på kroen.

**⚠FORSIGTIG:** Hæng aldrig maskinen på et højt sted eller på en potentielt ustabil overflade.

► Fig.14: 1. Rille 2. Krog 3. Skru

Kroen er praktisk til midlertidig ophængning af maskinen. Den kan monteres i begge sider af maskinen. Kroen monteres ved at indsætte den i en rille i maskinhuset på en af siderne og derefter fastgøre den med en skrue. Den fjernes ved at løsne skruen og tage den ud.

## Montering eller afmontering af akselholderen

### Ekstraudstyr

#### For DUT131

1. Sæt sekskantnøglen ind i patronen, og løsner derefter patronen med sekskantnøglen, idet du holder spindlen ved hjælp af nøglen.

► Fig.15: 1. Sekskantnøgle 2. Patron 3. Nøgle

2. Stram akselholderen med en nøgle, idet du holder i spindlen med en anden nøgle.

► Fig.16: 1. Akselholder 2. Nøgle

Følg monteringsproceduren i omvendt rækkefølge for at fjerne akselholderen.

## ANVENDELSE

**⚠FORSIGTIG:** Undgå at blande brændbare materialer eller at bruge maskinen i nærheden af brændbare materialer såsom maling, hvor der benyttes fortynder som opløsningsmiddel. Ellers kan det medføre en personskade.

**⚠FORSIGTIG:** Undlad at blande materialer med høj viskositet som f.eks. mørtel eller klæbemiddel i højhastighedstilstand. Du kan miste herredømmet over maskinen og forårsage personskade.

**BEMÆRKNING:** Når du blander materiale, idet blanderbladet kommer uden for materialet, skal du passe på ikke at sprøjte med materialet.

1. Vælg høj hastighed eller lav hastighed afhængigt af det materiale, der skal blandes.
2. Hold fast i maskinens baghåndtag med den ene hånd og håndtaget med den anden hånd, placer blanderbladet helt under materialet, og tænd for maskinen, efter at du har kontrolleret, at arbejdsstedet er sikkert.
3. Flyt blanderbladet op og ned under blandingsoperationen, så alt materialet kan blive blandet.
4. Når blandingen er færdig, skal du slukke for maskinen og vente, til blanderbladet er stoppet helt, og derefter tage det op af blandebeholderen.

## VEDLIGEHOLDELSE

**⚠FORSIGTIG:** Vær altid sikker på, at værktøjet er slukket, og at akkuen er taget ud, inden De begynder at udføre inspektion eller vedligeholdelse.

**BEMÆRKNING:** Anvend aldrig benzin, rensebenzin, fortynder, alkohol og lignende. Det kan medføre misfarvning, deformation eller revner.

For at opretholde produktets SIKKERHED og PÅLIDELIGHED må reparation, vedligeholdelse eller justering kun udføres af et autoriseret Makita servicecenter eller fabrikksservicecenter med anvendelse af Makita reservedele.

## EKSTRAUDSTYR

**⚠FORSIGTIG:** Det følgende tilbehør og ekstraudstyr er anbefalet til brug med Deres Makita maskine, der er beskrevet i denne brugsanvisning. Anvendelse af andet tilbehør eller ekstraudstyr kan udgøre en risiko for personskade. Anvend kun tilbehør og ekstraudstyr til det beskrevne formål.

Hvis De behøver hjælp ved valg af tilbehør eller ønsker yderligere informationer, bedes De kontakte Deres lokale Makita servicecenter.

- Blanderblad
- Aksel
- Akselholder
- Krog
- Original Makita-akku og oplader

**BEMÆRK:** Nogle ting på denne liste kan være inkluderet i værktøjspakken som standardtilbehør. Det kan være forskellige fra land til land.

## ΠΡΟΔΙΑΓΡΑΦΕΣ

Μοντέλο:		DUT130	DUT131
Ταχύτητα χωρίς φορτίο	Υψηλή ταχύτητα	0 - 1.300 min <sup>-1</sup>	
	Χαμηλή ταχύτητα	0 - 350 min <sup>-1</sup>	
Μέγιστη διάμετρος πτερυγίου ανάδευσης		165 mm	
Ολικό μήκος (χωρίς άξονα και πτερόιο ανάδευσης)		320 mm	307 mm
Ονομαστική τάση		D.C. 18 V	
Καθαρό βάρος		2,5 - 2,8 kg	2,7 - 3,0 kg

- Λόγω του συνεχιζόμενου προγράμματος έρευνας και ανάπτυξης, οι προδιαγραφές αυτές υπόκεινται σε αλλαγές χωρίς προειδοποίηση.
- Οι προδιαγραφές και η κασέτα μπαταριών μπορεί να διαφέρουν ανάλογα με τη χώρα.
- Το βάρος μπορεί να διαφέρει ανάλογα με τα προσαρτήματα, συμπεριλαμβάνοντας την κασέτα μπαταριών. Ο ελαφρύτερος και ο βαρύτερος συνδυασμός, σύμφωνα με τη διαδικασία ΕΡΤΑ 01/2014, παρουσιάζονται στον πίνακα.

## Ισχύουσα κασέτα μπαταριών και φορτιστής

Κασέτα μπαταρίας	BL1815N / BL1820 / BL1820B / BL1830 / BL1830B / BL1840 / BL1840B / BL1850 / BL1850B / BL1860B
Φορτιστής	DC18RC / DC18RD / DC18RE / DC18SD / DC18SE / DC18SF

- Ορισμένες από τις κασέτες και τους φορτιστές μπαταριών που αναγράφονται παραπάνω ίσως να μην είναι διαθέσιμοι, ανάλογα με την τοποθεσία κατοικίας σας.

**⚠ ΠΡΟΕΙΔΟΠΟΙΗΣΗ:** Να χρησιμοποιείτε μόνο τις κασέτες μπαταριών και τους φορτιστές που παρατίθενται ανωτέρω. Η χρήση οποιασδήποτε άλλης κασέτας μπαταριών ή φορτιστή μπορεί να προκαλέσει τραυματισμό ή/και πυρκαγιά.

## Σύμβολα

Παρακάτω παρουσιάζονται τα σύμβολα που χρησιμοποιούνται για τον εξοπλισμό. Βεβαιωθείτε ότι κατανοείτε τη σημασία τους πριν από τη χρήση.



Διαβάστε το εγχειρίδιο οδηγιών.



Μην χρησιμοποιείτε το εργαλείο όταν βρέχει.



Μην καθαρίζετε το εργαλείο με νερό.



Μόνο για τις χώρες της ΕΕ  
Μην απορρίπτετε ηλεκτρικό εξοπλισμό ή την μπαταρία μαζί με τα οικιακά απορρίμματα!  
Σύμφωνα με τις Ευρωπαϊκές Οδηγίες για τον απόβλητο ηλεκτρικό και ηλεκτρονικό εξοπλισμό και τις μπαταρίες και συσσωρευτές και τις απόβλητες μπαταρίες και συσσωρευτές και την ενσωμάτωσή τους σύμφωνα με την εθνική νομοθεσία, ο ηλεκτρικός εξοπλισμός και η μπαταρία και τα πακέτα μπαταριών που έχουν φτάσει το τέλος ζωής τους πρέπει να συλλέγονται ξεχωριστά και να επιστρέφονται σε εγκαταστάσεις περιβαλλοντικά συμβατές ανακύκλωσης.

## Προοριζόμενη χρήση

Το εργαλείο προορίζεται για την ανάδευση υλικών για κατασκευή τοίχων, κτλ. (εξαιρούνται τα εύφλεκτα υλικά).

## Θόρυβος

Το τυπικό Α επίπεδο καταμετρημένου θορύβου καθορίζεται σύμφωνα με το EN60745-2-1:

### Μοντέλο DUT130

Στάθμη ηχητικής πίεσης (L<sub>PA</sub>): 74 dB (A)

Αβεβαιότητα (K): 3 dB (A)

### Μοντέλο DUT131

Στάθμη ηχητικής πίεσης (L<sub>PA</sub>): 74 dB (A)

Αβεβαιότητα (K): 3 dB (A)

Η ένταση θορύβου υπό συνθήκες εργασίας μπορεί να υπερβεί τα 80 dB (A).

**ΠΑΡΑΤΗΡΗΣΗ:** Η δηλωμένη τιμή(ές) εκπομπής θορύβου έχει μετρηθεί σύμφωνα με την πρότυπη μέθοδο δοκιμής και μπορεί να χρησιμοποιηθεί για τη σύγκριση ενός εργαλείου με κάποιο άλλο.

**ΠΑΡΑΤΗΡΗΣΗ:** Η δηλωμένη τιμή(ές) εκπομπής θορύβου μπορεί να χρησιμοποιηθεί και στην προκαταρκτική αξιολόγηση της έκθεσης.

**⚠️ ΠΡΟΕΙΔΟΠΟΙΗΣΗ:** Να φοράτε ωτασπίδες.

**⚠️ ΠΡΟΕΙΔΟΠΟΙΗΣΗ:** Η εκπομπή θορύβου κατά τη χρήση του ηλεκτρικού εργαλείου σε πραγματικές συνθήκες μπορεί να διαφέρει από τη δηλωμένη τιμή(ές) ανάλογα με τους τρόπους χρήσης του εργαλείου, ιδιαίτερα το είδος του τεμαχίου εργασίας που υπόκειται επεξεργασία.

**⚠️ ΠΡΟΕΙΔΟΠΟΙΗΣΗ:** Φροντίστε να λάβετε τα κατάλληλα μέτρα προστασίας του χειριστή βάσει ενός υπολογισμού της έκθεσης σε πραγματικές συνθήκες χρήσης (λαμβάνοντας υπόψη όλες τις συνιστώσες του κύκλου λειτουργίας όπως τους χρόνους που το εργαλείο είναι εκτός λειτουργίας και όταν βρίσκεται σε αδρανή λειτουργία πέραν του χρόνου ενεργοποίησης).

## Κραδασμός

Η ολική τιμή δόνησης (άθροισμα τρι-αξονικού διανύσματος) καθορίζεται σύμφωνα με το EN60745-2-1:

### Μοντέλο DUT130

Είδος εργασίας: λειτουργία χωρίς φορτίο  
Εκπομπή δόνησης ( $a_{h,v}$ ): 2,5 m/s<sup>2</sup> ή λιγότερο  
Αβεβαιότητα (K): 1,5 m/s<sup>2</sup>

### Μοντέλο DUT131

Είδος εργασίας: λειτουργία χωρίς φορτίο  
Εκπομπή δόνησης ( $a_{h,v}$ ): 2,5 m/s<sup>2</sup> ή λιγότερο  
Αβεβαιότητα (K): 1,5 m/s<sup>2</sup>

**ΠΑΡΑΤΗΡΗΣΗ:** Η δηλωμένη τιμή(ές) συνολικών κραδασμών έχει μετρηθεί σύμφωνα με την πρότυπη μέθοδο δοκιμής και μπορεί να χρησιμοποιηθεί για τη σύγκριση ενός εργαλείου με κάποιο άλλο.

**ΠΑΡΑΤΗΡΗΣΗ:** Η δηλωμένη τιμή(ές) συνολικών κραδασμών μπορεί να χρησιμοποιηθεί και στην προκαταρκτική αξιολόγηση της έκθεσης.

**⚠️ ΠΡΟΕΙΔΟΠΟΙΗΣΗ:** Η εκπομπή κραδασμών κατά τη χρήση του ηλεκτρικού εργαλείου σε πραγματικές συνθήκες μπορεί να διαφέρει από τη δηλωμένη τιμή(ές) εκπομπής ανάλογα με τους τρόπους χρήσης του εργαλείου, ιδιαίτερα το είδος του τεμαχίου εργασίας που υπόκειται επεξεργασία.

**⚠️ ΠΡΟΕΙΔΟΠΟΙΗΣΗ:** Φροντίστε να λάβετε τα κατάλληλα μέτρα προστασίας του χειριστή βάσει ενός υπολογισμού της έκθεσης σε πραγματικές συνθήκες χρήσης (λαμβάνοντας υπόψη όλες τις συνιστώσες του κύκλου λειτουργίας όπως τους χρόνους που το εργαλείο είναι εκτός λειτουργίας και όταν βρίσκεται σε αδρανή λειτουργία πέραν του χρόνου ενεργοποίησης).

## Δήλωση συμμόρφωσης ΕΚ

### Μόνο για χώρες της Ευρώπης

Η δήλωση συμμόρφωσης ΕΚ περιλαμβάνεται ως Παράρτημα Α στο παρόν εγχειρίδιο οδηγιών.

## ΠΡΟΕΙΔΟΠΟΙΗΣΕΙΣ ΑΣΦΑΛΕΙΑΣ

### Γενικές προειδοποιήσεις ασφαλείας για το ηλεκτρικό εργαλείο

**⚠️ ΠΡΟΕΙΔΟΠΟΙΗΣΗ:** Διαβάστε όλες τις προειδοποιήσεις ασφαλείας, οδηγίες, εικονογραφίες και προδιαγραφές που παρέχονται με αυτό το ηλεκτρικό εργαλείο. Η μη τήρηση όλων των οδηγιών που αναγράφονται κατωτέρω μπορεί να καταλήξει σε ηλεκτροπληξία, πυρκαγιά ή/και σοβαρό τραυματισμό.

### Φυλάξτε όλες τις προειδοποιήσεις και τις οδηγίες για μελλοντική παραπομπή.

Στις προειδοποιήσεις, ο όρος «ηλεκτρικό εργαλείο» αναφέρεται σε ηλεκτρικό εργαλείο που τροφοδοτείται από την κύρια παροχή ηλεκτρικού ρεύματος (με ηλεκτρικό καλώδιο) ή σε ηλεκτρικό εργαλείο που τροφοδοτείται από μπαταρία (χωρίς ηλεκτρικό καλώδιο).

### Προειδοποιήσεις ασφαλείας για τον φορητό αναδευτήρα

1. **Κρατάτε το εργαλείο με τα δύο χέρια από τις ενδεδειγμένες λαβές.** Η απώλεια του ελέγχου μπορεί να προκαλέσει προσωπικό τραυματισμό.
2. **Εξασφαλίστε επαρκή εξασρισμό κατά την ανάδευση εύφλεκτων υλικών, ώστε να αποφεύγετε ο σχηματισμός επικίνδυνης ατμόσφαιρας.** Ο ατμός που σχηματίζεται μπορεί να εισπνευθεί ή να αναφλεγεί από τους σπινθήρες που παράγει το ηλεκτρικό εργαλείο.
3. **Μην αναδεύετε τρόφιμα.** Τα ηλεκτρικά εργαλεία και τα εξαρτήματά τους δεν έχουν σχεδιαστεί για την επεξεργασία τροφίμων.
4. **Βεβαιωθείτε ότι το δοχείο ανάδευσης έχει τοποθετηθεί σε μια σταθερή και ασφαλή θέση.** Ένα δοχείο που δεν είναι σωστά στερεωμένο μπορεί να μετακινηθεί απρόσμενα.
5. **Ακολουθήστε τις οδηγίες και προειδοποιήσεις για το υλικό προς ανάδευση.** Τα υλικά που αναδεύονται μπορεί να είναι επιβλαβή.
6. **Μη βάζετε τα χέρια σας μέσα στο δοχείο ανάδευσης και μην τοποθετείτε άλλα αντικείμενα μέσα σε αυτό ενώ γίνεται ανάδευση.** Η επαφή με το περύγιο ανάδευσης μπορεί να οδηγήσει σε σοβαρό προσωπικό τραυματισμό.
7. **Εκκινήστε και σταματήστε το εργαλείο μόνο μέσα στο δοχείο ανάδευσης.** Το περύγιο ανάδευσης μπορεί να λυγίσει ή να περιστραφεί με ανεξέλεγκτο τρόπο.
8. **Βεβαιωθείτε ότι δεν πετάγεται υγρό επάνω στο περίβλημα του ηλεκτρικού εργαλείου.** Αν διεισδύσει υγρό μέσα στο ηλεκτρικό εργαλείο, μπορεί να προκληθεί ζημιά στο εργαλείο.
9. **Να χρησιμοποιείτε βοηθητικές λαβές, εάν παρέχονται με το εργαλείο.** Η απώλεια ελέγχου μπορεί να προκαλέσει προσωπικό τραυματισμό.

10. Να κρατάτε το ηλεκτρικό εργαλείο από τις μονωμένες επιφάνειες λαβής όταν εκτελείτε εργασίες κατά τις οποίες το εξάρτημα κοπής μπορεί να έρθει σε επαφή με κρυμμένα καλώδια. Σε περίπτωση επαφής του εξαρτήματος κοπής με ηλεκτροφόρο καλώδιο, μπορεί τα εκθειμένα μεταλλικά εξαρτήματα του ηλεκτρικού εργαλείου να καταστούν τα ίδια ηλεκτροφόρα και να προκαλέσουν ηλεκτροπληξία στο χειριστή.
11. Να φροντίζετε πάντα να στέκεστε σταθερά. Βεβαιωθείτε ότι δεν υπάρχει άτομο ακριβώς από κάτω, όταν χρησιμοποιείτε το ηλεκτρικό εργαλείο σε υψηλά σημεία.
12. Να κρατάτε το εργαλείο σταθερά.
13. Να διατηρείτε τα χέρια σας μακριά από τα περιστρεφόμενα μέρη.
14. Μην αφήνετε το εργαλείο σε λειτουργία. Η λειτουργία του εργαλείου πρέπει να γίνεται μόνο ενώ το κρατάτε.
15. Μερικά υλικά περιέχουν χημικές ουσίες που μπορεί να είναι τοξικές. Να προσέχετε ώστε να αποφεύγετε την εισπνοή σκόνης και την επαφή με το δέρμα. Τηρήστε τις προειδοποιήσεις ασφάλειας του προμηθευτή του υλικού.
16. Όταν εκτελείτε την εργασία ανάδευσης, να τοποθετείτε το δοχείο ανάδευσης σε μια επίπεδη και σταθερή επιφάνεια.

## ΦΥΛΑΞΕΤΕ ΑΥΤΕΣ ΤΙΣ ΟΔΗΓΙΕΣ.

**▲ΠΡΟΕΙΔΟΠΟΙΗΣΗ:** ΜΗΝ επιτρέψετε στην άνεση ή στην εξοικείωσή σας με το προϊόν (που αποκτήθηκε από επανειλημμένη χρήση) να αντικαταστήσει την αυστηρή τήρηση των κανόνων ασφαλείας του παρόντος εργαλείου. Η ΛΑΝΘΑΣΜΕΝΗ ΧΡΗΣΗ ή η αμέλεια να ακολουθήσετε τους κανόνες ασφάλειας που διατυπώνονται στο παρόν εγχειρίδιο οδηγιών μπορεί να προκαλέσει σοβαρό προσωπικό τραυματισμό.

## Σημαντικές οδηγίες ασφάλειας για κασέτα μπαταριών

1. Πριν χρησιμοποιήσετε την κασέτα μπαταριών, διαβάστε όλες τις οδηγίες και σημειώσεις προφύλαξης (1) στον φορτιστή μπαταριών, (2) στην μπαταρία και (3) στο προϊόν που χρησιμοποιεί την μπαταρία.
2. Μην αποσυναρμολογήσετε την κασέτα μπαταριών.
3. Εάν ο χρόνος λειτουργίας έχει γίνει υπερβολικά βραχύς, σταματήστε τη λειτουργία αμέσως. Αλλιώς, μπορεί να έχει ως αποτέλεσμα κίνδυνο υπερθέρμανσης, πιθανά εγκαύματα ή ακόμη και έκρηξη.
4. Εάν ηλεκτρολύτης μπει στα μάτια σας, ξεπλύνετε τα με καθαρό νερό και ζητήστε ιατρική φροντίδα αμέσως. Αλλιώς, μπορεί να έχει ως αποτέλεσμα απώλεια της όρασης σας.
5. Μη βραχυκυκλώνετε την κασέτα μπαταριών:
  - (1) Μην αγγίζετε τους πόλους με οτιδήποτε αγώγιμο υλικό.
  - (2) Αποφεύγετε να αποθηκεύετε την κασέτα μπαταριών μέσα σε ένα δοχείο μαζί με άλλα μεταλλικά αντικείμενα όπως καρφιά, νομίσματα, κλπ.
  - (3) Μην εκθέτετε την κασέτα μπαταριών στο νερό ή στη βροχή.

7. Ένα βραχυκύκλωμα μπαταρίας μπορεί να προκαλέσει μεγάλη ροή ρεύματος, υπερθέρμανση, πιθανά εγκαύματα ακόμη και σοβαρή βλάβη.
6. Μην αποθηκεύετε το εργαλείο και την κασέτα μπαταριών σε τοποθεσίες όπου η θερμοκρασία μπορεί να φτάσει ή να ξεπεράσει τους 50°C.
7. Μην καίτε την κασέτα μπαταριών ακόμη και εάν έχει σοβαρή ζημιά ή είναι εντελώς φθαρμένη. Η κασέτα μπαταριών μπορεί να εκραγεί στη φωτιά.
8. Προσέχετε να μη ρίξετε κάτω ούτε να χτυπήσετε την μπαταρία.
9. Μη χρησιμοποιείτε μπαταρία που έχει υποστεί ζημιά.
10. Οι μπαταρίες ιόντων λιθίου που περιέχονται υποκείνται στις απαιτήσεις της νομοθεσίας για επικίνδυνα αγαθά.  
Για εμπορικές μεταφορές, για παράδειγμα από τρίτα μέρη, πρέπει να τηρούνται οι διαμεταφορές, οι ειδικές απαιτήσεις στη συσκευασία και η επισήμανση.  
Για προετοιμασία του στοιχείου που αποστέλλεται, είναι απαραίτητο να συμβουλευτείτε έναν ειδικό για επικίνδυνα υλικά. Επίσης, τηρήστε τους πιθανούς, πιο αναλυτικούς εθνικούς κανονισμούς. Καλύψτε με αυτοκόλλητη ταινία ή κρύψτε τις ανοικτές επαφές και συσκευάστε την μπαταρία με τρόπο που να μην μπορεί να μετακινείται μέσα στη συσκευασία.

11. Τηρήστε τους τοπικούς κανονισμούς που σχετίζονται με τη διάθεση της μπαταρίας.
12. Χρησιμοποιήστε τις μπαταρίες μόνο με τα προϊόντα που καθορίζει η Makita. Αν τοποθετήσετε τις μπαταρίες σε μη συμβατά προϊόντα μπορεί να έχει ως αποτέλεσμα πυρκαγιά, υπερβολική θερμότητα, έκρηξη ή διαρροή ηλεκτρολύτη.

## ΦΥΛΑΞΕΤΕ ΤΙΣ ΟΔΗΓΙΕΣ ΑΥΤΕΣ.

**▲ΠΡΟΣΟΧΗ:** Να χρησιμοποιείτε μόνο γνήσιες μπαταρίες της Makita. Η χρήση μη γνήσιων μπαταριών Makita, ή μπαταριών που έχουν τροποποιηθεί, μπορεί να έχει ως αποτέλεσμα τη ρήξη της μπαταρίας, προκαλώντας πυρκαγιά, προσωπικό τραυματισμό και βλάβη. Επίσης, θα ακυρωθεί η εγγύηση της Makita για το εργαλείο και φορτιστή Makita.

## Συμβουλές για τη διατήρηση της μέγιστης ζωής μπαταρίας

1. Φορτίζετε την κασέτα μπαταριών πριν από την πλήρη αποφόρτίσή της. Πάντοτε να σταματάτε τη λειτουργία του εργαλείου και να φορτίζετε την κασέτα μπαταριών όταν παρατηρείτε μειωμένη ισχύ εργαλείου.
2. Ποτέ μην επαναφορτίζετε μια πλήρως φορτισμένη κασέτα μπαταριών. Η υπερφόρτιση μειώνει την ωφέλιμη ζωή της μπαταρίας.
3. Να φορτίζετε την κασέτα μπαταριών σε θερμοκρασία δωματίου, δηλαδή στους 10°C έως 40°C. Αφήστε μια θερμή κασέτα μπαταριών να κρυώσει πριν την φορτίσετε.
4. Να φορτίζετε την κασέτα μπαταριών εάν δεν τη χρησιμοποιείτε για μεγάλη χρονική περίοδο (περισσότερο από έξι μήνες).

## ΠΕΡΙΓΡΑΦΗ ΛΕΙΤΟΥΡΓΙΑΣ

**▲ΠΡΟΣΟΧΗ:** Να φροντίζετε πάντα για την απενεργοποίηση του εργαλείου και την αφαίρεση της κασέτας μπαταρίας, πριν από οποιαδήποτε ρύθμιση ή έλεγχο της λειτουργίας του.

### Τοποθέτηση ή αφαίρεση της κασέτας μπαταριών

**▲ΠΡΟΣΟΧΗ:** Να σβήνετε πάντα το εργαλείο πριν τοποθετήσετε ή αφαιρέσετε την κασέτα μπαταριών.

**▲ΠΡΟΣΟΧΗ:** Κρατήστε το εργαλείο και την κασέτα μπαταριών σταθερά κατά την τοποθέτηση ή αφαίρεση της κασέτας μπαταριών. Εάν δεν κρατάτε το εργαλείο και την κασέτα μπαταριών σταθερά μπορεί να γλιστρήσουν από τα χέρια σας και να προκληθεί βλάβη στο εργαλείο και την κασέτα μπαταριών και προσωπικός τραυματισμός.

**▲ΠΡΟΣΟΧΗ:** Μη χρησιμοποιείτε αυτό το εργαλείο με τον προσαρμογέα μπαταριών. Αν συνδέσετε τον προσαρμογέα μπαταριών με το εργαλείο, το κάλυμμα μπαταριών δεν μπορεί να κλείσει και η χρήση του εργαλείου με ανοικτό κάλυμμα μπαταριών μπορεί να προκαλέσει τραυματισμό.

Ανοίξτε το κάλυμμα μπαταριών ενώ πατάτε το κουμπί στο κάλυμμα μπαταριών.

► **Εικ.1:** 1. Κουμπί 2. Κάλυμμα μπαταριών

Για να αφαιρέσετε την κασέτα μπαταριών, ολισθήστε την από το εργαλείο ενώ σύρετε το κουμπί στο μπροστινό μέρος της κασέτας.

► **Εικ.2:** 1. Κόκκινη ένδειξη 2. Κουμπί 3. Κασέτα μπαταριών

Για να τοποθετήσετε την κασέτα μπαταριών, ευθυγραμμίστε τη γλώσσα στην κασέτα μπαταριών με την αύλακα στην υποδοχή και ολισθήστε τη στη θέση της. Να την τοποθετείτε πλήρως μέχρι να ασφαλίσει στη θέση της, γεγονός που υποδεικνύεται με ένα χαρακτηριστικό ήχο. Εάν μπορείτε να δείτε την κόκκινη ένδειξη στην επάνω πλευρά του κουμπιού, δεν έχει κλειδώσει τελείως.

Αφού τοποθετήσετε την κασέτα μπαταριών, κλείστε το κάλυμμα μπαταριών με ασφάλεια.

**▲ΠΡΟΣΟΧΗ:** Να τοποθετείτε πάντα την κασέτα μπαταριών πλήρως μέχρι να μη βλέπετε την κόκκινη ένδειξη. Εάν δεν ασφαλιστεί, μπορεί να πέσει από το εργαλείο τυχαία, προκαλώντας σωματική βλάβη σε εσάς ή κάποιον άλλο γύρω σας.

**▲ΠΡΟΣΟΧΗ:** Μην τοποθετείτε την κασέτα μπαταριών με βία. Εάν η κασέτα δεν ολισθαίνει με ευκολία, τότε δεν έχει τοποθετηθεί κατάλληλα.

## Εμφάνιση υπολειπόμενης χωρητικότητας μπαταρίας

**Μόνο για κασέτες μπαταρίας με την ενδεικτική λυχνία**

► **Εικ.3:** 1. Ενδεικτικές λυχνίες 2. Κουμπί ελέγχου

Πιέστε το κουμπί ελέγχου στην κασέτα μπαταριών για να υποδείξετε την υπολειπόμενη χωρητικότητα μπαταρίας. Οι ενδεικτικές λυχνίες ανάβουν για λίγα δευτερόλεπτα.

Ενδεικτικές λυχνίες			Υπολειπόμενη χωρητικότητα
■ Αναμμένες	□ Σβηστές	▧ Αναβοσβήνουν	
■ ■ ■ ■			75% έως 100%
■ ■ ■ □			50% έως 75%
■ ■ □ □			25% έως 50%
■ □ □ □			0% έως 25%
▧ □ □ □			Φορτίστε την μπαταρία.
■ ■ □ □			Μπορεί να προέκυψε δυσλειτουργία στην μπαταρία.
□ □ ■ ■	↑ ↓		

**ΠΑΡΑΤΗΡΗΣΗ:** Ανάλογα με τις συνθήκες χρήσης και τη θερμοκρασία περιβάλλοντος, η ένδειξη μπορεί να διαφέρει λίγο από την πραγματική χωρητικότητα.

## Σύστημα προστασίας εργαλείου/ μπαταρίας

Το εργαλείο είναι εξοπλισμένο με σύστημα προστασίας εργαλείου/μπαταρίας. Αυτό το σύστημα αποκόπτει αυτόματα την ισχύ προς το μοτέρ για να παραταθεί η διάρκεια λειτουργίας του εργαλείου και της μπαταρίας. Το εργαλείο σταματάει αυτόματα κατά τη διάρκεια της λειτουργίας εάν το εργαλείο ή η μπαταρία βρεθούν κάτω από τις παρακάτω συνθήκες:

### Προστασία υπερφόρτωσης

Αν χειριστείτε το εργαλείο ή την μπαταρία με τρόπο που να τραβά αφύσικα υψηλό ρεύμα, το εργαλείο θα σταματήσει αυτόματα χωρίς προειδοποίηση. Σε αυτήν την περίπτωση, απενεργοποιήστε το εργαλείο και διακόψτε την εργασία που προκάλεσε την υπερφόρτωση του εργαλείου. Στη συνέχεια, ενεργοποιήστε το εργαλείο για να ξεκινήσει και πάλι.

### Προστασία υπερθέρμανσης

Σε περίπτωση υπερθέρμανσης του εργαλείου ή της μπαταρίας, το εργαλείο σταματά αυτόματα. Σε αυτήν την περίπτωση, αφήστε το εργαλείο και την μπαταρία να κρυσώσουν πριν ενεργοποιήσετε ξανά το εργαλείο.

### Προστασία υπερβολικής αποφόρτισης

Όταν η φόρτιση μπαταρίας δεν είναι αρκετή, το εργαλείο σταματάει αυτόματα. Σε αυτή την περίπτωση, βγάλτε την μπαταρία από το εργαλείο και φορτίστε την μπαταρία.




## Δράση διακόπτη

**▲ ΠΡΟΣΟΧΗ:** Πριν βάλετε την κασέτα μπαταρίας μέσα στο εργαλείο, να ελέγχετε πάντα να δείτε αν η σκανδάλη διακόπτης ενεργοποιείται κανονικά και επιστρέφει στη θέση «OFF» όταν ελευθερώνεται.



**▲ ΠΡΟΣΟΧΗ:** Ο διακόπτης μπορεί να ασφαλιστεί στη θέση «ENERGO» για πιο άνετη λειτουργία από το χρήστη κατά τη διάρκεια παρατεταμένης χρήσης. Να είστε προσεκτικοί όταν ασφαρίζετε το εργαλείο στη θέση «ENERGO» και να κρατάτε το εργαλείο σταθερά.

**▲ ΠΡΟΣΟΧΗ:** Μην τοποθετείτε την κασέτα μπαταριών όταν το κουμπί ασφάλισης είναι δεσμευμένο.

**▲ ΠΡΟΣΟΧΗ:** Όταν δεν χειρίζεστε το εργαλείο, πιέστε το κουμπί ασφάλισης σκανδάλης προς την πλευρά  για να κλειδώσετε τη σκανδάλη διακόπτη στη θέση απενεργοποίησης.

► **Εικ.4:** 1. Κουμπί κλειδώματος σκανδάλης

► **Εικ.5:** 1. Σκανδάλη διακόπτης 2. Κουμπί ασφάλισης 3. Κουμπί κλειδώματος σκανδάλης

Για να αποφεύγετε το τράβηγμα της σκανδάλης διακόπτη κατά λάθος, υπάρχει το κουμπί κλειδώματος σκανδάλης. Για να θέσετε σε λειτουργία το εργαλείο, πιέστε το κουμπί κλειδώματος σκανδάλης προς την πλευρά Α () και τραβήξτε τη σκανδάλη διακόπτη. Η ταχύτητα του εργαλείου αυξάνει αν αυξήσετε την πίεση στη σκανδάλη διακόπτη. Για διακοπή της λειτουργίας, ελευθερώστε τη σκανδάλη διακόπτη. Μετά τη χρήση, πιέστε το κουμπί κλειδώματος σκανδάλης προς την πλευρά Β (

Για συνεχόμενη λειτουργία, πατήστε το κουμπί ασφάλισης ενώ τραβάτε τη σκανδάλη διακόπτη και μετά αφήστε τη σκανδάλη διακόπτη. Για να σταματήσετε το εργαλείο, τραβήξτε πλήρως τη σκανδάλη διακόπτη και μετά αφήστε την.

## Αλλαγή ταχύτητας

**ΕΙΔΟΠΟΙΗΣΗ:** Χρησιμοποιείτε τη λαβή αλλαγής ταχύτητας μόνο αφού το εργαλείο σταματήσει εντελώς. Η αλλαγή της ταχύτητας του εργαλείου πριν το εργαλείο σταματήσει μπορεί να προκαλέσει ζημιά στο εργαλείο.

**ΕΙΔΟΠΟΙΗΣΗ:** Να ρυθμίζετε πάντα τη λαβή αλλαγής ταχύτητας προσεκτικά στη σωστή θέση. Αν χειρίζεστε το εργαλείο όταν η λαβή αλλαγής ταχύτητας βρίσκεται στα μισά μεταξύ της θέσης 1 και της θέσης 2, μπορεί να προκληθεί ζημιά στο εργαλείο.

**ΕΙΔΟΠΟΙΗΣΗ:** Αν η ταχύτητα περιστροφής μειωθεί σημαντικά κατά τη διάρκεια της λειτουργίας σε τρόπο λειτουργίας υψηλής ταχύτητας, διακόψτε το εργαλείο και αλλάξτε τον τρόπο λειτουργίας σε τρόπο λειτουργίας χαμηλής ταχύτητας. Διαφορετικά, το μοτέρ μπορεί να υπερθερμανθεί και να προκληθεί δυσλειτουργία ή φωτιά.

Η προεπιλογή των δύο ευρών ταχυτήτων είναι εφικτή μέσω της λαβής αλλαγής ταχύτητας. Για να αλλάξετε την ταχύτητα, γυρίστε τη λαβή αλλαγής ταχύτητας με τρόπο ώστε ο δείκτης να είναι στραμμένος στη θέση 1 για χαμηλή ταχύτητα ή στη θέση 2 για υψηλή ταχύτητα.

► **Εικ.6:** 1. Δείκτης 2. Λαβή αλλαγής ταχύτητας

## Λειτουργία αποφυγής τυχαίας επανεκκίνησης

Αν τοποθετήσετε την κασέτα μπαταριών ενώ τραβάτε τη σκανδάλη διακόπτη ή ασφαρίζετε τη σκανδάλη διακόπτη, το εργαλείο δεν ξεκινά. Για να ξεκινήσετε τη λειτουργία του εργαλείου, αφήστε τη σκανδάλη διακόπτη και μετά τραβήξτε τη σκανδάλη διακόπτη.

## Ηλεκτρονική λειτουργία

Το εργαλείο είναι εξοπλισμένο με ηλεκτρονικές λειτουργίες για εύκολη λειτουργία.

- Ομαλή εκκίνηση  
Η λειτουργία ομαλής εκκίνησης ελαχιστοποιεί τον κραδασμό κατά την εκκίνηση και καθιστά την εκκίνηση του εργαλείου ομαλή.

## ΣΥΝΑΡΜΟΛΟΓΗΣΗ

**▲ ΠΡΟΣΟΧΗ:** Να βεβαιώνετε πάντα ότι το εργαλείο είναι σβηστό και η κασέτα μπαταρίας έχει αφαιρεθεί πριν εκτελέσετε κάποια εργασία στο εργαλείο.

## Τοποθέτηση του μπροστινού καλύμματος και της πλάγιας λαβής

**▲ ΠΡΟΣΟΧΗ:** Σφίξτε καλά την πλάγια λαβή. Διαφορετικά, το μπροστινό κάλυμμα μπορεί να πέσει και να προκληθεί τραυματισμός.

► **Εικ.7:** 1. Μπροστινό κάλυμμα 2. Πλάγια λαβή

Συνδέστε το μπροστινό κάλυμμα στο εργαλείο και βιδώστε την πλάγια λαβή στο εργαλείο με ασφάλεια. Μπορείτε να τοποθετήσετε την πλάγια λαβή σε οποιαδήποτε πλευρά του εργαλείου.

## Τοποθέτηση του άξονα

### Προαιρετικό εξάρτημα

Για DUT130

1. Σφίξτε τον άξονα στον συγκρατητή άξονα.

► **Εικ.8:** 1. Άξονας 2. Συγκρατητής άξονα

2. Σφίξτε τον άξονα με ένα κλειδί ενώ κρατάτε το συγκρατητή άξονα με ένα άλλο κλειδί.

► **Εικ.9:** 1. Άξονας 2. Συγκρατητής άξονα

Για DUT131

1. Τοποθετήστε τον άξονα στο σφιγκτήρα μέχρι τέρμα.

► **Εικ.10:** 1. Άξονας 2. Σφιγκτήρας

2. Σφίξτε τον σφιγκτήρα με το χέρι και μετά τοποθετήστε το κλειδί σφιγκτήρα σε κάθε μία από τις τρεις οπές και σφίξτε δεξιόστροφα. Βεβαιωθείτε να σφίξετε το κλειδί σφιγκτήρα και στις τρεις οπές ομοίομορφα.

► **Εικ.11:** 1. Κλειδί σφιγκτήρα 2. Σφιγκτήρας

Για να αφαιρέσετε τον άξονα, γυρίστε το κλειδί σφιγκτήρα αριστερόστροφα σε μία από τις οπές και μετά χαλαρώστε τον σφιγκτήρα με το χέρι.

## Τοποθέτηση του πτερυγίου ανάδευσης

### Προαιρετικό εξάρτημα

Συνδέστε το πτερύγιο ανάδευσης στο πάνω μέρος του άξονα και μετά στερεώστε το με το εξαγωνικό μπουλόνι.

- **Εικ.12:** 1. Πτερύγιο ανάδευσης 2. Άξονας  
3. Εξαγωνικό μπουλόνι

**ΕΙΔΟΠΟΙΗΣΗ:** Βεβαιωθείτε να συνδέσετε το πτερύγιο ανάδευσης με την ένδειξη «UP» (Πάνω) στραμμένη προς το εργαλείο.

- **Εικ.13:** 1. Ένδειξη

## Γάντζος

### Προαιρετικό εξάρτημα

**ΠΡΟΣΟΧΗ:** Να αφαιρείτε πάντα την μπαταρία όταν κρεμάτε το εργαλείο με το γάντζο.

**ΠΡΟΣΟΧΗ:** Ποτέ μην κρεμάτε το εργαλείο σε υψηλές τοποθεσίες ή σε δυνητικά ασταθείς επιφάνειες.

- **Εικ.14:** 1. Αυλάκωση 2. Γάντζος 3. Βίδα

Ο γάντζος είναι βολικός για το προσωρινό κρέμασμα του εργαλείου. Μπορεί να τοποθετηθεί σε οποιαδήποτε πλευρά του εργαλείου.

Για να τοποθετήσετε το γάντζο, βάλτε τον σε μια αυλάκωση στο περίβλημα του εργαλείου σε οποιαδήποτε πλευρά και μετά ασφαλίστε τον με μια βίδα. Για να τον αφαιρέσετε, χαλαρώστε τη βίδα και μετά αφαιρέστε τον.

## Τοποθέτηση ή αφαίρεση του συγκρατητή άξονα

### Προαιρετικό εξάρτημα

Για DUT131

1. Εισαγάγετε το κλειδί άλεν στον σφιγκτήρα και μετά χαλαρώστε τον σφιγκτήρα με το κλειδί άλεν ενώ κρατάτε το αξόνιο με το κλειδί.

- **Εικ.15:** 1. Κλειδί άλεν 2. Σφιγκτήρας 3. Κλειδί

2. Σφίξτε τον συγκρατητή άξονα με ένα κλειδί ενώ κρατάτε το αξόνιο με ένα άλλο κλειδί.

- **Εικ.16:** 1. Συγκρατητής άξονα 2. Κλειδί

Για να αφαιρέσετε τον συγκρατητή άξονα, εκτελέστε τη διαδικασία τοποθέτησης με αντίστροφη σειρά.

## ΛΕΙΤΟΥΡΓΙΑ

**ΠΡΟΣΟΧΗ:** Μην αναδεύετε εύφλεκτα υλικά και μη χειρίζεστε το εργαλείο κοντά σε εύφλεκτα υλικά, όπως βαφή με νέφτι ως διαλύτη. Αν δεν τηρείτε αυτή την οδηγία, μπορεί να προκληθεί τραυματισμός.

**ΠΡΟΣΟΧΗ:** Μην αναδεύετε υλικό υψηλού ιξώδους, όπως κονίαμα ή κολλητικό, σε τρόπο λειτουργίας υψηλής ταχύτητας. Μπορεί να χάσετε τον έλεγχο του εργαλείου και να προκληθεί τραυματισμός.

**ΕΙΔΟΠΟΙΗΣΗ:** Όταν αναδεύετε το υλικό ενώ το πτερύγιο ανάδευσης επιπλέει εκτός του υλικού, προσέχετε να μην πιτσιλάει το υλικό.

1. Επιλέξτε υψηλή ταχύτητα ή χαμηλή ταχύτητα ανάλογα με το υλικό για ανάδευση.
2. Κρατήστε την πίσω λαβή του εργαλείου με το ένα χέρι και τη λαβή σταθερά με το άλλο χέρι, τοποθετήστε το πτερύγιο ανάδευσης πλήρως μέσα στο υλικό και ενεργοποιήστε το εργαλείο αφού βεβαιωθείτε ότι ο χώρος εργασίας είναι ασφαλής.
3. Μετακινήστε το πτερύγιο ανάδευσης πάνω-κάτω κατά την εργασία ανάδευσης ώστε να αναδευτεί όλο το υλικό.
4. Όταν τελειώσετε την ανάδευση, σβήστε το εργαλείο, βεβαιωθείτε ότι το πτερύγιο ανάδευσης έχει ακινητοποιηθεί πλήρως και μετά τραβήξτε το από το δοχείο ανάδευσης.

## ΣΥΝΤΗΡΗΣΗ

**ΠΡΟΣΟΧΗ:** Πριν την εκτέλεση εργασιών επιθεώρησης ή συντήρησης, πάντοτε να βεβαιώνετε ότι η συσκευή απενεργοποιήθηκε και η κασέτα μπαταρίας έχει αφαιρεθεί.

**ΕΙΔΟΠΟΙΗΣΗ:** Μην χρησιμοποιείτε ποτέ βενζίνη, πετρελαϊκό αιθέρα, διαλυτικό, αλκοόλη ή παρόμοιες ουσίες. Μπορεί να προκληθεί αποχρωματισμός, παραμόρφωση ή ρωγμές.

Για τη διατήρηση της ΑΣΦΑΛΕΙΑΣ και ΑΞΙΟΠΙΣΤΙΑΣ του προϊόντος, οι επισκευές και οποιαδήποτε άλλη εργασία συντήρησης ή ρύθμισης πρέπει να εκτελούνται από εξουσιοδοτημένα ή εργοστασιακά κέντρα εξυπηρέτησης της Makita, χρησιμοποιώντας πάντοτε ανταλλακτικά της Makita.

## ΠΡΟΑΙΡΕΤΙΚΑ ΕΞΑΡΤΗΜΑΤΑ

**ΠΡΟΣΟΧΗ:** Αυτά τα εξαρτήματα ή προσαρτήματα συνιστώνται για χρήση με το εργαλείο Makita που περιγράφηκε στις οδηγίες αυτές. Η χρήση οποιωνδήποτε άλλων εξαρτημάτων ή προσαρτημάτων μπορεί να προκαλέσει κίνδυνο τραυματισμού σε άτομα. Να χρησιμοποιείτε τα εξαρτήματα ή προσαρτήματα μόνο για την χρήση που προορίζονται.

Εάν χρειάζεστε οποιαδήποτε βοήθεια για περισσότερες πληροφορίες σε σχέση με αυτά τα εξαρτήματα, απαντηθείτε στο τοπικό σας κέντρο εξυπηρέτησης Makita.

- Πτερύγιο ανάδευσης
- Άξονας
- Συγκρατητής άξονα
- Γάντζος
- Νήσια μπαταρία και φορτιστής της Makita

**ΠΑΡΑΤΗΡΗΣΗ:** Μερικά στοιχεία στη λίστα μπορεί να συμπεριλαμβάνονται στη συσκευασία εργαλείου ως στάνταρ εξαρτήματα. Μπορεί να διαφέρουν ανάλογα με τη χώρα.

## TEKNİK ÖZELLİKLER

Model:		DUT130	DUT131
Yüksüz hız	Yüksek hız	0 - 1.300 min <sup>-1</sup>	
	Düşük hız	0 - 350 min <sup>-1</sup>	
Maksimum karıştırma bıçağı çapı		165 mm	
Toplam uzunluk (mil ve karıştırma bıçağı olmadan)		320 mm	307 mm
Anma voltajı		D.C. 18 V	
Net ağırlık		2,5 - 2,8 kg	2,7 - 3,0 kg

- Sürekli yapılan araştırma ve geliştirmelerden dolayı, burada belirtilen özellikler önceden bildirilmeksizin değiştirilebilir.
- Özellikler ve batarya kartuşu ülkeden ülkeye değişebilir.
- Ağırlık, ekli aksesuara/aksesuarlara ve batarya kartuşuna bağlı olarak farklılık gösterebilir. EPTA-Prosedürü 01/2014'e göre en hafif ve en ağır kombinasyonlar tabloda verilmiştir.

## Geçerli batarya kartuşu ve şarj aleti

Batarya kartuşu	BL1815N / BL1820 / BL1820B / BL1830 / BL1830B / BL1840 / BL1840B / BL1850 / BL1850B / BL1860B
Şarj aleti	DC18RC / DC18RD / DC18RE / DC18SD / DC18SE / DC18SF

- Yukarıda listelenen batarya kartuşlarının ve şarj aletlerinin bazıları yaşadığınız bölgeye bağlı olarak mevcut olmayabilir.

**⚠UYARI:** Sadece yukarıda listelenen batarya kartuşlarını ve şarj aletlerini kullanın. Başka batarya kartuşlarının ve şarj aletlerinin kullanılması yaralanma ve/veya yangına neden olabilir.

## Semboller

Aşağıdakiler makineniz için kullanılan sembolleri göstermektedir. Kullanmadan önce manalarını anladığınızdan emin olunuz.



Kullanma kılavuzunu okuyun.



Aleti yağmurda kullanmayın.



Aleti suyla temizlemeyin.



Ni-MH  
Li-ion

Sadece AB ülkeleri için  
Elektrik donanımını ve batarya kutusunu evsel atıklarla birlikte bertaraf etmeyiniz!  
Atık Elektrikli ve Elektronik Donanımlar, Piller ve Akümülatörler ve Atık Piller ve Akümülatörler konusundaki Avrupa Direktifleri ve bunların ulusal yasalara uygulanmaları uyarınca, kullanım ömürleri biten elektrikli donanımların, pillerin ve pil takım(lar)ının ayrı toplanmaları ve çevreye uyumlu bir geri dönüşüm tesisine getirilmeleri gereklidir.

## Kullanım amacı

Bu alet, duvar malzemelerini, vb. karıştırmak amacıyla kullanılır (yanıcı malzemeler hariç).

## Gürültü

Tipik A-ağırlıklı gürültü düzeyi (EN60745-2-1 standardına göre belirlenen):

### Model DUT130

Ses basınç seviyesi (L<sub>pA</sub>): 74 dB (A)  
Belirsizlik (K): 3 dB (A)

### Model DUT131

Ses basınç seviyesi (L<sub>pA</sub>): 74 dB (A)  
Belirsizlik (K): 3 dB (A)

İşlem sırasında gürültü seviyesi 80 dB (A)'yi geçebilir.

**NOT:** Beyan edilen gürültü emisyonu değer(ler)i bir standart test yöntemine uygun şekilde ölçülmüştür ve bir aleti bir başkasıyla karşılaştırmak için kullanılabilir.

**NOT:** Beyan edilen gürültü emisyonu değer(ler)i bir ön maruz kalma değerlendirmesi olarak da kullanılabilir.

**⚠UYARI:** Kulak koruyucuları takın.

**⚠UYARI:** Elektrikli aletin gerçek kullanımı sırasındaki gürültü emisyonu, aletin kullanım biçimlerine, özellikle işlenen iş parçasının türüne bağlı olarak beyan edilen değer(ler)den farklı olabilir.

**⚠UYARI:** Gerçek kullanım koşullarındaki tahmini maruziyeti baz alan, operatörü koruyacak güvenlik önlemlerini mutlaka belirleyin (çalışma döngüsü içerisinde aletin kapalı olduğu ve aktif durumda olmasının yanı sıra boşta çalıştığı zamanlar gibi, bütün zaman dilimleri göz önünde bulundurarak).

## Titreşim

Titreşim toplam değeri (üç eksenli vektör toplamı) (EN60745-2-1 standardına göre hesaplanan):

### Model DUT130

Çalışma modu: yüksüz çalışma  
Titreşim emisyonu ( $a_{h1}$ ): 2,5 m/s<sup>2</sup> den az  
Belirsizlik (K) : 1,5 m/s<sup>2</sup>

### Model DUT131

Çalışma modu: yüksüz çalışma  
Titreşim emisyonu ( $a_{h1}$ ): 2,5 m/s<sup>2</sup> den az  
Belirsizlik (K) : 1,5 m/s<sup>2</sup>

**NOT:** Beyan edilen titreşim toplam değer(ler)i bir standart test yöntemine uygun şekilde ölçülmüştür ve bir aleti bir başkasıyla karşılaştırmak için kullanılabilir.

**NOT:** Beyan edilen titreşim toplam değer(ler)i bir ön maruz kalma değerlendirmesi olarak da kullanılabilir.

**⚠UYARI:** Elektrikli aletin gerçek kullanımı sırasındaki titreşim emisyonu, aletin kullanım biçimlerine, özellikle işlenen iş parçasının türüne bağlı olarak beyan edilen değer(ler)den farklı olabilir.

**⚠UYARI:** Gerçek kullanım koşullarındaki tahmini maruziyeti baz alan, operatörü koruyacak güvenlik önlemlerini mutlaka belirleyin (çalışma döngüsü içerisinde aletin kapalı olduğu ve aktif durumda olmasının yanı sıra boşta çalıştığı zamanlar gibi, bütün zaman dilimleri göz önünde bulundurarak).

## EC Uygunluk Beyanı

### Sadece Avrupa ülkeleri için

EC uygunluk beyanı bu kullanım kılavuzuna Ek A olarak eklenmiştir.

## GÜVENLİK UYARILARI

### Genel elektrikli alet güvenliği uyarıları

**⚠UYARI:** Bu elektrikli aletle birlikte sunulan tüm güvenlik uyarılarını, talimatları, çizimleri ve teknik özellikleri okuyun. Aşağıda verilen talimatlara uyulmaması elektrik şoku, yangın ve/veya ciddi yaralanmalar ile sonuçlanabilir.

## Tüm uyarıları ve talimatları ile-ride başvurmak için saklayın.

Uyarılardaki "elektrikli alet" terimi ile ya prizden çalışan (kordonlu) elektrikli aletiniz ya da kendi aküsü ile çalışan (kordsuz) elektrikli aletiniz kastedilmektedir.

### Akülü mikser güvenlik uyarıları

1. **Aleti, iki elle bu amaçla tasarlanmış olan tutaklardan tutun.** Kontrolü kaybetmeniz, yaralanmanıza neden olabilir.
2. **Tehlikeli bir ortamı engellemek için yanıcı malzemeleri karıştırırken yeterli havalandırma sağlayın.** Oluşan buhar solunabilir veya elektrikli aletin ürettiği kıvılcıklar tarafından tutuşturulabilir.

3. **Gıda maddelerini karıştırmayın.** Elektrikli aletler ve aksesuarları gıda maddelerini işlemek için tasarlanmamıştır.
4. **Karıştırma kabının sağlam ve güvenli bir konumda yerleştirildiğinden emin olun.** Düzgün sabitlenmemiş bir kap, beklenmedik bir şekilde hareket edebilir.
5. **Karıştırılacak malzemeye yönelik talimatlara ve uyarılara riayet edin.** Karıştırılacak malzeme tehlikeli olabilir.
6. **Karıştırma sırasında karıştırma kabına ellerinizle uzanmayın veya başka maddeler sokmayın.** Mikser bıçağına temas edilmesi ciddi yaralanmaya yol açabilir.
7. **Aleti sadece karıştırma kabının içinde başlatın ve durdurun.** Mikser bıçağı bükülebilir veya kontrolsüz bir şekilde dönebilir.
8. **Elektrikli aletin gövdesine hiçbir sıvı sıçramadığından emin olun.** Elektrikli aletin içine giren sıvı, aletin hasar görmesine neden olabilir.
9. **Aletle birlikte verilmiş yardımcı tutamakları kullanın.** Kontrolü kaybetmeniz, yaralanmanıza neden olabilir.
10. **Kesici aksesuarın görünmeyen kablolarla temas etme olasılığı bulunan yerlerde çalışırken elektrikli aleti yalıtımlı kavrama yüzeyinden tutun.** Kesici aksesuarın "akımlı" bir telle temas etmesi elektrikli aletin yalıtımsız metal kısımlarını "akımlı" hale getirebilir ve kullanıcıyı elektrik şokuna maruz bırakabilir.
11. **Daıma yere sağlam bastığınızdan emin olun.** Aleti yüksek yerlerde kullanırken aşağıda kimse olmadığından emin olun.
12. **Aleti sıkıca tutun.**
13. **Ellerinizi dönen parçalardan uzak tutun.**
14. **Aleti çalışır durumda bırakmayın.** Aleti yalnızca tutarken çalıştırın.
15. **Bazı malzemeler zehirli olabilecek kimyasal maddeler içerir.** Tozun solunmasını ve cilde temas etmesini önlemek için dikkatli olun. Malzeme tedarikçisi tarafından verilen güvenlik uyarılarına riayet edin.
16. **Karıştırma işlemi yaparken karıştırma kabını düz ve dengeli bir yüzeye yerleştirin.**

## BU TALİMATLARI MUHAFAZA EDİNİZ.

**⚠UYARI:** Ürünü kullanırken (defalarca kullanınca kazanılan) rahatlık ve tanıdıklık duygusunun ilgili ürünün güvenlik kurallarına sıkı sıkıya bağlı kalmanızı yerine geçmesini İZİN VERMEYİN. YANLIŞ KULLANIM veya bu kullanma kılavuzunda belirtilen emniyet kurallarına uymama ciddi yaralanmaya neden olabilir.

## Batarya kartuşu hakkında önemli güvenlik talimatları

1. **Batarya kartuşunu kullanmadan önce, tüm talimatları ve (1) batarya kartuşu, (2) batarya ve (3) ürün üzerindeki tüm uyarı işaretlerini okuyun.**
2. **Batarya kartuşunu demonte etmeyin.**
3. **Çalışma süresi aşırı derecede kısalırsa kullanmayı derhal bırakın.** Aşırı ısınma, yanma riski hatta patlamaya neden olabilir.
4. **Gözünüze elektrolit kaçarsa, gözlerinizi temiz suyla durulayın ve hemen tıbbi yardım alın.** Görmeye kaybına yol açabilir.

## 5. Batarya kartuşuna kısa devre yaptırmayın:

- (1) Terminallere herhangi bir iletken madde deędirmeyin.
- (2) Batarya kartuşunu çiviler, madeni paralar, vb. gibi başka metal nesnelere aynı kaba koymaktan kaçının.
- (3) Batarya kartuşunu yağmura ya da suya maruz bırakmayın.

Kısa devre, büyük bir akım akışına, aşırı ısınmaya, olası yanıklara hatta bataryanın bozulmasına yol açabilir.

6. Aleti ve batarya kartuşunu sıcaklığın 50°C ya da daha yükseğe ulaştığı yerlerde saklamayın.
7. Aşırı derecede hasar görmüş ya da tamamen kullanılamaz durumda olsa bile batarya kartuşunu yakmayın. Batarya kartuşu ateşe atılırsa patlayabilir.
8. Bataryayı düşürmemeye ve çarpmamaya dikkat edin.
9. Hasarlı bataryayı kullanmayın.
10. Aletin içerdiği lityum-iyon bataryalar Tehlikeli Eşyalar Yönetmeliğinin gereksinimlerine tabidir. Ticari nakliye işlemleri için, örneğin üçüncü taraflar, nakliye acenteleri tarafından yapılan nakliyelerde, paketleme ve etiketleme gereksinimlerine uyulmalıdır. Nakliyesi yapılacak ürünün hazırlanması için, tehlikeli maddeler konusunda uzman bir kişiye danışın. Lütfen muhtemelen daha ayrıntılı olan ulusal yönetmeliklere de uyun. Açık kontakları bantlayın ya da maskeleyin ve bataryayı paketin içinde hareket ettirmeyecek şekilde paketleyin.
11. Bataryanın elden çıkarılması ile ilgili yerel düzenlemelere uyunuz.
12. Bataryaları sadece Makita tarafından belirtilen ürünlerle kullanın. Bataryaların uyumsuz ürünlerle takılması; yangın, aşırı ısınma, patlama ya da elektrolit sızıntısına neden olabilir.

## BU TALİMATLARI MUHAFAZA EDİNİZ.

**⚠DİKKAT:** Sadece orijinal Makita bataryalarını kullanın. Orijinal olmayan Makita bataryaları ya da üzerine deęişiklik yapılmış bataryaların kullanımı bataryanın patlamasına ve sonuç olarak yangın, kişisel yaralanma ve hasara neden olabilir. Ayrıca Makita aleti ve şarj aletinin Makita tarafından sunulan garantisi de geçersiz olur.

## Maksimum batarya ömrü için ipuçları

1. Batarya kartuşunu tamamen boşalmadan önce şarj edin. Aletin gücünün zayıflamaya başladığını fark ettiğinizde aleti durdurun ve batarya kartuşunu şarj edin.
2. Tam dolu bir batarya kartuşunu asla yeniden şarj etmeyin. Aşırı şarj etme bataryanın hizmet ömrünü kısaltır.
3. Batarya kartuşunu 10°C - 40°C oda sıcaklığında şarj edin. Sıcak bir batarya kartuşunu şarj etmeden önce soğumasını bekleyin.
4. Uzun bir süre (altı aydan daha fazla) kullanmadığınız durumlarda batarya kartuşunu şarj edin.

## İŞLEVSEL NİTELİKLER

**⚠DİKKAT:** Alet üzerinde ayarlama veya işleyiş kontrolü yapmadan önce aletin kapalı ve batarya kartuşunun ayrılmış olduğundan daima emin olun.

## Batarya kartuşunun takılması ve çıkarılması

**⚠DİKKAT:** Batarya kartuşunu takmadan ya da çıkarmadan önce aleti daima kapatın.

**⚠DİKKAT:** Batarya kartuşunu takarken veya çıkarırken aleti ve batarya kartuşunu sıkıca tutun. Aletin ve batarya kartuşunun sıkıca tutulmaması bunların düşürülmesine sebep olabilir ve alet ve batarya kartuşunun zarar görmesine ya da ciddi yaralanmasına yol açabilir.

**⚠DİKKAT:** Bu aleti, batarya adaptörü ile kullanmayın. Alete batarya adaptörü bağlarsanız batarya kapağı kapatılmaz ve aletin, batarya kapağı açık durumda kullanılması yaralanmaya neden olabilir.

Batarya kapağı üzerindeki düğmeye basarak batarya kapağını açın.

► **Şek.1:** 1. Düğme 2. Batarya kapağı

Batarya kartuşunu çıkarmak için, kartuşun ön tarafındaki düğmeyi kaydırarak kartuşu aletten çıkarın.

► **Şek.2:** 1. Kırmızı gösterge 2. Düğme 3. Batarya kartuşu

Batarya kartuşunu takmak için, batarya kartuşu üzerindeki dili yuvanın çentiği ile hizalayın ve yerine oturtun. Hafif bir tık sesi duyulana kadar itip yerine tam oturmasını sağlayın. Düğmenin üst tarafındaki kırmızı gösterge görünüyorsa tam yerine kilitlenmemiş demektir.

Batarya kartuşunu taktıktan sonra batarya kapağını sıkıca kapatın.

**⚠DİKKAT:** Batarya kartuşunu daima kırmızı gösterge görünmeyecek şekilde tam olarak takın. Yerine tam oturmazsa, aletten yanlışlıkla düşebilir, sizin ya da çevrenizdeki kişilerin yaralanmasına neden olabilir.

**⚠DİKKAT:** Batarya kartuşunu zorlayarak takmayın. Kartuş kolay bir şekilde kaymıyorsa doğru yerleştirilmemiş demektir.

## Kalan batarya kapasitesinin gösterilmesi

### Sadece göstergeli batarya kartuşları için

► **Şek.3:** 1. Gösterge lambaları 2. Kontrol düğmesi

Kalan batarya kapasitesini göstermesi için batarya kartuşu üzerindeki kontrol düğmesine basın. Gösterge lambaları birkaç saniye yanar.

Gösterge lambaları			Kalan kapasite
Yanıyor	Kapalı	Yanıp sönmüyor	
■	□	▣	%75 ila %100
■ ■ ■ ■			%50 ila %75
■ ■ □ □			%25 ila %50
■ □ □ □			%0 ila %25
▣ □ □ □			Bataryayı şarj edin.
■ ■ □ □			Batarya arızalanmış olabilir.
□ □ ■ ■			

**NOT:** Kullanım koşullarına ve ortam sıcaklığına bağlı olarak, gösterilen değer gerçek kapasiteden biraz farklılık gösterebilir.

## Alet/batarya koruma sistemi

Bu alet bir alet/batarya koruma sistemi ile donatılmıştır. Bu sistem motora giden gücü otomatik olarak keserek uzun alet ve batarya ömrü sağlar. Alet veya batarya için aşağıdaki durumlardan biri söz konusu olduğunda aletin işleyişi otomatik olarak durur:

### Aşırı yük koruması

Alet veya batarya, anormal yüksek akım çekmesinden dolayı çalıştırılırsa alet hiçbir belirti vermeden otomatik olarak durur. Bu durumda aleti kapatın ve aletin aşırı yüklenmesine neden olan uygulamayı durdurun. Daha sonra aleti yeniden başlatın.

### Aşırı ısınma koruması

Alet veya batarya aşırı ısındığında alet otomatik olarak durur. Bu durumda aleti yeniden açmadan önce aletin ve bataryanın soğumasını bekleyin.

### Aşırı deşarj koruması


Batarya kapasitesi yeterli olmadığında, alet otomatik olarak durur. Bu durumda, bataryayı aletten çıkarın ve bataryayı tekrar şarj edin.

## Anahtar işlemi

**⚠DİKKAT:** Batarya kartuşunu alete takmadan önce anahtar tetiğinin doğru çalıştığından ve bırakıldığında "OFF" (kapalı) konumuna döndüğünden emin olun.


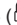
**⚠DİKKAT:** Uzun süreli kullanım sırasında kullanıcının rahatlığı için anahtar "ON" (açık) konumuna kilitlenebilir. Anahtar "ON" (açık) konumunda kilitleyken dikkatli olun ve aleti sıkı kavrayın.

**⚠DİKKAT:** Kilitleme düğmesi devreye alınmış durumda batarya kartuşunu takmayın.

**⚠DİKKAT:** Aleti kullanmazken tetik kilitleme düğmesine  tarafından basarak anahtar tetiği kapalı konuma kilitleyin.

► **Şek.4:** 1. Tetik kilidi düğmesi

► **Şek.5:** 1. Anahtar tetik 2. Kilitleme düğmesi 3. Tetik kilidi düğmesi

Anahtar tetiğinin kazara çekilmesini engellemek için tetik kilidi düğmesi sağlanmıştır. Aleti çalıştırmak için tetik kilidi düğmesine A () tarafından basarak anahtar tetiği çekin. Aletin çalışma hızı anahtar tetik üstüne daha fazla baskı yapılarak artırılır. Durdurmak için anahtar tetiği serbest bırakın. Kullandıktan sonra tetik kilidi düğmesine B () tarafından basın.

Sürekli çalıştırma için, anahtar tetiği çekerken kilitleme düğmesine basın ve ardından anahtar tetiği bırakın. Aleti durdurmak için anahtar tetiği tamamen çekip bırakın.

## Hız değiştirme

**ÖNEMLİ NOT:** Hız değiştirme düğmesini yalnızca alet tam durduktan sonra kullanın. Alet durmadan aletin hızının değiştirilmesi alete hasar verebilir.

**ÖNEMLİ NOT:** Hız değiştirme düğmesini her zaman dikkatlice doğru konuma ayarlayın. Hız değiştirme düğmesi konum 1 ile konum 2 arasında bir pozisyonda iken aleti kullanırsanız alet zarar görebilir.

**ÖNEMLİ NOT:** Yüksek hız modunda çalışma sırasında dönüş hızı önemli ölçüde düşerse aleti durdurun ve modu, düşük hız moduna alın. Aksi takdirde motor aşırı yüklenebilir ve bir arıza ya da yangına neden olabilir.

Hız değiştirme düğmesi ile iki hız aralığı önceden seçilebilir.

Hızı değiştirmek için hız değiştirme düğmesini, gösterge düşük hız için konum 1 veya yüksek hız için konum 2'yi gösterecek şekilde çevirin.

► **Şek.6:** 1. Gösterge 2. Hız değiştirme düğmesi

## İstemsiz yeniden başlatma önleyici işlev

Anahtar tetiği çekerken veya anahtar tetiği kilitleyen batarya kartuşu takılırsa alet çalışmaz. Aleti başlatmak için anahtar tetiği bırakın ve ardından anahtar tetiği çekin.

## Elektronik fonksiyonu

Alet kolay kullanım için elektronik fonksiyonlarla donatılmıştır.

- Yumuşak başlatma  
Yumuşak başlatma fonksiyonu başlatma şokunu en alt düzeye indirir ve aletin daha sarsıntısız başlamasını sağlar.

## MONTAJ

**⚠DİKKAT:** Alet üzerinde herhangi bir iş yapmadan önce aletin kapalı ve batarya kartuşunun ayrılmış olduğundan daima emin olun.

## Ön kapağın ve yan kavrama kolunun takılması

**⚠DİKKAT:** Yan kavrama kolunu iyice sıkın. Aksi takdirde ön kapak düşerek yaralanmaya neden olabilir.

- **Şek.7:** 1. Ön kapak 2. Yan kavrama kolu

Ön kapağı alete takın ve yan kavrama kolunu alete sıkıca vidalayın.  
Yan kavrama kolu aletin her iki yanına da takılabilir.

## Milin takılması

### İsteğe bağlı aksesuarlar

#### DUT130 için

1. Mili mil tutucuya takın.  
► **Şek.8:** 1. Mil 2. Mil tutucu

2. Mil tutucuyu numara anahtarla tutarak mili başka bir numara anahtarla sıkın.  
► **Şek.9:** 1. Mil 2. Mil tutucu

#### DUT131 için

1. Mili, mandrene sonuna kadar sokun.  
► **Şek.10:** 1. Mil 2. Mandren
2. Mandreni elle sıkın ve daha sonra mandren anahtarını üç deliğinin her birine yerleştirerek saat yönünde sıkın. Üç deliğinin her birini mandren anahtarı ile eşit olarak sıkmanızdan emin olun.  
► **Şek.11:** 1. Mandren anahtarı 2. Mandren

Mili çıkarmak için mandren anahtarını deliklerden birinde saatin aksi yönünde çevirin ve daha sonra mandreni elle gevşetin.

## Karıştırma bıçağının takılması

### İsteğe bağlı aksesuarlar

Karıştırma bıçağını milin tepesine takın ve daha sonra altigen civata ile sabitleyin.

- **Şek.12:** 1. Karıştırma bıçağı 2. Mil 3. Altigen civata

**ÖNEMLİ NOT:** Karıştırma bıçağını, "UP" (Yukarı) işareti alete bakacak şekilde taktığınızdan emin olun.

- **Şek.13:** 1. İşaret

## Kanca

### İsteğe bağlı aksesuarlar

**⚠DİKKAT:** Aleti kanca ile asarken bataryayı daima çıkarın.

**⚠DİKKAT:** Aleti hiçbir zaman yüksek bir yere veya potansiyel olarak dengesiz bir zemine asmayın.

- **Şek.14:** 1. Oluk 2. Kanca 3. Vida

Kanca, aletin geçici bir süre asılması için kullanışlıdır. Bu kanca, aletin her iki yanına da takılabilir. Kancayı takmak için, onu alet gövdesinin her iki yanındaki oluklardan birine geçirin ve sonra bir vida ile sabitleyin. Çıkarmak için, vidayı gevşetin ve sonra dışarı çekip alın.

## Mil tutucunun takılması veya çıkarılması

### İsteğe bağlı aksesuarlar

#### DUT131 için

1. Alyan anahtarını mandrene takın ve ardından iğni anahtarla tutarak mandreni alyan anahtarıyla gevşetin.  
► **Şek.15:** 1. Alyan anahtarı 2. Mandren 3. Anahtar
2. İğni numara anahtarla tutarak mil tutucuyu başka bir numara anahtarla sıkın.  
► **Şek.16:** 1. Mil tutucu 2. Anahtar

Mil tutucuyu çıkarmak için, takma prosedürünü tersten uygulayın.

## KULLANIM

**⚠DİKKAT:** Yanıcı malzemeleri karıştırmayın veya aleti, çözücü olarak tiner kullanılan boya gibi yanıcı malzemelerin etrafında kullanmayın. Aksi takdirde yaralanmaya neden olabilir.

**⚠DİKKAT:** Harç veya yapıştırıcı gibi yüksek viskoziteli malzemeyi yüksek hız modunda karıştırmayın. Aletin kontrolünü kaybedebilir ve yaralanmaya neden olabilirsiniz.

**ÖNEMLİ NOT:** Karıştırma bıçağı malzemenin üzerinde dururken malzemeyi karıştırdığımızda malzemeyi sıçratmamaya dikkat edin.

1. Karıştırılacak malzemeye göre yüksek hız veya düşük hızı seçin.
2. Aletin arka tutamağını bir elinizle ve kavrama kolunu diğer elinizle sıkıca tutun, karıştırma bıçağını tamamen malzemenin altında yerleştirin ve iş yeri güvenli olduğundan emin olduktan sonra aleti açın.
3. Materyalin tamamının karışabilmesi için karıştırma işlemi sırasında karıştırma bıçağını yukarı aşağı hareket ettirin.
4. Karıştırma işlemini bitirirken aleti kapatın, karıştırma bıçağını tam olarak durduğundan emin olun ve ardından karıştırma kabından dışarı çıkarın.

## BAKIM

**⚠ DİKKAT:** Muayene ya da bakım yapmadan önce aletin kapalı ve batarya kartuşunun çıkartılmış olduğundan daima emin olun.

**ÖNEMLİ NOT:** Benzin, tiner, alkol ve benzeri maddeleri kesinlikle kullanmayın. Renk değişimi, deformasyon veya çatlaklar oluşabilir.

Aleti EMNİYETLİ ve ÇALIŞMAYA HAZIR durumda tutmak için onarımlar, başka her türlü bakım ve ayarlamalar daima Makita yedek parçaları kullanılarak Makita yetkili servis merkezleri veya Fabrikanın Servis Merkezleri tarafından yapılmalıdır.

## İSTEĞE BAĞLI AKSESUARLAR

**⚠ DİKKAT:** Bu aksesuarlar ve ek parçalar bu el kitabında belirtilen Makita aletiniz ile kullanılmak için tavsiye edilmektedir. Herhangi başka bir aksesuar ya da ek parça kullanılması insanlar için bir yaralanma riski getirebilir. Aksesuarları ya da ek parçaları yalnızca belirtilmiş olan kullanım amaçlarına uygun olarak kullanın.

Bu aksesuarlarla ilgili daha fazla bilgiye ihtiyaç duyar-sanız bulunduğunuz yerdeki yetkili Makita servisine başvurun.

- Karıştırma bıçağı
- Mil
- Mil tutucu
- Kanca
- Orijinal Makita batarya ve şarj aleti

**NOT:** Listedeki parçaların bazıları alet paketi içerisinde standart aksesuar olarak dahil edilmiş olabilir. Bunlar ülkeden ülkeye farklılık gösterebilir.

Makita Europe N.V. Jan-Baptist Vinkstraat 2,  
3070 Kortenberg, Belgium

Makita Corporation 3-11-8, Sumiyoshi-cho,  
Anjo, Aichi 446-8502 Japan

www.makita.com

885670A991  
EN, FR, DE, IT, NL,  
ES, PT, DA, EL, TR  
20180911