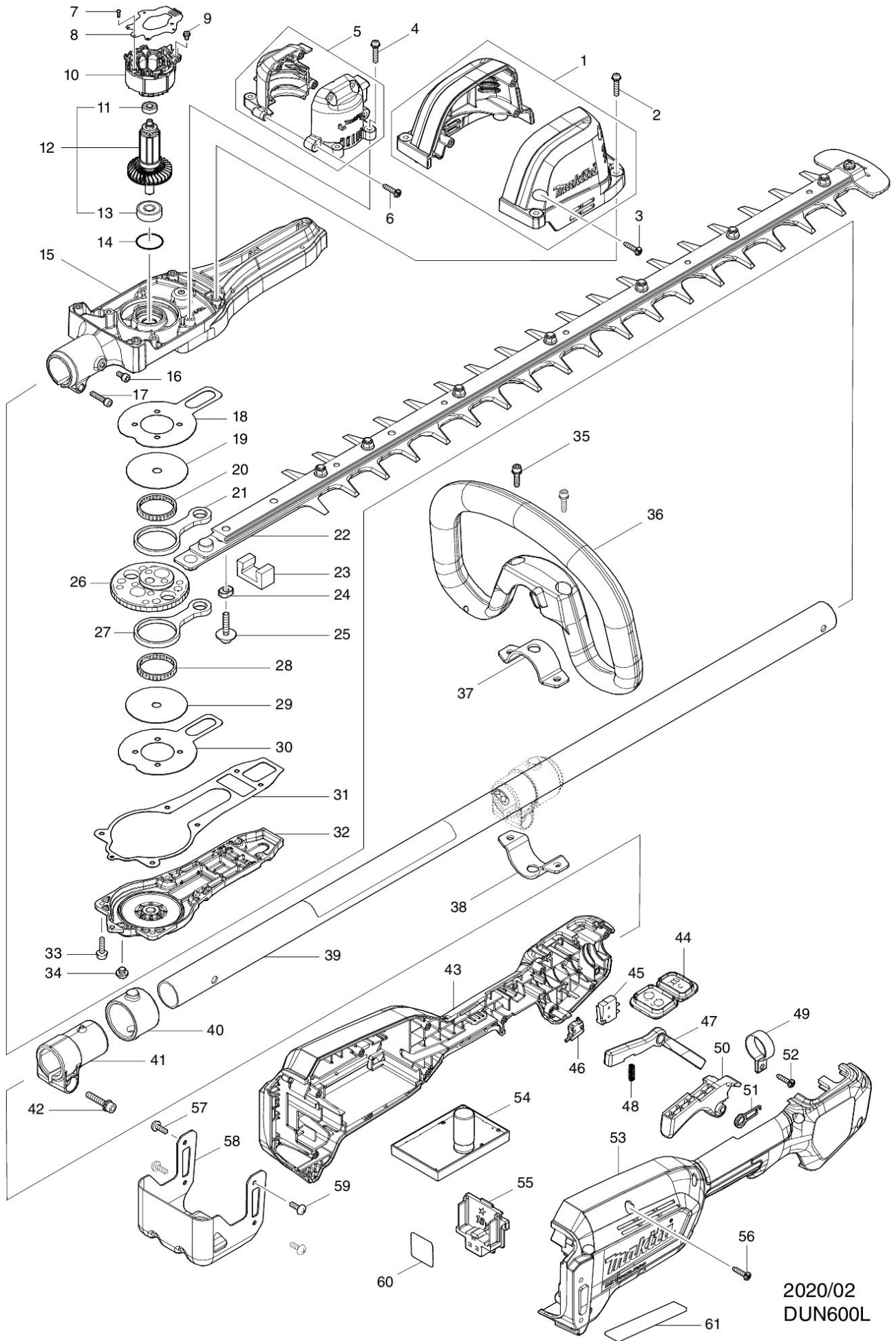


Partdrawing for DUN600LZ - Stokheggenschaar



2020/02
DUN600L