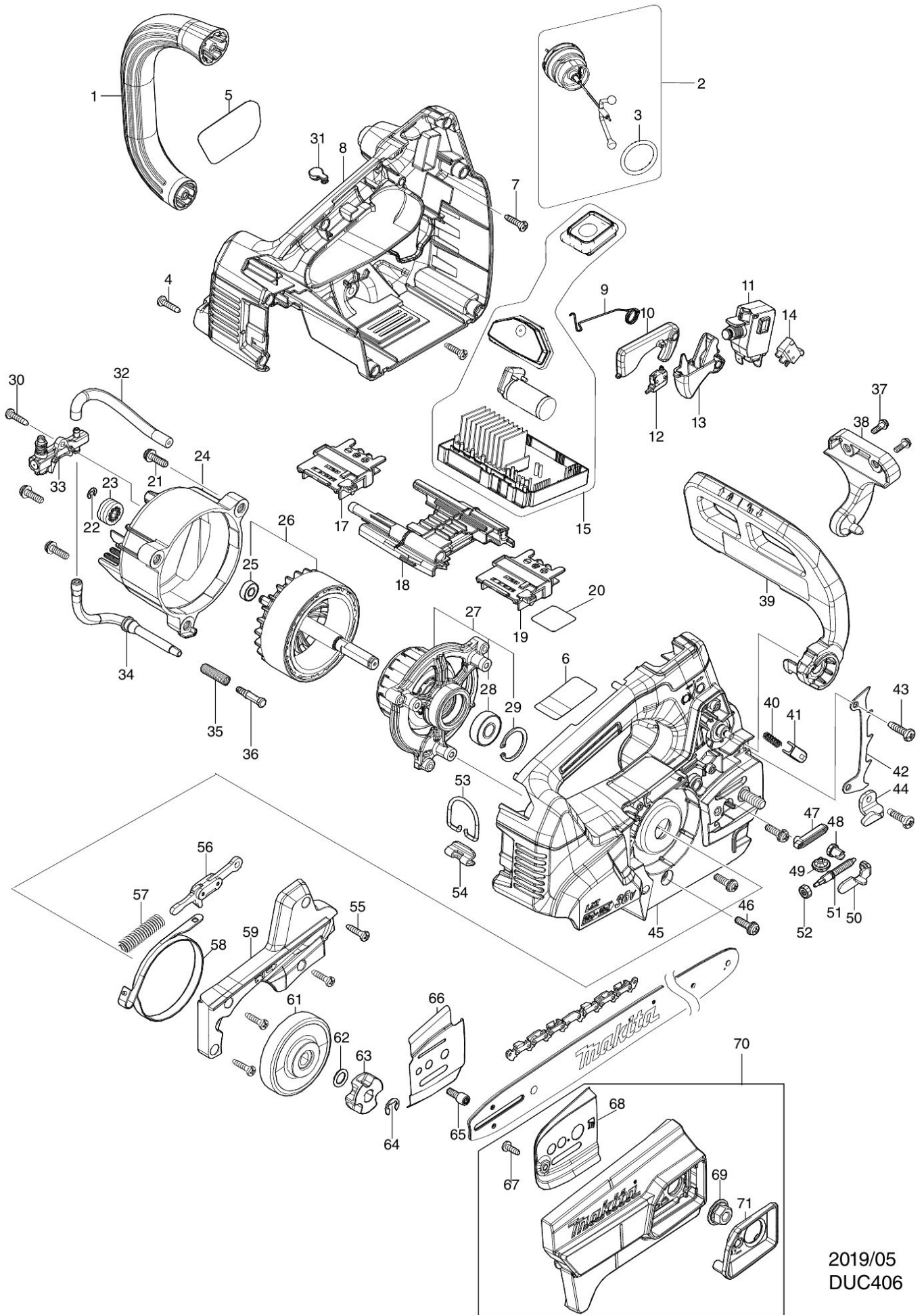


# Partdrawing for DUC406Z - Kettingzaag



2019/05  
DUC406