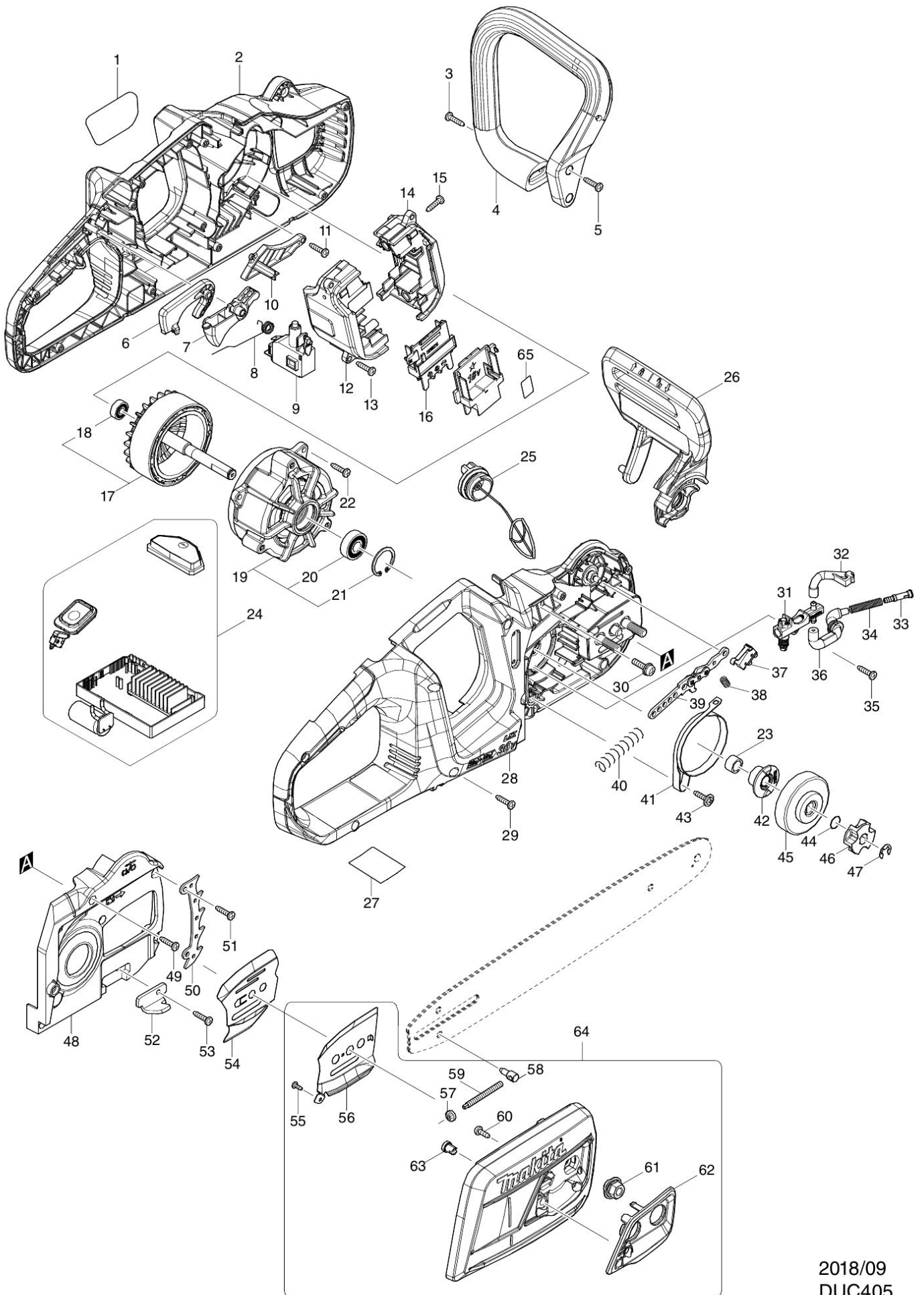


Partdrawing for DUC405PT4J - Kettingzaag



2018/09
DUC405