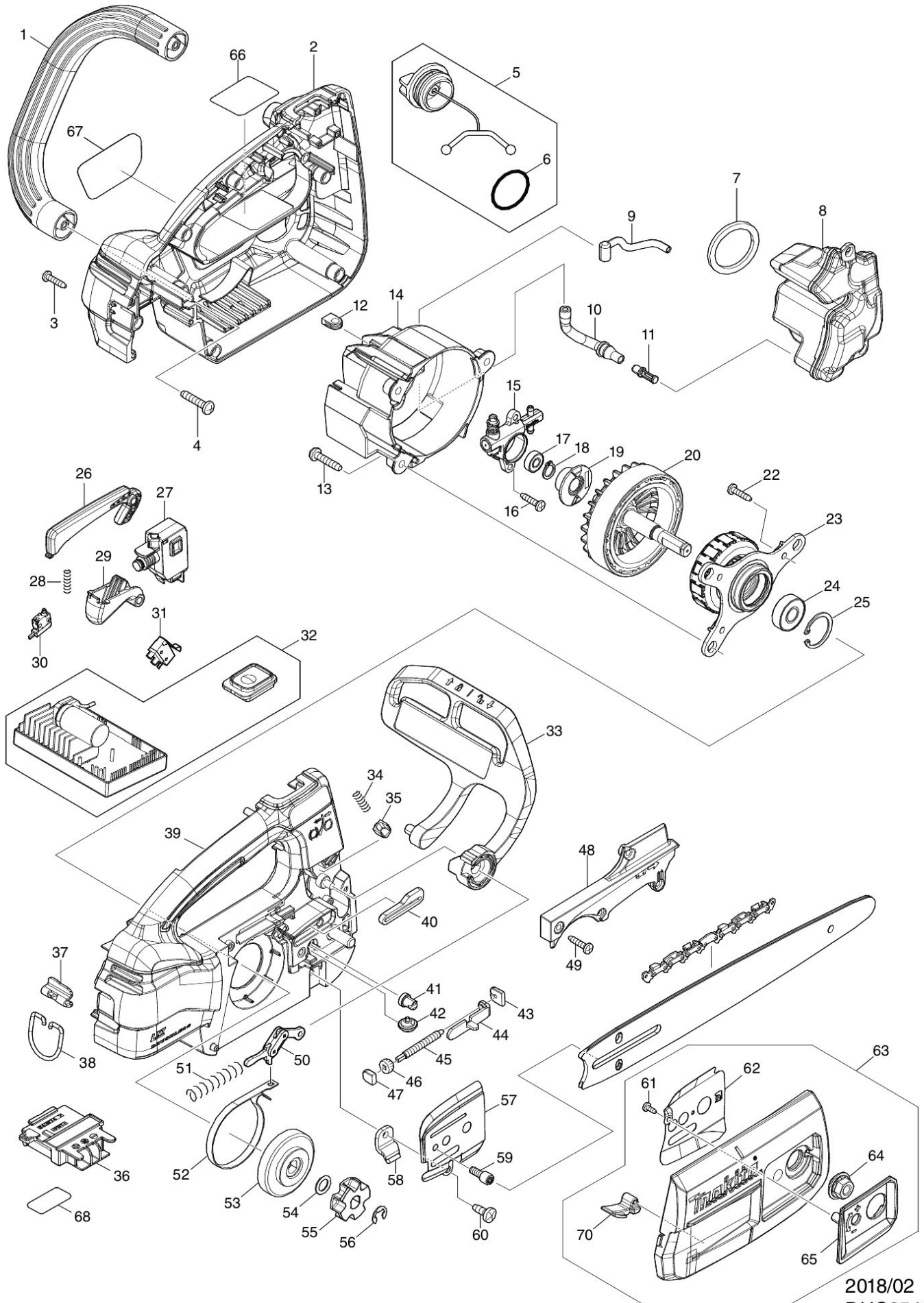


Partdrawing for DUC254CZ - Tophandle kettingzaag



2018/02
DUC254C