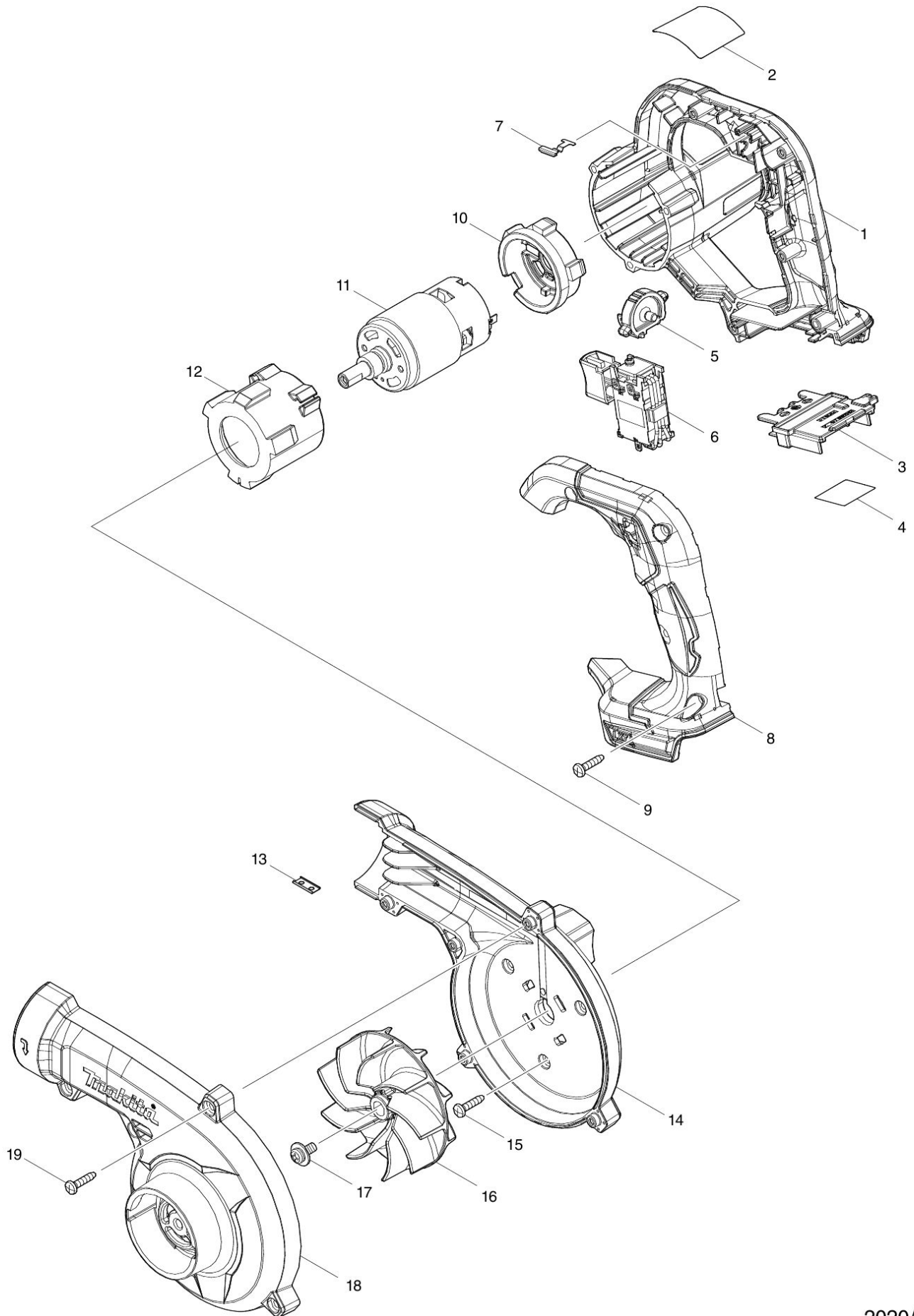


# Partdrawing for DUB186Z - Blazer



2020/01  
DUB186