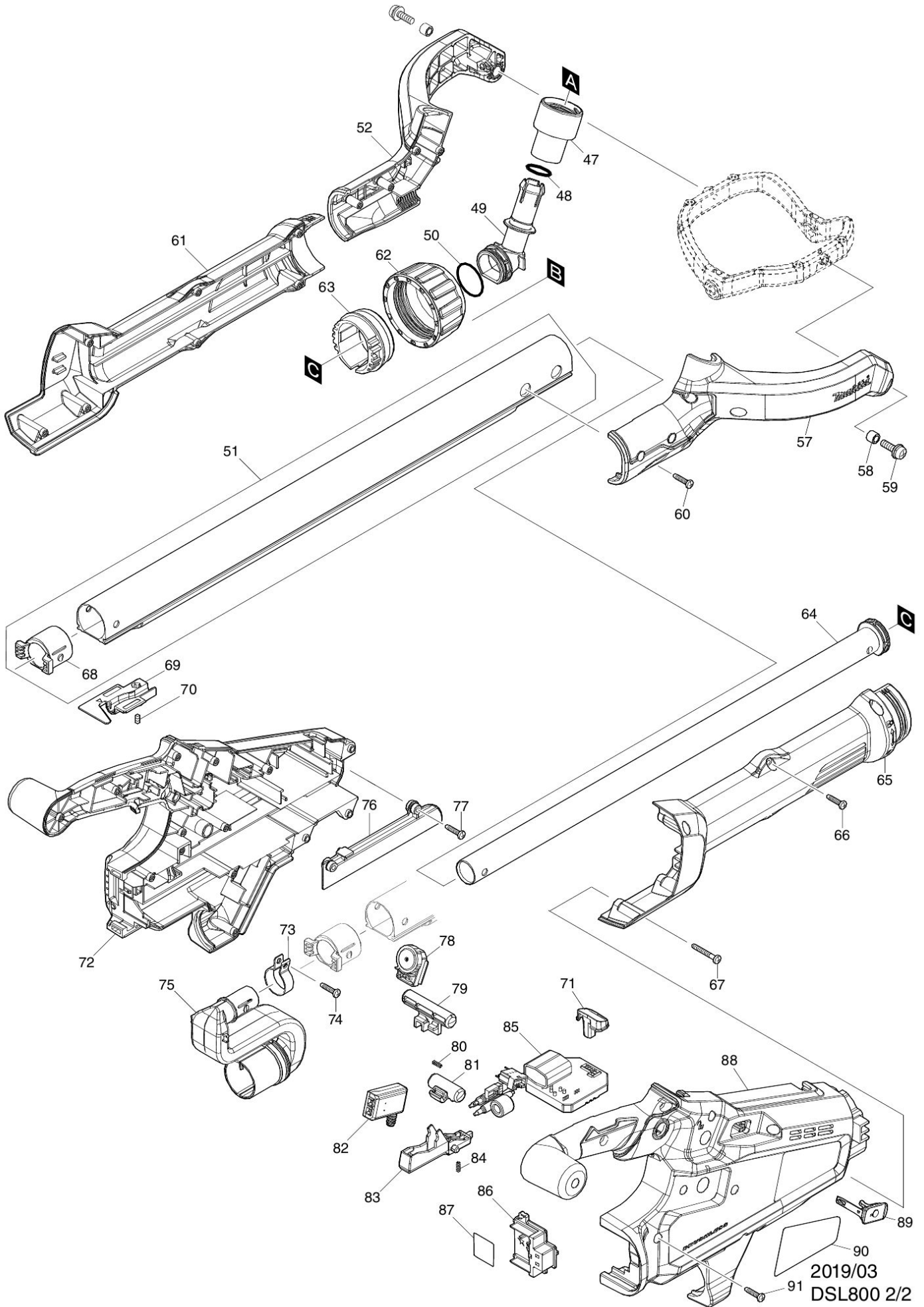


2019/02
DSL800 1/2

Partdrawing for DSL800ZU - Steel & Handgrip



2019/03
DSL800 2/2