



**EN** Cordless Steel Rod Cutter  
Instruction manual

**FR** Coupe tige sans-fil  
Manuel d'instructions

**DE** Akku-Moniereisenschneider  
Betriebsanleitung

**IT** Taglia-roncini a batteria  
Istruzioni per l'uso

**NL** Draadloze staaldraadsnijder  
Gebruiksaanwijzing

**ES** Cortadora de Varilla Inalámbrica  
Manual de instrucciones

**PT** Cortadora de Vergalhão a Bateria  
Manual de instruções

**DA** Batteridrevet stålstangsklipper  
Brugsanvisning

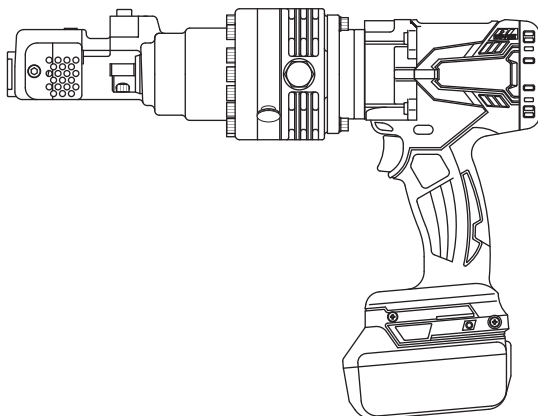
**EL** Κόφτης ατσάλοβέργας με μπαταρία  
Εγχειρίδιο οδηγιών

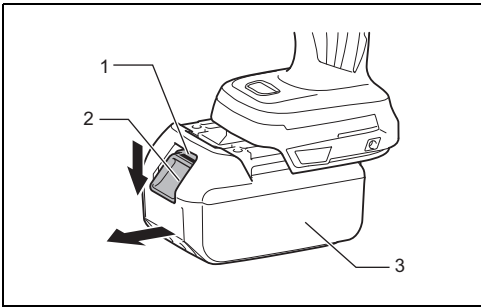
**TR** Kablosuz Çelik Çubuk Kesici  
Kullanma kılavuzu

**ZHTW** 充電式油壓鋼筋剪斷機  
使用說明書

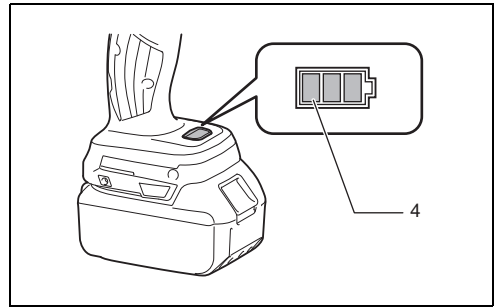
**PTBR** Cortadora de Vergalhão a Bateria  
Manual de instruções

# DSC163

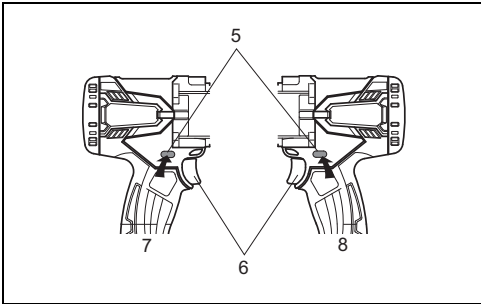




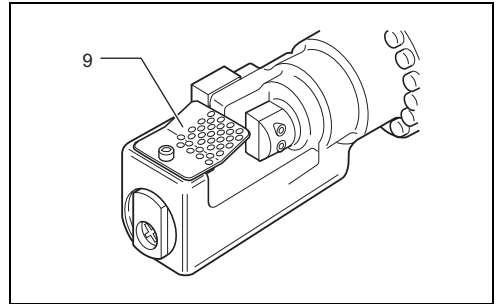
1



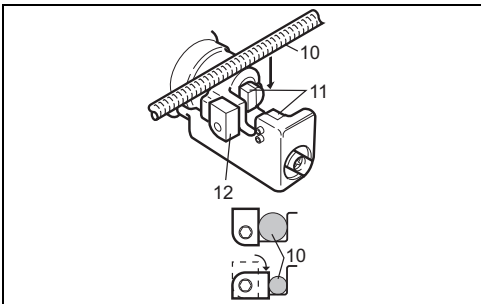
2



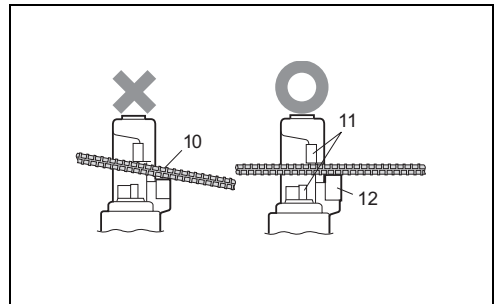
3



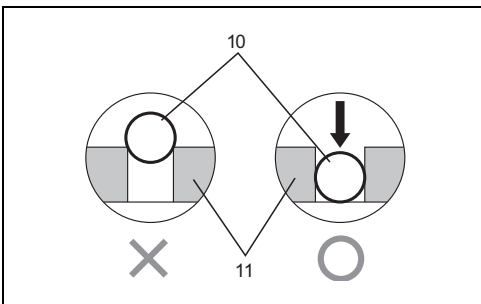
4



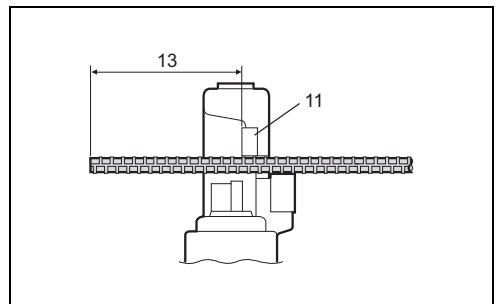
5



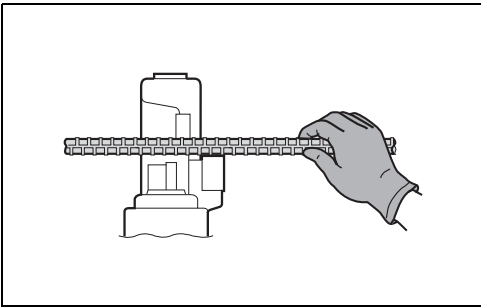
6



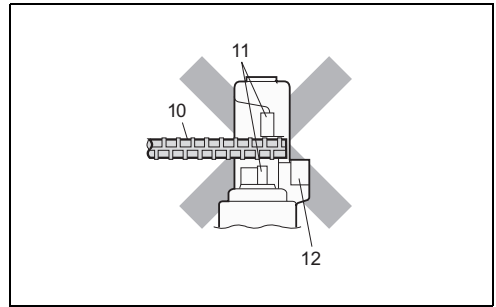
7



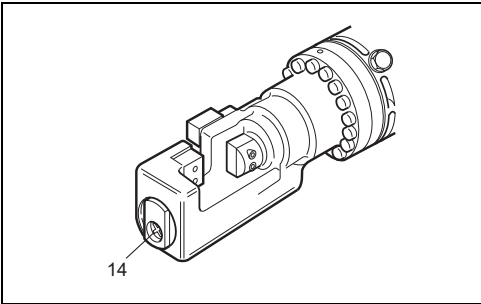
8



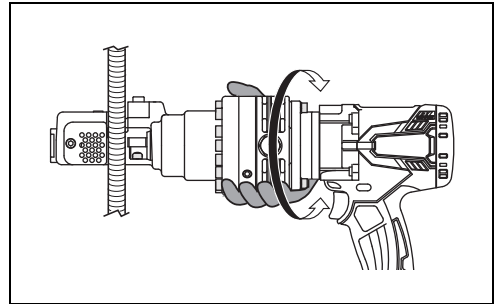
9



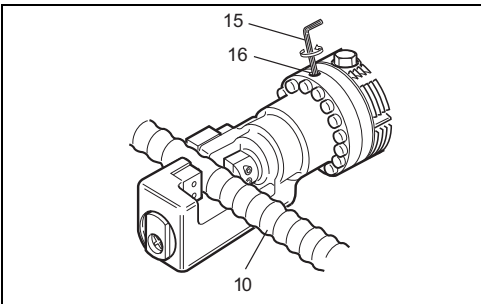
10



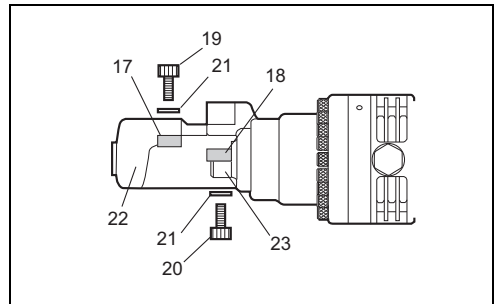
11



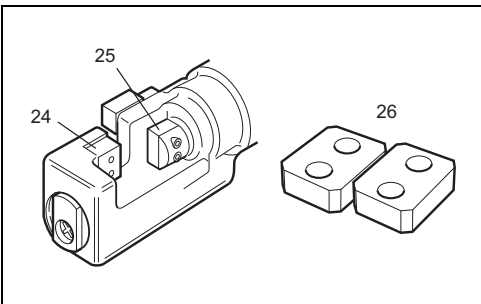
12



13



14



15

## ENGLISH (Original instructions)

### Explanation of general view

- |                      |                             |                           |
|----------------------|-----------------------------|---------------------------|
| 1. Red indicator     | 10. Rebar                   | 19. Bolt (Longer)         |
| 2. Button            | 11. Blades                  | 20. Bolt (Shorter)        |
| 3. Battery cartridge | 12. Stopper                 | 21. Washer                |
| 4. LED indicator     | 13. More than 200 mm        | 22. Bar Holder            |
| 5. Switch Lock       | 14. Air Hole                | 23. Cutter Rod            |
| 6. Switch trigger    | 15. Hex Wrench              | 24. Blade A on Bar Holder |
| 7. Side A            | 16. Return Valve            | 25. Blade B on Cutter Rod |
| 8. Side B            | 17. Blade A (Thicker Blade) | 26. Spare Blades          |
| 9. Protector         | 18. Blade B (Thinner Blade) |                           |

## SPECIFICATIONS

Model	DSC163
Max. Cutting Capacity (Dia.mm)	16 mm
Grade 40 - Grade 60	
Grade 40: Tensile Strength 490 N/mm <sup>2</sup> 70,000 PSI	
Grade 60: Tensile Strength 620 N/mm <sup>2</sup> 90,000 PSI	
Cutting Speed	2.8 seconds
Overall length	360 mm
Net weight	6.9 kg
Rated voltage	D.C. 18V

- Due to our continuing program of research and development, the specifications herein are subject to change without notice.
- Specifications and battery cartridge may differ from country to country.
- Weight, with battery cartridge, according to EPTA-Procedure 01/2014

### Applicable battery cartridge and charger

Battery cartridge	BL1830B / BL1840B / BL1850B / BL1860B
Charger	DC18RC / DC18RD / DC18RE / DC18SD / DC18SE / DC18SF / DC18SH

- Some of the battery cartridges and chargers listed above may not be available depending on your region of residence.

#### **WARNING:**

- **Only use the battery cartridges and chargers listed above.** Use of any other battery cartridges and chargers may cause injury and/or fire.

## Symbols

The following show the symbols used for the equipment. Be sure that you understand their meaning before use.



..... Read instruction manual.



Cd  
Ni-MH  
Li-ion

..... Only for EU countries

Due to the presence of hazardous components in the equipment, waste electrical and electronic equipment, accumulators and batteries may have a negative impact on the environment and human health.

Do not dispose of electrical and electronic appliances or batteries with household waste!

In accordance with the European Directive on waste electrical and electronic equipment and on accumulators and batteries and waste accumulators and batteries, as well as their adaptation to national law, waste electrical equipment, batteries and accumulators should be stored separately and delivered to a separate collection point for municipal waste, operating in accordance with the regulations on environmental protection. This is indicated by the symbol of the crossed-out wheeled bin placed on the equipment.

## Intended use

The tool is intended for cutting rebar.

## Noise

The typical A-weighted noise level determined according to EN62841-2-8:

Sound pressure level (LpA) : 78 dB (A)

Uncertainty (K) : 3 dB (A)

The noise level under working may exceed 80 dB (A).

## NOTE:

- The declared noise emission value(s) has been measured in accordance with a standard test method and may be used for comparing one tool with another.
- The declared noise emission value(s) may also be used in a preliminary assessment of exposure.

## ⚠ WARNING:

- **Wear ear protection.**
- **The noise emission during actual use of the power tool can differ from the declared value(s) depending on the ways in which the tool is used especially what kind of workpiece is processed.**
- **Be sure to identify safety measures to protect the operator that are based on an estimation of exposure in the actual conditions of use (taking account of all parts of the operating cycle such as the times when the tool is switched off and when it is running idle in addition to the trigger time).**

## Vibration

The vibration total value (tri-axial vector sum) determined according to EN62841-2-8:

Work mode : cutting rebar

Vibration emission ( $a_{H1}$ ) : 2.5 m/s<sup>2</sup> or less

Uncertainty (K) : 1.5 m/s<sup>2</sup>

## NOTE:

- The declared vibration total value(s) has been measured in accordance with a standard test method and may be used for comparing one tool with another.
- The declared vibration total value(s) may also be used in a preliminary assessment of exposure.

## ⚠ WARNING:

- **The vibration emission during actual use of the power tool can differ from the declared value(s) depending on the ways in which the tool is used especially what kind of workpiece is processed.**
- **Be sure to identify safety measures to protect the operator that are based on an estimation of exposure in the actual conditions of use (taking account of all parts of the operating cycle such as the times when the tool is switched off and when it is running idle in addition to the trigger time).**

## EC Declaration of Conformity

### For European countries only

The EC declaration of conformity is included as Annex A to this instruction manual.

## General power tool safety warnings

⚠ **WARNING:** Read all safety warnings, instructions, illustrations and specifications provided with this power tool. Failure to follow all instructions listed below may result in electric shock, fire and/or serious injury.

## Save all warnings and instructions for future reference.

The term “power tool” in the warnings refers to your mains-operated (corded) power tool or battery-operated (cordless) power tool.

### Work area safety

1. **Keep work area clean and well lit.** Cluttered or dark areas invite accidents.
2. **Do not operate power tools in explosive atmospheres, such as in the presence of flammable liquids, gases or dust.** Power tools create sparks which may ignite the dust or fumes.
3. **Keep children and bystanders away while operating a power tool.** Distractions can cause you to lose control.

### Electrical safety

1. **Power tool plugs must match the outlet. Never modify the plug in any way. Do not use any adapter plugs with earthed (grounded) power tools.** Unmodified plugs and matching outlets will reduce risk of electric shock.

2. **Avoid body contact with earthed or grounded surfaces, such as pipes, radiators, ranges and refrigerators.** There is an increased risk of electric shock if your body is earthed or grounded.
3. **Do not expose power tools to rain or wet conditions.** Water entering a power tool will increase the risk of electric shock.
4. **Do not abuse the cord. Never use the cord for carrying, pulling or unplugging the power tool. Keep cord away from heat, oil, sharp edges or moving parts.** Damaged or entangled cords increase the risk of electric shock.
5. **When operating a power tool outdoors, use an extension cord suitable for outdoor use.** Use of a cord suitable for outdoor use reduces the risk of electric shock.
6. **If operating a power tool in a damp location is unavoidable, use a residual current device (RCD) protected supply.** Use of an RCD reduces the risk of electric shock.
7. **Power tools can produce electromagnetic fields (EMF) that are not harmful to the user.** However, users of pacemakers and other similar medical devices should contact the maker of their device and/or doctor for advice before operating this power tool.
9. **Always wear protective goggles to protect your eyes from injury when using power tools. The goggles must comply with ANSI Z87.1 in the USA, EN 166 in Europe, or AS/NZS 1336 in Australia/New Zealand. In Australia/New Zealand, it is legally required to wear a face shield to protect your face, too.**



**It is an employer's responsibility to enforce the use of appropriate safety protective equipments by the tool operators and by other persons in the immediate working area.**

#### **Personal safety**

1. **Stay alert, watch what you are doing and use common sense when operating a power tool. Do not use a power tool while you are tired or under the influence of drugs, alcohol or medication.** A moment of inattention while operating power tools may result in serious personal injury.
2. **Use personal protective equipment. Always wear eye protection.** Protective equipment such as a dust mask, non-skid safety shoes, hard hat or hearing protection used for appropriate conditions will reduce personal injuries.
3. **Prevent unintentional starting. Ensure the switch is in the off-position before connecting to power source and/or battery pack, picking up or carrying the tool.** Carrying power tools with your finger on the switch or energising power tools that have the switch on invites accidents.
4. **Remove any adjusting key or wrench before turning the power tool on.** A wrench or a key left attached to a rotating part of the power tool may result in personal injury.
5. **Do not overreach. Keep proper footing and balance at all times.** This enables better control of the power tool in unexpected situations.
6. **Dress properly. Do not wear loose clothing or jewellery. Keep your hair and clothing away from moving parts.** Loose clothes, jewellery or long hair can be caught in moving parts.
7. **If devices are provided for the connection of dust extraction and collection facilities, ensure these are connected and properly used.** Use of dust collection can reduce dust-related hazards.
8. **Do not let familiarity gained from frequent use of tools allow you to become complacent and ignore tool safety principles.** A careless action can cause severe injury within a fraction of a second.
- Power tool use and care**
  1. **Do not force the power tool. Use the correct power tool for your application.** The correct power tool will do the job better and safer at the rate for which it was designed.
  2. **Do not use the power tool if the switch does not turn it on and off.** Any power tool that cannot be controlled with the switch is dangerous and must be repaired.
  3. **Disconnect the plug from the power source and/or remove the battery pack, if detachable, from the power tool before making any adjustments, changing accessories, or storing power tools.** Such preventive safety measures reduce the risk of starting the power tool accidentally.
  4. **Store idle power tools out of the reach of children and do not allow persons unfamiliar with the power tool or these instructions to operate the power tool.** Power tools are dangerous in the hands of untrained users.
  5. **Maintain power tools and accessories. Check for misalignment or binding of moving parts, breakage of parts and any other condition that may affect the power tool's operation. If damaged, have the power tool repaired before use.** Many accidents are caused by poorly maintained power tools.
  6. **Keep cutting tools sharp and clean.** Properly maintained cutting tools with sharp cutting edges are less likely to bind and are easier to control.
  7. **Use the power tool, accessories and tool bits etc. in accordance with these instructions, taking into account the working conditions and the work to be performed.** Use of the power tool for operations different from those intended could result in a hazardous situation.

8. **Keep handles and grasping surfaces dry, clean and free from oil and grease.** Slippery handles and grasping surfaces do not allow for safe handling and control of the tool in unexpected situations.
9. **When using the tool, do not wear cloth work gloves which may be entangled.** The entanglement of cloth work gloves in the moving parts may result in personal injury.

#### **Battery tool use and care**

1. **Recharge only with the charger specified by the manufacturer.** A charger that is suitable for one type of battery pack may create a risk of fire when used with another battery pack.
2. **Use power tools only with specifically designated battery packs.** Use of any other battery packs may create a risk of injury and fire.
3. **When battery pack is not in use, keep it away from other metal objects, like paper clips, coins, keys, nails, screws or other small metal objects, that can make a connection from one terminal to another.** Shorting the battery terminals together may cause burns or a fire.
4. **Under abusive conditions, liquid may be ejected from the battery; avoid contact. If contact accidentally occurs, flush with water. If liquid contacts eyes, additionally seek medical help.** Liquid ejected from the battery may cause irritation or burns.
5. **Do not use a battery pack or tool that is damaged or modified.** Damaged or modified batteries may exhibit unpredictable behaviour resulting in fire, explosion or risk of injury.
6. **Do not expose a battery pack or tool to fire or excessive temperature.** Exposure to fire or temperature above 130 °C may cause explosion.
7. **Follow all charging instructions and do not charge the battery pack or tool outside the temperature range specified in the instructions.** Charging improperly or at temperatures outside the specified range may damage the battery and increase the risk of fire.

#### **Service**

1. **Have your power tool serviced by a qualified repair person using only identical replacement parts.** This will ensure that the safety of the power tool is maintained.
2. **Never service damaged battery packs.** Service of battery packs should only be performed by the manufacturer or authorized service providers.
3. **Follow instruction for lubricating and changing accessories.**

## **CORDLESS STEEL ROD CUTTER SAFETY WARNINGS**

1. **Hold the tool securely while it is in use.** If the tool is not held securely, you may be injured.
2. **Keep your hands and face away from the moving parts.** They may cause an injury.

3. **Release the Switch trigger immediately to stop operation when the tool is out of order or makes an abnormal sound during use. Have it inspected and repaired by an authorized service center.** Failure to do so may result in damage or injury.
4. **If you drop or strike the tool, check carefully that the body is not damaged, cracked, or deformed.** Any such damage could cause injury.
5. **This tool is an electro-hydraulic tool. The oil reservoir was filled before delivery. Do not add oil unless the tool operates abnormally.**
6. **Metal cutting blades have sharp edges.** Handle them carefully to avoid being cut.
7. **Damaged, deformed or cracked blades may cause serious accidents as well as impair operation.** Replace with new genuine blades immediately.

## **SAVE THESE INSTRUCTIONS.**

### **⚠ WARNING:**

**DO NOT** let comfort or familiarity with product (gained from repeated use) replace strict adherence to safety rules for the subject product. **MISUSE** or failure to follow the safety rules stated in this instruction manual may cause serious personal injury.

## **Important safety instructions for battery cartridge**

1. **Before using battery cartridge, read all instructions and cautionary markings on (1) battery charger, (2) battery, and (3) product using battery.**
2. **Do not disassemble or tamper the battery cartridge.** It may result in a fire, excessive heat, or explosion.
3. **If operating time has become excessively shorter, stop operating immediately.** It may result in a risk of overheating, possible burns and even an explosion.
4. **If electrolyte gets into your eyes, rinse them out with clear water and seek medical attention right away.** It may result in loss of your eyesight.
5. **Do not short the battery cartridge:**
  - (1) **Do not touch the terminals with any conductive material.**
  - (2) **Avoid storing battery cartridge in a container with other metal objects such as nails, coins, etc.**
  - (3) **Do not expose battery cartridge to water or rain.**

A battery short can cause a large current flow, overheating, possible burns and even a breakdown.
6. **Do not store and use the tool and battery cartridge in locations where the temperature may reach or exceed 50 °C (122 °F).**
7. **Do not incinerate the battery cartridge even if it is severely damaged or is completely worn out.** The battery cartridge can explode in a fire.

8. **Do not nail, cut, crush, throw, drop the battery cartridge, or hit against a hard object to the battery cartridge.** Such conduct may result in a fire, excessive heat, or explosion.
  9. **Do not use a damaged battery.**
  10. **The contained lithium-ion batteries are subject to the Dangerous Goods Legislation requirements.**  
For commercial transports e.g. by third parties, forwarding agents, special requirement on packaging and labeling must be observed.  
For preparation of the item being shipped, consulting an expert for hazardous material is required. Please also observe possibly more detailed national regulations.  
Tape or mask off open contacts and pack up the battery in such a manner that it cannot move around in the packaging.
  11. **When disposing the battery cartridge, remove it from the tool and dispose of it in a safe place. Follow your local regulations relating to disposal of battery.**
  12. **Use the batteries only with the products specified by Makita.** Installing the batteries to non-compliant products may result in a fire, excessive heat, explosion, or leak of electrolyte.
  13. **If the tool is not used for a long period of time, the battery must be removed from the tool.**
  14. **During and after use, the battery cartridge may take on heat which can cause burns or low temperature burns. Pay attention to the handling of hot battery cartridges.**
  15. **Do not touch the terminal of the tool immediately after use as it may get hot enough to cause burns.**
  16. **Do not allow chips, dust, or soil stuck into the terminals, holes, and grooves of the battery cartridge.** It may result in poor performance or breakdown of the tool or battery cartridge.
  17. **Unless the tool supports the use near high-voltage electrical power lines, do not use the battery cartridge near a high-voltage electrical power lines.** It may result in a malfunction or breakdown of the tool or battery cartridge.
  18. **Keep the battery away from children.**
4. **When not using the battery cartridge, remove it from the tool or the charger.**
  5. **Charge the battery cartridge if you do not use it for a long period (more than six months).**

## FUNCTIONAL DESCRIPTION

### ⚠ CAUTION:

- Always be sure that the tool is switched off and the battery cartridge is removed before adjusting or checking function on the tool.

### Installing or removing battery cartridge (Fig. 1)

#### ⚠ CAUTION:

- Always switch off the tool before installing or removing of the battery cartridge.
- **Hold the tool and the battery cartridge firmly when installing or removing battery cartridge.** Failure to hold the tool and the battery cartridge firmly may cause them to slip off your hands and result in damage to the tool and battery cartridge and a personal injury.

To remove the battery cartridge, slide it from the tool while sliding the button on the front of the cartridge.

To install the battery cartridge, align the tongue on the battery cartridge with the groove in the housing and slip it into place. Insert it all the way until it locks in place with a little click. If you can see the red indicator on the upper side of the button, it is not locked completely.

#### ⚠ CAUTION:

- Always install the battery cartridge fully until the red indicator cannot be seen. If not, it may accidentally fall out of the tool, causing injury to you or someone around you.
- Do not install the battery cartridge forcibly. If the cartridge does not slide in easily, it is not being inserted correctly.

### Tool / battery protection system

The tool is equipped with a tool/battery protection system. This system automatically cuts off the power to extend tool and battery life. The tool will automatically stop during operation if the tool or battery is placed under one of the following conditions:

#### Overload protection

This protection works when the tool is operated in a manner that causes it to draw an abnormally high current. In this situation, turn the tool off and stop the application that caused the tool to become overloaded. Then turn the tool on to restart.

#### Overheat protection

This protection works when the tool or battery is overheated. In this situation, let the tool and battery cool before turning the tool on again.

#### Overdischarge protection

This protection works when the remaining battery capacity gets low. In this situation, remove the battery from the tool and charge the battery.

## SAVE THESE INSTRUCTIONS.

### ⚠ CAUTION:

- **Only use genuine Makita batteries.** Use of non-genuine Makita batteries, or batteries that have been altered, may result in the battery bursting causing fires, personal injury and damage. It will also void the Makita warranty for the Makita tool and charger.

### Tips for maintaining maximum battery life




1. **Charge the battery cartridge before completely discharged. Always stop tool operation and charge the battery cartridge when you notice less tool power.**
2. **Never recharge a fully charged battery cartridge. Overcharging shortens the battery service life.**
3. **Charge the battery cartridge with room temperature at 10 °C - 40 °C (50 °F - 104 °F). Let a hot battery cartridge cool down before charging it.**



## Indicating the remaining battery capacity (Fig. 2)

(Country specific)

When you pull the switch trigger, the LED display shows the remaining battery capacity as the following table.

LED indicator status	Remaining battery capacity
	About 50% or more
	About 20% - 50%
	About less than 20%

### NOTE:

- The LED display goes off approximately one minute after releasing the switch trigger to save the battery power. To check the remaining battery capacity, slightly pull the switch trigger.
- When the LED display lights up but the tool does not work even with a recharged battery cartridge, cool down the tool fully. If the condition does not change, have the tool repaired by a Makita local service center.

## OPERATING PROCEDURE

Read, understand and follow all safety instructions and operating procedures. If you do not understand the instructions, or if conditions are not correct for proper operation, do not operate this tool. Consult your supervisor or other responsible person.

### ⚠ WARNING:

- Before the Battery is inserted into the tool, pull and release the switch trigger to ensure that it returns when released.

The motor is on when the switch trigger is pulled and off when the switch trigger is released.

### Switch Lock Operation (Fig. 3)

- Push in the Switch Lock on side A. The Switch is unlocked and the Trigger can be operated.
- Push in the Switch Lock on side B. The Switch is locked and the Trigger cannot be operated.

### ⚠ CAUTION:

- The switch trigger should be locked at all times when not in use.

### ⚠ WARNING:

- Before operation, confirm that the position of the operator, relative to the tool, and the surrounding area is safe for operation. Put on safety glasses and wear protective clothing.
- Refer to the tool specifications in this manual and do not cut rebar of size or hardness that exceeds the cutting capacity of the tool.
- Do not cut material other than rebar. Please ask the manufacturer if you want to cut other materials.

### ⚠ WARNING:

- Replace damaged (chipped, broken, cracked) or deformed blades immediately. The blade will not cut true and may fracture or break causing serious personal injury.

## Cutting Procedure

### ⚠ WARNING:

- **Never use the tool without the protector in place.** Failure to do so can cause serious personal injury. (Fig. 4)
  - Protector is an equipment to prevent fragments from being projected towards the operator. It does not prevent a projection to the axial direction of the rebar. Position yourself so that the protector blocks the fragments.
  - In some figures the protector is not shown, but it is for showing the inside of the protector. Always use the protector in place.
1. Position the rebar to be cut between the blades. (Fig. 5)  
Adjust the Stopper according to the diameter of the rebar to be cut so that the rebar is at 90 degrees to the blades. The Stopper supports the rebar and keeps it perpendicular to the blades when cutting. (Fig. 6)

### ⚠ WARNING:

- When cutting rebar, adjust the Stopper according to the diameter of the rebar to be cut so that the rebar is at 90 degrees to the blades. Without this adjustment, the cut piece may fly off and cause serious injury to the operator or bystanders. Never fail to check the position of the operator relative to the tool and confirm the safety of the operator and surrounding area.
2. Position the rebar deep enough between the blades so that it does not touch the protector. (Fig. 7)

### ⚠ WARNING:

- If the rebar to be cut is not positioned fully between the blades, the blades will be damaged; the rebar will be ejected violently and may cause serious personal injury.

### ⚠ WARNING:

- Do not cut rebar when the piece to be cut off is less than 200 mm in length. Cutting shorter length may cause the rebar to fly off during cut and may result in serious personal injury. (Fig. 8)

### ⚠ WARNING:

- Do not cut rebar when it is not properly supported by the Stopper. When cutting, hold the rebar on the Stopper side. (Fig. 9, 10) If not, the cut piece may fly off and cause serious injury to the operator or bystanders.
3. Push in the Switch Lock on Side A. The switch is unlocked and the trigger can be operated.
  4. Press the switch trigger to start cutting operation. The Cutter Rod will move forward to cut the rebar. Keep the Switch depressed until the Cutter Rod stops at the end of its stroke.

- Release the switch trigger when the cut is completed and the Cutter Rod has reached the end of its stroke. The Cutter Rod will then return automatically to its starting position. The Cutter Rod will not return if the stroke is not completed. Similarly the Cutter Rod will not be able to move forward again until after it returns completely to its starting position. Press the switch to start the next cut, only after the Cutter Rod completely returns to its starting position and stops.

**⚠ WARNING:**

- When cutting rebar of a high tensile strength the cut piece may fly off and cause serious injury to the operator. Wear safety glasses and confirm that the surrounding area is safe before starting operation.

**⚠ WARNING:**

- Keep your hands and face away from the blades, the moving parts and the cutting area, during operation. Remove the Battery from the tool immediately after use.

**NOTE:**

- If the temperature of the tool housing exceeds 70°C (160°F), the tool capacity decreases. In such a case, stop the use and allow the tool to cool down.

**NOTE:**

- Keep the air hole in the end of the Bar Holder clear of dirt and debris. The air hole controls the internal pressure and should not be obstructed. (Fig. 11)

### Rotating Function of Motor (Fig. 12)

The Motor Body can be rotated through 360 degrees, in either direction, during operation. This feature is particularly useful when working in awkward or narrow areas as it allows the operator to position the tool in the best position for easy operation.

### Type of spare blade and detachment (Fig. 15)

Securing bolts should be firmly tightened. Confirm periodically that the blade is tightened properly.

Spare blade size

● Use this table to identify the correct blades for your model.

Model	A (Fitted to Bar Holder)	B (Fitted to Cutter Rod)
DSC163 (ø3 - ø16)	22 × 17 × 9 mm (Bolt Size 5 mm)	22 × 17 × 8 mm (Bolt Size 5 mm)

**NOTE:**

- Use only genuine Makita blades.

### Return Valve Operation (Fig. 13)

The function of the Return Valve is to allow the Cutter Rod to return to the starting position if it is unable complete a cut or becomes jammed. Loosening the return valve half turn will release the oil pressure and allow the Cutter Rod to return. Retighten the Return Valve once the Cutter Rod is fully returned and before starting the next operation.

## BLADES REPLACEMENT PROCEDURE

If the cutting edges of the blades are chipped, cracked, deformed, or damaged in any way, their cutting ability will be reduced. Cutting under such conditions may cause further damage and result in personal injury. The blades should be replaced as a set immediately if any damage is found.

**⚠ WARNING:**

- When replacing the blades, ensure that the Battery is removed from the tool to prevent accidental operation. Ensure that Blade A, on the Bar Holder and Blade B, on the Cutter Rod are fitted in their correct respective positions. (Fig. 14)
- Undo the bolts and the washers that hold Blade A and Blade B.
  - Remove dirt and clean the surfaces where the new blades are to be fitted.
  - Fit Blade A to the Bar Holder and Blade B to the Cutter Rod. Replace bolts and washers and tighten firmly.

**⚠ WARNING:**

- The bolts that hold Blade A and Blade B should be tightened regularly. If the bolts become loose the Blades may be damaged and may cause personal injury.

## ADDING OIL

This Cordless Steel Rod Cutter is electro-hydraulic. When shipped from the factory, it was filled with oil. Do not attempt to add oil as long as the tool performs well. Over a period of time the oil level will gradually go down.

Eventually this will cause a noticeable dropping off in performance. When this happens add oil as follows.

1. Place some rebar between the blades and pull the switch trigger.
2. Release the switch trigger just before the cut is completed to stop the tool.
3. Remove the Battery from the tool, so that the Blades cannot be moved accidentally.
4. Remove the Bolt (SB10x15) which caps the oil filler hole. Add the oil, being careful not to allow any oil to spill into the motor.
5. Replace the Bolt (SB10x15) and tighten securely.
6. Reinsert the Battery into the tool and complete the cutting operation.
7. Repeat the above procedure several times until the oil level remains correct.

### CAUTION:

- Only pure hydraulic oil as recommended by Makita should be used in this tool. Recommended oils include the Makita supplied hydraulic oil, Super Hyrando #46 (JX Nippon Oil & Energy Corp.); Shell Tellus Plus #46 (U.S. Shell); or equivalent spec anti-wear hydraulic oil, ISO Viscosity Grade 46. Do not use other oils as these may cause damage to the seals and other internal machine parts.

# TROUBLE SHOOTING

## WARNING:

- Remove battery before working on machine.

PROBLEM	CAUSE	SOLUTION
Cutter Rod will not extend.	Insufficient oil	Top up oil. (Refer to "Adding Oil")
	Cutter Rod has not returned completely due to build up of debris between Cutter Rod and Bar Holder.	Manually push back Cutter Rod. Remove debris and clean
	Cutter Rod has not returned completely due to damage to the Cutter Rod.	Replace Cutter Rod.
	Cutter Rod has not returned completely due to loose or damaged Blades.	Tighten Blade bolts. Replace Blades
	Cutter Rod has not returned completely due to weak Return spring.	Replace Return spring.
Insufficient power to cut rebar.	Insufficient oil.	Top up oil. (Refer to "Adding Oil")
	Return Valve not properly seated or seating damaged.	Clean tip of Return Valve and Seating. Remove any scratched from seating.
	Return Valve, damaged.	Replace.
	Incorrect clearance between Cylinder and Piston.	Replace Piston (Note: different size pistons available)
	Check Valve, not properly seated or seating damaged.	Clean Check Valve and seating. Replace.
	Urethane packing, damaged or broken.	Replace.
Oil leaks.	Oil leveller Bladder, damaged or broken.	Replace.
	Cutter Rod/ Bar Holder, O-Ring damaged; Rod/Bar Holder, surface scratched or grooved.	Replace Back-Up Ring and O-ring. Replace Cutter Rod/Bar Holder
	Cylinder/Bar Holder, O-Ring damaged	Replace O-ring.
	Cylinder/Pump Case, Gasket damaged.	Replace liner B.
	Bar Holder/Cylinder/Pump Case, flange bolts loose.	Tighten bolts.
Motor not moving. Motor slow or erratic.	Voltage incorrect.	Charge Battery.
	Battery at end of working life.	Replace Battery.
	DC Motor damaged by over-heating.	Replace DC Motor.
	DC Motor bearings or gear damaged or broken.	Replace bearings or gear.

## NOTE:

- The internal components of the pump and piston area have very close tolerances and are sensitive to damage from dust, dirt, contamination of the hydraulic fluid or improper handling. The disassembly of the pump housing requires special tools and training, and should only be attempted by qualified repair personnel that have been properly trained and have the right tools. The improper servicing of electrical components can lead to conditions that could cause serious injury. The pump, piston components and all electrical parts should be serviced only by authorized repair shop, dealer or distributor.

# MAINTENANCE

## CAUTION:

- Always be sure that the tool is switched off and the battery cartridge is removed before attempting to perform inspection or maintenance.
  - Never use gasoline, benzine, thinner, alcohol or the like. Discoloration, deformation or cracks may result.
- To maintain product SAFETY and RELIABILITY, repairs, any other maintenance or adjustment should be performed by Makita Authorized Service Centers, always using Makita replacement parts.

# OPTIONAL ACCESSORIES

## CAUTION:

- These accessories or attachments are recommended for use with your Makita tool specified in this manual. The use of any other accessories or attachments might present a risk of injury to persons. Only use accessory or attachment for its stated purpose.

If you need any assistance for more details regarding these accessories, ask your local Makita Service Center.

- Makita genuine battery and charger

## NOTE:

- Some items in the list may be included in the tool package as standard accessories. They may differ from country to country.

**Descriptif général**

- |                            |                                |                                    |
|----------------------------|--------------------------------|------------------------------------|
| 1. Voyant rouge            | 10. Barre d'armature           | 19. Boulon (plus long)             |
| 2. Bouton                  | 11. Lames                      | 20. Boulon (plus court)            |
| 3. Batterie                | 12. Butée                      | 21. Rondelle                       |
| 4. Voyant LED              | 13. Plus de 200 mm             | 22. Support de barre               |
| 5. Verrou d'interrupteur   | 14. Trou d'air                 | 23. Tige de fraise                 |
| 6. Gâchette d'interrupteur | 15. Clé hexagonale             | 24. Lame A sur le support de barre |
| 7. Côté A                  | 16. Soupape de retour          | 25. Lame B sur la tige de fraise   |
| 8. Côté B                  | 17. Lame A (lame plus épaisse) | 26. Lames de rechange              |
| 9. Protecteur              | 18. Lame B (lame plus mince)   |                                    |

**SPÉCIFICATIONS**

Modèle	DSC163
Capacité de découpe max. (diamètre en mm)	16 mm
Grade 40 - Grade 60	
Grade 40 : résistance à la traction de 490 N/mm <sup>2</sup> 70 000 PSI	
Grade 60 : résistance à la traction de 620 N/mm <sup>2</sup> 90 000 PSI	
Vitesse de découpe	2,8 secondes
Longueur totale	360 mm
Poids net	6,9 kg
Tension nominale	18 V CC

- Étant donné l'évolution constante de notre programme de recherche et de développement, les spécifications contenues dans ce manuel sont sujettes à modification sans préavis.
- Les spécifications et la batterie peuvent être différentes suivant les pays.
- Poids, avec la batterie, conformément à la procédure EPTA 01/2014

**Batterie et chargeur applicables**

Batterie	BL1830B / BL1840B / BL1850B / BL1860B
Chargeur	DC18RC / DC18RD / DC18RE / DC18SD / DC18SE / DC18SF / DC18SH

- Certains chargeurs et batteries répertoriés ci-dessus peuvent ne pas être disponibles selon la région où vous résidez.

**⚠ AVERTISSEMENT :**

- **N'utilisez que les batteries et les chargeurs répertoriés ci-dessus.** L'utilisation d'autres batteries et chargeurs peut provoquer des blessures et/ou un incendie.

## Symboles

Les symboles suivants sont utilisés pour cet équipement. Veuillez à bien comprendre leur signification avant l'utilisation.



..... Lire le manuel d'instructions.



Cd  
Ni-MH  
Li-ion

..... Pour les pays de l'Union européenne uniquement

En raison de la présence de composants dangereux dans l'équipement, les déchets d'équipements électriques et électroniques, les accumulateurs et les batteries peuvent avoir un impact négatif sur l'environnement et la santé humaine.

Ne jetez pas les appareils électriques et électroniques ou les batteries avec les ordures ménagères !

Conformément à la directive européenne relative aux déchets d'équipements électriques et électroniques et aux déchets d'accumulateurs et de batteries, ainsi qu'à son adaptation à la législation nationale, les déchets d'équipements électriques, les batteries et les accumulateurs doivent être collectés séparément et déposés dans un point de collecte distinct pour déchets urbains, conformément aux réglementations en matière de protection de l'environnement. Cela est indiqué par le symbole de la poubelle à roulettes barrée sur l'équipement.

## Utilisation

Cet outil est conçu pour la découpe de barres d'armature.

## Bruit

Niveau de bruit pondéré A typique, déterminé selon la norme EN62841-2-8 :

Niveau de pression sonore (LpA) : 78 dB (A)

Incertitude (K) : 3 dB (A)

Le niveau de bruit en fonctionnement peut dépasser 80 dB (A).

## REMARQUE :

- La ou les valeurs d'émission de bruit déclarées ont été mesurées conformément à la méthode de test standard et peuvent être utilisées pour comparer les outils entre eux.
- La ou les valeurs d'émission de bruit déclarées peuvent aussi être utilisées pour l'évaluation préliminaire de l'exposition.

## ⚠ AVERTISSEMENT :

- **Portez un serre-tête antibruit.**
- **L'émission de bruit lors de l'usage réel de l'outil électrique peut être différente de la ou des valeurs déclarées, suivant la façon dont l'outil est utilisé, particulièrement selon le type de pièce usinée.**

- **Les mesures de sécurité à prendre pour protéger l'utilisateur doivent être basées sur une estimation de l'exposition dans des conditions réelles d'utilisation (en tenant compte de toutes les composantes du cycle d'utilisation, comme par exemple le moment de sa mise hors tension, lorsqu'il tourne à vide et le moment de son déclenchement).**

## Vibrations

Valeur totale des vibrations (somme vectorielle triaxiale) déterminée selon la norme EN62841-2-8 :

Mode de travail : découpe de barres d'armature

Émission de vibrations ( $a_{h1}$ ) : 2,5 m/s<sup>2</sup> maximum

Incertitude (K) : 1,5 m/s<sup>2</sup>

## REMARQUE :

- La ou les valeurs de vibration totales déclarées ont été mesurées conformément à la méthode de test standard et peuvent être utilisées pour comparer les outils entre eux.
- La ou les valeurs de vibration totales déclarées peuvent aussi être utilisées pour l'évaluation préliminaire de l'exposition.

## ⚠ AVERTISSEMENT :

- **L'émission de vibrations lors de l'usage réel de l'outil électrique peut être différente de la ou des valeurs déclarées, suivant la façon dont l'outil est utilisé, particulièrement selon le type de pièce usinée.**
- **Les mesures de sécurité à prendre pour protéger l'utilisateur doivent être basées sur une estimation de l'exposition dans des conditions réelles d'utilisation (en tenant compte de toutes les composantes du cycle d'utilisation, comme par exemple le moment de sa mise hors tension, lorsqu'il tourne à vide et le moment de son déclenchement).**

## Déclaration de conformité CE

### Pour les pays européens uniquement

La déclaration de conformité CE figure à l'Annexe A de ce manuel d'instructions.

## Consignes de sécurité générales pour outils électriques

⚠ **AVERTISSEMENT : Veuillez lire les consignes de sécurité, instructions, illustrations et spécifications qui accompagnent cet outil électrique.** Le non-respect de toutes les instructions indiquées ci-dessous peut entraîner une électrocution, un incendie et/ou de graves blessures.

## Conservez toutes les mises en garde et instructions pour référence ultérieure.

Le terme « outil électrique » dans les avertissements fait référence à l'outil électrique alimenté par le secteur (avec cordon d'alimentation) ou à l'outil électrique fonctionnant sur batterie (sans cordon d'alimentation).

## Sécurité de l'aire de travail

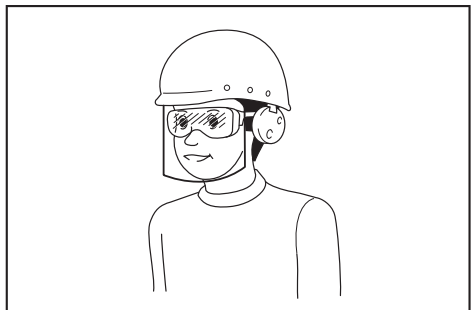
1. **Maintenez l'aire de travail propre et bien éclairée.**  
Les aires de travail en désordre ou mal éclairées sont propices aux accidents.
2. **N'utilisez pas un outil électrique dans un environnement explosif, en présence de liquides, gaz ou poussières inflammables par exemple.** Les outils électriques produisent des étincelles qui peuvent enflammer la poussière ou les émanations.
3. **Tenez à distance enfants et passants pendant que vous opérez un outil électrique.** Les distractions peuvent vous faire perdre le contrôle de l'outil.

## Sécurité électrique

1. **La fiche de l'outil électrique doit correspondre avec la prise de courant. Ne modifiez en aucun cas la fiche. N'utilisez pas de fiches adaptatrices avec des outils électriques reliés à la terre (masse).** Les fiches non modifiées et les prises de courant adaptées réduisent les risques d'électrocution.
  2. **Évitez tout contact physique avec des surfaces reliées à la terre ou à la masse, tels que tuyaux, radiateurs, cuisinières électriques et réfrigérateurs.** Le risque d'électrocution augmente si votre corps est relié à la terre ou à la masse.
  3. **N'exposez pas les outils électriques à la pluie ou à l'humidité.** Le risque d'électrocution augmente si de l'eau pénètre dans un outil électrique.
  4. **Ne maltraitez pas le cordon d'alimentation. N'utilisez jamais le cordon pour transporter, tirer ou débrancher l'outil électrique. Tenez le cordon à l'écart de sources de chaleur, huile, bords tranchants ou pièces en mouvement.** Le risque d'électrocution augmente si le cordon est endommagé ou entortillé.
  5. **Utilisez une rallonge convenant pour l'utilisation à l'air libre si vous utilisez l'outil électrique à l'extérieur.** Le risque d'électrocution diminue si vous utilisez un cordon convenant pour l'utilisation à l'air libre.
  6. **Si l'utilisation d'un outil électrique dans un emplacement humide est inévitable, servez-vous d'une alimentation protégée par un dispositif différentiel à courant résiduel (DDR).** Le risque d'électrocution diminue si vous utilisez un DDR.
  7. **Les outils électriques peuvent produire des champs électromagnétiques (CEM) qui ne sont pas dangereux pour l'utilisateur.** Toutefois, les porteurs de simulateurs cardiaques et autres appareils médicaux semblables doivent demander conseil au fabricant de leur appareil et/ou à leur médecin avant d'utiliser cet outil électrique.
2. **Utilisez un équipement de protection individuelle. Portez toujours une protection oculaire.** Les équipements de sécurité tels que les masques contre les poussières, les chaussures de sécurité antidérapantes, les casques ou les protecteurs d'oreilles utilisés pour les conditions appropriées réduiront les blessures.
  3. **Évitez les démarrages intempestifs. Assurez-vous que l'interrupteur est en position d'arrêt avant de brancher l'outil au secteur et/ou sur la batterie, de le ramasser ou de le porter.** Porter un outil électrique en ayant le doigt sur l'interrupteur ou brancher un outil électrique dont l'interrupteur est en position de marche est source d'accidents.
  4. **Retirez toute clé de réglage ou autre avant de mettre l'outil électrique sous tension.** Une clé laissée en place sur une pièce rotative de l'outil électrique peut entraîner des blessures.
  5. **Ne vous penchez pas trop loin. Tenez-vous toujours bien campé, en position d'équilibre.** Vous aurez ainsi une meilleure maîtrise de l'outil électrique en cas de situations imprévues.
  6. **Portez des vêtements adéquats. Ne portez pas de vêtements amples ni de bijoux. Maintenez vos cheveux et vos vêtements à l'écart des pièces en mouvement.** Les pièces en mouvement peuvent happer les vêtements amples, les bijoux ou les cheveux longs.
  7. **Si des accessoires sont fournis pour raccorder des dispositifs d'aspiration et de collecte de la poussière, vérifiez qu'ils sont raccordés et utilisés correctement.** L'utilisation de collecteurs de poussière permet de réduire les risques liés à la présence de poussière.
  8. **Ne vous laissez pas tromper au fil d'une utilisation fréquente par un sentiment de familiarité vous faisant baisser la garde et ignorer les principes de sécurité de l'outil.** Des actions imprudentes peuvent provoquer de graves blessures en une fraction de seconde.
  9. **Pour protéger vos yeux des blessures lorsque vous utilisez un outil électrique, portez toujours des lunettes de protection, lesquelles doivent être conformes à ANSI Z87.1 aux États-Unis, EN 166 en Europe ou AS/NZS 1336 en Australie/Nouvelle-Zélande. En Australie/Nouvelle-Zélande, la loi exige également le port d'un écran facial pour se protéger le visage.**

## Sécurité personnelle

1. **Restez vigilant, surveillez vos gestes et faites preuve de bon sens lorsque vous utilisez un outil électrique. N'utilisez pas un outil électrique lorsque vous êtes fatigué ou sous l'emprise de drogues, d'alcool ou de médicaments.** Un moment d'inattention durant l'utilisation d'un outil électrique peut entraîner de graves blessures.





**L'employeur est responsable d'imposer le port d'équipements de sécurité appropriés par les utilisateurs de l'outil et par les autres personnes se trouvant à proximité de la zone de travail.**

#### **Utilisation et entretien des outils électriques**

- 1. Ne forcez pas l'outil électrique. Utilisez l'outil électrique adapté à l'application souhaitée.** Si vous utilisez l'outil électrique adéquat et respectez le régime pour lequel il a été conçu, il réalisera un travail de meilleure qualité et plus sûr.
- 2. N'utilisez pas l'outil électrique s'il est impossible de l'allumer ou de l'éteindre avec l'interrupteur.** Un outil électrique ne pouvant être contrôlé par l'interrupteur représente un danger et doit être réparé.
- 3. Débranchez la fiche de la source d'alimentation et/ou retirez la batterie (si elle est amovible) de l'outil électrique avant de procéder à des réglages, de changer d'accessoire ou de ranger l'outil électrique.** Ces mesures de sécurité préventives réduiront les risques de démarrage accidentel de l'outil électrique.
- 4. Rangez les outils électriques non utilisés hors de portée des enfants et ne laissez aucune personne les utiliser si elle n'est pas familiarisée avec les outils électriques ou ces instructions.** Les outils électriques représentent un danger entre des mains inexpertes.
- 5. Entretenez les outils électriques et les accessoires. Assurez-vous que les pièces en mouvement ne sont pas mal alignées ou coincées, qu'aucune pièce n'est cassée et que l'outil électrique n'a subi aucun dommage pouvant affecter son bon fonctionnement.** Si l'outil électrique est endommagé, faites-le réparer avant de le réutiliser. De nombreux accidents sont dus à des outils électriques mal entretenus.
- 6. Maintenez vos outils de coupe affûtés et propres.** Un outil de coupe bien entretenu aux bords bien affûtés risquera moins de se coincer et sera plus facile à maîtriser.
- 7. Utilisez l'outil électrique, ses accessoires et ses embouts, etc. conformément aux instructions, en tenant compte des conditions de travail et de la tâche à effectuer.** L'utilisation d'un outil électrique à des fins autres que celles prévues est potentiellement dangereuse.
- 8. Gardez toutes les poignées et surfaces de prise sèches, propres et sans trace d'huile ou de graisse.** Des poignées et des surfaces de prise glissantes ne permettent pas une manipulation et une maîtrise sûres de l'outil dans les situations imprévues.
- 9. Lorsque vous utilisez l'outil, ne portez pas de gants de travail en tissu qui pourraient s'enchevêtrer.** L'enchevêtrement de gants de travail en tissu dans les pièces en mouvement peut provoquer des blessures corporelles.

#### **Utilisation et entretien des outils fonctionnant sur batterie**

- 1. Rechargez la batterie uniquement avec le chargeur spécifié par le fabricant.** Un chargeur qui est adapté à un type spécifique de batterie peut présenter un risque d'incendie s'il est utilisé avec un autre type de batterie.

- 2. Utilisez un outil électrique uniquement avec la batterie spécifiquement indiquée.** L'utilisation de toute autre batterie peut présenter un risque de blessure et d'incendie.
- 3. Lorsque vous n'utilisez pas la batterie, tenez-la à l'écart des objets métalliques, comme des trombones, pièces de monnaie, clés, clous, vis ou autres petits objets métalliques, susceptibles de créer une connexion entre deux bornes.** Court-circuiter les bornes d'une batterie entre elles peut provoquer des brûlures ou un incendie.
- 4. Dans des conditions d'utilisation inadéquates, il peut y avoir une fuite de l'électrolyte de la batterie. Le cas échéant, évitez tout contact avec ce liquide. En cas de contact accidentel, rincez à l'eau. Si le liquide pénètre dans les yeux, consultez par ailleurs un médecin.** Le liquide s'échappant de la batterie peut provoquer une irritation ou des brûlures.
- 5. N'utilisez pas une batterie ou un outil s'ils sont endommagés ou modifiés.** Une batterie endommagée ou modifiée peut avoir un comportement imprévisible susceptible d'entraîner un incendie, une explosion ou des blessures.
- 6. N'exposez pas la batterie ou l'outil au feu ou à une température excessive.** L'exposition au feu ou à une température supérieure à 130 °C peut provoquer une explosion.
- 7. Respectez toutes les instructions de charge et ne chargez pas la batterie ou l'outil en dehors de la plage de température indiquée dans les instructions.** Une charge incorrecte ou à une température en dehors de la plage indiquée peut endommager la batterie et augmenter le risque d'incendie.

#### **Dépannage**

- 1. Confiez la réparation de votre outil électrique à un réparateur qualifié qui utilise des pièces de rechange identiques.** La sécurité de l'outil électrique sera ainsi préservée.
- 2. Ne dépannez jamais les batteries endommagées.** Le dépannage des batteries doit être effectué uniquement par le fabricant ou un dépanneur agréé.
- 3. Suivez les instructions pour la lubrification et le remplacement des accessoires.**

## **AVERTISSEMENTS DE SÉCURITÉ RELATIFS AU COUPE TIGE SANS-FIL**

- 1. Tenez l'outil fermement pendant son utilisation.** Si vous ne tenez pas l'outil fermement, vous pouvez vous blesser.
- 2. Gardez vos mains et votre visage à distance des pièces en mouvement.** Il existe un risque de blessure.
- 3. Relâchez immédiatement la gâchette d'interrupteur pour arrêter le fonctionnement lorsque l'outil est défectueux ou émet des bruits anormaux pendant l'utilisation. Faites-le contrôler et réparer dans un centre de service agréé.** Dans le cas contraire, il existe un risque de dommages ou de blessures.

4. Si l'outil est tombé ou heurté, vérifiez attentivement l'absence de dommages, fissures ou déformation sur le boîtier. De tels dommages peuvent entraîner des blessures.
5. Cet outil est un appareil électro-hydraulique. Le réservoir d'huile a été rempli avant la livraison. N'ajoutez pas d'huile à moins que l'outil ne fonctionne pas normalement.
6. Les lames de découpe métalliques ont les bords tranchants. Manipulez-les avec précaution pour éviter de vous couper.
7. Les lames endommagées, déformées ou fissurées peuvent provoquer de graves accidents, ainsi qu'un dysfonctionnement de l'outil. Remplacez-les immédiatement par des lames neuves d'origine.
8. **Abstenez-vous de clouer, couper, écraser, jeter, laisser tomber la batterie, ou de la heurter contre un objet dur.** Cela pourrait entraîner un incendie, une chaleur excessive ou une explosion.
9. **N'utilisez pas la batterie si elle est endommagée.**
10. **Les batteries au lithium-ion contenues sont soumises aux exigences de la législation sur les marchandises dangereuses.** Lors du transport commercial par des tierces parties ou des transitaires par exemple, des exigences spécifiques en matière d'étiquetage et d'emballage doivent être respectées. Pour la préparation de l'article expédié, il est nécessaire de consulter un expert en matériau dangereux. Veuillez également respecter les réglementations nationales susceptibles d'être plus détaillées. Recouvrez les contacts exposés avec du ruban adhésif ou du ruban de masquage et emballez la batterie de telle sorte qu'elle ne puisse pas bouger dans l'emballage.

## CONSERVEZ CES INSTRUCTIONS.

### ⚠ AVERTISSEMENT :

Au-delà de l'aisance d'utilisation et de la maîtrise de l'outil (acquises suite à un usage répété), n'oubliez PAS de respecter strictement les règles de sécurité relatives au produit concerné. Une MAUVAISE UTILISATION ou le non-respect des règles de sécurité mentionnées dans ce manuel d'instructions peut entraîner des blessures corporelles graves.

## Consignes de sécurité importantes pour la batterie

1. Avant d'utiliser la batterie, lisez toutes les instructions et précautions relatives (1) au chargeur de batterie, (2) à la batterie, et (3) au produit utilisant la batterie.
2. Ne désassemblez pas et ne modifiez pas la batterie. Cela pourrait entraîner un incendie, une chaleur excessive ou une explosion.
3. Cessez immédiatement l'utilisation si le temps de fonctionnement devient excessivement court. Il y a risque de surchauffe, de brûlures, voire d'explosion.
4. Si l'électrolyte pénètre dans vos yeux, rincez-les à l'eau claire et consultez immédiatement un médecin. Il y a risque de perte de la vue.
5. Ne court-circuitez pas la batterie :
  - (1) Ne touchez les bornes avec aucun matériau conducteur.
  - (2) Évitez de ranger la batterie dans un conteneur avec d'autres objets métalliques, par exemple des clous, des pièces de monnaie, etc.
  - (3) N'exposez pas la batterie à l'eau ou à la pluie. Un court-circuit de la batterie peut provoquer une intensité de courant élevée, une surchauffe, parfois des brûlures et même une panne.
6. Ne rangez ni n'utilisez l'outil et la batterie dans un endroit où la température risque d'atteindre ou de dépasser 50 °C.
7. Ne jetez pas la batterie au feu même si elle est sérieusement endommagée ou complètement épuisée. La batterie peut exploser au contact du feu.
11. **Lors de la mise au rebut de la batterie, retirez-la de l'outil et jetez-la en lieu sûr. Suivez les réglementations locales en matière de mise au rebut des batteries.**
12. **Utilisez les batteries uniquement avec les produits spécifiés par Makita.** L'insertion de batteries dans des produits non conformes peut provoquer un incendie, une chaleur excessive, une explosion ou une fuite de l'électrolyte.
13. **Lorsque vous n'utilisez pas l'outil pendant une période prolongée, la batterie doit être retirée de l'outil.**
14. **Pendant et après l'utilisation, la batterie peut chauffer, ce qui peut entraîner des brûlures, y compris en cas de température relativement basse. Manipulez les batteries chaudes avec précaution.**
15. **Ne touchez pas la borne de l'outil immédiatement après utilisation car elle peut être assez chaude pour provoquer des brûlures.**
16. **Évitez que des copeaux, de la poussière ou du sol adhèrent aux bornes, aux trous et aux rainures de la batterie.** Cela pourrait réduire les performances ou casser l'outil ou la batterie.
17. **À moins que l'outil prenne en charge un tel usage, n'utilisez pas la batterie à proximité de lignes électriques haute tension.** Cela pourrait entraîner un dysfonctionnement ou casser l'outil ou la batterie.
18. **Conservez la batterie hors de portée des enfants.**

## CONSERVEZ CES INSTRUCTIONS.

### ⚠ ATTENTION :

- **N'utilisez que des batteries Makita d'origine.** L'utilisation de batteries de marque autre que Makita ou de batteries modifiées peut provoquer l'explosion des batteries, ce qui présente un risque d'incendie, de dommages matériels et corporels. Cela annulera également la garantie Makita pour l'outil et le chargeur Makita.

## Conseils pour assurer la durée de vie optimale de la batterie

1. **Chargez la batterie avant qu'elle ne soit complètement déchargée. Arrêtez toujours l'outil et rechargez la batterie quand vous remarquez que la puissance de l'outil diminue.**
2. **Ne rechargez jamais une batterie complètement chargée. La surcharge réduit la durée de service de la batterie.**
3. **Chargez la batterie à une température ambiante comprise entre 10 °C et 40 °C. Avant de charger une batterie chaude, laissez-la refroidir.**
4. **Lorsque vous n'utilisez pas la batterie, retirez-la de l'outil ou du chargeur.**
5. **Rechargez la batterie si elle est restée inutilisée pendant une période prolongée (plus de six mois).**

## DESCRIPTION FONCTIONNELLE

### ⚠ ATTENTION :

- Assurez-vous toujours que l'outil est hors tension et que sa batterie est retirée avant de l'ajuster ou de vérifier son fonctionnement.

### Installation ou retrait de la batterie (Fig. 1)

#### ⚠ ATTENTION :

- Éteignez toujours l'outil avant de mettre en place ou de retirer la batterie.
- **Tenez fermement l'outil et la batterie lors de la mise en place ou du retrait de la batterie.** Si vous ne tenez pas fermement l'outil et la batterie, ils peuvent vous glisser des mains, et s'abîmer ou vous blesser.

Pour retirer la batterie, faites-la glisser hors de l'outil tout en faisant glisser le bouton à l'avant de la batterie.

Pour mettre en place la batterie, alignez la languette sur la batterie avec la rainure sur le compartiment et insérez-la. Insérez-la à fond jusqu'à ce qu'un léger déclic se fasse entendre. Si le voyant rouge sur le dessus du bouton est visible, cela signifie qu'elle n'est pas bien verrouillée.

#### ⚠ ATTENTION :

- Insérez toujours complètement la batterie jusqu'à ce que le voyant rouge ne soit plus visible. Sinon, elle pourrait tomber accidentellement de l'outil, au risque de vous blesser ou de blesser quelqu'un se trouvant près de vous.
- N'insérez pas la batterie de force. Si elle ne glisse pas facilement, c'est que vous ne l'insérez pas correctement.

## Système de protection de l'outil/la batterie

L'outil est équipé d'un système de protection de l'outil/la batterie. Ce système coupe automatiquement l'alimentation pour prolonger la durée de vie de l'outil et de la batterie. Si l'outil ou la batterie se trouve dans l'une des situations suivantes, l'outil cessera automatiquement de fonctionner :

### Protection contre la surcharge

Cette protection se déclenche lorsque l'outil est utilisé de manière telle qu'il consomme un courant anormalement élevé. Dans ce cas, éteignez l'outil et arrêtez la tâche ayant provoqué la surcharge de l'outil. Puis rallumez l'outil pour reprendre la tâche.

### Protection contre la surchauffe

Cette protection se déclenche lorsque l'outil ou la batterie a surchauffé. Dans cette situation, laissez l'outil et la batterie refroidir avant de rallumer l'outil.




### Protection contre la décharge totale de la batterie

Cette protection se déclenche lorsque l'autonomie restante de la batterie devient trop faible. Dans cette situation, retirez la batterie de l'outil et chargez-la.

## Indication de la capacité restante de la batterie (Fig. 2)

(Spécifique au pays)

Lorsque vous appuyez sur la gâchette d'interrupteur, l'affichage LED indique la capacité restante de la batterie comme indiqué dans le tableau suivant.

État du voyant LED	Capacité restante de la batterie
	Environ 50 % ou plus
	Environ 20 % - 50 %
	Environ moins de 20 %

### REMARQUE :

- L'affichage LED s'éteint environ une minute après avoir relâché la gâchette d'interrupteur pour économiser la batterie. Pour vérifier la capacité restante de la batterie, appuyez légèrement sur la gâchette d'interrupteur.
- Lorsque l'affichage LED s'allume mais que l'outil ne fonctionne pas même avec une batterie rechargée, laissez complètement refroidir l'outil. Si l'état ne change pas, faites réparer l'outil par un centre de service local Makita.

## PROCÉDURE DE FONCTIONNEMENT

Veuillez lire, comprendre et respecter toutes les consignes de sécurité et procédures de fonctionnement. Si vous ne comprenez pas les instructions ou si les conditions nécessaires au bon fonctionnement ne sont pas respectées, n'utilisez pas cet outil. Consultez votre responsable ou toute autre personne en charge.

### ⚠ AVERTISSEMENT :

- Avant d'insérer la batterie dans l'outil, appuyez sur la gâchette d'interrupteur et relâchez-la pour s'assurer qu'elle retourne en position quand elle est relâchée. Le moteur démarre lorsque la gâchette d'interrupteur est enfoncée et s'arrête lorsqu'elle est relâchée.

## Fonctionnement du verrou d'interrupteur (Fig. 3)

- Appuyez sur le verrou d'interrupteur sur le côté A. L'interrupteur est déverrouillé et la gâchette peut être actionnée.
- Appuyez sur le verrou d'interrupteur sur le côté B. L'interrupteur est verrouillé et la gâchette ne peut pas être actionnée.

### ⚠ ATTENTION :

- La gâchette d'interrupteur doit être verrouillée en permanence lorsque l'outil n'est pas utilisé.

### ⚠ AVERTISSEMENT :

- Avant toute utilisation, vérifiez que la position de l'opérateur par rapport à l'outil et l'environnement proche est sûre. Portez des lunettes de sécurité et des vêtements de protection.
- Consultez les spécifications de l'outil mentionnées dans ce manuel et ne découpez pas des barres d'armature dont la taille ou la dureté sont supérieures à la capacité de découpe de l'outil.
- Ne coupez pas de matériaux autres que des barres d'armature. Consultez le fabricant pour la coupe de matériaux différents.

### ⚠ AVERTISSEMENT :

- Remplacez immédiatement les lames endommagées (ébréchées, cassées, fissurées) ou déformées. La découpe de la lame ne sera pas droite et la lame peut se rompre ou casser, entraînant des blessures corporelles graves.

## Procédure de découpe

### ⚠ AVERTISSEMENT :

- **N'utilisez jamais l'outil si le protecteur n'est pas en place.** Le non-respect de cette instruction peut entraîner des blessures corporelles graves. (Fig. 4)
- Le protecteur est un équipement permettant d'empêcher la projection de fragments vers l'opérateur. Il n'empêche pas une projection dans la direction axiale de la barre d'armature. Positionnez-vous de sorte que le protecteur bloque les fragments.
- Sur certaines figures, le protecteur n'est pas représenté afin de montrer l'intérieur de celui-ci. Utilisez toujours l'outil avec le protecteur en place.

1. Positionnez la barre d'armature à découper entre les lames. (Fig. 5)  
Ajustez la butée en fonction du diamètre de la barre d'armature à découper de sorte que la barre d'armature se trouve à 90 degrés des lames. La butée supporte la barre d'armature et la maintient perpendiculaire aux lames lors de la découpe. (Fig. 6)

### ⚠ AVERTISSEMENT :

- Lors de la découpe d'une barre d'armature, ajustez la butée en fonction du diamètre de la barre d'armature à découper de sorte que la barre d'armature se trouve à 90 degrés des lames. Sans cet ajustement, la pièce à découper peut être projetée et entraîner des blessures graves à l'opérateur ou à toute autre personne se trouvant à proximité. N'oubliez jamais de vérifier la position de l'opérateur par rapport à l'outil et de s'assurer de la sécurité de l'opérateur et de la zone environnante.

2. Positionnez la barre d'armature suffisamment profondément entre les lames de sorte qu'elle ne touche pas le protecteur. (Fig. 7)

### ⚠ AVERTISSEMENT :

- Si la barre d'armature à découper n'est pas positionnée complètement entre les lames, ces dernières seront endommagées ; la barre d'armature sera alors violemment éjectée et peut entraîner des blessures corporelles graves.

### ⚠ AVERTISSEMENT :

- Ne découpez pas la barre d'armature lorsque la longueur de la pièce à découper est inférieure à 200 mm. La découpe d'une longueur plus courte peut provoquer la projection de la barre d'armature pendant la découpe et peut entraîner des blessures corporelles graves. (Fig. 8)

### ⚠ AVERTISSEMENT :

- Ne découpez pas la barre d'armature lorsqu'elle n'est pas correctement supportée par la butée. Lors de la découpe, maintenez la barre d'armature du côté de la butée. (Fig. 9, 10) Dans le cas contraire, la pièce à découper peut être projetée et entraîner des blessures graves à l'opérateur ou à toute autre personne se trouvant à proximité.

3. Appuyez sur le verrou d'interrupteur sur le côté A. L'interrupteur est déverrouillé et la gâchette peut être actionnée.
4. Appuyez sur la gâchette d'interrupteur pour démarrer l'opération de découpe. La tige de fraise se déplace vers l'avant pour découper la barre d'armature. Maintenez l'interrupteur enfoncé jusqu'à l'arrêt de la tige de fraise en fin de course.
5. Relâchez la gâchette d'interrupteur une fois la découpe terminée et la tige de fraise arrivée en fin de course. La tige de fraise retourne ensuite automatiquement dans sa position de départ. Le retour de la tige de fraise n'est pas effectué si la fin de course n'est pas atteinte. De même, la tige de fraise ne peut se déplacer à nouveau vers l'avant qu'après son retour complet dans sa position de départ. Appuyez sur l'interrupteur pour commencer la découpe suivante uniquement après le retour complet de la tige de fraise dans sa position de départ et son arrêt.

### ⚠ AVERTISSEMENT :

- Lors de la découpe d'une barre d'armature de haute résistance à la traction, la pièce à découper peut être projetée et entraîner des blessures graves à l'opérateur. Portez des lunettes de sécurité et assurez-vous que la zone environnante est sûre avant d'utiliser l'outil.

### ⚠ AVERTISSEMENT :

- Gardez vos mains et votre visage à distance des lames, des pièces mobiles et de la zone de découpe pendant l'utilisation. Retirez la batterie de l'outil immédiatement après utilisation.

### REMARQUE :

- Si la température du boîtier de l'outil dépasse 70 °C, la capacité de l'outil diminue. Dans ce cas, arrêtez d'utiliser l'outil et laissez-le refroidir.

#### REMARQUE :

- Veillez à ce que le trou d'air à l'extrémité du support de barre ne soit pas obstrué par de la poussière ou des débris. Le trou d'air contrôle la pression interne et ne doit pas être obstrué. (Fig. 11)

#### Fonction de rotation du moteur (Fig. 12)

Le corps du moteur peut tourner à 360 degrés, dans les deux sens, pendant l'utilisation. Cette fonctionnalité est particulièrement utile dans les zones de travail difficiles ou étroites car elle permet à l'opérateur de positionner l'outil de façon optimale pour l'utiliser facilement.

#### Fonctionnement de la soupape de retour (Fig. 13)

La soupape de retour a pour objet de permettre à la tige de fraise de revenir dans sa position de départ si elle ne peut pas terminer une découpe ou si elle se coince. Desserrer la soupape de retour d'un demi-tour permet de libérer la pression d'huile et de ramener la tige de fraise en position. Resserrez la soupape de retour une fois la tige de fraise revenue complètement dans sa position de départ et avant de l'utiliser à nouveau.

#### Type de lame de rechange et détachement (Fig. 15)

Les boulons de fixation doivent être bien serrés. Vérifiez périodiquement que la lame est correctement serrée.

Taille de la lame de rechange

● Utilisez ce tableau pour identifier les lames appropriées à votre modèle.

Modèle	A (fixation sur le support de barre)	B (fixation sur la tige de fraise)
DSC163 (ø3 - ø16)	22 × 17 × 9 mm (taille de boulon de 5 mm)	22 × 17 × 8 mm (taille de boulon de 5 mm)

#### REMARQUE :

- Utilisez uniquement des lames Makita d'origine.

## PROCÉDURE DE REMPLACEMENT DES LAMES

Si les bords de découpe des lames sont ébréchés, fissurés, déformés ou endommagés, la capacité de découpe des lames sera réduite. Le cas échéant, la découpe peut provoquer des dommages supplémentaires et entraîner des blessures corporelles. Les lames doivent être remplacées de manière globale dès qu'un dommage est détecté.

#### ⚠ AVERTISSEMENT :

- Lors du remplacement des lames, assurez-vous que la batterie est retirée de l'outil pour éviter tout fonctionnement accidentel.

Assurez-vous que la lame A sur le support de barre et la lame B sur la tige de fraise sont fixées dans leur position appropriée respective. (Fig. 14)

1. Retirez les boulons et les rondelles qui maintiennent les lames A et B.
2. Retirez la poussière et nettoyez les surfaces de fixation des lames neuves.
3. Fixez la lame A sur le support de barre et la lame B sur la tige de fraise. Remettez les boulons et les rondelles en place et serrez fermement.

#### ⚠ AVERTISSEMENT :

- Les boulons qui maintiennent les lames A et B doivent être serrés régulièrement. Si les boulons se desserrent, les lames peuvent être endommagées et entraîner des blessures corporelles.

## AJOUT D'HUILE

Ce Coupe Tige Sans-Fil est un appareil électro-hydraulique. Il est rempli d'huile à la livraison en sortie d'usine. N'essayez pas d'ajouter de l'huile tant que l'outil fonctionne correctement. Après un certain temps, le niveau d'huile va diminuer graduellement. Ceci peut éventuellement diminuer de manière notable les performances. Le cas échéant, ajoutez de l'huile comme suit.

1. Placez une barre d'armature entre les lames et appuyez sur la gâchette d'interrupteur.
2. Relâchez la gâchette d'interrupteur juste avant la fin de la découpe pour arrêter l'outil.
3. Retirez la batterie de l'outil afin que les lames ne puissent pas bouger accidentellement.
4. Retirez le boulon (SB10x15) qui protège l'orifice de remplissage d'huile. Ajoutez de l'huile en veillant à ne pas en faire couler dans le moteur.
5. Remettez le boulon (SB10x15) en place et serrez fermement.
6. Réinsérez la batterie dans l'outil et terminez l'opération de découpe.
7. Répétez la procédure ci-dessus plusieurs fois jusqu'à ce que le niveau d'huile atteigne un niveau correct.

### ATTENTION :

- Seule de l'huile hydraulique pure recommandée par Makita doit être utilisée avec cet outil. Les huiles recommandées comprennent l'huile hydraulique fournie par Makita, Super Hyrando #46 (JX Nippon Oil & Energy Corp.), Shell Tellus Plus #46 (U.S. Shell) ou une huile hydraulique anti-usure spéciale de grade de viscosité ISO 46. N'utilisez pas d'autres huiles pour ne pas endommager les joints et d'autres pièces internes de la machine.

# DÉPANNAGE

## ⚠ AVERTISSEMENT :

- Retirez la batterie avant toute intervention sur la machine.

PROBLÈME	CAUSE	SOLUTION
La tige de fraise ne s'étend pas.	Pas assez d'huile	Ajoutez de l'huile. (Reportez-vous à « Ajout d'huile »)
	La tige de fraise n'est pas revenue intégralement dans sa position de départ à cause de l'accumulation de débris entre la tige de fraise et le support de barre.	Ramenez manuellement la tige de fraise en position de départ. Retirez les débris et nettoyez.
	La tige de fraise n'est pas revenue intégralement dans sa position de départ car elle est endommagée.	Remplacez la tige de fraise.
	La tige de fraise n'est pas revenue intégralement dans sa position de départ car les lames sont desserrées ou endommagées.	Serrez les boulons des lames. Remplacez les lames.
	La tige de fraise n'est pas revenue intégralement dans sa position de départ à cause d'un ressort de rappel défaillant.	Remplacez le ressort de rappel.
Puissance insuffisante pour découper la barre d'armature.	Pas assez d'huile.	Ajoutez de l'huile. (Reportez-vous à « Ajout d'huile »)
	Soupape de retour mal installée ou siège endommagé.	Nettoyez l'extrémité de la soupape de retour et du siège. Polissez le siège.
	Soupape de retour endommagée.	Remplacez.
	Écart incorrect entre le cylindre et le piston.	Remplacez le piston (remarque : différentes tailles de pistons sont disponibles)
	Soupape anti-retour mal installée ou siège endommagé.	Nettoyez la soupape anti-retour et le siège. Remplacez.
	Emballage en uréthane endommagé ou cassé.	Remplacez.
Fuite d'huile.	Réservoir d'huile endommagé ou cassé.	Remplacez.
	Tige de fraise/support de barre, joint torique endommagé ; tige de fraise/support de barre, surface rayée ou rainurée.	Remplacez la bague d'appui et le joint torique. Remplacez la tige de fraise/le support de barre.
	Cylindre/support de barre, joint torique endommagé	Remplacez le joint torique.
	Cylindre/carter de pompe, joint endommagé.	Remplacez le manchon B.
	Support de barre/cylindre/carter de pompe, boulons à bride desserrés.	Serrez les boulons.
Moteur immobile. Moteur lent ou erratique.	Tension incorrecte.	Chargez la batterie.
	Batterie en fin de vie.	Remplacez la batterie.
	Moteur à courant continu endommagé à cause d'une surchauffe.	Remplacez le moteur à courant continu.
	Roulements ou engrenage du moteur à courant continu endommagés ou cassés.	Remplacez les roulements ou l'engrenage.

## REMARQUE :

- Les composants internes du bloc pompe et piston ont des tolérances très serrées et sont sensibles aux dommages résultant de la saleté, de la poussière et de la contamination du fluide hydraulique ou d'une manipulation inappropriée. Le démontage du carter de pompe requiert des outils spéciaux et une formation appropriée ; cette opération ne doit être réalisée que par des réparateurs qualifiés correctement formés et disposant des outils adéquats. Un entretien inapproprié des composants électriques peut entraîner des conditions pouvant provoquer des blessures graves. Les composants de la pompe et du piston et tous les composants électriques ne doivent être entretenus que par le revendeur, le distributeur ou un atelier de réparation agréé.

## ENTRETIEN

### ATTENTION :

- Assurez-vous toujours que l'outil est hors tension et que la batterie est retirée avant d'effectuer son inspection ou son entretien.
- N'utilisez jamais d'essence, benzine, diluant, alcool ou autre produit similaire. Cela risquerait de provoquer la décoloration, la déformation ou la fissuration de l'outil.

Pour maintenir la SÉCURITÉ et la FIABILITÉ du produit, les réparations, autres travaux d'entretien et réglages doivent être effectués dans un centre de service Makita agréé, exclusivement avec des pièces de rechange Makita.

## ACCESSOIRES EN OPTION

### ATTENTION :

- Ces accessoires ou pièces sont recommandés pour l'utilisation avec votre outil Makita spécifié dans ce manuel. L'utilisation de tout autre accessoire ou pièce peut comporter un risque de blessure. N'utilisez les accessoires ou pièces qu'aux fins auxquelles ils ont été conçus.

Pour plus d'informations concernant ces accessoires, contactez le centre de service Makita le plus proche.

- Batterie et chargeur d'origine Makita

### REMARQUE :

- Il se peut que certains éléments de la liste soient compris dans l'emballage de l'outil en tant qu'accessoires standard. Ils peuvent varier d'un pays à l'autre.



## DEUTSCH (Original-Anleitung)

### Erklärung der allgemeinen Ansicht

- |                     |                               |                               |
|---------------------|-------------------------------|-------------------------------|
| 1. Rote Anzeige     | 10. Bewehrungsstab            | 19. Schraube (länger)         |
| 2. Knopf            | 11. Klängen                   | 20. Schraube (kürzer)         |
| 3. Akku             | 12. Anschlag                  | 21. Unterlegscheibe           |
| 4. LED-Anzeige      | 13. Mehr als 200 mm           | 22. Stangenhalter             |
| 5. Schaltersperre   | 14. Luftloch                  | 23. Messerstange              |
| 6. Auslöserschalter | 15. Sechskantschlüssel        | 24. Klinge A an Stangenhalter |
| 7. Seite A          | 16. Rücklaufventil            | 25. Klinge B an Messerstange  |
| 8. Seite B          | 17. Klinge A (dickere Klinge) | 26. Ersatzklingen             |
| 9. Schutz           | 18. Klinge B (dünnere Klinge) |                               |

## TECHNISCHE DATEN

Modell	DSC163
Max. Schneidkapazität (Durchmesser in mm)	16 mm
Klasse 40 – Klasse 60	
Klasse 40: Zugfestigkeit 490 N/mm <sup>2</sup> 70.000 PSI	
Klasse 60: Zugfestigkeit 620 N/mm <sup>2</sup> 90.000 PSI	
Schneidgeschwindigkeit	2,8 Sekunden
Gesamtlänge	360 mm
Nettogewicht	6,9 kg
Nennspannung	18 V Gleichstrom

- Die hier genannten Spezifikationen können sich aufgrund unseres fortlaufenden Forschungs- und Entwicklungsprogramms ohne Vorankündigung ändern.
- Die technischen Daten und der Akku können von Land zu Land unterschiedlich sein.
- Gewicht, mit Akku, gemäß EPTA-Verfahren 01/2014

### Zutreffende Akkus und Ladegeräte

Akku	BL1830B / BL1840B / BL1850B / BL1860B
Ladegerät	DC18RC / DC18RD / DC18RE / DC18SD / DC18SE / DC18SF / DC18SH

- Einige der oben aufgelisteten Akkus und Ladegeräte sind je nach Ihrem Wohngebiet eventuell nicht erhältlich.

#### **⚠️ WARNUNG:**

- **Verwenden Sie nur die oben aufgeführten Akkus und Ladegeräte.** Bei Verwendung irgendwelcher anderer Akkus und Ladegeräte besteht Verletzungs- und/oder Brandgefahr.

## Symbole

Nachfolgend werden die für das Gerät verwendeten Symbole angezeigt. Stellen Sie sicher, dass Sie ihre Bedeutung vor der Verwendung verstehen.



..... Lesen Sie die Bedienungsanleitung.



Cd  
Ni-MH  
Li-ion

..... Nur für EU-Länder

Aufgrund des Vorhandenseins gefährlicher Komponenten in der Ausrüstung können Elektro- und Elektronik-Altgeräte, Akkumulatoren und Batterien sich negativ auf die Umwelt und die menschliche Gesundheit auswirken.

Entsorgen Sie Elektro- und Elektronikgeräte oder Batterien nicht mit dem Hausmüll!

In Übereinstimmung mit der Europäischen Richtlinie über Elektro- und Elektronik-Altgeräte, Akkumulatoren und Batterien, verbrauchte Akkumulatoren und Batterien sowie ihrer Anpassung an nationales Recht sollten Elektro-Altgeräte, Batterien und Akkumulatoren gemäß den Umweltschutzbestimmungen getrennt gelagert und zu einer getrennten Sammelstelle für Siedlungsabfälle geliefert werden.

Dies wird durch das am Gerät angebrachte Symbol der durchgestrichenen Abfalltonne auf Rädern angezeigt.

## Vorgesehene Verwendung

Dieses Werkzeug ist zum Schneiden von Bewehrungsstäben vorgesehen.

## Geräusch

Typischer A-bewerteter Geräuschpegel ermittelt gemäß EN62841-2-8:

Schalldruckpegel (LpA): 78 dB (A)

Messunsicherheit (K): 3 dB (A)

Der Geräuschpegel kann während des Betriebs 80 dB (A) überschreiten.

## HINWEIS:

- Der (Die) angegebene(n) Schallemissionswert(e) wurde(n) im Einklang mit der Standardprüfmethode gemessen und kann (können) für den Vergleich zwischen Werkzeugen herangezogen werden.
- Der (Die) angegebene(n) Schallemissionswert(e) kann (können) auch für eine Vorbewertung des Gefährdungsgrads verwendet werden.

## ⚠️ WARNUNG:

- **Einen Gehörschutz tragen.**
- **Die Schallemission während der tatsächlichen Benutzung des Elektrowerkzeugs kann je nach der Benutzungsweise des Werkzeugs, und speziell je nach der Art des bearbeiteten Werkstücks, von dem (den) angegebenen Wert(en) abweichen.**

- **Identifizieren Sie Sicherheitsmaßnahmen zum Schutz des Benutzers anhand einer Schätzung des Gefährdungsgrads unter den tatsächlichen Benutzungsbedingungen (unter Berücksichtigung aller Phasen des Arbeitszyklus, wie z. B. Ausschalt- und Leerlaufzeiten des Werkzeugs zusätzlich zur Betriebszeit).**

## Schwingungen

Schwingungsgesamtwert (Drei-Achsen-Vektorsumme) ermittelt gemäß EN62841-2-8:

Arbeitsmodus: Schneiden eines Bewehrungsstabs  
Schwingungsemission ( $a_{hv}$ ): 2,5 m/s<sup>2</sup> oder geringer  
Messunsicherheit (K): 1,5 m/s<sup>2</sup>

## HINWEIS:

- Der (Die) angegebene(n) Vibrationsgesamtwert(e) wurde(n) im Einklang mit der Standardprüfmethode gemessen und kann (können) für den Vergleich zwischen Werkzeugen herangezogen werden.
- Der (Die) angegebene(n) Vibrationsgesamtwert(e) kann (können) auch für eine Vorbewertung des Gefährdungsgrads verwendet werden.

## ⚠️ WARNUNG:

- **Die Vibrationsemission während der tatsächlichen Benutzung des Elektrowerkzeugs kann je nach der Benutzungsweise des Werkzeugs, und speziell je nach der Art des bearbeiteten Werkstücks, von dem (den) angegebenen Emissionswert(en) abweichen.**
- **Identifizieren Sie Sicherheitsmaßnahmen zum Schutz des Benutzers anhand einer Schätzung des Gefährdungsgrads unter den tatsächlichen Benutzungsbedingungen (unter Berücksichtigung aller Phasen des Arbeitszyklus, wie z. B. Ausschalt- und Leerlaufzeiten des Werkzeugs zusätzlich zur Betriebszeit).**

## EG-Konformitätserklärung

Nur für europäische Länder

Die EG-Konformitätserklärung ist dieser Betriebsanleitung als Anhang A beigefügt.

## Allgemeine Sicherheitswarnungen für Elektrowerkzeuge

⚠️ **WARNUNG:** Lesen Sie alle mit diesem Elektrowerkzeug gelieferten Sicherheitswarnungen, Anweisungen, Abbildungen und technischen Daten durch. Eine Missachtung der unten aufgeführten Anweisungen kann zu einem elektrischen Schlag, Brand und/oder schweren Verletzungen führen.

## Bewahren Sie alle Warnungen und Anweisungen für spätere Bezugnahme auf.

Der Ausdruck „Elektrowerkzeug“ in den Warnhinweisen bezieht sich auf Ihr mit Netzstrom (mit Kabel) oder Akku (ohne Kabel) betriebenes Elektrowerkzeug.

## Sicherheit im Arbeitsbereich

1. **Halten Sie den Arbeitsbereich sauber und gut beleuchtet.** Unaufgeräumte oder dunkle Bereiche führen zu Unfällen.
2. **Betreiben Sie Elektrowerkzeuge nicht in explosiven Umgebungen, wie z. B. in Gegenwart von brennbaren Flüssigkeiten, Gasen oder Staub.** Elektrowerkzeuge erzeugen Funken, die den Staub oder die Dämpfe entzünden können.
3. **Halten Sie Kinder und Umstehende während der Benutzung eines Elektrowerkzeugs vom Arbeitsbereich fern.** Ablenkungen können dazu führen, dass Sie die Kontrolle verlieren.

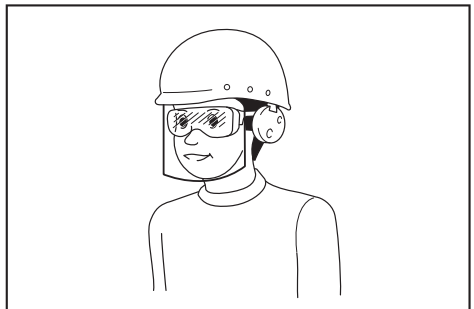
## Elektrische Sicherheit

1. **Der Stecker des Elektrowerkzeugs muss an die Steckdose angepasst sein. Der Stecker darf auf keinen Fall in irgendeiner Form abgeändert werden. Verwenden Sie keine Adapterstecker mit geerdeten Elektrowerkzeugen.** Vorschriftenmäßige Stecker und passende Steckdosen reduzieren die Stromschlaggefahr.
2. **Vermeiden Sie Körperkontakt mit geerdeten Gegenständen (z. B. Rohre, Kühler, Herde, Kühlschränke).** Es besteht erhöhte Stromschlaggefahr, falls Ihr Körper Erdkontakt hat.
3. **Setzen Sie Elektrowerkzeuge keinem Regen oder Nässe aus.** Wasser, das in ein Elektrowerkzeug eindringt, erhöht die Stromschlaggefahr.
4. **Behandeln Sie das Kabel sorgfältig. Benutzen Sie das Kabel niemals zum Tragen, Ziehen oder Abtrennen des Elektrowerkzeugs. Halten Sie das Kabel von Hitze, Öl, scharfen Kanten oder beweglichen Teilen fern.** Ein beschädigtes oder verheddertes Kabel erhöht die Stromschlaggefahr.
5. **Wenn Sie ein Elektrowerkzeug im Freien betreiben, verwenden Sie ein für Freiluftbenutzung geeignetes Verlängerungskabel.** Die Verwendung eines für Freiluftbenutzung geeigneten Kabels reduziert die Stromschlaggefahr.
6. **Lässt sich der Einsatz eines Elektrowerkzeugs in feuchter Umgebung nicht vermeiden, verwenden Sie eine Stromversorgung, die mit einem Fehlerstrom-Schutzschalter (RCD) geschützt ist.** Der RCD verringert die Stromschlaggefahr.
7. **Elektrowerkzeuge können elektromagnetische Felder (EMF) erzeugen, die für den Benutzer nicht gesundheitsschädlich sind.** Personen mit Herzschrittmachern und anderen ähnlichen medizinischen Geräten sollten jedoch vor der Benutzung dieses Elektrowerkzeugs den Hersteller ihres Gerätes und/oder ihren Arzt um Rat fragen.

## Persönliche Sicherheit

1. **Bleiben Sie wachsam, und lassen Sie beim Umgang mit einem Elektrowerkzeug Vorsicht und gesunden Menschenverstand walten. Benutzen Sie keine Elektrowerkzeuge, wenn Sie müde sind oder unter dem Einfluss von Drogen, Alkohol oder Medikamenten stehen.** Ein Augenblick der Unachtsamkeit während der Benutzung von Elektrowerkzeugen kann zu schweren Verletzungen führen.

2. **Benutzen Sie persönliche Schutzausrüstung. Tragen Sie stets einen Augenschutz.** Sachgemäßer Gebrauch von Schutzausrüstung (z. B. Staubmaske, rutschfeste Sicherheitsschuhe, Helm und Gehörschutz) trägt zu einer Reduzierung der Verletzungsgefahr bei.
3. **Unbeabsichtigtes Einschalten verhindern. Vergewissern Sie sich, dass sich der Ein-Aus-Schalter in der Aus-Stellung befindet, bevor Sie die Stromquelle und/oder den Akku anschließen bzw. das Werkzeug aufheben oder tragen.** Das Tragen von Elektrowerkzeugen mit dem Finger am Ein-Aus-Schalter oder das Anschließen bei eingeschaltetem Ein-Aus-Schalter führt zu Unfällen.
4. **Etwaige Einstell- oder Schraubenschlüssel sind vor dem Einschalten des Elektrowerkzeugs zu entfernen.** Ein Schrauben- oder Einstellschlüssel, der auf einem rotierenden Teil des Elektrowerkzeugs stecken gelassen wird, kann zu einer Verletzung führen.
5. **Übernehmen Sie sich nicht. Achten Sie stets auf sicheren Stand und gute Balance.** Sie haben dann in unerwarteten Situationen eine bessere Kontrolle über das Elektrowerkzeug.
6. **Zweckmäßige Kleidung tragen. Tragen Sie keine lose Kleidung oder Schmuck. Halten Sie Haare und Kleidung von beweglichen Teilen fern.** Lose Kleidung, Schmuck oder langes Haar kann sich in beweglichen Teilen verfangen.
7. **Wenn Anschlussvorrichtungen für Staubabsaug- und Staubsammelgeräte vorhanden sind, sollten diese montiert und sachgerecht verwendet werden.** Durch Staubabsaugung können staubbezogene Gefahren reduziert werden.
8. **Lassen Sie nicht zu, dass Sie aufgrund der Vertrautheit, die Sie durch häufigen Gebrauch von Werkzeugen erworben haben, selbstzufrieden werden und die Sicherheitsprinzipien der Werkzeuge missachten.** Eine achtlose Handlung kann innerhalb von Sekundenbruchteilen schwere Verletzungen verursachen.
9. **Tragen Sie stets eine Schutzbrille, um Ihre Augen bei Verwendung von Elektrowerkzeugen vor Verletzung zu schützen. Die Brille muss den Vorschriften ANSI Z87.1 in den USA, EN 166 in Europa oder AS/NZS 1336 in Australien/ Neuseeland entsprechen. In Australien/ Neuseeland ist das Tragen eines Gesichtsschutzes gesetzlich vorgeschrieben, um auch Ihr Gesicht zu schützen.**



**Der Arbeitgeber ist dafür verantwortlich, den Gebrauch von angemessener Schutzausrüstung für die Werkzeugbenutzer und andere Personen im unmittelbaren Arbeitsbereich durchzusetzen.**

#### **Gebrauch und Pflege von Elektrowerkzeugen**

- 1. Setzen Sie Elektrowerkzeuge keiner Gewaltanwendung aus. Verwenden Sie das korrekte Elektrowerkzeug für Ihre Anwendung.** Ein korrektes Elektrowerkzeug verrichtet die anstehende Arbeit bei sachgemäßer Handhabung besser und sicherer.
- 2. Benutzen Sie das Elektrowerkzeug nicht, wenn es sich nicht mit dem Ein-Aus-Schalter ein- und ausschalten lässt.** Ein Elektrowerkzeug, das nicht auf die Schalterbetätigung reagiert, ist gefährlich und muss repariert werden.
- 3. Trennen Sie den Stecker von der Stromquelle, und/oder entfernen Sie den Akku vom Elektrowerkzeug, falls er abnehmbar ist, bevor Sie Einstellungen durchführen, Zubehör auswechseln oder das Elektrowerkzeug lagern.** Solche vorbeugenden Sicherheitsmaßnahmen reduzieren die Gefahr eines versehentlichen Einschaltens des Elektrowerkzeugs.
- 4. Bewahren Sie unbenutzte Elektrowerkzeuge außer Reichweite von Kindern auf, und lassen Sie nicht zu, dass Personen, die nicht mit dem Elektrowerkzeug oder diesen Anweisungen vertraut sind, das Elektrowerkzeug benutzen.** Elektrowerkzeuge in den Händen unerfahrener Benutzer sind gefährlich.
- 5. Halten Sie Elektrowerkzeuge und Zubehörteile instand. Überprüfen Sie Elektrowerkzeuge auf Fehlausrichtung oder Klemmen beweglicher Teile, Beschädigung von Teilen und andere Zustände, die ihren Betrieb beeinträchtigen können. Lassen Sie das Elektrowerkzeug bei Beschädigung vor Gebrauch reparieren.** Viele Unfälle werden durch schlecht gewartete Elektrowerkzeuge verursacht.
- 6. Halten Sie Schneidwerkzeuge scharf und sauber.** Gut instand gehaltene Schneidwerkzeuge mit scharfen Schneiden sind weniger anfällig für Klemmen und lassen sich leichter handhaben.
- 7. Benutzen Sie das Elektrowerkzeug, das Zubehör und die Werkzeugeinsätze usw. gemäß diesen Anweisungen unter Berücksichtigung der Arbeitsbedingungen und der durchzuführenden Arbeit.** Unsachgemäßer Gebrauch des Elektrowerkzeugs kann zu einer Gefahrensituation führen.
- 8. Halten Sie Handgriffe und Griffflächen trocken, sauber und frei von Öl und Fett.** Rutschige Handgriffe und Griffflächen gestatten keine sichere Handhabung und Kontrolle des Werkzeugs in unerwarteten Situationen.
- 9. Tragen Sie bei der Benutzung des Werkzeugs keine Arbeitshandschuhe aus Stoff, weil diese sich verfangen können.** Das Verfangen von Arbeitshandschuhen aus Stoff in den beweglichen Teilen kann zu Personenschäden führen.

#### **Gebrauch und Pflege von Akkuwerkzeugen**

- 1. Laden Sie den Akku nur mit dem vom Hersteller vorgeschriebenen Ladegerät.** Ein Ladegerät, das für einen Akkutyp geeignet ist, kann bei Verwendung mit einem anderen Akku eine Brandgefahr darstellen.
- 2. Benutzen Sie Elektrowerkzeuge nur mit den ausdrücklich vorgeschriebenen Akkus.** Bei Verwendung irgendwelcher anderer Akkus besteht Verletzungs- und Brandgefahr.
- 3. Bewahren Sie den Akku bei Nichtgebrauch nicht zusammen mit Metallgegenständen, wie Büroklammern, Münzen, Schlüsseln, Nägeln, Schrauben, und anderen kleinen Metallteilen auf, welche die Kontakte kurzschließen können.** Kurzschließen der Akkukontakte kann Verbrennungen oder einen Brand verursachen.
- 4. Bei Missbrauch kann Flüssigkeit aus dem Akku austreten. Vermeiden Sie Kontakt mit dieser Flüssigkeit. Falls Sie versehentlich mit der Flüssigkeit in Berührung kommen, spülen Sie die betroffenen Stellen mit Wasser ab. Falls die Flüssigkeit in die Augen gelangt, suchen Sie zusätzlich ärztliche Hilfe auf.** Die vom Akku austretende Flüssigkeit kann Hautreizungen oder Verätzungen verursachen.
- 5. Verwenden Sie keinen Akku und auch kein Werkzeug, der (das) beschädigt oder modifiziert ist.** Beschädigte oder modifizierte Akkus können unvorhersehbares Verhalten zeigen, das zu einem Brand, einer Explosion oder Verletzungsgefahr führen kann.
- 6. Setzen Sie einen Akku oder ein Werkzeug nicht Feuer oder übermäßigen Temperaturen aus.** Bei Einwirkung von Feuer oder Temperaturen über 130 °C kann es zu einer Explosion kommen.
- 7. Befolgen Sie alle Ladeanweisungen, und laden Sie den Akku bzw. das Werkzeug nicht außerhalb des in den Anweisungen angegebenen Temperaturbereichs.** Wird der Ladevorgang unsachgemäß oder bei Temperaturen außerhalb des angegebenen Bereichs durchgeführt, kann es zu einer Beschädigung des Akkus und erhöhter Brandgefahr kommen.

#### **Wartung**

- 1. Lassen Sie Ihr Elektrowerkzeug nur unter Verwendung identischer Ersatzteile von einem qualifizierten Wartungstechniker warten.** Dadurch wird die Aufrechterhaltung der Sicherheit des Elektrowerkzeugs gewährleistet.
- 2. Beschädigte Akkus dürfen auf keinen Fall gewartet werden.** Die Wartung von Akkus darf nur vom Hersteller oder von einer Vertragswerkstatt durchgeführt werden.
- 3. Befolgen Sie die Anweisungen für die Schmierung und den Austausch von Zubehör.**

# SICHERHEITSHINWEISE FÜR AKKU-MONIEREISENSCHNEIDER

1. Halten Sie das Werkzeug während des Betriebs gut fest. Wenn das Werkzeug nicht festgehalten wird, könnten Sie sich verletzen.
2. Halten Sie Ihre Hände und Ihr Gesicht von den beweglichen Teilen fern. Diese könnten eine Verletzung verursachen.
3. Lassen Sie den Auslöschschalter sofort los, um den Betrieb zu unterbrechen, wenn das Werkzeug anormal reagiert oder ungewöhnliche Geräusche erzeugt. Lassen Sie es von einem autorisierten Service-Center inspizieren und reparieren. Anderenfalls könnte das Werkzeug Schäden oder Verletzungen verursachen.
4. Wenn Sie das Werkzeug fallen gelassen oder einem Schlag ausgesetzt haben, prüfen Sie sorgfältig, dass das Gehäuse nicht beschädigt, gerissen oder verformt ist. Solche Schäden können zu Verletzungen führen.
5. Bei diesem Werkzeug handelt es sich um ein elektrohydraulisches Werkzeug. Der Ölbehälter wurde vor der Auslieferung gefüllt. Fügen Sie kein Öl nach, außer wenn das Werkzeug abnormal funktioniert.
6. Metallklingen besitzen scharfe Kanten. Gehen Sie vorsichtig damit um, um Schnittverletzungen zu vermeiden.
7. Beschädigte, verformte oder gerissene Klingen können schwere Unfälle verursachen und den Betrieb beeinträchtigen. Ersetzen Sie sie sofort durch neue Original-Klingen.

## DIESE ANWEISUNGEN AUFBEWAHREN.

### ⚠️ WARNUNG:

Lassen Sie sich NICHT durch den (durch einen wiederholten Gebrauch) gewonnenen Komfort bzw. Vertrautheit mit dem Produkt dazu verleiten, die strengen Sicherheitsvorschriften des jeweiligen Geräts zu missachten. Eine FALSCH E BEDIE NUNG oder Nichteinhaltung der in dieser Bedienungsanleitung aufgeführten Sicherheitsvorschriften kann zu schweren Verletzungen führen.

## Wichtige Sicherheitsanweisungen für Akku

1. Lesen Sie vor der Benutzung des Akkus alle Anweisungen und Warnhinweise, die an (1) Ladegerät, (2) Akku und (3) Akkuwerkzeug angebracht sind.
2. Unterlassen Sie Zerlegen oder Manipulieren des Akkus. Es kann sonst zu einem Brand, übermäßiger Hitzeentwicklung oder einer Explosion kommen.
3. Falls die Betriebszeit beträchtlich kürzer geworden ist, stellen Sie den Betrieb sofort ein. Anderenfalls besteht die Gefahr von Überhitzung, möglichen Verbrennungen und sogar einer Explosion.

4. Falls Elektrolyt in Ihre Augen gelangt, waschen Sie sie mit sauberem Wasser aus, und begeben Sie sich unverzüglich in ärztliche Behandlung. Anderenfalls können Sie Ihre Sehkraft verlieren.
5. Der Akku darf nicht kurzgeschlossen werden:
  - (1) Die Kontakte dürfen nicht mit leitfähigem Material berührt werden.
  - (2) Lagern Sie den Akku nicht in einem Behälter zusammen mit anderen Metallgegenständen, wie z. B. Nägel, Münzen usw.
  - (3) Setzen Sie den Akku weder Wasser noch Regen aus.  
Ein Kurzschluss des Akkus verursacht starken Stromfluss, der Überhitzung, mögliche Verbrennungen und einen Defekt zur Folge haben kann.
6. Lagern und benutzen Sie das Werkzeug und den Akku nicht an Orten, an denen die Temperatur 50 °C erreichen oder überschreiten kann.
7. Versuchen Sie niemals, den Akku zu verbrennen, selbst wenn er stark beschädigt oder vollkommen verbraucht ist. Der Akku kann im Feuer explodieren.
8. Unterlassen Sie Nageln, Schneiden, Zerquetschen, Werfen, Fallenlassen des Akkus oder Schlagen des Akkus mit einem harten Gegenstand. Eine solche Handlung kann zu einem Brand, übermäßiger Hitzeentwicklung oder einer Explosion führen.
9. Benutzen Sie keine beschädigten Akkus.
10. Die enthaltenen Lithium-Ionen-Akkus unterliegen den Anforderungen der Gefahrgut-Gesetzgebung.  
Für kommerzielle Transporte, z. B. durch Dritte oder Spediteure, müssen besondere Anforderungen zu Verpackung und Etikettierung beachtet werden.  
Zur Vorbereitung des zu transportierenden Artikels ist eine Beratung durch einen Experten für Gefahrgut erforderlich. Bitte beachten Sie möglicherweise ausführlichere nationale Vorschriften.  
Überkleben oder verdecken Sie offene Kontakte, und verpacken Sie den Akku so, dass er sich in der Verpackung nicht umher bewegen kann.
11. Entfernen Sie den Akku zum Entsorgen vom Werkzeug, und entsorgen Sie ihn an einem sicheren Ort. Befolgen Sie die örtlichen Vorschriften bezüglich der Entsorgung von Akkus.
12. Verwenden Sie die Akkus nur mit den von Makita angebotenen Produkten. Das Einsetzen der Akkus in nicht konforme Produkte kann zu einem Brand, übermäßiger Hitzeentwicklung, einer Explosion oder Auslaufen von Elektrolyt führen.
13. Soll das Werkzeug längere Zeit nicht benutzt werden, muss der Akku vom Werkzeug entfernt werden.
14. Bei und nach dem Gebrauch kann der Akku heiß werden, was Verbrennungen oder Niedertemperaturverbrennungen verursachen kann. Beachten Sie die Handhabung von heißen Akkus.
15. Berühren Sie nicht den Anschlusskontakt des Werkzeugs unmittelbar nach dem Gebrauch, da er heiß genug werden kann, um Verbrennungen zu verursachen.

16. **Achten Sie darauf, dass sich keine Späne, Staub oder Schmutz in den Anschlusskontakten, Löchern und Nuten des Akkus absetzen.** Dies kann zu einer LeistungseinbuÙe oder Betriebsstörung des Werkzeugs oder des Akkus führen.
17. **Wenn das Werkzeug den Einsatz in der Nähe einer Hochspannungs-Stromleitung nicht unterstützt, benutzen Sie den Akku nicht in der Nähe einer Hochspannungs-Stromleitung.** Dies kann zu einer Funktionsstörung oder Betriebsstörung des Werkzeugs oder des Akkus führen.
18. **Halten Sie die Batterie von Kindern fern.**

## DIESE ANWEISUNGEN AUFBEWAHREN.

### ⚠ VORSICHT:

- **Verwenden Sie nur Original-Makita-Akkus.** Die Verwendung von Nicht-Original-Makita-Akkus oder von Akkus, die abgeändert worden sind, kann zum Bersten des Akkus und daraus resultierenden Bränden, Personenschäden und Beschädigung führen. Außerdem wird dadurch die Makita-Garantie für das Makita-Werkzeug und -Ladegerät ungültig.

## Hinweise zur Aufrechterhaltung der maximalen Akku-Nutzungsdauer

1. **Laden Sie den Akku, bevor er vollkommen erschöpft ist. Schalten Sie das Werkzeug stets aus, und laden Sie den Akku, wenn Sie ein Nachlassen der Werkzeugleistung feststellen.**
2. **Unterlassen Sie erneutes Laden eines voll aufgeladenen Akkus. Überladen führt zu einer Verkürzung der Nutzungsdauer des Akkus.**
3. **Laden Sie den Akku bei Raumtemperatur zwischen 10 – 40 °C. Lassen Sie einen heißen Akku abkühlen, bevor Sie ihn laden.**
4. **Wenn Sie den Akku nicht benutzen, nehmen Sie ihn vom Werkzeug oder Ladegerät ab.**
5. **Der Akku muss geladen werden, wenn er lange Zeit (länger als sechs Monate) nicht benutzt wird.**

## FUNKTIONSBESCHREIBUNG

### ⚠ VORSICHT:

- Vergewissern Sie sich vor der Durchführung von Einstellungen oder Funktionsprüfungen des Werkzeugs stets, dass das Werkzeug ausgeschaltet und der Akku abgenommen ist.

## Anbringen und Abnehmen des Akkus (Abb. 1)

### ⚠ VORSICHT:

- Schalten Sie das Werkzeug stets aus, bevor Sie den Akku anbringen oder abnehmen.
- **Halten Sie das Werkzeug und den Akku beim Anbringen oder Abnehmen des Akkus sicher fest.** Wenn Sie das Werkzeug und den Akku nicht sicher festhalten, können sie Ihnen aus der Hand rutschen, was zu einer Beschädigung des Werkzeugs und des Akkus und zu Körperverletzungen führen kann.

Ziehen Sie den Akku zum Abnehmen vom Werkzeug ab, während Sie den Knopf an der Vorderseite des Akkus verschieben.

Richten Sie zum Anbringen des Akkus dessen Führungsfeder auf die Nut im Gehäuse aus, und schieben Sie den Akku hinein. Schieben Sie ihn vollständig ein, bis er mit einem hörbaren Klicken einrastet. Falls die rote Anzeige an der Oberseite des Knopfes sichtbar ist, ist der Akku nicht vollständig verriegelt.

### ⚠ VORSICHT:

- Schieben Sie den Akku stets bis zum Anschlag ein, bis die rote Anzeige nicht mehr sichtbar ist. Anderenfalls kann er aus dem Werkzeug herausfallen und Sie oder umstehende Personen verletzen.
- Unterlassen Sie Gewaltanwendung beim Anbringen des Akkus. Falls der Akku nicht reibungslos hineingleitet, ist er nicht richtig ausgerichtet.

## Werkzeug/Akku-Schutzsystem

Das Werkzeug ist mit einem Werkzeug/Akku-Schutzsystem ausgestattet. Dieses System schaltet die Stromversorgung automatisch ab, um die Lebensdauer von Werkzeug und Akku zu verlängern. Das Werkzeug bleibt während des Betriebs automatisch stehen, wenn das Werkzeug oder der Akku einer der folgenden Bedingungen unterliegt:

### Überlastschutz

Dieser Schutz tritt in Aktion, wenn das Werkzeug auf eine Weise betrieben wird, die eine ungewöhnlich hohe Stromaufnahme bewirkt. Schalten Sie in dieser Situation das Werkzeug aus, und brechen Sie die Arbeit ab, die eine Überlastung des Werkzeugs verursacht hat. Schalten Sie dann das Werkzeug wieder ein, um neu zu starten.

### Überhitzungsschutz

Dieser Schutz tritt in Aktion, wenn das Werkzeug oder der Akku überhitzt wird. Lassen Sie das Werkzeug und den Akku in dieser Situation abkühlen, bevor Sie das Werkzeug wieder einschalten.

### Überentladungsschutz




Dieser Schutz tritt in Aktion, wenn die Akku-Restkapazität niedrig wird. Nehmen Sie in dieser Situation den Akku vom Werkzeug ab, und laden Sie ihn auf.

## Anzeigen der Restladung des Akkus

### (Abb. 2)

(länderspezifisch)

Wenn Sie den Auslöseschalter betätigen, erscheint im LED-Display eine Anzeige der verbleibenden Akkuladung als folgende Tabelle.

LED-Anzeigestatus	verbleibende Akkuleistung
	ca. 50 % oder mehr
	ca. 20 % – 50 %
	ca. weniger als 20 %

#### HINWEIS:

- Das LED-Display erlischt ca. 1 Minute nach dem Loslassen des Auslöseschalters, um Akkuenergie zu sparen. Zum Prüfen der verbleibenden Akkuleistung betätigen Sie den Auslöseschalter leicht.
- Falls das LED-Display leuchtet und das Werkzeug auch bei aufgeladenem Akku nicht funktioniert, lassen Sie das Werkzeug gründlich abkühlen. Falls sich der Zustand nicht ändert, bringen Sie das Werkzeug zwecks Reparatur zu einem Makita-Servicecenter in Ihrer Nähe.

## BEDIENUNG

Lesen, verstehen und befolgen Sie alle Sicherheitsanweisungen und Betriebsverfahren. Wenn Sie die Anweisungen nicht verstehen oder keine ordnungsgemäßen Betriebsbedingungen herrschen, verwenden Sie dieses Werkzeug nicht. Wenden Sie sich an Ihren Vorgesetzten oder eine andere verantwortliche Person.

#### ⚠️ WARNUNG:

- Bevor Sie den Akku in das Werkzeug einsetzen, betätigen und lösen Sie den Auslöseschalter, um sicherzustellen, dass er beim Loslassen wieder zurückschnappt.

Der Motor ist eingeschaltet, wenn der Auslöseschalter betätigt wird, und ausgeschaltet, wenn der Auslöseschalter losgelassen wird.

### Bedienung der Schaltersperre (Abb. 3)

- Drücken Sie die Schaltersperre an Seite A hinein. Der Schalter wird entsperrt und der Auslöseschalter kann betätigt werden.
- Drücken Sie die Schaltersperre an Seite B hinein. Der Schalter wird gesperrt und der Auslöseschalter kann nicht betätigt werden.

#### ⚠️ VORSICHT:

- Der Auslöseschalter sollte immer gesperrt sein, wenn das Werkzeug nicht verwendet wird.

#### ⚠️ WARNUNG:

- Vergewissern Sie sich vor dem Betrieb, dass die Position des Bedieners relativ zum Werkzeug und der Umgebung betriebssicher ist. Setzen Sie eine Schutzbrille auf und tragen Sie Schutzkleidung.
- Beachten Sie die Werkzeugspezifikationen in diesem Handbuch und schneiden Sie keine Bewehrungsstäbe mit einer Größe oder Härte, die die Schneidkapazität des Werkzeugs überschreitet.
- Schneiden Sie kein anderes Material als Bewehrungsstäbe. Wenden Sie sich an den Hersteller, wenn Sie andere Materialien schneiden möchten.

#### ⚠️ WARNUNG:

- Ersetzen Sie beschädigte (abgebrochene, gebrochene, gerissene) oder verformte Klingen sofort. Die Klinge schneidet anderenfalls nicht richtig und kann brechen oder zersplintern und schwere Verletzungen verursachen.

## Schneidverfahren

#### ⚠️ WARNUNG:

- **Verwenden Sie das Werkzeug niemals ohne angebrachten Schutz.** Andernfalls können schwere Verletzungen verursacht werden. **(Abb. 4)**
  - Bei der Schutzvorrichtung handelt es sich um ein Zubehörteil das verhindert, dass Bruchstücke zum Bediener geschleudert werden. Es schützt nicht vor einem Herausschleudern in axialer Richtung des Bewehrungsstabs. Positionieren Sie sich so, dass die Schutzvorrichtung vor Bruchstücken schützt.
  - In einigen Abbildungen ist die Schutzvorrichtung nicht dargestellt, doch dies dient dazu, die Innenseite der Schutzvorrichtung zu zeigen. Verwenden Sie das Werkzeug immer mit angebrachter Schutzvorrichtung.
1. Setzen Sie den zu schneidenden Bewehrungsstab zwischen die Klingen. **(Abb. 5)**  
Stellen Sie den Anschlag entsprechend dem Durchmesser des zu schneidenden Bewehrungsstabs ein, damit sich der Bewehrungsstab in einem 90-Grad-Winkel zu den Klingen befindet. Der Anschlag unterstützt den Bewehrungsstab und hält ihn beim Schneiden senkrecht zu den Klingen. **(Abb. 6)**

#### ⚠️ WARNUNG:

- Stellen Sie den Anschlag beim Schneiden des Bewehrungsstabs entsprechend dem Durchmesser des zu schneidenden Bewehrungsstabs ein, damit sich der Bewehrungsstab in einem 90-Grad-Winkel zu den Klingen befindet. Ohne diese Einstellung kann das abgeschnittene Stück weggeschleudert werden und zu schweren Verletzungen des Bedieners oder anderer in der Nähe befindlichen Personen führen. Überprüfen Sie immer die Position des Bedieners relativ zum Werkzeug und bestätigen Sie die Sicherheit des Bedieners und der Umgebung.
2. Positionieren Sie den Bewehrungsstab tief genug zwischen den Klingen, damit er nicht die Schutzvorrichtung berührt. **(Abb. 7)**

#### **⚠️ WARNUNG:**

- Wenn der zu schneidende Bewehrungsstab nicht vollständig zwischen den Klingen sitzt, werden die Klingen beschädigt. Der Bewehrungsstab wird mit Kraft herausgeschleudert und kann schwere Verletzungen verursachen.

#### **⚠️ WARNUNG:**

- Schneiden Sie keinen Bewehrungsstab, dessen abzuschneidendes Stück kürzer als 200 mm ist. Wenn ein kürzeres Stück abgeschnitten wird, kann der Bewehrungsstab während des Schneidens herausgeschleudert werden und schwere Verletzungen verursachen. **(Abb. 8)**

#### **⚠️ WARNUNG:**

- Schneiden Sie den Bewehrungsstab nur, wenn er ordnungsgemäß vom Anschlag gehalten wird. Halten Sie den Bewehrungsstab während des Schneidens an der Anschlagseite fest. **(Abb. 9, 10)** Anderenfalls kann das abgeschnittene Stück weggeschleudert werden und zu schweren Verletzungen des Bedieners oder anderer in der Nähe befindlichen Personen führen.
3. Drücken Sie die Schaltersperre an Seite A hinein. Der Schalter wird entsperrt und der Auslöser kann betätigt werden.
  4. Betätigen Sie den Auslöserschalter, um den Schneidvorgang zu starten. Die Messerstange wird ausgefahren, um den Bewehrungsstab zu schneiden. Halten Sie den Schalter gedrückt, bis die Messerstange am Ende ihres Hubs stoppt.
  5. Lassen Sie den Auslöserschalter los, wenn der Schnitt beendet ist und die Messerstange das Ende ihres Hubs erreicht hat. Die Messerstange fährt anschließend automatisch in ihre Ausgangsposition zurück. Die Messerstange fährt nicht zurück, wenn der Hub nicht beendet ist. Die Messerstange kann ebenso erst erneut ausfahren, nachdem sie vollständig in ihre Ausgangsposition zurückgekehrt ist. Drücken Sie erst den Schalter, um den nächsten Schnitt auszuführen, nachdem die Messerstange vollständig in ihre Ausgangsposition zurückgekehrt ist und dort stoppt.

#### **⚠️ WARNUNG:**

- Beim Schneiden von Bewehrungsstäben mit hoher Zugfestigkeit kann das geschnittene Stück herausgeschleudert werden und den Bediener schwer verletzen. Tragen Sie eine Schutzbrille und vergewissern Sie sich vor der Inbetriebnahme, dass die Umgebung sicher ist.

#### **⚠️ WARNUNG:**

- Halten Sie während des Betriebs Ihre Hände und Ihr Gesicht von den Klingen, den beweglichen Teilen und dem Schneidbereich fern. Nehmen Sie nach dem Gebrauch sofort den Akku aus dem Werkzeug.

#### **HINWEIS:**

- Wenn die Temperatur des Werkzeuggehäuses 70 °C überschreitet, nimmt die Werkzeugkapazität ab. Beenden Sie in diesem Fall die Verwendung und lassen Sie das Gerät abkühlen.

#### **HINWEIS:**

- Halten Sie das Luftloch am Ende des Stangenhalters frei von Schmutz und Ablagerungen. Das Luftloch kontrolliert den Innendruck und sollte nicht blockiert werden. **(Abb. 11)**

### **Drehfunktion des Motors (Abb. 12)**

Der Motorkörper kann während des Betriebs in beiden Richtungen um 360 Grad gedreht werden. Diese Funktion ist besonders bei Arbeiten in schwierigen oder engen Bereichen nützlich, da der Bediener das Werkzeug für eine einfache Bedienung in der optimalen Position positionieren kann.

### **Funktionsweise des Rücklaufventils (Abb. 13)**

Die Funktion des Rücklaufventils besteht darin, dass die Messerstange in die Ausgangsposition zurückkehren kann, wenn sie einen Schnitt nicht vollenden kann oder blockiert wird. Durch Lösen des Rücklaufventils um eine halben Umdrehung wird der Öldruck abgebaut, damit die Messerstange zurückfahren kann. Ziehen Sie das Rücklaufventil wieder fest, sobald die Messerstange vollständig zurückgefahren ist und bevor Sie mit dem nächsten Vorgang beginnen.

## **AUSTAUSCHEN DES MESSERS**

Wenn die Schneidkanten der Klingen abgesplittert, gerissen, verformt oder in irgendeiner Weise beschädigt sind, wird ihre Schneidfähigkeit verringert. Das Schneiden unter solchen Bedingungen kann weitere Schäden verursachen und zu Verletzungen führen. Die Klingen sollten sofort als Set ausgetauscht werden, wenn Schäden festgestellt werden.

#### **⚠️ WARNUNG:**

- Stellen Sie beim Auswechseln der Klingen sicher, dass der Akku aus dem Werkzeug entfernt wurde, um einen versehentlichen Betrieb zu verhindern.

Stellen Sie sicher, dass die Klinge A am Stangenhalter und die Klinge B an der Messerstange in der richtigen Position angebracht sind. **(Abb. 14)**

1. Lösen Sie die Schrauben und Unterlegscheiben, mit denen die Klingen A und B befestigt sind.
2. Entfernen Sie Schmutz und reinigen Sie die Flächen, an denen die neuen Klingen montiert werden sollen.
3. Setzen Sie Klinge A am Stangenhalter und Klinge B an der Messerstange ein. Tauschen Sie die Schrauben und Unterlegscheiben aus und ziehen Sie sie fest an.

#### **⚠️ WARNUNG:**

- Die Schrauben, mit denen die Klingen A und B befestigt sind, sollten regelmäßig festgezogen werden. Wenn sich die Schrauben lösen, können die Klingen beschädigt werden und Verletzungen verursachen.



## Ersatzklingen und Lockerung

### (Abb. 15)

Die Befestigungsschrauben sollten fest angezogen sein.  
Überprüfen Sie regelmäßig, dass die Klinge richtig festgezogen ist.

Größe der Ersatzklingen

● Verwenden Sie diese Tabelle als Referenz zur Wahl der richtigen Klingen für Ihr Modell.

Modell	A (Am Stangenhalter angebracht)	B (An der Messerstange angebracht)
DSC163 (ø3 - ø16)	22 × 17 × 9 mm (Schraubengröße 5 mm)	22 × 17 × 8 mm (Schraubengröße 5 mm)

#### HINWEIS:

- Verwenden Sie nur Originalklingen von Makita.

## AUFFÜLLEN VON ÖL

Bei diesem Akku-Moniereisensneider handelt es sich um eine elektrohydraulische Ausführung. Bei der Auslieferung ab Werk ist das Werkzeug mit Öl gefüllt. Füllen Sie kein Öl nach, solange das Werkzeug gut funktioniert. Im Laufe der Zeit sinkt der Ölstand langsam. Dies führt letztendlich zu einem merklichen Leistungsabfall. Füllen Sie in diesem Fall Öl nach, wie nachfolgend beschrieben.

1. Setzen Sie einen Bewehrungsstab zwischen die Klingen ein und betätigen Sie den Auslöserschalter.
2. Lassen Sie den Auslöserschalter kurz vor Beendigung des Schnitts los, um das Werkzeug zu stoppen.
3. Nehmen Sie den Akku aus dem Werkzeug, damit die Klingen nicht versehentlich bewegt werden können.
4. Entfernen Sie die Schraube (SB10x15), die die Öleinfüllöffnung verschließt. Füllen Sie das Öl ein und achten Sie darauf, dass kein Öl in den Motor gelangt.
5. Ersetzen Sie die Schraube (SB10x15) und ziehen Sie sie fest an.
6. Setzen Sie den Akku wieder in das Werkzeug ein und beenden Sie den Schneidevorgang.
7. Wiederholen Sie den obigen Vorgang mehrmals, bis der Ölstand korrekt ist.

#### VORSICHT:

- In diesem Werkzeug sollte nur reines Hydrauliköl verwendet werden, wie von Makita empfohlen. Zu den empfohlenen Ölen gehören das von Makita gelieferte Hydrauliköl Super Hyrando #46 (JX Nippon Oil & Energy Corp.); Shell Tellus Plus #46 (U.S. Shell); oder gleichwertiges Anti-Verschleiß-Hydrauliköl, ISO-Viskositätsgrad 46. Verwenden Sie keine anderen Öle, da diese die Dichtungen und andere interne Maschinenteile beschädigen könnten.

# FEHLERBEHEBUNG

## ⚠️ WARNUNG:

- Nehmen Sie den Akku heraus, bevor Sie an der Maschine arbeiten.

PROBLEM	URSACHE	LÖSUNG
Die Messerstange wird nicht ausgefahren.	Zu wenig Öl.	Öl nachfüllen. (Siehe „Auffüllen von Öl“)
	Die Messerstange ist aufgrund von angesammeltem Schmutz zwischen Messerstange und Stangenhalter nicht vollständig zurückgekehrt.	Messerstange manuell zurückschieben. Schmutz entfernen und reinigen.
	Die Messerstange ist aufgrund einer Beschädigung nicht vollständig zurückgekehrt.	Messerstange ersetzen.
	Die Messerstange ist aufgrund loser oder beschädigter Klingen nicht vollständig zurückgekehrt.	Klingenschrauben anziehen. Klingen ersetzen.
	Die Messerstange ist aufgrund einer schwachen Rückzugfeder nicht vollständig zurückgekehrt.	Rückzugfeder ersetzen.
Kraft zum Schneiden des Bewehrungsstabs ist unzureichend.	Zu wenig Öl.	Öl nachfüllen. (Siehe „Auffüllen von Öl“)
	Das Rücklaufventil sitzt nicht richtig oder der Sitz ist beschädigt.	Spitze des Rücklaufventils und Sitz reinigen. Alle Kratzer vom Sitz entfernen.
	Rücklaufventil ist beschädigt.	Ersetzen.
	Falscher Abstand zwischen Zylinder und Kolben.	Kolben ersetzen (Hinweis: Kolben unterschiedlicher Größe verfügbar)
	Das Rückschlagventil sitzt nicht richtig oder der Sitz ist beschädigt.	Rückschlagventil und Sitz reinigen. Ersetzen.
Urethandichtung beschädigt oder gebrochen.	Ersetzen.	
Öl leckt.	Ölstandsblase beschädigt oder gebrochen.	Ersetzen.
	O-Ring der Messerstange/des Stangenhalters beschädigt; Oberfläche der Messerstange/des Stangenhalters zerkratzt oder gerillt.	Stützring und O-Ring ersetzen. Messerstange/Stangenhalter ersetzen.
	O-Ring des Zylinder-/Stangenhalters beschädigt.	O-Ring ersetzen.
	Dichtung des Zylinder-/Pumpengehäuses beschädigt.	Futter B ersetzen.
Motor bewegt sich nicht. Motor langsam oder sprunghaft.	Spannung falsch.	Akku aufladen.
	Akku am Ende seiner Lebensdauer.	Akku austauschen.
	DC-Motor durch Überhitzung beschädigt.	DC-Motor ersetzen.
	Lager und Getriebe des DC-Motors beschädigt oder gebrochen.	Lager oder Getriebe austauschen.

## HINWEIS:

- Die internen Komponenten des Pumpen- und Kolbenbereichs haben sehr enge Toleranzen und sind empfindlich gegen Beschädigung durch Staub, Schmutz, Verunreinigung der Hydraulikflüssigkeit oder eine unsachgemäße Handhabung. Das Zerlegen des Pumpengehäuses erfordert spezielle Werkzeuge und Kenntnisse und sollte nur von qualifiziertem Reparaturpersonal durchgeführt werden, das entsprechend geschult wurde und über die richtigen Werkzeuge verfügt. Die unsachgemäße Wartung von elektrischen Komponenten kann zu Bedingungen führen, die schwere Verletzungen verursachen könnten. Die Pumpe, die Kolbenkomponenten und alle elektrischen Teile sollten nur von einer autorisierten Werkstatt oder einem zugelassenen Händler gewartet werden.

# WARTUNG

## **VORSICHT:**

- Vergewissern Sie sich vor der Durchführung von Inspektions- oder Wartungsarbeiten stets, dass das Werkzeug ausgeschaltet und der Akku abgenommen ist.
- Verwenden Sie auf keinen Fall Benzin, Waschbenzin, Verdüner, Alkohol oder dergleichen. Solche Mittel können Verfärbung, Verformung oder Rissbildung verursachen.

Um die SICHERHEIT und ZUVERLÄSSIGKEIT des Produkts zu gewährleisten, sollten Reparaturen, andere Wartungs- oder Einstellarbeiten von autorisierten Makita-Kundendienstzentren unter Verwendung von Makita-Ersatzteilen durchgeführt werden.

# OPTIONALES ZUBEHÖR

## **VORSICHT:**

- Diese Zubehörteile werden zur Verwendung mit Ihrem in diesem Handbuch angegebenen Makita-Werkzeug empfohlen. Die Verwendung von anderem Zubehör könnte ein Verletzungsrisiko für Personen darstellen. Verwenden Sie Zubehör nur für den angegebenen Zweck.

Wenn Sie weitere Informationen zu diesem Zubehör benötigen, wenden Sie sich an Ihr örtliches Makita-Kundendienstzentrum.

- Originalakku und -ladegerät von Makita

## **HINWEIS:**

- Einige Elemente in der Liste können als Standardzubehör im Lieferumfang des Werkzeugs enthalten sein. Dies kann sich von Land zu Land unterscheiden.

## ITALIANO (Istruzioni originali)

### Visione generale

- |                             |                              |                                   |
|-----------------------------|------------------------------|-----------------------------------|
| 1. Indicatore rosso         | 10. Barra rinforzata         | 19. Bullone (più lungo)           |
| 2. Pulsante                 | 11. Lama                     | 20. Bullone (più corto)           |
| 3. Cartuccia della batteria | 12. Fermo                    | 21. Rondella                      |
| 4. Indicatore LED           | 13. Più di 200 mm            | 22. Portabarra                    |
| 5. Blocco dell'interruttore | 14. Apertura di ventilazione | 23. Asta taglia-tondini           |
| 6. Interruttore a grilletto | 15. Chiave esagonale         | 24. Lama A su portabarra          |
| 7. Lato A                   | 16. Valvola di ritorno       | 25. Lama B su asta taglia-tondini |
| 8. Lato B                   | 17. Lama A (più spessa)      | 26. Lama di ricambio              |
| 9. Protezione               | 18. Lama B (più sottile)     |                                   |

## DATI TECNICI

Modello	DSC163
Capacità di taglio massima (diam. in mm)	16 mm
Grado 40 - Grado 60	
Grado 40: resistenza a trazione 490 N/mm <sup>2</sup> 70.000 PSI	
Grado 60: resistenza a trazione 620 N/mm <sup>2</sup> 90.000 PSI	
Velocità di taglio	2,8 secondi
Lunghezza totale	360 mm
Peso netto	6,9 kg
Tensione nominale	CC 18V

- Per il nostro continuo programma di ricerca e sviluppo, questi dati tecnici sono soggetti a modifiche senza preavviso.
- I dati tecnici e la cartuccia della batteria potrebbero differire da nazione a nazione.
- Peso, con cartuccia della batteria, in conformità alla procedura EPTA 01/2014

### Cartuccia della batteria e caricabatterie applicabili

Cartuccia della batteria	BL1830B / BL1840B / BL1850B / BL1860B
Caricabatterie	DC18RC / DC18RD / DC18RE / DC18SD / DC18SE / DC18SF / DC18SH

- Alcune cartucce delle batterie e alcuni caricabatterie elencati sopra potrebbero non essere disponibili a seconda della propria area geografica di residenza.

#### **⚠ AVVERTIMENTO:**

- **Utilizzare solo le cartucce delle batterie e i caricabatterie elencati sopra.** L'utilizzo di altre cartucce delle batterie e di altri caricabatterie potrebbe causare lesioni personali e/o un incendio.

## Simboli

Di seguito sono riportati i simboli utilizzati per l'apparecchiatura. È necessario conoscerne il significato prima dell'uso.



..... Leggere le istruzioni per l'uso.



..... Solo per le nazioni dell'EU

A causa della presenza di componenti pericolosi nelle apparecchiature, i rifiuti di apparecchiature elettriche ed elettroniche, accumulatori e batterie potrebbero produrre un impatto negativo sull'ambiente e sulla salute umana. Non smaltire elettrodomestici elettrici ed elettronici o batterie insieme ai rifiuti domestici!

In conformità alla direttiva europea sui rifiuti di apparecchiature elettriche ed elettroniche (RAEE), sugli accumulatori e le batterie, nonché sui rifiuti di accumulatori e batterie, e al suo adattamento alle normative nazionali, i rifiuti di apparecchiature elettriche ed elettroniche, batterie e accumulatori vanno conservati separatamente e conferiti a un punto di raccolta separato per i rifiuti comunali, operando in conformità alle normative per la protezione dell'ambiente.

Tale requisito viene indicato mediante il simbolo del bidone della spazzatura con ruote barrato apposto sull'apparecchio.

## Utilizzo previsto

Questo strumento è progettato per tagliare le barre rinforzate.

## Rumore

Livello tipico di rumore pesato A determinato in base allo standard EN62841-2-8:

Livello di pressione sonora (LpA): 78 dB (A)

Incertezza (K): 3 dB (A)

Il livello del rumore nelle condizioni di lavoro può superare gli 80 dB (A).

## NOTA:

- Il valore o i valori dichiarati delle emissioni di rumori sono stati misurati in conformità a un metodo standard di verifica, e possono essere utilizzati per confrontare un utensile con un altro.
- Il valore o i valori dichiarati delle emissioni di rumori possono venire utilizzati anche per una valutazione preliminare dell'esposizione.

## ⚠ AVVERTIMENTO:

- **Indossare protezioni per le orecchie.**
- **L'emissione di rumori durante l'utilizzo effettivo dell'utensile elettrico può variare rispetto al valore o ai valori dichiarati, a seconda dei modi in cui viene utilizzato l'utensile e specialmente a seconda di che tipo di pezzo venga lavorato.**

- **Accertarsi di identificare misure di sicurezza per la protezione dell'operatore che siano basate su una stima dell'esposizione nelle condizioni effettive di utilizzo (tenendo conto di tutte le parti del ciclo operativo, ad esempio del numero di spegnimenti dell'utensile e di quando giri a vuoto, oltre al tempo di attivazione).**

## Vibrazioni

Valore totale delle vibrazioni (somma vettoriale triassiale) determinato in base allo standard EN62841-2-8:

Modalità di lavoro: taglio di barre rinforzate

Emissione di vibrazioni ( $a_{h1}$ ): 2,5 m/s<sup>2</sup> o meno

Incertezza (K): 1,5 m/s<sup>2</sup>

## NOTA:

- Il valore o i valori complessivi delle vibrazioni dichiarati sono stati misurati in conformità a un metodo standard di verifica, e possono essere utilizzati per confrontare un utensile con un altro.
- Il valore o i valori complessivi delle vibrazioni dichiarati possono venire utilizzati anche per una valutazione preliminare dell'esposizione.

## ⚠ AVVERTIMENTO:

- **L'emissione delle vibrazioni durante l'utilizzo effettivo dell'utensile elettrico può variare rispetto al valore o ai valori dichiarati, a seconda dei modi in cui viene utilizzato l'utensile, specialmente a seconda di che tipo di pezzo venga lavorato.**
- **Accertarsi di identificare misure di sicurezza per la protezione dell'operatore che siano basate su una stima dell'esposizione nelle condizioni effettive di utilizzo (tenendo conto di tutte le parti del ciclo operativo, ad esempio del numero di spegnimenti dell'utensile e di quando giri a vuoto, oltre al tempo di attivazione).**

## Dichiarazione CE di conformità

**Modello solo per le nazioni europee**

La dichiarazione di conformità CE è inclusa come allegato A di questo manuale di istruzioni.

## Avvertenze generali relative alla sicurezza dell'utensile elettrico

⚠ **AVVERTIMENTO:** Leggere tutte le avvertenze di sicurezza, le istruzioni, le illustrazioni e i dati tecnici forniti con il presente utensile elettrico. La mancata osservanza di tutte le istruzioni elencate di seguito potrebbe risultare in scosse elettriche, incendi e/o gravi lesioni personali.

## Conservare tutte le avvertenze e le istruzioni come riferimento futuro.

Il termine "utensile elettrico" nelle avvertenze si riferisce sia all'utensile elettrico (cablato) nel funzionamento alimentato da rete elettrica che all'utensile elettrico (a batteria) nel funzionamento alimentato a batteria.

## Sicurezza dell'area di lavoro

1. **Mantenere l'area di lavoro pulita e ben illuminata.**  
Aree ingombre o scarsamente illuminate provocano incidenti.
2. **Non utilizzare utensili elettrici in atmosfere esplosive, ad esempio in presenza di liquidi, gas o polveri infiammabili.** Gli utensili elettrici creano scintille che potrebbero incendiare le polveri o i fumi.
3. **Tenere bambini e persone di passaggio lontani durante l'utilizzo di un utensile elettrico.** Le distrazioni possono causare la perdita del controllo da parte dell'operatore.

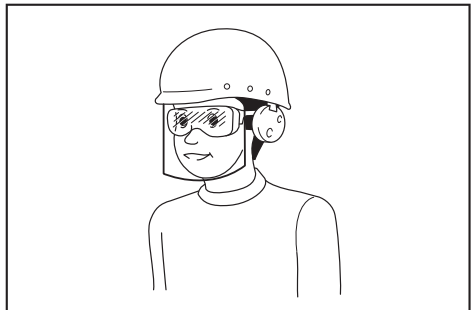
## Sicurezza elettrica

1. **Le spine degli utensili elettrici devono essere del tipo corrispondente alla presa elettrica. Non modificare mai la spina in alcun modo. Non utilizzare spinotti adattatori di alcun genere con strumenti elettrici collegati a massa (messi a terra).** Spine non modificate e prese elettriche che siano del tipo corrispondente riducono il rischio di scosse elettriche.
2. **Evitare il contatto del corpo con superfici collegate a massa o messe a terra quali tubazioni, radiatori, cucine e frigoriferi.** Qualora il corpo dell'operatore sia collegato a massa o messo a terra sussiste un maggior rischio di scosse elettriche.
3. **Non esporre gli utensili elettrici alla pioggia o a condizioni di bagnato.** La penetrazione dell'acqua in un utensile elettrico incrementa il rischio di scosse elettriche.
4. **Non sottoporre il cavo a utilizzi impropri. Non utilizzare mai il cavo per trasportare, tirare o scollegare dall'alimentazione l'utensile elettrico. Tenere il cavo lontano da fonti di calore, bordi affilati o parti in movimento.** Cavi danneggiati o attorcigliati incrementano il rischio di scosse elettriche.
5. **Durante l'utilizzo di un utensile elettrico all'aperto, utilizzare un cavo di prolunga appropriato per l'utilizzo all'aperto.** L'uso di un cavo appropriato per l'utilizzo all'aperto riduce il rischio di scosse elettriche.
6. **Qualora non sia possibile evitare di utilizzare un utensile elettrico in un'ubicazione umida, utilizzare una fonte di alimentazione dotata di dispositivo di protezione dalle correnti di guasto (RCD - Residual Current Device).** L'uso di un RCD riduce il rischio di scosse elettriche.
7. **Gli utensili elettrici possono produrre campi elettromagnetici (EMF) che non sono dannosi per l'utente.** Tuttavia, chi utilizza pacemaker e altri dispositivi medici simili dovrebbe contattare il produttore del dispositivo in questione utilizzato e/o un medico per chiedere consigli, prima di utilizzare il presente utensile elettrico.

## Sicurezza personale

1. **Restare ben attenti, fare attenzione a cosa si sta facendo e utilizzare il buon senso durante l'uso di un utensile elettrico. Non utilizzare un utensile elettrico quando si è stanchi o sotto l'influenza di droghe, alcolici o farmaci.** Un attimo di disattenzione durante l'utilizzo di utensili elettrici può risultare in gravi lesioni personali.

2. **Utilizzare attrezzature di protezione personale. Indossare sempre occhiali di protezione.**  
Attrezzature di protezione quali maschere antipolvere, scarpe di sicurezza antiscivolo, elmetti o protezioni per le orecchie utilizzati per le condizioni appropriate riducono le lesioni personali.
3. **Evitare l'avvio accidentale. Assicurarsi che l'interruttore sia sulla posizione di spento (off) prima di collegare la fonte di alimentazione elettrica e/o la batteria e prima di sollevare o trasportare l'utensile.** Il trasporto di utensili elettrici con il dito appoggiato sull'interruttore o il collegamento all'alimentazione elettrica di utensili elettrici con l'interruttore di accensione attivato provoca incidenti.
4. **Rimuovere qualsiasi brugola o chiave di regolazione prima di accendere l'utensile elettrico.**  
Una chiave o una brugola lasciate agganciate a una parte rotante dell'utensile elettrico potrebbero risultare in lesioni personali.
5. **Non allungarsi eccessivamente. Mantenere sempre un punto d'appoggio e un equilibrio appropriati.** Ciò consente un miglior controllo dell'utensile elettrico in situazioni impreviste.
6. **Vestirsi in modo adeguato. Non indossare indumenti abbondanti o gioielli. Tenere i capelli e gli indumenti lontani dalle parti in movimento.**  
Indumenti abbondanti, gioielli o capelli lunghi possono restare impigliati nelle parti in movimento.
7. **Qualora vengano forniti dispositivi per il collegamento di strumenti di estrazione e raccolta delle polveri, assicurarsi che tali strumenti siano collegati e utilizzati correttamente.** L'utilizzo della raccolta delle polveri può ridurre i pericoli relativi alle polveri.
8. **Non lasciare che la familiarità acquisita con l'utilizzo frequente degli utensili porti all'autocompimento e a ignorare i principi di sicurezza relativi agli utensili stessi.** Un'operazione incauta può causare gravi lesioni personali in una frazione di secondo.
9. **Indossare sempre occhiali protettivi per proteggere gli occhi da lesioni personali, quando si utilizzano utensili elettrici. Gli occhiali devono essere conformi allo standard ANSI Z87.1 negli Stati Uniti, allo standard EN 166 in Europa o allo standard AS/NZS 1336 in Australia/Nuova Zelanda. In Australia/Nuova Zelanda, è obbligatorio per legge indossare anche una visiera per proteggere il volto.**



**È responsabilità del datore di lavoro far rispettare l'utilizzo delle attrezzature protettive di sicurezza appropriate da parte degli operatori degli utensili e di altre persone nell'area di lavoro e nelle immediate vicinanze.**

#### **Uso e manutenzione dell'utensile elettrico**

- 1. Non forzare l'utensile elettrico. Utilizzare l'utensile elettrico appropriato per la propria applicazione.** L'utensile elettrico appropriato consente di svolgere il lavoro in modo migliore e più sicuro alla velocità per la quale è stato progettato.
- 2. Non utilizzare l'utensile elettrico qualora l'interruttore non consenta di accenderlo e spegnerlo.** Qualsiasi utensile elettrico che non possa essere controllato mediante l'interruttore è pericoloso deve essere riparato.
- 3. Prima di effettuare qualsiasi regolazione, sostituire gli accessori o riporre gli utensili elettrici, scollegare la presa elettrica dalla fonte di alimentazione e/o rimuovere la batteria, se rimovibile, dall'utensile elettrico.** Tali misure di sicurezza preventive riducono il rischio di avviare accidentalmente l'utensile elettrico.
- 4. Conservare gli utensili elettrici inutilizzati fuori dalla portata dei bambini, e non consentire a persone che non abbiano familiarità con l'utensile elettrico o con il presente manuale di utilizzare l'utensile elettrico.** Gli utensili elettrici sono pericolosi nelle mani di utenti inesperti.
- 5. Sottoporre a manutenzione gli utensili elettrici e gli accessori. Controllare l'eventuale presenza di disallineamenti o inceppamenti delle parti mobili, rotture delle parti e qualsiasi altra condizione che potrebbe influenzare il funzionamento dell'utensile elettrico.** Qualora l'utensile elettrico sia danneggiato, farlo riparare prima di utilizzarlo. Numerosi incidenti vengono causati da utensili elettrici sottoposti a manutenzione insufficiente.
- 6. Mantenere gli utensili da taglio affilati e puliti.** Gli utensili da taglio sottoposti a manutenzione corretta e con lame affilate hanno una minore probabilità di gripparsi e sono più facili da controllare.
- 7. Utilizzare l'utensile elettrico, gli accessori, le punte degli utensili, e così via, in conformità alle presenti istruzioni, tenendo conto delle condizioni di lavoro e del lavoro da eseguire.** L'utilizzo dell'utensile elettrico per operazioni diverse da quelle previste può risultare in una situazione di pericolo.
- 8. Tenere le maniglie e le superfici di impugnatura asciutte, pulite e prive di olio e grasso.** Maniglie e superfici di impugnatura scivolose non consentono di maneggiare e controllare in sicurezza l'utensile in situazioni impreviste.
- 9. Quando si utilizza l'utensile, non indossare guanti da lavoro in stoffa, che potrebbero restare impigliati.** Qualora dei guanti da lavoro in stoffa restino impigliati nelle parti mobili, si potrebbero causare lesioni personali.

#### **Uso e manutenzione degli strumenti a batterie**

- 1. Ricaricare solo con il caricabatterie specificato dal produttore.** Un caricabatterie appropriato per un tipo di batteria potrebbe creare un rischio di incendio, se utilizzato con un'altra batteria.

- 2. Utilizzare gli utensili elettrici solo con le batterie specificamente designate.** L'uso di qualsiasi altra batteria potrebbe creare un rischio di lesioni personali e incendi.
- 3. Quando la batteria non è in uso, tenerla lontana da altri oggetti metallici, quali graffette, monete, chiavi, chiodi, viti o altri piccoli oggetti metallici, che potrebbero fare contatto tra terminali diversi.** Il cortocircuito dei terminali della batteria può causare ustioni o incendi.
- 4. In condizioni di uso improprio, la batteria potrebbe emettere un liquido: evitare il contatto con tale liquido. Qualora si verifichi un contatto accidentale con il liquido, lavare abbondantemente con acqua. Qualora il liquido entri in contatto con gli occhi, richiedere anche assistenza medica.** Il liquido espulso dalla batteria può causare irritazioni o ustioni.
- 5. Non utilizzare una batteria o un utensile che siano danneggiati o che siano stati modificati.** Batterie danneggiate o modificate potrebbero mostrare un comportamento imprevedibile che può risultare in incendi, esplosioni o nel rischio di lesioni personali.
- 6. Non esporre una batteria o un utensile al fuoco o a temperature eccessive.** L'esposizione al fuoco o a temperature superiori ai 130 °C potrebbe causare un'esplosione.
- 7. Attenersi a tutte le istruzioni relative alla carica e non caricare la batteria o l'utensile al di fuori della gamma di temperature specificata nelle istruzioni.** Una carica inappropriata o a temperature al di fuori della gamma specificata potrebbe danneggiare la batteria e incrementare il rischio di incendio.

#### **Assistenza tecnica**

- 1. Per l'assistenza tecnica relativa all'utensile elettrico, rivolgersi a un riparatore qualificato che utilizzi solo pezzi di ricambio identici.** In tal modo, si garantisce che la sicurezza dell'utensile elettrico venga preservata.
- 2. Non effettuare mai interventi di assistenza su batterie danneggiate.** Gli interventi di assistenza relativi alle batterie vanno effettuati esclusivamente dal produttore o da centri di assistenza autorizzati.
- 3. Seguire le istruzioni per la lubrificazione e la sostituzione degli accessori.**

## **AVVERTENZE SULLA SICUREZZA DEL TAGLIA-TONDINI A BATTERIA**

- 1. Tenere saldamente l'utensile mentre lo si usa.** In caso contrario, si potrebbero verificare lesioni personali.
- 2. Mantenere mani e volto lontano dalle parti mobili.** Potrebbero verificarsi lesioni personali.
- 3. Rilasciare immediatamente l'interruttore a grilletto per arrestare l'utensile se questo si guasta o emette un suono anomalo durante l'uso. Farlo controllare e riparare presso un centro di assistenza autorizzato.** In caso contrario, si potrebbero verificare danni o lesioni personali.

4. **Se si fa cadere o si sbatte l'utensile, controllare attentamente che non sia danneggiato, incrinato o deformato.** Questi danni potrebbero causare lesioni personali.
5. **Questo è un utensile elettroidraulico. Il serbatoio dell'olio è stato riempito prima della consegna. Non aggiungere altro olio a meno che l'utensile non funzioni in modo anomalo.**
6. **Le lame di taglio in metallo sono affilate.** Maneggiarle con attenzione per evitare di tagliarsi.
7. **Se le lame sono danneggiate, deformate o incrinata, potrebbero causare incidenti gravi e impedire il corretto funzionamento dell'utensile.** Sostituirle subito con lame originali nuove.
8. **Non inchiodare, tagliare, schiacciare, lanciare o far cadere la cartuccia della batteria, né farla urtare con forza contro un oggetto duro.** Questi comportamenti potrebbero risultare in un incendio, calore eccessivo o un'esplosione.
9. **Non utilizzare una batteria danneggiata.**
10. **Le batterie a ioni di litio contenute sono soggette ai requisiti del regolamento sul trasporto di merci pericolose (Dangerous Goods Legislation).** Per trasporti commerciali, ad esempio da parte di terzi o spedizionieri, è necessario osservare dei requisiti speciali sull'imballaggio e sull'etichetta.

Per la preparazione dell'articolo da spedire, è richiesta la consulenza di un esperto in materiali pericolosi. Attenersi anche alle normative nazionali, che potrebbero essere più dettagliate.

Nastrare o coprire i contatti aperti e imballare la batteria in modo tale che non si possa muovere liberamente all'interno dell'imballaggio.

11. **Quando si intende smaltire la cartuccia della batteria, rimuoverla dall'utensile e smaltirla in un luogo sicuro. Attenersi alle normative locali relative allo smaltimento della batteria.**
12. **Utilizzare le batterie esclusivamente con i prodotti specificati da Makita.** L'installazione delle batterie in prodotti non compatibili potrebbe risultare in incendi, calore eccessivo, esplosioni o perdite di liquido elettrolitico.
13. **Se l'utensile non viene utilizzato per un periodo di tempo prolungato, la batteria deve essere rimossa dall'utensile.**
14. **Durante e dopo l'uso, la cartuccia della batteria potrebbe assorbire calore, che può causare ustioni o ustioni a bassa temperatura. Fare attenzione a come si maneggiano le cartucce delle batterie estremamente calde.**
15. **Non toccare i terminali dell'utensile subito dopo l'uso, in quanto potrebbero diventare estremamente caldi al punto da causare ustioni.**
16. **Evitare di far incastrare schegge, polveri o terreno nei terminali, nei fori e nelle scanalature della cartuccia della batteria.** In caso contrario, si potrebbero causare prestazioni scadenti o la rottura dell'utensile o della cartuccia della batteria.
17. **A meno che l'utensile supporti l'uso in prossimità di linee elettriche ad alta tensione, non utilizzare la cartuccia della batteria in prossimità di linee elettriche ad alta tensione.** In caso contrario, si potrebbe causare un malfunzionamento o la rottura dell'utensile o della cartuccia della batteria.
18. **Tenere la batteria lontana dai bambini.**

## CONSERVARE LE PRESENTI ISTRUZIONI.

### ⚠ AVVERTIMENTO:

**NON lasciare che la familiarità acquisita con il prodotto (dovuta all'uso ripetuto) provochi l'inosservanza delle regole di sicurezza per l'uso dell'utensile in questione. Se questo utensile viene utilizzato in modo improprio o errato, potrebbero verificarsi lesioni personali gravi.**

## Istruzioni di sicurezza importanti per la cartuccia della batteria

1. **Prima di utilizzare la cartuccia della batteria, leggere tutte le istruzioni e le avvertenze riportate (1) sul caricabatteria, (2) sulla batteria e (3) sul prodotto che utilizza la batteria.**
2. **Non smantellare né manomettere la cartuccia della batteria.** In caso contrario, si potrebbe causare un incendio, calore eccessivo o un'esplosione.
3. **Qualora il tempo di utilizzo si riduca eccessivamente, interrompere immediatamente l'utilizzo dell'utensile. In caso contrario, si può incorrere nel rischio di surriscaldamento, possibili ustioni e persino un'esplosione.**
4. **Qualora l'elettrolita entri in contatto con gli occhi, sciacquarli con acqua pulita e richiedere immediatamente assistenza medica. Questa eventualità può risultare nella perdita della vista.**
5. **Non cortocircuitare la cartuccia della batteria:**
  - (1) **Non toccare i terminali con alcun materiale conduttivo.**
  - (2) **Evitare di conservare la cartuccia della batteria in un contenitore insieme ad altri oggetti metallici quali chiodi, monete, e così via.**
  - (3) **Non esporre la cartuccia della batteria all'acqua o alla pioggia.**

Un cortocircuito della batteria può causare un grande flusso di corrente, un surriscaldamento, possibili ustioni e persino un guasto.
6. **Non conservare e utilizzare l'utensile e la cartuccia della batteria in ubicazioni in cui la temperatura possa raggiungere o superare i 50°C.**
7. **Non incenerire la cartuccia della batteria anche qualora sia gravemente danneggiata o completamente esaurita. La cartuccia della batteria può esplodere se a contatto con il fuoco.**

## CONSERVARE LE PRESENTI ISTRUZIONI.

### ⚠ ATTENZIONE:

- **Utilizzare solo batterie originali Makita.** L'utilizzo di batterie Makita non originali, o di batterie che siano state alterate, potrebbe risultare nello scoppio della batteria, causando incendi, lesioni personali e danni. Inoltre, ciò potrebbe invalidare la garanzia Makita per l'utensile e il caricabatteria Makita.



## Suggerimenti per preservare la durata massima della batteria

1. **Caricare la cartuccia della batteria prima che si scarichi completamente. Smettere sempre di utilizzare l'utensile e caricare la cartuccia della batteria quando si nota che la potenza dell'utensile è diminuita.**
2. **Non ricaricare mai una cartuccia della batteria completamente carica. La sovraccarica riduce la vita utile della batteria.**
3. **Caricare la cartuccia della batteria a una temperatura ambiente compresa tra 10°C e 40°C. Lasciar raffreddare una cartuccia della batteria prima di caricarla.**
4. **Quando non si utilizza la cartuccia della batteria, rimuoverla dall'utensile o dal caricabatterie.**
5. **Caricare la cartuccia della batteria se non la si è utilizzata per un periodo di tempo prolungato (più di sei mesi).**

## DESCRIZIONE FUNZIONALE

### ⚠ ATTENZIONE:

- Accertarsi sempre che l'utensile sia spento e che la cartuccia della batteria sia stata rimossa prima di regolare o di controllare il funzionamento dell'utensile.

### Installazione o rimozione della cartuccia della batteria (Fig. 1)

#### ⚠ ATTENZIONE:

- Spegner sempre l'utensile prima di installare o rimuovere la cartuccia della batteria.
- **Mantenere saldamente lo strumento e la batteria quando si intende installare o rimuovere la cartuccia della batteria.** Qualora non si mantengano saldamente lo strumento e la cartuccia della batteria, questi ultimi potrebbero scivolare dalle mani, con la possibilità di causare un danneggiamento dello strumento e della cartuccia della batteria, nonché una lesione personale.

Per rimuovere la cartuccia della batteria, farla scorrere via dall'utensile mentre si fa scorrere allo stesso tempo il pulsante sulla parte anteriore della cartuccia.

Per installare la cartuccia della batteria, allineare l'appendice della batteria con la scanalatura nell'alloggiamento e farla scivolare in sede. Inserirla completamente fino al suo blocco in sede con un leggero scatto. Se è possibile vedere l'indicatore rosso sul lato superiore del pulsante, la batteria non è bloccata completamente.

#### ⚠ ATTENZIONE:

- Installare sempre fino in fondo la cartuccia della batteria, fino a quando l'indicatore rosso non è più visibile. In caso contrario, la batteria potrebbe cadere accidentalmente dall'utensile, causando lesioni personali all'operatore o a chi gli è vicino.
- Non installare forzatamente la cartuccia della batteria. Qualora la batteria non si inserisca scorrendo agevolmente, vuol dire che non viene inserita correttamente.

## Sistema di protezione strumento/batteria

L'utensile è dotato di un sistema di protezione dell'utensile stesso e della batteria. Questo sistema interrompe automaticamente l'alimentazione per prolungare la vita utile dell'utensile e della batteria. L'utensile si arresta automaticamente durante il funzionamento, qualora l'utensile o la batteria vengano a trovarsi in una delle condizioni seguenti:

### Protezione dal sovraccarico

Questa protezione si attiva quando l'utensile viene utilizzato in modo tale da causare un assorbimento di corrente elevato in modo anomalo da parte dell'utensile stesso. In questa circostanza, spegnere l'utensile e interrompere l'applicazione che ha causato il sovraccarico dell'utensile. Quindi, accendere l'utensile per ricominciare.

### Protezione dal surriscaldamento

Questa protezione si attiva quando l'utensile o la batteria sono surriscaldati. In questa circostanza, lasciar raffreddare l'utensile e la batteria, prima di riaccendere l'utensile.




### Protezione dalla sovrascarica

Questa protezione si attiva quando la carica residua della batteria diventa bassa. In questa circostanza, rimuovere la batteria dall'utensile e caricarla.

### Indicazione della capacità residua della batteria (Fig. 2)

(Specifico per paese)

Quando si preme l'interruttore a grilletto, il display a LED mostra la capacità residua della batteria come indicato nella seguente tabella.

Stato dell'indicatore LED	Capacità residua della batteria
	Circa il 50% o più
	Circa il 20% - 50%
	Meno del 20% circa

#### NOTA:

- Il display a LED si spegne circa un minuto dopo aver rilasciato l'interruttore a grilletto per risparmiare la carica della batteria. Per verificare la capacità residua della batteria, premere leggermente l'interruttore a grilletto.
- Quando il display a LED si illumina ma l'utensile non funziona nonostante la cartuccia della batteria sia completamente carica, raffreddarlo completamente. Se la situazione non cambia, far riparare l'utensile presso un centro di assistenza Makita.

# PROCEDURA OPERATIVA

Leggere, comprendere e osservare tutte le istruzioni sulla sicurezza e le procedure operative. Se non si comprendono le istruzioni o se le condizioni non sono adeguate per il corretto utilizzo dell'utensile, non usarlo. Contattare il proprio supervisore o un altro responsabile.

## ⚠ AVVERTIMENTO:

- Prima di inserire la batteria nell'utensile, premere e rilasciare l'interruttore a grilletto per verificare che torni correttamente in posizione.

Il motore è acceso quando si preme l'interruttore a grilletto, mentre è spento quando l'interruttore del grilletto non è premuto.

## Funzionamento del blocco dell'interruttore (Fig. 3)

- Premere il blocco dell'interruttore sul lato A. L'interruttore si sblocca ed è possibile utilizzare il grilletto.
- Premere il blocco dell'interruttore sul lato B. L'interruttore si blocca e non è possibile utilizzare il grilletto.

## ⚠ ATTENZIONE:

- L'interruttore a grilletto deve essere sempre bloccato se non si utilizza.

## ⚠ AVVERTIMENTO:

- Prima dell'uso, verificare che l'operatore si trovi in un luogo sicuro per l'uso dell'utensile nell'area circostante. Indossare occhiali e indumenti protettivi.
- Fare riferimento alle specifiche dell'utensile descritte in questo manuale e non tagliare barre rinforzate di dimensioni o rigidità superiori alla capacità di taglio dell'utensile.
- Non tagliare materiali diversi dalle barre rinforzate. Se si intende tagliare altri materiali, contattare il produttore.

## ⚠ AVVERTIMENTO:

- Sostituire immediatamente le lame danneggiate (scalfite, rotte, incrinare) o deformate. In caso contrario, la lama non sarebbe in grado di tagliare in modo adeguato e potrebbe rompersi causando lesioni personali gravi.

## Procedura di taglio

### ⚠ AVVERTIMENTO:

- **Non utilizzare mai l'utensile senza la protezione in posizione.** In caso contrario, si potrebbero verificare gravi lesioni personali. (Fig. 4)
- La protezione è un dispositivo che impedisce che i frammenti vengano proiettati verso l'operatore. Non impedisce la proiezione in direzione assiale della barra rinforzata. Posizionarsi in modo che la protezione blocchi i frammenti.
- In alcune figure, al fine di mostrare l'interno della protezione, non viene mostrata la protezione. Applicare sempre in sede la protezione.

1. Posizionare la barra rinforzata da tagliare tra le lame. (Fig. 5)  
Regolare il fermo in base al diametro della barra rinforzata da tagliare, in modo che questa si trovi a 90° rispetto alle lame. Il fermo supporta la barra rinforzata e la mantiene perpendicolare rispetto alle lame durante il taglio. (Fig. 6)

### ⚠ AVVERTIMENTO:

- Quando si taglia una barra rinforzata, regolare il fermo in base al diametro della barra rinforzata da tagliare, in modo che questa si trovi a 90° rispetto alle lame. Senza questa regolazione, il pezzo tagliato potrebbe distaccarsi e causare lesioni personali gravi all'operatore o alle persone circostanti. Controllare sempre il luogo in cui l'operatore utilizza l'utensile e verificare la sicurezza dell'operatore e dell'area circostante.
2. Posizionare la barra rinforzata tra le lame a una profondità sufficiente da evitare il contatto con la protezione. (Fig. 7)

### ⚠ AVVERTIMENTO:

- Se la barra rinforzata da tagliare non è collocata completamente tra le lame, queste verranno danneggiate; inoltre, la barra rinforzata verrà espulsa violentemente e potrebbe causare lesioni personali gravi.

### ⚠ AVVERTIMENTO:

- Non tagliare la barra rinforzata se il pezzo da tagliare ha una lunghezza inferiore ai 200 mm. Se si taglia una barra rinforzata più corta, questa potrebbe distaccarsi e causare lesioni personali gravi. (Fig. 8)

### ⚠ AVVERTIMENTO:

- Non tagliare una barra rinforzata non supportata in modo adeguato dal fermo. Al momento del taglio, tenere la barra rinforzata sul lato del fermo. (Fig. 9, 10) In caso contrario, il pezzo tagliato potrebbe distaccarsi e causare lesioni personali gravi all'operatore o alle persone circostanti.
3. Premere il blocco dell'interruttore sul lato A. L'interruttore si sblocca ed è possibile utilizzare il grilletto.
  4. Premere l'interruttore a grilletto per iniziare l'operazione di taglio. L'asta taglia-tondini si muove in avanti per tagliare la barra rinforzata. Tenere premuto l'interruttore finché l'asta taglia-tondini non si ferma.
  5. Rilasciare l'interruttore a grilletto al termine del taglio e quando l'asta taglia-tondini completa il movimento. Questa tornerà automaticamente nella posizione iniziale. L'asta taglia-tondini non torna in posizione finché non completa il movimento. Inoltre, l'asta taglia-tondini non potrà muoversi di nuovo in avanti finché non torna completamente nella posizione iniziale. Premere l'interruttore per iniziare il taglio successivo solo dopo che l'asta taglia-tondini è tornata completamente nella posizione iniziale ed è ferma.

### ⚠ AVVERTIMENTO:

- Se si taglia una barra rinforzata con una resistenza alla trazione elevata, il pezzo tagliato potrebbe distaccarsi e causare lesioni personali gravi all'operatore. Indossare occhiali protettivi e verificare che l'area circostante sia sicura prima di iniziare l'operazione di taglio.

### **⚠ AVVERTIMENTO:**

- Mantenere mani e volto lontano da lame, parti mobili e area di taglio durante l'operazione.  
Rimuovere immediatamente la batteria dell'utensile dopo l'uso.

### **NOTA:**

- Se la temperatura del guscio dell'utensile supera i 70°C (160°F), la capacità dell'utensile si riduce. In tal caso, interrompere l'uso e lasciar raffreddare l'utensile.

### **NOTA:**

- Evitare che sporcizia e detriti entrino nell'apertura di ventilazione sull'estremità del portabarra. L'apertura di ventilazione controlla la pressione interna e non deve essere ostruita. (Fig. 11)

### **Funzione di rotazione del motore (Fig. 12)**

Il corpo del motore può essere ruotato di 360° in qualsiasi direzione durante l'operazione. Ciò è particolarmente utile quando si lavora in aree scomode o anguste, poiché l'operatore può posizionare l'utensile nel modo migliore per facilitare le operazioni.

### **Funzionamento della valvola di ritorno (Fig. 13)**

La valvola di ritorno consente all'asta taglia-tondini di tornare nella posizione iniziale qualora non possa completare un taglio o si inceppi. Allentando la valvola di ritorno di mezzo giro si rilascia la pressione dell'olio e si consente il ritorno dell'asta taglia-tondini. Stringere di nuovo la valvola di ritorno dopo che l'asta taglia-tondini torna nella posizione iniziale e prima di iniziare la successiva operazione di taglio.

### **Tipo di lama di ricambio e distacco (Fig. 15)**

Stringere saldamente i bulloni di blocco.

Verificare periodicamente che le lame siano ben fissate.

Dimensione della lama di ricambio

● Utilizzare questa tabella per identificare le lame adeguate al proprio modello.

Modello	A (montata sul portabarra)	B (montata sull'asta taglia-tondini)
DSC163 (ø3 - ø16)	22 × 17 × 9 mm (bullone da 5 mm)	22 × 17 × 8 mm (bullone da 5 mm)

### **NOTA:**

- Utilizzare solo lame originali Makita.

## **PROCEDURA DI SOSTITUZIONE DELLE LAME**

Se i bordi taglienti delle lame sono scalfiti, incrinati, deformati o danneggiati, la capacità di taglio delle lame viene ridotta. Effettuare operazioni di taglio in queste condizioni potrebbe causare danni ulteriori e anche lesioni personali. Se si rilevano danni alle lame, sostituirle immediatamente.

### **⚠ AVVERTIMENTO:**

- Quando si sostituiscono le lame, assicurarsi di rimuovere la batteria dall'utensile per evitare che entri in funzione accidentalmente.

Assicurarsi che la lama A sul portabarra e la lama B sull'asta taglia-tondini siano montate in posizione corretta. (Fig. 14)

1. Togliere le viti e le rondelle che fermano la lama A e la lama B.
2. Rimuovere la sporcizia e pulire le superfici nei punti in cui devono essere montate le nuove lame.
3. Montare la lama A sul portabarra e la lama B sull'asta taglia-tondini. Ricollocare viti e rondelle e fissarle saldamente.

### **⚠ AVVERTIMENTO:**

- I bulloni che fermano la lama A e la lama B devono essere stretti periodicamente. Se i bulloni si allentano, le lame potrebbero danneggiarsi e causare lesioni personali.

## AGGIUNTA DELL'OLIO

Questo taglia-tondini a batteria è un utensile elettro-idraulico. Il serbatoio dell'olio è stato riempito al momento della spedizione dalla fabbrica. Non tentare di aggiungere olio se l'utensile funziona correttamente. Il livello dell'olio cala con il passare del tempo, causando di conseguenza un peggioramento delle prestazioni. In questo caso, aggiungere l'olio come descritto di seguito.

1. Posizionare una barra rinforzata tra le lame e premere l'interruttore a grilletto.
2. Rilasciare l'interruttore a grilletto poco prima del completamento del taglio per arrestare l'utensile.
3. Rimuovere la batteria dall'utensile in modo che le lame non si muovano accidentalmente.
4. Rimuovere il bullone (SB10x15) che tappa il foro del filtro dell'olio. Aggiungere l'olio, facendo attenzione a non versarlo nel motore.
5. Ricollocare il bullone (SB10x15) e fissarlo saldamente.
6. Reinscrivere la batteria nell'utensile e completare l'operazione di taglio.
7. Ripetere la procedura descritta in precedenza varie volte finché non si ottiene un livello dell'olio adeguato.

### **ATTENZIONE:**

- In questo utensile deve essere utilizzato esclusivamente olio idraulico puro consigliato da Makita. Alcuni di quelli consigliati sono l'olio idraulico fornito da Makita, Super Hyrando #46 (JX Nippon Oil & Energy Corp.), Shell Tellus Plus #46 (U.S. Shell) o un olio idraulico equivalente specifico contro l'usura, con viscosità di grado 46 secondo lo standard ISO. Non utilizzare altri oli poiché potrebbero danneggiare gli anelli di tenuta e altre parti interne del macchinario.

# RISOLUZIONE DEI PROBLEMI

## AVVERTIMENTO:

- Rimuovere la batteria prima di eseguire qualsiasi intervento sul macchinario.

PROBLEMA	CAUSA	SOLUZIONE
L'asta taglia-tondini non si allunga.	Olio insufficiente	Rabboccare l'olio. (vedere "Aggiunta dell'olio")
	L'asta taglia-tondini non è tornata completamente in posizione a causa di un accumulo di detriti tra l'asta taglia-tondini e il portabarra.	Spingere manualmente indietro l'asta tagliatondini. Rimuovere i detriti e pulire
	L'asta taglia-tondini non è tornata completamente in posizione poiché è danneggiata.	Sostituire l'asta taglia-tondini.
	L'asta taglia-tondini non è tornata completamente in posizione poiché le lame sono allentate o danneggiate.	Stringere i bulloni delle lame. Sostituire le lame
	L'asta taglia-tondini non è tornata completamente in posizione poiché la molla di ritorno è lenta.	Sostituire la molla di ritorno.
Potenza insufficiente per tagliare la barra rinforzata.	Olio insufficiente.	Rabboccare l'olio. (vedere "Aggiunta dell'olio")
	La valvola di ritorno non è collocata in modo adeguato o l'alloggiamento è danneggiato.	Pulire la punta della valvola di ritorno e l'alloggiamento. Rimuovere eventuali scalfitture dall'alloggiamento.
	La valvola di ritorno è danneggiata.	Sostituirla.
	Distanza errata tra cilindro e pistone.	Sostituire il pistone (Nota: sono disponibili pistoni con dimensioni diverse)
	La valvola di controllo non è collocata in modo adeguato o l'alloggiamento è danneggiato.	Pulire la valvola di controllo e l'alloggiamento. Sostituirla.
L'imbottitura di poliuretano è danneggiata o rotta.	Sostituirla.	
Perdite d'olio.	Il serbatoio del livellatore dell'olio è danneggiato o rotto.	Sostituirlo.
	L'o-ring dell'asta taglia-tondini o del portabarra è danneggiato; la superficie dell'asta o del portabarra è graffiata o presenta solchi.	Sostituire l'anello e l'o-ring. Sostituire l'asta taglia-tondini o il portabarra.
	L'o-ring del cilindro o del portabarra è danneggiato.	Sostituire l'o-ring.
	La guarnizione del cilindro o della scatola della pompa è danneggiata.	Sostituire il rivestimento B.
	Il portabarra, il cilindro, la scatola della pompa o i bulloni della flangia sono allentati.	Stringere i bulloni.
Il motore non si muove. Movimento lento o irregolare del motore.	La tensione è errata.	Ricaricare la batteria.
	La batteria sta per raggiungere il limite di durata utile.	Sostituire la batteria.
	Il motore CC è danneggiato a causa di surriscaldamento.	Sostituire il motore CC.
	I cuscinetti o gli ingranaggi del motore CC sono danneggiati o rotti.	Sostituire i cuscinetti o gli ingranaggi.

## NOTA:

- I componenti interni dell'area della pompa e del pistone hanno tolleranze minime e sono sensibili a danni dovuti a polvere, detriti, contaminazione del fluido idraulico e uso improprio dell'utensile. Lo smontaggio dell'alloggiamento della pompa richiede strumenti e conoscenze speciali e deve essere eseguito solo da personale tecnico specializzato che dispone di tali strumenti e conoscenze. Interventi non adeguati sui componenti elettrici potrebbero generare situazioni con rischi di lesioni personali gravi. Le operazioni di manutenzione sui componenti della pompa e del pistone e su tutte le parti elettriche devono essere eseguite solo da personale tecnico autorizzato, dal rivenditore o dal distributore.

## MANUTENZIONE

### **ATTENZIONE:**

- Accertarsi sempre che l'utensile sia spento e che la batteria sia stata rimossa prima di provare a eseguire operazioni di ispezione o di manutenzione.
- Alcuni articoli nell'elenco potrebbero essere inclusi nell'imballaggio dell'utensile come accessori standard. Tali articoli potrebbero variare da nazione a nazione.

Per preservare la SICUREZZA e L'AFFIDABILITÀ del prodotto, le riparazioni, la manutenzione o la regolazione devono essere eseguite da un Centro Assistenza Makita autorizzato usando sempre ricambi Makita.

## ACCESSORI OPZIONALI

### **ATTENZIONE:**

- Si consigliano questi accessori o prolunghie per l'uso con l'utensile Makita specificato in questo manuale. L'utilizzo di qualsiasi altro accessorio o prolunga potrebbe comportare il rischio di incidenti. Usare soltanto gli accessori o le prolunghie per lo scopo prefissato.

Per maggiori dettagli riguardo a questi accessori, rivolgersi al Centro di Assistenza Makita locale.

- Batterie e caricabatterie autentici Makita

### **NOTA:**

- Alcuni articoli nella lista potrebbero essere inclusi nell'imballo dell'utensile come accessori standard. Potrebbero variare a seconda del Paese.

## NEDERLANDS (Originele instructies)

### Uitleg bij het overzicht

- |                         |                       |                            |
|-------------------------|-----------------------|----------------------------|
| 1. Rode markering       | 10. Betonstaal        | 19. Bout (lang)            |
| 2. Knop                 | 11. Bladen            | 20. Bout (kort)            |
| 3. Accu                 | 12. Aanslagstuk       | 21. Onderlegging           |
| 4. Led-indicator        | 13. Meer dan 200 mm   | 22. Stanghouder            |
| 5. Vergrendelschakelaar | 14. Luchtgat          | 23. Snijderstang           |
| 6. Trekker              | 15. Inbussleutel      | 24. Blad A op stanghouder  |
| 7. Kant A               | 16. Retourklep        | 25. Blad B op snijderstang |
| 8. Kant B               | 17. Blad A (dik blad) | 26. Reservebladen          |
| 9. Beveiliging          | 18. Blad B (dun blad) |                            |

## TECHNISCHE GEGEVENS

Model	DSC163
Max. snijcapaciteit (diameter mm.)	16 mm
Klasse 40 - klasse 60	
Klasse 40: Treksterkte 490 N/mm <sup>2</sup> 70.000 PSI	
Klasse 60: Treksterkte 620 N/mm <sup>2</sup> 90.000 PSI	
Snijnsnelheid	2,8 seconde
Totale lengte	360 mm
Nettogewicht	6,9 kg
Nominale spanning	18 V gelijkstroom

- Vanwege voortdurend onderzoek en ontwikkeling is het mogelijk dat de vermelde technische gegevens zonder voorafgaande kennisgeving gewijzigd worden.
- De technische gegevens en de accu kunnen van land tot land verschillen.
- Gewicht, inclusief accu, conform de EPTA-procedure 01/2014

### Toepasselijke accu's en laders

Accu	BL1830B / BL1840B / BL1850B / BL1860B
Lader	DC18RC / DC18RD / DC18RE / DC18SD / DC18SE / DC18SF / DC18SH

- Sommige van de hierboven vermelde accu's en laders zijn mogelijk niet leverbaar afhankelijk van waar u woont.

#### **WAARSCHUWING:**

- **Gebruik uitsluitend de accu's en laders die hierboven worden genoemd.** Gebruik van enige andere accu of lader kan leiden tot letsel en/of brand.

## Symbolen

Hieronder ziet u de symbolen die voor het apparaat gebruikt worden. Maak u hiermee vertrouwd voordat u het apparaat gaat gebruiken.



..... Lees de gebruiksaanwijzing.



..... Alleen voor EU-landen

Als gevolg van de aanwezigheid van schadelijke componenten in het apparaat, kunnen oude elektrische en elektronische apparaten, accu's en batterijen negatieve gevolgen hebben voor het milieu en de gezondheid van mensen.

Gooi elektrische en elektronische apparaten en accu's niet met het huisvuil weg!

In overeenstemming met de Europese richtlijn inzake oude elektrische en elektronische apparaten en inzake accu's en batterijen en oude accu's en batterijen, alsmede de toepassing daarvan binnen de nationale wetgeving, dienen oude elektrische apparaten, accu's en batterijen gescheiden te worden opgeslagen en te worden ingeleverd bij een apart inzamelingspunt voor huishoudelijk afval dat de milieubeschermingsvoorschriften in acht neemt.

Dit wordt op het apparaat aangegeven door het symbool van een doorgekruiste afvalcontainer.

## Gebruiksdoeleinde

Het apparaat is bedoeld voor het snijden van betonstaal.

## Geluidsniveau

De typische, A-gewogen geluidsniveaus zijn gemeten volgens EN62841-2-8:

Geluidsdrukniveau (LpA): 78 dB (A)

Onzekerheid (K): 3 dB (A)

Het geluidsniveau kan tijdens gebruik hoger worden dan 80 dB (A).

## OPMERKING:

- De opgegeven geluidsemisiewaarde(n) is/zijn gemeten volgens een standaardtestmethode en kan/kunnen worden gebruikt om dit gereedschap te vergelijken met andere gereedschappen.
- De opgegeven geluidsemisiewaarde(n) kan/kunnen ook worden gebruikt voor een beoordeling vooraf van de blootstelling.

## ⚠ WAARSCHUWING:

- **Draag gehoorbescherming.**
- **De geluidsemisie tijdens het gebruik van het elektrisch gereedschap in de praktijk kan verschillen van de opgegeven waarde(n) afhankelijk van de manier waarop het gereedschap wordt gebruikt, met name van het soort werkstuk waarmee wordt gewerkt.**

- **Zorg ervoor dat veiligheidsmaatregelen worden getroffen ter bescherming van de gebruiker die zijn gebaseerd op een schatting van de blootstelling onder praktijkomstandigheden (rekening houdend met alle fasen van de bedrijfscyclus, zoals de tijdsduur gedurende welke het gereedschap is uitgeschakeld en stationair draait, naast de ingeschakelde tijdsduur).**

## Trilling

De totale trillingswaarde (triaxiale vectorsom) zoals vastgesteld volgens EN62841-2-8:

Werkstand: betonstaal snijden

Trillingsemisie ( $a_{h1}$ ): 2,5 m/s<sup>2</sup> of minder

Onzekerheid (K): 1,5 m/s<sup>2</sup>

## OPMERKING:

- De totale trillingswaarde(n) is/zijn gemeten volgens een standaardtestmethode en kan/kunnen worden gebruikt om dit gereedschap te vergelijken met andere gereedschappen.
- De opgegeven totale trillingswaarde(n) kan/kunnen ook worden gebruikt voor een beoordeling vooraf van de blootstelling.

## ⚠ WAARSCHUWING:

- **De trillingsemisie tijdens het gebruik van het elektrisch gereedschap in de praktijk kan verschillen van de opgegeven waarde(n) afhankelijk van de manier waarop het gereedschap wordt gebruikt, met name van het soort werkstuk waarmee wordt gewerkt.**
- **Zorg ervoor dat veiligheidsmaatregelen worden getroffen ter bescherming van de gebruiker die zijn gebaseerd op een schatting van de blootstelling onder praktijkomstandigheden (rekening houdend met alle fasen van de bedrijfscyclus, zoals de tijdsduur gedurende welke het gereedschap is uitgeschakeld en stationair draait, naast de ingeschakelde tijdsduur).**

## EG-verklaring van overeenstemming

### Alleen voor Europese landen

De EG-verklaring van overeenstemming is opgenomen in Bijlage A van deze gebruiksaanwijzing.

## Algemene veiligheidswaarschuwingen voor elektrisch gereedschap

⚠ **WAARSCHUWING: Lees alle veiligheidswaarschuwingen, aanwijzingen, afbeeldingen en technische gegevens behorend bij dit elektrische gereedschap aandachtig door. Als u niet alle onderstaande aanwijzingen naleeft, kan dat resulteren in brand, elektrische schokken en/of ernstig letsel.**



# Bewaar alle waarschuwingen en instructies om in de toekomst te kunnen raadplegen.

De term "elektrisch gereedschap" in de veiligheidsvoorschriften duidt op gereedschappen die op stroom van het lichtnet werken (met snoer) of gereedschappen met een accu (snoerloos).

## Veiligheid op de werkplek

1. **Zorg dat uw werkomgeving schoon is en helder verlicht.** Op een rommelige of donkere werkplek gebeuren vaker ongevallen.
2. **Gebruik elektrisch gereedschap niet in een explosieve atmosfeer, zoals in de buurt van licht ontvlambare vloeistoffen, gassen of stof.** Elektrisch gereedschap wekt vonken op die het stof of de dampen kan doen ontbranden.
3. **Houd kinderen en omstanders uit de buurt tijdens het gebruik van elektrisch gereedschap.** Als u afgeleid wordt, kunt u de macht over het gereedschap verliezen.

## Elektrische veiligheid

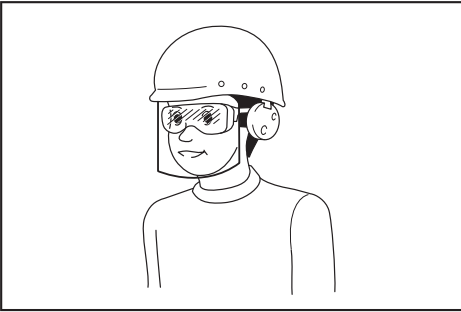
1. **Let op dat de stekker van het gereedschap goed in het stopcontact past. Probeer nooit om de netsnoerstekker op enige wijze aan te passen. Gebruik met geaard elektrisch gereedschap (met aardaansluiting) nooit een adapter of verloopstekker.** Met de standaardstekker in een overeenkomstig stopcontact verkleint u de kans op een elektrische schok.
2. **Voorkom aanraking met geaarde oppervlakken, zoals pijpen, radiatoren, fornuizen of koelkasten.** De kans op een elektrische schok is groter wanneer uw lichaam is geaard.
3. **Stel elektrisch gereedschap niet bloot aan regen of natte omstandigheden.** Als water binnendringt in het elektrisch gereedschap, wordt de kans op een elektrische schok groter.
4. **Behandel het snoer voorzichtig. Til het gereedschap niet aan het snoer op en trek er niet aan maar pak de stekker vast om die uit het stopcontact te verwijderen. Houd het netsnoer uit de buurt van hitte, olie, scherpe randen en bewegende delen.** Beschadigde en in de war geraakte snoeren verhogen de kans op een elektrische schok.
5. **Bij gebruik van elektrisch gereedschap buitenshuis, gebruikt u een verlengsnoer dat geschikt is voor gebruik buitenshuis.** Een verlengsnoer dat geschikt is voor gebruik buitenshuis verkleint de kans op elektrische schokken.
6. **Als het onvermijdbaar is een elektrisch gereedschap te gebruiken in een vochtige omgeving, gebruikt u een voeding met een reststroombeveiliging (RCD).** Het gebruik van een RCD verkleint de kans op elektrische schokken.

7. **Elektrische gereedschappen kunnen elektromagnetische velden (EMF) genereren die ongevaarlijk zijn voor de gebruiker.** Echter, gebruikers met een pacemaker of andere soortgelijke medische apparaten dienen voor advies contact op te nemen met de fabrikant van hun apparaat en/of een dokter voordat ze dit elektrisch gereedschap gebruiken.

## Persoonlijke veiligheid

1. **Let altijd goed op, kijk naar wat u aan het doen bent, en gebruik uw gezond verstand tijdens het werken met een elektrisch gereedschap. Ga niet met elektrisch gereedschap werken wanneer u moe bent of als u drugs, alcohol of medicijnen hebt ingenomen.** Een ogenblik van onoplettendheid kan tijdens het gebruik van een elektrisch gereedschap leiden tot ernstig persoonlijk letsel.
2. **Gebruik persoonlijke-veiligheidsmiddelen. Draag altijd oogbescherming.** Veiligheidsmiddelen, zoals stofmaskers, slipvaste veiligheidsschoenen, veiligheidshelm en gehoorbescherming, gebruikt in toepasselijke situaties, dragen bij tot vermindering van persoonlijk letsel.
3. **Voorkom onbedoeld starten. Controleer dat de schakelaar in de uit-stand staat alvorens het gereedschap aan te sluiten op de voeding en/of accu, op te pakken of te dragen.** Door elektrisch gereedschap te dragen met uw vinger op de schakelaar, of door het gereedschap op een voeding aan te sluiten terwijl de schakelaar aan staat, neemt de kans op ongelukken sterk toe.
4. **Verwijder afstelsleutels en tangen voordat u het elektrisch gereedschap inschakelt.** Een sleutel of tang die nog aan een draaiend deel van het elektrisch gereedschap vastzit, kan persoonlijk letsel veroorzaken.
5. **Reik niet te ver. Zorg altijd voor een stevige stand en goede lichaamsbalans.** Zo heeft u een betere controle over het elektrisch gereedschap in onverwachte situaties.
6. **Draag geschikte kleding. Draag geen losse kleding of sieraden. Houd uw haar en kleding uit de buurt van draaiende onderdelen.** Loshangende kleding, sieraden en lang haar kunnen verstrikt raken in bewegende delen.
7. **Als het elektrisch gereedschap is uitgerust met een aansluiting voor stofafzuig- en stofopvangvoorzieningen, zorgt u ervoor dat deze zijn aangesloten en correct worden gebruikt.** Het gebruik van een stofvanger kan gevaar door stof verminderen.
8. **Laat bekendheid met gereedschappen door veelvuldig gebruik er niet toe leiden dat u gemakzuchtig wordt en de veiligheidsprincipes voor het werken met gereedschappen negeert.** Een ondoordachte handeling kan in een fractie van een seconde leiden tot ernstig letsel.

9. **Draag tijdens het gebruik van elektrisch gereedschap altijd een veiligheidsbril om uw ogen te beschermen tegen letsel. De bril moet voldoen aan ANSI Z87.1 in de Verenigde Staten, aan EN 166 in Europa, en aan AS/NZS 1336 in Australië en Nieuw-Zeeland. In Australië en Nieuw-Zeeland is het wettelijk verplicht om tevens een spatscherm te dragen om uw gezicht te beschermen.**



Het is de verantwoordelijkheid van de werkgever om ervoor te zorgen dat geschikte beschermingsmiddelen gebruikt worden door de gebruikers van het gereedschap en anderen in de onmiddellijke omgeving van de werkplek.

#### Gebruik en verzorging van elektrisch gereedschap

1. **Overbelast het elektrisch gereedschap niet. Gebruik het juiste elektrisch gereedschap voor het werk.** Het juiste elektrisch gereedschap werkt beter en veiliger binnen het aangegeven capaciteitsbereik.
2. **Gebruik het elektrisch gereedschap niet als het niet kan worden in- en uitgeschakeld met de schakelaar.** Ieder elektrisch gereedschap dat niet met de schakelaar kan worden bediend is gevaarlijk en moet eerst worden gerepareerd.
3. **Trek de stekker uit het stopcontact en/of verwijder de accu, indien afneembaar, vanaf het elektrisch gereedschap voordat u afstellingen maakt, accessoires verwisselt of het elektrisch gereedschap opbergt.** Dergelijke preventieve veiligheidsmaatregelen verlagen de kans dat het elektrisch gereedschap per ongeluk wordt gestart.
4. **Bewaar elektrische gereedschappen die niet worden gebruikt buiten het bereik van kinderen en voorkom dat personen die onbekend zijn met het gebruik ervan of met deze instructies het elektrisch gereedschap gebruiken.** Elektrische gereedschappen zijn gevaarlijk in de handen van onervaren gebruikers.
5. **Onderhoud het elektrisch gereedschap en de accessoires. Controleer op een slechte uitlijning of het aanlopen van draaiende delen, het afbreken van onderdelen en alle andere situaties die van invloed kunnen zijn op de werking van het elektrisch gereedschap. Als het elektrisch gereedschap beschadigd is, laat u het eerst repareren voordat u het gebruikt.** Veel ongelukken worden veroorzaakt doordat het elektrisch gereedschap slecht wordt onderhouden.

6. **Houd snij- en zaaggarnituren scherp en schoon.** Goed onderhouden snij- en zaaggarnituren met scherpe snij- en zaagranden lopen minder vaak vast en zijn gemakkelijker te gebruiken.
7. **Gebruik het elektrisch gereedschap met de bijbehorende accessoires, bits, enz., overeenkomstig deze instructies, met inachtneming van de werkomstandigheden en het werk dat wordt uitgevoerd.** Het gebruik van het elektrisch gereedschap bij andere werkzaamheden dan waarvoor het is bedoeld, kan leiden tot gevaarlijke situaties.
8. **Houd de handgrepen en oppervlakken die vastgepakt worden droog, schoon en vrij van olie en vetten.** Gladde handgrepen en oppervlakken die vastgepakt worden maken het veilig hanteren en bedienen van het gereedschap in onverwachte situaties onmogelijk.
9. **Draag tijdens het gebruik van dit gereedschap geen stoffen werkhandschoenen die erin verstrikt kunnen raken.** Wanneer werkhandschoenen verstrikt raken in de bewegende delen kan persoonlijk letsel worden veroorzaakt.

#### Gebruik en verzorging van gereedschap dat op een accu werkt

1. **Laad alleen op met de acculader aanbevolen door de fabrikant.** Een acculader die geschikt is voor een bepaald type accu, kan brandgevaar opleveren indien gebruikt met een ander type accu.
2. **Gebruik elektrisch gereedschap uitsluitend met de daarvoor bestemde accu.** Gebruik van andere accu's kan gevaar voor letsel of brandgevaar opleveren.
3. **Als de accu niet wordt gebruikt, houdt u deze uit de buurt van metalen voorwerpen, zoals paperclips, muntgeld, sleutels, spijkers, schroeven en andere kleine metalen voorwerpen die een kortsluiting kunnen veroorzaken tussen de accupolen.** Kortsluiting tussen de accupolen kan leiden tot brandwonden of brand.
4. **Onder zware gebruiksomstandigheden kan vloeistof uit de accu komen. Voorkom aanraking!** Als u er per ongeluk mee in aanraking komt, spoelt u het er met water af. Als de vloeistof in uw ogen komt, raadpleegt u tevens een arts. Vloeistof uit de accu kan irritatie en brandwonden veroorzaken.
5. **Gebruik geen accu of gereedschap dat beschadigd of gewijzigd is.** Beschadigde of gewijzigde accu's kunnen onvoorspelbaar gedrag vertonen dat kan leiden tot brand, explosie of gevaar van letsel.
6. **Stel een accu of gereedschap niet bloot aan vuur of buitensporige temperaturen.** Blootstelling aan vuur of temperaturen hoger dan 130 °C kunnen een explosie veroorzaken.
7. **Volg alle oplaadinstructies en laad de accu of het gereedschap niet op buiten het temperatuurbereik opgegeven in de instructies.** Verkeerd opladen of bij een temperatuur buiten het opgegeven bereik kan de accu beschadigen en de kans op brand vergroten.

## Reparatie

1. **Laat uw elektrisch gereedschap repareren door een vakbekwame reparateur die gebruik maakt van uitsluitend identieke vervangingsonderdelen.** Zo bent u ervan verzekerd dat de veiligheid van het elektrisch gereedschap behouden blijft.
2. **Repareer nooit een beschadigde accu.** Het repareren van een accu mag uitsluitend worden uitgevoerd door de fabrikant of een erkend servicecentrum.
3. **Volg de instructies voor het smeren en verwisselen van accessoires.**

## VEILIGHEIDSWAARSCHUWINGEN VOOR DE DRAADLOZE STAALDRAADSNIJDER

1. **Houd het apparaat tijdens gebruik stevig vast.** Als u het apparaat niet stevig vasthoudt, kunt u verwondingen oplopen.
2. **Houd uw handen en gezicht uit de buurt van de bewegende delen.** Deze kunnen verwondingen veroorzaken.
3. **Laat de trekker onmiddellijk los om het apparaat te stoppen wanneer het niet normaal werkt of een vreemd geluid maakt.** Laat het apparaat nakijken en repareren door een erkend servicecentrum. Als u dat niet doet, kunt u beschadigingen of verwondingen veroorzaken.
4. **Controleer nauwkeurig of de behuizing niet beschadigd, gebarsten of vervormd is als u het apparaat laat vallen of ergens tegenaan stoot.** Door zulke beschadigingen kunnen verwondingen ontstaan.
5. **Dit is een elektrohydraulisch apparaat. Het oliereservoir werd vóór de levering gevuld. Vul geen olie bij behalve als het apparaat abnormaal werkt.**
6. **De bladen voor het snijden van metaal hebben scherpe randen.** Behandel ze voorzichtig om te voorkomen dat u zich snijdt.
7. **Beschadigde, vervormde of gebarsten bladen kunnen ernstige ongevallen veroorzaken en de werking verstoren.** Vervang ze onmiddellijk door nieuwe bladen van de fabrikant.

## BEWAAR DEZE INSTRUCTIES.

### WAARSCHUWING:

Let erop dat u NIET door gebruiksgemak (na veel gebruik) laks wordt met de veiligheidsregels voor dit apparaat. U moet ze strikt volgen. MISBRUIK of nalatigheid om de veiligheidsregels in deze gebruiksaanwijzing op te volgen, kunnen leiden tot ernstige verwondingen.

## Belangrijke veiligheidsinstructies voor een accu

1. **Lees alle voorschriften en waarschuwingen op (1) de acculader, (2) de accu, en (3) het product waarvoor de accu wordt gebruikt, alvorens de accu in gebruik te nemen.**
2. **Haal de accu niet uit elkaar en saboteer hem niet.** Dit kan leiden tot brand, buitensporige hitte of een explosie.
3. **Als de gebruiktijd van een opgeladen accu aanzienlijk korter is geworden, moet u het gebruik ervan onmiddellijk stopzetten.** Voortgezet gebruik kan oververhitting, brandwonden en zelfs een ontploffing veroorzaken.
4. **Als elektrolyt in uw ogen is terechtgekomen, spoelt u uw ogen met schoon water en roept u onmiddellijk de hulp van een dokter in.** Elektrolyt in de ogen kan blindheid veroorzaken.
5. **Voorkom kortsluiting van de accu:**
  - (1) **Raak de accuklemmen nooit aan met een geleidend materiaal.**
  - (2) **Bewaar de accu niet in een bak waarin andere metalen voorwerpen zoals spijkers, munten e.d. worden bewaard.**
  - (3) **Stel de accu niet bloot aan water of regen.** Kortsluiting van de accu kan oorzaak zijn van een grote stroomafgifte, oververhitting, brandwonden, en zelfs defecten.
6. **Bewaar en gebruik het gereedschap en de accu niet op plaatsen waar de temperatuur kan oplopen tot 50 °C of hoger.**
7. **Werp de accu nooit in het vuur, ook niet wanneer hij zwaar beschadigd of volledig versleten is. De accu kan ontploffen in het vuur.**
8. **Laat de accu niet vallen, sla er geen spijker in, snijd er niet in, gooi er niet mee en stoot hem niet tegen een hard voorwerp.** Dergelijke handelingen kunnen leiden tot brand, buitensporige hitte of een explosie.
9. **Gebruik nooit een beschadigde accu.**
10. **De bijgeleverde lithium-ionbatterijen zijn onderhevig aan de vereisten in de wetgeving omtrent gevaarlijke stoffen.**

Voor commercieel transport en dergelijke door derden en transporteurs moeten speciale vereisten ten aanzien van verpakking en etikettering worden nageleefd.

Als voorbereiding van het artikel dat wordt getransporteerd is het noodzakelijk een expert op het gebied van gevaarlijke stoffen te raadplegen. Houd u tevens aan mogelijk strengere nationale regelgeving.

Blootliggende contactpunten moeten worden afgedekt met tape en de accu moet zodanig worden verpakt dat deze niet kan bewegen in de verpakking.
11. **Wanneer u de accu wilt weggooien, verwijdert u de accu vanaf het gereedschap en gooit u hem op een veilige manier weg. Volg bij het weggooien van de accu de plaatselijke voorschriften.**

12. **Gebruik de accu's uitsluitend met de gereedschappen die door Makita zijn aanbevolen.** Als de accu's worden aangebracht in niet-compatibele gereedschappen, kan dat leiden tot brand, buitensporige warmteontwikkeling, een explosie of lekkage van elektrolyt.
13. **Als u het gereedschap gedurende een lange tijd niet denkt te gaan gebruiken, moet de accu vanaf het gereedschap worden verwijderd.**
14. **Tijdens en na gebruik, kan de accu heet worden waardoor brandwonden of koude brandwonden kunnen worden veroorzaakt. Wees voorzichtig bij het hanteren van een hete accu.**
15. **Raak de aansluitpunten van het gereedschap niet onmiddellijk na gebruik aan omdat deze heet genoeg kunnen zijn om brandwonden te veroorzaken.**
16. **Zorg ervoor dat geen steenslag, stof of grond vast komt te zitten op/in de aansluitpunten, openingen en groeven van de accu.** Dit kan leiden tot slechte prestaties of een defect van het gereedschap of de accu.
17. **Behalve indien gebruik van het gereedschap is toegestaan in de buurt van hoogspanningsleidingen, mag u de accu niet gebruiken in de buurt van een hoogspanningsleiding.** Dit kan leiden tot een storing of een defect van het gereedschap of de accu.
18. **Houd de accu uit de buurt van kinderen.**

## BEWAAR DEZE INSTRUCTIES.

### ⚠ LET OP:

- **Gebruik uitsluitend originele Makita accu's.** Het gebruik van niet-originele accu's, of accu's die zijn gewijzigd, kan ertoe leiden dat de accu ontploft en brand, persoonlijk letsel en schade veroorzaakt. Ook vervalt daarmee de garantie van Makita op het gereedschap en de lader van Makita.

## Tips voor een maximale levensduur van de accu

1. **Laad de accu op voordat hij volledig ontladen is. Stop het gebruik van het gereedschap en laad de accu op telkens wanneer u vaststelt dat het vermogen van het gereedschap is afgenomen.**
2. **Laad een volledig opgeladen accu nooit opnieuw op. Te lang opladen verkort de levensduur van de accu.**
3. **Laad de accu op bij een omgevingstemperatuur tussen 10°C en 40°C. Laat een warme accu afkoelen alvorens hem op te laden.**
4. **Als de accu niet wordt gebruikt, verwijdert u hem vanaf het gereedschap of de lader.**
5. **Laad de accu op als u deze gedurende een lange tijd (meer dan zes maanden) niet gaat gebruiken.**

## GEBRUIKSBSCHRIJVING

### ⚠ LET OP:

- Zorg altijd dat het gereedschap is uitgeschakeld en de accu ervan is verwijderd alvorens de functies op het gereedschap af te stellen of te controleren.

## Installeren of verwijderen van de accu (afb. 1)

### ⚠ LET OP:

- Schakel het gereedschap altijd uit voordat u de accu plaatst of verwijdert.
- **Houd het gereedschap en de accu stevig vast tijdens het plaatsen of verwijderen van de accu.** Als u het gereedschap en de accu niet stevig vasthoudt, kunnen deze uit uw handen glijpen en het gereedschap of de accu beschadigen, of kan persoonlijk letsel worden veroorzaakt.

Om de accu te verwijderen, verschuift u de knop aan de voorkant van de accu en schuift u tegelijkertijd de accu uit het gereedschap.

Om de accu te plaatsen, lijnt u de lip op de accu uit met de groef in de behuizing en duwt u de accu op zijn plaats. Steek de accu zo ver mogelijk in het gereedschap tot u een klinkgeluid hoort. Als u de rode markering aan de bovenkant van de knop kunt zien, is de accu niet goed geplaatst.

### ⚠ LET OP:

- Plaats de accu er altijd helemaal in totdat de rode markering niet meer zichtbaar is. Als u dit niet doet, kan de accu per ongeluk uit het gereedschap vallen en u of iemand anders verwonden.
- Gebruik geen kracht bij het plaatsen van de accu. Als de accu niet gemakkelijk in het gereedschap kan worden geschoven, wordt deze niet juist geplaatst.

## Gereedschap-/accubeveiligingssysteem

Het gereedschap is uitgerust met een gereedschap-/accubeveiligingssysteem. Dit systeem schakelt automatisch de voeding uit om de levensduur van het gereedschap en de accu te verlengen. Het gereedschap kan tijdens het gebruik automatisch stoppen als het gereedschap of de accu aan één van de volgende omstandigheden wordt blootgesteld:

### Overbelastingsbeveiliging

Deze beveiliging treedt in werking wanneer het gereedschap wordt gebruikt op een manier waarop een abnormaal hoge stroomsterkte wordt getrokken. In die situatie schakelt u het gereedschap uit en stopt u de toepassing die ertoe leidde dat het gereedschap overbelast raakte. Schakel vervolgens het gereedschap in om het weer te starten.

### Oververhittingsbeveiliging

Deze beveiliging treedt in werking wanneer het gereedschap of de accu oververhit is. In die situatie laat u het gereedschap en de accu eerst afkoelen voordat u het gereedschap opnieuw inschakelt.




### Beveiliging tegen te ver ontladen

Deze beveiliging treedt in werking wanneer de resterende acculading laag wordt. In die situatie verwijdert u de accu vanaf het gereedschap en laadt u de accu op.

## Geeft de resterende accucapaciteit aan (afb. 2)

(landspecifiek)

Als u de trekker indrukt, wordt op het led-display de resterende accucapaciteit zoals in de volgende tabel getoond.

Status van led-indicator	Resterende accucapaciteit
	Ongeveer 50% of meer
	Ongeveer 20% - 50%
	Minder dan ongeveer 20%

### OPMERKING:

- Het led-display wordt ongeveer één minuut na het loslaten van de trekker uitgeschakeld om de accu te besparen. Druk de trekker een klein beetje in om de resterende accucapaciteit te controleren.
- Als het led-display oplicht en de accu opgeladen is maar het apparaat toch niet werkt, laat het apparaat dan volledig afkoelen. Als het probleem blijft bestaan, laat het apparaat dan repareren door een plaatselijk Makita-servicecentrum.

## BEDIENING

Lees alle veiligheidsinstructies en bedieningsprocedures, zorg dat u ze begrijpt en volg ze. Gebruik het apparaat niet als u de instructies niet begrijpt of als de omstandigheden niet geschikt zijn voor gebruik. Overleg met uw leider of iemand anders die verantwoordelijk is.

### ⚠ WAARSCHUWING:

- Controleer voordat u de accu plaatst of de trekker correct ontspant door hem in te drukken en los te laten. De motor gaat aan als u de trekker indrukt, en gaat uit als u de trekker loslaat.

## Bediening van de vergrendelschakelaar (afb. 3)

- Druk de vergrendelschakelaar aan kant A in. De schakelaar wordt ontgrendeld en de trekker kan gebruikt worden.
- Druk de vergrendelschakelaar aan kant B in. De schakelaar wordt vergrendeld en de trekker kan niet gebruikt worden.

### ⚠ LET OP:

- De trekker moet altijd vergrendeld zijn wanneer u het apparaat niet gebruikt.

### ⚠ WAARSCHUWING:

- Controleer vóór gebruik of de gebruiker veilig staat ten opzichte van het apparaat, en of de omgeving veilig is voor gebruik. Draag een veiligheidsbril en beschermende kleding.
- Raadpleeg de technische gegevens van het gereedschap in deze handleiding, en snijd geen betonstaal van een grootte of hardheid die de capaciteit van het apparaat overschrijdt.
- Snijd geen ander materiaal dan betonstaal. Neem contact op met de fabrikant als u ander materiaal wilt snijden.

### ⚠ WAARSCHUWING:

- Vervang beschadigde (ingekerfde, gebroken, gebarsten) of vervormde bladen onmiddellijk. Het blad zal niet goed snijden en kan breken of kapot gaan en ernstige verwondingen veroorzaken.

## Snijden

### ⚠ WAARSCHUWING:

- **Gebruik het apparaat nooit zonder de beveiliging.** Als u dat toch doet, kunt u zware verwondingen oplopen. (afb. 4)
  - De beveiliging dient om te voorkomen dat fragmenten naar de gebruiker kunnen vliegen. Deze voorkomt niet dat iets in axiale richting van het betonstaal kan wegvliegen. Positioneer u zo dat de beveiliging de fragmenten tegenhoudt.
  - In sommige afbeeldingen wordt de beveiliging niet getoond, maar dit is alleen om te kunnen laten zien wat erachter ligt. Gebruik de beveiliging altijd en zorg dat hij juist geplaatst is.
1. Plaats het betonstaal dat u wilt snijden tussen de bladen. (afb. 5)  
Pas het aanslagstuk aan de diameter van het betonstaal dat u wilt snijden aan, zodat het betonstaal 90 graden op de bladen staat. Het aanslagstuk ondersteunt het betonstaal, en houdt het tijdens het snijden loodrecht op de bladen. (afb. 6)
  2. Plaats het betonstaal diep genoeg tussen de bladen zodat het de beveiliging niet raakt. (afb. 7)

### ⚠ WAARSCHUWING:

- Wanneer u betonstaal gaat snijden, pas dan het aanslagstuk aan de diameter van het betonstaal dat u wilt snijden aan, zodat het betonstaal 90 graden op de bladen staat. Zonder deze aanpassing kan het stuk dat gesneden wordt, wegschieten en de gebruiker of omstanders ernstig verwonden. Controleer altijd of de gebruiker veilig staat ten opzichte van het gereedschap en of de omgeving veilig is.

### ⚠ WAARSCHUWING:

- Snijd geen betonstaal dat korter is dan 200 mm. Als u korter materiaal snijdt, kan het betonstaal tijdens het snijden wegschieten en zware verwondingen veroorzaken. (afb. 8)

### **⚠ WAARSCHUWING:**

- Snijd betonstaal niet als het niet correct wordt ondersteund door het aanslagstuk. Houd bij het snijden het betonstaal vast aan de kant van het aanslagstuk. (afb. 9, 10) Als u dat niet doet, kan het stuk dat u snijdt wegschieten en u of omstanders ernstig verwonden.
- 3. Druk de vergrendelschakelaar aan kant A in. De schakelaar wordt ontgrendeld en de trekker kan gebruikt worden.
- 4. Druk de trekker in om de snijbewerking te starten. De snijderstang beweegt naar voren om het betonstaal te snijden. Houd de schakelaar ingedrukt tot de snijderstang stopt op het einde van zijn slag.
- 5. Laat de trekker los als de snede voltooid is en de snijderstang het einde van zijn slag heeft bereikt. De snijderstang keert dan automatisch terug naar zijn beginstand. De snijderstang keert niet terug als de slag niet voltooid is. Ook kan de snijderstang pas weer naar voren bewegen nadat hij volledig is teruggekeerd naar zijn beginstand. Druk pas op de schakelaar om de volgende snijbewerking te starten nadat de snijderstang volledig naar zijn beginstand teruggekeerd is en gestopt is.

### **⚠ WAARSCHUWING:**

- Als het betonstaal een hoge treksterkte heeft, kan het afgesneden stuk wegschieten en zware verwondingen veroorzaken aan de gebruiker. Draag een veiligheidsbril en controleer of de omgeving veilig is voordat u begint met werken.

### **⚠ WAARSCHUWING:**

- Houd tijdens gebruik uw handen en uw gezicht uit de buurt van de bladen, bewegende delen en de plaats waar gesneden wordt. Verwijder na gebruik onmiddellijk de accu uit het apparaat.

### **OPMERKING:**

- Als de temperatuur van de behuizing van het apparaat hoger wordt dan 70°C, neemt de capaciteit van het apparaat af. Stop in dat geval het gebruik en laat het apparaat afkoelen.

### **OPMERKING:**

- Houd het luchtgat aan het einde van de stanghouder schoon en vrij van vuil en stukjes. Het luchtgat regelt de interne druk en mag niet verstopt raken. (afb. 11)

## **Rotatie van de motor (afb. 12)**

De motor kan tijdens gebruik 360 graden gedraaid worden in beide richtingen. Dit is vooral handig als u in een smalle ruimte werkt, omdat u het gereedschap in de beste positie kunt houden om gemakkelijk te werken.

## **Werken van de retourklep (afb. 13)**

De retourklep zorgt ervoor dat de snijderstang naar zijn beginstand kan terugkeren als een snijbewerking niet kan worden voltooid of als hij geblokkeerd raakt. Door de retourklep een halve draai los te draaien, wordt de oliedruk afgelaten en kan de snijderstang terugkeren. Zet de retourklep weer vast nadat de snijderstang volledig teruggekeerd is en voordat u de volgende bewerking start.

## **DE BLADEN VERVANGEN**

Als de snijranden van de bladen ingekerfd, gebarsten, vervormd of op andere wijze beschadigd zijn, kunnen ze niet meer goed snijden. Als u dan toch blijft snijden, kunt u ze verder beschadigen en een ongeval met verwondingen oplopen of veroorzaken. Als u een beschadiging vaststelt, moeten de bladen onmiddellijk als een set worden vervangen.

### **⚠ WAARSCHUWING:**

- Verwijder de accu uit het apparaat voordat u de bladen vervangt om te voorkomen dat het apparaat per ongeluk ingeschakeld kan worden. Controleer of blad A op de stanghouder en blad B op de snijderstang zich elk op de juiste positie bevinden.

### **(afb. 14)**

1. Verwijder de bouten en de onderleggingen die blad A en blad B op hun plaats vasthouden.
2. Verwijder vuil en reinig de oppervlakken waar de nieuwe bladen worden gemonteerd.
3. Plaats blad A op de stanghouder en blad B op de snijderstang. Plaats de bouten en de onderleggingen terug en draai ze stevig aan.

### **⚠ WAARSCHUWING:**

- De bouten die blad A en blad B vasthouden, moeten regelmatig aangedraaid worden. Als de bouten loskomen, kunnen de bladen beschadigd raken en zware verwondingen veroorzaken.

## Type reserveblad en verwijdering (afb. 15)

De vastzetbouten moeten stevig worden aangedraaid.

Controleer regelmatig of het blad goed vastzit.

Grootte reserveblad

● Bepaal met deze tabel het juiste blad voor uw model.

Model	A (op stanghouder)	B (op snijderstang)
DSC163 (ø3 - ø16)	22 × 17 × 9 mm (boutgrootte 5 mm)	22 × 17 × 8 mm (boutgrootte 5 mm)

### OPMERKING:

- Gebruik alleen oorspronkelijke bladen van Makita.

## OLIE BIJVULLEN

Deze draadloze staaldraadsnijder werkt elektrohydraulisch. Bij verzending uit de fabriek was de olie bijgevuld. Vul geen olie bij zolang het apparaat goed werkt. Na verloop van tijd zal het oliepeil geleidelijk dalen. Uiteindelijk zult u merken dat de prestaties aanzienlijk afnemen. Vul dan als volgt olie bij.

1. Plaats betonstaal tussen de bladen en druk de trekker in.
2. Laat de trekker los vlak voordat de snede voltooid is om het apparaat te stoppen.
3. Verwijder de accu uit het apparaat zodat de blad niet per ongeluk kunnen bewegen.
4. Verwijder de bout (SB10x15) van het oliebijvulgat. Vul de olie bij. Let daarbij op dat u geen olie morst op de motor.
5. Plaats de bout (SB10x15) terug en draai hem stevig aan.
6. Plaats de accu terug in het apparaat en voltooi de snijbewerking.
7. Herhaal deze procedure enkele keren tot het oliepeil correct blijft.

### LET OP:

- Gebruik in dit apparaat alleen zuivere hydraulische olie die wordt aanbevolen door Makita. De volgende soorten olie worden aanbevolen: hydraulische olie die door Makita wordt geleverd, Super Hyrando #46 (JX Nippon Oil & Energy Corp.), Shell Tellus Plus #46 (U.S. Shell), of andere hydraulische olie tegen slijtage met gelijkwaardige specificaties en ISO-viscositeitsklasse 46. Gebruik geen andere soorten olie omdat daardoor de afdichtingen en andere machineonderdelen beschadigd kunnen worden.

# PROBLEMEN OPLOSSEN

## ⚠ WAARSCHUWING:

- Verwijder de accu voordat u werkzaamheden uitvoert aan het apparaat.

PROBLEEM	OORZAAK	OPLOSSING
Snijderstang gaat niet naar voren.	Onvoldoende olie	Vul olie bij. (Raadpleeg het gedeelte "Olie bijvullen".)
	De snijderstang is niet volledig teruggekeerd omdat er vuil zit tussen de snijderstang en de stanghouder.	Duw de snijderstang met de hand terug. Verwijder vuil en maak het apparaat schoon.
	De snijderstang is niet volledig teruggekeerd omdat deze beschadigd is.	Vervang de snijderstang.
	De snijderstang is niet volledig teruggekeerd omdat de bladen loszitten of beschadigd zijn.	Zet de bouten van de bladen vast. Vervang de bladen.
	De snijderstang is niet volledig teruggekeerd omdat de terugdrukveer verzwakt is.	Vervang de terugdrukveer.
Onvoldoende vermogen om betonstaal te snijden.	Onvoldoende olie.	Vul olie bij. (Raadpleeg het gedeelte "Olie bijvullen".)
	De retourklep zit niet op zijn plaats of de bevestigingsplaats ervan is beschadigd.	Reinig de punt van de retourklep en de bevestigingsplaats ervan. Verwijder krassen van de bevestigingsplaats.
	Retourklep, beschadigd.	Vervangen.
	Verkeerde speling tussen cilinder en zuiger.	Vervang de zuiger. (Opmerking: zuigers zijn in verschillende maten verkrijgbaar.)
	Terugslagventiel, zit niet op zijn plaats of de bevestigingsplaats ervan is beschadigd.	Reinig het terugslagventiel en de bevestigingsplaats ervan. Vervangen.
Urethaanafdichting, beschadigd of kapot.	Vervangen.	
Er lekt olie.	Olietank is beschadigd of kapot.	Vervangen.
	Snijderstang/stanghouder, o-ring beschadigd; stang/stanghouder, oppervlak gekrast of gegroefd.	Vervang reservering en o-ring. Vervang snijderstang/stanghouder.
	Cilinder/stanghouder, o-ring beschadigd.	Vervang o-ring.
	Cilinder/pompkast, afdichting beschadigd.	Vervang inlegger B.
	Stanghouder/cilinder/pompkast, flensbouten los.	Zet de bouten vast.
Motor draait niet. Motor langzaam of onregelmatig.	Verkeerde spanning.	Laad de accu op.
	De accu heeft het einde van zijn levensduur bereikt.	Vervang de accu.
	Gelijkstroommotor beschadigd door oververhitting.	Vervang de gelijkstroommotor.
	Lagers of tandwielen van gelijkstroommotor beschadigd of kapot.	Vervang lagers of tandwielen.

## OPMERKING:

- De interne componenten van de pomp en het zuigergebied hebben hele nauwe toleranties en zijn gevoelig voor schade door stof, vuil, verontreiniging van de hydraulische vloeistof of onjuiste behandeling. Voor de demontage van de pompkast zijn speciaal gereedschap en opleiding vereist. Dit mag alleen worden gedaan door gekwalificeerd onderhoudspersoneel dat hiervoor opgeleid is en het juiste gereedschap heeft. Onjuist onderhoud aan elektrische onderdelen kan leiden tot situaties waarin ernstige verwondingen kunnen ontstaan. De pomp, zuigeronderdelen en alle elektrische onderdelen mogen alleen worden onderhouden door een erkende monteur, handelaar of distributeur.



## ONDERHOUD

### LET OP:

- Controleer altijd of het apparaat is uitgeschakeld en de accu eruit is verwijderd voordat u inspectie of onderhoud aan het apparaat gaat uitvoeren.
- Gebruik nooit benzine, wasbenzine, thinner, alcohol en dergelijke. Hierdoor kunnen verkleuring, vervormingen en barsten worden veroorzaakt.

Om de VEILIGHEID en BETROUWBAARHEID van het product te garanderen, moeten alle reparaties, onderhoud en afstellingen door een erkend Makita-servicecentrum uitgevoerd worden, en mogen uitsluitend vervangingsonderdelen van Makita gebruikt worden.

## OPTIONELE ACCESSOIRES

### LET OP:

- Deze accessoires of hulpstukken worden aanbevolen voor gebruik met het Makita-apparaat dat in deze handleiding wordt beschreven. Gebruik van andere accessoires of hulpstukken kan een risico inhouden op lichamelijk letsel. Gebruik accessoires of hulpstukken uitsluitend voor het aangegeven doel.

Voor meer informatie over deze accessoires kunt u contact opnemen met uw plaatselijke Makita-servicecentrum.

- Originele accu en oplader van Makita

### OPMERKING:

- Sommige items in de lijst zijn mogelijk als standaardaccessoires met het apparaat meegeleverd. Dit kan per land verschillen.

## ESPAÑOL (Instrucciones originales)

### Explicación de la vista general

- |                            |                                       |  |
|----------------------------|---------------------------------------|--|
| 1. Indicador rojo          | 10. Barra de refuerzo                 | 19. Perno (más largo)                  |
| 2. Botón                   | 11. Cuchillas                         | 20. Perno (más corto)                  |
| 3. Cartucho de batería     | 12. Tope                              | 21. Arandela                           |
| 4. Indicador LED           | 13. Más de 200 mm                     | 22. Soporte de la barra                |
| 5. Bloqueo del interruptor | 14. Orificio de aire                  | 23. Varilla del cortador               |
| 6. Gatillo interruptor     | 15. Llave hexagonal                   | 24. Cuchilla A en soporte de la barra  |
| 7. Cara A                  | 16. Válvula de retorno                | 25. Cuchilla B en varilla del cortador |
| 8. Cara B                  | 17. Cuchilla A (cuchilla más gruesa)  | 26. Cuchillas de repuesto              |
| 9. Protector               | 18. Cuchilla B (cuchilla más delgada) |  |

## ESPECIFICACIONES

Modelo	DSC163
Capacidad de corte máx. (diámetro en mm)	16 mm
Grado 40 - Grado 60	
Grado 40: resistencia a tensión 490 N/mm <sup>2</sup> 70.000 PSI	
Grado 60: resistencia a tensión 620 N/mm <sup>2</sup> 90.000 PSI	
Velocidad de corte	2,8 segundos
Longitud total	360 mm
Peso neto	6,9 kg
Tensión nominal	CC 18V

- Debido a nuestro continuo programa de investigación y desarrollo, las especificaciones en este manual están sujetas a cambio sin previo aviso.
- Las especificaciones y el cartucho de batería pueden diferir de país a país.
- Peso, con el cartucho de batería, de acuerdo con el procedimiento EPTA 01/2014

### Cartucho de batería y cargador aplicables

Cartucho de batería	BL1830B / BL1840B / BL1850B / BL1860B
Cargador	DC18RC / DC18RD / DC18RE / DC18SD / DC18SE / DC18SF / DC18SH

- Algunos de los cartuchos de batería y cargadores indicados arriba puede que no estén disponibles dependiendo de su región de residencia.

#### ADVERTENCIA:

- **Utilice solamente los cartuchos de batería y cargadores listados arriba.** La utilización de cualquier otro cartucho de batería y cargador puede ocasionar heridas y/o un incendio.

## Símbolos

A continuación se muestran los símbolos utilizados con este equipo. Asegúrese de que entiende su significado antes de usarlo.



..... Lea el manual de instrucciones.



Cd  
Ni-MH  
Li-ion

..... Sólo para países de la Unión Europea  
Debido a la presencia de componentes peligrosos en el equipo, el equipo eléctrico y electrónico, los acumuladores y las baterías desechados pueden tener un impacto negativo para el medioambiente y la salud humana.

¡No tire los aparatos eléctricos y electrónicos ni las baterías junto con los residuos domésticos!

De conformidad con las Directivas Europeas sobre residuos de aparatos eléctricos y electrónicos y sobre acumuladores y baterías, así como la adaptación de las mismas a la ley nacional, el equipo eléctrico, las baterías y los acumuladores desechados deberán ser almacenados por separado y trasladados a un punto distinto de recogida de desechos municipales, que cumpla con los reglamentos sobre protección medioambiental.

Esto se indica mediante el símbolo de cubo de basura tachado colocado en el equipo.

## Uso previsto

La herramienta se utiliza para cortar barras de refuerzo.

## Ruido

El nivel de ruido A-ponderado típico determinado de acuerdo con la norma EN62841-2-8:

Nivel de presión sonora (LpA) : 78 dB (A)

Indeterminación (K) : 3 dB (A)

El nivel de ruido en situación de trabajo puede exceder 80 dB (A).

## NOTA:

- El valor (o los valores) de emisión de ruido declarado ha sido medido de acuerdo con un método de prueba estándar y se puede utilizar para comparar una herramienta con otra.
- El valor (o valores) de emisión de ruido declarado también se puede utilizar en una valoración preliminar de exposición.

## ⚠ ADVERTENCIA:

- **Póngase protectores para oídos.**
- **La emisión de ruido durante la utilización real de la herramienta eléctrica puede variar del valor (o los valores) de emisión declarado dependiendo de las formas en las que la herramienta sea utilizada, especialmente qué tipo de pieza de trabajo se procesa.**

- **Asegúrese de identificar medidas de seguridad para proteger al operario que estén basadas en una estimación de la exposición en las condiciones reales de utilización (teniendo en cuenta todas las partes del ciclo operativo como las veces cuando la herramienta está apagada y cuando está funcionando en vacío además del tiempo de gatillo).**

## Vibración

El valor total de la vibración (suma de vectores triaxiales) determinado de acuerdo con la norma EN62841-2-8:

Modo de funcionamiento: corte de barras de refuerzo

Emisión de vibración ( $a_{h1}$ ): 2,5 m/s<sup>2</sup> o menos

Indeterminación (K) : 1,5 m/s<sup>2</sup>

## NOTA:

- El valor (o los valores) total de emisión de vibración declarado ha sido medido de acuerdo con un método de prueba estándar y se puede utilizar para comparar una herramienta con otra.
- El valor (o los valores) total de emisión de vibración declarado también se puede utilizar en una valoración preliminar de exposición.

## ⚠ ADVERTENCIA:

- **La emisión de vibración durante la utilización real de la herramienta eléctrica puede variar del valor (o los valores) de emisión declarado dependiendo de las formas en las que la herramienta sea utilizada, especialmente qué tipo de pieza de trabajo se procesa.**
- **Asegúrese de identificar medidas de seguridad para proteger al operario que estén basadas en una estimación de la exposición en las condiciones reales de utilización (teniendo en cuenta todas las partes del ciclo operativo como las veces cuando la herramienta está apagada y cuando está funcionando en vacío además del tiempo de gatillo).**

## Declaración de conformidad CE

### Para países europeos solamente

La declaración de conformidad de la CE se incluye en el anexo A de este manual de instrucciones.

## Advertencias de seguridad para herramientas eléctricas en general

⚠ **ADVERTENCIA:** Lea todas las advertencias de seguridad, instrucciones, ilustraciones y especificaciones provistas con esta herramienta eléctrica. Si no sigue todas las instrucciones indicadas abajo podrá resultar en una descarga eléctrica, un incendio y/o heridas graves.

# Guarde todas las advertencias e instrucciones para futuras referencias.

El término “herramienta eléctrica” en las advertencias se refiere a su herramienta eléctrica de funcionamiento con conexión a la red eléctrica (con cable) o herramienta eléctrica de funcionamiento a batería (sin cable).

## Seguridad en el área de trabajo

1. **Mantenga el área de trabajo limpia y bien iluminada.** Las áreas de trabajo atestadas u oscuras son una invitación a accidentes.
2. **No utilice las herramientas eléctricas en atmósferas explosivas, como en la presencia de líquidos, gases o polvo inflamables.** Las herramientas eléctricas crean chispas que pueden prender fuego al polvo o los humos.
3. **Mantenga a los niños y transéúntes alejados mientras utiliza una herramienta eléctrica.** Las distracciones le pueden hacer perder el control.

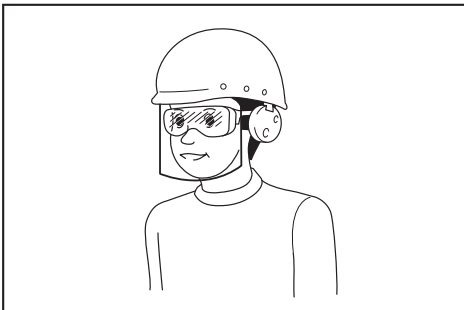
## Seguridad eléctrica

1. **Las clavijas de las herramientas eléctricas deberán ser apropiadas para la toma de corriente. No modifique nunca la clavija de ninguna forma. No utilice ninguna clavija adaptadora con herramientas eléctricas que tengan conexión a tierra (puesta a tierra).** La utilización de clavijas no modificadas y tomas de corriente apropiadas para las clavijas reducirá el riesgo de que se produzca una descarga eléctrica.
2. **Evite tocar con el cuerpo superficies conectadas a tierra o puestas a tierra tales como tubos, radiadores, cocinas y refrigeradores.** Si su cuerpo es puesto a tierra o conectado a tierra existirá un mayor riesgo de que sufra una descarga eléctrica.
3. **No exponga las herramientas eléctricas a la lluvia ni a condiciones húmedas.** La entrada de agua en una herramienta eléctrica aumentará el riesgo de que se produzca una descarga eléctrica.
4. **No haga mal uso del cable. No utilice nunca el cable para transportar, arrastrar o desenchufar la herramienta eléctrica. Mantenga el cable alejado del calor, aceite, bordes cortantes o partes en movimiento.** Los cables dañados o enredados aumentarán el riesgo de que se produzca una descarga eléctrica.
5. **Cuando vaya a utilizar una herramienta eléctrica en exteriores, utilice un cable de extensión apropiado para uso en exteriores.** La utilización de un cable apropiado para uso en exteriores reducirá el riesgo de que se produzca una descarga eléctrica.
6. **Si resulta inevitable utilizar una herramienta eléctrica en un lugar húmedo, utilice un suministro de corriente protegido con un interruptor diferencial.** La utilización de un interruptor diferencial reduce el riesgo de que se produzca una descarga eléctrica.

7. **Las herramientas eléctricas pueden producir campos electromagnéticos (EMF), que no son dañinos para el usuario.** No obstante, los usuarios de marcapasos y otros dispositivos médicos similares deben ponerse en contacto con el fabricante de su dispositivo y/o con su médico para obtener asesoramiento antes de operar esta herramienta.

## Seguridad personal

1. **Esté alerta, concéntrese en lo que esté haciendo y emplee el sentido común cuando utilice una herramienta eléctrica. No utilice una herramienta eléctrica cuando esté cansado o bajo la influencia de drogas, alcohol o medicamentos.** Un momento sin atención mientras se están utilizando herramientas eléctricas puede resultar en heridas personales graves.
2. **Utilice equipo de protección personal. Póngase siempre protección para los ojos.** El equipo de protección como máscara contra el polvo, zapatos de seguridad antideslizantes, casco rígido y protección para los oídos utilizado en las condiciones apropiadas reducirá el riesgo de sufrir heridas personales.
3. **Evite los arranques involuntarios. Asegúrese de que el interruptor está en la posición desactivada antes de conectar a la toma de corriente y/o la batería, coger o transportar la herramienta.** El transportar herramientas eléctricas con el dedo en el interruptor o el conectar la alimentación a herramientas eléctricas que tienen el interruptor activado invita a accidentes.
4. **Retire cualquier llave de ajuste o llave de apriete antes de encender la herramienta eléctrica.** Una llave de apriete o llave de ajuste que haya sido dejada puesta en una parte giratoria de la herramienta eléctrica puede resultar en heridas personales.
5. **No utilice la herramienta donde no alcance. Mantenga los pies sobre suelo firme y el equilibrio en todo momento.** Esto permite un mejor control de la herramienta eléctrica en situaciones inesperadas.
6. **Vístase apropiadamente. No se ponga ropa holgada o joyas. Mantenga el cabello y la ropa alejados de las partes en movimiento.** Las ropas holgadas, las joyas o el cabello largo se pueden enganchar en las partes móviles.
7. **Si hay provistos dispositivos para la conexión de equipos de extracción y recogida de polvo, asegúrese de conectarlos y utilizarlos debidamente.** La utilización de recogida de polvo permite reducir los riesgos relacionados con el polvo.
8. **No deje que la familiaridad obtenida con el uso frecuente de las herramientas le permita volverse complaciente e ignorar los principios de seguridad de la herramienta.** Un acto de descuido puede ocasionar heridas graves en la fracción de un segundo.
9. **Póngase siempre gafas de protección para proteger sus ojos de heridas cuando utilice herramientas eléctricas. Las gafas de protección deben cumplir con las normas ANSI Z87.1 en los Estados Unidos de América, EN 166 en Europa, o AS/NZS 1336 en Australia/Nueva Zelanda. En Australia/Nueva Zelanda, se requiere, también, legalmente ponerse pantalla facial para proteger la cara.**



Es una responsabilidad del empresario imponer a los operarios de la herramienta y a otras personas en las inmediaciones del área de trabajo el uso de equipos de protección de seguridad apropiados.

#### Utilización y cuidado de la herramienta eléctrica

1. **No fuerce la herramienta eléctrica. Utilice la herramienta eléctrica correcta para su tarea.** La herramienta eléctrica correcta realizará la tarea mejor y de forma más segura a la potencia para la que ha sido diseñada.
2. **No utilice la herramienta eléctrica si el interruptor no la enciende y apaga.** Cualquier herramienta eléctrica que no pueda ser controlada con el interruptor será peligrosa y deberá ser reparada.
3. **Desconecte la clavija de la fuente de alimentación y/o retire la batería, si es desmontable, de la herramienta eléctrica antes de hacer cualquier ajuste, cambio de accesorios, o almacenar la herramienta eléctrica.** Tales medidas de seguridad preventivas reducen el riesgo de que la herramienta eléctrica pueda ser puesta en marcha por accidente.
4. **Guarde las herramientas eléctricas que no esté utilizando fuera del alcance de los niños y no permita que personas no familiarizadas con la herramienta eléctrica o estas instrucciones utilice la herramienta eléctrica.** Las herramientas eléctricas son peligrosas en manos de personas no capacitadas.
5. **Realice el mantenimiento a las herramientas eléctricas y los accesorios. Compruebe si hay desalineación o bloqueo de las partes móviles, rotura de partes y cualquier otra condición que pueda afectar a la operación de la herramienta eléctrica. Si está dañada, haga que la herramienta eléctrica sea reparada antes de utilizarla.** Muchos accidentes son causados por un mal mantenimiento de las herramientas eléctricas.
6. **Mantenga los implementos de corte afilados y limpios.** Los implementos de corte bien mantenidos con los bordes de corte afilados son menos propensos a estancarse y más fáciles de controlar.
7. **Utilice la herramienta eléctrica, los accesorios y los implementos, etc., de acuerdo con estas instrucciones, teniendo en cuenta las condiciones de trabajo y la tarea que va a realizarse.** La utilización de la herramienta eléctrica para operaciones distintas de las previstas podrá resultar en una situación peligrosa.

8. **Mantenga los mangos y superficies de asimiento secos, limpios y libres de aceite y grasa.** Los mangos y superficies de asimiento resbaladizos no permiten un manejo y control seguros de la herramienta en situaciones inesperadas.
9. **Cuando utilice la herramienta, no lleve guantes de trabajo de material textil que puedan enredarse.** Si los guantes de trabajo de material textil se enredan en las partes móviles, pueden provocar heridas personales.

#### Utilización y cuidado de la herramienta a batería

1. **Cargue la batería solamente con el cargador especificado por el fabricante.** Un cargador que es apropiado para un tipo de batería puede crear un riesgo de incendio cuando se utiliza con otra batería.
2. **Utilice las herramientas eléctricas solamente con las baterías designadas específicamente para ellas.** La utilización de cualquier otra batería puede crear un riesgo de heridas o incendio.
3. **Cuando la batería no esté siendo utilizada, guárdela alejada de otros objetos metálicos, como sujetapapeles, monedas, llaves, clavos, tornillos u otros objetos metálicos pequeños, que puedan hacer conexión entre un terminal y el otro.** Si se cortocircuitan entre sí los terminales de la batería podrán producirse quemaduras o un incendio.
4. **En condiciones abusivas, es posible que salga expulsado líquido de la batería; evite el contacto con él. Si se produce un contacto accidental, enjuague con agua. Si el líquido entra en los ojos, además de enjuagarlos, solicite asistencia médica.** El líquido expulsado de la batería puede ocasionar irritación y quemaduras.
5. **No utilice una batería o herramienta que esté dañada o modificada.** Las baterías dañadas o modificadas pueden comportarse de forma impredecible resultando en un incendio, explosión o riesgo de heridas.
6. **No exponga una batería o herramienta al fuego o a temperatura excesiva.** La exposición al fuego o a una temperatura superior a los 130 °C puede ocasionar una explosión.
7. **Siga todas las instrucciones de carga y no cargue la batería o la herramienta fuera del rango de temperatura especificado en las instrucciones.** Cargar incorrectamente o a temperaturas fuera del rango especificado puede dañar la batería y aumentar el riesgo de incendio.

#### Servicio

1. **Haga que su herramienta eléctrica sea servida por una persona de reparación cualificada utilizando solamente piezas de repuesto idénticas.** De esta forma la herramienta eléctrica seguirá siendo segura.
2. **No haga nunca el mantenimiento a baterías dañadas.** El mantenimiento de las baterías debe ser realizado solamente por el fabricante o proveedores de servicio autorizados.
3. **Siga las instrucciones para lubricarlas y cambiar los accesorios.**

# ADVERTENCIAS DE SEGURIDAD DE LA CORTADORA DE VARILLA INALÁMBRICA

1. **Sostenga la herramienta con firmeza cuando la esté utilizando.** De lo contrario, podría sufrir lesiones.
2. **Mantenga las manos y la cara alejadas de las piezas móviles.** Podrían provocarle lesiones.
3. **Suelte el gatillo interruptor inmediatamente para detener la herramienta cuando no funcione correctamente u oiga un ruido extraño durante su uso.** Haga que el centro de servicio autorizado la revise y repare. En caso contrario, podría ocasionarle daños o lesiones.
4. **Si deja caer o golpea la herramienta, compruebe detenidamente que el cuerpo no se ha dañado, roto o deformado.** Dichos daños podrían causarle lesiones.
5. **Esta herramienta es una herramienta electrohidráulica. Se ha rellenado el depósito de aceite antes de la entrega. No añada aceite a menos que la herramienta no funcione correctamente.**
6. **Las cuchillas metálicas de corte tienen los bordes afilados.** Manéjelas con cuidado para evitar que se corte.
7. **Las cuchillas dañadas, deformadas o rotas pueden causar accidentes graves, así como perjudicar el funcionamiento.** Reemplácelas por cuchillas nuevas y originales inmediatamente.
4. **Si entra electrólito en sus ojos, aclárelos con agua limpia y acuda a un médico inmediatamente.** Existe el riesgo de poder perder la vista.
5. **No cortocircuite el cartucho de batería:**
  - (1) **No toque los terminales con ningún material conductor.**
  - (2) **Evite guardar el cartucho de batería en un cajón junto con otros objetos metálicos, como clavos, monedas, etc.**
  - (3) **No exponga el cartucho de batería al agua ni a la lluvia.****Un cortocircuito en la batería puede producir una gran circulación de corriente, un recalentamiento, posibles quemaduras e incluso una rotura de la misma.**
6. **No guarde ni utilice la herramienta y el cartucho de batería en lugares donde la temperatura pueda alcanzar o exceder los 50 °C.**
7. **Nunca incinere el cartucho de batería incluso en el caso de que esté dañado seriamente o ya no sirva en absoluto. El cartucho de batería puede explotar si se tira al fuego.**
8. **No clave, corte, aplaste, lance, deje caer el cartucho de batería, ni golpee contra un objeto duro el cartucho de batería.** Tal conducta podrá resultar en un incendio, calor excesivo, o una explosión.
9. **No utilice una batería dañada.**
10. **Las baterías de litio-ion contenidas están sujetas a los requisitos de la Legislación para Materiales Peligrosos.**

Para transportes comerciales, p.ej., por terceras personas y agentes de transportes, se deberán observar requisitos especiales para el empaquetado y etiquetado.

Para la preparación del artículo que se va a enviar, se requiere consultar con un experto en materiales peligrosos. Por favor, observe también la posibilidad de reglamentos nacionales más detallados.

Cubra con cinta aislante o enmascare los contactos expuestos y empaquete la batería de tal manera que no se pueda mover alrededor dentro del embalaje.

## GUARDE ESTAS INSTRUCCIONES.

### ADVERTENCIA:

No permita que la comodidad o la familiaridad con el producto (fruto del uso repetido) haga que no respete estrictamente las normas de seguridad del producto en cuestión. El uso indebido o el incumplimiento de las normas de seguridad mencionadas en este manual de instrucciones puede causar lesiones personales graves.

## Instrucciones de seguridad importantes para el cartucho de batería

1. **Antes de utilizar el cartucho de batería, lea todas las instrucciones e indicaciones de precaución sobre (1) el cargador de baterías, (2) la batería, y (3) el producto con el que se utiliza la batería.**
2. **No desensamble ni manipule el cartucho de batería.** Podrá resultar en un incendio, calor excesivo, o una explosión.
3. **Si el tiempo de uso se acorta demasiado, cese la operación inmediatamente.** Podría resultar en un riesgo de recalentamiento, posibles quemaduras e incluso una explosión.
11. **Para desechar el cartucho de batería, retírelo de la herramienta y deséchelo en un lugar seguro. Siga los reglamentos locales referentes al desecho de la batería.**
12. **Utilice las baterías solamente con los productos especificados por Makita.** La instalación de las baterías en productos no compatibles puede resultar en un incendio, calor excesivo, explosión, o fuga de electrolito.
13. **Si la herramienta no va a ser utilizada durante un periodo de tiempo largo, la batería deberá ser retirada de la herramienta.**
14. **Durante y después de la utilización, el cartucho de batería podrá acumular calor, lo cual puede ocasionar quemaduras o quemaduras de baja temperatura.** Preste atención al manejo de cartuchos de batería calientes.
15. **No toque el terminal de la herramienta inmediatamente después de utilizar, dado que puede calentarse lo suficiente como para ocasionar quemaduras.**

16. **No permita que virutas, polvo, o tierra se adhieran dentro de los terminales, orificios, y ranuras del cartucho de batería.** Podría resultar en un mal rendimiento o rotura de la herramienta o el cartucho de batería.
17. **A menos que la herramienta pueda utilizarse cerca de cables eléctricos de alta tensión, no utilice el cartucho de batería cerca de cables eléctricos de alta tensión.** Podrá resultar en un mal funcionamiento o rotura de la herramienta o el cartucho de batería.
18. **Mantenga la batería alejada de los niños.**

## GUARDE ESTAS INSTRUCCIONES.

### ⚠ PRECAUCIÓN:

- **Utilice solamente baterías genuinas de Makita.** La utilización de baterías no genuinas de Makita, o baterías que han sido alteradas, puede resultar en una explosión de la batería ocasionando incendios, heridas personales y daños. También anulará la garantía de Makita para la herramienta y el cargador de Makita.

### Consejos para alargar al máximo la vida de servicio de la batería

1. **Cargue el cartucho de batería antes de que se descargue completamente. Detenga siempre la operación y cargue el cartucho de batería cuando note menos potencia en la herramienta.**
2. **No cargue nunca un cartucho de batería que esté completamente cargado. La sobrecarga acortará la vida de servicio de la batería.**
3. **Cargue el cartucho de batería a temperatura ambiente de 10 °C - 40 °C. Si un cartucho de batería está caliente, déjelo enfriar antes de cargarlo.**
4. **Cuando no esté utilizando el cartucho de batería, retírelo de la herramienta o del cargador.**
5. **Cargue el cartucho de batería si no lo utiliza durante un periodo de tiempo prolongado (más de seis meses).**

## DESCRIPCIÓN FUNCIONAL

### ⚠ PRECAUCIÓN:

- Asegúrese siempre de que la herramienta está apagada y el cartucho de batería retirado antes de realizar cualquier ajuste o comprobación en la herramienta.

### Instalación o extracción del cartucho de batería (Fig. 1)

### ⚠ PRECAUCIÓN:

- Apague siempre la herramienta antes de instalar o retirar el cartucho de batería.
- **Sujete la herramienta y el cartucho de batería firmemente cuando instale o retire el cartucho de batería.** Si no sujeta la herramienta y el cartucho de batería firmemente podrán caérsele de las manos y resultar en daños a la herramienta y al cartucho de batería y heridas personales.

Para retirar el cartucho de batería, deslícelo de la herramienta mientras desliza el botón de la parte frontal del cartucho.  
Para instalar el cartucho de batería, alinee la lengüeta del cartucho de batería con la ranura de la carcasa y deslícelo hasta que encaje en su sitio. Insértelo a tope hasta que se bloquee en su sitio produciendo un pequeño chasquido. Si puede ver el indicador rojo en el lado superior del botón, no estará bloqueado completamente.

### ⚠ PRECAUCIÓN:

- Instale siempre el cartucho de batería completamente hasta que no pueda verse el indicador rojo. En caso contrario, podrá caerse accidentalmente de la herramienta y ocasionarle heridas a usted o a alguien que esté cerca de usted.
- No instale el cartucho de batería empleando fuerza. Si el cartucho no se desliza al interior fácilmente, será porque no está siendo insertado correctamente.

### Sistema de protección de la herramienta / batería

La herramienta está equipada con un sistema de protección de la herramienta/batería. Este sistema corta automáticamente la alimentación para alargar la vida útil de la herramienta y la batería. La herramienta se detendrá automáticamente durante la operación si la herramienta o la batería es puesta en una de las condiciones siguientes:

#### Protección contra sobrecarga

Esta protección funciona cuando la herramienta es utilizada de una manera que da lugar a que tenga que absorber una corriente anormalmente alta. En esta situación, apague la herramienta y detenga la aplicación que ocasiona la sobrecarga de la herramienta. Después encienda la herramienta para volver a empezar.

#### Protección contra el recalentamiento

Esta protección funciona cuando la herramienta o la batería se recalienta. En esta situación, deje que la herramienta y la batería se enfríen antes de encender la herramienta otra vez.




#### Protección contra descarga excesiva

Esta protección funciona cuando la capacidad de batería restante es baja. En esta situación, retire la batería de la herramienta y cargue la batería.

## Indicación de la capacidad de batería restante (Fig. 2)

(Específico del país)

Cuando pulsa el gatillo interruptor, el indicador LED muestra la capacidad de batería restante conforme a la tabla siguiente.

Estado del indicador LED	Capacidad de batería restante
	Aprox. 50 % o más
	Aprox. 20 % - 50 %
	Aprox. menos de 20 %

### NOTA:

- El indicador LED se apaga aproximadamente un minuto después de soltar el gatillo interruptor para ahorrar potencia de la batería. Para comprobar la capacidad de batería restante, pulse ligeramente el gatillo interruptor.
- Si el indicador LED se ilumina, pero la herramienta no funciona incluso con un cartucho de batería recargado, deje que se enfríe completamente la herramienta. Si la herramienta sigue sin funcionar, póngase en contacto con un centro de servicio Makita local para reparar la herramienta.

## PROCEDIMIENTO DE FUNCIONAMIENTO

Lea, comprenda y siga todas las instrucciones de seguridad y los procedimientos de funcionamiento. Si no entiende las instrucciones, o si las condiciones no son correctas para un funcionamiento adecuado, no utilice esta herramienta. Consulte a su supervisor o a otro responsable.

### ⚠️ ADVERTENCIA:

- Antes de insertar la batería en la herramienta, pulse y suelte el gatillo interruptor para asegurarse de que vuelve cuando lo suelta.

El motor se enciende cuando pulsa el gatillo interruptor y se apaga cuando lo suelta.

## Funcionamiento del bloqueo del interruptor (Fig. 3)

- Pulse el bloqueo del interruptor en el lado A, el interruptor se desbloqueará y podrá utilizar el gatillo.
- Pulse el bloqueo del interruptor en el lado B, el interruptor se bloqueará y no podrá utilizar el gatillo.

### ⚠️ PRECAUCIÓN:

- El gatillo interruptor debe bloquearse siempre cuando no utilice la herramienta.

### ⚠️ ADVERTENCIA:

- Antes de utilizar la herramienta, confirme que tanto la posición del operador, en relación con la herramienta, como la zona circundante son seguras. Póngase gafas de seguridad y ropa de protección.
- Consulte las especificaciones de la herramienta en este manual y no corte barras de refuerzo de tamaño o dureza que supere la capacidad de corte de la herramienta.
- No corte material que no sea la barra de refuerzo. Póngase en contacto con el fabricante si desea cortar otros materiales.

### ⚠️ ADVERTENCIA:

- Reemplace inmediatamente las cuchillas dañadas (picadas, rotas o agrietadas) o deformadas. La cuchilla no cortará con precisión y puede quebrarse o romperse causando lesiones personales graves.

## Procedimiento de corte

### ⚠️ ADVERTENCIA:

- Nunca utilice la herramienta sin el protector colocado.** En caso contrario, puede causar lesiones personales graves. (Fig. 4)
  - El "protector" es un equipo para evitar la proyección de fragmentos hacia el operador. No impide una proyección hacia la dirección axial de la barra de refuerzo. Colóquese de forma que el protector bloquee los fragmentos.
  - En algunas figuras no se muestra el protector, pero es para mostrar el interior del protector. Utilice siempre el protector en su lugar.
- Coloque la barra de refuerzo para cortarla entre las cuchillas. (Fig. 5)  
Ajuste el tope según el diámetro de la barra de refuerzo que desea cortar de modo que esté colocada a 90 grados respecto a las cuchillas. El tope soporta la barra de refuerzo y la mantiene en posición perpendicular respecto a las cuchillas cuando la corte. (Fig. 6)

### ⚠️ ADVERTENCIA:

- Al cortar la barra de refuerzo, ajuste el tope según el diámetro de la barra de refuerzo que desea cortar de modo que esté colocada a 90 grados respecto a las cuchillas. Sin este ajuste, la pieza de corte puede salir expulsada y causarle heridas graves al operador o a otras personas. No olvide comprobar la posición del operador en relación con la herramienta y confirme la seguridad del operador y la zona circundante.
- Coloque la barra de refuerzo lo suficientemente profunda entre las cuchillas para que no toque el protector. (Fig. 7)

### ⚠️ ADVERTENCIA:

- Si la barra de refuerzo que se va a cortar, no está totalmente colocada entre las cuchillas, estas se dañarán; la barra saldrá expulsada violentamente y puede causar lesiones personales graves.

### ⚠️ ADVERTENCIA:

- No corte la barra de refuerzo cuando la longitud de esta sea menor de 200 mm. Al cortar una barra de refuerzo que sea más corta, esta puede salir expulsada y puede causar lesiones personales graves. (Fig. 8)



### **⚠ ADVERTENCIA:**

- No corte la barra de refuerzo cuando el tope no la soporta correctamente. Al cortar la barra de refuerzo, sujétela en el tope. **(Fig. 9, 10)** De lo contrario, la pieza de corte puede salir expulsada y causarle heridas graves al operador o a otras personas.
- 3. Pulse el bloqueo del interruptor en el lado A, el interruptor se desbloqueará y podrá utilizar el gatillo.
- 4. Pulse el gatillo interruptor para iniciar la tarea de corte. La varilla del cortador se moverá hacia adelante para cortar la barra de refuerzo. Mantenga el gatillo interruptor pulsado hasta que la varilla del cortador se detenga al final del recorrido.
- 5. Suelte el gatillo interruptor cuando finalice el corte y la varilla del cortador haya alcanzado el final del recorrido. La varilla del cortador volverá a continuación a la posición inicial automáticamente. La varilla del cortador no volverá si el recorrido no se completa. De igual forma, la varilla del cortador no podrá avanzar otra vez hasta que no vuelva totalmente a su posición inicial. Pulse el gatillo interruptor para iniciar el próximo corte, solo cuando la varilla del cortador vuelva completamente a la posición inicial y se detenga.

### **⚠ ADVERTENCIA:**

- Al cortar la barra de refuerzo con una resistencia a tensión alta, la pieza de corte puede salir expulsada y causarle heridas graves al operador. Póngase gafas de seguridad y confirme que la zona circundante es segura antes de comenzar a utilizar la herramienta.

### **⚠ ADVERTENCIA:**

- Mantenga las manos y la cara alejadas de las herramientas, las piezas móviles y la zona de corte, durante el funcionamiento. Extraiga la batería de la herramienta inmediatamente después de utilizarla.

### **NOTA:**

- Si la temperatura de la carcasa de la herramienta supera los 70 °C, la capacidad de la herramienta disminuye. En tal caso, detenga el uso y deje que la herramienta se enfríe.

### **NOTA:**

- Mantenga el orificio de aire en el extremo del soporte de la barra limpio y sin suciedad ni residuos. El orificio de aire controla la presión interna y no debe estar obstruido. **(Fig. 11)**

## **Función giratoria del motor (Fig. 12)**

El cuerpo del motor se puede girar 360 grados, en cualquier dirección, durante el funcionamiento. Esta función es especialmente útil cuando se trabaja en zonas incómodas o estrechas ya que permite al operador colocar la herramienta en la mejor posición para facilitar su uso.

## **Funcionamiento de válvula de retorno (Fig. 13)**

La función de la válvula de retorno es permitir que la varilla del cortador vuelva a la posición inicial si no completa un corte o se atasca. Aflojar la válvula de retorno media vuelta liberará la presión del aceite y permitirá que la varilla de corte regrese. Vuelva a apretar la válvula de retorno cuando la varilla del cortador haya vuelto completamente y antes de iniciar la siguiente operación.

## **PROCEDIMIENTO DE SUSTITUCIÓN DE CUCHILLAS**

Si las aristas de corte de las cuchillas están picadas, agrietadas, deformadas o dañadas de alguna manera, se reduce su capacidad de corte. Si corta en tales condiciones se pueden causar más daños y ocasionar lesiones personales. Todo el conjunto de cuchillas debe reemplazarse inmediatamente si encuentra daños.

### **⚠ ADVERTENCIA:**

- Al reemplazar las cuchillas, asegúrese de que la batería se extrae de la herramienta para evitar que se inicie el funcionamiento de forma accidental.

Asegúrese de que la cuchilla A, en el soporte de la barra y la cuchilla B, en la varilla del cortador se ajustan en sus respectivas posiciones correctas. **(Fig. 14)**

1. Suelte los pernos y las arandelas que soportan la cuchilla A y la cuchilla B.
2. Elimine la suciedad y limpie las superficies donde se van a colocar las cuchillas nuevas.
3. Ajuste la cuchilla A en el soporte de la barra y la cuchilla B en la varilla del cortador. Reemplace los pernos y las arandelas, y apriételos firmemente.

### **⚠ ADVERTENCIA:**

- Los pernos que soportan la cuchilla A y la cuchilla B deben apretarse con regularidad. Si se aflojan los pernos, las cuchillas pueden dañarse y pueden ocasionar lesiones personales.

## Tipo de cuchilla de repuesto y desmontaje (Fig. 15)

Los pernos de seguridad deben estar apretados con firmeza.

Compruebe con regularidad que la cuchilla está apretada correctamente.

Tamaño de la cuchilla de repuesto

● Utilice esta tabla para identificar las cuchillas correctas para su modelo.

Modelo	A (acoplada al soporte de la barra)	B (acoplada a la varilla del cortador)
DSC163 (ø3 - ø16)	22 × 17 × 9 mm (Tamaño del perno 5 mm)	22 × 17 × 8 mm (Tamaño del perno 5 mm)

### NOTA:

- Utilice únicamente cuchillas Makita originales.

## AÑADIR ACEITE

Esta cortadora de varilla inálámbrica es electrohidráulica. Antes de salir de fábrica, se rellenó con aceite. No intente añadir aceite, siempre que la herramienta funcione correctamente. A medida que transcurre el tiempo, el nivel de aceite bajará de forma gradual. Finalmente, esto hará que el nivel de rendimiento caiga notablemente. Cuando esto suceda, añada aceite tal y como se describe a continuación.

1. Coloque algunas barras de refuerzo entre las cuchillas y pulse el gatillo interruptor.
2. Suelte el gatillo interruptor justo antes de que se complete el corte para detener la herramienta.
3. Extraiga la batería de la herramienta, para que las cuchillas no puedan moverse de forma accidental.
4. Extraiga el perno (SB10x15) que cubre el orificio de llenado de aceite. Añada el aceite con cuidado de no derramarlo dentro del motor.
5. Vuelva a colocar el perno (SB10x15) y ajústelo con firmeza.
6. Vuelva a insertar la batería en la herramienta y finalice la operación de corte.
7. Repita el procedimiento anterior varias veces hasta que el nivel de aceite sea el correcto.

### ⚠ PRECAUCIÓN:

- Utilice únicamente aceite hidráulico puro en esta herramienta tal y como recomienda Makita. Entre los aceites recomendados se incluye el aceite hidráulico suministrado por Makita, Super Hyrando #46 (JX Nippon Oil & Energy Corp.); Shell Tellus Plus #46 (U.S. Shell); o aceite hidráulico antidesgaste de especificación equivalente, ISO Viscosity Grade 46. No utilice otros aceites ya que estos pueden causar daños a los sellos y a otras piezas internas de la máquina.

# LOCALIZACIÓN DE AVERÍAS

## ⚠ ADVERTENCIA:

- Extraiga la batería antes de manipular la herramienta.

PROBLEMA	CAUSA	SOLUCIÓN
La varilla del cortador no se extiende.	Aceite insuficiente	Rellene el aceite. (Consulte la sección "Añadir aceite")
	La varilla del cortador no ha vuelto completamente debido a la acumulación de restos entre la varilla del cortador y el soporte de la barra.	Haga retroceder manualmente la varilla del cortador. Quite los restos y limpie
	La varilla del cortador no ha vuelto completamente debido a que la varilla del cortador se ha dañado.	Reemplace la varilla del cortador.
	La varilla del cortador no ha vuelto completamente debido a que las cuchillas están sueltas o se han dañado.	Apriete los pernos de las cuchillas. Reemplace las cuchillas
	La varilla del cortador no ha vuelto completamente debido a que el muelle de retroceso está suelto.	Reemplace el muelle de retroceso.
No hay energía suficiente para cortar la barra de refuerzo.	Aceite insuficiente.	Rellene el aceite. (Consulte la sección "Añadir aceite")
	La válvula de retorno no se ha colocado correctamente o el asiento se ha dañado.	Limpie la válvula de retorno y el asiento. Quite los arañazos del asiento.
	Válvula de retorno, dañada.	Reemplace la pieza.
	Holgura incorrecta entre el cilindro y el pistón.	Reemplace el pistón. (Nota: existen pistones de diferentes tamaños).
	La válvula de comprobación no se ha colocado correctamente o el asiento se ha dañado.	Limpie la válvula de comprobación y el asiento. Reemplace la pieza.
Embalaje de uretano, dañado o roto.	Reemplace la pieza.	
El aceite se derrama.	Acumulador de nivelador de aceite, dañado o roto.	Reemplace la pieza.
	Soporte de la barra/varilla del cortador, junta tórica dañados; soporte de la barra/varilla, superficie rayada o rugosa.	Reemplace el anillo de sustitución y la junta tórica. Reemplace la varilla del cortador/soporte de la barra
	Soporte del cilindro/barra, junta tórica dañados	Reemplace la junta tórica.
	Carcasa del cilindro/bomba, junta dañados.	Reemplace el revestimiento B.
	Carcasa del soporte de la barra/cilindro/ bomba, pernos de brida sueltos.	Apriete los pernos.
El motor no se mueve. Motor lento o discontinuo.	Tensión incorrecta.	Cargue la batería.
	Batería al final de su vida útil.	Reemplace la batería.
	Motor DC dañado por sobrecalentamiento.	Reemplace el motor DC.
	Cojinetes o engranaje del motor DC dañados o rotos.	Reemplace los cojinetes o el engranaje.

## NOTA:

- Los componentes internos del área de la bomba y el pistón tienen tolerancias muy ajustadas y son sensibles a los daños producidos por el polvo, la suciedad, la contaminación del fluido hidráulico o un manejo incorrecto. El desmontaje de la carcasa de la bomba requiere formación y herramientas especiales y solo debe realizarlo personal cualificado que haya recibido una formación adecuada y que disponga de las herramientas adecuadas. El mantenimiento inadecuado de los componentes eléctricos puede conducir a situaciones que podrían causar daños graves. La bomba, los componentes del pistón y todos los componentes eléctricos deberían repararlos solo el taller de reparación, el vendedor o el distribuidor autorizado.

## MANTENIMIENTO

### PRECAUCIÓN:

- Asegúrese de que la herramienta está apagada y el cartucho de batería retirado antes de intentar realizar una inspección o mantenimiento.
- No utilice nunca gasolina, bencina, disolvente, alcohol o similares. Podría producir descoloración, deformación o grietas.

Para mantener la SEGURIDAD y la FIABILIDAD del producto, las reparaciones y cualquier otro mantenimiento o ajuste deberán ser realizados por los centros de servicio autorizado de Makita, siempre con piezas de repuesto de Makita.

## ACCESORIOS OPCIONALES

### PRECAUCIÓN:

- Estos accesorios o acoplamientos están recomendados para utilizarlos con la herramienta Makita especificada en este manual. La utilización de cualquier otro accesorio o acoplamiento podrá suponer un riesgo de sufrir heridas a personas. Utilice los accesorios o acoplamientos solamente para el propósito que han sido diseñados.

Si necesita cualquier tipo de asistencia para más detalles en relación con estos accesorios, pregunte al centro de servicio Makita local.

- Batería y cargador originales de Makita

### NOTA:

- Algunos elementos de la lista podrán estar incluidos en el paquete de la herramienta como accesorios estándares. Pueden variar de un país a otro.

## PORTUGUÊS (Instruções originais)

### Explicação da vista geral

- |                           |                                   |                                  |
|---------------------------|-----------------------------------|----------------------------------|
| 1. Indicador vermelho     | 10. Varão para betão              | 19. Parafuso (Mais comprido)     |
| 2. Botão                  | 11. Lâminas                       | 20. Parafuso (Mais curto)        |
| 3. Bateria                | 12. Batente                       | 21. Anilha                       |
| 4. Indicador LED          | 13. Mais de 200 mm                | 22. Suporte da barra             |
| 5. Travão do interruptor  | 14. Orifício de ventilação        | 23. Faca de corte                |
| 6. Gatilho do interruptor | 15. Chave hexagonal               | 24. Lâmina A do suporte da barra |
| 7. Lado A                 | 16. Válvula de retorno            | 25. Lâmina B da faca de corte    |
| 8. Lado B                 | 17. Lâmina A (Lâmina mais grossa) | 26. Lâminas de substituição      |
| 9. Protetor               | 18. Lâmina B (Lâmina mais fina)   |                                  |

## ESPECIFICAÇÕES

Modelo	DSC163
Capacidade máxima de corte (Diâm. mm)	16 mm
Grau 40 - Grau 60	
Grau 40: Força de tensão 490 N/mm <sup>2</sup> 70.000 PSI	
Grau 60: Força de tensão 620 N/mm <sup>2</sup> 90.000 PSI	
Velocidade de corte	2,8 segundos
Comprimento total	360 mm
Peso líquido	6,9 kg
Tensão nominal	18 V C.C.

- Devido ao nosso programa de pesquisa e desenvolvimento contínuo, as especificações aqui indicadas estão sujeitas a alterações sem aviso prévio.
- As especificações e a bateria podem variar de país para país.
- Peso, com a bateria, de acordo com o Procedimento 01/2014 da EPTA (European Power Tool Association - Associação Europeia de Ferramentas Elétricas)

### Bateria e carregador aplicável

Bateria	BL1830B / BL1840B / BL1850B / BL1860B
Carregador	DC18RC / DC18RD / DC18RE / DC18SD / DC18SE / DC18SF / DC18SH

- Algumas das baterias e carregadores listados acima poderão não estar disponíveis, dependendo da sua região de residência.

#### AVISO:

- **Utilize apenas as baterias e carregadores listados acima.** A utilização de quaisquer outras baterias e carregadores pode causar ferimentos e/ou um incêndio.

## Símbolos

Em seguida são apresentados os símbolos utilizados para o equipamento. Certifique-se de que compreende o respetivo significado antes de utilizar o equipamento.



..... Ler o manual de instruções.



Cd  
Ni-MH  
Li-ion

..... Apenas para países da UE

Devido à presença de componentes perigosos no equipamento, os resíduos de equipamentos elétricos e eletrônicos, acumuladores e baterias podem ter um impacto negativo no meio ambiente e na saúde humana.

Não elimine aparelhos elétricos e eletrônicos ou baterias juntamente com resíduos domésticos!

De acordo com a Diretiva europeia relativa aos resíduos de equipamentos elétricos e eletrônicos, acumuladores e baterias, bem como a respetiva adaptação à legislação nacional, os resíduos de equipamentos elétricos e eletrônicos, acumuladores e baterias devem ser armazenados separadamente e entregues num ponto de recolha separado para resíduos municipais, que opere de acordo com os regulamentos de proteção ambiental.

Tal é indicado pelo símbolo de contentor de lixo com rodas barrado com uma cruz colocado no equipamento.

## Utilização a que se destina

A ferramenta destina-se a cortar varões para betão.

## Ruído

Nível de ruído ponderado A típico determinado de acordo com a EN62841-2-8:

Nível de pressão sonora (LpA): 78 dB (A)

Variabilidade (K): 3 dB (A)

O nível de ruído durante o funcionamento pode exceder 80 dB (A).

## NOTA:

- O(s) valor(es) da emissão de ruído indicado(s) foi medido de acordo com um método de teste padrão e pode ser utilizado para comparar duas ferramentas.
- O(s) valor(es) da emissão de ruído indicado(s) pode também ser utilizado na avaliação preliminar da exposição.

## ⚠ AVISO:

- **Utilize protetores auriculares.**
- **A emissão de ruído durante a utilização real da ferramenta elétrica pode diferir do(s) valor(es) indicado(s), dependendo das formas como a ferramenta é utilizada, especialmente o tipo de peça de trabalho que é processada.**

- **Certifique-se de identificar as medidas de segurança para proteção do operador que sejam baseadas em uma estimativa de exposição em condições reais de utilização (considerando todas as partes do ciclo de operação, tal como quando a ferramenta está desligada e quando está a funcionar em marcha lenta além do tempo de acionamento).**

## Vibração

Valor total da vibração (soma vetorial tri-axial)

determinado de acordo com a EN62841-2-8:

Modo de trabalho: corte de varões para betão

Emissão de vibração ( $a_{h1}$ ): 2,5 m/s<sup>2</sup> ou menos

Variabilidade (K): 1,5 m/s<sup>2</sup>

## NOTA:

- O(s) valor(es) total(ais) de vibração indicado(s) foi medido de acordo com um método de teste padrão e pode ser utilizado para comparar duas ferramentas.
- O(s) valor(es) total(ais) de vibração indicado(s) pode também ser utilizado na avaliação preliminar da exposição.

## ⚠ AVISO:

- **A emissão de vibração durante a utilização real da ferramenta elétrica pode diferir do(s) valor(es) indicado(s), dependendo das formas como a ferramenta é utilizada, especialmente o tipo de peça de trabalho que é processada.**
- **Certifique-se de identificar as medidas de segurança para proteção do operador que sejam baseadas em uma estimativa de exposição em condições reais de utilização (considerando todas as partes do ciclo de operação, tal como quando a ferramenta está desligada e quando está a funcionar em marcha lenta além do tempo de acionamento).**

## Declaração de conformidade CE

Só para países europeus

A Declaração de conformidade CE está incluída como o Anexo A deste manual de instruções.

## Avisos gerais de segurança para ferramentas elétricas

⚠ **AVISO:** Leia todos os avisos de segurança, instruções, ilustrações e especificações fornecidos com esta ferramenta elétrica. O não cumprimento de todas as instruções indicadas em baixo pode resultar em choque elétrico, incêndio e/ou ferimentos graves.

## Guarde todos os avisos e instruções para futuras referências.

O termo "ferramenta elétrica" nos avisos refere-se às ferramentas elétricas ligadas à corrente elétrica (com cabo) ou às ferramentas elétricas operadas por meio de bateria (sem cabo).

## Segurança da área de trabalho

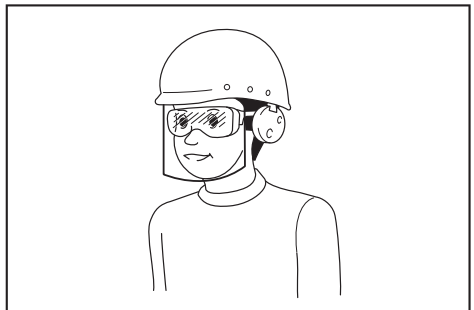
1. **Mantenha a área de trabalho limpa e bem iluminada.** As áreas desordenadas e escuras convidam a acidentes.
2. **Não opere as ferramentas elétricas em atmosferas explosivas, como na presença de líquidos, gases ou poeiras inflamáveis.** As ferramentas elétricas criam faíscas que podem inflamar as poeiras ou fumos.
3. **Mantenha as crianças e outras pessoas presentes afastadas enquanto utiliza a ferramenta elétrica.** As distrações podem fazê-lo perder o controlo.

## Segurança elétrica

1. **As fichas da ferramenta elétrica têm de corresponder à tomada. Nunca modifique a ficha de forma alguma. Não utilize nenhuma ficha adaptadora com ferramentas elétricas ligadas à terra (massa).** As fichas não modificadas e as tomadas correspondentes reduzirão o risco de choque elétrico.
  2. **Evite o contacto do corpo com superfícies ligadas à terra ou à massa, como tubagens, radiadores, coberturas e arrefecedores.** Há um risco aumentado de choque elétrico se o seu corpo estiver ligado à terra ou à massa.
  3. **Não exponha as ferramentas elétricas à chuva ou a condições de humidade.** Se entrar água numa ferramenta elétrica aumenta o risco de choque elétrico.
  4. **Não force o cabo. Nunca utilize o cabo para transportar, puxar ou desligar a ferramenta elétrica da tomada. Mantenha o cabo afastado do calor, óleo, extremidades aguçadas ou peças em movimento.** Os cabos danificados ou emaranhados aumentam o risco de choque elétrico.
  5. **Quando utilizar uma ferramenta elétrica no exterior, utilize um cabo de extensão adequado para utilização no exterior.** A utilização de um cabo adequado para utilização no exterior reduz o risco de choque elétrico.
  6. **Se for inevitável utilizar uma ferramenta elétrica num local húmido, utilize uma alimentação protegida por um dispositivo de corrente residual (RCD).** A utilização de um RCD reduz o risco de choque elétrico.
  7. **As ferramentas elétricas podem produzir campos eletromagnéticos (CEM) que não são nocivos para o utilizador.** Contudo, os utilizadores de marcapassos e de outros dispositivos médicos similares devem contactar o fabricante do seu dispositivo e/ou médico para obter aconselhamento antes de operar esta ferramenta elétrica.
2. **Utilize equipamento de proteção pessoal. Use sempre óculos de proteção.** Os equipamentos de proteção, como uma máscara contra a poeira, calçado de segurança antiderrapante, capacete ou proteção auricular utilizados para as condições adequadas, reduzirão os ferimentos pessoais.
  3. **Previna o arranque não intencional. Certifique-se de que o interruptor está na posição de desligado antes de ligar a uma fonte de alimentação e/ou à bateria, pegar ou transportar a ferramenta.** Transportar as ferramentas elétricas com o dedo no interruptor ou dar energia a uma ferramenta elétrica que tenha o interruptor ligado, pode dar origem a acidentes.
  4. **Remova qualquer chave de ajuste antes de fornecer eletricidade à ferramenta elétrica.** Uma chave deixada ligada a uma peça rotativa da ferramenta elétrica pode resultar em ferimentos pessoais.
  5. **Não se estique demasiado. Mantenha sempre os pés bem assentes e em equilíbrio.** Isto permite um melhor controlo da ferramenta elétrica em situações inesperadas.
  6. **Vista-se adequadamente. Não use vestuário solto ou joalheria. Mantenha o cabelo e o vestuário afastados das peças em movimento.** O vestuário solto, a joalheria ou o cabelo comprido pode ser apanhado pelas peças em movimento.
  7. **Se forem fornecidos dispositivos para a ligação da instalação de extração e recolha de poeiras, certifique-se de que estão corretamente ligados e que são utilizados adequadamente.** A utilização de recolha de poeiras pode reduzir os perigos relacionados com as poeiras.
  8. **Não permita que a familiaridade adquirida pelo uso frequente das ferramentas o tornem complacente e o faça ignorar os princípios de segurança da ferramenta.** Uma ação descuidada pode causar lesões graves numa fração de segundos.
  9. **Use sempre óculos de proteção para proteger os seus olhos contra lesões quando utilizar ferramentas elétricas. Os óculos de proteção devem cumprir os requisitos da ANSI Z87.1 nos EUA, EN 166 na Europa ou AS/NZS 1336 na Austrália/Nova Zelândia. Na Austrália/Nova Zelândia, é legalmente obrigatório o uso de um protetor facial para proteger o seu rosto também.**

## Segurança pessoal

1. **Mantenha-se alerta, tome atenção ao que está a fazer e utilize o senso comum quando utilizar uma ferramenta elétrica. Não utilize uma ferramenta elétrica se estiver cansado ou sob a influência de estupefacientes, álcool ou medicamentos.** Um momento de falta de atenção durante a utilização de uma ferramenta elétrica pode resultar em ferimentos pessoais graves.



**Cabe ao empregador a responsabilidade de impor o uso de equipamentos de proteção e segurança apropriados por parte dos operadores de ferramentas e por parte de outras pessoas na área de trabalho imediata.**

#### **Utilização e cuidados a ter com a ferramenta elétrica**

- 1. Não force a ferramenta elétrica. Utilize a ferramenta elétrica correta para a aplicação.** A ferramenta elétrica correta fará o serviço melhor e de forma mais segura à velocidade para a qual foi concebida.
- 2. Não utilize a ferramenta elétrica se o interruptor não ligar e desligar a ferramenta.** Qualquer ferramenta elétrica que não possa ser controlada com o interruptor é perigosa e tem de ser reparada.
- 3. Desligue a ficha da fonte de alimentação e/ou remova o conjunto de baterias, caso removível, da ferramenta elétrica antes de proceder a ajustes, substituir acessórios ou guardar ferramentas elétricas.** Tais medidas de segurança preventivas reduzem o risco de arranque acidental da ferramenta elétrica.
- 4. Guarde as ferramentas elétricas que não estão a ser utilizadas fora do alcance das crianças e não permita que as pessoas que não estão familiarizadas com a ferramenta elétrica ou com estas instruções utilizem a ferramenta elétrica.** As ferramentas elétricas são perigosas nas mãos de utilizadores sem formação.
- 5. Faça a manutenção de ferramentas elétricas e acessórios. Verifique o desalinhamento ou dobra de peças giratórias, quebra de peças e qualquer outra condição que possa afetar o funcionamento da ferramenta elétrica. Caso danificada, solicite a reparação da ferramenta elétrica antes de utilizá-la.** Muitos acidentes são causados pela fraca manutenção de ferramentas elétricas.
- 6. Mantenha as ferramentas de corte afiadas e limpas.** Quando as ferramentas de corte com extremidades de corte afiadas recebem uma manutenção adequada, é menos provável que prendam e são mais fáceis de controlar.
- 7. Utilize a ferramenta elétrica, os acessórios e as brocas da ferramenta, etc. de acordo com estas instruções, tendo em conta as condições de trabalho e o trabalho a ser realizado.** A utilização da ferramenta elétrica para operações diferentes das pretendidas pode resultar em situações perigosas.
- 8. Mantenha secas, limpas e sem óleo e graxa as pegas e as superfícies onde vai agarrar a ferramenta.** As pegas e as superfícies onde vai agarrar a ferramenta escorregadias não permitem o manuseamento seguro e o controlo da ferramenta em situações inesperadas.
- 9. Quando utilizar a ferramenta, não use vestuário profissional ou luvas que possam ficar enredados.** O enredamento de vestuário profissional ou luvas nas peças móveis poderá resultar em lesão física.

#### **Utilização e cuidados com a ferramenta a bateria**

- 1. Recarregue apenas com o carregador especificado pelo fabricante.** Um carregador adequado para um tipo de bateria pode criar um risco de incêndio quando utilizado com outra bateria.
- 2. Utilize as ferramentas elétricas apenas com as baterias especificamente designadas.** A utilização de uma bateria diferente pode criar um risco de ferimentos e de incêndio.
- 3. Quando a bateria não está a ser utilizada, mantenha-a afastada de outros objetos metálicos, como cliques, moedas, chaves, pregos, parafusos ou outros objetos metálicos pequenos que possam fazer a ligação entre os dois terminais.** Colocar os terminais da bateria em curto-circuito um com o outro pode provocar queimaduras ou um incêndio.
- 4. Em condições abusivas, o líquido pode ser ejetado da bateria; evite o contacto com o mesmo. Se ocorrer um contacto acidental, lave com água. Se o líquido entrar em contacto com os olhos, procure também assistência médica.** O líquido ejetado da bateria pode provocar irritações ou queimaduras.
- 5. Não utilize um conjunto de baterias ou uma ferramenta que se encontrem danificados ou modificados.** As baterias danificadas ou modificadas poderão exibir um comportamento imprevisível, resultando em incêndio, explosão ou risco de lesão.
- 6. Não exponha um conjunto de baterias ou uma ferramenta a incêndio ou temperatura excessiva.** A exposição a incêndio ou a uma temperatura superior a 130 °C poderá causar uma explosão.
- 7. Siga todas as instruções de carregamento e não carregue o conjunto de baterias ou ferramenta fora da amplitude de temperaturas especificada nas instruções.** O carregamento impróprio ou a temperaturas fora da amplitude especificada poderá danificar a bateria e aumentar o risco de incêndio.

#### **Assistência**

- 1. A ferramenta elétrica deve receber assistência por parte de pessoal qualificado que utilize apenas peças de substituição idênticas.** Isto garantirá que a segurança da ferramenta elétrica é mantida.
- 2. Nunca repare conjuntos de baterias danificados.** A reparação de conjuntos de baterias apenas deve ser realizada pelo fabricante ou por prestadores de serviços autorizados.
- 3. Siga as instruções para lubrificação e mudança de acessórios.**

## **AVISOS DE SEGURANÇA DA CORTADORA DE VERGALHÃO A BATERIA**

- 1. Segure firmemente a ferramenta durante a utilização.** Se não segurar a ferramenta firmemente, pode ferir-se.
- 2. Mantenha as mãos e a cara afastadas das peças em movimento.** Estas podem provocar ferimentos.



3. Se a ferramenta estiver com problemas de funcionamento ou emitir um som estranho durante a utilização, solte imediatamente o gatilho do interruptor para parar o funcionamento. Contacte um centro de assistência autorizado para inspeção e reparação. Se não o fizer, pode provocar danos ou ferimentos.
4. Se deixar cair ou der pancadas na ferramenta, verifique cuidadosamente se o corpo ficou danificado, rachado ou deformado. Esses danos podem provocar ferimentos.
5. Esta ferramenta é uma ferramenta eletro-hidráulica. O depósito do óleo vem cheio de fábrica. Não adicione óleo, a não ser que a ferramenta esteja a funcionar de modo estranho.
6. As lâminas de corte metálicas têm extremidades aguçadas. Manuseie-as com cuidado para evitar cortar-se.
7. Lâminas danificadas, deformadas ou rachadas podem provocar acidentes graves, bem como afetar o funcionamento. Substitua-as imediatamente por lâminas novas genuínas.
8. Não pregue, corte, esmague, atire, deixe cair a bateria, nem bata a bateria contra um objeto rijo. Esta conduta pode resultar num incêndio, em calor excessivo ou numa explosão.
9. Não utilize uma bateria danificada.
10. As baterias de íões de lítio contidas na ferramenta são sujeitas aos requisitos da DGL (Dangerous Goods Legislation - Legislação de bens perigosos).  
Para o transporte comercial, por exemplo, por terceiros ou agentes de expedição, têm de ser observados os requisitos referentes à embalagem e etiquetagem.  
Para preparação do artigo a ser expedido, é necessário consultar um perito em materiais perigosos. Tenha ainda em conta a possibilidade de existirem regulamentos nacionais mais detalhados.  
Coloque fita-cola ou tape os contactos abertos e embale a bateria de tal forma que não possa mover-se dentro da embalagem.

## GUARDE ESTAS INSTRUÇÕES.

### ⚠ AVISO:

NÃO deixe que o conforto ou a familiaridade com o produto (resultante de uma utilização frequente) se sobreponha ao rigoroso cumprimento das regras de segurança relativas ao produto em causa. UMA UTILIZAÇÃO INCORRETA ou o não cumprimento das regras de segurança apresentadas neste manual de instruções pode provocar ferimentos pessoais graves.

## Instruções de segurança importantes para a bateria

1. Antes de utilizar a bateria, leia todas as instruções e etiquetas de precaução no (1) carregador de bateria (2) bateria e (3) produto que utiliza a bateria.
2. Não desmonte ou manipule a bateria. Pode resultar num incêndio, em calor excessivo ou numa explosão.
3. Se o tempo de funcionamento se tornar excessivamente curto, pare o funcionamento imediatamente. Pode resultar em sobreaquecimento, possíveis queimaduras e mesmo explosão.
4. Se entrar eletrólito nos seus olhos, lave-os com água e consulte imediatamente um médico. Pode resultar em perda de visão.
5. Não coloque a bateria em curto-circuito:
  - (1) Não toque nos terminais com qualquer material condutor.
  - (2) Evite guardar a bateria juntamente com outros objetos metálicos tais como pregos, moedas, etc.
  - (3) Não exponha a bateria à água ou chuva. Um curto-circuito pode ocasionar um enorme fluxo de corrente, sobreaquecimento, possíveis queimaduras e mesmo estragar-se.
6. Não guarde nem utilize a ferramenta e a bateria em locais onde a temperatura pode atingir ou exceder 50 °C.
7. Não queime a bateria mesmo que esteja estragada ou completamente gasta. A bateria pode explodir no fogo.
8. Não pregue, corte, esmague, atire, deixe cair a bateria, nem bata a bateria contra um objeto rijo. Esta conduta pode resultar num incêndio, em calor excessivo ou numa explosão.
9. Não utilize uma bateria danificada.
10. As baterias de íões de lítio contidas na ferramenta são sujeitas aos requisitos da DGL (Dangerous Goods Legislation - Legislação de bens perigosos).  
Para o transporte comercial, por exemplo, por terceiros ou agentes de expedição, têm de ser observados os requisitos referentes à embalagem e etiquetagem.  
Para preparação do artigo a ser expedido, é necessário consultar um perito em materiais perigosos. Tenha ainda em conta a possibilidade de existirem regulamentos nacionais mais detalhados.  
Coloque fita-cola ou tape os contactos abertos e embale a bateria de tal forma que não possa mover-se dentro da embalagem.
11. Quando eliminar a bateria, remova-a da ferramenta e elimine-a num local seguro. Siga os regulamentos locais relacionados com a eliminação de baterias.
12. Utilize as baterias apenas com os produtos especificados pela Makita. Instalar as baterias em produtos não-conformes poderá resultar num incêndio, calor excessivo, explosão ou fuga de eletrólito.
13. Se a ferramenta não for utilizada durante um período de tempo prolongado, a bateria deve ser removida da ferramenta.
14. Durante e após a utilização, a bateria pode aquecer, o que pode provocar queimaduras ou queimaduras a baixa temperatura. Preste atenção ao manuseamento de baterias quentes.
15. Não toque no terminal da ferramenta imediatamente após a utilização, pois pode ficar suficientemente quente para provocar queimaduras.
16. Não permita a adesão de aparas, pó ou sujidade nos terminais, nos orifícios e nas ranhuras da bateria. Pode resultar no fraco desempenho ou na avaria da ferramenta ou bateria.
17. A menos que a ferramenta suporte a utilização perto de linhas elétricas de alta tensão, não utilize a bateria perto de linhas elétricas de alta tensão. Pode resultar no mau funcionamento ou na avaria da ferramenta ou bateria.
18. Mantenha a bateria afastada das crianças.

# GUARDE ESTAS INSTRUÇÕES.

## **⚠️ PRECAUÇÃO:**

- **Utilize apenas baterias genuínas da Makita.** A utilização de baterias não genuínas da Makita ou de baterias que foram alteradas, pode resultar no rebentamento da bateria provocando incêndios, ferimentos pessoais e danos. Além disso, anulará da garantia da Makita no que se refere à ferramenta e ao carregador Makita.

## Conselhos para manter a máxima vida útil da bateria

1. **Carregue a bateria antes que esteja completamente descarregada. Pare sempre o funcionamento da ferramenta e carregue a bateria quando notar menos poder na ferramenta.**
2. **Nunca carregue uma bateria completamente carregada. Carregamento excessivo diminui a vida útil da bateria.**
3. **Carregue a bateria à temperatura ambiente de 10°C – 40°C. Deixe que uma bateria quente arrefeça antes de a carregar.**
4. **Quando não utilizar a bateria, remova-a da ferramenta ou do carregador.**
5. **Carregue a bateria se não a utilizar durante um longo período de tempo (mais de seis meses).**

## DESCRIÇÃO DO FUNCIONAMENTO

### **⚠️ PRECAUÇÃO:**

- Certifique-se sempre de que a ferramenta está desligada e a bateria foi removida antes de ajustar ou verificar qualquer função na ferramenta.

## Instalação ou remoção da bateria (Fig. 1)

### **⚠️ PRECAUÇÃO:**

- Desligue sempre a ferramenta antes de instalar ou remover a bateria.
- **Segure firmemente a ferramenta e a bateria quando instalar ou remover a bateria.** Se não segurar firmemente a ferramenta e a bateria pode fazer com que escorreguem das suas mãos resultando em danos na ferramenta e na bateria e ferimentos pessoais.

Para remover a bateria, deslize-a para fora da ferramenta enquanto desliza o botão na frente da bateria.

Para instalar a bateria, alinhe a lingueta da bateria com a ranhura no compartimento e deslize-a no lugar. Empurre-a até o fim para que a mesma encaixe no lugar com um clique. Se conseguir ver o indicador vermelho no lado superior do botão, isso significa que não está completamente bloqueada.

### **⚠️ PRECAUÇÃO:**

- Instale sempre a bateria até ao fim, até deixar de ver o indicador vermelho. Caso contrário, a bateria poderá cair da ferramenta acidentalmente e provocar ferimentos em si mesmo ou em alguém próximo.
- Não instale a bateria à força. Se a bateria não deslizar facilmente é porque não foi colocada corretamente.

## Sistema de proteção da ferramenta/ bateria

A ferramenta está equipada com um sistema de proteção da ferramenta/bateria. Este sistema desliga automaticamente a alimentação para prolongar a vida útil da ferramenta e da bateria. A ferramenta para automaticamente durante o funcionamento se a ferramenta ou bateria for colocada mediante uma das seguintes condições:

### **Proteção contra sobrecarga**

Esta proteção funciona quando a ferramenta é utilizada de uma forma que causa a absorção de uma corrente anormalmente alta. Nesta situação, desligue a ferramenta e pare a aplicação que causou a sobrecarga da ferramenta. De seguida, ligue a ferramenta para reiniciar.

### **Proteção contra sobreaquecimento**

Esta proteção funciona quando a ferramenta ou a bateria está sobreaquecida. Nesta situação, deixe a ferramenta e a bateria arrefecerem antes de voltar a ligar a ferramenta.




### **Proteção contra descarga excessiva**

Esta proteção funciona quando a restante capacidade da bateria fica fraca. Nesta situação, remova a bateria da ferramenta e carregue a bateria.

## Indicador da carga restante da bateria (Fig. 2)

(Específico do país)

Quando puxa o gatilho do interruptor, o visor LED mostra a carga restante da bateria da forma indicada na tabela seguinte.

Estado do indicador LED	Carga restante da bateria
	Aprox. 50% ou mais
	Aprox. 20% - 50%
	Aprox. menos de 20%

### **NOTA:**

- O visor LED desliga-se aproximadamente um minuto depois de soltar o gatilho do interruptor para economizar energia da bateria. Para verificar a carga restante da bateria, puxe ligeiramente o gatilho do interruptor.
- Quando o visor LED ligar mas a ferramenta não funcionar, mesmo com uma bateria carregada, arrefeça por completo a ferramenta. Se o estado permanecer igual, solicite a reparação da ferramenta num centro de assistência local Makita.

# PROCEDIMENTO DE FUNCIONAMENTO

Leia, compreenda e respeite todas as instruções de segurança e os procedimentos de funcionamento. Se não compreender as instruções, ou se as condições existentes não forem as corretas para um funcionamento adequado, não utilize esta ferramenta. Consulte o seu supervisor ou outra pessoa responsável.

## ⚠️ AVISO:

- Antes de inserir a bateria na ferramenta, puxe e solte o gatilho do interruptor para se certificar de que volta à posição adequada quando o solta.

O motor liga-se quando puxa o gatilho do interruptor e desliga-se quando o liberta.

## Operação de bloqueio do interruptor (Fig. 3)

- Empurre o travão do interruptor do lado A. O interruptor fica desbloqueado e pode utilizar o gatilho.
- Empurre o travão do interruptor do lado B. O interruptor fica bloqueado e não pode utilizar o gatilho.

## ⚠️ PRECAUÇÃO:

- O gatilho do interruptor deve estar sempre bloqueado quando não estiver a ser utilizado.

## ⚠️ AVISO:

- Antes da utilização, verifique se a posição do operador, em relação à ferramenta, e a área circundante cumprem as condições de segurança adequadas ao funcionamento. Use óculos de segurança e vestuário de proteção.
- Consulte as especificações da ferramenta neste manual e não corte varões para betão com um tamanho ou dureza superiores à capacidade de corte da ferramenta.
- Corte apenas varões para betão. Se pretender cortar outros materiais, consulte o fabricante.

## ⚠️ AVISO:

- Substitua imediatamente as lâminas danificadas (lascadas, partidas ou rachadas) ou deformadas. A lâmina não cortará e pode quebrar-se ou partir-se provocando ferimentos pessoais graves.

## Procedimento de corte

### ⚠️ AVISO:

- **Nunca utilize a ferramenta sem o protetor aplicado.** Se o fizer, pode provocar ferimentos pessoais graves. (Fig. 4)
- O protetor é um equipamento que se destina a evitar que fragmentos sejam projetados contra o operador. No entanto, não evita que ocorram projeções para a direção axial do varão para betão. Posicione-se de forma a que o protetor bloqueie os fragmentos.
- Em algumas figuras o protetor não é mostrado, mas é exibido o interior do protetor. Use sempre o protetor na devida posição.

1. Posicione o varão para betão que pretende cortar entre as lâminas. (Fig. 5)  
Ajuste o batente em função do diâmetro do varão que pretende cortar de maneira a formar um ângulo de 90 graus com as lâminas. O batente suporta o varão para betão mantendo-o perpendicular às lâminas durante o corte. (Fig. 6)

### ⚠️ AVISO:

- Quando estiver a cortar varões para betão, ajuste o batente em função do diâmetro do varão que pretende cortar de maneira a formar um ângulo de 90 graus com as lâminas. Se não fizer este ajuste, a peça cortada pode ser projetada e provocar ferimentos graves no operador ou nas pessoas que se encontram à sua volta. Nunca se esqueça de verificar a posição do operador em relação à ferramenta e verifique a segurança do operador e da área circundante.
2. Posicione o varão para betão em profundidade suficiente entre as lâminas para que ele não entre em contacto com o protetor. (Fig. 7)

### ⚠️ AVISO:

- Se o varão para betão que pretende cortar não ficar totalmente encaixado entre as lâminas, estas ficarão danificadas, o varão será projetado com violência e pode provocar ferimentos pessoais graves.

### ⚠️ AVISO:

- Não corte o varão para betão se a peça que pretende cortar tiver um comprimento inferior a 200 mm. Se cortar uma peça com um comprimento inferior, pode fazer com que o varão para betão seja projetado durante o corte e provoque ferimentos pessoais graves. (Fig. 8)

### ⚠️ AVISO:

- Não corte o varão para betão se este não estiver corretamente apoiado no batente. Quando estiver a cortar, mantenha o varão no lado do batente. (Fig. 9, 10) Se não o fizer, a peça cortada pode ser projetada e provocar ferimentos graves no operador ou nas pessoas que se encontram à sua volta.
3. Empurre o travão do interruptor do lado A. O interruptor fica desbloqueado e pode utilizar o gatilho.
  4. Prima o gatilho do interruptor para iniciar a operação de corte. A faca de corte move-se para a frente para cortar o varão para betão. Mantenha o interruptor premido até a faca de corte parar no fim do curso.
  5. Solte o gatilho do interruptor quando terminar de cortar e a faca de corte tiver chegado ao fim do respetivo curso. A faca de corte volta automaticamente à posição inicial. Se o curso não tiver sido concluído, a faca de corte não volta à posição inicial. A faca de corte também não poderá avançar novamente se não tiver voltado completamente à posição inicial. Prima o interruptor para iniciar o corte seguinte apenas depois de a faca de corte ter voltado completamente à posição inicial e ter parado.

### ⚠ AVISO:

- Quando estiver a cortar um varão para betão com uma força de tensão elevada, a peça cortada pode ser projetada e provocar ferimentos graves no operador. Use óculos de segurança e verifique se a área circundante cumpre as condições de segurança adequadas antes de iniciar a operação.

### ⚠ AVISO:

- Durante a utilização, mantenha as mãos e a cara afastadas das lâminas, das peças em movimento e da área de corte. Remova a bateria da ferramenta imediatamente depois de a utilizar.

### NOTA:

- Se a temperatura da carcaça da ferramenta exceder 70°C (160°F), a capacidade da ferramenta diminui. Nesse caso, interrompa a utilização e deixe a ferramenta arrefecer.

### NOTA:

- Mantenha o orifício de ventilação existente na extremidade do suporte da barra livre de sujidade e resíduos. O orifício de ventilação controla a pressão interna e não deve estar obstruído. (Fig. 11)

## Função de rotação do motor (Fig. 12)

O corpo do motor pode rodar até 360 graus, em qualquer direção, durante a operação. Esta função é particularmente útil quando trabalha em áreas incómodas ou estreitas pois permite ao operador colocar a ferramenta na posição mais adequada para facilitar a operação.

## Funcionamento da válvula de retorno (Fig. 13)

A função da válvula de retorno é permitir que a faca de corte volte à posição inicial se não for possível concluir um corte ou se ficar encravada. Soltar meia volta a válvula de retorno aliviará a pressão do óleo permitindo que a faca de corte volte à posição inicial. Depois de a faca de corte voltar completamente à posição inicial, e antes de iniciar a operação seguinte, volte a apertar a válvula de retorno.

## Tipo de lâmina de substituição e desmontagem (Fig. 15)

Os parafusos de fixação devem estar apertados com firmeza.

Verifique periodicamente se a lâmina está apertada corretamente.

Tamanho da lâmina de substituição ● Utilize a tabela seguinte para identificar as lâminas corretas para o seu modelo.

Modelo	A (Montada no suporte da barra)	B (Montada na faca de corte)
DSC163 (ø3 - ø16)	22 × 17 × 9 mm (Tamanho do parafuso 5 mm)	22 × 17 × 8 mm (Tamanho do parafuso 5 mm)

### NOTA:

- Utilize apenas lâminas genuínas da Makita.

## PROCEDIMENTO DE SUBSTITUIÇÃO DAS LÂMINAS

Se as extremidades das lâminas estiverem lascadas, rachadas, deformadas ou danificadas de qualquer forma, a respetiva capacidade de corte diminui. Se cortar com as lâminas nestas condições, pode danificar ainda mais a ferramenta e provocar ferimentos pessoais. As lâminas devem ser substituídas de imediato e em conjunto se estiverem danificadas.

### ⚠ AVISO:

- Quando substituir as lâminas, certifique-se de que removeu a bateria da ferramenta para evitar o seu funcionamento accidental.

Certifique-se de que a lâmina A, no suporte da barra, e a lâmina B, na faca de corte, estão montadas nas respetivas posições corretas. (Fig. 14)

1. Desaperte os parafusos e as anilhas que prendem a lâmina A e a lâmina B.
2. Remova a sujidade e limpe as superfícies em que vai montar as novas lâminas.
3. Monte a lâmina A no suporte da barra e a lâmina B na faca de corte. Volte a colocar os parafusos e as anilhas e aperte-os com firmeza.

### ⚠ AVISO:

- Os parafusos que prendem a lâmina A e a lâmina B devem ser apertados regularmente. Se os parafusos ficarem soltos, as lâminas podem ficar danificadas e provocar ferimentos pessoais.

## ADIÇÃO DE ÓLEO

Esta Cortadora de Vergalhão a Bateria é eletro-hidráulica. Quando é enviada de fábrica, o depósito do óleo está cheio. Não tente adicionar óleo enquanto a ferramenta estiver a funcionar bem. Com o passar do tempo, o nível do óleo desce gradualmente. Isto eventualmente vai causar uma diminuição notória do desempenho. Quando isso acontecer, adicione óleo da maneira indicada a seguir.

1. Coloque alguns varões para betão entre as lâminas e puxe o gatilho do interruptor.
2. Solte o gatilho do interruptor mesmo antes de o corte estar concluído para parar a ferramenta.
3. Remova a bateria da ferramenta para que as lâminas não se movam acidentalmente.
4. Remova o parafuso (SB10x15) que tapa o orifício de enchimento de óleo. Adicione o óleo, tendo cuidado para não deixar cair salpicos de óleo dentro do motor.
5. Volte a colocar o parafuso (SB10x15) e aperte firmemente.
6. Insira novamente a bateria na ferramenta e conclua a operação de corte.
7. Repita o procedimento anterior diversas vezes até o nível do óleo estar correto.

### PRECAUÇÃO:

- Utilize apenas óleo hidráulico puro como recomendado pela Makita nesta ferramenta. Os óleos recomendados incluem o óleo hidráulico fornecido pela Makita, Super Hyrando #46 (JX Nippon Oil & Energy Corp.); o Shell Tellus Plus #46 (U.S. Shell); ou um óleo hidráulico anti-desgaste com especificações equivalentes, Grau de viscosidade ISO 46. Não utilize outros óleos pois podem danificar os vedantes e outras peças internas da máquina.

# RESOLUÇÃO DE PROBLEMAS

## ⚠️ AVISO:

- Remova a bateria antes de trabalhar na máquina.

PROBLEMA	CAUSA	SOLUÇÃO
A faca de corte não sai.	Óleo insuficiente.	Encha de óleo. (Consulte a secção "Adição de Óleo")
	A faca de corte não voltou completamente à posição inicial devido à acumulação de resíduos entre a faca e o suporte da barra.	Puxe manualmente a faca de corte para trás. Remova os resíduos e limpe.
	A faca de corte não voltou completamente à posição inicial pois está danificada.	Substitua a faca de corte.
	A faca de corte não voltou completamente à posição inicial pois as lâminas estão soltas ou danificadas.	Aperte os parafusos das lâminas. Substitua as lâminas.
	A faca de corte não voltou completamente à posição inicial pois a mola de retorno está fraca.	Substitua a mola de retorno.
Potência insuficiente para cortar um varão para betão.	Óleo insuficiente.	Encha de óleo. (Consulte a secção "Adição de Óleo")
	A válvula de retorno não está corretamente colocada na base ou a base está danificada.	Limpe a ponta da válvula de retorno e a base. Remova todos os riscos da base.
	Válvula de retorno danificada.	Substitua.
	A folga entre o cilindro e o pistão não está correta.	Substitua o pistão (Nota: estão disponíveis vários tamanhos de pistão)
	A válvula de retenção não está corretamente colocada na base ou a base está danificada.	Limpe a válvula de retenção e a base. Substitua.
	Junta de uretano danificada ou partida.	Substitua.
Fugas de óleo.	Reservatório do nivelador do óleo danificado ou partido.	Substitua.
	Faca de corte/ Suporte da barra, O-Ring danificado; Faca de corte/ Suporte da barra, superfície riscada ou com ranhura.	Substitua o anel de suporte e o O-Ring. Substitua a faca de corte/o suporte da barra
	Cilindro/ Suporte da barra, O-Ring danificado	Substitua o O-Ring.
	Cilindro/ Corpo da bomba, junta de vedação danificada.	Substitua o revestimento B.
	Suporte da barra/ Cilindro/ Corpo da bomba, parafusos do prato soltos.	Aperte os parafusos.
O motor não se move. Motor lento ou irregular.	Tensão incorreta.	Carregue a bateria.
	A bateria está a chegar ao fim da vida útil.	Substitua a bateria.
	Motor CC danificado devido a sobreaquecimento.	Substitua o motor CC.
	Chumaceiras ou carreto do motor CC danificados ou partidos.	Substitua as chumaceiras ou o carreto.

## NOTA:

- Os componentes internos da área da bomba e do pistão têm tolerâncias muito próximas e podem ficar danificadas com o pó, sujidade, contaminação do fluido hidráulico ou manuseamento incorreto. A desmontagem do corpo da bomba requer ferramentas e formação especiais e deve ser efetuada apenas por técnicos de reparação qualificados que tenham a formação e as ferramentas adequadas. Uma reparação incorreta dos componentes elétricos pode dar origem a situações que provoquem ferimentos graves. A bomba, componentes do pistão e todas as peças elétricas devem ser reparadas apenas numa loja, revendedor ou distribuidor autorizado.

# MANUTENÇÃO

## PRECAUÇÃO:

- Certifique-se sempre de que a ferramenta está desligada e a bateria foi removida antes de tentar efetuar a inspeção ou manutenção.
- Nunca utilize gasolina, benzina, diluente, álcool ou produtos semelhantes. Pode ocorrer descoloração, deformação ou rachaduras.

Para manter a SEGURANÇA e FIABILIDADE do produto, as reparações e outras operações de manutenção ou ajuste devem ser efetuadas pelos Centros de Assistência Autorizados da Makita, utilizando sempre peças de substituição Makita.

# ACESSÓRIOS OPCIONAIS

## PRECAUÇÃO:

- Estes acessórios ou dispositivos auxiliares são recomendados para utilização com a ferramenta Makita especificada neste manual. A utilização de outros acessórios ou dispositivos auxiliares pode constituir um risco de ferimentos pessoais. Utilize os acessórios ou os dispositivos auxiliares apenas para o fim a que se destinam.

Se necessitar de mais detalhes sobre os acessórios, contacte o Centro de Assistência Makita local.

- Bateria e carregador genuínos da Makita

## NOTA:

- Alguns itens da lista podem vir incluídos na embalagem da ferramenta como acessórios padrão. Estes podem variar de país para país.

## DANSK (Oprindelige instruktioner)

### Forklaring af generel visning

1. Rød indikator	10. Armeringsstang	19. Bolt (Lang)
2. Knap	11. Klinger	20. Bolt (Kort)
3. Akku	12. Stopper	21. Spændeskive
4. LED-indikator	13. Mere end 200 mm	22. Armeringsstangholder
5. Kontaktløs	14. Lufthul	23. Skærestang
6. Kontaktudløser	15. Sekskantet nøgle	24. Klinge A på stangholder
7. Side A	16. Returløbsventil	25. Klinge B på skærestang
8. Side B	17. Klinge A (Tykkere klinger)	26. Reservelinger
9. Beskytter	18. Klinge B (Tyndere klinger)	

## SPECIFIKATIONER

Model	DSC163
Maks. skærekapacitet (dia. mm)	16 mm
Grad 40 - Grad 60	
Grad 40: Strækstyrke 490 N/mm <sup>2</sup> 70.000 PSI	
Grad 60: Strækstyrke 620 N/mm <sup>2</sup> 90.000 PSI	
Skærehastighed	2,8 sekunder
Samlet styrke	360 mm
Nettovægt	6,9 kg
Nominal spænding	18 V DC

- På grund af vores fortsatte program med forskning og udvikling er specifikationerne heri genstand for ændringer uden varsel.
- Specifikationer og akku kan variere fra land til land.
- Vægt, med akku, i overensstemmelse med EPTA-Procedure 01/2014

### Anvendelig akku og oplader

Akku	BL1830B / BL1840B / BL1850B / BL1860B
Oplader	DC18RC / DC18RD / DC18RE / DC18SD / DC18SE / DC18SF / DC18SH

- Nogle af de akkuer og opladere, der er angivet ovenfor, er muligvis ikke tilgængelige, afhængigt af hvilket område du bor i.

#### **⚠ ADVARSEL:**

- **Brug kun de akkuer og opladere, der er angivet ovenfor.** Brug af andre akkuer og opladere kan medføre personskaade og/eller brand.



## Symboler

Følgende viser de symboler, der bruges til udstyret. Sørg for, at du forstår deres mening inden brug.



..... Læs brugsanvisningen.



Kun for lande inden for EU

På grund af tilstedeværelsen af farlige komponenter i udstyret kan affald af elektrisk og elektronisk udstyr, akkumulatører og batterier have en negativ indvirkning på miljøet og folkesundheden.

Bortskaf ikke elektriske og elektroniske apparater eller batterier sammen med husholdningsaffald!

I overensstemmelse med EF-direktiv om affaldshåndtering af elektrisk og elektronisk udstyr og om akkumulatører og batterier og om affaldsakkumulatører og -batterier, og i overensstemmelse med national lovgivning, skal brugt elektrisk udstyr, batterier og akkumulatører opbevares separat og leveres til et separat indsamlingssted for kommunalt affald, der er etableret i henhold til bestemmelserne om miljøbeskyttelse. Dette er angivet ved symbolet på den krydsede skraldespand, der er placeret på udstyret.

## Tilsigtet anvendelse

Værktøjet er beregnet til at skære armeringsstænger.

## Lyd

Det typiske A-vægtede støjniveau bestemt i overensstemmelse med EN62841-2-8:

Lydtrykniveau (LpA) : 78 dB (A)

Usikkerhed (K): 3 dB (A)

Støjniveauet under arbejdet kan overskride 80 dB (A).

## BEMÆRK:

- De(n) angivne støjemissionsværdi(er) er målt i overensstemmelse med en standardtestmetode og kan anvendes til at sammenligne en maskine med en anden.
- De(n) angivne støjemissionsværdi(er) kan også anvendes i en præliminær eksponeringsvurdering.

## ⚠ ADVARSEL:

- **Bær høreværn.**
- **Støjemissionen under den faktiske anvendelse af maskinen kan være forskellig fra de(n) angivne værdi(er), afhængigt af den måde hvorpå maskinen anvendes, især den type arbejdsemne der behandles.**
- **Sørg for at identificere de sikkerhedsforskrifter til beskyttelse af operatøren, som er baseret på en vurdering af eksponering under de faktiske brugsforhold (med hensyntagen til alle dele i brugscyklussen, f.eks. de gange, hvor maskinen er slukket, og når den kører i tomgang i tilgift til afbrydertiden).**

## Vibration

Vibrationens totalværdi (tre-aksial vektorsum) bestemt i overensstemmelse med EN62841-2-8:

Arbejdstilstand: skære armeringsstang

Vibrationsemission ( $a_{h1}$ ): 2,5 m/s<sup>2</sup> eller mindre

Usikkerhed (K): 1,5 m/s<sup>2</sup>

## BEMÆRK:

- De(n) angivne totalværdi(er) for vibration er målt i overensstemmelse med en standardtestmetode og kan anvendes til at sammenligne en maskine med en anden.
- De(n) angivne totalværdi(er) for vibration kan også anvendes i en præliminær eksponeringsvurdering.

## ⚠ ADVARSEL:

- **Vibrationsemissionen under den faktiske anvendelse af maskinen kan være forskellig fra de(n) angivne værdi(er), afhængigt af den måde hvorpå maskinen anvendes, især den type arbejdsemne der behandles.**
- **Sørg for at identificere de sikkerhedsforskrifter til beskyttelse af operatøren, som er baseret på en vurdering af eksponering under de faktiske brugsforhold (med hensyntagen til alle dele i brugscyklussen, f.eks. de gange, hvor maskinen er slukket, og når den kører i tomgang i tilgift til afbrydertiden).**

## EU-konformitetserklæring

Kun for lande i Europa

EU-konformitetserklæringen er inkluderet som bilag A i denne brugsanvisning.

## Almindelige sikkerhedsregler for el-værktøj

⚠ **ADVARSEL:** Læs alle de sikkerhedsadvarsler, instruktioner, illustrationer og specifikationer, der følger med denne maskine. Forsømmelse af at overholde alle nedenstående instruktioner kan medføre elektrisk stød, brand og/eller alvorlig personskade.

## Gem alle advarsler og instruktioner til fremtidig reference.

Ordet "el-værktøj" i advarslerne henviser til det netforsynede (netledning) el-værktøj eller batteriforsynede (akku) el-værktøj.

### Sikkerhed i arbejdsområdet

1. **Hold arbejdsområdet rent og veloplyst.** Rodede eller mørke områder kan medføre ulykker.
2. **Undlad at betjene el-værktøjer i eksplosive atmosfærer, for eksempel ved tilstedeværelse af brændbare væsker, gasser eller støv.** El-værktøjer frembringer gnister, der kan antænde støv eller dampe.
3. **Hold børn og tilskuere på afstand under betjeningen af el-værktøj.** Distractioner kan medføre, at De mister kontrollen.

## Elektrisk sikkerhed

1. **Stikkene på el-værktøjet skal svare til stikkontakten. De må ikke ændre stikket på nogen måde. Brug ikke stikadapters sammen med jordforbundne el-værktøjer.** Uændrede stik og tilsvarende stikkontakter mindsker risikoen for elektrisk stød.
2. **Undgå kropskontakt med jordforbundne overflader som rør, radiatorer, overflader og køleskabe.** Der er større risiko for elektrisk stød, hvis kroppen har jordforbindelse.
3. **Udsæt ikke el-værktøj for regn eller våde omgivelser.** Hvis der kommer vand ind i værktøjet, forøges risikoen for elektrisk stød.
4. **Belast ikke ledningen. Brug aldrig ledningen til at bære eller trække el-værktøjet eller til at tage stikket ud af stikkontakten. Udsæt ikke ledningen for varme, olie, skarpe kanter eller bevægelige dele.** Beskadigede eller sammenviklede ledninger øger risikoen for elektrisk stød.
5. **Brug en forlængerledning, der er beregnet til udendørs brug, når el-værktøjet anvendes udendørs.** Brug af en ledning, der er beregnet til udendørs brug, reducerer risikoen for elektrisk stød.
6. **Hvis De er nødt til at anvende et el-værktøj i fugtige omgivelser, skal De benytte en strømforsyning, der er beskyttet mod reststrøm.** Brug af en enhed til beskyttelse mod reststrøm mindsker risikoen for elektrisk stød.
7. **Maskiner kan frembringe elektromagnetiske felter (EMF), som ikke er skadelige for brugeren.** Brugere af pacemakere og lignende medicinsk udstyr bør imidlertid kontakte producenten af deres udstyr og/eller en læge for at få rådgivning, før de bruger denne maskine.

## Personlig sikkerhed

1. **Vær opmærksom, hold øje med, hvad De foretager Dem, og udvis sin fornødt ved betjeningen af el-værktøj. Anvend ikke el-værktøj, når De er træt eller påvirket af stoffer, alkohol eller medicin.** Ved brug af el-værktøj kan et enkelt øjeblik uopmærksomhed medføre alvorlig personskade.
2. **Bær personligt beskyttelsesudstyr. Brug altid beskyttelsesbriller.** Beskyttelsesudstyr som f.eks. støvmaske, skridsikre sko, hjelm eller høreværn, der benyttes under de relevante forhold, forebygger personskade.
3. **Forebyg, at el-værktøjet starter ved et uheld. Sørg for, at afbryderen er slået fra, før De sætter el-værktøjet til strømforsyningen og/eller batteriet, tager værktøjet op eller bærer det.** Hvis De bærer el-værktøj med fingeren på afbryderen, eller hvis De sætter strøm til el-værktøj, mens afbryderen er slået til, kan det medføre uheld.
4. **Fjern alle justeringsnøgler eller skruenøgler, før De tænder for el-værktøjet.** En skruenøgle eller nøgle, der sidder på en roterende del af værktøjet, kan forårsage personskade.
5. **Stræk Dem ikke for langt. Bevar til enhver tid fodfæstet og balancen.** Det giver bedre kontrol med el-værktøjet i uventede situationer.

6. **Bær korrekt påklædning. Undlad at bære løs påklædning eller smykker.** Hold hår og tøj væk fra bevægelige dele. Løstsiddende tøj, smykker eller langt hår kan blive indfanget i de bevægelige dele.
7. **Hvis der medfølger udstyr til filtrering og opsamling af støv, skal De sørge for, at udstyret er tilsluttet, og at det anvendes korrekt.** Brug af støvopsamling kan mindske støvrelaterede risici.
8. **Lad ikke det faktum, at du er bekendt med maskiner efter hyppig brug, betyde, at du bliver skodesløs og ignorerer sikkerhedsprincipperne for maskiner.** En uopsigtig handling kan medføre alvorlig personskade på en brøkdæl af et sekund.
9. **Bær altid beskyttelsesbriller for at beskytte dine øjne mod skader, når du bruger maskiner.** Beskyttelsesbrillerne skal overholde ANSI Z87.1 i USA, EN 166 i Europa eller AS/NZS 1336 i Australien/New Zealand. I Australien/New Zealand er det desuden påbudt ved lov at bære ansigtsskærm for at beskytte dit ansigt.



Det er arbejdsgiverens ansvar at påbyde brugerne af maskinen samt andre personer i det umiddelbare arbejdsområde at bære passende sikkerhedsbeskyttelsesudstyr.

## Brug og vedligeholdelse af el-værktøjet

1. **Brug ikke magt på el-værktøjet. Brug det rigtige el-værktøj til formålet.** Det rigtige el-værktøj gør hurtigst og bedst det arbejde, som værktøjet er beregnet til.
2. **Brug ikke el-værktøjet, hvis der ikke kan tændes og slukkes på afbryderen.** El-værktøj, der ikke kan kontrolleres med afbryderen, er farligt og skal til reparation.
3. **Tag stikket ud af stikkontakten, og/eller fjern skruen fra maskinen, hvis den kan tages ud, før du foretager ændringer, skifter tilbehør eller gemmer maskiner af vejen.** Sådanne forebyggende foranstaltninger mindsker risikoen for, at maskinen starter ved et uheld.
4. **Opbevar el-værktøj, der ikke benyttes, utilgængeligt for børn, og lad ikke personer, som ikke er kendt med el-værktøjet eller disse instruktioner, bruge værktøjet.** El-værktøj er farligt i hænderne på uvøvede brugere.
5. **Hold maskiner og tilbehør ved lige. Se efter fejljustering eller binding i bevægelige dele, dele, som er i stykker, og alle andre forhold, som kan påvirke brugen af maskinen. Få maskinen repareret før brugen, hvis den er i stykker.** Mange ulykker skyldes dårligt vedligeholdte maskiner.

6. **Hold skæreværktøjer skarpe og rene.** Der er mindre sandsynlighed for, at korrekt vedligeholdte skæreværktøjer med skarpe skærende kanter binder, og de er lettere at kontrollere.
7. **Anvend el-værktøjet, tilbehøret og borespidser osv. i overensstemmelse med disse instruktioner, og tag højde for arbejdsbetingelserne og det arbejde, der skal udføres.** Brug af el-værktøjet til formål, det ikke er beregnet til, kan medføre farlige situationer.
8. **Hold håndtagene og grebfladerne tørre, rene og fri for olie og fedt.** Glatte håndtag og grebflader tillader ikke sikker håndtering og styring af maskinen i uventede situationer.
9. **Undlad at bære arbejdshandsker af tøj under brug af maskinen, da de kan blive viklet ind i maskinen.** Hvis arbejdshandsker af tøj bliver viklet ind i de bevægelige dele, kan det medføre personskade.

#### Brug og vedligeholdelse af batteri

1. **Oplad kun med den oplader, som producenten angiver.** En oplader, der passer til én type batteri, kan forårsage brand, hvis den anvendes med et andet batteri.
2. **Brug kun el-værktøjer sammen med de tilhørende batteripakker.** Brug af andre batteripakker kan forårsage personskade og brand.
3. **Når batteripakker ikke anvendes, skal de holdes borte fra andre metalgenstande som papirclips, mønter, nøgler, søm, skruer og andre små metalgenstande, der kan skabe forbindelse mellem terminalerne.** Hvis batteriets terminaler kortsluttes, kan det forårsage brand.
4. **I tilfælde af misbrug kan der sprøjte væske ud fra batteriet. Undgå kontakt. Skyl med vand, hvis De kommer i kontakt med væsken. Søg læge, hvis De får væske i øjet.** Væske, der sprøjter ud fra batteriet, kan medføre irritation eller forbrændinger.
5. **Undlad at bruge en akku eller maskine, der er beskadiget eller ændret.** Beskadigede eller ændrede batterier kan fungere uforudsigeligt og medføre brand, eksplosion eller risiko for personskade.
6. **Undlad at udsætte en akku eller maskine for brand eller høje temperaturer.** Udsættelse for brand eller temperaturer på over 130 °C kan medføre eksplosion.
7. **Følg alle instruktioner vedrørende opladning, og undlad at oplade akkuen eller maskinen uden for det temperaturinterval, der er angivet i instruktionerne.** Opladning, der udføres forkert eller ved temperaturer uden for det angivne temperaturinterval, kan beskadige batteriet og medføre øget risiko for brand.

#### Service

1. **Få udført service på el-værktøjet hos en autoriseret mekaniker, og brug kun tilsvarende reservedele.** Derved vedligeholdes el-værktøjets sikkerhed.
2. **Udfør aldrig service på beskadigede akkuer.** Service på akkuer må kun udføres af producenten eller af autoriserede reparatører.
3. **Følg instruktionerne for smøring og udskiftning af tilbehør.**

## SIKKERHEDSADVARSLER FOR BATTERIDREVEN STÅLSTANGSKLIPPER

1. **Hold dette værktøj sikkert, mens det er i brug.** Hvis værktøjet ikke holdes sikkert, kan du blive skadet.
2. **Hold din hænder og ansigt væk fra delene i bevægelse.** De kan forårsage en personskade.
3. **Slip kontaktudløseren med det samme for at stoppe driften, når værktøjet ikke virker eller udsender en unormal lyd under brug. Få det efterset og repareret af et autoriseret servicecenter.** Ellers kan det resultere i beskadigelse eller personskade.
4. **Hvis du taber eller rammer værktøjet, skal du omhyggeligt kontrollere, at hoveddelen ikke er beskadiget, revnet eller deformet.** Enhver beskadigelse af denne type kan forårsage personskade.
5. **Dette værktøj er et elektro-hydraulisk værktøj. Oliebeholderen blev fyldt inden levering. Tilføj ikke olie, med mindre værktøjet fungerer unormalt.**
6. **Metalskæreklinger har skarpe kanter.** Håndter dem omhyggeligt for at undgå at blive skåret.
7. **Beskadigede, deformerede eller revnede klinger kan forårsage alvorlige ulykker samt hæmme driften.** Udskift dem øjeblikkeligt med nye, ægte klinger.

## GEM DENNE BRUGSANVISNING.

### ⚠ ADVARSEL:

Lad IKKE bekvemmelighed eller kendskab til produktet (opnået gennem gentagen brug) erstatte en streng overholdelse af sikkerhedsregler for produktet. MISBRUG eller manglende overholdelse af sikkerhedsreglerne angivet i denne brugsanvisning kan forårsage alvorlig personskade.

## Vigtige sikkerhedsinstruktioner for akkuen

1. **Læs alle instruktioner og advarselsmærkater på (1) akku-opladeren, (2) akkuen og (3) produktet, som anvender akku.**
2. **Adskil eller ændr ikke akkuen.** Det kan muligvis resultere i en brand, overdreven varme eller eksplosion.
3. **Hold straks op med anvendelsen, hvis brugstiden er blevet stærkt forkortet.** Fortsat anvendelse kan resultere i risiko for overophedning, forbrændinger og endog eksplosion.
4. **Hvis De har fået elektrolytvæske i øjnene, skal De straks skylle den ud med rent vand og derefter øjeblikkeligt søge lægehjælp.** I modsat fald kan De miste synet.

5. **Vær påpasselig med ikke at komme til at kortslutte akkuen:**
  - (1) Rør ikke ved terminalerne med noget ledende materiale.
  - (2) Undgå at opbevare akkuen i en beholder sammen med andre genstande af metal, for eksempel søm, mønter og lignende.
  - (3) Udsæt ikke akkuen for vand eller regn.
- Kortslutning af akkuen kan forårsage en kraftig øgning af strømmen, overophedning, mulige forbrændinger og endog værktøjstop.
6. **Opbevar og brug ikke maskinen og akkuen på steder, hvor temperaturen muligvis kan nå eller overstige 50 °C.**
7. **Lad være med at brænde akkuen, selv ikke i tilfælde, hvor den har lidt alvorlig skade eller er fuldstændig udtjent. Akkuen kan eksplodere, hvis man forsøger at brænde den.**
8. **Slå ikke søm i, skær ikke i, knus, kast, tab ikke akkuen og stød ikke akkuen mod en hård genstand. Sådant adfærd kan muligvis resultere i en brand, overdreven varme eller eksplosion.**
9. **Anvend ikke en beskadiget akku.**
10. **De indbyggede litium-ion-batterier er underlagt lovkrav vedrørende farligt gods.**  
 Ved kommerciel transport, f.eks. af tredjeparts transportselskaber, skal særlige krav til forpakning og mærkning overholdes.  
 Ved forberedelse af udstyret til forsendelse skal du kontakte en ekspert i farligt gods. Overhold også eventuel mere detaljeret national lovgivning.  
 Tape eller tildæk åbne kontakter, og pak batteriet på en måde, så det ikke kan flytte sig rundt i pakningen.
11. **Når akkuen bortskaffes, skal du fjerne den fra maskinen og bortskaffe den på et sikkert sted. Følg de lokale love vedrørende bortskaffelsen af batterier.**
12. **Brug kun batterierne med de produkter, som Makita specificerer.** Hvis batterierne installeres i ikke-kompatible produkter, kan det medføre brand, kraftig varme, eksplosion eller udsivning af elektrolyt.
13. **Hvis maskinen ikke skal bruges i længere tid ad gangen, skal du fjerne batteriet fra maskinen.**
14. **Akkuen kan muligvis under og efter brug være varm, hvilket kan forårsage forbrændinger eller lavtemperaturforbrændinger. Vær påpasselig med håndtering af varme akkuer.**
15. **Rør ikke terminalen på maskinen straks efter brug, da den bliver varm nok til at forårsage forbrændinger.**
16. **Sørg for at spåner, støv eller jord ikke sætter sig fast inde i terminalerne, hullerne og rillerne på akkuen.** Det kan muligvis medføre dårlig ydelse eller nedbrud af maskinen eller akkuen.
17. **Medmindre maskinen understøtter brugen i nærheden af elektriske højspændingsledninger, skal du ikke anvende akkuen i nærheden af elektriske højspændingsledninger.** Det kan muligvis medføre funktionsfejl på eller nedbrud af maskinen eller akkuen.
18. **Opbevar batteriet utilgængeligt for børn.**

## GEM DENNE BRUGSANVISNING.

### ⚠ FORSIGTIG:

- **Brug kun originale batterier fra Makita.** Brug af uoriginale Makita-batterier, eller batterier som er blevet ændret, kan muligvis medføre brud på batteriet, hvilket kan forårsage brand, personskade eller beskadigelse. Det ugyldiggør også Makita-garantien for Makita-maskinen og opladeren.

### Tips til opnåelse af maksimal akku-levetid

1. **Oplad akkuen, inden den er helt afladet. Stop altid værktøjet, og oplad akkuen, hvis De bemærker, at værktøjeffekten er aftagende.**
2. **Genoplad aldrig en fuldt opladet akku. Overopladning vil afkorte akkuens levetid.**
3. **Oplad akkuen ved stuetemperatur ved 10 °C - 40 °C. Lad altid en varm akku få tid til at køle af, inden den oplades.**
4. **Når du ikke anvender akkuen, skal du fjerne den fra maskinen eller opladeren.**
5. **Oplad akkuen, hvis De ikke skal bruge den i længere tid (mere end seks måneder).**

## FUNKTIONEL BESKRIVELSE

### ⚠ FORSIGTIG:

- Sørg altid for at maskinen er slukket, og at akkuen er taget ud, før der udføres justering eller kontrol af funktioner på maskinen.

### Isætning eller fjernelse af akkuen (Fig. 1)

#### ⚠ FORSIGTIG:

- Sluk altid for værktøjet, før De monterer eller fjerner akkuen.
- **Hold værktøjet og akkuen fast ved montering eller fjernelse af akkuen.** Hvis De ikke holder værktøjet og akkuen fast, kan de glide ud af hænderne på Dem og forårsage beskadigelse af værktøjet og akkuen eller personskade.

Akkuen fjernes ved, at De trækker den ud af værktøjet, idet De skyder knappen på forsiden af akkuen i stilling. Akkuen monteres ved, at De sætter tungen på akkuen ud for noten i kabinettet og lader den glide på plads. Sæt den hele vejen ind, så den låses på plads med et lille klik. Hvis den røde indikator på oversiden af knappen er synlig, betyder det, at den ikke er tilstrækkeligt låst.

#### ⚠ FORSIGTIG:

- Monter altid akkuen helt, indtil den røde indikator ikke længere er synlig. Hvis dette ikke gøres, kan den falde ud af værktøjet ved et uheld, hvorved De selv eller personer i nærheden kan komme til skade.
- Brug ikke magt ved montering af akkuen. Hvis akkuen ikke glider på plads uden problemer, betyder det, at den ikke sættes i på korrekt vis.

### Beskyttelsessystem til værktøj/batteri

Maskinen er forsynet med et beskyttelsessystem til maskine/batteri. Systemet afbryder automatisk strømmen for at forlænge maskinens og batteriets levetid. Maskinen stopper automatisk under brugen, hvis maskinen eller batteriet udsættes for et af følgende forhold:

## Overbelastningsbeskyttelse

Denne beskyttelse aktiveres, når maskinen anvendes på en sådan måde, at den bruger unormalt meget strøm. Sluk i så fald for maskinen, og stop den anvendelse, der medførte, at maskinen blev overbelastet. Tænd derefter for maskinen for at starte igen.

## Beskyttelse mod overophedning

Denne beskyttelse aktiveres, når maskinen eller batteriet er overophedet. Lad i så fald maskinen og batteriet køle af, før der tændes for maskinen igen.




## Beskyttelse mod overafledning

Denne beskyttelse aktiveres, når den resterende batterikapacitet bliver lav. I denne situation skal du fjerne batteriet fra maskinen og lade batteriet op.

## Indikation af den resterende akkukapacitet (Fig. 2)

(Landespecifik)

Når du trækker i kontaktudløseren, viser LED-displayet den resterende akkukapacitet som den følgende tabel.

Status af LED-indikator	Resterende akkukapacitet
	Ca. 50% eller mere
	Ca. 20% - 50%
	Ca. mindre end 20%

### BEMÆRK:

- LED-displayet slukkes ca. et minut efter at have sluppet kontaktudløseren for at spare på akkuens strøm. For at kontrollere den resterende akkukapacitet skal du trække lidt i kontaktudløseren.
- Når LED-displayet lyser, men værktøjet ikke virker, selv med en genopladet akku, skal værktøjet køles helt ned. Hvis tilstanden ikke ændrer sig, skal værktøjet repareres af et lokalt Makita-servicecenter.

## BETJENINGSPROCEDURE

Læs, forstå og følg alle sikkerhedsinstruktioner og betjeningsprocedurer. Hvis du ikke forstår instruktionerne, eller hvis betingelserne ikke er de rette for en korrekt betjening, må dette værktøj ikke betjenes. Kontakt din overordnede eller en anden ansvarlig person.

### ⚠ ADVARSEL:

- Inden akkuen indsættes i værktøjet, skal du trække og slippe kontaktudløseren for at sikre, at den vender tilbage, når den slipes.

Motoren er tændt, når kontaktudløseren trækkes, og slukket, når kontaktudløseren slippes.

## Kontaktlåsen betjening (Fig. 3)

- Tryk kontaktlåsen ind på side A. Kontakten låses op, og udløseren kan betjenes.
- Tryk kontaktlåsen ind på side B. Kontakten låses, og udløseren kan ikke betjenes.

### ⚠ FORSIGTIG:

- Kontaktudløseren bør altid være låst, når den ikke er i brug.

### ⚠ ADVARSEL:

- Inden betjening skal du bekræfte operatørens position, i forhold til værktøjet, og at det omgivende område er sikkert til betjening. Tag sikkerhedsbriller på og bær beskyttelsestøj.
- Se værktøjsspecifikationerne i denne anvisning, og skær ikke armeringsstænger af en størrelse eller hårdhed, der overskrider værktøjets skærekapacitet.
- Skær ikke andet materiale end armeringsstænger. Spørg producenten, hvis du vil skære andre materialer.

### ⚠ ADVARSEL:

- Udskift beskadigede (flækkede, ødelagte, revnede) eller deformerede klinger med det samme. Klinge skærer ikke rent og kan knække eller gå i stykker og dermed forårsage alvorlig personskade.

## Skæreprocedure

### ⚠ ADVARSEL:

- Brug aldrig værktøjet, uden at beskytteren sidder på plads.** Ellers kan det forårsage alvorlig personskade. (Fig. 4)
  - Beskytteren er et udstyr, der forhindrer fragmenter i at blive projiceret mod operatøren. Det forhindrer ikke en projektion til armeringsstangens aksiale retning. Anbring dig selv, så beskytteren blokerer for fragmenterne.
  - På nogle billeder vises beskytteren ikke, men det er for at vise beskytterens inderside. Brug altid beskytteren på plads.
- Placer armeringsstangen, så den kan skæres mellem klingerne. (Fig. 5)  
Juster stopperen i overensstemmelse med armeringsstangens diameter, så armeringsstangen er placeret 90 grader i forhold til klingerne. Stopperen støtter armeringsstangen og holder den vinkelret med klingerne, når den skæres. (Fig. 6)

### ⚠ ADVARSEL:

- Juster stopperen i overensstemmelse med armeringsstangens diameter, så armeringsstangen er placeret 90 grader i forhold til klingerne, når du skærer armeringsstangen. Uden denne justering kan stykket flyve væk og forårsage alvorlig personskade hos operatøren eller tilskuere. Husk at kontrollere operatørens placering i forhold til værktøjet, og bekræft operatørens og det omgivende områdes sikkerhed.
- Placer armeringsstangen dybt nok mellem klingerne, så den ikke berører beskytteren. (Fig. 7)

### ⚠ ADVARSEL:

- Hvis armeringsstangen, der skal skæres, ikke er placeret helt mellem klingerne, vil klingerne blive beskadiget. Armeringsstangen vil blive skubbet voldsomt ud og kan forårsage alvorlig personskade.

### ⚠ ADVARSEL:

- Skær ikke armeringsstangen, når stykket, der skal skæres, har en længde på under 200 mm. Hvis der skæres en kortere længde, kan det få armeringsstangen til at flyve væk under skæringen, og det kan resultere i alvorlig personskade. (Fig. 8)

### **⚠ ADVARSEL:**

- Skær ikke armeringsstangen, når den ikke støttes korrekt af stopperen. Under skæringen skal armeringsstangen holdes på stoppersiden. (Fig. 9, 10) Hvis ikke, kan stykket flyve væk og forårsage alvorlig personskade hos operatøren eller tilskuere.
- 3. Tryk kontaktlåsen ind på side A. Kontakten låses op, og udløseren kan betjenes.
- 4. Tryk på kontaktdløseren for at starte skæringen. Skærestangen vil bevæge sig fremad for at skære armeringsstangen. Hold kontakten nede, indtil skærestangen stopper for enden af dens strøg.
- 5. Slip kontaktdløseren, når skæringen er afsluttet, og skærestangen har nået enden af dens skæring. Skærestangen vender automatisk tilbage til dens startposition. Skærestangen vender ikke tilbage, hvis skæringen ikke bliver helt gennemført. Skærestangen kan ligeledes ikke bevæge sig frem igen, indtil efter den er vendt helt tilbage til dens startposition. Tryk på kontakten for at starte den næste skæring, først efter skærestangen er vendt helt tilbage til dens startposition og stopper.

### **⚠ ADVARSEL:**

- Når der skæres en armeringsstang med en høj brudstyrke, kan det skårne stykke flyve væk og forårsage alvorlig personskade hos operatøren. Bær sikkerhedsbriller og bekræft, at det omgivende område er sikkert, inden betjeningen startes.

### **⚠ ADVARSEL:**

- Hold din hænder og dit ansigt væk fra klingerne, delene i bevægelse og skæreområdet under drift. Fjern akkuen og værktøjet med det samme efter brug.

### **BEMÆRK:**

- Hvis værktøjshusets temperatur overskrider 70°C (160°F), reduceres værktøjskapaciteten. Stop i så fald brugen og lad værktøjet køle ned.

### **BEMÆRK:**

- Hold lufthullet i enden af stangholderen fri for snavs og rester. Lufthullet kontrollerer det interne tryk og bør ikke blokeres. (Fig. 11)

## **Motorens roterende funktion (Fig. 12)**

Motorhoveddelen kan roteres 360 grader, i hver retning, under betjeningen. Denne funktion er særdeles nyttig, når der arbejdes i kluntede eller smalle områder, da det gør det muligt for operatøren at placere værktøjet i den bedste position til nem betjening.

## **Returløbsventilens betjening (Fig. 13)**

Returløbsventilens funktion er at give skærestangen mulighed for at vende tilbage til startpositionen, hvis den ikke kan gennemføre en skæring eller sætter sig fast. Hvis returløbsventilen drejes en halv omgang, vil det frigøre olietrykket og lade skærestangen vende tilbage. Stram igen returløbsventilen, når skærestangen er vendt helt tilbage, og inden den næste betjening startes.

## **PROCEDURE FOR UDSKIFTNING AF KLINGER**

Hvis klingernes skærekanten er flækkede, revnede, deformerede eller beskadigede på nogen måde, vil deres skæreevne være reduceret. Hvis der skæres under sådanne forhold, kan det forårsage yderligere beskadigelse og resultere i personskade. Klingerne bør udskiftes som et sæt med det samme, hvis der findes beskadigelser.

### **⚠ ADVARSEL:**

- Når du udskifter klingerne, skal du sørge for, at akkuen fjernes fra værktøjet for at forhindre utilsigtet drift. Sørg for, at klinge A på stangholderen og klinge B på skærestangen er monteret i deres korrekte henholdsvis positioner. (Fig. 14)

1. Løsn boltene og spændeskiverne, der fastholder klinge A og klinge B.
2. Fjern snavs og rengør overfladerne, hvor de nye klinger skal monteres.
3. Monter klinge A i stangholderen og klinge B i skærestangen. Udskift bolte og spændeskiver, og stram dem godt.

### **⚠ ADVARSEL:**

- Boltene, der fastholder klinge A og klinge B, skal strammes regelmæssigt. Hvis boltene løsner sig, kan klingerne blive beskadigede og kan forårsage personskade.

## **Type reserveklinge og demontering (Fig. 15)**

Sikringsbolte bør strammes godt.

Bekræft regelmæssigt, at klingen er korrekt spændt.

Reserveklingestørrelse

● Brug denne tabel til at identificere de rette klinger til din model.

Model	A (Monteret på stangholder)	B (Monteret på skærestang)
DSC163 (ø3 - ø16)	22 × 17 × 9 mm (Boltstørrelse 5 mm)	22 × 17 × 8 mm (Boltstørrelse 5 mm)

### **BEMÆRK:**

- Brug kun ægte Makita-klinger.

## TILFØJELSE AF OLIE

Denne batteridrevne stålstangsklipper er elektro-hydraulisk. Da den blev sendt fra fabrikken, blev den fyldt med olie. Forsøg ikke at tilføje olie, så længe værktøjet fungerer godt. Gennem en tidsperiode vil olieniveauet gradvist falde. I sidste ende vil dette forårsage et mærkbart fald i ydeevnen. Når dette sker, skal der tilføjes olie på følgende måde.

1. Placer noget armeringsstang mellem klingerne, og træk i kontaktudløseren.
2. Slip kontaktudløseren, lige inden skæringen er færdig, for at stoppe værktøjet.
3. Fjern akkuen fra værktøjet, så klingerne ikke kan bevæge sig utilsigtet.
4. Fjern bolten (SB10x15), som dækker oliefyldningshullet. Tilføj olien, mens du passer på ikke at lade noget olie blive spildt ind i motoren.
5. Sæt bolten (SB10x15) på plads, og stram den godt.
6. Genindsæt akkuen i værktøjet, og udfør skæringen.
7. Gentag ovenstående procedure adskillige gange, indtil olieniveauet forbliver korrekt.

### **FORSIGTIG:**

- Kun ren hydraulisk olie, som anbefalet af Makita, bør anvendes i dette værktøj. Anbefalede olier omfatter Makitas forsynede hydrauliske olie, Super Hyrando #46 (JX Nippon Oil & Energy Corp.); Shell Tellus Plus #46 (U.S. Shell); eller tilsvarende speciel antislid hydraulisk olie, ISO-viskositetsgrad 46. Brug ikke andre olier, da disse kan forårsage beskadigelse af forseglinger og andre interne maskindele.

## FEJLFINDING

### ⚠ ADVARSEL:

- Tag akkuen ud, inden du arbejder med maskinen.

PROBLEM	ÅRSAG	LØSNING
Skærestang kan ikke forlænges.	Utilstrækkelig olie	Fyld olie op. (Se "Tilføjelse af olie")
	Skærestangen er ikke vendt helt tilbage pga. opbygning af snavs mellem skærestangen og stangholderen.	Skub skærestangen tilbage manuelt. Fjern snavs og rengør
	Skærestangen er ikke vendt helt tilbage pga. beskadigelse af skærestangen.	Udskift skærestang.
	Skærestangen er ikke vendt helt tilbage pga. løse eller beskadigede klinger.	Spænd klingebolte. Udskift klinger
	Skærestangen er ikke vendt helt tilbage pga. svag returfeder.	Udskift returfeder.
Utilstrækkelig strøm til at skære armeringsstang.	Utilstrækkelig olie.	Fyld olie op. (Se "Tilføjelse af olie")
	Returløbsventil er ikke korrekt placeret i sæde, eller sædet er beskadiget.	Rengør spidsen af returløbsventilen og sædet. Fjern eventuelle ridser fra sædet.
	Returløbsventil, beskadiget.	Udskift.
	Forkert afstand mellem cylinder og stempel.	Udskift stempel (Bemærk: forskellige størrelser stempler tilgængelige)
	Kontraventil er ikke korrekt placeret i sæde, eller sædet er beskadiget.	Kontrollér kontraventil og sæde. Udskift.
Uretanpakning, beskadiget eller ødelagt.	Udskift.	
Olielækager.	Olienivelleringsblære, beskadiget eller ødelagt.	Udskift.
	Skærestang/stangholder, O-ring beskadiget; stang/stangholder, overflade ridset eller rillet.	Udskift reservering og O-ring. Udskift skærestang/stangholder
	Cylinder/stangholder, O-ring beskadiget	Udskift O-ringen.
	Cylinder/pumpekasse, pakning beskadiget.	Udskift dæklag B.
	Stangholder/cylinder/pumpekasse, flangebolte løse.	Spænd bolte.
Motor bevæger sig ikke. Motor langsom eller uregelmæssig.	Spænding forkert.	Oplad akku.
	Akku ved slutning af levetid.	Udskift akku.
	DC-motor beskadiget af overophedning.	Udskift DC-motor.
	DC-motorlejer eller -gear beskadiget eller ødelagt.	Udskift lejer eller gear.

### BEMÆRK:

- De interne komponenter af pumpen og stempelområdet har meget tætte tolerancer og er følsomme over for skader fra støv, snavs, forurening af den hydrauliske væske eller forkert håndtering. Demonteringen af pumpehuset kræver specielle værktøjer og træning og bør kun foretages af kvalificeret reparationspersonale, der har modtaget korrekt træning og har de rette værktøjer. En forkert service af elektriske komponenter kan føre til tilstande, som kan forårsage alvorlig personskade. Der bør kun foretages service på pumpen, stempelkomponenterne og alle elektriske dele hos et autoriseret værksted, en autoriseret forhandler eller en distributør.



## VEDLIGEHOELDELSE

### **FORSIGTIG:**

- Sørg altid for at maskinen er slukket, og at akkuen er taget ud, før der udføres inspektion eller vedligeholdelse.
- Anvend aldrig benzin, rensbenzin, fortynder, alkohol og lignende. Det kan medføre misfarvning, deformation eller revner.

For at bevare produktets SIKKERHED og PÅLIDELIGHED skal reparationer, al anden vedligeholdelse eller justering altid foretages af Makitas autoriserede servicecentre, og der skal altid anvendes reservedele fra Makita.

## VALGFRI TILBEHØR

### **FORSIGTIG:**

- Dette tilbehør eller påmonteringer anbefales til brug med dit Makita-værktøj, der er specificeret i denne anvisning. Brugen af andet tilbehør eller andre påmonteringer kan udgøre en risiko for personskade. Brug kun tilbehør eller påmonteringer til deres tilsigtede brug.

Hvis du har brug for hjælp til flere detaljer vedrørende dette tilbehør, bedes du spørge dit lokale Makita-servicecenter.

- Ægte akku og oplader fra Makita.

### **BEMÆRK:**

- Nogle varer på listen kan medfølge i værktøjspakken som standardtilbehør. De kan variere fra land til land.

**Επεξήγηση γενικής άποψης**

- |                      |                                 |                                    |
|----------------------|---------------------------------|------------------------------------|
| 1. Κόκκινη ένδειξη   | 10. Βέργα οπλισμού              | 19. Μπουλόνι (Μακρύτερο)           |
| 2. Κουμπί            | 11. Λεπίδες                     | 20. Μπουλόνι (Κοντύτερο)           |
| 3. Κασέτα μπαταριών  | 12. Αναστολέας                  | 21. Ροδέλα                         |
| 4. Ένδειξη LED       | 13. Περισσότερο από 200 mm      | 22. Μπάρα συγκράτησης              |
| 5. Ασφάλιση διακόπτη | 14. Οπή αέρα                    | 23. Ράβδος κοπής                   |
| 6. Σκανδάλη διακόπτη | 15. Εξαγωνικό κλειδί            | 24. Λεπίδα Α στη μπάρα συγκράτησης |
| 7. Πλευρά Α          | 16. Βαλβίδα επιστροφής          | 25. Λεπίδα Β στη ράβδο κοπής       |
| 8. Πλευρά Β          | 17. Λεπίδα Α (Φαρδύτερη λεπίδα) | 26. Ανταλλακτικές λεπίδες          |
| 9. Προστατευτικό     | 18. Λεπίδα Β (Λεπτότερη λεπίδα) |                                    |

**ΠΡΟΔΙΑΓΡΑΦΕΣ**

Μοντέλο	DSC163
Μέγ. ικανότητα κοπής (Διάμ. mm)	
Ποιότητα (Grade) 40 - Ποιότητα (Grade) 60	
Ποιότητα (Grade) 40: Αντοχή σε εφελκυσμό 490 N/mm <sup>2</sup> 70.000 PSI	16 mm
Ποιότητα (Grade) 60: Αντοχή σε εφελκυσμό 620 N/mm <sup>2</sup> 90.000 PSI	
Ταχύτητα κοπής	2,8 δευτ/πτα
Ολικό μήκος	360 mm
Καθαρό βάρος	6,9 kg
Ονομαστική τάση	D.C. 18V

- Λόγω της συνέχισης του προγράμματός μας έρευνας και ανάπτυξης, οι εν λόγω προδιαγραφές υπόκεινται σε αλλαγές χωρίς προειδοποίηση.
- Οι προδιαγραφές και η κασέτα μπαταριών μπορεί να διαφέρουν ανάλογα με τη χώρα.
- Βάρος, με κασέτα μπαταριών, σύμφωνα με τη διαδικασία EPTA 01/2014

**Ισχύουσα κασέτα μπαταριών και φορτιστής**

Κασέτα μπαταρίας	BL1830B / BL1840B / BL1850B / BL1860B
Φορτιστής	DC18RC / DC18RD / DC18RE / DC18SD / DC18SE / DC18SF / DC18SH

- Ορισμένες από τις κασέτες και τους φορτιστές μπαταριών που αναγράφονται παραπάνω ίσως να μην είναι διαθέσιμοι, ανάλογα με την τοποθεσία κατοικίας σας.

**⚠ ΠΡΟΕΙΔΟΠΟΙΗΣΗ:**

- **Να χρησιμοποιείτε μόνο τις κασέτες μπαταριών και τους φορτιστές που παρατίθενται ανωτέρω.** Η χρήση οποιασδήποτε άλλης κασέτας μπαταριών ή φορτιστή μπορεί να προκαλέσει τραυματισμό ή/και πυρκαγιά.

## Σύμβολα

Παρακάτω παρουσιάζονται τα σύμβολα που χρησιμοποιούνται για αυτήν τη συσκευή. Βεβαιωθείτε ότι έχετε κατανοήσει τη σημασία τους πριν τη χρήση.



..... Διαβάστε το εγχειρίδιο οδηγιών.



..... Μόνο για τις χώρες της ΕΕ

Λόγω της παρουσίας των επικινδύνων συστατικών μερών στον εξοπλισμό, ο απόβλητος ηλεκτρικός και ηλεκτρονικός εξοπλισμός, οι συσσωρευτές και οι μπαταρίες μπορεί να έχουν αρνητική επίδραση στο περιβάλλον και την ανθρώπινη υγεία.

Μην απορρίπτετε τις ηλεκτρικές και ηλεκτρονικές συσκευές ή μπαταρίες μαζί με τα οικιακά απορρίμματα!

Σύμφωνα με την Ευρωπαϊκή Οδηγία για τον απόβλητο ηλεκτρικό και ηλεκτρονικό εξοπλισμό και για τους συσσωρευτές και μπαταρίες και τους απόβλητους συσσωρευτές και μπαταρίες, καθώς και την προσαρμογή τους στην εθνική νομοθεσία, ο απόβλητος ηλεκτρικός εξοπλισμός, οι μπαταρίες και οι συσσωρευτές θα πρέπει να αποθηκεύονται ξεχωριστά και να παραδίδονται σε ξεχωριστό σημείο συλλογής για δημοτικά απόβλητα, το οποίο λειτουργεί σύμφωνα με τους κανονισμούς για την προστασία του περιβάλλοντος.

Αυτό υποδεικνύεται από το σύμβολο του διαγραμμένου τροχοφόρου κάδου που βρίσκεται ανατρεπόμενο επάνω στον εξοπλισμό.

## Προοριζόμενη χρήση

Το εργαλείο αυτό προορίζεται για κοπή βέργας οπλισμού.

## Θόρυβος

Το τυπικό Α επίπεδο καταμετρημένου θορύβου καθορίζεται σύμφωνα με το EN62841-2-8:

Στάθμη ηχητικής πίεσης (LpA): 78 dB (A)

Αβεβαιότητα (K): 3 dB (A)

Η ένταση θορύβου υπό συνθήκες εργασίας μπορεί να υπερβεί τα 80 dB (A).

## ΠΑΡΑΤΗΡΗΣΗ:

- Η δηλωμένη τιμή(ές) εκπομπής θορύβου έχει μετρηθεί σύμφωνα με την πρότυπη μέθοδο δοκιμής και μπορεί να χρησιμοποιηθεί για τη σύγκριση ενός εργαλείου με κάποιο άλλο.
- Η δηλωμένη τιμή(ές) εκπομπής θορύβου μπορεί να χρησιμοποιηθεί και στην προκαταρκτική αξιολόγηση της έκθεσης.

## ▲ ΠΡΟΕΙΔΟΠΟΙΗΣΗ:

- **Να φοράτε ωτοασπίδες.**
- **Η εκπομπή θορύβου κατά τη χρήση του ηλεκτρικού εργαλείου σε πραγματικές συνθήκες μπορεί να διαφέρει από τη δηλωμένη τιμή(ές) ανάλογα με τους τρόπους χρήσης του εργαλείου, ιδιαίτερα το είδος του τεμαχίου εργασίας που υπόκειται επεξεργασία.**
- **Φροντίστε να λάβετε τα κατάλληλα μέτρα προστασίας του χειριστή βάσει ενός υπολογισμού της έκθεσης σε πραγματικές συνθήκες χρήσης (λαμβάνοντας υπόψη όλες τις συνιστώσες του κύκλου λειτουργίας όπως τους χρόνους που το εργαλείο είναι εκτός λειτουργίας και όταν βρίσκεται σε αδρανή λειτουργία πέραν του χρόνου ενεργοποίησης).**

## Κραδασμός

Η ολική τιμή δόνησης (άθροισμα τρι-αξονικού διανύσματος) καθορίζεται σύμφωνα με το EN62841-2-8:

Λειτουργία εργασίας: κοπή βέργας οπλισμού

Εκπομπή δόνησης ( $a_{h1}$ ) : 2.5  $m/s^2$  ή λιγότερο

Αβεβαιότητα (K): 1,5  $m/s^2$

## ΠΑΡΑΤΗΡΗΣΗ:

- Η δηλωμένη τιμή(ές) συνολικών κραδασμών έχει μετρηθεί σύμφωνα με την πρότυπη μέθοδο δοκιμής και μπορεί να χρησιμοποιηθεί για τη σύγκριση ενός εργαλείου με κάποιο άλλο.
- Η δηλωμένη τιμή(ές) συνολικών κραδασμών μπορεί να χρησιμοποιηθεί και στην προκαταρκτική αξιολόγηση της έκθεσης.

## ▲ ΠΡΟΕΙΔΟΠΟΙΗΣΗ:

- **Η εκπομπή κραδασμών κατά τη χρήση του ηλεκτρικού εργαλείου σε πραγματικές συνθήκες μπορεί να διαφέρει από τη δηλωμένη τιμή(ές) εκπομπής ανάλογα με τους τρόπους χρήσης του εργαλείου, ιδιαίτερα το είδος του τεμαχίου εργασίας που υπόκειται επεξεργασία.**
- **Φροντίστε να λάβετε τα κατάλληλα μέτρα προστασίας του χειριστή βάσει ενός υπολογισμού της έκθεσης σε πραγματικές συνθήκες χρήσης (λαμβάνοντας υπόψη όλες τις συνιστώσες του κύκλου λειτουργίας όπως τους χρόνους που το εργαλείο είναι εκτός λειτουργίας και όταν βρίσκεται σε αδρανή λειτουργία πέραν του χρόνου ενεργοποίησης).**

## Δήλωση Συμμόρφωσης ΕΚ

Μόνο για χώρες της Ευρώπης

Η Δήλωση συμμόρφωσης ΕΚ περιλαμβάνεται ως Παράρτημα Α στο παρόν Εγχειρίδιο οδηγιών.

## Γενικές προειδοποιήσεις ασφαλείας για το ηλεκτρικό εργαλείο

**⚠️ ΠΡΟΕΙΔΟΠΟΙΗΣΗ:** Διαβάστε όλες τις προειδοποιήσεις ασφάλειας, οδηγίες, εικονογραφήσεις και προδιαγραφές που παρέχονται με αυτό το ηλεκτρικό εργαλείο. Η μη τήρηση όλων των οδηγιών που αναγράφονται κατωτέρω μπορεί να καταλήξει σε ηλεκτροπληξία, πυρκαγιά ή/και σοβαρό τραυματισμό.

## Φυλάξτε όλες τις προειδοποιήσεις και τις οδηγίες για μελλοντική παραπομπή.

Στις προειδοποιήσεις, ο όρος «ηλεκτρικό εργαλείο» αναφέρεται σε ηλεκτρικό εργαλείο που τροφοδοτείται από την κύρια παροχή ηλεκτρικού ρεύματος (με ηλεκτρικό καλώδιο) ή σε ηλεκτρικό εργαλείο που τροφοδοτείται από μπαταρία (χωρίς ηλεκτρικό καλώδιο).

### Ασφάλεια στο χώρο εργασίας

1. **Να διατηρείτε το χώρο εργασίας καθαρό και καλά φωτισμένο.** Σε ακατάστατους ή σκοτεινούς χώρους προκαλούνται ατυχήματα.
2. **Μη θέτετε τα ηλεκτρικά εργαλεία σε λειτουργία σε κερκτικές ατμόσφαιρες, όπως παρουσία εύφλεκτων υγρών, αερίων ή σκόνης.** Τα ηλεκτρικά εργαλεία δημιουργούν σπινθήρες που μπορεί να προκαλέσουν ανάφλεξη της σκόνης ή των ατμών.
3. **Να απομακρύνετε τα παιδιά και τους μη έχοντες εργασία όταν χειρίζεστε ένα ηλεκτρικό εργαλείο.** Εάν αποστασεί η προσοχή σας, μπορεί να χάσετε τον έλεγχο.

### Ηλεκτρική ασφάλεια

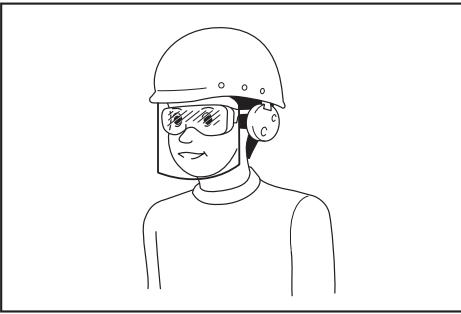
1. **Τα φως του ηλεκτρικού εργαλείου πρέπει να ταιριάζουν στην πρίζα. Μην τροποποιείτε ποτέ το φως με οποιονδήποτε τρόπο. Μη χρησιμοποιείτε προσαρμογείς σε γειωμένα ηλεκτρικά εργαλεία.** Τα φως που δεν έχουν τροποποιηθεί και οι πρίζες που ταιριάζουν στα φως μειώνουν το κίνδυνο πρόκλησης ηλεκτροπληξίας.
2. **Αποφεύγετε την επαφή του σώματος με γειωμένες επιφάνειες, όπως σωλήνες, καλοριφέρ, φούρνους και ψυγεία.** Υπάρχει αυξημένος κίνδυνος πρόκλησης ηλεκτροπληξίας εάν το σώμα σας είναι γειωμένο.
3. **Μην εκθέτετε τα ηλεκτρικά εργαλεία στη βροχή ή σε υγρές συνθήκες.** Εάν εισέλθει νερό σε κάποιο ηλεκτρικό εργαλείο, αυξάνεται ο κίνδυνος πρόκλησης ηλεκτροπληξίας.
4. **Μην κακομεταχειρίζεστε το ηλεκτρικό καλώδιο. Μη χρησιμοποιείτε ποτέ το ηλεκτρικό καλώδιο για να μεταφέρετε ή να τραβήξετε το ηλεκτρικό εργαλείο, αλλά ούτε για να βγάλετε το φως του ηλεκτρικού εργαλείου από την πρίζα. Να διατηρείτε το ηλεκτρικό καλώδιο μακριά από τη θερμότητα, τα λάδια, τα αιχμηρά αντικείμενα και τα κινούμενα μέρη.** Τα ηλεκτρικά καλώδια που έχουν υποστεί βλάβες και τα μπλεγμένα ηλεκτρικά καλώδια αυξάνουν τον κίνδυνο πρόκλησης ηλεκτροπληξίας.

5. **Όταν χειρίζεστε κάποιο ηλεκτρικό εργαλείο σε εξωτερικούς χώρους, να χρησιμοποιείτε προέκταση ηλεκτρικού καλωδίου (μπαλαντζά) κατάλληλη για εξωτερική χρήση.** Εάν χρησιμοποιείτε ηλεκτρικό καλώδιο κατάλληλο για εξωτερική χρήση, μειώνεται ο κίνδυνος για πρόκληση ηλεκτροπληξίας.
6. **Εάν δεν είναι δυνατό να αποφευχθεί η λειτουργία ενός ηλεκτρικού εργαλείου σε μέρος με υγρασία, χρησιμοποιήστε ηλεκτρική παροχή που προστατεύεται από συσκευή παραμένουστος ρεύματος (RCD).** Η χρήση RCD μειώνει τον κίνδυνο ηλεκτροπληξίας.
7. **Τα ηλεκτρικά εργαλεία μπορούν να παράγουν ηλεκτρομαγνητικά πεδία (EMF) τα οποία δεν είναι βλαβερά για το χρήστη.** Ωστόσο, οι χρήστες βηματοδοτών και άλλων παρόμοιων ιατροτεχνολογικών συσκευών θα πρέπει να επικοινωνήσουν με τον κατασκευαστή της συσκευής τους ή/και τον γιατρό για συμβουλές, πριν θέσουν αυτό το ηλεκτρικό εργαλείο σε λειτουργία.

### Προσωπική ασφάλεια

1. **Όταν χειρίζεστε κάποιο ηλεκτρικό εργαλείο, να είσαστε σε ετοιμότητα, να προσέχετε τι κάνετε και να χρησιμοποιείτε κοινή λογική. Μη χειρίζεστε κάποιο ηλεκτρικό εργαλείο όταν είσαστε κουρασμένοι ούτε όταν βρίσκεστε υπό την επίρρεση ναρκωτικών ουσιών, αλκοόλ ή φαρμάκων.** Μια στιγμή απροσεξίας κατά τη διάρκεια χειρισμού των ηλεκτρικών εργαλείων μπορεί να προκαλέσει σοβαρό προσωπικό τραυματισμό.
2. **Να χρησιμοποιείτε ατομικό εξοπλισμό προστασίας. Να φοράτε πάντα προστασία ματιών.** Εάν χρησιμοποιείτε το σωστό προστατευτικό εξοπλισμό, όπως προσωπίδα κατά της σκόνης, ανιολισθητικά παπούτσια ασφαλείας, κράνος ή προστατευτικό ακοής, ανάλογα με τις συνθήκες, θα μειωθεί ο κίνδυνος πρόκλησης προσωπικών τραυματισμών.
3. **Να αποφεύγετε την αθέλητη ενεργοποίηση του εργαλείου. Βεβαιωθείτε ότι ο διακόπτης βρίσκεται στην ανεργική θέση πριν συνδέετε την ηλεκτρική παροχή ή/και μπαταρία, σηκωνέτε ή μεταφέρετε το εργαλείο.** Εάν φέρετε ηλεκτρικά εργαλεία με το δάχτυλό σας στο διακόπτη ή εάν ενεργοποιείτε ηλεκτρικά εργαλεία όταν ο διακόπτης είναι στην ενεργή θέση, μπορεί να προκληθούν ατυχήματα.
4. **Να απομακρύνετε τυχόν ρυθμιζόμενο κλειδί ή γαλκίνο κλειδί πριν θέτετε το ηλεκτρικό εργαλείο σε λειτουργία.** Ένα κλειδί που έχει μείνει προσκολλημένο σε κάποιο περιστρεφόμενο μέρος του ηλεκτρικού εργαλείου μπορεί να προκαλέσει προσωπικό τραυματισμό.
5. **Μην τεντώνετε υπερβολικά. Να στέκεστε πάντοτε σταθερά και ισορροπημένα.** Έτσι, θα έχετε καλύτερο έλεγχο του ηλεκτρικού εργαλείου σε απόρρομες καταστάσεις.
6. **Να ντύνετε κατάλληλα. Μη φοράτε φαρδιά ρούχα ή κοσμήματα. Κρατάτε τα μαλλιά και τα ρούχα σας μακριά από κινούμενα μέρη.** Υπάρχει κίνδυνος να εμπλακούν τα φαρδιά ρούχα, τα κοσμήματα ή τα μακριά μαλλιά σε κινούμενα μέρη.

7. Εάν παρέχονται συσκευές για τη σύνδεση διατάξεων εξαγωγής και συλλογής σκόνης, να βεβαιώνεστε ότι αυτές είναι συνδεδεμένες και χρησιμοποιούνται σωστά. Η συλλογή σκόνης μπορεί να μειώσει τον κίνδυνο που σχετίζεται με τη σκόνη.
8. Μην αδιαφορείτε και αγνοείτε τις αρχές ασφάλειας του εργαλείου λόγω της εξοικείωσης που αποκτήσατε από τη συχνή χρήση των εργαλείων. Μια απρόσεκτη ενέργεια μπορεί να προκαλέσει σοβαρό τραυματισμό εντός κλασμάτων ενός δευτερολέπτου.
9. Να φοράτε πάντα προστατευτικά γυαλιά για να προστατεύετε τα μάτια σας από τραυματισμό όταν χρησιμοποιείτε ηλεκτρικά εργαλεία. Τα προστατευτικά γυαλιά πρέπει να συμμορφώνονται με το πρότυπο ANSI Z87.1 στις ΗΠΑ, το πρότυπο EN 166 στην Ευρώπη ή το πρότυπο AS/NZS 1336 στην Αυστραλία/Νέα Ζηλανδία. Στην Αυστραλία/Νέα Ζηλανδία, απαιτείται από το νόμο να φοράτε και προσωπίδα για την προστασία του προσώπου σας.



Ο εργοδότης έχει την ευθύνη να επιβάλλει τη χρήση κατάλληλου προστατευτικού εξοπλισμού ασφαλείας από τους χειριστές του εργαλείου και από άλλα άτομα που βρίσκονται στην άμεση περιοχή εργασίας.

#### Χρήση και φροντίδα ηλεκτρικού εργαλείου

1. Μην ασκείτε πίεση στο ηλεκτρικό εργαλείο. Να χρησιμοποιείτε το σωστό ηλεκτρικό εργαλείο για την εφαρμογή σας. Με το σωστό ηλεκτρικό εργαλείο θα πραγματοποιήσετε την εργασία καλύτερα και ασφαλέστερα, στο βαθμό για τον οποίο έχει σχεδιαστεί.
2. Μην χρησιμοποιείτε το ηλεκτρικό εργαλείο εάν ο διακόπτης δεν το ενεργοποιεί και δεν το απενεργοποιεί. Κάθε ηλεκτρικό εργαλείο που δεν μπορείτε να ελέγξετε με το διακόπτη λειτουργίας είναι επικίνδυνο και πρέπει να επισκευαστεί.
3. Να αποσυνδέετε το φως από την πηγή τροφοδοσίας ή/και να βγάξετε την κασέτα μπαταριών, αν είναι συνδεδεμένη, από το ηλεκτρικό εργαλείο πριν κάνετε οποιοσδήποτε ρυθμίσεις ή αλλαγές εξαρτημάτων και πριν αποθηκεύετε τα ηλεκτρικά εργαλεία. Τέτοια προληπτικά μέτρα ασφαλείας μειώνουν τον κίνδυνο τυχαίας ενεργοποίησης του ηλεκτρικού εργαλείου.

4. Να αποθηκεύετε τα αδρανή ηλεκτρικά εργαλεία μακριά από παιδιά και να μην αφήνετε άτομα που δεν γνωρίζουν το ηλεκτρικό εργαλείο και αυτές τις οδηγίες να χειρίζονται το ηλεκτρικό εργαλείο. Τα ηλεκτρικά εργαλεία αποτελούν κίνδυνο στα χέρια ανειδίκευτων χειριστών.
5. Να συντηρείτε τα ηλεκτρικά εργαλεία και τα εξαρτήματα. Να ελέγχετε αν είναι ευθυγραμμισμένα σωστά τα κινούμενα μέρη, αν εμποδίζεται η ελεύθερη κίνηση τους, αν έχουν σπάσει κάποια εξαρτήματα, αλλά και κάθε άλλη κατάσταση που μπορεί να επηρεάσει τη λειτουργία του ηλεκτρικού εργαλείου. Αν το ηλεκτρικό εργαλείο υποστεί βλάβη, να φροντίζετε να επισκευαστεί πριν το χρησιμοποιήσετε. Πολλά ατυχήματα προκαλούνται από ηλεκτρικά εργαλεία που δεν έχουν συντηρηθεί σωστά.
6. Να διατηρείτε τα κοπτικά εργαλεία αιχμηρά και καθαρά. Τα κοπτικά εργαλεία που έχουν συντηρηθεί σωστά είναι λιγότερο πιθανό να εμπλακούν και πιο εύκολο να ελεγχθούν.
7. Να χρησιμοποιείτε το ηλεκτρικό εργαλείο, τα εξαρτήματα και τις ζυγές του εργαλείου, κτλ. σύμφωνα με αυτές τις οδηγίες, λαμβάνοντας υπόψη τις συνθήκες εργασίας και την εργασία που πρέπει να εκτελεστεί. Εάν χρησιμοποιείτε το ηλεκτρικό εργαλείο για λειτουργίες διαφορετικές από αυτές για τις οποίες προορίζεται, μπορεί να προκληθεί κάποια επικίνδυνη κατάσταση.
8. Να διατηρείτε τις λαβές και τις επιφάνειες χειρολαβών στεγνές, καθαρές, χωρίς λάδι και γράσο. Οι ολισθηρές λαβές και επιφάνειες χειρολαβών δεν επιτρέπουν τον ασφαλή χειρισμό και έλεγχο του εργαλείου σε αναπάντεχες καταστάσεις.
9. Όταν χρησιμοποιείτε το εργαλείο, μη φοράτε πάντα γάντια εργασίας που μπορεί να εμπλακούν. Η εμπλοκή των πλάνινων γαντιών εργασίας μέσα στα κινούμενα μέρη μπορεί να έχουν ως αποτέλεσμα προσωπικό τραυματισμό.

#### Χρήση και φροντίδα μπαταριών

1. Να επαναφορτίσετε τις μπαταρίες μόνο με το φορτιστή που καθορίζεται από τον κατασκευαστή. Ένας φορτιστής που είναι κατάλληλος για μια συγκεκριμένη μπαταρία μπορεί να δημιουργήσει κίνδυνο πυρκαγιάς όταν χρησιμοποιείται με μια άλλη μπαταρία.
2. Να χρησιμοποιείτε ηλεκτρικά εργαλεία μόνο με ειδικά καθορισμένες μπαταρίες. Η χρήση κάθε άλλης μπαταρίας μπορεί να δημιουργήσει κίνδυνο τραυματισμού ή πυρκαγιάς.
3. Όταν δεν χρησιμοποιείται η κασέτα μπαταριών, διατηρήστε τη μακριά από άλλα μεταλλικά αντικείμενα, όπως συνδετήρες, κέρματα, κλειδιά, καρφιά, βίδες ή άλλα μικρά μεταλλικά αντικείμενα, με τα οποία μπορεί να δημιουργηθεί σύνδεση από τον έναν ακροδέκτη στον άλλον. Το βραχυκύκλωμα των ακροδεκτών της μπαταρίας μπορεί να προκαλέσει εγκαύματα ή πυρκαγιά.

- Υπό συνθήκες κατάχρησης, μπορεί να εξαχθεί υγρό από την μπαταρία. Να αποφεύγετε την επαφή. Εάν συμβεί επαφή κατά λάθος, εκπλύνετε με νερό. Εάν το υγρό έρθει σε επαφή με τα μάτια, αναζητήστε και ιατρική βοήθεια. Το υγρό που εξάγεται από την μπαταρία μπορεί να προκαλέσει ερεθισμό ή εγκαύματα.
- Μην χρησιμοποιείτε μια κασέτα μπαταριών ή εργαλείο που έχει καταστραφεί ή τροποποιηθεί. Οι κατεστραμμένες ή τροποποιημένες μπαταρίες μπορεί να παρουσιάζουν απρόβλεπτη συμπεριφορά που έχει ως αποτέλεσμα πυρκαγιά, έκρηξη ή κίνδυνο τραυματισμού.
- Μην εκθέτετε την κασέτα μπαταριών ή το εργαλείο σε πυρκαγιά ή υπερβολικά υψηλή θερμοκρασία. Η έκθεση στην πυρκαγιά ή στη θερμοκρασία άνω των 130 °C μπορεί να προκαλέσει έκρηξη.
- Ακολουθήστε όλες τις οδηγίες φόρτισης και μην φορτίσετε την κασέτα μπαταριών ή το εργαλείο εκτός του θερμοκρασιακού εύρους που καθορίζεται στις οδηγίες. Η λανθασμένη φόρτιση ή η φόρτιση σε θερμοκρασίες εκτός του καθορισμένου εύρους μπορεί να προκαλέσει ζημιά στην μπαταρία και να αυξήσει τον κίνδυνο πυρκαγιάς.
- Αυτό το εργαλείο είναι ένα ηλεκτρο-υδραυλικό εργαλείο. Το δοχείο λαδιού ήταν γεμάτο πριν από την παράδοση. Μην προσθέτετε λάδι, εκτός εάν το εργαλείο δε λειτουργεί κανονικά.
- Οι μεταλλικές λεπίδες κοπής έχουν αιχμηρές ακμές. Να τις χειρίζεστε προσεκτικά για να μην κοπείτε.
- Κατεστραμμένες, παραμορφωμένες ή ραγισμένες λεπίδες μπορούν να προκαλέσουν σοβαρά ατυχήματα, καθώς και δυσλειτουργία. Αντικαταστήστε άμεσα με καινούργιες γνήσιες λεπίδες.

## ΦΥΛΑΞΤΕ ΤΙΣ ΟΔΗΓΙΕΣ ΑΥΤΕΣ.

### ⚠ ΠΡΟΕΙΔΟΠΟΙΗΣΗ:

ΜΗΝ επιτρέψετε η άνεση ή η εξοικείωση με το προϊόν (που αποκτήθηκε από επανειλημμένη χρήση) να αντικαταστήσει την αυστηρή τήρηση των κανόνων ασφάλειας που αφορούν αυτό το προϊόν. Η ΚΑΚΗ ΧΡΗΣΗ ή αμέλεια στην τήρηση των κανόνων ασφαλείας που διατυπώνονται στο παρόν εγχειρίδιο οδηγιών ενδέχεται να προκαλέσει σοβαρό τραυματισμό.

## Σημαντικές οδηγίες ασφάλειας για κασέτα μπαταριών

- Πριν χρησιμοποιήσετε την κασέτα μπαταριών, διαβάστε όλες τις οδηγίες και σημειώσεις προφύλαξης (1) στον φορτιστή μπαταριών, (2) στην μπαταρία και (3) στο προϊόν που χρησιμοποιεί την μπαταρία.
- Μην αποσυναρμολογήσετε ή παραβιάσετε την κασέτα μπαταριών. Μπορεί να έχει ως αποτέλεσμα πυρκαγιά, υπερθέρμανση ή έκρηξη.
- Εάν ο χρόνος λειτουργίας έχει γίνει υπερβολικά βραχύς, σταματήστε τη λειτουργία αμέσως. Αλλιώς, μπορεί να έχει ως αποτέλεσμα κίνδυνο υπερθέρμανσης, πιθανά εγκαύματα ή ακόμη και έκρηξη.
- Εάν ηλεκτρολύτης μπει στα μάτια σας, ξεπλύνετε τα με καθαρό νερό και ζητήστε ιατρική φροντίδα αμέσως. Αλλιώς, μπορεί να έχει ως αποτέλεσμα απώλεια της όρασης σας.
- Μη βραχυκυκλώνετε την κασέτα μπαταριών:
  - Μην αγγίζετε τους πόλους με σιδηήποτε αγωγίμο υλικό.
  - Αποφεύγετε να αποθηκεύετε την κασέτα μπαταριών μέσα σε ένα δοχείο μαζί με άλλα μεταλλικά αντικείμενα όπως καρφιά, νομίσματα, κλπ.
  - Μην εκθέτετε την κασέτα μπαταριών στο νερό ή στη βροχή.
 Ένα βραχυκύκλωμα μπαταρίας μπορεί να προκαλέσει μεγάλη ροή ρεύματος, υπερθέρμανση, πιθανά εγκαύματα ακόμη και σοβαρή βλάβη.
- Μην αποθηκεύετε και μην χρησιμοποιείτε το εργαλείο και την κασέτα μπαταριών σε τοποθεσίες όπου η θερμοκρασία μπορεί να φτάσει ή να ξεπεράσει τους 50°C.

### Σέρβις

- Να φροντίζετε το σέρβις του ηλεκτρικού εργαλείου σας να γίνεται από αρμόδιο επαγγελματία χρησιμοποιώντας μόνο γνήσια ανταλλακτικά. Έτσι θα είστε σίγουροι για τη διατήρηση της ασφάλειας του ηλεκτρικού εργαλείου.
- Μην εκτελείτε ποτέ εργασίες σέρβις σε κατεστραμμένες κασέτες μπαταριών. Οι εργασίες σέρβις των κασετών μπαταριών θα πρέπει να εκτελούνται μόνο από τον κατασκευαστή ή από εξουσιοδοτημένους παρόχους σέρβις.
- Να ακολουθείτε τις οδηγίες για τη λίπανση και την αλλαγή των αξεσουάρ.

## ΠΡΟΕΙΔΟΠΟΙΗΣΕΙΣ ΑΣΦΑΛΕΙΑΣ ΓΙΑ ΤΟΝ ΚΟΦΤΗ ΑΤΣΑΛΟΒΕΡΓΑΣ ΜΕ ΜΠΑΤΑΡΙΑ

- Κρατάτε το εργαλείο με ασφάλεια, κατά τη χρήση του. Εάν το εργαλείο δεν το κρατήσετε με ασφάλεια, μπορεί να τραυματιστείτε.
- Κρατήστε τα χέρια και το πρόσωπό σας μακριά από τα κινούμενα μέρη. Αυτά μπορεί να προκαλέσουν τραυματισμό.
- Απελευθερώστε τη σκανδάλη διακόπτη αμέσως ώστε να σταματήσει η λειτουργία όταν το εργαλείο τεθεί εκτός λειτουργίας ή κάνει ασυνήθιστο ήχο κατά τη χρήση του. Δώστε το για επιθεώρηση και επισκευή σε κάποιο εξουσιοδοτημένο κέντρο σέρβις. Σε αντίθετη περίπτωση, ενδέχεται να προκληθεί ζημιά ή τραυματισμός.
- Αν σας πέσει ή χτυπήσετε το εργαλείο, ελέγξτε προσεκτικά εάν το σώμα έχει υποστεί κάποια ζημιά, ράγισμα ή παραμόρφωση. Κάθε τέτοια παρόμοια ζημιά ενδέχεται να προκαλέσει τραυματισμό.

7. Μην καίτε την κασέτα μπαταριών ακόμη και εάν έχει σοβαρή ζημιά ή είναι εντελώς φθαρμένη. Η κασέτα μπαταριών μπορεί να εκραγεί στη φωτιά.
8. Μην καρφώσετε, κόψετε, συνθλίψετε, πετάξετε ή ρίξετε κάτω την κασέτα μπαταριών, ούτε να χτυπήσετε ένα σκληρό αντικείμενο επάνω στην κασέτα μπαταριών. Τέτοια συμπεριφορά μπορεί να έχει ως αποτέλεσμα πυρκαγιά, υπερθέρμανση ή έκρηξη.
9. Μην χρησιμοποιείτε μπαταρία που έχει υποστεί ζημιά.
10. Οι μπαταρίες ιόντων λιθίου που περιέχονται υποκείνται στις απαιτήσεις της νομοθεσίας για επικίνδυνα αγαθά.

Για εμπορικές μεταφορές, για παράδειγμα από τρίτα μέρη, πρέπει να τηρούνται οι διαμεταφορές, οι ειδικές απαιτήσεις στη συσκευασία και η επισήμανση.

Για προετοιμασία του στοιχείου που αποστέλλεται, είναι απαραίτητο να συμβουλευτείτε έναν ειδικό για επικίνδυνα υλικά. Επίσης, τηρήστε τους πιθανούς, πιο αναλυτικούς εθνικούς κανονισμούς.

Καλύψτε με αυτοκόλλητη ταινία ή κρύψτε τις ανοικτές επαφές και συσκευάστε την μπαταρία με τρόπο που να μην μπορεί να μετακινείται μέσα στη συσκευασία.

11. Όταν απορρίπτετε την κασέτα μπαταριών, αφαιρέστε την από το εργαλείο και διαθέστε την σε ένα ασφαλές μέρος. Τηρήστε τους τοπικούς κανονισμούς που σχετίζονται με τη διάθεση της μπαταρίας.
12. Χρησιμοποιήστε τις μπαταρίες μόνο με τα προϊόντα που καθορίζει η Makita. Αν τοποθετήσετε τις μπαταρίες σε μη συμβατά προϊόντα μπορεί να έχει ως αποτέλεσμα πυρκαγιά, υπερβολική θερμότητα, έκρηξη ή διαρροή ηλεκτρολύτη.
13. Αν δεν χρησιμοποιείτε το εργαλείο για μεγάλο χρονικό διάστημα, πρέπει να βγάλετε την μπαταρία από το εργαλείο.
14. Κατά τη διάρκεια και μετά τη χρήση, η κασέτα μπαταριών μπορεί να θερμανθεί, γεγονός που μπορεί να προκαλέσει εγκαύματα ή εγκαύματα από χαμηλή θερμοκρασία. Προσέχετε το χειρισμό των ζεστών κασετών μπαταριών.
15. Μην αγγίζετε τον ακροδέκτη του εργαλείου αμέσως μετά τη χρήση επειδή μπορεί να έχει ζεσταθεί αρκετά για να προκαλέσει εγκαύματα.
16. Μην αφήνετε θραύσματα, σκόνη ή βρομιά να κολλήσει στους ακροδέκτες, τις οπές και τις εγχοπές της κασέτας μπαταριών. Μπορεί να έχει ως αποτέλεσμα κακή απόδοση ή στάσιμο του εργαλείου ή της κασέτας μπαταριών.
17. Εκτός αν το εργαλείο υποστηρίζει τη χρήση κοντά σε ηλεκτρικές γραμμές υψηλής τάσης, μην χρησιμοποιείτε την κασέτα μπαταριών κοντά σε ηλεκτρικές γραμμές υψηλής τάσης. Μπορεί να έχει ως αποτέλεσμα δυσλειτουργία ή στάσιμο του εργαλείου ή της κασέτας μπαταριών.
18. Κρφυλάξτε την μπαταρία μακριά από παιδιά.

## ΦΥΛΑΞΤΕ ΤΙΣ ΟΔΗΓΙΕΣ ΑΥΤΕΣ.

### ⚠ ΠΡΟΣΟΧΗ:

- Να χρησιμοποιείτε μόνο γνήσιες μπαταρίες της Makita. Η χρήση μη γνήσιων μπαταριών Makita, ή μπαταριών που έχουν τροποποιηθεί, μπορεί να έχει ως αποτέλεσμα τη ρήξη της μπαταρίας, προκαλώντας πυρκαγιά, προσωπικό τραυματισμό και βλάβη. Επίσης, θα ακυρωθεί η εγγύηση της Makita για το εργαλείο και φορτιστή Makita.

## Συμβουλές για τη διατήρηση της μέγιστης ζωής μπαταρίας

1. Φορτίζετε την κασέτα μπαταριών πριν από την πλήρη αποφόρτισή της. Πάντοτε να σταματάτε τη λειτουργία του εργαλείου και να φορτίζετε την κασέτα μπαταριών όταν παρατηρείτε μειωμένη ισχύ εργαλείου.
2. Ποτέ μην επαναφορτίζετε μια πλήρως φορτισμένη κασέτα μπαταριών. Η υπερφόρτιση μειώνει την ωφέλιμη ζωή της μπαταρίας.
3. Να φορτίζετε την κασέτα μπαταριών σε θερμοκρασία δωματίου, δηλαδή στους 10°C έως 40°C. Αφήστε μια θερμή κασέτα μπαταριών να κρυώσει πριν την φορτίσετε.
4. Όταν δεν χρησιμοποιείτε την κασέτα μπαταριών, αφαιρέστε την από το εργαλείο ή τον φορτιστή.
5. Να φορτίζετε την κασέτα μπαταριών εάν δεν τη χρησιμοποιείτε για μεγάλη χρονική περίοδο (περισσότερο από έξι μήνες).

## ΠΕΡΙΓΡΑΦΗ ΛΕΙΤΟΥΡΓΙΑΣ

### ⚠ ΠΡΟΣΟΧΗ:

- Να φροντίζετε πάντα για την απενεργοποίηση του εργαλείου και την αφαίρεση της κασέτας μπαταριών, πριν από οποιαδήποτε ρύθμιση ή έλεγχο της λειτουργίας του.

## Τοποθέτηση και αφαίρεση της κασέτας μπαταριών (Εικ. 1)

### ⚠ ΠΡΟΣΟΧΗ:

- Να σβήνετε πάντα το εργαλείο πριν τοποθετήσετε ή αφαιρέσετε την κασέτα μπαταριών.
- Κρατήστε το εργαλείο και την κασέτα μπαταριών σταθερά κατά την τοποθέτηση ή αφαίρεση της κασέτας μπαταριών. Εάν δεν κρατάτε το εργαλείο και την κασέτα μπαταριών σταθερά μπορεί να γλιστρήσουν από τα χέρια σας και να προκληθεί βλάβη στο εργαλείο και την κασέτα μπαταριών καθώς και προσωπικός τραυματισμός.

Για να αφαιρέσετε την κασέτα μπαταριών, ολισθήστε την από το εργαλείο ενώ σύρετε το κουμπί στο μπροστινό μέρος της κασέτας.

Για να τοποθετήσετε την κασέτα μπαταριών, ευθυγραμμίστε τη γλώσσα στην κασέτα μπαταριών με την αύλακα στην υποδοχή και ολισθήστε τη στη θέση της. Να την τοποθετείτε πλήρως μέχρι να ασφαλίσει στη θέση της, γεγονός που υποδεικνύεται με ένα χαρακτηριστικό ήχο. Εάν μπορείτε να δείτε την κόκκινη ένδειξη στην επάνω πλευρά του κουμπιού, δεν έχει κλειδώσει τελείως.

### **⚠ ΠΡΟΣΟΧΗ:**

- Να τοποθετείτε πάντα την κασέτα μπαταριών πλήρως μέχρι να μη βλέπετε την κόκκινη ένδειξη. Εάν δεν ασφαλιστεί, μπορεί να πέσει από το εργαλείο τυχαία, προκαλώντας σωματική βλάβη σε εσάς ή κάποιον άλλο γύρω σας.
- Μην τοποθετείτε την κασέτα μπαταριών με βία. Εάν η κασέτα δεν ολισθαίνει με ευκολία, τότε δεν έχει τοποθετηθεί κατάλληλα.

## **Σύστημα προστασίας εργαλείου/ μπαταρίας**

Το εργαλείο είναι εξοπλισμένο με σύστημα προστασίας εργαλείου/μπαταρίας. Αυτό το σύστημα αποκόπτει αυτόματα την ισχύ για να παραταθεί η διάρκεια λειτουργίας του εργαλείου και της μπαταρίας. Το εργαλείο σταματάει αυτόματα κατά τη διάρκεια της λειτουργίας αν το εργαλείο ή η μπαταρία βρεθούν κάτω από τις παρακάτω συνθήκες:

### **Προστασία υπερφόρτωσης**

Η προστασία αυτή ενεργοποιείται όταν το εργαλείο λειτουργεί με τρόπο ώστε να αναγκάζεται να καταναλώνει ασυνήθιστα υψηλό ρεύμα. Σε αυτή την κατάσταση, σβήστε το εργαλείο και διακόψτε την εφαρμογή που προκαλεί την υπερφόρτωση του εργαλείου. Μετά, ενεργοποιήστε το εργαλείο για επανεκκίνηση.

### **Προστασία υπερθέρμανσης**

Η προστασία αυτή ενεργοποιείται όταν το εργαλείο ή η μπαταρία υπερθερμανθεί. Σε αυτή την κατάσταση, αφήστε το εργαλείο και την μπαταρία να ψυχθούν πριν ενεργοποιήσετε ξανά το εργαλείο.




### **Προστασία υπερβολικής αποφόρτισης**

Η προστασία αυτή ενεργοποιείται όταν η υπόλοιπη χωρητικότητα της μπαταρίας μειωθεί. Σε αυτή την κατάσταση, βγάλτε την μπαταρία από το εργαλείο και φορτίστε την μπαταρία.

## **Υποδηλώνει την υπολειπόμενη χωρητικότητα της μπαταρίας (Εικ. 2)**

(Ανά χώρα)

Όταν τραβάτε τη σκανδάλη διακόπτη, στην οθόνη LED εμφανίζεται η υπολειπόμενη χωρητικότητα της μπαταρίας όπως φαίνεται στον παρακάτω πίνακα.

Κατάσταση ένδειξης LED	Υπολειπόμενη χωρητικότητα της μπαταρίας
	Περίπου 50% ή περισσότερο
	Περίπου 20% - 50%
	Περίπου λιγότερο από 20%

### **ΠΑΡΑΤΗΡΗΣΗ:**

- Η οθόνη LED σβήνει περίπου ένα λεπτό μετά την απελευθέρωση της σκανδάλης διακόπτη για εξοικονόμηση ενέργειας της μπαταρίας. Για να ελέγξετε την υπολειπόμενη χωρητικότητα της μπαταρίας, τραβήξτε ελαφρά τη σκανδάλη του διακόπτη.
- Όταν η οθόνη LED ανάβει αλλά το εργαλείο δεν λειτουργεί ακόμη και με μια επαναφορτισμένη κασέτα μπαταριών, αφήστε το εργαλείο να κρυώσει πλήρως. Αν η κατάσταση δεν αλλάξει, δώστε το εργαλείο για επισκευή σε κάποιο τοπικό εξουσιοδοτημένο κέντρο σέρβις της Makita.

## **ΔΙΑΔΙΚΑΣΙΑ ΛΕΙΤΟΥΡΓΙΑΣ**

Διαβάστε, κατανοήστε και ακολουθήστε όλες τις οδηγίες ασφαλείας και τις διαδικασίες λειτουργίας. Αν δεν κατανοείτε τις οδηγίες, ή εάν οι συνθήκες δεν είναι κατάλληλες για τη σωστή λειτουργία, μη χρησιμοποιήσετε αυτό το εργαλείο. Συμβουλευτείτε τον προϊστάμενό σας ή άλλο υπεύθυνο πρόσωπο.

### **⚠ ΠΡΟΕΙΔΟΠΟΙΗΣΗ:**

- Πριν από την τοποθέτηση της μπαταρίας στο εργαλείο, τραβήξτε και απελευθέρωσε τη σκανδάλη διακόπτη για να διασφαλιστεί ότι επιστρέφει στη θέση της όταν απελευθερωθεί.

Το μοτέρ ενεργοποιείται όταν η σκανδάλη διακόπτη τραβιέται και απενεργοποιείται όταν η σκανδάλη διακόπτη απελευθερώνεται.

### **Λειτουργία ασφάλισης διακόπτη (Εικ. 3)**

- Σπρώξτε την ασφάλιση διακόπτη στην πλευρά Α. Ο διακόπτης είναι απασφαλισμένος και η σκανδάλη μπορεί να λειτουργήσει.
- Σπρώξτε την ασφάλιση διακόπτη στην πλευρά Β. Ο διακόπτης είναι ασφαλισμένος η σκανδάλη δεν μπορεί να λειτουργήσει.

### **⚠ ΠΡΟΣΟΧΗ:**

- Η σκανδάλη διακόπτη πρέπει να είναι ασφαλισμένη πάντοτε, όταν το εργαλείο δεν χρησιμοποιείται.

### **⚠ ΠΡΟΕΙΔΟΠΟΙΗΣΗ:**

- Πριν από τη χρήση, βεβαιωθείτε ότι η θέση του χειριστή, σε σχέση με το εργαλείο και η γύρω περιοχή είναι ασφαλείς για τη λειτουργία. Φορέστε γυαλιά ασφαλείας και προστατευτικό ρουχισμό.
- Ανατρέξτε στα τεχνικά χαρακτηριστικά του εργαλείου σε αυτό το εγχειρίδιο και να μην κόβετε βέργες οπλισμού μεγέθους ή σκληρότητας, που υπερβαίνει την ικανότητα κοπής του εργαλείου.
- Μην κόβετε άλλα υλικά εκτός από βέργες οπλισμού. Ρωτήστε τον κατασκευαστή αν θέλετε να κόψετε άλλα υλικά.

### **⚠ ΠΡΟΕΙΔΟΠΟΙΗΣΗ:**

- Αντικαταστήστε άμεσα κατεστραμμένες (που έχουν υποστεί απόξηση, ράγισμα, σπάσιμο) ή παραμορφωμένες λεπίδες. Η λεπίδα δεν θα κόψει με ακρίβεια και μπορεί να θρυμματιστεί ή να σπάσει προκαλώντας σοβαρό τραυματισμό.



## Διαδικασία κοπήs

### ⚠️ ΠΡΟΕΙΔΟΠΟΙΗΣΗ:

- **Μη χρησιμοποιείτε ποτέ το εργαλείο χωρίς το προστατευτικό να βρίσκεται στη θέση του.** Σε αντίθετη περίπτωση, ενδέχεται να προκληθεί σοβαρός τραυματισμός. **(Εικ. 4)**
  - Το προστατευτικό είναι ένας εξοπλισμός για την αποφυγή εκτόξευσης θραυσμάτων προς το χειριστή. Δεν εμποδίζει την εκτόξευση προς την αβόνική κατεύθυνση της βέργας οπλισμού. Τοποθετήστε τον εαυτό σας έτσι ώστε το προστατευτικό να μπλοκάρει τα θραύσματα.
  - Σε κάποιες εικόνες το προστατευτικό δεν εμφανίζεται, αλλά αυτό γίνεται για να δείξει το εσωτερικό του προστατευτικού. Πάντα να χρησιμοποιείτε το εργαλείο με το προστατευτικό να βρίσκεται στη θέση του.
1. Τοποθετήστε τη βέργα οπλισμού που θέλετε να κόψετε μεταξύ των λεπίδων. **(Εικ. 5)**  
Ρυθμίστε τον αναστολέα ανάλογα με τη διάμετρο της βέργας οπλισμού που πρόκειται να κοπεί, έτσι ώστε η βέργα οπλισμού να βρίσκεται υπό γωνία 90 μοιρών ως προς τις λεπίδες. Ο αναστολέας υποστηρίζει τη βέργα οπλισμού και την διατηρεί κάθετα προς τις λεπίδες κατά την κοπή. **(Εικ. 6)**

### ⚠️ ΠΡΟΕΙΔΟΠΟΙΗΣΗ:

- Κατά την κοπή της βέργας οπλισμού, ρυθμίστε τον αναστολέα ανάλογα με τη διάμετρο της βέργας οπλισμού που πρόκειται να κοπεί, έτσι ώστε η βέργα οπλισμού να βρίσκεται υπό γωνία 90 μοιρών ως προς τις λεπίδες. Χωρίς αυτή τη ρύθμιση, το κομμένο κομμάτι μπορεί να εκπιναχθεί μακριά και να προκαλέσει σοβαρό τραυματισμό του χειριστή ή των παρευρισκομένων. Ποτέ μην παραλείπετε να ελέγχετε τη θέση του χειριστή σε σχέση με το εργαλείο και να επιβεβαιώνετε την ασφάλεια του χειριστή και της γύρω περιοχής.
2. Τοποθετήστε τη βέργα οπλισμού αρκετά βαθιά μεταξύ των λεπίδων ώστε αυτή να μην ακουμπάει το προστατευτικό. **(Εικ. 7)**

### ⚠️ ΠΡΟΕΙΔΟΠΟΙΗΣΗ:

- Αν η βέργα οπλισμού που πρόκειται να κοπεί δεν έχει τοποθετηθεί πλήρως μεταξύ των λεπίδων, οι λεπίδες θα καταστραφούν, η βέργα οπλισμού θα εξαχθεί βίαια και μπορεί να προκαλέσει σοβαρό τραυματισμό.

### ⚠️ ΠΡΟΕΙΔΟΠΟΙΗΣΗ:

- Μην κόβετε τη βέργα οπλισμού, όταν το κομμάτι που θα κοπεί έχει μήκος μικρότερο από 200 mm. Η κοπή μικρότερου μήκους μπορεί να προκαλέσει εκτίναξη της βέργας οπλισμού μακριά κατά τη διάρκεια της κοπής και να έχει ως αποτέλεσμα σοβαρό τραυματισμό. **(Εικ. 8)**

### ⚠️ ΠΡΟΕΙΔΟΠΟΙΗΣΗ:

- Μην κόβετε βέργες οπλισμού όταν δεν είναι σωστά στηριγμένες από τον αναστολέα. Κατά την κοπή, κρατήστε τη βέργα οπλισμού στην πλευρά του αναστολέα. **(Εικ. 9, 10)** Διαφορετικά, το κομμένο κομμάτι μπορεί να εκπιναχθεί μακριά και να προκαλέσει σοβαρό τραυματισμό του χειριστή ή των παρευρισκομένων.
3. Σπρώξτε την ασφάλιση διακόπτη στην πλευρά Α. Ο διακόπτης είναι απασφαλισμένος και η σκανδάλη μπορεί να λειτουργήσει.

4. Πατήστε τη σκανδάλη διακόπτη για να ξεκινήσει η λειτουργία κοπής. Η ράβδος κοπής θα μετακινηθεί προς τα εμπρός για να κόψει τη βέργα οπλισμού. Κρατήστε το διακόπτη πατημένο μέχρι η ράβδος κοπής να σταματήσει στο τέλος της διαδρομής της.
5. Απελευθερώστε τη σκανδάλη διακόπτη όταν ολοκληρωθεί η κοπή και η ράβδος κοπής έχει φτάσει στο τέλος της διαδρομής της. Η ράβδος κοπής στη συνέχεια θα επιστρέψει αυτόματα στην αρχική της θέση. Η ράβδος κοπής δεν θα επιστρέψει εάν η διαδρομή δεν έχει ολοκληρωθεί. Ομοίως, η ράβδος κοπής δεν θα είναι σε θέση να μετακινηθεί προς τα εμπρός και πάλι μέχρι να επιστρέψει πλήρως στην αρχική της θέση. Πατήστε το διακόπτη για να ξεκινήσετε την επόμενη κοπή, μόνο αφού η ράβδος κοπής επιστρέψει πλήρως στην αρχική της θέση και σταματήσει.

### ⚠️ ΠΡΟΕΙΔΟΠΟΙΗΣΗ:

- Κατά την κοπή μιας βέργας οπλισμού υψηλής αντοχής σε εφελκυσμό, το κομμένο κομμάτι μπορεί να εκπιναχθεί μακριά και να προκαλέσει το σοβαρό τραυματισμό του χειριστή. Φορέστε γυαλιά ασφαλείας και επιβεβαιώστε ότι η γύρω περιοχή είναι ασφαλής πριν από την έναρξη της λειτουργίας.

### ⚠️ ΠΡΟΕΙΔΟΠΟΙΗΣΗ:

- Κρατήστε τα χέρια και το πρόσωπό σας μακριά από τις λεπίδες, τα κινούμενα μέρη και την περιοχή κοπής, κατά τη διάρκεια της λειτουργίας. Αφαιρέστε την μπαταρία από το εργαλείο αμέσως μετά τη χρήση.

### ΠΑΡΑΤΗΡΗΣΗ:

- Εάν η θερμοκρασία του περιβλήματος του εργαλείου υπερβεί τους 70°C (160°F), η απόδοση του εργαλείου μειώνεται. Σε μια τέτοια περίπτωση, σταματήστε τη χρήση και αφήστε το εργαλείο να κρυώσει.

### ΠΑΡΑΤΗΡΗΣΗ:

- Διατηρήστε την οπή αέρα στο τέλος της μπάρας συγκράτησης καθαρής από βρομιές και θραύσματα. Η οπή αέρα ελέγχει την εσωτερική πίεση και δεν πρέπει να παρεμποδίζεται. **(Εικ. 11)**

## Περιστρεφόμενη λειτουργία του μοτέρ **(Εικ. 12)**

Το σώμα του μοτέρ μπορεί να περιστραφεί κατά 360 μοίρες, προς οποιαδήποτε κατεύθυνση, κατά τη διάρκεια της λειτουργίας. Το χαρακτηριστικό αυτό είναι ιδιαίτερα χρήσιμο όταν εργάζεστε σε δύσκολους ή περιορισμένους χώρους, επειδή επιτρέπει στο χειριστή να τοποθετήσει το εργαλείο στην καλύτερη θέση για εύκολο χειρισμό.

## Λειτουργία βαλβίδας επιστροφής **(Εικ. 13)**

Η λειτουργία της βαλβίδας επιστροφής είναι να επιτρέπει στη ράβδο κοπής να επιστρέψει στην αρχική θέση, αν δεν είναι σε θέση να ολοκληρώσει μια κοπή ή όταν μπλοκάρει. Χαλαρώνοντας τη βαλβίδα επιστροφής κατά μισή στροφή, θα απελευθερωθεί η πίεση του λαδιού και θα επιτρέψει στη ράβδο κοπής να επιστρέψει. Σφίξτε ξανά τη βαλβίδα επιστροφής όταν η ράβδος κοπής έχει επιστρέψει πλήρως και πριν από την έναρξη της επόμενης λειτουργίας.

# ΔΙΑΔΙΚΑΣΙΑ ΑΝΤΙΚΑΚΑΣΤΑΣΗΣ ΛΕΠΙΔΩΝ

Αν οι ακμές κοπής των λεπίδων έχουν υποστεί απόξεση, ράγισμα, παραμόρφωση ή ζημιά με οποιονδήποτε τρόπο, η ικανότητα κοπής τους θα μειωθεί. Η κοπή κάτω από τέτοιες συνθήκες μπορεί να προκαλέσει περαιτέρω βλάβη και να οδηγήσει σε τραυματισμό. Οι λεπίδες πρέπει να αντικατασταθούν ως σετ αν ανακαλύψετε κάποια ζημιά.

## ⚠️ ΠΡΟΕΙΔΟΠΟΙΗΣΗ:

- Όταν αντικαθιστάτε τις λεπίδες, βεβαιωθείτε ότι η μπαταρία έχει αφαιρεθεί από το εργαλείο για την πρόληψη ακούσιας λειτουργίας.

## Τύπος ανταλλακτικής λεπίδας και αφαίρεση (Εικ. 15)

Τα μπουλόνια στερέωσης θα πρέπει να είναι σφιχτά βιδωμένα.

Να επιβεβαιώνετε περιοδικά ότι η λεπίδα είναι καλά σφιγμένη.

Μέγεθος ανταλλακτικής λεπίδας

- Χρησιμοποιήστε αυτόν τον πίνακα για να προσδιορίσετε τις σωστές λεπίδες για το μοντέλο σας.

Μοντέλο	A (Τοποθέτηση στη μπάρα συγκράτησης)	B (Τοποθέτηση στη ράβδο κοπής)
DSC163 (ø3 - ø16)	22 × 17 × 9 mm (Μέγεθος μπουλονιού 5 mm)	22 × 17 × 8 mm (Μέγεθος μπουλονιού 5 mm)

## ΠΑΡΑΤΗΡΗΣΗ:

- Χρησιμοποιείτε μόνο γνήσιες λάμες Makita.

## ΠΡΟΣΘΗΚΗ ΛΑΔΙΟΥ

Αυτό ο κόφτης ασφαλόμετρος με μπαταρία είναι ηλεκτρο-υδραυλικός. Κατά την αποστολή του από το εργοστάσιο, ήταν γεμάτος με λάδι. Μην επιχειρήσετε να προσθέσετε λάδι για όσο διάστημα το εργαλείο λειτουργεί καλά. Μετά από ένα χρονικό διάστημα, η στάθμη του λαδιού σταδιακά θα μειώνεται. Ενδεχομένως αυτό θα προκαλέσει αισθητή πτώση στην απόδοση. Όταν συμβεί αυτό προσθέστε λάδι ως ακολούθως.

1. Τοποθετήστε μια βέργα οπλισμού μεταξύ των λεπίδων και τραβήξτε τη σκανδάλη διακόπτη.
2. Απελευθερώστε τη σκανδάλη διακόπτη λίγο πριν ολοκληρωθεί η κοπή ή να σταματήσει το εργαλείο.
3. Αφαιρέστε την μπαταρία από το εργαλείο, έτσι ώστε οι λεπίδες να μην μπορούν να μετακινηθούν κατά λάθος.
4. Αφαιρέστε το μπουλόνι (SB10x15) το οποίο καλύπτει την οπή πλήρωσης λαδιού. Προσθέστε το λάδι, προσέχοντας να μην χυθεί καθόλου λάδι στο μοτέρ.
5. Επανατοποθετήστε το μπουλόνι (SB10x15) και σφίξτε καλά.
6. Τοποθετήστε ξανά την μπαταρία στο εργαλείο και ολοκληρώστε τη λειτουργία κοπής.
7. Επαναλάβετε την παραπάνω διαδικασία αρκετές φορές μέχρι η στάθμη του λαδιού να παραμείνει σωστή.

Βεβαιωθείτε ότι η λεπίδα A, στη μπάρα συγκράτησης και η λεπίδα B, στη ράβδο κοπής έχουν τοποθετηθεί στις σωστές αντίστοιχες θέσεις τους. (Εικ. 14)

1. Ξεβιδώστε τα μπουλόνια και τις ροδέλες που συγκρατούν τη λεπίδα A και τη λεπίδα B.
2. Αφαιρέστε τυχόν βρομιές και καθαρίστε τις επιφάνειες όπου πρόκειται να τοποθετηθούν οι καινούργιες λεπίδες.
3. Τοποθετήστε τη λεπίδα A στη μπάρα συγκράτησης και τη λεπίδα B στη ράβδο κοπής. Επανατοποθετήστε τις βίδες και ροδέλες και σφίξτε καλά.

## ⚠️ ΠΡΟΕΙΔΟΠΟΙΗΣΗ:

- Τα μπουλόνια που συγκρατούν λεπίδα A και τη λεπίδα B πρέπει να σφιγγονται τακτικά. Αν τα μπουλόνια χαλαρώσουν οι λεπίδες μπορεί να πάθουν ζημιά και μπορεί να προκληθεί τραυματισμός.

## ⚠️ ΠΡΟΣΟΧΗ:

- Σε αυτό το εργαλείο θα πρέπει να χρησιμοποιείται μόνο καθαρό υδραυλικό λάδι, όπως συνιστάται από τη Makita. Συνιστώμενα λάδια συμπεριλαμβανομένου του παρεχόμενου από τη Makita υδραυλικού λαδιού, Super Hyrando #46 (JX Nippon Oil & Energy Corp.); Shell Tellus Plus #46 (U.S. Shell). Ή υδραυλικό λάδι ενάντια στη φθορά με ισοδύναμα χαρακτηριστικά, ISO Viscosity Grade 46. Μην χρησιμοποιείτε άλλα λάδια, επειδή αυτά μπορεί να προκαλέσουν βλάβη στις στεγανώσεις και σε άλλα εσωτερικά μέρη του μηχανήματος.

## ΕΠΙΛΥΣΗ ΠΡΟΒΛΗΜΑΤΩΝ

### ⚠️ ΠΡΟΕΙΔΟΠΟΙΗΣΗ:

- Αφαιρέστε την μπαταρία προτού εργαστείτε στο μηχανήμα.

ΠΡΟΒΛΗΜΑ	ΑΙΤΙΑ	ΛΥΣΗ
Η ράβδος κοπής δεν εκτείνεται.	Ανεπαρκές λάδι	Συμπληρώστε λάδι. (Ανατρέξτε στην ενότητα «Προσθήκη λαδιού»)
	Η ράβδος κοπής δεν έχει επιστρέψει πλήρως εξαιτίας της συσσώρευσης των θραυσμάτων μεταξύ της ράβδου κοπής και της μπάρας συγκράτησης.	Σπρώξτε με το χέρι προς τα πίσω τη ράβδο κοπής. Αφαιρέστε τα θραύσματα και καθαρίστε
	Η ράβδος κοπής δεν έχει επιστρέψει πλήρως λόγω βλάβης στη ράβδο κοπής.	Αντικαταστήστε τη ράβδο κοπής.
	Η ράβδος κοπής δεν έχει επιστρέψει πλήρως λόγω λασκαρισμένων ή κατεστραμμένων λεπίδων.	Σφίξτε τα μπουλόνια λεπίδων. Αντικαταστήστε τις λεπίδες
	Η ράβδος κοπής δεν έχει επιστρέψει πλήρως λόγω εξασθενημένου ελατηρίου επιστροφής.	Αντικαταστήστε το ελατήριο επιστροφής.
Ανεπαρκής ισχύς για την κοπή της βέργας οπλισμού.	Ανεπαρκές λάδι.	Συμπληρώστε λάδι. (Ανατρέξτε στην ενότητα «Προσθήκη λαδιού»)
	Η βαλβίδα επιστροφής δεν εδράζεται σωστά ή έχει καταστραφεί η έδρα της.	Καθαρίστε την ακίδα της βαλβίδας επιστροφής και την έδρα της. Αφαιρέστε τυχόν υπολείμματα από την έδρα.
	Βαλβίδα επιστροφής, κατεστραμμένη.	Αντικαταστήστε.
	Λάθος διάκενο μεταξύ κυλίνδρου και εμβόλου.	Αντικαταστήστε το έμβολο (Σημείωση: διατίθενται έμβολα διαφορετικού μεγέθους)
	Η βαλβίδα αντεπιστροφής δεν εδράζεται σωστά ή έχει καταστραφεί η έδρα της.	Καθαρίστε τη βαλβίδα αντεπιστροφής και την έδρα της. Αντικαταστήστε.
	Παρέμβυσμα ουρεθάνης, κατεστραμμένο ή φθαρμένο.	Αντικαταστήστε.
Διαρροή λαδιού.	Πληθώρας (φούσκα) λαδιού κατεστραμμένος ή φθαρμένος.	Αντικαταστήστε.
	Ράβδος κοπής/Μπάρα συγκράτησης, O-Ring κατεστραμμένο. Ράβδος/Μπάρα συγκράτησης, επιφάνεια γδαρμένη ή με ραβδώσεις.	Αντικαταστήστε το βοηθητικό δακτύλιο και το O-ring. Αντικαταστήστε τη Ράβδο κοπής/Μπάρα συγκράτησης
	Κύλινδρος/Μπάρα συγκράτησης, O-Ring κατεστραμμένο	Αντικαταστήστε το O-ring.
	Κύλινδρος/Περίβλημα αντλίας, φλάντζα κατεστραμμένα.	Αντικαταστήστε το χιτώνιο B.
	Μπάρα συγκράτησης/Κύλινδρος/Περίβλημα αντλίας, λασκαρισμένα μπουλόνια φλάντζας.	Σφίξτε τα μπουλόνια.
Το μοτέρ δεν κινείται. Μοτέρ, αργή ή ακανόνιστη λειτουργία.	Λανθασμένη τάση.	Φορτίστε την μπαταρία.
	Μπαταρία στο τέλος της ωφέλιμης ζωής.	Αντικαταστήστε την μπαταρία.
	Το μοτέρ DC έχει καταστραφεί από υπερθέρμανση.	Αντικαταστήστε το μοτέρ DC.
	Έδρανα ή γρανάζια του μοτέρ DC κατεστραμμένα ή φθαρμένα.	Αντικαταστήστε τα έδρανα ή τα γρανάζια.

### ΠΑΡΑΤΗΡΗΣΗ:

- Τα εσωτερικά εξαρτήματα της αντλίας και η περιοχή του εμβόλου έχουν πολύ μικρές ανοχές και είναι ευαίσθητα σε ζημιές από τη σκόνη, τη βρωμιά, τη μόλυνση του υδραυλικού υγρού ή την κακή μεταχείριση. Η απσουναρμολόγηση του περιβλήματος της αντλίας απαιτεί ειδικά εργαλεία και κατάρτιση, και θα πρέπει να πραγματοποιείται μόνο από εξειδικευμένο προσωπικό επισκευών που έχει εκπαιδευτεί κατάλληλα και έχει τα σωστά εργαλεία. Η ακατάλληλη συντήρηση των ηλεκτρικών εξαρτημάτων μπορεί να οδηγήσει σε συνθήκες που θα μπορούσαν να προκαλέσουν σοβαρό τραυματισμό. Η αντλία, τα εξαρτήματα του εμβόλου και όλα τα ηλεκτρικά εξαρτήματα θα πρέπει να συντηρούνται μόνο από εξουσιοδοτημένο κατάστημα επισκευών, τον αντιπρόσωπο ή το διανομέα.

## ΣΥΝΤΗΡΗΣΗ

### ΠΡΟΣΟΧΗ:

- Πάντοτε να βεβαιώνετε ότι το εργαλείο είναι απενεργοποιημένο και η κασέτα μπαταριών έχει αφαιρεθεί πριν προσπαθήσετε να πραγματοποιήσετε επιθεώρηση ή συντήρηση.
- Μην χρησιμοποιείτε ποτέ βενζίνη, πετρελαϊκό αιθέρα, διαλυτικό, αλκοόλη ή παρόμοιες ουσίες. Μπορεί να προκληθεί αποχρωματισμός, παραμόρφωση ή ρωγμές.

Για την διατήρηση της ΑΣΦΑΛΕΙΑΣ και ΑΞΙΟΠΙΣΤΙΑΣ του προϊόντος, επισκευές, οποιαδήποτε άλλη συντήρηση ή ρύθμιση πρέπει να εκτελούνται από τα Εξουσιοδοτημένα Κέντρα Εξυπηρέτησης της Makita, με χρήση πάντοτε ανταλλακτικών Makita.

## ΠΡΟΑΙΡΕΤΙΚΑ ΕΞΑΡΤΗΜΑΤΑ

### ΠΡΟΣΟΧΗ:

- Αυτά τα εξαρτήματα ή προσαρτήματα συνιστώνται για χρήση με το εργαλείο της Makita που περιγράφεται στο παρόν εγχειρίδιο. Η χρήση οποιουδήποτε άλλου εξαρτήματος ή προσαρτήματος ενέχει κίνδυνο τραυματισμού ατόμων. Το εξάρτημα ή προσάρτημα να χρησιμοποιείται μόνο για την προοριζόμενη χρήση του.

Εάν χρειάζεστε βοήθεια όσον αφορά περαιτέρω λεπτομέρειες σχετικά με τα εν λόγω εξαρτήματα, απευθυνθείτε στο τοπικό κέντρο σέρβις της Makita.

- Γνήσια μπαταρία και φορτιστής της Makita

### ΠΑΡΑΤΗΡΗΣΗ:

- Μερικά αντικείμενα στη λίστα μπορεί να συμπεριλαμβάνονται στη συσκευασία του εργαλείου ως στάνταρ εξαρτήματα. Μπορεί να διαφέρουν ανάλογα με τη χώρα.

## TÜRKÇE (Orijinal talimatlar)

### Genel görünüm açıklaması

- |                     |                           |                                   |
|---------------------|---------------------------|-----------------------------------|
| 1. Kırmızı gösterge | 10. Betonarme demiri      | 19. Cıvata (Uzun)                 |
| 2. Düğme            | 11. Bıçaklar              | 20. Cıvata (Kısa)                 |
| 3. Batarya kartuşu  | 12. Durdurucu             | 21. Pul                           |
| 4. LED göstergesi   | 13. 200 mm'den fazla      | 22. Çubuk Tutucu                  |
| 5. Anahtar Kilidi   | 14. Hava Deliği           | 23. Kesici Çubuk                  |
| 6. Anahtar tetiği   | 15. Altıgen Anahtar       | 24. Çubuk Tutucu üzerinde Bıçak A |
| 7. A tarafı         | 16. Geri Dönüş Vanası     | 25. Kesici Çubuk üzerinde Bıçak B |
| 8. B tarafı         | 17. Bıçak A (Kalın Bıçak) | 26. Yedek Bıçaklar                |
| 9. Koruyucu         | 18. Bıçak B (İnce Bıçak)  |                                   |

## TEKNİK ÖZELLİKLER

Model	DSC163
Maks. Kesme Kapasitesi (Çap mm)	
Sınıf 40 - Sınıf 60	16 mm
Sınıf 40: Çekme Mukavemeti 490 N/mm <sup>2</sup> 70.000 PSI	
Sınıf 60: Çekme Mukavemeti 620 N/mm <sup>2</sup> 90.000 PSI	
Kesme Hızı	2,8 saniye
Tam uzunluk	360 mm
Net ağırlık	6,9 kg
Beyan gerilimi	D.C. 18V

- Devam eden araştırma ve geliştirme programımız nedeniyle, buradaki özellikler haber verilmeksizin değiştirilebilir.
- Özellikler ve batarya kartuşu ülkeden ülkeye değişebilir.
- EPTA-Prosedür 01/2014 uyarınca, batarya kartuşu ile ağırlık

### Geçerli batarya kartuşu ve şarj aleti

Batarya kartuşu	BL1830B / BL1840B / BL1850B / BL1860B
Şarj aleti	DC18RC / DC18RD / DC18RE / DC18SD / DC18SE / DC18SF / DC18SH

- Yukarıda listelenen batarya kartuşlarının ve şarj aletlerinin bazıları yaşadığınız bölgeye bağlı olarak mevcut olmayabilir.

### **⚠ UYARI:**

- **Sadece yukarıda listelenen batarya kartuşlarını ve şarj aletlerini kullanın.** Başka batarya kartuşlarının ve şarj aletlerinin kullanılması yaralanma ve/veya yangına neden olabilir.

## Semboller

Aşağıdaki, ekipman için kullanılan semboller göstermektedir. Kullanımdan önce anlamlarını anladığınızdan emin olun.



..... Kullanma kılavuzunu okuyun.



..... Sadece AB ülkeleri için

Ekipmanda tehlikeli bileşenler bulunduğundan dolayı atık elektrikli ve elektronik ekipmanlar, aküler ve bataryalar çevre ve insan sağlığı üzerinde olumsuz etkiye yol açabilir. Elektrikli ve elektronik cihazları veya bataryaları evsel atıklarla birlikte atmayın! Atık elektrikli ve elektronik ekipmanlar ile akümülatörler ve bataryalar hakkındaki Avrupa Direktifi ve söz konusu direktifin ulusal yasalara uyarlanması gereğince atık elektrikli ekipmanlar, bataryalar ve akümülatörler ayrı olarak depolanmalı ve çevre koruma hakkındaki mevzuata uygun olarak faaliyet gösteren ayrı bir kentsel atık toplama noktasına teslim edilmelidir.

Bu husus, ekipmanın üzerine yerleştirilmiş üzerinde çarpı işareti bulunan tekerlekli çöp kovası simgesi ile belirtilmiştir.

## Kullanım amacı

Alet, betonarme demiri kesme amaçlıdır.

## Gürültü

Tipik A-ağırlıklı gürültü düzeyi (EN62841-2-8 standardına göre belirlenen):

Ses basınç seviyesi ( $L_{pA}$ ): 78 dB (A)

Belirsizlik (K) : 3 dB (A)

İşlem sırasında gürültü seviyesi 80 dB (A)'yi geçebilir.

## NOT:

- Beyan edilen gürültü emisyonu değer(ler)i bir standart test yöntemine uygun şekilde ölçülmüştür ve bir aleti bir başkasıyla karşılaştırmak için kullanılabilir.
- Beyan edilen gürültü emisyonu değer(ler) i bir ön maruz kalma değerlendirmesi olarak da kullanılabilir.

## ⚠UYARI:

- **Kulak koruyucuları takın.**
- **Elektrikli aletin gerçek kullanım sırasındaki gürültü emisyonu, aletin kullanım biçimlerine, özellikle işlenen iş parçasının türüne bağlı olarak beyan edilen değer(ler)den farklı olabilir.**
- **Gerçek kullanım koşullarındaki tahmini maruziyeti baz alan, operatörü koruyacak güvenlik önlemlerini mutlaka belirleyin (çalışma döngüsü içerisinde aletin kapalı olduğu ve aktif durumda olmasının yanı sıra boşta çalıştığı zamanlar gibi, bütün zaman dilimleri göz önünde bulundurarak).**

## Titreşim

Titreşim toplam değeri (üç eksenli vektör toplamı)

(EN62841-2-8 standardına göre hesaplanan):

Çalışma modu : betonarme demiri kesme

Titreşim emisyonu ( $a_h$ ) : 2,5 m/s<sup>2</sup> veya daha az

Belirsizlik (K) : 1,5 m/s<sup>2</sup>

## NOT:

- Beyan edilen titreşim toplam değer(ler)i bir standart test yöntemine uygun şekilde ölçülmüştür ve bir aleti bir başkasıyla karşılaştırmak için kullanılabilir.
- Beyan edilen titreşim toplam değer(ler)i bir ön maruz kalma değerlendirmesi olarak da kullanılabilir.

## ⚠UYARI:

- **Elektrikli aletin gerçek kullanım sırasındaki titreşim emisyonu, aletin kullanım biçimlerine, özellikle işlenen iş parçasının türüne bağlı olarak beyan edilen değer(ler)den farklı olabilir.**
- **Gerçek kullanım koşullarındaki tahmini maruziyeti baz alan, operatörü koruyacak güvenlik önlemlerini mutlaka belirleyin (çalışma döngüsü içerisinde aletin kapalı olduğu ve aktif durumda olmasının yanı sıra boşta çalıştığı zamanlar gibi, bütün zaman dilimleri göz önünde bulundurarak).**

## EC Uygunluk Beyanı

Sadece Avrupa ülkeleri için

AT uygunluk beyanı, bu kullanım kılavuzuna Ek A'da yer almaktadır.

## Genel elektrikli alet güvenliği uyarıları

⚠UYARI: Bu elektrikli aletle birlikte sunulan tüm güvenlik uyarılarını, talimatları, çizimleri ve teknik özellikleri okuyun. Aşağıda verilen talimatlara uyulmaması elektrik şoku, yangın ve/veya ciddi yaralanmalar ile sonuçlanabilir.

## Tüm uyarıları ve talimatları ilerde başvurmak için saklayın.

Uyanlardaki "elektrikli alet" terimi ile ya prizden çalışan (kordonlu) elektrikli aletiniz ya da kendi aküsü ile çalışan (kordonsuz) elektrikli aletiniz kastedilmektedir.

### Çalışma alanı güvenliği

1. **Çalışma alanını temiz tutun ve iyi aydınlatın.** Karmakarışık ve karanlık alanlar kazalara davetiye çıkarır.
2. **Elektrikli aletleri çabuk tutuşan sıvıların, gazların ya da tozların bulunduğu yerler gibi patlayıcı ortamlarda çalıştırmayın.** Elektrikli aletler tozları ya da dumanları tutuşturabilecek kıvılcımlar çıkarır.
3. **Bir elektrikli aleti kullanırken çocukları ve seyredenleri uzak tutun.** Dikkatinizin başka tarafa çekilmesi kontrolü kaybetmenize neden olabilir.

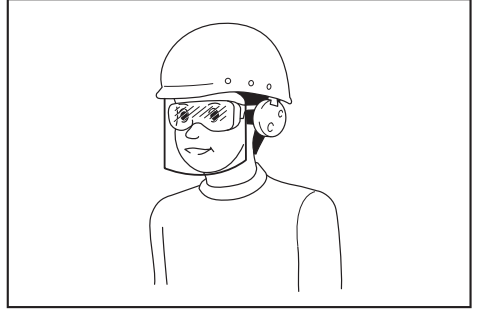
## Elektrik Güvenliđi

1. **Elektrikli aletlerin fişleri prize uygun olmalıdır.** Fişlerde herhangi bir şekilde deđişiklik yapmayın. **Topraklı elektrikli aletlerle fiş adaptörleri kullanmayın.** Üstünde deđişiklik yapılmamış fişler ve bunlara uygun prizler elektrik şoku riskini düşürür.
2. **Topraklama yapılan borular, radyatörler, kuzineler ve buzdolapları gibi yüzeylere vücut temasından kaçınınız.** Vücudunuz toprak hattıyla temas ederse elektrik şoku riski artar.
3. **Elektrikli aletleri yağmura ve ıslak koşullara maruz bırakmayın.** Bir elektrikli aletin içine su girmesi elektrik şoku riskini artırır.
4. **Kordonu kötü kullanmayın. Elektrikli aleti taşımak, çekmek ya da fişten çekmek için asla kordonunu kullanmayın.** Kordonu ısıdan, yağdan, keskin kenarlardan ya da hareketli parçalardan uzak tutun. Hasar görmüş ya da dolaşık kordonlar elektrik şoku riskini artırır.
5. **Elektrikli aletleri açık havada kullanırken, açık havada kullanılmaya uygun bir uzatma kablosu kullanın.** Açık havada kullanılmaya uygun bir uzatma kablosu kullanımı elektrik şoku riskini düşürür.
6. **Eđer elektrikli bir aleti ıslak bir yerde kullanmanız kaçınılmazsa, artık akım cihazı (RCD) ile korunan bir güç kaynađı kullanın.** Kaçak akım rölesi kullanımı elektrik şoku riskini azaltır.
7. **Elektrikli el aletleri kullanıcıya zarar vermeyen elektromanyetik alanlar üretebilir.** Bununla birlikte kalp pili veya benzeri tıbbi cihazlar kullanan kullanıcılar bu elektrikli el aletini kullanmadan önce tavsiye almak üzere cihaz üreticilerine ve/veya doktorlarına başvurmalıdır.

## Kişisel güvenlik

1. **Bir elektrikli aleti kullanırken tetikte olun, ne yaptığınıza dikkat edin ve sağduyunuzu kullanın.** Yorgunken, uyuşturucu maddelerin, alkolün ya da ilaçların etkisi altındayken bir elektrikli aleti kullanmayın. Elektrikli aletleri kullanırken bir anlık dikkatsizlik ciddi bir yaralanmaya sonuçlanabilir.
2. **Kişisel koruyucu ekipman kullanın. Daima göz koruması kullanın.** Uygun koşullarda toz maskeleri, altı kaymayan emniyetli ayakkabılar, sert başlıklar ya da kulak korumaları gibi koruyucu donanım kullanılması, yaralanmaları önler.
3. **Aletin istem dışı çalışmasını önleyin. Güç kaynađını ve/veya pili devreye bağlamadan, aleti elinize almadan veya taşımadan önce anahtarın kapalı konumda olduğundan emin olun.** Elektrikli aletleri parmađınız anahtarın üzerindeki taşıma ya da anahtar açık konumundayken onlara güç verme kazalara davetiye çıkarır.
4. **Elektrikli aleti çalıştırmadan önce üstünde ayar anahtarı varsa çıkarın.** Elektrikli aletin hareketli bir parçasına takılı kalan bir anahtar yaralanma sonucunu doğurabilir.
5. **Fazla ileriye uzanmaya çalışmayın. Her zaman yere sağlam basın ve dengeinizi koruyun.** Bu beklenmedik durumlarda elektrikli aleti daha iyi kontrol etmenizi sağlar.
6. **İşe uygun giyinin. Bol elbiseler ya da sallanan takılar kullanmayın. Saçlarınızı ve giysilerinizi hareketli parçalardan uzak tutun.** Bol elbiseler, takılar ya da uzun saçlar hareketli parçalara kapılabilir.

7. **Toz çekme ve toplama kolaylaştırıcılarının bağlanması için aygıtlar sağlanmışsa bunların bağlanıp gerektiđi şekilde kullanılmasını sağlayın.** Toz toplama donanımı kullanılması toza bađlı tehlikeleri önleyebilir.
8. **Aletlerin sık kullanımından kaynaklanan aşınalık duygusunun rahat davranmanıza ve aletin güvenlik ilkelerini göz ardı etmenize neden olmasına izin vermeyin.** Bir an için dikkatsiz bir harekette bulunmak ciddi yaralanmalara neden olabilir.
9. **Elektrikli aletleri kullanırken gözlerinizi korumak için daima koruyucu gözlük kullanın. Gözlüklerin ABD'de ANSI Z87.1 ile, Avrupa'da EN 166 ile ya da Avustralya/Yeni Zelanda'da AS/NZS 1336 ile uyumlu olması gereklidir. Avustralya/Yeni Zelanda'da, yüzünüzü korumanız için yüz koruyucu maske kullanılması da yasal olarak gereklidir.**



**Alet operatörlerinin ve çalışma alanının yakınında çalışan diđer kişiler için koruyucu güvenlik ekipmanlarını kullanmasının sağlanması, işverenin yükümlülüğündedir.**

## Elektrikli aletlerin kullanımı ve bakımı

1. **Elektrikli aleti zorlamayın. Uygulamanız için doğru olan elektrikli aleti kullanın.** Doğru elektrikli alet için amaçlanan hızda daha iyi ve daha güvenli yapılmasını sağlar.
2. **Anahtar açılıp kapanmıyorsa elektrikli aleti kullanmayın.** Anahtarla kontrol edilemeyen bir elektrikli alet tehlikelidir ve onarılmalıdır.
3. **Herhangi bir ayarlama yapmadan, aksesuar deđiştirmeden ya da elektrikli aletleri saklamadan önce fişlerini prizden çekin ve/veya, eđer çıkartılabiliyorsa, batarya kutusunu çıkarın.** Bu önleyici güvenlik önlemleri elektrikli aletin kazayla çalışma riskini azaltır.
4. **Kullanılmayan elektrikli aletleri çocukların ulaşamayacağı yerlerde saklayın ve elektrikli aleti tanımayan ya da bu talimatları bilmeyen kişilerin elektrikli aleti kullanmasına izin vermeyin.** Elektrikli aletler eğitimsiz kişilerin ellerinde tehlikeli olur.
5. **Elektrikli aletleri ve aksesuarları bakımlı tutun.** Hareketli parçaların ayar bozukluklarını ve takılmalarını, parçalardaki kırıkları ve elektrikli aletlerin işleyişlerini etkileyebilecek başka durumları kontrol edin. Elektrikli aleti, hasarlıysa, kullanmadan önce tamir ettirin. Birçok kazaya bakımı iyi yapılmamış elektrikli aletler neden olur.

6. **Bıçakları Temiz ve Keskin Tutun.** Kesici kenarları keskin ve bakımı iyi yapılmış bıçaklar daha az takılma yapar ve daha kolay kontrol edilir.
7. **Elektrikli aleti, aksesuarlarını ve uçlarını, vb. yapılacak işi ve çalışma koşullarını göz önünde tutarak bu talimatlara uygun olarak kullanın.** Elektrikli aletin kullanım amacı dışında kullanılması tehlikeli bir durum ortaya çıkarabilir.
8. **Tutamakları ve kavrama noktalarını kuru, temiz ve yağ ve gres bulaşmamış halde bulundurun.** Kaygan tutamaklar ve kavrama yüzeyleri, beklenmedik durumlarda aletin güvenli bir şekilde kullanılmasını ve kontrol edilmesini zorlaştırır.
9. **Aleti kullanırken dolanabilecek bez iş eldiveni takmayın.** Bez iş eldivenlerinin hareketli parçalara dolanması yaralanmaya neden olabilir.

#### **Bataryalı aletin kullanımı ve bakımı**

1. **Sadece üretici tarafından belirtilen şarj aleti ile şarj edin.** Bir batarya kutusu için uygun olan şarj cihazı başka bir batarya kutusu ile kullanıldığında yangın riski oluşturabilir.
2. **Elektrikli aletleri sadece özel olarak belirtilen batarya kutuları ile kullanın.** Başka batarya kutularının kullanımı yaralanma ve yangın riski oluşturabilir.
3. **Batarya kutusu kullanılmadığında; iki terminal arasında bağlantı kurulmasına sebep olabilecek ataç, bozuk para, anahtar, çivi, vida gibi metal nesnelere ya da küçük metal objelere uzak tutun.** Batarya terminallerine kısa devre yaptırmak yanıklara ya da yangına yol açabilir.
4. **Kötü koşullarda bataryadan sıvı sızabilir; bu sıvıya temas etmeyin. Eğer istemeden bir temas olursa suyla yıkayın. Sıvı göze temas ederse, suyla yıkadıktan sonra tıbbi yardım alın.** Bataryadan çıkan sıvı tahrişe ya da yanıklara neden olabilir.
5. **Batarya kutusu ya da alet hasar görmüşse ya da üzerinde değişiklik yapılmışsa batarya kutusunu kullanmayın.** Hasar görmüş ya da üzerinde değişiklik yapılmış batarya kutuları yangın, patlama ya da yaralanma riski ile sonuçlanan beklenmedik davranışlar sergileyebilir.
6. **Batarya kutusunu veya aleti ateşe ya da aşırı sıcaklıklara maruz bırakmayın.** Ateşe ya da 130 °C'nin üzerindeki sıcaklıklara maruz bırakmak patlamaya neden olabilir.
7. **Tüm şarj talimatlarına uyun ve batarya kutusunu ya da aleti yönergelerde belirtilen sıcaklık aralığının dışındaki sıcaklıklarda şarj etmeyin.** Uygun olmayan bir şekilde ya da belirtilen sıcaklık aralığının dışında şarj etmek bataryaya zarar verebilir ve yangın riskini artırabilir.

#### **Servis**

1. **Elektrikli aletinize nitelikli bir onarım elemanı tarafından orijinal parçaları kullanılarak servis verilmesini sağlayın.** Bu, elektrikli aletin güvenli kalmasını temin eder.
2. **Hasarlı batarya kutularını asla tamir etmeye çalışmayın.** Batarya kutularının tamiri sadece üretici veya yetkili servis sağlayıcıları tarafından yapılmalıdır.
3. **Yağlama ve aksesuar değiştirme talimatlarına uyun.**

## **KABLOSUZ ÇELİK ÇUBUK KESİCİ GÜVENLİK UYARILARI**

1. **Kullanımda iken aleti güvenli bir şekilde tutun.** Alet güvenli bir şekilde tutulmazsa yaralanabilirsiniz.
2. **Ellerinizi ve yüzünüzü hareketli parçalardan uzak tutun.** Bunlar yaralanmaya neden olabilir.
3. **Alet çalışmaz durumda olduğunda veya çalışma sırasında anormal bir ses çıkardığında çalışmayı durdurmak için Anahtar tetiğini hemen bırakın. Yetkili bir servis merkezi tarafından kontrol edilmeli ve onarılmalıdır.** Bunun yapılmaması hasar veya yaralanmaya neden olabilir.
4. **Aleti düşürür veya çarparsanız gövdesinin hasar görmediğini, çatlamadığını veya deforme olmadığını dikkatlice kontrol edin.** Bu gibi herhangi bir hasar yaralanmaya neden olabilir.
5. **Bu alet, elektro-hidrolik bir araçtır. Yağ haznesi teslimattan önce doldurulmuştur. Alet anormal çalışmadığı sürece yağ eklemeyin.**
6. **Metal kesme bıçakları keskin kenarlara sahiptir. Kesilmemek için bunları dikkatli bir şekilde kullanın.**
7. **Hasarlı, deforme olmuş veya çatlamış bıçaklar, ciddi kazalara yol açabileceği gibi çalışmayı olumsuz etkileyebilir. Yeni orijinal bıçaklarla hemen değiştirin.**

## **BU TALİMATLARI MUHAFAZA EDİNİZ.**

#### **▲ UYARI:**

Ürünle (defalarca kullanınca kazanılan) olan rahatlık veya aşinalığın, söz konusu ürün için güvenlik kurallarına sıkı sıkıya bağlı kalmanın yerine geçmesine izin VERMEYİN. **YANLIŞ KULLANIM** veya bu kullanma kılavuzunda belirtilen güvenlik kurallarına uyulmaması ciddi kişisel yaralanmalara neden olabilir.

## **Batarya kartuşu hakkında önemli güvenlik talimatları**

1. **Batarya kartuşunu kullanmadan önce, tüm talimatları ve (1) batarya kartuşu, (2) batarya ve (3) ürün üzerindeki tüm uyarı işaretlerini okuyun.**
2. **Batarya kartuşunu parçalarına ayırmayın veya kurcalamayın.** Yangın, aşırı ısı veya patlamaya neden olabilir.
3. **Çalışma süresi aşırı derecede kısalmışsa kullanmayı derhal bırakın. Aşırı ısınma, yanma riski hatta patlamaya neden olabilir.**
4. **Gözünüze elektrolit kaçarsa, gözlerinizi temiz suyla durulayın ve hemen tıbbi yardım alın. Görme kaybına yol açabilir.**
5. **Batarya kartuşuna kısa devre yaptırmayın:**
  - (1) Terminallere herhangi bir iletken madde değdirmeyin.
  - (2) **Batarya kartuşunu çiviler, madeni paralar, vb. gibi başka metal nesnelere aynı kaba koymaktan kaçının.**



- (3) **Batarya kartuşunu yağmura ya da suya maruz bırakmayın.**

**Kısa devre, büyük bir akım akışına, aşırı ısınmaya, olası yanıklara hatta bataryanın bozulmasına yol açabilir.**

6. **Aleti ve batarya kartuşunu sıcaklığın 50°C ya da daha yükseğe ulaştığı yerlerde saklamayın ve kullanmayın.**
7. **Aşırı derecede hasar görmüş ya da tamamen kullanılmaz durumda olsa bile batarya kartuşunu yakmayın. Batarya kartuşu ateşe atılırsa patlayabilir.**
8. **Batarya kartuşunu çivilemeyin, kesmeyin, ezmeyin, fırlatmayın, düşürmeyin ya da batarya kartuşuna sert bir nesne ile vurmayın. Bu eylemler yangını, aşırı ısı veya patlamaya neden olabilir.**
9. **Hasarlı bataryayı kullanmayın.**
10. **Aletin içerdiği lityum-iyon bataryalar Tehlikeli Eşyalar Yönetmeliğinin gereksinimlerine tabidir.** Ticari nakliye işlemleri için, örneğin üçüncü tarafar, nakliye acenteleri tarafından yapılan nakliyelerde, paketleme ve etiketleme gereksinimlerine uyulmalıdır. Nakliyesi yapılacak ürünün hazırlanması için, tehlikeli maddeler konusunda uzman bir kişiye danışın. Lütfen muhtemelen daha ayrıntılı olan ulusal yönetmeliklere de uyun.

Açık kontakları bantlayın ya da maskeleyin ve bataryayı paketin içinde hareket etmeyecek şekilde pakitleyin.

11. **Batarya kartuşunu bertaraf ederken aletten çıkarın ve güvenli bir yerde bertaraf edin. Bataryanın bertaraf edilmesi ile ilgili yerel düzenlemelere uyunuz.**
12. **Bataryaları sadece Makita tarafından belirtilen ürünlerle kullanın. Bataryaların uyumsuz ürünlere takılması; yangını, aşırı ısınma, patlama ya da elektrolit sızıntısına neden olabilir.**
13. **Alet uzun süre kullanılmıyacaksa batarya aletten çıkarılmalıdır.**
14. **Kullanma sırasında ve sonrasında batarya kartuşu ısınarak yanıklara veya düşük sıcaklık yanıklarına yol açabilir. Sıcak batarya kartuşları ile işlem yaparken dikkat edin.**
15. **Yanıklara neden olabilecek kadar sıcak olabileceğinden kullandıktan hemen sonra aletin terminaline dokunmayın.**
16. **Batarya kartuşunun terminallerine, deliklerine ve kanallarına micir, toz veya toprak girmesine izin vermeyin. Aletin veya batarya kartuşunun zayıf performans göstermesine veya bozulmasına neden olabilir.**
17. **Alet yüksek gerilim elektrik güç hatları yakınında kullanımı desteklemediği sürece batarya kartuşunu yüksek gerilim elektrik güç hatlarının yakınında kullanmayın. Aletin veya batarya kartuşunun arızalanmasına veya bozulmasına neden olabilir.**
18. **Bataryayı çocuklardan uzak tutun.**

### ⚠ DİKKAT:

- **Sadece orijinal Makita bataryalarını kullanın.** Orijinal olmayan Makita bataryaları ya da üzerine değişiklik yapılmış bataryaların kullanımı bataryanın patlamasına ve sonuç olarak yangını, kişisel yaralanma ve hasara neden olabilir. Ayrıca Makita aleti ve şarj aletinin Makita tarafından sunulan garantisi de geçersiz olur.

### Maksimum batarya ömrü için ipuçları

1. **Batarya kartuşunu tamamen boşalmadan önce şarj edin. Aletin gücünün zayıflamaya başladığını fark ettiğinizde aleti durdurun ve batarya kartuşunu şarj edin.**
2. **Tam dolu bir batarya kartuşunu asla yeniden şarj etmeyin. Aşırı şarj etme bataryanın hizmet ömrünü kısaltır.**
3. **Batarya kartuşunu 10°C - 40°C oda sıcaklığında şarj edin. Sıcak bir batarya kartuşunu şarj etmeden önce soğumasını bekleyin.**
4. **Batarya kartuşunu kullanılmıyorken aletten veya şarj aletinden çıkarın.**
5. **Uzun bir süre (altı aydan daha fazla) kullanmadığınız durumlarda batarya kartuşunu şarj edin.**

## FONKSİYONEL AÇIKLAMA

### ⚠ DİKKAT:

- Alet üzerinde ayarlama veya işleyiş kontrolü yapmadan önce aletin kapalı ve batarya kartuşunun ayrılmış olduğundan daima emin olun.

### Batarya kartuşunun takılması ve çıkarılması (Şek. 1)

#### ⚠ DİKKAT:

- Batarya kartuşunu takmadan ya da çıkarmadan önce aleti daima kapatın.
- **Batarya kartuşunu takarken veya çıkarırken aleti ve batarya kartuşunu sıkıca tutun.** Aletin ve batarya kartuşunun sıkıca tutulmaması bunların düşürülmesine sebep olabilir ve alet ve batarya kartuşunun zarar görmesine ya da ciddi yaralanmasına yol açabilir.

Batarya kartuşunu çıkarmak için, kartuşun ön tarafındaki düğmeyi kaydırarak kartuşu aletten çıkarın.

Batarya kartuşunu takmak için, batarya kartuşu üzerindeki dilli yuvanın çentiği ile hizalayın ve yerine oturtun. Hafif bir tık sesi duyulana kadar itip yerine tam oturmasını sağlayın. Düğmenin üst tarafındaki kırmızı gösterge görünüyorsa tam yerine kilitlenmemiş demektir.

#### ⚠ DİKKAT:

- Batarya kartuşunu daima kırmızı gösterge görünmeyecek şekilde tam olarak takın. Yerine tam oturmazsa, aletten yanlışlıkla düşebilir, sizin ya da çevrenizdeki kişilerin yaralanmasına neden olabilir.
- Batarya kartuşunu zorlayarak takmayın. Kartuş kolay bir şekilde kaymıyorsa doğru yerleştirilmemiş demektir.

### Alet/batarya koruma sistemi

Bu alet bir alet/batarya koruma sistemi ile donatılmıştır. Bu sistem, aletin ve bataryanın ömrünü uzatmak için gücü otomatik olarak keser. Alet veya batarya için aşağıdaki durumlardan biri söz konusu olduğunda aletin işleyişi otomatik olarak durur:

## BU TALİMATLARI MUHAFAZA EDİNİZ.

### Aşırı yük koruması

Alet, anormal derecede yüksek akım çekmesine neden olacak şekilde çalıştırıldığında bu koruma devreye girer. Bu durumda aleti kapatın ve aletin aşırı yüklenmesine neden olan uygulamayı kesin. Ardından aleti açarak yeniden çalıştırın.

### Aşırı ısınma koruması

Alet veya batarya aşırı ısındığında bu koruma devreye girer. Bu durumda, aleti yeniden çalıştırmadan önce aletin ve bataryanın soğumasını bekleyin.




### Aşırı deşarj koruması

Kalan batarya kapasitesi düştüğünde bu koruma devreye girer. Bu durumda, bataryayı aletten çıkarın ve bataryayı şarj edin.

## Kalan pil kapasitesinin gösterimi (Şek. 2)

(Ülkeye özel)

Anahtar tetiği çekildiğinde, LED ekran kalan batarya kapasitesini aşağıdaki tablo şeklinde gösterir.

LED gösterge durumu	Kalan batarya kapasitesi
	Yaklaşık %50 veya daha fazla
	Yaklaşık %20 - %50
	Yaklaşık %20'den az

### NOT:

- LED göstergesi, batarya gücünden tasarruf için anahtar tetiği bırakıldıktan yaklaşık bir dakika sonra söner. Kalan batarya kapasitesini kontrol etmek için, anahtar tetiğini hafifçe çekin.
- LED göstergesi yandığında, ancak alet şarj edilmiş bir batarya kartuşuyla bile çalışmadığında, aleti tamamen soğutun. Durum değişmezse, aleti bir Makita yerel servis merkezinde tamir ettirin.

## ÇALIŞTIRMA PROSEDÜRÜ

Tüm güvenlik talimatlarını ve çalışma prosedürlerini okuyun, anlayın ve uygulayın. Talimatları anlamadıysanız ya da koşullar düzgün çalışması için doğru değilse, bu aracı çalıştırmayın. Amirinize veya diğer sorumlu kişiye danışın.

### ⚠ UYARI:

- Batarya alete takılmadan önce, serbest bırakıldığında geri dönüş dönmediğinden emin olmak için anahtar tetiğini çekin ve bırakın.

Motor, anahtar tetiği çekildiğinde çalışır ve anahtar tetiği bırakıldığında durur.

## Anahtar Kilidi Çalışması (Şek. 3)

- A tarafındaki Anahtar Kilidini içeri itin. Anahtarın kilidi açılır ve Tetik çalıştırılabilir.
- B tarafındaki Anahtar Kilidini içeri itin. Anahtarın kilidi kapanır ve Tetik çalıştırılmaz.

### ⚠ DİKKAT:

- Anahtar tetiği, kullanılmadığı zamanlarda her zaman kilitlenmelidir.

### ⚠ UYARI:

- Çalıştırmadan önce, operatörün alete ve çevreye göre konumunun operasyon için güvenli olduğunu doğrulayın. Koruyucu gözlük takın ve koruyucu kıyafetler giyin.
- Bu kılavuzdaki alet özelliklerine bakın ve aletin kesme kapasitesini aşan boyut veya sertlikteki betonarme demirini kesmeyin.
- Betonarme demiri dışındaki malzemeleri kesmeyin. Diğer malzemeleri kesmek isterseniz lütfen üreticiye danışın.

### ⚠ UYARI:

- Hasar görmüş (yontulmuş, kırık, çatlak) veya deforme olmuş bıçakları derhal değiştirin. Bıçak doğru kesmez ve parçalanma veya kırılma sonucunda ciddi yaralanmalara neden olabilir.

## Kesme Prosedürü

### ⚠ UYARI:

- Aleti asla koruyucu yerinde olmadan kullanmayın.** Bunun yapılmaması ciddi kişisel yaralanmalara neden olabilir. (Şek. 4)
- Koruyucu, parçaların operatöre doğru fırlatılmasını önlemek için bir ekipmandır. Betonarme demiri eksenel yönünde bir fırlamayı engellemez. Koruyucu parçaları bloke edecek şekilde kendinizi konumlandırın.
- Bazı şekillerde koruyucu gösterilmez, ancak bu koruyucunun iç tarafının gösterilmesi içindir. Her zaman koruyucuyu yerinde kullanın.

- Kesilecek betonarme demirini bıçaklar arasına yerleştirin. (Şek. 5)  
Betonarme demiri bıçaklara 90 derece olacak şekilde durdurucuyu kesilecek donatının çapına göre ayarlayın. Durdurucu, betonarme demirini destekler ve keserken bıçaklara dik tutar. (Şek. 6)

### ⚠ UYARI:

- Betonarme demiri keserken, betonarme demiri bıçaklara 90 derece olacak şekilde durdurucuyu kesilecek donatının çapına göre ayarlayın. Bu ayar olmadan, kesilen parça uçabilir ve operatör veya yakınında duranlar için ciddi yaralanmalara neden olabilir. Operatörün alete göre konumunu kontrol etmeyi ve operatörün ve çevrenin güvenliğini teyit etmeyi asla ihmal etmeyin.
- Betonarme demirini bıçakların arasına, koruyucuya dokunmayacak şekilde yeterince derine yerleştirin. (Şek. 7)

### ⚠ UYARI:

- Kesilecek donatı, bıçaklar arasında tam olarak konumlandırılmamışsa, bıçaklar hasar görecektir, inşaat demiri hızla fırlayarak ciddi kişisel yaralanmalara neden olabilecektir.

### ⚠ UYARI:

- Kesilecek parça 200 mm'den az olduğunda betonarme demirini kesmeyin. Daha kısa uzunlukta kesim yapmak, kesme sırasında betonarme demirinin fırlayıp kişisel yaralanmalara neden olmasına yol açabilir. (Şek. 8)

### ⚠ UYARI:

- Durdurucu tarafından uygun şekilde desteklenmediğinde betonarme demirini kesmeyin. Keserken, betonarme demirini Durdurucu tarafında tutun. (Şek. 9, 10) Bu yapılmazsa, kesilen parça uçabilir ve operatör veya yakında duranlar için ciddi yaralanmalara neden olabilir.
- 3. A Tarafındaki Anahtar Kilidini içeri itin. Anahtarın kilidi açılır ve tetik çalıştırılabilir.
- 4. Kesme işlemini başlatmak için anahtar tetiğine basın. Kesici Çubuk, betonarme demirini kesmek için ileriye doğru hareket edecektir. Kesici Çubuk, kursunun sonuna duruncaya kadar Anahtarı basılı tutun.
- 5. Kesim tamamlandığında ve Kesici Çubuk kursunun sonuna ulaştığında anahtar tetiğini bırakın. Bu durumda Kesici Çubuk otomatik olarak başlangıç pozisyonuna geri döner. Kurs tamamlanmazsa Kesici Çubuk geri dönmeyecektir. Benzer şekilde, Kesici Çubuk tamamen başlangıç konumuna geri dönene kadar tekrar ileriye hareket edemez. Bir sonraki kesimi başlatmak için, sadece Kesici Çubuk tamamen başlangıç konumuna geri döndükten ve durduktan sonra düşmeye basın.

### ⚠ UYARI:

- Yüksek çekme mukavemetli betonarme demiri kesilirken, kesilen parça uçabilir ve operatör için ciddi yaralanmalara neden olabilir. Güvenlik gözlüğü takın ve çalışmaya başlamadan önce çevredeki alanın güvenli olduğunu doğrulayın.

### ⚠ UYARI:

- Çalışma sırasında ellerinizi ve yüzünüzü bıçaklardan, hareketli parçalardan ve kesme alanından uzak tutun. Bataryayı alet kullanıldıktan hemen sonra çıkarın.

### NOT:

- Takım gövdesinin sıcaklığı 70°C'yi (160°F) aşarsa, takım kapasitesi düşer. Böyle bir durumda, kullanımı durdurun ve aletin soğumasını bekleyin.

### NOT:

- Çubuk Tutucunun ucundaki hava deliğini kir ve kalıntılardan temiz tutun. Hava deliği iç basıncı kontrol eder ve engellenmemelidir. (Şek. 11)

## Yedek bıçak tipi ve detaşmanı (Şek. 15)

Sabitlenmiş bıçakları iyice sıkılmış olmalıdır.

Bıçağın düzgün sıklılığını periyodik olarak onaylayın.

Yedek bıçak boyutu

● Modeliniz için doğru bıçakları tanımlamak amacıyla bu tabloyu kullanın.

Model	A (Çubuk Tutucuya Takılan)	B (Kesici Çubuğa Takılan)
DSC163 (ø3 - ø16)	22 × 17 × 9 mm (Cıvata Ölçüsü 5 mm)	22 × 17 × 8 mm (Cıvata Ölçüsü 5 mm)

### NOT:

- Sadece orijinal Makita bıçakları kullanın.

## Motorun Dönme İşlevi (Şek. 12)

Motor Gövdesi, çalışma sırasında her iki yönde 360 derece döndürülebilir. Bu özellik, operatörün aleti kolay kullanması için en iyi konumda konumlandırmasına izin verdiğinden zorluk çıkaran veya dar alanlarda çalışırken özellikle kullanışlıdır.

## Geri Dönüş Vanası Çalışması (Şek. 13)

Geri Dönüş Vanasının işlevi, bir kesme işlemini tamamlamadığında veya sıkıştığında Kesici Çubuğun başlangıç konumuna geri dönmesini sağlamaktır. Geri dönüş vanasının yarım tur gevşetilmesi yağ basıncını serbest bırakacak ve Kesici Çubuğun geri dönmesine izin verecektir. Kesici Çubuk tamamen geri döndüğünde ve bir sonraki işleme başlamadan önce Geri Dönüş Vanasını yeniden sıkın.

## BİÇAKLARI DEĞİŞTİRME PROSEDÜRÜ

Bıçakların kesici kenarları yontulmuş, çatlaklı, deforme olmuş veya herhangi bir şekilde hasar görmüşse, kesme yetenekleri azalır. Bu koşullar altında kesim yapmak daha fazla hasara neden olabilir ve kişisel yaralanmaya yol açabilir. Herhangi bir hasar bulunursa, bıçaklar derhal takım halinde değiştirilmelidir.

### ⚠ UYARI:

- Bıçakları değiştirirken, yanlışlıkla çalışmayı önlemek için Bataryanın aletten çıkarıldığını emin olun. Çubuk Tutucunun üzerindeki Bıçak A ve Kesici Çubuğun üzerindeki Bıçak B'nin doğru konumlarına takıldığını emin olun. (Şek. 14)
- 1. Bıçak A ve Bıçak B'yi tutan cıvata ve pulları sökün.
- 2. Kırıkları ve yeni bıçakların takılacağı yüzeyleri temizleyin.
- 3. Bıçak A'yı Çubuk Tutucusuna ve Bıçak B'yi Kesici Çubuğa takın. Cıvata ve pulları yerlerine takın ve iyice sıkın.

### ⚠ UYARI:

- Bıçak A ve Bıçak B'yi tutan cıvatalar düzenli olarak sıkılmalıdır. Cıvatalar gevşerse Bıçaklar hasar görebilir ve kişisel yaralanmalara neden olabilir.

# YAĞ EKLEME

Bu Kablosuz Çelik Çubuk Kesici elektro-hidroliktir. Fabrikadan sevk edildiğinde yağla doldurulmuştur. Alet iyi performans gösterdiği sürece yağ ilave etmeye çalışmayın. Yağ seviyesi zamanla yavaş yavaş azalır. Sonunda bu performansta gözle görülür bir düşüşe neden olur. Bu olduğunda, aşağıdaki gibi yağ ekleyin.

1. Bıçaklar arasına bir betonarme demiri yerleştirin ve anahtar tetiğine basın.
2. Kesme tamamlanmadan hemen önce aleti durdurmak için anahtar tetiğini bırakın.
3. Bataryayı aletten çıkarın, böylece Bıçaklar yanlışlıkla hareket ettirilemez.
4. Yağ doldurma deliğini kapatan Cıvata'yı (SB10x15) sökün. Motor içine yağ dökülmemesine dikkat ederek yağ ekleyin.
5. Cıvata'yı (SB10x15) yerine takın ve iyice sıkın.
6. Bataryayı alete tekrar takın ve kesme işlemini tamamlayın.
7. Yağ seviyesi doğru olana kadar yukarıdaki prosedürü birkaç kez tekrarlayın.

## **⚠ DİKKAT:**

- Bu alette sadece Makita tarafından önerilen saf hidrolik yağ kullanılmalıdır. Önerilen yağlar, Makita tarafından sağlanan hidrolik yağı, Super Hyrando #46 (JX Nippon Oil & Energy Corp.); Shell Tellus Plus #46 (ABD Shell) veya eşdeğer özelliklere sahip aşınma önleyici hidrolik yağ, ISO Viskozite Sınıfı 46. Contalara ve diğer dahili makine parçalarına zarar verebileceğinden diğer yağları kullanmayın.

# SORUN GİDERME

## ⚠ UYARI:

- Makine üzerinde işlem yapmadan önce bataryayı çıkarın.

SORUN	NEDENİ	ÇÖZÜMÜ
Kesici Çubuk uzamıyor.	Yetersiz yağ	Yağı tamamlayın. (Bkz. “Yağ Ekleme”)
	Kesici Çubuk ve Çubuk Tutucu arasında döküntü birikmesi nedeniyle Kesici Çubuk tamamen geri dönmedi.	Kesici Çubuğu elle geri itin. Döküntüleri kaldırın ve temizleyin
	Kesici Çubuk, Kesici Çubuktaki hasar nedeniyle tamamen geri dönmedi.	Kesici Çubuğu değiştirin.
	Kesici Çubuk, gevşek veya hasarlı Bıçaklar nedeniyle tam olarak geri dönmedi.	Bıçak civatalarını sıkın. Bıçakları değiştirin
	Kesici Çubuk, zayıf Geri Dönüş yayı nedeniyle tam olarak geri dönmedi.	Geri Dönüş yayını değiştirin.
Betonarme demiri kesmek için yetersiz güç.	Yetersiz yağ.	Yağı tamamlayın. (Bkz. “Yağ Ekleme”)
	Geri Dönüş Vanası düzgün oturmamış veya oturma yüzeyi bozuk.	Geri Dönüş Vanasının uç kısmını ve Oturma yüzeyini temizleyin. Oturma yüzeyindeki çizikleri giderin.
	Geri Dönüş Vanası, hasar görmüş.	Değiştirin.
	Silindir ve Piston arasında yanlış boşluk.	Pistonu değiştirin (Not: farklı boy pistonlar mevcut)
	Çek Valfi düzgün oturmamış veya oturma yüzeyi bozuk.	Çek Valfi ve oturma yüzeyini temizleyin. Değiştirin.
	Üretan sızdırmazlık, hasarlı veya bozuk.	Değiştirin.
Yağ kaçıyor.	Yağ seviye düzleştirici İç Lastiği, hasarlı veya bozuk.	Değiştirin.
	Kesici Çubuk/ Çubuk Tutucu, O-Ring hasarlı; Çubuk/Çubuk Tutucu, yüzey çizik veya oyuk.	Yedekleme Ringi ile O-ringi değiştirin. Kesici Çubuk/Çubuk Tutucuyu değiştirin
	Silindir/Çubuk Tutucu, O-Ring hasarlı	O-ringi değiştirin.
	Silindir/Pompa Gövdesi, Conta hasarlı.	Layner B'yi değiştirin.
	Çubuk Kesici/Silindir/Pompa Gövdesi, flanş civataları gevşek.	Civataları sıkın.
Motor hareket etmiyor. Motor yavaş ya da düzensiz.	Voltaj doğru değil.	Bataryayı şarj edin.
	Batarya çalışma hayatının sonuna gelmiş.	Bataryayı değiştirin.
	DC Motor aşırı ısınmadan zarar görmüş.	DC Motoru değiştirin.
	DC Motor yatakları veya dişlisi hasarlı veya bozuk.	Yatakları veya dişliyi değiştirin.

## NOT:

- Pompa ve piston bölgesinin iç bileşenleri, çok yakın toleranslara sahiptir ve toz, kir, hidrolik akışkanın kirlenmesi veya yanlış kullanımdan kaynaklanan hasarlara karşı hassastır. Pompa gövdesinin sökülmesi, özel aletler ve eğitim gerektirir ve sadece doğru şekilde eğitilmiş ve doğru araçlara sahip kalifiye onarım personeli tarafından denetlenmelidir. Elektrik bileşenlerinin hatalı bakımı, ciddi yaralanmalara neden olabilecek koşullara yol açabilir. Pompa, piston parçaları ve tüm elektrikli parçalara yalnızca yetkili tamirhane, bayi veya distribütör tarafından servis yapılmalıdır.

## BAKIM

### ⚠ DİKKAT:

- Muayene veya bakım işlemi yapmadan önce aletin kapalı ve batarya kartuşunun ayrılmış olduğundan daima emin olun.
- Benzin, tiner, alkol ve benzeri maddeleri kesinlikle kullanmayın. Renk değişimi, deformasyon veya çatlaklar oluşabilir.

Ürünün GÜVENLİK ve GÜVENİLİRLİĞİNİ korumak için, onarımlar, diğer bakım veya ayarlamalar daima Makita yedek parçaları kullanılarak Makita Yetkili Servis Merkezleri tarafından yapılmalıdır.

## İSTEĞE BAĞLI AKSESUARLAR

### ⚠ DİKKAT:

- Bu aksesuarlar veya ataşmanların bu el kitabında belirtilen Makita aletinizle kullanılması önerilir. Başka herhangi bir aksesuar veya ataşmanın kullanılması insanların yaralanma riskini oluşturabilir. Aksesuar veya ataşmanı sadece belirtilen amacına yönelik kullanın.

Bu aksesuarlarla ilgili daha fazla ayrıntı için herhangi bir yardıma ihtiyacınız olursa, yerel Makita Servis Merkezimize danışın.

- Makita orijinal akü ve şarj cihazı

### NOT:

- Listedeki bazı öğeler standart aksesuar olarak alet paketine dahil edilebilir. Ülkeden ülkeye farklılık gösterebilirler.

## 一般視圖說明

- |            |                 |               |
|------------|-----------------|---------------|
| 1. 紅色指示燈   | 10. 鋼筋          | 19. 螺栓 (較長)   |
| 2. 按鈕      | 11. 刀片          | 20. 螺栓 (較短)   |
| 3. 電池組     | 12. 止動器         | 21. 墊圈        |
| 4. LED 指示燈 | 13. 大於 200 mm   | 22. 導桿座       |
| 5. 開關鎖     | 14. 氣孔          | 23. 剪斷桿       |
| 6. 開關扳機    | 15. 六角扳手        | 24. 導桿座上的刀片 A |
| 7. A 側     | 16. 歸位閂         | 25. 剪斷桿上的刀片 B |
| 8. B 側     | 17. 刀片 A (厚型刀片) | 26. 備用刀片      |
| 9. 安全保護裝置  | 18. 刀片 B (薄型刀片) |               |

## 規格

型號	DSC163
最大剪斷能力 (直徑 mm)	
等級 40 至等級 60	16 mm
等級 40: 抗拉強度 490 N/mm <sup>2</sup> 70,000 PSI	
等級 60: 抗拉強度 620 N/mm <sup>2</sup> 90,000 PSI	
剪斷速度	2.8 秒
全長	360 mm
淨重	6.9 kg
額定電壓	D.C. 18V

- 生產者保留變更規格不另行通知之權利。
- 規格和電池組可能因銷往國家之不同而異。
- 重量 (含電池組) 符合 EPTA-Procedure 01/2014

## 適用的電池組與充電器

電池組	BL1830B / BL1840B / BL1850B / BL1860B
充電器	DC18RC / DC18RD / DC18RE / DC18SH

- 上述某些電池組與充電器可能會因居住地區而無法使用。

## ⚠ 警告：

- 務必使用上述的電池組與充電器。使用任何其他電池組與充電器可能會導致人員受傷和/或火災。

## 符號

以下顯示本設備使用的符號。在使用工具前，請務必理解其涵義。



..... 請仔細閱讀使用說明書。



..... 僅用於歐盟國家

由於本設備中存有危險組件，廢棄電氣與電子設備、蓄電池與電池可能會對環境與人體健康產生負面影響。  
請勿將電氣與電子器具或電池和家庭廢棄物一同處理！

根據針對廢棄電氣與電子設備、蓄電池與電池及廢棄蓄電池與電池制訂的歐洲指令及其對本國法律的修改版，應依照環境保護法規個別存放廢棄電氣設備、電池與蓄電池，並將其送至都市垃圾獨立回收點。這類設備會在設備上以打叉的滑輪垃圾桶作為符號標示。

## 用途

本工具用於剪斷鋼筋。

## 噪音

典型 A 加權噪音級別 (根據 EN62841-2-8 測定)：

聲壓位準 (LpA): 78 dB (A)

不確定度 (K): 3 dB (A)

工作時的噪音級別可能會超過 80 dB (A)。

## 註：

- 聲明的噪音值係根據標準測試方法測定，可用於相互比較工具。
- 聲明的噪音值亦可用於暴露的初步評估。

## ⚠ 警告：

- 請佩帶護耳罩。
- 實際使用電動工具時的噪音值，可能因使用方法（尤其是處理的工件種類）而不同於聲明的噪音值。
- 請務必基於預測的實際使用條件（考慮操作周期的所有方面，如工具關閉時間、怠速運行時間和啟動時間）採取安全措施保護操作人員。

## 振動

振動總值(三軸矢量和)(根據 EN62841-2-8 測定):

作業模式:剪斷鋼筋

振動值( $a_h$ ): $2.5 \text{ m/s}^2$  以下

不確定度(K): $1.5 \text{ m/s}^2$

## 註:

- 聲明的總振動值係根據標準測試方法測定,可用於相互比較工具。
- 聲明的總振動值亦可用於暴露的初步評估。

## ⚠ 警告:

- 實際使用電動工具時的振動值,可能因使用方法(尤其是處理的工件種類)而不同於聲明的振動值。
- 請務必基於預測的實際使用條件(考慮操作周期的所有方面,如工具關閉時間、怠速運行時間和啟動時間)採取安全措施保護操作人員。

## EC 符合性聲明

僅用於歐洲國家

EC 符合性聲明隨附於本使用說明書的附錄 A。

## 一般電動工具安全警告

⚠ 警告:請通讀本電動工具附帶的所有安全警告、安全事項、插圖和規格。未按照以下列舉安全事項而使用或操作可能導致觸電、火災和/或嚴重傷害。

## 妥善保存所有的警告和安全事項說明以備將來參考。

在該警告中的「電動工具」是指電網電源供電(接電源線)的電動工具或電池驅動(充電式)的電動工具。

### 工作場地安全

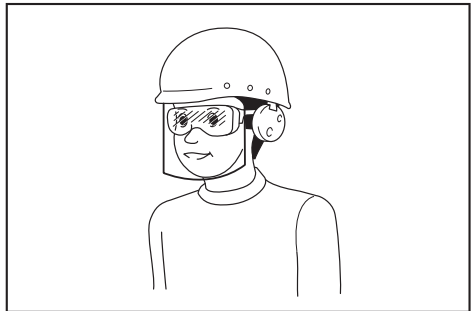
1. 保持工作場地清潔和明亮。混亂和黑暗的場所會引發事故。
2. 請勿在易爆環境,如有易燃液體、氣體或粉塵的環境下操作電動工具。電動工具產生的火花會點燃粉塵或氣體。
3. 操縱電動工具時不可讓兒童和旁觀者接近。操作時分心會使你無法正常控制機器。

### 電氣安全

1. 電動工具插頭必須與插座匹配。絕不能以任何方式改裝插頭。需接地的電動工具不能使用任何轉換插頭。使用未經改裝的插頭和與之匹配的插座將減少觸電危險。
2. 工作時,身體不可接觸到接地的金屬體,例如鐵管、散熱器、火爐和冷凍機。如果身體接地會增加觸電危險。
3. 不得將電動工具暴露在雨中或潮濕環境中。若有水進入電動工具將增加觸電危險。
4. 不得踏踏導線。不可拖著導線移行工具或拉導線拔出插頭。還須避免使導線觸及高熱物體、油脂、尖銳邊緣或運動部件。受損或纏繞的導線會增加觸電危險。
5. 當在戶外使用電動工具時,一定要採用戶外專用的延長導線。採用戶外專用的延長導線能減少觸電的危險。
6. 如必須在潮濕的環境中使用電動工具,請使用殘餘電流裝置(RCD)保護電源。使用 RCD 保護電源能減少觸電的危險。
7. 電動工具會產生對使用者無害的電磁場(EMF)。不過,對心律調整器使用者及其他類似醫療器材的使用者而言,請務必先聯絡器材製造商及/或醫師以瞭解相關建議,再操作此類電動工具。

## 人身安全

1. 保持警覺,當操作電動工具時關注所從事的操作並保持清醒。請勿在疲勞時或受到藥物、酒精或治療影響時操作電動工具。在操作電動工具期間分心可能會導致嚴重人身傷害。
2. 使用安全裝置。始終佩戴護目鏡。安全裝置,如適當條件下的防塵面具、防滑安全鞋、安全帽、防護耳罩等設備能減少人身傷害。
3. 避免意外起動。在將工具接上電源和/或電池組以及拿起或搬動電動工具之前,確保開關處於關閉位置。搬運工具時手指放在已接通電源的開關上或開關處於接通時插入插頭可能會引發事故。
4. 在電動工具接通之前,取下所有調節鑰匙或扳手。遺留在電動工具旋轉零件上的扳手或鑰匙會導致人身傷害。
5. 操作時手不要伸得太長。使用時請雙腳站穩,時刻保持平衡。這樣在意外情況下能很好地控制電動工具。
6. 注意衣裝。不要穿寬鬆衣服或佩帶飾品。勿使頭髮和衣服靠近運動部件。寬鬆衣服、佩飾或長發易卷入運動部件。
7. 如果提供了與排屑裝置、集塵設備連接用的裝置,則確保他們連接完好且使用得當。使用集塵設備可減少因碎屑引起的危險。
8. 切勿因頻繁使用本工具而自認熟練導致您大意輕忽工具的安全原則。一時的疏忽隨即會造成人員重傷。
9. 使用電動工具時,請務必配戴護目鏡,以防眼睛受到觸電。護目鏡需符合美國 ANSI Z87.1 標準、歐洲 EN 166 標準或澳洲/紐西蘭 AS/NZS 1336 標準。若於澳洲/紐西蘭地區,法定需配戴面罩以保護臉部。



雇主有責任監督工具操作者和其他鄰近工作區域的人員穿戴合適的安全保護裝備。

### 電動工具使用和注意事項

1. 使用電動工具時請勿用蠻力。根據用途使用適當的電動工具。選擇具有適當設計額定值的電動工具會使你工作更有效、更安全。
2. 如果開關無法接通或關閉工具電源,則不可使用該電動工具。不能用開關來控制的電動工具是危險的且必須進行修理。
3. 在進行任何調整、更換配件或存放電動工具之前,請將插頭從電源上拔下,並且/或將可拆式電池組從工具上取下。此類防護性安全措施可減少電動工具突然起動的危險。
4. 將閒置的電動工具存放在小孩不能拿到之處,並且不要讓不熟悉電動工具或對這些說明不了解的人操作電動工具。電動工具在未經訓練的用戶手中是危險的。
5. 保養電動工具及配件。檢查運動部件的安裝誤差或卡滯情形、零件損壞和影響電動工具運轉的其他情況。如有損壞,電動工具必須在使用之前修理好。許多事故由保養不良的電動工具引發。



- 保持切削刀具的鋒利和清潔。保養良好的有鋒利切削刃的刀具不易被卡住而且容易控制。
- 按照使用說明書，根據作業條件和作業特點來使用電動工具、附件和工具的刀頭等。將電動工具用於那些與要求不符的操作可能會導致危險情況。
- 手柄及握把表面務必保持乾燥清潔，不沾油脂。如手柄及握把表面油滑，將無法在非預期的情況下安全操控工具。
- 使用此工具時，請勿穿戴可能會捲入的布質工作手套。布質工作手套捲入移動零件中，會導致嚴重的人身傷害。

#### 用電池驅動的電動工具的使用和注意事項

- 僅使用製造商指定的充電器進行充電。使用適用於某一類型電池組的充電器給其他電池組充電可能會引起火災。
- 僅使用專門設計的電池組給電動工具供電。使用任何其他電池組可能會造成人身傷害及火災。
- 不使用電池組時請將其遠離紙夾、硬幣、鑰匙、釘子、螺絲或其他小型金屬物體放置。這些物體可能會使電池端子短路。短接電池端子可能會引起燃燒或起火。
- 使用過度時，電池中可能溢出液體；請避免接觸。如果意外接觸到電池漏液，請用水沖洗。如果液體接觸到眼睛，請就醫。電池漏液可能會導致過敏發炎或灼傷。
- 請勿使用損壞或經修改過的電池組或工具。損壞或經修改過的電池可能會出現無法預料的運作情形，而引發火災、爆炸或人員受傷風險。
- 請勿將電池組或工具暴露於火源或高溫環境。暴露於火源或 130 °C 以上的高溫可能會發生爆炸。
- 請遵守所有充電說明，並勿於說明中指定之溫度範圍外進行電池組或工具充電。以錯誤的方式或於指定之溫度範圍外進行充電，可能會損壞電池，並增加火災風險。

#### 維修

- 將你的電動工具送交專業維修人員修理，必須使用相同的備件進行更換。這樣將確保所維修的電動工具的安全性。
- 請勿維修損壞的電池組。僅可由製造商或授權的維修商維修電池組。
- 上潤滑油及更換附件時請遵本說明書指示。

## 充電式油壓鋼筋剪斷機安全警告

- 使用時請緊握工具。若未緊握工具，可能會造成受傷。
- 雙手和臉部請遠離運動部件。否則可能導致受傷。
- 使用期間若工具出現故障或發出異常聲音，請立即釋放開關扳機以停止操作。應交由授權維修服務中心進行檢查和維修。否則，可能會造成損壞或受傷。
- 若使工具摔落或遭到撞擊，請仔細檢查機身是否無損壞、破裂或變形。上述任何損壞皆可能造成受傷。
- 本工具為電動油壓工具。產品交貨前，油箱已注滿。除非工具運作異常，否則請勿添加油液。
- 金屬切割刀片的邊緣非常銳利。請小心使用，以避免割傷。
- 損壞、變形或破裂的刀片可能會導致嚴重意外及影響運作。請立即更換全新的原廠刀片。

## 妥善保存這些手冊。

#### ⚠警告：

請勿為圖方便或因對產品足夠熟悉（因重複使用），而不嚴格遵循產品的安全規則。使用不當或不遵循本使用說明書中的安全規則，可能會導致嚴重的人身傷害。

## 電池組的重要安全須知

- 使用電池組之前，請閱讀（1）充電器、（2）電池和（3）使用電池的產品上的所有指示說明和注意標識。
- 請勿拆解或改裝電池組。以免引發火災、過熱或爆炸。
- 如果工具運行時間極短，請立即停止使用。否則可能會導致過熱、起火甚至爆炸。
- 如果電解液進入眼睛，請立即用清水沖洗並就醫。這種情況可能會導致失明。
- 請勿短接電池組：
  - 請勿用任何導電材料觸碰電池端子。
  - 避免將電池組與釘子、硬幣等金屬物品存放在同一容器中。
  - 請勿將電池組置於水中或使其淋雨。

電池短路會產生較大的電流，導致過熱並可能引起起火甚至擊穿。

- 請勿在溫度可能達到或超過 50°C 的場所存放或使用工具和電池組。
- 請勿灼燒電池組，即使其已嚴重損壞或徹底磨損。電池組會在火中爆炸。
- 請勿釘牢、切割、輾壓、丟擲、摔落電池組，或使電池組撞擊硬物。這類行為可能會引發火災、過熱或爆炸。
- 請勿使用損壞的電池。
- 本工具附帶的鋰離子電池需符合危險品法規要求。進行第三方或轉運代理在進行商業運輸時，應遵循包裝和標識方面的特殊要求。有關運輸項目的準備作業，諮詢危險品方面的專業人士。同時，請遵守可能更詳盡的國家法規。請使用膠帶保護且勿遮掩表面的聯絡資訊，並牢固封裝電池，使電池在包裝內不可動。
- 廢棄電池須移出工具並安全地棄置。關於如何處理廢棄的電池，請遵循當地法規。
- 電池僅可用於 Makita（牧田）規定產品。將電池裝入非相容產品中可能會導致起火、過熱、爆炸或電解液滲漏情形。
- 若工具長期間不使用，電池須從工具移出。
- 使用期間和之後，電池組可能會發燙，因而造成燙傷或低溫灼傷。處理發燙的電池組時，請多加小心。
- 使用後請勿立即觸碰工具的端子，因為端子溫度極高，足以造成燙傷。
- 請勿讓碎屑或塵土卡在電池組的端子、孔洞和溝槽。以免造成工具或電池組性能下降或故障。
- 除非工具支撐在高電壓電氣線路附近使用，否則請勿在高電壓電氣線路附近使用電池組。以免造成工具或電池組失常或故障。
- 將電池置於孩童無法觸及之處。

## 妥善保存這些手冊。

#### △小心：

- 請僅使用原裝 Makita（牧田）電池。使用非原裝 Makita（牧田）電池或經過改裝的電池可能會導致電池爆炸，從而造成火災、人身傷害或物品受損。同時也會導致牧田工具和充電器的牧田保修服務失效。

## 保持電池最大使用壽命的提示

- 要在電池組完全放電前對其充電。當發現工具動力不足時，一定要停止使用工具並對電池組進行充電。
- 切勿對已經充滿的電池組再次充電。過度充電會縮短電池的使用壽命。
- 要在室溫為 10°C - 40°C 的條件下對電池組充電。請在充電前使處於發熱狀態的電池組冷卻。

4. 不使用電池組時，請將其從工具或充電器取下。
5. 如果電池組長時間（超過六個月）未使用，請給其充電。

## 功能描述

### ⚠️ 小心：

- 調節或檢查工具功能之前，請務必關閉工具電源開關並取下電池組。

## 安裝或拆卸電池組（圖 1）

### ⚠️ 小心：

- 安裝或拆卸電池組前，請務必關閉工具電源。
- 安裝或拆卸電池組時，請握緊工具和電池組。未握緊工具和電池組可能會導致它們從您的手中滑落，因而損壞工具和電池組，並造成人身傷害。

拆卸電池組時，要在滑動電池組前側按鈕的同時將其從工具中抽出。

安裝電池組時，將電池組舌片對準電池倉槽溝，並將其滑入。將其插到底，直到聽見喀嗒聲鎖入定位時為止。如果您尚能看見按鈕上側的紅色指示燈，則說明還未完全鎖定。

### ⚠️ 小心：

- 務必將電池組完全插入，直至紅色指示燈不亮為止。否則其可能會意外從工具中脫落，從而造成自身或他人受傷。
- 請勿過度用力安裝電池組。如果電池組滑動不平滑，可能是插入不當。

## 工具／電池組保護系統

本工具配備工具／電池保護系統。此系統可自動切斷電源，以延長工具和電池使用壽命。若本工具或電池在操作期間出現下列任一情況，工具將自動停止運轉：

### 過載保護

以導致異常高電流的方式操作工具時，此保護機制會啟動。在此情況下，請關閉工具電源，並停止會導致工具過載的操作方式。之後再開工具電源，重新啟動工具。

### 過熱保護

工具或電池過熱時，此保護機制會啟動。在此情況下，請先讓工具及電池冷卻，再重新啟動工具。




### 過放電保護

剩餘電池電量偏低時，此保護機制會啟動。在此情況下，請取出工具中的電池並進行充電。

## 顯示剩餘電池電量（圖 2）

（規格因國家而異）

扣動開關扳機時，LED 顯示器會顯示剩餘的電池電量，如下表所示。

LED 指示燈狀態	剩餘電池電量
	約 50% 以上
	約 20% - 50%
	約低於 20%

註：

- 釋放開關扳機後約一分鐘，LED 顯示器將關閉以節省電池電量。若要確認剩餘電池電量，請稍微扣動開關扳機。
- 當 LED 顯示器亮起時，即使電池組充滿電，工具也不會運作，請等待工具完全冷卻。若此狀態未變更，請至 Makita 當地維修中心維修本工具。

## 操作程序

請詳閱、理解並遵循所有安全說明及操作程序。若不理解說明內容，或所處環境不適合進行正確操作，請勿操作此工具。請向您的主管或其他負責人尋求協助。

### ⚠️ 警告：

- 將電池插入工具前，扣動並釋放開關扳機以確保其釋放後可回到原位。

開關扳機扣動時，馬達會開啟；開關扳機釋放時，馬達會關閉。

## 開關鎖操作（圖 3）

- 按下 A 側的開關鎖。開關會解除鎖定，且扳機可進行操作。
- 按下 B 側的開關鎖。開關會鎖定，且扳機不可進行操作。

### ⚠️ 小心：

- 未使用時，開關扳機應隨時維持鎖定狀態。

### ⚠️ 警告：

- 操作前，務必確認操作員和工具之間的相對位置，以及周圍區域是否可安全進行操作。請配戴護目鏡，並穿戴防護衣。
- 請參照本說明書中的工具規格。若鋼筋尺寸或硬度超過工具的剪斷能力，請勿進行剪斷操作。
- 請勿用以剪斷鋼筋外的材料。若想剪斷其他材料，請洽詢製造商。

### ⚠️ 警告：

- 請立即更換損壞（破碎、斷裂或碎裂）或變形的刀片。這類刀片無法準確剪斷，可能會發生碎裂或斷裂，而造成嚴重的人身傷害。

## 剪斷程序

### ⚠️ 警告：

- 若保護裝置未安裝到位，切勿使用工具。否則可能會造成人員重傷。（圖 4）
- 保護裝置是防止碎片噴向操作人員的設備。無法擋住噴向鋼筋軸向的碎片。請調整個人位置，讓保護裝置擋住碎片。
- 部分圖示中未顯示保護裝置，但這是為了顯示保護裝置內部。務必將保護裝置安裝到位。

### 1. 將欲剪斷的鋼筋放在刀片間。（圖 5）

根據欲剪斷鋼筋的直徑來調整止動器，使鋼筋和刀片呈現 90 度。止動器會支撐鋼筋，並在剪斷時使其與刀片保持垂直。（圖 6）

### ⚠️ 警告：

- 剪斷鋼筋時，根據欲剪斷鋼筋的直徑來調整止動器，使鋼筋和刀片呈現 90 度。若未進行此調整，剪斷工件可能會飛出，並對操作員或旁人造成嚴重傷害。請務必檢查操作員和工具間的相對位置，並確認操作員和周圍區域的安全性。
- 2. 確保放置於刀片之間的鋼筋深度足夠，使其不會碰觸保護裝置。（圖 7）

### ⚠️ 警告：

- 若欲剪斷的鋼筋未完全放置於刀片間，刀片可能會受損；鋼筋將會猛力彈出，並可能造成嚴重的人身傷害。

### ⚠警告：

- 當欲剪斷的工件長度小於 200 mm 時，請勿剪斷鋼筋。剪斷長度不足時，可能會在剪斷過程中造成鋼筋飛出，並造成嚴重的人身傷害。(圖 8)

### ⚠警告：

- 止動器未正確支撐鋼筋時，請勿進行剪斷操作。進行剪斷時，請將鋼筋固定在止動器側。(圖 9、10) 若未固定，剪斷部分可能會飛出，而對操作人員或旁人造成嚴重傷害。
- 按下 A 側的開關鎖。開關會解除鎖定，且扳機可進行操作。
- 按下開關扳機，開始剪斷操作。剪斷桿將向前移動以剪斷鋼筋。開關需維持按壓狀態，直到剪斷桿在其衝程末端停下。
- 完成剪斷操作且剪斷桿已達其衝程末端時，請釋放開關扳機。剪斷桿會自動回到起始位置。若衝程尚未完成，剪斷桿不會返回。相同地，剪斷桿需完全回到起始位置後，才可再次向前移動。剪斷桿需完全回到起始位置並停止後，才可按下開關以開始下個剪斷操作。

### ⚠警告：

- 剪斷具高抗拉強度的鋼筋時，剪斷工件可能會飛出，並對操作員造成嚴重傷害。開始操作前，請配戴護目鏡，並確認周圍區域安全無虞。

### ⚠警告：

- 操作期間，雙手和臉部請遠離刀片、運動部件和剪斷區域。使用完畢後，請立即取出工具中的電池。

### 註：

- 若工具外殼溫度超過 70°C (160°F)，工具性能會下降。在此情況下，請停止使用，讓工具冷卻。

## 備用刀片及可拆件類型 (圖 15)

固定螺栓應確實鎖緊。  
請定期確認刀片是否正確鎖緊。

### 備用刀片尺寸

● 請參考此表以確認適用您型號的正確刀片。

型號	A (安裝至導桿座)	B (安裝至剪斷桿)
DSC163 (ø3 - ø16)	22 × 17 × 9 mm (螺栓尺寸 5 mm)	22 × 17 × 8 mm (螺栓尺寸 5 mm)

### 註：

- 僅可使用 Makita 原廠刀片。

## 添加油液

本充電式油壓鋼筋剪斷機為電動液壓裝置。本產品在出廠時即已注滿油液。若工具正常運作，請勿試圖添加油液。油位會隨著時間逐漸下降。最後，這會導致性能明顯下降。若發生此情況，請依照下列步驟添加油液。

- 將部分鋼筋放在刀片間，並扣動開關扳機。
- 在將完成剪斷操作前，釋放開關扳機以使工具停止運作。
- 取出工具中的電池，以防止刀片意外移動。
- 取下覆蓋加油孔的螺栓 (SB10x15)。添加油液時，請小心勿讓任何油液濺至馬達。
- 更換螺栓 (SB10x15) 並鎖緊。
- 將電池再次插入工具內，並完成剪斷操作。
- 重複上述程序數次，直到油位保持在正確的位置。

### 註：

- 請使導桿座末端的氣孔保持清潔，不得沾染髒汗及碎屑。氣孔用於控制內部壓力，不可使其堵塞。(圖 11)

## 馬達旋轉功能 (圖 12)

運轉期間，馬達機身可以任意方向旋轉 360 度。在難以操作或狹窄的區域運作時，此功能十分實用，這可讓操作員將工具放置於最佳位置，以利操作。

## 歸位閥操作 (圖 13)

若剪斷桿無法完成剪斷操作或卡滯，歸位閥功能可讓其回到起始位置。將歸位閥鬆開半圈，即可釋放油壓，讓剪斷桿歸位。剪斷桿完全歸位後，需立即重新鎖緊歸位閥，才可開始下一操作。

## 刀片更換程序

若刀片的剪斷邊緣破碎、碎裂、變形或有任何損傷，其剪斷能力將會降低。在上述狀況下進行剪斷，可能會加劇損壞程度，並造成人身傷害。若發現任何損傷，應立即更換整套刀片。

### ⚠警告：

- 更換刀片時，務必確認工具中的電池已取出，以防止意外作動。

務必確認導桿座上的刀片 A 及剪斷桿上的刀片 B 確實安裝於各自對應的正確位置。(圖 14)

- 鬆開固定刀片 A 及刀片 B 的螺栓及墊片。
- 清除髒汙，並清潔欲裝入新刀片位置的表面。
- 將刀片 A 裝入導桿座，並將刀片 B 裝入剪斷桿。更換並鎖緊螺栓及墊片。

### ⚠警告：

- 應定期鎖緊固定刀片 A 及刀片 B 的螺栓。若螺栓鬆脫，刀片可能會受損，並造成人身傷害。

## 故障排除

### ⚠警告：

- 在使用機器前，請先取出電池。

問題	起因	解決方式
剪斷桿無法伸長。	油液不足	補充油液（請參閱「添加油液」）。
	由於剪斷桿和導桿座間的碎屑堆積，使剪斷桿無法完全歸位。	手動推回剪斷桿。 清除碎屑並進行清潔。
	剪斷桿因損壞而無法完全歸位。	更換剪斷桿。
	剪斷桿因刀片鬆脫或受損而無法完全歸位。	鎖緊刀片螺栓。 更換刀片。
	剪斷桿因回位彈簧弱而無法完全歸位。	更換回位彈簧。
剪斷鋼筋的力道不足。	油液不足。	補充油液（請參閱「添加油液」）。
	歸位閘未正確固定或閘座損壞。	清潔歸位閘及閘座的尖端。 清除閘座上的任何刮痕。
	歸位閘受損。	請進行更換。
	汽缸和活塞間間距不正確。	更換活塞（註：可使用不同尺寸的活塞）。
	止回閘未正確固定或閘座損壞。	清潔止回閘及閘座。 請進行更換。
	聚氨酯包裝損壞或破裂。	請進行更換。
油液洩漏。	油液調整囊損壞或破裂。	請進行更換。
	剪斷桿 / 導桿座的 O 形環損壞；剪斷桿 / 導桿座的表面有刮痕或有溝槽。	請更換備用環及 O 形環。 更換剪斷桿 / 導桿座。
	汽缸 / 導桿座的 O 形環損壞	更換 O 形環。
	汽缸 / 泵殼體的墊圈損壞。	更換襯套 B。
	導桿座 / 汽缸 / 泵殼體，法蘭螺栓鬆脫。	鎖緊螺栓。
馬達無法運轉。 馬達速度緩慢或不穩。	電壓不正確。	請為電池充電。
	電池的使用壽命結束。	更換電池。
	DC 馬達因過熱而損壞。	更換 DC 馬達。
	DC 馬達軸承或齒輪損壞或破裂。	更換軸承或齒輪。

### 註：

- 泵浦及活塞區域的內部元件具有緊容差，容易因灰塵、髒汗、液壓油汙染或不當處理而受損。拆卸泵浦外殼需具備特殊工具及技術訓練，且只應由曾接受適當訓練且擁有正確工具的合格維修人員進行。不當維修電器元件可能會造成嚴重傷害。泵浦、活塞元件及所有電氣部件只可由授權的維修店、經銷商或分銷商進行維修。

## 保養

### ⚠小心：

- 檢查或保養工具之前，請務必關閉工具電源開關並拆下電池組。
  - 切勿使用汽油、苯、稀釋劑、酒精或類似物品清潔工具。否則可能會導致工具變色、變形或出現裂縫。
- 為了保證產品的安全與可靠性，任何維修、其他維護或調整工作，須由 Makita（牧田）授權的維修服務中心進行。務必使用 Makita（牧田）的更換部件。

## 選購附件

### ⚠小心：

- 這些附件或裝置專用於本說明書所列的 Makita 電動工具。如使用其他廠牌配件或裝置，可能會發生人員受傷的危險。僅可將選購附件或裝置用於規定目的。
- 如需瞭解更多關於這些選購配件的訊息，請諮詢當地的 Makita（牧田）維修服務中心。
- Makita 原裝電池和充電器

### 註：

- 本列表中的部分部件，可能為工具包裝內隨附的標準配件。規格可能會視國家而有差異。

## PORTUGUÊS DO BRASIL (Instruções originais)

### Explicação da visão geral

- |                       |                                   |                                   |
|-----------------------|-----------------------------------|-----------------------------------|
| 1. Indicador vermelho | 10. Vergalhão                     | 19. Parafuso (mais longo)         |
| 2. Botão              | 11. Lâminas                       | 20. Parafuso (mais curto)         |
| 3. Bateria            | 12. Batente                       | 21. Arruela                       |
| 4. Indicador de LED   | 13. Mais de 200 mm                | 22. Suporte da barra              |
| 5. Trava do botão     | 14. Furo de ar                    | 23. Haste do cortador             |
| 6. Botão de gatilho   | 15. Chave sextavada               | 24. Lâmina A no suporte da barra  |
| 7. Lado A             | 16. Válvula de retorno            | 25. Lâmina B na haste do cortador |
| 8. Lado B             | 17. Lâmina A (lâmina mais grossa) | 26. Lâminas sobressalentes        |
| 9. Protetor           | 18. Lâmina B (Lâmina mais fina)   |                                   |

## ESPECIFICAÇÕES

Modelo	DSC163
Capacidade máxima de corte (diâm. mm)	16 mm
Grau 40 - Grau 60	
Grau 40: Força de tração 490 N/mm <sup>2</sup> 70.000 PSI	
Grau 60: Força de tração 620 N/mm <sup>2</sup> 90.000 PSI	
Velocidade de corte	2,8 segundos
Comprimento total	360 mm
Peso líquido	6,9 kg
Tensão nominal	CC 18 V

- Devido ao nosso programa contínuo de pesquisa e desenvolvimento, estas especificações estão sujeitas a alterações sem aviso.
- As especificações e a bateria podem diferir de país para país.
- Peso, com a bateria, de acordo com Procedimento EPTA 01/2014

### Bateria e carregador aplicáveis

Bateria	BL1830B / BL1840B / BL1850B / BL1860B
Carregador	DC18RC / DC18RD / DC18RE / DC18SD / DC18SE / DC18SF / DC18SH

- Alguns dos carregadores e baterias listados acima podem não estar disponíveis na sua região de residência.

#### **AVISO:**

- Use somente as baterias e carregadores listados acima. O uso de outras baterias e carregadores pode provocar ferimentos e/ou incêndios.

## Símbolos

A seguir, estão os símbolos usados para esta ferramenta. Certifique-se de que compreende o seu significado antes da utilização.



..... Leia o manual de instruções.



..... Apenas para países da UE

Devido à presença de componentes perigosos nos equipamentos, resíduos de equipamentos elétricos e eletrônicos, acumuladores e baterias podem gerar impactos negativos sobre o meio ambiente e a saúde humana.

Não descarte aparelhos elétricos e eletrônicos ou baterias juntamente com o lixo doméstico!

De acordo com a Diretiva Europeia relativa aos resíduos de equipamentos elétricos e eletrônicos, e a acumuladores, baterias e os resíduos destes, bem como sua adaptação como legislação nacional, resíduos de equipamentos elétricos e eletrônicos, baterias e acumuladores devem ser armazenados separadamente e enviados para um ponto de coleta de resíduos municipais separado, que opere em conformidade com as regulamentações de proteção ambiental. Isso é indicado pelo símbolo da lixeira com um X afixado no equipamento.

### Indicação de uso

A ferramenta é indicada para o corte de vergalhões.

### Ruído

Nível de ruído comum em dBA de acordo com EN62841-2-8:

Nível de pressão de som (LpA): 78 dB (A)

Incerteza (K): 3 dB (A)

O nível de ruído durante o trabalho pode exceder 80 dB (A).

### NOTA:

- Os valores de emissão de ruído declarados foram medidos de acordo com um método de teste padrão e podem ser usados para comparar uma ferramenta a outra.
- Os valores de emissão de ruído declarados também podem ser usados em uma avaliação preliminar de exposição.

### ⚠ AVISO:

- Usar protetor auditivo.
- A emissão de ruído durante o uso real da ferramenta elétrica poderá diferir dos valores declarados de acordo com a forma de uso da ferramenta, especialmente com o tipo da peça de trabalho processada.

- Certifique-se de identificar medidas de segurança para proteger o operador, baseadas em uma estimativa da exposição nas condições efetivas de uso (levando em conta todas as partes do ciclo operacional, tais como quantas vezes a ferramenta é desligada e quando opera em vazio, além do tempo de acionamento).

### Vibração

Valor total de vibração (soma de vetor triaxial) determinado de acordo com EN62841-2-8:

Modo de trabalho: corte de vergalhão

Vibração gerada ( $a_{hv}$ ): 2,5 m/s<sup>2</sup> ou menos

Incerteza (K): 1,5 m/s<sup>2</sup>

### NOTA:

- Os valores totais de vibração declarados foram medidos de acordo com um método de teste padrão e podem ser usados para comparar uma ferramenta a outra.
- Os valores totais de vibração declarados também podem ser usados em uma avaliação preliminar de exposição.

### ⚠ AVISO:

- A emissão de vibração durante o uso real da ferramenta elétrica poderá diferir dos valores declarados de acordo com a forma de uso da ferramenta, especialmente com o tipo da peça de trabalho processada.
- Certifique-se de identificar medidas de segurança para proteger o operador, baseadas em uma estimativa da exposição nas condições efetivas de uso (levando em conta todas as partes do ciclo operacional, tais como quantas vezes a ferramenta é desligada e quando opera em vazio, além do tempo de acionamento).

## Declaração de conformidade da CE

### Apenas para países europeus

A declaração de conformidade da CE está incluída no Anexo A deste manual de instruções.

## Avisos gerais de segurança para ferramentas elétricas

⚠ AVISO: Leia todas as advertências de segurança, instruções, ilustrações e especificações fornecidas com esta ferramenta elétrica. O descumprimento das instruções descritas abaixo pode resultar em choque elétrico, incêndio e/ou ferimentos graves.

## Guarde todos esses avisos e instruções para futuras referências.

O termo "ferramenta elétrica" nos avisos refere-se a ferramentas operadas através de conexão à rede elétrica (com cabo) ou por bateria (sem cabo).

## Segurança na área de trabalho

1. **Mantenha a área de trabalho limpa e bem iluminada.** Áreas desorganizadas ou escuras são mais propícias a acidentes.
2. **Não use ferramentas elétricas em atmosferas explosivas, como as que contêm líquidos, gases ou poeiras inflamáveis.** Ferramentas elétricas geram faíscas que podem incendiar poeiras ou vapores.
3. **Mantenha crianças e espectadores longe do local de operação da ferramenta elétrica.** Distrações podem fazer com que você perca o controle.

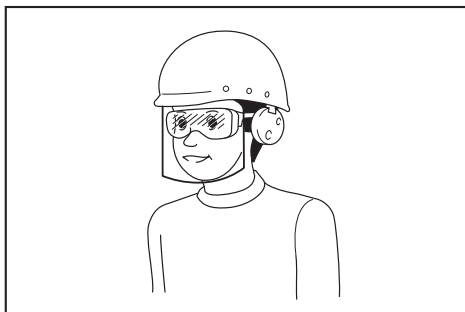
## Segurança elétrica

1. **As tomadas da ferramenta elétrica devem ser compatíveis com as tomadas na parede. Nunca faça qualquer tipo de modificação nas tomadas da ferramenta.** Não use adaptadores de tomada em ferramentas elétricas aterradas. Tomadas não modificadas e compatíveis com as tomadas na parede reduzem o risco de choque elétrico.
2. **Evite o contato corporal com superfícies aterradas, como tubulações, fogões, geladeiras, radiadores, etc.** Há um maior risco de choque elétrico se o seu corpo estiver conectado à terra.
3. **Não exponha ferramentas elétricas a chuva ou condições molhadas.** Se entrar água em uma ferramenta elétrica, o risco de choque elétrico aumenta.
4. **Use o cabo da ferramenta com cuidado. Nunca o use para carregar ou puxar a ferramenta ou desligá-la da tomada.** Mantenha o cabo afastado de fontes de calor, óleo, arestas vivas e partes em movimento. Cabos danificados ou emaranhados aumentam o risco de choque elétrico.
5. **Para operar uma ferramenta elétrica ao ar livre, use um cabo de extensão adequado para uso externo.** O uso de um cabo específico para uso externo reduz o risco de choque elétrico.
6. **Se for inevitável operar uma ferramenta elétrica em local úmido, use um dispositivo de proteção contra corrente residual (DCR).** O uso de um dispositivo DCR reduz o risco de choque elétrico.
7. **Ferramentas elétricas podem produzir campos eletromagnéticos (EMF), que não são nocivos aos usuários.** Todavia, usuários com marca-passos ou outros dispositivos médicos semelhantes devem entrar em contato com os fabricantes de seus dispositivos e/ou médicos para obter orientação antes de usar esta ferramenta elétrica.

## Segurança pessoal

1. **Mantenha-se alerta, preste atenção no que está fazendo e use bom senso ao operar ferramentas elétricas. Não use ferramentas elétricas quando estiver cansado ou sob a influência de drogas, álcool ou medicamentos.** Uma pequena falta de atenção durante a operação de ferramentas elétricas pode causar lesões pessoais graves.
2. **Use equipamentos de proteção individual. Use sempre óculos de proteção.** Equipamentos de proteção, como máscara contra pó, sapatos de segurança antiderrapantes, capacete de segurança e protetores auditivos, reduzem lesões pessoais quando usados conforme exigido pelas condições.

3. **Evite ligar a ferramenta acidentalmente. Certifique-se de que o interruptor está na posição desligada antes de conectar a fonte de energia e/ou bateria, ou pegar e carregar a ferramenta.** Carregar ferramentas elétricas com o dedo no interruptor ou energizadas e o interruptor ligado pode causar acidentes.
4. **Remova as chaves de ajuste ou chaves de boca antes de ligar a ferramenta elétrica.** Uma chave de boca ou de ajuste conectada a uma peça rotativa da ferramenta elétrica pode resultar em lesão pessoal.
5. **Não tente alcançar posições distantes demais. Mantenha sempre os pés bem assentados e firmes.** Isto permite que você tenha um melhor controle da ferramenta elétrica em situações inesperadas.
6. **Vista-se apropriadamente. Não use roupas soltas nem acessórios. Mantenha os cabelos e roupas afastados de partes móveis.** Roupas soltas, acessórios e cabelos compridos podem se enroscar em partes móveis.
7. **Se forem fornecidos equipamentos para ligação de extração e coleta de pó, certifique-se de que eles sejam conectados e usados corretamente.** O uso de coletor de pó pode reduzir os riscos relacionados a pó.
8. **Não permita que a familiaridade adquirida com o uso frequente de ferramentas o torne complacente e o faça ignorar os princípios de segurança das ferramentas.** Uma ação descuidada pode provocar lesões sérias em uma fração de segundo.
9. **Use sempre óculos de proteção para proteger os olhos contra ferimentos ao usar ferramentas elétricas. Os óculos de proteção devem atender à norma ANSI Z87.1 nos EUA, à norma EN 166 na Europa, ou à norma AS/NZS 1336 na Austrália/ Nova Zelândia. Na Austrália/Nova Zelândia, o uso de um protetor facial também é exigido por lei para a proteção do rosto.**



É responsabilidade do empregador garantir que os equipamentos de proteção individual apropriados sejam usados pelos operadores da ferramenta ou por outras pessoas que estiverem na área de trabalho imediata.

#### Uso e cuidados de manuseio da ferramenta elétrica

1. **Não force a ferramenta elétrica. Use a ferramenta elétrica correta para a sua aplicação.** A ferramenta elétrica correta executa um melhor trabalho e é mais segura quando operada à velocidade para a qual foi projetada.
2. **Não utilize a ferramenta elétrica se não for possível ligar e desligar o interruptor.** Qualquer ferramenta que não possa ser controlada pelo interruptor é perigosa e tem que ser reparada.
3. **Desconecte a tomada da fonte de alimentação ou retire a bateria, se removível, da ferramenta elétrica antes de fazer ajustes, trocar acessórios ou guardar a ferramenta elétrica.** Estas medidas preventivas de segurança reduzem o risco de a ferramenta elétrica ser acionada acidentalmente.
4. **Coloque ferramentas elétricas que estejam funcionando em vazio longe do alcance de crianças e não permita que pessoas não familiarizadas com a ferramenta, ou com estas instruções, a operem.** Ferramentas elétricas são perigosas nas mãos de pessoas não treinadas.
5. **Execute a manutenção de ferramentas elétricas e acessórios. Verifique o desalinhamento e emperramento de partes móveis, a quebra de peças e todas as demais condições que possam afetar a operação da ferramenta elétrica. Em caso de danos, providencie para que a ferramenta elétrica seja reparada antes do uso.** Muitos acidentes são provocados pela manutenção insatisfatória de ferramentas elétricas.
6. **Mantenha as ferramentas de corte afiadas e limpas.** Ferramentas de corte devidamente mantidas com as arestas de corte afiadas têm menos probabilidade de emperrar e são mais fáceis de controlar.
7. **Use a ferramenta elétrica, os acessórios, as pontas cortantes da ferramenta, etc. de acordo com estas instruções, levando em conta as condições de trabalho e a tarefa a ser realizada.** O uso da ferramenta elétrica para realizar operações diferentes daquelas para as quais foi projetada pode resultar em situações perigosas.
8. **Mantenha empunhaduras e superfícies de agarre secas, limpas e isentas de óleos e graxas.** Empunhaduras e superfícies de agarre escorregadias não permitem o manuseio e controle seguros da ferramenta em situações inesperadas.
9. **Ao usar esta ferramenta, não use luvas de trabalho de tecido que possam ficar enroscadas.** O enroscamento de luvas de trabalho de tecido nas partes móveis pode resultar em ferimentos pessoais.

#### Uso e cuidados de manuseio da bateria

1. **Recarregue somente com o carregador especificado pelo fabricante.** Um carregador que é adequado para um tipo de bateria pode criar risco de incêndio quando usado com outra bateria.
2. **Use as ferramentas elétricas somente com as baterias especificamente designadas.** O uso de qualquer outro tipo de bateria pode criar riscos de lesão e incêndio.

3. **Quando a bateria não estiver em uso, mantenha-a longe de outros objetos metálicos, como cliques, moedas, chaves, pregos, parafusos, etc., que podem conectar um terminal ao outro.** O curto-circuito dos terminais da bateria pode causar queimaduras ou incêndio.
4. **Sob condições extremas, a bateria pode ejetar líquido; evite contato com tal líquido. Se ocorrer um contato acidental, lave com água. Se o líquido entrar nos olhos, procure também assistência médica.** O líquido ejetado pela bateria pode causar irritação e queimaduras.
5. **Não use uma bateria ou ferramenta que esteja danificada ou tenha sido modificada.** Baterias danificadas ou modificadas podem exibir um comportamento imprevisível, resultando em incêndio, explosão ou risco de lesões.
6. **Não exponha a bateria nem a ferramenta a chamas ou a temperaturas excessivas.** A exposição a chamas ou a uma temperatura acima de 130 °C podem causar explosão.
7. **Siga todas as instruções de carregamento e não carregue a bateria nem a ferramenta fora da faixa de temperatura especificada nas instruções.** O carregamento inadequado ou a temperaturas fora da faixa especificada pode danificar a bateria e aumentar o risco de incêndio.

#### Serviços de reparo

1. **Os serviços de reparo devem ser conduzidos por um técnico qualificado e usando somente peças de reposição idênticas.** Isso irá garantir que a segurança da ferramenta elétrica será mantida.
2. **Nunca execute a manutenção em baterias danificadas.** A manutenção de baterias somente deve ser realizada pelo fabricante ou por prestadores de serviços autorizados.
3. **Siga as instruções para lubrificação e mudança de acessórios.**

## AVISOS DE SEGURANÇA DA CORTADORA DE VERGALHÃO A BATERIA

1. **Segure a ferramenta firmemente durante o uso.** Se você não segurar a ferramenta firmemente, poderá se machucar.
2. **Mantenha as mãos e o rosto longe das peças móveis.** Elas podem causar ferimentos.
3. **Se a ferramenta apresentar defeitos ou emitir um ruído anormal durante o uso, solte imediatamente o botão de gatilho para interromper o funcionamento. Solicite inspeção e reparo a uma assistência técnica autorizada.** Se essa instrução não for seguida, poderá haver danos ou ferimentos.
4. **Se você derrubar a ferramenta ou bater nela, verifique cuidadosamente se o corpo não está danificado, rachado ou deformado.** Tais danos podem causar ferimentos.
5. **Esta é uma ferramenta eletro-hidráulica. O reservatório de óleo foi abastecido antes da entrega. Não acrescente óleo a menos que a ferramenta funcione de maneira anormal.**



6. **As lâminas de corte de metal possuem pontas afiadas.** Manuseie-as com cuidado para evitar cortes.
7. **Lâminas danificadas, deformadas ou rachadas podem causar acidentes graves e prejudicar o funcionamento.** Troque por lâminas novas originais imediatamente.
10. **As baterias de íons de lítio desta máquina estão sujeitas aos requisitos da legislação de produtos perigosos.**  
Para transportes comerciais, por exemplo por terceiros e agentes de embarque, os requisitos especiais referentes a embalagem e rotulagem devem ser obedecidos.  
Para a preparação do item sendo expedido, é necessário consultar um especialista em materiais perigosos. Considere também que as regulamentações nacionais podem ser mais detalhadas e devem ser obedecidas.  
Coloque fita ou tape os contatos abertos e embale a bateria de maneira que não se mova dentro da embalagem.

## GUARDE ESTAS INSTRUÇÕES.

### AVISO:

**NÃO** deixe o conforto ou a familiaridade com o produto (após o uso repetido) substituir o estrito cumprimento das regras de segurança do produto em questão. O uso incorreto ou o descumprimento das regras de segurança incluídas neste manual de instruções poderão causar ferimentos pessoais graves.

## Instruções de segurança importantes para o cartucho da bateria

1. **Antes de utilizar a bateria, leia todas as instruções e notas de precaução do (1) carregador de bateria, da (2) bateria e do (3) produto usando a bateria.**
2. **Não desmonte nem adultere a bateria.** Isto poderia resultar em incêndio, aquecimento excessivo ou explosão.
3. **Se o tempo de operação se tornar excessivamente mais curto, pare imediatamente a operação.** Operação nessas condições poderá resultar em superaquecimento, possíveis queimaduras e até explosão.
4. **Caso caia eletrólitos em seus olhos, lave-os com água limpa e procure assistência de um médico imediatamente.** Esse acidente pode resultar na perda de visão.
5. **Não provoque um curto-circuito na bateria:**
  - (1) **Não toque nos terminais com nenhum material condutor.**
  - (2) **Não guarde a bateria junto com outros objetos metálicos, tais como pregos, moedas, etc.**
  - (3) **Não exponha a bateria à chuva ou água.****Um curto-circuito na bateria pode causar sobrecarga de corrente, aquecimento excessivo ou possíveis queimaduras ou avarias.**
6. **Não guarde nem use a ferramenta e a bateria em locais onde a temperatura possa atingir ou ultrapassar 50°C.**
7. **Não queime a bateria mesmo se estiver severamente danificada ou gasta. A bateria pode explodir no fogo.**
8. **Não perfure, corte, amasse, arremesse ou derrube a bateria, nem a atinja com um objeto rígido.** Isto poderia resultar em incêndio, aquecimento excessivo ou explosão.
9. **Não utilize uma bateria danificada.**
11. **Para descartar a bateria, retire-a da ferramenta e descarte-a em um local seguro. Siga as regulamentações locais referentes ao descarte de baterias.**
12. **Use as baterias somente com os produtos especificados pela Makita.** A instalação das baterias com produtos não compatíveis poderá resultar em incêndio, aquecimento excessivo, explosão ou vazamento de eletrólito.
13. **A bateria deverá ser retirada da ferramenta caso esta não vá ser usada por um período de tempo prolongado.**
14. **Durante e após o uso, a bateria pode ficar quente e causar queimaduras normais ou queimaduras de baixa temperatura. Preste atenção ao manusear baterias quentes.**
15. **Não toque no terminal da ferramenta imediatamente depois de usá-la, uma vez que ele pode ficar quente o bastante para provocar queimaduras.**
16. **Não permita que aparas, poeira ou solo fiquem presos nos terminais, furos e ranhuras da bateria.** Isso poderia resultar no desempenho deficiente ou em avarias da ferramenta ou da bateria.
17. **A menos que a ferramenta seja compatível com o uso nas proximidades de linhas elétricas de alta tensão, não a use próximo a estas.** Isso poderia resultar em problemas de funcionamento ou em avarias da ferramenta ou da bateria.
18. **Mantenha a bateria fora do alcance de crianças.**

## GUARDE ESTAS INSTRUÇÕES.

### PRECAUÇÃO:

- **Use somente baterias Makita originais.** O uso de baterias Makita não originais ou baterias que foram alteradas pode causar a explosão da bateria e resultar em incêndio, ferimentos às pessoas na área e danos aos equipamentos. O uso de baterias não originais cancela a garantia Makita tanto para a ferramenta quanto para o carregador da bateria.

## Dicas para manter a vida útil máxima da bateria

1. Carregue a bateria antes de uma descarga completa. Sempre pare a operação da ferramenta e carregue a bateria quando notar perda de potência.
2. Nunca recarregue uma bateria completamente carregada. O carregamento demorado diminuirá a vida útil da bateria.
3. Carregue a bateria em uma temperatura ambiente entre 10°C e 40°C. Deixe a bateria esfriar antes de carregá-la.
4. Quando não estiver usando a bateria, remova-a da ferramenta ou do carregador.
5. Carregue a bateria se não utilizá-la por um longo período de tempo (mais de seis meses).

## DESCRIÇÃO FUNCIONAL

### ⚠️ PRECAUÇÃO:

- Certifique-se sempre de que a ferramenta esteja desligada e a bateria retirada antes de executar qualquer ajuste ou verificação das funções da ferramenta.

### Instalação ou remoção da bateria (Fig. 1)

#### ⚠️ PRECAUÇÃO:

- Sempre desligue a ferramenta antes de colocar ou retirar a bateria.
- **Segure a ferramenta e a bateria firme ao colocar ou retirar a bateria.** Falha em segurar a ferramenta e a bateria firmemente pode fazer com que elas escorreguem das mãos e sejam danificadas ou causem lesões pessoais.

Para retirar a bateria, deslize-a para fora ao mesmo tempo em que desliza o botão na frente da bateria.

Para inserir a bateria, alinhe a sua lingueta com a ranhura no compartimento e deslize-a no lugar. Coloque-a até o fim até ouvir um clique, indicando que está travada. Se puder ver o indicador vermelho no lado superior do botão, significa que não está completamente travada.

#### ⚠️ PRECAUÇÃO:

- Sempre coloque a bateria completamente, até não ver mais o indicador vermelho. Caso contrário, ela poderá cair da ferramenta acidentalmente e provocar ferimentos em você ou em alguém por perto.
- Não force a colocação da bateria. Se ela não deslizar com facilidade é porque não está sendo colocada corretamente.

## Sistema de proteção da ferramenta / bateria

A ferramenta é equipada com um sistema de proteção da ferramenta/bateria. Esse sistema corta automaticamente a alimentação de energia para prolongar a vida útil da ferramenta e da bateria. A ferramenta para automaticamente durante a operação se uma das seguintes condições ocorrer com ela ou com a bateria:

### Proteção contra sobrecarga

Esta proteção atua quando a ferramenta é operada de tal maneira que a faz consumir uma quantidade anormalmente alta de corrente. Nesse caso, desligue a ferramenta e interrompa a aplicação que provocou a sobrecarga. Em seguida, torne a ligar a ferramenta.

### Proteção contra superaquecimento

Esta proteção atua quando a ferramenta ou a bateria aquecem demais. Nesse caso, aguarde até a ferramenta e a bateria esfriarem antes de ligar a ferramenta novamente.




### Proteção contra descarga excessiva

Esta proteção atua quando a capacidade restante da bateria fica baixa. Nesse caso, remova a bateria da ferramenta e recarregue-a.

## Indicando a capacidade restante da bateria (Fig. 2)

(Específico do país)

Quando você pressiona o botão do gatilho, o LED mostra a capacidade restante da bateria, segundo a tabela a seguir.

Status do indicador de LED	Capacidade restante da bateria
	Cerca de 50% ou mais
	Cerca de 20% a 50%
	Cerca de menos de 20%

### NOTA:

- O LED é desligado cerca de um minuto após soltar o botão do gatilho, para poupar a bateria. Para verificar a capacidade restante da bateria, puxe levemente o botão do gatilho.
- Quando o LED acende mas a ferramenta não funciona mesmo com a bateria recarregada, deixe a ferramenta resfriar completamente. Se a condição não mudar, solicite reparo à assistência autorizada Makita.

## PROCEDIMENTO OPERACIONAL

Leia, entenda e siga todas as instruções de segurança e procedimentos operacionais. Se você não entender as instruções, ou se não houver as condições corretas para a operação devida, não opere a ferramenta. Consulte seu supervisor ou outra pessoa responsável.

### ⚠️ AVISO:

- Antes de inserir a bateria na ferramenta, pressione e solte o botão de gatilho para verificar se ele retorna quando é solto.

O motor está ativado quando o botão é pressionado, e desativado quando o botão é solto.

## Operação da trava do botão (Fig. 3)

- Pressione a trava do botão no lado A. O botão é destravado e pode ser pressionado.
- Pressione a trava do botão no lado B. O botão é travado e não pode ser pressionado.

### ⚠️ PRECAUÇÃO:

- O botão de gatilho deve ser travado sempre que não estiver em uso.

### ⚠️ AVISO:

- Antes da operação, verifique se a posição do operador, em relação à ferramenta, e a área ao redor são seguras para operação. Use óculos de segurança e roupas de proteção.
- Consulte as especificações da ferramenta neste manual, e não corte vergalhões com tamanho ou dureza acima da capacidade de corte da ferramenta.
- Não corte outros materiais além de vergalhões. Caso queira cortar outros materiais, solicite ao fabricante.

### ⚠️ AVISO:

- Troque imediatamente lâminas danificadas (lascadas, quebradas, rachadas) ou deformadas. A lâmina não cortará corretamente e poderá se fraturar ou quebrar, causando ferimentos graves.

## Procedimento de corte

### ⚠️ AVISO:

- **Nunca use a ferramenta sem o protetor instalado.** Descumprir essa regra pode causar ferimentos graves. (Fig. 4)
  - O protetor é um equipamento para evitar que fragmentos sejam projetados em direção ao operador. Ele não evita uma projeção na direção axial do vergalhão. Posicione-se de forma que o protetor bloqueie os fragmentos.
  - Em algumas figuras, o protetor não é exibido para mostrar a parte interna do protetor. Sempre use o protetor instalado.
1. Posicione o vergalhão a ser cortado entre as lâminas. (Fig. 5)  
Ajuste o batente de acordo com o diâmetro do vergalhão que será cortado, de modo que o vergalhão forme um ângulo de 90 graus com as lâminas. O batente sustenta o vergalhão e o mantém perpendicular às lâminas durante o corte. (Fig. 6)

### ⚠️ AVISO:

- Ao cortar um vergalhão, ajuste o batente de acordo com o diâmetro do vergalhão que será cortado, de modo que o vergalhão forme um ângulo de 90 graus com as lâminas. Sem esse ajuste, a peça de corte poderá ser arremessada e causar ferimentos graves ao operador ou a pessoas próximas. Nunca deixe de verificar a posição do operador em relação à ferramenta, e de confirmar a segurança do operador e da área ao redor.
2. Posicione o vergalhão profundamente o suficiente entre as lâminas para que ele não toque o protetor. (Fig. 7)

### ⚠️ AVISO:

- Se o vergalhão a ser cortado não for totalmente posicionado entre as lâminas, estas serão danificadas; o vergalhão será ejetado violentamente e poderá causar ferimentos graves.

### ⚠️ AVISO:

- Não corte vergalhões com comprimento abaixo de 200 mm. Se peças de comprimento menor forem cortadas, poderão ser arremessadas durante o corte e causar ferimentos graves. (Fig. 8)

### ⚠️ AVISO:

- Não corte vergalhões quando não estiverem devidamente apoiados pelo batente. Durante o corte, segure o vergalhão pelo lado do batente. (Fig. 9, 10) Caso contrário, a peça de corte poderá ser arremessada e causar ferimentos graves ao operador ou a pessoas próximas.
3. Pressione a trava do botão no lado A. O botão é destravado e pode ser pressionado.
  4. Pressione o botão de gatilho para começar a operação de corte. A haste do cortador se move para frente para cortar o vergalhão. Mantenha o botão pressionado até que a haste do cortador pare no final do seu curso.
  5. Solte o botão de gatilho quando o corte for concluído e a haste do cortador chegar ao final do seu curso. A haste de corte retorna automaticamente à posição inicial. Se o curso não for concluído, a haste do cortador não retornará. Da mesma forma, a haste do cortador não poderá avançar novamente até que retorne totalmente à posição inicial. Pressione o botão para iniciar o corte seguinte apenas após a haste do cortador retornar totalmente à posição inicial e parar.

### ⚠️ AVISO:

- Ao cortar vergalhões com alta força de tração, a peça de corte poderá ser arremessada e causar ferimentos graves ao operador. Use óculos de segurança e confirme se a área ao redor está segura antes de iniciar a operação.

### ⚠️ AVISO:

- Mantenha as mãos e o rosto longe das lâminas, das peças móveis e da área de corte durante a operação. Remova a bateria da ferramenta imediatamente após o uso.

### NOTA:

- Se a temperatura do compartimento da ferramenta exceder 70 °C, a capacidade da ferramenta é reduzida. Nesse caso, interrompa o uso e permita que a ferramenta esfrie.

### NOTA:

- Mantenha o furo de ar na extremidade do suporte da barra livre de sujeira e detritos. O furo de ar controla a pressão interna e não deve ser obstruído. (Fig. 11)

## Função rotativa do motor (Fig. 12)

O corpo do motor pode ser girado 360 graus, em qualquer direção, durante a operação. Esse recurso é especialmente útil ao trabalhar em áreas estreitas ou de difícil acesso, pois permite que o operador posicione a ferramenta da melhor forma para facilitar a operação.

## Operação da válvula de retorno (Fig. 13)

A função da válvula de retorno é permitir que a haste do cortador retorne à posição inicial caso não consiga concluir um corte ou fique presa. Soltar a válvula de retorno em meia volta liberará a pressão do óleo e permitirá o retorno da haste do cortador. Reaperte a válvula de retorno após o retorno completo da haste do cortador, antes de iniciar a operação seguinte.

## PROCEDIMENTO DE TROCA DE LÂMINAS

Se as bordas de corte das lâminas estiverem lascadas, rachadas, deformadas ou danificadas de qualquer maneira, sua capacidade de corte será reduzida. Realizar cortes nessas condições pode causar ainda mais danos e resultar em ferimentos. Se algum dano for observado, as lâminas deverão ser trocadas em conjunto imediatamente.

### Tipo de lâmina sobressalente e desafixação (Fig. 15)

Os parafusos de fixação devem ser presos firmemente. Verifique periodicamente se a lâmina está devidamente apertada.

Tamanho da lâmina sobressalente

● Use esta tabela para identificar as lâminas corretas para seu modelo.

Modelo	A (encaixada no suporte da barra)	B (encaixada na haste do cortador)
DSC163 (ø3 - ø16)	22 × 17 × 9 mm (parafuso de 5 mm)	22 × 17 × 8 mm (parafuso de 5 mm)

#### NOTA:

- Use apenas lâminas originais Makita.

## ABASTECIMENTO DE ÓLEO

Essa Cortadora de vergalhão a bateria é eletro-hidráulica. Quando enviada pela fábrica, ela é preenchida com óleo. Não tente abastecer com óleo enquanto a ferramenta estiver funcionando bem. Ao longo do tempo, o nível de óleo será reduzido gradualmente. Por fim, isso causará uma queda perceptível no desempenho. Quando isso acontecer, acrescente óleo da seguinte maneira.

1. Coloque um vergalhão entre as lâminas e pressione o botão de gatilho.
2. Solte o botão de gatilho logo antes do término do corte, para parar a ferramenta.
3. Remova a bateria da ferramenta, para que as lâminas não possam ser movidas acidentalmente.
4. Remova o parafuso (SB10x15) que fecha o furo de abastecimento de óleo. Acrescente o óleo, tendo cuidado para que não vaze para o motor.
5. Recoloque o parafuso (SB10x15) e aperte firmemente.
6. Insira novamente a bateria na ferramenta e conclua a operação de corte.
7. Repita o procedimento acima várias vezes até que o nível de óleo permaneça correto.

#### ⚠ AVISO:

- Ao trocar as lâminas, retire a bateria da ferramenta para evitar que ela entre em funcionamento acidentalmente.

Verifique se a lâmina A, no suporte da barra, e a lâmina B, na haste do cortador, estão encaixadas nas respectivas posições corretas. (Fig. 14)

1. Solte os parafusos e as arruelas que prendem a lâmina A e a lâmina B.
2. Remova sujeira e limpe as superfícies onde as novas lâminas serão instaladas.
3. Encaixe a lâmina A no suporte da barra, e a lâmina B na haste do cortador. Recoloque os parafusos e as arruelas e aperte firmemente.

#### ⚠ AVISO:

- É necessário apertar regularmente os parafusos que prendem a lâmina A e a lâmina B. Se os parafusos ficarem soltos, as lâminas poderão ser danificadas e poderão causar ferimentos.

#### ⚠ PRECAUÇÃO:

- A Makita recomenda apenas o uso de óleo hidráulico puro nesta ferramenta. Os óleos recomendados são o óleo hidráulico Makita incluído; Super Hyrando #46 (JX Nippon Oil & Energy Corp.); Shell Tellus Plus #46 (U.S. Shell); ou óleo hidráulico antidesgaste com especificações equivalentes, grau de viscosidade ISO 46. Não use outros óleos, pois poderão causar danos às vedações e a outras peças internas da máquina.

# SOLUÇÃO DE PROBLEMAS

## ⚠️ AVISO:

- Remova a bateria antes de realizar manutenção na máquina.

PROBLEMA	CAUSA	SOLUÇÃO
Haste do cortador não é estendida.	Óleo insuficiente	Abasteça com óleo. (Consulte "Abastecimento de óleo")
	A haste do cortador não retornou completamente devido ao acúmulo de detritos entre a haste e o suporte da barra.	Retraia a haste do cortador manualmente. Remova os detritos e limpe
	A haste do cortador não retornou completamente devido a danos na haste.	Troque a haste do cortador.
	A haste do cortador não retornou completamente porque as lâminas estão soltas ou danificadas.	Aperte os parafusos das lâminas. Troque as lâminas
	A haste do cortador não retornou completamente porque a mola de retorno está fraca.	Troque a mola de retorno.
Potência insuficiente para cortar o vergalhão.	Óleo insuficiente.	Abasteça com óleo. (Consulte "Abastecimento de óleo")
	Válvula de retorno não está devidamente assentada, ou sede danificada.	Limpe a ponta da válvula de retorno e sua sede. Remova arranhões da sede.
	Válvula de retorno danificada.	Troque.
	Folga incorreta entre o cilindro e o pistão.	Troque o pistão (nota: há pistões de diferentes tamanhos disponíveis)
	Válvula de retenção; não está devidamente assentada, ou sede danificada.	Limpe a válvula de retenção e sua sede. Troque.
	Empanque de uretano danificado ou quebrado.	Troque.
Vazamentos de óleo.	Balão nivelador de óleo danificado ou quebrado.	Troque.
	Haste do cortador/ suporte da barra, anel em O danificado; haste/ suporte da barra, superfície arranhada ou riscada.	Troque o anel de suporte e o anel em O. Troque a haste do cortador/barra de suporte
	Cilindro/suporte da barra, anel em O danificado	Troque o anel em O.
	Cilindro/caixa da bomba, gaxeta danificada.	Troque a camisa B.
	Suporte da barra/cilindro/caixa da bomba, parafusos do flange soltos.	Aperte os parafusos.
Motor não se move. Motor lento ou errático.	Tensão incorreta.	Recarregue a bateria.
	Bateria chegou ao final da vida útil.	Troque a bateria.
	Motor CC danificado por superaquecimento.	Troque o motor CC.
	Rolamentos ou engrenagem do motor CC danificados ou quebrados.	Troque os rolamentos ou a engrenagem.

## NOTA:

- Os componentes internos da bomba e da área de pistão têm tolerâncias muito rígidas e são suscetíveis a danos por poeira, sujeira, contaminação do fluido hidráulico, ou manuseio incorreto. A desmontagem da caixa da bomba exige ferramentas e treinamento especiais, devendo ser realizada apenas por pessoal de manutenção qualificado que tenha o devido treinamento e as ferramentas certas. A manutenção incorreta de componentes elétricos pode levar a condições que podem causar ferimentos graves. Somente oficinas autorizadas, concessionários ou distribuidores devem realizar manutenção na bomba, nos componentes de pistão e nas peças elétricas.

# MANUTENÇÃO

## PRECAUÇÃO:

- Certifique-se sempre de que a ferramenta esteja desligada e a bateria retirada antes de tentar realizar inspeção ou manutenção.
- Nunca use gasolina, benzina, diluente, álcool ou produtos semelhantes. Pode ocorrer descoloração, deformação ou rachaduras.

Para manter a SEGURANÇA e a CONFIABILIDADE do produto, apenas assistências técnicas Makita devem realizar reparos e outros serviços de manutenção e ajuste, usando sempre peças sobressalentes Makita.

## ACESSÓRIOS OPCIONAIS

### PRECAUÇÃO:

- Recomendamos o uso destes acessórios ou implementos com a ferramenta Makita especificada neste manual. O uso de qualquer outro acessório ou implemento pode acarretar o risco de ferimentos a pessoas. Use acessórios e implementos somente para suas finalidades.

Se precisa de mais assistência em relação a detalhes destes acessórios, procure a assistência técnica Makita mais próxima.

- Bateria e carregador originais Makita

### NOTA:

- Alguns itens da lista podem ser incluídos no pacote da ferramenta como acessórios de série. Podem ser diferentes de país para país.



# Makita Europe N.V.

Jan-Baptist Vinkstraat 2, 3070 Kortenberg, Belgium

# Makita Corporation

3-11-8, Sumiyoshi-cho, Anjo, Aichi 446-8502 Japan

[www.makita.com](http://www.makita.com)

DSC163-12L-2310

TRD

