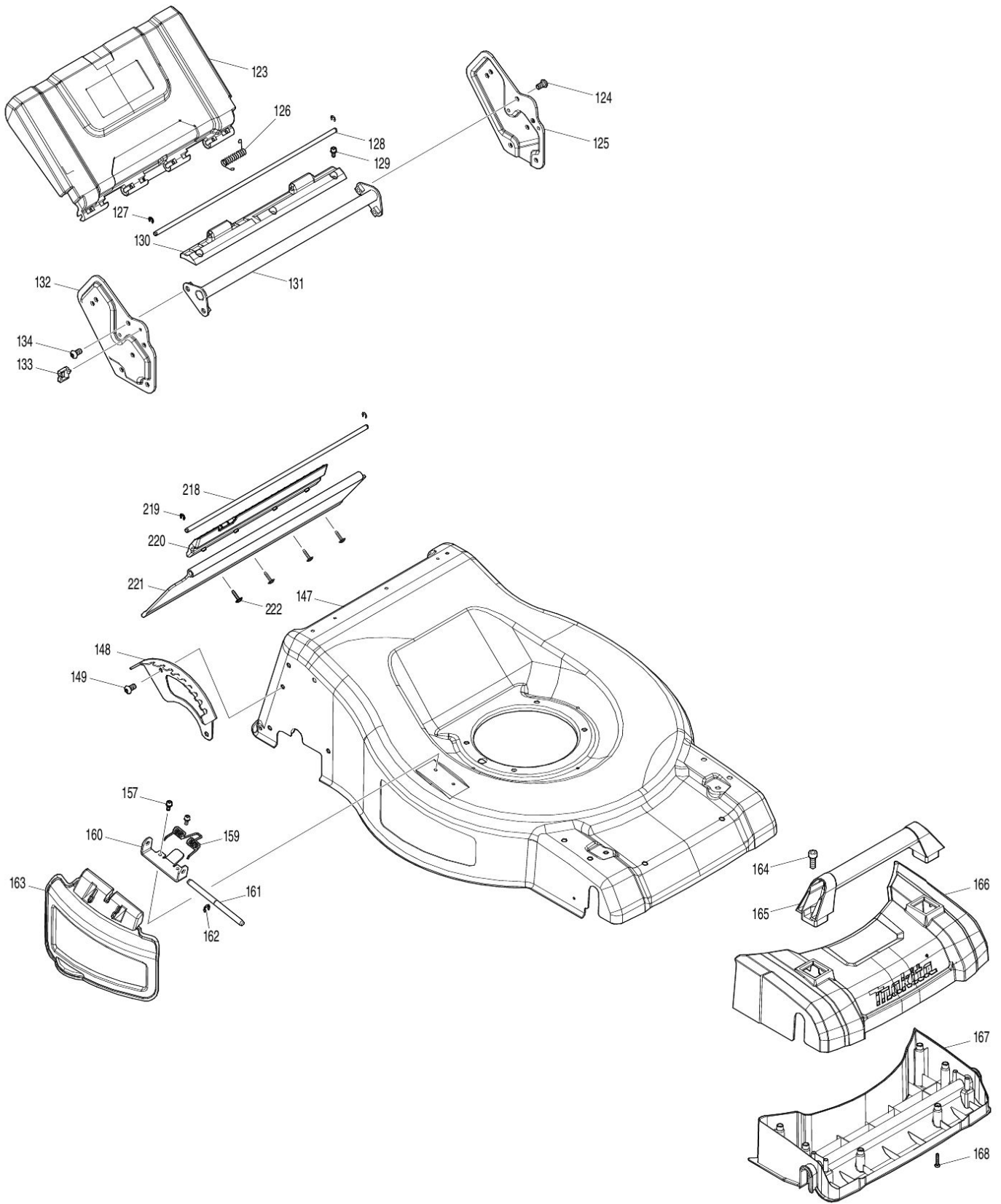
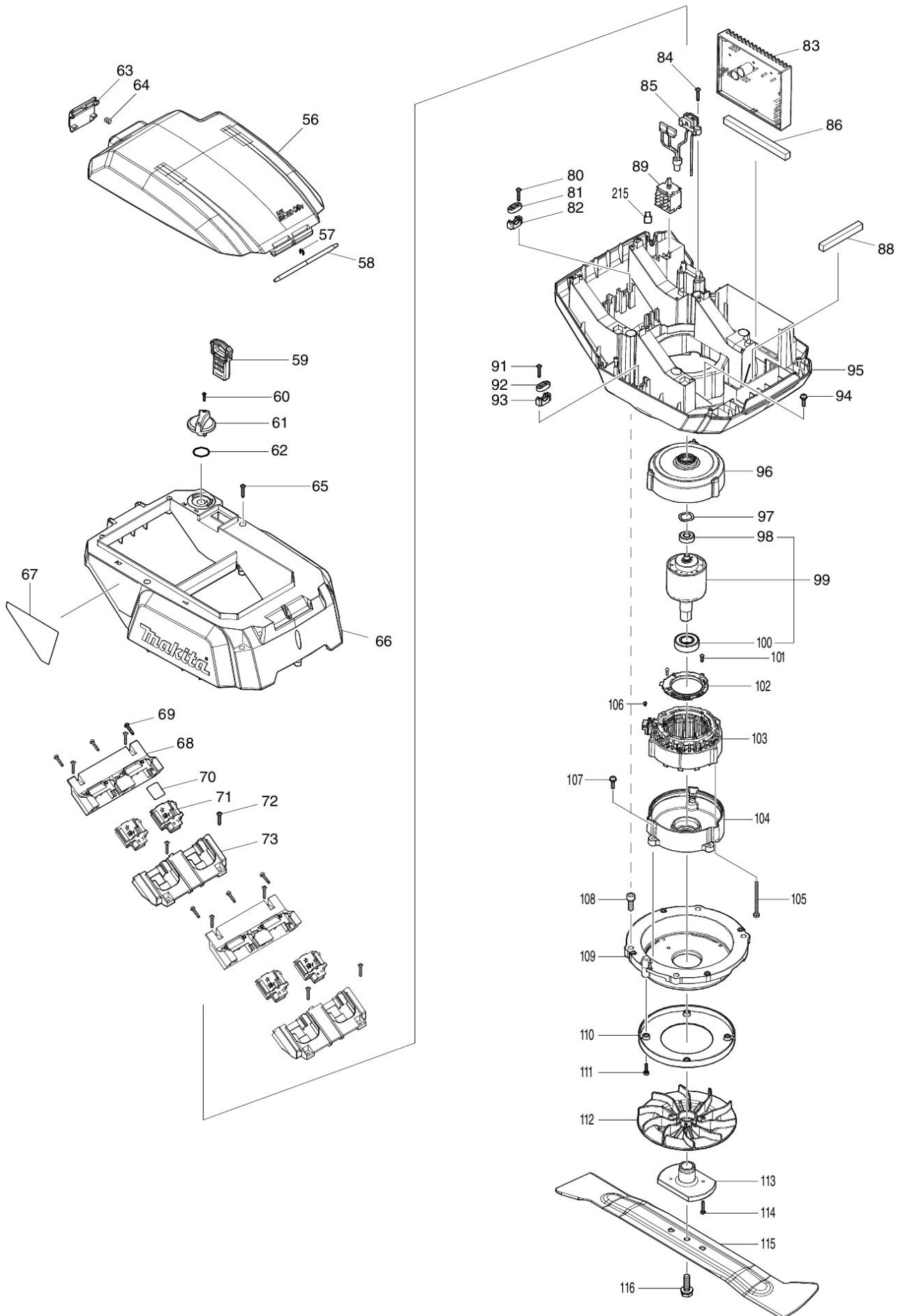


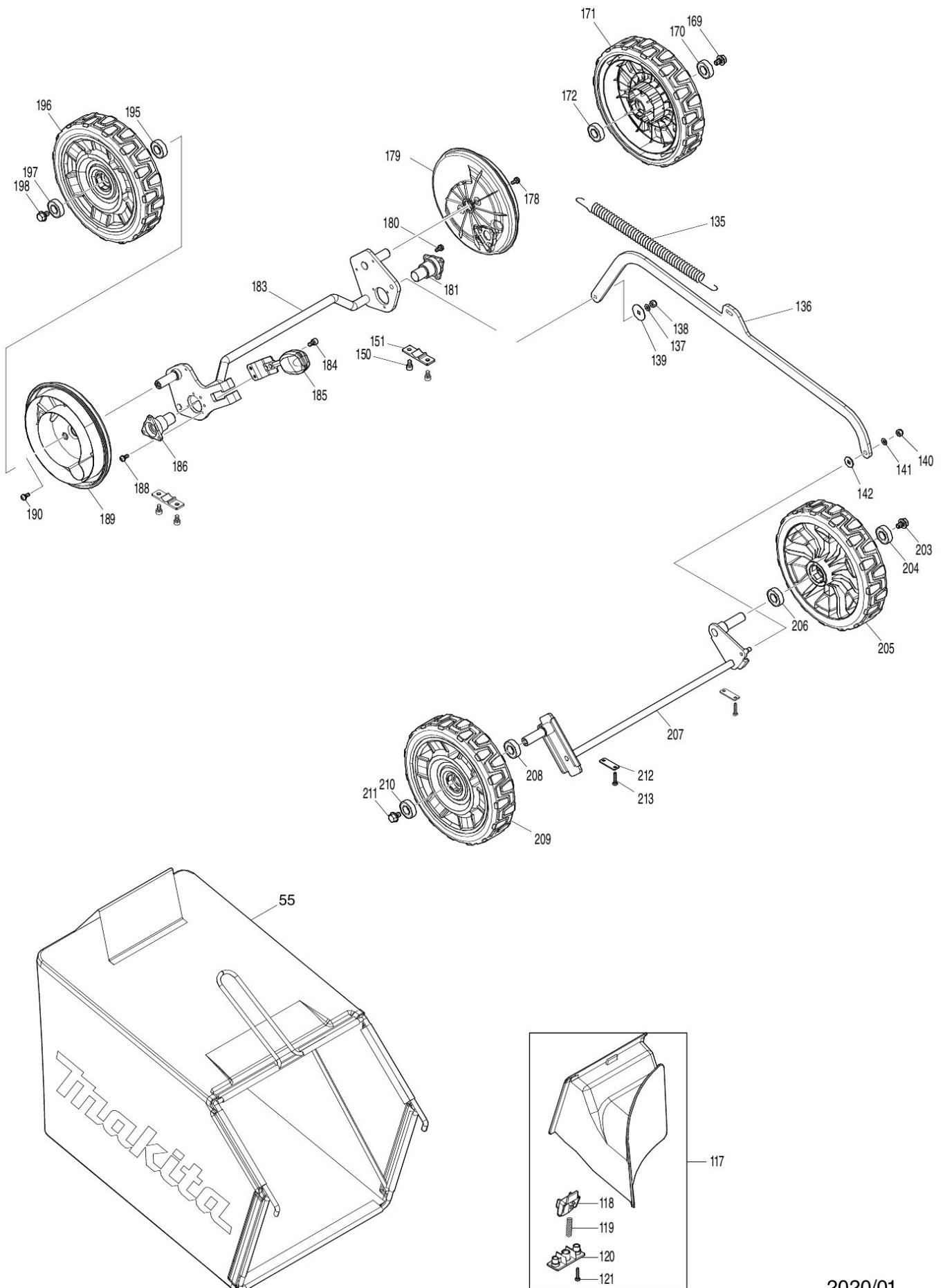
2020/01
DLM530 1/4





2020/01
DLM530 2/4

Partdrawing for DLM530PT4 - Onderstel & Grasvangzak



2020/01
DLM530 4/4