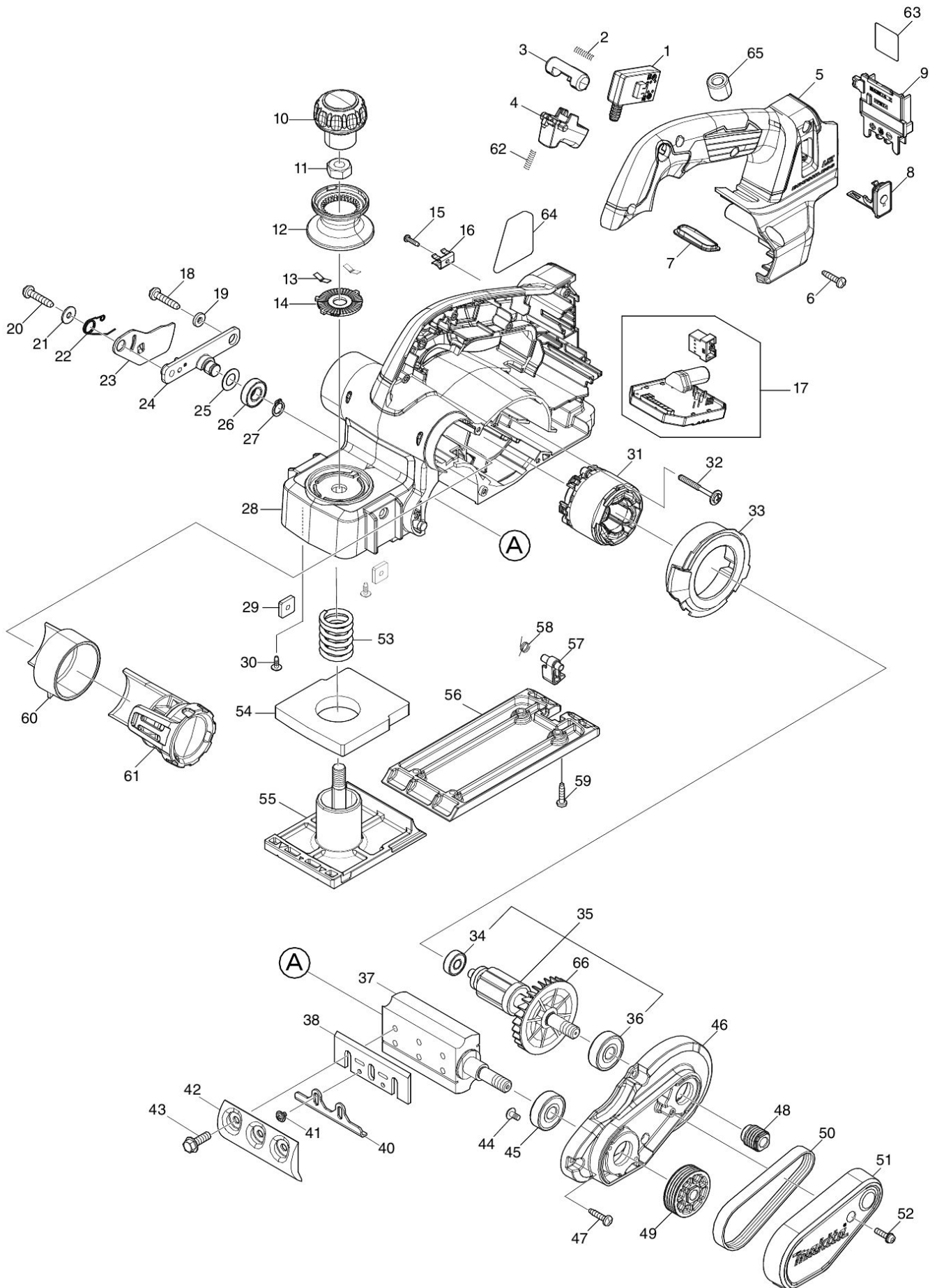


# Partdrawing for DKP181ZJ - Schaaf



2019/07  
DKP181