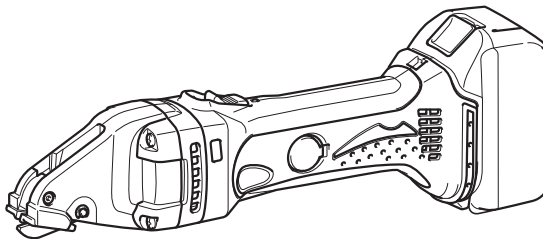




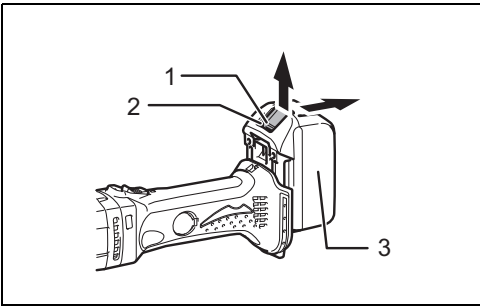
<b>GB</b>	<b>Cordless Metal Shear</b>	<b>Instruction manual</b>
<b>F</b>	<b>Cisaille sans fil</b>	<b>Manuel d'instructions</b>
<b>D</b>	<b>Akku-Blechscherer</b>	<b>Betriebsanleitung</b>
<b>I</b>	<b>Cesoie per metallo a batteria</b>	<b>Istruzioni per l'uso</b>
<b>NL</b>	<b>Accuplaatschaar</b>	<b>Gebruiksaanwijzing</b>
<b>E</b>	<b>Cizalla inalámbrica para metal</b>	<b>Manual de instrucciones</b>
<b>P</b>	<b>Tesoura faca a bateria</b>	<b>Manual de instruções</b>
<b>DK</b>	<b>Batteridreven pladesaks</b>	<b>Brugsanvisning</b>
<b>GR</b>	<b>Μεταλλικό ψαλίδι μπαταρίας</b>	<b>Οδηγίες χρήσης</b>

**DJS161**  
**DJS101**



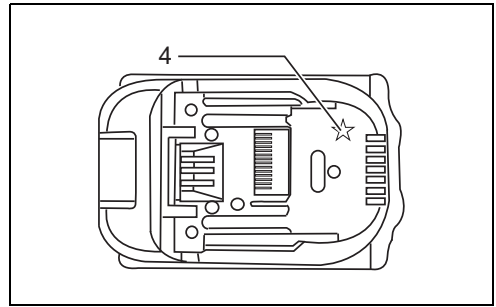
114101





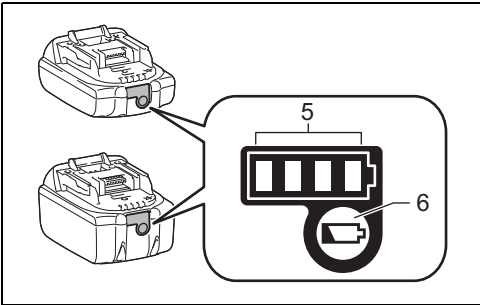
1

114102



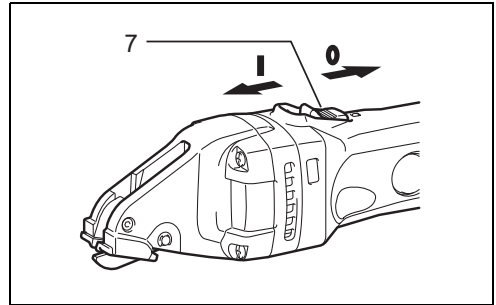
2

012128



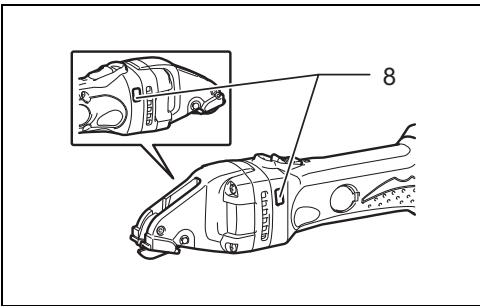
3

1007701



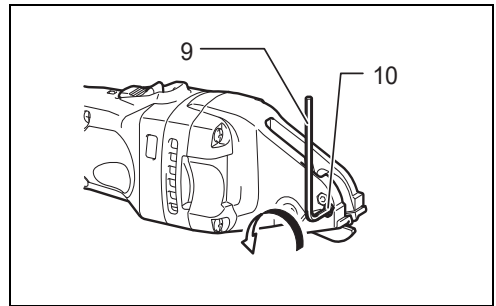
4

010088



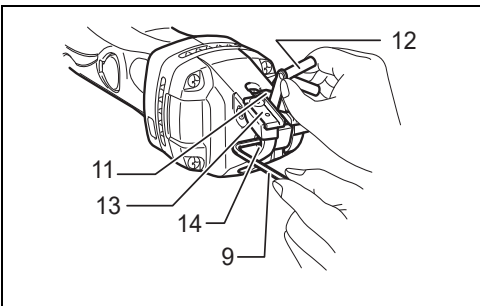
5

114103



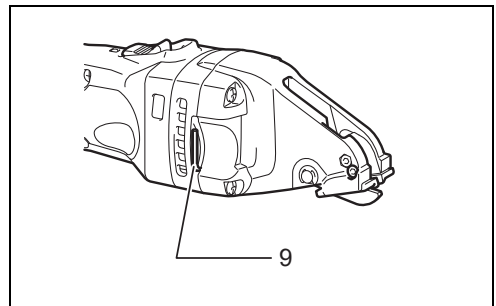
6

010085



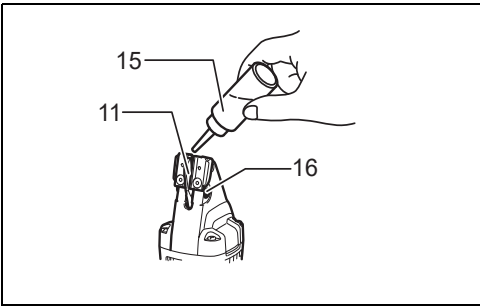
7

010086



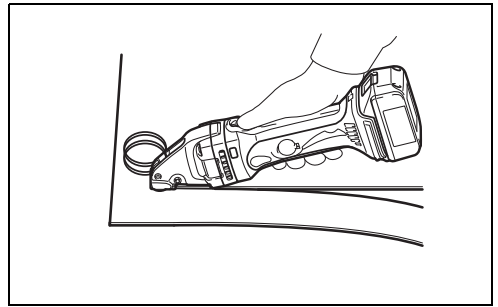
8

010087



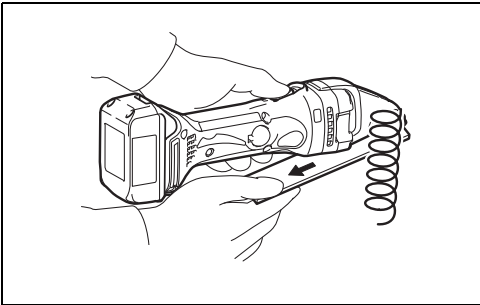
9

010084



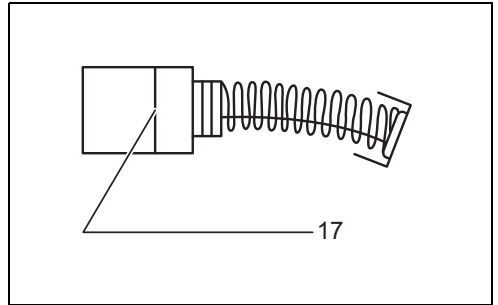
10

114104



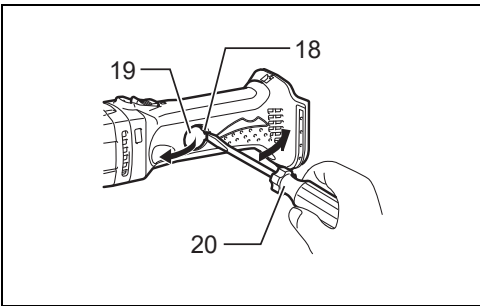
11

114105



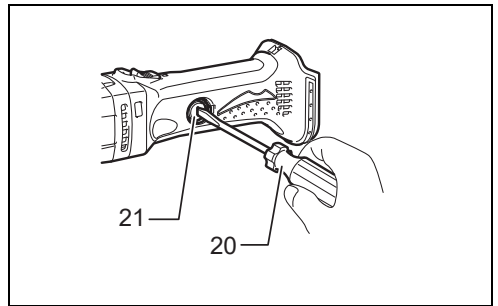
12

001145



13

010092



14

010093

## ENGLISH (Original instructions)

### Explanation of general view

- |                      |                          |                        |
|----------------------|--------------------------|------------------------|
| 1. Button            | 8. Indicating lamp       | 15. Oil supply         |
| 2. Red indicator     | 9. Hex wrench            | 16. Pin                |
| 3. Battery cartridge | 10. Screw                | 17. Limit mark         |
| 4. Star marking      | 11. Center blade         | 18. Brush holder cover |
| 5. Indicator lamps   | 12. Thickness gauge      | 19. Notch              |
| 6. Check button      | 13. Side blade           | 20. Screwdriver        |
| 7. Switch lever      | 14. Hex socket head bolt | 21. Brush holder cap   |

## SPECIFICATIONS

Model		DJS161	DJS101
Max. cutting capacities	Steel up to 400 N/mm <sup>2</sup>	1.6 mm (16 ga.)	1.0 mm (20 ga.)
	Steel up to 600 N/mm <sup>2</sup>	1.2 mm (18 ga.)	0.7 mm (23 ga.)
	Aluminum up to 200 N/mm <sup>2</sup>	2.5 mm (13 ga.)	2.5 mm (12 ga.)
Min. cutting radius		250 mm	30 mm
Strokes per minute (min <sup>-1</sup> )		4,300	4,300
Overall length		362 mm	364 mm
Net weight		1.8 - 2.2 kg	
Rated voltage		D.C. 18V	

- Due to our continuing program of research and development, the specifications herein are subject to change without notice.
- Specifications may differ from country to country.
- The weight may differ depending on the attachment(s), including the battery cartridge. The lightest and heaviest combination, according to EPTA-Procedure 01/2014, are shown in the table.

## Applicable battery cartridge and charger

Battery cartridge	BL1815N/BL1820/BL1820B/BL1830/BL1830B/BL1840/BL1840B/BL1850/BL1850B/BL1860B
Charger	DC18RC/DC18RD/DC18RE/DC18SD/DC18SE/DC18SF

- Some of the battery cartridges and chargers listed above may not be available depending on your region of residence.

### WARNING:

- **Only use the battery cartridges and chargers listed above.** Use of any other battery cartridges and chargers may cause injury and/or fire.

### Symbols

END004-7

The following show the symbols used for the equipment. Be sure that you understand their meaning before use.



..... Read instruction manual.



..... Only for EU countries

Do not dispose of electric equipment or battery pack together with household waste material!

In observance of the European Directives, on Waste Electric and Electronic Equipment and Batteries and Accumulators and Waste Batteries and Accumulators and their implementation in accordance with national laws, electric equipment and batteries and battery pack(s) that have reached the end of their life must be collected separately and returned to an

environmentally compatible recycling facility.


### Intended use

ENE037-1

The tool is intended for cutting sheet steel and stainless sheet steel.

## General power tool safety warnings

GEA010-2

 **WARNING: Read all safety warnings, instructions, illustrations and specifications provided with this power tool.** Failure to follow all instructions listed below may result in electric shock, fire and/or serious injury.

## Save all warnings and instructions for future reference.

The term "power tool" in the warnings refers to your mains-operated (corded) power tool or battery-operated (cordless) power tool.

# CORDLESS SHEAR SAFETY WARNINGS

GEB067-1

1. Hold the tool firmly.
2. Secure the workpiece firmly.
3. Keep hands away from moving parts.
4. Edges and chips of the workpiece are sharp. Wear gloves. It is also recommended that you put on thickly bottomed shoes to prevent injury.
5. Do not put the tool on the chips of the workpiece. Otherwise it can cause damage and trouble on the tool.
6. Do not leave the tool running. Operate the tool only when hand-held.
7. Always be sure you have a firm footing. Be sure no one is below when using the tool in high locations.
8. Do not touch the blade or the workpiece immediately after operation; they may be extremely hot and could burn your skin.
9. Avoid cutting electrical wires. It can cause serious accident by electric shock.

## SAVE THESE INSTRUCTIONS.

### WARNING:

DO NOT let comfort or familiarity with product (gained from repeated use) replace strict adherence to safety rules for the subject product. MISUSE or failure to follow the safety rules stated in this instruction manual may cause serious personal injury.

## IMPORTANT SAFETY INSTRUCTIONS FOR BATTERY CARTRIDGE

ENC007-12

1. Before using battery cartridge, read all instructions and cautionary markings on (1) battery charger, (2) battery, and (3) product using battery.
2. Do not disassemble battery cartridge.
3. If operating time has become excessively shorter, stop operating immediately. It may result in a risk of overheating, possible burns and even an explosion.
4. If electrolyte gets into your eyes, rinse them out with clear water and seek medical attention right away. It may result in loss of your eyesight.
5. Do not short the battery cartridge:
  - (1) Do not touch the terminals with any conductive material.
  - (2) Avoid storing battery cartridge in a container with other metal objects such as nails, coins, etc.
  - (3) Do not expose battery cartridge to water or rain.

A battery short can cause a large current flow, overheating, possible burns and even a breakdown.

6. Do not store the tool and battery cartridge in locations where the temperature may reach or exceed 50°C (122°F).

7. Do not incinerate the battery cartridge even if it is severely damaged or is completely worn out. The battery cartridge can explode in a fire.
8. Be careful not to drop or strike battery.
9. Do not use a damaged battery.
10. The contained lithium-ion batteries are subject to the Dangerous Goods Legislation requirements. For commercial transports e.g. by third parties, forwarding agents, special requirement on packaging and labeling must be observed. For preparation of the item being shipped, consulting an expert for hazardous material is required. Please also observe possibly more detailed national regulations. Tape or mask off open contacts and pack up the battery in such a manner that it cannot move around in the packaging.
11. Follow your local regulations relating to disposal of battery.
12. Use the batteries only with the products specified by Makita. Installing the batteries to non-compliant products may result in a fire, excessive heat, explosion, or leak of electrolyte.

## SAVE THESE INSTRUCTIONS.

**⚠ CAUTION:** Only use genuine Makita batteries. Use of non-genuine Makita batteries, or batteries that have been altered, may result in the battery bursting causing fires, personal injury and damage. It will also void the Makita warranty for the Makita tool and charger.

### Tips for maintaining maximum battery life

1. Charge the battery cartridge before completely discharged. Always stop tool operation and charge the battery cartridge when you notice less tool power.
2. Never recharge a fully charged battery cartridge. Overcharging shortens the battery service life.
3. Charge the battery cartridge with room temperature at 10°C - 40°C (50°F - 104°F). Let a hot battery cartridge cool down before charging it.
4. Charge the battery cartridge if you do not use it for a long period (more than six months).

## FUNCTIONAL DESCRIPTION

### CAUTION:

- Always be sure that the tool is switched off and the battery cartridge is removed before adjusting or checking function on the tool.

### Installing or removing battery cartridge (Fig. 1)

#### ⚠ CAUTION:

- Always switch off the tool before installing or removing of the battery cartridge.
- Hold the tool and the battery cartridge firmly when installing or removing battery cartridge. Failure to hold the tool and the battery cartridge firmly may cause them to slip off your hands and result in damage to the tool and battery cartridge and a personal injury.

To remove the battery cartridge, slide it from the tool while sliding the button on the front of the cartridge.

To install the battery cartridge, align the tongue on the battery cartridge with the groove in the housing and slip it into place. Insert it all the way until it locks in place with a little click. If you can see the red indicator on the upper side of the button, it is not locked completely.

#### ⚠ CAUTION:

- Always install the battery cartridge fully until the red indicator cannot be seen. If not, it may accidentally fall out of the tool, causing injury to you or someone around you.
- Do not install the battery cartridge forcibly. If the cartridge does not slide in easily, it is not being inserted correctly.

### Battery protection system

The tool is equipped with a battery protection system. This system automatically cuts off power to the motor to extend battery life.

The tool will automatically stop during operation if the tool and/or battery are placed under one of the following conditions:

- **Overloaded:**  
The tool is operated in a manner that causes it to draw an abnormally high current. In this situation, turn the tool off and stop the application that caused the tool to become overloaded. Then turn the tool on to restart. If the tool does not start, the battery is overheated. In this situation, let the battery cool before turning the tool on again.
- **Low battery voltage:**  
The remaining battery capacity is too low and the tool will not operate. In this situation, remove and recharge the battery.

#### NOTE:

The overheat protection works only with a battery cartridge with a star mark. (Fig. 2)

### Indicating the remaining battery capacity

**Only for battery cartridges with the indicator (Fig. 3)**  
Press the check button on the battery cartridge to indicate the remaining battery capacity. The indicator lamps light up for few seconds.

Indicator lamps			Remaining capacity
Lighted	Off	Blinking	
■	■	■	75% to 100%
■	■	□	50% to 75%
■	□	□	25% to 50%
□	□	□	0% to 25%
◐	□	□	Charge the battery.
■	■	□	The battery may have malfunctioned.
□	□	■	

015658

#### NOTE:

- Depending on the conditions of use and the ambient temperature, the indication may differ slightly from the actual capacity.

### Switch action (Fig. 4)

#### CAUTION:

- Before inserting the battery cartridge into the tool, always check to see that the switch lever actuates properly and returns to the "OFF" position when the rear of the switch lever is depressed.
- Switch can be locked in "ON" position for ease of operator comfort during extended use. Apply caution when locking tool in "ON" position and maintain firm grasp on tool.

To start the tool, slide the switch lever toward the "I (ON)" position. For continuous operation, press the front of the switch lever to lock it.

To stop the tool, press the rear of the switch lever, then slide it toward the "O (OFF)" position.

### Indication lamp with multi function (Fig. 5)

Indication lamps are located in two positions.

- **Battery cartridge replacing signal**
  - When the battery power is almost used up during operation, the red lamp lights up and the tool stops immediately. Replace the battery with fully charged one when the red lamp lights up.
- **Accidental re-start preventive function**
  - Even if the battery cartridge is inserted on the tool with the slide switch in the "I (ON)" position, the tool does not start. At this time, the lamp flickers slowly and this shows that the accidental re-start preventive function is at work.
  - To start the tool, first slide the slide switch toward the "O (OFF)" position and then slide it toward the "I (ON)" position.

# ASSEMBLY

## CAUTION:

- Always be sure that the tool is switched off and the battery cartridge is removed before carrying out any work on the tool.

## Adjusting the blade clearance

### For Model DJS161

Adjust the clearance between the side blade and the center blade according to the thickness of the workpiece.

### (Fig. 6)

First use a hex wrench to loosen the screw. (Fig. 7)

Then use the hex wrench to adjust the clearance by tightening or loosening the bolt. There may be a slight difference between clearance of both sides of the center blade.

Check the smaller clearance with the thickness gauge and adjust it.

When using the thickness gauge to adjust the blade clearance, refer to the table.

Workpiece thickness (mm)	Marking on thickness gauge
Less than 0.8	0.5
0.8 - 1.3	1.0
More than 1.3	1.5

006428

After adjusting the clearance, tighten the screw securely.

## Storing hex wrench (Fig. 8)

Store the hex wrench as shown in the figure when not in use.

# OPERATION

## Lubrication (Fig. 9)

Before operation, lubricate the contact point of the center blade and the pin. To keep good cutting performance, also use a cutting lubricant from time to time during operation.

## OPERATION (Fig. 10)

Turn the tool on and set front ends of the side blades on the workpiece. Now simply move the tool forward, keeping the side blades flush with the workpiece surface. (Fig. 11)

## CAUTION:

- When cutting a small portion of the workpiece, you may have difficulty completing the end of the cut. In that case, try to cut it again, pulling the workpiece back slightly.

# MAINTENANCE

## CAUTION:

- Always be sure that the tool is switched off and the battery cartridge is removed before attempting to perform inspection or maintenance.

## NOTICE:

- Never use gasoline, benzine, thinner, alcohol or the like. Discoloration, deformation or cracks may result.

The tool and its air vents have to be kept clean. Regularly clean the tool's air vents or whenever the vents start to become obstructed.

## Replacing carbon brushes (Fig. 12)

Remove and check the carbon brushes regularly. Replace when they wear down to the limit mark. Keep the carbon brushes clean and free to slip in the holders. Both carbon brushes should be replaced at the same time. Use only identical carbon brushes.

Insert the top end of slotted bit screwdriver into the notch in the tool and remove the holder cap cover by lifting it up. (Fig. 13)

Use a screwdriver to remove the brush holder caps. Take out the worn carbon brushes, insert the new ones and secure the brush holder caps. (Fig. 14)

Reinstall the holder cap cover on the tool.

## Replacing blades

The service life of the blades varies in terms of the workpiece to be cut. The following reference tables indicate the approximate service life of the blades. When the blades become dull, ask Makita Authorized Service Centers to replace the blades.

### For Model DJS161

Material	Cutting thickness (mm)	Life of blades (m)
Mild steel plate (SPCC)	1.6	200
Stainless steel plate (SUS304)	1.2	150
Aluminum plate (A-5052)	2.5	400

010094

### For Model DJS101

Material	Cutting thickness (mm)	Life of blades (m)
Mild steel plate (SPCC)	1.0	120
Stainless steel plate (SUS304)	0.7	50

010739

To maintain product SAFETY and RELIABILITY, repairs, any other maintenance or adjustment should be performed by Makita Authorized Service Centers, always using Makita replacement parts.

# OPTIONAL ACCESSORIES

## ⚠ CAUTION:

- These accessories or attachments are recommended for use with your Makita tool specified in this manual. The use of any other accessories or attachments might present a risk of injury to persons. Only use accessory or attachment for its stated purpose.

If you need any assistance for more details regarding these accessories, ask your local Makita Service Center.

- Thickness gauge

- Center blade
- Side blade R
- Side blade L
- Hex wrench
- Makita genuine battery and charger

## Declarations of Conformity For European countries only

The Declarations of conformity are included in Annex A to this instruction manual.

### NOTE:

- Some items in the list may be included in the tool package as standard accessories. They may differ from country to country.

### Noise ENG905-1

The typical A-weighted noise level determined according to EN62841-2-8:

Sound pressure level ( $L_{pA}$ ): 74 dB (A)

Uncertainty (K): 3 dB (A)

The noise level under working may exceed 80 dB (A).

### ENG907-1

- The declared noise emission value(s) has been measured in accordance with a standard test method and may be used for comparing one tool with another.
- The declared noise emission value(s) may also be used in a preliminary assessment of exposure.

### WARNING:

- **Wear ear protection.**
- **The noise emission during actual use of the power tool can differ from the declared value(s) depending on the ways in which the tool is used especially what kind of workpiece is processed.**
- **Be sure to identify safety measures to protect the operator that are based on an estimation of exposure in the actual conditions of use (taking account of all parts of the operating cycle such as the times when the tool is switched off and when it is running idle in addition to the trigger time).**

### Vibration ENG900-1

The vibration total value (tri-axial vector sum) determined according to EN62841-2-8:

Work mode: cutting sheet metal

Vibration emission ( $a_h$ ): 13.0 m/s<sup>2</sup>

Uncertainty (K): 1.5 m/s<sup>2</sup>

### ENG901-2

- The declared vibration total value(s) has been measured in accordance with a standard test method and may be used for comparing one tool with another.
- The declared vibration total value(s) may also be used in a preliminary assessment of exposure.

### WARNING:

- **The vibration emission during actual use of the power tool can differ from the declared value(s) depending on the ways in which the tool is used especially what kind of workpiece is processed.**
- **Be sure to identify safety measures to protect the operator that are based on an estimation of exposure in the actual conditions of use (taking account of all parts of the operating cycle such as the times when the tool is switched off and when it is running idle in addition to the trigger time).**



# FRANÇAIS (Instructions d'origine)

## Descriptif

- |                             |                                     |                                |
|-----------------------------|-------------------------------------|--------------------------------|
| 1. Bouton                   | 8. Voyant lumineux                  | 15. Flacon d'huile             |
| 2. Voyant rouge             | 9. Clé hexagonale                   | 16. Broche                     |
| 3. Batterie                 | 10. Vis                             | 17. Repère d'usure             |
| 4. Étoile                   | 11. Lame centrale                   | 18. Couvercle de porte-charbon |
| 5. Voyants                  | 12. Jauge d'épaisseur               | 19. Entaille                   |
| 6. Bouton de vérification   | 13. Lame latérale                   | 20. Tournevis                  |
| 7. Levier de l'interrupteur | 14. Boulon à tête creuse hexagonale | 21. Bouchon de porte-charbon   |

## SPÉCIFICATIONS

Modèle		DJS161	DJS101
Capacité de coupe max.	Acier jusqu'à 400 N/mm <sup>2</sup>	1,6 mm (16 ga.)	1,0 mm (20 ga.)
	Acier jusqu'à 600 N/mm <sup>2</sup>	1,2 mm (18 ga.)	0,7 mm (23 ga.)
	Aluminium jusqu'à 200 N/mm <sup>2</sup>	2,5 mm (13 ga.)	2,5 mm (12 ga.)
Rayon de coupe min.		250 mm	30 mm
Passes par minute (min <sup>-1</sup> )		4 300	4 300
Longueur totale		362 mm	364 mm
Poids net		1,8 - 2,2 kg	
Tension nominale		C.C. 18 V	

- Étant donné l'évolution constante de notre programme de recherche et de développement, les spécifications contenues dans ce manuel sont sujettes à des modifications sans préavis.
- Les spécifications peuvent varier suivant les pays.
- Le poids peut varier en fonction des pièces complémentaires, notamment de la batterie. La combinaison la plus légère et la combinaison la plus lourde, selon la procédure EPTA du 01/2014, sont présentées dans le tableau.

## Batterie standard et chargeur applicables

Batterie	BL1815N/BL1820/BL1820B/BL1830/BL1830B/BL1840/BL1840B/BL1850/BL1850B/BL1860B
Chargeur	DC18RC/DC18RD/DC18RE/DC18SD/DC18SE/DC18SF

- Certains types de batterie et de chargeurs répertoriés ci-dessus peuvent ne pas être disponibles en fonction de votre région ou lieu de résidence.

### **AVERTISSEMENT :**

- **Utilisez uniquement les batteries et chargeurs indiqués ci-dessus.** L'utilisation de toute autre batterie ou d'un autre chargeur peut provoquer des blessures et/ou déclencher un incendie.

### Symboles

END004-7

Les symboles utilisés pour l'outil sont indiqués ci-dessous. Assurez-vous d'avoir bien compris leur signification avant d'utiliser l'outil.



..... Reportez-vous au manuel d'instructions.



..... Pour les pays européens uniquement  
Ne pas jeter les appareils électriques et les bloc-batteries dans les ordures ménagères !

Conformément aux directives européennes relatives aux déchets d'équipements électriques ou électroniques (DEEE) ainsi qu'aux batteries, aux accumulateurs et aux batteries et accumulateurs usagés et à leur transposition dans la législation

nationale, les appareils électriques, les batteries et les bloc-batteries doivent être collectés à part et être soumis à un recyclage respectueux de l'environnement.


### Utilisations

ENE037-1

Cet outil est destiné à la découpe de tôles d'acier et de tôles d'acier inoxydable.

## Consignes de sécurité générales pour outils électriques

GEA010-2

 **AVERTISSEMENT :** Veuillez lire les consignes de sécurité, instructions, illustrations et spécifications qui accompagnent cet outil électrique. Le non-respect de toutes les instructions indiquées ci-dessous peut entraîner une électrocution, un incendie et/ou de graves blessures.

## Conservez toutes les mises en garde et instructions pour référence ultérieure.

Le terme « outil électrique » dans les avertissements fait référence à l'outil électrique alimenté par le secteur (avec cordon d'alimentation) ou à l'outil électrique fonctionnant sur batterie (sans cordon d'alimentation).

## AVERTISSEMENTS DE SÉCURITÉ CONCERNANT LA CISAILLE SANS FIL

GE0067-1

1. Tenez l'outil fermement.
2. Immobilisez la pièce fermement.
3. Gardez les mains éloignées des pièces en mouvement.
4. Les bords et les éclats de la pièce travaillée sont coupants. Portez des gants. Il est également recommandé de mettre des chaussures à semelle renforcée pour éviter tout risque de blessure.
5. Ne posez pas l'outil sur les éclats de la pièce travaillée. Cela risquerait de l'endommager ou de le dérégler.
6. N'abandonnez pas l'outil alors qu'il tourne. Ne faites fonctionner l'outil qu'une fois que vous l'avez bien en main.
7. Veillez à toujours avoir une bonne position d'équilibre.  
Assurez-vous que personne ne se trouve dessous lorsque vous utilisez l'outil en position élevée.
8. Ne touchez ni la lame ni la pièce immédiatement après la coupe ; elles risquent d'être extrêmement chaudes et de vous brûler la peau.
9. Évitez de couper des fils électriques. Cela pourrait provoquer un accident grave causé par un choc électrique.

## CONSERVEZ CES INSTRUCTIONS.

### AVERTISSEMENT :

**NE** vous laissez **PAS** tromper (au fil d'une utilisation répétée) par un sentiment d'aisance et de familiarité avec le produit, en négligeant le respect rigoureux des consignes de sécurité qui accompagnent l'outil. Une **UTILISATION INCORRECTE** de l'outil ou un non-respect des consignes de sécurité indiquées dans ce manuel d'instructions peuvent causer des blessures graves.

## CONSIGNES DE SECURITE IMPORTANTES POUR LA BATTERIE

ENC007-12

1. Avant d'utiliser la batterie, veuillez lire toutes les instructions et tous les avertissements inscrits sur (1) le chargeur, (2) la batterie et (3) l'appareil alimenté par la batterie.
2. Ne démontez pas la batterie.

3. Cessez immédiatement d'utiliser l'outil si le temps de fonctionnement devient excessivement court. Il y a risque de surchauffe, de brûlures, voire d'explosion.
4. Si l'électrolyte pénètre dans vos yeux, rincez-les à l'eau claire et consultez immédiatement un médecin. Il y a risque de perte de la vue.
5. Évitez de court-circuiter la batterie :
  - (1) Ne touchez les bornes avec aucun matériau conducteur.
  - (2) Évitez de ranger la batterie dans un contenant où se trouvent d'autres objets métalliques tels que des clous, pièces de monnaie, etc.
  - (3) N'exposez pas la batterie à l'eau ou à la pluie. Un court-circuit de la batterie risque de provoquer un fort courant, une surchauffe, parfois des brûlures et même une panne.
6. Ne rangez pas l'outil ou la batterie dans des endroits où la température risque d'atteindre ou de dépasser 50 °C (122 °F).
7. Ne jetez pas la batterie au feu même si elle est sérieusement endommagée ou complètement épuisée. La batterie peut exploser au contact du feu.
8. Veillez à ne pas laisser tomber ou heurter la batterie.
9. N'utilisez pas de batterie endommagée.
10. Les batteries au lithium-ion contenues sont soumises aux exigences de la législation sur les marchandises dangereuses.

Lors du transport commercial par des tierces parties ou des transitaires par exemple, des exigences spécifiques en matière d'étiquetage et d'emballage doivent être respectées.

Pour la préparation de l'article expédié, il est nécessaire de consulter un expert en matériau dangereux. Veuillez également respecter les réglementations nationales susceptibles d'être plus détaillées.

Recouvrez les contacts exposés avec du ruban adhésif ou du ruban de masquage et emballez la batterie de telle sorte qu'elle ne puisse pas bouger dans l'emballage.

11. Respectez les réglementations locales relatives à la mise au rebut des batteries.
12. Utilisez les batteries uniquement avec les produits spécifiés par Makita. L'installation des batteries sur des produits non conformes peut entraîner un incendie, une chaleur excessive, une explosion ou une fuite d'électrolyte.

## CONSERVEZ CES INSTRUCTIONS.

**⚠ ATTENTION : N'utilisez que des batteries Makita d'origine.**

L'utilisation de batteries de marque autre que Makita ou de batteries modifiées peut provoquer l'explosion des batteries, ce qui présente un risque d'incendie, de dommages matériels et corporels. Cela annulera également la garantie Makita pour l'outil et le chargeur Makita.

## Conseils pour assurer la durée de vie optimale de la batterie

1. **Rechargez la batterie avant qu'elle ne soit complètement épuisée.**  
Arrêtez toujours l'outil et rechargez la batterie quand vous constatez que la puissance de l'outil diminue.
2. **Ne rechargez jamais une batterie complètement chargée.**  
La surcharge réduit la durée de service de la batterie.
3. **Chargez la batterie alors que la température de la pièce se trouve entre 10 °C et 40 °C (50 °F et 104 °F).** Si une batterie est chaude, laissez-la refroidir avant de la charger.
4. **Chargez la batterie si vous ne l'avez pas utilisée pendant une longue période (plus de six mois).**

## DESCRIPTION DU FONCTIONNEMENT

### ATTENTION :

- Veillez toujours à ce que l'outil soit éteint et la batterie déposée avant d'effectuer des réglages ou de vérifier le fonctionnement de l'outil.

### Installation et retrait de la batterie (Fig. 1)

#### ⚠ ATTENTION :

- Éteignez toujours l'outil avant d'installer ou de déposer la batterie.
- **Tenez fermement l'outil et la batterie lors de l'installation ou du retrait de la batterie.** Si vous ne tenez pas fermement l'outil et la batterie, ils risquent de glisser et de s'abîmer ou de vous blesser.

Pour retirer la batterie, faites glisser le bouton à l'avant de la batterie et sortez la batterie.

Pour installer la batterie, alignez sa languette sur la rainure qui se trouve à l'intérieur du carter, puis glissez la batterie pour la mettre en place. Insérez-la bien à fond, jusqu'à ce qu'elle se verrouille en émettant un léger clic. Si vous pouvez voir le voyant rouge sur la face supérieure du bouton, la batterie n'est pas parfaitement verrouillée.

#### ⚠ ATTENTION :

- Installez toujours la batterie à fond, de sorte que le voyant rouge ne soit plus visible. Sinon, elle risque de tomber accidentellement de l'outil, en vous blessant ou en blessant une personne située près de vous.
- Ne forcez pas pour installer la batterie. Si la batterie ne glisse pas aisément, c'est qu'elle n'est pas insérée correctement.

### Système de protection de la batterie

L'outil est équipé d'un système de protection de la batterie. Ce système coupe automatiquement l'alimentation vers le moteur afin de prolonger la durée de vie de la batterie.

L'outil s'arrête automatiquement pendant le fonctionnement lorsqu'il et/ou la batterie se trouvent dans l'une des situations suivantes :

- Surchargé :  
L'outil fonctionne de manière à créer un courant anormalement élevé.

Dans ce cas, éteignez l'outil et arrêtez l'application qui cause la surcharge de l'outil. Ensuite, allumez l'outil pour le redémarrer.

Si l'outil ne démarre pas, la batterie est en surchauffe. Dans ce cas, laissez la batterie refroidir avant de rallumer l'outil.

- Faible tension de la batterie :  
L'autonomie restante est trop faible et l'outil ne fonctionnera pas. Dans ce cas, retirez la batterie et rechargez-la.

### REMARQUE :

La protection contre la surchauffe fonctionne uniquement avec une batterie comportant un symbole d'étoile. (Fig. 2)

### Indication de l'autonomie restante de la batterie

**Uniquement pour les batteries avec voyant (Fig. 3)**

Appuyez sur le bouton de vérification pour indiquer l'autonomie restante de la batterie. Les voyants s'allument alors pendant quelques secondes.

Voyants			Autonomie restante
Allumé	Éteint	Clignotant	
■	□	◐	75 % à 100 %
■ ■ ■ ■			
■	□	□	50 % à 75 %
■ ■ ■ □			
■	□	□	25 % à 50 %
■ ■ □ □			
■	□	□	0 % à 25 %
■ □ □ □			
◐	□	□	Recharger la batterie.
◐ □ □ □			
■	□	□	Il est possible que la batterie ait mal fonctionné.
■ □ □ □	↑ ↓	■	

015658

### REMARQUE :

- Selon les conditions d'utilisation et la température ambiante, les indications peuvent différer légèrement de l'autonomie réelle restante.

### Interrupteur (Fig. 4)

#### ATTENTION :

- Avant d'insérer la batterie dans l'outil, vérifiez toujours que le levier de l'interrupteur fonctionne bien et revient en position d'ARRÊT lorsque vous enfoncez sa partie arrière.
- Le commutateur peut être verrouillé en position de « MARCHE » pour le confort de l'opérateur pendant un usage prolongé. Soyez vigilant lorsque vous verrouillez l'outil en position de « MARCHE » et gardez-le bien en main.

Pour mettre l'outil en marche, faites coulisser le levier de l'interrupteur sur la position « I » (MARCHE). Pour une utilisation continue, appuyez sur la partie avant du levier de l'interrupteur pour le verrouiller.

Pour arrêter l'outil, appuyez sur la partie arrière du levier de l'interrupteur, puis faites coulisser ce dernier vers la position « O » (ARRÊT).

## Voyant à fonctions multiples (Fig. 5)

Des voyants se trouvent à deux endroits.

- **Signal de remplacement de la batterie**
  - Lorsque la puissance de la batterie devient très faible pendant l'utilisation de l'outil, le témoin rouge s'allume et l'outil s'arrête immédiatement. Remplacez la batterie par une batterie entièrement chargée lorsque le témoin rouge s'allume.
- **Fonction de prévention des redémarrages accidentels**
  - Même si la batterie est insérée dans l'outil alors que l'interrupteur à glissière se trouve en position « I » (MARCHE), l'outil ne démarre pas. Le voyant clignote alors lentement pour indiquer que la fonction de prévention des redémarrages accidentels est activée.
  - Pour démarrer l'outil, glissez d'abord l'interrupteur à glissière vers la position « O » (ARRÊT) puis glissez-le vers la position « I » (MARCHE).

## ASSEMBLAGE

### ATTENTION :

- Assurez-vous toujours que l'outil est hors tension et que la batterie est retirée avant d'effectuer toute intervention sur l'outil.

## Réglage de l'écartement de la lame

### Pour le modèle DJS161

Régalez l'écartement entre la lame latérale et la lame centrale en fonction de l'épaisseur de la pièce travaillée. (Fig. 6)

Tout d'abord, utilisez une clé hexagonale pour desserrer la vis. (Fig. 7)

Ensuite, utilisez la clé hexagonale pour régler l'écartement en serrant ou en desserrant le boulon. Il est possible qu'une légère différence apparaisse au niveau de l'écartement des deux côtés de la lame centrale. Vérifiez le plus petit écartement à l'aide de la jauge d'épaisseur et réglez-le.

Reportez-vous au tableau lorsque vous utilisez la jauge d'épaisseur pour régler l'écartement de la lame.

Épaisseur de la pièce travaillée (mm)	Indication sur la jauge d'épaisseur
Moins de 0,8	0,5
0,8 - 1,3	1,0
Plus de 1,3	1,5

006428

Après avoir réglé l'écartement, serrez fermement la vis.

## Rangement de la clé hexagonale (Fig. 8)

Lorsque vous n'utilisez pas la clé hexagonale, rangez-la comme illustré sur la figure.

## FONCTIONNEMENT

### Lubrification (Fig. 9)

Avant d'utiliser l'outil, lubrifiez le point de contact entre la lame centrale et la broche. Afin de préserver les performances de coupe de l'outil, utilisez également un lubrifiant de coupe pendant l'utilisation de l'outil.

### UTILISATION (Fig. 10)

Mettez l'outil sous tension et réglez les extrémités avant des lames latérales sur la pièce travaillée. Déplacez ensuite simplement l'outil vers l'avant en gardant les lames latérales à ras de la surface de la pièce travaillée. (Fig. 11)

### ATTENTION :

- Si vous découpez une petite partie de la pièce travaillée, il est possible que vous ayez des difficultés à terminer la coupe. Dans ce cas, réessayez de couper la pièce en la tirant légèrement vers l'arrière.

## MAINTENANCE

### ATTENTION :

- Assurez-vous toujours que l'outil est hors tension et que la batterie est retirée avant d'y effectuer tout travail d'inspection ou d'entretien.

### AVIS :

- N'utilisez jamais d'essence, de benzine, de diluant, d'alcool ou de produit similaire. Ces produits risquent de provoquer des décolorations, des déformations ou des fissures.

L'outil et ses orifices d'aération doivent être maintenus propres. Nettoyez les orifices d'aération de l'outil régulièrement ou à chaque fois qu'ils commencent à se boucher.

### Remplacement des charbons (Fig. 12)

Retirez et vérifiez les charbons régulièrement. Remplacez-les lorsqu'ils atteignent le repère d'usure. Gardez les charbons propres et libres de glisser dans les porte-charbons. Les deux charbons doivent être remplacés en même temps. Utilisez uniquement des charbons identiques.

Insérez le bout d'un tournevis à tête fendue dans l'entaille de l'outil et retirez le cache du bouchon de porte-charbon en le soulevant.

### (Fig. 12)

Retirez les bouchons de porte-charbon à l'aide d'un tournevis. Enlevez les charbons usés, insérez les neufs et remettez en place les bouchons de porte-charbon.

### (Fig. 13)

Remettez le cache de bouchon de porte-charbon en place sur l'outil.

### Remplacement des lames

La durée de service des lames varie en fonction de la pièce travaillée. Le tableau de référence suivant indique la durée de service approximative des lames.

Lorsque les lames sont émoussées, contactez un Centre de service après-vente Makita agréé pour les remplacer.

Matériau	Épaisseur de la coupe (mm)	Durée de vie des lames (m)
Tôle en acier doux (SPCC)	1,6	200
Plaque en acier inoxydable (SUS304)	1,2	150
Plaque en aluminium (A-5052)	2,5	400

010094

Pour le modèle **DJS101**

Matériau	Épaisseur de la coupe (mm)	Durée de vie des lames (m)
Tôle en acier doux (SPCC)	1,0	120
Plaque en acier inoxydable (SUS304)	0,7	50

010739

Pour assurer la **SÉCURITÉ** et la **FIABILITÉ** du produit, toute réparation ou travail d'entretien ou de réglage doivent être effectués dans un Centre de service après-vente Makita agréé, avec des pièces de rechange Makita.

## ACCESSOIRES FOURNIS EN OPTION

### ⚠ ATTENTION :

- Ces accessoires ou pièces complémentaires sont recommandés pour être utilisés avec l'outil Makita spécifié dans ce mode d'emploi. L'utilisation de tout autre accessoire ou pièce complémentaire peut comporter un risque de blessure. N'utilisez les accessoires ou pièces qu'aux fins auxquelles ils ont été conçus.

Pour obtenir plus de détails sur ces accessoires, contactez votre Centre de service local Makita.

- Jauge d'épaisseur
- Lame centrale
- Lame latérale D
- Lame latérale G
- Clé hexagonale
- Batterie et chargeur Makita d'origine

### REMARQUE :

- Certains éléments de la liste peuvent être inclus en tant qu'accessoires standard dans le coffret de l'outil envoyé. Ils peuvent varier suivant les pays.

### Bruit

ENG905-1

Les niveaux de bruit pondéré A typiques ont été mesurés selon la norme EN62841-2-8 :

Niveau de pression sonore ( $L_{pA}$ ) : 74 dB (A)

Incertitude (K) : 3 dB (A)

Le niveau de bruit peut dépasser 80 dB (A) lors de l'utilisation.

- La ou les valeurs d'émission de bruit déclarées ont été mesurées conformément à la méthode de test standard et peuvent être utilisées pour comparer les outils entre eux.
- La ou les valeurs d'émission de bruit déclarées peuvent aussi être utilisées pour l'évaluation préliminaire de l'exposition.

### ⚠ AVERTISSEMENT :

- Portez un **serre-tête antibruit**.
- L'émission de bruit lors de l'**usage réel de l'outil électrique peut être différente de la ou des valeurs déclarées, suivant la façon dont l'outil est utilisé, particulièrement selon le type de pièce usinée.**
- Les **mesures de sécurité à prendre pour protéger l'utilisateur doivent être basées sur une estimation de l'exposition dans des conditions réelles d'utilisation (en tenant compte de toutes les composantes du cycle d'utilisation, comme par exemple le moment de sa mise hors tension, lorsqu'il tourne à vide et le moment de son déclenchement).**

### Vibration

ENG900-1

La valeur totale de vibration (somme du vecteur triaxial) a été déterminée selon la norme EN62841-2-8 :

Mode de fonctionnement : découpe de tôle

Émission des vibrations ( $a_h$ ) : 13,0 m/s<sup>2</sup>

Incertitude (K) : 1,5 m/s<sup>2</sup>

ENG901-2

- La ou les valeurs de vibration totales déclarées ont été mesurées conformément à la méthode de test standard et peuvent être utilisées pour comparer les outils entre eux.
- La ou les valeurs de vibration totales déclarées peuvent aussi être utilisées pour l'évaluation préliminaire de l'exposition.

### ⚠ AVERTISSEMENT :

- L'émission de vibrations lors de l'**usage réel de l'outil électrique peut être différente de la ou des valeurs déclarées, suivant la façon dont l'outil est utilisé, particulièrement selon le type de pièce usinée.**
- Les **mesures de sécurité à prendre pour protéger l'utilisateur doivent être basées sur une estimation de l'exposition dans des conditions réelles d'utilisation (en tenant compte de toutes les composantes du cycle d'utilisation, comme par exemple le moment de sa mise hors tension, lorsqu'il tourne à vide et le moment de son déclenchement).**

### Déclarations de conformité

#### Pour les pays européens uniquement

Les déclarations de conformité sont fournies en Annexe A à ce mode d'emploi.

# DEUTSCH (Originalanweisungen)

## Erklärung der Gesamtdarstellung

- |                    |                            |                            |
|--------------------|----------------------------|----------------------------|
| 1. Taste           | 8. Anzeigenleuchte         | 15. Ölzufuhr               |
| 2. Roter Bereich   | 9. Inbusschlüssel          | 16. Stift                  |
| 3. Akkublock       | 10. Madenschraube          | 17. Verschleißgrenze       |
| 4. Sternmarkierung | 11. Schneidklinge          | 18. Bürstenhalterabdeckung |
| 5. Anzeigenlampen  | 12. Dickenmesser           | 19. Einkerbung             |
| 6. Akkuprüftaste   | 13. Seitenklinge           | 20. Schraubendreher        |
| 7. Umschalthebel   | 14. Innensechskantschraube | 21. Bürstenhalterkappe     |

## TECHNISCHE DATEN

Modell		DJS161	DJS101
Max. Schneidleistungen	Stahl bis zu 400 N/mm <sup>2</sup>	1,6 mm (16 ga.)	1,0 mm (20 ga.)
	Stahl bis zu 600 N/mm <sup>2</sup>	1,2 mm (18 ga.)	0,7 mm (23 ga.)
	Aluminium bis zu 200 N/mm <sup>2</sup>	2,5 mm (13 ga.)	2,5 mm (12 ga.)
Min. Schneidradius		250 mm	30 mm
Schläge pro Minute (min <sup>-1</sup> )		4.300	4.300
Gesamtlänge		362 mm	364 mm
Nettogewicht		1,8 - 2,2 kg	
Nennspannung		18V Gleichspannung	

- Aufgrund unserer beständigen Forschungen und Weiterentwicklungen sind Änderungen an den hier angegebenen Technischen Daten ohne Vorankündigung vorbehalten.
- Die Technischen Daten können in den einzelnen Ländern voneinander abweichen.
- Das Gewicht kann sich je nach Umfang und Art der vorhandenen Zubehörteile inkl. Akkublock ändern. Das Gewicht der leichtest- und schwerstmöglichen Kombination, das im Einklang mit dem EPTA-Verfahren 01/2014 ermittelt wurde, ist in der Tabelle aufgeführt.

## Zu verwendender Akkublock mit Ladegerät

Akkublock	BL1815N/BL1820/BL1820B/BL1830/BL1830B/BL1840/BL1840B/BL1850/BL1850B/BL1860B
Ladegerät	DC18RC/DC18RD/DC18RE/DC18SD/DC18SE/DC18SF

- In Abhängigkeit der Region, in der Sie ansässig sind, kann es vorkommen, dass einige von den oben aufgeführten Akkublocken und Ladegeräten nicht verfügbar sind.

### ⚠️ WARNUNG:

- **Verwenden Sie ausschließlich die oben angegebenen Akkublocke und Ladegeräte.** Bei Verwendung anderer Akkublocke und Ladegeräte besteht Verletzungs- und Brandgefahr.

### Symbole

END004-7

Im Folgenden sind die im Zusammenhang mit diesem Werkzeug verwendeten Symbole dargestellt. Machen Sie sich vor der Benutzung des Werkzeugs unbedingt mit diesen Symbolen vertraut.

müssen verbrauchte Elektrowerkzeuge sowie Altbatterien und Altakkumulatoren getrennt gesammelt und einer umweltgerechten Wiederverwertung zugeführt werden.



Lesen Sie die vorliegende Betriebsanleitung.



Nur für EU-Länder Entsorgen Sie Elektrowerkzeuge, Batterien und Akkus nicht über den Hausmüll! Gemäß der Europäischen Richtlinie über Elektro- und Elektronik- Altgeräte und über Batterien und Akkumulatoren sowie Altbatterien und Altakkumulatoren und ihrer Umsetzung in nationales Recht

### Verwendungszweck

ENE037-1

Das Werkzeug ist für das Schneiden von Blechen aus Stahl und Edelstahl vorgesehen.

## Allgemeine Sicherheitswarnungen für Elektrowerkzeuge

GEA010-2

- ⚠️ **WARNUNG: Lesen Sie alle mit diesem Elektrowerkzeug gelieferten Sicherheitswarnungen, Anweisungen, Abbildungen und technischen Daten durch.** Eine Missachtung der unten aufgeführten

Anweisungen kann zu einem elektrischen Schlag, Brand und/oder schweren Verletzungen führen.

## **Bewahren Sie alle Warnungen und Anweisungen für spätere Bezugnahme auf.**

Der Ausdruck „Elektrowerkzeug“ in den Warnhinweisen bezieht sich auf Ihr mit Netzstrom (mit Kabel) oder Akku (ohne Kabel) betriebenes Elektrowerkzeug.

## **SICHERHEITSHINWEISE ZUR AKKU-METALLSCHERE**

GEB067-1

1. Halten Sie das Werkzeug mit festem Griff.
2. Spannen Sie das Werkstück fest ein.
3. Halten Sie Ihre Hände von beweglichen Teilen fern.
4. Kanten und Späne des Werkstücks sind scharf. Tragen Sie Schutzhandschuhe! Um Verletzungen zu vermeiden wird außerdem das Tragen von festem Schuhwerk empfohlen.
5. Legen Sie das Werkzeug nicht auf Spänen des Werkstücks ab. Das Werkzeug kann durch Späne beschädigt werden und es kann zu Funktionsstörungen kommen.
6. Lassen Sie das Werkzeug nicht unbeaufsichtigt eingeschaltet. Das Werkzeug darf nur dann eingeschaltet werden, wenn es festgehalten wird.
7. Achten Sie jederzeit auf sicheren und festen Stand.  
Achten Sie bei Verwendung des Werkzeugs an erhöhten Standorten darauf, dass sich keine Personen unter dem Standort aufhalten.
8. Berühren Sie kurz nach dem Betrieb weder die Schneidklingen noch das Werkstück. Diese können extrem heiß sein und zu Verbrennungen führen.
9. Achten Sie darauf, dass Sie nicht in Elektrokabel schneiden. Dies kann zu einem Stromschlag und somit zu schweren Unfällen führen.

## **BEWAHREN SIE DIESE ANLEITUNG SORGFÄLTIG AUF.**

### **WARNUNG:**

Lassen Sie sich NIE durch Bequemlichkeit oder (aus fortwährendem Gebrauch gewonnener) Vertrautheit mit dem Werkzeug dazu verleiten, die Sicherheitsregeln für das Werkzeug zu missachten. Bei MISSBRÄUCLICHER Verwendung des Werkzeugs oder Missachtung der in diesem Handbuch enthaltenen Sicherheitshinweise kann es zu schweren Verletzungen kommen.

## **WICHTIGE SICHERHEITSANWEISUNGEN FÜR AKKU**

ENC007-12

1. Lesen Sie vor der Verwendung des Akkublocks alle Anweisungen und Sicherheitshinweise für das

**Akkuladegerät (1), den Akku (2) und das Produkt (3), für das der Akku verwendet wird, sorgfältig durch.**

2. Der Akkublock darf nicht zerlegt werden.
3. Falls die Betriebsdauer erheblich kürzer wird, beenden Sie den Betrieb umgehend. Andernfalls besteht die Gefahr einer Überhitzung sowie das Risiko möglicher Verbrennungen und sogar einer Explosion.
4. Wenn Elektrolyt in Ihre Augen gerät, waschen Sie diese mit klarem Wasser aus und suchen Sie sofort einen Arzt auf. Andernfalls können Sie Ihre Sehfähigkeit verlieren.
5. Vermeiden Sie einen Kurzschluss des Akkublocks:

- (1) Die Kontakte dürfen nicht mit leitendem Material in Berührung kommen.
- (2) Der Akkublock darf nicht in einem Behälter aufbewahrt werden, in dem sich andere metallische Gegenstände wie beispielsweise Nägel, Münzen usw. befinden.
- (3) Der Akkublock darf weder Feuchtigkeit noch Regen ausgesetzt werden.

Ein Kurzschluss des Akkus kann zu hohem Kriechstrom, Überhitzung, möglichen Verbrennungen und sogar zu einer Zerstörung des Werkzeugs führen.

6. Werkzeug und Akkublock dürfen nicht an Orten aufbewahrt werden, an denen Temperaturen von 50°C oder darüber erreicht werden können.
7. Beschädigte oder verbrauchte Akkus dürfen nicht verbrannt werden. Der Akkublock kann in den Flammen explodieren.
8. Lassen Sie den Akku nicht fallen und vermeiden Sie Schläge gegen den Akku.
9. Verwenden Sie niemals einen beschädigten Akku.
10. Die enthaltenen Lithium-Ionen-Akkus unterliegen den Anforderungen der Gefahrgut-Gesetzgebung.

Für kommerzielle Transporte, z. B. durch Dritte oder Spediteure, müssen besondere Anforderungen zu Verpackung und Etikettierung beachtet werden. Zur Vorbereitung des zu transportierenden Artikels ist eine Beratung durch einen Experten für Gefahrgut erforderlich. Bitte beachten Sie möglicherweise ausführlichere nationale Vorschriften.

Überleben oder verdecken Sie offene Kontakte, und verpacken Sie den Akku so, dass er sich in der Verpackung nicht umher bewegen kann.

11. Befolgen Sie die in Ihrem Land geltenden Bestimmungen bzgl. der Entsorgung von Akkus.
12. Verwenden Sie die Akkus nur mit den von Makita genannten Produkten. Der Einsatz der Akkus in nicht kompatiblen Produkten kann Brände, extreme Wärmeentwicklung, Explosionen oder einen Austritt von Elektrolyt verursachen.

## **BEWAHREN SIE DIESE ANLEITUNG SORGFÄLTIG AUF.**

**⚠ ACHTUNG: Verwenden Sie nur Original-Makita-Akkus.**

Die Verwendung von Nicht-Original-Makita-Akkus oder von Akkus, die abgeändert worden sind, kann zum

Bersten des Akkus und daraus resultierenden Bränden, Personenschäden und Beschädigung führen. Außerdem wird dadurch die Makita-Garantie für das Makita-Werkzeug und -Ladegerät ungültig.

## Tipps für eine maximale Nutzungsdauer von Akkus

1. **Laden Sie den Akkublock auf, bevor der Akku vollständig entladen ist. Sobald Sie eine verringerte Leistung des Werkzeugs bemerken, beenden Sie stets den Betrieb des Werkzeugs und laden Sie den Akkublock auf.**
2. **Ein voll aufgeladener Akkublock darf niemals erneut geladen werden. Durch Überladungen wird die Lebensdauer des Akkus verkürzt.**
3. **Laden Sie den Akkublock bei einer Zimmertemperatur von 10°C bis 40°C auf. Lassen Sie einen heißen Akkublock vor dem Aufladen abkühlen.**
4. **Laden Sie den Akkublock auf, wenn Sie diesen für längere Zeit nicht verwenden (mehr als sechs Monate).**

## FUNKTIONSBESCHREIBUNG

### VORSICHT:

- Schalten Sie das Werkzeug stets aus und entfernen Sie den Akkublock, bevor Sie Einstellungen oder eine Funktionsprüfung des Werkzeugs vornehmen.

## Montage und Demontage des Akkublocks (Abb. 1)

### ⚠ ACHTUNG:

- Schalten Sie das Werkzeug stets aus, bevor Sie den Akkublock einsetzen oder abnehmen.
- **Halten Sie das Werkzeug und den Akkublock sicher fest, wenn Sie den Akkublock einsetzen oder herausnehmen.** Andernfalls könnte Ihnen das Werkzeug oder der Akkublock aus den Händen fallen, sodass das Werkzeug oder der Akkublock beschädigt werden oder diese Verletzungen verursachen.

Zum Abnehmen des Akkublocks müssen Sie die Taste auf der Vorderseite des Akkublocks schieben und gleichzeitig den Akkublock aus dem Gerät herausziehen. Zum Einsetzen des Akkublocks müssen Sie die Zunge des Akkublocks an der Rille im Gehäuse ausrichten und in die gewünschte Position schieben. Setzen Sie den Akkublock ganz ein, bis er mit einem Klick einrastet. Wenn Sie den roten Bereich oben auf der Taste sehen können, ist der Batterieadapter nicht ganz eingerastet.

### ⚠ ACHTUNG:

- Setzen Sie den Akkublock unbedingt ganz ein, bis der rote Bereich nicht mehr zu sehen ist. Andernfalls kann der Akkublock versehentlich aus dem Werkzeug fallen und Sie oder umstehende Personen verletzen.
- Wenden Sie beim Einsetzen des Akkublocks keine Gewalt an. Wenn der Akkublock nicht leicht hineingleitet, ist er nicht richtig angesetzt.

## Akku-Schutzsystem

Das Werkzeug ist mit einem Akku-Schutzsystem ausgestattet. Dieses System schaltet die Stromversorgung des Motors automatisch aus, um die Lebensdauer des Akkus zu verlängern.

Unter folgenden Bedingungen des Werkzeugs und/oder des Akkus kann das Werkzeug während des Betriebs automatisch stoppen:

- **Überlastet:**  
Das Werkzeug wird auf eine Weise betrieben, die zu einer abnormal hohen Stromaufnahme führt. Schalten Sie das Werkzeug in dieser Situation aus und beenden Sie die Arbeiten, die zu der Überlastung des Werkzeugs geführt haben. Schalten Sie das Werkzeug anschließend ein, um es wieder in Betrieb zu nehmen.  
Wenn das Werkzeug nicht startet, ist der Akku überhitzt. Lassen Sie in dieser Situation den Akku erst abkühlen, bevor Sie das Werkzeug wieder einschalten.
- **Spannung des Akkus zu niedrig:**  
Die noch vorhandene Akkuladung ist zu niedrig und das Werkzeug startet nicht. Nehmen Sie in dieser Situation den Akku ab und laden Sie den Akku wieder auf.

### HINWEIS:

Der Überhitzungsschutz arbeitet nur mit einem mit einer Sternmarkierung gekennzeichneten Akkublock. (Abb. 2)

## Anzeige der verbleibenden Akkuladung

### Nur für Akkublöcke mit der Anzeige (Abb. 3)

Drücken Sie zum Anzeigen der Restladung des Akkus die Akkuprüftaste. Die Anzeigenlampen leuchten dann wenige Sekunden lang auf.

Anzeigenlampen			Verbleibende Akkuladung
Leuchtet	Aus	Blinkt	
■	□	◐	75% bis 100%
■	■	□	50% bis 75%
■	□	□	25% bis 50%
■	□	□	0% bis 25%
◐	□	□	Laden Sie den Akku auf.
■	□	□	Möglicherweise liegt ein Defekt des Akkus vor.
□	□	■	

015658

### HINWEIS:

- In Abhängigkeit von den Bedingungen bei Gebrauch und von der Umgebungstemperatur kann der angezeigte Ladezustand geringfügig vom tatsächlichen Ladezustand abweichen.



## Bedienung des Schalters (Abb. 4)

### VORSICHT:

- Achten Sie vor dem Einsetzen des Akkublocks in das Werkzeug darauf, dass sich der Schalterhebel korrekt bedienen lässt und auf die Position „OFF“ (AUS) zurückkehrt, sobald Sie auf die Rückseite des Schalterhebels drücken.
- Der Schalter lässt sich in Stellung „ON“ arretieren, um die Bedienung bei längerem Gebrauch zu vereinfachen. Seien Sie vorsichtig, wenn das Werkzeug auf „ON“ fest eingestellt ist, und halten Sie es gut fest.

Um das Werkzeug einzuschalten, schieben Sie den Schalterhebel in die Stellung „I (ON)“. Zum Dauerbetrieb drücken Sie auf die Vorderseite des Schalterhebels, um den Schalter zu arretieren.

Zum Ausschalten des Werkzeugs drücken Sie auf die Rückseite des Schalterhebels, und schieben Sie den Schalter dann in die Stellung „O (OFF)“.

## Kombinationsanzeigenleuchte (Abb. 5)

Am Werkzeug gibt es zwei Anzeigeleuchten.

### - Warnsignal für erforderlichen Akku-Austausch

- Wenn während des Betriebs der Akku einen nahezu entladenen Zustand erreicht, leuchtet die rote Anzeige auf, und das Werkzeug schaltet sich sofort aus. Wenn die rote Lampe aufleuchtet, tauschen Sie den Akku gegen einen vollständig aufgeladenen Akku aus.

### - Funktion zur Vermeidung eines versehentlichen Neustarts

- Wenn Sie den Akkublock einsetzen, wenn sich der Schiebeschalter in der Position „I (ON)“ befindet, wird das Werkzeug nicht gestartet. Die Anzeigenleuchte flackert langsam und zeigt somit an, dass die Funktion zur Vermeidung eines versehentlichen Neustarts aktiv ist.
- Um das Werkzeug einzuschalten, schieben Sie den Schiebeschalter in die Position „O (OFF)“ und anschließend in die Position „I (ON)“.

## MONTAGE

### VORSICHT:

- Schalten Sie das Werkzeug stets aus und entfernen Sie den Akkublock, bevor Sie Arbeiten am Werkzeug ausführen.

## Einstellen des Klingenabstands

### Für Modell DJS161

Stellen Sie den Abstand zwischen Seiten- und Mittelklinge gemäß der Dicke des Werkstücks ein.

### (Abb. 6)

Lösen Sie zunächst die Schraube mit Hilfe eines Schraubendrehers. (Abb. 7)

Stellen Sie mit Hilfe des Sechskantschlüssels den Abstand ein, indem Sie den Bolzen festziehen oder lösen. Die Abstände an den beiden Seiten der Mittelklinge können geringfügig voneinander abweichen. Prüfen Sie den kleineren Abstand mit Hilfe des Dickenmessers, und stellen Sie den Abstand entsprechend ein.

Wenn Sie den Klingenabstand mit Hilfe des Dickenmessers einstellen, entnehmen Sie die Werte der Tabelle.

Werkstückdicke (mm)	Markierung auf Dickenmesser
Weniger als 0,8	0,5
0,8 - 1,3	1,0
Mehr als 1,3	1,5

006428

Ziehen Sie nach dem Einstellung des Abstands die Schraube fest an.

## Aufbewahrung des Sechskantschlüssels (Abb. 8)

Bewahren Sie den Sechskantschlüssel wie in der Abbildung dargestellt auf.

## BETRIEB

### Schmierung (Abb. 9)

Schmieren Sie vor dem Betrieb den Kontaktpunkt der Mittelklinge und des Stiftes. Um eine gute Schneidleistung zu erreichen, bringen Sie während der Arbeit von Zeit zu Zeit ein Schneidenschmiermittel auf.

### BETRIEB (Abb. 10)

Schalten Sie das Werkzeug ein, und setzen Sie die vorderen Enden der Seitenklingen am Werkstück an. Bewegen Sie nun das Werkzeug einfach nach vorn, und halten Sie dabei die Seitenklingen bündig zur Werkstückoberfläche. (Abb. 11)

### VORSICHT:

- Beim Schneiden eines kurzen Abschnitts des Werkstücks kann es zu Schwierigkeiten beim Beenden des Schnittes kommen. Versuchen Sie in diesem Fall, noch einmal zu schneiden, wobei Sie das Werkstück leicht zurückziehen.

## WARTUNG

### VORSICHT:

- Schalten Sie das Werkzeug stets aus und entfernen Sie den Akkublock, bevor Sie Inspektionen oder Wartungsarbeiten am Werkzeug vornehmen.

### HINWEIS:

- Verwenden Sie zum Reinigen niemals Kraftstoffe, Benzin, Verdünner, Alkohol oder ähnliches. Dies kann zu Verfärbungen, Verformungen oder Rissen führen. Halten Sie das Werkzeug und die Belüftungsschlitze des Werkzeugs stets sauber. Reinigen Sie die Belüftungsschlitze des Werkzeugs regelmäßig, insbesondere im Anfangsstadium einer Verstopfung.

### Ersetzen der Kohlebürsten (Abb. 12)

Entnehmen Sie die Kohlebürsten in regelmäßig und überprüfen Sie die Bürsten. Wenn die Kohlebürsten bis zur Verschleißgrenze abgenutzt sind, müssen die Bürsten ersetzt werden. Halten Sie die Kohlebürsten sauber und sorgen Sie dafür, dass die Bürsten problemlos in den Halterungen gleiten. Ersetzen Sie immer beide

Kohlebürsten. Verwenden Sie ausschließlich Kohlebürsten gleicher Bauart. Setzen Sie das obere Ende des Schlitzschraubendrehers in die Kerbe am Werkzeug ein, und entfernen Sie die Abdeckung der Halterkappe, indem Sie diese anheben. (Abb. 13)

Nehmen Sie die Kappen der Bürstenhalter mit Hilfe eines Schraubendrehers ab. Entnehmen Sie die verbrauchten Kohlebürsten, setzen Sie neue Bürsten ein und bringen Sie die Bürstenhalterkappen wieder fest an. (Abb. 14) Befestigen Sie die Abdeckung der Halterkappe wieder am Gerät.

## Austausch von Klingen

Die Lebenszeit der Klingen hängt von den zu schneidenden Werkstücken ab. In der folgenden Referenztabelle ist die jeweilige ungefähre Lebenszeit der Klingen angegeben.

Wenn die Klingen stumpf werden, lassen Sie die Klingen durch ein von Makita autorisiertes Service Center ersetzen.

### Für Modell DJS161

Material	Schneiddicke (mm)	Lebensdauer der Klingen (m)
Baustahl (SPCC)	1,6	200
Edelstahl (SUS304)	1,2	150
Aluminium (A-5052)	2,5	400

010094

### Für Modell DJS101

Material	Schneiddicke (mm)	Lebensdauer der Klingen (m)
Baustahl (SPCC)	1,0	120
Edelstahl (SUS304)	0,7	50

010739

Um die SICHERHEIT und die ZUVERLÄSSIGKEIT des Produkts zu gewährleisten, sollten Reparaturen, Wartungsarbeiten und Einstellungen nur durch von Makita autorisierte Servicecenter durchgeführt und ausschließlich Makita-Ersatzteile verwendet werden.

## SONDERZUBEHÖR

### ⚠️ ACHTUNG:

- Für das in diesem Handbuch beschriebene Makita-Gerät werden die folgenden Zubehör- und Zusatzteile empfohlen. Bei Verwendung anderer Zubehör- und Zusatzteile kann es zu Verletzungen kommen. Verwenden Sie Zubehör- und Zusatzteile nur für den vorgesehenen Zweck.

Informationen zu diesem Zubehör erhalten Sie von Ihrem Makita-Servicecenter.

- Dickenmesser
- Mittelklinge

- Seitenklinge R
- Seitenklinge L
- Inbusschlüssel
- Original-Akku und Original-Ladegerät von Makita

### HINWEIS:

- Einige der in der Liste aufgeführten Elemente sind dem Werkzeugpaket als Standardzubehör beigelegt. Diese können in den einzelnen Ländern voneinander abweichen.

### Schall

ENG905-1

Typischer A-bewerteter Schallpegel nach EN62841-2-8:

Schalldruckpegel ( $L_{pA}$ ): 74 dB (A)

Abweichung (K): 3 dB (A)

Unter Arbeitsbedingungen kann der Schallpegel 80 dB (A) überschreiten.

ENG907-1

- Der (Die) angegebene(n) Schallemissionswert(e) wurde(n) im Einklang mit der Standardprüfmethode gemessen und kann (können) für den Vergleich zwischen Werkzeugen herangezogen werden.
- Der (Die) angegebene(n) Schallemissionswert(e) kann (können) auch für eine Vorbewertung des Gefährdungsgrads verwendet werden.

### ⚠️ WARNUNG:

- Einen Gehörschutz tragen.
- Die Schallemission während der tatsächlichen Benutzung des Elektrowerkzeugs kann je nach der Benutzungsweise des Werkzeugs, und speziell je nach der Art des bearbeiteten Werkstücks, von dem (den) angegebenen Wert(en) abweichen.
- Identifizieren Sie Sicherheitsmaßnahmen zum Schutz des Benutzers anhand einer Schätzung des Gefährdungsgrads unter den tatsächlichen Benutzungsbedingungen (unter Berücksichtigung aller Phasen des Arbeitszyklus, wie z. B. Ausschalt- und Leerlaufzeiten des Werkzeugs zusätzlich zur Betriebszeit).

### Schwingung

ENG900-1

Schwingungsgesamtwerte (Vektorsumme dreier Achsen) nach EN62841-2-8:

Arbeitsmodus: Schneiden von Blech

Schwingungsbelastung ( $a_{h1}$ ): 13,0 m/s<sup>2</sup>

Abweichung (K): 1,5 m/s<sup>2</sup>

ENG901-2

- Der (Die) angegebene(n) Vibrationsgesamtwert(e) wurde(n) im Einklang mit der Standardprüfmethode gemessen und kann (können) für den Vergleich zwischen Werkzeugen herangezogen werden.
- Der (Die) angegebene(n) Vibrationsgesamtwert(e) kann (können) auch für eine Vorbewertung des Gefährdungsgrads verwendet werden.

### ⚠️ WARNUNG:

- Die Vibrationsemission während der tatsächlichen Benutzung des Elektrowerkzeugs kann je nach der Benutzungsweise des Werkzeugs, und speziell je nach der Art des bearbeiteten Werkstücks, von dem (den) angegebenen Emissionswert(en) abweichen.

- **Identifizieren Sie Sicherheitsmaßnahmen zum Schutz des Benutzers anhand einer Schätzung des Gefährdungsgrads unter den tatsächlichen Benutzungsbedingungen (unter Berücksichtigung aller Phasen des Arbeitszyklus, wie z. B. Ausschalt- und Leerlaufzeiten des Werkzeugs zusätzlich zur Betriebszeit).**

#### **Konformitätserklärungen**

##### ***Nur für europäische Länder***

Die Konformitätserklärungen sind in Anhang A dieser Betriebsanleitung enthalten.

## ITALIANO (Istruzioni originali)

### Spiegazione della vista generale

- |                           |  |                             |
|---------------------------|--|-----------------------------|
| 1. Pulsante               | 9. Chiave esagonale                        | 16. Perno                   |
| 2. Indicatore rosso       | 10. Vite                                   | 17. Indicatore di limite    |
| 3. Batteria               | 11. Lama centrale                          | 18. Coperchio portaspazzola |
| 4. Contrassegno a stella  | 12. Misuratore di spessore                 | 19. Tacca                   |
| 5. Spie luminose          | 13. Lama laterale                          | 20. Cacciavite              |
| 6. Pulsante di controllo  | 14. Bullone a testa esagonale<br>incassata | 21. Coperchio portaspazzola |
| 7. Leva dell'interruttore |  |                             |
| 8. Spia luminosa          | 15. Rifornitura di olio                    |                             |

## CARATTERISTICHE TECNICHE

Modello		DJS161	DJS101
Capacità massima di taglio	Acciaio fino a 400 N/mm <sup>2</sup>	1,6 mm (16 ga.)	1,0 mm (20 ga.)
	Acciaio fino a 600 N/mm <sup>2</sup>	1,2 mm (18 ga.)	0,7 mm (23 ga.)
	Alluminio fino a 200 N/mm <sup>2</sup>	2,5 mm (13 ga.)	2,5 mm (12 ga.)
Raggio minimo di taglio		250 mm	30 mm
Colpi al minuto (min <sup>-1</sup> )		4.300	4.300
Lunghezza totale		362 mm	364 mm
Peso netto		1,8 - 2,2 kg	
Tensione nominale		18V CC	

- Le caratteristiche tecniche riportate di seguito sono soggette a modifiche senza preavviso in virtù del nostro programma continuo di ricerca e sviluppo.
- Le caratteristiche tecniche possono differire da paese a paese.
- Il peso può variare in base agli accessori in uso, compresa la batteria. Le combinazioni più leggere e pesanti, in conformità alla procedura EPTA 01/2014, sono mostrate nella tabella.

## Batteria e caricabatteria applicabili

Batteria	BL1815N/BL1820/BL1820B/BL1830/BL1830B/BL1840/BL1840B/BL1850/BL1850B/BL1860B
Caricatore	DC18RC/DC18RD/DC18RE/DC18SD/DC18SE/DC18SF

- Alcune delle batterie e dei caricabatterie elencati sopra potrebbero non essere disponibili a seconda della vostra regione di residenza.

### ATTENZIONE:

- **Utilizzare solo le batterie e i caricabatterie elencati sopra.** L'uso di batterie e caricabatterie diversi può far sorgere il rischio di infortuni e/o incendi.

### Simboli

Il seguente elenco riporta i simboli utilizzati per questo utensile. È importante comprenderne il significato prima di utilizzare l'utensile.

END004-7

raccolte separatamente, al fine di essere riciclate in modo eco-compatibile.



..... Leggere il manuale di istruzioni.



..... Solo per Paesi UE

Non gettare le apparecchiature elettriche o le batterie tra i rifiuti domestici.

Secondo le Direttive Europee sui rifiuti di apparecchiature elettriche ed elettroniche, su batterie e accumulatori e sui rifiuti di batterie e di accumulatori, e la sua attuazione in conformità alle norme nazionali, le apparecchiature elettriche e le batterie esauste devono essere


### Uso previsto

ENE037-1

L'utensile è progettato per il taglio di lamine d'acciaio e lamine d'acciaio inossidabile.

## Avvertenze generali relative alla sicurezza dell'utensile elettrico

GEA010-2

 **AVVERTENZA:** Leggere tutte le avvertenze di sicurezza, le istruzioni, le illustrazioni e i dati tecnici forniti con il presente utensile elettrico. La mancata osservanza di tutte le istruzioni elencate di seguito potrebbe risultare in scosse elettriche, incendi e/o gravi lesioni personali.

## Conservare tutte le avvertenze e le istruzioni come riferimento futuro.

Il termine "utensile elettrico" nelle avvertenze si riferisce sia all'utensile elettrico (cablato) nel funzionamento alimentato da rete elettrica che all'utensile elettrico (a batteria) nel funzionamento alimentato a batteria.

## AVVERTENZE DI SICUREZZA PER LE CESOIE A BATTERIA

GEB067-1

1. Tenere l'utensile in modo saldo.
2. Fissare saldamente il pezzo.
3. Mantenere le mani lontano dalle parti in movimento.
4. I bordi e i trucioli del pezzo in lavorazione sono taglienti. Indossare appositi guanti. Si consiglia inoltre di indossare scarpe con fondi abbastanza spessi per evitare lesioni.
5. Non posizionare l'utensile sui trucioli del pezzo in lavorazione. In caso contrario si potrebbero provocare danni o problemi all'utensile.
6. Non lasciare l'utensile acceso. Azionare l'utensile solo dopo averlo impugnato.
7. Accertarsi sempre di avere un equilibrio stabile. Controllare che nessuno si trovi sotto all'utensile quando lo si utilizza in posizioni elevate.
8. Non toccare la lama o il pezzo in lavorazione subito dopo aver utilizzato l'utensile in quanto possono raggiungere temperature elevate e provocare ustioni.
9. Evitare di tagliare i fili elettrici. Si potrebbero provocare gravi incidenti in seguito a scosse elettriche.

## CONSERVARE QUESTE ISTRUZIONI.

### AVVERTENZA:

NON lasciare che la familiarità acquisita con il prodotto (dovuta all'uso ripetuto) provochi l'inosservanza delle regole di sicurezza per il presente utensile. L'USO IMPROPRIO o la mancata osservanza delle norme di sicurezza contenute in questo manuale può provocare lesioni personali gravi.

## ISTRUZIONI DI SICUREZZA IMPORTANTI PER LA CARTUCCIA DELLA BATTERIA

ENC007-12

1. Prima di utilizzare la batteria, leggere tutte le istruzioni e gli avvisi di sicurezza relativi a (1) caricabatteria, (2) batteria e (3) prodotto utilizzato con la batteria.
2. Non smontare la batteria.
3. Se il tempo di funzionamento è diventato eccessivamente breve, non utilizzare l'utensile. Potrebbero verificarsi surriscaldamenti, ustioni o esplosioni.

4. In caso di contatto dell'elettrolita della batteria con gli occhi, sciacquare con acqua fresca e rivolgersi immediatamente a un medico. Potrebbero verificarsi danni permanenti alla funzionalità visiva.
5. **Non cortocircuitare la batteria:**
  - (1) Non toccare i terminali della batteria con materiale in grado di condurre elettricità.
  - (2) Evitare di conservare la batteria a contatto con oggetti metallici quali chiodi, monete e così via.
  - (3) Non esporre le batterie all'acqua o alla pioggia.

Un cortocircuito può provocare un elevato flusso di corrente, surriscaldamento, ustioni o rotture.

6. Non conservare l'utensile e la batteria a una temperatura superiore a 50 °C.
7. Evitare di smaltire le batterie danneggiate o esaurite bruciandole. Se esposte al fuoco, le batterie possono esplodere.
8. Evitare di far cadere o di colpire la batteria.
9. Non utilizzare batterie danneggiate.
10. Le batterie a ioni di litio contenute sono soggette ai requisiti del regolamento sul trasporto di merci pericolose (Dangerous Goods Legislation). Per trasporti commerciali, ad esempio da parte di terzi o spedizionieri, è necessario osservare dei requisiti speciali sull'imballaggio e sull'etichetta. Per la preparazione dell'articolo da spedire, è richiesta la consulenza di un esperto in materiali pericolosi. Attenersi anche alle normative nazionali, che potrebbero essere più dettagliate. Nasstrare o coprire i contatti aperti e imballare la batteria in modo tale che non si possa muovere liberamente all'interno dell'imballaggio.
11. **Attenersi alle normative della propria area geografica relative allo smaltimento delle batterie.**
12. **Utilizzare le batterie solo con i prodotti specificati da Makita.** L'installazione delle batterie in prodotti non compatibili potrebbe causare incendi, calore eccessivo, esplosione o perdita di elettroliti.

## CONSERVARE QUESTE ISTRUZIONI.

**⚠ ATTENZIONE:** Utilizzare solo batterie originali Makita.

L'utilizzo di batterie Makita non originali, o di batterie che siano state alterate, potrebbe risultare nello scoppio della batteria, causando incendi, lesioni personali e danni. Inoltre, ciò potrebbe invalidare la garanzia Makita per l'utensile e il caricabatterie Makita.

## Suggerimenti per il prolungamento della durata della batteria

1. Caricare le batterie prima di scaricarle completamente. Se si nota una diminuzione di potenza dell'utensile, interrompere il lavoro e ricaricare la batteria.
2. Non ricaricare una batteria già completamente carica. In caso contrario, la durata operativa della batteria potrebbe ridursi.

3. **Caricare la batteria in ambienti con temperatura compresa tra 10 °C e 40 °C. Prima di caricare una batteria surriscaldata, lasciarla raffreddare.**
4. **Caricare la batteria qualora non venga utilizzata per un lungo periodo (superiore a sei mesi).**

## DESCRIZIONE FUNZIONALE

### ATTENZIONE:

- Prima di regolare o controllare le funzioni dell'utensile, verificare sempre di averlo spento e di aver rimosso la batteria.

### Installazione o rimozione della batteria (Fig. 1)

#### ⚠ ATTENZIONE:

- Prima di inserire o rimuovere la batteria, spegnere sempre l'utensile.
- **Durante l'inserimento o la rimozione della batteria, tenere saldamente l'utensile e la batteria stessa.** In caso contrario potrebbero scivolare dalle mani, con conseguenti danni all'utensile, alla batteria e alla persona.

Per rimuovere la batteria è sufficiente estrarla dall'utensile facendo scorrere il pulsante sulla parte anteriore della batteria.

Per inserire la batteria, allineare la linguetta della batteria con la scanalatura nell'alloggiamento e farla scorrere in posizione. Inserire a fondo la batteria fino a bloccarla in posizione con uno scatto. Se è visibile l'indicatore rosso sul lato superiore del pulsante, significa che la batteria non è completamente inserita.

#### ⚠ ATTENZIONE:

- inserire a fondo la batteria fino alla scomparsa dell'indicatore rosso. In caso contrario, la batteria potrebbe fuoriuscire accidentalmente dall'utensile, provocando danni all'operatore o a eventuali osservatori.
- Non forzare l'inserimento della batteria. Se la batteria non scorre agevolmente, significa che la manovra di inserimento non è corretta.

### Sistema di protezione della batteria

L'utensile è dotato di un sistema di protezione della batteria. Questo sistema interrompe automaticamente l'alimentazione del motore per prolungare la durata della batteria.

L'utensile si spegne automaticamente durante l'uso se l'utensile stesso e/o la batteria si trovano in una delle seguenti condizioni:

- Sovraccarico:

La modalità d'uso dell'utensile provoca un assorbimento anomalo di corrente.

In questa situazione, spegnere l'utensile e interrompere l'operazione che ha provocato il sovraccarico dell'utensile stesso. Quindi accendere l'utensile per ricominciare.

Se l'utensile non si avvia, si è verificato un surriscaldamento della batteria. In questo caso, attendere che la batteria si raffreddi prima di accendere nuovamente l'utensile.

- Bassa tensione della batteria:

La capacità residua della batteria è troppo bassa e non consente di utilizzare l'utensile. In questo caso, rimuovere e ricaricare la batteria.

### NOTA:

La protezione contro il surriscaldamento funziona solo con batterie con contrassegno a stella. (Fig. 2)

### Indicazione della capacità residua della batteria

#### **Solo per batterie con spia (Fig. 3)**

Premere il pulsante di controllo sulla batteria per visualizzare la capacità residua della batteria. Le spie luminose si illuminano per qualche secondo.

Spie luminose			Capacità residua
Accesa	Spenta	Lampeggiante	
			Dal 75% al 100%
			Dal 50% al 75%
			Dal 25% al 50%
			Dal 0% al 25%
			Caricare la batteria.
			Probabile malfunzionamento della batteria.

015658

### NOTA:

- Il valore indicato potrebbe variare leggermente dalla capacità effettiva in base alle condizioni di utilizzo e alla temperatura ambientale.

### Azionamento dell'interruttore (Fig. 4)

#### ATTENZIONE:

- Prima di inserire la batteria nell'utensile, controllare se la leva dell'interruttore funziona correttamente e ritorna alla posizione "SPENTO" quando viene premuta la parte posteriore della leva dell'interruttore.
- È possibile bloccare l'interruttore nella posizione "ON" per garantire comodità all'operatore durante l'uso prolungato dell'utensile. Prestare attenzione quando si blocca l'utensile nella posizione "ON" e mantenere una presa sicura.

Per avviare l'utensile, portare la leva dell'interruttore in posizione "I (ACCESO)". Per il funzionamento continuo, premere la parte anteriore della leva dell'interruttore per bloccarne la posizione.

Per arrestare l'utensile, premere la parte posteriore della leva dell'interruttore, quindi portarlo nella posizione "O (SPENTO)".

## Spia luminosa multifunzione (Fig. 5)

Le spie luminose sono presenti in due posizioni.

- **Segnale di sostituzione della batteria**
  - Quando la batteria sta per scaricarsi durante l'uso, la spia rossa si accende e l'utensile si blocca immediatamente. Quando si accende la spia rossa, sostituire la batteria con una completamente carica.
- **Funzione di prevenzione del riavvio accidentale**
  - Anche se la batteria è inserita nell'utensile con l'interruttore scorrevole nella posizione "I (ACCESO)", l'utensile non si accende. In questo caso, la spia lampeggia lentamente per indicare che è in uso la funzione di prevenzione del riavvio accidentale.
  - Per accendere l'utensile, portare l'interruttore scorrevole prima nella posizione "O (SPENTO)", quindi nella posizione "I (ACCESO)".

## MONTAGGIO

### ATTENZIONE:

- Prima di eseguire qualsiasi operazione sull'utensile, verificare sempre di averlo spento e di aver rimosso la batteria.

## Regolazione del gioco delle lame

### Per il Modello *DJS161*

Regolare il gioco tra la lama laterale e la lama centrale in base allo spessore del pezzo in lavorazione. (Fig. 6)  
Utilizzare innanzitutto un cacciavite per allentare la vite.

### (Fig. 7)

Utilizzare quindi la chiave esagonale per regolare il gioco delle lame stringendo oppure allentando il bullone. Potrebbe esserci una leggera differenza di gioco tra i due lati della lama centrale. Controllare il gioco minore con il misuratore di spessore e procedere alla regolazione. Quando si utilizza il misuratore di spessore per regolare il gioco delle lame, fare riferimento alla tabella sottostante.

Spessore del pezzo in lavorazione (mm)	Indicazione sul misuratore di spessore
Inferiore a 0,8	0,5
0,8 - 1,3	1,0
Superiore a 1,3	1,5

006428

Dopo aver regolato il gioco delle lame, stringere saldamente la vite.

## Alloggiamento della chiave esagonale (Fig. 8)

Quando non viene utilizzata, conservare la chiave esagonale come mostrato in figura.

## USO

### Lubrificazione (Fig. 9)

Prima dell'uso, lubrificare il punto di contatto della lama centrale e del perno. Per ottenere un ottimo rendimento durante il taglio, utilizzare anche un lubrificante per il taglio di tanto in tanto durante la lavorazione.

## FUNZIONAMENTO (Fig. 10)

Accendere l'utensile e posizionare le estremità anteriori delle lame laterali sul pezzo in lavorazione. A questo punto muovere l'utensile in avanti tenendo le lame laterali livellate con la superficie del pezzo in lavorazione.

### (Fig. 11)

### ATTENZIONE:

- Durante il taglio di una piccola parte del pezzo in lavorazione, potrebbe risultare difficile tagliare la parte finale. In tal caso, cercare di tagliare di nuovo il pezzo, tirandolo leggermente indietro.

## MANUTENZIONE

### ATTENZIONE:

- Prima di effettuare controlli o operazioni di manutenzione, verificare sempre di aver spento l'utensile e di aver rimosso la batteria.

### AVVISO:

- Evitare assolutamente di usare benzina, diluenti, solventi, alcol o sostanze simili. In caso contrario, potrebbero verificarsi scoloriture, deformazioni o incrinature.

L'utensile e le aperture di ventilazione devono essere mantenuti puliti. Pulire regolarmente le aperture di ventilazione dell'utensile o quando iniziano a essere ostruite.

## Sostituzione delle spazzole di carbone (Fig. 12)

Rimuovere e controllare periodicamente le spazzole di carbone. Sostituire le spazzole quando sono consumate fino al limite indicato. Mantenere le spazzole di carbone pulite e libere per farle slittare nei supporti. Entrambe le spazzole di carbone devono essere sostituite contemporaneamente. Utilizzare solo spazzole di carbone identiche.

Inserire l'estremità superiore della punta del cacciavite nella tacca sull'utensile, quindi rimuovere il coperchio del supporto mediante sollevamento. (Fig. 13)

Rimuovere i coperchi dei portaspazzola con un cacciavite. Estrarre le spazzole di carbone consumate, inserire le nuove spazzole e fissare i coperchi dei portaspazzola. (Fig. 14)

Rimontare il coperchio del supporto sull'utensile.

## Sostituzione delle lame

La durata delle lame varia in base al materiale del pezzo da tagliare. Le tabelle di riferimento riportate di seguito indicano la durata approssimativa delle lame.

Quando le lame diventano smussate, rivolgersi ai centri di assistenza autorizzati Makita per la loro sostituzione.

## Per il Modello DJS161

Materiale	Spessore di taglio (mm)	Durata delle lame (m)
Lastra di acciaio dolce (SPCC)	1,6	200
Lastra di acciaio inossidabile (SUS304)	1,2	150
Lastra di alluminio (A-5052)	2,5	400

010094

## Per il Modello DJS101

Materiale	Spessore di taglio (mm)	Durata delle lame (m)
Lastra di acciaio dolce (SPCC)	1,0	120
Lastra di acciaio inossidabile (SUS304)	0,7	50

010739

Per mantenere la SICUREZZA e l’AFFIDABILITÀ del prodotto, le riparazioni e qualsiasi altra operazione di manutenzione o regolazione devono essere eseguiti dai centri di assistenza autorizzati Makita utilizzando sempre parti di ricambio Makita.

## ACCESSORI OPZIONALI

### ⚠ ATTENZIONE:

- Si consiglia l’uso dei seguenti accessori per l’utensile Makita descritto in questo manuale. L’uso di qualsiasi altro accessorio potrebbe provocare lesioni personali. Utilizzare gli accessori esclusivamente per l’uso dichiarato.

Per l’assistenza e per ulteriori informazioni su tali accessori, rivolgersi al centro assistenza Makita di zona.

- Misuratore di spessore
- Lama centrale
- Lama laterale R
- Lama laterale L
- Chiave esagonale
- Batteria e caricabatteria originali Makita

### NOTA:

- Alcuni degli accessori elencati potrebbero essere inclusi nella confezione dell’utensile come accessori standard. Gli accessori standard possono differire da paese a paese.

### Rumore

ENG905-1

Il tipico livello di rumore ponderato “A” è determinato in conformità con la norma EN62841-2-8:

Livello di pressione sonora ( $L_{pA}$ ): 74 dB (A)

Variazione (K): 3 dB (A)

Il livello acustico in funzionamento può superare 80 dB (A).

ENG907-1

- Il valore o i valori dichiarati delle emissioni di rumori sono stati misurati in conformità a un metodo standard

di verifica, e possono essere utilizzati per confrontare un utensile con un altro.

- Il valore o i valori dichiarati delle emissioni di rumori possono venire utilizzati anche per una valutazione preliminare dell’esposizione.

### ⚠ AVVERTENZA:

- **Indossare protezioni per le orecchie.**
- **L’emissione di rumori durante l’utilizzo effettivo dell’utensile elettrico può variare rispetto al valore o ai valori dichiarati, a seconda dei modi in cui viene utilizzato l’utensile e specialmente a seconda di che tipo di pezzo venga lavorato.**
- **Accertarsi di identificare misure di sicurezza per la protezione dell’operatore che siano basate su una stima dell’esposizione nelle condizioni effettive di utilizzo (tenendo conto di tutte le parti del ciclo operativo, ad esempio del numero di spegnimenti dell’utensile e di quando giri a vuoto, oltre al tempo di attivazione).**

### Vibrazione

ENG900-1

Il valore totale delle vibrazioni (somma vettoriale triassiale) è determinato in conformità con la norma EN62841-2-8:

Modalità di lavoro: taglio di lamine di metallo

Emissione delle vibrazioni ( $a_h$ ): 13,0 m/s<sup>2</sup>

Variazione (K): 1,5 m/s<sup>2</sup>

ENG901-2

- Il valore o i valori complessivi delle vibrazioni dichiarati sono stati misurati in conformità a un metodo standard di verifica, e possono essere utilizzati per confrontare un utensile con un altro.
- Il valore o i valori complessivi delle vibrazioni dichiarati possono venire utilizzati anche per una valutazione preliminare dell’esposizione.

### ⚠ AVVERTENZA:

- **L’emissione delle vibrazioni durante l’utilizzo effettivo dell’utensile elettrico può variare rispetto al valore o ai valori dichiarati, a seconda dei modi in cui viene utilizzato l’utensile, specialmente a seconda di che tipo di pezzo venga lavorato.**
- **Accertarsi di identificare misure di sicurezza per la protezione dell’operatore che siano basate su una stima dell’esposizione nelle condizioni effettive di utilizzo (tenendo conto di tutte le parti del ciclo operativo, ad esempio del numero di spegnimenti dell’utensile e di quando giri a vuoto, oltre al tempo di attivazione).**

### Dichiarazioni di conformità

#### **Solo per i paesi europei**

Le Dichiarazioni di conformità sono incluse nell’Allegato A al presente manuale d’uso.



# NEDERLANDS (Originele instructies)

## Verklaring van algemene gegevens

- |                       |                   |                          |
|-----------------------|-------------------|--------------------------|
| 1. Knop               | 8. Bedrijfslampje | 15. Olie toevoegen       |
| 2. Rode deel          | 9. Inbussleutel   | 16. Pen                  |
| 3. Accu               | 10. Bout          | 17. Slijtgrensmarkering  |
| 4. Ster-merkteken     | 11. Middenblad    | 18. Koolborstelafdekking |
| 5. Indicatorlampjes   | 12. Voelmaat      | 19. Nok                  |
| 6. Testknop           | 13. Zijblad       | 20. Schroevendraaier     |
| 7. Aan/uit-schakelaar | 14. Inbusbout     | 21. Koolborsteldop       |

## TECHNISCHE GEGEVENS

Model		DJS161	DJS101
Max. snijdikte	Staal t/m 400 N/mm <sup>2</sup>	1,6 mm (16 ga.)	1,0 mm (20 ga.)
	Staal t/m 600 N/mm <sup>2</sup>	1,2 mm (18 ga.)	0,7 mm (23 ga.)
	Aluminium t/m 200 N/mm <sup>2</sup>	2,5 mm (13 ga.)	2,5 mm (12 ga.)
Min. snijdiameter		250 mm	30 mm
Aantal snijbewegingen per minuut (min <sup>-1</sup> )		4.300	4.300
Totale lengte		362 mm	364 mm
Netto gewicht		1,8 - 2,2 kg	
Nominale spanning		18V gelijkstroom	

- Als gevolg van ons doorlopende onderzoeks- en ontwikkelingsprogramma, zijn de technische gegevens van dit gereedschap onderhevig aan veranderingen zonder voorafgaande kennisgeving.
- De technische gegevens kunnen van land tot land verschillen.
- Het gewicht kan verschillen afhankelijk van het/de hulpstuk(ken), waaronder de accu. De lichtste en zwaarste combinatie, volgens EPTA-Procedure 01/2014, worden vermeld in de tabel.

## Geschikte accu en acculader

Accu	BL1815N/BL1820/BL1820B/BL1830/BL1830B/BL1840/BL1840B/BL1850/BL1850B/BL1860B
Acculader	DC18RC/DC18RD/DC18RE/DC18SD/DC18SE/DC18SF

- Sommige van de bovenvermelde accu's en acculaders zijn mogelijk niet leverbaar, afhankelijk van het gebied waarin u woont.

### WAARSCHUWING:

- **Gebruik uitsluitend de bovenvermelde accu's en acculaders.** Als u een andere accu of oplader gebruikt, kan dit leiden tot letsel en/of brand.

### Symbolen

END004-7

Hieronder staan de symbolen die voor dit gereedschap worden gebruikt. Zorg ervoor dat u weet wat ze betekenen alvorens het gereedschap te gebruiken.



..... Lees de gebruiksaanwijzing.



..... Alleen voor EU-landen

Geef elektrisch gereedschap en accu's niet met het huisvuil mee!  
Volgens de Europese richtlijn inzake oude elektrische en elektronische apparaten, en inzake batterijen en accu's, en de toepassing daarvan binnen de nationale wetgeving, dienen elektrisch gereedschap, accu's en batterijen die het einde van hun levensduur hebben bereikt, gescheiden te worden

ingezameld en te worden afgevoerd naar een recyclebedrijf dat voldoet aan de geldende milieu-eisen.

### Gebruiksdoeleinden

ENE037-1

Het gereedschap is bedoeld voor het knippen van plaatstaal en roestvrijplaatstaal.

## Algemene veiligheids waarschuwingen voor elektrisch gereedschap

GEA010-2

- **WAARSCHUWING: Lees alle veiligheids waarschuwingen, aanwijzingen, afbeeldingen en technische gegevens behorend bij dit elektrische gereedschap aandachtig door.** Als u niet alle onderstaande aanwijzingen naleeft, kan dat resulteren in brand, elektrische schokken en/of ernstig letsel.

# Bewaar alle waarschuwingen en instructies om in de toekomst te kunnen raadplegen.

De term "elektrisch gereedschap" in de veiligheidsvoorschriften duidt op gereedschappen die op stroom van het lichtnet werken (met snoer) of gereedschappen met een accu (snoerloos).

## VEILIGHEIDSWAARSCHUWINGEN ACCUSCHAAR

GEB067-1

1. Houd het gereedschap stevig vast.
2. Klem het werkstuk stevig vast.
3. Houd uw handen uit de buurt van bewegende delen.
4. De randen en afgesneden stukjes van het werkstuk zijn scherp. Draag werkhandschoenen. Wij adviseren u tevens schoenen met dikke zolen te dragen om letsel te voorkomen.
5. Zet het gereedschap niet bovenop de afgesneden stukjes van het werkstuk. Hierdoor kan het gereedschap worden beschadigd en een storing optreden.
6. Laat het gereedschap niet ingeschakeld liggen. Bedien het gereedschap alleen wanneer u het vasthoudt.
7. Zorg er altijd voor dat u stevig staat. Zorg ervoor dat er niemand zich onder u bevindt wanneer u het gereedschap op een hoge plaats gebruikt.
8. Raak het blad en het werkstuk niet onmiddellijk aan gebruik aan. Zij kunnen bijzonder heet zijn en brandwonden op uw huid veroorzaken.
9. Voorkom dat u elektrische kabel doorknipt. Hierdoor kan elektrocutie en een ernstig ongeluk ontstaan.

## BEWAAR DEZE INSTRUCTIES.

### WAARSCHUWING:

Laat u NIET misleiden door een vals gevoel van comfort en bekendheid met het gereedschap (na veelvuldig gebruik) en neem alle veiligheidsvoorschriften van het betreffende product altijd strikt in acht. VERKEERD GEBRUIK of het niet volgen van de veiligheidsinstructies in deze gebruiksaanwijzing kan leiden tot ernstig persoonlijk letsel.

## BELANGRIJKE VEILIGHEIDSI NSTRUCTIES VOOR EEN ACCU

ENC007-12

1. Alvorens de accu in gebruik te nemen, leest u eerst alle instructies en waarschuwingsopdrachten op (1) de acculader, (2) de accu en (3) het apparaat waarin de accu wordt aangebracht.
2. Haal de accu niet uit elkaar.
3. Als de gebruikstijd aanzienlijk korter is geworden, stopt u onmiddellijk met het gebruik. Anders kan

dit leiden tot kans op oververhitting, mogelijke brandwonden en zelfs een explosie.

4. Als de elektrolyt in uw ogen komt, wast u deze uit met schoon water en raadpleegt u onmiddellijk een arts. Dit kan leiden tot verlies van gezichtsvermogen.
5. Sluit de accu niet kort:
  - (1) Raak de accupolen niet aan met enig geleidend materiaal.
  - (2) Bewaar de accu niet op een plaats waar deze in aanraking kan komen met andere metalen voorwerpen, zoals spijkers, munten, enz.
  - (3) Stel de accu niet bloot aan water of regen.Kortsluiting van de accu kan leiden tot een hoge stroomsterkte, oververhitting, mogelijke brandwonden en zelfs een defect.
6. Bewaar het gereedschap en de accu niet op plaatsen waar de temperatuur kan oplopen tot 50 °C of hoger.
7. Werp de accu niet in een vuur, zelfs niet als deze al ernstig beschadigd of helemaal versleten is. De accu kan in een vuur exploderen.
8. Wees voorzichtig dat u de accu niet laat vallen of ergens tegenaan stoot.
9. Gebruik nooit een beschadigde accu.
10. De bijgeleverde lithium-ionbatterijen zijn onderhevig aan de vereisten in de wetgeving omtrent gevaarlijke stoffen.

Voor commercieel transport en dergelijke door derden en transporteurs moeten speciale vereisten ten aanzien van verpakking en etikettering worden nageleefd.

Als voorbereiding van het artikel dat wordt getransporteerd is het noodzakelijk een expert op het gebied van gevaarlijke stoffen te raadplegen. Houd u tevens aan mogelijk strengere nationale regelgeving. Blootliggende contactpunten moeten worden afgedekt met tape en de accu moet zodanig worden verpakt dat deze niet kan bewegen in de verpakking.

11. Neem de plaatselijke regelgeving met betrekking tot het weggooien van de accu in acht.
12. Gebruik de accu's uitsluitend met de apparaten opgegeven door Makita. Als de accu's worden geplaatst in niet-compatibele apparaten, kan dat leiden tot brand, buitensporige hitte, een explosie of lekkage van elektrolyt.

## BEWAAR DEZE INSTRUCTIES.

**⚠ LET OP: Gebruik uitsluitend originele Makita accu's.**

Het gebruik van niet-originele accu's, of accu's die zijn gewijzigd, kan ertoe leiden dat de accu ontploft en brand, persoonlijk letsel en schade veroorzaakt. Ook vervalt daarmee de garantie van Makita op het gereedschap en de lader van Makita.

## Tips voor een lange levensduur van de accu

1. Laad de accu op voordat deze volledig leeg is. Wanneer u merkt dat het gereedschap minder vermogen heeft, stopt u met het gebruik ervan en laadt u eerst de accu op.

2. **Laad nooit een volledig opgeladen accu op. Te lang opladen verkort de levensduur van de accu.**
3. **Laad de accu op bij een omgevingstemperatuur van 10 °C tot 40 °C. Laat een warme accu eerst afkoelen voordat u deze oplaadt.**
4. **Als de accu gedurende een lange tijd (meer dan zes maanden) niet gebruikt, laadt u deze eerst op alvorens deze te gebruiken.**

## BESCHRIJVING VAN DE FUNCTIES

### LET OP:

- Zorg ervoor dat het gereedschap is uitgeschakeld en dat de accu is verwijderd voordat u de werking van het gereedschap aanpast of controleert.

### De accu aanbrengen en verwijderen (zie afb. 1)

#### ⚠ LET OP:

- Schakel het gereedschap altijd uit voordat u de accu aanbrengt of verwijderd.
- **Houd het gereedschap en de accu stevig vast tijdens het aanbrengen of verwijderen van de accu.** Als u het gereedschap en de accu niet stevig vasthoudt, kunnen deze uit uw handen glijpen en beschadigd raken, of kan persoonlijk letsel worden veroorzaakt.

Om de accu te verwijderen verschuift u de knop aan de voorkant van de accu en schuift u tegelijkertijd de accu eraf.

Om de accu aan te brengen, lijnt u de lip op de accu uit met de groef in de behuizing en duwt u de accu op zijn plaats. Steek de accu zo ver mogelijk erin tot u een klikgeluid hoort. Als u het rode deel aan de bovenkant van de knop kunt zien, is de accu niet goed aangebracht.

#### ⚠ LET OP:

- Breng de accu altijd helemaal aan totdat het rode deel niet meer zichtbaar is. Als u dit niet doet, kan de accu per ongeluk uit het gereedschap vallen en u of anderen in uw omgeving verwonden.
- Breng de accu niet met kracht aan. Als de accu niet gemakkelijk erin kan worden geschoven, wordt deze niet goed aangebracht.

### Accubeveiligingssysteem

Het gereedschap is uitgerust met een accubeveiligingssysteem. Dit systeem schakelt automatisch de voeding naar de motor uit om de levensduur van de accu te verlengen.

Het gereedschap zal tijdens gebruik automatisch stoppen wanneer het gereedschap en/of de accu zich in een van de volgende omstandigheden bevinden:

- **Overbelasting:**  
Het gereedschap wordt gebruikt op een manier die ertoe leidt dat een abnormaal hoge stroomsterkte uit de accu wordt getrokken. Schakel in die situatie het gereedschap uit en stop het gebruik dat ertoe leidde dat het gereedschap overbelast werd. Schakel daarna opnieuw het gereedschap in om het opnieuw te starten. Als het gereedschap niet wordt ingeschakeld, is de accu oververhit. Laat in die situatie de accu eerst afkoelen voordat u het gereedschap opnieuw inschakelt.
- **Lage accuspanning:**  
De resterende acculading is te laag en het gereedschap wordt niet ingeschakeld. Verwijder in die situatie de accu en laad hem op.

### OPMERKING:

De oververhittingsbeveiliging werkt alleen met een accu waarop het ster-merkteken staat (zie afb. 2).

### Aanduiding van de resterende acculading

#### **Alleen voor accu's met de indicator (zie afb. 3)**

Druk op de testknop op de accu om de resterende accucapaciteit af te lezen. De indicatorlampjes branden gedurende enkele seconden.

Indicatorlampjes			Resterende acculading
Brandt	Uit	Knippert	
■	□	▧	75% tot 100%
■	■	■	50% tot 75%
■	■	□	25% tot 50%
■	□	□	0% tot 25%
▧	□	□	Laad de accu op.
■	■	□	Er kan een storing in de accu zijn opgetreden.

015658

### OPMERKING:

- Afhankelijk van de gebruiksomstandigheden en de omgevingstemperatuur, is het mogelijk dat de aangegeven acculading verschilt van de werkelijke acculading.

### In- en uitschakelen (zie afb. 4)

#### LET OP:

- Controleer altijd, voordat u de accu in het gereedschap steekt, of de aan/uit-schakelaar op de juiste manier schakelt en weer terugkeert naar de uit-stand, wanneer achter op de aan/uit-schakelaar wordt gedrukt.
- De aan/uit-schakelaar kan worden vergrendeld in de aan-stand ten behoeve van het gebruikersgemak bij langdurig gebruik. Wees voorzichtig wanneer het

gereedschap in de aan-stand is vergrendeld en houdt het gereedschap stevig vast.

Om het gereedschap in te schakelen, schuift u de aan/uit-schakelaar naar de stand I (ON). Om het gereedschap continu te laten werken, drukt u op de voorkant van de aan/uit-schakelaar om deze te vergrendelen.

Om het gereedschap uit te schakelen drukt u op de achterkant van de aan/uit-schakelaar en schuift u de knop naar de positie O (OFF).

## Bedrijfslampjes met meerdere functies (zie afb. 5)

Er zijn twee bedrijfslampjes.

- **Lampje bij accu bijna leeg**
  - Wanneer de acculading tijdens gebruik bijna geheel opgebruikt is, gaat het rode lampje branden en stopt het gereedschap onmiddellijk. Wanneer het rode lampje brandt, vervangt u de lege accu door een volledig opgeladen accu.
- **Beveiliging tegen onopzettelijk herstarten**
  - Zelfs als de accu in het gereedschap is gestoken terwijl de aan/uit-schakelaar in de stand I (ON) staat, start het gereedschap niet. Het lampje knippert nu langzaam, wat aangeeft dat de beveiliging tegen onopzettelijk herstarten actief is.
  - Om het gereedschap te starten schuift u de aan/uit-schakelaar eerst naar de stand O (OFF) en vervolgens naar de stand I (ON).

## ONDERDELEN AANBRENGEN/ VERWIJDEREN

### LET OP:

- Controleer altijd of het gereedschap is uitgeschakeld en de accu is verwijderd alvorens enige werkzaamheden aan het gereedschap te verrichten.

## De speling tussen de messenbladen afstellen

### Voor model DJS161

Stel de speling af tussen het zijblad en het middenblad aan de hand van de dikte van het werkstuk (zie afb. 6). Gebruik eerst een inbussleutel om de bout lot st draaien (zie afb. 7).

Gebruik vervolgens de inbussleutel om de speling af te stellen door de bout vast of los te draaien. Er mag een klein verschil zitten tussen de speling aan de beide zijden van het middenblad.

Controleer de kleinste speling met behulp van de voelmaat en stel deze af.

Raadpleeg de tabel bij het afstellen van de speling van de messenbladen met behulp van de voelmaat.

Dikte van het werkstuk (mm)	Aanduiding op de voeler
Minder dan 0,8	0,5
0,8 - 1,3	1,0
Meer dan 1,3 mm	1,5

006428

Draai na het afstellen van de speling de bout stevig vast.

## Opbergplaats van de inbussleutel (zie afb. 8)

Berg de inbussleutel op zijn opbergplaats op, zoals aangegeven in de afbeelding.

## BEDIENING

### Smeren (zie afb. 9)

Smeer vóór gebruik het raakpunt van het middenblad en de pen. Om de snijprestaties hoog te houden, gebruikt u tijdens het gebruik tevens regelmatig een snijsmearmiddel.

### BEDIENING (zie afb. 10)

Schakel het gereedschap in en plaat de voorrand van de zijbladen op het werkstuk. Beweeg het gereedschap nu simpelweg naar voren waarbij u de zijbladen plat op het werkstuk houdt (zie afb. 11).

### LET OP:

- Wanneer u een klein stukje van het werkstuk afsnijdt, kan het lastig zijn het einde van de snede af te maken. Probeer in dat geval nogmaals te snijden waarbij u het werkstuk iets naar achteren trekt.

## ONDERHOUD

### LET OP:

- Zorg er altijd voor dat de machine is uitgeschakeld en de accu is verwijderd, voordat u een inspectie of onderhoud uitvoert.

### KENNISGEVING:

- Gebruik nooit benzine, wasbenzine, thinner, alcohol, enz. Dit kan leiden tot verkleuren, vervormen of barsten.

Het gereedschap en de ventilatieopeningen moeten schoon gehouden worden. Maak de ventilatieopeningen van het gereedschap regelmatig schoon of zodra de ventilatieopeningen verstopt dreigen te raken.

### De koolborstels vervangen (zie afb. 12)

Verwijder en controleer de koolborstels regelmatig. Vervang deze wanneer ze tot aan de slijtgrensmarkering zijn afgesleten. Houd de koolborstels schoon en zorg ervoor dat ze vrij kunnen bewegen in de houders. Beide koolborstels dienen tegelijkertijd te worden vervangen. Gebruik alleen identieke koolborstels.

Steek een platkopschroevendraaier in de inkeping in het gereedschap en verwijder de houderafdekking door deze omhoog te wippen (zie afb. 13).

Gebruik een schroevendraaier om de koolborsteldoppen te verwijderen. Haal de versleten koolborstels eruit, plaats de nieuwe erin, en zet de koolborsteldoppen goed vast (zie afb. 14).

Plaats de houderafdekking terug op het gereedschap.

### De snijbladen vervangen

De levensduur van van de snijbladen verschilt afhankelijk van het werkstuk dat wordt gesneden. De volgende referentietabel geeft de levensduur van de snijbladen bij benadering aan.

Als de snijbladen bot worden, vraagt u een erkend Makita-servicecentrum de snijbladen te vervangen.

Materiaal	Snijdikte (mm)	Levensduur snijbladen (m)
Zacht-staalplaat (SPCC)	1,6	200
Roestvrijstaalplaat (SUS304)	1,2	150
Aluminiumplaat (A-5052)	2,5	400

010094

Voor model **DJS101**

Materiaal	Snijdikte (mm)	Levensduur snijbladen (m)
Zacht-staalplaat (SPCC)	1,0	120
Roestvrijstaalplaat (SUS304)	0,7	50

010739

Om de VEILIGHEID en BETROUWBAARHEID van het gereedschap te handhaven, dienen alle reparaties, onderhoud en afstellingen te worden uitgevoerd door een erkend Makita-servicecentrum, en altijd met gebruikmaking van originele Makita-ervangingsonderdelen.

## VERKRIJGBARE ACCESSOIRES

### ⚠ LET OP:

- Deze accessoires of hulpstukken worden aanbevolen voor gebruik met het Makita-gereedschap dat in deze gebruiksaanwijzing wordt beschreven. Het gebruik van andere accessoires of hulpstukken kan gevaar voor persoonlijk letsel opleveren. Gebruik de accessoires of hulpstukken uitsluitend voor de aangegeven gebruiksdoeleinden.

Mocht u meer informatie willen hebben over deze accessoires, dan kunt u contact opnemen met uw plaatselijke Makita-servicecentrum.

- Voelermaat
- Middenblad
- Zijblad rechts
- Zijblad links
- Inbussleutel
- Originele Makita-accu en -lader

### OPMERKING:

- Sommige items op de lijst kunnen zijn inbegrepen in de doos van het gereedschap als standaard toebehoren. Zij kunnen van land tot land verschillen.

### Geluid ENG905-1

De typische, A-gewogen geluidsniveaus zijn gemeten volgens EN62841-2-8:

Geluidsdrukniveau ( $L_{pA}$ ): 74 dB (A)  
 Onzekerheid (K): 3 dB (A)

Het geluidsniveau kan tijdens gebruik hoger worden dan 80 dB (A).

- De opgegeven geluidsemissiewaarde(n) is/zijn gemeten volgens een standaardtestmethode en kan/kunnen worden gebruikt om dit gereedschap te vergelijken met andere gereedschappen.
- De opgegeven geluidsemissiewaarde(n) kan/kunnen ook worden gebruikt voor een beoordeling vooraf van de blootstelling.

### ⚠ WAARSCHUWING:

- Draag gehoorbescherming.**
- De geluidsemissie tijdens het gebruik van het elektrisch gereedschap in de praktijk kan verschillen van de opgegeven waarde(n) afhankelijk van de manier waarop het gereedschap wordt gebruikt, met name van het soort werkstuk waarmee wordt gewerkt.**
- Zorg ervoor dat veiligheidsmaatregelen worden getroffen ter bescherming van de gebruiker die zijn gebaseerd op een schatting van de blootstelling onder praktijkomstandigheden (rekening houdend met alle fasen van de bedrijfscyclus, zoals de tijdsduur gedurende welke het gereedschap is uitgeschakeld en stationair draait, naast de ingeschakelde tijdsduur).**

### Trilling ENG900-1

De totale trillingswaarde (triaxiale vectorsom) zoals vastgesteld volgens EN62841-2-8:

Gebruikstoepassing: plaatstaal knippen

Trillingsemissie ( $a_{h1}$ ): 13,0 m/s<sup>2</sup>

Onzekerheid (K): 1,5 m/s<sup>2</sup>

### ENG901-2

- De totale trillingswaarde(n) is/zijn gemeten volgens een standaardtestmethode en kan/kunnen worden gebruikt om dit gereedschap te vergelijken met andere gereedschappen.
- De opgegeven totale trillingswaarde(n) kan/kunnen ook worden gebruikt voor een beoordeling vooraf van de blootstelling.

### ⚠ WAARSCHUWING:

- De trillingsemissie tijdens het gebruik van het elektrisch gereedschap in de praktijk kan verschillen van de opgegeven waarde(n) afhankelijk van de manier waarop het gereedschap wordt gebruikt, met name van het soort werkstuk waarmee wordt gewerkt.**
- Zorg ervoor dat veiligheidsmaatregelen worden getroffen ter bescherming van de gebruiker die zijn gebaseerd op een schatting van de blootstelling onder praktijkomstandigheden (rekening houdend met alle fasen van de bedrijfscyclus, zoals de tijdsduur gedurende welke het gereedschap is uitgeschakeld en stationair draait, naast de ingeschakelde tijdsduur).**

### Verklaringen van conformiteit

#### **Alleen voor Europese landen**

De verklaringen van conformiteit zijn bijgevoegd in Bijlage A bij deze gebruiksaanwijzing.

# ESPAÑOL (Instrucciones originales)

## Descripción y visión general

- |                            |                               |                                  |
|----------------------------|-------------------------------|----------------------------------|
| 1. Botón                   | 8. Lámpara indicadora         | 15. Suministro de aceite         |
| 2. Indicador rojo          | 9. Llave hexagonal            | 16. Pasador                      |
| 3. Cartucho de la batería  | 10. Tornillo                  | 17. Marca de límite              |
| 4. Marca de estrella       | 11. Cuchilla central          | 18. Cubierta del portaescobillas |
| 5. Luces indicadoras       | 12. Calibre de espesores      | 19. Muesca                       |
| 6. Botón de comprobación   | 13. Cuchilla lateral          | 20. Destornillador               |
| 7. Palanca del interruptor | 14. Perno de cabeza hexagonal | 21. Tapa del portaescobillas     |

## ESPECIFICACIONES

Modelo		DJS161	DJS101
Capacidad máxima de corte	Acero de hasta 400 N/mm <sup>2</sup>	1,6 mm (16 ga.)	1,0 mm (20 ga.)
	Acero de hasta 600 N/mm <sup>2</sup>	1,2 mm (18 ga.)	0,7 mm (23 ga.)
	Aluminio de hasta 200 N/mm <sup>2</sup>	2,5 mm (13 ga.)	2,5 mm (12 ga.)
Radio de corte mínimo		250 mm	30 mm
Carreras por minuto (min <sup>-1</sup> )		4.300	4.300
Longitud total		362 mm	364 mm
Peso neto		1,8 - 2,2 kg	
Tensión nominal		CC de 18V	

- Debido a nuestro programa continuo de investigación y desarrollo, las especificaciones aquí descritas están sujetas a cambios sin previo aviso.
- Las especificaciones pueden ser diferentes de un país a otro.
- El peso puede diferir en función de los accesorios, incluyendo el cartucho de la batería. En la tabla se muestran la combinación más ligera y la más pesada, de acuerdo con el Procedimiento EPTA 01/2014.

## Cargador y cartucho de la batería aplicable

Cartucho de la batería	BL1815N/BL1820/BL1820B/BL1830/BL1830B/BL1840/BL1840B/BL1850/BL1850B/BL1860B
Cargador	DC18RC/DC18RD/DC18RE/DC18SD/DC18SE/DC18SF

- Es posible que algunos de los cartuchos de la batería y los cargadores que se muestran más arriba no estén disponibles, en función de su región de residencia.

### ADVERTENCIA:

- **Utilice solo los cartuchos de la batería y los cargadores que se muestran más arriba.** El uso de cualquier otro cartucho de la batería y otros cargadores puede crear un riesgo de lesiones y/o incendio.

### Símbolos

END004-7

Se utilizan los siguientes símbolos para el equipo.

Asegúrese de que comprende su significado antes del uso.



..... Lea el manual de instrucciones.



..... Sólo para países de la Unión Europea

¡No deseche el aparato eléctrico o la batería junto con los residuos domésticos!

De conformidad con la Directiva Europea sobre residuos de aparatos eléctricos y electrónicos, y sobre baterías y acumuladores y el desecho de baterías y acumuladores y su aplicación de acuerdo con la legislación nacional, la herramienta eléctrica y las baterías y

paquetes de baterías cuya vida útil haya llegado a su fin se deberán recoger por separado y trasladar a una planta de reciclaje que cumpla con las exigencias ecológicas.

### Uso previsto

ENE037-1

La herramienta está diseñada para cortar acero laminado y acero inoxidable laminado.

## Advertencias de seguridad para herramientas eléctricas en general

GEA010-2

- **ADVERTENCIA:** Lea todas las advertencias de seguridad, instrucciones, ilustraciones y especificaciones provistas con esta herramienta eléctrica. Si no sigue todas las instrucciones indicadas

abajo podrá resultar en una descarga eléctrica, un incendio y/o heridas graves.

## Guarde todas las advertencias e instrucciones para futuras referencias.

El término "herramienta eléctrica" en las advertencias se refiere a su herramienta eléctrica de funcionamiento con conexión a la red eléctrica (con cable) o herramienta eléctrica de funcionamiento a batería (sin cable).

## ADVERTENCIAS DE SEGURIDAD DE LA CIZALLA DE METAL A BATERÍA

GEB067-1

1. Sujete con fuerza la herramienta.
2. Fije firmemente la pieza de trabajo.
3. Mantenga las manos alejadas de las piezas móviles.
4. Los bordes y las virutas de la pieza de trabajo pueden estar afilados. Utilice siempre guantes. Para evitar posibles lesiones, también es aconsejable llevar calzado de suela gruesa.
5. No coloque la herramienta encima de las virutas procedentes de la pieza de trabajo. La herramienta podría averiarse o sufrir algún problema.
6. No deje la herramienta encendida. Póngala en marcha solamente cuando la tenga en las manos.
7. Colóquese siempre en una posición bien equilibrada. Si utiliza la herramienta en una ubicación elevada, asegúrese de que nadie se encuentre debajo.
8. No toque la cuchilla ni la pieza de trabajo inmediatamente después de realizar un corte; pueden estar extremadamente calientes y producir quemaduras en la piel.
9. Evite cortar cables eléctricos. Podría producirse un accidente grave debido a una descarga eléctrica.

## GUARDE ESTAS INSTRUCCIONES.

### ADVERTENCIA:

No deje que la comodidad o la familiaridad con el producto (a base de utilizarlo repetidamente) sustituya la estricta observancia de las normas de seguridad del producto en cuestión. El MAL USO o la no observancia de las normas de seguridad expuestas en este manual de instrucciones pueden ocasionar graves daños corporales.

## INSTRUCCIONES DE SEGURIDAD IMPORTANTES PARA EL CARTUCHO DE BATERÍA

ENC007-12

1. Antes de utilizar el cartucho de la batería, lea todas las instrucciones y referencias de precaución que se encuentran en (1) el cargador


de baterías, (2) la batería y (3) el producto que utiliza la batería.

2. No desmonte el cartucho de la batería.
3. Si el tiempo de funcionamiento es excesivamente corto, deje de utilizar la herramienta de inmediato. De lo contrario, existe el riesgo de sobrecalentamiento, quemaduras e incluso explosión.
4. Si se produce contacto ocular con electrolito, enjuáguese los ojos con agua limpia y acuda de urgencia al médico. Corre el riesgo de perder la visión.
5. No cortocircuite el cartucho de la batería:
  - (1) No toque los terminales con material conductor.
  - (2) Evite guardar el cartucho de la batería en un recipiente con otros objetos metálicos, como clavos, monedas, etc.
  - (3) No exponga el cartucho de la batería al agua o a la lluvia.

Un cortocircuito puede provocar un elevado flujo de corriente, sobrecalentamiento, quemaduras o incluso una avería.

6. No almacene la herramienta ni el cartucho de la batería en lugares donde la temperatura supere los 50 °C (122 °F).
7. No queme el cartucho de la batería aunque esté gravemente dañado o completamente gastado. El cartucho de la batería puede explotar si entra en contacto con fuego.
8. Procure que la batería no sufra golpes ni caídas.
9. No utilice una batería dañada.
10. Las baterías de litio-ion contenidas están sujetas a los requisitos de la Legislación para Materiales Peligrosos. Para transportes comerciales, p.ej., por terceras personas y agentes de transportes, se deberán observar requisitos especiales para el empaquetado y etiquetado. Para la preparación del artículo que se va a enviar, se requiere consultar con un experto en materiales peligrosos. Por favor, observe también la posibilidad de reglamentos nacionales más detallados. Cubra con cinta aislante o enmascare los contactos expuestos y empaquete la batería de tal manera que no se pueda mover alrededor dentro del embalaje.
11. Siga las normativas locales relativas al desecho de la batería.
12. Utilice las baterías solo con los productos especificados por Makita. La instalación de las baterías en productos no compatibles puede provocar un incendio, un calor excesivo, una explosión o fuga de electrolitos.

## GUARDE ESTAS INSTRUCCIONES.

 **PRECAUCIÓN:** Utilice solamente baterías genuinas de Makita.

La utilización de baterías no genuinas de Makita, o baterías que han sido alteradas, puede resultar en una explosión de la batería ocasionando incendios, heridas personales y daños. También anulará la garantía de Makita para la herramienta y el cargador de Makita.

## Consejos para conseguir una mayor duración de la batería

1. **Cargue la batería antes de que se descargue por completo.**  
Cuando observe que la herramienta tiene menos potencia, deje de utilizarla y cargue el cartucho de la batería.
2. **No recargue nunca un cartucho de batería completamente cargado.**  
La sobrecarga acorta la vida útil de la batería.
3. **Cargue el cartucho de la batería a una temperatura ambiente que oscile entre 10 °C y 40 °C (50 °F - 104 °F).** Antes de cargar un cartucho de batería caliente, deje que se enfríe.
4. **Cargue el cartucho de la batería si no lo ha utilizado durante un período prolongado (más de seis meses).**

## DESCRIPCIÓN DEL FUNCIONAMIENTO

### PRECAUCIÓN:

- Antes de ajustar o de comprobar la herramienta, asegúrese siempre de que está apagada y de que la batería ha sido extraída.

### Instalación o extracción del cartucho de la batería (Fig. 1)

#### ⚠ PRECAUCIÓN:

- Apague siempre la herramienta antes de instalar o extraer el cartucho de la batería.
- **Sujete la herramienta y el cartucho de la batería firmemente cuando instale o extraiga el cartucho de la batería.** Si no sujeta la herramienta y el cartucho de la batería firmemente, pueden resbalar de sus manos y pueden producirse daños en la herramienta o el cartucho de la batería, así como lesiones personales.

Para quitar el cartucho de la batería, mantenga pulsado el botón de la parte frontal del cartucho y retírelo.

Para instalar el cartucho de la batería, alinee la lengüeta situada en el cartucho de la batería con la ranura del alojamiento e insértela. Insértelo completamente hasta que quede firmemente encajado con un clic. Si puede ver el indicador rojo de la zona superior del botón, significa que el cartucho no está encajado completamente.

#### ⚠ PRECAUCIÓN:

- Instale siempre completamente el cartucho de la batería de forma que el indicador rojo quede oculto. De lo contrario, el cartucho puede desprenderse accidentalmente de la herramienta y causar lesiones al operario o a alguna persona que se encuentre cerca.
- No presione excesivamente el cartucho de la batería para instalarlo. Si el cartucho no entra con suavidad, significa que no lo está instalando correctamente.

### Sistema de protección de la batería

La herramienta está equipada con un sistema de protección de la batería. Este sistema corta automáticamente la alimentación al motor para ampliar la duración de la batería.

El funcionamiento de la herramienta se detendrá automáticamente si la herramienta y/o la batería están sometidas a las siguientes condiciones:

- **Sobrecarga:**  
La herramienta se utiliza de una forma que hace que consuma una cantidad anómalamente alta de corriente.  
En ese caso, apague la herramienta y detenga la aplicación que provocaba que la herramienta se sobrecargara. A continuación, encienda la herramienta para reanudar las operaciones.  
Si la herramienta no consigue ponerse en marcha, la batería se ha sobrecalentado. En tal caso, deje que la batería se enfríe antes de volver a encender la herramienta.
- **Tensión de la batería baja:**  
La capacidad restante de la batería es demasiado baja y la herramienta no funcionará. En ese caso, extraiga y recargue la batería.








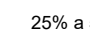

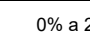

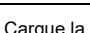


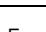
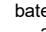


#### NOTA:

La protección contra el sobrecalentamiento solamente funciona con un cartucho de batería que tenga una marca de estrella. (Fig. 2)

### Indicación de la capacidad restante de la batería

**Solamente para cartuchos de batería con el indicador (Fig. 3)**

Pulse el botón de comprobación del cartucho de la batería para indicar la capacidad restante de la batería. Las luces indicadoras se encienden durante unos segundos.

Luces indicadoras			Capacidad restante
 Iluminada	 Apagado	 Parpadea	
			75% a 100%
			50% a 75%
			25% a 50%
			0% a 25%
			Cargue la batería.
 	 ↑  ↓	 	Es posible que la batería se haya averiado.

015658

#### NOTA:

- En función de las condiciones de uso y de la temperatura ambiente, la indicación puede diferir ligeramente de la capacidad real.



## Accionamiento del interruptor (Fig. 4)

### PRECAUCIÓN:

- Antes de insertar el cartucho de la batería en la herramienta, asegúrese siempre de que la palanca del interruptor funcione como es debido y que vuelva a la posición "OFF" (apagado) al ejercer presión sobre la parte posterior de la palanca del interruptor.
- El interruptor se puede bloquear en la posición "ON" (encendido) para mayor comodidad del operario durante un uso prolongado. Tenga cuidado cuando bloquee la herramienta en la posición "ON" (Encendido) y sujete la herramienta firmemente.

Para poner la herramienta en marcha, deslice la palanca del interruptor hasta la posición "I (Encendido)". Para un uso continuo, presione la parte delantera de la palanca del interruptor para bloquearla.

Para detener la herramienta, presione la parte posterior de la palanca del interruptor y, a continuación, deslícela hacia la posición "O (Apagado)".

## Luz indicadora multifunción (Fig. 5)

Las luces indicadoras se encuentran en dos posiciones.

### - Indicación de sustitución del cartucho de la batería

- Cuando la carga de la batería casi se haya agotado durante el uso, se encenderá la lámpara roja y la herramienta se detendrá inmediatamente. Sustituya la batería con una batería totalmente cargada cuando se encienda la lámpara roja.

### - Función de prevención de puesta en marcha accidental

- Aunque el cartucho de la batería se inserte en la herramienta con el interruptor deslizante en la posición "I (Encendido)", la herramienta no se pone en marcha. En ese momento, la luz parpadea lentamente, lo que indica que se ha activado la función de prevención de puesta en marcha accidental.
- Para poner en marcha la herramienta, primero debe deslizar el interruptor deslizante hasta la posición "O (Apagado)" y después debe deslizarlo hasta la posición "I (Encendido)".

## MONTAJE

### PRECAUCIÓN:

- Asegúrese siempre de apagar la herramienta y extraer el cartucho de la batería antes de intentar realizar cualquier tipo de operación en la herramienta.

## Ajuste de la holgura de la cuchilla

### Para el modelo DJS161

Ajuste la holgura entre la cuchilla lateral y la cuchilla central de acuerdo con el grosor de la pieza de trabajo.

### (Fig. 6)

Primero utilice una llave hexagonal para aflojar el tornillo.

### (Fig. 7)

A continuación, use la llave hexagonal para ajustar la holgura apretando o aflojando el perno. Puede haber una ligera diferencia entre la holgura de ambos lados de la cuchilla central.

Compruebe la holgura más pequeña con el calibre de espesores y ajústela.

Cuando use el calibre de espesores para ajustar la holgura de la cuchilla, consulte la tabla.

Espesor de la pieza de trabajo (mm)	Marca del calibre de espesores
Menos de 0,8	0,5
0,8 - 1,3	1,0
Más de 1,3	1,5

006428

Tras ajustar la holgura, apriete el tornillo firmemente.

## Almacenamiento de la llave hexagonal (Fig. 8)

Almacene la llave hexagonal tal y como se muestra en la figura cuando no la use.

## ACCIONAMIENTO

### Lubricación (Fig. 9)

Antes de utilizar la herramienta, lubrique el punto de contacto de la cuchilla central y el pasador. Para mantener un buen rendimiento de corte, use también un lubricante de corte periódicamente durante el uso.

### MANEJO (Fig. 10)

Encienda la herramienta y coloque los extremos delanteros de las cuchillas laterales en la pieza de trabajo. Ahora, sólo tiene que mover la herramienta hacia adelante manteniendo alineadas las cuchillas laterales con la superficie de la pieza de trabajo. (Fig. 11)

### PRECAUCIÓN:

- Cuando corte una parte pequeña de la pieza de trabajo, puede tener dificultades para completar el final del corte. En ese caso, vuelva a intentar el corte, tirando ligeramente hacia atrás de la pieza de trabajo.

## MANTENIMIENTO

### PRECAUCIÓN:

- Asegúrese de apagar siempre la herramienta y extraer el cartucho de la batería antes de intentar realizar cualquier trabajo de inspección o mantenimiento en ella.

### AVISO:

- Nunca utilice gasolina, benceno, disolvente, alcohol o un producto similar. Se puede provocar una decoloración, una deformación o grietas.

La herramienta y los orificios de ventilación deben mantenerse siempre limpios. Limpie los orificios de ventilación periódicamente o siempre que perciba cualquier obstrucción.

## Reemplazo de las escobillas de carbón (Fig. 12)

Extraiga y compruebe las escobillas de carbón regularmente. Cámbielas cuando el desgaste alcance la marca de límite. Mantenga las escobillas de carbón limpias y de forma que entren libremente en los portaescobillas. Ambas escobillas de carbón deberán ser sustituidas al mismo tiempo. Utilice únicamente escobillas de carbón idénticas.

Inserte el extremo superior del destornillador de punta plana en la muesca de la herramienta y extraiga la cubierta de la tapa del portaherramientas tirando hacia arriba de ella. (Fig. 13)

Utilice un destornillador para extraer las tapas de los portaescobillas. Saque las escobillas de carbón desgastadas, introduzca las nuevas y cierre las tapas de los portaescobillas. (Fig. 14)

Vuelva a colocar la tapa del portaherramientas en la herramienta.

## Sustitución de las cuchillas

La vida útil de las cuchillas varía dependiendo de la pieza de trabajo que se va a cortar. En las siguientes tablas de referencia se indica la vida útil aproximada de las cuchillas.

Cuando las cuchillas se desafilan, consulte con los centros de servicio autorizado de Makita para sustituir las cuchillas.

### Para el modelo DJS161

Material	Espesor de corte (mm)	Duración de las cuchillas (m)
Plancha de acero dulce (SPCC)	1,6	200
Plancha de acero inoxidable (SUS304)	1,2	150
Plancha de aluminio (A-5052)	2,5	400

010094

### Para el modelo DJS101

Material	Espesor de corte (mm)	Duración de las cuchillas (m)
Plancha de acero dulce (SPCC)	1,0	120
Plancha de acero inoxidable (SUS304)	0,7	50

010739

Para conservar la SEGURIDAD y la FIABILIDAD del producto, los trabajos de reparación y otros trabajos de mantenimiento y ajuste deberán ser realizados en centros de servicio autorizados de Makita, utilizando siempre repuestos Makita.

## ACCESORIOS OPCIONALES

### ⚠ PRECAUCIÓN:

- Se recomienda el uso de estos accesorios o complementos con la herramienta Makita especificada en este manual. El uso de otros accesorios o complementos puede conllevar el riesgo de ocasionar daños corporales. Utilice los accesorios o complementos solamente para su fin establecido.

Si necesita cualquier ayuda para obtener más información relativa a estos accesorios, pregunte a su centro de servicio Makita local.

- Calibre de espesores
- Cuchilla central
- Cuchilla lateral derecha (R)
- Cuchilla lateral izquierda (L)
- Llave hexagonal
- Batería y cargador originales de Makita

### NOTA:

- Algunos elementos de la lista se pueden incluir en el paquete de la herramienta como accesorios estándar. Pueden ser diferentes de un país a otro.

### Ruido

ENG905-1

Niveles típicos de ruido ponderado A determinados conforme a EN62841-2-8:

Nivel de presión de sonido ( $L_{pA}$ ): 74 dB (A)

Incertidumbre (K): 3 dB (A)

El nivel de ruido durante el trabajo puede superar los 80 dB (A).

ENG907-1

- El valor (o los valores) de emisión de ruido declarado ha sido medido de acuerdo con un método de prueba estándar y se puede utilizar para comparar una herramienta con otra.
- El valor (o valores) de emisión de ruido declarado también se puede utilizar en una valoración preliminar de exposición.

### ⚠ ADVERTENCIA:

- **Póngase protectores para oídos.**
- **La emisión de ruido durante la utilización real de la herramienta eléctrica puede variar del valor (o los valores) de emisión declarado dependiendo de las formas en las que la herramienta sea utilizada, especialmente qué tipo de pieza de trabajo se procesa.**
- **Asegúrese de identificar medidas de seguridad para proteger al operario que estén basadas en una estimación de la exposición en las condiciones reales de utilización (teniendo en cuenta todas las partes del ciclo operativo como las veces cuando la herramienta está apagada y cuando está funcionando en vacío además del tiempo de gatillo).**

### Vibración

ENG900-1

Valor total de la vibración (suma de vectores triaxiales) determinado según el estándar EN62841-2-8:

Modo de trabajo: corte de metal laminado

Emisión de vibraciones ( $a_{h1}$ ): 13,0 m/s<sup>2</sup>

Incertidumbre (K): 1,5 m/s<sup>2</sup>

ENG901-2

- El valor (o los valores) total de emisión de vibración declarado ha sido medido de acuerdo con un método de prueba estándar y se puede utilizar para comparar una herramienta con otra.
- El valor (o los valores) total de emisión de vibración declarado también se puede utilizar en una valoración preliminar de exposición.

### ⚠ ADVERTENCIA:

- **La emisión de vibración durante la utilización real de la herramienta eléctrica puede variar del valor (o los valores) de emisión declarado dependiendo de**

las formas en las que la herramienta sea utilizada, especialmente qué tipo de pieza de trabajo se procesa.

- **Asegúrese de identificar medidas de seguridad para proteger al operario que estén basadas en una estimación de la exposición en las condiciones reales de utilización (teniendo en cuenta todas las partes del ciclo operativo como las veces cuando la herramienta está apagada y cuando está funcionando en vacío además del tiempo de gatillo).**

#### **Declaraciones de conformidad**

##### ***Para países europeos solamente***

Las declaraciones de conformidad están incluidas como Anexo A de este manual de instrucciones.

# PORTUGUÊS (Instruções de origem)

## Descrição geral

- |                            |   |                           |
|----------------------------|---|---------------------------|
| 1. Botão                   | 9. Chave sextavada                          | 16. Pino                  |
| 2. Indicador vermelho      | 10. Parafuso                                | 17. Marca limite          |
| 3. Bateria                 | 11. Lâmina central                          | 18. Tapa do porta-escovas |
| 4. Marca de estrela        | 12. Manómetro de espessura                  | 19. Entalhe               |
| 5. Lâmpadas indicadoras    | 13. Lâmina lateral                          | 20. Chave de parafusos    |
| 6. Botão de verificação    | 14. Parafuso de cabeça cilíndrica sextavado | 21. Tapa do porta-escovas |
| 7. Alavanca do interruptor |   |                           |
| 8. Luz indicadora          | 15. Fornecimento de óleo                    |                           |

## ESPECIFICAÇÕES

Modelo	DJS161	DJS101	
Capacidades máximas de corte	Aço até 400 N/mm <sup>2</sup>	1,6 mm (16 ga.)	1,0 mm (20 ga.)
	Aço até 600 N/mm <sup>2</sup>	1,2 mm (18 ga.)	0,7 mm (23 ga.)
	Alumínio até 200 N/mm <sup>2</sup>	2,5 mm (13 ga.)	2,5 mm (12 ga.)
Raio mínimo de corte	250 mm	30 mm	
Cortes por minuto (min <sup>-1</sup> )	4.300	4.300	
Comprimento total	362 mm	364 mm	
Peso líquido	1,8 - 2,2 kg		
Voltagem nominal	D.C. 18V		

- Devido à pesquisa e desenvolvimento constantes, estas especificações estão sujeitas a alteração sem aviso prévio.
- Estas especificações podem diferir de país para país.
- O peso pode variar dependendo do(s) acessório(s), incluindo a bateria. A combinação mais leve e a mais pesada, de acordo com o procedimento EPTA 01/2014, são apresentadas na tabela.

## Bateria e carregador aplicáveis

Bateria	BL1815N/BL1820/BL1820B/BL1830/BL1830B/BL1840/BL1840B/BL1850/BL1850B/BL1860B
Carregador	DC18RC/DC18RD/DC18RE/DC18SD/DC18SE/DC18SF

- Algumas baterias e carregadores indicados acima podem não estar disponíveis consoante a região de residência.

### AVISO:

- **Utilize apenas os tipos de bateria e carregador indicados acima.** A utilização de qualquer outra bateria ou carregador pode criar um risco de ferimentos e/ou incêndios.

### Símbolos

ENE004-7

Descrição dos símbolos utilizados no equipamento.

Certifique-se de que compreende o seu significado, antes da utilização.

### Utilização prevista

ENE037-1

A ferramenta destina-se a cortar chapa em aço e chapa em aço inoxidável.




..... Ler o manual de instruções.



..... Apenas para países da UE  
Não deite equipamentos eléctricos ou a bateria no lixo doméstico!  
De acordo com as directivas europeias sobre ferramentas eléctricas e electrónicas usadas e baterias, acumuladores e baterias usadas e a sua aplicação para as leis nacionais, as ferramentas eléctricas, as baterias e conjuntos usados devem ser recolhidos em separado e encaminhados a uma instalação de reciclagem dos materiais ecológicos.

## Avisos gerais de segurança para ferramentas eléctricas

GEA010-2

 **AVISO: Leia todos os avisos de segurança, instruções, ilustrações e especificações fornecidos com esta ferramenta eléctrica.** O não cumprimento de todas as instruções indicadas em baixo pode resultar em choque eléctrico, incêndio e/ou ferimentos graves.

## Guarde todos os avisos e instruções para futuras referências.

O termo "ferramenta eléctrica" nos avisos refere-se às ferramentas eléctricas ligadas à corrente eléctrica (com

cabo) ou às ferramentas eléctricas operadas por meio de bateria (sem cabo).

## AVISOS DE SEGURANÇA PARA O CISCALHADOR SEM FIOS

GEB067-1

1. **Segure bem na ferramenta.**
2. **Fixe bem a peça de trabalho.**
3. **Afaste as mãos das peças em movimento.**
4. **As extremidades e os fragmentos da peça de trabalho são afiados. Use luvas. É também recomendado que use calçado com sola grossa para prevenir ferimentos.**
5. **Não coloque a ferramenta nos fragmentos da peça de trabalho. Tal pode causar danos na ferramenta.**
6. **Não abandone a ferramenta a funcionar. Ponha-a a funcionar apenas quando estiver a segurá-la.**
7. **Procure uma posição em pé estável e firme. Se utilizar a ferramenta em locais altos, verifique se não há ninguém por baixo.**
8. **Não toque numa lâmina ou no material em que tiver estado a trabalhar logo após a operação porque podem estar demasiado quentes.**
9. **Evite cortar fios eléctricos. Pode causar um acidente sério através de choque eléctrico.**

## GUARDE ESTAS INSTRUÇÕES.

### AVISO:

**NÃO** deixe que o conforto ou a familiaridade com o produto (adquirida de uma utilização frequente) substitua o respeito total pelas regras de segurança para utilização do produto. A UTILIZAÇÃO INCORRECTA ou o não cumprimento das regras de segurança fornecidas neste manual de instruções podem provocar ferimentos graves.

## INSTRUÇÕES DE SEGURANÇA IMPORTANTES PARA A BATERIA

ENC007-12

1. **Antes de utilizar a bateria, leias as instruções e chamadas de atenção sobre: (1) o carregador da bateria, (2) a bateria e (3) o produto que utiliza a bateria.**
2. **Não desmonte a bateria.**
3. **Se o tempo de utilização com a bateria se tornar demasiado curto, deve parar imediatamente. Se continuar, pode causar sobreaquecimento, incêndio e mesmo explosão.**
4. **Se o electrólito entrar em contacto com os olhos, enxágue-os com água limpa e consulte imediatamente um médico. Os riscos incluem perda de visão.**
5. **Não provoque um curto-circuito na bateria:**
  - (1) **Não deixe que quaisquer materiais condutores entrem em contacto com os terminais da bateria.**
  - (2) **Evite guardar a bateria juntamente com outros objectos de metal como pregos, moedas, etc.**
  - (3) **Não exponha a bateria a água ou chuva.**

**Um curto-circuito na bateria pode criar uma grande carga eléctrica, sobreaquecimento, possíveis queimaduras e mesmo uma avaria.**

6. **Não guarde a ferramenta e a bateria em locais onde a temperatura possa atingir ou exceder 50°C (122°F).**
7. **Não incinere a bateria, nem mesmo se esta estiver irremediavelmente danificada ou completamente gasta. Pode explodir num incêndio.**
8. **Não a deixe cair e evite o choque com outros objectos.**
9. **Não utilize uma bateria danificada.**
10. **As baterias de íões de lítio contidas na ferramenta são sujeitas aos requisitos da DGL (Dangerous Goods Legislation - Legislação de bens perigosos).**

Para o transporte comercial, por exemplo, por terceiros ou agentes de expedição, têm de ser observados os requisitos referentes à embalagem e etiquetagem.

Para preparação do artigo a ser expedido, é necessário consultar um perito em materiais perigosos. Tenha ainda em conta a possibilidade de existirem regulamentos nacionais mais detalhados. Coloque fita-cola ou tape os contactos abertos e embale a bateria de tal forma que não possa mover-se dentro da embalagem.
11. **Siga os regulamentos locais relacionados com a eliminação da bateria.**
12. **Use as baterias apenas com os produtos especificados pela Makita.** A instalação de baterias em produtos que não estão em conformidade pode resultar num incêndio, calor excessivo, explosão ou fuga de electrólito.

## GUARDE ESTAS INSTRUÇÕES.

**⚠ PRECAUÇÃO:** Utilize apenas baterias genuínas da Makita.

A utilização de baterias não genuínas da Makita ou de baterias que foram alteradas, pode resultar no rebentamento da bateria provocando incêndios, ferimentos pessoais e danos. Além disso, anulará da garantia da Makita no que se refere à ferramenta e ao carregador Makita.

## Sugestões para o máximo de tempo de vida da bateria

1. **Não espere que a bateria se gaste completamente para voltar a carregá-la. Pare a ferramenta e carregue a bateria sempre que detectar um baixo nível de energia.**
2. **Nunca volte a carregar uma bateria já completamente carregada. O carregamento excessivo diminui o tempo de vida das baterias.**
3. **Carregue a bateria em locais onde a temperatura se situe entre 10°C e 40°C (50°F - 104°F). Se a bateria estiver quente, deixe-a arrefecer antes de iniciar o carregamento.**
4. **Carregue a bateria em caso de inatividade durante um longo período de tempo (mais de seis meses).**

# DESCRIÇÃO DO FUNCIONAMENTO

## PRECAUÇÃO:

- Certifique-se sempre de que a ferramenta está desligada e que a bateria foi removida antes de proceder a ajustes ou testar acessórios.

## Inserir ou retirar a bateria (Fig. 1)

### ⚠ PRECAUÇÃO:

- Desligue sempre a ferramenta antes de instalar ou retirar a bateria.
- **Segure bem a ferramenta e a bateria quando instalar ou retirar a bateria.** Se não segurar bem a ferramenta e a bateria, pode fazer com que caiam das mãos e provoquem danos na ferramenta e na bateria e ferimentos pessoais.

Para retirar a bateria, mantenha premido o botão na frente da bateria e puxe.

Para colocar a bateria, alinhe a respectiva saliência com a calha do compartimento e encaixe-a suavemente. Insira-a completamente até fixar em posição com um clique. Se ainda estiver visível o indicador vermelho na parte superior do botão, não estará bem encaixado.

### ⚠ PRECAUÇÃO:

- Instale sempre a bateria completamente, até deixar de ver o indicador vermelho. Caso contrário, pode cair da ferramenta e causar ferimentos em si, ou em alguém que esteja perto de si.
- Não instale a bateria forçosamente. Se não encaixar facilmente é porque não está correctamente posicionada.

## Sistema de protecção da bateria

A ferramenta está equipada com um sistema de protecção da bateria. Este sistema corta automaticamente a alimentação para prolongar a vida útil da bateria.

A ferramenta pára automaticamente durante o funcionamento quando a ferramenta e/ou bateria são colocadas numa das condições seguintes:

- Sobrecarregada:
  - A ferramenta é utilizada de tal forma que atrai uma corrente invulgarmente alta.
  - Nesta situação, desligue a ferramenta e pare a aplicação que causou a sobrecarga. De seguida, ligue a ferramenta para reiniciar.
  - Se a ferramenta não ligar, a bateria está sobreaquecida. Nesta situação, deixe a bateria arrefecer antes de voltar a ligar a ferramenta.
- Tensão baixa da bateria:
  - A carga restante da bateria é demasiado baixa e a ferramenta não funciona. Nesta situação, retire e recarregue a bateria.











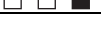
### NOTA:

A protecção contra o sobreaquecimento apenas funciona com uma bateria com uma marca de estrela. (Fig. 2)

## Indicar a carga restante da bateria

### Apenas para baterias com o indicador (Fig. 3)

Prima o botão de verificação na bateria para indicar a carga restante da bateria. As lâmpadas indicadoras acendem-se durante alguns segundos.

Lâmpadas indicadoras			Carga restante
 Acesa	 Apagada	 Intermitente	
			75% a 100%
			50% a 75%
			25% a 50%
			0% a 25%
			Carregue a bateria.
			A bateria pode ter avariado.

015658

### NOTA:

- Consoante as condições de utilização e a temperatura ambiente, a indicação pode ser ligeiramente diferente da carga real.

## Acção do interruptor (Fig. 4)

### PRECAUÇÃO:

- Antes de inserir a bateria na ferramenta, verifique sempre se a alavanca de interruptor está a funcionar correctamente e se volta à posição "OFF" (desligada) quando é premida a parte de trás da alavanca de interruptor.
- O interruptor pode ser bloqueado na posição "ON" para um maior conforto do operador durante uma utilização prolongada. Tenha cuidado quando bloquear a ferramenta na posição "ON" e segure bem a ferramenta.

Para ligar a ferramenta, mova a alavanca de interruptor para a posição "I" (ligada). Para uma utilização contínua, prima a parte da frente da alavanca de interruptor para o bloquear.

Para desligar a ferramenta, prima a parte de trás da alavanca de interruptor, depois mova-o para a posição "O" (desligada).

## Luz indicadora com várias funções (Fig. 5)

As luzes indicadoras estão localizadas em duas posições.

- **Sinal de substituição da bateria**
  - Quando a carga da bateria está quase esgotada durante o funcionamento, a luz vermelha acende-se e a ferramenta pára imediatamente. Substitua a bateria por uma completamente carregada quando a luz vermelha se acende.
- **Função preventiva de arranque accidental**
  - Mesmo que a bateria esteja colocada na ferramenta com o interruptor deslizante na posição "I" (ligada), a ferramenta não liga. Nesta altura, a luz pisca lentamente, o que é indicativo de que a função

preventiva de arranque acidental se encontra activada.

- Para ligar a ferramenta, mova o interruptor deslizante para a posição "O" (desligada) uma vez e, depois, para a posição "I" (ligada).

## MONTAGEM

### PRECAUÇÃO:

- Certifique-se sempre de que a ferramenta está desligada e a bateria removida, antes de efectuar qualquer operação na ferramenta.

### Ajustar a folga da lâmina

#### Para o Modelo DJS161

Ajuste a folga entre a lâmina lateral e a lâmina central de acordo com a espessura da peça de trabalho. (Fig. 6)

Utilize primeiro uma chave sextavada para desapertar o parafuso. (Fig. 7)

De seguida, utilize a chave sextavada para ajustar a folga apertando ou desapertando o parafuso. Pode haver uma ligeira diferença entre a folga de ambos os lados da lâmina central.

Verifique a folga mais pequena com o manómetro de espessura e ajuste-a.

Quando utilizar o manómetro de espessura para ajustar a folga da lâmina, consulte a tabela.

Espessura da peça de trabalho (mm)	Marca no manómetro de espessura
Inferior a 0,8	0,5
0,8 - 1,3	1,0
Superior a 1,3	1,5

006428

Após ajustar a folga, aperte bem o parafuso.

### Armazenar a chave sextavada (Fig. 8)

Armazene a chave sextavada como mostrado na imagem quando não a utilizar.

## FUNCIONAMENTO

### Lubrificação (Fig. 9)

Antes do funcionamento, lubrifique o ponto de contacto da lâmina central com o pino. Para manter um bom desempenho de corte, utilize também um lubrificante de corte periodicamente durante o funcionamento.

### FUNCIONAMENTO (Fig. 10)

Ligue a ferramenta e coloque as extremidades dianteiras das lâminas laterais na peça de trabalho. Agora mova simplesmente a ferramenta para a frente mantendo as lâminas laterais niveladas com a superfície da peça de trabalho. (Fig. 11)

### PRECAUÇÃO:

- Quando cortar uma pequena porção da peça de trabalho, pode ter dificuldade em concluir o corte. Nesse caso, tente cortar novamente, recuando ligeiramente a peça de trabalho.

## MANUTENÇÃO

### PRECAUÇÃO:

- Certifique-se sempre de que a ferramenta está desligada e a bateria removida antes de efectuar operações de inspecção ou de manutenção.

### AVISO:

- Nunca utilize gasolina, benzina, diluente, álcool ou semelhante. Podem formar-se descolorações, deformações ou fissuras.

A ferramenta e as respectivas aberturas de ventilação devem ser mantidas limpas. Limpe regularmente as aberturas de ventilação da ferramenta ou sempre que estas fiquem obstruídas.

### Substituir as escovas de carvão (Fig. 12)

Remova e verifique regularmente as escovas de carvão.

Substitua-as quando o desgaste atingir a marca limite. Mantenha-as limpas para poderem deslizar no porta-escovas. Substitua as duas ao mesmo tempo. Utilize unicamente escovas de carvão idênticas.

Insira a ponta de uma chave de parafusos fendada no entalhe da ferramenta e retire a cobertura da tampa do porta-escovas, levantando-a. (Fig. 13)

Utilize uma chave de parafusos para remover as tampas do porta-escovas. Retire as escovas usadas, coloque umas novas e fixe as tampas do porta-escovas. (Fig. 14) Volte a instalar a cobertura da tampa do porta-escovas na ferramenta.

### Substituir lâminas

A vida útil das lâminas varia dependendo da peça de trabalho a cortar. As tabelas de referência seguintes indicam a vida útil aproximada das lâminas.

Quando as lâminas ficarem opacas, contacte os centros de assistência Makita autorizados para substituírem as lâminas.

#### Para o Modelo DJS161

Material	Espessura de corte (mm)	Vida útil das lâminas (m)
Chapa de aço macio (SPCC)	1,6	200
Chapa de aço inoxidável (SUS304)	1,2	150
Chapa de alumínio (A-5052)	2,5	400

010094

#### Para o Modelo DJS101

Material	Espessura de corte (mm)	Vida útil das lâminas (m)
Chapa de aço macio (SPCC)	1,0	120
Chapa de aço inoxidável (SUS304)	0,7	50

010739

Para manter os níveis de SEGURANÇA e FIABILIDADE definidos para este produto, as reparações e os procedimentos de manutenção ou ajustes devem ser executados por centros de assistência Makita autorizados, utilizando sempre peças de substituição Makita.

## ACESSÓRIOS OPCIONAIS

### PRECAUÇÃO:

- Os seguintes acessórios ou extensões são os recomendados para utilizar com a ferramenta Makita especificada neste manual. A utilização de quaisquer outros acessórios poderá representar um risco de ferimento para as pessoas. Apenas utilize o acessório para o fim indicado.

Se precisar de informações adicionais relativas aos acessórios, contacte o centro local de assistência Makita.

- Manómetro de espessura
- Lâmina central
- Lâmina lateral D
- Lâmina lateral E
- Chave sextavada
- Bateria e carregador genuínos da Makita

### NOTA:

- Alguns itens na lista podem estar incluídos no pacote de ferramentas como acessórios de série. Podem diferir de país para país.

### Ruído

ENG905-1

Os níveis acústicos ponderados A típicos foram determinados segundo a EN62841-2-8:

Nível de pressão sonora ( $L_{pA}$ ): 74 dB (A)

Incerteza (K): 3 dB (A)

O nível de ruído quando em funcionamento pode exceder os 80 dB (A).

ENG907-1

- O(s) valor(es) da emissão de ruído indicado(s) foi medido de acordo com um método de teste padrão e pode ser utilizado para comparar duas ferramentas.
- O(s) valor(es) da emissão de ruído indicado(s) pode também ser utilizado na avaliação preliminar da exposição.

### AVISO:

- Utilize protetores auriculares.
- A emissão de ruído durante a utilização real da ferramenta elétrica pode diferir do(s) valor(es) indicado(s), dependendo das formas como a ferramenta é utilizada, especialmente o tipo de peça de trabalho que é processada.
- Certifique-se de identificar as medidas de segurança para proteção do operador que sejam baseadas em uma estimativa de exposição em condições reais de utilização (considerando todas as partes do ciclo de operação, tal como quando a ferramenta está desligada e quando está a funcionar em marcha lenta além do tempo de acionamento).

### Vibração

ENG900-1

O valor total da vibração (soma triaxial de vectores) foi determinado segundo a EN62841-2-8:

Modo de trabalho: cortar chapa metálica

Emissão de vibração ( $a_{h1}$ ): 13,0 m/s<sup>2</sup>

Incerteza (K): 1,5 m/s<sup>2</sup>

ENG901-2

- O(s) valor(es) total(ais) de vibração indicado(s) foi medido de acordo com um método de teste padrão e pode ser utilizado para comparar duas ferramentas.
- O(s) valor(es) total(ais) de vibração indicado(s) pode também ser utilizado na avaliação preliminar da exposição.

### AVISO:

- A emissão de vibração durante a utilização real da ferramenta elétrica pode diferir do(s) valor(es) indicado(s), dependendo das formas como a ferramenta é utilizada, especialmente o tipo de peça de trabalho que é processada.
- Certifique-se de identificar as medidas de segurança para proteção do operador que sejam baseadas em uma estimativa de exposição em condições reais de utilização (considerando todas as partes do ciclo de operação, tal como quando a ferramenta está desligada e quando está a funcionar em marcha lenta além do tempo de acionamento).

### Declarações de conformidade

#### ***Apenas para os países europeus***

As Declarações de conformidade estão incluídas no Anexo A deste manual de instruções.



## DANSK (Originalvejledning)

### Forklaring til generel oversigt

1. Knap	8. Indikatorlampe	15. Olietilførsel
2. Rød indikator	9. Unbrakonøgle	16. Stift
3. Batteripakke	10. Skrue	17. Slidgrænse
4. Stjernemærkning	11. Centerkniv	18. Dækplade
5. Indikatorlamper	12. Tykkelseslære	19. Indhak
6. Kontrolknap	13. Sidekniv	20. Skruetrækker
7. Kontakt	14. Sekskantet hovedbolt	21. Kulholderdæksel

## SPECIFIKATIONER

Model		DJS161	DJS101
Maksimal skærekapacitet	Stål op til 400 N/mm <sup>2</sup>	1,6 mm (16 ga.)	1,0 mm (20 ga.)
	Stål op til 600 N/mm <sup>2</sup>	1,2 mm (18 ga.)	0,7 mm (23 ga.)
	Aluminium op til 200 N/mm <sup>2</sup>	2,5 mm (13 ga.)	2,5 mm (12 ga.)
Minimum skæreradius		250 mm	30 mm
Klip pr. minut (min <sup>-1</sup> )		4.300	4.300
Længde i alt		362 mm	364 mm
Nettovægt		1,8 - 2,2 kg	
Nominel spænding		18 V DC	

- På grund af vores løbende forsknings- og udviklingsprogram kan specifikationerne heri ændres uden forudgående varsel.
- Specifikationerne kan variere fra land til land.
- Vægten kan muligvis afvige afhængigt af tilbehøret, inklusive batteripakken. Den letteste og tungeste kombination, ifølge EPTA-procedure 01/2014, er vist i tabellen.

## Anvendelig batteripakke og oplader

Batteripakke	BL1815N/BL1820/BL1820B/BL1830/BL1830B/BL1840/BL1840B/BL1850/BL1850B/BL1860B
Oplader	DC18RC/DC18RD/DC18RE/DC18SD/DC18SE/DC18SF

- Nogle af de ovennævnte batteripakker og opladere er muligvis ikke til rådighed, afhængigt af den region du bor i.

### ⚠ ADVARSEL:

- **Brug kun de ovennævnte batteripakker og opladere.** Brug af nogen andre batteripakker og opladere kan muligvis forårsage personskade og/eller brand.

### Symboler

Følgende viser de symboler, der benyttes til udstyret. Vær sikker på, at du forstår deres betydning, før du bruger værktøjet.



..... Læs brugsanvisningen.



..... Kun for EU-lande

Elektrisk udstyr eller batteripakke må ikke bortskaffes sammen med almindeligt affald!

I henhold til det europæiske direktiv om bortskaffelse af elektriske og elektroniske produkter og om batterier og akkumulatører og bortskaffelse af batterier og akkumulatører og deres implementering under gældende national lovgivning skal brugt elektrisk udstyr, batterier og batteripakke(r), der har udtjent deres levetid, indsamles separat

og returneres til miljøgodkendt genindvinding.

### Tilsløbet brug

Værktøjet er beregnet til skæring af stålplader og rustfri stålplader.

ENE037-1

## Almindelige sikkerhedsregler for el-værktøj

GEA010-2

⚠ **ADVARSEL: Læs alle de sikkerhedsadvarsler, instruktioner, illustrationer og specifikationer, der følger med denne maskine.** Forsømmelse af at overholde alle nedenstående instruktioner kan medføre elektrisk stød, brand og/eller alvorlig personskade.

**Gem alle advarsler og instruktioner til fremtidig reference.**

Ordet "el-værktøj" i advarslerne henviser til det netforsynede (netledning) el-værktøj eller batteriforsynede (akku) el-værktøj.

## SIKKERHEDSADVARSLER FOR BATTERIDREVEN PLADESAKS

GEB067-1

1. Hold godt fast i værktøjet.
2. Spænd arbejdsområdet godt fast.
3. Hold hænderne på afstand af bevægelige dele.
4. Kanter og spåner fra arbejdsområdet er skarpe. Bær handsker. Det anbefales også, at du anvender sko med tykke såler for at undgå tilskadekomst.
5. Placer ikke værktøjet oven på spånerne fra arbejdsområdet. De kan forårsage skader på og problemer med værktøjet.
6. Gå ikke fra værktøjet, mens det kører. Lad kun værktøjet køre, mens du holder det i hænderne.
7. Sørg altid for at have et solidt fodfæste. Sørg for, at der ikke er nogen under dig, når du benytter værktøjet på højtliggende steder.
8. Rør ikke kniven eller arbejdsområdet umiddelbart efter brugen. De kan være meget varme og forårsage forbrændinger af huden.
9. Skær ikke i elektriske ledninger. Det kan forårsage alvorlige uheld pga. elektrisk stød.

## GEM DISSE INSTRUKTIONER.

### ADVARSEL:

LAD IKKE tryghed eller kendskab til produktet (fra gentagen brug) føre til, at du ikke strengt overholder sikkerhedsreglerne for det gældende produkt. MISBRUG eller manglende overholdelse af sikkerhedsreglerne i denne brugsanvisning kan medføre alvorlig personskade.

## VIGTIGE SIKKERHEDSINSTRUKTIONER FOR AKKUEN

ENC007-12

1. Før brugen af batteripakken skal du læse alle instruktioner og advarsler på (1) batteriopladeren, (2) batteriet og (3) det produkt, som batteriet anvendes i.
2. Skil ikke batteripakken ad.
3. Hvis driftstiden bliver betydeligt kortere, skal du straks ophøre med brugen. Brug kan medføre risiko for overophedning, risiko for forbrændinger eller endog eksplosion.
4. Hvis du får elektrolyt i øjnene, skal du med det samme rense øjnene med rent vand og søge læge. Dette kan medføre tab af synet.
5. Kortslut ikke batteripakken:
  - (1) Undgå at røre ved terminalerne med ledende materiale.
  - (2) Undgå at opbevare batteripakken i en beholder med andre metalgenstande som f.eks. søm, mønter osv.
  - (3) Udsæt ikke batteripakken for vand eller regn.

Hvis batteriet kortsluttes, kan det medføre voldsom strøm, overophedning, mulige forbrændinger og endog nedbrud.

6. Undgå at opbevare værktøjet og batteripakken på steder, hvor temperaturen kan komme op på eller overstige 50°C.
7. Sæt ikke ild til batteripakken, selvom den er alvorligt beskadiget eller helt udtjent. Batteripakken kan eksplodere ved brand.
8. Undgå at tabe eller slå på batteriet.
9. Undlad brug af et beskadiget batteri.
10. De indbyggede litium-ion-batterier er underlagt lovkrav vedrørende farligt gods.

Ved kommerciel transport, f.eks. af tredjeparts transportselskaber, skal særlige krav til forpakning og mærkning overholdes.

Ved forberedelse af udstyret til forsendelse skal du kontakte en ekspert i farligt gods. Overhold også eventuel mere detaljeret national lovgivning.

Tape eller tildæk åbne kontakter, og pak batteriet på en måde, så det ikke kan flytte sig rundt i pakningen.
11. Følg de lokale bestemmelser med hensyn til bortskaffelse af batteri.
12. Brug kun batterierne med de produkter, som er specificeret af Makita. Monteres batterierne i produkter, som ikke er kompatible, kan det muligvis resultere i brand, kraftig varmeudvikling, eksplosion eller lækage af elektrolyt.

## GEM DISSE INSTRUKTIONER.



**FORSIGTIG: Brug kun originale batterier fra Makita.**

Brug af uoriginale Makita-batterier, eller batterier som er blevet ændret, kan muligvis medføre brud på batteriet, hvilket kan forårsage brand, personskade eller beskadigelse. Det ugyldiggør også Makita-garantien for Makita-maskinen og opladeren.

## Tips til, hvordan du forlænger batteriets levetid

1. Oplad batteripakken, før den bliver helt afladet. Ophør med at bruge værktøjet, og udskift batteripakken, hvis strømmen til værktøjet aftager.
2. Oplad aldrig en fuldt opladet batteripakke. Overopladning forkorter batteriets levetid.
3. Oplad batteripakken ved stuetemperatur på 10°C - 40°C. Lad batteripakken køle ned før den oplades, hvis den er varm.
4. Oplad batteripakken, hvis du ikke skal anvende den i en længere periode (mere end seks måneder).

## FUNKTIONSBESKRIVELSE

### FORSIGTIG:

- Sørg altid for, at værktøjet er slukket, og at batteripakken er taget ud, før du justerer værktøjet eller kontrollerer dets funktion.

## Montering eller afmontering af batteripakken (Fig. 1)

### ⚠ FORSIGTIG:

- Sluk altid for værktøjet inden montering eller afmontering af batteripakken.
- **Hold godt fast i værktøjet og batteripakken, når du monterer eller afmonterer batteripakken.** Hvis maskinen og batteripakken ikke holdes ordentligt fast, kan de glide ud af hænderne og resultere i skader på maskinen og batteripakken samt personskaade.

Afmonter batteripakken ved at holde ned på knappen foran på batteripakken og skubbe den af værktøjet. Ved montering af batteripakken justeres tungen på batteripakken med rillen i huset, hvorefter pakken skubbes på plads. Sæt den hele vejen ind, indtil den låses på plads med et lille klik. Hvis den røde indikator øverst på knappen er synlig, er batteripakken ikke låst helt fast.

### ⚠ FORSIGTIG:

- Sæt altid batteripakken helt ind, indtil den røde indikator ikke længere er synlig. Ellers kan den falde ud af værktøjet og skade dig eller andre personer i nærheden.
- Anvend ikke kræfter ved monteringen af batteripakken. Hvis den ikke glider let ind, er den ikke indsat korrekt.

## Batteribeskyttelsessystem

Værktøjet er udstyret med et beskyttelsessystem. Dette system slukker automatisk for strømmen til motoren for at forlænge batterilevetiden.

Værktøjet stopper automatisk under anvendelsen, hvis værktøjet og/eller batteriet udsættes for en af de følgende situationer:

- **Overbelastning:**  
Værktøjet anvendes på en sådan måde, at det får det til at bruge unormalt meget strøm.  
I denne situation skal du slukke for værktøjet og stoppe den anvendelse, som gjorde værktøjet overbelastet. Tænd derefter for værktøjet for at starte igen.  
Hvis værktøjet ikke starter, er batteriet overbelastet. I denne situation skal du lade batteriet køle af, inden du tænder for værktøjet igen.
- **Lav batterispænding:**  
Den resterende batterikapacitet er for lav, og værktøjet kan ikke køre. I denne situation skal du afmontere og oplade batteriet.

### BEMÆRK:

Overophedningsbeskyttelsen fungerer kun med en batteripakke med en stjernemærkning. (Fig. 2)

## Angivelse af den resterende batterikapacitet

### Kun til batteripakker med indikatoren (Fig. 3)

Tryk på kontrolknappen på batteripakken for at få angivet den resterende batterikapacitet. Indikatorlamperne lyser i nogle få sekunder.

Indikatorlamper			Resterende kapacitet
Tændt	Slukket	Blinker	
■	□	▬	75% til 100%
■	■	■	
■	■	□	50% til 75%
■	■	□	
■	□	□	25% til 50%
■	□	□	
▬	□	□	0% til 25%
▬	□	□	
▬	□	□	Oplad batteriet.
▬	□	□	
■	■	□	Der opstod muligvis funktionsfejl på batteriet.
□	□	■	

015658

### BEMÆRK:

- Afhængigt af anvendelsesforholdene og den omgivende temperatur, kan angivelsen muligvis afvige en smule fra den egentlige kapacitet.

## Betjening af kontakt (Fig. 4)

### FORSIGTIG:

- Før batteripakken sættes i værktøjet, skal du altid kontrollere, at kontakten reagerer korrekt og vender tilbage i stillingen "OFF", når der trykkes bag på kontakten.
  - Kontakten kan låses i "ON"-positionen for at gøre det nemmere for brugeren ved længere tids brug af maskinen. Vær forsigtig når du låser maskinen i "ON"-stillingen og hold godt fast på maskinen.
- For at starte værktøjet skal du skubbe kontakten til stillingen "I (ON)". For kontinuerlig betjening skal du trykke foran på kontakten for at låse den fast.  
Når du vil stoppe værktøjet, skal du trykke bag på kontakten og derefter trykke den mod stillingen "O (OFF)".

## Indikatorlampe med multifunktion (Fig. 5)

Indikatorlamperne er placeret to steder.

- **Signal for udskiftning af batteripakke**
  - Når strømmen på batteriet er ved at være opbrugt under arbejdet, lyser den røde lampe, og værktøjet stopper øjeblikkeligt. Udskift batteriet med et fuldt opladet batteri, når den røde lampe lyser.
- **Funktion til forhindring af genstart ved et uheld**
  - Værktøjet starter ikke, hvis batteripakken indsættes i værktøjet med glidekontakten i stillingen "I (ON)". I så fald blinker lampen langsomt. Dette viser, at funktionen til forhindring af genstart ved et uheld er aktiveret.
  - For at starte værktøjet skal du først skubbe glidekontakten til stillingen "O (OFF)" og derefter til stillingen "I (ON)".

# MONTERING

## FORSIGTIG:

- Sørg altid for, at værktøjet er slukket, og at batteripakken er taget ud, før du udfører nogen form for arbejde på værktøjet.

## Justering af knivfrigang

### For Model DJS161

Juster frigangen mellem sidekniven og centerkniven i forhold til tykkelsen af arbejdsemnet. (Fig. 6)

Brug først en unbrakonøgle til at løsne skruen. (Fig. 7)

Brug derefter unbrakonøglen til at justere frigangen ved stramme eller løsne bolten. Der kan forekomme en lille forskel mellem frigangen på begge sider af centerkniven. Kontrollér den mindre frigang med tykkelseslæren og juster derefter.

Når tykkelseslæren anvendes til at justere knivfrigangen, refereres til tabellen herunder.

Arbejdsemnets tykkelse (mm)	Mærke på tykkelseslæren
Mindre end 0,8	0,5
0,8 - 1,3	1,0
Mere end 1,3	1,5

006428

Efter justering af frigangen spændes skruen godt fast.

## Opbevaring af unbrakonøgle (Fig. 8)

Opbevar unbrakonøglen som vist på figuren, når den ikke bruges.

# BETJENING

## Smøring (Fig. 9)

Inden brug smøres kontaktpunktet mellem centerkniven og stiften. For at opnå et godt snit skal der også anvendes en skærevæske af og til under brugen.

## BETJENING (Fig. 10)

Tænd for værktøjet og anbring det forreste af sideknivene på arbejdsemnet. Før nu blot værktøjet fremad, idet sideknivene holdes i plan med arbejdsemnet. (Fig. 11)

## FORSIGTIG:

- Når der kun skæres en lille del af arbejdsemnet, kan det være svært at fuldende slutningen på snittet. Prøv i så fald at skære igen, idet arbejdsemnet trækkes en smule bagud.

# VEDLIGEHODELSE

## FORSIGTIG:

- Sørg altid for, at værktøjet er slukket, og at batteripakken er taget ud, før du forsøger at udføre inspektion eller vedligeholdelse.

## BEMÆRK:

- Brug aldrig benzin, benzen, fortynder, alkohol eller lignende. Det kan muligvis medføre misfarvning, deformation eller revner.

Værktøjet og ventilationsåbningerne skal holdes rene. Rengør værktøjets ventilationsåbninger regelmæssigt, eller når åbningerne begynder at blive tilstoppede.

## Udskiftning af kulbørsterne (Fig. 12)

Tag regelmæssigt kulbørsterne af, og efterse dem. Udskift dem, når de er nedslidt til slidgrænsen. Hold kulbørsterne rene og frie til at glide i holderne. Begge kulbørster skal udskiftes samtidig. Brug altid identiske kulbørster.

Sæt spidsen af skruetrækkeren med kærvspids ind i indhakket i værktøjet, og fjern dækpladen ved at løfte op i den. (Fig. 13)

Brug en skruetrækker til at fjerne kulholderdækslerne. Tag de udslidte kulbørster ud, monter de nye, og fastgør kulholderdækslerne. (Fig. 14)

Monter dækpladen til holderdækslet på værktøjet igen.

## Udskiftning af knive

Knivenes levetid svinger afhængigt af det arbejdsemne, der skal skæres. Den følgende tabel angiver den omtrentlige levetid for knivene.

Når knivene bliver sløve, skal du kontakte et Makita servicecenter for at få knivene udskiftet.

### For Model DJS161

Materiale	Skæretykkelse (mm)	Knivenes levetid (m)
Blød stålplade (SPCC)	1,6	200
Rustfri stålplade (SUS304)	1,2	150
Aluminiumplade (A-5052)	2,5	400

010094

### For Model DJS101

Materiale	Skæretykkelse (mm)	Knivenes levetid (m)
Blød stålplade (SPCC)	1,0	120
Rustfri stålplade (SUS304)	0,7	50

010739

For at holde produktet SIKKERT og PÅLIDELIGT skal reparationer samt al anden vedligeholdelse eller justering udføres af autoriserede Makita-servicecentre, og der skal altid benyttes Makita-reservedele.

# EKSTRAUDSTYR

## ⚠ FORSIGTIG:

- Dette tilbehør eller ekstraudstyr anbefales til brug med det Makita-værktøj, som er beskrevet i denne brugsanvisning. Brug af andet tilbehør eller ekstraudstyr kan forårsage personskade. Brug kun tilbehør eller ekstraudstyr til det formål, det er beregnet til.

Henvend dig til dit lokale Makita-servicecenter, hvis du har brug for hjælp eller yderligere oplysninger vedrørende tilbehøret.

- Tykkelseslære
- Centerkniv
- Sidekniv H
- Sidekniv V

- Unbrakonøgle
- Originalt batteri og oplader fra Makita

#### BEMÆRK:

- Visse dele på listen er muligvis indeholdt maskinindpakningen som standardtilbehør. De kan variere fra land til land.

#### Støj ENG905-1

Det typiske A-vægtede støjniveau bestemt i overensstemmelse med EN62841-2-8:

Lydtryksniveau ( $L_{pA}$ ): 74 dB (A)

Usikkerhed (K): 3 dB (A)

Støjniveauet under arbejdet kan overstige 80 dB (A).

ENG907-1

- De(n) angivne støjemissionsværdi(er) er målt i overensstemmelse med en standardtestmetode og kan anvendes til at sammenligne en maskine med en anden.
- De(n) angivne støjemissionsværdi(er) kan også anvendes i en præliminær eksponeringsvurdering.

#### ADVARSEL:

- **Bær høreværn.**
- **Støjemissionen under den faktiske anvendelse af maskinen kan være forskellig fra de(n) angivne værdi(er), afhængigt af den måde hvorpå maskinen anvendes, især den type arbejdsemne der behandles.**
- **Sørg for at identificere de sikkerhedsforskrifter til beskyttelse af operatøren, som er baseret på en vurdering af eksponering under de faktiske brugsforhold (med hensyntagen til alle dele i brugscyklussen, f.eks. de gange, hvor maskinen er slukket, og når den kører i tomgang i tilgift til afbrydertiden).**

#### Vibration ENG900-1

Den samlede vibrationsværdi (treaksial vektorsum) bestemt i overensstemmelse med EN62841-2-8:

Arbejdstilstand: skæring i metalplader

Vibrationsemission ( $a_h$ ): 13,0 m/s<sup>2</sup>

Usikkerhed (K): 1,5 m/s<sup>2</sup>

ENG901-2

- De(n) angivne totalværdi(er) for vibration er målt i overensstemmelse med en standardtestmetode og kan anvendes til at sammenligne en maskine med en anden.
- De(n) angivne totalværdi(er) for vibration kan også anvendes i en præliminær eksponeringsvurdering.

#### ADVARSEL:

- **Vibrationsemissionen under den faktiske anvendelse af maskinen kan være forskellig fra de(n) angivne værdi(er), afhængigt af den måde hvorpå maskinen anvendes, især den type arbejdsemne der behandles.**
- **Sørg for at identificere de sikkerhedsforskrifter til beskyttelse af operatøren, som er baseret på en vurdering af eksponering under de faktiske brugsforhold (med hensyntagen til alle dele i brugscyklussen, f.eks. de gange, hvor maskinen er**

**slukket, og når den kører i tomgang i tilgift til afbrydertiden).**

#### Overensstemmelseserklæringer

##### **Kun for lande i Europa**

Overensstemmelseserklæringerne er inkluderet i Bilag A i denne brugsanvisning.

# ΕΛΛΗΝΙΚΑ (Πρωτογενείς οδηγίες)

## Γενική περιγραφή

- |                        |                                   |  |
|------------------------|-----------------------------------|--|
| 1. Κουμπί              | 9. Εξάγωνο άλεν                   | 17. Ένδειξη ορίου                      |
| 2. Κόκκινη ένδειξη     | 10. Βίδα                          | 18. Κάλυμμα υποδοχής για το καρβουνάκι |
| 3. Μπαταρία            | 11. Κεντρική λεπίδα               | 19. Εγκοπή                             |
| 4. Ένδειξη άστρου      | 12. Μετρητής πάχους               | 20. Κατσαβίδι                          |
| 5. Ενδεικτικές λυχνίες | 13. Πλαϊνή λεπίδα                 | 21. Καπάκι θήκης ψήκτρας               |
| 6. Κουμπί ελέγχου      | 14. Μπουλόνι εξάγ. κοίλης κεφαλής |  |
| 7. Μοχλός διακόπτης    | 15. Παροχή λαδιού                 |  |
| 8. Ενδεικτική λυχνία   | 16. Περώνη                        |  |

## ΠΡΟΔΙΑΓΡΑΦΕΣ

Μοντέλο		DJS161	DJS101
Μέγιστες ικανότητες κοπής	Ατσάλι έως και 400 N/mm <sup>2</sup>	1,6 mm (16 ga.)	1,0 mm (20 ga.)
	Ατσάλι έως και 600 N/mm <sup>2</sup>	1,2 mm (18 ga.)	0,7 mm (23 ga.)
	Αλουμίνιο έως και 200 N/mm <sup>2</sup>	2,5 mm (13 ga.)	2,5 mm (12 ga.)
Ελάχιστη ακτίνα κοπής		250 mm	30 mm
Διαδρομές το λεπτό (min <sup>-1</sup> )		4.300	4.300
Ολικό μήκος		362 mm	364 mm
Καθαρό βάρος		1,8 - 2,2 κιλά	
Ονομαστική τιμή τάσης		D.C. 18V	

- Λόγω του συνεχόμενου προγράμματος που εφαρμόζουμε για έρευνα και ανάπτυξη, τα τεχνικά χαρακτηριστικά στο παρόν έντυπο υπόκεινται σε αλλαγή χωρίς προειδοποίηση.
- Τα τεχνικά χαρακτηριστικά ενδέχεται να διαφέρουν ανάλογα με τη χώρα.
- Το βάρος μπορεί να διαφέρει αναλόγως του προσαρτήματος(ων), συμπεριλαμβανομένης της κασέτας μπαταρίας. Ο ελαφρύτερος και ο βαρύτερος συνδυασμός, σύμφωνα με τη Διαδικασία-ΕΡΤΑ 01/2014, εμφανίζονται στον πίνακα.

## Ισχύουσα κασέτα μπαταρίας και φορτιστής

Κασέτα μπαταρίας	BL1815N/BL1820/BL1820B/BL1830/BL1830B/BL1840/BL1840B/BL1850/BL1850B/BL1860B
Φορτιστής	DC18RC/DC18RD/DC18RE/DC18SD/DC18SE/DC18SF

- Μερικές από τις κασέτες μπαταριών και φορτιστές που παρατίθενται παρακάτω μπορεί να μην είναι διαθέσιμες ανάλογα με την περιοχή κατοικίας σας.

### ΠΡΟΕΙΔΟΠΟΙΗΣΗ:

- **Χρησιμοποιήστε μόνο τις κασέτες μπαταριών και τους φορτιστές που παρατίθενται παρακάτω.** Η χρήση άλλων κασετών μπαταριών και φορτιστών μπορεί να προκαλέσει τραυματισμό ή/και φωτιά.

### Σύμβολα

END004-7

Παρακάτω παρουσιάζονται τα σύμβολα που χρησιμοποιούνται για τον εξοπλισμό. Βεβαιωθείτε ότι κατανοείτε τη σημασία τους πριν από τη χρήση.



..... Διαβάστε το εγχειρίδιο οδηγιών.



..... Μόνο για τις χώρες της ΕΕ  
Μην απορρίπτετε τον ηλεκτρικό εξοπλισμό ή την μπαταρία μαζί με τα οικιακά απορρίμματα!  
Σύμφωνα με την Ευρωπαϊκή Οδηγία περί απορριμμάτων ηλεκτρικών, ηλεκτρονικών συσκευών, μπαταριών και συσσωρευτών και των απορριμμάτων μπαταριών και συσσωρευτών και την ενσωμάτωσή τους στην εθνική

νομοθεσία, οι ηλεκτρικές συσκευές, οι μπαταρίες και οι κασέτες μπαταριών, των οποίων έχει παρέλθει ο χρόνος ωφέλιμης ζωής τους, πρέπει να συλλέγονται ξεχωριστά και να επιστρέφονται σε εγκαταστάσεις περιβαλλοντικής ανακύκλωσης.

### Προοριζόμενη χρήση

Το εργαλείο προορίζεται για την κοπή χαλύβδινων ελασμάτων και ανοξείδωτων χαλύβδινων ελασμάτων.

ENE037-1

# Γενικές προειδοποιήσεις ασφαλείας για το ηλεκτρικό εργαλείο

GEA010-2

**⚠️ ΠΡΟΕΙΔΟΠΟΙΗΣΗ:** Διαβάστε όλες τις προειδοποιήσεις ασφάλειας, οδηγίες, εικονογραφήσεις και προδιαγραφές που παρέχονται με αυτό το ηλεκτρικό εργαλείο. Η μη τήρηση όλων των οδηγιών που αναγράφονται κατωτέρω μπορεί να καταλήξει σε ηλεκτροπληξία, πυρκαγιά ή/και σοβαρό τραυματισμό.

## Φυλάξτε όλες τις προειδοποιήσεις και τις οδηγίες για μελλοντική παραπομπή.

Στις προειδοποιήσεις, ο όρος “ηλεκτρικό εργαλείο” αναφέρεται σε ηλεκτρικό εργαλείο που τροφοδοτείται από την κύρια παροχή ηλεκτρικού ρεύματος (με ηλεκτρικό καλώδιο) ή σε ηλεκτρικό εργαλείο που τροφοδοτείται από μπαταρία (χωρίς ηλεκτρικό καλώδιο).

## ΠΡΟΕΙΔΟΠΟΙΗΣΕΙΣ ΑΣΦΑΛΕΙΑΣ ΨΑΛΙΔΙΟΥ ΜΠΑΤΑΡΙΑΣ

GEB067-1

1. Να κρατάτε το εργαλείο σταθερά.
2. Στερεώστε καλά το τεμάχιο εργασίας.
3. Μην πλησιάζετε τα χέρια σας σε κινούμενα μέρη.
4. Οι άκρες και τα θραύσματα του τεμαχίου εργασίας είναι αιχμηρά. Να φοράτε γάντια. Συνιστάται επίσης να φοράτε παπούτσια με χοντρούς πάτους για να αποφύγετε τους τραυματισμούς.
5. Μην βάζετε το εργαλείο πάνω στα θραύσματα του τεμαχίου εργασίας. Διαφορετικά μπορεί να προκληθεί βλάβη και δυσλειτουργία του εργαλείου.
6. Μην αφήνετε το εργαλείο σε λειτουργία. Το εργαλείο πρέπει να βρίσκεται σε λειτουργία μόνο όταν το κρατάτε.
7. Να βεβαιώνετε πάντοτε ότι στέκεστε σταθερά. Όταν χρησιμοποιείτε το εργαλείο σε υψηλές τοποθεσίες, να βεβαιώνετε ότι δεν βρίσκεται κανένας από κάτω.
8. Μην αγγίζετε την λεπίδα ή το τεμάχιο εργασίας αμέσως μετά τη λειτουργία του εργαλείου. Μπορεί να είναι εξαιρετικά θερμά και να προκληθεί έγκαυμα στο δέρμα σας.
9. Αποφύγετε την κοπή ηλεκτρικών καλωδίων. Μπορεί να προκαλέσει σοβαρό ατύχημα από ηλεκτροσόκ.

## ΦΥΛΑΞΤΕ ΑΥΤΕΣ ΤΙΣ ΟΔΗΓΙΕΣ.

**ΠΡΟΕΙΔΟΠΟΙΗΣΗ:**  
ΜΗΝ επιτρέψετε στη βολικότητα ή στην εξοικείωσή σας με το προϊόν (που αποκτήθηκε από επανειλημμένη χρήση) να αντικαταστήσει την αυστηρή προσήλωση στους κανόνες ασφαλείας του εν λόγω προϊόντος. Η ΛΑΝΘΑΣΜΕΝΗ ΧΡΗΣΗ ή η μη τήρηση των κανόνων ασφαλείας που διατυπώνονται

στο παρόν εγχειρίδιο οδηγιών μπορεί να προκαλέσει σοβαρό τραυματισμό.

## ΣΗΜΑΝΤΙΚΕΣ ΟΔΗΓΙΕΣ ΑΣΦΑΛΕΙΑΣ ΓΙΑ ΚΑΣΕΤΑ ΜΠΑΤΑΡΙΩΝ

ENC007-12

1. Πριν χρησιμοποιήσετε την μπαταρία, διαβάστε όλες τις οδηγίες και τις ενδείξεις προφύλαξης στο (1) φορτιστή μπαταρίας, (2) την μπαταρία και (3) το προϊόν στο οποίο χρησιμοποιείται η μπαταρία.
2. Μην αποσυναρμολογείτε την μπαταρία.
3. Αν ο χρόνος λειτουργίας της μπαταρίας είναι υπερβολικά σύντομος, διακόψτε αμέσως τη λειτουργία. Αν συνεχίσετε, μπορεί να έχει ως αποτέλεσμα τον κίνδυνο υπερθέρμανσης, πιθανών εγκαυμάτων και ακόμη έκρηξης.
4. Αν πιει στα μάτια σας ηλεκτρολύτη, ξεπλύνετε με καθαρό νερό και αναζητήστε αμέσως ιατρική βοήθεια. Μπορεί να χάσετε την όρασή σας.
5. Μην βραχυκυκλώνετε την μπαταρία:
  - (1) Μην αγγίζετε τους ακροδέκτες με αγώγιμο υλικό.
  - (2) Μην αποθηκεύετε την μπαταρία σε δοχείο με άλλα μεταλλικά αντικείμενα, όπως καρφιά, νομίσματα, κτλ.
  - (3) Μην εκθέτετε την μπαταρία σε νερό ή βροχή. Αν βραχυκυκλωθεί η μπαταρία, μπορεί να προκληθεί μεγάλη ροή ηλεκτρικού ρεύματος, υπερθέρμανση, πιθανά εγκαύματα και ακόμη και καταστροφή της μπαταρίας.
6. Μην αποθηκεύετε το εργαλείο και την μπαταρία σε μέρη όπου η θερμοκρασία μπορεί να φτάσει ή να ξεπεράσει τους 50°C (122°F).
7. Μην αποσφραγίζετε την μπαταρία ακόμη κι αν παρουσιάσει σοβαρή ζημιά ή είναι εντελώς φθαρμένη. Η μπαταρία μπορεί να εκραγεί σε φωτιά.
8. Να προσέχετε να μη σας πείσει η μπαταρία και να μη συγκρουστεί με κάποιο αντικείμενο.
9. Μην χρησιμοποιείτε μια μπαταρία που έχει υποστεί βλάβη.
10. Οι μπαταρίες ιόντων λιθίου που περιέχονται υπόκεινται στις απαιτήσεις της νομοθεσίας για επικίνδυνα αγαθά.

Για εμπορικές μεταφορές, για παράδειγμα από τρίτα μέρη, πρέπει να τηρούνται οι διαμεταφορές, οι ειδικές απαιτήσεις στη συσκευασία και η επισήμανση. Για προετοιμασία του στοιχείου που αποστέλλεται, είναι απαραίτητο να συμβουλευτείτε έναν ειδικό για επικίνδυνα υλικά. Επίσης, τηρήστε τους πιθανούς, πιο αναλυτικούς εθνικούς κανονισμούς.

Καλύψτε με αυτοκόλλητη ταινία ή κρύψτε τις ανοικτές επαφές και συσκευάστε την μπαταρία με τρόπο που να μην μπορεί να μετακινείται μέσα στη συσκευασία.
11. Ακολουθήστε τους τοπικούς κανονισμούς σχετικά με την απόρριψη της μπαταρίας.
12. Χρησιμοποιείτε τις μπαταρίες μόνο με τα προϊόντα που καθορίζει η Makita. Η τοποθέτηση των μπαταριών σε μη συμμορφούμενα προϊόντα μπορεί να προκαλέσει πυρκαγιά, υπερβολική ζέση, έκρηξη ή διαρροή ηλεκτρολύτη.

# ΦΥΛΑΞΤΕ ΑΥΤΕΣ ΤΙΣ ΟΔΗΓΙΕΣ.

## **⚠ ΠΡΟΣΟΧΗ:** Να χρησιμοποιείτε μόνο γνήσιες μπαταρίες της Makita.

Η χρήση μη γνήσιων μπαταριών Makita, ή μπαταριών που έχουν τροποποιηθεί, μπορεί να έχει ως αποτέλεσμα τη ρήξη της μπαταρίας, προκαλώντας πυρκαγιά, προσωπικό τραυματισμό και βλάβη. Επίσης, θα ακυρωθεί η εγγύηση της Makita για το εργαλείο και φορτιστή Makita.

## Συμβουλές για τη διατήρηση της μέγιστης ζωής της μπαταρίας

- 1. Να φορτίζετε την μπαταρία πριν αποφορτιστεί εντελώς.**  
Πάντοτε να διακόπτετε τη λειτουργία του εργαλείου και να φορτίζετε την μπαταρία όταν παρατηρήσει μειωμένη ισχύ του εργαλείου.
- 2. Ποτέ μην επαναφορτίσετε μια πλήρως φορτισμένη μπαταρία.**  
Αν υπερφορτίσετε την μπαταρία, μειώνεται η ωφέλιμη διάρκεια ζωής της.
- 3. Να φορτίζετε την μπαταρία σε θερμοκρασία δωματίου, δηλαδή στους 10°C έως 40°C (50°F έως 104°F).** Αν η μπαταρία είναι θερμή, αφήστε την να ψυχθεί πριν τη φορτίσετε.
- 4. Φορτίστε την κασέτα μπαταρίας εάν δεν πρόκειται να την χρησιμοποιήσετε για περισσότερους από έξι μήνες.**

## ΠΕΡΙΓΡΑΦΗ ΛΕΙΤΟΥΡΓΙΑΣ

### ΠΡΟΣΟΧΗ:

- Να βεβαιώνετε πάντοτε ότι έχετε σβήσει το εργαλείο και έχετε βγάλει την μπαταρία πριν ρυθμίσετε ή ελέγξετε κάποια λειτουργία του εργαλείου.

## Τοποθέτηση ή αφαίρεση της μπαταρίας (Εικ. 1)

### **⚠ ΠΡΟΣΟΧΗ:**

- Πάντοτε να απενεργοποιείτε το εργαλείο πριν από την τοποθέτηση ή την αφαίρεση της κασέτας μπαταρίας.
- **Κρατήστε το εργαλείο και την κασέτα μπαταρίας γερά κατά την τοποθέτηση ή την αφαίρεση της κασέτας μπαταρίας.** Εάν δεν κρατήσετε το εργαλείο και την μπαταρία καλά μπορεί να γλιστρήσουν από τα χέρια σας και να προκληθεί ζημιά στο εργαλείο και στη μπαταρία αλλά και προσωπικός τραυματισμός.

Για να βγάλετε την κασέτα μπαταρίας, σύρετε την από το εργαλείο ολισθαίνοντας το κουμπί στο μπροστινό μέρος της κασέτας.

Για να τοποθετήσετε την κασέτα μπαταρίας, ευθυγραμμίστε τη γλωττίδα της κασέτας μπαταρίας με την εγκοπή στο περίβλημα και ολισθήστε τη στη θέση της. Τοποθετήστε τη έως το τέρμα, δηλαδή έως όπου ασφαλίσει στη θέση και ακουστεί ένας χαρακτηριστικός ήχος "κλικ". Αν μπορείτε να δείτε την κόκκινη ένδειξη στην πάνω πλευρά του κουμπιού, η μπαταρία δεν είναι πλήρως ασφαλισμένη.

### **⚠ ΠΡΟΣΟΧΗ:**

- Πάντοτε να τοποθετείτε πλήρως την κασέτα μπαταρίας για να μη φαίνεται η κόκκινη ένδειξη. Σε αντίθετη περίπτωση, μπορεί να πέσει κατά λάθος από το

εργαλείο και να τραυματίσει εσάς ή κάποιον παρευρισκόμενο.

- Μην εισάγετε με τη βία την κασέτα μπαταρίας. Αν η κασέτα δεν ολισθαίνει με ευκολία, δεν την εισαγάγετε σωστά.

## Σύστημα προστασίας μπαταρίας

Το εργαλείο είναι εφοδιασμένο με ένα σύστημα προστασίας μπαταρίας. Αυτό το σύστημα διακόπτει αυτόματα το ρεύμα στον κινητήρα για να παρατείνεται η διάρκεια ζωής της μπαταρίας.

Το εργαλείο θα σταματήσει αυτόματα κατά τη λειτουργία όταν το εργαλείο και/ή η μπαταρία υποστούν τις παρακάτω συνθήκες:

- Υπερφόρτιση:

Το εργαλείο λειτουργεί με τρόπο που προκαλεί τη κατανάλωση ασυνήθιστα υψηλής ποσότητας ρεύματος.

Στην περίπτωση αυτή, απενεργοποιήστε το εργαλείο και σταματήστε την εφαρμογή που προκάλεσε την υπερφόρτωση του εργαλείου. Στη συνέχεια, ενεργοποιήστε ξανά το εργαλείο για επανεκκίνηση. Εάν το εργαλείο δεν ξεκινά, η μπαταρία έχει υπερθερμανθεί. Στην περίπτωση αυτή, αφήστε την μπαταρία να κρυώσει πριν ενεργοποιήσετε ξανά το εργαλείο.

- Χαμηλή τάση μπαταρίας:

Η εναπομένουσα ποσότητα ρεύματος της μπαταρίας είναι πολύ χαμηλή και το εργαλείο δεν θα λειτουργήσει. Σε αυτήν την περίπτωση, αφαιρέστε και επαναφορτίστε τη μπαταρία.


















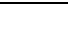


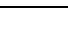



### ΣΗΜΕΙΩΣΗ:

Η προστασία από την υπερθέρμανση λειτουργεί μόνο με μια κασέτα μπαταρίας που έχει ένδειξη άστρου. (Εικ. 2)

## Ένδειξη εναπομένουσας χωρητικότητας της μπαταρίας

### **Μόνο για κασέτες μπαταρίας με την ένδειξη (Εικ. 3)**

Πατήστε το κουμπί ελέγχου στην κασέτα μπαταρίας για να εμφανιστεί η υπολειπόμενη χωρητικότητα της μπαταρίας. Οι ενδεικτικές λυχνίες θα ανάψουν για μερικά δευτερόλεπτα.

Ενδεικτικές λυχνίες			Εναπομένουσα χωρητικότητα
 Αναμμένες	 Σβηστές	 Αναβοσβήνουν	
			75% έως 100%
			50% έως 75%
			25% έως 50%
			0% έως 25%
			Φορτίστε τη μπαταρία.
			Η μπαταρία μπορεί να δυσλειτουργεί.
			



## ΣΗΜΕΙΩΣΗ:

- Ανάλογα με τις συνθήκες χρήσης και τη θερμοκρασία περιβάλλοντος, η ένδειξη μπορεί να διαφέρει ελαφρώς από την πραγματική χωρητικότητα.

## Δάση διακόπτη (Εικ. 4)

### ΠΡΟΣΟΧΗ:

- Πριν βάλετε την μπαταρία στο εργαλείο, πάντοτε να ελέγχετε ότι ο μοχλός του διακόπτη ενεργοποιείται σωστά και επιστρέφει στη θέση "OFF" όταν πιέζετε το πίσω μέρος του μοχλού του διακόπτη.
- Ο διακόπτης μπορεί να κλειδώσει στην ενεργή θέση «ON» για διευκόλυνση του χειριστή κατά την παρατεταμένη χρήση. Δώστε προσοχή όταν το εργαλείο βρίσκεται κλειδωμένο στην ενεργή θέση "ON" και κρατάτε το γερά.

Για να ξεκινήσετε τη λειτουργία του εργαλείου, ολισθήστε το μοχλό διακόπτη στη θέση "I (ON)". Για συνεχόμενη λειτουργία, πιέστε το μπροστινό μέρος του κυλιόμενου διακόπτη για να τον ασφαλίσετε.

Για να διακόψετε τη λειτουργία του εργαλείου, πιέστε το πίσω μέρος του μοχλού διακόπτη και κατόπιν ολισθήστε τον στη θέση "O (OFF)".

## Ενδεικτική λυχνία με πολλαπλή λειτουργία (Εικ. 5)

Οι ενδεικτικές λυχνίες είναι τοποθετημένες σε δύο θέσεις.

### - Σήμα αλλαγής μπαταρίας

- Όταν κατά τη λειτουργία η ισχύς της μπαταρίας έχει σχεδόν καταναλωθεί, ανάβουν τα φώτα της κόκκινης λυχνίας και σταματά αμέσως το εργαλείο. Όταν ανάβουν τα φώτα της κόκκινης λυχνίας, αντικαταστήστε τη μπαταρία με μια πλήρως φορτισμένη.

### - Λειτουργία αποφυγής τυχαίας επανεκκίνησης

- Ακόμα κι αν η μπαταρία έχει τοποθετηθεί στο εργαλείο και ο κυλιόμενος διακόπτης βρίσκεται στη θέση "I (ON)", η λειτουργία του εργαλείου δεν ξεκινά. Τώρα, η ενδεικτική λυχνία αναβοσβήνει αργά και αυτό σημαίνει ότι η λειτουργία αποφυγής τυχαίας εκκίνησης είναι σε λειτουργία.
- Για να ξεκινήσετε τη λειτουργία του εργαλείου, πρώτα ολισθήστε τον κυλιόμενο διακόπτη στη θέση "O (OFF)" και κατόπιν ολισθήστε τον στη θέση "I (ON)".

## ΣΥΝΑΡΜΟΛΟΓΗΣΗ

### ΠΡΟΣΟΧΗ:

- Να βεβαιώνετε πάντοτε ότι έχετε σβήσει το εργαλείο και έχετε βγάλει την μπαταρία πριν εκτελέσετε οποιαδήποτε εργασία σε αυτό.

## Ρύθμιση διάκενου λεπίδας

### Για το μοντέλο DJS161

Ρυθμίστε το διάκενο ανάμεσα στην πλαϊνή λεπίδα και την κεντρική λεπίδα ανάλογα με το πάχος του τεμαχίου εργασίας. (Εικ. 6)

Πρώτα χρησιμοποιήστε ένα εξάγωνο άλεν για να χαλαρώσετε τη βίδα. (Εικ. 7)

Κατόπιν χρησιμοποιήστε ένα εξάγωνο άλεν για να ρυθμίσετε το διάκενο σφίγγοντας ή χαλαρώνοντας το μπουλόνι. Μπορεί να υπάρχουν μια μικρή διαφορά ανάμεσα στο διάκενο των δύο πλευρών της κεντρικής λεπίδας.

Ελέγξτε το μικρότερο διάκενο με το μέτρο πάχους και ρυθμίστε το.

Όταν χρησιμοποιείτε το μετρητή πάχους για να ρυθμίσετε το διάκενο της λεπίδας, ανατρέξτε στον πίνακα.

Πάχος τεμαχίου εργασίας (mm)	Ένδειξη μετρητή πάχους
Λιγότερο από 0,8	0,5
0,8 - 1,3	1,0
Περισσότερο από 1,3	1,5

006428

Αφού ρυθμίσετε το διάκενο, σφίξτε τη βίδα με ασφάλεια.

## Αποθήκευση εξάγωνο άλεν (Εικ. 8)

Αποθηκεύστε το εξάγωνο άλεν όταν δεν βρίσκεται σε χρήση, όπως φαίνεται στην εικόνα.

## ΛΕΙΤΟΥΡΓΙΑ

### Λιπάνση (Εικ. 9)

Πριν από τη λειτουργία, λιπάνετε το σημείο επαφής της κεντρικής λεπίδας και της περόνης. Για να διατηρήσετε μια καλή απόδοση κοπής, χρησιμοποιήστε επίσης κατά καιρούς ένα λιπαντικό κοπής κατά τη λειτουργία.

### ΛΕΙΤΟΥΡΓΙΑ (Εικ. 10)

Θέστε το εργαλείο σε λειτουργία και στερεώστε τα μπροστινά άκρα των πλαϊνών λεπίδων πάνω στο τεμάχιο εργασίας. Τώρα απλά μετακινήστε το εργαλείο μπροστά, διατηρώντας τις πλαϊνές λεπίδες στο ίδιο επίπεδο με την επιφάνεια του τεμαχίου εργασίας. (Εικ. 11)

### ΠΡΟΣΟΧΗ:

- Όταν κόβετε ένα μικρό μέρος του τεμαχίου εργασίας, μπορεί να αντιμετωπίσετε δυσκολίες στην ολοκλήρωση της άκρης της κοπής. Σε αυτή την περίπτωση, προσαρτήστε να την ζανακώψτε, τραβώντας ελαφρά προς τα πίσω το τεμάχιο εργασίας.

## ΣΥΝΤΗΡΗΣΗ

### ΠΡΟΣΟΧΗ:

- Να βεβαιώνετε πάντοτε ότι έχετε σβήσει το εργαλείο και έχετε βγάλει την μπαταρία πριν εκτελέσετε οποιαδήποτε εργασία ελέγχου ή συντήρησης σε αυτό.

### ΠΡΟΣΟΧΗ:

- Μην χρησιμοποιήσετε βενζίνη, βενζόλη, διαλυτικό, αλκοόλη ή κάτι παρόμοιο. Μπορεί να προκληθεί αποχρωματισμός, παραμόρφωση ή ρωγμές. Το εργαλείο και τα ανοίγματα εξερισμού του πρέπει να διατηρούνται καθαρά. Να καθαρίζετε τακτικά τα ανοίγματα εξερισμού του εργαλείου ή όταν αρχίσουν να φράσσονται.

## Αλλαγή καρβουνακίων (Εικ. 12)

Να αφαιρεθεί και να ελεγχτεί τακτικά τα καρβουνάκια. Να αντικαθιστάτε τα καρβουνάκια όταν έχουν φθαρεί έως την ένδειξη του ορίου. Να διατηρείτε τα καρβουνάκια καθαρά και ελεύθερα για να γλιστρούν στις υποδοχές. Πρέπει να αλλάζετε ταυτόχρονα και τα δύο καρβουνάκια. Να χρησιμοποιείτε μόνο καρβουνάκια ίδιου τύπου.

Τοποθετήστε την άκρη ενός πλακέ κατσαβιδιού μέσα στην εγκοπή του εργαλείου και σηκώστε το κάλυμμα καπακιού υποδοχής για να το βγάλετε. **(Εικ. 13)**

Με τη βοήθεια ενός κατσαβιδιού, βγάλτε τα καπάκια υποδοχής για τα καρβουνάκια. Βγάλτε τα φθαρμένα καρβουνάκια, τοποθετήστε τα καινούργια και ασφαλίστε τα καπάκια υποδοχής για τα καρβουνάκια. **(Εικ. 14)**  
Τοποθετήστε ξανά το κάλυμμα καπακιού υποδοχής στο εργαλείο.

## Αντικατάσταση λεπίδων

Η διάρκεια ζωής των λεπίδων ποικίλλει ανάλογα με τα τεμάχια εργασίας που πρόκειται να κοπούν. Οι παρακάτω πίνακες αναφοράς υποδεικνύουν την κατά προσέγγιση διάρκεια ζωής των λεπίδων.

Όταν οι λεπίδες αμβλυνθούν, ζητήστε την αντικατάστασή τους από τα εξουσιοδοτημένα κέντρα εξυπηρέτησης της Makita.

### Για το μοντέλο *DJS161*

Υλικό	Πάχος κοπής (mm)	Διάρκεια ζωής των λεπίδων (μ)
Μαλακό χαλύβδινο έλασμα (SPCC)	1,6	200
Ανοξείδωτο χαλύβδινο έλασμα (SUS304)	1,2	150
Έλασμα από αλουμίνιο (A-5052)	2,5	400

010094

### Για το μοντέλο *DJS101*

Υλικό	Πάχος κοπής (mm)	Διάρκεια ζωής των λεπίδων (μ)
Μαλακό χαλύβδινο έλασμα (SPCC)	1,0	120
Ανοξείδωτο χαλύβδινο έλασμα (SUS304)	0,7	50

010739

Για να διατηρείται η ΑΣΦΑΛΕΙΑ και η ΑΞΙΟΠΙΣΤΙΑ του προϊόντος, οι εργασίες επισκευής, καθώς και οποιαδήποτε άλλη εργασία συντήρησης ή ρύθμισης, θα πρέπει να εκτελούνται σε εξουσιοδοτημένα κέντρα εξυπηρέτησης της Makita, και πάντοτε με τη χρήση ανταλλακτικών της Makita.

## ΠΡΟΑΙΡΕΤΙΚΑ ΑΞΕΣΟΥΑΡ

### ⚠️ ΠΡΟΣΟΧΗ:

- Συνιστάται η χρήση αυτών των αξεσουάρ ή εξαρτημάτων με το εργαλείο της Makita, όπως περιγράφεται στο παρόν εγχειρίδιο. Αν χρησιμοποιήσετε άλλα αξεσουάρ ή εξαρτήματα μπορεί να παρουσιαστεί κίνδυνος για πρόκληση τραυματισμού προσώπων. Να χρησιμοποιείτε τα αξεσουάρ και τα εξαρτήματα μόνο για το σκοπό για τον οποίο προορίζονται.

Αν χρειάζεστε κάποια βοήθεια ή περισσότερες πληροφορίες σχετικά με τα αξεσουάρ αυτά, απευθυνθείτε στο πλησιέστερο κέντρο εξυπηρέτησης της Makita.

- Μετρητής πάχους
- Κεντρική λεπίδα
- Πλαϊνή λεπίδα Δ
- Πλαϊνή λεπίδα Α
- Εξάγωνο άλεν
- Αυθεντική μπαταρία και φορτιστής της Makita

### ΣΗΜΕΙΩΣΗ:

- Ορισμένα από τα στοιχεία της λίστα μπορεί να περιέχονται στην συσκευασία του εργαλείου ως κανονικά αξεσουάρ. Αυτά ενδέχεται να διαφέρουν από χώρα σε χώρα.

### Θορύβος

ENG905-1

Το σύνθημα σταθμισμένο επίπεδο θορύβου που έχει καθοριστεί σύμφωνα με την EN62841-2-8:

Επίπεδο ηχητικής πίεσης (L<sub>ρA</sub>): 74 dB (A)

Αβεβαιότητα (K): 3 dB (A)

Το επίπεδο θορύβου κατά τη λειτουργία ενδέχεται να υπερβεί τα 80 dB (A).

ENG907-1

- Η δηλωμένη τιμή(ές) εκπομπής θορύβου έχει μετρηθεί σύμφωνα με την πρότυπη μέθοδο δοκιμής και μπορεί να χρησιμοποιηθεί για τη σύγκριση ενός εργαλείου με κάποιο άλλο.
- Η δηλωμένη τιμή(ές) εκπομπής θορύβου μπορεί να χρησιμοποιηθεί και στην προκαταρκτική αξιολόγηση της έκθεσης.

### ⚠️ ΠΡΟΕΙΔΟΠΟΙΗΣΗ:

- Να φοράτε γυαλιά.**
- Η εκπομπή θορύβου κατά τη χρήση του ηλεκτρικού εργαλείου σε πραγματικές συνθήκες μπορεί να διαφέρει από τη δηλωμένη τιμή(ές) ανάλογα με τους τρόπους χρήσης του εργαλείου, ιδιαίτερα το είδος του τεμαχίου εργασίας που υπόκειται επεξεργασία.**
- Φροντίστε να λάβετε τα κατάλληλα μέτρα προστασίας του χειριστή βάσει ενός υπολογισμού της έκθεσης σε πραγματικές συνθήκες χρήσης (λαμβάνοντας υπόψη όλες τις συνιστώσες του κύκλου λειτουργίας όπως τους χρόνους που το εργαλείο είναι εκτός λειτουργίας και όταν βρίσκεται σε αδρανή λειτουργία πέραν του χρόνου ενεργοποίησης).**

### Κραδασμοί

ENG900-1

Η συνολική τιμή δόνησης (διανυσματικό άθροισμα τριών αξόνων) που έχει καθοριστεί σύμφωνα με την EN62841-2-8:

Κατάσταση λειτουργίας: κοπή μεταλλικού ελάσματος

Εκπομπή δόνησης (a<sub>h</sub>): 13,0 m/s<sup>2</sup>

Αβεβαιότητα (K): 1,5 m/s<sup>2</sup>

ENG901-2

- Η δηλωμένη τιμή(ές) συνολικών κραδασμών έχει μετρηθεί σύμφωνα με την πρότυπη μέθοδο δοκιμής και μπορεί να χρησιμοποιηθεί για τη σύγκριση ενός εργαλείου με κάποιο άλλο.
- Η δηλωμένη τιμή(ές) συνολικών κραδασμών μπορεί να χρησιμοποιηθεί και στην προκαταρκτική αξιολόγηση της έκθεσης.

 **ΠΡΟΕΙΔΟΠΟΙΗΣΗ:**

- Η εκπομπή κραδασμών κατά τη χρήση του ηλεκτρικού εργαλείου σε πραγματικές συνθήκες μπορεί να διαφέρει από τη δηλωμένη τιμή(ές) εκπομπής ανάλογα με τους τρόπους χρήσης του εργαλείου, ιδιαίτερα το είδος του τεμαχίου εργασίας που υπόκειται επεξεργασία.
- Φροντίστε να λάβετε τα κατάλληλα μέτρα προστασίας του χειριστή βάσει ενός υπολογισμού της έκθεσης σε πραγματικές συνθήκες χρήσης (λαμβάνοντας υπόψη όλες τις συνιστώσες του κύκλου λειτουργίας όπως τους χρόνους που το εργαλείο είναι εκτός λειτουργίας και όταν βρίσκεται σε αδρανή λειτουργία πέραν του χρόνου ενεργοποίησης).

**Δήλωση Συμμόρφωσης**

***Μόνο για χώρες της Ευρώπης***

Οι Δηλώσεις Συμμόρφωσης περιλαμβάνονται στο Παράρτημα Α στο παρόν εγχειρίδιο οδηγιών.

# Makita Europe N.V.

Jan-Baptist Vinkstraat 2, 3070 Kortenberg, Belgium

# Makita Corporation

3-11-8, Sumiyoshi-cho, Anjo, Aichi 446-8502 Japan

[www.makita.com](http://www.makita.com)

885294B993

ALA

