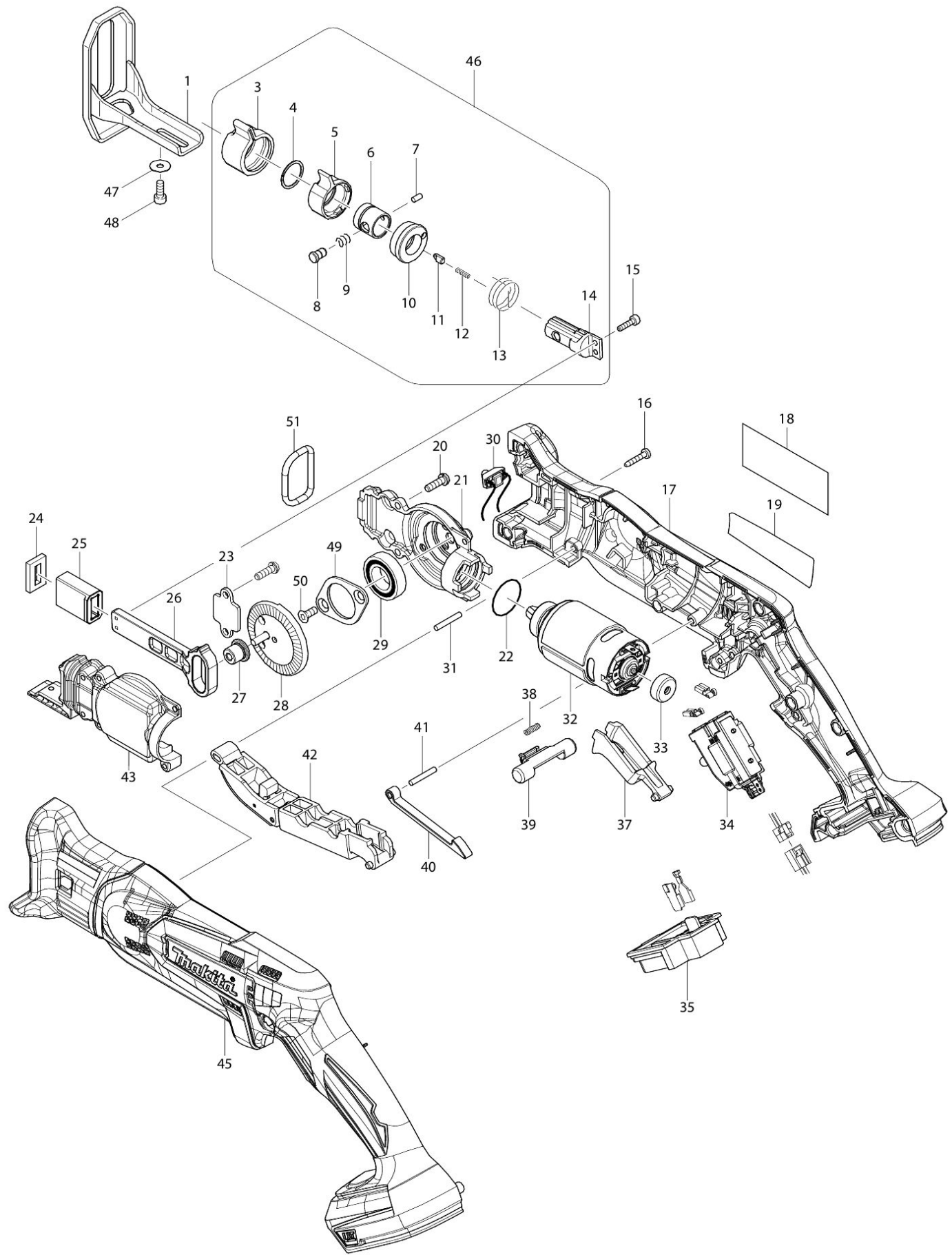


Partdrawing for DJR183ZJ - Reciprozaag 18V



2013/05
DJR183