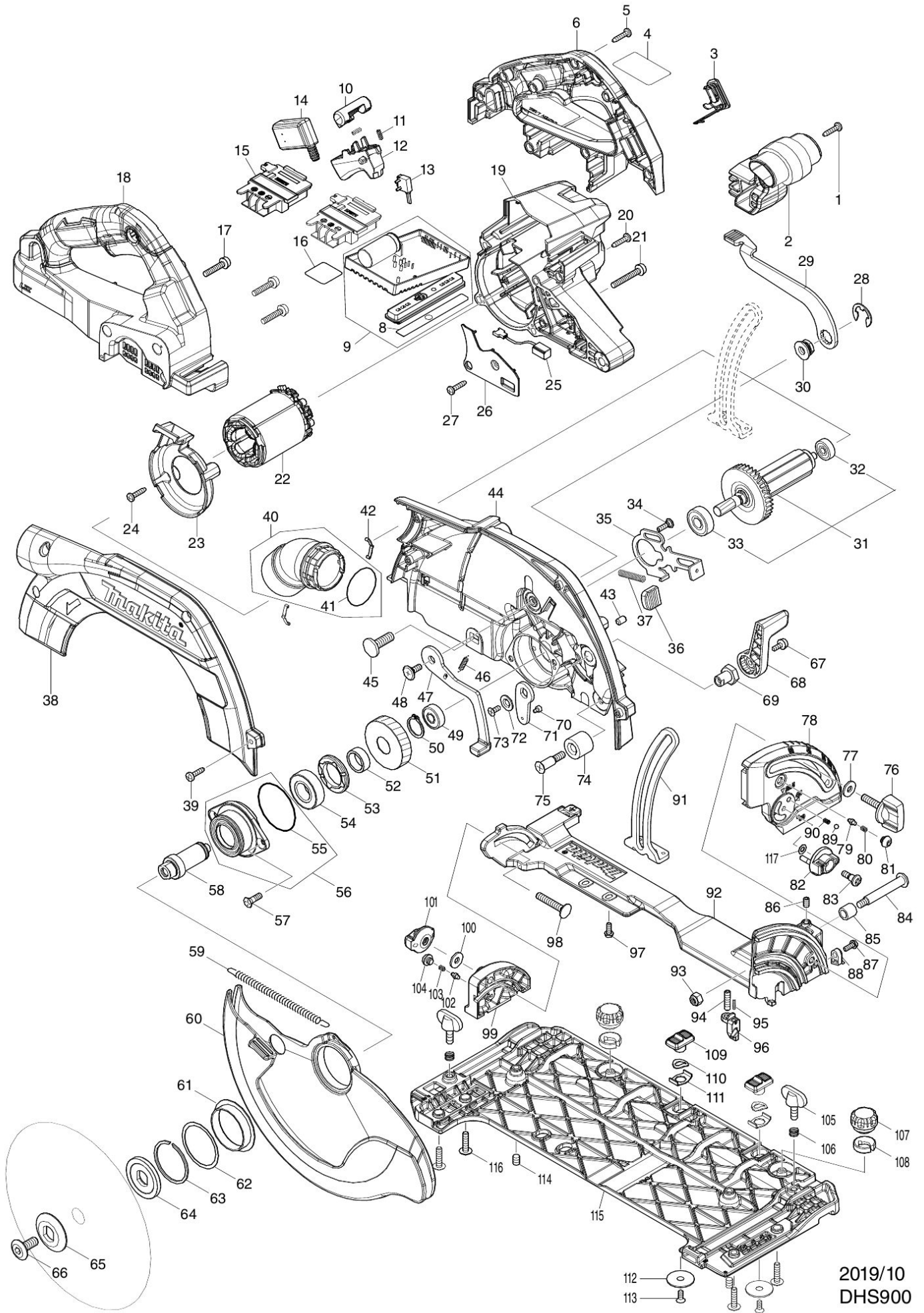


Partdrawing for DHS900Z - Cirkelzaag



2019/10
DHS900