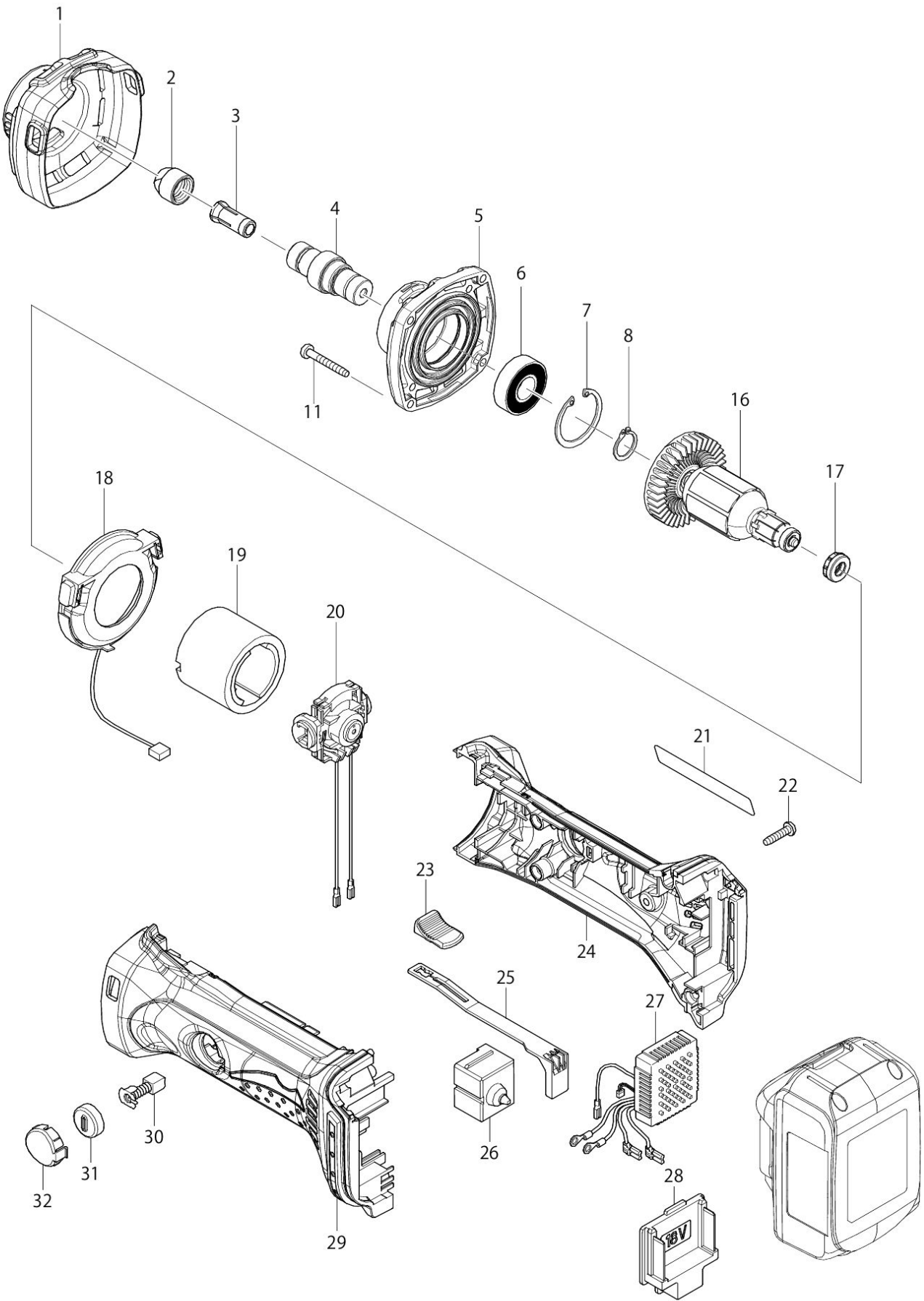


Partdrawing for DGD801Z - Rechte slijper



2014/02
DGD801