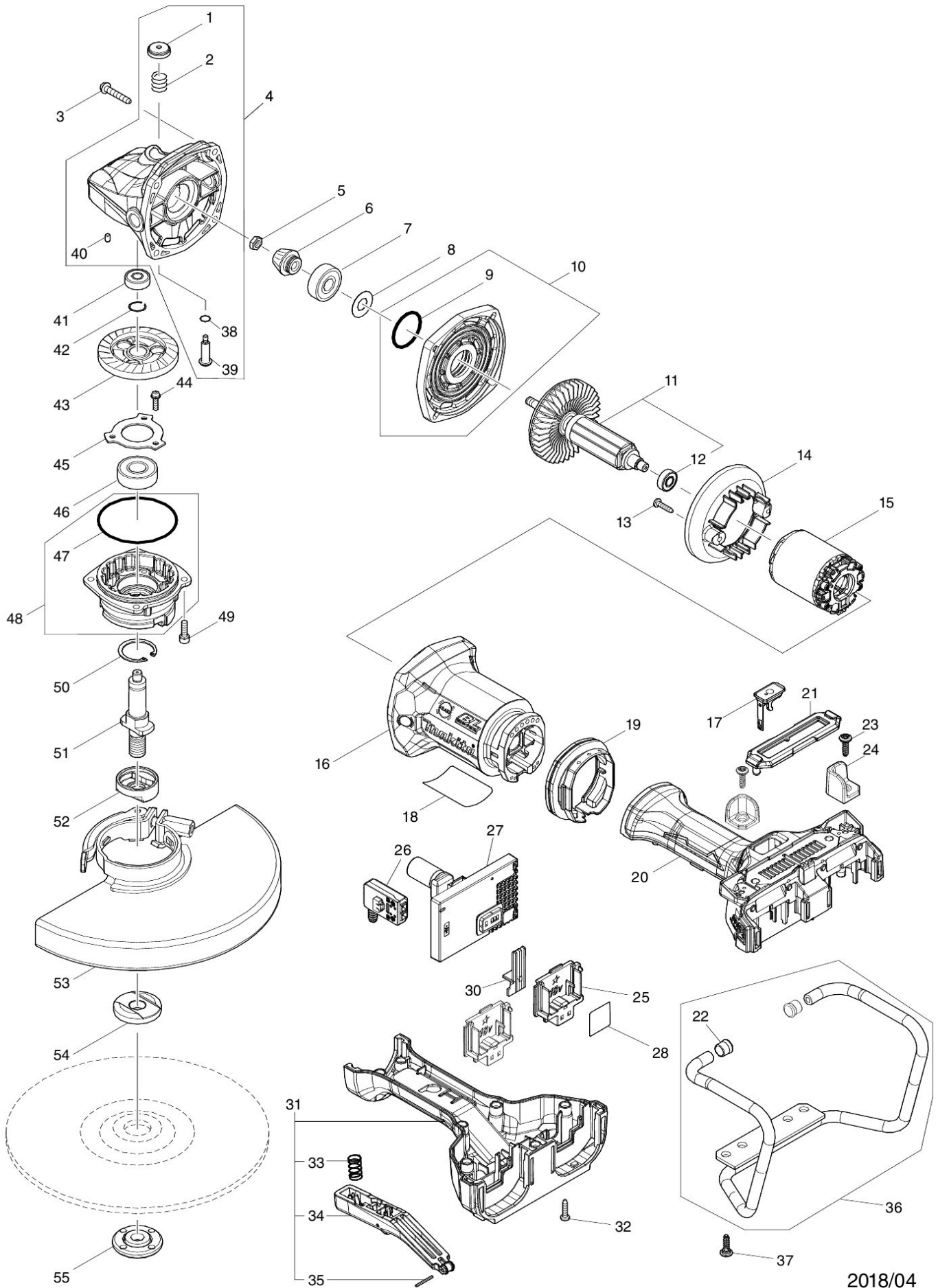


Partdrawing for DGA901ZKU1 - Haakse slijper



2018/04
DGA901