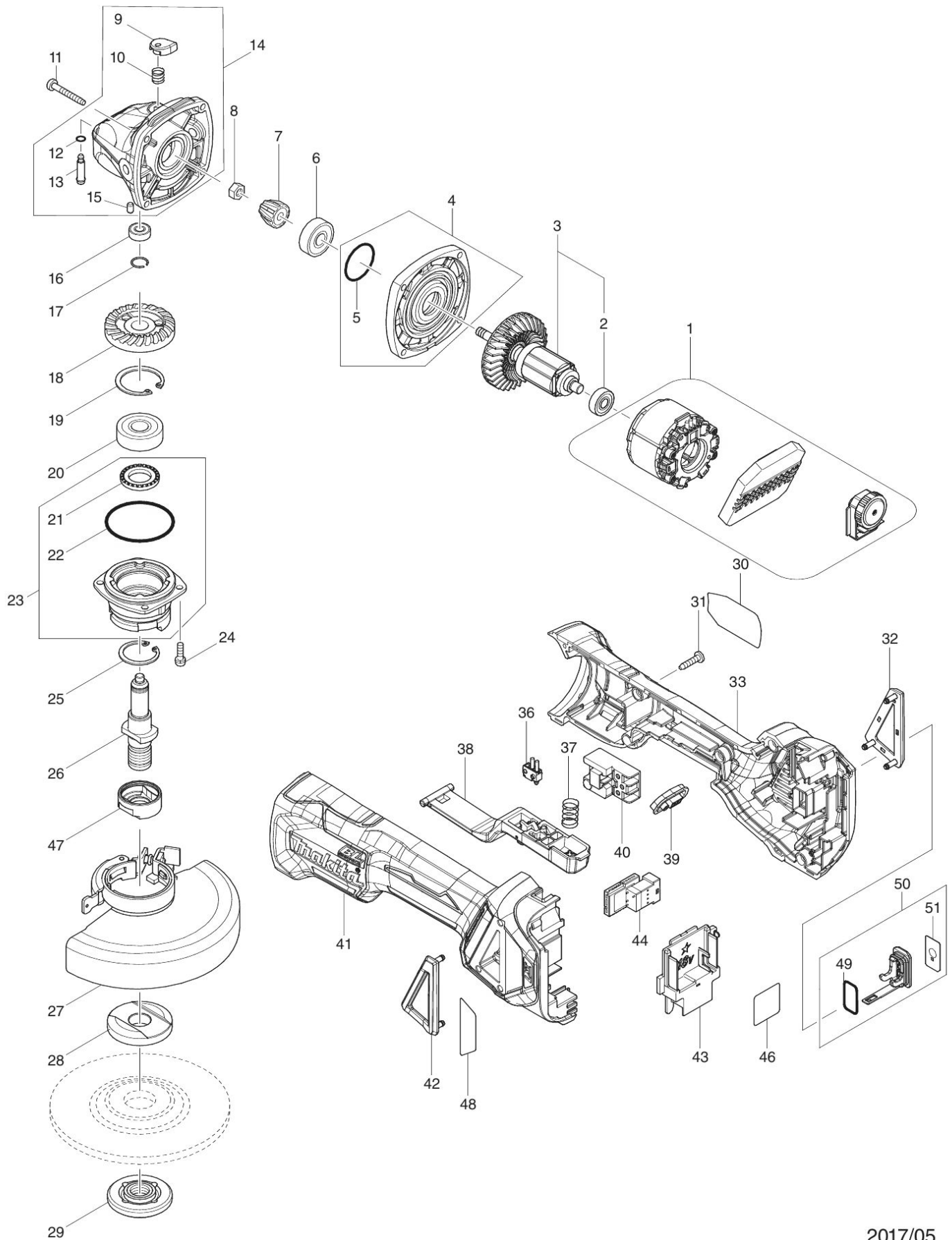


Partdrawing for DGA518ZJU - Haakse slijper 125mm 18V



2017/05
DGA518