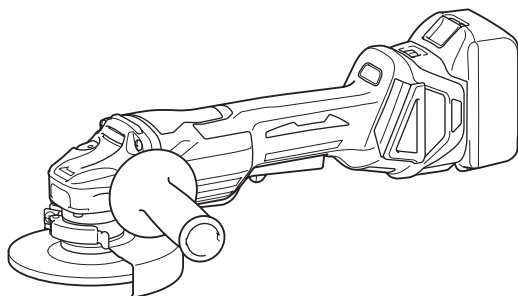
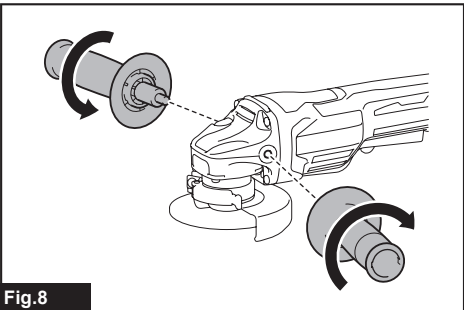
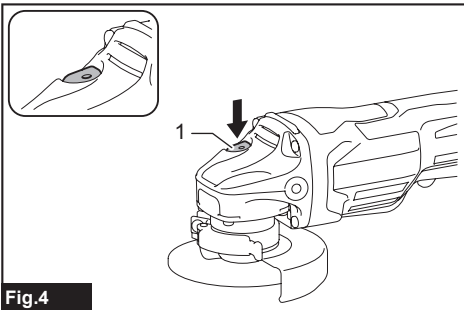
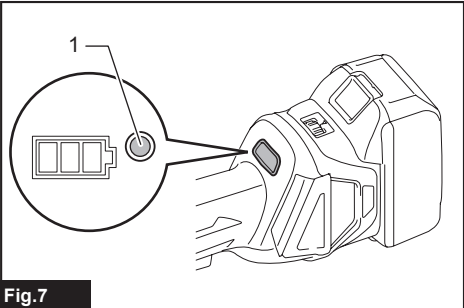
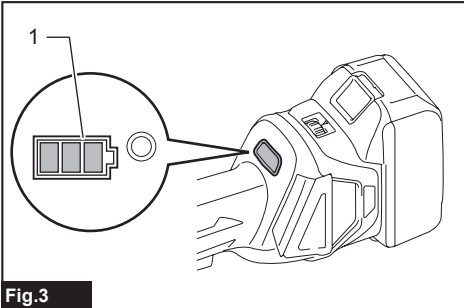
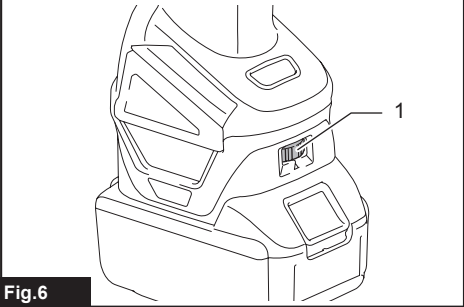
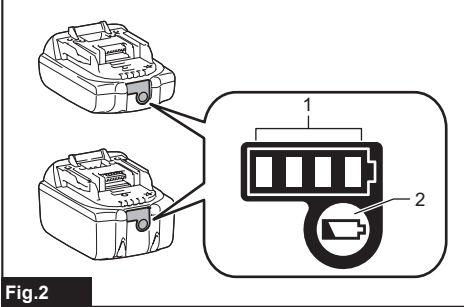
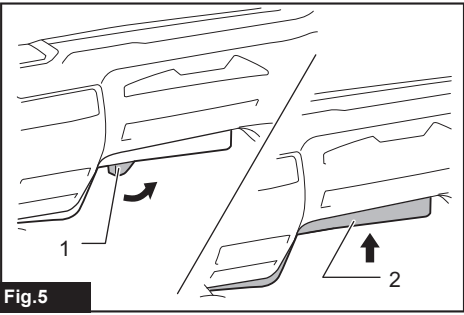
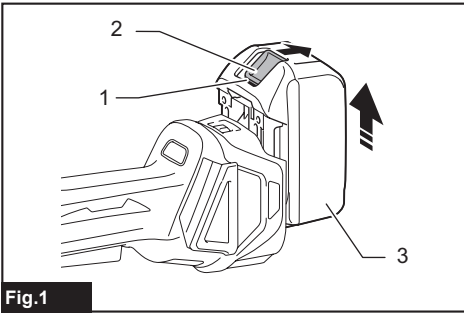




EN	Cordless Angle Grinder	INSTRUCTION MANUAL	10
FR	Meuleuse d'Angle sans Fil	MANUEL D'INSTRUCTIONS	28
DE	Akku-Winkelschleifer	BETRIEBSANLEITUNG	49
IT	Smerigliatrice angolare a batteria	ISTRUZIONI PER L'USO	70
NL	Haakse accuslijpmachine	GEBRUIKSAANWIJZING	92
ES	Esmeriladora Angular Inalámbrica	MANUAL DE INSTRUCCIONES	113
PT	Esmerilhadeira Angular a Bateria	MANUAL DE INSTRUÇÕES	134
DA	Ledningsfri vinkelsliber	BRUGSANVISNING	155
EL	Φορητός γωνιακός λειαντήρας	ΕΓΧΕΙΡΙΔΙΟ ΟΔΗΓΙΩΝ	174
TR	Akülü Avuç Taşlama Makinesi	KULLANMA KILAVUZU	196

DGA417
DGA418
DGA467
DGA468
DGA517
DGA518





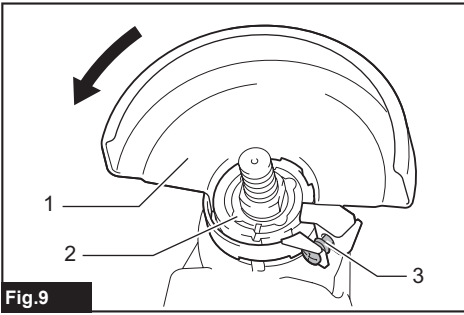


Fig.9

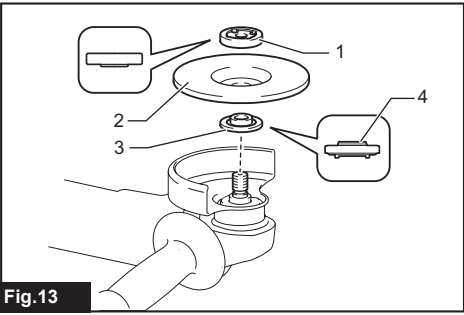


Fig.13

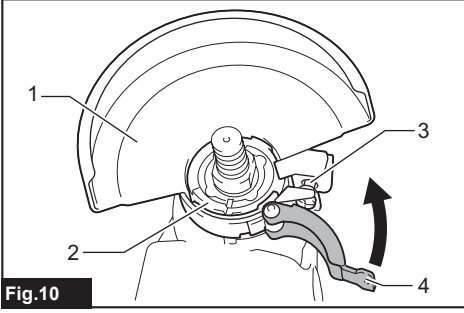


Fig.10

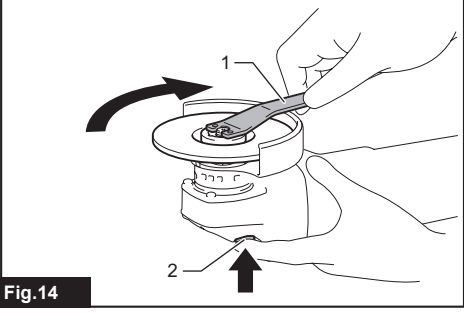


Fig.14

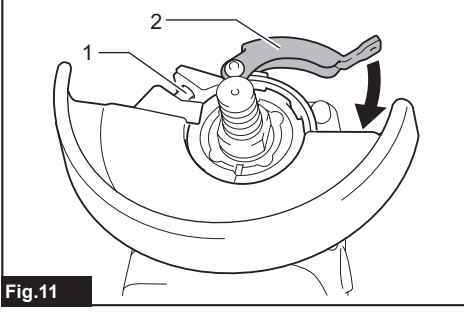


Fig.11

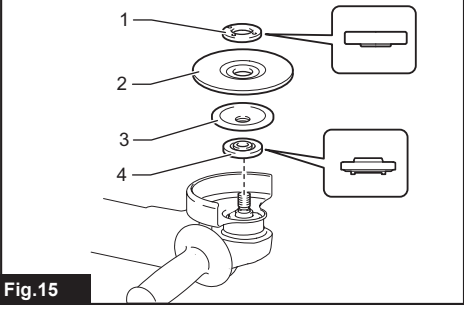


Fig.15

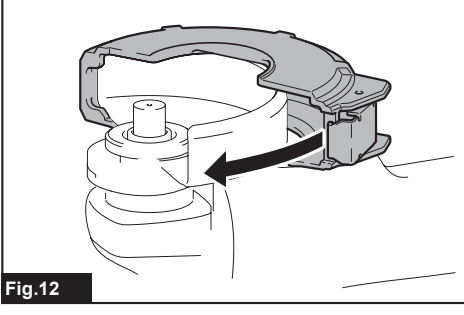


Fig.12

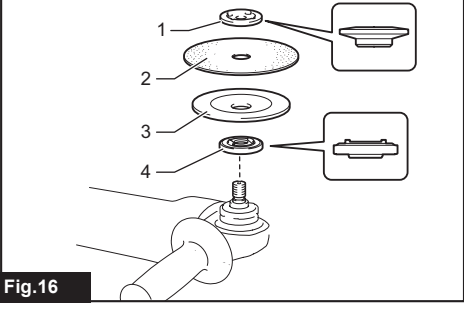
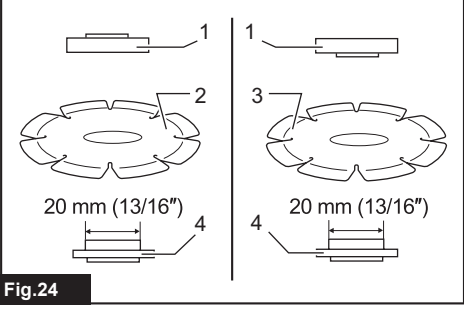
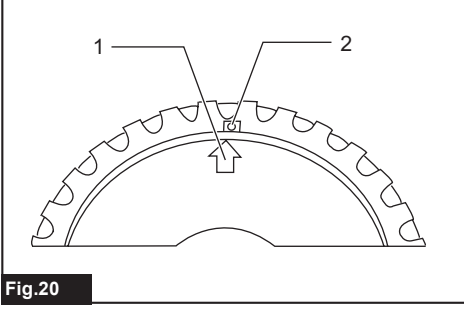
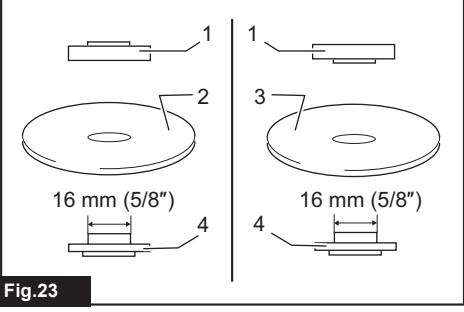
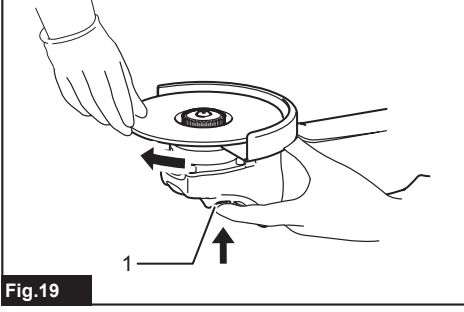
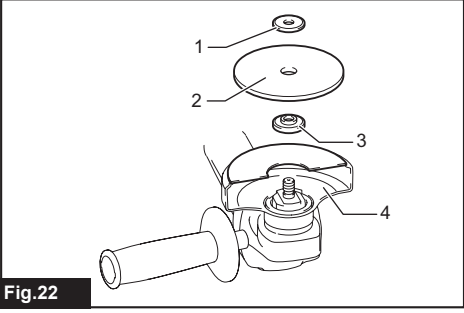
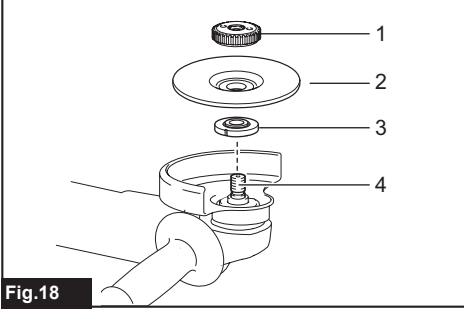
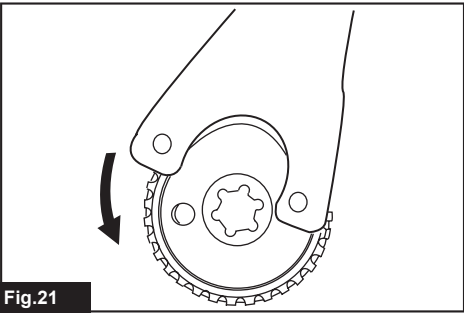
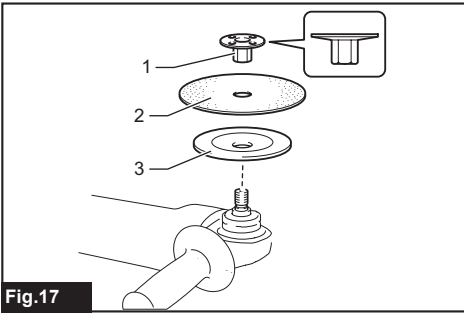


Fig.16



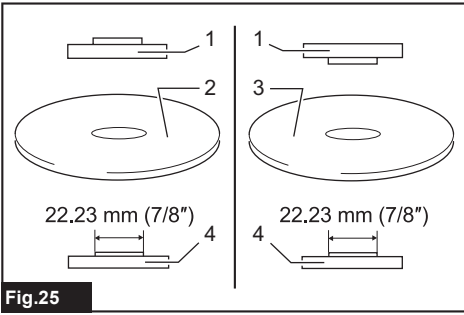


Fig.25

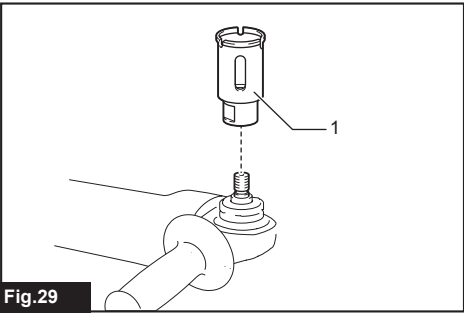


Fig.29

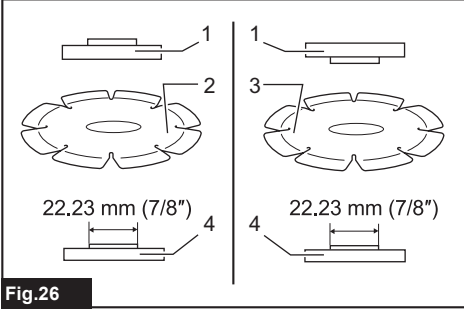


Fig.26

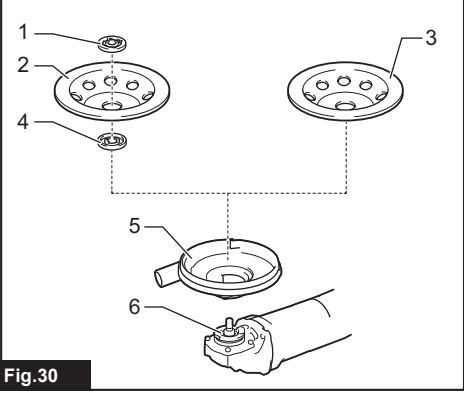


Fig.30

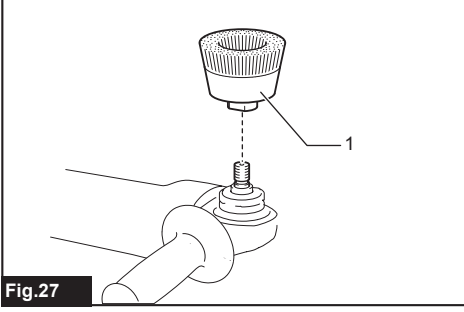


Fig.27

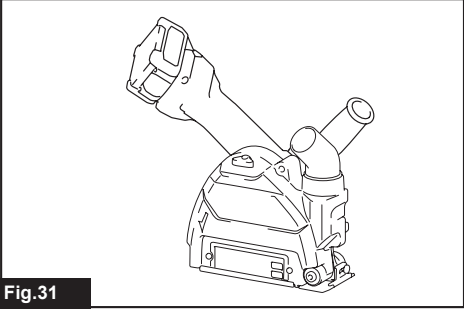


Fig.31

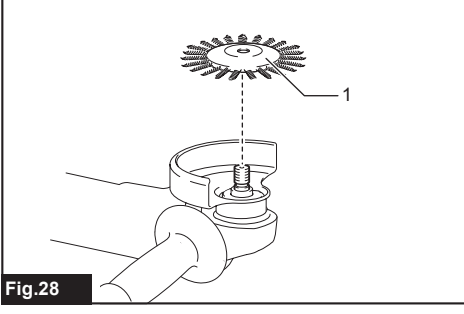


Fig.28

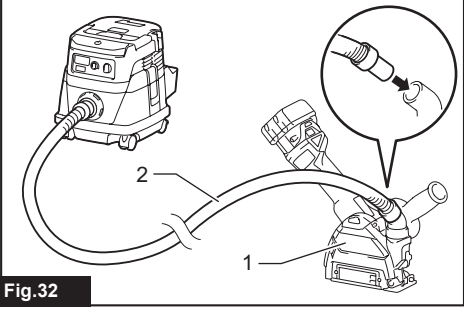


Fig.32

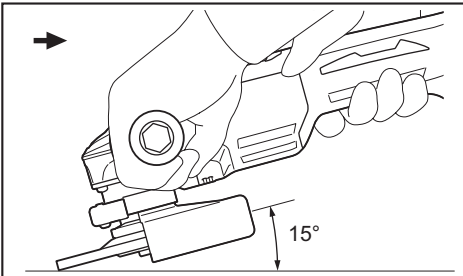


Fig.33

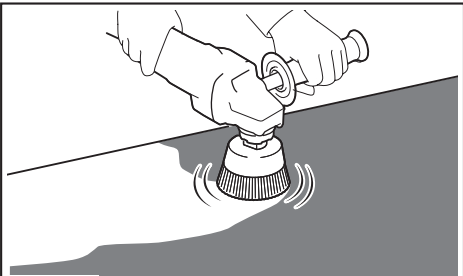


Fig.37

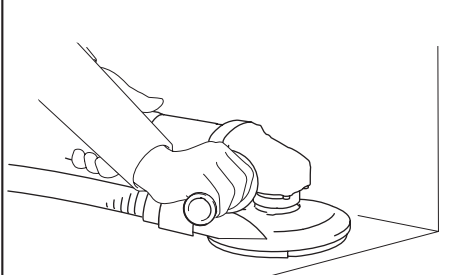


Fig.34

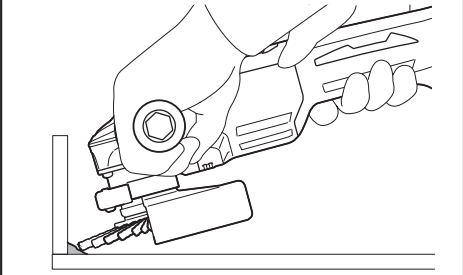


Fig.38

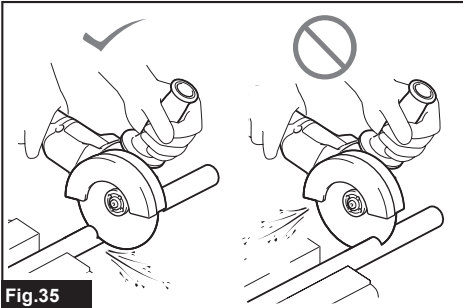


Fig.35



Fig.39

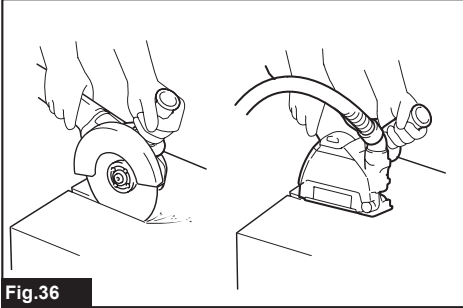


Fig.36

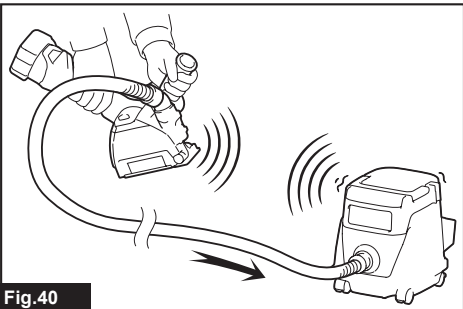


Fig.40

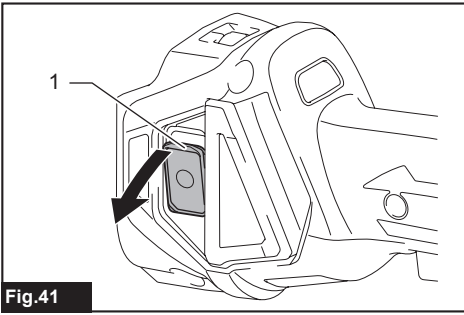


Fig.41

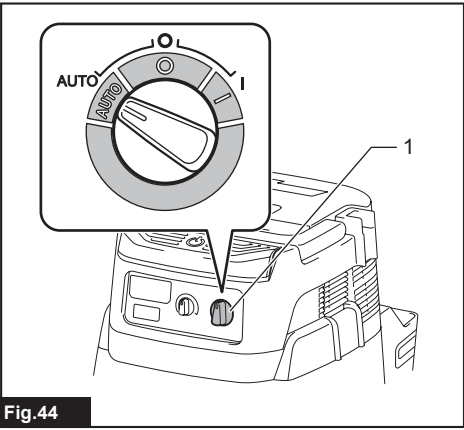


Fig.44

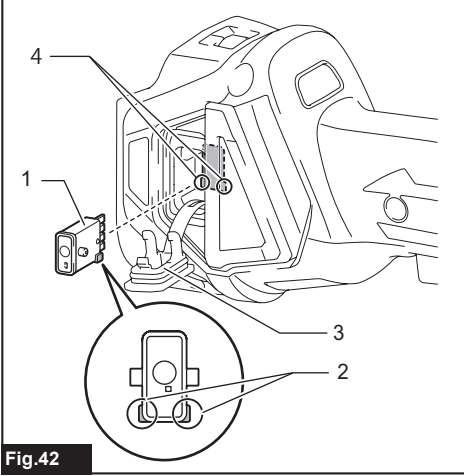


Fig.42

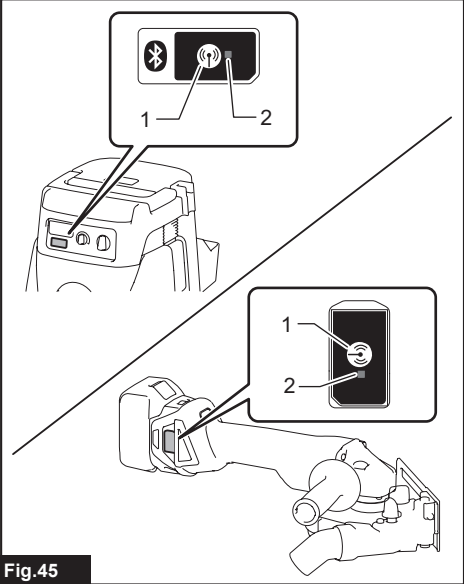


Fig.45

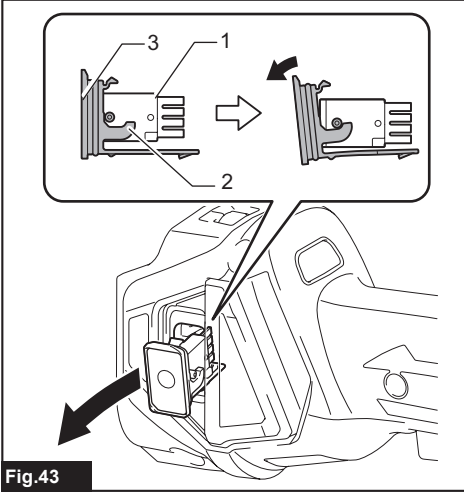


Fig.43

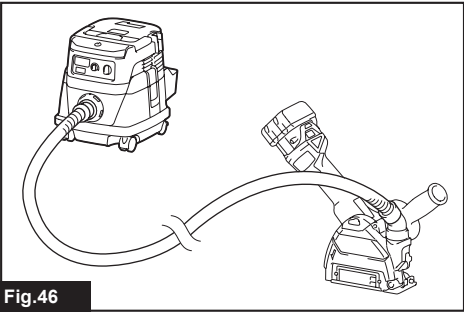


Fig.46

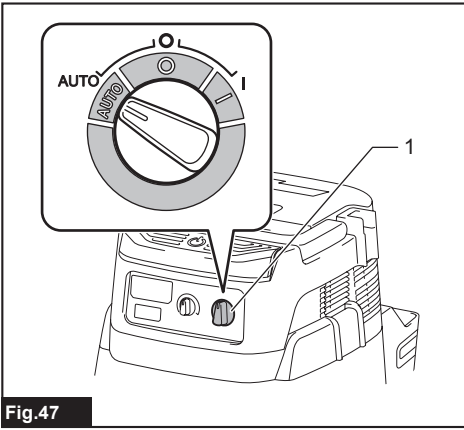


Fig.47

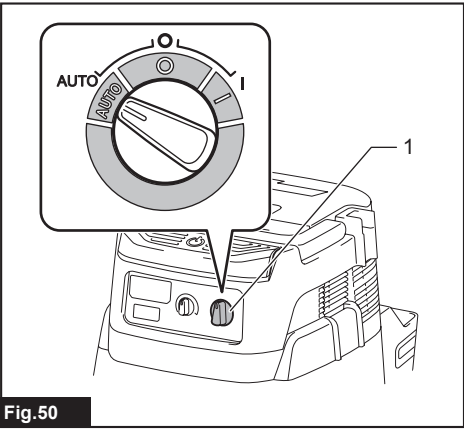


Fig.50

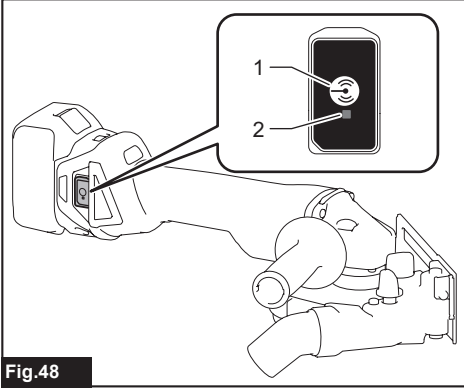


Fig.48

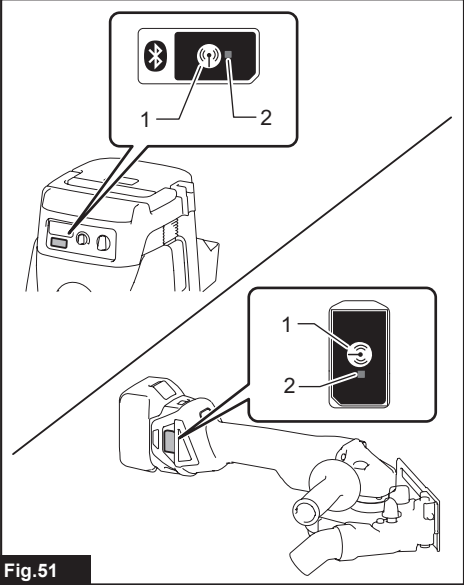


Fig.51

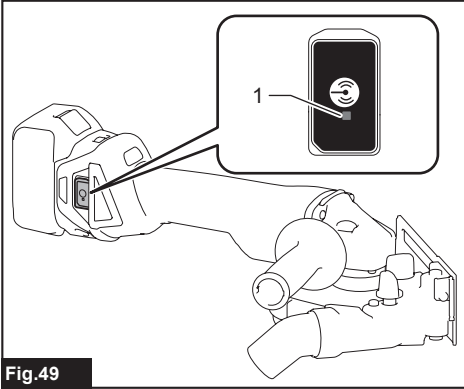


Fig.49

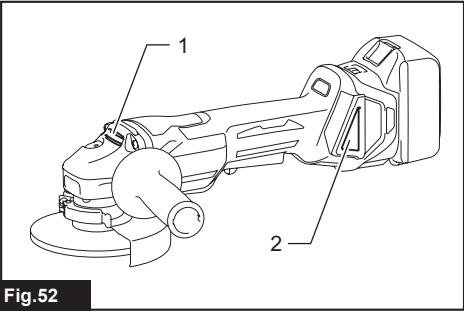


Fig.52

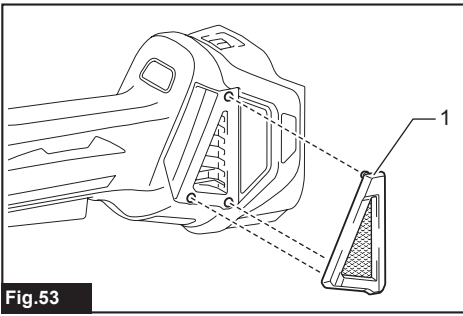


Fig.53

SPECIFICATIONS

Model:		DGA417	DGA418	DGA467	DGA468	DGA517	DGA518
Applicable grinding wheel	Max. wheel diameter	100 mm		115 mm		125 mm	
	Max. wheel thickness	6.4 mm		7.2 mm			
Applicable cut-off wheel	Max. wheel diameter	105 mm		115 mm		125 mm	
	Max. wheel thickness			3.2 mm			
Applicable wire wheel brush	Max. wheel diameter	100 mm		115 mm		125 mm	
	Max. wheel thickness			20 mm			
Spindle thread		M10		M14 or 5/8" (country specific)			
Max. spindle length		18 mm		23 mm			
No load speed (n ₀) / Rated speed (n)				8,500 min ⁻¹			
Overall length	with BL1840B			382 mm			
Net weight		2.2 - 3.7 kg		2.4 - 3.9 kg			
Rated voltage				D.C. 18 V			

- Due to our continuing program of research and development, the specifications herein are subject to change without notice.
- Specifications may differ from country to country.
- The weight may differ depending on the attachment(s), including the battery cartridge. The lightest and heaviest combinations, according to EPTA-Procedure 01/2014, are shown in the table.

Applicable battery cartridge and charger

Battery cartridge	BL1815N / BL1820B / BL1830B / BL1840B / BL1850B / BL1860B
Charger	DC18RC / DC18RD / DC18RE / DC18SD / DC18SE / DC18SF / DC18SH / DC18WC

- Some of the battery cartridges and chargers listed above may not be available depending on your region of residence.

⚠ WARNING: Only use the battery cartridges and chargers listed above. Use of any other battery cartridges and chargers may cause injury and/or fire.

Recommended cord connected power source

Portable power pack	PDC01
---------------------	-------

- The cord connected power source(s) listed above may not be available depending on your region of residence.
- Before using the cord connected power source, read instruction and cautionary markings on them.

Symbols

The followings show the symbols which may be used for the equipment. Be sure that you understand their meaning before use.



Read instruction manual.



Wear safety glasses.



Always operate with two hands.



Do not use the wheel guard for cut-off operations.



Only for EU countries
 Due to the presence of hazardous components in the equipment, waste electrical and electronic equipment, accumulators and batteries may have a negative impact on the environment and human health. Do not dispose of electrical and electronic appliances or batteries with household waste! In accordance with the European Directive on waste electrical and electronic equipment and on accumulators and batteries and waste accumulators and batteries, as well as their adaptation to national law, waste electrical equipment, batteries and accumulators should be stored separately and delivered to a separate collection point for municipal waste, operating in accordance with the regulations on environmental protection.
 This is indicated by the symbol of the crossed-out wheeled bin placed on the equipment.

Intended use

The tool is intended for grinding, sanding, wire brushing, hole cutting and cutting of metal and stone materials without the use of water.

Noise

The typical A-weighted noise level determined according to EN62841-2-3:

Model	Sound pressure level (L_{pA}) : (dB(A))	Sound power level (L_{WA}) : (dB(A))	Uncertainty (K) : (dB(A))
DGA417	83	91	3
DGA418	83	91	3
DGA467	83	91	3
DGA468	83	91	3
DGA517	83	91	3
DGA518	83	91	3

NOTE: The declared noise emission value(s) has been measured in accordance with a standard test method and may be used for comparing one tool with another.

NOTE: The declared noise emission value(s) may also be used in a preliminary assessment of exposure.

⚠ WARNING: Wear ear protection.

⚠ WARNING: The noise emission during actual use of the power tool can differ from the declared value(s) depending on the ways in which the tool is used especially what kind of workpiece is processed.

⚠ WARNING: Be sure to identify safety measures to protect the operator that are based on an estimation of exposure in the actual conditions of use (taking account of all parts of the operating cycle such as the times when the tool is switched off and when it is running idle in addition to the trigger time).

⚠ WARNING: Grinding thin sheets of metal or other easily vibrating structures with a large surface can result in a total noise emission much higher (up to 15 dB) than the declared noise emission values.

Set heavy flexible damping mats or such to those workpieces to prevent them from emitting sound.

Take the increased noise emission into consideration for both the risk assessment of noise exposure and selecting adequate hearing protection.

Vibration

The vibration total value (tri-axial vector sum) determined according to EN62841-2-3:

Work mode: surface grinding with normal side grip

Model	Vibration emission ($a_{hv, AG}$) : (m/s ²)	Uncertainty (K) : (m/s ²)
DGA417	4.5	1.5
DGA418	4.5	1.5
DGA467	5.5	1.5
DGA468	5.5	1.5
DGA517	6.0	1.5
DGA518	6.0	1.5

Work mode: surface grinding with anti vibration side grip

Model	Vibration emission ($a_{hv, AG}$) : (m/s ²)	Uncertainty (K) : (m/s ²)
DGA417	4.5	1.5
DGA418	4.5	1.5
DGA467	5.0	1.5
DGA468	5.0	1.5
DGA517	5.5	1.5
DGA518	5.5	1.5

Work mode: disc sanding with normal side grip

Model	Vibration emission ($a_{hr, DS}$) : (m/s ²)	Uncertainty (K) : (m/s ²)
DGA417	2.5 m/s ² or less	1.5
DGA418	2.5 m/s ² or less	1.5
DGA467	2.5 m/s ² or less	1.5
DGA468	2.5 m/s ² or less	1.5
DGA517	2.5 m/s ² or less	1.5
DGA518	2.5 m/s ² or less	1.5

Work mode: disc sanding with anti vibration side grip

Model	Vibration emission ($a_{hr, DS}$) : (m/s ²)	Uncertainty (K) : (m/s ²)
DGA417	2.5 m/s ² or less	1.5
DGA418	2.5 m/s ² or less	1.5
DGA467	2.5 m/s ² or less	1.5
DGA468	2.5 m/s ² or less	1.5
DGA517	2.5 m/s ² or less	1.5
DGA518	2.5 m/s ² or less	1.5

NOTE: The declared vibration total value(s) has been measured in accordance with a standard test method and may be used for comparing one tool with another.

NOTE: The declared vibration total value(s) may also be used in a preliminary assessment of exposure.

⚠ WARNING: The vibration emission during actual use of the power tool can differ from the declared value(s) depending on the ways in which the tool is used especially what kind of workpiece is processed.

⚠ WARNING: Be sure to identify safety measures to protect the operator that are based on an estimation of exposure in the actual conditions of use (taking account of all parts of the operating cycle such as the times when the tool is switched off and when it is running idle in addition to the trigger time).

⚠ WARNING: The declared vibration emission value is used for main applications of the power tool. However if the power tool is used for other applications, the vibration emission value may be different.

EC Declaration of Conformity

For European countries only

The EC declaration of conformity is included as Annex A to this instruction manual.

SAFETY WARNINGS

General power tool safety warnings

⚠ WARNING Read all safety warnings, instructions, illustrations and specifications provided with this power tool. Failure to follow all instructions listed below may result in electric shock, fire and/or serious injury.

Save all warnings and instructions for future reference.

The term "power tool" in the warnings refers to your mains-operated (corded) power tool or battery-operated (cordless) power tool.

Cordless grinder safety warnings

Safety warnings common for grinding, sanding, wire brushing, or cutting-off operations:

1. This power tool is intended to function as a grinder, sander, wire brush, hole cutter or cut-off tool. Read all safety warnings, instructions, illustrations and specifications provided with this power tool. Failure to follow all instructions listed below may result in electric shock, fire and/or serious injury.
2. Operations such as polishing are not to be performed with this power tool. Operations for which the power tool was not designed may create a hazard and cause personal injury.
3. Do not convert this power tool to operate in a way which is not specifically designed and specified by the tool manufacturer. Such a conversion may result in a loss of control and cause serious personal injury.
4. Do not use accessories which are not specifically designed and specified by the tool manufacturer. Just because the accessory can be attached to your power tool, it does not assure safe operation.
5. The rated speed of the accessory must be at least equal to the maximum speed marked on the power tool. Accessories running faster than their rated speed can break and fly apart.

6. **The outside diameter and the thickness of your accessory must be within the capacity rating of your power tool.** Incorrectly sized accessories cannot be adequately guarded or controlled.
7. **The dimensions of the accessory mounting must fit the dimensions of the mounting hardware of the power tool.** Accessories that do not match the mounting hardware of the power tool will run out of balance, vibrate excessively and may cause loss of control.
8. **Do not use a damaged accessory. Before each use inspect the accessory such as abrasive wheels for chips and cracks, backing pad for cracks, tear or excess wear, wire brush for loose or cracked wires. If power tool or accessory is dropped, inspect for damage or install an undamaged accessory. After inspecting and installing an accessory, position yourself and bystanders away from the plane of the rotating accessory and run the power tool at maximum no-load speed for one minute.** Damaged accessories will normally break apart during this test time.
9. **Wear personal protective equipment. Depending on application, use face shield, safety goggles or safety glasses. As appropriate, wear dust mask, hearing protectors, gloves and workshop apron capable of stopping small abrasive or workpiece fragments.** The eye protection must be capable of stopping flying debris generated by various applications. The dust mask or respirator must be capable of filtering particles generated by the particular application. Prolonged exposure to high intensity noise may cause hearing loss.
10. **Keep bystanders a safe distance away from work area. Anyone entering the work area must wear personal protective equipment.** Fragments of workpiece or of a broken accessory may fly away and cause injury beyond immediate area of operation.
11. **Hold the power tool by insulated gripping surfaces only, when performing an operation where the cutting tool may contact hidden wiring.** Contact with a "live" wire will also make exposed metal parts of the power tool "live" and could give the operator an electric shock.
12. **Never lay the power tool down until the accessory has come to a complete stop.** The spinning accessory may grab the surface and pull the power tool out of your control.
13. **Do not run the power tool while carrying it at your side.** Accidental contact with the spinning accessory could snag your clothing, pulling the accessory into your body.
14. **Regularly clean the power tool's air vents.** The motor's fan will draw the dust inside the housing and excessive accumulation of powdered metal may cause electrical hazards.
15. **Do not operate the power tool near flammable materials.** Sparks could ignite these materials.
16. **Do not use accessories that require liquid coolants.** Using water or other liquid coolants may result in electrocution or shock.

Kickback and related warnings:

Kickback is a sudden reaction to a pinched or snagged rotating wheel, backing pad, brush or any other accessory. Pinching or snagging causes rapid stalling of the rotating accessory which in turn causes the uncontrolled power tool to be forced in the direction opposite of the accessory's rotation at the point of the binding. For example, if an abrasive wheel is snagged or pinched by the workpiece, the edge of the wheel that is entering into the pinch point can dig into the surface of the material causing the wheel to climb out or kick out. The wheel may either jump toward or away from the operator, depending on direction of the wheel's movement at the point of pinching. Abrasive wheels may also break under these conditions.

Kickback is the result of power tool misuse and/or incorrect operating procedures or conditions and can be avoided by taking proper precautions as given below.

1. **Maintain a firm grip with both hands on the power tool and position your body and arms to allow you to resist kickback forces. Always use auxiliary handle, if provided, for maximum control over kickback or torque reaction during start-up.** The operator can control torque reactions or kickback forces, if proper precautions are taken.
2. **Never place your hand near the rotating accessory.** Accessory may kickback over your hand.
3. **Do not position your body in the area where power tool will move if kickback occurs.** Kickback will propel the tool in direction opposite to the wheel's movement at the point of snagging.
4. **Use special care when working corners, sharp edges, etc. Avoid bouncing and snagging the accessory.** Corners, sharp edges or bouncing have a tendency to snag the rotating accessory and cause loss of control or kickback.
5. **Do not attach a saw chain woodcarving blade, segmented diamond wheel with a peripheral gap greater than 10 mm or toothed saw blade.** Such blades create frequent kickback and loss of control.

Safety warnings specific for grinding and cutting-off operations:

1. **Use only wheel types that are specified for your power tool and the specific guard designed for the selected wheel.** Wheels for which the power tool was not designed cannot be adequately guarded and are unsafe.
2. **The grinding surface of centre depressed wheels must be mounted below the plane of the guard lip.** An improperly mounted wheel that projects through the plane of the guard lip cannot be adequately protected.
3. **The guard must be securely attached to the power tool and positioned for maximum safety, so the least amount of wheel is exposed towards the operator.** The guard helps to protect the operator from broken wheel fragments, accidental contact with wheel and sparks that could ignite clothing.
4. **Wheels must be used only for specified applications. For example: do not grind with the side of cut-off wheel.** Abrasive cut-off wheels are intended for peripheral grinding, side forces applied to these wheels may cause them to shatter.

5. **Always use undamaged wheel flanges that are of correct size and shape for your selected wheel.** Proper wheel flanges support the wheel thus reducing the possibility of wheel breakage. Flanges for cut-off wheels may be different from grinding wheel flanges.
6. **Do not use worn down wheels from larger power tools.** A wheel intended for larger power tool is not suitable for the higher speed of a smaller tool and may burst.
7. **When using dual purpose wheels always use the correct guard for the application being performed.** Failure to use the correct guard may not provide the desired level of guarding, which could lead to serious injury.

Additional safety warnings specific for cutting-off operations:

1. **Do not “jam” the cut-off wheel or apply excessive pressure. Do not attempt to make an excessive depth of cut.** Overstressing the wheel increases the loading and susceptibility to twisting or binding of the wheel in the cut and the possibility of kickback or wheel breakage.
2. **Do not position your body in line with and behind the rotating wheel.** When the wheel, at the point of operation, is moving away from your body, the possible kickback may propel the spinning wheel and the power tool directly at you.
3. **When the wheel is binding or when interrupting a cut for any reason, switch off the power tool and hold it motionless until the wheel comes to a complete stop. Never attempt to remove the cut-off wheel from the cut while the wheel is in motion otherwise kickback may occur.** Investigate and take corrective action to eliminate the cause of wheel binding.
4. **Do not restart the cutting operation in the workpiece. Let the wheel reach full speed and carefully re-enter the cut.** The wheel may bind, walk up or kickback if the power tool is restarted in the workpiece.
5. **Support panels or any oversized workpiece to minimize the risk of wheel pinching and kickback.** Large workpieces tend to sag under their own weight. Supports must be placed under the workpiece near the line of cut and near the edge of the workpiece on both sides of the wheel.
6. **Use extra caution when making a “pocket cut” into existing walls or other blind areas.** The protruding wheel may cut gas or water pipes, electrical wiring or objects that can cause kickback.
7. **Do not attempt to do curved cutting.** Overstressing the wheel increases the loading and susceptibility to twisting or binding of the wheel in the cut and the possibility of kickback or wheel breakage, which can lead to serious injury.
8. **Before using a segmented diamond wheel, make sure that the diamond wheel has the peripheral gap between segments of 10 mm or less, only with a negative rake angle.**

Safety warnings specific for sanding operations:

1. **Use proper sized sanding disc paper. Follow manufacturers recommendations, when selecting sanding paper.** Larger sanding paper extending too far beyond the sanding pad presents a laceration hazard and may cause snagging, tearing of the disc or kickback.

Safety warnings specific for wire brushing operations:

1. **Be aware that wire bristles are thrown by the brush even during ordinary operation. Do not overstress the wires by applying excessive load to the brush.** The wire bristles can easily penetrate light clothing and/or skin.
2. **If the use of a guard is specified for wire brushing, do not allow any interference of the wire wheel or brush with the guard.** Wire wheel or brush may expand in diameter due to work load and centrifugal forces.

Additional Safety Warnings:

1. **When using depressed centre grinding wheels, be sure to use only fiberglass-reinforced wheels.**
2. **NEVER USE Stone Cup type wheels with this grinder.** This grinder is not designed for these types of wheels and the use of such a product may result in serious personal injury.
3. **Be careful not to damage the spindle, the flange (especially the installing surface) or the lock nut. Damage to these parts could result in wheel breakage.**
4. **Make sure the wheel is not contacting the workpiece before the switch is turned on.**
5. **Before using the tool on an actual workpiece, let it run for a while. Watch for vibration or wobbling that could indicate poor installation or a poorly balanced wheel.**
6. **Use the specified surface of the wheel to perform the grinding.**
7. **Do not leave the tool running. Operate the tool only when hand-held.**
8. **Do not touch the workpiece immediately after operation; it may be extremely hot and could burn your skin.**
9. **Do not touch accessories immediately after operation; it may be extremely hot and could burn your skin.**
10. **Observe the instructions of the manufacturer for correct mounting and use of wheels. Handle and store wheels with care.**
11. **Do not use separate reducing bushings or adaptors to adapt large hole abrasive wheels.**
12. **Use only flanges specified for this tool.**
13. **For tools intended to be fitted with threaded hole wheel, ensure that the thread in the wheel is long enough to accept the spindle length.**
14. **Check that the workpiece is properly supported.**
15. **Pay attention that the wheel continues to rotate after the tool is switched off.**
16. **If working place is extremely hot and humid, or badly polluted by conductive dust, use a short-circuit breaker (30 mA) to assure operator safety.**
17. **Do not use the tool on any materials containing asbestos.**
18. **When use cut-off wheel, always work with the dust collecting wheel guard if required by domestic regulation.**
19. **Cutting discs must not be subjected to any lateral pressure.**

20. **Do not use cloth work gloves during operation.** Fibers from cloth gloves may enter the tool, which causes tool breakage.
21. **Before operation, make sure that there is no buried object such as electric pipe, water pipe or gas pipe in the workpiece.** Otherwise, it may cause an electric shock, electrical leakage or gas leak.
22. **If a blotter is attached to the wheel, do not remove it. The diameter of the blotter must be larger than the lock nut, outer flange, and inner flange.**
23. **Before installing a grinding wheel, always check that the blotter part does not have any abnormalities such as chips or cracks.**
24. **Tighten the lock nut properly.** Overtightening the wheel can cause breakage and insufficient tightening can cause fluttering.
8. **Do not nail, cut, crush, throw, drop the battery cartridge, or hit against a hard object to the battery cartridge.** Such conduct may result in a fire, excessive heat, or explosion.
9. **Do not use a damaged battery.**
10. **The contained lithium-ion batteries are subject to the Dangerous Goods Legislation requirements.**
For commercial transports e.g. by third parties, forwarding agents, special requirement on packaging and labeling must be observed.
For preparation of the item being shipped, consulting an expert for hazardous material is required. Please also observe possibly more detailed national regulations.
Tape or mask off open contacts and pack up the battery in such a manner that it cannot move around in the packaging.

SAVE THESE INSTRUCTIONS.

⚠WARNING: DO NOT let comfort or familiarity with product (gained from repeated use) replace strict adherence to safety rules for the subject product. MISUSE or failure to follow the safety rules stated in this instruction manual may cause serious personal injury.

Important safety instructions for battery cartridge

1. **Before using battery cartridge, read all instructions and cautionary markings on (1) battery charger, (2) battery, and (3) product using battery.**
2. **Do not disassemble or tamper with the battery cartridge.** It may result in a fire, excessive heat, or explosion.
3. **If operating time has become excessively shorter, stop operating immediately.** It may result in a risk of overheating, possible burns and even an explosion.
4. **If electrolyte gets into your eyes, rinse them out with clear water and seek medical attention right away.** It may result in loss of your eyesight.
5. **Do not short the battery cartridge:**
 - (1) **Do not touch the terminals with any conductive material.**
 - (2) **Avoid storing battery cartridge in a container with other metal objects such as nails, coins, etc.**
 - (3) **Do not expose battery cartridge to water or rain.**

A battery short can cause a large current flow, overheating, possible burns and even a breakdown.
6. **Do not store and use the tool and battery cartridge in locations where the temperature may reach or exceed 50 °C (122 °F).**
7. **Do not incinerate the battery cartridge even if it is severely damaged or is completely worn out.** The battery cartridge can explode in a fire.
11. **When disposing the battery cartridge, remove it from the tool and dispose of it in a safe place.** Follow your local regulations relating to disposal of battery.
12. **Use the batteries only with the products specified by Makita.** Installing the batteries to non-compliant products may result in a fire, excessive heat, explosion, or leak of electrolyte.
13. **If the tool is not used for a long period of time, the battery must be removed from the tool.**
14. **During and after use, the battery cartridge may take on heat which can cause burns or low temperature burns.** Pay attention to the handling of hot battery cartridges.
15. **Do not touch the terminal of the tool immediately after use as it may get hot enough to cause burns.**
16. **Do not allow chips, dust, or soil stuck into the terminals, holes, and grooves of the battery cartridge.** It may cause heating, catching fire, burst and malfunction of the tool or battery cartridge, resulting in burns or personal injury.
17. **Unless the tool supports the use near high-voltage electrical power lines, do not use the battery cartridge near high-voltage electrical power lines.** It may result in a malfunction or breakdown of the tool or battery cartridge.
18. **Keep the battery away from children.**

SAVE THESE INSTRUCTIONS.

⚠CAUTION: Only use genuine Makita batteries. Use of non-genuine Makita batteries, or batteries that have been altered, may result in the battery bursting causing fires, personal injury and damage. It will also void the Makita warranty for the Makita tool and charger.

Tips for maintaining maximum battery life

1. **Charge the battery cartridge before completely discharged.** Always stop tool operation and charge the battery cartridge when you notice less tool power.
2. **Never recharge a fully charged battery cartridge.** Overcharging shortens the battery service life.

3. Charge the battery cartridge with room temperature at 10 °C - 40 °C (50 °F - 104 °F). Let a hot battery cartridge cool down before charging it.
4. When not using the battery cartridge, remove it from the tool or the charger.
5. Charge the battery cartridge if you do not use it for a long period (more than six months).

Important safety instructions for wireless unit

1. Do not disassemble or tamper with the wireless unit.
2. Keep the wireless unit away from young children. If accidentally swallowed, seek medical attention immediately.
3. Use the wireless unit only with Makita tools.
4. Do not expose the wireless unit to rain or wet conditions.
5. Do not use the wireless unit in places where the temperature exceeds 50 °C (122 °F).
6. Do not operate the wireless unit in places where medical instruments, such as heart pace makers are nearby.
7. Do not operate the wireless unit in places where automated devices are nearby. If operated, automated devices may develop malfunction or error.
8. Do not operate the wireless unit in places under high temperature or places where static electricity or electrical noise could be generated.
9. The wireless unit can produce electromagnetic fields (EMF) but they are not harmful to the user.
10. The wireless unit is an accurate instrument. Be careful not to drop or strike the wireless unit.
11. Avoid touching the terminal of the wireless unit with bare hands or metallic materials.
12. Always remove the battery on the product when installing the wireless unit into it.
13. When opening the lid of the slot, avoid the place where dust and water may come into the slot. Always keep the inlet of the slot clean.
14. Always insert the wireless unit in the correct direction.
15. Do not press the wireless activation button on the wireless unit too hard and/or press the button with an object with a sharp edge.
16. Always close the lid of the slot when operating.
17. Do not remove the wireless unit from the slot while the power is being supplied to the tool. Doing so may cause a malfunction of the wireless unit.
18. Do not remove the sticker on the wireless unit.
19. Do not put any sticker on the wireless unit.
20. Do not leave the wireless unit in a place where static electricity or electrical noise could be generated.
21. Do not leave the wireless unit in a place subject to high heat, such as a car sitting in the sun.

22. Do not leave the wireless unit in a dusty or powdery place or in a place corrosive gas could be generated.
23. Sudden change of the temperature may bedew the wireless unit. Do not use the wireless unit until the dew is completely dried.
24. When cleaning the wireless unit, gently wipe with a dry soft cloth. Do not use benzine, thinner, conductive grease or the like.
25. When storing the wireless unit, keep it in the supplied case or a static-free container.
26. Do not insert any devices other than Makita wireless unit into the slot on the tool.
27. Do not use the tool with the lid of the slot damaged. Water, dust, and dirt come into the slot may cause malfunction.
28. Do not pull and/or twist the lid of the slot more than necessary. Restore the lid if it comes off from the tool.
29. Replace the lid of the slot if it is lost or damaged.

SAVE THESE INSTRUCTIONS.

FUNCTIONAL DESCRIPTION

CAUTION: Always be sure that the tool is switched off and the battery cartridge is removed before adjusting or checking function on the tool.

Installing or removing battery cartridge

CAUTION: Always switch off the tool before installing or removing of the battery cartridge.

CAUTION: Hold the tool and the battery cartridge firmly when installing or removing battery cartridge. Failure to hold the tool and the battery cartridge firmly may cause them to slip off your hands and result in damage to the tool and battery cartridge and a personal injury.

► Fig.1: 1. Red indicator 2. Button 3. Battery cartridge

To remove the battery cartridge, slide it from the tool while sliding the button on the front of the cartridge.

To install the battery cartridge, align the tongue on the battery cartridge with the groove in the housing and slip it into place. Insert it all the way until it locks in place with a little click. If you can see the red indicator as shown in the figure, it is not locked completely.

CAUTION: Always install the battery cartridge fully until the red indicator cannot be seen. If not, it may accidentally fall out of the tool, causing injury to you or someone around you.

CAUTION: Do not install the battery cartridge forcibly. If the cartridge does not slide in easily, it is not being inserted correctly.

Indicating the remaining battery capacity

Only for battery cartridges with the indicator

► Fig.2: 1. Indicator lamps 2. Check button

Press the check button on the battery cartridge to indicate the remaining battery capacity. The indicator lamps light up for a few seconds.

Indicator lamps			Remaining capacity
Lighted	Off	Blinking	
■	□	▧	75% to 100%
■	■	■	
■	■	□	50% to 75%
■	■	□	25% to 50%
■	□	□	0% to 25%
▧	□	□	Charge the battery.
■	■	□	The battery may have malfunctioned.
□	□	■	

NOTE: Depending on the conditions of use and the ambient temperature, the indication may differ slightly from the actual capacity.

NOTE: The first (far left) indicator lamp will blink when the battery protection system works.

Indicating the remaining battery capacity

Country specific

When you turn the tool on, the battery indicator shows the remaining battery capacity.

► Fig.3: 1. Battery indicator

The remaining battery capacity is shown as the following table.

Battery indicator status			Remaining battery capacity
On	Off	Blinking	
■	□	▧	50% to 100%
■	■	■	
■	■	□	20% to 50%
■	■	□	0% to 20%
■	□	□	Charge the battery

Tool / battery protection system

The tool is equipped with a tool/battery protection system. This system automatically cuts off power to the motor to extend tool and battery life. The tool will automatically stop during operation if the tool or battery is placed under one of the following conditions:


Overload protection

When the tool is operated in a manner that causes it to draw an abnormally high current, the tool automatically stops without any indication. In this situation, turn the tool off and stop the application that caused the tool to become overloaded. Then turn the tool on to restart.

Overheat protection

When the tool is overheated, the tool stops automatically and the battery indicator shows following state. In this situation, let the tool cool before turning the tool on again.

On	Blinking
■	▧



If the tool does not start, the battery may be overheated. In this situation, let the battery cool before starting the tool again.

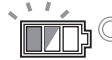
Overdischarge protection

When the battery capacity is not enough, the tool stops automatically. In this case, remove the battery from the tool and charge the battery.

Releasing protection lock

When the protection system works repeatedly, the tool is locked and the battery indicator shows the following state. In this situation, the tool does not start even if turning the tool off and on. To release the protection lock, remove the battery, set it to the battery charger and wait until the charging finishes.

On	Off	Blinking
■	□	▧



Protections against other causes

Protection system is also designed for other causes that could damage the tool and allows the tool to stop automatically. Take all the following steps to clear the causes, when the tool has been brought to a temporary halt or stop in operation.

1. Turn the tool off, and then turn it on again to restart.
2. Charge the battery(ies) or replace it/them with recharged battery(ies).
3. Let the tool and battery(ies) cool down.

If no improvement can be found by restoring protection system, then contact your local Makita Service Center.

Shaft lock

⚠ WARNING: Never actuate the shaft lock when the spindle is moving. It may cause serious injury or the tool damage.

Press the shaft lock to prevent spindle rotation when installing or removing accessories.

► Fig.4: 1. Shaft lock

Switch action

⚠ CAUTION: Before installing the battery cartridge into the tool, always check to see that the switch lever actuates properly and returns to the "OFF" position when released.

⚠ CAUTION: For your safety, this tool is equipped with lock-off lever which prevents the tool from unintended starting. NEVER use the tool if it runs when you simply pull the switch lever without pulling the lock-off lever. Return the tool to our authorized service center for proper repairs BEFORE further usage.

⚠ CAUTION: Do not pull the switch lever hard without pulling the lock-off lever. This can cause switch breakage.

⚠ CAUTION: NEVER tape down or defeat purpose and function of lock-off lever.

To prevent the switch lever from being accidentally pulled, a lock-off lever is provided.

To start the tool, pull the lock-off lever toward the operator and then pull the switch lever.

To stop the tool, release the switch lever.

► Fig.5: 1. Lock-off lever 2. Switch lever

Speed adjusting dial

The rotation speed of the tool can be changed by turning the speed adjusting dial. The table below shows the number on the dial and the corresponding rotation speed.

► Fig.6: 1. Speed adjusting dial



Number	Speed
1	3,000 min ⁻¹
2	4,500 min ⁻¹
3	6,000 min ⁻¹
4	7,500 min ⁻¹
5	8,500 min ⁻¹

NOTICE: If the tool is operated continuously at low speed for a long time, the motor will get overloaded, resulting in tool malfunction.

NOTICE: The speed adjusting dial can be turned only as far as 5 and back to 1. Do not force it past 5 or 1, or the speed adjusting function may no longer work.

Automatic speed change function

► Fig.7: 1. Mode indicator

Mode indicator status	Operation mode
	High speed mode
	High torque mode

This tool has "high speed mode" and "high torque mode". It automatically changes operation mode depending on the work load. When mode indicator lights up during operation, the tool is in high torque mode.

Accidental re-start preventive function

When installing the battery cartridge while the switch is ON, the tool does not start.

To start the tool, turn off the switch, and turn it on again.

Active Feedback sensing Technology

The tool electronically detects situations where the wheel or accessory may be at risk to be bound. In the situation, the tool is automatically shut off to prevent further rotation of the spindle (it does not prevent kickback).

To restart the tool, switch off the tool first, remove the cause of sudden drop in the rotation speed, and then turn the tool on.

Soft start feature

Soft start feature reduces starting reaction.

Electric brake

Electric brake is activated after the tool is switched off. The brake does not work when the power supply is shut down, such as the battery is removed accidentally, with the switch still on.

ASSEMBLY

⚠ CAUTION: Always be sure that the tool is switched off and the battery cartridge is removed before adjusting or checking function on the tool.

Installing side grip (handle)

⚠ CAUTION: Always be sure that the side grip is installed securely before operation.

Screw the side grip securely on the position of the tool as shown in the figure.

► Fig.8

Installing or removing wheel guard (For depressed center wheel, flap disc, flex wheel, wire wheel brush / abrasive cut-off wheel, diamond wheel)

⚠ WARNING: When using a depressed center wheel, flap disc, flex wheel or wire wheel brush, the wheel guard must be fitted on the tool so that the closed side of the guard always points toward the operator.

⚠ WARNING: When using an abrasive cut-off / diamond wheel, be sure to use only the special wheel guard designed for use with cut-off wheels.

For tool with locking screw type wheel guard

Mount the wheel guard with the protrusions on the wheel guard band aligned with the notches on the bearing box. Then rotate the wheel guard to such an angle that it can protect the operator according to work. Be sure to tighten the screw securely.

To remove wheel guard, follow the installation procedure in reverse.

► **Fig.9:** 1. Wheel guard 2. Bearing box 3. Screw

For tool with clamp lever type wheel guard

Loosen the screw, and then pull the lever in the direction of the arrow. Mount the wheel guard with the protrusions on the wheel guard band aligned with the notches on the bearing box. Then rotate the wheel guard to such an angle that it can protect the operator according to work.

► **Fig.10:** 1. Wheel guard 2. Bearing box 3. Screw
4. Lever

Pull the lever in direction of the arrow. Then tighten the wheel guard with fastening the screw. Be sure to tighten the screw securely. The setting angle of the wheel guard can be adjusted with the lever.

► **Fig.11:** 1. Screw 2. Lever

To remove wheel guard, follow the installation procedure in reverse.

Clip-on cutting wheel guard attachment

Optional accessory

NOTE: For cutting-off operations, a clip-on cutting wheel guard attachment can be used with the wheel guard (for grinding wheel).

Not available in some countries.

► **Fig.12**

Installing or removing depressed center wheel or flap disc

Optional accessory

⚠ WARNING: When using a depressed center wheel or flap disc, the wheel guard must be fitted on the tool so that the closed side of the guard always points toward the operator.

⚠ WARNING: Make sure that the mounting part of the inner flange fits into the inner diameter of the depressed center wheel / flap disc perfectly. Mounting the inner flange on the wrong side may result in the dangerous vibration.

Mount the inner flange onto the spindle. Make sure to fit the dented part of the inner flange onto the straight part at the bottom of the spindle.

Fit the depressed center wheel / flap disc on the inner flange and screw the lock nut onto the spindle.

► **Fig.13:** 1. Lock nut 2. Depressed center wheel
3. Inner flange 4. Mounting part

To tighten the lock nut, press the shaft lock firmly so that the spindle cannot revolve, then use the lock nut wrench and securely tighten clockwise.

► **Fig.14:** 1. Lock nut wrench 2. Shaft lock

To remove the wheel, follow the installation procedure in reverse.

Installing or removing flex wheel

Optional accessory

⚠ WARNING: Always use supplied guard when flex wheel is on the tool. Wheel can shatter during use and guard helps to reduce chances of personal injury.

► **Fig.15:** 1. Lock nut 2. Flex wheel 3. Back up pad
4. Inner flange

Follow instructions for depressed center wheel but also use back up pad over wheel.

Installing or removing abrasive disc

Optional accessory

NOTE: Use sander accessories specified in this manual. These must be purchased separately.

For 100 mm (4") model

► **Fig.16:** 1. Sanding lock nut 2. Abrasive disc
3. Rubber pad 4. Inner flange

1. Mount the inner flange onto the spindle.
2. Mount the rubber pad onto the spindle.
3. Fit the disc on the rubber pad and screw the sanding lock nut onto the spindle.
4. Hold the spindle with the shaft lock, and securely tighten the sanding lock nut clockwise with the lock nut wrench.

To remove the disc, follow the installation procedure in reverse.

For model other than 100 mm (4")

- **Fig.17:** 1. Sanding lock nut 2. Abrasive disc
3. Rubber pad

1. Mount the rubber pad onto the spindle.
2. Fit the disc on the rubber pad and screw the sanding lock nut onto the spindle.
3. Hold the spindle with the shaft lock, and securely tighten the sanding lock nut clockwise with the lock nut wrench.

To remove the disc, follow the installation procedure in reverse.

Installing or removing Ezynut

Optional accessory

Only for tools with M14 spindle thread.

Mount inner flange, abrasive wheel and Ezynut onto the spindle so that Makita Logo on Ezynut faces outside.

- **Fig.18:** 1. Ezynut 2. Abrasive wheel 3. Inner flange
4. Spindle

Press shaft lock firmly and tighten Ezynut by turning the abrasive wheel clockwise as far as it turns.

- **Fig.19:** 1. Shaft lock

To loosen the Ezynut, turn the outside ring of Ezynut counterclockwise.

NOTE: Ezynut can be loosened by hand as long as the arrow points the notch. Otherwise a lock nut wrench is required to loosen it. Insert one pin of the wrench into a hole and turn Ezynut counterclockwise.

- **Fig.20:** 1. Arrow 2. Notch
► **Fig.21**

Installing abrasive cut-off / diamond wheel

Optional accessory

⚠ WARNING: When using an abrasive cut-off / diamond wheel, be sure to use only the special wheel guard designed for use with cut-off wheels.

⚠ WARNING: NEVER use cut-off wheel for side grinding.

- **Fig.22:** 1. Lock nut 2. Abrasive cut-off wheel / diamond wheel 3. Inner flange 4. Wheel guard for abrasive cut-off wheel / diamond wheel

As for the installation, follow the instructions for depressed center wheel.

The direction for mounting the lock nut and the inner flange varies by wheel type and thickness. Refer to the following figures.

For 100 mm (4") model

When installing the abrasive cut-off wheel:

- **Fig.23:** 1. Lock nut 2. Abrasive cut-off wheel (Thinner than 4 mm (5/32")) 3. Abrasive cut-off wheel (4 mm (5/32") or thicker) 4. Inner flange

When installing the diamond wheel:

- **Fig.24:** 1. Lock nut 2. Diamond wheel (Thinner than 4 mm (5/32")) 3. Diamond wheel (4 mm (5/32") or thicker) 4. Inner flange

For model other than 100 mm (4")

When installing the abrasive cut-off wheel:

- **Fig.25:** 1. Lock nut 2. Abrasive cut-off wheel (Thinner than 4 mm (5/32")) 3. Abrasive cut-off wheel (4 mm (5/32") or thicker) 4. Inner flange

When installing the diamond wheel:

- **Fig.26:** 1. Lock nut 2. Diamond wheel (Thinner than 4 mm (5/32")) 3. Diamond wheel (4 mm (5/32") or thicker) 4. Inner flange

Installing wire cup brush

Optional accessory

⚠ CAUTION: Do not use brush that is damaged, or which is out of balance. Use of damaged brush could increase potential for injury from contact with broken brush wires.

Place the tool upside down to allow easy access to the spindle.

Remove any accessories on spindle. Thread wire cup brush onto spindle and tighten with supplied wrench.

- **Fig.27:** 1. Wire cup brush

Installing wire wheel brush

Optional accessory

⚠ CAUTION: Do not use wire wheel brush that is damaged, or which is out of balance. Use of damaged wire wheel brush could increase potential for injury from contact with broken wires.

⚠ CAUTION: ALWAYS use guard with wire wheel brushes, assuring diameter of wheel fits inside guard. Wheel can shatter during use and guard helps to reduce chances of personal injury.

Place the tool upside down to allow easy access to the spindle.

Remove any accessories on spindle. Thread wire wheel brush onto spindle and tighten with the wrenches.

- **Fig.28:** 1. Wire wheel brush

Installing hole cutter

Optional accessory

Place the tool upside down to allow easy access to the spindle.

Remove any accessories on the spindle. Thread the hole cutter onto the spindle, and tighten it with the supplied wrench.

- **Fig.29:** 1. Hole cutter

Installing dust collecting wheel guard for grinding

Only for model DGA467 / DGA468 / DGA517 / DGA518

Optional accessory

With optional accessories, you can use this tool for planing concrete surface.

CAUTION: Dust collecting wheel guard for grinding is only for use in planing concrete surface with a cup-type diamond wheel. Do not use this guard with any other cutting accessory or for any other purpose.

CAUTION: Before operation, make sure that a vacuum cleaner is connected to the tool and turned on.

Place the tool upside down and install the dust collecting wheel guard.

Mount the inner flange onto the spindle.

Fit the cup-type diamond wheel on the inner flange and tighten the lock nut onto the spindle.

- Fig.30: 1. Lock nut 2. Cup-type diamond wheel 3. Hubbed cup-type diamond wheel 4. Inner flange 5. Dust collecting wheel guard 6. Bearing box

NOTE: For information how to install the dust collecting wheel guard, refer to the manual of the dust collecting wheel guard.

Installing dust collecting wheel guard for cutting-off

Optional accessory

With optional accessories, you can use this tool for cutting stone materials.

- Fig.31

NOTE: For information how to install the dust collecting wheel guard, refer to the manual of the dust collecting wheel guard.

Connecting a vacuum cleaner

Optional accessory

WARNING: Never vacuum metal particles created by grinding/cutting/sanding operation. Metal particles created by such operation are so hot that they ignite dust and the filter inside the vacuum cleaner.

To avoid dusty environment caused by masonry cutting, use a dust collecting wheel guard and a vacuum cleaner.

Refer to the instruction manual attached to the dust collecting wheel guard for assembling and using it.

- Fig.32: 1. Dust collecting wheel guard 2. Hose of the vacuum cleaner

OPERATION

WARNING: It should never be necessary to force the tool. The weight of the tool applies adequate pressure. Forcing and excessive pressure could cause dangerous wheel breakage.

WARNING: ALWAYS replace wheel if tool is dropped while grinding.

WARNING: NEVER hit the workpiece with the wheel.

WARNING: Avoid bouncing and snagging the wheel, especially when working corners, sharp edges etc. This can cause loss of control and kickback.

WARNING: NEVER use tool with wood cutting blades and other saw blades. Such blades when used on a grinder frequently kick and cause loss of control leading to personal injury.

CAUTION: Never switch on the tool when it is in contact with the workpiece, it may cause an injury to operator.

CAUTION: Always wear safety goggles or a face shield during operation.

CAUTION: After operation, always switch off the tool and wait until the wheel has come to a complete stop before putting the tool down.

CAUTION: ALWAYS hold the tool firmly with one hand on housing and the other on the side grip (handle).

NOTE: A dual purpose wheel can be used for both grinding and cutting-off operations.

Refer to the "Grinding and sanding operation" for grinding operation, and refer to the "Operation with abrasive cut-off / diamond wheel" for cutting-off operation.

Grinding and sanding operation

- Fig.33

Turn the tool on and then apply the wheel or disc to the workpiece.

In general, keep the edge of the wheel or disc at an angle of about 15° to the workpiece surface.

During the break-in period with a new wheel, do not work the grinder in forward direction or it may cut into the workpiece. Once the edge of the wheel has been rounded off by use, the wheel may be worked in both forward and backward direction.

Usage example: operation with cup-type diamond wheel

- Fig.34

Keep the tool horizontally and apply the entire cup-type diamond wheel to the workpiece surface.

Operation with abrasive cut-off / diamond wheel

Optional accessory

⚠ WARNING: Do not "jam" the wheel or apply excessive pressure. Do not attempt to make an excessive depth of cut. Overstressing the wheel increases the loading and susceptibility to twisting or binding of the wheel in the cut and the possibility of kickback, wheel breakage and overheating of the motor may occur.

⚠ WARNING: Do not start the cutting operation in the workpiece. Let the wheel reach full speed and carefully enter into the cut moving the tool forward over the workpiece surface. The wheel may bind, walk up or kickback if the power tool is started in the workpiece.

⚠ WARNING: During cutting operations, never change the angle of the wheel. Placing side pressure on the cut-off wheel (as in grinding) will cause the wheel to crack and break, causing serious personal injury.

⚠ WARNING: A diamond wheel shall be operated perpendicular to the material being cut.

Usage example: operation with abrasive cut-off wheel

► Fig.35

Usage example: operation with diamond wheel

► Fig.36

Operation with wire cup brush

Optional accessory

⚠ CAUTION: Check operation of brush by running tool with no load, insuring that no one is in front of or in line with brush.

NOTICE: Avoid applying too much pressure which causes over bending of wires when using the wire cup brush. It may lead to premature breakage.

Usage example: operation with wire cup brush

► Fig.37

Operation with wire wheel brush

Optional accessory

⚠ CAUTION: Check operation of wire wheel brush by running tool with no load, insuring that no one is in front of or in line with the wire wheel brush.

NOTICE: Avoid applying too much pressure which causes over bending of wires when using wire wheel brush. It may lead to premature breakage.

Usage example: operation with wire wheel brush

► Fig.38

Operation with hole cutter

Optional accessory

⚠ CAUTION: Check operation of the hole cutter by running the tool with no load, insuring that no one is in front of the hole cutter.

NOTICE: Do not tilt the tool during operation. It may lead to premature breakage.

Usage example: operation with hole cutter

► Fig.39

WIRELESS ACTIVATION FUNCTION

Only for model DGA418 / DGA468 / DGA518

What you can do with the wireless activation function

The wireless activation function enables clean and comfortable operation. By connecting a supported vacuum cleaner to the tool, you can run the vacuum cleaner automatically along with the switch operation of the tool.

► Fig.40

To use the wireless activation function, prepare following items:

- A wireless unit (optional accessory)
- A vacuum cleaner which supports the wireless activation function

The overview of the wireless activation function setting is as follows. Refer to each section for detail procedures.

1. Installing the wireless unit
2. Tool registration for the vacuum cleaner
3. Starting the wireless activation function

Installing the wireless unit

Optional accessory

⚠ CAUTION: Place the tool on a flat and stable surface when installing the wireless unit.

NOTICE: Clean the dust and dirt on the tool before installing the wireless unit. Dust or dirt may cause malfunction if it comes into the slot of the wireless unit.

NOTICE: To prevent the malfunction caused by static, touch a static discharging material, such as a metal part of the tool, before picking up the wireless unit.

NOTICE: When installing the wireless unit, always be sure that the wireless unit is inserted in the correct direction and the lid is completely closed.

1. Open the lid on the tool as shown in the figure.

► **Fig.41:** 1. Lid

2. Insert the wireless unit to the slot and then close the lid.

When inserting the wireless unit, align the projections with the recessed portions on the slot.

► **Fig.42:** 1. Wireless unit 2. Projection 3. Lid
4. Recessed portion

When removing the wireless unit, open the lid slowly. The hooks on the back of the lid will lift the wireless unit as you pull up the lid.

► **Fig.43:** 1. Wireless unit 2. Hook 3. Lid

After removing the wireless unit, keep it in the supplied case or a static-free container.

NOTICE: Always use the hooks on the back of the lid when removing the wireless unit. If the hooks do not catch the wireless unit, close the lid completely and open it slowly again.

Tool registration for the vacuum cleaner

NOTE: A Makita vacuum cleaner supporting the wireless activation function is required for the tool registration.

NOTE: Finish installing the wireless unit to the tool before starting the tool registration.

NOTE: During the tool registration, do not pull the switch trigger or turn on the power switch on the vacuum cleaner.

NOTE: Refer to the instruction manual of the vacuum cleaner, too.

If you wish to activate the vacuum cleaner along with the switch operation of the tool, finish the tool registration beforehand.

1. Install the batteries to the vacuum cleaner and the tool.

2. Set the stand-by switch on the vacuum cleaner to "AUTO".

► **Fig.44:** 1. Stand-by switch

3. Press the wireless activation button on the vacuum cleaner for 3 seconds until the wireless activation lamp blinks in green. And then press the wireless activation button on the tool in the same way.

► **Fig.45:** 1. Wireless activation button 2. Wireless activation lamp

If the vacuum cleaner and the tool are linked successfully, the wireless activation lamps will light up in green for 2 seconds and start blinking in blue.

NOTE: The wireless activation lamps finish blinking in green after 20 seconds elapsed. Press the wireless activation button on the tool while the wireless activation lamp on the cleaner is blinking. If the wireless activation lamp does not blink in green, push the wireless activation button briefly and hold it down again.

NOTE: When performing two or more tool registrations for one vacuum cleaner, finish the tool registration one by one.

Starting the wireless activation function

NOTE: Finish the tool registration for the vacuum cleaner prior to the wireless activation.

NOTE: Refer to the instruction manual of the vacuum cleaner, too.

After registering a tool to the vacuum cleaner, the vacuum cleaner will automatically runs along with the switch operation of the tool.

1. Install the wireless unit to the tool.

2. Connect the hose of the vacuum cleaner with the tool.

► **Fig.46**

3. Set the stand-by switch on the vacuum cleaner to "AUTO".

► **Fig.47:** 1. Stand-by switch

4. Push the wireless activation button on the tool briefly. The wireless activation lamp will blink in blue.

► **Fig.48:** 1. Wireless activation button 2. Wireless activation lamp

5. Turn on the tool. Check if the vacuum cleaner runs while the tool is operating.

To stop the wireless activation of the vacuum cleaner, push the wireless activation button on the tool.

NOTE: The wireless activation lamp on the tool will stop blinking in blue when there is no operation for 2 hours. In this case, set the stand-by switch on the vacuum cleaner to "AUTO" and push the wireless activation button on the tool again.

NOTE: The vacuum cleaner starts/stops with a delay. There is a time lag when the vacuum cleaner detects a switch operation of the tool.










NOTE: The transmission distance of the wireless unit may vary depending on the location and surrounding circumstances.

NOTE: When two or more tools are registered to one vacuum cleaner, the vacuum cleaner may start running even if you do not turn on your tool because another user is using the wireless activation function.

Description of the wireless activation lamp status

► Fig.49: 1. Wireless activation lamp

The wireless activation lamp shows the status of the wireless activation function. Refer to the table below for the meaning of the lamp status.

Status	Wireless activation lamp				Description
	Color	 On	 Blinking	Duration	
Standby	Blue			2 hours	The wireless activation of the vacuum cleaner is available. The lamp will automatically turn off when no operation is performed for 2 hours.
				When the tool is running.	The wireless activation of the vacuum cleaner is available and the tool is running.
Tool registration	Green			20 seconds	Ready for the tool registration. Waiting for the registration by the vacuum cleaner.
				2 seconds	The tool registration has been finished. The wireless activation lamp will start blinking in blue.
Cancelling tool registration	Red			20 seconds	Ready for the cancellation of the tool registration. Waiting for the cancellation by the vacuum cleaner.
				2 seconds	The cancellation of the tool registration has been finished. The wireless activation lamp will start blinking in blue.
Others	Red			3 seconds	The power is supplied to the wireless unit and the wireless activation function is starting up.
	Off		-	-	The wireless activation of the vacuum cleaner is stopped.

Cancelling tool registration for the vacuum cleaner

Perform the following procedure when cancelling the tool registration for the vacuum cleaner.

1. Install the batteries to the vacuum cleaner and the tool.
2. Set the stand-by switch on the vacuum cleaner to "AUTO".

► Fig.50: 1. Stand-by switch

3. Press the wireless activation button on the vacuum cleaner for 6 seconds. The wireless activation lamp blinks in green and then become red. After that, press the wireless activation button on the tool in the same way.

► Fig.51: 1. Wireless activation button 2. Wireless activation lamp

If the cancellation is performed successfully, the wireless activation lamps will light up in red for 2 seconds and start blinking in blue.

NOTE: The wireless activation lamps finish blinking in red after 20 seconds elapsed. Press the wireless activation button on the tool while the wireless activation lamp on the cleaner is blinking. If the wireless activation lamp does not blink in red, push the wireless activation button briefly and hold it down again.

Troubleshooting for wireless activation function

Before asking for repairs, conduct your own inspection first. If you find a problem that is not explained in the manual, do not attempt to dismantle the tool. Instead, ask Makita Authorized Service Centers, always using Makita replacement parts for repairs.

State of abnormality	Probable cause (malfunction)	Remedy
The wireless activation lamp does not light/blink.	The wireless unit is not installed into the tool. The wireless unit is improperly installed into the tool.	Install the wireless unit correctly.
	The terminal of the wireless unit and/or the slot is dirty.	Gently wipe off dust and dirt on the terminal of the wireless unit and clean the slot.
	The wireless activation button on the tool has not been pushed.	Push the wireless activation button on the tool briefly.
	The stand-by switch on the vacuum cleaner is not set to "AUTO".	Set the stand-by switch on the vacuum cleaner to "AUTO".
	No power supply	Supply the power to the tool and the vacuum cleaner.
Cannot finish tool registration / cancelling tool registration successfully.	The wireless unit is not installed into the tool. The wireless unit is improperly installed into the tool.	Install the wireless unit correctly.
	The terminal of the wireless unit and/or the slot is dirty.	Gently wipe off dust and dirt on the terminal of the wireless unit and clean the slot.
	The stand-by switch on the vacuum cleaner is not set to "AUTO".	Set the stand-by switch on the vacuum cleaner to "AUTO".
	No power supply	Supply the power to the tool and the vacuum cleaner.
	Incorrect operation	Push the wireless activation button briefly and perform the tool registration/cancellation procedures again.
	The tool and vacuum cleaner are away from each other (out of the transmission range).	Get the tool and vacuum cleaner closer to each other. The maximum transmission distance is approximately 10 m however it may vary according to the circumstances.
	Before finishing the tool registration/cancellation; - the switch of the tool is turned on or; - the power button on the vacuum cleaner is turned on.	Push the wireless activation button briefly and perform the tool registration/cancellation procedures again.
	The tool registration procedures for the tool or vacuum cleaner have not finished.	Perform the tool registration procedures for both the tool and the vacuum cleaner at the same timing.
	Radio disturbance by other appliances which generate high-intensity radio waves.	Keep the tool and vacuum cleaner away from the appliances such as Wi-Fi devices and microwave ovens.
The vacuum cleaner does not run along with the switch operation of the tool.	The wireless unit is not installed into the tool. The wireless unit is improperly installed into the tool.	Install the wireless unit correctly.
	The terminal of the wireless unit and/or the slot is dirty.	Gently wipe off dust and dirt on the terminal of the wireless unit and clean the slot.
	The wireless activation button on the tool has not been pushed.	Push the wireless activation button briefly and make sure that the wireless activation lamp is blinking in blue.
	The stand-by switch on the vacuum cleaner is not set to "AUTO".	Set the stand-by switch on the vacuum cleaner to "AUTO".
	More than 10 tools are registered to the vacuum cleaner.	Perform the tool registration again. If more than 10 tools are registered to the vacuum cleaner, the tool registered earliest will be cancelled automatically.
	The vacuum cleaner erased all tool registrations.	Perform the tool registration again.
	No power supply	Supply the power to the tool and the vacuum cleaner.
	The tool and vacuum cleaner are away from each other (out of the transmission range).	Get the tool and vacuum cleaner closer each other. The maximum transmission distance is approximately 10 m however it may vary according to the circumstances.
Radio disturbance by other appliances which generate high-intensity radio waves.	Keep the tool and vacuum cleaner away from the appliances such as Wi-Fi devices and microwave ovens.	
The vacuum cleaner runs while the tool is not operating.	Other users are using the wireless activation of the vacuum cleaner with their tools.	Turn off the wireless activation button of the other tools or cancel the tool registration of the other tools.

MAINTENANCE

CAUTION: Always be sure that the tool is switched off and the battery cartridge is removed before attempting to perform inspection or maintenance.

NOTICE: Never use gasoline, benzene, thinner, alcohol or the like. Discoloration, deformation or cracks may result.

To maintain product SAFETY and RELIABILITY, repairs, any other maintenance or adjustment should be performed by Makita Authorized or Factory Service Centers, always using Makita replacement parts.

Air vent cleaning

The tool and its air vents have to be kept clean. Regularly clean the tool's air vents or whenever the vents start to become obstructed.

► Fig.52: 1. Exhaust vent 2. Inhalation vent

Remove the dust cover from inhalation vent and clean it for smooth air circulation.

► Fig.53: 1. Dust cover

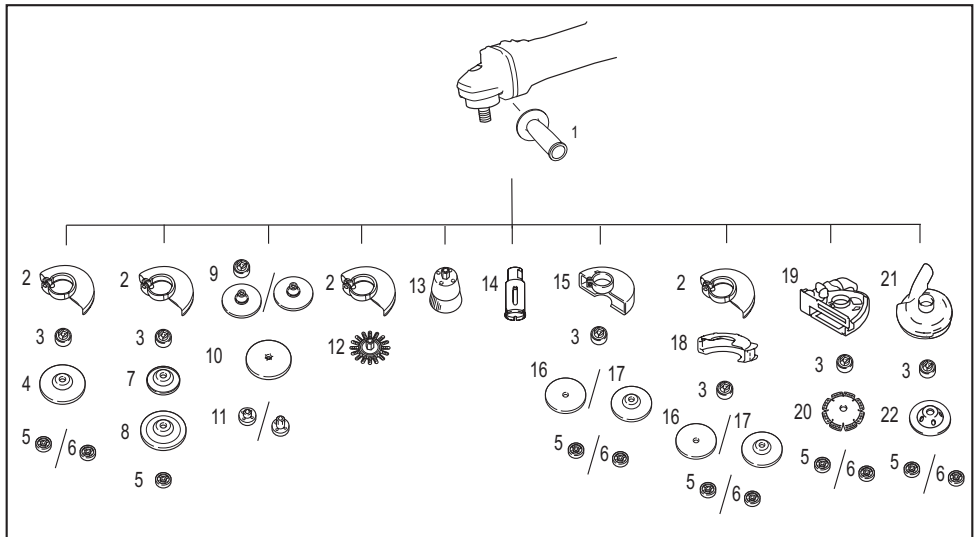
NOTICE: Clean out the dust cover when it is clogged with dust or foreign matters. Continuing operation with a clogged dust cover may damage the tool.

COMBINATION OF APPLICATIONS AND ACCESSORIES

Optional accessory

CAUTION: Using the tool with incorrect guards can cause risks as follows.

- When using a cut-off wheel guard for facial grinding, the wheel guard may interfere with the workpiece causing poor control.
- When using a grinding wheel guard for cutting-off operations with bonded abrasive wheels and diamond wheels, there is an increased risk of exposure to rotating wheels, emitted sparks and particles, as well as exposure to wheel fragments in the event of wheel burst.
- When using a cut-off wheel guard or grinding wheel guard for facial operations with cup-type diamond wheels, the wheel guard may interfere with the workpiece causing poor control.
- When using a cut-off wheel guard or grinding wheel guard with a wheel-type wire brush with a thickness greater than the maximum thickness as specified in "SPECIFICATIONS", the wires may catch on the guard leading to breaking of wires.
- Use of dust collecting wheel guards for cutting-off and facial operations in concrete or masonry reduces a risk of exposure to dust.
- When using dual purpose (combined grinding and cutting-off abrasive) flange mounted wheels, only use a cut-off wheel guard.



-	Application	100 mm model	115 mm model	125 mm model
1	-	Side grip		
2	-	Wheel guard (for grinding wheel)		

-	Application	100 mm model	115 mm model	125 mm model
3	-	Inner flange		
4	Grinding / Sanding	Depressed center wheel / Flap disc		
5	-	Lock nut		
6	-	-	Ezynut *1	
7	-	Back up pad		
8	Grinding	Flex wheel		
9	-	Inner flange and rubber pad 76	Rubber pad 100	Rubber pad 115
10	Sanding	Abrasive disc		
11	-	Sanding lock nut		
12	Wire brushing	Wire wheel brush		
13	Wire brushing	Wire cup brush		
14	Hole cutting	Hole cutter		
15	-	Wheel guard (for cut-off wheel)		
16	Cutting-off	Abrasive cut-off wheel / Diamond wheel		
17	Grinding / Cutting-off	Dual purpose wheel		
18	-	Clip-on cutting wheel guard attachment *2		
19	-	Dust collecting wheel guard for cutting-off *3		
20	Cutting-off	Diamond wheel		
21	-	-	Dust collecting wheel guard for grinding *4	
22	Grinding	-	Cup-type diamond wheel *4	
-	-	Lock nut wrench		

NOTE: *1 Only for tools with M14 spindle thread.

NOTE: *2 Clip-on cutting wheel guard attachment is not available in some countries. For more details, refer to the instruction manual of the clip-on cutting wheel guard attachment.

NOTE: *3 For more details, refer to each instruction manual of the guard.

NOTE: *4 Only for model DGA467 / DGA468 / DGA517 / DGA518

For more details, refer to each instruction manual of the guard.

OPTIONAL ACCESSORIES

⚠ CAUTION: These accessories or attachments are recommended for use with your Makita tool specified in this manual. The use of any other accessories or attachments might present a risk of injury to persons. Only use accessory or attachment for its stated purpose.

If you need any assistance for more details regarding these accessories, ask your local Makita Service Center.

- Makita genuine battery and charger
- Accessories listed in "COMBINATION OF APPLICATIONS AND ACCESSORIES"
- Wireless unit (For models with wireless activation function)

NOTE: Some items in the list may be included in the tool package as standard accessories. They may differ from country to country.

SPÉCIFICATIONS

Modèle :		DGA417	DGA418	DGA467	DGA468	DGA517	DGA518
Meule ordinaire applicable	Diamètre max. de la meule	100 mm		115 mm		125 mm	
	Épaisseur max. de la meule	6,4 mm		7,2 mm			
Meule à tronçonner applicable	Diamètre max. de la meule	105 mm		115 mm		125 mm	
	Épaisseur max. de la meule	3,2 mm					
Brosse métallique circulaire applicable	Diamètre max. de la meule	100 mm		115 mm		125 mm	
	Épaisseur max. de la meule	20 mm					
Filetage de l'axe		M10		M14 ou 5/8" (selon le pays)			
Longueur max. de l'axe		18 mm		23 mm			
Vitesse à vide (n ₀)/Vitesse nominale (n)		8 500 min ⁻¹					
Longueur totale	avec BL1840B	382 mm					
Poids net		2,2 - 3,7 kg		2,4 - 3,9 kg			
Tension nominale		18 V CC					

- Étant donné l'évolution constante de notre programme de recherche et de développement, les spécifications contenues dans ce manuel sont sujettes à modification sans préavis.
- Les spécifications peuvent varier suivant les pays.
- Le poids peut être différent selon les accessoires, notamment la batterie. Les associations la plus légère et la plus lourde, conformément à la procédure EPTA 01/2014, sont indiquées dans le tableau.

Batterie et chargeur applicables

Batterie	BL1815N / BL1820B / BL1830B / BL1840B / BL1850B / BL1860B
Chargeur	DC18RC / DC18RD / DC18RE / DC18SD / DC18SE / DC18SF / DC18SH / DC18WC

- Certains chargeurs et batteries répertoriés ci-dessus peuvent ne pas être disponibles selon la région où vous résidez.

⚠ AVERTISSEMENT : N'utilisez que les batteries et les chargeurs répertoriés ci-dessus. L'utilisation d'autres batteries et chargeurs peut provoquer des blessures et/ou un incendie.

Source d'alimentation connectée par cordon recommandée

Support d'alimentation portable	PDC01
---------------------------------	-------

- La ou les sources d'alimentation connectées par cordon répertoriées ci-dessus peuvent ne pas être disponibles selon la région où vous résidez.
- Avant d'utiliser la source d'alimentation connectée par cordon, lisez les instructions et les avertissements inscrits dessus.

Symboles

Vous trouverez ci-dessous les symboles susceptibles d'être utilisés pour l'appareil. Veuillez à comprendre leur signification avant toute utilisation.



Lire le mode d'emploi.



Portez des lunettes de sécurité.



Toujours utiliser à deux mains.



Ne pas utiliser le carter de meule pour les travaux de tronçonnage.



Pour les pays de l'Union européenne uniquement

En raison de la présence de composants dangereux dans l'équipement, les déchets d'équipements électriques et électroniques, les accumulateurs et les batteries peuvent avoir un impact négatif sur l'environnement et la santé humaine.

Ne jetez pas les appareils électriques et électroniques ou les batteries avec les ordures ménagères !

Conformément à la directive européenne relative aux déchets d'équipements électriques et électroniques et aux déchets d'accumulateurs et de batteries, ainsi qu'à son adaptation à la législation nationale, les déchets d'équipements électriques, les batteries et les accumulateurs doivent être collectés séparément et déposés dans un point de collecte distinct pour déchets urbains, conformément aux réglementations en matière de protection de l'environnement.

Cela est indiqué par le symbole de la poubelle à roulettes barrée sur l'équipement.

Utilisations

L'outil est conçu pour le meulage, le ponçage, le broyage métallique, le découpage de trous et la coupe de matériaux en métal ou en pierre sans utiliser d'eau.

Bruit

Niveau de bruit pondéré A typique, déterminé selon EN62841-2-3 :

Modèle	Niveau de pression sonore (L_{pA}) : (dB (A))	Niveau de puissance sonore (L_{wA}) : (dB (A))	Incertitude (K) : (dB (A))
DGA417	83	91	3
DGA418	83	91	3
DGA467	83	91	3
DGA468	83	91	3
DGA517	83	91	3
DGA518	83	91	3

NOTE : La ou les valeurs d'émission de bruit déclarées ont été mesurées conformément à la méthode de test standard et peuvent être utilisées pour comparer les outils entre eux.

NOTE : La ou les valeurs d'émission de bruit déclarées peuvent aussi être utilisées pour l'évaluation préliminaire de l'exposition.

⚠ AVERTISSEMENT : Portez un serre-tête antibruit.

⚠ AVERTISSEMENT : L'émission de bruit lors de l'usage réel de l'outil électrique peut être différente de la ou des valeurs déclarées, suivant la façon dont l'outil est utilisé, particulièrement selon le type de pièce usinée.

⚠ AVERTISSEMENT : Les mesures de sécurité à prendre pour protéger l'utilisateur doivent être basées sur une estimation de l'exposition dans des conditions réelles d'utilisation (en tenant compte de toutes les composantes du cycle d'utilisation, comme par exemple le moment de sa mise hors tension, lorsqu'il tourne à vide et le moment de son déclenchement).

⚠ AVERTISSEMENT : Le meulage de fines feuilles de métal ou d'autres structures vibrant facilement et ayant une grande surface peut entraîner une émission totale de bruit beaucoup plus élevée (jusqu'à 15 dB) que les valeurs d'émission de bruit déclarées.

Placez des tapis anti-bruit souples et lourds ou similaires sur ces pièces pour les empêcher d'émettre du son.

Prenez en compte l'augmentation des émissions de bruit pour l'évaluation des risques liés à l'exposition au bruit et le choix d'un protecteur d'oreilles adéquat.

Vibrations

Valeur totale de vibrations (somme de vecteur triaxial) déterminée selon EN62841-2-3 :

Mode de travail : meulage de surfaces avec poignée latérale normale

Modèle	Émission de vibrations ($a_{h, AG}$) : (m/s^2)	Incertitude (K) : (m/s^2)
DGA417	4,5	1,5
DGA418	4,5	1,5
DGA467	5,5	1,5
DGA468	5,5	1,5
DGA517	6,0	1,5
DGA518	6,0	1,5

Mode de travail : meulage de surfaces avec poignée latérale anti-vibration

Modèle	Émission de vibrations ($a_{h, AG}$) : (m/s^2)	Incertitude (K) : (m/s^2)
DGA417	4,5	1,5
DGA418	4,5	1,5
DGA467	5,0	1,5
DGA468	5,0	1,5
DGA517	5,5	1,5
DGA518	5,5	1,5

Mode de travail : ponçage au disque avec poignée latérale normale

Modèle	Émission de vibrations ($a_{h, DS}$) : (m/s^2)	Incertitude (K) : (m/s^2)
DGA417	2,5 m/s^2 ou moins	1,5
DGA418	2,5 m/s^2 ou moins	1,5
DGA467	2,5 m/s^2 ou moins	1,5
DGA468	2,5 m/s^2 ou moins	1,5
DGA517	2,5 m/s^2 ou moins	1,5
DGA518	2,5 m/s^2 ou moins	1,5

Mode de travail : ponçage au disque avec poignée latérale anti-vibration

Modèle	Émission de vibrations ($a_{h, DS}$) : (m/s^2)	Incertitude (K) : (m/s^2)
DGA417	2,5 m/s^2 ou moins	1,5
DGA418	2,5 m/s^2 ou moins	1,5
DGA467	2,5 m/s^2 ou moins	1,5
DGA468	2,5 m/s^2 ou moins	1,5
DGA517	2,5 m/s^2 ou moins	1,5
DGA518	2,5 m/s^2 ou moins	1,5

NOTE : La ou les valeurs de vibration totales déclarées ont été mesurées conformément à la méthode de test standard et peuvent être utilisées pour comparer les outils entre eux.

NOTE : La ou les valeurs de vibration totales déclarées peuvent aussi être utilisées pour l'évaluation préliminaire de l'exposition.

⚠ AVERTISSEMENT : L'émission de vibrations lors de l'usage réel de l'outil électrique peut être différente de la ou des valeurs déclarées, suivant la façon dont l'outil est utilisé, particulièrement selon le type de pièce usinée.

⚠ AVERTISSEMENT : Les mesures de sécurité à prendre pour protéger l'utilisateur doivent être basées sur une estimation de l'exposition dans des conditions réelles d'utilisation (en tenant compte de toutes les composantes du cycle d'utilisation, comme par exemple le moment de sa mise hors tension, lorsqu'il tourne à vide et le moment de son déclenchement).

⚠ AVERTISSEMENT : La valeur d'émission de vibrations déclarée est utilisée pour les applications principales de l'outil électrique. Toutefois si l'outil électrique est utilisé pour d'autres applications, la valeur d'émission de vibrations peut être différente.

Déclaration de conformité CE

Pour les pays européens uniquement

La déclaration de conformité CE est fournie en Annexe A à ce mode d'emploi.

CONSIGNES DE SÉCURITÉ

Consignes de sécurité générales pour outils électriques

⚠ AVERTISSEMENT Veuillez lire toutes les consignes de sécurité, instructions, illustrations et spécifications qui accompagnent cet outil électrique. Le non-respect de toutes les instructions indiquées ci-dessous peut entraîner une électrocution, un incendie et/ou de graves blessures.

Conservez toutes les mises en garde et instructions pour référence ultérieure.

Le terme « outil électrique » dans les avertissements fait référence à l'outil électrique alimenté par le secteur (avec cordon d'alimentation) ou à l'outil électrique fonctionnant sur batterie (sans cordon d'alimentation).

Consignes de sécurité pour meuleuse sans fil

Consignes de sécurité communes aux travaux de meulage, ponçage, brossage métallique ou tronçonnage :

1. **Cet outil électrique est conçu pour être utilisé en tant que meuleuse, perceuse, brosse métallique, emporte-pièce ou outil de tronçonnage. Veuillez consulter les consignes de sécurité, les instructions, les illustrations et les spécifications fournies avec cet outil électrique.** Le non-respect de toutes les instructions indiquées ci-dessous peut entraîner une électrocution, un incendie et/ou de graves blessures.
2. **Les travaux de polissage ne doivent pas être réalisés avec cet outil électrique.** Il y a un risque de danger et de blessure si l'outil électrique est utilisé pour exécuter des travaux pour lesquels il n'a pas été conçu.
3. **Ne convertissez pas cet outil électrique pour qu'il fonctionne d'une manière qui n'est pas spécifiquement prévue et spécifiée par le fabricant de l'outil.** Une telle conversion peut entraîner une perte de contrôle et provoquer des blessures graves.
4. **N'utilisez pas d'accessoires qui n'ont pas été conçus spécifiquement et spécifiés par le fabricant de l'outil.** Même si un accessoire peut être fixé sur l'outil électrique, cela ne garantit pas qu'il fonctionnera de manière sûre.
5. **La vitesse nominale de l'accessoire doit être au moins égale à la vitesse maximum inscrite sur l'outil électrique.** Les accessoires tournant plus vite que leur vitesse nominale peuvent se casser et voler en éclats.

6. **Le diamètre extérieur et l'épaisseur de l'accessoire ne doivent pas dépasser la capacité nominale de l'outil électrique.** Les accessoires de taille incorrecte ne peuvent être protégés ou contrôlés adéquatement.
7. **Les dimensions du support d'accessoires doivent correspondre aux dimensions de la pièce où ils sont montés sur l'outil électrique.** Les accessoires qui ne sont pas bien adaptés à la taille de la pièce où ils sont montés sur l'outil électrique se déséquilibreront, vibreront trop et pourront entraîner une perte de maîtrise de l'outil.
8. **N'utilisez pas d'accessoire endommagé. Avant chaque utilisation, assurez-vous que la meule abrasive est exempte de copeaux et fissures, que la semelle n'est pas fissurée, déchirée ou trop usée, ou que la brosse métallique est exempte de fils métalliques lâches ou cassés. Si vous laissez tomber l'outil électrique ou un accessoire, assurez-vous qu'il n'est pas endommagé ou bien remplacez l'accessoire endommagé.** Après avoir vérifié et posé un accessoire, assurez-vous que personne, y compris vous-même, ne se trouve dans la trajectoire de l'accessoire en rotation et faites tourner l'outil électrique à vitesse à vide maximale pendant une minute. Les accessoires endommagés se brisent généralement au cours de cette période d'essai.
9. **Portez un équipement de protection individuelle. Suivant le type de travail à effectuer, utilisez un écran facial, des lunettes à coques ou des lunettes de sécurité. Si nécessaire, portez un masque anti-poussière, des protège-tympan, des gants et un tablier de travail pouvant arrêter les petites particules abrasives ou les petits fragments de pièce.** La protection oculaire doit pouvoir arrêter les débris volants produits par les diverses applications. Le masque anti-poussières ou le masque filtrant doit pouvoir filtrer les particules générées par une application donnée. Une exposition prolongée à un bruit d'intensité élevée peut entraîner une perte auditive.
10. **Assurez-vous que les passants demeurent à une distance sûre de la zone de travail. Toute personne pénétrant dans la zone de travail doit porter un équipement de protection individuelle.** Des fragments de pièce ou un accessoire cassé peuvent être éjectés et blesser les personnes au-delà de la zone immédiate de travail.
11. **Tenez l'outil électrique uniquement par ses surfaces de prise isolées, lors d'une opération au cours de laquelle l'outil de coupe peut entrer en contact avec un fil caché.** Le contact avec un fil « sous tension » mettra également « sous tension » les parties métalliques exposées de l'outil électrique, pouvant ainsi causer un choc électrique chez l'utilisateur.
12. **Ne déposez jamais l'outil électrique avant que l'accessoire ne se soit parfaitement arrêté.** L'accessoire en rotation peut accrocher la surface et projeter l'outil électrique de telle sorte que vous en perdiez la maîtrise.
13. **Ne transportez pas l'outil électrique tout en le laissant tourner.** En cas de contact accidentel avec l'accessoire en rotation, ce dernier risque d'accrocher vos vêtements et d'être entraîné vers votre corps.

14. **Nettoyez régulièrement les orifices d'aération de l'outil électrique.** Le ventilateur du moteur aspire la poussière à l'intérieur du carter, ce qui présente un danger électrique en cas d'accumulation excessive de poussières métalliques.
15. **N'utilisez pas l'outil électrique près de matériaux inflammables.** Les étincelles risqueraient d'enflammer ces matériaux.
16. **N'utilisez pas d'accessoires nécessitant un liquide de refroidissement.** L'utilisation d'eau ou d'un liquide de refroidissement comporte un risque d'électrocution ou de choc électrique.

Mises en garde concernant le choc en retour et autres dangers :

Le choc en retour est une réaction soudaine qui survient lorsque la meule, la semelle, la brosse ou un autre accessoire en rotation se coince ou accroche. Lorsque l'accessoire en rotation se coince ou accroche, il s'arrête soudainement et l'utilisateur perd alors la maîtrise de l'outil électrique projeté dans le sens contraire de sa rotation au point où il se coince dans la pièce.

Par exemple, si une meule abrasive accroche ou se coince dans la pièce, son tranchant introduit au point de pincement risque d'y creuser la surface du matériau, entraînant la sortie ou le déchaussement de la meule. La meule peut alors dévier de sa trajectoire, vers l'utilisateur ou dans le sens opposé, selon la direction du mouvement de la meule au point de pincement. Dans ces conditions, la meule abrasive risque également de se briser.

Le choc en retour est le résultat d'une utilisation incorrecte de l'outil électrique et/ou de l'inobservation des procédures ou conditions d'utilisation. Il peut être évité en prenant les précautions adéquates indiquées ci-dessous.

1. **Maintenez une poigne ferme des deux mains sur l'outil électrique et placez corps et bras de façon à pouvoir résister à la force exercée par les chocs en retour. Utilisez toujours la poignée auxiliaire, s'il y en a une, pour avoir une maîtrise maximale de l'outil en cas de choc en retour ou de force de réaction exercée au moment du démarrage.** L'utilisateur peut maîtriser les forces de réaction ou de choc en retour s'il prend les précautions adéquates.
2. **Ne placez jamais la main près d'un accessoire en rotation.** L'accessoire risquerait de passer sur votre main en cas de choc en retour.
3. **Ne vous placez pas dans la zone vers laquelle l'outil électrique se déplacera en cas de choc en retour.** Le choc en retour projettera l'outil dans le sens opposé au mouvement de la meule au point où elle accroche dans la pièce.
4. **Soyez tout particulièrement prudent lorsque vous travaillez dans les coins, sur des arêtes vives, etc. Évitez de laisser l'accessoire bondir ou accrocher.** L'accessoire en rotation a tendance à accrocher dans les coins, sur les arêtes vives ou lorsqu'il sautille, ce qui comporte un risque de perte de maîtrise ou de choc en retour.
5. **Ne fixez pas une chaîne de tronçonneuse, une lame à sculpter le bois, une meule diamantée à segments avec un espace périphérique supérieur à 10 mm ou une lame de scie dentée.** De telles lames causent fréquemment des chocs en retour et des pertes de maîtrise.

Consignes de sécurité spécifiques aux travaux de meulage et de tronçonnage :

1. **Utilisez exclusivement les types de meule spécifiés pour votre outil électrique, et le carter de protection conçu spécifiquement pour la meule sélectionnée.** Les meules pour lesquelles l'outil électrique n'a pas été conçu ne pourront pas être protégées correctement et se révéleront dangereuses.
2. **La surface de meulage des meules à moyeu déporté doit être montée sous le plan de la lèvres du carter de protection.** Si la meule n'est pas bien montée et dépasse le plan de la lèvres du carter de protection, celui-ci ne pourra pas assurer une protection adéquate.
3. **Le carter de protection doit être solidement fixé à l'outil électrique et placé de façon à assurer une sécurité maximale en ne laissant qu'une partie minimale de la meule exposée du côté de l'utilisateur.** Le carter de protection permet de protéger l'utilisateur des éclats de meule brisée, d'un contact accidentel avec la meule et des étincelles qui pourraient enflammer ses vêtements.
4. **Les meules ne doivent être utilisées que pour les applications spécifiées. Par exemple : ne procédez pas au meulage avec le côté de la meule à tronçonner.** Les meules à tronçonner abrasives étant conçues pour le meulage périphérique, elles risquent de voler en éclats si on leur applique une force latérale.
5. **Utilisez toujours des flasques pour meule en bon état, dont la taille et la forme correspondent à la meule sélectionnée.** Des flasques pour meule adéquats soutiennent la meule et réduisent ainsi les risques de rupture de la meule. Les flasques pour meules à tronçonner peuvent être différents de ceux pour meules ordinaires.
6. **N'utilisez pas de meules usées provenant d'outils électriques plus grands.** Une meule conçue pour un outil électrique plus grand ne convient pas à la vitesse supérieure d'un outil plus petit et risque d'éclater.
7. **Lorsque vous utilisez des meules à double usage, utilisez toujours le carter de protection approprié pour l'application prévue.** Si vous n'utilisez pas le carter de protection approprié, vous risquez de ne pas obtenir le niveau de protection souhaité, ce qui pourrait entraîner des blessures graves.

Consignes de sécurité supplémentaires spécifiques aux travaux de tronçonnage :

1. **Évitez de « bloquer » la meule à tronçonner ou d'appliquer une pression excessive. N'essayez pas de couper trop profondément.** Une meule trop sollicitée subira une surcharge et risquera de se tordre ou de se coincer dans la ligne de coupe, ce qui comporte un risque de choc en retour ou de bris de la meule.
2. **Ne vous placez pas directement derrière ou devant la meule en rotation.** Lorsque la meule, en cours de fonctionnement, s'écarte de votre corps, le choc en retour potentiel risque de propulser la meule en rotation et l'outil électrique dans votre direction.

3. **Lorsque la meule se coince ou lorsque vous interrompez la coupe pour une raison quelconque, mettez l'outil électrique hors tension et gardez-le immobile jusqu'à ce que la meule cesse complètement de tourner. Ne tentez jamais de retirer la meule à troncçonner de la coupe pendant que la meule tourne, sous peine de provoquer un choc en retour.** Identifiez la cause du grippage de la meule et prenez les mesures correctives pour y remédier.
4. **Ne reprenez pas la coupe telle quelle dans la pièce. Laissez la meule atteindre sa pleine vitesse, puis réintroduisez-la doucement dans la ligne de coupe.** Si vous redémarrez l'outil électrique alors qu'il se trouve encore dans la pièce à travailler, la meule risquera de se coincer, de remonter hors de la ligne de coupe ou de provoquer un choc en retour.
5. **Soutenez les panneaux ou les pièces de grande taille pour réduire les risques de coincement de la meule et de choc en retour.** Les pièces de grande taille ont tendance à ployer sous leur propre poids. Il est nécessaire de placer en dessous des cales à proximité de la ligne de coupe et près du rebord de la pièce de chaque côté de la meule.
6. **Redoublez de précaution lorsque vous faites une « coupe en plongée » dans un mur ou toute autre surface pouvant cacher des structures.** La meule, en dépassant derrière le mur ou la surface, peut couper des conduites de gaz ou d'eau, des fils électriques ou des objets pouvant causer un choc en retour.
7. **Ne tentez pas d'effectuer un chantournage.** Une meule trop sollicitée subira une surcharge et risquera de se tordre ou de se coincer dans la ligne de coupe, ce qui comporte un risque de choc en retour ou de bris de la meule, susceptible de provoquer de graves blessures.
8. **Avant d'utiliser un disque diamanté à segments, assurez-vous que l'espace périphérique entre les segments est au maximum de 10 mm, et que l'angle de pente est négatif.**

Consignes de sécurité spécifiques aux travaux de ponçage :

1. **Utilisez des feuilles de papier abrasif de la bonne taille. Suivez les recommandations du fabricant pour choisir le papier abrasif.** Une grande feuille de papier abrasif débordant trop du coussin de ponçage présente un risque de laceration et pourrait déchirer le disque, l'accrocher ou provoquer un choc en retour.

Consignes de sécurité spécifiques aux travaux de brossage métallique :

1. **N'oubliez pas que des fils métalliques se détachent de la brosse même lors de travaux ordinaires. Ne soumettez pas les fils métalliques à une surcharge en appliquant une pression excessive sur la brosse.** Les fils métalliques pénètrent facilement dans les vêtements légers et/ou dans la peau.
2. **Si l'utilisation d'un carter de protection est spécifiée pour le brossage métallique, assurez-vous que la meule ou brosse métallique ne gêne pas le carter de protection.** Selon la charge de travail et l'intensité de la force centrifuge, le diamètre de la meule ou brosse métallique peut augmenter.

Consignes de sécurité supplémentaires :

1. **Lors de l'utilisation des meules ordinaires à moyen déporté, assurez-vous d'utiliser exclusivement des meules renforcées de fibre de verre.**
2. **N'UTILISEZ JAMAIS une meule boisseau pour pierre avec cette meuleuse.** Cette meuleuse n'est pas conçue pour ces types de meule, et leur utilisation peut entraîner de graves blessures.
3. **Prenez garde de ne pas endommager l'axe, le flasque (tout particulièrement la surface d'ins-tallation) ou le contre-écrou.** La meule risque de casser si ces pièces sont endommagées.
4. **Assurez-vous que la meule n'entre pas en contact avec la pièce avant de mettre l'outil sous tension.**
5. **Avant d'utiliser l'outil sur une pièce, faites-le tourner un instant à vide. Soyez attentif aux vibrations ou sautillements pouvant indiquer que la meule n'est pas bien posée ou qu'elle est mal équilibrée.**
6. **Utilisez la surface spécifiée de la meule pour meuler.**
7. **N'abandonnez pas l'outil alors qu'il tourne. Ne faites fonctionner l'outil qu'une fois que vous l'avez bien en main.**
8. **Ne touchez pas la pièce immédiatement après avoir terminé le travail ; elle peut être très chaude et vous brûler la peau.**
9. **Ne touchez pas les accessoires immédiatement après avoir terminé le travail ; ils peuvent être très chauds et vous brûler la peau.**
10. **Suivez les instructions du fabricant pour un montage adéquat et une utilisation appropriée des meules. Manipulez et rangez les meules soigneusement.**
11. **N'utilisez pas de bagues de réduction ou d'adaptateurs vendus dans le commerce pour adapter des meules abrasives dont l'orifice central est grand.**
12. **N'utilisez que les flasques spécifiés pour cet outil.**
13. **Pour les outils destinés à être équipés d'une meule à orifice fileté, assurez-vous que le filetage dans la meule est suffisamment long pour accueillir la longueur de l'axe.**
14. **Assurez-vous que la pièce à travailler est correctement soutenue.**
15. **N'oubliez pas que la meule continue de tourner une fois l'outil éteint.**
16. **Si le lieu de travail est extrêmement chaud et humide, ou fortement pollué de poussières conductrices, utilisez un disjoncteur (30 mA) pour assurer la sécurité de l'utilisateur.**
17. **N'utilisez l'outil avec aucun matériau contenant de l'amiante.**
18. **Lorsque vous utilisez une meule à troncçonner, travaillez toujours avec le carter de meule de collecte de la poussière si cela est exigé par la réglementation locale.**
19. **Aucune pression latérale ne doit être exercée sur les disques de coupe.**
20. **N'utilisez pas de gants de travail en tissu pendant la tâche.** Les fibres des gants en tissu peuvent pénétrer dans l'outil et le casser.

21. Avant utilisation, assurez-vous qu'aucun objet tel que des conduites électriques, des tuyaux d'eau ou des tuyaux de gaz n'est enterré sous la zone de travail. Cela pourrait entraîner une électrocution, une dispersion électrique ou une fuite de gaz.
22. Si un buvard est fixé sur la meule, ne le retirez pas. Le diamètre du buvard doit être supérieur à celui du contre-écrou, du flasque extérieur et du flasque intérieur.
23. Avant d'installer une meule ordinaire, vérifiez toujours que la partie buvard ne présente pas d'anomalies comme des copeaux ou des fissures.
24. Serrez correctement le contre-écrou. Un serrage excessif de la meule peut provoquer une rupture tandis qu'un serrage insuffisant peut provoquer un sautellement.
6. Ne rangez ni n'utilisez l'outil et la batterie dans un endroit où la température risque d'atteindre ou de dépasser 50 °C.
7. Ne jetez pas la batterie au feu même si elle est sérieusement endommagée ou complètement épuisée. La batterie peut exploser au contact du feu.
8. Abstenez-vous de clouer, couper, écraser, jeter, laisser tomber la batterie, ou de la heurter contre un objet dur. Cela pourrait entraîner un incendie, une chaleur excessive ou une explosion.
9. N'utilisez pas la batterie si elle est endommagée.
10. Les batteries au lithium-ion contenues sont soumises aux exigences de la législation sur les marchandises dangereuses.

CONSERVEZ CES INSTRUCTIONS.

⚠ AVERTISSEMENT : NE vous laissez PAS tromper (au fil d'une utilisation répétée) par un sentiment d'aisance et de familiarité avec le produit, en négligeant le respect rigoureux des consignes de sécurité qui accompagnent le produit en question. La MAUVAISE UTILISATION de l'outil ou l'ignorance des consignes de sécurité indiquées dans ce mode d'emploi peut entraîner de graves blessures.

Consignes de sécurité importantes pour la batterie

1. Avant d'utiliser la batterie, lisez toutes les instructions et précautions relatives (1) au chargeur de batterie, (2) à la batterie, et (3) au produit utilisant la batterie.
2. Ne désassemblez pas et ne modifiez pas la batterie. Cela pourrait entraîner un incendie, une chaleur excessive ou une explosion.
3. Cessez immédiatement l'utilisation si le temps de fonctionnement devient excessivement court. Il y a risque de surchauffe, de brûlures, voire d'explosion.
4. Si l'électrolyte pénètre dans vos yeux, rincez-les à l'eau claire et consultez immédiatement un médecin. Il y a risque de perte de la vue.
5. Ne court-circuitez pas la batterie :
 - (1) Ne touchez les bornes avec aucun matériau conducteur.
 - (2) Évitez de ranger la batterie dans un conteneur avec d'autres objets métalliques, par exemple des clous, des pièces de monnaie, etc.
 - (3) N'exposez pas la batterie à l'eau ou à la pluie.

Un court-circuit de la batterie peut provoquer une intensité de courant élevée, une surchauffe, parfois des brûlures et même une panne.
11. Lors de la mise au rebut de la batterie, retirez-la de l'outil et jetez-la en lieu sûr. Suivez les réglementations locales en matière de mise au rebut des batteries.
12. Utilisez les batteries uniquement avec les produits spécifiés par Makita. L'insertion de batteries dans des produits non conformes peut provoquer un incendie, une chaleur excessive, une explosion ou une fuite de l'électrolyte.
13. Lorsque vous n'utilisez pas l'outil pendant une période prolongée, la batterie doit être retirée de l'outil.
14. Pendant et après l'utilisation, la batterie peut chauffer, ce qui peut entraîner des brûlures, y compris en cas de température relativement basse. Manipulez les batteries chaudes avec précaution.
15. Ne touchez pas la borne de l'outil immédiatement après utilisation car elle peut être assez chaude pour provoquer des brûlures.
16. Évitez que des copeaux, de la poussière ou du sol adhèrent aux bornes, aux trous et aux rainures de la batterie. Cela peut provoquer un échauffement, un incendie, une explosion ou un dysfonctionnement de l'outil ou de la batterie, ce qui peut entraîner des brûlures ou des blessures.
17. À moins que l'outil prenne en charge un tel usage, n'utilisez pas la batterie à proximité de lignes électriques haute tension. Cela pourrait entraîner un dysfonctionnement ou casser l'outil ou la batterie.
18. Conservez la batterie hors de portée des enfants.

CONSERVEZ CES INSTRUCTIONS.

⚠ ATTENTION : N'utilisez que des batteries Makita d'origine. L'utilisation de batteries de marque autre que Makita ou de batteries modifiées peut provoquer l'explosion des batteries, ce qui présente un risque d'incendie, de dommages matériels et corporels. Cela annulera également la garantie Makita pour l'outil et le chargeur Makita.

Conseils pour assurer la durée de vie optimale de la batterie

1. Chargez la batterie avant qu'elle ne soit complètement déchargée. Arrêtez toujours l'outil et rechargez la batterie quand vous remarquez que la puissance de l'outil diminue.
2. Ne rechargez jamais une batterie complètement chargée. La surcharge réduit la durée de service de la batterie.
3. Chargez la batterie à une température ambiante comprise entre 10 °C et 40 °C. Avant de charger une batterie chaude, laissez-la refroidir.
4. Lorsque vous n'utilisez pas la batterie, retirez-la de l'outil ou du chargeur.
5. Rechargez la batterie si elle est restée inutilisée pendant une période prolongée (plus de six mois).

Consignes de sécurité importantes pour le connecteur sans fil

1. Ne démontez ni ne modifiez le connecteur sans fil.
2. Conservez le connecteur sans fil hors de portée des jeunes enfants. En cas d'ingestion accidentelle, consultez immédiatement un médecin.
3. Utilisez le connecteur sans fil uniquement avec des outils Makita.
4. N'exposez pas le connecteur sans fil à la pluie ou à l'humidité.
5. N'utilisez pas le connecteur sans fil dans un endroit où la température dépasse 50 °C.
6. Ne faites pas fonctionner le connecteur sans fil dans un endroit où des appareils médicaux comme des simulateurs cardiaques sont utilisés.
7. Ne faites pas fonctionner le connecteur sans fil dans un endroit où des appareils automatiques sont utilisés. Sinon, ces appareils pourraient présenter un dysfonctionnement ou une erreur.
8. N'utilisez pas le connecteur sans fil dans un endroit à température élevée ou dans un endroit susceptible de générer de l'électricité statique ou du bruit électrique.
9. Le connecteur sans fil peut produire des champs électromagnétiques (CEM), mais ceux-ci ne sont pas dangereux pour l'utilisateur.
10. Le connecteur sans fil est un instrument de précision. Évitez de laisser tomber ou de cogner le connecteur sans fil.
11. Évitez de toucher la borne du connecteur sans fil avec les mains nues ou avec des objets métalliques.
12. Retirez toujours la batterie du produit avant d'y installer le connecteur sans fil.
13. Évitez d'ouvrir le couvercle de la fente dans un endroit où de la poussière ou de l'eau pourrait pénétrer dans la fente. Maintenez toujours propre l'entrée de la fente.
14. Insérez toujours le connecteur sans fil dans le bon sens.
15. N'appuyez pas trop fort sur le bouton d'activation sans fil du connecteur sans fil, ni n'appuyez dessus avec un objet pointu.
16. Fermez toujours le couvercle de la fente pendant le fonctionnement.
17. Ne retirez pas le connecteur sans fil de la fente alors que l'outil est sous tension. Vous risqueriez de provoquer un dysfonctionnement du connecteur sans fil.
18. Ne retirez pas l'autocollant du connecteur sans fil.
19. Ne placez pas d'autocollant sur le connecteur sans fil.
20. Ne laissez pas le connecteur sans fil dans un endroit susceptible de générer de l'électricité statique ou du bruit électrique.
21. Ne laissez pas le connecteur sans fil dans un endroit soumis à une forte chaleur, comme une voiture en plein soleil.
22. Ne laissez pas le connecteur sans fil dans un endroit poussiéreux ou sablonneux ou dans un endroit susceptible de générer des gaz corrosifs.
23. De la condensation peut se former sur le connecteur sans fil en cas de brusque changement de température. N'utilisez pas le connecteur sans fil tant que la condensation n'a pas complètement séché.
24. Pour nettoyer le connecteur sans fil, essuyez-le délicatement avec un chiffon doux et sec. N'utilisez pas de benzine, diluant, graisse conductrice ou autre.
25. Rangez le connecteur sans fil en le conservant dans l'étui fourni ou dans un récipient anti-statique.
26. N'insérez pas d'autres dispositifs que le connecteur sans fil Makita dans la fente sur l'outil.
27. N'utilisez pas l'outil si le couvercle de la fente est endommagé. L'eau, la poussière ou la saleté pourraient pénétrer dans la fente provoquant un dysfonctionnement.
28. Ne tirez, ni ne tordez plus que nécessaire le couvercle de la fente. Remettez le couvercle en place s'il se détache de l'outil.
29. Remplacez le couvercle de la fente si vous le perdez ou l'endommagez.

CONSERVEZ CES INSTRUCTIONS.

DESCRIPTION DU FONCTIONNEMENT

ATTENTION : Assurez-vous toujours que l'outil est hors tension et que sa batterie est retirée avant de l'ajuster ou de vérifier son fonctionnement.

Insertion ou retrait de la batterie

ATTENTION : Éteignez toujours l'outil avant de mettre en place ou de retirer la batterie.

ATTENTION : Tenez fermement l'outil et la batterie lors de la mise en place ou du retrait de la batterie. Si vous ne tenez pas fermement l'outil et la batterie, ils peuvent vous glisser des mains, et s'abîmer ou vous blesser.

► Fig.1: 1. Indicateur rouge 2. Bouton 3. Batterie

Pour retirer la batterie, faites-la glisser hors de l'outil tout en faisant glisser le bouton à l'avant de la batterie.

Pour mettre la batterie en place, alignez la languette de la batterie avec la rainure du compartiment puis insérez la batterie. Insérez-la entièrement jusqu'à entendre un léger dé clic indiquant qu'elle est bien en place. Si vous pouvez voir l'indicateur rouge comme illustré sur la figure, c'est qu'elle n'est pas bien verrouillée.

ATTENTION : Insérez toujours complètement la batterie jusqu'à ce que l'indicateur rouge ne soit plus visible. Sinon, elle pourrait tomber accidentellement de l'outil, au risque de vous blesser ou de blesser quelqu'un se trouvant près de vous.

ATTENTION : N'insérez pas la batterie de force. Si elle ne glisse pas facilement, c'est que vous ne l'insérez pas correctement.

Indication de la charge restante de la batterie

Uniquement pour les batteries avec voyant lumineux

► Fig.2: 1. Témoins 2. Bouton de vérification

Appuyez sur le bouton de vérification sur la batterie pour indiquer la charge restante de la batterie. Les témoins s'allument pendant quelques secondes.

Témoins			Charge restante
Allumé	Éteint	Clignotant	
■	□	◐	75 % à 100 %
■ ■ ■ ■	□	□	50 % à 75 %
■ ■	□ □	□	25 % à 50 %
■	□ □ □	□	0 % à 25 %
◐	□ □ □	□	Chargez la batterie.
■ ■ □ □	□ □	■ ■	Anomalie possible de la batterie.

NOTE : Selon les conditions d'utilisation et la température ambiante, l'indication peut être légèrement différente de la capacité réelle.

NOTE : Le premier témoin (complètement à gauche) clignotera pendant le fonctionnement du système de protection de la batterie.

Indication de la charge restante de la batterie

Propre au pays

Lorsque vous mettez l'outil sous tension, le témoin de la batterie indique la charge restante de la batterie.

► Fig.3: 1. Témoin de la batterie

La charge restante de la batterie est indiquée conformément au tableau ci-dessous.

Statut du témoin de la batterie			Charge restante de la batterie
Allumé	Éteint	Clignotant	
			50 % à 100 %
			20 % à 50 %
			0 % à 20 %
			Chargez la batterie

Système de protection de l'outil/la batterie

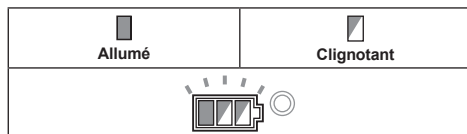
L'outil est équipé d'un système de protection de l'outil/la batterie. Ce système coupe automatiquement l'alimentation vers le moteur pour prolonger la durée de vie de l'outil et de la batterie. Si l'outil ou la batterie se trouve dans l'une des situations suivantes, l'outil cessera automatiquement de fonctionner.

Protection contre la surcharge

Lorsque l'outil est utilisé d'une manière provoquant un appel de courant anormalement élevé, l'outil s'arrête automatiquement sans indication. Dans ce cas, éteignez l'outil et arrêtez la tâche ayant provoqué la surcharge de l'outil. Puis rallumez l'outil pour reprendre la tâche.

Protection contre la surchauffe

En cas de surchauffe de l'outil, celui-ci s'arrête automatiquement et le témoin de la batterie indique l'état suivant. Dans ce cas, laissez l'outil refroidir avant de le rallumer.



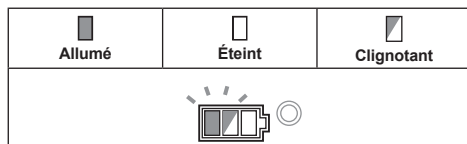
Si l'outil ne démarre pas, c'est que la batterie a peut-être surchauffé. Dans ce cas, laissez la batterie refroidir avant de redémarrer l'outil.

Protection contre la décharge totale de la batterie

Lorsque la charge de la batterie est insuffisante, l'outil s'arrête automatiquement. Dans ce cas, retirez la batterie de l'outil et chargez-la.

Déverrouillage de la protection

Lorsque le système de protection s'enclenche à plusieurs reprises, l'outil est verrouillé et le témoin de la batterie indique l'état suivant. Dans ce cas, l'outil ne démarre pas même si vous l'éteignez, puis l'allumez. Pour déverrouiller la protection, retirez la batterie, placez-la sur le chargeur de batterie et patientez jusqu'à ce que la charge soit terminée.



Protections contre d'autres causes

Le système de protection est également conçu pour d'autres causes qui pourraient endommager l'outil et lui permet de s'arrêter automatiquement. Suivez toutes les étapes ci-dessous pour éliminer les causes, lorsque l'outil a été arrêté provisoirement ou a cessé de fonctionner.

1. Éteignez l'outil, puis rallumez-le pour le redémarrer.
2. Chargez la ou les batteries ou remplacez-les par des batteries rechargées.
3. Laissez l'outil et la ou les batteries refroidir.

En l'absence d'amélioration après avoir rétabli le système de protection, contactez votre centre de service Makita local.

Verrouillage de l'arbre

AVERTISSEMENT : N'activez jamais le verrouillage de l'arbre pendant que l'axe tourne. Cela pourrait entraîner des blessures graves ou endommager l'outil.

Avant de poser ou de retirer des accessoires, appuyez sur le verrouillage de l'arbre pour empêcher l'axe de tourner.

► **Fig.4:** 1. Verrouillage de l'arbre

Interrupteur

ATTENTION : Avant d'insérer la batterie dans l'outil, vérifiez toujours que la gâchette allongée fonctionne bien et revient en position « Arrêt » lorsque relâchée.

ATTENTION : Par mesure de sécurité, cet outil est équipé d'un levier de sécurité qui empêche le démarrage inopiné de l'outil. N'utilisez JAMAIS l'outil s'il se met en marche lorsque vous enclenchez simplement la gâchette allongée sans avoir enfoncé le levier de sécurité. Confiez l'outil à notre centre d'entretien agréé pour le faire réparer AVANT de poursuivre l'utilisation.

ATTENTION : Évitez d'appuyer sur la gâchette allongée avec force lorsque le levier de sécurité n'est pas enfoncé. Vous risqueriez de briser la gâchette.

ATTENTION : Ne scotchez JAMAIS le levier de sécurité, ni n'ignorez son objectif et sa fonction.

Un levier de sécurité est fourni pour prévenir l'activation accidentelle de la gâchette allongée.

Pour démarrer l'outil, enfoncez le levier de sécurité puis appuyez sur la gâchette allongée.

Pour arrêter l'outil, relâchez la gâchette allongée.

► **Fig.5:** 1. Levier de sécurité 2. Gâchette allongée

Molette de réglage de la vitesse

Il est possible de modifier la vitesse de rotation de l'outil en faisant tourner la molette de réglage de la vitesse. Le tableau ci-dessous affiche les numéros de la molette et les vitesses de rotation correspondantes.

► **Fig.6:** 1. Molette de réglage de la vitesse



Numéro	Vitesse
1	3 000 min ⁻¹
2	4 500 min ⁻¹
3	6 000 min ⁻¹
4	7 500 min ⁻¹
5	8 500 min ⁻¹

REMARQUE : L'utilisation constante de l'outil à une vitesse basse pendant un long moment entraîne une surcharge du moteur, ce qui entraîne un dysfonctionnement de l'outil.

REMARQUE : Le cadran de réglage de la vitesse ne peut pas être tourné plus haut que 5 ou plus bas que 1. N'essayez pas de le placer au-delà de 5 ou en dessous de 1, sinon la fonction de réglage de la vitesse risque de ne plus fonctionner.

Fonction de changement automatique de vitesse

► Fig.7: 1. Témoin de mode

Statut du témoin de mode	Mode de fonctionnement
	Mode grande vitesse
	Mode couple élevé

Cet outil est pourvu d'un « mode grande vitesse » et d'un « mode couple élevé ». Il change automatiquement de mode de fonctionnement en fonction de la charge de travail. Lorsque le témoin de mode s'allume pendant le fonctionnement, l'outil est en mode couple élevé.

Fonction de prévention de redémarrage accidentel

Lorsque vous insérez la batterie alors que l'interrupteur est sur la position de marche, l'outil ne démarre pas. Pour démarrer l'outil, placez l'interrupteur sur OFF et puis à nouveau sur ON.

Technologie de détection de réaction active

L'outil détecte électroniquement des situations où la meule ou l'accessoire peuvent être exposés à un risque de pincement. Dans ce cas, l'outil est automatiquement éteint pour empêcher la rotation de l'axe (le choc en retour n'est pas empêché). Pour redémarrer l'outil, commencez par l'éteindre, éliminez la cause de la baisse soudaine de la vitesse de rotation, puis allumez l'outil.

Fonction de démarrage en douceur

La fonction de démarrage en douceur réduit le choc de démarrage.

Frein électrique

Le frein électrique est activé une fois l'outil éteint. Le frein ne fonctionne pas si l'alimentation est coupée (en cas de retrait accidentel de la batterie, par exemple), alors que la gâchette est toujours enclenchée.

ASSEMBLAGE

⚠ ATTENTION : Assurez-vous toujours que l'outil est hors tension et que sa batterie est retirée avant de l'ajuster ou de vérifier son fonctionnement.

Pose de la poignée latérale

⚠ ATTENTION : Avant l'utilisation, assurez-vous toujours que la poignée latérale est fermement posée.

Vissez fermement la poignée latérale sur la position de l'outil comme indiqué sur la figure.

► Fig.8

Pose ou retrait du carter de meule (pour meule à moyeu déporté, disque à lamelles, meule flexible, brosse métallique circulaire/meule à tronçonner abrasive, meule diamantée)

⚠ AVERTISSEMENT : Pendant l'utilisation d'une meule à moyeu déporté, d'un disque à lamelles, d'une meule flexible ou d'une brosse métallique circulaire, le carter de meule doit être posé sur l'outil de manière à toujours se refermer du côté de l'utilisateur.

⚠ AVERTISSEMENT : Pendant l'utilisation d'une meule à tronçonner abrasive/meule diamantée, vous devez utiliser exclusivement le carter de meule spécialement conçu pour les meules à tronçonner.

Pour outil avec carter de meule à vis de verrouillage

Montez le carter de meule en alignant les parties saillantes de la bande du carter de meule sur les entailles du boîtier de roulement. Puis, faites tourner le carter de meule à un angle permettant de protéger l'utilisateur en fonction de la tâche effectuée. Vous devez serrer fermement la vis. Pour retirer le carter de meule, effectuez la procédure de pose dans l'ordre inverse.

► Fig.9: 1. Carter de meule 2. Boîtier de roulement 3. Vis

Pour outil avec carter de meule à levier de serrage

Desserrez la vis, puis tirez sur le levier dans le sens de la flèche. Montez le carter de meule en alignant les parties saillantes de la bande du carter de meule sur les entailles du boîtier de roulement. Puis, faites tourner le carter de meule à un angle permettant de protéger l'utilisateur en fonction de la tâche effectuée.

► Fig.10: 1. Carter de meule 2. Boîtier de roulement 3. Vis 4. Levier

Tirez sur le levier dans le sens de la flèche. Serrez ensuite le carter de meule avec la vis. Vous devez serrer fermement la vis. Le levier permet d'ajuster l'angle de réglage du carter de meule.

► Fig.11: 1. Vis 2. Levier

Pour retirer le carter de meule, effectuez la procédure de pose dans l'ordre inverse.

Accessoire à clip pour carter de meule à tronçonner

Accessoire en option

NOTE : Pour les opérations de tronçonnage, un accessoire à clip pour carter de meule à tronçonner peut être utilisé avec le carter de meule (pour meule ordinaire).

Non disponible dans certains pays.

► Fig.12

Pose ou retrait de la meule à moyeu déporté ou du disque à lamelles

Accessoire en option

⚠ AVERTISSEMENT : Pour l'utilisation d'une meule à moyeu déporté ou d'un disque à lamelles, le carter de meule doit être posé sur l'outil de manière à toujours se refermer du côté de l'utilisateur.

⚠ AVERTISSEMENT : Assurez-vous que la pièce de fixation du flasque intérieur s'engage parfaitement dans le diamètre interne de la meule à moyeu déporté ou du disque à lamelles. La fixation du flasque intérieur du mauvais côté peut provoquer des vibrations dangereuses.

Montez le flasque intérieur sur l'axe.

Assurez-vous d'insérer la partie dentelée du flasque intérieur dans la partie droite au bas de l'axe.

Placez la meule à moyeu déporté ou le disque à lamelles sur le flasque intérieur, et vissez le contre-écrou sur l'axe.

► **Fig.13:** 1. Contre-écrou 2. Meule à moyeu déporté 3. Flasque intérieur 4. Pièce de fixation

Pour serrer le contre-écrou, appuyez fermement sur le verrouillage de l'arbre pour empêcher l'axe de tourner, et serrez fermement à l'aide de la clé à contre-écrou en tournant dans le sens des aiguilles d'une montre.

► **Fig.14:** 1. Clé à contre-écrou 2. Verrouillage de l'arbre

Pour retirer la meule, effectuez la procédure de pose dans l'ordre inverse.

Pose ou dépose de la meule flexible

Accessoire en option

⚠ AVERTISSEMENT : Lorsque la meule flexible est posée sur l'outil, utilisez toujours le carter de protection fourni. La meule peut se briser en éclats pendant l'utilisation ; le cas échéant, le carter contribue à réduire les risques de blessure.

► **Fig.15:** 1. Contre-écrou 2. Meule flexible 3. Semelle 4. Flasque intérieur

Suivez les instructions pour la meule à moyeu déporté, mais posez également la semelle sur la meule.

Pose ou dépose du disque abrasif

Accessoire en option

NOTE : Utilisez les accessoires pour ponceuse spécifiés dans ce manuel. Ils sont vendus séparément.

Pour le modèle 100 mm (4")

► **Fig.16:** 1. Contre-écrou de ponçage 2. Disque abrasif 3. Coussinet de caoutchouc 4. Flasque intérieur

1. Montez le flasque intérieur sur l'axe.
2. Montez le coussinet de caoutchouc sur l'axe.
3. Placez le disque sur le coussinet de caoutchouc et vissez le contre-écrou de ponçage sur l'axe.
4. Tenez l'axe par le verrouillage de l'arbre et serrez solidement le contre-écrou de ponçage dans le sens des aiguilles d'une montre avec la clé à contre-écrou.

Pour retirer le disque, effectuez la procédure de pose dans l'ordre inverse.

Pour un modèle autre que 100 mm (4")

► **Fig.17:** 1. Contre-écrou de ponçage 2. Disque abrasif 3. Coussinet de caoutchouc

1. Montez le coussinet de caoutchouc sur l'axe.
2. Placez le disque sur le coussinet de caoutchouc et vissez le contre-écrou de ponçage sur l'axe.
3. Tenez l'axe par le verrouillage de l'arbre et serrez solidement le contre-écrou de ponçage dans le sens des aiguilles d'une montre avec la clé à contre-écrou.

Pour retirer le disque, effectuez la procédure de pose dans l'ordre inverse.

Pose ou dépose de l'écrou Ezynt

Accessoire en option

Uniquement pour les outils avec filetage de l'axe M14.

Montez le flasque intérieur, la meule abrasive et l'écrou Ezynt sur l'axe de sorte que le logo Makita sur l'écrou Ezynt soit tourné vers l'extérieur.

► **Fig.18:** 1. Écrou Ezynt 2. Meule abrasive 3. Flasque intérieur 4. Axe

Appuyez fermement sur le verrouillage de l'arbre et serrez l'écrou Ezynt en tournant à fond la meule abrasive dans le sens des aiguilles d'une montre.

► **Fig.19:** 1. Verrouillage de l'arbre

Pour desserrer l'écrou Ezynt, tournez sa bague extérieure dans le sens inverse des aiguilles d'une montre.

NOTE : L'écrou Ezynt peut être desserré manuellement tant que la flèche est tournée vers l'encoche. Autrement, une clé à contre-écrou est nécessaire pour le desserrer. Insérez une broche de la clé dans le trou et tournez l'écrou Ezynt dans le sens inverse des aiguilles d'une montre.

► **Fig.20:** 1. Flèche 2. Encoche

► **Fig.21**

Pose d'une meule à tronçonner abrasive/meule diamantée

Accessoire en option

⚠ AVERTISSEMENT : Pendant l'utilisation d'une meule à tronçonner abrasive/meule diamantée, vous devez utiliser exclusivement le carter de meule spécialement conçu pour les meules à tronçonner.

⚠ AVERTISSEMENT : N'utilisez JAMAIS une meule à tronçonner pour faire du meulage latéral.

► **Fig.22:** 1. Contre-écrou 2. Meule à tronçonner abrasive/Meule diamantée 3. Flasque intérieur 4. Carter de meule pour meule à tronçonner abrasive/meule diamantée

Pour la pose, suivez les instructions de la meule à moyeu déporté.

Le sens de montage du contre-écrou et du flasque intérieur varie suivant le type et l'épaisseur de la meule. Reportez-vous aux figures suivantes.

Pour le modèle 100 mm (4")

Lors de la pose de la meule à tronçonner abrasive :

- **Fig.23:** 1. Contre-écrou 2. Meule à tronçonner abrasive (Inférieure à 4 mm (5/32")) 3. Meule à tronçonner abrasive (4 mm (5/32") ou plus) 4. Flasque intérieur

Lors de la pose de la meule diamantée :

- **Fig.24:** 1. Contre-écrou 2. Meule diamantée (Inférieure à 4 mm (5/32")) 3. Meule diamantée (4 mm (5/32") ou plus) 4. Flasque intérieur

Pour un modèle autre que 100 mm (4")

Lors de la pose de la meule à tronçonner abrasive :

- **Fig.25:** 1. Contre-écrou 2. Meule à tronçonner abrasive (Inférieure à 4 mm (5/32")) 3. Meule à tronçonner abrasive (4 mm (5/32") ou plus) 4. Flasque intérieur

Lors de la pose de la meule diamantée :

- **Fig.26:** 1. Contre-écrou 2. Meule diamantée (Inférieure à 4 mm (5/32")) 3. Meule diamantée (4 mm (5/32") ou plus) 4. Flasque intérieur

Pose d'une brosse métallique à coupelle

Accessoire en option

⚠ ATTENTION : N'utilisez pas la brosse si elle est abîmée ou déséquilibrée. L'utilisation d'une brosse abîmée augmente le risque de blessure au contact des fils métalliques cassés de la brosse.

Placez l'outil à l'envers pour faciliter l'accès à l'axe. Retirez tout accessoire présent sur l'axe. Vissez la brosse métallique à coupelle sur l'axe et serrez-la à l'aide de la clé fournie.

- **Fig.27:** 1. Brosse métallique à coupelle

Pose d'une brosse métallique circulaire

Accessoire en option

⚠ ATTENTION : N'utilisez pas la brosse métallique circulaire si elle est abîmée ou déséquilibrée. L'utilisation d'une brosse métallique circulaire abîmée augmente le risque de blessure au contact des fils métalliques cassés de la brosse.

⚠ ATTENTION : Utilisez TOUJOURS le carter de protection avec les brosses métalliques circulaires, en vous assurant que le diamètre de la meule tient dans le carter de protection. La brosse peut se briser en éclats pendant l'utilisation ; le cas échéant, le carter contribue à réduire les risques de blessure.

Placez l'outil à l'envers pour faciliter l'accès à l'axe. Retirez tout accessoire présent sur l'axe. Vissez la brosse métallique circulaire sur l'axe et serrez-la à l'aide des clés.

- **Fig.28:** 1. Brosse métallique circulaire

Installation de l'emporte-pièce

Accessoire en option

Placez l'outil à l'envers pour faciliter l'accès à l'axe. Retirez tout accessoire présent sur l'axe. Vissez l'emporte-pièce sur l'axe et serrez-le avec la clé fournie.

- **Fig.29:** 1. Emporte-pièce

Installation du carter de meule de collecte de la poussière pour le meulage

Uniquement pour le modèle DGA467 / DGA468 / DGA517 / DGA518

Accessoire en option

Les accessoires en option vous permettent d'utiliser cet outil pour le rabotage des surfaces en béton.

⚠ ATTENTION : Le carter de meule de collecte de la poussière pour la meule diamantée déportée sert uniquement pour le rabotage des surfaces en béton avec une meule diamantée déportée. N'utilisez pas ce carter de protection avec tout autre accessoire de coupe ou à toute autre fin.

⚠ ATTENTION : Avant utilisation, assurez-vous qu'un aspirateur est raccordé à l'outil et sous tension.

Placez l'outil à l'envers et installez le carter de meule de collecte de la poussière.

Montez le flasque intérieur sur l'axe.

Placez la meule-boisseau diamantée sur le flasque intérieur et serrez le contre-écrou sur l'axe.

- **Fig.30:** 1. Contre-écrou 2. Meule-boisseau diamantée 3. Meule-boisseau diamantée montée sur moyeu 4. Flasque intérieur 5. Carter de meule de collecte de la poussière 6. Boîtier de roulement

NOTE : Pour de plus amples informations sur l'installation du carter de meule de collecte de la poussière, reportez-vous au manuel l'accompagnant.

Installation du carter de meule de collecte de la poussière pour le découpage

Accessoire en option

Les accessoires en option vous permettent d'utiliser cet outil pour découper des matériaux en pierre.

- **Fig.31**

NOTE : Pour de plus amples informations sur l'installation du carter de meule de collecte de la poussière, reportez-vous au manuel l'accompagnant.

Raccordement à un aspirateur

Accessoire en option

⚠️ AVERTISSEMENT : N'aspirez jamais les particules métalliques produites par le meulage, la coupe ou le ponçage. Les particules métalliques produites par de telles opérations sont si chaudes qu'elles peuvent enflammer la poussière et le filtre à l'intérieur de l'aspirateur.

Pour éviter un environnement poussiéreux suite à une coupe de maçonnerie, utilisez un carter de meule de collecte de la poussière et un aspirateur. Reportez-vous au mode d'emploi accompagnant le carter de meule de collecte de la poussière pour savoir comment l'assembler et l'utiliser.

► **Fig.32:** 1. Carter de meule de collecte de la poussière 2. Tuyau de l'aspirateur

UTILISATION

⚠️ AVERTISSEMENT : Il n'est jamais nécessaire de forcer l'outil. Le poids de l'outil suffit pour appliquer une pression adéquate. En forçant l'outil ou en appliquant une pression excessive, vous risquez de provoquer un dangereux éclatement de la meule.

⚠️ AVERTISSEMENT : Remplacez TOUJOURS la meule si vous laissez tomber l'outil en meulant.

⚠️ AVERTISSEMENT : Ne frappez ni ne heurtez JAMAIS la meule contre la pièce à travailler.

⚠️ AVERTISSEMENT : Évitez de laisser la meule sautiller ou accrocher, tout spécialement lorsque vous travaillez dans des coins, sur des angles vifs, etc. Il y a risque de perte de contrôle de l'outil et de choc en retour.

⚠️ AVERTISSEMENT : N'utilisez JAMAIS l'outil avec des lames à bois et autres lames de scie. Utilisées sur une meuleuse, ces lames reculent souvent et causent une perte de contrôle, ce qui comporte un risque de blessure.

⚠️ ATTENTION : Ne faites jamais démarrer l'outil alors qu'il touche la pièce à travailler ; il y a risque de blessure pour l'utilisateur.

⚠️ ATTENTION : Portez toujours des lunettes à coques ou un écran facial pendant l'utilisation.

⚠️ ATTENTION : Une fois le travail terminé, mettez toujours l'outil hors tension et attendez l'arrêt complet de la meule avant de déposer l'outil.

⚠️ ATTENTION : Tenez TOUJOURS l'outil fermement, avec une main sur le carter de l'outil et l'autre main sur la poignée latérale (poignée).

NOTE : Une meule à double usage peut être utilisée pour les travaux de meulage et de tronçonnage.

Reportez-vous à la section « Meulage et ponçage » pour le meulage et à la section « Utilisation avec une meule à tronçonner abrasive/meule diamantée » pour le tronçonnage.

Meulage et ponçage

► Fig.33

Faites démarrer l'outil, puis appliquez la meule ou le disque sur la pièce à travailler. En général, maintenez le bord de la meule ou du disque à un angle d'environ 15° par rapport à la surface de la pièce à travailler.

Pendant la période de rodage d'une meule neuve, ne faites pas avancer la meuleuse dans le sens avant sous peine de couper la pièce à travailler. Une fois le bord de la meule rodé, la meule peut être utilisée dans les sens avant et arrière.

Exemple d'utilisation : utilisation avec la meule-boisseau diamantée

► Fig.34

Maintenez l'outil à l'horizontale et appliquez l'intégralité de la meule-boisseau diamantée sur la surface de la pièce.

Utilisation avec une meule à tronçonner abrasive/meule diamantée

Accessoire en option

⚠️ AVERTISSEMENT : Évitez de « bloquer » la meule ou d'appliquer une pression excessive. N'essayez pas de couper trop profondément. Un travail trop intense augmente la charge de l'outil, peut forcer la meule à se tordre ou à coincer dans la pièce, ce qui comporte un risque de choc en retour, d'éclatement de la meule ou de surchauffe du moteur.

⚠️ AVERTISSEMENT : Ne commencez pas la coupe avec l'outil engagé dans la pièce à travailler. Attendez que la meule ait atteint sa pleine vitesse, puis faites pénétrer l'outil prudemment dans la ligne de coupe en le faisant avancer à la surface de la pièce à travailler. La meule peut se coincer, remonter hors de la ligne de coupe ou effectuer un choc en retour si vous faites démarrer l'outil électrique alors qu'il est engagé dans la pièce à travailler.

⚠️ AVERTISSEMENT : Ne modifiez jamais l'angle de la meule pendant l'exécution de la coupe. L'application d'une pression latérale sur la meule à tronçonner (comme pour le meulage) fera se fissurer et éclater la meule, ce qui comporte un risque de blessure grave.

⚠️ AVERTISSEMENT : Une meule diamantée doit être utilisée perpendiculairement au matériau à couper.

Exemple d'utilisation : utilisation avec la meule à tronçonner abrasive

► Fig.35

Exemple d'utilisation : utilisation avec la meule diamantée

► Fig.36

Utilisation avec la brosse métallique à coupelle

Accessoire en option

⚠ ATTENTION : Vérifiez le fonctionnement de la brosse en faisant tourner l'outil à vide, après vous être assuré que personne ne se trouve devant ou dans la trajectoire de la brosse.

REMARQUE : Évitez d'appliquer une pression excessive pour éviter de trop courber les fils lors de l'utilisation de la brosse métallique à coupelle. Ce qui pourrait provoquer leur usure prématurée.

Exemple d'utilisation : utilisation avec la brosse métallique à coupelle
► Fig.37

Utilisation avec la brosse métallique circulaire

Accessoire en option

⚠ ATTENTION : Vérifiez le fonctionnement de la brosse métallique circulaire en faisant tourner l'outil à vide, après vous être assuré que personne ne se trouve devant ou dans la trajectoire de la brosse métallique circulaire.

REMARQUE : Évitez d'appliquer une pression excessive pour éviter de trop courber les fils lors de l'utilisation de la brosse métallique circulaire. Ce qui pourrait provoquer leur usure prématurée.

Exemple d'utilisation : utilisation avec la brosse métallique circulaire
► Fig.38

Travaux avec l'emporte-pièce

Accessoire en option

⚠ ATTENTION : Vérifiez le fonctionnement de l'emporte-pièce en faisant tourner l'outil à vide, après vous être assuré que personne ne se trouve devant l'emporte-pièce.

REMARQUE : N'inclinez pas l'outil pendant le fonctionnement. Ce qui pourrait provoquer leur usure prématurée.

Exemple d'utilisation : travaux avec l'emporte-pièce
► Fig.39

FONCTION D'ACTIVATION SANS FIL

Uniquement pour le modèle DGA418 / DGA468 / DGA518

À quoi sert la fonction d'activation sans fil

La fonction d'activation sans fil offre un fonctionnement propre et confortable. En raccordant un aspirateur compatible à l'outil, vous pouvez déclencher automatiquement l'aspirateur en utilisant l'interrupteur de l'outil.

► Fig.40

Pour utiliser la fonction d'activation sans fil, préparez les éléments suivants :

- Un connecteur sans fil (accessoire en option)
- Un aspirateur compatible avec la fonction d'activation sans fil

Vous trouverez ci-après une vue d'ensemble de la fonction d'activation sans fil. Consultez chaque section pour en savoir plus sur la marche à suivre.

1. Installation du connecteur sans fil
2. Enregistrement de l'outil pour l'aspirateur
3. Démarrage de la fonction d'activation sans fil

Installation du connecteur sans fil

Accessoire en option

⚠ ATTENTION : Placez l'outil sur une surface plane et stable pour y installer le connecteur sans fil.

REMARQUE : Retirez la poussière et la saleté sur l'outil avant d'installer le connecteur sans fil. La poussière ou la saleté peuvent provoquer des dysfonctionnements si elles pénètrent dans la fente sur le connecteur sans fil.

REMARQUE : Pour éviter un dysfonctionnement provoqué par l'électricité statique, touchez un matériau conducteur comme la partie métallique de l'outil, avant de prendre dans vos mains le connecteur sans fil.

REMARQUE : Lorsque vous installez le connecteur sans fil, veillez toujours à l'insérer dans le bon sens et assurez-vous que le couvercle est complètement fermé.

1. Ouvrez le couvercle sur l'outil comme illustré sur la figure.

► Fig.41: 1. Couvercle

2. Insérez le connecteur sans fil dans la fente, puis refermez le couvercle.

Lors de l'insertion du connecteur sans fil, alignez les parties saillantes avec les parties creuses sur la fente.

► Fig.42: 1. Connecteur sans fil 2. Partie saillante 3. Couvercle 4. Partie creuse

Pour retirer le connecteur sans fil, ouvrez lentement le couvercle. Les crochets au dos du couvercle soulèveront le connecteur sans fil à mesure que vous tirez le couvercle vers le haut.

- **Fig.43:** 1. Connecteur sans fil 2. Crochet
3. Couvercle

Après avoir retiré le connecteur sans fil, gardez-le dans l'étui fourni ou dans un récipient anti-statique.

REMARQUE : Utilisez toujours les crochets au dos du couvercle lorsque vous retirez le connecteur sans fil. Si les crochets ne s'attachent pas au connecteur sans fil, fermez complètement le couvercle, puis rouvrez-le lentement.

Enregistrement de l'outil pour l'aspirateur

NOTE : Un aspirateur Makita compatible avec la fonction d'activation sans fil est nécessaire pour l'enregistrement de l'outil.

NOTE : Terminez la mise en place du connecteur sans fil sur l'outil avant de commencer l'enregistrement de l'outil.

NOTE : Pendant l'enregistrement de l'outil, n'enclenchez pas la gâchette, ni ne mettez sous tension l'aspirateur.

NOTE : Consultez aussi le mode d'emploi de l'aspirateur.

Si vous souhaitez activer l'aspirateur en utilisant l'interrupteur de l'outil, terminez d'abord l'enregistrement de l'outil.

1. Insérez les batteries dans l'aspirateur et l'outil.
2. Placez le bouton de veille de l'aspirateur sur « AUTO ».
► **Fig.44:** 1. Bouton de veille
3. Appuyez sur le bouton d'activation sans fil de l'aspirateur pendant 3 secondes jusqu'à ce que le témoin d'activation sans fil clignote en vert. Puis appuyez sur le bouton d'activation sans fil de l'outil de la même façon.
► **Fig.45:** 1. Bouton d'activation sans fil 2. Témoin d'activation sans fil

Si la liaison entre l'aspirateur et l'outil est réussie, les témoins d'activation sans fil s'allumeront en vert pendant 2 secondes et se mettront à clignoter en bleu.

NOTE : Les témoins d'activation sans fil cessent de clignoter en vert au bout de 20 secondes. Appuyez sur le bouton d'activation sans fil de l'outil pendant que le témoin d'activation sans fil de l'aspirateur clignote. Si le témoin d'activation sans fil ne clignote pas en vert, appuyez brièvement sur le bouton d'activation sans fil et maintenez-le à nouveau enfoncé.

NOTE : Si vous effectuez plus de deux enregistrements d'outils pour un seul aspirateur, terminez-les l'un après l'autre.

Démarrage de la fonction d'activation sans fil

NOTE : Terminez l'enregistrement de l'outil pour l'aspirateur avant l'activation sans fil.

NOTE : Consultez aussi le mode d'emploi de l'aspirateur.

Après avoir enregistré un outil sur l'aspirateur, ce dernier se déclenchera automatiquement en utilisant l'interrupteur de l'outil.

1. Installez le connecteur sans fil sur l'outil.
2. Raccordez le tuyau de l'aspirateur à l'outil.
► **Fig.46**
3. Placez le bouton de veille de l'aspirateur sur « AUTO ».
► **Fig.47:** 1. Bouton de veille
4. Appuyez brièvement sur le bouton d'activation sans fil sur l'outil. Le témoin d'activation sans fil clignote en bleu.
► **Fig.48:** 1. Bouton d'activation sans fil 2. Témoin d'activation sans fil
5. Mettez l'outil sous tension. Vérifiez que l'aspirateur fonctionne pendant le fonctionnement de l'outil.

Pour arrêter l'activation sans fil de l'aspirateur, appuyez sur le bouton d'activation sans fil de l'outil.

NOTE : Le témoin d'activation sans fil de l'outil cessera de clignoter en bleu en l'absence d'opérations pendant 2 heures. Dans ce cas, placez le bouton de veille de l'aspirateur sur « AUTO » et appuyez à nouveau sur le bouton d'activation sans fil de l'outil.

NOTE : L'aspirateur démarre/s'arrête avec un léger retard. Il y a un décalage lorsque l'aspirateur détecte l'utilisation de l'interrupteur de l'outil.










NOTE : La distance de transmission du connecteur sans fil peut varier selon l'emplacement et les conditions environnantes.

NOTE : Si plus de deux outils sont enregistrés sur un aspirateur, ce dernier peut se mettre en marche sans que vous le mettiez sous tension, car un autre utilisateur emploie la fonction d'activation sans fil.

Description du statut du témoin d'activation sans fil

► Fig.49: 1. Témoin d'activation sans fil

Le témoin d'activation sans fil indique le statut de la fonction d'activation sans fil. Consultez le tableau ci-dessous pour la signification du statut du témoin.

Statut	Témoin d'activation sans fil			Durée	Description
	Couleur	 Allumé	 Clignotant		
Veille	Bleu			2 heures	L'activation sans fil de l'aspirateur est disponible. Le témoin s'éteint automatiquement en l'absence d'opérations pendant 2 heures.
				Pendant le fonctionnement de l'outil.	L'activation sans fil de l'aspirateur est disponible et l'outil fonctionne.
Enregistrement de l'outil	Vert			20 secondes	Prêt pour l'enregistrement de l'outil. En attente d'enregistrement par l'aspirateur.
				2 secondes	L'enregistrement de l'outil est terminé. Le témoin d'activation sans fil se met à clignoter en bleu.
Annulation de l'enregistrement de l'outil	Rouge			20 secondes	Prêt pour l'annulation de l'enregistrement de l'outil. En attente d'annulation par l'aspirateur.
				2 secondes	L'annulation de l'enregistrement de l'outil est terminée. Le témoin d'activation sans fil se met à clignoter en bleu.
Autres	Rouge			3 secondes	Le connecteur sans fil est alimenté en électricité et la fonction d'activation sans fil démarre.
	Éteint	-		-	L'activation sans fil de l'aspirateur est arrêtée.

Annulation de l'enregistrement de l'outil pour l'aspirateur

Procédez comme indiqué ci-après pour annuler l'enregistrement de l'outil pour l'aspirateur.

1. Insérez les batteries dans l'aspirateur et l'outil.
2. Placez le bouton de veille de l'aspirateur sur « AUTO ».

► Fig.50: 1. Bouton de veille

3. Appuyez sur le bouton d'activation sans fil de l'aspirateur pendant 6 secondes. Le témoin d'activation sans fil clignote en vert, puis devient rouge. Après cela, appuyez sur le bouton d'activation sans fil de l'outil de la même façon.

► Fig.51: 1. Bouton d'activation sans fil 2. Témoin d'activation sans fil

Si l'annulation est réussie, les témoins d'activation sans fil s'allumeront en rouge pendant 2 secondes et se mettront à clignoter en bleu.

NOTE : Les témoins d'activation sans fil arrêtent de clignoter en rouge au bout de 20 secondes. Appuyez sur le bouton d'activation sans fil de l'outil pendant que le témoin d'activation sans fil de l'aspirateur clignote. Si le témoin d'activation sans fil ne clignote pas en rouge, appuyez brièvement sur le bouton d'activation sans fil et maintenez-le à nouveau enfoncé.

Guide de dépannage de la fonction d'activation sans fil

Avant de faire une demande de réparation, effectuez d'abord vous-même une inspection. Si vous rencontrez un problème non documenté dans le mode d'emploi, n'essayez pas de démonter l'outil. Demandez plutôt à un centre de service après-vente Makita agréé d'effectuer la réparation au moyen de pièces de rechange Makita.

État d'anomalie	Cause probable (dysfonctionnement)	Solution
Le témoin d'activation sans fil ne s'allume pas ou ne clignote pas.	Le connecteur sans fil n'est pas installé sur l'outil. Le connecteur sans fil est mal installé sur l'outil.	Installez correctement le connecteur sans fil.
	La borne du connecteur sans fil et/ou la fente sont sales.	Essayez délicatement la poussière et la saleté sur la borne du connecteur sans fil et nettoyez la fente.
	Le bouton d'activation sans fil de l'outil n'a pas été enfoncé.	Appuyez brièvement sur le bouton d'activation sans fil sur l'outil.
	Le bouton de veille de l'aspirateur n'est pas placé sur « AUTO ».	Placez le bouton de veille de l'aspirateur sur « AUTO ».
	Pas d'alimentation électrique	Mettez sous tension l'outil électrique et l'aspirateur.
Impossible de terminer correctement l'enregistrement de l'outil/l'annulation de l'enregistrement de l'outil.	Le connecteur sans fil n'est pas installé sur l'outil. Le connecteur sans fil est mal installé sur l'outil.	Installez correctement le connecteur sans fil.
	La borne du connecteur sans fil et/ou la fente sont sales.	Essayez délicatement la poussière et la saleté sur la borne du connecteur sans fil et nettoyez la fente.
	Le bouton de veille de l'aspirateur n'est pas placé sur « AUTO ».	Placez le bouton de veille de l'aspirateur sur « AUTO ».
	Pas d'alimentation électrique	Mettez sous tension l'outil électrique et l'aspirateur.
	Fonctionnement incorrect	Appuyez brièvement sur le bouton d'activation sans fil et recommencez l'enregistrement de l'outil/l'annulation de l'enregistrement de l'outil.
	L'outil et l'aspirateur sont éloignés l'un de l'autre (hors de la portée de transmission).	Rapprochez l'outil de l'aspirateur. La distance de transmission maximum est d'environ 10 m, toutefois elle peut varier selon les circonstances.
	Avant de terminer l'enregistrement/l'annulation de l'outil ; - l'interrupteur de l'outil est en position de marche ou ; - le bouton d'alimentation de l'aspirateur est placé sur Marche.	Appuyez brièvement sur le bouton d'activation sans fil et recommencez l'enregistrement de l'outil/l'annulation de l'enregistrement de l'outil.
	Les procédures d'enregistrement de l'outil pour l'outil ou l'aspirateur ne sont pas terminées.	Procédez à l'enregistrement de l'outil à la fois pour l'outil et l'aspirateur en même temps.
L'aspirateur ne se met pas en marche avec l'utilisation de l'interrupteur de l'outil.	Le connecteur sans fil n'est pas installé sur l'outil. Le connecteur sans fil est mal installé sur l'outil.	Installez correctement le connecteur sans fil.
	La borne du connecteur sans fil et/ou la fente sont sales.	Essayez délicatement la poussière et la saleté sur la borne du connecteur sans fil et nettoyez la fente.
	Le bouton d'activation sans fil de l'outil n'a pas été enfoncé.	Appuyez brièvement sur le bouton d'activation sans fil et assurez-vous que le témoin d'activation sans fil clignote en bleu.
	Le bouton de veille de l'aspirateur n'est pas placé sur « AUTO ».	Placez le bouton de veille de l'aspirateur sur « AUTO ».
	Plus de 10 outils sont enregistrés sur l'aspirateur.	Recommencez l'enregistrement de l'outil. Si plus de 10 outils sont enregistrés sur l'aspirateur, l'outil enregistré le plus tôt sera automatiquement annulé.
	L'aspirateur a effacé tous les enregistrements d'outils.	Recommencez l'enregistrement de l'outil.
	Pas d'alimentation électrique	Mettez sous tension l'outil électrique et l'aspirateur.
	L'outil et l'aspirateur sont éloignés l'un de l'autre (hors de la portée de transmission).	Rapprochez l'outil de l'aspirateur. La distance de transmission maximum est d'environ 10 m, toutefois elle peut varier selon les circonstances.
L'aspirateur fonctionne alors que l'outil ne fonctionne pas.	Interférence radio d'autres appareils qui génèrent des ondes radio puissantes.	Maintenez l'outil et l'aspirateur à l'écart des appareils comme des appareils Wi-Fi et des fours à micro-ondes.
	D'autres utilisateurs emploient la fonction d'activation sans fil de l'aspirateur avec leurs outils.	Placez le bouton d'activation sans fil des autres outils sur Arrêt ou annulez l'enregistrement de l'outil des autres outils.

ENTRETIEN

⚠ ATTENTION : Assurez-vous toujours que l'outil est hors tension et que la batterie est retirée avant d'y effectuer tout travail d'inspection ou d'entretien.

REMARQUE : N'utilisez jamais d'essence, benzine, diluant, alcool ou autre produit similaire. Cela risquerait de provoquer la décoloration, la déformation ou la fissuration de l'outil.

Pour assurer la SÉCURITÉ et la FIABILITÉ du produit, toute réparation, tout travail d'entretien ou de réglage doivent être effectués par un centre d'entretien Makita agréé, avec des pièces de rechange Makita.

Nettoyage des orifices d'aération

L'outil et ses orifices d'aération doivent être conservés propres. Nettoyez régulièrement les orifices d'aération de l'outil ou dès qu'ils sont obstrués.

► **Fig.52:** 1. Orifice de sortie d'air 2. Orifice d'entrée d'air

Retirez le pare-poussière de l'orifice d'entrée d'air et nettoyez-le pour faciliter la circulation de l'air.

► **Fig.53:** 1. Pare-poussière

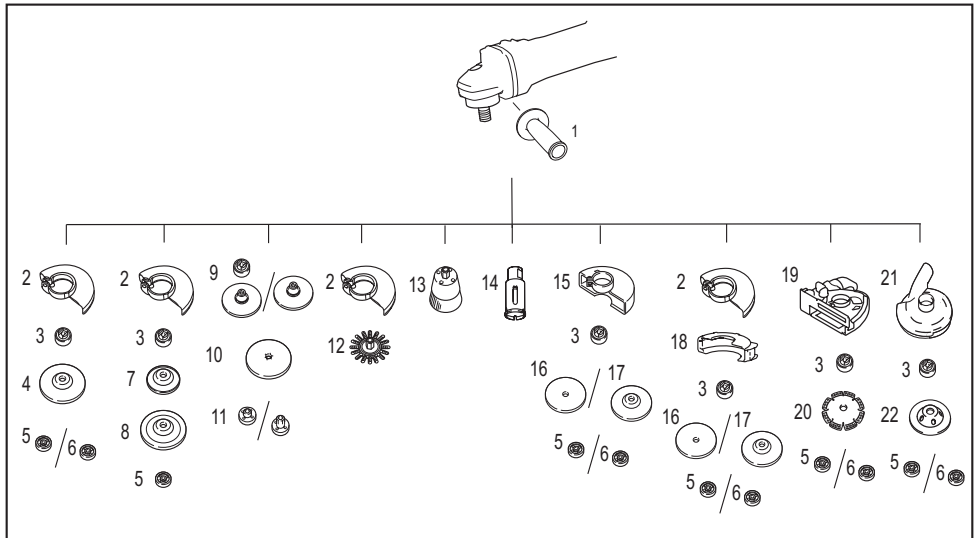
REMARQUE : Nettoyez bien le pare-poussière s'il est bouché par de la poussière ou des corps étrangers. Si vous continuez à utiliser l'outil alors que le pare-poussière est bouché, vous risquez d'endommager l'outil.

COMBINATION D'APPLICATIONS ET D'ACCESSOIRES

Accessoire en option

⚠ ATTENTION : L'utilisation de l'outil avec des carters de protection incorrects peut entraîner les risques suivants.

- Lors de l'utilisation d'un carter de meule à tronçonner pour le meulage de façade, le carter de meule peut interférer avec la pièce et entraîner un mauvais contrôle.
- Lors de l'utilisation d'un carter de meule ordinaire pour les travaux de tronçonnage avec des meules abrasives à liant et des meules diamantées, le risque d'exposition aux meules en rotation, aux étincelles et particules émises, ainsi que d'exposition à des fragments de meule en cas de rupture de la meule augmente.
- Lors de l'utilisation d'un carter de meule à tronçonner ou d'un carter de meule ordinaire pour les travaux de façade avec des meules-boisseaux diamantées, le carter de meule peut interférer avec la pièce et entraîner un mauvais contrôle.
- Lors de l'utilisation d'un carter de meule à tronçonner ou d'un carter de meule ordinaire avec une brosse métallique de type à meule d'une épaisseur supérieure à l'épaisseur maximale spécifiée dans les « SPÉCIFICATIONS », les fils peuvent se coincer sur le carter et entraîner la rupture des fils.
- L'utilisation de carters de meule de collecte de la poussière pour les travaux de tronçonnage et de façade dans le béton ou la maçonnerie réduit le risque d'exposition à la poussière.
- En cas d'utilisation de meules montées sur flasque à double usage (meulage et tronçonnage abrasifs combinés), utilisez uniquement un carter de meule à tronçonner.



-	Application	Modèle 100 mm	Modèle 115 mm	Modèle 125 mm
1	-	Poignée latérale		
2	-	Carter de meule (pour meule ordinaire)		
3	-	Flasque intérieur		
4	Meulage/Ponçage	Meule à moyeu déporté/Disque à lamelles		
5	-	Contre-écrou		
6	-	-	Écrou ezynut *1	
7	-	Semelle		
8	Meulage	Meule flexible		
9	-	Flasque intérieur et coussinet de caoutchouc 76	Coussinet de caoutchouc 100	Coussinet de caoutchouc 115
10	Ponçage	Disque abrasif		

-	Application	Modèle 100 mm	Modèle 115 mm	Modèle 125 mm
11	-	Contre-écrou de ponçage		
12	Brossage métallique	Brosse métallique circulaire		
13	Brossage métallique	Brosse métallique à coupelle		
14	Découpage de trous	Emporte-pièce		
15	-	Carter de meule (pour meule à tronçonner)		
16	Tronçonnage	Meule à tronçonner abrasive/Meule diamantée		
17	Meulage/Tronçonnage	Meule à double usage		
18	-	Accessoire à clip pour carter de meule à tronçonner *2		
19	-	Carter de meule de collecte de la poussière pour le tronçonnage *3		
20	Tronçonnage	Meule diamantée		
21	-	-	Carter de meule de collecte de la poussière pour le meulage *4	
22	Meulage	-	Meule-boisseau diamantée *4	
-	-	Clé à contre-écrou		

NOTE : *1 Uniquement pour les outils avec filetage de l'axe M14.

NOTE : *2 L'accessoire à clip pour carter de meule à tronçonner n'est pas disponible dans certains pays. Pour en savoir plus, consultez le mode d'emploi de l'accessoire à clip pour carter de meule à tronçonner.

NOTE : *3 Pour en savoir plus, consultez le mode d'emploi de chaque carter.

NOTE : *4 Uniquement pour le modèle DGA467 / DGA468 / DGA517 / DGA518

Pour en savoir plus, consultez le mode d'emploi de chaque carter.

ACCESSOIRES EN OPTION

⚠ ATTENTION : Ces accessoires ou pièces complémentaires sont recommandés pour l'utilisation avec l'outil Makita spécifié dans ce mode d'emploi. L'utilisation de tout autre accessoire ou pièce complémentaire peut comporter un risque de blessure. N'utilisez les accessoires ou pièces complémentaires qu'aux fins auxquelles ils ont été conçus.

Pour obtenir plus de détails sur ces accessoires, contactez votre centre d'entretien local Makita.

- Batterie et chargeur Makita d'origine
- Accessoires répertoriés dans « COMBINATION D'APPLICATIONS ET D'ACCESSOIRES »
- Connecteur sans fil (pour les modèles avec fonction d'activation sans fil)

NOTE : Il se peut que certains éléments de la liste soient compris dans l'emballage de l'outil en tant qu'accessoires standard. Ils peuvent varier d'un pays à l'autre.

TECHNISCHE DATEN

Modell:		DGA417	DGA418	DGA467	DGA468	DGA517	DGA518
Verwendbare Schleifscheibe	Max. Scheibendurchmesser	100 mm		115 mm		125 mm	
	Max. Scheibendicke	6,4 mm		7,2 mm			
Verwendbare Trennscheibe	Max. Scheibendurchmesser	105 mm		115 mm		125 mm	
	Max. Scheibendicke			3,2 mm			
Verwendbare Rotordrahtbürste	Max. Scheibendurchmesser	100 mm		115 mm		125 mm	
	Max. Scheibendicke			20 mm			
Spindelgewinde		M10		M14 oder 5/8" (länderspezifisch)			
Max. Spindellänge		18 mm		23 mm			
Leerlaufdrehzahl (n ₀) / Nenndrehzahl (n)				8.500 min ⁻¹			
Gesamtlänge		mit BL1840B		382 mm			
Nettogewicht		2,2 - 3,7 kg		2,4 - 3,9 kg			
Nennspannung		18 V Gleichstrom					

- Wir behalten uns vor, Änderungen der technischen Daten im Zuge der Entwicklung und des technischen Fortschritts ohne vorherige Ankündigung vorzunehmen.
- Die technischen Daten können von Land zu Land unterschiedlich sein.
- Das Gewicht kann abhängig von dem Aufsatz (den Aufsätzen), einschließlich des Akkus, unterschiedlich sein. Die leichteste und die schwerste Kombination, gemäß dem EPTA-Verfahren 01/2014, sind in der Tabelle angegeben.

Zutreffende Akkus und Ladegeräte

Akku	BL1815N / BL1820B / BL1830B / BL1840B / BL1850B / BL1860B
Ladegerät	DC18RC / DC18RD / DC18RE / DC18SD / DC18SE / DC18SF / DC18SH / DC18WC

- Einige der oben aufgelisteten Akkus und Ladegeräte sind je nach Ihrem Wohngebiet eventuell nicht erhältlich.

⚠️ WARNUNG: Verwenden Sie nur die oben aufgeführten Akkus und Ladegeräte. Bei Verwendung irgendwelcher anderer Akkus und Ladegeräte besteht Verletzungs- und/oder Brandgefahr.

Empfohlene kabelgebundene Stromquelle

Rückentragbare Akku-Bank	PDC01
--------------------------	-------

- Die oben aufgelisteten kabelgebundenen Stromquellen sind je nach Ihrem Wohngebiet eventuell nicht erhältlich.
- Lesen Sie vor Gebrauch der kabelgebundenen Stromquelle die daran angebrachten Anweisungen und Warnmarkierungen durch.

Symbole

Nachfolgend werden Symbole beschrieben, die für das Gerät verwendet werden können. Machen Sie sich unbedingt vor der Benutzung mit ihrer Bedeutung vertraut.



Immer mit beiden Händen betätigen.



Verwenden Sie die Schutzhaube nicht für Trennschleifarbeiten.



Betriebsanleitung lesen.



Schutzbrille tragen.



Nur für EU-Länder
Aufgrund des Vorhandenseins gefährlicher Komponenten in der Ausrüstung können Elektro- und Elektronik-Altgeräte, Akkumulatoren und Batterien sich negativ auf die Umwelt und die menschliche Gesundheit auswirken.
Entsorgen Sie Elektro- und Elektronikgeräte oder Batterien nicht mit dem Hausmüll!
In Übereinstimmung mit der Europäischen Richtlinie über Elektro- und Elektronik-Altgeräte, Akkumulatoren und Batterien, verbrauchte Akkumulatoren und Batterien sowie ihrer Anpassung an nationales Recht sollten Elektro-Altgeräte, Batterien und Akkumulatoren gemäß den Umweltschutzbestimmungen getrennt gelagert und zu einer getrennten Sammelstelle für Siedlungsabfälle geliefert werden.
Dies wird durch das am Gerät angebrachte Symbol der durchgestrichenen Abfalltonne auf Rädern angezeigt.

Vorgesehene Verwendung

Das Werkzeug ist für das Schleifen, Schmirgeln, Drahtbürsten, Lochschneiden und Schneiden von Metall- und Steinmaterial ohne den Gebrauch von Wasser vorgesehen.

Geräusch

Typischer A-bewerteter Geräuschpegel ermittelt gemäß EN62841-2-3:

Modell	Schalldruckpegel (L_{pA}): (dB (A))	Schalleistungspegel (L_{WA}): (dB (A))	Messunsicherheit (K): (dB (A))
DGA417	83	91	3
DGA418	83	91	3
DGA467	83	91	3
DGA468	83	91	3
DGA517	83	91	3
DGA518	83	91	3

HINWEIS: Der (Die) angegebene(n) Schallemissionswert(e) wurde(n) im Einklang mit der Standardprüfmethode gemessen und kann (können) für den Vergleich zwischen Werkzeugen herangezogen werden.

HINWEIS: Der (Die) angegebene(n) Schallemissionswert(e) kann (können) auch für eine Vorbewertung des Gefährdungsgrads verwendet werden.

⚠️ WARNUNG: Einen Gehörschutz tragen.

⚠️ WARNUNG: Die Schallemission während der tatsächlichen Benutzung des Elektrowerkzeugs kann je nach der Benutzungsweise des Werkzeugs, und speziell je nach der Art des bearbeiteten Werkstücks, von dem (den) angegebenen Wert(en) abweichen.

⚠️ WARNUNG: Identifizieren Sie Sicherheitsmaßnahmen zum Schutz des Benutzers anhand einer Schätzung des Gefährdungsgrads unter den tatsächlichen Benutzungsbedingungen (unter Berücksichtigung aller Phasen des Arbeitszyklus, wie z. B. Ausschalt- und Leerlaufzeiten des Werkzeugs zusätzlich zur Betriebszeit).

⚠️ WARNUNG: Das Schleifen von dünnen Blechen oder anderen leicht vibrierenden Strukturen mit großer Oberfläche kann zu einer Gesamtgeräuschemission führen, die viel höher ist (bis zu 15 dB) als die angegebenen Geräuschemissionswerte.

Legen Sie schwere, flexible Dämpfungsmatten oder dergleichen auf diese Werkstücke, um zu verhindern, dass sie Schall abgeben.

Berücksichtigen Sie die erhöhte Geräuschemission sowohl bei der Risikobewertung der Geräuschbelastung als auch bei der Auswahl eines geeigneten Gehörschutzes.

Schwingungen

Schwingungsgesamtwert (Drei-Achsen-Vektorsumme) ermittelt gemäß EN62841-2-3:

Arbeitsmodus: Oberflächenschleifen mit normalem Seitengriff

Modell	Vibrationsemission ($\bar{a}_{h, AG}$): (m/s ²)	Messunsicherheit (K): (m/s ²)
DGA417	4,5	1,5
DGA418	4,5	1,5
DGA467	5,5	1,5
DGA468	5,5	1,5
DGA517	6,0	1,5
DGA518	6,0	1,5

Arbeitsmodus: Oberflächenschleifen mit vibrationsfestem Seitengriff

Modell	Vibrationsemission ($\bar{a}_{h, AG}$): (m/s ²)	Messunsicherheit (K): (m/s ²)
DGA417	4,5	1,5
DGA418	4,5	1,5
DGA467	5,0	1,5
DGA468	5,0	1,5
DGA517	5,5	1,5
DGA518	5,5	1,5

Arbeitsmodus: Scheibenschleifen mit normalem Seitengriff

Modell	Vibrationsemission ($\bar{a}_{h, DS}$): (m/s ²)	Messunsicherheit (K): (m/s ²)
DGA417	2,5 m/s ² oder weniger	1,5
DGA418	2,5 m/s ² oder weniger	1,5
DGA467	2,5 m/s ² oder weniger	1,5
DGA468	2,5 m/s ² oder weniger	1,5
DGA517	2,5 m/s ² oder weniger	1,5
DGA518	2,5 m/s ² oder weniger	1,5

Arbeitsmodus: Scheibenschleifen mit vibrationsfestem Seitengriff

Modell	Vibrationsemission ($\bar{a}_{h, DS}$): (m/s ²)	Messunsicherheit (K): (m/s ²)
DGA417	2,5 m/s ² oder weniger	1,5
DGA418	2,5 m/s ² oder weniger	1,5
DGA467	2,5 m/s ² oder weniger	1,5
DGA468	2,5 m/s ² oder weniger	1,5
DGA517	2,5 m/s ² oder weniger	1,5
DGA518	2,5 m/s ² oder weniger	1,5

HINWEIS: Der (Die) angegebene(n) Vibrationsgesamtwert(e) wurde(n) im Einklang mit der Standardprüfmethode gemessen und kann (können) für den Vergleich zwischen Werkzeugen herangezogen werden.

HINWEIS: Der (Die) angegebene(n) Vibrationsgesamtwert(e) kann (können) auch für eine Vorbewertung des Gefährdungsgrads verwendet werden.

⚠️ WARNUNG: Die Vibrationsemission während der tatsächlichen Benutzung des Elektrowerkzeugs kann je nach der Benutzungsweise des Werkzeugs, und speziell je nach der Art des bearbeiteten Werkstücks, von dem (den) angegebenen Emissionswert(en) abweichen.

⚠️ WARNUNG: Identifizieren Sie Sicherheitsmaßnahmen zum Schutz des Benutzers anhand einer Schätzung des Gefährdungsgrads unter den tatsächlichen Benutzungsbedingungen (unter Berücksichtigung aller Phasen des Arbeitszyklus, wie z. B. Ausschalt- und Leerlaufzeiten des Werkzeugs zusätzlich zur Betriebszeit).

⚠️ WARNUNG: Der angegebene Schwingungsemissionswert wird für Hauptanwendungen des Elektrowerkzeugs verwendet. Wird das Elektrowerkzeug jedoch für andere Anwendungen verwendet, kann der Schwingungsemissionswert abweichen.

EG-Konformitätserklärung

Nur für europäische Länder

Die EG-Konformitätserklärung ist als Anhang A in dieser Bedienungsanleitung enthalten.

SICHERHEITSWARNUNGEN

Allgemeine Sicherheitswarnungen für Elektrowerkzeuge

⚠️ WARNUNG Lesen Sie alle Sicherheitshinweise, Anweisungen, Abbildungen und Spezifikationen, die diesem Elektrowerkzeug beiliegen. Eine Missachtung der unten aufgeführten Anweisungen kann zu einem elektrischen Schlag, Brand und/oder schweren Verletzungen führen.

Bewahren Sie alle Warnungen und Anweisungen für spätere Bezugnahme auf.

Der Ausdruck „Elektrowerkzeug“ in den Warnhinweisen bezieht sich auf Ihr mit Netzstrom (mit Kabel) oder Akku (ohne Kabel) betriebenes Elektrowerkzeug.

Sicherheitswarnungen für Akku-Schleifer

Allgemeine Sicherheitswarnungen für Schleif-, Schmirgel-, Drahtbürsten- oder Trennschleifbetrieb:

- 1. Dieses Elektrowerkzeug ist für Schleifen, Schmirgeln, Drahtbürsten, Lochschneiden oder Trennschleifen vorgesehen. Lesen Sie alle mit diesem Elektrowerkzeug gelieferten Sicherheitswarnungen, Anweisungen, Abbildungen und technischen Daten durch.** Eine Missachtung der unten aufgeführten Anweisungen kann zu einem elektrischen Schlag, Brand und/oder schweren Verletzungen führen.
- 2. Arbeiten, wie Polieren, sind mit diesem Elektrowerkzeug nicht durchzuführen.** Benutzungsweisen, für die das Elektrowerkzeug nicht ausgelegt ist, können Gefahren erzeugen und Personenschäden verursachen.
- 3. Bauen Sie dieses Elektrowerkzeug nicht so um, dass es auf eine Weise betrieben wird, die nicht speziell vom Werkzeughersteller vorgesehen und angegeben ist.** Ein solcher Umbau kann zum Verlust der Kontrolle führen und schwere Personenschäden verursachen.
- 4. Verwenden Sie kein Zubehör, das nicht speziell vom Werkzeughersteller ausgelegt und angegeben ist.** Die bloße Tatsache, dass ein Zubehörteil an Ihrem Elektrowerkzeug angebracht werden kann, gewährleistet noch keinen sicheren Betrieb.
- 5. Die Nenndrehzahl des Zubehörteils muss mindestens der am Elektrowerkzeug angegebenen Maximaldrehzahl entsprechen.** Zubehörteile, die schneller als ihre Nenndrehzahl rotieren, können bersten und auseinander fliegen.

- 6. Außendurchmesser und Dicke des Zubehörteils müssen innerhalb der Kapazitätsgrenzen Ihres Elektrowerkzeugs liegen.** Zubehörteile der falschen Größe können nicht angemessen geschützt oder kontrolliert werden.
- 7. Die Abmessungen der Zubehörfestigung müssen mit den Abmessungen der Befestigungselemente des Elektrowerkzeugs übereinstimmen.** Zubehörteile, die nicht genau auf die Befestigungselemente des Elektrowerkzeugs passen, laufen unrund, vibrieren übermäßig und können einen Verlust der Kontrolle verursachen.
- 8. Verwenden Sie keine beschädigten Zubehörteile.** Überprüfen Sie die Zubehörteile vor jedem Gebrauch: z. B. Schleifscheiben auf Absplitterungen und Risse, Schleifteller auf Risse, Brüche oder übermäßigen Verschleiß, Drahtbürsten auf lose oder rissige Drähte. Falls das Elektrowerkzeug oder das Zubehörteil herunterfällt, überprüfen Sie es auf Beschädigung, oder montieren Sie ein unbeschädigtes Zubehörteil. Achten Sie nach der Überprüfung und Installation eines Zubehörteils darauf, dass Sie selbst und Umstehende nicht in der Rotationsebene des Zubehörteils stehen, und lassen Sie das Elektrowerkzeug eine Minute lang mit maximaler Leerlaufdrehzahl laufen. Ein beschädigtes Zubehörteil bricht normalerweise während dieses Probelaufs auseinander.
- 9. Tragen Sie persönliche Schutzausrüstung. Benutzen Sie je nach der Arbeit einen Gesichtsschutz bzw. eine Sicherheits- oder Schutzbrille. Tragen Sie bei Bedarf eine Staubmaske, Ohrenschützer, Handschuhe und eine Arbeitsschürze, die in der Lage ist, kleine Schleifpartikel oder Werkstücksplitter abzuwehren.** Der Augenschutz muss in der Lage sein, den bei verschiedenen Anwendungen anfallenden Flugstaub abzuwehren. Die Staubmaske oder Atemschutzmaske muss in der Lage sein, durch die spezielle Anwendung erzeugte Partikel herauszufiltern. Länger andauernde starke Lärmbelastung kann zu Gehörschäden führen.
- 10. Halten Sie Umstehende in sicherem Abstand vom Arbeitsbereich.** Jeder, der den Arbeitsbereich betritt, muss persönliche Schutzausrüstung tragen. Bruchstücke des Werkstücks oder eines beschädigten Zubehörteils können weggeschleudert werden und Verletzungen über den unmittelbaren Arbeitsbereich hinaus verursachen.
- 11. Halten Sie das Elektrowerkzeug nur an den isolierten Griffflächen, wenn Sie Arbeiten ausführen, bei denen die Gefahr besteht, dass das Schneidwerkzeug verborgene Kabel kontaktiert.** Bei Kontakt mit einem Strom führenden Kabel können die freiliegenden Metallteile des Elektrowerkzeugs ebenfalls Strom führend werden, so dass der Benutzer einen elektrischen Schlag erleiden kann.
- 12. Legen Sie das Elektrowerkzeug erst ab, nachdem das Zubehörteil zum vollständigen Stillstand gekommen ist.** Anderenfalls kann das rotierende Zubehörteil die Oberfläche erfassen und das Elektrowerkzeug aus Ihren Händen reißen.

13. **Lassen Sie das Elektrowerkzeug nicht laufen, während Sie es an Ihrer Seite tragen.** Das rotierende Zubehörteil könnte sonst bei versehentlichem Kontakt Ihre Kleidung erfassen und auf Ihren Körper zu gezogen werden.
14. **Reinigen Sie die Ventilationsöffnungen des Elektrowerkzeugs regelmäßig.** Der Lüfter des Motors saugt Staub in das Gehäuse an, und starke Ablagerungen von Metallstaub können elektrische Gefahren verursachen.
15. **Betreiben Sie das Elektrowerkzeug nicht in der Nähe von brennbaren Materialien.** Funken könnten diese Materialien entzünden.
16. **Verwenden Sie keine Zubehörteile, die Kühlflüssigkeiten erfordern.** Die Verwendung von Wasser oder anderen Kühlflüssigkeiten kann zu Elektroschock oder Tod durch Stromschlag führen.

Warnungen vor Rückschlag und damit zusammenhängenden Gefahren:

Ein Rückschlag ist eine plötzliche Reaktion auf Klemmen oder Hängenbleiben der Schleifscheibe, des Schleiftellers, der Drahtbürste oder eines anderen Zubehörteils. Klemmen oder Hängenbleiben verursacht sofortiges Stocken des rotierenden Zubehörteils, was wiederum dazu führt, dass das außer Kontrolle geratene Elektrowerkzeug am Stockpunkt in die zur Drehrichtung des Zubehörs entgegengesetzte Richtung geschleudert wird. Wenn beispielsweise eine Schleifscheibe vom Werkstück erfasst oder eingeklemmt wird, kann sich die in den Klemmpunkt eindringende Schleifscheibenkante in die Materialoberfläche bohren, so dass sie herauspringt oder zurückschlägt. Je nach der Drehrichtung der Schleifscheibe am Klemmpunkt kann die Schleifscheibe auf die Bedienungsperson zu oder von ihr weg springen. Schleifscheiben können unter solchen Bedingungen auch brechen.

Rückschlag ist das Resultat falscher Handhabung des Elektrowerkzeugs und/oder falscher Arbeitsverfahren oder -bedingungen und kann durch Anwendung der nachstehenden Vorsichtsmaßnahmen vermieden werden.

1. **Halten Sie das Elektrowerkzeug mit beiden Händen fest, und positionieren Sie Ihren Körper und Ihre Arme so, dass Sie die Rückschlagkräfte auffangen können. Benutzen Sie stets den Zusatzgriff, wenn vorhanden, um maximale Kontrolle über Rückschlag oder Drehbewegungen während des Anlaufs zu haben.** Drehbewegungen oder Rückschlagkräfte können kontrolliert werden, wenn entsprechende Vorkehrungen getroffen werden.
2. **Legen Sie Ihre Hand niemals in die Nähe des rotierenden Zubehörteils.** Bei einem Rückschlag könnte das Zubehörteil Ihre Hand verletzen.
3. **Stellen Sie sich nicht in den Bereich, in den das Elektrowerkzeug bei Auftreten eines Rückschlags geschleudert wird.** Der Rückschlag schleudert das Werkzeug am Stockpunkt in die entgegengesetzte Drehrichtung der Schleifscheibe.
4. **Lassen Sie bei der Bearbeitung von Ecken, scharfen Kanten usw. besondere Vorsicht walten. Vermeiden Sie Prellen und Hängenbleiben des Zubehörs.** Ecken, scharfe Kanten oder Prellen führen leicht zu Hängenbleiben des rotierenden Zubehörteils und verursachen Verlust der Kontrolle oder Rückschlag.

5. **Bringen Sie keine Sägeketten, Holzfräsen, Segment-Diamantscheiben mit einem Randspalt von mehr als 10 mm oder gezahnte Sägeblätter an.** Solche Zubehörteile verursachen häufige Rückschläge und Verlust der Kontrolle.

Sicherheitswarnungen speziell für Schleif- und Trennschleifbetrieb:

1. **Verwenden Sie nur Schleifscheiben, die für Ihr Elektrowerkzeug angegeben sind, und die für die ausgewählte Schleifscheibe vorgesehene Schutzhaube.** Schleifscheiben, die nicht für das Elektrowerkzeug geeignet sind, können nicht angemessen abgeschirmt werden und sind unsicher.
2. **Die Schleiffläche von gekröpften Trennschleifscheiben muss unterhalb der Ebene der Schutzlippe montiert werden.** Eine falsch montierte Schleifscheibe, die über die Ebene der Schutzlippe hinausragt, kann nicht angemessen geschützt werden.
3. **Die Schutzhaube muss sicher am Elektrowerkzeug befestigt und für maximale Sicherheit positioniert werden, um den auf die Bedienungsperson gerichteten Schleifscheibenbetrag minimal zu halten.** Die Schutzhaube schützt den Bediener vor Schleifscheiben-Bruchstücken, versehentlichem Kontakt mit der Schleifscheibe und Funken, welche die Kleidung in Brand setzen könnten.
4. **Schleifscheiben dürfen nur für angegebene Anwendungen verwendet werden. Zum Beispiel: Nicht mit der Seite einer Trennscheibe schleifen.** Trennschleifscheiben sind für Peripherieschleifen vorgesehen. Falls seitliche Kräfte auf diese Scheiben einwirken, können sie zerbrechen.
5. **Verwenden Sie stets unbeschädigte Scheibenflansche der korrekten Größe und Form für die ausgewählte Schleifscheibe.** Korrekte Scheibenflansche stützen die Schleifscheibe und reduzieren somit die Möglichkeit eines Scheibenbruchs. Flansche für Trennscheiben können sich von solchen für Schleifscheiben unterscheiden.
6. **Verwenden Sie keine abgenutzten Schleifscheiben von größeren Elektrowerkzeugen.** Eine Schleifscheibe, die für größere Elektrowerkzeuge vorgesehen ist, eignet sich nicht für die höhere Drehzahl eines kleineren Werkzeugs und kann bersten.
7. **Wenn Sie Schleifscheiben mit doppeltem Verwendungszweck einsetzen, benutzen Sie immer die richtige Schutzhaube für die jeweilige Anwendung.** Wenn Sie nicht die richtige Schutzhaube benutzen, kann es sein, dass der gewünschte Schutzgrad nicht erreicht wird, was zu schweren Verletzungen führen kann.

Zusätzliche Sicherheitswarnungen speziell für Trennschleifbetrieb:

1. **Vermeiden Sie „Verkanten“ der Trennscheibe oder die Ausübung übermäßigen Drucks. Versuchen Sie nicht, übermäßig tiefe Schnitte zu machen.** Überbeanspruchung der Schleifscheibe erhöht die Belastung und die Empfindlichkeit für Verdrehen oder Klemmen der Schleifscheibe im Schnitt sowie die Möglichkeit von Rückschlag oder Scheibenbruch.

2. **Stellen Sie sich nicht so, dass sich Ihr Körper in einer Linie mit der rotierenden Schleifscheibe oder hinter dieser befindet.**
Wenn sich die Schleifscheibe am Arbeitspunkt von Ihrem Körper weg bewegt, kann ein möglicher Rückschlag die rotierende Schleifscheibe und das Elektrowerkzeug direkt auf Sie zu schleudern.
3. **Falls die Trennscheibe klemmt oder der Schnitt aus irgendeinem Grund unterbrochen wird, schalten Sie das Elektrowerkzeug aus und halten Sie es bewegungslos im Werkstück, bis die Trennscheibe zum völligen Stillstand kommt. Versuchen Sie auf keinen Fall, die rotierende Trennscheibe aus dem Schnitt zu entfernen, weil sonst ein Rückschlag auftreten kann.** Nehmen Sie eine Überprüfung vor, und treffen Sie Abhilfemaßnahmen, um die Ursache von Trennscheiben-Klemmen zu beseitigen.
4. **Setzen Sie den Schnittbetrieb nicht mit im Werkstück sitzender Trennscheibe fort. Führen Sie die Trennscheibe vorsichtig in den Schnitt ein, nachdem sie die volle Drehzahl erreicht hat.** Wird das Elektrowerkzeug mit im Werkstück sitzender Trennscheibe eingeschaltet, kann die Trennscheibe klemmen, hochsteigen oder zurückschlagen.
5. **Stützen Sie Platten oder andere übergroße Werkstücke ab, um die Gefahr von Klemmen oder Rückschlag der Trennscheibe zu minimieren.** Große Werkstücke neigen dazu, unter ihrem Eigengewicht durchzuhängen. Die Stützen müssen nahe der Schnittlinie und in der Nähe der Werkstückkante beidseitig der Trennscheibe unter das Werkstück platziert werden.
6. **Lassen Sie besondere Vorsicht walten, wenn Sie einen „Taschenschnitt“ in bestehende Wände oder andere Blindflächen durchführen.** Die vorstehende Trennscheibe kann Gas- oder Wasserleitungen, Stromkabel oder Objekte durchschneiden, die Rückschlag verursachen können.
7. **Versuchen Sie nicht, bogenförmig zu schneiden.** Überbeanspruchung der Schleifscheibe erhöht die Belastung und die Empfänglichkeit für Verdrehen oder Klemmen der Schleifscheibe im Schnitt sowie die Möglichkeit von Rückschlag oder Scheibenbruch, was zu schweren Verletzungen führen kann.
8. **Bevor Sie eine Segment-Diamantscheibe verwenden, vergewissern Sie sich, dass die Diamantscheibe einen Randspalt zwischen den Segmenten von maximal 10 mm hat, und nur einen negativen Spanwinkel aufweist.**

Sicherheitswarnungen speziell für Schmirgelbetrieb:

1. **Verwenden Sie Schleifpapierscheiben der richtigen Größe. Befolgen Sie die Herstellerempfehlungen bei der Wahl des Schleifpapiers.** Größeres Schleifpapier, das zu weit über den Schleifteller hinausragt, stellt eine Gefahr für Schnittwunden dar und kann Hängenbleiben oder Zerreißen der Schleifscheibe oder Rückschlag verursachen.

Sicherheitswarnungen speziell für Drahtbürstenbetrieb:

1. **Beachten Sie, dass Drahtborsten auch bei normalem Betrieb von der Drahtbürste herausgeschleudert werden. Überbeanspruchen Sie die Drähte nicht durch Ausübung übermäßigen Drucks auf die Drahtbürste.** Die Drahtborsten können ohne weiteres leichte Kleidung und/oder Haut durchdringen.
2. **Wenn der Einsatz einer Schutzhaube für Drahtbürsten angegeben ist, achten Sie darauf, dass die Drahtscheibe oder die Drahtbürste nicht mit der Schutzhaube in Berührung kommt.** Der Durchmesser der Drahtscheibe oder Drahtbürste kann sich aufgrund der Arbeitslast und der Fliehkräfte vergrößern.

Zusätzliche Sicherheitswarnungen:

1. **Verwenden Sie nur glasfaserverstärkte Scheiben als gekröpfte Trennschleifscheiben.**
2. **Verwenden Sie NIEMALS Stein-Topfschleifscheiben mit dieser Schleifmaschine.** Diese Schleifmaschine ist nicht für derartige Schleifscheiben ausgelegt, und der Gebrauch eines solchen Produkts kann zu schweren Personenschäden führen.
3. **Achten Sie sorgfältig darauf, dass Spindel, Flansch (insbesondere die Ansatzfläche) und Sicherungsmutter nicht beschädigt werden.** Eine Beschädigung dieser Teile kann zu einem Scheibenbruch führen.
4. **Vergewissern Sie sich vor dem Einschalten des Werkzeugs, dass die Schleifscheibe nicht das Werkstück berührt.**
5. **Lassen Sie das Werkzeug vor der eigentlichen Bearbeitung eines Werkstücks eine Weile laufen.** Achten Sie auf Vibrationen oder Taumelbewegungen, die Anzeichen für schlechte Montage oder eine schlecht ausgewuchtete Schleifscheibe sein können.
6. **Verwenden Sie nur die vorgeschriebene Fläche der Schleifscheibe für Schleifarbeiten.**
7. **Lassen Sie das Werkzeug nicht unbeaufsichtigt laufen. Benutzen Sie das Werkzeug nur im handgeführten Einsatz.**
8. **Vermeiden Sie eine Berührung des Werkstücks unmittelbar nach der Bearbeitung, weil es dann noch sehr heiß ist und Hautverbrennungen verursachen kann.**
9. **Vermeiden Sie eine Berührung von Zubehörteilen unmittelbar nach der Bearbeitung, weil sie dann noch sehr heiß sind und Hautverbrennungen verursachen können.**
10. **Befolgen Sie die Anweisungen des Herstellers für korrekte Montage und Verwendung von Schleifscheiben. Behandeln und lagern Sie Schleifscheiben mit Sorgfalt.**
11. **Verwenden Sie keine getrennten Reduzierbuchsen oder Adapter zur Anpassung von Schleifscheiben mit großem Lochdurchmesser.**
12. **Verwenden Sie nur die für dieses Werkzeug vorgeschriebenen Flansche.**
13. **Wenn eine Trennscheibe mit Gewindebohrung am Werkzeug montiert werden soll, achten Sie darauf, dass ihr Gewinde tief genug für die Spindellänge ist.**

14. Vergewissern Sie sich, dass das Werkstück sicher abgestützt ist.
15. Beachten Sie, dass sich die Schleifscheibe nach dem Ausschalten des Werkzeugs noch weiterdreht.
16. Falls der Arbeitsplatz sehr heiß, feucht oder durch leitfähigen Staub stark verschmutzt ist, verwenden Sie einen Kurzschlusschalter (30 mA) zum Schutz des Bedieners.
17. Verwenden Sie dieses Werkzeug nicht zur Bearbeitung von asbesthaltigen Materialien.
18. Arbeiten Sie bei Verwendung der Trennscheibe immer mit der Staubabsaughaube, falls dies durch nationale Vorschriften gefordert wird.
19. Schneidscheiben dürfen keinem seitlichen Druck ausgesetzt werden.
20. Verwenden Sie keine Arbeitshandschuhe aus Stoff während der Arbeit. Fasern von Stoffhandschuhen können in das Werkzeug gelangen, was zu einer Beschädigung des Werkzeugs führen kann.
21. Vergewissern Sie sich vor der Arbeit, dass sich keine verborgenen Objekte, wie etwa eine elektrische Leitung, ein Wasserrohr oder ein Gasrohr, im Werkstück befinden. Anderenfalls kann es zu einem elektrischen Schlag, Leckstrom oder Gasleck kommen.
22. Falls eine Zwischenlage an der Scheibe befestigt ist, darf sie nicht entfernt werden. Der Durchmesser der Zwischenlage muss größer sein als die Sicherungsmutter, der Außenflansch und der Innenflansch.
23. Stellen Sie vor dem Installieren einer Schleifscheibe immer sicher, dass der Zwischenlagenteil keine Anomalien wie Späne oder Risse aufweist.
24. Ziehen Sie die Sicherungsmutter ordnungsgemäß fest. Zu starkes Anziehen der Scheibe kann zu einem Bruch führen, während zu geringes Anziehen Flattern verursachen kann.
3. Falls die Betriebszeit beträchtlich kürzer geworden ist, stellen Sie den Betrieb sofort ein. Anderenfalls besteht die Gefahr von Überhitzung, möglichen Verbrennungen und sogar einer Explosion.
4. Falls Elektrolyt in Ihre Augen gelangt, waschen Sie sie mit sauberem Wasser aus, und begeben Sie sich unverzüglich in ärztliche Behandlung. Anderenfalls können Sie Ihre Sehkraft verlieren.
5. Der Akku darf nicht kurzgeschlossen werden:
 - (1) Die Kontakte dürfen nicht mit leitfähigem Material berührt werden.
 - (2) Lagern Sie den Akku nicht in einem Behälter zusammen mit anderen Metallgegenständen, wie z. B. Nägel, Münzen usw.
 - (3) Setzen Sie den Akku weder Wasser noch Regen aus.

Ein Kurzschluss des Akkus verursacht starken Stromfluss, der Überhitzung, mögliche Verbrennungen und einen Defekt zur Folge haben kann.
6. Lagern und benutzen Sie das Werkzeug und den Akku nicht an Orten, an denen die Temperatur 50 °C erreichen oder überschreiten kann.
7. Versuchen Sie niemals, den Akku zu verbrennen, selbst wenn er stark beschädigt oder vollkommen verbraucht ist. Der Akku kann im Feuer explodieren.
8. Unterlassen Sie Nageln, Schneiden, Zerquetschen, Werfen, Fallenlassen des Akkus oder Schlagen des Akkus mit einem harten Gegenstand. Eine solche Handlung kann zu einem Brand, übermäßiger Hitzeentwicklung oder einer Explosion führen.
9. Benutzen Sie keine beschädigten Akkus.
10. Die enthaltenen Lithium-Ionen-Akkus unterliegen den Anforderungen der Gefahrgut-Gesetzgebung.

Für kommerzielle Transporte, z. B. durch Dritte oder Spediteure, müssen besondere Anforderungen zu Verpackung und Etikettierung beachtet werden.

Zur Vorbereitung des zu transportierenden Artikels ist eine Beratung durch einen Experten für Gefahrgut erforderlich. Bitte beachten Sie möglicherweise ausführlichere nationale Vorschriften. Überkleben oder verdecken Sie offene Kontakte, und verpacken Sie den Akku so, dass er sich in der Verpackung nicht umher bewegen kann.

BEWAHREN SIE DIESE ANLEITUNG AUF.

⚠️ WARNUNG: Lassen Sie sich NICHT durch Bequemlichkeit oder Vertrautheit mit dem Produkt (durch wiederholten Gebrauch erworben) von der strikten Einhaltung der Sicherheitsregeln für das vorliegende Produkt abhalten. MISSBRAUCH oder Missachtung der Sicherheitsvorschriften in dieser Anleitung können schwere Personenschäden verursachen.

Wichtige Sicherheitsanweisungen für Akku

1. Lesen Sie vor der Benutzung des Akkus alle Anweisungen und Warnhinweise, die an (1) Ladegerät, (2) Akku und (3) Akkuwerkzeug angebracht sind.
2. Unterlassen Sie Zerlegen oder Manipulieren des Akkus. Es kann sonst zu einem Brand, übermäßiger Hitzeentwicklung oder einer Explosion kommen.
12. Verwenden Sie die Akkus nur mit den von Makita angegebenen Produkten. Das Einsetzen der Akkus in nicht konforme Produkte kann zu einem Brand, übermäßiger Hitzeentwicklung, einer Explosion oder Auslaufen von Elektrolyt führen.
13. Soll das Werkzeug längere Zeit nicht benutzt werden, muss der Akku vom Werkzeug entfernt werden.

14. Bei und nach dem Gebrauch kann der Akku heiß werden, was Verbrennungen oder Niedertemperaturverbrennungen verursachen kann. Beachten Sie die Handhabung von heißen Akkus.
15. Berühren Sie nicht den Anschlusskontakt des Werkzeugs unmittelbar nach dem Gebrauch, da er heiß genug werden kann, um Verbrennungen zu verursachen.
16. Achten Sie darauf, dass sich keine Späne, Staub oder Schmutz in den Anschlusskontakten, Löchern und Nuten des Akkus absetzen. Es könnte sonst zu Erhitzung, Brandauslösung, Bersten und Funktionsstörungen des Werkzeugs oder des Akkus kommen, was zu Verbrennungen oder Personenschäden führen kann.
17. Wenn das Werkzeug den Einsatz in der Nähe einer Hochspannungs-Stromleitung nicht unterstützt, benutzen Sie den Akku nicht in der Nähe einer Hochspannungs-Stromleitung. Dies kann zu einer Funktionsstörung oder Betriebsstörung des Werkzeugs oder des Akkus führen.
18. Halten Sie die Batterie von Kindern fern.

DIESE ANWEISUNGEN AUFBEWAHREN.

⚠ VORSICHT: Verwenden Sie nur Original-Makita-Akkus. Die Verwendung von Nicht-Original-Makita-Akkus oder von Akkus, die abgeändert worden sind, kann zum Bersten des Akkus und daraus resultierenden Bränden, Personenschäden und Beschädigung führen. Außerdem wird dadurch die Makita-Garantie für das Makita-Werkzeug und -Ladegerät ungültig.

Hinweise zur Aufrechterhaltung der maximalen Akku-Nutzungsdauer

1. Laden Sie den Akku, bevor er vollkommen erschöpft ist. Schalten Sie das Werkzeug stets aus, und laden Sie den Akku, wenn Sie ein Nachlassen der Werkzeugleistung feststellen.
2. Unterlassen Sie erneutes Laden eines voll aufgeladenen Akkus. Überladen führt zu einer Verkürzung der Nutzungsdauer des Akkus.
3. Laden Sie den Akku bei Raumtemperatur zwischen 10 – 40 °C. Lassen Sie einen heißen Akku abkühlen, bevor Sie ihn laden.
4. Wenn Sie den Akku nicht benutzen, nehmen Sie ihn vom Werkzeug oder Ladegerät ab.
5. Der Akku muss geladen werden, wenn er lange Zeit (länger als sechs Monate) nicht benutzt wird.

Wichtige Sicherheitsanweisungen für Funk-Adapter

1. Unterlassen Sie Zerlegen oder Manipulieren des Funk-Adapters.
2. Halten Sie den Funk-Adapter von kleinen Kindern fern. Suchen Sie bei versehentlichem Verschlucken sofort ärztliche Behandlung auf.
3. Benutzen Sie den Funk-Adapter nur mit Makita-Werkzeugen.
4. Setzen Sie den Funk-Adapter keinem Regen oder Nässe aus.
5. Benutzen Sie den Funk-Adapter nicht an Orten, wo die Temperatur 50 °C überschreitet.
6. Betreiben Sie den Funk-Adapter nicht an Orten, in deren Nähe sich medizinische Geräte, wie z. B. Herzschrittmacher, befinden.
7. Betreiben Sie den Funk-Adapter nicht an Orten, in deren Nähe sich automatisierte Geräte befinden. Bei Betrieb kann in den automatisierten Geräten eine Funktionsstörung oder ein Fehler entstehen.
8. Betreiben Sie den Funk-Adapter nicht an Orten unter hohen Temperaturen oder an Orten, wo statische Elektrizität oder elektrisches Rauschen erzeugt werden könnte.
9. Der Funk-Adapter kann elektromagnetische Felder (EMF) erzeugen, die aber für den Benutzer nicht gesundheitsschädlich sind.
10. Der Funk-Adapter ist ein Präzisionsinstrument. Achten Sie darauf, dass der Funk-Adapter nicht fallen gelassen oder Stößen ausgesetzt wird.
11. Vermeiden Sie Berühren der Kontakte des Funk-Adapters mit bloßen Händen oder Metallgegenständen.
12. Entfernen Sie stets den Akku vom Produkt, bevor Sie den Funk-Adapter installieren.
13. Öffnen Sie den Deckel des Steckplatzes nicht an Orten, wo Staub und Wasser in den Steckplatz eindringen können. Halten Sie den Einlass des Steckplatzes stets sauber.
14. Führen Sie den Funk-Adapter stets in der korrekten Richtung ein.
15. Drücken Sie nicht zu fest und/oder mit einem scharfkantigen Gegenstand auf die Funk-Aktivierungstaste des Funk-Adapters.
16. Halten Sie den Deckel des Steckplatzes beim Betrieb immer geschlossen.
17. Entfernen Sie den Funk-Adapter nicht aus dem Steckplatz, während das Werkzeug mit Strom versorgt wird. Anderenfalls kann eine Funktionsstörung des Funk-Adapters verursacht werden.
18. Entfernen Sie nicht den Aufkleber vom Funk-Adapter.
19. Kleben Sie keinen anderen Aufkleber auf den Funk-Adapter.
20. Lassen Sie den Funk-Adapter nicht an einem Ort liegen, wo statische Elektrizität oder elektrisches Rauschen erzeugt werden könnte.
21. Lassen Sie den Funk-Adapter nicht an einem Ort liegen, der starker Hitze ausgesetzt ist, wie z. B. in einem in praller Sonne geparkten Auto.
22. Lassen Sie den Funk-Adapter nicht an einem Ort liegen, der Staub oder Puder aufweist, oder an dem ein korrosives Gas erzeugt werden könnte.
23. Plötzliche Temperaturschwankungen können den Funk-Adapter betauen. Benutzen Sie den Funk-Adapter nicht eher, bis der Tau vollständig getrocknet ist.
24. Wischen Sie den Funk-Adapter zum Reinigen sachte mit einem trockenen, weichen Tuch ab. Verwenden Sie kein Waschbenzin, kein leitfähiges Fett, keinen Verdünner oder dergleichen.

25. Bewahren Sie den Funk-Adapter zur Lagerung in der mitgelieferten Schachtel oder einem statikfreien Behälter auf.
26. Führen Sie keine anderen Geräte außer dem Makita-Funk-Adapter in den Steckplatz des Werkzeugs ein.
27. Benutzen Sie das Werkzeug nicht, wenn der Deckel des Steckplatzes beschädigt ist. Wasser, Staub und Schmutz, die in den Steckplatz eindringen, können eine Funktionsstörung verursachen.
28. Ziehen und/oder verdrehen Sie den Deckel des Steckplatzes nicht mehr als nötig. Bringen Sie den Deckel wieder an, falls er sich vom Werkzeug löst.
29. Ersetzen Sie den Deckel des Steckplatzes, falls er verloren geht oder beschädigt wird.

BEWAHREN SIE DIESE ANLEITUNG AUF.

FUNKTIONSBESCHREIBUNG

⚠ VORSICHT: Vergewissern Sie sich vor der Durchführung von Einstellungen oder Funktionsprüfungen des Werkzeugs stets, dass das Werkzeug ausgeschaltet und der Akku abgenommen ist.

Anbringen und Abnehmen des Akkus

⚠ VORSICHT: Schalten Sie das Werkzeug stets aus, bevor Sie den Akku anbringen oder abnehmen.

⚠ VORSICHT: Halten Sie das Werkzeug und den Akku beim Anbringen oder Abnehmen des Akkus sicher fest. Wenn Sie das Werkzeug und den Akku nicht sicher festhalten, können sie Ihnen aus der Hand rutschen, was zu einer Beschädigung des Werkzeugs und des Akkus und zu Körperverletzungen führen kann.

► **Abb.1:** 1. Rote Anzeige 2. Knopf 3. Akku

Ziehen Sie den Akku zum Abnehmen vom Werkzeug ab, während Sie den Knopf an der Vorderseite des Akkus verschieben.

Richten Sie zum Anbringen des Akkus dessen Führungsfeder auf die Nut im Gehäuse aus, und schieben Sie den Akku hinein. Schieben Sie ihn vollständig ein, bis er mit einem leisen Klicken einrastet. Wenn Sie die rote Anzeige sehen können, wie in der Abbildung gezeigt, ist der Akku nicht vollständig verriegelt.

⚠ VORSICHT: Schieben Sie den Akku stets bis zum Anschlag ein, bis die rote Anzeige nicht mehr sichtbar ist. Anderenfalls kann er aus dem Werkzeug herausfallen und Sie oder umstehende Personen verletzen.

⚠ VORSICHT: Unterlassen Sie Gewaltanwendung beim Anbringen des Akkus. Falls der Akku nicht reibungslos hineingleitet, ist er nicht richtig ausgerichtet.

Anzeigen der Akku-Restkapazität

Nur für Akkus mit Anzeige

► **Abb.2:** 1. Anzeigelampen 2. Prüftaste

Drücken Sie die Prüftaste am Akku, um die Akku-Restkapazität anzuzeigen. Die Anzeigelampen leuchten wenige Sekunden lang auf.

Anzeigelampen			Restkapazität
Erleuchtet	Aus	Blinkend	
■ ■ ■ ■			75% bis 100%
■ ■ ■ □			50% bis 75%
■ ■ □ □			25% bis 50%
■ □ □ □			0% bis 25%
▣ □ □ □			Den Akku aufladen.
■ ■ □ □			Möglicherweise liegt eine Funktionsstörung im Akku vor.
□ □ ■ ■			

HINWEIS: Abhängig von den Benutzungsbedingungen und der Umgebungstemperatur kann die Anzeige geringfügig von der tatsächlichen Kapazität abweichen.

HINWEIS: Die erste (äußerste linke) Anzeigelampe blinkt, wenn das Akku-Schutzsystem aktiv ist.

Anzeigen der Akku-Restkapazität

Länderspezifisch

Wenn Sie das Werkzeug einschalten, zeigt die Akku-Anzeige die Akku-Restkapazität an.

► **Abb.3:** 1. Akku-Anzeige

Die Akku-Restkapazität wird gemäß der nachstehenden Tabelle angezeigt.

Status der Akku-Anzeige			Akku-Restkapazität
Ein	Aus	Blinkend	
■ ■ ■ ■			50% bis 100%
■ ■ ■ □			20% bis 50%
■ ■ □ □			0% bis 20%
▣ □ □ □			Akku aufladen

Werkzeug/Akku-Schutzsystem

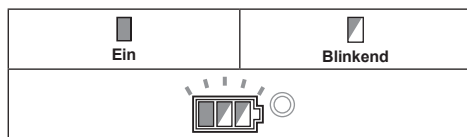
Das Werkzeug ist mit einem Werkzeug/Akku-Schutzsystem ausgestattet. Dieses System schaltet die Stromversorgung des Motors automatisch ab, um die Lebensdauer von Werkzeug und Akku zu verlängern. Das Werkzeug bleibt während des Betriebs automatisch stehen, wenn das Werkzeug oder der Akku einer der folgenden Bedingungen unterliegt:

Überlastschutz

Wird das Werkzeug auf eine Weise benutzt, die eine ungewöhnlich hohe Stromaufnahme bewirkt, bleibt es ohne jegliche Anzeige automatisch stehen. Schalten Sie in dieser Situation das Werkzeug aus, und brechen Sie die Arbeit ab, die eine Überlastung des Werkzeugs verursacht hat. Schalten Sie dann das Werkzeug wieder ein, um neu zu starten.

Überhitzungsschutz

Wenn das Werkzeug überhitzt wird, bleibt es automatisch stehen, und die Akku-Anzeige zeigt den folgenden Zustand an. Lassen Sie das Werkzeug in dieser Situation abkühlen, bevor Sie es wieder einschalten.



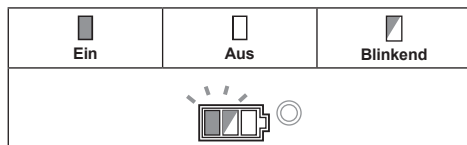
Falls das Werkzeug nicht startet, ist der Akku möglicherweise überhitzt. Lassen Sie den Akku in dieser Situation abkühlen, bevor Sie das Werkzeug wieder starten.

Überentladungsschutz

Wenn die Akkukapazität unzureichend wird, bleibt das Werkzeug automatisch stehen. Nehmen Sie in diesem Fall den Akku vom Werkzeug ab, und laden Sie ihn auf.

Aufheben der Schutz Sperre

Wenn das Schutzsystem wiederholt aktiviert wird, wird das Werkzeug verriegelt, und die Akku-Anzeige zeigt den folgenden Zustand an. In dieser Situation startet das Werkzeug nicht, selbst wenn es aus- und wieder eingeschaltet wird. Um die Schutz Sperre aufzuheben, nehmen Sie den Akku ab, setzen Sie ihn in das Ladegerät ein, und warten Sie, bis der Ladevorgang beendet ist.



Schutz gegen andere Ursachen

Das Schutzsystem ist auch für andere Ursachen ausgelegt, die eine Beschädigung des Werkzeugs bewirken könnten, und ermöglicht automatisches Anhalten des Werkzeugs. Führen Sie alle folgenden Schritte aus, um die Ursachen zu beseitigen, wenn das Werkzeug zu einem vorübergehenden Stillstand oder Betriebsstopp gekommen ist.

1. Schalten Sie das Werkzeug aus und wieder ein, um es neu zu starten.
2. Laden Sie den/die Akku(s) auf, oder tauschen Sie ihn/sie gegen einen aufgeladenen Akku/aufgeladene Akkus aus.
3. Lassen Sie das Werkzeug und den/die Akku(s) abkühlen.

Falls die Wiederherstellung des Schutzsystems keine Besserung bringt, wenden Sie sich an Ihre lokale Makita-Kundendienststelle.

Spindelarreterung

⚠️ WARNUNG: Betätigen Sie die Spindelarreterung niemals bei rotierender Spindel. Dies kann schwere Verletzungen oder eine Beschädigung des Werkzeugs verursachen.

Drücken Sie die Spindelarreterung, um die Spindel zum Montieren oder Demontieren von Zubehör zu blockieren.

► **Abb.4:** 1. Spindelarreterung

Schaltefunktion

⚠️ VORSICHT: Vergewissern Sie sich vor dem Anbringen des Akkus am Werkzeug stets, dass der Schalthebel ordnungsgemäß funktioniert und beim Loslassen in die AUS-Stellung zurückkehrt.

⚠️ VORSICHT: Aus Sicherheitsgründen ist dieses Werkzeug mit einem Einschaltsperrhebel ausgestattet, der versehentliches Einschalten des Werkzeugs verhütet. Benutzen Sie das Werkzeug NIEMALS, wenn es durch einfache Betätigung des Schalthebels eingeschaltet werden kann, ohne den Einschaltsperrhebel zu drücken. Lassen Sie das Werkzeug von einem unserer autorisierten Service-Center ordnungsgemäß reparieren, BEVOR Sie es weiter benutzen.

⚠️ VORSICHT: Betätigen Sie den Schalthebel nicht gewaltsam, ohne den Einschaltsperrhebel zu betätigen. Dies kann zu Beschädigung des Schalters führen.

⚠️ VORSICHT: Der Einschaltsperrhebel darf NIEMALS festgeklebt oder funktionsunfähig gemacht werden.

Um versehentliche Betätigung des Schalthebels zu verhüten, ist das Werkzeug mit einem Einschaltsperrhebel ausgestattet.

Zum Einschalten des Werkzeugs den Einschaltsperrhebel zum Bediener hin ziehen, und dann den Schalthebel betätigen.

Zum Ausschalten des Werkzeugs einfach den Schalthebel loslassen.

► **Abb.5:** 1. Einschaltsperrhebel 2. Schalthebel

Drehzahl-Stellrad

Die Drehzahl des Werkzeugs kann durch Drehen des Drehzahl-Stellrads geändert werden. Die nachstehende Tabelle gibt die Drehzahlen an, die den Nummern auf dem Stellrad entsprechen.

► **Abb.6:** 1. Drehzahl-Stellrad



Nummer	Drehzahl
1	3.000 min ⁻¹
2	4.500 min ⁻¹
3	6.000 min ⁻¹
4	7.500 min ⁻¹
5	8.500 min ⁻¹

ANMERKUNG: Wird das Werkzeug über längere Zeitspannen im Dauerbetrieb mit niedriger Drehzahl betrieben, führt das zu einer Überlastung des Motors, die eine Funktionsstörung des Werkzeugs zur Folge haben kann.

ANMERKUNG: Das Drehzahl-Stellrad lässt sich nur bis 5 und zurück auf 1 drehen. Wird es gewaltsam über 5 oder 1 hinaus gedreht, kann die Drehzahleinstellfunktion unbrauchbar werden.

Automatische Drehzahlwechselfunktion

► **Abb.7:** 1. Betriebsart-Anzeige

Betriebsart-Anzeigestatus	Betriebsart
	Hochdrehzahl-Modus
	Hochdrehmoment-Modus

Dieses Werkzeug verfügt über einen „Hochdrehzahl-Modus“ und einen „Hochdrehmoment-Modus“. Es wechselt die Betriebsart automatisch abhängig von der Arbeitslast. Wenn die Betriebsart-Anzeige während des Betriebs aufleuchtet, befindet sich das Werkzeug im Hochdrehmoment-Modus.

Funktion zur Verhütung eines versehentlichen Wiederanlaufs

Wird der Akku installiert, während der Schalter eingeschaltet ist, startet das Werkzeug nicht. Um das Werkzeug zu starten, schalten Sie den Schalter aus und dann wieder ein.

Aktive Rückkopplungs-Erkennungstechnologie

Das Werkzeug erkennt durch eine Elektronik Situationen, in denen die Gefahr besteht, dass die Schleifscheibe oder das Zubehörteil klemmt. In einer solchen Situation wird das Werkzeug automatisch ausgeschaltet, um eine Weiterdrehung der Spindel zu verhindern (Rückschlag wird dadurch nicht verhütet). Um das Werkzeug wieder zu starten, schalten Sie es zuerst aus, beseitigen Sie die Ursache des plötzlichen Drehzahlabfalls, und schalten Sie dann das Werkzeug wieder ein.

Soft-Start-Funktion

Die Soft-Start-Funktion reduziert den Anlaufstoß.

Elektrische Bremse

Die elektrische Bremse wird nach dem Ausschalten des Werkzeugs aktiviert.

Die Bremse funktioniert nicht, wenn die Stromversorgung abgeschaltet wird, z. B. durch versehentliches Abnehmen des Akkus, während der Schalter noch eingeschaltet ist.

MONTAGE

⚠ VORSICHT: Vergewissern Sie sich vor der Durchführung von Einstellungen oder Funktionsprüfungen des Werkzeugs stets, dass das Werkzeug ausgeschaltet und der Akku abgenommen ist.

Montieren des Seitengriffs (Handgriffs)

⚠ VORSICHT: Vergewissern Sie sich vor dem Betrieb stets, dass der Seitengriff einwandfrei montiert ist.

Schrauben Sie den Seitengriff an der in der Abbildung gezeigten Position fest an das Werkzeug.

► **Abb.8**

Montieren oder Demontieren der Schutzhaube (für gekröpfte Trennschleifscheibe, Fächerscheibe, Flexscheibe, Rotordrahtbürste / Trennschleifscheibe, Diamantscheibe)

⚠ WARNUNG: Wenn Sie eine gekröpfte Trennschleifscheibe, Fächerscheibe, Flexscheibe oder Rotordrahtbürste benutzen, muss die Schutzhaube so am Werkzeug angebracht werden, dass ihre geschlossene Seite immer zum Bediener gerichtet ist.

⚠ WARNUNG: Benutzen Sie beim Arbeiten mit einer Trennschleifscheibe/Diamantscheibe nur die spezielle Schutzhaube, die für den Einsatz mit Trennscheiben ausgelegt ist.

Für Werkzeug mit Schutzhaube des Sicherungsschraubentyps

Montieren Sie die Schutzhaube so, dass die Vorsprünge am Schutzhaubenring auf die Nuten im Lagergehäuse ausgerichtet sind. Drehen Sie dann die Schutzhaube auf einen Winkel, bei dem der Benutzer entsprechend der Arbeit optimal geschützt wird. Ziehen Sie die Schraube fest an.

Zum Demontieren der Schutzhaube ist das Montageverfahren umgekehrt anzuwenden.

► **Abb.9:** 1. Schutzhaube 2. Lagergehäuse 3. Schraube

Für Werkzeug mit Schutzhaube des Spannhebeltyps

Lösen Sie die Schraube, und ziehen Sie dann den Hebel in Pfeilrichtung. Montieren Sie die Schutzhaube so, dass die Vorsprünge am Schutzhaubenring auf die Nuten im Lagergehäuse ausgerichtet sind. Drehen Sie dann die Schutzhaube auf einen Winkel, bei dem der Benutzer entsprechend der Arbeit optimal geschützt wird.

► **Abb.10:** 1. Schutzhaube 2. Lagergehäuse
3. Schraube 4. Hebel

Ziehen Sie den Hebel in Pfeilrichtung. Sichern Sie dann die Schutzhaube durch Anziehen der Schraube. Ziehen Sie die Schraube fest an. Der Einstellwinkel der Schutzhaube kann mit dem Hebel eingestellt werden.

► **Abb.11:** 1. Schraube 2. Hebel

Zum Demontieren der Schutzhaube ist das Montageverfahren umgekehrt anzuwenden.

Aufsteckbarer Trennscheiben-Schutzhaubenaufsatz

Sonderzubehör

HINWEIS: Für Trennarbeiten kann ein aufsteckbarer Trennscheiben-Schutzhaubenaufsatz mit der Schutzhaube (für Schleifscheiben) benutzt werden.

In einigen Ländern nicht erhältlich.

► **Abb.12**

Montieren oder Demontieren einer gekröpften Trennschleifscheibe oder Fächerscheibe

Sonderzubehör

⚠️ WARNUNG: Wenn Sie eine gekröppte Trennschleifscheibe oder Fächerscheibe benutzen, muss die Schutzhaube so am Werkzeug angebracht werden, dass ihre geschlossene Seite immer zum Bediener gerichtet ist.

⚠️ WARNUNG: Vergewissern Sie sich, dass der Montageteil des Innenflansches genau in den Innendurchmesser der gekröpften Trennschleifscheibe / Fächerscheibe passt. Die Montage des Innenflansches auf der falschen Seite kann zu gefährlichen Vibrationen führen.

Montieren Sie den Innenflansch an der Spindel. Vergewissern Sie sich, dass der gezahnte Teil des Innenflansches auf dem geraden Teil am unteren Ende der Spindel sitzt. Passen Sie die gekröppte Trennschleifscheibe / Fächerscheibe auf den Innenflansch, und schrauben Sie die Sicherungsmutter auf die Spindel.

► **Abb.13:** 1. Sicherungsmutter 2. Gekröpfte Trennschleifscheibe 3. Innenflansch
4. Montageteil

Zum Anziehen der Sicherungsmutter die Spindelarreterierung drücken, um die Spindel zu blockieren; dann die Mutter mit dem Sicherungsmutterschlüssel im Uhrzeigersinn anziehen.

► **Abb.14:** 1. Sicherungsmutterschlüssel
2. Spindelarreterierung

Zum Demontieren der Schleifscheibe ist das Montageverfahren umgekehrt anzuwenden.

Anbringen oder Abnehmen einer Flexscheibe

Sonderzubehör

⚠️ WARNUNG: Benutzen Sie immer die mitgelieferte Schutzhaube, wenn eine Flexscheibe am Werkzeug montiert ist. Die Schutzhaube reduziert die Gefahr von Personenschäden, falls die Scheibe während des Betriebs zerbricht.

► **Abb.15:** 1. Sicherungsmutter 2. Flexscheibe
3. Stützteller 4. Innenflansch

Folgen Sie den Anweisungen für eine gekröpfte Trennschleifscheibe, aber benutzen Sie auch einen Stützteller auf der Schleifscheibe.

Anbringen oder Abnehmen eines Schleifblatts

Sonderzubehör

HINWEIS: Verwenden Sie die in dieser Anleitung angegebenen Schleifer-Zubehörteile. Diese Teile müssen getrennt gekauft werden.

Für 100-mm- (4")-Modell

► **Abb.16:** 1. Schleifscheiben-Sicherungsmutter
2. Schleifblatt 3. Gummiteiler
4. Innenflansch

1. Montieren Sie den Innenflansch an der Spindel.
2. Montieren Sie den Gummiteiler an der Spindel.

3. Setzen Sie das Schleifblatt auf den Gummiteiler, und schrauben Sie die Schleifscheiben-Sicherungsmutter auf die Spindel.

4. Halten Sie die Spindel mit der Spindelarreterierung, und ziehen Sie die Schleifscheiben-Sicherungsmutter mit dem Sicherungsmutterschlüssel im Uhrzeigersinn fest.

Zum Demontieren des Schleifblatts ist das Montageverfahren umgekehrt anzuwenden.

Für andere Modelle außer 100 mm (4")

► **Abb.17:** 1. Schleifscheiben-Sicherungsmutter
2. Schleifblatt 3. Gummiteiler

1. Montieren Sie den Gummiteiler an der Spindel.

2. Setzen Sie das Schleifblatt auf den Gummiteiler, und schrauben Sie die Schleifscheiben-Sicherungsmutter auf die Spindel.

3. Halten Sie die Spindel mit der Spindelarreterierung, und ziehen Sie die Schleifscheiben-Sicherungsmutter mit dem Sicherungsmutterschlüssel im Uhrzeigersinn fest.

Zum Demontieren des Schleifblatts ist das Montageverfahren umgekehrt anzuwenden.

Anbringen und Abnehmen der Ezynut

Sonderzubehör

Nur für Modelle mit M14-Spindelgewinde.

Montieren Sie Innenflansch, Schleifscheibe und Ezynut so auf die Spindel, dass das Makita-Logo auf der Ezynut nach außen weist.

- **Abb.18:** 1. Ezynut 2. Schleifscheibe 3. Innenflansch 4. Spindel

Drücken Sie fest auf die Spindelarretierung, und ziehen Sie die Ezynut an. Drehen Sie dazu die Schleifscheibe bis zum Anschlag im Uhrzeigersinn.

- **Abb.19:** 1. Spindelarretierung

Zum Lösen der Ezynut drehen Sie den äußeren Ring der Ezynut entgegen dem Uhrzeigersinn.

HINWEIS: Die Ezynut kann von Hand gelöst werden, solange der Pfeil auf die Kerbe gerichtet ist. Anderenfalls wird zum Lösen ein Sicherungsmutterschlüssel benötigt. Führen Sie einen Stift des Schlüssels in ein Loch ein, und drehen Sie die Ezynut entgegen dem Uhrzeigersinn.

- **Abb.20:** 1. Pfeil 2. Kerbe

- **Abb.21**

Montieren einer Trennschleifscheibe / Diamantscheibe

Sonderzubehör

⚠️ WARNUNG: Benutzen Sie beim Arbeiten mit einer Trennschleifscheibe/Diamantscheibe nur die spezielle Schutzhaube, die für den Einsatz mit Trennscheiben ausgelegt ist.

⚠️ WARNUNG: Benutzen Sie Trennscheiben NIEMALS für Seitenschleifen.

- **Abb.22:** 1. Sicherungsmutter
2. Trennschleifscheibe / Diamantscheibe
3. Innenflansch 4. Schutzhaube für Trennschleifscheibe / Diamantscheibe

Befolgen Sie zur Montage die Anweisungen für gekröpfte Trennschleifscheibe. Die Montagerichtung der Sicherungsmutter und des Innenflansches hängt vom Scheibentyp und der Scheibendicke ab. Siehe die nachstehenden Abbildungen.

Für 100-mm- (4")-Modell

Bei Montage einer Trennschleifscheibe:

- **Abb.23:** 1. Sicherungsmutter
2. Trennschleifscheibe (dünner als 4 mm (5/32")) 3. Trennschleifscheibe (4 mm (5/32") oder dicker) 4. Innenflansch

Bei Montage einer Diamantscheibe:

- **Abb.24:** 1. Sicherungsmutter 2. Diamantscheibe (dünner als 4 mm (5/32"))
3. Diamantscheibe (4 mm (5/32") oder dicker) 4. Innenflansch

Für andere Modelle außer 100 mm (4")

Bei Montage einer Trennschleifscheibe:

- **Abb.25:** 1. Sicherungsmutter
2. Trennschleifscheibe (dünner als 4 mm (5/32")) 3. Trennschleifscheibe (4 mm (5/32") oder dicker) 4. Innenflansch

Bei Montage einer Diamantscheibe:

- **Abb.26:** 1. Sicherungsmutter 2. Diamantscheibe (dünner als 4 mm (5/32"))
3. Diamantscheibe (4 mm (5/32") oder dicker) 4. Innenflansch

Montieren einer Topfdrahtbürste

Sonderzubehör

⚠️ VORSICHT: Verwenden Sie keine beschädigte oder unausgewuchtete Bürste. Bei Verwendung einer beschädigten Bürste ist das Verletzungspotenzial durch Kontakt mit gebrochenen Bürstendrähten größer.

Legen Sie das Werkzeug auf den Kopf, um leichten Zugang zur Spindel zu ermöglichen. Entfernen Sie sämtliches Zubehör von der Spindel. Schrauben Sie die Topfdrahtbürste auf die Spindel, und ziehen Sie sie mit dem mitgelieferten Schraubenschlüssel fest.

- **Abb.27:** 1. Topfdrahtbürste

Montieren einer Rotordrahtbürste

Sonderzubehör

⚠️ VORSICHT: Verwenden Sie keine beschädigte oder unausgewuchtete Rotordrahtbürste. Bei Verwendung einer beschädigten Rotordrahtbürste ist das Verletzungspotenzial durch Kontakt mit gebrochenen Bürstendrähten größer.

⚠️ VORSICHT: Verwenden Sie Rotordrahtbürsten IMMER mit einer Schutzhaube, die groß genug für den Rotordurchmesser ist. Die Schutzhaube reduziert die Gefahr von Personenschäden, falls die Rotordrahtbürste während des Betriebs zerbricht.

Legen Sie das Werkzeug auf den Kopf, um leichten Zugang zur Spindel zu ermöglichen. Entfernen Sie sämtliches Zubehör von der Spindel. Die Rotordrahtbürste auf die Spindel schrauben und mit den Schraubenschlüsseln festziehen.

- **Abb.28:** 1. Rotordrahtbürste

Installieren des Lochschneiders

Sonderzubehör

Legen Sie das Werkzeug auf den Kopf, um leichten Zugang zur Spindel zu ermöglichen. Entfernen Sie sämtliches Zubehör von der Spindel. Schrauben Sie den Lochschneider auf die Spindel, und ziehen Sie ihn mit dem mitgelieferten Schraubenschlüssel fest.

- **Abb.29:** 1. Lochschneider

Installieren der Staubabsaughaube für Schleifarbeiten

Nur für Modell DGA467 / DGA468 / DGA517 / DGA518

Sonderzubehör

Mit Sonderzubehör können Sie dieses Werkzeug zum Abschleifen von Betonoberflächen verwenden.

⚠ VORSICHT: Die Staubabsaughaube für die gekröpfte Diamantscheibe ist nur für den Einsatz beim Schleifen von Betonoberflächen mit einer gekröpften Diamantscheibe vorgesehen. Benutzen Sie diese Schutzhaube nicht mit anderem Schneidzubehör oder für andere Zwecke.

⚠ VORSICHT: Vergewissern Sie sich vor der Arbeit, dass ein Sauggerät an das Werkzeug angeschlossen und eingeschaltet ist.

Legen Sie das Werkzeug auf den Kopf, und installieren Sie die Staubabsaughaube.

Montieren Sie den Innenflansch an der Spindel.

Passen Sie die Topfdiamantscheibe auf den Innenflansch, und ziehen Sie die Sicherungsmutter auf der Spindel an.

- **Abb.30:**
1. Sicherungsmutter
 2. Topfdiamantscheibe
 3. Topfdiamantscheibe mit Nabe
 4. Innenflansch
 5. Staubabsaughaube
 6. Lagergehäuse

HINWEIS: Informationen zum Montieren der Staubabsaughaube entnehmen Sie bitte der Gebrauchsanleitung der Staubabsaughaube.

Installieren der Staubabsaughaube für Trennarbeiten

Sonderzubehör

Mit Sonderzubehör können Sie dieses Werkzeug zum Schneiden von Steinmaterial verwenden.

► **Abb.31**

HINWEIS: Informationen zum Montieren der Staubabsaughaube entnehmen Sie bitte der Gebrauchsanleitung der Staubabsaughaube.

Anschließen eines Sauggeräts

Sonderzubehör

⚠ WARNUNG: Saugen Sie niemals Metallpartikel auf, die durch Schleifen/Schneiden/Schmirgeln entstanden sind. Durch solche Vorgänge erzeugte Metallpartikel sind so heiß, dass sie Staub und den Filter im Sauggerät entzünden können.

Um eine durch Schneiden von Mauerwerk verursachte staubige Umgebung zu vermeiden, verwenden Sie eine Staubabsaughaube und ein Sauggerät.

Angaben zum Montieren und Benutzen der Staubabsaughaube entnehmen Sie bitte der beigefügten Gebrauchsanleitung.

► **Abb.32:** 1. Staubabsaughaube 2. Schlauch des Sauggeräts

BETRIEB

⚠ WARNUNG: Das Werkzeug darf auf keinen Fall gewaltsam angedrückt werden. Das Eigengewicht des Werkzeugs übt ausreichenden Druck aus. Gewaltanwendung und übermäßiger Druck können zu einem gefährlichen Schleifscheibenbruch führen.

⚠ WARNUNG: Wechseln Sie die Schleifscheibe IMMER aus, falls das Werkzeug während der Schleifarbeit fallen gelassen wurde.

⚠ WARNUNG: Eine Schleif- oder Trennscheibe darf NIEMALS gegen das Werkstück geschlagen oder gestoßen werden.

⚠ WARNUNG: Achten Sie besonders beim Bearbeiten von Ecken, scharfen Kanten usw. darauf, dass die Schleifscheibe nicht springt oder hängen bleibt. Dies kann den Verlust der Kontrolle und Rückschläge verursachen.

⚠ WARNUNG: Verwenden Sie das Werkzeug NIEMALS mit Holz- und anderen Sägeblättern. Solche Sägeblätter verursachen bei Verwendung an einer Schleifmaschine häufiges Rückschlagen und Verlust der Kontrolle, was zu Verletzungen führen kann.

⚠ VORSICHT: Schalten Sie das Werkzeug niemals ein, wenn es mit dem Werkstück in Berührung ist, weil sonst Verletzungsgefahr für die Bedienungsperson besteht.

⚠ VORSICHT: Tragen Sie bei der Arbeit stets eine Schutzbrille oder einen Gesichtsschutz.

⚠ VORSICHT: Schalten Sie das Werkzeug nach der Arbeit stets aus, und warten Sie, bis die Schleifscheibe zum völligen Stillstand gekommen ist, bevor Sie das Werkzeug ablegen.

⚠ VORSICHT: Halten Sie das Werkzeug IMMER mit einer Hand am Gehäuse und mit der anderen am Seitengriff (Handgriff) fest.

HINWEIS: Eine Doppelzweckscheibe kann sowohl für Schleif- als auch für Trennarbeiten verwendet werden.

Nehmen Sie für Schleifarbeiten auf „Schleif- und Schmirgelbetrieb“, und für Trennarbeiten auf „Betrieb mit Trennschleifscheibe/Diamantscheibe“ Bezug.

Schleif- und Schmirgelbetrieb

► **Abb.33**

Schalten Sie das Werkzeug ein, und setzen Sie dann die Trenn- oder Schleifscheibe an das Werkstück an. Halten Sie die Trenn- oder Schleifscheibe im Allgemeinen in einem Winkel von etwa 15° zur Werkstückoberfläche. Bewegen Sie die Schleifmaschine beim Einschleifen einer neuen Schleifscheibe nicht in Vorwärtsrichtung, weil die Schleifscheibe sonst in das Werkstück einschneiden kann. Sobald die Schleifscheibenkante durch Gebrauch abgerundet ist, kann die Schleifscheibe sowohl in Vorwärts- als auch in Rückwärtsrichtung bewegt werden.

Benutzungsbeispiel: Betrieb mit Topfdiamantscheibe

► Abb.34

Halten Sie das Werkzeug waagrecht, und setzen Sie die gesamte Topfdiamantscheibe auf die Werkstückoberfläche auf.

Betrieb mit Trennschleifscheibe / Diamantscheibe

Sonderzubehör

⚠️ WARNUNG: Vermeiden Sie „Verkanten“ der Trennscheibe oder die Ausübung übermäßigen Drucks. Versuchen Sie nicht, übermäßig tiefe Schnitte zu machen. Überbeanspruchung der Trennscheibe erhöht die Belastung und die Empfänglichkeit für Verdrehen oder Klemmen der Trennscheibe im Schnitt sowie die Möglichkeit von Rückschlag, Scheibenbruch und Überhitzung des Motors.

⚠️ WARNUNG: Starten Sie den Schnittbetrieb nicht mit im Werkstück sitzender Trennscheibe. Warten Sie, bis die Trennscheibe ihre volle Drehzahl erreicht hat, bevor Sie sie vorsichtig in den Schnitt senken und das Werkzeug über die Werkstückoberfläche vorschieben. Wird das Elektrowerkzeug mit im Werkstück sitzender Trennscheibe eingeschaltet, kann die Trennscheibe klemmen, hochsteigen oder zurückschlagen.

⚠️ WARNUNG: Ändern Sie während der Schneidarbeiten niemals den Winkel der Trennscheibe. Die Ausübung von Seitendruck auf die Trennscheibe (wie beim Schleifen) verursacht Reißen und Brechen der Trennscheibe, was schwere Personenschäden zur Folge haben kann.

⚠️ WARNUNG: Eine Diamantscheibe muss senkrecht zum Werkstückmaterial angesetzt werden.

Benutzungsbeispiel: Betrieb mit Trennschleifscheibe

► Abb.35

Benutzungsbeispiel: Betrieb mit Diamantscheibe
► Abb.36

Betrieb mit Topfdrabtbürste

Sonderzubehör

⚠️ VORSICHT: Überprüfen Sie den Betrieb der Bürste, indem Sie das Werkzeug bei Nulllast laufen lassen und sicherstellen, dass sich niemand vor der Bürste oder in ihrer Linie befindet.

ANMERKUNG: Vermeiden Sie übermäßige Druckausübung, die Verbiegung der Drähte bei Benutzung der Topfdrabtbürste verursacht. Dies kann zu vorzeitigem Brechen führen.

Benutzungsbeispiel: Betrieb mit Topfdrabtbürste
► Abb.37

Betrieb mit Rotordrabbürste

Sonderzubehör

⚠️ VORSICHT: Überprüfen Sie den Betrieb der Rotordrabbürste, indem Sie das Werkzeug bei Nulllast laufen lassen und sicherstellen, dass sich niemand vor der Rotordrabbürste oder in ihrer Linie befindet.

ANMERKUNG: Vermeiden Sie übermäßige Druckausübung, die Verbiegung der Drähte bei Benutzung der Rotordrabbürste verursacht. Dies kann zu vorzeitigem Brechen führen.

Benutzungsbeispiel: Betrieb mit Rotordrabbürste
► Abb.38

Betrieb mit Lochschneider

Sonderzubehör

⚠️ VORSICHT: Überprüfen Sie den Betrieb des Lochschneiders, indem Sie das Werkzeug ohne Last laufen lassen und sich dabei vergewissern, dass sich niemand vor dem Lochschneider befindet.

ANMERKUNG: Kippen Sie das Werkzeug während des Betriebs nicht. Dies kann zu vorzeitigem Brechen führen.

Benutzungsbeispiel: Betrieb mit Lochschneider
► Abb.39

FUNK-AKTIVIERUNGSFUNKTION

Nur für Modell DGA418 / DGA468 / DGA518

Mit der Funk-Aktivierungsfunktion verfügbare Möglichkeiten

Die Funk-Aktivierungsfunktion ermöglicht sauberen und komfortablen Betrieb. Wenn Sie ein unterstütztes Sauggerät an das Werkzeug anschließen, können Sie das Sauggerät automatisch mit der Schalterbetätigung des Werkzeugs betreiben.

► Abb.40

Um die Funk-Aktivierungsfunktion zu benutzen, benötigen Sie die folgenden Gegenstände:

- Einen Funk-Adapter (Sonderzubehör)
- Ein Sauggerät, das die Funk-Aktivierungsfunktion unterstützt

Die Übersicht über die Einstellung der Funk-Aktivierungsfunktion ist wie folgt. Ausführliche Verfahren entnehmen Sie bitte dem jeweiligen Abschnitt.

1. Installieren des Funk-Adapters
2. Werkzeugregistrierung für das Sauggerät
3. Starten der Funk-Aktivierungsfunktion

Installieren des Funk-Adapters

Sonderzubehör

⚠ VORSICHT: Legen Sie das Werkzeug zum Installieren des Funk-Adapters auf eine ebene und stabile Oberfläche.

ANMERKUNG: Entfernen Sie Staub und Schmutz vom Werkzeug, bevor Sie den Funk-Adapter installieren. Staub oder Schmutz können eine Funktionsstörung verursachen, falls sie in den Steckplatz des Funk-Adapters gelangen.

ANMERKUNG: Um eine durch statische Entladung verursachte Funktionsstörung zu verhindern, berühren Sie ein Statikentladungsmaterial, wie z. B. ein Metallteil des Werkzeugs, bevor Sie den Funk-Adapter anfassen.

ANMERKUNG: Achten Sie beim Installieren des Funk-Adapters immer darauf, dass der Funk-Adapter in der korrekten Richtung eingeführt wird und der Deckel vollständig geschlossen ist.

1. Öffnen Sie den Deckel am Werkzeug, wie in der Abbildung gezeigt.
► **Abb.41:** 1. Deckel

2. Führen Sie den Funk-Adapter in den Steckplatz ein, und schließen Sie dann den Deckel.

Wenn Sie den Funk-Adapter einführen, richten Sie die Vorsprünge auf die Vertiefungen des Steckplatzes aus.

► **Abb.42:** 1. Funk-Adapter 2. Vorsprung 3. Deckel 4. Vertiefung

Zum Entfernen des Funk-Adapters öffnen Sie den Deckel langsam. Die Haken an der Rückseite des Deckels heben den Funk-Adapter an, wenn Sie den Deckel hochziehen.

► **Abb.43:** 1. Funk-Adapter 2. Haken 3. Deckel

Bewahren Sie den Funk-Adapter nach der Entnahme in der mitgelieferten Schachtel oder einem statikfreien Behälter auf.

ANMERKUNG: Verwenden Sie immer die Haken an der Rückseite des Deckels zum Entfernen des Funk-Adapters. Falls die Haken den Funk-Adapter nicht greifen, schließen Sie den Deckel vollständig, und öffnen Sie ihn dann wieder langsam.

Werkzeugregistrierung für das Saugergerät

HINWEIS: Ein Makita-Saugergerät, das die Funk-Aktivierungsfunktion unterstützt, ist für die Werkzeugregistrierung erforderlich.

HINWEIS: Die Installation des Funk-Adapters im Werkzeug muss vollendet sein, bevor mit der Werkzeugregistrierung begonnen wird.

HINWEIS: Unterlassen Sie während der Werkzeugregistrierung die Betätigung des Auslöseschalters oder das Einschalten des Ein-Aus-Schalters am Saugergerät.

HINWEIS: Nehmen Sie auch auf die Betriebsanleitung des Saugergerätes Bezug.

Wenn Sie das Saugergerät zusammen mit der Schalterbetätigung des Werkzeugs aktivieren möchten, müssen Sie zuvor die Werkzeugregistrierung beenden.

1. Setzen Sie die Akkus in das Saugergerät und das Werkzeug ein.
2. Stellen Sie den Bereitschaftsschalter am Saugergerät auf „AUTO“.
► **Abb.44:** 1. Bereitschaftsschalter
3. Drücken Sie die Funk-Aktivierungstaste am Saugergerät für 3 Sekunden, bis die Funk-Aktivierungslampe in Grün blinkt. Drücken Sie dann die Funk-Aktivierungstaste am Werkzeug in der gleichen Weise.
► **Abb.45:** 1. Funk-Aktivierungstaste
2. Funk-Aktivierungslampe

Wenn Saugergerät und Werkzeug erfolgreich verbunden werden, leuchten die Funk-Aktivierungslampen 2 Sekunden lang in Grün auf und beginnen dann in Blau zu blinken.

HINWEIS: Nach Ablauf von 20 Sekunden hören die Funk-Aktivierungslampen auf, in Grün zu blinken. Drücken Sie die Funk-Aktivierungstaste am Werkzeug, während die Funk-Aktivierungslampe am Staubsauger blinkt. Falls die Funk-Aktivierungslampe nicht in Grün blinkt, drücken Sie die Funk-Aktivierungstaste kurz, und halten Sie sie erneut gedrückt.

HINWEIS: Wenn Sie zwei oder mehr Werkzeugregistrierungen für ein Saugergerät durchführen, beenden Sie die Werkzeugregistrierungen nacheinander.

Starten der Funk-Aktivierungsfunktion

HINWEIS: Beenden Sie die Werkzeugregistrierung für das Saugergerät vor der Funk-Aktivierung.

HINWEIS: Nehmen Sie auch auf die Betriebsanleitung des Saugergerätes Bezug.

Nachdem Sie ein Werkzeug im Saugergerät registriert haben, läuft das Saugergerät automatisch mit der Schalterbetätigung am Werkzeug an.

1. Installieren Sie den Funk-Adapter im Werkzeug.
2. Schließen Sie den Schlauch des Saugergerätes am Werkzeug an.
► **Abb.46**

3. Stellen Sie den Bereitschaftsschalter am Saugergerät auf „AUTO“.

► **Abb.47:** 1. Bereitschaftsschalter

4. Drücken Sie die Funk-Aktivierungstaste am Werkzeug kurz. Die Funk-Aktivierungslampe blinkt in Blau.

► **Abb.48:** 1. Funk-Aktivierungstaste
2. Funk-Aktivierungslampe

5. Schalten Sie das Werkzeug ein. Prüfen Sie, ob das Saugergerät während des Betriebs des Werkzeugs läuft.

Um die Funk-Aktivierung des Saugergerätes zu stoppen, drücken Sie die Funk-Aktivierungstaste am Werkzeug.

HINWEIS: Die Funk-Aktivierungslampe am Werkzeug hört auf, in Blau zu blinken, wenn 2 Stunden lang kein Betrieb erfolgt. Stellen Sie in diesem Fall den Bereitschaftsschalter am Sauggerät auf „AUTO“, und drücken Sie die Funk-Aktivierungstaste am Werkzeug erneut.

HINWEIS: Das Sauggerät startet/stoppt mit einer Verzögerung. Es tritt eine Zeitverzögerung auf, wenn das Sauggerät eine Schalterbetätigung des Werkzeugs erkennt.

HINWEIS: Die Übertragungreichweite des Funk-Adapters kann abhängig vom Ort und den Umgebungsbedingungen schwanken.

HINWEIS: Wenn zwei oder mehr Werkzeuge in einem Sauggerät registriert sind, kann das Sauggerät anlaufen, selbst wenn Sie Ihr Werkzeug nicht einschalten, weil ein anderer Benutzer die Funk-Aktivierungsfunktion benutzt.

Beschreibung des Zustands der Funk-Aktivierungslampe

► Abb.49: 1. Funk-Aktivierungslampe

Die Funk-Aktivierungslampe zeigt den Zustand der Funk-Aktivierungsfunktion an. Die Bedeutung des Lampenzustands ist aus der nachstehenden Tabelle ersichtlich.

Zustand	Funk-Aktivierungslampe			Dauer	Beschreibung
	Farbe	<input type="checkbox"/> Ein	<input type="checkbox"/> Blinkend		
Bereitschaft	Blau	<input checked="" type="checkbox"/>		2 Stunden	Die Funk-Aktivierung des Sauggerätes ist verfügbar. Die Lampe erlischt automatisch, wenn 2 Stunden lang kein Betrieb erfolgt.
		<input type="checkbox"/>	<input checked="" type="checkbox"/>	Wenn das Werkzeug läuft.	Die Funk-Aktivierung des Sauggerätes ist verfügbar, und das Werkzeug läuft.
Werkzeugregistrierung	Grün	<input checked="" type="checkbox"/>		20 Sekunden	Bereit für die Werkzeugregistrierung. Warten auf die Registrierung durch das Sauggerät.
		<input type="checkbox"/>	<input checked="" type="checkbox"/>	2 Sekunden	Die Werkzeugregistrierung ist beendet worden. Die Funk-Aktivierungslampe beginnt, in Blau zu blinken.
Aufheben der Werkzeugregistrierung	Rot	<input checked="" type="checkbox"/>		20 Sekunden	Bereit für die Aufhebung der Werkzeugregistrierung. Warten auf die Aufhebung durch das Sauggerät.
		<input type="checkbox"/>	<input checked="" type="checkbox"/>	2 Sekunden	Die Aufhebung der Werkzeugregistrierung ist beendet worden. Die Funk-Aktivierungslampe beginnt, in Blau zu blinken.
Sonstiges	Rot	<input type="checkbox"/>	<input checked="" type="checkbox"/>	3 Sekunden	Der Funk-Adapter wird mit Strom versorgt, und die Funk-Aktivierungsfunktion wird gestartet.
	Aus	-	-	-	Die Funk-Aktivierung des Sauggerätes ist gestoppt.

Aufheben der Werkzeugregistrierung für das Sauggerät

Führen Sie das folgende Verfahren durch, um die Werkzeugregistrierung für das Sauggerät aufzuheben.

1. Setzen Sie die Akkus in das Sauggerät und das Werkzeug ein.
2. Stellen Sie den Bereitschaftsschalter am Sauggerät auf „AUTO“.
3. Drücken Sie die Funk-Aktivierungstaste am Sauggerät für 6 Sekunden. Die Funk-Aktivierungslampe blinkt in Grün und wird dann rot. Drücken Sie danach die Funk-Aktivierungstaste am Werkzeug in der gleichen Weise.

- **Abb.51:** 1. Funk-Aktivierungstaste
2. Funk-Aktivierungslampe

Wenn die Aufhebung erfolgreich war, leuchten die Funk-Aktivierungslampen 2 Sekunden lang in Rot auf und beginnen dann in Blau zu blinken.

HINWEIS: Nach Ablauf von 20 Sekunden hören die Funk-Aktivierungslampen auf, in Rot zu blinken. Drücken Sie die Funk-Aktivierungstaste am Werkzeug, während die Funk-Aktivierungslampe am Staubsauger blinkt. Falls die Funk-Aktivierungslampe nicht in Rot blinkt, drücken Sie die Funk-Aktivierungstaste kurz, und halten Sie sie erneut gedrückt.

Fehlersuche für Funk-Aktivierungsfunktion

Bevor Sie den Reparaturdienst anrufen, führen Sie zunächst Ihre eigene Inspektion durch. Falls Sie ein Problem finden, das nicht in der Anleitung erläutert wird, versuchen Sie nicht, das Werkzeug zu zerlegen. Wenden Sie sich stattdessen an autorisierte Makita-Kundendienstzentren, und achten Sie darauf, dass stets Makita-Ersatzteile für Reparaturen verwendet werden.

Zustand der Unregelmäßigkeit	Wahrscheinliche Ursache (Funktionsstörung)	Abhilfemaßnahme
Die Funk-Aktivierungslampe leuchtet/blinkt nicht.	Es ist kein Funk-Adapter im Werkzeug installiert. Der Funk-Adapter ist falsch im Werkzeug installiert.	Installieren Sie den Funk-Adapter korrekt.
	Die Kontakte des Funk-Adapters und/oder des Steckplatzes sind verschmutzt.	Wischen Sie Staub und Schmutz an den Kontakten des Funk-Adapters sachte ab, und reinigen Sie den Steckplatz.
	Die Funk-Aktivierungstaste am Werkzeug ist nicht gedrückt worden.	Drücken Sie die Funk-Aktivierungstaste am Werkzeug kurz.
	Der Bereitschaftsschalter am Sauggerät ist nicht auf „AUTO“ eingestellt.	Stellen Sie den Bereitschaftsschalter am Sauggerät auf „AUTO“.
	Keine Stromversorgung	Versorgen Sie Werkzeug und Sauggerät mit Strom.
Die Werkzeugregistrierung/Aufhebung der Werkzeugregistrierung kann nicht erfolgreich beendet werden.	Es ist kein Funk-Adapter im Werkzeug installiert. Der Funk-Adapter ist falsch im Werkzeug installiert.	Installieren Sie den Funk-Adapter korrekt.
	Die Kontakte des Funk-Adapters und/oder des Steckplatzes sind verschmutzt.	Wischen Sie Staub und Schmutz an den Kontakten des Funk-Adapters sachte ab, und reinigen Sie den Steckplatz.
	Der Bereitschaftsschalter am Sauggerät ist nicht auf „AUTO“ eingestellt.	Stellen Sie den Bereitschaftsschalter am Sauggerät auf „AUTO“.
	Keine Stromversorgung	Versorgen Sie Werkzeug und Sauggerät mit Strom.
	Falsche Bedienung	Drücken Sie die Funk-Aktivierungstaste kurz, und führen Sie das Verfahren der Werkzeugregistrierung/Aufhebung der Werkzeugregistrierung erneut durch.
	Der Abstand zwischen Werkzeug und Sauggerät ist zu groß (außerhalb der Übertragungreichweite).	Verkleinern Sie den Abstand zwischen Werkzeug und Sauggerät. Die maximale Übertragungreichweite beträgt ungefähr 10 m, sie kann aber je nach den Umständen schwanken.
	Bevor Sie die Werkzeugregistrierung/Aufhebung der Werkzeugregistrierung beenden; - der Schalter des Werkzeugs wird eingeschaltet, oder; - die Betriebstaste am Sauggerät wird eingeschaltet.	Drücken Sie die Funk-Aktivierungstaste kurz, und führen Sie das Verfahren der Werkzeugregistrierung/Aufhebung der Werkzeugregistrierung erneut durch.
	Die Verfahren der Werkzeugregistrierung für das Werkzeug oder das Sauggerät sind nicht beendet.	Führen Sie die Verfahren der Werkzeugregistrierung sowohl für das Werkzeug als auch das Sauggerät zum selben Zeitpunkt durch.
Funkstörungen durch andere Geräte, die starke Funkwellen erzeugen.	Halten Sie das Werkzeug und das Sauggerät von solchen Geräten wie WLAN-Geräten und Mikrowellenöfen fern.	

Zustand der Unregelmäßigkeit	Wahrscheinliche Ursache (Funktionsstörung)	Abhilfemaßnahme
Das Sauggerät läuft bei der Schalterbetätigung des Werkzeugs nicht an.	Es ist kein Funk-Adapter im Werkzeug installiert. Der Funk-Adapter ist falsch im Werkzeug installiert.	Installieren Sie den Funk-Adapter korrekt.
	Die Kontakte des Funk-Adapters und/oder des Steckplatzes sind verschmutzt.	Wischen Sie Staub und Schmutz an den Kontakten des Funk-Adapters sanft ab, und reinigen Sie den Steckplatz.
	Die Funk-Aktivierungstaste am Werkzeug ist nicht gedrückt worden.	Drücken Sie die Funk-Aktivierungstaste kurz, und vergewissern Sie sich, dass die Funk-Aktivierungslampe in Blau blinkt.
	Der Bereitschaftsschalter am Sauggerät ist nicht auf „AUTO“ eingestellt.	Stellen Sie den Bereitschaftsschalter am Sauggerät auf „AUTO“.
	Es sind mehr als 10 Werkzeuge im Sauggerät registriert.	Führen Sie die Werkzeugregistrierung erneut durch. Wenn mehr als 10 Werkzeuge im Sauggerät registriert werden, wird die Registrierung des ersten Werkzeugs automatisch gelöscht.
	Das Sauggerät hat alle Werkzeugregistrierungen gelöscht.	Führen Sie die Werkzeugregistrierung erneut durch.
	Keine Stromversorgung	Versorgen Sie Werkzeug und Sauggerät mit Strom.
	Der Abstand zwischen Werkzeug und Sauggerät ist zu groß (außerhalb der Übertragungreichweite).	Verkleinern Sie den Abstand zwischen Werkzeug und Sauggerät. Die maximale Übertragungreichweite beträgt ungefähr 10 m, sie kann aber je nach den Umständen schwanken.
Funkstörungen durch andere Geräte, die starke Funkwellen erzeugen.	Halten Sie das Werkzeug und das Sauggerät von solchen Geräten wie WLAN-Geräten und Mikrowellenöfen fern.	
Das Sauggerät läuft, während das Werkzeug außer Betrieb ist.	Andere Benutzer nutzen die Funk-Aktivierung des Sauggerätes mit ihren Werkzeugen.	Schalten Sie die Funk-Aktivierungstaste der anderen Werkzeuge aus, oder heben Sie die Werkzeugregistrierung der anderen Werkzeuge auf.

WARTUNG

⚠ VORSICHT: Vergewissern Sie sich vor der Durchführung von Inspektions- oder Wartungsarbeiten stets, dass das Werkzeug ausgeschaltet und der Akku abgenommen ist.

ANMERKUNG: Verwenden Sie auf keinen Fall Benzin, Waschbenzin, Verdünnern, Alkohol oder dergleichen. Solche Mittel können Verfärbung, Verformung oder Rissbildung verursachen.

Um die SICHERHEIT und ZUVERLÄSSIGKEIT dieses Produkts zu gewährleisten, sollten Reparaturen und andere Wartungs- oder Einstellarbeiten nur von Makita-Vertragswerkstätten oder Makita-Kundendienstzentren unter ausschließlicher Verwendung von Makita-Originalersatzteilen ausgeführt werden.

Reinigung der Ventilationsöffnungen

Halten Sie das Werkzeug und seine Ventilationsöffnungen stets sauber. Reinigen Sie die Ventilationsöffnungen des Werkzeugs regelmäßig oder im Anfangsstadium einer Verstopfung.

► **Abb.52:** 1. Auslassöffnung 2. Einlassöffnung

Entfernen Sie den Staubfänger von der Ansaugöffnung, und reinigen Sie ihn, um ungehinderte Luftzirkulation zu gewährleisten.

► **Abb.53:** 1. Staubfänger

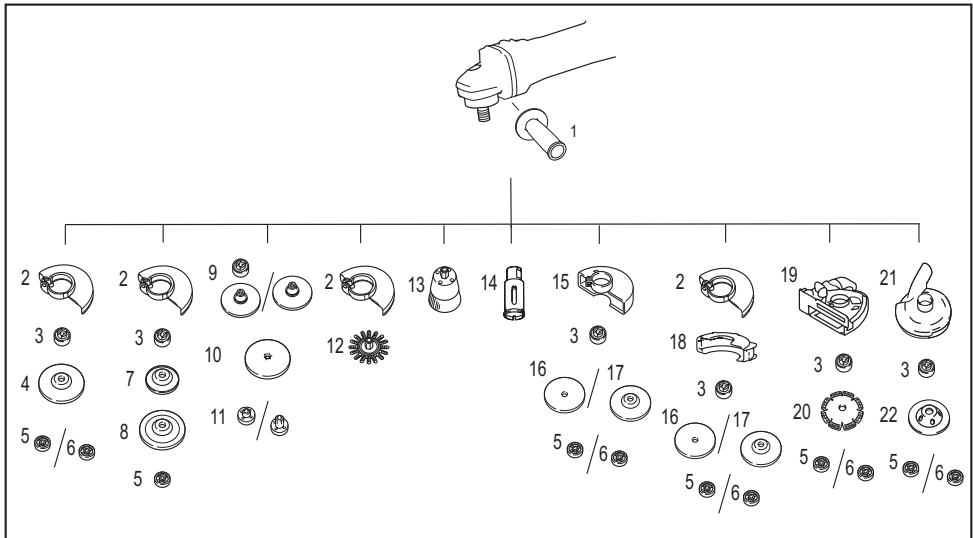
ANMERKUNG: Reinigen Sie den Staubfänger, wenn er mit Staub oder Fremdkörpern zugesetzt ist. Fortgesetzter Betrieb mit verstopftem Staubfänger kann zu einer Beschädigung des Werkzeugs führen.

KOMBINATION VON ANWENDUNGEN UND ZUBEHÖR

Sonderzubehör

⚠ VORSICHT: Die Verwendung des Werkzeugs mit falschen Schutzvorrichtungen kann folgende Risiken verursachen.

- Bei Verwendung einer Trennscheiben-Schutzhaube für Flächenschleifen kann die Schutzhaube das Werkstück beeinträchtigen und eine schlechte Kontrolle verursachen.
- Bei Verwendung einer Schleifscheiben-Schutzhaube für Trennarbeiten mit gebundenen Schleifscheiben und Diamantscheiben besteht ein erhöhtes Risiko der Exposition gegenüber rotierenden Schleifscheiben, emittierten Funken und Partikeln sowie der Exposition gegenüber Scheibensplittern im Falle eines Scheibenbruchs.
- Bei Verwendung einer Trennscheiben- oder Schleifscheiben-Schutzhaube für Flächenarbeiten mit Topfdiamantscheiben kann die Schutzhaube das Werkstück beeinträchtigen und eine schlechte Kontrolle verursachen.
- Bei Verwendung einer Trennscheiben- oder Schleifscheiben-Schutzhaube mit einer radförmigen Drahtbürste, deren Dicke die in „TECHNISCHE DATEN“ angegebene maximale Dicke überschreitet, können sich die Drähte an der Schutzhaube verfangen, was zu Drahtbrüchen führen kann.
- Die Verwendung von Staubabsaughauben für Trenn- und Flächenarbeiten in Beton oder Mauerwerk verringert das Risiko einer Staubbelastung.
- Benutzen Sie bei Verwendung von angeflanschten Doppelzweckscheiben (kombinierte Schleif- und Trennscheiben) nur eine Trennscheiben-Schutzhaube.



-	Anwendung	100-mm-Modell	115-mm-Modell	125-mm-Modell
1	-	Seitengriff		
2	-	Schutzhaube (für Schleifscheibe)		
3	-	Innenflansch		
4	Schleifen/Schmirgeln	Gekröpfte Trennschleifscheibe / Fächerscheibe		
5	-	Sicherungsmutter		
6	-	-	Ezynut *1	
7	-	Stützteller		
8	Schleifen	Flexscheibe		
9	-	Innenflansch und Gummiteller 76	Gummiteller 100	Gummiteller 115
10	Schmirgeln	Schleifblatt		
11	-	Schleifscheiben-Sicherungsmutter		

-	Anwendung	100-mm-Modell	115-mm-Modell	125-mm-Modell
12	Drahtbürsten		Rotordrahtbürste	
13	Drahtbürsten		Topfdrahtbürste	
14	Lochschneiden		Lochschneider	
15	-		Schutzhaube (für Trennscheibe)	
16	Trennen		Trennschleifscheibe / Diamantscheibe	
17	Schleifen/Trennen		Doppelzweckscheibe	
18	-		Aufsteckbarer Trennscheiben-Schutzhaubenaufsatz *2	
19	-		Staubabsaughaube für Trennarbeiten *3	
20	Trennen		Diamantscheibe	
21	-	-	Staubabsaughaube für Schleifarbeiten *4	
22	Schleifen	-	Topfdiamantscheibe *4	
-	-		Sicherungsmutterschlüssel	

HINWEIS: *1 Nur für Werkzeuge mit M14-Spindelgewinde.

HINWEIS: *2 Der aufsteckbare Trennscheiben-Schutzhaubenaufsatz ist in einigen Ländern nicht erhältlich. Weitere Einzelheiten hierzu finden Sie in der Gebrauchsanleitung des aufsteckbaren Trennscheiben-Schutzhaubenaufsatzes.

HINWEIS: *3 Weitere Einzelheiten dazu finden Sie in der jeweiligen Gebrauchsanweisung der Schutzeinrichtung.

HINWEIS: *4 Nur für Modell DGA467 / DGA468 / DGA517 / DGA518

Weitere Einzelheiten dazu finden Sie in der jeweiligen Gebrauchsanweisung der Schutzeinrichtung.

SONDERZUBEHÖR

⚠ VORSICHT: Die folgenden Zubehörteile oder Vorrichtungen werden für den Einsatz mit dem in dieser Anleitung beschriebenen Makita-Werkzeug empfohlen. Die Verwendung anderer Zubehörteile oder Vorrichtungen kann eine Verletzungsgefahr darstellen. Verwenden Sie Zubehörteile oder Vorrichtungen nur für ihren vorgesehenen Zweck.

Wenn Sie weitere Einzelheiten bezüglich dieser Zubehörteile benötigen, wenden Sie sich bitte an Ihre Makita-Kundendienststelle.

- Original-Makita-Akku und -Ladegerät
- Unter „KOMBINATION VON ANWENDUNGEN UND ZUBEHÖR“ aufgelistete Zubehörteile
- Funk-Adapter (für Modelle mit Funk-Aktivierungsfunktion)

HINWEIS: Manche Teile in der Liste können als Standardzubehör im Werkzeugsatz enthalten sein. Sie können von Land zu Land unterschiedlich sein.

DATI TECNICI

Modello:		DGA417	DGA418	DGA467	DGA468	DGA517	DGA518
Mola abrasiva applicabile	Diametro max disco	100 mm		115 mm		125 mm	
	Spessore massimo disco	6,4 mm		7,2 mm			
Mola troncatrice applicabile	Diametro max disco	105 mm		115 mm		125 mm	
	Spessore massimo disco	3,2 mm					
Spazzola metallica a disco applicabile	Diametro max disco	100 mm		115 mm		125 mm	
	Spessore massimo disco	20 mm					
Filettatura mandrino		M10		M14 o 5/8" (a seconda della nazione)			
Lunghezza massima mandrino		18 mm		23 mm			
Velocità a vuoto (n_0)/Velocità nominale (n)		8.500 min ⁻¹					
Lunghezza totale	con BL1840B	382 mm					
Peso netto		2,2 - 3,7 kg		2,4 - 3,9 kg			
Tensione nominale		18 V CC					

- A causa del nostro programma continuativo di ricerca e sviluppo, i dati tecnici sono soggetti a modifiche senza preavviso.
- I dati tecnici possono variare da nazione a nazione.
- Il peso può variare a seconda dell'accessorio o degli accessori, inclusa la cartuccia della batteria. La combinazione più leggera e quella più pesante, secondo la procedura EPTA 01/2014, sono indicate nella tabella.

Cartuccia della batteria e caricabatterie applicabili

Cartuccia della batteria	BL1815N / BL1820B / BL1830B / BL1840B / BL1850B / BL1860B
Caricabatterie	DC18RC / DC18RD / DC18RE / DC18SD / DC18SE / DC18SF / DC18SH / DC18WC

- Alcune cartucce delle batterie e alcuni caricabatterie elencati sopra potrebbero non essere disponibili a seconda della propria area geografica di residenza.

⚠AVVERTIMENTO: Utilizzare solo le cartucce delle batterie e i caricabatterie elencati sopra. L'utilizzo di altre cartucce delle batterie e di altri caricabatterie potrebbe causare lesioni personali e/o un incendio.

Fonte di alimentazione collegata via cavo consigliata

Gruppo di alimentazione portatile	PDC01
-----------------------------------	-------

- La fonte o le fonti di alimentazione collegate via cavo elencate sopra potrebbero non essere disponibili, a seconda della propria area geografica di residenza.
- Prima di utilizzare la fonte di alimentazione collegata via cavo, leggere le istruzioni e le indicazioni delle avvertenze riportate su quest'ultima.

Simboli

Le figure seguenti mostrano i simboli utilizzati per l'apparecchio. accertarsi di comprenderne il significato prima dell'uso.



Leggere il manuale d'uso.



Indossare occhiali di sicurezza.



Utilizzare sempre con due mani.



Non utilizzare la protezione disco per operazioni di troncatrice.



Solo per le nazioni dell'EU
A causa della presenza di componenti pericolosi nelle apparecchiature, i rifiuti di apparecchiature elettriche ed elettroniche, accumulatori e batterie potrebbero produrre un impatto negativo sull'ambiente e sulla salute umana.
Non smaltire elettrodomestici elettrici ed elettronici o batterie insieme ai rifiuti domestici!
In conformità alla direttiva europea sui rifiuti di apparecchiature elettriche ed elettroniche (RAEE), sugli accumulatori e le batterie, nonché sui rifiuti di accumulatori e batterie, e al suo adattamento alle normative nazionali, i rifiuti di apparecchiature elettriche ed elettroniche, batterie e accumulatori vanno conservati separatamente e conferiti a un punto di raccolta separato per i rifiuti comunali, operando in conformità alle normative per la protezione dell'ambiente.
Tale requisito viene indicato mediante il simbolo del bidone della spazzatura con ruote barrato apposto sull'apparecchio.

Utilizzo previsto

Questo utensile è progettato per la smerigliatura, la carteggiatura, la spazzolatura metallica, la perforazione e il taglio di materiali metallici e in pietra, senza l'utilizzo di acqua.

Rumore

Livello tipico di rumore pesato A determinato in base allo standard EN62841-2-3:

Modello	Livello di pressione sonora (L_{pA}): (dB (A))	Livello di potenza sonora (L_{WA}): (dB (A))	Incertezza (K): (dB (A))
DGA417	83	91	3
DGA418	83	91	3
DGA467	83	91	3
DGA468	83	91	3
DGA517	83	91	3
DGA518	83	91	3

NOTA: Il valore o i valori dichiarati delle emissioni di rumori sono stati misurati in conformità a un metodo standard di verifica, e possono essere utilizzati per confrontare un utensile con un altro.

NOTA: Il valore o i valori dichiarati delle emissioni di rumori possono venire utilizzati anche per una valutazione preliminare dell'esposizione.

AVVERTIMENTO: Indossare protezioni per le orecchie.

AVVERTIMENTO: L'emissione di rumori durante l'utilizzo effettivo dell'utensile elettrico può variare rispetto al valore o ai valori dichiarati, a seconda dei modi in cui viene utilizzato l'utensile e specialmente a seconda di che tipo di pezzo venga lavorato.

AVVERTIMENTO: Accertarsi di identificare misure di sicurezza per la protezione dell'operatore che siano basate su una stima dell'esposizione nelle condizioni effettive di utilizzo (tenendo conto di tutte le parti del ciclo operativo, ad esempio del numero di spegnimenti dell'utensile e di quando giri a vuoto, oltre al tempo di attivazione).

AVVERTIMENTO: La smerigliatura di lastre sottili di metallo o di altre strutture che vibrano facilmente con una grande superficie può risultare in un'emissione di rumore totale molto più elevata (fino a 15 dB) rispetto ai valori delle emissioni di rumore dichiarati.

Applicare tappetini di attenuazione pesanti flessibili oppure oggetti simili su tali pezzi in lavorazione, per evitare che emettano rumore.

Prendere in considerazione le emissioni di rumore aumentate sia per la valutazione del rischio di esposizione al rumore che per la scelta di protezioni per l'udito adeguate.

Vibrazioni

Valore totale delle vibrazioni (somma vettoriale triassiale) determinato in base allo standard EN62841-2-3:

Modalità di lavoro: smerigliatura di superficie con impugnatura laterale normale

Modello	Emissione di vibrazioni ($a_{h, AG}$): (m/s ²)	Incertezza (K): (m/s ²)
DGA417	4,5	1,5
DGA418	4,5	1,5
DGA467	5,5	1,5
DGA468	5,5	1,5
DGA517	6,0	1,5
DGA518	6,0	1,5

Modalità di lavoro: smerigliatura di superficie con impugnatura laterale antivibrazioni

Modello	Emissione di vibrazioni ($a_{h, AG}$): (m/s ²)	Incertezza (K): (m/s ²)
DGA417	4,5	1,5
DGA418	4,5	1,5
DGA467	5,0	1,5
DGA468	5,0	1,5
DGA517	5,5	1,5
DGA518	5,5	1,5

Modalità di lavoro: carteggiatura con disco con impugnatura laterale normale

Modello	Emissione di vibrazioni ($a_{h, DS}$): (m/s ²)	Incertezza (K): (m/s ²)
DGA417	2,5 m/s ² o inferiore	1,5
DGA418	2,5 m/s ² o inferiore	1,5
DGA467	2,5 m/s ² o inferiore	1,5
DGA468	2,5 m/s ² o inferiore	1,5
DGA517	2,5 m/s ² o inferiore	1,5
DGA518	2,5 m/s ² o inferiore	1,5

Modalità di lavoro: carteggiatura con disco con impugnatura laterale antivibrazioni

Modello	Emissione di vibrazioni ($a_{h, DS}$): (m/s ²)	Incertezza (K): (m/s ²)
DGA417	2,5 m/s ² o inferiore	1,5
DGA418	2,5 m/s ² o inferiore	1,5
DGA467	2,5 m/s ² o inferiore	1,5
DGA468	2,5 m/s ² o inferiore	1,5
DGA517	2,5 m/s ² o inferiore	1,5
DGA518	2,5 m/s ² o inferiore	1,5

NOTA: Il valore o i valori complessivi delle vibrazioni dichiarati sono stati misurati in conformità a un metodo standard di verifica, e possono essere utilizzati per confrontare un utensile con un altro.

NOTA: Il valore o i valori complessivi delle vibrazioni dichiarati possono venire utilizzati anche per una valutazione preliminare dell'esposizione.

⚠AVVERTIMENTO: L'emissione delle vibrazioni durante l'utilizzo effettivo dell'utensile elettrico può variare rispetto al valore o ai valori dichiarati, a seconda dei modi in cui viene utilizzato l'utensile, specialmente a seconda di che tipo di pezzo venga lavorato.

⚠AVVERTIMENTO: Accertarsi di identificare misure di sicurezza per la protezione dell'operatore che siano basate su una stima dell'esposizione nelle condizioni effettive di utilizzo (tenendo conto di tutte le parti del ciclo operativo, ad esempio del numero di spegnimenti dell'utensile e di quando giri a vuoto, oltre al tempo di attivazione).

⚠AVVERTIMENTO: Il valore di emissione delle vibrazioni dichiarato viene utilizzato per le applicazioni principali dell'utensile elettrico. Tuttavia, qualora l'utensile elettrico venga utilizzato per altre applicazioni, il valore di emissione delle vibrazioni potrebbe essere diverso.

Dichiarazione di conformità CE

Solo per i paesi europei

La dichiarazione di conformità CE è inclusa nell'Allegato A al presente manuale di istruzioni.

AVVERTENZE DI SICUREZZA

Avvertenze generali relative alla sicurezza dell'utensile elettrico

AVVERTIMENTO Leggere tutte le avvertenze di sicurezza, le istruzioni, le illustrazioni e i dati tecnici forniti insieme a questo utensile elettrico. La mancata osservanza di tutte le istruzioni seguenti potrebbe risultare in scosse elettriche, incendi e/o gravi lesioni personali.

Conservare tutte le avvertenze e le istruzioni come riferimento futuro.

Il termine "utensile elettrico" nelle avvertenze si riferisce sia all'utensile elettrico (cablato) nel funzionamento alimentato da rete elettrica che all'utensile elettrico (a batteria) nel funzionamento alimentato a batteria.

Avvertenze di sicurezza relative alla smerigliatrice a batteria

Avvertenze di sicurezza comuni relative alle operazioni di smerigliatura, carteggiatura, spazzolatura metallica o troncatrice:

1. **Questo utensile elettrico è progettato per funzionare come smerigliatrice, carteggiatrice, spazzola metallica, fresa a tazza o troncatrice. Leggere tutte le avvertenze di sicurezza, le istruzioni, le illustrazioni e i dati tecnici forniti insieme a questo utensile elettrico.** La mancata osservanza di tutte le istruzioni elencate di seguito potrebbe risultare in scosse elettriche, incendi e/o gravi lesioni personali.
2. **Con questo utensile elettrico non vanno eseguite operazioni quali la lucidatura.** Le operazioni per le quali l'utensile elettrico non è stato progettato potrebbero costituire un pericolo e causare lesioni personali.
3. **Non convertire questo utensile elettrico per farlo funzionare in un modo che non sia specificamente progettato e specificato dal produttore dell'utensile.** Tale conversione potrebbe risultare in una perdita di controllo e causare gravi lesioni personali.
4. **Non utilizzare accessori che non siano specificamente progettati e specificati dal produttore dell'utensile.** La semplice possibilità di montare un accessorio sull'utensile elettrico utilizzato non ne garantisce un funzionamento sicuro.
5. **La velocità nominale dell'accessorio deve essere almeno pari alla velocità massima indicata sull'utensile elettrico.** Gli accessori che girano più velocemente della loro velocità nominale possono spaccarsi, e i frammenti possono venire scagliati via.
6. **Il diametro esterno e lo spessore dell'accessorio utilizzato devono rientrare nella capacità nominale dell'utensile elettrico utilizzato.** Non è possibile proteggere o controllare in modo appropriato accessori di dimensioni errate.
7. **Le dimensioni dell'attacco dell'accessorio devono corrispondere alle dimensioni dell'attacco di montaggio dell'utensile elettrico.** Gli accessori che non corrispondano all'attacco di montaggio dell'utensile elettrico funzionano in modo sbilanciato, vibrano eccessivamente e potrebbero causare la perdita di controllo.
8. **Non utilizzare accessori danneggiati. Prima di ciascun utilizzo, ispezionare l'accessorio e verificare l'eventuale presenza di: scheggiature o spaccature sulle mole abrasive; spaccature, lacerazioni o usura eccessiva sui platorelli di sostegno; fili metallici allentati o spaccati sulle spazzole metalliche. Qualora l'utensile elettrico o l'accessorio vengano fatti cadere, verificare l'eventuale presenza di danni o installare un accessorio non danneggiato.** Dopo aver ispezionato e installato un accessorio, posizionare se stessi e gli astanti lontano dal piano di rotazione dell'accessorio, quindi far funzionare l'utensile elettrico alla massima velocità a vuoto per un minuto. Gli accessori danneggiati in genere si rompono, durante questo periodo di prova.
9. **Indossare un'attrezzatura di protezione personale.** A seconda dell'applicazione, utilizzare una visiera, occhiali oppure occhiali di sicurezza. A seconda delle esigenze, indossare una mascherina antipolvere, protezioni per l'udito, guanti e un grembiule da officina in grado di arrestare piccoli frammenti abrasivi o dei pezzi in lavorazione. La protezione per gli occhi deve essere in grado di arrestare i frammenti volanti generati dalle varie applicazioni. La mascherina antipolvere o il respiratore devono essere in grado di filtrare le particelle generate dall'operazione specifica. L'esposizione prolungata al rumore ad alta intensità potrebbe causare la perdita dell'udito.
10. **Tenere gli astanti a distanza di sicurezza dall'area di lavoro.** Chiunque entri nell'area di lavoro deve indossare un'attrezzatura di protezione personale. I frammenti del pezzo in lavorazione o di un accessorio rotto potrebbero venire scagliati via e causare lesioni personali a una distanza superiore alle immediate vicinanze dell'operazione in corso.
11. **Mantenere l'utensile elettrico solo per le superfici di impugnatura isolate quando si esegue un'operazione in cui l'utensile da taglio potrebbe entrare in contatto con fili elettrici nascosti.** Il contatto con un filo elettrico sotto tensione mette sotto tensione anche le parti metalliche esposte dell'utensile elettrico, e potrebbe causare una scossa elettrica all'operatore.
12. **Non appoggiare mai l'utensile elettrico fino all'arresto completo dell'accessorio.** L'accessorio in rotazione potrebbe far presa sulla superficie e tirare l'utensile elettrico, facendone perdere il controllo all'operatore.

13. **Non far funzionare l'utensile elettrico mentre lo si trasporta sul proprio fianco.** Un contatto accidentale con l'accessorio in rotazione potrebbe far impigliare gli indumenti, attirando l'accessorio contro il corpo dell'operatore.
14. **Pulire regolarmente le aperture di ventilazione dell'utensile elettrico.** La ventola del motore attira le polveri all'interno dell'alloggiamento, e l'accumulo eccessivo di polvere metallica potrebbe causare pericoli di natura elettrica.
15. **Non far funzionare l'utensile elettrico in prossimità di materiali infiammabili.** Le scintille potrebbero incendiare tali materiali.
16. **Non utilizzare accessori che richiedano refrigeranti liquidi.** L'impiego di acqua o di altri refrigeranti liquidi potrebbe causare la folgorazione o scosse elettriche.

Contraccollo e avvertenze correlate:

Il contraccollo è una reazione improvvisa a un disco in rotazione, un platorello di sostegno, una spazzola o qualsiasi altro accessorio che resti incastrato o impigliato. Un accessorio in rotazione che resti incastrato o impigliato subisce un rapido stallo che, che a sua volta, spinge l'utensile elettrico fuori controllo nella direzione opposta alla rotazione dell'accessorio nel punto di inceppamento. Ad esempio, qualora una mola abrasiva resti incastrata o impigliata nel pezzo in lavorazione, il filo del disco che entra nel punto di inceppamento potrebbe scavare nella superficie del materiale, causando la fuoriuscita o il contraccollo del disco verso l'esterno. Il disco potrebbe saltare verso l'operatore o lontano da quest'ultimo, a seconda della direzione del movimento del disco nel punto in cui si è incastrato. In queste condizioni, le mole abrasive potrebbero anche rompersi.

Il contraccollo è il risultato dell'uso improprio dell'utensile elettrico e/o di procedure o condizioni operative errate, e può essere evitato adottando le precauzioni appropriate indicate di seguito.

1. **Mantenere una salda presa sull'utensile elettrico con entrambe le mani, e posizionare il corpo e le braccia in modo da poter resistere alle forze dei contraccolpi.** Per il massimo controllo dei contraccolpi o di reazioni di coppia durante l'avvio, utilizzare sempre il manico ausiliario, se in dotazione. L'operatore può controllare le reazioni di coppia o le forze dei contraccolpi, se adotta le precauzioni appropriate.
2. **Non posizionare mai le mani in prossimità dell'accessorio in rotazione.** L'accessorio potrebbe saltare all'indietro sulla mano per un contraccollo.
3. **Non posizionare il corpo nell'area in cui l'utensile elettrico si sposterebbe qualora si verificasse un contraccollo.** Il contraccollo lancia l'utensile nella direzione opposta al movimento del disco sul punto in cui si è impigliato.
4. **Adottare particolare cautela quando si lavora negli angoli, con bordi acuti, e così via.** Evitare di far rimbalzare e impigliare l'accessorio. Gli angoli, i bordi acuti o i rimbalzi tendono a far impigliare l'accessorio in rotazione e a causare la perdita di controllo o il contraccollo.
5. **Non montare catene per seghe, lame da intaglio per legno, dischi diamantati a settori con distanza periferica tra i settori superiore a 10 mm o lame dentate.** Queste lame causano frequenti contraccolpi e perdite di controllo.

Avvertenze di sicurezza specifiche per operazioni di smerigliatura e troncatrice:

1. **Utilizzare solo i tipi di dischi specificati per l'utensile elettrico utilizzato e la protezione specifica progettata per il disco selezionato.** I dischi che non siano stati progettati per l'utensile elettrico non possono essere adeguatamente protetti e non sono sicuri.
2. **La superficie di smerigliatura dei dischi a centro depresso deve essere montata al di sotto del piano del labbro della protezione.** Un disco montato in modo errato che sporga oltre il piano del labbro della protezione non può essere protetto adeguatamente.
3. **La protezione deve essere montata saldamente sull'utensile elettrico e posizionata per la massima sicurezza, in modo che una parte minima del disco sia esposta verso l'operatore.** La protezione aiuta a proteggere l'operatore da frammenti di dischi rotti, dal contatto accidentale con il disco e dalle scintille, che potrebbero incendiare gli indumenti.
4. **I dischi devono essere utilizzati esclusivamente per le applicazioni specificate. Ad esempio: non smerigliare con il lato di una mola troncatrice.** Le mole troncatrici abrasive sono destinate alla smerigliatura periferica, e le forze laterali applicate a queste mole potrebbero causarne la frantumazione.
5. **Utilizzare sempre flange dei dischi non danneggiate, di dimensione e forma corrette per il disco selezionato.** Flange dei dischi corrette supportano i dischi, riducendo pertanto la possibilità di rottura dei dischi. Le flange per mole troncatrici potrebbero essere diverse dalle flange per mole abrasive.
6. **Non utilizzare dischi usurati provenienti da utensili elettrici più grandi.** Un disco progettato per un utensile elettrico più grande non è idoneo alla velocità più elevata di un utensile più piccolo, e potrebbe scoppiare.
7. **Quando si intende utilizzare dischi a doppia funzione, utilizzare sempre la protezione corretta per l'applicazione che si intende eseguire.** Il mancato utilizzo della protezione corretta potrebbe non fornire il livello desiderato di protezione, il che potrebbe portare a gravi lesioni personali.

Avvertenze di sicurezza aggiuntive specifiche per le operazioni di troncatrice:

1. **Non spingere forzatamente la mola troncatrice né applicare una pressione eccessiva. Non tentare di realizzare tagli eccessivamente profondi.** La sollecitazione eccessiva del disco incrementa il carico e la suscettibilità alla torsione o all'inceppamento del disco nel taglio, nonché la possibilità di contraccolpi o di rottura del disco.
2. **Non posizionare il corpo in linea e dietro il disco in rotazione.** Quando il disco, sul punto di lavorazione, si allontana dal corpo dell'operatore, un possibile contraccollo potrebbe scagliare il disco in rotazione e l'utensile elettrico direttamente verso l'operatore.

3. **Quando il disco si sta inceppando o quando si intende interrompere il taglio per un qualsiasi motivo, spegnere l'utensile elettrico e mantenerlo immobile fino all'arresto completo del disco. Non tentare mai di rimuovere la mola troncatrice dal taglio mentre è in movimento; in caso contrario, si potrebbe verificare un contraccolpo.** Investigare e adottare misure correttive per eliminare la causa dell'inceppamento del disco.
4. **Non riavviare l'operazione di taglio all'interno del pezzo in lavorazione. Lasciare che il disco raggiunga la piena velocità e rientrare con attenzione nel taglio.** Qualora si riavvi l'utensile elettrico all'interno del pezzo in lavorazione, il disco potrebbe incepparsi, rialzarsi o causare un contraccolpo.
5. **Supportare i pannelli o qualsiasi pezzo in lavorazione di grandi dimensioni, per ridurre al minimo il rischio che il disco resti incastrato o causi contraccolpi.** I pezzi in lavorazione di grandi dimensioni tendono a curvarsi sotto il proprio peso. Dei supporti devono essere posizionati sotto il pezzo in lavorazione, vicini alla linea di taglio e in prossimità del bordo del pezzo in lavorazione, da entrambi i lati del disco.
6. **Fare particolarmente attenzione quando si intende eseguire un "taglio di cavità" su pareti esistenti o altre aree cieche.** Il disco che sporge potrebbe tagliare tubi del gas o dell'acqua, cavi elettrici oppure oggetti che possono causare contraccolpi.
7. **Non tentare di effettuare tagli curvi.** La sollecitazione eccessiva del disco incrementa il carico e la suscettibilità alla torsione o all'inceppamento del disco nel taglio, nonché la possibilità di contraccolpi o di rottura del disco, che possono portare a gravi lesioni personali.
8. **Prima di utilizzare un disco diamantato a settori, accertarsi che il disco diamantato abbia una distanza periferica tra i settori non superiore a 10 mm, solo con angolo di spoglia negativo.**

Avvertenze di sicurezza specifiche per le operazioni di carteggiatura:

1. **Utilizzare un disco di carta abrasiva delle dimensioni corrette. Seguire i consigli dei produttori nella scelta della carta abrasiva.** Una carta abrasiva di dimensioni più elevate, che si estenda eccessivamente oltre il platorello di carteggiatura presenta un rischio di lacerazione, e potrebbe far impigliare o strappare il disco o causare contraccolpi.

Avvertenze di sicurezza specifiche per le operazioni di spazzolatura metallica:

1. **Tenere presente che le setole in filo metallico vengono scagliate via dalla spazzola anche durante il normale funzionamento. Non sollecitare eccessivamente le setole in filo metallico esercitando un carico eccessivo sulla spazzola.** Le setole in filo metallico possono penetrare facilmente gli abiti leggeri e/o la pelle.
2. **Qualora sia specificato l'uso di una protezione per la spazzolatura metallica, evitare qualsiasi interferenza della spazzola metallica a disco o della spazzola metallica con la protezione.** Il diametro della spazzola metallica a disco o della spazzola metallica potrebbe espandersi a causa del carico di lavoro e delle forze centrifughe.

Avvertenze aggiuntive per la sicurezza:

1. **Quando si intende utilizzare mole a centro depresso, scegliere esclusivamente mole rinforzate in fibra di vetro.**
2. **NON UTILIZZARE MAI mole a tazza in pietra con questa smerigliatrice.** Questa smerigliatrice non è progettata per questi tipi di mole, e l'utilizzo di tali prodotti potrebbe risultare in gravi lesioni personali.
3. **Fare attenzione a non danneggiare il mandrino, la flangia (soprattutto la superficie di installazione) o il controdado.** Il danneggiamento di queste parti potrebbe risultare nella rottura del disco.
4. **Accertarsi che il disco non sia in contatto con il pezzo in lavorazione prima dell'attivazione dell'interruttore.**
5. **Prima di utilizzare l'utensile sul pezzo in lavorazione effettivo, lasciarlo girare per qualche momento. Osservare se siano presenti vibrazioni od ondeggiamenti, che potrebbero denotare un'installazione errata del disco o un disco bilanciato male.**
6. **Utilizzare la superficie specificata del disco per eseguire la smerigliatura.**
7. **Non lasciare l'utensile in funzione. Far funzionare l'utensile solo mentre lo si impugna.**
8. **Non toccare il pezzo in lavorazione subito dopo averlo lavorato con l'utensile; la temperatura del pezzo potrebbe essere estremamente elevata e causare ustioni.**
9. **Non toccare gli accessori subito dopo l'utilizzo; la loro temperatura potrebbe essere estremamente elevata e potrebbero causare ustioni.**
10. **Osservare le istruzioni del produttore per il corretto montaggio e utilizzo dei dischi. Maneggiare e conservare i dischi con cura.**
11. **Non utilizzare boccole di riduzione o adattatori separati per adattare mole abrasive con foro largo.**
12. **Utilizzare esclusivamente le flange specificate per questo utensile.**
13. **Per gli utensili su cui vanno montati dischi con foro filettato, accertarsi che la filettatura del disco sia sufficientemente lunga da accettare la lunghezza del mandrino.**
14. **Accertarsi che il pezzo in lavorazione sia supportato correttamente.**
15. **Tenere presente che il disco continua a girare dopo lo spegnimento dell'utensile.**
16. **Qualora l'ambiente di lavoro sia estremamente caldo o umido, oppure notevolmente contaminato da polvere conduttiva, utilizzare un salvavita (da 30 mA) per garantire la sicurezza dell'operatore.**
17. **Non utilizzare l'utensile su materiali contenenti amianto.**
18. **Quando si utilizza una mola troncatrice, lavorare sempre con la protezione disco per raccolta polveri, se richiesta dalle normative locali.**
19. **I dischi da taglio non devono essere soggetti ad alcuna pressione laterale.**

20. **Non utilizzare guanti da lavoro in tessuto durante l'uso dell'utensile.** Le fibre provenienti da guanti in tessuto potrebbero penetrare nell'utensile, causandone la rottura.
21. **Prima dell'uso, accertarsi che non siano presenti oggetti interrati quali canaline elettriche, tubi dell'acqua o tubi del gas nel pezzo in lavorazione.** In caso contrario, tali oggetti potrebbero causare scosse elettriche, dispersioni elettriche o fughe di gas.
22. **Se sul disco è montato un ripartitore di pressione, non rimuoverlo. Il diametro del ripartitore di pressione deve essere superiore a quello del controdado, della flangia esterna e della flangia interna.**
23. **Prima di installare una mola abrasiva, controllare sempre che la parte del ripartitore di pressione non presenti anomalie quali scheggiature o spaccature.**
24. **Serrare correttamente il controdado.** Un serraggio eccessivo del disco può causarne la rottura, mentre un serraggio insufficiente può causarne l'ondeggiamento.

CONSERVARE LE PRESENTI ISTRUZIONI.

⚠AVVERTIMENTO: NON lasciare che comedità o la familiarità d'utilizzo con il prodotto (acquisita con l'uso ripetuto) sostituisca la stretta osservanza delle norme di sicurezza per il prodotto in questione. L'USO IMPROPRIO o la mancata osservanza delle norme di sicurezza indicate nel presente manuale di istruzioni potrebbero causare gravi lesioni personali.

Istruzioni di sicurezza importanti per la cartuccia della batteria

1. **Prima di utilizzare la cartuccia della batteria, leggere tutte le istruzioni e le avvertenze riportate (1) sul caricabatteria, (2) sulla batteria e (3) sul prodotto che utilizza la batteria.**
 2. **Non smantellare né manomettere la cartuccia della batteria.** In caso contrario, si potrebbe causare un incendio, calore eccessivo o un'esplosione.
 3. **Qualora il tempo di utilizzo si riduca eccessivamente, interrompere immediatamente l'utilizzo dell'utensile. In caso contrario, si può incorrere nel rischio di surriscaldamento, possibili ustioni e persino un'esplosione.**
 4. **Qualora l'elettrolita entri in contatto con gli occhi, sciacquarli con acqua pulita e richiedere immediatamente assistenza medica.** Questa eventualità può risultare nella perdita della vista.
 5. **Non cortocircuitare la cartuccia della batteria:**
 - (1) **Non toccare i terminali con alcun materiale conduttivo.**
 - (2) **Evitare di conservare la cartuccia della batteria in un contenitore insieme ad altri oggetti metallici quali chiodi, monete, e così via.**
 - (3) **Non esporre la cartuccia della batteria all'acqua o alla pioggia.**
6. **Non conservare e utilizzare l'utensile e la cartuccia della batteria in ubicazioni in cui la temperatura possa raggiungere o superare i 50°C.**
 7. **Non incenerire la cartuccia della batteria anche qualora sia gravemente danneggiata o completamente esaurita. La cartuccia della batteria può esplodere se a contatto con il fuoco.**
 8. **Non inchiodare, tagliare, schiacciare, lanciare o far cadere la cartuccia della batteria, né farla urtare con forza contro un oggetto duro.** Questi comportamenti potrebbero risultare in un incendio, calore eccessivo o un'esplosione.
 9. **Non utilizzare una batteria danneggiata.**
 10. **Le batterie a ioni di litio contenute sono soggette ai requisiti del regolamento sul trasporto di merci pericolose (Dangerous Goods Legislation).**
Per trasporti commerciali, ad esempio da parte di terzi o spedizionieri, è necessario osservare dei requisiti speciali sull'imballaggio e sull'etichetta. Per la preparazione dell'articolo da spedire, è richiesta la consulenza di un esperto in materiali pericolosi. Attenersi anche alle normative nazionali, che potrebbero essere più dettagliate. Nastre o coprire i contatti aperti e imballare la batteria in modo tale che non si possa muovere liberamente all'interno dell'imballaggio.
 11. **Quando si intende smaltire la cartuccia della batteria, rimuoverla dall'utensile e smaltirla in un luogo sicuro. Attenersi alle normative locali relative allo smaltimento della batteria.**
 12. **Utilizzare le batterie esclusivamente con i prodotti specificati da Makita.** L'installazione delle batterie in prodotti non compatibili potrebbe risultare in incendi, calore eccessivo, esplosioni o perdite di liquido elettrolitico.
 13. **Se l'utensile non viene utilizzato per un periodo di tempo prolungato, la batteria deve essere rimossa dall'utensile.**
 14. **Durante e dopo l'uso, la cartuccia della batteria potrebbe assorbire calore, che può causare ustioni o ustioni a bassa temperatura. Fare attenzione a come si maneggiano le cartucce delle batterie estremamente calde.**
 15. **Non toccare i terminali dell'utensile subito dopo l'uso, in quanto potrebbero diventare estremamente caldi al punto da causare ustioni.**
 16. **Evitare di far incastrare schegge, polveri o terreno nei terminali, nei fori e nelle scanalature della cartuccia della batteria.** In caso contrario, l'utensile o la cartuccia della batteria potrebbero riscaldarsi, prendere fuoco, scoppiare o guastarsi, causando ustioni o lesioni personali.
 17. **A meno che l'utensile supporti l'uso in prossimità di linee elettriche ad alta tensione, non utilizzare la cartuccia della batteria in prossimità di linee elettriche ad alta tensione.** In caso contrario, si potrebbe causare un malfunzionamento o la rottura dell'utensile o della cartuccia della batteria.

18. Tenere la batteria lontana dai bambini.

CONSERVARE LE PRESENTI ISTRUZIONI.

⚠ATTENZIONE: Utilizzare solo batterie originali Makita. L'utilizzo di batterie Makita non originali, o di batterie che siano state alterate, potrebbe risultare nello scoppio della batteria, causando incendi, lesioni personali e danni. Inoltre, ciò potrebbe invalidare la garanzia Makita per l'utensile e il caricabatterie Makita.

Suggerimenti per preservare la durata massima della batteria

1. Caricare la cartuccia della batteria prima che si scarichi completamente. Smettere sempre di utilizzare l'utensile e caricare la cartuccia della batteria quando si nota che la potenza dell'utensile è diminuita.
2. Non ricaricare mai una cartuccia della batteria completamente carica. La sovraccarica riduce la vita utile della batteria.
3. Caricare la cartuccia della batteria a una temperatura ambiente compresa tra 10 °C e 40 °C. Lasciar raffreddare una cartuccia della batteria prima di caricarla.
4. Quando non si utilizza la cartuccia della batteria, rimuoverla dall'utensile o dal caricabatterie.
5. Caricare la cartuccia della batteria se non la si è utilizzata per un periodo di tempo prolungato (più di sei mesi).

Istruzioni importanti per la sicurezza dell'unità senza fili

1. Non smontare né manomettere l'unità senza fili.
2. Tenere l'unità senza fili lontana dai bambini piccoli. Qualora venga inghiottita accidentalmente, richiedere immediatamente assistenza medica.
3. Utilizzare l'unità senza fili esclusivamente con utensili Makita.
4. Non esporre l'unità senza fili alla pioggia o a condizioni di bagnato.
5. Non utilizzare l'unità senza fili in luoghi in cui la temperatura superi i 50 °C.
6. Non utilizzare l'unità senza fili in luoghi in cui siano presenti strumenti medici, ad esempio pacemaker, nelle vicinanze.
7. Non utilizzare l'unità senza fili in luoghi in cui siano presenti dispositivi automatizzati nelle vicinanze. In caso contrario, i dispositivi automatizzati potrebbero sviluppare un malfunzionamento o un errore.
8. Non far funzionare l'unità senza fili in ubicazioni con temperatura ambiente elevata o in ubicazioni in cui potrebbero venire generati elettricità statica o disturbi elettrici.
9. L'unità senza fili può produrre campi elettromagnetici (EMF) ma questi ultimi non sono dannosi per l'utente.

10. L'unità senza fili è uno strumento preciso. Fare attenzione a non far cadere e a non colpire l'unità senza fili.
11. Evitare di toccare il terminale dell'unità senza fili a mani nude o con materiali metallici.
12. Rimuovere sempre la batteria sul prodotto quando si intende installare su quest'ultimo l'unità senza fili.
13. Quando si intende aprire il coperchio dell'alloggiamento, evitare ubicazioni in cui polvere e acqua potrebbero penetrare nell'alloggiamento. Mantenere sempre l'apertura di entrata dell'alloggiamento pulita.
14. Inserire sempre l'unità senza fili nella direzione corretta.
15. Non premere con forza eccessiva il pulsante di attivazione della comunicazione senza fili sull'unità senza fili, né premere il pulsante con un oggetto dal bordo affilato.
16. Chiudere sempre il coperchio dell'alloggiamento durante il funzionamento.
17. Non rimuovere l'unità senza fili dall'alloggiamento mentre viene fornita l'alimentazione all'utensile. In caso contrario, si potrebbe causare un malfunzionamento dell'unità senza fili.
18. Non rimuovere l'adesivo sull'unità senza fili.
19. Non applicare alcun adesivo sull'unità senza fili.
20. Non lasciare l'unità senza fili in un'ubicazione in cui potrebbero venire generati elettricità statica o disturbi elettrici.
21. Non lasciare l'unità senza fili in ubicazioni soggette a calore elevato, ad esempio in un'auto parcheggiata al sole.
22. Non lasciare l'unità senza fili in ubicazioni polverose o in ubicazioni in cui potrebbero venire generati gas corrosivi.
23. Una variazione improvvisa di temperatura potrebbe far bagnare di condensa l'unità senza fili. Non utilizzare l'unità senza fili fino alla completa asciugatura della condensa.
24. Quando si intende pulire l'unità senza fili, passarvi sopra delicatamente un panno morbido asciutto. Non utilizzare benzina per pulizia, diluenti, grasso conduttivo o simili.
25. Quando si intende riporre l'unità senza fili, conservarla nella custodia in dotazione o in un contenitore antistatico.
26. Non inserire alcun dispositivo diverso dall'unità senza fili Makita nell'alloggiamento presente sull'utensile.
27. Non utilizzare l'utensile con il coperchio dell'alloggiamento danneggiato. Qualora nell'alloggiamento penetrino acqua, polvere e sporco, potrebbero causare un malfunzionamento.
28. Non tirare né attorcigliare il coperchio dell'alloggiamento oltre il necessario. Qualora il coperchio si stacchi dall'utensile, riapplicarlo.
29. Qualora il coperchio dell'alloggiamento vada perso o venga danneggiato, sostituirlo.

CONSERVARE LE PRESENTI ISTRUZIONI.

DESCRIZIONE DELLE FUNZIONI

ATTENZIONE: Accertarsi sempre che l'utensile sia spento e che la cartuccia della batteria sia stata rimossa prima di regolare o di controllare il funzionamento dell'utensile.

Installazione o rimozione della cartuccia della batteria

ATTENZIONE: Spegnerne sempre l'utensile prima di installare o rimuovere la cartuccia della batteria.

ATTENZIONE: Mantenere saldamente lo strumento e la batteria quando si intende installare o rimuovere la cartuccia della batteria. Qualora non si mantengano saldamente lo strumento e la cartuccia della batteria, questi ultimi potrebbero scivolare dalle mani, con la possibilità di causare un danneggiamento dello strumento e della cartuccia della batteria, nonché una lesione personale.

► **Fig.1:** 1. Indicatore rosso 2. Pulsante 3. Cartuccia della batteria

Per rimuovere la cartuccia della batteria, farla scorrere via dall'utensile mentre si fa scorrere allo stesso tempo il pulsante sulla parte anteriore della cartuccia.

Per installare la cartuccia della batteria, allineare la linguetta sulla cartuccia della batteria con la scanalatura nell'alloggiamento e farla scivolare in sede. Inserirla completamente fino al suo blocco in sede con un leggero scatto. Se è possibile vedere l'indicatore rosso, come indicato nella figura, non è bloccata completamente.

ATTENZIONE: Installare sempre fino in fondo la cartuccia della batteria, fino a quando l'indicatore rosso non è più visibile. In caso contrario, la batteria potrebbe cadere accidentalmente dall'utensile, causando lesioni personali all'operatore o a chi gli è vicino.

ATTENZIONE: Non installare forzatamente la cartuccia della batteria. Qualora la batteria non si inserisca scorrendo agevolmente, vuol dire che non viene inserita correttamente.

Indicazione della carica residua della batteria

Solo per cartucce delle batterie dotate di indicatore

► **Fig.2:** 1. Indicatori luminosi 2. Pulsante di controllo

Premere il pulsante di controllo sulla cartuccia della batteria per indicare la carica residua della batteria. Gli indicatori luminosi si illuminano per alcuni secondi.

Indicatori luminosi			Carica residua
■ Illuminato	□ Spento	◐ Lampeggiante	
■ ■ ■ ■			Dal 75% al 100%
■ ■ ■ □			Dal 50% al 75%
■ ■ □ □			Dal 25% al 50%
■ □ □ □			Dallo 0% al 25%
◐ □ □ □			Caricare la batteria.
■ ■ □ □			La batteria potrebbe essersi guastata.
□ □ ■ ■			

NOTA: A seconda delle condizioni d'uso e della temperatura ambiente, l'indicazione potrebbe variare leggermente rispetto alla carica effettiva.

NOTA: Il primo indicatore luminoso (all'estremità sinistra) lampeggia quando il sistema di protezione della batteria è in funzione.

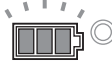
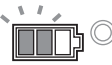
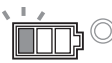
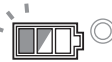
Indicazione della carica residua della batteria

Specifica in base alla nazione

Quando si accende l'utensile, l'indicatore della batteria mostra la carica residua della batteria.

► **Fig.3:** 1. Indicatore della batteria

La carica residua della batteria viene indicata come mostrato nella tabella seguente.

Stato dell'indicatore della batteria			Carica residua della batteria
■ Acceso	□ Spento	◐ Lampeggiante	
			Dal 50% al 100%
			Dal 20% al 50%
			Dallo 0% al 20%
			Caricare la batteria

Sistema di protezione strumento/batteria

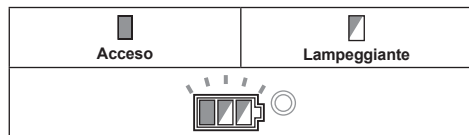
L'utensile è dotato di un sistema di protezione dell'utensile stesso e della batteria. Tale sistema interrompe automaticamente l'alimentazione al motore per prolungare la vita utile dell'utensile e della batteria. L'utensile si arresta automaticamente durante il funzionamento, qualora l'utensile o la batteria vengano a trovarsi in una delle condizioni seguenti:

Protezione dal sovraccarico

Quando l'utensile viene utilizzato in un modo che causa un assorbimento di corrente elevato in modo anomalo, lo strumento si arresta automaticamente senza alcuna indicazione. In questa situazione, spegnere l'utensile e interrompere l'applicazione che ne ha causato il sovraccarico. Quindi, accendere l'utensile per ricominciare.

Protezione dal surriscaldamento

Quando l'utensile è surriscaldato si arresta automaticamente, e l'indicatore della batteria mostra lo stato seguente. In tal caso, lasciar raffreddare l'utensile prima di riaccenderlo.



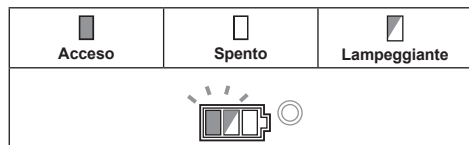
Qualora l'utensile non si avvia, la batteria potrebbe essere surriscaldata. In tal caso, lasciar raffreddare la batteria prima di riavviare l'utensile.

Protezione dalla sovrascarica

Quando la carica della batteria non è sufficiente, l'utensile si arresta automaticamente. In tal caso, rimuovere la batteria dall'utensile e caricarla.

Annullamento del blocco di protezione

Quando il sistema di protezione si attiva ripetutamente l'utensile viene bloccato, e l'indicatore della batteria mostra lo stato seguente. In questa situazione, l'utensile non si avvia anche se lo si spegne e lo si riaccende. Per annullare il blocco di protezione, rimuovere la batteria, inserirla nel caricabatterie e attendere che la carica sia terminata.



Protezione da altre cause

Il sistema di protezione è progettato anche per altre cause che potrebbero danneggiare l'utensile, e consente all'utensile di arrestarsi automaticamente. Adottare tutte le misure seguenti per rimuovere le cause, quando l'utensile è stato portato a un'interruzione temporanea o a un arresto del funzionamento.

1. Spegnerne l'utensile, quindi riaccenderlo per ricominciare.
2. Caricare la batteria o le batterie, o sostituirla/sostituirla con una batteria o delle batterie ricaricate.
3. Lasciar raffreddare l'utensile e la batteria o le batterie.

Qualora non si riscontrino alcun miglioramento ripristinando il sistema di protezione, contattare il proprio centro di assistenza locale Makita.

Blocco albero

⚠AVVERTIMENTO: Non utilizzare mai il blocco albero mentre il mandrino è in movimento. In caso contrario, si potrebbero causare lesioni personali o il danneggiamento dell'utensile.

Premere il blocco albero per impedire la rotazione del mandrino quando si intende installare o rimuovere gli accessori.

► Fig.4: 1. Blocco albero

Utilizzo dell'interruttore

⚠ATTENZIONE: Prima di installare la cartuccia della batteria nell'utensile, verificare sempre che l'interruttore a leva funzioni correttamente e torni sulla posizione "OFF" quando lo si rilascia.

⚠ATTENZIONE: Per la sicurezza dell'utilizzatore, questo utensile è dotato di una leva di sblocco che evita l'avvio accidentale dell'utensile. Non utilizzare MAI l'utensile qualora si avvii semplicemente premendo l'interruttore a leva senza premere la leva di sblocco. Portare l'utensile a un nostro centro di assistenza autorizzato per le riparazioni del caso PRIMA di un ulteriore utilizzo.

⚠ATTENZIONE: Non premere con forza l'interruttore a leva senza tirare la leva di sblocco. In caso contrario, si potrebbe causare la rottura dell'interruttore.

⚠ATTENZIONE: Non bloccare MAI con del nastro adesivo né rendere inefficace lo scopo e il funzionamento della leva di sblocco.

L'utensile è dotato di una leva di sblocco, per evitare di premere accidentalmente l'interruttore a leva. Per avviare l'utensile, tirare la leva di sblocco verso l'operatore, quindi premere l'interruttore a leva. Per arrestare l'utensile, rilasciare l'interruttore a leva.

► Fig.5: 1. Leva di sblocco 2. Interruttore a leva

Selettore di regolazione della velocità

È possibile modificare la velocità di rotazione dell'utensile ruotando il selettore di regolazione della velocità. La tabella seguente mostra il numero sul selettore e la velocità di rotazione corrispondente.

► **Fig.6:** 1. Selettore di regolazione della velocità



Numero	Velocità
1	3.000 min ⁻¹
2	4.500 min ⁻¹
3	6.000 min ⁻¹
4	7.500 min ⁻¹
5	8.500 min ⁻¹

AVVISO: Qualora l'utensile venga fatto funzionare continuamente a bassa velocità per un periodo di tempo prolungato, il motore viene sovraccaricato, causando il malfunzionamento dell'utensile.

AVVISO: È possibile ruotare la manopola di regolazione della velocità solo fino a 5 e indietro fino a 1. Non forzarla oltre 5 o 1; in caso contrario, la funzione di regolazione della velocità potrebbe non operare più.

Funzione di variazione automatica della velocità

► **Fig.7:** 1. Indicatore di modalità

Stato dell'indicatore di modalità	Modalità di funzionamento
	Modalità ad alta velocità
	Modalità a coppia elevata

Questo utensile dispone di una "modalità ad alta velocità" e di una "modalità a coppia elevata". L'utensile cambia automaticamente la modalità di funzionamento a seconda del carico di lavoro. Quando l'indicatore di modalità si illumina durante il funzionamento, l'utensile è in modalità a coppia elevata.

Funzione di prevenzione del riavvio accidentale

Quando si installa la cartuccia della batteria mentre l'interruttore è attivato, l'utensile non si avvia. Per avviare l'utensile, disattivare l'interruttore, quindi riattivarlo.

Tecnologia di rilevamento attivo della retroazione

L'utensile rileva elettronicamente situazioni in cui la mola o l'accessorio potrebbero correre il rischio di incepparsi. In tale situazione, l'utensile viene spento automaticamente per evitare un'ulteriore rotazione del mandrino (non previene eventuali contraccolpi). Per riavviare l'utensile, innanzitutto spegnerlo, rimuovere la causa della riduzione improvvisa della velocità di rotazione, quindi riaccendere l'utensile.

Funzione di avvio morbido

La funzione di avvio morbido riduce la reazione di avvio.

Freno elettrico

Il freno elettrico viene attivato dopo lo spegnimento dell'utensile. Il freno non funziona quando l'alimentazione è disattivata, ad esempio qualora la batteria venga rimossa accidentalmente con l'interruttore ancora attivato.

MONTAGGIO

ATTENZIONE: Accertarsi sempre che l'utensile sia spento e che la cartuccia della batteria sia stata rimossa prima di regolare o di controllare il funzionamento dell'utensile.

Installazione dell'impugnatura laterale (manico)

ATTENZIONE: Accertarsi sempre che l'impugnatura laterale sia installata saldamente prima dell'uso.

Avvitare saldamente l'impugnatura laterale sulla posizione dell'utensile mostrata nella figura.

► **Fig.8**

Installazione o rimozione della protezione disco (per dischi a centro depresso, dischi lamellari, dischi flessibili, spazzole metalliche a disco / mole troncatrici abrasive, dischi diamantati)

AVVERTIMENTO: Quando si utilizza un disco a centro depresso, un disco lamellare, un disco flessibile o una spazzola metallica a disco, è necessario montare la protezione disco sull'utensile, in modo che il lato chiuso della protezione sia sempre rivolto verso l'operatore.

AVVERTIMENTO: Quando si intende utilizzare una mola troncatrice o un disco disco diamantato, accertarsi di utilizzare esclusivamente la protezione disco speciale progettata per l'impiego con le mole troncatrici.

Per utensili dotati di protezione disco del tipo con vite di fissaggio

Montare la protezione disco con le sporgenze sulla fascia della protezione disco allineate alle tacche dell'alloggiamento del cuscinetto. Quindi, ruotare la protezione disco a un'angolazione tale da poter proteggere l'operatore a seconda del lavoro. Accertarsi di serrare saldamente la vite.

Per rimuovere la protezione disco, seguire la procedura di installazione al contrario.

► **Fig.9:** 1. Protezione disco 2. Alloggiamento del cuscinetto 3. Vite

Per utensili dotati di protezione disco del tipo con leva a morsetto

Allentare la vite, quindi tirare la leva nella direzione della freccia. Montare la protezione disco con le sporgenze sulla fascia della protezione disco allineate alle tacche dell'alloggiamento del cuscinetto. Quindi, ruotare la protezione disco a un'angolazione tale da poter proteggere l'operatore a seconda del lavoro.

► **Fig.10:** 1. Protezione disco 2. Alloggiamento del cuscinetto 3. Vite 4. Leva

Tirare la leva nella direzione della freccia. Quindi, serrare la protezione disco serrando la vite. Accertarsi di serrare saldamente la vite. È possibile regolare l'angolo di installazione della protezione disco con la leva.

► **Fig.11:** 1. Vite 2. Leva

Per rimuovere la protezione disco, seguire la procedura di installazione al contrario.

Accessorio agganciabile di protezione per disco da taglio

Accessorio opzionale

NOTA: Per operazioni di troncatura, è possibile utilizzare un accessorio agganciabile di protezione per disco da taglio con la protezione disco (per la mola abrasiva).

Non disponibile in alcune nazioni.

► **Fig.12**

Installazione o rimozione di un disco a centro depresso o di un disco lamellare

Accessorio opzionale

AVVERTIMENTO: Quando si intende utilizzare un disco a centro depresso o un disco lamellare, la protezione disco deve essere montata sull'utensile in modo che il lato chiuso della protezione sia sempre rivolto verso l'operatore.

AVVERTIMENTO: Accertarsi che la parte di montaggio della flangia interna entri perfettamente nel diametro interno del disco a centro depresso o del disco lamellare. Il montaggio della flangia interna sul lato errato potrebbe risultare in vibrazioni pericolose.

Montare la flangia interna sul mandrino.

Accertarsi di inserire la parte dentellata della flangia interna sulla parte diritta sul fondo del mandrino.

Installare il disco a centro depresso o il disco lamellare sulla flangia interna e avvitare il controdado sul mandrino.

► **Fig.13:** 1. Controdado 2. Disco a centro depresso 3. Flangia interna 4. Parte di montaggio

Per serrare il controdado, premere con decisione il blocco albero in modo che il mandrino non possa girare, quindi utilizzare la chiave per controdadi e serrare il controdado saldamente in senso orario.

► **Fig.14:** 1. Chiave per controdadi 2. Blocco albero

Per rimuovere il disco, seguire la procedura di installazione al contrario.

Installazione o rimozione del disco flessibile

Accessorio opzionale

AVVERTIMENTO: Utilizzare sempre la protezione in dotazione quando il disco flessibile è montato sull'utensile. Il disco potrebbe frantumarsi durante l'uso, e la protezione contribuisce a ridurre il rischio di lesioni personali.

► **Fig.15:** 1. Controdado 2. Disco flessibile 3. Platorello di sostegno 4. Flangia interna

Seguire le istruzioni per il disco a centro depresso, ma usare anche il platorello di sostegno sopra il disco.

Installazione o rimozione del disco abrasivo

Accessorio opzionale

NOTA: Utilizzare gli accessori di carteggiatura specificati nel presente manuale. Questi ultimi devono essere acquistati separatamente.

Per il modello da 100 mm (4")

► **Fig.16:** 1. Controdado di carteggiatura 2. Disco abrasivo 3. Platorello di gomma 4. Flangia interna

1. Montare la flangia interna sul mandrino.
2. Montare il platorello di gomma sul mandrino.
3. Montare il disco sul platorello di gomma, quindi avvitare il controdado di carteggiatura sul mandrino.
4. Tenere fermo il mandrino con il blocco albero, quindi serrare saldamente il controdado di carteggiatura in senso orario con la chiave per controdadi.

Per rimuovere il disco, seguire la procedura di installazione al contrario.

Per modelli diversi da quello da 100 mm (4")

► **Fig.17:** 1. Controdado di carteggiatura 2. Disco abrasivo 3. Platorello di gomma

1. Montare il platorello di gomma sul mandrino.
2. Montare il disco sul platorello di gomma, quindi avvitare il controdado di carteggiatura sul mandrino.
3. Tenere fermo il mandrino con il blocco albero, quindi serrare saldamente il controdado di carteggiatura in senso orario con la chiave per controdadi.

Per rimuovere il disco, seguire la procedura di installazione al contrario.

Installazione o rimozione dell'Ezynut

Accessorio opzionale

Solo per utensili con filettatura del mandrino M14.

Montare la flangia interna, la mola abrasiva e l'Ezynut sul mandrino in modo che il logo Makita sull'Ezynut sia rivolto verso l'esterno.

► **Fig.18:** 1. Ezynut 2. Mola abrasiva 3. Flangia interna 4. Mandrino

Premere saldamente il blocco albero e serrare l'Ezynut ruotando la mola abrasiva in senso orario fino in fondo.

► **Fig.19:** 1. Blocco albero

Per allentare l'Ezynut, ruotare l'anello esterno dell'Ezynut in senso antiorario.

NOTA: È possibile allentare l'Ezynut a mano purché la freccia punti verso la tacca. In caso contrario, è richiesta una chiave per controdadi per allentarlo. Inserire uno dei perni della chiave in uno dei fori e ruotare l'Ezynut in senso antiorario.

► **Fig.20:** 1. Freccia 2. Tacca

► **Fig.21**

Installazione di una mola troncatrice abrasiva o di un disco diamantato

Accessorio opzionale

⚠AVVERTIMENTO: Quando si intende utilizzare una mola troncatrice o un disco diamantato, accertarsi di utilizzare esclusivamente la protezione disco speciale progettata per l'impiego con le mole troncatrici.

⚠AVVERTIMENTO: Non utilizzare MAI una mola troncatrice per la smerigliatura laterale.

► **Fig.22:** 1. Controdado 2. Mola troncatrice abrasiva / disco diamantato 3. Flangia interna 4. Protezione per mola troncatrice abrasiva / disco diamantato

Come per l'installazione, attenersi alle istruzioni per il disco a centro depresso.

La direzione di montaggio del controdado e della flangia interna varia a seconda del tipo e dello spessore del disco.

Fare riferimento alle figure seguenti.

Per il modello da 100 mm (4")

Quando si intende installare una mola troncatrice abrasiva:

► **Fig.23:** 1. Controdado 2. Mola troncatrice abrasiva (più sottile di 4 mm (5/32")) 3. Mola troncatrice abrasiva (di spessore pari o superiore a 4 mm (5/32")) 4. Flangia interna

Quando si intende installare un disco diamantato:

► **Fig.24:** 1. Controdado 2. Disco diamantato (più sottile di 4 mm (5/32")) 3. Disco diamantato (di spessore pari o superiore a 4 mm (5/32")) 4. Flangia interna

Per modelli diversi da quello da 100 mm (4")

Quando si intende installare una mola troncatrice abrasiva:

► **Fig.25:** 1. Controdado 2. Mola troncatrice abrasiva (più sottile di 4 mm (5/32")) 3. Mola troncatrice abrasiva (di spessore pari o superiore a 4 mm (5/32")) 4. Flangia interna

Quando si intende installare un disco diamantato:

► **Fig.26:** 1. Controdado 2. Disco diamantato (più sottile di 4 mm (5/32")) 3. Disco diamantato (di spessore pari o superiore a 4 mm (5/32")) 4. Flangia interna

Installazione di una spazzola metallica a tazza

Accessorio opzionale

⚠ATTENZIONE: Non utilizzare una spazzola danneggiata o sbilanciata. L'uso di una spazzola danneggiata potrebbe aumentare il rischio potenziale di lesioni personali dovute al contatto con i fili metallici rotti della spazzola.

Posizionare l'utensile capovolto per consentire un facile accesso al mandrino.

Rimuovere eventuali accessori dal mandrino. Avvitare la spazzola metallica a tazza sul mandrino e serrarla con la chiave in dotazione.

► **Fig.27:** 1. Spazzola metallica a tazza

Installazione di una spazzola metallica a disco

Accessorio opzionale

⚠ATTENZIONE: Non utilizzare una spazzola metallica a disco danneggiata o sbilanciata. Qualora si utilizzi una spazzola metallica a disco danneggiata, si aumenta il rischio potenziale di lesioni personali dovute al contatto con i fili metallici rotti della spazzola.

⚠ATTENZIONE: Utilizzare SEMPRE la protezione con le spazzole metalliche a disco, accertandosi che il diametro del disco entri nella protezione. Il disco potrebbe frantumarsi durante l'uso, e la protezione contribuisce a ridurre il rischio di lesioni personali.

Posizionare l'utensile capovolto per consentire un facile accesso al mandrino.

Rimuovere eventuali accessori dal mandrino. Avvitare la spazzola metallica a disco sul mandrino e serrarla con le chiavi.

► **Fig.28:** 1. Spazzola metallica a disco

Installazione della fresa a tazza

Accessorio opzionale

Posizionare l'utensile capovolto per consentire un facile accesso al mandrino.

Rimuovere eventuali accessori presenti sul mandrino. Avvitare la fresa a tazza sul mandrino, quindi serrarla con la chiave fornita in dotazione.

► **Fig.29:** 1. Fresa a tazza

Installazione della protezione disco per raccolta polveri per la smerigliatura

Solo per i modelli DGA467 / DGA468 / DGA517 / DGA518

Accessorio opzionale

Con degli accessori opzionali, è possibile utilizzare questo utensile per la piallatura di superfici in calcestruzzo.

ATTENZIONE: La protezione disco per raccolta polveri per il disco diamantato offset va utilizzata solo per la piallatura di superfici in calcestruzzo con un disco diamantato offset. Non utilizzare questa protezione con altri accessori da taglio o per qualsiasi altro scopo.

ATTENZIONE: Prima dell'uso, accertarsi che un aspirapolvere sia collegato all'utensile e che sia acceso.

Posizionare l'utensile capovolto e installare la protezione disco per raccolta polveri.
Montare la flangia interna sul mandrino.
Inserire il disco diamantato a tazza sulla flangia interna e serrare il controdado sul mandrino.

- **Fig.30:** 1. Controdado 2. Disco diamantato a tazza 3. Disco diamantato a tazza calettato 4. Flangia interna 5. Protezione disco per raccolta polveri 6. Alloggiamento del cuscinetto

NOTA: Per informazioni su come installare la protezione disco per raccolta polveri, fare riferimento al manuale della protezione disco per raccolta polveri.

Installazione della protezione disco per raccolta polveri per la troncatrice

Accessorio opzionale

Con degli accessori opzionali, è possibile utilizzare questo utensile per tagliare materiali in pietra.

- **Fig.31**

NOTA: Per informazioni su come installare la protezione disco per raccolta polveri, fare riferimento al manuale della protezione disco per raccolta polveri.

Collegamento di un aspiratore

Accessorio opzionale

AVVERTIMENTO: Non aspirare mai particelle metalliche create da operazioni di smerigliatura/taglio/carteggiatura. Le particelle metalliche create da tali operazioni hanno una temperatura talmente elevata da incendiare la polvere e il filtro all'interno dell'aspirapolvere.

Per evitare un ambiente polveroso causato dal taglio di muratura, utilizzare una protezione disco per raccolta polveri e un aspirapolvere.

Fare riferimento al manuale d'uso allegato alla protezione disco per raccolta polveri per il suo montaggio e il suo utilizzo.

- **Fig.32:** 1. Protezione disco per raccolta polveri 2. Tubo flessibile dell'aspirapolvere

FUNZIONAMENTO

AVVERTIMENTO: Non deve essere mai necessario forzare l'utensile. Il peso dell'utensile esercita una pressione adeguata. Qualora si forzi l'utensile e si eserciti una pressione eccessiva, si potrebbe causare una pericolosa rottura del disco.

AVVERTIMENTO: Sostituire SEMPRE il disco se l'utensile è caduto durante la smerigliatura.

AVVERTIMENTO: Non fare MAI subire al disco violenti impatti o colpi contro il pezzo.

AVVERTIMENTO: Evitare che il disco rimbalzi o resti impigliato, specialmente quando si lavorano angoli, bordi acuti, e così via.

Questo potrebbe causare la perdita di controllo e contraccolpi.

AVVERTIMENTO: Non utilizzare MAI l'utensile con lame per il taglio del legno e altre lame. Tali lame, se utilizzate su una smerigliatrice, causano spesso contraccolpi e perdite di controllo, che portano a lesioni personali.

ATTENZIONE: Non accendere mai l'utensile mentre è in contatto con il pezzo in lavorazione, poiché potrebbe causare una lesione personale all'operatore.

ATTENZIONE: Indossare sempre occhiali di sicurezza o una visiera durante il lavoro.

ATTENZIONE: Dopo l'uso, spegnere sempre l'utensile e attendere l'arresto completo del disco prima di appoggiare l'utensile.

ATTENZIONE: Tenere SEMPRE saldamente l'utensile con una mano sull'alloggiamento e l'altra sull'impugnatura laterale (manico).

NOTA: È possibile utilizzare un disco a doppia funzione sia per le operazioni di smerigliatura che di troncatrice.

Per le operazioni di smerigliatura, fare riferimento a "Operazione di smerigliatura e di carteggiatura", mentre per le operazioni di troncatrice fare riferimento a "Funzionamento con mola troncatrice abrasiva/disco diamantato".

Operazione di smerigliatura e di carteggiatura

- **Fig.33**

Accendere l'utensile e applicare la mola o il disco sul pezzo in lavorazione.

In generale, mantenere il bordo della mola o del disco a un angolo di circa 15° rispetto alla superficie del pezzo in lavorazione.

Durante il periodo di rodaggio con una nuova mola, non far funzionare la smerigliatrice nella direzione in avanti; in caso contrario, potrebbe tagliare il pezzo in lavorazione. Dopo che il bordo della mola si è arrotondato con l'uso, può essere utilizzata in entrambe le direzioni in avanti e all'indietro.

Esempio di utilizzo: funzionamento con un disco diamantato a tazza

► Fig.34

Mantenere l'utensile orizzontalmente e applicare l'intero disco diamantato a tazza sulla superficie del pezzo in lavorazione.

Funzionamento con mola troncatrice abrasiva / disco diamantato

Accessorio opzionale

⚠AVVERTIMENTO: Non spingere forzatamente il disco né applicare una pressione eccessiva. Non tentare di realizzare tagli eccessivamente profondi. La sollecitazione eccessiva del disco aumenta il carico e la sua suscettibilità alla torsione o all'inceppamento nel taglio, nonché la possibilità di contraccolpi, rottura del disco stesso e surriscaldamento del motore.

⚠AVVERTIMENTO: Non iniziare l'operazione di taglio all'interno del pezzo in lavorazione. Lasciare che il disco raggiunga la piena velocità ed entrare con cura nel taglio spostando l'utensile in avanti sulla superficie del pezzo in lavorazione. Il disco potrebbe incepparsi, rialzarsi o causare un contraccolpo, se l'utensile elettrico viene avviato all'interno del pezzo.

⚠AVVERTIMENTO: Durante le operazioni di taglio, non cambiare mai l'angolazione del disco. L'applicazione di una pressione laterale su una mola troncatrice (come per la smerigliatura), causa la spaccatura e la rottura della mola, causando gravi lesioni personali.

⚠AVVERTIMENTO: Un disco diamantato va utilizzato perpendicolarmente al materiale da tagliare.

Esempio di utilizzo: funzionamento con una mola troncatrice abrasiva

► Fig.35

Esempio di utilizzo: funzionamento con un disco diamantato

► Fig.36

Utilizzo con spazzola metallica a tazza

Accessorio opzionale

⚠ATTENZIONE: Controllare il funzionamento della spazzola facendo girare l'utensile a vuoto, accertandosi che non sia presente alcuna persona davanti o in linea con la spazzola.

AVVISO: Quando si utilizza una spazzola metallica a tazza, evitare di applicare una pressione eccessiva che faccia piegare troppo i fili metallici. Questo potrebbe portare a una rottura prematura della spazzola.

Esempio di utilizzo: utilizzo con spazzola metallica a tazza

► Fig.37

Utilizzo con una spazzola metallica a disco

Accessorio opzionale

⚠ATTENZIONE: Controllare il funzionamento della spazzola metallica a disco facendo girare l'utensile a vuoto, accertandosi che non sia presente alcuna persona davanti o in linea con la spazzola metallica a disco.

AVVISO: Evitare di applicare una pressione eccessiva che faccia piegare troppo i fili metallici quando si utilizza la spazzola metallica a disco. Questo potrebbe portare a una rottura prematura della spazzola.

Esempio di utilizzo: utilizzo con spazzola metallica a disco

► Fig.38

Funzionamento con la fresa a tazza

Accessorio opzionale

⚠ATTENZIONE: Controllare il funzionamento della fresa a tazza facendo girare l'utensile a vuoto, accertandosi che non sia presente alcuna persona davanti alla fresa a tazza.

AVVISO: Non inclinare l'utensile durante l'uso. In caso contrario, si potrebbe causare una rottura prematura.

Esempio di utilizzo: funzionamento con una fresa a tazza

► Fig.39

FUNZIONE DI ATTIVAZIONE DELLA COMUNICAZIONE SENZA FILI

Solo per i modelli DGA418 / DGA468 / DGA518

Cosa si può fare con la funzione di attivazione della comunicazione senza fili

La funzione di attivazione della comunicazione senza fili consente un funzionamento pulito e comodo. Collegando un aspirapolvere supportato all'utensile, è possibile far funzionare automaticamente l'aspirapolvere insieme all'attivazione dell'interruttore dell'utensile.

► Fig.40

Per utilizzare la funzione di attivazione della comunicazione senza fili, preparare gli elementi seguenti:

- Un'unità senza fili (accessorio opzionale)
- Un aspirapolvere che supporti la funzione di attivazione della comunicazione senza fili

L'impostazione della funzione di attivazione della comunicazione senza fili è ripiegata di seguito. Per le procedure dettagliate, consultare ciascuna sezione.

1. Installazione dell'unità senza fili
2. Registrazione dell'utensile per l'aspirapolvere
3. Avvio della funzione di attivazione della comunicazione senza fili

Installazione dell'unità senza fili

Accessorio opzionale

ATTENZIONE: Posizionare l'utensile su una superficie piana e stabile, quando si intende installare l'unità senza fili.

AVVISO: Pulire la polvere e lo sporco sull'utensile prima di installare l'unità senza fili. La polvere o lo sporco potrebbero causare un malfunzionamento, qualora penetrino nell'alloggiamento dell'unità senza fili.

AVVISO: Per evitare il malfunzionamento causato dall'elettricità statica, toccare un materiale per scaricarla, ad esempio una parte metallica dell'utensile, prima di prendere in mano l'unità senza fili.

AVVISO: Quando si installa l'unità senza fili, accertarsi sempre che quest'ultima sia inserita nella direzione corretta e che il coperchio sia completamente chiuso.

1. Aprire il coperchio sull'utensile come indicato nella figura.

► **Fig.41:** 1. Coperchio

2. Inserire l'unità senza fili nell'alloggiamento, quindi chiudere il coperchio.

Quando si inserisce l'unità senza fili, allineare le sporgenze con le rientranze presenti nell'alloggiamento.

► **Fig.42:** 1. Unità senza fili 2. Sporgenza
3. Coperchio 4. Rientranza

Quando si intende rimuovere l'unità senza fili, aprire lentamente il coperchio. I ganci sul retro del coperchio sollevano l'unità senza fili mentre si tira su il coperchio.

► **Fig.43:** 1. Unità senza fili 2. Gancio 3. Coperchio

Dopo aver rimosso l'unità senza fili, conservarla nella custodia in dotazione o in un contenitore antistatico.

AVVISO: Utilizzare sempre i ganci sul retro del coperchio quando si intende rimuovere l'unità senza fili. Qualora i ganci non si inseriscano nell'unità senza fili, chiudere completamente il coperchio e riaprirlo lentamente.

Registrazione dell'utensile per l'aspirapolvere

NOTA: È richiesto un aspirapolvere Makita che supporti la funzione di attivazione della comunicazione senza fili per la registrazione dell'utensile.

NOTA: Completare l'installazione dell'unità senza fili nello strumento prima di avviare la registrazione dell'utensile.

NOTA: Durante la registrazione dell'utensile, non premere l'interruttore a grilletto né attivare l'interruttore di accensione sull'aspirapolvere.

NOTA: Fare riferimento anche al manuale d'uso dell'aspirapolvere.

Se si desidera attivare l'aspirapolvere insieme all'attivazione dell'interruttore dell'utensile, completare anticipatamente la registrazione dell'utensile.

1. Installare le batterie nell'aspirapolvere e nell'utensile.
2. Impostare il commutatore di standby sull'aspirapolvere su "AUTO".

► **Fig.44:** 1. Commutatore di standby

3. Premere il pulsante di attivazione della comunicazione senza fili sull'aspirapolvere per 3 secondi, fino a quando l'indicatore luminoso di attivazione della comunicazione senza fili lampeggia in verde. Quindi, premere il pulsante di attivazione della comunicazione senza fili sull'utensile in modo analogo.

► **Fig.45:** 1. Pulsante di attivazione della comunicazione senza fili 2. Indicatore luminoso di attivazione della comunicazione senza fili

Se l'aspirapolvere e l'utensile sono collegati con esito positivo, gli indicatori luminosi di attivazione della comunicazione senza fili si illuminano in verde per 2 secondi, quindi iniziano a lampeggiare in blu.

NOTA: Gli indicatori luminosi di attivazione della comunicazione senza fili smettono di lampeggiare in verde dopo 20 secondi. Premere il pulsante di attivazione della comunicazione senza fili sull'utensile mentre l'indicatore luminoso di attivazione della comunicazione senza fili sull'aspiratore sta lampeggiando. Qualora l'indicatore luminoso di attivazione della comunicazione senza fili non lampeggi in verde, premere brevemente e tenere premuto di nuovo il pulsante di attivazione della comunicazione senza fili.

NOTA: Quando si intende effettuare due o più registrazioni di utensili per un unico aspirapolvere, completare la registrazione degli utensili uno alla volta.

Avvio della funzione di attivazione della comunicazione senza fili

NOTA: Completare la registrazione dell'utensile per l'aspirapolvere prima dell'attivazione della comunicazione senza fili.

NOTA: Fare riferimento anche al manuale d'uso dell'aspirapolvere.

Dopo aver registrato un utensile sull'aspirapolvere, quest'ultimo entra in funzione automaticamente insieme all'attivazione dell'interruttore dell'utensile.

1. Installare l'unità senza fili sull'utensile.
2. Collegare il tubo flessibile dell'aspirapolvere all'utensile.

► **Fig.46**

3. Impostare il commutatore di standby sull'aspirapolvere su "AUTO".

► **Fig.47:** 1. Commutatore di standby

4. Premere brevemente il pulsante di attivazione della comunicazione senza fili sull'utensile. L'indicatore luminoso di attivazione della comunicazione senza fili lampeggia in blu.

► **Fig.48:** 1. Pulsante di attivazione della comunicazione senza fili 2. Indicatore luminoso di attivazione della comunicazione senza fili

5. Accendere l'utensile. Verificare se l'aspirapolvere sia in funzione quando l'utensile sta funzionando.

Per interrompere l'attivazione della comunicazione senza fili dell'aspirapolvere, premere il pulsante di attivazione della comunicazione senza fili sull'utensile.

NOTA: L'indicatore luminoso di attivazione della comunicazione senza fili sull'utensile smette di lampeggiare in blu quando non viene effettuata alcuna operazione per 2 ore. In questo caso, impostare il commutatore di standby sull'aspirapolvere su "AUTO" e premere di nuovo il pulsante di attivazione della comunicazione senza fili sull'utensile.

NOTA: L'aspirapolvere si avvia o si arresta con un ritardo. Si verifica un ritardo temporale quando l'aspirapolvere rileva un'attivazione dell'interruttore sull'utensile.

















NOTA: La distanza di trasmissione dell'unità senza fili può variare a seconda dell'ubicazione e della situazione circostante.

NOTA: Quando due o più utensili sono registrati su un unico aspirapolvere, quest'ultimo potrebbe iniziare a funzionare anche se non si accende l'utensile, in quanto un altro utente sta utilizzando la funzione di attivazione della comunicazione senza fili.

Descrizione dello stato dell'indicatore luminoso di attivazione della comunicazione senza fili

► **Fig.49:** 1. Indicatore luminoso di attivazione della comunicazione senza fili

L'indicatore luminoso di attivazione della comunicazione senza fili mostra lo stato della funzione di attivazione della comunicazione senza fili. Per informazioni sul significato dello stato dell'indicatore luminoso, fare riferimento alla tabella seguente.

Stato	Indicatore luminoso di attivazione della comunicazione senza fili			Durata	Descrizione
	Colore	 Acceso	 Lampeggiante		
Standby	Blu			2 ore	È disponibile l'attivazione della funzione di comunicazione senza fili dell'aspirapolvere. L'indicatore luminoso si spegne automaticamente quando non viene eseguita alcuna operazione per 2 ore.
				Quando l'utensile è in funzione.	È disponibile l'attivazione della funzione di comunicazione senza fili dell'aspirapolvere e l'utensile è in funzione.
Registrazione dell'utensile	Verde			20 secondi	Pronto alla registrazione dell'utensile. In attesa della registrazione da parte dell'aspirapolvere.
				2 secondi	La registrazione dell'utensile è stata completata. L'indicatore luminoso di attivazione della comunicazione senza fili inizia a lampeggiare in blu.
Annullamento della registrazione dell'utensile	Rosso			20 secondi	Pronto alla cancellazione della registrazione dell'utensile. In attesa della cancellazione da parte dell'aspirapolvere.
				2 secondi	La cancellazione della registrazione dell'utensile è stata completata. L'indicatore luminoso di attivazione della comunicazione senza fili inizia a lampeggiare in blu.
Altro	Rosso			3 secondi	L'alimentazione è fornita all'unità senza fili e la funzione di attivazione della comunicazione senza fili si sta avviando.
	Spento	-	-	-	L'attivazione della funzione di comunicazione senza fili dell'aspirapolvere è stata arrestata.

Annullamento della registrazione dell'utensile per l'aspirapolvere

Quando si intende annullare la registrazione dell'utensile per l'aspirapolvere, attenersi alla procedura seguente.

1. Installare le batterie nell'aspirapolvere e nell'utensile.
2. Impostare il commutatore di standby sull'aspirapolvere su "AUTO".

► **Fig.50:** 1. Commutatore di standby

3. Premere il pulsante di attivazione della comunicazione senza fili sull'aspirapolvere per 6 secondi. L'indicatore luminoso di attivazione della comunicazione senza fili lampeggia in verde, quindi diventa rosso. Dopodiché, premere il pulsante di attivazione della comunicazione senza fili sull'utensile in modo analogo.

► **Fig.51:** 1. Pulsante di attivazione della comunicazione senza fili 2. Indicatore luminoso di attivazione della comunicazione senza fili

Se l'annullamento è stato eseguito con esito positivo, gli indicatori luminosi di attivazione della comunicazione senza fili si illuminano in rosso per 2 secondi, quindi iniziano a lampeggiare in blu.

NOTA: Gli indicatori luminosi di attivazione della comunicazione senza fili smettono di lampeggiare in rosso dopo 20 secondi. Premere il pulsante di attivazione della comunicazione senza fili sull'utensile mentre l'indicatore luminoso di attivazione della comunicazione senza fili sull'aspiratore sta lampeggiando. Qualora l'indicatore luminoso di attivazione della comunicazione senza fili non lampeggi in rosso, premere brevemente e tenere premuto di nuovo il pulsante di attivazione della comunicazione senza fili.

Risoluzione dei problemi per la funzione di attivazione della comunicazione senza fili

Prima di richiedere riparazioni, eseguire un'ispezione personalmente. Qualora si rilevi un problema che non è illustrato nel manuale, non tentare di smontare l'utensile. Rivolgersi, invece, a un centro di assistenza autorizzato Makita, utilizzando sempre pezzi di ricambio Makita per le riparazioni.

Stato di anomalia	Causa probabile (guasto)	Azione correttiva
L'indicatore luminoso di attivazione della comunicazione senza fili non si illumina o non lampeggia.	L'unità senza fili non è installata nell'utensile. L'unità senza fili è installata in modo errato nell'utensile.	Installare l'unità senza fili correttamente.
	Il terminale dell'unità senza fili e/o l'alloggiamento sono sporchi.	Asportare delicatamente polvere e sporco presenti sul terminale dell'unità senza fili e pulire l'alloggiamento.
	Il pulsante di attivazione della comunicazione senza fili sull'utensile non è stato premuto.	Premere brevemente il pulsante di attivazione della comunicazione senza fili sull'utensile.
	Il commutatore di standby sull'aspirapolvere non è impostato su "AUTO".	Impostare il commutatore di standby sull'aspirapolvere su "AUTO".
	Alimentazione assente	Fornire l'alimentazione all'utensile e all'aspirapolvere.
Impossibile completare con esito positivo la registrazione dell'utensile o l'annullamento della registrazione dell'utensile.	L'unità senza fili non è installata nell'utensile. L'unità senza fili è installata in modo errato nell'utensile.	Installare l'unità senza fili correttamente.
	Il terminale dell'unità senza fili e/o l'alloggiamento sono sporchi.	Asportare delicatamente polvere e sporco presenti sul terminale dell'unità senza fili e pulire l'alloggiamento.
	Il commutatore di standby sull'aspirapolvere non è impostato su "AUTO".	Impostare il commutatore di standby sull'aspirapolvere su "AUTO".
	Alimentazione assente	Fornire l'alimentazione all'utensile e all'aspirapolvere.
	Funzionamento errato	Premere brevemente il pulsante di attivazione della comunicazione senza fili ed eseguire di nuovo la procedura di registrazione o di annullamento dell'utensile.
	L'utensile e l'aspirapolvere sono lontani l'uno dall'altro (fuori dalla portata di trasmissione).	Avvicinare l'utensile e l'aspirapolvere tra di loro. La distanza massima di trasmissione è di circa 10 m, ma può variare in base alle circostanze.
	Prima di completare la registrazione o l'annullamento dell'utensile: - l'interruttore dell'utensile è attivato, oppure; - il pulsante di accensione sull'aspirapolvere è attivato.	Premere brevemente il pulsante di attivazione della comunicazione senza fili ed eseguire di nuovo la procedura di registrazione o di annullamento dell'utensile.
	Le procedure di registrazione per l'utensile o per l'aspirapolvere non sono state completate.	Eseguire le procedure di registrazione dell'utensile sia per l'utensile che per l'aspirapolvere allo stesso tempo.
	Sono presenti disturbi radio dovuti ad altri apparecchi che generano onde radio ad alta intensità.	Tenere l'utensile e l'aspirapolvere lontani da apparecchi quali dispositivi Wi-Fi e forni a microonde.

Stato di anomalia	Causa probabile (guasto)	Azione correttiva
L'aspirapolvere non entra in funzione insieme all'attivazione dell'interruttore dell'utensile.	L'unità senza fili non è installata nell'utensile. L'unità senza fili è installata in modo errato nell'utensile.	Installare l'unità senza fili correttamente.
	Il terminale dell'unità senza fili e/o l'alloggiamento sono sporchi.	Asportare delicatamente polvere e sporco presenti sul terminale dell'unità senza fili e pulire l'alloggiamento.
	Il pulsante di attivazione della comunicazione senza fili sull'utensile non è stato premuto.	Premere brevemente il pulsante di attivazione della comunicazione senza fili e accertarsi che l'indicatore luminoso di attivazione della comunicazione senza fili stia lampeggiando in blu.
	Il commutatore di standby sull'aspirapolvere non è impostato su "AUTO".	Impostare il commutatore di standby sull'aspirapolvere su "AUTO".
	Sull'aspirapolvere sono registrati più di 10 utensili.	Effettuare di nuovo la registrazione dell'utensile. Qualora sull'aspirapolvere siano registrati più di 10 utensili, l'utensile registrato per primo viene annullato automaticamente.
	L'aspirapolvere ha cancellato tutte le registrazioni degli utensili.	Effettuare di nuovo la registrazione dell'utensile.
	Alimentazione assente	Fornire l'alimentazione all'utensile e all'aspirapolvere.
	L'utensile e l'aspirapolvere sono lontani l'uno dall'altro (fuori dalla portata di trasmissione).	Avvicinare l'utensile e l'aspirapolvere tra di loro. La distanza massima di trasmissione è di circa 10 m, ma può variare in base alle circostanze.
	Sono presenti disturbi radio dovuti ad altri apparecchi che generano onde radio ad alta intensità.	Tenere l'utensile e l'aspirapolvere lontani da apparecchi quali dispositivi Wi-Fi e forni a microonde.
L'aspirapolvere è in funzione mentre l'utensile non sta funzionando.	Altri utenti stanno utilizzando l'attivazione della comunicazione senza fili dell'aspirapolvere con i loro utensili.	Disattivare il pulsante di attivazione della comunicazione senza fili degli altri utensili oppure annullare la registrazione degli altri utensili.

MANUTENZIONE

ATTENZIONE: Accertarsi sempre che l'utensile sia spento e che la cartuccia della batteria sia stata rimossa prima di tentare di eseguire interventi di ispezione o manutenzione.

AVVISO: Non utilizzare mai benzina, benzene, solventi, alcol o altre sostanze simili. In caso contrario, si potrebbero causare scolorimenti, deformazioni o crepe.

Per preservare la SICUREZZA e l'AFFIDABILITÀ del prodotto, le riparazioni e qualsiasi altro intervento di manutenzione e di regolazione devono essere eseguiti da un centro di assistenza autorizzato Makita, utilizzando sempre ricambi Makita.

Pulizia delle aperture di ventilazione

L'utensile e le sue aperture di ventilazione devono essere mantenuti puliti. Pulire le aperture di ventilazione dell'utensile a intervalli regolari, oppure ogni volta che iniziano a ostruirsi.

► **Fig.52:** 1. Apertura di scarico 2. Apertura di aspirazione

Rimuovere la protezione antipolvere dalla presa di aspirazione e pulirla per consentire la circolazione dell'aria senza ostacoli.

► **Fig.53:** 1. Protezione antipolvere

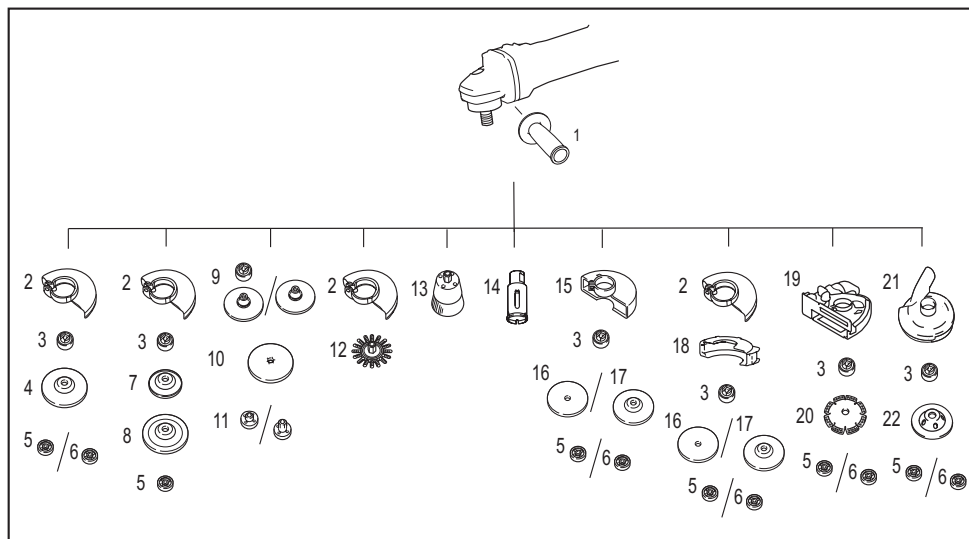
AVVISO: Pulire la protezione antipolvere quando è ostruita da polveri o sostanze estranee. Il funzionamento continuativo con una protezione antipolvere ostruita potrebbe danneggiare l'utensile.

COMBINAZIONE DI APPLICAZIONI E ACCESSORI

Accessorio opzionale

⚠ATTENZIONE: L'utilizzo dell'utensile con le protezioni errate può causare i rischi seguenti.

- Quando si intende utilizzare una protezione per mola troncatrice per la smerigliatura frontale, la protezione disco potrebbe interferire con il pezzo in lavorazione, causando un controllo scadente.
- Quando si intende utilizzare una protezione per mola abrasiva per operazioni di troncatura con mole abrasive rinforzate a legante e dischi diamantati, sussiste un maggior rischio di esposizione ai dischi in rotazione, alle scintille e alle particelle emesse, nonché di esposizione a frammenti del disco in caso di scoppio di quest'ultimo.
- Quando si intende utilizzare una protezione per mola troncatrice o una protezione per mola abrasiva per operazioni di smerigliatura frontale con dischi diamantati a tazza, la protezione disco potrebbe interferire con il pezzo in lavorazione, causando un controllo scadente.
- Quando si intende utilizzare una protezione per mola troncatrice o una protezione per mola abrasiva con una spazzola metallica a disco di spessore superiore allo spessore massimo specificato nei "DATI TECNICI", i fili metallici potrebbero restare impigliati nella protezione, portando alla rottura dei fili metallici stessi.
- L'utilizzo di protezioni disco per raccolta polveri per operazioni di troncatura e frontali su calcestruzzo o muratura riduce il rischio di esposizione alle polveri.
- Quando si intende utilizzare dischi a doppia funzione (smerigliatura e troncatura con disco abrasivo combinate) montati su flangia, utilizzare esclusivamente una protezione per mola troncatrice.



-	Applicazione	Modello da 100 mm	Modello da 115 mm	Modello da 125 mm
1	-	Impugnatura laterale		
2	-	Protezione disco (per la mola)		
3	-	Flangia interna		
4	Smerigliatura/ carteggiatura	Disco a centro depresso / disco lamellare		
5	-	Controdado		
6	-	-	Ezynut *1	
7	-	Platello di sostegno		
8	Smerigliatura	Disco flessibile		
9	-	Flangia interna e plato- rello di gomma 76	Platello di gomma 100	Platello di gomma 115
10	Carteggiatura	Disco abrasivo		

-	Applicazione	Modello da 100 mm	Modello da 115 mm	Modello da 125 mm
11	-	Controdado di carteggiatura		
12	Spazzolatura metallica	Spazzola metallica a disco		
13	Spazzolatura metallica	Spazzola metallica a tazza		
14	Perforazione	Fresa a tazza		
15	-	Protezione disco (per mola troncatrice)		
16	Troncatura	Mola troncatrice abrasiva / disco diamantato		
17	Smerigliatura/troncatura	Disco a doppia funzione		
18	-	Accessorio agganciabile di protezione per disco da taglio *2		
19	-	Protezione disco per raccolta polveri per troncatura *3		
20	Troncatura	Disco diamantato		
21	-	-	Protezione disco per raccolta polveri per molatura *4	
22	Smerigliatura	-	Disco diamantato a tazza *4	
-	-	Chiave per controdadi		

NOTA: *1 Solo per utensili con filettatura del mandrino M14.

NOTA: *2 L'accessorio agganciabile di protezione per disco da taglio non è disponibile in alcune nazioni. Per ulteriori dettagli, fare riferimento al manuale d'uso dell'accessorio agganciabile di protezione per disco da taglio.

NOTA: *3 Per ulteriori dettagli, fare riferimento a ciascun manuale d'uso della protezione.

NOTA: *4 Solo per i modelli DGA467 / DGA468 / DGA517 / DGA518

Per ulteriori dettagli, fare riferimento a ciascun manuale d'uso della protezione.

ACCESSORI OPZIONALI

⚠ATTENZIONE: Questi accessori o componenti aggiuntivi sono consigliati per l'uso con l'utensile Makita specificato nel presente manuale. L'impiego di altri accessori o componenti aggiuntivi può costituire un rischio di lesioni alle persone. Utilizzare gli accessori o i componenti aggiuntivi solo per il loro scopo prefissato.

Per ottenere ulteriori dettagli relativamente a questi accessori, rivolgersi a un centro di assistenza Makita.

- Batteria e caricabatterie originali Makita
- Accessori elencati in "COMBINAZIONE DI APPLICAZIONI E ACCESSORI"
- Unità senza fili (per i modelli dotati di funzione di attivazione della comunicazione senza fili)

NOTA: Alcuni articoli nell'elenco potrebbero essere inclusi nell'imballaggio dell'utensile come accessori standard. Tali articoli potrebbero variare da nazione a nazione.

TECHNISCHE GEGEVENS

Model:		DGA417	DGA418	DGA467	DGA468	DGA517	DGA518
Geschikte slijpschijf	Max. schijfdiameter	100 mm		115 mm		125 mm	
	Max. schijfdikte	6,4 mm		7,2 mm			
Geschikte doorslijpschijf	Max. schijfdiameter	105 mm		115 mm		125 mm	
	Max. schijfdikte			3,2 mm			
Geschikte schijfvormige draadborstel	Max. schijfdiameter	100 mm		115 mm		125 mm	
	Max. schijfdikte			20 mm			
Asschroefdraad		M10		M14 of 5/8" (afhankelijk van het land)			
Max. aslengte		18 mm		23 mm			
Onbelast toerental (n ₀) / Nominiaal toerental (n)				8.500 min ⁻¹			
Totale lengte		met BL1840B		382 mm			
Nettogewicht		2,2 - 3,7 kg		2,4 - 3,9 kg			
Nominale spanning		18 V gelijkspanning					

- In verband met ononderbroken research en ontwikkeling, behouden wij ons het recht voor de bovenstaande technische gegevens zonder voorafgaande kennisgeving te wijzigen.
- De technische gegevens kunnen van land tot land verschillen.
- Het gewicht kan verschillen afhankelijk van de hulpstukken, waaronder de accu. De lichtste en zwaarste combinatie, overeenkomstig de EPTA-procedure 01/2014, worden getoond in de tabel.

Toepasselijke accu's en laders

Accu	BL1815N / BL1820B / BL1830B / BL1840B / BL1850B / BL1860B
Lader	DC18RC / DC18RD / DC18RE / DC18SD / DC18SE / DC18SF / DC18SH / DC18WC

- Sommige van de hierboven vermelde accu's en laders zijn mogelijk niet leverbaar afhankelijk van waar u woont.

⚠ WAARSCHUWING: Gebruik uitsluitend de accu's en laders die hierboven worden genoemd. Gebruik van enige andere accu of lader kan leiden tot letsel en/of brand.

Aanbevolen bekabelde voedingsbron

Draagbare voedingsseenheid	PDC01
----------------------------	-------

- De hierboven vermelde bekabelde voedingsbron(nen) is/zijn mogelijk niet leverbaar afhankelijk van waar u woont.
- Alvorens de bekabelde voedingsbron te gebruiken, leest u de instructies en waarschuwingsopdrachten erop.

Symbolen

Hieronder staan de symbolen die voor het gereedschap kunnen worden gebruikt. Zorg ervoor dat u de betekenis ervan kent voordat u het gereedschap gaat gebruiken.



Lees de gebruiksaanwijzing.



Draag een veiligheidsbril.



Bedien altijd met twee handen.



Gebruik de beschermkap niet bij doorslijpen.



Alleen voor EU-landen
Als gevolg van de aanwezigheid van schadelijke componenten in het apparaat, kunnen oude elektrische en elektronische apparaten, accu's en batterijen negatieve gevolgen hebben voor het milieu en de gezondheid van mensen.
Gooi elektrische en elektronische apparaten en accu's niet met het huisvuil weg!
In overeenstemming met de Europese richtlijn inzake oude elektrische en elektronische apparaten en inzake accu's en batterijen en oude accu's en batterijen, alsmede de toepassing daarvan binnen de nationale wetgeving, dienen oude elektrische apparaten, accu's en batterijen gescheiden te worden opgeslagen en te worden ingeleverd bij een apart inzamelingspunt voor huishoudelijk afval dat de milieubeschermingsvoorschriften in acht neemt. Dit wordt op het apparaat aangegeven door het symbool van een doorgekruiste afvalcontainer.

Gebruiksdoeleinden

Het gereedschap is bedoeld voor het slijpen, schuren, draadborstelen, gaten slijpen en doorslijpen van metaal en steen zonder gebruik van water.

Geluidsniveau

De typische, A-gewogen geluidsniveaus zijn gemeten volgens EN62841-2-3:

Model	Geluidsdruk niveau (L_{pA}): (dB (A))	Geluidsvermogen niveau (L_{wA}): (dB (A))	Onzekerheid (K): (dB (A))
DGA417	83	91	3
DGA418	83	91	3
DGA467	83	91	3
DGA468	83	91	3
DGA517	83	91	3
DGA518	83	91	3

OPMERKING: De opgegeven geluidsemissiewaarde(n) is/zijn gemeten volgens een standaardtestmethode en kan/kunnen worden gebruikt om dit gereedschap te vergelijken met andere gereedschappen.

OPMERKING: De opgegeven geluidsemissiewaarde(n) kan/kunnen ook worden gebruikt voor een beoordeling vooraf van de blootstelling.

⚠ WAARSCHUWING: Draag gehoorbescherming.

⚠ WAARSCHUWING: De geluidsemissie tijdens het gebruik van het elektrisch gereedschap in de praktijk kan verschillen van de opgegeven waarde(n) afhankelijk van de manier waarop het gereedschap wordt gebruikt, met name van het soort werkstuk waarmee wordt gewerkt.

⚠ WAARSCHUWING: Zorg ervoor dat veiligheidsmaatregelen worden getroffen ter bescherming van de gebruiker die zijn gebaseerd op een schatting van de blootstelling onder praktijkomstandigheden (rekening houdend met alle fasen van de bedrijfscyclus, zoals de tijdsduur gedurende welke het gereedschap is uitgeschakeld en stationair draait, naast de ingeschakelde tijdsduur).

⚠ WAARSCHUWING: Het slijpen van dunne metaalplaten of andere trillende constructies met een groot oppervlak, kan leiden tot een totale geluidsemissie die veel hoger is (tot 15 dB) dan de opgegeven geluidsemissiewaarden.

Plaats zware, flexibele geluiddempende matten of iets soortgelijks op dergelijke werkstukken om te voorkomen dat zij geluid maken.

Houd rekening met de verhoogde geluidsemissie bij zowel de risicobeoordeling van blootstelling aan geluid als de keuze van afdoende gehoorbescherming.

Trilling

De totale trillingswaarde (triaxiale vectorsom) zoals vastgesteld volgens EN62841-2-3:

Gebruikstoepassing: slijpen van oppervlakken met normale zijhandgreep

Model	Trillingsemissie ($a_{h, AG}$): (m/s^2)	Onzekerheid (K): (m/s^2)
DGA417	4,5	1,5
DGA418	4,5	1,5
DGA467	5,5	1,5
DGA468	5,5	1,5
DGA517	6,0	1,5
DGA518	6,0	1,5

Gebruikstoepassing: slijpen van oppervlakken met trillingsdempende zijhandgreep

Model	Trillingsemismissie ($a_{hr, AG}$): (m/s ²)	Onzekerheid (K): (m/s ²)
DGA417	4,5	1,5
DGA418	4,5	1,5
DGA467	5,0	1,5
DGA468	5,0	1,5
DGA517	5,5	1,5
DGA518	5,5	1,5

Gebruikstoepassing: schuren met schijf met normale zijhandgreep

Model	Trillingsemismissie ($a_{hr, DS}$): (m/s ²)	Onzekerheid (K): (m/s ²)
DGA417	2,5 m/s ² of lager	1,5
DGA418	2,5 m/s ² of lager	1,5
DGA467	2,5 m/s ² of lager	1,5
DGA468	2,5 m/s ² of lager	1,5
DGA517	2,5 m/s ² of lager	1,5
DGA518	2,5 m/s ² of lager	1,5

Gebruikstoepassing: schuren met schijf met trillingsdempende zijhandgreep

Model	Trillingsemismissie ($a_{hr, DS}$): (m/s ²)	Onzekerheid (K): (m/s ²)
DGA417	2,5 m/s ² of lager	1,5
DGA418	2,5 m/s ² of lager	1,5
DGA467	2,5 m/s ² of lager	1,5
DGA468	2,5 m/s ² of lager	1,5
DGA517	2,5 m/s ² of lager	1,5
DGA518	2,5 m/s ² of lager	1,5

OPMERKING: De totale trillingswaarde(n) is/zijn gemeten volgens een standaardtestmethode en kan/kunnen worden gebruikt om dit gereedschap te vergelijken met andere gereedschappen.

OPMERKING: De opgegeven totale trillingswaarde(n) kan/kunnen ook worden gebruikt voor een beoordeling vooraf van de blootstelling.

⚠️ WAARSCHUWING: De trillingsemismissie tijdens het gebruik van het elektrisch gereedschap in de praktijk kan verschillen van de opgegeven waarde(n) afhankelijk van de manier waarop het gereedschap wordt gebruikt, met name van het soort werkstuk waarmee wordt gewerkt.

⚠️ WAARSCHUWING: Zorg ervoor dat veiligheidsmaatregelen worden getroffen ter bescherming van de gebruiker die zijn gebaseerd op een schatting van de blootstelling onder praktijkomstandigheden (rekening houdend met alle fasen van de bedrijfscyclus, zoals de tijdsduur gedurende welke het gereedschap is uitgeschakeld en stationair draait, naast de ingeschakelde tijdsduur).

⚠️ WAARSCHUWING: De opgegeven trillingsemismissiewaarde geldt voor de voornaamste toepassingen van het elektrisch gereedschap. Als het elektrisch gereedschap echter voor andere toepassingen wordt gebruikt, kan de trillingsemismissiewaarde daarvoor anders zijn.

EG-verklaring van conformiteit

Alleen voor Europese landen

De EG-verklaring van conformiteit is bijgevoegd als Bijlage A bij deze gebruiksaanwijzing.

VEILIGHEIDSWAARSCHUWINGEN

Algemene veiligheids waarschuwingen voor elektrisch gereedschap

⚠️ WAARSCHUWING Lees alle veiligheids waarschuwingen, instructies, afbeeldingen en technische gegevens die bij dit elektrisch gereedschap worden geleverd. Als niet alle onderstaande instructies worden opgevolgd, kan dat leiden tot een elektrische schok, brand en/of ernstig letsel.

Bewaar alle waarschuwingen en instructies om in de toekomst te kunnen raadplegen.

De term "elektrisch gereedschap" in de veiligheidsvoorschriften duidt op gereedschappen die op stroom van het lichtnet werken (met snoer) of gereedschappen met een accu (snoerloos).

Veiligheidswaarschuwingen voor een accuslijpmachine

Gemeenschappelijke veiligheidswaarschuwingen voor slijp-, schuur-, draadborstel- en doorslijpwerkzaamheden:

1. **Dit Elektrisch gereedschap is bedoeld voor gebruik als slijp-, schuur-, draadborstel-, gat-slijp- of doorslijpgereedschap. Lees alle veiligheidswaarschuwingen, instructies, afbeeldingen en technische gegevens die bij dit elektrisch gereedschap worden geleverd.** Als u nalaat alle onderstaande instructies te volgen, kan dit leiden tot een elektrische schok, brand en/of ernstig letsel.
2. **Werkzaamheden zoals polijsten mogen niet worden uitgevoerd met dit elektrisch gereedschap.** Werkzaamheden waarvoor dit elektrisch gereedschap niet is bedoeld kunnen gevaarlijke situaties opleveren en tot persoonlijk letsel leiden.
3. **Bouw dit elektrisch gereedschap niet om zodat u het kunt gebruiken op een manier waarvoor het niet specifiek is ontworpen en die niet wordt vermeld door de fabrikant van het gereedschap.** Dergelijk ombouwen kan leiden tot verlies van controle over het gereedschap en ernstig persoonlijk letsel veroorzaken.
4. **Gebruik geen accessoires die niet specifiek zijn ontworpen en vermeld door de fabrikant van het gereedschap.** Ook wanneer het accessoire kan worden aangebracht op uw elektrisch gereedschap, is een veilige werking niet gegarandeerd.
5. **Het nominale toerental van het accessoire moet minstens gelijk zijn aan het maximumtoerental vermeld op het elektrisch gereedschap.** Accessoires die met een hoger toerental draaien dan hun nominaal toerental kunnen stuk breken en in het rond vliegen.
6. **De buitendiameter en de dikte van het accessoire moeten binnen het capaciteitsbereik van het elektrisch gereedschap vallen.** Accessoires met verkeerde afmetingen kunnen niet afdoende worden afgeschermd of beheerst.
7. **De afmetingen van het bevestigingspunt van het accessoire moet overeenkomen met de afmetingen van de bevestigingshardware van het elektrisch gereedschap.** Accessoires die niet overeenkomen met de bevestigingshardware van het elektrisch gereedschap, zullen niet gebalanceerd draaien en buitensporig trillen, en kunnen leiden tot verlies van controle over het gereedschap.
8. **Gebruik nooit een beschadigd accessoire.** Inspecteer het accessoire vóór ieder gebruik, bijvoorbeeld een slijpschijf op ontbrekende schijfers en barsten; een rugschijf op barsten, scheuren of buitensporige slijtage; en een draadborstel op losse of gebroken draden. Nadat het elektrisch gereedschap of accessoire is gevallen, inspecteert u het op schade of monteert u een onbeschadigd accessoire. Na inspectie en montage van een accessoire, zorgt u ervoor dat u en omstanders niet in het rotatievlak van het accessoire staan, en laat u het elektrisch gereedschap draaien op het maximale, onbelaste toerental gedurende één minuut. Beschadigde accessoires breken normaal gesproken in stukken gedurende deze testduur.
9. **Gebruik persoonlijke-beschermingsmiddelen.** Afhankelijk van de toepassing gebruikt u een spat scherm, een beschermende bril of een veiligheidsbril. Al naar gelang de toepassing draagt u een stofmasker, gehoorbeschermers, handschoenen en een werkschort die in staat zijn kleine stukjes slijpsel of werkstukfragmenten te weerstaan. De oogbescherming moet in staat zijn rondvliegend afval te stoppen dat ontstaat bij de diverse toepassingen. Het stofmasker of ademhalingsapparaat moet in staat zijn deeltjes te filteren die ontstaat bij de betreffende toepassing. Langdurige blootstelling aan hard lawaai kan uw gehoor aantasten.
10. **Houd omstanders op veilige afstand van het werkgebied.** Iedereen die zich binnen het werkgebied begeeft, moet persoonlijke-beschermingsmiddelen gebruiken. Fragmenten van het werkstuk of van een uiteengevallen accessoire kunnen rondvliegen en letsel veroorzaken buiten de onmiddellijke werkomgeving.
11. **Houd het elektrisch gereedschap alleen vast aan het geïsoleerde oppervlak van de handgrepen wanneer u werkt op plaatsen waar het snijgarnituur met verborgen bedrading in aanraking kan komen.** Door contact met onder spanning staande draden, zullen ook de niet-geïsoleerde metalen delen van het elektrisch gereedschap onder spanning komen te staan zodat de gebruiker een elektrische schok kan krijgen.
12. **Leg het elektrisch gereedschap nooit neer voordat het accessoire volledig tot stilstand is gekomen.** Het ronddraaiende accessoire kan de ondergrond pakken zodat u de controle over het elektrisch gereedschap verliest.
13. **Laat het elektrisch gereedschap niet draaien terwijl u het naast u draagt.** Als het ronddraaiende accessoire u per ongeluk raakt, kan het verstrikt raken in uw kleding waardoor het accessoire in uw lichaam wordt getrokken.
14. **Maak de ventilatieopeningen van het elektrisch gereedschap regelmatig schoon.** De ventilator van de motor zal het stof de behuizing in trekken, en een grote opeenhoping van metaalslijpsel kan leiden tot elektrisch gevaarlijke situaties.
15. **Gebruik het elektrisch gereedschap niet in de buurt van brandbare materialen.** Vonken kunnen deze materialen doen ontvlammen.

16. **Gebruik geen accessoires die met vloeistof moeten worden gekoeld.** Het gebruik van water of andere vloeibare koelmiddelen kan leiden tot elektrocutie of elektrische schokken.

Terugslag en aanverwante waarschuwingen:

Terugslag is een plotselinge reactie op een beknelde of vastgelopen draaiende schijf, rugschijf, borstel of enig ander accessoire. Beknellen of vastlopen veroorzaakt een snelle stilstand van het draaiende accessoire dat op zijn beurt ertoe leidt dat het elektrisch gereedschap zich ongecontroleerd beweegt in de tegenovergestelde richting van de draairichting van het accessoire op het moment van vastlopen.

Bijvoorbeeld, als een slijpschijf bekneld raakt of vastloopt in het werkstuk, kan de rand van de schijf die het beknellingspunt ingaat, zich invreten in het oppervlak van het materiaal waardoor de schijf eruit klimt of eruit slaat. De schijf kan daarbij naar de gebruiker toe of weg springen, afhankelijk van de draairichting van de schijf op het beknellingspunt. Slijpschijven kunnen in dergelijke situaties ook breken.

Terugslag is het gevolg van misbruik van het elektrisch gereedschap en/of onjuiste gebruiksprocedures of -omstandigheden, en kan worden voorkomen door goede voorzorgsmaatregelen te treffen, zoals hieronder vermeld.

1. **Houd het elektrisch gereedschap stevig met beide handen vast en houd uw armen en lichaam zodanig dat u in staat bent een terugslag op te vangen.** Gebruik altijd de extra handgreep (indien aanwezig) voor een maximale controle over het gereedschap in geval van terugslag en de koppelreactiekrachten bij het starten. De gebruiker kan een terugslag of de koppelreactiekrachten opvangen indien de juiste voorzorgsmaatregelen worden getroffen.
2. **Plaats uw hand nooit in de buurt van het draaiende accessoire.** Het accessoire kan terugslaan over uw hand.
3. **Plaats uw lichaam niet in het gebied waar het elektrisch gereedschap naar toe gaat wanneer een terugslag optreedt.** Een terugslag zal het gereedschap bewegen in de tegenovergestelde richting van de draairichting van de schijf op het moment van beknellen.
4. **Wees bijzonder voorzichtig bij het werken met hoeken, scherpe randen, enz. Voorkom dat het accessoire springt of bekneld raakt.** Hoeken, scherpe randen of springen veroorzaken vaak beknellen van het draaiende accessoire wat leidt tot terugslag of verlies van controle over het gereedschap.
5. **Bevestig geen kettingsschijf, gesegmenteerde diamantschijf met randopeningen van meer dan 10 mm, of getand zaagblad.** Dergelijke bladen leiden vaak tot terugslag of verlies van controle over het gereedschap.

Veiligheidswaarschuwingen specifiek voor slijp- en doorslijpwerkzaamheden:

1. **Gebruik uitsluitend schijven van het type dat wordt vermeld voor uw elektrisch gereedschap en de specifieke beschermkap voor de te gebruiken schijf.** Schijven waarvoor het elektrisch gereedschap niet is ontworpen, kunnen niet goed worden afgeschermd en zijn niet veilig.

2. **Het slijpoppervlak van schijven met een verzonken middengat moet bij het aanbrengen lager liggen dan het vlak van de beschermrand.** Bij een onjuist aangebrachte schijf die boven het vlak van de beschermrand uitsteekt is geen goede bescherming mogelijk.
3. **De beschermkap moet stevig worden vastgezet aan het elektrisch gereedschap en in de maximaal beschermende stand worden gezet zodat het kleinste mogelijke deel van de schijf is blootgesteld in de richting van de gebruiker.** De beschermkap dient om de gebruiker te beschermen tegen aanraking met de schijf, stukjes die daarvan af breken en vonken die brandgevaar voor kleding opleveren.
4. **Schijven mogen uitsluitend worden gebruikt voor de aanbevolen toepassingen.** Bijvoorbeeld: u mag niet slijpen met de zijkant van een doorslijpschijf. Doorslijpschijven zijn bedoeld voor slijpen met de rand. Krachten op het slijpoppervlak kunnen deze schijven doen breken.
5. **Gebruik altijd onbeschadigde schijfflensen van de juiste afmetingen en vorm voor de te gebruiken schijf.** Een goede schijfflens ondersteunt de schijf en verkleint daarmee de kans op het breken van de schijf. Flenzen voor doorslijpschijven kunnen verschillen van flenzen voor slijpschijven.
6. **Gebruik geen deels afgesleten schijven van grotere elektrische gereedschappen.** Schijven die zijn bedoeld voor grotere elektrische gereedschappen zijn niet geschikt voor de hogere snelheid van een kleiner elektrisch gereedschap en kunnen in stukken breken.
7. **Bij gebruik van een multifunctionele schijf, gebruikt u altijd de juiste beschermkap voor de gebruikte toepassing.** Als u niet de juiste beschermkap gebruikt, wordt u mogelijk niet voldoende goed beschermd waardoor ernstig letsel kan ontstaan.

Aanvullende veiligheidswaarschuwingen specifiek voor doorslijpwerkzaamheden:

1. **Laat de doorslijpschijf niet vastlopen en oefen geen buitensporige druk erop uit. Probeer niet een buitensporig diepe snede te slijpen.** Een te grote kracht op de schijf verhoogt de belasting en de kans dat de schijf in de snede verdraait of vastloopt, waardoor terugslag kan optreden of de schijf kan breken.
2. **Plaats uw lichaam niet in één lijn achter de ronddraaiende schijf.** Wanneer de schijf, op het aangrijppunt in het werkstuk, zich van uw lichaam af beweegt, kunnen door de mogelijke terugslag de ronddraaiende schijf en het elektrisch gereedschap in uw richting worden geworpen.
3. **Wanneer de schijf vastloopt of u het slijpen onderbreekt, schakelt u het elektrisch gereedschap uit en houdt u dit stil totdat de schijf volledig tot stilstand is gekomen. Probeer nooit de doorslijpschijf uit de snede te halen terwijl de schijf nog draait omdat hierdoor een terugslag kan optreden.** Onderzoek waarom de schijf is vastgelopen en tref afdoende maatregelen om de oorzaak ervan op te heffen.

4. **Begin niet met doorslijpen terwijl de schijf al in het werkstuk steekt. Wacht totdat de schijf op volle toeren draait en breng daarna de schijf voorzichtig terug in de snede.** Wanneer het elektrisch gereedschap opnieuw wordt gestart terwijl de schijf al in het werkstuk steekt, kan de schijf vastlopen, omhoog lopen of terugslaan.
5. **Ondersteun platen en grote werkstukken om de kans op het beknellen van de schijf en terugslag te minimaliseren.** Grote werkstukken neigen door te zakken onder hun eigen gewicht. U moet het werkstuk ondersteunen vlakbij de snijlijn en vlakbij de rand van het werkstuk aan beide kanten van de schijf.
6. **Wees extra voorzichtig bij het maken van een invalslijpsnede in bestaande wanden of op andere plaats waarvan u de onderkant niet kunt zien.** De uitstekende schijf kan gas- of waterleidingen, elektrische bedrading of voorwerpen die terugslag veroorzaken raken.
7. **Probeer niet een gebogen snede te maken.** Een te grote kracht op de schijf verhoogt de belasting en de kans dat de schijf in de snede verdraait of vastloopt, waardoor terugslag kan optreden of de schijf kan breken met mogelijk ernstig letsel tot gevolg.
8. **Voordat u een gesegmenteerde diamantschijf gebruikt, controleert u dat de diamantschijf randopeningen van 10 mm of minder tussen de segmenten heeft, met alleen een negatieve hellingshoek.**
3. **Let erop dat u de as, de flens (met name de montagekant) en de borgmoer niet beschadigt.** Als deze onderdelen beschadigd raken, kan de schijf breken.
4. **Zorg ervoor dat de schijf niet in aanraking is met het werkstuk voordat u het gereedschap hebt ingeschakeld.**
5. **Laat gereedschap een tijdje draaien voordat u het op het werkstuk gaat gebruiken.** Controleer op trillingen of schommelingen die op onjuiste montage of een slecht uitgebalanceerd schijf kunnen wijzen.
6. **Gebruik de aangegeven kant van de schijf om mee te slijpen.**
7. **Laat het gereedschap niet ingeschakeld liggen.** Schakel het gereedschap alleen in wanneer u het vasthoudt.
8. **Raak het werkstuk niet onmiddellijk na bewerking aan.** Het kan bijzonder heet zijn en brandwonden op uw huid veroorzaken.
9. **Raak accessoires niet onmiddellijk na bewerking aan.** Deze kunnen bijzonder heet zijn en brandwonden op uw huid veroorzaken.
10. **Houd u aan de instructies van de fabrikant voor het juist aanbrengen en gebruiken van de schijven.** Behandel de schijven voorzichtig en berg deze met zorg op.
11. **Gebruik geen afzonderlijke verloopbussen of adapters om slijpschijven met een groot asgat aan dit gereedschap aan te passen.**
12. **Gebruik uitsluitend flenzen die geschikt zijn voor dit gereedschap.**
13. **Voor gereedschap waarop schijven met een geschroefd asgat dienen aangebracht te worden, moet u ervoor zorgen dat de schroefdraad in de schijf lang genoeg is zodat de as helemaal erin gaat.**
14. **Zorg ervoor dat het werkstuk goed ondersteund is.**
15. **Houd er rekening mee dat de schijf nog een tijdje blijft draaien nadat het gereedschap is uitgeschakeld.**
16. **Indien de werkplaats uiterst warm en vochtig is, of erg verontreinigd is met geleidend stof, gebruikt u een kortsluitstroomonderbreker (30 mA) om de veiligheid van de gebruiker te verzekeren.**
17. **Gebruik het gereedschap niet op materialen die asbest bevatten.**
18. **Wanneer u een doorslijpschijf gebruikt, dient u altijd te werken met de stofbeschermer indien dit door de plaatselijke regelgeving wordt vereist.**
19. **Schijven bedoeld voor doorslijpen mogen niet aan zijwaartse druk worden blootgesteld.**
20. **Draag geen stoffen werkhandschoenen tijdens gebruik van dit gereedschap.** Vezels van stoffen handschoenen kunnen binnendringen in het gereedschap waardoor het gereedschap defect kan raken.
21. **Verzeker u er vóór aanvang van de werkzaamheden van dat er geen voorwerpen, zoals elektriciteits-, gas- en waterleidingen, verborgen zitten in het werkstuk.** Anders kan dit een elektrische schok, een lekstroom of een gaslek veroorzaken.

Veiligheidswaarschuwingen specifiek voor schuurwerkzaamheden:

1. **Gebruik een schuurpapierschijf van de juiste afmeting. Volg de aanbevelingen van de fabrikant bij uw keuze van het schuurpapier.** Te groot schuurpapier dat te ver uitsteekt over de rand van het schuurblok levert snijgevaar op en kan beknellen of scheuren van de schijf of terugslag veroorzaken.

Veiligheidswaarschuwingen specifiek voor draadborstelwerkzaamheden:

1. **Wees erop bedacht dat ook tijdens normaal gebruik borsteldraden door de borstel worden rondgeslingerd. Oefen niet te veel kracht uit op de borsteldraden door een te hoge belasting van de borstel.** De borsteldraden kunnen met gemak door dunne kleding en/of de huid dringen.
2. **Als het gebruik van een beschermkap wordt aanbevolen voor draadborstelen, zorgt u ervoor dat de draadschijf of draadborstel niet in aanraking komt met de beschermkap.** De draadschijf of draadborstel kan in diameter toenemen als gevolg van de werkbelasting en centrifugale krachten.

Aanvullende veiligheidswaarschuwingen:

1. **Bij gebruik van een slijpschijf met een verzonken middengat, mag u uitsluitend met glasvezel versterkte schijven gebruiken.**
2. **GEBRUIK NOOIT een stenen komschijf op deze slijpmachine.** Deze slijpmachine is niet ontworpen voor dit type schijven en het gebruik ervan kan leiden tot ernstig persoonlijk letsel.

22. Als een tussenschijf is bevestigd op de schijf, mag u deze niet verwijderen. De diameter van de tussenschijf moet groter zijn dan de borgmoer, buitenflens en binnenflens.
23. Alvorens een slijpschijf aan te brengen, controleert u altijd of de tussenschijf geen abnormaliteiten vertoont, zoals ontbrekende schijflers en barsten.
24. Draai de borgmoer goed vast. Als de schijf te vast wordt gedraaid, kan deze breken, en onvolgende vastdraaien kan leiden tot wiebelen.

BEWAAR DEZE INSTRUCTIES.

⚠ WAARSCHUWING: Laat u NIET misleiden door een vals gevoel van comfort en bekendheid met het gereedschap (na veelvuldig gebruik) en neem alle veiligheidsvoorschriften van het betreffende gereedschap altijd strikt in acht. **VERKEERD GEBRUIK** of het niet naleven van de veiligheidsvoorschriften in deze gebruiksaanwijzing kan leiden tot ernstig persoonlijk letsel.

Belangrijke veiligheidsinstructies voor een accu

1. Lees alle voorschriften en waarschuwingen op (1) de acculader, (2) de accu, en (3) het product waarvoor de accu wordt gebruikt, alvorens de accu in gebruik te nemen.
2. Haal de accu niet uit elkaar en saboteer hem niet. Dit kan leiden tot brand, buitensporige hitte of een explosie.
3. Als de gebruikstijd van een opgeladen accu aanzienlijk korter is geworden, moet u het gebruik ervan onmiddellijk stopzetten. Voortgezet gebruik kan oververhitting, brandwonden en zelfs een ontploffing veroorzaken.
4. Als elektrolyt in uw ogen is terechtgekomen, spoelt u uw ogen met schoon water en roept u onmiddellijk de hulp van een dokter in. Elektrolyt in de ogen kan blindheid veroorzaken.
5. Voorkom kortsluiting van de accu:
 - (1) Raak de accuklemmen nooit aan met een geleidend materiaal.
 - (2) Bewaar de accu niet in een bak waarin andere metalen voorwerpen zoals spijkers, munten e.d. worden bewaard.
 - (3) Stel de accu niet bloot aan water of regen. Kortsluiting van de accu kan oorzaak zijn van een grote stroomafgifte, oververhitting, brandwonden, en zelfs defecten.
6. Bewaar en gebruik het gereedschap en de accu niet op plaatsen waar de temperatuur kan oplopen tot 50 °C of hoger.
7. Werp de accu nooit in het vuur, ook niet wanneer hij zwaar beschadigd of volledig versleten is. De accu kan ontploffen in het vuur.
8. Laat de accu niet vallen, sla er geen spijker in, snijd er niet in, gooi er niet mee en stoot hem niet tegen een hard voorwerp. Dergelijke handelingen kunnen leiden tot brand, buitensporige hitte of een explosie.
9. **Gebruik nooit een beschadigde accu.**
10. **De bijgeleverde lithium-ionbatterijen zijn onderhevig aan de vereisten in de wetgeving omtrent gevaarlijke stoffen.**

Voor commercieel transport en dergelijke door derden en transporteurs moeten speciale vereisten ten aanzien van verpakking en etikettering worden nageleefd.

Als voorbereiding van het artikel dat wordt getransporteerd is het noodzakelijk een expert op het gebied van gevaarlijke stoffen te raadplegen. Houd u tevens aan mogelijk strengere nationale regelgeving.

Blootliggende contactpunten moeten worden afgedekt met tape en de accu moet zodanig worden verpakt dat deze niet kan bewegen in de verpakking.
11. **Wanneer u de accu wilt weggooien, verwijdert u de accu vanaf het gereedschap en gooit u hem op een veilige manier weg. Volg bij het weggooien van de accu de plaatselijke voorschriften.**
12. **Gebruik de accu's uitsluitend met de gereedschappen die door Makita zijn aanbevolen.** Als de accu's worden aangebracht in niet-compatibele gereedschappen, kan dat leiden tot brand, buitensporige warmteontwikkeling, een explosie of lekkage van elektrolyt.
13. **Als u het gereedschap gedurende een lange tijd niet denkt te gaan gebruiken, moet de accu vanaf het gereedschap worden verwijderd.**
14. **Tijdens en na gebruik, kan de accu heet worden waardoor brandwonden of koude brandwonden kunnen worden veroorzaakt. Wees voorzichtig bij het hanteren van een hete accu.**
15. **Raak de aansluitpunten van het gereedschap niet onmiddellijk na gebruik aan omdat deze heet genoeg kunnen zijn om brandwonden te veroorzaken.**
16. **Zorg ervoor dat geen steenslag, stof of grond vast komt te zitten op/in de aansluitpunten, openingen en groeven van de accu.** Hierdoor kan oververhitting, brand, een barst en een storing in het gereedschap of de accu ontstaan waardoor brandwonden of persoonlijk letsel kunnen ontstaan.
17. **Behalve indien gebruik van het gereedschap is toegestaan in de buurt van hoogspanningsleidingen, mag u de accu niet gebruiken in de buurt van een hoogspanningsleiding.** Dit kan leiden tot een storing of een defect van het gereedschap of de accu.
18. **Houd de accu uit de buurt van kinderen.**

BEWAAR DEZE INSTRUCTIES.

⚠ LET OP: Gebruik uitsluitend originele Makita accu's. Het gebruik van niet-originele accu's, of accu's die zijn gewijzigd, kan ertoe leiden dat de accu ontploft en brand, persoonlijk letsel en schade veroorzaakt. Ook vervalt daarmee de garantie van Makita op het gereedschap en de lader van Makita.

Tips voor een maximale levensduur van de accu

1. Laad de accu op voordat hij volledig ontladen is. Stop het gebruik van het gereedschap en laad de accu op telkens wanneer u vaststelt dat het vermogen van het gereedschap is afgenomen.
2. Laad een volledig opgeladen accu nooit opnieuw op. Te lang opladen verkort de levensduur van de accu.
3. Laad de accu op bij een omgevingstemperatuur tussen 10 °C en 40 °C. Laat een warme accu afkoelen alvorens hem op te laden.
4. Als de accu niet wordt gebruikt, verwijdert u hem vanaf het gereedschap of de lader.
5. Laad de accu op als u deze gedurende een lange tijd (meer dan zes maanden) niet gaat gebruiken.

Belangrijke veiligheidsinstructies voor de draadloos-eenheid

1. Haal de draadloos-eenheid niet uit elkaar en knoei er niet aan.
2. Houd de draadloos-eenheid uit de buurt van kinderen. Indien per ongeluk ingeslikt, raadpleegt u onmiddellijk een arts.
3. Gebruik de draadloos-eenheid uitsluitend met Makita-gereedschap.
4. Stel de draadloos-eenheid niet bloot aan regen of natte omstandigheden.
5. Gebruik de draadloos-eenheid niet op plaatsen waar de temperatuur hoger is dan 50 °C.
6. Bedien de draadloos-eenheid niet op plaatsen in de buurt van medische instrumenten, zoals een pacemaker.
7. Bedien de draadloos-eenheid niet op plaatsen in de buurt van geautomatiseerde apparaten. Bij bediening ervan kan in de geautomatiseerde apparaten een storing of fout optreden.
8. Bedien de draadloos-eenheid niet op plaatsen met een hoge temperatuur of op plaatsen waar statische elektriciteit of elektrische ruis kan worden gegenereerd.
9. De draadloos-eenheid kan elektromagnetische velden genereren, maar deze zijn niet schadelijk voor de gebruiker.
10. De draadloos-eenheid is een nauwkeurig instrument. Wees voorzichtig dat u de draadloos-eenheid niet laat vallen of ergens tegenaan stoot.
11. Raak de aansluitpunten van de draadloos-eenheid niet aan met blote handen of metaalachtige materialen.
12. Verwijder altijd de accu uit het apparaat wanneer u de draadloos-eenheid erin aanbrengt.
13. Open de afdekking van de gleuf niet op plaatsen waar stof of vocht in de gleuf kan binnendringen. Houd de ingang van de gleuf altijd schoon.
14. Breng de draadloos-eenheid altijd in de juiste richting aan.
15. Druk niet te hard op de knop voor draadloos inschakelen op de draadloos-eenheid en/of druk niet op de knop met een scherp voorwerp.
16. Sluit altijd de afdekking van de gleuf tijdens gebruik.
17. Verwijder de draadloos-eenheid niet uit de gleuf terwijl voeding wordt geleverd aan het gereedschap. Als u dit doet, kan een storing optreden in de draadloos-eenheid.
18. Verwijder de sticker op de draadloos-eenheid niet.
19. Plak geen stickers op de draadloos-eenheid.
20. Laat de draadloos-eenheid niet liggen op een plaats waar statische elektriciteit of elektrische ruis kan worden gegenereerd.
21. Laat de draadloos-eenheid niet liggen op een plaats die is blootgesteld aan hoge temperaturen, zoals in een auto die in de zon staat geparkeerd.
22. Laat de draadloos-eenheid niet liggen op een plaats met veel stof of poeder, of op een plaats waar corrosief gas kan worden gegenereerd.
23. Door een plotselinge verandering in temperatuur kan condens op de draadloos-eenheid worden gevormd. Gebruik de draadloos-eenheid niet voordat de condens volledig is verdamp.
24. Veeg de draadloos-eenheid voorzichtig schoon met een droge, zachte doek. Gebruik geen wasbenzine, thinner, geleidend vet en dergelijke.
25. Bewaar de draadloos-eenheid in de bijgeleverde doos of een antistatische container.
26. Breng geen andere apparaten dan een draadloos-eenheid van Makita aan in de gleuf van het gereedschap.
27. Gebruik het gereedschap niet als de afdekking van de gleuf beschadigd is. Water, stof en vuil die in de gleuf binnendringen, kunnen een storing veroorzaken.
28. Trek en draai niet meer dan nodig is aan de afdekking van de gleuf. Plaats de afdekking terug als deze los komt van het gereedschap.
29. Vervang de afdekking van de gleuf als deze verloren of beschadigd is.

BEWAAR DEZE INSTRUCTIES.

BESCHRIJVING VAN DE FUNCTIES

⚠ LET OP: Zorg altijd dat het gereedschap is uitgeschakeld en de accu ervan is verwijderd alvorens de functies op het gereedschap af te stellen of te controleren.

De accu aanbrengen en verwijderen

⚠ LET OP: Schakel het gereedschap altijd uit voordat u de accu aanbrengt of verwijderd.

⚠ LET OP: Houd het gereedschap en de accu stevig vast tijdens het aanbrengen of verwijderen van de accu. Als u het gereedschap en de accu niet stevig vasthoudt, kunnen deze uit uw handen glippen en het gereedschap of de accu beschadigen, of kan persoonlijk letsel worden veroorzaakt.

► Fig.1: 1. Rood deel 2. Knop 3. Accu

Om de accu te verwijderen verschuift u de knop aan de voorkant van de accu en schuift u tegelijkertijd de accu uit het gereedschap.

Om de accu aan te brengen lijnt u de lip op de accu uit met de groef in de behuizing en duwt u de accu op zijn plaats. Steek de accu zo ver mogelijk in het gereedschap tot u een klikgeluid hoort. Wanneer het rode deel zichtbaar is, zoals aangegeven in de afbeelding, is de accu niet geheel vergrendeld.

⚠ LET OP: Breng de accu altijd helemaal aan totdat het rode deel niet meer zichtbaar is. Als u dit niet doet, kan de accu per ongeluk uit het gereedschap vallen en u of anderen in uw omgeving verwonden.

⚠ LET OP: Breng de accu niet met kracht aan. Als de accu niet gemakkelijk in het gereedschap kan worden geschoven, wordt deze niet goed aangebracht.

De resterende acculading controleren

Alleen voor accu's met indicatorlampjes

► Fig.2: 1. Indicatorlampjes 2. Testknop

Druk op de testknop op de accu om de resterende acculading te zien. De indicatorlampjes branden gedurende enkele seconden.

Indicatorlampjes			Resterende acculading
Brandt	Uit	Knippert	
■ ■ ■ ■			75% tot 100%
■ ■ ■ □			50% tot 75%
■ ■ □ □			25% tot 50%
■ □ □ □			0% tot 25%
▨ □ □ □			Laad de accu op.
■ ■ □ □ ↑ ↓ □ □ ■ ■			Er kan een storing zijn opgetreden in de accu.

OPMERKING: Afhankelijk van de gebruiksomstandigheden en de omgevingstemperatuur, is het mogelijk dat de aangegeven acculading verschilt van de werkelijke acculading.

OPMERKING: Het eerste (meest linker) indicatorlampje knippert wanneer het accubeveiligingssysteem in werking is getreden.

De resterende acculading controleren

Afhankelijk van het land

Wanneer u het gereedschap inschakelt, toont het accu-indicatorlampje de resterende acculading.

► Fig.3: 1. Accu-indicatorlampje

De resterende acculading wordt aangegeven in de onderstaande tabel.

Toestand van accu-indicator			Resterende acculading
Aan	Uit	Knippert	
			50% tot 100%
			20% tot 50%
			0% tot 20%
			Laad de accu op.

Gereedschap-/accubeveiligingssysteem

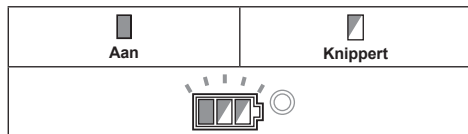
Het gereedschap is voorzien van een gereedschap-/accubeveiligingssysteem. Dit systeem schakelt automatisch de voeding naar de motor uit om de levensduur van het gereedschap en de accu te verlengen. Het gereedschap kan tijdens het gebruik automatisch stoppen als het gereedschap of de accu aan één van de volgende omstandigheden wordt blootgesteld:

Overbelastingsbeveiliging

Wanneer het gereedschap wordt gebruikt op een manier die een abnormaal hoge stroomsterkte vergt, stopt het gereedschap automatisch zonder dat een indicatorlampje gaat branden. Schakel in dat geval het gereedschap uit en stop het gebruik dat ertoe leidde dat het gereedschap overbelast raakte. Schakel daarna het gereedschap weer in om verder te gaan.

Oververhittingsbeveiliging

Wanneer het gereedschap oververhit is, stopt het gereedschap automatisch en toont het accu-indicatorlampje de volgende status. In die situatie laat u het gereedschap eerst afkoelen voordat u het gereedschap opnieuw inschakelt.



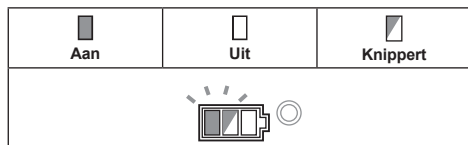
Als het gereedschap niet start, kan de accu oververhit zijn. In die situatie laat u de accu eerst afkoelen voordat u het gereedschap opnieuw start.

Beveiliging tegen te ver ontladen

Als de acculading onvoldoende is, stopt het gereedschap automatisch. In dit het geval verwijdt u de accu vanaf het gereedschap en laadt u de accu op.

De beveiligingsvergrendeling opheffen

Wanneer het beveiligingssysteem herhaaldelijk in werking treedt, wordt het gereedschap vergrendeld en toont het accu-indicatorlampje de volgende status. In deze situatie start het gereedschap niet meer, ook niet wanneer het gereedschap wordt in- en uitgeschakeld. Om de beveiligingsvergrendeling op te heffen, verwijdt u de accu, plaatst u deze in de acculader en wacht u tot het opladen is voltooid.



Beveiliging tegen andere oorzaken

Het beveiligingssysteem is ook ontworpen voor andere oorzaken die het gereedschap kunnen beschadigen, en zorgt ervoor dat het gereedschap automatisch stopt. Voer alle volgende stappen uit om de oorzaken op te heffen, wanneer het gereedschap tijdelijk is onderbroken of tijdens het gebruik is gestopt.

1. Schakel het gereedschap uit en schakel het daarna weer in om het opnieuw te starten.
2. Laad de accu('s) op of vervang hem/ze door (een) opgeladen accu('s).
3. Laat het gereedschap en de accu('s) afkoelen.

Als geen verbetering optreedt nadat het beveiligingssysteem is gereset, neemt u contact op met uw lokale Makita-servicecentrum.

Asvergrendeling

WAARSCHUWING: Bedien de asvergrendeling nooit terwijl de as draait. Dit kan ernstig letsel of beschadiging van het gereedschap veroorzaken.

Druk de asvergrendeling in om te voorkomen dat de as meedraait wanneer u accessoires aanbrengt of verwijdt.

► Fig.4: 1. Asvergrendeling

Werking van de schakelaar

LET OP: Controleer altijd, voordat u de accu in het gereedschap aanbrengt, of de aan-uitschakelaar op de juiste manier schakelt en weer terugkeert naar de uit-stand nadat deze is losgelaten.

LET OP: Omwille van uw veiligheid is dit gereedschap uitgerust met een uit-vergrendelknop die voorkomt dat het gereedschap onbedoeld wordt ingeschakeld. Gebruik het gereedschap NOOIT wanneer dit kan worden ingeschakeld door gewoon de aan-uitschakelaar in te knijpen zonder de uit-vergrendelknop te bedienen. Stuur het gereedschap voor deugdelijke reparatie terug naar ons erkend servicecentrum ALVORENS het verder te gebruiken.

LET OP: Knijp de aan-uitschakelaar niet hard in zonder de uit-vergrendelknop in te drukken. Hierdoor kan de schakelaar kapot gaan.

LET OP: U mag NOOIT het doel of de werking van de uit-vergrendelknop teniet doen of deze vastplakken.

Om te voorkomen dat de aan-uitschakelaar per ongeluk wordt ingeknepen, is een uit-vergrendelknop aangebracht.

Om het gereedschap te starten, trekt u de uit-vergrendelknop in de richting van de gebruiker en knijpt u vervolgens de aan-uitschakelaar in.

Om het gereedschap te stoppen, laat u de aan-uitschakelaar los.

► Fig.5: 1. Uit-vergrendelknop 2. Aan-uitschakelaar

Toerentalregelaar

Het toerental van het gereedschap kan worden veranderd door de toerentalregelaar te draaien. De onderstaande tabel toont het cijfer op de toerentalregelaar en het bijbehorende toerental.

► Fig.6: 1. Toerentalregelaar

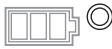

Cijfer	Toerental
1	3.000 min ⁻¹
2	4.500 min ⁻¹
3	6.000 min ⁻¹
4	7.500 min ⁻¹
5	8.500 min ⁻¹

KENNISGEVING: Als het gereedschap gedurende een lange tijd ononderbroken op een laag toerental wordt gebruikt, zal de motor overbelast raken, waardoor een storing zal optreden.

KENNISGEVING: De toerentalregelaar kan slechts tot stand 5 worden gedraaid en teruggedraaid tot stand 1. Forceer de regelaar niet voorbij de 5 of de 1 omdat de toerentalregeling daardoor defect kan raken.

Automatische toerentalwisselfunctie

► Fig.7: 1. Functie-indicatorlampje

Toestand van functie-indicatorlampje	Bedrijfsfunctie
	Hoog-toerentalfunctie
	Hoog-koppelfunctie

Dit gereedschap heeft een "hoog-toerentalfunctie" en een "hoog-koppelfunctie". De bedrijfsfunctie wordt automatisch veranderd aan de hand van de werkbelasting. Wanneer tijdens gebruik het functie-indicatorlampje gaat branden, staat het gereedschap in de hoog-koppelfunctie.

Beveiliging tegen onopzettelijk herstarten

Wanneer de schakelaar in de aan-stand staat en de accu wordt aangebracht, start het gereedschap niet. Om het gereedschap te starten, schakelt u de schakelaar uit en weer in.

Actieve terugkoppeldetectietechnologie

Het gereedschap detecteert elektronisch situaties waarin de schijf of het accessoire gevaar loopt om vast te lopen. In deze situatie wordt het gereedschap automatisch uitgeschakeld om verder rondraaien van de as te voorkomen (het voorkomt niet terugslag). Om het gereedschap te starten, schakelt u eerst het gereedschap uit, heft u de oorzaak van de plotselinge afname van het toerental op, en schakelt u daarna het gereedschap weer in.

Zachte-startfunctie

De zachte-startfunctie voorkomt abrupt schoksgewijs inschakelen.

Elektrische rem

De elektrische rem wordt ingeschakeld nadat het gereedschap is uitgeschakeld. De rem werkt niet wanneer de elektrische voeding wordt onderbroken, zoals wanneer de accu per ongeluk wordt verwijderd, terwijl de knop is ingeschakeld.

MONTAGE

▲LET OP: Zorg altijd dat het gereedschap is uitgeschakeld en de accu ervan is verwijderd alvorens de functies op het gereedschap af te stellen of te controleren.

De zijhandgreep (handvat) monteren

▲LET OP: Controleer altijd voor gebruik of de zijhandgreep stevig vastzit.

Draai de zijhandgreep vast op het gereedschap in een van de standen aangegeven in de afbeelding.

► Fig.8

De beschermkap aanbrengen en verwijderen (voor schijf met een verzonken middengat, lamellenschijf, flexischijf, schijfvormige draadborstel, doorslijpschijf, diamantschijf)

▲WAARSCHUWING: Bij gebruik van een schijf met een verzonken middengat, lamellenschijf, flexischijf of schijfvormige draadborstel moet de beschermkap zodanig op het gereedschap worden gemonteerd dat de gesloten zijde van de kap altijd naar de gebruiker is gekeerd.

▲WAARSCHUWING: Wanneer u een doorslijpschijf of diamantschijf gebruikt, moet u altijd een beschermkap gebruiken die speciaal ontworpen is voor gebruik met doorslijpschijven.

Voor gereedschap met een beschermkap met een borgschroef

Monteer de beschermkap met de uitsteeksel aan de beschermkapband recht tegenover de inkepingen in het lagerhuis. Draai vervolgens de beschermkap naar een dusdanige hoek dat deze de gebruiker beschermt tijdens de werkzaamheden. Draai de schroef vooral stevig vast.

Om de beschermkap te verwijderen, volgt u de procedure voor het aanbrengen in de omgekeerde volgorde.

► Fig.9: 1. Beschermkap 2. Lagerhuis 3. Schroef

Voor gereedschap met een beschermkap met een klemhendel

Draai de schroef los en trek daarna de hendel in de richting van de pijl. Monteer de beschermkap met de uitsteeksel aan de beschermkapband recht tegenover de inkepingen in het lagerhuis. Draai vervolgens de beschermkap naar een dusdanige hoek dat deze de gebruiker beschermt tijdens de werkzaamheden.

► Fig.10: 1. Beschermkap 2. Lagerhuis 3. Schroef 4. Hendel

Trek de hendel in de richting van de pijl. Zet daarna de beschermkap vast door de schroef aan te draaien. Draai de schroef vooral stevig vast. De instelhoek van de beschermkap is instelbaar met de hendel.

► Fig.11: 1. Schroef 2. Hendel

Om de beschermkap te verwijderen, volgt u de procedure voor het aanbrengen in de omgekeerde volgorde.

Opklikhulpstuk voor de beschermkap van een slijpschijf

Optioneel accessoire

OPMERKING: Bij doorslijpwerkzaamheden kan een opklikhulpstuk voor de beschermkap van een slijpschijf worden gebruikt met de beschermkap (voor een slijpschijf).

Niet verkrijgbaar in sommige landen.

► Fig.12

Een schijf met een verzonken middengat of een lamellenschijf aanbrengen en verwijderen

Optioneel accessoire

⚠ WAARSCHUWING: Bij gebruik van een schijf met een verzonken middengat of een lamellenschijf, moet de beschermkap zodanig op het gereedschap worden aangebracht dat de gesloten zijde van de kap altijd naar de gebruiker is gekeerd.

⚠ WAARSCHUWING: Zorg ervoor dat de pasrand van de binnenflens perfect past in de binnendiameter van de schijf met een verzonken middengat of lamellenschijf. Als u de binnenflens met de verkeerde zijkant aanbrengt, kunnen gevaarlijke trillingen het gevolg zijn.

Breng de binnenflens aan op de as. Zorg ervoor dat het ingedeukte deel van de binnenflens wordt aangebracht op het rechte deel onderaan de as. Pas de schijf met een verzonken middengat of lamellenschijf op de binnenflens en draai de borgmoer op de as vast.

► **Fig.13:** 1. Borgmoer 2. Schijf met een verzonken middengat 3. Binnenflens 4. Pasrand

Om de borgmoer vast te draaien, drukt u de asvergrendeling stevig in zodat de as niet kan draaien, en gebruikt u vervolgens de borgmoersleutel om de borgmoer stevig rechtsom vast te draaien.

► **Fig.14:** 1. Borgmoersleutel 2. Asvergrendeling

Om de schijf te verwijderen, volgt u de procedure in omgekeerde volgorde.

Een flexischijf aanbrengen of verwijderen

Optioneel accessoire

⚠ WAARSCHUWING: Gebruik altijd de bijgeleverde beschermkap wanneer een flexischijf op het gereedschap is aangebracht. De schijf kan tijdens het gebruik kapotslaan en de beschermkap helpt om persoonlijk letsel te voorkomen.

► **Fig.15:** 1. Borgmoer 2. Flexischijf 3. Rugschijf 4. Binnenflens

Houd u aan de instructies voor een schijf met een verzonken middengat, maar gebruik tevens een rugschijf onder de schijf.

Een schuurpapierschijf aanbrengen of verwijderen

Optioneel accessoire

OPMERKING: Gebruik schuuraccessoires die worden beschreven in deze gebruiksaanwijzing. Deze moeten afzonderlijk worden aangeschaft.

Voor model voor 100 mm (4")

► **Fig.16:** 1. Borgmoer voor schuren
2. Schuurpapierschijf 3. Rubber rugschijf
4. Binnenflens

1. Breng de binnenflens aan op de as.
2. Bevestig de rubber rugschijf op de as.
3. Breng de schijf aan op de rubber rugschijf en draai de borgmoer voor schuren op de as.
4. Vergrendel de as met de asvergrendeling en draai de borgmoer voor schuren stevig rechtsom vast met behulp van de borgmoersleutel.

Om de schijf te verwijderen, volgt u de procedure in omgekeerde volgorde.

Voor andere modellen dan 100 mm (4")

► **Fig.17:** 1. Borgmoer voor schuren
2. Schuurpapierschijf 3. Rubber rugschijf

1. Bevestig de rubber rugschijf op de as.
2. Breng de schijf aan op de rubber rugschijf en draai de borgmoer voor schuren op de as.
3. Vergrendel de as met de asvergrendeling en draai de borgmoer voor schuren stevig rechtsom vast met behulp van de borgmoersleutel.

Om de schijf te verwijderen, volgt u de procedure in omgekeerde volgorde.

De Ezynut aanbrengen en verwijderen

Optioneel accessoire

Alleen voor gereedschappen met M14-asschroefdraad.

Bevestig de binnenflens, de slijpschijf en de Ezynut zodanig op de as dat het Makita-logo op de Ezynut naar buiten wijst.

► **Fig.18:** 1. Ezynut 2. Slijpschijf 3. Binnenflens 4. As

Druk de asvergrendeling stevig in en draai de Ezynut vast door de slijpschijf zover mogelijk rechtsom te draaien.

► **Fig.19:** 1. Asvergrendeling

Draai de buitenste ring van de Ezynut linksom om hem los te draaien.

OPMERKING: De Ezynut kan met de hand worden losgedraaid wanneer de pijl voor de uitsparing staat. Anders is een borgmoersleutel vereist om de moer los te draaien. Steek één pen van de sleutel in een gat en draai de Ezynut linksom.

► **Fig.20:** 1. Pijl 2. Uitsparing

► **Fig.21**

Een doorslijpschijf of diamantschijf aanbrengen

Optioneel accessoire

⚠ WAARSCHUWING: Wanneer u een doorslijpschijf of diamantschijf gebruikt, moet u altijd een beschermkap gebruiken die speciaal ontworpen is voor gebruik met doorslijpschijven.

⚠ WAARSCHUWING: Gebruik **NOOIT** een doorslijpschijf om zijdelings mee te slijpen.

- **Fig.22:** 1. Borgmoer 2. Doorslijpschijf of diamantschijf 3. Binnenflens 4. Beschermkap voor doorslijpschijf of diamantschijf

Volg voor het aanbrengen de instructies voor een schijf met een verzonken middengat.

De montagerichting van de borgmoer en binnenflens verschilt afhankelijk van het type en de dikte van de schijf.

Zie de volgende afbeeldingen.

Voor model voor 100 mm (4")

Een doorslijpschijf aanbrengen:

- **Fig.23:** 1. Borgmoer 2. Doorslijpschijf (dunner dan 4 mm (5/32")) 3. Doorslijpschijf (4 mm (5/32")) of dikker 4. Binnenflens

Een diamantschijf aanbrengen:

- **Fig.24:** 1. Borgmoer 2. Diamantschijf (dunner dan 4 mm (5/32")) 3. Diamantschijf (4 mm (5/32")) of dikker 4. Binnenflens

Voor andere modellen dan 100 mm (4")

Een doorslijpschijf aanbrengen:

- **Fig.25:** 1. Borgmoer 2. Doorslijpschijf (dunner dan 4 mm (5/32")) 3. Doorslijpschijf (4 mm (5/32")) of dikker 4. Binnenflens

Een diamantschijf aanbrengen:

- **Fig.26:** 1. Borgmoer 2. Diamantschijf (dunner dan 4 mm (5/32")) 3. Diamantschijf (4 mm (5/32")) of dikker 4. Binnenflens

Een komvormige draadborstel aanbrengen

Optioneel accessoire

⚠ LET OP: Gebruik de draadborstel niet wanneer deze beschadigd is of onbalans heeft. Het gebruik van een beschadigde draadborstel verhoogt de kans op verwonding door aanraking van afgebroken borsteldraden.

Leg het gereedschap ondersteboven zodat de as goed toegankelijk is.

Verwijder alle accessoires vanaf de as. Draai de komvormige draadborstel op de as en draai hem vast met behulp van de bijgeleverde sleutel.

- **Fig.27:** 1. Komvormige draadborstel

Een schijfvormige draadborstel aanbrengen

Optioneel accessoire

⚠ LET OP: Gebruik de schijfvormige draadborstel niet wanneer deze beschadigd is of onbalans heeft. Het gebruik van een beschadigde schijfvormige draadborstel verhoogt de kans op verwonding door aanraking van afgebroken borsteldraden.

⚠ LET OP: Gebruik bij de schijfvormige draadborstel **ALTIJD** de beschermkap, waarbij de buitendiameter van de schijfvormige draadborstel binnenin de beschermkap moet vallen. De schijf kan tijdens het gebruik kapotslaan en de beschermkap helpt om persoonlijk letsel te voorkomen.

Leg het gereedschap ondersteboven zodat de as goed toegankelijk is.

Verwijder alle accessoires vanaf de as. Draai de schijfvormige draadborstel op de as en zet deze vast met de bijgeleverde sleutel.

- **Fig.28:** 1. Schijfvormige draadborstel

De gatenzaag aanbrengen

Optioneel accessoire

Leg het gereedschap ondersteboven zodat de as goed toegankelijk is.

Verwijder alle accessoires vanaf de as. Draai de gatenzaag op de as en zet hem daarna vast met behulp van de bijgeleverde sleutel.

- **Fig.29:** 1. Gatenzaag

De stofbeschermkap voor slijpen aanbrengen

Alleen voor de modellen DGA467 / DGA468 / DGA517 / DGA518

Optioneel accessoire

Met optionele accessoires kunt u dit gereedschap gebruiken voor het schuren van betonnen oppervlakken.

⚠ LET OP: De stofbeschermkap voor diamantkomschijven is uitsluitend bedoeld voor het schuren van betonnen oppervlakken met een diamantkomschijf. Gebruik deze beschermkap niet met enig ander slijpaccessoire of voor enig ander doel.

⚠ LET OP: Verzeker u er vóór gebruik van dat de stofzuiger is aangesloten op het gereedschap en is ingeschakeld.

Leg het gereedschap ondersteboven en breng de stofbeschermkap aan.

Breng de binnenflens aan op de as.

Pas de komvormige diamantschijf op de binnenflens en draai de borgmoer op de as vast.

- **Fig.30:** 1. Borgmoer 2. Komvormige diamantschijf 3. Komvormige diamantschijf met naaf 4. Binnenflens 5. Stofbeschermkap 6. Lagerhuis

OPMERKING: Voor informatie over het aanbrengen van de stofbeschermkap, raadpleegt u de gebruiksaanwijzing van de stofbeschermkap.

De stofbeschermkap voor doorslijpen aanbrengen

Optioneel accessoire

Met optionele accessoires kunt u dit gereedschap gebruiken voor het doorslijpen van steen.

► Fig.31

OPMERKING: Voor informatie over het aanbrengen van de stofbeschermkap, raadpleegt u de gebruiksaanwijzing van de stofbeschermkap.

Een stofzuiger aansluiten

Optioneel accessoire

⚠ WAARSCHUWING: Zuig nooit metaaldeeltjes op afkomstig van slijp-, doorslijp- of schuurwerkzaamheden. Metaaldeeltjes die door dergelijke werkzaamheden zijn gevormd, zijn dermate heet dat ze stof en het filter in de stofzuiger kunnen doen ontbranden.

Om een stoffige werkomgeving als gevolg van het doorslijpen van steen te voorkomen, gebruikt u een stofbeschermkap en een stofzuiger. Raadpleeg tevens de gebruiksaanwijzing van de stofbeschermkap voor informatie over het aanbrengen en gebruik ervan.

► Fig.32: 1. Stofbeschermkap 2. Slang van de stofzuiger

BEDIENING

⚠ WAARSCHUWING: Het is in geen geval ooit nodig om grote druk op het gereedschap uit te oefenen. Het gewicht van het gereedschap oefent voldoende druk uit. Forceren of te grote druk uitoefenen kan ertoe leiden dat de schijf breekt, hetgeen gevaarlijk is.

⚠ WAARSCHUWING: Vervang ALTIJD de schijf als het gereedschap tijdens het slijpen is gevallen.

⚠ WAARSCHUWING: Laat NOOIT de schijf met kracht op uw werkstuk terechtkomen.

⚠ WAARSCHUWING: Voorkom dat de schijf springt of bekneld raakt, met name bij het werken rond hoeken, scherpe randen enz. Dat kan leiden tot terugslag of verlies van controle over het gereedschap.

⚠ WAARSCHUWING: Gebruik dit gereedschap NOOIT met houtzagen en andere zaagbladen. Zulke zaagbladen op een slijpmachine leiden vaak tot terugslag of verlies van controle over het gereedschap, wat kan leiden tot persoonlijk letsel.

⚠ LET OP: Schakel nooit het gereedschap in terwijl dat het werkstuk al raakt omdat hierdoor letsel kan worden veroorzaakt bij de gebruiker.

⚠ LET OP: Draag tijdens gebruik altijd een veiligheidsbril of spatscherm.

⚠ LET OP: Schakel na gebruik altijd het gereedschap uit en wacht tot de schijf helemaal tot stilstand is gekomen voordat u het gereedschap neerlegt.

⚠ LET OP: Houd het gereedschap ALTIJD stevig vast met één hand op de behuizing en de andere hand aan de zijhandgreep (handvat).

OPMERKING: Een multifunctionele schijf kan worden gebruikt voor zowel slijp- als doorslijpwerkzaamheden.

Raadpleeg de tekst onder "Gebruik als slijpmachine of schuurmachine" voor slijpwerkzaamheden, en raadpleeg de tekst onder "Gebruik met een doorslijpschijf of diamantschijf" voor doorslijpwerkzaamheden.

Gebruik als slijpmachine of schuurmachine

► Fig.33

Schakel het gereedschap in en breng daarna de schijf op/in het werkstuk.

In het algemeen geldt: houd de rand van de schijf onder een hoek van ongeveer 15° op het oppervlak van het werkstuk. Tijdens de inloopduur van een nieuwe schijf mag u de slijpmachine niet in voorwaartse richting bewegen omdat deze anders in het werkstuk kan 'invreten'. Pas nadat de rand van de schijf door slijtage is afgerond, mag u de schijf in zowel voorwaartse als achterwaartse richting gebruiken.

Praktijkvoorbeeld: gebruik met komvormige diamantschijf
► Fig.34

Houd het gereedschap horizontaal en plaats de volledige komvormige diamantschijf op het oppervlak van het werkstuk.

Gebruik met een doorslijpschijf of diamantschijf

Optioneel accessoire

⚠ WAARSCHUWING: Laat de schijf niet vastlopen en oefen geen buitensporige druk uit. Probeer niet een buitensporig diepe snede te slijpen. Een te grote kracht op de schijf verhoogt de belasting en de kans dat de schijf in de snede verdraait of vastloopt, waardoor terugslag kan optreden, de schijf kan breken of de motor oververhit kan raken.

⚠ WAARSCHUWING: Begin niet met doorslijpen terwijl de schijf al in het werkstuk steekt. Wacht totdat de schijf op maximaal toerental draait en breng daarna de schijf voorzichtig in de snede terwijl u het gereedschap voorwaarts beweegt over het oppervlak van het werkstuk.

Wanneer het elektrisch gereedschap wordt ingeschakeld terwijl de schijf al in het werkstuk steekt, kan de schijf vastlopen, omhoog lopen of terugslaan.

⚠ WAARSCHUWING: Tijdens het doorslijpen mag u nooit de hoek van de schijf veranderen. Door zijdelingse druk uit te oefenen op de doorslijpschijf (zoals bij slijpen), zal de schijf barsten en breken waardoor ernstig persoonlijk letsel wordt veroorzaakt.

⚠ WAARSCHUWING: Een diamantschijf moet haaks op het door te slijpen werkstuk worden gebruikt.

Praktijkvoorbeeld: gebruik met doorslijpschijf
► Fig.35

Praktijkvoorbeeld: gebruik met diamantschijf
► Fig.36

Gebruik met een komvormige draadborstel

Optioneel accessoire

⚠ LET OP: Controleer de werking van de draadborstel door het gereedschap onbelast te laten draaien terwijl u erop let dat niemand vóór of in één lijn met de draadborstel staat.

KENNISGEVING: Voorkom tijdens gebruik van de draadborstel te veel druk waardoor de draden van de komvormige draadborstel te veel verbuigen. Dit kan leiden tot voortijdig afbreken.

Praktijkvoorbeeld: gebruik met een komvormige draadborstel

► Fig.37

Gebruik met een schijfvormige draadborstel

Optioneel accessoire

⚠ LET OP: Controleer de werking van de schijfvormige draadborstel door het gereedschap onbelast te laten draaien terwijl u erop let dat niemand vóór of in één lijn met de schijfvormige draadborstel staat.

KENNISGEVING: Voorkom tijdens gebruik van de draadborstel te veel druk waardoor de draden van de schijfvormige draadborstel te veel verbuigen. Dit kan leiden tot voortijdig afbreken.

Praktijkvoorbeeld: gebruik met een schijfvormige draadborstel

► Fig.38

Gebruik met een gatenzaag

Optioneel accessoire

⚠ LET OP: Controleer de werking van de gatenzaag door het gereedschap onbelast te laten draaien terwijl u erop let dat niemand vóór de gatenzaag staat.

KENNISGEVING: Kantel het gereedschap niet tijdens gebruik. Dit kan leiden tot een voortijdig defect.

Praktijkvoorbeeld: gebruik met een gatenzaag

► Fig.39

FUNCTIE VOOR DRAADLOOS INSCHAKELEN

Alleen voor de modellen DGA418 / DGA468 / DGA518

Mogelijkheden van de functie voor draadloos inschakelen

Met de functie voor draadloos inschakelen kunt u schoon en comfortabel werken. Door een ondersteunde stofzuiger aan te sluiten op het gereedschap, kunt u de stofzuiger automatisch laten in- en uitschakelen bij bediening van de schakelaar van het gereedschap.

► Fig.40

Om de functie voor draadloos inschakelen te gebruiken, dient u de volgende zaken voor te bereiden:

- Een draadloos-eenheid (optioneel accessoire)
- Een stofzuiger die de functie voor draadloos inschakelen ondersteunt

In het kort bestaat het instellen van de functie voor draadloos inschakelen uit de volgende punten. Raadpleeg elke paragraaf voor informatie over de procedure.

1. De draadloos-eenheid aanbrengen
2. Registratie van het gereedschap op de stofzuiger
3. De functie voor draadloos inschakelen starten

De draadloos-eenheid aanbrengen

Optioneel accessoire

⚠ LET OP: Plaats het gereedschap op een vlakke en stabiele ondergrond wanneer u de draadloos-eenheid aanbrengt.

KENNISGEVING: Verwijder het stof en vuil vanaf het gereedschap voordat u de draadloos-eenheid aanbrengt. Stof en vuil kunnen een storing veroorzaken wanneer ze binnendringen in de gleuf voor de draadloos-eenheid.

KENNISGEVING: Om een storing als gevolg van statische elektriciteit te voorkomen, raakt u een materiaal aan dat statische elektriciteit ontleedt, zoals een metalen onderdeel van het gereedschap, voordat u de draadloos-eenheid oppakt.

KENNISGEVING: Let er bij het aanbrengen van de draadloos-eenheid altijd op dat de draadloos-eenheid in de correcte richting wordt aangebracht en dat de afdekking volledig wordt gesloten.

1. Open de afdekking op het gereedschap, zoals aangegeven in de afbeelding.

► Fig.41: 1. Afdekking

2. Breng de draadloos-eenheid aan in de gleuf en sluit vervolgens de afdekking.

Wanneer u de draadloos-eenheid aanbrengt, lijnt u de uitsteeksels uit met de uitsparingen in de gleuf.

► Fig.42: 1. Draadloos-eenheid 2. Uitsteeksel 3. Afdekking 4. Uitsparing

Wanneer u de draadloos-eenheid verwijdert, opent u langzaam de afdekking. De haken op de achterkant van de afdekking, tillen de draadloos-eenheid op terwijl u de afdekking omhoog trekt.

► **Fig.43:** 1. Draadloos-eenheid 2. Haak 3. Afdekking

Nadat de draadloos-eenheid is verwijderd, bewaart u hem in de bijgeleverde doos of een antistatische container.

KENNISGEVING: Gebruik altijd de haken op de achterkant van de afdekking wanneer u de draadloos-eenheid verwijdert. Als de haken niet aangrijpen op de draadloos-eenheid, sluit u de afdekking volledig en opent u hem weer langzaam.

Registratie van het gereedschap op de stofzuiger

OPMERKING: Een stofzuiger van Makita die de functie voor draadloos inschakelen ondersteunt, is vereist voor registratie van het gereedschap.

OPMERKING: Voltooi het aanbrengen van de draadloos-eenheid in het gereedschap voordat u de registratie van het gereedschap start.

OPMERKING: Gedurende de registratie van het gereedschap mag u de trekkerschakelaar van het gereedschap niet inknippen en de aan-uitknop van de stofzuiger niet bedienen.

OPMERKING: Raadpleeg tevens de gebruiksaanwijzing van de stofzuiger.

Als u wilt dat de stofzuiger wordt ingeschakeld tegelijk met de bediening van de schakelaar van het gereedschap, moet u van tevoren de registratie van het gereedschap voltooien.

1. Breng de accu's aan in de stofzuiger en het gereedschap.

2. Zet de standbyschakelaar op de stofzuiger op "AUTO".

► **Fig.44:** 1. Standbyschakelaar

3. Houd de knop voor draadloos inschakelen op de stofzuiger gedurende 3 seconden ingedrukt totdat de lamp van draadloos inschakelen groen knippert. En houd daarna op dezelfde manier de knop voor draadloos inschakelen op het gereedschap ingedrukt.

► **Fig.45:** 1. Knop voor draadloos inschakelen
2. Lamp van draadloos inschakelen

Nadat de stofzuiger en het gereedschap met succes aan elkaar zijn gekoppeld, zullen de lampen van draadloos inschakelen gedurende 2 seconden groen branden, waarna ze blauw gaan knipperen.

OPMERKING: De lampen van draadloos inschakelen stoppen na 20 seconden met groen knipperen. Druk op de knop voor draadloos inschakelen op het gereedschap terwijl de lamp van draadloos inschakelen op de stofzuiger knippert. Als de lamp van draadloos inschakelen niet groen knippert, drukt u kort op de knop voor draadloos inschakelen en houdt u deze weer ingedrukt.

OPMERKING: Als u twee of meer gereedschappen registreert op één stofzuiger, voltooit u de registratie van de gereedschappen één voor één.

De functie voor draadloos inschakelen starten

OPMERKING: Voltooi de registratie van het gereedschap op de stofzuiger voordat u de functie draadloos inschakelen gebruikt.

OPMERKING: Raadpleeg tevens de gebruiksaanwijzing van de stofzuiger.

Nadat een gereedschap in de stofzuiger is geregistreerd, wordt de stofzuiger automatisch in- en uitgeschakeld door de bediening van de schakelaar van het gereedschap.

1. Breng de draadloos-eenheid aan in het gereedschap.

2. Sluit de slang van de stofzuiger aan op het gereedschap.

► **Fig.46**

3. Zet de standbyschakelaar op de stofzuiger op "AUTO".

► **Fig.47:** 1. Standbyschakelaar

4. Druk kort op de knop voor draadloos inschakelen op het gereedschap. De lamp van draadloos inschakelen knippert blauw.

► **Fig.48:** 1. Knop voor draadloos inschakelen
2. Lamp van draadloos inschakelen

5. Schakel het gereedschap in. Controleer of de stofzuiger is ingeschakeld terwijl het gereedschap in gebruik is.

Om het draadloos inschakelen van de stofzuiger te stoppen, drukt u op de knop voor draadloos inschakelen op het gereedschap.

OPMERKING: De lamp van draadloos inschakelen op het gereedschap stopt met blauw knipperen wanneer gedurende 2 uur geen bediening plaatsvindt. In dat geval zet u de standbyschakelaar van de stofzuiger op "AUTO" en drukt u nogmaals op de knop voor draadloos inschakelen op het gereedschap.

OPMERKING: De stofzuiger wordt met een vertraagde in- en uitgeschakeld. Er treedt een tijdsvertraging op wanneer de stofzuiger de bediening van de schakelaar van het gereedschap detecteert.










OPMERKING: Het zendbereik van de draadloos-eenheid kan variëren afhankelijk van de locatie en omgevingsomstandigheden.

OPMERKING: Als twee of meer gereedschappen zijn geregistreerd in één stofzuiger, kan de stofzuiger worden ingeschakeld ondanks dat u uw gereedschap niet inschakelt omdat een andere gebruiker de functie voor draadloos inschakelen gebruikt.

Beschrijving van de status van de lamp van draadloos inschakelen

► Fig.49: 1. Lamp van draadloos inschakelen

De lamp van draadloos inschakelen toont de status van de functie voor draadloos inschakelen. Raadpleeg de onderstaande tabel voor de betekenis van de status van de lamp.

Status	Lamp van draadloos inschakelen				Beschrijving
	Kleur	 Brandt	 Knippert	Duur	
Standby	Blauw			2 uur	Het draadloos inschakelen van de stofzuiger is beschikbaar. De lamp wordt automatisch uitgeschakeld wanneer gedurende 2 uur geen bediening plaatsvindt.
				Bij ingeschakeld gereedschap.	Het draadloos inschakelen van de stofzuiger is beschikbaar en het gereedschap is ingeschakeld.
Registratie van het gereedschap	Groen			20 seconden	Klaar voor registratie van het gereedschap. Wachten op registratie door de stofzuiger.
				2 seconden	De registratie van het gereedschap is voltooid. De lamp van draadloos inschakelen knippert blauw.
Registratie van het gereedschap annuleren	Rood			20 seconden	Klaar om de registratie van het gereedschap te annuleren. Wachten op annuleren door de stofzuiger.
				2 seconden	Het annuleren van de registratie van het gereedschap is voltooid. De lamp van draadloos inschakelen knippert blauw.
Overig	Rood			3 seconden	De draadloos-eenheid wordt van stroom voorzien en de functie voor draadloos inschakelen start nu op.
	Uit	-		-	Het draadloos inschakelen van de stofzuiger is gestopt.

Registratie van het gereedschap op de stofzuiger annuleren

Voer de volgende procedure uit om de registratie van het gereedschap in de stofzuiger te annuleren.

1. Breng de accu's aan in de stofzuiger en het gereedschap.

2. Zet de standbyschakelaar op de stofzuiger op "AUTO".

► Fig.50: 1. Standbyschakelaar

3. Houd de knop voor draadloos inschakelen op de stofzuiger gedurende 6 seconden ingedrukt. De lamp van draadloos inschakelen knippert groen en brandt daarna rood. Houd daarna op dezelfde manier de knop voor draadloos inschakelen op het gereedschap ingedrukt.

► Fig.51: 1. Knop voor draadloos inschakelen 2. Lamp van draadloos inschakelen

Als het annuleren met succes is uitgevoerd, zullen de lampen van draadloos inschakelen gedurende 2 seconden rood branden, waarna ze blauw gaan knipperen.

OPMERKING: De lampen van draadloos inschakelen stoppen na 20 seconden met rood knipperen. Druk op de knop voor draadloos inschakelen op het gereedschap terwijl de lamp van draadloos inschakelen op de stofzuiger knippert. Als de lamp van draadloos inschakelen niet rood knippert, drukt u kort op de knop voor draadloos inschakelen en houdt u deze weer ingedrukt.

Storingzoeken van de functie voor draadloos inschakelen

Alvorens u verzoekt om reparatie, kunt u zelf als volgt het probleem opsporen en oplossen. Als u met een probleem kampt dat in deze handleiding niet wordt beschreven, probeer dan niet het gereedschap te demonteren. Laat reparaties over aan een erkend Makita-servicecentrum, uitsluitend met gebruik van originele Makita-ervangingsonderdelen.

Probleemomschrijving	Waarschijnlijke oorzaak (storing)	Oplossing
De lamp van draadloos inschakelen brandt/knippert niet.	De draadloos-eenheid is niet aangebracht in het gereedschap. De draadloos-eenheid is verkeerd aangebracht in het gereedschap.	Breng de draadloos-eenheid op de juiste wijze aan.
	De aansluitingen van de draadloos-eenheid en/of de gleuf zijn vuil.	Veeg het stof en vuil op de aansluitingen van de draadloos-eenheid voorzichtig af en reinig de gleuf.
	Er is niet op de knop voor draadloos inschakelen op het gereedschap gedrukt.	Druk kort op de knop voor draadloos inschakelen op het gereedschap.
	De standbyschakelaar op de stofzuiger is niet op "AUTO" gezet.	Zet de standbyschakelaar op de stofzuiger op "AUTO".
	Geen voeding.	Voorzie het gereedschap en de stofzuiger van voeding.
De registratie van het gereedschap/het annuleren van de registratie van het gereedschap kan niet met succes worden voltooid.	De draadloos-eenheid is niet aangebracht in het gereedschap. De draadloos-eenheid is verkeerd aangebracht in het gereedschap.	Breng de draadloos-eenheid op de juiste wijze aan.
	De aansluitingen van de draadloos-eenheid en/of de gleuf zijn vuil.	Veeg het stof en vuil op de aansluitingen van de draadloos-eenheid voorzichtig af en reinig de gleuf.
	De standbyschakelaar op de stofzuiger is niet op "AUTO" gezet.	Zet de standbyschakelaar op de stofzuiger op "AUTO".
	Geen voeding.	Voorzie het gereedschap en de stofzuiger van voeding.
	Onjuiste bediening	Druk kort op de knop voor draadloos inschakelen en voer de procedures voor de registratie/het annuleren van de registratie opnieuw uit.
	Het gereedschap en de stofzuiger staan te ver uit elkaar (buiten het zendbereik).	Plaats het gereedschap en de stofzuiger dicht bij elkaar. Het maximale zendbereik is ongeveer 10 meter, echter, dit kan verschillen afhankelijk van de omstandigheden.
	Voordat de registratie van het gereedschap/het annuleren van de registratie van het gereedschap werd voltooid: - de schakelaar van het gereedschap werd aan gezet of; - de aan-uitknop op de stofzuiger werd ingeschakeld.	Druk kort op de knop voor draadloos inschakelen en voer de procedures voor de registratie/het annuleren van de registratie opnieuw uit.
	De procedure voor de registratie van het gereedschap op het gereedschap of de stofzuiger is niet voltooid.	Voer de procedure voor de registratie van het gereedschap tegelijkertijd uit op het gereedschap en de stofzuiger.
	Radiostoring door andere apparaten die sterke radiogolven genereren.	Houd het gereedschap en de stofzuiger uit de buurt van apparaten zoals Wi-Fi-apparaten en magnetrons.

Probleemomschrijving	Waarschijnlijke oorzaak (storing)	Oplossing
De stofzuiger wordt niet in- en uitgeschakeld tegelijk met de bediening van de schakelaar van het gereedschap.	De draadloos-eenheid is niet aangebracht in het gereedschap. De draadloos-eenheid is verkeerd aangebracht in het gereedschap.	Breng de draadloos-eenheid op de juiste wijze aan.
	De aansluitingen van de draadloos-eenheid en/of de gleuf zijn vuil.	Veeg het stof en vuil op de aansluitingen van de draadloos-eenheid voorzichtig af en reinig de gleuf.
	Er is niet op de knop voor draadloos inschakelen op het gereedschap gedrukt.	Druk kort op de knop voor draadloos inschakelen en controleer of de lamp van draadloos inschakelen blauw knippert.
	De standbyschakelaar op de stofzuiger is niet op "AUTO" gezet.	Zet de standbyschakelaar op de stofzuiger op "AUTO".
	Meer dan 10 gereedschappen zijn geregistreerd in de stofzuiger.	Voer de registratie van het gereedschap opnieuw uit. Als meer dan 10 gereedschappen zijn geregistreerd in de stofzuiger, wordt de eerste registratie van een gereedschap automatisch gewist.
	De stofzuiger heeft alle registraties van de gereedschappen gewist.	Voer de registratie van het gereedschap opnieuw uit.
	Geen voeding.	Voorzie het gereedschap en de stofzuiger van voeding.
	Het gereedschap en de stofzuiger staan te ver uit elkaar (buiten het zendbereik).	Plaats het gereedschap en de stofzuiger dicht bij elkaar. Het maximale zendbereik is ongeveer 10 meter, echter, dit kan verschillen afhankelijk van de omstandigheden.
	Radiostoring door andere apparaten die sterke radiogolven genereren.	Houd het gereedschap en de stofzuiger uit de buurt van apparaten zoals Wi-Fi-apparaten en magnetrons.
De stofzuiger is ingeschakeld terwijl het gereedschap niet in gebruik is.	Andere gebruikers gebruiken op hun gereedschap de functie voor draadloos inschakelen van de stofzuiger.	Schakel de knop voor draadloos inschakelen van de andere gereedschappen uit of annuleer de registratie van de andere gereedschappen.

ONDERHOUD

⚠ LET OP: Zorg altijd dat het gereedschap is uitgeschakeld en de accu ervan is verwijderd alvorens te beginnen met onderhoud of inspectie.

KENNISGEVING: Gebruik nooit benzine, wasbenzine, thinner, alcohol en dergelijke. Hierdoor kunnen verkleuring, vervormingen en barsten worden veroorzaakt.

Om de VEILIGHEID en BETROUWBAARHEID van het gereedschap te handhaven, dienen alle reparaties, onderhoud of afstellingen te worden uitgevoerd bij een erkend Makita-servicecentrum of de Makita-fabriek, en altijd met gebruik van Makita-vervangingsonderdelen.

De ventilatieopeningen schoonmaken

Zorg dat het gereedschap en de ventilatieopeningen steeds goed schoon blijven. Maak regelmatig de ventilatieopeningen schoon en let goed op dat ze niet verstopt raken.

- **Fig.52:** 1. Luchtuitlaatopening
2. Luchtinlaatopening

Verwijder het stofrooster vanaf de luchtinlaatopening en reinig het zodat de lucht er ongehinderd door kan stromen.

- **Fig.53:** 1. Stofrooster

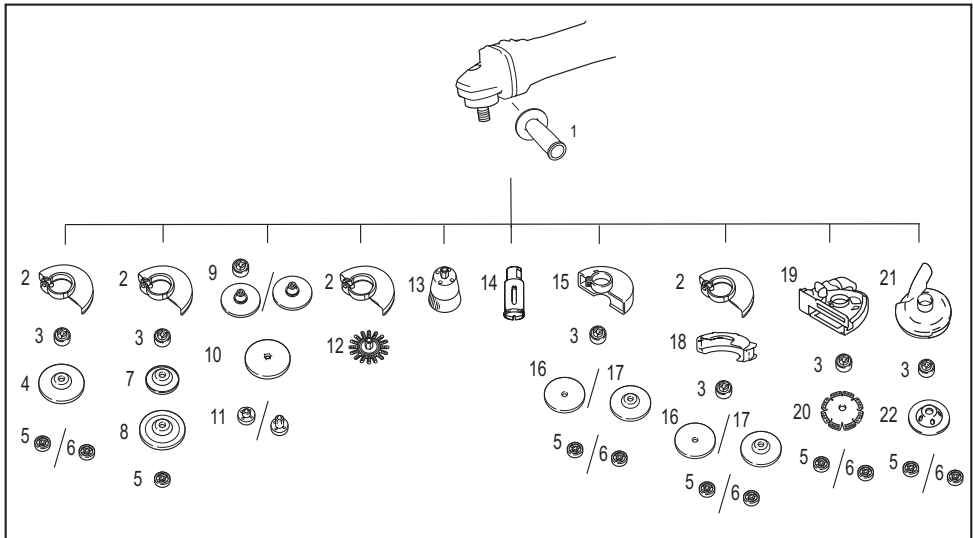
KENNISGEVING: Reinig het stofrooster wanneer het verstopt zit met stof of vreemde voorwerpen. Als u het gereedschap blijft gebruiken met een verstopt stofrooster, kan het gereedschap beschadigd raken.

COMBINATIE VAN TOEPASSINGEN EN ACCESSOIRES

Optioneel accessoire

⚠ LET OP: Als het gereedschap met een verkeerde beschermkap wordt gebruikt, kunnen de volgende risico's zich voordoen.

- Als een beschermkap voor doorslijpen wordt gebruikt voor het slijpen van een oppervlak, kan de beschermkap tegen het werkstuk komen wat tot een slechte controle over het gereedschap leidt.
- Als een beschermkap voor slijpen wordt gebruikt voor doorslijpen met behulp van een gelijmde slijpschijf of diamantschijf, bestaat een verhoogd risico van blootstelling aan de draaiende schijf, rondvliegende vonken en deeltjes, naast blootstelling aan afgebroken stukjes van de schijf in het geval de schijf uit elkaar breekt.
- Als een beschermkap voor doorslijpen of een beschermkap voor slijpen wordt gebruikt voor oppervlaktebewerkingen met een komvormige diamantschijf, kan de beschermkap tegen het werkstuk komen wat tot een slechte controle over het gereedschap leidt.
- Als een beschermkap voor doorslijpen of een beschermkap voor slijpen wordt gebruikt met een schijfvormige draadborstel die dikker is dan de maximale dikte zoals vermeld in "TECHNISCHE GEGEVENS", kunnen de draden tegen de beschermkap komen waardoor de draden afbreken.
- Het gebruik van een stofbeschermkap tijdens het doorslijpen of oppervlaktebewerkingen op beton of metselwerk, verlaagt het risico van blootstelling aan stof.
- Bij gebruik van een flens-gemonteerde multifunctionele schijf (voor zowel slijpen als doorslijpen), gebruikt u alleen de beschermkap voor doorslijpen.



-	Toepassing	Model van 100 mm	Model van 115 mm	Model van 125 mm
1	-	Zijhandgreep		
2	-	Beschermkap (voor slijpschijf)		
3	-	Binnenflens		
4	Slijpen/schuren	Schijf met een verzonken middengat of lamellenschijf		
5	-	Borgmoer		
6	-	-	Ezynut *1	
7	-	Rugschijf		
8	Slijpen	Flexischijf		
9	-	Binnenflens en rubber rugschijf 76	Rubber rugschijf 100	Rubber rugschijf 115
10	Schuren	Schuurpapierschijf		
11	-	Borgmoer voor schuren		

-	Toepassing	Model van 100 mm	Model van 115 mm	Model van 125 mm
12	Draadborstelen	Schijfvormige draadborstel		
13	Draadborstelen	Komvormige draadborstel		
14	Gaten zagen	Gatenzaag		
15	-	Beschermkap (voor doorslijpschijf)		
16	Doorslijpen	Doorslijpschijf of diamantschijf		
17	Slijpen/doorslijpen	Multifunctionele schijf		
18	-	Opklikhulpstuk voor de beschermkap van een slijpschijf*2		
19	-	Stofbeschermkap voor doorslijpen *3		
20	Doorslijpen	Diamantschijf		
21	-	-	Stofbeschermkap voor slijpen *4	
22	Slijpen	-	Komvormige diamantschijf *4	
-	-	Borgmoersleutel		

OPMERKING: *1 Alleen voor gereedschappen met M14-asschroefdraad.

OPMERKING: *2 Het opklikhulpstuk voor de beschermkap van een slijpschijf is niet verkrijgbaar in sommige landen. Raadpleeg de gebruiksaanwijzing van het opklikhulpstuk voor de beschermkap van een slijpschijf voor meer informatie.

OPMERKING: *3 Voor meer informatie, raadpleegt u de gebruiksaanwijzing van de betreffende beschermkap.

OPMERKING: *4 Alleen voor de modellen DGA467 / DGA468 / DGA517 / DGA518.

Voor meer informatie, raadpleegt u de gebruiksaanwijzing van de betreffende beschermkap.

OPTIONELE ACCESSOIRES

⚠ LET OP: Deze accessoires of hulpstukken worden aanbevolen voor gebruik met het Makita gereedschap dat in deze gebruiksaanwijzing is beschreven. Bij gebruik van andere accessoires of hulpstukken bestaat het gevaar van persoonlijke letsel. Gebruik de accessoires of hulpstukken uitsluitend voor hun bestemde doel.

Wenst u meer bijzonderheden over deze accessoires, neem dan contact op met het plaatselijke Makita-servicecentrum.

- Originele Makita accu's en acculaders
- Accessoires vermeld onder "COMBINATIE VAN TOEPASSINGEN EN ACCESSOIRES"
- Draadloos-eenheid (voor modellen met de functie voor draadloos inschakelen)

OPMERKING: Sommige items op de lijst kunnen zijn inbegrepen in de doos van het gereedschap als standaard toebehoren. Deze kunnen van land tot land verschillen.

ESPECIFICACIONES

Modelo:		DGA417	DGA418	DGA467	DGA468	DGA517	DGA518
Muela de esmerilar aplicable	Diámetro máx. de la muela	100 mm		115 mm		125 mm	
	Grosor máx. de la muela	6,4 mm		7,2 mm			
Muela de corte aplicable	Diámetro máx. de la muela	105 mm		115 mm		125 mm	
	Grosor máx. de la muela	3,2 mm					
Cepillo circular de alambre aplicable	Diámetro máx. de la muela	100 mm		115 mm		125 mm	
	Grosor máx. de la muela	20 mm					
Rosca de mandril		M10		M14 o 5/8" (específico para cada país)			
Longitud máxima del mandril		18 mm		23 mm			
Velocidad sin carga (n ₀)/Velocidad nominal (n)					8.500 min ⁻¹		
Longitud total		con BL1840B		382 mm			
Peso neto		2,2 - 3,7 kg		2,4 - 3,9 kg			
Tensión nominal		CC 18 V					

- Debido a nuestro continuado programa de investigación y desarrollo, las especificaciones aquí dadas están sujetas a cambios sin previo aviso.
- Las especificaciones pueden ser diferentes de país a país.
- El peso puede variar dependiendo del accesorio(s), incluyendo el cartucho de batería. La combinación menos pesada y la más pesada, de acuerdo con el procedimiento EPTA 01/2014, se muestran en la tabla.

Cartucho de batería y cargador aplicables

Cartucho de batería	BL1815N / BL1820B / BL1830B / BL1840B / BL1850B / BL1860B
Cargador	DC18RC / DC18RD / DC18RE / DC18SD / DC18SE / DC18SF / DC18SH / DC18WC

- Algunos de los cartuchos de batería y cargadores indicados arriba puede que no estén disponibles dependiendo de su región de residencia.

⚠ ADVERTENCIA: Utilice solamente los cartuchos de batería y cargadores listados arriba. La utilización de cualquier otro cartucho de batería y cargador puede ocasionar heridas y/o un incendio.

Fuente de alimentación conectada por cable recomendada

Unidad portátil de alimentación eléctrica	PDC01
---	-------

- La fuente o fuentes de alimentación conectadas por cable indicadas arriba puede que no estén disponibles dependiendo de su región de residencia.
- Antes de utilizar la fuente de alimentación conectada por cable, lea las instrucciones e indicaciones de precaución sobre ella.

Símbolos

A continuación se muestran los símbolos que pueden ser utilizados para el equipo. Asegúrese de que entendi su significado antes de utilizar.



Lea el manual de instrucciones.



Póngase gafas de seguridad.



Utilice siempre con las dos manos.



No utilice el protector de muela para operaciones de corte.



Sólo para países de la Unión Europea
Debido a la presencia de componentes peligrosos en el equipo, el equipo eléctrico y electrónico, los acumuladores y las baterías desechados pueden tener un impacto negativo para el medioambiente y la salud humana.

¡No tire los aparatos eléctricos y electrónicos ni las baterías junto con los residuos domésticos!

De conformidad con las Directivas Europeas sobre residuos de aparatos eléctricos y electrónicos y sobre acumuladores y baterías y residuos de acumuladores y baterías, así como la adaptación de las mismas a la ley nacional, el equipo eléctrico, las baterías y los acumuladores desechados deberán ser almacenados por separado y trasladados a un punto distinto de recogida de desechos municipales, que cumpla con los reglamentos sobre protección medioambiental.

Esto se indica mediante el símbolo de cubo de basura tachado colocado en el equipo.

Uso previsto

La herramienta ha sido prevista para esmerilar, lijar, cepillar con alambres, hacer agujeros y cortar materiales de metal y piedra sin utilizar agua.

Ruido

El nivel de ruido A-ponderado típico determinado de acuerdo con la norma EN62841-2-3:

Modelo	Nivel de presión del sonido (L_{pA}) : (dB (A))	Nivel de potencia del sonido (L_{WA}) : (dB (A))	Incertidumbre (K) : (dB (A))
DGA417	83	91	3
DGA418	83	91	3
DGA467	83	91	3
DGA468	83	91	3
DGA517	83	91	3
DGA518	83	91	3

NOTA: El valor (o los valores) de emisión de ruido declarado ha sido medido de acuerdo con un método de prueba estándar y se puede utilizar para comparar una herramienta con otra.

NOTA: El valor (o valores) de emisión de ruido declarado también se puede utilizar en una valoración preliminar de exposición.

⚠ ADVERTENCIA: Póngase protectores para oídos.

⚠ ADVERTENCIA: La emisión de ruido durante la utilización real de la herramienta eléctrica puede variar del valor (o los valores) de emisión declarado dependiendo de las formas en las que la herramienta sea utilizada, especialmente qué tipo de pieza de trabajo se procesa.

⚠ ADVERTENCIA: Asegúrese de identificar medidas de seguridad para proteger al operario que estén basadas en una estimación de la exposición en las condiciones reales de utilización (teniendo en cuenta todas las partes del ciclo operativo como las veces cuando la herramienta está apagada y cuando está funcionando en vacío además del tiempo de gatillo).

⚠ ADVERTENCIA: Esmerilar láminas finas de metal u otras estructuras que vibren fácilmente y su superficie sea grande podrá resultar en una emisión total de ruido mucho más alta (hasta 15 dB) que los valores de emisión de ruido declarados.

Emplee almohadillas de amortiguación flexibles y gruesas o similares para esas piezas de trabajo para evitar que emitan sonido.

Tenga en cuenta el incremento de emisión de ruido tanto al valorar el riesgo de la exposición al ruido como al seleccionar la protección adecuada para los oídos.

Vibración

El valor total de la vibración (suma de vectores triaxiales) determinado de acuerdo con la norma EN62841-2-3:

Modo de tarea: esmerilado superficial con empuñadura lateral normal

Modelo	Emisión de vibración ($a_{hv, AG}$) : (m/s ²)	Incertidumbre (K) : (m/s ²)
DGA417	4,5	1,5
DGA418	4,5	1,5
DGA467	5,5	1,5
DGA468	5,5	1,5
DGA517	6,0	1,5
DGA518	6,0	1,5

Modo de tarea: esmerilado superficial con empuñadura lateral antivibratoria

Modelo	Emisión de vibración ($a_{hv, AG}$) : (m/s ²)	Incertidumbre (K) : (m/s ²)
DGA417	4,5	1,5
DGA418	4,5	1,5
DGA467	5,0	1,5
DGA468	5,0	1,5
DGA517	5,5	1,5
DGA518	5,5	1,5

Modo de tarea: lijado con disco con empuñadura lateral normal

Modelo	Emisión de vibración ($a_{hv, DS}$) : (m/s ²)	Incertidumbre (K) : (m/s ²)
DGA417	2,5 m/s ² o menos	1,5
DGA418	2,5 m/s ² o menos	1,5
DGA467	2,5 m/s ² o menos	1,5
DGA468	2,5 m/s ² o menos	1,5
DGA517	2,5 m/s ² o menos	1,5
DGA518	2,5 m/s ² o menos	1,5

Modo de tarea: lijado con disco con empuñadura lateral antivibratoria

Modelo	Emisión de vibración ($a_{hv, DS}$) : (m/s ²)	Incertidumbre (K) : (m/s ²)
DGA417	2,5 m/s ² o menos	1,5
DGA418	2,5 m/s ² o menos	1,5
DGA467	2,5 m/s ² o menos	1,5
DGA468	2,5 m/s ² o menos	1,5
DGA517	2,5 m/s ² o menos	1,5
DGA518	2,5 m/s ² o menos	1,5

NOTA: El valor (o los valores) total de emisión de vibración declarado ha sido medido de acuerdo con un método de prueba estándar y se puede utilizar para comparar una herramienta con otra.

NOTA: El valor (o los valores) total de emisión de vibración declarado también se puede utilizar en una valoración preliminar de exposición.

⚠ADVERTENCIA: La emisión de vibración durante la utilización real de la herramienta eléctrica puede variar del valor (o los valores) de emisión declarado dependiendo de las formas en las que la herramienta sea utilizada, especialmente qué tipo de pieza de trabajo se procesa.

⚠ADVERTENCIA: Asegúrese de identificar medidas de seguridad para proteger al operario que estén basadas en una estimación de la exposición en las condiciones reales de utilización (teniendo en cuenta todas las partes del ciclo operativo como las veces cuando la herramienta está apagada y cuando está funcionando en vacío además del tiempo de gatillo).

⚠ADVERTENCIA: El valor de emisión de vibración declarado se utiliza para las aplicaciones principales de la herramienta eléctrica. Sin embargo, si la herramienta eléctrica es utilizada para otras aplicaciones, el valor de emisión de vibración podrá ser diferente.

Declaración CE de conformidad

Para países europeos solamente

La declaración CE de conformidad está incluida como Anexo A de esta manual de instrucciones.

ADVERTENCIAS DE SEGURIDAD

Advertencias de seguridad para herramientas eléctricas en general

⚠ADVERTENCIA Lea todas las advertencias de seguridad, instrucciones, ilustraciones y especificaciones provistas con esta herramienta eléctrica. Si no sigue todas las instrucciones indicadas abajo, podrá resultar en una descarga eléctrica, un incendio y/o heridas graves.

Guarde todas las advertencias e instrucciones para futuras referencias.

El término "herramienta eléctrica" en las advertencias se refiere a su herramienta eléctrica de funcionamiento con conexión a la red eléctrica (con cable) o herramienta eléctrica de funcionamiento a batería (sin cable).

Advertencias de seguridad para la esmeriladora inalámbrica

Advertencias de seguridad comunes para operaciones de esmerilar, lijar, cepillar con alambres, o de corte:

1. **Esta herramienta eléctrica ha sido prevista para funcionar como esmeriladora, lijadora, cepillo de alambres, perforadora de agujeros o herramienta de corte. Lea todas las advertencias de seguridad, instrucciones, ilustraciones y especificaciones provistas con esta herramienta eléctrica.** Si no sigue todas las instrucciones indicadas abajo podrá resultar en una descarga eléctrica, un incendio y/o heridas graves.
2. **Operaciones tales como las de pulido no han de ser realizadas con esta herramienta eléctrica.** Las operaciones para las que la herramienta eléctrica no ha sido diseñada podrán crear un riesgo y ocasionar heridas personales.
3. **No transforme esta herramienta eléctrica para que funcione de una manera que no haya sido específicamente diseñada y especificada por el fabricante de la herramienta.** Una conversión así puede resultar en una pérdida de control y ocasionar heridas personales graves.
4. **No utilice accesorios que no estén específicamente diseñados y especificados por el fabricante de la herramienta.** Solo porque el accesorio pueda ser colocado en su herramienta eléctrica no garantiza una operación segura.

5. **La velocidad nominal del accesorio deberá ser por lo menos igual a la velocidad máxima marcada en la herramienta eléctrica.** Los accesorios utilizados por encima de su velocidad nominal podrán romperse y salir despedidos.
6. **El diámetro exterior y el grosor de su accesorio deberán estar dentro del rango de capacidad de su herramienta eléctrica.** Los accesorios de tamaño incorrecto no podrán ser protegidos y controlados debidamente.
7. **Las dimensiones de la montura del accesorio deberán satisfacer las dimensiones del mecanismo de montaje de la herramienta eléctrica.** Los accesorios que no coincidan con el mecanismo de montaje de la herramienta eléctrica se desequilibrarán, vibrarán excesivamente y podrán ocasionar una pérdida de control.
8. **No utilice un accesorio que esté dañado. Antes de cada uso inspeccione los accesorios tales como las muelas abrasivas por si están resquebrajadas o agrietadas, el plato de respaldo por si está agrietado, rasgado o muy desgastado y el cepillo de alambres por si tiene alambres sueltas o quebradas. Si deja caer la herramienta eléctrica o el accesorio, inspeccione por si hay daños o instale un accesorio que no esté dañado. Después de inspeccionar e instalar un accesorio, póngase usted y cualquier curioso alejados del plano del accesorio giratorio y haga funcionar la herramienta eléctrica a la velocidad máxima sin carga durante un minuto.** Los accesorios dañados normalmente se desintegrarán durante este tiempo de prueba.
9. **Póngase equipo de protección personal. Dependiendo de la aplicación, utilice pantalla facial, gafas de protección o gafas de seguridad. Según corresponda, póngase mascarilla contra el polvo, protectores auditivos, guantes y delantal de taller que pueda detener pequeños fragmentos abrasivos o de pieza de trabajo.** La protección de los ojos deberá ser capaz de detener los restos que salen volando generados en las diferentes aplicaciones. La mascarilla contra el polvo o respirador deberá poder filtrar las partículas generadas en la operación que realice. Una exposición prolongada a ruido de alta intensidad podrá ocasionar pérdida auditiva.
10. **Mantenga a los curiosos a una distancia segura del área de trabajo. Cualquier persona que entre en el área de trabajo deberá ponerse equipo de protección personal.** Los fragmentos de la pieza de trabajo o de un accesorio roto podrán salir despedidos y ocasionar heridas más allá del área de operación.
11. **Cuando realice una operación en la que el implemento de corte pueda entrar en contacto con cableado oculto, sujete la herramienta eléctrica por las superficies de asimiento aisladas solamente.** El contacto con un cable con corriente también hará que la corriente circule por las partes metálicas expuestas de la herramienta eléctrica y podrá soltar una descarga eléctrica al operario.
12. **No deje nunca la herramienta eléctrica hasta que el accesorio se haya detenido completamente.** El accesorio giratorio podrá agarrarse a la superficie y tirar de la herramienta eléctrica haciéndole perder el control de la misma.

13. **No tenga en marcha la herramienta eléctrica mientras la transporta en su costado.** Un contacto accidental con el accesorio giratorio podrá enredar sus ropas, y tirar del accesorio hacia su cuerpo.
14. **Limpie regularmente las aberturas de ventilación de la herramienta eléctrica.** El ventilador del motor conducirá el polvo hacia el interior de la carcasa y una acumulación excesiva de metal en polvo podrá ocasionar peligros eléctricos.
15. **No utilice la herramienta eléctrica cerca de materiales inflamables.** Las chispas podrán prender fuego a estos materiales.
16. **No utilice accesorios que requieran refrigerantes líquidos.** La utilización de agua u otros refrigerantes líquidos puede resultar en electrocución o descarga eléctrica.

Advertencias sobre retrocesos bruscos y otros peligros relacionados:

El retroceso brusco es una reacción repentina debida a un aprisionamiento o estancamiento de la muela, plato de respaldo, cepillo o cualquier otro accesorio giratorio. El aprisionamiento o estancamiento ocasiona un detenimiento rápido del accesorio giratorio que a su vez hace que la herramienta eléctrica descontrolada sea forzada en dirección opuesta a la rotación del accesorio en el punto de bloqueo.

Por ejemplo, si una muela abrasiva queda aprisionada o estancada por la pieza de trabajo, el borde de la muela que está entrando en el punto de estancamiento puede hincarse en la superficie del material haciendo que la muela se salga de la hendidura o salte. La muela podrá saltar hacia el operario o en dirección contraria a él, dependiendo de la dirección del movimiento de la muela en el punto de estancamiento. Las muelas abrasivas también pueden romperse en estas condiciones. El retroceso brusco es el resultado de un mal manejo de la herramienta eléctrica y/o procedimientos o condiciones de operación incorrectos y pueden evitarse tomando las precauciones apropiadas ofrecidas abajo.

1. **Mantenga empuñada firmemente la herramienta eléctrica con ambas manos y coloque su cuerpo y brazos de forma que le permitan resistir las fuerzas del retroceso brusco. Utilice siempre el mango auxiliar, si está provisto, para tener el máximo control sobre el retroceso brusco o reacción de torsión durante la puesta en marcha.** El operario puede controlar las reacciones de torsión o fuerzas del retroceso brusco, si toma las precauciones adecuadas.
2. **No ponga nunca su mano cerca del accesorio giratorio.** El accesorio podrá retroceder bruscamente sobre su mano.
3. **No ponga su cuerpo en el área donde vaya a desplazarse la herramienta eléctrica si ocurre un retroceso brusco.** El retroceso brusco propulsará la herramienta en dirección opuesta al movimiento de la muela en el punto del enredo.
4. **Tenga cuidado especial cuando trabaje en esquinas, aristas vivas, etc. Evite el rebote y enredo del accesorio.** Las esquinas, aristas vivas o los rebotes tienen una tendencia a enredar el accesorio giratorio y causar una pérdida de control o retroceso brusco.

5. **No coloque una cadena de sierra, un disco de tallar madera, una muela de diamante segmentada con una holgura periférica mayor de 10 mm ni un disco de sierra dentado.** Tales discos crean retrocesos bruscos y pérdida de control frecuentes.

Advertencias de seguridad específicas para operaciones de esmerilar y de corte:

1. **Utilice solamente tipos de muela que estén especificadas para su herramienta eléctrica y el protector específico diseñado para la muela seleccionada.** Las muelas para las que no ha sido diseñada la herramienta eléctrica no pueden ser protegidas debidamente y no son seguras.
2. **La superficie para esmerilar de las muelas de centro hundido deberá estar montada debajo del plano de la falda del protector.** Una muela mal montada que sobresalga a través del plano de la falda del protector no estará bien protegida.
3. **El protector deberá estar colocado firmemente en la herramienta eléctrica y posicionado para ofrecer la máxima seguridad, de forma que hacia el operario quede expuesta la mínima parte de muela.** El protector ayuda a proteger al operario de fragmentos de una muela rota, de un contacto accidental con la muela y de chispas que pueden prender fuego a sus ropas.
4. **Las muelas deberán ser utilizadas solamente para aplicaciones especificadas. Por ejemplo: no esmerile con el lateral de una muela de corte.** Las muelas de corte abrasivo han sido previstas para esmerilar periférico, las fuerzas laterales aplicadas a estas muelas podrán ocasionar su desintegración.
5. **Utilice siempre bridas de muela que no estén dañadas, y del tamaño y forma correctos para la muela que ha seleccionado.** Las bridas de muela correctas sujetan la muela de tal manera que reducen la posibilidad de rotura de la muela. Las bridas para muelas de corte pueden ser diferentes de las bridas para muelas de esmerilar.
6. **No utilice muelas desgastadas de otras herramientas eléctricas más grandes.** Una muela prevista para herramienta eléctrica más grande no es apropiada para la velocidad mayor de una herramienta más pequeña y se podrá desintegrar.
7. **Cuando utilice muelas de doble uso utilice siempre el protector correcto para la tarea que esté realizando.** La no utilización del protector correcto puede que no proporcione el nivel de protección deseado, lo que puede dar lugar a heridas graves.

Advertencias de seguridad adicionales específicas para operaciones de corte:

1. **No "atasque" la muela de corte ni aplique presión excesiva. No intente hacer un corte de excesiva profundidad.** Si fatiga en exceso la muela, aumentará la carga y la susceptibilidad de retorcerse o estancarse en el corte y existirá la posibilidad de que se produzca un retroceso brusco o la rotura de la muela.
2. **No ponga su cuerpo en línea y por detrás de la muela giratoria.** Cuando la muela, en el punto de operación, se mueve apartándose de su cuerpo, un posible retroceso brusco puede impulsar la muela giratoria y la herramienta eléctrica directamente hacia usted.

3. Cuando la muela esté estancándose o cuando quiera interrumpir un corte por cualquier razón, apague la herramienta eléctrica y sujétela sin moverla hasta que la muela se haya detenido completamente. No intente nunca sacar la muela de corte del corte mientras la muela esté moviéndose porque podrá producirse un retroceso brusco. Investigue y tome medidas correctivas para eliminar la causa del estancamiento de la muela.
4. No recomience la operación de corte en la pieza de trabajo. Deje que la muela alcance plena velocidad y vuelva a entrar en el corte cuidadosamente. Si vuelve a poner en marcha la herramienta eléctrica en la pieza de trabajo, la muela podrá estancarse, saltar o retroceder bruscamente.
5. Apoye los paneles o cualquier pieza de trabajo demasiado grande para minimizar el riesgo de que la muela se estanque o retroceda bruscamente. Las piezas de trabajo grandes tienden a combarse con su propio peso. Deberá poner apoyos debajo de la pieza de trabajo cerca de la línea de corte y cerca del borde de la pieza de trabajo en ambos costados de la muela.
6. Extreme las precauciones cuando haga un "corte por hundimiento" en paredes u otras áreas ciegas. La parte saliente de la muela podría cortar tuberías de gas o agua, cables eléctricos u objetos que pueden ocasionar un retroceso brusco.
7. No intente hacer un corte en curva. Si fatiga en exceso la muela, aumentará la carga y la susceptibilidad de retorcerse o estancarse en el corte y existirá la posibilidad de que se produzca un retroceso brusco o la rotura de la muela, lo que podrá dar lugar a heridas graves.
8. Antes de utilizar un disco de diamante segmentado, asegúrese de que el disco de diamante tiene una holgura periférica entre segmentos de 10 mm o menos, solamente con un ángulo de corte negativo.

Advertencias de seguridad específicas para operaciones de lijado:

1. Utilice discos de papel de lija del tamaño apropiado. Siga las recomendaciones del fabricante cuando seleccione papel de lija. Un papel de lija más grande que sobresalga del plato de lijar presentará un riesgo de laceración y podrá ocasionar un enredo, desgarre del disco o un retroceso brusco.

Advertencias de seguridad específicas para operaciones de cepillado con alambres:

1. Sea consciente de que el cepillo lanza hebras de alambre incluso durante una operación normal. No fatigue los alambres aplicando una carga excesiva al cepillo. Las hebras de alambre pueden penetrar la ropa ligera y/o la piel fácilmente.
2. Si se especifica utilizar un protector para el cepillado con alambres, no permita ninguna interferencia del disco o el cepillo de alambres con el protector. El disco o el cepillo de alambres podrá expandir su diámetro debido a la carga del trabajo y las fuerzas centrífugas.

Advertencias de seguridad adicionales:

1. Cuando utilice muelas de esmerilar de centro hundido, asegúrese de utilizar solamente muelas reforzadas con fibra de vidrio.
2. NO UTILICE NUNCA muelas de tipo copa de piedra con esta esmeriladora. Esta esmeriladora no ha sido diseñada para estos tipos de muelas y la utilización de un producto como ese podrá resultar en graves heridas personales.
3. Tenga cuidado de no dañar el mandril, la brida (especialmente la cara de instalación) o la contratuerca. Los daños en estas piezas podrán ocasionar la rotura de la muela.
4. Asegúrese de que la muela no está haciendo contacto con la pieza de trabajo antes de activar el interruptor.
5. Antes de utilizar la herramienta en una pieza de trabajo definitiva, déjala funcionar durante un rato. Observe por si hay vibración o bamboleo que pueda indicar una incorrecta instalación o muela mal equilibrada.
6. Utilice la superficie especificada de la muela para realizar el esmerilado.
7. No deje la herramienta en marcha. Tenga en marcha la herramienta solamente cuando la tenga en la mano.
8. No toque la pieza de trabajo inmediatamente después de la operación; podrá estar muy caliente y quemarle la piel.
9. No toque los accesorios inmediatamente después de la operación; podrán estar muy calientes y quemarle la piel.
10. Observe las instrucciones del fabricante para montar y utilizar correctamente las muelas. Maneje y guarde con cuidado las muelas.
11. No utilice bujes de reducción o adaptadores separados para adaptar muelas abrasivas de orificio grande.
12. Utilice solamente las bridas especificadas para esta herramienta.
13. Para herramientas que han sido previstas para ser equipadas con muelas de orificio roscado, asegúrese de que la rosca de la muela sea lo suficientemente larga como para aceptar la longitud del mandril.
14. Compruebe que la pieza de trabajo está apoyada debidamente.
15. Tenga en cuenta que la muela continuará girando después de haber apagado la herramienta.
16. Si el lugar de trabajo es muy caluroso y húmedo, o si está muy contaminado con polvo conductor, utilice un disyuntor de cortocircuito (30 mA) para garantizar la seguridad del operario.
17. No utilice la herramienta con ningún material que contenga asbestos.
18. Cuando utilice muelas de corte, trabaje siempre con el protector de muela con recogida de polvo si así lo requieren los reglamentos locales.
19. Los discos de cortar no deberán ser expuestos a ninguna presión lateral.
20. No utilice guantes de trabajo de tejido durante la operación. Las fibras del tejido pueden entrar en la herramienta, lo que ocasionará la rotura de la herramienta.

21. Antes de la operación, asegúrese de que no hay objetos enterrados como tubos de cables eléctricos, tuberías de agua o tuberías de gas en la pieza de trabajo. De lo contrario, podrá ocasionar una descarga eléctrica, fuga eléctrica o fuga de gas.
22. Si la muela tiene colocado un anillo de papel, no lo retire. El diámetro del anillo de papel debe ser más grande que la contratuerca, la brida exterior y la brida interior.
23. Antes de instalar una muela de esmerilar, compruebe siempre que el anillo de papel no tiene ninguna deformidad como resquebrajamiento o grietas.
24. Apriete la contratuerca debidamente. Un apriete excesivo de la muela puede ocasionar una rotura y un apretado insuficiente puede ocasionar vibración.
7. Nunca incinere el cartucho de batería incluso en el caso de que esté dañado seriamente o ya no sirva en absoluto. El cartucho de batería puede explotar si se tira al fuego.
8. No clave, corte, aplaste, lance, deje caer el cartucho de batería, ni golpee contra un objeto duro el cartucho de batería. Tal conducta podrá resultar en un incendio, calor excesivo, o una explosión.
9. No utilice una batería dañada.
10. Las baterías de litio-ion contenidas están sujetas a los requisitos de la Legislación para Materiales Peligrosos.
Para transportes comerciales, p.ej., por terceras personas y agentes de transportes, se deberán observar requisitos especiales para el empaquetado y etiquetado.
Para la preparación del artículo que se va a enviar, se requiere consultar con un experto en materiales peligrosos. Por favor, observe también la posibilidad de reglamentos nacionales más detallados.
Cubra con cinta aislante o enmascare los contactos expuestos y empaque la batería de tal manera que no se pueda mover alrededor dentro del embalaje.

GUARDE ESTAS INSTRUCCIONES.

⚠ ADVERTENCIA: NO deje que la comodidad o familiaridad con el producto (a base de utilizarlo repetidamente) sustituya la estricta observancia de las normas de seguridad para el producto en cuestión. El MAL USO o el no seguir las normas de seguridad establecidas en este manual de instrucciones podrá ocasionar graves heridas personales.

Instrucciones de seguridad importantes para el cartucho de batería

1. Antes de utilizar el cartucho de batería, lea todas las instrucciones e indicaciones de precaución sobre (1) el cargador de baterías, (2) la batería, y (3) el producto con el que se utiliza la batería.
2. No desensamble ni manipule el cartucho de batería. Podrá resultar en un incendio, calor excesivo, o una explosión.
3. Si el tiempo de uso se acorta demasiado, cese la operación inmediatamente. Podría resultar en un riesgo de recalentamiento, posibles quemaduras e incluso una explosión.
4. Si entra electrólito en sus ojos, aclárelos con agua limpia y acuda a un médico inmediatamente. Existe el riesgo de poder perder la vista.
5. No cortocircuite el cartucho de batería:
 - (1) No toque los terminales con ningún material conductor.
 - (2) Evite guardar el cartucho de batería en un cajón junto con otros objetos metálicos, como clavos, monedas, etc.
 - (3) No exponga el cartucho de batería al agua ni a la lluvia.

Un cortocircuito en la batería puede producir una gran circulación de corriente, un recalentamiento, posibles quemaduras e incluso una rotura de la misma.
6. No guarde ni utilice la herramienta y el cartucho de batería en lugares donde la temperatura pueda alcanzar o exceder los 50 °C.
11. Para desechar el cartucho de batería, retirelo de la herramienta y deséchelo en un lugar seguro. Siga los reglamentos locales referentes al desecho de la batería.
12. Utilice las baterías solamente con los productos especificados por Makita. La instalación de las baterías en productos no compatibles puede resultar en un incendio, calor excesivo, explosión, o fuga de electrólito.
13. Si la herramienta no va a ser utilizada durante un periodo de tiempo largo, la batería deberá ser retirada de la herramienta.
14. Durante y después de la utilización, el cartucho de batería podrá acumular calor, lo cual puede ocasionar quemaduras o quemaduras de baja temperatura. Preste atención al manejo de cartuchos de batería calientes.
15. No toque el terminal de la herramienta inmediatamente después de utilizar, dado que puede calentarse lo suficiente como para ocasionar quemaduras.
16. No permita que vírutas, polvo, o tierra se adhieran dentro de los terminales, orificios, y ranuras del cartucho de batería. Esto podría ocasionar calentamiento, que coja fuego, revente y un mal funcionamiento de la herramienta o el cartucho de batería, resultando en quemaduras o heridas personales.
17. A menos que la herramienta pueda utilizarse cerca de cables eléctricos de alta tensión, no utilice el cartucho de batería cerca de cables eléctricos de alta tensión. Podrá resultar en un mal funcionamiento o rotura de la herramienta o el cartucho de batería.
18. Mantenga la batería alejada de los niños.

GUARDE ESTAS INSTRUCCIONES.

⚠️ PRECAUCIÓN: Utilice solamente baterías genuinas de Makita. La utilización de baterías no genuinas de Makita, o baterías que han sido alteradas, puede resultar en una explosión de la batería ocasionando incendios, heridas personales y daños. También anulará la garantía de Makita para la herramienta y el cargador de Makita.

Consejos para alargar al máximo la vida de servicio de la batería

1. Cargue el cartucho de batería antes de que se descargue completamente. Detenga siempre la operación y cargue el cartucho de batería cuando note menos potencia en la herramienta.
2. No cargue nunca un cartucho de batería que esté completamente cargado. La sobrecarga acortará la vida de servicio de la batería.
3. Cargue el cartucho de batería a temperatura ambiente de 10 °C - 40 °C. Si un cartucho de batería está caliente, déjelo enfriar antes de cargarlo.
4. Cuando no esté utilizando el cartucho de batería, retírelo de la herramienta o del cargador.
5. Cargue el cartucho de batería si no lo utiliza durante un período de tiempo prolongado (más de seis meses).

Instrucciones de seguridad importantes para la unidad inalámbrica

1. No desmonte o manipule la unidad inalámbrica.
2. Mantenga la unidad inalámbrica alejada de niños pequeños. Si se ingiere accidentalmente, solicite atención médica inmediatamente.
3. Utilice la unidad inalámbrica solamente con herramientas Makita.
4. No exponga la unidad inalámbrica a la lluvia o a condiciones que se pueda mojar.
5. No utilice la unidad inalámbrica en lugares donde la temperatura exceda los 50 °C.
6. No utilice la unidad inalámbrica en lugares donde se encuentren cerca instrumentos médicos, tales como marcapasos cardiacos.
7. No utilice la unidad inalámbrica en lugares donde se encuentren cerca dispositivos automatizados. Si la utiliza, los dispositivos automatizados podrán desarrollar un mal funcionamiento o error.
8. No utilice la unidad inalámbrica en lugares de temperatura alta o lugares donde se pueda generar electricidad estática o ruido eléctrico.
9. La unidad inalámbrica puede producir campos electromagnéticos (CEM), pero no son perjudiciales para el usuario.
10. La unidad inalámbrica es un instrumento de precisión. Tenga cuidado de no dejar caer o golpear la unidad inalámbrica.

11. Evite tocar el terminal de la unidad inalámbrica con las manos desnudas o materiales metálicos.
12. Retire siempre la batería del producto cuando vaya a instalar la unidad inalámbrica en él.
13. Cuando abra la tapa de la ranura, evite los lugares donde polvo y agua puedan entrar en la ranura. Mantenga siempre limpia la abertura de la ranura.
14. Inserte siempre la unidad inalámbrica en la dirección correcta.
15. No presione el botón de activación inalámbrica en la unidad inalámbrica con fuerza ni presione el botón con un objeto de borde cortante.
16. Cierre siempre la tapa de la ranura cuando esté realizando operaciones.
17. No retire la unidad inalámbrica de la ranura mientras se esté suministrando alimentación a la herramienta. Si lo hace podrá ocasionar un mal funcionamiento de la unidad inalámbrica.
18. No retire la etiqueta adhesiva de la unidad inalámbrica.
19. No ponga ninguna etiqueta adhesiva en la unidad inalámbrica.
20. No deje la unidad inalámbrica en un lugar donde se pueda generar electricidad estática o ruido eléctrico.
21. No deje la unidad inalámbrica en un lugar expuesto a mucho calor, tal como dentro de un automóvil aparcado al sol.
22. No deje la unidad inalámbrica en un lugar polvoriento o polvoroso o en un lugar donde se pueda generar gas corrosivo.
23. Un cambio repentino de la temperatura puede cubrir de rocío la unidad inalámbrica. No utilice la unidad inalámbrica hasta que el rocío se haya secado completamente.
24. Cuando limpie la unidad inalámbrica, frote con cuidado con un paño suave y seco. No utilice benzina, disolvente, grasa conductora o algo similar.
25. Cuando almacene la unidad inalámbrica, manténgala en la funda suministrada o en un contenedor libre de electricidad estática.
26. No inserte ningún dispositivo excepto la unidad inalámbrica de Makita en la ranura de la herramienta.
27. No utilice la herramienta con la tapa de la ranura dañada. Si entra en la ranura agua, polvo o suciedad puede ocasionar un mal funcionamiento.
28. No tire de la tapa de la ranura ni la retuerza más de lo necesario. Vuelva a colocar la tapa si se desprende de la herramienta.
29. Reemplace la tapa de la ranura si se pierde o se daña.

GUARDE ESTAS INSTRUCCIONES.

DESCRIPCIÓN DEL FUNCIONAMIENTO

⚠ PRECAUCIÓN: Asegúrese siempre de que la herramienta esté apagada y el cartucho de batería retirado antes de realizar cualquier ajuste o comprobación en la herramienta.

Instalación o extracción del cartucho de batería

⚠ PRECAUCIÓN: Apague siempre la herramienta antes de instalar o retirar el cartucho de batería.

⚠ PRECAUCIÓN: Sujete la herramienta y el cartucho de batería firmemente cuando instale o retire el cartucho de batería. Si no sujeta la herramienta y el cartucho de batería firmemente podrán caérsele de las manos y resultar en daños a la herramienta y al cartucho de batería y heridas personales.

► Fig.1: 1. Indicador rojo 2. Botón 3. Cartucho de batería

Para retirar el cartucho de batería, deslícelo de la herramienta mientras desliza el botón de la parte frontal del cartucho.

Para instalar el cartucho de batería, alinee la lengüeta del cartucho de batería con la ranura del alojamiento y deslícelo al interior hasta encajarlo en su sitio. Insértelo por completo hasta que se bloquee en su sitio con un pequeño chasquido. Si puede ver el indicador rojo como se muestra en la figura, no estará bloqueado completamente.

⚠ PRECAUCIÓN: Instale siempre el cartucho de batería completamente hasta que no pueda verse el indicador rojo. En caso contrario, podrá caerse accidentalmente de la herramienta y ocasionarle heridas a usted o a alguien que esté cerca de usted.



















⚠ PRECAUCIÓN: No instale el cartucho de batería empleando fuerza. Si el cartucho no se desliza al interior fácilmente, será porque no está siendo insertado correctamente.

Modo de indicar la capacidad de batería restante

Solamente para cartuchos de batería con el indicador

► Fig.2: 1. Lámparas indicadoras 2. Botón de comprobación

Presione el botón de comprobación en el cartucho de batería para indicar la capacidad de batería restante. Las lámparas indicadoras se iluminan durante unos pocos segundos.

Lámparas indicadoras			Capacidad restante
 Iluminada	 Apagada	 Parpadeando	
			75% a 100%
			50% a 75%
			25% a 50%
			0% a 25%
			Cargue la batería.
			Puede que la batería no esté funcionando bien.
			

NOTA: Dependiendo de las condiciones de utilización y de la temperatura ambiente, la indicación podrá variar ligeramente de la capacidad real.

NOTA: La primera lámpara indicadora (extremo izquierdo) parpadeará cuando el sistema de protección de la batería esté funcionando.




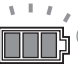
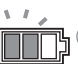
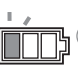
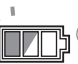
Modo de indicar la capacidad de batería restante

Específico para cada país

Cuando usted enciende la herramienta, el indicador de batería muestra la capacidad de batería restante.

► Fig.3: 1. Indicador de batería

La capacidad de batería restante se muestra como en la tabla siguiente.

Estado del indicador de batería			Capacidad de batería restante
 Encendido	 Apagado	 Parpadeando	
			50% a 100%
			20% a 50%
			0% a 20%
			Cargue la batería

Sistema de protección de la herramienta / batería

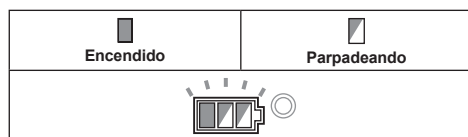
La herramienta está equipada con un sistema de protección de la herramienta/batería. Este sistema corta automáticamente la alimentación al motor para alargar la vida de servicio de la herramienta y la batería. La herramienta se detendrá automáticamente durante la operación si la herramienta o la batería es puesta en una de las condiciones siguientes:

Protección contra sobrecarga

Cuando la herramienta es utilizada de una manera que da lugar a que tenga que absorber una corriente anormalmente alta, la herramienta se detiene automáticamente sin ninguna indicación. En esta situación, apague la herramienta y detenga la tarea que ocasiona la sobrecarga de la herramienta. Después encienda la herramienta para volver a empezar.

Protección contra el recalentamiento

Cuando la herramienta se recalienta, se detiene automáticamente y el indicador de batería muestra el estado siguiente. En esta situación, deje que la herramienta se enfríe antes de encenderla otra vez.



Si la herramienta no se pone en marcha, es posible que la batería esté recalentada. En esta situación, deje que la batería se enfríe antes de poner en marcha la herramienta otra vez.

Protección contra descarga excesiva

Cuando la capacidad de batería no es suficiente, la herramienta se detiene automáticamente. En este caso, retire la batería de la herramienta y cargue la batería.

Liberación del bloqueo de protección

Cuando el sistema de protección se acciona repetidamente, la herramienta se bloquea y el indicador de batería muestra el estado siguiente. En esta situación, la herramienta no se pondrá en marcha aunque se intente apagarla y encenderla. Para liberar el bloqueo de protección, retire la batería, póngala en el cargador de batería y espere hasta que finalice la carga.



Protecciones contra otras causas

También hay un sistema de protección diseñado para otras causas que pueden dañar la herramienta y permite a la herramienta detenerse automáticamente. Realice todos los pasos siguientes para despejar las causas, cuando la herramienta haya sido llevada a una pausa temporal o a una parada en la operación.

1. Apague la herramienta, y después enciéndala otra vez para volver a empezar.
2. Cargue la(s) batería(s) o reemplácela(s) con una batería(s) recargada(s).
3. Deje que la herramienta y la(s) batería(s) se enfríen.

Si no se nota una mejora al restablecer el sistema de protección, póngase en contacto con el centro de servicio Makita local.

Bloqueo del eje

⚠ADVERTENCIA: No accione nunca el bloqueo del eje cuando el mandril esté moviéndose. Podría ocasionar heridas graves o daños a la herramienta.

Presione el bloqueo del eje para impedir que el mandril gire cuando instale o desmonte accesorios.

► Fig.4: 1. Bloqueo del eje

Accionamiento del interruptor

⚠PRECAUCIÓN: Antes de instalar el cartucho de batería en la herramienta, compruebe siempre para ver que el interruptor de palanca se acciona debidamente y que vuelve a la posición “apagada” cuando lo suelta.

⚠PRECAUCIÓN: Para su seguridad, esta herramienta está equipada con la palanca de desbloqueo que evita que la herramienta se ponga en marcha de forma no intencionada. No utilice NUNCA la herramienta si se pone en marcha cuando usted simplemente aprieta el interruptor de palanca sin apretar la palanca de desbloqueo. Lleve la herramienta a nuestro centro de servicio autorizado para que le hagan la reparación apropiada ANTES de seguir utilizándola.

⚠PRECAUCIÓN: No apriete con fuerza el interruptor de palanca sin apretar la palanca de desbloqueo. Esto puede ocasionar la rotura del interruptor.

⚠PRECAUCIÓN: NUNCA sujete con cinta adhesiva o anule el propósito o la función de la palanca de desbloqueo.

Para evitar que el interruptor de palanca pueda ser apretado accidentalmente, se ha provisto una palanca de desbloqueo.

Para poner en marcha la herramienta, apriete la palanca de desbloqueo hacia el operario y después apriete el interruptor de palanca.

Para detener la herramienta, suelte el interruptor de palanca.

► Fig.5: 1. Palanca de desbloqueo 2. Interruptor de palanca

Dial de ajuste de velocidad

Se puede cambiar la velocidad de rotación de la herramienta girando el dial de ajuste de velocidad. La siguiente tabla muestra el número del dial y la velocidad de rotación correspondiente.

► **Fig.6:** 1. Dial de ajuste de velocidad

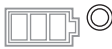

Número	Velocidad
1	3.000 min ⁻¹
2	4.500 min ⁻¹
3	6.000 min ⁻¹
4	7.500 min ⁻¹
5	8.500 min ⁻¹

AVISO: Si se utiliza la herramienta de manera continua a una velocidad baja y por un tiempo prolongado, el motor se sobrecargará y la herramienta comenzará a funcionar mal.

AVISO: El dial de ajuste de velocidad se puede girar solamente hasta 5 y de vuelta a 1. No lo fuerce más allá de 5 o 1, o la función de ajuste de velocidad podrá dejar de funcionar.

Función de cambio automático de velocidad

► **Fig.7:** 1. Indicador de modo

Estado del indicador de modo	Modo de operación
	Modo velocidad alta
	Modo torsión alta

Esta herramienta tiene “modo velocidad alta” y “modo torsión alta”. La herramienta cambia automáticamente el modo de operación dependiendo de la carga de trabajo. Cuando el indicador de modo está iluminado durante la operación, la herramienta está en modo de torsión alta.

Función de prevención de reinicio de puesta en marcha accidental

Cuando instale el cartucho de batería mientras el interruptor está activado, la herramienta no se pondrá en marcha. Para poner en marcha la herramienta, desactive el interruptor, y después vuelva a activarlo.

Tecnología de detección de Retroalimentación Activa

La herramienta detecta electrónicamente situaciones en las que la muela o accesorio puede estar en riesgo de saltar. En esta situación, la herramienta se apaga automáticamente para prevenir que el mandril siga girando (no evita un retroceso brusco). Para volver a poner en marcha la herramienta, primero apague la herramienta, retire la causa de la repentina caída de la velocidad de giro, y después enciéndala otra vez.

Función de inicio suave

La función de inicio suave reduce la reacción del arranque.

Freno eléctrico

El freno eléctrico se activa después de apagar la herramienta.

El freno no responde cuando el suministro eléctrico se desconecta, como cuando se retira la batería accidentalmente, con el interruptor todavía activado.

MONTAJE

PRECAUCIÓN: Asegúrese siempre de que la herramienta está apagada y el cartucho de batería retirado antes de realizar cualquier ajuste o comprobación en la herramienta.

Instalación de la empuñadura lateral (mango)

PRECAUCIÓN: Antes de la operación, asegúrese siempre de que la empuñadura lateral está instalada firmemente.

Rosque la empuñadura lateral firmemente en la posición de la herramienta mostrada en la figura.

► **Fig.8**

Instalación o desmontaje del protector de muela (Para muela de centro hundido, disco flap, disco flexible, cepillo circular de alambres / muela de corte abrasivo, muela de diamante)

ADVERTENCIA: Cuando se utilice una muela de centro hundido, disco flap, disco flexible o cepillo circular de alambres, el protector de muela deberá estar instalado en la herramienta de tal forma que el lado cerrado del protector siempre quede orientado hacia el operario.

ADVERTENCIA: Cuando utilice una muela de corte abrasivo / muela de diamante, asegúrese de utilizar solamente el protector de muela especial diseñado para usar con muelas de corte.

Para herramienta con protector de muela de tipo tornillo de fijación

Monte el protector de muela con las protuberancias de la banda del protector de muela alineadas con las muescas de la caja de cojinetes. Después gire el protector de muela a un ángulo que pueda proteger al operario de acuerdo con el trabajo. Asegúrese de apretar el tornillo firmemente. Para desmontar el protector de muela, siga el procedimiento de instalación a la inversa.

► **Fig.9:** 1. Protector de muela 2. Caja de cojinetes 3. Tornillo

Para herramienta con protector de muela de tipo palanca de abrazadera

Afloje el tornillo, y después empuje la palanca en la dirección de la flecha. Monte el protector de muela con las protuberancias de la banda del protector de muela alineadas con las muescas de la caja de cojinetes. Después gire el protector de muela a un ángulo que pueda proteger al operario de acuerdo con el trabajo.

► **Fig.10:** 1. Protector de muela 2. Caja de cojinetes 3. Tornillo 4. Palanca

Empuje la palanca en la dirección de la flecha. Después sujete el protector de muela apretando el tornillo. Asegúrese de apretar el tornillo firmemente. El ángulo de ajuste del protector de muela se puede regular con la palanca.

► **Fig.11:** 1. Tornillo 2. Palanca

Para desmontar el protector de muela, siga el procedimiento de instalación a la inversa.

Accesorio de protector de muela de corte con mordaza

Accesorios opcionales

NOTA: Para operaciones de corte, se puede utilizar un accesorio de protector de muela de corte con mordaza con el protector de muela (para muela de esmerilar).

No disponible en algunos países.

► **Fig.12**

Instalación o desmontaje de una muela de centro hundido o disco flap

Accesorios opcionales

⚠ADVERTENCIA: Cuando se utilice una muela de centro hundido o disco flap, el protector de muela deberá estar instalado en la herramienta de tal forma que el lado cerrado del protector siempre quede orientado hacia el operario.

⚠ADVERTENCIA: Asegúrese de que la parte de montaje de la brida interior encaje en el diámetro interior de la muela de centro hundido / disco flap perfectamente. El montar la brida interior en el lado incorrecto puede resultar en una vibración peligrosa.

Monte la brida interior en el mandril. Asegúrese de encajar la parte dentada de la brida interior en la parte recta de la parte inferior del mandril. Encaje la muela de centro hundido / disco flap en la brida interior y rosque la contratuerca en el mandril.

► **Fig.13:** 1. Contratuerca 2. Muela de centro hundido 3. Brida interior 4. Parte de montaje

Para apretar la contratuerca, presione el bloqueo del eje firmemente para que el mandril no pueda girar, después apriete firmemente hacia la derecha utilizando la llave de contratuerca.

► **Fig.14:** 1. Llave de contratuerca 2. Bloqueo del eje

Para desmontar la muela, siga el procedimiento de instalación a la inversa.

Instalación o desmontaje de un disco flexible

Accesorios opcionales

⚠ADVERTENCIA: Utilice siempre el protector suministrado cuando haya un disco flexible en la herramienta. El disco puede desintegrarse durante la utilización y el protector ayuda a reducir las posibilidades de que se produzcan heridas personales.

► **Fig.15:** 1. Contratuerca 2. Disco flexible 3. Plato de respaldo 4. Brida interior

Siga las instrucciones para muela de centro hundido pero también utilice un plato de respaldo sobre la muela.

Instalación o desmontaje de un disco abrasivo

Accesorios opcionales

NOTA: Utilice accesorios para lijadora especificados en este manual. Estos deberán ser adquiridos aparte.

Para el modelo de 100 mm (4")

► **Fig.16:** 1. Contratuerca para lijar 2. Disco abrasivo 3. Plato de caucho 4. Brida interior

1. Monte la brida interior en el mandril.
2. Monte el plato de caucho en el mandril.
3. Encaje el disco en el plato de caucho y rosque la contratuerca para lijar en el mandril.
4. Sujete el mandril con el bloqueo del eje, y apriete la contratuerca para lijar hacia la derecha firmemente con la llave de contratuerca.

Para retirar el disco, siga el procedimiento de instalación a la inversa.

Para modelo distinto del de 100 mm (4")

► **Fig.17:** 1. Contratuerca para lijar 2. Disco abrasivo 3. Plato de caucho

1. Monte el plato de caucho en el mandril.
2. Encaje el disco en el plato de caucho y rosque la contratuerca para lijar en el mandril.
3. Sujete el mandril con el bloqueo del eje, y apriete la contratuerca para lijar hacia la derecha firmemente con la llave de contratuerca.

Para retirar el disco, siga el procedimiento de instalación a la inversa.

Instalación o desmontaje de la tuerca Ezynut

Accesorios opcionales

Solamente para herramientas con rosca de mandril de M14.

Monte la brida interior, la muela abrasiva y la tuerca Ezynut en el mandril de manera que el logotipo de Makita en la tuerca Ezynut quede orientado hacia afuera.

► **Fig.18:** 1. Tuerca Ezynut 2. Muela abrasiva 3. Brida interior 4. Mandril

Presione el bloqueo del eje firmemente y apriete la tuerca Ezynut girando la muela abrasiva hacia la derecha a tope.

► **Fig.19:** 1. Bloqueo del eje

Para aflojar la tuerca Ezynut, gire el anillo exterior de la tuerca Ezynut hacia la izquierda.

NOTA: La tuerca Ezynut se puede aflojar a mano siempre y cuando la flecha apunte a la muesca. De lo contrario se necesitará una llave de contratuerca para aflojarla. Inserte un pasador de la llave en un orificio y gire la tuerca Ezynut hacia la izquierda.

► **Fig.20:** 1. Flecha 2. Muesca

► **Fig.21**

Instalación de la muela de corte abrasivo / muela de diamante

Accesorios opcionales

⚠ADVERTENCIA: Cuando utilice una muela de corte abrasivo / muela de diamante, asegúrese de utilizar solamente el protector de muela especial diseñado para usar con muelas de corte.

⚠ADVERTENCIA: No utilice NUNCA una muela de corte para esmerilar lateralmente.

► **Fig.22:** 1. Contratuerca 2. Muela de corte abrasivo / muela de diamante 3. Brida interior 4. Protector de muela para muela de corte abrasivo / muela de diamante

En cuanto a la instalación, siga las instrucciones para la muela de centro hundido.

La dirección para montar la contratuerca y la brida interior varía según el tipo y grosor de la muela. Consulte las figuras siguientes.

Para el modelo de 100 mm (4")

Cuando se instala la muela de corte abrasivo:

► **Fig.23:** 1. Contratuerca 2. Muela de corte abrasivo (más fina de 4 mm (5/32")) 3. Muela de corte abrasivo (de 4 mm (5/32") o más gruesa) 4. Brida interior

Cuando se instala la muela de diamante:

► **Fig.24:** 1. Contratuerca 2. Muela de diamante (más fina de 4 mm (5/32")) 3. Muela de diamante (de 4 mm (5/32") o más gruesa) 4. Brida interior

Para modelo distinto del de 100 mm (4")

Cuando se instala la muela de corte abrasivo:

► **Fig.25:** 1. Contratuerca 2. Muela de corte abrasivo (más fina de 4 mm (5/32")) 3. Muela de corte abrasivo (de 4 mm (5/32") o más gruesa) 4. Brida interior

Cuando se instala la muela de diamante:

► **Fig.26:** 1. Contratuerca 2. Muela de diamante (más fina de 4 mm (5/32")) 3. Muela de diamante (de 4 mm (5/32") o más gruesa) 4. Brida interior

Instalación del cepillo de alambres en copa

Accesorios opcionales

⚠PRECAUCIÓN: No utilice un cepillo que esté dañado o desequilibrado. La utilización de un cepillo dañado podrá aumentar la posibilidad de heridas causadas por el contacto con alambres rotos del cepillo.

Coloque la herramienta al revés para facilitar el acceso al mandril.

Quite cualquier accesorio que haya en el mandril.

Rosque el cepillo de alambres en copa en el mandril y apriételo con la llave suministrada.

► **Fig.27:** 1. Cepillo de alambres en copa

Instalación del cepillo circular de alambre

Accesorios opcionales

⚠PRECAUCIÓN: No utilice un cepillo circular de alambres que esté dañado o desequilibrado. La utilización de un cepillo circular de alambres dañado podrá aumentar la posibilidad de heridas causadas por el contacto con alambres rotos.

⚠PRECAUCIÓN: Utilice SIEMPRE el protector con cepillos circulares de alambres, asegurándose de que el diámetro del cepillo encaje dentro del protector. El cepillo puede desintegrarse durante la utilización y el protector ayuda a reducir las posibilidades de que se produzcan heridas personales.

Coloque la herramienta al revés para facilitar el acceso al mandril.

Quite cualquier accesorio que haya en el mandril.

Rosque el cepillo circular de alambres en el mandril y apriételo con las llaves.

► **Fig.28:** 1. Cepillo circular de alambres

Instalación del perforador de agujeros

Accesorios opcionales

Coloque la herramienta al revés para facilitar el acceso al mandril.

Retire cualquier accesorio que haya en el mandril.

Enrosque el perforador de agujeros en el mandril, y apriételo con la llave suministrada.

► **Fig.29:** 1. Perforador de agujeros

Instalación del protector de muela con recogida de polvo para esmerilar

Solo para el modelo DGA467 / DGA468 / DGA517 / DGA518

Accesorios opcionales

Con accesorios opcionales, puede utilizar la herramienta para aplanar superficies de cemento.

⚠PRECAUCIÓN: El protector de muela con recogida de polvo para la muela de diamante cóncava es para ser utilizado solamente en el aplanamiento de superficies de concreto con una muela de diamante cóncava. No utilice este protector con ningún otro accesorio de corte o para otros propósitos.

⚠PRECAUCIÓN: Antes de la operación, asegúrese de que hay un aspirador conectado a la herramienta y que está encendido.

Coloque la herramienta al revés e instale el protector de muela con recogida de polvo.

Monte la brida interior sobre el mandril.

Encaje la muela de diamante tipo copa sobre la brida interior y apriete la contratuerca sobre el mandril.

► **Fig.30:** 1. Contratuerca 2. Muela de diamante tipo copa 3. Muela de diamante tipo copa acampanada 4. Brida interior 5. Protector de muela con recogida de polvo 6. Caja de cojinetes

NOTA: Para ver información sobre cómo instalar el protector de muela con recogida de polvo, consulte el manual del protector de muela con recogida de polvo.

Instalación del protector de muela con recogida de polvo para cortar

Accesorios opcionales

Con accesorios opcionales, puede utilizar esta herramienta para cortar materiales de piedra.

► **Fig.31**

NOTA: Para ver información sobre cómo instalar el protector de muela con recogida de polvo, consulte el manual del protector de muela con recogida de polvo.

Conexión de un aspirador

Accesorios opcionales

⚠ADVERTENCIA: No recoja nunca partículas metálicas creadas en operaciones de amolar/cortar/lijar. Las partículas metálicas creadas en tales operaciones estarán tan calientes que prenderán el polvo y el filtro dentro del aspirador.

Para evitar un entorno polvoriento ocasionado por el corte de albañilería, utilice un protector de muela con recogida de polvo y un aspirador.

Consulte el manual de instrucciones adjunto al protector de muela con recogida de polvo para montarlo y utilizarlo.

► **Fig.32:** 1. Protector de muela con recogida de polvo 2. Manguera del aspirador

OPERACIÓN

⚠ADVERTENCIA: No deberá ser nunca necesario forzar la herramienta. El peso de la herramienta aplica la presión adecuada. El forzamiento y la presión excesiva pueden ocasionar una peligrosa rotura de la muela.

⚠ADVERTENCIA: Reemplace la muela SIEMPRE si deja caer la herramienta mientras esmerila.

⚠ADVERTENCIA: No lance ni golpee NUNCA la muela contra una pieza de trabajo.

⚠ADVERTENCIA: Evite los rebotes y engaños de la muela, especialmente cuando trabaje en esquinas, bordes cortantes, etc. Esto puede ocasionar la pérdida del control y retrocesos bruscos.

⚠ADVERTENCIA: No utilice NUNCA esta herramienta con discos para cortar madera y otros discos de sierra. Los discos de ese tipo cuando se utilizan en una esmeriladora con frecuencia ocasionan retrocesos bruscos y pérdida del control que acarrearán heridas personales.

⚠PRECAUCIÓN: No encienda nunca la herramienta cuando esta está en contacto con la pieza de trabajo, podría ocasionar heridas al operario.

⚠PRECAUCIÓN: Póngase siempre gafas de protección o máscara facial durante la operación.

⚠PRECAUCIÓN: Después de la operación, apague siempre la herramienta y espere hasta que la muela se haya parado completamente antes de dejar la herramienta.

⚠PRECAUCIÓN: Sujete SIEMPRE la herramienta firmemente con una mano en la carcasa y la otra en la empuñadura lateral (mango).

NOTA: Una muela de doble uso se puede utilizar para operaciones de esmerilar y de corte.

Consulte "Operación de esmerilar y lijar" para la operación de esmerilar, y "Operación con muela de corte abrasivo/muela de diamante" para la operación de corte.

Operación de esmerilar y lijar

► **Fig.33**

Encienda la herramienta y después aplique la muela o el disco a la pieza de trabajo.

En general, mantenga el borde de la muela o disco a un ángulo de unos 15° con la superficie de la pieza de trabajo. Durante el periodo de uso inicial de una muela nueva, no trabaje con la esmeriladora en dirección hacia adelante porque podrá cortar la pieza de trabajo. Una vez que el borde de la muela se haya redondeado con el uso, se podrá trabajar con la muela en las direcciones hacia adelante y hacia atrás.

Ejemplo de utilización: operación con muela de diamante tipo copa

► **Fig.34**

Mantenga la herramienta horizontalmente y aplique toda la muela de diamante tipo copa a la superficie de la pieza de trabajo.

Operación con muela de corte abrasivo / muela de diamante

Accesorios opcionales

⚠️ ADVERTENCIA: No “atasque” la muela o aplique presión excesiva. No intente hacer un corte de excesiva profundidad. Si fatiga en exceso la muela aumentará la carga y la susceptibilidad de retorcer o doblar la muela en el corte y la posibilidad de que se produzca un retroceso brusco, rotura de la muela y recalentamiento del motor.

⚠️ ADVERTENCIA: No comience la operación de corte en la pieza de trabajo. Deje que la muela alcance plena velocidad y entre con cuidado en el corte moviendo la herramienta hacia adelante sobre la superficie de la pieza de trabajo. Si pone en marcha la herramienta eléctrica en la pieza de trabajo, la muela podrá estancarse, saltar o retroceder bruscamente.

⚠️ ADVERTENCIA: Durante las operaciones de corte, no cambie nunca el ángulo de la muela. La aplicación de presión lateral en la muela de corte (al igual que en el esmerilado) hará que la muela se agriete y se rompa, ocasionando graves heridas personales.

⚠️ ADVERTENCIA: Una muela de diamante deberá ser utilizada perpendicularmente al material que se esté cortando.

Ejemplos de utilización: operación con muela de corte abrasivo

► Fig.35

Ejemplo de utilización: operación con muela de diamante

► Fig.36

Operación con cepillo de alambres en copa

Accesorios opcionales

⚠️ PRECAUCIÓN: Compruebe la operación del cepillo haciendo funcionar la herramienta sin carga, asegurándose de que no haya nadie enfrente ni en línea con el cepillo.

AVISO: Evite aplicar presión excesiva que haga doblar demasiado los alambres cuando utilice el cepillo de alambres en copa. Podrá acarrear una rotura prematura.

Ejemplo de utilización: operación con el cepillo de alambres en copa

► Fig.37

Operación con cepillo circular de alambres

Accesorios opcionales

⚠️ PRECAUCIÓN: Compruebe la operación del cepillo circular de alambres haciendo funcionar la herramienta sin carga, asegurándose de que no haya nadie enfrente ni en línea con el cepillo circular de alambres.

AVISO: Evite aplicar presión excesiva que haga doblar demasiado los alambres cuando utilice el cepillo circular de alambres. Podrá acarrear una rotura prematura.

Ejemplo de utilización: operación con el cepillo circular de alambre

► Fig.38

Operación con el perforador de agujeros

Accesorios opcionales

⚠️ PRECAUCIÓN: Compruebe la operación del perforador de agujeros haciendo funcionar la herramienta sin carga, asegurándose de que no haya nadie enfrente del perforador de agujeros.

AVISO: No incline la herramienta durante la operación. Podrá dar lugar a una rotura prematura.

Ejemplo de utilización: operación con el perforador de agujeros

► Fig.39

FUNCIÓN DE ACTIVACIÓN INALÁMBRICA

Solo para el modelo DGA418 / DGA468 / DGA518

Lo que puede hacer con la función de activación inalámbrica

La función de activación inalámbrica permite realizar una operación limpia y cómoda. Conectando un aspirador compatible a la herramienta, puede poner en marcha automáticamente el aspirador junto con la operación del interruptor de la herramienta.

► Fig.40

Para utilizar la función de activación inalámbrica, prepare los elementos siguientes:

- Una unidad inalámbrica (accesorio opcional)
- Un aspirador compatible con la función de activación inalámbrica

El resumen del ajuste de la función de activación inalámbrica es como sigue. Consulte cada sección para ver los procedimientos en detalle.

1. Instalación de la unidad inalámbrica
2. Registro de herramienta para el aspirador
3. Inicio de la función de activación inalámbrica

Instalación de la unidad inalámbrica

Accesorios opcionales

⚠ PRECAUCIÓN: Ponga la herramienta sobre una superficie plana y estable cuando instale la unidad inalámbrica.

AVISO: Limpie el polvo y la suciedad de la herramienta antes de instalar la unidad inalámbrica. El polvo o la suciedad puede ocasionar un mal funcionamiento si entra en la ranura de la unidad inalámbrica.

AVISO: Para evitar el mal funcionamiento causado por la electricidad estática, toque un material en el que descarga la electricidad estática, tal como una parte metálica de la herramienta, antes de cosegar la unidad inalámbrica.

AVISO: Cuando instale la unidad inalámbrica, asegúrese siempre de que la unidad inalámbrica está insertada en la dirección correcta y que la tapa está completamente cerrada.

1. Abra la tapa de la herramienta como se muestra en la figura.

► **Fig.41:** 1. Tapa

2. Inserte la unidad inalámbrica en la ranura y después cierre la tapa.

Cuando inserte la unidad inalámbrica, alinee los salientes con las porciones embutidas de la ranura.

► **Fig.42:** 1. Unidad inalámbrica 2. Saliente 3. Tapa 4. Porción embutida

Cuando retire la unidad inalámbrica, abra la tapa despacio. Los ganchos de la parte trasera de la tapa alzarán la unidad inalámbrica a medida que usted levanta la tapa.

► **Fig.43:** 1. Unidad inalámbrica 2. Gancho 3. Tapa

Después de retirar la unidad inalámbrica, manténgala dentro de la funda suministrada o en un contenedor libre de electricidad estática.

AVISO: Utilice siempre los ganchos de la parte trasera de la tapa cuando retire la unidad inalámbrica. Si los ganchos no agarran la unidad inalámbrica, cierre la tapa completamente y ábrala despacio otra vez.

Registro de herramienta para el aspirador

NOTA: Para el registro de herramienta se requiere un aspirador Makita compatible con la función de activación inalámbrica.

NOTA: Termine de instalar la unidad inalámbrica en la herramienta antes de comenzar el registro de herramienta.

NOTA: Durante el registro de herramienta, no apriete el gatillo interruptor o active el interruptor de alimentación del aspirador.

NOTA: Consulte el manual de instrucciones del aspirador, también.

Si desea activar el aspirador junto con la operación del interruptor de la herramienta, termine el registro de herramienta de antemano.

1. Instale las baterías en el aspirador y la herramienta.

2. Ajuste el interruptor de espera del aspirador a "AUTO".

► **Fig.44:** 1. Interruptor de espera

3. Presione el botón de activación inalámbrica en el aspirador durante 3 segundos hasta que la lámpara de activación inalámbrica parpadee en verde. Y después presione el botón de activación inalámbrica en la herramienta de la misma manera.

► **Fig.45:** 1. Botón de activación inalámbrica 2. Lámpara de activación inalámbrica

Si el aspirador y la herramienta están vinculados correctamente, las lámparas de activación inalámbrica se iluminarán en verde durante 2 segundos y comenzarán a parpadear en azul.

NOTA: Las lámparas de activación inalámbrica dejarán de parpadear en verde después de transcurrir 20 segundos. Presione el botón de activación inalámbrica en la herramienta mientras la lámpara de activación inalámbrica en la aspiradora está parpadeando. Si la lámpara de activación inalámbrica no parpadea en verde, presione el botón de activación inalámbrica brevemente y manténgalo presionado otra vez.

NOTA: Cuando realice dos o más registros de herramienta para un aspirador, termine el registro de herramienta de uno en uno.

Inicio de la función de activación inalámbrica

NOTA: Termine el registro de herramienta para el aspirador antes de la activación inalámbrica.

NOTA: Consulte el manual de instrucciones del aspirador, también.

Después de registrar una herramienta en el aspirador, el aspirador se pondrá en marcha automáticamente junto con la operación del interruptor de la herramienta.

1. Instale la unidad inalámbrica en la herramienta.

2. Conecte la manguera del aspirador a la herramienta.

► **Fig.46**

3. Ajuste el interruptor de espera del aspirador a "AUTO".

► **Fig.47:** 1. Interruptor de espera

4. Presione el botón de activación inalámbrica en la herramienta brevemente. La lámpara de activación inalámbrica parpadeará en azul.

► **Fig.48:** 1. Botón de activación inalámbrica 2. Lámpara de activación inalámbrica

5. Encienda la herramienta. Compruebe si el aspirador está en marcha mientras la herramienta está funcionando.

Para detener la activación inalámbrica del aspirador, presione el botón de activación inalámbrica en la herramienta.

NOTA: La lámpara de activación inalámbrica en la herramienta dejará de parpadear en azul cuando no se realice ninguna operación durante 2 horas. En este caso, ajuste el interruptor de espera del aspirador a "AUTO" y presione el botón de activación inalámbrica en la herramienta otra vez.

NOTA: El aspirador se pone en marcha/se detiene con una demora. Hay un lapso de tiempo cuando el aspirador detecta una operación del interruptor de la herramienta.










NOTA: La distancia de transmisión de la unidad inalámbrica puede variar dependiendo de la ubicación y las circunstancias circundantes.

NOTA: Cuando haya registradas dos o más herramientas en un aspirador, el aspirador podrá ponerse en marcha aunque usted no encienda la herramienta porque otro usuario está utilizando la función de activación inalámbrica.

Descripción del estado de la lámpara de activación inalámbrica

► **Fig.49:** 1. Lámpara de activación inalámbrica

La lámpara de activación inalámbrica muestra el estado de la función de activación inalámbrica. Consulte la tabla de abajo para ver el significado del estado de la lámpara.

Estado	Lámpara de activación inalámbrica			Descripción	
	Color	 Encendida	 Parpadeando		Duración
En espera	Azul			2 horas	La activación inalámbrica del aspirador está disponible. La lámpara se apagará automáticamente cuando no se realice ninguna operación durante 2 horas.
				Cuando la herramienta está en marcha.	La activación inalámbrica del aspirador está disponible y la herramienta está en marcha.
Registro de herramienta	Verde			20 segundos	Preparada para el registro de herramienta. Esperando para el registro en el aspirador.
				2 segundos	El registro de herramienta ha terminado. La lámpara de activación inalámbrica comenzará a parpadear en azul.
Cancelación del registro de herramienta	Rojo			20 segundos	Preparada para la cancelación del registro de herramienta. Esperando para la cancelación en el aspirador.
				2 segundos	La cancelación del registro de herramienta ha terminado. La lámpara de activación inalámbrica comenzará a parpadear en azul.
Otros	Rojo			3 segundos	La alimentación se suministra a la unidad inalámbrica y la función de activación inalámbrica se está poniendo en marcha.
	Apagada	-		-	La activación inalámbrica del aspirador está detenida.

Cancelación del registro de herramienta para el aspirador

Realice el procedimiento siguiente cuando vaya a cancelar el registro de herramienta para el aspirador.

1. Instale las baterías en el aspirador y la herramienta.
2. Ajuste el interruptor de espera del aspirador a "AUTO".

► **Fig.50:** 1. Interruptor de espera

3. Presione el botón de activación inalámbrica en el aspirador durante 6 segundos. La lámpara de activación inalámbrica parpadea en verde y después se vuelve roja. Después de esto, presione el botón de activación inalámbrica en la herramienta de la misma manera.

► **Fig.51:** 1. Botón de activación inalámbrica
2. Lámpara de activación inalámbrica

Si la cancelación se realiza correctamente, las lámparas de activación inalámbrica se iluminarán en rojo durante 2 segundos y comenzarán a parpadear en azul.

NOTA: Las lámparas de activación inalámbrica dejarán de parpadear en rojo después de transcurrir 20 segundos. Presione el botón de activación inalámbrica en la herramienta mientras la lámpara de activación inalámbrica en la aspiradora está parpadeando. Si la lámpara de activación inalámbrica no parpadea en rojo, presione el botón de activación inalámbrica brevemente y manténgalo presionado otra vez.

Solución de problemas para la función de activación inalámbrica

Antes de solicitar reparaciones, realice su propia inspección en primer lugar. Si encuentra un problema que no está explicado en el manual, no intente desmontar la herramienta. En su lugar, pregunte en los centros de servicio autorizados Makita, utilizando siempre piezas de recambio Makita para las reparaciones.

Estado de anomalía	Causa probable (mal funcionamiento)	Remedio
La lámpara de activación inalámbrica no se ilumina/parpadea.	La unidad inalámbrica no está instalada en la herramienta. La unidad inalámbrica está instalada incorrectamente en la herramienta.	Instale la unidad inalámbrica correctamente.
	El terminal de la unidad inalámbrica y/o la ranura están sucios.	Retire con cuidado el polvo y la suciedad del terminal de la unidad inalámbrica y limpie la ranura.
	El botón de activación inalámbrica en la herramienta no ha sido presionado.	Presione el botón de activación inalámbrica en la herramienta brevemente.
	El interruptor de espera del aspirador no está ajustado a "AUTO".	Ajuste el interruptor de espera del aspirador a "AUTO".
	No se está suministrando alimentación.	Suministre alimentación a la herramienta y al aspirador.
No se puede terminar el registro de herramienta / cancelación del registro de herramienta correctamente.	La unidad inalámbrica no está instalada en la herramienta. La unidad inalámbrica está instalada incorrectamente en la herramienta.	Instale la unidad inalámbrica correctamente.
	El terminal de la unidad inalámbrica y/o la ranura están sucios.	Retire con cuidado el polvo y la suciedad del terminal de la unidad inalámbrica y limpie la ranura.
	El interruptor de espera del aspirador no está ajustado a "AUTO".	Ajuste el interruptor de espera del aspirador a "AUTO".
	No se está suministrando alimentación.	Suministre alimentación a la herramienta y al aspirador.
	Operación incorrecta	Presione el botón de activación inalámbrica brevemente y realice los procedimientos de registro/cancelación de herramienta otra vez.
	La herramienta y el aspirador están alejados uno del otro (fuera del rango de transmisión).	Ponga la herramienta y el aspirador más cerca uno del otro. La distancia de transmisión es de aproximadamente 10 m, sin embargo, podrá variar de acuerdo con las circunstancias.
	Antes de terminar el registro/cancelación de herramienta; - se aprieta el interruptor de la herramienta o; - se activa el botón de alimentación del aspirador.	Presione el botón de activación inalámbrica brevemente y realice los procedimientos de registro/cancelación de herramienta otra vez.
	Los procedimientos de registro de herramienta para la herramienta o el aspirador no han terminado.	Realice los procedimientos de registro de herramienta para la herramienta y el aspirador en el mismo momento.
Interferencia de radio de otros aparatos que generan ondas de radio de alta intensidad.	Mantenga la herramienta y el aspirador alejados de aparatos tales como dispositivos Wi-Fi y hornos de microondas.	

Estado de anomalía	Causa probable (mal funcionamiento)	Remedio
El aspirador no se pone en marcha junto con la operación del interruptor de la herramienta.	La unidad inalámbrica no está instalada en la herramienta. La unidad inalámbrica está instalada incorrectamente en la herramienta.	Instale la unidad inalámbrica correctamente.
	El terminal de la unidad inalámbrica y/o la ranura están sucios.	Retire con cuidado el polvo y la suciedad del terminal de la unidad inalámbrica y limpie la ranura.
	El botón de activación inalámbrica en la herramienta no ha sido presionado.	Presione el botón de activación inalámbrica brevemente y asegúrese de que la lámpara de activación inalámbrica está parpadeando en azul.
	El interruptor de espera del aspirador no está ajustado a "AUTO".	Ajuste el interruptor de espera del aspirador a "AUTO".
	Hay más de 10 herramientas registradas en el aspirador.	Realice el registro de herramienta otra vez. Si hay más de 10 herramientas registradas en el aspirador, la herramienta que más tiempo lleve registrada se cancelará automáticamente.
	El aspirador borró todos los registros de herramienta.	Realice el registro de herramienta otra vez.
	No se está suministrando alimentación.	Suministre alimentación a la herramienta y al aspirador.
	La herramienta y el aspirador están alejados uno del otro (fuera del rango de transmisión).	Ponga la herramienta y el aspirador más cerca uno del otro. La distancia de transmisión es de aproximadamente 10 m, sin embargo, podrá variar de acuerdo con las circunstancias.
Interferencia de radio de otros aparatos que generan ondas de radio de alta intensidad.	Mantenga la herramienta y el aspirador alejados de aparatos tales como dispositivos Wi-Fi y hornos de microondas.	
El aspirador se pone en marcha mientras la herramienta no está funcionando.	Otros usuarios están utilizando la activación inalámbrica del aspirador con sus herramientas.	Desactive el botón de activación inalámbrica de las otras herramientas o cancele el registro de herramienta de las otras herramientas.

MANTENIMIENTO

⚠ PRECAUCIÓN: Asegúrese siempre de que la herramienta está apagada y de que el cartucho de batería está retirado antes de intentar hacer una inspección o mantenimiento.

AVISO: No utilice nunca gasolina, bencina, disolvente, alcohol o similares. Podría producir descoloración, deformación o grietas.

Para mantener la SEGURIDAD y FIABILIDAD del producto, las reparaciones, y cualquier otra tarea de mantenimiento o ajuste deberán ser realizadas en centros de servicio o de fábrica autorizados por Makita, empleando siempre repuestos Makita.

Limpieza de las aberturas de ventilación

La herramienta y sus aberturas de ventilación han de mantenerse limpias. Limpie las aberturas de ventilación de la herramienta regularmente o siempre que comiencen a estar obstruidas.

► **Fig.52:** 1. Abertura de salida de aire 2. Abertura de entrada de aire

Retire el guardapolvo de la abertura de entrada de aire y límpielo para que el aire circule con suavidad.

► **Fig.53:** 1. Guardapolvo

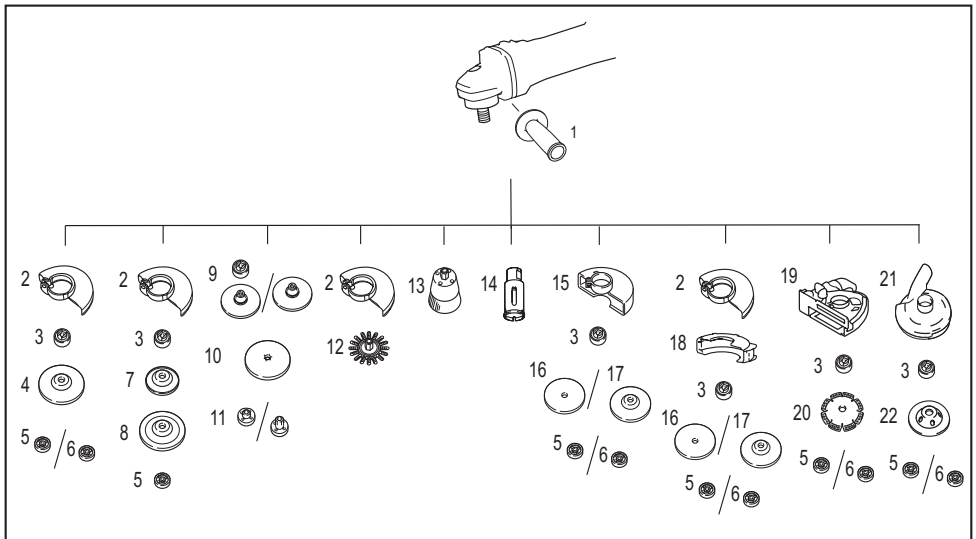
AVISO: Limpie el guardapolvo cuando esté obturado con polvo o materias extrañas. Si continúa la operación con un guardapolvo obturado puede dañar la herramienta.

COMBINACIÓN DE APLICACIONES Y ACCESORIOS

Accesorios opcionales

⚠PRECAUCIÓN: La utilización de la herramienta con los protectores incorrectos puede ocasionar los siguientes riesgos.

- Cuando se utiliza un protector de muela de corte para esmerilado facial, el protector de muela puede interferir con la pieza de trabajo ocasionando un mal control.
- Cuando se utilice un protector de muela de esmerilar para operaciones de corte con muelas abrasivas aglomeradas y muelas de diamante, existe un mayor riesgo de exposición a las muelas giratorias, a las chispas y partículas emitidas, así como de exposición a fragmentos de muela en caso de que la muela se desintegre.
- Cuando se utiliza un protector de muela de corte o protector de muela de esmerilar para operaciones faciales con muelas de diamante tipo copa, el protector de muela puede interferir con la pieza de trabajo ocasionando un mal control.
- Cuando se utilice un protector de muela de corte o protector de muela de esmerilar con un cepillo de alambre tipo disco de un grosor mayor que el grosor máximo especificado en "ESPECIFICACIONES", los alambres podrán engancharse en el protector dando lugar a la rotura de los alambres.
- La utilización de protectores de muela con recogida de polvo para operaciones de corte y faciales en hormigón o mampostería reducirá el riesgo de exposición al polvo.
- Cuando se utilicen muelas de doble uso (esmerilado y corte abrasivo combinados) montadas en brida, utilice solamente un protector de muela de corte.



-	Aplicación	Modelo de 100 mm	Modelo de 115 mm	Modelo de 125 mm
1	-	Empuñadura lateral		
2	-	Protector de muela (para muela de esmerilar)		
3	-	Brida interior		
4	Esmerilado/lijado	Muela de centro hundido / disco flap		
5	-	Contratuercas		
6	-	-	Tuerca Ezynut *1	
7	-	Plato de respaldo		
8	Esmerilado	Disco flexible		
9	-	Brida interior y plato de caucho de 76	Plato de caucho de 100	Plato de caucho de 115
10	Lijado	Disco abrasivo		
11	-	Contratuercas para lijar		

-	Aplicación	Modelo de 100 mm	Modelo de 115 mm	Modelo de 125 mm
12	Cepillo de alambre	Cepillo circular de alambres		
13	Cepillo de alambre	Cepillo de alambres en copa		
14	Perforación de agujeros	Perforador de agujeros		
15	-	Protector de muela (para muela de corte)		
16	Corte	Muela de corte abrasivo / muela de diamante		
17	Esmerilado/corte	Muela de doble uso		
18	-	Accesorio de protector de muela de corte con mordaza *2		
19	-	Protector de muela con recogida de polvo para corte *3		
20	Corte	Muela de diamante		
21	-	-	Protector de muela con recogida de polvo para esmerilar *4	
22	Esmerilado	-	Muela de diamante tipo copa *4	
-	-	Llave de contratuerca		

NOTA: *1 Solamente para herramientas con rosca de mandril de M14.

NOTA: *2 El accesorio de protector de muela de corte con mordaza no está disponible en algunos países. Para más detalles, consulte el manual de instrucciones del accesorio de protector de muela de corte con mordaza.

NOTA: *3 Para más detalles, consulte el manual de instrucciones del protector.

NOTA: *4 Solo para el modelo DGA467 / DGA468 / DGA517 / DGA518

Para más detalles, consulte el manual de instrucciones del protector.

ACCESORIOS OPCIONALES

⚠PRECAUCIÓN: Estos accesorios o aditamentos están recomendados para su uso con la herramienta Makita especificada en este manual.

El uso de cualquier otro accesorio o aditamento puede suponer un riesgo de heridas personales. Utilice el accesorio o aditamento solamente con la finalidad indicada para el mismo.

Si necesita cualquier ayuda para más detalles en relación con estos accesorios, pregunte al centro de servicio Makita local.

- Batería y cargador genuinos de Makita
- Accesorios listados en "COMBINACIÓN DE APLICACIONES Y ACCESORIOS"
- Unidad inalámbrica (Para modelos con función de activación inalámbrica)

NOTA: Algunos elementos de la lista podrán estar incluidos en el paquete de la herramienta como accesorios estándar. Pueden variar de un país a otro.

ESPECIFICAÇÕES

Modelo:		DGA417	DGA418	DGA467	DGA468	DGA517	DGA518
Roda de esmerilar aplicável	Diâmetro máx. da roda	100 mm		115 mm		125 mm	
	Espessura máxima da roda	6,4 mm		7,2 mm			
Roda de corte aplicável	Diâmetro máx. da roda	105 mm		115 mm		125 mm	
	Espessura máxima da roda				3,2 mm		
Escova de arame tipo roda aplicável	Diâmetro máx. da roda	100 mm		115 mm		125 mm	
	Espessura máxima da roda				20 mm		
Rosca do eixo		M10		M14 ou 5/8" (específico do país)			
Comprimento máx. do eixo		18 mm		23 mm			
Velocidade sem carga (n_0) / velocidade nominal (n)				8.500 min ⁻¹			
Comprimento total		com BL1840B		382 mm			
Peso líquido		2,2 - 3,7 kg		2,4 - 3,9 kg			
Tensão nominal		CC 18 V					

- Devido a um programa contínuo de pesquisa e desenvolvimento, estas especificações estão sujeitas a alteração sem aviso prévio.
- As especificações podem variar de país para país.
- O peso poderá diferir em função do acessório(s), incluindo a bateria. A combinação mais leve e mais pesada, de acordo com o Procedimento EPTA 01/2014, é apresentada na tabela.

Bateria e carregador aplicável

Bateria	BL1815N / BL1820B / BL1830B / BL1840B / BL1850B / BL1860B
Carregador	DC18RC / DC18RD / DC18RE / DC18SD / DC18SE / DC18SF / DC18SH / DC18WC

- Algumas das baterias e carregadores listados acima poderão não estar disponíveis, dependendo da sua região de residência.

AVISO: Utilize apenas as baterias e carregadores listados acima. A utilização de quaisquer outras baterias e carregadores pode causar ferimentos e/ou um incêndio.

Fonte de alimentação ligada por fio recomendada

Adaptador de baterias tipo mochila	PDC01
------------------------------------	-------

- A(s) fonte(s) de alimentação ligada(s) por fio listada(s) acima pode(m) não estar disponível(eis) dependendo da sua região de residência.
- Antes de utilizar a fonte de alimentação ligada por fio, leia as instruções e etiquetas de precaução na mesma.

Símbolos



Não utilize o resguardo da roda para operações de corte.

A seguir são apresentados os símbolos que podem ser utilizados para o equipamento. Certifique-se de que compreende o seu significado antes da utilização.



Leia o manual de instruções.



Use óculos de segurança.



Utilize sempre as duas mãos.



Apenas para países da UE
Devido à presença de componentes perigosos no equipamento, os resíduos de equipamentos elétricos e eletrônicos, acumuladores e baterias podem ter um impacto negativo no meio ambiente e na saúde humana.
Não elimine aparelhos elétricos e eletrônicos ou baterias juntamente com resíduos domésticos!
De acordo com a Diretiva europeia relativa aos resíduos de equipamentos elétricos e eletrônicos, acumuladores e baterias, bem como a respetiva adaptação à legislação nacional, os resíduos de equipamentos elétricos e eletrônicos, acumuladores e baterias devem ser armazenados separadamente e entregues num ponto de recolha separado para resíduos municipais, que opere de acordo com os regulamentos de proteção ambiental.
Tal é indicado pelo símbolo de contentor de lixo com rodas barrado com uma cruz colocado no equipamento.

Utilização a que se destina

A ferramenta serve para esmerilar, lixar, escovar com escova de arame, cortar orifícios e cortar materiais em metal e pedra sem utilizar água.

Ruído

A característica do nível de ruído A determinado de acordo com a EN62841-2-3:

Modelo	Nível de pressão sonora (L_{pA}): (dB (A))	Nível de potência sonora (L_{wA}): (dB (A))	Incerteza (K): (dB (A))
DGA417	83	91	3
DGA418	83	91	3
DGA467	83	91	3
DGA468	83	91	3
DGA517	83	91	3
DGA518	83	91	3

NOTA: O(s) valor(es) da emissão de ruído indicado(s) foi medido de acordo com um método de teste padrão e pode ser utilizado para comparar duas ferramentas.

NOTA: O(s) valor(es) da emissão de ruído indicado(s) pode também ser utilizado na avaliação preliminar da exposição.

AVISO: Utilize protetores auriculares.

AVISO: A emissão de ruído durante a utilização real da ferramenta elétrica pode diferir do(s) valor(es) indicado(s), dependendo das formas como a ferramenta é utilizada, especialmente o tipo de peça de trabalho que é processada.

AVISO: Certifique-se de identificar as medidas de segurança para proteção do operador que sejam baseadas em uma estimativa de exposição em condições reais de utilização (considerando todas as partes do ciclo de operação, tal como quando a ferramenta está desligada e quando está a funcionar em marcha lenta além do tempo de acionamento).

AVISO: Esmerilar folhas de metal finas ou outras estruturas que vibram facilmente com uma grande superfície pode resultar numa emissão de ruído total muito mais alta (até 15 dB) do que os valores de emissões de ruído declarados.

Instale tapetes amortecedores flexíveis pesados ou similares nas peças de trabalho para evitar que estas emitam ruído.

Tenha em consideração o aumento das emissões de ruído tanto para a avaliação de risco de exposição ao ruído como para selecionar a proteção auditiva adequada.

Vibração

Valor total da vibração (soma vetorial tri-axial) determinado de acordo com a EN62841-2-3:

Modo de trabalho: esmerilagem de superfície com punho lateral normal

Modelo	Emissão de vibração ($a_{hv, AG}$): (m/s ²)	Incerteza (K): (m/s ²)
DGA417	4,5	1,5
DGA418	4,5	1,5
DGA467	5,5	1,5
DGA468	5,5	1,5
DGA517	6,0	1,5
DGA518	6,0	1,5

Modo de trabalho: esmerilagem de superfície com punho lateral anti-vibração

Modelo	Emissão de vibração ($a_{hv, AG}$): (m/s ²)	Incerteza (K): (m/s ²)
DGA417	4,5	1,5
DGA418	4,5	1,5
DGA467	5,0	1,5
DGA468	5,0	1,5
DGA517	5,5	1,5
DGA518	5,5	1,5

Modo de trabalho: lixagem de disco com punho lateral normal

Modelo	Emissão de vibração ($a_{hv, DS}$): (m/s ²)	Incerteza (K): (m/s ²)
DGA417	2,5 m/s ² ou menos	1,5
DGA418	2,5 m/s ² ou menos	1,5
DGA467	2,5 m/s ² ou menos	1,5
DGA468	2,5 m/s ² ou menos	1,5
DGA517	2,5 m/s ² ou menos	1,5
DGA518	2,5 m/s ² ou menos	1,5

Modo de trabalho: lixagem de disco com punho lateral anti-vibração

Modelo	Emissão de vibração ($a_{hv, DS}$): (m/s ²)	Incerteza (K): (m/s ²)
DGA417	2,5 m/s ² ou menos	1,5
DGA418	2,5 m/s ² ou menos	1,5
DGA467	2,5 m/s ² ou menos	1,5
DGA468	2,5 m/s ² ou menos	1,5
DGA517	2,5 m/s ² ou menos	1,5
DGA518	2,5 m/s ² ou menos	1,5

NOTA: O(s) valor(es) total(ais) de vibração indicado(s) foi medido de acordo com um método de teste padrão e pode ser utilizado para comparar duas ferramentas.

NOTA: O(s) valor(es) total(ais) de vibração indicado(s) pode também ser utilizado na avaliação preliminar da exposição.

⚠️ AVISO: A emissão de vibração durante a utilização real da ferramenta elétrica pode diferir do(s) valor(es) indicado(s), dependendo das formas como a ferramenta é utilizada, especialmente o tipo de peça de trabalho que é processada.

⚠️ AVISO: Certifique-se de identificar as medidas de segurança para proteção do operador que sejam baseadas em uma estimativa de exposição em condições reais de utilização (considerando todas as partes do ciclo de operação, tal como quando a ferramenta está desligada e quando está a funcionar em marcha lenta além do tempo de acionamento).

⚠️ AVISO: O valor de emissão de vibração declarado é utilizado para aplicações principais da ferramenta elétrica. No entanto, se a ferramenta elétrica for utilizada para outras aplicações, o valor da emissão de vibração pode ser diferente.

Declaração de conformidade da CE

Apenas para os países europeus

A declaração de conformidade da CE está incluída como Anexo A neste manual de instruções.

AVISOS DE SEGURANÇA

Avisos gerais de segurança para ferramentas elétricas

AVISO Leia todos os avisos de segurança, instruções, ilustrações e especificações fornecidos com esta ferramenta elétrica. O incumprimento de todas as instruções abaixo enumeradas pode resultar em choque elétrico, incêndio e/ou ferimentos graves.

Guarde todos os avisos e instruções para futuras referências.

O termo "ferramenta elétrica" nos avisos refere-se às ferramentas elétricas ligadas à corrente elétrica (com cabo) ou às ferramentas elétricas operadas por meio de bateria (sem cabo).

Avisos de segurança da esmerilhadeira a bateria

Avisos de segurança comuns para operações de esmerilagem, lixagem, escovagem com escova de arame ou corte:

1. **Esta ferramenta elétrica foi concebida para funcionar como ferramenta de esmerilar, lixar, escovar por meio de escova de arame, corte de orifício ou corte. Leia todos os avisos de segurança, instruções, ilustrações e especificações fornecidos com esta ferramenta elétrica.** O incumprimento de todas as instruções abaixo enumeradas pode resultar em choque elétrico, incêndio e/ou ferimentos graves.
2. **Não deve utilizar esta ferramenta elétrica para efetuar operações de polimento.** As operações diferentes daquelas para as quais a ferramenta elétrica foi projetada podem criar situações perigosas e provocar ferimentos pessoais.
3. **Não converta esta ferramenta elétrica para operar de uma forma que não seja especificamente concebida e especificada pelo fabricante da ferramenta.** Uma conversão desta natureza poderá resultar na perda de controlo e causar ferimentos graves.
4. **Não utilize acessórios que não tenham sido especificamente projetados e especificados pelo fabricante da ferramenta.** O facto de poder instalar o acessório na ferramenta elétrica não garante um funcionamento com segurança.
5. **A velocidade nominal do acessório deve ser pelo menos igual à velocidade máxima indicada na ferramenta elétrica.** Os acessórios que funcionam em velocidade mais alta do que a velocidade nominal podem partir e estilhaçar.

6. **O diâmetro externo e a espessura do acessório devem estar dentro da capacidade nominal da ferramenta elétrica.** Não é possível proteger ou controlar adequadamente os acessórios de tamanho incorreto.
7. **As dimensões da montagem do acessório devem adequar-se às dimensões do hardware de montagem da ferramenta elétrica.** Os acessórios que não correspondem ao hardware de instalação da ferramenta elétrica ficam desequilibrados, vibram excessivamente e podem provocar perda de controlo.
8. **Não utilize acessórios danificados. Antes de cada utilização, inspecione o acessório, tal como as rodas abrasivas, para ver se tem falhas ou rachas, a base protetora para ver se tem falhas, rasgões ou desgaste excessivo e a escova de arame para ver se tem arames soltos ou rachados. Se a ferramenta elétrica ou o acessório cair, verifique se há danos ou instale um acessório em boas condições. Após inspecionar e instalar um acessório, certifique-se de que os espetadores bem como você mesmo estão afastados do nível do acessório rotativo, e utilize a ferramenta elétrica à velocidade máxima em vazio durante um minuto.** Geralmente, os acessórios danificados partem-se durante este ensaio.
9. **Use equipamento de proteção pessoal. Utilize um protetor facial, óculos de segurança ou protetores oculares, conforme a aplicação. Conforme adequado, utilize uma máscara contra o pó, protetores auriculares, luvas e avental capazes de resguardar contra pequenos estilhaços ou abrasivos da peça de trabalho.** A proteção ocular deve ser capaz de travar a projeção de detritos gerados por várias aplicações. A máscara contra o pó ou de respiração deve ter capacidade de filtrar partículas geradas pela aplicação particular. A exposição prolongada a ruídos de alta intensidade pode provocar perda de audição.
10. **Mantenha as pessoas presentes afastadas da área de trabalho a uma distância segura. Todas as pessoas que entram na área de trabalho devem utilizar equipamento de proteção pessoal.** Os estilhaços da peça de trabalho ou de um acessório partido podem ser arremessados e provocar ferimentos além da área imediata de operação.
11. **Agarre na ferramenta elétrica apenas pelas superfícies isoladas preparadas para esse fim quando executar uma operação em que a ferramenta de corte possa entrar em contacto com cablagem escondida.** O contacto com um fio "sob tensão" também fará com que as partes de metal expostas da ferramenta elétrica fiquem "sob tensão", provocando um choque elétrico ao operador.
12. **Nunca pouse a ferramenta elétrica antes de o acessório parar completamente.** O acessório em rotação pode prender na superfície e descontrolar a ferramenta elétrica.
13. **Não deixe a ferramenta elétrica a funcionar enquanto a transporta ao seu lado.** O contacto acidental com o acessório rotativo pode prender as suas roupas, puxando o acessório na direção do seu corpo.

14. **Limpe regularmente os ventiladores de ar da ferramenta elétrica.** A ventoinha do motor aspira o pó para dentro da caixa e a acumulação excessiva de metal pulverizado pode provocar perigos elétricos.
15. **Não utilize a ferramenta elétrica próximo de materiais inflamáveis.** As faíscas podem incendiar estes materiais.
16. **Não utilize acessórios que requerem refrigerantes líquidos.** A utilização de água ou outros refrigerantes líquidos pode resultar em choque ou eletrocussão.

Avisos sobre recuos e outras relacionadas:

O recuo é uma reação repentina a uma roda rotativa, uma base protetora, uma escova ou qualquer outro acessório preso ou emperrado. O bloqueio ou obstáculo provoca a paragem imediata do acessório rotativo que, por sua vez, faz com que a ferramenta elétrica descontrolada seja forçada a ir na direção oposta à da rotação do acessório, no ponto onde ficou presa. Se a roda abrasiva ficar presa ou enroscada na peça de trabalho, por exemplo, a borda da roda que está a entrar no ponto onde prendeu, pode entrar ainda mais fundo na superfície do material fazendo com que a roda salte ou provoque um recuo. A roda pode saltar na direção do operador ou na direção oposta, dependendo do sentido do movimento da roda no ponto em que ficou presa. As rodas abrasivas também podem partir nessas condições.

O recuo é o resultado da utilização imprópria da ferramenta elétrica e/ou das condições ou procedimentos de funcionamento incorretos e pode ser evitado tomando-se as medidas de precaução adequadas, como indicado abaixo.

1. **Segure firmemente a ferramenta elétrica com as duas mãos e posicione o seu corpo e braços de tal forma que lhe permitam resistir às forças do recuo. Utilize sempre o punho auxiliar, se fornecido, para um controlo máximo do recuo ou da reação de binário durante o arranque.** O operador poderá controlar as reações de binário ou as forças do recuo se tomar as precauções necessárias.
2. **Nunca coloque as mãos perto do acessório rotativo.** O acessório pode recuar sobre a sua mão.
3. **Não posicione o seu corpo na área em que a ferramenta elétrica será lançada, caso ocorra um recuo.** O recuo lança a ferramenta na direção oposta ao movimento da roda no ponto onde prende.
4. **Tenha especial cuidado quando trabalhar em cantos, arestas afiadas, etc. Evite balançar e prender o acessório.** Os cantos, as arestas cortantes ou as batidas tendem a prender o acessório rotativo e causar perda de controlo ou recuo.
5. **Não coloque uma corrente de serra, um lâmina para esculpir madeira, um disco diamantado segmentado com um intervalo periférico superior a 10 mm ou uma lâmina de serra dentada.** Essas lâminas criam recuos frequentes e perda de lâmina.

Avisos de segurança específicos para operações de esmerilar e corte:

1. **Utilize apenas os tipos de rodas especificados para a sua ferramenta elétrica e o resguardo específico designado para a roda selecionada.** As rodas incompatíveis com a ferramenta elétrica são impossíveis de resguardar adequadamente e não são seguras.
2. **A superfície de esmerilação das rodas com centro rebaixado deve estar montada abaixo do plano do bordo de resguardo.** Uma roda montada incorretamente que sobressai através do plano do bordo de resguardo não pode ser devidamente protegida.
3. **O resguardo deve ser instalado firmemente na ferramenta elétrica e posicionado para máxima segurança, de forma que o mínimo da roda fique exposta na direção do operador.** O resguardo ajuda a proteger o operador contra fragmentos partidos da roda, contacto accidental com a roda e faíscas que podem incendiar as roupas.
4. **As rodas devem ser utilizadas apenas para as aplicações especificadas. Por exemplo: não esmerilar com a lateral da roda de corte.** Como as rodas de corte abrasivas foram concebidas para a esmerilação periférica, as forças laterais aplicadas a estas rodas pode fazer com que estilhacem.
5. **Utilize sempre flanges da roda em boas condições, e que sejam do tamanho e formato corretos para a roda selecionada.** As flanges apropriadas suportam a roda reduzindo, assim, a possibilidade de quebra da roda. As flanges para as rodas de corte podem ser diferentes das flanges para as rodas de esmerilagem.
6. **Não utilize rodas desgastadas de ferramentas elétricas maiores.** Uma roda projetada para ferramentas elétricas maiores não é apropriada para a velocidade mais elevada de uma ferramenta menor e pode rebentar.
7. **Quando utilizar rodas de dupla finalidade, utilize sempre o resguardo correto para a aplicação que esteja a realizar.** Caso não utilize o resguardo correto poderá não ter o nível de proteção pretendido, o que poderá provocar ferimentos graves.

Avisos de segurança adicionais específicos para as operações de corte:

1. **Não “enclave” a roda de corte nem aplique pressão excessiva. Não tente efetuar um corte demasiadamente profundo.** Sujeitar a roda a esforço excessivo aumenta a carga e a suscetibilidade de torção ou emperramento a roda dentro do corte e a possibilidade de recuo ou quebra da roda.
2. **Não posicione o corpo em linha nem atrás da roda rotativa.** Quando, durante a operação, a roda se move para longe de si, o possível recuo pode empurrar a roda em rotação e a ferramenta elétrica diretamente contra si.
3. **Quando o disco está amolgado ou quando interrompe o corte por qualquer motivo, desligue a ferramenta elétrica e mantenha-a parada até o disco parar completamente. Nunca tente retirar a roda de dentro do corte com a roda em movimento, caso contrário, pode ocorrer um recuo.** Verifique e tome as medidas corretivas para eliminar a causa do emperramento da roda.

4. **Não reinicie a operação de corte na peça de trabalho. Aguarde até que o disco atinja a velocidade máxima e coloque-o cuidadosamente no corte.** A roda pode emperrar, subir ou originar um recuo se ligar a ferramenta elétrica na peça de trabalho.
5. **Suporte os painéis ou as peças de trabalho muito grandes para minimizar o risco da roda prender e originar recuo.** As peças de trabalho grandes tendem a ceder sob o próprio peso. Os suportes têm de ser colocados debaixo da peça de trabalho, perto da linha de corte e da borda da peça de trabalho, nos dois lados da roda.
6. **Tenha cuidado especialmente quando fizer um corte de perfuração em paredes existentes ou outras zonas invisíveis.** A roda exposta pode cortar canos de gás ou de água, fios elétricos ou outros objetos que podem originar um recuo.
7. **Não tente realizar cortes curvos.** Sujeitar a roda a esforço excessivo aumenta a carga e a suscetibilidade de torção ou emperramento da roda dentro do corte e a possibilidade de recuo ou quebra da roda, o que pode provocar ferimentos graves.
8. **Antes de utilizar um disco diamantado segmentado, certifique-se de que o disco diamantado tem um intervalo periférico entre segmentos de 10 mm ou menos, apenas com um ângulo de inclinação negativo.**
4. **Antes de ligar o interruptor, certifique-se de que a roda não está em contacto com a peça de trabalho.**
5. **Antes de utilizar a ferramenta numa peça de trabalho, deixe-a funcionar por alguns instantes. Verifique se há vibrações ou movimentos irregulares que possam indicar má instalação ou desequilíbrio da roda.**
6. **Utilize a superfície específica da roda para esmerilar.**
7. **Não deixe a ferramenta a funcionar. Opere a ferramenta apenas quando estiver a segurá-la na mão.**
8. **Não toque na peça de trabalho imediatamente após a operação. Pode estar extremamente quente e provocar queimaduras na sua pele.**
9. **Não toque nos acessórios imediatamente após a operação. Podem estar extremamente quentes e provocar queimaduras na sua pele.**
10. **Tenha em conta as instruções do fabricante para a montagem e utilização corretas das rodas. Manuseie e armazene as rodas com cuidado.**
11. **Não utilize buchas de redução ou adaptadores separados para adaptar rodas abrasivas de orifício grande.**
12. **Utilize apenas as flanges especificadas para esta ferramenta.**
13. **Para ferramentas destinadas a serem equipadas com rodas de orifício roscado, certifique-se de que a rosca na roda tem tamanho suficiente para aceitar o comprimento do eixo.**

Avisos de segurança específicos para as operações de lixamento:

1. **Utilize lixa de papel com o tamanho adequado. Siga as recomendações do fabricante quando escolher a lixa de papel.** As lixas de papel maiores, que se estendem muito além da base de lixamento, apresentam perigo de laceração e podem prender, rasgar o disco ou provocar recuo.

Avisos de segurança específicos para as operações com a escova de arame:

1. **Lembre-se que a escova lança filamentos de metal, mesmo durante uma operação normal. Não sujeite os filamentos de metal a esforço excessivo aplicando uma carga excessiva na escova.** Os filamentos de metal podem penetrar facilmente nas roupas finas e/ou na pele.
2. **Se for especificada a utilização de um resguardo para operação com a escova de arame, não permita quaisquer interferências da roda ou da escova metálicas com o resguardo.** A roda ou a escova metálicas podem expandir em diâmetro devido à carga de trabalho e às forças centrífugas.
4. **Verifique se a peça de trabalho está corretamente suportada.**
5. **Preste atenção, pois a roda continua a rodar depois de desligar a ferramenta.**
6. **Se o local de trabalho for extremamente quente e húmido, ou muito poluído por pó condutor, utilize um disjuntor (30 mA) para assegurar a segurança do operador.**
7. **Não utilize a ferramenta em nenhum material que contenha amianto.**
8. **Quando utilizar a roda de corte, trabalhe sempre com o resguardo da roda de recolha de pó se exigido pelas regulações nacionais.**
9. **Os discos de corte não podem ser sujeitos a pressão lateral.**
10. **Não utilize luvas de trabalho de pano durante a operação.** As fibras do tecido podem entrar na ferramenta e provocar a quebra da ferramenta.
21. **Antes da operação, certifique-se de que não existem objetos enterrados tais como um tubo elétrico, tubo de água ou tubo de gás na peça de trabalho.** Caso contrário, pode causar um choque elétrico, uma fuga elétrica ou uma fuga de gás.

Avisos de segurança adicionais:

1. **Quando utilizar rodas de esmerilar com centro rebaixado, utilize apenas rodas reforçadas com fibra de vidro.**
2. **NUNCA UTILIZE rodas do tipo copo de pedra com esta esmeriladora.** A esmeriladora não foi concebida para esses tipos de rodas e a utilização deste produto pode resultar em ferimentos pessoais graves.
3. **Tenha cuidado para não danificar o eixo, a flange (especialmente a superfície de instalação) nem a porca de bloqueio.** Os danos nestas peças pode resultar em quebra da roda.
22. **Se um papel filtro estiver preso à roda, não o remova.** O diâmetro do papel filtro deve ser maior do que a porca de bloqueio, a flange exterior e a flange interior.
23. **Antes de instalar uma roda de esmerilar, verifique sempre se a parte do papel filtro não apresenta anomalias como aparas ou fissuras.**
24. **Aperte a porca de bloqueio adequadamente.** O aperto excessivo da roda pode causar quebra e o aperto insuficiente pode causar tremulação.

GUARDE ESTAS INSTRUÇÕES.

⚠AVISO: NÃO permita que o conforto ou familiaridade com o produto (adquirido com o uso repetido) substitua o cumprimento estrito das regras de segurança da ferramenta. A **MÁ INTERPRETAÇÃO** ou o não seguimento das regras de segurança estabelecidas neste manual de instruções pode provocar ferimentos pessoais graves.

Instruções de segurança importantes para a bateria

1. Antes de utilizar a bateria, leia todas as instruções e etiquetas de precaução no (1) carregador de bateria (2) bateria e (3) produto que utiliza a bateria.
2. Não desmonte ou manipule a bateria. Pode resultar num incêndio, em calor excessivo ou numa explosão.
3. Se o tempo de funcionamento se tornar excessivamente curto, pare o funcionamento imediatamente. Pode resultar em sobreaquecimento, possíveis queimaduras e mesmo explosão.
4. Se entrar eletrólito nos seus olhos, lave-os com água e consulte imediatamente um médico. Pode resultar em perda de visão.
5. Não coloque a bateria em curto-circuito:
 - (1) Não toque nos terminais com qualquer material condutor.
 - (2) Evite guardar a bateria juntamente com outros objetos metálicos tais como pregos, moedas, etc.
 - (3) Não exponha a bateria à água ou chuva. Um curto-circuito pode ocasionar um enorme fluxo de corrente, sobreaquecimento, possíveis queimaduras e mesmo estragar-se.
6. Não guarde nem utilize a ferramenta e a bateria em locais onde a temperatura pode atingir ou exceder 50 °C.
7. Não queime a bateria mesmo que esteja estragada ou completamente gasta. A bateria pode explodir no fogo.
8. Não preegue, corte, esmague, atire, deixe cair a bateria, nem bata a bateria contra um objeto rijo. Esta conduta pode resultar num incêndio, em calor excessivo ou numa explosão.
9. Não utilize uma bateria danificada.
10. As baterias de íões de lítio contidas na ferramenta são sujeitas aos requisitos da DGL (Dangerous Goods Legislation - Legislação de bens perigosos).

Para o transporte comercial, por exemplo, por terceiros ou agentes de expedição, têm de ser observados os requisitos referentes à embalagem e etiquetagem.

Para preparação do artigo a ser expedido, é necessário consultar um perito em materiais perigosos. Tenha ainda em conta a possibilidade de existirem regulamentos nacionais mais detalhados.

Coloque fita-cola ou tape os contactos abertos e embale a bateria de tal forma que não possa mover-se dentro da embalagem.

11. Quando eliminar a bateria, remova-a da ferramenta e elimine-a num local seguro. Siga os regulamentos locais relacionados com a eliminação de baterias.
12. Utilize as baterias apenas com os produtos especificados pela Makita. Instalar as baterias em produtos não-conformes poderá resultar num incêndio, calor excessivo, explosão ou fuga de eletrólito.
13. Se a ferramenta não for utilizada durante um período de tempo prolongado, a bateria deve ser removida da ferramenta.
14. Durante e após a utilização, a bateria pode aquecer, o que pode provocar queimaduras ou queimaduras a baixa temperatura. Preste atenção ao manuseamento de baterias quentes.
15. Não toque no terminal da ferramenta imediatamente após a utilização, pois pode ficar suficientemente quente para provocar queimaduras.
16. Não permita a adesão de aparas, pó ou sujidade nos terminais, nos orifícios e nas ranhuras da bateria. Poderá fazer com que a ferramenta ou a bateria aqueça, incendeie, rebente e avarie, resultando em queimaduras ou ferimentos corporais.
17. A menos que a ferramenta suporte a utilização perto de linhas elétricas de alta tensão, não utilize a bateria perto de linhas elétricas de alta tensão. Pode resultar no mau funcionamento ou na avaria da ferramenta ou bateria.
18. Mantenha a bateria afastada das crianças.

GUARDE ESTAS INSTRUÇÕES.

⚠PRECAUÇÃO: Utilize apenas baterias genuínas da Makita. A utilização de baterias não genuínas da Makita ou de baterias que foram alteradas, pode resultar no rebentamento da bateria provocando incêndios, ferimentos pessoais e danos. Além disso, anulará a garantia da Makita no que se refere à ferramenta e ao carregador Makita.

Conselhos para manter a máxima vida útil da bateria

1. Carregue a bateria antes que esteja completamente descarregada. Pare sempre o funcionamento da ferramenta e carregue a bateria quando notar menos poder na ferramenta.
2. Nunca carregue uma bateria completamente carregada. Carregamento excessivo diminui a vida útil da bateria.
3. Carregue a bateria à temperatura ambiente de 10 °C – 40 °C. Deixe que uma bateria quente arrefeça antes de a carregar.
4. Quando não utilizar a bateria, remova-a da ferramenta ou do carregador.
5. Carregue a bateria se não a utilizar durante um longo período de tempo (mais de seis meses).

Instruções de segurança importantes para a unidade sem fios

1. Não desmonte ou manipule a unidade sem fios.
2. Mantenha a unidade sem fios afastada das crianças. Se ocorrer a ingestão acidental, procure imediatamente cuidados médicos.
3. Utilize a unidade sem fios apenas com ferramentas Makita.
4. Não exponha a unidade sem fios à chuva ou a condições húmidas.
5. Não utilize a unidade sem fios em locais onde a temperatura excede 50 °C.
6. Não utilize a unidade sem fios em locais próximos de instrumentos médicos, tais como estimuladores cardíacos.
7. Não utilize a unidade sem fios em locais próximos de dispositivos automatizados. Se utilizada, os dispositivos automatizados podem desenvolver anomalias ou erros.
8. Não utilize a unidade sem fios em locais sob temperaturas altas ou locais nos quais possa ser gerada eletricidade estática ou ruído elétrico.
9. A unidade sem fios pode produzir campos eletromagnéticos (CEM) mas estes não são nocivos para o utilizador.
10. A unidade sem fios é um instrumento preciso. Tenha cuidado para não deixar cair a unidade sem fios nem bater nesta.
11. Evite tocar no terminal da unidade sem fios com as mãos desprotegidas ou com materiais metálicos.
12. Retire sempre a bateria do produto quando instalar a unidade sem fios.
13. Quando abrir a tampa da ranhura, evite o local no qual a poeira e a água podem entrar para a ranhura. Mantenha sempre a entrada da ranhura limpa.
14. Insira sempre a unidade sem fios na direção correta.
15. Não pressione o botão de ativação sem fios na unidade sem fios com demasiada força e/ou pressione o botão com um objeto com aresta afiada.
16. Feche sempre a tampa da ranhura quando utilizar a ferramenta.
17. Não remova a unidade sem fios da ranhura enquanto estiver a ser fornecida alimentação elétrica à ferramenta. Fazê-lo pode causar a anomalia da unidade sem fios.
18. Não remova o adesivo da unidade sem fios.
19. Não coloque qualquer adesivo na unidade sem fios.
20. Não deixe a unidade sem fios num local em que possa ser gerada eletricidade estática ou ruído elétrico.
21. Não deixe a unidade sem fios num local sujeito a calor intenso, tal como um veículo exposto ao sol.
22. Não deixe a unidade sem fios num local poeirento ou pulverulento ou num local onde possa ser gerado gás corrosivo.
23. A mudança súbita da temperatura pode molhar a unidade sem fios com condensação. Não utilize a unidade sem fios até que a condensação esteja completamente seca.

24. Quando limpar a unidade sem fios, limpe-a suavemente com um pano macio e seco. Não utilize benzina, diluente, massa lubrificante condutora ou similar.
25. Quando armazenar a unidade sem fios, guarde-a na caixa fornecida ou num recipiente anti-estática.
26. Não insira quaisquer dispositivos diferentes da unidade sem fios Makita na ranhura na ferramenta.
27. Não utilize a ferramenta com a tampa da ranhura danificada. A entrada de água, poeira e sujidade na ranhura pode causar o mau funcionamento.
28. Não puxe e/ou torça a tampa da ranhura além do necessário. Recoloque a tampa se esta sair da ferramenta.
29. Substitua a tampa da ranhura se a perder ou danificar.

GUARDE ESTAS INSTRUÇÕES.

DESCRIÇÃO FUNCIONAL

⚠️PRECAUÇÃO: Certifique-se sempre de que a ferramenta está desligada e a bateria foi retirada antes de regular ou verificar qualquer função na ferramenta.

Instalação ou remoção da bateria

⚠️PRECAUÇÃO: Desligue sempre a ferramenta antes de colocar ou retirar a bateria.

⚠️PRECAUÇÃO: Segure firmemente a ferramenta e a bateria quando instalar ou remover a bateria. Se não segurar firmemente a ferramenta e a bateria pode fazer com que escorreguem das suas mãos resultando em danos na ferramenta e na bateria e ferimentos pessoais.

► Fig.1: 1. Indicador vermelho 2. Botão 3. Bateria

Para retirar a bateria, deslize-a para fora da ferramenta enquanto desliza o botão na frente da bateria.

Para instalar a bateria, alinhe a lingueta na bateria com a ranhura na caixa e deslize-a para a posição correta. Insira-a por completo até bloquear na posição correta com um pequeno clique. Se conseguir ver o indicador vermelho conforme apresentado na figura, não está completamente bloqueada.

⚠️PRECAUÇÃO: Instale sempre a bateria até ao fim, até deixar de ver o indicador vermelho. Caso contrário, a bateria poderá cair da ferramenta acidentalmente e provocar ferimentos em si mesmo ou em alguém próximo.

⚠️PRECAUÇÃO: Não instale a bateria à força. Se a bateria não deslizar facilmente é porque não foi colocada corretamente.

Indicação da capacidade restante da bateria

Apenas para baterias com indicador

► **Fig.2:** 1. Luzes indicadoras 2. Botão de verificação

Prima o botão de verificação na bateria para indicar a capacidade restante da bateria. As luzes indicadoras acendem durante alguns segundos.

Luzes indicadoras			Capacidade restante
Aceso	Apagado	A piscar	
■	□	◐	75% a 100%
■	■	□	50% a 75%
■	■	□	25% a 50%
■	□	□	0% a 25%
◐	□	□	Carregar a bateria.
■	■	□	A bateria pode estar avariada.
□	□	■	

NOTA: Dependendo das condições de utilização e da temperatura ambiente, a indicação pode ser ligeiramente diferente da capacidade real.

NOTA: A primeira luz indicadora (extremo esquerdo) pisca quando o sistema de proteção da bateria funciona.

Indicação da capacidade restante da bateria

Específico para o país

Quando liga a ferramenta, o indicador da bateria mostra a capacidade restante da bateria.

► **Fig.3:** 1. Indicador da bateria

A capacidade restante da bateria é apresentada como indicado na tabela seguinte.

Estado dos indicadores da bateria			Capacidade restante da bateria
Aceso	Apagado	A piscar	
■	□	◐	50% a 100%
■	■	□	20% a 50%
■	□	□	0% a 20%
◐	□	□	Carregar a bateria

Sistema de proteção da ferramenta/bateria

A ferramenta está equipada com um sistema de proteção da ferramenta/bateria. Este sistema corta automaticamente a corrente para o motor para aumentar a vida da ferramenta e da bateria. A ferramenta para automaticamente durante o funcionamento se a ferramenta ou bateria for colocada mediante uma das seguintes condições:

Proteção contra sobrecarga

Quando a ferramenta é utilizada de tal forma que puxa uma corrente demasiado elevada, a ferramenta para automaticamente sem qualquer indicação. Nesta situação, desligue a ferramenta e pare a aplicação que provocou a sobrecarga da ferramenta. Depois, volte a ligar a ferramenta para voltar ao trabalho.

Proteção contra sobreaquecimento

Quando a ferramenta está sobreaquecida, a ferramenta para automaticamente e o indicador da bateria apresenta o seguinte estado. Nesse caso, aguarde até a ferramenta arrefecer antes de a ligar outra vez.

Aceso	A piscar

Se a ferramenta não reiniciar, a bateria pode estar sobreaquecida. Nesse caso, aguarde até a bateria arrefecer antes de ligar a ferramenta outra vez.

Proteção contra descarga excessiva

Quando a capacidade da bateria não é suficiente, a ferramenta para automaticamente. Neste caso, retire a bateria da ferramenta e carregue-a.

Soltar o bloqueio de proteção

Quando o sistema de proteção funciona repetidamente, a ferramenta é bloqueada e o indicador da bateria apresenta o seguinte estado.

Nesta situação, a ferramenta não começa a funcionar mesmo que desligue e ligue a ferramenta. Para soltar o bloqueio de proteção, retire a bateria, coloque-a no carregador da bateria e aguarde até o carregamento terminar.

Aceso	Apagado	A piscar

Proteções contra outras causas

O sistema de proteção foi também concebido para outras causas que possam danificar a ferramenta e permite à ferramenta parar automaticamente. Tome todas as medidas que se seguem para eliminar as causas quando a ferramenta tiver parado ou interrompido temporariamente a operação.

1. Desligue a ferramenta e, em seguida, volte a ligá-la para reiniciar.
2. Carregue a(s) bateria(s) ou substitua-a(s) por bateria(s) recarregada(s).
3. Deixe a ferramenta e a(s) bateria(s) arrefecerem.

Se não for possível constatar qualquer melhoria através do restauro do sistema de proteção, contacte o centro de assistência Makita local.

Bloqueio do eixo

AVISO: Nunca acione o bloqueio do eixo quando o eixo estiver em movimento. Poderá causar ferimentos graves ou danos na ferramenta.

Pressione o bloqueio do eixo para impedir a rotação do eixo quando instalar ou remover acessórios.

► Fig.4: 1. Bloqueio do eixo

Ação do interruptor

PRECAUÇÃO: Antes de instalar a bateria na ferramenta, verifique sempre se a alavanca do interruptor está a funcionar corretamente e se volta à posição de desligado depois de a soltar.

PRECAUÇÃO: Para sua segurança, esta ferramenta está equipada com uma alavanca de desbloqueio que impede a ferramenta de efetuar o arranque acidental. NUNCA utilize a ferramenta se esta funcionar quando puxa simplesmente a alavanca do interruptor sem puxar a alavanca de desbloqueio. Devolva a ferramenta ao nosso centro de assistência autorizado para proceder a reparações adequadas ANTES de continuar a utilizá-la.

PRECAUÇÃO: Não puxe a alavanca do interruptor com força sem puxar a alavanca de desbloqueio. Pode partir o interruptor.

PRECAUÇÃO: NUNCA utilize fita-cola nem tente anular a finalidade e funcionamento da alavanca de desbloqueio.

Para evitar que a alavanca do interruptor seja acionada acidentalmente, existe uma alavanca de desbloqueio. Para começar a utilizar a ferramenta, puxe a alavanca de desbloqueio em direção ao operador e carregue na alavanca do interruptor. Para parar a ferramenta, solte a alavanca do interruptor.

► Fig.5: 1. Alavanca de desbloqueio 2. Alavanca do interruptor

Indicador de ajuste da velocidade

A velocidade de rotação da ferramenta pode ser alterada ao rodar o indicador de ajuste da velocidade. A tabela seguinte mostra o número no indicador e a velocidade de rotação correspondente.

► Fig.6: 1. Indicador de ajuste da velocidade



Número	Velocidade
1	3.000 min ⁻¹
2	4.500 min ⁻¹
3	6.000 min ⁻¹
4	7.500 min ⁻¹
5	8.500 min ⁻¹

OBSERVAÇÃO: Se a ferramenta for operada continuamente a velocidade baixa durante um período prolongado, o motor fica sobrecarregado resultando na avaria da ferramenta.

OBSERVAÇÃO: O disco de ajuste da velocidade só pode ser rodado até 5 e de volta ao 1. Não o force além de 5 ou 1 ou a função de ajuste da velocidade pode deixar de funcionar.

Função de mudança de velocidade automática

► Fig.7: 1. Indicador de modo

Estado do indicador de modo	Modo de funcionamento
	Modo de alta velocidade
	Modo de binário elevado

Esta ferramenta tem um "modo de alta velocidade" e um "modo de binário elevado". Muda automaticamente o modo de operação dependendo da carga de trabalho. Quando o indicador de modo acende durante a operação, a ferramenta está em modo de binário elevado.

Função de prevenção de reinício acidental

Quando instalar a bateria enquanto o interruptor está ligado, a ferramenta não arranca.

Para iniciar a ferramenta, desligue o interruptor e ligue-o novamente.

Tecnologia de deteção retorno ativa

A ferramenta deteta eletronicamente as situações em que a roda ou o acessório possam estar em risco de dobrar. Quando está nessa situação, a ferramenta desliga-se automaticamente para impedir que o eixo gire mais (não impede o ressalto).

Para reiniciar a ferramenta, primeiro desligue-a, remova a causa da queda brusca na velocidade de rotação e volte a ligar a ferramenta.

Funcionalidade de arranque suave

A funcionalidade de arranque suave reduz a reação de arranque.

Travão elétrico

O travão elétrico é ativado depois de a ferramenta ser desligada. O travão não funciona se a fonte de alimentação estiver desligada, por exemplo, se a bateria for removida acidentalmente, com o interruptor ainda ligado.

MONTAGEM

⚠PRECAUÇÃO: Certifique-se sempre de que a ferramenta está desligada e a bateria foi retirada antes de regular ou verificar qualquer função na ferramenta.

Instalação do punho lateral (pega)

⚠PRECAUÇÃO: Certifique-se sempre de que o punho lateral está instalado em segurança antes da operação.

Aparafuse o punho lateral firmemente na posição da ferramenta indicada na figura.

► Fig.8

Instalar ou retirar o resguardo da roda (para a roda com centro rebaixado, disco de aba, roda flexível, escova de arame tipo roda / roda de corte abrasiva, roda diamantada)

⚠AVISO: Quando utilizar uma roda com centro rebaixado, disco de aba, roda flexível ou escova de arame tipo roda, o resguardo da roda deve ser colocado na ferramenta para que o lado fechado do resguardo aponte sempre em direção ao operador.

⚠AVISO: Quando utilizar uma roda de corte abrasiva / roda diamantada, certifique-se que utiliza apenas o resguardo da roda especialmente projetada para utilização com as rodas de corte.

Para ferramentas com resguardo da roda do tipo parafuso de bloqueio

Monte o resguardo da roda com as protuberâncias na banda do resguardo da roda alinhadas com os entalhes na caixa dos rolamentos. Depois, rode o resguardo da roda até um ângulo que possa proteger o operador de acordo com o trabalho. Certifique-se de que aperta o parafuso firmemente. Para retirar o resguardo da roda, siga inversamente o processo de instalação.

► Fig.9: 1. Resguardo da roda 2. Caixa de rolamentos 3. Parafuso

Para ferramentas com resguardo da roda do tipo alavanca de fixação

Solte o parafuso e, em seguida, puxe a alavanca na direção da seta. Monte o resguardo da roda com as protuberâncias na banda do resguardo da roda alinhadas com os entalhes na caixa dos rolamentos. Depois, rode o resguardo da roda até um ângulo que possa proteger o operador de acordo com o trabalho.

► Fig.10: 1. Resguardo da roda 2. Caixa de rolamentos 3. Parafuso 4. Alavanca

Puxe a alavanca na direção da seta. Em seguida, aperte o resguardo da roda rodando o parafuso. Certifique-se de que aperta o parafuso firmemente. O ângulo de regulação do resguardo da roda pode ser ajustado com a alavanca.

► Fig.11: 1. Parafuso 2. Alavanca

Para retirar o resguardo da roda, siga inversamente o processo de instalação.

Fixação do resguardo da roda de corte acoplável

Acessório opcional

NOTA: Para operações de corte, uma fixação do resguardo da roda de corte acoplável pode ser utilizada com o resguardo da roda (para roda de esmerilar).

Não está disponível em alguns países.

► Fig.12

Instalar ou remover a roda com centro rebaixado ou o disco de aba

Acessório opcional

⚠AVISO: Quando utilizar uma roda com centro rebaixado ou um disco de aba, o resguardo da roda tem de estar instalado na ferramenta para que o lado fechado do resguardo aponte sempre em direção ao operador.

⚠AVISO: Certifique-se de que a peça de montagem da flange interior encaixa perfeitamente dentro do diâmetro interno da roda com centro rebaixado / disco de aba. A montagem da flange interior no lado errado pode resultar em vibração perigosa.

Monte a flange interior no eixo.

Certifique-se de que instala a peça dentada da flange interior na peça reta no fundo do eixo.

Instale a roda com centro rebaixado / disco de aba na flange interior e aparafuse a porca de bloqueio no eixo.

► Fig.13: 1. Porca de bloqueio 2. Roda com centro rebaixado 3. Flange interior 4. Peça de montagem

Para apertar a porca de bloqueio, prima o bloqueio do eixo firmemente para que o eixo não possa girar, depois utilize a chave para porcas de bloqueio e aperte com segurança para a direita.

► Fig.14: 1. Chave para porcas de bloqueio 2. Bloqueio do eixo

Para retirar a roda, siga inversamente o processo de instalação.

Instalar ou retirar a roda flexível

Acessório opcional

AVISO: Utilize sempre o resguardo fornecido quando a roda flexível estiver na ferramenta. A roda pode partir-se durante a utilização e o resguardo ajuda a reduzir os riscos de ferimentos pessoais.

- **Fig.15:** 1. Porca de bloqueio 2. Roda flexível 3. Almofada de apoio 4. Flange interior

Siga as instruções referentes à roda com centro rebaixado, mas utilize, igualmente, uma almofada de apoio sobre a roda.

Instalar ou retirar o disco abrasivo

Acessório opcional

NOTA: Utilize os acessórios de lixadora especificados neste manual. Estes devem ser adquiridos separadamente.

Para modelos de 100 mm (4")

- **Fig.16:** 1. Porca de bloqueio de lixagem 2. Disco abrasivo 3. Almofada de borracha 4. Flange interior

1. Monte a flange interior no eixo.
2. Instale a almofada de borracha sobre o eixo.
3. Instale o disco sobre a almofada de borracha e aperte a porca de bloqueio de lixagem no eixo.
4. Mantenha o eixo firme com o bloqueio do eixo e aperte a porca de bloqueio de lixagem em segurança para a direita com a chave para porcas de bloqueio.

Para retirar o disco siga inversamente o procedimento de instalação.

Para modelos diferentes de 100 mm (4")

- **Fig.17:** 1. Porca de bloqueio de lixagem 2. Disco abrasivo 3. Almofada de borracha

1. Instale a almofada de borracha sobre o eixo.
2. Instale o disco sobre a almofada de borracha e aperte a porca de bloqueio de lixagem no eixo.
3. Mantenha o eixo firme com o bloqueio do eixo e aperte a porca de bloqueio de lixagem em segurança para a direita com a chave para porcas de bloqueio.

Para retirar o disco siga inversamente o procedimento de instalação.

Instalar ou retirar a Ezynut

Acessório opcional

Apenas para ferramentas com rosca do eixo M14.

Monte a flange interior, a roda abrasiva e a Ezynut no eixo, de modo que o logótipo da Makita na Ezynut fique virado para fora.

- **Fig.18:** 1. Ezynut 2. Roda abrasiva 3. Flange interior 4. Eixo

Pressione o bloqueio do eixo firmemente e aperte a Ezynut rodando a roda abrasiva para a direita até ao fim.

- **Fig.19:** 1. Bloqueio do eixo

Para soltar a Ezynut, rode o anel exterior da Ezynut para a esquerda.

NOTA: A Ezynut pode ser solta manualmente enquanto a seta apontar para o entalhe. Caso contrário, é necessária uma chave para porcas de bloqueio para soltá-la. Insira um pino da chave num orifício e rode a Ezynut para a esquerda.

- **Fig.20:** 1. Seta 2. Entalhe

- **Fig.21**

Instalar a roda de corte abrasiva / roda diamantada

Acessório opcional

AVISO: Quando utilizar uma roda de corte abrasiva / roda diamantada, certifique-se que utiliza apenas o resguardo da roda especialmente projetada para utilização com as rodas de corte.

AVISO: NUNCA utilize rodas de corte para a esmerilagem lateral.

- **Fig.22:** 1. Porca de bloqueio 2. Roda de corte abrasiva / roda diamantada 3. Flange interior 4. Resguardo da roda para rodas de corte abrasivas / rodas diamantadas

Quanto à instalação, siga as instruções para a roda com centro rebaixado.

A direção de montagem da porca de bloqueio e da flange interior varia de acordo com o tipo e a espessura da roda.

Consulte as figuras seguintes.

Para modelos de 100 mm (4")

Quando instalar a roda de corte abrasiva:

- **Fig.23:** 1. Porca de bloqueio 2. Roda de corte abrasiva (espessura inferior a 4 mm (5/32")) 3. Roda de corte abrasiva (espessura de 4 mm (5/32") ou superior) 4. Flange interior

Quando instalar a roda diamantada:

- **Fig.24:** 1. Porca de bloqueio 2. Roda diamantada (espessura inferior a 4 mm (5/32")) 3. Roda diamantada (espessura de 4 mm (5/32") ou superior) 4. Flange interior

Para modelos diferentes de 100 mm (4")

Quando instalar a roda de corte abrasiva:

- **Fig.25:** 1. Porca de bloqueio 2. Roda de corte abrasiva (espessura inferior a 4 mm (5/32")) 3. Roda de corte abrasiva (espessura de 4 mm (5/32") ou superior) 4. Flange interior

Quando instalar a roda diamantada:

- **Fig.26:** 1. Porca de bloqueio 2. Roda diamantada (espessura inferior a 4 mm (5/32")) 3. Roda diamantada (espessura de 4 mm (5/32") ou superior) 4. Flange interior

Instalar a escova de arame tipo copo

Acessório opcional

⚠️ PRECAUÇÃO: Não utilize uma escova danificada nem desequilibrada. A utilização de uma escova danificada pode aumentar o risco de ferimentos decorrentes do contacto com arames da escova partidos.

Coloque a ferramenta virada para baixo de modo a permitir o fácil acesso ao eixo.

Retire quaisquer acessórios do eixo. Enrosque a escova de arame tipo copo no eixo e aperte com a chave fornecida.

► **Fig.27:** 1. Escova de arame tipo copo

Instalar a escova de arame tipo roda

Acessório opcional

⚠️ PRECAUÇÃO: Não utilize uma escova de arame tipo roda danificada nem desequilibrada. A utilização de uma escova de arame tipo roda danificada pode aumentar o risco de ferimentos decorrentes do contacto com arames partidos.

⚠️ PRECAUÇÃO: Utilize SEMPRE o resguardo com as escovas de arame tipo roda, garantindo que o diâmetro da roda encaixa dentro do resguardo. A roda pode partir-se durante a utilização e o resguardo ajuda a reduzir os riscos de ferimentos pessoais.

Coloque a ferramenta virada para baixo de modo a permitir o fácil acesso ao eixo.

Retire quaisquer acessórios do eixo. Enrosque a escova de arame tipo roda no eixo e aperte com as chaves.

► **Fig.28:** 1. Escova de arame tipo roda

Instalar o cortador de orifícios

Acessório opcional

Coloque a ferramenta virada para baixo de modo a permitir o fácil acesso ao eixo.

Retire quaisquer acessórios do eixo. Enrosque o cortador de orifícios no eixo e aperte-o com a chave fornecida.

► **Fig.29:** 1. Cortador de orifícios

Instalar o resguardo da roda de recolha de pó para esmerilagem

Apenas para o modelo DGA467 / DGA468 / DGA517 / DGA518

Acessório opcional

Com acessórios opcionais pode utilizar esta ferramenta para aplainar a superfície de betão.

⚠️ PRECAUÇÃO: O resguardo da roda de recolha de pó para a roda diamantada de desvio só deve ser utilizado para aplainar a superfície de betão com uma roda diamantada de desvio. Não utilize este resguardo com qualquer outro acessório de corte ou para qualquer outra finalidade.

⚠️ PRECAUÇÃO: Antes do funcionamento, certifique-se de que um aspirador está conectado à ferramenta e que está ligado.

Coloque a ferramenta virada para baixo e instale o resguardo da roda de recolha de pó.

Monte a flange interior no eixo.

Instale a roda diamantada tipo copo na flange interior e aperte a porca de bloqueio no eixo.

► **Fig.30:** 1. Porca de bloqueio 2. Roda diamantada tipo copo 3. Roda diamantada tipo copo com cubo 4. Flange interior 5. Resguardo da roda de recolha de pó 6. Caixa dos rolamentos

NOTA: Para obter informações sobre a forma de instalação do resguardo da roda de recolha de pó, consulte o manual do resguardo da roda de recolha de pó.

Instalar o resguardo da roda de recolha de pó para corte

Acessório opcional

Com acessórios opcionais pode utilizar esta ferramenta para cortar materiais em pedra.

► **Fig.31**

NOTA: Para obter informações sobre a forma de instalação do resguardo da roda de recolha de pó, consulte o manual do resguardo da roda de recolha de pó.

Ligar um aspirador

Acessório opcional

⚠️ AVISO: Nunca aspire partículas de metal geradas pela operação de esmerilagem/corte/lixagem. As partículas de metal geradas por essa operação são tão quentes que podem incendiar poeira e o filtro no interior do aspirador.

Para evitar um ambiente poeirento causado por corte de alvenaria, utilize um resguardo da roda de recolha de pó e um aspirador.

Consulte o manual de instruções anexado ao resguardo da roda de recolha de pó para montá-lo e utilizá-lo.

► **Fig.32:** 1. Resguardo da roda de recolha de pó 2. Mangueira do aspirador

OPERAÇÃO

⚠️ AVISO: Nunca deve ser necessário forçar a ferramenta. O peso da ferramenta aplica a pressão adequada. Forçar e pressionar excessivamente pode provocar a quebra perigosa da roda.

⚠️ AVISO: Substitua **SEMPRE** a roda se a ferramenta cair enquanto estiver a esmerilar.

⚠️ AVISO: **NUNCA** provoque golpes violentos nem bata com a roda na peça de trabalho.

⚠️ AVISO: Evite bater ou dar pancadas na roda, especialmente quando trabalhar nos cantos, extremidades afiadas, etc. Isto pode provocar perda de controlo e recuos.

⚠️ AVISO: **NUNCA** utilize a ferramenta com lâminas para corte de madeira e outras lâminas da serra. Essas lâminas quando utilizadas numa esmeriladora ressaltam frequentemente e provocam perda de controlo originando ferimentos pessoais.

⚠️ PRECAUÇÃO: Nunca ligue a ferramenta quando estiver em contacto com a peça de trabalho, pois pode ferir o operador.

⚠️ PRECAUÇÃO: Use sempre óculos de segurança ou um protetor facial durante a operação.

⚠️ PRECAUÇÃO: Depois da operação, desligue sempre a ferramenta e espere até que a roda esteja completamente parado antes de pousar a ferramenta.

⚠️ PRECAUÇÃO: Agarre **SEMPRE** na ferramenta firmemente com uma mão no corpo e a outra na punho lateral (pega).

NOTA: Uma roda de dupla finalidade pode ser utilizada para operações de esmerilagem e de corte.

Consulte a secção "Operação de esmerilagem e de lixagem" para a operação de esmerilagem e consulte a secção "Operação com roda de corte abrasiva/diamantada" para a operação de corte.

Operação de esmerilagem e lixagem

► Fig.33

Ligue a ferramenta e, em seguida, aplique a roda ou o disco na peça de trabalho.

Em geral, mantenha a extremidade da roda ou disco num ângulo de cerca de 15° relativamente à superfície da peça de trabalho.

Durante o período de arranque com uma roda nova, não utilize a esmeriladora para a frente ou pode cortar a peça de trabalho. Depois de a extremidade da roda estar arredondada pelo uso, pode trabalhar com a roda para a frente ou para trás.

Exemplo de utilização: operação com roda diamantada tipo copo

► Fig.34

Mantenha a ferramenta na horizontal e aplique a roda diamantada tipo copo inteira na superfície da peça de trabalho.

Operação com uma roda de corte abrasiva / roda diamantada

Acessório opcional

⚠️ AVISO: Não "engrave" a roda nem aplique pressão excessiva. Não tente efetuar um corte demasiado profundo. Sujeitar a roda a esforço excessivo aumenta a carga e a suscetibilidade de torção ou prisão da roda no corte e a possibilidade de ocorrência de recuo, rotura da roda e sobreaquecimento do motor.

⚠️ AVISO: Não inicie a operação de corte na peça de trabalho. Aguarde até que a roda atinja a velocidade máxima e coloque-a no corte cuidadosamente, movendo a ferramenta para a frente sobre a superfície da peça de trabalho. A roda pode prender, saltar ou ressaltar se ligar a ferramenta elétrica na peça de trabalho.

⚠️ AVISO: Nunca altere o ângulo da roda durante as operações de corte. Exercer pressão lateral na roda de corte (como na esmerilagem) pode provocar fissuras e rotura, provocando ferimentos graves.

⚠️ AVISO: Uma roda diamantada deve ser utilizada perpendicularmente ao material a ser cortado.

Exemplo de utilização: operação com roda de corte abrasiva
► Fig.35

Exemplo de utilização: operação com roda diamantada
► Fig.36

Operação com escova de arame tipo copo

Acessório opcional

⚠️ PRECAUÇÃO: Verifique a operação da escova operando a ferramenta em vazio, certificando-se de que ninguém está à frente ou em linha com a escova.

OBSERVAÇÃO: Quando utilizar a escova de arame tipo copo, evite aplicar uma pressão excessiva que pode provocar a dobragem excessiva dos arames. Pode dar origem a quebra prematura.

Exemplo de utilização: operação com escova de arame tipo copo
► Fig.37

Operação com escova de arame tipo roda

Acessório opcional

⚠️ PRECAUÇÃO: Verifique a operação da escova de arame tipo roda operando a ferramenta em vazio, certificando-se de que ninguém está à frente ou em linha com a escova de arame tipo roda.

OBSERVAÇÃO: Quando utilizar a escova de arame tipo roda, evite aplicar uma pressão excessiva que pode provocar a dobragem excessiva dos arames. Pode dar origem a quebra prematura.

Exemplo de utilização: operação com escova de arame tipo roda
► Fig.38

Operação com cortador de orifícios

Acessório opcional

⚠PRECAUÇÃO: Verifique a operação do cortador de orifícios operando a ferramenta em vazio, certificando-se de que ninguém está à frente do cortador de orifícios.

OBSERVAÇÃO: Não incline a ferramenta durante a operação. Pode dar origem a quebra prematura.

Exemplo de utilização: operação com cortador de orifícios
▶ Fig.39

FUNÇÃO DE ATIVAÇÃO SEM FIOS

Apenas para o modelo DGA418 / DGA468 / DGA518

O que pode fazer com a função de ativação sem fios

A função de ativação sem fios possibilita um funcionamento limpo e confortável. Ao ligar um aspirador suportado à ferramenta, pode utilizar o aspirador automaticamente juntamente com o funcionamento por interruptor da ferramenta.

▶ Fig.40

Para utilizar a função de ativação sem fios, prepare os seguintes itens:

- Uma unidade sem fios (acessório opcional)
- Um aspirador que suporta a função de ativação sem fios

A vista geral da definição da função de ativação sem fios é a seguinte. Consulte cada secção para obter os procedimentos detalhados.

1. Instalar a unidade sem fios
2. Registo da ferramenta para o aspirador
3. Iniciar a função de ativação sem fios

Instalar a unidade sem fios

Acessório opcional

⚠PRECAUÇÃO: Coloque a ferramenta num superfície plana e estável quando instalar a unidade sem fios.

OBSERVAÇÃO: Limpe a poeira e a sujidade da ferramenta antes de instalar a unidade sem fios. A poeira ou a sujidade podem causar o mau funcionamento caso entrem na ranhura da unidade sem fios.

OBSERVAÇÃO: Para evitar o mau funcionamento causado pela estática, toque num material de descarga estática, tal como uma peça metálica da ferramenta, antes de pegar na unidade sem fios.

OBSERVAÇÃO: Quando instalar a unidade sem fios, certifique-se sempre de que a unidade sem fios é inserida na direção correta e que a tampa está completamente fechada.

1. Abra a tampa da ferramenta conforme ilustrado na figura.
▶ Fig.41: 1. Tampa

2. Insira a unidade sem fios na ranhura e feche a tampa, em seguida.

Quando inserir a unidade sem fios, alinhe as projeções com as partes encaixadas na ranhura.

▶ Fig.42: 1. Unidade sem fios 2. Projeção 3. Tampa 4. Parte encaixada

Quando remover a unidade sem fios, abra a tampa lentamente. Os ganchos na parte traseira da tampa elevam a unidade sem fios à medida que puxa a tampa para cima.

▶ Fig.43: 1. Unidade sem fios 2. Gancho 3. Tampa

Após remover a unidade sem fios, guarde-a na caixa fornecida ou num recipiente anti-estática.

OBSERVAÇÃO: Utilize sempre os ganchos da parte traseira da tampa quando remover a unidade sem fios. Se os ganchos não agarrarem a unidade sem fios, feche a tampa completamente e volte a abri-la lentamente.

Registo da ferramenta para o aspirador

NOTA: O aspirador Makita que suporta a função de ativação sem fios é necessário para o registo da ferramenta.

NOTA: Conclua a instalação da unidade sem fios na ferramenta antes de iniciar o registo da ferramenta.

NOTA: Durante o registo da ferramenta, não puxe o gatilho do interruptor ou ligue o interruptor de alimentação do aspirador.

NOTA: Consulte também o manual de instruções do aspirador.

Se pretender ativar o aspirador juntamente com o funcionamento por interruptor da ferramenta, conclua primeiramente o registo da ferramenta.

1. Instale as baterias no aspirador e na ferramenta.
2. Regule o interruptor do modo de espera no aspirador para "AUTO".

▶ Fig.44: 1. Interruptor do modo de espera

3. Pressione o botão de ativação sem fios do aspirador durante 3 segundos até a lâmpada de ativação sem fios piscar a verde. Em seguida, pressione o botão de ativação sem fios da ferramenta da mesma forma.

▶ Fig.45: 1. Botão de ativação sem fios 2. Lâmpada de ativação sem fios

Se o aspirador e a ferramenta forem ligados com sucesso, as lâmpadas de ativação sem fios acendem a verde durante 2 segundos e começam a piscar a azul.

NOTA: As lâmpadas de ativação sem fios acabam de piscar a verde após decorridos 20 segundos. Pressione o botão de ativação sem fios da ferramenta enquanto a lâmpada de ativação sem fios do aspirador estiver a piscar. Se a lâmpada de ativação sem fios não piscar a verde, pressione o botão de ativação sem fios por breves instantes e mantenha-o pressionado novamente.

NOTA: Quando realizar dois ou mais registos da ferramenta para um aspirador, conclua o registo da ferramenta um por um.

Iniciar a função de ativação sem fios

NOTA: Conclua o registo da ferramenta para o aspirador antes de realizar a ativação sem fios.

NOTA: Consulte também o manual de instruções do aspirador.

Após registar uma ferramenta para o aspirador, o aspirador funciona automaticamente com o funcionamento por interruptor da ferramenta.

1. Instale a unidade sem fios na ferramenta.
2. Ligue a mangueira do aspirador à ferramenta.
► **Fig.46**
3. Regule o interruptor do modo de espera no aspirador para "AUTO".
► **Fig.47:** 1. Interruptor do modo de espera
4. Pressione o botão de ativação sem fios da ferramenta por breves instantes. A lâmpada de ativação sem fios pisca a azul.
► **Fig.48:** 1. Botão de ativação sem fios 2. Lâmpada de ativação sem fios
5. Ligue a ferramenta. Verifique se o aspirador funciona enquanto a ferramenta está a funcionar.

Para parar a ativação sem fios do aspirador, pressione o botão de ativação sem fios da ferramenta.

NOTA: A lâmpada de ativação sem fios da ferramenta para de piscar a azul quando não ocorre qualquer utilização durante 2 horas. Neste caso, regule o interruptor do modo de espera do aspirador para "AUTO" e pressione novamente o botão de ativação sem fios da ferramenta.

NOTA: O aspirador inicia/para com um atraso. Ocorre um atraso temporal quando o aspirador deteta o funcionamento por interruptor da ferramenta.






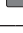



NOTA: A distância de transmissão da unidade sem fios poderá variar em função do local e das circunstâncias envolventes.

NOTA: Quando duas ou mais ferramentas forem registadas para um aspirador, o aspirador poderá iniciar o seu funcionamento mesmo que não ligue a ferramenta devido ao facto de outro utilizador estar a utilizar a função de ativação sem fios.

Descrição do estado da lâmpada de ativação sem fios

► **Fig.49:** 1. Lâmpada de ativação sem fios

A lâmpada de ativação sem fios exibe o estado da função de ativação sem fios. Consulte a tabela seguinte para obter o significado do estado da lâmpada.

Estado	Lâmpada de ativação sem fios				Descrição
	Cor	 Ligada	 A piscar	Duração	
Modo de espera	Azul			2 horas	A ativação sem fios do aspirador está disponível. A lâmpada desliga automaticamente quando o aspirador não é utilizado durante 2 horas.
				Quando a ferramenta estiver a funcionar.	A ativação sem fios do aspirador está disponível e a ferramenta está a funcionar.
Registo da ferramenta	Verde			20 segundos	Preparado para o registo da ferramenta. A aguardar o registo pelo aspirador.
				2 segundos	O registo da ferramenta foi concluído. A lâmpada de ativação sem fios começa a piscar a azul.
Cancelar o registo da ferramenta	Vermelho			20 segundos	Preparado para o cancelamento do registo da ferramenta. A aguardar o cancelamento pelo aspirador.
				2 segundos	O cancelamento do registo da ferramenta foi concluído. A lâmpada de ativação sem fios começa a piscar a azul.
Outros	Vermelho			3 segundos	A alimentação elétrica é fornecida à unidade sem fios e a função de ativação sem fios é iniciada.
	Desligada	-		-	A ativação sem fios do aspirador é interrompida.

Cancelar o registo da ferramenta para o aspirador

Realize o procedimento seguinte quando cancelar o registo da ferramenta para o aspirador.

1. Instale as baterias no aspirador e na ferramenta.
2. Regule o interruptor do modo de espera no aspirador para "AUTO".

► **Fig.50:** 1. Interruptor do modo de espera

3. Pressione o botão de ativação sem fios do aspirador durante 6 segundos. A lâmpada de ativação sem fios pisca a verde e fica vermelha, em seguida. Seguidamente, pressione o botão de ativação sem fios da ferramenta da mesma forma.

► **Fig.51:** 1. Botão de ativação sem fios 2. Lâmpada de ativação sem fios

Se o cancelamento for realizado com sucesso, as lâmpadas de ativação sem fios acendem a vermelho durante 2 segundos e começam a piscar a azul.

NOTA: As lâmpadas de ativação sem fios acabam de piscar a vermelho após decorridos 20 segundos. Pressione o botão de ativação sem fios da ferramenta enquanto a lâmpada de ativação sem fios do aspirador estiver a piscar. Se a lâmpada de ativação sem fios não piscar a vermelho, pressione o botão de ativação sem fios por breves instantes e mantenha-o pressionado novamente.

Resolução de problemas para a função de ativação sem fios

Antes de pedir uma reparação, realize primeiro a sua própria inspeção. Se encontrar um problema que não esteja explicado no manual, não tente desmontar a ferramenta. Em vez disso, peça as reparações nos centros de assistência técnica autorizados da Makita, usando sempre peças de substituição da Makita.

Estado da anomalia	Causa provável (avaria)	Correção
A lâmpada de ativação sem fios não acende/pisca.	A unidade sem fios não está instalada na ferramenta. A unidade sem fios está instalada incorretamente na ferramenta.	Instale a unidade sem fios corretamente.
	O terminal da unidade sem fios e/ou a ranhura estão sujos.	Limpe delicadamente a poeira e a sujidade do terminal da unidade sem fios e limpe a ranhura.
	O botão de ativação sem fios da ferramenta não foi pressionado.	Pressione o botão de ativação sem fios da ferramenta por breves instantes.
	O interruptor do modo de espera do aspirador não está regulado para "AUTO".	Regule o interruptor do modo de espera no aspirador para "AUTO".
	Sem fornecimento de alimentação elétrica	Forneça alimentação elétrica à ferramenta e ao aspirador.
Não foi possível concluir o registo da ferramenta / o cancelamento do registo da ferramenta com sucesso.	A unidade sem fios não está instalada na ferramenta. A unidade sem fios está instalada incorretamente na ferramenta.	Instale a unidade sem fios corretamente.
	O terminal da unidade sem fios e/ou a ranhura estão sujos.	Limpe delicadamente a poeira e a sujidade do terminal da unidade sem fios e limpe a ranhura.
	O interruptor do modo de espera do aspirador não está regulado para "AUTO".	Regule o interruptor do modo de espera no aspirador para "AUTO".
	Sem fornecimento de alimentação elétrica	Forneça alimentação elétrica à ferramenta e ao aspirador.
	Funcionamento incorreto	Pressione o botão de ativação sem fios por breves instantes e volte a realizar os procedimentos de registo da ferramenta/cancelamento.
	A ferramenta e o aspirador estão afastados um do outro (fora do alcance da transmissão).	Aproxime a ferramenta do aspirador. A distância máxima de transmissão é aproximadamente 10 m, contudo, poderá variar de acordo com as circunstâncias.
	Antes de terminar o registo/cancelamento da ferramenta; - o interruptor da ferramenta é ativado; ou - o botão de alimentação no aspirador é ativado.	Pressione o botão de ativação sem fios por breves instantes e volte a realizar os procedimentos de registo da ferramenta/cancelamento.
	Os procedimentos de registo da ferramenta para a ferramenta ou aspirador não foram concluídos.	Realize os procedimentos de registo da ferramenta para a ferramenta e para o aspirador ao mesmo tempo.
Interferência radioelétrica por outros aparelhos que geram ondas de rádio de alta intensidade.	Mantenha a ferramenta e o aspirador afastados de aparelhos como dispositivos Wi-Fi e fornos microondas.	

Estado da anomalia	Causa provável (avaria)	Correção
O aspirador não funciona juntamente com o funcionamento por interruptor da ferramenta.	A unidade sem fios não está instalada na ferramenta. A unidade sem fios está instalada incorretamente na ferramenta.	Instale a unidade sem fios corretamente.
	O terminal da unidade sem fios e/ou a ranhura estão sujos.	Limpe delicadamente a poeira e a sujidade do terminal da unidade sem fios e limpe a ranhura.
	O botão de ativação sem fios da ferramenta não foi pressionado.	Pressione o botão de ativação sem fios por breves instantes e certifique-se de que a lâmpada de ativação sem fios está a piscar a azul.
	O interruptor do modo de espera do aspirador não está regulado para "AUTO".	Regule o interruptor do modo de espera no aspirador para "AUTO".
	Estão registadas mais de 10 ferramentas para o aspirador.	Realize o registo da ferramenta novamente. Se estiverem registadas mais de 10 ferramentas para o aspirador, a ferramenta registada mais cedo será cancelada automaticamente.
	O aspirador apagou todos os registos da ferramenta.	Realize o registo da ferramenta novamente.
	Sem fornecimento de alimentação elétrica	Forneça alimentação elétrica à ferramenta e ao aspirador.
	A ferramenta e o aspirador estão afastados um do outro (fora do alcance da transmissão).	Aproxime a ferramenta do aspirador. A distância máxima de transmissão é aproximadamente 10 m, contudo, poderá variar de acordo com as circunstâncias.
	Interferência radioelétrica por outros aparelhos que geram ondas de rádio de alta intensidade.	Mantenha a ferramenta e o aspirador afastados de aparelhos como dispositivos Wi-Fi e fornos microondas.
O aspirador funciona enquanto a ferramenta não está a funcionar.	Outros utilizadores estão a utilizar a ativação sem fios do aspirador com as respetivas ferramentas.	Desligue o botão de ativação sem fios das outras ferramentas ou cancele o registo da ferramenta das outras ferramentas.

MANUTENÇÃO

⚠️ PRECAUÇÃO: Certifique-se sempre de que a ferramenta se encontra desligada e de que a bateria foi retirada antes de executar qualquer inspeção ou manutenção.

OBSERVAÇÃO: Nunca utilize gasolina, benzina, diluente, álcool ou produtos semelhantes. Pode ocorrer a descoloração, deformação ou rachaduras.

Para manter a SEGURANÇA e a FIABILIDADE do produto, as reparações e qualquer outra manutenção ou ajuste devem ser levados a cabo pelos centros de assistência Makita autorizados ou pelos centros de assistência de fábrica, utilizando sempre peças de substituição Makita.

Limpeza do ventilador de ar

A ferramenta e os respetivos ventiladores de ar têm de ser mantidos limpos. Limpe regularmente os ventiladores de ar da ferramenta ou sempre que os ventiladores comecem a ficar obstruídos.

► **Fig.52:** 1. Ventilador de exaustão 2. Ventilador de inalação

Retire a cobertura contra a poeira do ventilador de respiração e limpe-a para que a circulação de ar seja mais fácil.

► **Fig.53:** 1. Cobertura contra a poeira

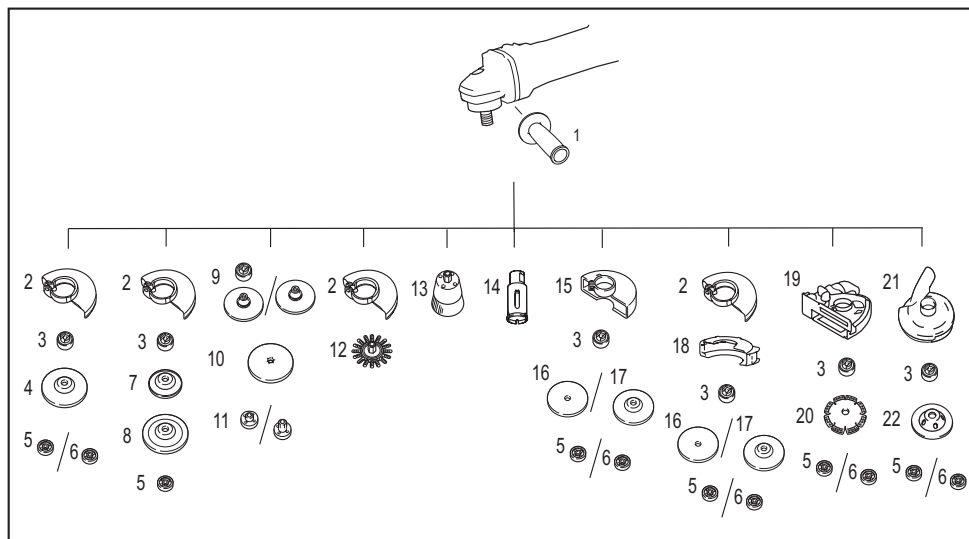
OBSERVAÇÃO: Limpe a cobertura contra a poeira quando estiver entupida com poeira ou outros materiais estranhos. Continuar a operação com uma cobertura contra a poeira entupida, pode danificar a ferramenta.

COMBINAÇÃO DE APLICAÇÕES E ACESSÓRIOS

Acessório opcional

⚠️PRECAUÇÃO: A utilização da ferramenta com resguardos incorretos pode causar os seguintes riscos.

- Quando utilizar um resguardo da roda de corte para esmerilagem facial, o resguardo da roda poderá interferir com a peça de trabalho, causando um controlo fraco.
- Quando utilizar um resguardo da roda de esmerilar para operações de corte com rodas abrasivas e rodas diamantadas unidas, existe um maior risco de exposição a rodas rotativas, faíscas e partículas emitidas, bem como de exposição a fragmentos da roda no caso da roda rebentar.
- Quando utilizar um resguardo da roda de corte ou um resguardo da roda de esmerilar para operações faciais com rodas diamantadas tipo copo, o resguardo da roda poderá interferir com a peça de trabalho, causando um controlo fraco.
- Quando utilizar um resguardo da roda de corte ou um resguardo da roda de esmerilar com uma escova de arame de tipo roda com uma espessura superior à espessura máxima, conforme especificado nas "ESPECIFICAÇÕES", os arames podem ficar presos no resguardo causando a quebra dos arames.
- A utilização de resguardos da roda de recolha de pó para operações de corte e faciais em betão ou alvenaria reduz o risco de exposição ao pó.
- Quando utilizar rodas montadas na flange (abrasivas de esmerilar e cortar combinadas) de dupla finalidade, utilize apenas um resguardo da roda de corte.



-	Aplicação	Modelo de 100 mm	Modelo de 115 mm	Modelo de 125 mm
1	-	Punho lateral		
2	-	Resguardo da roda (para roda de esmerilagem)		
3	-	Flange interior		
4	Esmerilagem/lixagem	Roda com centro rebaixado / Disco de aba		
5	-	Porca de bloqueio		
6	-	-	Ezynut *1	
7	-	Almofada de apoio		
8	Esmerilagem	Roda flexível		
9	-	Flange interior e almofada de borracha 76	Almofada de borracha 100	Almofada de borracha 115
10	Lixagem	Disco abrasivo		
11	-	Porca de bloqueio de lixagem		

-	Aplicação	Modelo de 100 mm	Modelo de 115 mm	Modelo de 125 mm
12	Escovagem de arame	Escova de arame tipo roda		
13	Escovagem de arame	Escova de arame tipo copo		
14	Corte de orifícios	Cortador de orifícios		
15	-	Resguardo da roda (para roda de corte)		
16	Corte	Roda de corte abrasiva / roda diamantada		
17	Esmerilagem/corte	Roda de dupla finalidade		
18	-	Fixação do resguardo da roda de corte acoplável *2		
19	-	Resguardo da roda de recolha de pó para corte *3		
20	Corte	Roda diamantada		
21	-	-	Resguardo da roda de recolha de pó para esmerilagem *4	
22	Esmerilagem	-	Roda diamantada tipo copo *4	
-	-	Chave para porcas de bloqueio		

NOTA: *1 Apenas para ferramentas com rosca do eixo M14.

NOTA: *2 A fixação do resguardo da roda de corte acoplável não está disponível em alguns países. Para obter mais informações, consulte o manual de instruções da fixação do resguardo da roda de corte acoplável.

NOTA: *3 Para obter mais informações, consulte cada manual de instruções do resguardo.

NOTA: *4 Apenas para o modelo DGA467 / DGA468 / DGA517 / DGA518

Para obter mais informações, consulte cada manual de instruções do resguardo.

ACESSÓRIOS OPCIONAIS

⚠PRECAUÇÃO: Estes acessórios ou peças são recomendados para utilização com a ferramenta Makita especificada neste manual. A utilização de outros acessórios ou peças pode ser perigosa para as pessoas. Utilize apenas acessórios ou peças para os fins indicados.

Se necessitar de informações adicionais relativas a estes acessórios, solicite-as ao seu centro de assistência Makita.

- Bateria e carregador genuínos da Makita
- Acessórios listados na "COMBINAÇÃO DE APLICAÇÕES E ACESSÓRIOS"
- Unidade sem fios (para modelos com a função de ativação sem fios)

NOTA: Alguns itens da lista podem estar incluídos na embalagem da ferramenta como acessórios padrão. Eles podem variar de país para país.

SPECIFIKATIONER

Model:		DGA417	DGA418	DGA467	DGA468	DGA517	DGA518
Anvendelig slibeskive	Maks. diameter af skiven	100 mm		115 mm		125 mm	
	Maks. skivetykkelse	6,4 mm		7,2 mm			
Anvendelig afskæringsskive	Maks. diameter af skiven	105 mm		115 mm		125 mm	
	Maks. skivetykkelse			3,2 mm			
Anvendelig trådskevebørste	Maks. diameter af skiven	100 mm		115 mm		125 mm	
	Maks. skivetykkelse			20 mm			
Spindelgevind		M10		M14 eller 5/8" (landespecifik)			
Maks. spindellængde		18 mm		23 mm			
Hastighed uden belastning (n_0) / Mærkehastighed (n)				8.500 min ⁻¹			
Samlet længde		med BL1840B		382 mm			
Nettovægt		2,2 - 3,7 kg		2,4 - 3,9 kg			
Mærkespænding				D.C. 18 V			

- På grund af vores kontinuerlige forsknings- og udviklingsprogrammer kan hosstående specifikationer blive ændret uden varsel.
- Specifikationer kan variere fra land til land.
- Vægten kan være anderledes afhængigt af tilbehøret, inklusive akkuen. Den letteste og tungeste kombination i henhold til EPTA-procedure 01/2014 er vist i tabellen.

Anvendelig akku og oplader

Akku	BL1815N / BL1820B / BL1830B / BL1840B / BL1850B / BL1860B
Oplader	DC18RC / DC18RD / DC18RE / DC18SD / DC18SE / DC18SF / DC18SH / DC18WC

- Nogle af de akkuer og opladere, der er angivet ovenfor, er muligvis ikke tilgængelige, afhængigt af hvilket område du bor i.

⚠ ADVARSEL: Brug kun de akkuer og opladere, der er angivet ovenfor. Brug af andre akkuer og opladere kan medføre personskaade og/eller brand.

Anbefalet ledningstilsluttet strømforsyningskilde

Bærbar strømforsyning	PDC01
-----------------------	-------

- Den eller de ovenfor anførte ledningstilsluttede strømforsyningskilder er muligvis ikke tilgængelige, afhængigt af hvilket område du bor i.
- Inden du bruger den ledningstilsluttede strømforsyningskilde, skal du læse instruktionen og advarselsmærkerne på dem.

Symboler

Følgende viser de symboler, der muligvis anvendes til udstyret. Sørg for, at du forstår deres betydning før brugen.



Læs brugsanvisningen.



Bær sikkerhedsbriller.



Betjen altid med to hænder.



Brug ikke beskyttelsesskærmen til afskæring.



Kun for lande inden for EU
På grund af tilstedeværelsen af farlige komponenter i udstyret kan affald af elektrisk og elektronisk udstyr, akkumulatører og batterier have en negativ indvirkning på miljøet og folkesundheden.

Bortskaf ikke elektriske og elektroniske apparater eller batterier sammen med husholdningsaffald!

I overensstemmelse med EF-direktiv om affaldshåndtering af elektrisk og elektronisk udstyr og om akkumulatører og batterier og affaldsakkumulatører og -batterier, og i overensstemmelse med national lovgivning, skal brugt elektrisk udstyr, batterier og akkumulatører opbevares separat og leveres til et separat indsamlingssted for kommunalt affald, der er etableret i henhold til bestemmelserne om miljøbeskyttelse. Dette er angivet ved symbolet på den krydsede skraldespand, der er placeret på udstyret.

Tilsigtet anvendelse

Denne maskine er beregnet til afslibning, sandslibning, trådbørstning, hulskæring og skæring i metal- og stenmaterialer uden anvendelse af vand.

Støj

Det typiske A-vægtede støjniveau bestemt i overensstemmelse med EN62841-2-3:

Model	Lydtrykniveau (L_{pA}): (dB (A))	Lydeffektniveau (L_{WA}): (dB (A))	Usikkerhed (K): (dB (A))
DGA417	83	91	3
DGA418	83	91	3
DGA467	83	91	3
DGA468	83	91	3
DGA517	83	91	3
DGA518	83	91	3

BEMÆRK: De(n) angivne støjemissionsværdi(er) er målt i overensstemmelse med en standardtestmetode og kan anvendes til at sammenligne en maskine med en anden.

BEMÆRK: De(n) angivne støjemissionsværdi(er) kan også anvendes i en præliminær eksponeringsvurdering.

⚠ ADVARSEL: Bær høreværn.

⚠ ADVARSEL: Støjemissionen under den faktiske anvendelse af maskinen kan være forskellig fra de(n) angivne værdi(er), afhængigt af den måde hvorpå maskinen anvendes, især den type arbejdsemne der behandles.

⚠ ADVARSEL: Sørg for at identificere de sikkerhedsforskrifter til beskyttelse af operatøren, som er baseret på en vurdering af eksponering under de faktiske brugsforhold (med hensyntagen til alle dele i brugsklassen, f.eks. de gange, hvor maskinen er slukket, og når den kører i tomgang i tilgift til afbrydertiden).

⚠ ADVARSEL: Slibning af tynde metalplader eller andre nemt vibrerende strukturer med en stor overflade kan resultere i en samlet støjemission, som er meget højere (op til 15 dB) end de angivne støjemissionsværdier.

Placer tunge fleksible dæmpende måtter eller lignende på disse arbejdsemner for at forhindre dem i at udsende lyd.

Tag den forøgede støjemission med i overvejslen for både risikovurderingen for udsættelse af støj og valg af passende høreværn.

Vibration

Vibrationens totalværdi (tre-aksial vektorsum) bestemt i overensstemmelse med EN62841-2-3:

Funktionstilstand: overfladeslibning med normalt sidehåndtag

Model	Vibrationsafgivelse ($a_{h, AG}$): (m/s ²)	Usikkerhed (K): (m/s ²)
DGA417	4,5	1,5
DGA418	4,5	1,5
DGA467	5,5	1,5
DGA468	5,5	1,5
DGA517	6,0	1,5
DGA518	6,0	1,5

Funktionstilstand: overfladeslibning med anti-vibrations-sidehåndtag

Model	Vibrationsafgivelse ($a_{h, AG}$): (m/s ²)	Usikkerhed (K): (m/s ²)
DGA417	4,5	1,5
DGA418	4,5	1,5
DGA467	5,0	1,5
DGA468	5,0	1,5
DGA517	5,5	1,5
DGA518	5,5	1,5

Funktionstilstand: disksandslibning med normalt sidehåndtag

Model	Vibrationsemission ($a_{hr, DS}$) : (m/s^2)	Usikkerhed (K): (m/s^2)
DGA417	2,5 m/s^2 eller mindre	1,5
DGA418	2,5 m/s^2 eller mindre	1,5
DGA467	2,5 m/s^2 eller mindre	1,5
DGA468	2,5 m/s^2 eller mindre	1,5
DGA517	2,5 m/s^2 eller mindre	1,5
DGA518	2,5 m/s^2 eller mindre	1,5

Funktionstilstand: disksandslibning med anti-vibrations-sidehåndtag

Model	Vibrationsemission ($a_{hr, DS}$) : (m/s^2)	Usikkerhed (K): (m/s^2)
DGA417	2,5 m/s^2 eller mindre	1,5
DGA418	2,5 m/s^2 eller mindre	1,5
DGA467	2,5 m/s^2 eller mindre	1,5
DGA468	2,5 m/s^2 eller mindre	1,5
DGA517	2,5 m/s^2 eller mindre	1,5
DGA518	2,5 m/s^2 eller mindre	1,5

BEMÆRK: De(n) angivne totalværdi(er) for vibration er målt i overensstemmelse med en standardtestmetode og kan anvendes til at sammenligne en maskine med en anden.

BEMÆRK: De(n) angivne totalværdi(er) for vibration kan også anvendes i en præliminær eksponeringsvurdering.

⚠ ADVARSEL: Vibrationsemissionen under den faktiske anvendelse af maskinen kan være forskellig fra de(n) angivne værdi(er), afhængigt af den måde hvorpå maskinen anvendes, især den type arbejdsemne der behandles.

⚠ ADVARSEL: Sørg for at identificere de sikkerhedsforskrifter til beskyttelse af operatøren, som er baseret på en vurdering af eksponering under de faktiske brugsforhold (med hensyntagen til alle dele i brugscyklussen, f.eks. de gange, hvor maskinen er slukket, og når den kører i tomgang i tilgift til afbrydertiden).

⚠ ADVARSEL: Den erklærede værdi for vibrationsemission gælder for el-værktøjets primære anvendelser. Hvis el-værktøjet imidlertid anvendes til andre formål, kan værdien for vibrationsemission være anderledes.

EF-overensstemmelseserklæring

Kun for lande i Europa

EF-overensstemmelseserklæringen er inkluderet som Bilag A i denne brugsanvisning.

SIKKERHEDSADVARSLER

Almindelige sikkerhedsregler for el-værktøj

⚠ ADVARSEL Læs alle sikkerhedsadvarsler, instruktioner, illustrationer og specifikationer, der følger med denne maskine. Hvis du ikke følger alle nedenstående instruktioner, kan det medføre elektrisk stød, brand og/eller alvorlig personskade.

Gem alle advarsler og instruktioner til fremtidig reference.

Ordet "el-værktøj" i advarslerne henviser til det netforstyede (netledning) el-værktøj eller batteriforsynde (akkumuleret) el-værktøj.

Sikkerhedsadvarsler for ledningsfri sliber

Almindelige sikkerhedsadvarsler for anvendelser med slibning, sandslibning, trådbørstning eller afskæring:

1. Denne maskine er beregnet til at fungere som en sliber, slibemaskine med sandpapir, trådbørste, hullskærer eller afskæringsværktøj. Læs alle de sikkerhedsadvarsler, instruktioner, illustrationer og specifikationer, der følger med denne maskine. Manglende overholdelse af alle nedenstående instruktioner kan medføre elektrisk stød, brand og/eller alvorlig personskade.
2. Der må ikke udføres handlinger som polering med denne maskine. Handlinger, som maskinen ikke er designet til, kan medføre fare og forårsage personskade.
3. Omdan ikke denne maskine til at fungere på en måde, der ikke er specielt designet og angivet af maskinproducenten. Sådan en omdannelse kan muligvis resultere i tab af kontrol og forårsage alvorlig personskade.
4. Anvend ikke tilbehør, der ikke er specielt designet og angivet af maskinproducenten. Bare fordi tilbehøret kan monteres på din maskine, garanterer det ikke sikker drift.

5. **Tilbehørets mærkehastighed skal mindst svare til den maksimale hastighed, der er angivet på maskinen.** Tilbehør, der kører hurtigere end deres mærkehastighed, kan gå i stykker og slynges bort.
6. **Den udvendige diameter og tykkelsen på dit tilbehør skal ligge inden for maskinens kapacitetsklassificering.** Tilbehør med forkert størrelse kan ikke beskyttes eller kontrolleres tilstrækkeligt.
7. **Målene for tilbehørsmonteringen skal passe til målene for monteringsdelen på maskinen.** Tilbehør, der ikke passer til maskinens monteringsdele, vil miste balancen, vibrere for meget og kan medføre tab af kontrol.
8. **Anvend ikke et beskadiget tilbehør. Før hver anvendelse undersøges tilbehøret, såsom slibeskiver for skår og revner, bagtallerken for revner, rift eller overdreven slitage, trådbørste for løse eller knækkede tråde. Hvis maskinen eller tilbehøret tabes, skal du undersøge, om det er beskadiget, eller montere et ubeskadiget tilbehør. Efter inspektion og montering af tilbehør, skal du og omkringstående stå på god afstand af det roterende tilbehørs flade, og maskinen skal køres på højeste, ubelastede hastighed i et minut.** Beskadiget tilbehør vil normalt gå i stykker i løbet af denne testperiode.
9. **Bær personligt beskyttelsesudstyr. Afhængigt af anvendelsen skal der anvendes en ansigtsskærm, beskyttelsesbriller eller sikkerhedsbriller. Bær eventuelt støvmaske, hørevern, handsker og værkstedsforklæde, der kan stoppe små slibedele eller fragmenter af arbejdsemnet.** Øjenværnet skal kunne standse flyvende snavs, der opstår ved forskellige anvendelser. Støvmasken eller åndedrætsværnet skal kunne filtrere partikler, der opstår under den særlige anvendelse. Langvarig eksponering for støj med høj intensitet kan medføre høretab.
10. **Hold tilskuere i sikker afstand fra arbejdsområdet. Alle, der kommer ind i arbejdsområdet, skal anvende personligt beskyttelsesudstyr.** Fragmenter af arbejdsemnet eller af et ødelagt tilbehør kan blive slynget væk og forårsage personskade uden for det umiddelbare arbejdsområde.
11. **Hold kun maskinen ved hjælp af de isolerede gribeblader, når du udfører en handling, hvor skæreværktøjet kan komme i kontakt med skjulte ledninger.** Kontakt med en "strømførende" ledning vil også gøre maskinens eksponerede metaldele "strømførende" og kan give operatøren et elektrisk stød.
12. **Læg aldrig maskinen ned, før tilbehøret er stoppet helt.** Det roterende tilbehør kan gribe fat i overfladen og trække maskinen ud af din kontrol.
13. **Lad ikke maskinen køre, mens du bærer den ved din side.** Utilsigtet kontakt med det roterende tilbehør kan få fat i dit tøj og trække tilbehøret ind mod kroppen.
14. **Rengør maskinværktøjets ventilationsåbninger med jævne mellemrum.** Motorens ventilator trækker støvet ind i huset, og overdreven ophobning af pulveriseret metal kan forårsage elektriske farer.
15. **Brug ikke maskinværktøjet i nærheden af brændbare materialer.** Gnister kan antænde disse materialer.

16. **Anvend ikke tilbehør, der kræver flydende kølemidler.** Anvendelse af vand eller andre flydende kølemidler kan medføre elektrisk aflivning eller stød.

Tilbageslag og relaterede advarsler:

Tilbageslag er en pludselig reaktion på en fastklemt eller blokeret roterende skive, bagtallerken, børste eller andet tilbehør. En fastklemt eller blokeret del forårsager hurtig standsning af det roterende tilbehør, som derved bliver årsag til, at det ukontrollerede maskinværktøj bliver tvunget i den modsatte retning af tilbehørets rotation ved punktet for bindingen.

Hvis for eksempel en slibeskive er blokeret eller fastklemt af arbejdsemnet, kan kanten på skiven, som går ind i fastklemningspunktet, grave sig ind i materialets overflade og derved bevirke, at skiven kommer ud eller presses ud. Skiven kan enten springe mod eller væk fra operatøren, afhængigt af retningen af skivens bevægelse på det sted, hvor den klemmes. Slibeskiver kan også brække under disse forhold.

Tilbageslag er et resultat af misbrug af og/eller forkert betjening af maskinen eller forkerte brugsforhold. Dette kan undgås ved, at der tages de rette forholdsregler som anvist herunder.

1. **Hold godt fast i maskinværktøjet med begge hænder, og placer din krop og arme, så du kan modstå tilbageslagskræfter. Anvend altid hjælpehåndtag, hvis det er til rådighed, for maksimal kontrol over tilbageslag eller drejningsmomentreaktion under opstart.** Operatøren kan styre drejningsmomentreaktioner eller tilbageslagskræfter, hvis der træffes passende forholdsregler.
2. **Anbring aldrig hånden i nærheden af det roterende tilbehør.** Tilbehøret kan give tilbageslag over hånden.
3. **Placer ikke din krop i det område, hvor maskinværktøjet bevæger sig, hvis der opstår tilbageslag.** Tilbageslag vil slynge maskinen i modsat retning af skivens bevægelse på det sted, hvor den sidder fast.
4. **Vær ekstra forsigtig, når du arbejder med hjørner, skarpe kanter osv. Undgå, at tilbehøret hopper og bliver fastklemt.** Hjørner, skarpe kanter eller op og ned-bevægelser har en tendens til at fastklemme det roterende tilbehør og forårsage tab af kontrol eller tilbageslag.
5. **Lad være med at montere en savkæde-træskæreklinge, en segmenteret diamantskive med et perifer mellemrum på mere end 10 mm eller en savklinge med tænder.** Sådanne klinger skaber hyppige tilbageslag og tab af kontrol.

Specifikke sikkerhedsadvarsler for anvendelser med slibning og afskæring:

1. **Anvend kun skivetyper, som er specificeret til dit maskinværktøj, og den specielle beskyttelsesskærm, som er beregnet til den valgte skive.** Skiver, som maskinværktøjet ikke er designet til, kan ikke beskyttes tilstrækkeligt og er usikre.
2. **Slibefluden på forsænkede centerskiver skal monteres under beskyttelsesskærmkantens flade.** En forkert monteret skive, der går gennem beskyttelsesskærmkantens plan, kan ikke beskyttes tilstrækkeligt.

3. **Beskyttelsesskærmen skal være ordentligt monteret på maskinværktøjet og placeret, så den optimale sikkerhed opnås, således at mindst muligt af skiven vender mod operatøren.** Beskyttelsesskærmen hjælper med at beskytte operatøren mod ødelagte skivefragmenter, utilsigtet kontakt med skiven og gnister, der kan antænde tøjet.
4. **Skiver må kun anvendes til de specificerede opgaver. For eksempel: Slib ikke med siden af afskæringsskiven.** Slibende afskæringsskiver er beregnet til perifer slibning, og sidekræfter, der påføres disse skiver, kan få dem til at gå i stykker.
5. **Anvend altid ubeskadigede skiveflanger, som har den rigtige størrelse og form til den valgte skive.** Korrekte skiveflanger understøtter skiven, hvilket reducerer risikoen for skivebrud. Flanger til afskæringsskiver kan være forskellige fra slibeskiveflanger.
6. **Anvend ikke nedslidte skiver fra større maskiner.** En skive, der er beregnet til større maskiner, er ikke egnet til en mindre maskines højere hastighed og kan sprænge.
7. **Når der anvendes skiver til dobbelt formål, skal der altid anvendes den korrekte beskyttelsesskærm til den anvendelse, som udføres.** Anvendes den korrekte beskyttelsesskærm ikke, vil der muligvis ikke være det ønskede niveau af beskyttelse, hvilket kan medføre alvorlig tilskadekomst.
6. **Vær ekstra forsigtig, når du laver et "lommesnit" i eksisterende vægge eller andre blinde områder.** Den fremspringende skive kan skære gas- eller vandrør, elektriske ledninger eller genstande, der kan forårsage tilbageslag.
7. **Forsøg ikke at udføre buet skæring.** Overbelastning af skiven øger belastningen og følsomheden for vridning eller binding af skiven i snittet og muligheden for tilbageslag eller skivebrud, hvilket kan medføre alvorlig tilskadekomst.
8. **Inden anvendelse af en segmenteret diamantskive skal De sørge for, at diamantskiven har et periferet mellemrum mellem segmenterne på 10 mm eller derunder, kun med en negativ rivevinkel.**

Specifikke sikkerhedsadvarsler for anvendelser med sandslibning:

1. **Brug sanddiskpapir i den korrekte størrelse.** Følg producentens anbefalinger, når du vælger sandpapir. Større sandpapir, der strækker sig for langt ud over slibepuden, udgør en risiko for flånger og kan forårsage fastklemning, rivning af disken eller tilbageslag.

Specifikke sikkerhedsadvarsler for anvendelser med træbørstning:

1. **Vær opmærksom på, at træbørstehårene afstødes fra børsten selv under almindelig anvendelse.** Overbelast ikke træbørstehårene ved at påføre børsten for stor belastning. Træbørstehårene kan let trænge igennem tyndt tøj og/eller hud.
2. **Hvis anvendelse af en beskyttelsesskærm ved træbørstning er angivet, må man ikke tillade interferens af trådskiven eller børsten med beskyttelseskærmen.** Trådskiven eller børsten kan udvides i diameter på grund af arbejdsbelastning og centrifugalkræfter.

Supplerende sikkerhedsadvarsler:

1. **Hvis der anvendes forsænkede centerskiver, skal man sørge for kun at anvende fiberglasforstærkede skiver.**
2. **ANVEND ALDRIG skiver af stenkop-typen med denne sliber.** Denne sliber er ikke beregnet til disse typer skiver, og anvendelse af et sådant produkt kan resultere i alvorlig tilskadekomst.
3. **Vær påpasselig med ikke at komme til at beskadige spindlen, flangen (specielt monteringsfladen) eller låsemøtrikken.** Beskadigelse af disse dele kan resultere i, at skiven brækker.
4. **Sørg for, at skiven ikke er i berøring med arbejdsemnet, inden De tænder for maskinen med afbryderen.**
5. **Inden De begynder at anvende maskinen på et rigtigt arbejdsemne, skal De lade den køre i et stykke tid.** Vær opmærksom på vibrationer eller slør, som kan være tegn på dårlig monteringsring eller en forkert afbalanceret skive.
6. **Anvend den specificerede overflade på skiven til at udføre slibningen.**
7. **Læg ikke maskinen fra Dem, mens den stadig kører.** Anvend kun maskinen som håndværktøj.
8. **Berør ikke arbejdsemnet lige efter at arbejdet er udført.** Det kan blive meget varmt og være årsag til forbrændinger.

Yderligere sikkerhedsadvarsler, der er specifikke for anvendelser med afskæring:

1. **Vær påpasselig med ikke at "klemme" afskæringsskiven fast eller udsætte den for et ekstremt tryk.** Forsøg ikke at lave en for stor skæredybde. Overbelastning af skiven øger belastningen og følsomheden for vridning eller binding af skiven i snittet og muligheden for tilbageslag eller skivebrud.
2. **Stå ikke på linje med eller bag den roterende skive.** Når skiven, på anvendelsesstedet, bevæger sig væk fra kroppen, kan det mulige tilbageslag slynge den roterende skive og maskinen direkte mod dig.
3. **Hvis skiven sidder fast, eller hvis du af en eller anden grund afbryder et snit, skal du slukke for maskinen og holde den stille, indtil skiven er stoppet helt.** Forsøg aldrig at fjerne afskæringsskiven fra skæringen, mens skiven er i bevægelse, da der ellers kan forekomme tilbageslag. Undersøg og træf korrigerende foranstaltninger for at fjerne årsagen til skivebinding.
4. **Lad være med at starte skæringen i arbejdsemnet. Lad skiven nå fuld hastighed, og gå forsigtigt ind i skæringen igen.** Skiven kan binde, presses op eller slå tilbage, hvis maskinen genstartes i arbejdsemnet.
5. **Understøt paneler eller alle arbejdsemner i overstrørelse for at minimere risikoen for fastklemning af skiven og tilbageslag.** Store arbejdsemner har tendens til at synke under deres egen vægt. Understøtningerne skal placeres uden arbejdsemnet nær skærelinjen og nær kanten af arbejdsemnet på begge sider af skiven.

9. Undgå at berøre tilbehør umiddelbart efter arbejdets ophør. Det kan være meget varmt og kan forårsage forbrændinger af huden.
10. Overhold altid fabrikantens instruktioner for korrekt montering og anvendelse af skiver. Behandl og opbevar skiver med forsigtighed.
11. Anvend ikke separate reduktionsbøsninger eller adaptere til at tilpasse slibeskiver med store centerhuller til maskinen.
12. Anvend kun de specificerede flanger til denne maskine.
13. Ved anvendelse af maskiner, der er beregnet til montering af slibeskiver med gevindforsynet hul, skal det altid sikres, at gevindet i skiven er langt nok i forhold til spindellængden.
14. Kontrollér at emnet er korrekt understøttet.
15. Forsigtig! Skiven fortsætter med at rotere, efter at der slukket for maskinen.
16. Hvis arbejdsstedet er ekstremt varmt eller fugtigt, eller slemt tilslået med ledende støv, bør der anvendes en kortslutningsafbryder (30 mA) for at garantere sikkerheden under arbejdet.
17. Anvend aldrig maskinen på materialer, der indeholder asbest.
18. Når du anvender afskæringsskiven, skal du altid arbejde med beskyttelseskærmen til støvopsamling, hvis det kræves i henhold til national lovgivning.
19. Skærskiver må ikke udsættes for tryk fra siden.
20. Anvend ikke stofarbejdshandsker under brugen. Fibre fra stofhandsker kan muligvis trænge ind i maskinen, hvilket forvolder skade på maskinen.
21. Inden betjening skal du sørge for, at der ikke er nogen skjulte genstande som fx elektriske rør, vandrør eller gasrør i arbejdsemnet. Ellers kan det muligvis forårsage et elektrisk stød, en elektrisk lækage eller gaslækage.
22. Hvis der er monteret et underlag til skiven, skal du ikke fjerne det. Diameteren af underlaget skal være større end læsemøtrikken, den udvendige flange og indvendige flange.
23. Inden du monterer en slibeskive skal du altid kontrollere, at underlagsdelen ikke har nogen uregelmæssigheder som fx hakker eller revner.
24. Spænd læsemøtrikken korrekt. Overspænding af skiven kan forårsage brud og utilstrækkelig spænding kan forårsage rystelser.

GEM DISSE FORSKRIFTER.

⚠ ADVARSEL: LAD IKKE bekvemmelighed eller kendskab til produktet (opnået gennem gentagen brug) forhindre, at sikkerhedsforskrifterne for produktet nøje overholdes. MISBRUG eller forsummelse af at følge de i denne brugsvejledning givne sikkerhedsforskrifter kan medføre alvorlig personskade.

Vigtige sikkerhedsinstruktioner for akkuen

1. Læs alle instruktioner og advarselmærkater på (1) akku-opladeren, (2) akkuen og (3) produktet, som anvender akku.
2. Adskil eller ændr ikke akkuen. Det kan muligvis resultere i en brand, overdreven varme eller eksplosion.
3. Hold straks op med anvendelsen, hvis brugstiden er blevet stærkt afkortet. Fortsat anvendelse kan resultere i risiko for overophedning, forbrændinger og endog eksplosion.
4. Hvis De har fået elektrolytvæske i øjnene, skal De straks skylle den ud med rent vand og derefter øjeblikkeligt søge lægehjælp. I modsat fald kan De miste synet.
5. Vær påpasselig med ikke at komme til at kortslutte akkuen:
 - (1) Rør ikke ved terminalerne med noget ledende materiale.
 - (2) Undgå at opbevare akkuen i en beholder sammen med andre genstande af metal, for eksempel søm, mønter og lignende.
 - (3) Udsæt ikke akkuen for vand eller regn. Kortslutning af akkuen kan forårsage en kraftig øgning af strømmen, overophedning, mulige forbrændinger og endog værktøjstop.
6. Opbevar og brug ikke maskinen og akkuen på steder, hvor temperaturen muligvis kan nå eller overstige 50 °C.
7. Lad være med at brænde akkuen, selv ikke i tilfælde, hvor den har lidt alvorlig skade eller er fuldstændig udtjent. Akkuen kan eksplodere, hvis man forsøger at brænde den.
8. Slå ikke søm i, skær ikke i, knus, kast, tab ikke akkuen og stød ikke akkuen mod en hård genstand. Sådan adfærd kan muligvis resultere i en brand, overdreven varme eller eksplosion.
9. Anvend ikke en beskadiget akku.
10. De indbyggede litium-ion-batterier er underlagt lovkrav vedrørende farligt gods. Ved kommerciel transport, f.eks. af tredjeparts transportselskaber, skal særlige krav til forpakning og mærkning overholdes. Ved forberedelse af udstyret til forsendelse skal du kontakte en ekspert i farligt gods. Overhold også eventuel mere detaljeret national lovgivning. Tape eller tildæk åbne kontakter, og pak batteriet på en måde, så det ikke kan flytte sig rundt i pakningen.
11. Når akkuen bortskaffes, skal du fjerne den fra maskinen og bortskaffe den på et sikkert sted. Følg de lokale love vedrørende bortskaffelsen af batterier.
12. Brug kun batterierne med de produkter, som Makita specificerer. Hvis batterierne installeres i ikke-kompatible produkter, kan det medføre brand, kraftig varme, eksplosion eller udsivning af elektrolyt.
13. Hvis maskinen ikke skal bruges i længere tid ad gangen, skal du fjerne batteriet fra maskinen.
14. Akkuen kan muligvis under og efter brug være varm, hvilket kan forårsage forbrændinger eller lavtemperaturforbrændinger. Vær påpasselig med håndtering af varme akkuer.

15. Rør ikke terminalen på maskinen straks efter brug, da den bliver varm nok til at forårsage forbrændinger.
16. Sørg for, at spåner, støv eller jord ikke sætter sig fast i akkuens terminaler, huller og riller. Det kan forårsage opvarmning, antændelse, sprængning og funktionsfejl i maskinen eller akkuen, hvilket kan medføre forbrændinger eller personskade.
17. Medmindre maskinen understøtter brugen i nærheden af elektriske højspændingsledninger, skal du ikke anvende akkuen i nærheden af elektriske højspændingsledninger. Det kan muligvis medføre funktionsfejl på eller nedbrud af maskinen eller akkuen.
18. Opbevar batteriet utilgængeligt for børn.

GEM DENNE BRUGSANVISNING.

⚠FORSIGTIG: Brug kun originale batterier fra Makita. Brug af uoriginale Makita-batterier, eller batterier som er blevet ændret, kan muligvis medføre brud på batteriet, hvilket kan forårsage brand, personskade eller beskadigelse. Det ugyldiggør også Makita-garantien for Makita-maskinen og opladeren.

Tips til opnåelse af maksimal akku-levetid

1. Oplad akkuen, inden den er helt afladet. Stop altid værktøjet, og oplad akkuen, hvis De bemærker, at værktøjeffekten er aftagende.
2. Genoplad aldrig en fuldt opladet akku. Overoplading vil afkorte akkuens levetid.
3. Oplad akkuen ved stuetemperatur ved 10 °C - 40 °C. Lad altid en varm akku få tid til at køle af, inden den oplades.
4. Når du ikke anvender akkuen, skal du fjerne den fra maskinen eller opladeren.
5. Oplad akkuen, hvis De ikke skal bruge den i længere tid (mere end seks måneder).

Vigtige sikkerhedsinstruktioner for trådløs enhed

1. Undlad at adskille eller ændre den trådløse enhed.
2. Opbevar den trådløse enhed utilgængeligt for små børn. Søg øjeblikkeligt læge, hvis den sluges ved et uheld.
3. Brug kun den trådløse enhed sammen med maskiner fra Makita.
4. Udsæt ikke den trådløse enhed for regn eller våde omgivelser.
5. Brug ikke den trådløse enhed på steder, hvor temperaturen overskrider 50 °C.
6. Brug ikke den trådløse enhed i nærheden af medicinske instrumenter som f.eks. pacemakere.
7. Brug ikke den trådløse enhed i nærheden af automatiske enheder. Hvis den bruges, kan automatiske enheder udvikle fejlfunktion eller fejl.
8. Undlad at betjene den trådløse enhed på steder med høje temperaturer eller steder, hvor der kan genereres statisk elektricitet eller elektrisk støj.
9. Den trådløse enhed kan frembringe elektromagnetiske felter (EMF), men de er ikke skadelige for brugeren.
10. Den trådløse enhed er et præcisionsinstrument. Undgå at tabe eller slå på den trådløse enhed.
11. Undgå at berøre terminalen på den trådløse enhed med de bare hænder eller metalliske materialer.
12. Tag altid batteriet ud af produktet, når den trådløse enhed monteres på det.
13. Når låget på åbningen åbnes, skal du undgå steder, hvor der kan komme støv eller vand ind i åbningen. Hold altid indgangen til åbningen ren.
14. Indsæt altid den trådløse enhed i den rigtige retning.
15. Undgå at trykke for hårdt på den trådløse aktiveringsknap på den trådløse enhed og/eller at trykke på knappen med en genstand med en skarp kant.
16. Luk altid låget på åbningen under brug.
17. Undlad at fjerne den trådløse enhed fra åbningen, når der er sluttet strøm til maskinen. Hvis du gør dette, kan det medføre funktionsfejl i den trådløse enhed.
18. Undlad at fjerne etiketten på den trådløse enhed.
19. Undlad at sætte nogen etiket på den trådløse enhed.
20. Lad ikke den trådløse enhed ligge på steder, hvor der kan genereres statisk elektricitet eller elektrisk støj.
21. Lad ikke den trådløse enhed ligge på steder, der er udsat for høj varme, for eksempel en bil, der står i solen.
22. Lad ikke den trådløse enhed ligge på et sted med støv eller pulver eller på et sted, hvor der kan udvikles ætsende gas.
23. En pludselig temperaturændring kan forårsage dug på den trådløse enhed. Brug ikke den trådløse enhed, før duggen er tørret helt bort.
24. Ved rengøring af den trådløse enhed skal den aftørres forsigtigt med en tør, blød klud. Brug ikke rensbenzin, fortynder, ledende fedtstof eller lignende.
25. Ved opbevaring af den trådløse enhed skal den opbevares i den medfølgende æske eller i en beholder, der er fri for statisk elektricitet.
26. Indsæt ikke andre enheder end den trådløse enhed fra Makita i åbningen på maskinen.
27. Undlad at bruge maskinen, hvis låget til åbningen er beskadiget. Vand, støv og snavs, der kommer ind i åbningen, kan forårsage fejlfunktion.
28. Undlad at trække og/eller vride låget til åbningen mere end nødvendigt. Sæt låget på igen, hvis det falder af maskinen.
29. Udsift låget til åbningen, hvis det bliver væk eller ødelægges.

GEM DISSE FORSKRIFTER.

FUNKTIONSBESKRIVELSE

⚠️ FORSIGTIG: Sørg altid for at maskinen er slukket, og at akkuen er taget ud, før der udføres justering eller kontrol af funktioner på maskinen.

Isætning eller fjernelse af akkuen

⚠️ FORSIGTIG: Sluk altid for værktøjet, før De monterer eller fjerner akkuen.

⚠️ FORSIGTIG: Hold værktøjet og akkuen fast ved montering eller fjernelse af akkuen. Hvis De ikke holder værktøjet og akkuen fast, kan de glide ud af hænderne på Dem og forårsage beskadigelse af værktøjet og akkuen eller personskade.

► Fig.1: 1. Rød indikator 2. Knap 3. Akku

Akkuen fjernes ved, at De trækker den ud af værktøjet, idet De skyder knappen på forsiden af akkuen i stilling.

For at montere akkuen skal du justere tungen på akkuen med rillen i huset og skubbe den på plads. Indsæt den hele vejen, indtil den låses på plads med et lille klik. Hvis du kan se den røde indikator, som vist i figuren, er den ikke helt låst.

⚠️ FORSIGTIG: Monter altid akkuen helt, indtil den røde indikator ikke længere er synlig. Hvis dette ikke gøres, kan den falde ud af værktøjet ved et uheld, hvorved De selv eller personer i nærheden kan komme til skade.

⚠️ FORSIGTIG: Brug ikke magt ved montering af akkuen. Hvis akkuen ikke glider på plads uden problemer, betyder det, at den ikke sættes i på korrekt vis.

Indikation af den resterende batteriladning

Kun til akkuer med indikatorer

► Fig.2: 1. Indikatorlamper 2. Kontrolknap

Tryk på kontrolknappen på akkuen for at få vist den resterende batteriladning. Indikatorlampen lyser i nogle sekunder.

Indikatorlamper			Resterende ladning
Tændt	Slukket	Blinker	
■	■	■	75% til 100%
■	■	■	50% til 75%
■	■	□	25% til 50%
■	□	□	0% til 25%
◐	□	□	Genoplad batteriet.
■	■	□	Der er muligvis fejl i batteriet.
□	□	■	

BEMÆRK: Afhængigt af brugsforholdene og den omgivende temperatur kan indikationen afvige en smule fra den faktiske ladning.

BEMÆRK: Den første indikatorlampe (længst mod venstre) vil blinke, når batteribeskyttelsessystemet aktiveres.

Indikation af den resterende batteriladning

Landespecifikt

Når du tænder for maskinen, viser batteriindikatoren den resterende batteriladning.

► Fig.3: 1. Batteriindikator

Den resterende batteriladning vises som i følgende tabel.

Status på batteriindikator			Resterende batteriladning
Tændt	Slukket	Blinker	
			50% til 100%
			20% til 50%
			0% til 20%
			Genoplad batteriet

Beskyttelsessystem til værktøj/batteri

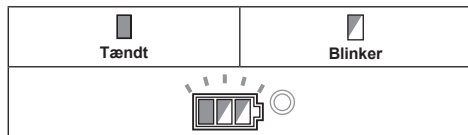
Maskinen er udstyret med et beskyttelsessystem til maskinen/batteriet. Dette system afbryder automatisk strømmen til motoren for at forlænge maskinens og batteriets levetid. Maskinen stopper automatisk under brugen, hvis maskinen eller batteriet udsættes for et af følgende forhold:

Overbelastningsbeskyttelse

Når værktøjet betjenes på en måde, der får den til at bruge unormalt meget strøm, stopper værktøjet automatisk uden indikation. Sluk i så fald for værktøjet, og stop den anvendelse, der bevirkede, at værktøjet blev overbelastet. Tænd derefter for værktøjet for at starte igen.

Beskyttelse mod overophedning

Når maskinen bliver overophedet, stopper den automatisk, og batteriindikatoren viser følgende tilstand. Lad i så fald maskinen køle af, før der tændes for maskinen igen.



Hvis maskinen ikke starter, er akkuen muligvis overophedet. Lad i så fald akkuen køle af, før der tændes for maskinen igen.

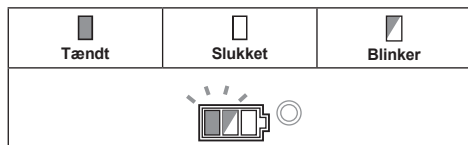
Beskyttelse mod overafledning

Når batteriladningen er utilstrækkelig, stopper maskinen automatisk. Tag i så fald akkuen ud af maskinen, og oplad akkuen.

Frigrørelse af beskyttelseslåsen

Når beskyttelsessystemet aktiveres gentagne gange, låses maskinen, og batteriindikatoren viser følgende tilstand.

I så fald starter maskinen ikke, selv om der tændes og slukkes for maskinen. For at frigøre beskyttelseslåsen skal du fjerne akkuen, sætte den i batteriopladeren og vente, indtil opladningen er fuldført.



Beskyttelse mod andre årsager

Beskyttelsessystemet er også designet til andre årsager, der kan beskadige maskinen og gør det muligt for maskinen at stoppe automatisk. Træf alle følgende foranstaltninger for at fjerne årsagerne, når maskinen midlertidigt er blevet bragt til standsning eller stoppet i drift.

1. Sluk for maskinen, og tænd den igen for at genstarte.
2. Oplad batteriet/batterierne eller udskift det/dem med genopladet/genopladede batteri/batterier.
3. Lad maskinen og batteriet/batterierne køle af.

Hvis der ikke kan findes nogen forbedring ved at genåbne beskyttelsessystemet, skal det lokale Makita-servicecenter kontaktes.

Aksellås

ADVARSEL: Aktiver aldrig aksellåsen, når spindlen bevæger sig. Det kan forårsage alvorlig tilskadekomst eller maskinskade.

Tryk på aksellåsen for at forhindre, at spindlen roterer, når tilbehør monteres eller afmonteres.

► Fig.4: 1. Aksellås

Afbryderfunktion

FORSIGTIG: Før akkuen sættes i maskinen, skal man altid sikre sig, at afbryderhåndtaget fungerer korrekt, og at det springer tilbage i "OFF"-positionen, når det slippes.

FORSIGTIG: Af hensyn til din sikkerhed er maskinen forsynet med et aflåsehåndtag, der forhindrer, at maskinen starter ved et uheld. Brug ALDRIG maskinen, hvis den kører, når du blot trykker på afbryderhåndtaget uden at trække aflåsehåndtaget. Returner maskinen til vores autoriserede servicecenter til korrekt reparation, FØR den benyttes igen.

FORSIGTIG: Træk ikke hårdt i afbryderhåndtaget uden at trække i aflåsehåndtaget. Dette kan forårsage beskadigelse af afbryderen.

FORSIGTIG: Brug ALDRIG tape til at fastgøre aflåsehåndtaget eller på anden måde omgå dets formål og funktion.

For at forhindre utilsigtet indtrykning af afbryderhåndtaget er maskinen udstyret med et aflåsehåndtag.

For at starte maskinen skal man trække aflåsehåndtaget mod operatøren og derefter trække i afbryderhåndtaget.

For at stoppe maskinen slippes afbryderhåndtaget.

► Fig.5: 1. Aflåsehåndtag 2. Afbryderhåndtag

Drejeknap til hastighedsjustering

Maskinens rotationshastighed kan ændres ved at dreje drejeknappen til hastighedsjustering. Nedenstående tabel viser tallet på drejeknappen og den tilsvarende rotationshastighed.

► Fig.6: 1. Drejeknap til hastighedsjustering



Tal	Hastighed
1	3.000 min ⁻¹
2	4.500 min ⁻¹
3	6.000 min ⁻¹
4	7.500 min ⁻¹
5	8.500 min ⁻¹

BEMÆRKNING: Hvis maskinen anvendes kontinuerligt ved lav hastighed i længere tid ad gangen, bliver motoren overbelastet med funktionsforstyrrelser til følge.

BEMÆRKNING: Justeringsdrejeknappen for hastighed kan kun drejes så langt som til 5 og tilbage til 1. Undlad at tvinge den forbi 5 eller 1, da hastighedsvælgerfunktionen muligvis ellers ikke længere vil fungere.

Automatisk hastighedsændringsfunktion

► Fig.7: 1. Tilstandsindikator

Tilstandsindikatorstatus	Funktionstilstand
	Højhastighedstilstand
	Tilstand for højt moment

Dette værktøj har en "højhastighedstilstand" og en "tilstand for højt moment". Det skifter automatisk funktionstilstand afhængigt af arbejdsbelastningen. Når tilstandsindikatoren lyser under brug, er værktøj i højt momenttilstand.

Funktion til forhindring af utilsigtet genstart

Maskinen starter ikke, når akkuen sættes i, mens kontakten er slået TIL.

For at starte maskinen skal du slukke for kontakten og tænde den igen.

Teknologi til aktiv registrering af feedback

Maskinen registrerer elektronisk situationer, hvor skiven eller tilbehøret kan risikere at binde. I så fald slukkes der automatisk for maskinen for at forhindre spindlen i at rotere yderligere (det forhindrer ikke tilbageslag). For at genstarte maskinen skal man først slukke for maskinen, eliminere årsagen til det pludselige fald i rotationshastighed og derefter tænde for maskinen.

Funktion for blød start

Funktionen for blød start reducerer startreaktionen.

Elektrisk bremse

Den elektriske bremse aktiveres, når der slukkes for maskinen.

Bremsen fungerer ikke, når strømforsyningen afbrydes, for eksempel hvis akkuen fjernes ved en fejltagelse, mens kontakten stadig er til.

SAMLING

⚠FORSIGTIG: Sørg altid for at maskinen er slukket, og at akkuen er taget ud, før der udføres justering eller kontrol af funktioner på maskinen.

Montering af sidehåndtag

⚠FORSIGTIG: Sørg altid for, at sidehåndtaget er ordentligt monteret inden brugen.

Sku sidehåndtaget ordentligt på maskinen på det på illustrationen viste sted.

► Fig.8

Montering og afmontering af beskyttelsesskærm (til forsænket centerskive, bladdisk, flex-skive, trådskevborste / slibende afskæringskive, diamantskive)

⚠ADVARSEL: Ved brug af en forsænket centerskive, bladdisk, flex-skive eller trådskevborste skal beskyttelsesskærmen monteres på maskinen, så den lukkede side af skærmen altid vender mod operatøren.

⚠ADVARSEL: Ved brug af en slibende afskæringskive / diamantskive skal man sørge for kun at anvende den særlige beskyttelsesskærm, der er beregnet til brug med afskæringskiver.

For maskiner med beskyttelsesskærm af låseskruetypen

Montér beskyttelsesskærmen, så fremspringet på båndet på beskyttelsesskærmen er ud for indhakkene på kuglelejevoksen. Drej derefter beskyttelsesskærmen til en sådan vinkel at den kan beskytte operatøren i overensstemmelse med arbejdet. Sørg for at stramme skruen godt til. Følg fremgangsmåden til montering i modsat rækkefølge for at afmontere beskyttelsesskærmen.

► Fig.9: 1. Beskyttelsesskærm 2. Kuglelejevoks 3. Skruen

For maskiner med beskyttelsesskærm af klemmearmtypen

Løsn skruen og træk derefter armen i pilens retning. Montér beskyttelsesskærmen, så fremspringet på båndet på beskyttelsesskærmen er ud for indhakkene på kuglelejevoksen. Drej derefter beskyttelsesskærmen til en sådan vinkel at den kan beskytte operatøren i overensstemmelse med arbejdet.

► Fig.10: 1. Beskyttelsesskærm 2. Kuglelejevoks 3. Skruen 4. Arm

Træk armen i pilens retning. Spænd derefter beskyttelsesskærmen ved at stramme skruen. Sørg for at stramme skruen godt til. Beskyttelsesskærmens indstillingsvinkel kan reguleres med armen.

► Fig.11: 1. Skruen 2. Arm

Følg fremgangsmåden til montering i modsat rækkefølge for at afmontere beskyttelsesskærmen.

Clip-on-tilbehør til beskyttelsesskærm til skæring

Ekstraudstyr

BEMÆRK: Til afskæringsbetjening kan der anvendes et clip-on-tilbehør til beskyttelsesskærm til skæring sammen med beskyttelsesskærmen (til slibeskive).

Ikke til rådighed i visse lande.

► Fig.12

Montering eller afmontering af forsænket centerskive eller bladdisk

Ekstraudstyr

⚠ ADVARSEL: Når en forsænket centerskive eller bladdisk anvendes, skal beskyttelseskærmen sættes på maskinen, så den lukkede side af skærmen altid er rettet mod operatøren.

⚠ ADVARSEL: Sørg for, at monteringsdelen af den indvendige flange passer perfekt ind i den indvendige diameter på den forsænkede centerskive / bladdisken. Monteres den indvendige flange på den forkerte side, kan det medføre farlig vibration.

Montrér den indvendige flange på spindlen. Sørg for, at anbringe den bulende del af den indvendige flange på den lige del nederst på spindlen.

Anbring den forsænkede centerskive / bladdisken på den indvendige flange og skru låsemøtrikken på spindlen.

► **Fig.13:** 1. Låsemøtrik 2. Forsænket centerskive 3. Indvendig flange 4. Monteringsdel

Låsemøtrikken strammes ved at man trykker fast på aksellåsen, så spindlen ikke kan dreje, og derefter anvender låsemøtriknøglen til at stramme godt til i retningen med uret.

► **Fig.14:** 1. Låsemøtriknøgle 2. Aksellås

Gå frem i modsat rækkefølge af monteringsproceduren, når skiven skal tages af.

Montering og afmontering af flex-skive

Ekstraudstyr

⚠ ADVARSEL: Brug altid den medfølgende beskyttelseskærm, når flex-skiven er monteret på maskinen. Skiven kan brække under brugen, og beskyttelseskærmen bidrager til at reducere risikoen for tilskadekomst.

► **Fig.15:** 1. Låsemøtrik 2. Flex-skive 3. Bagskive 4. Indvendig flange

Følg instruktionerne for den forsænkede centerskive, men brug også bagskiven over skiven.

Montering og afmontering af slibedisk

Ekstraudstyr

BEMÆRK: Brug sandslibetilbehør, som er specificeret i denne brugsanvisning. Dette skal anskaffes separat.

Til 100 mm (4")-modellen

► **Fig.16:** 1. Sandslibelåsemøtrik 2. Slibedisk 3. Gummipude 4. Indvendig flange

1. Montrér den indvendige flange på spindlen.
2. Montrér gummipuden på spindlen.
3. Montrér disken på gummipuden og skru sandslibelåsemøtrikken på spindlen.
4. Hold spindlen med aksellåsen og spænd sandslibelåsemøtrikken ordentligt til i urets retning med låsemøtriknøglen.

Følg fremgangsmåden til montage i modsat rækkefølge for at afmontere disken.

Til andre modeller end 100 mm (4")

► **Fig.17:** 1. Sandslibelåsemøtrik 2. Slibedisk 3. Gummipude

1. Montrér gummipuden på spindlen.
2. Montrér disken på gummipuden og skru sandslibelåsemøtrikken på spindlen.
3. Hold spindlen med aksellåsen og spænd sandslibelåsemøtrikken ordentligt til i urets retning med låsemøtriknøglen.

Følg fremgangsmåden til montage i modsat rækkefølge for at afmontere disken.

Montering eller fjernelse af Ezynut

Ekstraudstyr

Kun for maskiner med M14-spindelgevind.

Montrér den indvendige flange, slibeskiven og Ezynut på spindlen, så Makita-logoet på Ezynut vender udad.

► **Fig.18:** 1. Ezynut 2. Slibeskive 3. Indvendig flange 4. Spindel

Tryk fast på aksellåsen, og stram Ezynut ved at dreje slibeskiven i retningen med uret, så langt som den kan komme.

► **Fig.19:** 1. Aksellås

Hvis du vil løsne Ezynut, skal du dreje den udvendige ring på Ezynut i retningen mod uret.

BEMÆRK: Ezynut kan løsnes i hånden, så længe pilen peger mod hakket. Ellers skal der bruges en låsemøtriknøgle til at løsne den. Sæt en stift på nøglen i hullet, og drej Ezynut i retningen mod uret.

► **Fig.20:** 1. Pil 2. Hak

► **Fig.21**

Montering af slibende afskæringsskive / diamantskive

Ekstraudstyr

⚠ ADVARSEL: Ved brug af en slibende afskæringsskive / diamantskive skal man sørge for kun at anvende den særlige beskyttelseskærm, der er beregnet til brug med afskæringsskiver.

⚠ ADVARSEL: Anvend ALDRIG en afskæringsskive til sideslibning.

► **Fig.22:** 1. Låsemøtrik 2. Slibende afskæringsskive / diamantskive 3. Indvendig flange 4. Beskyttelseskærm til slibende afskæringsskive / diamantskive

Med hensyn til monteringen skal instruktionerne for forsænkede centerskiver følges. Retningen for montage af låsemøtrikken og den indvendige flange afhænger af skivetyper og -tykkelsen. Se de følgende figurer.

Til 100 mm (4")-modellen

Når den slibende afskæringsskive monteres:

► **Fig.23:** 1. Låsemøtrik 2. Slibende afskæringsskive (tyndere end 4 mm (5/32")) 3. Slibende afskæringsskive (4 mm (5/32") eller tykkere) 4. Indvendig flange

Når diamantskiven monteres:

- **Fig.24:** 1. Låsemøtrik 2. Diamantskive (tyndere end 4 mm (5/32")) 3. Diamantskive (4 mm (5/32")) eller tykkere 4. Indvendig flange

Til andre modeller end 100 mm (4")

Når den slibende afskæringsskive monteres:

- **Fig.25:** 1. Låsemøtrik 2. Slibende afskæringsskive (tyndere end 4 mm (5/32")) 3. Slibende afskæringsskive (4 mm (5/32")) eller tykkere 4. Indvendig flange

Når diamantskiven monteres:

- **Fig.26:** 1. Låsemøtrik 2. Diamantskive (tyndere end 4 mm (5/32")) 3. Diamantskive (4 mm (5/32")) eller tykkere 4. Indvendig flange

Montering af trådkopbørste

Ekstraudstyr

⚠FORSIGTIG: Anvend ikke en børste, som er beskadiget, eller som ikke er i balance.

Anvendelse af en beskadiget børste kan øge risikoen for tilskadekomst forårsaget af kontakt med knækkede børstetråde.

Placer maskinen på hovedet for at få nem adgang til spindlen.

Fjern alt ekstraudstyr på spindlen. Monter trådkopbørsten på spindlen og stram til med den medfølgende nøgle.

- **Fig.27:** 1. Trådkopbørste

Montering af trådskevibrørste

Ekstraudstyr

⚠FORSIGTIG: Anvend ikke en trådskevibrørste, som er beskadiget, eller som ikke er i balance.

Anvendelse af en beskadiget trådskevibrørste kan øge risikoen for tilskadekomst forårsaget af kontakt med ødelagte tråde.

⚠FORSIGTIG: Anvend **ALTID** en beskyttelsesskærm med trådskevibrørster, og sørg for, at skivens diameter passer inden i beskyttelsesskærmen. Skiven kan brække under brugen, og beskyttelsesskærmen bidrager til at reducere risikoen for tilskadekomst.

Placer maskinen på hovedet for at få nem adgang til spindlen.

Fjern alt ekstraudstyr på spindlen. Sæt trådskevibrørsten på spindlen og stram med nøglerne.

- **Fig.28:** 1. Trådskevibrørste

Montering af hulskærer

Ekstraudstyr

Placer maskinen på hovedet for at få nem adgang til spindlen.

Fjern alt tilbehør på spindlen. Skru hulskæreren på spindlen og stram den med den medfølgende skruenøgle.

- **Fig.29:** 1. Hulskærer

Montering af beskyttelsesskærm til støvopsamling til slibning

Kun for model DGA467 / DGA468 / DGA517 / DGA518

Ekstraudstyr

Med ekstraudstyr kan du bruge denne maskine til afhøvling af betonoverflader.

⚠FORSIGTIG: Beskyttelsesskærmen til støvopsamling til diamantkopskiven er kun beregnet til brug ved afhøvling af betonoverflader med en diamantkopskive. Brug ikke denne skærm sammen med noget andet skærende tilbehør eller til noget andet formål.

⚠FORSIGTIG: Kontroller før brugen, at der er sluttet en støvsuger til maskinen, og at den er tændt.

Placer maskinen på hovedet og monter beskyttelsesskærmen til støvopsamling.

Monter den indvendige flange på spindlen.

Monter diamantskiven af koptypen på den indvendige flange, og stram låsemøtrikken på spindlen.

- **Fig.30:** 1. Låsemøtrik 2. Diamantskive af koptypen 3. Navformet diamantskive af koptypen 4. Indvendig flange 5. Beskyttelsesskærm til støvopsamling 6. Kuglelejebocks

BEMÆRK: Oplysninger om, hvordan beskyttelsesskærmen til støvopsamling monteres, finder du i manualen til beskyttelsesskærmen til støvopsamling.

Montering af beskyttelsesskærm til støvopsamling til afskæring

Ekstraudstyr

Med ekstraudstyr kan du bruge denne maskine til skæring af stenmaterialer.

- **Fig.31**

BEMÆRK: Oplysninger om, hvordan beskyttelsesskærmen til støvopsamling monteres, finder du i manualen til beskyttelsesskærmen til støvopsamling.

Tilslutning af en støvsuger

Ekstraudstyr

⚠ADVARSEL: Støvsug aldrig metalpartikler, der stammer fra slibning/skæring/sandslibning. Metalpartikler, der stammer fra sådanne operationer, er så varme, at de antænder støvet og filteret inde i støvsugeren.

For at undgå støvede omgivelser på grund af skæring i murværk skal du anvende en beskyttelsesskærm til støvopsamling og en støvsuger.

Se i brugsanvisningen, der følger med beskyttelsesskærmen til støvopsamling, vedrørende samling og brug af den.

- **Fig.32:** 1. Beskyttelsesskærm til støvopsamling 2. Støvsugerens slange

ANVENDELSE

⚠ ADVARSEL: Det bør aldrig være nødvendigt at anvende magt på maskinen. Maskinens egen vægt sørger for det nødvendige tryk. Tvang og ekstremt tryk kan medføre farlige brud på skiven.

⚠ ADVARSEL: Skift **ALTID** skiven ud, hvis maskinen tabes under slibning.

⚠ ADVARSEL: Stød eller slå **ALDRIG** skiven mod arbejdsemnet.

⚠ ADVARSEL: Undgå at støde og vride skiven, især ved arbejde på hjørner, skarpe kanter osv. Det kan medføre tab af kontrol og tilbageslag.

⚠ ADVARSEL: Anvend **ALDRIG** maskinen med klinger, der er beregnet til skæring i træ, og andre savklinger. Hvis sådanne klinger anvendes på en sliber, bliver resultatet ofte tilbageslag og tab af kontrol, hvilket kan føre til tilskadekomst.

⚠ FORSIGTIG: Tænd aldrig for maskinen, mens den er i kontakt med arbejdsemnet. Operatøren kan i så fald komme til skade.

⚠ FORSIGTIG: Bær altid beskyttelsesbriller eller ansigtsskærm under brugen.

⚠ FORSIGTIG: Efter brugen skal man altid slukke for maskinen og vente, indtil skiven er stoppet helt, inden man lægger maskinen fra sig.

⚠ FORSIGTIG: Hold **ALTID** godt fast i maskinen med den ene hånd på maskinhuset og den anden på sidehåndtaget.

BEMÆRK: Der kan anvendes en skive til dobbelt formål til både slibning og afskæring.

Se "Slibning og sandslibning" angående slibning og se "Anvendelse med slibende afskæringsskive/diamantskive" angående afskæring.

Slibning og sandslibning

► Fig.33

Start maskinen og anbring derefter skiven eller disken på arbejdsemnet.

Generelt skal kanten på skiven eller disken holdes i en vinkel på ca. 15° mod arbejdsemnets overflade.

I det tidsrum, hvor en ny skive indkøres, må man ikke arbejde med sliberen i forlæns retning, da dette muligvis vil bevirke, at den skærer ind i arbejdsemnet. Når først et stykke tids anvendelse har rundet kanten af skiven af, kan den anvendes i både forlæns og baglæns retning.

Eksempel på anvendelse: anvendelse med diamantskive af koptypen

► Fig.34

Hold maskinen vandret og placer hele diamantskiven af koptypen på arbejdsemnets overflade.

Anvendelse med slibende afskæringsskive / diamantskive

Ekstraudstyr

⚠ ADVARSEL: Vær påpasselig med ikke at "klemme" skiven eller udsætte den for ekstremt tryk. Forsøg ikke at lave et snit af ekstrem dybde. Et for stort pres på skiven vil øge belastningen og risikoen for at skiven vrider eller binder i snittet samt risikoen for tilbageslag, brud på skiven og overophedning af motoren.

⚠ ADVARSEL: Begynd ikke skæringen i arbejdsemnet. Lad skiven komme op på fuld hastighed og gå omhyggeligt ind i snittet, idet maskinen bevæges fremad over arbejdsemnets overflade. Skiven kan binde, presses op eller give tilbageslag, hvis maskinen startes i arbejdsemnet.

⚠ ADVARSEL: Under skæring må man aldrig ændre skivens vinkel. Hvis man øver sidelæns tryk på afskæringsskiven (som ved slibning), vil det bevirke, at skiven revner eller brækker med alvorlig tilskadekomst til følge.

⚠ ADVARSEL: En diamantskive skal anvendes vinkelret på det materiale, der skæres i.

Eksempel på anvendelse: anvendelse med slibende afskæringsskive

► Fig.35

Eksempel på anvendelse: anvendelse med diamantskive

► Fig.36

Anvendelse med trådkopbørste

Ekstraudstyr

⚠ FORSIGTIG: Kontroller børstens funktion ved at køre maskinen uden belastning, og sørg for at der ikke befinder sig nogen personer foran eller i forlængelse af børsten.

BEMÆRKNING: Undgå, at udøve et for stort tryk, som medfører overbøjning af tråde, når trådkopbørsten anvendes. Det kan muligvis medføre for tidligt brud.

Eksempel på anvendelse: anvendelse med trådkopbørste

► Fig.37

Anvendelse med trådslibebørste

Ekstraudstyr

⚠ FORSIGTIG: Kontroller trådslibebørstens funktion ved at køre maskinen uden belastning, og sørg for, at der ikke befinder sig nogen personer foran eller i forlængelse af børsten.

BEMÆRKNING: Undgå, når trådslibebørsten anvendes, at udøve et for stort tryk, som medfører overbøjning af tråde. Det kan muligvis medføre for tidligt brud.

Eksempel på anvendelse: anvendelse med trådslibebørste

► Fig.38

Anvendelse med hulskærer

Ekstraudstyr

⚠FORSIGTIG: Kontroller anvendelsen af hulskæreren ved at køre maskinen uden belastning, og sørg for, at der ikke befinder sig personer foran hulskæreren.

BEMÆRKNING: Vip ikke maskinen under anvendelsen. Det kan muligvis medføre for tidligt brud.

Eksempel på anvendelse: anvendelse med hulskærer
► Fig.39

TRÅDLØS AKTIVERINGSFUNKTION

Kun for model DGA418 / DGA468 / DGA518

Hvad kan du foretage dig med den trådløse aktiveringsfunktion

Den trådløse aktiveringsfunktion muliggør ren og behagelig anvendelse. Hvis der slutes en understøttet støvsuger til maskinen, kan du lade støvsugeren køre automatisk, når kontakten på maskinen betjenes.

► Fig.40

Hvis du vil bruge den trådløse aktiveringsfunktion, skal du forberede følgende genstande:

- En trådløs enhed (ekstraudstyr)
- En støvsuger, der understøtter den trådløse aktiveringsfunktion

Følgende er et overblik over indstilling af den trådløse aktiveringsfunktion. Se de enkelte afsnit for detaljerede procedurer.

1. Montering af en trådløs enhed
2. Maskinregistrering til støvsugeren
3. Start af den trådløse aktiveringsfunktion

Montering af en trådløs enhed

Ekstraudstyr

⚠FORSIGTIG: Placer maskinen på en flad og stabil overflade, når den trådløse enhed monteres.

BEMÆRKNING: Fjern støv og snavs fra maskinen, før den trådløse enhed monteres. Støv eller snavs kan forårsage funktionsfejl, hvis det kommer ind i åbningen til den trådløse enhed.

BEMÆRKNING: For at forhindre fejlfunktion forårsaget af statisk elektricitet skal du berøre et statisk afledende materiale som f.eks. en metaldele på maskinen, før du tager den trådløse enhed op.

BEMÆRKNING: Ved montering af den trådløse enhed skal du altid sikre dig, at den trådløse enhed er indsat i den korrekte retning, og at låget er lukket helt.

1. Åbn låget på maskinen som vist på figuren.

► Fig.41: 1. Låg

2. Indsæt den trådløse enhed i åbningen, og luk derefter låget.

Ved indsættelse af den trådløse enhed skal fremspringene justeres i forhold til de forsænkede dele på åbningen.

► Fig.42: 1. Trådløs enhed 2. Fremspring 3. Låg 4. Forsænket del

Ved fjernelse af den trådløse enhed åbnes låget langsomt. Krogene bag på låget løfter den trådløse enhed, når du trækker låget op.

► Fig.43: 1. Trådløs enhed 2. Krog 3. Låg

Når den trådløse enhed er fjernet, skal den opbevares i den medfølgende æske eller i en beholder, der er fri for statisk elektricitet.

BEMÆRKNING: Brug altid krogene bag på låget ved fjernelse af den trådløse enhed. Hvis krogene ikke griber fat i den trådløse enhed, skal du lukke låget helt og åbne det langsomt igen.

Maskinregistrering til støvsugeren

BEMÆRK: Du skal bruge en Makita-støvsuger, der understøtter den trådløse aktiveringsfunktion, til maskinregistreringen.

BEMÆRK: Afslut monteringen af den trådløse enhed på maskinen, før maskinregistreringen startes.

BEMÆRK: Under maskinregistreringen må du ikke trykke på afbryderknappen eller tænde for hovedafbryderen på støvsugeren.

BEMÆRK: Se også i brugsanvisningen til støvsugeren.

Hvis du vil aktivere støvsugeren, når kontakten på maskinen betjenes, skal du først afslutte maskinregistreringen.

1. Sæt batterierne i støvsugeren og maskinen.

2. Sæt standby-kontakten på støvsugeren til "AUTO".

► Fig.44: 1. Standby-kontakt

3. Tryk på den trådløse aktiveringsknap på støvsugeren i 3 sekunder, indtil den trådløse aktiveringslampe blinker grønt. Tryk derefter på den trådløse aktiveringsknap på maskinen på samme måde.

► Fig.45: 1. Trådløs aktiveringsknap 2. Trådløs aktiveringslampe

Hvis støvsugeren og maskinen sammenkædes korrekt, lyser de trådløse aktiveringslamper grønt i 2 sekunder og begynder at blinke blåt.

BEMÆRK: De trådløse aktiveringslamper holder op med at blinke grønt efter 20 sekunder. Tryk på den trådløse aktiveringsknap på maskinen, når den trådløse aktiveringslampe på støvsugeren blinker. Hvis den trådløse aktiveringslampe ikke blinker grønt, skal du trykke kortvarigt på den trådløse aktiveringsknap og holde den nede igen.

BEMÆRK: Når der udføres to eller flere maskinregistreringer for én støvsuger, skal maskinregistreringerne udføres en for en.

Start af den trådløse aktiveringsfunktion

BEMÆRK: Afslut maskinregistreringen for støvsugeren før den trådløse aktivering.

BEMÆRK: Se også i brugsanvisningen til støvsugeren.

Når en maskine er registreret til støvsugeren, kører støvsugeren automatisk, når kontakten på maskinen betjenes.

1. Monter den trådløse enhed på maskinen.
2. Slut støvsugerens slange til maskinen.
► **Fig.46**
3. Sæt standby-kontakten på støvsugeren til "AUTO".
► **Fig.47:** 1. Standby-kontakt
4. Tryk kortvarigt på den trådløse aktiveringsknap på maskinen. Den trådløse aktiveringslampe blinker blåt.
► **Fig.48:** 1. Trådløs aktiveringsknap 2. Trådløs aktiveringslampe

5. Tænd for maskinen. Kontroller, om støvsugeren kører, mens maskinen er i drift.

Tryk på den trådløse aktiveringsknap på maskinen for at stoppe den trådløse aktivering af støvsugeren.

BEMÆRK: Den trådløse aktiveringslampe på maskinen holder op med at blinke blåt, hvis der ikke sker nogen betjening i 2 timer. Indstil i så fald standby-kontakten på støvsugeren til "AUTO", og tryk på den trådløse aktiveringsknap på maskinen igen.

BEMÆRK: Støvsugeren starter/stopper med en forsinkelse. Der er en forsinkelse, når støvsugeren registrerer en betjening af kontakten på maskinen.










BEMÆRK: Den trådløse enheds transmissionsafstand kan variere afhængigt af placeringen og de omgivende forhold.

BEMÆRK: Når to eller flere maskiner er registreret til én støvsuger, kan støvsugeren begynde at køre, selvom du ikke tænder for maskinen, fordi en anden bruger anvender den trådløse aktiveringsfunktion.

Beskrivelse af den trådløse aktiveringslampes status

- **Fig.49:** 1. Trådløs aktiveringslampe

Den trådløse aktiveringslampe viser status for den trådløse aktiveringsfunktion. Se i tabellen nedenfor vedrørende betydningen af lampens status.

Status	Trådløs aktiveringslampe			Varighed	Beskrivelse
	Farve	 Tændt	 Blinker		
Standby	Blå		2 timer	Den trådløse aktivering af støvsugeren er tilgængelig. Lampen slukkes automatisk, hvis der ikke sker nogen betjening i 2 timer.	
			Når maskinen kører.	Den trådløse aktivering af støvsugeren er tilgængelig, og maskinen kører.	
Maskinregistrering	Grøn		20 sekunder	Klar til maskinregistrering. Venter på registrering fra støvsugeren.	
			2 sekunder	Maskinregistreringen er fuldført. Den trådløse aktiveringslampe begynder at blinke blåt.	
Annullerer maskinregistrering	Rød		20 sekunder	Klar til annullering af maskinregistrering. Venter på annullering fra støvsugeren.	
			2 sekunder	Annulleringen af maskinregistreringen er fuldført. Den trådløse aktiveringslampe begynder at blinke blåt.	
Andre	Rød		3 sekunder	Der er strøm til den trådløse enhed, og den trådløse aktiveringsfunktion starter.	
	Slukket	-	-	Den trådløse aktivering af støvsugeren er stoppet.	

Annulerer maskinregistrering for støvsugeren

Benyt følgende fremgangsmåde ved annullering af maskinregistreringen for støvsugeren.

1. Sæt batterierne i støvsugeren og maskinen.
2. Sæt standby-kontakten på støvsugeren til "AUTO".
► **Fig.50:** 1. Standby-kontakt
3. Tryk på den trådløse aktiveringsknap på støvsugeren i 6 sekunder. Den trådløse aktiveringslampe blinker grønt og bliver derefter rød. Tryk derefter på den trådløse aktiveringsknap på maskinen på samme måde.
► **Fig.51:** 1. Trådløs aktiveringsknap 2. Trådløs aktiveringslampe

Hvis annulleringen gennemføres korrekt, lyser de trådløse aktiveringslamper rødt i 2 sekunder og begynder at blinke blåt.

BEMÆRK: De trådløse aktiveringslamper holder op med at blinke rødt efter 20 sekunder. Tryk på den trådløse aktiveringsknap på maskinen, når den trådløse aktiveringslampe på støvsugeren blinker. Hvis den trådløse aktiveringslampe ikke blinker rødt, skal du trykke kortvarigt på den trådløse aktiveringsknap og holde den nede igen.

Fejlfinding i forbindelse med den trådløse aktiveringsfunktion

Udfør selv en inspektion, inden De anmoder om reparation. Hvis De opdager et problem, som ikke er forklaret i brugsanvisningen, må De ikke forsøge at adskille maskinen. Rådfør Dem i stedet med et autoriseret Makita Servicecenter, og brug altid originale Makita udskiftningsdele til reparationer.

Unormal tilstand	Sandsynlig årsag (fejl)	Afhjælpning
Den trådløse aktiveringslampe tændes/blinker ikke.	Den trådløse enhed er ikke monteret på maskinen. Den trådløse enhed er ikke monteret korrekt på maskinen.	Monter den trådløse enhed korrekt.
	Terminalen på den trådløse enhed og/eller åbningen er snavset.	Aftør forsigtigt støv og snavs på terminalen på den trådløse enhed, og rengør åbningen.
	Der er ikke trykket på den trådløse aktiveringsknap på maskinen.	Tryk kortvarigt på den trådløse aktiveringsknap på maskinen.
	Standby-kontakten på støvsugeren er ikke indstillet til "AUTO".	Sæt standby-kontakten på støvsugeren til "AUTO".
	Ingen strømforsyning	Tilfør strøm til maskinen og støvsugeren.
Kan ikke afslutte maskinregistrering/annullering af maskinregistrering korrekt.	Den trådløse enhed er ikke monteret på maskinen. Den trådløse enhed er ikke monteret korrekt på maskinen.	Monter den trådløse enhed korrekt.
	Terminalen på den trådløse enhed og/eller åbningen er snavset.	Aftør forsigtigt støv og snavs på terminalen på den trådløse enhed, og rengør åbningen.
	Standby-kontakten på støvsugeren er ikke indstillet til "AUTO".	Sæt standby-kontakten på støvsugeren til "AUTO".
	Ingen strømforsyning	Tilfør strøm til maskinen og støvsugeren.
	Forkert betjening	Tryk kortvarigt på den trådløse aktiveringsknap, og udfør procedurerne for maskinregistrering/annullering igen.
	Maskinen og støvsugeren er ikke i nærheden af hinanden (uden for transmissionsafstand).	Flyt maskinen og støvsugeren tættere på hinanden. Den maksimale transmissionsafstand er cirka 10 m, men kan variere afhængigt af forholdene.
	Før du afslutter registreringen/annulleringen af maskinen; - er kontakten på maskinen tændt eller; - er tænd/sluk-knappen på støvsugeren tændt.	Tryk kortvarigt på den trådløse aktiveringsknap, og udfør procedurerne for maskinregistrering/annullering igen.
	Maskinregistreringsprocedurerne på maskinen eller støvsugeren er ikke fuldført.	Gennemfør maskinregistreringsprocedurerne både på maskinen og støvsugeren på samme tid.
	Radiointerferens fra andre apparater, der udsender højintens radiobølger.	Hold maskinen og støvsugeren væk fra apparater som f.eks. Wi-Fi-enheder og mikrobølgeovne.
	Støvsugeren kører ikke, når kontakten på maskinen betjenes.	Den trådløse enhed er ikke monteret på maskinen. Den trådløse enhed er ikke monteret korrekt på maskinen.
Terminalen på den trådløse enhed og/eller åbningen er snavset.		Aftør forsigtigt støv og snavs på terminalen på den trådløse enhed, og rengør åbningen.
Der er ikke trykket på den trådløse aktiveringsknap på maskinen.		Tryk kortvarigt på den trådløse aktiveringsknap, og kontroller, at den trådløse aktiveringslampe blinker blåt.
Standby-kontakten på støvsugeren er ikke indstillet til "AUTO".		Sæt standby-kontakten på støvsugeren til "AUTO".
Der er registreret mere end 10 maskiner til støvsugeren.		Udfør maskinregistreringen igen. Hvis der er registreret mere end 10 maskiner til støvsugeren, bliver den maskine, der blev registreret tidligst, automatisk annulleret.
Støvsugeren har slettet alle maskinregistreringer.		Udfør maskinregistreringen igen.
Ingen strømforsyning		Tilfør strøm til maskinen og støvsugeren.
Maskinen og støvsugeren er ikke i nærheden af hinanden (uden for transmissionsafstand).		Flyt maskinen og støvsugeren tættere på hinanden. Den maksimale transmissionsafstand er cirka 10 m, men kan variere afhængigt af forholdene.
Radiointerferens fra andre apparater, der udsender højintens radiobølger.		Hold maskinen og støvsugeren væk fra apparater som f.eks. Wi-Fi-enheder og mikrobølgeovne.
Støvsugeren kører, mens maskinen ikke er i drift.		Andre brugere anvender den trådløse aktivering af støvsugeren med deres maskiner.

VEDLIGEHOJDELSE

⚠ FORSIGTIG: Vær altid sikker på, at værktøjet er slukket, og at akkuen er taget ud, inden De begynder at udføre inspektion eller vedligeholdelse.

BEMÆRKNING: Anvend aldrig benzin, rensebenzin, fortynder, alkohol og lignende. Det kan medføre misfarvning, deformation eller revner.

For at opretholde produktets SIKKERHED og PÅLIDELIGHED må reparation, vedligeholdelse eller justering kun udføres af et autoriseret Makita servicecenter eller fabrikksservicecenter med anvendelse af Makita reservedele.

Rengøring af ventilationsåbninger

Maskinen og dens ventilationsåbninger skal altid holdes rene. Rengør maskinens ventilationsåbninger med jævne mellemrum eller når ventilationsåbningerne begynder at blive tilstoppede.

► **Fig.52:** 1. Udstødningsåbning 2. Indsugningsåbning

Fjern støvdækslet fra indsugningsåbningen, og rengør det for uhindret luftcirkulation.

► **Fig.53:** 1. Støvdæksel

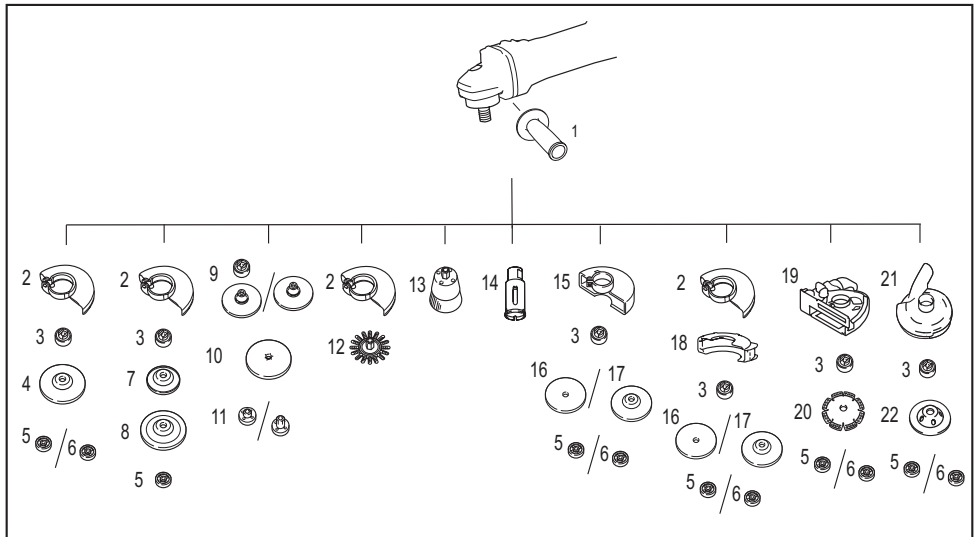
BEMÆRKNING: Rengør støvdækslet, når det er tilstoppet med støv eller fremmedlegemer. Fortsat brug med et tilstoppet støvdæksel kan beskadige maskinen.

KOMBINATION AF ANVENDELSER OG TILBEHØR

Ekstraudstyr

⚠️FORSIGTIG: Brug af maskinen med forkerte skærme kan forårsage risici som følger.

- Når der anvendes en skærm til afskæringsskive til overfladeslibning, kan beskyttelsesskærmen muligvis påvirke arbejdsområdet og forårsage dårlig kontrol.
- Når der anvendes en beskyttelsesskærm til slibning til afskæring med limede slibeskiver og diamantskiver, er der en forøget risiko for eksponering for roterende skiver, udsendte gnister og partikler, såvel som eksponering for skivefragmenter i tilfælde af skivebrud.
- Når der anvendes en skærm til afskæringsskive eller beskyttelsesskærm til slibning til overfladeopgaver med diamantskiver af koptypen, kan beskyttelsesskærmen muligvis påvirke arbejdsområdet og forårsage dårlig kontrol.
- Når der anvendes en skærm til afskæringsskive eller beskyttelsesskærm til slibning med en trådbørste af skivetyper med en tykkelse, som overstiger den maksimale tykkelse, der er angivet i "SPECIFIKATIONER", kan trådene muligvis sætte sig fast i skærmen og medføre afbrydning af tråde.
- Brug af beskyttelsesskærme til støvopsamling til afskærings- og overfladeopgaver i beton eller murværk reducerer risikoen for eksponering for støv.
- Når der anvendes flangemonterede skiver med dobbelt formål (kombineret slibning og slibeafskæring), skal der kun anvendes en skærm til afskæringsskive.



-	Anvendelse	100 mm model	115 mm model	125 mm model
1	-	Sidehåndtag		
2	-	Beskyttelsesskærm (til slibeskive)		
3	-	Indvendig flange		
4	Slibning/sandslibning	Forsænket centerskive / bladdisk		
5	-	Låsemøtrik		
6	-	-	Ezynut *1	
7	-	Bagskive		
8	Slibning	Flex-skive		
9	-	Indvendig flange og gummipude 76	Gummipude 100	Gummipude 115
10	Sandslibning	Slibedisk		
11	-	Sandslibelåsemøtrik		
12	Trådbørstning	Trådslibeskive		

-	Anvendelse	100 mm model	115 mm model	125 mm model
13	Trådbørstning	Trådkopbørste		
14	Hulskæring	Hulskærer		
15	-	Beskyttelsesskærm (til afskæringsskive)		
16	Afskæring	Slibende afskæringsskive / diamantskive		
17	Slibning/afskæring	Skive til dobbelt formål		
18	-	Clip-on-tilbehør til beskyttelsesskærm til skæring *2		
19	-	Beskyttelsesskærm til støvopsamling til afskæring *3		
20	Afskæring	Diamantskive		
21	-	-	Beskyttelsesskærm til støvopsamling til slibning *4	
22	Slibning	-	Diamantskive af koptypen *4	
-	-	Låsemøtriknøgle		

BEMÆRK: *1 Kun for maskiner med M14-spindelgevind.

BEMÆRK: *2 Clip-on-tilbehør til beskyttelsesskærm til skæring er ikke til rådighed i visse lande. Se i brugsanvisningen til clip-on-tilbehøret til beskyttelsesskærm til skæring for flere detaljer.

BEMÆRK: *3 For yderligere oplysninger henvises til hver enkelt brugsanvisning til skærmen.

BEMÆRK: *4 Kun for model DGA467 / DGA468 / DGA517 / DGA518

For yderligere oplysninger henvises til hver enkelt brugsanvisning til skærmen.

EKSTRAUDSTYR

⚠FORSIGTIG: Det følgende tilbehør og ekstraudstyr er anbefalet til brug med Deres Makita maskine, der er beskrevet i denne brugsanvisning. Anvendelse af andet tilbehør eller ekstraudstyr kan udgøre en risiko for personskade. Anvend kun tilbehør og ekstraudstyr til det beskrevne formål.

Hvis De behøver hjælp ved valg af tilbehør eller ønsker yderligere informationer, bedes De kontakte Deres lokale Makita servicecenter.

- Original Makita-akku og oplader
- Tilbehør angivet i "KOMBINATION AF ANVENDELSER OG TILBEHØR"
- Trådløs enhed (for modeller med trådløs aktiveringsfunktion)

BEMÆRK: Nogle ting på denne liste kan være inkluderet i værktøjspakken som standardtilbehør. Det kan være forskellige fra land til land.

ΠΡΟΔΙΑΓΡΑΦΕΣ

Μοντέλο:		DGA417	DGA418	DGA467	DGA468	DGA517	DGA518
Συμβατός τροχός λείανσης	Μέγ. διάμετρος τροχού	100 mm		115 mm		125 mm	
	Μέγιστο πάχος τροχού	6,4 mm		7,2 mm			
Συμβατός τροχός αποκοπής	Μέγ. διάμετρος τροχού	105 mm		115 mm		125 mm	
	Μέγιστο πάχος τροχού			3,2 mm			
Συμβατή συρμάτινη βούρτσα σχήματος τροχού	Μέγ. διάμετρος τροχού	100 mm		115 mm		125 mm	
	Μέγιστο πάχος τροχού			20 mm			
Σπείρωμα ατράκτου		M10		M14 ή 5/8" (ειδικό της χώρας)			
Μέγ. μήκος ατράκτου		18 mm		23 mm			
Ταχύτητα χωρίς φορτίο (n ₀) / Ονομαστική ταχύτητα (n)				8.500 min ⁻¹			
Συνολικό μήκος	με BL1840B			382 mm			
Καθαρό βάρος		2,2 - 3,7 kg		2,4 - 3,9 kg			
Ονομαστική τάση				D.C. 18 V			

- Λόγω του συνεχιζόμενου προγράμματος έρευνας και ανάπτυξης, οι προδιαγραφές αυτές υπόκεινται σε αλλαγές χωρίς προειδοποίηση.
- Τα τεχνικά χαρακτηριστικά μπορεί να διαφέρουν από χώρα σε χώρα.
- Το βάρος μπορεί να διαφέρει ανάλογα με τα προσαρτήματα, συμπεριλαμβάνοντας την κασέτα μπαταριών. Ο ελαφρύτερος και ο βαρύτερος συνδυασμός, σύμφωνα με τη διαδικασία EPTA 01/2014, παρουσιάζονται στον πίνακα.

Ισχύουσα κασέτα μπαταριών και φορτιστής

Κασέτα μπαταρίας	BL1815N / BL1820B / BL1830B / BL1840B / BL1850B / BL1860B
Φορτιστής	DC18RC / DC18RD / DC18RE / DC18SD / DC18SE / DC18SF / DC18SH / DC18WC

- Ορισμένες από τις κασέτες και τους φορτιστές μπαταριών που αναγράφονται παραπάνω ίσως να μην είναι διαθέσιμοι, ανάλογα με την τοποθεσία κατοικίας σας.

⚠ ΠΡΟΕΙΔΟΠΟΙΗΣΗ: Να χρησιμοποιείτε μόνο τις κασέτες μπαταριών και τους φορτιστές που παρατίθενται ανωτέρω. Η χρήση οποιασδήποτε άλλης κασέτας μπαταριών ή φορτιστή μπορεί να προκαλέσει τραυματισμό ή/και πυρκαγιά.

Συνιστώμενη ενσύρματη πηγή τροφοδοσίας

Φορητή ηλεκτρική τροφοδότηση	PDC01
------------------------------	-------

- Οι ενσύρματες πηγές τροφοδοσίας που αναγράφονται παραπάνω μπορεί να μην είναι διαθέσιμες, ανάλογα με την περιοχή της κατοικίας σας.
- Πριν χρησιμοποιήσετε την ενσύρματη πηγή τροφοδοσίας, διαβάστε τις οδηγίες και τις ενδείξεις προφυλάξεων που αναγράφονται σε αυτή.

Σύμβολα

Παρακάτω παρουσιάζονται τα σύμβολα που μπορούν να χρησιμοποιηθούν για τον εξοπλισμό. Βεβαιωθείτε ότι κατανοείτε τη σημασία τους πριν από τη χρήση.



Διαβάστε το εγχειρίδιο οδηγιών.



Φοράτε γυαλιά ασφαλείας.



Να χειρίζεστε πάντα με δύο χέρια.



Μην χρησιμοποιείτε τον προφυλακτήρα τροχού για λειτουργίες αποκοπής.



Μόνο για τις χώρες της ΕΕ
 Λόγω της παρουσίας των επικίνδυνων συστατικών μερών στον εξοπλισμό, ο απόβλητος ηλεκτρικός και ηλεκτρονικός εξοπλισμός, οι συσσωρευτές και οι μπαταρίες μπορεί να έχουν αρνητική επίδραση στο περιβάλλον και την ανθρώπινη υγεία. Μην απορρίπτετε τις ηλεκτρικές και ηλεκτρονικές συσκευές ή μπαταρίες μαζί με τα οικιακά απορρίμματα!
 Σύμφωνα με την Ευρωπαϊκή Οδηγία για τον απόβλητο ηλεκτρικό και ηλεκτρονικό εξοπλισμό και για τους συσσωρευτές και μπαταρίες και τους απόβλητους συσσωρευτές και μπαταρίες, καθώς και την προσαρμογή τους στην εθνική νομοθεσία, ο απόβλητος ηλεκτρικός εξοπλισμός, οι μπαταρίες και οι συσσωρευτές θα πρέπει να αποθηκεύονται ξεχωριστά και να παραδίδονται σε ξεχωριστό σημείο συλλογής για δημοτικά απόβλητα, το οποίο λειτουργεί σύμφωνα με τους κανονισμούς για την προστασία του περιβάλλοντος.
 Αυτό υποδεικνύεται από το σύμβολο του διαγραμμένου τροχοφόρου κάδου που βρίσκεται αναρτημένο επάνω στον εξοπλισμό.

Προοριζόμενη χρήση

Το εργαλείο προορίζεται για τη λείανση, τρίψιμο, επεξεργασία με συρματόβουρτσα, διάνοιξη οπών και κοπή μεταλλικών και πέτρινων υλικών χωρίς τη χρήση νερού.

Θόρυβος

Το τυπικό Α επίπεδο καταμετρημένου θορύβου καθορίζεται σύμφωνα με το EN62841-2-3:

Μοντέλο	Επίπεδο ηχητικής πίεσης (L_{pA}): (dB (A))	Επίπεδο ηχητικής ισχύος (L_{WA}): (dB (A))	Αβεβαιότητα (K): (dB (A))
DGA417	83	91	3
DGA418	83	91	3
DGA467	83	91	3
DGA468	83	91	3
DGA517	83	91	3
DGA518	83	91	3

ΠΑΡΑΤΗΡΗΣΗ: Η δηλωμένη τιμή(ές) εκπομπής θορύβου έχει μετρηθεί σύμφωνα με την πρότυπη μέθοδο δοκιμής και μπορεί να χρησιμοποιηθεί για τη σύγκριση ενός εργαλείου με κάποιο άλλο.

ΠΑΡΑΤΗΡΗΣΗ: Η δηλωμένη τιμή(ές) εκπομπής θορύβου μπορεί να χρησιμοποιηθεί και στην προκαταρκτική αξιολόγηση της έκθεσης.

⚠️ ΠΡΟΕΙΔΟΠΟΙΗΣΗ: Να φοράτε ωτοασπίδες.

⚠️ ΠΡΟΕΙΔΟΠΟΙΗΣΗ: Η εκπομπή θορύβου κατά τη χρήση του ηλεκτρικού εργαλείου σε πραγματικές συνθήκες μπορεί να διαφέρει από τη δηλωμένη τιμή(ές) ανάλογα με τους τρόπους χρήσης του εργαλείου, ιδιαίτερα το είδος του τεμαχίου εργασίας που υπόκειται επεξεργασία.

⚠️ ΠΡΟΕΙΔΟΠΟΙΗΣΗ: Φροντίστε να λάβετε τα κατάλληλα μέτρα προστασίας του χειριστή βάσει ενός υπολογισμού της έκθεσης σε πραγματικές συνθήκες χρήσης (λαμβάνοντας υπόψη όλες τις συνιστώσες του κύκλου λειτουργίας όπως τους χρόνους που το εργαλείο είναι εκτός λειτουργίας και όταν βρίσκεται σε αδρανή λειτουργία πέραν του χρόνου ενεργοποίησης).

⚠️ ΠΡΟΕΙΔΟΠΟΙΗΣΗ: Η λείανση λεπτών μεταλλικών φύλλων ή άλλων εύκολα δονούμενων δομών με μεγάλη επιφάνεια μπορεί να έχει ως αποτέλεσμα πολύ υψηλότερη συνολική εκπομπή θορύβου (μέχρι 15 dB) από ότι οι δηλωμένες τιμές εκπομπής θορύβου.

Τοποθετήστε βαριά εύκαμπτα χαλιά απόσβεσης, ή κάτι παρόμοιο, επάνω σε αυτά τα τεμάχια εργασίας για να αποφύγετε την εκπομπή ήχου από αυτά.

Λάβετε υπόψη την αυξημένη εκπομπή θορύβου τόσο για την αξιολόγηση κινδύνων από την έκθεση θορύβου όσο και για την επιλογή επαρκούς προστασίας της ακοής.

Κραδασμός

Η ολική τιμή δόνησης (άθροισμα τρι-αξονικού διανύσματος) καθορίζεται σύμφωνα με το EN62841-2-3:

Κατάσταση λειτουργίας: λείανση επιφανειών με κανονική πλάγια λαβή

Μοντέλο	Εκπομπή δόνησης ($a_{h, AG}$): (m/s ²)	Αβεβαιότητα (K): (m/s ²)
DGA417	4,5	1,5
DGA418	4,5	1,5
DGA467	5,5	1,5
DGA468	5,5	1,5
DGA517	6,0	1,5
DGA518	6,0	1,5

Κατάσταση λειτουργίας: λείανση επιφανειών με αντικραδασμική πλάγια λαβή

Μοντέλο	Εκπομπή δόνησης ($a_{h, AG}$): (m/s ²)	Αβεβαιότητα (K): (m/s ²)
DGA417	4,5	1,5
DGA418	4,5	1,5
DGA467	5,0	1,5
DGA468	5,0	1,5
DGA517	5,5	1,5
DGA518	5,5	1,5

Κατάσταση λειτουργίας: τρίψιμο δίσκου με κανονική πλάγια λαβή

Μοντέλο	Εκπομπή δόνησης ($a_{h, DS}$): (m/s ²)	Αβεβαιότητα (K): (m/s ²)
DGA417	2,5 m/s ² ή λιγότερο	1,5
DGA418	2,5 m/s ² ή λιγότερο	1,5
DGA467	2,5 m/s ² ή λιγότερο	1,5
DGA468	2,5 m/s ² ή λιγότερο	1,5
DGA517	2,5 m/s ² ή λιγότερο	1,5
DGA518	2,5 m/s ² ή λιγότερο	1,5

Κατάσταση λειτουργίας: τρίψιμο δίσκου με αντικραδασμική πλάγια λαβή

Μοντέλο	Εκπομπή δόνησης ($a_{h, DS}$): (m/s ²)	Αβεβαιότητα (K): (m/s ²)
DGA417	2,5 m/s ² ή λιγότερο	1,5
DGA418	2,5 m/s ² ή λιγότερο	1,5
DGA467	2,5 m/s ² ή λιγότερο	1,5
DGA468	2,5 m/s ² ή λιγότερο	1,5
DGA517	2,5 m/s ² ή λιγότερο	1,5
DGA518	2,5 m/s ² ή λιγότερο	1,5

ΠΑΡΑΤΗΡΗΣΗ: Η δηλωμένη τιμή(ές) συνολικών κραδασμών έχει μετρηθεί σύμφωνα με την πρότυπη μέθοδο δοκιμής και μπορεί να χρησιμοποιηθεί για τη σύγκριση ενός εργαλείου με κάποιο άλλο.

ΠΑΡΑΤΗΡΗΣΗ: Η δηλωμένη τιμή(ές) συνολικών κραδασμών μπορεί να χρησιμοποιηθεί και στην προκαταρκτική αξιολόγηση της έκθεσης.

▲ΠΡΟΕΙΔΟΠΟΙΗΣΗ: Η εκπομπή κραδασμών κατά τη χρήση του ηλεκτρικού εργαλείου σε πραγματικές συνθήκες μπορεί να διαφέρει από τη δηλωμένη τιμή(ές) εκπομπής ανάλογα με τους τρόπους χρήσης του εργαλείου, ιδιαίτερα το είδος του τεμαχίου εργασίας που υπόκειται επεξεργασία.

▲ΠΡΟΕΙΔΟΠΟΙΗΣΗ: Φροντίστε να λάβετε τα κατάλληλα μέτρα προστασίας του χειριστή βάσει ενός υπολογισμού της έκθεσης σε πραγματικές συνθήκες χρήσης (λαμβάνοντας υπόψη όλες τις συνιστώσες του κύκλου λειτουργίας όπως τους χρόνους που το εργαλείο είναι εκτός λειτουργίας και όταν βρίσκεται σε αδρανή λειτουργία πέραν του χρόνου ενεργοποίησης).

▲ΠΡΟΕΙΔΟΠΟΙΗΣΗ: Η δηλωμένη τιμή εκπομπής δόνησης χρησιμοποιείται για κύριες εφαρμογές του ηλεκτρικού εργαλείου. Ωστόσο, αν το ηλεκτρικό εργαλείο χρησιμοποιείται για άλλες εφαρμογές, η τιμή εκπομπής δόνησης ενδέχεται να είναι διαφορετική.

Δήλωση συμμόρφωσης ΕΚ

Μόνο για χώρες της Ευρώπης

Η δήλωση συμμόρφωσης ΕΚ περιλαμβάνεται ως Παράρτημα Α στο παρόν εγχειρίδιο οδηγιών.

ΠΡΟΕΙΔΟΠΟΙΗΣΕΙΣ ΑΣΦΑΛΕΙΑΣ

Γενικές προειδοποιήσεις ασφαλείας για το ηλεκτρικό εργαλείο

▲ ΠΡΟΕΙΔΟΠΟΙΗΣΗ Διαβάστε όλες τις προειδοποιήσεις ασφάλειας, οδηγίες, εικονογραφήσεις και προδιαγραφές που παρέχονται με αυτό το ηλεκτρικό εργαλείο. Η μη τήρηση όλων των οδηγιών που αναγράφονται κατωτέρω μπορεί να καταλήξει σε ηλεκτροπληξία, πυρκαγιά ή/και σοβαρό τραυματισμό.

Φυλάξτε όλες τις προειδοποιήσεις και τις οδηγίες για μελλοντική παραπομπή.

Στις προειδοποιήσεις, ο όρος «ηλεκτρικό εργαλείο» αναφέρεται σε ηλεκτρικό εργαλείο που τροφοδοτείται από την κύρια παροχή ηλεκτρικού ρεύματος (με ηλεκτρικό καλώδιο) ή σε ηλεκτρικό εργαλείο που τροφοδοτείται από μπαταρία (χωρίς ηλεκτρικό καλώδιο).

Προειδοποιήσεις ασφαλείας για τον φορητό λειαντήρα

Προειδοποιήσεις ασφαλείας, κοινές για εργασίες λείανσης, γυαλοχαρτίσματος, καθαρισμού με συρματόβουρσα ή αποκοπής:

1. Αυτό το ηλεκτρικό εργαλείο προορίζεται για χρήση ως εργαλείο λείανσης, γυαλοχαρτίσματος, καθαρισμού με συρματόβουρσα, ποτηροτρόπανο ή αποκοπής. Διαβάστε όλες τις προειδοποιήσεις ασφάλειας, οδηγίες, εικονογραφήσεις και προδιαγραφές που παρέχονται με αυτό το ηλεκτρικό εργαλείο. Η μη τήρηση όλων των οδηγιών που αναγράφονται κατωτέρω μπορεί να καταλήξει σε ηλεκτροπληξία, πυρκαγιά ή/και σοβαρό τραυματισμό.
2. Δεν πρέπει να εκτελεστούν εργασίες στίλβωσης με αυτό το ηλεκτρικό εργαλείο. Λειτουργίες για τις οποίες αυτό το ηλεκτρικό εργαλείο δεν έχει σχεδιαστεί μπορεί να δημιουργήσουν κίνδυνο και να προκαλέσουν προσωπικό τραυματισμό.
3. Μην πραγματοποιείτε μετατροπές σε αυτό το ηλεκτρικό εργαλείο με τρόπο που δεν έχει ειδικά σχεδιαστεί ή καθοριστεί από τον κατασκευαστή του εργαλείου. Μια τέτοια μετατροπή μπορεί να έχει ως αποτέλεσμα την απώλεια ελέγχου και να προκαλέσει σοβαρό προσωπικό τραυματισμό.
4. Μην χρησιμοποιείτε εξάρτημα που δεν είναι ειδικά σχεδιασμένα και καθορίζονται από τον κατασκευαστή του εργαλείου. Απλώς και μόνο επειδή το εξάρτημα μπορεί να προσαρτηθεί στο ηλεκτρικό εργαλείο, αυτό δεν εξασφαλίζει ασφαλή λειτουργία.

5. Η ονομαστική ταχύτητα του εξαρτήματος πρέπει να είναι τουλάχιστον ίση με την μέγιστη ταχύτητα που είναι σημειωμένη στο ηλεκτρικό εργαλείο. Εξάρτηματα που λειτουργούν ταχύτερα από την ονομαστική ταχύτητα τους μπορεί να στάσουν και να εκτοξευθούν.
6. Η εξωτερική διάμετρος και το πάχος του εξαρτήματος σας πρέπει να είναι μέσα στα όρια ικανότητας του ηλεκτρικού εργαλείου σας. Εξάρτηματα λανθασμένου μεγέθους δεν μπορούν να προφυλαχθούν ή να ελεγχθούν επαρκώς.
7. Οι διαστάσεις της στερέωσης εξαρτήματος πρέπει να ταιριάζουν με τις διαστάσεις του εξοπλισμού στερέωσης του ηλεκτρικού εργαλείου. Τα εξάρτηματα που δεν ταιριάζουν με το εξάρτημα στερέωσης του ηλεκτρικού εργαλείου θα παρουσιάσουν υποβαθμισμένη ζυγοστάθμιση, υπερβολικούς κραδασμούς και ενδεχομένως απώλεια ελέγχου.
8. Μην χρησιμοποιείτε εξάρτημα που έχει υποστεί βλάβη. Πριν από κάθε χρήση, να εξετάζετε το εξάρτημα, όπως λειαντικούς τροχούς, γυαρινίσματα και ρωγμές, τη βάση υποστήριξης για ρωγμές, ρήξη ή υπερβολική φθορά, τη συρματόβουρσα για χαλαρά ή ραγισμένα σύρματα. Αν το ηλεκτρικό εργαλείο ή το εξάρτημα πέσει κάτω, ελέγξτε το για ζημιές ή προσαρμόστε ένα καλό εξάρτημα. Μετά τον έλεγχο και την προσαρμογή ενός εξαρτήματος, απομακρυνθείτε εσείς και οι γύρω σας από το επίπεδο περιστροφής του εξαρτήματος και αφήστε σε λειτουργία το ηλεκτρικό εργαλείο σε μέγιστη ταχύτητα χωρίς φορτίο για ένα λεπτό. Εξάρτηματα με ζημιές θα διαλυθούν κατά τον χρόνο αυτής της δοκιμής.
9. Να φοράτε εξοπλισμό ατομικής προστασίας. Ανάλογα με την εφαρμογή, να χρησιμοποιείτε προσωπίδα προστασίας, προστατευτικά γυαλιά-προσωπίδες ή γυαλιά προστασίας. Όταν απαιτείται, να φοράτε μάσκα σκόνης, προστατευτικά ακοής, γάντια και ποδιά συνεργείου ικανά να παρέχουν προστασία από τα εκτινασόμενα μικρά θραύσματα λόγω λείανσης ή του τεμαχίου εργασίας. Τα προστατευτικά μαπιών πρέπει να είναι ικανά να σταματήσουν τυχόν εκτινασόμενα θραύσματα που δημιουργούνται κατά την εκτέλεση διαφόρων εφαρμογών. Η μάσκα σκόνης ή αναπνευστήρας πρέπει να είναι ικανή να φιλτράρει σωματίδια που παράγονται από τη συγκεκριμένη εφαρμογή. Η παρατεταμένη έκθεση σε θόρυβο υψηλής έντασης μπορεί να προκαλέσει απώλεια ακοής.
10. Κρατάτε τους γύρω σας σε μια ασφαλή απόσταση από τον χώρο εργασίας. Οποιοσδήποτε εισερχόμενος στο χώρο εργασίας πρέπει να φορά ατομικό προστατευτικό εξοπλισμό. Τεμαχίδια από το τεμάχιο εργασίας ή από ένα σπασμένο εξάρτημα μπορεί να εκτιναχθούν μακριά και να προκαλέσουν τραυματισμό πέραν της άμεσης περιοχής εργασίας.
11. Κρατάτε το ηλεκτρικό εργαλείο μόνο από τις μονωμένες επιφάνειες χειρολαβής όταν εκτελείτε μια εργασία κατά την οποία το κοπτικό εργαλείο μπορεί να έρθει σε επαφή με κρυμμένα καλώδια. Αν γίνει επαφή με κάποιο ηλεκτροφόρο καλώδιο, τα εκτεθειμένα μεταλλικά μέρη του ηλεκτρικού εργαλείου θα γίνουν και αυτά ηλεκτροφόρα και μπορεί να προκληθεί ηλεκτροπληξία στο χειριστή.

12. **Μην αφήνετε ποτέ το ηλεκτρικό εργαλείο κάτω, πριν σταματήσει πλήρως η περιστροφή του εξαρτήματος.** Το περιστρεφόμενο εξάρτημα μπορεί να πιάσει την επιφάνεια και να τραβήξει το ηλεκτρικό εργαλείο έξω από τον έλεγχο σας.
13. **Μην χειρίζεστε το ηλεκτρικό εργαλείο ενώ το μεταφέρετε στο πλευρό σας.** Τυχαιά επαφή με το περιστρεφόμενο εξάρτημα μπορεί να προκαλέσει πιάσιμο στα ρούχα σας και να τραβήξει το εξάρτημα μέσα στο σώμα σας.
14. **Καθαρίζετε τακτικά τα ανοίγματα εξαιρισμού του ηλεκτρικού εργαλείου.** Ο ανεμιστήρας του μοτέρ θα αναρροφήσει τη σκόνη μέσα στο περιβλήμα και η υπερβολική συγκέντρωση ρινισμάτων μετάλλων μπορεί να προκαλέσει κίνδυνο ηλεκτροπληξίας.
15. **Μην χειρίζεστε το ηλεκτρικό εργαλείο κοντά σε εύφλεκτα υλικά.** Οι σπινθήρες μπορεί να προκαλέσουν ανάφλεξη αυτών των υλικών.
16. **Μην χρησιμοποιείτε εξαρτήματα που χρειάζονται ψυκτικά υγρά.** Η χρήση νερού ή άλλων ψυκτικών υγρών μπορεί να προκαλέσει ηλεκτροπληξία ή σοκ.

Κλότσημα και σχετικές προειδοποιήσεις:

Το κλότσημα είναι μια ξαφνική αντίδραση του εργαλείου λόγω σύσφιξης ή σκαλώματος του περιστρεφόμενου τροχού, της βύσης υποστήριξης, της βούρτσας ή τυχόν άλλου εξαρτήματος. Η σύσφιξη ή το σκάλωμα προκαλεί ταχεία απώλεια ελέγχου του περιστρεφόμενου εξαρτήματος το οποίο στη συνέχεια υποχρεώνει το ανεξέλεγκτο ηλεκτρικό εργαλείο σε περιστροφή αντίθετη από εκείνη του εξαρτήματος στο σημείο εμπλοκής. Για παράδειγμα, αν ένας λειαντικός τροχός περιέλθει σε σύσφιξη ή σκάλωμα στο τεμάχιο εργασίας, η ακμή του τροχού που εισέρχεται στο σημείο σύσφιξης μπορεί να σκάσει την επιφάνεια του υλικού προκαλώντας την αναπήδηση ή το κλότσημα του τροχού. Ο τροχός μπορεί να αναπηδήσει προς το μέρος του χειριστή ή αντίθετα να απομακρυνθεί από αυτόν, ανάλογα με τη φορά περιστροφής του τροχού στο σημείο σύσφιξης. Υπό αυτές τις συνθήκες, οι λειαντικοί τροχοί μπορεί επίσης να υποστούν θραύση.

Το κλότσημα είναι αποτέλεσμα κακής χρήσης ή/και εσφαλμένων διαδικασιών ή συνθηκών χειρισμού του ηλεκτρικού εργαλείου και είναι δυνατόν να αποφευχθεί λαμβάνοντας κατάλληλες προφυλάξεις, όπως περιγράφονται κατωτέρω.

1. **Κρατάτε σταθερά το ηλεκτρικό εργαλείο και με τα δύο χέρια και τοποθετήστε το σώμα και τους βραχίονές σας έτσι ώστε να ανθίστανται στις δυνάμεις του κλοτσήματος. Να χρησιμοποιείτε πάντα βοηθητική λαβή, αν παρέχεται, για μέγιστο βαθμό ελέγχου του κλοτσήματος ή της ροπής αντίδρασης κατά την εκκίνηση.** Ο χειριστής μπορεί να ελέγξει τις αντιδραστικές ροπές ή δυνάμεις κλοτσήματος, αν έχουν ληφθεί οι κατάλληλες προφυλάξεις.
 2. **Ποτέ μη βάλετε το χέρι σας κοντά στο περιστρεφόμενο εξάρτημα.** Το εξάρτημα μπορεί να κλοτσήσει στο χέρι σας.
 3. **Μη τοποθετήσετε το σώμα σας στην περιοχή όπου το ηλεκτρικό εργαλείο θα κινηθεί αν συμβεί κλότσημα.** Το κλότσημα θα οδηγήσει το εργαλείο σε διεύθυνση αντίθετη της κίνησης του τροχού στο σημείο εμπλοκής.
 4. **Προσέχετε ιδιαίτερα όταν εργάζεστε σε γωνίες, αιχμηρά άκρα, κτλ. Να αποφεύγετε την αναπήδηση και το σκάλωμα του εξαρτήματος.** Γωνίες, αιχμηρές άκρες ή αναπηδήσεις έχουν την τάση να προκαλούν εμπλοκή στο περιστρεφόμενο εξάρτημα και προκαλούν απώλεια ελέγχου ή κλότσημα.
 5. **Μην προσαρμόζετε αλυσοπρίονο, λεπίδα ζυγολυττικής, τμηματικό διαμαντοτροχό με περιφερειακό κενό μεγαλύτερο από 10 mm ή οδοντωτή λεπίδα πριονιού.** Τέτοιες λάμες προκαλούν συχνό κλότσημα και απώλεια ελέγχου.
- Προειδοποιήσεις ασφαλείας ειδικά για εργασιές λείανσης και αποκοπής:**
1. **Να χρησιμοποιείτε μόνο τύπους τροχών που καθορίζονται για χρήση με το δικό σας ηλεκτρικό εργαλείο καθώς και τον συγκεκριμένο προφυλακτήρα που έχει σχεδιαστεί για τον επιλεγμένο τροχό.** Η παροχή επαρκούς προστασίας από τροχούς για τους οποίους δεν έχει σχεδιαστεί το ηλεκτρικό εργαλείο, δεν είναι δυνατή και επομένως οι τροχοί δεν είναι ασφαλείς.
 2. **Η επιφάνεια λείανσης των τροχών με χαμηλωμένο κέντρο πρέπει να είναι στερεωμένη κάτω από το επίπεδο του προστατευτικού χείλους.** Ένας τροχός που δεν είναι στερεωμένος καλά ο οποίος προεξέχει μέσα από το επίπεδο του προστατευτικού χείλους δεν μπορεί να προστατευτεί επαρκώς.
 3. **Η προσαρμογή του προφυλακτήρα στο ηλεκτρικό εργαλείο πρέπει να πραγματοποιείται με ασφάλεια και η τοποθέτηση του να παρέχει τη μέγιστη δυνατή προστασία, ώστε ελάχιστο τμήμα του τροχού να εκτίθεται προς το μέρος του χειριστή.** Ο προφυλακτήρας διευκολύνει την προστασία του χειριστή από σπασμένα θραύσματα του τροχού, τυχαία επαφή με τον τροχό και σπινθήρες που μπορούν να προκαλέσουν την ανάφλεξη ρουχισμού.
 4. **Οι τροχοί πρέπει να χρησιμοποιούνται μόνο στις καθορισμένες εφαρμογές. Για παράδειγμα: μη λειάνετε με την πλευρική επιφάνεια του τροχού αποκοπής.** Οι τροχοί λείανσης αποκοπής προορίζονται για περιφερειακή λείανση, η εφαρμογή πλευρικών δυνάμεων σε αυτούς τους τροχούς μπορεί να προκαλέσει τη θραύση τους.
 5. **Να χρησιμοποιείτε πάντα φλάντζες τροχών που δεν έχουν υποστεί βλάβη και είναι κατάλληλου μεγέθους και σχήματος για τον επιλεγμένο τροχό.** Οι κατάλληλες φλάντζες τροχών υποστηρίζουν τους τροχούς και μειώνουν επομένως την πιθανότητα θραύσης τους. Οι φλάντζες των τροχών αποκοπής μπορεί να διαφέρουν από τις φλάντζες των τροχών λείανσης.
 6. **Μην χρησιμοποιείτε φθαρμένους τροχούς από μεγαλύτερα ηλεκτρικά εργαλεία.** Ένας τροχός που προορίζεται για χρήση με ένα μεγαλύτερο ηλεκτρικό εργαλείο δεν είναι κατάλληλος για την υψηλότερη ταχύτητα ενός μικρότερου εργαλείου και μπορεί να υποστεί θραύση.
 7. **Όταν χρησιμοποιείτε τροχούς διπλού σκοπού, να χρησιμοποιείτε πάντα τον σωστό προφυλακτήρα για την εφαρμογή που εκτελείται.** Αν δεν χρησιμοποιήσετε τον σωστό προφυλακτήρα, μπορεί να μην έχετε τον επιθυμητό βαθμό προστασίας, γεγονός που μπορεί να οδηγήσει σε σοβαρό τραυματισμό.

Επιπλέον προειδοποιήσεις ασφαλείας ειδικά για εργασίες αποκοπής:

- Μην προκαλείτε «μάγκωμα» του τροχού αποκοπής και μην ασκείτε υπερβολική πίεση. Μην επιχειρείτε να δημιουργήσετε τομή υπερβολικού βάθους.** Η άσκηση υπερβολικής δύναμης στον τροχό αυξάνει το φορτίο και τη δεκτικότητα σε συστροφή ή εμπλοκή του τροχού εντός της τομής και την πιθανότητα κλοστήματος ή θραύσης του τροχού.
- Μην ευθυγραμμίζετε το σώμα σας μπροστά ή πίσω από τον περιστρεφόμενο τροχό.** Όταν ο τροχός, στο σημείο εργασίας, κινείται απομακρυνόμενος από το σώμα σας, τυχόν κλοστήματος μπορεί να κατευθύνει τον περιστρεφόμενο τροχό και το ηλεκτρικό εργαλείο προς το μέρος σας.
- Σε περίπτωση εμπλοκής του τροχού ή διακοπής της κοπής για οποιοδήποτε λόγο, απενεργοποιήστε το ηλεκτρικό εργαλείο και κρατήστε το ακίνητο, έως ότου ο τροχός ακινητοποιηθεί πλήρως. Μην επιχειρήσετε ποτέ να αφαιρέσετε τον τροχό αποκοπής από την τομή ενώ ο τροχός κινείται, διότι μπορεί να παρουσιαστεί κλότσημα.** Ερευνήστε και λάβετε διορθωτικά μέτρα για να εξαλειφθεί η αιτία εμπλοκής του τροχού.
- Μην επαναλάβετε την εργασία κοπής στο τεμάχιο εργασίας. Αφήστε τον τροχό να αποκτήσει μέγιστη ταχύτητα και εισαγάγετε ξανά τον τροχό στην τομή με προσοχή.** Ο τροχός μπορεί να παρουσιάσει εμπλοκή, αναπήδηση ή κλότσημα αν ενεργοποιήσετε το ηλεκτρικό εργαλείο εντός του τεμαχίου εργασίας.
- Να στηρίζετε τα φατνώματα ή οποιοδήποτε υπερμέγεθες τεμάχιο εργασίας ώστε να ελαχιστοποιηθεί ο κίνδυνος σύσφιξης και κλοστήματος του τροχού.** Τα μεγάλα τεμάχια εργασίας τείνουν να παρουσιάζουν κάμψη προς τα κάτω λόγω του βάρους τους. Πρέπει να τοποθετούνται υποστηρίγματα κάτω από το τεμάχιο εργασίας κοντά στη γραμμή κοπής και κοντά στο άκρο του τεμαχίου εργασίας σε αμφότερες τις πλευρές του τροχού.
- Να είστε ιδιαίτερα προσεκτικοί όταν δημιουργείτε μια «τομή-κοιλότητα» σε υπάρχοντες τοίχους ή άλλες τυφλές περιοχές.** Ο προεξέχων τροχός μπορεί να κόψει σωληνές αερίου ή ύδρευσης, ηλεκτρικές καλωδιώσεις ή αντικείμενα που μπορούν να προκαλέσουν κλότσημα.
- Μην επιχειρήσετε τις καμπύλες κοπές.** Η άσκηση υπερβολικής δύναμης στον τροχό αυξάνει το φορτίο και τη δεκτικότητα σε συστροφή ή εμπλοκή του τροχού εντός της κοπής και την πιθανότητα κλοστήματος ή θραύσης του τροχού, γεγονός που μπορεί να οδηγήσει σε σοβαρό τραυματισμό.
- Πριν χρησιμοποιήσετε τμηματικό διαμαντο-τροχό, βεβαιωθείτε ότι ο διαμαντοτροχός έχει περιφερειακό κενό μεταξύ των τμημάτων ίσο με 10 mm ή μικρότερο, μόνο με αρνητική γωνία κοπής.**

Προειδοποιήσεις ασφαλείας ειδικά για εργασίες γυαλοχαρτίσματος:

- Να χρησιμοποιείτε γυαλόχαρτο δίσκου σωστό μέγεθος. Ακολουθήστε τις συστάσεις του κατασκευαστή, όταν επιλέγετε γυαλόχαρτο.** Ένα γυαλόχαρτο μεγαλύτερο μεγέθους που εκτείνεται πολύ πέρα από τα άκρα της βάσης υποστηρίζει γυαλοχαρτίσματος εγκυμονεί κίνδυνο τεμαχισμού και μπορεί να προκαλέσει σκάλωμα, σχίσμο του δίσκου ή κλότσημα.

Προειδοποιήσεις ασφαλείας ειδικά για εργασίες καθαρισμού με συρματόβουρσα:

- Να είστε προσεκτικοί επειδή συρματίνες τριχές εκτινάσσονται από τη βούρσα ακόμη και κάτω από συνήθεις συνθήκες λειτουργίας. Μην ασκείτε υπερβολική δύναμη στα σύρματα εφαρμόζοντας υπερβολικό φορτίο στη βούρσα.** Οι συρματίνες τριχές μπορούν να διαπεράσουν ελαφρό ρουχισμό ή/και το δέρμα με ευκολία.
- Αν καθορίζεται η χρήση προφυλακτήρα για εργασίες καθαρισμού με συρματόβουρσα, μην επιτρέψετε οποιαδήποτε παρεμπόδιση της λειτουργίας του συρματινού τροχού ή της βούρσας από τον προφυλακτήρα.** Η διάμετρος ενός συρματινού τροχού ή βούρσας μπορεί να αυξηθεί λόγω του φόρτου εργασίας και της φυγοκέντρου δύναμης.

Πρόσθετες προειδοποιήσεις ασφάλειας:

- Όταν χρησιμοποιείτε τροχούς λείανσης με χαμηλό κέντρο, φροντίστε οι τροχοί να φέρουν ενίσχυση από ίνες γυαλιού μόνο.**
- Μην ΧΡΗΣΙΜΟΠΟΙΕΙΤΕ ΠΟΤΕ κωδωνοειδείς τροχούς λείανσης πέτρας με αυτόν τον λειαντήρα.** Αυτός ο λειαντήρας δεν έχει σχεδιαστεί για αυτούς τους τύπους τροχών και η χρήση ενός τέτοιου προϊόντος μπορεί να προκαλέσει σοβαρό τραυματισμό.
- Προσέξτε ώστε να μην προκαλέσετε βλάβη στον άτρακτο, στη φλάντζες (ιδιαίτερα στην επιφάνεια εγκατάστασης) ή στο παζιμάδι.** Τυχόν βλάβη στα συγκεκριμένα μέρη θα μπορούσε να καταλήξει σε θραύση του τροχού.
- Φροντίστε ο τροχός να μην έρχεται σε επαφή με το τεμάχιο εργασίας πριν από την ενεργοποίηση του διακόπτη.**
- Πριν από τη χρήση του τροχού πάνω σε πραγματικό τεμάχιο εργασίας, αφήστε τον σε λειτουργία για μικρό χρονικό διάστημα. Παρατηρήστε αν υπάρχουν δονήσεις ή ταλάντευση που υποδηλώνουν κακή εγκατάσταση ή τροχό με κακή ισορροπία.**
- Χρησιμοποιήστε την προκαθορισμένη επιφάνεια του τροχού για να εκτελέσετε την εργασία λείανσης.**
- Μην αφήνετε το εργαλείο αναμμένο. Χειρίζεστε το εργαλείο μόνο όταν το κρατάτε στο χέρι.**
- Μην αγγίζετε το τεμάχιο εργασίας αμέσως μετά τη λειτουργία. Μπορεί να είναι υπερβολικά καυτό και να προκαλέσει έγκαυμα.**
- Μην αγγίζετε τα εξαρτήματα αμέσως μετά τη λειτουργία. Μπορεί να είναι υπερβολικά καυτό και να προκαλέσει έγκαυμα στο δέρμα σας.**

Σημαντικές οδηγίες ασφάλειας για κασέτα μπαταριών

- Μελετήστε τις οδηγίες του κατασκευαστή για σωστή τοποθέτηση και χρήση των τροχών. Χειριστείτε και αποθηκεύστε τους τροχούς με φροντίδα.
 - Μη χρησιμοποιείτε ξεχωριστές συστολές ή προσαρμογείς για να προσαρμόσετε λειαντικούς τροχούς με μεγάλη οπή προσαρμογής.
 - Χρησιμοποιείτε φλάντζες κατάλληλες για το εργαλείο.
 - Για εργαλεία στα οποία πρόκειται να τοποθετηθεί τροχός με οπή με σπείρωμα, σιγουρευτείτε ότι το σπείρωμα στον τροχό έχει επαρκές μήκος για να δεχτεί το μήκος της ατράκτου.
 - Ελέγξτε ότι το τεμάχιο εργασίας υποστηρίζεται σταθερά.
 - Προσέξτε ότι ο τροχός συνεχίζει να περιστρέφεται ακόμη και αφού το εργαλείο έχει σβήσει.
 - Αν το μέρος εργασίας είναι πολύ ζεστό και ανυπό, ή υπάρχει πολύ αβγίμη σκόνη, χρησιμοποιήστε ένα ασφαλειοδιακόπτη βραχυκυκλώματος (30 mA) για να είστε σίγουροι για ασφαλή λειτουργία.
 - Μη χρησιμοποιείτε το εργαλείο σε κανένα υλικό που περιέχει αμιάντο.
 - Όταν χρησιμοποιείτε τροχό αποκοπής, να εργάζεστε πάντα με προστατευτικό συλλογής σκόνης τροχού αν απαιτείται από τους τοπικούς κανονισμούς.
 - Οι δίσκοι κοπής δεν πρέπει να υπόκεινται σε πλευρική πίεση.
 - Μη χρησιμοποιείτε υφασμάτινα γάντια εργασίας κατά τη λειτουργία. Οι ίνες από τα υφασμάτινα γάντια μπορεί να εισέλθουν στο εργαλείο, γεγονός που προκαλεί το σπάσιμο του εργαλείου.
 - Πριν τη λειτουργία, βεβαιωθείτε ότι δεν υπάρχει κάποιο θαμμένο αντικείμενο όπως ηλεκτρικός σωλήνας, σωλήνας νερού ή σωλήνας αερίου στο τεμάχιο εργασίας. Διαφορετικά, μπορεί να προκληθεί ηλεκτροπληξία, ηλεκτρική διαρροή ή διαρροή αερίου.
 - Αν στον τροχό είναι προσκολλημένο στυπόχαρτο, μην το αφαιρέσετε. Η διάμετρος του στυπόχαρτου πρέπει να είναι μεγαλύτερη από το παζιμάδι ασφάλισης, την εξωτερική φλάντζα και την εσωτερική φλάντζα.
 - Πριν τοποθετήσετε έναν τροχό λειανσης, να ελέγχετε πάντα ότι το τμήμα στυπόχαρτου δεν παρουσιάζει καμία ανωμαλία, όπως χτυπήματα ή ραγίσματα.
 - Σφίξτε σωστά το παζιμάδι ασφάλισης. Το υπερβολικό σφίξιμο του τροχού μπορεί να προκαλέσει σπάσιμο, ενώ το ανεπαρκές σφίξιμο μπορεί να προκαλέσει τρέμουλο.
- Πριν χρησιμοποιήσετε την κασέτα μπαταριών, διαβάστε όλες τις οδηγίες και σημειώσεις προφύλαξης (1) στον φορητό μπαταριών, (2) στην μπαταρία και (3) στο προϊόν που χρησιμοποιείτε την μπαταρία.
 - Μην αποσυναρμολογήσετε ή παραβιάσετε την κασέτα μπαταριών. Μπορεί να έχει ως αποτέλεσμα πυρκαγιά, υπερθέρμανση ή έκρηξη.
 - Εάν ο χρόνος λειτουργίας έχει γίνει υπερβολικά βραχύς, σταματήστε τη λειτουργία αμέσως. Αλλιώς, μπορεί να έχει ως αποτέλεσμα κίνδυνο υπερθέρμανσης, πιθανά εγκαύματα ή ακόμη και έκρηξη.
 - Εάν ηλεκτρολύτης μπει στα μάτια σας, ξεπλύνετε τα με καθαρό νερό και ζητήστε ιατρική φροντίδα αμέσως. Αλλιώς, μπορεί να έχει ως αποτέλεσμα απώλεια της όρασης σας.
 - Μη βραχυκυκλώνετε την κασέτα μπαταριών:
 - Μην αγγίζετε τους πόλους με οτιδήποτε αγώγιμο υλικό.
 - Αποφεύγετε να αποθηκεύετε την κασέτα μπαταριών μέσα σε ένα δοχείο μαζί με άλλα μεταλλικά αντικείμενα όπως καρφιά, νομίσματα, κλπ.
 - Μην εκθέτετε την κασέτα μπαταριών στο νερό ή στη βροχή.
Ένα βραχυκύκλωμα μπαταρίας μπορεί να προκαλέσει μεγάλη ροή ρεύματος, υπερθέρμανση, πιθανά εγκαύματα ακόμη και σοβαρή βλάβη.
 - Μην αποθηκεύετε και μην χρησιμοποιείτε το εργαλείο και την κασέτα μπαταριών σε τοποθεσίες όπου η θερμοκρασία μπορεί να φτάσει ή να ξεπεράσει τους 50°C.
 - Μην καίτε την κασέτα μπαταριών ακόμη και εάν έχει σοβαρή ζημιά ή είναι εντελώς φθαρμένη. Η κασέτα μπαταριών μπορεί να εκραγεί στη φωτιά.
 - Μην καρφώσετε, κόψετε, συνθλίψετε, πετάξετε ή ριζέτε κάτω την κασέτα μπαταριών, ούτε να χτυπήσετε ένα σκληρό αντικείμενο επάνω στην κασέτα μπαταριών. Τέτοια συμπεριφορά μπορεί να έχει ως αποτέλεσμα πυρκαγιά, υπερθέρμανση ή έκρηξη.
 - Μη χρησιμοποιείτε μπαταρία που έχει υποστεί ζημιά.
 - Οι μπαταρίες ιόντων λιθίου που περιέχονται υπόκεινται στις απαιτήσεις της νομοθεσίας για επικίνδυνα αγαθά.
Για εμπορικές μεταφορές, για παράδειγμα από τρίτα μέρη, πρέπει να τηρούνται οι διαμεταφορές, οι ειδικές απαιτήσεις στη συσκευασία και η επισήμανση.
Για προετοιμασία του στοιχείου που αποστέλλεται, είναι απαραίτητο να συμβουλευτείτε έναν ειδικό για επικίνδυνα υλικά. Επίσης, τηρήστε τους πιθανούς, πιο αναλυτικούς εθνικούς κανονισμούς. Καλύψτε με αυτοκόλλητη ταινία ή κρύψτε τις ανοικτές επαφές και συσκευάστε την μπαταρία με τρόπο που να μην μπορεί να μετακινείται μέσα στη συσκευασία.

ΦΥΛΑΞΕΤΕ ΑΥΤΕΣ ΤΙΣ ΟΔΗΓΙΕΣ.

▲ΠΡΟΕΙΔΟΠΟΙΗΣΗ: ΜΗΝ επιτρέψετε στην άνεση ή στην εξοικείωσή σας με το προϊόν (που αποκτήθηκε από επανειλημμένη χρήση) να αντικαταστήσει την αυστηρή τήρηση των κανόνων ασφαλείας του παρόντος εργαλείου. Η **ΛΑΝΘΑΣΜΕΝΗ ΧΡΗΣΗ** ή η αμέλεια να ακολουθήσετε τους κανόνες ασφαλείας που διατυπώνονται στο παρόν εγχειρίδιο οδηγιών μπορεί να προκαλέσει σοβαρό προσωπικό τραυματισμό.

Σημαντικές οδηγίες ασφάλειας για την ασύρματη μονάδα

11. Όταν απορρίπτετε την κασέτα μπαταριών, αφαιρέστε την από το εργαλείο και διαθέστε την σε ένα ασφαλές μέρος. Τηρήστε τους τοπικούς κανονισμούς που σχετίζονται με τη διάθεση της μπαταρίας.
12. Χρησιμοποιήστε τις μπαταρίες μόνο με τα προϊόντα που καθορίζει η Makita. Αν τοποθετήσετε τις μπαταρίες σε μη συμβατά προϊόντα μπορεί να έχει ως αποτέλεσμα πυρκαγιά, υπερβολική θερμότητα, έκρηξη ή διαρροή ηλεκτρολύτη.
13. Αν δεν χρησιμοποιείτε το εργαλείο για μεγάλο χρονικό διάστημα, πρέπει να βγάλετε την μπαταρία από το εργαλείο.
14. Κατά τη διάρκεια και μετά τη χρήση, η κασέτα μπαταριών μπορεί να θερμανθεί, γεγονός που μπορεί να προκαλέσει εγκαύματα ή εγκαύματα από χαμηλή θερμοκρασία. Προσέχετε το χειρισμό των ζεστών κασετών μπαταριών.
15. Μην αγγίζετε τον ακροδέκτη του εργαλείου αμέσως μετά τη χρήση επειδή μπορεί να έχει ζεσταθεί αρκετά για να προκαλέσει εγκαύματα.
16. Μην αφήνετε θραύσματα, σκόνη ή βρομιά να κολλήσει στους ακροδέκτες, τις σπές και τις εγκοπές της κασέτας μπαταριών. Μπορεί να προκαλέσει θέρμανση, φωτιά, έκρηξη και δυσλειτουργία του εργαλείου ή της κασέτας μπαταριών, έχοντας ως αποτέλεσμα εγκαύματα ή προσωπικό τραυματισμό.
17. Εκτός αν το εργαλείο υποστηρίζει τη χρήση κοντά σε ηλεκτρικές γραμμές υψηλής τάσης, μην χρησιμοποιείτε την κασέτα μπαταριών κοντά σε ηλεκτρικές γραμμές υψηλής τάσης. Μπορεί να έχει ως αποτέλεσμα τη ρήξη της μπαταρίας ή σπασίμο του εργαλείου ή της κασέτας μπαταριών.
18. Κρφυλάξτε την μπαταρία μακριά από παιδιά.

ΦΥΛΑΞΤΕ ΤΙΣ ΟΔΗΓΙΕΣ ΑΥΤΕΣ.

⚠ ΠΡΟΣΟΧΗ: Να χρησιμοποιείτε μόνο γνήσιες μπαταρίες της Makita. Η χρήση μη γνήσιων μπαταριών Makita, ή μπαταριών που έχουν τροποποιηθεί, μπορεί να έχει ως αποτέλεσμα τη ρήξη της μπαταρίας, προκαλώντας πυρκαγιά, προσωπικό τραυματισμό και βλάβη. Επίσης, θα ακυρωθεί η εγγύηση της Makita για το εργαλείο και φορτιστή Makita.

Συμβουλές για τη διατήρηση της μέγιστης ζωής μπαταρίας

1. Φορτίζετε την κασέτα μπαταριών πριν από την πλήρη αποφόρτισή της. Πάντοτε να σταματάτε τη λειτουργία του εργαλείου και να φορτίζετε την κασέτα μπαταριών όταν παρατηρήσετε μειωμένη ισχύ εργαλείου.
2. Ποτέ μην επαναφορτίζετε μια πλήρως φορτισμένη κασέτα μπαταριών. Η υπερφόρτιση μειώνει την ωφέλιμη ζωή της μπαταρίας.
3. Να φορτίζετε την κασέτα μπαταριών σε θερμοκρασία δωματίου, δηλαδή στους 10 °C έως 40 °C. Αφήστε μια θερμή κασέτα μπαταριών να κρυώσει πριν την φορτίσετε.
4. Όταν δεν χρησιμοποιείτε την κασέτα μπαταριών, αφαιρέστε την από το εργαλείο ή τον φορτιστή.
5. Να φορτίζετε την κασέτα μπαταριών εάν δεν τη χρησιμοποιείτε για μεγάλη χρονική περίοδο (περισσότερο από έξι μήνες).

1. Μην αποσυναρμολογείτε ή παραβιάζετε την ασύρματη μονάδα.
2. Διατηρείτε την ασύρματη μονάδα μακριά από μικρά παιδιά. Αν καταποθεί κατά λάθος, αναζητήστε αμέσως ιατρική βοήθεια.
3. Να χρησιμοποιείτε την ασύρματη μονάδα μόνο με εργαλεία της Makita.
4. Μην εκθέτετε την ασύρματη μονάδα στη βροχή ή σε υγρές συνθήκες.
5. Μην χρησιμοποιείτε την ασύρματη μονάδα σε μέρη όπου η θερμοκρασία ξεπερνάει τους 50 °C.
6. Μην θέτετε την ασύρματη μονάδα σε λειτουργία σε μέρη όπου υπάρχουν ιατρικά όργανα, όπως καρδιακοί βηματοδότες.
7. Μην θέτετε την ασύρματη μονάδα σε λειτουργία σε μέρη όπου υπάρχουν αυτοματοποιημένες διατάξεις. Αν τεθούν σε λειτουργία, οι αυτοματοποιημένες συσκευές μπορεί να εμφανίσουν δυσλειτουργία ή σφάλμα.
8. Μην θέσετε σε λειτουργία την ασύρματη μονάδα σε μέρη με υψηλή θερμοκρασία ή σε μέρη όπου μπορεί να παραχθεί στατικός ηλεκτρισμός ή ηλεκτρικός θόρυβος.
9. Η ασύρματη μονάδα μπορεί να παράγει ηλεκτρομαγνητικά πεδία (ΗΜΠ) αλλά δεν είναι επιβλαβή για τον χρήστη.
10. Η ασύρματη μονάδα είναι ένα όργανο ακριβείας. Προσέχετε να μη ρίξετε κάτω ή να χτυπήσετε την ασύρματη μονάδα.
11. Αποφύγετε να αγγίζετε τον ακροδέκτη της ασύρματης μονάδας με γυμνά χέρια ή μεταλλικά υλικά.
12. Αφαιρείτε πάντοτε την μπαταρία από το προϊόν όταν τοποθετείτε σε αυτό την ασύρματη μονάδα.
13. Όταν ανοίγετε το καπάκι της σχισμής, αποφύγετε μέρη όπου μπορεί να εισέλθει σκόνη και νερό μέσα στη σχισμή. Να διατηρείτε πάντα καθαρή την είσοδο της σχισμής.
14. Να φορτώνετε πάντα την ασύρματη μονάδα με τη σωστή κατεύθυνση.
15. Μην πατήσετε το κουμπί ασύρματης ενεργοποίησης στην ασύρματη μονάδα πολύ δυνατά ή/και μην πατήσετε το κουμπί με ένα αντικείμενο με αιχμηρό άκρο.
16. Κατά τη λειτουργία, να κλείνετε πάντα το καπάκι της σχισμής.
17. Μην αφαιρείτε την ασύρματη μονάδα από τη σχισμή ενώ παρέχεται ισχύς στο εργαλείο. Αν το κάνετε αυτό, μπορεί να προκληθεί δυσλειτουργία της ασύρματης μονάδας.
18. Μην αφαιρείτε το αυτοκόλλητο στην ασύρματη μονάδα.
19. Μην τοποθετείτε αυτοκόλλητα επάνω στην ασύρματη μονάδα.
20. Μην αφήνετε την ασύρματη μονάδα σε ένα μέρος όπου μπορεί να παραχθεί στατικός ηλεκτρισμός ή ηλεκτρικός θόρυβος.
21. Μην αφήνετε την ασύρματη μονάδα σε ένα μέρος που υπόκειται σε υψηλή θερμότητα, όπως ένα αυτοκίνητο στον ήλιο.
22. Μην αφήνετε την ασύρματη μονάδα σε ένα μέρος με πολλή σκόνη ή πούδρα ή σε ένα μέρος όπου μπορεί να παραχθεί διαβρωτικό αέριο.

23. Η απότομη αλλαγή της θερμοκρασίας μπορεί να υγραίνει την ασύρματη μονάδα. Μη χρησιμοποιείτε την ασύρματη μονάδα μέχρι να στεγνώσει εντελώς όλη η υγρασία.
24. Όταν καθαρίζετε την ασύρματη μονάδα, σκουπίστε απαλά με ένα στεγνό μαλακό πανί. Μη χρησιμοποιείτε βενζίνη, νέφτι, αγωγίμο γράσο ή παρόμοιες ουσίες.
25. Όταν αποθηκεύετε την ασύρματη μονάδα, να τη διατηρείτε μέσα στην παρεχόμενη θήκη ή μέσα σε δοχείο χωρίς στατικό ηλεκτρισμό.
26. Μην εισαγάγετε καμία συσκευή διαφορετική από την ασύρματη μονάδα Makita μέσα στη σχισμή στο εργαλείο.
27. Μη χρησιμοποιείτε το εργαλείο αν το καπάκι της σχισμής είναι κατεστραμμένο. Αν εισέλθει νερό, σκόνη και βρομιά μέσα στη σχισμή, μπορεί να προκληθεί δυσλειτουργία.
28. Μην βράζετε ή/και μη συστρέψετε το καπάκι της σχισμής περισσότερο από ό,τι απαιτείται. Τοποθετήστε ξανά το καπάκι αν βγει από το εργαλείο.
29. Αντικαταστήστε ξανά το καπάκι της σχισμής αν χαθεί ή καταστραφεί.

ΦΥΛΑΞΕΤΕ ΑΥΤΕΣ ΤΙΣ ΟΔΗΓΙΕΣ.

ΠΕΡΙΓΡΑΦΗ ΛΕΙΤΟΥΡΓΙΑΣ

▲ ΠΡΟΣΟΧΗ: Να φροντίζετε πάντα για την απενεργοποίηση του εργαλείου και την αφαίρεση της κασέτας μπαταρίας, πριν από οποιαδήποτε ρύθμιση ή έλεγχο της λειτουργίας του.

Τοποθέτηση ή αφαίρεση της κασέτας μπαταριών

▲ ΠΡΟΣΟΧΗ: Να σβήνετε πάντα το εργαλείο πριν τοποθετήσετε ή αφαιρέσετε την κασέτα μπαταριών.

▲ ΠΡΟΣΟΧΗ: Κρατήστε το εργαλείο και την κασέτα μπαταριών σταθερά κατά την τοποθέτηση ή αφαίρεση της κασέτας μπαταριών. Εάν δεν κρατάτε το εργαλείο και την κασέτα μπαταριών σταθερά μπορεί να γλιστρήσουν από τα χέρια σας και να προκληθεί βλάβη στο εργαλείο και την κασέτα μπαταριών και προσωπικός τραυματισμός.

► **Εικ.1:** 1. Κόκκινος δείκτης 2. Κουμπί 3. Κασέτα μπαταριών

Για να αφαιρέσετε την κασέτα μπαταριών, ολισθήστε την από το εργαλείο ενώ σύρετε το κουμπί στο μπροστινό μέρος της κασέτας.

Για να τοποθετήσετε την κασέτα μπαταριών, ευθυγραμμίστε τη γλώσσα στην κασέτα μπαταριών με την εγκοπή στο περίβλημα και ολισθήστε τη στη θέση της. Τοποθετήστε την μέχρι τέρμα μέχρι να ασφαλίσει στη θέση της, γεγονός που υποδεικνύεται με ένα χαρακτηριστικό ήχο. Αν μπορείτε να δείτε τον κόκκινο δείκτη όπως απεικονίζεται στην εικόνα, δεν έχει κλειδωθεί τελείως.

▲ ΠΡΟΣΟΧΗ: Να τοποθετείτε πάντα την κασέτα μπαταριών πλήρως μέχρι να μη βλέπετε τον κόκκινο δείκτη. Εάν δεν ασφαλίσει, μπορεί να πέσει από το εργαλείο τυχαία, προκαλώντας σωματική βλάβη σε εσάς ή κάποιον άλλο γύρω σας.

▲ ΠΡΟΣΟΧΗ: Μην τοποθετείτε την κασέτα μπαταριών με βία. Εάν η κασέτα δεν ολισθαίνει με ευκολία, τότε δεν έχει τοποθετηθεί κατάλληλα.

Εμφάνιση υπολειπόμενης χωρητικότητας μπαταρίας

Μόνο για κασέτες μπαταρίας με την ενδεικτική λυχνία

► **Εικ.2:** 1. Ενδεικτικές λυχνίες 2. Κουμπί ελέγχου

Πιέστε το κουμπί ελέγχου στην κασέτα μπαταριών για να υποδείξετε την υπολειπόμενη χωρητικότητα μπαταρίας. Οι ενδεικτικές λυχνίες ανάβουν για λίγα δευτερόλεπτα.

Ενδεικτικές λυχνίες			Υπολειπόμενη χωρητικότητα
Αναμμένες	Σβηστές	Αναβοσβήνουν	
			75% έως 100%
			50% έως 75%
			25% έως 50%
			0% έως 25%
			Φορτίστε την μπαταρία.
			Μπορεί να προέκυψε δυσλειτουργία στην μπαταρία.

ΠΑΡΑΤΗΡΗΣΗ: Ανάλογα με τις συνθήκες χρήσης και τη θερμοκρασία περιβάλλοντος, η ένδειξη μπορεί να διαφέρει λίγο από την πραγματική χωρητικότητα.

ΠΑΡΑΤΗΡΗΣΗ: Η πρώτη (τέρμα αριστερά) ενδεικτική λυχνία θα αναβοσβήνει όταν λειτουργεί το σύστημα προστασίας μπαταρίας.








Υπόδειξη υπόλοιπης χωρητικότητας μπαταρίας

Ειδικό της χώρας

Όταν ενεργοποιείτε το εργαλείο, η ένδειξη μπαταρίας δείχνει την υπολειπόμενη φόρτιση μπαταρίας.

► **Εικ.3:** 1. Ένδειξη μπαταρίας

Η υπολειπόμενη φόρτιση μπαταρίας εμφανίζεται σύμφωνα με τον ακόλουθο πίνακα.

Κατάσταση ένδειξης μπαταρίας			Υπολειπόμενη χωρητικότητα μπαταρίας
 Αναμμένες	 Σβηστές	 Αναβοσβήνουν	
			50% έως 100%
			20% έως 50%
			0% έως 20%
			Φορτίστε την μπαταρία

Σύστημα προστασίας εργαλείου/ μπαταρίας




Το εργαλείο είναι εξοπλισμένο με σύστημα προστασίας εργαλείου/μπαταρίας. Αυτό το σύστημα αποκόπτει αυτόματα την ισχύ προς το μοτέρ για να παραταθεί η διάρκεια λειτουργίας του εργαλείου και της μπαταρίας. Το εργαλείο σταματάει αυτόματα κατά τη διάρκεια της λειτουργίας εάν το εργαλείο ή η μπαταρία βρεθούν κάτω από τις παρακάτω συνθήκες:

Προστασία υπερφόρτωσης

Όταν το εργαλείο λειτουργεί με τρόπο ώστε να αναγκάζεται να καταναλώνει ασυνήθιστα υψηλό ρεύμα, το εργαλείο σταματάει αυτόματα χωρίς καμία ένδειξη. Σε αυτή την κατάσταση, σβήστε το εργαλείο και διακόψτε την εφαρμογή που προκαλεί την υπερφόρτωση του εργαλείου. Μετά, ενεργοποιήστε το εργαλείο για επανεκκίνηση.

Προστασία υπερθέρμανσης

Όταν το εργαλείο υπερθερμανθεί, το εργαλείο σταματάει αυτόματα και η ένδειξη μπαταρίας δείχνει την ακόλουθη κατάσταση. Σε αυτή την κατάσταση, αφήστε το εργαλείο να ψυχθεί πριν ενεργοποιήσετε ξανά το εργαλείο.

 Αναμμένες	 Αναβοσβήνουν
	

Αν το εργαλείο δεν ξεκινάει, η μπαταρία μπορεί να έχει υπερθερμανθεί. Σε αυτή την κατάσταση, αφήστε την μπαταρία να κρυώσει πριν ξεκινήσετε ξανά το εργαλείο.

Προστασία υπερβολικής αποφόρτισης

Όταν η φόρτιση μπαταρίας δεν είναι αρκετή, το εργαλείο σταματάει αυτόματα. Σε αυτή την περίπτωση, βγάλτε την μπαταρία από το εργαλείο και φορτίστε την μπαταρία.

Αποδέσμευση προστατευτικής ασφάλισης

Όταν το σύστημα προστασίας λειτουργεί επανειλημμένα, το εργαλείο είναι ασφαλισμένο και η ένδειξη μπαταρίας δείχνει την ακόλουθη κατάσταση. Σε αυτή την κατάσταση, το εργαλείο δεν ξεκινάει ακόμη κι αν απενεργοποιήσετε και ενεργοποιήσετε το εργαλείο. Για να αποδεσμεύσετε την προστατευτική ασφάλιση, βγάλτε την μπαταρία, τοποθετήστε τη στο φορτιστή μπαταριών και περιμένετε μέχρι να τελειώσει η φόρτιση.

 Αναμμένες	 Σβηστές	 Αναβοσβήνουν
		

Προστασία και από άλλες αιτίες

Το σύστημα προστασίας έχει επίσης σχεδιαστεί για άλλες αιτίες που μπορούν να προκαλέσουν ζημιά στο εργαλείο και επιτρέπει την αυτόματη διακοπή του εργαλείου. Λάβετε όλα τα ακόλουθα βήματα για να διορθώσετε τις αιτίες, όταν το εργαλείο τεθεί σε προσωρινή διακοπή ή διακοπή κατά τη διάρκεια της λειτουργίας.

1. Απενεργοποιήστε το εργαλείο και, στη συνέχεια, ενεργοποιήστε το ξανά για να επανεκκίνηση.
2. Φορτίστε την μπαταρία ή τις μπαταρίες ή αντικαταστήστε τις με επαναφορτιζόμενες μπαταρίες.
3. Αφήστε το εργαλείο και τις μπαταρίες να ψυχθούν.

Εάν δεν υπάρχει βελτίωση με την επαναφορά του συστήματος προστασίας, επικοινωνήστε με το τοπικό σας κέντρο εξυπηρέτησης της Makita.

Εξάρτημα κλειδώματος άξονα

▲ ΠΡΟΕΙΔΟΠΟΙΗΣΗ: Μην ενεργοποιείτε ποτέ το εξάρτημα κλειδώματος άξονα όταν κινείται η άτρακτος. Μπορεί να προκληθεί σοβαρός τραυματισμός ή ζημιά στο εργαλείο.

Πιέστε το εξάρτημα κλειδώματος άξονα για να εμποδίσετε την περιστροφή της άτρακτος όταν τοποθετείτε ή αφαιρείτε εξαρτήματα.

► **Εικ.4:** 1. Εξάρτημα κλειδώματος άξονα

Δράση διακόπτη

⚠ ΠΡΟΣΟΧΗ: Πριν τοποθετήσετε την κασέτα μπαταριών στο εργαλείο, να ελέγχετε πάντα ότι ο μοχλός-διακόπτης ενεργοποιείται κανονικά και επιστρέφει στη θέση «ANENERGO» όταν τον αφήνετε.

⚠ ΠΡΟΣΟΧΗ: Για την ασφάλειά σας, το εργαλείο αυτό παρέχεται με μοχλό απασφάλισης το οποίο αποτρέπει την εκκίνηση του εργαλείου κατά λάθος. Μη χρησιμοποιείτε ΠΟΤΕ το εργαλείο αν μπορείτε να το θέσετε σε λειτουργία πιέζοντας απλά το μοχλό-διακόπτη, χωρίς να τραβάτε και το μοχλό απασφάλισης. Στείλτε το εργαλείο σε εξουσιοδοτημένο κέντρο σέρβις για να το επισκευάσουν σωστά ΠΡΙΝ το χρησιμοποιήσετε ξανά.

⚠ ΠΡΟΣΟΧΗ: Μην τραβάτε το μοχλό-διακόπτη με δύναμη χωρίς να τραβάτε το μοχλό απασφάλισης. Μπορεί να σπάσει ο διακόπτης.

⚠ ΠΡΟΣΟΧΗ: ΠΟΤΕ μην κολλάτε το μοχλό απασφάλισης στην πατημένη θέση του και ΠΟΤΕ μην παρακάμπτετε το σκοπό του μοχλού απασφάλισης.

Για να μην πιέζεται ο μοχλός-διακόπτης κατά λάθος, παρέχεται ένας μοχλός απασφάλισης.

Για να ξεκινήσει η λειτουργία του εργαλείου, τραβήξτε το μοχλό απασφάλισης προς τη μεριά του χειριστή και κατόπιν τραβήξτε το μοχλό-διακόπτη.

Για να ξεκινήσετε το εργαλείο, σηκώστε το μοχλό-διακόπτη.

- **Εικ.5:** 1. Μοχλός απασφάλισης
2. Μοχλός-διακόπτης

Επιλογέας ρύθμισης ταχύτητας

Αν περιστρέψετε τον επιλογέα ρύθμισης ταχύτητας, μπορείτε να αλλάξετε την ταχύτητα περιστροφής του εργαλείου. Στον παρακάτω πίνακα παρουσιάζεται ο αριθμός στον επιλογέα και η αντίστοιχη ταχύτητα περιστροφής.

- **Εικ.6:** 1. Επιλογέας ρύθμισης ταχύτητας

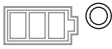

Αριθμός	Ταχύτητα
1	3.000 min ⁻¹
2	4.500 min ⁻¹
3	6.000 min ⁻¹
4	7.500 min ⁻¹
5	8.500 min ⁻¹

ΕΙΔΟΠΟΙΗΣΗ: Αν το εργαλείο λειτουργεί συνεχόμενα με χαμηλή ταχύτητα για μεγάλο χρονικό διάστημα, το μοτέρ θα υπερφορτωθεί και θα προκαλέσει δυσλειτουργία του εργαλείου.

ΕΙΔΟΠΟΙΗΣΗ: Ο ρυθμιστικός επιλογέας ταχύτητας μπορεί να γυρίσει μόνο μέχρι το 5 και πίσω στο 1. Μην τον γυρίζετε βεβιασμένα μετά το 5 ή το 1, γιατί μπορεί να χαλάσει η λειτουργία ρύθμισης ταχύτητας.

Λειτουργία αυτόματης αλλαγής ταχύτητας

- **Εικ.7:** 1. Ένδειξη τρόπου λειτουργίας

Κατάσταση ένδειξης τρόπου λειτουργίας	Τρόπος λειτουργίας
	Τρόπος λειτουργίας υψηλής ταχύτητας
	Τρόπος λειτουργίας υψηλής ροπής

Αυτό το εργαλείο διαθέτει «τρόπο λειτουργίας υψηλής ταχύτητας» και «τρόπο λειτουργίας υψηλής ροπής». Αλλάζει αυτόματα ο τρόπος λειτουργίας ανάλογα με το φόρτο εργασίας. Όταν ανάβει η ένδειξη τρόπου λειτουργίας κατά τη διάρκεια της λειτουργίας, το εργαλείο βρίσκεται σε τρόπο λειτουργίας υψηλής ροπής.

Λειτουργία αποφυγής τυχαίας επανεκκίνησης

Όταν τοποθετείτε την κασέτα μπαταριών ενώ ο διακόπτης είναι στη θέση «ANENERGO», το εργαλείο δεν ξεκινά. Για να ξεκινήσετε το εργαλείο, κλείστε τον διακόπτη και ανοίξτε τον ξανά.

Τεχνολογία αίσθησης ενεργής ανάδρασης

Το εργαλείο ανιχνεύει ηλεκτρονικά τις καταστάσεις όπου ο τροχός ή το εξάρτημα μπορεί να βρίσκονται σε κίνδυνο για εμπλοκή. Σε αυτή την κατάσταση, το εργαλείο σβήνει αυτόματα για να αποφευχθεί η περαιτέρω περιστροφή της ατράκτου (δεν εμποδίζει το κλότσημα). Για να ξεκινήσετε ξανά το εργαλείο, πρώτα σβήστε το εργαλείο, διορθώστε την αιτία της ξαφνικής πτώσης των στρωφών περιστροφής και μετά ενεργοποιήστε ξανά το εργαλείο.

Δυνατότητα ομαλής έναρξης

Η δυνατότητα ομαλής έναρξης καταστέλλει την αιφνίδια έναρξη.

Ηλεκτρονικό φρένο

Το ηλεκτρονικό φρένο ενεργοποιείται μετά από την απενεργοποίηση του εργαλείου.

Το φρένο δεν λειτουργεί όταν η ηλεκτρική τροφοδοσία είναι σβηστή, όπως για παράδειγμα όταν η μπαταρία αφαιρεθεί κατά λάθος, ενώ ο διακόπτης είναι ακόμη στην ενεργή θέση.

ΣΥΝΑΡΜΟΛΟΓΗΣΗ

▲ ΠΡΟΣΟΧΗ: Να φροντίζετε πάντα για την απενεργοποίηση του εργαλείου και την αφαίρεση της κασέτας μπαταρίας, πριν από οποιαδήποτε ρύθμιση ή έλεγχο της λειτουργίας του.

Τοποθέτηση πλάγιας λαβής (λαβή)

▲ ΠΡΟΣΟΧΗ: Πριν από τη λειτουργία, να βεβαιώνετε πάντα ότι η πλάγια λαβή έχει τοποθετηθεί με ασφάλεια.

Βιδώστε την πλάγια λαβή με ασφάλεια στη θέση του εργαλείου όπως απεικονίζεται στην εικόνα.

► **Εικ.8**

Τοποθέτηση ή αφαίρεση του προφυλακτήρα τροχού (Για τροχό χαμηλωμένου κέντρου, δίσκο λείανσης, εύκαμπτο τροχό, συρμάτινη βούρτσα σχήματος τροχού / τροχό λείανσης κοπής, διαμαντοτροχό)

▲ ΠΡΟΕΙΔΟΠΟΙΗΣΗ: Όταν χρησιμοποιείτε τροχό χαμηλωμένου κέντρου, δίσκο λείανσης, εύκαμπτο τροχό ή συρμάτινη βούρτσα σχήματος τροχού, ο προφυλακτήρας τροχού πρέπει να τοποθετηθεί στο εργαλείο ώστε η κλειστή πλευρά του προφυλακτήρα να είναι πάντα στραμμένη προς τον χειριστή.

▲ ΠΡΟΕΙΔΟΠΟΙΗΣΗ: Όταν χρησιμοποιείτε τροχό κοπής / διαμαντοτροχό λείανσης, φροντίστε να χρησιμοποιείτε μόνο τον ειδικό προφυλακτήρα τροχού που έχει σχεδιαστεί για χρήση με τροχούς κοπής.

Για εργαλείο με προφυλακτήρα τροχού τύπου βίδας ασφάλισης

Τοποθετήστε τον προφυλακτήρα τροχού με τις προεξοχές στη ζώνη του προφυλακτήρα τροχού ευθυγραμμισμένες με τις εγκοπές στο κιβώτιο έδρασης. Μετά, περιστρέψτε το προφυλακτήρα τροχού σε γωνία ώστε να μπορεί να προστατεύει το χειριστή ανάλογα με την εργασία. Φροντίστε να σφίξετε τη βίδα με ασφάλεια. Για να αφαιρέσετε τον προφυλακτήρα τροχού, ακολουθήστε τη διαδικασία εγκατάστασης με αντίστροφη σειρά.

► **Εικ.9:** 1. Προφυλακτήρας τροχού 2. Κιβώτιο έδρασης 3. Βίδα

Για εργαλείο με προφυλακτήρα τροχού τύπου μοχλού σύσφιξης

Ξεσφίξτε τη βίδα και, στη συνέχεια, τραβήξτε το μοχλό προς την κατεύθυνση του βέλους. Τοποθετήστε τον προφυλακτήρα τροχού με τις προεξοχές στη ζώνη του προφυλακτήρα τροχού ευθυγραμμισμένες με τις εγκοπές στο κιβώτιο έδρασης. Μετά, περιστρέψτε το προφυλακτήρα τροχού σε γωνία ώστε να μπορεί να προστατεύει το χειριστή ανάλογα με την εργασία.

► **Εικ.10:** 1. Προφυλακτήρας τροχού 2. Κιβώτιο έδρασης 3. Βίδα 4. Μοχλός

Τραβήξτε το μοχλό προς την κατεύθυνση του βέλους. Στη συνέχεια, σφίξτε τον προφυλακτήρα τροχού με τη βίδα στερέωσης. Φροντίστε να σφίξετε τη βίδα με ασφάλεια. Η γωνία ρύθμισης του προφυλακτήρα τροχού μπορεί να ρυθμιστεί με το μοχλό.

► **Εικ.11:** 1. Βίδα 2. Μοχλός

Για να αφαιρέσετε τον προφυλακτήρα τροχού, ακολουθήστε τη διαδικασία εγκατάστασης με αντίστροφη σειρά.

Επισυνδεδεμένο προσάρτημα προφυλακτήρα τροχού κοπής

Προαιρετικό εξάρτημα

ΠΑΡΑΤΗΡΗΣΗ: Για εργασίες αποκοπής, μπορεί να χρησιμοποιηθεί ένα επισυνδεδεμένο προσάρτημα προφυλακτήρα τροχού κοπής με τον προφυλακτήρα τροχού (για τον τροχό λείανσης).

Δεν διατίθεται σε μερικές χώρες.

► **Εικ.12**

Τοποθέτηση ή αφαίρεση τροχού χαμηλωμένου κέντρου ή δίσκου λείανσης

Προαιρετικό εξάρτημα

▲ ΠΡΟΕΙΔΟΠΟΙΗΣΗ: Όταν χρησιμοποιείτε τροχό χαμηλωμένου κέντρου ή δίσκο λείανσης, ο προφυλακτήρας τροχού πρέπει να τοποθετηθεί στο εργαλείο ώστε η κλειστή πλευρά του προφυλακτήρα να είναι πάντα στραμμένη προς τον χειριστή.

▲ ΠΡΟΕΙΔΟΠΟΙΗΣΗ: Βεβαιωθείτε ότι το τμήμα στερέωσης της εσωτερικής φλάντζας ταιριάζει καλά στην εσωτερική διάμετρο του τροχού χαμηλωμένου κέντρου / δίσκου λείανσης. Η στερέωση της εσωτερικής φλάντζας στη λανθασμένη πλευρά μπορεί να οδηγήσει σε επικίνδυνο κραδασμό.

Στερεώστε την εσωτερική φλάντζα πάνω στην άτρακτο. Βεβαιωθείτε να προσαρμόσετε το εγχαραγμένο μέρος της εσωτερικής φλάντζας επάνω στο ευθύ μέρος στο κάτω μέρος της άτρακτου.

Εφαρμόστε τον τροχό χαμηλωμένου κέντρου / δίσκο λείανσης στην εσωτερική φλάντζα και βιδώστε το παξιμάδι ασφάλισης πάνω στην άτρακτο.

► **Εικ.13:** 1. Παξιμάδι ασφάλισης 2. Τροχός χαμηλωμένου κέντρου 3. Εσωτερική φλάντζα 4. Τμήμα στερέωσης

Για να σφίξετε το παξιμάδι ασφάλισης, πατήστε το εξάρτημα κλειδώματος άξονα σταθερά έτσι ώστε να μην μπορεί να περιστραφεί η άτρακτος, μετά χρησιμοποιήστε το κλειδί παξιμαδιού ασφάλισης και σφίξτε με ασφάλεια δεξιόστροφα.

► **Εικ.14:** 1. Κλειδί παξιμαδιού ασφάλισης 2. Εξάρτημα κλειδώματος άξονα

Για να αφαιρέσετε τον τροχό, ακολουθήστε τη διαδικασία τοποθέτησης με αντίστροφη σειρά.

Τοποθέτηση ή αφαίρεση εύκαμπτου τροχού

Προαιρετικό εξάρτημα

▲ ΠΡΟΕΙΔΟΠΟΙΗΣΗ: Να χρησιμοποιείτε πάντα τον παρεχόμενο προφυλακτήρα όταν ο εύκαμπτος τροχός βρίσκεται στο εργαλείο. Ο τροχός μπορεί να υποστεί θραύση κατά τη χρήση και ο προφυλακτήρας διευκολύνει στη μείωση των πιθανοτήτων πρόκλησης τραυματισμού.

- **Εικ.15:** 1. Παξιμάδι ασφάλισης 2. Εύκαμπτος τροχός 3. Πέλμα υποστήριξης 4. Εσωτερική φλάντζα

Να ακολουθείτε τις οδηγίες για τον τροχό χαμηλωμένου κέντρου αλλά να χρησιμοποιείτε και το πέλαμα υποστήριξης επάνω από τον τροχό.

Τοποθέτηση ή αφαίρεση δίσκου λείανσης

Προαιρετικό εξάρτημα

ΠΑΡΑΤΗΡΗΣΗ: Να χρησιμοποιείτε τα εξαρτήματα εργαλείου τριψίματος που καθορίζονται στο παρόν χειρίδιο. Αυτά πρέπει να αγοράζονται ξεχωριστά.

Για μοντέλο 100 mm (4")

- **Εικ.16:** 1. Παξιμάδι ασφάλισης τριψίματος 2. Δίσκος λείανσης 3. Ελαστικό πέλαμα 4. Εσωτερική φλάντζα

1. Στερεώστε την εσωτερική φλάντζα πάνω στην άτρακτο.
 2. Στερεώστε το ελαστικό πέλαμα πάνω στην άτρακτο.
 3. Τοποθετήστε το δίσκο επάνω στο ελαστικό πέλαμα και βιδώστε το παξιμάδι ασφάλισης τριψίματος πάνω στην άτρακτο.
 4. Κρατήστε την άτρακτο με το εξάρτημα κλειδώματος άξονα και σφίξτε καλά το παξιμάδι ασφάλισης τριψίματος δεξιόστροφα με το κλειδί παξιμαδιού ασφάλισης.
- Για να αφαιρέσετε το δίσκο, ακολουθήστε τη διαδικασία τοποθέτησης με αντίστροφη σειρά.

Για μοντέλο διαφορετικό από το 100 mm (4")

- **Εικ.17:** 1. Παξιμάδι ασφάλισης τριψίματος 2. Δίσκος λείανσης 3. Ελαστικό πέλαμα

1. Στερεώστε το ελαστικό πέλαμα πάνω στην άτρακτο.
 2. Τοποθετήστε το δίσκο επάνω στο ελαστικό πέλαμα και βιδώστε το παξιμάδι ασφάλισης τριψίματος πάνω στην άτρακτο.
 3. Κρατήστε την άτρακτο με το εξάρτημα κλειδώματος άξονα και σφίξτε καλά το παξιμάδι ασφάλισης τριψίματος δεξιόστροφα με το κλειδί παξιμαδιού ασφάλισης.
- Για να αφαιρέσετε το δίσκο, ακολουθήστε τη διαδικασία τοποθέτησης με αντίστροφη σειρά.

Τοποθέτηση ή αφαίρεση του Ezynut

Προαιρετικό εξάρτημα

Μόνο για εργαλεία με σπείρωμα άτρακτου M14.

Στερεώστε την εσωτερική φλάντζα, το λειαντικό τροχό και το Ezynut στην άτρακτο ώστε ο λογότυπος της Makita στο Ezynut να είναι στραμμένος προς τα έξω.

- **Εικ.18:** 1. Ezynut 2. Λειαντικός τροχός 3. Εσωτερική φλάντζα 4. Άτρακτος

Πιέστε σταθερά το εξάρτημα κλειδώματος άξονα και σφίξτε το Ezynut περιστρέφοντας το λειαντικό τροχό δεξιόστροφα μέχρι τέρμα.

- **Εικ.19:** 1. Εξάρτημα κλειδώματος άξονα

Για να χαλαρώσετε το Ezynut, περιστρέψτε τον εξωτερικό δακτύλιο του Ezynut αριστερόστροφα.

ΠΑΡΑΤΗΡΗΣΗ: Μπορείτε να χαλαρώσετε το Ezynut με το χέρι αρκεί το βέλος να είναι στραμμένο προς την εγκοπή. Διαφορετικά απαιτείται κλειδί παξιμαδιού ασφάλισης για να το χαλαρώσετε. Εισαγάγετε έναν πείρο του κλειδιού στην οπή και περιστρέψτε το Ezynut αριστερόστροφα.

- **Εικ.20:** 1. Βέλος 2. Εγκοπή

- **Εικ.21**

Τοποθέτηση τροχού λείανσης κοπής / διαμαντοτροχού

Προαιρετικό εξάρτημα

▲ ΠΡΟΕΙΔΟΠΟΙΗΣΗ: Όταν χρησιμοποιείτε τροχό κοπής / διαμαντοτροχό λείανσης, φροντίστε να χρησιμοποιείτε μόνο τον ειδικό προφυλακτήρα τροχού που έχει σχεδιαστεί για χρήση με τροχούς κοπής.

▲ ΠΡΟΕΙΔΟΠΟΙΗΣΗ: Μην χρησιμοποιείτε ΠΟΤΕ τροχό κοπής για πλευρική λείανση.

- **Εικ.22:** 1. Παξιμάδι ασφάλισης 2. Τροχός λείανσης κοπής / διαμαντοτροχός 3. Εσωτερική φλάντζα 4. Προφυλακτήρας τροχού για τροχό λείανσης κοπής / διαμαντοτροχό

Όσον αφορά την τοποθέτηση, ακολουθήστε τις οδηγίες για τον τροχό χαμηλωμένου κέντρου.

Η κατεύθυνση στερέωσης του παξιμαδιού ασφάλισης και της εσωτερικής φλάντζας διαφέρει ανάλογα με τον τύπο και το πάχος τροχού.

Ανατρέξτε στις παρακάτω τιμές.

Για μοντέλο 100 mm (4")

Όταν τοποθετείτε τον τροχό λείανσης κοπής.

- **Εικ.23:** 1. Παξιμάδι ασφάλισης 2. Τροχός λείανσης αποκοπής (πάχος μικρότερο από 4 mm (5/32")) 3. Τροχός λείανσης αποκοπής (4 mm (5/32")) ή μεγαλύτερου πάχους) 4. Εσωτερική φλάντζα

Όταν τοποθετείτε τον διαμαντοτροχό:

- **Εικ.24:** 1. Παξιμάδι ασφάλισης 2. Διαμαντοτροχός (πάχος μικρότερο από 4 mm (5/32")) 3. Διαμαντοτροχός (4 mm (5/32")) ή μεγαλύτερου πάχους) 4. Εσωτερική φλάντζα

Για μοντέλο διαφορετικό από το 100 mm (4")

Όταν τοποθετείτε τον τροχό λείανσης κοπής.

- **Εικ.25:** 1. Παξιμάδι ασφάλισης 2. Τροχός λείανσης αποκοπής (πάχος μικρότερο από 4 mm (5/32")) 3. Τροχός λείανσης αποκοπής (4 mm (5/32") ή μεγαλύτερου πάχους) 4. Εσωτερική φλάντζα

Όταν τοποθετείτε τον διαμαντοτροχό:

- **Εικ.26:** 1. Παξιμάδι ασφάλισης 2. Διαμαντοτροχός (πάχος μικρότερο από 4 mm (5/32")) 3. Διαμαντοτροχός (4 mm (5/32") ή μεγαλύτερου πάχους) 4. Εσωτερική φλάντζα

Τοποθέτηση συρμάτινης βούρτσας σχήματος κούπας

Προαιρετικό εξάρτημα

▲ ΠΡΟΣΟΧΗ: Μη χρησιμοποιείτε βούρτσα η οποία έχει υποστεί ζημιά ή η οποία δεν είναι κατάλληλα ζυγοσταθμισμένη. Η χρήση βούρτσας που έχει υποστεί ζημιά θα μπορούσε να αυξήσει τον κίνδυνο τραυματισμού λόγω επαφής με κομμένα τεμάχια συρμάτων της βούρτσας.

Τοποθετήστε το εργαλείο ανάποδα για να επιτραπεί η εύκολη πρόσβαση στην άτρακτο.

Αφαιρέστε οποιαδήποτε εξαρτήματα από την άτρακτο. Τοποθετήστε τη συρμάτινη βούρτσα σχήματος κούπας στην άτρακτο και σφίξτε με το παρεχόμενο κλειδί.

- **Εικ.27:** 1. Συρμάτινη βούρτσα σχήματος κούπας

Τοποθέτηση συρμάτινης βούρτσας σχήματος τροχού

Προαιρετικό εξάρτημα

▲ ΠΡΟΣΟΧΗ: Μη χρησιμοποιείτε συρμάτινη βούρτσα σχήματος τροχού η οποία έχει υποστεί ζημιά ή η οποία δεν είναι κατάλληλα ζυγοσταθμισμένη. Η χρήση συρμάτινης βούρτσας σχήματος τροχού που έχει υποστεί ζημιά θα μπορούσε να αυξήσει τον κίνδυνο τραυματισμού λόγω επαφής με κομμένα τεμάχια συρμάτων.

▲ ΠΡΟΣΟΧΗ: Να χρησιμοποιείτε ΠΑΝΤΑ προφυλακτήρα με τις συρμάτινες βούρτσες σχήματος τροχού, φροντίζοντας ώστε η διάμετρος του τροχού να επιτρέπει την εφαρμογή του μέσα στον προφυλακτήρα. Ο τροχός μπορεί να υποστεί θραύση κατά τη χρήση και ο προφυλακτήρας διευκολύνει στη μείωση των πιθανοτήτων πρόκλησης τραυματισμού.

Τοποθετήστε το εργαλείο ανάποδα για να επιτραπεί η εύκολη πρόσβαση στην άτρακτο.

Αφαιρέστε οποιαδήποτε εξαρτήματα από την άτρακτο. Τοποθετήστε τη συρμάτινη βούρτσα σχήματος τροχού στην άτρακτο και σφίξτε με τα κλειδιά.

- **Εικ.28:** 1. Συρμάτινη βούρτσα σχήματος τροχού

Τοποθέτηση ποτηροτύπανου

Προαιρετικό εξάρτημα

Τοποθετήστε το εργαλείο ανάποδα για να επιτραπεί η εύκολη πρόσβαση στην άτρακτο. Αφαιρέστε οποιαδήποτε εξαρτήματα από την άτρακτο. Βιδώστε το ποτηροτύπανο στην άτρακτο και σφίξτε το με το παρεχόμενο κλειδί.

- **Εικ.29:** 1. Ποτηροτύπανο

Τοποθέτηση προστατευτικού συλλογής σκόνης τροχού για λείανση

Μόνο για το μοντέλο DGA467 / DGA468 / DGA517 / DGA518

Προαιρετικό εξάρτημα

Με προαιρετικά εξαρτήματα, μπορείτε να χρησιμοποιήσετε αυτό το εργαλείο για το πλάνισμα επιφάνειας από σκυρόδεμα.

▲ ΠΡΟΣΟΧΗ: Το προστατευτικό συλλογής σκόνης τροχού για τον εκκεντρο διαμαντοτροχό χρησιμοποιείται μόνο για το πλάνισμα επιφάνειας από σκυρόδεμα με εκκεντρο διαμαντοτροχό. Μη χρησιμοποιήσετε αυτό το προστατευτικό με οποιοδήποτε άλλο εξάρτημα κοπής ή για οποιοδήποτε άλλο σκοπό.

▲ ΠΡΟΣΟΧΗ: Πριν από τη λειτουργία, βεβαιωθείτε ότι έχει συνδεθεί ηλεκτρική σκούπα στο εργαλείο και ότι είναι ενεργοποιημένη.

Τοποθετήστε το εργαλείο ανάποδα και τοποθετήστε το προστατευτικό συλλογής σκόνης τροχού.

Στερεώστε την εσωτερική φλάντζα πάνω στην άτρακτο. Εφαρμόστε τον διαμαντοτροχό τύπου κούπας στην εσωτερική φλάντζα και σφίξτε το παξιμάδι ασφάλισης πάνω στην άτρακτο.

- **Εικ.30:** 1. Παξιμάδι ασφάλισης 2. Διαμαντοτροχός τύπου κούπας 3. Διαμαντοτροχός τύπου κούπας με πλήμνη 4. Εσωτερική φλάντζα 5. Προστατευτικό συλλογής σκόνης τροχού 6. Κιβώτιο έδρασης

ΠΑΡΑΤΗΡΗΣΗ: Για πληροφορίες σχετικά με τον τρόπο τοποθέτησης του προστατευτικού συλλογής σκόνης τροχού, ανατρέξτε στο εγχειρίδιο του προστατευτικού συλλογής σκόνης τροχού.

Τοποθέτηση προστατευτικού συλλογής σκόνης τροχού για αποκοπή

Προαιρετικό εξάρτημα

Με προαιρετικά εξαρτήματα, μπορείτε να χρησιμοποιήσετε αυτό το εργαλείο για την κοπή πέτρινων υλικών.

- **Εικ.31**

ΠΑΡΑΤΗΡΗΣΗ: Για πληροφορίες σχετικά με τον τρόπο τοποθέτησης του προστατευτικού συλλογής σκόνης τροχού, ανατρέξτε στο εγχειρίδιο του προστατευτικού συλλογής σκόνης τροχού.

Σύνδεση με ηλεκτρική σκούπα

Προαιρετικό εξάρτημα

▲ ΠΡΟΕΙΔΟΠΟΙΗΣΗ: Μην αναρροφάτε ποτέ μεταλλικά σωματίδια που δημιουργήθηκαν από λειτουργία λείανσης/κοπής/τριψίματος. Τα μεταλλικά σωματίδια που δημιουργήθηκαν σε μια τέτοια λειτουργία είναι τόσο ζεστά που αναφλέγουν σκόνη και το φίλτρο στο εσωτερικό της ηλεκτρικής σκούπας.

Για να αποφύγετε ένα περιβάλλον με σκόνη που προκλήθηκε από κοπή τοιχοποιίας, χρησιμοποιήστε το προστατευτικό συλλογής σκόνης τροχού και μια ηλεκτρική σκούπα.

Ανατρέξτε στο εγχειρίδιο οδηγιών που συνοδεύει το προστατευτικό συλλογής σκόνης τροχού για τη συναρμολόγηση και χρησιμοποιήστε το.

► **Εικ.32:** 1. Προστατευτικό συλλογής σκόνης τροχού
2. Εύκαμπτος σωλήνας της ηλεκτρικής σκούπας

ΛΕΙΤΟΥΡΓΙΑ

▲ ΠΡΟΕΙΔΟΠΟΙΗΣΗ: Δεν θα πρέπει ποτέ να εξασκείτε υπερβολική δύναμη στο εργαλείο. Το βάρος του εργαλείου εφαρμόζει αρκετή πίεση. Ο εξαναγκασμός και η υπερβολική πίεση μπορεί να προκαλέσουν επικίνδυνο σπάσιμο του τροχού.

▲ ΠΡΟΕΙΔΟΠΟΙΗΣΗ: Να αντικαθιστάτε ΠΑΝΤΑ τον τροχό αν το εργαλείο πέσει κάτω κατά τη λείανση.

▲ ΠΡΟΕΙΔΟΠΟΙΗΣΗ: Μη χτυπάτε ΠΟΤΕ τον τροχό επάνω στο τεμάχιο εργασίας.

▲ ΠΡΟΕΙΔΟΠΟΙΗΣΗ: Αποφύγετε τις αναπηδήσεις και τσιμπήματα του τροχού, ιδιαίτερα όταν εργαζόμαστε πάνω σε γωνίες, αιχμηρές άκρες κλπ. Αυτά μπορεί να προκαλέσουν απώλεια ελέγχου και τίναγμα προς τα πίσω.

▲ ΠΡΟΕΙΔΟΠΟΙΗΣΗ: Μη χρησιμοποιείτε ΠΟΤΕ το εργαλείο με λάμες κοπής ξύλου και λάμα πριονιού. Τέτοιες λάμες όταν χρησιμοποιούνται συχνά στον λειαντή προκαλούν απώλεια ελέγχου από τα τίναγματα και οδηγούν σε προσωπικό τραυματισμό.

▲ ΠΡΟΣΟΧΗ: Μη θέτετε ποτέ το εργαλείο σε λειτουργία όταν βρίσκεται σε επαφή με το τεμάχιο εργασίας επειδή μπορεί να προκληθεί τραυματισμός του χειριστή.

▲ ΠΡΟΣΟΧΗ: Κατά τη διάρκεια της λειτουργίας, να φοράτε πάντα προστατευτικά γυαλιά ή προσωπίδα.

▲ ΠΡΟΣΟΧΗ: Μετά τη λειτουργία, να σβήνετε πάντα το εργαλείο και να περιμένετε μέχρι ο τροχός να σταματήσει τελείως πριν αφήσετε κάτω το εργαλείο.

▲ ΠΡΟΣΟΧΗ: Να κρατάτε ΠΑΝΤΑ το εργαλείο σταθερά με το ένα χέρι στο περίβλημα και με το άλλο χέρι στην πλάγια λαβή (λαβή).

ΠΑΡΑΤΗΡΗΣΗ: Ένας τροχός διπλής χρήσης μπορεί να χρησιμοποιηθεί για εργασίες λείανσης και αποκοπής.

Ανατρέξτε στην παράγραφο «Λειτουργία τροχίσματος και λείανσης» για την εργασία λείανσης και στην παράγραφο «Λειτουργία με τροχό λείανσης αποκοπής / διαμαντοτροχό» για την εργασία αποκοπής.

Λειτουργία τροχίσματος και λείανσης

► Εικ.33

Θέστε το εργαλείο σε λειτουργία και μετά εφαρμόστε τον τροχό ή το δίσκο στο τεμάχιο εργασίας.

Σε γενικές γραμμές, να κρατάτε την άκρη ή του δίσκου σε γωνία περίπου 15 μοιρών ως προς την επιφάνεια του τεμαχίου εργασίας.

Κατά τη διάρκεια της περιόδου στρωσίματος ενός καινούργιου τροχού, μη χειρίζεστε τον λειαντή προς την εμπρόσθια κατεύθυνση επειδή θα προκαλέσει κοπή του τεμαχίου εργασίας. Μόλις στογγυλοποιηθεί η άκρη του τροχού από τη χρήση, ο τροχός μπορεί να χρησιμοποιηθεί προς την εμπρόσθια και οπίσθια κατεύθυνση.

Παράδειγμα χρήσης: λειτουργία με διαμαντοτροχό τύπου κούπας

► Εικ.34

Διατηρήστε το εργαλείο οριζόντια και εφαρμόστε ολόκληρο τον διαμαντοτροχό τύπου κούπας στην επιφάνεια του τεμαχίου εργασίας.

Λειτουργία με τροχό λείανσης κοπής / διαμαντοτροχό

Προαιρετικό εξάρτημα

▲ ΠΡΟΕΙΔΟΠΟΙΗΣΗ: Μην προκαλείτε «μάγκωμα» του τροχού κοπής και μην ασκείτε υπερβολική πίεση. Μην επιχειρείτε να δημιουργήσετε τομή υπερβολικού βάθους. Η άσκηση υπερβολικής δύναμης στον τροχό αυξάνει το φορτίο και τη δεκτικότητα σε συστροφή ή εμπλοκή του τροχού εντός της κοπής και την πιθανότητα κλοστήματος ή θραύσης του τροχού όπως και υπερθέρμανσης του κινητήρα.

▲ ΠΡΟΕΙΔΟΠΟΙΗΣΗ: Μην αρχίσετε την εργασία κοπής στο τεμάχιο εργασίας. Περιμένετε έως ότου ο τροχός αποκτήσει πλήρη ταχύτητα και φροντίστε για την εισαγωγή του με προσοχή στο εσωτερικό της κοπής μετακινώντας το εργαλείο προς τα εμπρός πάνω στην επιφάνεια του τεμαχίου εργασίας. Ο τροχός μπορεί να παρουσιάσει εμπλοκή, αναπήδηση ή ανάκρουση αν ενεργοποιήσετε το ηλεκτρικό εργαλείο ενώ βρίσκεται εντός του τεμαχίου εργασίας.

▲ ΠΡΟΕΙΔΟΠΟΙΗΣΗ: Στη διάρκεια των εργασιών κοπής, μην αλλάζετε ποτέ τη γωνία του τροχού. Αν ασκήσετε πλευρική πίεση στον τροχό κοπής (όπως στη λείανση), θα προκληθεί ράγισμα και θραύση του τροχού, με αποτέλεσμα σοβαρό τραυματισμό.

▲ ΠΡΟΕΙΔΟΠΟΙΗΣΗ: Απαιτείται χειρισμός ενός διαμαντοτροχού κάθετα προς το υλικό που πρόκειται να κοπεί.

Παράδειγμα χρήσης: Λειτουργία με τροχό λείανσης κοπής

► Εικ.35

Παράδειγμα χρήσης: Λειτουργία με διαμαντοτροχό

► Εικ.36

Λειτουργία με συρμάτινη βούρτσα σχήματος κούπας

Προαιρετικό εξάρτημα

▲ ΠΡΟΣΟΧΗ: Ελέγξτε τη λειτουργία της βούρτσας θέτοντας το εργαλείο σε λειτουργία χωρίς φορτίο, φροντίζοντας να μην υπάρχει κανένας μπροστά ή σε ευθεία γραμμή με τη βούρτσα.

ΕΙΔΟΠΟΙΗΣΗ: Φροντίστε να μην ασκείτε πολύ μεγάλη πίεση η οποία προκαλεί υπερβολικό λύγισμα των συρμάτων κατά τη χρήση της συρμάτινης βούρτσας σχήματος κούπας. Μπορεί να προκαλέσει πρόωρο σπάσιμο.

Παράδειγμα χρήσης: Λειτουργία με συρμάτινη βούρτσα σχήματος κούπας

► Εικ.37

Λειτουργία με συρμάτινη βούρτσα σχήματος τροχού

Προαιρετικό εξάρτημα

▲ ΠΡΟΣΟΧΗ: Ελέγξτε τη λειτουργία της συρμάτινης βούρτσας σχήματος τροχού θέτοντας το εργαλείο σε λειτουργία χωρίς φορτίο, φροντίζοντας να μην υπάρχει κανείς μπροστά ή σε ευθεία γραμμή με τη βούρτσα.

ΕΙΔΟΠΟΙΗΣΗ: Φροντίστε να μην ασκείτε πολύ μεγάλη πίεση η οποία προκαλεί υπερβολικό λύγισμα των συρμάτων κατά τη χρήση της συρμάτινης βούρτσας σχήματος τροχού. Μπορεί να προκαλέσει πρόωρο σπάσιμο.

Παράδειγμα χρήσης: Λειτουργία με συρμάτινη βούρτσα σχήματος τροχού

► Εικ.38

Λειτουργία με ποτηροτρύπανο

Προαιρετικό εξάρτημα

▲ ΠΡΟΣΟΧΗ: Ελέγξτε τη λειτουργία του ποτηροτρυπανου θέτοντας το εργαλείο σε λειτουργία χωρίς φορτίο, φροντίζοντας να μην υπάρχει κανένας μπροστά από το ποτηροτρύπανο.

ΕΙΔΟΠΟΙΗΣΗ: Μην γείρετε το εργαλείο κατά τη διάρκεια της λειτουργίας. Μπορεί να προκαλέσει πρόωρο σπάσιμο.

Παράδειγμα χρήσης: Λειτουργία με ποτηροτρύπανο

► Εικ.39

ΛΕΙΤΟΥΡΓΙΑ ΑΣΥΡΜΑΤΗΣ ΕΝΕΡΓΟΠΟΙΗΣΗΣ

Μόνο για το μοντέλο DGA418 / DGA468 / DGA518

Τι μπορείτε να κάνετε με τη λειτουργία ασύρματης ενεργοποίησης

Η λειτουργία ασύρματης ενεργοποίησης επιτρέπει την καθαρή και άνετη λειτουργία. Αν συνδέσετε μια υποστηρίζόμενη ηλεκτρική σκούπα στο εργαλείο, μπορείτε να χρησιμοποιείτε την ηλεκτρική σκούπα αυτόματα μαζί με τη λειτουργία διακοπής του εργαλείου.

► Εικ.40

Για να χρησιμοποιήσετε τη λειτουργία ασύρματης ενεργοποίησης, προετοιμάστε τα ακόλουθα στοιχεία:

- Μια ασύρματη μονάδα (προαιρετικό εξάρτημα)
- Ηλεκτρική σκούπα που υποστηρίζει τη λειτουργία ασύρματης ενεργοποίησης

Η σύνοψη της ρύθμισης λειτουργίας ασύρματης ενεργοποίησης είναι η εξής. Ανατρέξτε σε κάθε τμήμα για λεπτομερείς διαδικασίες.

1. Εγκατάσταση της ασύρματης μονάδας
2. Καταχώρηση εργαλείου για την ηλεκτρική σκούπα
3. Έναρξη της λειτουργίας ασύρματης ενεργοποίησης

Εγκατάσταση της ασύρματης μονάδας

Προαιρετικό εξάρτημα

▲ ΠΡΟΣΟΧΗ: Τοποθετήστε το εργαλείο σε μια επίπεδη και σταθερή επιφάνεια όταν εγκαθιστάτε την ασύρματη μονάδα.

ΕΙΔΟΠΟΙΗΣΗ: Καθαρίστε τη σκόνη και τη βρομιά στο εργαλείο πριν τοποθετήσετε την ασύρματη μονάδα. Η σκόνη ή η βρομιά μπορεί να προκαλέσει δυσλειτουργία αν έρθει σε επαφή με τη σχισμή της ασύρματης μονάδας.

ΕΙΔΟΠΟΙΗΣΗ: Για να αποτρέψετε τη δυσλειτουργία που προκαλείται από στατικό ηλεκτρισμό, αγγίξτε κάποιο υλικό στατικής εκκένωσης, όπως ένα μεταλλικό εξάρτημα του εργαλείου, πριν σηκώσετε την ασύρματη μονάδα.

ΕΙΔΟΠΟΙΗΣΗ: Όταν τοποθετείτε την ασύρματη μονάδα, να βεβαιώνεστε πάντα ότι η ασύρματη μονάδα έχει εισαχθεί με τη σωστή κατεύθυνση και το καπάκι είναι εντελώς κλειστό.

1. Ανοίξτε το καπάκι στο εργαλείο όπως απεικονίζεται στην εικόνα.

► Εικ.41: 1. Καπάκι

2. Εισαγάγετε την ασύρματη μονάδα στη σχισμή και μετά κλείστε το καπάκι.

Όταν εισαγάγετε την ασύρματη μονάδα, ευθυγραμμίστε τις προεξοχές με τα βαθουλωτά τμήματα στη σχισμή.

► Εικ.42: 1. Ασύρματη μονάδα 2. Προεξοχή 3. Καπάκι 4. Βαθουλωτό τμήμα

Όταν αφαιρέσετε την ασύρματη μονάδα, ανοίξτε το καπάκι αργά. Οι γάντζοι στο πίσω μέρος του καπακιού θα σηκώσουν την ασύρματη μονάδα καθώς τραβάτε το καπάκι προς τα πάνω.

► **Εικ.43:** 1. Ασύρματη μονάδα 2. Γάντζος 3. Καπάκι

Αφού αφαιρέσετε την ασύρματη μονάδα, να τη διατηρείτε μέσα στην παρεχόμενη θήκη ή μέσα σε δοχείο χωρίς στατικό ηλεκτρισμό.

ΕΙΔΟΠΟΙΗΣΗ: Να χρησιμοποιείτε πάντα τους γάντζους στο πίσω μέρος του καπακιού όταν αφαιρέσετε την ασύρματη μονάδα. Αν οι γάντζοι δεν ασφαλισουν την ασύρματη μονάδα, κλείστε εντελώς το καπάκι και ανοίξτε το ξανά αργά.

Καταχώρηση εργαλείου για τη ηλεκτρική σκούπα

ΠΑΡΑΤΗΡΗΣΗ: Για την καταχώρηση εργαλείου, απαιτείται ηλεκτρική σκούπα Makita που υποστηρίζει τη λειτουργία ασύρματης ενεργοποίησης.

ΠΑΡΑΤΗΡΗΣΗ: Ολοκληρώστε την εγκατάσταση της ασύρματης μονάδας στο εργαλείο πριν ξεκινήσετε την καταχώρηση εργαλείου.

ΠΑΡΑΤΗΡΗΣΗ: Κατά την καταχώρηση εργαλείου, μην τραβήξετε τη σκανδάλη διακόπτη ούτε να ενεργοποιήσετε το διακόπτη λειτουργίας στην ηλεκτρική σκούπα.

ΠΑΡΑΤΗΡΗΣΗ: Ανατρέξτε και στο εγχειρίδιο οδηγιών της ηλεκτρικής σκούπας.

Αν επιθυμείτε να ενεργοποιήσετε την ηλεκτρική σκούπα μαζί με τη λειτουργία διακόπτη του εργαλείου, ολοκληρώστε εκ των προτέρων την καταχώρηση εργαλείου.

1. Τοποθετήστε τις μπαταρίες στην ηλεκτρική σκούπα και στο εργαλείο.
2. Θέστε τον διακόπτη αναμονής στην ηλεκτρική σκούπα στη θέση «ΑΥΤΟ».
► **Εικ.44:** 1. Διακόπτης αναμονής
3. Πατήστε το κουμπί ασύρματης ενεργοποίησης στην ηλεκτρική σκούπα για 3 δευτερόλεπτα μέχρι η λυχνία ασύρματης ενεργοποίησης αναβοσβήνει με πράσινο χρώμα. Και μετά πατήστε το κουμπί ασύρματης ενεργοποίησης στο εργαλείο με τον ίδιο τρόπο.
► **Εικ.45:** 1. Κουμπί ασύρματης ενεργοποίησης
2. Λυχνία ασύρματης ενεργοποίησης

Αν η ηλεκτρική σκούπα και το εργαλείο συνδεθούν με επιτυχία, οι λυχνίες ασύρματης ενεργοποίησης θα ανάψουν με πράσινο χρώμα για 2 δευτερόλεπτα και θα αρχίσουν να αναβοσβήνουν με μπλε χρώμα.

ΠΑΡΑΤΗΡΗΣΗ: Οι λυχνίες ασύρματης ενεργοποίησης θα αρχίσουν να αναβοσβήνουν με πράσινο χρώμα αφού περάσουν 20 δευτερόλεπτα. Πατήστε το κουμπί ασύρματης ενεργοποίησης στο εργαλείο ενώ η λυχνία ασύρματης ενεργοποίησης αναβοσβήνει στη σκούπα. Αν η λυχνία ασύρματης ενεργοποίησης δεν αναβοσβήνει με πράσινο χρώμα, πατήστε για λίγο το κουμπί ασύρματης ενεργοποίησης και κρατήστε το ξανά πατημένο.

ΠΑΡΑΤΗΡΗΣΗ: Όταν εκτελείτε δύο ή περισσότερες καταχωρήσεις εργαλείων για μία ηλεκτρική σκούπα, ολοκληρώστε την καταχώρηση εργαλείου ένα τη φορά.

Έναρξη της λειτουργίας ασύρματης ενεργοποίησης

ΠΑΡΑΤΗΡΗΣΗ: Ολοκληρώστε την καταχώρηση εργαλείου για την ηλεκτρική σκούπα πριν από την ασύρματη ενεργοποίηση.

ΠΑΡΑΤΗΡΗΣΗ: Ανατρέξτε και στο εγχειρίδιο οδηγιών της ηλεκτρικής σκούπας.

Αφού καταχωρήσετε ένα εργαλείο με την ηλεκτρική σκούπα, η ηλεκτρική σκούπα θα λειτουργεί αυτόματα μαζί με τη λειτουργία διακόπτη του εργαλείου.

1. Εγκαταστήστε την ασύρματη μονάδα στο εργαλείο.
2. Συνδέστε τον εύκαμπτο σωλήνα της ηλεκτρικής σκούπας με το εργαλείο.
► **Εικ.46**
3. Θέστε τον διακόπτη αναμονής στην ηλεκτρική σκούπα στη θέση «ΑΥΤΟ».
► **Εικ.47:** 1. Διακόπτης αναμονής
4. Πατήστε σύντομα το κουμπί ασύρματης ενεργοποίησης στο εργαλείο. Η λυχνία ασύρματης ενεργοποίησης θα αναβοσβήνει με μπλε χρώμα.
► **Εικ.48:** 1. Κουμπί ασύρματης ενεργοποίησης
2. Λυχνία ασύρματης ενεργοποίησης
5. Ενεργοποιήστε το εργαλείο. Ελέγξτε αν η ηλεκτρική σκούπα λειτουργεί ενώ το εργαλείο λειτουργεί.

Για να σταματήσετε την ασύρματη ενεργοποίηση της ηλεκτρικής σκούπας, πατήστε το κουμπί ασύρματης ενεργοποίησης στο εργαλείο.

ΠΑΡΑΤΗΡΗΣΗ: Η λυχνία ασύρματης ενεργοποίησης στο εργαλείο θα σταματήσει να αναβοσβήνει με μπλε χρώμα όταν δεν υπάρχει λειτουργία για 2 ώρες. Σε αυτή την περίπτωση, θέστε το διακόπτη αναμονής στην ηλεκτρική σκούπα στη θέση «ΑΥΤΟ» και πατήστε ξανά το κουμπί ασύρματης ενεργοποίησης στο εργαλείο.

ΠΑΡΑΤΗΡΗΣΗ: Η ηλεκτρική σκούπα αρχίζει/σταματάει με καθυστέρηση. Υπάρχει χρονική καθυστέρηση όταν η ηλεκτρική σκούπα ανιχνεύει τη λειτουργία διακόπτη του εργαλείου.

ΠΑΡΑΤΗΡΗΣΗ: Η απόσταση μετάδοσης της ασύρματης μονάδας μπορεί να ποικίλλει ανάλογα με την τοποθεσία και τις περιβάλλουσες συνθήκες.

ΠΑΡΑΤΗΡΗΣΗ: Όταν δύο ή περισσότερα εργαλεία καταχωρούνται σε μία ηλεκτρική σκούπα, η ηλεκτρική σκούπα μπορεί να αρχίσει να λειτουργεί ακόμη κι αν δεν ενεργοποιείτε το εργαλείο επειδή κάποιος άλλος χρήστης χρησιμοποίησε τη λειτουργία ασύρματης ενεργοποίησης.

Περιγραφή της κατάστασης της λυχνίας ασύρματης ενεργοποίησης

► **Εικ.49:** 1. Λυχνία ασύρματης ενεργοποίησης

Η λυχνία ασύρματης ενεργοποίησης δείχνει την κατάσταση της λειτουργίας ασύρματης ενεργοποίησης. Ανατρέξτε στον παρακάτω πίνακα για τη σημασία της κατάστασης λυχνίας.

Κατάσταση	Λυχνία ασύρματης ενεργοποίησης			Περιγραφή	
	Χρώμα	<input type="checkbox"/> Αναμμένη	<input type="checkbox"/> Αναβο-σβήνει		Διάρκεια
Αναμονή	Μπλε	<input checked="" type="checkbox"/>		2 ώρες	Η ασύρματη ενεργοποίηση της ηλεκτρικής σκούπας είναι διαθέσιμη. Η λυχνία θα σβήσει αυτόματα όταν δεν εκτελεστεί καμία λειτουργία για 2 ώρες.
		<input type="checkbox"/>		Όταν το εργαλείο λειτουργεί.	Η ασύρματη ενεργοποίηση της ηλεκτρικής σκούπας είναι διαθέσιμη και το εργαλείο λειτουργεί.
Καταχώρηση εργαλείου	Πράσινη	<input checked="" type="checkbox"/>		20 δευτερόλεπτα	Έτοιμο για καταχώρηση εργαλείου. Σε αναμονή για καταχώρηση από την ηλεκτρική σκούπα.
		<input type="checkbox"/>		2 δευτερόλεπτα	Η καταχώρηση εργαλείου έχει ολοκληρωθεί. Η λυχνία ασύρματης ενεργοποίησης θα αρχίσει να αναβοσβήνει με μπλε χρώμα.
Ακύρωση καταχώρησης εργαλείου	Κόκκινη	<input checked="" type="checkbox"/>		20 δευτερόλεπτα	Έτοιμο για ακύρωση της καταχώρησης εργαλείου. Σε αναμονή για ακύρωση από την ηλεκτρική σκούπα.
		<input type="checkbox"/>		2 δευτερόλεπτα	Η ακύρωση της καταχώρησης εργαλείου έχει ολοκληρωθεί. Η λυχνία ασύρματης ενεργοποίησης θα αρχίσει να αναβοσβήνει με μπλε χρώμα.
Άλλες	Κόκκινη	<input type="checkbox"/>		3 δευτερόλεπτα	Η ισχύς παρέχεται στην ασύρματη μονάδα και η λειτουργία ασύρματης ενεργοποίησης εκκινείται.
	Σβηστή	-		-	Η ασύρματη ενεργοποίηση της ηλεκτρικής σκούπας έχει σταματήσει.

Ακύρωση καταχώρησης εργαλείου για την ηλεκτρική σκούπα

Εκτελέστε την ακόλουθη διαδικασία όταν ακυρώνετε την καταχώρηση εργαλείου για την ηλεκτρική σκούπα.

1. Τοποθετήστε τις μπαταρίες στην ηλεκτρική σκούπα και στο εργαλείο.
2. Θέστε τον διακόπτη αναμονής στην ηλεκτρική σκούπα στη θέση «ΑΥΤΟ».

► **Εικ.50:** 1. Διακόπτης αναμονής

3. Πατήστε το κουμπί ασύρματης ενεργοποίησης στην ηλεκτρική σκούπα για 6 δευτερόλεπτα. Η λυχνία ασύρματης ενεργοποίησης αναβοσβήνει με πράσινο χρώμα και μετά γίνεται κόκκινη. Μετά από αυτό, πατήστε το κουμπί ασύρματης ενεργοποίησης στο εργαλείο με τον ίδιο τρόπο.

► **Εικ.51:** 1. Κουμπί ασύρματης ενεργοποίησης
2. Λυχνία ασύρματης ενεργοποίησης

Αν η ακύρωση εκτελεστεί με επιτυχία, οι λυχνίες ασύρματης ενεργοποίησης θα ανάψουν με κόκκινο χρώμα για 2 δευτερόλεπτα και θα αρχίσουν να αναβοσβήνουν με μπλε χρώμα.

ΠΑΡΑΤΗΡΗΣΗ: Οι λυχνίες ασύρματης ενεργοποίησης θα αρχίσουν να αναβοσβήνουν με κόκκινο χρώμα αφού περάσουν 20 δευτερόλεπτα. Πατήστε το κουμπί ασύρματης ενεργοποίησης στο εργαλείο ενώ η λυχνία ασύρματης ενεργοποίησης αναβοσβήνει στη σκούπα. Αν η λυχνία ασύρματης ενεργοποίησης δεν αναβοσβήνει με κόκκινο χρώμα, πατήστε για λίγο το κουμπί ασύρματης ενεργοποίησης και κρατήστε το ξανά πατημένο.

Αντιμετώπιση προβλημάτων για τη λειτουργία ασύρματης ενεργοποίησης

Πριν ζητήσετε επισκευές, εκτελέστε αρχικά τη δική σας επιθεώρηση. Αν εντοπίσετε πρόβλημα που δεν επεξηγείται στο εγχειρίδιο, μην επιχειρήσετε να αποσυναρμολογήσετε το εργαλείο. Αντ' αυτού, ζητήστε βοήθεια από εξουσιοδοτημένα κέντρα εξυπηρέτησης της Makita και πάντοτε να χρησιμοποιείτε γνήσια ανταλλακτικά της Makita.

Κατάσταση προβλήματος	Πιθανή αιτία (δυσλειτουργία)	Αποκατάσταση
Η λυχνία ασύρματης ενεργοποίησης δεν ανάβει/αναβοσβήνει.	Η ασύρματη μονάδα δεν είναι εγκατεστημένη στο εργαλείο. Η ασύρματη μονάδα είναι εγκατεστημένη στο εργαλείο λανθασμένα.	Τοποθετήστε σωστά την ασύρματη μονάδα.
	Ο ακροδέκτης της ασύρματης μονάδας ή/και η σχισμή είναι βρόμικα.	Σκουπίστε απαλά τη σκόνη και τη βρομιά από τον ακροδέκτη της ασύρματης μονάδας και καθαρίστε τη σχισμή.
	Το κουμπί ασύρματης ενεργοποίησης στο εργαλείο δεν έχει πατηθεί.	Πατήστε σύντομα το κουμπί ασύρματης ενεργοποίησης στο εργαλείο.
	Ο διακόπτης αναμονής στην ηλεκτρική σκούπα δεν έχει τεθεί στη θέση «AUTO».	Θέστε τον διακόπτη αναμονής στην ηλεκτρική σκούπα στη θέση «AUTO».
	Δεν υπάρχει παροχή ρεύματος	Παρέχετε ισχύ στο εργαλείο και την ηλεκτρική σκούπα.
Δεν είναι δυνατή η ολοκλήρωση της καταχώρησης εργαλείου / ακύρωσης καταχώρησης εργαλείου με επιτυχία.	Η ασύρματη μονάδα δεν είναι εγκατεστημένη στο εργαλείο. Η ασύρματη μονάδα είναι εγκατεστημένη στο εργαλείο λανθασμένα.	Τοποθετήστε σωστά την ασύρματη μονάδα.
	Ο ακροδέκτης της ασύρματης μονάδας ή/και η σχισμή είναι βρόμικα.	Σκουπίστε απαλά τη σκόνη και τη βρομιά από τον ακροδέκτη της ασύρματης μονάδας και καθαρίστε τη σχισμή.
	Ο διακόπτης αναμονής στην ηλεκτρική σκούπα δεν έχει τεθεί στη θέση «AUTO».	Θέστε τον διακόπτη αναμονής στην ηλεκτρική σκούπα στη θέση «AUTO».
	Δεν υπάρχει παροχή ρεύματος	Παρέχετε ισχύ στο εργαλείο και την ηλεκτρική σκούπα.
	Λανθασμένη λειτουργία	Πατήστε σύντομα το κουμπί ασύρματης ενεργοποίησης και πραγματοποιήστε ξανά τις διαδικασίες καταχώρησης/ακύρωσης εργαλείου.
	Το εργαλείο και η ηλεκτρική σκούπα βρίσκονται σε αρκετή απόσταση μεταξύ τους (εκτός του εύρους μετάδοσης).	Φέρετε το εργαλείο και την ηλεκτρική σκούπα πιο κοντά. Η μέγιστη απόσταση μετάδοσης είναι περίπου 10 μέτρα, ωστόσο, μπορεί να διαφέρει ανάλογα με τις συνθήκες.
	Πριν τελειώσετε την καταχώρηση/ακύρωση του εργαλείου, - ο διακόπτης του εργαλείου είναι τραβηγμένος, ή - το κουμπί λειτουργίας στην ηλεκτρική σκούπα είναι ενεργοποιημένο.	Πατήστε σύντομα το κουμπί ασύρματης ενεργοποίησης και πραγματοποιήστε ξανά τις διαδικασίες καταχώρησης/ακύρωσης εργαλείου.
	Δεν έχουν ολοκληρωθεί οι διαδικασίες καταχώρησης εργαλείων για το εργαλείο ή την ηλεκτρική σκούπα.	Εκτελέστε τις διαδικασίες καταχώρησης εργαλείου για το εργαλείο και την ηλεκτρική σκούπα ταυτόχρονα.
	Ραδιοφωνικά παράσιτα από άλλες συσκευές που παράγουν ραδιοκύματα υψηλής έντασης.	Διατηρήστε το εργαλείο και την ηλεκτρική σκούπα μακριά από τις συσκευές, όπως συσκευές Wi-Fi και φούρνους μικροκυμάτων.

Κατάσταση προβλήματος	Πιθανή αιτία (δυσλειτουργία)	Αποκατάσταση
Η ηλεκτρική σκούπα δεν λειτουργεί μαζί με τη λειτουργία διακοπής του εργαλείου.	Η ασύρματη μονάδα δεν είναι εγκατεστημένη στο εργαλείο. Η ασύρματη μονάδα είναι εγκατεστημένη στο εργαλείο λανθασμένα.	Τοποθετήστε σωστά την ασύρματη μονάδα.
	Ο ακροδέκτης της ασύρματης μονάδας ή/και η σχισμή είναι βρόμικα.	Σκουπίστε απαλά τη σκόνη και τη βρομιά από τον ακροδέκτη της ασύρματης μονάδας και καθαρίστε τη σχισμή.
	Το κουμπί ασύρματης ενεργοποίησης στο εργαλείο δεν έχει πατηθεί.	Πατήστε για λίγο το κουμπί ασύρματης ενεργοποίησης και βεβαιωθείτε ότι η λυχνία ασύρματης ενεργοποίησης αναβοσβήνει με μπλε χρώμα.
	Ο διακόπτης αναμονής στην ηλεκτρική σκούπα δεν έχει τεθεί στη θέση «ΑΥΤΟ».	Θέστε τον διακόπτη αναμονής στην ηλεκτρική σκούπα στη θέση «ΑΥΤΟ».
	Περισσότερα από 10 εργαλεία έχουν καταχωρηθεί με την ηλεκτρική σκούπα.	Πραγματοποιήστε ξανά την καταχώρηση εργαλείου. Αν περισσότερα από 10 εργαλεία είναι καταχωρημένα στην ηλεκτρική σκούπα, το εργαλείο που είχε καταχωρηθεί πιο νωρίς θα ακυρωθεί αυτόματα.
	Η ηλεκτρική σκούπα έσβησε όλες τις καταχωρήσεις εργαλείων.	Πραγματοποιήστε ξανά την καταχώρηση εργαλείου.
	Δεν υπάρχει παροχή ρεύματος	Παρέχετε ισχύ στο εργαλείο και την ηλεκτρική σκούπα.
	Το εργαλείο και η ηλεκτρική σκούπα βρίσκονται σε αρκτική απόσταση μεταξύ τους (εκτός του εύρους μετάδοσης).	Φέρετε το εργαλείο και την ηλεκτρική σκούπα πιο κοντά. Η μέγιστη απόσταση μετάδοσης είναι περίπου 10 μέτρα, ωστόσο, μπορεί να διαφέρει ανάλογα με τις συνθήκες.
	Ραδιοφωνικά παράσιτα από άλλες συσκευές που παράγουν ραδιοκύματα υψηλής έντασης.	Διατηρήστε το εργαλείο και την ηλεκτρική σκούπα μακριά από τις συσκευές, όπως συσκευές Wi-Fi και φούρνους μικροκυμάτων.
Η ηλεκτρική σκούπα λειτουργεί ενώ το εργαλείο δεν λειτουργεί.	Άλλοι χρήστες χρησιμοποιούν την ασύρματη ενεργοποίηση της ηλεκτρικής σκούπας με τα εργαλεία τους.	Κλείστε το κουμπί ασύρματης ενεργοποίησης των άλλων εργαλείων ή ακυρώστε την καταχώρηση εργαλείου των άλλων εργαλείων.

ΣΥΝΤΗΡΗΣΗ

⚠ ΠΡΟΣΟΧΗ: Πριν την εκτέλεση εργασιών επιθεώρησης ή συντήρησης, πάντοτε να βεβαιώνεται ότι η συσκευή απενεργοποιήθηκε και η κασέτα μπαταριών έχει αφαιρεθεί.

ΕΙΔΟΠΟΙΗΣΗ: Μην χρησιμοποιείτε ποτέ βενζίνη, πετρελαϊκό αιθέρα, διαλυτικό, αλκοόλη ή παρόμοιες ουσίες. Μπορεί να προκληθεί αποχρωματισμός, παραμόρφωση ή ρωγμές.

Για τη διατήρηση της ΑΣΦΑΛΕΙΑΣ και ΑΞΙΟΠΙΣΤΙΑΣ του προϊόντος, οι επισκευές και οποιαδήποτε άλλη εργασία συντήρησης ή ρύθμισης πρέπει να εκτελούνται από εξουσιοδοτημένα ή εργοστασιακά κέντρα εξυπηρέτησης της Makita, χρησιμοποιώντας πάντοτε ανταλλακτικά της Makita.

Καθαρισμός ανοιγμάτων εξαερισμού

Το εργαλείο και τα ανοίγματα εξαερισμού του πρέπει να διατηρούνται καθαρά. Να καθαρίζετε τακτικά τα ανοίγματα εξαερισμού του εργαλείου ή όταν αυτά αρχίσουν να φράσσονται.

► **Εικ.52:** 1. Ανοίγμα εξόδου αέρα 2. Ανοίγμα εισόδου αέρα

Βγάλτε το κάλυμμα σκόνης από το άνοιγμα εισόδου αέρα και καθαρίστε το για μια ομαλή κυκλοφορία του αέρα.

► **Εικ.53:** 1. Κάλυμμα σκόνης

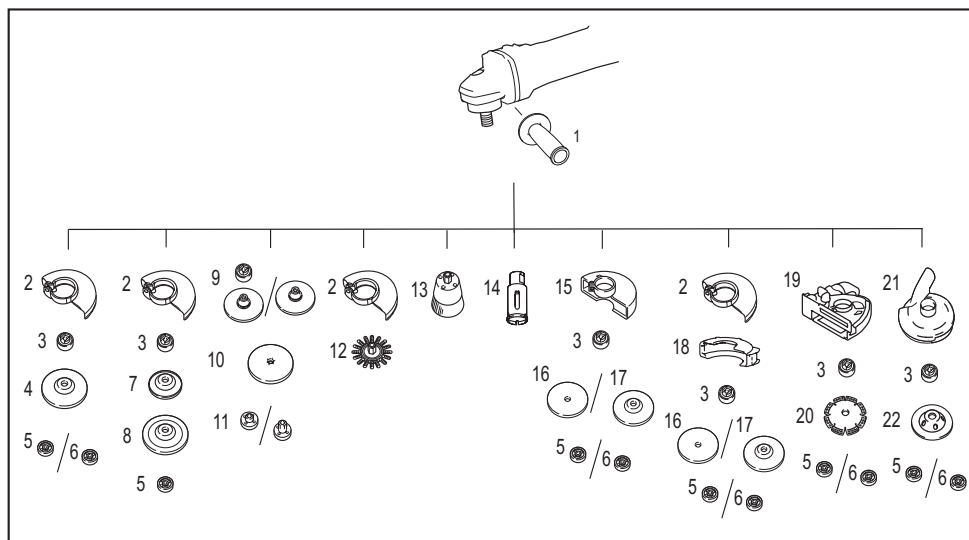
ΕΙΔΟΠΟΙΗΣΗ: Καθαρίστε το κάλυμμα σκόνης όταν είναι φραγμένο με σκόνη ή ξένα υλικά. Η συνεχής λειτουργία με φραγμένο κάλυμμα σκόνης μπορεί να προκαλέσει βλάβη στο εργαλείο.

ΣΥΝΔΥΑΣΜΟΣ ΕΦΑΡΜΟΓΩΝ ΚΑΙ ΕΞΑΡΤΗΜΑΤΩΝ

Προαιρετικό εξάρτημα

▲ ΠΡΟΣΟΧΗ: Αν χρησιμοποιήσετε το εργαλείο με λανθασμένους προφυλακτήρες, μπορεί να προκληθούν οι κίνδυνοι που αναφέρονται στη συνέχεια.

- Όταν χρησιμοποιείτε τον προφυλακτήρα τροχού αποκοπής για μετωπική λείανση, ο προφυλακτήρας τροχού μπορεί να παρέμβει με το τεμάχιο εργασίας προκαλώντας ανεπαρκή έλεγχο.
- Όταν χρησιμοποιείτε προφυλακτήρα λειαντικού τροχού για εργασίες αποκοπής με δεσμευμένους λειαντικούς τροχούς και διαμαντοτροχούς, υπάρχει αυξημένος κίνδυνος έκθεσης στους περιστρεφόμενους τροχούς, εκτοξευόμενους σπινθήρες και σωματίδια, καθώς και έκθεση στα φράγματα τροχού στην περίπτωση ρήξης του τροχού.
- Όταν χρησιμοποιείτε τον προφυλακτήρα τροχού αποκοπής ή τον προφυλακτήρα λειαντικού τροχού για μετωπικές εργασίες με διαμαντοτροχούς τύπου κούπας, ο προφυλακτήρας τροχού μπορεί να παρέμβει με το τεμάχιο εργασίας προκαλώντας ανεπαρκή έλεγχο.
- Όταν χρησιμοποιείτε προφυλακτήρα τροχού αποκοπής ή προφυλακτήρα λειαντικού τροχού σε συρμάτινη βούρσα τύπου τροχού με πάχος μεγαλύτερο από αυτό που καθορίζεται στις «ΠΡΟΔΙΑΓΡΑΦΕΣ», τα σύρματα μπορούν να εγκλωβιστούν στον προφυλακτήρα και να οδηγήσουν στο σπάσιμο των συρμάτων.
- Η χρήση προστατευτικών συλλογής σκόνης τροχού για εργασίες αποκοπής και μετωπικές εργασίες σε τσιμέντο ή γυψοσανίδα μειώνει τον κίνδυνο έκθεσης στη σκόνη.
- Όταν χρησιμοποιείτε τροχούς διπλής χρήσης (συνδυασμένη λείανση και τρίψιμο αποκοπής) στερεωμένες σε φλάντζα, να χρησιμοποιείτε μόνο τον προφυλακτήρα τροχού αποκοπής.



-	Εφαρμογή	Μοντέλο 100 mm	Μοντέλο 115 mm	Μοντέλο 125 mm
1	-	Πλάγια λαβή		
2	-	Προφυλακτήρας τροχού (για τροχό λείανσης)		
3	-	Εσωτερική φλάντζα		
4	Λείανση / Γυαλοχάρτισμα	Τροχός χαμηλωμένου κέντρου / Δίσκος λείανσης		
5	-	Παξιμάδι ασφάλισης		
6	-	-	Ezynut *1	
7	-	Πέλα υποστήριξης		
8	Λείανση	Εύκαμπτος τροχός		
9	-	Εσωτερική φλάντζα και ελαστικό πέλαμα 76	Ελαστικό πέλαμα 100	Ελαστικό πέλαμα 115
10	Γυαλοχάρτισμα	Δίσκος λείανσης		

-	Εφαρμογή	Μοντέλο 100 mm	Μοντέλο 115 mm	Μοντέλο 125 mm
11	-	Παξιμάδι ασφάλισης τριψίματος		
12	Βούρτσισμα με συρμάτινη βούρτσα	Συρμάτινη βούρτσα σχήματος τροχού		
13	Βούρτσισμα με συρμάτινη βούρτσα	Συρμάτινη βούρτσα σχήματος κούπας		
14	Κοπή διάνοιξης οπών	Ποτηροτρόπανο		
15	-	Προφυλακτήρας τροχού (για τροχό αποκοπής)		
16	Αποκοπή	Τροχός λείανσης κοπής / Διαμαντοτροχός		
17	Λείανση / Αποκοπή	Τροχός διπλής χρήσης		
18	-	Επισυνδεδεμένο προσάρτημα προφυλακτήρα τροχού κοπής *2		
19	-	Προστατευτικό συλλογής σκόνης τροχού για αποκοπή *3		
20	Αποκοπή	Διαμαντοτροχός		
21	-	-	Προστατευτικό συλλογής σκόνης τροχού για λείανση *4	
22	Λείανση	-	Διαμαντοτροχός τύπου κούπας *4	
-	-	Κλειδί παξιμαδιού ασφάλισης		

ΠΑΡΑΤΗΡΗΣΗ: *1 Μόνο για εργαλεία με σπείρωμα ατράκτου M14.

ΠΑΡΑΤΗΡΗΣΗ: *2 Το επισυνδεδεμένο προσάρτημα προφυλακτήρα τροχού κοπής δεν διατίθεται σε μερικές χώρες. Για περισσότερες λεπτομέρειες, ανατρέξτε στο εγχειρίδιο οδηγιών του επισυνδεδεμένου προσαρτήματος προφυλακτήρα τροχού κοπής.

ΠΑΡΑΤΗΡΗΣΗ: *3 Για περισσότερες λεπτομέρειες, ανατρέξτε σε κάθε εγχειρίδιο οδηγιών του προφυλακτήρα.

ΠΑΡΑΤΗΡΗΣΗ: *4 Μόνο για το μοντέλο DGA467 / DGA468 / DGA517 / DGA518

Για περισσότερες λεπτομέρειες, ανατρέξτε σε κάθε εγχειρίδιο οδηγιών του προφυλακτήρα.

ΠΡΟΑΙΡΕΤΙΚΑ ΕΞΑΡΤΗΜΑΤΑ

⚠ ΠΡΟΣΟΧΗ: Αυτά τα εξαρτήματα ή προσαρτήματα συνιστώνται για χρήση με το εργαλείο Makita που περιγράφηκε στις οδηγίες αυτές. Η χρήση οποιωνδήποτε άλλων εξαρτημάτων ή προσαρτημάτων μπορεί να προκαλέσει κίνδυνο τραυματισμού σε άτομα. Να χρησιμοποιείτε τα εξαρτήματα ή προσαρτήματα μόνο για την χρήση που προορίζονται.

Εάν χρειάζεστε οποιαδήποτε βοήθεια για περισσότερες πληροφορίες σε σχέση με αυτά τα εξαρτήματα, αποτανθείτε στο τοπικό σας κέντρο εξυπηρέτησης Makita.

- Γνήσια μπαταρία και φορτιστής της Makita
- Εξαρτήματα που παρατίθενται στην παράγραφο «ΣΥΝΔΥΑΣΜΟΣ ΕΦΑΡΜΟΓΩΝ ΚΑΙ ΕΞΑΡΤΗΜΑΤΩΝ»
- Ασύρματη μονάδα (Για μοντέλα με λειτουργία ασύρματης ενεργοποίησης)

ΠΑΡΑΤΗΡΗΣΗ: Μερικά στοιχεία στη λίστα μπορεί να συμπεριλαμβάνονται στη συσκευασία εργαλείου ως στάνταρ εξαρτήματα. Μπορεί να διαφέρουν ανάλογα με τη χώρα.

TEKNİK ÖZELLİKLER

Model:		DGA417	DGA418	DGA467	DGA468	DGA517	DGA518
Kullanılabilir taşlama disk	Maks. disk çapı	100 mm		115 mm		125 mm	
	Maks. disk kalınlığı	6,4 mm		7,2 mm			
Kullanılabilir kesme disk	Maks. disk çapı	105 mm		115 mm		125 mm	
	Maks. disk kalınlığı			3,2 mm			
Kullanılabilir tel disk fırça	Maks. disk çapı	100 mm		115 mm		125 mm	
	Maks. disk kalınlığı			20 mm			
Mil dişi		M10		M14 veya 5/8" (ülkeye özgü)			
Maks. mil uzunluğu		18 mm		23 mm			
Yüksüz hız (n ₀) / Anma hızı (n)				8.500 min ⁻¹			
Toplam uzunluk	BL1840B ile			382 mm			
Net ağırlık		2,2 - 3,7 kg		2,4 - 3,9 kg			
Anma voltajı				D.C. 18 V			

- Sürekli yapılan araştırma ve geliştirmelerden dolayı, burada belirtilen özellikler önceden bildirilmeksizin değiştirilebilir.
- Özellikler ülkeden ülkeye değişebilir.
- Ağırlık, ekli aksesuar/aksesuarlara ve batarya kartuşuna bağlı olarak farklılık gösterebilir. EPTA-Prosedürü 01/2014'e göre en hafif ve en ağır kombinasyonlar tabloda verilmiştir.

Geçerli batarya kartuşu ve şarj aleti

Batarya kartuşu	BL1815N / BL1820B / BL1830B / BL1840B / BL1850B / BL1860B
Şarj aleti	DC18RC / DC18RD / DC18RE / DC18SD / DC18SE / DC18SF / DC18SH / DC18WC

- Yukarıda listelenen batarya kartuşlarının ve şarj aletlerinin bazıları yaşadığınız bölgeye bağlı olarak mevcut olmayabilir.

⚠UYARI: Sadece yukarıda listelenen batarya kartuşlarını ve şarj aletlerini kullanın. Başka batarya kartuşlarının ve şarj aletlerinin kullanılması yaralanma ve/veya yangına neden olabilir.

Önerilen kablo bağlantılı güç kaynağı

Taşınabilir güç ünitesi	PDC01
-------------------------	-------

- Yukarıda listelenen kablo bağlantılı güç kaynakları yaşadığınız bölgeye bağlı olarak mevcut olmayabilir.
- Kablo bağlantılı güç kaynağını kullanmadan önce, üzerindeki uyarı işaretlerini ve talimatı okuyun.

Semboller

Ekipmanı için kullanılacak semboller aşağıda gösterilmiştir. Kullanmadan önce anlamlarını anladığınızdan emin olun.



Kullanma kılavuzunu okuyun.



Güvenlik gözlüğü takın.



Her zaman iki elle kullanın.



Disk sipirini kesme işlemleri için kullanmayın.



Ni-MH
Li-ion

Sadece AB ülkeleri için
Ekipmanda tehlikeli bileşenler bulunduğundan dolayı atık elektrikli ve elektronik ekipmanlar, aküler ve bataryalar çevre ve insan sağlığı üzerinde olumsuz etkiye yol açabilir.
Elektrikli ve elektronik cihazları veya bataryaları evsel atıklarla birlikte atmayın!
Atık elektrikli ve elektronik ekipmanlar ile akümülatörler ve bataryalar hakkındaki Avrupa Direktifi ve söz konusu direktifin ulusal yasalara uyarlanması gereğince atık elektrikli ekipmanlar, bataryalar ve akümülatörler ayrı olarak depolanmalı ve çevre koruma hakkındaki mevzuata uygun olarak faaliyet gösteren ayrı bir kentsel atık toplama noktasına teslim edilmelidir.
Bu husus, ekipmanın üzerine yerleştirilmiş üzerinde çarpı işareti bulunan tekerlekli çöp kovası simgesi ile belirtilmiştir.

Kullanım amacı

Bu alet, metal ve taş malzemelerin su kullanmadan taşlanması, zımparalanması, telle fırçalanması, delik açılması ve kesilmesi amacıyla tasarlanmıştır.

Gürültü

Tipik A-ağırlıklı gürültü düzeyi (EN62841-2-3 standardına göre belirlenen):

Model	Ses basıncı seviyesi (L_{pA}): (dB (A))	Ses gücü seviyesi (L_{wA}): (dB (A))	Belirsizlik (K): (dB (A))
DGA417	83	91	3
DGA418	83	91	3
DGA467	83	91	3
DGA468	83	91	3
DGA517	83	91	3
DGA518	83	91	3

NOT: Beyan edilen gürültü emisyonu değer(ler)i bir standart test yöntemine uygun şekilde ölçülmüştür ve bir aleti bir başkasıyla karşılaştırmak için kullanılabilir.

NOT: Beyan edilen gürültü emisyonu değer(ler)i bir ön maruz kalma değerlendirmesi olarak da kullanılabilir.

UYARI: Kulak koruyucuları takın.

UYARI: Elektrikli aletin gerçek kullanımı sırasındaki gürültü emisyonu, aletin kullanım biçimlerine, özellikle işlenen iş parçasının türüne bağlı olarak beyan edilen değer(ler)den farklı olabilir.

UYARI: Gerçek kullanım koşullarındaki tahmini maruziyeti baz alan, operatörü koruyacak güvenlik önlemlerini mutlaka belirleyin (çalışma döngüsü içerisinde aletin kapalı olduğu ve aktif durumda olmasının yanı sıra boşta çalıştığı zamanlar gibi, bütün zaman dilimleri göz önünde bulundurarak).

UYARI: İnce sacların veya büyük yüzeyli kolayca titreşen yapıların taşlanması beyan edilen gürültü emisyonu değerlerinden çok daha yüksek (15 dB'ye kadar) toplam gürültü emisyonuna neden olabilir.

Ses yaimalarını engellemek için bu iş parçalarına son derece esnek sönümlenme paspasları veya benzeri malzemeler yerleştirin.

Artan gürültü emisyonunu hem gürültüye maruz kalma risk değerlendirmesi için hem de uygun işitme korumasını seçerken dikkate alın.

Titreşim

Titreşim toplam değeri (üç eksenli vektör toplamı) (EN62841-2-3 standardına göre hesaplanan):

Çalışma modu: normal yan kavrama kolu ile yüzey taşılama

Model	Titreşim emisyonu ($a_{h, AG}$): (m/s ²)	Belirsizlik (K): (m/s ²)
DGA417	4,5	1,5
DGA418	4,5	1,5
DGA467	5,5	1,5
DGA468	5,5	1,5
DGA517	6,0	1,5
DGA518	6,0	1,5

Çalışma modu: titreşim önleyici yan kavrama kolu ile yüzey taşılama

Model	Titreşim emisyonu ($a_{h, AG}$): (m/s ²)	Belirsizlik (K): (m/s ²)
DGA417	4,5	1,5
DGA418	4,5	1,5
DGA467	5,0	1,5
DGA468	5,0	1,5
DGA517	5,5	1,5
DGA518	5,5	1,5

Çalışma modu: normal yan kavrama kolu ile disk zımparalama

Model	Titreşim emisyonu ($a_{hr, DS}$) : (m/s ²)	Belirsizlik (K): (m/s ²)
DGA417	2,5 m/s ² 'den az	1,5
DGA418	2,5 m/s ² 'den az	1,5
DGA467	2,5 m/s ² 'den az	1,5
DGA468	2,5 m/s ² 'den az	1,5
DGA517	2,5 m/s ² 'den az	1,5
DGA518	2,5 m/s ² 'den az	1,5

Çalışma modu: titreşim önleyici yan kavrama kolu ile disk zımparalama

Model	Titreşim emisyonu ($a_{hr, DS}$) : (m/s ²)	Belirsizlik (K): (m/s ²)
DGA417	2,5 m/s ² 'den az	1,5
DGA418	2,5 m/s ² 'den az	1,5
DGA467	2,5 m/s ² 'den az	1,5
DGA468	2,5 m/s ² 'den az	1,5
DGA517	2,5 m/s ² 'den az	1,5
DGA518	2,5 m/s ² 'den az	1,5

NOT: Beyan edilen titreşim toplam değer(ler)i bir standart test yöntemine uygun şekilde ölçülmüştür ve bir aleti bir başkasıyla karşılaştırmak için kullanılabilir.

NOT: Beyan edilen titreşim toplam değer(ler)i bir ön maruz kalma değerlendirmesi olarak kullanılabilir.

⚠UYARI: Elektrikli aletin gerçek kullanımı sırasındaki titreşim emisyonu, aletin kullanım biçimlerine, özellikle işlenen iş parçasının türüne bağlı olarak beyan edilen değer(ler)den farklı olabilir.

⚠UYARI: Gerçek kullanım koşullarındaki tahmini maruziyeti baz alan, operatörü koruyacak güvenlik önlemlerini mutlaka belirleyin (çalışma döngüsü içerisinde aletin kapalı olduğu ve aktif durumda olmasının yanı sıra boşta çalıştığı zamanlar gibi, bütün zaman dilimleri göz önünde bulundurarak).

⚠UYARI: Beyan edilen titreşim emisyon değeri bu elektrikli aletin başlıca uygulamaları için kullanılır. Ancak, bu elektrikli alet başka uygulamalar için kullanılırsa titreşim emisyon değeri farklı olabilir.

EC Uygunluk Beyanı

Sadece Avrupa ülkeleri için

EC uygunluk beyanı bu kullanım kılavuzuna Ek A olarak eklenmiştir.

GÜVENLİK UYARILARI

Genel elektrikli alet güvenliği uyarıları

⚠UYARI Bu elektrikli aletle birlikte verilen tüm güvenlik uyarılarını, talimatları, resimli açıklamaları ve teknik özellikleri okuyun. Aşağıda listelenen talimatların herhangi birine uyulmaması elektrik çarpması, yangın ve/veya ciddi yaralanma ile sonuçlanabilir.

Tüm uyarıları ve talimatları ile-ride başvurmak için saklayın.

Uyarılardaki "elektrikli alet" terimi ile ya prizden çalışan (kordonlu) elektrikli aletiniz ya da kendi aküsü ile çalışan (kordsuz) elektrikli aletiniz kastedilmektedir.

Akülü taşlama makinesiyle ilgili güvenlik uyarıları

Taşlama, zımparalama, telle fırçalama veya kesme işlemleri için ortak güvenlik uyarıları:

- Bu elektrikli alet bir taşlama, zımparalama, tel fırça, delik açma veya kesme aleti olarak kullanılmak üzere tasarlanmıştır. Bu elektrikli aletle birlikte verilen tüm güvenlik uyarılarını, talimatları, resimli açıklamaları ve teknik özellikleri okuyun.** Aşağıda listelenen talimatların herhangi birine uyulmaması elektrik çarpması, yangın ve/veya ciddi yaralanma ile sonuçlanabilir.
- Bu elektrikli aletle parlatma gibi işlemler yapılmamalıdır.** Bu elektrikli aletin tasarım amacına uygun olmayan işlemler tehlike oluşturabilir ve yaralanmaya neden olabilir.
- Bu elektrikli aleti, aletin imalatçısı tarafından özel olarak tasarlanmamış ve belirtilmemiş bir şekilde çalışacak biçimde dönüştürmeyin.** Böyle bir dönüştürme kontrolün kaybedilmesine neden olabilir ve ciddi yaralanmaya yol açabilir.
- Aletin imalatçısı tarafından özel olarak tasarlanmamış ve belirtilmemiş aksesuarları kullanmayın.** Bir aksesuarın yalnızca elektrikli aletinize takılabiliyor olması, onun güvenli çalışacağını garanti etmez.
- Aksesuarın anma hızı en azından elektrikli aletin üstünde belirtilen maksimum hıza eşit olmalıdır.** Anma hızlarından daha hızlı çalışan aksesuarlar kırılabilir ve fırlatabilir.

6. **Aksesuarınızın dış çapı ve kalınlığı elektrikli aletinizin kapasite değerleri dahilinde olmalıdır.** Doğru boyutta olmayan aksesuarlar yeterince korunamayabilir veya kontrol edilemeyebilir.
7. **Aksesuar montaj boyutları elektrikli aletin montaj donanımının boyutlarına uygun olmalıdır.** Elektrikli aletin montaj donanımına uymayan aksesuarlar dengersiz çalışır, aşırı titreşim yapar ve kontrolün kaybedilmesine neden olabilir.
8. **Hasarlı bir aksesuar kullanmayın. Her kullanımdan önce aksesuarlarda, örneğin aşındırıcı disklerde kırılma veya çatlak, disk altlığında çatlak, kopma veya aşırı aşınma, tel fırçalarda gevşek veya kırık tel kontrolü yapın. Elektrikli alet veya aksesuar düşürülürse, hasar kontrolü yapın veya hasarsız bir aksesuar takın. Bir aksesuarı kontrol ettikten ve taktıktan sonra, kendinizi ve civardaki insanları döner aksesuarın düzleminden uzak tutun ve elektrikli aleti bir dakika boyunca maksimum yüksüz hızda çalıştırın.** Bu test çalıştırması sırasında hasarlı aksesuarlar normalde kopar.
9. **Kişisel koruyucu ekipman kullanın. Uygulamaya bağlı olarak yüz siperleri veya güvenlik gözlükleri kullanın. Uygun görüldüğü şekilde toz maskesi, kulak koruyucuları, eldiven ve küçük aşındırıcı parçalardan veya iş parçasından kopan küçük parçalardan sizi koruyabilecek iş önlüğü takın.** Göz koruyucu, çeşitli uygulamaların üreteceği sıçrayan parçacıkları durdurabilecek nitelikte olmalıdır. Toz maskesi veya solunum cihazı ilgili uygulamanın üreteceği küçük parçacıkları filtreleyebilecek nitelikte olmalıdır. Uzun süre yüksek yoğunlukta gürültüye maruz kalmak işitme kaybına neden olabilir.
10. **Civarda bulunanları çalışma alanından güvenli bir uzaklıkta tutun. Çalışma alanına giren herkes kişisel koruyucu ekipman kullanmalıdır.** İş parçasının veya kırılan bir aksesuarın kırıkları uzağa fırlayıp, çalışma alanının hemen ötesinde yaralanmalara neden olabilir.
11. **Kesici parçanın görünmeyen kablolarla temas etme olasılığı bulunan yerlerde çalışırken elektrikli aleti sadece yalıtımlı kavrama yüzeylerinden tutun.** "Akımlı" bir telle temas da elektrikli aletin yalıtımsız metal kısımlarını "akımlı" hale getirir ve kullanıcıyı elektrik şokuna maruz bırakabilir.
12. **Aksesuar tamamen durmadan elektrikli aleti kesinlikle yere koymayın.** Döner aksesuar yere sürüntüp, elektrikli aletin kontrolünüz dışında fırlamasına neden olabilir.
13. **Elektrikli aleti yanınızda taşırken çalıştırmayın.** Giysilerinizin kazayla döner aksesuara temas etmesi giysinizin sıkışmasına neden olarak aksesuarı vücudunuza çekebilir.
14. **Elektrikli aletin hava deliklerini düzenli olarak temizleyin.** Motorun fanı tozu gövdenin içine çeker ve aşırı toz metal birikimi elektrik tehlikesine neden olabilir.
15. **Elektrikli aleti tutuşabilir malzemelerin yakınında kullanmayın.** Kıvılcıklar bu malzemeleri tutuşturabilir.
16. **Sıvı soğutucu gerektiren aksesuarlar kullanmayın.** Su veya diğer sıvı soğutucuların kullanılması elektrik çarpmasına veya şokuna neden olabilir.

Geri tepme ve ilgili uyarılar:

Geri tepme sıklığı veya takılan bir döner diske, disk altlığına, fırçaya veya başka bir aksesuara verilen ani bir tepkidir. Sıkışma veya takılma döner aksesuarın aniden durmasına ve bu da elektrikli aletin tutukluk noktasında aksesuarın dönme yönünün tersi doğrultuda kontrolsüz şekilde itilmesine neden olur.

Örneğin, bir aşındırıcı disk iş parçasına takılır veya sıkışsa, sıkışma noktasına giren diskin kenarı malzeme yüzeyine batarak, diskin dışarı tırmanmasına veya tepmesine neden olabilir. Disk, sıkışma noktasında diskin hareket yönüne bağlı olarak operatöre veya ondan uzağa doğru sıçrayabilir. Bu koşullarda aşındırıcı diskler kırılabilir de. Geri tepme elektrikli aletin yanlış kullanılmasının ve/veya yanlış kullanım usulleri veya koşullarının bir sonucudur ve aşağıda belirtildiği gibi doğru önlemlerle önlenbilir.

1. **Elektrikli aleti iki elinizle sıkıca kavrayın ve vücudunuzun ve kolunuzun duruşunu geri tepme kuvvetlerine direnç gösterecek şekilde ayarlayın. İlk çalıştırma sırasında geri tepme veya tork etkisi üzerinde maksimum kontrol sağlamak için, eğer varsa, daima yardımcı sapı kullanın.** Doğru önlemler alınırsa, operatör tork etkilerini veya geri tepme kuvvetlerini kontrol edebilir.
2. **Elinizi kesinlikle döner aksesuarın yakınına koymayın.** Aksesuar elinizin üstüne doğru geri tepebilir.
3. **Vücudunuzu geri tepme halinde elektrikli aletin fırlayacağı alanda bulundurmayın.** Geri tepme aleti takılma noktasında diskin hareketinin tersi yönünde iter.
4. **Köşelerde, keskin kenarlarda, vb. çalışırken azami özen gösterin. Aksesuarı zıplatmaktan ve taktırmaktan kaçının.** Köşelerde, keskin kenarlarda veya zıplama halinde döner aksesuarın takılma eğilimi vardır ve kontrol kaybına ve geri tepmeye neden olur.
5. **Zincir testere oyma bıçağı, 10 mm'den fazla periferik boşluklu segmentli elmas disk ya da dişli testere bıçağı takmayın.** Bu bıçaklar sıkça geri tepme ve kontrol kaybı yaratır.

Taşlama ve kesme işlemlerine özgü güvenlik uyarıları:

1. **Sadece elektrikli aletin için belirtilen diskleri ve seçilen disk için özel olarak tasarlanmış siperi kullanın.** Elektrikli aletin kullanımına uygun olmayan diskler yeterli şekilde koruma altına alınmayabilir ve güvensizdir.
2. **Merkezden basmalı disklerin taşlama yüzeyi, siper kenarı düzleminin altına monte edilmelidir.** Siper kenarının üzerine doğru çıkıntı yapacak şekilde hatalı monte edilmiş bir disk yeterli ölçüde kapatılamaz.
3. **Siper elektrikli alete sıkıca takılmalı ve diskin operatöre doğru açıktaki kalan kısmı en az olacak şekilde maksimum güvenlik için konumlandırılmalıdır.** Siper, operatörün kırılan disk parçalarından, kazayla diske temas etmekten ve giysileri tutuşturabilecek kıvılcıklardan korunmasına yardımcı olur.
4. **Diskler sadece belirtilen uygulamalar için kullanılmalıdır. Örneğin kesme diskinin yan tarafıyla taşlama yapmayın.** Aşındırıcı kesme diskleri çevresel aşındırmaya yöneliktir, bu disklere uygulanan yan kuvvetler parçalanmalarına neden olabilir.

5. **Daima seçtiğiniz disk için doğru boyut ve şekilde hasarsız flanşlar kullanın.** Doğru flanşlar diski destekleyerek, disk kırılması olasılığını azaltır. Kesme disklerinin flanşları taşılama disklerinin flanşlarından farklı olabilir.
6. **Daha büyük elektrikli aletlerin aşınarak küçülmüş disklerini kullanmayın.** Daha büyük elektrikli aletler için tasarlanmış diskler küçük aletlerin daha yüksek hızlarına uygun olmayabilir ve parçalanabilir.
7. **Çift maksatlı diskler kullanırken her zaman gerçekleştirilen uygulama için doğru siperi kullanın.** Doğru siperin kullanılmaması istenen seviyede koruma sağlamayabilir ve bu da ciddi yaralanmaya neden olabilir.

Kesme işlemlerine özgü ek güvenlik uyarıları:

1. **Kesme diskini "sıkıştırmayın" veya diske aşırı basınç uygulamayın.** Aşırı derinlikte bir kesme yapmaya çalışmayın. Diskin aşırı zorlanması yükü ve diskin kesik içinde bükülme veya takılma yatkinliğini artırarak, geri tepme veya diskin kırılması olasılığını yükseltebilir.
2. **Vücudunuzu döner diskle aynı hızda ve diskin gerisinde tutmayın.** Disk, çalışma noktasında, vücudunuzdan uzağa doğru hareket ederken, olası bir geri tepme döner diski ve elektrikli aleti doğrudan doğruya size doğru fırlatabilir.
3. **Disk takıldığı veya herhangi bir nedenle kesmeyi durdurduğu zaman, elektrikli aleti kapatın ve disk tamamen duruncaya kadar hareketsiz şekilde tutun.** Kesme diski dönerken onu kesinlikle kesikten çıkarmaya çalışmayın aksi takdirde geri tepme oluşabilir. Diskin takılma nedenini araştırıp, ortadan kaldırmak için düzeltici işlemleri yapın.
4. **Kesme işlemini iş parçasının içinde yeniden başlatmayın.** Diskin tam hıza ulaşmasını bekleyin ve dikkatli şekilde tekrar kesişe sokun. Elektrikli alet iş parçası içinde tekrar çalıştırılırsa, disk takılabilir, yukarı tırmanabilir veya geri tepebilir.
5. **Diskin takılması ve geri tepme riskini en aza indirmek için panelleri veya çok büyük iş parçalarını destekleyin.** Büyük iş parçaları kendi ağırlıkları altında bel vermeye meyillidir. Destekler diskin her iki yanında kesme hattına ve iş parçasının kenarına yakın olarak, iş parçasının altına yerleştirilmelidir.
6. **Mevcut duvarların veya diğer kör alanların içine "oyuk kesme" yaparken daha fazla dikkat gösterin.** Fazla ileri giden disk gaz veya su borularını, elektrik kablolarını veya geri tepmeye neden olabilecek nesnelere kesebilir.
7. **Kavisli kesim yapmaya çalışmayın.** Diskin aşırı zorlanması yükü ve diskin kesik içinde bükülme veya takılma yatkinliğini artırarak, geri tepme veya diskin kırılması olasılığını yükseltebilir, bu da ciddi yaralanmaya neden olabilir.
8. **Segmentli bir elmas diski kullanmadan önce, elmas diskin segmentleri arasında sadece negatif bir talaş açısı ile 10 mm veya daha az periferik boşluk olduğundan emin olun.**

Zımparalama işlemlerine özgü güvenlik uyarıları:

1. **Uygun boyutlu disk zımpara kağıdı kullanın.** Zımpara kağıdı seçerken imalatçının tavsiyelerine uyun. Zımpara altlığını çok fazla aşan büyük zımpara kağıdı yırtılma riski oluşturur ve takılmaya, diskin kopmasına veya geri tepmeye neden olabilir.

Tel fırça işlemlerine özgü güvenlik uyarıları:

1. **Olağan işlemler sırasında bile fırçadan tellerin fırlayabileceğini bilin.** Fırçaya aşırı yük uygulayarak telleri aşırı zorlamayın. Teller kolaylıkla ince gıysilere ve/veya cilde batabilir.
2. **Tel fırça işlemi için bir siper kullanılması belirtiliyorsa, tel diskin veya fırçanın siperine müdahale etmesine izin vermeyin.** Tel disk veya fırça iş yüküne veya merkezkaç kuvvetlerine bağlı olarak genişleyebilir.

Ek Güvenlik Uyarıları:

1. **Merkezden basmalı taşılama diskleri kullanırsanız, mutlaka sadece fiberglas takviyeli diskler kullanın.**
2. **Bu taşılama makinesiyle Taş Çanak tipi diskleri KESİNLİKLE KULLANMAYIN.** Bu taşılama makinesi bu tip diskler için tasarlanmamıştır ve böyle bir ürün kullanılması ciddi yaralanmalara neden olabilir.
3. **Mile, flanşa (özellikle takma yüzeyine) veya kilit somununa zarar vermemeye dikkat edin.** Bu kısımların hasar görmesi diskin kırılması ile sonuçlanabilir.
4. **Alet çalıştırılmadan önce diskin iş parçasına değmediğinden emin olun.**
5. **Aleti gerçek bir iş parçası üzerinde kullanmadan önce bir süre boşa çalıştırın.** Diskin yanlış takılmış veya dengesiz olduğunu gösteren titreme ya da yalpalamalara dikkat edin.
6. **Taşılama yaparken diskin belirlenmiş yüzeyini kullanın.**
7. **Aleti çalışır durumda bırakmayın.** Aleti sadece elinizde tutarken çalıştırın.
8. **Çalışmadan hemen sonra iş parçasına dokunmayın; çok sıcak olabilir ve cildinizi yakabilir.**
9. **Çalışmadan hemen sonra aksesuarlara dokunmayın; çok sıcak olabilir ve cildinizi yakabilirler.**
10. **Disklerin doğru monte edilmesi ve kullanılması için imalatçının talimatlarına uyun.** Diskleri özenle aktarın ve saklayın.
11. **Büyük delikli aşındırıcı diskleri uydurmak için ayrı redüksiyon nipel ya da adaptör kullanmayın.**
12. **Sadece bu alet için belirtilen flanşları kullanın.**
13. **Delikli vida dişli disk takılmak istenen aletlerde bu diskin dişlerinin mil uzunluğunu kabul edecek kadar uzun olması gereklidir.**
14. **İş parçasının doğru desteklenip desteklenmediğini kontrol edin.**
15. **Diskin alet kapatıldıktan sonra dönmeye devam ettiğine dikkat edin.**
16. **Çalışma yeri aşırı sıcak ve nemliyse ya da çok fazla iletken toz kirliliği mevcutsa kullanıcının güvenliği için bir kısa devre kesicisi (30 mA) kullanın.**

17. Bu aleti asbest içeren hiçbir malzeme üstünde kullanmayın.
18. Kesme diski kullandığınız zaman, yerel yönetmelikler gerektiriyorsa daima toz toplayıcı disk siperi ile çalışın.
19. Kesici diskleri yanal bir basınca maruz kalmamalıdır.
20. Çalışma sırasında kumaş iş eldivenleri kullanmayın. Kumaş eldivenlerin lifleri alete girebilir, bu da aletin bozulmasına neden olur.
21. Çalışma öncesinde iş parçasında elektrik borusu, su borusu veya gaz borusu gibi gömülü nesnelere olmadığınızı emin olun. Aksi takdirde elektrik çarpmasına, elektrik kaçağına veya gaz sızıntısına neden olabilir.
22. Diske conta takılıysa contayı çıkarmayın. Conta çapı kilit somunu, dış flanş ve iç flanştan daha büyük olmalıdır.
23. Bir taşlama diskini takmadan önce conta kısmında kırık veya çatlak gibi hiçbir anormallik olmadığını kontrol edin.
24. Kilit somununu düzgün bir şekilde sıkın. Diskin aşırı sıkılması kırılmaya, yetersiz sıkma ise sallanmaya neden olabilir.
7. Aşırı derecede hasar görmüş ya da tamamen kullanılamaz durumda olsa bile batarya kartuşunu yakmayın. Batarya kartuşu ateşe atılırsa patlayabilir.
8. Batarya kartuşunu çivilemeyin, kesmeyin, ezmeyin, fırlatmayın, düşürmeyin ya da batarya kartuşuna sert bir nesne ile vurmeyin. Bu eylemler yangın, aşırı ısı veya patlamaya neden olabilir.
9. Hasarlı bataryayı kullanmayın.
10. Aletin içerdığı lityum-iyon bataryalar Tehlikeli Eşyalar Yönetmeliğinin gereksinimlerine tabidir. Ticari nakliye işlemleri için, örneğin üçüncü taraflar, nakliye acenteleri tarafından yapılan nakliyelerde, paketlenme ve etiketlenme gereksinimlerine uyulmalıdır. Nakliyesi yapılacak ürünün hazırlanması için, tehlikeli maddeler konusunda uzman bir kişiye danışın. Lütfen muhtemelen daha ayrıntılı olan ulusal yönetmeliklere de uyun. Açık kontakları bantlayın ya da maskeleyin ve bataryayı paketin içinde hareket etmeyecek şekilde paketlenin.

BU TALİMATLARI MUHAFAZA EDİNİZ.

⚠UYARI: Ürünü kullanırken (defalarca kullanınca kazanılan) rahatlık ve tanıdıklık duygusunun ilgili ürünün güvenlik kurallarına sıkı sıkıya bağlı kalmanın yerine geçmesine İZİN VERMEYİN. YANLIŞ KULLANIM veya bu kullanma kılavuzunda belirtilen emniyet kurallarına uymama ciddi yaralanmaya neden olabilir.

Batarya kartuşu hakkında önemli güvenlik talimatları

1. Batarya kartuşunu kullanmadan önce, tüm talimatları ve (1) batarya kartuşu, (2) batarya ve (3) ürün üzerindeki tüm uyarı işaretlerini okuyun.
2. Batarya kartuşunu parçalarına ayırmayın veya kuralamayın. Yangın, aşırı ısı veya patlamaya neden olabilir.
3. Çalışma süresi aşırı derecede kısalmışsa kullanmayı derhal bırakın. Aşırı ısınma, yanma riski hatta patlamaya neden olabilir.
4. Gözünüze elektrolit kaçarsa, gözlerinizi temiz suyla durulayın ve hemen tıbbi yardım alın. Görme kaybına yol açabilir.
5. Batarya kartuşuna kısa devre yaptırmayın:
 - (1) Terminallere herhangi bir iletken madde deydirmeyin.
 - (2) Batarya kartuşunu çiviler, madeni paralar, vb. gibi başka metal nesnelere aynı kaba koymaktan kaçının.
 - (3) Batarya kartuşunu yağmura ya da suya maruz bırakmayın.
- Kısa devre, büyük bir akım akışına, aşırı ısınmaya, olası yanıklara hatta bataryanın bozulmasına yol açabilir.
6. Aleti ve batarya kartuşunu sıcaklığın 50°C ya da daha yüksekçe ulaştığı yerlerde saklamayın ve kullanmayın.
11. Batarya kartuşunu bertaraf ederken aletten çıkarın ve güvenli bir yerde bertaraf edin. Bataryanın bertaraf edilmesi ile ilgili yerel düzenlemelere uyunuz.
12. Bataryaları sadece Makita tarafından belirtilen ürünlerle kullanın. Bataryaların uyumsuz ürünlerle takılması; yangın, aşırı ısınma, patlama ya da elektrolit sızıntısına neden olabilir.
13. Alet uzun süre kullanılmıyacaksa batarya aletten çıkarılmalıdır.
14. Kullanma sırasında ve sonrasında batarya kartuşu ısınarak yanıklara veya düşük sıcaklık yanıklarına yol açabilir. Sıcak batarya kartuşları ile işlem yaparken dikkat edin.
15. Yanıklara neden olabilecek kadar sıcak olabileceğinden kullandıktan hemen sonra aletin terminaline dokunmayın.
16. Batarya kartuşunun terminallerine, deliklerine ve kanallarına micir, toz veya toprak girmesine izin vermeyin. Aletin veya batarya kartuşunun ısınmasına, alev almasına, patlamasına ve arızalanmasına neden olarak yanıklara veya yaralanmaya yol açabilir.
17. Alet yüksek gerilim elektrik güç hatlarında kullanımı desteklemediği sürece batarya kartuşunu yüksek gerilim elektrik güç hatlarının yakınında kullanmayın. Aletin veya batarya kartuşunun arızalanmasına veya bozulmasına neden olabilir.
18. Bataryayı çocuklardan uzak tutun.

BU TALİMATLARI MUHAFAZA EDİNİZ.

⚠DİKKAT: Sadece orijinal Makita bataryalarını kullanın. Orijinal olmayan Makita bataryaları ya da üzerine değişiklik yapılmış bataryaların kullanımı bataryanın patlamasına ve sonuç olarak yangın, kişisel yaralanma ve hasara neden olabilir. Ayrıca Makita aleti ve şarj aletinin Makita tarafından sunulan garantisi de geçersiz olur.

Maksimum batarya ömrü için ipuçları

1. Batarya kartuşunu tamamen boşalmadan önce şarj edin. Aletin gücünün zayıflamaya başladığını fark ettiğinizde aleti durdurun ve batarya kartuşunu şarj edin.
2. Tam dolu bir batarya kartuşunu asla yeniden şarj etmeyin. Aşırı şarj etme bataryanın hizmet ömrünü kısaltır.
3. Batarya kartuşunu 10 °C - 40 °C oda sıcaklığında şarj edin. Sıcak bir batarya kartuşunu şarj etmeden önce soğumasını bekleyin.
4. Batarya kartuşunu kullanıyorken aletten veya şarj aletinden çıkarın.
5. Uzun bir süre (altı aydan daha fazla) kullanmadığınız durumlarda batarya kartuşunu şarj edin.

Kablosuz ünitesi için önemli güvenlik talimatları

1. Kablosuz ünitesini parçalarına ayırmayın veya kurcalamayın.
2. Kablosuz ünitesini küçük çocuklardan uzak tutun. Kazara yutulursa derhal tıbbi yardım alın.
3. Kablosuz ünitesini sadece Makita aletlerle kullanın.
4. Kablosuz ünitesini yağmura veya ıslak koşullara maruz bırakmayın.
5. Kablosuz ünitesini sıcaklığın 50 °C'yi aştığı yerlerde kullanmayın.
6. Kablosuz ünitesini, kalp pilleri gibi tıbbi cihazların yakınında bulunan yerlerde kullanmayın.
7. Kablosuz ünitesini, otomatik cihazların yakınında bulunan yerlerde kullanmayın. Kullanılırsa otomatik cihazlar arızalanabilir veya hata verebilir.
8. Kablosuz ünitesini, yüksek sıcaklık altındaki yerlerde veya statik elektrik veya elektrik gürlütüsü üretilebilecek yerlerde kullanmayın.
9. Kablosuz ünitesi elektromanyetik alanlar üretilebilir ancak onlar kullanıcıya zararlı değildir.
10. Kablosuz ünitesi hassas bir cihazdır. Kablosuz ünitesini düşürmemeye veya çarpmamaya dikkat edin.
11. Kablosuz ünitesinin terminaline çıplak ellerle veya metalik malzemelerle dokunmaktan kaçının.
12. Kablosuz ünitesini ürüne takarken ürünün üzerindeki bataryayı mutlaka çıkarın.
13. Yuva kapağını açarken yuvaya toz ve suyun girebileceği yerlerden kaçının. Yuva girişini daima temiz tutun.
14. Kablosuz ünitesi her zaman doğru yönde takın.
15. Kablosuz ünitesinin üzerindeki kablosuz çalıştırma düğmesine çok sert basmayın ve/veya düğmeye keskin uçlu bir cisim ile basmayın.
16. Kullanırken yuva kapağını mutlaka kapatın.
17. Alete güç beslenirken kablosuz ünitesini yuvadan çıkarmayın. Aksi takdirde kablosuz ünitesi arızalanabilir.

18. Kablosuz ünitesinin üzerindeki etiketi çıkarmayın.
19. Kablosuz ünitesinin üzerine hiçbir etiket koymayın.
20. Kablosuz ünitesini, statik elektrik veya elektrik gürlütüsü üretilebilecek yerlerde bırakmayın.
21. Kablosuz ünitesini, güneşin altında duran bir araba gibi yüksek ısıya maruz yerlerde bırakmayın.
22. Kablosuz ünitesini, tozlu veya aşındırıcı gaz üretilebilecek yerlerde bırakmayın.
23. Ani sıcaklık değişimleri kablosuz ünitesini nemelemlendirebilir. Nem tamamen kuruyana dek kablosuz ünitesini kullanmayın.
24. Kablosuz ünitesini temizlerken kuru yumuşak bir bezle nazikçe silin. Benzin, tiner, iletken gres veya benzeri maddeler kullanmayın.
25. Kablosuz ünitesini saklarken ürünle verilen kutusunda veya anti-statik bir kaptaki saklayın.
26. Alet üzerindeki yuvaya Makita kablosuz ünitesi dışında başka hiçbir aygıt sokmayın.
27. Aleti, yuvanın kapağı hasarlı iken kullanmayın. Yuvaya giren su, toz ve pislik arızaya neden olabilir.
28. Yuvanın kapağını gerekenden fazla çekmeyin ve/veya bükmeyin. Aletten çıkması durumunda kapağı yeniden takın.
29. Kaybolur veya hasar görürse kapağı değiştirin.

BU TALİMATLARI MUHAFAZA EDİNİZ.

İŞLEVSEL NİTELİKLER

⚠DİKKAT: Alet üzerinde ayarlama veya işleyiş kontrolü yapmadan önce aletin kapalı ve batarya kartuşunun ayrılmış olduğundan daima emin olun.

Batarya kartuşunun takılması ve çıkarılması

⚠DİKKAT: Batarya kartuşunu takmadan ya da çıkarmadan önce aleti daima kapatın.

⚠DİKKAT: Batarya kartuşunu takarken veya çıkarırken aleti ve batarya kartuşunu sıkıca tutun. Aletin ve batarya kartuşunun sıkıca tutulmaması bunların düşürülmesine sebep olabilir ve alet ve batarya kartuşunun zarar görmesine ya da ciddi yaralanmasına yol açabilir.

► **Şek.1:** 1. Kırmızı göstergesi 2. Düğme 3. Batarya kartuşu

Batarya kartuşunu çıkarmak için, kartuşun ön tarafındaki düğmeyi kaydırarak kartuşu aletten çıkarın.

Batarya kartuşunu takmak için, batarya kartuşu üzerindeki dili yuvanın oluğu ile hizalayın ve kartuşu yerine oturtun. Kartuşu, küçük bir tık sesi ile yerine sabitlenecek sonuna kadar ittirin. Şekilde gösterildiği gibi kırmızı göstergesi görebiliyorsanız tam olarak kilitlenmemiş demektir.

⚠️ DİKKAT: Batarya kartuşunu daima kırmızı gösterge görünmeyecek şekilde tam olarak takın. Yerine tam oturmazsa, aletten yanlışlıkla düşebilir, sizin ya da çevrenizdeki kişilerin yaralanmasına neden olabilir.

⚠️ DİKKAT: Batarya kartuşunu zorlayarak takmayın. Kartuş kolay bir şekilde kaymıyorsa doğru yerleştirilmemiş demektir.

Kalan batarya kapasitesinin gösterilmesi

Sadece göstergeli batarya kartuşları için

► **Şek.2:** 1. Gösterge lambaları 2. Kontrol düğmesi

Kalan batarya kapasitesini göstermesi için batarya kartuşu üzerindeki kontrol düğmesine basın. Gösterge lambaları birkaç saniye yanar.

Gösterge lambaları			Kalan kapasite
Yanıyor	Kapalı	Yanıp sönüyor	
■	□	◐	
■ ■ ■ ■			%75 ila %100
■ ■ ■ □			%50 ila %75
■ ■ □ □			%25 ila %50
■ □ □ □			%0 ila %25
◐ □ □ □			Bataryayı şarj edin.
■ ■ □ □			Batarya arızalanmış olabilir.
□ □ ■ ■			

NOT: Kullanım koşullarına ve ortam sıcaklığına bağlı olarak, gösterilen değer gerçek kapasiteden biraz farklılık gösterebilir.

NOT: İlk (en soldaki) gösterge lambası, batarya koruma sistemi çalıştığında yanıp söner.

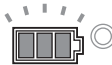
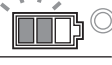


Kalan batarya kapasitesinin gösterilmesi

Ülkeye özgü

Aleti çalıştırdığımızda, batarya göstergesi kalan batarya kapasitesini gösterir.

► **Şek.3:** 1. Batarya göstergesi

Kalan batarya kapasitesi aşağıdaki tablodaki gibi gösterilir.

Batarya göstergesi durumu			Kalan pil kapasitesi
■ Açık	□ Kapalı	◐ Yanıp sönüyor	
			%50 ila %100
			%20 ila %50
			%0 ila %20
			Bataryayı şarj edin

Alet/batarya koruma sistemi


Bu alet bir alet/batarya koruma sistemi ile donatılmıştır. Bu sistem motora giden gücü otomatik olarak keserek uzun alet ve batarya ömrü sağlar. Alet veya batarya için aşağıdaki durumlardan biri söz konusu olduğunda aletin işleyişi otomatik olarak durur:

Aşırı yük koruması

Alet, anormal derecede yüksek akım çekmesine neden olacak şekilde kullanıldığında, alet hiçbir belirti vermeden otomatik olarak durur. Bu durumda, aleti kapatın ve aletin aşırı yüklenmesine neden olan uygulamayı durdurun. Daha sonra aleti yeniden başlaması için çalıştırın.

Aşırı ısınma koruması

Alet aşırı ısındığında otomatik olarak durur ve batarya göstergesi aşağıdaki durumu gösterir. Bu durumda, yeniden çalıştırmadan önce aletin soğumasını bekleyin.

■ Açık	◐ Yanıp sönüyor
	

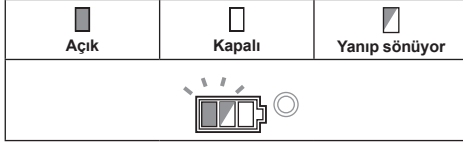
Alet çalışmaya başlamazsa, batarya aşırı ısınmış olabilir. Bu durumda, aleti yeniden başlatmadan önce bataryanın soğumasını bekleyin.

Aşırı deşarj koruması

Batarya kapasitesi yeterli olmadığında, alet otomatik olarak durur. Bu durumda, bataryayı aletten çıkarın ve bataryayı tekrar şarj edin.

Koruma kilidinin kaldırılması

Koruma sistemi tekrar tekrar çalıştığı anda alet kilitlenir ve batarya göstergesi aşağıdaki durumu gösterir. Bu durumda, alet kapatılıp tekrar açılma da alet çalışmaya başlamaz. Koruma kilidini kaldırmak için, bataryayı çıkarın, batarya şarj aletine takın ve şarj bitene kadar bekleyin.



Diğer nedenlere karşı korumalar

Koruma sistemi, alete zarar verebilecek diğer nedenler için de tasarlanmıştır ve aletin otomatik olarak durmasını sağlar. Alet çalışırken geçici duraklama ve durma yaparsa nedenleri ortadan kaldırmak için aşağıdaki tüm adımları uygulayın.

1. Aleti kapatın ve ardından tekrar açarak yeniden çalıştırın.
2. Bataryaları şarj edin veya şarjlı bataryalarla değiştirin.
3. Aletin ve bataryaların soğumasını bekleyin.

Koruma sistemi eski haline getirilerek ilerleme kaydedilemezse yerel Makita Servis Merkezimize başvurun.

Şaft kilidi

⚠ UYARI: Mil hareket halindeyken şaft kilidini asla kullanmayın. Ciddi yaralanmaya veya alette hasara neden olabilir.

Aksesuarları takarken veya çıkarırken milin dönmelerini önlemek için şaft kilidine basın.

► **Şek.4:** 1. Şaft kilidi

Anahtar işlemi

⚠ DİKKAT: Batarya kartuşunu alete takmadan önce, anahtar kolunun düzgün çalıştığından ve bırakıldığında "OFF" (kapalı) konuma döndüğünden emin olun.

⚠ DİKKAT: Güvenliğiniz için bu alet, aletin yanlışlıkla çalıştırılmasını engelleyen güvenlik kilidi kolu ile donatılmıştır. Güvenlik kilidi kolunu çekmeden sadece anahtar kolu çekilmek suretiyle çalışıyorsa aleti ASLA kullanmayın. Daha fazla kullanmadan ÖNCE aleti uygun onarım için yetkili servis merkezimize götürün.

⚠ DİKKAT: Güvenlik kilidi kolunu çekmeden anahtar kolunu zorlayarak çekmeyin. Bu anahtarın kırılmasına neden olabilir.

⚠ DİKKAT: Güvenlik kilidi kolunu ASLA bantlamayın veya amacını ve işlevini engelleyecek şekilde devre dışı bırakmayın.

Anahtar kolunun kaza sonucu çekilmesini önlemek için, bir güvenlik kilidi kolu sunulmuştur.

Aleti çalıştırmak için, güvenlik kilidi kolunu kullanıcıya doğru çekin ve ardından anahtar kolunu çekin.

Aleti durdurmak için anahtar kolunu serbest bırakın.

► **Şek.5:** 1. Güvenlik kilidi kolu 2. Anahtar kolu

Hız ayarlama kadranı

Aletin devir hızı, hız ayarlama kadranı çevrilerek değiştirilebilir. Aşağıdaki tabloda kadran üzerindeki rakam ve buna karşılık gelen devir hızı gösterilmiştir.

► **Şek.6:** 1. Hız ayarlama kadranı

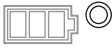
Rakam	Hız
1	3.000 min ⁻¹
2	4.500 min ⁻¹
3	6.000 min ⁻¹
4	7.500 min ⁻¹
5	8.500 min ⁻¹

ÖNEMLİ NOT: Alet düşük hızda uzun süre kesintisiz olarak çalıştırılırsa motor aşırı yüklenerek aletin arızalanmasına neden olur.

ÖNEMLİ NOT: Hız ayar kadranı en fazla 5'e kadar ve geriye 1'e kadar çevrilebilir. 5'i veya 1'i geçirmeye zorlamayın, aksi takdirde hız ayarlama işlevi artık çalışmayabilir.

Otomatik hız değiştirme fonksiyonu

► **Şek.7:** 1. Mod göstergesi

Mod göstergesi durumu	Çalışma modu
	Yüksek hız modu
	Yüksek tork modu

Bu aletin bir "yüksek hız modu" bir de "yüksek tork modu" bulunur. İş yüküne bağlı olarak çalışma modu otomatik olarak değişir. Çalışma sırasında mod göstergesinin ışıkları yandığı zaman, alet yüksek tork modundadır.

İstemsiz yeniden başlatma önleyici işlev

Anahtar AÇIK konumda iken batarya kartuşu takıldığında alet çalışmaz.

Aleti çalıştırmak için anahtarları kapatıp yeniden açın.

Aktif Geri Besleme Algılama Teknolojisi

Alet, diskin ya da aksesuarın takılma riski olduğu durumları elektronik olarak algılar. Bu durumda, alet milin daha fazla dönmelerini engellemek için otomatik olarak kapanır (geri tepmeyi engellemez).

Aleti yeniden başlatmak için, önce aleti kapatın, dönüş hızındaki ani düşüşün nedenini ortadan kaldırın ve ardından aleti açık konuma getirin.

Yumuşak başlatma özelliği

Yumuşak başlatma özelliği başlatma tepkisini azaltır.

Elektrikli freni

Elektrikli fren alet kapatıldıktan sonra etkinleşir. Güç kaynağı kapalı olduğunda, örneğin anahtar açık durumdayken batarya kazara çıkarıldığından fren çalışmaz.

MONTAJ

⚠ DİKKAT: Alet üzerinde ayarlama veya işleyiş kontrolü yapmadan önce aletin kapalı ve batarya kartuşunun ayrılmış olduğundan daima emin olun.

Yan kavrama kolunun (tutamağın) takılması

⚠ DİKKAT: Çalışmaya başlamadan önce yan kavrama kolunun yerine sağlam şekilde takılmış olduğundan daima emin olun.

Yan kavrama kolunu şekilde gösterildiği gibi alet üstündeki konumuna sıkıca vidalayın.

► **Şek.8**

Disk siperinin takılması veya çıkarılması (Merkezden basmalı disk, flap disk, fleks disk, tel disk fırça / aşındırıcı kesme diski, elmas disk için)

⚠ UYARI: Merkezden basmalı bir disk, flap disk, fleks disk veya tel disk fırça kullanılırken; disk siperi, siperin kapalı tarafının yönü daima kullanıcıya doğru bakacak şekilde takılmalıdır.

⚠ UYARI: Bir aşındırıcı kesme diski / elmas disk kullanıldığı zaman, sadece kesme diskleriyle kullanılmak için belirlenmiş özel disk siperini kullandığınızdan emin olun.

Kilit vidası tipi disk siperli alet için

Disk siperini, disk siperi bantı üstündeki çıkıntılar yatak mahfazası üstündeki çentiklerle aynı hizada olacak şekilde monte edin. Ardından disk siperini işe göre operatörü koruyabileceği açığa döndürün. Vidayı iyice sıktığınızdan emin olun.

Disk siperini çıkarmak için, takma işlemlerini tersinden uygulayın.

► **Şek.9:** 1. Disk siperi 2. Yatak mahfazası 3. Vida

Kısaç kolu tipi disk siperli alet için

Vidayı gevşetin ve ardından kolu ok yönünde çekin. Disk siperini, disk siperi bantı üstündeki çıkıntılar yatak mahfazası üstündeki çentiklerle aynı hizada olacak şekilde monte edin. Ardından disk siperini işe göre operatörü koruyabileceği açığa döndürün.

► **Şek.10:** 1. Disk siperi 2. Yatak mahfazası 3. Vida 4. Kol

Vidayı gevşettikten sonra kolu ok yönünde çekin. Ardından vidayı sıkarak disk siperini sıkılayın. Vidayı iyice sıktığınızdan emin olun. Disk siperinin açığı ayarı kolla yapılabilir.

► **Şek.11:** 1. Vida 2. Kol

Disk siperini çıkarmak için, takma işlemlerini tersinden uygulayın.

Klipsli kesme disk siperi ek parçası

İsteğe bağlı aksesuar

NOT: Kesme işlemleri için disk siperi (taşlama diski için) ile bir klipsli kesme disk siperi ek parçası kullanılabilir.

Bazı ülkelerde mevcut değildir.

► **Şek.12**

Merkezden basmalı diskin veya flap diskin takılması veya çıkarılması

İsteğe bağlı aksesuar

⚠ UYARI: Merkezden basmalı bir disk veya flap disk kullanırken, disk siperi, siperin kapalı tarafının yönü daima kullanıcıya doğru bakacak şekilde takılmalıdır.

⚠ UYARI: İç flanşın montaj parçasının merkezden basmalı diskin / flap diskin iç çapına tam olarak uyduğundan emin olun. İç flanşın yanlış tarafa monte etmek tehlikeli titreşime neden olabilir.

İç flanşı mile takın.

İç flanşın dişli parçasını milin tabanındaki düz parçanın üzerine yerleştirdiğinizden emin olun.

Merkezden basmalı diski / flap diski iç flanşın üstüne takın ve kilitle somununu milin üzerine vidalayın.

► **Şek.13:** 1. Kilit somunu 2. Merkezden basmalı disk 3. İç flanş 4. Montaj parçası

Kilit somununu sıkarak için, milin dönmemesini sağlayacak şekilde şaft kilidine kuvvetle bastırın, sonra kilit somunu anahtarını kullanarak saat yönünde iyice sıkın.

► **Şek.14:** 1. Kilit somunu anahtarı 2. Şaft kilidi

Diski çıkarmak için, takma işlemlerini tersinden uygulayın.

Fleks diskin takılması veya çıkarılması

İsteğe bağlı aksesuar

⚠ UYARI: Fleks disk alet üzerindeyken daima verilen siperi kullanın. Disk kullanım sırasında kırılabilir ve siper kişisel yaralanma olasılığını azaltır.

► **Şek.15:** 1. Kilit somunu 2. Fleks disk 3. Yedek altlık 4. İç flanş

Merkezden basmalı disk için verilen talimatları izleyin ancak diskin üzerinde yedek altlık da kullanın.

Zımpara kağıdı diskinin takılması veya çıkarılması

İsteğe bağlı aksesuar

NOT: Bu kılavuzda belirtilen zımparalama aksesuarlarını kullanın. Bu aksesuarlar ayrıca satın alınmalıdır.

100 mm (4") modeli için

► **Şek.16:** 1. Zımpara kilit somunu 2. Zımpara kağıdı diski 3. Kauçuk altlık 4. İç flanş

1. İç flanşı mile takın.
2. Kauçuk altlığı mile takın.
3. Diski kauçuk altlığın üzerine yerleştirin ve zımpara kilit somununu mile vidalayın.
4. Mili şaft kilidiyle tutun ve zımpara kilit somununu, kilit somunu anahtarlarıyla saat yönünde çevirerek iyice sıkılayın.

Diski çıkarmak için, takma işlemlerini tersinden uygulayın.

100 mm (4") dışındaki model için

► **Şek.17:** 1. Zımpara kilit somunu 2. Zımpara kağıdı diski 3. Kauçuk altlık

1. Kauçuk altlığı mile takın.
2. Diski kauçuk altlığın üzerine yerleştirin ve zımpara kilit somununu mile vidalayın.
3. Mili şaft kilidiyle tutun ve zımpara kilit somununu, kilit somunu anahtarlarıyla saat yönünde çevirerek iyice sıkılayın.

Diski çıkarmak için, takma işlemlerini tersinden uygulayın.

Ezynut'un takılması veya çıkarılması

İsteğe bağlı aksesuar

Sadece M14 mil dışlı aletler için.

İç flanş, aşındırıcı disk ve Ezynut'ı, Ezynut üzerindeki Makita logosu dışı bakacak şekilde mile takın.

► **Şek.18:** 1. Ezynut 2. Aşındırıcı disk 3. İç flanş 4. Mil

Şaft kilidine sıkıca bastırın ve aşındırıcı disk saat yönünde dönbildiği son noktaya kadar çevirerek Ezynut'ı sıkın.

► **Şek.19:** 1. Şaft kilidi

Ezynut'ı gevşetmek için Ezynut'un dış bileziğini saatin aksi yönünde çevirin.

NOT: Ok çıkıntısı baktığı sürece Ezynut elle gevşetilebilir. Aksi takdirde gevşetmek için kilit somunu anahtar gerekir. Anahtarın bir pimini bir deliğe sokun ve Ezynut'ı saatin aksi yönünde çevirin.

► **Şek.20:** 1. Ok 2. Çıkıntı

► **Şek.21**

Aşındırıcı kesme diskinin / elmas disk takılması

İsteğe bağlı aksesuar

UYARI: Bir aşındırıcı kesme diski / elmas disk kullanıldığı zaman, sadece kesme diskleriyle kullanılmak için belirlenmiş özel disk siperini kullandığınızdan emin olun.

UYARI: Kenar taşlama için ASLA kesme diski kullanmayın.

► **Şek.22:** 1. Kilit somunu 2. Aşındırıcı kesme diski / elmas disk 3. İç flanş 4. Aşındırıcı kesme diski / elmas disk için disk siperi

Takmak için, merkezden basmalı disk için olan talimatları izleyin.

Kilit somununu ve iç flanşı monte etme yönü disk tipi ve kalınlığına göre değişir. Aşağıdaki şekillere bakın.

100 mm (4") modeli için

Aşındırıcı kesme diskini takarken:

► **Şek.23:** 1. Kilit somunu 2. Aşındırıcı kesme diski (4 mm'den (5/32") ince) 3. Aşındırıcı kesme diski (4 mm (5/32") veya daha kalın) 4. İç flanş

Elmas diski takarken:

► **Şek.24:** 1. Kilit somunu 2. Elmas disk (4 mm'den (5/32") ince) 3. Elmas disk (4 mm (5/32") veya daha kalın) 4. İç flanş

100 mm (4") dışındaki model için

Aşındırıcı kesme diskini takarken:

► **Şek.25:** 1. Kilit somunu 2. Aşındırıcı kesme diski (4 mm'den (5/32") ince) 3. Aşındırıcı kesme diski (4 mm (5/32") veya daha kalın) 4. İç flanş

Elmas diski takarken:

► **Şek.26:** 1. Kilit somunu 2. Elmas disk (4 mm'den (5/32") ince) 3. Elmas disk (4 mm (5/32") veya daha kalın) 4. İç flanş

Tel tas fırçanın takılması

İsteğe bağlı aksesuar

DİKKAT: Hasarlı veya dengesiz fırçaları kullanmayın. Hasarlı fırça kullanılması kırık fırça tellerinin temas etmesiyle yaralanma potansiyelini artırabilir.

Mile kolayca erişmek için aleti ters şekilde yerleştirin. Mil üstündeki aksesuarları çıkarın. Tel tas fırçayı mile takın ve verilen anahtarla sıkın.

► **Şek.27:** 1. Tel tas fırça

Tel disk fırçanın takılması

İsteğe bağlı aksesuar

⚠DİKKAT: Hasarlı veya dengesiz tel disk fırçaları kullanmayın. Hasarlı tel disk fırça kullanılması kırık fırça tellerinin temas etmesiyle yaralanma potansiyelini artırabilir.

⚠DİKKAT: Tel disk fırçalarla birlikte **DAİMA**, diskin çapı siperin içinde kalacak şekilde, siper kullanın. Disk kullanım sırasında kırılabilir ve siper kişisel yaralanma olasılığını azaltır.

Mile kolayca erişmek için aleti ters şekilde yerleştirin. Mil üstündeki aksesuarları çıkarın. Tel disk fırçayı mile takın ve anahtarlarla sıkın.

► **Şek.28:** 1. Tel disk fırça

Delik açıcının takılması

İsteğe bağlı aksesuar

Mile kolayca erişmek için aleti ters şekilde yerleştirin. Mil üstündeki aksesuarları çıkarın. Delik açıcıyı mile vidalayın ve verilen anahtarla sıkın.

► **Şek.29:** 1. Delik açıcı

Taşlama için toz toplayıcı disk siperinin takılması

Sadece **DGA467 / DGA468 / DGA517 / DGA518 modeli için** İsteğe bağlı aksesuar

İsteğe bağlı aksesuarlarla bu aleti, beton yüzeyi planyalamak için kullanabilirsiniz.

⚠DİKKAT: Elmas çanak disk için toz toplayıcı disk siperi yalnızca beton yüzeyi elmas çanak diskle planyalamada kullanım içindir. Bu siperi başka herhangi bir kesme aksesuarı ile veya başka herhangi bir amaçla kullanmayın.

⚠DİKKAT: Çalıştırmadan önce alete bir elektrikli süpürge bağlandığını ve açık olduğunu kontrol edin.

Aleti ters şekilde yerleştirin ve toz toplayıcı disk siperini takın. İç flanşı mile takın.

Çanak tipi elmas diski iç flanşın üstüne takın ve kilit somununu mile vidalayarak sıkın.

► **Şek.30:** 1. Kilit somunu 2. Çanak tipi elmas disk 3. Göbekli çanak tipi elmas disk 4. İç flanş 5. Toz toplayıcı disk siperi 6. Yatak mahfazası

NOT: Toz toplayıcı disk siperini takma ile ilgili bilgi için toz toplayıcı disk siperi kılavuzuna bakın.

Kesme için toz toplayıcı disk siperinin takılması

İsteğe bağlı aksesuar

İsteğe bağlı aksesuarlarla bu aleti, taş malzemeleri kesmek için kullanabilirsiniz.

► **Şek.31**

NOT: Toz toplayıcı disk siperini takma ile ilgili bilgi için toz toplayıcı disk siperi kılavuzuna bakın.

Bir elektrikli süpürgenin bağlanması

İsteğe bağlı aksesuar

⚠UYARI: Taşlama/kesme/zımparalama işleminin ürettiği metal parçacıkları asla süpürge ile çekmeyin. Bu tür işlemlerin ürettiği metal parçacıklar çok sıcaktır ve elektrikli süpürge içindeki tozu ve filtreyi tutuştururlar.

Duvar kesiminin neden olduğu tozlu ortamı engellemek için bir toz toplayıcı disk siperi ve elektrikli süpürge kullanın.

Monte etmek ve kullanmak için toz toplayıcı disk siperine yapılandırılmış kullanma talimatlarına bakın.

► **Şek.32:** 1. Toz toplayıcı disk siperi 2. Elektrikli süpürge hortumu

KULLANIM

⚠UYARI: Aletin hiçbir zaman zorlanması gerekmemelidir. Aletin ağırlığı yeterli basıncı uygular. Zorlama ve fazla basınç tehlikeli disk kırılmasına neden olabilir.

⚠UYARI: Taşlama sırasında alet düşürülürse diski **DAİMA** değiştirin.

⚠UYARI: Diski **ASLA** üzerinde çalışılan parçaya vurmaya ya da çarpmaya.

⚠UYARI: Özellikle köşelerde, keskin kenarlarda, vb. alanlarda çalışırken diski zıplatmaktan ve engellere takılmaktan kaçının. Bu, kontrol kaybına ve geri tepmeye neden olabilir.

⚠UYARI: Bu aleti **ASLA** ahşap kesme bıçakları ve diğer testere bıçakları ile kullanmayın. Bu bıçaklar bir taşlama makinesiyle kullanıldığında sıkça geri teper ve yaralanmaya yol açacak kontrol kaybına neden olur.

⚠DİKKAT: İş parçası ile temas halindeyken aleti asla çalıştırmayın; bu, kullanıcının yaralanmasına neden olabilir.

⚠DİKKAT: Çalışma sırasında daima emniyet gözlükleri veya bir yüz siperi kullanın.

⚠DİKKAT: Çalışmanız bitince daima aleti kapağın ve yere koymadan önce diskin tamamen durmasını bekleyin.

⚠DİKKAT: Aleti **DAİMA** bir elinizle gövdeden ve diğer elinizle yan kavrama kolundan (saptan) sıkıca tutun.

NOT: Bir çift maksatlı disk hem taşlama hem de kesme işlemleri için kullanılabilir.

Taşlama işlem için bkz. "Taşlama ve zımparalama işlemi", kesme işlemi için bkz. "Aşındırıcı kesme diski / elmas disk ile çalışma".

Taşlama ve zımparalama işlemi

► Şek.33

Aleti çalıştırın ve diski iş parçasına uygulayın. Genel olarak diskin kenarını iş parçasının yüzeyine yaklaşık 15 derecelik bir açıyla tutun. Yeni bir diskin alıştırmaya döneminde taşlama makinesini ileri yönde çalıştırmayın aksi takdirde disk iş parçasını keser. Diskin kenarı kullanılıp yuvarlandıktan sonra, disk hem ileri hem de geri yönde kullanılabilir.

Kullanım örneği: çanak tipi elmas disk ile çalışma
► Şek.34

Aleti yatay olarak tutun ve tüm çanak tipi elmas diski iş parçasının yüzeyine uygulayın.

Aşındırıcı kesme diski / elmas disk ile çalışma

İsteğe bağlı aksesuar

⚠UYARI: Diski “sıkıştırmayın” veya aşırı basınç uygulamayın. Aşırı derinlikte bir kesme yapmaya çalışmayın. Diskin aşırı zorlanması yükü ve diskin kesik içinde bükülme veya takılma olasılığını artırarak, geri tepmeye, diskin kırılmasına ve motorun aşırı ısınmasına neden olabilir.

⚠UYARI: İş parçasında kesme işlemine başlamayın. Diskin tam hıza ulaşmasını bekleyin ve dikkatli şekilde kesiğin içine girerek, aleti iş parçasının yüzeyi boyunca ileri doğru ilerletin. Elektrikli alet iş parçası içinde çalıştırılırsa, disk takılabilir, yukarı tırmanabilir veya geri tepebilir.

⚠UYARI: Kesme işlemleri sırasında, diskin açısını kesinlikle değiştirmeyin. Kesme diskine (taşlamada olduğu gibi) yan basınç uygulanması diskin kırılmasına ve kopmasına neden olarak, ciddi yaralanmalara yol açabilir.

⚠UYARI: Bir elmas disk kesilecek malzemeye dik olarak çalıştırılmalıdır.

Kullanım örneği: Aşındırıcı kesme diski ile çalışma
► Şek.35

Kullanım örneği: elmas disk ile çalışma
► Şek.36

Tel tas fırçayla çalışma

İsteğe bağlı aksesuar

⚠DİKKAT: Fırçanın önünde veya hizasında hiç kimse olmadığından emin olarak, aleti yüksüz çalıştırıp fırçanın çalışmasını kontrol edin.

ÖNEMLİ NOT: Tel tas fırça kullanırken, tellerin aşırı bükülmesine neden olan aşırı basınç uygulamayın. Erken kırılmaya neden olabilir.

Kullanım örneği: tel tas fırçayla çalışma
► Şek.37

Tel disk fırçayla çalışma

İsteğe bağlı aksesuar

⚠DİKKAT: Fırçanın önünde veya hizasında hiç kimse olmadığından emin olarak, aleti yüksüz çalıştırıp tel disk fırçanın çalışmasını kontrol edin.

ÖNEMLİ NOT: Tel disk fırça kullanırken, tellerin aşırı bükülmesine neden olan aşırı basınç uygulamayın. Erken kırılmaya neden olabilir.

Kullanım örneği: tel disk fırçayla çalışma
► Şek.38

Delik açıcı ile çalışma

İsteğe bağlı aksesuar

⚠DİKKAT: Delik açıcının önünde hiç kimse olmadığından emin olarak, aleti yüksüz çalıştırıp delik açıcının çalışmasını kontrol edin.

ÖNEMLİ NOT: Çalışma sırasında aleti eğmeyin. Erken kırılmaya neden olabilir.

Kullanım örneği: delik açıcı ile çalışma
► Şek.39

KABLOSUZ ÇALIŞTIRMA İŞLEVİ

Sadece DGA418 / DGA468 / DGA518 modeli için

Kablosuz çalıştırma işlevi ile yapabileceğiniz

Kablosuz çalıştırma işlevi temiz ve rahat kullanım sağlar. Alete desteklenen bir elektrikli süpürge bağlayarak elektrikli süpürgeyi aletin anahtarla çalıştırılması ile birlikte çalıştırabilirsiniz.

► Şek.40

Kablosuz çalıştırma işlevini kullanmak için aşağıdaki unsurları hazırlayın:

- Bir kablosuz ünitesi (isteğe bağlı aksesuar)
- Kablosuz çalıştırma işlevini destekleyen bir elektrikli süpürge

Kablosuz çalıştırma işlevi ayarına genel bakış aşağıda verilmiştir. Ayrıntılı işlemler için her bir kısma bakın.

1. Kablosuz ünitesinin takılması
2. Elektrikli süpürge için alet kaydı
3. Kablosuz çalıştırma işlevinin başlatılması

Kablosuz ünitesinin takılması

İsteğe bağlı aksesuar

⚠ DİKKAT: Kablosuz ünitesini takarken aleti düz ve dengeli bir zemine yerleştirin.

ÖNEMLİ NOT: Kablosuz ünitesini takmadan önce aletin üzerindeki toz ve kiri temizleyin. Toz veya kir, kablosuz ünitesinin yuvasına girerse arızaya neden olabilir.

ÖNEMLİ NOT: Statik elektrik kaynaklı arızaları engellemek için kablosuz ünitesini almadan önce aletin metal kısmı gibi statik deşarj özellikli bir materyale dokununuz.

ÖNEMLİ NOT: Kablosuz ünitesini takarken kablosuz ünitesinin doğru yönde sokulduğundan ve kapağın tamamen kapatıldığından mutlaka emin olun.

1. Aletin üzerindeki kapağı şekilde gösterildiği gibi açın.

► **Şek.41:** 1. Kapak

2. Kablosuz ünitesini yuvaya sokun ve daha sonra kapağı kapatın.

Kablosuz ünitesini sokarken çıkıntıları yuva üzerindeki girintili kısımlarla hizalayın.

► **Şek.42:** 1. Kablosuz ünitesi 2. Çıkıntı 3. Kapak 4. Girintili kısım

Kablosuz ünitesini çıkarırken kapağı yavaşça açın. Kapağın arka kısmındaki kancalar, kapağı yukarı çektiğinizde kablosuz ünitesini kaldıracaktır.

► **Şek.43:** 1. Kablosuz ünitesi 2. Kanca 3. Kapak

Kablosuz ünitesini çıkardıktan sonra ürünle verilen kutusunda veya anti-statik bir kaptaki saklayın.

ÖNEMLİ NOT: Kablosuz ünitesini çıkarırken daima kapağın arka kısmındaki kancaları kullanın. Kancalar kablosuz ünitesini yakalamazsa kapağı tamamen kapatın ve yavaşça tekrar açın.

Elektrikli süpürge için alet kaydı

NOT: Alet kaydı için kablosuz çalıştırma işlevini destekleyen bir Makita elektrikli süpürge gerekir.

NOT: Alet kaydına başlamadan önce kablosuz ünitesini alete takmayı bitirin.

NOT: Alet kaydı sırasında anahtar tetiği çekmeyin veya elektrikli süpürge üzerindeki güç düğmesini açmayın.

NOT: Elektrikli süpürge kullanma kılavuzuna da bakın.

Elektrikli süpürgeyi aletin anahtarla çalıştırılması ile birlikte çalıştırmak isterseniz önceden alet kaydını tamamlayın.

1. Elektrikli süpürge ve alete bataryaları takın.

2. Elektrikli süpürge üzerindeki bekleme düğmesini "AUTO" konumuna alın.

► **Şek.44:** 1. Bekleme düğmesi

3. Kablosuz çalıştırma lambası yeşil yanıp sönene kadar elektrikli süpürge üzerindeki kablosuz çalıştırma düğmesine 3 saniye süreyle basın. Daha sonra aletin üzerindeki kablosuz çalıştırma düğmesine aynı şekilde basın.

► **Şek.45:** 1. Kablosuz çalıştırma düğmesi
2. Kablosuz çalıştırma lambası

Elektrikli süpürge ve alet başarıyla birbirlerine bağlanırsa kablosuz çalıştırma lambaları 2 saniye süreyle yeşil yanar ve mavi yanıp sönmeye başlar.

NOT: Kablosuz çalıştırma lambaları 20 saniye geçtikten sonra yeşil yanıp sönmeyi keser. Süpürge üzerindeki kablosuz çalıştırma lambası yanıp sönen aletin üzerindeki kablosuz çalıştırma düğmesine basın. Kablosuz çalıştırma lambası yeşil yanıp sönmeye kablosuz çalıştırma düğmesine kısa süreli basın ve tekrar basılı tutun.

NOT: Tek bir elektrikli süpürge için iki veya daha fazla alet kaydı yaparken alet kaydını birer birer tamamlayın.

Kablosuz çalıştırma işlevinin başlatılması

NOT: Kablosuz çalıştırma öncesinde elektrikli süpürge için alet kaydını tamamlayın.

NOT: Elektrikli süpürge kullanma kılavuzuna da bakın.

Elektrikli süpürgeye bir aleti kaydettikten sonra elektrikli süpürge, aletin anahtarla çalıştırılması ile birlikte otomatik olarak çalışır.

1. Kablosuz ünitesini alete takın.

2. Elektrikli süpürgeyi hortumunu alete bağlayın.

► **Şek.46**

3. Elektrikli süpürge üzerindeki bekleme düğmesini "AUTO" konumuna alın.

► **Şek.47:** 1. Bekleme düğmesi

4. Aletin üzerindeki kablosuz çalıştırma düğmesine kısa süreyle basın. Kablosuz çalıştırma lambası mavi yanıp söner.

► **Şek.48:** 1. Kablosuz çalıştırma düğmesi
2. Kablosuz çalıştırma lambası

5. Aleti açın. Alet çalışırken elektrikli süpürgeyi çalıştırdığınız kontrol edin.

Elektrikli süpürgeyi kablosuz çalıştırmasını durdurmak için alet üzerindeki kablosuz çalıştırma düğmesine basın.

NOT: Alet üzerindeki kablosuz çalıştırma lambası, 2 saat süreyle işlem yapılmazsa mavi yanıp sönmeyi keser. Bu durumda elektrikli süpürge üzerindeki bekleme düğmesini "AUTO" konumuna alın ve alet üzerindeki kablosuz çalıştırma düğmesine tekrar basın.

NOT: Elektrikli süpürge bir gecikmeyle başlar/durur. Elektrikli süpürge, aletin anahtarla çalıştırıldığını algıladığında bir gecikme söz konusu olur.










NOT: Kablosuz ünitesinin iletim mesafesi konum ve çevre şartlarına bağlı olarak değişebilir.

NOT: Tek bir elektrikli süpürgeye iki veya daha fazla alet kaydedildiğinde başka bir kullanıcı kablosuz çalıştırma işlevini kullandığından aletinizi açmasanız bile elektrikli süpürge çalışmaya başlayabilir.

Kablosuz çalıştırma lambası durumunun açıklanması

► Şek.49: 1. Kablosuz çalıştırma lambası

Kablosuz çalıştırma lambası kablosuz çalıştırma işlevinin durumunu gösterir. Lamba durumunun anlamı için aşağıdaki tabloya bakın.

Durum	Kablosuz çalıştırma lambası				Açıklama
	Renk	 Kapalı	 Yanıp sönmüyor	Süre	
Beklemede	Mavi			2 saat	Elektrikli süpürge için kablosuz çalıştırılması kullanılabilir. 2 saat süreyle işlem yapılmazsa lamba otomatik olarak söner.
				Alet çalışırken.	Elektrikli süpürge için kablosuz çalıştırılması kullanılabilir ve alet çalışıyor.
Alet kaydı	Yeşil			20 saniye	Alet kaydı için hazır. Elektrikli süpürge tarafından alet kaydı bekleniyor.
				2 saniye	Alet kaydı tamamlandı. Kablosuz çalıştırma lambası mavi yanıp sönmeye başlar.
Alet kaydının iptal edilmesi	Kırmızı			20 saniye	Alet kaydının iptali için hazır. Elektrikli süpürge tarafından iptal bekleniyor.
				2 saniye	Alet kaydı iptali tamamlandı. Kablosuz çalıştırma lambası mavi yanıp sönmeye başlar.
Diğer	Kırmızı			3 saniye	Kablosuz ünitesine güç besleniyor ve kablosuz çalıştırma işlevi başlıyor.
	Kapalı	-	-	-	Elektrikli süpürge için kablosuz çalıştırılması durduruldu.

Elektrikli süpürge için alet kaydının iptal edilmesi

Elektrikli süpürge için alet kaydını iptal ederken aşağıdaki prosedürü uygulayın.

1. Elektrikli süpürge ve alete bataryaları takın.
 2. Elektrikli süpürge üzerindeki bekleme düğmesini "AUTO" konumuna alın.
- **Şek.50:** 1. Bekleme düğmesi
3. Elektrikli süpürge üzerindeki kablosuz çalıştırma düğmesine 6 saniye süreyle basın. Kablosuz çalıştırma lambası yeşil yanıp söner ve daha sonra kırmızı olur. Ondan sonra aletin üzerindeki kablosuz çalıştırma düğmesine aynı şekilde basın.

- **Şek.51:** 1. Kablosuz çalıştırma düğmesi
2. Kablosuz çalıştırma lambası

İptal başarıyla yapılırsa kablosuz çalıştırma lambaları 2 saniye süreyle kırmızı yanar ve mavi yanıp sönmeye başlar.

NOT: Kablosuz çalıştırma lambaları 20 saniye geçtikten sonra kırmızı yanıp sönmeyi keser. Süpürge üzerindeki kablosuz çalıştırma lambası yanıp sönerken aletin üzerindeki kablosuz çalıştırma düğmesine basın. Kablosuz çalıştırma lambası kırmızı yanıp sönmeye kablosuz çalıştırma düğmesine kısa süreli basın ve tekrar basılı tutun.

Kablosuz çalışma işlevi için sorun giderme

Onarım için servise gitmeden önce kontrolleri yapın. Kılavuzda açıklanmayan bir problemle karşılaşırsanız aleti demonte etmeyin. Bunun yerine, Makita Yetkili Servis Merkezlerine başvurun ve daima orijinal Makita yedek parçaları kullanın.

Anormal durum	Olası nedeni (arıza)	Çözümü
Kablosuz çalışma lambası yanmıyor/yanıp sönmüyor.	Kablosuz ünitesi alete takılmamış. Kablosuz ünitesi alete hatalı takılmış.	Kablosuz ünitesini doğru takın.
	Kablosuz ünitesinin terminali ve/veya yuva kirlidir.	Kablosuz ünitesinin terminalindeki tozu ve kiri hafifçe silin ve yuvayı temizleyin.
	Aletin üzerindeki kablosuz çalışma düğmesine basılmamış.	Aletin üzerindeki kablosuz çalışma düğmesine kısa süreyle basın.
	Elektrikli süpürge üzerindeki bekleme düğmesi "AUTO" konumuna alınmamış.	Elektrikli süpürge üzerindeki bekleme düğmesini "AUTO" konumuna alın.
	Güç beslemesi yok	Alete ve elektrikli süpürgeye güç besleyin.
Alet kaydı / alet kaydı iptali başarıyla tamamlanmıyor.	Kablosuz ünitesi alete takılmamış. Kablosuz ünitesi alete hatalı takılmış.	Kablosuz ünitesini doğru takın.
	Kablosuz ünitesinin terminali ve/veya yuva kirlidir.	Kablosuz ünitesinin terminalindeki tozu ve kiri hafifçe silin ve yuvayı temizleyin.
	Elektrikli süpürge üzerindeki bekleme düğmesi "AUTO" konumuna alınmamış.	Elektrikli süpürge üzerindeki bekleme düğmesini "AUTO" konumuna alın.
	Güç beslemesi yok	Alete ve elektrikli süpürgeye güç besleyin.
	Hatalı çalışma	Kablosuz çalışma düğmesine kısa süreyle basın ve alet kaydı/iptal prosedürlerini yeniden uygulayın.
	Alet ve elektrikli süpürge birbirlerinden uzakta (iletim aralığının dışında).	Aleti ve elektrikli süpürgeyi birbirlerine yaklaştırın. Maksimum iletim mesafesi yaklaşık 10 m'dir, ancak şartlara bağlı olarak değişebilir.
	Alet kaydını/iptalini tamamlamadan önce; - aletin anahtarını açılıyor veya; - elektrikli süpürge üzerindeki güç düğmesi açılıyor.	Kablosuz çalışma düğmesine kısa süreyle basın ve alet kaydı/iptal prosedürlerini yeniden uygulayın.
	Alet veya elektrikli süpürge için alet kaydı prosedürleri tamamlanmamış.	Alet ve elektrikli süpürge için alet kaydı prosedürlerini aynı zamanda uygulayın.
Elektrikli süpürge, aletin anahtarla çalıştırılması ile birlikte çalışmıyor.	Kablosuz ünitesi alete takılmamış. Kablosuz ünitesi alete hatalı takılmış.	Kablosuz ünitesini doğru takın.
	Kablosuz ünitesinin terminali ve/veya yuva kirlidir.	Kablosuz ünitesinin terminalindeki tozu ve kiri hafifçe silin ve yuvayı temizleyin.
	Aletin üzerindeki kablosuz çalışma düğmesine basılmamış.	Kablosuz çalışma düğmesine kısa süreli basın ve kablosuz çalışma lambasının mavi yanıp söndüğünü kontrol edin.
	Elektrikli süpürge üzerindeki bekleme düğmesi "AUTO" konumuna alınmamış.	Elektrikli süpürge üzerindeki bekleme düğmesini "AUTO" konumuna alın.
	Elektrikli süpürgeye 10'dan fazla alet kayıtlı.	Alet kaydını yeniden yapın. Elektrikli süpürgeye 10'dan fazla alet kayıtlı ise ilk önce kaydedilen alet otomatik olarak iptal edilir.
	Elektrikli süpürge tüm alet kayıtlarını silmiş.	Alet kaydını yeniden yapın.
	Güç beslemesi yok	Alete ve elektrikli süpürgeye güç besleyin.
	Alet ve elektrikli süpürge birbirlerinden uzakta (iletim aralığının dışında).	Aleti ve elektrikli süpürgeyi birbirlerine yaklaştırın. Maksimum iletim mesafesi yaklaşık 10 m'dir, ancak şartlara bağlı olarak değişebilir.
	Yüksek güçte radyo dalgaları üreten diğer cihazlardan radyo paraziti.	Aleti ve elektrikli süpürgeyi, Wi-Fi cihazları ve mikro-dalga fırınlar gibi cihazlardan uzak tutun.
Alet çalışmıyorken elektrikli süpürge çalışıyor.	Diğer kullanıcılar, elektrikli süpürge için kablosuz çalıştırılmasını kendi aletleriyle kullanıyor.	Diğer aletlerin kablosuz çalışma düğmesini kapatın veya diğer aletlerin alet kaydını iptal edin.

BAKIM

⚠ DİKKAT: Muayene ya da bakım yapmadan önce aletin kapalı ve batarya kartuşunun çıkartılmış olduğundan daima emin olun.

ÖNEMLİ NOT: Benzin, tiner, alkol ve benzeri maddeleri kesinlikle kullanmayın. Renk değişimi, deformasyon veya çatlaklar oluşabilir.

Aleti EMNİYETLİ ve ÇALIŞMAYA HAZIR durumda tutmak için onarımlar, başka her türlü bakım ve ayarlamalar daima Makita yedek parçaları kullanılarak Makita yetkili servis merkezleri veya Fabrikanın Servis Merkezleri tarafından yapılmalıdır.

Hava deliğinin temizlenmesi

Alet ve hava delikleri temiz tutulmalıdır. Aletin hava deliklerini düzenli aralıklarla veya delikler her tıkanmaya başladığında temizleyin.

► **Şek.52:** 1. Hava çıkma deliği 2. Hava alma deliği

Toz kapağını hava alma deliğinden çıkarın ve rahat bir hava sirkülasyonu için temizleyin.

► **Şek.53:** 1. Toz kapağı

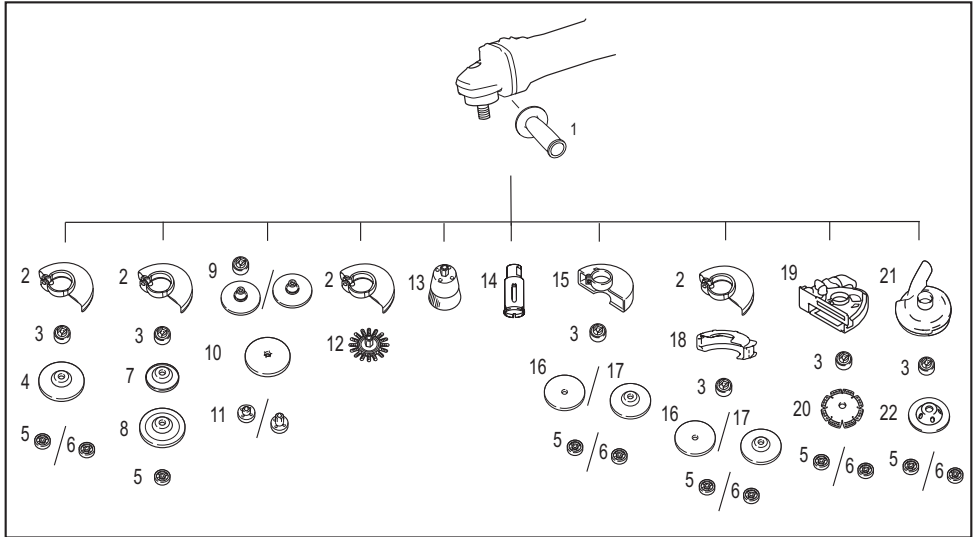
ÖNEMLİ NOT: Toz kapağı toz ya da yabancı maddelerle tıkanıldığında çıkarıp temizleyin. Tıkalı bir toz kapağı ile çalışmaya devam etmek alete zarar verebilir.

UYGULAMA VE AKSESUAR KOMBİNASYONU

İsteğe bağlı aksesuar

⚠ DİKKAT: Aletin hatalı siperlerle kullanılması aşağıdaki gibi risklere neden olabilir.

- Bir kesme disk siperini yüzey taşlaması için kullanırken disk siperi iş parçasına müdahale ederek zayıf kontrole neden olabilir.
- Bağlı aşındırıcı diskler ve elmas disklerle kesme işlemleri için bir taşlama disk siperi kullanırken dönen disklerle, saçılan kıvılcımlara ve parçacıklara ve ayrıca diskin çatlaması durumunda disk kırıklarına maruz kalma riski artar.
- Bir kesme disk siperini veya taşlama disk siperini çanak tipi elmas disk ile yüzey taşlaması için kullanırken disk siperi iş parçasına müdahale ederek zayıf kontrole neden olabilir.
- Bir kesme disk siperini veya taşlama disk siperini kalınlığı "TEKNİK ÖZELLİKLER"de belirtilen maksimum kalınlıktan daha kalın bir disk tipi tel fırça ile kullanırken teller sipere takılarak tellerin kopmasına yol açabilir.
- Beton veya taşa kesme ve yüzey işlemleri için toz toplayıcı disk siperinin kullanılması toza maruz kalma riskini azaltır.
- Çift maksatlı (kombine taşlama ve aşındırarak kesme) flanşa monteli diskler kullanırken sadece kesme disk siperi kullanın.



-	Uygulama	100 mm modeli	115 mm modeli	125 mm modeli
1	-	Yan kavrama kolu		
2	-	Disk Siperi (taşlama diskli için)		
3	-	İç flanş		

-	Uygulama	100 mm modeli	115 mm modeli	125 mm modeli
4	Taşılama / Zimparalama	Merkezden basmalı disk / Flap disk		
5	-	Kilit somunu		
6	-	-	Ezynet *1	
7	-	Yedek altlık		
8	Taşılama	Fleks disk		
9	-	İç flanş ve kauçuk altlık 76	Kauçuk altlık 100	Kauçuk altlık 115
10	Zimparalama	Zimpara kağıdı disk		
11	-	Zimpara kilit somunu		
12	Telle fırçalama	Tel disk fırça		
13	Telle fırçalama	Tel tas fırça		
14	Delik açma	Delik açıcı		
15	-	Disk siperi (kesme disk siperi için)		
16	Kesme	Aşındırıcı kesme disk / Elmas disk		
17	Taşılama / Kesme	Çift maksatlı disk		
18	-	Klipsli kesme disk siperi ek parçası *2		
19	-	Kesme için toz toplayıcı disk siperi *3		
20	Kesme	Elmas disk		
21	-	-	Taşılama için toz toplayıcı disk siperi *4	
22	Taşılama	-	Çanak tipi elmas disk *4	
-	-	Kilit somunu anahtarı		

NOT: *1 Sadece M14 mil dişli aletler için.

NOT: *2 Klipsli kesme disk siperi ek parçası bazı ülkelerde mevcut değildir. Daha fazla bilgi için klipsli kesme disk siperi ek parçası kullanma kılavuzuna bakın.

NOT: *3 Daha fazla bilgi için siper kullanma kılavuzuna bakın.

NOT: *4 Sadece DGA467 / DGA468 / DGA517 / DGA518 modeli için

Daha fazla bilgi için siper kullanma kılavuzuna bakın.

İSTEĞE BAĞLI AKSESUARLAR

⚠ DİKKAT: Bu aksesuarlar ve ek parçalar bu el kitabında belirtilen Makita aletiniz ile kullanılmak için tavsiye edilmektedir. Herhangi başka bir aksesuar ya da ek parça kullanılması insanlar için bir yaralanma riski getirebilir. Aksesuarları ya da ek parçaları yalnızca belirtilmiş olan kullanım amaçlarına uygun olarak kullanın.

Bu aksesuarlarla ilgili daha fazla bilgiye ihtiyaç duyarsanız bulunduğunuz yerdeki yetkili Makita servisine başvurun.

- Orijinal Makita batarya ve şarj aleti
- "UYGULAMA VE AKSESUAR KOMBİNASYONU" kısmında listelenen aksesuarlar
- Kablosuz ünitesi (Kablosuz çalıştırma işlevli modeller için)

NOT: Listedeki parçaların bazıları alet paketi içerisinde standart aksesuar olarak dahil edilmiş olabilir. Bunlar ülkeden ülkeye farklılık gösterebilir.

Makita Europe N.V.

Jan-Baptist Vinkstraat 2, 3070 Kortenberg, Belgium

Makita Corporation

3-11-8, Sumiyoshi-cho, Anjo, Aichi 446-8502 Japan

www.makita.com



885616B997
EN, FR, DE, IT, NL,
ES, PT, DA, EL, TR
20221011