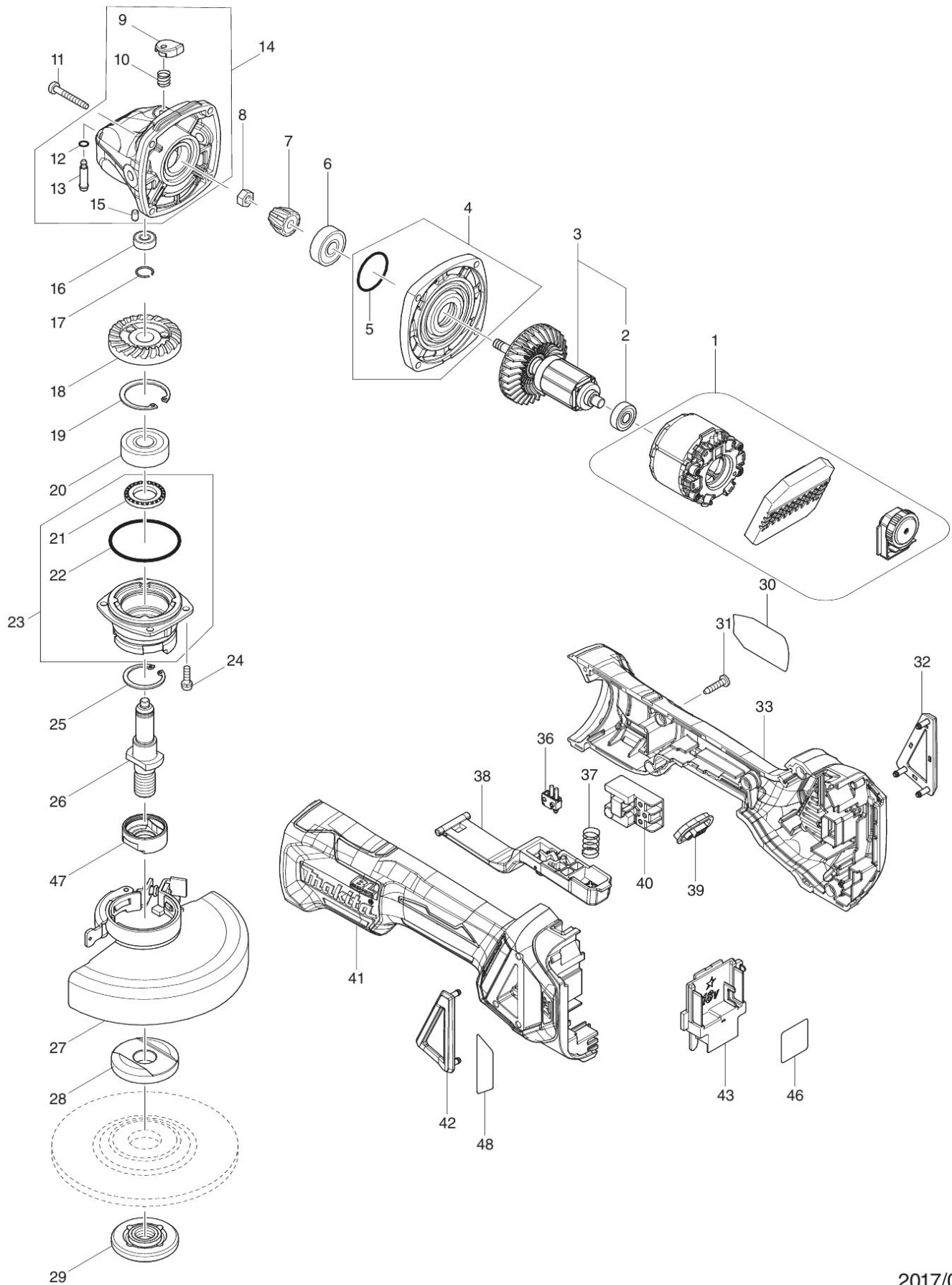


Partdrawing for DGA517ZJ - Haakse slijper 125mm 18V



2017/05
DGA517