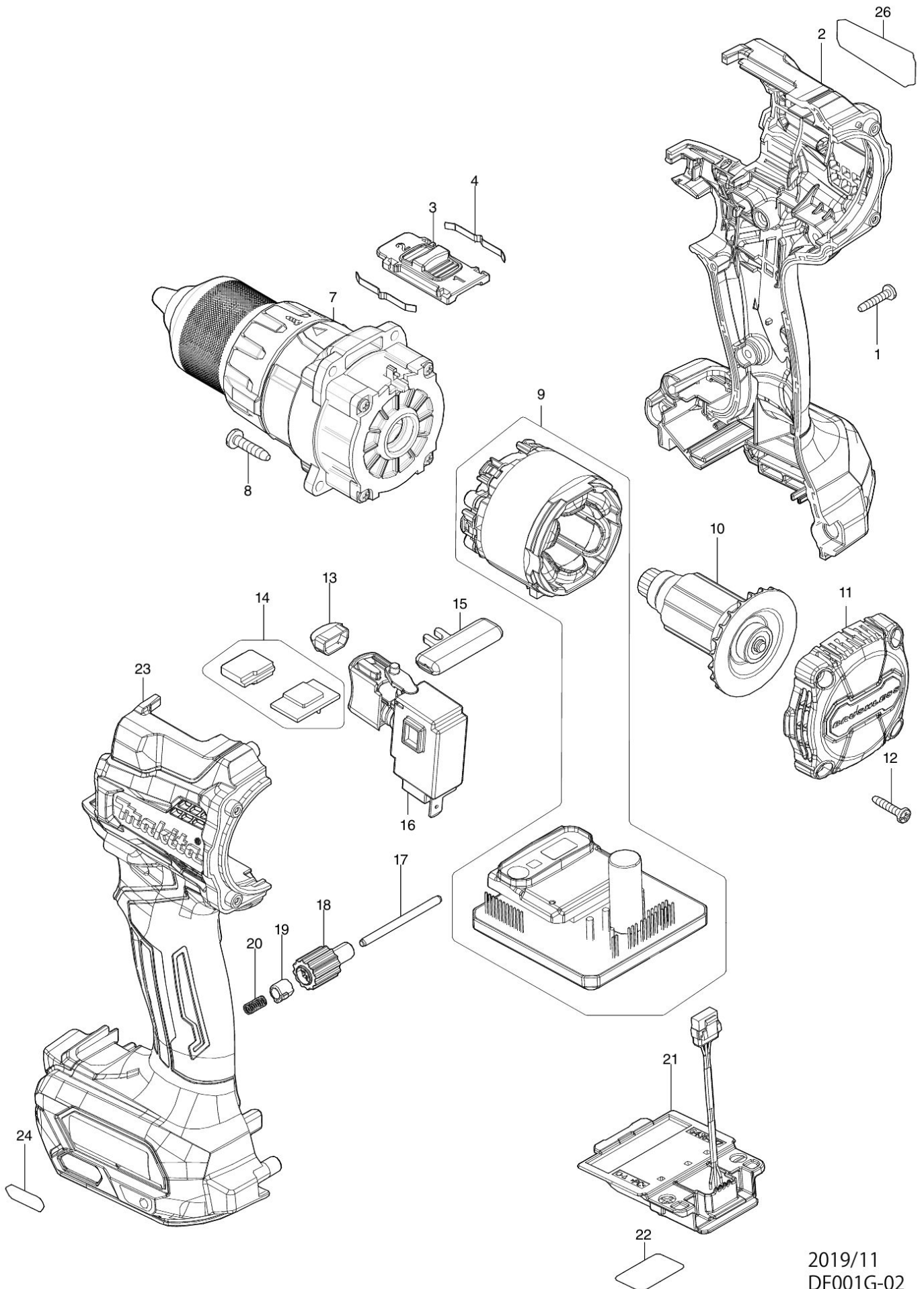


Partdrawing for DF001GZ - Boor-/schroefmachine



2019/11
DF001G-02