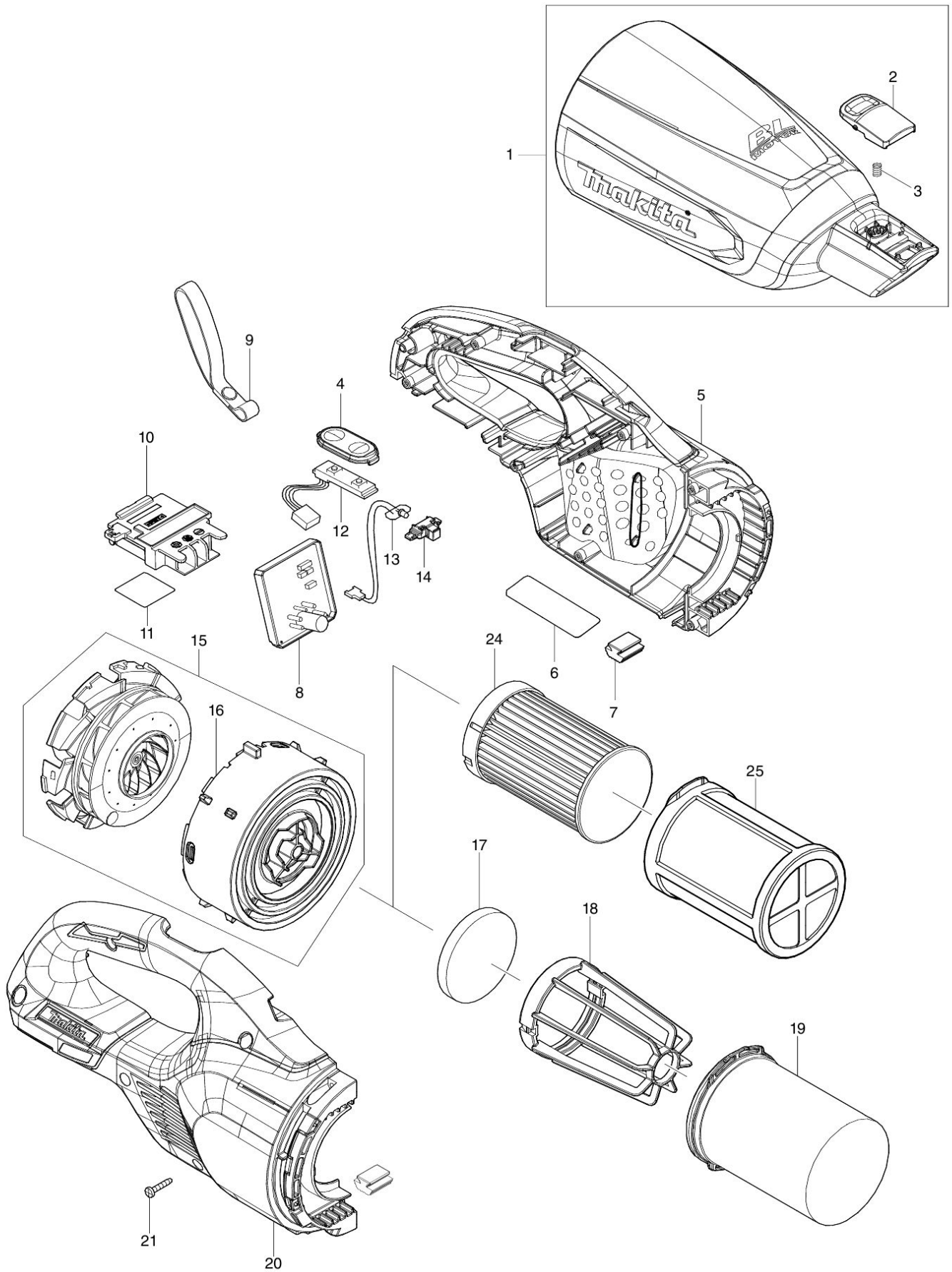


Partdrawing for DCL281FZB - Steelstofzuiger



2019/01
DCL281F