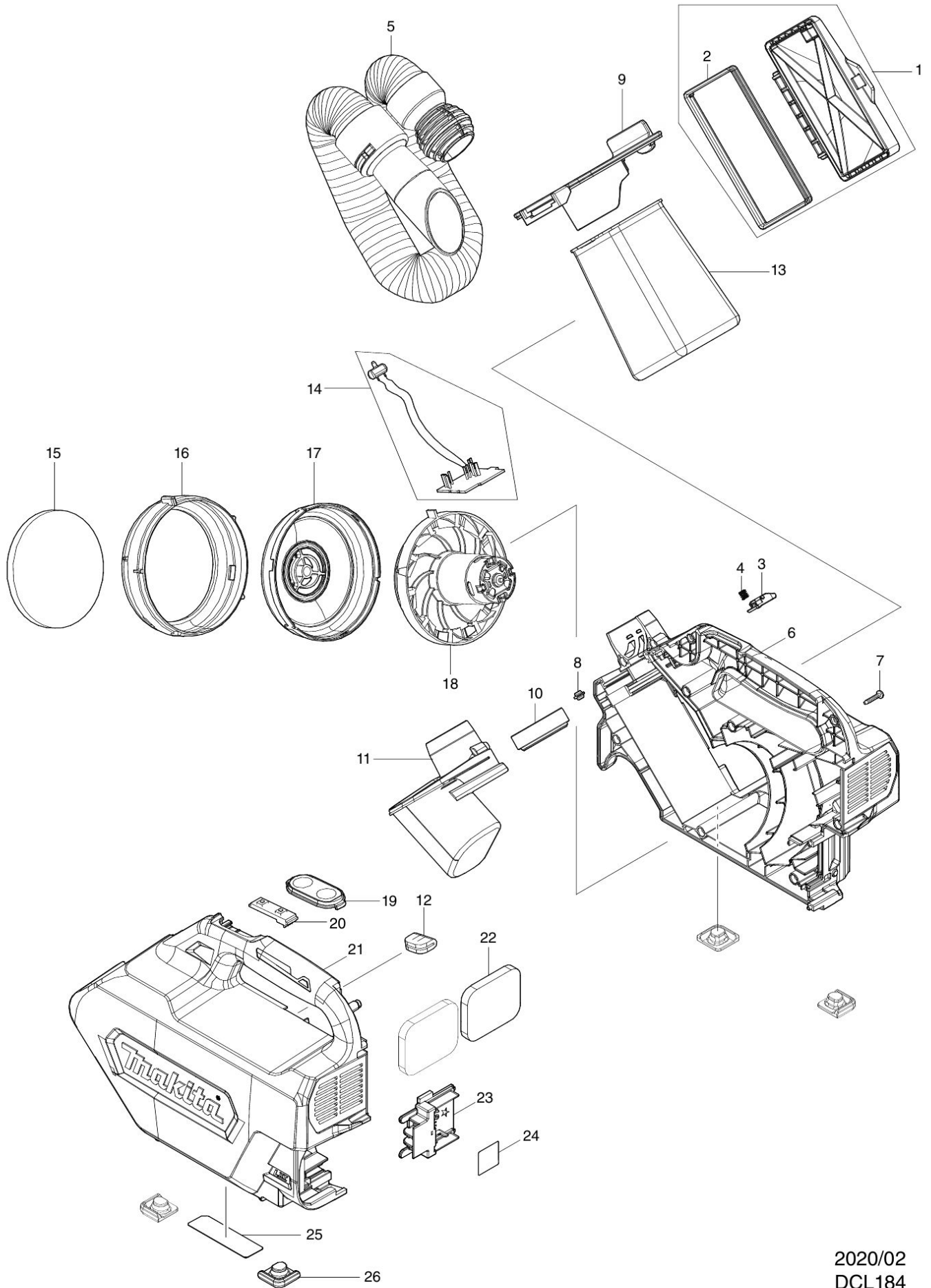


# Partdrawing for DCL184Z - Stofzuiger



2020/02  
DCL184