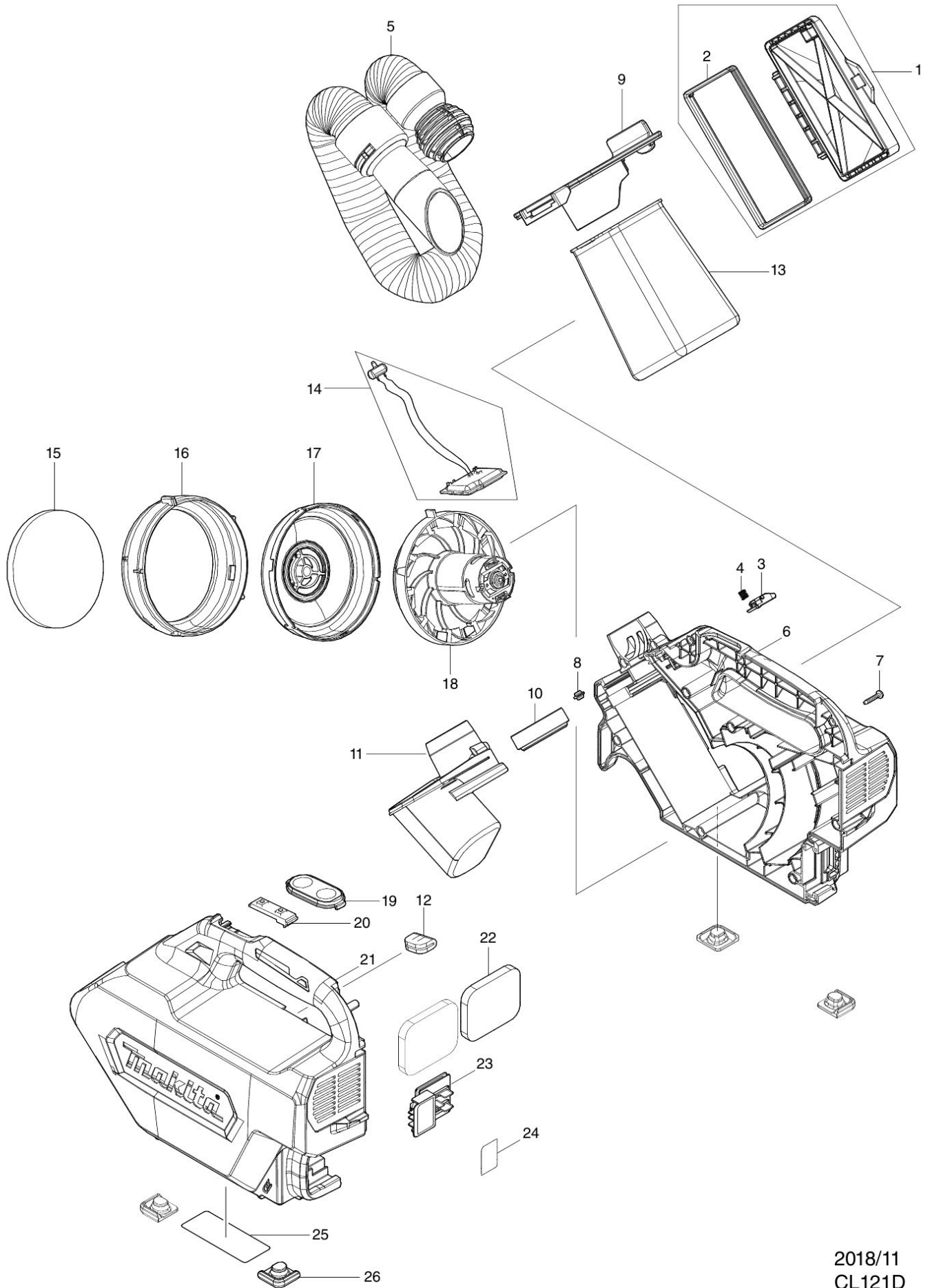


# Partdrawing for CL121DZX - Stofzuiger



2018/11  
CL121D