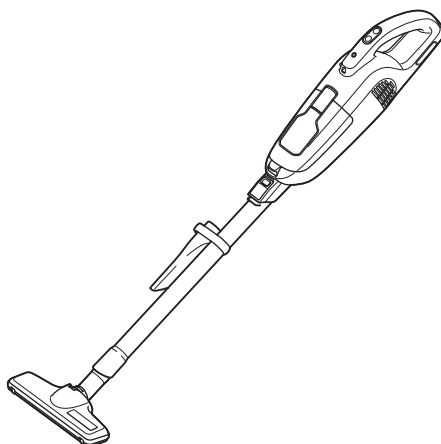




EN	Cordless Cleaner	INSTRUCTION MANUAL	9
FR	Aspirateur sans Fil	MANUEL D'INSTRUCTIONS	17
DE	Akku-Staubsauger	BETRIEBSANLEITUNG	26
IT	Aspiratore a batteria	ISTRUZIONI PER L'USO	36
NL	Accustofzuiger	GEBRUIKSAANWIJZING	46
ES	Aspiradora Inalámbrica	MANUAL DE INSTRUCCIONES	55
PT	Aspirador de pó a bateria	MANUAL DE INSTRUÇÕES	64
DA	Akku støvsuger	BRUGSANVISNING	73
EL	Φορητή σκούπα	ΕΓΧΕΙΡΙΔΙΟ ΟΔΗΓΙΩΝ	82
TR	Akülü Süpürge	KULLANMA KILAVUZU	92

CL114FD



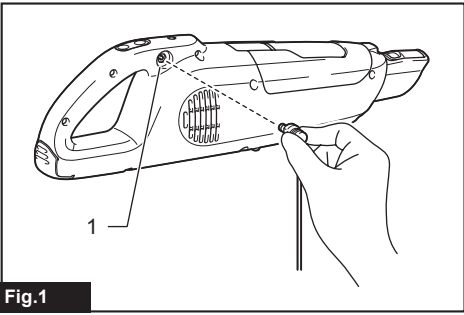


Fig.1

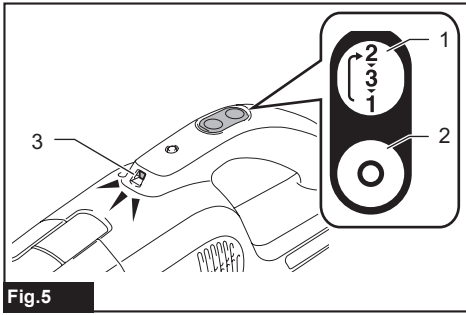


Fig.5

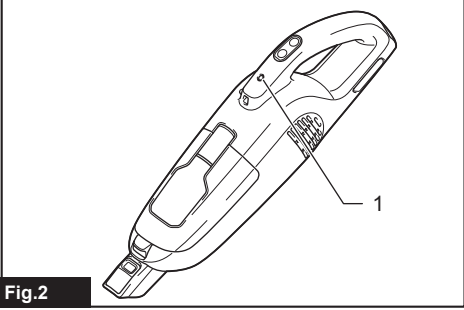


Fig.2

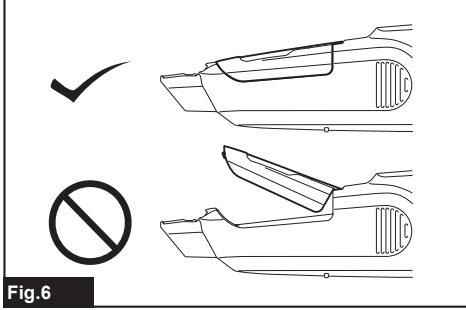


Fig.6

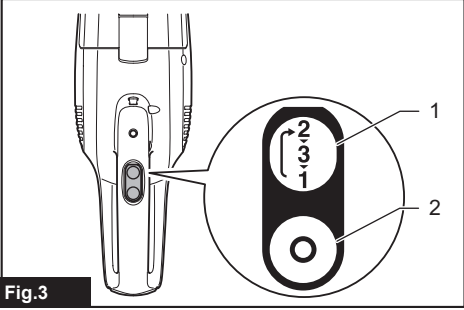


Fig.3

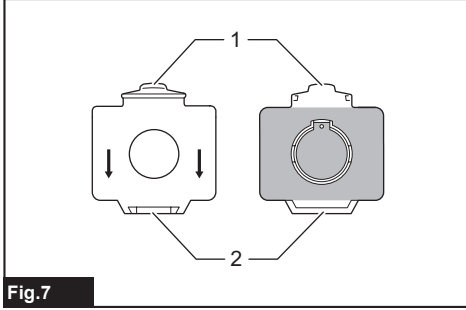


Fig.7

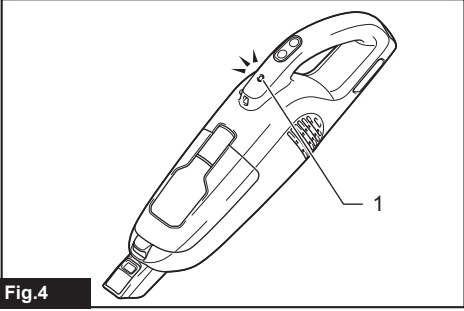


Fig.4

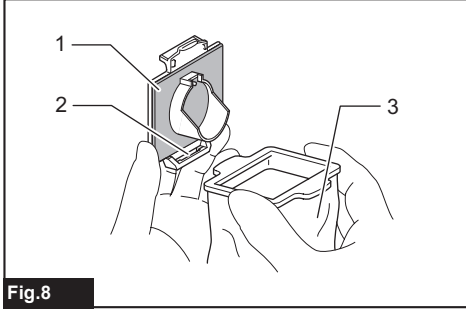


Fig.8

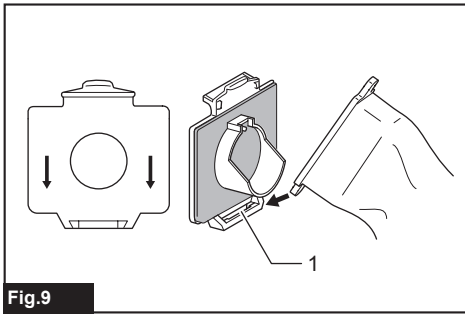


Fig.9

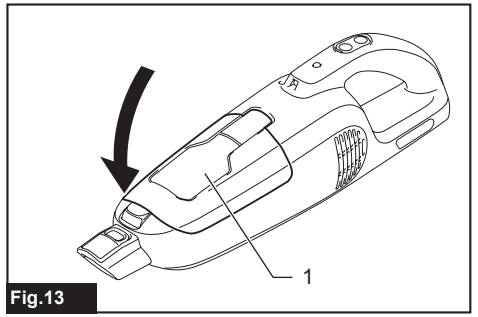


Fig.13

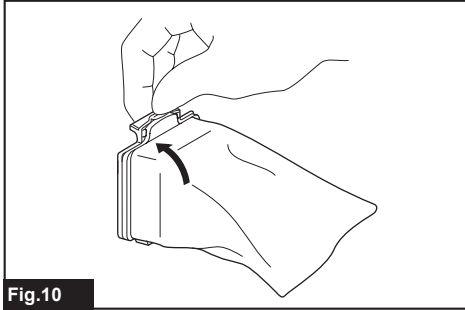


Fig.10

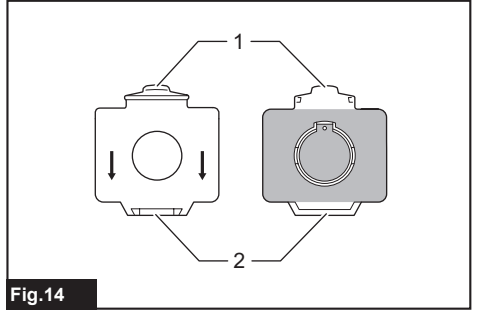


Fig.14

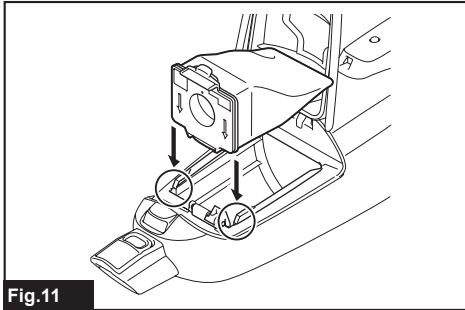


Fig.11

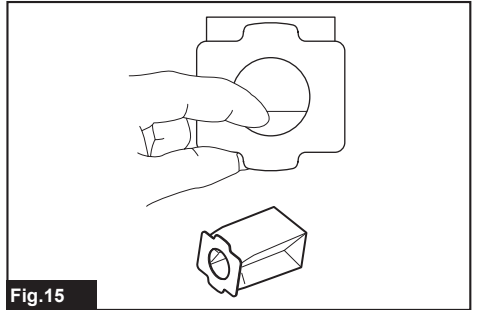


Fig.15

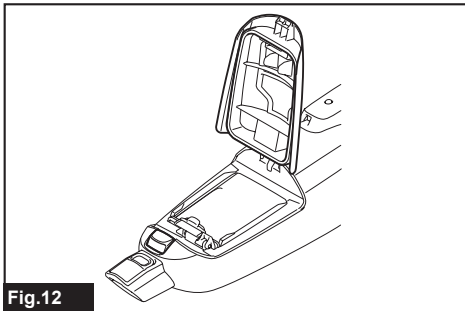


Fig.12

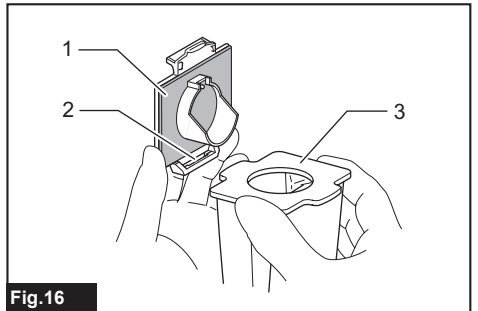


Fig.16

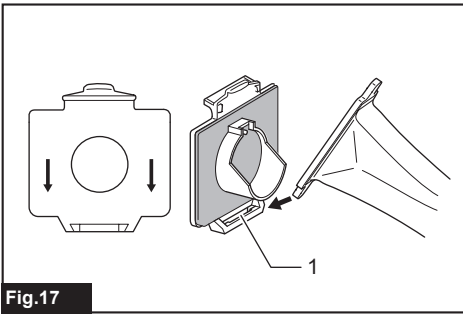


Fig.17

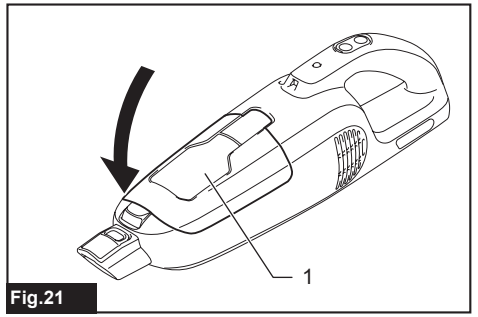


Fig.21

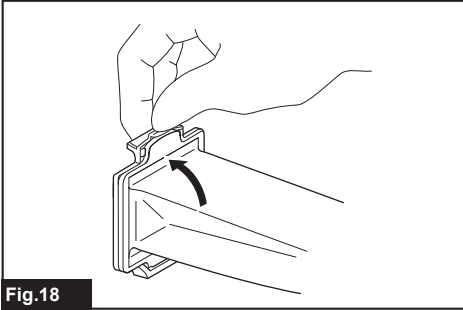


Fig.18

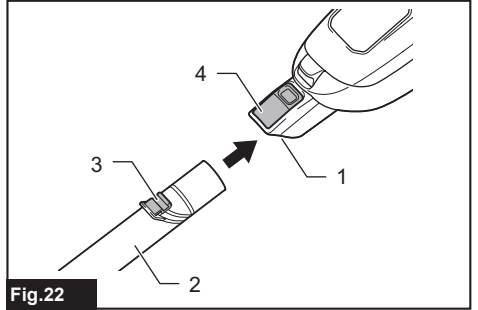


Fig.22

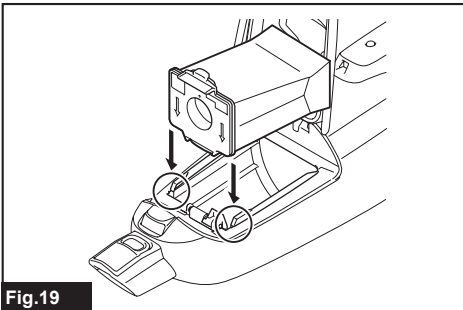


Fig.19

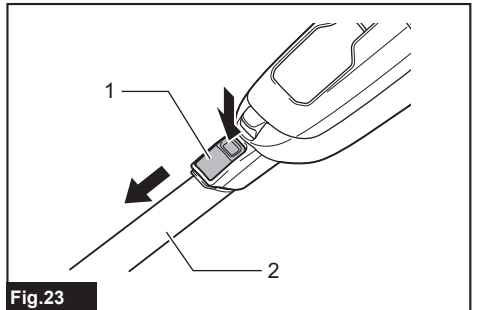


Fig.23

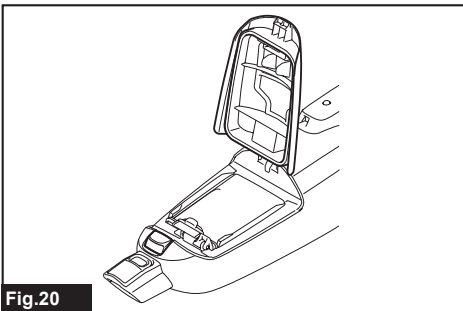


Fig.20

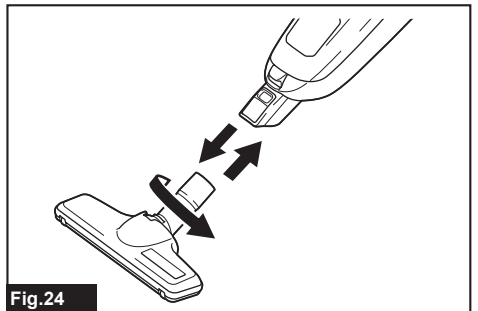
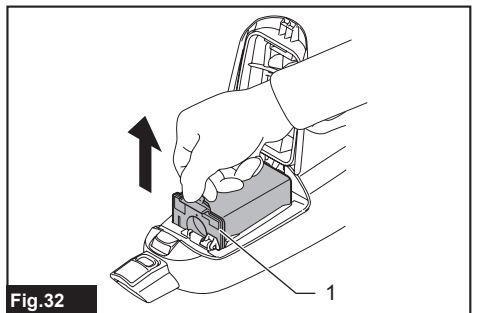
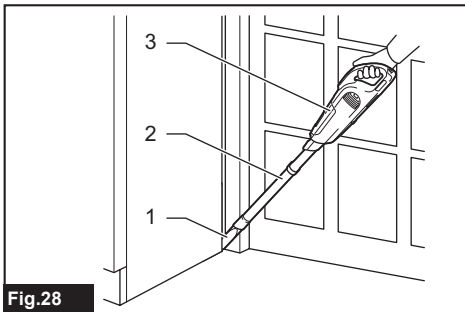
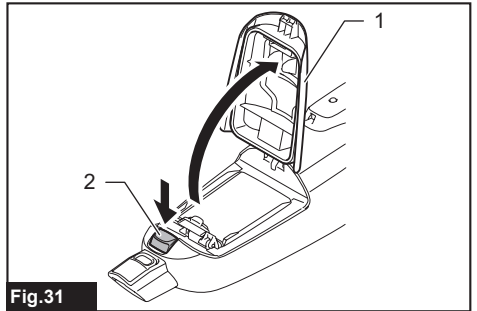
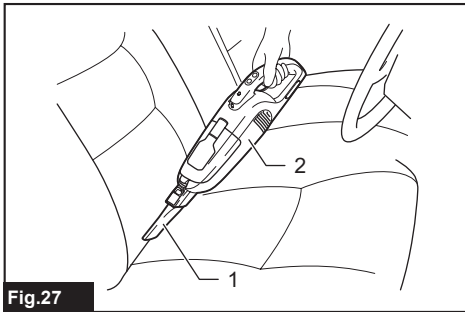
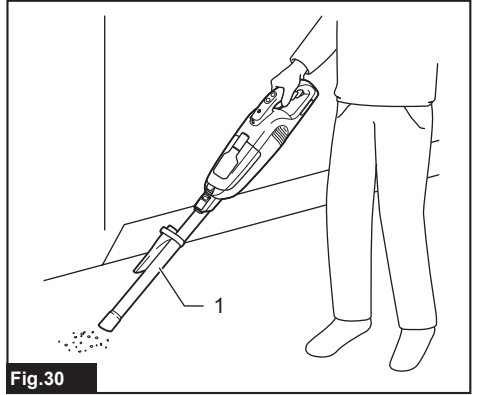
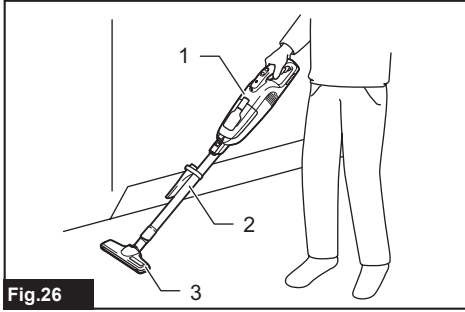
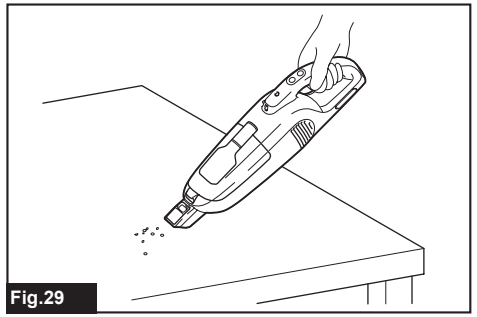
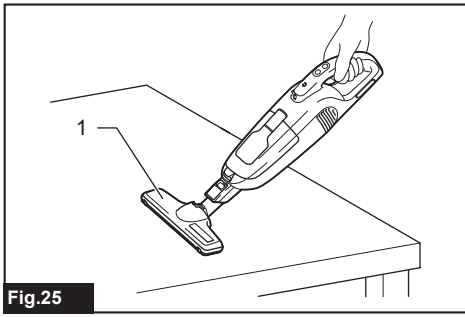


Fig.24



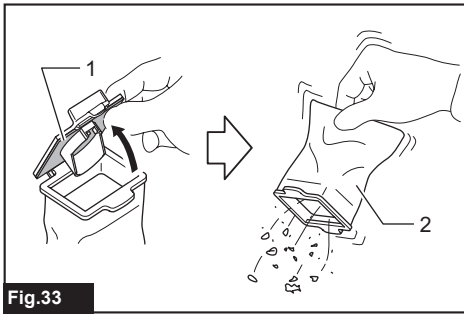


Fig.33

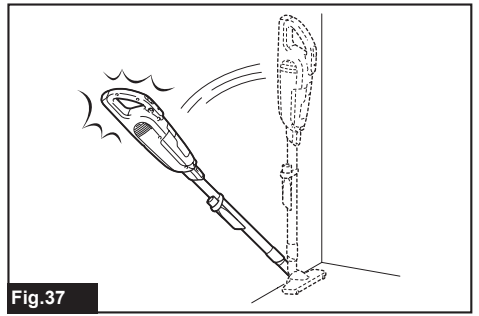


Fig.37

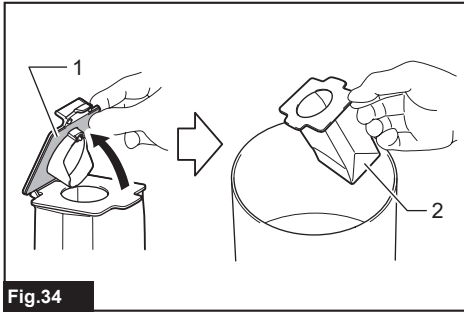


Fig.34

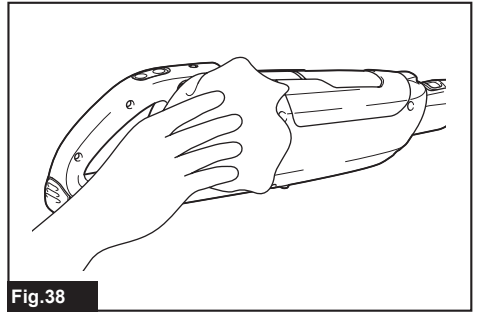


Fig.38

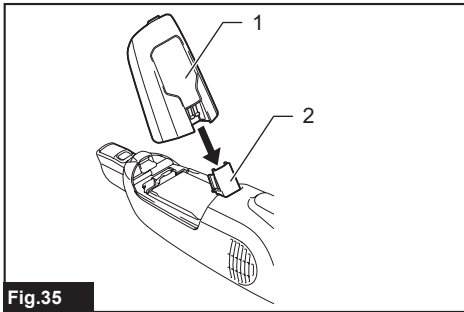


Fig.35

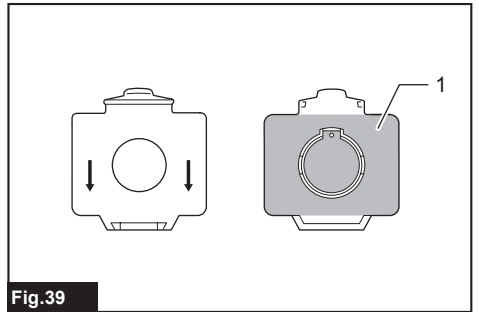


Fig.39

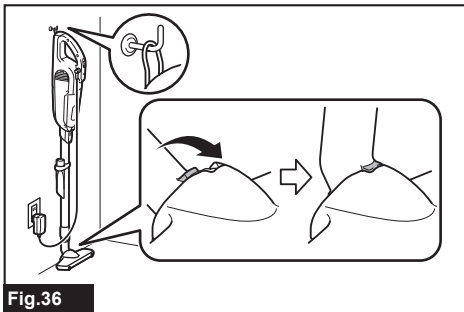


Fig.36

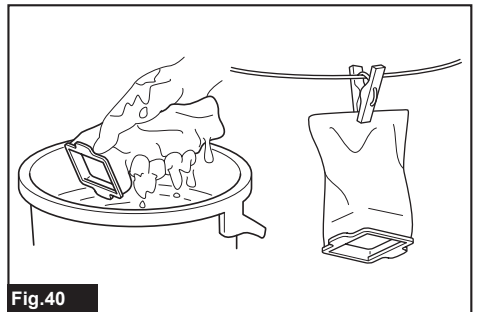


Fig.40

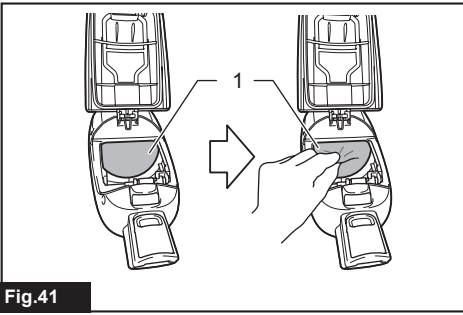


Fig.41

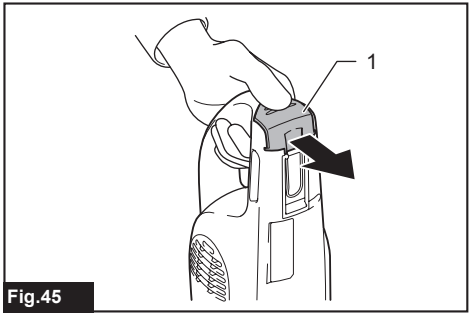


Fig.45

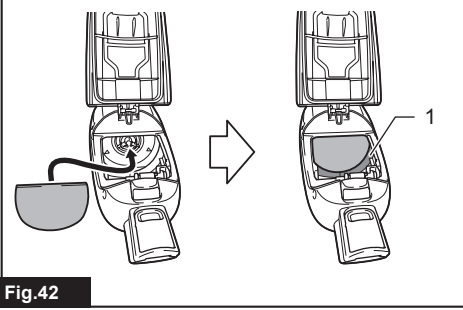


Fig.42

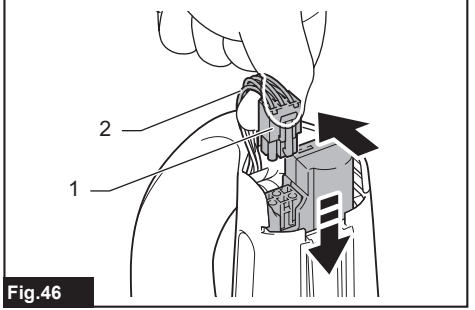


Fig.46

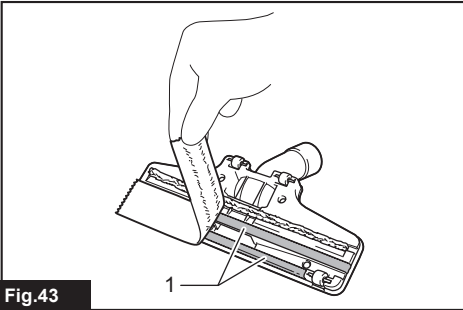


Fig.43

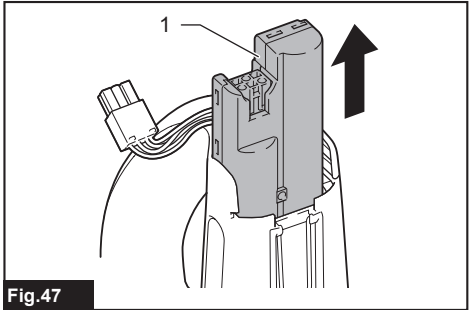


Fig.47

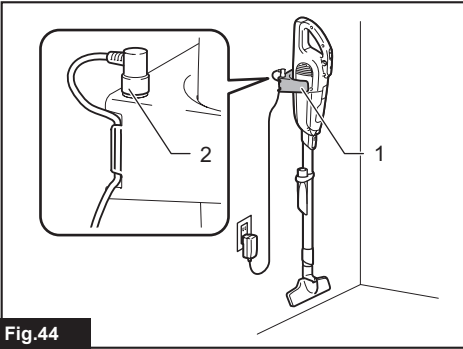


Fig.44

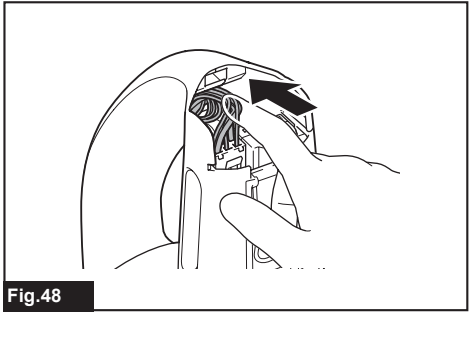


Fig.48

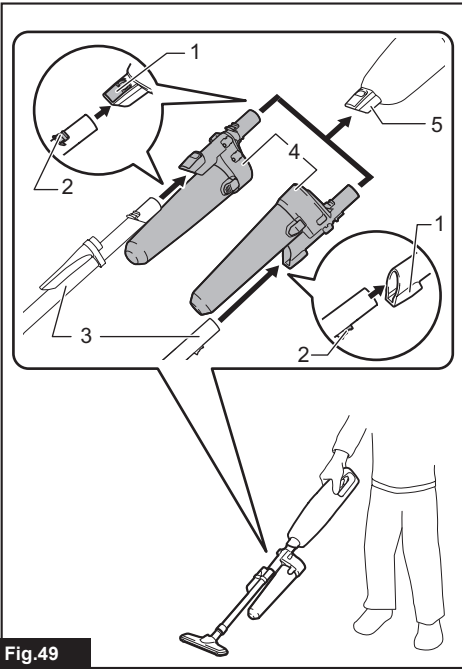


Fig.49

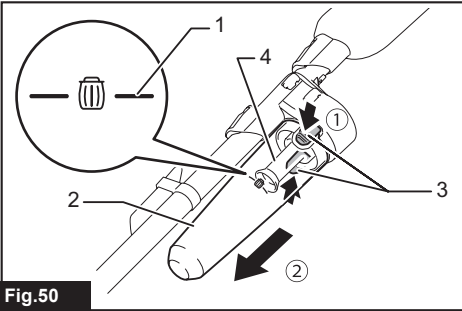


Fig.50

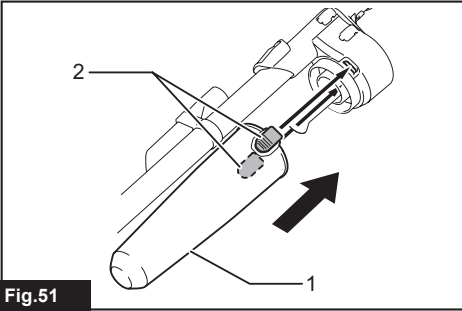


Fig.51

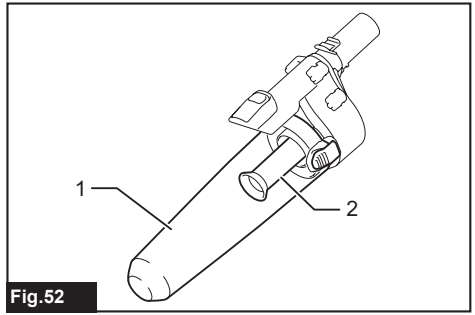


Fig.52

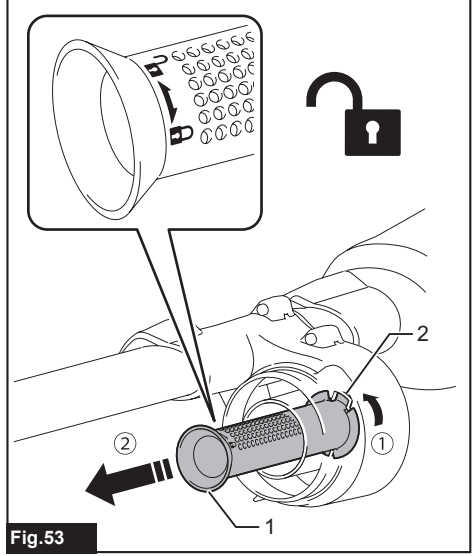


Fig.53

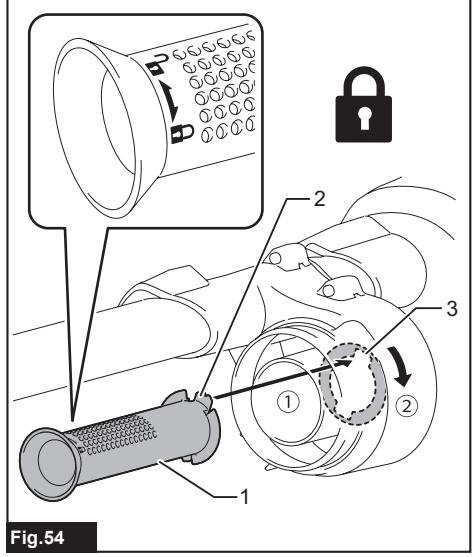


Fig.54

WARNING

- This appliance can be used by children aged from 8 years and above and persons with reduced physical, sensory or mental capabilities or lack of experience and knowledge if they have been given supervision or instruction concerning use of the appliance in a safe way and understand the hazards involved.
- Children shall not play with the appliance. Cleaning and user maintenance shall not be made by children without supervision.
- See the chapter "SPECIFICATIONS" for the type reference of the battery.
- See the sections "Removing built-in battery" and "Installing replacement battery" for how to replace the battery.
- The contained lithium-ion batteries are subject to the Dangerous Goods Legislation requirements. When disposing the battery, remove it from the appliance and dispose of it in a safe place. Follow your local regulations relating to disposal of battery.
- Under abusive conditions, liquid may be ejected from the battery; avoid contact. If contact accidentally occurs, flush with water.
- If electrolyte gets into your eyes, rinse them out with clear water and seek medical attention right away. It may result in loss of your eyesight.
- See the chapter "SPECIFICATIONS" for the type reference of the charger. For the purposes of recharging the battery, only use the charger provided with the appliance.
- See the section "Symbols" for the meaning of the symbols used for the appliance.
- See the chapter "MAINTENANCE" for the appropriate details of precautions during user maintenance.

SPECIFICATIONS

Model:		CL114FD
Capacity	with a dust bag	500 ml
	with a paper filter	330 ml
Continuous use (with battery BL1020V)	3 (Max speed mode)	Approx. 10 min
	2 (High speed mode)	Approx. 18 min
	1 (Normal speed mode)	Approx. 55 min
Overall length	Cleaner body	458 mm
	With extension wand and nozzle	983 mm
Net weight		1.1 kg
Rated voltage		D.C. 10.8 V - 12 V max

- Due to our continuing program of research and development, the specifications herein are subject to change without notice.
- Specifications may differ from country to country.
- The weight does not include accessories.
- For the purposes of recharging the battery, only use the charger provided with the appliance.

Applicable battery cartridge and charger

Battery cartridge	Battery charger	Charging time (hours)
BL1020V	DC1002	2.0

- Charging time varies by temperature (10°C (50°F) – 40°C (104°F)) that battery cartridge is charged at and conditions of the battery cartridge, such as a battery cartridge which is new or has not been used for a long period of time.

⚠ WARNING: Only use the battery cartridges and chargers listed above. Use of any other battery cartridges and chargers may cause injury and/or fire.

Symbols

The followings show the symbols which may be used for the equipment. Be sure that you understand their meaning before use.



Read instruction manual.



Detachable supply unit



Only for EU countries
Due to the presence of hazardous components in the equipment, waste electrical and electronic equipment, accumulators and batteries may have a negative impact on the environment and human health. Do not dispose of electrical and electronic appliances or batteries with household waste! In accordance with the European Directive on waste electrical and electronic equipment and on accumulators and batteries and waste accumulators and batteries, as well as their adaptation to national law, waste electrical equipment, batteries and accumulators should be stored separately and delivered to a separate collection point for municipal waste, operating in accordance with the regulations on environmental protection. This is indicated by the symbol of the crossed-out wheeled bin placed on the equipment.

Intended use

The appliance is intended for collecting dry dust.

SAFETY WARNINGS

Cordless cleaner safety warnings

⚠ WARNING: IMPORTANT! READ CAREFULLY all safety warnings and all instructions BEFORE USE. Failure to follow the warnings and instructions may result in electric shock, fire and/or serious injury.

1. Do not expose to rain. Store indoors.
2. Do not allow to be used as a toy. Close attention is necessary when used by or near children.
3. Use only as described in this manual. Use only manufacturer's recommended attachments.
4. Do not use with damaged battery. If appliance is not working as it should, has been dropped, damaged, left outdoors, or dropped into water, return it to a service center.
5. Do not handle appliance with wet hands.
6. Do not put any object into openings. Do not use with any opening blocked; keep free of dust, lint, hair, and anything that may reduce air flow.
7. Keep hair, loose clothing, fingers, and all parts of body away from openings and moving parts. Turn off all controls before removing the battery.
8. Use extra care when cleaning on stairs.
9. Do not use to pick up flammable or combustible liquids, such as gasoline, or use in areas where they may be present.

11. Use only the charger supplied by the manufacturer to recharge.
12. Do not pick up anything that is burning or smoking, such as cigarettes, matches, or hot ashes.
13. Do not use without dust bag and/or filters in place.
14. Do not charge the battery outdoors.
15. Recharge only with the charger specified by the manufacturer. A charger that is suitable for one type of battery pack may create a risk of fire when used with another battery pack.
16. Use appliances only with specifically designated battery packs. Use of any other battery packs may create a risk of injury and fire.
17. When (the) battery pack is not in use, keep it away from other metal objects, like paper clips, coins, keys, nails, screws or other small metal objects, that can make a connection from one terminal to another.
18. Under abusive conditions, liquid may be ejected from the battery; avoid contact. If contact accidentally occurs, flush with water.
19. Do not use a battery pack or appliance that is damaged or modified. Damaged or modified batteries may exhibit unpredictable behaviour resulting in fire, explosion or risk of injury.
20. Do not expose a battery pack or appliance to fire or excessive temperature. Exposure to fire or temperature above 130 °C may cause explosion.
21. Follow all charging instructions and do not charge the battery pack or appliance outside the temperature range specified in the instructions. Charging improperly or at temperatures outside the specified range may damage the battery and increase the risk of fire.
22. Do not let familiarity gained from frequent use of tools allow you to become complacent and ignore tool safety principles. A careless action can cause severe injury within a fraction of a second.

SAVE THESE INSTRUCTIONS.

ADDITIONAL SAFETY RULES

1. Read this instruction manual and the charger instruction manual carefully before use.
2. Do not pick up the following materials:
 - Hot materials such as lit cigarettes or spark/metal dust generated by grinding/cutting metal
 - Flammable materials such as gasoline, thinner, benzine, kerosene or paint
 - Explosive materials like nitroglycerin
 - Ignitable materials such as Aluminum, zinc, magnesium, titanium, phosphorus or celluloid
 - Wet dirt, water, oil or the like
 - Hard pieces with sharp edges, such as wood chips, metals, stones, glasses, nails, pins or razors
 - Powder to clot such as cement or toner
 - Conductive dust such as metal or carbon
 - Fine particle like concrete dustSuch action may cause fire, injury and/or property damage.

3. Stop operation immediately if you notice anything abnormal.
4. If you drop or strike the cleaner, check it carefully for cracks or damage before operation.
5. Do not charge the cleaner close to dangerous flammable materials such as gasoline, gas, paint or adhesives.
6. Do not charge the cleaner on papers, cloth, carpet, vinyl, etc. This may cause a fire.
7. Do not charge the cleaner in a dusty place.
8. Be sure no one is below when using the cleaner in high locations.
9. Do not bring close to stoves or other heat sources.
10. Do not block the intake hole or vent holes.

SAVE THESE INSTRUCTIONS.

IMPORTANT SAFETY INSTRUCTIONS

FOR BUILT-IN BATTERY

1. Before using built-in battery, read all instructions and cautionary markings on (1) battery charger, (2) battery, and (3) product using battery.
2. Do not disassemble built-in battery.
3. If operating time has become excessively shorter, stop operating immediately. It may result in a risk of overheating, possible burns and even an explosion.
4. If electrolyte gets into your eyes, rinse them out with clear water and seek medical attention right away. It may result in loss of your eyesight.
5. Do not short the built-in battery:
 - (1) Do not touch the terminals with any conductive material.
 - (2) Avoid storing built-in battery in a container with other metal objects such as nails, coins, etc.
 - (3) Do not expose built-in battery to water or rain.
A battery short can cause a large current flow, overheating, possible burns and even a breakdown.
6. Do not store and use the appliance and built-in battery in locations where the temperature may reach or exceed 50 °C (122 °F).
7. Do not incinerate the built-in battery even if it is severely damaged or is completely worn out. The built-in battery can explode in a fire.
8. Be careful not to drop or strike battery.
9. Do not use a damaged built-in battery.
10. The contained lithium-ion batteries are subject to the Dangerous Goods Legislation requirements. When disposing the battery, remove it from the appliance and dispose of it in a safe place. Follow your local regulations relating to disposal of battery.
11. Use the batteries only with the products specified by Makita.

SAVE THESE INSTRUCTIONS.

Tips for maintaining maximum battery life

1. Charge the built-in battery before completely discharged.
Always stop appliance operation and charge the built-in battery when you notice less appliance power.
2. Never recharge a fully charged built-in battery. Overcharging shortens the battery service life.
3. Charge the built-in battery with room temperature at 10°C - 40°C (50°F - 104°F). Let a hot built-in battery cool down before charging it.
4. Charge the built-in battery once in every six months if you do not use the appliance for a long period of time.

FUNCTIONAL DESCRIPTION

CAUTION: Always be sure that the appliance is switched off before adjusting or checking function on the appliance.

Charging the built-in battery

CAUTION: Only use genuine Makita batteries. Use of non-genuine Makita batteries, or batteries that have been altered, may result in the battery bursting causing fires, personal injury and damage. It will also void the Makita warranty for the Makita product and charger.

CAUTION: Always disconnect the charging plug from the cleaner after charging.

CAUTION: Do not leave the charger in the mains after disconnecting the appliance. Small children may put the live plug in their mouth and cause injury.

Charge the cleaner when using it for the first time or uncharged for a long time. Connect the charging plug to the charging connector, then plug in the charger to the power receptacle.

► Fig.1: 1. Charging connector

The battery power lamp lights up and the charging starts. The light goes out after the charging is complete. For more details, refer to the instruction manual of battery charger.

► Fig.2: 1. Battery power lamp

NOTICE: The battery power lamp blinks and the battery cannot be charged if the battery or cleaner is exposed to extreme temperatures.

NOTE: The cleaner cannot be controlled while being charged. To start the cleaner, unplug the charger from the power source, disconnect the charging plug from the cleaner, and then push the ON/speed change button.

NOTE: Under the following conditions, the battery is about to reach its end of life (or damaged/malfunctioned). Unplug the charger from the power supply, then replace the battery.

- The battery power lamp goes out shortly after you begin to charge the cleaner.
- The cleaner works only for a period shorter than half of the normal operating time after the battery has been fully charged.

NOTE: The battery can be recharged up to approximately 500 times. The rechargeable times vary depending on the conditions under which the battery has been charged and discharged.

Switch action

CAUTION: Always switch off the cleaner after each use to prevent damage to the cleaner and to extend the service life of the batteries.

To start the cleaner, simply push the ON/speed change button. To switch off, push the OFF button. You can change the cleaner speed in three steps by pushing the ON/speed change button. The first push on this button is for high speed mode, the second push for max speed mode and the third push for normal speed mode. Each push on this button repeats the high/max/normal speed cycle alternatively.

► **Fig.3:** 1. ON/speed change button 2. OFF button

Battery power lamp

When the remaining battery capacity gets low, the battery power lamp blinks. When the remaining battery capacity gets much lower, the cleaner stops and the battery power lamp lights up about 10 seconds. At this time, charge the battery. Also when the battery gets overloaded or overheated, the cleaner stops and the battery power lamp lights up about 10 seconds. The cleaner does not actuate during the lamp on.

► **Fig.4:** 1. Battery power lamp

NOTE: The time at which the battery power lamp start blinking or lighting up depends on the temperature at work place and the battery conditions.

Lighting up the lamp

CAUTION: Do not look in the light or see the source of light directly.

To turn on the lamp, push the ON/speed change button. Push the OFF button to turn off the lamp. During the cleaner actuating, the lamp turns on.

► **Fig.5:** 1. ON/speed change button 2. OFF button
3. Lamp

ASSEMBLY

CAUTION: Always be sure that the appliance is switched off before carrying out any work on the appliance.

Dust bag and paper filter

Install either dust bag or paper filter before using cleaner. Use the dust stopper when installing either dust bag or paper filter. Dust bag are usable many times repeatedly by cleaning it out. Paper filter is a throw-away type. Throw away the entire paper filter without emptying when it has become full.

NOTICE: To prevent dust from getting into the motor:

- Make sure that the dust bag or paper filter is installed before use.
- Insert the dust stopper together with the dust bag or paper filter all the way into the slots when installing them.
- Do not use a broken or ripped bag.

Otherwise the motor may be broken.

NOTICE: Do not fold the cardboard at its opening when installing the paper filter.

NOTICE: Never throw away the dust stopper because it needs to be used repeatedly whenever either the dust bag or the paper filter is used.

NOTICE: The paper filter for the cleaner is an important component for maintaining the cleaner performance. Using other than the genuine paper filter may cause smokes or ignition.

NOTE: When the dust bag or the paper filter is not installed in the cleaner, the front cover does not close completely.

► **Fig.6**

Installing dust bag

Use the dust stopper when installing dust bag. Be careful not to take the upper side for the lower side by mistake because they are different each other.

► **Fig.7:** 1. Upper side of dust stopper 2. Lower side of dust stopper

1. Insert the protrusion of the dust bag into the lower groove on the dust stopper as shown in the figure.

► **Fig.8:** 1. Dust stopper 2. Lower groove 3. Dust bag

2. There is no distinction between the upper and lower sides of the dust bag. You may insert its protrusion of either side into the lower groove of the dust stopper.

► **Fig.9:** 1. Lower groove

3. Overlap the frame of dust stopper with that of the dust bag.

► **Fig.10**

4. Place the dust stopper and the dust bag together into the cleaner cavity in the same direction of arrow on the dust stopper. Insert them all the way into the slots in the cleaner cavity.

► **Fig.11**

5. Spread the cloth part of the dust bag inside the cleaner.

► Fig.12

6. Close the front cover completely.

► Fig.13: 1. Front cover

Installing the paper filter

Use the dust stopper also when installing paper filter. Be careful not to take the upper side for the lower side by mistake because they are different each other.

► Fig.14: 1. Upper side of dust stopper 2. Lower side of dust stopper

1. Unfold the entrance of the paper filter before setting it on the dust stopper.

► Fig.15

2. Insert the protrusion of the paper filter into the lower groove on the dust stopper as shown in the figure.

► Fig.16: 1. Dust stopper 2. Lower groove 3. Paper filter

3. There is no distinction between the upper and lower sides of the paper filter. You may insert its protrusion of any side into the lower groove of the dust stopper.

► Fig.17: 1. Lower groove

4. Overlap the frame of dust stopper with that of the paper filter.

► Fig.18

5. Place the dust stopper and the paper filter together into the cleaner cavity in the same direction of arrow on the dust stopper. Insert them all the way into the slots in the cleaner cavity.

► Fig.19

6. Spread the container part of the paper filter inside the cleaner.

► Fig.20

7. Close the front cover completely.

► Fig.21: 1. Front cover

OPERATION

CAUTION: Do not move your face close to the air vent when operating the cleaner. If foreign objects are blown into eyes, it may result in personal injury.

Installing or removing the cleaner attachment

CAUTION: After installing an attachment, check if it is securely installed. If the attachment is installed imperfectly, it may come off and cause personal injury.

CAUTION: Be careful not to hit your hand on the wall etc. when removing the attachment.

When using attachment with lock function

To install an attachment, insert it to the suction inlet of the cleaner until it clicks. Make sure that the attachment is locked.

► Fig.22: 1. Suction inlet 2. Attachment with lock function 3. Hook 4. Release button

NOTE: When installing the attachment with lock function, be sure to align the release button with the hook on the attachment. If they are not aligned, the attachment will not be locked and may come off from the cleaner.

To remove the attachment, pull it while pushing the release button.

► Fig.23: 1. Release button 2. Attachment with lock function

When using attachment without lock function

CAUTION: To install an attachment without lock function, twist and insert it in direction of the arrow to secure the connection during use. To remove the attachment, twist and extract it also in direction of the arrow.

► Fig.24

Cleaning (Suction)

Nozzle

Attach the nozzle to clean off tables, desks, furniture, etc. The nozzle slips on easily.

► Fig.25: 1. Nozzle

Nozzle + Extension wand (Straight pipe)

The extension wand fits in between the nozzle and the cleaner itself. This arrangement is convenient for cleaning a floor in a standing position.

► Fig.26: 1. Cleaner body 2. Extension wand 3. Nozzle

Corner nozzle

Fit on the corner nozzle for cleaning corners and crevices of a car seat or furniture.

► Fig.27: 1. Corner nozzle 2. Cleaner body

Corner nozzle + Extension wand (Straight pipe)

In tight quarters where the cleaner itself cannot squeeze in, or in high places hard to reach, use this arrangement.

► Fig.28: 1. Corner nozzle 2. Extension wand 3. Cleaner body

Cleaning without nozzle

You can pick up powder and dust without nozzle.

► Fig.29

For picking up dust on a floor in a standing position, it is convenient to attach the extension wand to the cleaner.

► Fig.30: 1. Extension wand

Disposing of dust

⚠ CAUTION: Empty the cleaner before it becomes too full, or the suction force weakens.

⚠ CAUTION: When closing the front cover, be careful not to pinch your fingers.

NOTICE: Never throw away the dust stopper because it should be used whenever either the dust bag or the paper filter is used.

NOTICE: When the dust bag/paper filter is not inside of the cleaner, the front cover does not close completely. Do not force to close the front cover. It may result in deforming or breakage of the cleaner.

NOTICE: When disposing of dust, also clean the room for the dust bag/paper filter. The remaining dust and dirt in the room may cause the sponge filter to be clogged or the motor to be damaged.

1. Push the button to open the front cover. Opening it until a click is heard allows a positive stop at that position.

▶ **Fig.31:** 1. Front cover 2. Button

2. Pull out both the orange-colored dust stopper and dust bag/paper filter together at the same time.

▶ **Fig.32:** 1. Dust stopper

3. Perform the procedures below depending on the dust container type:

When using the dust bag

Remove the dust stopper and empty the dust bag.

▶ **Fig.33:** 1. Dust stopper 2. Dust bag

When using the paper filter

Remove the dust stopper and dispose of the paper filter.

▶ **Fig.34:** 1. Dust stopper 2. Paper filter

4. Place the dust bag/new paper filter and dust stopper together into the cleaner and close the front cover.

NOTE: The cleaner is constructed in such a way that the front cover comes off when trying to force the front cover open at the angle of more than 90°. If the front cover comes off, insert it into the front cover joint in place.

▶ **Fig.35:** 1. Front cover 2. Front cover joint

MAINTENANCE

⚠ CAUTION: Always be sure that the appliance is switched off before attempting to perform inspection or maintenance.

To maintain product SAFETY and RELIABILITY, repairs, any other maintenance or adjustment should be performed by Makita Authorized or Factory Service Centers, always using Makita replacement parts.

NOTICE: Never use gasoline, benzene, thinner, alcohol or the like. Discoloration, deformation or cracks may result.

After use

When storing or charging the cleaner, lock the nozzle head, and hang it from a hook available in the market.

▶ **Fig.36**

⚠ CAUTION: Putting the cleaner against the wall without any other support may cause the cleaner to fall down and be damaged.

▶ **Fig.37**

Cleaning

Cleaner body

From time to time wipe off the outside (cleaner body) of the cleaner using a cloth dampened in soapy water. Clean out also the suction opening, dust bag/paper filter mounting area and the dust stopper.

▶ **Fig.38**

Dust stopper

Wipe dust off from the dust stopper.

Remove dust and dirt on the sponge part by lightly tapping it.

▶ **Fig.39:** 1. Sponge part

Dust bag

Wash the dust bag in soapy water when it is clogged with dust and the cleaner power becomes weak. Dry it out thoroughly before use. An insufficiently dried bag may cause poor suction and shorten the service life of the motor.

▶ **Fig.40**

NOTE: Paper filter is a throw-away type.

When the sponge filter is clogged with dust, remove it from the cleaner and then wipe it off or wash in water.

Removing and installing the sponge filter

⚠ CAUTION: After cleaning sponge filter, be sure to install it on the cleaner. If washed in water, dry it up before installing. An insufficiently dried sponge filter may shorten the service life of the motor.

To remove the sponge filter, remove the dust bag or paper filter and then pinch and take the sponge filter out.

▶ **Fig.41:** 1. Sponge filter

To install the filter, press in the whole edge of the sponge filter against the recessed wall inside the dust bag/paper filter mounting area.

▶ **Fig.42:** 1. Recessed wall

The nozzle cleaning

(country specific)

When the nozzle brush gets dusty, clean up the dust with adhesive tape.

▶ **Fig.43:** 1. Brush

Wall mount for cordless cleaner

Optional accessory

NOTE: The screw to mount the holder is not included. Prepare a screw which fits with the material to screw into.

Attach the wall mount for cordless cleaner to a hard wooden wall, beam or column, where the wall mount for cordless cleaner can be firmly secured. Always be sure that the wall mount for cordless cleaner is securely attached before hanging the cleaner.

► **Fig.44:** 1. Wall mount for cordless cleaner 2. Plug

CAUTION: Do not hang the cleaner to the wall mount violently or hang other appliances than the cleaner.

NOTE: When you don't charge the cleaner, the plug can be stored on the wall mount for cordless cleaner as illustrated.

Troubleshooting

Before asking for repairs, check the following points.

Symptom	Area to be investigated	Fixing method
Weak suction power	Is dust bag or paper filter full of dust ?	Empty dust bag or paper filter.
	Is dust bag clogged ?	Dust down or wash the dust bag.
	Is paper filter clogged ?	Replace paper filter.
	Is the battery cartridge discharged?	Charge the battery cartridge.
Not working	Is the battery cartridge discharged?	Charge the battery cartridge.
Dust case cover does not close	Is dust bag or paper filter set ?	Set dust bag or paper filter.

NOTICE: Do not attempt to repair cleaner by yourself.

Disposing cleaner

A Li-ion battery is built in this cleaner. Always remove it before disposing of the cleaner.

Removing built-in battery

CAUTION: Do not touch the terminals with any conductive material.

CAUTION: Avoid storing battery unit in a container with other metal objects such as nails, coins, etc.

CAUTION: Do not expose battery unit to water or rain.

CAUTION: Do not disassemble or alter battery unit.

CAUTION: The cleaner must be disconnected from the supply mains when removing the battery.

1. To remove the rear cover, push it in the direction of the arrow.

► **Fig.45:** 1. Rear cover

2. Slide the built-in battery halfway. Disconnect the lead wires from the battery by slightly moving back the battery while pressing the connector in the direction of arrow as shown in the figure.

► **Fig.46:** 1. Connector 2. Lead wires

3. Then slide the battery unit out completely.

► **Fig.47:** 1. Battery unit

4. Put the removed battery unit in a carton box so that it is not circuit-shortened.

Installing replacement battery

To install the replacement battery, follow the removal procedure in reverse.

CAUTION: Route the lead so that it is completely stored inside the cleaner before putting the rear cover back in the original position. Failure to do this may damage the lead.

► **Fig.48**

After installing the battery (see "SPECIFICATIONS"), charge the battery before use.

CYCLONE ATTACHMENT

Optional accessory

► **Fig.49:** 1. Release button 2. Hook 3. Straight pipe 4. Cyclone attachment 5. Suction inlet

About the cyclone attachment

Using the cleaner with the cyclone attachment installed reduces the amount of dust that enters the dust bag, which helps to prevent the suction force from weakening. In addition, cleaning after use is also simple.

⚠ CAUTION: Always be sure that the cleaner is switched off before carrying out any work on the cleaner. Unintentional starting may result in injury.

⚠ CAUTION: Clean the mesh filter of the cyclone attachment and the dust bag of the cleaner unit when they become clogged. Continued use in the clogged condition may result in heating or smoke.

NOTICE: When the cyclone attachment is attached, do not use the cleaner in the horizontal or upward facing condition. Doing so may cause the mesh filter to become clogged.

NOTICE: Always use the cleaner with the dust bag installed, even when using the cyclone attachment. Using the cleaner without the dust bag installed may result in a motor malfunction.

NOTE: Check that the cyclone attachment, cleaner, and straight pipe are locked properly before use.

NOTE: Empty the dust case of the cyclone attachment and the dust bag of the cleaner when dust has accumulated. Continued use will result in weakened suction force.

NOTE: You can also use the cyclone attachment without lock function.

NOTE: To install or remove the cyclone attachment, refer to the section "Installing or removing the cleaner attachment".

Disposing of dust

When dust has accumulated up to the full line of the dust case, follow the procedure below and dispose of the dust.

1. Hold the dust case firmly, press and hold the two buttons, and remove the dust case.

▶ **Fig.50:** 1. Full line 2. Dust case 3. Button (two locations) 4. Mesh filter

2. Dispose of the dust inside the dust case and remove any dust and powder adhered to the surface of the mesh filter.

3. Insert the dust case all the way until the two buttons lock with a click.

▶ **Fig.51:** 1. Dust case 2. Button (two locations)

NOTE: Check that the cyclone attachment, cleaner, and straight pipe are locked properly before restarting operation.

NOTE: If the suction force does not recover even after disposing of the dust and cleaning the mesh filter, check whether dust has accumulated in the dust bag of the cleaner or clogging has occurred.

NOTE: The dust may fly up when disposing from the cyclone attachment. Be careful not to let dust get into your eyes.

Cleaning

When the dust case becomes dirty or the mesh filter is clogged, remove and wash them with water. (Refer to "Disposing of dust" for the removal procedure.)

Dry the parts thoroughly before reinstallation and use.

▶ **Fig.52:** 1. Dust case 2. Mesh filter

When the mesh filter gets dirty badly, clean it in the following procedures.

1. Turn the mesh filter counterclockwise and remove it while the hooks are unlocked.

▶ **Fig.53:** 1. Mesh filter 2. Hook

2. Remove the dust on the mesh filter and then wash it with water. After that, dry it thoroughly.

3. Insert the mesh filter into the base while the hooks are aligned with the port. Turn the mesh filter clockwise until the hooks are locked with a click. Make sure that the mesh filter is installed securely.

▶ **Fig.54:** 1. Mesh filter 2. Hook 3. Port

OPTIONAL ACCESSORIES

⚠ CAUTION: These accessories or attachments are recommended for use with your Makita appliance specified in this manual. The use of any other accessories or attachments might present a risk of injury to persons. Only use accessory or attachment for its stated purpose.

If you need any assistance for more details regarding these accessories, ask your local Makita Service Center.

- Extension wand (Straight pipe)
- Nozzle
- Nozzle for carpet
- Shelf brush
- Corner nozzle
- Round brush
- Flexible hose
- Paper filter
- Wall mount for cordless cleaner
- Replacement battery
- Free nozzle
- Seat nozzle
- Crevice nozzle
- Cyclone attachment

NOTE: Some items in the list may be included in the appliance package as standard accessories. They may differ from country to country.

AVERTISSEMENT

- Cet appareil peut être utilisé par des enfants de 8 ans et plus, ainsi que par des personnes aux facultés physiques, sensorielles ou mentales diminuées ou sans expérience ni expertise sous la surveillance d'un adulte ou s'ils ont reçu des instructions concernant l'utilisation en toute sécurité de l'appareil et s'ils comprennent les risques encourus.
- Ne laissez pas les enfants jouer avec l'appareil. Le nettoyage et l'entretien à la charge de l'utilisateur ne doivent pas être réalisés par des enfants sans surveillance.
- Voir le chapitre « SPÉCIFICATIONS » pour la désignation de la batterie.
- Voir les sections « Retrait de la batterie intégrée » et « Mise en place de la batterie de rechange » pour savoir comment remplacer la batterie.
- Les batteries au lithium-ion contenues sont soumises aux exigences de la législation concernant les marchandises dangereuses. Lors de la mise au rebut de la batterie, retirez-la de l'appareil et jetez-la en lieu sûr. Respectez la réglementation locale en matière de mise au rebut des batteries.
- Dans des conditions d'utilisation inadéquate, il peut y avoir une fuite de l'électrolyte de la batterie. Le cas échéant, évitez tout contact avec ce liquide. En cas de contact accidentel, rincez à l'eau.
- Si l'électrolyte pénètre dans vos yeux, rincez-les à l'eau claire et consultez immédiatement un médecin. Il y a risque de perte de la vue.
- Voir le chapitre « SPÉCIFICATIONS » pour la désignation du chargeur. Pour recharger la batterie, utilisez uniquement le chargeur fourni avec l'appareil.
- Voir la section « Symboles » pour la signification des symboles utilisés pour l'appareil.
- Voir le chapitre « ENTRETIEN » pour des précautions détaillées pendant l'entretien à la charge de l'utilisateur.

SPÉCIFICATIONS

Modèle :		CL114FD
Capacité	avec un sac à poussière	500 ml
	avec un filtre papier	330 ml
Utilisation continue (avec batterie BL1020V)	3 (Mode vitesse maximum)	Environ 10 minutes
	2 (Mode grande vitesse)	Environ 18 minutes
	1 (Mode vitesse normale)	Environ 55 minutes
Longueur totale	Corps de l'aspirateur	458 mm
	Avec le tube prolongateur et le suceur	983 mm
Poids net		1,1 kg
Tension nominale		10,8 V - 12 V CC max.

- Étant donné l'évolution constante de notre programme de recherche et de développement, les spécifications contenues dans ce manuel sont sujettes à modification sans préavis.
- Les spécifications peuvent varier suivant les pays.
- Le poids ne comprend pas les accessoires.
- Pour recharger la batterie, utilisez uniquement le chargeur fourni avec l'appareil.

Batterie et chargeur applicables

Batterie	Chargeur de batterie	Durée de la charge (heures)
BL1020V	DC1002	2,0

- La durée de la charge dépend de la température (10 °C (50 °F) - 40 °C (104 °F)) à laquelle la batterie est chargée et de l'état de la batterie, comme une batterie neuve ou qui n'a pas été utilisée pendant une période prolongée.

⚠ AVERTISSEMENT : N'utilisez que les batteries et les chargeurs répertoriés ci-dessus. L'utilisation d'autres batteries et chargeurs peut provoquer des blessures et/ou un incendie.

Symboles

Vous trouverez ci-dessous les symboles susceptibles d'être utilisés pour l'appareil. Veuillez à comprendre leur signification avant toute utilisation.



Lire le mode d'emploi.



Unité d'alimentation amovible



Pour les pays de l'Union européenne uniquement

En raison de la présence de composants dangereux dans l'équipement, les déchets d'équipements électriques et électroniques, les accumulateurs et les batteries peuvent avoir un impact négatif sur l'environnement et la santé humaine.

Ne jetez pas les appareils électriques et électroniques ou les batteries avec les ordures ménagères !

Conformément à la directive européenne relative aux déchets d'équipements électriques et électroniques et aux déchets d'accumulateurs et de batteries, ainsi qu'à son adaptation à la législation nationale, les déchets d'équipements électriques, les batteries et les accumulateurs doivent être collectés séparément et déposés dans un point de collecte distinct pour déchets urbains, conformément aux réglementations en matière de protection de l'environnement.

Cela est indiqué par le symbole de la poubelle à roulettes barrée sur l'équipement.

Utilisations

L'appareil est conçu pour la collecte des poussières sèches.

CONSIGNES DE SÉCURITÉ

Consignes de sécurité pour aspirateur sans fil

⚠ AVERTISSEMENT : IMPORTANT ! LIRE ATTENTIVEMENT toutes les consignes de sécurité et toutes les instructions AVANT UTILISATION. Le non-respect des avertissements et des instructions peut entraîner une électrocution, un incendie et/ou de graves blessures.

1. **Ne pas exposer à la pluie. Ranger à l'intérieur.**
2. **Ne pas laisser utiliser comme jouet. Une surveillance étroite est requise lors de l'utilisation par un enfant ou près d'un enfant.**
3. **Utiliser uniquement de la façon décrite dans ce manuel. Utiliser uniquement les accessoires recommandés par le fabricant.**
4. **Ne pas utiliser avec une batterie endommagée. Si l'appareil ne fonctionne pas comme il devrait, s'il est tombé, s'il a été endommagé, laissé à l'extérieur ou s'il est tombé dans l'eau, le renvoyer à un centre de service après-vente.**
5. **Ne pas manipuler l'appareil avec les mains mouillées.**
6. **N'insérer aucun objet dans les ouvertures. Ne pas utiliser si l'une des ouvertures est bloquée ; toujours enlever les poussières, peluches, cheveux et autres corps étrangers pouvant affecter la circulation de l'air.**
7. **Garder les cheveux, vêtements amples, doigts et toute autre partie du corps à l'écart des ouvertures et des pièces en mouvement.**
8. **Désactiver toutes les commandes avant de retirer la batterie.**
9. **Redoubler de prudence lorsque l'on passe l'aspirateur dans un escalier.**
10. **Ne pas utiliser pour collecter des liquides inflammables ou combustibles tels que l'essence, ou dans des zones où de tels liquides peuvent être présents.**
11. **Pour charger la batterie, utiliser uniquement le chargeur fourni par le fabricant.**
12. **Ne collecter aucune substance enflammée ou qui dégage de la fumée, telles que cigarettes, allumettes ou cendres chaudes.**
13. **Ne pas utiliser sans avoir posé le sac à poussière et/ou les filtres.**
14. **Ne pas charger la batterie à l'extérieur.**
15. **Recharger la batterie uniquement avec le chargeur spécifié par le fabricant.** Un chargeur prévu pour un type de batterie peut être à l'origine d'un incendie s'il est utilisé avec une autre batterie.
16. **Utilisez un appareil uniquement avec la batterie spécifiquement indiquée.** L'utilisation de toute autre batterie peut présenter un risque de blessure et d'incendie.
17. **Lorsque la batterie n'est pas utilisée, la tenir à l'écart des objets métalliques, comme des trombones, pièces de monnaie, clés, clous, vis ou autres petits objets métalliques, susceptibles de créer une connexion entre deux bornes.**
18. **Dans des conditions d'utilisation inadéquate, il peut y avoir une fuite de l'électrolyte de la batterie. Le cas échéant, éviter tout contact avec ce liquide. En cas de contact accidentel, rincer à l'eau.**
19. **N'utilisez pas une batterie ou un appareil endommagé ou modifié.** Une batterie endommagée ou modifiée peut avoir un comportement imprévisible susceptible d'entraîner un incendie, une explosion ou des blessures.
20. **N'exposez pas la batterie ou l'appareil au feu ou à une température excessive.** L'exposition au feu ou à une température supérieure à 130 °C peut provoquer une explosion.
21. **Respectez toutes les instructions de charge et ne chargez pas la batterie ou l'appareil en dehors de la plage de température indiquée dans les instructions.** Une charge incorrecte ou à une température en dehors de la plage indiquée peut endommager la batterie et augmenter le risque d'incendie.

22. Ne vous laissez pas tromper par un sentiment de familiarité vous faisant baisser la garde et ignorer les principes de sécurité de l'outil. Des actions imprudentes peuvent provoquer de graves blessures en une fraction de seconde.

CONSERVEZ CES INSTRUCTIONS.

CONSIGNES DE SÉCURITÉ ADDITIONNELLES

1. Lire attentivement ce manuel d'instructions et celui du chargeur avant l'utilisation.
2. Ne pas collecter les matériaux suivants :
 - Matériaux chauds tels que cigarettes allumées, étincelles ou poussières de métal générées par le meulage ou la coupe du métal
 - Matériaux inflammables tels que l'essence, les diluants, la benzine, le kérosène et la peinture
 - Matériaux explosifs tels que la nitroglycérine
 - Matériaux inflammables tels que l'aluminium, le zinc, le magnésium, le titane, le phosphore ou le celluloid
 - Saletés mouillées, eau, huile, etc.
 - Pièces dures à bords tranchants, telles que copeaux de bois, pièces de métal, pierres, verres, clous, broches ou lames de rasoir
 - Poudres agglomérantes telles que ciment en poudre ou encre en poudre
 - Poussière conductrice telle que poussière de métal ou de carbone
 - Particules fines telles que la poussière de bétonLa collecte de tels matériaux peut entraîner un incendie, des dommages corporels et/ou matériels.
3. Cesser immédiatement l'utilisation en cas d'anomalie.
4. Si l'aspirateur tombe ou est heurté, vérifier attentivement l'absence de fissures ou de dommages avant l'utilisation.
5. Ne chargez pas l'aspirateur à proximité de matériaux inflammables dangereux comme de l'essence, du gaz, de la peinture ou de la colle.
6. Ne chargez pas l'aspirateur sur du papier, du tissu, un tapis, du vinyle, etc., sous peine de provoquer un incendie.
7. Ne chargez pas l'aspirateur dans un endroit poussiéreux.
8. Veillez à ce que personne ne se trouve dessous lorsque vous utilisez l'aspirateur en hauteur.
9. Ne pas approcher des fourneaux ou autres sources de chaleur.
10. Ne pas bloquer les orifices d'entrée ou de sortie d'air.

CONSERVEZ CES INSTRUCTIONS.

CONSIGNES DE SÉCURITÉ IMPORTANTES

POUR LA BATTERIE INTÉGRÉE

1. Avant d'utiliser la batterie intégrée, lisez toutes les instructions et précautions relatives (1) au chargeur de batterie, (2) à la batterie, et (3) au produit utilisant la batterie.
2. Ne démontez pas la batterie intégrée.
3. Si l'autonomie de la batterie raccourcit considérablement, cessez immédiatement de l'utiliser. Il y a risque de surchauffe, de brûlures, voire d'explosion.
4. Si l'électrolyte pénètre dans vos yeux, rincez-les à l'eau claire et consultez immédiatement un médecin. Il y a risque de perte de la vue.
5. Ne court-circuitez pas la batterie intégrée :
 - (1) Ne touchez les bornes avec aucun matériau conducteur.
 - (2) Évitez de ranger la batterie intégrée dans un conteneur avec d'autres objets métalliques, par exemple des clous, des pièces de monnaie, etc.
 - (3) N'exposez pas la batterie intégrée à l'eau ou à la pluie.
Un court-circuit de la batterie peut provoquer une intensité de courant élevée, une surchauffe, parfois des brûlures et même une panne.
6. Ne rangez pas ni n'utilisez l'appareil et la batterie intégrée dans un endroit où la température risque d'atteindre ou de dépasser 50 °C.
7. Ne jetez pas la batterie intégrée dans le feu même si elle est gravement endommagée ou complètement usée. La batterie intégrée peut exploser au contact du feu.
8. Évitez de laisser tomber ou de cogner la batterie.
9. N'utilisez pas la batterie intégrée si elle est endommagée.
10. Les batteries au lithium-ion contenues sont soumises aux exigences de la législation concernant les marchandises dangereuses. Lors de la mise au rebut de la batterie, retirez-la de l'appareil et jetez-la en lieu sûr. Respectez la réglementation locale en matière de mise au rebut des batteries.
11. Utilisez les batteries uniquement avec les produits spécifiés par Makita.

CONSERVEZ CES INSTRUCTIONS.

Conseils pour assurer la durée de vie optimale de la batterie

1. Chargez la batterie intégrée avant qu'elle ne soit complètement déchargée. Arrêtez toujours l'appareil et chargez la batterie intégrée quand vous remarquez que la puissance de l'appareil diminue.
2. Ne rechargez jamais une batterie intégrée complètement chargée. La surcharge réduit la durée de service de la batterie.
3. Chargez la batterie intégrée à une température ambiante comprise entre 10 °C et 40 °C. Avant de charger une batterie intégrée chaude, laissez-la refroidir.
4. Chargez la batterie intégrée une fois tous les six mois si vous n'utilisez pas l'appareil pendant une période prolongée.

DESCRIPTION DU FONCTIONNEMENT

⚠ ATTENTION : Assurez-vous toujours que l'appareil est éteint avant d'ajuster ou de vérifier une fonction sur l'appareil.

Charge de la batterie intégrée

⚠ ATTENTION : N'utilisez que des batteries Makita d'origine. L'utilisation de batteries de marque autre que Makita ou de batteries modifiées peut provoquer l'explosion des batteries, ce qui présente un risque d'incendie, de dommages matériels et corporels. Cela annulera également la garantie Makita pour le produit et le chargeur Makita.

⚠ ATTENTION : Débranchez toujours la fiche de charge de l'aspirateur après la charge.

⚠ ATTENTION : Ne laissez pas le chargeur raccordé au secteur après avoir débranché l'appareil. Les enfants en bas âge peuvent mettre la fiche sous tension dans la bouche et se blesser.

Chargez l'aspirateur lors de sa toute première utilisation ou s'il n'a pas été chargé depuis longtemps. Connectez la fiche de charge au connecteur de charge, puis branchez le chargeur à la prise secteur.

► Fig.1: 1. Connecteur de charge

Le témoin de charge de la batterie s'allume et la charge commence. La lumière s'éteint une fois la charge terminée. Pour en savoir plus, consultez le mode d'emploi du chargeur de batterie.

► Fig.2: 1. Témoin de charge de la batterie

REMARQUE : Le témoin de charge de la batterie clignote et la batterie ne peut pas être chargée si la batterie ou l'aspirateur sont exposés à des températures extrêmes.

NOTE : Il est impossible de commander l'aspirateur pendant la charge. Pour mettre en marche l'aspirateur, débranchez le chargeur de la source d'alimentation, déconnectez la fiche de charge de l'aspirateur, puis appuyez sur le bouton Marche/Changement de vitesse.

NOTE : Dans les conditions suivantes, la batterie est sur le point d'atteindre la fin de sa durée de vie (ou est endommagée/fonctionne mal). Débranchez le chargeur de la source d'alimentation, puis remplacez la batterie.

- Le témoin de charge de la batterie s'éteint peu de temps après que vous commencez à charger l'aspirateur.
- L'aspirateur fonctionne uniquement pendant une période inférieure de moitié à la durée de fonctionnement normale après que la batterie a été complètement chargée.

NOTE : La batterie peut être rechargée jusqu'à 500 fois environ. Le nombre de recharges dépend des conditions dans lesquelles la batterie a été chargée et déchargée.

Fonctionnement de la gâchette

⚠ ATTENTION : Éteignez toujours l'aspirateur après chaque utilisation pour éviter de l'endommager et prolonger la durée de service des batteries.

Pour démarrer l'aspirateur, il suffit d'appuyer sur le bouton Marche/Changement de vitesse. Pour l'éteindre, appuyez sur le bouton Arrêt. Vous pouvez modifier la vitesse de l'aspirateur selon trois niveaux en appuyant sur le bouton Marche/Changement de vitesse. La première pression sur ce bouton enclenche le mode grande vitesse, la deuxième pression, le mode vitesse maximum et la troisième, la vitesse normale. À chaque pression sur ce bouton, le cycle alterne entre grande vitesse/vitesse maximum/vitesse normale.

► Fig.3: 1. Bouton Marche/Changement de vitesse
2. Bouton Arrêt

Témoin de charge de la batterie

Lorsque la charge restante de la batterie diminue, le témoin de charge de la batterie clignote.

Si la charge restante de la batterie diminue encore plus, l'aspirateur s'arrête et le témoin de charge de la batterie s'allume pendant environ 10 secondes. Le moment est venu de charger la batterie. De plus, si la batterie est surchargée ou surchauffée, l'aspirateur s'arrête et le témoin de charge de la batterie s'allume pendant environ 10 secondes. L'aspirateur ne fonctionne pas lorsque le témoin est allumé.

► Fig.4: 1. Témoin de charge de la batterie

NOTE : Le moment où le témoin de charge de la batterie clignote ou s'allume dépend de la température sur le lieu de travail et de l'état de la batterie.

Allumage de la lampe

⚠ ATTENTION : Évitez de regarder directement le faisceau lumineux ou sa source.

Pour allumer la lampe, appuyez sur le bouton Marche/Changement de vitesse. Appuyez sur le bouton Arrêt pour éteindre la lampe. La lampe s'allume pendant le fonctionnement de l'aspirateur.

► Fig.5: 1. Bouton Marche/Changement de vitesse
2. Bouton Arrêt (OFF) 3. Lampe

ASSEMBLAGE

⚠ ATTENTION : Avant d'effectuer toute intervention sur l'appareil, assurez-vous toujours qu'il est hors tension.

Sac à poussière et filtre papier

Installez le sac à poussière ou le filtre papier avant d'utiliser l'aspirateur.

Utilisez l'écran anti-poussière si vous installez le sac à poussière ou le filtre papier.

Les sacs à poussière sont réutilisables si vous les nettoyez correctement.

Le filtre papier est de type jetable. Jetez l'ensemble du filtre papier sans le vider une fois qu'il est plein.

REMARQUE : Pour éviter que la poussière pénètre dans le moteur :

- Assurez-vous que le sac à poussière ou le filtre papier est installé avant utilisation.
- Insérez l'écran anti-poussière avec le sac à poussière ou le filtre papier à fond dans les fentes lorsque vous les installez.
- N'utilisez pas un sac rompu ou déchiré.

Cela risquerait d'endommager le moteur.

REMARQUE : Ne pliez pas l'ouverture en carton du filtre papier lorsque vous l'installez.

REMARQUE : Ne jetez jamais l'écran anti-poussière, car il doit être utilisé à plusieurs reprises en association avec le sac à poussière ou le filtre papier.

REMARQUE : Le filtre papier pour aspirateur est un élément important du maintien des performances de l'aspirateur. L'utilisation d'un autre filtre que le filtre papier d'origine peut provoquer un dégagement de fumée ou une combustion.

NOTE : Si le sac à poussière ou le filtre papier n'est pas installé dans l'aspirateur, le couvercle avant ne se ferme pas complètement.

► Fig.6

Installation du sac à poussière

Utilisez l'écran anti-poussière si vous installez le sac à poussière. Prenez soin de ne pas confondre le côté supérieur avec le côté inférieur, car ils sont différents l'un de l'autre.

► Fig.7: 1. Côté supérieur de l'écran anti-poussière
2. Côté inférieur de l'écran anti-poussière

1. Insérez la partie saillante du sac à poussière dans la rainure inférieure sur l'écran anti-poussière comme illustré sur la figure.

► Fig.8: 1. Écran anti-poussière 2. Rainure inférieure
3. Sac à poussière

2. Les parties supérieure et inférieure du sac à poussière ne sont pas distinctes. Vous pouvez insérer la partie saillante de n'importe quel côté dans la rainure inférieure de l'écran anti-poussière.

► Fig.9: 1. Rainure inférieure

3. Superposez le cadre de l'écran anti-poussière sur celui du sac à poussière.

► Fig.10

4. Placez l'écran anti-poussière et le sac à poussière ensemble dans la cavité de l'aspirateur dans le même sens que la flèche sur l'écran anti-poussière. Insérez-les à fond dans les fentes de la cavité de l'aspirateur.

► Fig.11

5. Déployez la partie en tissu du sac à poussière à l'intérieur de l'aspirateur.

► Fig.12

6. Refermez complètement le couvercle avant.

► Fig.13: 1. Couvercle avant

Installation du filtre papier

Utilisez aussi l'écran anti-poussière si vous installez le filtre papier. Prenez soin de ne pas confondre le côté supérieur avec le côté inférieur, car ils sont différents l'un de l'autre.

► Fig.14: 1. Côté supérieur de l'écran anti-poussière
2. Côté inférieur de l'écran anti-poussière

1. Dépliez l'entrée du filtre papier avant de le placer sur l'écran anti-poussière.

► Fig.15

2. Insérez la partie saillante du filtre papier dans la rainure inférieure sur l'écran anti-poussière comme illustré sur la figure.

► Fig.16: 1. Écran anti-poussière 2. Rainure inférieure 3. Filtre papier

3. Les parties supérieure et inférieure du filtre papier ne sont pas distinctes. Vous pouvez insérer la partie saillante de n'importe quel côté dans la rainure inférieure de l'écran anti-poussière.

► Fig.17: 1. Rainure inférieure

4. Superposez le cadre de l'écran anti-poussière sur celui du filtre papier.

► Fig.18

5. Placez l'écran anti-poussière et le filtre papier ensemble dans la cavité de l'aspirateur dans le même sens que la flèche sur l'écran anti-poussière. Insérez-les à fond dans les fentes de la cavité de l'aspirateur.

► Fig.19

6. Déployez la partie contenant du filtre papier à l'intérieur de l'aspirateur.

► Fig.20

7. Refermez complètement le couvercle avant.

► Fig.21: 1. Couvercle avant

UTILISATION

ATTENTION : N'approchez pas votre visage de l'orifice d'aération lorsque vous utilisez l'aspirateur. Si des corps étrangers sont soufflés dans les yeux, cela présente un risque de blessure.

Pose ou dépose d'un accessoire de l'aspirateur

ATTENTION : Après avoir installé un accessoire, assurez-vous qu'il est solidement installé. Si l'accessoire est mal installé, il risque de se déloger et de provoquer des blessures.

ATTENTION : Prenez garde de ne pas vous cogner la main contre le mur ou autre lorsque vous retirez l'accessoire.

Lorsque vous utilisez un accessoire avec fonction de blocage

Pour installer un accessoire, insérez-le dans l'entrée d'aspiration de l'aspirateur jusqu'au dé clic. Vérifiez que l'accessoire est verrouillé.

- **Fig.22:** 1. Entrée d'aspiration 2. Accessoire avec fonction de blocage 3. Crochet 4. Bouton de dégagement

NOTE : Lorsque vous installez un accessoire avec fonction de blocage, veillez à aligner le bouton de dégagement avec le crochet sur l'accessoire. S'ils ne sont pas alignés, l'accessoire ne se verrouillera pas et pourra se détacher de l'aspirateur.

Pour retirer l'accessoire, tirez dessus tout en appuyant sur le bouton de dégagement.

- **Fig.23:** 1. Bouton de dégagement 2. Accessoire avec fonction de blocage

Lorsque vous utilisez un accessoire sans fonction de blocage

ATTENTION : Pour installer un accessoire sans fonction de blocage, insérez-le en tournant dans le sens de la flèche pour assurer une connexion sûre pendant l'utilisation. Pour retirer l'accessoire, tirez en tournant également dans le sens de la flèche.

- **Fig.24**

Nettoyage (aspiration)

Suceur

Fixez le suceur pour nettoyer les tables, bureaux, meubles, etc. Le suceur se glisse facilement en place.

- **Fig.25:** 1. Suceur

Suceur + Tube prolongateur (tuyau droit)

Le tube prolongateur s'installe entre le suceur et l'aspirateur. Il permet de passer l'aspirateur sur le sol tout en se tenant debout.

- **Fig.26:** 1. Corps de l'aspirateur 2. Tube prolongateur 3. Suceur

Suceur plat

Installez le suceur plat pour passer l'aspirateur dans les coins ou dans les interstices d'un siège de voiture ou d'un meuble.

- **Fig.27:** 1. Suceur plat 2. Corps de l'aspirateur

Suceur plat + Tube prolongateur (tuyau droit)

Utilisez cette combinaison pour passer l'aspirateur dans les endroits exigus où l'aspirateur seul ne peut pas se faufiler ou dans les endroits élevés difficiles à atteindre.

- **Fig.28:** 1. Suceur plat 2. Tube prolongateur 3. Corps de l'aspirateur

Nettoyage sans suceur

Le suceur n'est pas nécessaire pour aspirer de la poudre ou des poussières.

- **Fig.29**

Pour ramasser de la poussière au sol tout en se tenant debout, fixer le tube prolongateur à l'aspirateur se révèle pratique.

- **Fig.30:** 1. Tube prolongateur

Mise au rebut des poussières

ATTENTION : Videz l'aspirateur avant qu'il ne soit trop plein, autrement sa puissance d'aspiration sera moindre.

ATTENTION : Lorsque vous refermez le couvercle avant, prenez soin de ne pas vous coincer les doigts.

REMARQUE : Ne jetez jamais l'écran anti-poussière, car il doit toujours être utilisé en association avec le sac à poussière ou le filtre papier.

REMARQUE : Si le sac à poussière/filtre papier n'est pas à l'intérieur de l'aspirateur, le couvercle avant ne se ferme pas complètement. Ne forcez pas pour fermer le couvercle avant. Cela pourrait déformer ou casser l'aspirateur.

REMARQUE : Lorsque vous jetez la poussière, nettoyez également la chambre pour sac à poussière/filtre papier. La poussière et la saleté restant dans la chambre risquent de boucher le filtre éponge ou d'endommager le moteur.

1. Enfoncez le bouton pour ouvrir le couvercle avant. Ouvrez-le jusqu'à ce que vous entendiez un dé clic pour garantir qu'il se positionne sur la butée fixe.

- **Fig.31:** 1. Couvercle avant 2. Bouton

2. Retirez simultanément l'écran anti-poussière orange et le sac à poussière/filtre papier.

- **Fig.32:** 1. Écran anti-poussière

3. Procédez comme indiqué ci-dessous en fonction du type de réservoir de poussière :

Lors de l'utilisation du sac à poussière

Retirez l'écran anti-poussière et videz le sac à poussière.

- **Fig.33:** 1. Écran anti-poussière 2. Sac à poussière

Lors de l'utilisation du filtre papier

Retirez l'écran anti-poussière et jetez le filtre papier.

- **Fig.34:** 1. Écran anti-poussière 2. Filtre papier

4. Placez le sac à poussière/le filtre papier neuf et l'écran anti-poussière ensemble dans l'aspirateur et fermez le couvercle avant.

NOTE : L'aspirateur est construit de manière à ce que le couvercle avant se détache si l'on force trop pour l'ouvrir à un angle de plus de 90°. Si le couvercle avant se détache, réinsérez-le sur la charnière du couvercle avant.

- **Fig.35:** 1. Couvercle avant 2. Charnière du couvercle avant

ENTRETIEN

⚠ ATTENTION : Assurez-vous toujours que l'appareil est hors tension avant d'y effectuer tout travail d'inspection ou d'entretien.

Pour assurer la SÉCURITÉ et la FIABILITÉ du produit, toute réparation, tout travail d'entretien ou de réglage doivent être effectués par un centre de service après-vente Makita agréé ou un centre de service usine, avec des pièces de rechange Makita.

REMARQUE : N'utilisez jamais d'essence, benzine, diluant, alcool ou autre produit similaire. Cela risquerait de provoquer la décoloration, la déformation ou la fissuration de l'outil.

Après l'utilisation

Avant de ranger ou charger l'aspirateur, verrouillez la tête du suceur et suspendez-le à un crochet en vente dans le commerce.

► Fig.36

⚠ ATTENTION : Si vous posez l'aspirateur contre le mur sans aucun autre soutien, il risque de tomber et de subir des dommages.

► Fig.37

Nettoyage

Corps de l'aspirateur

Essayez de temps à autre la surface extérieure (le corps) de l'aspirateur avec un chiffon humecté d'eau savonneuse.

Nettoyez également l'ouverture d'aspiration, la zone de montage du sac à poussière/filtre papier et l'écran anti-poussière.

► Fig.38

Écran anti-poussière

Essayez la poussière de l'écran anti-poussière.

Retirez la poussière et la saleté sur la partie éponge en tapotant légèrement dessus.

► Fig.39: 1. Partie éponge

Sac à poussière

Lorsque le sac à poussière est bouché par la poussière et que la puissance de l'aspirateur s'en trouve affaiblie, lavez-le dans de l'eau savonneuse. Laissez-le sécher complètement avant l'utilisation. Si le sac n'est pas assez sec, la capacité d'aspiration en sera affectée et la durée de vie du moteur réduite.

► Fig.40

NOTE : Le filtre papier est de type jetable.

Si le filtre éponge est obstrué par la poussière, retirez-le de l'aspirateur, puis essuyez-le ou lavez-le dans l'eau.

Retrait et installation du filtre éponge

⚠ ATTENTION : Après avoir nettoyé le filtre éponge, veillez à l'installer sur l'aspirateur. Si vous l'avez lavé à l'eau, faites-le sécher avant de l'installer. Si le filtre éponge n'est pas assez sec, la durée de vie du moteur peut en être réduite.

Pour retirer le filtre éponge, retirez le sac à poussière ou le filtre papier, puis sortez-le en pinçant.

► Fig.41: 1. Filtre éponge

Pour installer le filtre, enfoncez le bord complet du filtre éponge contre la paroi encastrée à l'intérieur de la zone de montage du sac à poussière/filtre papier.

► Fig.42: 1. Paroi encastrée

Nettoyage du suceur

(propre au pays)

Lorsque la brosse-suceur devient poussiéreuse, retirez la poussière avec du ruban adhésif.

► Fig.43: 1. Brosse

Fixation murale pour aspirateur sans fil

Accessoire en option

NOTE : La vis pour fixer le support n'est pas incluse. Prévoyez une vis adaptée au matériau dans lequel vous visserez.

Placez la fixation murale pour aspirateur sans fil sur un mur, une poutre ou une colonne en bois dur, où elle pourra être solidement fixée. Assurez-vous toujours que la fixation murale pour aspirateur sans fil est solidement fixée avant d'accrocher l'aspirateur.

► Fig.44: 1. Fixation murale pour aspirateur sans fil
2. Fiche

⚠ ATTENTION : N'accrochez pas violemment l'aspirateur à la fixation murale ni n'y accrochez d'autres appareils.

NOTE : Lorsque vous ne chargez pas l'aspirateur, la fiche peut être rangée sur la fixation murale pour aspirateur sans fil comme illustré.

Guide de dépannage

Avant de solliciter une réparation, vérifiez les points suivants.

Symptôme	Point à vérifier	Méthode de réparation
Faible puissance d'aspiration	Le sac à poussière ou le filtre papier est-il plein de poussière ?	Videz le sac à poussière ou le filtre papier.
	Le sac à poussière est-il bouché ?	Faites tomber la poussière ou lavez le sac à poussière.
	Le filtre papier est-il bouché ?	Remplacez le filtre papier.
	La batterie est-elle déchargée ?	Chargez la batterie.
Ne fonctionne pas	La batterie est-elle déchargée ?	Chargez la batterie.
Le couvercle du logement à poussières ne ferme pas.	Le sac à poussière ou le filtre papier est-il en place ?	Placez le sac à poussière ou le filtre papier.

REMARQUE : N'essayez pas de réparer vous-même l'aspirateur.

Mise au rebut de l'aspirateur

Une batterie Li-ion est intégrée à cet aspirateur. Retirez-la toujours avant de mettre au rebut l'aspirateur.

Retrait de la batterie intégrée

⚠ ATTENTION : Ne touchez les bornes avec aucun matériau conducteur.

⚠ ATTENTION : Évitez de ranger l'ensemble de la batterie dans un conteneur avec d'autres objets métalliques, par exemple des clous, des pièces de monnaie, etc.

⚠ ATTENTION : N'exposez pas l'ensemble de la batterie à l'eau ou à la pluie.

⚠ ATTENTION : Ne démontez pas, ni ne modifiez l'ensemble de la batterie.

⚠ ATTENTION : L'aspirateur doit être débranché du réseau d'alimentation électrique avant de retirer la batterie.

1. Pour retirer le couvercle arrière, poussez-le dans le sens de la flèche.

► **Fig.45:** 1. Couvercle arrière

2. Faites glisser la batterie intégrée à moitié. Déconnectez les fils conducteurs de la batterie en déplaçant légèrement la batterie tout en appuyant sur le connecteur dans le sens de la flèche comme illustré sur la figure.

► **Fig.46:** 1. Connecteur 2. Fils conducteurs

3. Faites ensuite glisser complètement l'ensemble de la batterie pour la sortir.

► **Fig.47:** 1. Ensemble de la batterie

4. Placez l'ensemble de la batterie retiré dans une boîte en carton pour éviter un court-circuit.

Mise en place de la batterie de rechange

Pour mettre en place la batterie de rechange, suivez la procédure de retrait en sens inverse.

⚠ ATTENTION : Achenez les fils conducteurs de sorte qu'ils tiennent complètement à l'intérieur de l'aspirateur avant de remettre le couvercle arrière à sa position initiale. Le non-respect de ces instructions peut endommager les fils conducteurs.

► **Fig.48**

Après avoir mis en place la batterie (voir « SPÉCIFICATIONS »), chargez-la avant utilisation.

COLLECTEUR CYCLONE

Accessoire en option

► **Fig.49:** 1. Bouton de dégagement 2. Crochet
3. Tuyau droit 4. Collecteur cyclone
5. Entrée d'aspiration

À propos du collecteur cyclone

L'utilisation de l'aspirateur avec le collecteur cyclone installé réduit la quantité de poussière qui pénètre dans le sac à poussière, ce qui permet d'éviter que la puissance d'aspiration faiblisse. De plus, le nettoyage après utilisation est également simple.

⚠ ATTENTION : Avant d'effectuer toute intervention sur l'aspirateur, assurez-vous toujours qu'il est hors tension. Un démarrage intempestif peut entraîner des blessures.

⚠ ATTENTION : Nettoyez le filtre à maille du collecteur cyclone et le sac à poussière de l'aspirateur s'ils sont bouchés. L'utilisation continue dans cet état peut provoquer une émission de chaleur ou de fumée.

REMARQUE : Lorsque le collecteur cyclone est fixé, n'utilisez pas l'aspirateur dans le sens horizontal ou tourné vers le haut. Le filtre à maille pourrait se boucher.

REMARQUE : Utilisez toujours l'aspirateur avec le sac à poussière installé, même lorsque vous utilisez le collecteur cyclone. Si vous utilisez l'aspirateur sans sac à poussière installé, un dysfonctionnement du moteur peut se produire.

NOTE : Vérifiez avant utilisation que le collecteur cyclone, l'aspirateur et le tuyau droit sont correctement verrouillés.

NOTE : Videz le logement à poussières du collecteur cyclone et le sac à poussière de l'aspirateur lorsque de la poussière s'est accumulée. Si vous continuez à utiliser l'aspirateur dans cet état, la puissance d'aspiration sera affaiblie.

NOTE : Vous pouvez également utiliser le collecteur cyclone sans la fonction de blocage.

NOTE : Pour installer ou retirer le collecteur cyclone, reportez-vous à la section « Pose ou dépose d'un accessoire de l'aspirateur ».

Mise au rebut des poussières

Lorsque la poussière s'est accumulée jusqu'à la ligne Plein du logement à poussières, procédez comme indiqué ci-dessous et jetez la poussière.

1. Tenez fermement le logement à poussières, maintenez enfoncés les deux boutons et retirez le logement à poussières.

► **Fig.50:** 1. Ligne Plein 2. Logement à poussières 3. Bouton (deux emplacements) 4. Filtre à maille

2. Jetez la poussière à l'intérieur du logement à poussières et retirez la poussière ou la poudre collée à la surface du filtre à maille.

3. Insérez le logement à poussières à fond jusqu'à ce que les deux boutons se verrouillent en place avec un déclic.

► **Fig.51:** 1. Logement à poussières 2. Bouton (deux emplacements)

NOTE : Vérifiez avant de redémarrer que le collecteur cyclone, l'aspirateur et le tuyau droit sont correctement verrouillés.

NOTE : Si la puissance d'aspiration n'est pas rétablie même après avoir jeté la poussière et nettoyé le filtre à maille, vérifiez si la poussière ne s'est pas accumulée dans le sac à poussière de l'aspirateur ou si ce dernier n'est pas bouché.

NOTE : La poussière peut voler lorsque vous la jetez du collecteur cyclone. Faites attention de ne pas laisser la poussière entrer dans vos yeux.

Nettoyage

Lorsque le logement à poussières est sale ou que le filtre à maille est bouché, retirez-les et lavez-les à l'eau. (Consultez « Mise au rebut des poussières » pour la procédure de retrait.)

Séchez soigneusement les pièces avant de les remettre en place et d'utiliser l'aspirateur.

► **Fig.52:** 1. Logement à poussières 2. Filtre à maille

Lorsque le filtre à maille est très sale, nettoyez-le en procédant comme suit.

1. Tournez le filtre à maille dans le sens inverse des aiguilles d'une montre et retirez-le alors que les crochets sont déverrouillés.

► **Fig.53:** 1. Filtre à maille 2. Crochet

2. Retirez la poussière sur le filtre à maille, puis lavez-le à l'eau. Ensuite, séchez-le soigneusement.

3. Insérez le filtre à maille dans la base avec les crochets alignés sur l'orifice. Tournez le filtre à maille dans le sens des aiguilles d'une montre jusqu'à ce que les crochets se verrouillent en place avec un déclic. Assurez-vous que le filtre à maille est solidement installé.

► **Fig.54:** 1. Filtre à maille 2. Crochet 3. Orifice

ACCESSOIRES EN OPTION

⚠ ATTENTION : Ces accessoires ou pièces complémentaires sont recommandés pour l'utilisation avec l'appareil Makita spécifié dans ce mode d'emploi. L'utilisation de tout autre accessoire ou pièce complémentaire peut présenter un risque de blessure. N'utilisez un accessoire ou une pièce complémentaire que pour son usage prévu.

Pour obtenir plus de détails sur ces accessoires, contactez votre centre d'entretien local Makita.

- Tube prolongateur (tuyau droit)
- Suceur
- Suceur pour tapis
- Brosse pour étagères
- Suceur plat
- Brosse ronde
- Tuyau flexible
- Filtre papier
- Fixation murale pour aspirateur sans fil
- Batterie de rechange
- Raccord libre
- Suceur pour siège
- Suceur pour interstice
- Collecteur cyclone

NOTE : Il se peut que certains éléments de la liste soient compris dans l'emballage de l'appareil en tant qu'accessoires standard. Ils peuvent varier d'un pays à l'autre.

WARNUNG

- Dieses Gerät kann von Kindern ab 8 Jahren und Personen mit verminderten körperlichen, sensorischen oder geistigen Fähigkeiten oder Mangel an Erfahrung und Kenntnissen benutzt werden, sofern sie eine Beaufsichtigung oder Anweisung bezüglich des sicheren Gebrauchs des Gerätes erhalten haben und die damit verbundenen Gefahren verstehen.
- Kinder dürfen nicht mit dem Gerät spielen. Reinigung und Benutzerwartung dürfen nicht von Kindern ohne Beaufsichtigung durchgeführt werden.
- Angaben zur Typenbezeichnung des Akkus finden Sie im Kapitel „TECHNISCHE DATEN“.
- Angaben zum Austauschverfahren des Akkus finden Sie in den Abschnitten „Ausbauen des eingebauten Akkus“ und „Installieren des Ersatz-Akkus“.
- Die enthaltenen Lithium-Ionen-Akkus unterliegen den Anforderungen der Gefahrengut-Gesetzgebung. Wenn Sie den Akku entsorgen, nehmen Sie ihn aus dem Gerät, und entsorgen Sie ihn an einem sicheren Ort. Befolgen Sie die örtlichen Vorschriften bezüglich der Entsorgung von Akkus.
- Bei Missbrauch kann Flüssigkeit aus dem Akku austreten. Vermeiden Sie Kontakt mit dieser Flüssigkeit. Falls Sie versehentlich mit der Flüssigkeit in Berührung kommen, spülen Sie die betroffenen Stellen mit Wasser ab.
- Falls Elektrolyt in Ihre Augen gelangt, waschen Sie sie mit sauberem Wasser aus, und begeben Sie sich unverzüglich in ärztliche Behandlung. Anderenfalls können Sie erblinden.
- Angaben zur Typenbezeichnung des Ladegerätes finden Sie im Kapitel „TECHNISCHE DATEN“. Verwenden Sie zum Wiederaufladen des Akkus nur das mit dem Gerät gelieferte Ladegerät.
- Die Bedeutung der für das Gerät verwendeten Symbole finden Sie im Abschnitt „Symbole“.
- Entsprechende Details der Vorsichtsmaßnahmen während der Benutzerwartung finden Sie im Kapitel „WARTUNG“.

TECHNISCHE DATEN

Modell:		CL114FD
Kapazität	mit Staubsack	500 ml
	mit Papierfilter	330 ml
Dauerbetrieb (mit Akku BL1020V)	3 (Maximaldrehzahlmodus)	Ca. 10 min
	2 (Hochdrehzahlmodus)	Ca. 18 min
	1 (Normaldrehzahlmodus)	Ca. 55 min
Gesamtlänge	Staubsauger-Hauptteil	458 mm
	Mit Verlängerungsrohr und Düse	983 mm
Nettogewicht		1,1 kg
Nennspannung		10,8 V - 12 V Gleichstrom

- Wir behalten uns vor, Änderungen der technischen Daten im Zuge der Entwicklung und des technischen Fortschritts ohne vorherige Ankündigung vorzunehmen.
- Die technischen Daten können von Land zu Land unterschiedlich sein.
- Das Gewicht schließt keine Zubehörteile ein.
- Verwenden Sie zum Wiederaufladen des Akkus nur das mit dem Gerät gelieferte Ladegerät.

Zutreffende Akkus und Ladegeräte

Akku	Ladegerät	Ladezeit (Stunden)
BL1020V	DC1002	2,0

- Die Ladezeit ist je nach der Temperatur (10°C (50°F) - 40°C (104°F)), bei welcher der Akku geladen wird, und dem Zustand des Akkus (z. B. neuer oder längere Zeit unbenutzter Akku) unterschiedlich.

⚠️ WARNUNG: Verwenden Sie nur die oben aufgeführten Akkus und Ladegeräte. Bei Verwendung irgendwelcher anderer Akkus und Ladegeräte besteht Verletzungs- und/oder Brandgefahr.

Symbole

Nachfolgend werden Symbole beschrieben, die für das Gerät verwendet werden können. Machen Sie sich unbedingt vor der Benutzung mit ihrer Bedeutung vertraut.



Betriebsanleitung lesen.



Abnehmbare Versorgungseinheit



Ni-MH
Li-Ion

Nur für EU-Länder
Aufgrund des Vorhandenseins gefährlicher Komponenten in der Ausrüstung können Elektro- und Elektronik-Altgeräte, Akkumulatoren und Batterien sich negativ auf die Umwelt und die menschliche Gesundheit auswirken. Entsorgen Sie Elektro- und Elektronikgeräte oder Batterien nicht mit dem Hausmüll! In Übereinstimmung mit der Europäischen Richtlinie über Elektro- und Elektronik-Altgeräte, Akkumulatoren und Batterien, verbrauchte Akkumulatoren und Batterien sowie ihrer Anpassung an nationales Recht sollten Elektro-Altgeräte, Batterien und Akkumulatoren gemäß den Umweltschutzbestimmungen getrennt gelagert und zu einer getrennten Sammelstelle für Siedlungsabfälle geliefert werden. Dies wird durch das am Gerät angebrachte Symbol der durchgestrichenen Abfalltonne auf Rädern angezeigt.

Vorgesehene Verwendung

Das Gerät ist für das Absaugen von Trockenstaub vorgesehen.

SICHERHEITSWARNUNGEN

Sicherheitswarnungen für Akku-Staubsauger

⚠️ WARNUNG: WICHTIG! Alle Sicherheitswarnungen und Anweisungen **VOR GEBRAUCH AUFMERKSAM LESEN**. Eine Missachtung der Warnungen und Anweisungen kann zu einem elektrischen Schlag, Brand und/oder schweren Verletzungen führen.

1. Das Gerät keinem Regen aussetzen. In Innenräumen aufbewahren.
2. Das Gerät darf nicht als Spielzeug benutzt werden. Wenn das Gerät von Kindern oder in deren Nähe benutzt wird, ist besondere Vorsicht geboten.
3. Nur gemäß der Beschreibung in dieser Anleitung benutzen. Nur vom Hersteller empfohlene Zusatzvorrichtungen verwenden.
4. Nicht mit beschädigtem Akku benutzen. Falls das Gerät nicht ordnungsgemäß funktioniert, fallen gelassen, beschädigt, im Freien liegen gelassen wurde oder ins Wasser gefallen ist, bringen Sie es zu einem Kundenzentrum.
5. Fassen Sie das Gerät nicht mit nassen Händen an.
6. Stecken Sie keine Gegenstände in die Öffnungen. Benutzen Sie das Gerät nicht mit einer blockierten Öffnung; halten Sie es frei von Staub, Fusseln, Haaren und Fremdkörpern, die den Luftstrom behindern können.
7. Halten Sie Haare, lose Kleidung, Finger und alle Körperteile von den Öffnungen und beweglichen Teilen fern.
8. Schalten Sie sämtliche Bedienelemente aus, bevor Sie den Akku abnehmen.
9. Lassen Sie bei der Reinigung von Treppen besondere Vorsicht walten.
10. Verwenden Sie das Gerät nicht zum Aufsaugen von brennbaren oder feuergefährlichen Flüssigkeiten, wie z. B. Benzin, und benutzen Sie es auch nicht in der Nähe solcher Flüssigkeiten.
11. Verwenden Sie nur das vom Hersteller gelieferte Ladegerät zum Aufladen.
12. Saugen Sie keine brennenden oder rauchenden Gegenstände auf, wie z. B. Zigaretten, Streichhölzer oder heiße Asche.
13. Benutzen Sie das Gerät nicht ohne angebrachten Staubsaug und/oder Filter.
14. Laden Sie den Akku nicht im Freien.
15. Laden Sie den Akku nur mit dem vom Hersteller vorgeschriebenen Ladegerät. Ein Ladegerät, das für einen Akkutyp geeignet ist, kann bei Verwendung mit einem anderen Akku eine Brandgefahr darstellen.
16. Benutzen Sie Geräte nur mit den ausdrücklich vorgeschriebenen Akkus. Bei Verwendung irgendwelcher anderer Akkus besteht Verletzungs- und Brandgefahr.
17. Bewahren Sie den Akku bei Nichtgebrauch nicht zusammen mit Metallgegenständen, wie Büroklammern, Münzen, Schlüsseln, Nägeln, Schrauben, und anderen kleinen Metallteilen auf, welche die Kontakte kurzschließen können.
18. Bei Missbrauch kann Flüssigkeit aus dem Akku austreten. Vermeiden Sie Kontakt mit dieser Flüssigkeit. Falls Sie versehentlich mit der Flüssigkeit in Berührung kommen, spülen Sie die betroffenen Stellen mit Wasser ab.
19. Verwenden Sie keine Akkus oder Geräte, die beschädigt oder modifiziert sind. Beschädigte oder modifizierte Akkus können unvorhersehbares Verhalten zeigen, das zu einem Brand, einer Explosion oder Verletzungsgefahr führen kann.
20. Setzen Sie einen Akku oder ein Gerät nicht Feuer oder übermäßigen Temperaturen aus. Bei Einwirkung von Feuer oder Temperaturen über 130 °C kann es zu einer Explosion kommen.
21. Befolgen Sie alle Ladeanweisungen, und laden Sie den Akku bzw. das Gerät nicht außerhalb des in den Anweisungen angegebenen Temperaturbereichs. Wird der Ladevorgang unsachgemäß oder bei Temperaturen außerhalb des angegebenen Bereichs durchgeführt, kann es zu einer Beschädigung des Akkus und erhöhter Brandgefahr kommen.

22. Lassen Sie nicht zu, dass Sie aufgrund der Vertrautheit, die Sie durch häufigen Gebrauch von Werkzeugen erworben haben, selbstzufrieden werden und die Sicherheitsprinzipien der Werkzeuge missachten. Eine achtlose Handlung kann innerhalb von Sekundenbruchteilen schwere Verletzungen verursachen.

BEWAHREN SIE DIESE ANLEITUNG AUF.

ZUSÄTZLICHE SICHERHEITSGESETZ

1. Lesen Sie diese Gebrauchsanleitung und die Gebrauchsanleitung des Ladegerätes vor der Benutzung aufmerksam durch.
2. Unterlassen Sie das Aufsaugen der folgenden Materialien:
 - Heiße Materialien, wie z. B. brennende Zigaretten oder durch Schleifen/Schneiden von Metall erzeugte Funken/Metallstaub
 - Brennbare Materialien, wie z. B. Benzin, Verdüner, Petroleum oder Lack
 - Explosive Materialien, wie Nitroglycerin
 - Zündfähige Materialien, wie z. B. Aluminium, Zink, Magnesium, Titan, Phosphor oder Celluloid
 - Nassen Schmutz, Wasser, Öl oder dergleichen
 - Harte Gegenstände mit scharfen Kanten, wie z. B. Holzspäne, Metalle, Steine, Glas, Nägel, Nadeln oder Rasierklingen
 - Klumpen bildendes Pulver, wie z. B. Zement oder Toner
 - Leitfähiger Staub, wie z. B. Metall- oder Kohlenstaub
 - Feine Partikel, wie z. B. BetonstaubSolche Handlungen können einen Brand, Verletzungen und/oder Sachschäden verursachen.
3. Brechen Sie den Betrieb sofort ab, wenn Sie irgendetwas Ungewöhnliches bemerken.
4. Falls Sie den Staubsauger fallen lassen oder anstoßen, überprüfen Sie ihn vor der Benutzung sorgfältig auf Risse oder Beschädigung.
5. Betreiben Sie den Sauger nicht in der Nähe von gefährlichen und entzündlichen Stoffen, wie Benzin, Gas, Farbe oder Klebstoffen.
6. Betreiben Sie den Sauger nicht auf Papier, Textilien, Teppichen, Vinyl usw. Dies kann einen Brand verursachen.
7. Betreiben Sie den Sauger nicht an einem staubigen Ort.
8. Achten Sie darauf, dass sich niemand unter Ihnen befindet, wenn Sie den Sauger an erhöhten Orten verwenden.
9. Bringen Sie das Gerät nicht in die Nähe von Öfen oder anderen Wärmequellen.
10. Blockieren Sie nicht die Einlassöffnung oder die Belüftungsöffnungen.

BEWAHREN SIE DIESE ANLEITUNG AUF.

WICHTIGE SICHERHEITSVORSCHRIFTEN

FÜR EINGEBAUTEN AKKU

1. Lesen Sie vor der Benutzung des eingebauten Akkus alle Anweisungen und Warnhinweise, die an (1) Ladegerät, (2) Akku und (3) Produkt angebracht sind.
2. Der eingebaute Akku darf nicht zerlegt werden.
3. Falls die Betriebszeit beträchtlich kürzer geworden ist, stellen Sie den Betrieb sofort ein. Anderenfalls besteht die Gefahr von Überhitzung, möglichen Verbrennungen und sogar einer Explosion.
4. Falls Elektrolyt in Ihre Augen gelangt, waschen Sie sie mit sauberem Wasser aus, und begeben Sie sich unverzüglich in ärztliche Behandlung. Anderenfalls können Sie erblinden.
5. Der eingebaute Akku darf nicht kurzgeschlossen werden.
 - (1) Die Kontakte dürfen nicht mit leitfähigem Material berührt werden.
 - (2) Lagern Sie den eingebauten Akku nicht in einem Behälter zusammen mit anderen Metallgegenständen, wie z. B. Nägeln, Münzen usw.
 - (3) Setzen Sie den eingebauten Akku weder Wasser noch Regen aus. Ein Kurzschluss des Akkus kann einen starken Stromfluss, Überhitzung, mögliche Verbrennungen und sogar eine Betriebsstörung verursachen.
6. Lagern und benutzen Sie das Gerät und den eingebauten Akku nicht an Orten, an denen die Temperatur 50 °C erreichen oder überschreiten kann.
7. Versuchen Sie niemals, den eingebauten Akku zu verbrennen, selbst wenn er stark beschädigt oder vollkommen verbraucht ist. Der eingebaute Akku kann im Feuer explodieren.
8. Achten Sie darauf, dass der Akku nicht fallen gelassen oder Stößen ausgesetzt wird.
9. Benutzen Sie keinen beschädigten Einbau-Akku.
10. Die enthaltenen Lithium-Ionen-Akkus unterliegen den Anforderungen der Gefahrgut-Gesetzgebung. Wenn Sie den Akku entsorgen, nehmen Sie ihn aus dem Gerät, und entsorgen Sie ihn an einem sicheren Ort. Befolgen Sie die örtlichen Vorschriften bezüglich der Entsorgung von Akkus.
11. Verwenden Sie die Akkus nur mit den von Makita angegebenen Produkten.

BEWAHREN SIE DIESE ANLEITUNG AUF.

Hinweise zur Aufrechterhaltung der maximalen Akku-Nutzungsdauer

1. **Laden Sie den eingebauten Akku auf, bevor er vollständig entladen ist. Halten Sie den Betrieb des Gerätes immer an, und laden Sie den eingebauten Akku, wenn Sie bemerken, dass die Leistung des Gerätes nachlässt.**
2. **Unterlassen Sie das erneute Laden des voll aufgeladenen eingebauten Akkus. Überladen führt zu einer Verkürzung der Nutzungsdauer des Akkus.**
3. **Laden Sie den eingebauten Akku bei einer Raumtemperatur von 10°C - 40°C. Lassen Sie den eingebauten Akku vor dem Laden abkühlen, falls er heiß ist.**
4. **Laden Sie den eingebauten Akku alle sechs Monate auf, falls Sie das Gerät über einen längeren Zeitraum nicht verwenden.**

FUNKTIONSBESCHREIBUNG

⚠ VORSICHT: Vergewissern Sie sich stets, dass das Gerät ausgeschaltet ist, bevor Sie eine Funktion am Gerät einstellen oder überprüfen.

Laden des eingebauten Akkus

⚠ VORSICHT: Verwenden Sie nur Original-Makita-Akkus. Die Verwendung von Nicht-Original-Makita-Akkus oder von Akkus, die abgeändert worden sind, kann zum Bersten des Akkus und daraus resultierenden Bränden, Personenschäden und Beschädigung führen. Außerdem wird dadurch die Makita-Garantie für das Makita-Produkt und -Ladegerät ungültig.

⚠ VORSICHT: Ziehen Sie nach dem Laden stets den Ladestecker vom Staubsauger ab.

⚠ VORSICHT: Lassen Sie das Ladegerät nicht am Stromnetz angeschlossen, nachdem Sie das Gerät abgetrennt haben. Es könnte zu Verletzungen kommen, falls kleine Kinder den Strom führenden Stecker in den Mund stecken.

Laden Sie den Staubsauger vor der ersten Benutzung oder nach längerer Nichtbenutzung. Stecken Sie den Ladestecker in die Ladebuchse, und schließen Sie dann das Ladegerät an die Netzsteckdose an.

► **Abb.1:** 1. Ladebuchse

Die Akku-Warnleuchte leuchtet auf, und der Ladevorgang beginnt. Die Leuchte erlischt nach Abschluss des Ladevorgangs. Weitere Einzelheiten entnehmen Sie bitte der Gebrauchsanleitung des Ladegerätes.

► **Abb.2:** 1. Akku-Warnleuchte

ANMERKUNG: Die Akku-Warnleuchte blinkt, und der Akku kann nicht geladen werden, wenn der Akku oder der Staubsauger extremen Temperaturen ausgesetzt ist.

HINWEIS: Der Staubsauger kann während des Ladevorgangs nicht gesteuert werden. Um den Staubsauger zu starten, trennen Sie das Ladegerät von der Stromquelle, ziehen Sie den Ladestecker vom Staubsauger ab, und drücken Sie dann die Einschalttaste (ON)/Drehzahl-Umschalttaste.

HINWEIS: Unter den folgenden Bedingungen steht der Akku kurz vor dem Ende seiner Nutzungsdauer (oder er ist beschädigt/gestört). Trennen Sie das Ladegerät von der Stromversorgung, und tauschen Sie dann den Akku aus.

- Die Akku-Warnleuchte erlischt kurz nach Ladebeginn des Staubsaugers.
- Der Staubsauger funktioniert nur für einen Zeitraum, der kürzer als die Hälfte der normalen Betriebszeit ist, nachdem der Akku voll aufgeladen worden ist.

HINWEIS: Der Akku kann bis zu etwa 500-mal aufgeladen werden. Die Anzahl der möglichen Ladevorgänge hängt von den Bedingungen ab, unter denen der Akku aufgeladen und entladen worden ist.

Schalterfunktion

⚠ VORSICHT: Schalten Sie den Staubsauger nach jeder Benutzung stets aus, um Beschädigung des Staubsaugers zu verhüten und die Nutzungsdauer der Akkus zu verlängern.

Drücken Sie zum Einschalten des Staubsaugers einfach die Einschalttaste (ON)/Drehzahl-Umschalttaste. Drücken Sie zum Ausschalten die Ausschalttaste (OFF).

Durch Drücken der Einschalttaste (ON)/Drehzahl-Umschalttaste können Sie die Drehzahl des Staubsaugers in drei Stufen ändern. Beim ersten Drücken dieser Taste erhalten Sie den Hochdrehzahlmodus, beim zweiten Drücken den Maximaldrehzahlmodus, und beim dritten Drücken den Normaldrehzahlmodus. Mit jedem Drücken dieser Taste wird der Zyklus hohe/maximale/normale Drehzahl abwechselnd wiederholt.

► **Abb.3:** 1. Einschalttaste (ON)/Drehzahl-Umschalttaste 2. Ausschalttaste (OFF)

Akku-Warnleuchte

Wenn die Akku-Restkapazität niedrig wird, blinkt die Akku-Warnleuchte.

Wenn die Akku-Restkapazität erheblich niedriger wird, bleibt der Staubsauger stehen, und die Akku-Warnleuchte leuchtet etwa 10 Sekunden lang auf. Laden Sie in diesem Fall den Akku auf.

Der Staubsauger bleibt auch stehen, wenn der Akku überlastet oder überhitzt wird, und die Akku-Warnleuchte leuchtet etwa 10 Sekunden lang auf. Bei eingeschalteter Leuchte lässt sich der Staubsauger nicht betätigen.

► **Abb.4:** 1. Akku-Warnleuchte

HINWEIS: Der Zeitpunkt, zu dem die Akku-Warnleuchte zu blinken oder aufzuleuchten beginnt, hängt von der Temperatur am Arbeitsplatz und dem Zustand des Akkus ab.

Einschalten der Lampe

⚠ VORSICHT: Blicken Sie nicht direkt in die Lampe oder die Lichtquelle.

Um die Lampe einzuschalten, drücken Sie die Einschalttaste (ON)/Drehzahl-Umschalttaste. Drücken Sie die Ausschalttaste (OFF), um die Lampe auszuschalten. Während des Betriebs des Staubsaugers leuchtet die Lampe.

- **Abb.5:** 1. Einschalttaste (ON)/Drehzahl-Umschalttaste 2. Ausschalttaste (OFF)
3. Lampe

MONTAGE

⚠ VORSICHT: Vergewissern Sie sich stets, dass das Gerät ausgeschaltet ist, bevor Sie Arbeiten am Gerät ausführen.

Staubsack und Papierfilter

Setzen Sie vor der Benutzung des Staubsaugers entweder den Staubsack oder einen Papierfilter ein. Verwenden Sie den Staubsackanschlag sowohl für den Staubsack als auch für den Papierfilter. Der Staubsack kann durch Entleeren viele Male wieder verwendet werden. Der Papierfilter ist ein Wegwerfartikel. Werfen Sie den ganzen Papierfilter weg, ohne ihn zu entleeren, wenn er voll geworden ist.

ANMERKUNG: Um Eindringen von Staub in den Motor zu verhindern:

- Vergewissern Sie sich vor der Benutzung stets, dass der Staubsack bzw. der Papierfilter eingesetzt ist.
- Führen Sie den Staubsackanschlag zusammen mit dem Staubsack bzw. dem Papierfilter bis zum Anschlag in die Schlitze ein, wenn Sie die Teile installieren.
- Verwenden Sie keinen beschädigten oder zerrissenen Beutel.

Anderenfalls kann der Motor beschädigt werden.

ANMERKUNG: Unterlassen Sie Falten des Kartons an der Öffnung des Papierfilters, wenn Sie diesen einsetzen.

ANMERKUNG: Werfen Sie auf keinen Fall den Staubsackanschlag weg, weil er zum Einsetzen des Staubsaugers oder Papierfilters wiederholt benutzt werden muss.

ANMERKUNG: Der Papierfilter für den Staubsauger ist eine wichtige Komponente zur Aufrechterhaltung der Leistung des Staubsaugers. Wird ein anderes Teil als der Original-Papierfilter verwendet, kann es zu Rauchbildung oder Entzündung kommen.

HINWEIS: Wenn der Staubsack oder der Papierfilter nicht im Staubsauger eingesetzt ist, lässt sich die Frontabdeckung nicht vollständig schließen.

- **Abb.6**

Montieren des Staubsaugs

Verwenden Sie den Staubsackanschlag zum Einsetzen des Staubsaugs. Achten Sie darauf, dass Sie nicht versehentlich die Oberseite mit der Unterseite verwechseln, weil sie unterschiedlich sind.

- **Abb.7:** 1. Oberseite des Staubsaugs
2. Unterseite des Staubsaugs

1. Führen Sie den Vorsprung des Staubsaugs in die untere Nut des Staubsaugs ein, wie in der Abbildung gezeigt.
► **Abb.8:** 1. Staubsaugs 2. Untere Nut 3. Staubsaug
2. Es gibt keinen Unterschied zwischen der Ober- und Unterseite des Staubsaugs. Der Vorsprung beider Seiten kann in die untere Nut des Staubsaugs eingeführt werden.
► **Abb.9:** 1. Untere Nut
3. Der Rahmen des Staubsaugs muss sich mit dem des Staubsaugs decken.
► **Abb.10**

4. Setzen Sie den Staubsaug zusammen mit dem Staubsaugs in der Richtung des Pfeils auf dem Staubsaugs in die Staubsaugkammer ein. Führen Sie die Teile vollständig in die Schlitze der Staubsaugkammer ein.
► **Abb.11**

5. Breiten Sie den Stoffteil des Staubsaugs im Staubsauger aus.
► **Abb.12**

6. Schließen Sie die Frontabdeckung vollständig.
► **Abb.13:** 1. Frontabdeckung

Einsetzen des Papierfilters

Verwenden Sie den Staubsaugs auch zum Einsetzen des Papierfilters. Achten Sie darauf, dass Sie nicht versehentlich die Oberseite mit der Unterseite verwechseln, weil sie unterschiedlich sind.

- **Abb.14:** 1. Oberseite des Staubsaugs
2. Unterseite des Staubsaugs

1. Falten Sie den Einlass des Papierfilters auf, bevor Sie ihn am Staubsaugs anbringen.
► **Abb.15**

2. Führen Sie den Vorsprung des Papierfilters in die untere Nut des Staubsaugs ein, wie in der Abbildung gezeigt.
► **Abb.16:** 1. Staubsaugs 2. Untere Nut 3. Papierfilter

3. Es gibt keinen Unterschied zwischen der Ober- und Unterseite des Papierfilters. Der Vorsprung beider Seiten kann in die untere Nut des Staubsaugs eingeführt werden.
► **Abb.17:** 1. Untere Nut

4. Der Rahmen des Staubsaugs muss sich mit dem des Papierfilters decken.
► **Abb.18**

5. Setzen Sie den Papierfilter zusammen mit dem Staubsaugs in der Richtung des Pfeils auf dem Staubsaugs in die Staubsaugkammer ein. Führen Sie die Teile vollständig in die Schlitze der Staubsaugkammer ein.
► **Abb.19**

6. Breiten Sie den Behälterteil des Papierfilters im Staubsauger aus.

► **Abb.20**

7. Schließen Sie die Frontabdeckung vollständig.

► **Abb.21:** 1. Frontabdeckung

BETRIEB

⚠ VORSICHT: Bringen Sie Ihr Gesicht beim Betrieb des Staubsaugers nicht in die Nähe der Ventilationsöffnung. Falls Fremdkörper in die Augen von Personen oder Tieren geblasen werden, kann dies zu Verletzungen führen.

Montieren und Demontieren des Saugergeräteaufsatzes

⚠ VORSICHT: Prüfen Sie nach der Anbringung eines Aufsatzes, ob er sicher angebracht ist. Falls der Aufsatz unvollständig angebracht ist, kann er sich lösen und Personenschäden verursachen.

⚠ VORSICHT: Achten Sie beim Abnehmen des Aufsatzes darauf, dass Sie mit Ihrer Hand nicht gegen eine Wand usw. schlagen.

Bei Verwendung des Aufsatzes mit Verriegelungsfunktion

Um einen Aufsatz anzubringen, führen Sie ihn in den Saugeinlass des Staubsaugers ein, bis er einrastet. Vergewissern Sie sich, dass der Aufsatz verriegelt ist.

► **Abb.22:** 1. Saugeinlass 2. Aufsatz mit Verriegelungsfunktion 3. Raste 4. Entriegelungsknopf

HINWEIS: Achten Sie beim Anbringen des Aufsatzes mit Verriegelungsfunktion darauf, dass der Entriegelungsknopf auf die Raste am Aufsatz ausgerichtet ist. Falls sie nicht ausgerichtet sind, wird der Aufsatz nicht verriegelt und kann sich vom Staubsauger lösen.

Um den Aufsatz abzunehmen, ziehen Sie ihn bei gleichzeitigem Drücken des Entriegelungsknopfes ab.

► **Abb.23:** 1. Entriegelungsknopf 2. Aufsatz mit Verriegelungsfunktion

Bei Verwendung des Aufsatzes ohne Verriegelungsfunktion

⚠ VORSICHT: Um einen Aufsatz ohne Verriegelungsfunktion anzuschließen, führen Sie ihn unter gleichzeitigem Drehen in Pfeilrichtung ein, um einwandfreie Verbindung während des Gebrauchs zu gewährleisten. Um den Aufsatz abzunehmen, ziehen Sie ihn bei gleichzeitigem Drehen in Pfeilrichtung ab.

► **Abb.24**

Reinigen (Saugen)

Düse

Bringen Sie die Düse an, um Tische, Pulte, Möbelstücke usw. abzusaugen. Die Düse lässt sich leicht aufstecken.

► **Abb.25:** 1. Düse

Düse + Verlängerungsrohr (gerades Rohr)

Das Verlängerungsrohr wird zwischen Düse und Staubsauger angebracht. Diese Anordnung ist praktisch, um den Fußboden im Stehen zu saugen.

► **Abb.26:** 1. Staubsauger-Hauptteil
2. Verlängerungsrohr 3. Düse

Spitzdüse

Bringen Sie die Spitzdüse an, um Ecken und Ritzen eines Autositzes oder Möbelstücks zu reinigen.

► **Abb.27:** 1. Spitzdüse 2. Staubsauger-Hauptteil

Spitzdüse + Verlängerungsrohr (gerades Rohr)

Benutzen Sie diese Anordnung in engen Zwischenräumen, in die der Staubsauger selbst nicht hineinpasst, oder an schwer erreichbaren hohen Orten.

► **Abb.28:** 1. Spitzdüse 2. Verlängerungsrohr
3. Staubsauger-Hauptteil

Staubsaugen ohne Düse

Sie können Pulver und Staub ohne Düse aufsaugen.

► **Abb.29**

Um Staub im Stehen von einem Fußboden aufzusaugen, ist es praktisch, das Verlängerungsrohr am Staubsauger anzubringen.

► **Abb.30:** 1. Verlängerungsrohr

Staubentleerung

⚠ VORSICHT: Leeren Sie den Staubsauger, bevor er voll wird oder die Saugleistung nachlässt.

⚠ VORSICHT: Achten Sie beim Schließen der Frontabdeckung darauf, dass Sie sich nicht die Finger klemmen.

ANMERKUNG: Werfen Sie auf keinen Fall den Staubsackanschlag weg, weil er bei jedem Einsetzen des Staubsacks oder Papierfilters benötigt wird.

ANMERKUNG: Wenn sich der Staubsack/ Papierfilter nicht im Staubsauger befindet, lässt sich die Frontabdeckung nicht vollständig schließen. Schließen Sie die Frontabdeckung nicht gewaltsam. Es kann sonst zu einer Verformung oder einem Bruch des Staubsaugers kommen.

ANMERKUNG: Wenn Sie den Staub entsorgen, reinigen Sie auch den Raum für den Staubsack/ Papierfilter. Staub und Schmutz, die in dem Raum verbleiben, können eine Verstopfung des Schwammfilters oder eine Beschädigung des Motors verursachen.

1. Drücken Sie den Knopf, um die Frontabdeckung zu öffnen. Wird die Abdeckung geöffnet, bis ein Klicken hörbar ist, rastet sie an dieser Position ein.

► **Abb.31:** 1. Frontabdeckung 2. Knopf

2. Ziehen Sie den orangefarbenen Staubsackanschlag und den Staubsack/Papierfilter gleichzeitig heraus.

► **Abb.32:** 1. Staubsackanschlag

3. Führen Sie die nachstehenden Verfahren je nach Typ des Staubbehälters durch:

Bei Verwendung des Staubsacks

Entfernen Sie den Staubsackanschlag, und entleeren Sie den Staubsack.

► **Abb.33:** 1. Staubsackanschlag 2. Staubsack

Bei Verwendung des Papierfilters

Entfernen Sie den Staubsackanschlag, und entsorgen Sie den Papierfilter.

► **Abb.34:** 1. Staubsackanschlag 2. Papierfilter

4. Setzen Sie den Staubsack/neuen Papierfilter und den Staubsackanschlag zusammen in den Staubsauger ein, und schließen Sie die Frontabdeckung.

HINWEIS: Der Staubsauger ist so konstruiert, dass sich die Frontabdeckung löst, wenn versucht wird, die Frontabdeckung weiter als 90° zu öffnen. Falls sich die Frontabdeckung löst, schieben Sie sie wieder auf das Frontabdeckungs-Anschlussstück.

► **Abb.35:** 1. Frontabdeckung
2. Frontabdeckungs-Anschlussstück

WARTUNG

⚠ VORSICHT: Denken Sie vor der Durchführung von Überprüfungen oder Wartungsarbeiten stets daran, das Gerät auszuschalten.

Um die SICHERHEIT und ZUVERLÄSSIGKEIT dieses Produkts zu gewährleisten, sollten Reparaturen und andere Wartungs- oder Einstellarbeiten nur von Makita-Vertragswerkstätten oder Makita-Kundendienstzentren unter ausschließlicher Verwendung von Makita-Originalersatzteilen ausgeführt werden.

ANMERKUNG: Verwenden Sie auf keinen Fall Benzin, Waschbenzin, Verdünner, Alkohol oder dergleichen. Solche Mittel können Verfärbung, Verformung oder Rissbildung verursachen.

Nach dem Gebrauch

Wenn Sie den Staubsauger aufbewahren oder laden, verriegeln Sie den Düsenkopf, und hängen Sie ihn an einen auf dem Markt erhältlichen Haken.

► **Abb.36**

⚠ VORSICHT: Wird der Staubsauger ohne irgend eine Stütze gegen eine Wand gelehnt, kann er umkippen und beschädigt werden.

► **Abb.37**

Reinigen

Staubsauger-Hauptteil

Wischen Sie die Außenseite (Staubsauger-Hauptteil) des Staubsaugers von Zeit zu Zeit mit einem mit Seifenwasser getränkten Tuch ab.

Reinigen Sie auch die Saugöffnung, den Staubsack/Papierfilter-Montagebereich und den Staubsackanschlag.

► **Abb.38**

Staubsackanschlag

Wischen Sie Staub vom Staubsackanschlag ab.

Entfernen Sie Staub und Schmutz am Schwammteil durch leichtes Klopfen.

► **Abb.39:** 1. Schwammteil

Staubsack

Waschen Sie den Staubsack in Seifenwasser aus, wenn er mit Staub zugesetzt ist und die Sauggeräteleistung nachlässt. Lassen Sie ihn vor der Benutzung gründlich trocknen. Ein noch feuchter Staubsack kann schlechte Saugleistung verursachen und die Lebensdauer des Motors verkürzen.

► **Abb.40**

HINWEIS: Der Papierfilter ist ein Wegwerfartikel.

Wenn der Schwammfilter mit Staub zugesetzt ist, nehmen Sie ihn aus dem Staubsauger heraus, und wischen Sie ihn ab, oder waschen Sie ihn in Wasser aus.

Herausnehmen und Einsetzen des Schwammfilters

⚠ VORSICHT: Denken Sie daran, den Schwammfilter nach dem Reinigen wieder in den Staubsauger einzusetzen. Wenn er in Wasser ausgewaschen wurde, lassen Sie ihn vor dem Einsetzen trocknen. Ein noch feuchter Schwammfilter kann die Lebensdauer des Motors verkürzen.

Entfernen Sie den Schwammfilter durch Zusammendrücken und Herausnehmen, nachdem Sie den Staubsack bzw. den Papierfilter herausgenommen haben.

► **Abb.41:** 1. Schwammfilter

Um den Filter zu installieren, drücken Sie die ganze Kante des Schwammfilters gegen die vertiefte Wand im Staubsack/Papierfilter-Montagebereich.

► **Abb.42:** 1. Vertiefte Wand

Reinigen der Düse

(länderspezifisch)

Wenn die Düsenbürste staubig wird, entfernen Sie den Staub mit Klebeband.

► **Abb.43:** 1. Bürste

Wandhalterung für Akku-Staubsauger

Sonderzubehör

HINWEIS: Die Schraube für die Montage des Halters ist nicht im Lieferumfang enthalten. Besorgen Sie eine für das Einschraubmaterial passende Schraube.

Befestigen Sie die Wandhalterung für Akku-Staubsauger an einer festen Wand, einem Träger oder einer Säule aus Holz, an der die Wandhalterung für Akku-Staubsauger einwandfrei gesichert werden kann. Vergewissern Sie sich vor dem Aufhängen des Staubsaugers immer, dass die Wandhalterung für Akku-Staubsauger sicher befestigt ist.

- **Abb.44:** 1. Wandhalterung für Akku-Staubsauger
2. Stecker

⚠ VORSICHT: Unterlassen Sie gewaltsames Aufhängen des Staubsaugers an der Wandhalterung oder Aufhängen anderer Geräte außer dem Staubsauger.

HINWEIS: Wenn Sie den Staubsauger nicht laden, kann der Stecker an der Wandhalterung für Akku-Staubsauger aufbewahrt werden, wie dargestellt.

Fehlersuche

Bevor Sie eine Reparatur anfordern, überprüfen Sie bitte die folgenden Punkte.

Symptom	Prüfbereich	Abhilfeverfahren
Schwache Saugkraft	Ist der Staubsack oder der Papierfilter voll Staub?	Staubsack oder Papierfilter leeren.
	Ist der Staubsack verstopft?	Den Staubsack abstauben oder waschen.
	Ist der Papierfilter verstopft?	Den Papierfilter austauschen.
	Ist der Akku entladen?	Laden Sie den Akku auf.
Gerät funktioniert nicht	Ist der Akku entladen?	Laden Sie den Akku auf.
Die Staubsammelbehälterabdeckung lässt sich nicht schließen.	Ist der Staubsack oder der Papierfilter eingesetzt?	Setzen Sie den Staubsack oder Papierfilter ein.

ANMERKUNG: Versuchen Sie nicht, den Staubsauger selbst zu reparieren.

Entsorgen des Staubsaugers

Ein Lithium-Ionen-Akku ist in diesem Staubsauger eingebaut. Nehmen Sie diesen stets heraus, bevor Sie den Staubsauger entsorgen.

Ausbauen des eingebauten Akkus

⚠ VORSICHT: Die Kontakte dürfen nicht mit leitfähigem Material berührt werden.

⚠ VORSICHT: Lagern Sie den Akku nicht in einem Behälter zusammen mit anderen Metallgegenständen, wie z. B. Nägel, Münzen usw.

⚠ VORSICHT: Setzen Sie den Akku weder Wasser noch Regen aus.

⚠ VORSICHT: Der Akku darf nicht zerlegt oder abgeändert werden.

⚠ VORSICHT: Der Staubsauger muss vom Stromnetz getrennt sein, wenn der Akku entfernt wird.

1. Um die Rückabdeckung zu entfernen, verschieben Sie sie in Pfeilrichtung.

► **Abb.45:** 1. Rückabdeckung

2. Schieben Sie den eingebauten Akku halb heraus. Trennen Sie die Zuleitungsdrähte vom Akku, indem Sie den Akku geringfügig zurück schieben, während Sie den Steckverbinder in Richtung des in der Abbildung gezeigten Pfeils drücken.

► **Abb.46:** 1. Stecker 2. Zuleitungsdrähte

3. Schieben Sie dann den Akku vollständig heraus.

► **Abb.47:** 1. Akku

4. Legen Sie den ausgebauten Akku in einen Karton, damit er nicht kurzgeschlossen wird.

Installieren des Ersatz-Akkus

Wenden Sie zur Montage des Ersatz-Akkus das Demontageverfahren umgekehrt an.

⚠ VORSICHT: Verlegen Sie das Kabel so, dass es vollständig im Staubsauger verstaut ist, bevor Sie die Rückabdeckung wieder in ihrer Ausgangsposition anbringen. Anderenfalls kann das Kabel beschädigt werden.

► **Abb.48**

Nach dem Einbau des Akkus (siehe „TECHNISCHE DATEN“) sollten Sie den Akku vor dem Gebrauch laden.

ZYKLONAUFSATZ

Sonderzubehör

► **Abb.49:** 1. Entriegelungsknopf 2. Raste 3. Gerades Rohr 4. Zykloaufsatz 5. Saugeinlass

Info zum Zykloaufsatz

Wird der Staubsauger mit installiertem Zykloaufsatz verwendet, so wird die Staubmenge, die in den Staubsack gelangt, reduziert, was dazu beiträgt, eine Abschwächung der Saugkraft zu verhindern. Außerdem wird die Reinigung nach dem Gebrauch ebenfalls vereinfacht.

⚠ VORSICHT: Vergewissern Sie sich vor der Ausführung von Arbeiten am Staubsauger stets, dass er ausgeschaltet ist. Unbeabsichtigtes Anlaufen kann zu einer Verletzung führen.

⚠ VORSICHT: Reinigen Sie den Netzfilter des Zykloaufsatzes und den Staubsack der Staubsaugereinheit, wenn sie verstopft werden. Fortgesetzter Gebrauch im verstopften Zustand kann zu Erhitzung oder Rauchbildung führen.

ANMERKUNG: Verwenden Sie den Staubsauger bei angebrachtem Zykloaufsatz nicht im horizontalen oder nach oben gerichteten Zustand. Anderenfalls kann der Netzfilter verstopft werden.

ANMERKUNG: Benutzen Sie den Staubsauger selbst bei Verwendung des Zykloaufsatzes immer mit installiertem Staubsack. Wird der Staubsauger ohne den Staubsack benutzt, kann es zu einer Funktionsstörung des Motors kommen.

HINWEIS: Stellen Sie vor Gebrauch sicher, dass Zykloaufsatz, Staubsauger und gerades Rohr einwandfrei verriegelt sind.

HINWEIS: Entleeren Sie den Staubsammelbehälter des Zykloaufsatzes und den Staubsack des Staubsaugers, wenn Staub sich angesammelt hat. Fortgesetzter Gebrauch führt zu einer Abschwächung der Saugkraft.

HINWEIS: Sie können den Zykloaufsatz auch ohne Verriegelungsfunktion verwenden.

HINWEIS: Nehmen Sie zum Montieren oder Demontieren des Zykloaufsatzes auf den Abschnitt „Montieren und Demontieren des Saugergeräteaufsatzes“ Bezug.

Staubentleerung

Wenn Staub sich bis zur Voll-Linie des Staubsammelbehälters angesammelt hat, entsorgen Sie den Staub nach dem folgenden Verfahren.

1. Halten Sie den Staubsammelbehälter mit festem Griff, während Sie die zwei Knöpfe gedrückt halten, und entfernen Sie den Staubsammelbehälter.

► **Abb.50:** 1. Voll-Linie 2. Staubsammelbehälter 3. Knopf (zwei Stellen) 4. Netzfilter

2. Entsorgen Sie den Staub im Staubsammelbehälter, und entfernen Sie jeglichen an der Oberfläche des Netzfilters haftenden Staub und Pulver.

3. Führen Sie den Staubsammelbehälter vollständig ein, bis die zwei Knöpfe mit einem Klicken einrasten.

► **Abb.51:** 1. Staubsammelbehälter 2. Knopf (zwei Stellen)

HINWEIS: Stellen Sie vor dem erneuten Starten des Betriebs sicher, dass Zykloaufsatz, Staubsauger und gerades Rohr einwandfrei verriegelt sind.

HINWEIS: Falls die Saugkraft selbst nach der Entsorgung des Staubs und der Reinigung des Netzfilters nicht wiederhergestellt wird, prüfen Sie, ob Staub sich im Staubsack des Staubsaugers angesammelt hat, oder ob eine Verstopfung aufgetreten ist.

HINWEIS: Beim Entsorgen von dem Zykloaufsatz kann Staub hochfliegen. Achten Sie darauf, dass kein Staub in Ihre Augen gelangt.

Reinigen

Wenn der Staubsammelbehälter schmutzig wird oder der Netzfilter verstopft ist, entfernen Sie die Teile, und waschen Sie sie mit Wasser. (Angaben zum Demontageverfahren finden Sie unter „Staubentleerung“.)

Lassen Sie die Teile gründlich trocknen, bevor Sie sie wieder installieren und benutzen.

► **Abb.52:** 1. Staubsammelbehälter 2. Netzfilter

Wenn der Netzfilter stark verschmutzt wird, reinigen Sie ihn nach den folgenden Verfahren.

1. Drehen Sie den Netzfilter entgegen dem Uhrzeigersinn, und entfernen Sie ihn bei entriegelten Rasten.

► **Abb.53:** 1. Netzfilter 2. Raste

2. Entfernen Sie den Staub am Netzfilter, und waschen Sie ihn dann mit Wasser. Lassen Sie ihn danach gründlich trocknen.

3. Führen Sie den Netzfilter in die Basis ein, während die Rasten auf den Anschluss ausgerichtet sind. Drehen Sie den Netzfilter im Uhrzeigersinn, bis die Rasten mit einem Klicken einrasten. Vergewissern Sie sich, dass der Netzfilter sicher installiert ist.

► **Abb.54:** 1. Netzfilter 2. Raste 3. Anschluss

SONDERZUBEHÖR

⚠ VORSICHT: Die folgenden Zubehörteile oder Vorrichtungen werden für den Einsatz mit dem in dieser Anleitung beschriebenen Makita-Gerät empfohlen. Die Verwendung anderer Zubehörteile oder Vorrichtungen kann eine Verletzungsgefahr darstellen. Verwenden Sie Zubehörteile oder Vorrichtungen nur für ihren vorgesehenen Zweck.

Wenn Sie weitere Einzelheiten bezüglich dieser Zubehörteile benötigen, wenden Sie sich bitte an Ihre Makita-Kundendienststelle.

- Verlängerungsrohr (gerades Rohr)
- Düse
- Düse für Teppich
- Regalbürste
- Spitzdüse
- Rundbürste
- Flexibler Schlauch
- Papierfilter
- Wandhalterung für Akku-Staubsauger
- Ersatz-Akku
- Freie Düse
- Sitzdüse
- Spaltendüse
- Zyklonaufsatz

HINWEIS: Manche Teile in der Liste können als Standardzubehör im Gerätepaket enthalten sein. Sie können von Land zu Land unterschiedlich sein.

AVVERTENZA

- Questo elettrodomestico può venire utilizzato dai bambini dagli 8 anni in su, nonché da persone con capacità fisiche, sensoriali o mentali ridotte, o prive di esperienza o preparazione, qualora vengano fornite loro supervisione o istruzioni relative all'utilizzo in sicurezza dell'elettrodomestico e comprendano i pericoli che comporta.
- I bambini non devono giocare con l'elettrodomestico. La pulizia e la manutenzione da parte dell'utente non devono essere effettuate dai bambini senza supervisione.
- Per riferimenti sul tipo di batteria, vedere il capitolo "DATI TECNICI".
- Per informazioni su come sostituire la batteria, vedere le sezioni "Rimozione della batteria incorporata" e "Installazione della batteria sostitutiva".
- Le batterie a ioni di litio contenute sono soggette ai requisiti del regolamento sul trasporto di merci pericolose (Dangerous Goods Legislation). Quando si intende smaltire la batteria, rimuoverla dall'elettrodomestico e smaltirla in un luogo sicuro. Attenersi alle normative locali relative allo smaltimento della batteria.
- In condizioni di uso improprio, dalla batteria potrebbe venire espulso del liquido; evitare il contatto con tale liquido. In caso di contatto accidentale con il liquido, lavare abbondantemente con acqua.
- Qualora il liquido elettrolitico penetri negli occhi, sciacquarli con acqua pulita e richiedere immediatamente assistenza medica. Questa eventualità potrebbe causare la perdita della vista.
- Per riferimenti sul tipo di caricabatterie, vedere il capitolo "DATI TECNICI". Ai fini della ricarica della batteria, utilizzare esclusivamente il caricabatterie fornito insieme all'elettrodomestico.
- Per il significato dei simboli utilizzati per l'elettrodomestico, vedere la sezione "Simboli".
- Per i dettagli appropriati relativi alle precauzioni durante la manutenzione da parte dell'utente, vedere il capitolo "MANUTENZIONE".

DATI TECNICI

Modello:	CL114FD	
Capacità	con un sacchetto polveri	500 ml
	con un filtro di carta	330 ml
Utilizzo continuativo (con batteria BL1020V)	3 (modalità a velocità massima)	Circa 10 min
	2 (modalità ad alta velocità)	Circa 18 min
	1 (modalità a velocità normale)	Circa 55 min
Lunghezza complessiva	Corpo dell'aspiratore	458 mm
	Prolunga e bocchetta incluse	983 mm
Peso netto	1,1 kg	
Tensione nominale	10,8 V - 12 V C.C. max	

- A causa del nostro programma continuativo di ricerca e sviluppo, i dati tecnici sono soggetti a modifiche senza preavviso.
- I dati tecnici possono variare da nazione a nazione.
- Il peso non comprende gli accessori.
- Ai fini della ricarica della batteria, utilizzare esclusivamente il caricabatterie fornito insieme all'elettrodomestico.

Cartuccia della batteria e caricabatterie applicabili

Cartuccia della batteria	Caricabatterie	Tempo di carica (ore)
BL1020V	DC1002	2,0

- Il tempo di carica varia in base alla temperatura (da 10°C (50°F) a 40°C (104°F)) a cui viene caricata la cartuccia della batteria e alle condizioni della cartuccia della batteria, ad esempio una cartuccia della batteria che sia nuova o che non sia stata utilizzata per un lungo periodo di tempo.

⚠ AVVERTIMENTO: Utilizzare solo le cartucce delle batterie e i caricabatterie elencati sopra. L'utilizzo di altre cartucce delle batterie e di altri caricabatterie potrebbe causare lesioni personali e/o un incendio.

Simboli

Le figure seguenti mostrano i simboli utilizzati per l'apparecchio. Accertarsi di comprenderne il significato prima dell'uso.



Leggere il manuale d'uso.



Unità di alimentazione rimovibile



Solo per le nazioni dell'EU
A causa della presenza di componenti pericolosi nelle apparecchiature, i rifiuti di apparecchiature elettriche ed elettroniche, accumulatori e batterie potrebbero produrre un impatto negativo sull'ambiente e sulla salute umana.
Non smaltire elettrodomestici elettrici ed elettronici o batterie insieme ai rifiuti domestici!
In conformità alla direttiva europea sui rifiuti di apparecchiature elettriche ed elettroniche (RAEE), sugli accumulatori e le batterie, nonché sui rifiuti di accumulatori e batterie, e al suo adattamento alle normative nazionali, i rifiuti di apparecchiature elettriche ed elettroniche, batterie e accumulatori vanno conservati separatamente e conferiti a un punto di raccolta separato per i rifiuti comunali, operando in conformità alle normative per la protezione dell'ambiente.
Tale requisito viene indicato mediante il simbolo del bidone della spazzatura con ruote barrato apposto sull'apparecchio.

Utilizzo previsto

Questo apparecchio è progettato per la raccolta delle polveri secche.

AVVERTENZE DI SICUREZZA

Avvertenze relative alla sicurezza dell'aspiratore a batteria

AVVERTIMENTO: IMPORTANTE! LEGGERE CON ATTENZIONE tutte le avvertenze di sicurezza e tutte le istruzioni PRIMA DELL'USO. La mancata osservanza delle avvertenze e delle istruzioni potrebbe risultare in scosse elettriche, incendi e/o gravi lesioni personali.

1. **Non esporlo alla pioggia. Conservarlo al chiuso.**
2. **Non consentirne l'utilizzo come giocattolo.** Qualora venga utilizzato da o in prossimità di bambini, è necessaria una stretta sorveglianza.
3. **Utilizzarlo esclusivamente nelle modalità descritte nel presente manuale. Utilizzare esclusivamente gli accessori consigliati dal produttore.**
4. **Non utilizzarlo con una batteria danneggiata.** Qualora l'elettrodomestico non funzioni come previsto, sia caduto, si sia danneggiato, sia rimasto all'aperto o sia caduto in acqua, portarlo a un centro di assistenza.
5. **Non maneggiare l'elettrodomestico con le mani bagnate.**
6. **Non inserire alcun oggetto nelle aperture. Non utilizzarlo con alcuna apertura ostruita; tenerlo libero da polvere, lanugine, capelli e qualsiasi cosa possa ridurre il flusso dell'aria.**
7. **Tenere i capelli, gli indumenti abbondanti, le dita e tutte le parti del corpo lontani dalle aperture e dalle parti mobili.**
8. **Disattivare tutti i controlli prima di rimuovere la batteria.**
9. **Fare particolarmente attenzione durante la pulizia delle scale.**
10. **Non utilizzarlo per aspirare sostanze infiammabili o combustibili, ad esempio la benzina, o in ubicazioni in cui potrebbero essere presenti.**
11. **Per la ricarica, utilizzare esclusivamente il caricabatterie fornito dal produttore.**
12. **Non aspirare oggetti che brucino o emettano fumo, quali sigarette, fiammiferi o ceneri calde.**
13. **Non utilizzarlo senza il sacchetto polveri e/o i filtri installati.**
14. **Non caricare la batteria all'aperto.**
15. **Ricaricarla esclusivamente con il caricabatterie specificato dal produttore.** Un caricabatterie idoneo a un tipo di batteria potrebbe creare un rischio di incendio, laddove venga utilizzato con una batteria di tipo diverso.
16. **Utilizzare gli elettrodomestici esclusivamente con le batterie specificamente designate.** L'utilizzo di qualsiasi altra batteria potrebbe comportare il rischio di lesioni personali e incendi.
17. **Quando la batteria non è in uso, tenerla lontana da oggetti metallici, quali graffette, monete, chiavi, chiodi, viti o altri piccoli oggetti metallici, che possono creare un contatto da un terminale all'altro.**
18. **In condizioni di uso improprio, dalla batteria potrebbe venire espulso del liquido; evitare il contatto con tale liquido. In caso di contatto accidentale con il liquido, lavare abbondantemente con acqua.**
19. **Non utilizzare una batteria o un elettrodomestico che siano danneggiati o che siano stati modificati.** Batterie danneggiate o modificate potrebbero mostrare un comportamento imprevedibile che può risultare in incendi, esplosioni o nel rischio di lesioni personali.
20. **Non esporre una batteria o un elettrodomestico al fuoco o a temperature eccessive.** L'esposizione al fuoco o a temperature superiori ai 130 °C potrebbe causare un'esplosione.
21. **Attenersi a tutte le istruzioni relative alla carica e non caricare la batteria o l'elettrodomestico al di fuori della gamma di temperature specificata nelle istruzioni.** Una carica inappropriata o a temperature al di fuori della gamma specificata potrebbe danneggiare la batteria e incrementare il rischio di incendio.

22. Non lasciare che la familiarità acquisita con l'utilizzo frequente degli utensili porti all'auto-compiacimento e a ignorare i principi di sicurezza relativi agli utensili stessi. Un'operazione incauta può causare gravi lesioni personali in una frazione di secondo.

CONSERVARE LE PRESENTI ISTRUZIONI.

REGOLE AGGIUNTIVE PER LA SICUREZZA

1. Leggere attentamente il presente manuale d'uso e il manuale d'uso del caricabatterie prima dell'uso.
2. Non aspirare i materiali seguenti:
 - Materiali caldi, quali sigarette accese e/o scintille o polveri metalliche generate dalla smerigliatura o dal taglio del metallo
 - Materiali infiammabili, quali benzina per auto, solventi, benzina per smacchiare, cherosene o vernici
 - Materiali esplosivi, ad esempio nitroglicerina
 - Materiali infiammabili, quali alluminio, zinco, magnesio, titanio, fosforo o celluloido
 - Sporczia bagnata, acqua, olio o simili
 - Pezzi duri con estremità affilate, quali schegge di legno, metalli, pietre, vetri, chiodi, spilli o rasoi
 - Polveri che formino grumi, quali cemento o toner
 - Polveri conduttive, quali quelle metalliche o di carbonio
 - Polveri sottili, ad esempio polvere di calcestruzzo

In caso contrario, si potrebbero causare incendi, lesioni a persone e/o danni alle cose.

3. Qualora si noti una qualsiasi anomalia, interrompere immediatamente l'utilizzo.
4. Qualora si faccia cadere o si colpisca l'aspiratore, controllarlo attentamente alla ricerca di eventuali spaccature o danni, prima di utilizzarlo.
5. Non caricare l'aspiratore in prossimità di materiali infiammabili pericolosi, quali benzina, gas, vernice o adesivi.
6. Non caricare l'aspiratore su carte, panni, tappeti, vinile, e così via. In caso contrario, si potrebbe causare un incendio.
7. Non caricare l'aspiratore in ubicazioni polverose.
8. Quando si intende utilizzare l'aspiratore in ubicazioni elevate, accertarsi che non sia presente alcuna persona sotto di sé.
9. Non avvicinarlo a stufe/fornelli o altre fonti di calore.
10. Non ostruire il foro di aspirazione o i fori di ventilazione.

CONSERVARE LE PRESENTI ISTRUZIONI.

ISTRUZIONI IMPORTANTI PER LA SICUREZZA

PER LA BATTERIA INCORPORATA

1. Prima di utilizzare la batteria incorporata, leggere tutte le istruzioni e le indicazioni delle avvertenze su (1) il caricabatterie, (2) la batteria e (3) il prodotto che utilizza la batteria.
2. Non smontare la batteria incorporata.
3. Qualora il tempo di utilizzo sia diventato eccessivamente breve, interrompere l'utilizzo immediatamente. In caso contrario, si potrebbe correre il rischio di surriscaldamento, con la possibilità di ustioni e persino di un'esplosione.
4. Qualora il liquido elettrolitico penetri negli occhi, sciacquarli con acqua pulita e richiedere immediatamente assistenza medica. Questa eventualità potrebbe causare la perdita della vista.
5. Non cortocircuitare la batteria incorporata:
 - (1) Non toccare i terminali con alcun materiale conduttivo.
 - (2) Evitare di conservare la batteria incorporata in un contenitore insieme ad altri oggetti metallici, quali chiodi, monete, e così via.
 - (3) Non esporre la batteria incorporata all'acqua o alla pioggia. Un cortocircuito della batteria può causare un ampio flusso di corrente, un surriscaldamento, la possibilità di ustioni e anche una rottura.
6. Non conservare e utilizzare l'elettrodomestico e la batteria incorporata in ubicazioni in cui la temperatura possa raggiungere o superare i 50 °C.
7. Non bruciare la batteria incorporata anche qualora sia gravemente danneggiata o completamente usurata. La batteria incorporata può esplodere a contatto con il fuoco.
8. Fare attenzione a non far cadere e a non colpire la batteria.
9. Non utilizzare una batteria incorporata danneggiata.
10. Le batterie a ioni di litio contenute sono soggette ai requisiti del regolamento sul trasporto di merci pericolose (Dangerous Goods Legislation). Quando si intende smaltire la batteria, rimuoverla dall'elettrodomestico e smaltirla in un luogo sicuro. Attenersi alle normative locali relative allo smaltimento della batteria.
11. Utilizzare le batterie esclusivamente con i prodotti specificati da Makita.

CONSERVARE LE PRESENTI ISTRUZIONI.

Suggerimenti per preservare la massima durata della batteria

1. **Caricare la batteria incorporata prima che si scarichi completamente.**
Smettere sempre di utilizzare l'elettrodomestico e caricare la batteria incorporata quando si nota che la potenza dell'elettrodomestico è diminuita.
2. **Non ricaricare mai una batteria incorporata completamente carica.**
La sovraccarica riduce la vita utile della batteria.
3. **Caricare la batteria incorporata a una temperatura ambiente compresa tra 10°C e 40°C.**
Lasciar raffreddare una batteria incorporata molto calda prima di ricaricarla.
4. **Caricare la batteria incorporata una volta ogni sei mesi, se non si utilizza l'elettrodomestico per un periodo di tempo prolungato.**

DESCRIZIONE DELLE FUNZIONI

⚠ATTENZIONE: Accertarsi sempre che l'elettrodomestico sia spento, prima di regolare o controllare le funzioni dell'elettrodomestico.

Caricamento della batteria incorporata

⚠ATTENZIONE: Utilizzare solo batterie originali Makita. L'utilizzo di batterie Makita non originali, o di batterie che siano state alterate, potrebbe risultare nello scoppio della batteria, causando incendi, lesioni personali e danni. Inoltre, ciò potrebbe invalidare la garanzia Makita per il prodotto e il caricabatterie Makita.

⚠ATTENZIONE: Scollegare sempre lo spinotto di carica dall'aspiratore dopo la carica.

⚠ATTENZIONE: Non lasciare il caricabatterie collegato alla rete elettrica dopo aver scollegato l'elettrodomestico. I bambini piccoli potrebbero mettere lo spinotto sotto tensione in bocca e causare lesioni personali.

Caricare l'aspiratore quando lo si utilizza per la prima volta o se non è stato caricato per un periodo di tempo prolungato. Collegare lo spinotto di carica al connettore di carica, quindi collegare il caricabatterie alla presa di alimentazione elettrica.

► **Fig.1:** 1. Connettore di carica

L'indicatore luminoso di carica della batteria si illumina e la carica ha inizio. La luce si spegne dopo che la carica è stata completata. Per ulteriori dettagli, fare riferimento al manuale d'uso del caricabatterie.

► **Fig.2:** 1. Indicatore luminoso di carica della batteria

AVVISO: Qualora la batteria o l'aspiratore siano esposti a temperature estreme, l'indicatore luminoso di carica della batteria lampeggia e non è possibile caricare la batteria.

NOTA: Non è possibile controllare l'aspiratore mentre viene caricato. Per avviare l'aspiratore, scollegare il caricabatterie dalla fonte di alimentazione, scollegare lo spinotto di carica dell'aspiratore, quindi premere il pulsante di accensione/modifica della velocità.

NOTA: Nelle condizioni seguenti, la batteria sta per raggiungere la fine del suo ciclo di vita (oppure è danneggiata o si è guastata). Scollegare il caricabatterie dalla fonte di alimentazione, quindi sostituire la batteria.

- L'indicatore luminoso di carica della batteria si spegne poco dopo aver iniziato a caricare l'aspiratore.
- L'aspiratore funziona solo per un periodo di tempo più breve della metà del normale tempo di funzionamento, dopo che la batteria è stata caricata completamente.

NOTA: È possibile ricaricare la batteria per un massimo di 500 volte, approssimativamente. Il numero di ricariche può variare a seconda delle condizioni nelle quali è stata caricata e scaricata la batteria.

Funzionamento dell'interruttore

⚠ATTENZIONE: Spegnerne sempre l'aspiratore dopo ciascun utilizzo per evitare danni all'aspiratore stesso e per prolungare la vita utile delle batterie.

Per avviare l'aspiratore, è sufficiente premere il pulsante di accensione/modifica della velocità. Per spegnerlo, premere il pulsante di spegnimento.

È possibile modificare la velocità dell'aspiratore su tre livelli, premendo il pulsante di accensione/modifica della velocità.

La prima pressione di questo pulsante attiva la modalità ad alta velocità, la seconda pressione attiva la modalità a velocità massima e la terza pressione attiva la velocità normale. Ciascuna pressione di questo pulsante ripete il ciclo di alternanza tra velocità alta/massima/normale.

► **Fig.3:** 1. Pulsante di accensione/modifica della velocità 2. Pulsante di spegnimento

Indicatore luminoso di carica della batteria

Quando la carica residua della batteria si riduce, l'indicatore luminoso di carica della batteria lampeggia. Quando la carica residua della batteria si riduce notevolmente, l'aspiratore si arresta e l'indicatore luminoso di carica della batteria si illumina per circa 10 secondi. A questo punto, caricare la batteria.

L'aspiratore si arresta e l'indicatore luminoso di carica della batteria si illumina per circa 10 secondi anche quando la batteria diventa sovraccarica o surriscaldata. L'aspiratore non funziona mentre l'indicatore luminoso è acceso.

► **Fig.4:** 1. Indicatore luminoso di carica della batteria

NOTA: Il momento in cui l'indicatore luminoso di carica della batteria inizia a lampeggiare o si illumina dipende dalla temperatura della sede di lavoro e dalle condizioni della batteria.

Illuminazione della lampada

⚠ATTENZIONE: Non osservare né guardare direttamente la fonte di luce.

Per accendere la lampada, premere il pulsante di accensione/modifica della velocità. Per spegnere la lampada, premere il pulsante di spegnimento. Durante l'attivazione dell'aspiratore, la lampada si accende.

- **Fig.5:** 1. Pulsante di accensione/modifica della velocità 2. Pulsante di spegnimento (OFF) 3. Lampada

MONTAGGIO

⚠ATTENZIONE: Accertarsi sempre che l'elettrodomestico sia spento prima di effettuare qualsiasi intervento sull'elettrodomestico.

Sacchetto polveri e filtro di carta

Prima di utilizzare l'aspiratore, installare un sacchetto polveri o un filtro di carta. Quando si intende installare il sacchetto polveri o il filtro di carta, utilizzare la barriera polveri. È possibile riutilizzare i sacchetti polveri numerose volte, pulendoli a fondo. Il filtro di carta è di tipo "usa-e-getta". Gettare via l'intero filtro di carta senza svuotarlo, quando si è riempito.

AVVISO: Per evitare che le polveri penetrino nel motore:

- Prima dell'uso, accertarsi che sia installato il sacchetto polveri o il filtro di carta.
- Inserire la barriera polveri assieme al sacchetto polveri o al filtro di carta fino in fondo negli alloggiamenti, quando si intende installarli.
- Non utilizzare un sacchetto rotto o strappato.

In caso contrario, si potrebbe rompere il motore.

AVVISO: Quando si intende installare il filtro di carta, non piegare il cartone nel punto della sua apertura.

AVVISO: Non gettare mai via la barriera polveri, poiché deve essere riutilizzata ogni volta che si utilizzano il sacchetto polveri o il filtro di carta.

AVVISO: Il filtro di carta per l'aspiratore è un componente importante per preservare le prestazioni dell'aspiratore. L'utilizzo di filtri di carta diversi da quelli originali potrebbe causare emissione di fumi o combustione.

NOTA: Quando nell'aspiratore non è installato il filtro di carta o il sacchetto polveri, lo sportellino anteriore non si chiude completamente.

- **Fig.6**

Installazione del sacchetto polveri

Quando si intende installare il sacchetto polveri, utilizzare la barriera polveri. Fare attenzione a non confondere il lato superiore con il lato inferiore per errore, poiché sono diversi l'uno dall'altro.

- **Fig.7:** 1. Lato superiore della barriera polveri
2. Lato inferiore della barriera polveri

1. Inserire la sporgenza del sacchetto polveri nella scanalatura inferiore sulla barriera polveri, come indicato nella figura.

- **Fig.8:** 1. Barriera polveri 2. Scanalatura inferiore
3. Sacchetto polveri

2. Non vi è alcuna distinzione tra i lati superiore e inferiore del sacchetto polveri. È possibile inserire la sua sporgenza presente su entrambi i lati nella scanalatura inferiore della barriera polveri.

- **Fig.9:** 1. Scanalatura inferiore

3. Sovrapporre il telaio della barriera polveri a quello del sacchetto polveri.

- **Fig.10**

4. Posizionare la barriera polveri e il sacchetto polveri assieme nella cavità dell'aspiratore con lo stesso orientamento indicato dalla freccia presente sulla barriera polveri. Inserirli fino in fondo negli alloggiamenti nella cavità dell'aspiratore.

- **Fig.11**

5. Distendere la parte in tessuto del sacchetto polveri all'interno dell'aspiratore.

- **Fig.12**

6. Chiudere completamente lo sportellino anteriore.

- **Fig.13:** 1. Sportellino anteriore

Installazione del filtro di carta

Utilizzare la barriera polveri anche quando si intende installare il filtro di carta. Fare attenzione a non confondere il lato superiore con il lato inferiore per errore, poiché sono diversi l'uno dall'altro.

- **Fig.14:** 1. Lato superiore della barriera polveri
2. Lato inferiore della barriera polveri

1. Distendere l'ingresso del filtro di carta prima di posizionarlo sulla barriera polveri.

- **Fig.15**

2. Inserire la sporgenza del filtro di carta nella scanalatura inferiore sulla barriera polveri, come indicato nella figura.

- **Fig.16:** 1. Barriera polveri 2. Scanalatura inferiore
3. Filtro di carta

3. Non vi è alcuna distinzione tra i lati superiore e inferiore del filtro di carta. È possibile inserire la sua sporgenza presente su qualsiasi lato nella scanalatura inferiore della barriera polveri.

- **Fig.17:** 1. Scanalatura inferiore

4. Sovrapporre il telaio della barriera polveri a quello del filtro di carta.

- **Fig.18**

5. Posizionare la barriera polveri e il filtro di carta assieme nella cavità dell'aspiratore, con lo stesso orientamento indicato dalla freccia presente sulla barriera polveri. Inserirli fino in fondo negli alloggiamenti nella cavità dell'aspiratore.

- **Fig.19**

6. Distendere la parte del contenitore del filtro di carta all'interno dell'aspiratore.

► Fig.20

7. Chiudere completamente lo sportellino anteriore.

► Fig.21: 1. Sportellino anteriore

FUNZIONAMENTO

⚠ATTENZIONE: Durante l'utilizzo dell'aspiratore, non avvicinare il viso all'apertura di ventilazione. Qualora dei corpi estranei vengano soffiati negli occhi, potrebbero causare lesioni personali.

Installazione o rimozione dell'accessorio aspiratore

⚠ATTENZIONE: Dopo aver installato un accessorio, verificare se sia installato saldamente. Qualora l'accessorio non sia installato perfettamente, potrebbe staccarsi e causare lesioni personali.

⚠ATTENZIONE: Quando si intende rimuovere l'accessorio, fare attenzione a non colpire con la mano le pareti, e così via.

Quando si intende utilizzare un accessorio dotato di funzione di blocco

Per installare un accessorio, inserirlo nella presa di aspirazione dell'aspiratore fino a sentire uno scatto. Accertarsi che l'accessorio sia bloccato.

► Fig.22: 1. Presa di aspirazione 2. Accessorio dotato di funzione di blocco 3. Gancio 4. Pulsante di sblocco

NOTA: Quando si intende installare un accessorio dotato di funzione di blocco, accertarsi di allineare il pulsante di sblocco con il gancio sull'accessorio. Qualora non siano allineati, l'accessorio non viene bloccato, e potrebbe staccarsi dall'aspiratore.

Per rimuovere l'accessorio, tirarlo mentre si tiene premuto il pulsante di sblocco.

► Fig.23: 1. Pulsante di sblocco 2. Accessorio dotato di funzione di blocco

Quando si intende utilizzare un accessorio privo di funzione di blocco

⚠ATTENZIONE: Per installare un accessorio privo di funzione di blocco, ruotarlo e inserirlo nella direzione della freccia per fissare il collegamento durante l'uso. Per rimuovere l'accessorio, ruotarlo ed estrarlo in modo analogo nella direzione della freccia.

► Fig.24

Pulizia (aspirazione)

Bocchetta

Montare la bocchetta per pulire tavoli, scrivanie, mobili, e così via. La bocchetta si inserisce facilmente infilandola.

► Fig.25: 1. Bocchetta

Bocchetta + prolunga (tubo diritto)

La prolunga si inserisce tra la bocchetta e l'aspiratore stesso. Questa disposizione è comoda per pulire i pavimenti restando in posizione eretta.

► Fig.26: 1. Corpo dell'aspiratore 2. Prolunga 3. Bocchetta

Bocchetta per angoli

Montare la bocchetta per angoli per la pulizia degli angoli e degli interstizi di sedili di automobili o mobili.

► Fig.27: 1. Bocchetta per angoli 2. Corpo dell'aspiratore

Bocchetta per angoli + prolunga (tubo diritto)

Utilizzare questa disposizione in spazi ristretti in cui non sia possibile infilare l'aspiratore stesso o in ubicazioni elevate difficili da raggiungere.

► Fig.28: 1. Bocchetta per angoli 2. Prolunga 3. Corpo dell'aspiratore

Pulizia senza la bocchetta

È possibile aspirare le polveri senza la bocchetta.

► Fig.29

Per aspirare la polvere su un pavimento restando in piedi, è comodo montare la prolunga sull'aspiratore.

► Fig.30: 1. Prolunga

Smaltimento delle polveri

⚠ATTENZIONE: Svuotare l'aspiratore prima che diventi troppo pieno; in caso contrario, la forza di aspirazione si riduce.

⚠ATTENZIONE: Quando si chiude lo sportellino anteriore, fare attenzione a non far restare incastrate le dita.

AVVISO: Non gettare mai via la barriera polveri, poiché va utilizzata ogni volta che si utilizzano il sacchetto polveri o il filtro di carta.

AVVISO: Quando all'interno dell'aspiratore non è installato il sacchetto polveri o il filtro di carta, lo sportellino anteriore non si chiude completamente. Non forzare lo sportellino anteriore per chiuderlo. In caso contrario, si potrebbe causare la deformazione o la rottura dell'aspiratore.

AVVISO: Quando si smaltisce la polvere, pulire anche l'alloggiamento destinato al sacchetto polveri o al filtro di carta. Le polveri e lo sporco rimasti nell'alloggiamento potrebbero causare l'intasamento del filtro in spugna o il danneggiamento del motore.

1. Premere il pulsante per aprire lo sportellino anteriore. L'apertura dello sportellino fino a udire uno scatto consente la conferma dell'arresto in tale posizione.

► Fig.31: 1. Sportellino anteriore 2. Pulsante

2. Estrarre assieme sia la barriera polveri di colore arancione che il sacchetto polveri o il filtro di carta contemporaneamente.

► Fig.32: 1. Barriera polveri

3. Attenersi alle procedure seguenti, a seconda del tipo di contenitore delle polveri:

Quando si utilizza il sacchetto polveri

Rimuovere la barriera polveri e svuotare il sacchetto polveri.

► Fig.33: 1. Barriera polveri 2. Sacchetto polveri

Quando si utilizza il filtro di carta

Rimuovere la barriera polveri e smaltire il filtro di carta.

► Fig.34: 1. Barriera polveri 2. Filtro di carta

4. Inserire nell'aspiratore il sacchetto polveri o il nuovo filtro di carta insieme alla barriera polveri, quindi chiudere lo sportellino anteriore.

NOTA: L'aspiratore è fabbricato in modo tale da far staccare lo sportellino anteriore, quando si tenta di forzarne l'apertura a un'angolazione superiore a 90°. Qualora lo sportellino anteriore si stacchi, inserirlo in sede nel giunto dello sportellino anteriore.

► Fig.35: 1. Sportellino anteriore 2. Giunto dello sportellino anteriore

MANUTENZIONE

ATTENZIONE: Accertarsi sempre che l'elettrodomestico sia spento prima di tentare di effettuare ispezioni o manutenzione.

Per preservare la SICUREZZA e l'AFFIDABILITÀ del prodotto, le riparazioni e qualsiasi altro intervento di manutenzione o di regolazione devono essere eseguiti da centri di assistenza autorizzati Makita, utilizzando sempre ricambi Makita.

AVVISO: Non utilizzare mai benzina, benzene, solventi, alcol o altre sostanze simili. In caso contrario, si potrebbero causare scolorimenti, deformazioni o crepe.

Dopo l'uso

Quando si intende riporre o caricare l'aspiratore, bloccare la testa della bocchetta, quindi appenderlo a un gancio disponibile in commercio.

► Fig.36

ATTENZIONE: Se si appoggia l'aspiratore contro una parete senza alcun altro sostegno, si potrebbe causare la caduta dell'aspiratore, danneggiandolo.

► Fig.37

Pulizia

Corpo dell'aspiratore

Pulire di tanto in tanto la superficie esterna dell'aspiratore (corpo dell'aspiratore) utilizzando un panno inumidito con acqua e sapone.

Pulire anche l'apertura di aspirazione, l'area di montaggio del sacchetto polveri o del filtro di carta e la barriera polveri.

► Fig.38

Barriera polveri

Rimuovere le polveri con un panno dalla barriera polveri.

Rimuovere le polveri e lo sporco sulla parte in spugna dando a quest'ultima dei leggeri colpetti.

► Fig.39: 1. Parte in spugna

Sacchetto polveri

Lavare il sacchetto polveri in acqua e sapone quando è intasato di polveri e la potenza dell'aspiratore si indebolisce. Asciugarlo completamente prima dell'uso. Un sacchetto non asciugato a sufficienza potrebbe causare un'aspirazione scadente e ridurre la vita utile del motore.

► Fig.40

NOTA: Il filtro di carta è di tipo "usa-e-getta".

Quando il filtro in spugna è intasato di polveri, rimuoverlo dall'aspiratore, quindi pulirlo o lavarlo in acqua.

Rimozione e installazione del filtro in spugna

ATTENZIONE: Dopo la pulizia del filtro in spugna, accertarsi di installarlo nell'aspiratore. Qualora sia stato lavato in acqua, farlo asciugare prima di installarlo. Un filtro in spugna non asciugato a sufficienza potrebbe ridurre la vita utile del motore.

Per rimuovere il filtro in spugna, rimuovere il sacchetto polveri o il filtro di carta, quindi afferrare il filtro in spugna tra due dita ed estrarlo.

► Fig.41: 1. Filtro in spugna

Per installare il filtro, premere verso l'interno l'intero bordo del filtro in spugna contro la parete incassata all'interno dell'area di montaggio del sacchetto polveri o del filtro di carta.

► Fig.42: 1. Parete incassata

Pulizia della bocchetta

(specifica in base alla nazione)

Quando la spazzola della bocchetta si impolvera, rimuovere la polvere con nastro adesivo.

► Fig.43: 1. Spazzola

Supporto a muro per aspiratore a batteria

Accessorio opzionale

NOTA: La vite per montare il supporto non è inclusa. Preparare una vite idonea al materiale in cui debba essere avvitata.

Montare il supporto a muro per l'aspiratore a batteria su una parete, una trave o una colonna in legno duro, in cui sia possibile fissare saldamente il supporto a muro dell'aspiratore a batteria. Accertarsi sempre che il supporto a muro per l'aspiratore a batteria sia fissato saldamente, prima di appendere l'aspiratore.

► **Fig.44:** 1. Supporto a muro per aspiratore a batteria 2. Spina

ATTENZIONE: Non appendere l'aspiratore al supporto a muro con violenza né appendere altri elettrodomestici diversi dall'aspiratore.

NOTA: Quando non si intende caricare l'aspiratore, è possibile riporre la spina nel supporto a muro per l'aspiratore a batteria, come illustrato nella figura.

Risoluzione dei problemi

Prima di richiedere riparazioni, controllare i punti seguenti.

Sintomo	Area da controllare	Metodo di correzione del problema
Forza di aspirazione debole	Il sacchetto polveri o il filtro di carta sono pieni di polveri?	Svuotare il sacchetto polveri o il filtro di carta.
	Il sacchetto polveri è intasato?	Spolverare o lavare il sacchetto polveri.
	Il filtro di carta è intasato?	Sostituire il filtro di carta.
	La cartuccia della batteria è scarica?	Caricare la cartuccia della batteria.
Mancato funzionamento	La cartuccia della batteria è scarica?	Caricare la cartuccia della batteria.
Lo sportellino del contenitore polveri non si chiude	Il sacchetto polveri o il filtro di carta è inserito?	Inserire il sacchetto polveri o il filtro di carta.

AVVISO: Non tentare di riparare l'aspiratore da soli.

Smaltimento dell'aspiratore

In questo aspiratore è incorporata una batteria a ioni di litio. Rimuoverla sempre prima di smaltire l'aspiratore.

Rimozione della batteria incorporata

ATTENZIONE: Non toccare i terminali con alcun materiale conduttivo.

ATTENZIONE: Evitare di conservare l'unità batteria in un contenitore insieme ad altri oggetti metallici, quali chiodi, monete, e così via.

ATTENZIONE: Non esporre l'unità batteria all'acqua o alla pioggia.

ATTENZIONE: Non smontare né alterare l'unità batteria.

ATTENZIONE: L'aspiratore deve essere scollegato dall'alimentazione della rete elettrica, quando si intende rimuovere la batteria.

1. Per rimuovere lo sportellino posteriore, premerlo nella direzione della freccia.

► **Fig.45:** 1. Sportellino posteriore

2. Far scorrere la batteria incorporata fino a metà corsa. Scollegare i fili elettrici dalla batteria spostando leggermente all'indietro la batteria mentre si tiene premuto il connettore nella direzione della freccia, come indicato nella figura.

► **Fig.46:** 1. Connettore 2. Fili elettrici

3. Quindi, far scorrere fuori completamente l'unità batteria.

► **Fig.47:** 1. Unità batteria

4. Inserire l'unità batteria rimossa in una scatola di cartone, in modo che non possa venire cortocircuitata.

Installazione della batteria sostitutiva

Per installare la batteria sostitutiva, seguire la procedura di rimozione al contrario.

ATTENZIONE: Far passare i fili in modo che vengano riposti completamente all'interno dell'aspiratore, prima di rimettere lo sportellino posteriore nella posizione originale. La mancata osservanza di questa indicazione potrebbe danneggiare i fili.

► **Fig.48**

Dopo l'installazione della batteria (vedere "DATI TECNICI"), caricare la batteria prima dell'uso.

ACCESSORIO CICLONICO

Accessorio opzionale

► **Fig.49:** 1. Pulsante di sblocco 2. Gancio 3. Tubo diritto 4. Accessorio ciclonico 5. Presa di aspirazione

Informazioni sull'accessorio ciclonico

L'utilizzo dell'aspiratore con l'accessorio ciclonico installato riduce la quantità di polveri che entrano nel sacchetto polveri, il che contribuisce a evitare l'indebolimento della forza di aspirazione. Inoltre, anche la pulizia dopo l'uso è semplice.

⚠ATTENZIONE: Accertarsi sempre che l'aspiratore sia spento prima di effettuare qualsiasi intervento sull'aspiratore. Un avvio accidentale potrebbe causare lesioni personali.

⚠ATTENZIONE: Pulire il filtro a rete dell'accessorio ciclonico e il sacchetto polveri dell'unità aspiratore quando diventano intasati. L'utilizzo continuato nella condizione di intasamento potrebbe risultare in un riscaldamento o nell'emissione di fumo.

AVVISO: Quando è montato l'accessorio ciclonico, non utilizzare l'aspiratore in direzione orizzontale o rivolto verso l'alto. In caso contrario, si potrebbe causare l'intasamento del filtro a rete.

AVVISO: Utilizzare sempre l'aspiratore con il sacchetto polveri installato, anche quando si utilizza l'accessorio ciclonico. L'utilizzo dell'aspiratore senza il sacchetto polveri installato potrebbe risultare in un malfunzionamento del motore.

NOTA: Verificare che l'accessorio ciclonico, l'aspiratore e il tubo diritto siano bloccati correttamente, prima dell'uso.

NOTA: Svuotare il contenitore polveri dell'accessorio ciclonico e il sacchetto polveri dell'aspiratore, quando le polveri si sono accumulate. In caso contrario, l'utilizzo continuato risulta in una forza di aspirazione ridotta.

NOTA: È anche possibile utilizzare l'accessorio ciclonico senza la funzione di blocco.

NOTA: Per installare o rimuovere l'accessorio ciclonico, fare riferimento alla sezione "Installazione o rimozione dell'accessorio aspiratore".

Smaltimento delle polveri

Quando le polveri si sono accumulate fino alla linea di riempimento del contenitore polveri, attenersi alla procedura seguente e smaltire le polveri.

1. Mantenere saldamente il contenitore polveri, premere e tenere premuti i due pulsanti, quindi rimuovere il contenitore polveri.

► **Fig.50:** 1. Linea di riempimento 2. Contenitore polveri 3. Pulsante (in due ubicazioni) 4. Filtro a rete

2. Smaltire le polveri all'interno del contenitore polveri e rimuovere eventuali polveri depositate sulla superficie del filtro a rete.

3. Inserire completamente il contenitore polveri fino a quando i due pulsanti si bloccano con uno scatto.

► **Fig.51:** 1. Contenitore polveri 2. Pulsante (in due ubicazioni)

NOTA: Verificare che l'accessorio ciclonico, l'aspiratore e il tubo diritto siano bloccati correttamente, prima di riprendere l'utilizzo.

NOTA: Qualora la forza di aspirazione non venga recuperata anche dopo aver smaltito le polveri e aver pulito il filtro a rete, controllare se le polveri si sono accumulate nel sacchetto polveri dell'aspiratore o se si sia verificato un intasamento.

NOTA: La polvere potrebbe volare verso l'alto, quando la si smaltisce dall'accessorio ciclonico. Fare attenzione a non consentire che la polvere finisca negli occhi.

Pulizia

Quando il contenitore polveri diventa sporco o il filtro a rete è intasato, rimuoverli e lavarli con acqua. (Per la procedura di rimozione, fare riferimento a "Smaltimento delle polveri").

Far asciugare completamente le parti prima della reinstallazione e dell'utilizzo.

► **Fig.52:** 1. Contenitore polveri 2. Filtro a rete

Quando il filtro a rete si sporca notevolmente, pulirlo attenendosi alle procedure seguenti.

1. Ruotare il filtro a rete in senso antiorario e rimuoverlo mentre i ganci sono sbloccati.

► **Fig.53:** 1. Filtro a rete 2. Gancio

2. Rimuovere le polveri sul filtro a rete, quindi lavarli con acqua. Dopodiché, farlo asciugare completamente.

3. Inserire il filtro a rete nella base mentre i ganci sono allineati con l'apertura. Ruotare in senso orario il filtro a rete fino a quando i ganci si bloccano con uno scatto. Accertarsi che il filtro a rete sia installato saldamente.

► **Fig.54:** 1. Filtro a rete 2. Gancio 3. Apertura

ACCESSORI OPZIONALI

⚠ATTENZIONE: Questi accessori o componenti aggiuntivi sono consigliati per l'uso con l'elettrodomestico Makita specificato nel presente manuale. L'utilizzo di altri accessori o componenti aggiuntivi potrebbe costituire un rischio di lesioni alle persone. Utilizzare un accessorio o un componente aggiuntivo solo per lo scopo a cui è destinato.

Per ottenere ulteriori dettagli relativamente a questi accessori, rivolgersi a un centro di assistenza Makita.

- Prolunga (tubo diritto)
- Bocchetta
- Bocchetta per tappeti
- Spazzola per scaffali
- Bocchetta per angoli
- Spazzola rotonda
- Tubo flessibile
- Filtro di carta
- Supporto a muro per aspiratore a batteria
- Batteria sostitutiva
- Bocchetta staccata
- Bocchetta per sedute
- Bocchetta per fessure
- Accessorio ciclonico

NOTA: Alcuni articoli nell'elenco potrebbero essere in dotazione nella confezione dell'elettrodomestico come accessori di serie. Possono variare da una nazione all'altra.

WAARSCHUWING

- Dit apparaat mag worden gebruikt door kinderen van 8 jaar en ouder of door personen met beperkte fysieke, zintuiglijke of verstandelijke vermogens of gebrek aan ervaring of kennis van zaken, maar alleen onder toezicht of na instructie in veilig gebruik van het apparaat, met begrip van de eventuele risico's.
- Kinderen mogen niet met het apparaat spelen. Reinigen en onderhoud van het apparaat mag niet door kinderen worden verricht, tenzij onder toezicht.
- Zie het hoofdstuk "TECHNISCHE GEGEVENS" voor de typeaanduiding van de accu.
- Zie de paragrafen "De ingebouwde accu verwijderen" en "De vervangingsaccu aanbrengen" voor informatie over het vervangen van de accu.
- De bijgeleverde lithiumionbatterijen zijn onderhevig aan de vereisten in de wetgeving omtrent gevaarlijke stoffen. Wanneer u de accu wilt weggooien, verwijdert u de accu uit het apparaat en gooit u hem op een veilige manier weg. Volg bij het weggooien van de accu de plaatselijke voorschriften.
- Onder zware gebruiksomstandigheden kan vloeistof uit de accu komen. Voorkom aanraking. Als aanraking per ongeluk zich voordoet, spoelt u met water.
- Als elektrolyt in uw ogen komt, spoelt u ze onmiddellijk uit met schoon water en raadpleegt u een arts. Uw gezichtsvermogen zou ernstig aangetast kunnen worden.
- Zie het hoofdstuk "TECHNISCHE GEGEVENS" voor de typeaanduiding van de acculader. Om de accu op te laden mag u uitsluitend de acculader gebruiken die bij het apparaat werd geleverd.
- Zie de paragraaf "Symbolen" voor de betekenis van de symbolen die op het apparaat worden gebruikt.
- Zie het hoofdstuk "ONDERHOUD" voor de benodigde informatie over de voorzorgsmaatregelen tijdens onderhoud door de gebruiker.

TECHNISCHE GEGEVENS

Model:		CL114FD
Inhoud	met een stoffen stofzak	500 ml
	met een papieren stofzak	330 ml
Continu gebruik (met accu BL1020V)	3 (stand voor maximale snelheid)	Ong. 10 min
	2 (stand voor hoge snelheid)	Ong. 18 min
	1 (stand voor normale snelheid)	Ong. 55 min
Totale lengte	Behuizing van de stofzuiger	458 mm
	Met verlengbuis en mondstuk	983 mm
Nettogewicht		1,1 kg
Nominale spanning		Max. 10,8 V - 12 V gelijkspanning

- In verband met ononderbroken research en ontwikkeling, behouden wij ons het recht voor de bovenstaande technische gegevens zonder voorafgaande kennisgeving te wijzigen.
- De technische gegevens kunnen van land tot land verschillen.
- Het gewicht is exclusief de accessoires.
- Om de accu op te laden mag u uitsluitend de acculader gebruiken die bij het apparaat werd geleverd.

Toepasselijke accu's en laders

Accu	Acculader	Oplaadtijd (uur)
BL1020V	DC1002	2,0

- De oplaadtijd varieert met de temperatuur (10 °C (50 °F) tot 40 °C (104 °F)) waarbij de accu wordt geladen en met de toestand van de accu, bijvoorbeeld een accu die nieuw is of lange tijd niet is gebruikt.

⚠WAARSCHUWING: Gebruik uitsluitend de accu's en laders die hierboven worden genoemd. Gebruik van enige andere accu of lader kan leiden tot letsel en/of brand.

Symbolen

Hieronder staan de symbolen die voor het gereedschap kunnen worden gebruikt. Zorg ervoor dat u de betekenis ervan kent voordat u het gereedschap gaat gebruiken.



Lees de gebruiksaanwijzing.



De voeding kan worden losgekoppeld



Alleen voor EU-landen
Als gevolg van de aanwezigheid van schadelijke componenten in het apparaat, kunnen oude elektrische en elektronische apparaten, accu's en batterijen negatieve gevolgen hebben voor het milieu en de gezondheid van mensen.
Gooi elektrische en elektronische apparaten en accu's niet met het huisvuil weg! In overeenstemming met de Europese richtlijn inzake oude elektrische en elektronische apparaten en inzake accu's en batterijen en oude accu's en batterijen, alsmede de toepassing daarvan binnen de nationale wetgeving, dienen oude elektrische apparaten, accu's en batterijen gescheiden te worden opgeslagen en te worden ingeleverd bij een apart inzamelingspunt voor huishoudelijk afval dat de milieubeschermingsvoorschriften in acht neemt.
Dit wordt op het apparaat aangegeven door het symbool van een doorgekruste afvalcontainer.

Gebruiksdoeleinden

Het apparaat is bedoeld om droog stof te verzamelen.

VEILIGHEIDSWAARSCHUWINGEN

Veiligheidswaarschuwingen voor accustofzuigers

WAARSCHUWING: BELANGRIJK! LEES VÓÓR GEBRUIK alle veiligheidswaarschuwingen en alle instructies ZORGVULDIG DOOR. Het niet volgen van de waarschuwingen en instructies kan leiden tot elektrische schokken, brand en/of ernstig letsel.

1. **Stel niet bloot aan regen. Bewaar binnenshuis.**
2. **Sta niet toe dat ermee gespeeld wordt. Let goed op bij gebruik door of in de buurt van kinderen.**
3. **Gebruik uitsluitend zoals beschreven in deze gebruiksaanwijzing. Gebruik uitsluitend hulpstukken aanbevolen door de fabrikant.**
4. **Gebruik nooit met een beschadigde accu. Als het apparaat niet werkt zoals het zou moeten werken, is gevallen, is beschadigd, buiten heeft gelegen of in het water is gevallen, stuurt u het terug naar een servicecentrum.**

5. **Hanteer het apparaat niet met natte handen.**
6. **Steek geen voorwerpen in de openingen. Gebruik het apparaat niet wanneer een opening verstopt zit, houd het apparaat vrij van stof, pluizen, haar en alles wat de luchtdoorstroming kan hinderen.**
7. **Houd haar, loshangende kleding, vingers en alle lichaamsdelen uit de buurt van de openingen en bewegende delen.**
8. **Schakel alle bedieningselementen uit alvorens de accu eraf te halen.**
9. **Wees extra voorzichtig bij het stofzuigen op een trap.**
10. **Zuig geen ontvlambare of brandbare vloeistoffen, zoals benzine, op en gebruik het apparaat niet op plaatsen waar deze aanwezig kunnen zijn.**
11. **Gebruik voor het opladen uitsluitend de acculader die door de fabrikant werd geleverd.**
12. **Zuig niets op dat brandt of rookt, zoals sigaretten, lucifers of hete as.**
13. **Gebruik het apparaat niet zonder dat de stofzak en/of filters zijn aangebracht.**
14. **Laad de accu niet buitenshuis op.**
15. **Laad uitsluitend op met de acculader die wordt gespecificeerd door de fabrikant.** Een acculader die geschikt is voor een bepaald type accu, kan brandgevaar opleveren indien gebruikt met een ander type accu.
16. **Gebruik apparaten uitsluitend met de daarvoor bestemde accu's.** Gebruik van andere accu's kan gevaar voor letsel of brandgevaar opleveren.
17. **Als de accu niet wordt gebruikt, houdt u deze uit de buurt van metalen voorwerpen zoals paperclips, muntgeld, sleutels, spijkers, schroeven en andere kleine metalen voorwerpen die een kortsluiting kunnen veroorzaken tussen de accupolen.**
18. **Onder zware gebruiksomstandigheden kan vloeistof uit de accu komen. Voorkom aanraking. Als aanraking per ongeluk zich voordoet, spoelt u met water.**
19. **Gebruik geen accu of apparaat die/dat beschadigd of gewijzigd is.** Beschadigde of gewijzigde accu's kunnen onvoorspelbaar gedrag vertonen dat kan leiden tot brand, explosie of gevaar van letsel.
20. **Stel een accu of apparaat niet bloot aan vuur of buitensporige temperaturen.** Blootstelling aan vuur of temperaturen hoger dan 130 °C kunnen een explosie veroorzaken.
21. **Volg alle oplaadinstructies en laad de accu of het apparaat niet op buiten het temperatuurbereik vermeld in de instructies.** Verkeerd opladen of bij een temperatuur buiten het vermelde bereik, kan de accu beschadigen en de kans op brand vergroten.
22. **Laat bekendheid met gereedschappen door veelvuldig gebruik er niet toe leiden dat u gemakzuchtig wordt en de veiligheidsprincipes voor het werken met gereedschappen negeert.** Een ondoordachte handeling kan in een fractie van een seconde leiden tot ernstig letsel.

Bewaar deze instructies.

AANVULLENDE VEILIGHEIDSVORSCHRIFTEN

1. Lees deze gebruiksaanwijzing en die van de acculader voor gebruik aandachtig door.
2. Zuig de volgende stoffen niet op:
 - Hete stoffen, zoals brandende sigaretten of gloeiend hete metaaldeeltjes veroorzaakt door het schuren/slijpen van metaal
 - Brandbare stoffen, zoals benzine, thinner, wasbenzine, kerosine of verf
 - Explosieve stoffen, zoals nitroglycerine
 - Ontvlambare stoffen, zoals aluminium, zink, magnesium, titanium, fosfor of celluloid
 - Nat vuil, water, olie en dergelijk
 - Harde stukjes met scherpe randen, zoals houtsnippers, metaaldeeltjes, steentjes, glasstukjes, spijkers, punaises of scheermesjes
 - Poeder dat klontert, zoals cement of toner
 - Geleidend stof, zoals metaalvijsel of koolstofpoeder
 - Zeer fijn stof, zoals cementpoederEen dergelijk gebruik kan leiden tot brand, persoonlijk letsel en/of materiële schade.
3. Stop onmiddellijk met het gebruik als u iets abnormaals opmerkt.
4. Als u de stofzuiger laat vallen of ergens tegenaan stoot, controleert u zorgvuldig op barsten of beschadigingen voordat u deze weer gebruikt.
5. Laad de stofzuiger niet op vlakbij gevaarlijke, brandbare materialen, zoals benzine, gas, verf en lijm.
6. Laad de stofzuiger niet op bovenop papier, doeken, tapijt, vinyl, enz. Hierdoor kan brand ontstaan.
7. Laad de stofzuiger niet op een stoffige locatie op.
8. Verzekert u ervan dat niemand eronder staat wanneer u de stofzuiger op een hoge locatie gebruikt.
9. Houd uit de buurt van fornuizen en verwarmingsbronnen.
10. Blokkeer de inlaatopening en de ventilatieopeningen niet.
4. Als elektrolyt in uw ogen komt, spoelt u ze onmiddellijk uit met schoon water en raadpleegt u een arts. Uw gezichtsvermogen zou ernstig aangetast kunnen worden.
5. Sluit de ingebouwde accu niet kort:
 - (1) Raak de contacten nooit aan met enig geleidend materiaal.
 - (2) Bewaar de ingebouwde accu niet op een plaats waar deze in aanraking kan komen met andere metalen voorwerpen, zoals spijkers, munten, enz.
 - (3) Stel de ingebouwde accu niet bloot aan water of regen. Kortsluiting van de accu kan leiden tot een hoge stroomsterkte, oververhitting, mogelijke brandwonden en zelfs een defect.
6. Bewaar en gebruik het apparaat en de ingebouwde accu niet op plaatsen waar de temperatuur kan oplopen tot 50 °C of hoger.
7. Werp de ingebouwde accu niet in een vuur, zelfs niet als deze al ernstig beschadigd of helemaal versleten is. De ingebouwde accu kan in een vuur exploderen.
8. Wees voorzichtig dat u de accu niet laat vallen en hem niet blootstelt aan schokken of stoten.
9. Gebruik nooit een beschadigde ingebouwde accu.
10. De bijgeleverde lithiumionbatterijen zijn onderhevig aan de vereisten in de wetgeving omtrent gevaarlijke stoffen. Wanneer u de accu wilt weggooien, verwijdert u de accu uit het apparaat en gooit u hem op een veilige manier weg. Volg bij het weggooien van de accu de plaatselijke voorschriften.
11. Gebruik de accu's uitsluitend met de gereedschappen die door Makita zijn aanbevolen.

BEWAAR DEZE INSTRUCTIES.

Tips voor een maximale levensduur van de accu

1. Laad de ingebouwde accu op voordat hij volledig ontladen is. Stop het gebruik van het apparaat en laad de ingebouwde accu op telkens wanneer u vaststelt dat het vermogen van het apparaat is afgenomen.
2. Laad nooit een volledig opgeladen ingebouwde accu op. Te lang opladen verkort de levensduur van de accu.
3. Laad de ingebouwde accu op bij een omgevingstemperatuur van 10 °C t/m 40 °C. Laat een warme ingebouwde accu eerst afkoelen voordat u deze oplaadt.
4. Laad de ingebouwde accu ieder half jaar op als u het apparaat gedurende een lange tijd niet gebruikt.

BEWAAR DEZE INSTRUCTIES.

BELANGRIJKE VEILIGHEIDSVORSCHRIFTEN

VOOR EEN INGEBOUWDE ACCU

1. Alvorens de ingebouwde accu te gebruiken, leest u alle instructies en waarschuwingsstickers op (1) de acculader, (2) de accu en (3) het product dat de accu gebruikt.
2. Haal de ingebouwde accu niet uit elkaar.
3. Als de gebruiksduur aanzienlijk kort is geworden, moet u het gebruik ervan onmiddellijk stopzetten. Er bestaat kans op oververhitting, met gevaar voor brand of zelfs een explosie.

BESCHRIJVING VAN DE FUNCTIES

⚠️ LET OP: Controleer altijd of het apparaat is uitgeschakeld alvorens de functies van het apparaat te controleren of af te stellen.

De ingebouwde accu opladen

⚠️ LET OP: Gebruik uitsluitend originele Makita accu's. Het gebruik van niet-originele accu's, of accu's die zijn gewijzigd, kan ertoe leiden dat de accu ontploft en brand, persoonlijk letsel en schade veroorzaakt. Ook vervalt daarmee de garantie van Makita op het product en de lader van Makita.

⚠️ LET OP: Trek na het opladen altijd de oplaadstekker uit de oplaadaansluiting van de stofzuiger.

⚠️ LET OP: Laat de acculader niet aangesloten op de netvoeding nadat het apparaat is losgekoppeld. Kleine kinderen kunnen de stroomvoerende stekker in hun mond steken en letsel oplopen.

Laad de stofzuiger op voordat deze voor het eerst wordt gebruikt of wanneer deze gedurende een lange tijd niet is opgeladen. Steek de oplaadstekker in de oplaadaansluiting en steek daarna de stekker van de acculader in het stopcontact.

► **Fig.1:** 1. Laadaansluiting

Het accuvoedingslampje gaat branden en het opladen begint. Nadat het opladen klaar is, gaat het lampje uit. Voor meer informatie, raadpleegt u de gebruiksaanwijzing van de acculader.

► **Fig.2:** 1. Accuvoedingslampje

KENNISGEVING: Als de accu of stofzuiger is blootgesteld aan extreme temperaturen, knippert het accuvoedingslampje en de kan accu niet worden opgeladen.

OPMERKING: De stofzuiger kan niet worden gebruikt tijdens het opladen. Om de stofzuiger in te schakelen, trekt u de stekker van de acculader uit het stopcontact, trekt u de oplaadstekker uit de stofzuiger en drukt u op de AAN-/snelheidsinstelknop.

OPMERKING: Onder de volgende omstandigheden heeft de accu het einde van zijn levensduur bereikt (of is beschadigd/heeft een storing). Trek de stekker van de acculader uit het stopcontact en vervang daarna de accu.

- Het accuvoedingslampje gaat uit vlak nadat u begint met het opladen van de stofzuiger.
- De stofzuiger werkt slechts gedurende een periode korter dan de helft van de normale gebruiksduur nadat de accu volledig is opgeladen.

OPMERKING: De accu kan maximaal ongeveer 500 keer worden opgeladen. Het aantal keer dat de accu kan worden opgeladen hangt af van de omstandigheden waaronder de accu is opgeladen en ontladen.

De trekkerschakelaar gebruiken

⚠️ LET OP: Schakel de stofzuiger altijd na elk gebruik uit om beschadiging van de stofzuiger te voorkomen en om de levensduur van de accu's te verlengen.

Om de stofzuiger in te schakelen, drukt u gewoon op de AAN-/snelheidsinstelknop. Om uit te schakelen, drukt u op de UIT-knop.

U kunt de snelheid van de stofzuiger in drie standen instellen door op de AAN-/snelheidsinstelknop te drukken.

Na de eerste druk op deze knop staat de stofzuiger in de stand voor hoge snelheid, na de tweede druk staat hij in de stand voor maximale snelheid, en na de derde druk in de stand voor normale snelheid. Bij elke druk op deze knop wordt de hoog/maximaal/normaal-cyclus stapsgewijs doorlopen.

► **Fig.3:** 1. AAN-/snelheidsinstelknop 2. UIT-knop

Accuvoedingslampje

Als de resterende acculading laag is, knippert het accuvoedingslampje.

Als de resterende acculading nog lager wordt, stopt de stofzuiger en brandt het accuvoedingslampje gedurende ongeveer 10 seconden. Laad in dat geval de accu op.

Ook wanneer de accu overbelast of oververhit is, stopt de stofzuiger en brandt het accuvoedingslampje gedurende ongeveer 10 seconden. Wanneer het lampje brandt, kan de stofzuiger niet worden bediend.

► **Fig.4:** 1. Accuvoedingslampje

OPMERKING: Het moment waarop het accuvoedingslampje gaat knipperen of branden is afhankelijk van de temperatuur op de werkplek en de staat van de accu.

De lamp inschakelen

⚠️ LET OP: Kijk niet direct in het lamplicht of in de lichtbron.

Om de lamp in te schakelen, drukt u op de AAN-/snelheidsinstelknop. Druk op de UIT-knop om de lamp uit te schakelen. Terwijl de stofzuiger is ingeschakeld, brandt de lamp.

► **Fig.5:** 1. AAN-/snelheidsinstelknop 2. UIT-knop (OFF) 3. Lamp

MONTAGE

⚠ LET OP: Controleer altijd of het apparaat is uitgeschakeld alvorens enige werkzaamheden aan het apparaat uit te voeren.

Stoffen stofzak en papieren stofzak

Breng de stoffen stofzak of papieren stofzak aan voordat u de stofzuiger gebruikt.

Gebruik de stofstopper wanneer de stoffen stofzak of papieren stofzak wordt aangebracht.

De stoffen stofzak kan veel keren worden hergebruikt door hem leeg te maken.

De papieren stofzak is voor eenmalig gebruik. Wanneer de papieren stofzak vol is, gooit u hem in zijn geheel weg zonder hem leeg te maken.

KENNISGEVING: Om te voorkomen dat stof in de motor kan binnendringen:

- Zorg ervoor dat vóór gebruik de stoffen stofzak of papieren stofzak is aangebracht.
- Plaats de stofstopper tezamen met de de stoffen stofzak of papieren stofzak helemaal in de sleuven wanneer u ze aanbrengt.
- Gebruik geen kapotte of gescheurde stofzak.

Anders kan de motor defect raken.

KENNISGEVING: Vouw het karton niet bij de opening wanneer u de papieren stofzak aanbrengt.

KENNISGEVING: Gooi de stofstopper nooit weg want deze moet herhaaldelijk worden gebruikt wanneer de stoffen stofzak of papieren stofzak wordt gebruikt.

KENNISGEVING: De papieren stofzak van de stofzuiger vormt een belangrijk onderdeel bij het behouden van de prestaties van de stofzuiger. Als een andere dan de originele papieren stofzak wordt gebruikt, kan dat leiden tot rook of ontbranding.

OPMERKING: Als de stoffen stofzak of de papieren stofzak niet in de stofzuiger is aangebracht, kan de voorklep niet volledig worden gesloten.

► Fig.6

Een stoffen stofzak aanbrengen

Gebruik de stofstopper wanneer de stoffen stofzak wordt aangebracht. Let erop de bovenkant niet per ongeluk te verwisselen met de onderkant omdat deze niet hetzelfde zijn.

► Fig.7: 1. Bovenkant van de stofstopper
2. Onderkant van de stofstopper

1. Steek het uitsteeksel van de stoffen stofzak in de onderste gleuf van de stofstopper, zoals aangegeven in de afbeelding.

► Fig.8: 1. Stofstopper 2. Onderste gleuf 3. Stoffen stofzak

2. Er is geen verschil tussen de boven- en onderkant van de stoffen stofzak. U kunt het uitsteeksel van elk van de kanten in de onderste gleuf van de stofstopper steken.

► Fig.9: 1. Onderste gleuf

3. Leg het frame van de stofstopper tegen dat van de stoffen stofzak.

► Fig.10

4. Plaats de stofstopper en de stoffen stofzak tezamen in de stofzakruimte in de stofzuiger in dezelfde richting als de pijl op de stofstopper. Steek ze volledig in de gleuven in de stofzakruimte in de stofzuiger.

► Fig.11

5. Spreid het stoffen deel van de stoffen stofzak uit binnenin de stofzuiger.

► Fig.12

6. Sluit de voorklep volledig.

► Fig.13: 1. Voorklep

Een papieren stofzak aanbrengen

Gebruik de stofstopper ook wanneer een papieren stofzak wordt aangebracht. Let erop de bovenkant niet per ongeluk te verwisselen met de onderkant omdat deze niet hetzelfde zijn.

► Fig.14: 1. Bovenkant van de stofstopper
2. Onderkant van de stofstopper

1. Vouw de ingang van de papieren stofzak open voordat u hem aan de stofstopper bevestigt.

► Fig.15

2. Steek het uitsteeksel van de papieren stofzak in de onderste gleuf van de stofstopper, zoals aangegeven in de afbeelding.

► Fig.16: 1. Stofstopper 2. Onderste gleuf 3. Papieren stofzak

3. Er is geen verschil tussen de boven- en onderkant van de papieren stofzak. U kunt het uitsteeksel van elke kant in de onderste gleuf van de stofstopper steken.

► Fig.17: 1. Onderste gleuf

4. Leg het frame van de stofstopper tegen dat van de papieren stofzak.

► Fig.18

5. Plaats de stofstopper en de papieren stofzak tezamen in de stofzakruimte in de stofzuiger in dezelfde richting als de pijl op de stofstopper. Steek ze volledig in de gleuven in de stofzakruimte in de stofzuiger.

► Fig.19

6. Spreid het zak-deel van de papieren stofzak uit binnenin de stofzuiger.

► Fig.20

7. Sluit de voorklep volledig.

► Fig.21: 1. Voorklep

BEDIENING

⚠ LET OP: Houd tijdens gebruik van de stofzuiger uw gezicht uit de buurt van het luchtrooster. Als vreemde voorwerpen in iemands ogen worden geblazen, kan dat leiden tot persoonlijk letsel.

De hulpstukken van de stofzuiger aanbrengen en verwijderen

⚠ LET OP: Controleer na het aanbrengen van een hulpstuk of dit stevig is aangebracht. Als het hulpstuk niet correct is aangebracht, kan het eraf vallen en persoonlijk letsel veroorzaken.

⚠ LET OP: Wees voorzichtig dat u uw hand niet tegen de muur, enz. stoot bij het verwijderen van het hulpstuk.

Bij gebruik van een hulpstuk met vergrendelfunctie

Om een hulpstuk aan te brengen, steekt u deze in de zuigmond van de stofzuiger totdat hij vastklikt. Verzekert u ervan dat het hulpstuk vergrendeld is.

► **Fig.22:** 1. Zuigmond 2. Hulpstuk met vergrendelfunctie 3. Haak 4. Ontgrendelknop

OPMERKING: Bij het aanbrengen van het hulpstuk met vergrendelfunctie, moet u de ontgrendelknop uitlijnen met de haak op het hulpstuk. Als deze niet uitgelijnd zijn, zal het hulpstuk niet vergrendeld worden en kan deze van de stofzuiger af vallen.

Om het hulpstuk te verwijderen, drukt u op de ontgrendelknop en trekt u het er tegelijkertijd af.

► **Fig.23:** 1. Ontgrendelknop 2. Hulpstuk met vergrendelfunctie

Bij gebruik van een hulpstuk zonder vergrendelfunctie

⚠ LET OP: Om een hulpstuk zonder vergrendelfunctie aan te brengen, steekt u deze in de zuigmond en verdraait u hem in de richting van de pijl voor een stevige verbinding tijdens gebruik. Om het hulpstuk te verwijderen, verdraait u deze ook in de richting van de pijl en trekt u hem eraf.

► **Fig.24**

Schoonmaken (zuigen)

Mondstuk

Bevestig het mondstuk voor het schoonmaken van tafels, bureaus, meubels, enz. Het mondstuk kan eenvoudig op de stofzuiger worden geplaatst.

► **Fig.25:** 1. Mondstuk

Mondstuk + verlengbuis (rechte buis)

De verlengbuis past tussen het mondstuk en de stofzuigermond. Deze werkwijze is handig bij het stofzuigen van de grond terwijl u rechtop staat.

► **Fig.26:** 1. Behuizing van de stofzuiger
2. Verlengbuis 3. Mondstuk

Hoekmondstuk

Bevestig het hoekmondstuk voor het stofzuigen in hoeken en spelen van autostoelen of meubels.

► **Fig.27:** 1. Hoekmondstuk 2. Behuizing van de stofzuiger

Hoekmondstuk + verlengbuis (rechte buis)

In kleine ruimten waar de stofzuiger zelf niet in past, of op hoge plaatsen die moeilijk te bereiken zijn, gebruikt u deze werkwijze.

► **Fig.28:** 1. Hoekmondstuk 2. Verlengbuis
3. Behuizing van de stofzuiger

Stofzuigen zonder mondstuk

U kunt poeder en stof opzuigen zonder een mondstuk.

► **Fig.29**

Voor het opzuigen van stof vanaf een vloer terwijl u rechtop staat, is het handig om de verlengbuis aan te brengen op de stofzuiger.

► **Fig.30:** 1. Verlengbuis

Het stof weggooien

⚠ LET OP: Leeg de stofzuiger voordat deze te vol raakt omdat dan de zuigkracht afneemt.

⚠ LET OP: Let bij het sluiten van de voorklep erop dat uw vingers niet bekneld raken.

KENNISGEVING: Gooi de stofstopper nooit weg want deze moet worden gebruikt wanneer de stofzak vol is of de voorklep wordt gebruikt.

KENNISGEVING: Als de stoffen/papieren stofzak niet in de stofzuiger is aangebracht, kan de voorklep niet volledig worden gesloten. Probeer niet de voorklep met kracht te sluiten. Dit kan leiden tot vervorming of beschadiging van de stofzuiger.

KENNISGEVING: Wanneer u het stof weggooit, maakt u tevens de stoffen/papieren-stofzakruimte schoon. Door het stof en vuil dat in de ruimte is achtergebleven, kan het sponsfilter verstopt raken of de motor beschadigd raken.

1. Druk op de knop om de voorklep te openen. Door hem te openen tot een klinkgeluid hoorbaar is, blijft hij in die stand open staan.

► **Fig.31:** 1. Voorklep 2. Knop

2. Trek de oranje stofstopper en de stoffen/papieren stofzak tezamen er tegelijkertijd uit.

► **Fig.32:** 1. Stofstopper

3. Voer de onderstaande procedures uit, afhankelijk van het type stofzak:

Bij gebruik van een stoffen stofzak

Verwijder de stofstopper en leeg de stoffen stofzak.

► **Fig.33:** 1. Stofstopper 2. Stoffen stofzak

Bij gebruik van een papieren stofzak

Verwijder de stofstopper en gooi de papieren stofzak weg.

► **Fig.34:** 1. Stofstopper 2. Papieren stofzak

4. Breng de stoffen stofzak/nieuwe papieren stofzak en de stofstopper tezamen aan in de stofzuiger en sluit de voorklep.

OPMERKING: De stofzuiger is zodanig ontworpen dat de voorklep losraakt wanneer geprobeerd wordt de voorklep te openen onder een hoek van meer dan 90°. Als de voorklep losraakt, plaatst u hem terug in de scharnierverbinding van de voorklep.

► **Fig.35:** 1. Voorklep 2. Scharnierverbinding van de voorklep

ONDERHOUD

⚠ LET OP: Verzeker u er altijd van dat het gereedschap is uitgeschakeld voordat u een inspectie of onderhoud uitvoert.

Om de VEILIGHEID en BETROUWBAARHEID van het gereedschap te handhaven, dienen alle reparaties, overig onderhoud en afstellingen te worden uitgevoerd door een door Makita erkend servicecentrum of het fabrieksservicecentrum, en altijd met gebruikmaking van originele Makita-ervangingsonderdelen.

KENNISGEVING: Gebruik nooit benzine, wasbenzine, thinner, alcohol en dergelijke. Hierdoor kunnen verkleuring, vervormingen en barsten worden veroorzaakt.

Na gebruik

Wanneer u de stofzuiger opbergt of oplaadt, vergrendelt u het mondstuk en hangt u de stofzuiger op aan een haak die in de winkel verkrijgbaar is.

► **Fig.36**

⚠ LET OP: Als u de stofzuiger tegen een muur laat leunen zonder enige andere steun, kan de stofzuiger omvallen en beschadigd raken.

► **Fig.37**

Schoonmaken

Behuizing van de stofzuiger

Veeg regelmatig de buitenkant (behuizing) van de stofzuiger schoon met een in zeepwater bevochtigde doek. Maak tevens de stofzuigermond, de bevestigingsplaats van de stoffen/papieren stofzak en de stofstopper schoon.

► **Fig.38**

Stofstopper

Veeg het stof van de stofstopper af. Verwijder stof en vuil vanaf het spons-deel door er voorzichtig tegen te tikken.

► **Fig.39:** 1. Spons-deel

Stoffen stofzak

Was de stoffen stofzak in zeepwater als deze verstopt zit met stof en de zuigkracht van de stofzuiger is afgenomen. Droog het goed alvorens weer te gebruiken. Een onvoldoende droge stoffen stofzak kan leiden tot slecht zuigen en kan de levensduur van de motor verkorten.

► **Fig.40**

OPMERKING: De papieren stofzak is voor eenmalig gebruik.

Wanneer het sponsfilter verstopt is met stof, verwijdert u het uit de stofzuiger en veegt u het af of wast u het in water.

Het sponsfilter verwijderen en aanbrengen

⚠ LET OP: Nadat het sponsfilter is gereinigd, vergeet u niet het in de stofzuiger aan te brengen. Indien gewassen in water, droogt u het voordat u het aanbrengt. Een onvoldoende gedroogd sponsfilter kan de levensduur van de motor verkorten.

Om het sponsfilter te verwijderen, verwijdert u de stoffen stofzak of papieren stofzak, neemt u het sponsfilter tussen uw vingers en trekt u het eruit.

► **Fig.41:** 1. Sponsfilter

Om het filter aan te brengen, drukt u de hele rand van het sponsfilter tegen de achterwand binnenin de ruimte voor de stoffen/papieren stofzak.

► **Fig.42:** 1. Achterwand

Het mondstuk reinigen

(afhankelijk van het land)

Wanneer de borstel van het mondstuk stoffig is geworden, verwijdert u het stof met behulp van plakband.

► **Fig.43:** 1. Borstel

Muurbevestiging voor de accustofzuiger

Optioneel accessoire

OPMERKING: De schroef voor bevestiging van de houder is niet bijgeleverd. Bereid een schroef voor die geschikt is voor het materiaal waarin hij wordt geschroefd.

Bevestig de muurbevestiging voor de accustofzuiger op een massieve houten wand, balk of pilaar waaraan de muurbevestiging voor de accustofzuiger stevig kan worden bevestigd. Verzeker u er altijd van dat de muurbevestiging voor de accustofzuiger stevig bevestigd is voordat u de stofzuiger erin hangt.

► **Fig.44:** 1. Muurbevestiging voor de accustofzuiger
2. Stekker

⚠ LET OP: Hang de stofzuiger niet met geweld in de muurbevestiging en hang er geen ander apparaat in dan de stofzuiger.

OPMERKING: Wanneer u de stofzuiger niet oplaadt, kan de stekker worden opgeborgen op de muurbevestiging voor de accustofzuiger, zoals aangegeven in de afbeelding.

Problemen oplossen

Alvorens om reparatie te verzoeken, controleert u de volgende punten.

Symptoom	Mogelijke oorzaak	Mogelijke oplossing
Geringe zuigkracht	Zit de stoffen stofzak of papieren stofzak vol stof?	Maak de stoffen stofzak of papieren stofzak leeg.
	Is de stoffen stofzak verstopt?	Klop de stoffen stofzak uit of was hem in water.
	Is de papieren stofzak verstopt?	Vervang de papieren stofzak.
	Is de accu leeg?	Laad de accu op.
Apparaat werkt niet	Is de accu leeg?	Laad de accu op.
De afdekking van de stofzakruimte kan niet worden gesloten.	Is de stoffen stofzak of papieren stofzak aangebracht?	Breng de stoffen stofzak of papieren stofzak aan.

KENNISGEVING: Probeer de stofzuiger niet zelf te repareren.

De stofzuiger weggooien

In deze stofzuiger zit een lithiumionaccu. Haal deze er altijd uit voordat u de stofzuiger weggooit.

De ingebouwde accu verwijderen

⚠️ LET OP: Raak de contacten nooit aan met enig geleidend materiaal.

⚠️ LET OP: Bewaar de accueenheid niet op een plaats waar deze in aanraking kan komen met andere metalen voorwerpen, zoals spijkers, munten, enz.

⚠️ LET OP: Stel de accueenheid niet bloot aan water of regen.

⚠️ LET OP: Haal de accueenheid niet uit elkaar.

⚠️ LET OP: De stofzuiger moet worden losgekoppeld van de netvoeding wanneer de accu wordt verwijderd.

- Om het achterdekseel te verwijderen, duwt u dit in de richting van de pijl.
▶ **Fig.45:** 1. Achterdekseel
- Schuif de ingebouwde accu er half uit. Koppel de aansluitdraden los van de accu door de accu iets terug te duwen terwijl u op de stekker drukt in de richting van de pijl, zoals aangegeven in de afbeelding.
▶ **Fig.46:** 1. Stekker 2. Aansluitdraden
- Schuif daarna de accueenheid er helemaal uit.
▶ **Fig.47:** 1. Accueenheid
- Plaats de verwijderde accueenheid in een kartonnen doos zodat hij niet kan worden kortgesloten.

De vervangingsaccu aanbrengen

Om de vervangingsaccu aan te brengen, volgt u de verwijderingsprocedure in omgekeerde volgorde.

⚠️ LET OP: Geleid de draden zodanig dat deze volledig binnenin de stofzuiger zijn opgeborgen voordat u het achterdekseel terugplaatst in zijn oorspronkelijke positie. Als u dit niet doet, kunnen de draden beschadigd worden.

▶ **Fig.48**

Nadat de accu is aangebracht (zie "TECHNISCHE GEGEVENS"), laadt u de accu op voordat u hem gebruikt.

CYCLOONHULPSTUK

Optioneel accessoire

▶ **Fig.49:** 1. Ontgrendelknop 2. Haak 3. Rechte buis 4. Cycloonhulpstuk 5. Zuigmond

Over het cycloonhulpstuk

Als u de stofzuiger gebruikt met het cycloonhulpstuk aangebracht, wordt de hoeveelheid stof verlaagd die in de stofzak terecht komt, wat helpt om de afname van de zuigkracht te voorkomen. Bovendien is het schoonmaken na gebruik ook eenvoudig.

⚠️ LET OP: Zorg er altijd voor dat de stofzuiger is uitgeschakeld voordat u enige werkzaamheden aan de stofzuiger verricht. Per ongeluk starten kan leiden tot letsel.

⚠️ LET OP: Reinig het gaasfilter van het cycloonhulpstuk en de stofzak van de stofzuiger wanneer deze verstopt raken. Als u hem blijft gebruiken terwijl deze verstopt zijn, kan dat leiden tot warm worden en rook.

KENNISGEVING: Wanneer het cycloonhulpstuk is aangebracht, mag u de stofzuiger niet in een horizontale of omhoog gerichte stand gebruiken. Als u dat toch doet, kan het gaasfilter verstopt raken.

KENNISGEVING: Gebruik de stofzuiger altijd met de stofzak aangebracht, ook wanneer u het cycloonhulpstuk gebruikt. Als u de stofzuiger gebruikt zonder dat de stofzak is aangebracht, kan een storing optreden in de motor.

OPMERKING: Controleer vóór gebruik of het cycloonhulpstuk, de stofzuiger en de rechte buis goed zijn vergrendeld.

OPMERKING: Maak de stofopvangdoos van het cycloonhulpstuk en de stofzak van de stofzuiger leeg wanneer stof zich heeft opgehoopt. Als u hem blijft gebruiken, zal dat leiden tot een lagere zuigkracht.

OPMERKING: U kunt ook het cycloonhulpstuk gebruiken zonder de vergrendelingsfunctie.

OPMERKING: Om het cycloonhulpstuk aan te brengen of te verwijderen, raadpleegt u het tekstdeel "De hulpstukken van de stofzuiger aanbrengen en verwijderen".

Het stof weggoaien

Wanneer het stof zich heeft opgehoopt tot aan de 'vol'-lijn op de stofopvangdoos, volgt u de onderstaande procedure en gooit u het stof weg.

1. Houd de stofopvangdoos stevig vast, houd de twee knoppen ingedrukt en verwijder de stofopvangdoos.
► **Fig.50:** 1. 'Vol'-lijn 2. Stofopvangdoos 3. Knop (twee plaatsen) 4. Gaasfilter
2. Gooi het stof in de stofopvangdoos weg en verwijder alle stof en poeder die vastzit op het oppervlak van het gaasfilter.
3. Steek de stofopvangdoos helemaal erop totdat de twee knoppen met een klik vergrendelen.
► **Fig.51:** 1. Stofopvangdoos 2. Knop (twee plaatsen)

OPMERKING: Controleer vóór gebruik of het cycloohulpstuk, de stofzuiger en de rechte buis goed zijn vergrendeld voordat u de werkzaamheden hervat.

OPMERKING: Als de zuigkracht niet is hersteld nadat het stof is weggegooid en het gaasfilter is schoongemaakt, controleert u of stof zich heeft opgehoopt in de stofzak van de stofzuiger of er een verstopping is opgetreden.

OPMERKING: Het stof kan omhoog vliegen wanneer u het weggooit uit het cycloohulpstuk. Wees voorzichtig zodat het stof niet in uw ogen komt.

Schoonmaken

Wanneer de stofopvangdoos vuil wordt of het gaasfilter verstopt raakt, verwijdert u ze en wast u ze af met water. (Raadpleeg "Het stof weggoaien" voor de verwijderingsprocedure.)

Laat de onderdelen goed drogen voordat u ze weer aanbrengt en gebruikt.

- **Fig.52:** 1. Stofopvangdoos 2. Gaasfilter

Wanneer het gaasfilter erg vuil wordt, reinigt u het aan de hand van de volgende procedure.

1. Draai het gaasfilter linksom en verwijder het nadat de haken ontgrendeld zijn.

- **Fig.53:** 1. Gaasfilter 2. Haak

2. Verwijder het stof op het gaasfilter en was het daarna met water. Laat het vervolgens goed drogen.

3. Steek het gaasfilter in de voet terwijl de haken zijn uitgelijnd met de openingen. Draai het gaasfilter rechtsom tot de haken met een klik worden vergrendeld. Verzeker u ervan dat het gaasfilter stevig is aangebracht.

- **Fig.54:** 1. Gaasfilter 2. Haak 3. Opening

OPTIONELE ACCESSOIRES

⚠ LET OP: Deze accessoires of hulpstukken worden aanbevolen voor gebruik met het Makita-apparaat dat in deze gebruiksaanwijzing wordt beschreven. Het gebruik van andere accessoires of hulpstukken kan gevaar voor persoonlijk letsel opleveren. Gebruik de accessoires of hulpstukken uitsluitend voor de aangegeven doeleinden.

Wenst u meer bijzonderheden over deze accessoires, neem dan contact op met het plaatselijke Makita-servicecentrum.

- Verlengbuis (rechte buis)
- Mondstuk
- Mondstuk voor tapijt
- Boekenplankborstel
- Hoekmondstuk
- Ronde borstel
- Flexibele slang
- Papieren stofzak
- Muurbevestiging voor de accustofzuiger
- Vervangingsaccu
- Vrij mondstuk
- Stoelmondstuk
- Spleetmondstuk
- Cycloohulpstuk

OPMERKING: Sommige items op de lijst kunnen zijn inbegrepen in de doos van het apparaat als standaard toebehoren. Deze kunnen van land tot land verschillen.

ADVERTENCIA

- Este aparato puede ser utilizado por niños de 8 o más años de edad y personas con capacidades físicas, sensoriales o mentales mermadas, o sin experiencia y conocimiento, si han recibido supervisión o instrucción para el uso del aparato de forma segura y son conscientes del peligro que implica.
- Los niños no deben jugar con el aparato. La limpieza y mantenimiento que debe hacer el usuario no deben ser realizados por niños sin supervisión.
- Consulte el capítulo "ESPECIFICACIONES" para ver la referencia del tipo de batería.
- Consulte las secciones "Para retirar la batería incorporada" e "Instalación de la batería de repuesto" para ver cómo reemplazar la batería.
- Las baterías de litio-ion contenidas están sujetas a los requisitos de la Legislación para Materiales Peligrosos. Para desechar la batería, retirela del aparato y deséchela en un lugar seguro. Siga los reglamentos locales referentes al desecho de la batería.
- En condiciones abusivas, es posible que salga expulsado líquido de la batería; evite el contacto con él. Si se produce un contacto accidental, enjuague con agua.
- Si entra electrolito en sus ojos, aclárelos con agua limpia y solicite atención médica inmediatamente. Podrá resultar en la pérdida de su visión.
- Consulte el capítulo "ESPECIFICACIONES" para ver la referencia del tipo de cargador. A efectos de recargar la batería, use solamente el cargador provisto con el aparato.
- Consulte la sección "Símbolos" para ver el significado de los símbolos usados para el aparato.
- Consulte el capítulo "MANTENIMIENTO" para ver los detalles apropiados de las precauciones durante el mantenimiento hecho por el usuario.

ESPECIFICACIONES

Modelo:	CL114FD	
Capacidad	con una bolsa de polvo	500 ml
	con un filtro de papel	330 ml
Uso continuo (con batería BL1020V)	3 (Modo de velocidad máxima)	Aprox. 10 min.
	2 (Modo de velocidad alta)	Aprox. 18 min.
	1 (Modo de velocidad normal)	Aprox. 55 min.
Longitud total	Cuerpo de la aspiradora	458 mm
	Con tubo de extensión y boquilla	983 mm
Peso neto	1,1 kg	
Tensión nominal	10,8 V - 12 V CC máx.	

- Debido a nuestro continuado programa de investigación y desarrollo, las especificaciones aquí dadas están sujetas a cambios sin previo aviso.
- Las especificaciones pueden ser diferentes de país a país.
- El peso no incluye accesorios.
- A efectos de recargar la batería, use solamente el cargador provisto con el aparato.

Cartucho de batería y cargador aplicables

Cartucho de batería	Cargador de batería	Tiempo de carga (horas)
BL1020V	DC1002	2,0

- El tiempo de carga varía con la temperatura (10°C (50°F) - 40°C (104°F)) a la que se carga el cartucho de batería y las condiciones del cartucho de batería, como si es un cartucho de batería nuevo o no ha sido utilizado durante un periodo de tiempo largo.

⚠ ADVERTENCIA: Utilice solamente los cartuchos de batería y cargadores listados arriba. La utilización de cualquier otro cartucho de batería y cargador puede ocasionar heridas y/o un incendio.

Símbolos

A continuación se muestran los símbolos que pueden ser utilizados para el equipo. Asegúrese de que entienda su significado antes de utilizar.



Lea el manual de instrucciones.



Unidad de suministro eléctrico desmontable



Ni-MH
Li-Ion

Sólo para países de la Unión Europea
Debido a la presencia de componentes peligrosos en el equipo, el equipo eléctrico y electrónico, los acumuladores y las baterías desechados pueden tener un impacto negativo para el medioambiente y la salud humana. ¡No tire los aparatos eléctricos y electrónicos ni las baterías junto con los residuos domésticos! De conformidad con las Directivas Europeas sobre residuos de aparatos eléctricos y electrónicos y sobre acumuladores y baterías y residuos de acumuladores y baterías, así como la adaptación de las mismas a la ley nacional, el equipo eléctrico, las baterías y los acumuladores desechados deberán ser almacenados por separado y trasladados a un punto distinto de recogida de desechos municipales, que cumpla con los reglamentos sobre protección medioambiental. Esto se indica mediante el símbolo de cubo de basura tachado colocado en el equipo.

Uso previsto

El aparato ha sido previsto para recoger polvo seco.

ADVERTENCIAS DE SEGURIDAD

Advertencias de seguridad para la aspiradora inalámbrica

⚠ ADVERTENCIA: ¡IMPORTANTE! LEA CON ATENCIÓN todas las advertencias de seguridad y todas las instrucciones ANTES DE UTILIZAR. No seguir las advertencias e instrucciones puede resultar en una descarga eléctrica, un incendio y/o heridas graves.

1. No exponga el aparato a la lluvia. Almacene el aparato en interiores.
2. No permita que el aparato sea utilizado como juguete. Es necesario prestar mucha atención cuando el aparato sea utilizado por niños o cerca de ellos.
3. Utilice el aparato solamente de la forma descrita en este manual. Utilice solamente los accesorios recomendados por el fabricante.
4. No utilice el aparato con una batería dañada. Si el aparato no está funcionando como es debido, si se ha dejado caer, se ha dañado, se ha dejado en exteriores, o se ha caído al agua, llévelo a un centro de servicio.

5. No maneje el aparato con las manos mojadas.
6. No ponga ningún objeto dentro de las aberturas. No utilice el aparato con ninguna de sus aberturas bloqueada; manténgalo libre de polvo, hilachas, pelo, y cualquier cosa que pueda reducir el flujo de aire.
7. Mantenga el pelo, ropa holgada, dedos, y todas las partes del cuerpo alejadas de las aberturas y partes en movimiento.
8. Desactive todos los controles antes de extraer la batería.
9. Tenga cuidado especial cuando limpie en escaleras.
10. No utilice el aparato para recoger líquidos inflamables o combustibles, tal como gasolina, ni en áreas donde pueda haber tales líquidos.
11. Utilice para recargar solamente el cargador suministrado por el fabricante.
12. No recoja nada que esté quemándose o echando humo, tal como cigarrillos, cerillas, o cenizas calientes.
13. No utilice el aparato sin estar instalados la bolsa de polvo y/o los filtros.
14. No cargue la batería en exteriores.
15. Recargue solamente con el cargador especificado por el fabricante. Un cargador que es apropiado para un tipo de batería puede crear un riesgo de incendio cuando se utiliza con otra batería.
16. Utilice los aparatos solamente con las baterías designadas específicamente para ellos. La utilización de cualquier otra batería puede crear un riesgo de heridas y de incendio.
17. Cuando la batería no esté siendo utilizada, manténgala alejada de otros objetos metálicos, como sujetapapeles, monedas, llaves, clavos, tornillos u otros objetos metálicos pequeños, que puedan hacer conexión entre un terminal y otro.
18. En condiciones abusivas, es posible que salga expulsado líquido de la batería; evite el contacto con él. Si se produce un contacto accidental, enjuague con agua.
19. No utilice una batería ni aparato que esté dañado o modificado. Las baterías dañadas o modificadas pueden comportarse de forma impredecible resultando en un incendio, explosión o riesgo de heridas.
20. No exponga una batería ni aparato al fuego o a una temperatura excesiva. La exposición al fuego o a una temperatura superior a los 130°C puede ocasionar una explosión.
21. Siga todas las instrucciones sobre la carga y no cargue la batería ni el aparato fuera del rango de temperatura especificado en las instrucciones. Cargar incorrectamente o a temperaturas fuera del rango especificado puede dañar la batería y aumentar el riesgo de incendio.
22. No deje que la familiaridad obtenida con el uso frecuente de las herramientas le permita volverse complaciente e ignorar los principios de seguridad de la herramienta. Un acto de descuido puede ocasionar heridas graves en la fracción de un segundo.

GUARDE ESTAS INSTRUCCIONES.

NORMAS DE SEGURIDAD ADICIONALES

1. Lea este manual de instrucciones y el manual de instrucciones del cargador atentamente antes de utilizar el aparato.
2. No recoja los materiales siguientes:
 - Materiales calientes tales como cigarrillos encendidos o polvo de chispas/metales generado al amolar/cortar metales
 - Materiales inflamables tales como gasolina, disolvente, bencina, keroseno o pintura
 - Materiales explosivos como nitroglicerina
 - Materiales que puedan prenderse como aluminio, cinc, magnesio, titanio, fósforo o celuloide
 - Suciedad mojada, agua, aceite o similares
 - Piezas duras con bordes cortantes, tales como virutas de madera, metales, piedras, cristales, clavos, alfileres o cuchillas de afeitar
 - Polvo que cuaje tal como cemento o tónor
 - Polvo conductivo tal como metal o carbón
 - Partículas finas como polvo de cementoTales acciones podrán causar un incendio, heridas y/o daños a la propiedad.
3. Detenga inmediatamente la operación si nota algo anormal.
4. Si deja caer o golpea la aspiradora, compruebe atentamente si tiene grietas o algún daño antes de iniciar la operación.
5. No cargue la aspiradora cerca de materiales inflamables peligrosos como gasolina, gas, pintura o adhesivos.
6. No cargue la aspiradora encima de papeles, ropa, una alfombra, vinilo, etc. Esto podría ocasionar un incendio.
7. No cargue la aspiradora en un lugar polvoriento.
8. Asegúrese de que no haya nadie debajo cuando esté utilizando la aspiradora en lugares altos.
9. No lo acerque a estufas u otras fuentes de calor.
10. No bloquee el orificio de admisión ni los orificios de ventilación.
3. Si el tiempo de operación se vuelve excesivamente más corto, detenga la operación inmediatamente. Podrá resultar en un riesgo de recalentamiento, posibles quemaduras e incluso una explosión.
4. Si entra electrolito en sus ojos, aclárelos con agua limpia y solicite atención médica inmediatamente. Podrá resultar en la pérdida de su visión.
5. No cortocircuite la batería incorporada:
 - (1) No toque los terminales con ningún material conductor.
 - (2) Evite almacenar la batería incorporada en un contenedor con otros objetos metálicos, como clavos, monedas, etc.
 - (3) No exponga la batería incorporada al agua o la lluvia.
Un cortocircuito de la batería puede ocasionar un gran flujo de corriente, recalentamiento, posibles quemaduras e incluso una rotura.
6. No almacene ni utilice el aparato ni la batería incorporada en lugares donde la temperatura pueda alcanzar o exceder los 50 °C.
7. No incinere la batería incorporada aunque esté severamente dañada o ya no sirva. La batería incorporada puede explotar en un fuego.
8. Tenga cuidado de no dejar caer o golpear la batería.
9. No utilice una batería incorporada dañada.
10. Las baterías de litio-ion contenidas están sujetas a los requisitos de la Legislación para Materiales Peligrosos. Para desechos la batería, retirela del aparato y deséchela en un lugar seguro. Siga los reglamentos locales referentes al desecho de la batería.
11. Utilice las baterías solo con los productos especificados por Makita.

GUARDE ESTAS INSTRUCCIONES.

INSTRUCCIONES DE SEGURIDAD IMPORTANTES

PARA LA BATERÍA INCORPORADA

1. Antes de utilizar la batería incorporada, lea todas las instrucciones y marcas de precaución sobre (1) el cargador de batería, (2) la batería, y (3) el producto con el que se utiliza la batería.
2. No desarme la batería incorporada.

GUARDE ESTAS INSTRUCCIONES.

Consejos para alargar al máximo la vida de servicio de la batería

1. Cargue la batería incorporada antes de que se descargue completamente. Detenga siempre el aparato y cargue la batería incorporada cuando note menos potencia en el aparato.
2. No recargue nunca una batería incorporada que esté completamente cargada. La sobrecarga acorta la vida de servicio de la batería.
3. Cargue la batería incorporada a una temperatura ambiente de 10°C - 40°C. Deje que una batería incorporada caliente se enfríe antes de cargarla.
4. Cargue la batería incorporada una vez cada seis meses si no utiliza el aparato durante un periodo de tiempo largo.

DESCRIPCIÓN DEL FUNCIONAMIENTO

⚠PRECAUCIÓN: Asegúrese siempre de que el aparato está apagado antes de ajustar o comprobar una función del aparato.

Carga de la batería incorporada

⚠PRECAUCIÓN: Utilice solamente baterías genuinas de Makita. La utilización de baterías no genuinas de Makita, o baterías que han sido alteradas, puede resultar en una explosión de la batería ocasionando incendios, heridas personales y daños. También anulará la garantía de Makita para el producto y cargador de Makita.

⚠PRECAUCIÓN: Desconecte siempre la clavija de carga de la aspiradora después de cargar.

⚠PRECAUCIÓN: No deje el cargador conectado a la toma de corriente después de desconectar el aparato. Los niños pequeños pueden poner la clavija con corriente en su boca y ocasionar heridas.

Cargue la aspiradora cuando la utilice por primera vez o cuando haya estado sin cargar durante un tiempo largo. Conecte la clavija de carga al conector de carga, después enchufe el cargador a la toma de corriente.

► **Fig.1:** 1. Conector de carga

La lámpara de potencia de la batería se ilumina y la carga comienza. La luz se apaga después de que se completa la carga. Para ver detalles, consulte el manual de instrucciones del cargador de batería.

► **Fig.2:** 1. Lámpara de potencia de la batería

AVISO: La lámpara de potencia de la batería parpadeará y la batería no se podrá cargar si la batería o la aspiradora es expuesta a temperaturas extremas.

NOTA: La aspiradora no se puede controlar mientras se está cargando. Para poner en marcha la aspiradora, desenchufe el cargador de la toma de corriente, desconecte la clavija de carga de la aspiradora, y después presione el botón de encendido/cambio de velocidad.

NOTA: En las condiciones siguientes, la batería estará a punto de alcanzar el final de su vida de servicio (o dañada/funcionando mal). Desenchufe el cargador del suministro de alimentación, después reemplace la batería.

- La lámpara de potencia de la batería se apaga poco después de que comienza a cargar la aspiradora.
- La aspiradora funciona solamente durante un periodo de tiempo más corto que la mitad del tiempo de operación normal después de que la batería ha sido cargada completamente.

NOTA: La batería se puede recargar hasta 500 veces aproximadamente. Las veces que se podrá recargar variarán en función de las condiciones en las que la batería haya sido cargada y descargada.

Accionamiento del interruptor

⚠PRECAUCIÓN: Apague siempre la aspiradora después de cada utilización para evitar daños a la aspiradora y para alargar la vida de servicio de las baterías.

Para poner en marcha la aspiradora, simplemente presione el botón de encendido/cambio de velocidad. Para apagar, presione el botón de apagado.

Puede cambiar la velocidad de la aspiradora en tres pasos presionando el botón de encendido/cambio de velocidad.

La primera vez que se presiona este botón es para el modo de velocidad alta, la segunda para el modo de velocidad máxima y la tercera para el modo de velocidad normal. Cada vez que se presiona este botón se repite el ciclo de velocidad alta/máxima/normal alternativamente.

► **Fig.3:** 1. Botón de encendido/cambio de velocidad
2. Botón de apagado

Lámpara de potencia de la batería

Cuando la capacidad de batería restante se vuelve baja, la lámpara de potencia de la batería parpadea. Cuando la capacidad de batería restante se vuelve aún más baja, la aspiradora se para y la lámpara de potencia de la batería se ilumina durante unos 10 segundos. Llegado este momento, cargue la batería.

Además, cuando la batería se somete a una carga de trabajo excesiva o recalienta, la aspiradora se para y la lámpara de potencia de la batería se ilumina durante unos 10 segundos. La aspiradora no funciona mientras la lámpara está encendida.

► **Fig.4:** 1. Lámpara de potencia de la batería

NOTA: El momento en el que la lámpara de potencia de la batería comienza a parpadear o se enciende depende de la temperatura en el lugar de trabajo y las condiciones de la batería.

Encendido de la lámpara

⚠PRECAUCIÓN: No mire a la luz ni vea la fuente de luz directamente.

Para encender la lámpara, presione el botón de encendido/cambio de velocidad. Presione el botón de apagado para apagar la lámpara. La lámpara se enciende mientras la aspiradora está en marcha.

► **Fig.5:** 1. Botón de encendido/cambio de velocidad
2. Botón de apagado (OFF) 3. Lámpara

MONTAJE

⚠ PRECAUCIÓN: Asegúrese siempre de que el aparato está apagado antes de realizar cualquier trabajo en el aparato.

Bolsa de polvo y filtro de papel

Instale la bolsa de polvo o el filtro de papel antes de utilizar la aspiradora.

Utilice el tapón de polvo cuando instale la bolsa de polvo o el filtro de papel.

Las bolsas de polvo se pueden utilizar muchas veces repetidamente limpiándolas.

El filtro de papel es de tipo desechable. Descarte el filtro de papel entero sin vaciarlo cuando se haya llenado.

AVISO: Para evitar que el polvo entre en el motor:

- **Asegúrese antes de la utilización de que está instalada la bolsa de polvo o el filtro de papel.**
- **Inserte el tapón de polvo junto con la bolsa de polvo o el filtro de papel a fondo dentro de las ranuras cuando los instale.**
- **No utilice una bolsa rota o rasgada.**

De lo contrario el motor se podrá romper.

AVISO: No pliegue el cartón por su abertura cuando instale el filtro de papel.

AVISO: No descarte nunca el tapón de polvo porque necesita ser utilizado repetidamente siempre que se utiliza la bolsa de polvo o el filtro de papel.

AVISO: El filtro de papel para la aspiradora es un componente importante para el mantenimiento del buen rendimiento de la aspiradora. La utilización de un filtro de papel distinto del genuino puede ocasionar humos o ignición.

NOTA: Cuando la bolsa de polvo o el filtro de papel no está instalado en la aspiradora, la cubierta frontal no se cierra completamente.

► Fig.6

Instalación de la bolsa de polvo

Utilice el tapón de polvo cuando instale la bolsa de polvo. Tenga cuidado de no confundir el lado superior con el lado inferior por equivocación porque son diferentes el uno del otro.

► Fig.7: 1. Lado superior del tapón de polvo 2. Lado inferior del tapón de polvo

1. Inserte la protuberancia de la bolsa de polvo dentro de la ranura inferior del tapón de polvo como se muestra en la figura.

► Fig.8: 1. Tapón de polvo 2. Acanaladura inferior 3. Bolsa de polvo

2. No hay diferencia entre los lados superior e inferior de la bolsa de polvo. Puede insertar la protuberancia de cualquiera de sus lados dentro de la acanaladura inferior del tapón de polvo.

► Fig.9: 1. Acanaladura inferior

3. Solape el bastidor del tapón de polvo con el de la bolsa de polvo.

► Fig.10

4. Coloque el tapón de polvo y la bolsa de polvo juntos dentro de cavidad de la aspiradora en la misma dirección de la flecha del tapón de polvo. Insértelos a fondo dentro de las ranuras en la cavidad de la aspiradora.

► Fig.11

5. Extienda la parte de paño de la bolsa de polvo dentro de la aspiradora.

► Fig.12

6. Cierre la cubierta frontal completamente.

► Fig.13: 1. Cubierta frontal

Instalación del filtro de papel

Utilice también el tapón de polvo cuando instale el filtro de papel. Tenga cuidado de no confundir el lado superior con el lado inferior por equivocación porque son diferentes el uno del otro.

► Fig.14: 1. Lado superior del tapón de polvo 2. Lado inferior del tapón de polvo

1. Despliegue la entrada del filtro de papel antes de ajustarlo en el tapón de polvo.

► Fig.15

2. Inserte la protuberancia del filtro de papel dentro de la ranura inferior del tapón de polvo como se muestra en la figura.

► Fig.16: 1. Tapón de polvo 2. Acanaladura inferior 3. Filtro de papel

3. No hay diferencia entre los lados superior e inferior del filtro de papel. Puede insertar la protuberancia de cualquiera de sus lados dentro de la acanaladura inferior del tapón de polvo.

► Fig.17: 1. Acanaladura inferior

4. Solape el bastidor del tapón de polvo con el del filtro de papel.

► Fig.18

5. Coloque el tapón de polvo y el filtro de papel juntos dentro de cavidad de la aspiradora en la misma dirección de la flecha del tapón de polvo. Insértelos a fondo dentro de las ranuras en la cavidad de la aspiradora.

► Fig.19

6. Extienda la parte del contenedor del filtro de papel dentro de la aspiradora.

► Fig.20

7. Cierre la cubierta frontal completamente.

► Fig.21: 1. Cubierta frontal

OPERACIÓN

⚠PRECAUCIÓN: No acerque la cara a la rejilla de ventilación cuando esté utilizando la aspiradora. Si objetos extraños sopladados entran en sus ojos, podrá resultar en heridas personales.

Instalación o desmontaje del accesorio de aspiradora

⚠PRECAUCIÓN: Después de instalar un accesorio, compruebe que está instalado firmemente. Si el accesorio está instalado incorrectamente, se puede caer y ocasionar heridas personales.

⚠PRECAUCIÓN: Tenga cuidado de no golpearse la mano en la pared, etc., cuando retire el accesorio.

Cuando utilice el accesorio con función de bloqueo

Para instalar un accesorio, insértelo en la boca de succión de la aspiradora hasta que produzca un chasquido. Asegúrese de que el accesorio está bloqueado.

► **Fig.22:** 1. Boca de succión 2. Accesorio con función de bloqueo 3. Gancho 4. Botón de liberación

NOTA: Cuando instale el accesorio con función de bloqueo, asegúrese de alinear el botón de liberación con el gancho del accesorio. Si no están alineados, el accesorio no se bloqueará y se podrá caer de la aspiradora.

Para retirar el accesorio, tire de él mientras presiona el botón de liberación.

► **Fig.23:** 1. Botón de liberación 2. Accesorio con función de bloqueo

Cuando utilice el accesorio sin función de bloqueo

⚠PRECAUCIÓN: Para instalar un accesorio sin función de bloqueo, gírelo e insértelo en la dirección de la flecha para sujetar la conexión durante la utilización. Para retirar el accesorio, gírelo y extráigalo también en la dirección de la flecha.

► **Fig.24**

Limpeza (Succión)

Boquilla

Coloque la boquilla para limpiar mesas, escritorios, muebles, etc. La boquilla se coloca fácilmente.

► **Fig.25:** 1. Boquilla

Boquilla + Tubo de extensión (Tubo recto)

El tubo de extensión se encaja entre la boquilla y la propia aspiradora. Esta disposición resulta útil para limpiar un suelo en posición erecta.

► **Fig.26:** 1. Cuerpo de la aspiradora 2. Tubo de extensión 3. Boquilla

Boquilla para esquinas

Encaje la boquilla para esquinas para limpiar esquinas y resquicios del asiento de un automóvil o mueble.

► **Fig.27:** 1. Boquilla para esquinas 2. Cuerpo de la aspiradora

Boquilla para esquinas + Tubo de extensión (Tubo recto)

En espacios reducidos donde la propia aspiradora no pueda entrar, o en lugares altos difíciles de alcanzar, utilice esta disposición.

► **Fig.28:** 1. Boquilla para esquinas 2. Tubo de extensión 3. Cuerpo de la aspiradora

Limpeza sin boquilla

Puede recoger partículas y polvo sin la boquilla.

► **Fig.29**

Para recoger polvo del suelo en posición erecta, es más cómodo si se coloca el tubo de extensión en la aspiradora.

► **Fig.30:** 1. Tubo de extensión

Extracción del polvo

⚠PRECAUCIÓN: Vacíe la aspiradora antes de que se llene demasiado, o la fuerza de succión se debilitará.

⚠PRECAUCIÓN: Cuando cierre la cubierta frontal, tenga cuidado de no pillarse los dedos.

AVISO: No descarte nunca el tapón de polvo porque debe ser utilizado siempre que se utilice la bolsa de polvo o el filtro de papel.

AVISO: Cuando la bolsa de polvo/filtro de papel no está dentro de la aspiradora, la cubierta frontal no se cierra completamente. No ejerza fuerza para cerrar la cubierta frontal. Podría resultar en deformación o rotura de la aspiradora.

AVISO: Cuando deseche el polvo, limpie también el espacio de la bolsa de polvo/filtro de papel. El polvo y suciedad remanentes en el espacio puede ocasionar que el filtro de esponja se obture o que el motor se dañe.

1. Presione el botón para abrir la cubierta frontal. El abrirla hasta que se escuche un chasquido permite que se detenga positivamente en esa posición.

► **Fig.31:** 1. Cubierta frontal 2. Botón

2. Extraiga el tapón de polvo de color naranja y la bolsa de polvo/filtro de papel juntos al mismo tiempo.

► **Fig.32:** 1. Tapón de polvo

3. Realice los procedimientos de abajo, dependiendo del tipo de recipiente para polvo:

Cuando utilice la bolsa de polvo

Retire el tapón de polvo y vacíe la bolsa de polvo.

► **Fig.33:** 1. Tapón de polvo 2. Bolsa de polvo

Cuando utilice el filtro de papel

Retire el tapón de polvo y deseche el filtro de papel.

► **Fig.34:** 1. Tapón de polvo 2. Filtro de papel

4. Coloque la bolsa de polvo/filtro de papel nuevo y el tapón de polvo juntos dentro de la aspiradora y cierre la cubierta frontal.

NOTA: La aspiradora está construida de tal manera que la cubierta frontal se desprende cuando se intenta abrir a la fuerza la cubierta frontal a un ángulo de más de 90°. Si la cubierta frontal se desprende, insértela en su lugar dentro del acoplador de la cubierta frontal.

► **Fig.35:** 1. Cubierta frontal 2. Acoplador de la cubierta frontal

MANTENIMIENTO

⚠PRECAUCIÓN: Asegúrese siempre de que el aparato está apagado antes de intentar realizar una inspección o mantenimiento.

Para mantener la SEGURIDAD y FIABILIDAD del producto, las reparaciones, y cualquier otra tarea de mantenimiento o ajuste deberán ser realizadas en centros de servicio o de fábrica autorizados por Makita, empleando siempre repuestos Makita.

AVISO: No utilice nunca gasolina, bencina, disolvente, alcohol o similares. Podría producir descoloración, deformación o grietas.

Después de la utilización

Cuando almacene o cargue la aspiradora, bloquee el cabezal de la boquilla, y cuélguela de un gancho disponible en el comercio.

► **Fig.36**

⚠PRECAUCIÓN: La colocación de la aspiradora contra una pared sin ningún otro soporte podrá ocasionar que la aspiradora se caiga y se dañe.

► **Fig.37**

Limpieza

Cuerpo de la aspiradora

De vez en cuando, limpie el exterior de la aspiradora (cuerpo de la aspiradora) utilizando un paño humedecido en agua jabonosa.

Limpie también la abertura de succión, el área de montaje de la bolsa de polvo/filtro de papel y el tapón de polvo.

► **Fig.38**

Tapón de polvo

Retire el polvo del tapón de polvo.

Retire el polvo y la suciedad de la parte de esponja golpeándola ligeramente.

► **Fig.39:** 1. Parte de esponja

Bolsa de polvo

Lave la bolsa de polvo en agua jabonosa cuando esté obstruida con polvo y la potencia de la aspiradora se debilite. Séquelo completamente antes de utilizarlo. Una bolsa insuficientemente seca puede ocasionar una mala succión y acortar la vida de servicio del motor.

► **Fig.40**

NOTA: El filtro de papel es de tipo desechable.

Cuando el filtro de esponja se obstruya con polvo, retírelo de la aspiradora y después límpielo o lávelo en agua.

Extracción e instalación del filtro de esponja

⚠PRECAUCIÓN: Después de limpiar el filtro de esponja, asegúrese de instalarlo en la aspiradora. Si lo lava en agua, séquelo antes de instalarlo. Un filtro de esponja insuficientemente seco puede acortar la vida de servicio del motor.

Para retirar el filtro de esponja, retire la bolsa de polvo o el filtro de papel y después coja y extraiga el filtro de esponja.

► **Fig.41:** 1. Filtro de esponja

Para instalar el filtro, presione hacia adentro todo el borde del filtro de esponja contra la pared embutida dentro del área de montaje de la bolsa de polvo/filtro de papel.

► **Fig.42:** 1. Pared embutida

Limpieza de la boquilla

(específico para cada país)

Cuando la escobilla de la boquilla se llene de polvo, retire el polvo con cinta adhesiva.

► **Fig.43:** 1. Escobilla

Colgador de pared para la aspiradora inalámbrica

Accesorios opcionales

NOTA: El tornillo para montar el soporte no está incluido. Prepare un tornillo apropiado para el material en el que se va a atornillar.

Coloque el colgador de pared para la aspiradora inalámbrica en una pared, viga o columna de madera dura, donde el colgador de pared para la aspiradora inalámbrica se pueda sujetar firmemente. Asegúrese siempre de que el colgador de pared para la aspiradora inalámbrica está colocado firmemente antes de colgar la aspiradora.

► **Fig.44:** 1. Colgador de pared para la aspiradora inalámbrica 2. Clavija

⚠PRECAUCIÓN: No cuelgue la aspiradora en el colgador de pared a lo bruto ni cuelgue otro aparato aparte de la aspiradora.

NOTA: Cuando no cargue la aspiradora, la clavija se puede guardar en el colgador de pared para la aspiradora inalámbrica como se muestra en la ilustración.

Solución de problemas

Antes de solicitar una reparación, compruebe los puntos siguientes.

Sintoma	Área a investigar	Método de reparación
Poca potencia de succión	¿Está llena de polvo la bolsa de polvo o el filtro de papel?	Vacíe bolsa de polvo o el filtro de papel.
	¿Está obstruida la bolsa de polvo?	Sacuda el polvo o lave la bolsa de polvo.
	¿Está obstruido el filtro de papel?	Reemplace el filtro de papel.
	¿Está descargado el cartucho de batería?	Cargue el cartucho de batería.
No funciona	¿Está descargado el cartucho de batería?	Cargue el cartucho de batería.
La cubierta de la caja de polvo no se cierra	¿Está la bolsa de polvo o el filtro de papel colocado?	Coloque la bolsa de polvo o el filtro de papel.

AVISO: No intente reparar la aspiradora usted mismo.

Para desechar la aspiradora

En esta aspiradora hay incorporada una batería de Li-ion. Retírela siempre antes de desechar la aspiradora.

Para retirar la batería incorporada

PRECAUCIÓN: No toque los terminales con ningún material conductor.

PRECAUCIÓN: Evite almacenar la unidad de batería en un contenedor con otros objetos metálicos, como clavos, monedas, etc.

PRECAUCIÓN: No exponga la unidad de batería al agua o la lluvia.

PRECAUCIÓN: No desarme o altere la unidad de batería.

PRECAUCIÓN: La aspiradora debe de estar desconectada de la toma de corriente cuando se vaya a retirar la batería.

1. Para retirar la cubierta posterior, empújela en la dirección de la flecha.

► **Fig.45:** 1. Cubierta posterior

2. Deslice la batería incorporada hasta la mitad. Desconecte los hilos conductores de la batería moviendo ligeramente hacia atrás la batería mientras presiona el conector en la dirección de la flecha mostrada en la figura.

► **Fig.46:** 1. Conector 2. Hilos conductores

3. Después deslice la unidad de batería hacia fuera completamente.

► **Fig.47:** 1. Unidad de batería

4. Ponga la unidad de batería extraída en una caja de cartón para que no se cortocircuite.

Instalación de la batería de repuesto

Para instalar la batería de repuesto, siga el procedimiento de desmontaje a la inversa.

PRECAUCIÓN: Acomode los hilos conductores de forma que queden completamente guardados dentro de la aspiradora antes de volver a poner la cubierta posterior en la posición original. Si no hace esto se podrá dañar los hilos conductores.

► **Fig.48**

Después de instalar la batería (consulte "ESPECIFICACIONES"), cargue la batería antes de utilizarla.

COLECTOR CICLÓNICO

Accesorios opcionales

► **Fig.49:** 1. Botón de liberación 2. Gancho 3. Tubo recto 4. Colector ciclónico 5. Boca de succión

Acerca del colector ciclónico

La utilización de la aspiradora con el colector ciclónico instalado reduce la cantidad de polvo que entra en la bolsa de polvo, lo que ayuda a evitar que la fuerza de succión se debilite. Además, la limpieza después de la utilización también se simplifica.

PRECAUCIÓN: Asegúrese siempre de que la aspiradora está apagada antes de realizar cualquier trabajo en la aspiradora. Una puesta en marcha involuntaria puede resultar en heridas.

PRECAUCIÓN: Limpie el filtro de malla del colector ciclónico y la bolsa de polvo de la unidad de la aspiradora cuando se obstruyan. Continuar utilizando estando obstruidos podrá resultar en recalentamiento o humo.

AVISO: Cuando el colector ciclónico esté colocado, no utilice la aspiradora en posición horizontal u orientada hacia arriba. Si lo hace podrá ocasionar que el filtro de malla se obstruya.

AVISO: Utilice siempre la aspiradora con la bolsa de polvo instalada, aun cuando utilice el colector ciclónico. La utilización de la aspiradora sin la bolsa de polvo instalada podrá resultar en un mal funcionamiento del motor.

NOTA: Compruebe que el colector ciclónico, la aspiradora, y el tubo recto están bloqueados debidamente antes de utilizar.

NOTA: Vacíe el recipiente para polvo del colector ciclónico y la bolsa de polvo de la aspiradora cuando se haya acumulado polvo. Continuar utilizando resultará en una debilitación de la fuerza de succión.

NOTA: También puede utilizar el colector ciclónico sin la función de bloqueo.

NOTA: Para instalar o desmontar el colector ciclónico, consulte la sección "Instalación o desmontaje del accesorio de aspiradora".

Extracción del polvo

Cuando el polvo se haya acumulado hasta la línea de lleno del recipiente para polvo, siga el procedimiento de abajo y deseche el polvo.

1. Sujete el recipiente para polvo firmemente, mantenga presionados los dos botones, y retire el recipiente para polvo.

► **Fig.50:** 1. Línea de lleno 2. Recipiente para polvo 3. Botón (dos lugares) 4. Filtro de malla

2. Deseche el polvo de dentro del recipiente para polvo y retire cualquier resto de polvo adherido a la superficie del filtro de malla.

3. Inserte el recipiente para polvo a fondo hasta que los dos botones se bloqueen con un chasquido.

► **Fig.51:** 1. Recipiente para polvo 2. Botón (dos lugares)

NOTA: Compruebe que el colector ciclónico, la aspiradora, y el tubo recto están bloqueados debidamente antes de reanudar la operación.

NOTA: Si la fuerza de succión no se recupera incluso después de desechar el polvo y limpiar el filtro de malla, compruebe si se ha acumulado polvo en la bolsa de polvo de la aspiradora o si se ha producido obturación.

NOTA: El polvo podrá subir rápidamente cuando se deseche del colector ciclónico. Tenga cuidado de no dejar que el polvo entre en sus ojos.

Limpeza

Cuando el recipiente para polvo se ensucie o el filtro de malla se obstruya, retírelos y lávelos con agua. (Consulte "Extracción del polvo" para ver el procedimiento de extracción).

Seque las partes completamente antes de volver a instalar y utilizar.

► **Fig.52:** 1. Recipiente para polvo 2. Filtro de malla

Cuando el filtro de malla se ensucie mucho, límpielo siguiendo los procedimientos siguientes.

1. Gire el filtro de malla hacia la izquierda y retírelo mientras los ganchos están desbloqueados.

► **Fig.53:** 1. Filtro de malla 2. Gancho

2. Retire el polvo del filtro de malla y después lávelo con agua. Después de eso, séquelo completamente.

3. Inserte el filtro de malla en la base mientras los ganchos están alineados con la abertura. Gire el filtro de malla hacia la derecha hasta que los ganchos se bloqueen con un chasquido. Asegúrese de que el filtro de malla está instalado firmemente.

► **Fig.54:** 1. Filtro de malla 2. Gancho 3. Abertura

ACCESORIOS OPCIONALES

⚠PRECAUCIÓN: Estos accesorios o aditamentos están recomendados para utilizar con su aparato Makita especificado en este manual. El uso de otros accesorios o aditamentos puede suponer un riesgo de lesiones personales. Utilice el accesorio o aditamento solamente para su fin específico.

Si necesita cualquier ayuda para más detalles en relación con estos accesorios, pregunte al centro de servicio Makita local.

- Tubo de extensión (Tubo recto)
- Boquilla
- Boquilla para alfombras
- Cepillo para estanterías
- Boquilla para esquinas
- Cepillo redondo
- Manguera flexible
- Filtro de papel
- Colgador de pared para la aspiradora inalámbrica
- Batería de repuesto
- Boquilla libre
- Boquilla para asientos
- Boquilla para resquicios
- Colector ciclónico

NOTA: Algunos de los artículos de la lista pueden estar incluidos en el paquete del aparato como accesorios estándar. Pueden variar de un país a otro.

AVISO

- Este aparelho pode ser utilizado por crianças com idade a partir de 8 anos e por pessoas com capacidades físicas, sensoriais ou mentais reduzidas ou falta de experiência e conhecimento, se tiverem recebido supervisão ou instruções relativamente à utilização do aparelho de forma segura e tiverem compreendido os perigos envolvidos.
- As crianças não devem brincar com o aparelho. A limpeza e manutenção pelo utilizador não devem ser efetuadas por crianças sem supervisão.
- Consulte o capítulo "ESPECIFICAÇÕES" para ficar a saber a referência de tipo da bateria.
- Consulte as secções "Remover a bateria incorporada" e "Instalar a bateria de substituição" para saber como substituir a bateria.
- As baterias de íões de lítio contidas no aparelho são sujeitas aos requisitos da DGL (Dangerous Goods Legislation - Legislação de bens perigosos). Quando eliminar a bateria, remova-a do aparelho e elimine-a num local seguro. Siga os regulamentos locais relacionados com a eliminação de baterias.
- Mediante condições abusivas, o líquido poderá ser ejetado da bateria; evite o contacto. Caso ocorra o contacto acidentalmente, lave com água.
- Se entrar eletrólito para os seus olhos, lave-os com água limpa e procure imediatamente assistência médica. Isto pode resultar na perda de visão.
- Consulte o capítulo "ESPECIFICAÇÕES" para ficar a saber a referência de tipo do carregador. Para efeitos de recarregamento da bateria, utilize apenas o carregador fornecido com o aparelho.
- Consulte a secção "Símbolos" para ficar a saber o significado dos símbolos utilizados para o aparelho.
- Consulte o capítulo "MANUTENÇÃO" para obter as informações adequadas sobre as precauções a ter durante a manutenção pelo utilizador.

ESPECIFICAÇÕES

Modelo:	CL114FD	
Capacidade	com um saco para pó	500 ml
	com um filtro de papel	330 ml
Utilização contínua (com bateria BL1020V)	3 (Modo de velocidade máx.)	Aprox. 10 min
	2 (Modo de velocidade alta)	Aprox. 18 min
	1 (Modo de velocidade normal)	Aprox. 55 min
Comprimento geral	Armação do aspirador	458 mm
	Com tubo extensor e bocal	983 mm
Peso líquido	1,1 kg	
Voltagem nominal	C.C. 10,8 V - 12 V máx.	

- Devido a um programa contínuo de pesquisa e desenvolvimento, estas especificações estão sujeitas a alteração sem aviso prévio.
- As especificações podem variar de país para país.
- O peso não inclui os acessórios.
- Para efeitos de recarregamento da bateria, utilize apenas o carregador fornecido com o aparelho.

Bateria e carregador aplicável

Bateria	Carregador de bateria	Tempo de carregamento (horas)
BL1020V	DC1002	2,0

- O tempo de carregamento varia consoante a temperatura (10°C (50°F) - 40°C (104°F)) à qual a bateria é carregada e as condições da bateria, tais como uma bateria que é nova ou não foi utilizada por um período de tempo prolongado.

⚠️ AVISO: Utilize apenas as baterias e carregadores listados acima. A utilização de quaisquer outras baterias e carregadores pode causar ferimentos e/ou um incêndio.

Símbolos

A seguir são apresentados os símbolos que podem ser utilizados para o equipamento. Certifique-se de que compreende o seu significado antes da utilização.



Leia o manual de instruções.



Unidade de alimentação removível



Ni-MH
Li-Ion

Apenas para países da UE
Devido à presença de componentes perigosos no equipamento, os resíduos de equipamentos elétricos e eletrónicos, acumuladores e baterias podem ter um impacto negativo no meio ambiente e na saúde humana.
Não elimine aparelhos elétricos e eletrónicos ou baterias juntamente com resíduos domésticos!
De acordo com a Diretiva europeia relativa aos resíduos de equipamentos elétricos e eletrónicos, acumuladores e baterias, bem como a respetiva adaptação à legislação nacional, os resíduos de equipamentos elétricos e eletrónicos, acumuladores e baterias devem ser armazenados separadamente e entregues num ponto de recolha separado para resíduos municipais, que opere de acordo com os regulamentos de proteção ambiental.
Tal é indicado pelo símbolo de contenedor de lixo com rodas barrado com uma cruz colocado no equipamento.

Utilização a que se destina

O aparelho serve para recolher pó seco.

AVISOS DE SEGURANÇA

Avisos de segurança do aspirador de pó a bateria

⚠ AVISO: IMPORTANTE! LEIA COM ATENÇÃO todos os avisos de segurança e todas as instruções ANTES DA UTILIZAÇÃO. Caso não siga os avisos e instruções, pode apanhar um choque elétrico, provocar um incêndio e/ou ferimentos graves.

1. Não exponha à chuva. Guarde dentro de casa.
2. Não permita que seja utilizado como brinquedo. Tenha cuidado especialmente quando o aparelho for utilizado por crianças ou próximo delas.
3. Utilize-o somente de acordo com as instruções deste manual. Utilize somente os acessórios recomendados pelo fabricante.
4. Não utilize com uma bateria danificada. Se o aparelho não funcionar corretamente, for derrubado, danificado, deixado ao ar livre ou cair na água, leve-o ao centro de assistência.
5. Não manuseie o aparelho com as mãos molhadas.
6. Não coloque nenhum objeto nas aberturas. Não o utilize com uma abertura bloqueada; mantenha-o limpo, sem poeira, pelos, cabelos ou qualquer outra coisa que possa reduzir o fluxo de ar.
7. Mantenha os cabelos, roupas largas, dedos e outras partes do corpo afastadas das aberturas e das peças em movimento.
8. Desligue todos os controlos antes de retirar a bateria.
9. Tenha cuidado especialmente ao limpar escadas.
10. Não utilize para aspirar líquidos inflamáveis ou combustíveis, tal como gasolina, nem utilize em áreas onde esses produtos podem estar presentes.
11. Utilize somente o carregador fornecido pelo fabricante para recarregar.
12. Não utilize para aspirar algo que está a queimar ou a soltar fumo, tal como cigarros, fósforos ou cinzas quentes.
13. Não utilize sem o saco para pó e/ou os filtros devidamente instalados.
14. Não carregue a bateria ao ar livre.
15. Recarregue apenas com o carregador especificado pelo fabricante. Um carregador que é adequado para um tipo de conjunto de baterias poderá criar um risco de incêndio quando utilizado com outro conjunto de baterias.
16. Utilize aparelhos apenas com conjuntos de baterias especificamente designados. A utilização de quaisquer outros conjuntos de baterias poderá criar um risco de ferimentos e incêndio.
17. Quando (o) conjunto de baterias não estiver a ser utilizado, mantenha-o afastado de outros objetos de metal, tais como cliques de papel, moedas, chaves, pregos, parafusos ou outros objetos de metal pequenos que possam estabelecer ligação de um terminal a outro.
18. Mediante condições abusivas, o líquido poderá ser ejetado da bateria; evite o contacto. Caso ocorra o contacto acidentalmente, lavar com água.
19. Não utilize um conjunto de baterias ou um aparelho que se encontre danificado ou modificado. As baterias danificadas ou modificadas poderão exibir um comportamento imprevisível, resultando em incêndio, explosão ou risco de ferimentos.
20. Não exponha um conjunto de baterias ou um aparelho a incêndio ou temperatura excessiva. A exposição a incêndio ou a uma temperatura superior a 130 °C poderá causar uma explosão.
21. Siga todas as instruções de carregamento e não carregue o conjunto de baterias ou o aparelho fora da amplitude de temperaturas especificada nas instruções. O carregamento incorreto ou a temperaturas fora da amplitude especificada poderá danificar a bateria e aumentar o risco de incêndio.
22. Não permita que a familiaridade adquirida pelo uso frequente das ferramentas o tornem complacente e o faça ignorar os princípios de segurança da ferramenta. Uma ação descuidada pode causar lesões graves numa fração de segundos.

GUARDE ESTAS INSTRUÇÕES.

REGRAS DE SEGURANÇA ADICIONAIS

1. Antes de utilizar o aparelho, leia cuidadosamente este manual de instruções bem como o manual do carregador.
2. Não aspire os seguintes materiais:
 - Materiais quentes, tais como cigarros acesos ou faíscas/pó de metal produzidos ao esmerilar/cortar metal
 - Materiais inflamáveis, tais como gasolina, diluentes, benzina, querosene ou tinta
 - Materiais explosivos como nitroglicerina
 - Materiais inflamáveis, tais como alumínio, zinco, magnésio, titânio, fósforo ou celulósido
 - Sujidade húmida, água, óleo, etc.
 - Artigos rígidos com arestas cortantes, tais como aparas de madeira, metais, pedras, vidros, pregos, pinos e lâminas de barbear
 - Pó para solidificar, como cimento ou tóner
 - Pó condutivo, tal como metal ou carbono
 - Partículas minúsculas como de betãoIsso pode provocar incêndio, ferimentos e/ou danos à propriedade.
3. Desligue o aspirador imediatamente se notar qualquer funcionamento anormal.
4. Se deixar cair ou bater o aspirador, inspecione cuidadosamente para ver se há rachaduras ou danos antes de utilizar.
5. Não carregue o aspirador perto de materiais inflamáveis perigosos, tais como gasolina, gás, tinta ou colas.
6. Não carregue o aspirador sobre papéis, tecido, alcatifa, vinil, etc. Tal pode causar um incêndio.
7. Não carregue o aspirador num local poeirento.
8. Certifique-se de que ninguém se encontra por baixo quando utilizar o aspirador em locais elevados.
9. Não aproxime de fogões nem de outras fontes de calor.
10. Não bloqueie os orifícios de entrada e saída de ar.

GUARDE ESTAS INSTRUÇÕES.

INSTRUÇÕES DE SEGURANÇA IMPORTANTES

PARA BATERIA INCORPORADA

1. Antes de utilizar a bateria incorporada, leia todas as instruções e marcações cautelares no (1) carregador da bateria, (2) bateria e (3) produto que utiliza a bateria.
2. Não desmonte a bateria incorporada.
3. Se o tempo de funcionamento tiver se tornado excessivamente mais curto, pare imediatamente de operar o aparelho. Poderá resultar num risco de sobreaquecimento, possíveis queimaduras e até mesmo explosão.

4. Se entrar eletrólito para os seus olhos, lave-os com água limpa e procure imediatamente assistência médica. Isto pode resultar na perda de visão.
5. Não curto-circuite a bateria incorporada:
 - (1) Não toque nos terminais com qualquer material condutor.
 - (2) Evite guardar a bateria incorporada num contentor com outros objetos de metal como pregos, moedas, etc.
 - (3) Não exponha a bateria incorporada à água ou à chuva.
Um curto-circuito da bateria pode causar uma grande fluxo de corrente, sobreaquecimento, possíveis queimaduras e até mesmo quebra.
6. Não guarde nem utilize o aparelho e a bateria incorporada em locais onde a temperatura possa atingir ou exceder os 50 °C.
7. Não incinere a bateria incorporada mesmo se estiver seriamente danificada ou estiver completamente usada. A bateria incorporada pode explodir no fogo.
8. Tenha cuidado para não deixar cair a bateria ou bater nesta.
9. Não utilize uma bateria incorporada danificada.
10. As baterias de íões de lítio contidas no aparelho são sujeitas aos requisitos da DGL (Dangerous Goods Legislation - Legislação de bens perigosos). Quando eliminar a bateria, remova-a do aparelho e elimine-a num local seguro. Siga os regulamentos locais relacionados com a eliminação de baterias.
11. Utilize as baterias apenas com os produtos especificados pela Makita.

GUARDE ESTAS INSTRUÇÕES.

Dicas para manter a vida útil máxima da bateria

1. Carregue a bateria incorporada antes que esteja completamente descarregada. Pare sempre o funcionamento do aparelho e carregue a bateria incorporada quando notar menos potência do aparelho.
2. Nunca recarregue uma bateria incorporada totalmente carregada. A sobrecarga reduz a vida útil da bateria.
3. Carregue a bateria incorporada com a temperatura ambiente a 10°C - 40°C. Deixe uma bateria incorporada quente arrefecer antes de carregá-la.
4. Carregue a bateria incorporada a cada seis meses caso não utilize o aparelho por um período de tempo prolongado.

DESCRIÇÃO FUNCIONAL

⚠️PRECAUÇÃO: Certifique-se sempre de que o aparelho está desligado antes de ajustar ou verificar o funcionamento no aparelho.

Carregar a bateria incorporada

⚠️PRECAUÇÃO: Utilize apenas baterias genuínas da Makita. A utilização de baterias não genuínas da Makita, ou de baterias que foram alteradas, pode resultar no rebenfamento da bateria provocando incêndios, ferimentos pessoais e danos. Além disso, anulará a garantia da Makita no que se refere ao produto e ao carregador Makita.

⚠️PRECAUÇÃO: Desligue sempre a ficha de carregamento do aspirador após o carregamento.

⚠️PRECAUÇÃO: Não deixe o carregador na tomada após desligar o aparelho. As crianças pequenas podem colocar a ficha sob tensão na boca e causar lesões.

Carregue o aspirador quando utilizá-lo pela primeira vez ou caso se encontre descarregado há muito tempo. Ligue a ficha de carregamento ao conector de carregamento e, de seguida, ligue o carregador à tomada elétrica.

► **Fig.1:** 1. Conector de carregamento

A luz de alimentação da bateria acende e o carregamento começa. A luz apaga após a conclusão do carregamento. Para obter mais informações, consulte o manual de instruções do carregador da bateria.

► **Fig.2:** 1. Luz de alimentação da bateria

OBSERVAÇÃO: A luz de alimentação da bateria pisca e a bateria não pode ser carregada se a bateria ou o aspirador forem expostos a temperaturas extremas.

NOTA: O aspirador não pode ser controlado enquanto está a ser carregado. Para arrancar o aspirador, desligue o carregador da fonte de alimentação, desligue a ficha de carregamento do aspirador e, em seguida, prima o botão LIGAR/mudança de velocidade.

NOTA: Nas seguintes condições, a bateria está prestes a atingir o respetivo fim de vida útil (ou está danificada/avariada). Desligue o carregador da fonte de alimentação e, em seguida, substitua a bateria.

- A luz de alimentação da bateria apaga-se logo após começar a carregar o aspirador.
- O aspirador funciona apenas por um período inferior a metade do tempo de funcionamento normal após a bateria ter sido totalmente carregada.

NOTA: A bateria pode ser recarregada até, aproximadamente, 500 vezes. Os tempos de recarregamento variam em função das condições em que a bateria foi carregada e descarregada.

Ação do interruptor

⚠️PRECAUÇÃO: Desligue sempre o aspirador após cada utilização para evitar danos no aspirador e para prolongar a vida útil das baterias.

Para iniciar o aspirador, carregue simplesmente no botão LIGAR/mudança de velocidade. Para desligar, prima o botão DESLIGAR. Pode mudar a velocidade do aspirador em três passos ao carregar no botão LIGAR/mudança de velocidade. A primeira vez que carregar neste botão serve para definir o modo de velocidade alta, a segunda vez serve para definir o modo de velocidade máx. e a terceira vez serve para velocidade normal. De cada vez que carregar neste botão, o ciclo de velocidade alta/máx./normal repete-se alternadamente.

► **Fig.3:** 1. Botão LIGAR/mudança de velocidade
2. Botão DESLIGAR

Luz de alimentação da bateria

Quando a carga restante da bateria ficar baixa, a luz de alimentação da bateria pisca.

Quando a capacidade restante da bateria ficar muito mais baixa, o aspirador para e a luz de alimentação da bateria acende durante cerca de 10 segundos. Nesta altura, carregue a bateria. Além disso, quando a bateria ficar demasiado carregada ou sobreaquecida, o aspirador para e a luz de alimentação da bateria acende durante cerca de 10 segundos. O aspirador não aciona durante a luz acesa.

► **Fig.4:** 1. Luz de alimentação da bateria

NOTA: O momento em que a luz de alimentação da bateria começa a piscar ou acender depende da temperatura no local de trabalho e das condições da bateria.

Acender a luz

⚠️PRECAUÇÃO: Não olhe para a luz ou para a fonte de iluminação diretamente.

Para ligar a lâmpada, carregue no botão LIGAR/mudança de velocidade. Carregue no botão DESLIGAR para desligar a lâmpada. Durante o funcionamento do aspirador, a lâmpada liga.

► **Fig.5:** 1. Botão LIGAR/mudança de velocidade
2. Botão DESLIGAR (OFF) 3. Lâmpada

MONTAGEM

⚠️PRECAUÇÃO: Certifique-se sempre de que o aparelho está desligado antes de efetuar qualquer trabalho no aparelho.

Saco para pó e filtro de papel

Instale o saco para pó ou o filtro de papel antes de utilizar o aspirador.

Utilize o protetor de pó quando instalar o saco para pó ou o filtro de papel.

O saco para pó é reutilizável após limpá-lo.

O filtro de papel é do tipo descartável. Deite fora o filtro de papel completo sem esvaziá-lo quando ficar cheio.

OBSERVAÇÃO: Para evitar que o pó entre no motor:

- **Certifique-se de que o saco para pó ou o filtro de papel está instalado antes de usar.**
- **Insira o protetor de pó juntamente com o saco para pó ou o filtro de papel completamente nas ranhuras quando instalá-los.**
- **Não utilize um saco partido ou rasgado.**

Caso contrário, o motor poderá estar avariado.

OBSERVAÇÃO: Não dobre o papelão na sua abertura quando instalar o filtro de papel.

OBSERVAÇÃO: Nunca deite fora o protetor de pó porque tem ser utilizado sempre que o saco para pó ou o filtro de papel é utilizado.

OBSERVAÇÃO: O filtro de papel para o aspirador é um componente importante para manter o desempenho do aspirador. Utilizar outro filtro além do filtro de papel genuíno poderá causar fumos ou ignição.

NOTA: Quando o saco para pó ou o filtro de papel não estiverem instalados no aspirador, a tampa frontal não fecha completamente.

► Fig.6

Instalar o saco para pó

Utilize o protetor de pó quando instalar o saco para pó. Tenha cuidado para não confundir o lado superior do lado inferior porque ambos são diferentes.

► Fig.7: 1. Lado superior do protetor de pó 2. Lado inferior do protetor de pó

1. Insira a saliência do saco para pó na ranhura inferior no protetor de pó conforme indicado na figura.

► Fig.8: 1. Protetor de pó 2. Ranhura inferior 3. Saco para pó

2. Não existe qualquer distinção entre os lados superior e inferior do saco para pó. Poderá inserir a sua saliência de qualquer um dos lados na ranhura inferior do protetor de pó.

► Fig.9: 1. Ranhura inferior

3. Sobreponha a estrutura do protetor de pó com a do saco para pó.

► Fig.10

4. Coloque o protetor de pó e o saco para pó juntamente na cavidade do aspirador no mesmo sentido da seta no protetor de pó. Insira-os por completo nas ranhuras na cavidade do aspirador.

► Fig.11

5. Espalhe a parte de pano do saco para pó dentro do aspirador.

► Fig.12

6. Feche completamente a tampa frontal.

► Fig.13: 1. Tampa frontal

Instalar o filtro de papel

Utilize o protetor de pó também quando instalar o filtro de papel. Tenha cuidado para não confundir o lado superior do lado inferior porque ambos são diferentes.

► Fig.14: 1. Lado superior do protetor de pó 2. Lado inferior do protetor de pó

1. Desdobre a entrada do filtro de papel antes de instalá-la no protetor de pó.

► Fig.15

2. Insira a saliência do filtro de papel na ranhura inferior no protetor de pó conforme indicado na figura.

► Fig.16: 1. Protetor de pó 2. Ranhura inferior 3. Filtro de papel

3. Não existe qualquer distinção entre os lados superior e inferior do filtro de papel. Poderá inserir a sua saliência de qualquer um dos lados na ranhura inferior do protetor de pó.

► Fig.17: 1. Ranhura inferior

4. Sobreponha a estrutura do protetor de pó com a do filtro de papel.

► Fig.18

5. Coloque o protetor de pó e o filtro de papel juntamente na cavidade do aspirador no mesmo sentido da seta no protetor de pó. Insira-os por completo nas ranhuras na cavidade do aspirador.

► Fig.19

6. Espalhe a parte do contentor do filtro de papel dentro do aspirador.

► Fig.20

7. Feche completamente a tampa frontal.

► Fig.21: 1. Tampa frontal

OPERAÇÃO

PRECAUÇÃO: Não coloque o rosto próximo do orifício de ventilação quando utilizar o aspirador. Se objetos estranhos forem soprados para os olhos, pode resultar em ferimentos pessoais.

Instalar ou remover o acessório do aspirador

PRECAUÇÃO: Após instalar um acessório, verifique se este está firmemente instalado. Se instalar o acessório de forma imperfeita, este pode soltar-se e provocar ferimentos.

PRECAUÇÃO: Tenha cuidado para não bater com a mão na parede, etc. quando remover o acessório.

Quando utilizar o acessório com a função de bloqueio

Para instalar um acessório, insira-o no bocal de sucção do aspirador até encaixar. Certifique-se de que o acessório está bloqueado.

- **Fig.22:** 1. Bocal de sucção 2. Acessório com a função de bloqueio 3. Gancho 4. Botão de libertação

NOTA: Quando instalar o acessório com a função de bloqueio, certifique-se de que alinha o botão de libertação com o gancho no acessório. Se não estiverem alinhados, o acessório não bloqueia e pode soltar-se do aspirador.

Para remover o acessório, puxe-o enquanto prime o botão de libertação.

- **Fig.23:** 1. Botão de libertação 2. Acessório com a função de bloqueio

Quando utilizar o acessório sem a função de bloqueio

PRECAUÇÃO: Para instalar um acessório sem a função de bloqueio, rode-o e insira-o no sentido da seta para fixar a ligação durante a utilização. Para remover o acessório, rode-o e extraia-o também no sentido da seta.

- **Fig.24**

Limpeza (Sucção)

Bocal

Instale o bocal para limpar mesas, secretárias, móveis, etc. O bocal encaixa com facilidade.

- **Fig.25:** 1. Bocal

Bocal + Tubo extensor (tubo reto)

O tubo extensor é conectado entre o bocal e o aspirador. Esta disposição é conveniente para limpar um pavimento numa posição vertical.

- **Fig.26:** 1. Armação do aspirador 2. Tubo extensor 3. Bocal

Bocal para cantos

Encaixe o bocal para cantos para limpeza de cantos e frestas de bancos de automóvel ou móveis.

- **Fig.27:** 1. Bocal para cantos 2. Armação do aspirador

Bocal para cantos + Tubo extensor (Tubo reto)

Utilize este arranjo para limpar em locais estreitos onde o aspirador não entra ou em locais altos de difícil acesso.

- **Fig.28:** 1. Bocal para cantos 2. Tubo extensor 3. Armação do aspirador

Limpeza sem o bocal

É possível fazer a aspiração de poeira e pó sem o bocal.

- **Fig.29**

Para recolher pó num piso numa posição vertical, é conveniente prender o tubo extensor ao aspirador.

- **Fig.30:** 1. Tubo extensor

Eliminar o pó

PRECAUÇÃO: Esvazie o aspirador antes que fique muito cheio, caso contrário a força de sucção diminuirá.

PRECAUÇÃO: Quando fechar a tampa frontal tenha cuidado para não trilhar os dedos.

OBSERVAÇÃO: Nunca deite fora o protetor de pó porque deve ser utilizado sempre que o saco para pó ou o filtro de papel é utilizado.

OBSERVAÇÃO: Quando o saco para pó/filtro de papel não estiver dentro do aspirador, a tampa frontal não fecha completamente. Não force a tampa frontal para fechá-la. Pode resultar na deformação ou quebra do aspirador.

OBSERVAÇÃO: Quando eliminar o pó, limpe também o compartimento do saco para pó/filtro de papel. O pó e a sujidade restantes no compartimento podem causar a obstrução do filtro de esponja ou danos no motor.

1. Carregue no botão para abrir a tampa frontal. Abri-la até ouvir um clique permite uma paragem positiva nessa posição.

- **Fig.31:** 1. Tampa frontal 2. Botão

2. Retire o protetor de pó laranja e o saco para pó/filtro de papel conjuntamente ao mesmo tempo.

- **Fig.32:** 1. Protetor de pó

3. Realize os procedimentos seguintes em função do tipo de contentor de pó:

Quando utilizar o saco para pó

Remova o protetor de pó e esvazie o saco para pó.

- **Fig.33:** 1. Protetor de pó 2. Saco para pó

Quando utilizar o filtro de papel

Remova o protetor de pó e elimine o filtro de papel.

- **Fig.34:** 1. Protetor de pó 2. Filtro de papel

4. Coloque o saco para pó/novo filtro de papel e o protetor de pó juntamente no aspirador e feche a tampa frontal.

NOTA: O aspirador está construído de modo a que a tampa frontal saia quando tentar forçar a tampa frontal a abrir com um ângulo superior a 90°. Se a tampa frontal sair, insira-a na junta da tampa frontal na posição correta.

- **Fig.35:** 1. Tampa frontal 2. Junta da tampa frontal

MANUTENÇÃO

⚠️ PRECAUÇÃO: Certifique-se sempre de que o aparelho está desligado antes de tentar efetuar a inspeção ou manutenção.

Para manter a SEGURANÇA e a FIABILIDADE do produto, as reparações e qualquer outra manutenção ou ajuste devem ser levados a cabo pelos centros de assistência Makita autorizados ou pelos centros de assistência de fábrica, utilizando sempre peças de substituição Makita.

OBSERVAÇÃO: Nunca utilize gasolina, benzina, diluente, álcool ou produtos semelhantes. Pode ocorrer a descoloração, deformação ou rachaduras.

Após utilização

Quando guardar ou carregar o aspirador, bloqueie a cabeça do bocal e pendure-o através de um gancho disponível no mercado.

► Fig.36

⚠️ PRECAUÇÃO: Colocar o aspirador contra a parede sem qualquer outro apoio pode fazer com que o aspirador caia e sofra danos.

► Fig.37

Limpeza

Armação do aspirador

Limpe periodicamente o exterior do aspirador (armação) com um pano humedecido em água e sabão. Limpe também a abertura de sucção, área de instalação do saco para pó/filtro de papel e o protetor de pó.

► Fig.38

Protetor de pó

Limpe o pó do protetor de pó. Remova o pó e a sujidade da peça da esponja batendo-lhe levemente.

► Fig.39: 1. Peça da esponja

Saco para pó

Lave o saco para pó em água e sabão quando estiver obstruído com pó e quando a potência do aspirador ficar fraca. Seque-o completamente antes de utilizar. Um saco que não esteja bem seco pode prejudicar a sucção e diminuir a vida útil do motor.

► Fig.40

NOTA: O filtro de papel é do tipo descartável.

Quando o filtro de esponja estiver entupido com pó, remova-o do aspirador e limpe-o ou lave-o com água.

Remover e instalar o filtro de esponja

⚠️ PRECAUÇÃO: Após limpar o filtro de esponja, certifique-se de que o instala no aspirador. Se for lavado com água, seque-o antes de instalá-lo. Um filtro de esponja mal seco poderá diminuir a vida útil do motor.

Para remover o filtro de esponja, remova o saco para pó ou o filtro de papel e, de seguida, aperte e retire o filtro de esponja.

► Fig.41: 1. Filtro de esponja

Para instalar o filtro, pressione todo o bordo do filtro de esponja contra a parede embutida no interior da área de montagem do saco para pó/filtro de papel.

► Fig.42: 1. Parede embutida

Limpeza do bocal

(específico do país)

Quando a escova do bocal ficar com pó, limpe o pó com fita adesiva.

► Fig.43: 1. Escova

Suporte de parede para aspirador de pó a bateria

Acessório opcional

NOTA: O parafuso para montar o suporte não é incluído. Prepare um parafuso adaptável ao material a aparafusar.

Prenda o suporte de parede para aspirador de pó a bateria numa parede, viga ou coluna de madeira sólida, nas quais o suporte de parede para aspirador de pó a bateria possa ser fixo firmemente. Antes de pendurar o aspirador, assegure sempre que o suporte de parede para aspirador de pó a bateria está preso firmemente.

► Fig.44: 1. Suporte de parede para aspirador de pó a bateria 2. Ficha

⚠️ PRECAUÇÃO: Não pendure o aspirador no suporte de parede de forma violenta nem pendure outros eletrodomésticos além do aspirador.

NOTA: Quando não carregar o aspirador, a ficha pode ser armazenada no suporte de parede para aspirador de pó a bateria, conforme ilustrado.

Resolução de problemas

Antes de solicitar reparações, verifique os seguintes pontos.

Sintoma	Área a verificar	O que fazer
Potência de sucção fraca	O saco para pó ou o filtro de papel está cheio de pó?	Esvazie o saco para pó ou o filtro de papel.
	O saco para pó está entupido?	Retire o pó ou lave o saco para pó.
	O filtro de papel está obstruído?	Substitua o filtro de papel.
	A bateria está descarregada?	Carregue a bateria.
Não funciona	A bateria está descarregada?	Carregue a bateria.
A tampa da caixa do pó não fecha	O saco para pó ou o filtro de papel está instalado?	Instale o saco para pó ou o filtro de papel.

OBSERVAÇÃO: Não tente reparar o aspirador.

Descartar o aspirador

Uma bateria de lítio e íões está incorporada neste aspirador. Remova-a sempre antes de descartar o aspirador.

Remover a bateria incorporada

⚠️ PRECAUÇÃO: Não toque nos terminais com qualquer material condutor.

⚠️ PRECAUÇÃO: Evite guardar a unidade da bateria num contentor com outros objetos de metal como pregos, moedas, etc.

⚠️ PRECAUÇÃO: Não exponha a unidade da bateria à água ou à chuva.

⚠️ PRECAUÇÃO: Não desmonte ou altere a unidade da bateria.

⚠️ PRECAUÇÃO: O aspirador deve estar desligado da tomada elétrica quando remover a bateria.

1. Para remover a tampa traseira, empurre-a no sentido da seta.
▶ **Fig.45:** 1. Tampa traseira
2. Deslize a bateria incorporada até meio. Desligue os fios de chumbo da bateria, movendo a bateria ligeiramente para trás enquanto pressiona o conector no sentido da seta conforme indicado na figura.
▶ **Fig.46:** 1. Conector 2. Fios de chumbo
3. De seguida, deslize completamente a unidade da bateria para fora.
▶ **Fig.47:** 1. Unidade da bateria
4. Coloque a unidade da bateria removida numa caixa de cartão, de modo a não curto-circuitar.

Instalar a bateria de substituição

Para instalar a bateria de substituição, siga o procedimento de remoção na ordem inversa.

⚠️ PRECAUÇÃO: Encaminhe o fio de modo a ficar completamente armazenado no interior do aspirador antes de colocar novamente a tampa traseira na posição original. Caso não o faça, poderá danificar o fio.

▶ **Fig.48**

Após instalar a bateria (consulte as "ESPECIFICAÇÕES"), carregue a bateria antes de usar.

ACESSÓRIO DE CICLONE

Acessório opcional

- ▶ **Fig.49:** 1. Botão de libertação 2. Gancho 3. Tubo reto 4. Acessório de ciclone 5. Bocal de sucção

Informações sobre o acessório de ciclone

A utilização do aspirador com o acessório de ciclone instalado reduz a quantidade de pó que entra no saco para pó, o que ajuda a evitar o enfraquecimento da força de sucção. Além disso, a limpeza após a utilização também é simples.

⚠️ PRECAUÇÃO: Certifique-se sempre de que o aspirador está desligado antes de realizar qualquer trabalho no aspirador. O arranque não intencional pode resultar em ferimentos.

⚠️ PRECAUÇÃO: Limpe o filtro de rede do acessório de ciclone e o saco para pó da unidade do aspirador quando ficarem obstruídos. A utilização continuada no estado obstruído pode dar origem a aquecimento ou fumo.

OBSERVAÇÃO: Quando o acessório de ciclone estiver preso, não utilize o aspirador virado na horizontal ou na vertical. Ao fazê-lo pode fazer com que o filtro de rede fique obstruído.

OBSERVAÇÃO: Utilize sempre o aspirador com o saco para pó instalado, mesmo quando utilizar o acessório de ciclone. A utilização do aspirador sem o saco para pó instalado pode dar origem a uma avaria do motor.

NOTA: Verifique se o acessório de ciclone, o aspirador e o tubo reto estão devidamente bloqueados antes da utilização.

NOTA: Esvazie a caixa do pó do acessório de ciclone e o saco para pó do aspirador quando se tiver acumulado pó. A utilização continuada vai provocar o enfraquecimento da força de sucção.

NOTA: Pode também utilizar o acessório de ciclone sem a função de bloqueio.

NOTA: Para instalar ou remover o acessório de ciclone, consulte a secção "Instalar ou remover o acessório do aspirador".

Eliminar o pó

Quando o pó se tiver acumulado até à linha de enchimento máximo da caixa do pó, siga o procedimento seguinte e elimine o pó.

1. Segure a caixa do pó firmemente, pressione e mantenha os dois botões pressionados, e remova a caixa do pó.
► **Fig.50:** 1. Linha de enchimento máximo 2. Caixa do pó 3. Botão (dois locais) 4. Filtro de rede
2. Elimine o pó no interior da caixa do pó e remova quaisquer vestígios de pó e poeira que tenham aderido à superfície do filtro de rede.
3. Insira a caixa do pó completamente até os dois botões bloquearem com um clique.
► **Fig.51:** 1. Caixa do pó 2. Botão (dois locais)

NOTA: Verifique se o acessório de ciclone, o aspirador e o tubo reto estão devidamente bloqueados antes de reiniciar a operação.

NOTA: Se a força de sucção não melhorar mesmo após eliminar o pó e limpar o filtro de rede, verifique se o pó se acumulou no saco para pó do aspirador ou se ocorreu obstrução.

NOTA: O pó pode voar alto quando o eliminar do acessório de ciclone. Tenha cuidado para não permitir a entrada de pó nos seus olhos.

Limpeza

Quando a caixa do pó ficar suja ou o filtro de rede estiver obstruído, remova-os e lave-os com água. (Consulte "Eliminar o pó" para ficar a conhecer o procedimento de remoção.)

Seque as peças completamente antes de voltar a instalar e utilizar.

- **Fig.52:** 1. Caixa do pó 2. Filtro de rede

Quando o filtro de rede ficar muito sujo, limpe-o com os seguintes procedimentos.

1. Rode o filtro de rede para a esquerda e remova-o enquanto os ganchos estiverem desbloqueados.

- **Fig.53:** 1. Filtro de rede 2. Gancho

2. Remova o pó existente no filtro de rede e, em seguida, lave-o com água. Em seguida, seque-o completamente.

3. Insira o filtro de rede na base enquanto os ganchos estiverem alinhados com a entrada. Rode o filtro de rede para a direita até os ganchos ficarem bloqueados com um clique. Certifique-se de que o filtro de rede está firmemente instalado.

- **Fig.54:** 1. Filtro de rede 2. Gancho 3. Entrada

ACESSÓRIOS OPCIONAIS

⚠PRECAUÇÃO: Estes acessórios ou complementos são recomendados para utilização com o aparelho Makita especificado neste manual. A utilização de quaisquer outros acessórios ou complementos pode representar risco de ferimentos a pessoas. Utilize apenas acessórios ou complementos para os respetivos fins previstos.

Se necessitar de informações adicionais relativas a estes acessórios, solicite-as ao seu centro de assistência Makita.

- Tubo extensor (tubo reto)
- Bocal
- Bocal para carpete
- Escova para prateleiras
- Bocal para cantos
- Escova redonda
- Mangueira flexível
- Filtro de papel
- Suporte de parede para aspirador de pó a bateria
- Bateria de substituição
- Bocal livre
- Bocal para assentos
- Bocal para frestas
- Acessório de ciclone

NOTA: Alguns itens na lista poderão estar incluídos na embalagem do aparelho como acessórios padrão. Podem diferir de país para país.

ADVARSEL

- Dette apparat kan bruges af børn fra 8 år og derover og personer med nedsatte fysiske, sensoriske eller mentale evner eller manglende erfaring og viden, hvis de er under påsyn eller har modtaget instruktioner i sikker anvendelse af apparatet og forstår de farer, der er involveret.
- Børn må ikke lege med apparatet. Rengøring og brugervedligeholdelse må ikke udføres af børn uden opsyn.
- Se kapitlet "SPECIFIKATIONER" for batteriets typereference.
- Se afsnittene "Fjernelse af det indbyggede batteri" og "Installation af reservebatteri" for at finde ud af, hvordan du udskifter batteriet.
- De indeholdte litium-ion-batterier er underlagt kravene i lovgivningen om farligt gods. Når batteriet bortskaffes, skal du afmontere det fra apparatet og bortskaffe det på et sikkert sted. Følg de lokale bestemmelser vedrørende bortskaffelse af batteriet.
- Ved misbrug kan der sprøjte væske ud fra batteriet. Undgå kontakt. Hvis der opstår kontakt ved et uheld, skal du skylle med vand.
- Hvis du får elektrolyt i øjnene, skal du med det samme skylle øjnene med rent vand og søge læge. Det kan medføre synstab.
- Se kapitlet "SPECIFIKATIONER" for opladerens typereference. Brug kun den oplader, der følger med apparatet, til genopladning af batteriet.
- Se afsnittet "Symboler" for betydningen af de symboler, der anvendes til apparatet.
- Se kapitlet "VEDLIGEHOLDELSE" for at få de relevante oplysninger om forholdsregler under brugervedligeholdelse.

SPECIFIKATIONER

Model:		CL114FD
Kapacitet	med en støvpose	500 ml
	med et papirfilter	330 ml
Kontinuerlig anvendelse (med batteri BL1020V)	3 (Maks. hastighedstilstand)	Cirka 10 min
	2 (Høj hastighedstilstand)	Cirka 18 min
	1 (Normal hastighedstilstand)	Cirka 55 min
Længde i alt	Støvsugerkabinet	458 mm
	Med forlængerstav og mundstykke	983 mm
Nettovægt		1,1 kg
Mærkespænding		D.C. 10,8 V - 12 V maks.

- På grund af vores kontinuerlige forsknings- og udviklingsprogrammer kan hosstående specifikationer blive ændret uden varsel.
- Specifikationer kan variere fra land til land.
- Vægten inkluderer ikke tilbehør.
- Brug kun den oplader, der følger med apparatet, til genopladning af batteriet.

Anvendelig akku og oplader

Akku	Batterioplader	Opladningstid (timer)
BL1020V	DC1002	2,0

- Opladningstiden varierer afhængigt af temperaturen (10 °C (50 °F) - 40 °C (104 °F)), som akkuen oplades ved, samt af akkuens tilstand, f.eks. en akku, som er ny eller ikke har været brugt i lang tid.

⚠ ADVARSEL: Brug kun de akkuer og opladere, der er angivet ovenfor. Brug af andre akkuer og opladere kan medføre personskade og/eller brand.

Symboler

Følgende viser de symboler, der muligvis anvendes til udstyret. Sørg for, at du forstår deres betydning før brugen.



Læs betjeningsvejledningen.



Aftagelig forsyningsenhed



Ni-MH
Li-Ion

Kun for lande inden for EU
På grund af tilstedeværelsen af farlige komponenter i udstyret kan affald af elektrisk og elektronisk udstyr, akkumulatører og batterier have en negativ indvirkning på miljøet og folkesundheden. Bortskaf ikke elektriske og elektroniske apparater eller batterier sammen med husholdningsaffald!
I overensstemmelse med EF-direktiv om affaldshåndtering af elektrisk og elektronisk udstyr og om akkumulatører og batterier og om affaldsakkumulatører og -batterier, og i overensstemmelse med national lovgivning, skal brugt elektrisk udstyr, batterier og akkumulatører opbevares separat og leveres til et separat indsamlingssted for kommunalt affald, der er etableret i henhold til bestemmelserne om miljøbeskyttelse. Dette er angivet ved symbolet på den krydsede skraldespand, der er placeret på udstyret.

Tilsluttet anvendelse

Apparatet er beregnet til opsugning af tørt støv.

SIKKERHEDSADVARSLER

Sikkerhedsadvarsler for akku støvsuger

⚠ ADVARSEL: VIGTIGT! LÆS OMHYGGELIGT alle sikkerhedsadvarsler og alle instruktioner FØR BRUGEN. Hvis advarslerne og instruktionerne ikke overholdes, kan det medføre elektrisk stød, brand og/eller alvorlig personskade.

1. **Udsæt ikke for regn.** Opbevares inden døre.
2. **Må ikke benyttes som legetøj.** Nøje overvågning er nødvendig, hvis den anvendes af eller i nærheden af børn.
3. **Anvend ikke** som beskrevet i denne brugsvejledning. Anvend kun tilbehørsdele, som anbefales af fabrikanten.
4. **Anvend ikke med et beskadiget batteri.** Hvis apparatet ikke virker, som det skal, er blevet tabt, beskadiget, efterladt uden døre eller har været tabt i vand, skal det indleveres til et servicecenter.
5. **Rør ikke ved apparatet med våde hænder.**

6. **Stik ikke nogen genstande ind i åbningerne.** Anvend ikke med blokerede åbninger. Hold dem fri for støv, fnug, hår og alt, hvad der kan hindre luftstrømmen.
7. **Hold hår, løse beklædningsgenstande, fingre og alle kropsd dele på god afstand af åbningerne og de bevægende dele.**
8. **Deaktiver alle kontroller, inden batteriet tages ud.**
9. **Udvis ekstra forsigtighed ved rengøring på trapper.**
10. **Anvend ikke til at opsuge brændbare eller letantændelige væsker som for eksempel benzin, og anvend ikke på steder, hvor disse væsker kan forefindes.**
11. **Anvend kun den oplader, som leveres af fabrikanten, til genoplading.**
12. **Opsug ikke noget, som brænder eller ryger, for eksempel cigaretter, tændstikker eller varm aske.**
13. **Anvend ikke, uden at støvposen og/eller filtrene er sat på plads.**
14. **Oplad ikke batteriet uden døre.**
15. **Genoplad kun med den oplader, der er angivet af fabrikanten.** En oplader, der er beregnet til én type akku, kan forårsage risiko for brand, hvis den bruges med en anden akku.
16. **Brug kun apparater med specifikt udpegede akkuer.** Brug af andre akkuer kan medføre risiko for personskade og brand.
17. **Når akkuen ikke anvendes, skal du holde den på afstand af andre metalgenstande som f.eks. papirclips, mønter, nøgler, søm, skruer eller andre små metalgenstande, der kan skabe forbindelse fra én terminal til en anden.**
18. **Ved misbrug kan der sprøjte væske ud fra batteriet. Undgå kontakt. Skyl med vand i tilfælde af kontakt.**
19. **Undlad at bruge en akku eller et apparat, der er beskadiget eller ændret.** Beskadigede eller ændrede batterier kan udvise uforudsigelig adfærd, der resulterer i brand, eksplosion eller risiko for personskade.
20. **Undlad at udsætte en akku eller et apparat for brand eller høj temperatur.** Eksponering for brand eller temperaturer over 130 °C kan forårsage eksplosion.
21. **Følg alle opladningsinstruktioner, og undlad at oplade akkuen eller apparatet uden for det temperaturområde, der er angivet i instruktionerne.** Forkert opladning eller ved temperaturer uden for det angivne område kan beskadige batteriet og øge risikoen for brand.
22. **Lad ikke det faktum, at du er bekendt med maskiner efter hyppig brug, betyde, at du bliver skodesløs og ignorerer sikkerhedsprincipperne for maskiner.** En uforsigtig handling kan medføre alvorlig personskade på en brøkdæl af et sekund.

GEM DENNE BRUGSANVISNING.

SUPPLERENDE SIKKERHEDSREGLER

1. Læs denne brugsvejledning og instruktionerne for opladning grundigt inden brugen.
2. Undlad at samle følgende materialer op:
 - Varme materialer som for eksempel tændte cigaretter eller gnister/metalstøv, som er frembragt ved slibning/skæring af metal
 - Brændbare materialer som for eksempel benzin, fortynder, rensbenzin, petroleum og maling
 - Eksplosive materialer som for eksempel nitroglycerin
 - Antændelige materialer som for eksempel aluminium, zink, magnesium, titan, fosfor eller celluloid
 - Vådt snavs, vand, olie eller lignende
 - Hårde genstande med skarpe kanter som for eksempel træspåner, metal, sten, glas, søm, knappenåle og barberblade
 - Pulver, der størkner, for eksempel cement og toner
 - Ledende støv som for eksempel metal eller kulfiber
 - Fine partikler som for eksempel betonstøv

Dette kan forårsage brand, personskade og/eller materiel skade.

3. Hold øjeblikkeligt op med brugen, hvis du registrerer noget unormalt.
4. Hvis du kommer til at tabe eller støde til støvsugeren, skal du omhyggeligt efterse den for revner eller anden beskadigelse inden brugen.
5. Oplad ikke støvsugeren tæt på farlige brændbare materialer, såsom benzin, gas, maling eller klæbemidler.
6. Oplad ikke støvsugeren på papir, klædestof, tæpper, vinyl osv. Dette kan forårsage brand.
7. Oplad ikke støvsugeren på et støvet sted.
8. Sørg for, at ingen befinder sig under dig, når du anvender støvsugeren på høje steder.
9. Hold den på god afstand af ovne og andre varmekilder.
10. Undlad at blokere indsugningsåbningen eller ventilationshullerne.

GEM DENNE BRUGSANVISNING.

VIGTIGE SIKKERHEDSINSTRUKTIONER

FOR INDBYGGET BATTERI

1. Før du bruger det indbyggede batteri, skal du læse alle instruktioner og forsigtighedsmærker på (1) batteriopladeren, (2) batteriet og (3) det produkt, som batteriet anvendes i.
2. Undlad at skille det indbyggede batteri ad.
3. Hvis driftstiden er blevet betydeligt kortere, skal du straks ophøre med anvendelsen. Det kan medføre risiko for overophedning, mulige forbrændinger og endog eksplosion.

4. Hvis du får elektrolyt i øjnene, skal du med det samme skylle øjnene med rent vand og søge læge. Det kan medføre tab af synet.
5. Undlad at kortslutte det indbyggede batteri:
 - (1) Undgå at berøre terminalerne med nogen form for ledende materiale.
 - (2) Undgå at opbevare det indbyggede batteri i en beholder med andre metalgenstande som f.eks. søm, mønter osv.
 - (3) Udsæt ikke det indbyggede batteri for vand eller regn.Hvis batteriet kortsluttes, kan det medføre kraftig strøm, overophedning, mulige forbrændinger og endog nedbrud.
6. Undlad at opbevare og bruge apparatet og det indbyggede batteri på steder, hvor temperaturen kan nå eller overstige 50 °C.
7. Undlad at sætte ild til det indbyggede batteri, selvom det er alvorligt beskadiget eller helt udtjent. Det indbyggede batteri kan eksplodere ved brand.
8. Undlad at tabe eller slå på batteriet.
9. Anvend ikke et beskadiget indbygget batteri.
10. De indeholdte litium-ion-batterier er underlagt kravene i lovgivningen om farligt gods. Når batteriet bortskaffes, skal du afmontere det fra apparatet og bortskaffe det på et sikkert sted. Følg de lokale bestemmelser vedrørende bortskaffelse af batteriet.
11. Brug kun batterierne med de produkter, som Makita specificerer.

GEM DENNE BRUGSANVISNING.

Tip til at forlænge batteriets maksimale levetid

1. Oplad det indbyggede batteri, før det er helt afladet.
Stop altid apparatets anvendelse, og oplad det indbyggede batteri, når du bemærker, at apparatet har mindre strøm.
2. Genoplad aldrig et fuldt opladet indbygget batteri.
Overopladning forkorter batteriets levetid.
3. Oplad det indbyggede batteri ved stuetemperatur på 10 °C - 40 °C. Lad et varmt indbygget batteri køle ned, før det oplades.
4. Oplad det indbyggede batteri en gang hver sjette måned, hvis du ikke bruger apparatet i længere tid.

FUNKTIONSBESKRIVELSE

⚠FORSIGTIG: Sørg altid for, at apparatet er slukket, før du justerer apparatet eller kontrollerer dets funktion.

Opladning af det indbyggede batteri

⚠FORSIGTIG: Brug kun originale batterier fra Makita. Brug af uoriginale Makita-batterier, eller batterier som er blevet ændret, kan muligvis medføre brud på batteriet, hvilket kan forårsage brand, personskade eller beskadigelse. Det ugyldiggør også Makita-garantien for Makita-produktet og opladeren.

⚠FORSIGTIG: Tag altid opladerstikket ud af støvsugerens efter opladning.

⚠FORSIGTIG: Lad ikke opladeren sidde i stik-kontakten, efter at du har taget apparatet ud af forbindelse. Små børn kan putte det strømførende stik i munden, hvilket kan medføre personskade.

Oplad støvsugerens, når du bruger den for første gang, eller hvis den ikke har været ladet op i længere tid. Sæt opladerstikket i stikket på støvsugerens, og sæt derefter opladeren i strømdugtaget.

► **Fig.1:** 1. Opladningsstik

Batteristrømlampen lyser, og opladningen begynder. Lyset slukkes, når opladningen er færdig. For yderligere oplysninger henvises til brugsanvisningen til batteriopladeren.

► **Fig.2:** 1. Batteristrømlampe

BEMÆRKNING: Batteristrømlampen blinker, og batteriet kan ikke oplades, hvis batteriet eller støvsugerens er udsat for ekstreme temperaturer.

BEMÆRK: Støvsugerens kan ikke kontrolleres, mens den oplades. For at starte støvsugerens skal du koble den fra strømkilden, afbryde opladningsstikket fra støvsugerens og derefter trykke på TIL/hastighedsknappen.

BEMÆRK: Under de følgende forhold er batteriet ved at nå enden på dets levetid (eller beskadiget/opstået funktionsfejl). Kobl opladeren fra strømforsyningen og udskift derefter batteriet.

- Batteristrømlampen slukker kort tid efter, at du begynder at oplade støvsugerens.
- Støvsugerens virker kun i en periode mindre end halv så lang som den normale driftstid, efter batteriet er blevet fuldt opladet.

BEMÆRK: Batteriet kan genoplades op til ca. 500 gange. Genopladningstider varierer afhængigt af de forhold, hvorunder batteriet er blevet opladet og afladet.

Afbryderbetjening

⚠FORSIGTIG: Sluk altid for støvsugerens efter hver anvendelse for at forhindre beskadigelse af støvsugerens og for at forlænge batteriernes levetid.

For at starte støvsugerens trykkes der blot på TIL/hastighedsknappen. Tryk på FRA-knappen for at slukke.

Du kan ændre støvsugerens hastighed i tre trin ved at trykke på TIL/hastighedsknappen.

Det første tryk på denne knap er for høj hastighedstilstand, det andet tryk er for maks. hastighedstilstand, og det tredje tryk er for normal hastighed. Hvert tryk på denne knap gentager cyklussen høj/maks./normal hastighed skiftevis.

► **Fig.3:** 1. TIL/hastighedsknap 2. FRA-knap

Batteristrømlampe

Batteristrømlampen blinker, når den resterende batteriladning bliver lav.

Støvsugerens stopper, og batteristrømlampen lyser i cirka 10 sekunder, når den resterende batteriladning bliver meget lavere. Oplad batteriet på dette tidspunkt. Støvsugerens stopper også, og batteristrømlampen lyser i cirka 10 sekunder, når batteriet bliver overbelastet eller overophedet. Støvsugerens fungerer ikke, så længe lampen lyser.

► **Fig.4:** 1. Batteristrømlampe

BEMÆRK: Det tidspunkt, hvor batteristrømlampen begynder at blinke eller lyse, afhænger af temperaturen i arbejdsområdet og batteriets tilstand.

Tænding af lampen

⚠FORSIGTIG: Kig aldrig direkte på lyskilden. Lad ikke lyset falde i Deres øjne.

For at tænde for lampen trykkes der på TIL/hastighedsknappen. Tryk på FRA-knappen for at slukke for lampen. Lampen tændes, mens støvsugerens aktiveres.

► **Fig.5:** 1. TIL/hastighedsknap 2. FRA-knap (OFF) 3. Lampe

SAMLING

⚠FORSIGTIG: Sørg altid for, at der er slukket for apparatet, før du udfører nogen form for arbejde på apparatet.

Støvpose og papirfilter

Monter enten støvposen eller papirfilteret, før støvsugerens anvendes.

Brug støvstopperen ved monteringen af enten støvposen eller papirfilteret.

Støvposen kan genbruges mange gange ved at tømme den.

Papirfilteret er en type til bortskaffelse. Smid hele papirfilteret ud uden at tømme det, når det er fuldt.

BEMÆRKNING: Sådant forhindres det, at der kommer støv ind i motoren:

- Sørg for, at enten støvposen eller papirfilteret er monteret før brugen.
- Sæt støvstopperen sammen med støvposen eller papirfilteret hele vejen ind i åbningerne, når de monteres.
- Anvend ikke en beskudiget eller flået pose.

Ellers kan motoren gå i stykker.

BEMÆRKNING: Fold ikke pappet ved åbningen, når papirfilteret monteres.

BEMÆRKNING: Smid aldrig støvstopperen væk, da den skal bruges flere gange, når du anvender enten støvposen eller papirfilteret.

BEMÆRKNING: Papirfilteret til støvsugeren er en vigtig komponent for at opretholde støvsugerens ydelse. Brug af andet end det ægte papirfilter kan medføre røgdudvikling eller antænding.

BEMÆRK: Når støvposen eller papirfilteret ikke er installeret i støvsugeren, kan frontdækslet ikke lukkes helt tæt.

► Fig.6

Montering af støvpose

Brug støvstopperen ved monteringen af støvposen. Vær forsigtig med ikke at tage fejl af oversiden og undersiden ved en fejltagelse, da de er forskellige fra hinanden.

► Fig.7: 1. Oversiden af støvstopperen 2. Undersiden af støvstopperen

1. Sæt støvposens fremspring ind i den nederste rille på støvstopperen som vist på figuren.

► Fig.8: 1. Støvstopper 2. Nederste rille 3. Støvpose

2. Der er ikke forskel mellem over- og undersiderne af støvposen. Du kan indsætte fremspringet på begge sider i den nederste rille på støvstopperen.

► Fig.9: 1. Nederste rille

3. Lad rammen på støvstopperen overlape med rammen på støvposen.

► Fig.10

4. Sæt støvstopperen og støvposen sammen ind i hulrummet i støvsugeren i retningen af pilen på støvstopperen. Sæt dem hele vejen ind i åbningerne i hulrummet i støvsugeren.

► Fig.11

5. Spred stofdelen af støvposen inde i støvsugeren.

► Fig.12

6. Luk frontdækslet helt.

► Fig.13: 1. Frontdæksel

Montering af papirfilteret

Brug støvstopperen ved monteringen af papirfilteret. Vær forsigtig med ikke at tage fejl af oversiden og undersiden ved en fejltagelse, da de er forskellige fra hinanden.

► Fig.14: 1. Oversiden af støvstopperen
2. Undersiden af støvstopperen

1. Fold indgangen på papirfilteret ud, før det sættes på støvstopperen.

► Fig.15

2. Sæt fremspringet på papirfilteret i den nederste rille på støvstopperen som vist på figuren.

► Fig.16: 1. Støvstopper 2. Nederste rille 3. Papirfilter

3. Der er ikke forskel mellem over- og undersiderne af papirfilteret. Du kan indsætte fremspringet på en vilkårlig side i den nederste rille på støvstopperen.

► Fig.17: 1. Nederste rille

4. Lad rammen på støvstopperen overlape med rammen på papirfilteret.

► Fig.18

5. Sæt støvstopperen og papirfilteret sammen ind i hulrummet i støvsugeren i retningen af pilen på støvstopperen. Sæt dem hele vejen ind i åbningerne i hulrummet i støvsugeren.

► Fig.19

6. Spred papirfilterets beholderdel inde i støvsugeren.

► Fig.20

7. Luk frontdækslet helt.

► Fig.21: 1. Frontdæksel

ANVENDELSE

⚠FORSIGTIG: Hold dit ansigt på afstand af ventilationsåbningen, når du bruger støvsugeren. Hvis der blæses fremmedlegemer ind i øjnene, kan det medføre personskaade.

Montering eller fjernelse af støvsugertilbehøret

⚠FORSIGTIG: Efter du har monteret et tilbehør, skal du kontrollere, om det sidder forsvarligt fast. Hvis tilbehøret er ufuldstændigt monteret, kan det gå løs og forårsage personskaade.

⚠FORSIGTIG: Pas på ikke at slå hånden mod væggen mv., når du fjerner tilbehøret.

Når du bruger tilbehør med låsefunktion

For at montere et tilbehør skal du sætte det ind i støvsugerens sugeåbning, indtil det klikker. Sørg for, at tilbehøret er låst.

- **Fig.22:** 1. Sugeåbning 2. Tilbehør med låsefunktion
3. Krog 4. Udløserknap

BEMÆRK: Når du monterer tilbehøret med låsefunktion, skal du sørge for at justere udløserknappen med krogen på tilbehøret. Hvis de ikke er justeret, vil tilbehøret ikke blive låst og kan løsne sig fra støvsugeren.

For at afmontere tilbehøret skal du trække det ud, idet du trykker på udløserknappen.

- **Fig.23:** 1. Udløserknap 2. Tilbehør med låsefunktion

Når du bruger tilbehør uden låsefunktion

⚠FORSIGTIG: For at montere et tilbehør uden låsefunktion skal du dreje og indsætte det i pilens retning for at sikre, at det sidder fast under brugen. For at afmontere tilbehøret skal du også dreje det og trække det ud i pilens retning.

- **Fig.24**

Rengøring (sugning)

Mundstykke

Sæt mundstykket på for at rengøre borde, skriveborde, møbler og lignende. Mundstykket glider let på.

- **Fig.25:** 1. Mundstykke

Mundstykke + Forlængerstav (lige rør)

Forlængerstaven sættes ind mellem mundstykket og selve støvsugeren. Dette arrangement er praktisk ved rengøring af et gulv i stående stilling.

- **Fig.26:** 1. Støvsugerkabinet 2. Forlængerstav
3. Mundstykke

Hjørnemundstykke

Monter hjørnemundstykket til rengøring af hjørner og kroge i et bilsæde eller møbler.

- **Fig.27:** 1. Hjørnemundstykke 2. Støvsugerkabinet

Hjørnemundstykke + forlængerstav (lige rør)

Anvend dette arrangement på trange steder, hvor selve støvsugeren ikke kan komme ind, eller på højtliggende steder, hvor det er svært at nå op.

- **Fig.28:** 1. Hjørnemundstykke 2. Forlængerstav
3. Støvsugerkabinet

Rengøring uden mundstykke

Det er muligt at opsamle pulver og støv uden et mundstykke.

- **Fig.29**

Til opugning af støv på et gulvet i stående stilling er det praktisk at fastgøre forlængerstaven til støvsugeren.

- **Fig.30:** 1. Forlængerstav

Bortskaffelse af støv

⚠FORSIGTIG: Tøm støvsugeren, inden den bliver for fuld, ellers formindskes sugekraften.

⚠FORSIGTIG: Pas på ikke at få fingrene i klemme, når du lukker frontdækslet.

BEMÆRKNING: Smid aldrig støvstopperen væk, da den skal bruges, når du anvender enten støvposen eller papirfilteret.

BEMÆRKNING: Når støvposen/papirfilteret ikke er inde i støvsugeren, kan frontdækslet ikke lukkes helt tæt. Undlad at bruge magt for at lukke frontdækslet. Det kan medføre, at støvsugeren bliver deformet eller går i stykker.

BEMÆRKNING: Ved bortskaffelse af støv skal du også rengøre rummet til støvposen/papirfilteret. Det resterende støv og snavs i rummet kan medføre, at svampefilteret blive tilstoppet, eller at motoren bliver beskadiget.

1. Tryk på knappen for at åbne frontdækslet. Når det åbnes, indtil der høres et klik, muliggør det et fast stop i den position.

- **Fig.31:** 1. Frontdæksel 2. Knap

2. Træk både den orange støvstopper og støvposen/papirfilteret ud samtidig.

- **Fig.32:** 1. Støvstopper

3. Følg nedenstående fremgangsmåde, afhængigt af støvbeholdertypen:

Ved brug af støvposen

Fjern støvstopperen, og tøm støvposen.

- **Fig.33:** 1. Støvstopper 2. Støvpose

Ved brug af papirfilteret

Fjern støvstopperen, og bortskaf papirfilteret.

- **Fig.34:** 1. Støvstopper 2. Papirfilter

4. Sæt støvposen/nyt papirfilter og støvstopper sammen i støvsugeren, og luk frontdækslet.

BEMÆRK: Støvsugeren er fremstillet på en sådan måde, at frontdækslet går af, hvis man forsøger at tvinge frontdækslet til at åbnes i en vinkel på mere end 90°. Hvis frontdækslet går af, indsættes det i frontdækselsamlingen.

- **Fig.35:** 1. Frontdæksel 2. Frontdækselsamling

VEDLIGEHOLDELSE

⚠FORSIGTIG: Sørg altid for, at apparatet er slukket, før du forsøger at udføre inspektion eller vedligeholdelse.

For at opretholde produktets SIKKERHED og PÅLIDELIGHED må reparationer, enhver anden vedligeholdelse eller justering kun udføres af et autoriseret Makita servicecenter eller fabriksservicecenter med anvendelse af Makita reservedele.

BEMÆRKNING: Anvend aldrig benzin, rensebenzin, fortynder, alkohol og lignende. Det kan medføre misfarvning, deformation eller revner.

Efter brugen

Når du opbevarer eller oplader støvsugeren, skal du låse mundstykket og hænge den på en krog, der fås i handelen.

► Fig.36

⚠FORSIGTIG: Hvis støvsugeren stilles op mod en væg uden nogen anden støtte, kan støvsugeren muligvis falde ned og blive beskadiget.

► Fig.37

Rengøring

Støvsugerkabinettet

Aftør fra tid til anden ydersiden (støvsugerkabinettet) af støvsugeren med en klud, som er fugtet med sæbevand.

Rengør også sugeåbningen, støvposens/papirfilterets monteringsdel og støvstopperen.

► Fig.38

Støvstopper

Tør støv af støvstopperen.

Fjern støv og snavs på svampedelen ved at trykke let på den.

► Fig.39: 1. Svampedel

Støvpose

Vask støvposen med sæbevand, hvis den er tilstoppet af støv, og støvsugerens kraft er svag. Tør det grundigt inden ibrugtagning. En utilstrækkeligt tørret pose kan give dårlig sugning og forkorte motorens levetid.

► Fig.40

BEMÆRK: Papirfilteret er en type til bortskaffelse.

Når svampefilteret er tilstoppet med støv, skal det tages ud af støvsugeren og derefter aftørres eller vaskes i vand.

Afmontering og montering af svampefilteret

⚠FORSIGTIG: Sørg for at montere svampefilteret i støvsugeren, efter at du har rengjort det. Hvis det er blevet vasket i vand, skal det tørres før monteringen. Et utilstrækkeligt tørret svampefilter kan afkorte motorens levetid.

For at fjerne svampefilteret skal du fjerne støvposen eller papirfilteret og derefter knibe sammen og tage svampefilteret ud.

► Fig.41: 1. Svampefilter

For at installere filteret skal du trykke hele kanten af svampefilteret ind mod den forsænkede væg inde i monteringsområdet for støvposen/papirfilteret.

► Fig.42: 1. Forsænket væg

Rengøring af mundstykket

(landespecifik)

Når børsten på mundstykket bliver snavset, skal du fjerne støvet med tape.

► Fig.43: 1. Børste

Vægmontering til akku støvsuger

Ekstraudstyr

BEMÆRK: Skruen til montering af holderen medfølger ikke. Hav en skrue klar, der passer til det materiale, den skal skrues ind i.

Fastgør vægmonteringen til akku støvsugeren på en hård trævæg, en bjælke eller søjle, hvor vægmonteringen til akku støvsugeren kan fastgøres forsvarligt. Sørg altid for, at vægmonteringen til akku støvsugeren er fastgjort forsvarligt, før du hænger støvsugeren op.

► Fig.44: 1. Vægmontering til akku støvsuger 2. Stik

⚠FORSIGTIG: Undlad at hænge støvsugeren voldsomt op på vægmonteringen eller atophænge andre apparater end støvsugeren.

BEMÆRK: Når du ikke oplader støvsugeren, kan stikket opbevares i vægmonteringen til akku støvsugeren som vist.

Fejlfinding

Tjek følgende punkter, før du beder om reparation.

Symptom	Del, der skal undersøges	Reparationsmetode
Svag sugekraft	Er støvposen eller papirfilteret fulde af støv?	Tøm støvposen eller papirfilteret.
	Er støvposen tilstoppet?	Fjern støvet, eller vask støvposen.
	Er papirfilteret tilstoppet?	Udskift papirfilteret.
	Er akkuen afladet?	Oplad akkuen.
Fungerer ikke	Er akkuen afladet?	Oplad akkuen.
Dækslet til støvbakken lukkes ikke	Er støvposen eller papirfilteret sat i?	Indsæt støvposen eller papirfilteret.

BEMÆRKNING: Forsøg ikke selv at reparere støvsugeren.

Bortskaffelse af støvsugeren

Der er indbygget et Li-ion-batteri i denne støvsuger. Fjern det altid, før støvsugeren bortskaffes.

Fjernelse af det indbyggede batteri

⚠FORSIGTIG: Undgå at berøre terminalerne med nogen form for ledende materiale.

⚠FORSIGTIG: Undgå at opbevare batterienheden i en beholder med andre metalgenstande som f.eks. søm, mønter osv.

⚠FORSIGTIG: Udsæt ikke batterienheden for vand eller regn.

⚠FORSIGTIG: Undlad at adskille eller ændre batterienheden.

⚠FORSIGTIG: Støvsugeren skal altid være taget ud af stikkontakten, når du fjerner batteriet.

1. Du afmonterer bagdækslet ved at skubbe det i pilens retning.
▶ **Fig.45:** 1. Bagdæksel
2. Skub det indbyggede batteri halvvejs. Tag ledningerne ud af batteriet ved at flytte batteriet let bagud, idet der trykkes på stikket i pilens retning som vist i figuren.
▶ **Fig.46:** 1. Stik 2. Ledninger
3. Skub derefter batterienheden hele vejen ud.
▶ **Fig.47:** 1. Batterienhed
4. Placer den fjernede batterienhed i en papæske, så den ikke bliver kortsluttet.

Installation af reservebatteri

Følg proceduren til afmontering i omvendt rækkefølge for at installere reservebatteriet.

⚠FORSIGTIG: Før ledningen, så den sidder helt inde i støvsugeren, før du sætter bagdækslet tilbage i den oprindelige position. Hvis du ikke gør dette, kan ledningen blive beskadiget.

▶ **Fig.48**

Når du har installeret batteriet (se under "SPECIFIKATIONER"), skal du oplade batteriet før brugen.

HVIRVELTILBEHØR

Ekstraudstyr

▶ **Fig.49:** 1. Udløserknap 2. Krog 3. Lige rør 4. Hvirveltilbehør 5. Sugeåbning

Om hvirveltilbehøret

Brug af støvsugeren med hvirveltilbehøret monteret reducerer mængden af støv, som trænger ind i støvposen, hvilket hjælper med til at forhindre sugekraften i at svækkes. Endvidere er rengøring efter brug også nem.

⚠FORSIGTIG: Sørg altid for, at der er slukket for støvsugeren, før du udfører nogen form for arbejde på støvsugeren. Utilsigtet start kan muligvis medføre personskade.

⚠FORSIGTIG: Rengør trådsien i hvirveltilbehøret og støvposen i støvsugerenheden, når de bliver tilstoppet. Fortsat brug i den tilstoppede tilstand kan muligvis resultere i ophedning eller røg.

BEMÆRKNING: Når hvirveltilbehøret er monteret, skal du ikke anvende støvsugeren i den vandrete eller opadvendte tilstand. Dette kan medføre, at trådsien tilstoppes.

BEMÆRKNING: Brug altid støvsugeren med støvposen monteret, selv når du anvender hvirveltilbehøret. Brug af støvsugeren uden støvposen monteret kan muligvis resultere i en motorfunktionsfejl.

BEMÆRK: Kontroller, at hvirveltilbehøret, støvsugeren og det lige rør er ordentligt låst inden brug.

BEMÆRK: Tøm støvbakken i hvirveltilbehøret og støvposen i støvsugeren, når der er ophobet støv. Fortsat brug vil resultere i svækket sugekraft.

BEMÆRK: Du kan også anvende hvirveltilbehøret uden låsefunktion.

BEMÆRK: For at montere eller fjerne hvirveltilbehøret skal du se afsnittet "Montering eller fjernelse af støvsugertilbehøret".

Bortskaffelse af støv

Når der er ophobet støv op til fuld-linjen i støvbakken, skal du følge proceduren nedenfor og bortskaffe støvet.

1. Hold godt fast i støvbakken, tryk og hold på de to knapper og fjern støvbakken.
▶ **Fig.50:** 1. Fuld-linje 2. Støvbakke 3. Knap (to steder) 4. Trådsi
2. Bortskaf støvet inde i støvbakken og fjern alt støv og pulver, som sidder fast på overfladen af trådsien.
3. Sæt støvbakken helt ind indtil de to knapper låses med et klik.
▶ **Fig.51:** 1. Støvbakke 2. Knap (to steder)

BEMÆRK: Kontroller, at hvirveltilbehøret, støvsugeren og det lige rør er ordentligt låst inden genstart af betjening.

BEMÆRK: Hvis sugekraften ikke genoprettes, selv efter bortskaffelse af støvet og rengøring af trådsien, skal du kontrollere, om der er ophobet støv i støvposen i støvsugeren, eller der er opstået tilstopning.

BEMÆRK: Støvet kan flyve op, når hvirveltilbehøret bortskaffes. Pas på ikke at få støv i øjnene.

Rengøring

Når støvbakken bliver beskidt, eller trådsien er tilstoppet, skal du fjerne og vaske dem med vand. (Se "Bortskaffelse af støv" angående fjernelsesproceduren.)

Tør delene grundigt inden genmontering og ibrugtagning.

► **Fig.52:** 1. Støvbakke 2. Trådsi

Når trådsien bliver meget beskidt, skal du rengøre den vha. de følgende procedurer.

1. Drej trådsien mod uret og fjern den, mens krogene ikke er låst.

► **Fig.53:** 1. Trådsi 2. Krog

2. Fjern støvet på trådsien og vask den derefter med vand. Tør den omhyggeligt efter dette.

3. Sæt trådsien ind i basen mens krogene er rettet ind med åbningen. Drej trådsien med uret indtil krogene låses med et klik. Sørg for, at trådsien er monteret forsvarligt.

► **Fig.54:** 1. Trådsi 2. Krog 3. Åbning

EKSTRAUDSTYR

⚠ FORSIGTIG: Det følgende tilbehør og ekstraudstyr anbefales til brug med dit Makita apparat, der er beskrevet i denne brugervejledning.

Anvendelse af andet tilbehør eller ekstraudstyr kan udgøre en risiko for personskade. Anvend kun tilbehør og ekstraudstyr til det beskrevne formål.

Hvis De behøver hjælp ved valg af tilbehør eller ønsker yderligere informationer, bedes De kontakte Deres lokale Makita servicecenter.

- Forlængerstav (lige rør)
- Mundstykke
- Tæppemundstykke
- Børste til hylder
- Hjørnemundstykke
- Rund børste
- Fleksibel slange
- Papirfilter
- Vægmontering til akku støvsuger
- Reservebatteri
- Frit mundstykke
- Møbelmundstykke
- Revnemundstykke
- Hvirveltilbehør

BEMÆRK: Nogle elementer på listen er muligvis inkluderet i pakken med apparatet som standardtilbehør. De kan variere fra land til land.

ΠΡΟΕΙΔΟΠΟΙΗΣΗ

- Η συσκευή αυτή μπορεί να χρησιμοποιηθεί από παιδιά άνω των 8 ετών και άτομα με μειωμένες σωματικές, αισθητήριες ή διανοητικές ικανότητες ή που δεν έχουν πείρα και γνώσεις, αν επιτηρούνται ή τους έχουν δοθεί οδηγίες για την ασφαλή χρήση της συσκευής και κατανοούν τους κινδύνους που εμπλέκονται.
- Τα παιδιά δεν πρέπει να παίζουν με τη συσκευή. Οι εργασίες καθαρισμού και συντήρησης από τον χρήστη δεν θα πρέπει να γίνονται από παιδιά χωρίς επιτήρηση.
- Για την αναφορά του τύπου της μπαταρίας, δείτε το κεφάλαιο «ΠΡΟΔΙΑΓΡΑΦΕΣ».
- Δείτε τις ενότητες «Αφαίρεση ενσωματωμένης μπαταρίας» και «Τοποθέτηση ανταλλακτικής μπαταρίας» για τον τρόπο αντικατάστασης της μπαταρίας.
- Οι μπαταρίες ιόντων λιθίου που περιέχονται υπόκεινται στις απαιτήσεις της νομοθεσίας για επικίνδυνα αγαθά. Όταν απορρίπτετε την μπαταρία, αφαιρέστε την από τη συσκευή και διαθέστε τη σε ένα ασφαλές μέρος. Τηρήστε τους τοπικούς κανονισμούς που σχετίζονται με τη διάθεση της μπαταρίας.
- Υπό συνθήκες κατάχρησης, μπορεί να εξαχθεί υγρό από την μπαταρία. Να αποφεύγετε την επαφή. Αν συμβεί επαφή κατά λάθος, εκπλύνετε με νερό.
- Αν μπει στα μάτια σας ηλεκτρολύτης, ξεπλύνετέ τα με καθαρό νερό και ζητήστε αμέσως ιατρική φροντίδα. Μπορεί να έχει ως αποτέλεσμα απώλεια της όρασής σας.
- Για την αναφορά του τύπου του φορτιστή, δείτε το κεφάλαιο «ΠΡΟΔΙΑΓΡΑΦΕΣ». Για την επαναφόρτιση της μπαταρίας, να χρησιμοποιείτε μόνο τον φορτιστή που παρέχεται με τη συσκευή.
- Ανατρέξτε στην ενότητα «Σύμβολα» για τη σημασία των συμβόλων που χρησιμοποιούνται για τη συσκευή.
- Για τις κατάλληλες λεπτομέρειες των προφυλάξεων κατά τη διάρκεια της συντήρησης από τον χρήστη, δείτε το κεφάλαιο «ΣΥΝΤΗΡΗΣΗ».

ΠΡΟΔΙΑΓΡΑΦΕΣ

Μοντέλο:		CL114FD
Χωρητικότητα	με σάκο σκόνης	500 ml
	με χάρτινο φίλτρο	330 ml
Συνεχόμενη χρήση (με μπαταρία BL1020V)	3 (Τρόπος λειτουργίας μέγιστης ταχύτητας)	Περίπου 10 λεπτά
	2 (Τρόπος λειτουργίας υψηλής ταχύτητας)	Περίπου 18 λεπτά
	1 (Τρόπος λειτουργίας κανονικής ταχύτητας)	Περίπου 55 λεπτά
Συνολικό μήκος	Σώμα σκούπας	458 mm
	Με ράβδο προέκτασης και ακροφύσιο	983 mm
Καθαρό βάρος		1,1 kg
Όνομαστική τάση		D.C. 10,8 V - 12 V μέγ.

- Λόγω του συνεχόμενου προγράμματος έρευνας και ανάπτυξης, οι προδιαγραφές αυτές υπόκεινται σε αλλαγές χωρίς προειδοποίηση.
- Τα τεχνικά χαρακτηριστικά μπορεί να διαφέρουν από χώρα σε χώρα.
- Το βάρος δεν περιλαμβάνει εξαρτήματα.
- Για την επαναφόρτιση της μπαταρίας, να χρησιμοποιείτε μόνο τον φορτιστή που παρέχεται με τη συσκευή.

Ισχύουσα κασέτα μπαταριών και φορτιστής

Κασέτα μπαταριών	Φορτιστής μπαταριών	Χρόνος φόρτισης (ώρες)
BL1020V	DC1002	2,0

- Ο χρόνος φόρτισης διαφέρει ανάλογα με τη θερμοκρασία (10°C (50°F) - 40°C (104°F)) στην οποία φορτίζεται η κασέτα μπαταριών και την κατάσταση της κασέτας μπαταριών, όπως μια κασέτα μπαταριών που είναι καινούργια ή που δεν έχει χρησιμοποιηθεί για μεγάλη χρονική περίοδο.

▲ ΠΡΟΕΙΔΟΠΟΙΗΣΗ: Να χρησιμοποιείτε μόνο τις κασέτες μπαταριών και τους φορτιστές που παρατίθενται ανωτέρω. Η χρήση οποιασδήποτε άλλης κασέτας μπαταριών ή φορτιστή μπορεί να προκαλέσει τραυματισμό ή/και πυρκαγιά.

Σύμβολα

Παρακάτω παρουσιάζονται τα σύμβολα που μπορούν να χρησιμοποιηθούν για τον εξοπλισμό. Βεβαιωθείτε ότι κατανοείτε τη σημασία τους πριν από τη χρήση.



Διαβάστε το εγχειρίδιο οδηγιών.



Αποσπώμενη μονάδας παροχής



Ni-MH
Li-Ion

Μόνο για τις χώρες της ΕΕ
Λόγω της παρουσίας των επικίνδυνων συστατικών μερών στον εξοπλισμό, ο απόβλητος ηλεκτρικός και ηλεκτρονικός εξοπλισμός, οι συσσωρευτές και οι μπαταρίες μπορεί να έχουν αρνητική επίδραση στο περιβάλλον και την ανθρώπινη υγεία.

Μην απορρίπτετε τις ηλεκτρικές και ηλεκτρονικές συσκευές ή μπαταρίες μαζί με τα οικιακά απορρίμματα!

Σύμφωνα με την Ευρωπαϊκή Οδηγία για τον απόβλητο ηλεκτρικό και ηλεκτρονικό εξοπλισμό και για τους συσσωρευτές και μπαταρίες και τους απόβλητους συσσωρευτές και μπαταρίες, καθώς και την προσαρμογή τους στην εθνική νομοθεσία, ο απόβλητος ηλεκτρικός εξοπλισμός, οι μπαταρίες και οι συσσωρευτές θα πρέπει να αποθηκεύονται ξεχωριστά και να παραδίδονται σε ξεχωριστό σημείο συλλογής για δημοσιόικα απόβλητα, το οποίο λειτουργεί σύμφωνα με τους κανονισμούς για την προστασία του περιβάλλοντος.

Αυτό υποδεικνύεται από το σύμβολο του διαγραμμένου τροχοφόρου κάδου που βρίσκεται αναρτημένο επάνω στον εξοπλισμό.

Προοριζόμενη χρήση

Η συσκευή προορίζεται για τη συλλογή ξηρής σκόνης.

ΠΡΟΕΙΔΟΠΟΙΗΣΕΙΣ ΑΣΦΑΛΕΙΑΣ

Προειδοποιήσεις ασφάλειας για τη φορητή σκούπα

⚠ ΠΡΟΕΙΔΟΠΟΙΗΣΗ: ΣΗΜΑΝΤΙΚΟ! ΔΙΑΒΑΣΤΕ ΠΡΟΣΕΚΤΙΚΑ όλες τις προειδοποιήσεις για την ασφάλεια και όλες τις οδηγίες ΠΡΙΝ ΑΠΟ ΤΗ ΧΡΗΣΗ. Η μη τήρηση των προειδοποιήσεων και οδηγιών μπορεί να καταλήξει σε ηλεκτροπληξία, πυρκαγιά ή/και σοβαρό τραυματισμό.

1. **Να μην εκτίθεται σε βροχή. Να φυλάσσεται σε εσωτερικό χώρο.**
2. **Δεν επιτρέπεται η χρήση της ως παιχνίδι. Απαιτείται ιδιαίτερη προσοχή κατά τη χρήση από ή κοντά σε παιδιά.**
3. **Να χρησιμοποιείται μόνο σύμφωνα με τις οδηγίες του παρόντος εγχειριδίου. Να χρησιμοποιούνται μόνο τα εξαρτήματα που συνιστά ο κατασκευαστής.**
4. **Να μη χρησιμοποιείται με μπαταρία που έχει υποστεί βλάβη. Αν η συσκευή δεν λειτουργεί όπως θα έπρεπε, έχει υποστεί πάωση ή βλάβη, έχει αφαιρεθεί σε εξωτερικό χώρο ή έχει πέσει μέσα σε νερό, να επιστραφεί σε κέντρο σέρβις.**

5. **Μην χειρίζεστε τη συσκευή με βρεγμένα χέρια.**
6. **Μην τοποθετείτε κανένα αντικείμενο μέσα στα ανοίγματα. Να μην χρησιμοποιείται αν παρουσιαστεί φράξιμο κάποιου ανοίγματος, να διατηρείται χωρίς ίχνη σκόνης, χνούδια, τρίχες και οτιδήποτε μπορεί να προκαλέσει μείωση της ροής αέρα.**
7. **Διατηρείτε τα μαλλιά, τα φαρδιά ρούχα και όλα τα μέρη του σώματός σας μακριά από τα ανοίγματα και κινούμενα μέρη.**
8. **Να απενεργοποιείτε όλα τα στοιχεία ελέγχου πριν από την αφαίρεση της μπαταρίας.**
9. **Να προσέχετε ιδιαίτερα, όταν καθαρίζετε σκαλοπάτια.**
10. **Να μην χρησιμοποιείται για τη συλλογή εύφλεκτων ή καύσιμων υγρών, όπως βενζίνη, ή σε χώρους παρουσία αυτών.**
11. **Για επαναφόρτιση, να χρησιμοποιείται μόνο ο φορτιστής που παρέχεται από τον κατασκευαστή.**
12. **Να μην χρησιμοποιείται για τη συλλογή οποιουδήποτε αντικειμένου καίγεται ή αναδίδει καπνό, όπως τσιγάρα, σπίρτα ή θερμές στάχτες.**
13. **Να μην χρησιμοποιείται χωρίς τη σακούλα σκόνης ή/και τα φίλτρα.**
14. **Μην φορτίζετε τη μπαταρία σε εξωτερικό χώρο.**
15. **Να επαναφορτίζετε μόνο με το φορτιστή που καθορίζεται από τον κατασκευαστή.** Ένας φορτιστής που είναι κατάλληλος για μια συγκεκριμένη κασέτα μπαταριών μπορεί να δημιουργήσει κίνδυνο πυρκαγιάς όταν χρησιμοποιείται με μια άλλη κασέτα μπαταριών.
16. **Να χρησιμοποιείτε συσκευές μόνο με ειδικά καθορισμένες κασέτες μπαταριών.** Η χρήση κάθε άλλης κασέτας μπαταριών μπορεί να δημιουργήσει κίνδυνο τραυματισμού ή πυρκαγιάς.
17. **Όταν δεν χρησιμοποιείται η κασέτα μπαταριών, διατηρήστε τη μακριά από άλλα μεταλλικά αντικείμενα, όπως συνδετήρες, κέρματα, κλειδιά, καρφιά, βίδες ή άλλα μικρά μεταλλικά αντικείμενα, με τα οποία μπορεί να δημιουργηθεί σύνδεση από τον έναν ακροδέκτη στον άλλον.**
18. **Υπό συνθήκες κατάχρησης, μπορεί να εξαχθεί υγρό από την μπαταρία. Να αποφεύγετε την επαφή. Αν συμβεί επαφή κατά λάθος, εκπλύνετε με νερό.**
19. **Μην χρησιμοποιείτε μια κασέτα μπαταριών ή συσκευή που έχει καταστραφεί ή τροποποιηθεί. Οι κατεστραμμένες ή τροποποιημένες μπαταρίες μπορεί να παρουσιάζουν απρόβλεπτη συμπεριφορά που έχει ως αποτέλεσμα πυρκαγιά, έκρηξη ή κίνδυνο τραυματισμού.**
20. **Μην εκθέτετε την κασέτα μπαταριών ή τη συσκευή σε πυρκαγιά ή υπερβολικά υψηλή θερμοκρασία. Η έκθεση σε φωτιά ή θερμοκρασία άνω των 130 °C μπορεί να προκαλέσει έκρηξη.**
21. **Ακολουθήστε όλες τις οδηγίες φόρτισης και μην φορτίσετε την κασέτα μπαταριών ή τη συσκευή εκτός του θερμοκρασιακού εύρους που καθορίζεται στις οδηγίες. Η λανθασμένη φόρτιση ή η φόρτιση σε θερμοκρασίες εκτός του καθορισμένου εύρους μπορεί να προκαλέσει ζημιά στην μπαταρία και να αυξήσει τον κίνδυνο πυρκαγιάς.**

22. Μην αδιαφορείτε και αγνοείτε τις αρχές ασφαλείας του εργαλείου λόγω της εξοικείωσης που αποκτάτε από τη συχνή χρήση των εργαλείων. Μια απρόσεκτη ενέργεια μπορεί να προκαλέσει σοβαρό τραυματισμό εντός κλασμάτων ενός δευτερολέπτου.

ΦΥΛΑΞΤΕ ΤΙΣ ΟΔΗΓΙΕΣ ΑΥΤΕΣ.

ΕΠΙΠΡΟΣΘΕΤΟΙ ΚΑΝΟΝΕΣ ΑΣΦΑΛΕΙΑΣ

1. Διαβάστε προσεκτικά το παρόν εγχειρίδιο χρήσης όπως και το εγχειρίδιο χρήσης του φορτιστή πριν από τη χρήση.
2. Μην συλλέξετε τα ακόλουθα υλικά:
 - Καυτά υλικά όπως αναμμένα τσιγάρα ή μεταλλική σκόνη/ρινίσματα που παράγονται από λείανση/κοπή μετάλλων
 - Εύφλεκτα υλικά όπως βενζίνη, διαλυτικό, πετρελαϊκό αιθέρα, κηροζίνη ή χρώματα
 - Εκρηκτικά υλικά όπως νιτρογλυκερίνη
 - Αναφλέξιμα υλικά όπως αλουμίνιο, ψευδάργυρο, μαγνήσιο, τιτάνιο, φώσφορο ή κутταρινοειδές φιλμ
 - Υγρές ακαθαρσίες, νερό, έλαια ή παρόμοιες ουσίες
 - Αιχμηρά τεμάχια σκληρών υλικών, όπως ροκανίδια, μέταλλα, πέτρες, γυαλιά, καρφιά, πινέζες ή ξυραφάκια
 - Σκόνη η οποία σβωλιάζει όπως το τσιμέντο ή το τόνερ
 - Αγώγιμη σκόνη όπως μέταλλου ή άνθρακα
 - Μικρά σωματίδια όπως σκόνη σκυροδέματος

Αυτή η ενέργεια μπορεί να προκαλέσει πυρκαγιά, τραυματισμό ή/και ζημία σε περιουσιακά στοιχεία.

3. Διακόψτε τη λειτουργία αμέσως, μόλις παρατηρήσετε οτιδήποτε μη φυσιολογικό.
4. Σε περίπτωση που η σκούπα υποστεί πτώση ή κτύπημα, ελέγξτε τη προσεκτικά για ρωγμές ή βλάβη πριν από τη λειτουργία.
5. Μην φορτίζετε τη σκούπα κοντά σε επικίνδυνα εύφλεκτα υλικά όπως βενζίνη, υγραέριο, μπογιά ή κόλλες.
6. Μην φορτίζετε τη σκούπα επάνω σε χαρτιά, πανιά, χαλιά, βινύλιο, κτλ. Μπορεί να προκληθεί φωτιά.
7. Μην φορτίζετε τη σκούπα σε μέρος με πολλή σκόνη.
8. Βεβαιωθείτε ότι δεν υπάρχει κανένα άτομο από κάτω, όταν χρησιμοποιείτε τη σκούπα σε υψηλά σημεία.
9. Μην πλησιάζετε σε θερμάστρες ή άλλες πηγές θερμότητας.
10. Μη φράσσετε την οπή εισαγωγής ή τις οπές αερισμού.

ΦΥΛΑΞΤΕ ΤΙΣ ΟΔΗΓΙΕΣ ΑΥΤΕΣ.

ΣΗΜΑΝΤΙΚΕΣ ΟΔΗΓΙΕΣ ΑΣΦΑΛΕΙΑΣ

ΓΙΑ ΤΗΝ ΕΝΣΩΜΑΤΩΜΕΝΗ ΜΠΑΤΑΡΙΑ

1. Πριν χρησιμοποιήσετε την ενσωματωμένη μπαταρία, διαβάστε όλες τις οδηγίες και τις ενδείξεις προφύλαξης στο (1) φορτιστή μπαταριών, (2) την μπαταρία και (3) το προϊόν στο οποίο χρησιμοποιείται η μπαταρία.
2. Μην αποσυναρμολογείτε την ενσωματωμένη μπαταρία.
3. Αν ο χρόνος λειτουργίας έχει γίνει υπερβολικά σύντομος, σταματήστε αμέσως τη λειτουργία. Μπορεί να έχει ως αποτέλεσμα κίνδυνο υπερθέρμανσης, πιθανά εγκαύματα ή ακόμη και έκρηξη.
4. Αν μπει στα μάτια σας ηλεκτρολύτης, ξεπλύνετε τα με καθαρό νερό και ζητήστε αμέσως ιατρική φροντίδα. Μπορεί να έχει ως αποτέλεσμα απώλεια της όρασής σας.
5. Μην βραχυκυκλώνετε την ενσωματωμένη μπαταρία:
 - (1) Μην αγγίζετε τους πόλους με οποιοδήποτε αγώγιμο υλικό.
 - (2) Αποφεύγετε να αποθηκεύετε την ενσωματωμένη μπαταρία μέσα σε ένα δοχείο μαζί με άλλα μεταλλικά αντικείμενα όπως καρφιά, νομίσματα, κλπ.
 - (3) Μην εκθέτετε την ενσωματωμένη μπαταρία σε νερό ή βροχή. Ένα βραχυκύκλωμα μπαταρίας μπορεί να προκαλέσει μεγάλη ροή ρεύματος, υπερθέρμανση, πιθανά εγκαύματα ακόμη και σοβαρή βλάβη.
6. Μην αποθηκεύετε και μην χρησιμοποιείτε τη συσκευή και την ενσωματωμένη μπαταρία σε μέρη όπου η θερμοκρασία μπορεί να φτάσει ή να ξεπεράσει τους 50 °C.
7. Μην αποτεφρώνετε την ενσωματωμένη μπαταρία ακόμη και αν παρουσιάζει σοβαρή ζημία ή είναι εντελώς φθαρμένη. Η ενσωματωμένη μπαταρία μπορεί να εκραγεί στη φωτιά.
8. Προσέχετε να μη ρίξετε κάτω ή χτυπήσετε την μπαταρία.
9. Μην χρησιμοποιείτε ενσωματωμένη μπαταρία που έχει υποστεί ζημία.
10. Οι μπαταρίες ιόντων λιθίου που περιέχονται υπόκεινται στις απαιτήσεις της νομοθεσίας για επικίνδυνα αγαθά. Όταν απορρίπτετε την μπαταρία, αφαιρέστε την από τη συσκευή και διαθέστε τη σε ένα ασφαλές μέρος. Τηρήστε τους τοπικούς κανονισμούς που σχετίζονται με τη διάθεση της μπαταρίας.
11. Να χρησιμοποιείτε τις μπαταρίες μόνο με τα προϊόντα που καθορίζονται από την Makita.

ΦΥΛΑΞΤΕ ΤΙΣ ΟΔΗΓΙΕΣ ΑΥΤΕΣ.

Συμβουλές για τη διατήρηση της μέγιστης ζωής μπαταρίας

1. Να φορτίζετε την ενσωματωμένη μπαταρία πριν από την πλήρη αποφόρτιση της. Πάντοτε να σταματάτε τη λειτουργία της συσκευής και να φορτίζετε την ενσωματωμένη μπαταρία όταν παρατηρείτε μειωμένη ισχύ συσκευής.
2. Μην επαναφορτίζετε ποτέ μια πλήρως φορτισμένη ενσωματωμένη μπαταρία. Η υπερφόρτιση μειώνει την ωφέλιμη ζωή της μπαταρίας.
3. Να φορτίζετε την ενσωματωμένη μπαταρία σε θερμοκρασία δωματίου, δηλαδή στους 10°C - 40°C. Αφήστε μια θερμοκρασιομηχανή μπαταρία να κρυώσει πριν την φορτίσετε.
4. Να φορτίζετε την ενσωματωμένη μπαταρία μία φορά κάθε έξι μήνες αν δεν χρησιμοποιείτε τη συσκευή για μεγάλη χρονική περίοδο.

ΠΕΡΙΓΡΑΦΗ ΛΕΙΤΟΥΡΓΙΑΣ

▲ ΠΡΟΣΟΧΗ: Να βεβαιώνετε πάντα ότι η συσκευή είναι σβηστή πριν ρυθμίσετε ή ελέγξετε τη λειτουργία της συσκευής.

Φόρτιση της ενσωματωμένης μπαταρίας

▲ ΠΡΟΣΟΧΗ: Να χρησιμοποιείτε μόνο γνήσιες μπαταρίες της Makita. Η χρήση μη γνήσιων μπαταριών Makita, ή μπαταριών που έχουν τροποποιηθεί, μπορεί να έχει ως αποτέλεσμα τη ρήξη της μπαταρίας, προκαλώντας πυρκαγιά, προσωπικό τραυματισμό και βλάβη. Θα ακυρώσει επίσης την εγγύηση της Makita για το προϊόν και τον φορτιστή Makita.

▲ ΠΡΟΣΟΧΗ: Να αποσυνδέετε πάντα το βύσμα φόρτισης από τη σκούπα μετά τη φόρτιση.

▲ ΠΡΟΣΟΧΗ: Μην αφήνετε το φορτιστή στην κεντρική ηλεκτρική παροχή αφού αποσυνδέσετε τη συσκευή. Τα μικρά παιδιά μπορεί να βάλουν το ηλεκτροφόρο βύσμα στο στόμα τους και να προκληθεί τραυματισμός.

Φορτίστε τη σκούπα όταν τη χρησιμοποιείτε για πρώτη φορά ή αν είναι αφόρτιστη για μεγάλο χρονικό διάστημα. Συνδέστε το βύσμα φόρτισης στην υποδοχή φόρτισης και μετά συνδέστε το φορτιστή στην πρίζα.

► **Εικ.1:** 1. Υποδοχή φόρτισης

Η Λυχνία φορτίου μπαταρίας ανάβει και η φόρτιση αρχίζει. Η Λυχνία σβήνει όταν η φόρτιση ολοκληρωθεί. Για περισσότερες λεπτομέρειες, ανατρέξτε στο εγχειρίδιο οδηγιών του φορτιστή μπαταρίας.

► **Εικ.2:** 1. Λυχνία φορτίου μπαταρίας

ΕΙΔΟΠΟΙΗΣΗ: Η λυχνία φορτίου μπαταρίας αναβοσβήνει και η μπαταρία δεν μπορεί να φορτιστεί αν η μπαταρία ή η σκούπα είναι εκτεθειμένη σε ακραίες θερμοκρασίες.

ΠΑΡΑΤΗΡΗΣΗ: Δεν είναι δυνατός ο έλεγχος της σκούπας ενώ φορτίζεται. Για να ξεκινήσετε τη σκούπα, αποσυνδέστε τον φορτιστή από την ηλεκτρική παροχή, αποσυνδέστε το βύσμα φόρτισης από τη σκούπα και μετά πατήστε το κουμπί ΕΝΕΡΓΟΠΟΙΗΣΗΣ/αλλαγής ταχύτητας.

ΠΑΡΑΤΗΡΗΣΗ: Στις ακόλουθες συνθήκες, η μπαταρία πρόκειται να φτάσει το τέλος ζωής της (ή έχει βλάβη/δυσλειτουργία). Αποσυνδέστε τον φορτιστή από την ηλεκτρική παροχή και μετά αντικαταστήστε την μπαταρία.

- Η Λυχνία φορτίου μπαταρίας σβήνει σύντομα μόλις ξεκινήσετε τη φόρτιση της σκούπας.
- Η σκούπα λειτουργεί μόνο για μια περίοδο μικρότερη από το μισό του κανονικού χρόνου λειτουργίας αφού η μπαταρία έχει φορτιστεί πλήρως.

ΠΑΡΑΤΗΡΗΣΗ: Η μπαταρία μπορεί να επαναφορτιστεί μέχρι περίπου 500 φορές. Οι χρόνοι επαναφόρτισης διαφέρουν ανάλογα με τις συνθήκες κάτω από τις οποίες η μπαταρία έχει φορτιστεί και αποφορτιστεί.

Δράση διακόπτη

▲ ΠΡΟΣΟΧΗ: Να σβήνετε πάντα τη σκούπα μετά από κάθε χρήση για να αποφεύγετε την πρόκληση ζημιάς στη σκούπα καθώς και να παρατείνετε τη διάρκεια λειτουργίας των μπαταριών.

Για να ξεκινήσετε τη λειτουργία της σκούπας, απλά πατήστε το κουμπί ΕΝΕΡΓΟΠΟΙΗΣΗΣ/αλλαγής ταχύτητας. Για να τη σβήσετε, πατήστε το κουμπί ΑΠΕΝΕΡΓΟΠΟΙΗΣΗΣ.

Μπορείτε να αλλάξετε την ταχύτητα της σκούπας με τρία βήματα εάν πατήσετε το κουμπί ΕΝΕΡΓΟΠΟΙΗΣΗΣ/αλλαγής ταχύτητας.

Το πρώτο πάτημα αυτού του κουμπιού είναι για λειτουργία υψηλής ταχύτητας, το δεύτερο πάτημα είναι για λειτουργία μέγιστης ταχύτητας και το τρίτο πάτημα είναι για κανονική ταχύτητα. Με κάθε πάτημα αυτού του κουμπιού επαναλαμβάνεται ο κύκλος υψηλής/μέγιστης/κανονικής ταχύτητας, εναλλάξ.

► **Εικ.3:** 1. Κουμπί ΕΝΕΡΓΟΠΟΙΗΣΗΣ/αλλαγής ταχύτητας 2. Κουμπί ΑΠΕΝΕΡΓΟΠΟΙΗΣΗΣ

Λυχνία φορτίου μπαταρίας

Όταν το υπολειπόμενο φορτίο της μπαταρίας είναι χαμηλό, η λυχνία φορτίου μπαταρίας αναβοσβήνει. Όταν η υπολειπόμενη χωρητικότητα μπαταρίας γίνει πολύ χαμηλότερη, η σκούπα σταματάει και η λυχνία φορτίου μπαταρίας ανάβει για περίπου 10 δευτερόλεπτα. Σε αυτή την περίπτωση, φορτίστε την μπαταρία. Επίσης, όταν η μπαταρία υπερφορτωθεί ή υπερθερμανθεί, η σκούπα σταματάει και η λυχνία φορτίου μπαταρίας ανάβει για περίπου 10 δευτερόλεπτα. Η σκούπα δεν ενεργοποιείται όταν η λυχνία είναι αναμμένη.

► **Εικ.4:** 1. Λυχνία φορτίου μπαταρίας

ΠΑΡΑΤΗΡΗΣΗ: Ο χρόνος που θα αρχίσει να αναβοσβήνει ή που θα ανάψει η λυχνία φορτίου μπαταρίας εξαρτάται από τη θερμοκρασία στο χώρο εργασίας και τις συνθήκες της μπαταρίας.

Αναμμα της λάμπας

⚠ ΠΡΟΣΟΧΗ: Μην κοιτάζετε κατευθείαν μέσα στο φως ή στην πηγή φωτός.

Για να ανάψετε τη λάμπα, πατήστε το κουμπί ΕΝΕΡΓΟΠΟΙΗΣΗΣ/αλλαγής ταχύτητας. Πατήστε το κουμπί ΑΠΕΝΕΡΓΟΠΟΙΗΣΗΣ για να σβήσετε τη λάμπα. Κατά την ενεργοποίηση της σκούπας, η λάμπα ανάβει.

- **Εικ.5:** 1. Κουμπί ΕΝΕΡΓΟΠΟΙΗΣΗΣ/αλλαγής ταχύτητας 2. Κουμπί ΑΠΕΝΕΡΓΟΠΟΙΗΣΗΣ (OFF) 3. Λάμπα

ΣΥΝΑΡΜΟΛΟΓΗΣΗ

⚠ ΠΡΟΣΟΧΗ: Να βεβαιώνετε πάντα ότι η συσκευή είναι σβηστή πριν εκτελέσετε οποιαδήποτε εργασία στη συσκευή.

Σάκος σκόνης και χάρτινο φίλτρο

Τοποθετήστε το σάκο σκόνης ή το χάρτινο φίλτρο πριν χρησιμοποιήσετε τη σκούπα. Χρησιμοποιήστε τον αναστολέα σκόνης όταν τοποθετείτε το σάκο σκόνης ή το χάρτινο φίλτρο. Μπορείτε να επαναχρησιμοποιήσετε το σάκο σκόνης πολλές φορές αν τον καθαρίσετε. Το χάρτινο φίλτρο είναι αναλώσιμο. Όταν γεμίσει, απορρίψτε ολόκληρο το χάρτινο φίλτρο χωρίς να το αδειάσετε.

ΕΙΔΟΠΟΙΗΣΗ: Για να αποφευχθεί η είσοδος σκόνης στο μοτέρ:

- Πριν από τη χρήση, βεβαιωθείτε ότι ο σάκος σκόνης ή το χάρτινο φίλτρο έχει τοποθετηθεί.
- Εισάγετε τον αναστολέα σκόνης μαζί με το σάκο σκόνης ή το χάρτινο φίλτρο τέρμα στις υποδοχές όταν τα τοποθετείτε.
- Μη χρησιμοποιείτε σπασμένο ή σκισμένο σάκο.

Διαφορετικά, μπορεί να σπάσει το μοτέρ.

ΕΙΔΟΠΟΙΗΣΗ: Μη διπλώνετε το χαρτόνι στο άνοιγμά του όταν τοποθετείτε το χάρτινο φίλτρο.

ΕΙΔΟΠΟΙΗΣΗ: Μην πετάτε ποτέ τον αναστολέα σκόνης επειδή πρέπει να χρησιμοποιείται επανειλημμένα όταν γίνεται χρήση του σάκου σκόνης ή του χάρτινου φίλτρου.

ΕΙΔΟΠΟΙΗΣΗ: Το χάρτινο φίλτρο της σκούπας αποτελεί ένα σημαντικό εξάρτημα για τη διατήρηση της απόδοσης της σκούπας. Η χρήση μη γνήσιου χάρτινου φίλτρου μπορεί να προκαλέσει καπνούς ή ανάφλεξη.

ΠΑΡΑΤΗΡΗΣΗ: Όταν η σακούλα σκόνης ή το χάρτινο φίλτρο δεν είναι τοποθετημένο στη σκούπα, το μπροστινό κάλυμμα δεν κλείνει τελείως.

- **Εικ.6**

Τοποθέτηση σακούλας σκόνης

Χρησιμοποιήστε τον αναστολέα σκόνης όταν τοποθετείτε το σάκο σκόνης. Προσέξτε να μην μπερδέψετε την άνω πλευρά με την κάτω πλευρά επειδή είναι διαφορετικές.

- **Εικ.7:** 1. Άνω πλευρά του αναστολέα σκόνης
2. Κάτω πλευρά του αναστολέα σκόνης

1. Εισαγάγετε την προεξοχή της σακούλας σκόνης στην κάτω αύλακα του αναστολέα σκόνης, όπως απεικονίζεται στην εικόνα.

- **Εικ.8:** 1. Αναστολέας σκόνης 2. Κάτω αύλακα
3. Σάκος σκόνης

2. Δεν υπάρχει καμία διαφορά μεταξύ των άνω και κάτω πλευρών του σάκου σκόνης. Μπορείτε να εισάγετε την προεξοχή οποιασδήποτε πλευράς στην κάτω αύλακα του αναστολέα σκόνης.

- **Εικ.9:** 1. Κάτω αύλακα

3. Επικαλύψτε το πλαίσιο του αναστολέα σκόνης με αυτό του σάκου σκόνης.

- **Εικ.10**

4. Τοποθετήστε τον αναστολέα σκόνης και το σάκο σκόνης μαζί στο θάλαμο της σκούπας προς την κατεύθυνση του βέλους στον αναστολέα σκόνης. Τοποθετήστε τα μέχρι τέρμα στις υποδοχές στο θάλαμο της σκούπας.

- **Εικ.11**

5. Απλώστε το υφασμάτινο τμήμα της σακούλας σκόνης μέσα στη σκούπα.

- **Εικ.12**

6. Κλείστε τελείως το μπροστινό κάλυμμα.

- **Εικ.13:** 1. Μπροστινό κάλυμμα

Τοποθέτηση του χάρτινου φίλτρου

Επίσης χρησιμοποιήστε τον αναστολέα σκόνης όταν τοποθετείτε το χάρτινο φίλτρο. Προσέξτε να μην μπερδέψετε την άνω πλευρά με την κάτω πλευρά επειδή είναι διαφορετικές.

- **Εικ.14:** 1. Άνω πλευρά του αναστολέα σκόνης
2. Κάτω πλευρά του αναστολέα σκόνης

1. Ξεδιπλώστε την είσοδο του χάρτινου φίλτρου πριν το τοποθετήσετε στον αναστολέα σκόνης.

- **Εικ.15**

2. Εισαγάγετε την προεξοχή του χάρτινου φίλτρου μέσα στην κάτω αύλακα του αναστολέα σκόνης, όπως απεικονίζεται στην εικόνα.

- **Εικ.16:** 1. Αναστολέας σκόνης 2. Κάτω αύλακα
3. Χάρτινο φίλτρο

3. Δεν υπάρχει καμία διαφορά μεταξύ των άνω και κάτω πλευρών του χάρτινου φίλτρου. Μπορείτε να εισάγετε την προεξοχή οποιασδήποτε πλευράς στην κάτω αύλακα του αναστολέα σκόνης.

- **Εικ.17:** 1. Κάτω αύλακα

4. Επικαλύψτε το πλαίσιο του αναστολέα σκόνης με αυτό του χάρτινου φίλτρου.

- **Εικ.18**

5. Τοποθετήστε τον αναστολέα σκόνης και το χάρτινο φίλτρο μαζί στο θάλαμο της σκούπας προς την κατεύθυνση του βέλους στον αναστολέα σκόνης. Τοποθετήστε τα μέχρι τέρμα στις υποδοχές στο θάλαμο της σκούπας.

- **Εικ.19**

6. Απλώστε το τμήμα περιέκτη του χάρτινου φίλτρου μέσα στη σκούπα.

► **Εικ.20**

7. Κλείστε τελείως το μπροστινό κάλυμμα.

► **Εικ.21:** 1. Μπροστινό κάλυμμα

ΛΕΙΤΟΥΡΓΙΑ

▲ ΠΡΟΣΟΧΗ: Μην πλησιάζετε το πρόσωπό σας στην οπή εξαερισμού όταν χρησιμοποιείτε τη σκούπα. Αν φυσήξετε ξένα αντικείμενα μέσα στα μάτια, μπορεί να έχει ως αποτέλεσμα προσωπικό τραυματισμό.

Τοποθέτηση ή αφαίρεση του προσαρτήματος σκούπας

▲ ΠΡΟΣΟΧΗ: Μετά την τοποθέτηση ενός προσαρτήματος, ελέγξτε αν έχει τοποθετηθεί σταθερά. Αν το προσάρτημα δεν τοποθετηθεί καλά, μπορεί να βγει και να προκληθεί τραυματισμός.

▲ ΠΡΟΣΟΧΗ: Προσέχετε να μην χτυπήσετε το χέρι σας στον τοίχο κ.λπ. όταν αφαιρείτε το προσάρτημα.

Όταν χρησιμοποιείτε προσάρτημα με λειτουργία ασφάλισης

Για να τοποθετήσετε ένα προσάρτημα, εισαγάγετέ το στην είσοδο αναρρόφησης της σκούπας μέχρι να ασφαλίσει. Βεβαιωθείτε ότι το προσάρτημα έχει ασφαλίσει.

► **Εικ.22:** 1. Είσοδος αναρρόφησης 2. Προσάρτημα με λειτουργία ασφάλισης 3. Γάντζος 4. Κουμπί απασφάλισης

ΠΑΡΑΤΗΡΗΣΗ: Όταν τοποθετείτε προσάρτημα με λειτουργία ασφάλισης, φροντίστε να ευθυγραμμίσετε το κουμπί απασφάλισης με τον γάντζο στο προσάρτημα. Αν δεν ευθυγραμμιστούν, το προσάρτημα δεν θα ασφαλίσει και μπορεί να βγει από τη σκούπα.

Για να αφαιρέσετε το προσάρτημα, τραβήξτε το ενώ πατάτε το κουμπί απασφάλισης.

► **Εικ.23:** 1. Κουμπί απασφάλισης 2. Προσάρτημα με λειτουργία ασφάλισης

Όταν χρησιμοποιείτε προσάρτημα χωρίς λειτουργία ασφάλισης

▲ ΠΡΟΣΟΧΗ: Για να τοποθετήσετε ένα προσάρτημα χωρίς λειτουργία ασφάλισης, περιστρέψτε και εισαγάγετέ το προς την κατεύθυνση του βέλους για να ασφαλίσετε τη σύνδεση κατά τη διάρκεια της χρήσης. Για να αφαιρέσετε το προσάρτημα, περιστρέψτε και αποσπάστε το ξανά προς την κατεύθυνση του βέλους.

► **Εικ.24**

Καθαρισμός (Αναρρόφηση)

Ακροφύσιο

Προσαρμόστε το ακροφύσιο για να καθαρίσετε τραπέζια, γραφεία, έπιπλα, κ.λπ. Το ακροφύσιο τοποθετείται εύκολα σύρνοντας τα.

► **Εικ.25:** 1. Ακροφύσιο

Ακροφύσιο + Ράβδος προέκτασης (Ευθύς σωλήνας)

Η ράβδος προέκτασης τοποθετείται μεταξύ ακροφυσίου και σκούπας. Ο συνδυασμός αυτός διευκολύνει στον καθαρισμό ενός δαπέδου, ενώ ο χειριστής παραμένει σε όρθια θέση.

► **Εικ.26:** 1. Σώμα σκούπας 2. Ράβδος προέκτασης 3. Ακροφύσιο

Ακροφύσιο γωνιών

Τοποθετήστε το ακροφύσιο γωνιών για να καθαρίσετε γωνίες και χαραμάδες σε ένα κάθισμα αυτοκινήτου ή έπιπλο.

► **Εικ.27:** 1. Ακροφύσιο γωνιών 2. Σώμα σκούπας

Ακροφύσιο γωνιών + Ράβδος προέκτασης (Ευθύς σωλήνας)

Χρησιμοποιήστε αυτόν το συνδυασμό σε περιορισμένους χώρους, όπου η σκούπα δεν χωρά, ή σε υψηλά σημεία όπου η πρόσβαση είναι δύσκολη.

► **Εικ.28:** 1. Ακροφύσιο γωνιών 2. Ράβδος προέκτασης 3. Σώμα σκούπας

Καθαρισμός χωρίς ακροφύσιο

Μπορείτε να συλλέξετε σκόνη χωρίς το ακροφύσιο.

► **Εικ.29**

Για τη συλλογή σκόνης από δάπεδο σε όρθια θέση, είναι βολικό να προσαρμόσετε τη ράβδο προέκτασης στη σκούπα.

► **Εικ.30:** 1. Ράβδος προέκτασης

Απόρριψη σκόνης

▲ ΠΡΟΣΟΧΗ: Να αδειάζετε τη σκούπα πριν γεμίσει πλήρως, αλλιώς θα εξασθενήσει η δύναμη αναρρόφησης.

▲ ΠΡΟΣΟΧΗ: Όταν κλείνετε το μπροστινό κάλυμμα, προσέξτε να μην πιαστούν τα δάχτυλά σας.

ΕΙΔΟΠΟΙΗΣΗ: Μην πετάτε ποτέ τον αναστολέα σκόνης επειδή πρέπει να χρησιμοποιείται όταν γίνεται χρήση του σάκου σκόνης ή του χάρτινου φίλτρου.

ΕΙΔΟΠΟΙΗΣΗ: Όταν η σακούλα σκόνης/χάρτινο φίλτρο δεν βρίσκεται στο εσωτερικό της σκούπας, το μπροστινό κάλυμμα δεν κλείνει τελείως. Μην επιβάλλετε το κλείσιμο του μπροστινού καλύμματος. Μπορεί να έχει ως αποτέλεσμα την παραμόρφωση ή το σπάσιμο της σκούπας.

ΕΙΔΟΠΟΙΗΣΗ: Όταν απορρίπτετε τη σκόνη, καθαρίστε και το χώρο της σακούλας σκόνης/χάρτινου φίλτρου. Η υπόλοιπη σκόνη και βρομιά στον χώρο μπορεί να προκαλέσει το φράξιμο του σπογγώδους φίλτρου ή βλάβη του μοτέρ.

1. Πατήστε το κουμπί για να ανοίξετε το μπροστινό κάλυμμα. Αν συνεχίσετε να το ανοίγετε μέχρι να ακουστεί ο χαρακτηριστικός ήχος κλικ, το κάλυμμα θα σταματήσει σε αυτή τη θέση.

► **Εικ.31:** 1. Μπροστινό κάλυμμα 2. Κουμπί

2. Τραβήξτε προς τα έξω και ταυτόχρονα τον πορτοκαλί αναστολέα σκόνης και τη σακούλα σκόνης/χάρτινο φίλτρο.

► **Εικ.32:** 1. Αναστολέας σκόνης

3. Εκτελέστε τις παρακάτω διαδικασίες, ανάλογα με τον τύπο του περιέκτη σκόνης:

Όταν χρησιμοποιείτε τη σακούλα σκόνης

Αφαιρέστε τον αναστολέα σκόνης και αδειάστε τη σακούλα σκόνης.

► **Εικ.33:** 1. Αναστολέας σκόνης 2. Σακούλα σκόνης

Όταν χρησιμοποιείτε το χάρτινο φίλτρο

Αφαιρέστε τον αναστολέα σκόνης και απορρίψτε το χάρτινο φίλτρο.

► **Εικ.34:** 1. Αναστολέας σκόνης 2. Χάρτινο φίλτρο

4. Τοποθετήστε τη σακούλα σκόνης/καινούριο χάρτινο φίλτρο και τον αναστολέα σκόνης μαζί μέσα στη σκούπα και κλείστε το μπροστινό κάλυμμα.

ΠΑΡΑΤΗΡΗΣΗ: Η σκούπα είναι κατασκευασμένη με τρόπο ώστε να βγαίνει το μπροστινό κάλυμμα όταν ασκείτε πίεση για να ανοίξετε το μπροστινό κάλυμμα σε γωνία μεγαλύτερη από 90°. Αν βγει το μπροστινό κάλυμμα, τοποθετήστε το στη θέση του εισάγοντάς το στην ένωση του μπροστινού καλύμματος.

► **Εικ.35:** 1. Μπροστινό κάλυμμα 2. Ένωση μπροστινού καλύμματος

ΣΥΝΤΗΡΗΣΗ

▲ ΠΡΟΣΟΧΗ: Να βεβαιώνετε πάντα ότι η συσκευή είναι σβηστή πριν επιχειρήσετε να εκτελέσετε οποιαδήποτε εργασία επιθεώρησης ή συντήρησης.

Για τη διατήρηση της ΑΣΦΑΛΕΙΑΣ και ΑΞΙΟΠΙΣΤΙΑΣ του προϊόντος, οι επηρεαστές και οποιαδήποτε άλλη εργασία συντήρησης ή ρύθμισης πρέπει να εκτελούνται από εξουσιοδοτημένα ή εργοστασιακά κέντρα εξυπηρέτησης της Makita, χρησιμοποιώντας πάντοτε ανταλλακτικά της Makita.

ΕΙΔΟΠΟΙΗΣΗ: Μην χρησιμοποιείτε ποτέ βενζίνη, πετρελαϊκό αιθέρα, διαλυτικό, αλκοόλη ή παρόμοιες ουσίες. Μπορεί να προκληθεί αποχρωματισμός, παραμόρφωση ή ρωγμές.

Μετά από τη χρήση

Όταν αποθηκεύετε ή φορτίζετε τη σκούπα, ασφαλίστε την κεφαλή ακροφυσίου και κρεμάστε τη σκούπα από έναν γάντζο, ο οποίος είναι εμπορικά διαθέσιμος.

► **Εικ.36**

▲ ΠΡΟΣΟΧΗ: Αν ακουμπήσετε τη σκούπα στον τοίχο χωρίς καμία στήριξη μπορεί να προκαλέσει την πτώση της σκούπας και την πρόκληση ζημιάς σε αυτή.

► **Εικ.37**

Καθαρισμός

Σώμα σκούπας

Περιστασιακά, καθαρίστε το εξωτερικό (σώμα σκούπας) της σκούπας χρησιμοποιώντας ένα πανί που έχετε υγράνει με σαπουνόνερο.

Καθαρίστε, επίσης, το άνοιγμα αναρρόφησης, το χώρο τοποθέτησης του σάκου/του χάρτινου φίλτρου και τον αναστολέα σκόνης.

► **Εικ.38**

Αναστολέας σκόνης

Σκουπίστε τη σκόνη από τον αναστολέα σκόνης.

Απομακρύνετε τη σκόνη και τη βρομιά από το σπογγώδες τμήμα χτυπώντας το απαλά.

► **Εικ.39:** 1. Σπογγώδες τμήμα

Σακούλα σκόνης

Πλύντε τη σακούλα σκόνης σε σαπουνόνερο, όταν παρατηρηθεί φράξιμο λόγω σκόνης και εξασθένηση της απορροφητικής ισχύος της σκούπας. Στεγνώστε πλήρως πριν από τη χρήση. Ένας σάκος που δεν είναι απολύτως στεγνός μπορεί να προκαλέσει κακή αναρρόφηση και μείωση της διάρκειας ζωής του μοτέρ.

► **Εικ.40**

ΠΑΡΑΤΗΡΗΣΗ: Το χάρτινο φίλτρο είναι αναλώσιμο.

Όταν το σπογγώδες φίλτρο φράξει με σκόνη, βγάλτε το από τη σκούπα και σκουπίστε το ή πλύνετε το σε νερό.

Αφαίρεση και τοποθέτηση του σπογγώδους φίλτρου

▲ ΠΡΟΣΟΧΗ: Αφού καθαρίσετε το σπογγώδες φίλτρο, φροντίστε να το τοποθετήσετε στη σκούπα. Αν το πλύνετε σε νερό, στεγνώστε το πριν την τοποθέτηση. Ένα σπογγώδες φίλτρο που δεν είναι απολύτως στεγνό ενδέχεται να προκαλέσει μείωση της διάρκειας ζωής του μοτέρ.

Για να βγάλετε το σπογγώδες φίλτρο, βγάλτε τη σακούλα σκόνης ή το χάρτινο φίλτρο και μετά πιάστε το σπογγώδες φίλτρο με το δείκτη και τον αντίχειρά σας και βγάλτε το.

► **Εικ.41:** 1. Σπογγώδες φίλτρο

Για να τοποθετήσετε το φίλτρο, πιέστε προς τα μέσα ολόκληρο το άκρο του σπογγώδους φίλτρου προς το τοίχωμα με τις εσοχές στο εσωτερικό του χώρου τοποθέτησης της σακούλας σκόνης/του χάρτινου φίλτρου.

► **Εικ.42:** 1. Τοίχωμα με τις εσοχές

Καθαρισμός ακροφυσίου

(ανάλογα με τη χώρα)

Όταν η βούρτσα ακροφυσίου γεμίσει σκόνη, καθαρίστε τη σκόνη με αυτοκόλλητη ταινία.

► **Εικ.43:** 1. Βούρτσα

Επιτοίχια στερέωση για φορητή σκούπα

Προαιρετικό εξάρτημα

ΠΑΡΑΤΗΡΗΣΗ: Η βίδα για τη στερέωση της υποδοχής δεν περιλαμβάνεται. Προετοιμάστε μια βίδα που ταιριάζει με το υλικό στο οποίο θα τη βιδώσετε.

Προσαρτήστε την επιτοίχια στερέωση για φορητή σκούπα σε έναν σκληρό ξύλινο τοίχο, δοκό ή στήλη, όπου η επιτοίχια στερέωση για φορητή σκούπα μπορεί να στερεωθεί καλά. Να ελέγχετε πάντα ότι η επιτοίχια στερέωση για φορητή σκούπα είναι καλά συνδεδεμένη πριν κρεμάσετε τη σκούπα.

- **Εικ.44:** 1. Επιτοίχια στερέωση για φορητή σκούπα
2. Βύσμα

▲ΠΡΟΣΟΧΗ: Μην κρεμάτε βίαια τη σκούπα στην επιτοίχια στερέωση και μην κρεμάτε συσκευές εκτός από τη σκούπα.

ΠΑΡΑΤΗΡΗΣΗ: Όταν δεν φορτίζετε τη σκούπα, το βύσμα μπορεί να αποθηκευτεί στην επιτοίχια στερέωση για φορητή σκούπα, όπως απεικονίζεται.

Επίλυση προβλημάτων

Πριν ζητήσετε για επισκευές, ελέγξτε τα ακόλουθα σημεία.

Σύμπτωμα	Περιοχή διερεύνησης	Μέθοδος επιδιόρθωσης
Ασθενής ισχύς αναρρόφησης	Είναι ο σάκος σκόνης ή το χάρτινο φίλτρο γεμάτος σκόνη;	Αδειάστε το σάκο σκόνης ή το χάρτινο φίλτρο.
	Είναι ο σάκος σκόνης φραγμένος;	Ξεσκονίστε ή πλύνετε το σάκο σκόνης.
	Είναι το χάρτινο φίλτρο φραγμένο;	Αλλάξτε το χάρτινο φίλτρο.
	Είναι η κασέτα μπαταριών αποφορτισμένη;	Φορτίστε την κασέτα μπαταρίας.
Δεν λειτουργεί	Είναι η κασέτα μπαταριών αποφορτισμένη;	Φορτίστε την κασέτα μπαταρίας.
Το κάλυμμα της θήκης σκόνης δεν κλείνει	Είναι η σακούλα σκόνης ή το χάρτινο φίλτρο τοποθετημένο;	Τοποθετήστε τη σακούλα σκόνης ή το χάρτινο φίλτρο.

ΕΙΔΟΠΟΙΗΣΗ: Μην επιχειρήσετε να επισκευάσετε τη σκούπα μόνοι σας.

Απόρριψη σκούπας

Μια μπαταρία ιόντων λιθίου βρίσκεται ενσωματωμένη σε αυτή τη σκούπα. Να την αφαιρείτε πάντα πριν απορρίψετε τη σκούπα.

Αφαίρεση ενσωματωμένης μπαταρίας

▲ΠΡΟΣΟΧΗ: Μην αγγίζετε τους πόλους με οποιοδήποτε αγώγιμο υλικό.

▲ΠΡΟΣΟΧΗ: Αποφεύγετε να αποθηκεύετε τη μονάδα μπαταρίας μέσα σε ένα δοχείο μαζί με άλλα μεταλλικά αντικείμενα όπως καρφιά, νομίσματα, κλπ.

▲ΠΡΟΣΟΧΗ: Μην εκθέτετε τη μονάδα μπαταρίας στο νερό ή στη βροχή.

▲ΠΡΟΣΟΧΗ: Μην αποσυναρμολογείτε ή τροποποιείτε τη μονάδα μπαταρίας.

▲ΠΡΟΣΟΧΗ: Η σκούπα πρέπει να αποσυνδεθεί από την κεντρική ηλεκτρική παροχή όταν αφαιρείτε την μπαταρία.

1. Για να αφαιρέσετε το πίσω κάλυμμα, στρώστε το προς την κατεύθυνση του βέλους.
► **Εικ.45:** 1. Πίσω κάλυμμα
2. Σύρετε την ενσωματωμένη μπαταρία μέχρι τη μέση. Αποσυνδέστε τα καλώδια από την μπαταρία μετακινώντας την μπαταρία λίγο προς τα πίσω ενώ πιέζετε τη σύνδεση προς την κατεύθυνση του βέλους όπως απεικονίζεται στην εικόνα.
► **Εικ.46:** 1. Σύνδεση 2. Καλώδια
3. Μετά, σύρετε τη μονάδα μπαταρίας προς τα έξω εντελώς.
► **Εικ.47:** 1. Μονάδα μπαταρίας
4. Τοποθετήστε τη μονάδα μπαταρίας που αφαιρέσατε σε ένα χαρτοκιβώτιο για να μη βραχυκυκλωθεί.

Τοποθέτηση ανταλλακτικής μπαταρίας

Για να τοποθετήσετε την ανταλλακτική μπαταρία, ακολουθήστε τη διαδικασία αφαίρεσης με αντίστροφη σειρά.

▲ΠΡΟΣΟΧΗ: Δρομολογήστε το καλώδιο με τρόπο ώστε να είναι αποθηκευμένο εντελώς μέσα στη σκούπα πριν τοποθετήσετε ξανά το πίσω κάλυμμα στην αρχική του θέση. Αν δεν το κάνετε αυτό, μπορεί να προκληθεί ζημιά στο καλώδιο.

► **Εικ.48**

Αφού τοποθετήσετε την μπαταρία (βλ. «ΠΡΟΔΙΑΓΡΑΦΕΣ»), φορτίστε την μπαταρία πριν από τη χρήση.

ΠΡΟΣΑΡΤΗΜΑ ΚΥΚΛΩΝΑ

Προαιρετικό εξάρτημα

- **Εικ.49:** 1. Κουμπί απασφάλισης 2. Γάντζος
3. Ευθύς σωλήνας 4. Προσάρτημα κυκλώνα
5. Είσοδος αναρρόφησης

Πληροφορίες για το προσάρτημα κυκλώνα

Αν χρησιμοποιείτε τη σκούπα με τοποθετημένο το προσάρτημα κυκλώνα, μειώνεται η ποσότητα της σκόνης που εισέρχεται στη σακούλα σκόνης, γεγονός που βοηθάει ώστε να μην εξασθενεί η αναρροφητική ισχύς. Επιπλέον, ο καθαρισμός μετά τη χρήση είναι επίσης απλός.

▲ ΠΡΟΣΟΧΗ: Να βεβαιώνετε πάντα ότι η σκούπα είναι σβηστή πριν εκτελέσετε οποιαδήποτε εργασία στη σκούπα. Η αθέλητη εκκίνηση μπορεί να έχει ως αποτέλεσμα προσωπικό τραυματισμό.

▲ ΠΡΟΣΟΧΗ: Καθαρίστε το κυψελωτό φίλτρο του προσαρτήματος κυκλώνα και τη σακούλα σκόνης της σκούπας όταν φράξουν. Η συνεχιζόμενη χρήση σε φραγμένη κατάσταση μπορεί να έχει ως αποτέλεσμα τη θέρμανση ή τη δημιουργία καπνού.

ΕΙΔΟΠΟΙΗΣΗ: Όταν είναι τοποθετημένο το προσάρτημα κυκλώνα, μη χρησιμοποιείτε τη σκούπα σε οριζόντια ή ανοδικά στραμμένη κατάσταση. Αν το κάνετε αυτό, το κυψελωτό φίλτρο μπορεί να φράξει.

ΕΙΔΟΠΟΙΗΣΗ: Να χρησιμοποιείτε πάντα τη σκούπα με τοποθετημένη σακούλα σκόνης, ακόμη και όταν χρησιμοποιείτε το προσάρτημα κυκλώνα. Αν χρησιμοποιήσετε τη σκούπα χωρίς τοποθετημένη σακούλα σκόνης, μπορεί να έχει ως αποτέλεσμα δυσλειτουργία του μοτέρ.

ΠΑΡΑΤΗΡΗΣΗ: Να ελέγχετε ότι το προσάρτημα κυκλώνα, η σκούπα και ο ίσιος σωλήνας είναι σωστά ασφαλισμένα πριν από τη χρήση.

ΠΑΡΑΤΗΡΗΣΗ: Αδειάστε τη θήκη σκόνης του προσαρτήματος κυκλώνα και τη σακούλα σκόνης της σκούπας όταν συσσωρευτεί σκόνη. Η συνεχιζόμενη χρήση θα έχει ως αποτέλεσμα εξασθενημένη αναρροφητική ισχύ.

ΠΑΡΑΤΗΡΗΣΗ: Μπορείτε, επίσης, να χρησιμοποιήσετε το προσάρτημα κυκλώνα χωρίς τη λειτουργία ασφάλισης.

ΠΑΡΑΤΗΡΗΣΗ: Για την εγκατάσταση ή αφαίρεση του προσαρτήματος κυκλώνα, ανατρέξτε στην παράγραφο «Τοποθέτηση ή αφαίρεση του προσαρτήματος σκούπας».

Απόρριψη σκόνης

Όταν έχει συσσωρευτεί σκόνη μέχρι τη γραμμή πληρότητας της θήκης σκόνης, ακολουθήστε την παρακάτω διαδικασία και απορρίψτε τη σκόνη.

1. Κρατήστε τη θήκη σκόνης καλά, πατήστε παρατεταμένα τα δύο κουμπιά και αφαιρέστε τη θήκη σκόνης.
► **Εικ.50:** 1. Γραμμή πληρότητας 2. Θήκη σκόνης 3. Κουμπί (δύο τοποθεσίες) 4. Κυψελωτό φίλτρο
2. Απορρίψτε τη σκόνη στο εσωτερικό της θήκης σκόνης και αφαιρέστε τυχόν σκόνη και πούδρα που έχει προσκολληθεί στην επιφάνεια του κυψελωτού φίλτρου.
3. Εισαγάγετε τη θήκη σκόνης μέχρι τέρμα μέχρι τα δύο κουμπιά να ασφαλισουν με έναν χαρακτηριστικό ήχο «κλικ».
► **Εικ.51:** 1. Θήκη σκόνης 2. Κουμπί (δύο τοποθεσίες)

ΠΑΡΑΤΗΡΗΣΗ: Ελέγξτε ότι το προσάρτημα κυκλώνα, η σκούπα και ο ίσιος σωλήνας είναι σωστά ασφαλισμένα πριν ξεκινήσετε ξανά τη λειτουργία.

ΠΑΡΑΤΗΡΗΣΗ: Αν η αναρροφητική ισχύς δεν ανακτηθεί ακόμη και μετά την απόρριψη της σκόνης και τον καθαρισμό του κυψελωτού φίλτρου, ελέγξτε αν έχει συσσωρευτεί σκόνη στη σακούλα σκόνης της σκούπας ή αν συνέβη φράξιμο.

ΠΑΡΑΤΗΡΗΣΗ: Η σκόνη μπορεί να πεταχτεί προς τα πάνω όταν γίνεται απόρριψη από το προσάρτημα κυκλώνα. Προσέχετε να μην μπει η σκόνη στα μάτια σας.

Καθαρισμός

Όταν η θήκη σκόνης βρομίσει ή το κυψελωτό φίλτρο φράξει, αφαιρέστε και πλύντε τα με νερό. (Ανατρέξτε στην παράγραφο «Απόρριψη σκόνης» για τη διαδικασία αφαίρεσης.)

Στεγνώστε πολύ καλά τα εξαρτήματα πριν τα τοποθετήσετε ξανά και τα χρησιμοποιήσετε.

- **Εικ.52:** 1. Θήκη σκόνης 2. Κυψελωτό φίλτρο

Όταν το κυψελωτό φίλτρο βρομίσει πάρα πολύ, καθαρίστε το σύμφωνα με τις ακόλουθες διαδικασίες.

1. Περιστρέψτε το κυψελωτό φίλτρο αριστερόστροφα και αφαιρέστε το ενώ οι γάντζοι είναι απασφαλισμένοι.
► **Εικ.53:** 1. Κυψελωτό φίλτρο 2. Γάντζος
2. Αφαιρέστε τη σκόνη από το κυψελωτό φίλτρο και, στη συνέχεια, πλύντε το με νερό. Μετά, στεγνώστε το πολύ καλά.
3. Εισαγάγετε το κυψελωτό φίλτρο μέσα στη βάση ενώ οι γάντζοι είναι ευθυγραμμισμένοι με τη θύρα. Περιστρέψτε το κυψελωτό φίλτρο δεξιόστροφα μέχρι οι γάντζοι να ασφαλισουν με έναν χαρακτηριστικό ήχο «κλικ». Βεβαιωθείτε ότι το κυψελωτό φίλτρο είναι τοποθετημένο με ασφάλεια.
► **Εικ.54:** 1. Κυψελωτό φίλτρο 2. Γάντζος 3. Θύρα

ΠΡΟΑΙΡΕΤΙΚΑ ΕΞΑΡΤΗΜΑΤΑ

⚠ ΠΡΟΣΟΧΗ: Αυτά τα εξαρτήματα ή προσαρτήματα συνιστώνται για χρήση με τη συσκευή Makita που περιγράφηκε στο παρόν εγχειρίδιο. Η χρήση οποιωνδήποτε άλλων εξαρτημάτων ή προσαρτημάτων μπορεί να προκαλέσει κίνδυνο τραυματισμού σε άτομα. Να χρησιμοποιείτε τα εξαρτήματα ή προσαρτήματα μόνο για τη χρήση που προορίζονται.

Εάν χρειάζεστε οποιαδήποτε βοήθεια για περισσότερες πληροφορίες σε σχέση με αυτά τα εξαρτήματα, απευθυνθείτε στο τοπικό σας κέντρο εξυπηρέτησης Makita.

- Ράβδος προέκτασης (Ευθύς σωλήνας)
- Ακροφύσιο
- Ακροφύσιο για μοκέτα
- Βούρτσα ραφιών
- Ακροφύσιο γωνιών
- Στρογγυλή βούρτσα
- Εύκαμπτος σωλήνας
- Χάρτινο φίλτρο
- Επιτοίχια στερέωση για φορητή σκούπα
- Ανταλλακτική μπαταρία
- Ελεύθερο ακροφύσιο
- Ακροφύσιο έδρας
- Ακροφύσιο για στενά σημεία
- Προσάρτημα κυκλώνα

ΠΑΡΑΤΗΡΗΣΗ: Μερικά στοιχεία στη λίστα μπορεί να συμπεριλαμβάνονται στη συσκευή ως στάνταρ εξαρτήματα. Μπορεί να διαφέρουν ανάλογα με τη χώρα.

TÜRKÇE (Orijinal talimatlar)

UYARI

- Bu cihaz, gözetim altında bulundurulmaları veya aracın güvenli bir şekilde kullanımına ilişkin eğitim almaları ve aracın kullanımı ile ilgili tehlikeleri anlamış olmaları koşuluyla fiziksel, duyuşsal veya zihinsel engelli ya da tecrübe ve bilgisi olmayan kişiler ve 8 yaş ve üzeri çocuklar tarafından kullanılabilir.
- Çocuklar cihazla oynamamalıdır. Temizlik ve kullanıcı bakım işlemleri, gözetim altında olmadan çocuklar tarafından yapılmamalıdır.
- Bataryanın tip referansı için "TEKNİK ÖZELLİKLER" bölümüne bakın.
- Pilin nasıl değiştirileceği ile ilgili olarak "Dahili bataryanın çıkarılması" ve "Yedek bataryanın takılması" kısımlarına bakın.
- Aletin içerdiği lityum-iyon bataryalar Tehlikeli Eşyalar Yönetmeliğinin gereksinimlerine tabidir. Bataryayı bertaraf ederken cihazdan çıkarın ve güvenli bir yerde bertaraf edin. Bataryanın bertaraf edilmesi ile ilgili yerel düzenlemelere uyun.
- Kötü koşullarda bataryadan sıvı sızabilir, bu sıvıya temas etmekten kaçının. Kaza sonucu temas ederseniz suyla durulayın.
- Gözünüze elektrolit kaçarsa, gözlerinizi temiz suyla durulayın ve hemen tıbbi yardım alın. Görme kaybına neden olabilir.
- Şarj aletinin tip referansı için "TEKNİK ÖZELLİKLER" bölümüne bakın. Bataryayı yeniden şarj etmek amacıyla sadece cihazla verilen şarj aletini kullanın.
- Cihaz için kullanılan simgelerin anlamları için "Simgeler" kısmına bakın.
- Kullanıcı bakımını sırasındaki uygun önlem bilgileri için "BAKIM" bölümüne bakın.

TEKNİK ÖZELLİKLER

Model:	CL114FD	
Kapasite	toz torbalı	500 ml
	kağıt filtreli	330 ml
Sürekli kullanım (BL1020V batarya ile)	3 (Maksimum hız modu)	Yakl. 10 dak
	2 (Yüksek hız modu)	Yakl. 18 dak
	1 (Normal hız modu)	Yakl. 55 dak
Tam uzunluk	Süplürge gövdesi	458 mm
	Uzatma çubuğu ve emme başlığı ile	983 mm
Net ağırlık	1,1 kg	
Anma voltajı	D.C. 10,8 V - 12 V maks	

- Sürekli yapılan araştırma ve geliştirmelerden dolayı, burada belirtilen özellikler önceden bildirilmeksizin değiştirilebilir.
- Özellikler ülkeden ülkeye değişebilir.
- Ağırlık, aksesuarları içermez.
- Bataryayı yeniden şarj etmek amacıyla sadece cihazla verilen şarj aletini kullanın.

Geçerli batarya kartuşu ve şarj aleti

Batarya kartuşu	Batarya şarj aleti	Şarj süresi (saat)
BL1020V	DC1002	2,0

- Şarj süresi, batarya kartuşunun şarj edildiği sıcaklığa (10°C (50°F) - 40°C (104°F)) ve örneğin yeni olması veya uzun süredir kullanılmaması gibi batarya kartuşunun durumuna göre değişir.

⚠UYARI: Sadece yukarıda listelenen batarya kartuşlarını ve şarj aletlerini kullanın. Başka batarya kartuşlarının ve şarj aletlerinin kullanılması yaralanma ve/veya yangına neden olabilir.

Semboller

Ekipmanı için kullanılabilen semboller aşağıda gösterilmiştir. Kullanmadan önce anlamlarını anladığınızdan emin olun.



El kitabını okuyun.



Çıkarılabilir besleme ünitesi



Sadece AB ülkeleri için Ekipmanda tehlikeli bileşenler bulunduğundan dolayı atık elektrikli ve elektronik ekipmanlar, aküler ve bataryalar çevre ve insan sağlığı üzerinde olumsuz etkiye yol açabilir. Elektrikli ve elektronik cihazları veya bataryaları evsel atıklarla birlikte atmayın! Atık elektrikli ve elektronik ekipmanlar ile akümülatörler ve bataryalar hakkındaki Avrupa Direktifi ve söz konusu direktifin ulusal yasalara uyarlanması gereğince atık elektrikli ekipmanlar, bataryalar ve akümülatörler ayrı olarak depolanmalı ve çevre koruma hakkındaki mevzuata uygun olarak faaliyet gösteren ayrı bir kentsel atık toplama noktasına teslim edilmelidir. Bu husus, ekipmanın üzerine yerleştirilmiş üzerinde çarpı işareti bulunan tekerlekli çöp kovası simgesi ile belirtilmiştir.

Kullanım amacı

Bu cihaz kuru tozları toplamak amacıyla kullanılır.

GÜVENLİK UYARILARI

Akülü süpürge güvenlik uyarıları

⚠ UYARI: ÖNEMLİ! KULLANMADAN ÖNCE tüm güvenlik uyarılarını ve tüm talimatları DİKKATLE OKUYUN. Uyarılara ve talimatlara uyulmaması elektrik şoku, yangın ve/veya ciddi yaralanmalar ile sonuçlanabilir.

1. Yağmura maruz bırakmayın. Kapalı yerde saklayın.
2. Bir oyuncak gibi kullanılmasına izin vermeyin. Çocuklar tarafından veya onların yakınında kullanılırken yakın ilgi gerekir.
3. Sadece bu kılavuzda belirtilen şekilde kullanın. Sadece imalatçının tavsiye ettiği ek parçaları kullanın.
4. Bozuk batarya ile kullanmayın. Bu aygıt eğer çalışması gerektiği gibi çalışmıyorsa, yere düşürülmüşse, hasar görmüşse, açık havada bırakılmışsa veya suya düşürülmüşse, onu bir servis merkezine iade edin.
5. Cihazı ıslak elle tutmayın.
6. Deliklerin üstüne herhangi bir nesne koymayın. Delikleri tıkalıyken kullanmayın; deliklerden tozları, tiftikleri, kılları ve hava akışını engelleyebilecek her şeyi temizleyin.
7. Saçlarınızı, bol giysilerinizi ve vücudunuzun tüm kısımlarını deliklerden ve hareketli parçalardan uzak tutun.
8. Bataryayı çıkarmadan önce tüm kontrolleri kapatın.
9. Merdivenlerde temizlik yaparken daha dikkatli olun.

10. Benzin gibi çabuk tutuşan veya yanıcı sıvıları toplamak için veya onların bulunabileceği yerlerde bu aleti kullanmayın.
11. Pili şarj etmek için sadece imalatçının verdiği şarj aletini kullanın.
12. Sigaralar, kibritler veya sıcak küller gibi yanmakta veya duman çıkarmakta olan herhangi bir şeyi toplamayın.
13. Toz torbası ve/veya filtreler takılı olmadan kullanmayın.
14. Bataryayı açık alanda şarj etmeyin.
15. Sadece üretici tarafından belirtilen şarj aleti ile şarj edin. Bir batarya kutusu için uygun olan şarj cihazı başka bir batarya kutusu ile kullanıldığında yangın riski oluşturabilir.
16. Cihazları sadece özel olarak belirtilen batarya kutuları ile kullanın. Başka batarya kutularının kullanımı yaralanma ve yangın riski oluşturabilir.
17. Batarya kutusu kullanılmadığında; iki terminal arasında bağlantı kurulmasına sebep olabilecek ataç, bozuk para, anahtar, çivi, vida gibi metal nesnelere ya da küçük metal objelerden uzak tutun.
18. Kötü koşullarda bataryadan sıvı sızabilir; bu sıvıya temas etmeyin. Kaza sonucu temas ederseniz suyla durulayın.
19. Hasar görmüş ya da üzerinde değişiklik yapılmış batarya kutusu veya cihazı kullanmayın. Hasar görmüş ya da üzerinde değişiklik yapılmış bataryalar yangın, patlama ya da yaralanma riski ile sonuçlanan beklenmedik davranışlar sergileyebilir.
20. Batarya kutusunu veya cihazı ateşe ya da aşırı sıcaklıklara maruz bırakmayın. Ateşe ya da 130 °C'nin üzerindeki sıcaklıklara maruz bırakmak patlamaya neden olabilir.
21. Tüm şarj talimatlarına uyun ve batarya kutusu ya da cihazı yönergelerde belirtilen sıcaklık aralığının dışındaki sıcaklıklarda şarj etmeyin. Uygun olmayan bir şekilde ya da belirtilen sıcaklık aralığının dışında şarj etmek bataryaya zarar verebilir ve yangın riskini artırabilir.
22. Aletlerin sık kullanımından kaynaklanan aşınalık duygusunun rahat davranmanıza ve aletin güvenlik ilkelerini göz ardı etmenize neden olmasın izin vermeyin. Bir an için dikkatsiz bir hareketle bulunmak ciddi yaralanmalara neden olabilir.

BU TALİMATLARI SAKLAYIN.

EK GÜVENLİK KURALLARI

1. Kullanmadan önce bu kullanma kılavuzunu ve şarj aletinin kullanma kılavuzunu dikkatle okuyun.
2. Aşağıdaki maddeleri süpürgeye çekmeyin:
 - Yanan sigaralar gibi kızgın maddeler veya metal kesme/taşıma sonucunda çıkan kıvılcıklar/metal tozları
 - Petrol, tiner, benzin, gazyağı veya boya gibi kolay tutuşan maddeler
 - Nitrogliserin gibi patlayıcı maddeler
 - Alüminyum, çinko, magnezyum, titanyum, fosfor veya selüloit gibi yanabilen maddeler
 - ıslak kirlere, su, yağ veya benzerleri
 - Ahşap yongalar, metaller, taşlar, camlar, çiviler, iğneler veya jiletler gibi keskin kenarlı sert cisimler
 - Çimento veya toner gibi topaklaşacak tozlar

- Metal veya karbon gibi iletken tozlar
 - Beton tozu gibi ince parçacıklar
- Bunları süpürgeye çekmeniz yangına, bedensel ve/veya maddi hasara neden olabilir.
3. Anormal bir durum fark ederseniz çalışmayı hemen durdurun.
 4. Süpürgeyi düşürür veya çarparsanız, kullanmadan önce çatlak veya hasar kontrolü yapın.
 5. Süpürgeyi benzin, gaz, boya veya yapıştırıcı gibi tehlikeli yanıcı maddelerin yakınında şarj etmeyin.
 6. Süpürgeyi kağıt, kumaş, halı, vinil vb. üzerinde şarj etmeyin. Yangına neden olabilir.
 7. Süpürgeyi tozlu yerlerde şarj etmeyin.
 8. Süpürgeyi yüksek yerlerde kullanırken aşağıda kimse olmadığından emin olun.
 9. Ocaklara ve başka ısı kaynaklarına yaklaştırmayın.
 10. Giriş deliğini veya havalandırma deliklerini tıkamayın.

BU TALİMATLARI SAKLAYIN.

ÖNEMLİ GÜVENLİK TALİMATLARI

DAHİLİ BATARYA İÇİN

1. Dahili bataryayı kullanmadan önce tüm talimatları ve (1) batarya şarj aletinin, (2) bataryanın ve (3) bataryayı kullanan ürünün üzerindeki uyarı etiketlerini okuyun.
2. Dahili bataryayı parçalarına ayırmayın.
3. Çalışma süresi aşırı derecede kısalsa derhal kullanmayı kesin. Aşırı ısınma riskine, olası yangınlara ve hatta patlamaya neden olabilir.
4. Elektrolit gözlerine kaçarsa derhal temiz su ile yıkayın ve tıbbi yardım alın. Görme kaybına neden olabilir.
5. Dahili bataryayı kısa devre yapmayın:
 - (1) Terminallere iletken hiçbir materyal ile dokunmayın.
 - (2) Dahili bataryayı bir kaptan çivi, bozuk para, vb. gibi başka metal nesnelere birlikte saklamaktan kaçının.
 - (3) Dahili bataryayı suya veya yağmura maruz bırakmayın.
Bataryanın kısa devre olması fazla akım çekilmesine, aşırı ısınmaya, olası yangınlara ve hatta arızaya neden olabilir.
6. Cihazı ve dahili bataryayı sıcaklığın 50 °C'ye varabileceği veya bu değeri aşabileceği yerlerde saklamayın ve kullanmayın.
7. Ciddi derece hasar görse veya tamamen yıpransa bile dahili bataryayı yakmayın. Dahili batarya ateşte patlayabilir.
8. Bataryayı düşürmemeye veya bataryaya vurmamaya dikkat edin.
9. Hasarlı dahili bataryayı kullanmayın.
10. Aletin içerdiği lityum-iyon bataryalar Tehlikeli Eşyalar Yönetmeliğinin gereksinimlerine tabidir. Bataryayı bertaraf ederken cihazdan çıkarın ve güvenli bir yerde bertaraf edin. Bataryanın bertaraf edilmesi ile ilgili yerel düzenlemelere uyun.
11. Bataryaları sadece Makita tarafından belirtilen ürünlerle kullanın.

BU TALİMATLARI SAKLAYIN.

Maksimum batarya ömrünün korunması için ipuçları

1. Dahili bataryayı tamamen boşalmadan önce şarj edin.
Cihazın gücünün zayıflamaya başladığını fark ettiğinizde mutlaka cihazı durdurun ve dahili bataryayı şarj edin.
2. Tam şarjlı bir dahili bataryayı asla tekrar şarj etmeyin.
Fazla şarj etme bataryanın hizmet ömrünü kısaltır.
3. Dahili bataryayı 10°C - 40°C arasındaki oda sıcaklığında şarj edin. Şarj etmeden önce sıcak dahili bataryanın soğumasını bekleyin.
4. Dahili bataryayı cihazı uzun süre kullanmıyorsanız altı ayda bir şarj edin.

İŞLEVSEL NİTELİKLER

⚠DİKKAT: Cihaz üzerinde ayarlama ya da işlevişi kontrolü yapmadan önce cihazın kapalı olduğundan daima emin olun.

Dahili bataryanın şarj edilmesi

⚠DİKKAT: Sadece orijinal Makita bataryaları kullanın. Orijinal olmayan Makita bataryaların ya da üzerinde değişiklik yapılmış bataryaların kullanılması, bataryanın patlamasına yol açarak; yangın, kişisel yaralanma ve hasara sebep olabilir. Bu durum aynı zamanda Makita ürünün ve şarj aletinin Makita garantisini de geçersiz kılacaktır.

⚠DİKKAT: Şarj sonunda şarj fişini süpürgeye mutlaka ayırın.

⚠DİKKAT: Aleti ayırdıktan sonra şarj aletini elektrik prizinde bırakmayın. Küçük çocuklar üzerinden akım geçen fişi ağızlarına sokarak yaralanmaya neden olabilirler.

İlk kez kullanırken veya uzun süre şarj edilmediyse süpürgeyi şarj edin. Şarj fişini şarj konektörüne bağlayın, daha sonra şarj aletini elektrik prizine takın.

► Şek.1: 1. Şarj konektörü

Batarya gücü lambası yanar ve şarj başlar. Şarj tamamlandıktan sonra lamba söner. Daha fazla bilgi için batarya şarj aleti kullanma kılavuzuna bakın.

► Şek.2: 1. Batarya gücü lambası

ÖNEMLİ NOT: Batarya veya süpürge aşırı sıcaklıklara maruz kalırsa batarya gücü lambası yanıp söner ve batarya şarj edilemez.

NOT: Şarj olurken süpürge kontrol edilemez. Süpürgeyi çalıştırmak için şarj aletini güç beslemesinden çıkarın, şarj fişini süpürgeден айırın ve ardından açma/hız değıştirme düğmesine basın.

NOT: Aşağıdaki koşullarda batarya kullanım ömrünün sonuna yaklaşmak üzeredir (veya hasarlı/arızalıdır). Şarj aletini güç beslemesinden çıkarın, ardından bataryayı değıştirin.

- Süpürgeyi şarj etmeye başladıktan kısa süre sonra batarya gücü lambası söner.
- Batarya tamamen şarj edildikten sonra süpürge, normal çalışma süresinin yarısından daha kısa süreyle çalışır.

NOT: Batarya yaklaşık 500 kez yeniden şarj edilebilir. Şarj edilebilirlik sayısı, bataryanın şarj ve deşarj olduğu koşullara bağlı olarak değışir.

Anahtar işlemleri

⚠ DİKKAT: Süpürgenin hasar görmesini engellemek ve bataryaların kullanım ömrünü uzatmak için her kullanımdan sonra süpürgeyi mutlaka kapatın.

Süpürgeyi çalıştırmak için açma/hız değıştirme düğmesini itmeniz yeterlidir. Kapatmak için, kapatma düğmesine basın.

Süpürge hızlı, açma/hız değıştirme düğmesini iterek üç kademeli olarak değıştirebilirsiniz.

Bu düğmeyi ilk itişinizde yüksek hız geçerli olur, ikinci itişinizde maksimum hız geçerli, üçüncü itişte ise normal hız geçerli. Bu düğmeyi her itiş yüksek/maksimum/normal hız döngüsünde bir sonraki kademeye sırayla geçmenizi sağlar.

► **Şek.3:** 1. Açma/hız değıştirme düğmesi 2. Kapatma düğmesi

Batarya gücü lambası

Kalan batarya kapasitesi düştüğünde batarya gücü lambası yanıp söner.

Kalan batarya kapasitesi çok düştüğünde süpürge durur ve batarya gücü lambası yaklaşık 10 saniye yanar. Bu durumda bataryayı şarj edin.

Ayrıca batarya aşırı yüklenir veya aşırı ısınırsa süpürge durur ve batarya gücü lambası yaklaşık 10 saniye yanar. Lamba açıkken süpürge çalışmaz.

► **Şek.4:** 1. Batarya gücü lambası

NOT: Batarya gücü lambasının yanıp sönmeye veya yanmaya başlama zamanı, iş yerinin sıcaklığına ve batarya koşullarına göre değışir.

Lambaların yakılması

⚠ DİKKAT: Işığa bakmayın ya da ışık kaynağını doğrudan görmeyin.

Lambayı açmak için açma/hız değıştirme düğmesini itin. Lambayı kapatmak için kapatma düğmesini itin. Süpürge çalışırken, lamba yanar.

► **Şek.5:** 1. Açma/hız değıştirme düğmesi 2. Kapatma düğmesi 3. Lamba

MONTAJ

⚠ DİKKAT: Cihaz üzerinde herhangi bir işlem yapmadan önce mutlaka cihazın kapalı olduğundan emin olun.

Toz torbası ve kağıt filtre

Süpürgeyi kullanmadan önce toz torbası veya kağıt filtre takın. İster toz torbası ister kağıt filtre kullanılsın, her iki durumda da toz durdurucuyu kullanın. Toz torbaları temizlenerek bir defadan fazla kullanılabilir. Kağıt filtreler tek kullanımlıktır. Dolduğu zaman kağıt filtreyi boşaltmadan olduğu gibi atın.

ÖNEMLİ NOT: Motora toz kaçmasını önlemek için:

- Kullanmadan önce toz torbası veya kağıt filtre takıldığından emin olun.
- Toz torbası veya kağıt filtreyi takarken toz durdurucuyu da onlarla birlikte yuvaya takın.
- Yırtık veya delinmiş torbaları kullanmayın.

Aksi takdirde motor arızalanabilir.

ÖNEMLİ NOT: Kağıt filtreyi takarken ağız kısmındaki kartonu bükmeyin.

ÖNEMLİ NOT: İster toz torbası ister kağıt filtre kullanılsın, her iki durumda da toz durdurucunun tekrar kullanılması gerektiği için toz durdurucuyu asla atmayın.

ÖNEMLİ NOT: Süpürgenin kağıt filtresi süpürge performansını sürdürmek için önemli bir parçadır. Orijinal olmayan kağıt filtrelerin kullanılması duman ya da kıvılcım çıkmasına neden olabilir.

NOT: Süpürgeye toz torbası veya kağıt filtre takılı değilken ön kapak tamamen kapanmaz.

► **Şek.6**

Toz torbasının takılması

Toz torbasını takarken toz durdurucuyu kullanın. Üst tarafıyla alt tarafını karıştırmamaya dikkat edin, çünkü iki tarafı birbirinden farklıdır.

► **Şek.7:** 1. Toz durdurucunun üst tarafı 2. Toz durdurucunun alt tarafı

1. Toz torbasının çıkıntılı tarafını şekilde gösterildiği gibi toz durdurucunun alt oyuna yerleştirin.
► **Şek.8:** 1. Toz durdurucu 2. Alt oyuk 3. Toz torbası

2. Toz torbasının alt ve üst tarafları arasında bir fark yoktur. İstedığınız taraftaki çıkıntıyı toz durdurucunun alt tarafındaki oyuya yerleştirebilirsiniz.

► **Şek.9:** 1. Alt oyuk

3. Toz torbasının çerçevesiyle toz durdurucunun çerçevesinin üst üste gelmesi gerekir.

► **Şek.10**

4. Toz durdurucu ve toz torbasını süpürgenin içindeki boşluğa takarken toz durdurucunun üzerindeki ok ile aynı yönde ve birlikte yerleştirin. Süpürgenin içindeki boşluktaki yuvaların sonuna kadar girecek şekilde takın.

► **Şek.11**

5. Toz torbasının kumaş bölümünü süpürgeye içine yayın.

► **Şek.12**

6. Ön kapağı tamamen kapatın.

► **Şek.13:** 1. Ön kapak

Kağıt filtrenin takılması

Kağıt filtreyi takarken de toz durdurucuyu kullanın. Üst tarafıyla alt tarafını karıştırmamaya dikkat edin, çünkü iki tarafı birbirinden farklıdır.

► **Şek.14:** 1. Toz durdurucunun üst tarafı 2. Toz durdurucunun alt tarafı

1. Kağıt filtreyi toz durdurucu üzerine yerleştirmeden önce ağız kısmının katını açın.

► **Şek.15**

2. Kağıt filtrenin çıkıntılı tarafını şekilde gösterildiği gibi toz durdurucunun alt oyuğuna yerleştirin.

► **Şek.16:** 1. Toz durdurucu 2. Alt oyuk 3. Kağıt filtre

3. Kağıt filtrenin alt ve üst tarafları arasında bir fark yoktur. İstediğiniz taraftaki çıkıntıyı toz durdurucunun alt tarafındaki oyuğa yerleştirebilirsiniz.

► **Şek.17:** 1. Alt oyuk

4. Kağıt filtrenin çerçevesiyle toz durdurucunun çerçevesinin üst üste gelmesi gerekir.

► **Şek.18**

5. Toz durdurucu ve kağıt filtreyi süpürgeye içindeki boşluğa takarken toz durdurucunun üzerindeki ok ile aynı yönde ve birlikte yerleştirin. Süpürgeye içindeki boşluktaki yuvaların sonuna kadar girecek şekilde takın.

► **Şek.19**

6. Kağıt filtrenin kap bölümünü süpürgeye içine yayın.

► **Şek.20**

7. Ön kapağı tamamen kapatın.

► **Şek.21:** 1. Ön kapak

KULLANIM

⚠DİKKAT: Süpürgeyi kullanırken yüzünüzü hava deliğine yaklaştırmayın. Gözlere yabancı maddeler girse yaralanmaya neden olabilir.

Süpürge ek parçasının takılması veya çıkarılması

⚠DİKKAT: Bir ek parça taktıktan sonra sıkıca takılıp takılmadığını kontrol edin. Ek parça kusurlu takılırsa çıkararak yaralanmaya neden olabilir.

⚠DİKKAT: Ek parçayı çıkarırken elinizi duvara, vb. vurmamaya dikkat edin.

Kilitleme işlevli ek parça kullanırken

Bir ek parça takmak için tık sesi ile yerine oturana dek süpürgeye emme ağzına sokun. Ek parçanın kilitlendiğinden emin olun.

► **Şek.22:** 1. Emme ağzı 2. Kilitleme işlevli ek parça 3. Kanca 4. Serbest bırakma düğmesi

NOT: Kilitleme işlevli ek parçayı takarken serbest bırakma düğmesini ek parça üzerindeki kanca ile mutlaka hizalayın. Hizalanmazlarsa ek parça kilitlenmez ve süpürgeye çıkabilir.

Ek parçayı çıkarmak için serbest bırakma düğmesine basarken ek parçayı çekin.

► **Şek.23:** 1. Serbest bırakma düğmesi 2. Kilitleme işlevli ek parça

Kilitleme işlevsiz ek parça kullanırken

⚠DİKKAT: Kilitleme işlevsiz bir ek parça takmak için, ok yönünde çevirip takarak kullanım sırasında bağlantının güvenli olmasını sağlayın. Ek parçayı çıkarmak için, yine ok yönünde çevirip, dışarı çekin.

► **Şek.24**

Temizlik (Emme)

Emme başlığı

Masaları, tezgahları, mobilyaları, vb. temizlemek için emme başlığını takın. Emme başlığı kolayca takılır.

► **Şek.25:** 1. Emme başlığı

Emme başlığı + Uzatma çubuğu (Düz boru)

Uzatma çubuğu emme başlığı ile süpürgeye arasına takılır. Bu tertibat, zemini ayakta durarak temizleme kolaylığı sağlar.

► **Şek.26:** 1. Süpürge gövdesi 2. Uzatma çubuğu 3. Emme başlığı

Köşe emme başlığı

Köşeleri ve bir otomobil koltuğu veya mobilyaların kıvrık yerlerini temizlemek için köşe emme başlığını takın.

► **Şek.27:** 1. Köşe emme başlığı 2. Süpürge gövdesi

Köşe emme başlığı + Uzatma çubuğu (Düz boru)

Süpürgeye kendisinin içine giremediği sıkı yarıklarda veya ulaşılmaması zor yüksek yerlerde bu tertibatı kullanın.

► **Şek.28:** 1. Köşe emme başlığı 2. Uzatma çubuğu 3. Süpürge gövdesi

Emme başlığı olmadan temizleme

Tozları emme başlığı olmadan toplayabilirsiniz.

► **Şek.29**

Zeminin tozunu ayakta durarak almada, süpürgeye uzatma çubuğunu takmak rahatlık sağlar.

► **Şek.30:** 1. Uzatma çubuğu

Tozun boşaltılması

⚠DİKKAT: Aşırı dolmadan veya emme kuvveti zayıflamadan önce süpürgeyi boşaltın.

⚠DİKKAT: Ön kapağı kapatırken parmaklarınızı kıstırmamaya dikkat edin.

ÖNEMLİ NOT: İster toz torbası ister kağıt filtre kullanılsın, her iki durumda da toz durdurucunun kullanılmasını gerektiği için toz durdurucuyu asla atmayın.

ÖNEMLİ NOT: Süpürgeyi içinde toz torbası/kağıt filtre yokken ön kapak tamamen kapanmaz. Ön kapağı kapatmak için zorlamayın. Süpürgeyi deforme olmasına veya kırılmasına neden olabilir.

ÖNEMLİ NOT: Tozu atarken toz torbası/kağıt filtre haznesini de temizleyin. Haznede kalan toz ve kir, sünger filtrenin tıkanmasına veya motorun hasar görmesine neden olabilir.

1. Ön kapağı açmak için düğmeyi itin. Bir tık sesi duyulana kadar açtığımızda o konumda pozitif bir duruma sağlamış olursunuz.

► **Şek.31:** 1. Ön kapak 2. Düğme

2. Hem turuncu renkli toz durdurucuyu hem de toz torbasını/kağıt filtreyi aynı anda çekip çıkarın.

► **Şek.32:** 1. Toz durdurucu

3. Toz kabı tipine göre aşağıdaki prosedürleri uygulayın:

Toz torbasını kullanırken

Toz durdurucuyu çıkarın ve toz torbasını boşaltın.

► **Şek.33:** 1. Toz durdurucu 2. Toz torbası

Kağıt filtre kullanırken

Toz durdurucuyu çıkarın ve kağıt filtreyi atın.

► **Şek.34:** 1. Toz durdurucu 2. Kağıt filtre

4. Toz torbasını/yeni kağıt filtreyi ve toz durdurucuyu birlikte süpürgeye yerleştirin ve ön kapağı kapatın.

NOT: Süpürge, ön kapağı 90 derecelik bir açıdan daha fazla açmaya çalışırsanız ön kapak yerinden çıkacak şekilde tasarlanmıştır. Ön kapak yerinden çıkarsa, ön kapak mafsalındaki yerine takın.

► **Şek.35:** 1. Ön kapak 2. Ön kapak mafsalı

BAKIM

⚠DİKKAT: Kontrol veya bakım yapmaya başlamadan önce mutlaka cihazın kapalı olduğundan emin olun.

Aleti EMNİYETLİ ve ÇALIŞMAYA HAZIR durumda tutmak için onarımlar, başka her türlü bakım ve ayarlamalar daima Makita yedek parçaları kullanılarak Makita Yetkili Servis Merkezleri veya Fabrika Servis Merkezleri tarafından yapılmalıdır.

ÖNEMLİ NOT: Benzin, tiner, alkol ve benzeri maddeleri kesinlikle kullanmayın. Renk değişimi, deformasyon veya çatlaklar oluşabilir.

Kullanım sonrası

Süpürgeyi depolarken veya şarj ederken emme başlığını kilitleyin ve piyasada mevcut bir kanca kullanarak asın.

► **Şek.36**

⚠DİKKAT: Süpürgeyi hiçbir destek olmadan duvara dayamak düşmesine ve hasar görmesine neden olabilir.

► **Şek.37**

Temizleme

Süpürge gövdesi

Zaman zaman sabunlu suyla ıslatılmış bir bezle süpürgeyi dış kısmını (süpürge gövdesini) silin.

Emme ağzını, toz torbası/kağıt filtre takma bölgesini ve toz durdurucuyu da temizleyin.

► **Şek.38**

Toz durdurucu

Toz durdurucunun tozunu silerek temizleyin.

Süngerli kısım üzerindeki toz ve kiri hafifçe vurarak temizleyin.

► **Şek.39:** 1. Süngerli kısım

Toz torbası

Toz torbasını, tozla tıkandığı ve süpürgeyi temizleme gücü zayıfladığı zaman, sabunlu suyla yıkayın. Kullanmadan önce, filtreyi tamamen kurutun. Yeterince kurumamış bir torba emmenin kötüleşmesine ve motorun hizmet ömrünün kısalmasına neden olabilir.

► **Şek.40**

NOT: Kağıt filtreler tek kullanımlıktır.

Sünger filtre tozla tıkanırsa, süpürgeyi çıkarın ve silerek ya da suda yıkayarak temizleyin.

Sünger filtrenin takılması ve çıkarılması

⚠DİKKAT: Sünger filtreyi temizledikten sonra süpürgeye yerleştirmeyi unutmayın. Suda yıkadıysanız takmadan önce kurutun. Yeterince kurumamış bir sünger filtre motorun hizmet ömrünün kısalmasına neden olabilir.

Sünger filtreyi çıkarmak için, önce toz torbasını ya da kağıt filtreyi çıkarın, ardından sünger filtreyi tutup çekerek çıkarın.

► **Şek.41:** 1. Sünger filtre

Filtreyi takmak için sünger filtrenin kenar kısmının tamamını, toz torbası/kağıt filtre takılan bölümün içindeki girintili duvara doğru bastırın.

► **Şek.42:** 1. Girintili duvar

Emme başlığının temizlenmesi

(ülkeye özgü)

Emme başlığı fırçası tozlandığında tozu yapışkan bantla temizleyin.

► **Şek.43:** 1. Fırça

Akülü süpürge için duvar montaj aparatı

İsteğe bağlı aksesuar

NOT: Montaj aparatını monte etmek için vida dahil değildir. Vidalanacak materyale uygun bir vida hazır edin.

Akülü süpürge için duvar montaj aparatını, akülü süpürge için duvar montaj aparatının sağlam bir şekilde sabitlenebileceği sert ahşap duvara, kirişe veya kolona monte edin. Süpürgeyi asmadan önce akülü süpürge için duvar montaj aparatının sağlam bir şekilde monte edildiğinden mutlaka emin olun.

► **Şek.44:** 1. Akülü süpürge için duvar montaj aparatı 2. Fiş

⚠DİKKAT: Süpürgeyi duvar montaj aparatına şiddetli bir şekilde asmayın veya süpürge dışında başka cihazlar asmayın.

NOT: Süpürgeyi şarj etmiyorken fiş, akülü süpürge için duvar montaj aparatına şekilde gösterildiği gibi yerleştirilebilir.

Sorun giderme

Onarım yaptırmaya çalışmadan önce aşağıdaki hususları kontrol edin.

Belirti	Muayene edilecek bölge	Giderme yöntemi
Zayıf emme gücü	Toz torbası veya kağıt filtre tozla dolmuş mu?	Toz torbası veya kağıt filtreyi boşaltın.
	Toz torbası tıkanmış mı?	Tozları boşaltın veya toz torbasını yıkayın.
	Kağıt filtre tıkanmış mı?	Kağıt filtreyi değiştirin.
	Batarya kartuşunun şarjı bitmiş mi?	Batarya kartuşunu şarj edin.
Çalışmıyor	Batarya kartuşunun şarjı bitmiş mi?	Batarya kartuşunu şarj edin.
Toz kutusu kapağı kapanmıyor	Toz torbası veya kağıt filtre takılı mı?	Toz torbası veya kağıt filtreyi takın.

ÖNEMLİ NOT: Süpürgeyi kendiniz onarmaya çalışmayın.

Süpürge atılması

Bu süpürge Li-iyon batarya bulunmaktadır. Süpürgeyi atmadan önce bataryayı mutlaka çıkarın.

Dahili bataryanın çıkarılması

⚠DİKKAT: Terminallere iletken hiçbir materyal ile dokunmayın.

⚠DİKKAT: Batarya birimini bir kapta çivi, bozuk para, vb. gibi başka metal nesnelere birlikte saklamaktan kaçının.

⚠DİKKAT: Batarya birimini suya veya yağmura maruz bırakmayın.

⚠DİKKAT: Batarya birimini parçalarına ayırmayın veya üzerinde değişiklik yapmayın.

⚠DİKKAT: Bataryayı çıkarırken süpürge elektrik şebekesinden ayrılmalıdır.

1. Arka kapağı çıkarmak için kapağı ok yönünde ittirin.

► **Şek.45:** 1. Arka kapak

2. Dahili bataryayı yarıya kadar çekin. Konektörü şekilde gösterildiği gibi ok yönünde bastırırken bataryayı geriye doğru bir miktar hareket ettirerek kabloları bataryadan ayırın.

► **Şek.46:** 1. Konektör 2. Kablolar

3. Daha sonra batarya birimini tamamen dışarı çekin.

► **Şek.47:** 1. Batarya birimi

4. Çıkarılan batarya birimini kısa devre olmaması için bir karton kutuya koyun.

Yedek bataryanın takılması

Yedek bataryayı takmak için çıkarma işlemini tersten takip edin.

⚠DİKKAT: Arka kapağı orijinal yerine geri takmadan önce kabloyu tamamen süpürge içinde kalacak şekilde yönlendirin. Aksi takdirde kabloya hasar verilebilir.

► **Şek.48**

Bataryayı taktıktan sonra (bkz. "TEKNİK ÖZELLİKLER") kullanmadan önce bataryayı şarj edin.

SİKLON EK PARÇASI

İsteğe bağlı aksesuar

► **Şek.49:** 1. Serbest bırakma düğmesi 2. Kanca 3. Düz boru 4. Siklon ek parçası 5. Emme ağız

Siklon ek parçası hakkında

Süpürgeyi siklon ek parçası takılı durumda kullanmak toz torbasına giren toz miktarını azaltarak emiş gücünün zayıflamasını önlemeye yardımcı olur. Ek olarak kullanılmı sonrası temizleme de kolaylaşır.

⚠DİKKAT: Süpürge üzerinde herhangi bir işlem yapmadan önce mutlaka süpürge kapalı olduğundan emin olun. İstem dışı çalıştırmak yaralanmaya neden olabilir.

⚠DİKKAT: Siklon ek parçasının gözenekli filtresini ve süpürge ünitesinin toz torbasını tıkanıklıkta temizleyin. Tıkalı durumda kullanmaya devam etmek ısınma veya dumana neden olabilir.

ÖNEMLİ NOT: Siklon ek parçası takılı iken süpürgeyi yatay veya yukarı bakar durumda kullanmayın. Bunun yapılması gözenekli filtrenin tıkanmasına neden olabilir.

ÖNEMLİ NOT: Süpürgeyi, siklon ek parçasını kullanırken bile, her zaman toz torbası takılı olarak kullanın. Süpürge toz torbası takılı olmadan kullanılması motor arızasına neden olabilir.

NOT: Kullanmadan önce siklon ek parçası, süpürge ve düz borunun düzgün bir şekilde kilitletiğini kontrol edin.

NOT: Toz biriktiğinde siklon ek parçasının toz kutusunu ve süpürge toz torbasını boşaltın. Kullanmaya devam etmek zayıf emiş gücüne yol açar.

NOT: Siklon ek parçasını kilitleme işlevi olmadan da kullanabilirsiniz.

NOT: Siklon ek parçasını takmak veya çıkarmak için "Süpürge ek parçasının takılması veya çıkarılması" kısmına bakın.

Tozun boşaltılması

Toz kutusunun dolu çizgisine kadar toz biriktiğinde aşağıdaki prosedürü izleyerek tozu boşaltın.

1. Toz kutusunu sıkıca tutun, iki düğmeye basarak basılı tutun ve toz kutusunu çıkarın.

► **Şek.50:** 1. Dolu çizgisi 2. Toz kutusu 3. Düğme (iki yerde) 4. Gözenekli filtre

2. Toz kutusunun içindeki tozu boşaltın ve gözenekli filtrenin yüzeyine yapışan tüm tozu temizleyin.

3. Toz kutusunu, iki düğme bir tık sesi ile kilitlenen kadar sonuna dek sokun.

► **Şek.51:** 1. Toz kutusu 2. Düğme (iki yerde)

NOT: Yeniden çalışmaya başlamadan önce siklon ek parçası, süpürge ve düz borunun düzgün bir şekilde kilitletiğini kontrol edin.

NOT: Tozu boşalttıktan ve gözenekli filtreyi temizledikten sonra bile emiş gücü toparlanmazsa süpürge toz torbasında toz birikip birikmediğini veya tıkanma olup olmadığını kontrol edin.

NOT: Siklon ek parçasından boşaltırken toz uçuşabilir. Tozun gözlerinize kaçmamasına dikkat edin.

Temizleme

Toz kutusu kirlendiğinde veya gözenekli filtre tıkanığında bunları çıkarıp su ile yıkayın. (Çıkarma prosedürü için "Tozun boşaltılması" kısmına bakın.)

Yeniden takmadan ve kullanmadan önce parçaları tamamen kurutun.

► **Şek.52:** 1. Toz kutusu 2. Gözenekli filtre

Gözenekli filtre çok kirlendiğinde aşağıdaki prosedürleri izleyerek temizleyin.

1. Gözenekli filtreyi saatin aksi yönünde çevirin ve kancalar açılarak çıkarın.

► **Şek.53:** 1. Gözenekli filtre 2. Kanca

2. Gözenekli filtre üzerindeki tozu temizleyin ve ardından su ile yıkayın. Ondandan sonra tamamen kurutun.

3. Gözenekli filtreyi, kancalar açıklık ile hizalanmış durumda tabana sokun. Gözenekli filtreyi, kancalar bir tık sesi ile kilitlenen kadar saat yönünde çevirin. Gözenekli filtrenin sıkıca takıldığından emin olun.

► **Şek.54:** 1. Gözenekli filtre 2. Kanca 3. Açıklık

İSTEĞE BAĞLI AKSESUARLAR

⚠DİKKAT: Bu kullanım kılavuzunda belirtilen Makita cihazıyla aşağıdaki aksesuarların ve parçaların kullanılması önerilir. Başka aksesuar veya ek parçaların kullanılması yaralanma riski oluşturabilir. Aksesuar veya ek parçaları sadece belirtilen amaçları doğrultusunda kullanın.

Bu aksesuarlarla ilgili daha fazla bilgiye ihtiyaç duyarsanız bulunduğunuz yerdeki yetkili Makita servisine başvurun.

- Uzatma çubuğu (Düz boru)
- Emme başlığı
- Halı ağız
- Raf fırçası
- Köşe emme başlığı
- Yuvarlak fırça
- Esnek hortum
- Kağıt filtre
- Akülü süpürge için duvar montaj aparatı
- Yedek batarya
- Serbest ağız
- Koltuk emme başlığı
- Dar alan emme başlığı
- Siklon ek parçası

NOT: Listedeki bazı parçalar, cihaz paketinizde standart aksesuarlar olarak yer alabilir. Bunlar, ülkeden ülkeye farklılık gösterebilir.

Makita Europe N.V.

Jan-Baptist Vinkstraat 2, 3070 Kortenberg, Belgium

Makita Corporation

3-11-8, Sumiyoshi-cho, Anjo, Aichi 446-8502 Japan

www.makita.com



885813C995
EN, FR, DE, IT, NL,
ES, PT, DA, EL, TR
20230116