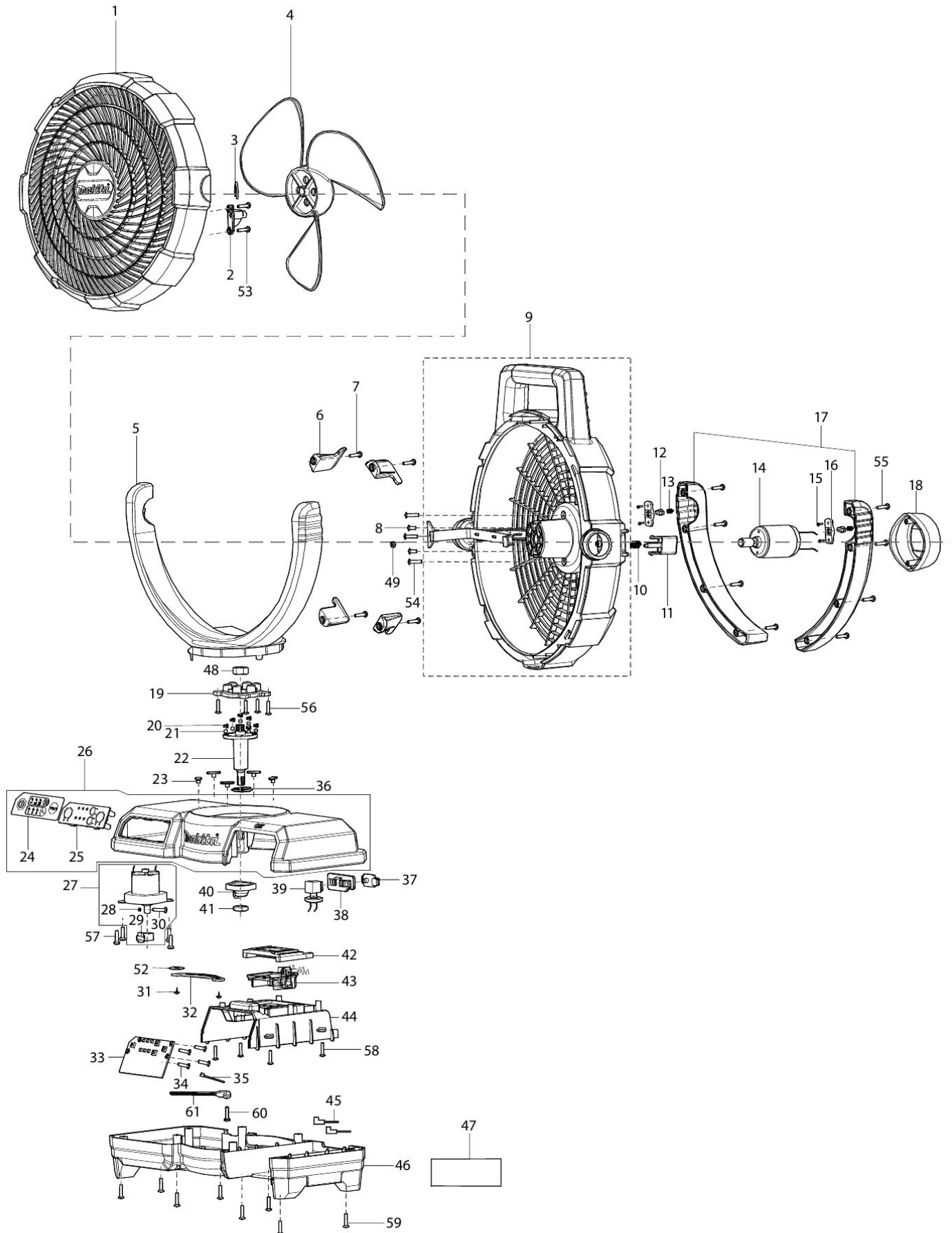


Partdrawing for CF001GZ - Ventilator



2020/04
CF001G-02