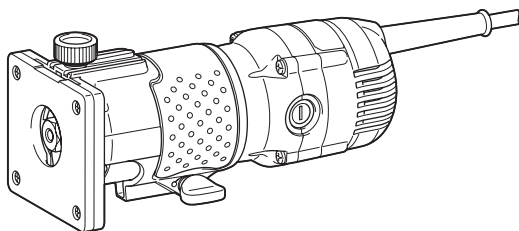




EN	Trimmer	INSTRUCTION MANUAL	7
FR	Affleureuse	MANUEL D'INSTRUCTIONS	12
DE	Einhandfräse	BETRIEBSANLEITUNG	18
IT	Rifilatore	ISTRUZIONI PER L'USO	24
NL	Kantenfrees	GEBRUIKSAANWIJZING	30
ES	Recortadora	MANUAL DE INSTRUCCIONES	36
PT	Tupia	MANUAL DE INSTRUÇÕES	42
DA	Overfræser	BRUGSANVISNING	47
EL	Κουρευτικό περιθωρίων	ΕΓΧΕΙΡΙΔΙΟ ΟΔΗΓΙΩΝ	52
TR	Şekil verme testeresi	KULLANMA KILAVUZU	58

3711



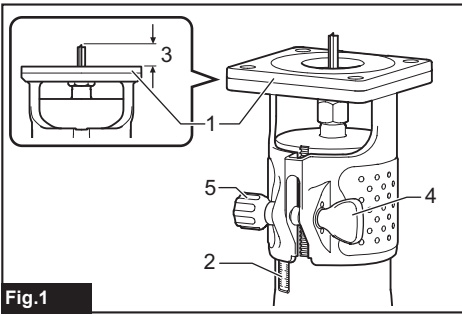


Fig.1

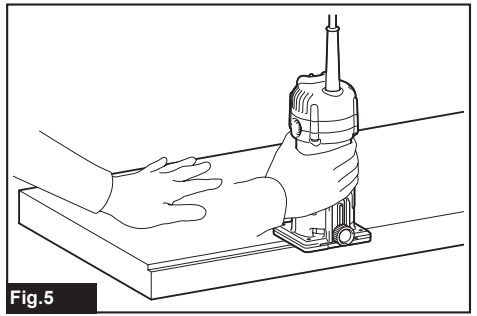


Fig.5

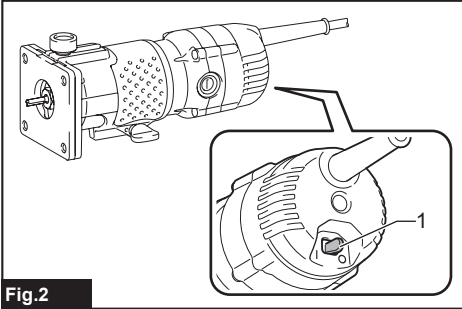


Fig.2

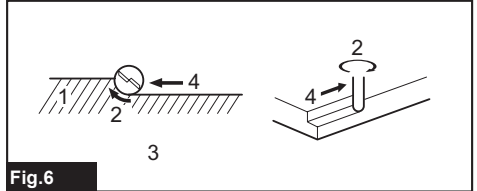


Fig.6

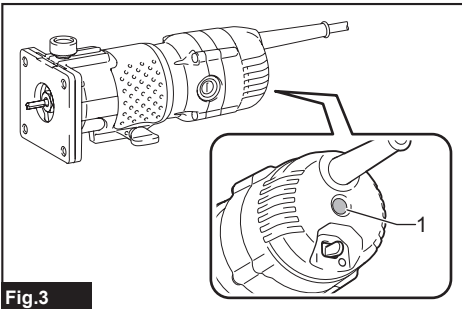


Fig.3

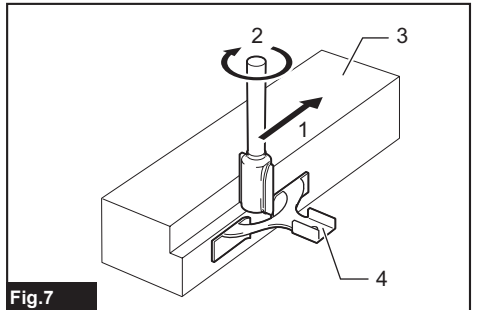


Fig.7

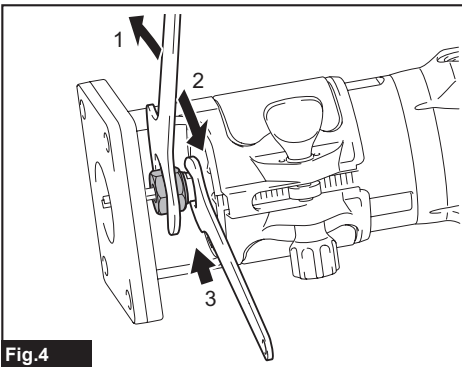


Fig.4

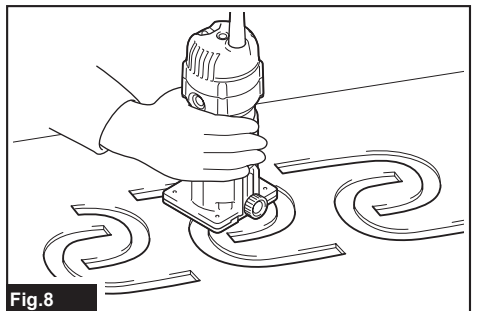


Fig.8

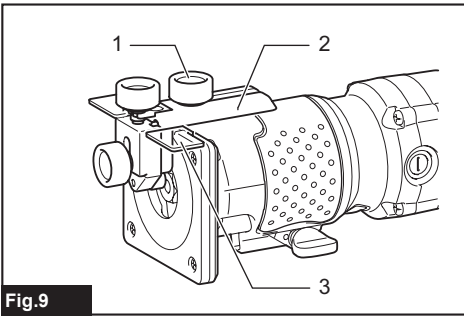


Fig.9

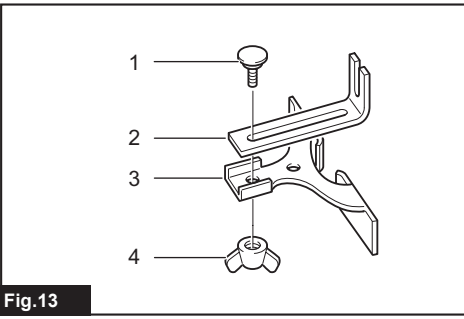


Fig.13

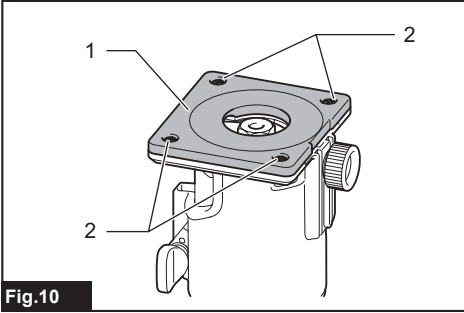


Fig.10

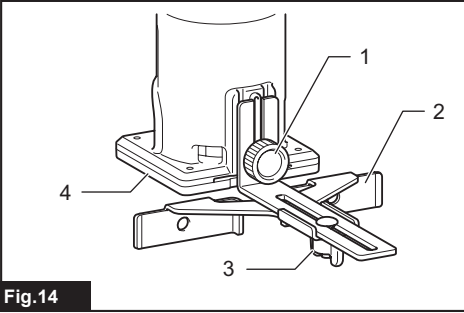


Fig.14

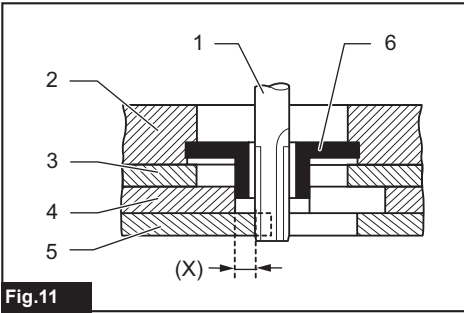


Fig.11

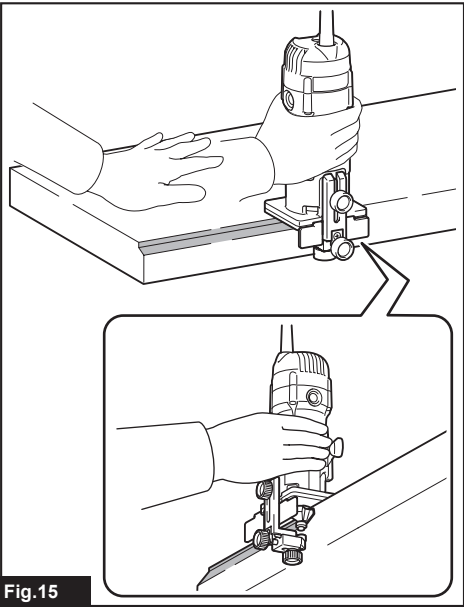


Fig.15

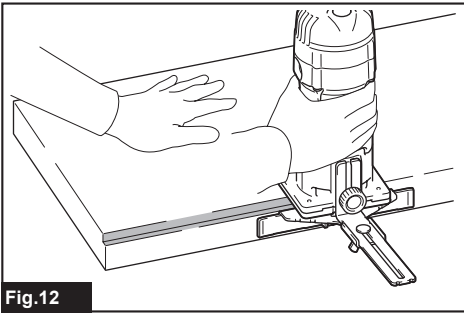


Fig.12

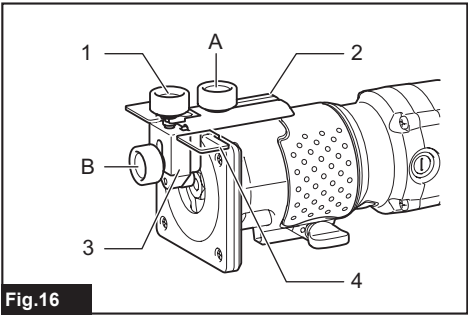


Fig.16

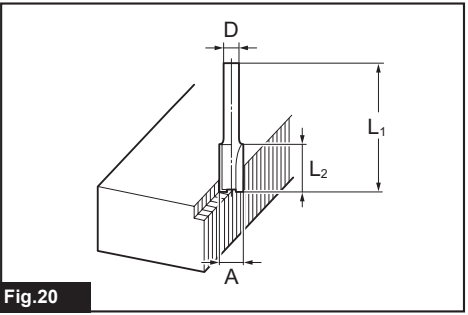


Fig.20

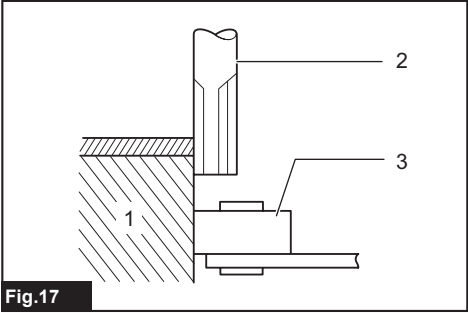


Fig.17

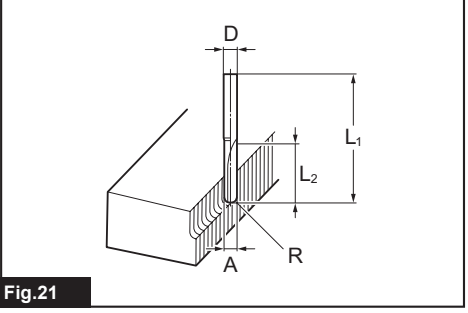


Fig.21

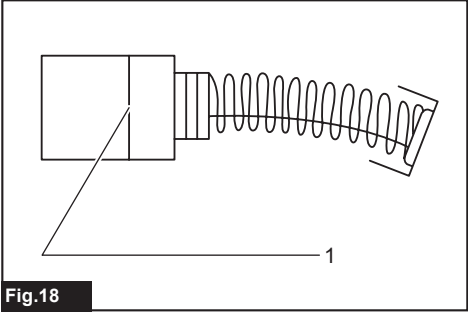


Fig.18

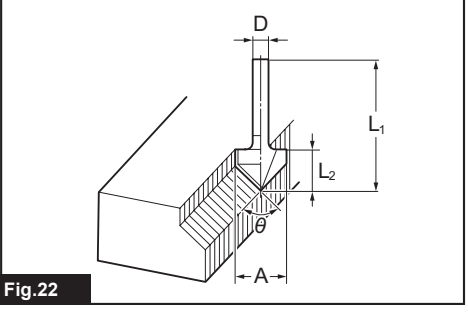


Fig.22

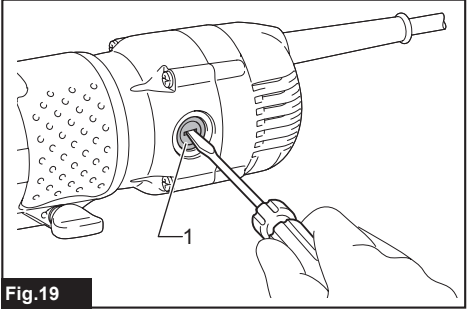


Fig.19

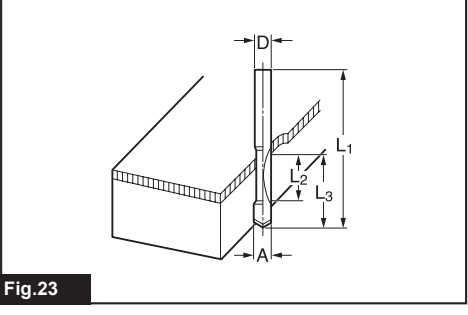
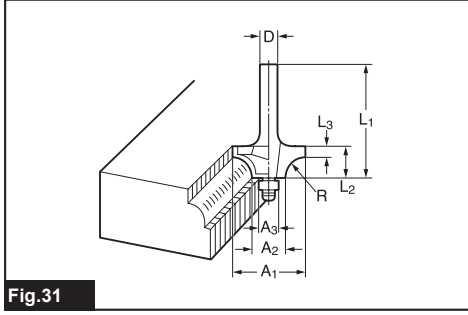
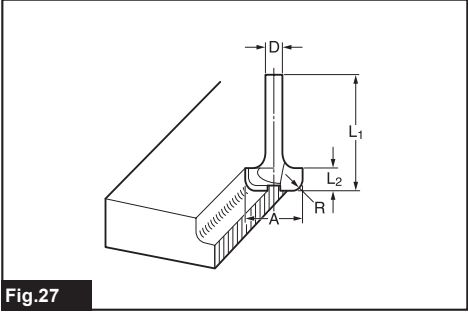
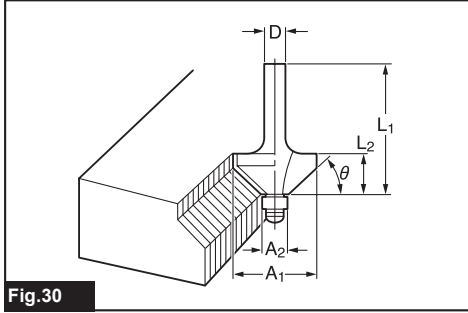
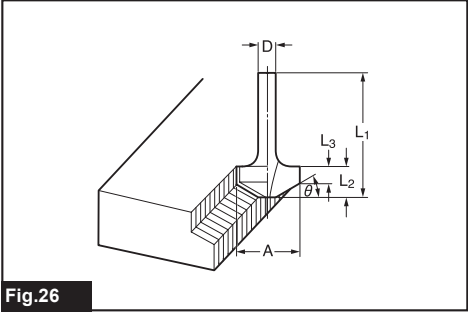
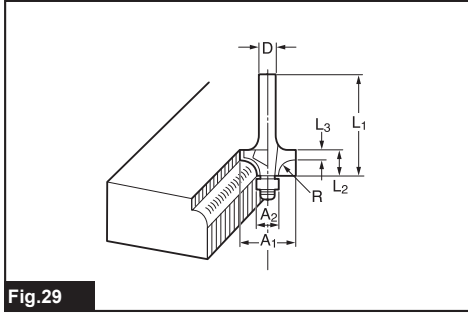
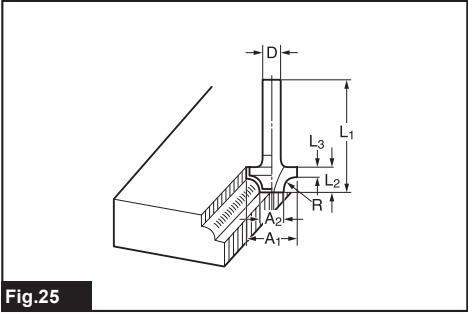
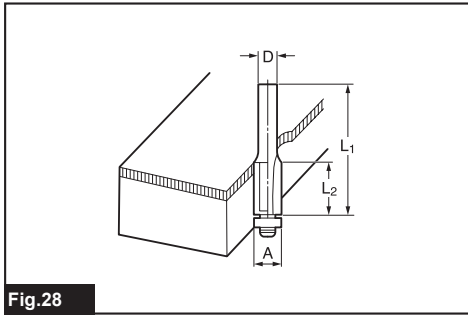
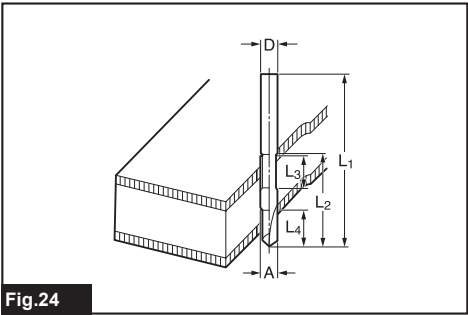
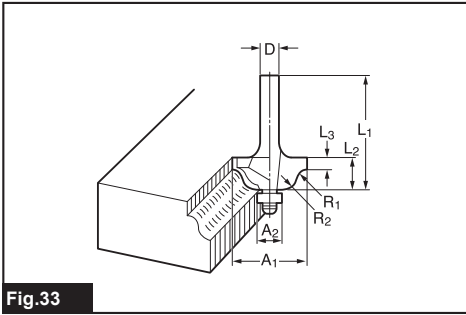
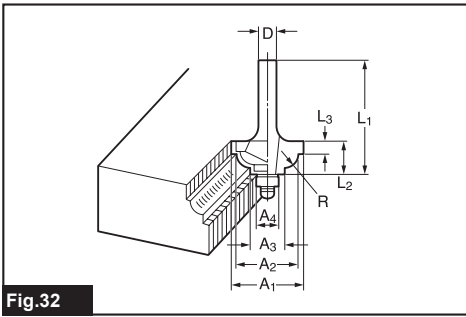


Fig.23





SPECIFICATIONS

Model:	3711
Collet chuck capacity	6.35 mm (1/4") or 6.0 mm
No load speed	32,000 min ⁻¹
Overall height	211 mm
Net weight	1.5 kg
Safety class	☐/II

- Due to our continuing program of research and development, the specifications herein are subject to change without notice.
- Specifications may differ from country to country.
- Weight according to EPTA-Procedure 01/2014

Intended use

The tool is intended for trimming the edge of laminate sheet or similar materials.

Power supply

The tool should be connected only to a power supply of the same voltage as indicated on the nameplate, and can only be operated on single-phase AC supply. They are double-insulated and can, therefore, also be used from sockets without earth wire.

Noise

The typical A-weighted noise level determined according to 62841-2-17:

Sound pressure level (L_{pA}) : 86 dB(A)

Sound power level (L_{WA}) : 94 dB (A)

Uncertainty (K) : 3 dB(A)

NOTE: The declared noise emission value(s) has been measured in accordance with a standard test method and may be used for comparing one tool with another.

NOTE: The declared noise emission value(s) may also be used in a preliminary assessment of exposure.

⚠WARNING: Wear ear protection.

⚠WARNING: The noise emission during actual use of the power tool can differ from the declared value(s) depending on the ways in which the tool is used especially what kind of workpiece is processed.

⚠WARNING: Be sure to identify safety measures to protect the operator that are based on an estimation of exposure in the actual conditions of use (taking account of all parts of the operating cycle such as the times when the tool is switched off and when it is running idle in addition to the trigger time).

Vibration

The vibration total value (tri-axial vector sum) determined according to 62841-2-17:

Work mode: rotation without load

Vibration emission (a_h) : 2.5 m/s² or less

Uncertainty (K) : 1.5 m/s²

NOTE: The declared vibration total value(s) has been measured in accordance with a standard test method and may be used for comparing one tool with another.

NOTE: The declared vibration total value(s) may also be used in a preliminary assessment of exposure.

⚠WARNING: The vibration emission during actual use of the power tool can differ from the declared value(s) depending on the ways in which the tool is used especially what kind of workpiece is processed.

⚠WARNING: Be sure to identify safety measures to protect the operator that are based on an estimation of exposure in the actual conditions of use (taking account of all parts of the operating cycle such as the times when the tool is switched off and when it is running idle in addition to the trigger time).

Declarations of Conformity

For European countries only

The Declarations of conformity are included in Annex A to this instruction manual.

SAFETY WARNINGS

General power tool safety warnings

⚠WARNING: Read all safety warnings, instructions, illustrations and specifications provided with this power tool. Failure to follow all instructions listed below may result in electric shock, fire and/or serious injury.

Save all warnings and instructions for future reference.

The term "power tool" in the warnings refers to your mains-operated (corded) power tool or battery-operated (cordless) power tool.

Trimmer safety warnings

1. **Hold the power tool by insulated gripping surfaces only, because the cutter may contact its own cord.** Cutting a "live" wire may make exposed metal parts of the power tool "live" and could give the operator an electric shock.
2. **Use clamps or another practical way to secure and support the workpiece to a stable platform.** Holding the work by your hand or against the body leaves it unstable and may lead to loss of control.
3. **The trimmer bit shank must match the designed collet chuck.**
4. **Only use a trimmer bit that is rated at least equal to the maximum speed marked on the tool.**
5. **Wear hearing protection during extended period of operation.**
6. **Handle the trimmer bits very carefully.**
7. **Check the trimmer bit carefully for cracks or damage before operation. Replace cracked or damaged bit immediately.**
8. **Avoid cutting nails. Inspect for and remove all nails from the workpiece before operation.**
9. **Hold the tool firmly.**
10. **Keep hands away from rotating parts.**
11. **Make sure the trimmer bit is not contacting the workpiece before the switch is turned on.**
12. **Before using the tool on an actual workpiece, let it run for a while. Watch for vibration or wobbling that could indicate improperly installed bit.**
13. **Be careful of the trimmer bit rotating direction and the feed direction.**
14. **Do not leave the tool running. Operate the tool only when hand-held.**
15. **Always switch off and wait for the trimmer bit to come to a complete stop before removing the tool from workpiece.**
16. **Do not touch the trimmer bit immediately after operation; it may be extremely hot and could burn your skin.**
17. **Do not smear the base carelessly with thinner, gasoline, oil or the like. They may cause cracks in the base.**
18. **Some material contains chemicals which may be toxic. Take caution to prevent dust inhalation and skin contact. Follow material supplier safety data.**
19. **Always use the correct dust mask/respirator for the material and application you are working with.**
20. **Place the tool on stable area. Otherwise falling accident may occur and cause an injury.**

SAVE THESE INSTRUCTIONS.

⚠ WARNING: DO NOT let comfort or familiarity with product (gained from repeated use) replace strict adherence to safety rules for the subject product. MISUSE or failure to follow the safety rules stated in this instruction manual may cause serious personal injury.

FUNCTIONAL DESCRIPTION

⚠ CAUTION: Always be sure that the tool is switched off and unplugged before adjusting or checking function on the tool.

Adjusting trimmer bit protrusion

To adjust the bit protrusion, loosen the clamping screw and move the base up or down as desired by turning the adjusting screw. After adjusting, tighten the clamping screw firmly to secure the base.

► **Fig.1:** 1. Base 2. Scale 3. Bit protrusion 4. Clamping screw 5. Adjusting screw

Switch action

⚠ CAUTION: Before plugging in the tool, always be sure that the tool is switched off.

To start the tool, move the switch lever to the I position. To stop the tool, move the switch lever to the O position.

► **Fig.2:** 1. Switch lever

Electronic function

The tool is equipped with the electronic functions for easy operation.

Indication lamp

► **Fig.3:** 1. Indication lamp

The indication lamp lights up green when the tool is plugged. If the indication lamp does not light up, the mains cord or the controller may be defective. The indication lamp is lit but the tool does not start even if the tool is switched on, the carbon brushes may be worn out, or the controller, the motor or the ON/OFF switch may be defective.

Unintentional restart proof

The tool does not start with the switch lever in I position even when the tool is plugged. At this time, the indication lamp blinks in red and shows the unintentional restart proof device is on function. To cancel the unintentional restart proof, return the switch lever to O position.

Soft start feature

Soft-start feature minimizes start-up shock, and makes the tool start smoothly.

ASSEMBLY

⚠ CAUTION: Always be sure that the tool is switched off and unplugged before carrying out any work on the tool.

Installing or removing trimmer bit

⚠ CAUTION: Do not tighten the collet nut without inserting a trimmer bit, or the collet cone will break.

⚠ CAUTION: Use only the wrenches provided with the tool.

Insert the trimmer bit all the way into the collet cone and tighten the collet nut securely with the two wrenches. To remove the bit, follow the installation procedure in reverse.

► **Fig.4:** 1. Loosen 2. Tighten 3. Hold

OPERATION

⚠ CAUTION: Always hold the tool firmly with one hand on housing. Do not touch the metal part.

1. Set the base on the workpiece to be cut without the trimmer bit making any contact.
2. Turn the tool on and wait until the trimmer bit attains full speed.
3. Move the tool forward over the workpiece surface, keeping the base flush and advancing smoothly until the cutting is complete.
► **Fig.5**

When doing edge cutting, the workpiece surface should be on the left side of the trimmer bit in the feed direction.

► **Fig.6:** 1. Workpiece 2. Bit revolving direction 3. View from the top of the tool 4. Feed direction

When using the straight guide or the trimmer guide, be sure to keep it on the right side in the feed direction. This will help to keep it flush with the side of the workpiece.

► **Fig.7:** 1. Feed direction 2. Bit revolving direction 3. Workpiece 4. Straight guide

NOTE: Moving the tool forward too fast may cause a poor quality of cut, or damage to the trimmer bit or motor. Moving the tool forward too slowly may burn and mar the cut. The proper feed rate will depend on the bit size, the kind of workpiece and depth of cut. Before beginning the cut on the actual workpiece, it is advisable to make a sample cut on a piece of scrap lumber. This will show exactly how the cut will look as well as enable you to check dimensions.

Templet guide

The templet guide provides a sleeve through which the trimmer bit passes, allowing use of the trimmer with templet patterns.

► **Fig.8**

1. Loosen the clamping screw and then remove the guide holder and the chip deflector.

► **Fig.9:** 1. Clamping screw 2. Guide holder 3. Chip deflector

2. Loosen the screws and remove the base protector.

► **Fig.10:** 1. Base protector 2. Screws

3. Place the templet guide on the base, and place the base protector again. Then secure the base protector by tightening the screws.

4. Secure the templet to the workpiece. Place the tool on the templet and move the tool with the templet guide sliding along the side of the templet.

► **Fig.11:** 1. Trimmer bit 2. Base 3. Base protector 4. Templet 5. Workpiece 6. Templet guide

NOTE: The workpiece will be cut a slightly different size from the templet. Allow for the distance (X) between the trimmer bit and the outside of the templet guide. The distance (X) can be calculated by using the following equation:

Distance (X) = (outside diameter of the templet guide - trimmer bit diameter) / 2

Straight guide

The straight guide is effectively used for straight cuts when chamfering.

► **Fig.12**

1. Attach the guide plate to the straight guide with the bolt and the wing nut.

► **Fig.13:** 1. Bolt 2. Guide plate 3. Straight guide 4. Wing nut

2. Remove the guide holder and the chip deflector then attach the straight guide with the clamping screw.

► **Fig.14:** 1. Clamping screw 2. Straight guide 3. Wing nut 4. Base

3. Loosen the wing nut on the straight guide and adjust the distance between the trimmer bit and the straight guide. At the desired distance, tighten the wing nut securely.

4. When cutting, move the tool with the straight guide flush with the side of the workpiece.

Trimmer guide

Trimming, curved cuts in veneers for furniture and the like can be done easily with the trimmer guide. The guide roller rides the curve and assures a fine cut.

► **Fig.15**

1. Attach the chip deflector on the groove of the base.

2. Install the trimmer guide and guide holder on the base with the clamping screw (A).

3. Loosen the clamping screw (B) and adjust the distance between the trimmer bit and the trimmer guide by turning the adjusting screw (1 mm per turn). At the desired distance, tighten the clamping screw (B) to secure the trimmer guide in place.

► **Fig.16:** 1. Adjusting screw 2. Guide holder
3. Trimmer guide 4. Chip deflector

4. When cutting, move the tool with the guide roller riding the side of the workpiece.

► **Fig.17:** 1. Workpiece 2. Trimmer bit 3. Guide roller

MAINTENANCE

CAUTION: Always be sure that the tool is switched off and unplugged before attempting to perform inspection or maintenance.

NOTICE: Never use gasoline, benzine, thinner, alcohol or the like. Discoloration, deformation or cracks may result.

To maintain product SAFETY and RELIABILITY, repairs, any other maintenance or adjustment should be performed by Makita Authorized or Factory Service Centers, always using Makita replacement parts.

Replacing carbon brushes

► **Fig.18:** 1. Limit mark

Check the carbon brushes regularly. Replace them when they wear down to the limit mark. Keep the carbon brushes clean and free to slip in the holders. Both carbon brushes should be replaced at the same time. Use only identical carbon brushes.

1. Use a screwdriver to remove the brush holder caps.
2. Take out the worn carbon brushes, insert the new ones and secure the brush holder caps.

► **Fig.19:** 1. Brush holder cap

OPTIONAL ACCESSORIES

CAUTION: These accessories or attachments are recommended for use with your Makita tool specified in this manual. The use of any other accessories or attachments might present a risk of injury to persons. Only use accessory or attachment for its stated purpose.

If you need any assistance for more details regarding these accessories, ask your local Makita Service Center.

NOTE: Some items in the list may be included in the tool package as standard accessories. They may differ from country to country.

Trimmer bits

Straight bit

► **Fig.20**

D	A	L1	L2
6	20	50	15
1/4"			
6	8	50	18
1/4"			
6	6	50	18
1/4"			

Unit:mm

U-grooving bit

► **Fig.21**

D	A	L1	L2	R
6	6	60	28	3
1/4"				

Unit:mm

V-grooving bit

► **Fig.22**

D	A	L1	L2	θ
1/4"	20	50	15	90°

Unit:mm

Drill point flush trimming bit

► **Fig.23**

D	A	L1	L2	L3
6	6	60	18	28
1/4"				

Unit:mm

Drill point double flush trimming bit

► **Fig.24**

D	A	L1	L2	L3	L4
6	6	70	40	12	14
1/4"					

Unit:mm

Corner rounding bit

► **Fig.25**

D	A1	A2	L1	L2	L3	R
6	25	9	48	13	5	8
1/4"						
6	20	8	45	10	4	4
1/4"						

Unit:mm

Chamfering bit**► Fig.26**

D	A	L1	L2	L3	θ
6	23	46	11	6	30°
6	20	50	13	5	45°
6	20	49	14	2	60°

Unit:mm

Cove beading bit**► Fig.27**

D	A	L1	L2	R
6	20	43	8	4
6	25	48	13	8

Unit:mm

Ball bearing flush trimming bit**► Fig.28**

D	A	L1	L2
6	10	50	20
1/4"			

Unit:mm

Ball bearing corner rounding bit**► Fig.29**

D	A1	A2	L1	L2	L3	R
6	15	8	37	7	3.5	3
6	21	8	40	10	3.5	6
1/4"	21	8	40	10	3.5	6

Unit:mm

Ball bearing chamfering bit**► Fig.30**

D	A1	A2	L1	L2	θ
6	26	8	42	12	45°
1/4"					
6	20	8	41	11	60°

Unit:mm

Ball bearing beading bit**► Fig.31**

D	A1	A2	A3	L1	L2	L3	R
6	20	12	8	40	10	5.5	4
6	26	12	8	42	12	4.5	7

Unit:mm

Ball bearing cove beading bit**► Fig.32**

D	A1	A2	A3	A4	L1	L2	L3	R
6	20	18	12	8	40	10	5.5	3
6	26	22	12	8	42	12	5	5

Unit:mm

Ball bearing roman ogee bit**► Fig.33**

D	A1	A2	L1	L2	L3	R1	R2
6	20	8	40	10	4.5	2.5	4.5
6	26	8	42	12	4.5	3	6

Unit:mm

SPÉCIFICATIONS

Modèle :	3711
Capacité du mandrin à bague	6,35 mm (1/4") ou 6,0 mm
Vitesse à vide	32 000 min ⁻¹
Hauteur hors tout	211 mm
Poids net	1,5 kg
Catégorie de sécurité	☐/II

- Étant donné l'évolution constante de notre programme de recherche et de développement, les spécifications contenues dans ce manuel sont sujettes à modification sans préavis.
- Les spécifications peuvent varier suivant les pays.
- Poids selon la procédure EPTA 01/2014

Utilisations

L'outil est conçu pour l'affleurage du bord de feuille laminée ou de matériaux semblables.

Alimentation

L'outil ne devra être raccordé qu'à une alimentation de la même tension que celle qui figure sur la plaque signalétique, et il ne pourra fonctionner que sur un courant secteur monophasé. Réalisé avec une double isolation, il peut de ce fait être alimenté par une prise sans mise à la terre.

Bruit

Niveau de bruit pondéré A typique, déterminé selon 62841-2-17 :

Niveau de pression sonore (L_{pA}) : 86 dB (A)

Niveau de puissance sonore (L_{WA}) : 94 dB (A)

Incertitude (K) : 3 dB (A)

NOTE : La ou les valeurs d'émission de bruit déclarées ont été mesurées conformément à la méthode de test standard et peuvent être utilisées pour comparer les outils entre eux.

NOTE : La ou les valeurs d'émission de bruit déclarées peuvent aussi être utilisées pour l'évaluation préliminaire de l'exposition.

⚠ AVERTISSEMENT : Portez un serre-tête antibruit.

⚠ AVERTISSEMENT : L'émission de bruit lors de l'usage réel de l'outil électrique peut être différente de la ou des valeurs déclarées, suivant la façon dont l'outil est utilisé, particulièrement selon le type de pièce usinée.

⚠ AVERTISSEMENT : Les mesures de sécurité à prendre pour protéger l'utilisateur doivent être basées sur une estimation de l'exposition dans des conditions réelles d'utilisation (en tenant compte de toutes les composantes du cycle d'utilisation, comme par exemple le moment de sa mise hors tension, lorsqu'il tourne à vide et le moment de son déclenchement).

Vibrations

Valeur totale de vibrations (somme de vecteur triaxial) déterminée selon 62841-2-17 :

Mode de travail : rotation sans charge

Émission de vibrations (a_h) : 2,5 m/s² ou moins

Incertitude (K) : 1,5 m/s²

NOTE : La ou les valeurs de vibration totales déclarées ont été mesurées conformément à la méthode de test standard et peuvent être utilisées pour comparer les outils entre eux.

NOTE : La ou les valeurs de vibration totales déclarées peuvent aussi être utilisées pour l'évaluation préliminaire de l'exposition.

⚠ AVERTISSEMENT : L'émission de vibrations lors de l'usage réel de l'outil électrique peut être différente de la ou des valeurs déclarées, suivant la façon dont l'outil est utilisé, particulièrement selon le type de pièce usinée.

⚠ AVERTISSEMENT : Les mesures de sécurité à prendre pour protéger l'utilisateur doivent être basées sur une estimation de l'exposition dans des conditions réelles d'utilisation (en tenant compte de toutes les composantes du cycle d'utilisation, comme par exemple le moment de sa mise hors tension, lorsqu'il tourne à vide et le moment de son déclenchement).

Déclarations de conformité

Pour les pays européens uniquement

Les déclarations de conformité sont fournies en Annexe A à ce mode d'emploi.

CONSIGNES DE SÉCURITÉ

Consignes de sécurité générales pour outils électriques

⚠️ AVERTISSEMENT : Veuillez lire les consignes de sécurité, instructions, illustrations et spécifications qui accompagnent cet outil électrique. Le non-respect de toutes les instructions indiquées ci-dessous peut entraîner une électrocution, un incendie et/ou de graves blessures.

Conservez toutes les mises en garde et instructions pour référence ultérieure.

Le terme « outil électrique » dans les avertissements fait référence à l'outil électrique alimenté par le secteur (avec cordon d'alimentation) ou à l'outil électrique fonctionnant sur batterie (sans cordon d'alimentation).

Consignes de sécurité pour affleureuse

1. **Tenez l'outil électrique par une surface de prise isolée uniquement, étant donné que l'outil de coupe peut entrer en contact avec son cordon.** Couper un câble sous tension risque de mettre sous tension les pièces métalliques à découvert de l'outil électrique et d'électrocuter l'utilisateur.
2. **Utilisez des dispositifs de serrage ou un autre moyen pratique pour fixer et soutenir la pièce sur une plateforme stable.** La pièce sera instable et vous risquez d'en perdre la maîtrise si vous la tenez dans vos mains ou l'appuyez contre le corps.
3. **La tige de la fraise d'affleureuse doit correspondre au mandrin à bague indiqué.**
4. **Utilisez uniquement une fraise d'affleureuse dont la vitesse nominale est au moins égale à la vitesse maximale indiquée sur l'outil.**
5. **Portez des protège-tympans si vous utilisez l'outil pendant une période prolongée.**
6. **Manipulez les fraises d'affleureuse avec beaucoup de précaution.**
7. **Vérifiez soigneusement l'absence de fissures ou de dommages sur les fraises d'affleureuse avant l'utilisation. Remplacez immédiatement les fraises fissurées ou abîmées.**
8. **Prenez garde aux clous pendant la coupe. Avant de travailler votre pièce, inspectez-la et retirez-en tous les clous.**
9. **Tenez l'outil fermement.**
10. **Gardez vos mains à l'écart des pièces en rotation.**

11. **Assurez-vous que la fraise d'affleureuse n'est pas en contact avec la pièce avant de mettre l'outil en marche.**
12. **Avant d'utiliser l'outil sur une pièce, faites-le tourner un instant à vide. Soyez attentif aux vibrations ou sautilllements pouvant indiquer que la fraise n'est pas bien installée ou est mal équilibrée.**
13. **Faites attention au sens de rotation de la fraise d'affleureuse et au sens d'avance.**
14. **N'abandonnez pas l'outil alors qu'il tourne. Ne faites fonctionner l'outil qu'une fois que vous l'avez bien en main.**
15. **Avant de retirer l'outil de la pièce, mettez toujours l'outil hors tension et attendez que la fraise d'affleureuse soit complètement immobilisée.**
16. **Ne touchez pas la fraise d'affleureuse immédiatement après avoir terminé le travail ; elle peut être très chaude et vous brûler la peau.**
17. **Prenez garde de ne pas laisser couler un solvant, de l'essence, de l'huile ou une substance similaire sur le socle. Ces substances pourraient causer des fissures sur le socle.**
18. **Certains matériaux contiennent des produits chimiques qui peuvent être toxiques. Prenez les précautions nécessaires pour ne pas inhaler les poussières qu'ils dégagent et pour éviter tout contact avec la peau. Suivez les données de sécurité du fournisseur du matériau.**
19. **Portez toujours un masque anti-poussières/un masque filtrant adapté au matériau travaillé et à l'application utilisée.**
20. **Placez l'outil sur une zone stable.** Autrement, une chute pourrait survenir et provoquer des blessures.

CONSERVEZ CES INSTRUCTIONS.

⚠️ AVERTISSEMENT : NE vous laissez PAS tromper (au fil d'une utilisation répétée) par un sentiment d'aisance et de familiarité avec le produit, en négligeant le respect rigoureux des consignes de sécurité qui accompagnent le produit en question. La MAUVAISE UTILISATION de l'outil ou l'ignorance des consignes de sécurité indiquées dans ce mode d'emploi peut entraîner de graves blessures.

DESCRIPTION DU FONCTIONNEMENT

⚠ ATTENTION : Assurez-vous toujours que l'outil est hors tension et débranché avant de l'ajuster ou de vérifier son fonctionnement.

Réglage de la saillie de la fraise d'affleureuse

Pour régler la saillie de la fraise, desserrez la vis de serrage puis déplacez le socle vers le haut ou vers le bas comme désiré en tournant la vis de réglage. Après le réglage, serrez solidement la vis de serrage pour fixer le socle en place.

► **Fig.1:** 1. Socle 2. Échelle 3. Saillie de la fraise 4. Vis de serrage 5. Vis de réglage

Fonctionnement de l'interrupteur

⚠ ATTENTION : Avant de brancher l'outil, assurez-vous toujours que son interrupteur est en position d'arrêt.

Pour démarrer l'outil, placez le levier d'interrupteur sur la position I. Pour arrêter l'outil, placez le levier d'interrupteur sur la position O.

► **Fig.2:** 1. Levier d'interrupteur

Fonction électronique

L'outil est doté de fonctions électroniques pour en faciliter le fonctionnement.

Voyant lumineux

► **Fig.3:** 1. Voyant lumineux

Le voyant lumineux s'allume en vert lorsque l'outil est branché. Si le voyant lumineux ne s'allume pas, il se peut que le cordon secteur ou le contrôleur soit défectueux. Si le voyant lumineux est allumé, mais que l'outil ne démarre pas alors qu'il est sous tension, il se peut que les balais en carbone soient usés ou que le contrôleur, le moteur ou l'interrupteur Marche/Arrêt soit défectueux.

Protection contre le redémarrage accidentel

Même branché, l'outil ne démarre pas si le levier d'interrupteur est en position I.

À cet instant, le voyant lumineux clignote en rouge et indique que le dispositif de protection contre le redémarrage accidentel est activé.

Pour désactiver la protection contre le redémarrage accidentel, remplacez le levier d'interrupteur en position O.

Fonction de démarrage en douceur

La fonction de démarrage progressif réduit le choc du démarrage et permet à l'outil de démarrer doucement.

ASSEMBLAGE

⚠ ATTENTION : Avant d'effectuer toute intervention sur l'outil, assurez-vous toujours qu'il est hors tension et débranché.

Pose ou dépose de la fraise d'affleureuse

⚠ ATTENTION : Ne serrez pas l'écrou de mandrin sans insérer une fraise d'affleureuse sous peine de fissurer le cône de mandrin.

⚠ ATTENTION : Utilisez uniquement les clés fournies avec l'outil.

Insérez à fond la fraise d'affleureuse dans le cône de mandrin et serrez solidement l'écrou de mandrin avec les deux clés. Pour déposer la fraise, suivez la procédure de pose en sens inverse.

► **Fig.4:** 1. Desserrer 2. Serrer 3. Tenir

UTILISATION

⚠ ATTENTION : Tenez toujours l'outil fermement avec une main sur le carter. Ne touchez pas la partie métallique.

1. Placez le socle sur la pièce à couper sans que la fraise d'affleureuse touche quoi que ce soit.
 2. Mettez l'outil sous tension et attendez que la fraise d'affleureuse ait atteint sa pleine vitesse.
 3. Faites avancer l'outil sur la surface de la pièce, en maintenant le socle au ras de la pièce et en progressant régulièrement jusqu'à ce que la coupe soit terminée.
- **Fig.5**

Lorsque vous faites des coupes sur des bords, la surface de la pièce doit être du côté gauche de la fraise d'affleureuse dans le sens d'avance.

► **Fig.6:** 1. Pièce 2. Sens de rotation de la fraise 3. Vue du haut de l'outil 4. Sens d'avance

Lorsque vous utilisez le guide de coupe rectiligne ou le guide d'affleurage, veillez à l'installer sur le côté droit dans le sens d'avance. Cela vous aidera à le garder bien en contact avec le côté de la pièce.

► **Fig.7:** 1. Sens d'avance 2. Sens de rotation de la fraise 3. Pièce 4. Guide de coupe rectiligne

NOTE : Si vous déplacez votre outil trop vite vers l'avant, vous risquez d'obtenir une coupe de qualité médiocre et d'endommager la fraise d'affleureuse ou le moteur. Si vous déplacez l'outil trop lentement, vous risquez de brûler la pièce et de gâcher la coupe. La vitesse d'avance adéquate dépend du calibre de la fraise, de la nature de la pièce et de la profondeur de coupe. Avant de commencer votre coupe sur la pièce, nous vous conseillons de faire un essai sur un morceau de chute de bois. Cela vous montrera exactement l'allure qu'aura votre coupe et vous permettra de vérifier les dimensions.

Guide de gabarit

Le guide de gabarit présente un manchon à travers lequel passe la fraise d'affleureuse, permettant d'utiliser l'affleureuse avec des modèles de gabarit.

► **Fig.8**

1. Desserrez la vis de serrage, puis déposez le porte-guide et le déflecteur de copeaux.
► **Fig.9:** 1. Vis de serrage 2. Porte-guide 3. Déflecteur de copeaux
2. Desserrez les vis et déposez la protection du socle.
► **Fig.10:** 1. Protection du socle 2. Vis
3. Placez le guide de gabarit sur le socle et placez à nouveau la protection du socle. Ensuite, fixez la protection du socle en serrant les vis.
4. Fixez le gabarit à la pièce. Placez l'outil sur le gabarit et déplacez l'outil avec le guide de gabarit glissant le long du côté du gabarit.
► **Fig.11:** 1. Fraise d'affleureuse 2. Socle 3. Protection du socle 4. Gabarit 5. Pièce 6. Guide de gabarit

NOTE : La pièce sera coupée avec une taille légèrement différente du gabarit. Prévoyez la distance (X) entre la fraise d'affleureuse et l'extérieur du guide de gabarit. L'équation suivante permet de calculer la distance (X) :

Distance (X) = (diamètre extérieur du guide de gabarit - diamètre de la fraise d'affleureuse) / 2

Guide de coupe rectiligne

Le guide de coupe rectiligne est efficace pour obtenir des coupes droites lors du chanfreinage.

► **Fig.12**

1. Fixez la plaque de guidage sur le guide de coupe rectiligne avec le boulon et l'écrou à oreilles.
► **Fig.13:** 1. Boulon 2. Plaque de guidage 3. Guide de coupe rectiligne 4. Écrou à oreilles
2. Déposez le porte-guide et le déflecteur de copeaux, puis fixez le guide de coupe rectiligne avec la vis de serrage.
► **Fig.14:** 1. Vis de serrage 2. Guide de coupe rectiligne 3. Écrou à oreilles 4. Socle
3. Desserrez l'écrou à oreilles sur le guide de coupe rectiligne et réglez la distance entre la fraise d'affleureuse et le guide de coupe rectiligne. À la distance souhaitée, serrez solidement l'écrou à oreilles.
4. Lors de la coupe, déplacez l'outil avec le guide de coupe rectiligne bien en contact avec le côté de la pièce.

Guide d'affleurance

Le guide d'affleurance permet d'effectuer aisément affleurance ou coupes courbes des bois de placage pour meuble ou autre. Le galet de guidage suit la courbe et assure une coupe précise.

► **Fig.15**

1. Fixez le déflecteur de copeaux sur la rainure du socle.
2. Installez le guide d'affleurance et le porte-guide sur le socle avec la vis de serrage (A).
3. Desserrez la vis de serrage (B) et réglez la distance entre la fraise d'affleureuse et le guide d'affleurance en tournant la vis de réglage (1 mm par tour). À la distance souhaitée, serrez la vis de serrage (B) pour fixer le guide d'affleurance en place.
► **Fig.16:** 1. Vis de réglage 2. Porte-guide 3. Guide d'affleurance 4. Déflecteur de copeaux
4. Lors de la coupe, déplacez l'outil avec le galet de guidage suivant le côté de la pièce.
► **Fig.17:** 1. Pièce 2. Fraise d'affleureuse 3. Galet de guidage

ENTRETIEN

⚠ ATTENTION : Assurez-vous toujours que l'outil est hors tension et débranché avant d'y effectuer tout travail d'inspection ou d'entretien.

REMARQUE : N'utilisez jamais d'essence, benzine, diluant, alcool ou autre produit similaire. Cela risquerait de provoquer la décoloration, la déformation ou la fissuration de l'outil.

Pour assurer la SÉCURITÉ et la FIABILITÉ du produit, toute réparation, tout travail d'entretien ou de réglage doivent être effectués par un centre d'entretien Makita agréé, avec des pièces de rechange Makita.

Remplacement d'un balai en carbone

► **Fig.18:** 1. Repère d'usure

Vérifiez régulièrement les balais en carbone. Remplacez-les lorsqu'ils sont usés jusqu'au repère d'usure. Maintenez les balais en carbone propres et en état de glisser aisément dans les porte-charbons. Les deux balais en carbone doivent être remplacés en même temps. N'utilisez que des balais en carbone identiques.

1. Retirez les bouchons de porte-charbon à l'aide d'un tournevis.
2. Enlevez les balais en carbone usés, insérez les neufs et revissez solidement les bouchons de porte-charbon.

► **Fig.19:** 1. Bouchon de porte-charbon

ACCESSOIRES EN OPTION

⚠ ATTENTION : Ces accessoires ou pièces complémentaires sont recommandés pour l'utilisation avec l'outil Makita spécifié dans ce mode d'emploi. L'utilisation de tout autre accessoire ou pièce complémentaire peut comporter un risque de blessure. N'utilisez les accessoires ou pièces complémentaires qu'aux fins auxquelles ils ont été conçus.

Pour obtenir plus de détails sur ces accessoires, contactez votre centre d'entretien local Makita.

NOTE : Il se peut que certains éléments de la liste soient compris dans l'emballage de l'outil en tant qu'accessoires standard. Ils peuvent varier d'un pays à l'autre.

Fraises d'affleureuse

Fraise droite ► Fig.20

D	A	L1	L2
6	20	50	15
1/4"			
6	8	50	18
1/4"			
6	6	50	18
1/4"			

Unité : mm

Fraise à rainure en U ► Fig.21

D	A	L1	L2	R
6	6	60	28	3
1/4"				

Unité : mm

Fraise à rainure en V ► Fig.22

D	A	L1	L2	θ
1/4"	20	50	15	90°

Unité : mm

Fraise à affleurer à pointe de foret ► Fig.23

D	A	L1	L2	L3
6	6	60	18	28
1/4"				

Unité : mm

Fraise à affleurer à pointe de foret combinaison double

► Fig.24

D	A	L1	L2	L3	L4
6	6	70	40	12	14
1/4"					

Unité : mm

Fraise quart de rond ► Fig.25

D	A1	A2	L1	L2	L3	R
6	25	9	48	13	5	8
1/4"						
6	20	8	45	10	4	4
1/4"						

Unité : mm

Fraise à chanfreiner ► Fig.26

D	A	L1	L2	L3	θ
6	23	46	11	6	30°
6	20	50	13	5	45°
6	20	49	14	2	60°

Unité : mm

Fraise pour panneau mouluré en cavet ► Fig.27

D	A	L1	L2	R
6	20	43	8	4
6	25	48	13	8

Unité : mm

Fraise à affleurer à roulement ► Fig.28

D	A	L1	L2
6	10	50	20
1/4"			

Unité : mm

Fraise quart de rond à roulement ► Fig.29

D	A1	A2	L1	L2	L3	R
6	15	8	37	7	3,5	3
6	21	8	40	10	3,5	6
1/4"	21	8	40	10	3,5	6

Unité : mm

Fraise à chanfreiner à roulement**► Fig.30**

D	A1	A2	L1	L2	θ
6	26	8	42	12	45°
1/4"					
6	20	8	41	11	60°

Unité : mm

Fraise à moulurer à roulement**► Fig.31**

D	A1	A2	A3	L1	L2	L3	R
6	20	12	8	40	10	5,5	4
6	26	12	8	42	12	4,5	7

Unité : mm

Fraise pour panneau mouluré en cavet à roulement**► Fig.32**

D	A1	A2	A3	A4	L1	L2	L3	R
6	20	18	12	8	40	10	5,5	3
6	26	22	12	8	42	12	5	5

Unité : mm

Fraise à doucine à roulement**► Fig.33**

D	A1	A2	L1	L2	L3	R1	R2
6	20	8	40	10	4,5	2,5	4,5
6	26	8	42	12	4,5	3	6

Unité : mm

TECHNISCHE DATEN

Modell:	3711
Spannzangenfutterkapazität	6,35 mm (1/4") oder 6,0 mm
Leerlaufdrehzahl	32.000 min ⁻¹
Gesamthöhe	211 mm
Nettogewicht	1,5 kg
Sicherheitsklasse	II/III

- Wir behalten uns vor, Änderungen der technischen Daten im Zuge der Entwicklung und des technischen Fortschritts ohne vorherige Ankündigung vorzunehmen.
- Die technischen Daten können von Land zu Land unterschiedlich sein.
- Gewicht nach EPTA-Verfahren 01/2014

Vorgesehene Verwendung

Das Werkzeug ist zum Trimmen der Kanten von Laminatfolien oder ähnlichen Materialien vorgesehen.

Stromversorgung

Das Werkzeug sollte nur an eine Stromquelle angeschlossen werden, deren Spannung mit der Angabe auf dem Typenschild übereinstimmt, und kann nur mit Einphasen-Wechselstrom betrieben werden. Diese sind doppelt schutzisoliert und können daher auch an Steckdosen ohne Erdleiter verwendet werden.

Geräusch

Typischer A-bewerteter Geräuschpegel ermittelt gemäß 62841-2-17:

Schalldruckpegel (L_{pA}): 86 dB (A)
 Schalleistungspegel (L_{WA}): 94 dB (A)
 Messunsicherheit (K): 3 dB (A)

HINWEIS: Der (Die) angegebene(n) Schallemissionswert(e) wurde(n) im Einklang mit der Standardprüfmethode gemessen und kann (können) für den Vergleich zwischen Werkzeugen herangezogen werden.

HINWEIS: Der (Die) angegebene(n) Schallemissionswert(e) kann (können) auch für eine Vorbewertung des Gefährungsgrads verwendet werden.

⚠️ WARNUNG: Einen Gehörschutz tragen.

⚠️ WARNUNG: Die Schallemission während der tatsächlichen Benutzung des Elektrowerkzeugs kann je nach der Benutzungsweise des Werkzeugs, und speziell je nach der Art des bearbeiteten Werkstücks, von dem (den) angegebenen Wert(en) abweichen.

⚠️ WARNUNG: Identifizieren Sie Sicherheitsmaßnahmen zum Schutz des Benutzers anhand einer Schätzung des Gefährungsgrads unter den tatsächlichen Benutzungsbedingungen (unter Berücksichtigung aller Phasen des Arbeitszyklus, wie z. B. Ausschalt- und Leerlaufzeiten des Werkzeugs zusätzlich zur Betriebszeit).

Schwingungen

Schwingungsgesamtwert (Drei-Achsen-Vektorsumme) ermittelt gemäß 62841-2-17:

Arbeitsmodus: Drehung ohne Last
 Schwingungsemission (a_h): 2,5 m/s² oder weniger
 Messunsicherheit (K): 1,5 m/s²

HINWEIS: Der (Die) angegebene(n) Vibrationsgesamtwert(e) wurde(n) im Einklang mit der Standardprüfmethode gemessen und kann (können) für den Vergleich zwischen Werkzeugen herangezogen werden.

HINWEIS: Der (Die) angegebene(n) Vibrationsgesamtwert(e) kann (können) auch für eine Vorbewertung des Gefährungsgrads verwendet werden.

⚠️ WARNUNG: Die Vibrationsemission während der tatsächlichen Benutzung des Elektrowerkzeugs kann je nach der Benutzungsweise des Werkzeugs, und speziell je nach der Art des bearbeiteten Werkstücks, von dem (den) angegebenen Emissionswert(en) abweichen.

⚠️ WARNUNG: Identifizieren Sie Sicherheitsmaßnahmen zum Schutz des Benutzers anhand einer Schätzung des Gefährungsgrads unter den tatsächlichen Benutzungsbedingungen (unter Berücksichtigung aller Phasen des Arbeitszyklus, wie z. B. Ausschalt- und Leerlaufzeiten des Werkzeugs zusätzlich zur Betriebszeit).

Konformitätserklärungen

Nur für europäische Länder

Die Konformitätserklärungen sind in Anhang A dieser Betriebsanleitung enthalten.

SICHERHEITSWARNUNGEN

Allgemeine Sicherheitswarnungen für Elektrowerkzeuge

⚠️ WARNUNG: Lesen Sie alle mit diesem Elektrowerkzeug gelieferten Sicherheitswarnungen, Anweisungen, Abbildungen und technischen Daten durch. Eine Missachtung der unten aufgeführten Anweisungen kann zu einem elektrischen Schlag, Brand und/oder schweren Verletzungen führen.

Bewahren Sie alle Warnungen und Anweisungen für spätere Bezugnahme auf.

Der Ausdruck „Elektrowerkzeug“ in den Warnhinweisen bezieht sich auf Ihr mit Netzstrom (mit Kabel) oder Akku (ohne Kabel) betriebenes Elektrowerkzeug.

Sicherheitswarnungen für Einhandfräse

1. Halten Sie das Elektrowerkzeug nur an den isolierten Griffflächen, weil das Messer das eigene Kabel berühren kann. Bei Kontakt mit einem Strom führenden Kabel können die freilegenden Metallteile des Elektrowerkzeugs ebenfalls Strom führend werden, so dass der Benutzer einen elektrischen Schlag erleiden kann.
2. Verwenden Sie Klemmen oder eine andere praktische Methode, um das Werkstück auf einer stabilen Unterlage zu sichern und abzustützen. Wenn Sie das Werkstück nur mit der Hand oder gegen Ihren Körper halten, befindet es sich in einer instabilen Lage, die zum Verlust der Kontrolle führen kann.
3. Der Schaft des Fräseinsatzes muss mit der dafür ausgelegten Spannzange übereinstimmen.
4. Verwenden Sie nur Fräseinsätze, deren Drehzahl mindestens der auf dem Werkzeug angegebenen Maximaldrehzahl entspricht.
5. Tragen Sie bei längeren Betriebszeitspannen einen Gehörschutz.
6. Behandeln Sie die Fräseinsätze mit größter Sorgfalt.
7. Überprüfen Sie den Fräseinsatz vor dem Betrieb sorgfältig auf Risse oder Beschädigung. Wechseln Sie einen gerissenen oder beschädigten Einsatz unverzüglich aus.
8. Vermeiden Sie das Schneiden von Nägeln. Untersuchen Sie das Werkstück sorgfältig auf Nägel, und entfernen Sie diese vor der Bearbeitung.
9. Halten Sie das Werkzeug mit festem Griff.
10. Halten Sie Ihre Hände von rotierenden Teilen fern.

11. Vergewissern Sie sich vor dem Einschalten des Werkzeugs, dass der Fräseinsatz nicht das Werkstück berührt.
12. Lassen Sie das Werkzeug vor der eigentlichen Bearbeitung eines Werkstücks eine Weile laufen. Achten Sie auf Vibrationen oder Taumelbewegungen, die auf einen falsch montierten Einsatz hindeuten können.
13. Achten Sie sorgfältig auf die Drehrichtung und die Vorschubrichtung des Fräseinsatzes.
14. Lassen Sie das Werkzeug nicht unbeaufsichtigt laufen. Benutzen Sie das Werkzeug nur im handgeführten Einsatz.
15. Schalten Sie das Werkzeug stets aus, und warten Sie, bis der Fräseinsatz zum vollständigen Stillstand kommt, bevor Sie ihn aus dem Werkstück herausnehmen.
16. Vermeiden Sie eine Berührung des Fräseinsatzes unmittelbar nach der Bearbeitung, weil er dann noch sehr heiß ist und Hautverbrennungen verursachen kann.
17. Beschriften Sie die Grundplatte nicht achlos mit Verdüner, Benzin, Öl oder dergleichen. Diese Stoffe können Risse in der Grundplatte verursachen.
18. Manche Materialien können giftige Chemikalien enthalten. Treffen Sie Vorsichtsmaßnahmen, um das Einatmen von Arbeitsstaub und Hautkontakt zu verhindern. Befolgen Sie die Sicherheitsdaten des Materiallieferanten.
19. Verwenden Sie stets die korrekte Staubschutz-/Atemmaske für das jeweilige Material und die Anwendung.
20. Legen Sie das Werkzeug auf eine stabile Fläche. Anderenfalls kann das Werkzeug herunterfallen und schwere Verletzungen verursachen.

BEWAHREN SIE DIESE ANLEITUNG AUF.

⚠️ WARNUNG: Lassen Sie sich NICHT durch Bequemlichkeit oder Vertrautheit mit dem Produkt (durch wiederholten Gebrauch erworben) von der strikten Einhaltung der Sicherheitsregeln für das vorliegende Produkt abhalten. MISSBRAUCH oder Missachtung der Sicherheitsvorschriften in dieser Anleitung können schwere Personenschäden verursachen.

FUNKTIONSBESCHREIBUNG

⚠ VORSICHT: Vergewissern Sie sich vor jeder Einstellung oder Funktionsprüfung des Werkzeugs stets, dass es ausgeschaltet und vom Stromnetz getrennt ist.

Einstellen der Frästiefe

Lösen Sie zum Einstellen der Frästiefe die Klemmschraube, und verstellen Sie die Grundplatte durch Drehen der Einstellschraube wunschgemäß nach oben oder unten. Ziehen Sie die Klemmschraube nach der Einstellung fest an, um die Grundplatte zu sichern.

► **Abb.1:** 1. Grundplatte 2. Skala 3. Frästiefe
4. Klemmschraube 5. Einstellschraube

Schalterfunktion

⚠ VORSICHT: Vergewissern Sie sich vor dem Anschließen des Werkzeugs an das Stromnetz stets, dass das Werkzeug ausgeschaltet ist.

Zum Einschalten des Werkzeugs schieben Sie den Schalthebel auf die Position I. Zum Ausschalten des Werkzeugs schieben Sie den Schalthebel auf die Position O.

► **Abb.2:** 1. Schalthebel

Elektronikfunktionen

Das Werkzeug ist für komfortablen Betrieb mit Elektronikfunktionen ausgestattet.

Anzeigelampe

► **Abb.3:** 1. Anzeigenleuchte

Die Anzeigelampe leuchtet grün auf, wenn das Werkzeug angeschlossen wird. Leuchtet die Anzeigelampe nicht auf, ist möglicherweise das Netzkabel oder die Steuerschaltung defekt. Läuft das Werkzeug trotz leuchtender Anzeigelampe nicht an, wenn es eingeschaltet wird, sind möglicherweise die Kohlebürsten abgenutzt, oder die Steuerschaltung, der Motor oder der EIN/AUS-Schalter ist defekt.

Schutz vor ungewolltem Neustart

Das Werkzeug läuft nicht an, wenn der Schalthebel auf der Position I steht, selbst wenn der Netzstecker eingesteckt ist.

In diesem Fall blinkt die Anzeigelampe rot, um anzuzeigen, dass die Schutzvorrichtung zur Verhinderung eines ungewollten Neustarts aktiviert ist.

Um den Schutz vor ungewolltem Neustart aufzuheben, stellen Sie den Schalthebel wieder auf die Position O.

Soft-Start-Funktion

Die Soft-Start-Funktion reduziert Anlaufstöße auf ein Minimum und bewirkt ruckfreies Anlaufen des Werkzeugs.

MONTAGE

⚠ VORSICHT: Vergewissern Sie sich vor der Ausführung von Arbeiten am Werkzeug stets, dass es ausgeschaltet und vom Stromnetz getrennt ist.

Montage und Demontage des Fräserensatzes

⚠ VORSICHT: Ziehen Sie die Spannzangenmutter nicht an, ohne dass ein Fräserensatz eingespannt ist, weil sonst der Spannzangenkonus bricht.

⚠ VORSICHT: Verwenden Sie nur die mit dem Werkzeug gelieferten Schraubenschlüssel.

Führen Sie den Fräserensatz bis zum Anschlag in den Spannzangenkonus ein, und ziehen Sie die Spannzangenmutter mit den zwei Schraubenschlüsseln fest. Zum Abnehmen des Einsatzes wenden Sie das Montageverfahren umgekehrt an.

► **Abb.4:** 1. Lösen 2. Anziehen 3. Halten

BETRIEB

⚠ VORSICHT: Halten Sie das Werkzeug stets mit einer Hand am Gehäuse fest. Berühren Sie nicht den Metallteil.

1. Setzen Sie die Grundplatte auf das zu bearbeitende Werkstück auf, ohne dass der Fräserensatz mit dem Werkstück in Berührung kommt.
 2. Schalten Sie das Werkzeug ein, und warten Sie, bis der Fräserensatz die volle Drehzahl erreicht hat.
 3. Schieben Sie das Werkzeug bei flach aufliegender Grundplatte gleichmäßig über die Werkstückoberfläche vor, bis der Schnitt ausgeführt ist.
- **Abb.5**

Beim Kantenfräsen sollte die Werkstückoberfläche auf der linken Seite des Fräserensatzes in Vorschubrichtung liegen.

- **Abb.6:** 1. Werkstück 2. Einsatz-Drehrichtung
3. Ansicht von der Oberseite des Werkzeugs
4. Vorschubrichtung

Wenn Sie die Geradföhrung oder die Fräsenföhrung verwenden, halten Sie die Vorrichtung auf der rechten Seite in Vorschubrichtung. Dies trägt dazu bei, sie bündig mit der Seite des Werkstücks zu halten.

- **Abb.7:** 1. Vorschubrichtung 2. Einsatz-Drehrichtung
3. Werkstück 4. Geradföhrung

HINWEIS: Zu schnelles Vorschieben des Werkzeugs kann schlechte Schnittqualität oder Beschädigung des Fräserensatzes oder Motors zur Folge haben. Zu langsames Vorschieben des Werkzeugs kann Verbrennung oder Beschädigung des Schnitts zur Folge haben. Die korrekte Vorschubgeschwindigkeit hängt von der Fräsergröße, der Art des Werkstücks und der Frästiefe ab. Bevor Sie den Schnitt am tatsächlichen Werkstück ausführen, ist es ratsam, einen Probeschritt in einem Stück Abfallholz zu machen. Dies gibt Ihnen die Möglichkeit, das genaue Aussehen des Schnitts festzustellen und die Abmessungen zu überprüfen.

Schablonenführung

Die Schablonenführung weist eine Hülse auf, durch die der Fräserinsatz hindurchgeht, so dass das Werkzeug mit Schablonenmustern verwendet werden kann.

► Abb.8

1. Lösen Sie die Klemmschraube, und entfernen Sie dann den Führungshalter und den Späneabweiser.

► **Abb.9:** 1. Klemmschraube 2. Führungshalter
3. Späneabweiser

2. Lösen Sie die Schrauben, und entfernen Sie die Gleitplatte.

► **Abb.10:** 1. Gleitplatte 2. Schrauben

3. Setzen Sie die Schablonenführung auf die Grundplatte, und bringen Sie die Gleitplatte wieder an. Sichern Sie dann die Gleitplatte durch Anziehen der Schrauben.

4. Befestigen Sie die Schablone am Werkstück. Setzen Sie das Werkzeug auf die Schablone, und bewegen Sie das Werkzeug so, dass die Schablonenführung entlang der Seitenkante der Schablone gleitet.

► **Abb.11:** 1. Fräserinsatz 2. Grundplatte
3. Gleitplatte 4. Schablone 5. Werkstück
6. Schablonenführung

HINWEIS: Das Werkstück wird auf eine geringfügig andere Größe als die Schablone zugeschnitten. Halten Sie einen Abstand (X) zwischen dem Fräserinsatz und der Außenseite der Schablonenführung ein. Der Abstand (X) kann mit der folgenden Gleichung berechnet werden:

Abstand (X) = (Außendurchmesser der Schablonenführung - Fräserinsatzdurchmesser) / 2

Geradführung

Die Geradführung ist effektiv, um Geradschnitte beim Anfasen auszuführen.

► Abb.12

1. Befestigen Sie die Führungsplatte mit der Schraube und der Flügelmutter an der Geradführung.

► **Abb.13:** 1. Schraube 2. Führungsplatte
3. Geradführung 4. Flügelmutter

2. Entfernen Sie den Führungshalter und den Späneabweiser, und bringen Sie dann die Geradführung mit der Klemmschraube an.

► **Abb.14:** 1. Klemmschraube 2. Geradführung
3. Flügelmutter 4. Grundplatte

3. Lösen Sie die Flügelmutter an der Geradführung, und stellen Sie den Abstand zwischen Fräserinsatz und Geradführung ein. Ziehen Sie die Flügelmutter im gewünschten Abstand fest.

4. Schieben Sie das Werkzeug beim Fräsen so vor, dass die Geradführung an der Seite des Werkstücks anliegt.

Fräsenführung

Die Fräsenführung ermöglicht bequemes Fräsen und gebogene Schnitte in Furnierhölzern für Möbel und dergleichen. Die Führungsrolle folgt der Kurve und gewährleistet einen sauberen Schnitt.

► Abb.15

1. Bringen Sie den Späneabweiser an der Führungsnut der Grundplatte an.

2. Montieren Sie die Fräsenführung und den Führungshalter mit der Klemmschraube (A) an der Grundplatte.

3. Lösen Sie die Klemmschraube (B), und stellen Sie den Abstand zwischen dem Fräserinsatz und der Fräsenführung durch Drehen der Einstellschraube ein (1 mm pro Umdrehung). Ziehen Sie die Klemmschraube (B) am gewünschten Abstand fest, um die Fräsenführung zu sichern.

► **Abb.16:** 1. Einstellschraube 2. Führungshalter
3. Fräsenführung 4. Späneabweiser

4. Schieben Sie das Werkzeug beim Fräsen so vor, dass die Führungsrolle an der Seite des Werkstücks anliegt.

► **Abb.17:** 1. Werkstück 2. Fräserinsatz
3. Führungsrolle

WARTUNG

⚠VORSICHT: Vergewissern Sie sich vor der Durchführung von Überprüfungen oder Wartungsarbeiten des Werkzeugs stets, dass es ausgeschaltet und vom Stromnetz getrennt ist.

ANMERKUNG: Verwenden Sie auf keinen Fall Benzin, Waschbenzin, Verdünnern, Alkohol oder dergleichen. Solche Mittel können Verfärbung, Verformung oder Rissbildung verursachen.

Um die SICHERHEIT und ZUVERLÄSSIGKEIT dieses Produkts zu gewährleisten, sollten Reparaturen und andere Wartungs- oder Einstellarbeiten nur von Makita-Vertragswerkstätten oder Makita-Kundendienstzentren unter ausschließlicher Verwendung von Makita-Originalersatzteilen ausgeführt werden.

Auswechseln der Kohlebürsten

► **Abb.18:** 1. Verschleißgrenze

Überprüfen Sie die Kohlebürsten regelmäßig. Wechseln Sie sie aus, wenn sie bis zur Verschleißgrenze abgenutzt sind. Halten Sie die Kohlebürsten stets sauber, damit sie ungehindert in den Haltern gleiten können. Beide Kohlebürsten sollten gleichzeitig ausgewechselt werden. Verwenden Sie nur identische Kohlebürsten.

1. Drehen Sie die Bürstenhalterkappen mit einem Schraubendreher heraus.

2. Nehmen Sie die abgenutzten Kohlebürsten heraus, setzen Sie die neuen ein, und drehen Sie dann die Bürstenhalterkappen wieder ein.

► **Abb.19:** 1. Bürstenhalterkappe

SONDERZUBEHÖR

⚠ VORSICHT: Die folgenden Zubehörteile oder Vorrichtungen werden für den Einsatz mit dem in dieser Anleitung beschriebenen Makita-Werkzeug empfohlen. Die Verwendung anderer Zubehörteile oder Vorrichtungen kann eine Verletzungsgefahr darstellen. Verwenden Sie Zubehörteile oder Vorrichtungen nur für ihren vorgesehenen Zweck.

Wenn Sie weitere Einzelheiten bezüglich dieser Zubehörteile benötigen, wenden Sie sich bitte an Ihre Makita-Kundendienststelle.

HINWEIS: Manche Teile in der Liste können als Standardzubehör im Werkzeugsatz enthalten sein. Sie können von Land zu Land unterschiedlich sein.

Fräseinsätze

Geradfräser

► Abb.20

D	A	L1	L2
6	20	50	15
1/4"			
6	8	50	18
1/4"			
6	6	50	18
1/4"			

Einheit: mm

U-Nutenfräser

► Abb.21

D	A	L1	L2	R
6	6	60	28	3
1/4"				

Einheit: mm

V-Nutenfräser

► Abb.22

D	A	L1	L2	θ
1/4"	20	50	15	90°

Einheit: mm

Bohrspitzen-Bündigfräser

► Abb.23

D	A	L1	L2	L3
6	6	60	18	28
1/4"				

Einheit: mm

Bohrspitzen-Doppelbündigfräser

► Abb.24

D	A	L1	L2	L3	L4
6	6	70	40	12	14
1/4"					

Einheit: mm

Eckenrundungsfräser

► Abb.25

D	A1	A2	L1	L2	L3	R
6	25	9	48	13	5	8
1/4"						
6	20	8	45	10	4	4
1/4"						

Einheit: mm

Fasenfräser

► Abb.26

D	A	L1	L2	L3	θ
6	23	46	11	6	30°
6	20	50	13	5	45°
6	20	49	14	2	60°

Einheit: mm

Hohlkehlen-Abrundfräser

► Abb.27

D	A	L1	L2	R
6	20	43	8	4
6	25	48	13	8

Einheit: mm

Kugellager-Bündigfräser

► Abb.28

D	A	L1	L2
6	10	50	20
1/4"			

Einheit: mm

Kugellager-Eckenrundungsfräser

► Abb.29

D	A1	A2	L1	L2	L3	R
6	15	8	37	7	3,5	3
6	21	8	40	10	3,5	6
1/4"	21	8	40	10	3,5	6

Einheit: mm

Kugellager-Fasenfräser

► Abb.30

D	A1	A2	L1	L2	θ
6	26	8	42	12	45°
1/4"					
6	20	8	41	11	60°

Einheit: mm

Kugellager-Abrundfräser

► Abb.31

D	A1	A2	A3	L1	L2	L3	R
6	20	12	8	40	10	5,5	4
6	26	12	8	42	12	4,5	7

Einheit: mm

Kugellager-Hohlkehlen-Abrundfräser

► Abb.32

D	A1	A2	A3	A4	L1	L2	L3	R
6	20	18	12	8	40	10	5,5	3
6	26	22	12	8	42	12	5	5

Einheit: mm

Kugellager-Kamies-Profilfräser

► Abb.33

D	A1	A2	L1	L2	L3	R1	R2
6	20	8	40	10	4,5	2,5	4,5
6	26	8	42	12	4,5	3	6

Einheit: mm

DATI TECNICI

Modello:	3711
Capacità mandrino a pinza	6,35 mm (1/4") o 6,0 mm
Velocità a vuoto	32.000 min ⁻¹
Altezza complessiva	211 mm
Peso netto	1,5 kg
Classe di sicurezza	II/III

- In conseguenza del nostro programma di ricerca e sviluppo continui, i dati tecnici nel presente manuale sono soggetti a modifiche senza preavviso.
- I dati tecnici possono variare da nazione a nazione.
- Peso in base alla procedura EPTA 01/2014

Utilizzo previsto

Questo utensile è destinato alla rifilatura del bordo di fogli di laminati o materiali analoghi.

Alimentazione

L'utensile deve essere collegato a una fonte di alimentazione con la stessa tensione indicata sulla targhetta del nome, e può funzionare solo a corrente alternata monofase. L'utensile è dotato di doppio isolamento, per cui può essere utilizzato con prese elettriche sprovviste di messa a terra.

Rumore

Livello tipico di rumore pesato A determinato in base allo standard 62841-2-17:

Livello di pressione sonora (L_{pA}): 86 dB (A)

Livello di potenza sonora (L_{WA}): 94 dB (A)

Incertezza (K): 3 dB (A)

NOTA: Il valore o i valori dichiarati delle emissioni di rumori sono stati misurati in conformità a un metodo standard di verifica, e possono essere utilizzati per confrontare un utensile con un altro.

NOTA: Il valore o i valori dichiarati delle emissioni di rumori possono venire utilizzati anche per una valutazione preliminare dell'esposizione.

AVVERTIMENTO: Indossare protezioni per le orecchie.

AVVERTIMENTO: L'emissione di rumori durante l'utilizzo effettivo dell'utensile elettrico può variare rispetto al valore o ai valori dichiarati, a seconda dei modi in cui viene utilizzato l'utensile e specialmente a seconda di che tipo di pezzo venga lavorato.

AVVERTIMENTO: Accertarsi di identificare misure di sicurezza per la protezione dell'operatore che siano basate su una stima dell'esposizione nelle condizioni effettive di utilizzo (tenendo conto di tutte le parti del ciclo operativo, ad esempio del numero di spegnimenti dell'utensile e di quando giri a vuoto, oltre al tempo di attivazione).

Vibrazioni

Valore totale delle vibrazioni (somma vettoriale triassiale) determinato in base allo standard 62841-2-17:

Modalità di lavoro: rotazione senza carico

Emissione di vibrazioni (a_h): 2,5 m/s² o inferiore

Incertezza (K): 1,5 m/s²

NOTA: Il valore o i valori complessivi delle vibrazioni dichiarati sono stati misurati in conformità a un metodo standard di verifica, e possono essere utilizzati per confrontare un utensile con un altro.

NOTA: Il valore o i valori complessivi delle vibrazioni dichiarati possono venire utilizzati anche per una valutazione preliminare dell'esposizione.

AVVERTIMENTO: L'emissione delle vibrazioni durante l'utilizzo effettivo dell'utensile elettrico può variare rispetto al valore o ai valori dichiarati, a seconda dei modi in cui viene utilizzato l'utensile, specialmente a seconda di che tipo di pezzo venga lavorato.

AVVERTIMENTO: Accertarsi di identificare misure di sicurezza per la protezione dell'operatore che siano basate su una stima dell'esposizione nelle condizioni effettive di utilizzo (tenendo conto di tutte le parti del ciclo operativo, ad esempio del numero di spegnimenti dell'utensile e di quando giri a vuoto, oltre al tempo di attivazione).

Dichiarazioni di conformità

Solo per i paesi europei

Le Dichiarazioni di conformità sono incluse nell'Allegato A al presente manuale d'uso.

AVVERTENZE DI SICUREZZA

Avvertenze generali relative alla sicurezza dell'utensile elettrico

⚠️ AVVERTIMENTO: Leggere tutte le avvertenze di sicurezza, le istruzioni, le illustrazioni e i dati tecnici forniti con il presente utensile elettrico. La mancata osservanza di tutte le istruzioni elencate di seguito potrebbe risultare in scosse elettriche, incendi e/o gravi lesioni personali.

Conservare tutte le avvertenze e le istruzioni come riferimento futuro.

Il termine "utensile elettrico" nelle avvertenze si riferisce sia all'utensile elettrico (cablato) nel funzionamento alimentato da rete elettrica che all'utensile elettrico (a batteria) nel funzionamento alimentato a batteria.

Avvertenze di sicurezza relative al rifilatore

1. **Mantenere l'utensile elettrico solo per le sue superfici di impugnatura isolate, poiché la lama potrebbe entrare in contatto con il proprio cavo di alimentazione.** Il taglio di un filo elettrico sotto tensione potrebbe mettere sotto tensione le parti metalliche esposte dell'utensile elettrico e dare una scossa elettrica all'operatore.
2. **Utilizzare delle morse o altri sistemi pratici per fissare e sostenere il pezzo in lavorazione su un piano stabile.** Un pezzo in lavorazione mantenuto in mano o contro il proprio corpo resta instabile, e può portare a una perdita di controllo.
3. **Il gambo della fresa per rifilo deve corrispondere al mandrino a pinza designato.**
4. **Utilizzare esclusivamente una fresa per rifilo che abbia una velocità nominale almeno equivalente alla velocità massima indicata sull'utensile.**
5. **Indossare protezioni per l'udito durante periodi prolungati di utilizzo.**
6. **Maneggiare le frese per rifilo con estrema cautela.**
7. **Prima dell'uso, controllare con attenzione l'eventuale presenza nella fresa per rifilo di spaccature o danni. Sostituire immediatamente una fresa spaccata o danneggiata.**
8. **Evitare di tagliare chiodi. Prima dell'uso, ispezionare il pezzo in lavorazione e rimuovere tutti i chiodi.**
9. **Mantenere saldamente l'utensile.**
10. **Tenere le mani lontane dalle parti rotanti.**
11. **Prima di attivare l'interruttore, accertarsi che la fresa per rifilo non sia in contatto con il pezzo in lavorazione.**

12. **Prima di utilizzare l'utensile su un pezzo in lavorazione effettivo, lasciarlo funzionare a vuoto per un po' di tempo. Verificare l'eventuale presenza di vibrazioni od oscillazioni che potrebbero indicare una fresa installata in modo errato.**
13. **Fare attenzione alla direzione di rotazione e di avanzamento della fresa per rifilo.**
14. **Non lasciare l'utensile mentre è in funzione. Far funzionare l'utensile solo tenendo in mano.**
15. **Prima di rimuovere l'utensile dal pezzo in lavorazione, è necessario sempre spegnerlo e attendere che la fresa per rifilo si sia arrestata completamente.**
16. **Non toccare la fresa per rifilo subito dopo l'uso; la sua temperatura potrebbe essere estremamente elevata e potrebbe causare ustioni.**
17. **Non macchiare per disattenzione la base con solvente, benzina, olio o prodotti simili. Tali prodotti possono causare spaccature nella base.**
18. **Alcuni materiali contengono sostanze chimiche potenzialmente tossiche. Fare attenzione a evitare l'inalazione delle polveri e il contatto con la pelle. Attenersi ai dati sulla sicurezza del fornitore del materiale.**
19. **Utilizzare sempre la mascherina antipolvere o il respiratore corretti per il materiale e l'applicazione con cui si intende lavorare.**
20. **Posizionare l'utensile su un'area stabile. In caso contrario, si potrebbe verificare un incidente dovuto alla caduta che potrebbe causare lesioni personali.**

CONSERVARE LE PRESENTI ISTRUZIONI.

⚠️ AVVERTIMENTO: NON lasciare che comodità o la familiarità d'utilizzo con il prodotto (acquisita con l'uso ripetuto) sostituisca la stretta osservanza delle norme di sicurezza per il prodotto in questione. L'USO IMPROPRIO o la mancata osservanza delle norme di sicurezza indicate nel presente manuale di istruzioni potrebbero causare gravi lesioni personali.

DESCRIZIONE DELLE FUNZIONI

⚠ATTENZIONE: Accertarsi sempre che l'utensile sia spento e scollegato dall'alimentazione prima di regolare o controllare le sue funzioni.

Regolazione della sporgenza della fresa per rifilo

Per regolare la sporgenza della fresa, allentare la vite di fissaggio e spostare la base verso l'alto o verso il basso a seconda delle proprie esigenze, ruotando la vite di regolazione. Dopo la regolazione, serrare saldamente la vite di fissaggio per fissare la base.

► **Fig.1:** 1. Base 2. Scala 3. Sporgenza della fresa 4. Vite di fissaggio 5. Vite di regolazione

Funzionamento dell'interruttore

⚠ATTENZIONE: Prima di collegare l'utensile all'alimentazione elettrica, accertarsi sempre che sia spento.

Per avviare l'utensile, spostare la leva dell'interruttore sulla posizione I. Per arrestare l'utensile, spostare la leva dell'interruttore sulla posizione O.

► **Fig.2:** 1. Leva dell'interruttore

Funzione elettronica

L'utensile è dotato di funzioni elettroniche, per un facile utilizzo.

Indicatore luminoso

► **Fig.3:** 1. Indicatore luminoso

L'indicatore luminoso si illumina in verde quando l'utensile è collegato alla presa elettrica. Qualora l'indicatore luminoso non si illumini, il cavo di alimentazione o il dispositivo di controllo potrebbero essere guasti. Qualora l'indicatore luminoso sia illuminato ma l'utensile non si avvia anche se viene acceso, le spazzole in carbonio potrebbero essere usurate, oppure il dispositivo di controllo, il motore o l'interruttore di accensione/spengimento potrebbero essere guasti.

Sicura contro il riavvio involontario

L'utensile non si avvia con la leva dell'interruttore nella posizione I, anche quando l'utensile viene collegato alla presa elettrica.

In questa situazione, l'indicatore luminoso lampeggia in rosso e mostra che si è attivata la sicura contro il riavvio involontario.

Per disattivare la sicura contro il riavvio involontario, riportare la leva dell'interruttore sulla posizione O.

Funzione di avvio morbido

La funzione di avvio morbido riduce al minimo l'impatto all'avvio, e fa avviare l'utensile in modo fluido.

MONTAGGIO

⚠ATTENZIONE: Accertarsi sempre che l'utensile sia spento e scollegato dall'alimentazione elettrica, prima di effettuare qualsiasi intervento su di esso.

Installazione o rimozione della fresa per rifilo

⚠ATTENZIONE: Non serrare il dado portapinza senza aver inserito una fresa per rifilo; in caso contrario, si causa la rottura della pinza.

⚠ATTENZIONE: Utilizzare esclusivamente le chiavi in dotazione con l'utensile.

Inserire la fresa per rifilo fino in fondo nella pinza e serrare saldamente il dado portapinza con le due chiavi. Per rimuovere la fresa, seguire la procedura di installazione al contrario.

► **Fig.4:** 1. Per allentare 2. Per serrare 3. Tenere ferma

FUNZIONAMENTO

⚠ATTENZIONE: Mantenere sempre saldamente l'utensile con una mano sull'alloggiamento. Non toccare la parte metallica.

1. Sistemare la base sul pezzo in lavorazione da tagliare, evitando che la fresa per rifilo entri in contatto con il pezzo.
 2. Accendere l'utensile e attendere che la fresa per rifilo raggiunga la piena velocità.
 3. Spostare l'utensile in avanti sulla superficie del pezzo in lavorazione, mantenendo la base a filo e avanzando in modo uniforme fino al completamento del taglio.
- **Fig.5**

Quando si intende tagliare bordi, la superficie del pezzo in lavorazione deve trovarsi sul lato sinistro della fresa per rifilo nella direzione di avanzamento.

► **Fig.6:** 1. Pezzo in lavorazione 2. Direzione di rotazione della fresa 3. Vista dall'alto dell'utensile 4. Direzione di avanzamento

Quando si intende utilizzare la guida di allineamento o la guida di rifilatura, accertarsi di tenerla sul lato destro nella direzione di avanzamento. Questo aiuta a mantenerla a filo con il lato del pezzo in lavorazione.

► **Fig.7:** 1. Direzione di avanzamento 2. Direzione di rotazione della fresa 3. Pezzo in lavorazione 4. Guida di allineamento

NOTA: Qualora si faccia avanzare l'utensile troppo velocemente, si potrebbe causare una qualità scadente del taglio, oppure danneggiare la fresa per rifilo o il motore. Qualora si faccia avanzare l'utensile troppo lentamente, si potrebbe bruciare e rovinare il taglio. La velocità di avanzamento corretto dipende dalle dimensioni della fresa per rifilo, dal tipo di pezzo in lavorazione e dalla profondità di taglio. Prima di iniziare il taglio sul pezzo in lavorazione effettivo, è consigliabile effettuare un taglio di prova su un pezzo di legno di scarto. Questa operazione consente di mostrare esattamente l'aspetto che avrà il taglio, nonché di controllare le dimensioni.

Guida per sagome

La guida per sagome è dotata di un manicotto attraverso il quale passa la fresa per rifilo, per consentire l'utilizzo del rifilatore con motivi su sagome.

► **Fig.8**

1. Allentare le viti di fissaggio, quindi rimuovere il supporto della guida e il paraschegge.

► **Fig.9:** 1. Vite di fissaggio 2. Supporto della guida 3. Paraschegge

2. Allentare le viti e rimuovere la protezione della base.

► **Fig.10:** 1. Protezione della base 2. Viti

3. Posizionare la guida per sagome sulla base, quindi riapplicare la protezione della base. Quindi, fissare la protezione della base serrando le viti.

4. Fissare la sagoma al pezzo in lavorazione.

Posizionare l'utensile sulla sagoma e spostarlo insieme alla guida per sagome, scivolando lungo il fianco della sagoma.

► **Fig.11:** 1. Fresa per rifilo 2. Base 3. Protezione della base 4. Sagoma 5. Pezzo in lavorazione 6. Guida per sagome

NOTA: Il pezzo in lavorazione viene tagliato con una dimensione leggermente diversa rispetto alla sagoma. Considerare una distanza (X) tra la fresa per rifilo e la parte esterna della guida per sagome. La distanza (X) può venire calcolata utilizzando l'equazione seguente:

Distanza (X) = (diametro esterno della guida per sagome - diametro della fresa per rifilo) / 2

Guida di allineamento

La guida di allineamento può essere utilizzata in modo efficace per ottenere tagli diritti durante la smussatura.

► **Fig.12**

1. Montare la piastra guida sulla guida di allineamento con il bullone e il dado ad alette.

► **Fig.13:** 1. Bullone 2. Piastra guida 3. Guida di allineamento 4. Dado ad alette

2. Rimuovere il supporto della guida e il paraschegge, quindi montare la guida di allineamento con la vite di fissaggio.

► **Fig.14:** 1. Vite di fissaggio 2. Guida di allineamento 3. Dado ad alette 4. Base

3. Allentare il dado ad alette sulla guida di allineamento e regolare la distanza tra la fresa per rifilo e la guida di allineamento. Alla distanza desiderata, serrare saldamente il dado ad alette.

4. Durante il taglio, spostare l'utensile con la guida di allineamento a filo con il lato del pezzo in lavorazione.

Guida di rifilatura

Con la guida di rifilatura, è possibile realizzare facilmente rifilature, tagli curvi in impiallacciatore per mobili e lavori simili. Il rullo della guida percorre la curva e assicura un taglio preciso.

► **Fig.15**

1. Montare il paraschegge sulla scanalatura della base.

2. Installare la guida di rifilatura e il supporto della guida sulla base con la vite di fissaggio (A).

3. Allentare la vite di fissaggio (B) e regolare la distanza tra la fresa per rifilo e la guida di rifilatura ruotando la vite di regolazione (1 mm per giro). Alla distanza desiderata, serrare la vite di fissaggio (B) per fissare la guida di rifilatura in sede.

► **Fig.16:** 1. Vite di regolazione 2. Supporto della guida 3. Guida di rifilatura 4. Paraschegge

4. Durante il taglio, spostare l'utensile con il rullo della guida che percorre il fianco del pezzo in lavorazione.

► **Fig.17:** 1. Pezzo in lavorazione 2. Fresa per rifilo 3. Rullo della guida

MANUTENZIONE

ATTENZIONE: Accertarsi sempre che l'utensile sia spento e scollegato dall'alimentazione elettrica, prima di tentare di eseguire interventi di ispezione o manutenzione.

AVVISO: Non utilizzare mai benzina, benzene, solventi, alcol o altre sostanze simili. In caso contrario, si potrebbero causare scolorimenti, deformazioni o crepe.

Per preservare la SICUREZZA e l'AFFIDABILITÀ del prodotto, le riparazioni e qualsiasi altro intervento di manutenzione e di regolazione devono essere eseguiti da un centro di assistenza autorizzato Makita, utilizzando sempre ricambi Makita.

Sostituzione delle spazzole in carbonio

► **Fig.18:** 1. Indicatore di limite

Controllare a intervalli regolari le spazzole in carbonio. Sostituirle quando si sono usurate fino all'indicatore di limite. Mantenere sempre le spazzole in carbonio pulite e facili da inserire negli alloggiamenti. Entrambe le spazzole in carbonio vanno sostituite contemporaneamente. Utilizzare solo spazzole in carbonio identiche.

1. Utilizzare un cacciavite per rimuovere i cappucci degli alloggiamenti delle spazzole.

2. Estrarre le spazzole in carbonio consumate, inserire quelle nuove e fissare i cappucci degli alloggiamenti delle spazzole.

► **Fig.19:** 1. Cappuccio dell'alloggiamento della spazzola

ACCESSORI OPZIONALI

⚠ATTENZIONE: Questi accessori o componenti aggiuntivi sono consigliati per l'uso con l'utensile Makita specificato nel presente manuale. L'impiego di altri accessori o componenti aggiuntivi può costituire un rischio di lesioni alle persone. Utilizzare gli accessori o i componenti aggiuntivi solo per il loro scopo prefissato.

Per ottenere ulteriori dettagli relativamente a questi accessori, rivolgersi a un centro di assistenza Makita.

NOTA: Alcuni articoli nell'elenco potrebbero essere inclusi nell'imballaggio dell'utensile come accessori standard. Tali articoli potrebbero variare da nazione a nazione.

Frese per rifilo

Fresa dritta

► Fig.20

D	A	L1	L2
6	20	50	15
1/4"			
6	8	50	18
1/4"			
6	6	50	18
1/4"			

Unità: mm

Fresa per scanalatura a "U"

► Fig.21

D	A	L1	L2	R
6	6	60	28	3
1/4"				

Unità: mm

Fresa per scanalatura a "V"

► Fig.22

D	A	L1	L2	θ
1/4"	20	50	15	90°

Unità: mm

Fresa rifilatrice a raso con punta da trapano

► Fig.23

D	A	L1	L2	L3
6	6	60	18	28
1/4"				

Unità: mm

Fresa rifilatrice a raso doppia con punta da trapano

► Fig.24

D	A	L1	L2	L3	L4
6	6	70	40	12	14
1/4"					

Unità: mm

Fresa per arrotondare gli angoli

► Fig.25

D	A1	A2	L1	L2	L3	R
6	25	9	48	13	5	8
1/4"						
6	20	8	45	10	4	4
1/4"						

Unità: mm

Fresa per smussatura

► Fig.26

D	A	L1	L2	L3	θ
6	23	46	11	6	30°
6	20	50	13	5	45°
6	20	49	14	2	60°

Unità: mm

Fresa per modanatura concava

► Fig.27

D	A	L1	L2	R
6	20	43	8	4
6	25	48	13	8

Unità: mm

Fresa rifilatrice a raso con cuscinetto a sfere

► Fig.28

D	A	L1	L2
6	10	50	20
1/4"			

Unità: mm

Fresa per arrotondare gli angoli con cuscinetto a sfere

► Fig.29

D	A1	A2	L1	L2	L3	R
6	15	8	37	7	3,5	3
6	21	8	40	10	3,5	6
1/4"	21	8	40	10	3,5	6

Unità: mm

Fresa per smussatura con cuscinetto a sfere

► Fig.30

D	A1	A2	L1	L2	θ
6	26	8	42	12	45°
1/4"					
6	20	8	41	11	60°

Unità: mm

Fresa per modanatura con cuscinetto a sfere

► Fig.31

D	A1	A2	A3	L1	L2	L3	R
6	20	12	8	40	10	5,5	4
6	26	12	8	42	12	4,5	7

Unità: mm

Fresa per modanatura concava con cuscinetto a sfere

► Fig.32

D	A1	A2	A3	A4	L1	L2	L3	R
6	20	18	12	8	40	10	5,5	3
6	26	22	12	8	42	12	5	5

Unità: mm

Fresa per modanatura a S con cuscinetto a sfere

► Fig.33

D	A1	A2	L1	L2	L3	R1	R2
6	20	8	40	10	4,5	2,5	4,5
6	26	8	42	12	4,5	3	6

Unità: mm

TECHNISCHE GEGEVENS

Model:	3711
Capaciteit van spankop	6,35 mm (1/4") of 6,0 mm
Nullasttoerental	32.000 min ⁻¹
Totale hoogte	211 mm
Nettogewicht	1,5 kg
Veiligheidsklasse	II/III

- In verband met ononderbroken research en ontwikkeling behouden wij ons het recht voor bovenstaande technische gegevens te wijzigen zonder voorafgaande kennisgeving.
- De technische gegevens kunnen van land tot land verschillen.
- Gewicht volgens EPTA-procedure 01/2014

Gebruiksdoeleinden

Het gereedschap is bedoeld voor het trimmen van de randen van laminaatplaten en soortgelijke materialen.

Voeding

Het gereedschap mag alleen worden aangesloten op een voeding van dezelfde spanning als aangegeven op het typeplaatje, en kan alleen worden gebruikt op enkelfase-wisselstroom. Het gereedschap is dubbel-geïsoleerd en kan derhalve ook op een niet-geaard stop-contact worden aangesloten.

Geluidsniveau

De typische, A-gewogen geluidsniveaus zijn gemeten volgens 62841-2-17:

Geluidsdruk niveau (L_{pA}): 86 dB (A)

Geluidsvermogen niveau (L_{WA}): 94 dB (A)

Onzekerheid (K): 3 dB (A)

OPMERKING: De opgegeven geluidsemissiewaarde(n) is/zijn gemeten volgens een standaardtestmethode en kan/kunnen worden gebruikt om dit gereedschap te vergelijken met andere gereedschappen.

OPMERKING: De opgegeven geluidsemissiewaarde(n) kan/kunnen ook worden gebruikt voor een beoordeling vooraf van de blootstelling.

⚠ WAARSCHUWING: Draag gehoorbescherming.

⚠ WAARSCHUWING: De geluidsemissie tijdens het gebruik van het elektrisch gereedschap in de praktijk kan verschillen van de opgegeven waarde(n) afhankelijk van de manier waarop het gereedschap wordt gebruikt, met name van het soort werkstuk waarmee wordt gewerkt.

⚠ WAARSCHUWING: Zorg ervoor dat veiligheidsmaatregelen worden getroffen ter bescherming van de gebruiker die zijn gebaseerd op een schatting van de blootstelling onder praktijkomstandigheden (rekening houdend met alle fasen van de bedrijfscyclus, zoals de tijdsduur gedurende welke het gereedschap is uitgeschakeld en stationair draait, naast de ingeschakelde tijdsduur).

Trilling

De totale trillingswaarde (triaxiale vectorsom) zoals vastgesteld volgens 62841-2-17:

Gebruikstoepassing: onbelast draaien

Trillingsemissie (a_h): 2,5 m/s² of lager

Onzekerheid (K): 1,5 m/s²

OPMERKING: De totale trillingswaarde(n) is/zijn gemeten volgens een standaardtestmethode en kan/kunnen worden gebruikt om dit gereedschap te vergelijken met andere gereedschappen.

OPMERKING: De opgegeven totale trillingswaarde(n) kan/kunnen ook worden gebruikt voor een beoordeling vooraf van de blootstelling.

⚠ WAARSCHUWING: De trillingsemissie tijdens het gebruik van het elektrisch gereedschap in de praktijk kan verschillen van de opgegeven waarde(n) afhankelijk van de manier waarop het gereedschap wordt gebruikt, met name van het soort werkstuk waarmee wordt gewerkt.

⚠ WAARSCHUWING: Zorg ervoor dat veiligheidsmaatregelen worden getroffen ter bescherming van de gebruiker die zijn gebaseerd op een schatting van de blootstelling onder praktijkomstandigheden (rekening houdend met alle fasen van de bedrijfscyclus, zoals de tijdsduur gedurende welke het gereedschap is uitgeschakeld en stationair draait, naast de ingeschakelde tijdsduur).

Verklaringen van conformiteit

Alleen voor Europese landen

De verklaringen van conformiteit zijn bijgevoegd in Bijlage A bij deze gebruiksaanwijzing.

VEILIGHEIDSWAARSCHUWINGEN

Algemene veiligheidswaarschuwingen voor elektrisch gereedschap

⚠ WAARSCHUWING: Lees alle veiligheids-
waarschuwingen, aanwijzingen, afbeeldingen en
technische gegevens behorend bij dit elektrische
gereedschap aandachtig door. Als u niet alle onder-
staande aanwijzingen naleeft, kan dat resulteren in
brand, elektrische schokken en/of ernstig letsel.

Bewaar alle waarschuwingen en instructies om in de toekomst te kunnen raadplegen.

De term "elektrisch gereedschap" in de veiligheidsvoor-
schriften duidt op gereedschappen die op stroom van
het lichtnet werken (met snoer) of gereedschappen met
een accu (snoerloos).

Veiligheidswaarschuwingen specifiek voor een kantenfrees

1. **Houd het elektrisch gereedschap alleen vast bij het geïsoleerde oppervlak omdat het snijgarnituur met zijn eigen snoer in aanraking kan komen.** Wanneer onder spanning staande draden worden geraakt, zullen de niet-geïsoleerde metalen delen van het gereedschap onder spanning komen te staan zodat de gebruiker een elektrische schok kan krijgen.
2. **Gebruik klemmen of andere bevestigingsmiddelen om het werkstuk op een stabiel platform te bevestigen en te ondersteunen.** Als u het werkstuk in uw hand of tegen uw lichaam geklemd houdt, is het onvoldoende stabiel en kunt u de controle erover verliezen.
3. **De schacht van het kantenfreesbit moet overeenkomen met de aanwezige spankop.**
4. **Gebruik uitsluitend een kantenfreesbit met een nominaal toerental dat minstens gelijk is aan het maximumtoerental vermeld op het gereedschap.**
5. **Draag gehoorbescherming tijdens langdurig gebruik.**
6. **Behandel de kantenfreesbits zeer voorzichtig.**
7. **Controleer het kantenfreesbit vóór gebruik nauwkeurig op barsten of beschadigingen.** Vervang een gebarsten of beschadigd bit onmiddellijk.
8. **Voorkom dat u spijkers raakt.** Inspecteer het werkstuk op spijkers en verwijder deze zo nodig voordat u ermee begint te werken.
9. **Houd het gereedschap stevig vast.**

10. **Houd uw handen uit de buurt van draaiende delen.**
11. **Zorg ervoor dat het kantenfreesbit het werkstuk niet raakt voordat u het gereedschap hebt ingeschakeld.**
12. **Laat het gereedschap een tijdje draaien voordat u het op het werkstuk gebruikt.** Controleer op trillingen of schommelingen die op een verkeerd gemonteerd bit kunnen wijzen.
13. **Let goed op de draairichting van het kantenfreesbit en de voortgangsrichting.**
14. **Laat het gereedschap niet onnodig ingeschakeld. Bedien het gereedschap alleen terwijl u het vasthoudt.**
15. **Schakel het gereedschap uit en wacht altijd tot het kantenfreesbit volledig tot stilstand is gekomen voordat u het gereedschap uit het werkstuk verwijdert.**
16. **Raak het kantenfreesbit niet onmiddellijk na gebruik aan.** Het kan bijzonder heet zijn en brandwonden op uw huid veroorzaken.
17. **Smeer niet zonder na te denken thinner, benzine, olie en dergelijke op de voet van het gereedschap.** Deze middelen kunnen scheuren in de voet van het gereedschap veroorzaken.
18. **Sommige materialen bevatten chemische stoffen die giftig kunnen zijn.** Wees voorzichtig dat u geen stof inademt en het stof niet op uw huid komt. Volg de veiligheidsinstructies van de leverancier van het materiaal op.
19. **Draag altijd een stofmasker/ademhalingsapparaat dat geschikt is voor het materiaal en de toepassing waarmee u werkt.**
20. **Plaats het gereedschap op een stabiele plek.** Anders kan het gereedschap per ongeluk vallen en letsel veroorzaken.

BEWAAR DEZE INSTRUCTIES.

⚠ WAARSCHUWING: Laat u NIET misleiden door een vals gevoel van comfort en bekendheid met het gereedschap (na veelvuldig gebruik) en neem alle veiligheidsvoorschriften van het betreffende gereedschap altijd strikt in acht. **VERKEERD GEBRUIK** of het niet naleven van de veiligheidsvoorschriften in deze gebruiksaanwijzing kan leiden tot ernstig persoonlijk letsel.

BESCHRIJVING VAN DE FUNCTIES

⚠ LET OP: Controleer altijd of het gereedschap is uitgeschakeld en de stekker ervan uit het stopcontact is verwijderd alvorens de functies op het gereedschap te controleren of af te stellen.

Het uitstekende deel van het kantenfreesbit afstellen

Om het uitstekende deel van het bit af te stellen, draait u de klemschroef los en beweegt u de voet van het gereedschap naar wens omhoog of omlaag door de stelschroef te draaien. Na het afstellen, draait u de klemschroef stevig vast om de voet van het gereedschap vast te zetten.

► **Fig.1:** 1. Voet van het gereedschap
2. Schaalverdeling 3. Uitstekend deel van het bit 4. Klemschroef 5. Stelschroef

In- en uitschakelen

⚠ LET OP: Zorg er voor dat het gereedschap is uitgeschakeld, voordat u de stekker in het stopcontact steekt.

Om het gereedschap in te schakelen, zet u de aan-uitschakelaar in de stand I. Om het gereedschap uit te schakelen, zet u de aan-uitschakelaar in de stand O.

► **Fig.2:** 1. Aan-uitschakelaar

Elektronische functies

Het gereedschap is uitgerust met elektronische functies voor een eenvoudige bediening.

Indicatorlampje

► **Fig.3:** 1. Indicatorlampje

Het indicatorlampje brandt groen wanneer de stekker van het gereedschap in het stopcontact zit. Als het indicatorlampje niet brandt, kan het netsnoer of de regelaar stuk zijn. Als het indicatorlampje brandt, maar het gereedschap niet start ondanks dat het gereedschap ingeschakeld is, kunnen de koolborstels versleten zijn, of kan de regelaar, de motor of de aan-uitschakelaar kapot zijn.

Beveiliging tegen onbedoeld inschakelen

Het gereedschap kan niet worden ingeschakeld, terwijl de aan-uitschakelaar in de stand "I" (aan) staat, zelfs niet wanneer het gereedschap van stroom wordt voorzien. Op dat moment knippert het indicatorlampje rood en geeft aan dat de beveiligingsfunctie tegen onbedoeld herstarten in werking is getreden.

Om de beveiliging tegen onbedoeld inschakelen te deactiveren, zet u de aan-uitschakelaar terug in de stand "O" (uit).

Zachte-startfunctie

De functie zachte-start minimaliseert de startschok en laat het gereedschap geleidelijk opstarten.

MONTAGE

⚠ LET OP: Zorg altijd dat het gereedschap is uitgeschakeld en dat zijn stekker uit het stopcontact is verwijderd alvorens enig werk aan het gereedschap uit te voeren.

Een kantenfreesbit aanbrengen en verwijderen

⚠ LET OP: Draai de spankopmoer niet vast zonder dat een kantenfreesbit is aangebracht omdat anders de spankegel zal breken.

⚠ LET OP: Gebruik uitsluitend de sleutels die bij het gereedschap werden geleverd.

Steek het kantenfreesbit helemaal in de spankegel en draai de spankopmoer stevig vast met behulp van de twee sleutels. Om het bit te verwijderen, volgt u de procedure voor het aanbrengen in de omgekeerde volgorde.

► **Fig.4:** 1. Losdraaien 2. Vastdraaien 3. Vasthouden

BEDIENING

⚠ LET OP: Houd het gereedschap altijd met één hand stevig vast aan de behuizing. Raak het metalen deel niet aan.

1. Plaats de voet van het gereedschap op het werkstuk dat u wilt frezen, zonder dat het kantenfreesbit het werkstuk raakt.

2. Schakel het gereedschap in en wacht totdat het kantenfreesbit op volle snelheid draait.

3. Beweeg het gereedschap voorwaarts over het oppervlak van het werkstuk en houd daarbij de voet van het gereedschap vlak op het oppervlak van het werkstuk terwijl u het gereedschap voorwaarts beweegt totdat het frezen klaar is.

► **Fig.5**

Bij het frezen van de rand van het werkstuk moet het oppervlak van het werkstuk zich aan de linkerkant van het kantenfreesbit bevinden, gezien in de voortgangsrichting.

► **Fig.6:** 1. Werkstuk 2. Draairichting van het bit
3. Aanzicht vanaf de bovenkant van het gereedschap 4. Voortgangsrichting

Als u de langsgeleider of de trimgeleider gebruikt, zorgt u ervoor dat u deze langs de rechterkant houdt, gezien in de voortgangsrichting. Hierdoor blijft deze gelijklopen met de zijkant van het werkstuk.

► **Fig.7:** 1. Voortgangsrichting 2. Draairichting van het bit 3. Werkstuk 4. Langsgeleider

OPMERKING: Als u het gereedschap te snel voorwaarts beweegt, kan de snede van slechte kwaliteit zijn, of het kantenfreesbit of de motor worden beschadigd. Als u het gereedschap te langzaam voorwaarts beweegt, kan hierdoor de snede verbranden en lelijk worden. De juiste voortgangssnelheid is afhankelijk van de bitgrootte, het soort werkstuk en de freesdiepte. Alvorens in het eigenlijke werkstuk te werken, is het raadzaam eerst een proefsnede te maken in een stuk afvalhout. Zodoende kunt u precies zien hoe de snede eruit komt te zien en kunt u tevens de afmetingen controleren.

Malgeleider

In de malgeleider zit een gat waar het kantenfreesbit doorheen steekt, waardoor het mogelijk wordt om de kantenfrees te gebruiken met malpatronen.

► **Fig.8**

1. Draai de klemschroef los en verwijder vervolgens de geleiderhouder en de krullenvanger.

► **Fig.9:** 1. Klemschroef 2. Geleiderhouder 3. Krullenvanger

2. Draai de schroeven los en verwijder de voetbescherming.

► **Fig.10:** 1. Voetbescherming 2. Schroeven

3. Plaats de malgeleider op de voet van het gereedschap en breng de voetbescherming weer aan. Zet vervolgens de voetbescherming vast door de schroeven vast te draaien.

4. Bevestig de mal op het werkstuk. Plaats het gereedschap op de mal en beweeg het gereedschap terwijl de malgeleider langs de zijkant van de mal glijdt.

► **Fig.11:** 1. Kantenfreesbit 2. Voet van het gereedschap 3. Voetbescherming 4. Mal 5. Werkstuk 6. Malgeleider

OPMERKING: Het werkstuk wordt gefreesd op een iets andere grootte dan de mal. Zorg voor de afstand (X) tussen het kantenfreesbit en de buitenrand van de malgeleider. De afstand (X) kan worden berekend met behulp van de volgende vergelijking:

Afstand (X) = (buitendiameter van de malgeleider - diameter van het kantenfreesbit) / 2

Langsgeleider

De langsgeleider wordt gebruikt bij het rechthoekig frezen van een schuine kant.

► **Fig.12**

1. Bevestig de geleideplaat aan de langsgeleider met behulp van de bout en de vleugelmoer.

► **Fig.13:** 1. Bout 2. Geleideplaat 3. Langsgeleider 4. Vleugelmoer

2. Verwijder de geleiderhouder en de krullenvanger en bevestig daarna de langsgeleider met behulp van de klemschroef.

► **Fig.14:** 1. Klemschroef 2. Langsgeleider 3. Vleugelmoer 4. Voet van het gereedschap

3. Draai de vleugelmoer van de langsgeleider los en stel de afstand in tussen het kantenfreesbit en de langsgeleider. Draai op de gewenste afstand de vleugelmoer stevig vast.

4. Beweeg tijdens het frezen het gereedschap met de langsgeleider strak langs de zijkant van het werkstuk.

Trimgeleider

Trimmen, gebogen lijnen frezen in fineerhout voor meubels en dergelijke kunnen gemakkelijk worden gedaan met de trimgeleider. Het geleiderwiel rolt langs de gebogen freeslijn en zorgt zo voor een gave snede.

► **Fig.15**

1. Bevestig de krullenvanger in de groef in de voet van het gereedschap.

2. Breng de trimgeleider en geleiderhouder aan op de voet van het gereedschap met behulp van de klemschroef (A).

3. Draai de klemschroef (B) los en stel de afstand in tussen het kantenfreesbit en de trimgeleider door de stelschroef los te draaien (1 mm per omwenteling). Op de gewenste afstand, draai de klemschroef (B) vast om de trimgeleider op zijn plaats vast te zetten.

► **Fig.16:** 1. Stelschroef 2. Geleiderhouder 3. Trimgeleider 4. Krullenvanger

4. Beweeg tijdens het frezen het gereedschap zodanig dat het geleiderwiel langs de zijkant van het werkstuk rolt.

► **Fig.17:** 1. Werkstuk 2. Kantenfreesbit 3. Geleiderwiel

ONDERHOUD

⚠ ALET OP: Zorg altijd dat het gereedschap is uitgeschakeld en zijn stekker uit het stopcontact is verwijderd alvorens te beginnen met inspectie of onderhoud.

KENNISGEVING: Gebruik nooit benzine, wasbenzine, thinner, alcohol en dergelijke. Hierdoor kunnen verkleuring, vervormingen en barsten worden veroorzaakt.

Om de VEILIGHEID en BETROUWBAARHEID van het gereedschap te handhaven, dienen alle reparaties, onderhoud of afstellingen te worden uitgevoerd bij een erkend Makita-servicecentrum of de Makita-fabriek, en altijd met gebruik van Makita-ervangingsonderdelen.

De koolborstels vervangen

► **Fig.18:** 1. Slijtgrensmarkering

Controleer regelmatig de koolborstels. Vervang ze wanneer ze tot aan de slijtgrensmarkering versleten zijn. Houd de koolborstels schoon, zodat ze gemakkelijk in de houders glijden. Beide koolborstels dienen tegelijkertijd te worden vervangen. Gebruik uitsluitend identieke koolborstels.

1. Gebruik een schroevendraaier om de koolborsteldoppen te verwijderen.

2. Haal de versleten koolborstels eruit, schuif de nieuwe erin, en zet daarna de koolborsteldoppen weer goed vast.

► **Fig.19:** 1. Koolborsteldop

OPTIONELE ACCESSOIRES

⚠ LET OP: Deze accessoires of hulpstukken worden aanbevolen voor gebruik met het Makita gereedschap dat in deze gebruiksaanwijzing is beschreven. Bij gebruik van andere accessoires of hulpstukken bestaat het gevaar van persoonlijke letsel. Gebruik de accessoires of hulpstukken uitsluitend voor hun bestemde doel.

Wenst u meer bijzonderheden over deze accessoires, neem dan contact op met het plaatselijke Makita-servicecentrum.

OPMERKING: Sommige items op de lijst kunnen zijn inbegrepen in de doos van het gereedschap als standaard toebehoren. Deze kunnen van land tot land verschillen.

Kantenfreesbits

Vlaktgroefbit

► Fig.20

D	A	L1	L2
6	20	50	15
1/4"			
6	8	50	18
1/4"			
6	6	50	18
1/4"			

Eenheid: mm

U-groefbit

► Fig.21

D	A	L1	L2	R
6	6	60	28	3
1/4"				

Eenheid: mm

V-groefbit

► Fig.22

D	A	L1	L2	θ
1/4"	20	50	15	90°

Eenheid: mm

Afkantrimbit met boorpunt

► Fig.23

D	A	L1	L2	L3
6	6	60	18	28
1/4"				

Eenheid: mm

Dubbele afkantrimbit met boorpunt

► Fig.24

D	A	L1	L2	L3	L4
6	6	70	40	12	14
1/4"					

Eenheid: mm

Papegaaienbekbit

► Fig.25

D	A1	A2	L1	L2	L3	R
6	25	9	48	13	5	8
1/4"						
6	20	8	45	10	4	4
1/4"						

Eenheid: mm

Afschuinbit

► Fig.26

D	A	L1	L2	L3	θ
6	23	46	11	6	30°
6	20	50	13	5	45°
6	20	49	14	2	60°

Eenheid: mm

Kwartholprofielbit

► Fig.27

D	A	L1	L2	R
6	20	43	8	4
6	25	48	13	8

Eenheid: mm

Afkantrimbit met kogellager

► Fig.28

D	A	L1	L2
6	10	50	20
1/4"			

Eenheid: mm

Papegaaienbekbit met kogellager

► Fig.29

D	A1	A2	L1	L2	L3	R
6	15	8	37	7	3,5	3
6	21	8	40	10	3,5	6
1/4"	21	8	40	10	3,5	6

Eenheid: mm

Afschuinbit met kogellager**► Fig.30**

D	A1	A2	L1	L2	θ
6	26	8	42	12	45°
1/4"					
6	20	8	41	11	60°

Eenheid: mm

Kwartrondbit met kogellager**► Fig.31**

D	A1	A2	A3	L1	L2	L3	R
6	20	12	8	40	10	5,5	4
6	26	12	8	42	12	4,5	7

Eenheid: mm

Kwartholprofielbit met kogellager**► Fig.32**

D	A1	A2	A3	A4	L1	L2	L3	R
6	20	18	12	8	40	10	5,5	3
6	26	22	12	8	42	12	5	5

Eenheid: mm

Ojiefbit met kogellager**► Fig.33**

D	A1	A2	L1	L2	L3	R1	R2
6	20	8	40	10	4,5	2,5	4,5
6	26	8	42	12	4,5	3	6

Eenheid: mm

ESPECIFICACIONES

Modelo:	3711
Capacidad del mandril cónico	6,35 mm (1/4") o 6,0 mm
Velocidad sin carga	32.000 min ⁻¹
Altura total	211 mm
Peso neto	1,5 kg
Clase de seguridad	II

- Debido a nuestro continuado programa de investigación y desarrollo, las especificaciones aquí dadas están sujetas a cambios sin previo aviso.
- Las especificaciones pueden ser diferentes de país a país.
- Peso de acuerdo con el procedimiento EPTA 01/2014

Uso previsto

La herramienta ha sido prevista para recortar el borde de placas laminadas o de materiales similares.

Alimentación

La herramienta deberá ser conectada solamente a una fuente de alimentación de la misma tensión que la indicada en la placa de características, y solamente puede ser utilizada con alimentación de CA monofásica. La herramienta tiene doble aislamiento y puede, por lo tanto, utilizarse también en tomas de corriente sin conductor de tierra.

Ruido

El nivel de ruido A-ponderado típico determinado de acuerdo con la norma 62841-2-17:

Nivel de presión sonora (L_{pA}): 86 dB (A)

Nivel de potencia sonora (L_{WA}): 94 dB (A)

Error (K): 3 dB (A)

NOTA: El valor (o los valores) de emisión de ruido declarado ha sido medido de acuerdo con un método de prueba estándar y se puede utilizar para comparar una herramienta con otra.

NOTA: El valor (o valores) de emisión de ruido declarado también se puede utilizar en una valoración preliminar de exposición.

ADVERTENCIA: Póngase protectores para oídos.

ADVERTENCIA: La emisión de ruido durante la utilización real de la herramienta eléctrica puede variar del valor (o los valores) de emisión declarado dependiendo de las formas en las que la herramienta sea utilizada, especialmente qué tipo de pieza de trabajo se procesa.

ADVERTENCIA: Asegúrese de identificar medidas de seguridad para proteger al operario que estén basadas en una estimación de la exposición en las condiciones reales de utilización (teniendo en cuenta todas las partes del ciclo operativo como las veces cuando la herramienta está apagada y cuando está funcionando en vacío además del tiempo de gatillo).

Vibración

El valor total de la vibración (suma de vectores triaxiales) determinado de acuerdo con la norma 62841-2-17:

Modo de trabajo: giro sin carga

Emisión de vibración (a_{hv}): 2,5 m/s² o menos

Error (K): 1,5 m/s²

NOTA: El valor (o los valores) total de emisión de vibración declarado ha sido medido de acuerdo con un método de prueba estándar y se puede utilizar para comparar una herramienta con otra.

NOTA: El valor (o los valores) total de emisión de vibración declarado también se puede utilizar en una valoración preliminar de exposición.

ADVERTENCIA: La emisión de vibración durante la utilización real de la herramienta eléctrica puede variar del valor (o los valores) de emisión declarado dependiendo de las formas en las que la herramienta sea utilizada, especialmente qué tipo de pieza de trabajo se procesa.

ADVERTENCIA: Asegúrese de identificar medidas de seguridad para proteger al operario que estén basadas en una estimación de la exposición en las condiciones reales de utilización (teniendo en cuenta todas las partes del ciclo operativo como las veces cuando la herramienta está apagada y cuando está funcionando en vacío además del tiempo de gatillo).

Declaraciones de conformidad

Para países europeos solamente

Las declaraciones de conformidad están incluidas como Anexo A de este manual de instrucciones.

ADVERTENCIAS DE SEGURIDAD

Advertencias de seguridad para herramientas eléctricas en general

⚠️ ADVERTENCIA: Lea todas las advertencias de seguridad, instrucciones, ilustraciones y especificaciones provistas con esta herramienta eléctrica. Si no sigue todas las instrucciones indicadas abajo podrá resultar en una descarga eléctrica, un incendio y/o heridas graves.

Guarde todas las advertencias e instrucciones para futuras referencias.

El término "herramienta eléctrica" en las advertencias se refiere a su herramienta eléctrica de funcionamiento con conexión a la red eléctrica (con cable) o herramienta eléctrica de funcionamiento a batería (sin cable).

Advertencias de seguridad para la recortadora

1. Sujete la herramienta eléctrica por las superficies de asimiento aisladas solamente, porque la fresa puede entrar en contacto con su propio cable. Cortar un cable con corriente puede hacer que la corriente circule por las partes metálicas expuestas de la herramienta eléctrica y puede soltar una descarga eléctrica al operario.
2. Utilice mordazas u otros medios de sujeción prácticos para sujetar y apoyar la pieza de trabajo en una plataforma estable. Sujetada con su mano o contra el cuerpo, la pieza de trabajo estará inestable y podrá ocasionar la pérdida del control.
3. La espiga de la fresa debe corresponder con el mandril cónico diseñado.
4. Solamente utilice una fresa con capacidad al menos igual que la velocidad máxima marcada en la herramienta.
5. Póngase protección auditiva durante periodos prolongados de operación.
6. Maneje las fresas con mucho cuidado.
7. Inspeccione la fresa cuidadosamente para ver si tiene grietas o daños antes de comenzar la operación. Reemplace la fresa inmediatamente si está agrietada o dañada.
8. Evite cortar clavos. Inspeccione la pieza de trabajo por si tiene clavos y retírelos todos antes de empezar la operación.
9. Sujete la herramienta firmemente.
10. Mantenga las manos alejadas de las partes giratorias.

11. Asegúrese de que la fresa no está tocando la pieza de trabajo antes de activar el interruptor.
12. Antes de utilizar la herramienta en un pieza de trabajo definitiva, déjala funcionar durante un rato. Observe por si hay vibración o bamboleo que pueda indicar una instalación incorrecta de la fresa.
13. Tenga cuidado de la dirección de giro y dirección de avance de la fresa.
14. No deje la herramienta encendida. Téngala encendida solamente cuando la tenga en las manos.
15. Apague siempre la herramienta y espere hasta que la fresa se haya parado completamente antes de retirar la herramienta de la pieza de trabajo.
16. No toque la fresa inmediatamente después de la operación; podrá estar muy caliente y quemarle la piel.
17. No embadurne la base sin cuidado con disolvente, gasolina, aceite ni similares. Pueden ocasionar grietas en la base.
18. Algunos materiales contienen sustancias químicas que podrán ser tóxicas. Tenga precaución para evitar la inhalación de polvo y el contacto con la piel. Siga los datos de seguridad del abastecedor del material.
19. Utilice siempre la mascarilla contra el polvo/ respirador correcto para el material y la aplicación con que esté trabajando.
20. Coloque la herramienta sobre un área estable. De lo contrario, se podrá producir un accidente por caída y ocasionar heridas.

GUARDE ESTAS INSTRUCCIONES.

⚠️ ADVERTENCIA: NO deje que la comodidad o familiaridad con el producto (a base de utilizarlo repetidamente) sustituya la estricta observancia de las normas de seguridad para el producto en cuestión. El MAL USO o el no seguir las normas de seguridad establecidas en este manual de instrucciones podrá ocasionar graves heridas personales.

DESCRIPCIÓN DEL FUNCIONAMIENTO

⚠ PRECAUCIÓN: Asegúrese siempre de que la herramienta esté apagada y desenchufada antes de intentar realizar cualquier tipo de ajuste o comprobación en ella.

Ajuste de la protuberancia de la fresa

Para ajustar la protuberancia de la fresa, afloje el tornillo de fijación y mueva la base hacia arriba o hacia abajo como desee girando el tornillo de ajuste. Después de ajustar, apriete el tornillo de fijación firmemente para sujetar la base.

► **Fig.1:** 1. Base 2. Escala 3. Protuberancia de la fresa 4. Tornillo de fijación 5. Tornillo de ajuste

Accionamiento del interruptor

⚠ PRECAUCIÓN: Antes de enchufar la herramienta, asegúrese siempre de que la herramienta esté apagada.

Para poner en marcha la herramienta, mueva el interruptor de palanca hacia la posición I. Para detener la herramienta, mueva el interruptor de palanca hacia la posición O.

► **Fig.2:** 1. Interruptor de palanca

Función electrónica

La herramienta está equipada con funciones electrónicas para facilitar su funcionamiento.

Lámpara de indicación

► **Fig.3:** 1. Luz indicadora

La lámpara de indicación se ilumina en verde cuando la herramienta está enchufada. Si la lámpara de indicación no se ilumina, es posible que el cable de alimentación o el controlador esté defectuoso. Si la lámpara de indicación está iluminada pero la herramienta no se pone en marcha aunque la encienda, es posible que las escobillas de carbón estén gastadas, o que el controlador, el motor o el interruptor de encendido/apagado esté defectuoso.

Seguro contra puesta en marcha involuntaria

La herramienta no se pondrá en marcha con el interruptor de palanca en la posición I aunque la herramienta esté enchufada. En este momento, la lámpara de indicación parpadea en rojo y muestra que el dispositivo de seguro contra puesta en marcha involuntaria está en función activada. Para cancelar el seguro contra puesta en marcha involuntaria, vuelva a poner el interruptor de palanca en la posición O.

Característica de inicio suave

La característica de inicio suave minimiza el golpe del arranque, y permite a la herramienta ponerse en marcha suavemente.

MONTAJE

⚠ PRECAUCIÓN: Asegúrese siempre de que la herramienta esté apagada y desenchufada antes de realizar cualquier trabajo en la herramienta.

Instalación o desmontaje de la fresa

⚠ PRECAUCIÓN: No apriete la tuerca de casquillo sin insertar una fresa, o el casquillo cónico se romperá.

⚠ PRECAUCIÓN: Utilice solamente las llaves provistas con la herramienta.

Inserte la fresa a fondo en el casquillo cónico y apriete la tuerca de casquillo cónico firmemente con las dos llaves. Para retirar la fresa, siga el procedimiento de instalación a la inversa.

► **Fig.4:** 1. Aflojar 2. Apretar 3. Sujetar

OPERACIÓN

⚠ PRECAUCIÓN: Sujete siempre la herramienta firmemente con una mano en la carcasa. No toque la parte metálica.

1. Coloque la base sobre la pieza de trabajo que va a cortar sin que la fresa haga contacto alguno.
 2. Encienda la herramienta y espere hasta que la fresa adquiera plena velocidad.
 3. Mueva la herramienta hacia adelante sobre la superficie de la pieza de trabajo, manteniendo la base a ras y avanzando suavemente hasta completar el corte.
- **Fig.5**

Cuando se haga corte de bordes, la superficie de la pieza de trabajo deberá estar en el costado izquierdo de la fresa en la dirección de avance.

► **Fig.6:** 1. Pieza de trabajo 2. Dirección rotativa de la fresa 3. Vista desde la parte superior de la herramienta 4. Dirección de avance

Cuando utilice la guía recta o la guía de recorte, asegúrese de mantenerla en el lado derecho en la dirección de avance. Esto ayudará a mantenerla a ras con el costado de la pieza de trabajo.

► **Fig.7:** 1. Dirección de avance 2. Dirección rotativa de la fresa 3. Pieza de trabajo 4. Guía recta

NOTA: Mover la herramienta hacia adelante demasiado rápido puede ocasionar una mala calidad de corte, o daño a la fresa o el motor. Mover la herramienta hacia adelante muy despacio puede quemar y estropear el corte. La velocidad de avance adecuada dependerá del tamaño de la fresa, el tipo de pieza de trabajo y la profundidad de corte. Antes de comenzar el corte en la pieza de trabajo definitiva, es aconsejable hacer un corte de prueba en una pieza de madera de desecho. Esto mostrará exactamente cómo será el corte y también le permitirá comprobar las dimensiones.

Guía de plantilla

La guía de plantilla provee un agujero a través del cual pasa la fresa, permitiendo el uso de la recortadora con patrones de plantillas.

► **Fig.8**

1. Afloje el tornillo de fijación y después retire el soporte de guía y el deflector de virutas.
► **Fig.9:** 1. Tornillo de fijación 2. Soporte de guía 3. Deflector de virutas
2. Afloje los tornillos y retire el protector de la base.
► **Fig.10:** 1. Protector de la base 2. Tornillos
3. Ponga la guía de plantilla en la base, y ponga el protector de la base otra vez. Después asegure el protector de la base apretando los tornillos.
4. Sujete la plantilla en la pieza de trabajo. Ponga la herramienta sobre la plantilla y mueva la herramienta con la guía de plantilla deslizándose a lo largo del costado de la plantilla.
► **Fig.11:** 1. Fresa 2. Base 3. Protector de la base 4. Plantilla 5. Pieza de trabajo 6. Guía de plantilla

NOTA: La pieza de trabajo será cortada con un tamaño ligeramente diferente al de la plantilla. Tenga en cuenta la distancia (X) entre la fresa y el exterior de la guía de plantilla. La distancia (X) se puede calcular utilizando la ecuación siguiente:

Distancia (X) = (diámetro exterior de la guía de plantilla - diámetro de la fresa) / 2

Guía recta

La guía recta se utiliza de forma efectiva para cortes rectos cuando se achaflana.

► **Fig.12**

1. Coloque la placa guía en la guía recta con el perno y la tuerca de mariposa.
► **Fig.13:** 1. Perno 2. Placa guía 3. Guía recta 4. Tuerca de mariposa
2. Retire el soporte de guía y el deflector de virutas y después coloque la guía recta con el tornillo de fijación.
► **Fig.14:** 1. Tornillo de fijación 2. Guía recta 3. Tuerca de mariposa 4. Base
3. Afloje la tuerca de mariposa de la guía recta y ajuste la distancia entre la fresa y la guía recta. En la distancia deseada, apriete la tuerca de mariposa firmemente.
4. Cuando corte, mueva la herramienta con la guía recta a ras con el costado de la pieza de trabajo.

Guía de recorte

Los cortes de recorte y curvados en enchapados para muebles y por el estilo se pueden hacer fácilmente con la guía de recorte. El rodillo guía rueda por la curva y garantiza un corte fino.

► **Fig.15**

1. Coloque el deflector de virutas en la ranura de la base.
2. Instale la guía de recorte y el soporte de guía en la base con el tornillo de fijación (A).
3. Afloje el tornillo de fijación (B) y ajuste la distancia entre la fresa y la guía de recorte girando el tornillo de ajuste (1 mm por vuelta). En la distancia deseada, apriete el tornillo de fijación (B) para sujetar la guía de recorte en su sitio.
► **Fig.16:** 1. Tornillo de ajuste 2. Soporte de guía 3. Guía de recorte 4. Deflector de virutas
4. Cuando corte, mueva la herramienta con el rodillo guía rodando por el costado de la pieza de trabajo.
► **Fig.17:** 1. Pieza de trabajo 2. Fresa 3. Rodillo guía

MANTENIMIENTO

PRECAUCIÓN: Asegúrese siempre de que la herramienta está apagada y desenchufada antes de intentar realizar la inspección o el mantenimiento.

AVISO: No utilice nunca gasolina, bencina, disolvente, alcohol o similares. Podría producir descoloración, deformación o grietas.

Para mantener la SEGURIDAD y FIABILIDAD del producto, las reparaciones, y cualquier otra tarea de mantenimiento o ajuste deberán ser realizadas en centros de servicio o de fábrica autorizados por Makita, empleando siempre repuestos Makita.

Reemplazo de las escobillas de carbón

► **Fig.18:** 1. Marca de límite

Compruebe las escobillas de carbón regularmente. Reemplácelas cuando se hayan gastado hasta la marca límite. Mantenga las escobillas de carbón limpias de forma que entren libremente en los portaescobillas. Ambas escobillas de carbón deberán ser reemplazada al mismo tiempo. Utilice solamente escobillas de carbón idénticas.

1. Utilice un destornillador para retirar los tapones portaescobillas.
2. Extraiga las escobillas de carbón desgastadas, inserte las nuevas y sujete los tapones portaescobillas.
► **Fig.19:** 1. Tapón portaescobillas

ACCESORIOS OPCIONALES

⚠️ PRECAUCIÓN: Estos accesorios o aditamentos están recomendados para su uso con la herramienta Makita especificada en este manual. El uso de cualquier otro accesorio o aditamento puede suponer un riesgo de heridas personales. Utilice el accesorio o aditamento solamente con la finalidad indicada para el mismo.

Si necesita cualquier ayuda para más detalles en relación con estos accesorios, pregunte al centro de servicio Makita local.

NOTA: Algunos elementos de la lista podrán estar incluidos en el paquete de la herramienta como accesorios estándar. Pueden variar de un país a otro.

Fresas

Fresa recta ► Fig.20

D	A	L1	L2
6	20	50	15
1/4"			
6	8	50	18
1/4"			
6	6	50	18
1/4"			

Unidad: mm

Fresa en "U" ► Fig.21

D	A	L1	L2	R
6	6	60	28	3
1/4"				

Unidad: mm

Fresa en "V" ► Fig.22

D	A	L1	L2	θ
1/4"	20	50	15	90°

Unidad: mm

Fresa de recorte a ras con punta de broca ► Fig.23

D	A	L1	L2	L3
6	6	60	18	28
1/4"				

Unidad: mm

Fresa de recorte a ras doble con punta de broca ► Fig.24

D	A	L1	L2	L3	L4
6	6	70	40	12	14
1/4"					

Unidad: mm

Fresa de redondeado de esquinas ► Fig.25

D	A1	A2	L1	L2	L3	R
6	25	9	48	13	5	8
1/4"						
6	20	8	45	10	4	4
1/4"						

Unidad: mm

Fresa de chaflanado ► Fig.26

D	A	L1	L2	L3	θ
6	23	46	11	6	30°
6	20	50	13	5	45°
6	20	49	14	2	60°

Unidad: mm

Fresa de moldura redonda de media caña ► Fig.27

D	A	L1	L2	R
6	20	43	8	4
6	25	48	13	8

Unidad: mm

Fresa de recorte a ras con rodamiento ► Fig.28

D	A	L1	L2
6	10	50	20
1/4"			

Unidad: mm

Fresa de redondeado de esquinas con rodamiento ► Fig.29

D	A1	A2	L1	L2	L3	R
6	15	8	37	7	3,5	3
6	21	8	40	10	3,5	6
1/4"	21	8	40	10	3,5	6

Unidad: mm

Fresa de chaflanado con rodamiento**► Fig.30**

D	A1	A2	L1	L2	θ
6	26	8	42	12	45°
1/4"					
6	20	8	41	11	60°

Unidad: mm

Fresa de moldura redonda con rodamiento**► Fig.31**

D	A1	A2	A3	L1	L2	L3	R
6	20	12	8	40	10	5,5	4
6	26	12	8	42	12	4,5	7

Unidad: mm

Fresa de moldura redonda de media caña con rodamiento**► Fig.32**

D	A1	A2	A3	A4	L1	L2	L3	R
6	20	18	12	8	40	10	5,5	3
6	26	22	12	8	42	12	5	5

Unidad: mm

Fresa de gola romana con rodamiento**► Fig.33**

D	A1	A2	L1	L2	L3	R1	R2
6	20	8	40	10	4,5	2,5	4,5
6	26	8	42	12	4,5	3	6

Unidad: mm

ESPECIFICAÇÕES

Modelo:	3711
Capacidade da pinça de aperto	6,35 mm (1/4") ou 6,0 mm
Velocidade sem carga	32.000 min ⁻¹
Altura geral	211 mm
Peso líquido	1,5 kg
Classe de segurança	II/III

- Devido a um programa contínuo de pesquisa e desenvolvimento, estas especificações podem ser alteradas sem aviso prévio.
- As especificações podem variar de país para país.
- Peso de acordo com o Procedimento EPTA 01/2014

Utilização a que se destina

A ferramenta destina-se a aparar a extremidade de placas laminadas ou materiais semelhantes.

Alimentação

A ferramenta só deve ser ligada a uma fonte de alimentação com a mesma tensão da indicada na placa de características, e só funciona com alimentação de corrente alternada (CA) monofásica. Tem um sistema de isolamento duplo e pode, por isso, utilizar tomadas sem ligação à terra.

Ruído

A característica do nível de ruído A determinado de acordo com a 62841-2-17:

Nível de pressão acústica (L_{pA}): 86 dB (A)

Nível de potência acústica (L_{WA}): 94 dB (A)

Variabilidade (K): 3 dB (A)

NOTA: O(s) valor(es) da emissão de ruído indicado(s) foi medido de acordo com um método de teste padrão e pode ser utilizado para comparar duas ferramentas.

NOTA: O(s) valor(es) da emissão de ruído indicado(s) pode também ser utilizado na avaliação preliminar da exposição.

AVISO: Utilize protetores auriculares.

AVISO: A emissão de ruído durante a utilização real da ferramenta elétrica pode diferir do(s) valor(es) indicado(s), dependendo das formas como a ferramenta é utilizada, especialmente o tipo de peça de trabalho que é processada.

AVISO: Certifique-se de identificar as medidas de segurança para proteção do operador que sejam baseadas em uma estimativa de exposição em condições reais de utilização (considerando todas as partes do ciclo de operação, tal como quando a ferramenta está desligada e quando está a funcionar em marcha lenta além do tempo de acionamento).

Vibração

Valor total da vibração (soma vetorial tri-axial) determinado de acordo com a 62841-2-17:

Modo de trabalho: rotação sem carga

Emissão de vibração (a_h): 2,5 m/s² ou menos

Variabilidade (K): 1,5 m/s²

NOTA: O(s) valor(es) total(ais) de vibração indicado(s) foi medido de acordo com um método de teste padrão e pode ser utilizado para comparar duas ferramentas.

NOTA: O(s) valor(es) total(ais) de vibração indicado(s) pode também ser utilizado na avaliação preliminar da exposição.

AVISO: A emissão de vibração durante a utilização real da ferramenta elétrica pode diferir do(s) valor(es) indicado(s), dependendo das formas como a ferramenta é utilizada, especialmente o tipo de peça de trabalho que é processada.

AVISO: Certifique-se de identificar as medidas de segurança para proteção do operador que sejam baseadas em uma estimativa de exposição em condições reais de utilização (considerando todas as partes do ciclo de operação, tal como quando a ferramenta está desligada e quando está a funcionar em marcha lenta além do tempo de acionamento).

Declarações de conformidade

Apenas para os países europeus

As Declarações de conformidade estão incluídas no Anexo A deste manual de instruções.

AVISOS DE SEGURANÇA

Avisos gerais de segurança para ferramentas elétricas

AVISO: Leia todos os avisos de segurança, instruções, ilustrações e especificações fornecidos com esta ferramenta elétrica. O não cumprimento de todas as instruções indicadas em baixo pode resultar em choque elétrico, incêndio e/ou ferimentos graves.

Guarde todos os avisos e instruções para futuras referências.

O termo "ferramenta elétrica" nos avisos refere-se às ferramentas elétricas ligadas à corrente elétrica (com cabo) ou às ferramentas elétricas operadas por meio de bateria (sem cabo).

Avisos de segurança da túpia

1. **Segure a ferramenta elétrica apenas pelas superfícies de agarramento isoladas, porque o cortador pode entrar em contacto com o seu próprio cabo.** Cortar um fio sob tensão poderá colocar peças metálicas expostas da ferramenta elétrica sob tensão e pode causar um choque elétrico no operador.
2. **Utilize braçadeiras ou outra forma prática de fixar e suportar a peça de trabalho numa plataforma estável.** Segurar a peça de trabalho com a mão ou contra o corpo deixa-a instável e pode levar a perda de controlo.
3. **A haste da cabeça da túpia tem de corresponder à pinça de aperto concebida.**
4. **Utilize apenas uma cabeça da túpia com uma classificação de, pelo menos, igual à velocidade máxima marcada na ferramenta.**
5. **Use proteções auriculares durante períodos alargados de operação.**
6. **Manuseie as cabeças da túpia com muito cuidado.**
7. **Verifique a cabeça da túpia cuidadosamente para ver se tem rachas ou danos antes da operação.** Substitua imediatamente as cabeças rachadas ou danificadas.
8. **Evite cortar pregos.** Inspeccione e remova todos os pregos da peça de trabalho antes da operação.
9. **Segure a ferramenta com firmeza.**
10. **Mantenha as mãos afastadas das peças rotativas.**
11. **Certifique-se de que a cabeça da túpia não está em contacto com a peça de trabalho antes de ligar o interruptor.**
12. **Antes de utilizar a ferramenta numa peça de trabalho real, deixe-a funcionar durante algum tempo.** Verifique se sente vibrações ou flutuações que possam indicar uma cabeça mal instalada.
13. **Tenha cuidado com a direção de rotação da cabeça da túpia e com a direção de alimentação.**
14. **Não deixe a ferramenta a funcionar.** Opere a ferramenta apenas quando a tem na mão.
15. **Desligue sempre a ferramenta e espere que a cabeça da túpia pare completamente antes de remover a ferramenta da peça de trabalho.**
16. **Não toque na cabeça da túpia imediatamente a seguir à operação.** Pode estar extremamente quente e provocar queimaduras na sua pele.
17. **Não espalhe diluente, gasolina, óleo ou outro produto semelhante descuidadamente na base.** Estes produtos podem provocar fissuras na base.
18. **Alguns materiais contêm produtos químicos que podem ser tóxicos.** Tome cuidado para evitar a inalação de poeiras e o contacto com a pele. Siga os dados de segurança do fornecedor do material.
19. **Utilize sempre a máscara/respirador contra poeira adequado ao material e à aplicação com que está a trabalhar.**

20. **Coloque a ferramenta numa área estável.** Caso contrário, pode ocorrer um acidente de queda e causar ferimentos.

GUARDE ESTAS INSTRUÇÕES.

⚠️AVISO: NÃO permita que o conforto ou familiaridade com o produto (adquirido com o uso repetido) substitua o cumprimento estrito das regras de segurança da ferramenta. A MÁ INTERPRETAÇÃO ou o não seguimento das regras de segurança estabelecidas neste manual de instruções pode provocar ferimentos pessoais graves.

DESCRIÇÃO FUNCIONAL

⚠️PRECAUÇÃO: Certifique-se sempre de que a ferramenta está desligada e com a ficha retirada da tomada, antes de proceder a afinações ou de verificar o funcionamento da respetiva ferramenta.

Ajustar a protrusão da cabeça da túpia

Para ajustar a protrusão da cabeça, solte o parafuso de fixação e mova a base para cima ou para baixo conforme pretendido rodando o parafuso de ajuste. Depois de ajustar, aperte firmemente o parafuso de fixação para fixar a base.

- Fig.1: 1. Base 2. Régua 3. Protrusão da cabeça 4. Parafuso de fixação 5. Parafuso de ajuste

Ação do interruptor

⚠️PRECAUÇÃO: Antes de ligar a ficha certifique-se sempre de que a ferramenta está desligada.

Para pôr a ferramenta a funcionar, mova a alavanca do interruptor para a posição I. Para parar a ferramenta a funcionar, mova a alavanca do interruptor para a posição O.

- Fig.2: 1. Alavanca do interruptor

Função eletrónica

A ferramenta está equipada com as funções eletrónicas para fácil operação.

Luz indicadora

- Fig.3: 1. Luz indicadora

A luz indicadora acende a verde quando a ferramenta é ligada. Se a luz indicadora não acender, o cabo de alimentação ou o controlador pode estar com defeito. Se a luz indicadora está acesa, mas a ferramenta não arranca mesmo que a ferramenta esteja ligada, as escovas de carvão podem estar gastas ou o controlador, o motor ou o interruptor de ligar/desligar pode estar com defeito.

Dispositivo à prova de reinício acidental

A ferramenta não arranca com a alavanca do interruptor na posição I, mesmo quando a ferramenta está ligada. Nesta altura, a luz indicadora pisca a vermelho e mostra que o dispositivo à prova de reinício acidental está a funcionar. Para cancelar o dispositivo à prova de reinício acidental, volte a colocar a alavanca do interruptor na posição O.

Funcionalidade de arranque suave

A funcionalidade de arranque suave minimiza o choque do arranque e torna o arranque da ferramenta suave.

MONTAGEM

⚠️ PRECAUÇÃO: Certifique-se sempre de que a ferramenta está desligada e com a ficha retirada da tomada antes de executar quaisquer trabalhos na ferramenta.

Instalar ou remover a cabeça da tupa

⚠️ PRECAUÇÃO: Não aperte a porca de aperto sem inserir uma cabeça da tupa, caso contrário, o cone de aperto parte-se.

⚠️ PRECAUÇÃO: Utilize apenas as chaves fornecidas com a ferramenta.

Insira a cabeça da tupa até ao fim dentro do cone de aperto e aperte a porca de aperto em segurança com as duas chaves. Para remover a cabeça, siga o procedimento de instalação pela ordem inversa.

► **Fig.4:** 1. Soltar 2. Apertar 3. Manter

OPERAÇÃO

⚠️ PRECAUÇÃO: Segure sempre a ferramenta firmemente com uma mão sobre a caixa. Não toque na parte metálica.

1. Coloque a base na peça de trabalho a cortar sem que a cabeça da tupa estabeleça qualquer contacto.
 2. Ligue a ferramenta e aguarde até a cabeça da tupa atingir a velocidade máxima.
 3. Mova a ferramenta para a frente sobre a superfície da peça de trabalho, mantendo a base à face e avançando suavemente até o corte estar completo.
- **Fig.5**

Quando se realizam cortes de extremidades, a superfície da peça de trabalho deve estar no lado esquerdo da cabeça da tupa na direção de alimentação.

► **Fig.6:** 1. Peça de trabalho 2. Direção de rotação da cabeça 3. Vista a partir do topo da ferramenta 4. Direção de alimentação

Quando se utiliza a guia reta ou a guia da tupa, certifique-se de que a mantém no lado direito na direção de alimentação. Isto ajudará a mantê-la à face da parte lateral da peça de trabalho.

► **Fig.7:** 1. Direção de alimentação 2. Direção de rotação da cabeça 3. Peça de trabalho 4. Guia reta

NOTA: Mover a ferramenta para a frente demasiado depressa pode provocar cortes de má qualidade ou danificar a cabeça da tupa ou o motor. Mover a ferramenta para a frente devagar demais pode queimar e danificar o corte. A taxa de alimentação adequada depende do tamanho da cabeça, do tipo de peça de trabalho e da profundidade do corte. Antes de começar o corte na peça de trabalho, é aconselhável realizar um corte de amostragem num pedaço de desperdício de madeira. Assim ficará a saber exatamente qual será o aspeto do corte, bem como lhe permitirá verificar as dimensões.

Guia do molde

A guia do molde proporciona uma manga através da qual a cabeça da tupa passa, permitindo a utilização da ferramenta com padrões de moldes.

► **Fig.8**

1. Solte o parafuso de fixação e, depois, retire o suporte da guia e o defletor de aparas.
- **Fig.9:** 1. Parafuso de fixação 2. Suporte da guia 3. Defletor de aparas
2. Solte os parafusos e remova o protetor da base.
- **Fig.10:** 1. Protetor da base 2. Parafusos
3. Coloque a guia do molde na base e coloque novamente o protetor da base. Depois, fixe o protetor da base apertando os parafusos.
4. Fixe o molde à peça de trabalho. Coloque a ferramenta no molde e mova-a com a guia do molde a deslizar ao longo da parte lateral do molde.
- **Fig.11:** 1. Cabeça da tupa 2. Base 3. Protetor da base 4. Molde 5. Peça de trabalho 6. Guia do molde

NOTA: A peça de trabalho será cortada com um tamanho ligeiramente diferente do molde. Deixe uma distância (X) entre a cabeça da tupa e a parte exterior da guia do molde. A distância (X) pode ser calculada utilizando a seguinte equação:

Distância (X) = (diâmetro externo da guia do molde - diâmetro da cabeça da tupa) / 2

Guia reta

A guia reta é utilizada eficazmente para cortes retos durante a chanfragem.

► **Fig.12**

1. Anexe a chapa guia à guia reta com o perno e a porca de orelhas.
- **Fig.13:** 1. Perno 2. Chapa guia 3. Guia reta 4. Porca de orelhas
2. Remova o suporte da guia e o defletor de aparas, depois, anexe a guia reta com o parafuso de fixação.
- **Fig.14:** 1. Parafuso de fixação 2. Guia reta 3. Porca de orelhas 4. Base
3. Solte a porca de orelhas na guia reta e ajuste a distância entre a cabeça da tupa e a guia reta. Quando atingir a distância pretendida, aperte a porca de orelhas em segurança.
4. Quando cortar, mova a ferramenta com a guia reta à face da parte lateral da peça de trabalho.

Guia da túpia

É fácil rebarbar, realizar cortes curvos em laminados para peças de mobiliário e outros do género com a guia da túpia. O rolo da guia faz a curva e garante um corte perfeito.

► Fig.15

1. Anexe o defletor de aparas na ranhura da base.
2. Instale a guia da túpia e o suporte da guia na base com o parafuso de fixação (A).
3. Solte o parafuso de fixação (B) e ajuste a distância entre a cabeça da túpia e a guia da túpia rodando o parafuso de ajuste (1 mm por volta). À distância pretendida, aperte o parafuso de fixação (B) para fixar a guia da túpia no lugar.

► Fig.16: 1. Parafuso de ajuste 2. Suporte da guia
3. Guia da túpia 4. Defletor de aparas

4. Quando cortar, mova a ferramenta com o rolo da guia a rolar na parte lateral da peça de trabalho.

► Fig.17: 1. Peça de trabalho 2. Cabeça da túpia
3. Rolo da guia

MANUTENÇÃO

PRECAUÇÃO: Certifique-se sempre de que a ferramenta está desligada e com a ficha retirada da tomada antes de tentar proceder à inspeção ou à manutenção.

OBSERVAÇÃO: Nunca utilize gasolina, benzina, diluente, álcool ou produtos semelhantes. Pode ocorrer a descoloração, deformação ou rachaduras.

Para manter a SEGURANÇA e a FIABILIDADE do produto, as reparações e qualquer outra manutenção ou ajuste devem ser levados a cabo pelos centros de assistência Makita autorizados ou pelos centros de assistência de fábrica, utilizando sempre peças de substituição Makita.

Substituição das escovas de carvão

► Fig.18: 1. Marca limite

Verifique regularmente as escovas de carvão. Substitua-as quando estiverem gastas até à marca limite. Mantenha as escovas de carvão limpas e a deslizar nos suportes. As duas escovas de carvão devem ser substituídas ao mesmo tempo. Só utilize escovas de carvão idênticas.

1. Utilize uma chave de parafusos para retirar as tampas do suporte das escovas.
2. Retire as escovas de carvão usadas, coloque as novas e prenda as tampas do suporte das escovas.

► Fig.19: 1. Tampa do suporte das escovas

ACESSÓRIOS OPCIONAIS

PRECAUÇÃO: Estes acessórios ou peças são recomendados para utilização com a ferramenta Makita especificada neste manual. A utilização de outros acessórios ou peças pode ser perigosa para as pessoas. Utilize apenas acessórios ou peças para os fins indicados.

Se necessitar de informações adicionais relativas a estes acessórios, solicite-as ao seu centro de assistência Makita.

NOTA: Alguns itens da lista podem estar incluídos na embalagem da ferramenta como acessórios padrão. Eles podem variar de país para país.

Cabeças da túpia

Cabeça reta

► Fig.20

D	A	L1	L2
6	20	50	15
1/4"			
6	8	50	18
1/4"			
6	6	50	18
1/4"			

Unidade: mm

Cabeça de ranhuragem em U

► Fig.21

D	A	L1	L2	R
6	6	60	28	3
1/4"				

Unidade: mm

Cabeça de ranhuragem em V

► Fig.22

D	A	L1	L2	θ
1/4"	20	50	15	90°
6				

Unidade: mm

Cabeça de rebarbamento à face do ponto de perfuração

► Fig.23

D	A	L1	L2	L3
6	6	60	18	28
1/4"				

Unidade: mm

Cabeça de rebarbamento à face do duplo ponto de perfuração

► Fig.24

D	A	L1	L2	L3	L4
6	6	70	40	12	14
1/4"					

Unidade: mm

Cabeça para arredondamento de cantos

► Fig.25

D	A1	A2	L1	L2	L3	R
6	25	9	48	13	5	8
1/4"						
6	20	8	45	10	4	4
1/4"						

Unidade: mm

Cabeça de chanfragem

► Fig.26

D	A	L1	L2	L3	θ
6	23	46	11	6	30°
6	20	50	13	5	45°
6	20	49	14	2	60°

Unidade: mm

Cabeça de rebordos de ansa

► Fig.27

D	A	L1	L2	R
6	20	43	8	4
6	25	48	13	8

Unidade: mm

Cabeça de rebarbamento à face com rolamento de esferas

► Fig.28

D	A	L1	L2
6	10	50	20
1/4"			

Unidade: mm

Cabeça de arredondamento de cantos com rolamento de esferas

► Fig.29

D	A1	A2	L1	L2	L3	R
6	15	8	37	7	3,5	3
6	21	8	40	10	3,5	6
1/4"	21	8	40	10	3,5	6

Unidade: mm

Cabeça de chanfragem com rolamento de esferas

► Fig.30

D	A1	A2	L1	L2	θ
6	26	8	42	12	45°
1/4"					
6	20	8	41	11	60°

Unidade: mm

Cabeça de rebordos com rolamento de esferas

► Fig.31

D	A1	A2	A3	L1	L2	L3	R
6	20	12	8	40	10	5,5	4
6	26	12	8	42	12	4,5	7

Unidade: mm

Cabeça de rebordos de ansa com rolamento de esferas

► Fig.32

D	A1	A2	A3	A4	L1	L2	L3	R
6	20	18	12	8	40	10	5,5	3
6	26	22	12	8	42	12	5	5

Unidade: mm

Cabeça de asa em arco duplo romano com rolamento de esferas

► Fig.33

D	A1	A2	L1	L2	L3	R1	R2
6	20	8	40	10	4,5	2,5	4,5
6	26	8	42	12	4,5	3	6

Unidade: mm

SPECIFIKATIONER

Model:	3711
Kapacitet af indsatspatron	6,35 mm (1/4") eller 6,0 mm
Hastighed uden belastning	32.000 min ⁻¹
Samlet højde	211 mm
Nettovægt	1,5 kg
Sikkerhedsklasse	□/II

- På grund af vores kontinuerlige forsknings- og udviklingsprogrammer kan hosstående specifikationer blive ændret uden varsel.
- Specifikationer kan variere fra land til land.
- Vægt i henhold til EPTA-procedure 01/2014

Tilsigtet anvendelse

Maskinen er beregnet til tilskæring af kanten på laminatplader og lignende materialer.

Strømforsyning

Maskinen må kun tilsluttes en strømforsyning med samme spænding som angivet på typeskiltet og kan kun anvendes på enfaset vekselstrømforsyning. Den er dobbeltisoleret og kan derfor også tilsluttes netstik uden jordforbindelse.

Støj

Det typiske A-vægtede støjniveau bestemt i overensstemmelse med 62841-2-17:

Lydtryksniveau (L_{PA}) : 86 dB (A)

Lydeffektniveau (L_{WA}) : 94 dB (A)

Usikkerhed (K): 3 dB (A)

BEMÆRK: De(n) angivne støjemissionsværdi(er) er målt i overensstemmelse med en standardtestmetode og kan anvendes til at sammenligne en maskine med en anden.

BEMÆRK: De(n) angivne støjemissionsværdi(er) kan også anvendes i en præliminær eksponeringsvurdering.

⚠ ADVARSEL: Bær høreværn.

⚠ ADVARSEL: Støjemissionen under den faktiske anvendelse af maskinen kan være forskellig fra de(n) angivne værdi(er), afhængigt af den måde hvorpå maskinen anvendes, især den type arbejdssemne der behandles.

⚠ ADVARSEL: Sørg for at identificere de sikkerhedsforskrifter til beskyttelse af operatøren, som er baseret på en vurdering af eksponering under de faktiske brugsforhold (med hensyntagen til alle dele i brugscyklussen, f.eks. de gange, hvor maskinen er slukket, og når den kører i tomgang i tilgift til afbrydertiden).

Vibration

Vibrationens totalværdi (tre-aksial vektorsum) bestemt i overensstemmelse med 62841-2-17:

Arbejdstilstand: rotation uden belastning

Vibrationsemission (a_h): 2,5 m/s² eller mindre

Usikkerhed (K): 1,5 m/s²

BEMÆRK: De(n) angivne totalværdi(er) for vibration er målt i overensstemmelse med en standardtestmetode og kan anvendes til at sammenligne en maskine med en anden.

BEMÆRK: De(n) angivne totalværdi(er) for vibration kan også anvendes i en præliminær eksponeringsvurdering.

⚠ ADVARSEL: Vibrationsemissionen under den faktiske anvendelse af maskinen kan være forskellig fra de(n) angivne værdi(er), afhængigt af den måde hvorpå maskinen anvendes, især den type arbejdssemne der behandles.

⚠ ADVARSEL: Sørg for at identificere de sikkerhedsforskrifter til beskyttelse af operatøren, som er baseret på en vurdering af eksponering under de faktiske brugsforhold (med hensyntagen til alle dele i brugscyklussen, f.eks. de gange, hvor maskinen er slukket, og når den kører i tomgang i tilgift til afbrydertiden).

Overensstemmelseserklæringer

Kun for lande i Europa

Overensstemmelseserklæringerne er inkluderet i Bilag A i denne brugsanvisning.

SIKKERHEDSADVARSLER

Almindelige sikkerhedsregler for el-værktøj

⚠ ADVARSEL: Læs alle de sikkerhedsadvarsler, instruktioner, illustrationer og specifikationer, der følger med denne maskine. Forsømmelse af at overholde alle nedenstående instruktioner kan medføre elektrisk stød, brand og/eller alvorlig personskade.

Gem alle advarsler og instruktioner til fremtidig reference.

Ordet "el-værktøj" i advarslerne henviser til det netforsyede (netledning) el-værktøj eller batteriforsyede (akku) el-værktøj.

Sikkerhedsadvarsler for overfræser

1. Hold kun maskinen i de isolerede gribeblade, da skæreren kan komme i kontakt med sin egen ledning. Hvis der skæres i en strømførende ledning, kan udsatte metaldele på maskinen også blive strømførende, hvorved operatøren kan få elektrisk stød.
2. Brug skruetvinger eller en anden praktisk måde til at fastgøre og understøtte arbejdsemnet til en stabil platform. Hvis arbejdsemnet holdes i hånden eller mod kroppen, er det ustabil, hvilket kan medføre, at du mister kontrollen.
3. Overfræserbitskafet skal matche den designede spændepatron.
4. Brug kun en overfræserbit, der er vurderet til mindst den maksimale hastighed, der er angivet på maskinen.
5. Bær høreværn ved længere tids brug.
6. Hånder overfræserbits yderst forsigtigt.
7. Kontroller overfræserbitten omhyggeligt for revner eller beskadigelse før brugen. Udskift øjeblikkeligt en revnet eller beskadiget bit.
8. Undgå at skære i søm. Se efter og fjern alle søm fra arbejdsemnet, før arbejdet påbegyndes.
9. Hold godt fast i maskinen.
10. Hold hænderne på afstand af roterende dele.
11. Sørg for, at overfræserbitten ikke er i kontakt med arbejdsemnet, før der tændes ved kontakten.
12. Lad maskinen køre et stykke tid, før den anvendes på et egentligt arbejdsemne. Se efter vibration eller rysten, der kan tyde på en forkert monteret bit.
13. Vær opmærksom på overfræserbittens rotationsretning og fremføringsretningen.
14. Lad ikke maskinen køre. Brug kun maskinen, når den holdes i hænderne.
15. Sluk altid, og vent, til overfræserbitten er helt stoppet, før maskinen fjernes fra arbejdsemnet.
16. Undlad at berøre overfræserbitten umiddelbart efter brugen. Den kan være meget varm og kan forårsage forbrændinger.
17. Undgå at smøre foden skødesløst med fortynder, benzin, olie eller lignende. De kan forårsage revner i foden.
18. Nogle materialer indeholder kemikalier, der kan være giftige. Sørg omhyggeligt for at undgå indånding af støv samt kontakt med huden. Følg materialeleverandørens sikkerhedsdata.
19. Anvend altid korrekt støvmaske/ånde-rætsværn til det materiale og anvendelsesformål, du arbejder med.
20. Placer maskinen på et stabilt område. Ellers kan der forekomme en faldulykke, der forårsager personskaade.

GEM DISSE FORSKRIFTER.

⚠ ADVARSEL: LAD IKKE bekvemmelighed eller kendskab til produktet (opnået gennem gentagen brug) forhindre, at sikkerhedsforskrifterne for produktet nøje overholdes. MISBRUG eller for-sømmelse af at følge de i denne brugsvejledning givne sikkerhedsforskrifter kan medføre alvorlig personskaade.

FUNKTIONSBESKRIVELSE

⚠ FORSIGTIG: Kontrollér altid, at maskinen er slået fra, og at netstikket er trukket ud, før der udføres justeringer, eller funktioner kontrolleres på maskinen.

Justering af overfræserbittens fremspring

Hvis du vil justere bittens fremspring, skal du løse blokeringsskruen og flytte foden op eller ned efter behov ved at dreje justeringsskruen. Efter justeringen tilspændes blokeringsskruen fast for at fastgøre foden.

► **Fig.1:** 1. Fod 2. Skala 3. Bittens fremspring 4. Blokeringsskrue 5. Justeringsskrue

Afbryderfunktion

⚠ FORSIGTIG: Sørg altid for, at der er slukket for maskinen, før maskinen sættes i stikkontakten.

Flyt afbryderhåndtaget til I-positionen for at starte maskinen. Flyt afbryderhåndtaget til O-positionen for at stoppe maskinen.

► **Fig.2:** 1. Afbryderhåndtag

Elektronisk funktion

Maskinen er udstyret med elektroniske funktioner for nem betjening.

Indikatorlampe

► **Fig.3:** 1. Indikatorlampe

Indikatorlampen lyser grønt, når maskinen er tilsluttet. Hvis indikatorlampen ikke lyser, kan netledningen eller kontrolløren være defekt. Hvis indikatorlampen er tændt, men maskinen ikke starter, selvom der er tændt for maskinen, kan kulbørsterne være slidte, eller kontrolløren, motoren eller TÆND/SLUK-knappen kan være defekt.

Sikring mod utilsigtet start

Maskinen starter ikke med afbryderhåndtaget i I-position, selv når maskinen er tilsluttet. I så fald blinker indikatorlampen rødt og viser, at sikringsenheden mod utilsigtet start er aktiveret. For at annullere sikringen mod utilsigtet start skal du sætte afbryderhåndtaget tilbage i position O igen.

Funktion til blød start

Funktionen til blød start minimerer opstartsstød og får maskinen til at starte blødt.

SAMLING

⚠️FORSIGTIG: Sørg altid for, at maskinen er slukket og taget ud af forbindelse, inden der udføres nogen form for arbejde på maskinen.

Montering eller afmontering af overfræserbitten

⚠️FORSIGTIG: Undlad at stramme patronmøtrikken uden at indsætte en overfræserbit, da patronkeglen ellers vil gå i stykker.

⚠️FORSIGTIG: Brug kun de medfølgende skruenøgler til maskinen.

Sæt overfræserbitten helt ind i patronkeglen, og stram patronmøtrikken forsvarligt med de to skruenøgler. Følg monteringsproceduren i omvendt rækkefølge for at afmontere bitten.

► **Fig.4:** 1. Løsn 2. Stram 3. Hold

ANVENDELSE

⚠️FORSIGTIG: Hold altid godt fast i maskinen med den ene hånd på huset. Rør ikke ved metaldelen.

1. Sæt foden på det arbejdsemne, der skal skæres, uden at overfræserbitten kommer i kontakt.
 2. Tænd for maskinen, og vent, til overfræserbitten har nået fuld hastighed.
 3. Flyt maskinen fremad hen over arbejdsemnets overflade, idet foden holdes plant, og der flyttes fremad med jævnt hastighed, indtil skæringen er færdig.
- **Fig.5**

Ved skæring af kanter skal arbejdsemnets overflade være på venstre side af overfræserbitten i fremføringsretningen.

► **Fig.6:** 1. Arbejdsemne 2. Bittens omdrejningsretning 3. Set fra toppen af maskinen 4. Fremføringsretning

Ved brug af det lige styr eller tilskæringsstyret skal du sørge for at holde det i højre side i fremføringsretningen. Dette hjælper med at holde det justeret i forhold til siden af arbejdsemnet.

► **Fig.7:** 1. Fremføringsretning 2. Bittens omdrejningsretning 3. Arbejdsemne 4. Lige styr

BEMÆRK: Hvis maskinen føres fremad for hurtigt, kan det medføre et dårligt snit eller beskadigelse af overfræserbitten eller motoren. Hvis maskinen flyttes for langsomt fremad, kan snittet blive brændt og ødelagt. Den korrekte fremføringshastighed afhænger af bitstørrelsen, typen af arbejdsemnet og skæredybden. Før du starter snittet i det faktiske arbejdsemne, tilrådes det at foretage et prøvesnit i et stykke affaldstræ. Dette viser, nøjagtigt hvordan snittet vil se ud, og du kan kontrollere dimensionerne.

Skabelonstyr

Skabelonstyret skaber en muffe, som overfræserbitten går igennem, så maskinen kan anvendes sammen med skabelonmønstre.

► **Fig.8**

1. Løsn blokeringsskrue, og fjern derefter styrholderen og spånskærmen.

► **Fig.9:** 1. Blokeringskrue 2. Styrholder 3. Spånskærm

2. Løsn skrue, og fjern fodbeskytteren.

► **Fig.10:** 1. Fodbeskytter 2. Skrue

3. Placer skabelonstyret på foden, og placer fodbeskytteren igen. Fastgør derefter fodbeskytteren ved at stramme skrue.

4. Fastgør skabelonen til arbejdsemnet. Placer maskinen på skabelonen, og flyt maskinen, så skabelonstyret glider langs siden af skabelonen.

► **Fig.11:** 1. Overfræserbit 2. Fod 3. Fodbeskytter 4. Skabelon 5. Arbejdsemne 6. Skabelonstyr

BEMÆRK: Arbejdsemnet skæres i en lidt anden størrelse end skabelonen. Tag højde for afstanden (X) mellem overfræserbitten og ydersiden af skabelonstyret. Afstanden (X) kan beregnes ved hjælp af følgende ligning:

Afstand (X) = (den udvendige diameter af skabelonstyret - diameteren af overfræserbitten) / 2

Lige styr

Det lige styr anvendes effektivt til lige snit i forbindelse med skræfåsning.

► **Fig.12**

1. Monter styrpladen på det lige styr ved hjælp af bolt og vingemøtrikken.

► **Fig.13:** 1. Bolt 2. Styrplade 3. Lige styr 4. Vingemøtrik

2. Fjern styrholderen og spånskærmen, og monter derefter det lige styr med blokeringsskrue.

► **Fig.14:** 1. Blokeringskrue 2. Lige styr 3. Vingemøtrik 4. Fod

3. Løsn vingemøtrikken på det lige styr, og juster afstanden mellem overfræserbitten og det lige styr. Tilspænd vingemøtrikken fast i den ønskede afstand.

4. Ved skæring skal du flytte maskinen, så det lige styr flugter med siden af arbejdsemnet.

Tilskæringsstyr

Tilskæring, kurvede snit i finer til møbler og lignende er let at foretage med tilskæringsstyret. Styrrullen rider på kurven og sikrer et fint snit.

► **Fig.15**

1. Monter spånskærmen på rillen i foden.

2. Monter tilskæringsstyret og styrholderen på foden med blokeringsskrue (A).

3. Løsn blokeringsskrue (B), og juster afstanden mellem overfræserbitten og tilskæringsstyret ved at dreje justeringskrue (1 mm pr. omgang). Tilspænd blokeringskrue (B) ved den ønskede afstand for at holde tilskæringsstyret på plads.

► **Fig.16:** 1. Justeringskrue 2. Styrholder 3. Tilskæringsstyr 4. Spånskærm

4. Ved skæring skal du flytte maskinen, så styrrullen rider på siden af arbejdsemnet.

► **Fig.17:** 1. Arbejdsemne 2. Overfræserbit 3. Styrrulle

VEDLIGEHOJDELSE

▲FORSIGTIG: Kontrollér altid, at der er slukket for maskinen, og at netstikket er trukket ud, før der udføres eftersyn eller vedligeholdelse.

BEMÆRKNING: Anvend aldrig benzin, rensebenzin, fortynder, alkohol og lignende. Det kan medføre misfarvning, deformation eller revner.

For at opretholde produktets SIKKERHED og PÅLIDELIGHED må reparation, vedligeholdelse eller justering kun udføres af et autoriseret Makita servicecenter eller fabrikksservicecenter med anvendelse af Makita reservedele.

Udskiftning af kulbørster

► Fig.18: 1. Slidgrænse

Kontrollér kulbørsterne med regelmæssige mellemrum. Udskift dem, når de er slidt ned til slidgrænsen. Hold kulbørsterne rene og i stand til frit at glide ind i holderne. Begge kulbørster skal udskiftes parvist samtidigt. Anvend kun identiske kulbørster.

1. Benyt en skruetrækker til at afmontere kulholderdækslerne.
2. Tag de slidte kulbørster ud, isæt de nye, og fastgør derefter kulholderdækslerne.

► Fig.19: 1. Kulholderdæksel

EKSTRAUDSTYR

▲FORSIGTIG: Det følgende tilbehør og ekstraudstyr er anbefalet til brug med Deres Makita maskine, der er beskrevet i denne brugsanvisning. Anvendelse af andet tilbehør eller ekstraudstyr kan udgøre en risiko for personskade. Anvend kun tilbehør og ekstraudstyr til det beskrevne formål.

Hvis De behøver hjælp ved valg af tilbehør eller ønsker yderligere informationer, bedes De kontakte Deres lokale Makita servicecenter.

BEMÆRK: Nogle ting på denne liste kan være inkluderet i værktøjspakken som standardtilbehør. Det kan være forskellige fra land til land.

Overfræserbits

Lige bit

► Fig.20

D	A	L1	L2
6	20	50	15
1/4"			
6	8	50	18
1/4"			
6	6	50	18
1/4"			

Enhed: mm

U-rillebit

► Fig.21

D	A	L1	L2	R
6	6	60	28	3
1/4"				

Enhed: mm

V-rillebit

► Fig.22

D	A	L1	L2	θ
1/4"	20	50	15	90°

Enhed: mm

Bit til udglatning af borepunkt

► Fig.23

D	A	L1	L2	L3
6	6	60	18	28
1/4"				

Enhed: mm

Bit til dobbelt udglatning af borepunkt

► Fig.24

D	A	L1	L2	L3	L4
6	6	70	40	12	14
1/4"					

Enhed: mm

Bit til afrunding af hjørner

► Fig.25

D	A1	A2	L1	L2	L3	R
6	25	9	48	13	5	8
1/4"						
6	20	8	45	10	4	4
1/4"						

Enhed: mm

Skråfasningsbit

► Fig.26

D	A	L1	L2	L3	θ
6	23	46	11	6	30°
6	20	50	13	5	45°
6	20	49	14	2	60°

Enhed: mm

Bugtbertlingsbit**► Fig.27**

D	A	L1	L2	R
6	20	43	8	4
6	25	48	13	8

Enhed: mm

Antikkarnisbit med kugleleje**► Fig.33**

D	A1	A2	L1	L2	L3	R1	R2
6	20	8	40	10	4,5	2,5	4,5
6	26	8	42	12	4,5	3	6

Enhed: mm

Bit til udglatning med kugleleje**► Fig.28**

D	A	L1	L2
6	10	50	20
1/4"			

Enhed: mm

Bit til afrunding af hjørner med kugleleje**► Fig.29**

D	A1	A2	L1	L2	L3	R
6	15	8	37	7	3,5	3
6	21	8	40	10	3,5	6
1/4"	21	8	40	10	3,5	6

Enhed: mm

Bit til skråfasning med kugleleje**► Fig.30**

D	A1	A2	L1	L2	θ
6	26	8	42	12	45°
1/4"					
6	20	8	41	11	60°

Enhed: mm

Bit til bertling med kugleleje**► Fig.31**

D	A1	A2	A3	L1	L2	L3	R
6	20	12	8	40	10	5,5	4
6	26	12	8	42	12	4,5	7

Enhed: mm

Bit til bugtbertling med kugleleje**► Fig.32**

D	A1	A2	A3	A4	L1	L2	L3	R
6	20	18	12	8	40	10	5,5	3
6	26	22	12	8	42	12	5	5

Enhed: mm

ΠΡΟΔΙΑΓΡΑΦΕΣ

Μοντέλο:	3711
Ικανότητα μηχανισμού σύσφιξης	6,35 mm (1/4") ή 6,0 mm
Ταχύτητα χωρίς φορτίο	32.000 min ⁻¹
Συνολικό ύψος	211 mm
Καθαρό βάρος	1,5 kg
Κατηγορία ασφάλειας	⊠/II

- Λόγω του συνεχόμενου προγράμματος που εφαρμόζουμε για έρευνα και ανάπτυξη, τα τεχνικά χαρακτηριστικά στο παρόν έντυπο υπόκεινται σε αλλαγή χωρίς προειδοποίηση.
- Τα τεχνικά χαρακτηριστικά μπορεί να διαφέρουν από χώρα σε χώρα.
- Βάρος σύμφωνα με διαδικασία ΕΡΤΑ 01/2014

Προοριζόμενη χρήση

Το εργαλείο προορίζεται για την περικοπή του άκρου φύλλου λαμινάτ ή παρόμοιων υλικών.

Ηλεκτρική παροχή

Το εργαλείο πρέπει να συνδέεται μόνο με ηλεκτρική παροχή της ίδιας τάσης με αυτή που αναγράφεται στην πινακίδα ονομαστικών τιμών και μπορεί να λειτουργήσει μόνο με εναλλασσόμενο μονοφασικό ρεύμα. Υπάρχει διπλή μόνωση και κατά συνέπεια, μπορεί να γίνει σύνδεση σε ακροδέκτες χωρίς σύρμα γείωσης.

Θορύβος

Το τυπικό Α επίπεδο καταμετρημένου θορύβου καθορίζεται σύμφωνα με το 62841-2-17:

Στάθμη ηχητικής πίεσης (L_{PA}): 86 dB (A)

Στάθμη ηχητικής ισχύος (L_{WA}): 94 dB (A)

Αβεβαιότητα (K): 3 dB (A)

ΠΑΡΑΤΗΡΗΣΗ: Η δηλωμένη τιμή(ές) εκπομπής θορύβου έχει μετρηθεί σύμφωνα με την πρότυπη μέθοδο δοκιμής και μπορεί να χρησιμοποιηθεί για τη σύγκριση ενός εργαλείου με κάποιο άλλο.

ΠΑΡΑΤΗΡΗΣΗ: Η δηλωμένη τιμή(ές) εκπομπής θορύβου μπορεί να χρησιμοποιηθεί και στην προκαταρκτική αξιολόγηση της έκθεσης.

⚠ ΠΡΟΕΙΔΟΠΟΙΗΣΗ: Να φοράτε ωτοασπίδες.

⚠ ΠΡΟΕΙΔΟΠΟΙΗΣΗ: Η εκπομπή θορύβου κατά τη χρήση του ηλεκτρικού εργαλείου σε πραγματικές συνθήκες μπορεί να διαφέρει από τη δηλωμένη τιμή(ές) ανάλογα με τους τρόπους χρήσης του εργαλείου, ιδιαίτερα το είδος του τεμαχίου εργασίας που υπόκειται επεξεργασία.

⚠ ΠΡΟΕΙΔΟΠΟΙΗΣΗ: Φροντίστε να λάβετε τα κατάλληλα μέτρα προστασίας του χειριστή βάσει ενός υπολογισμού της έκθεσης σε πραγματικές συνθήκες χρήσης (λαμβάνοντας υπόψη όλες τις συνιστώσες του κύκλου λειτουργίας όπως τους χρόνους που το εργαλείο είναι εκτός λειτουργίας και όταν βρίσκεται σε αδρανή λειτουργία πέραν του χρόνου ενεργοποίησης).

Κραδασμός

Η ολική τιμή δόνησης (άθροισμα τρι-αξονικού διανύσματος) καθορίζεται σύμφωνα με το 62841-2-17: Είδος εργασίας: περιστροφή χωρίς φορτίο Εκπομπή δόνησης (a_h): 2,5 m/s² ή λιγότερο Αβεβαιότητα (K): 1,5 m/s²

ΠΑΡΑΤΗΡΗΣΗ: Η δηλωμένη τιμή(ές) συνολικών κραδασμών έχει μετρηθεί σύμφωνα με την πρότυπη μέθοδο δοκιμής και μπορεί να χρησιμοποιηθεί για τη σύγκριση ενός εργαλείου με κάποιο άλλο.

ΠΑΡΑΤΗΡΗΣΗ: Η δηλωμένη τιμή(ές) συνολικών κραδασμών μπορεί να χρησιμοποιηθεί και στην προκαταρκτική αξιολόγηση της έκθεσης.

⚠ ΠΡΟΕΙΔΟΠΟΙΗΣΗ: Η εκπομπή κραδασμών κατά τη χρήση του ηλεκτρικού εργαλείου σε πραγματικές συνθήκες μπορεί να διαφέρει από τη δηλωμένη τιμή(ές) εκπομπής ανάλογα με τους τρόπους χρήσης του εργαλείου, ιδιαίτερα το είδος του τεμαχίου εργασίας που υπόκειται επεξεργασία.

⚠ ΠΡΟΕΙΔΟΠΟΙΗΣΗ: Φροντίστε να λάβετε τα κατάλληλα μέτρα προστασίας του χειριστή βάσει ενός υπολογισμού της έκθεσης σε πραγματικές συνθήκες χρήσης (λαμβάνοντας υπόψη όλες τις συνιστώσες του κύκλου λειτουργίας όπως τους χρόνους που το εργαλείο είναι εκτός λειτουργίας και όταν βρίσκεται σε αδρανή λειτουργία πέραν του χρόνου ενεργοποίησης).

Δήλωση Συμμόρφωσης

Μόνο για χώρες της Ευρώπης

Οι Δηλώσεις Συμμόρφωσης περιλαμβάνονται στο Παράρτημα Α στο παρόν εγχειρίδιο οδηγιών.

ΠΡΟΕΙΔΟΠΟΙΗΣΕΙΣ ΑΣΦΑΛΕΙΑΣ

Γενικές προειδοποιήσεις ασφαλείας για το ηλεκτρικό εργαλείο

▲ ΠΡΟΕΙΔΟΠΟΙΗΣΗ: Διαβάστε όλες τις προειδοποιήσεις ασφαλείας, οδηγίες, εικονογραφημένες και προδιαγραφές που παρέχονται με αυτό το ηλεκτρικό εργαλείο. Η μη τήρηση όλων των οδηγιών που αναγράφονται κατωτέρω μπορεί να καταλήξει σε ηλεκτροπληξία, πυρκαγιά ή/και σοβαρό τραυματισμό.

Φυλάξτε όλες τις προειδοποιήσεις και τις οδηγίες για μελλοντική παραπομπή.

Στις προειδοποιήσεις, ο όρος «ηλεκτρικό εργαλείο» αναφέρεται σε ηλεκτρικό εργαλείο που τροφοδοτείται από την κύρια παροχή ηλεκτρικού ρεύματος (με ηλεκτρικό καλώδιο) ή σε ηλεκτρικό εργαλείο που τροφοδοτείται από μπαταρία (χωρίς ηλεκτρικό καλώδιο).

Προειδοποιήσεις ασφαλείας του κουρευτικού περιθωρίων

1. Κρατάτε το ηλεκτρικό εργαλείο μόνο από τις μονωμένες επιφάνειες λαβής επειδή ο κόπτης μπορεί να έρθει σε επαφή με το δικό του καλώδιο. Σε περίπτωση που κοπεί ένα ηλεκτροφόρο καλώδιο, ενδέχεται τα εκτεθειμένα μεταλλικά εξαρτήματα του ηλεκτρικού εργαλείου να καταστούν τα ίδια ηλεκτροφόρα και να προκαλέσουν ηλεκτροπληξία στον χειριστή.
2. Να χρησιμοποιείτε σφιγκτήρες ή κάποιο άλλο πρακτικό μέσο για να ασφαλίσετε σε μια σταθερή πλατφόρμα. Αν κρατάτε το τεμάχιο εργασίας με το χέρι σας ή επάνω στο σώμα σας, αυτό θα είναι ασταθές και μπορεί να χάσετε τον έλεγχο.
3. Το στέλεχος φρέζας κουρευτικού περιθωρίων πρέπει να ταιριάζει με το σχεδιασμένο μηχανισμό σύσφιξης.
4. Να χρησιμοποιείτε μια φρέζα κουρευτικού περιθωρίων με ονομαστική τιμή τουλάχιστον ίση με τη μέγιστη ταχύτητα που αναγράφεται στο εργαλείο.
5. Να φοράτε ωτοασπίδες κατά τη λειτουργία για μεγάλο χρονικό διάστημα.
6. Να χειρίζεστε τις φρέζες του κουρευτικού περιθωρίων πολύ προσεκτικά.
7. Πριν από τη λειτουργία, ελέγξτε προσεκτικά τη φρέζα του κουρευτικού περιθωρίων για ραγίσματα ή ζημιά. Αντικαταστήστε αμέσως μια ραγισμένη ή κατεστραμμένη φρέζα.
8. Να αποφεύγετε την κοπή καρφιών. Πριν από τη λειτουργία, να ελέγχετε αν υπάρχουν καρφιά στο τεμάχιο εργασίας και να τα αφαιρείτε όλα αν υπάρχουν.

9. Κρατήστε το εργαλείο σταθερά.
10. Μην πλησιάζετε τα χέρια σας σε περιστρεφόμενα μέρη.
11. Να βεβαιώνετε ότι η φρέζα του κουρευτικού περιθωρίων δεν ακουμπά το τεμάχιο εργασίας πριν ενεργοποιείτε το διακόπτη λειτουργίας.
12. Πριν από τη χρήση του εργαλείου πάνω σε πραγματικό τεμάχιο εργασίας, αφήστε το σε λειτουργία για λίγο. Προσέξτε για δονήσεις ή κινήσεις που θα μπορούσαν να υποδείξουν τη λανθασμένη τοποθέτηση της φρέζας.
13. Να προσέχετε την κατεύθυνση περιστροφής και τροφοδοσίας της φρέζας κουρευτικού περιθωρίων.
14. Μην αφήνετε το εργαλείο σε λειτουργία. Το εργαλείο πρέπει να βρίσκεται σε λειτουργία μόνο όταν το κρατάτε.
15. Όταν σβήνετε το εργαλείο, πάντοτε να περιμένετε να σταματήσει να κινείται εντελώς η φρέζα του κουρευτικού περιθωρίων πριν βγάξετε το εργαλείο από το τεμάχιο εργασίας.
16. Μην αγγίζετε τη φρέζα του κουρευτικού περιθωρίων αμέσως μετά τη λειτουργία του εργαλείου. Μπορεί να είναι εξαιρετικά θερμή και να προκαληθεί έγκαιμα στο δέρμα σας.
17. Μην αλείψετε απρόσχετα τη βάση με νέφτι, βενζίνη, λάδι ή κάτι παρόμοιο. Μπορεί να ραγίσει η βάση.
18. Μερικά υλικά περιέχουν χημικά που μπορεί να είναι τοξικά. Προσέχετε ώστε να αποφεύγετε την εισπνοή σκόνης και την επαφή με το δέρμα. Ακολουθείτε τα δεδομένα ασφαλείας υλικού που παρέχονται από τον προμηθευτή.
19. Να χρησιμοποιείτε πάντοτε προσωπίδα κατά της σκόνης ή αναπνευστήρα που είναι κατάλληλος για το υλικό και την εφαρμογή σας.
20. Τοποθετήστε το εργαλείο σε σταθερή περιοχή. Διαφορετικά, μπορεί να συμβεί κάποιο ατύχημα πτώσης και να προκληθεί τραυματισμός.

ΦΥΛΑΞΕΤΕ ΑΥΤΕΣ ΤΙΣ ΟΔΗΓΙΕΣ.

▲ ΠΡΟΕΙΔΟΠΟΙΗΣΗ: ΜΗΝ επιτρέψετε στην άνεση ή στην εξοικειώσή σας με το προϊόν (που αποκτήθηκε από επανειλημμένη χρήση) να αντικαταστήσει την αυστηρή τήρηση των κανόνων ασφαλείας του παρόντος εργαλείου. Η **ΛΑΝΘΑΣΜΕΝΗ ΧΡΗΣΗ** ή η αμέλεια να ακολουθηθείτε τους κανόνες ασφαλείας που διατυπώνονται στο παρόν εγχειρίδιο οδηγιών μπορεί να προκαλέσει σοβαρό προσωπικό τραυματισμό.

ΠΕΡΙΓΡΑΦΗ ΛΕΙΤΟΥΡΓΙΑΣ

⚠ ΠΡΟΣΟΧΗ: Να βεβαιώνεστε πάντα ότι το εργαλείο είναι σβηστό και αποσυνδεδεμένο από την ηλεκτρική παροχή πριν ρυθμίσετε ή ελέγχετε κάποια λειτουργία του.

Προεξοχή της φρέζας του κουρευτικού περιθωρίων

Για να ρυθμίσετε την προεξοχή φρέζας, χαλαρώστε τη βίδα σύσφιξης και μετακινήστε τη βάση προς τα επάνω ή κάτω, όπως επιθυμείτε, περιστρέφοντας τη βίδα ρύθμισης. Μετά τη ρύθμιση, σφίξτε καλά τη βίδα σύσφιξης για να ασφαλίσετε τη βάση.

► **Εικ.1:** 1. Βάση 2. Κλίμακα 3. Προεξοχή φρέζας 4. Βίδα σύσφιξης 5. Βίδα ρύθμισης

Δράση διακόπτη

⚠ ΠΡΟΣΟΧΗ: Πριν συνδέετε το εργαλείο στο ηλεκτρικό ρεύμα, να βεβαιώνεστε ότι είναι σβηστό.

Για να ξεκινήσετε το εργαλείο, θέστε το μοχλό-διακόπτη στη θέση I. Για να σταματήσετε το εργαλείο, θέστε το μοχλό-διακόπτη στη θέση O.

► **Εικ.2:** 1. Μοχλός-διακόπτης

Ηλεκτρονική λειτουργία

Το εργαλείο είναι εξοπλισμένο με ηλεκτρονικές λειτουργίες για εύκολη λειτουργία.

Ενδεικτική λυχνία

► **Εικ.3:** 1. Ενδεικτική λυχνία

Όταν το εργαλείο είναι συνδεδεμένο, ανάβει η ενδεικτική λυχνία με πράσινο χρώμα. Αν δεν ανάψει η ενδεικτική λυχνία, μπορεί να είναι ελαττωματικό το ηλεκτρικό καλώδιο ή ο ελεγκτής. Αν η ενδεικτική λυχνία είναι αναμμένη, αλλά το εργαλείο δεν ξεκινάει, ακόμα και αν είναι ενεργοποιημένο, μπορεί να έχουν φθαρεί τα καρβουάνια ή να είναι ελαττωματικός ο ελεγκτής, το μοτέρ ή ο διακόπτης λειτουργίας.

Προστασία από αθέλητη επανεκκίνηση

Το εργαλείο δεν ξεκινάει όταν ο μοχλός-διακόπτης είναι στη θέση I ακόμη και όταν το εργαλείο είναι συνδεδεμένο.

Αυτή τη στιγμή, η ενδεικτική λυχνία αναβοσβήνει με κόκκινο χρώμα και δείχνει ότι η διάταξη προστασίας από αθέλητη επανεκκίνηση είναι ενεργοποιημένη.

Για να ακυρώσετε την προστασία αθέλητης επανεκκίνησης, επιστρέψτε τον μοχλό-διακόπτη στη θέση O.

Χαρακτηριστικό ομαλής έναρξης

Το χαρακτηριστικό ομαλής εκκίνησης ελαχιστοποιεί τον κραδασμό κατά την εκκίνηση και καθιστά την εκκίνηση του εργαλείου ομαλή.

ΣΥΝΑΡΜΟΛΟΓΗΣΗ

⚠ ΠΡΟΣΟΧΗ: Να βεβαιώνεστε πάντα ότι το εργαλείο είναι σβηστό και αποσυνδεδεμένο από την ηλεκτρική παροχή πριν εκτελέσετε οποιαδήποτε εργασία σε αυτό.

Τοποθέτηση ή αφαίρεση της φρέζας του κουρευτικού περιθωρίων

⚠ ΠΡΟΣΟΧΗ: Μην σφίγγετε το παξιμάδι κολάρου χωρίς να έχετε εισάγει μια φρέζα κουρευτικού περιθωρίων, αλλιώς ο κώνος κολάρου θα σπάσει.

⚠ ΠΡΟΣΟΧΗ: Να χρησιμοποιείτε μόνο τα κλειδιά που συνοδεύουν το εργαλείο.

Τοποθετήστε τη φρέζα κουρευτικού περιθωρίων μέχρι το τέρμα του κώνου σύσφιξης και σφίξτε το παξιμάδι σύσφιξης με ασφάλεια με τη βοήθεια των δύο κλειδιών. Για να αφαιρέσετε τη φρέζα, ακολουθήστε τη διαδικασία τοποθέτησης με αντίστροφη σειρά.

► **Εικ.4:** 1. Χαλαρώστε 2. Σφίξτε 3. Κρατήστε

ΛΕΙΤΟΥΡΓΙΑ

⚠ ΠΡΟΣΟΧΗ: Να κρατάτε πάντα καλά το εργαλείο με το ένα χέρι στο περίβλημα. Μην αγγίζετε το μεταλλικό τμήμα.

1. Τοποθετήστε τη βάση πάνω στο τεμάχιο εργασίας που πρόκειται να κοπεί χωρίς να έρχεται σε επαφή η φρέζα κουρευτικού περιθωρίων.

2. Περιστρέψτε το εργαλείο και περιμένετε έως ότου η φρέζα του κουρευτικού περιθωρίων αποκτήσει την πλήρη ταχύτητά της.

3. Μετακινήστε το εργαλείο προς τα εμπρός πάνω στην επιφάνεια του τεμαχίου εργασίας, κρατώντας τη βάση επίπεδη και προωθώντας ομαλά έως ότου ολοκληρωθεί η τομή.

► **Εικ.5**

Όταν πραγματοποιείτε κοπές άκρων, η επιφάνεια του τεμαχίου εργασίας πρέπει να βρίσκεται στην αριστερή πλευρά της φρέζας του κουρευτικού περιθωρίων προς την κατεύθυνση τροφοδοσίας.

► **Εικ.6:** 1. Τεμάχιο εργασίας 2. Κατεύθυνση περιστροφής φρέζας 3. Όψη από το επάνω μέρος του εργαλείου 4. Κατεύθυνση τροφοδοσίας

Όταν χρησιμοποιείτε τον ίσιο οδηγό ή τον οδηγό κουρευτικού περιθωρίων, βεβαιωθείτε να τον διατηρείτε στη δεξιά πλευρά προς την κατεύθυνση τροφοδοσίας. Αυτό θα βοηθήσει ώστε να μείνει ευθυγραμμισμένος με την πλευρά του τεμαχίου εργασίας.

► **Εικ.7:** 1. Κατεύθυνση τροφοδοσίας 2. Κατεύθυνση περιστροφής φρέζας 3. Τεμάχιο εργασίας 4. Ίσιος οδηγός

ΠΑΡΑΤΗΡΗΣΗ: Εάν μετακινείτε το εργαλείο προς τα εμπρός με πολύ μεγάλη ταχύτητα μπορεί να προκύψει κακή ποιότητα κοπής ή βλάβη στη φρέζα του κουρευτικού περιθωρίων ή στο μοτέρ. Εάν μετακινείτε το εργαλείο προς τα εμπρός με πολύ μικρή ταχύτητα μπορεί να καεί ή να καταστραφεί η κοπή. Ο σωστός ρυθμός τροφοδοσίας εξαρτάται από το μέγεθος φρέζας, το είδος του τεμαχίου εργασίας και το βάθος κοπής. Πριν ξεκινήσετε την κοπή στο πραγματικό τεμάχιο εργασίας, συνιστούμε να πραγματοποιήσετε μια δοκιμαστική κοπή σε ένα παλιό κομμάτι ξύλου. Έτσι θα δείτε πώς ακριβώς θα μοιάζει η κοπή και θα μπορείτε να ελέγξετε και τις διαστάσεις.

Οδηγός ιχναρίου

Ο οδηγός ιχναρίου παρέχει ένα περίβλημα μέσα από το οποίο περνάει η φρέζα του κουρευτικού περιθωρίων, επιτρέποντας τη χρήση του κουρευτικού περιθωρίων με σχέδια του ιχναρίου.

► **Εικ.8**

- Χαλαρώστε τη βίδα σύσφιξης και μετά αφαιρέστε τον υποδοχέα οδηγού και τον εκτροπέα θραυσμάτων.
► **Εικ.9:** 1. Βίδα σύσφιξης 2. Υποδοχέας οδηγού 3. Εκτροπέας θραυσμάτων
- Χαλαρώστε τις βίδες και αφαιρέστε το προστατευτικό βάσης.
► **Εικ.10:** 1. Προστατευτικό βάσης 2. Βίδες
- Τοποθετήστε τον οδηγό ιχναρίου στη βάση και τοποθετήστε ξανά το προστατευτικό βάσης. Κατόπιν, ασφαλίστε το προστατευτικό βάσης σφίγγοντας τις βίδες.
- Ασφαλίστε το ιχνάριο στο τεμάχιο εργασίας. Τοποθετήστε το εργαλείο στο ιχνάριο και μετακινήστε το εργαλείο με τον οδηγό ιχναρίου να ολισθαίνει κατά μήκος της πλευράς του ιχναρίου.
► **Εικ.11:** 1. Φρέζα κουρευτικού περιθωρίων 2. Βάση 3. Προστατευτικό βάσης 4. Ιχνάριο 5. Τεμάχιο εργασίας 6. Οδηγός ιχναρίου

ΠΑΡΑΤΗΡΗΣΗ: Το τεμάχιο εργασίας θα κοπεί σε λίγο διαφορετικό μέγεθος από το ιχνάριο. Αφήστε μια απόσταση (X) μεταξύ της φρέζας του κουρευτικού περιθωρίων και της εξωτερικής πλευράς του οδηγού ιχναρίου. Η απόσταση (X) μπορεί να υπολογιστεί με τη χρήση της παρακάτω εξίσωσης:

Απόσταση (X) = (εξωτερική διάμετρος του οδηγού ιχναρίου - διάμετρος φρέζας του κουρευτικού περιθωρίων) / 2

Ίσιος οδηγός

Ο ίσιος οδηγός χρησιμοποιείται αποτελεσματικά για ίσιες κοπές στις λειτουργίες στρογγυλέματος.

► **Εικ.12**

- Τοποθετήστε την πλάκα οδηγό στον ίσιο οδηγό με το μπουλόνι και το παξιμάδι πεταλούδα.
► **Εικ.13:** 1. Μπουλόνι 2. Πλάκα οδηγού 3. Ίσιος οδηγός 4. Παξιμάδι πεταλούδα

- Βγάλετε τον υποδοχέα οδηγού και τον εκτροπέα θραυσμάτων και μετά συνδέστε τον ίσιο οδηγό με τη βίδα σύσφιξης.

► **Εικ.14:** 1. Βίδα σύσφιξης 2. Ίσιος οδηγός 3. Παξιμάδι πεταλούδα 4. Βάση

- Χαλαρώστε το παξιμάδι πεταλούδα στον ίδιο οδηγό και ρυθμίστε την απόσταση μεταξύ της φρέζας του κουρευτικού περιθωρίων και του ίσιου οδηγού. Σφίξτε καλά το παξιμάδι πεταλούδα στην επιθυμητή απόσταση.
- Κατά την κοπή, να μετακινείτε το εργαλείο με τον ίσιο οδηγό ευθυγραμμισμένο με την πλευρά του τεμαχίου εργασίας.

Οδηγός κουρευτικού περιθωρίων

Κούρεμα περιθωρίων, κοψίματα καμπυλών σε καπλάμαδες επίπλων και παρόμοια υλικά μπορούν να γίνουν εύκολα με τον οδηγό κουρευτικού περιθωρίων. Ο κύλινδρος του οδηγού εφάπτεται επάνω στην καμπύλη και εξασφαλίζει ένα ωραίο κόψιμο.

► **Εικ.15**

- Συνδέστε τον εκτροπέα θραυσμάτων στην εγκοπή της σύσφιξης.
- Τοποθετήστε τον οδηγό κουρευτικού περιθωρίων και τον υποδοχέα οδηγού στη βάση με τη βίδα σύσφιξης (A).
- Χαλαρώστε τη βίδα σύσφιξης (B) και ρυθμίστε την απόσταση μεταξύ της φρέζας και του οδηγού κουρευτικού περιθωρίων περιστρέφοντας τη βίδα ρύθμισης (1 χιλιοστό ανά στροφή). Στην επιθυμητή απόσταση, σφίξτε τη βίδα σύσφιξης (B) για να ασφαλίσετε τον οδηγό κουρευτικού περιθωρίων στη θέση του.
► **Εικ.16:** 1. Βίδα ρύθμισης 2. Υποδοχέας οδηγού 3. Οδηγός κουρευτικού περιθωρίων 4. Εκτροπέας θραυσμάτων
- Κατά την κοπή, να μετακινείτε το εργαλείο με τον κύλινδρο του οδηγού να εφάπτεται με την πλευρά του τεμαχίου εργασίας.
► **Εικ.17:** 1. Τεμάχιο εργασίας 2. Φρέζα κουρευτικού περιθωρίων 3. Κύλινδρος του οδηγού

ΣΥΝΤΗΡΗΣΗ

▲ ΠΡΟΣΟΧΗ: Να βεβαιώνετε πάντα ότι το εργαλείο είναι βριστό και αποσυνδεδεμένο από την ηλεκτρική παροχή πριν εκτελέσετε οποιαδήποτε εργασία επιθεώρησης ή συντήρησης σε αυτό.

ΕΙΔΟΠΟΙΗΣΗ: Μην χρησιμοποιείτε ποτέ βενζίνη, πετρελαϊκό αιθέρα, διαλυτικό, αλκοόλη ή παρόμοιες ουσίες. Μπορεί να προκληθεί αποχρωματισμός, παραμόρφωση ή ρωγμές.

Για τη διατήρηση της ΑΣΦΑΛΕΙΑΣ και ΑΞΙΟΠΙΣΤΙΑΣ του προϊόντος, οι επισκευές και οποιαδήποτε άλλη εργασία συντήρησης ή ρύθμισης πρέπει να εκτελούνται από εξουσιοδοτημένα ή εργοστασιακά κέντρα εξυπηρέτησης της Makita, χρησιμοποιώντας πάντοτε ανταλλακτικά της Makita.

Αντικατάσταση καρβουνακίων

► Εικ.18: 1. Σημάδι ορίου

Να ελέγχετε τα καρβουνάκια τακτικά. Αντικαταστήστε τα όταν φθαρούν μέχρι το σημάδι ορίου. Διατηρείτε τα καρβουνάκια καθαρά και ελεύθερα να γλιστρούν στις θήκες. Και τα δύο καρβουνάκια πρέπει να αντικαθίστανται ταυτόχρονα. Χρησιμοποιείτε μόνο καρβουνάκια ίδιου τύπου.

1. Χρησιμοποιήστε ένα καταραβίδι για να αφαιρέσετε τα καπάκια των θηκών καρβουνακίων.

2. Αφαιρέστε τα φθαρμένα καρβουνάκια, τοποθετήστε τα καινούρια και ασφαλίστε τα καπάκια των θηκών καρβουνακίων.

► Εικ.19: 1. Καπάκι θήκης καρβουνακίου

ΠΡΟΑΙΡΕΤΙΚΑ ΕΞΑΡΤΗΜΑΤΑ

▲ ΠΡΟΣΟΧΗ: Αυτά τα εξαρτήματα ή προσαρτήματα συνιστώνται για χρήση με το εργαλείο Makita που περιγράφηκε στις οδηγίες αυτές. Η χρήση οποιωνδήποτε άλλων εξαρτημάτων ή προσαρτημάτων μπορεί να προκαλέσει κίνδυνο τραυματισμού σε άτομα. Να χρησιμοποιείτε τα εξαρτήματα ή προσαρτήματα μόνο για την χρήση που προορίζονται.

Εάν χρειάζεστε οποιαδήποτε βοήθεια για περισσότερες πληροφορίες σε σχέση με αυτά τα εξαρτήματα, απαντήστε στο τοπικό σας κέντρο εξυπηρέτησης Makita.

ΠΑΡΑΤΗΡΗΣΗ: Μερικά στοιχεία στη λίστα μπορεί να συμπεριλαμβάνονται στη συσκευασία εργαλείου ως στάνταρ εξαρτήματα. Μπορεί να διαφέρουν ανάλογα με τη χώρα.

Φρέζες κουρευτικού περιθωρίων

Ευθεία φρέζα

► Εικ.20

D	A	L1	L2
6	20	50	15
1/4"			
6	8	50	18
1/4"			
6	6	50	18
1/4"			

Μονάδα:mm

Φρέζα αυλάκωσης σε σχήμα «U»

► Εικ.21

D	A	L1	L2	R
6	6	60	28	3
1/4"				

Μονάδα:mm

Φρέζα αυλάκωσης σε σχήμα «V»

► Εικ.22

D	A	L1	L2	θ
1/4"	20	50	15	90°

Μονάδα:mm

Φρέζα επίπεδης κοπής στο σημείο διάνοιξης

► Εικ.23

D	A	L1	L2	L3
6	6	60	18	28
1/4"				

Μονάδα:mm

Φρέζα διπλής επίπεδης κοπής στο σημείο διάνοιξης

► Εικ.24

D	A	L1	L2	L3	L4
6	6	70	40	12	14
1/4"					

Μονάδα:mm

Φρέζα στρογγύλευσης γωνιών

► Εικ.25

D	A1	A2	L1	L2	L3	R
6	25	9	48	13	5	8
1/4"						
6	20	8	45	10	4	4
1/4"						

Μονάδα:mm

Φρέζα λοξότμησης

► Εικ.26

D	A	L1	L2	L3	θ
6	23	46	11	6	30°
6	20	50	13	5	45°
6	20	49	14	2	60°

Μονάδα:mm

Φρέζα για κοιλώματα

► Εικ.27

D	A	L1	L2	R
6	20	43	8	4
6				
6	25	48	13	8
6				

Μονάδα:mm

Φρέζα επίπεδης κοπής με σφαιρικό έδρανο► **Εικ.28**

D	A	L1	L2
6	10	50	20
1/4"			

Μονάδα:mm

Φρέζα στρογγύλευσης γωνιών με σφαιρικό έδρανο► **Εικ.29**

D	A1	A2	L1	L2	L3	R
6	15	8	37	7	3,5	3
6	21	8	40	10	3,5	6
1/4"	21	8	40	10	3,5	6

Μονάδα:mm

Φρέζα λοξότμησης με σφαιρικό έδρανο► **Εικ.30**

D	A1	A2	L1	L2	θ
6	26	8	42	12	45°
1/4"					
6	20	8	41	11	60°

Μονάδα:mm

Φρέζα για αυλάκωμα με σφαιρικό έδρανο► **Εικ.31**

D	A1	A2	A3	L1	L2	L3	R
6	20	12	8	40	10	5,5	4
6	26	12	8	42	12	4,5	7

Μονάδα:mm

Φρέζα για κοιλώματα με σφαιρικό έδρανο► **Εικ.32**

D	A1	A2	A3	A4	L1	L2	L3	R
6	20	18	12	8	40	10	5,5	3
6	26	22	12	8	42	12	5	5

Μονάδα:mm

Φρέζα για ρωμαϊκό οξυκόρυφο τόξο με σφαιρικό έδρανο► **Εικ.33**

D	A1	A2	L1	L2	L3	R1	R2
6	20	8	40	10	4,5	2,5	4,5
6	26	8	42	12	4,5	3	6

Μονάδα:mm

TEKNİK ÖZELLİKLER

Model:	3711
Halka mandren kapasitesi	6,35 mm (1/4") veya 6,0 mm
Yüksüz hız	32.000 min ⁻¹
Toplam yükseklik	211 mm
Net ağırlık	1,5 kg
Emniyet sınıfı	II

- Sürekli yapılan araştırma ve geliştirmelerden dolayı, burada belirtilen özellikler önceden bildirilmeksizin değiştirilebilir.
- Özellikler ülkeden ülkeye değişebilir.
- EPTA-Prosedürü 01/2014 uyarınca ağırlık

Kullanım amacı

Bu alet lamine levha veya benzeri malzemelerin kenarlarını kesmek amacıyla tasarlanmıştır.

Güç kaynağı

Aletin, yalnızca isim levhasında belirtilenle aynı voltajlı güç kaynağına bağlanması gerekir ve yalnızca tek fazlı AC güç kaynağıyla çalıştırılabilir. Çifte yalıtımlıdır ve topraklamasız prizlerle de kullanılabilir.

Gürültü

Tipik A-ağırlıklı gürültü düzeyi (62841-2-17 standardına göre belirlenen):

Ses basınç seviyesi (L_{PA}): 86 dB (A)

Ses gücü düzeyi (L_{WA}): 94 dB (A)

Belirsizlik (K): 3 dB (A)

NOT: Beyan edilen gürültü emisyonu değer(ler)i bir standart test yöntemine uygun şekilde ölçülmüştür ve bir aleti bir başkasıyla karşılaştırmak için kullanılabilir.

NOT: Beyan edilen gürültü emisyonu değer(ler)i bir ön maruz kalma değerlendirmesi olarak da kullanılabilir.

UYARI: Kulak koruyucuları takın.

UYARI: Elektrikli aletin gerçek kullanımı sırasındaki gürültü emisyonu, aletin kullanım biçimlerine, özellikle işlenen iş parçasının türüne bağlı olarak beyan edilen değer(ler)den farklı olabilir.

UYARI: Gerçek kullanım koşullarındaki tahmini maruziyeti baz alan, operatörü koruyacak güvenlik önlemlerini mutlaka belirleyin (çalışma döngüsü içerisinde aletin kapalı olduğu ve aktif durumda olmasının yanı sıra boşta çalıştığı zamanlar gibi, bütün zaman dilimleri göz önünde bulundurarak).

Titreşim

Titreşim toplam değeri (üç eksenli vektör toplamı) (62841-2-17 standardına göre hesaplanan):

Çalışma modu: yüksüz dönme

Titreşim emisyonu (a_n): 2,5 m/s² den az

Belirsizlik (K): 1,5 m/s²

NOT: Beyan edilen titreşim toplam değer(ler)i bir standart test yöntemine uygun şekilde ölçülmüştür ve bir aleti bir başkasıyla karşılaştırmak için kullanılabilir.

NOT: Beyan edilen titreşim toplam değer(ler)i bir ön maruz kalma değerlendirmesi olarak da kullanılabilir.

UYARI: Elektrikli aletin gerçek kullanımı sırasındaki titreşim emisyonu, aletin kullanım biçimlerine, özellikle işlenen iş parçasının türüne bağlı olarak beyan edilen değer(ler)den farklı olabilir.

UYARI: Gerçek kullanım koşullarındaki tahmini maruziyeti baz alan, operatörü koruyacak güvenlik önlemlerini mutlaka belirleyin (çalışma döngüsü içerisinde aletin kapalı olduğu ve aktif durumda olmasının yanı sıra boşta çalıştığı zamanlar gibi, bütün zaman dilimleri göz önünde bulundurarak).

Uygunluk Beyanları

Sadece Avrupa ülkeleri için

Uygunluk beyanları bu kullanma kılavuzuna Ek A olarak eklenmiştir.

GÜVENLİK UYARILARI

Genel elektrikli alet güvenliği uyarıları

UYARI: Bu elektrikli aletle birlikte sunulan tüm güvenlik uyarılarını, talimatları, çizimleri ve teknik özellikleri okuyun. Aşağıda verilen talimatlara uyulmaması elektrik şoku, yangın ve/veya ciddi yaralanmalar ile sonuçlanabilir.

Tüm uyarıları ve talimatları iletirmek için başvurmak için saklayın.

Uyarılardaki "elektrikli alet" terimi ile ya prizden çalışan (kordonlu) elektrikli aletiniz ya da kendi aküsü ile çalışan (kordonsuz) elektrikli aletiniz kastedilmektedir.

Şekil verme testeresi güvenlik uyarıları

- Kesici, kendi kablosuna temas edebileceğinden elektrikli aleti yalnızca yalıtımlı saplarından tutun.** "Akımlı" bir telin kesilmesi elektrikli aletin yalıtımsız metal kısımlarını "akımlı" hale getirebilir ve kullanıcıyı elektrik şokuna maruz bırakabilir.
- İş parçasını sabit bir platforma bağlamak ve desteklemek için mengene veya başka bir pratik yol kullanın.** İş parçasını elle tutmak ya da vücudunuzla desteklemek sabit durmasına ve kontrolü kaybetmenize neden olabilir.
- Şekil verme testeresi ucu sapı tasarlanmış halka mandrene uymalıdır.**
- Sadece, aletin üstünde belirtilen maksimum hıza eşit nominal hıza sahip bir şekil verme testeresi ucu kullanın.**
- Uzun süreli kullanımlarda kulak koruyucu kullanın.**
- Şekil verme testeresinin uçlarını dikkatle tutun.**
- İşlemden önce şekil verme testeresinin uçlarını çatlak veya zarar var mı dikkatlice kontrol edin. Çatlak veya zarar görmüş uçları hemen değiştirin.**
- Çivileri kesmekten sakının. İşlemden önce iş parçasının üzerinde çivi olup olmadığını kontrol edin ve varsa hepsini çıkarın.**
- Aleti sıkı tutun.**
- Ellerinizi dönen parçalardan uzak tutun.**
- Anahtar açılmadan önce şekil verme testeresinin ucunun iş parçasına temas etmediğinden emin olun.**
- Gerçek iş parçası üzerinde aleti kullanmadan önce, bir süre çalıştırın. Ucu yanlış takıldığını gösterebilecek titreşim ve sallantılar olup olmadığına dikkat edin.**
- Şekil verme testeresinin ucunun dönüş yönüne ve besleme yönüne dikkat edin.**
- Aleti çalışır durumda bırakmayın. Aleti sadece elinizde tutarken çalıştırın.**
- Aleti iş parçasından çıkarmadan önce, aleti her zaman kapatın ve şekil verme testeresinin ucunun tam olarak durmasını bekleyin.**
- Şekil verme testeresinin ucuna işlemden hemen sonra ellemeyin; çok sıcak olup derinizi yakabilir.**
- Dikkatsizlik sonucu kaideye tiner, benzin, yağ ve benzeri maddelerin bulaşmasını önleyin. Bunlar kaidede çatlaklar oluşmasına neden olabilir.**
- Bazı malzemeler zehirli olabilen kimyasallar içerir. Toz yutmayı ve cilt temasını önlemek için tedbir alın. Malzeme sağlayıcısının güvenlik bilgilerine uyun.**
- Daima çalıştığınız malzeme ve yaptığınız işe uygun maske/respiratör kullanın.**
- Aleti dengeli bir alana koyun. Aksi takdirde düşme kazası meydana gelebilir ve yaralanmaya neden olabilir.**

BU TALİMATLARI MUHAFAZA EDİNİZ.

⚠UYARI: Ürünü kullanırken (defalarca kullanınca kazanılan) rahatlık ve tanıdıklık duygusunun ilgili ürünün güvenlik kurallarına sıkı sıkıya bağlı kalmanın yerine geçmesine İZİN VERMEYİN. YANLIŞ KULLANIM veya bu kullanma kılavuzunda belirtilen emniyet kurallarına uymama ciddi yaralanmaya neden olabilir.

İŞLEVSEL NİTELİKLER

⚠DİKKAT: Alet üzerinde ayarlama ya da işleyiş kontrolü yapmadan önce aletin kapalı ve fişinin çekili olduğundan daima emin olun.

Şekil verme testeresinin ucunun çıkıntısının ayarlanması

Uç çıkıntısının ayarlamak için sıkıştırma vidasını gevşetin ve ayar vidasını çevirerek kaideyi yukarı veya aşağı istediğiniz gibi hareket ettirin. Ayarladıktan sonra, sıkıştırma vidasını iyice sıkarak kaideyi sabitleyin.

► **Şek.1:** 1. Kaide 2. Ölçek 3. Uç çıkıntısı 4. Sıkıştırma vidası 5. Ayar vidası

Anahtarın işleyişi

⚠DİKKAT: Aleti fişe takmadan önce kapalı olduğundan daima emin olun.

Aleti çalıştırmak için anahtar kolunu I konumuna getirin. Aleti durdurmak için anahtar kolunu O konumuna getirin.

► **Şek.2:** 1. Anahtar kolu

Elektronik fonksiyonu

Alet kolay kullanım için elektronik fonksiyonlarla donatılmıştır.

Gösterge lambası

► **Şek.3:** 1. Gösterge lambası

Alet fişe takıldığında gösterge lambası yeşil renkte yanar. Gösterge lambası yanmıyorsa, ana kablo veya kontrolör hasarlı olabilir. Gösterge lambası yanıyor fakat alet açık konumunda olduğu halde çalışmaya başlamıyorsa; karbon fırçalar aşınmış ya da kontrolör, motor veya AÇMA/KAPAMA anahtarı hasarlı olabilir.

İstenmeyen yeniden başlatma koruması

Fiş takılı olsa da anahtar kol I konumunda iken alet çalışmaya başlamaz. Bu sırada gösterge lambası kırmızı renkte yanıp sönerken istenmeyen yeniden başlatma koruma aygıtının çalışmakta olduğunu gösterir. İstenmeyen yeniden başlatma korumasını iptal etmek için, anahtar kolu O konumuna getirin.

Yumuşak başlatma özelliği

Yumuşak başlatma özelliği başlatma şokunu en alt düzeye indirir ve aletin daha sarsıntısız başlamasını sağlar.

MONTAJ

⚠️ DİKKAT: Alet üzerinde herhangi bir iş yapmadan önce aletin kapalı ve fişinin çekili olduğundan daima emin olun.

Şekil verme testeresinin ucunun takılması veya çıkarılması

⚠️ DİKKAT: Şekil verme testeresinin ucunu takmadan tutucu pens somununu sıkmayın, aksi takdirde tutucu pens kovani kırılır.

⚠️ DİKKAT: Sadece aletle beraber gelen anahtarları kullanın.

Şekil verme testeresinin ucunu, tutucu pens kovanının içine doğru sokun ve iki anahtarla tutucu pens somununu sıkıştırın. Ucu çıkarmak için, takma işleminin tersini uygulayın.

► **Şek.4:** 1. Gevşet 2. Sıkıla 3. Tutun

KULLANIM

⚠️ DİKKAT: Aleti daima tek elinizle gövdesinden sıkıca tutun. Metal kısma dokunmayın.

1. Kaideyi, kesilecek iş parçasının üzerine şekil verme testeresi ucu temas etmeyecek şekilde koyun.
 2. Aleti çalıştırın ve şekil verme testeresinin ucu tam hıza ulaşana kadar bekleyin.
 3. Kesme bitinceye kadar, kaideyi dayalı tutup nazikçe ilerleterek, aleti iş parçasının yüzeyinde ileri doğru hareket ettirin.
- **Şek.5**

Kenar kesme yaparken, iş parçasının yüzeyi besleme yönünde şekil verme testeresinin ucunun sol tarafında kalmalıdır.

► **Şek.6:** 1. İş parçası 2. Uç dönme yönü 3. Aletin kuşbakişi görünüşü 4. Besleme yönü

Düz kılavuz veya şekil verme kılavuzu kullanırken, besleme yönünün sağ tarafında tuttuğunuzdan emin olun. Bu, iş parçasının yan kısmı ile aynı hizada çalışmayı sağlar.

► **Şek.7:** 1. Besleme yönü 2. Uç dönme yönü 3. İş parçası 4. Düz kılavuz

NOT: Aletin ileriye doğru çok hızlı hareket ettirilmesi, kötü kesime veya şekil verme testeresinin ucuna veya motora zarar vermeye sebep olabilir. Aletin ileriye çok yavaş hareket ettirilmesi ise, kesimi yakabilir veya bozabilir. Uygun besleme hızı; uç büyüklüğü, iş parçasının cinsi ve kesme derinliğine göre değişir. İş parçası üzerinde kesme işlemine başlamadan önce bir parça hurda kereste üzerinde bir deneme kesimi yapılması tavsiye edilir. Bu, kesimin nasıl olacağını gösterdiği gibi boyutları da kontrol etmenizi sağlar.

Şablon kılavuzu

Şablon kılavuzu, şekil verme testeresinin ucunun içinden geçtiği bir manşon sunarak şekil verme testeresinin şablon modellerle kullanılmasını sağlar.

► **Şek.8**

1. Sıkma vidasını gevşetin ve ardından kılavuz tutucusu ile talaş tutucuyu çıkarın.

► **Şek.9:** 1. Sıkıştırma vidası 2. Kılavuz tutucusu 3. Talaş tutucu

2. Vidaları gevşetin ve kaide koruyucusunu çıkarın.

► **Şek.10:** 1. Kaide koruyucusu 2. Vidalar

3. Şablon kılavuzunu kaideye yerleştirin ve kaide koruyucusunu yerine tekrar yerleştirin. Sonra vidaları sıkarak kaide koruyucusunu sabitleyin.

4. Şablonu iş parçasına tespit edin. Aleti şablona yerleştirin ve şablon kılavuzu şablon tarafında kaydırılacak şekilde aleti hareket ettirin.

► **Şek.11:** 1. Şekil verme testeresi ucu 2. Kaide 3. Kaide koruyucusu 4. Şablon 5. İş parçası 6. Şablon kılavuzu

NOT: İş parçası şablondan biraz farklı bir ölçüde kesilir. Şekil verme testeresi ucu ile şablon kılavuzun dışı arasında mesafe (X) bırakın. Bu mesafe (X) aşağıdaki denklem kullanılarak hesaplanabilir:

Mesafe (X) = (şablon kılavuzunun dış çapı - Şekil verme testeresi ucunun çapı) / 2

Düz kılavuz

Düz kılavuz, yiv açma sırasında düz kesim için etkin bir şekilde kullanılır.

► **Şek.12**

1. Kılavuz levhayı civata ve kelebek somunla düz kılavuza takın.

► **Şek.13:** 1. Civata 2. Kılavuz levha 3. Düz kılavuz 4. Kelebek somun

2. Kılavuz tutucusunu ve talaş tutucuyu sökün ve ardından sıkıştırma vidasıyla düz kılavuzu takın.

► **Şek.14:** 1. Sıkıştırma vidası 2. Düz kılavuz 3. Kelebek somun 4. Kaide

3. Düz kılavuz üstündeki kelebek somunu gevşetin ve şekil verme testeresi ucu ile düz kılavuz arasındaki mesafeyi ayarlayın. İstenilen mesafede, kelebek somunu iyice sıkın.

4. Keserken düz kılavuz, iş parçasının kenarına denk gelecek şekilde hareket ettirin.

Şekil verme kılavuzu

Mobilyalar için şekil verme, cilalı yüzeylerde eğimli kesimler yapma ve benzeri işlemler şekil verme kılavuzu ile kolayca yapılır. Kılavuz silindir, kavisi oluşturur ve temiz bir kesim sağlar.

► **Şek.15**

1. Talaş tutucuyu kaideyedeki kanala takın.

2. Şekil verme kılavuzu ve kılavuz tutucusunu kaideye sıkıştırma vidası (A) ile monte edin.

3. Sıkma vidası (B)'yi gevşetin ve şekil verme testeresi ucu ve şekil verme kılavuzu arasındaki mesafeyi, ayar vidasını çevirerek (her dönüş 1 mm) ayarlayın. İstenilen mesafede, şekil verme kılavuzunu yerinde tespit etmek için, sıkma vidasını (B) sıkıştırın.

► **Şek.16:** 1. Ayar vidası 2. Kılavuz tutucusu 3. Şekil verme kılavuzu 4. Talaş tutucu

4. Keserken, kılavuz silindirik iş parçasının kenarına denk gelecek şekilde aleti hareket ettirin.

► **Şek.17:** 1. İş parçası 2. Şekil verme testeresi ucu 3. Kılavuz silindir

BAKIM

⚠DİKKAT: Muayene ya da bakım yapmadan önce aletin kapalı ve fişinin çekili olduğundan daima emin olun.

ÖNEMLİ NOT: Benzin, tiner, alkol ve benzeri maddeleri kesinlikle kullanmayın. Renk değişimi, deformasyon veya çatlaklar oluşabilir.

Aleti EMNİYETLİ ve ÇALIŞMAYA HAZIR durumda tutmak için onarımlar, başka her türlü bakım ve ayarlamalar daima Makita yedek parçaları kullanılarak Makita yetkili servis merkezleri veya Fabrikanın Servis Merkezleri tarafından yapılmalıdır.

Karbon fırçaların değiştirilmesi

► **Şek.18:** 1. Sınır işareti

Karbon fırçaları düzenli olarak kontrol edin. Sınır işaretine kadar yıprandıkları zaman değiştirin. Karbon fırçaların temiz ve yuvaları içinde serbestçe kayar durumda kalmalarını sağlayın. Her iki karbon fırça aynı zamanda değiştirilmelidir. Sadece birbirinin aynısı olan karbon fırçaları kullanın.

1. Fırça tutucu kapaklarını çıkarmak için bir tornavida kullanın.
2. Aşınmış karbon fırçalarını çıkarıp yenilerini takın ve fırça tutucu kapaklarını sabitleyin.

► **Şek.19:** 1. Fırça tutucu kapağı

İSTEĞE BAĞLI AKSESUARLAR

⚠DİKKAT: Bu aksesuarlar ve ek parçalar bu el kitabında belirtilen Makita aletiniz ile kullanılmak için tavsiye edilmektedir. Herhangi başka bir aksesuar ya da ek parça kullanılması insanlar için bir yaralanma riski getirebilir. Aksesuarları ya da ek parçaları yalnızca belirtilmiş olan kullanım amaçlarına uygun olarak kullanın.

Bu aksesuarlarla ilgili daha fazla bilgiye ihtiyaç duyarsanız bulunduğunuz yerdeki yetkili Makita servisine başvurun.

NOT: Listedeki parçaların bazıları alet paketi içerisinde standart aksesuar olarak dahil edilmiş olabilir. Bunlar ülkeden ülkeye farklılık gösterebilir.

Şekil verme testeresi uçları

Düz uç

► **Şek.20**

D	A	L1	L2
6	20	50	15
1/4"			
6	8	50	18
1/4"			
6	6	50	18
1/4"			

Birim:mm

U oyma ucu

► **Şek.21**

D	A	L1	L2	R
6	6	60	28	3
1/4"				

Birim:mm

V oyma ucu

► **Şek.22**

D	A	L1	L2	θ
1/4"	20	50	15	90°

Birim:mm

Matkap başlı havşa ucu

► **Şek.23**

D	A	L1	L2	L3
6	6	60	18	28
1/4"				

Birim:mm

Matkap başlı çifte havşa ucu

► **Şek.24**

D	A	L1	L2	L3	L4
6	6	70	40	12	14
1/4"					

Birim:mm

Köşe yuvarlama ucu

► **Şek.25**

D	A1	A2	L1	L2	L3	R
6	25	9	48	13	5	8
1/4"						
6	20	8	45	10	4	4
1/4"						

Birim:mm

Yiv açma ucu**► Şek.26**

D	A	L1	L2	L3	θ
6	23	46	11	6	30°
6	20	50	13	5	45°
6	20	49	14	2	60°

Birim:mm

Çukur köşebent ucu**► Şek.27**

D	A	L1	L2	R
6	20	43	8	4
6	25	48	13	8

Birim:mm

Rulmanlı havşa ucu**► Şek.28**

D	A	L1	L2
6	10	50	20
1/4"			

Birim:mm

Rulmanlı köşe yuvarlama ucu**► Şek.29**

D	A1	A2	L1	L2	L3	R
6	15	8	37	7	3,5	3
6	21	8	40	10	3,5	6
1/4"	21	8	40	10	3,5	6

Birim:mm

Rulmanlı yiv açma ucu**► Şek.30**

D	A1	A2	L1	L2	θ
6	26	8	42	12	45°
1/4"					
6	20	8	41	11	60°

Birim:mm

Rulmanlı köşebent ucu**► Şek.31**

D	A1	A2	A3	L1	L2	L3	R
6	20	12	8	40	10	5,5	4
6	26	12	8	42	12	4,5	7

Birim:mm

Rulmanlı çukur köşebent ucu**► Şek.32**

D	A1	A2	A3	A4	L1	L2	L3	R
6	20	18	12	8	40	10	5,5	3
6	26	22	12	8	42	12	5	5

Birim:mm

Rulmanlı romen deveboynu uç**► Şek.33**

D	A1	A2	L1	L2	L3	R1	R2
6	20	8	40	10	4,5	2,5	4,5
6	26	8	42	12	4,5	3	6

Birim:mm

Makita Europe N.V.

Jan-Baptist Vinkstraat 2, 3070 Kortenberg, Belgium

Makita Corporation

3-11-8, Sumiyoshi-cho, Anjo, Aichi 446-8502 Japan

www.makita.com



885894A999
EN, FR, DE, IT, NL,
ES, PT, DA, EL, TR
20210222