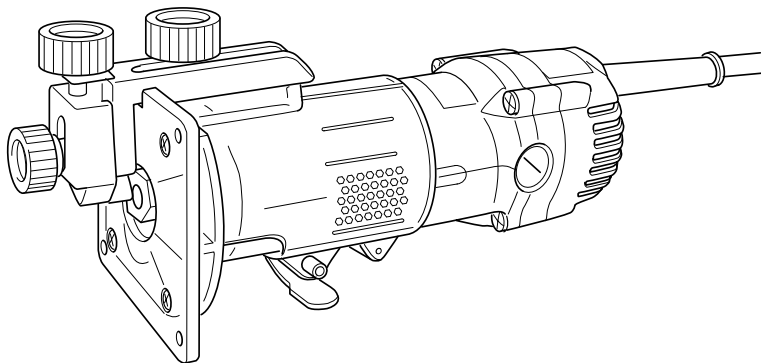
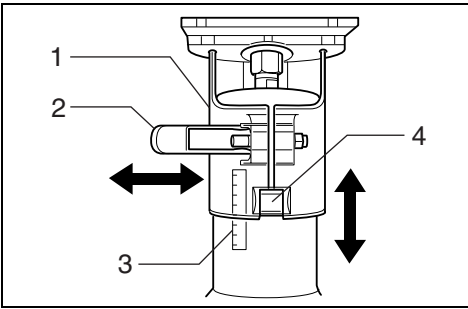




GB	Trimmer	Instruction Manual
F	Affleureuse	Manuel d'instructions
D	Einhandfräse	Betriebsanleitung
I	Rifilatore	Istruzioni per l'uso
NL	Kantenfrees	Gebruiksaanwijzing
E	Rebordeadora	Manual de instrucciones
P	Tupia	Manual de instruções
DK	Overfræser	Brugsanvisning
S	Kantfräs	Bruksanvisning
N	Overfres (Kanttrimmer)	Bruksanvisning
FIN	Viimeistely-yläjärsin	Käyttöohje
GR	Ξακριστή	Οδηγίες χρήσεως

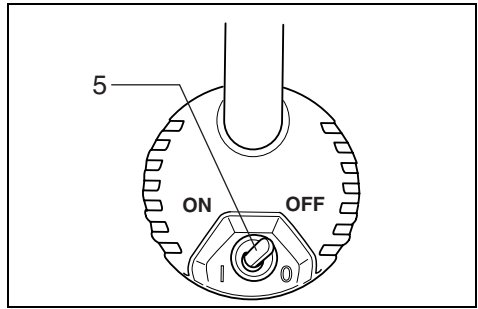
3707
3707F
3707FC





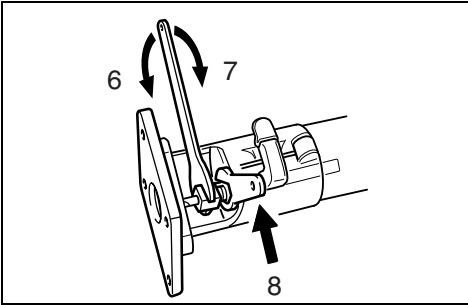
1

001698



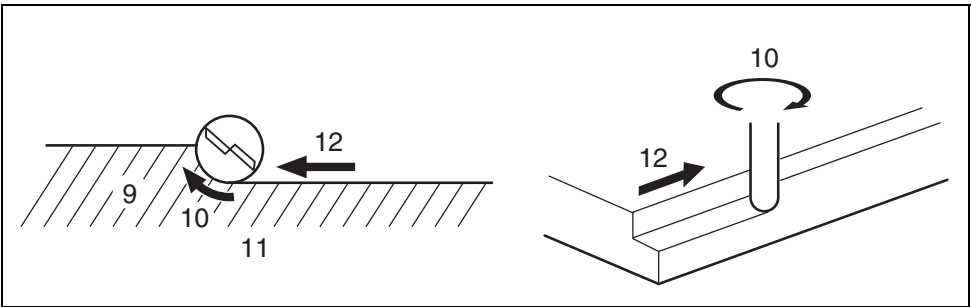
2

001982



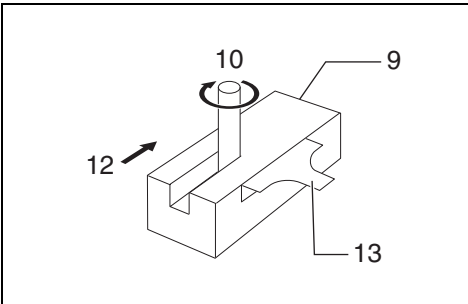
3

001700



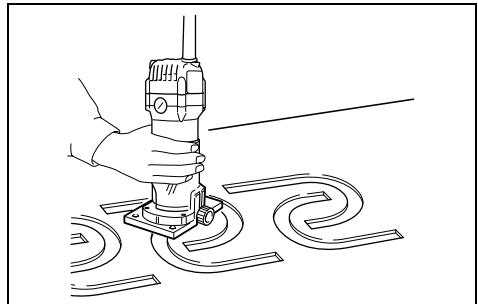
4

001984



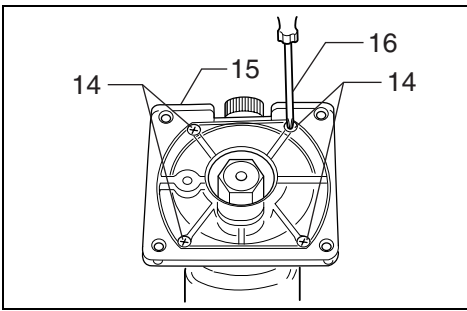
5

001985

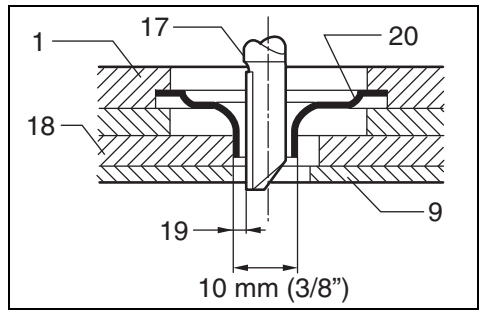


6

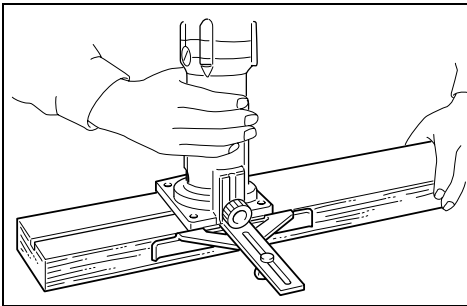
001703



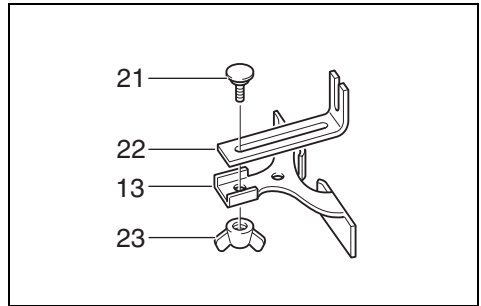
7 001704



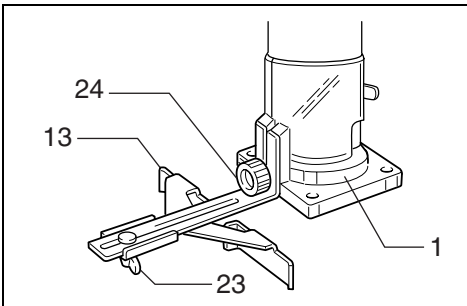
8 001988



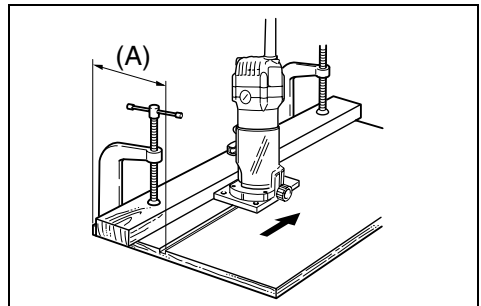
9 001706



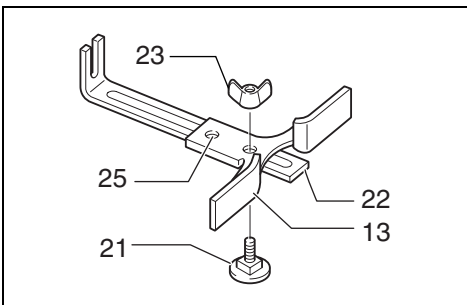
10 001990



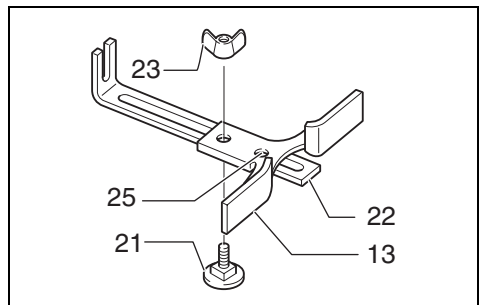
11 001708



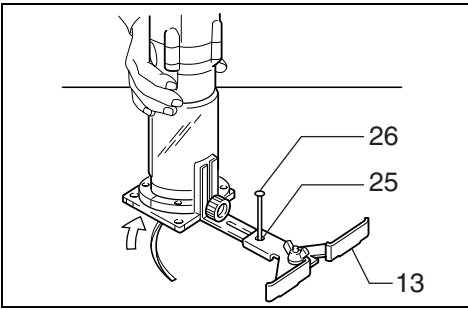
12 001709



13 001993

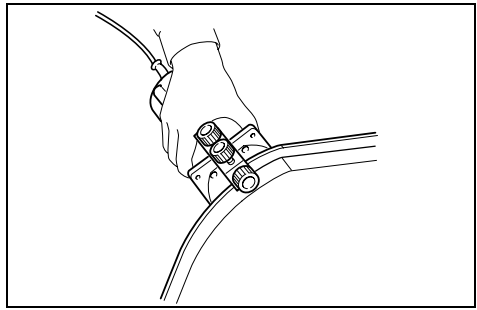


14 001994



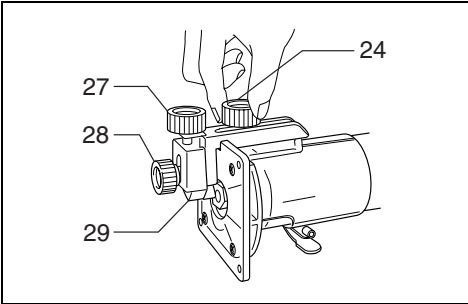
15

001712



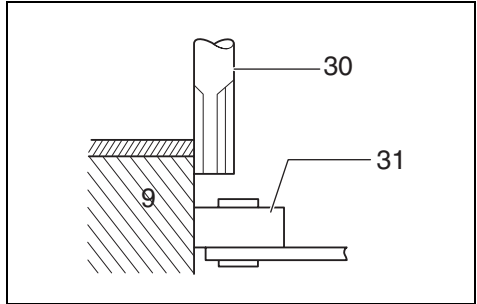
16

001713



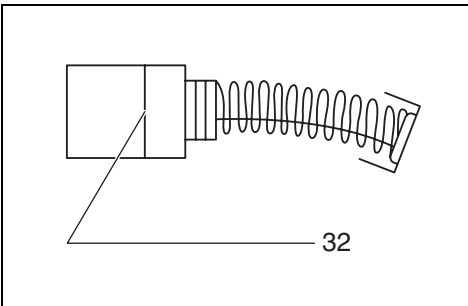
17

001714



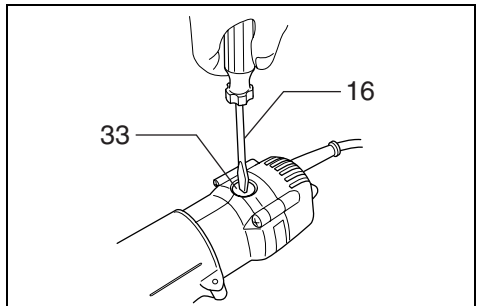
18

001998



19

001145



20

001999

Explanation of general view

1 Base	13 Straight guide	25 Center hole
2 Lever	14 Screws	26 Nail
3 Scale	15 Base protector	27 Adjusting screw
4 Adjusting roller	16 Screwdriver	28 Clamp screw (B)
5 Switch lever	17 Straight bit	29 Trimmer guide
6 Loosen	18 Templet	30 Bit
7 Tighten	19 Distance (X)	31 Guide roller
8 Hold	20 Templet guide 10	32 Limit mark
9 Workpiece	21 Bolt	33 Brush holder cap
10 Bit revolving direction	22 Guide plate	
11 View from the top of the tool	23 Wing nut	
12 Feed direction	24 Clamp screw (A)	

SPECIFICATIONS

Model	3707/3707F	3707FC
Collet chuck capacity.....	6 mm or 1/4"	6 mm or 1/4"
No load speed (min ⁻¹).....	35,000	26,000
Overall length.....	204 mm	204 mm
Net weight.....	1.2 kg	1.3 kg
Safety class.....	□/II	□/II

- Due to our continuing program of research and development, the specifications herein are subject to change without notice.
- Specifications may differ from country to country.
- Weight according to EPTA-Procedure 01/2003

GEB019-4

Intended use

The tool is intended for flush trimming and profiling of wood, plastic and similar materials.

ENE010-1

Power supply

The tool should be connected only to a power supply of the same voltage as indicated on the nameplate, and can only be operated on single-phase AC supply. They are double-insulated and can, therefore, also be used from sockets without earth wire.

ENF002-2

General Power Tool Safety Warnings

⚠ WARNING Read all safety warnings and all instructions. Failure to follow the warnings and instructions may result in electric shock, fire and/or serious injury.

GEA010-1

Save all warnings and instructions for future reference.

TRIMMER SAFETY WARNINGS

- 1. Hold power tool by insulated gripping surfaces, because the cutter may contact its own cord.** Cutting a "live" wire may make exposed metal parts of the power tool "live" and shock the operator.
- 2. Use clamps or another practical way to secure and support the workpiece to a stable platform.** Holding the work by your hand or against the body leaves it unstable and may lead to loss of control.
- 3. Wear hearing protection during extended period of operation.**
- 4. Handle the bits very carefully.**
- 5. Check the bit carefully for cracks or damage before operation. Replace cracked or damaged bit immediately.**
- 6. Avoid cutting nails. Inspect for and remove all nails from the workpiece before operation.**
- 7. Hold the tool firmly.**
- 8. Keep hands away from rotating parts.**
- 9. Make sure the bit is not contacting the workpiece before the switch is turned on.**
- 10. Before using the tool on an actual workpiece, let it run for a while. Watch for vibration or wobbling that could indicate improperly installed bit.**
- 11. Be careful of the bit rotating direction and the feed direction.**
- 12. Do not leave the tool running. Operate the tool only when hand-held.**
- 13. Always switch off and wait for the bit to come to a complete stop before removing the tool from workpiece.**
- 14. Do not touch the bit immediately after operation; it may be extremely hot and could burn your skin.**
- 15. Do not smear the tool base carelessly with thinner, gasoline, oil or the like. They may cause cracks in the tool base.**
- 16. Use bits of the correct shank diameter suitable for the speed of the tool.**

17. Some material contains chemicals which may be toxic. Take caution to prevent dust inhalation and skin contact. Follow material supplier safety data.
18. Always use the correct dust mask/respirator for the material and application you are working with.

SAVE THESE INSTRUCTIONS.

WARNING:

DO NOT let comfort or familiarity with product (gained from repeated use) replace strict adherence to safety rules for the subject product. MISUSE or failure to follow the safety rules stated in this instruction manual may cause serious personal injury.

FUNCTIONAL DESCRIPTION

CAUTION:

- Always be sure that the tool is switched off and unplugged before adjusting or checking function on the tool.

Adjusting bit protrusion (Fig. 1)

To adjust the bit protrusion, loosen the lever and move the tool base up or down as desired by turning the adjusting roller. After adjusting, tighten the lever firmly to secure the tool base.

Switch action (Fig. 2)

CAUTION:

- Before plugging in the tool, always be sure that the tool is switched off.

To start the tool, move the switch lever to the I (ON) position. To stop the tool, move the switch lever to the O (OFF) position.

Electronic function

For model 3707FC only

The tool equipped with electronic function are easy to operate because of the following features.

Constant speed control

Electronic speed control for obtaining constant speed. Possible to get fine finish, because the rotating speed is kept constant even under load condition.

Soft start

Soft-start feature minimizes start-up shock, and makes the tool start smoothly.

Lighting up the lamps

For model 3707F/3707FC only

CAUTION:

- Do not look in the light or see the source of light directly.

To turn on the lamp, start the tool. Then, the lamp lights up the top of the bit. To turn it off, stop the tool.

NOTE:

- Use a dry cloth to wipe the dirt off the lens of lamp. Be careful not to scratch the lens of lamp, or it may lower the illumination.

ASSEMBLY

CAUTION:

- Always be sure that the tool is switched off and unplugged before carrying out any work on the tool.

Installing or removing trimmer bit (Fig. 3)

CAUTION:

- Do not tighten the collet nut without inserting a bit, or the collet cone will break.
- Use only the wrenches provided with the tool.

Insert the bit all the way into the collet cone and tighten the collet nut securely with the two wrenches.

To remove the bit, follow the installation procedure in reverse.

OPERATION

CAUTION:

- Always be sure that the tool is switched off and unplugged before removing or installing the trimmer base.
- **Adjust the lever tightening strength of the trimmer base using its nut to obtain a suitable tightening strength for your tool. After adjusting, make sure the trimmer base is secured to the tool.** Dislocation of the trimmer base may cause personal injuries.

Set the tool base on the workpiece to be cut without the bit making any contact. Then turn the tool on and wait until the bit attains full speed. Move the tool forward over the workpiece surface, keeping the tool base flush and advancing smoothly until the cutting is complete.

When doing edge cutting, the workpiece surface should be on the left side of the bit in the feed direction. **(Fig. 4)**

NOTE:

- Moving the tool forward too fast may cause a poor quality of cut, or damage to the bit or motor. Moving the tool forward too slowly may burn and mar the cut. The proper feed rate will depend on the bit size, the kind of workpiece and depth of cut. Before beginning the cut on the actual workpiece, it is advisable to make a sample cut on a piece of scrap lumber. This will show exactly how the cut will look as well as enable you to check dimensions.
- When using the trimmer shoe, the straight guide or the trimmer guide, be sure to keep it on the right side in the feed direction. This will help to keep it flush with the side of the workpiece. **(Fig. 5)**

CAUTION:

- Since excessive cutting may cause overload of the motor or difficulty in controlling the tool, the depth of cut should not be more than 3 mm at a pass when cutting grooves. When you wish to cut grooves more than 3 mm deep, make several passes with progressively deeper bit settings.

Templet guide

The templet guide provides a sleeve through which the bit passes, allowing use of the trimmer with templet patterns. **(Fig. 6)**

Loosen the screws and remove the base protector. Place the templet guide on the base and replace the base protector. Then secure the base protector by tightening the screws. **(Fig. 7)**

Secure the templet to the workpiece. Place the tool on the templet and move the tool with the templet guide sliding along the side of the templet. **(Fig. 8)**

NOTE:

- The workpiece will be cut a slightly different size from the templet. Allow for the distance (X) between the router bit and the outside of the templet guide. The distance (X) can be calculated by using the following equation:

Distance (X) = (outside diameter of the templet guide – router bit diameter) / 2

Straight guide (optional accessory)

The straight guide is effectively used for straight cuts when chamfering or grooving. (Fig. 9)

Attach the guide plate to the straight guide with the bolt, the wave washer, the flat washer and the wing nut. (Fig. 10)

Attach the straight guide with the clamp screw (A). Loosen the wing nut on the straight guide and adjust the distance between the bit and the straight guide. At the desired distance, tighten the wing nut securely. (Fig. 11)

When cutting, move the tool with the straight guide flush with the side of the workpiece.

If the distance (A) between the side of the workpiece and the cutting position is too wide for the straight guide, or if the side of the workpiece is not straight, the straight guide cannot be used. In this case, firmly clamp a straight board to the workpiece and use it as a guide against the trimmer base. Feed the tool in the direction of the arrow. (Fig. 12)

Circular work

Circular work may be accomplished if you assemble the straight guide and guide plate as shown in Fig. 13 or 14. Min. and max. radius of circles to be cut (distance between the center of circle and the center of bit) are as follows:

Min.: 70 mm

Max.: 221 mm

Fig. 13 for cutting circles between 70 mm and 121 mm in radius.

Fig. 14 for cutting circles between 121 mm and 221 mm in radius.

NOTE:

- Circles between 172 mm and 186 mm in radius cannot be cut using this guide.

Align the center hole in the straight guide with the center of the circle to be cut. Drive a nail less than 6 mm in diameter into the center hole to secure the straight guide. Pivot the tool around the nail in clockwise direction. (Fig. 15)

Trimmer guide

Trimming, curved cuts in veneers for furniture and the like can be done easily with the trimmer guide. The guide roller rides the curve and assures a fine cut. (Fig. 16)

Install the trimmer guide on the tool base with the clamp screw (A). Loosen the clamp screw (B) and adjust the distance between the bit and the trimmer guide by turning the adjusting screw (1 mm per turn). At the desired distance, tighten the clamp screw (B) to secure the trimmer guide in place. (Fig. 17)

When cutting, move the tool with the guide roller riding the side of the workpiece. (Fig. 18)

MAINTENANCE**CAUTION:**

- Always be sure that the tool is switched off and unplugged before attempting to perform inspection or maintenance.
- Never use gasoline, benzene, thinner, alcohol or the like. Discoloration, deformation or cracks may result.

Replacing carbon brushes

Remove and check the carbon brushes regularly. Replace when they wear down to the limit mark. Keep the carbon brushes clean and free to slip in the holders. Both carbon brushes should be replaced at the same time. Use only identical carbon brushes. (Fig. 19) Use a screwdriver to remove the brush holder caps. Take out the worn carbon brushes, insert the new ones and secure the brush holder caps. (Fig. 20)

To maintain product SAFETY and RELIABILITY, repairs, any other maintenance or adjustment should be performed by Makita Authorized Service Centers, always using Makita replacement parts.

OPTIONAL ACCESSORIES**CAUTION:**

- These accessories or attachments are recommended for use with your Makita tool specified in this manual. The use of any other accessories or attachments might present a risk of injury to persons. Only use accessory or attachment for its stated purpose.

If you need any assistance for more details regarding these accessories, ask your local Makita Service Center.

- Straight & groove forming bits
- Edge forming bits
- Laminate trimming bits
- Straight guide assembly
- Trimmer guide assembly
- Trimmer base assembly (For chamfering with straight bit)
- Trimmer shoe
- Templet guide
- Collet cone 6 mm
- Collet cone 6.35 mm (1/4")
- Wrench 10
- Wrench 17

NOTE:

- Some items in the list may be included in the tool package as standard accessories. They may differ from country to country.

Noise

The typical A-weighted noise level determined according to EN60745:

Model 3707, 3707F

Sound pressure level (L_{pA}): 80 dB (A)

Uncertainty (K): 3 dB (A)

The noise level under working may exceed 80 dB (A).

Model 3707FC

Sound pressure level (L_{pA}): 76 dB (A)

Uncertainty (K): 3 dB (A)

The noise level under working may exceed 80 dB (A).

Wear ear protection**Vibration**

ENG900-1

The vibration total value (tri-axial vector sum) determined according to EN60745:

Work mode: rotation without load

Vibration emission (a_h): 2.5 m/s² or less

Uncertainty (K): 1.5 m/s²

ENG901-1

- The declared vibration emission value has been measured in accordance with the standard test method and may be used for comparing one tool with another.
- The declared vibration emission value may also be used in a preliminary assessment of exposure.

WARNING:

- The vibration emission during actual use of the power tool can differ from the declared emission value depending on the ways in which the tool is used.
- Be sure to identify safety measures to protect the operator that are based on an estimation of exposure in the actual conditions of use (taking account of all parts of the operating cycle such as the times when the tool is switched off and when it is running idle in addition to the trigger time).

For European countries only**EC Declaration of Conformity**

We Makita Corporation as the responsible manufacturer declare that the following Makita machine(s):

Designation of Machine:

Trimmer

Model No./ Type: 3707, 3707F, 3707FC

are of series production and

Conforms to the following European Directives:

2006/42/EC

And are manufactured in accordance with the following standards or standardised documents:

EN60745

The technical documentation is kept by our authorized representative in Europe who is:

Makita International Europe Ltd.

Michigan Drive, Tongwell,

Milton Keynes, Bucks MK15 8JD, England

30. 1. 2009



Tomoyasu Kato
Director

Makita Corporation
3-11-8, Sumiyoshi-cho,
Anjo, Aichi, 446-8502, JAPAN

Descriptif

1 Bâti-support	13 Guide parallèle	25 Trou de centrage
2 Levier	14 Vis	26 Clou
3 Echelle de réglage	15 Plaque de protection	27 Vis de réglage
4 Roulette de réglage	16 Tournevis	28 Vis de serrage (B)
5 Levier de l'interrupteur	17 Fraise pour coupe rectiligne	29 Guide d'affleurage
6 Desserrer	18 Gabarit	30 Fraise
7 Serrer	19 Écart (X)	31 Galet du guide
8 Immobiliser	20 Guide à copier 10	32 Trait de limite d'usure
9 Pièce à travailler	21 Boulon	33 Bouchon du porte-charbon
10 Rotation de la fraise	22 Support de guide	
11 Vu depuis le haut de l'outil	23 Écrou à oreilles	
12 Avance de l'outil	24 Vis de serrage (A)	

SPÉCIFICATIONS

Modèle	3707/3707F	3707FC
Capacité de pince.....	6 mm ou 1/4"	6 mm ou 1/4"
Vitesse à vide (min ⁻¹).....	35 000	26 000
Longueur totale.....	204 mm	204 mm
Poids net.....	1,2 kg	1,3 kg
Niveau de sécurité.....	☐/II	☐/II

- Étant donné l'évolution constante de notre programme de recherche et de développement, les spécifications contenues dans ce manuel sont sujettes à modification sans préavis.
- Les spécifications peuvent varier suivant les pays.
- Poids selon la procédure EPTA 01/2003

Utilisations

ENE010-1

L'outil est conçu pour l'affleurage et le profilage du bois, du plastique et autres matériaux similaires.

ENF002-2

Alimentation

L'outil ne devra être raccordé qu'à une alimentation de la même tension que celle qui figure sur la plaque signalétique, et il ne pourra fonctionner que sur un courant secteur monophasé. Réalisé avec une double isolation, il peut de ce fait être alimenté sans mise à la terre.

GEA010-1

Consignes de sécurité générales pour outils électriques

⚠ AVERTISSEMENT Veuillez lire toutes les mises en garde et toutes les instructions. Il y a risque de choc électrique, d'incendie et/ou de blessure grave si les mises en garde et les instructions ne sont pas respectées.

Conservez toutes les mises en garde et instructions pour référence ultérieure.

GEB019-4

CONSIGNES DE SÉCURITÉ POUR AFFLEUREUSE

1. Saisissez l'outil électrique par ses surfaces de poigne isolées, car le couteau peut entrer en contact avec le cordon d'alimentation. Un fil "sous tension" coupé peut mettre "sous tension" les parties métalliques exposées de l'outil électrique, causant ainsi un choc électrique chez l'utilisateur.

2. **Utilisez des dispositifs de serrage ou un autre moyen pratique pour fixer et soutenir la pièce sur une surface stable.** Si vous la tenez avec votre main ou l'appuyez contre une partie du corps, la pièce sera instable et vous risquez d'en perdre la maîtrise.
3. **Portez une protection d'oreilles quand vous devez travailler longuement.**
4. **Maniez les fraises avec soin.**
5. **Avant de travailler, vérifiez soigneusement que les fraises ne sont ni fêlées ni endommagées ; si tel est le cas, remplacez-les immédiatement.**
6. **Attention aux clous. Avant d'utiliser l'outil, inspectez la pièce et retirez-les tous.**
7. **Tenez fermement votre outil.**
8. **Gardez les mains éloignées des pièces en mouvement.**
9. **Assurez-vous que la fraise ne touche pas la pièce à travailler avant que le contact ne soit mis.**
10. **Avant de commencer à travailler, laissez tourner l'outil à vide un instant ; assurez-vous qu'il n'y a ni vibration ni ballonnement, ce qui indiquerait une fraise mal fixée.**
11. **Vérifiez toujours le sens de rotation de la fraise et le sens de déplacement de l'outil.**
12. **Ne laissez pas tourner l'outil non tenu. Ne le mettez en marche qu'une fois bien en mains.**
13. **Avant de retirer l'outil de la pièce à travailler, coupez toujours le contact et attendez que la fraise soit complètement arrêtée.**
14. **Ne touchez pas la fraise immédiatement après son arrêt ; elle peut être extrêmement chaude et pourrait vous brûler.**
15. **Veillez à maintenir le bâti-support à l'écart des diluants, des hydrocarbures et des huiles : le contact avec ces produits peut provoquer des fissures ou des déformations.**
16. **Utilisez des fraises dont le diamètre de queue est bien adapté à la vitesse de l'outil.**

17. Certains matériaux contiennent des produits chimiques qui peuvent être toxiques. Prenez les précautions nécessaires pour éviter que la poussière dégagée lors du travail ne soit inhalée ou n'entre en contact avec la peau. Suivez les consignes de sécurité du fournisseur du matériau.
18. Utilisez toujours un masque antipoussières ou un masque filtrant approprié au matériau à travailler et à l'outil utilisé.

CONSERVEZ CES INSTRUCTIONS.

AVERTISSEMENT :

NE vous laissez PAS tromper (avec l'usage répété) par un sentiment de confort ou de familiarité avec l'outil, au point de ne pas respecter rigoureusement les consignes de sécurité qui accompagnent l'outil. La MAUVAISE UTILISATION de l'outil ou l'ignorance des consignes de sécurité indiquées dans ce manuel d'instructions peut entraîner une blessure grave.

DESCRIPTION DU FONCTIONNEMENT

ATTENTION :

- Assurez-vous toujours que l'outil est hors tension et débranché avant de l'ajuster ou de vérifier son fonctionnement.

Réglage de la saillie de fraise (Fig. 1)

Pour régler la saillie de la fraise, desserrez le levier et déplacez l'embase de l'outil, vers le haut ou vers le bas, de la hauteur voulue en tournant la roulette de réglage. Votre ajustage terminé, serrez le levier à fond pour assurer en place l'embase.

Interrupteur (Fig. 2)

ATTENTION :

- Avant de brancher l'outil, assurez-vous toujours que l'interrupteur se trouve en position hors tension.

Pour mettre l'outil en marche, déplacez le levier de l'interrupteur sur la position I (marche). Pour arrêter l'outil, déplacez le levier de l'interrupteur sur la position O (arrêt).

Fonction électronique

Pour modèle 3707FC uniquement

Les fonctions suivantes facilitent l'utilisation de l'outil doté de commandes électroniques.

Commande de vitesse constante

Commande de vitesse électronique pour l'obtention d'une vitesse constante. Le maintien d'une vitesse de rotation constante, même lorsque l'appareil est soumis à une charge, permet d'obtenir une finition de qualité.

Démarrage en douceur

La fonction de démarrage en douceur minimise le choc initial et permet à l'outil de démarrer en douceur.

Allumage de la lampe

Pour modèle 3707F/3707FC uniquement

ATTENTION :

- Évitez de regarder directement le faisceau lumineux ou sa source.

Pour allumer la lampe, faites démarrer l'outil. La lampe éclaire alors la partie supérieure de la fraise. Pour éteindre la lampe, arrêtez l'outil.

NOTE :

- Utilisez un chiffon sec pour essuyer la saleté qui recouvre la lentille de la lampe. Prenez garde de rayer la lentille de la lampe, pour éviter une diminution de l'éclairage.

ASSEMBLAGE

ATTENTION :

- Avant d'effectuer toute intervention sur l'outil, assurez-vous toujours qu'il est hors tension et débranché.

Pose et dépose de la fraise (Fig. 3)

ATTENTION :

- Ne serrez pas l'écrou de mandrin sans y avoir inséré une fraise ; vous risqueriez de briser le mandrin.
- N'utilisez que les clés fournies avec l'outil.

Insérez la queue de la fraise à fond dans le cône du mandrin et serrez bien l'écrou de mandrin à l'aide des deux clés.

Pour retirer la fraise, observez le même processus en sens inverse.

AFFLEURAGE

ATTENTION :

- Avant de poser ou de retirer l'embase d'affleureuse, assurez-vous toujours que l'outil est hors tension et débranché.

- Ajustez la force de serrage du levier de l'embase d'affleureuse au moyen de son écrou pour obtenir une force de serrage adéquate pour votre outil. Après le réglage, assurez-vous que l'embase d'affleureuse est bien fixée à l'outil.** Le détachement de l'embase d'affleureuse pourrait provoquer des blessures corporelles.

Poser l'embase de l'outil sur la pièce à travailler sans que la fraise touche quoi que ce soit. Mettez ensuite le contact et attendez que la fraise ait atteint sa pleine vitesse. Déplacez l'outil vers l'avant sur la surface de la pièce à travailler, en maintenant l'embase bien à plat et en progressant doucement jusqu'à l'extrémité du tracé.

Pour l'affleurage de bord, la surface de la pièce à travailler doit se trouver sur la gauche de la fraise dans le sens de progression. (Fig. 4)

NOTE :

- Si vous déplacez trop rapidement l'outil vers l'avant, votre entaille risque d'être inégale et vous pouvez endommager la fraise ou le moteur. Si vous le déplacez trop lentement, vous pouvez brûler ou détériorer l'entaille. La vitesse correcte dépend de la dimension de la fraise, de la nature de la pièce à tailler et de la profondeur de coupe. Avant de commencer, nous vous conseillons donc de faire un essai sur une chute ; cela vous montrera l'allure exacte qu'aura votre entaille et vous permettra de bien vérifier les dimensions de celle-ci.
- Lorsque vous vous servez du support d'affleurage horizontal, du guide parallèle ou du guide à affleurer, veillez à bien l'installer du côté droit de l'outil dans le sens de la progression. Vous pourrez ainsi le maintenir parfaitement contre la pièce que vous taillez. (Fig. 5)

ATTENTION :

- Une taille trop profonde risque de forcer le moteur ou de rendre difficile le contrôle de l'outil ; quand vous rainez, limitez donc votre profondeur de taille à 3 mm par passage. Pour des rainures d'une profondeur supérieure, opérez en plusieurs passages et en approfondissant progressivement.

Guide à copier

Le guide à copier comporte un manchon au travers duquel passe la fraise ; le bord extérieur de ce manchon va se placer en appui contre le gabarit. (Fig. 6)
Desserrez les vis, et retirez la plaque de protection de l'embase. Placez le guide à copier dans le trou central, et reposez la plaque de protection avec ses vis. (Fig. 7)

Fixez le gabarit sur la pièce, puis placez le guide à copier au contact du gabarit. Déplacez alors l'outil en suivant le gabarit. gabarit glissant sur le côté du gabarit. (Fig. 8)

NOTE :

- L'entaille proprement dite va occuper un emplacement légèrement en retrait du bord du gabarit. Pour connaître la valeur de cet écart (X), et placer en conséquence le gabarit, utilisez la formule suivante :

$$\text{Écart (X)} = (\text{diamètre extérieur du guide à copier} - \text{diamètre de la fraise}) / 2$$

Guide parallèle (accessoire en option)

Le guide parallèle guide efficacement l'outil quand on effectue des coupes droites en chanfreinant ou en rainant. (Fig. 9)

Fixer le support de guide sur le guide parallèle avec le boulon, la rondelle vague, la rondelle plate et l'écrou à oreilles. (Fig. 10)

Fixez le guide parallèle à l'aide de la vis de serrage (A). Desserrez l'écrou à oreilles sur le guide parallèle et ajustez la distance entre la fraise et le guide parallèle. À la distance désirée, serrez fermement l'écrou à oreilles. (Fig. 11)

Quand vous coupez, déplacez l'outil en maintenant le guide en appui avec le côté de la pièce à travailler.

Si la distance (A) entre le côté de la pièce à travailler et le tracé est trop grande pour le guide parallèle, ou si ce même côté n'est pas rectiligne, vous ne pouvez pas utiliser ce guide. En ce cas, fixez solidement, à l'aide de serre-joints, une pièce de bois rectiligne à la pièce à travailler et servez-vous en comme de guide au contact de l'embase de l'affleureuse. Déplacez celle-ci dans la direction de la flèche. (Fig. 12)

Tailles circulaires

Des tailles circulaires peuvent être réalisées si vous assemblez le guide de coupe rectiligne et la plaque du guide comme sur la Fig. 13 ou 14.

Les rayons min. et max. des tailles circulaires réalisables (les distances entre le centre du cercle et le centre de la fraise) sont les suivants :

Min. : 70 mm

Max. : 221 mm

La Fig. 13 représente la taille de cercles de 70 mm à 121 mm de rayon.

La Fig. 14 représente la taille de cercles de 121 mm à 221 mm de rayon.

NOTE :

- Les cercles d'un rayon compris entre 172 mm et 186 mm ne peuvent pas être taillés avec ce guide.

Alignez le trou de centrage du guide de coupe rectiligne sur le centre du cercle à tailler. Enfoncez un clou de diamètre inférieur à 6 mm pour assurer le guide en place. Faites pivoter l'outil autour du clou en le tournant vers la droite (sens des aiguilles d'une montre). (Fig. 15)

Guide d'affleurage

Le guide d'affleurage permet d'effectuer aisément affleurage ou tailles courbes des bois de placage pour mobilier, etc. Le galet du guide suit la courbure et assure une coupe parfaite. (Fig. 16)

Installez le guide d'affleurage sur l'embase à l'aide de la vis de serrage (A). Relâchez la vis de serrage (B) et ajustez la distance entre la fraise et le guide d'affleurage en tournant la vis de réglage (1 mm par tour). Une fois obtenue la bonne distance, bloquez la vis de serrage (B) afin d'assurer en place le guide d'affleurage. (Fig. 17)

Quand vous coupez, déplacez l'outil avec le galet du guide courant sur le côté de la pièce à travailler. (Fig. 18)

ENTRETIEN

ATTENTION :

- Assurez-vous toujours que l'outil est hors tension et débranché avant d'y effectuer tout travail d'inspection ou d'entretien.
- N'utilisez jamais d'essence, benzine, diluant, alcool ou autre produit similaire. Cela risquerait de provoquer la décoloration, la déformation ou la fissuration de l'outil.

Remplacement des charbons

Retirez et vérifiez régulièrement les charbons. Remplacez-les lorsqu'ils sont usés jusqu'au trait de limite d'usure. Maintenez les charbons propres et en état de glisser aisément dans les porte-charbon. Les deux charbons doivent être remplacés en même temps. N'utilisez que des charbons identiques. (Fig. 19)

Retirez les bouchons de porte-charbon à l'aide d'un tournevis. Enlevez les charbons usés, insérez-en de nouveaux et revissez solidement les bouchons de porte-charbon. (Fig. 20)

Pour maintenir la SÉCURITÉ et la FIABILITÉ du produit, les réparations et tout autre travail d'entretien ou de réglage doivent être effectués dans un centre de service après-vente Makita agréé, exclusivement avec des pièces de rechange Makita.

ACCESSOIRES EN OPTION

ATTENTION :

- Ces accessoires ou pièces complémentaires sont recommandés pour l'utilisation avec l'outil Makita spécifié dans ce mode d'emploi. L'utilisation de tout autre accessoire ou pièce peut comporter un risque de blessure. N'utilisez les accessoires ou pièces qu'aux fins mentionnées dans le présent mode d'emploi.

Si vous désirez obtenir plus de détails concernant ces accessoires, veuillez contacter le centre de service après-vente Makita le plus près.

- Fraises pour coupes rectilignes et rainures
- Fraises pour rebord
- Fraises pour affleurage de stratifié
- Guide parallèle
- Guide d'affleurage
- Embase d'affleureuse (Pour chanfreinage avec fraise rectiligne)
- Support d'affleurage horizontal
- Guide à copier
- Cône de 6 mm
- Cône de 6,35 mm (1/4") de pouce
- Clé 10
- Clé 17

NOTE :

- Il se peut que certains éléments de la liste soient compris dans l'emballage de l'outil en tant qu'accessoires standard. Ils peuvent varier d'un pays à l'autre.

Bruit

ENG905-1

Niveau de bruit pondéré A typique, déterminé selon EN60745 :

Modèle 3707, 3707F

Niveau de pression sonore (L_{pA}) : 80 dB (A)

Incertitude (K) : 3 dB (A)

Le niveau de bruit en fonctionnement peut dépasser 80 dB (A).

Modèle 3707FC

Niveau de pression sonore (L_{pA}) : 76 dB (A)

Incertitude (K) : 3 dB (A)

Le niveau de bruit en fonctionnement peut dépasser 80 dB (A).

Porter des protecteurs anti-bruit

ENG900-1

Vibrations

Valeur totale de vibrations (somme de vecteur triaxial) déterminée selon EN60745 :

Mode de travail : rotation sans charge

Émission de vibrations (a_{hv}) : 2,5 m/s² ou moins

Incertitude (K) : 1,5 m/s²

ENG901-1

- La valeur d'émission de vibrations déclarée a été mesurée conformément à la méthode de test standard et peut être utilisée pour comparer les outils entre eux.
- La valeur d'émission de vibrations déclarée peut aussi être utilisée pour l'évaluation préliminaire de l'exposition.

AVERTISSEMENT :

- L'émission de vibrations lors de l'usage réel de l'outil électrique peut être différente de la valeur d'émission déclarée, suivant la façon dont l'outil est utilisé.
- Les mesures de sécurité à prendre pour protéger l'utilisateur doivent être basées sur une estimation de l'exposition dans des conditions réelles d'utilisation (en tenant compte de toutes les composantes du cycle d'utilisation, comme par exemple le moment de sa mise hors tension, lorsqu'il tourne à vide et le moment de son déclenchement).

ENH101-15

Pour les pays d'Europe uniquement

Déclaration de conformité CE

Makita Corporation, en tant que fabricant responsable, déclare que la ou les machines suivantes :

Désignation de la machine :

Affleureuse

N° de modèle / Type : 3707, 3707F, 3707FC

sont produites en série et

sont conformes aux Directives européennes suivantes :

2006/42/CE

et qu'elles sont fabriquées conformément aux normes ou documents normalisés suivants :

EN60745

La documentation technique est conservée par notre représentant agréé en Europe, à savoir :

Makita International Europe Ltd.

Michigan Drive, Tongwell,

Milton Keynes, Bucks MK15 8JD, Angleterre

30. 1. 2009



Tomoyasu Kato
Directeur

Makita Corporation
3-11-8, Sumiyoshi-cho,
Anjo, Aichi, 446-8502, JAPAN

Übersicht

1 Frästisch	12 Vorschubrichtung	24 Klemmschraube (A)
2 Hebel	13 Parallelanschlag	25 Bohrung (Kreismittelpunkt)
3 Tiefeneinstellskala	14 Schrauben	26 Nagel
4 Einstellschraubenrolle	15 Gleitschutz	27 Einstellschraube
5 EIN-/AUS-Schalter	16 Schraubendreher	28 Klemmschraube (B)
6 Lösen	17 Nutfräser	29 Führungsrolle
7 Festziehen	18 Schablone	30 Fräser
8 Halten	19 Schablonenüberstand (X)	31 Anlaufrolle
9 Werkstück	20 Führungshülse 10	32 Verschleißgrenze
10 Fräserdrehrichtung	21 Flachrundschraube mit Vierkant	33 Bürstenhalterkappe
11 Ansicht des Arbeitsbereiches von oben	22 Führungshalterung	
	23 Flügelmutter	

TECHNISCHE DATEN

Modell	3707/3707F	3707FC
Werkzeugaufnahme	6 mm oder 1/4"	6 mm oder 1/4"
Leerlaufdrehzahl (min ⁻¹)	35 000	26 000
Gesamtlänge	204 mm	204 mm
Nettogewicht	1,2 kg	1,3 kg
Sicherheitsklasse	□/II	□/II

- Wir behalten uns vor, Änderungen im Zuge der Entwicklung und des technischen Fortschritts ohne vorherige Ankündigung vorzunehmen.
- Die technischen Daten können von Land zu Land abweichen.
- Gewicht nach EPTA-Verfahren 01/2003

GEB019-4

SICHERHEITSWARNUNGEN FÜR EINHANDFRÄSE

1. **Halten Sie das Elektrowerkzeug an den isolierten Griffflächen, weil der Fräser das eigene Kabel berühren kann.** Bei Kontakt mit einem Strom führenden Kabel werden die freiliegenden Metallteile des Elektrowerkzeugs ebenfalls Strom führend, so dass der Benutzer einen elektrischen Schlag erleiden kann.
2. **Verwenden Sie Klemmen oder eine andere praktische Methode, um das Werkstück auf einer stabilen Unterlage zu sichern und abzustützen.** Wenn Sie das Werkstück nur von Hand oder gegen den Körper halten, befindet es sich in einer instabilen Lage, die zum Verlust der Kontrolle führen kann.
3. **Tragen Sie bei längerem Arbeiten mit der Fräse einen Gehörschutz.**
4. **Behandeln Sie den Fräser sorgfältig.**
5. **Überprüfen Sie den Fräser vor Gebrauch sorgfältig auf Risse oder Beschädigung. Tauschen Sie gerissene oder beschädigte Fräser sofort aus.**
6. **Achten Sie auf eventuell vorhandene Nägel oder Fremdkörper. Das Werkstück vor Beginn der Arbeit auf Fremdkörper untersuchen und diese gegebenenfalls entfernen.**
7. **Halten Sie die Fräse mit beiden Händen gut fest.**
8. **Halten Sie die Hände von den sich bewegenden Teilen der Maschine fern.**
9. **Das Gerät nicht einschalten, wenn der Fräser das Werkstück berührt.**
10. **Vor dem Ansetzen auf das zu bearbeitende Werkstück, die Fräse einige Zeit ohne Last laufen lassen. Wird ein Vibrieren oder unrunder Lauf festgestellt, prüfen Sie, ob der Fräser sachgemäß eingesetzt wurde oder beschädigt ist.**
11. **Achten Sie auf Drehrichtung und Vorschubrichtung.**
12. **Die Maschine nicht im eingeschalteten Zustand aus der Hand legen. Die Benutzung ist nur in handgehaltener Weise vorgesehen.**

Vorgesehene Verwendung

ENE010-1

Die Maschine ist für Glattschneiden und Profilfräsen von Holz, Kunststoff und ähnlichen Materialien vorgesehen.

Netzanschluss

ENF002-2

Die Maschine darf nur an die auf dem Typenschild angegebene Spannung angeschlossen werden und arbeitet nur mit Einphasen-Wechselspannung. Sie ist doppelt schutzisoliert und kann daher auch an Steckdosen ohne Erdanschluss betrieben werden.

Allgemeine Sicherheitswarnungen für Elektrowerkzeuge

GEA010-1

⚠️ WARNUNG Lesen Sie alle Sicherheitswarnungen und Anweisungen durch. Eine Missachtung der unten aufgeführten Warnungen und Anweisungen kann zu einem elektrischen Schlag, Brand und/oder schweren Verletzungen führen.

Bewahren Sie alle Warnungen und Anweisungen für spätere Bezugnahme auf.

13. Die Fräse erst dann vom Werkstück abnehmen, nachdem die Maschine abgeschaltet wurde und der Fräser zum Stillstand gekommen ist.
14. Berühren Sie den Fräser nicht unmittelbar nach dem Gebrauch; da er sehr heiß ist und Hautverbrennungen verursachen kann.
15. Die Kunststoffteile der Maschine nicht mit Lösungsmitteln, Benzin oder Öl in Kontakt bringen. Risse oder Versprödung können dadurch verursacht werden.
16. Verwenden Sie Einsätze mit korrektem Schaftdurchmesser, die für die Drehzahl der Maschine geeignet sind.
17. Manche Materialien können giftige Chemikalien enthalten. Treffen Sie Vorsichtsmaßnahmen, um das Einatmen von Arbeitsstaub und Hautkontakt zu verhüten. Befolgen Sie die Sicherheitsdaten des Materialherstellers.
18. Verwenden Sie stets die korrekte Staubschutz- oder Atemmaske für das jeweilige Material und die Anwendung.

BEWAHREN SIE DIESE HINWEISE SORGFÄLTIG AUF.

WARNUNG:

Lassen Sie sich NICHT durch Bequemlichkeit oder Vertrautheit mit dem Produkt (durch wiederholten Gebrauch erworben) von der strikten Einhaltung der Sicherheitsregeln für das vorliegende Produkt abhalten. MISSBRAUCH oder Missachtung der Sicherheitsvorschriften in dieser Anleitung können schwere Verletzungen verursachen.

FUNKTIONSBESCHREIBUNG

VORSICHT:

- Vergewissern Sie sich vor jeder Einstellung oder Funktionsprüfung der Maschine stets, dass sie ausgeschaltet und vom Stromnetz getrennt ist.

Einstellen der Frästiefe (Abb. 1)

Zum Einstellen der Frästiefe lösen Sie den Hebel und heben oder senken den Frästisch wunschgemäß durch Drehen der Einstellschraubenrolle. Nach der Einstellung ziehen Sie den Hebel zur Sicherung des Frästisches wieder einwandfrei fest.

Schalterbedienung (Abb. 2)

VORSICHT:

- Vergewissern Sie sich vor dem Anschließen der Maschine an das Stromnetz stets, dass die Maschine ausgeschaltet ist.

Zum Einschalten des Werkzeugs den Schalter auf die Position I (EIN) schieben. Zum Ausschalten des Werkzeugs den Schalter auf die Position O (AUS) schieben.

Elektronikfunktionen

Nur für Modell 3707FC

Die mit Elektronikfunktionen ausgestatteten Werkzeuge weisen die folgenden Merkmale zur Bedienungserleichterung auf.

Konstantdrehzahlregelung

Elektronische Drehzahlregelung zur Aufrechterhaltung einer konstanten Drehzahl. Feines Finish wird ermöglicht, weil die Drehzahl selbst unter Belastung konstant gehalten wird.

Soft-Start

Die Soft-Start-Funktion reduziert Anlaufstöße auf ein Minimum und bewirkt ruckfreies Anlaufen des Werkzeugs.

Einschalten der Lampen

Nur für Modelle 3707F/3707FC

VORSICHT:

- Blicken Sie nicht direkt in das Licht oder die Lichtquelle. Um die Lampe einzuschalten, starten Sie die Maschine. Die Lampe beleuchtet dann die Spitze des Einsatzwerkzeugs. Um die Lampe auszuschalten, stoppen Sie die Maschine.

HINWEIS:

- Wischen Sie Schmutz auf der Linse der Lampe mit einem trockenen Tuch ab. Achten Sie sorgfältig darauf, dass Sie die Linse der Lampe nicht verkratzen, weil sich sonst die Lichtstärke verringert.

MONTAGE

VORSICHT:

- Vergewissern Sie sich vor der Ausführung von Arbeiten an der Maschine stets, dass sie ausgeschaltet und vom Stromnetz getrennt ist.

Montage bzw. Demontage von Fräsern (Abb. 3)

VORSICHT:

- Ziehen Sie die Spannzangenmutter nicht ohne eingesetzten Fräser an. Dies kann zum Bruch des Spanngels führen.
- Nur die mitgelieferten Einmaulschlüssel verwenden.

Den Fräser bis zum Anschlag in die Spannzange schieben und die Spannzangenmutter mit den mitgelieferten Gabelschlüsseln fest anziehen.

Zur Demontage des Fräasers folgen Sie der Montageanweisung in umgekehrter Reihenfolge.

BEDIENUNG

VORSICHT:

- Vergewissern Sie sich vor der Demontage oder Montage des Frästisches stets, dass die Maschine ausgeschaltet und vom Stromnetz getrennt ist.
- **Stellen Sie die Hebelanzugskraft des Frästisches mit seiner Mutter ein, um eine geeignete Anzugskraft für Ihre Maschine zu erhalten. Vergewissern Sie sich nach der Einstellung, dass der Frästisch an der Maschine gesichert ist.** Eine Verlagerung des Frästisches kann Personenschäden verursachen.

Die Fräse auf das zu bearbeitende Werkstück setzen, ohne dass der Fräser das Werkstück berührt. Die Fräse einschalten und warten, bis die Maschine die volle Drehzahl erreicht hat. Die Fräse auf der Oberfläche des Werkstücks vorwärts schieben, dabei den Frästisch rechtwinklig zum Werkstück führen.

Bei der Bearbeitung von Kanten muss sich das Werkstück, in Vorschubrichtung gesehen, links vom Fräser befinden. (Abb. 4)

HINWEIS:

- Zu hoher Vorschub vermindert die Bearbeitungsqualität und überlastet Motor bzw. Fräswerkzeug. Zu geringer Vorschub kann zu Brandmarken am Werkstück und ungenauem Arbeitsergebnis führen. Die richtige Vorschubgeschwindigkeit ist abhängig vom Werkstoff, Fräserdurchmesser und Frästiefe; eine Probefräsung an einem gleichwertigen Abfallstück ist vor dem endgültigen Arbeitsgang zu empfehlen, um Fräseinstellung und -qualität zu kontrollieren.
- Wenn Sie den Führungsschuh, den Parallelanschlag oder die Führungsrolle verwenden, halten Sie die Vorrichtung auf der rechten Seite in Vorschubrichtung. Dies trägt dazu bei, sie bündig mit der Seite des Werkstücks zu halten. (**Abb. 5**)

VORSICHT:

- Fräsen mit hohem Materialabtrag kann zu einer Überlastung des Motors führen und die Handhabung der Fräse erschweren. Die Frästiefe beim Nutfräsen sollte bei einem Arbeitsgang nicht mehr als 3 mm betragen; bei höheren Frästiefen sollte in zwei oder drei Arbeitsgängen mit zunehmend tieferer Fräseinstellung gefräst werden.

Führungshülse

Die Führungshülse gestattet die Verwendung von Schablonen. (**Abb. 6**)

Lösen Sie die Schrauben, um den Gleitschutz abzunehmen. Die Führungshülse in den Frästisch einsetzen und anschließend den Gleitschutz an gleicher Stelle montieren und die Schrauben wieder festziehen. (**Abb. 7**)

Befestigen Sie die Schablone am Werkstück. Die Fräse auf die Schablone setzen und so führen, dass die Führungshülse an der Bezugskante der Schablone entlangfährt. (**Abb. 8**)

HINWEIS:

- Das Werkstück wird auf eine geringfügig andere Größe als die Schablone zugeschnitten. Der Schablonenüberstand (X) ergibt sich aus dem Außendurchmesser der Führungshülse und dem Fräserdurchmesser nach folgender Berechnung:

Schablonenüberstand (X) = (Außendurchmesser Führungshülse – Fräserdurchmesser) / 2

Parallelanschlag (Sonderzubehör)

Zum Fasen und Nuten können Sie auch den Parallelanschlag verwenden. (**Abb. 9**)

Die Führungshalterung mit Schraube, Wellenscheibe, Unterlegscheibe und Flügelmutter am Parallelanschlag befestigen. (**Abb. 10**)

Der Parallelanschlag mit der Klemmschraube (A) befestigen. Die Flügelmutter am Parallelanschlag lösen, und den Abstand zwischen Fräser und Parallelanschlag einstellen. Die Flügelmutter im gewünschten Abstand fest anziehen. (**Abb. 11**)

Beim Fräsen die Maschine so vorschieben, dass der Parallelanschlag an der Seite des Werkstücks anliegt.

Falls der Abstand (A) zwischen der Seite des Werkstücks und der Fräsoption zu breit für den Parallelanschlag ist, oder die Seite des Werkstücks nicht gerade ist, kann der Parallelanschlag nicht benutzt werden. In diesem Fall ein gerades Brett am Werkstück festklemmen und dieses als Führung gegen den Frästisch benutzen. Die Maschine in Pfeilrichtung vorschieben. (**Abb. 12**)

Fräsen von Radien

Kreisschnitte können durchgeführt werden, wenn Sie den Parallelanschlag und die Führungsplatte so montieren, wie in **Abb. 13** oder **14** gezeigt. Folgende min. und max. Abmessungen gelten von Kreismittelpunkt bis Fräsermittelpunkt:

Min.: 70 mm

Max.: 221 mm

Den Parallelanschlag zum Fräsen der Radien von 70 bis 121 mm gemäß **Abb. 13**, zum Fräsen der Radien von 121 bis 221 mm entsprechend **Abb. 14** mit der Führungshalterung zusammenbauen.

HINWEIS:

- Konstruktionsbedingt können Radien von 172 mm und 186 mm nicht gefräst werden.

In den Kreismittelpunkt einen Dorn (Nagel/Schraube, etc.) mit einem max. Durchmesser von 6 mm einsetzen. Den Parallelanschlag mit der Bohrung auf den Dorn setzen und den Fräsvorgang rechtsdrehend auf dem Werkstück durchführen. (**Abb. 15**)

Rollenführung

Zur Kantenbearbeitung kann mit der Führungsrolle die Außenkontur des Werkstücks abgetastet werden. (**Abb. 16**)

Montieren Sie die Rollenführung am Frästisch und ziehen Sie die Klemmschraube (A) an. Lösen Sie die Klemmschraube (B) und stellen die Anlaufrolle mit der Einstellschraube (1 mm pro Umdrehung) auf den gewünschten Fräsabstand. Mit der Klemmschraube (B) die Einstellung sichern. (**Abb. 17**)

Achten Sie beim Fräsvorgang auf eine winkelgerechte Auflage der Maschine auf dem Werkstück. (**Abb. 18**)

WARTUNG

VORSICHT:

- Denken Sie vor der Durchführung von Überprüfungen oder Wartungsarbeiten stets daran, die Maschine auszuschalten und vom Stromnetz zu trennen.
- Verwenden Sie auf keinen Fall Benzin, Benzol, Verdünnern, Alkohol oder dergleichen. Solche Mittel können Verfärbung, Verformung oder Rissbildung verursachen.

Kohlebürsten wechseln

Die Kohlebürsten müssen regelmäßig entfernt und überprüft werden. Wenn sie bis zur Verschleißgrenze abgenutzt sind, müssen sie erneuert werden. Halten Sie die Kohlebürsten stets sauber, damit sie ungehindert in den Haltern gleiten können. Beide Kohlebürsten sollten gleichzeitig erneuert werden. Verwenden Sie nur identische Kohlebürsten. (**Abb. 19**)

Drehen Sie die Bürstenhalterkappen mit einem Schraubendreher heraus. Die abgenutzten Kohlebürsten herausnehmen, die neuen einsetzen, und dann die Bürstenhalterkappen wieder eindrehen. (**Abb. 20**)

Um die SICHERHEIT und ZUVERLÄSSIGKEIT dieses Produkts zu gewährleisten, sollten Reparaturen und andere Wartungs- oder Einstellarbeiten nur von Makita-Kundendienstzentren unter ausschließlicher Verwendung von Makita-Originalersatzteilen ausgeführt werden.

SONDERZUBEHÖR

VORSICHT:

- Die folgenden Zubehörteile oder Vorrichtungen werden für den Einsatz mit der in dieser Anleitung beschriebenen Makita-Maschine empfohlen. Die Verwendung anderer Zubehörteile oder Vorrichtungen kann eine Verletzungsgefahr darstellen. Verwenden Sie Zubehörteile oder Vorrichtungen nur für ihren vorgesehenen Zweck.

Wenn Sie weitere Einzelheiten bezüglich dieser Zubehörteile benötigen, wenden Sie sich bitte an Ihre Makita-Kundendienststelle.

- Gerad- und Nutenfräser
- Kantenfräser
- Laminatfräser
- Parallelschlag
- Führungsrolle
- Frästisch mit Winkelanschlag (Für Anfasen mit Geradfräser)
- Führungsschuh
- Führungshülse
- Spannzange 6 mm
- Spannzange 6,35 mm (1/4")
- Gabelschlüssel 10
- Gabelschlüssel 17

HINWEIS:

- Manche Teile in der Liste können als Standardzubehör im Werkzeugsatz enthalten sein. Sie können von Land zu Land unterschiedlich sein.

ENG905-1

Geräusch

Typischer A-bewerteter Geräuschpegel ermittelt gemäß EN60745:

Modell 3707, 3707F

Schalldruckpegel (L_{pA}): 80 dB (A)

Ungewissheit (K): 3 dB (A)

Der Lärmpegel kann während des Betriebs 80 dB (A) überschreiten.

Modell 3707FC

Schalldruckpegel (L_{pA}): 76 dB (A)

Ungewissheit (K): 3 dB (A)

Der Lärmpegel kann während des Betriebs 80 dB (A) überschreiten.

Gehörschutz tragen

ENG900-1

Vibration

Vibrationsgesamt看wert (Drei-Achsen-Vektorsumme) ermittelt gemäß EN60745:

Arbeitsmodus: Drehung ohne Last

Vibrationsemission (a_h): 2,5 m/s² oder weniger

Ungewissheit (K): 1,5 m/s²

ENG901-1

- Der angegebene Vibrationsemissionswert wurde im Einklang mit der Standardprüfmethode gemessen und kann für den Vergleich zwischen Maschinen herangezogen werden.
- Der angegebene Vibrationsemissionswert kann auch für eine Vorbewertung des Gefährdungsgrads verwendet werden.

WARNUNG:

- Die Vibrationsemission während der tatsächlichen Benutzung des Elektrowerkzeugs kann je nach der Benutzungsweise der Maschine vom angegebenen Emissionswert abweichen.
- Identifizieren Sie Sicherheitsmaßnahmen zum Schutz des Benutzers anhand einer Schätzung des Gefährdungsgrads unter den tatsächlichen Benutzungsbedingungen (unter Berücksichtigung aller Phasen des Arbeitszyklus, wie z. B. Ausschalt- und Leerlaufzeiten der Maschine zusätzlich zur Betriebszeit).

ENH101-15

Nur für europäische Länder

EG-Übereinstimmungserklärung

Wir, die Firma Makita als verantwortlicher Hersteller, erklären, dass die folgende(n) Makita-Maschine(n):

Bezeichnung der Maschine:

Einhandfräse

Modell-Nr./ Typ: 3707, 3707F, 3707FC

der Serienproduktion entstammen und

den folgenden europäischen Richtlinien entsprechen:

2006/42/EG

und gemäß den folgenden Standards oder standardisierten Dokumenten hergestellt werden:

EN60745

Die technische Dokumentation befindet sich im Bestand unserer autorisierten Vertretung in Europa, nämlich:

Makita International Europe Ltd.

Michigan Drive, Tongwell,

Milton Keynes, Bucks MK15 8JD, England

30. 1. 2009



Tomoyasu Kato
Direktor

Makita Corporation
3-11-8, Sumiyoshi-cho,
Anjo, Aichi, 446-8502, JAPAN

Visione generale

1 Base	12 Direzione in cui si muove l'utensile	24 Vite di fissaggio (A)
2 Levetta	13 Guida diritta	25 Foro centrale
3 Scala	14 Vite	26 Chiodo
4 Rullo di regolazione	15 Protezione della base	27 Vite di regolazione
5 Levetta interruttore	16 Cacciavite	28 Vite di fissaggio (B)
6 Allentare	17 Fresa diritta	29 Guida a sagoma
7 Serrare	18 Sagoma	30 Punta
8 Tenere ben fermo	19 Distanza (X)	31 Rullo di guida
9 Pezzo sotto lavorazione	20 Guida a sagoma 10	32 Segno limite
10 Direzione di rotazione della punta	21 Bullone	33 Coperchio delle spazzole a carbone
11 Vista del di sopra della fresatrice	22 Guida rettilinea	
	23 Dado a farfalla	

DATI TECNICI

Modello	3707/3707F	3707FC
Capacità della pinza	6 mm o 1/4"	6 mm o 1/4"
Velocità a vuoto (min ⁻¹).....	35.000	26.000
Lunghezza totale	204 mm	204 mm
Peso netto.....	1,2 kg	1,3 kg
Classe di sicurezza.....	□/II	□/II

- Per il nostro programma di ricerca e sviluppo continui, i dati tecnici sono soggetti a modifiche senza preavviso.
- I dati tecnici potrebbero differire a seconda del paese di destinazione del modello.
- Peso in base alla procedura EPTA 01/2003

Utilizzo previsto

ENE010-1

Questo utensile serve alla rifilatura a raso e alla sagomatura del legno, plastica e materiali simili.

Alimentazione

ENF002-2

L'utensile deve essere collegato ad una presa di corrente con la stessa tensione indicata sulla targhetta del nome, e può funzionare soltanto con la corrente alternata monofase. Esso ha un doppio isolamento, per cui può essere usato con le prese di corrente sprovviste della messa a terra.

GEA010-1

Avvertimenti generali per la sicurezza dell'utensile elettrico

⚠ AVVERTIMENTO Leggere tutti gli avvertimenti per la sicurezza e le istruzioni. La mancata osservanza degli avvertimenti e delle istruzioni può causare scosse elettriche, incendio e/o gravi incidenti.

Conservare tutti gli avvertimenti e le istruzioni per riferimenti futuri.

GEB019-4

AVVERTIMENTI PER LA SICUREZZA DEL RIFILATORE

1. Tenere l'utensile elettrico per le sue superfici di presa isolate, perché l'accessorio di taglio potrebbe fare contatto con il suo stesso cavo di alimentazione. Tagliando un filo elettrico "sotto tensione" potrebbe mettere "sotto tensione" le parti metalliche esposte dell'utensile elettrico e dare una scossa all'operatore.

2. Usare morse od altri modi pratici per fissare e supportare il pezzo su una superficie stabile. Se lo si tiene in mano o contro il proprio corpo, il pezzo diventa instabile e potrebbe causare la perdita di controllo.
3. Quando si opera per lungo tempo mettersi protezioni alle orecchie.
4. Trattare gli utensili con estrema cura.
5. Controllare gli utensili con estrema cura che non ci siano crepature oppure siano danneggiati prima di cominciare la lavorazione. Rimpiazzare immediatamente utensili con crepature oppure danneggiati.
6. Evitare di tagliare chiodi. Ispezionare se ci sono e rimuovere tutti i chiodi dal pezzo da lavorare prima di cominciare la lavorazione.
7. Tenere la fresatrice ferma.
8. Tenere le mani lontane dalle parti in movimento.
9. Prima di mettere in moto la fresatrice assicurarsi che l'utensile non è a contatto con il pezzo da lavorare.
10. Prima di cominciare la lavorazione sul pezzo da lavorare attualmente, lasciare che giri per un momento. Osservare se ci sono vibrazioni oppure rotazioni imperfette che possono essere il segno di un montaggio imperfetto dell'utensile.
11. Assicurarsi del senso di rotazione dell'utensile e della direzione di avanzamento del pezzo da lavorare.
12. Non lasciare che l'utensile giri a vuoto. Mettere in moto la fresatrice solo quando è ben tenuta in mano.
13. Dopo aver lasciato andare l'interruttore sempre aspettare che l'utensile si fermi completamente prima di rimuovere la fresatrice dal pezzo da lavorare.
14. Non toccare l'utensile subito dopo la lavorazione; potrebbe essere estremamente caldo e potrebbe bruciare la vostra pelle.

15. Non sporcare sbadatamente la base dell'utensile con solvente benzina, olio oppure liquidi simili. Questi liquidi potrebbero causare crepature sulla base dell'utensile.
16. Usare punte con il diametro corretto del codolo adatte alla velocità dell'utensile.
17. Alcuni materiali contengono sostanze chimiche che potrebbero essere tossiche. Fare attenzione per evitare l'inalazione o il contatto con la pelle. Osservare le precauzioni del produttore del materiale.
18. Usare sempre la mascherina antipolvere/rispiratore adatti al materiale e all'applicazione con cui si lavora.

CONSERVATE QUESTE ISTRUZIONI.

AVVERTIMENTO:

NON lasciare che la comodità o la familiarità d'utilizzo con il prodotto (acquisita con l'uso ripetuto) sostituisca la stretta osservanza delle norme di sicurezza per il prodotto stesso. L'utilizzo SBAGLIATO o la mancata osservanza delle norme di sicurezza di questo manuale di istruzioni potrebbero causare lesioni serie.

DESCRIZIONE DEL FUNZIONAMENTO

ATTENZIONE:

- Accertarsi sempre che l'utensile sia spento e staccato dalla presa di corrente prima di regolarlo o di controllarne il funzionamento.

Regolazione della sporgenza della punta (Fig. 1)

Per regolare la sporgenza della punta, allentare la levetta e spostare su o giù come desiderato la base dell'utensile girando il rullo di regolazione. Dopo la regolazione, stringere saldamente la levetta per fissare la base dell'utensile.

Funzionamento dell'interruttore (Fig. 2)

ATTENZIONE:

- Prima di collegare l'utensile alla presa di corrente, accertarsi sempre che sia spento.

Per avviare l'utensile, spostare la levetta interruttore sulla posizione I (ON). Per fermarlo, spostare la levetta interruttore sulla posizione O (OFF).

Funzione elettronica

Solo modello 3707FC

L'utensile dotato della funzione elettronica è facile da usare per le caratteristiche seguenti.

Controllo di velocità costante

Controllo di velocità elettronico per ottenere una velocità costante. Possibilità di ottenere una rifinitura fine in quanto la velocità di rotazione viene mantenuta costante anche in condizioni di carico.

Avviamento morbido

La funzione di avviamento morbido minimizza le scosse e avvia dolcemente l'utensile.

Accensione delle lampadine

Solo modello 3707F/3707FC

ATTENZIONE:

- Non guardare la luce o guardare direttamente la fonte di luce.

Per accendere la lampada, avviare l'utensile. La lampada illumina allora la cima della punta. Per spegnerla, fermare l'utensile.

NOTA:

- Usare un panno asciutto per togliere lo sporco dalla lente della lampadina. Fare attenzione a non graffiare la lente della lampadina, perché ciò potrebbe ridurre l'illuminazione.

MONTAGGIO

ATTENZIONE:

- Accertarsi sempre che l'utensile sia spento e staccato dalla presa di corrente prima di un qualsiasi intervento su di esso.

Montaggio o smontaggio della punta del rifilatore (Fig. 3)

ATTENZIONE:

- Non stringere la pinza conica se non c'è la punta inserita altrimenti la pinza conica si romperà.
- Usare la chiave in dotazione sull'attrezzo.

Inserire la punta fino in fondo nella pinza conica e quindi stringere forte la pinza conica con le due chiavi. Per staccare la punta, seguire il processo di montaggio nel senso contrario.

FUNZIONAMENTO

ATTENZIONE:

- Accertarsi sempre che l'utensile sia spento e staccato dalla presa di corrente prima di rimuovere o di installare la base del rifilatore.
- **Regolare la forza di serraggio della levetta della base del rifilatore usando il suo dado in modo da ottenere una forza di serraggio appropriata per l'utensile. Dopo la regolazione, accertarsi che la base del rifilatore sia fissata all'utensile.** Se la base del rifilatore è fuori posto, potrebbe causare un incidente.

Mettere la base dell'utensile sul pezzo da tagliare senza che la punta faccia alcun contatto. Accendere l'utensile e aspettare finché la punta non ha raggiunto la velocità massima. Spostare l'utensile in avanti sulla superficie del pezzo da lavorare, mantenendo la base a livello ed avanzando scorrevolmente fino al completamento del taglio. Quando si lavora sui bordi la superficie da lavorare deve trovarsi sulla parte sinistra della punta nella direzione di avanzamento dell'utensile. (Fig. 4)

NOTA:

- Fare avanzare l'utensile troppo in fretta può essere la causa di una lavorazione pessima oppure può danneggiare la punta o il motore. Fare avanzare l'utensile troppo lentamente può divenire la causa di bruciature oppure di una lavorazione fallita. La velocità giusta di avanzamento dipenderà dalla grossezza della punta, la qualità del legname e la profondità di taglio. Prima di cominciare il taglio sul pezzo da lavorare si suggerisce di fare un taglio di prova su un pezzo di legno da buttare. Questo permetterà di farsi una idea esatta del risultato e nello stesso tempo permetterà di controllare la misura.
- Quando si usa l'appoggio del rifilatore, la guida diritta o la guida del rifilatore assicurarsi di mantenerli sul lato destro della direzione di taglio. Questo aiuterà a tenere la guida in linea con il lato del pezzo sotto lavorazione. (Fig. 5)

ATTENZIONE:

- Dato che una profondità di taglio eccessiva può provocare un eccessivo sforzo del motore oppure può creare difficoltà nel controllare l'utensile, la profondità di taglio non dovrà superare i 3 mm alla volta quando si fanno scanalature. Quando si vogliono fare tagli più profondi dei 3 mm passare parecchie volte aumentando gradatamente la profondità della punta.

Guida a sagoma

La guida a sagoma ha un incavo attraverso il quale passa la punta, permettendo l'uso del rifilatore per effettuare operazioni sagomate. (Fig. 6)

Allentate le viti e rimuovete la protezione della base. Piazzate la guida a sagoma sulla base e rimpiazzate la protezione della base. Quindi fissate la protezione della base stringendo le viti. (Fig. 7)

Fermare la sagoma sul pezzo da lavorare. Piazzare l'utensile sulla sagoma e far muovere l'utensile con la guida a sagoma strisciante lungo in fianco della sagoma. (Fig. 8)

NOTA:

- Il pezzo da lavorare verrà tagliato ad una misura leggermente differente da quella data dalla sagoma. Permettere una distanza (X) tra la punta del rifilatore e la parte esterna della sagoma. La distanza (X) può venire calcolata usando la seguente equazione:

Distanza (X) = (diametro esterno della guida a sagoma – diametro della punta) / 2

Guida diritta (accessorio opzionale)

La guida diritta è usata con efficacia quando si fanno tagli diritti in lavori di smussatura e escavazione. (Fig. 9) Attaccare la guida rettilinea alla guida diritta con il bullone, la rondella onda e il dado a farfalla. (Fig. 10)

Attaccare la guida diritta con la vite di serraggio (A). Allentare il dado ad alette sulla guida diritta, e regolare la distanza tra la punta e la guida diritta. Stringere saldamente il dado ad alette alla distanza desiderata. (Fig. 11)

Durante il taglio fare avanzare l'utensile tenendo la guida diritta in linea con il lato del pezzo sotto lavorazione. Se la distanza (A) tra il lato del pezzo da lavorare e la posizione di taglio è troppa larga per la guida diritta, oppure se il lato del pezzo da lavorare non è diritto, non potete usare la guida diritta. In questo caso, bloccate un pezzo di legno diritto sul pezzo da lavorare e usatelo come guida contro la base del rifilatore. Fate avanzare l'utensile nella direzione della freccia. (Fig. 12)

Tagli circolari

Montando la guida diritta e la piastra della guida è possibile eseguire dei tagli circolari, come mostrato nelle Fig. 13 e 14.

I raggi minimo e massimo dei cerchi da tagliare (distanza tra il centro del cerchio e il centro della punta) sono i seguenti:

Min.: 70 mm

Mass.: 221 mm

Fig. 13 per tagliare dei cerchi con un raggio dai 70 mm ai 121 mm.

Fig. 14 per tagliare dei cerchi con un raggio dai 121 mm ai 221 mm.

NOTA:

- Usando questa guida non si possono tagliare cerchi con un raggio dai 172 mm ai 186 mm.

Allineare il foro centrale nella guida diritta con il centro del cerchio da tagliare. Inserire un chiodo inferiore a 6 mm di diametro nel foro centrale per fissare la guida diritta. Far girare l'utensile attorno al chiodo nella direzione oraria. (Fig. 15)

Guida del rifilatore

La guida del rifilatore serve per rifilature su plastica nel caso di mobili. Il rullino di guida corre sul fianco della curva e assicura un taglio preciso. (Fig. 16)

Piazzare la guida del rifilatore sulla base del rifilatore con la vite di fissaggio (A). Allentare la vite di fissaggio (B) e regolare la distanza tra la punta e la guida del rifilatore facendo girare la vite di regolazione (1 mm per giro). Alla distanza desiderata stringere la vite di fissaggio (B) per fermare la guida del rifilatore al suo posto. (Fig. 17)

Durante le lavorazioni fare correre il rullino di guida sul fianco del pezzo da lavorare. (Fig. 18)

MANUTENZIONE

ATTENZIONE:

- Accertarsi sempre che l'utensile sia spento e staccato dalla presa di corrente prima dell'ispezione o della manutenzione.
- Mai usare benzina, benzene, solventi, alcol e altre sostanze simili. Potrebbero causare scolorimenti, deformazioni o crepe.

Sostituzione delle spazzole di carbone

Rimuovere e controllare regolarmente le spazzole di carbone. Sostituirle se sono usurate fino al segno limite. Mantenere sempre le spazzole di carbone pulite e facili da inserire nei portaspazzole. Le spazzole di carbone devono essere sostituite entrambe allo stesso tempo. Usare soltanto spazzole di carbone identiche. (Fig. 19) Usare un cacciavite per rimuovere i tappi dei portaspazzole. Estrarre le spazzole di carbone usurate, inserire quelle nuove e fissare i tappi dei portaspazzole. (Fig. 20)

Per preservare la SICUREZZA e l'AFFIDABILITÀ del prodotto, le riparazioni, la manutenzione o la regolazione devono essere eseguite da un Centro Assistenza Makita autorizzato usando sempre ricambi Makita.

ACCESSORI OPZIONALI

ATTENZIONE:

- Per l'utensile specificato in questo manuale, si consigliano questi accessori o ricambi. L'utilizzo di altri accessori o ricambi può costituire un pericolo. Usare soltanto gli accessori o ricambi specificati per il loro utilizzo.

Per maggiori dettagli e l'assistenza, rivolgersi al Centro Assistenza Makita locale.

- Punte diritte e di formazione scanalature
- Punte di formazione bordi
- Punte laminate per rifilatura
- Guida diritta
- Gruppo guida rifilatore
- Gruppo base rifilatore (Per la smussatura con punta diritta)
- Ganascia rifilatore
- Guida sagoma
- Cono a collare 6 mm
- Cono a collare 6,35 mm (1/4")
- Chiave 10
- Chiave 17

NOTA:

- Alcuni articoli nella lista potrebbero essere inclusi nell'imballo dell'utensile come accessori standard. Essi potrebbero differire da Paese a Paese.

ENG905-1

Rumore

Il tipico livello di rumore pesato A determinato secondo EN60745:

Modello 3707, 3707F

Livello pressione sonora (L_{pA}): 80 dB (A)

Incertezza (K): 3 dB (A)

Il livello di rumore durante il lavoro potrebbe superare gli 80 dB (A).

Modello 3707FC

Livello pressione sonora (L_{pA}): 76 dB (A)

Incertezza (K): 3 dB (A)

Il livello di rumore durante il lavoro potrebbe superare gli 80 dB (A).

Indossare i paraorecchi

ENG900-1

Vibrazione

Il valore totale di vibrazione (somma vettore triassiale) determinato secondo EN60745:

Modalità operativa: rotazione senza carico

Emissione di vibrazione (a_{h1}): 2,5 m/s^2 o meno

Incertezza (K): 1,5 m/s^2

ENG901-1

- Il valore di emissione delle vibrazioni dichiarato è stato misurato conformemente al metodo di test standard, e può essere usato per paragonare un utensile con un altro.
- Il valore di emissione delle vibrazioni dichiarato può anche essere usato per una valutazione preliminare dell'esposizione.

AVVERTIMENTO:

- L'emissione delle vibrazioni durante l'uso reale dell'utensile elettrico può differire dal valore di emissione dichiarato a seconda dei modi in cui viene usato l'utensile.
- Identificare le misure di sicurezza per la protezione dell'operatore basate sulla stima dell'esposizione nelle condizioni reali d'utilizzo (tenendo presente tutte le parti del ciclo operativo, come le volte in cui l'utensile viene spento e quando gira a vuoto, oltre al tempo di funzionamento).

ENH101-15

Modello per l'Europa soltanto

Dichiarazione CE di conformità

Noi della Makita Corporation, come produttori responsabili, dichiariamo che le macchine Makita seguenti:

Designazione della macchina:

Rifilatore

Modello No./ Tipo: 3707, 3707F, 3707FC

sono una produzione di serie e

conformi alle direttive europee seguenti:

2006/42/CE

E sono fabbricate conformemente ai seguenti standard o documenti standardizzati:

EN60745

La documentazione tecnica è tenuta dal nostro rappresentante autorizzato in Europa, che è:

Makita International Europe Ltd.

Michigan Drive, Tongwell,

Milton Keynes, Bucks MK15 8JD, England

30. 1. 2009



Tomoyasu Kato
Amministratore

Makita Corporation
3-11-8, Sumiyoshi-cho,
Anjo, Aichi, 446-8502, JAPAN

Verklaring van algemene gegevens

1 Zoolplaat	13 Rechte geleider	25 Middengaasje
2 Hendel	14 Schroef	26 Spijker
3 Schaal	15 Zoolplaatbeschermer	27 Afstelschroef
4 Afstelrol	16 Schroevendraaier	28 Klampschroef (B)
5 Schakelaar	17 Recht freesmes	29 Trimgeleider
6 Losdraaien	18 Sjabloon	30 Frees
7 Vastdraaien	19 Afstand (X)	31 Rol van geleider
8 Vasthouden	20 Sjabloongeleader 10	32 Limiet
9 Werkstuk	21 Bout	33 Kap van koolborstelhouder
10 Rotatierichting van het frees	22 Geleideplaat	
11 Van bovenaf gezien	23 Vleugelmoer	
12 Trimrichting	24 Klampschroef (A)	

TECHNISCHE GEGEVENS

Model	3707/3707F	3707FC
Spantang cap.	6 mm of 1/4"	6 mm of 1/4"
Toerental onbelast (min ⁻¹)	35 000	26 000
Totale lengte	204 mm	204 mm
Netto gewicht	1,2 kg	1,3 kg
Veiligheidsklasse	□/II	□/II

- In verband met ononderbroken research en ontwikkeling behouden wij ons het recht voor bovenstaande technische gegevens te wijzigen zonder voorafgaande kennisgeving.
- De technische gegevens kunnen van land tot land verschillen.
- Gewicht volgens de EPTA-procedure 01/2003

ENE010-1

Doeleinden van gebruik

Dit gereedschap is bedoeld voor het gelijk afwerken en voor het aanbrengen van profielen in hout, kunststof en soortgelijke materialen.

ENF002-2

Stroomvoorziening

Het gereedschap mag alleen worden aangesloten op een stroombron van hetzelfde voltage als aangegeven op de naamplaat, en kan alleen op enkel-fase wisselstroom worden gebruikt. Het gereedschap is dubbel-geïsoleerd en kan derhalve ook op een niet-geaard stopcontact worden aangesloten.

GEA010-1

Algemene veiligheidswaarschuwingen voor elektrisch gereedschap

⚠ WAARSCHUWING! Lees alle veiligheidswaarschuwingen en alle instructies. Het niet volgen van de waarschuwingen en instructies kan leiden tot elektrische schokken, brand en/of ernstig letsel.

Bewaar alle waarschuwingen en instructies om in de toekomst te kunnen raadplegen.

GEB019-4

VEILIGHEIDSWAARSCHUWINGEN SPECIFIEK VOOR EEN KANTENFREES

1. **Houd elektrisch gereedschap vast aan de geïsoleerde handgrepen, want het risico bestaat dat het snijvlak het snoer raakt.** Als een draad die onder stroom staat wordt ingesneden, komen de metalen delen van het gereedschap ook onder stroom te staan en kunt u een gevaarlijke schok krijgen.

2. **Gebruik klemmen of een andere praktische methode om het werkstuk op een stabiele ondergrond te bevestigen en ondersteunen.** Als u het werkstuk in uw hand of tegen uw lichaam geklemd houdt, is het onvoldoende stabiel en kunt u de controle erover verliezen.
3. **Gebruik een oorbescherming, wanneer U lange tijd met dit gereedschap denkt te werken.**
4. **Wees voorzichtig met het frees.**
5. **Controleer het frees op barsten of beschadiging, alvorens het gereedschap in te schakelen en vervang onmiddellijk als het frees is gebarsten of beschadigd.**
6. **Zorg dat het frees niet in contact komt met spijkers enz. Verwijder derhalve alvorens met trimmen te beginnen eventuele spijkers en dergelijke van het werkstuk.**
7. **Houd het gereedschap stevig vast.**
8. **Houd uw handen uit de buurt van de roterende delen.**
9. **Zorg dat het frees niet in contact is met het werkstuk wanneer u het gereedschap inschakelt.**
10. **Laat het gereedschap draaien, alvorens het werkstuk te trimmen. Controleer of er trillingen en/of schommelingen zijn, die op een verkeerd geïnstalleerd frees kunnen wijzen.**
11. **Zorg dat de rotatierichting overeenkomt met de trimrichting.**
12. **Schakel het gereedschap onmiddellijk uit, als u het niet meer gebruikt. Schakel het gereedschap allen in, als u het in handen houdt.**
13. **Schakel het gereedschap uit en wacht tot het helemaal tot stilstand is gekomen, alvorens het van het werkstuk te verwijderen.**
14. **Raak het frees onmiddellijk na het trimmen niet aan; aangezien het nog gloeiend heet is en derhalve brandwonden kan veroorzaken.**
15. **Wees voorzichtig en veeg het voetstuk van het gereedschap niet af met ververdunner, benzine, olie of iets dergelijks, aangezien er anders barsten in kunnen komen.**

16. Gebruik frezen van de juiste schachtdiameter, geschikt voor de snelheid van dit gereedschap.
17. Sommige materialen bevatten chemische stoffen die vergiftig kunnen zijn. Vermijd inademing van stof en contact met de huid. Volg de veiligheidsinstructies van de leverancier van het materiaal.
18. Gebruik altijd het juiste stofmasker/ademhalingsapparaat voor het materiaal en de toepassing waarmee u werkt.

BEWAAR DEZE VOORSCHRIFTEN.

WAARSCHUWING:

Laat u NIET misleiden door een vals gevoel van comfort en bekendheid met het gereedschap (na veelvuldig gebruik) en neem alle veiligheidsvoorschriften van het betreffende product altijd strikt in acht. **VERKEERD GEBRUIK** of het niet naleven van de veiligheidsvoorschriften in deze gebruiksaanwijzing kan leiden tot ernstige verwondingen.

BESCHRIJVING VAN DE FUNCTIES

LET OP:

- Zorg altijd dat het gereedschap is uitgeschakeld en zijn stekker uit het stopcontact is verwijderd alvorens de functies op het gereedschap te controleren of af te stellen.

De snijdiepte instellen (Fig. 1)

Om de snijdiepte in te stellen, draait u eerst de hendel los en daarna stelt u de zoolplaat hoger of lager in door de afstelrol te draaien. Nadat de instelling is voltooid, moet u de zoolplaat weer vastzetten door de hendel goed vast te draaien.

In- en uitschakelen (Fig. 2)

LET OP:

- Controleer altijd of het gereedschap is uitgeschakeld voordat u het op een stopcontact aansluit.

Om het gereedschap in te schakelen, zet u de schakelaar in stand I (AAN). Om het gereedschap te stoppen, zet u de schakelaar in de stand O (UIT).

Elektronische functie

Alleen voor model 3707FC

Het gereedschap dat uitgerust is met de elektronische functie, is gemakkelijk te bedienen omwille van de volgende kenmerken.

Constante snelheidsregeling

Elektronische snelheidsregeling voor constante snelheid. Nauwkeurige afwerking is mogelijk, omdat de draaisnelheid ook bij belaste werking constant wordt gehouden.

Zacht starten

De functie voor zacht starten vermindert de schok bij het starten zodat het gereedschap zacht start.

Aanzetten van de lampen

Alleen voor model 3707F/3707FC

LET OP:

- Kijk niet direct in het licht of de lichtbron.

Start het gereedschap om de lamp aan te zetten. De lamp verlicht dan het uiteinde van de boor. Stop het gereedschap om de lamp uit te doen.

OPMERKING:

- Gebruik een droge doek om vuil op de lamplens eraf te vegen. Let op dat u geen krassen maakt op de lamplens, aangezien de verlichtingssterkte daardoor zal verminderen.

INEENZETTEN

LET OP:

- Zorg altijd dat het gereedschap is uitgeschakeld en zijn stekker uit het stopcontact is verwijderd alvorens enig werk aan het gereedschap uit te voeren.

Inzetten of verwijderen van het trimfrees (Fig. 3)

LET OP:

- Draai de spantangmoer niet vast als in de spantang geen frees zit, aangezien anders de spantang kan breken.
- Gebruik uitsluitend de steeksleutels die met het gereedschap zijn bijgeleverd.

Steek de frees helemaal in de spantang en draai de spantangmoer stevig vast met behulp van de twee sleutels.

Voor het verwijderen van de frees, volgt u de procedure voor het inzetten in omgekeerde volgorde.

BEDIENING

LET OP:

- Zorg altijd dat het gereedschap is uitgeschakeld en zijn stekker uit het stopcontact is verwijderd alvorens u de zoolplaatteenheid aanbrengt of verwijdert.
- **Stel de spankracht van de hendel van de zoolplaatteenheid met zijn moer af op een geschikte spankracht voor uw gereedschap. Controleer na het afstellen of de zoolplaatteenheid aan het gereedschap bevestigd is.** Als de zoolplaatteenheid losraakt, kan persoonlijk letsel ontstaan.

Zet de zoolplaat op het te trimmen werkstuk. Het frees mag echter nog niet mee in contact komen. Schakel het gereedschap vervolgens in en wacht totdat het op volle toeren is gekomen. Hierna beweegt u het gereedschap rustig over het werkstuk, ervoorzorgend dat de zoolplaat altijd op het werkstuk blijft rusten, totdat het trimmen voltooid is.

Wanneer u de rand van het werkstuk wilt bewerken, plaats u het werkstuk links, zoals in de onderstaande illustratie. (Fig. 4)

OPMERKING:

- Wanneer U het gereedschap te snel voortbeweegt, kan het resultaat onbevredigend zijn, of kan de frees of de motor beschadiging oplopen. Wanneer U echter het gereedschap te langzaam voortbeweegt, krijgt U een lelijk freesoppervlakte of kan er op het freesoppervlakte een brandvlek komen. Hoe U het best het gereedschap kunt voortbewegen, hangt af van de freesafmetingen, het materiaal en de snijdiepte. Het verdient derhalve aanbeveling een proef te doen, alvorens U het werkstuk bewerkt. U kunt dan zien hoe het freesoppervlakte eruit zal zien en de afmetingen controleren.
- Wanneer U de trim schoen, de rechte geleider of de trim geleider gebruikt, dient U deze rechts van de snijrichting te houden, zodat deze volledig op het werkstuk kan rusten. (Fig. 5)

LET OP:

- Aangezien door een overmatige trimdiepte de motor overbelast kan raken en u moeite heeft het gereedschap onder controle te houden, mag dus voor het snijden van groeven de trimdiepte per bewerking niet meer dan 3 mm bedragen. Wilt u de groef dieper hebben dan dient u het trimfrees telkens verder uit te laten steken (telkens niet meer dan 3 mm) en de bewerking zodig herhalen tot de groef de gewenste diepte heeft.

Sjabloongeleider

De sjabloongeleider is voorzien van een bus, waardoor het frees gaat, zodat u met het gereedschap de patronen van de sjabloon nauwkeurig kunt volgen. (Fig. 6)

Draai de schroeven los en verwijder de zoolplaatbeschermers. Plaats de sjabloongeleider op de zoolplaat, en plaats de zoolplaatbeschermers terug op z'n oorspronkelijke plaats. Zet vervolgens de zoolplaatbeschermers met de schroeven vast. (Fig. 7)

Zet de sjabloon vast op het werkstuk. Plaats daarna het gereedschap op de sjabloon en beweeg het zo voort dat de sjabloongeleider de patronen van de sjabloon volgt. (Fig. 8)

OPMERKING:

- De uitgesneden patronen in het werkstuk zijn iets smaller dan die van de sjabloon. Dit komt vanwege de afstand (X) tussen het mes en de buitenkant van de sjabloongeleider. Deze afstand (X) kunt U als volgt berekenen:

afstand (X) = (middellijn van sjabloongeleider – middellijn van mes) / 2

Rechte geleider (optioneel accessoire)

De rechte geleider zorgt voor een keurige rechte snede tijdens het afschuiven/afkanten van het werkstuk of tijdens het snijden van groeven. (Fig. 9)

Bevestig de geleideplaat op de rechte geleider door middel van de bout, de gegolfde vulring, de platte vulring en de vleugelmoer. (Fig. 10)

Bevestig de rechte geleider met de klampschroef (A). Draai de vleugelmoer van de rechte geleider los en stel de afstand in tussen het bit en de rechte geleider. Draai bij de gewenste afstand, de vleugelmoer stevig vast. (Fig. 11)

Tijdens het frezen dient u ervoor te zorgen dat de rechte geleider steeds tegen de zijkant van het werkstuk aangedrukt blijft.

Wanneer de afstand (A) tussen de zijde van het werkstuk en de snijlijn te groot is voor de rechte geleider, of wanneer de zijde van het werkstuk niet recht is, kunt u de rechte geleider niet gebruiken. In dit geval klemt u een recht stuk hout vast op het werkstuk, zodat deze als een geleider kan dienen voor de zoolplaat. Beweeg het gereedschap in de richting van de pijl voort. (Fig. 12)

Cirkelvormig trimmen

Cirkelvormig trimmen is mogelijk wanneer u de rechte geleider en de geleideplaat in elkaar zet, zoals afgebeeld in Fig. 13 of 14.

De minimale en maximale straal (afstand tussen het middelpunt van de cirkel en de punt van de frees) van de te trimmen cirkels zijn als volgt:

Minimaal: 70 mm

Maximaal: 221 mm

Fig. 13 voor het trimmen van cirkels met een straal tussen 70 mm en 121 mm.

Fig. 14 voor het trimmen van cirkels met een straal tussen 121 mm en 221 mm.

OPMERKING:

- Met deze geleider kunt u geen cirkels trimmen met een straal van 172 mm tot 186 mm.

Plaats het middengaatje van de rechte geleider op het punt dat het middelpunt van de te trimmen cirkel moet worden. Sla een spijker van minder dan 6 mm diameter door het middengaatje om de rechte geleider vast te zetten. Beweeg vervolgens het gereedschap naar rechts in een cirkel voort. (Fig. 15)

Trimgeleider

Voor het trimmen van afgeronde hoeken van het opleghout van meubelstukken en dergelijke, verkrijgt u met behulp van de trimgeleider uitstekende resultaten. De rol van de geleider rolt namelijk over de afronding, zodat u een fijne afwerking verkrijgt. (Fig. 16)

Installeer met behulp van vastzetschroef (A) de trimgeleider op de zoolplaat. Draai vastzetschroef (B) los en stel de afstand in tussen de frees en de trimgeleider door de afstelschroef te verdraaien (1 mm per slag). Vervolgens draait u vastzetschroef (B) vast voor het vastzetten van de trimgeleider. (Fig. 17)

Tijdens het trimmen beweegt u het gereedschap zodanig dat de rol van de geleider continu over de zijkant van het werkstuk blijft rollen. (Fig. 18)

ONDERHOUD

LET OP:

- Zorg altijd dat het gereedschap is uitgeschakeld en zijn stekker uit het stopcontact is verwijderd alvorens te beginnen met inspectie of onderhoud.
- Gebruik nooit benzine, wasbenzine, thinner, alcohol en dergelijke. Hierdoor het verkleuring, vervormingen en barsten worden veroorzaakt.

Vervangen van koolborstels

Verwijder en controleer regelmatig de koolborstels. Vervang de koolborstels wanneer ze tot aan de limietmarkering versleten zijn. Houd de koolborstels schoon, zodat ze gemakkelijk in de houders glijden. Beide koolborstels dienen gelijktijdig te worden vervangen. Gebruik uitsluitend gelijksoortige koolborstels. (Fig. 19)

Gebruik een schroevendraaier om de kappen van de koolborstelhouders te verwijderen. Haal de versleten koolborstels eruit, schuif de nieuwe erin, en zet daarna de kappen weer goed vast. (Fig. 20)

Om de VEILIGHEID en BETROUWBAARHEID van het product te handhaven, dienen alle reparaties en alle andere onderhoudswerkzaamheden of afstellingen te worden uitgevoerd door een erkend Makita Servicecentrum, en dat uitsluitend met gebruik van Makita vervangingsonderdelen.

OPTIONELE ACCESSOIRES

LET OP:

- Deze accessoires of hulpstukken worden aanbevolen voor gebruik met het Makita gereedschap dat in deze gebruiksaanwijzing wordt beschreven. Het gebruik van andere accessoires of hulpstukken kan gevaar voor persoonlijke verwonding opleveren. Gebruik de accessoires of hulpstukken uitsluitend voor het gespecificeerde doel.

Wenst u meer informatie over deze accessoires, neem dan contact op met het dichtstbijzijnde Makita servicecentrum.

- Diverse groefbits
- Diverse afkantbits
- Diverse laminaattrimbits
- Rechte geleider
- Trimgeleider
- Zoolplaateneheid voor frees (voor het frezen van een schuine kant met een vlakgroefbit)
- Trimschoen
- Sjabloongeleider
- Spankegel 6 mm
- Spankegel 6,35 mm (1/4")
- Sleutel 10
- Sleutel 17

OPMERKING:

- Sommige van de onderdelen in deze lijst kunnen bijgeleverd zijn als standaard-accessoires. Deze accessoires kunnen per land verschillend zijn.

ENG905-1

Geluidsniveau

De typisch, A-gewogen geluidsniveaus vastgesteld volgens EN60745:

Model 3707, 3707F

Geluidsdrukniveau (L_{pA}): 80 dB (A)

Onnauwkeurigheid (K): 3 dB (A)

Tijdens het werken kan het geluidsniveau 80 dB (A) overschrijden.

Model 3707FC

Geluidsdrukniveau (L_{pA}): 76 dB (A)

Onnauwkeurigheid (K): 3 dB (A)

Tijdens het werken kan het geluidsniveau 80 dB (A) overschrijden.

Draag oorbeschermers

ENG900-1

Trilling

De totaalwaarde van de trillingen (triaxiale vectorsom) vastgesteld volgens EN60745:

Toepassing: rotatie zonder belasting

Trillingsemisatie (a_{h1}): 2,5 m/s² of lager

Onnauwkeurigheid (K): 1,5 m/s²

ENG901-1

- De opgegeven trillingsemisiewaarde is gemeten volgens de standaardtestmethode en kan worden gebruikt om dit gereedschap te vergelijken met andere gereedschappen.
- De opgegeven trillingsemisiewaarde kan ook worden gebruikt voor een beoordeling vooraf van de blootstelling.

WAARSCHUWING:

- De trillingsemisatie tijdens het gebruik van het elektrisch gereedschap in de praktijk kan verschillen van de opgegeven trillingsemisiewaarde afhankelijk van de manier waarop het gereedschap wordt gebruikt.
- Zorg ervoor dat veiligheidsmaatregelen worden getroffen ter bescherming van de operator die zijn gebaseerd op een schatting van de blootstelling onder praktijkomstandigheden (rekening houdend met alle fasen van de bedrijfscyclus, zoals de tijdsduur gedurende welke het gereedschap is uitgeschakeld en stationair draait, naast de ingeschakelde tijdsduur).

ENH101-15

Aleen voor Europese landen

EU-Verklaring van Conformiteit

Wij, Makita Corporation, als de verantwoordelijke fabrikant, verklaren dat de volgende Makita-machine(s):

Aanduiding van de machine:

Kantenfrees

Modelnr./Type: 3707, 3707F, 3707FC

in serie zijn geproduceerd en

Voldoen aan de volgende Europese richtlijnen:

2006/42/EC

En zijn gefabriceerd in overeenstemming met de volgende normen of genormaliseerde documenten: EN60745

De technische documentatie wordt bewaard door onze erkende vertegenwoordiger in Europa, te weten:

Makita International Europe Ltd.

Michigan Drive, Tongwell,

Milton Keynes, Bucks MK15 8JD, Engeland

30. 1. 2009



Tomoyasu Kato
Directeur

Makita Corporation
3-11-8, Sumiyoshi-cho,
Anjo, Aichi, 446-8502, JAPAN

Explicación de los dibujos

1 Base	11 Visto desde la parte superior de la herramienta	22 Placa guía
2 Palanca	12 Dirección de avance	23 Tuerca de aletas
3 Escala	13 Guía recta	24 Tornillo de fijación (A)
4 Rodillo de ajuste	14 Tornillos	25 Orificio central
5 Interruptor de la palanca	15 Protector de la base	26 Tornillo
6 Aflojar	16 Destornillador	27 Tornillo de ajuste
7 Apretar	17 Guía recta	28 Tornillo de fijación (B)
8 Retener	18 Plantilla	29 Guía de recorte
9 Pieza de trabajo	19 Dirección (X)	30 Broca
10 Dirección de rotación de la broca	20 Guía de la plantilla 10	31 Rodillo de la guía
	21 Perno	32 Marca de límite
		33 Tapas del portaescobillas

ESPECIFICACIONES

Modelo	3707/3707F	3707FC
Capacidad de boquilla.....	6 mm o 1/4"	6 mm o 1/4"
Velocidad en vacío (min ⁻¹).....	35.000	26.000
Longitud total.....	204 mm	204 mm
Peso neto.....	1,2 kg	1,3 kg
Clase de seguridad.....	□/II	□/II

- Debido a un programa continuo de investigación y desarrollo, las especificaciones aquí dadas están sujetas a cambios sin previo aviso.
- Las especificaciones pueden ser diferentes de país a país.
- Peso de acuerdo con el procedimiento EPTA 01/2003

ENE010-1

Uso previsto

La herramienta ha sido prevista para recortes y perfilados planos en madera, plástico y materiales similares.

ENF002-2

Alimentación

La herramienta ha de conectarse solamente a una fuente de alimentación de la misma tensión que la indicada en la placa de características, y sólo puede funcionar con corriente alterna monofásica. El sistema de doble aislamiento de la herramienta puede, por lo tanto, usarse también en enchufes hembra sin conductor de tierra.

GEA010-1

Advertencias de seguridad generales para herramientas eléctricas

⚠ ¡ADVERTENCIA! Lea todas las advertencias de seguridad y todas las instrucciones. Si no sigue todas las advertencias e instrucciones podrá ocasionar una descarga eléctrica, un incendio y/o heridas graves.

Guarde todas las advertencias e instrucciones para futuras referencias.

GEB019-4

ADVERTENCIAS DE SEGURIDAD PARA LA REBORDEADORA

1. Sujete la herramienta eléctrica por las superficies de asiento aisladas, porque la cuchilla puede entrar en contacto con su propio cable. El cortar un cable con corriente puede hacer que la corriente circule por las partes metálicas expuestas de la herramienta eléctrica y electrocutar al operario.

2. Utilice mordazas u otros medios de sujeción prácticos para sujetar y apoyar la pieza de trabajo en una plataforma estable. Sujetada con su mano o contra el cuerpo, la pieza de trabajo estará inestable y podrá ocasionar la pérdida del control.
3. Protéjase los oídos cuando trabaje durante periodos prolongados.
4. Manipule con mucho cuidado estas brocas.
5. Compruebe con cuidado si existen grietas o daños en la broca antes de la operación. Reemplazela inmediatamente la broca si está agrietada o dañada.
6. No corte clavos. Inspeccione antes de la operación la pieza de trabajo para ver si tiene clavos y sáquelos si los hay.
7. Retenga firmemente la herramienta.
8. Mantenga las manos apartadas de las piezas de rotación.
9. Asegúrese de que la broca no esté en contacto con la pieza de trabajo antes de conectar el interruptor.
10. Antes de usar la herramienta en una pieza de trabajo, déjela un rato en funcionamiento. Observe si se producen vibraciones u ululaciones que pudieran indicar que la broca está mal colocada.
11. Tenga cuidado con la dirección de rotación de la broca y con la dirección de avance.
12. No deje la herramienta en marcha. Opere la herramienta sólo cuando la tenga en las manos.
13. Antes de sacar la herramienta de la pieza de trabajo, desconéctela siempre y espere a que la broca se pare por completo.
14. No toque la broca inmediatamente después de la operación; porque puede estar muy caliente y podría quemarse.
15. No ensucie la base de la herramienta con disolvente, gasolina, aceite, o productos semejantes. Pueden causar grietas en la base de la herramienta.
16. Utilice fresas del diámetro de espiga correcto apropiadas para la velocidad de la herramienta.

17. **Algunos materiales contienen sustancias químicas que podrán ser tóxicas. Tenga precaución para evitar la inhalación de polvo y el contacto con la piel. Siga los datos de seguridad del abastecedor del material.**
18. **Utilice siempre la mascarilla contra el polvo o el respirador correcto para el material con que esté trabajando y la aplicación que realice.**

GUARDE ESTAS INSTRUCCIONES.

ADVERTENCIA:

NO deje que la comodidad o familiaridad con el producto (a base de utilizarlo repetidamente) sustituya la estricta observancia de las normas de seguridad para el producto en cuestión. El MAL USO o el no seguir las normas de seguridad establecidas en este manual de instrucciones podrá ocasionar graves heridas personales.

DESCRIPCIÓN DEL FUNCIONAMIENTO

PRECAUCIÓN:

- Asegúrese siempre de que la herramienta esté apagada y desenchufada antes de ajustar o comprobar cualquier función de la herramienta.

Ajuste de la profusión de la fresa (Fig. 1)

Para ajustar la profundidad de corte, afloje la palanca y mueva la base de la herramienta hacia arriba o hacia debajo de la forma deseada girando el rodillo de ajuste. Después de hacer el ajuste, apriete firmemente la palanca para asegurar la base.

Accionamiento del interruptor (Fig. 2)

PRECAUCIÓN:

- Antes de enchufar la herramienta, asegúrese siempre de que la herramienta está apagada.

Para poner en marcha la herramienta, mueva la palanca del interruptor a la posición I (ON). Para parar la herramienta, mueva la palanca del interruptor a la posición O (OFF).

Función electrónica

Para modelo 3707FC solamente

La herramienta, equipada con función electrónica, es fácil de utilizar gracias a las siguientes características.

Control de velocidad constante

Control de velocidad electrónico para obtener una velocidad constante. Se puede conseguir un acabado fino, porque la velocidad de rotación se mantiene constante incluso en condición de carga.

Inicio suave

La función de inicio suave reduce al mínimo el golpe del arranque, y hace que el inicio de la herramienta sea suave.

Encendido de las lámparas

Para modelo 3707F/3707FC solamente

PRECAUCIÓN:

- No mire a la luz ni vea la fuente de luz directamente.

Para encender la lámpara, ponga en marcha la herramienta. Después, la lámpara alumbrará la punta del implemento. Para apagarla, pare la herramienta.

NOTA:

- Utilice un paño seco para quitar la suciedad de la lente de la lámpara. Tenga cuidado de no rayar la lente de la lámpara, porque podrá disminuir la iluminación.

MONTAJE

PRECAUCIÓN:

- Asegúrese siempre de que la herramienta esté apagada y desenchufada antes de realizar cualquier trabajo en ella.

Instalación y extracción de la broca precisa (Fig. 3)

PRECAUCIÓN:

- No apriete la tuerca del portabrocas sin antes haber insertado la fresa, o romperá el portabrocas.
- Emplee solamente las llaves suministradas con la máquina.

Inserte la fresa hasta el fondo en el portabrocas y apriete la tuerca del portabrocas fijamente con dos llaves.

Para desmontar la fresa siga el procedimiento de instalación a la inversa.

OPERACIÓN

PRECAUCIÓN:

- Asegúrese siempre de que la herramienta está apagada y desenchufada antes de retirar o instalar la base de la rebordeadora.
- **Ajuste la fuerza de apriete de la palanca de la base de la rebordeadora utilizando su tuerca para obtener una fuerza de apriete apropiada para su herramienta. Después de ajustar, asegúrese de que la base de la rebordeadora está sujeta a la herramienta.** La dislocación de la base de la rebordeadora podrá ocasionar heridas personales.

Ajuste la base de la herramienta en la pieza de trabajo a cortarse sin que la broca haga ningún contacto. Luego, gire la herramienta y espere hasta que la broca alcance toda su velocidad. Mueva la herramienta hacia adelante sobre la superficie de trabajo, manteniendo empotrada la base de la herramienta y avanzando uniformemente hasta completarse el corte.

Cuando corte molduras de canto, la superficie de la pieza de trabajo deberá quedar a la izquierda de la fresa con respecto a la dirección de corte. (Fig. 4)

NOTA:

- Si avanza la máquina demasiado rápidamente el corte no será preciso y podrá dañar la fresa o el motor. Si avanza muy lentamente podrá quemar la madera y echar a perder el corte. La velocidad de corte apropiada dependerá del tamaño de la fresa, tipo de pieza de trabajo y profundidad de corte. Antes de comenzar a trabajar en la pieza de trabajo real, es aconsejable hacer un corte de prueba en un trozo de madera de desperdicios. De esta forma podrá comprobar el resultado exacto del corte y también las dimensiones.
- Cuando utilice el pie guía, la guía recta o la guía precisa, asegúrese de que quede a la derecha de la dirección de corte. Esto ayudará a mantener la guía contra el canto de la pieza de trabajo. (Fig. 5)

PRECAUCIÓN:

- Dado que un corte excesivo podrá causar sobrecarga al motor o dificultad en el control de la máquina, la profundidad de corte no deberá exceder los 3 mm por pasada cuando abra ranuras. Cuando desee abrir ranuras de más de 3 mm de profundidad, realice varias pasadas aumentando progresivamente el ajuste de la profundidad de corte de la fresa.

Guía para plantilla

La guía para plantilla tiene una acanaladura por la cual pasa la fresa, permitiendo usar la fresadora con diversos patrones de plantilla. (Fig. 6)

Afloje los tornillos y saque el protector de la base. Coloque la guía de la plantilla en la base y cambie el protector de la base. A continuación, sujete la protección de la base apretando los tornillos. (Fig. 7)

Asegure la plantilla en la pieza de trabajo. Ponga la máquina sobre la plantilla y mueva la máquina con la guía para plantilla deslizándola a lo largo del canto de la plantilla. (Fig. 8)

NOTA:

- El tamaño del corte realizado en la pieza de trabajo variará ligeramente con respecto a la plantilla. Cuente con una tolerancia para la distancia (X) entre la cuchilla de corte de la fresa y la parte exterior de la guía para plantilla. La distancia (X) puede calcularse usando la siguiente ecuación:

Distancia (X) = (diámetro exterior de la guía para plantilla – diámetro exterior de corte de la fresa) / 2

Guía recta (accesorio opcional)

La guía recta se utiliza eficazmente para realizar cortes rectos de chaflán o ranurado. (Fig. 9)

Coloque la placa guía en la guía recta sujetándolo con el perno, la arandela plana, arandela ondulada y tuerca de mariposa. (Fig. 10)

Coloque la guía recta con el tornillo de fijación (A).

Afloje la tuerca de aletas de la guía recta y ajuste la distancia entre la fresa y la guía recta. En la distancia deseada, apriete la tuerca de aletas firmemente. (Fig. 11)

Cuando realice el corte, mueva la máquina con la guía recta pegada al canto de la pieza de trabajo.

Si la distancia (A) entre el canto de la pieza de trabajo y la posición de corte es demasiado grande para la guía recta, o si el canto de la pieza de trabajo no es recto, no podrá usarse la guía recta. En este caso, sujete un listón recto a la pieza de trabajo para que sirva de guía a la base de la fresadora. Avance la máquina en la dirección indicada por la flecha. (Fig. 12)

Cortes circulares

Los cortes circulares puede conseguirlos si monta la guía recta y la placa guía de la forma mostrada en las figuras 13 y 14.

Los radios mínimos y máximos de círculos (distancia entre el centro del círculo y centro de la fresa) que se pueden cortar con esta guía son los siguientes:

Mínimo: 70 mm

Máximo: 221 mm

Fig. 13 para realizar cortes circulares de entre 70 y 121 mm de radio.

Fig. 14 para realizar cortes circulares de entre 121 y 221 mm de radio.

NOTA:

- Los círculos de entre 172 y 186 mm de radio no se pueden cortar usando esta guía.

Coloque la guía recta sobre el círculo que va a cortar de forma que el agujero de centro coincida con el centro del círculo. Clave un clavo de menos de 6 mm de diámetro a través del agujero de centro para asegurar la guía recta. Gire la máquina hacia la derecha alrededor del clavo. (Fig. 15)

Guía precisa

Los ornamentos, cortes curvos en chapas de madera para muebles y otros objetos similares pueden realizarse fácilmente con la guía precisa. Los rodillos guía siguen la curva y aseguran un corte preciso. (Fig. 16)

Instale la guía precisa en la base de la máquina con el tornillo de sujeción (A). Afloje el tornillo de sujeción (B) y ajuste la distancia entre la fresa y la guía precisa girando el tornillo de ajuste (1 mm por vuelta). Cuando haya conseguido la distancia deseada, apriete el tornillo de sujeción (B) para asegurar la guía precisa en su lugar. (Fig. 17)

Al cortar, mueva la máquina con el rodillo guía rodando sobre el canto de la pieza de trabajo. (Fig. 18)

MANTENIMIENTO

PRECAUCIÓN:

- Asegúrese siempre de que la herramienta esté apagada y desenchufada antes de intentar realizar una inspección o mantenimiento.
- No utilice nunca gasolina, bencina, disolvente, alcohol o similares. Podría producir descolocación, deformación o grietas.

Substitución de las escobillas de carbón

Extraiga e inspeccione regularmente las escobillas de carbón. Sustitúyalas cuando se hayan gastado hasta la marca límite. Mantenga las escobillas de carbón limpias de forma que entren libremente en los portaescobillas. Ambas escobillas de carbón deberán ser sustituidas al mismo tiempo. Utilice únicamente escobillas de carbón idénticas. (Fig. 19)

Utilice un destornillador para quitar los tapones portaescobillas. Extraiga las escobillas desgastadas, inserte las nuevas y fije los tapones portaescobillas. (Fig. 20)

Para mantener la SEGURIDAD y la FIABILIDAD del producto, las reparaciones y cualquier otro mantenimiento o ajuste deberán ser realizados por los centros de servicio autorizado de Makita, siempre con piezas de repuesto de Makita.

ACCESORIOS OPCIONALES

PRECAUCIÓN:

- Estos accesorios o acoplamientos están recomendados para utilizar con la herramienta Makita especificada en este manual. El empleo de otros accesorios o acoplamientos conllevará un riesgo de sufrir heridas personales. Utilice los accesorios o acoplamientos solamente para su fin establecido.

Si necesita cualquier ayuda para más detalles en relación con estos accesorios, pregunte al centro de servicio Makita local.

- Fresas rectas y de formación de ranuras
- Fresas de formación de bordes
- Fresas de recorte de laminados
- Guía recta
- Ensamblaje guía de rebordeadora
- Conjunto de la base de la rebordeadora (Para achafalnar con fresa recta)
- Zapata de rebordeadora
- Guía de recorte
- Cono de pinza de 6 mm
- Cono de pinza de 6,35 mm (1/4")
- Llave plana del 10
- Llave plana del 17

NOTA:

- Algunos elementos de la lista podrán estar incluidos en el paquete de la herramienta como accesorios estándar. Pueden variar de un país a otro.

ENG905-1

Ruido

El nivel de ruido A-ponderado típico determinado de acuerdo con la norma EN60745:

Modelo 3707, 3707F

Nivel de presión sonora (L_{pA}): 80 dB (A)

Error (K): 3 dB (A)

El nivel de ruido en condiciones de trabajo puede que sobrepase los 80 dB (A).

Modelo 3707FC

Nivel de presión sonora (L_{pA}): 76 dB (A)

Error (K): 3 dB (A)

El nivel de ruido en condiciones de trabajo puede que sobrepase los 80 dB (A).

Póngase protectores en los oídos

ENG900-1

Vibración

El valor total de la vibración (suma de vectores triaxiales) determinado de acuerdo con la norma EN60745:

Modo tarea: giro sin carga

Emisión de vibración (a_h): 2,5 m/s² o menos

Error (K): 1,5 m/s²

ENG901-1

- El valor de emisión de vibración declarado ha sido medido de acuerdo con el método de prueba estándar y se puede utilizar para comparar una herramienta con otra.
- El valor de emisión de vibración declarado también se puede utilizar en una valoración preliminar de exposición.

ADVERTENCIA:

- La emisión de vibración durante la utilización real de la herramienta eléctrica puede variar del valor de emisión declarado dependiendo de las formas en las que la herramienta sea utilizada.
- Asegúrese de identificar medidas de seguridad para proteger al operario que estén basadas en una estimación de la exposición en las condiciones reales de utilización (teniendo en cuenta todas las partes del ciclo operativo tal como las veces cuando la herramienta está apagada y cuando está funcionando en vacío además del tiempo de gatillo).

ENH101-15

Para países europeos solamente

Declaración de conformidad CE

Makita Corporation como fabricante responsable declara que la(s) siguiente(s) máquina(s) de Makita:

Designación de máquina:

Rebordeadora

Modelo N°/Tipo: 3707, 3707F, 3707FC

son producidas en serie y

Cumplen con las directivas europeas siguientes:

2006/42/EC

Y que están fabricadas de acuerdo con las normas o documentos normalizados siguientes:

EN60745

Los documentos técnicos los guarda nuestro representante autorizado en Europa cuya persona es:

Makita International Europe Ltd.

Michigan Drive, Tongwell,

Milton Keynes, Bucks MK15 8JD, Inglaterra

30. 1. 2009



Tomoyasu Kato
Director

Makita Corporation
3-11-8, Sumiyoshi-cho,
Anjo, Aichi, 446-8502, JAPAN

Explicação geral

1 Base	12 Sentido do corte	24 Parafuso de fixação (A)
2 Alavanca	13 Guia paralela	25 Orifício central
3 Escala	14 Parafusos	26 Prego
4 Rolamento de regulação	15 Protector da base	27 Parafuso de regulação
5 Alavanca interruptora	16 Chave de parafusos	28 Parafuso de fixação (B)
6 Apertar	17 Fresa direita	29 Guia para recortes
7 Desapertar	18 Molde	30 Fresa
8 Segurar	19 Distância (X)	31 Rolo separador
9 Peça de trabalho	20 Guia para moldes	32 Marca limite
10 Sentido de rotação da fresa	21 Perno	33 Tampa do porta-escovas
11 Visto da parte superior da ferramenta	22 Placa-guia	
	23 Porca de orelhas	

ESPECIFICAÇÕES

Modelo	3707/3707F	3707FC
Diâmetro da pinça	6 mm ou 1/4"	6 mm ou 1/4"
Velocidade em vazio (min^{-1})	35.000	26.000
Comprimento total	204 mm	204 mm
Peso	1,2 kg	1,3 kg
Classe de segurança	II/II	II/II

- Devido a um programa contínuo de pesquisa e desenvolvimento, estas especificações podem ser alteradas sem aviso prévio.
- As especificações podem variar de país para país.
- Peso de acordo com o Procedimento 01/2003 da EPTA (European Power Tool Association)

Utilização pretendida

ENE010-1

A ferramenta foi concebida para recortes nivelados e perfilação de madeira, plásticos e materiais semelhantes.

Alimentação

ENF002-2

A ferramenta só deve ser ligada a uma fonte de alimentação com a mesma voltagem da indicada na placa de características, e só funciona com alimentação de corrente alterna monofásica. Tem um sistema de isolamento duplo e pode, por isso, utilizar tomadas sem ligação à terra.

Avisos gerais de segurança para ferramentas eléctricas

GEA010-1

⚠ AVISO! Leia todos os avisos de segurança e todas as instruções. O não cumprimento de todos os avisos e instruções pode originar choque eléctrico, incêndio e/ou ferimentos graves.

Guarde todos os avisos e instruções para futuras referências.

GEB019-4

AVISOS DE SEGURANÇA PARA A TUPIA

1. **Agarre nas ferramentas eléctricas pelas partes isoladas pois há risco do cortador entrar em contacto com o seu próprio fio.** Cortar um fio "vivo" pode tornar as partes metálicas expostas da ferramenta "vivas" e causar um choque no operador.
2. **Utilize grampos ou qualquer outra maneira prática para prender e suportar a peça de trabalho numa plataforma estável.** Pegar na peça de trabalho com a sua mão ou contra o corpo torna-a instável e pode perder o controlo.

3. **Utilize protectores para os ouvidos durante trabalhos prolongados.**
4. **Tenha muito cuidado quando manusear as fresas.**
5. **Antes da operação inspeccione cuidadosa a fresa para detectar qualquer defeito ou fissura. Substitua-a imediatamente se tiver defeitos ou fissuras.**
6. **Não corte pregos. Antes da operação inspeccione a superfície de trabalho e retire os pregos que possam existir.**
7. **Segure na ferramenta com firmeza.**
8. **Mantenha as mãos afastadas das peças em rotação.**
9. **Certifique-se de que a fresa não está em contacto com a superfície de trabalho antes de ligar o interruptor.**
10. **Antes de utilizar a ferramenta na superfície de trabalho, deixe-a funcionar durante alguns momentos. Observe se se produzem vibrações ou ressonâncias que possam indicar uma montagem incorrecta ou defeito da fresa.**
11. **Verifique com cuidado o sentido de rotação da fresa e o sentido do corte.**
12. **Não deixe a ferramenta a funcionar sozinha. Trabalhe com ela apenas quando puder segurá-la com as mãos.**
13. **Antes de retirar a ferramenta da superfície de trabalho, desligue-a sempre e aguarde que a fresa esteja completamente parada.**
14. **Não toque na fresa imediatamente depois da operação porque pode estar muito quente e causar queimaduras.**
15. **Tenha cuidado para não deixar cair diluente, gasolina, óleo ou qualquer material semelhante na base da ferramenta. Pode causar fendas na base da ferramenta.**
16. **Utilize fresas com o diâmetro de encaixe correcto e adequado à velocidade da ferramenta.**

17. Alguns materiais contêm químicos que podem ser tóxicos. Tenha cuidado para evitar inalação de pó e contacto com a pele. Siga o dados de segurança do fornecedor do material.
18. Use sempre a máscara para o pó/respirador apropriado para o material e aplicação com que está a trabalhar.

GUARDE ESTAS INSTRUÇÕES.

AVISO:

NÃO permita que o conforto ou a familiaridade com o produto (adquirido com a utilização repetida) substitua a aderência estrita às regras de segurança da ferramenta. **MÁ INTERPRETAÇÃO** ou não seguimento das regras de segurança estabelecidas neste manual de instruções pode causar danos pessoais sérios.

DESCRIÇÃO FUNCIONAL

PRECAUÇÃO:

- Certifique-se sempre de que a ferramenta está desligada e a ficha retirada da tomada antes de regular ou verificar o funcionamento da ferramenta.

Regulação da saliência da broca (Fig. 1)

Para regular a saliência da fresa, desapeerte a alavanca e mova a base da ferramenta para cima ou para baixo como desejar rodando o rolamento de regulação. Depois de estar regulado, aperte a alavanca firmemente para prender a base da ferramenta.

Ação do interruptor (Fig. 2)

PRECAUÇÃO:

- Antes de ligar a ferramenta à corrente, certifique-se sempre de que a ferramenta está desligada.

Para iniciar a ferramenta, desloque a alavanca interruptora para a posição I (ligada). Para parar a ferramenta, desloque a alavanca interruptora para a posição O (desligada).

Função electrónica

Só para modelo 3707FC

É fácil trabalhar com a ferramenta com função electrónica por causa das seguintes características.

Controlo de velocidade constante

Controlo de velocidade electrónico para obter velocidade constante. É possível obter acabamentos perfeitos porque a velocidade de rotação é mantida constante mesmo sob condição de carga.

Início suave

A característica de início suave diminui o choque inicial e faz com que a ferramenta arranque suavemente.

Acender as lâmpadas

Só para modelo 3707F/3707FC

PRECAUÇÃO:

- Não olhe para a luz ou veja a fonte de luz directamente.

Para acender a lâmpada, inicie a ferramenta. A lâmpada acende-se no topo da broca. Para a desligar, pare a ferramenta.

NOTA:

- Utilize um pano seco para retirar a sujidade das lentes da lâmpada. Tenha cuidado para não riscar as lentes da lâmpada ou pode diminuir a iluminação.

CONJUNTO

PRECAUÇÃO:

- Certifique-se sempre de que a ferramenta está desligada e a ficha retirada da tomada antes de executar qualquer trabalho na ferramenta.

Instalação e extracção da fresa para recortes

(Fig. 3)

PRECAUÇÃO:

- Não aperte a porca da pinça sem ter introduzido uma fresa, pois pode danificá-la.
- Utilize só as chaves fornecidas com a ferramenta.

Introduza a fresa até ao fundo da pinça de suporte e aperte a porca seguramente com as duas chaves.

Para retirar a fresa siga o procedimento de instalação em sentido inverso.

OPERAÇÃO

PRECAUÇÃO:

- Certifique-se sempre de que a ferramenta está desligada e a ficha retirada da tomada antes de remover ou instalar a base da máquina de recortar.
- **Ajuste a força de aperto da alavanca da base da máquina de recortar utilizando a respectiva porca para obter uma força de aperto adequada para a ferramenta. Após o ajuste, certifique-se que a base da máquina de recortar está presa na ferramenta.** A deslocação da base da máquina de recortar pode provocar ferimentos pessoais.

Coloque a base da ferramenta na peça a ser cortada sem que a fresa faça contacto com a peça de trabalho. Em seguida ligue a ferramenta e espere até que a fresa atinja a velocidade máxima. Movimente a ferramenta sobre a superfície de trabalho, mantendo a base da ferramenta nivelada e avançando devagar até que o corte esteja feito.

Quando efectuar cortes de cantos, a superfície de trabalho deve ficar do lado esquerdo da fresa no sentido do corte. (Fig. 4)

NOTA:

- Se movimentar a ferramenta com demasiada rapidez poderá causar um corte defeituoso, danificar a fresa ou o motor. Se movimentar a ferramenta muito lentamente poderá queimar e danificar a superfície de trabalho. A velocidade correcta dependerá da medida da fresa, do tipo de superfície de trabalho e da profundidade de corte. Antes da operação final, é aconselhável efectuar uma experiência noutra superfície. Poderá assim verificar como sairá o corte e permitir-lhe-à certificar-se das dimensões.
- Quando utilizar a sapata, a guia paralela ou a guia para recortes, certifique-se de que a mantém no lado direito no sentido do corte. Isto ajudará a mantê-la nivelada com o lado da superfície de trabalho. (Fig. 5)

PRECAUÇÃO:

- Dado que excessiva operação de corte pode causar sobrecarga do motor ou dificuldade em controlar a ferramenta, a profundidade de corte não deve ser mais do que 3 mm por passagem quando abrir rasgos. Quando deseja abrir rasgos com mais de 3 mm de profundidade, faça várias passagens com regulação progressivamente mais profunda da fresa.

Guia para moldes

A guia para moldes possui um anel pelo qual passa a fresa, permitindo utilizar a tupa com moldes. **(Fig. 6)** Desaperte parafusos e retire o protector da base. Coloque a guia para moldes na base e volte a colocar o protector da base. Em seguida prenda o protector da base apertando os parafusos. **(Fig. 7)**

Fixe o molde à superfície de trabalho. Coloque a ferramenta sobre o molde e movimente-a deslizando a guia ao longo do molde. **(Fig. 8)**

NOTA:

- A medida do corte será ligeiramente diferente do molde. Deve deixar uma distância (X) entre a fresa e o exterior da guia para moldes. A distância (X) pode ser calculada utilizando a seguinte equação:

Distância (X) = (diâmetro exterior da guia para moldes – diâmetro da fresa) / 2

Guia paralela (acessório opcional)

A guia paralela é utilizada efectivamente para cortes direitos quando chanfrar ou ranhurar. **(Fig. 9)** Prenda a placa-guia à guia paralela com o perno, a anilha ondulada, anilha plana e a porca de orelhas. **(Fig. 10)**

Coloque a guia paralela com o parafuso de fixação (A). Solte a porca de asas na guia recta e regule a distância entre a broca e a guia paralela. Na distância desejada, aperte firmemente a porca de asas. **(Fig. 11)**

Quando cortar, avance a ferramenta com a guia paralela nivelada com o lado da superfície de trabalho.

Se a distância (A) entre o lado da superfície a trabalhar e a posição de corte for muito grande para a guia paralela, ou se o lado da superfície de trabalho não for direito, não poderá utilizá-la. Neste caso, aparafuse firmemente uma extensão recta à superfície de trabalho e utilize-a como guia contra a base da tupa. Corte no sentido da seta. **(Fig. 12)**

Trabalho circular

Pode executar trabalho circular se montar a guia paralela e a placa guia como indicado na **Fig. 13** ou **14**.

Os raios máximos e mínimos de círculos a serem cortados (distância entre o centro do círculo e o centro da fresa) são os seguintes:

Min.: 70 mm

Max.: 221 mm

A **Fig. 13** para cortar círculos entre 70 mm e 121 mm de raio.

A **Fig. 14** para cortar círculos entre 121 mm e 221 mm de raio.

NOTA:

- Círculos entre 172 mm e 186 mm de raio não podem ser cortados utilizando esta guia.

Alinhe o centro do orifício na guia paralela com o centro do círculo a ser cortado. Coloque um prego com menos de 6 mm de diâmetro no orifício central para prender a guia. Rode a ferramenta à volta do prego para a direita. **(Fig. 15)**

Guia para recortes

Recortes, cortes em curva em folheados de madeira e operações semelhantes podem ser executadas facilmente com a guia para recortes. O rolo-guia percorre a curva e assegura um corte perfeito. **(Fig. 16)**

Instale a guia para recortes na base com o parafuso de fixação (A). Desaperte o parafuso de fixação (B) e regule a distância entre a fresa e a guia para recortes rodando o parafuso de fixação (1 mm por volta). Na distância desejada, aperte o parafuso de fixação (B) para segurar a guia para recortes. **(Fig. 17)**

Quando cortar, movimente a ferramenta com o rolo-guia a percorrer o lado da superfície de trabalho. **(Fig. 18)**

MANUTENÇÃO

PRECAUÇÃO:

- Certifique-se sempre de que a ferramenta está desligada e a ficha retirada da tomada antes de executar qualquer inspecção ou manutenção.
- Nunca utilize gasolina, benzina, diluente, álcool ou produtos semelhantes. Pode ocorrer a descoloração, deformação ou rachaduras.

Substituição das escovas de carvão

Retire e verifique regularmente as escovas de carvão. Substitua-as quando estiverem gastas até à marca limite. Mantenha as escovas de carvão limpas e a deslizar nos suportes. As duas escovas de carvão devem ser substituídas ao mesmo tempo. Só utilize escovas de carvão idênticas. **(Fig. 19)**

Utilize uma chave de parafusos para retirar as tampas do porta-escovas. Retire as escovas de carvão usadas, coloque as novas e prenda as tampas dos porta-escovas. **(Fig. 20)**

Para manter a SEGURANÇA e FIABILIDADE, as reparações e outras acções de manutenção ou ajustes devem ser executados pelos Centros de assistência autorizados da Makita, utilizando sempre peças de substituição Makita.

ACESSÓRIOS OPCIONAIS

PRECAUÇÃO:

- Estes acessórios ou acoplamentos são os recomendados para uso na ferramenta MAKITA especificada neste manual. A utilização de qualquer outro acessório ou acoplamento poderá ser perigosa para o operador. Os acessórios ou acoplamentos devem ser utilizados de maneira adequada e apenas para os fins a que se destinam.

No caso de necessitar ajuda para mais detalhes sobre estes acessórios, consulte ao departamento de assistência local da Makita.

- Fresas para cortes direitos e ranhuras
- Fresas para bordos
- Fresas para recortar laminados
- Conjunto de guia paralela
- Conjunto de guia para recortes
- Conjunto da base da máquina de recortar (Para chanfrar com fresa recta)
- Sapata para recortes
- Guia para moldes
- Cone do mandril de 6 mm
- Cone do mandril de 6,35 mm (1/4")
- Chave 10
- Chave 17

NOTA:

- Alguns itens da lista podem estar incluídos na embalagem da ferramenta como acessórios padrão. Eles podem variar de país para país.

ENG905-1

Ruído

A característica do nível de ruído A determinado de acordo com EN60745:

Modelo 3707, 3707F

Nível de pressão de som (L_{pA}): 80 dB (A)

Variabilidade (K): 3 dB (A)

O nível de ruído durante o trabalho pode exceder 80 dB (A).

Modelo 3707FC

Nível de pressão de som (L_{pA}): 76 dB (A)

Variabilidade (K): 3 dB (A)

O nível de ruído durante o trabalho pode exceder 80 dB (A).

Utilize protectores para os ouvidos

ENG900-1

Vibração

Valor total da vibração (soma vectorial tri-axial) determinado de acordo com EN60745:

Modo de funcionamento: rotação em vazio

Emissão de vibração (a_{h1}): 2,5 m/s² ou inferior

Variabilidade (K): 1,5 m/s²

ENG901-1

- O valor da emissão de vibração indicado foi medido de acordo com o método de teste padrão e pode ser utilizado para comparar duas ferramentas.
- O valor da emissão de vibração indicado pode também ser utilizado na avaliação preliminar da exposição.

AVISO:

- A emissão de vibração durante a utilização real da ferramenta eléctrica pode diferir do valor de emissão indicado, dependendo das formas como a ferramenta é utilizada.
- Certifique-se de identificar as medidas de segurança para protecção do operador que sejam baseadas em uma estimativa de exposição em condições reais de utilização (considerando todas as partes do ciclo de operação, tal como quando a ferramenta está desligada e quando está a funcionar em marcha lenta além do tempo de accionamento).

ENH101-15

Só para países Europeus

Declaração de conformidade CE

Nós, a Makita Corporation, fabricante responsável, declaramos que a(s) seguinte(s) ferramenta(s) Makita:

Designação da ferramenta:

Tupia

Modelos n°/Tipo: 3707, 3707F, 3707FC

são de produção de série e

Em conformidade com as seguintes directivas europeias:

2006/42/EC

E estão fabricados de acordo com as seguintes normas ou documentos normativos:

EN60745

A documentação técnica é mantida pelo nosso representante autorizado na Europa:

Makita International Europe Ltd.

Michigan Drive, Tongwell,

Milton Keynes, Bucks MK15 8JD, Inglaterra

30. 1. 2009



Tomoyasu Kato
Director

Makita Corporation
3-11-8, Sumiyoshi-cho,
Anjo, Aichi, 446-8502, JAPAN

Illustrationsoversigt

1 Bundplade	13 Parallellanslag	25 Midterhul
2 Arm	14 Skruer	26 Søm
3 Målestok	15 Bundpladebeskytter	27 Justeringskrue
4 Justeringsvalse	16 Skruetrækker	28 Befæstelsesskrue (B)
5 Afbryderkontakt	17 Lige fræser	29 Tilretningsanslag
6 Løsne	18 Skabelon	30 Fræser
7 Stramme	19 Afstand (X)	31 Sty rerulle
8 Hold	20 Kopiringe 10	32 Slidgrænse
9 Emne	21 Bolt	33 Kulholderdæksel
10 Borets omdrejningsretning	22 Anslagsplade	
11 Set ovenfra maskinen	23 Vingemøtrik	
12 Fræseretning	24 Befæstelsesskrue (A)	

SPECIFIKATIONER

Model	3707/3707F	3707FC
Værktøjsskaft.....	6 mm eller 1/4"	6 mm eller 1/4"
Omdrejninger (min ⁻¹)	35 000	26 000
Højde	204 mm	204 mm
Vægt.....	1,2 kg	1,3 kg
Sikkerhedsklasse.....	□/II	□/II

- På grund af vores kontinuerlige forskningsprogrammer og udvikling, kan hosstående specifikationer blive ændret uden varsel.
- Specifikationer kan variere fra land til land.
- Vægt i henhold til EPTA-Procedure 01/2003

ENE010-1

Tilsigtet anvendelse

Denne maskine er beregnet til planfræsning og profile-ring af træ, plast og lignende materialer.

ENF002-2

Strømforsyning

Maskinen må kun tilsluttes en strømforsyning med samme spænding som angivet på typeskiltet, og kan kun anvendes på enfaset vekselstrømforsyning. Den er dobbeltisoleret og kan derfor også tilsluttes netstik uden jordforbindelse.

GEA010-1

Almindelige sikkerhedsregler for el-værktøj

⚠ ADVARSEL! Læs alle sikkerhedsadvarsler og alle sikkerhedsinstruktioner. Hvis nedenstående advarsler og instruktioner ikke overholdes, kan resultatet blive elektrisk stød, brand og/eller alvorlig personskade.

Gem alle advarsler og instruktioner til fremtidig reference.

GEB019-4

SIKERHEDSADVARSLER FOR OVERFRÆSER

1. Hold altid el-værktøj i de isolerede greb, da den skærende maskine kan komme i berøring med dens egen ledning. Skæring i en strømførende ledning kan gøre maskinens uisolerede metaldele strømførende og give operatøren stød.
2. Anvend skruetrævinger eller en anden praktisk måde at fastholde og støtte arbejdsstykket på en stabil flade. Hvis De holder arbejdsstykket fast med Deres hånd eller holder det mod kroppen, vil det blive ustabil, hvilket kan føre til, at De mister kontrollen over det.
3. Brug høreværn ved vedvarende arbejde.
4. Fræseværktøj bør behandles med omhu.

5. Fræseværktøjet kontrolleres omhyggeligt med hensyn til revner og beskadigelser. Revnede eller beskadigede fræseværktøjer skal omgående skiftes ud.
6. Undgå at skære i søm. Kontroller emnet omhyggeligt for søm og fjern dem før arbejdet påbegyndes.
7. Hold godt fast på værktøjet.
8. Hold hænderne væk fra roterende dele.
9. Sørg for at fræseværktøjet ikke rører ved emnet, når maskinen startes.
10. Lad maskinen køre i tomgang et øjeblik før arbejdet påbegyndes. Vær opmærksom på vibrationer og andet, der kan være et tegn på, at fræseværktøjet er monteret forkert.
11. Tag altid hensyn til fræseværktøjets omløbsretning og fremførselsretning.
12. Lad ikke værktøjet køre uden opsyn. Start det kun når det holdes i hånden.
13. Sluk altid maskinen og vent indtil fræseværktøjet er helt stoppet, før maskinen fjernes fra emnet.
14. Rør ikke ved fræseværktøjet umiddelbart efter brug; det kan være ekstremt varmt og medføre forbrændinger.
15. Rens ikke maskinen med benzin, fortynder eller lignende, det ødelægger maskinhuset.
16. Brug bits med den korrekte skaftdiameter, som passer til maskinens hastighed.
17. Visse materialer indeholder kemikalier, som kan være giftige. Vær påpasselig med ikke at indånde støv eller få disse materialer på huden. Følg sikkerhedsforskrifterne fra fabrikanten af materialet.
18. Anvend altid en korrekt støvmaske/respirator, som passer til det materiale og den arbejdsmetode, De anvender.

GEM DISSE FORSKRIFTER.

ADVARSEL:

Lad IKKE bekvemmelighed eller kendskab til produktet (opnået gennem gentagen anvendelse) erstatte nøje overholdelse af sikkerhedsreglerne for det pågældende produkt. MISBRUG eller forsømmelse af at følge de i denne brugsvejledning givne sikkerhedsforskrifter kan føre til, at De kommer alvorligt til skade.

FUNKTIONSBESKRIVELSE

FORSIGTIG:

Sørg altid for, at der er slukket for maskinen og at den er taget ud af forbindelse, inden maskinens funktion justeres eller kontrolleres.

Justering af borfremspringet (Fig. 1)

For at justere fræserfremspringet løsnes armen og maskinens bundplade bevæges frit op eller ned ved at man drejer justeringsvalsen. Efter justeringen strammes armen godt til for at holde maskinens bundplade på plads.

Afbryderfunktion (Fig. 2)

FORSIGTIG:

Kontrollér altid at maskinen er slukket, før netstikket sættes i en stikkontakt.

For at starte værktøjet, sættes afbryderkontakten i I (ON) stilling. For at stoppe værktøjet, sættes afbryderkontakten i O (OFF) stilling.

Elektronisk funktion

Kun for model 3707FC

Maskinen, der er forsynet med elektronisk funktion, er nem at betjene takket være følgende egenskaber.

Konstant hastighedskontrol

Elektronisk hastighedskontrol til opnåelse af konstant hastighed. Giver mulighed for at opnå en fin finish, da rotationshastigheden holdes konstant selv under belastning.

Blød opstart

Finesse med blød opstart minimerer chok ved opstart og giver en jævn og rolig start på maskinen.

Belysningslamper

Kun for model 3707F/3707FC

FORSIGTIG:

Se ikke direkte på lyskilden.

Tænd lampen ved at tænde maskinen. Lampen belyser spidsen af bitten. Lampen slukker, når maskinen stoppes.

BEMÆRK:

Anvend en tør klud til at tørre smuds af lampens linse. Undgå at ridse lampens linse, da det vil gøre belysningen svagere.

SAMLING

FORSIGTIG:

Sørg altid for at maskinen er slukket og netstikket trukket ud, inden der foretages noget arbejde på selve maskinen.

Montering og afmontering af fræser (Fig. 3)

FORSIGTIG:

- Spændetangsmøtrikken må ikke spændes, uden isat fræseværktøj, det vil ødelægge spændetangen.
- Brug kun de gaffelnøgler der følger med maskinen.

Fræseværktøjet sættes helt ind i spændetangen. Spindlen låses med den ene gaffelnøgle, således at akslen ikke kan dreje, spændetangsmøtrikken spændes fast med den anden gaffelnøgle.

For afmontering gæes frem i modsat rækkefølge.

BETJENING

FORSIGTIG:

- Sørg altid for, at maskinen er slukket og netstikket trukket ud, inden overfræserens bundplade af- eller påmonteres.
- Indstil armstrammingsstyrken for overfræserens bundplade ved hjælp af dens møtrik for at opnå en passende strammingsstyrke for maskinen. Sørg efter indstilling for, at overfræserens bundplade er fastgjort på maskinen. Forrykkelse af overfræserens bundplade kan medføre tilskadekomst.

Sæt fræseren på emnet uden at fræseværktøjet rører emnet. Tænd maskinen og vent til fræseren har nået fulde omdrejninger. Bevæg dernæst maskinen hen over emnets overflade, idet maskinens bundplade holdes plan mod emnet.

Når der skal fræses hjørner, bør emnets overflade være på venstre side af fræseretningen. (Fig. 4)

BEMÆRK:

- Hvis maskinen bevæges for hurtigt fremad, kan det medføre dårlig fræsning eller beskadigelse af maskinen eller motoren. Hvis maskinen bevæges for langsomt fremad, kan det brænde eller ødelægge fræsningen. Den korrekte fræsehastighed afhænger af fræsersens størrelse, emnet og fræsedybden. For der påbegyndes fræsning på et emne, anbefales det derfor at foretage en prøvfræsning på et stykke affaldstræ. Dette vil vise præcist, hvordan fræsningen kommer til at se ud samt muliggøre kontrol af målene.
- Når vinkelanslaget, parallelanslaget eller afretningsanslaget bruges bør det være på højre side set i fremførsretningen, det vil hjælpe med at holde anslaget plant mod emnekanten. (Fig. 5)

FORSIGTIG:

- For kraftigt fræsearbejde kan medføre overbelastning af maskinen, samt gøre det vanskeligt at bevare kontrollen med den. Fræsedybden må ved notfræsning ikke være større end 3 mm pr. gang. Derfor skal der ved dyb notbearbejdning gennemføres to eller flere arbejds gange med tiltagende værdier for dybden.

Kopiringe

Kopiringene har en muffe igennem hvilken fræseren passer således at fræseren kan anvendes med skabeloner. (Fig. 6)

Skrueerne løsnes og bundpladebeskytteren fjernes. Sæt kopiringene på bundpladen og sæt bundpladebeskytteren på igen. Stram skruerne til. (Fig. 7)

Fastgør skabelonen til emnet. Placer værktøjet på skabelonen og bevæg værktøjet med kopiringene glidende langs siden af skabelonen. (Fig. 8)

BEMÆRK:

- Emnet vil få en lidt anden størrelse end skabelonen. Giv plads til afstanden (X) mellem grundfræsere og ydersiden af kopiringerne. Afstanden (X) kan udregnes ved hjælp af følgende ligning:

Afstand (X) = (ydre diameter på kopiringer – diameter på grundfræser) / 2

Parallelanslag (ekstraudstyr)

Parallelanslaget anvendes mest effektivt til lige fræsning, ved affasning og riller. (Fig. 9)

Sæt anslagspladen på parallelanslaget med bolten, den bølgeformede spændeskive, den flade spændeskive og vingemøtrikken. (Fig. 10)

Monter parallelanslaget med befæstelsesskruen (A). Løsning vingemøtrikken på parallelanslaget og indstil afstanden mellem boret og parallelanslaget. Stram vingemøtrikken godt til ved den ønskede afstand. (Fig. 11)

Når der fræses, skal maskinen føres frem så parallelanslaget er plant med siden på emnet.

Hvis afstanden (A) mellem siden på emnet og fræsepositionen er for bred for parallelanslaget, eller hvis siden på emnet ikke er lige, kan parallelanslaget ikke anvendes. I et sådant tilfælde fastgøres til emnet et lige bræt, som anvendes som anslag mod fræsereens bund. Før maskinen frem i pilens retning. (Fig. 12)

Cirkelformet arbejde

Cirkelformet arbejde kan udføres, hvis parallelanslaget og anslagspladen monteres som vist på Fig. 13 eller 14. Den mindste og største omkreds, der kan fræses (afstanden mellem cirkelns midte og fræsereens midte) er som følger:

Mindste omkreds: 70 mm

Største omkreds: 221 mm

Fig. 13 for fræsning af cirkler med en omkreds på mellem 70 mm og 121 mm.

Fig. 14 for fræsning af cirkler med en omkreds på mellem 121 mm og 221 mm.

BEMÆRK:

- Cirkler med en omkreds på mellem 172 mm og 186 mm kan ikke fræses med dette anslag.

Sæt midterhullet på parallelanslaget på linie med midten på den cirkel, der skal fræses. Slå et søm med en diameter på mindre end 6 mm i midterhullet for at holde parallelanslaget på plads. Drej maskinen med uret omkring sømnet. (Fig. 15)

Tilretningsanslag

Tilretning, buede fræsninger i finer til møbler og lignende kan let udføres med tilretningsanslaget. Styrrullen kører langs buen og sikrer en pæn fræsning. (Fig. 16)

Tilretningsanslaget monteres på maskinens bundplade med blokeringsskruen (A). Blokeringsskruen (B) løsnes og afstanden mellem fræsere og tilretningsanslaget justeres ved at dreje justeringsskruen (1 mm per drejning). Ved den ønskede afstand strammes blokeringsskruen (B) til for at holde tilretningsanslaget på plads. (Fig. 17)

Når der fræses, føres maskinen frem med styrrullen kørende langs siden af emnet. (Fig. 18)

VEDLIGEHOLDELSE

ADVARSEL:

- Kontroller altid, at maskinen er slået fra, og at netstikket er trukket ud, inden der udføres eftersyn eller vedligeholdelse.
- Anvend aldrig benzin, rensebenzin, fortynder, alkohol og lignende. Resultatet kan blive misfarvning, deformation eller revner.

Udskiftning af kul

Udtag og efterse kullene med regelmæssige mellemrum. Udskift kullene, når de er slidt ned til slidmarkeringen. Hold kullene rene og i stand til frit at glide ind i holderne. Begge kul skal udskiftes parvist samtidigt. Anvend kun identiske kulbørster. (Fig. 19)

Benyt en skruetrækker til at afmontere kulholderdækslerne. Tag de slidte kul ud, isæt de nye og fastgør derefter kulholderdækslerne. (Fig. 20)

For at opretholde produktets SIKKERHED og PÅLIDELIGHED bør reparation, vedligeholdelse og justering kun udføres af et Makita Service Center med anvendelse af original Makita udskiftningsdele.

EKSTRAUDSTYR

FORSIGTIG:

- Det i denne manual specificerede tilbehør og anordninger anbefales til brug sammen med Deres Makita maskine. Brug af andet tilbehør og andre anordninger kan udgøre en risiko for personskaade. Anvend kun tilbehør og anordninger til de beskrevne formål.

Hvis De behøver assistance eller yderligere detaljer om dette tilbehør, bedes De kontakte Deres lokale Makita servicecenter.

- Fræseværktøj til lige fræsning & formning af riller
- Kantformningsfræseværktøj
- Lamineringsfræseværktøj
- Parallelanslag
- Afretteranslag
- Afretterbaseenhed (Til affasning med lige fræseværktøj)
- Afrettersko
- Kopiring
- Spændetang 6 mm
- Spændtang 6,35 mm (1/4")
- Gaffelnøgle 10
- Gaffelnøgle 17

BEMÆRK:

- Nogle ting på denne liste kan være inkluderet i værktøjsspakken som standardtilbehør. Det kan være forskelligt fra land til land.

Lyd

Det typiske A-vægtede støjniveau bestemt i overensstemmelse med EN60745:

Model 3707, 3707F

Lydtryksniveau (L_{pA}): 80 dB (A)

Usikkerhed (K): 3 dB (A)

Støjniveauet under arbejde kan overstige 80 dB (A).

Model 3707FC

Lydtryksniveau (L_{pA}): 76 dB (A)

Usikkerhed (K): 3 dB (A)

Støjniveauet under arbejde kan overstige 80 dB (A).

Bær høreværn

ENG900-1

Vibration

Vibrations totalværdi (tre-aksial vektorsum) bestemt i overensstemmelse med EN60745:

Arbejdsindstilling: rotation uden belastning

Vibrationsafgivelse (a_n): 2,5 m/s² eller mindre

Usikkerhed (K): 1,5 m/s²

ENG901-1

- Den angivne vibrationsemissionsværdi er blevet målt i overensstemmelse med standardtestmetoden og kan anvendes til at sammenligne en maskine med en anden.
- Den angivne vibrationsemissionsværdi kan også anvendes i en preliminær eksponeringsvurdering.

ADVARSEL:

- Vibrationsemissionen under den faktiske anvendelse af maskinen kan være forskellig fra den erklærede emissionsværdi, afhængigt af den måde, hvorpå maskinen anvendes.
- Sørg for at identificere de sikkerhedsforskrifter til beskyttelse af operatøren, som er baseret på en vurdering af eksponering under de faktiske brugsforhold (med hensyntagen til alle dele i brugscyklen, som f.eks. de gange, hvor maskinen er slukket og når den kører i tomgang i tilgift til afbrydertiden).

Kun for lande i Europa**EU-konformitetserklæring**

Vi, Makita Corporation, erklærer, som den ansvarlige fabrikant, at den (de) følgende Makita maskine(r):

Maskinens betegnelse:

Overfræser

Model nr./Type: 3707, 3707F, 3707FC

er af serieproduktion og

opfylder betingelserne i de følgende EU-direktiver:

2006/42/EC

og er fremstillet i overensstemmelse med de følgende standarder eller standardiserede dokumenter:

EN60745

Den tekniske dokumentation opbevares af vores autoriserede repræsentant i Europa, som er:

Makita International Europe Ltd.

Michigan Drive, Tongwell,

Milton Keynes, Bucks MK15 8JD, England

30. 1. 2009



Tomoyasu Kato
Direktør

Makita Corporation
3-11-8, Sumiyoshi-cho,
Anjo, Aichi, 446-8502, JAPAN

Förklaring av allmän översikt

1 Fråskorg	13 Parallellanslag	25 Centrumhål
2 Hjävarm	14 Skruvar	26 Spik
3 Skala	15 Bottenplatta	27 Justerskruv
4 Justerrulle	16 Skruvmejsel	28 Klämskruv (B)
5 Strömställarvipa	17 Parallellfräs	29 Rullanhål
6 Lossa	18 Schablon	30 Fräsverktyg
7 Dra åt	19 Avstånd (X)	31 Styrrulle
8 Monthåll	20 Schablonbricka 10	32 Slitmarkering
9 Arbetsstycke	21 Skruv	33 Kolhållarlock
10 Fräsrotation	22 Anslagshållare	
11 Sett uppifrån	23 Vingmutter	
12 Matningsriktning	24 Klämskruv (A)	

TEKNISKA DATA

Modell	3707/3707F	3707FC
Verktogsfäste	6 mm eller 1/4"	6 mm eller 1/4"
Varvtal (min ⁻¹)	35 000	26 000
Längd.....	204 mm	204 mm
Vikt.....	1,2 kg	1,3 kg
Säkerhetsklass	□/II	□/II

- På grund av det kontinuerliga programmet för forskning och utveckling, kan här angivna tekniska data ändras utan föregående meddelande.
- Tekniska data kan variera i olika länder.
- Vikt enligt EPTA-proceduren 01/2003

Verktygets ändamål

ENE010-1

Detta verktyg är avsett för jämtrimning och formfräsning i trä, plast och liknande material.

Strömförsörjning

ENF002-2

Maskinen får endast anslutas till nät med samma spänning som anges på typplåten och kan endast köras med enfas växelström. Den är dubbelisolerad och kan därför anslutas till vägguttag som saknar skyddsjord.

Allmänna säkerhetsvarningar för verktygsmaskiner

GEA010-1

⚠ VARNING Läs alla säkerhetsvarningar och alla instruktioner. Underlåtenhet att följa varningarna och instruktionerna kan resultera i elektrisk stöt, brand och/eller allvarlig skada.

Spara alla varningar och instruktioner för framtida referens.

GEB019-4

KANTFRÄSENS SÄKERHETSVARNINGAR

1. Håll maskinen i de isolerade greppytorna eftersom fräsverktyget kan komma i kontakt med maskinens nätsladd. Om fräsverktyget kommer i kontakt med strömförande ledningar kan maskinens metalldelar bli strömförande och orsaka en elektrisk stöt.
2. Använd exempelvis tvingar för att fästa arbetsstycket i en stabil arbetsbänk eller motsvarande. Om du håller i arbetsstycket med handen eller lutar det mot kroppen kan du förlora kontrollen över maskinen.
3. Använd hörselskydd under längre drifttid.
4. Handskas försiktigt med fräsen.

5. Kontrollera fräsen noggrant före användningen för att upptäcka eventuella sprickor eller andra skador. Byt omedelbart ut fräsen om den har sprickor eller på annat sätt är skadad.
6. Undvik att utföra fräsning på spikar. Kontrollera arbetsstycket för användningen, och ta bort alla spikar.
7. Håll maskinen stadigt med båda händerna.
8. Håll händerna borta från de delar som rör sig.
9. Kontrollera att fräsen inte är i kontakt med arbetsstycket innan strömbrytaren sätts på.
10. Låt maskinen gå en stund innan den används på arbetsstycket. Kontrollera att maskinen inte vibrerar eller skakar, vilket kan tyda på att fräsen är dåligt eller felaktigt monterad.
11. Var uppmärksam på fräsens rotationsriktning och matningsriktningen.
12. Lämna inte maskinen när den är på. Låt maskinen vara påsatt endast när den hålls i händerna.
13. Stäng av maskinen och vänta alltid tills fräsen har stannat helt innan maskinen tas bort från arbetsstycket.
14. Rör inte fräsen omedelbart efter användningen; den kan vara oerhört varm och kan orsaka brännskador på huden.
15. Smeta inte thinner, bensin, olja eller liknande ämnen värdeslöst på maskinens bottenplatta. Sådana ämnen kan orsaka sprickor i bottenplattan.
16. Använd fräsverktyg med korrekt skaftdiameter och som är lämpliga för maskinens varvtal.
17. Vissa material innehåller kemikalier som kan vara giftiga. Se till att du inte andas in damm eller får det på huden. Följ anvisningarna i leverantörens materialsäkerhetsblad.
18. Använd alltid ett munskydd eller andningsmask med ett filter som är avsett för det material som du arbetar med.

SPARA DESSA ANVISNINGAR.

VARNING:

Låt INTE bekvämlighet eller vana vid produkten (från upprepad användning) ersätta strikt åtydande av säkerhetsföreskrifterna för den berörda produkten. **OVARSAM** hantering eller användning som inte följer säkerhetsanvisningarna i denna bruksanvisning kan orsaka allvarliga personskador.

FUNKTIONSBESKRIVNING

FÖRSIKTIGHET:

- Se alltid till att maskinen är avstängd och att nätsladden dragits ut innan justeringar eller kontroll av maskinen görs.

Justering av fräsverktygets utskjutning (Fig. 1)

Lossa hävarmen för att justera fräsverktygets utskjutning vid sedan på justerratten för att flytta maskinens bottenplatta uppåt eller nedåt. Dra åt hävarmen ordentligt efter justeringen för att säkra maskinens bottenplatta.

Strömbrytarens funktion (Fig. 2)

FÖRSIKTIGHET:

- Kontrollera alltid att verktyget är avstängt innan du kopplar in det.

Skjut strömställarvippan till läget I (ON) för att starta maskinen. Skjut strömställarvippan till läget O (OFF) för att stanna maskinen.

Elektronisk funktion

Endast för modell 3707FC

Maskiner som är utrustade med elektroniska funktioner är enkla att använda tack vare följande egenskaper.

Konstant varvtalskontroll

Elektronisk varvtalskontroll för att försäkra att maskinen går med konstant varvtal. Rotationshastigheten förblir konstant även under belastning, vilket gör det möjligt att erhålla fina ytarbeten.

Mjukstart

Mjukstartsfunktionen gör att den stöt som uppstår när maskinen startas blir minimal, vilket i sin tur gör att maskinen får en mjuk och jämn start.

Att tända lamporna

Endast för modell 3707F/3707FC

FÖRSIKTIGHET:

- Titta inte rakt in i lampan så att du direkt kan se ljuskällan.

Starta maskinen för att sätta på lampan. Lampan kommer då att lysa på verktygets spets. Lampan slocknar när du stänger av maskinen.

OBSERVERA:

- Använd en torr tygduk för att torka av lampans lins. Var försiktig så att du inte repar linsen, eftersom det kan göra att lampans ljusstyrka försämras.

SAMMANSÄTTNING

FÖRSIKTIGHET:

- Se alltid till att maskinen har stängts av och nätsladden dragits ut innan något arbete utförs på maskinen.

Montering av fräsverktyg (Fig. 3)

FÖRSIKTIGHET:

- Om låsmuttern dras åt utan att det sitter ett fräsverktyg i förstörs spännhylsan.
- Använd endast de skruvnycklar som medföljer maskinen.

Skjut in fräsverktygets skaft i spännhylsan så långt det går och dra åt låsmuttern ordentligt med de två skruvnycklarna.

Följ monteringsanvisningen i omvänd ordning för att ta bort fräsverktyget.

ANVÄNDNING

FÖRSIKTIGHET:

- Se alltid till att maskinen har stängts av och nätsladden dragits ut innan du monterar eller tar bort trimningsbassatsen.
- **Justera trimningsbassatsens åtdragningsmoment med hjälp av hävarmen för att dra åt maskinen. Kontrollera noga att trimningsbassatsen sitter säkert på maskinen efter justering.** Om trimningsbassatsen lossnar eller förskjuts i position kan det orsaka personskador.

Ställ maskinan på arbetsstycket nära kant men utan att fräsen när denna. Starta motorn och invänta fullt varvtal, inna fräsning inleds. För maskinen långsamt och stadigt framåt med bottenplattan plant mot ytan hela tiden. Vid fräsning av en kant ska arbetsstyckets yta vara på fräsens vänstra sida i matningsriktningen. (Fig. 4)

OBSERVERA:

- Att föra maskinen alltför snabbt kan resultera i att den frästa ytan får en dålig finish, och det kan även resultera i att fräsverktyget eller motorn skadas. Att föra maskinen alltför långsamt kan resultera i att arbetsstycket blir bränt eller förstört. Lämplig matningshastighet varierar beroende på Fräsverktygets storlek, arbetsstyckets typslag och fräsdjup. Innan arbetet påbörjas på det faktiska arbetsstycket är det lämpligt att genomföra en provfräsning på en träbit som kan undvaras. Man kan då se precis hur frässpåret kommer att se ut, och man får också en möjlighet att kontrollera dimensionerna.
- Se till att trimningssulan, parallellanslaget eller trimningsanslaget ligger an på höger sida i matningsriktning en när något av dessa anslag används. Det gör det enklare att hålla anslaget plant an mot arbetsstyckets sida. (Fig. 5)

FÖRSIKTIGHET:

- Fräsdjupet bör inte överstiga 3 mm åt gången vid spårfräsning eftersom en alltför kraftig fräsning kan orsaka att motorn överbelastas och att maskinen kastar eller studsar. Vid fräsning av spår med ett större djup än 3 mm bör man genomföra flera fräsningar med en gradvist ökad fräsdjupsinställning.

Schablonbrickor

Schablonbrickan ger en styrmuff som fräsverktyget går igenom, vilket gör det möjligt att använda trimmern tillsammans med schabloner (mallar). (Fig. 6)
Skruva bort bottenplattan (4 skruvar). Styrhylsan placeras sedan i försänkningen på fräskorgens undersida, varefter bottenplattan skruvas fast igen. (Fig. 7)

Fäst schablonen (mallen) på arbetsstycket. Placera maskinen på schablonen och för maskinen längs mönstret med schablonbrickan löpande längs schablonens sida. (Fig. 8)

OBSERVERA:

- Arbetsstycket fräses eller skärs med ett litet avstånd från schablonens kant. Räkna därför med ett avstånd (X) mellan fräsverktyget och schablonbrickans utsida. Avståndet (X) kan beräknas med följande ekvation:

Avstånd (X) = (schablonbrickans ytterdiameter – fräsverktygets diameter) / 2

Parallellanslag (extra tillbehör)

Parallellanslaget är praktiskt att använda för raka arbetslinjer vid avfasning och spårfräsning. (Fig. 9)

Fäst styrskenan på parallellanslaget med skruven, stoppbrickan, den flata brickan och vingmuttern. (Fig. 10)

Sätt fast sidoanslaget med vingskruven (A).

Lossa vingmuttern på sidoanslaget, och justera avståndet mellan fräsverktyget och sidoanslaget. Drag åt vingmuttern ordentligt vid det önskade avståndet. (Fig. 11)

För maskinen i fräsriktningen med parallellanslaget anlagt platt mot sidan av arbetsstycket vid fräsarbetet.

Om avståndet (A) mellan arbetsstyckets sida och fräspositionen är för stort för parallellanslaget, eller om arbetsstyckets sida inte är rak kan inte parallellanslaget användas. Spänn i så fall fast en rak träskiva ordentligt mot arbetsstycket och använd träskivan som ett anslag mot bottenplattan. Mata maskinen i pilens riktning. (Fig. 12)

Cirkelarbeten

Cirkelarbeten kan utföras om parallellanslaget och styrskenan sätts ihop så som visas i Fig. 13 eller 14.

Min. och max. radie hos cirklar som ska fräsas (avståndet mellan cirkelns centrum och fräsverktygets centrum) är enligt följande:

Min.: 70 mm

Max.: 221 mm

Fig. 13 för cirklar mellan 70 mm och 121 mm i radie.

Fig. 14 för cirklar mellan 121 mm och 221 mm i radie.

OBSERVERA:

- Cirklar på en radie mellan 172 mm och 186 mm kan inte fräsas med detta anslag.

Lägg an centrumhålet på parallellanslaget mot centrum hos den cirkel som ska fräsas. Slå i en spik som är mindre än 6 mm i diameter i centrumhålet för att fästa parallellanslaget. Sväng maskinen medurs runt spiken. (Fig. 15)

Trimningsanslag

Trimning, kurvade frässpår i fanér för möbler och liknande kan enkelt utföras med trimningsanslaget. Anslagsrullen följer kurvningen och tryggar ett fint frässpår. (Fig. 16)

Montera trimningsanslaget på bottenplattan med tvingskruven (A). Lossa tvingskruven (B) och justera avståndet mellan fräsverktyget och trimningsanslaget genom att vrida på justeringskruven (1 mm per varv). Dra åt tvingskruven (B) vid önskat avstånd för att fästa trimningsanslaget i dess läge. (Fig. 17)

För maskinen med anslagsrullen löpande längs arbetsstyckets sida. (Fig. 18)

UNDERHÅLL

FÖRSIKTIGHET:

- Se alltid till att maskinen är avstängd och att sladden är utdragen före kontroll eller underhåll.
- Använd aldrig bensin, tvättbensin, thinner, alkohol eller liknande. Det kan resultera i missfärgning, deformation eller sprickor.

Utbyte av kolborstar

Ta ur och kontrollera kolborstarna med jämna mellanrum. Byt ut dem om de är nerlitna till slitgränsmarkeringen. Håll kolborstarna rena, så att de lätt kan glida i hållarna. Båda kolborstarna ska bytas ut på samma gång. Använd endast identiskt lika kolborstar. (Fig. 19)
Använd en skruvmejsel för att ta bort kolborsthållarlocken. Ta ur de utslitna kolborstarna, sätt i de nya och sätt sedan tillbaka kolborsthållarlocken. (Fig. 20)

För att upprätthålla produktens SÄKERHET och PÅLITLIGHET bör alla reparationer, och allt annat underhålls- eller justeringsarbete utföras av en av Makita auktoriserad serviceverkstad, och Makita reservdelar bör alltid användas.

EXTRA TILLBEHÖR

FÖRSIKTIGHET:

- Dessa tillbehör och tillsatser rekommenderas för att användas tillsammans med den Makita-maskin som anges i denna bruksanvisning. Om några andra tillbehör eller tillsatser används kan det uppstå risk för personskador. Använd endast tillbehören och tillsatserna för de syften de är avsedda för.

Kontakta ditt lokala Makita servicecenter om du behöver hjälp med ytterligare detaljer om dessa tillbehör.

- Notfräs och spårfräs
- Kantfräs
- Laminatfräs
- Parallellanslag
- Trimningsanslagssats
- Trimningsbassats (För fasning med notfräs)
- Trimningsssko
- Mallanslag
- Konformad hylsa 6 mm
- Konformad hylsa 6,35 mm (1/4")
- Skruvnyckel 10
- Skruvnyckel 17

OBSERVERA:

- Vissa föremål i listan kanske ingår i verktygspaketet som standardtillbehör. Detta kan variera i olika länder.

Buller

Den typiska A-vägda brusnivån är fastställd i enlighet med EN60745:

Modell 3707, 3707F

Ljudtrycksnivå (L_{pA}): 80 dB (A)

Osäkerhet (K): 3 dB (A)

Bullernivån under pågående arbete kan överstiga 80 dB (A).

Modell 3707FC

Ljudtrycksnivå (L_{pA}): 76 dB (A)

Osäkerhet (K): 3 dB (A)

Bullernivån under pågående arbete kan överstiga 80 dB (A).

Bär hörselskydd

ENG900-1

Vibration

Vibrationernas totala värde (trippelaxial vektorsumma) bestämd i enlighet med EN60745:

Arbetsläge: obelastad rotation

Vibrationsvärde (a_{h1}): Högst 2,5 m/s²

Osäkerhet (K): 1,5 m/s²

ENG901-1

- Uppgivna vibrationsvärden har mätts enligt standardtestmetod och kan användas för att jämföra olika maskiner.
- Uppgivna vibrationsvärden kan dessutom användas som preliminär bedömning av vibrationsexponering.

VARNING:

- Vibrationsexponering under faktisk användning av maskinen kan skilja sig från uppgivna värden beroende på att maskinen kan användas på olika sätt.
- Vidta skyddsåtgärder för användaren baserat på en bedömning av exponering under aktuella förhållanden (med hänsyn tagen till hela arbetet såsom hur många gånger maskinen stängs av och hur stor del av tiden som den körs obelastad).

Endast för Europa**Försäkran om överensstämmelse (CE)****Makita Corporation försäkrar i egenskap av ansvarig****tillverkare att följande Makita-maskiner:**

Maskinbeteckning:

Kantfräs

Modellnr./ typ: 3707, 3707F, 3707FC

Här serietillverkade och

Uppfyller följande EU-direktiv:

2006/42/EC

Och är tillverkad i enlighet med följande normer eller normdokument:

EN60745

Teknisk dokumentation finns tillgänglig hos vår auktoriserade representant i Europa:

Makita International Europe Ltd.

Michigan Drive, Tongwell,

Milton Keynes, Bucks MK15 8JD, England

30. 1. 2009



Tomoyasu Kato
Direktör

Makita Corporation
3-11-8, Sumiyoshi-cho,
Anjo, Aichi, 446-8502, JAPAN

Forklaring til generell oversikt

1 Fresfot	13 Rettlinjet fører	25 Senterhull
2 Hendel	14 Skruer	26 Spiker
3 Skala	15 Fotbeskyttelse	27 Justeringskrue
4 Justeringsvalse	16 Skrutrekker	28 Festeskrue (B)
5 Bryter	17 Rettlinjet bits	29 Trimmeføring
6 Løsne	18 Skabelon	30 Fres
7 Feste	19 Avstand (X)	31 Rullefot
8 Hold	20 Malfører 10	32 Grensemerke
9 Arbeidstykke	21 Bolt	33 Børsteholder-hette
10 Rotasjonsretning	22 Glideplaten	
11 Sett ovenfra	23 Vingemutter	
12 Freseretning	24 Festeskrue (A)	

TEKNISKE DATA

Modell	3707/3707F	3707FC
Kapasitet spennlange	6 mm og 1/4"	6 mm og 1/4"
Turtall ubelastet (min ⁻¹)	35 000	26 000
Lengde	204 mm	204 mm
Netto vekt	1,2 kg	1,3 kg
Sikkerhetsklasse	II/II	II/II

- Grunnet det kontinuerlige forsknings- og utviklingsprogrammet, forbeholder vi oss retten til å foreta endringer i tekniske data uten forvarsel.
- Tekniske data kan variere fra land til land.
- Vekt i henhold til EPTA-prosedyre 01/2003

ENE010-1

Bruksområde

Verktøyet er beregnet til kanttrimming og profilhøving av tre, plast og lignende materialer.

ENF002-2

Strømforsyning

Maskinen må kun koples til den spenning som er angitt på typeskiltet og arbeider kun med enfas-vekselstrøm. Den er dobbelt verneisolert og kan derfor også koples til stikkontakter uten jording.

GEA010-1

Generelle sikkerhetsanvisninger for elektroverktøy

⚠ ADVARSEL Les alle sikkerhetsrelevante advarsler og alle instruksjoner. Hvis du ikke følger alle advarslene og instruksjonene, kan det føre til elektriske støt, brann og/eller alvorlige helseskader.

Ta vare på alle advarslene og instruksjonene for fremtidig bruk.

GEB019-4

SIKKERHETSANVISNINGER FOR OVERFRES

1. **Hold elektroverktøyet i de isolerte gripeflatene, for skjæreverktøyet kan komme i kontakt med sin egen ledning.** Hvis en strømførende ledning skjæres, kan eksponerte metalldele på elektroverktøyet bli strømførende og gi operatøren støt.
2. **Fest og støtt arbeidsstykket med klemmer eller på en annen praktisk måte, på et stabilt underlag.** Hvis du holder arbeidsstykket med hånden eller mot kroppen, vil det være ustabilt og du kan komme til å miste kontrollen.
3. **Bruk alltid hørselvern ved bruk over lengre tid.**
4. **Hånder freseverktøyet med forsiktighet.**

5. **Kontroller alltid freseverktøyet for sprekker eller skade før bruk. Disse må eventuelt skiftes ut.**
6. **Unngå å sage over spiker. Kontroller alltid arbeidsstykket for spiker og metallgjensstander før arbeidet begynnes.**
7. **Hold maskinen i et fast og stødig grep.**
8. **Hold alltid hendene borte fra de roterende deler.**
9. **Sørg alltid for at maskinen er i arbeidshastighet før maskinen settes mot arbeidsstykket.**
10. **Maskinen bør kjøres i tomgang en kort tid før arbeidet tar til. Kontroller for unormal vibrasjon som kan indikere ubalanse eller ukorrekt montering av freseverktøyet.**
11. **Vær nøye med riktig rotasjonsretning og føreretning av maskinen.**
12. **Forlat aldri maskinen i gang. Bruk aldri maskinen uten at den er under full kontroll.**
13. **Ved arbeidsstans må maskinen alltid ha stoppet helt før den fjernes fra arbeidsstykket.**
14. **Ta aldri på freseverktøyet umiddelbart etter bruk; dette kan være meget varmt.**
15. **Bruk ikke løsningsmidler som tynner, bensin eller oljer på maskinens fot, dette kan gi sprekker i foten.**
16. **Bruk bør med riktig skaftdiameter som er egnet for verktøyets hastighet.**
17. **Enkelte materialer inneholder kjemikalier som kan være giftige. Treff tiltak for å hindre innånding av støv og hudkontakt. Følg leverandørens sikkerhetsanvisninger.**
18. **Bruk alltid riktig støvmaske/pustemaske for det materialet og det bruksområdet du arbeider med.**

TA VARE PÅ DISSE INSTRUKSENE.

ADVARSEL:

IKKE LA hensynet til hva som er "behagelig" eller det faktum at du kjenner produktet godt (etter mange gangers bruk) gjøre deg mindre oppmerksom på sikkerhetsreglene for bruken av det aktuelle produktet. MISBRUK av verktøyet eller mislighold av sikkerhetsreglene i denne brukerhåndboken kan resultere i alvorlige helseskader.

FUNKSJONS BESKRIVELSE

FORSIKTIG:

- Forviss deg alltid om at verktøyet er slått av og støpselet trukket ut av kontakten før du justerer verktøyet eller kontrollerer dens mekaniske funksjoner.

Justere skjæredybden (Fig. 1)

Bitsutstillingen justeres ved å skru løs hendelen og flytte maskinfoten opp eller ned ved å dreie justeringsvalsene. Etter justeringen, trekkes hendelen forsvarlig til så maskinfoten sitter fast.

Av/på-bryter (Fig. 2)

FORSIKTIG:

- Sjekk at verktøyet er avslått før det koples til nettstrømmen.

For å starte maskinen må du skyve av/på-bryteren til I-stillingen (PÅ). For å stoppe maskinen må du skyve av/på-bryteren til O-stillingen (AV).

Elektronisk funksjon

Kun til modell 3707FC

Verktøyet som er utstyrt med en elektronisk funksjon er enkelt å betjene grunnet følgende årsaker.

Konstant hastighetskontroll

Elektronisk hastighetskontroll når konstant hastighet er ønskelig. Dette medvirker til et jevnere og bedre resultat siden rotasjonshastigheten holdes konstant selv under belastete forhold.

Myk start

Mykstart reduserer oppstartingsstøtet til et minimum slik at driften føles jevn helt fra starten av.

Tenne lampene

Kun til modell 3707F/3707FC

FORSIKTIG:

- Se aldri direkte inn i lampen eller direkte på lyskilden.

Lampen slås på ved å starte verktøyet. Lampen vil lyse på bitsspissen. Stans verktøyet for å slukke lampen.

MERKNAD:

- Bruk en tørr klut til å tørke skitt av lampelinsen med. Pass på at ikke linsen ripes opp siden dette kan redusere belysningseffekten.

MONTERING

FORSIKTIG:

- Forviss deg alltid om at verktøyet er slått av og støpselet trukket ut av kontakten før du utfører noe arbeid på verktøyet.

Demontering og montering av fresebits (Fig. 3)

FORSIKTIG:

- Spennhylsen må ikke trekkes til uten at det står et bits i, da spennhylsen ellers kan komme til å knekke.
- Bruk bare de skrunøkklene som følger med maskinen.

Før bitset hele veien inn i spennhylse og trekk spennmutteren forsvarlig til med de to skrunøkklene. Bitset fjernes ved å følge monteringsprosedyren i omvendt rekkefølge.

BRUK

FORSIKTIG:

- Forviss deg alltid om at verktøyet er slått av og støpselet trukket ut av kontakten før du fjerner eller monterer trimmerens maskinfot.
- **Juster hendelen for strammestykken til trimmerens maskinfot ved å bruke mutteren til å få en passende strammestykke for verktøyet. Pass på etter justeringen at trimmerens maskinfot er sikret til verktøyet.** Hvis trimmerens maskinfot forskyves, kan det forekomme personskader.

Sett maskinfoten på arbeidstykket uten at freseverktøyet har kontakt. Slå på motoren og vent til maskinen har full arbeidshastighet. Før maskinen framover med god kontakt til arbeidstykket, inntil operasjonen er utført.

Ved kantskjæring, må arbeidsemnets overflate være på venstre side av bitset i materetningen. (Fig. 4)

MERKNAD:

- Hvis maskinen beveges for raskt fremover, kan arbeidsresultatet bli dårlig og bits og motor påføres skader. Hvis maskinen beveges for langsomt, kan det forårsake en uren eller svidd skjæreflate. Riktig matehastighet avhenger av bits-størrelse, materiale og skjæredybde. Før det egentlige arbeidet begynner, anbefales det å foreta en prøveskjæring på en plankebit. Man vil da kunne se hvordan snittet blir, i tillegg til at dimensjonene kan kontrolleres.
- Trimmerskoen, den rettlinjede føreren eller trimmerføreren må holdes på høyre side i materetningen når disse brukes. Det vil gjøre det lettere å holde det i flukt med siden på arbeidsemnet. (Fig. 5)

FORSIKTIG:

- Siden for mye skjæring kan overbelaste motoren eller gjøre maskinen vanskelig å kontrollere, bør skjæredybden ikke være mer enn 3 mm i trinnene ved skjæring av riller. Når det ønskes riller som er dypere enn 3 mm, bør trinnene skjæres over flere ganger med stadig dypere bits-innstilling.

Malfører

Malføreren er utstyrt med en mansjett som bitsen kan passere gjennom. Maskinen kan dermed brukes med sjablonmønstre. (Fig. 6)

Løsne skruene, og ta av fotbeskyttelsen. Sett i sjablonføreren, og monter tilbake fotbeskyttelsen. (Fig. 7)

Fest sjablonen til arbeidsemnet. Sett maskinen på sjablonen og beveg maskinen med malføreren langs siden av sjablonen. (Fig. 8)

MERKNAD:

- Arbeidsemnet vil skjæres i en litt annen størrelse enn sjablonen. Tillat en avstand (X) mellom fresedblitsen og utsiden av malføreren. Avstanden (X) kan regnes ut ved hjelp av følgende ligning:

Avstand (X) = (malførerens utvendige diameter – freser-bitsets diameter) / 2

Rettlinjert fører (valgfritt tilbehør)

Den rettlinjede føreren er en god hjelp når det skal skjæres rette linjer ved fasing eller rilleskjæring. (Fig. 9) Monter glideplaten til den rettlinjede føreren med boltene, den bølgede stoppeskiven, den flate stoppeskiven og vingemutteren. (Fig. 10)

Fest føringsskinnen med festeskruen (A). Løsne vingemutteren på føringsskinnen og juster avstanden mellom bitset og føringsskinnen. Når avstanden er slik du vil ha den, må du trekke vingemutteren godt til igjen. (Fig. 11)

Under skjæringen beveges maskinen så den rettlinjede føreren flukter med siden på arbeidsemnet.

Hvis avstanden (A) mellom siden på arbeidsemnet og skjæreposisjonen er for stor for den rettlinjede føreren, eller siden på arbeidsemnet ikke er rettlinjert, kan den rettlinjede føreren ikke brukes. I dette tilfellet må et stykke rettlinjert tre festes til arbeidsemnet med kramper og så bruke det som fører mot trimmerfoten. Maskinen mates i pilens retning. (Fig. 12)

Sirkelsaging

Sirkelsaging kan utføres hvis den rettlinjede føreren og glideplaten monteres som vist i Fig. 13 eller 14.

Min. og maks. radius på sirkler som skal skjæres (avstanden mellom sirkelens midte og bitsets midte) er som følger:

Min: 70 mm

Maks: 221 mm

Fig. 13 gjelder skjæring av sirkler med radius på mellom 70 mm og 121 mm.

Fig. 14 gjelder skjæring av sirkler med radius på mellom 121 mm og 221 mm.

MERKNAD:

- Sirkler med radius på mellom 172 mm og 186 mm kan ikke skjæres ved å bruke denne føreren.

Avstem senterhullet i den rettlinjede føreren med sentrum av sirkelen som skal skjæres. Bank en spiker på mindre enn 6 mm i diameter inn i hullet i senterhullet så den rettlinjede føreren sitter fast. Drei maskinen rundt spikeren i medurs retning. (Fig. 15)

Trimmerfører

Trimming, buede snitt i finer til møbler og lignende er lett å utføre med trimmerføreren. Føringsskiven følger kurvene og sikrer et pent resultat. (Fig. 16)

Monter trimmerføreren på maskinfoten med klemskruen (A). Skru løs klemskruen (B) og juster avstanden mellom bitset og trimmerføreren ved å dreie justeringsskruen (1 mm per omdreining). Når ønsket avstand er funnet, trekkes klemskruen (B) til så trimmerføreren sitter forsvarlig fast. (Fig. 17)

Under skjæringen beveges maskinen så føringsskiven rir på arbeidsemnets side. (Fig. 18)

SERVICE

FORSIKTIG:

- Forviss deg alltid om at verktøyet er slått av og støpselet trukket ut av kontakten før du foretar inspeksjon eller vedlikehold.
- Bruk aldri bensin, rensbensin, tynner, alkohol eller liknende. Dette kan resultere i misfarging, deformasjoner eller sprekkdannelse.

Skifte av kullbørster

Kullbørstene må tas ut og sjekkes med jevne mellomrom. Skift børstene ut når de er slitt ned til grensemerket. Hold kullbørstene rene slik at de lett gli på plass i holderne. Begge kullbørstene bør skiftes ut samtidig. Bruk bare identiske kullbørster. (Fig. 19) Bruk en skrutrekker til å fjerne børsteholderhettene med. Ta ut de slitte kullbørstene, sett inn de nye og sett børsteholderhettene tilbake på plass. (Fig. 20)

For å opprettholde produktets SIKKERHET og PÅLITELIGHET, må reparasjoner og annet vedlikeholdsarbeid eller justeringer bare utføres av et Makita-godkjent serviceverksted, og det må alltid benyttes Makita reservedeler.

VALGFRITT TILBEHØR

FORSIKTIG:

- Tilleggsutstyr eller tilbehør som anbefales for din Makita-maskin er spesifisert i denne bruksanvisningen. Bruk av annet tilleggsutstyr eller tilbehør enn dette kan øke risikoen for personskader. Tilleggsutstyr eller annet tilbehør må bare brukes for de formål det er beregnet for.

Hvis du har behov for flere detaljer som gjelder dette ekstrautstyret, spør ditt lokale Makita servicesenter om hjelp.

- Rette og sporformende bits
- Kantformende bits
- Bits for trimming av laminat
- Parallellanlegg
- Trimmers styremontasje
- Trimmers maskinfotmontasje (For skråfasing med rett bits)
- Trimmersko
- Malfører
- Patronkonus 6 mm
- Patronkonus 6,35 mm (1/4")
- Skrunøkkel 10
- Skrunøkkel 17

MERKNAD:

- Noen av artiklene i listen kan være inkludert i verktøypakken som standard tilbehør. De kan variere fra land til land.

Støy

Typisk A-vektet lydtrykknivå bestemt i samsvar med EN60745:

Modell 3707, 3707F

Lydtrykknivå (L_{pA}): 80 dB (A)

Usikkerhet (K): 3 dB (A)

Under bruk kan støynivået overskride 80 dB (A).

Modell 3707FC

Lydtrykknivå (L_{pA}): 76 dB (A)

Usikkerhet (K): 3 dB (A)

Under bruk kan støynivået overskride 80 dB (A).

Bruk hørselvern

ENG900-1

Vibrasjoner

Den totale vibrasjonsverdien (triaksial vektorsum) bestemt i henhold til EN60745:

Arbeidsmåte: Rotasjon uten belastning

Genererte vibrasjoner (a_{h1}): 2,5 m/s² eller mindre

Usikkerhet (K): 1,5 m/s²

ENG901-1

- Den angitte verdien for de genererte vibrasjonene er blitt målt i samsvar med standardtestmetoden og kan brukes til å sammenlikne et verktøy med et annet.
- Den angitte verdien for de genererte vibrasjonene kan også brukes til en foreløpig vurdering av eksponeringen.

ADVARSEL:

- De genererte vibrasjonene ved faktisk bruk av elektroverktøyet kan avvike fra den oppgitte vibrasjonsverdien, avhengig av hvordan verktøyet brukes.
- Sørg for å identifisere sikkerhetstiltak som er basert på et estimat av eksponeringen under de faktiske bruksforholdene (idet det tas hensyn til alle deler av driftssyklusen, dvs. hvor lenge verktøyet er slått av, hvor lenge det går på tomgang, og hvor lenge startbryteren faktisk holdes trykket), for å beskytte operatøren.

Gjelder bare land i Europa**EF-samsvarserklæring**

Som ansvarlig produsent erklærer vi, Makita Corporation, at følgende Makita-maskin(er):

Maskinbetegnelse:

Overfres (Kanttrimmer)

Modellnr./ type: 3707, 3707F, 3707FC

Her serieprodusert og

samsvarer med følgende EU-direktiver:

2006/42/EC

og er produsert i henhold til følgende standarder eller standardiserte dokumenter:

EN60745

Den tekniske dokumentasjonen oppbevares av vår autoriserte representant i Europa, som er:

Makita International Europe Ltd.

Michigan Drive, Tongwell,

Milton Keynes, Bucks MK15 8JD, England

30. 1. 2009



Tomoyasu Kato
Direktor

Makita Corporation
3-11-8, Sumiyoshi-cho,
Anjo, Aichi, 446-8502, JAPAN

Yleiselustus

1 Alusta	13 Suoraohjain	25 Keskireikä
2 Kytkin	14 Ruuvit	26 Naula
3 Asteikko	15 Alustan suoja	27 Säättöruuvi
4 Säättörulla	16 Ruuvitalta	28 Kiristysruuvi (B)
5 Vipukytkin	17 Suora terä	29 Tasausohjain
6 Löystyys	18 Malline	30 Terä
7 Kiristys	19 Etäisyys (X)	31 Ohjausrulla
8 Lukitus	20 Mallineohjain 10	32 Rajamerkki
9 Työkappale	21 Ruuvi	33 Harjanpitimen kansi
10 Terän pyörimissuunta	22 Ohjainvaste	
11 Kone ylhäältä katsottuna	23 Siipimutteri	
12 Syöttösuunta	24 Kiristysruuvi (A)	

TEKNISET TIEDOT

Malli	3707/3707F	3707FC
Holkki-istukan alue	6 mm tai 1/4"	6 mm tai 1/4"
Kierrosnopeus tyhjäkäynnillä (min ⁻¹)	35 000	26 000
Korkeus.....	204 mm	204 mm
Nettopaino	1,2 kg	1,3 kg
Turvaluokitus.....	II/II	II/II

- Jatkuvan tutkimus- ja kehitysohjelman vuoksi pidätämme oikeuden muuttaa tässä mainittuja teknisiä ominaisuuksia ilman ennakkoilmoitusta.
- Tekniset ominaisuudet saattavat vaihdella eri maissa.
- Paino EPTA-menetelmän 01/2003 mukaan

Käyttötarkoitukset

ENE010-1

Kone on tarkoitettu puun, muovin ja vastaavien materiaalien tasaukseen ja muotoilemiseen.

Virransyöttö

ENF002-2

Laitteen saa kytkeä ainoastaan virtalähteeseen, jonka jännite on sama kuin tyyppikilvessä ilmoitettu. Laitetta voidaan käyttää ainoastaan yksivaiheisella vaihtovirralla. Laite on kaksinkertaisesti suojaeristetty, ja se voidaan tästä syystä liittää maadoittamattomaan pistorasiaan.

Sähkötyökalujen yleiset turvavaroitukset

GEA010-1

VAROITUS Lue kaikki turvavaroitukset ja kaikki ohjeet. Jos et noudata kaikkia varoituksia ja ohjeita, voi seurauksena olla sähköisku, tulipalo ja/tai vaikea vamma.

Säilytä kaikki varoitukset ja ohjeet myöhempiä käyttöä varten.

GEB019-4

VIIMEISTELY-YLÄJYRSIMEN VAROITUKSIA

1. Tartu vain työkalun eristettyihin tartuntapintoihin, sillä leikkuri voi koskettaa omaan johtoonsa. Jännitteisen johdon leikkaaminen voi tehdä työkalun paljaat metalliosat jännitteisiksi ja antaa käyttäjälle sähköiskun.
2. Kiinnitä ja tue työkappale tukevaan alustaan puristimilla tai muulla kätevällä tavalla. Työkappaleen pitäminen kädessä tai ruumista vasten jättää sen epävakaaaksi ja voi johtaa hallinnan menettämiseen.
3. Käytä kuulosuojaimia työskennellessäsi pitkiä aikoja.
4. Käsittele teriä erityisen varovaisesti.

5. Tarkista terä huolella ennen käyttöä mahdollisten murtumien ja vaurioiden varalta. Vaihda murtunut tai vaurioitunut terä välittömästi uuteen.
6. Varo leikkaamasta nautoja. Tarkista työkappale ennen työskentelyn aloittamista ja poista kaikki naulat.
7. Pitele laitetta tiukasti.
8. Pidä kädet loitolla pyörivistä osista.
9. Pidä huolta, että terä ei kosketa työkappaleeseen, ennen kuin virta on kytketty laitteeseen.
10. Anna laitteen käydä jonkin aikaa, ennen kuin käytät sitä työkappaleeseen. Tarkkaile terää. Väriä tai huojunta saattaa kertoa terän vääristä asennuksesta.
11. Huomioi terän pyörimissuunta ja syöttösuunta.
12. Älä jätä laitetta käyntiin. Käytä laitetta ainoastaan sen ollessa käsissäsi.
13. Sammuta aina laite ja odota, kunnes terä on kokonaan pysähtynyt, ennen kuin irrotat laitteen työkappaleesta.
14. Älä kosketa terää välittömästi käytön jälkeen; se saattaa olla erittäin kuuma ja polttaa ihoasi.
15. Älä sivele laitteen alustaan vahingossa tinneriä, bensiiniä, öljyä tms. Ne saattavat aiheuttaa murtumia laitteen alustaan.
16. Terien varsien paksuuden täytyy olla sopiva koneen pyörimisnopeudelle.
17. Jotkin materiaalit sisältävät myrkyllisiä kemikaaleja. Vältä hengittämästä pölyä ja varo ihokosketusta. Noudata materiaalin toimittajan turvallisuusohjeita.
18. Käytä aina materiaalle ja työlle sopivaa hengityssuodatinta/-suojaa.

SÄILYÄ NÄMÄ OHJEET.

VAROITUS:

ÄLÄ anna mukavuudenhalun ja tuotteen tutunomaisuuden (johtuen toistuvasta käytöstä) häiritä turvallisuussääntöjen noudattamista. **VÄÄRINKÄYTTÖ** tai tässä ohjekirjassa mainittujen turvaohjeiden noudattamatta jättäminen voi aiheuttaa vakavan loukkautumisen.

TOIMINTOKUVAUS

VARO:

- Varmista aina ennen koneen säätöjen ja tarkistusten tekemistä, että kone on sammutettu ja irrotettu pistorasiasta.

Terän ulkoneman säätäminen (Kuva 1)

Löysennä kytkin ja siirrä koneen alustaa ylös tai alas säätöruillaa kääntämällä, kun haluat säätää terän ulkonemaa. Kun olet tehnyt säädön, kiinnitä koneen jalusta paikalleen kiristämällä kytkin tiukasti.

Kytkimen käyttäminen (Kuva 2)

VARO:

- Varmista aina ennen koneen liittämistä virtalähteeseen, että kone on sammutettu.

Kone käynnistetään siirtämällä vipukytkin asentoon I (ON). Kone pysäytetään siirtämällä vipukytkin asentoon O (OFF).

Elektroninen toiminta

Vain malli 3707FC

Elektronisella toiminnolla varustetun koneen käyttäminen on helppoa seuraavien ominaisuuksien ansiosta.

Vakionopeudensäädin

Elektroninen nopeudensäätö mahdollistaa vakionopeuden käytön. Tämä mahdollistaa hienovaraisen viimeistelyn, koska pyörimisnopeus pysyy vakiona myös kuormituksella.

Sujuva

Sujuva käynnistystoiminto vaimentaa käynnistysnykäystä, minkä ansiosta käynnistys tapahtuu sujuvasti.

Lamppujen sytyttäminen

Vain malli 3707F/3707FC

VARO:

- Älä katso suoraan valoon tai valonlähteeseen.

Lamppu sytytetään käynnistämällä kone. Lamppu valaisee tällöin terän kärjen. Lamppu sammutetaan pysäyttämällä kone.

HUOMAA:

- Pyyhi lika lampun linssiltä kuivalla liinalla. Varo naarmuttamasta lampua, sillä tämä voi heikentää valotehoa.

KOKOONPANO

VARO:

- Varmista aina ennen koneelle tehtäviä toimenpiteitä, että kone on sammutettu ja irrotettu pistorasiasta.

Yläjyrsinterän asennus ja irrotus (Kuva 3)

VARO:

- Älä kiristä rengasmutteria laittamatta ensin terää paikalleen, koska tämä aiheuttaa rengaskartion rikkoutumisen.
- Käytä ainoastaan koneen mukana toimitettuja kiintoavaimia.

Työnnä terä kokonaan rengaskartion sisään ja kiristä rengasmutteri tiukasti kahdella kiintoavaimella. Terä irrotetaan tekemällä kiinnitystoimet päinvastaisessa järjestyksessä.

LAITTEEN KÄYTTÄMINEN

VARO:

- Varmista aina ennen tasausalustan irrottamista tai asentamista, että kone on sammutettu ja irrotettu pistorasiasta.
- **Säädä tasausalustan kytkimen kireysvoima käyttämällä sen mutteria, jotta saat koneeseen sopivan kireysvoiman. Varmista säätämisen jälkeen, että tasausalusta on kiinnitettyä koneeseen.** Tasausalustan siirtyminen saattaa aiheuttaa henkilövahinkoja.

Aseta laitteen alusta leikattavan työkappaleen päälle siten, että terä ei kosketa työkappaletta. Käynnistä sitten laite ja odota, kunnes terä saavuttaa täyden nopeutensa. Siirrä laitetta eteenpäin työkappaleen pinnalla pitäen laitteen alustan suorassa ja etene tasaisesti leikkauksen loppuun saakka.

Reunoja leikattaessa tulee työkappaleen pinnan olla syöttösuuntaan katsottuna terän vasemmalla puolella. **(Kuva 4)**

HUOMAA:

- Koneen liikkuttaminen eteenpäin liian nopeasti saattaa aiheuttaa huonon leikkaustuloksen tai vahingoittaa terää tai moottoria. Koneen liikkuttaminen liian hitaasti saattaa polttaa ja turmella leikkauskohtaa. Sopiva syöttönopeus riippuu terän koosta, työkappaleen laadusta ja leikkaussyvyydestä. Suosittelemme koelleikkauksen tekemistä jätöpalaan, ennen kuin leikkaat varsinaista työkappaletta. Näin näet tarkkaan, millä leikkausjälki näyttää ja voit samalla tarkastaa mitat.
- Kun käytät tasauskappaletta, suoraohjainta tai tasausohjainta, pidä se syöttösuuntaan nähden oikealla puolella. Tämä helpottaa sen pitämistä samansuuntaisena työkappaleen reunan kanssa. **(Kuva 5)**

VARO:

- Koska liiallinen leikkaaminen saattaa aiheuttaa moottorin ylikuormittumisen tai koneen käsittelyvaikeuksia, kerralla leikattava syvyys ei saisi olla yli 3 mm leikattaessa uria. Kun haluat leikata yli 3 mm syviä uria, tee useita leikkauksia säätäen terän syvyyden aina edellistä syvemmälle.

Mallineohjain

Mallineohjaimessa on liuska, jonka läpi terä mahtuu. Tämän ansiosta tasaajaa voidaan käyttää mallinekuvioiden leikkaamiseen. **(Kuva 6)**
Löysennä ruuvit ja irrota alustan suoja. Aseta mallineohjain alustaan ja aseta alustan suoja takaisin paikalleen. Kiinnitä sitten alustan suoja paikalleen kiristämällä ruuvit. **(Kuva 7)**

Kiinnitä malline työkappaleeseen. Aseta laite mallineen päälle ja liikuta laitetta yhdessä mallineohjaimen kanssa liu'uttaen sitä mallineen reunaa pitkin. **(Kuva 8)**

HUOMAA:

- Työkappaleen leikkausjälki eroaa hieman mallineesta. Ota huomioon jyrsimen terän ja mallineohjaimen ulkoreunan välinen etäisyys (X). Etäisyys (X) voidaan laskea seuraavasta kaavasta:

Etäisyys (X) = (mallineohjaimen ulkohalkaisija – jyrsimen terän halkaisija) / 2

Suoraohjain (lisävarusteet)

Suoraohjain on tehokas apuväline työstettäessä suoria viisteitä tai uria. **(Kuva 9)**

Kiinnitä ohjainvaste suoraohjaimen ruuvilla, jousialuslevyllä, litteällä aluslevyllä ja siipimutterilla. **(Kuva 10)**

Kiinnitä suoraohjain kiristysmutterilla (A). Löysennä suoraohjaimessa oleva siipimutteri ja säädä terän ja suoraohjaimen välinen etäisyys. Kun etäisyys on sopiva, kiristä siipimutteri tiukasti. **(Kuva 11)**

Leikatessasi liikuta konetta siten, että suoraohjain on samansuuntainen työkappaleen reunan kanssa.

Suoraohjainta ei voida käyttää, jos työkappaleen reunan ja leikkauskohdan välinen etäisyys (A) on suoraohjaimelle liian leveä tai jos työkappaleen reuna ei ole tasainen. Kiinnitä tällöin työkappaleeseen tiukasti suora levy ja käytä sitä ohjaimena tasausalustaa vasten. Liikuta konetta nuolen osoittamaan suuntaan. **(Kuva 12)**

Kaarevien leikkausten tekeminen

Kaarevia leikkauksia voidaan tehdä asentamalla suoraohjain ja ohjainvaste **kuvan 13** tai **14** osoittamalla tavalla. Leikattavan kaaren pienin ja suurin säde (ympyrän keskipisteen ja terän keskiosan välinen etäisyys) ovat seuraavat:

Pienin: 70 mm

Suurin: 221 mm

Kuva 13 näyttää säteeltään 70 – 121 mm:n kaarien leikkaamisen.

Kuva 14 näyttää säteeltään 121 – 221 mm:n kaarien leikkaamisen.

HUOMAA:

- Tällä ohjaimella ei voida leikata säteeltään 172 – 186 mm kaaria.

Aseta suoraohjaimen keskireikä leikattavan kaaren keskelle. Kiinnitä suoraohjain paikalleen työntämällä alle 6 mm:n mittainen naula keskireikään. Kierrä konetta nauhan ympäri myötäpäivään. **(Kuva 15)**

Tasausohjain

Huonekaluissa yms. käytettävään vaneriin tehtävät tasaukset ja kaarevat leikkaukset voidaan viimeistellä helposti tasausohjaimella. Ohjauksella liikkuu kaarta pitkin ja varmistaa siistin leikkausjäljen. **(Kuva 16)**

Asenna tasausohjain koneen alustaan kiristysruuvilla (A). Löysennä kiristysruuvi (B) ja säädä terän ja tasausohjaimen välinen etäisyys kääntämällä säätöruuvia (1 mm kierrosta kohden). Kun etäisyys on sopiva, kiinnitä tasausohjain paikalleen kiristämällä kiristysruuvi (B). **(Kuva 17)**

Leikatessasi liikuta laitetta siten, että ohjauksella liikkuu työkappaleen reunaa pitkin. **(Kuva 18)**

HUOLTO

VARO:

- Varmista aina ennen tarkistuksia ja kunnossapitotöitä, että kone on sammutettu ja irrotettu pistorasiasta.
- Älä koskaan käytä bensiiniä, bentseeniä, tinneriä, alkoholia tai vastaavaa. Seurauksena voi olla värinmuutoksia, muodonmuutoksia tai murtumia.

Hiilien vaihto

Irrota ja tarkista harjahiileet säännöllisesti. Vaihda ne uusiin, kun ne ovat kuluneet rajamerkkiin asti. Pidä harjahiileet puhtaina ja vapaina liukumaan pitimissään. Molemmat harjahiileet tulee vaihtaa samalla kertaa uusiin. Käytä vain keskenään samanlaisia harjahiieliä. **(Kuva 19)**

Irrota harjahiielen kannet ruuvitaltalla. Irrota kuluneet harjahiileet, aseta uudet paikalleen ja kiinnitä harjahiielen kannet. **(Kuva 20)**

Koneen TURVALLISUUDEN ja KÄYTTÖVARMUUDEN vuoksi korjaukset ja muut kunnossapitotyöt ja säädöt saa suorittaa ainoastaan Makitan valtuuttama huolto käyttäen vain Makitan varaosia.

LISÄVARUSTEET

ENH101-15

VARO:

- Näitä lisävarusteita ja -laitteita suositellaan käytettäväksi tässä ohjekirjassa mainitun Makitan koneen kanssa. Minkä tahansa muun lisävarusteen tai -laitteen käyttäminen voi aiheuttaa loukkaantumisaaran. Käytä lisävarusteita ja -laitteita vain niiden käyttötarkoituksen mukaisesti.

Jos tarvitset apua tai yksityiskohtaisempia tietoja seuraavista lisävarusteista, ota yhteys paikalliseen Makitan huoltoon.

- Suoran & uran muovausterät
- Reunan muovausterät
- Laminaattitasauusterät
- Suoraohjainsarja
- Tasausohjain
- Tasausalustasarja (Koverrukseen suoralla terällä)
- Tasauskappale
- Mallineohjain
- Rengaskartio 6 mm
- Rengaskartio 6,35 mm (1/4")
- Kiintoavain 10
- Kiintoavain 17

HUOMAA:

- Eräät luettelon nimikkeet voivat sisältyä työkalupakkaukseen vakiovarusteina. Ne saattavat vaihdella eri maissa.

ENG905-1

Melutaso

Tyypillinen A-painotettu melutaso normin EN60745 mukaan on:

Malli 3707, 3707F

Äänenpainetaso (L_{pA}): 80 dB (A)

Epävarmuus (K): 3 dB (A)

Melutaso työpaikalla saattaa ylittää 80 dB (A).

Malli 3707FC

Äänenpainetaso (L_{pA}): 76 dB (A)

Epävarmuus (K): 3 dB (A)

Melutaso työpaikalla saattaa ylittää 80 dB (A).

Käytä kuulosuojaimia

ENG900-1

Tärinä

Tärinän kokonaisarvo (triakiaalinen vektorisumma) normin EN60745 on:

Työmoodi: pyörintä ilman kuormitusta

Tärinäsaäteily (a_{H}): 2,5 m/s² tai alle

Epävarmuus (K): 1,5 m/s²

ENG901-1

- Ilmoitettu tärinäpäästöarvo on mitattu vakiotestimenetelmän mukaan, ja sitä voidaan käyttää työkalujen vertailuun keskenään.
- Ilmoitettua tärinäpäästöarvoa voidaan käyttää myös altistumisen alustavan arviointiin.

VAROITUS:

- Työkalun käytön aikainen tärinäpäästö voi poiketa ilmoitetusta päästöarvosta työkalun käyttötavan mukaan.
- Muista tutustua käyttäjän suojelemiseen tarkoitettuihin turvallisuusohjeisiin, jotka perustuvat todellisiin käyttöolosuhteisiin (ottaen huomioon kaikki toimintajakson osat, kuten työkalun sammuttaminen ja sen käynti joutokäynnillä, liipaisuajan lisäksi).

Vain Euroopan maat

EC-yhdenmukaisuusjulistus

Makita Corporation julistaa vastuullisen valmistajan ominaisuudessa, että seuraava/seuraavat Makita-kone/-koneet:

Koneen nimi:

Viimeistely-yläjärsin

Mallinumero/ tyyppi: 3707, 3707F, 3707FC

ovat sarjatuotteita ja

Yhdenmukainen seuraavien eurooppalaisten direktiivien kanssa:

2006/42/EC

Ja ne on valmistettu seuraavien standardien tai standardoitujen asiakirjojen mukaisesti:

EN60745

Teknillisestä asiakirjoilla todistamisesta vastaa valtuutamamme edustaja Euroopassa, joka on:

Makita International Europe Ltd.

Michigan Drive, Tongwell,

Milton Keynes, Bucks MK15 8JD, England

30. 1. 2009



Tomoyasu Kato
Johtaja

Makita Corporation
3-11-8, Sumiyoshi-cho,
Anjo, Aichi, 446-8502, JAPAN

Περιγραφή γενικής άποψης

1 Βάση	11 Κάτοψη από την κορυφή του μηχανήματος	22 Πλάκα οδηγός
2 Μοχλός	12 Διεύθυνση τροφοδοσίας	23 Φτερωτό παξιμάδι
3 Κλίμακα	13 Ισιος οδηγός	24 Βίδα σύσφιξης (Α)
4 Βίδα ρύθμισης	14 Βίδες	25 Τρύπα κέντρου
5 Μοχλός διακόπτη	15 Προστατευτικό βάσης	26 Καρφί
6 Χαλάρωμα	16 Κατσαβίδι	27 Βίδα ρύθμισης
7 Σφιξιμο	17 Ισια αιχμή	28 Βίδα σύσφιξης (Β)
8 Κράτημα	18 Ιχνάριο	29 Οδηγός ξακριστή
9 Αντικείμενο εργασίας	19 Απόσταση (Χ)	30 Αιχμή
10 Διεύθυνση περιστροφής αιχμής	20 Οδηγός ιχναρίου 10	31 Κύλινδρος οδηγού
	21 Μπουλόνι	32 Σημάδι ορίου
		33 Καπάκι θήκης ψήκτρας

ΤΕΧΝΙΚΑ ΧΑΡΑΚΤΗΡΙΣΤΙΚΑ

Μοντέλο	3707/3707F	3707FC
Ικανότητα υποδοχής	6 χιλ. ή 1/4"	6 χιλ. ή 1/4"
Ταχύτητα χωρίς φορτίο (λεπτό ⁻¹)	35.000	26.000
Ολικό μήκος	204 χιλ.	204 χιλ.
Καθαρό βάρος	1,2 Χγρ	1,3 Χγρ
Κατηγορία ασφάλειας	□/II	□/II

- Λόγω του συνεχιζόμενου προγράμματος έρευνας και ανάπτυξης, οι παρούσες προδιαγραφές υπόκεινται σε αλλαγή χωρίς προειδοποίηση.
- Τα τεχνικά χαρακτηριστικά μπορεί να διαφέρουν από χώρα σε χώρα.
- Βάρος σύμφωνα με διαδικασία ΕΡΤΑ 01/2003

GEB019-4

ΕΑΚΡΙΣΤΗ — ΠΡΟΕΙΔΟΠΟΙΗΣΕΙΣ ΑΣΦΑΛΕΙΑΣ

Προοριζόμενη χρήση
 Το μηχάνημα προορίζεται για ισόπεδα τελειώματα και διαμορφώσεις κατατομών σε ξύλο, πλαστικό και παρόμοια υλικά.

ENE101-1

Ρευματοδότηση
 Το εργαλείο πρέπει να συνδέεται μόνο σε παροχή ρεύματος της ίδιας τάσης με αυτή που αναγράφεται στην πινακίδα ονομαστικών τιμών και μπορεί να λειτουργήσει μόνο με εναλλασσόμενο μονοφασικό ρεύμα. Τα εργαλεία αυτά έχουν διπλή μόνωση και, κατά συνέπεια, μπορούν να συνδεθούν σε πρίζες χωρίς σύρμα γείωσης.

ENF002-2

Γενικές προειδοποιήσεις ασφαλείας για το ηλεκτρικό εργαλείο

GEA010-1

⚠ ΠΡΟΕΙΔΟΠΟΙΗΣΗ Διαβάστε όλες τις προειδοποιήσεις ασφαλείας και όλες τις οδηγίες. Η μη τήρηση των προειδοποιήσεων και οδηγιών ενδέχεται να καταλήξει σε ηλεκτροπληξία, πυρκαγιά ή/και σοβαρό τραυματισμό.

Φυλάξτε όλες τις προειδοποιήσεις και τις οδηγίες για μελλοντική παραπομπή.

1. **Να κρατάτε το ηλεκτρικό εργαλείο από τις μονωμένες επιφάνειες λαβής, επειδή ο κόπτης είναι δυνατόν να έρθει σε επαφή με το ίδιο του το καλώδιο.** Σε περίπτωση που κοπεί ένα ηλεκτροφόρο καλώδιο, ενδέχεται τα εκτεθειμένα μεταλλικά εξαρτήματα του ηλεκτρικού εργαλείου να καταστούν τα ίδια ηλεκτροφόρα και να προκαλέσουν ηλεκτροπληξία στο χειριστή.
2. **Χρησιμοποιείτε σφικτήρες ή κάποιο άλλο πρακτικό μέσο για να ασφαλίσετε και υποστηρίξετε το τεμάχιο εργασίας σε μία σταθερή βάση.** Το κράτημα του τεμαχίου εργασίας με το χέρι ή με το σώμα σας το αφήνει ασταθές και μπορεί να οδηγήσει σε απώλεια ελέγχου.
3. **Να φοράτε ωτοασπίδες κατά τη διάρκεια μακρών περιόδων εργασίας.**
4. **Να χειρίζεστε τις αιχμές με μεγάλη προσοχή.**
5. **Ελέγχετε το την αιχμή προσεκτικά για ρωγμές ή βλάβη πριν τη λειτουργία.** Αντικαταστήστε αμέσως το την αιχμή που έχει ρωγμή ή που έχει πάθει ζημιά.
6. **Αποφύγετε να κόβετε καρφιά.** Ελέγχετε και βγάλετε όλα τα καρφιά από το τεμάχιο εργασίας πριν την λειτουργία.
7. **Κρατάτε το μηχάνημα σταθερά.**
8. **Κρατάτε τα χέρια σας μακριά από περιστρεφόμενα εξαρτήματα.**
9. **Σιγουρευτείτε ότι το η αιχμή δεν αγκίζει το τεμάχιο εργασίας πριν ανοίξετε το διακόπτη.**
10. **Πριν χρησιμοποιήσετε το μηχάνημα πάνω σε ένα πραγματικό τεμάχιο εργασίας, αφήσετε το να δουλέψει για λίγο.** Δώστε προσοχή στους κραδασμούς ή στις ταλαντεύσεις που μπορεί να δηλώνουν ασφαλήμνη τοποθέτηση της αιχμής.

11. Δώστε προσοχή στην διεύθυνση περιστροφής του της αιχμής και στην διεύθυνση τροφοδοσίας.
12. Μην εγκαταλείπετε το μηχάνημα να δουλεύει. Δουλέυετε το μηχάνημα μόνο όταν το κρατάτε στα χέρια σας.
13. Πάντοτε σβήνετε το μηχάνημα και περιμένετε την αιχμή να σταματήσει τελείως πριν βγάλετε το μηχάνημα από το τεμάχιο εργασίας.
14. Μην αγγίζετε το την αιχμή αμέσως μετά τη λειτουργία μπορεί να είναι πάρα πολύ ζεστό και μπορεί να κάψει το δέρμα σας.
15. Μην ρυπαίνετε τη βάση του μηχανήματος απρόσεκτα με διαλυτικό, βενζίνη, λάδι και παρόμοια. Μπορεί να προκαλέσουν ρωγμές στη βάση του μηχανήματος.
16. Χρησιμοποιήστε μύτες που διαθέτουν σωστή διάμετρο άξονα για την ταχύτητα του εργαλείου.
17. Μερικά υλικά περιέχουν χημικά που μπορεί να είναι τοξικά. Προσέχετε να αποφύγετε εισπνοή σκόνης και δερματική επαφή. Ακολουθείτε τα δεδομένα ασφάλειας του προμηθευτή υλικών.
18. Πάντοτε χρησιμοποιείτε τη σωστή προσωπίδα/ αναπνευστήρα σε σχέση με το υλικό και την εφαρμογή στην οποία εργάζεστε.

ΦΥΛΑΞΕΤΕ ΑΥΤΕΣ ΤΙΣ ΟΔΗΓΙΕΣ.

ΠΡΟΕΙΔΟΠΟΙΗΣΗ:

ΜΗΝ επιτρέψετε το βαθμό άνεσης ή εξοικείωσης με το προϊόν (λόγω επανειλημμένης χρήσης) να αντικαταστήσει την αυστηρή τήρηση των κανόνων ασφαλείας του παρόντος εργαλείου. **ΚΑΚΗ ΧΡΗΣΗ** ή αμέλεια να ακολουθήσετε τους κανόνες ασφαλείας που διατυπώνονται σ'αυτό το εγχειρίδιο οδηγιών μπορεί να προκαλέσει σοβαρό προσωπικό τραυματισμό.

ΠΕΡΙΓΡΑΦΗ ΛΕΙΤΟΥΡΓΙΑΣ

ΠΡΟΣΟΧΗ:

- Πάντοτε βεβαιώνετε ότι το εργαλείο είναι σβηστό και αποσυνδεδεμένο από το ρεύμα πριν ρυθμίσετε ή ελέγξετε κάποια λειτουργία στο εργαλείο.

Ρύθμιση προεξοχής αιχμής (Εικ. 1)

Για να ρυθμίσετε την προεξοχή της αιχμής, χαλαρώστε τον μοχλό και κινείστε τη βάση του εργαλείου επάνω ή κάτω όπως επιθυμείτε γυρίζοντας τη βίδα ρύθμισης. Μετά τη ρύθμιση, σφίχτε τον μοχλό γερά για να στερεώσετε τη βάση του εργαλείου.

Δράση διακόπτη (Εικ. 2)

ΠΡΟΣΟΧΗ:

- Πριν συνδέσετε το μηχάνημα στο ρεύμα, πάντοτε βεβαιώνετε ότι το εργαλείο είναι σβηστό.

Για να ξεκινήσετε το εργαλείο, μετακινείστε τον μοχλό διακόπτη στην θέση I (ON). Για να σταματήσετε το εργαλείο, μετακινείστε τον μοχλό διακόπτη στην θέση O (OFF).

Ηλεκτρονική λειτουργία

Μόνο για μοντέλο 3707FC

Το εργαλείο που είναι εφωδιασμένο με ηλεκτρονική λειτουργία είναι πολύ εύκολο στο χειρισμό λόγω των εξής χαρακτηριστικών.

Συνεχής έλεγχος ταχύτητας

Ηλεκτρονικός έλεγχος ταχύτητας για επίτευξη σταθερής ταχύτητας. Είναι δυνατό το λεπτομερές φινίρισμα, διότι η ταχύτητα περιστροφής διατηρείται σταθερή ακόμη και υπό συνθήκες φορτίου.

Χαρακτηριστικό απαλού ξεκινήματος

Το χαρακτηριστικό απαλού ξεκινήματος ελαχιστοποιεί το τίναγμα της εκκίνησης και κάνει το εργαλείο να ξεκινά απαλά.

Αναμμα των λαμπών

Μόνο για μοντέλο 3707F/3707FC

ΠΡΟΣΟΧΗ:

- Μη κυττάτε το φως ούτε να βλέπετε την πηγή φωτός απευθείας.

Για να ανάψετε την λάμπα, ξεκινήστε το εργαλείο. Τότε, η λάμπα φωτίζει την κορυφή της αιχμής. Για να την σβήσετε σταματήστε το εργαλείο.

ΣΗΜΕΙΩΣΗ:

- Χρησιμοποιείτε ένα στεγνό ύφασμα για να σκουπίζετε τους ρύπους από το φακό της λάμπας. Προσέχετε να μη γρατσουνίσετε το φακό της λάμπας, διαφορετικά θα μειωθεί ο φωτισμός.

ΣΥΝΑΡΜΟΛΟΓΗΣΗ

ΠΡΟΣΟΧΗ:

- Πάντοτε βεβαιώνετε ότι το εργαλείο είναι σβηστό και αποσυνδεδεμένο από το ρεύμα πριν εκτελέσετε οποιαδήποτε εργασία στο εργαλείο.

Τοποθέτηση ή αφαίρεση της αιχμής ξακριστή (trimmer) (Εικ. 3)

ΠΡΟΣΟΧΗ:

- Μη σφίγγετε το δακτυλιοειδή κώνο χωρίς να έχετε βάλει την αιχμή, διαφορετικά ο κώνος θα σπάσει.
- Χρησιμοποιήστε μόνο τα κλειδιά που παρέχονται με το μηχάνημα.

Βάλτε την αιχμή πλήρως μέσα στο δακτυλιοειδή κώνο και σφίχτε το παξιμάδι καλά με τα δύο κλειδιά. Για να αφαιρέσετε την αιχμή ακολουθήστε τη διαδικασία τοποθέτησης αντίστροφα.

ΛΕΙΤΟΥΡΓΙΑ

ΠΡΟΣΟΧΗ:

- Να βεβαιώνετε πάντα ότι το εργαλείο είναι σβηστό και αποσυνδεδεμένο από το ρεύμα πριν αφαιρέτε ή τοποθετήτε τη βάση ξακριστή.
- **Ρυθμίστε τη δύναμη σύσφιξης μοχλού της βάσης ξακριστή χρησιμοποιώντας το παξιμάδι του για να έχετε μια κατάλληλη δύναμη σύσφιξης για το εργαλείο σας. Μετά τη ρύθμιση, βεβαιωθείτε ότι η βάση ξακριστή είναι ασφαλισμένη στο εργαλείο.** Η λανθασμένη τοποθέτηση της βάσης ξακριστή μπορεί να προκαλέσει προσωπικούς τραυματισμούς.

Τοποθετήστε τη βάση του μηχανήματος πάνω στο τεμάχιο εργασίας που πρόκειται να κοπεί χωρίς η αιχμή να βρίσκεται σε επαφή μαζί του. Μετά ανοίξετε το μηχανήμα και περιμένετε μέχρι η αιχμή να φτάσει στην μέγιστη ταχύτητα. Μετακινήστε το μηχανήμα προς τα εμπρός πάνω από την επιφάνεια του τεμαχίου εργασίας, κρατώντας τη βάση του μηχανήματος επίπεδα και προχωρώντας ομαλά μέχρι να ολοκληρωθεί η κοπή.

Όταν κόβετε άκρες, η επιφάνεια αντικειμένου εργασίας πρέπει να είναι στην αριστερή πλευρά της αιχμής στη διεύθυνση τροφοδοσίας. **(Εικ. 4)**

ΠΑΡΑΤΗΡΗΣΗ:

- Κινώντας το μηχανήμα προς τα εμπρός πολύ γρήγορα μπορεί να προκαλέσει μια κακή ποιότητα κοπής, ή ζημιά στην αιχμή ή στο μοτέρ. Κινώντας το μηχανήμα προς τα εμπρός πολύ αργά μπορεί να κάψει και να παραμορφώσει το κόψιμο. Ο σωστός ρυθμός τροφοδοσίας εξαρτάται από το μέγεθος της αιχμής, το είδος του αντικειμένου εργασίας και το βάθος της κοπής. Πριν αρχίσετε τη κοπή στο πραγματικό αντικείμενο εργασίας, είναι καλό να κάνετε μια δοκιμαστική κοπή σε ένα κομμάτι άχρηστου ξύλου. Αυτό θα σας δείξει ακριβώς πως θα φαίνεται το κόψιμο και επίσης θα σας επιτρέψει να ελέγξετε τις διαστάσεις.
- Όταν χρησιμοποιείτε το πέλαμα ξακριστή, τον ίδιο οδηγό ή τον οδηγό ξακριστή, βεβαιωθείτε ότι το κρατάτε στην δεξιά πλευρά στη διεύθυνση τροφοδοσίας. Αυτό θα βοηθήσει να το κρατήσετε ευθυγραμμισμένο με τη πλευρά του αντικειμένου εργασίας. **(Εικ. 5)**

ΠΡΟΣΟΧΗ:

Επειδή υπερβολικό κόψιμο μπορεί να προκαλέσει υπερφόρτωση του μοτέρ ή δυσκολία στον έλεγχο του μηχανήματος, το βάθος κοπής δεν πρέπει να είναι περισσότερο από 3 χιλ σε κάθε πέρασμα όταν κάνετε αυλακώσεις. Όταν επιθυμείτε να κάνετε αυλακώσεις βαθύτερες από 3 χιλ, κάνετε αρκετά πέρασματα με προοδευτικά βαθύτερες ρυθμίσεις αιχμής.

Οδηγός ιχναρίου

Ο οδηγός ιχναρίου αφήνει ένα μανίκι μέσω του οποίου περνάει η αιχμή, επιτρέποντας χρήση του ξακριστή με σχέδια του ιχναρίου. **(Εικ. 6)**

Χαλαρώστε τις βίδες και αφαιρέστε το προστατευτικό της βάσης. Τοποθετήστε τον οδηγό ιχναρίου στη βάση και αντικαταστήστε το προστατευτικό βάσης. Μετά στερεώστε το προστατευτικό βάσης σφίγγοντας τις βίδες. **(Εικ. 7)**

Στερεώστε το ιχνάριο στο αντικείμενο εργασίας. Τοποθετήστε το μηχανήμα στο ιχνάριο και κινείστε το μηχανήμα με τον οδηγό ιχναρίου να ολισθαίνει κατά μήκος της πλευράς του ιχναρίου. **(Εικ. 8)**

ΠΑΡΑΤΗΡΗΣΗ:

- Το αντικείμενο εργασίας θα κοπεί σε ελαφρά διαφορετικό μέγεθος από το ιχνάριο. Αφήστε περιθώριο για την απόσταση (X) μεταξύ της αιχμής σκαπτήρα και του εξωτερικού του οδηγού ιχναρίου. Η απόσταση (X) μπορεί να υπολογιστεί χρησιμοποιώντας την ακόλουθη εξίσωση:

Απόσταση (X) = (εξωτερική διάμετρος του οδηγού ιχναρίου – διάμετρος αιχμής σκαπτήρα) / 2

Ισίος οδηγός (προαιρετικά εξαρτήματα)

Ο ίσιος οδηγός χρησιμοποιείται αποτελεσματικά για ίσιες κοπές στις λοξοτμήσεις και αυλακώσεις. **(Εικ. 9)** Προσαρμόστε τη πλάκα οδηγού στον ίσιο οδηγό με το μπουλόνι, τη κυματοειδή ροδέλα, το επίπεδο μπουλόνι και το φτερωτό παξιμάδι. **(Εικ. 10)**

Προσαρμόστε τον ίσιο οδηγό με την βίδα σύσφιξης (A).

Χαλαρώστε το πτερωτό παξιμάδι στον ίσιο οδηγό και ρυθμίστε την απόσταση μεταξύ της αιχμής και του ίσιου οδηγού. Στην επιθυμητή απόσταση, σφίξτε το πτερωτό παξιμάδι με ασφάλεια. **(Εικ. 11)**

Όταν κόβετε κινείτε το μηχανήμα με τον ίσιο οδηγό ευθυγραμμισμένο με τη πλευρά του αντικειμένου εργασίας.

Εάν η απόσταση (A) μεταξύ της πλευράς του αντικειμένου εργασίας και της θέσης κοπής είναι πολύ πλατιά για τον ίσιο οδηγό, ή εάν η πλευρά του αντικειμένου εργασίας δεν είναι ίσια, ο ίσιος οδηγός δε μπορεί να χρησιμοποιηθεί. Στη περίπτωση αυτή, στερεώστε καλά μία ίσια σανίδα στο αντικείμενο εργασίας και χρησιμοποιήστε τη ως οδηγό έναντι της βάσης του ξακριστή. Τροφοδοτείστε το μηχανήμα κατά τη διεύθυνση του βέλους. **(Εικ. 12)**

Κυκλική εργασία

Κυκλική εργασία μπορεί να επιτευχθεί εάν συνδυάσετε τον ίσιο οδηγό και οδηγό πλάκας όπως φαίνεται στην **Εικ. 13 ή 14**.

Ελαχ. και μεγ. ακτίνες κύκλων για κόψιμο (απόσταση μεταξύ του κέντρου του κύκλου και του κέντρου της αιχμής) είναι ως ακολούθως:

Ελαχ.: 70 χιλ

Μεγ.: 221 χιλ

Εικ. 13 για κόψιμο κύκλων μεταξύ 70 χιλ και 121 χιλ σε ακτίνα.

Εικ. 14 για κόψιμο κύκλων μεταξύ 121 χιλ και 221 χιλ σε ακτίνα.

ΠΑΡΑΤΗΡΗΣΗ:

- Κύκλοι μεταξύ 172 χιλ και 186 χιλ σε ακτίνα δεν μπορούν να κοπούν με χρήση αυτού του οδηγού.

Ευθυγραμμίστε τη τρύπα κέντρου στον ίδιο οδηγό με το κέντρο του κύκλου που πρόκειται να κοπεί. Βάλτε ένα καρφί μικρότερο από 6 χιλ σε διάμετρο στη τρύπα κέντρου για να στερεώσει τον ίδιο οδηγό. Περιστρέψτε το μηχάνημα γύρω από το καρφί δεξιόστροφα. **(Εικ. 15)**

Οδηγός Ξακριστή

Ξάκρισμα, καμπυλωτών κοψιμάτων σε καπλαμάδες επίπλων και παρόμοια υλικά μπορεί να γίνει εύκολα με τον οδηγό Ξακρισματος. Ο κύλινδρος του οδηγού εφάπτεται στη καμπύλη και εξασφαλίζει ένα ωραίο κόψιμο. **(Εικ. 16)**

Τοποθετήστε τον οδηγό Ξακρισματος στη βάση της μηχανής με τη βίδα σύσφιξης (Α). Χαλαρώστε τη βίδα σύσφιξης (Β) και ρυθμίστε την απόσταση μεταξύ της αιχμής και του οδηγού Ξακριστή στρέφοντας την βίδα ρύθμισης (1 χιλ ανά στροφή). Στην επιθυμητή απόσταση, σφίχτε τη βίδα σύσφιξης (Β) για να στερεώσετε τον οδηγό Ξακριστή στη θέση του. **(Εικ. 17)**

Όταν κόβετε, κινείτε το μηχάνημα με τον κύλινδρο οδηγού να εφάπτεται στη πλευρά του αντικειμένου εργασίας. **(Εικ. 18)**

ΣΥΝΤΗΡΗΣΗ

ΠΡΟΣΟΧΗ:

- Πάντοτε βεβαιώνετε ότι το εργαλείο είναι σβηστό και αποσυνδεδεμένο από το ρεύμα πριν επιχειρήσετε να εκτελέσετε επιθεώρηση ή συντήρηση.
- Μην χρησιμοποιείτε ποτέ βενζίνη, πετρελαϊκό αιθέρα, διαλυτικό, αλκοόλη ή παρόμοιες ουσίες. Ενδέχεται να προκληθεί αποχρωματισμός παραμόρφωση ή ρωγμές.

Αντικατάσταση καρβουνάκια

Αφαιρείτε και ελέγχετε τις ψήκτρες άνθρακος τακτικά. Αντικαταστήστε όταν φθαρούν μέχρι το σημάδι ορίου. Κρατάτε τις ψήκτρες καθαρές και ελεύθερες να γλιστρούν στις θήκες. Και οι δύο ψήκτρες άνθρακα πρέπει να αντικαθίστανται ταυτόχρονα. Χρησιμοποιείτε μόνο ταυτόσημες ψήκτρες. **(Εικ. 19)** Χρησιμοποιείτε ένα κατσαβίδι για να αφαιρείτε τα καπακία της θήκης ψήκτρας. Αφαιρέστε τις φθαρμένες ψήκτρες, βάλτε τις καινούργιες και ασφαλίστε τα καπάκια της θήκης ψήκτρας. **(Εικ. 20)**

Για την διατήρηση της ΑΣΦΑΛΕΙΑΣ και ΑΞΙΟΠΙΣΤΙΑΣ του προϊόντος, επισκευές, οποιαδήποτε άλλη συντήρηση ή ρύθμιση πρέπει να εκτελούνται από τα Εξουσιοδοτημένα Κέντρα Εξυπηρέτησης της Makita, με χρήση πάντοτε ανταλλακτικών Makita.

ΠΡΟΑΙΡΕΤΙΚΑ ΕΞΑΡΤΗΜΑΤΑ

ΠΡΟΣΟΧΗ:

- Αυτά τα εξαρτήματα ή προσαρτήματα συνιστώνται για χρήση με το εργαλείο Makita που περιγράφηκε στις οδηγίες αυτές. Η χρήση οτιδήποτε άλλων εξαρτημάτων ή προσαρτημάτων μπορεί να προκαλέσει κίνδυνο τραυματισμού σε άτομα. Χρησιμοποιείτε τα εξαρτήματα ή προσαρτήματα μόνο για την χρήση που προορίζονται.

Εάν χρειάζεστε οποιαδήποτε βοήθεια για περισσότερες πληροφορίες σε σχέση με αυτά τα εξαρτήματα, αποτανθείτε στο τοπικό σας κέντρο εξυπηρέτησης Makita.

- Ίσιες αιχμές & αιχμές αυλακώσεων
- Αιχμές διαμόρφωσης άκρων
- Αιχμές Ξακρισματος καπλαμάδων
- Μηχανισμός ίσιου οδηγού
- Μηχανισμός οδηγού Ξακριστή
- Μηχανισμός βάσης Ξακριστή (Για φάσο με ίσια αιχμή)
- Πέλμα Ξακριστή
- Οδηγός ιχναρίου
- Κώνος υποδοχής 6 χιλ.
- Κώνος υποδοχής 6,35 χιλ. (1/4")
- Κλειδί 10
- Κλειδί 17

ΠΑΡΑΤΗΡΗΣΗ:

- Μερικά στοιχεία στη λίστα μπορεί να συμπεριλαμβάνονται στη συσκευασία εργαλείου ως στάνταρ εξαρτήματα. Μπορεί να διαφέρουν ανάλογα με τη χώρα.

ENG905-1

Θόρυβος

Το τυπικό Α επίπεδο μετρημένου θορύβου καθορίζεται σύμφωνα με το EN60745:

Μοντέλο 3707, 3707F

Στάθμη πίεσης ήχου (L_{pA}): 80 dB (A)

Αβεβαιότητα (K): 3 dB (A)

Η ένταση ήχου υπο συνθήκες εργασίας μπορεί να υπερβεί τα 80 dB (A).

Μοντέλο 3707FC

Στάθμη πίεσης ήχου (L_{pA}): 76 dB (A)

Αβεβαιότητα (K): 3 dB (A)

Η ένταση ήχου υπο συνθήκες εργασίας μπορεί να υπερβεί τα 80 dB (A).

Φοράτε ωτοασπίδες

Κραδασμός

Η ολική τιμή δόνησης (άθροισμα τρι-αξονικού διανύσματος) καθορίζεται σύμφωνα με το EN60745:

Είδος εργασίας: περιστροφή χωρίς φορτίο
 Εκπομπή δόνησης (a_h): $2,5 \text{ m/s}^2$ ή λιγότερο
 Αβεβαιότητα (K): $1,5 \text{ m/s}^2$

ENG901-1

- Η δηλωμένη τιμή εκπομπής κραδασμών έχει μετρηθεί σύμφωνα με την πρότυπη μέθοδο δοκιμής και μπορεί να χρησιμοποιηθεί για τη σύγκριση ενός εργαλείου με άλλο.
- Η δηλωμένη τιμή εκπομπής κραδασμών μπορεί να χρησιμοποιηθεί και στην προκαταρκτική αξιολόγηση έκθεσης.

ΠΡΟΕΙΔΟΠΟΙΗΣΗ:

- Η εκπομπή κραδασμών κατά τη χρήση του ηλεκτρικού εργαλείου σε πραγματικές συνθήκες μπορεί να διαφέρει από τη δηλωμένη τιμή εκπομπής ανάλογα με τον τρόπο χρήσης του εργαλείου.
- Φροντίστε να λάβετε τα κατάλληλα μέτρα προστασίας του χειριστή βάσει υπολογισμού της έκθεσης σε πραγματικές συνθήκες χρήσης (λαμβάνοντας υπόψη όλες τις συνιστώσες του κύκλου λειτουργίας όπως τους χρόνους που το εργαλείο είναι εκτός λειτουργίας και όταν βρίσκεται σε αδρανή λειτουργία πέραν του χρόνου ενεργοποίησης).

Μόνο για χώρες της Ευρώπης**Δήλωση Συμμόρφωσης ΕΚ**

Η Makita Corporation, ως ο υπεύθυνος κατασκευαστής, δηλώνει ότι το/τα ακόλουθο(α) μηχάνημα(τα) της Makita:

Χαρακτηρισμός μηχανήματος:

Ξακριστή

Αρ. μοντέλου/ Τύπος: 3707, 3707F, 3707FC

είναι εν σειρά παραγωγή και

συμμορφώνονται με τις ακόλουθες Ευρωπαϊκές Οδηγίες:

2006/42/EK

και κατασκευάζονται σύμφωνα με τα ακόλουθα πρότυπα ή έγγραφα τυποποίησης:

EN60745

Η τεχνική τεκμηρίωση φυλάσσεται από τον εξουσιοδοτημένο εκπρόσωπό μας στην Ευρώπη, δηλαδή τη:

Makita International Europe Ltd.

Michigan Drive, Tongwell,

Milton Keynes, Bucks MK15 8JD, England (Αγγλία)

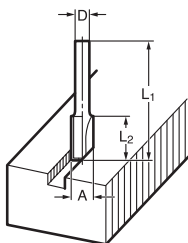
30. 1. 2009



Tomoyasu Kato
 Διευθυντής

Makita Corporation
 3-11-8, Sumiyoshi-cho,
 Anjo, Aichi, 446-8502, JAPAN

Trimmer bits/Fraises d'affleurage/Schneidfräser/Fresa rifilatori/Diverse bits voor de frees/Fresas de rebordeadoras/Fresas para recortes/Fræseværktøj/Fræsverktøj/Trimmerbits/Tasausterät/Αιχμές ξακρίματος

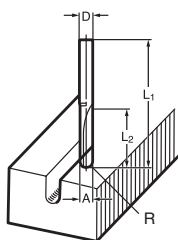


005116

Straight bit Fraise pour coupe rectiligne Nutfräser Fresa diritta
 Rechte frezen Fresa recta Fresa direita Notfræser
 Notfräs Rett bitt Suora terä (Tasoterä) Ισιο κοπτικό

mm					
	D	A	L ₁	L ₂	
20	6	20	50	15	
20E	1/4"				
8	6	8	50	18	
8E	1/4"				
6	6	6	50	18	
6E	1/4"				

006485

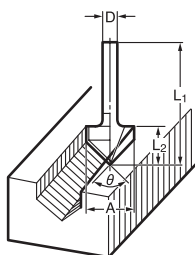


005117

"U" Grooving bit Fraise à rainurer en "U" U-Nutfräser Fresa a incastro a "U"
 U-groef frezen Fresa ranuradora en "U" Fresa em forma de "U" U-notfræser
 Hålkårfräs "U"-rille bitt "U"-uritusterä Κοπτικό για αυλάκιωμα "U"

mm					
	D	A	L ₁	L ₂	R
6	6	6	60	28	3
6E	1/4"				

006486

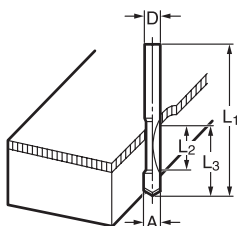


005118

"V" Grooving bit Fraise à rainurer en "V" V-Nutfräser Fresa a incastro a "V"
 V-groef frezen Fresa ranuradora en "V" Fresa em forma de "V" V-notfræser
 Fasfräs "V"-rille bitt "V"-uritusterä Κοπτικό για αυλάκιωμα "V"

mm					
	D	A	L ₁	L ₂	θ
1/4"	20	20	50	15	90°

006454

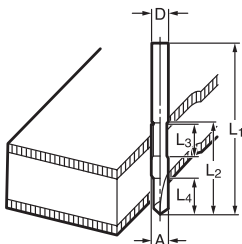


005120

Drill point flush trimming bit Fraise à affleurer Bündigfräser Fresa a refilo a punta
 Combinatie frezen (enkel) Fresa simple para pannels Fresa com ponta piloto para recorte Borepunkt kantfræser
 Kantfräs Borepunkt kanttrimmerbitt Porankärki-viimeistelyterä Κοπτικό ξακρίματος με κεφαλή τρυπανιού

mm					
	D	A	L ₁	L ₂	L ₃
6	6	6	60	18	28
6E	1/4"				

006487



005121

Drill point double flush trimming bit

Fraise à affleurer combinaison double

Doppelbündigfräser

Fresa a doppio refilo a punta

Combinatie frezen (dubbel)

Fresa doble para paneles

Fresa com ponta piloto dupla para recorte

Borepunkt dobbelt kantfræser

Dubbel kantfräs

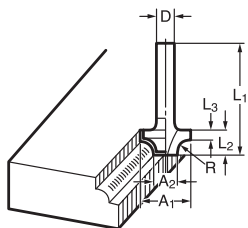
Borepunkt dobbel kanttrimmerbitt

Porankärki-kaksoisviimeistelyterä

Κοπτικό διπλού ξακρίσματος με κεφαλή τρυπανιού

mm							
	D	A	L ₁	L ₂	L ₃	L ₄	
6	6	6	70	40	12	14	
6E	1/4"						

006488



005125

Corner rounding bit

Fraise à arrondir

Rundkantenfräser

Fresa a raggio

Frezen voor ronde hoeken

Fresa para redondeado de cantos

Fresa para arestas arredondadas

Radiusfræser

Profilfräs

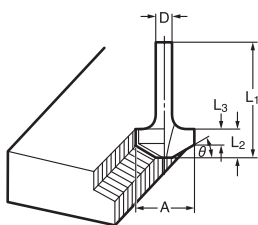
Bitt til abrunding av hjørne

Reunanpyöritysterä

Κοπτικό για στρογγυλές γωνιές

mm							
	D	A ₁	A ₂	L ₁	L ₂	L ₃	R
8R	6	25	9	48	13	5	8
8RE	1/4"						
4R	6	20	8	45	10	4	4
4RE	1/4"						

006489



005126

Chamfering bit

Fraise à chanfrein

Winklkantenfräser

Fresa per refilo a smusso

Profil frezen

Fresa biseladora

Fresa para chanfrar

Fasefræser

Profilfräs

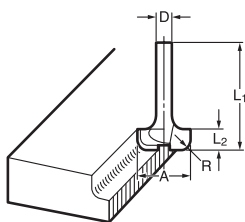
Skråfasingsbitt

Viisteytysterä

Κοπτικό για φάσο

mm						
D	A	L ₁	L ₂	L ₃	θ	
6	23	46	11	6	30°	
6	20	50	13	5	45°	
6	20	49	14	2	60°	

006462



005129

Cove beading bit

Fraise à profiler concave

Rundkantenfräser

Fresa a raggio concavo

Holle kraal frezen

Fresa para moldurar

Fresa para rebordo côncavo

Rundkantsfræser

Profilfräs

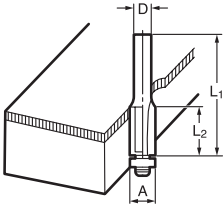
Profilbitt

Reunakaariterä

Κοπτικό κοιλωμάτων

mm					
D	A	L ₁	L ₂	R	
6	20	43	8	4	
6	25	48	13	8	

006464



005130

Ball bearing flush trim-ring bit

Fraise à affleurer avec roulement

Bündigfräser mit Anlaufkugellager

Fresa a refilo con cuscinetto

Boorfreen met kogel-lager

Fresa simple para panales con rodamiento

Fresa para recorte com rolamento de esferas

Kantfræser med kugleleje

Kantrå med styrlager

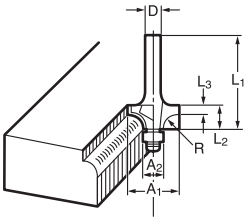
Kantrimmingbitt med kulelager

Laakeriohjattu viimeistelyterä

Κοπτικό ξακρίσματος με ρουλεμάν

D	A	L ₁	L ₂
6	10	50	20
1/4"			

006465



005131

Ball bearing corner rounding bit

Fraise à arrondir avec roulement

Rundkantenfräser mit Anlaufkugellager

Fresa a raggio con cuscinetto

Freen voor ronde hoeken met kogel-lager

Fresa para redondeado de cantos con rodamiento

Fresa para arestas arredondadas com rolamento de esferas

Radiusfræser med kugleleje til afrunding af hjørner

Profilfrås med styrlager

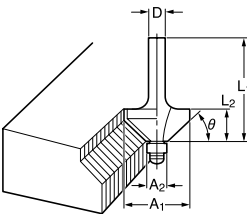
Bitt med kulelager til avrunding av hjørne

Laakeriohjattu reunanpyörästysterä

Κοπτικό για στρογγυλές γωνιές με ρουλεμάν

D	A ₁	A ₂	L ₁	L ₂	L ₃	R
6	15	8	37	7	3.5	3
6	21	8	40	10	3.5	6
1/4"	21	8	40	10	3.5	6

006466



005132

Ball bearing chamfering bit

Fraise à chanfreiner avec roulement

Winkeltantenfräser mit Anlaufkugellager

Fresa per refilo a smusso con cuscinetto

Profil frezen met kogel-lager

Fresa biseladora con rodamiento

Fresa para chanfrar com rolamento de esferas

Fasefræser med kugleleje til afrunding af hjørner

Fasfrås med styrlager

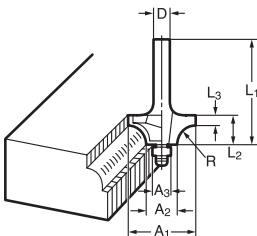
Skråfasingsbitt med kulelager

Laakeriohjattu viisteystysterä

Κοπτικό για Φάσο με ρουλεμάν

D	A ₁	A ₂	L ₁	L ₂	θ
6	26	8	42	12	45°
1/4"					60°
6	20	8	41	11	60°

006467



005133

Ball bearing beading bit

Fraise à profiler avec roulement

Rundkantenfräser mit Anlaufkugellager

Fresa a raggio convesso con cuscinetto

Kraal frezen met kogel-lager

Fresa para moldurar con rodamiento

Fresa para rebordo com rolamento de esferas

Radiusfræser med kugleleje

Profilfrås med styrlager

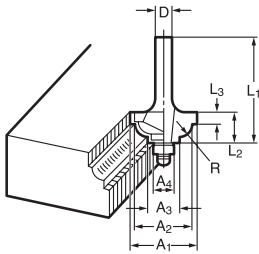
Staffbitt med kulelager

Laakeriohjattu helmilistaterä

Κοπτικό τεταρτημαρίου με ρουλεμάν

D	A ₁	A ₂	A ₃	L ₁	L ₂	L ₃	R
6	20	12	8	40	10	5.5	4
6	26	12	8	42	12	4.5	7

006468

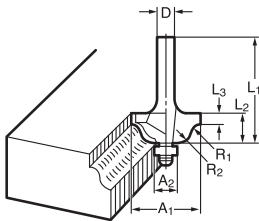


005134

Ball bearing cove beading bit	Fraise à profiler concave avec roulement	Profilfräser mit Anlaufkugellager	Fresa a raggio concavo con cuscinetto
Holle kraal frezen met kogellager	Fresa para moldurar con rodamiento (cóncavo)	Fresa para rebordo cóncavo com rolamento de esferas	Profilfræser med kugleleje
Profilfräs med styrlager	Staffbitt med kulelager	Laakeriohjattu reunakaariterä	Κοπτικό κοιλωμάτων με ρουλεμάν

mm								
D	A ₁	A ₂	A ₃	A ₄	L ₁	L ₂	L ₃	R
6	20	18	12	8	40	10	5.5	3
6	26	22	12	8	42	12	5	5

006469



005135

Ball bearing roman ogee bit	Fraise à profiler pour doucine avec roulement	Profilfräser mit Anlaufkugellager	Fresa a gola romana con cuscinetto
Romeinse kraal frezen met kogellager	Fresa para moldurar con rodamiento (convexo)	Fresa com gola romana com rolamento de esferas	Profilfræser med kugleleje
Profilfräs med styrlager	Karnissbitt med kulelager	Laakeriohjattu pyörökaari-karnissiterä	Κοπτικό ρωμαϊκού "ogee" (προφίλ Β) με ρουλεμάν

mm								
D	A ₁	A ₂	L ₁	L ₂	L ₃	R ₁	R ₂	
6	20	8	40	10	4.5	2.5	4.5	
6	26	8	42	12	4.5	3	6	

006470

Makita Corporation
Anjo, Aichi, Japan

884437F994

www.makita.com

IDE