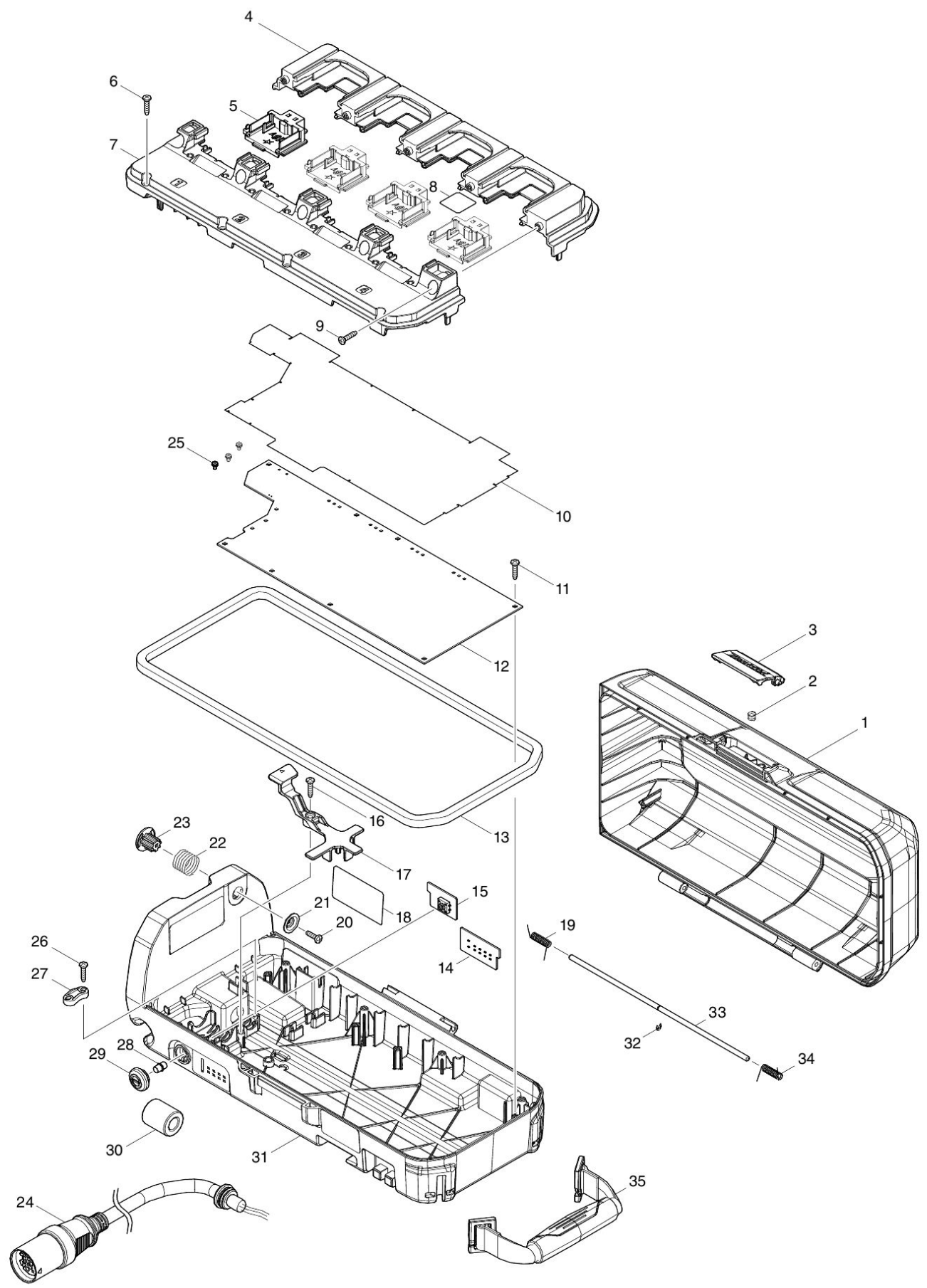


Partdrawing for PDC01X1 - PDC01



2019/06
PDC01