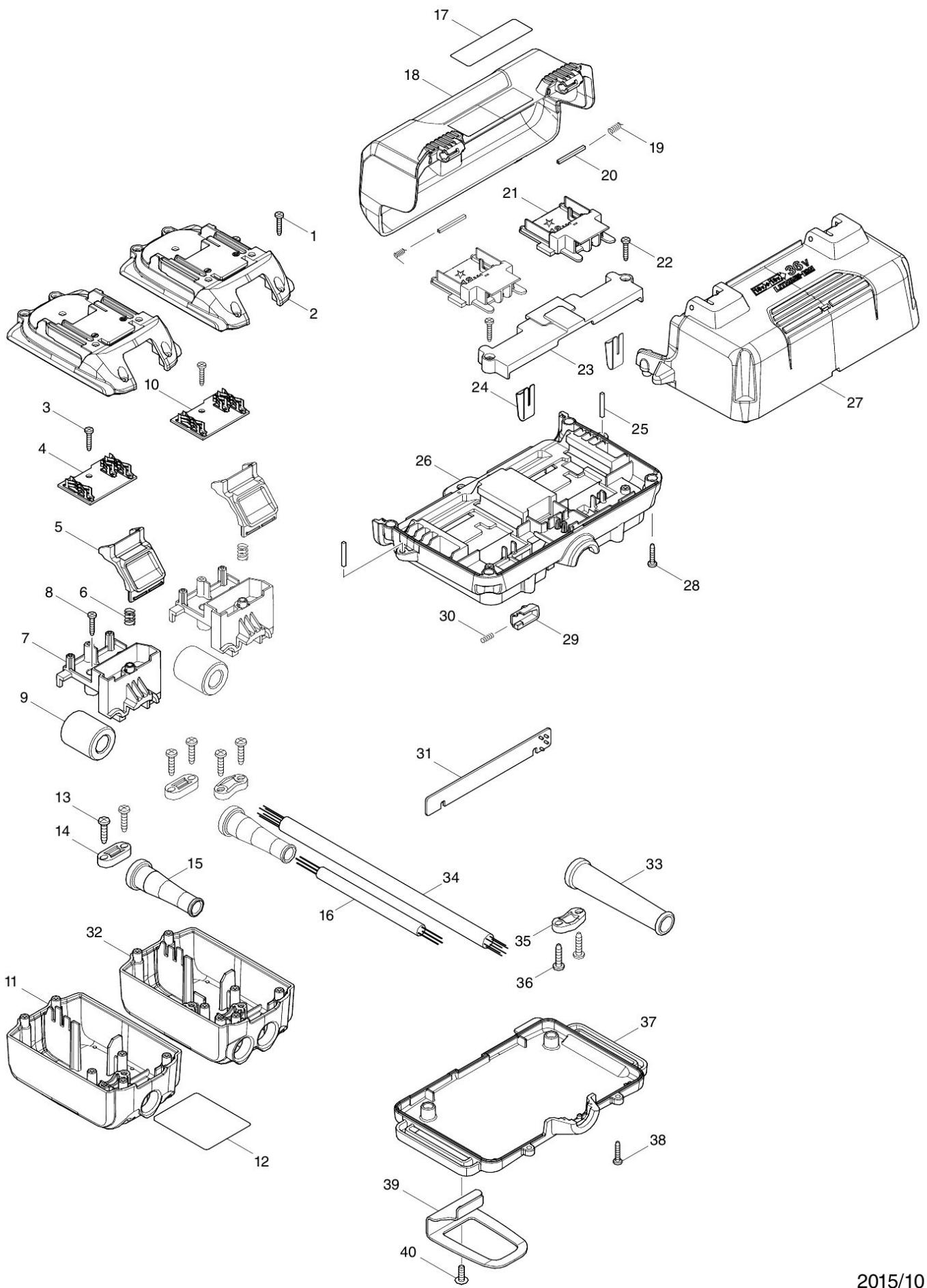


# Partdrawing for 197580-6 - Draagadapter BAP182



2015/10  
BAP182