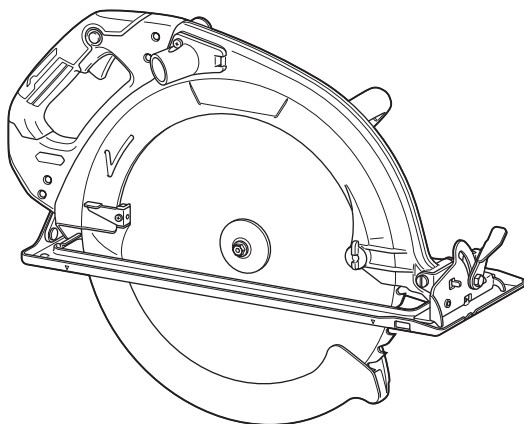




EN	Cordless Circular Saw	INSTRUCTION MANUAL	8
FR	Scie Circulaire sans Fil	MANUEL D'INSTRUCTIONS	21
DE	Akku-Handkreissäge	BETRIEBSANLEITUNG	35
IT	Sega circolare a batteria	ISTRUZIONI PER L'USO	49
NL	Accucirkelzaag	GEBRUIKSAANWIJZING	64
ES	Sierra Circular Inalámbrica	MANUAL DE INSTRUCCIONES	78
PT	Serra Circular a Bateria	MANUAL DE INSTRUÇÕES	92
EL	Φορητό δισκοπρίοο	ΕΓΧΕΙΡΙΔΙΟ ΟΔΗΓΙΩΝ	105
TR	Akülü Sunta Kesme	KULLANMA KILAVUZU	120

HS013G



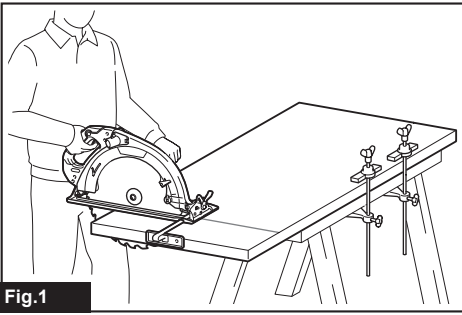


Fig.1

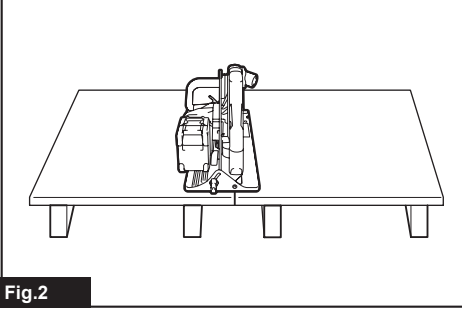
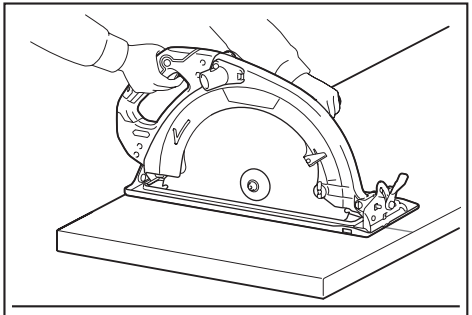


Fig.2

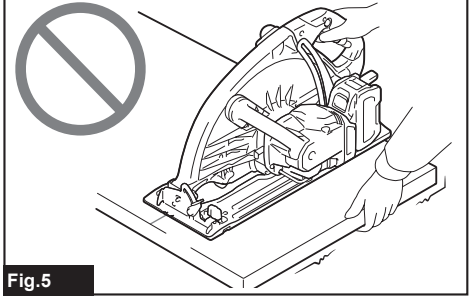


Fig.5

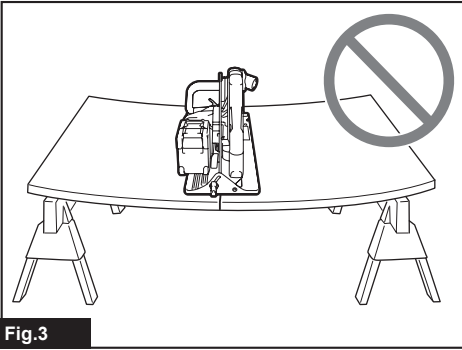


Fig.3

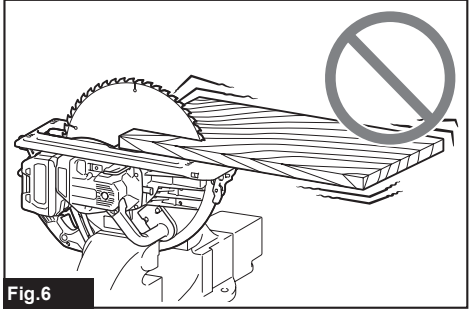


Fig.6

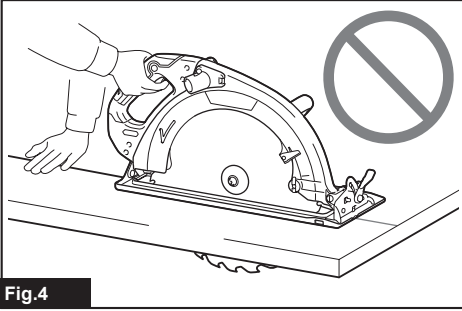


Fig.4

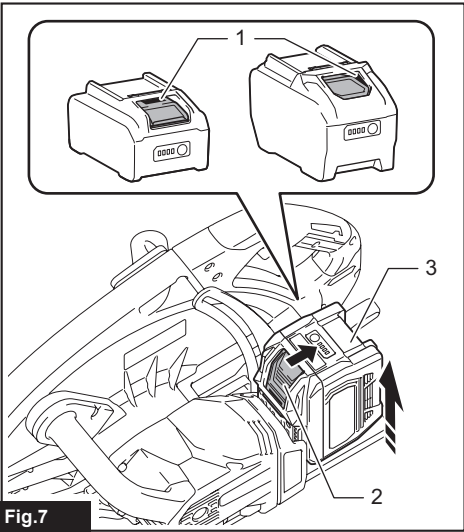


Fig.7

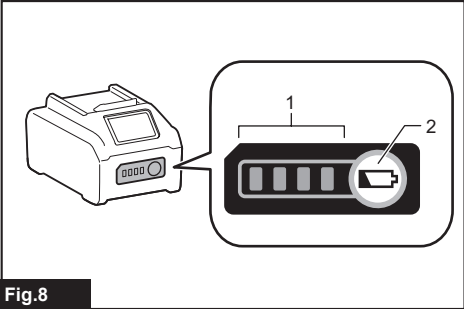


Fig.8

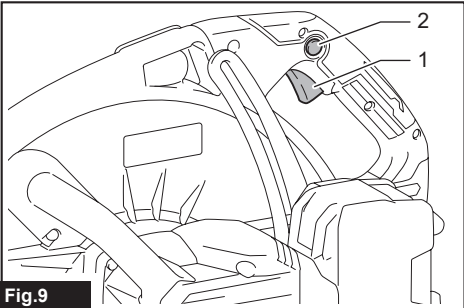


Fig.9

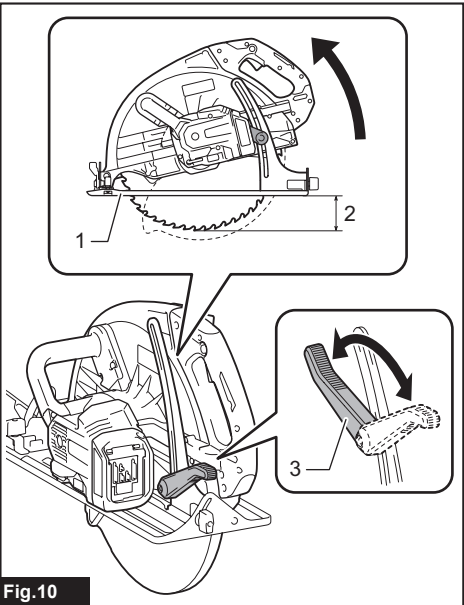


Fig.10

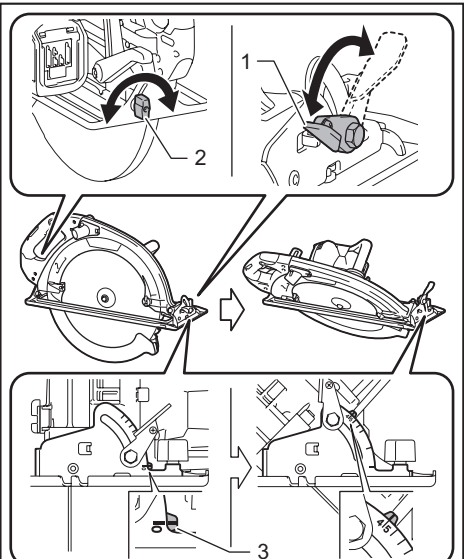


Fig.11

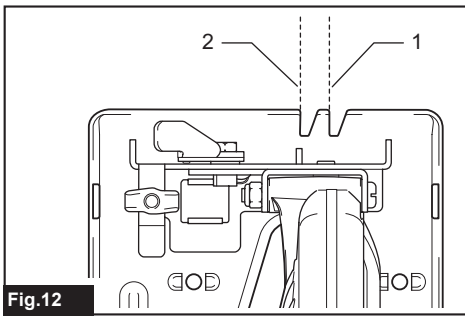


Fig.12

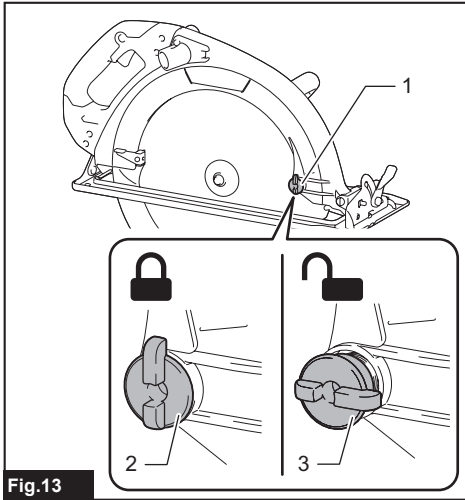


Fig.13

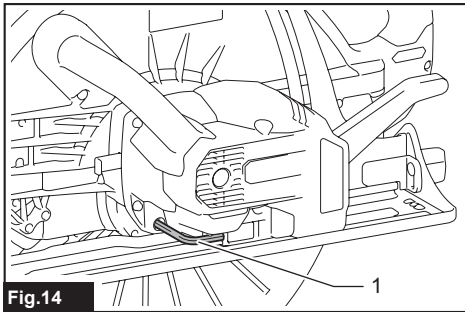


Fig.14

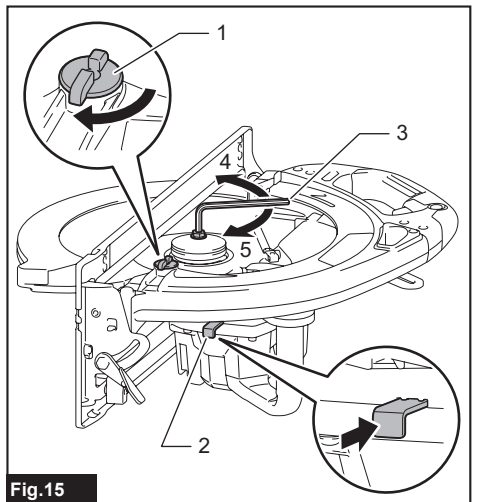


Fig.15

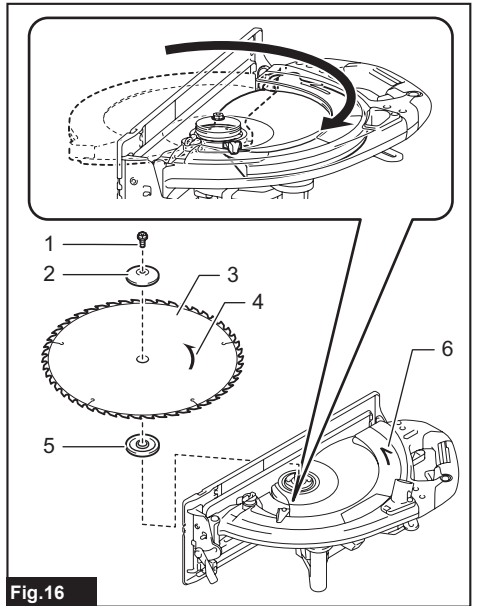


Fig.16

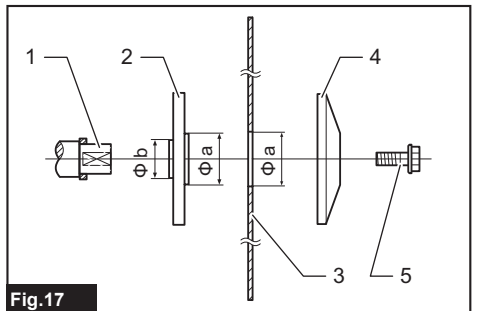


Fig.17

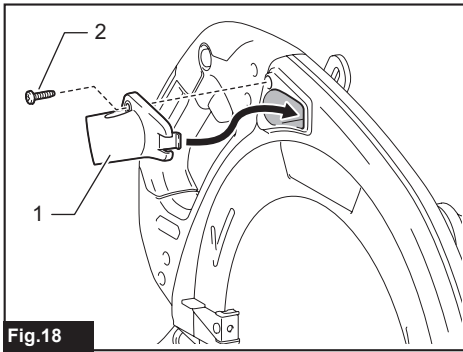


Fig. 18

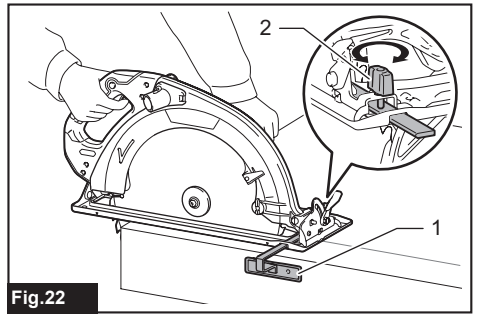


Fig. 22

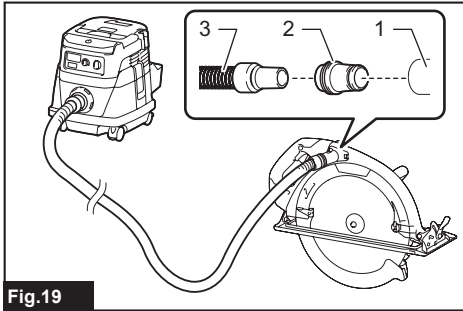


Fig. 19

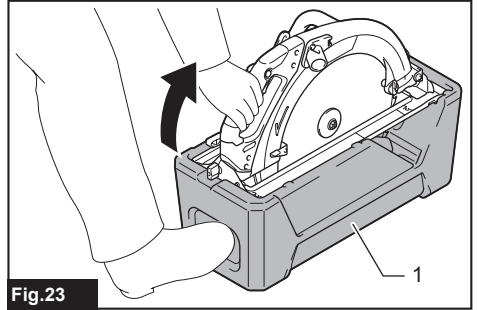


Fig. 23

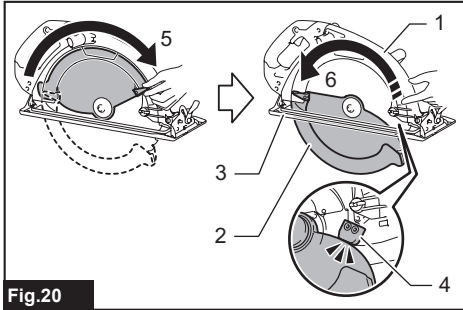


Fig. 20

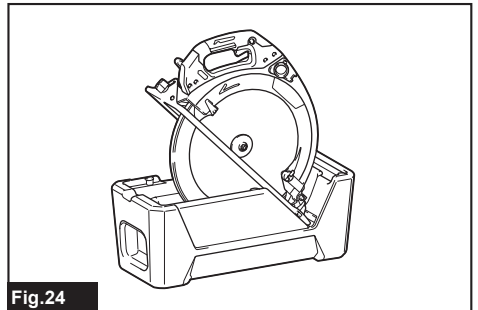


Fig. 24

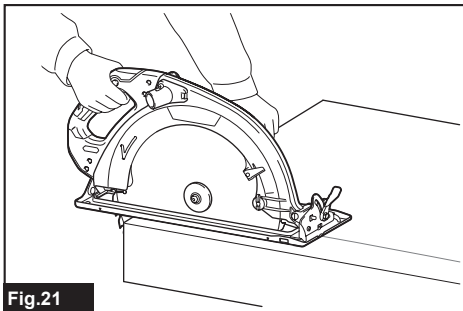


Fig. 21

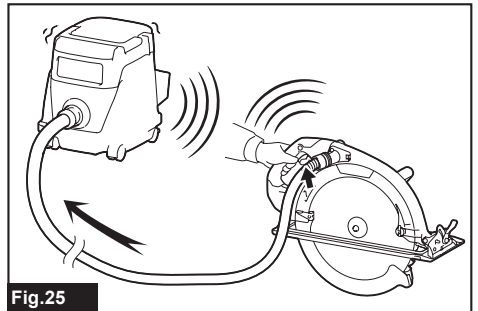
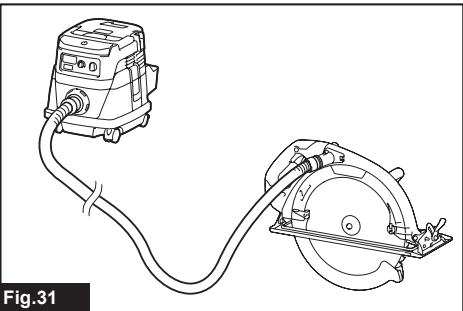
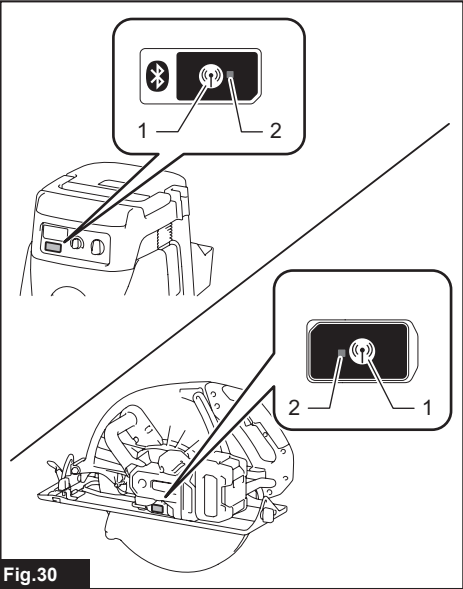
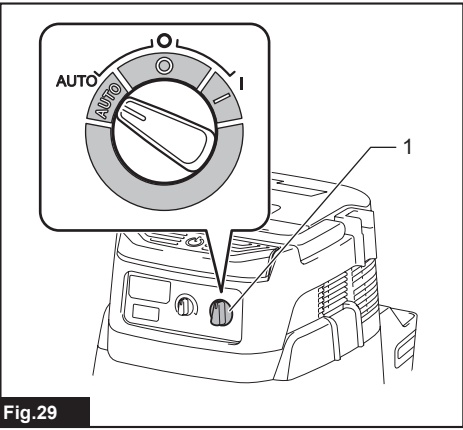
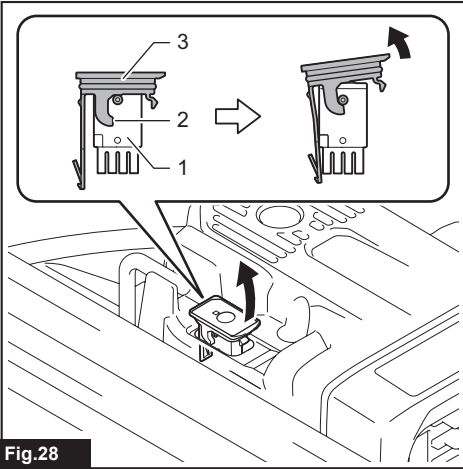
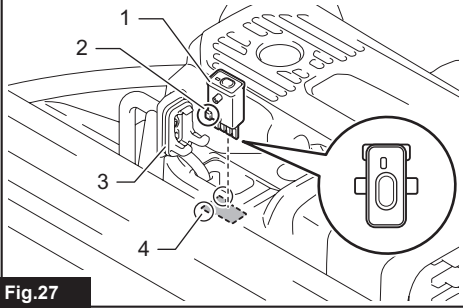
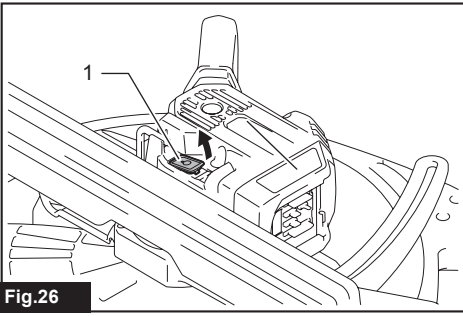


Fig. 25



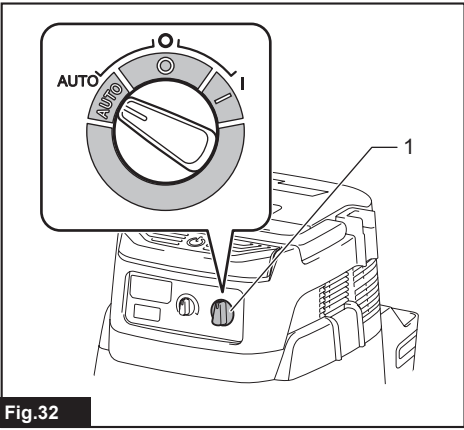


Fig.32

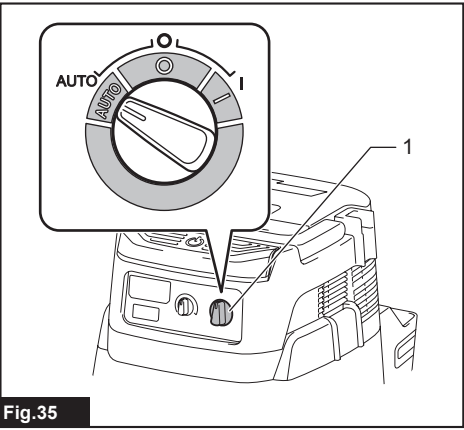


Fig.35

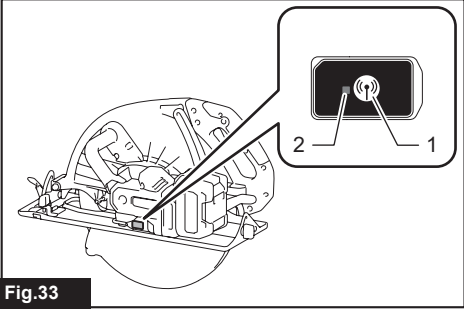


Fig.33

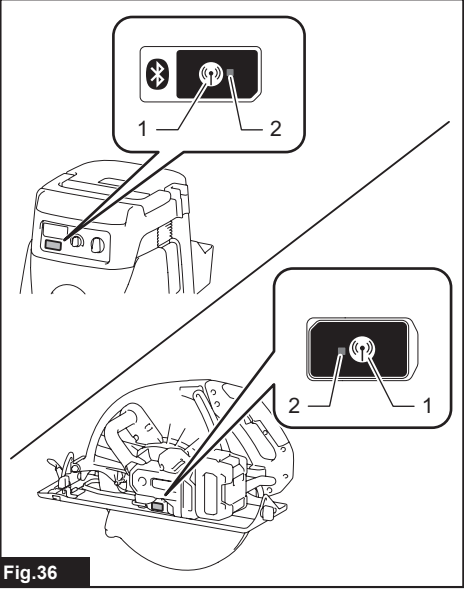


Fig.36

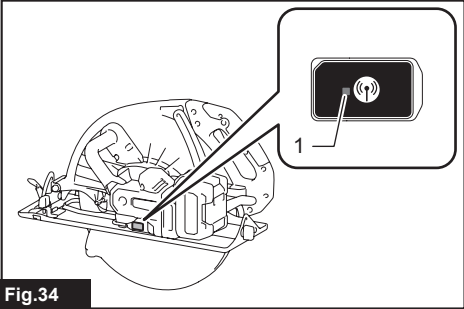


Fig.34

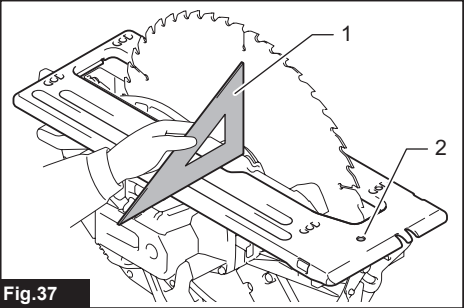


Fig.37

SPECIFICATIONS

Model:		HS013G
Blade diameter		415 mm
Max. Cutting depth	at 0°	158 mm
	at 45° bevel	106 mm
No load speed		2,100 min ⁻¹
Rated voltage		D.C. 36 V - 40 V max
Overall length		606 mm
Net weight		11.0 - 12.0 kg

- Due to our continuing program of research and development, the specifications herein are subject to change without notice.
- Specifications may differ from country to country.
- The weight may differ depending on the attachment(s), including the battery cartridge. The lightest and heaviest combinations, according to EPTA-Procedure 01/2014, are shown in the table.

Applicable battery cartridge and charger

Battery cartridge	BL4040 / BL4040F* / BL4050F* / BL4080F* * : Recommended battery
Charger	DC40RA / DC40RB / DC40RC / DC40WA

- Some of the battery cartridges and chargers listed above may not be available depending on your region of residence.

⚠WARNING: Only use the battery cartridges and chargers listed above. Use of any other battery cartridges and chargers may cause injury and/or fire.

Intended use

The tool is intended for performing lengthways and crossways straight cuts and mitre cuts with angles in wood while in firm contact with the workpiece.

Noise

The typical A-weighted noise level determined according to EN62841-2-5:

Sound pressure level (L_{pA}) : 98 dB (A)

Sound power level (L_{WA}) : 106 dB (A)

Uncertainty (K) : 3 dB (A)

NOTE: The declared noise emission value(s) has been measured in accordance with a standard test method and may be used for comparing one tool with another.

NOTE: The declared noise emission value(s) may also be used in a preliminary assessment of exposure.

⚠WARNING: Wear ear protection.

⚠WARNING: The noise emission during actual use of the power tool can differ from the declared value(s) depending on the ways in which the tool is used especially what kind of workpiece is processed.

⚠WARNING: Be sure to identify safety measures to protect the operator that are based on an estimation of exposure in the actual conditions of use (taking account of all parts of the operating cycle such as the times when the tool is switched off and when it is running idle in addition to the trigger time).

Vibration

The vibration total value (tri-axial vector sum) determined according to EN62841-2-5:

Work mode: cutting wood

Vibration emission ($a_{h,W}$) : 2.5 m/s² or less

Uncertainty (K) : 1.5 m/s²

NOTE: The declared vibration total value(s) has been measured in accordance with a standard test method and may be used for comparing one tool with another.

NOTE: The declared vibration total value(s) may also be used in a preliminary assessment of exposure.

⚠WARNING: The vibration emission during actual use of the power tool can differ from the declared value(s) depending on the ways in which the tool is used especially what kind of workpiece is processed.

⚠WARNING: Be sure to identify safety measures to protect the operator that are based on an estimation of exposure in the actual conditions of use (taking account of all parts of the operating cycle such as the times when the tool is switched off and when it is running idle in addition to the trigger time).

Declarations of Conformity

For European countries only

The Declarations of conformity are included in Annex A to this instruction manual.

SAFETY WARNINGS

General power tool safety warnings

⚠WARNING Read all safety warnings, instructions, illustrations and specifications provided with this power tool. Failure to follow all instructions listed below may result in electric shock, fire and/or serious injury.

Save all warnings and instructions for future reference.

The term "power tool" in the warnings refers to your mains-operated (corded) power tool or battery-operated (cordless) power tool.

Cordless circular saw safety warnings

Cutting procedures

- ⚠DANGER:** Keep hands away from cutting area and the blade. Keep your second hand on auxiliary handle, or motor housing. If both hands are holding the saw, they cannot be cut by the blade.
- Do not reach underneath the workpiece.** The guard cannot protect you from the blade below the workpiece.
- Adjust the cutting depth to the thickness of the workpiece.** Less than a full tooth of the blade teeth should be visible below the workpiece.
- Never hold the workpiece in your hands or across your leg while cutting. Secure the workpiece to a stable platform.** It is important to support the work properly to minimise body exposure, blade binding, or loss of control.

► Fig.1

- Hold the power tool by insulated gripping surfaces, when performing an operation where the cutting tool may contact hidden wiring.** Contact with a "live" wire will also make exposed metal parts of the power tool "live" and could give

the operator an electric shock.

- When ripping, always use a rip fence or straight edge guide.** This improves the accuracy of cut and reduces the chance of blade binding.
- Always use blades with correct size and shape (diamond versus round) of arbour holes.** Blades that do not match the mounting hardware of the saw will run off-centre, causing loss of control.
- Never use damaged or incorrect blade washers or bolt.** The blade washers and bolt were specially designed for your saw, for optimum performance and safety of operation.

Kickback causes and related warnings

- kickback is a sudden reaction to a pinched, jammed or misaligned saw blade, causing an uncontrolled saw to lift up and out of the workpiece toward the operator;
- when the blade is pinched or jammed tightly by the kerf closing down, the blade stalls and the motor reaction drives the unit rapidly back toward the operator;
- if the blade becomes twisted or misaligned in the cut, the teeth at the back edge of the blade can dig into the top surface of the wood causing the blade to climb out of the kerf and jump back toward the operator.

Kickback is the result of saw misuse and/or incorrect operating procedures or conditions and can be avoided by taking proper precautions as given below.

- Maintain a firm grip with both hands on the saw and position your arms to resist kickback forces. Position your body to either side of the blade, but not in line with the blade.** Kickback could cause the saw to jump backwards, but kickback forces can be controlled by the operator, if proper precautions are taken.
- When blade is binding, or when interrupting a cut for any reason, release the trigger and hold the saw motionless in the material until the blade comes to a complete stop. Never attempt to remove the saw from the work or pull the saw backward while the blade is in motion or kickback may occur.** Investigate and take corrective actions to eliminate the cause of blade binding.
- When restarting a saw in the workpiece, centre the saw blade in the kerf so that the saw teeth are not engaged into the material.** If a saw blade binds, it may walk up or kickback from the workpiece as the saw is restarted.
- Support large panels to minimise the risk of blade pinching and kickback.** Large panels tend to sag under their own weight. Supports must be placed under the panel on both sides, near the line of cut and near the edge of the panel.

► Fig.2

► Fig.3

- Do not use dull or damaged blades.** Unsharpened or improperly set blades produce narrow kerf causing excessive friction, blade binding and kickback.
- Blade depth and bevel adjusting locking levers must be tight and secure before making the**

cut. If blade adjustment shifts while cutting, it may cause binding and kickback.

7. **Use extra caution when sawing into existing walls or other blind areas.** The protruding blade may cut objects that can cause kickback.
8. **ALWAYS hold the tool firmly with both hands. NEVER place your hand, leg or any part of your body under the tool base or behind the saw, especially when making cross-cuts.** If kickback occurs, the saw could easily jump backwards over your hand, leading to serious personal injury.

► Fig.4

9. **Never force the saw. Push the saw forward at a speed so that the blade cuts without slowing.** Forcing the saw can cause uneven cuts, loss of accuracy, and possible kickback.

Lower guard function

1. **Check the lower guard for proper closing before each use. Do not operate the saw if the lower guard does not move freely and close instantly. Never clamp or tie the lower guard into the open position.** If the saw is accidentally dropped, the lower guard may be bent. Raise the lower guard with the retracting handle and make sure it moves freely and does not touch the blade or any other part, in all angles and depths of cut.
2. **Check the operation of the lower guard spring. If the guard and the spring are not operating properly, they must be serviced before use.** Lower guard may operate sluggishly due to damaged parts, gummy deposits, or a build-up of debris.
3. **The lower guard may be retracted manually only for special cuts such as "plunge cuts" and "compound cuts". Raise the lower guard by the retracting handle and as soon as the blade enters the material, the lower guard must be released.** For all other sawing, the lower guard should operate automatically.
4. **Always observe that the lower guard is covering the blade before placing the saw down on bench or floor.** An unprotected, coasting blade will cause the saw to walk backwards, cutting whatever is in its path. Be aware of the time it takes for the blade to stop after switch is released.
5. **To check lower guard, open lower guard by hand, then release and watch guard closure. Also check to see that retracting handle does not touch tool housing.** Leaving blade exposed is VERY DANGEROUS and can lead to serious personal injury.

Additional safety warnings

1. **Use extra caution when cutting damp wood, pressure treated lumber, or wood containing knots.** Maintain smooth advancement of tool without decrease in blade speed to avoid overheating the blade tips.
2. **Do not attempt to remove cut material when blade is moving. Wait until blade stops before grasping cut material.** Blades coast after turn off.
3. **Avoid cutting nails. Inspect for and remove all nails from lumber before cutting.**
4. **Place the wider portion of the saw base on that part of the workpiece which is solidly**

supported, not on the section that will fall off when the cut is made. If the workpiece is short or small, clamp it down. DO NOT TRY TO HOLD SHORT PIECES BY HAND!

► Fig.5

5. **Before setting the tool down after completing a cut, be sure that the guard has closed and the blade has come to a complete stop.**
6. **Never attempt to saw with the circular saw held upside down in a vise. This is extremely dangerous and can lead to serious accidents.**

► Fig.6

7. **Some material contains chemicals which may be toxic. Take caution to prevent dust inhalation and skin contact. Follow material supplier safety data.**
8. **Do not stop the blades by lateral pressure on the saw blade.**
9. **Do not use any abrasive wheels.**
10. **Only use the saw blade with the diameter that is marked on the tool or specified in the manual.** Use of an incorrectly sized blade may affect the proper guarding of the blade or guard operation which could result in serious personal injury.
11. **Keep blade sharp and clean.** Gum and wood pitch hardened on blades slows saw and increases potential for kickback. Keep blade clean by first removing it from tool, then cleaning it with gum and pitch remover, hot water or kerosene. Never use gasoline.
12. **Wear a dust mask and hearing protection when use the tool.**
13. **Always use the saw blade intended for cutting the material that you are going to cut.**
14. **Only use the saw blades that are marked with a speed equal or higher than the speed marked on the tool.**
15. **(For European countries only) Always use the blade which conforms to EN847-1, if intended for wood and analogous materials.**
16. **Place the tool and the parts on a flat and stable surface.** Otherwise the tool or the parts may fall and cause an injury.

SAVE THESE INSTRUCTIONS.

⚠WARNING: DO NOT let comfort or familiarity with product (gained from repeated use) replace strict adherence to safety rules for the subject product. MISUSE or failure to follow the safety rules stated in this instruction manual may cause serious personal injury.

Important safety instructions for battery cartridge

1. **Before using battery cartridge, read all instructions and cautionary markings on (1) battery charger, (2) battery, and (3) product using battery.**
2. **Do not disassemble or tamper with the battery cartridge.** It may result in a fire, excessive heat, or explosion.

3. **If operating time has become excessively shorter, stop operating immediately.** It may result in a risk of overheating, possible burns and even an explosion.
4. **If electrolyte gets into your eyes, rinse them out with clear water and seek medical attention right away.** It may result in loss of your eyesight.
5. **Do not short the battery cartridge:**
 - (1) **Do not touch the terminals with any conductive material.**
 - (2) **Avoid storing battery cartridge in a container with other metal objects such as nails, coins, etc.**
 - (3) **Do not expose battery cartridge to water or rain.**

A battery short can cause a large current flow, overheating, possible burns and even a breakdown.

6. **Do not store and use the tool and battery cartridge in locations where the temperature may reach or exceed 50 °C (122 °F).**
7. **Do not incinerate the battery cartridge even if it is severely damaged or is completely worn out.** The battery cartridge can explode in a fire.
8. **Do not nail, cut, crush, throw, drop the battery cartridge, or hit against a hard object to the battery cartridge.** Such conduct may result in a fire, excessive heat, or explosion.
9. **Do not use a damaged battery.**
10. **The contained lithium-ion batteries are subject to the Dangerous Goods Legislation requirements.**

For commercial transports e.g. by third parties, forwarding agents, special requirement on packaging and labeling must be observed.

For preparation of the item being shipped, consulting an expert for hazardous material is required. Please also observe possibly more detailed national regulations.

Tape or mask off open contacts and pack up the battery in such a manner that it cannot move around in the packaging.

11. **When disposing the battery cartridge, remove it from the tool and dispose of it in a safe place. Follow your local regulations relating to disposal of battery.**
12. **Use the batteries only with the products specified by Makita.** Installing the batteries to non-compliant products may result in a fire, excessive heat, explosion, or leak of electrolyte.
13. **If the tool is not used for a long period of time, the battery must be removed from the tool.**
14. **During and after use, the battery cartridge may take on heat which can cause burns or low temperature burns. Pay attention to the handling of hot battery cartridges.**
15. **Do not touch the terminal of the tool immediately after use as it may get hot enough to cause burns.**
16. **Do not allow chips, dust, or soil stuck into the terminals, holes, and grooves of the battery cartridge.** It may cause heating, catching fire, burst and malfunction of the tool or battery

cartridge, resulting in burns or personal injury.

17. **Unless the tool supports the use near high-voltage electrical power lines, do not use the battery cartridge near high-voltage electrical power lines.** It may result in a malfunction or breakdown of the tool or battery cartridge.
18. **Keep the battery away from children.**

SAVE THESE INSTRUCTIONS.

⚠ CAUTION: Only use genuine Makita batteries. Use of non-genuine Makita batteries, or batteries that have been altered, may result in the battery bursting causing fires, personal injury and damage. It will also void the Makita warranty for the Makita tool and charger.

Tips for maintaining maximum battery life

1. **Charge the battery cartridge before completely discharged.** Always stop tool operation and charge the battery cartridge when you notice less tool power.
2. **Never recharge a fully charged battery cartridge.** Overcharging shortens the battery service life.
3. **Charge the battery cartridge with room temperature at 10 °C - 40 °C (50 °F - 104 °F).** Let a hot battery cartridge cool down before charging it.
4. **When not using the battery cartridge, remove it from the tool or the charger.**
5. **Charge the battery cartridge if you do not use it for a long period (more than six months).**

Important safety instructions for wireless unit

1. **Do not disassemble or tamper with the wireless unit.**
2. **Keep the wireless unit away from young children. If accidentally swallowed, seek medical attention immediately.**
3. **Use the wireless unit only with Makita tools.**
4. **Do not expose the wireless unit to rain or wet conditions.**
5. **Do not use the wireless unit in places where the temperature exceeds 50 °C (122 °F).**
6. **Do not operate the wireless unit in places where medical instruments, such as heart pace makers are nearby.**
7. **Do not operate the wireless unit in places where automated devices are nearby.** If operated, automated devices may develop malfunction or error.
8. **Do not operate the wireless unit in places under high temperature or places where static electricity or electrical noise could be generated.**
9. **The wireless unit can produce electromagnetic fields (EMF) but they are not harmful to the user.**
10. **The wireless unit is an accurate instrument. Be careful not to drop or strike the wireless unit.**

11. Avoid touching the terminal of the wireless unit with bare hands or metallic materials.
12. Always remove the battery on the product when installing the wireless unit into it.
13. When opening the lid of the slot, avoid the place where dust and water may come into the slot. Always keep the inlet of the slot clean.
14. Always insert the wireless unit in the correct direction.
15. Do not press the wireless activation button on the wireless unit too hard and/or press the button with an object with a sharp edge.
16. Always close the lid of the slot when operating.
17. Do not remove the wireless unit from the slot while the power is being supplied to the tool. Doing so may cause a malfunction of the wireless unit.
18. Do not remove the sticker on the wireless unit.
19. Do not put any sticker on the wireless unit.
20. Do not leave the wireless unit in a place where static electricity or electrical noise could be generated.
21. Do not leave the wireless unit in a place subject to high heat, such as a car sitting in the sun.
22. Do not leave the wireless unit in a dusty or powdery place or in a place corrosive gas could be generated.
23. Sudden change of the temperature may bedew the wireless unit. Do not use the wireless unit until the dew is completely dried.
24. When cleaning the wireless unit, gently wipe with a dry soft cloth. Do not use benzine, thinner, conductive grease or the like.
25. When storing the wireless unit, keep it in the supplied case or a static-free container.
26. Do not insert any devices other than Makita wireless unit into the slot on the tool.
27. Do not use the tool with the lid of the slot damaged. Water, dust, and dirt come into the slot may cause malfunction.
28. Do not pull and/or twist the lid of the slot more than necessary. Restore the lid if it comes off from the tool.
29. Replace the lid of the slot if it is lost or damaged.

SAVE THESE INSTRUCTIONS.

FUNCTIONAL DESCRIPTION

CAUTION: Always be sure that the tool is switched off and the battery cartridge is removed before adjusting or checking function on the tool.

Installing or removing battery cartridge

CAUTION: Always switch off the tool before installing or removing of the battery cartridge.

CAUTION: Hold the tool and the battery cartridge firmly when installing or removing battery cartridge. Failure to hold the tool and the battery cartridge firmly may cause them to slip off your hands and result in damage to the tool and battery cartridge and a personal injury.

To install the battery cartridge, align the tongue on the battery cartridge with the groove in the housing and slip it into place. Insert it all the way until it locks in place with a little click. If you can see the red indicator as shown in the figure, it is not locked completely.

To remove the battery cartridge, slide it from the tool while sliding the button on the front of the cartridge.

► Fig.7: 1. Red indicator 2. Button 3. Battery cartridge













CAUTION: Always install the battery cartridge fully until the red indicator cannot be seen. If not, it may accidentally fall out of the tool, causing injury to you or someone around you.










CAUTION: Do not install the battery cartridge forcibly. If the cartridge does not slide in easily, it is not being inserted correctly.

Indicating the remaining battery capacity

Press the check button on the battery cartridge to indicate the remaining battery capacity. The indicator lamps light up for a few seconds.

► Fig.8: 1. Indicator lamps 2. Check button

Indicator lamps			Remaining capacity
 Lighted	 Off	 Blinking	
			75% to 100%
			50% to 75%
			25% to 50%
			0% to 25%
			Charge the battery.

Indicator lamps			Remaining capacity
Lighted	Off	Blinking	
			The battery may have malfunctioned.
			
			

NOTE: Depending on the conditions of use and the ambient temperature, the indication may differ slightly from the actual capacity.

NOTE: The first (far left) indicator lamp will blink when the battery protection system works.

Tool / battery protection system

The tool is equipped with a tool/battery protection system. This system automatically cuts off power to the motor to extend tool and battery life. The tool will automatically stop during operation if the tool or battery is placed under one of the following conditions.

Overload protection

When the tool/battery is operated in a manner that causes it to draw an abnormally high current, the tool automatically stops. In this situation, turn the tool off and stop the application that caused the tool to become overloaded. Then turn the tool on to restart.

Overheat protection

When the tool/battery is overheated, the tool stops automatically. In this situation, let the tool cool down before turning the tool on again.

Overdischarge protection

When the battery capacity becomes low, the tool stops automatically. If the product does not operate even when the switches are operated, remove the battery(ies) from the tool and charge the battery(ies).

Protections against other causes

Protection system is also designed for other causes that could damage the tool and allows the tool to stop automatically. Take all the following steps to clear the causes, when the tool has been brought to a temporary halt or stop in operation.

1. Make sure that all switch(es) is/are in the off position, and then turn the tool on again to restart.
2. Charge the battery(ies) or replace it/them with recharged battery(ies).
3. Let the tool and battery(ies) cool down.

If no improvement can be found by restoring protection system, then contact your local Makita Service Center.

Switch action

WARNING: Before installing the battery cartridge into the tool, always check to see that the switch trigger actuates properly and returns to the "OFF" position when released.

WARNING: NEVER defeat the lock-off button by taping down or some other means. A switch with a negated lock-off button may result in unintentional operation and serious personal injury.

WARNING: NEVER use the tool if it runs when you simply pull the switch trigger without pressing the lock-off button. A switch in need of repair may result in unintentional operation and serious personal injury. Return tool to a Makita service center for proper repairs BEFORE further usage.

To prevent the switch trigger from being accidentally pulled, a lock-off button is provided. To start the tool, depress the lock-off button and pull the switch trigger. Release the switch trigger to stop.

► **Fig.9:** 1. Switch trigger 2. Lock-off button

NOTICE: Do not pull the switch trigger hard without pressing in the lock-off button. This can cause switch breakage.

CAUTION: The tool starts to brake the circular saw blade rotation immediately after you release the switch trigger. Hold the tool firmly to respond the reaction of the brake when releasing the switch trigger. Sudden reaction can drop the tool off your hand and can cause a personal injury.

Adjusting depth of cut

CAUTION: After adjusting the depth of cut, always lock the base.

1. Unlock the base by loosening the lever.
2. Set the circular saw blade to your desired cutting depth.
3. Lock the base by tightening the lever.

► **Fig.10:** 1. Base 2. Cutting depth 3. Lever

CAUTION: For cleaner, safer cuts, set cut depth so that no more than one blade tooth projects below workpiece. Using proper cut depth helps to reduce potential for dangerous KICKBACKS which can cause personal injury.

Bevel cutting

CAUTION: After adjusting the bevel angle, always lock the base.

1. Loosen the lever and clamping screw.
2. Align the pointer with your desired cutting angle by tilting the base.
3. Tighten the lever and clamping screw securely.

► **Fig.11:** 1. Lever 2. Clamping screw 3. Pointer

Sighting

For straight cuts, align the 0° position on the front of the base with your cutting line. For 45° bevel cuts, align the 45° position with it.

- **Fig.12:** 1. Cutting line (0° position) 2. Cutting line (45° position)

Blade steady device

In general way, use the blade steady device by setting the lock lever in locked position.

To lock the lock lever, push it down and turn it 90° counterclockwise. To release the lock lever, turn it 90° clockwise. When you replace a circular saw blade, release the lock lever.

- **Fig.13:** 1. Lock lever 2. Lock position 3. Release position

Electric brake

This tool is equipped with an electric blade brake. If the tool consistently fails to quickly stop the circular saw blade after releasing the switch trigger, have the tool serviced at a Makita service center.

CAUTION: The blade brake system is not a substitute for blade guard. NEVER USE TOOL WITHOUT A FUNCTIONING BLADE GUARD. SERIOUS PERSONAL INJURY CAN RESULT.

Electronic function

The tools equipped with electronic function are easy to operate because of the following feature(s).

Soft start feature

Soft start because of suppressed starting shock.

ASSEMBLY

CAUTION: Always be sure that the tool is switched off and the battery cartridge is removed before carrying out any work on the tool.

Hex wrench storage

When not in use, store the hex wrench as shown in the figure to keep it from being lost.

- **Fig.14:** 1. Hex wrench

Installing and removing circular saw blade

CAUTION: Be sure the circular saw blade is installed with teeth pointing up at the front of the tool.

CAUTION: Use only the Makita wrench to install or remove the circular saw blade.

NOTE: When installing/uninstalling the circular saw blade, it is easy-to-perform to bring the base to the original position.

Installing circular saw blade

NOTE: Depending on models, the circular saw blade has already been installed at the time of shipment.

1. Release the lock lever of the blade steady device.
2. Press the shaft lock fully so that the mounting shaft cannot revolve and use the hex wrench to loosen the hex bolt. Then remove the hex bolt and outer flange.
► **Fig.15:** 1. Lock lever 2. Shaft lock 3. Hex wrench 4. Loosen 5. Tighten

3. Install the inner flange with its convex side facing outwards onto the mounting shaft, then install circular saw blade, outer flange and hex bolt. At this time, align the direction of the arrow on the circular saw blade with the arrow on the tool.

- **Fig.16:** 1. Hex bolt 2. Outer flange 3. Circular saw blade 4. Arrow on the circular saw blade 5. Inner flange 6. Arrow on the tool

4. Press the shaft lock and tighten the hex bolt.
5. Lock the lock lever of the blade steady device.

Mounting direction of the inner flange

The inner flange has a certain diameter protrusion on one side of it and a different diameter protrusion on the other side. Choose a correct side on which protrusion fits into the saw blade hole perfectly. Mount the inner flange onto the mounting shaft so that the correct side of protrusion on the inner flange faces outward and then place the circular saw blade and outer flange.

- **Fig.17:** 1. Mounting shaft 2. Inner flange 3. Circular saw blade 4. Outer flange 5. Hex bolt

WARNING: BE SURE TO TIGHTEN THE HEX BOLT SECURELY. Also be careful not to tighten the bolt forcibly. Slipping your hand from the hex wrench can cause a personal injury.

WARNING: Make sure that the protrusion "a" on the inner flange that is positioned outside fits into the circular saw blade hole "a" perfectly. Mounting the blade on the wrong side can result in the dangerous vibration.

Removing circular saw blade

To remove the circular saw blade, follow the installation procedure in reverse.

NOTICE: Reinstall the outer flange and hex bolt to keep it from being lost.

Blade guard cleaning

When changing the circular saw blade, make sure to also clean the upper and lower blade guards of accumulated sawdust as discussed in the Maintenance section. Such efforts do not replace the need to check lower guard operation before each use.

Connecting a vacuum cleaner

Optional accessory

NOTE: Depending on models, the dust nozzle is supplied as the standard accessory.

When you wish to perform clean cutting operation, connect a Makita vacuum cleaner to your tool.

Install the dust nozzle on the tool using the screw.

► **Fig.18:** 1. Dust nozzle 2. Screw

Connect a hose of the vacuum cleaner to the dust nozzle using the front cuff 24 as shown in the figure.

► **Fig.19:** 1. Dust nozzle 2. Front cuff 24 (optional accessory) 3. Hose of the vacuum cleaner

OPERATION

This tool is intended to cut wood products only.

NOTE: Refer to our website or contact your local Makita dealer for the correct circular saw blades to be used for the material to be cut.

Checking blade guard function

Remove the battery cartridge.

Set the bevel angle to 0°, and then retract the lower blade guard manually to the end and release it. The lower blade guard is properly functioning if;

- it is retracted above the base without any hindrance and;
- it automatically returns and contacts with the stopper.

► **Fig.20:** 1. Upper blade guard 2. Lower blade guard 3. Base 4. Stopper 5. Open 6. Close

If the lower blade guard is not functioning properly, check if saw dust is accumulated inside of the upper and lower blade guards. If the lower blade guard is not functioning properly even after removing dust, have your tool serviced at a Makita service center.

Cutting operation

CAUTION: Wear dust mask when performing cutting operation.

CAUTION: Be sure to move the tool forward in a straight line gently. Forcing or twisting the tool will result in overheating the motor and dangerous kickback, possibly causing severe injury.

NOTICE: When the battery cartridge temperature is low, the tool may not work to its full capacity. At this time, for example, use the tool for a light-duty cut for a while until the battery cartridge warms up as high as room temperature. Then, the tool can work to its full capacity.

► **Fig.21**

Hold the tool firmly. The tool is provided with both a front grip and rear handle. Use both to best grasp the tool.

If both hands are holding the tool, the hands cannot be cut by the circular saw blade. Set the base on the workpiece to be cut without the circular saw blade making any contact. Then turn the tool on and wait until the circular saw blade attains full speed. Now simply move the tool forward over the workpiece surface, keeping it flat and advancing smoothly until the sawing is completed. To get clean cuts, keep your sawing line straight and your speed of advance uniform. If the cut fails to properly follow your intended cut line, do not attempt to turn or force the tool back to the cut line. Doing so may bind the circular saw blade and lead to dangerous kickback and possible serious injury. Release switch, wait for circular saw blade to stop and then withdraw tool. Realign tool on new cut line, and start cut again. Attempt to avoid positioning which exposes operator to chips and wood dust being ejected from saw. Use eye protection to help avoid injury.

Rip fence (Guide rule)

Optional accessory

CAUTION: Make sure that the rip fence is securely installed in the correct position before use. Improper attachment may cause dangerous kickback.

The handy rip fence allows you to do extra-accurate straight cuts. Simply slide the rip fence up snugly against the side of the workpiece and secure it in position with the clamping screw on the front of the base. It also makes repeated cuts of uniform width possible.

► **Fig.22:** 1. Rip fence (Guide rule) 2. Clamping screw

Protection stand

CAUTION: When putting the tool on the protection stand, put the tool slowly. Putting the tool on the protection stand carelessly may cause an injury and malfunction.

The protection stand can be used for temporary storage of tool during work.

Placing the tool flat

To install the tool, push the tool into the protection stand from the top until it clicks.

To remove the tool, while holding the protection stand with your foot, pull the tool upward as shown in the figure.

► **Fig.23:** 1. Protection stand

Placing the tool tilted

To install the tool, put the tool on the protection stand at an angle as shown in the figure.

To remove the tool, pull the tool upward.

► **Fig.24**

WIRELESS ACTIVATION FUNCTION

What you can do with the wireless activation function

The wireless activation function enables clean and comfortable operation. By connecting a supported vacuum cleaner to the tool, you can run the vacuum cleaner automatically along with the switch operation of the tool.

► Fig.25

To use the wireless activation function, prepare following items:

- A wireless unit (optional accessory)
- A vacuum cleaner which supports the wireless activation function

The overview of the wireless activation function setting is as follows. Refer to each section for detail procedures.

1. Installing the wireless unit
2. Tool registration for the vacuum cleaner
3. Starting the wireless activation function

Installing the wireless unit

Optional accessory

CAUTION: Place the tool on a flat and stable surface when installing the wireless unit.

NOTICE: Clean the dust and dirt on the tool before installing the wireless unit. Dust or dirt may cause malfunction if it comes into the slot of the wireless unit.

NOTICE: To prevent the malfunction caused by static, touch a static discharging material, such as a metal part of the tool, before picking up the wireless unit.

NOTICE: When installing the wireless unit, always be sure that the wireless unit is inserted in the correct direction and the lid is completely closed.

1. Open the lid on the tool as shown in the figure.
► Fig.26: 1. Lid
2. Insert the wireless unit to the slot and then close the lid.

When inserting the wireless unit, align the projections with the recessed portions on the slot.

- Fig.27: 1. Wireless unit 2. Projection 3. Lid
4. Recessed portion

When removing the wireless unit, open the lid slowly. The hooks on the back of the lid will lift the wireless unit as you pull up the lid.

- Fig.28: 1. Wireless unit 2. Hook 3. Lid

After removing the wireless unit, keep it in the supplied case or a static-free container.

NOTICE: Always use the hooks on the back of the lid when removing the wireless unit. If the hooks do not catch the wireless unit, close the lid completely and open it slowly again.

Tool registration for the vacuum cleaner

NOTE: A Makita vacuum cleaner supporting the wireless activation function is required for the tool registration.

NOTE: Finish installing the wireless unit to the tool before starting the tool registration.

NOTE: During the tool registration, do not pull the switch trigger or turn on the power switch on the vacuum cleaner.

NOTE: Refer to the instruction manual of the vacuum cleaner, too.

If you wish to activate the vacuum cleaner along with the switch operation of the tool, finish the tool registration beforehand.

1. Install the batteries to the vacuum cleaner and the tool.
2. Set the stand-by switch on the vacuum cleaner to "AUTO".

► Fig.29: 1. Stand-by switch

3. Press the wireless activation button on the vacuum cleaner for 3 seconds until the wireless activation lamp blinks in green. And then press the wireless activation button on the tool in the same way.

► Fig.30: 1. Wireless activation button 2. Wireless activation lamp

If the vacuum cleaner and the tool are linked successfully, the wireless activation lamps will light up in green for 2 seconds and start blinking in blue.

NOTE: The wireless activation lamps finish blinking in green after 20 seconds elapsed. Press the wireless activation button on the tool while the wireless activation lamp on the cleaner is blinking. If the wireless activation lamp does not blink in green, push the wireless activation button briefly and hold it down again.

NOTE: When performing two or more tool registrations for one vacuum cleaner, finish the tool registration one by one.

Starting the wireless activation function

NOTE: Finish the tool registration for the vacuum cleaner prior to the wireless activation.

NOTE: Refer to the instruction manual of the vacuum cleaner, too.

After registering a tool to the vacuum cleaner, the vacuum cleaner will automatically run along with the switch operation of the tool.

1. Install the wireless unit to the tool.
2. Connect the hose of the vacuum cleaner with the tool.

► Fig.31

3. Set the stand-by switch on the vacuum cleaner to "AUTO".

► **Fig.32:** 1. Stand-by switch

4. Push the wireless activation button on the tool briefly. The wireless activation lamp will blink in blue.

► **Fig.33:** 1. Wireless activation button 2. Wireless activation lamp

5. Turn on the tool. Check if the vacuum cleaner runs while the tool is operating.

To stop the wireless activation of the vacuum cleaner, push the wireless activation button on the tool.

NOTE: The wireless activation lamp on the tool will stop blinking in blue when there is no operation for 2 hours. In this case, set the stand-by switch on the vacuum cleaner to "AUTO" and push the wireless activation button on the tool again.

NOTE: The vacuum cleaner starts/stops with a delay. There is a time lag when the vacuum cleaner detects a switch operation of the tool.










NOTE: The transmission distance of the wireless unit may vary depending on the location and surrounding circumstances.

NOTE: When two or more tools are registered to one vacuum cleaner, the vacuum cleaner may start running even if you do not turn on your tool because another user is using the wireless activation function.

Description of the wireless activation lamp status

► **Fig.34:** 1. Wireless activation lamp

The wireless activation lamp shows the status of the wireless activation function. Refer to the table below for the meaning of the lamp status.

Status	Wireless activation lamp			Duration	Description
	Color	 On	 Blinking		
Standby	Blue			2 hours	The wireless activation of the vacuum cleaner is available. The lamp will automatically turn off when no operation is performed for 2 hours.
				When the tool is running.	The wireless activation of the vacuum cleaner is available and the tool is running.
Tool registration	Green			20 seconds	Ready for the tool registration. Waiting for the registration by the vacuum cleaner.
				2 seconds	The tool registration has been finished. The wireless activation lamp will start blinking in blue.
Cancelling tool registration	Red			20 seconds	Ready for the cancellation of the tool registration. Waiting for the cancellation by the vacuum cleaner.
				2 seconds	The cancellation of the tool registration has been finished. The wireless activation lamp will start blinking in blue.
Others	Red			3 seconds	The power is supplied to the wireless unit and the wireless activation function is starting up.
	Off	-		-	The wireless activation of the vacuum cleaner is stopped.

Cancelling tool registration for the vacuum cleaner

Perform the following procedure when cancelling the tool registration for the vacuum cleaner.

1. Install the batteries to the vacuum cleaner and the tool.

2. Set the stand-by switch on the vacuum cleaner to "AUTO".

► **Fig.35:** 1. Stand-by switch

3. Press the wireless activation button on the vacuum cleaner for 6 seconds. The wireless activation lamp blinks in green and then become red. After that, press the wireless activation button on the tool in the same way.

► **Fig.36:** 1. Wireless activation button 2. Wireless activation lamp

If the cancellation is performed successfully, the wireless activation lamps will light up in red for 2 seconds and start blinking in blue.

NOTE: The wireless activation lamps finish blinking in red after 20 seconds elapsed. Press the wireless activation button on the tool while the wireless activation lamp on the cleaner is blinking. If the wireless activation lamp does not blink in red, push the wireless activation button briefly and hold it down again.

Troubleshooting for wireless activation function

Before asking for repairs, conduct your own inspection first. If you find a problem that is not explained in the manual, do not attempt to dismantle the tool. Instead, ask Makita Authorized Service Centers, always using Makita replacement parts for repairs.

State of abnormality	Probable cause (malfunction)	Remedy
The wireless activation lamp does not light/blink.	The wireless unit is not installed into the tool. The wireless unit is improperly installed into the tool.	Install the wireless unit correctly.
	The terminal of the wireless unit and/or the slot is dirty.	Gently wipe off dust and dirt on the terminal of the wireless unit and clean the slot.
	The wireless activation button on the tool has not been pushed.	Push the wireless activation button on the tool briefly.
	The stand-by switch on the vacuum cleaner is not set to "AUTO".	Set the stand-by switch on the vacuum cleaner to "AUTO".
	No power supply	Supply the power to the tool and the vacuum cleaner.
Cannot finish tool registration / cancelling tool registration successfully.	The wireless unit is not installed into the tool. The wireless unit is improperly installed into the tool.	Install the wireless unit correctly.
	The terminal of the wireless unit and/or the slot is dirty.	Gently wipe off dust and dirt on the terminal of the wireless unit and clean the slot.
	The stand-by switch on the vacuum cleaner is not set to "AUTO".	Set the stand-by switch on the vacuum cleaner to "AUTO".
	No power supply	Supply the power to the tool and the vacuum cleaner.
	Incorrect operation	Push the wireless activation button briefly and perform the tool registration/cancellation procedures again.
	The tool and vacuum cleaner are away from each other (out of the transmission range).	Get the tool and vacuum cleaner closer to each other. The maximum transmission distance is approximately 10 m however it may vary according to the circumstances.
	Before finishing the tool registration/cancellation; - the switch of the tool is turned on or; - the power button on the vacuum cleaner is turned on.	Push the wireless activation button briefly and perform the tool registration/cancellation procedures again.
	The tool registration procedures for the tool or vacuum cleaner have not finished.	Perform the tool registration procedures for both the tool and the vacuum cleaner at the same timing.
Radio disturbance by other appliances which generate high-intensity radio waves.	Keep the tool and vacuum cleaner away from the appliances such as Wi-Fi devices and microwave ovens.	

State of abnormality	Probable cause (malfunction)	Remedy
The vacuum cleaner does not run along with the switch operation of the tool.	The wireless unit is not installed into the tool. The wireless unit is improperly installed into the tool.	Install the wireless unit correctly.
	The terminal of the wireless unit and/or the slot is dirty.	Gently wipe off dust and dirt on the terminal of the wireless unit and clean the slot.
	The wireless activation button on the tool has not been pushed.	Push the wireless activation button briefly and make sure that the wireless activation lamp is blinking in blue.
	The stand-by switch on the vacuum cleaner is not set to "AUTO".	Set the stand-by switch on the vacuum cleaner to "AUTO".
	More than 10 tools are registered to the vacuum cleaner.	Perform the tool registration again. If more than 10 tools are registered to the vacuum cleaner, the tool registered earliest will be cancelled automatically.
	The vacuum cleaner erased all tool registrations.	Perform the tool registration again.
	No power supply	Supply the power to the tool and the vacuum cleaner.
	The tool and vacuum cleaner are away from each other (out of the transmission range).	Get the tool and vacuum cleaner closer each other. The maximum transmission distance is approximately 10 m however it may vary according to the circumstances.
	Radio disturbance by other appliances which generate high-intensity radio waves.	Keep the tool and vacuum cleaner away from the appliances such as Wi-Fi devices and microwave ovens.
The vacuum cleaner runs while the tool is not operating.	Other users are using the wireless activation of the vacuum cleaner with their tools.	Turn off the wireless activation button of the other tools or cancel the tool registration of the other tools.

MAINTENANCE

⚠ CAUTION: Always be sure that the tool is switched off and the battery cartridge is removed before attempting to perform inspection or maintenance.

⚠ CAUTION: Clean out the upper and lower blade guards to ensure there is no accumulated sawdust which may impede the operation of the lower blade guarding system. A dirty guarding system may limit the proper operation which could result in serious personal injury. The most effective way to accomplish this cleaning is with compressed air. If the dust is being blown out of the blade guards, be sure the proper eye and breathing protection is used.

⚠ CAUTION: After each use, wipe off the saw dust on the tool. Fine saw dust may come inside the tool and cause malfunction or a fire.

NOTICE: Never use gasoline, benzine, thinner, alcohol or the like. Discoloration, deformation or cracks may result.

To maintain product SAFETY and RELIABILITY, repairs, any other maintenance or adjustment should be performed by Makita Authorized or Factory Service Centers, always using Makita replacement parts.

Adjusting 0°-cut accuracy

NOTICE: Before starting the setting, make sure the lock of the cutting depth is firmly secured.

This adjustment has been made at the factory. But if it is off, you can adjust it as the following procedure.

- Loosen the bevel angle lock so that the bevel angle can be changed.

NOTE: Refer to the section about bevel cutting for how to tighten or loosen the bevel angle lock.

- Put a triangular rule or square rule onto the side of circular saw blade and the base.

While keeping the side of circular saw blade and the base perpendicular, turn the adjusting screw to make 0° position.

► **Fig.37:** 1. Triangular rule 2. Adjusting screw

- Lock the bevel angle and make a test cut to check the verticalness.

OPTIONAL ACCESSORIES

⚠ CAUTION: These accessories or attachments are recommended for use with your Makita tool specified in this manual. The use of any other accessories or attachments might present a risk of injury to persons. Only use accessory or attachment for its stated purpose.

If you need any assistance for more details regarding these accessories, ask your local Makita Service Center.

- Circular saw blade
- Rip fence (Guide rule)
- Dust nozzle
- Hex wrench
- Wireless unit
- Makita genuine battery and charger

NOTE: Some items in the list may be included in the tool package as standard accessories. They may differ from country to country.

SPÉCIFICATIONS

Modèle :		HS013G
Diamètre de lame		415 mm
Profondeur max. de coupe	à 0°	158 mm
	en biseau à 45°	106 mm
Vitesse à vide		2 100 min ⁻¹
Tension nominale		36 V - 40 V c.c. max.
Longueur totale		606 mm
Poids net		11,0 à 12,0 kg

- Étant donné l'évolution constante de notre programme de recherche et de développement, les spécifications contenues dans ce manuel sont sujettes à modification sans préavis.
- Les spécifications peuvent varier suivant les pays.
- Le poids peut être différent selon les accessoires, notamment la batterie. Les associations la plus légère et la plus lourde, conformément à la procédure EPTA 01/2014, sont indiquées dans le tableau.

Batterie et chargeur applicables

Batterie	BL4040 / BL4040F* / BL4050F* / BL4080F* * : Batterie recommandée
Chargeur	DC40RA / DC40RB / DC40RC / DC40WA

- Certains chargeurs et batteries répertoriés ci-dessus peuvent ne pas être disponibles selon la région où vous résidez.

⚠ AVERTISSEMENT : N'utilisez que les batteries et les chargeurs répertoriés ci-dessus. L'utilisation d'autres batteries et chargeurs peut provoquer des blessures et/ou un incendie.

Utilisations

L'outil est conçu pour effectuer des coupes rectilignes en longueur ou en biais, ainsi que pour des coupes d'onglet avec angle dans le bois tout en restant fermement en contact avec la pièce à travailler.

Bruit

Niveau de bruit pondéré A typique, déterminé selon EN62841-2-5 :

Niveau de pression sonore (L_{pA}) : 98 dB (A)

Niveau de puissance sonore (L_{WA}) : 106 dB (A)

Incertitude (K) : 3 dB (A)

NOTE : La ou les valeurs d'émission de bruit déclarées ont été mesurées conformément à la méthode de test standard et peuvent être utilisées pour comparer les outils entre eux.

NOTE : La ou les valeurs d'émission de bruit déclarées peuvent aussi être utilisées pour l'évaluation préliminaire de l'exposition.

⚠ AVERTISSEMENT : Portez un serre-tête antibruit.

⚠ AVERTISSEMENT : L'émission de bruit lors de l'usage réel de l'outil électrique peut être différente de la ou des valeurs déclarées, suivant la façon dont l'outil est utilisé, particulièrement selon le type de pièce usinée.

⚠ AVERTISSEMENT : Les mesures de sécurité à prendre pour protéger l'utilisateur doivent être basées sur une estimation de l'exposition dans des conditions réelles d'utilisation (en tenant compte de toutes les composantes du cycle d'utilisation, comme par exemple le moment de sa mise hors tension, lorsqu'il tourne à vide et le moment de son déclenchement).

Vibrations

Valeur totale de vibrations (somme de vecteur triaxial) déterminée selon EN62841-2-5 :

Mode de travail : coupe de bois

Émission de vibrations ($a_{h,w}$) : 2,5 m/s² ou moins

Incertitude (K) : 1,5 m/s²

NOTE : La ou les valeurs de vibration totales déclarées ont été mesurées conformément à la méthode de test standard et peuvent être utilisées pour comparer les outils entre eux.

NOTE : La ou les valeurs de vibration totales déclarées peuvent aussi être utilisées pour l'évaluation préliminaire de l'exposition.

⚠ AVERTISSEMENT : L'émission de vibrations lors de l'usage réel de l'outil électrique peut être différente de la ou des valeurs déclarées, suivant la façon dont l'outil est utilisé, particulièrement selon le type de pièce usinée.

⚠ AVERTISSEMENT : Les mesures de sécurité à prendre pour protéger l'utilisateur doivent être basées sur une estimation de l'exposition dans des conditions réelles d'utilisation (en tenant compte de toutes les composantes du cycle d'utilisation, comme par exemple le moment de sa mise hors tension, lorsqu'il tourne à vide et le moment de son déclenchement).

Déclarations de conformité

Pour les pays européens uniquement

Les déclarations de conformité sont fournies en Annexe A à ce mode d'emploi.

CONSIGNES DE SÉCURITÉ

Consignes de sécurité générales pour outils électriques

⚠ AVERTISSEMENT Veuillez lire toutes les consignes de sécurité, instructions, illustrations et spécifications qui accompagnent cet outil électrique. Le non-respect de toutes les instructions indiquées ci-dessous peut entraîner une électrocution, un incendie et/ou de graves blessures.

Conservez toutes les mises en garde et instructions pour référence ultérieure.

Le terme « outil électrique » dans les avertissements fait référence à l'outil électrique alimenté par le secteur (avec cordon d'alimentation) ou à l'outil électrique fonctionnant sur batterie (sans cordon d'alimentation).

Consignes de sécurité pour scie circulaire sans fil

Procédures de coupe

1. **⚠ DANGER** : Gardez vos mains à l'écart de la zone de coupe et de la lame. Laissez votre deuxième main sur la poignée auxiliaire ou le carter du moteur. La lame ne risquera pas de vous couper les mains si vous les utilisez toutes les deux pour tenir la scie.

2. **Ne placez aucune partie de votre corps sous la pièce à travailler.** Le carter de protection ne peut pas protéger l'utilisateur de la lame sous la pièce.
3. **Régulez la profondeur de coupe suivant l'épaisseur de la pièce à travailler.** La partie de la lame visible sous la pièce à travailler doit être moindre qu'une dent de lame complète.
4. **Ne tenez jamais la pièce avec les mains ou contre la jambe pendant la coupe. Fixez la pièce sur une plate-forme stable.** Il est important que la pièce soit soutenue convenablement, afin de minimiser l'exposition du corps, le grippage de la lame ou la perte de contrôle.

► Fig.1

5. **Tenez l'outil électrique par une surface de prise isolée, lorsque vous effectuez une tâche où l'outil de coupe pourrait toucher un câblage caché.** Le contact avec un fil sous tension mettra également les parties métalliques exposées de l'outil électrique sous tension et pourrait électrocuter l'utilisateur.
6. **Lors du sciage en long, utilisez toujours un guide longitudinal ou un guide de chant.** La coupe sera plus précise et cela réduira les risques de pincement de la lame.
7. **Utilisez toujours des lames dont l'orifice central est de taille et de forme (diamantée ou circulaire) appropriée.** Les lames qui ne correspondent pas aux éléments de montage de la scie fonctionneront de manière décentrée, provoquant une perte de contrôle.
8. **N'utilisez jamais de rondelles ou boulons de la lame endommagés ou inadéquats.** Les rondelles et le boulon de la lame ont été conçus exclusivement pour votre scie, afin d'assurer une performance optimale et une utilisation sûre.

Causes des chocs en retour et avertissements concernant ces derniers

- le choc en retour est une réaction soudaine de l'outil lorsque la lame de scie est coincée, pincée ou désalignée, et la scie, hors de contrôle, se soulève alors et quitte la pièce en se dirigeant vers l'utilisateur ;
- lorsque la lame se coince ou est pincée fermement par le trait de scie qui se ferme sur elle, la lame se bloque et la réaction du moteur entraîne la projection de l'outil à grande vitesse vers l'utilisateur ;
- si la lame se tord ou se désaligne par rapport à la ligne de coupe, les dents arrière risquent de s'enfoncer dans la surface du bois et la lame de quitter le trait de scie en reculant brusquement vers l'utilisateur.

Le choc en retour est le résultat d'une mauvaise utilisation de la scie et/ou de procédures ou conditions d'utilisation incorrectes. On peut l'éviter en prenant des précautions adéquates, comme indiqué ci-dessous :

1. **Maintenez une poigne ferme à deux mains sur la scie, et placez vos bras de sorte qu'ils puissent résister à la force du choc en retour. Placez-vous d'un côté ou de l'autre de la lame, jamais dans sa ligne de coupe.** Le choc en retour peut faire bondir la scie vers l'arrière, mais la force du choc en retour peut être maîtrisée par l'utilisateur en prenant les précautions adéquates.

2. **Si la lame se pince ou si vous interrompez la coupe pour une raison quelconque, libérez la gâchette et maintenez la scie immobile dans le matériau jusqu'à l'arrêt complet de la lame. N'essayez jamais de retirer la scie de la pièce ou de la faire reculer alors que la lame tourne encore, sous peine de provoquer un choc en retour.** Identifiez la cause du pincement de la lame et prenez les mesures correctives pour y remédier.
3. **Avant de redémarrer la scie dans la pièce, centrez la lame de scie dans le trait de scie de sorte que les dents ne pénètrent pas dans le matériau.** Si une lame de scie coince, elle risque de remonter ou de reculer brutalement au moment du redémarrage de la scie.
4. **Placez un dispositif de soutien sous les grands panneaux pour réduire les risques de pincement de la lame et de choc en retour.** Les panneaux de grande dimension ont tendance à s'affaisser sous leur propre poids. Des supports doivent être installés sous le panneau, des deux côtés, près de la ligne de coupe et près du bord du panneau.

► Fig.2

► Fig.3

5. **N'utilisez pas des lames émoussées ou endommagées.** Les lames mal affûtées ou mal posées produisent un trait de scie étroit, entraînant une friction excessive, le pincement de la lame et un choc en retour.
 6. **Les leviers de verrouillage de la profondeur de coupe et du réglage de coupe en biseau doivent être serrés de manière ferme et sûre avant de procéder à la coupe.** Il y a risque de pincement et de choc en retour si les réglages de la lame changent pendant la coupe.
 7. **Soyez tout particulièrement prudent lorsque vous sciez dans un mur ou autre surface derrière laquelle peuvent se trouver des objets non visibles.** La lame peut causer un choc en retour en entrant en contact avec ces objets.
 8. **Tenez TOUJOURS l'outil fermement à deux mains. Ne placez JAMAIS la main, la jambe ou toute autre partie du corps sous la base de l'outil ou derrière la scie, particulièrement lors de coupes transversales.** En cas de choc en retour, la scie pourrait facilement bondir vers l'arrière et passer sur votre main, vous infligeant une blessure grave.
- Fig.4
9. **Ne forcez jamais la scie. Faites avancer la scie à une vitesse permettant à la lame de tourner sans perte de vitesse.** Le fait de forcer la scie peut résulter en des coupes inégales, une perte de précision et un choc en retour.

Fonctionnement du carter de protection

1. **Avant chaque utilisation, assurez-vous que le carter de protection inférieur ferme bien. N'utilisez pas la scie si le carter de protection inférieur ne se déplace pas librement et ne se referme pas immédiatement. Évitez d'immobiliser ou fixer le carter de protection inférieur en position ouverte.** Si la scie tombe

accidentellement, le carter de protection inférieur peut se tordre. Soulevez le carter de protection inférieur à l'aide de la poignée rétractable et assurez-vous qu'il se déplace librement sans entrer en contact avec la lame ou toute autre partie de la scie, et ce quel que soit l'angle ou la profondeur de coupe.

2. **Vérifiez le fonctionnement du ressort du carter de protection inférieur. Le carter de protection et le ressort doivent être réparés avant l'utilisation s'ils ne fonctionnent pas correctement.** Le fonctionnement du carter de protection inférieur peut être ralenti par des pièces endommagées, des dépôts gluants ou l'accumulation de débris.
3. **Le carter de protection inférieur ne doit être rétracté manuellement que lors des coupes spéciales, comme les « coupes en plongée » et les « coupes mixtes ».** Soulevez le carter de protection inférieur à l'aide de la poignée rétractable et libérez-le dès que la lame entre en contact avec le matériau. Pour tout autre type de coupe, il faut laisser le carter de protection inférieur fonctionner automatiquement.
4. **Assurez-vous toujours que le carter de protection inférieur recouvre la lame avant de poser la scie sur l'établi ou le plancher.** Une lame non protégée et continuant à fonctionner par inertie entraînera la scie en arrière coupant tout ce qui se trouve sur sa trajectoire. N'oubliez pas qu'il faut un certain temps avant que la lame ne s'arrête une fois la gâchette libérée.
5. **Pour vérifier que le carter de protection inférieur se ferme bien, ouvrez-le manuellement et relâchez-le. Assurez-vous également que la poignée rétractable ne touche pas le carter de l'outil.** Une lame exposée est TRÈS DANGEREUSE et peut causer de graves blessures.

Consignes de sécurité supplémentaires

1. **Soyez encore plus prudent pour couper du bois mouillé, du bois traité sous pression ou du bois qui contient des nœuds.** Pour éviter que le tranchant de la lame ne surchauffe, faites avancer l'outil à une vitesse régulière sans ralentissement de la vitesse de rotation de la lame.
2. **N'essayez pas de retirer le matériau coupé pendant que la lame tourne. Attendez l'arrêt total de la lame avant de saisir le bout de matériau coupé.** La lame continue de tourner même une fois le contact coupé.
3. **Prenez garde aux clous pendant la coupe. Avant de couper dans le bois de construction, inspectez-le et retirez-en tous les clous.**
4. **Placez la partie la plus grande du socle de la scie sur la partie de la pièce qui est solidement soutenue, non sur celle qui tombera une fois la coupe terminée. Si la pièce est courte ou petite, placez-la dans un dispositif de serrage. N'ESSAYEZ PAS DE TENIR LES COURTES PIÈCES UNIQUEMENT AVEC LA MAIN !**

► Fig.5

5. **Avant de déposer l'outil une fois la coupe terminée, assurez-vous que le carter de protection est fermé et que la lame est parfaitement immobile.**

6. **N'essayez jamais de scier en plaçant la scie circulaire à l'envers dans un étau. Cela est très dangereux et peut entraîner un accident grave.**
► Fig.6
7. Certains matériaux contiennent des substances chimiques qui peuvent être toxiques. Prenez les précautions nécessaires pour ne pas inhaler les poussières qu'ils dégagent et pour éviter tout contact avec la peau. Respectez les données de sécurité du fabricant du matériau.
8. N'appliquez jamais de pression latérale sur la lame de scie pour l'arrêter.
9. N'utilisez pas de disques abrasifs.
10. Utilisez uniquement une lame de scie ayant le diamètre indiqué sur l'outil ou spécifié dans le mode d'emploi. L'utilisation d'une taille incorrecte de lame peut affecter la protection de la lame ou le fonctionnement du carter de protection, ce qui pourrait provoquer de graves blessures.
11. Maintenez la lame bien affûtée et propre. Les dépôts de colle et les copeaux de bois qui durcissent contre la lame ralentissent la scie et entraînent une augmentation des risques de choc en retour. Pour nettoyer la lame, retirez-la d'abord de l'outil, puis nettoyez-la avec un décapant, de l'eau chaude ou du kérosène. N'utilisez jamais d'essence.
12. Portez un masque antipoussières et des protections d'oreilles lorsque vous utilisez l'outil.
13. Utilisez toujours la lame de scie conçue pour la coupe du matériau de travail.
14. Utilisez uniquement des lames de scie sur lesquelles est indiquée une vitesse égale ou supérieure à la vitesse figurant sur l'outil.
15. (Pour les pays européens uniquement) Utilisez toujours une lame conforme à la norme EN847-1 si vous prévoyez de couper du bois et des matériaux similaires.
16. Posez l'outil et les pièces sur une surface plane et stable. Autrement, l'outil ou les pièces pourraient tomber et provoquer des blessures.
2. **Ne désassemblez pas et ne modifiez pas la batterie.** Cela pourrait entraîner un incendie, une chaleur excessive ou une explosion.
3. **Cessez immédiatement l'utilisation si le temps de fonctionnement devient excessivement court.** Il y a un risque de surchauffe, de brûlures, voire d'explosion.
4. **Si l'électrolyte pénètre dans vos yeux, rincez-les à l'eau claire et consultez immédiatement un médecin.** Il y a un risque de perte de la vue.
5. **Ne court-circuitez pas la batterie :**
 - (1) **Ne touchez les bornes avec aucun matériau conducteur.**
 - (2) **Évitez de ranger la batterie dans un conteneur avec d'autres objets métalliques, par exemple des clous, des pièces de monnaie, etc.**
 - (3) **N'exposez pas la batterie à l'eau ou à la pluie.**

Un court-circuit de la batterie peut provoquer une intensité de courant élevée, une surchauffe, parfois des brûlures et même une panne.
6. **Ne rangez ni n'utilisez l'outil et la batterie dans un endroit où la température risque d'atteindre ou de dépasser 50 °C.**
7. **Ne jetez pas la batterie au feu même si elle est sérieusement endommagée ou complètement épuisée.** La batterie peut exploser au contact du feu.
8. **Abstenez-vous de clouer, couper, écraser, jeter, laisser tomber la batterie, ou de la heurter contre un objet dur.** Cela pourrait entraîner un incendie, une chaleur excessive ou une explosion.
9. **N'utilisez pas la batterie si elle est endommagée.**
10. **Les batteries au lithium-ion contenues sont soumises aux exigences de la législation sur les marchandises dangereuses.**
Lors du transport commercial par des tierces parties ou des transitaires par exemple, des exigences spécifiques en matière d'étiquetage et d'emballage doivent être respectées. Pour la préparation de l'article expédié, il est nécessaire de consulter un expert en matériau dangereux. Veuillez également respecter les réglementations nationales susceptibles d'être plus détaillées. Recouvrez les contacts exposés avec du ruban adhésif ou du ruban de masquage et emballez la batterie de telle sorte qu'elle ne puisse pas bouger dans l'emballage.

CONSERVEZ CES INSTRUCTIONS.

⚠ AVERTISSEMENT : NE vous laissez PAS tromper (au fil d'une utilisation répétée) par un sentiment d'aisance et de familiarité avec le produit, en négligeant le respect rigoureux des consignes de sécurité qui accompagnent le produit en question. La MAUVAISE UTILISATION de l'outil ou l'ignorance des consignes de sécurité indiquées dans ce mode d'emploi peut entraîner de graves blessures.

Consignes de sécurité importantes pour la batterie

1. Avant d'utiliser la batterie, lisez toutes les instructions et précautions relatives (1) au chargeur de batterie, (2) à la batterie, et (3) au produit utilisant la batterie.
11. **Lors de la mise au rebut de la batterie, retirez-la de l'outil et jetez-la en lieu sûr. Suivez les réglementations locales en matière de mise au rebut des batteries.**
12. **Utilisez les batteries uniquement avec les produits spécifiés par Makita.** L'insertion de batteries dans des produits non conformes peut provoquer un incendie, une chaleur excessive, une explosion ou une fuite de l'électrolyte.
13. **Lorsque vous n'utilisez pas l'outil pendant une période prolongée, la batterie doit être retirée**

de l'outil.

14. Pendant et après l'utilisation, la batterie peut chauffer, ce qui peut entraîner des brûlures, y compris en cas de température relativement basse. Manipulez les batteries chaudes avec précaution.
15. Ne touchez pas la borne de l'outil immédiatement après utilisation car elle peut être assez chaude pour provoquer des brûlures.
16. Évitez que des copeaux, de la poussière ou du sol adhèrent aux bornes, aux trous et aux rainures de la batterie. Cela peut provoquer un échauffement, un incendie, une explosion ou un dysfonctionnement de l'outil ou de la batterie, ce qui peut entraîner des brûlures ou des blessures.
17. À moins que l'outil prenne en charge un tel usage, n'utilisez pas la batterie à proximité de lignes électriques haute tension. Cela pourrait entraîner un dysfonctionnement ou casser l'outil ou la batterie.
18. Conservez la batterie hors de portée des enfants.

CONSERVEZ CES INSTRUCTIONS.

⚠ ATTENTION : N'utilisez que des batteries Makita d'origine. L'utilisation de batteries de marque autre que Makita ou de batteries modifiées peut provoquer l'explosion des batteries, ce qui présente un risque d'incendie, de dommages matériels et corporels. Cela annulera également la garantie Makita pour l'outil et le chargeur Makita.

Conseils pour assurer la durée de vie optimale de la batterie

1. Chargez la batterie avant qu'elle ne soit complètement déchargée. Arrêtez toujours l'outil et rechargez la batterie quand vous remarquez que la puissance de l'outil diminue.
2. Ne rechargez jamais une batterie complètement chargée. La surcharge réduit la durée de service de la batterie.
3. Chargez la batterie à une température ambiante comprise entre 10 °C et 40 °C. Avant de charger une batterie chaude, laissez-la refroidir.
4. Lorsque vous n'utilisez pas la batterie, retirez-la de l'outil ou du chargeur.
5. Rechargez la batterie si elle est restée inutilisée pendant une période prolongée (plus de six mois).

Consignes de sécurité importantes pour le connecteur sans fil

1. Ne démontez ni ne modifiez le connecteur sans fil.
2. Conservez le connecteur sans fil hors de portée des jeunes enfants. En cas d'ingestion accidentelle, consultez immédiatement un médecin.
3. Utilisez le connecteur sans fil uniquement avec des outils Makita.

4. N'exposez pas le connecteur sans fil à la pluie ou à l'humidité.
5. N'utilisez pas le connecteur sans fil dans un endroit où la température dépasse 50 °C.
6. Ne faites pas fonctionner le connecteur sans fil dans un endroit où des appareils médicaux comme des simulateurs cardiaques sont utilisés.
7. Ne faites pas fonctionner le connecteur sans fil dans un endroit où des appareils automatisés sont utilisés. Sinon, ces appareils pourraient présenter un dysfonctionnement ou une erreur.
8. N'utilisez pas le connecteur sans fil dans un endroit à température élevée ou dans un endroit susceptible de générer de l'électricité statique ou du bruit électrique.
9. Le connecteur sans fil peut produire des champs électromagnétiques (CEM), mais ceux-ci ne sont pas dangereux pour l'utilisateur.
10. Le connecteur sans fil est un instrument de précision. Évitez de laisser tomber ou de cogner le connecteur sans fil.
11. Évitez de toucher la borne du connecteur sans fil avec les mains nues ou avec des objets métalliques.
12. Retirez toujours la batterie du produit avant d'y installer le connecteur sans fil.
13. Évitez d'ouvrir le couvercle de la fente dans un endroit où de la poussière ou de l'eau pourrait pénétrer dans la fente. Maintenez toujours propre l'entrée de la fente.
14. Insérez toujours le connecteur sans fil dans le bon sens.
15. N'appuyez pas trop fort sur le bouton d'activation sans fil du connecteur sans fil, ni n'appuyez dessus avec un objet pointu.
16. Fermez toujours le couvercle de la fente pendant le fonctionnement.
17. Ne retirez pas le connecteur sans fil de la fente alors que l'outil est sous tension. Vous risqueriez de provoquer un dysfonctionnement du connecteur sans fil.
18. Ne retirez pas l'autocollant du connecteur sans fil.
19. Ne placez pas d'autocollant sur le connecteur sans fil.
20. Ne laissez pas le connecteur sans fil dans un endroit susceptible de générer de l'électricité statique ou du bruit électrique.
21. Ne laissez pas le connecteur sans fil dans un endroit soumis à une forte chaleur, comme une voiture en plein soleil.
22. Ne laissez pas le connecteur sans fil dans un endroit poussiéreux ou sablonneux ou dans un endroit susceptible de générer des gaz corrosifs.
23. De la condensation peut se former sur le connecteur sans fil en cas de brusque changement de température. N'utilisez pas le connecteur sans fil tant que la condensation n'a pas complètement séché.

24. Pour nettoyer le connecteur sans fil, essuyez-le délicatement avec un chiffon doux et sec. N'utilisez pas de benzine, diluant, graisse conductrice ou autre.
25. Rangez le connecteur sans fil en le conservant dans l'étui fourni ou dans un récipient anti-statique.
26. N'insérez pas d'autres dispositifs que le connecteur sans fil Makita dans la fente sur l'outil.
27. N'utilisez pas l'outil si le couvercle de la fente est endommagé. L'eau, la poussière ou la saleté pourraient pénétrer dans la fente provoquant un dysfonctionnement.
28. Ne tirez, ni ne tordez plus que nécessaire le couvercle de la fente. Remettez le couvercle en place s'il se détache de l'outil.
29. Remplacez le couvercle de la fente si vous le perdez ou l'endommagez.

CONSERVEZ CES INSTRUCTIONS.

DESCRIPTION DU FONCTIONNEMENT

⚠ ATTENTION : Assurez-vous toujours que l'outil est hors tension et que sa batterie est retirée avant de l'ajuster ou de vérifier son fonctionnement.

Insertion ou retrait de la batterie

⚠ ATTENTION : Éteignez toujours l'outil avant de mettre en place ou de retirer la batterie.

⚠ ATTENTION : Tenez fermement l'outil et la batterie lors de la mise en place ou du retrait de la batterie. Si vous ne tenez pas fermement l'outil et la batterie, ils peuvent vous glisser des mains, et s'abîmer ou vous blesser.

Pour mettre la batterie en place, alignez la languette de la batterie avec la rainure du compartiment puis insérez la batterie. Insérez-la entièrement jusqu'à entendre un léger dé clic indiquant qu'elle est bien en place. Si vous pouvez voir l'indicateur rouge comme illustré sur la figure, c'est qu'elle n'est pas bien verrouillée.

Pour retirer la batterie, faites-la glisser hors de l'outil tout en faisant glisser le bouton à l'avant de la batterie.

► Fig.7: 1. Indicateur rouge 2. Bouton 3. Batterie

⚠ ATTENTION : Insérez toujours complètement la batterie jusqu'à ce que l'indicateur rouge ne soit plus visible. Sinon, elle pourrait tomber accidentellement de l'outil, au risque de vous blesser ou de blesser quelqu'un se trouvant près de vous.

⚠ ATTENTION : N'insérez pas la batterie de force. Si elle ne glisse pas facilement, c'est que vous ne l'insérez pas correctement.

Indication de la charge restante de la batterie

Appuyez sur le bouton de vérification sur la batterie pour indiquer la charge restante de la batterie. Les témoins s'allument pendant quelques secondes.

► Fig.8: 1. Témoins 2. Bouton de vérification

Témoins			Charge restante
Allumé	Éteint	Clignotant	
■	■	■	75 % à 100 %
■	■	□	50 % à 75 %
■	□	□	25 % à 50 %
■	□	□	0 % à 25 %
◐	□	□	Chargez la batterie.
◐	□	□	Anomalie possible de la batterie.
□	□	■	

NOTE : Selon les conditions d'utilisation et la température ambiante, l'indication peut être légèrement différente de la capacité réelle.

NOTE : Le premier témoin (complètement à gauche) clignotera pendant le fonctionnement du système de protection de la batterie.

Système de protection de l'outil/la batterie

L'outil est équipé d'un système de protection de l'outil/la batterie. Ce système coupe automatiquement l'alimentation vers le moteur pour prolonger la durée de vie de l'outil et de la batterie. Si l'outil ou la batterie se trouve dans l'une des situations suivantes, l'outil cessera automatiquement de fonctionner. Dans certaines situations, les témoins s'allument.

Protection contre la surcharge

Lorsque l'outil ou la batterie est utilisé(e) d'une manière provoquant un appel de courant anormalement élevé, l'outil s'arrête automatiquement. Dans ce cas, éteignez l'outil et arrêtez la tâche ayant provoqué la surcharge de l'outil. Puis rallumez l'outil pour reprendre la tâche.

Protection contre la surchauffe

En cas de surchauffe de l'outil ou de la batterie, l'outil s'arrête automatiquement. Dans ce cas, laissez l'outil refroidir avant de le rallumer.

Protection contre la décharge totale de la batterie

Lorsque la charge restante de la batterie devient faible, l'outil s'arrête automatiquement. Si le produit ne fonctionne pas même en actionnant les interrupteurs, retirez la ou les batteries de l'outil et chargez-les.

Protections contre d'autres causes

Le système de protection est également conçu pour d'autres causes qui pourraient endommager l'outil et lui permet de s'arrêter automatiquement. Suivez toutes les étapes ci-dessous pour éliminer les causes, lorsque l'outil a été arrêté provisoirement ou a cessé de fonctionner.

1. Assurez-vous que tous les interrupteurs sont sur la position d'arrêt, puis remettez l'outil sous tension pour le redémarrer.
2. Chargez la ou les batteries ou remplacez-les par des batteries rechargées.
3. Laissez l'outil et la ou les batteries refroidir.

En l'absence d'amélioration après avoir rétabli le système de protection, contactez votre centre de service Makita local.

Fonctionnement de la gâchette

⚠️ AVERTISSEMENT : Avant d'insérer la batterie dans l'outil, vérifiez toujours que la gâchette fonctionne bien et revient en position d'arrêt lorsque vous la relâchez.

⚠️ AVERTISSEMENT : NE bloquez JAMAIS le bouton de sécurité avec du ruban ou de toute autre manière. Une gâchette dont le bouton de sécurité est bloqué comporte un risque d'activation accidentelle pouvant entraîner de graves blessures.

⚠️ AVERTISSEMENT : N'utilisez JAMAIS l'outil s'il se met en marche lorsque vous enclenchez simplement la gâchette sans avoir enfoncé le bouton de sécurité. Une gâchette devant être réparée comporte un risque d'activation accidentelle pouvant entraîner de graves blessures. Confiez l'outil à un centre d'entretien Makita pour le faire réparer AVANT de poursuivre l'utilisation.

Un bouton de sécurité a été prévu pour éviter l'activation accidentelle de la gâchette. Pour démarrer l'outil, enfoncez le bouton de sécurité puis enclenchez la gâchette. Pour arrêter l'outil, relâchez la gâchette.

► **Fig.9:** 1. Gâchette 2. Bouton de sécurité

REMARQUE : Évitez d'appuyer sur la gâchette avec force lorsque le bouton de sécurité n'est pas enfoncé. Vous risqueriez de briser la gâchette.

⚠️ ATTENTION : L'outil démarre pour freiner la rotation de la lame de scie circulaire immédiatement après que vous relâchez la gâchette. Tenez fermement l'outil pour réagir à la réaction du frein lorsque vous relâchez la gâchette. Une réaction soudaine peut vous faire lâcher l'outil et vous blesser.

Réglage de la profondeur de coupe

⚠️ ATTENTION : Après avoir réglé la profondeur de coupe, verrouillez toujours la base.

1. Déverrouillez la base en desserrant le levier.
 2. Réglez la lame de scie circulaire sur la profondeur de coupe souhaitée.
 3. Verrouillez la base en serrant le levier.
- **Fig.10:** 1. Base 2. Profondeur de coupe 3. Levier

⚠️ ATTENTION : Pour obtenir des coupes plus propres et plus sûres, réglez la profondeur de coupe de sorte que pas plus d'une dent de lame ne dépasse sous la pièce. L'utilisation d'une profondeur de coupe adéquate aide à réduire les risques de dangereux CHOCS EN RETOUR et de blessures.

Coupe en biseau

⚠️ ATTENTION : Après avoir réglé l'angle de coupe en biseau, verrouillez toujours la base.

1. Desserrez le levier et la vis de serrage.
 2. Alignez l'index sur l'angle de coupe souhaité en inclinant la base.
 3. Serrez solidement le levier et la vis de serrage.
- **Fig.11:** 1. Levier 2. Vis de serrage 3. Index

Visée

Pour les coupes rectilignes, alignez la position 0° à l'avant de la base sur la ligne de coupe. Pour les coupes en biseau de 45°, alignez la position 45° sur cette même ligne.

► **Fig.12:** 1. Ligne de coupe (position 0°) 2. Ligne de coupe (position 45°)

Dispositif de stabilité de la lame

En général, utilisez le dispositif de stabilité de la lame en réglant le levier de verrouillage sur la position verrouillée.

Pour verrouiller le levier de verrouillage, abaissez-le et tournez-le de 90° dans le sens inverse des aiguilles d'une montre. Pour libérer le levier de verrouillage, tournez-le de 90° dans le sens des aiguilles d'une montre. Lors du remplacement d'une lame de scie circulaire, libérez le levier de verrouillage.

► **Fig.13:** 1. Levier de verrouillage 2. Position verrouillée 3. Position libérée

Frein électrique

Cet outil est équipé d'un frein de lame électrique. Si systématiquement l'outil n'arrive pas à arrêter rapidement la lame de scie circulaire après le relâchement de la gâchette, faites réparer l'outil dans un centre d'entretien Makita.

⚠ ATTENTION : Le système de frein de lame n'est pas destiné à remplacer le carter de protection. N'UTILISEZ JAMAIS UN OUTIL DONT LE CARTER DE PROTECTION EST DÉFECTUEUX. CELA PRÉSENTE UN RISQUE DE BLESSURE GRAVE.

Fonction électronique

La ou les caractéristiques suivantes facilitent l'utilisation des outils munis de fonctions électroniques.

Fonction de démarrage en douceur

La suppression du choc de démarrage permet un démarrage en douceur.

ASSEMBLAGE

⚠ ATTENTION : Assurez-vous toujours que l'outil est hors tension et que sa batterie est retirée avant d'effectuer toute tâche dessus.

Rangement de la clé hexagonale

Lorsque vous n'utilisez pas la clé hexagonale, rangez-la tel qu'indiqué sur l'illustration pour éviter de la perdre.

► Fig.14: 1. Clé hexagonale

Pose et dépose de la lame de scie circulaire

⚠ ATTENTION : Assurez-vous que la lame de scie circulaire est installée avec les dents orientées vers le haut à l'avant de l'outil.

⚠ ATTENTION : Utilisez exclusivement la clé Makita pour poser ou retirer la lame de scie circulaire.

NOTE : Lors de l'installation/la désinstallation de la lame de scie circulaire, il est facile de ramener la base sur la position initiale.

Pose de la lame de scie circulaire

NOTE : Selon les modèles, la lame de scie circulaire a déjà été installée à la sortie d'usine.

1. Libérez le levier de verrouillage du dispositif de stabilité de la lame.
2. Enfoncez complètement le blocage de l'arbre de sorte que l'arbre de montage ne puisse pas tourner et utilisez la clé hexagonale pour desserrer le boulon hexagonal. Puis, retirez le boulon hexagonal et le flasque extérieur.

► Fig.15: 1. Levier de verrouillage 2. Blocage de l'arbre 3. Clé hexagonale 4. Desserrer 5. Serrer

3. Installez le flasque intérieur avec son côté convexe tourné vers l'extérieur sur l'arbre de montage, puis installez la lame de scie circulaire, le flasque extérieur et le boulon hexagonal. À ce moment-là, alignez le sens de la flèche sur la lame de scie circulaire avec celle sur l'outil.

► Fig.16: 1. Boulon hexagonal 2. Flasque extérieur 3. Lame de scie circulaire 4. Flèche sur la lame de scie circulaire 5. Flasque intérieure 6. Flèche sur l'outil

4. Appuyez sur le blocage de l'arbre et serrez le boulon hexagonal.

5. Verrouillez le levier de verrouillage du dispositif de stabilité de la lame.

Sens de montage du flasque intérieur

La flasque intérieure présente une partie saillante d'un diamètre donné d'un côté et une partie saillante d'un diamètre différent de l'autre côté. Choisissez le bon côté sur lequel la partie saillante s'engage parfaitement dans l'orifice de la lame de scie. Montez la flasque intérieure sur l'arbre de montage de sorte que le bon côté de la partie saillante sur la flasque intérieure soit tourné vers l'extérieur, puis placez la lame de scie et la flasque extérieure.

► Fig.17: 1. Arbre de montage 2. Flasque intérieure 3. Lame de scie circulaire 4. Flasque extérieure 5. Boulon hexagonal

⚠ AVERTISSEMENT : ASSUREZ-VOUS D'AVOIR FERMEMENT SERRÉ LE BOULON HEXAGONAL. Prenez également soin de ne pas trop serrer le boulon. Vous risquez de vous blesser si votre main s'échappe de la clé hexagonale.

⚠ AVERTISSEMENT : Assurez-vous que la partie saillante « a » sur la flasque intérieure positionnée à l'extérieur s'engage parfaitement dans l'orifice de la lame de scie « a ». La fixation de la lame du mauvais côté peut provoquer des vibrations dangereuses.

Dépose de la lame de scie circulaire

Pour retirer la lame de scie circulaire, suivez la procédure d'installation dans le sens inverse.

REMARQUE : Remettez en place le flasque extérieur et le boulon hexagonal pour éviter de les perdre.

Nettoyage du carter de protection

Lorsque vous changez la lame de scie circulaire, n'oubliez pas d'enlever également la sciure de bois accumulée sur les carters de lame supérieur et inférieur comme indiqué dans la section Entretien. Même après ce nettoyage, il est toujours nécessaire de vérifier le bon fonctionnement du carter de protection inférieur avant chaque utilisation.

Raccordement à un aspirateur

Accessoire en option

NOTE : Selon les modèles, le raccord à poussière est fourni en accessoire standard.

Pour effectuer une opération de coupe propre, raccordez un aspirateur Makita à l'outil.

Installez le raccord à poussière sur l'outil à l'aide de la vis.

► **Fig.18:** 1. Raccord à poussière 2. Vis

Raccordez le tuyau de l'aspirateur au raccord à poussière au moyen du manchon avant 24 comme illustré sur la figure.

► **Fig.19:** 1. Raccord à poussière 2. Manchon avant 24 (accessoire en option) 3. Tuyau de l'aspirateur

UTILISATION

Cet outil est conçu pour couper des produits en bois uniquement.

NOTE : Consultez notre site Web ou contactez votre revendeur Makita local pour connaître les bonnes lames de scie circulaire à utiliser selon le matériau à couper.

Vérification du fonctionnement du carter de protection de lame

Retirez la batterie.

Réglez l'angle de coupe en biseau sur 0°, puis rétractez manuellement le carter de lame inférieur jusqu'au bout et relâchez-le. Le carter de lame inférieur fonctionne correctement si :

- il se rétracte au-dessus de la base sans entrave et ;
- il revient automatiquement et entre en contact avec la butée.

► **Fig.20:** 1. Carter de lame supérieur 2. Carter de lame inférieur 3. Base 4. Butée 5. Ouvrir 6. Fermer

Si le carter de lame inférieur ne fonctionne pas correctement, vérifiez si de la sciure fine s'est accumulée à l'intérieur des carters de lame supérieur et inférieur. Si le carter de lame inférieur ne fonctionne pas correctement même après avoir retiré la sciure, confiez l'outil à un centre d'entretien Makita.

Coupe

⚠ ATTENTION : Portez un masque antipoussière lorsque vous effectuez une coupe.

⚠ ATTENTION : Assurez-vous de déplacer l'outil doucement vers l'avant, en ligne droite. Le fait de forcer ou de tordre l'outil entraînera une surchauffe du moteur et un dangereux choc en retour, risquant de provoquer une blessure grave.

REMARQUE : Si la température de la batterie est basse, il se peut que l'outil ne fonctionne pas à son plein potentiel. Pour l'instant, par exemple, utilisez l'outil pour une coupe légère pendant un moment jusqu'à ce que la batterie soit à température ambiante. Ensuite, l'outil peut fonctionner à son plein potentiel.

► Fig.21

Tenez l'outil fermement. L'outil comporte une poignée avant et une poignée arrière. Utilisez les deux poignées pour mieux tenir l'outil.

Lorsque l'outil est saisi à deux mains, les mains ne risquent pas d'être coupées par la lame de scie circulaire. Placez la base de l'outil sur la pièce à couper de sorte que la lame de scie circulaire n'entre pas en contact avec quoi que ce soit. Mettez ensuite l'outil sous tension et attendez que la lame de scie circulaire atteigne sa pleine vitesse. Déplacez ensuite simplement l'outil vers l'avant sur la surface de la pièce, en le maintenant à plat et en le faisant avancer doucement jusqu'à ce que le sciage soit terminé.

Pour obtenir des coupes propres, maintenez la ligne de coupe bien droite et la vitesse de progression constante. Si la lame dévie de la ligne de coupe prévue, ne tentez pas de modifier la course de l'outil pour le forcer à revenir sur la ligne de coupe. Vous risqueriez de plier la lame de scie circulaire et de provoquer un dangereux choc en retour pouvant causer une blessure grave. Relâchez la gâchette, attendez jusqu'à l'arrêt complet de la lame de scie circulaire, puis retirez l'outil. Réalignez l'outil sur une nouvelle ligne de coupe, puis poursuivez la coupe. Évitez toute position vous exposant aux copeaux et poussières de bois éjectés par la scie. Portez un protecteur pour la vue afin d'éviter les blessures.

Guide parallèle (règle de guidage)

Accessoire en option

⚠ ATTENTION : Assurez-vous que le guide parallèle est bien installé dans la bonne position avant de l'utiliser. Une pose incorrecte peut entraîner un recul dangereux.

Un guide parallèle pratique vous permet d'effectuer des coupes rectilignes d'une extrême précision. Faites simplement glisser le guide parallèle le long du côté de la pièce en le maintenant en position à l'aide de la vis située à l'avant de la base. Cela permet également d'effectuer plusieurs coupes d'une largeur uniforme.

► **Fig.22:** 1. Guide parallèle (règle de guidage) 2. Vis de serrage

Socle de protection

⚠ ATTENTION : Lorsque vous posez l'outil sur le socle de protection, procédez soigneusement. Si vous posez l'outil sur le socle de protection sans précaution, cela présente un risque de blessure ou de dysfonctionnement.

Le socle de protection peut servir pour le rangement provisoire de l'outil pendant le travail.

Pose de l'outil à plat

Pour installer l'outil, poussez-le dans le socle de protection depuis le haut jusqu'au dé clic.

Pour retirer l'outil, tout en tenant le socle de protection avec le pied, tirez l'outil vers le haut comme illustré sur la figure.

► **Fig.23:** 1. Socle de protection

Pose de l'outil incliné

Pour installer l'outil, posez-le sur le socle de protection en angle comme illustré sur la figure.

Pour retirer l'outil, tirez-le vers le haut.

► Fig.24

FONCTION D'ACTIVATION SANS FIL

À quoi sert la fonction d'activation sans fil

La fonction d'activation sans fil offre un fonctionnement propre et confortable. En raccordant un aspirateur compatible à l'outil, vous pouvez déclencher automatiquement l'aspirateur en utilisant l'interrupteur de l'outil.

► Fig.25

Pour utiliser la fonction d'activation sans fil, préparez les éléments suivants :

- Un connecteur sans fil (accessoire en option)
- Un aspirateur compatible avec la fonction d'activation sans fil

Vous trouverez ci-après une vue d'ensemble de la fonction d'activation sans fil. Consultez chaque section pour en savoir plus sur la marche à suivre.

1. Installation du connecteur sans fil
2. Enregistrement de l'outil pour l'aspirateur
3. Démarrage de la fonction d'activation sans fil

Installation du connecteur sans fil

Accessoire en option

ATTENTION : Placez l'outil sur une surface plane et stable pour y installer le connecteur sans fil.

REMARQUE : Retirez la poussière et la saleté sur l'outil avant d'installer le connecteur sans fil. La poussière ou la saleté peuvent provoquer des dysfonctionnements si elles pénètrent dans la fente sur le connecteur sans fil.

REMARQUE : Pour éviter un dysfonctionnement provoqué par l'électricité statique, touchez un matériau conducteur comme la partie métallique de l'outil, avant de prendre dans vos mains le connecteur sans fil.

REMARQUE : Lorsque vous installez le connecteur sans fil, veillez toujours à l'insérer dans le bon sens et assurez-vous que le couvercle est complètement fermé.

1. Ouvrez le couvercle sur l'outil comme illustré sur la figure.

► Fig.26: 1. Couvercle

2. Insérez le connecteur sans fil dans la fente, puis refermez le couvercle.

Lors de l'insertion du connecteur sans fil, alignez les parties saillantes avec les parties creuses sur la fente.

- Fig.27: 1. Connecteur sans fil 2. Partie saillante 3. Couvercle 4. Partie creuse

Pour retirer le connecteur sans fil, ouvrez lentement le couvercle. Les crochets au dos du couvercle soulèveront le connecteur sans fil à mesure que vous tirez le couvercle vers le haut.

- Fig.28: 1. Connecteur sans fil 2. Crochet 3. Couvercle

Après avoir retiré le connecteur sans fil, gardez-le dans l'étui fourni ou dans un récipient anti-statique.

REMARQUE : Utilisez toujours les crochets au dos du couvercle lorsque vous retirez le connecteur sans fil. Si les crochets ne s'attachent pas au connecteur sans fil, fermez complètement le couvercle, puis rouvrez-le lentement.

Enregistrement de l'outil pour l'aspirateur

NOTE : Un aspirateur Makita compatible avec la fonction d'activation sans fil est nécessaire pour l'enregistrement de l'outil.

NOTE : Terminez la mise en place du connecteur sans fil sur l'outil avant de commencer l'enregistrement de l'outil.

NOTE : Pendant l'enregistrement de l'outil, n'enclenchez pas la gâchette, ni ne mettez sous tension l'aspirateur.

NOTE : Consultez aussi le mode d'emploi de l'aspirateur.

Si vous souhaitez activer l'aspirateur en utilisant l'interrupteur de l'outil, terminez d'abord l'enregistrement de l'outil.

1. Insérez les batteries dans l'aspirateur et l'outil.
2. Placez le bouton de veille de l'aspirateur sur « AUTO ».

► Fig.29: 1. Bouton de veille

3. Appuyez sur le bouton d'activation sans fil de l'aspirateur pendant 3 secondes jusqu'à ce que le témoin d'activation sans fil clignote en vert. Puis appuyez sur le bouton d'activation sans fil de l'outil de la même façon.

► Fig.30: 1. Bouton d'activation sans fil 2. Témoin d'activation sans fil

Si la liaison entre l'aspirateur et l'outil est réussie, les témoins d'activation sans fil s'allumeront en vert pendant 2 secondes et se mettront à clignoter en bleu.

NOTE : Les témoins d'activation sans fil cessent de clignoter en vert au bout de 20 secondes. Appuyez sur le bouton d'activation sans fil de l'outil pendant que le témoin d'activation sans fil de l'aspirateur clignote. Si le témoin d'activation sans fil ne clignote pas en vert, appuyez brièvement sur le bouton d'activation sans fil et maintenez-le à nouveau enfoncé.

NOTE : Si vous effectuez plus de deux enregistrements d'outils pour un seul aspirateur, terminez-les l'un après l'autre.

Démarrage de la fonction d'activation sans fil

NOTE : Terminez l'enregistrement de l'outil pour l'aspirateur avant l'activation sans fil.

NOTE : Consultez aussi le mode d'emploi de l'aspirateur.

Après avoir enregistré un outil sur l'aspirateur, ce dernier se déclenchera automatiquement en utilisant l'interrupteur de l'outil.

1. Installez le connecteur sans fil sur l'outil.
2. Raccordez le tuyau de l'aspirateur à l'outil.
► **Fig.31**
3. Placez le bouton de veille de l'aspirateur sur « AUTO ».
► **Fig.32:** 1. Bouton de veille
4. Appuyez brièvement sur le bouton d'activation sans fil sur l'outil. Le témoin d'activation sans fil clignote en bleu.
► **Fig.33:** 1. Bouton d'activation sans fil 2. Témoin d'activation sans fil

5. Mettez l'outil sous tension. Vérifiez que l'aspirateur fonctionne pendant le fonctionnement de l'outil.

Pour arrêter l'activation sans fil de l'aspirateur, appuyez sur le bouton d'activation sans fil de l'outil.

NOTE : Le témoin d'activation sans fil de l'outil cessera de clignoter en bleu en l'absence d'opérations pendant 2 heures. Dans ce cas, placez le bouton de veille de l'aspirateur sur « AUTO » et appuyez à nouveau sur le bouton d'activation sans fil de l'outil.

NOTE : L'aspirateur démarre/s'arrête avec un léger retard. Il y a un décalage lorsque l'aspirateur détecte l'utilisation de l'interrupteur de l'outil.










NOTE : La distance de transmission du connecteur sans fil peut varier selon l'emplacement et les conditions environnantes.

NOTE : Si plus de deux outils sont enregistrés sur un aspirateur, ce dernier peut se mettre en marche sans que vous le mettiez sous tension, car un autre utilisateur emploie la fonction d'activation sans fil.

Description du statut du témoin d'activation sans fil

► **Fig.34:** 1. Témoin d'activation sans fil

Le témoin d'activation sans fil indique le statut de la fonction d'activation sans fil. Consultez le tableau ci-dessous pour la signification du statut du témoin.

Statut	Témoin d'activation sans fil			Durée	Description
	Couleur	 Allumé	 Clignotant		
Veille	Bleu			2 heures	L'activation sans fil de l'aspirateur est disponible. Le témoin s'éteint automatiquement en l'absence d'opérations pendant 2 heures.
				Pendant le fonctionnement de l'outil.	L'activation sans fil de l'aspirateur est disponible et l'outil fonctionne.
Enregistrement de l'outil	Vert			20 secondes	Prêt pour l'enregistrement de l'outil. En attente d'enregistrement par l'aspirateur.
				2 secondes	L'enregistrement de l'outil est terminé. Le témoin d'activation sans fil se met à clignoter en bleu.
Annulation de l'enregistrement de l'outil	Rouge			20 secondes	Prêt pour l'annulation de l'enregistrement de l'outil. En attente d'annulation par l'aspirateur.
				2 secondes	L'annulation de l'enregistrement de l'outil est terminée. Le témoin d'activation sans fil se met à clignoter en bleu.
Autres	Rouge			3 secondes	Le connecteur sans fil est alimenté en électricité et la fonction d'activation sans fil démarre.
	Éteint	-		-	L'activation sans fil de l'aspirateur est arrêté.

Annulation de l'enregistrement de l'outil pour l'aspirateur

Procédez comme indiqué ci-après pour annuler l'enregistrement de l'outil pour l'aspirateur.

1. Insérez les batteries dans l'aspirateur et l'outil.
2. Placez le bouton de veille de l'aspirateur sur « AUTO ».
► **Fig.35:** 1. Bouton de veille

3. Appuyez sur le bouton d'activation sans fil de l'aspirateur pendant 6 secondes. Le témoin d'activation sans fil clignote en vert, puis devient rouge. Après cela, appuyez sur le bouton d'activation sans fil de l'outil de la même façon.

► **Fig.36:** 1. Bouton d'activation sans fil 2. Témoin d'activation sans fil

Si l'annulation est réussie, les témoins d'activation sans fil s'allumeront en rouge pendant 2 secondes et se mettront à clignoter en bleu.

NOTE : Les témoins d'activation sans fil arrêtent de clignoter en rouge au bout de 20 secondes. Appuyez sur le bouton d'activation sans fil de l'outil pendant que le témoin d'activation sans fil de l'aspirateur clignote. Si le témoin d'activation sans fil ne clignote pas en rouge, appuyez brièvement sur le bouton d'activation sans fil et maintenez-le à nouveau enfoncé.

Guide de dépannage de la fonction d'activation sans fil

Avant de faire une demande de réparation, effectuez d'abord vous-même une inspection. Si vous rencontrez un problème non documenté dans le mode d'emploi, n'essayez pas de démonter l'outil. Demandez plutôt à un centre de service après-vente Makita agréé d'effectuer la réparation au moyen de pièces de rechange Makita.

État d'anomalie	Cause probable (dysfonctionnement)	Solution
Le témoin d'activation sans fil ne s'allume pas ou ne clignote pas.	Le connecteur sans fil n'est pas installé sur l'outil. Le connecteur sans fil est mal installé sur l'outil.	Installez correctement le connecteur sans fil.
	La borne du connecteur sans fil et/ou la fente sont sales.	Essuyez délicatement la poussière et la saleté sur la borne du connecteur sans fil et nettoyez la fente.
	Le bouton d'activation sans fil de l'outil n'a pas été enfoncé.	Appuyez brièvement sur le bouton d'activation sans fil sur l'outil.
	Le bouton de veille de l'aspirateur n'est pas placé sur « AUTO ».	Placez le bouton de veille de l'aspirateur sur « AUTO ».
	Pas d'alimentation électrique	Mettez sous tension l'outil électrique et l'aspirateur.
Impossible de terminer correctement l'enregistrement de l'outil/l'annulation de l'enregistrement de l'outil.	Le connecteur sans fil n'est pas installé sur l'outil. Le connecteur sans fil est mal installé sur l'outil.	Installez correctement le connecteur sans fil.
	La borne du connecteur sans fil et/ou la fente sont sales.	Essuyez délicatement la poussière et la saleté sur la borne du connecteur sans fil et nettoyez la fente.
	Le bouton de veille de l'aspirateur n'est pas placé sur « AUTO ».	Placez le bouton de veille de l'aspirateur sur « AUTO ».
	Pas d'alimentation électrique	Mettez sous tension l'outil électrique et l'aspirateur.
	Fonctionnement incorrect	Appuyez brièvement sur le bouton d'activation sans fil et recommencez l'enregistrement de l'outil/l'annulation de l'enregistrement de l'outil.
	L'outil et l'aspirateur sont éloignés l'un de l'autre (hors de la portée de transmission).	Rapprochez l'outil de l'aspirateur. La distance de transmission maximum est d'environ 10 m, toutefois elle peut varier selon les circonstances.
	Avant de terminer l'enregistrement/l'annulation de l'outil ; - l'interrupteur de l'outil est en position de marche ou ; - le bouton d'alimentation de l'aspirateur est placé sur Marche.	Appuyez brièvement sur le bouton d'activation sans fil et recommencez l'enregistrement de l'outil/l'annulation de l'enregistrement de l'outil.
	Les procédures d'enregistrement de l'outil pour l'outil ou l'aspirateur ne sont pas terminées.	Procédez à l'enregistrement de l'outil à la fois pour l'outil et l'aspirateur en même temps.
Interférence radio d'autres appareils qui génèrent des ondes radio puissantes.	Maintenez l'outil et l'aspirateur à l'écart des appareils comme des appareils Wi-Fi et des fours à micro-ondes.	

État d'anomalie	Cause probable (dysfonctionnement)	Solution
L'aspirateur ne se met pas en marche avec l'utilisation de l'interrupteur de l'outil.	Le connecteur sans fil n'est pas installé sur l'outil. Le connecteur sans fil est mal installé sur l'outil.	Installez correctement le connecteur sans fil.
	La borne du connecteur sans fil et/ou la fente sont sales.	Essuyez délicatement la poussière et la saleté sur la borne du connecteur sans fil et nettoyez la fente.
	Le bouton d'activation sans fil de l'outil n'a pas été enfoncé.	Appuyez brièvement sur le bouton d'activation sans fil et assurez-vous que le témoin d'activation sans fil clignote en bleu.
	Le bouton de veille de l'aspirateur n'est pas placé sur « AUTO ».	Placez le bouton de veille de l'aspirateur sur « AUTO ».
	Plus de 10 outils sont enregistrés sur l'aspirateur.	Recommencez l'enregistrement de l'outil. Si plus de 10 outils sont enregistrés sur l'aspirateur, l'outil enregistré le plus tôt sera automatiquement annulé.
	L'aspirateur a effacé tous les enregistrements d'outils.	Recommencez l'enregistrement de l'outil.
	Pas d'alimentation électrique	Mettez sous tension l'outil électrique et l'aspirateur.
	L'outil et l'aspirateur sont éloignés l'un de l'autre (hors de la portée de transmission).	Rapprochez l'outil de l'aspirateur. La distance de transmission maximum est d'environ 10 m, toutefois elle peut varier selon les circonstances.
	Interférence radio d'autres appareils qui génèrent des ondes radio puissantes.	Maintenez l'outil et l'aspirateur à l'écart des appareils comme des appareils Wi-Fi et des fours à micro-ondes.
L'aspirateur fonctionne alors que l'outil ne fonctionne pas.	D'autres utilisateurs emploient la fonction d'activation sans fil de l'aspirateur avec leurs outils.	Placez le bouton d'activation sans fil des autres outils sur Arrêt ou annulez l'enregistrement de l'outil des autres outils.

ENTRETIEN

⚠ ATTENTION : Assurez-vous toujours que l'outil est hors tension et que la batterie est retirée avant d'y effectuer tout travail d'inspection ou d'entretien.

⚠ ATTENTION : Nettoyez les carters de lame inférieur et supérieur pour garantir l'absence de sciure de bois accumulée susceptible d'empêcher le bon fonctionnement du système de protection de lame inférieur. Un système de protection encrassé peut empêcher le bon fonctionnement et entraîner de graves blessures. L'air comprimé est le moyen le plus efficace pour procéder au nettoyage. Si vous éliminez la poussière des carters de lame en la soufflant, veillez à utiliser une protection oculaire et respiratoire adéquate.

⚠ ATTENTION : Après chaque utilisation, essuyez la sciure sur l'outil. La sciure fine pourrait pénétrer à l'intérieur de l'outil et déclencher un dysfonctionnement ou un incendie.

REMARQUE : N'utilisez jamais d'essence, benzine, diluant, alcool ou autre produit similaire. Cela risquerait de provoquer la décoloration, la déformation ou la fissuration de l'outil.

Pour assurer la SÉCURITÉ et la FIABILITÉ du produit, toute réparation, tout travail d'entretien ou de réglage doivent être effectués par un centre d'entretien Makita agréé, avec des pièces de rechange Makita.

Réglage de la précision de la coupe à 0°

REMARQUE : Avant de commencer le réglage, assurez-vous que le verrouillage de la profondeur de coupe est fermement fixé.

Ce réglage a été fait en usine. Mais s'il est incorrect, vous pouvez l'ajuster en procédant comme suit.

1. Desserrez le verrouillage de l'angle de coupe en biseau pour que l'angle de coupe en biseau puisse être modifié.

NOTE : Reportez-vous à la section sur la coupe en biseau pour savoir comment serrer ou desserrer le verrouillage de l'angle de coupe en biseau.

2. Placez une règle triangulaire ou une équerre sur le côté de la lame de scie circulaire et sur la base.

Tout en maintenant le côté de la lame de scie circulaire et la base perpendiculaires entre eux, tournez la vis de réglage pour arriver à la position 0°.

► **Fig.37:** 1. Règle triangulaire 2. Vis de réglage

3. Verrouillez l'angle de coupe en biseau et faites une coupe d'essai pour vérifier la verticalité.

ACCESSOIRES EN OPTION

⚠ ATTENTION : Ces accessoires ou pièces complémentaires sont recommandés pour l'utilisation avec l'outil Makita spécifié dans ce mode d'emploi. L'utilisation de tout autre accessoire ou pièce complémentaire peut comporter un risque de blessure. N'utilisez les accessoires ou pièces complémentaires qu'aux fins auxquelles ils ont été conçus.

Pour obtenir plus de détails sur ces accessoires, contactez votre centre d'entretien local Makita.

- Lame de scie circulaire
- Guide longitudinal (règle de guidage)
- Raccord à poussière
- Clé hexagonale
- Connecteur sans fil
- Batterie et chargeur Makita d'origine

NOTE : Il se peut que certains éléments de la liste soient compris dans l'emballage de l'outil en tant qu'accessoires standard. Ils peuvent varier d'un pays à l'autre.

TECHNISCHE DATEN

Modell:		HS013G
Sägeblattdurchmesser		415 mm
Max. Schnitttiefe	bei 0°	158 mm
	bei 45° Neigungswinkel	106 mm
Leerlaufdrehzahl		2.100 min ⁻¹
Nennspannung		36 V - 40 V Gleichstrom
Gesamtlänge		606 mm
Nettogewicht		11,0 - 12,0 kg

- Wir behalten uns vor, Änderungen der technischen Daten im Zuge der Entwicklung und des technischen Fortschritts ohne vorherige Ankündigung vorzunehmen.
- Die technischen Daten können von Land zu Land unterschiedlich sein.
- Das Gewicht kann abhängig von dem Aufsatz (den Aufsätzen), einschließlich des Akkus, unterschiedlich sein. Die leichteste und die schwerste Kombination, gemäß dem EPTA-Verfahren 01/2014, sind in der Tabelle angegeben.

Zutreffende Akkus und Ladegeräte

Akku	BL4040 / BL4040F* / BL4050F* / BL4080F* * : Empfohlener Akku
Ladegerät	DC40RA / DC40RB / DC40RC / DC40WA

- Einige der oben aufgelisteten Akkus und Ladegeräte sind je nach Ihrem Wohngebiet eventuell nicht erhältlich.

⚠️ WARNUNG: Verwenden Sie nur die oben aufgeführten Akkus und Ladegeräte. Bei Verwendung irgendwelcher anderer Akkus und Ladegeräte besteht Verletzungs- und/oder Brandgefahr.

Vorgesehene Verwendung

Das Werkzeug ist für Geradschnitte in Längs- und Querrichtung sowie für schräge Gehrungsschnitte in Holz vorgesehen, wobei es in festem Kontakt mit dem Werkstück bleibt.

Geräusch

Typischer A-bewerteter Geräuschpegel ermittelt gemäß EN62841-2-5:

Schalldruckpegel (L_{pA}): 98 dB (A)

Schallleistungspegel (L_{WA}): 106 dB (A)

Messunsicherheit (K): 3 dB (A)

HINWEIS: Der (Die) angegebene(n) Schallemissionswert(e) wurde(n) im Einklang mit der Standardprüfmethode gemessen und kann (können) für den Vergleich zwischen Werkzeugen herangezogen werden.

HINWEIS: Der (Die) angegebene(n) Schallemissionswert(e) kann (können) auch für eine Vorbewertung des Gefährdungsgrads verwendet werden.

⚠️ WARNUNG: Einen Gehörschutz tragen.

⚠️ WARNUNG: Die Schallemission während der tatsächlichen Benutzung des Elektrowerkzeugs kann je nach der Benutzungsweise des Werkzeugs, und speziell je nach der Art des bearbeiteten Werkstücks, von dem (den) angegebenen Wert(en) abweichen.

⚠️ WARNUNG: Identifizieren Sie Sicherheitsmaßnahmen zum Schutz des Benutzers anhand einer Schätzung des Gefährdungsgrads unter den tatsächlichen Benutzungsbedingungen (unter Berücksichtigung aller Phasen des Arbeitszyklus, wie z. B. Ausschalt- und Leerlaufzeiten des Werkzeugs zusätzlich zur Betriebszeit).

Schwingungen

Schwingungsgesamtwert (Drei-Achsen-Vektorsumme) ermittelt gemäß EN62841-2-5:
Arbeitsmodus: Schneiden von Holz
Schwingungsemission ($a_{h,w}$): 2,5 m/s² oder weniger
Messunsicherheit (K): 1,5 m/s²

HINWEIS: Der (Die) angegebene(n) Vibrationsgesamtwert(e) wurde(n) im Einklang mit der Standardprüfmethode gemessen und kann (können) für den Vergleich zwischen Werkzeugen herangezogen werden.

HINWEIS: Der (Die) angegebene(n) Vibrationsgesamtwert(e) kann (können) auch für eine Vorbewertung des Gefährdungsgrads verwendet werden.

⚠️ WARNUNG: Die Vibrationsemission während der tatsächlichen Benutzung des Elektrowerkzeugs kann je nach der Benutzungsweise des Werkzeugs, und speziell je nach der Art des bearbeiteten Werkstücks, von dem (den) angegebenen Emissionswert(en) abweichen.

⚠️ WARNUNG: Identifizieren Sie Sicherheitsmaßnahmen zum Schutz des Benutzers anhand einer Schätzung des Gefährdungsgrads unter den tatsächlichen Benutzungsbedingungen (unter Berücksichtigung aller Phasen des Arbeitszyklus, wie z. B. Ausschalt- und Leerlaufzeiten des Werkzeugs zusätzlich zur Betriebszeit).

Konformitätserklärungen

Nur für europäische Länder

Die Konformitätserklärungen sind in Anhang A dieser Betriebsanleitung enthalten.

SICHERHEITSWARNUNGEN

Allgemeine Sicherheitswarnungen für Elektrowerkzeuge

⚠️ WARNUNG Lesen Sie alle Sicherheitshinweise, Anweisungen, Abbildungen und Spezifikationen, die diesem Elektrowerkzeug beiliegen. Eine Missachtung der unten aufgeführten Anweisungen kann zu einem elektrischen Schlag, Brand und/oder schweren Verletzungen führen.

Bewahren Sie alle Warnungen und Anweisungen für spätere Bezugnahme auf.

Der Ausdruck „Elektrowerkzeug“ in den Warnhinweisen bezieht sich auf Ihr mit Netzstrom (mit Kabel) oder Akku (ohne Kabel) betriebenes Elektrowerkzeug.

Sicherheitswarnungen für Akku-Handkreissäge

Schneidverfahren

1. **⚠️ GEFAHR:** Halten Sie Ihre Hände vom Schnittbereich und vom Sägeblatt fern. Halten Sie mit der zweiten Hand den Zusatzgriff oder

das **Motorgehäuse**. Wenn beide Hände die Säge halten, können sie nicht durch das Sägeblatt verletzt werden.

2. **Fassen Sie nicht unter das Werkstück.** Die Schutzhaube bietet keinen Schutz auf der Unterseite des Werkstücks.
3. **Stellen Sie die Schnitttiefe auf die Dicke des Werkstücks ein.** Das Sägeblatt darf nicht mehr als eine Zahnlänge auf der Unterseite des Werkstücks überstehen.
4. **Halten Sie das Werkstück beim Schneiden niemals in Ihren Händen oder auf den Beinen. Sichern Sie das Werkstück auf einer stabilen Plattform.** Es ist wichtig, das Werkstück sachgemäß abzustützen, um Körperaussetzung, Klemmen des Sägeblatts oder Verlust der Kontrolle auf ein Minimum zu reduzieren.

► Abb.1

5. **Halten Sie das Elektrowerkzeug an den isolierten Griffflächen, wenn Sie Arbeiten ausführen, bei denen die Gefahr besteht, dass das Schneidwerkzeug verborgene Kabel kontaktiert.** Bei Kontakt mit einem Strom führenden Kabel werden die freiliegenden Metallteile des Elektrowerkzeugs ebenfalls Strom führend, so dass der Benutzer einen elektrischen Schlag erleiden kann.
6. **Verwenden Sie beim Längsschlag oder ein Richtlineal.** Dadurch wird die Schnittgenauigkeit verbessert und die Gefahr von Sägeblatt-Klemmen reduziert.
7. **Verwenden Sie stets Sägeblätter, deren Spindelbohrung die korrekte Größe und Form (rautenförmig oder rund) hat.** Sägeblätter, die nicht genau auf den Montageflansch der Säge passen, rotieren exzentrisch und verursachen den Verlust der Kontrolle.
8. **Verwenden Sie niemals beschädigte oder falsche Sägeblattscheiben oder -schrauben.** Die Sägeblattscheiben und -schrauben sind speziell für Ihre Säge vorgesehen, um optimale Leistung und Betriebssicherheit zu gewährleisten.

Rückschlagsursachen und damit zusammenhängende Warnungen

- Ein Rückschlag ist eine plötzliche Reaktion auf ein eingeklemmtes, blockiertes oder falsch ausgerichtetes Sägeblatt, der ein unkontrolliertes Anheben und Herausspringen der Säge aus dem Werkstück in Richtung der Bedienungsperson verursacht.
- Wenn das Sägeblatt durch den sich schließenden Sägeschlitz eingeklemmt oder blockiert wird, bleibt das Sägeblatt stehen, und die Motorreaktion drückt die Säge plötzlich in Richtung der Bedienungsperson zurück.
- Falls das Sägeblatt im Schnitt verdreht oder versetzt wird, können sich die Zähne an der Hinterkante des Sägeblatts in die Oberfläche des Holzstücks bohren, so dass sich das Sägeblatt aus dem Sägeschlitz heraushebt und in Richtung der Bedienungsperson zurückspringt.

Rückschlag ist das Resultat falscher Handhabung der Säge und/oder falscher Arbeitsverfahren oder -bedingungen und kann durch Anwendung der nachstehenden Vorsichtsmaßnahmen vermieden werden.

1. **Halten Sie die Säge mit beiden Händen fest, und positionieren Sie Ihre Arme so, dass sie die Rückschlagkräfte auffangen. Stellen Sie sich so, dass sich Ihr Körper seitlich vom Sägeblatt befindet, nicht auf gleicher Linie mit dem Sägeblatt.** Rückschlag kann Zurückspringen der Säge verursachen; doch wenn geeignete Vorkehrungen getroffen werden, können die Rückschlagkräfte von der Bedienungsperson unter Kontrolle gehalten werden.
2. **Falls das Sägeblatt klemmt oder der Schnitt aus irgendeinem Grund unterbrochen wird, lassen Sie den Ein-Aus-Schalter los, und halten Sie die Säge bewegungslos im Werkstück, bis das Sägeblatt zum völligen Stillstand kommt. Versuchen Sie niemals, die Säge bei noch rotierendem Sägeblatt vom Werkstück abzunehmen oder zurückzuziehen, weil es sonst zu einem Rückschlag kommen kann.** Nehmen Sie eine Überprüfung vor, und treffen Sie Abhilfemaßnahmen, um die Ursache von Sägeblatt-Klemmen zu beseitigen.
3. **Wenn Sie die Säge bei im Werkstück befindlichem Sägeblatt wieder einschalten, zentrieren Sie das Sägeblatt im Sägeschlitz, und vergewissern Sie sich, dass die Sägezähne nicht mit dem Werkstück im Eingriff sind.** Falls ein Sägeblatt klemmt, kann es beim Wiedereinschalten der Säge aus dem Werkstück herausschnellen oder zurückspringen.
4. **Stützen Sie große Platten ab, um die Gefahr von Klemmen und Rückschlägen des Sägeblatts auf ein Minimum zu reduzieren.** Große Platten neigen dazu, unter ihrem Eigengewicht durchzuhängen. Die Stützen müssen beidseitig der Schnittlinie und in der Nähe der Plattenkante unter der Platte platziert werden.

► **Abb.2**

► **Abb.3**

5. **Verwenden Sie keine stumpfen oder beschädigten Sägeblätter.** Unschärfe oder falsch angebrachte Sägeblätter erzeugen einen schmalen Sägeschlitz, der übermäßige Reibung, Sägeblatt-Klemmen und Rückschlag verursacht.
6. **Die Sägeblatttiefen- und Neigungseinstellungs-Arretierhebel müssen fest angezogen und gesichert sein, bevor der Schnitt ausgeführt wird.** Falls sich die Sägeblatteinstellung während des Sägens verstellt, kann es zu Klemmen und Rückschlag kommen.
7. **Lassen Sie beim Sägen in vorhandene Wände oder andere tote Winkel besondere Vorsicht walten.** Das vorstehende Sägeblatt kann Objekte durchschneiden, die Rückschlag verursachen können.
8. **Halten Sie das Werkzeug IMMER mit beiden Händen fest. Halten Sie NIEMALS Ihre Hand, Ihr Bein oder irgendeinen Körperteil unter die Werkzeugbasis oder hinter die Säge, insbesondere bei der Ausführung von Querschnitten.** Falls Rückschlag auftritt, besteht die Gefahr, dass die Säge über Ihre Hand zurückspringt und schwere Personenschäden verursacht.

► **Abb.4**

9. **Wenden Sie keine Gewalt auf die Säge an. Schieben Sie die Säge mit einer Geschwindigkeit vor, dass das Sägeblatt nicht abgebremst wird.** Gewaltanwendung kann ungleichmäßige Schnitte, Verlust der Genauigkeit und möglichen Rückschlag verursachen.

Funktion der Schutzhaube

1. **Überprüfen Sie die untere Schutzhaube vor jeder Benutzung auf einwandfreies Schließen. Betreiben Sie die Säge nicht, falls sich die untere Schutzhaube nicht ungehindert bewegt und sofort schließt. Die untere Schutzhaube darf auf keinen Fall in der geöffneten Stellung festgeklemmt oder festgebunden werden.** Wird die Säge versehentlich fallen gelassen, kann die untere Schutzhaube verbogen werden. Heben Sie die untere Schutzhaube mit dem Rückzuggriff an, und vergewissern Sie sich, dass sie sich ungehindert bewegt und bei allen Winkel- und Schnitttiefen-Einstellungen nicht mit dem Sägeblatt oder irgendeinem anderen Teil in Berührung kommt.
2. **Überprüfen Sie die Funktion der Feder der unteren Schutzhaube. Falls Schutzhaube und Feder nicht einwandfrei funktionieren, müssen die Teile vor der Benutzung gewartet werden.** Falls beschädigte Teile, klebrige Ablagerungen oder Schmutzansammlung vorhanden sind, kann die untere Schutzhaube schwergängig werden.
3. **Die untere Schutzhaube sollte nur für spezielle Schnitte, wie „Tauschnitte“ und „Doppelwinkelschnitte“, manuell zurückgezogen werden. Heben Sie die untere Schutzhaube mit dem Rückzuggriff an, und sobald das Sägeblatt in das Werkstück eindringt, muss die untere Schutzhaube losgelassen werden.** Für alle anderen Sägearbeiten sollte die untere Schutzhaube automatisch betätigt werden.
4. **Vergewissern Sie sich stets, dass die untere Schutzhaube das Sägeblatt verdeckt, bevor Sie die Säge auf der Werkbank oder dem Boden ablegen.** Ein ungeschützt auslaufendes Sägeblatt bewirkt Rückwärtskriechen der Säge und schneidet alles, was sich in seinem Weg befindet. Berücksichtigen Sie die Auslaufzeit des Sägeblatts bis zum Stillstand nach dem Loslassen des Schalters.
5. **Öffnen Sie die untere Schutzhaube probeweise von Hand, und achten Sie beim Loslassen darauf, dass sie sich einwandfrei schließt. Vergewissern Sie sich auch, dass der Rückzuggriff nicht mit dem Werkzeuggehäuse in Berührung kommt.** Die Bloßstellung des Sägeblatts ist SEHR GEFÄHRLICH und kann zu schweren Verletzungen führen.

Zusätzliche Sicherheitswarnungen

1. **Lassen Sie beim Schneiden von feuchtem Holz, druckbehandeltem Bauholz oder Astholz besondere Vorsicht walten.** Behalten Sie einen gleichmäßigen Vorschub des Werkzeugs bei, ohne dass sich die Sägeblattzahl verringert, um Überhitzen der Sägeblattzähne zu vermeiden.

2. Versuchen Sie nicht, abgeschnittenes Material bei rotierendem Sägeblatt zu entfernen. Warten Sie, bis das Sägeblatt zum Stillstand kommt, bevor Sie abgeschnittenes Material wegnehmen. Das Sägeblatt läuft nach dem Ausschalten noch nach.
3. Vermeiden Sie das Schneiden von Nägeln. Überprüfen Sie Bauholz vor dem Schneiden auf Nägel, und entfernen Sie etwaige Nägel.
4. Setzen Sie den breiteren Teil der Grundplatte auf den fest abgestützten Teil des Werkstücks, nicht auf den Teil, der nach dem Schnitt herunterfällt. Kurze oder kleine Werkstücke müssen eingespannt werden. **VERSUCHEN SIE NICHT, KURZE WERKSTÜCKE MIT DER HAND ZU HALTEN!**

► **Abb.5**

5. Bevor Sie das Werkzeug nach Ausführung eines Schnitts absetzen, vergewissern Sie sich, dass sich die Schutzhaube geschlossen hat und das Sägeblatt zu vollständigem Stillstand gekommen ist.
6. Versuchen Sie niemals, die Kreissäge zum Sägen verkehrt herum in einen Schraubstock einzuspannen. Dies ist sehr gefährlich und kann zu schweren Unfällen führen.

► **Abb.6**

7. Manche Materialien können giftige Chemikalien enthalten. Treffen Sie Vorsichtsmaßnahmen, um das Einatmen von Arbeitsstaub und Hautkontakt zu verhüten. Befolgen Sie die Sicherheitsdaten des Materiallieferanten.
8. Bremsen Sie die Säge nicht durch seitlichen Druck auf das Sägeblatt ab.
9. Verwenden Sie keine Schleifscheiben.
10. Verwenden Sie nur Sägeblätter mit einem Durchmesser, der am Werkzeug markiert oder im Handbuch angegeben ist. Die Verwendung eines Sägeblatts mit falscher Größe kann den einwandfreien Schutz des Sägeblatts oder den Schutzbetrieb beeinträchtigen, was ernsthaften Personenschaden zur Folge haben kann.
11. Halten Sie das Sägeblatt scharf und sauber. An den Sägeblättern haftendes und verhärtetes Gummi und Harz verlangsamen die Säge und erhöhen die Rückschlaggefahr. Halten Sie das Sägeblatt sauber, indem Sie es vom Werkzeug abmontieren und dann mit Gummi- und Harzentferner, heißem Wasser oder Petroleum reinigen. Verwenden Sie niemals Benzin.
12. Tragen Sie bei der Benutzung des Werkzeugs eine Staubmaske und einen Gehörschutz.
13. Verwenden Sie immer das zum Schneiden des jeweiligen Arbeitsmaterials vorgesehene Sägeblatt.
14. Verwenden Sie nur Sägeblätter, die mit einer Drehzahl markiert sind, die der am Werkzeug angegebenen Drehzahl entspricht oder diese übertrifft.
15. (Nur für europäische Länder)
Verwenden Sie immer ein Sägeblatt, das der Norm EN847-1 entspricht, wenn es für Holz und ähnliche Materialien bestimmt ist.

16. Legen Sie das Werkzeug und die Teile auf einer ebenen und stabilen Oberfläche ab. Anderenfalls können das Werkzeug oder die Teile herunterfallen und eine Verletzung verursachen.

BEWAHREN SIE DIESE ANLEITUNG AUF.

⚠️ WARNUNG: Lassen Sie sich NICHT durch Bequemlichkeit oder Vertrautheit mit dem Produkt (durch wiederholten Gebrauch erworben) von der strikten Einhaltung der Sicherheitsregeln für das vorliegende Produkt abhalten. **MISSBRAUCH** oder Missachtung der Sicherheitsvorschriften in dieser Anleitung können schwere Personenschäden verursachen.

Wichtige Sicherheitsanweisungen für Akku

1. Lesen Sie vor der Benutzung des Akkus alle Anweisungen und Warnhinweise, die an (1) Ladegerät, (2) Akku und (3) Akkuwerkzeug angebracht sind.
2. Unterlassen Sie Zerlegen oder Manipulieren des Akkus. Es kann sonst zu einem Brand, übermäßiger Hitzeentwicklung oder einer Explosion kommen.
3. Falls die Betriebszeit beträchtlich kürzer geworden ist, stellen Sie den Betrieb sofort ein. Anderenfalls besteht die Gefahr von Überhitzung, möglichen Verbrennungen und sogar einer Explosion.
4. Falls Elektrolyt in Ihre Augen gelangt, waschen Sie sie mit sauberem Wasser aus, und begeben Sie sich unverzüglich in ärztliche Behandlung. Anderenfalls können Sie Ihre Sehkraft verlieren.
5. Der Akku darf nicht kurzgeschlossen werden:
 - (1) Die Kontakte dürfen nicht mit leitfähigem Material berührt werden.
 - (2) Lagern Sie den Akku nicht in einem Behälter zusammen mit anderen Metallgegenständen, wie z. B. Nägel, Münzen usw.
 - (3) Setzen Sie den Akku weder Wasser noch Regen aus.

Ein Kurzschluss des Akkus verursacht starken Stromfluss, der Überhitzung, mögliche Verbrennungen und einen Defekt zur Folge haben kann.
6. Lagern und benutzen Sie das Werkzeug und den Akku nicht an Orten, an denen die Temperatur 50 °C erreichen oder überschreiten kann.
7. Versuchen Sie niemals, den Akku zu verbrennen, selbst wenn er stark beschädigt oder vollkommen verbraucht ist. Der Akku kann im Feuer explodieren.
8. Unterlassen Sie Nageln, Schneiden, Zerquetschen, Werfen, Fallenlassen des Akkus oder Schlagen des Akkus mit einem harten Gegenstand. Eine solche Handlung kann zu einem Brand, übermäßiger Hitzeentwicklung oder einer Explosion führen.

9. **Benutzen Sie keine beschädigten Akkus.**
10. **Die enthaltenen Lithium-Ionen-Akkus unterliegen den Anforderungen der Gefahrgut-Gesetzgebung.**
Für kommerzielle Transporte, z. B. durch Dritte oder Spediteure, müssen besondere Anforderungen zu Verpackung und Etikettierung beachtet werden.
Zur Vorbereitung des zu transportierenden Artikels ist eine Beratung durch einen Experten für Gefahrgut erforderlich. Bitte beachten Sie möglicherweise ausführlichere nationale Vorschriften. Überkleben oder verdecken Sie offene Kontakte, und verpacken Sie den Akku so, dass er sich in der Verpackung nicht umher bewegen kann.
11. **Entfernen Sie den Akku zum Entsorgen vom Werkzeug, und entsorgen Sie ihn an einem sicheren Ort. Befolgen Sie die örtlichen Vorschriften bezüglich der Entsorgung von Akkus.**
12. **Verwenden Sie die Akkus nur mit den von Makita angegebenen Produkten.** Das Einsetzen der Akkus in nicht konforme Produkte kann zu einem Brand, übermäßiger Hitzebildung, einer Explosion oder Auslaufen von Elektrolyt führen.
13. **Soll das Werkzeug längere Zeit nicht benutzt werden, muss der Akku vom Werkzeug entfernt werden.**
14. **Bei und nach dem Gebrauch kann der Akku heiß werden, was Verbrennungen oder Niedertemperaturverbrennungen verursachen kann. Beachten Sie die Handhabung von heißen Akkus.**
15. **Berühren Sie nicht den Anschlusskontakt des Werkzeugs unmittelbar nach dem Gebrauch, da er heiß genug werden kann, um Verbrennungen zu verursachen.**
16. **Achten Sie darauf, dass sich keine Späne, Staub oder Schmutz in den Anschlusskontakten, Löchern und Nuten des Akkus absetzen.** Es könnte sonst zu Erhitzung, Brandauslösung, Bersten und Funktionsstörungen des Werkzeugs oder des Akkus kommen, was zu Verbrennungen oder Personenschäden führen kann.
17. **Wenn das Werkzeug den Einsatz in der Nähe einer Hochspannungs-Stromleitung nicht unterstützt, benutzen Sie den Akku nicht in der Nähe einer Hochspannungs-Stromleitung.** Dies kann zu einer Funktionsstörung oder Betriebsstörung des Werkzeugs oder des Akkus führen.
18. **Halten Sie die Batterie von Kindern fern.**

DIESE ANWEISUNGEN AUFBEWAHREN.

▲VORSICHT: Verwenden Sie nur Original-Makita-Akkus. Die Verwendung von Nicht-Original-Makita-Akkus oder von Akkus, die abgeändert worden sind, kann zum Bersten des Akkus und daraus resultierenden Bränden, Personenschäden und Beschädigung führen. Außerdem wird dadurch die Makita-Garantie für das Makita-Werkzeug und -Ladegerät ungültig.

Hinweise zur Aufrechterhaltung der maximalen Akku-Nutzungsdauer

1. **Laden Sie den Akku, bevor er vollkommen erschöpft ist. Schalten Sie das Werkzeug stets aus, und laden Sie den Akku, wenn Sie ein Nachlassen der Werkzeuleistung feststellen.**
2. **Unterlassen Sie erneutes Laden eines voll aufgeladenen Akkus. Überladen führt zu einer Verkürzung der Nutzungsdauer des Akkus.**
3. **Laden Sie den Akku bei Raumtemperatur zwischen 10 – 40 °C. Lassen Sie einen heißen Akku abkühlen, bevor Sie ihn laden.**
4. **Wenn Sie den Akku nicht benutzen, nehmen Sie ihn vom Werkzeug oder Ladegerät ab.**
5. **Der Akku muss geladen werden, wenn er lange Zeit (länger als sechs Monate) nicht benutzt wird.**

Wichtige Sicherheitsanweisungen für Funk-Adapter

1. **Unterlassen Sie Zerlegen oder Manipulieren des Funk-Adapters.**
2. **Halten Sie den Funk-Adapter von kleinen Kindern fern. Suchen Sie bei versehentlichem Verschlucken sofort ärztliche Behandlung auf.**
3. **Benutzen Sie den Funk-Adapter nur mit Makita-Werkzeugen.**
4. **Setzen Sie den Funk-Adapter keinem Regen oder Nässe aus.**
5. **Benutzen Sie den Funk-Adapter nicht an Orten, wo die Temperatur 50 °C überschreitet.**
6. **Betreiben Sie den Funk-Adapter nicht an Orten, in deren Nähe sich medizinische Geräte, wie z. B. Herzschrittmacher, befinden.**
7. **Betreiben Sie den Funk-Adapter nicht an Orten, in deren Nähe sich automatisierte Geräte befinden.** Bei Betrieb kann in den automatisierten Geräten eine Funktionsstörung oder ein Fehler entstehen.
8. **Betreiben Sie den Funk-Adapter nicht an Orten unter hohen Temperaturen oder an Orten, wo statische Elektrizität oder elektrisches Rauschen erzeugt werden könnte.**
9. **Der Funk-Adapter kann elektromagnetische Felder (EMF) erzeugen, die aber für den Benutzer nicht gesundheitsschädlich sind.**
10. **Der Funk-Adapter ist ein Präzisionsinstrument. Achten Sie darauf, dass der Funk-Adapter nicht fallen gelassen oder Stößen ausgesetzt wird.**
11. **Vermeiden Sie Berühren der Kontakte des Funk-Adapters mit bloßen Händen oder Metallgegenständen.**
12. **Entfernen Sie stets den Akku vom Produkt, bevor Sie den Funk-Adapter installieren.**
13. **Öffnen Sie den Deckel des Steckplatzes nicht an Orten, wo Staub und Wasser in den Steckplatz eindringen können. Halten Sie den Einlass des Steckplatzes stets sauber.**

14. Führen Sie den Funk-Adapter stets in der korrekten Richtung ein.
15. Drücken Sie nicht zu fest und/oder mit einem scharfkantigen Gegenstand auf die Funk-Aktivierungstaste des Funk-Adapters.
16. Halten Sie den Deckel des Steckplatzes beim Betrieb immer geschlossen.
17. Entfernen Sie den Funk-Adapter nicht aus dem Steckplatz, während das Werkzeug mit Strom versorgt wird. Anderenfalls kann eine Funktionsstörung des Funk-Adapters verursacht werden.
18. Entfernen Sie nicht den Aufkleber vom Funk-Adapter.
19. Kleben Sie keinen anderen Aufkleber auf den Funk-Adapter.
20. Lassen Sie den Funk-Adapter nicht an einem Ort liegen, wo statische Elektrizität oder elektrisches Rauschen erzeugt werden könnte.
21. Lassen Sie den Funk-Adapter nicht an einem Ort liegen, der starker Hitze ausgesetzt ist, wie z. B. in einem in praller Sonne geparkten Auto.
22. Lassen Sie den Funk-Adapter nicht an einem Ort liegen, der Staub oder Puder aufweist, oder an dem ein korrosives Gas erzeugt werden könnte.
23. Plötzliche Temperaturschwankungen können den Funk-Adapter betauen. Benutzen Sie den Funk-Adapter nicht eher, bis der Tau vollständig getrocknet ist.
24. Wischen Sie den Funk-Adapter zum Reinigen sanft mit einem trockenen, weichen Tuch ab. Verwenden Sie kein Waschbenzin, kein leitfähiges Fett, keinen Verdünnner oder dergleichen.
25. Bewahren Sie den Funk-Adapter zur Lagerung in der mitgelieferten Schachtel oder einem statikfreien Behälter auf.
26. Führen Sie keine anderen Geräte außer dem Makita-Funk-Adapter in den Steckplatz des Werkzeugs ein.
27. Benutzen Sie das Werkzeug nicht, wenn der Deckel des Steckplatzes beschädigt ist. Wasser, Staub und Schmutz, die in den Steckplatz eindringen, können eine Funktionsstörung verursachen.
28. Ziehen und/oder verdrehen Sie den Deckel des Steckplatzes nicht mehr als nötig. Bringen Sie den Deckel wieder an, falls er sich vom Werkzeug löst.
29. Ersetzen Sie den Deckel des Steckplatzes, falls er verloren geht oder beschädigt wird.

BEWAHREN SIE DIESE ANLEITUNG AUF.

FUNKTIONSBE-SCHREIBUNG

⚠ VORSICHT: Vergewissern Sie sich vor der Durchführung von Einstellungen oder Funktionsprüfungen des Werkzeugs stets, dass das Werkzeug ausgeschaltet und der Akku abgenommen ist.

Anbringen und Abnehmen des Akkus

⚠ VORSICHT: Schalten Sie das Werkzeug stets aus, bevor Sie den Akku anbringen oder abnehmen.

⚠ VORSICHT: Halten Sie das Werkzeug und den Akku beim Anbringen oder Abnehmen des Akkus sicher fest. Wenn Sie das Werkzeug und den Akku nicht sicher festhalten, können sie Ihnen aus der Hand rutschen, was zu einer Beschädigung des Werkzeugs und des Akkus und zu Körperverletzungen führen kann.

Richten Sie zum Anbringen des Akkus dessen Führungsfeder auf die Nut im Gehäuse aus, und schieben Sie den Akku hinein. Schieben Sie ihn vollständig ein, bis er mit einem leisen Klicken einrastet. Wenn Sie die rote Anzeige sehen können, wie in der Abbildung gezeigt, ist der Akku nicht vollständig verriegelt.

Ziehen Sie den Akku zum Abnehmen vom Werkzeug ab, während Sie den Knopf an der Vorderseite des Akkus verschieben.

► **Abb.7:** 1. Rote Anzeige 2. Knopf 3. Akku

⚠ VORSICHT: Schieben Sie den Akku stets bis zum Anschlag ein, bis die rote Anzeige nicht mehr sichtbar ist. Anderenfalls kann er aus dem Werkzeug herausfallen und Sie oder umstehende Personen verletzen.
























⚠ VORSICHT: Unterlassen Sie Gewaltanwendung beim Anbringen des Akkus. Falls der Akku nicht reibungslos hineingleitet, ist er nicht richtig ausgerichtet.

Anzeigen der Akku-Restkapazität

Drücken Sie die Prüftaste am Akku, um die Akku-Restkapazität anzuzeigen. Die Anzeigelampen leuchten wenige Sekunden lang auf.

► **Abb.8:** 1. Anzeigelampen 2. Prüftaste

Anzeigelampen			Restkapazität
■ Erleuchtet	□ Aus	▧ Blinkend	
■ ■ ■ ■			75% bis 100%
■ ■ ■ □			50% bis 75%

Anzeigelampen			Restkapazität
 Erleuchtet	 Aus	 Blinkend	
	  		25% bis 50%
	  		0% bis 25%
	  		Den Akku aufladen.
	  		Möglicherweise liegt eine Funktionsstörung im Akku vor.
	  		

HINWEIS: Abhängig von den Benutzungsbedingungen und der Umgebungstemperatur kann die Anzeige geringfügig von der tatsächlichen Kapazität abweichen.

HINWEIS: Die erste (äußerste linke) Anzeigelampe blinkt, wenn das Akku-Schutzsystem aktiv ist.

Werkzeug/Akku-Schutzsystem

Das Werkzeug ist mit einem Werkzeug/Akku-Schutzsystem ausgestattet. Dieses System schaltet die Stromversorgung des Motors automatisch ab, um die Lebensdauer von Werkzeug und Akku zu verlängern. Das Werkzeug bleibt während des Betriebs automatisch stehen, wenn das Werkzeug oder der Akku einer der folgenden Bedingungen unterliegt. Bei manchen Bedingungen leuchten die Anzeigen auf.

Überlastschutz

Wird das Werkzeug/der Akku auf eine Weise benutzt, die eine ungewöhnlich hohe Stromaufnahme bewirkt, bleibt das Werkzeug automatisch stehen. Schalten Sie in dieser Situation das Werkzeug aus, und brechen Sie die Arbeit ab, die eine Überlastung des Werkzeugs verursacht hat. Schalten Sie dann das Werkzeug wieder ein, um es neu zu starten.

Überhitzungsschutz

Wenn das Werkzeug/der Akku überhitzt wird, bleibt das Werkzeug automatisch stehen. Lassen Sie das Werkzeug in dieser Situation abkühlen, bevor Sie es wieder einschalten.

Überentladungsschutz

Wenn die Akkukapazität niedrig wird, bleibt das Werkzeug automatisch stehen. Falls das Produkt trotz Betätigung der Schalter nicht funktioniert, entfernen Sie den Akku bzw. die Akkus vom Werkzeug, und laden Sie ihn bzw. sie auf.

Schutz gegen andere Ursachen

Das Schutzsystem ist auch für andere Ursachen ausgelegt, die eine Beschädigung des Werkzeugs bewirken könnten, und ermöglicht automatisches Anhalten des Werkzeugs. Führen Sie alle folgenden Schritte aus, um die Ursachen zu beseitigen, wenn das Werkzeug zu einem vorübergehenden Stillstand oder Betriebsstopp gekommen ist.

1. Vergewissern Sie sich, dass alle Schalter ausgeschaltet sind, und schalten Sie das Werkzeug für einen Wiederanlauf erneut ein.
2. Laden Sie den/die Akku(s) auf, oder tauschen Sie ihn/sie gegen einen aufgeladenen Akku/aufgeladene Akkus aus.
3. Lassen Sie das Werkzeug und den/die Akku(s) abkühlen.

Falls die Wiederherstellung des Schutzsystems keine Besserung bringt, wenden Sie sich an Ihre lokale Makita-Kundendienststelle.

Schalterfunktion

⚠️ WARNUNG: Vergewissern Sie sich vor dem Einsetzen des Akkus in das Werkzeug stets, dass der Ein-Aus-Schalter ordnungsgemäß funktioniert und beim Loslassen in die AUS-Stellung zurückkehrt.

⚠️ WARNUNG: Versuchen Sie NIEMALS, den Einschaltsperrknopf mit Klebeband oder anderen Mitteln unwirksam zu machen. Ein Schalter mit unwirksamem Einschaltsperrknopf kann zu ungewolltem Betrieb und daraus resultierenden schweren Personenschäden führen.

⚠️ WARNUNG: Betreiben Sie das Werkzeug NIEMALS, wenn es durch einfache Betätigung des Ein-Aus-Schalters eingeschaltet werden kann, ohne den Einschaltsperrknopf zu drücken. Ein reparaturbedürftiger Schalter kann zu ungewolltem Betrieb und daraus resultierenden schweren Personenschäden führen. Lassen Sie das Werkzeug von einer Makita-Kundendienststelle ordnungsgemäß reparieren, BEVOR Sie es weiter benutzen.

Um versehentliche Betätigung des Ein-Aus-Schalters zu verhüten, ist das Werkzeug mit einem Einschaltsperrknopf ausgestattet. Zum Starten des Werkzeugs den Ein-Aus-Schalter bei gedrücktem Einschaltsperrknopf betätigen. Zum Ausschalten den Ein-Aus-Schalter loslassen.

▶ **Abb.9:** 1. Auslöseschalter 2. Einschaltsperrknopf

ANMERKUNG: Betätigen Sie den Ein-Aus-Schalter nicht gewaltsam, ohne den Einschaltsperrknopf hineinzudrücken. Dies kann zu Beschädigung des Schalters führen.

⚠️ VORSICHT: Das Werkzeug beginnt unmittelbar nach dem Loslassen des Auslöseschalters mit dem Abbremsen der Kreissägeblattrotation. Halten Sie das Werkzeug gut fest, um der Bremsreaktion beim Loslassen des Auslöseschalters entgegenzuwirken. Eine plötzliche Reaktion kann das Werkzeug aus Ihrer Hand reißen und einen Personenschaden verursachen.

Einstellen der Schnitttiefe

⚠️ VORSICHT: Verriegeln Sie stets die Grundplatte nach der Einstellung der Schnitttiefe.

1. Entriegeln Sie die Grundplatte, indem Sie den Hebel lösen.

2. Stellen Sie das Kreissägeblatt auf die gewünschte Schnitttiefe ein.

3. Verriegeln Sie die Grundplatte, indem Sie den Hebel anziehen.

► **Abb.10:** 1. Grundplatte 2. Schnitttiefe 3. Hebel

⚠ VORSICHT: Um sauberere, sicherere Schnitte auszuführen, stellen Sie die Schnitttiefe so ein, dass nicht mehr als ein Sägeblattzahn unter das Werkstück übersteht. Die Einstellung der korrekten Schnitttiefe trägt zu einer Reduzierung gefährlicher RÜCKSCHLÄGE bei, die Personenschäden verursachen können.

Neigungsschnitt

⚠ VORSICHT: Verriegeln Sie stets die Grundplatte nach der Einstellung des Neigungswinkels.

1. Lösen Sie den Hebel und die Klemmschraube.
2. Richten Sie den Zeiger durch Neigen der Grundplatte auf den gewünschten Schnittwinkel aus.
3. Ziehen Sie den Hebel und die Klemmschraube fest an.

► **Abb.11:** 1. Hebel 2. Klemmschraube 3. Zeiger

Schnittmarkierung

Richten Sie für Geradschnitte die 0°-Position auf der Vorderseite der Grundplatte auf die Schnittlinie aus. Richten Sie für 45°-Neigungsschnitte die 45°-Position auf die Linie aus.

► **Abb.12:** 1. Schnittlinie (0°-Position) 2. Schnittlinie (45°-Position)

Sägeblatt-Stabilisierungsvorrichtung

In der Regel verwenden Sie die Sägeblatt-Stabilisierungsvorrichtung, indem Sie den Verriegelungshebel in die verriegelte Position bringen. Um den Verriegelungshebel zu verriegeln, drücken Sie ihn nach unten und drehen Sie ihn um 90° entgegen dem Uhrzeigersinn. Um den Verriegelungshebel zu lösen, drehen Sie ihn um 90° im Uhrzeigersinn. Wenn Sie ein Kreissägeblatt austauschen, lösen Sie den Verriegelungshebel.

► **Abb.13:** 1. Verriegelungshebel
2. Verriegelungsposition
3. Entriegelungsposition

Elektrische Bremse

Dieses Werkzeug ist mit einer elektrischen Sägeblattbremse ausgestattet. Falls das Werkzeug immer wieder das Kreissägeblatt nach dem Loslassen des Auslöseschalters nicht sofort anhält, lassen Sie es von einer Makita-Kundendienststelle warten.

⚠ VORSICHT: Das Sägeblatt-Bremssystem ist kein Ersatz für die Sägeblattschutzhäube. VERWENDEN SIE DAS WERKZEUG NIEMALS OHNE FUNKTIONIERENDE SÄGEBLATTSCHUTZHAUBE. ES KANN SONST ZU SCHWEREN PERSONENSCHÄDEN KOMMEN.

Elektronikfunktion

Die mit Elektronikfunktionen ausgestatteten Werkzeuge weisen das (die) folgende(n) Merkmal(e) zur Bedienungs erleichterung auf.

Sanftanlauf-Funktion

Diese Funktion gewährleistet ruckfreies Anlaufen durch Anlaufstoßunterdrückung.

MONTAGE

⚠ VORSICHT: Vergewissern Sie sich vor der Ausführung von Arbeiten am Werkzeug stets, dass das Werkzeug ausgeschaltet und der Akku abgenommen ist.

Aufbewahrung des Inbusschlüssels

Der Inbusschlüssel kann an der in der Abbildung gezeigten Stelle aufbewahrt werden, damit er nicht verloren geht.

► **Abb.14:** 1. Inbusschlüssel

Montieren und Demontieren des Kreissägeblatts

⚠ VORSICHT: Vergewissern Sie sich, dass das Kreissägeblatt so montiert ist, dass die Zähne auf der Vorderseite des Werkzeugs nach oben zeigen.

⚠ VORSICHT: Verwenden Sie nur den Makita-Schraubenschlüssel zum Montieren und Demontieren von Kreissägeblättern.

HINWEIS: Beim Ein-/Ausbau des Kreissägeblatts ist es einfach, die Grundplatte in die ursprüngliche Position zu bringen.

Montieren des Kreissägeblatts

HINWEIS: Je nach Modell ist das Kreissägeblatt zum Zeitpunkt der Lieferung eventuell bereits montiert.

1. Lösen Sie den Verriegelungshebel der Sägeblatt-Stabilisierungsvorrichtung.
2. Drücken Sie die Spindelarretierung vollständig hinein, damit sich die Montageachse nicht drehen kann, und lösen Sie die Innensechskantschraube mit dem Inbusschlüssel. Entfernen Sie dann die Innensechskantschraube und den Außenflansch.

► **Abb.15:** 1. Verriegelungshebel
2. Spindelarretierung 3. Inbusschlüssel
4. Lösen 5. Anziehen

3. Installieren Sie den Innenflansch mit der konvexen Seite nach außen auf die Montageachse, und bringen Sie dann Kreissägeblatt, Außenflansch und Innensechskantschraube an. Richten Sie zu diesem Zeitpunkt den Pfeil auf dem Kreissägeblatt auf den Pfeil am Werkzeug aus.

► **Abb.16:** 1. Innensechskantschraube
2. Außenflansch 3. Kreissägeblatt 4. Pfeil auf dem Kreissägeblatt 5. Innenflansch
6. Pfeil auf dem Werkzeug

4. Drücken Sie die Spindelarretierung, und ziehen Sie die Innensechskantschraube fest.

5. Verriegeln Sie den Verriegelungshebel der Sägeblatt-Stabilisierungsvorrichtung.

Montagerichtung des Innenflansches

Der Innenflansch besitzt auf jeder Seite einen Vorsprung mit unterschiedlichen Durchmessern. Wählen Sie die korrekte Seite, deren Vorsprung genau in die Sägeblattbohrung passt. Montieren Sie anschließend den Innenflansch an der Montageachse, so dass die korrekte Seite des Vorsprungs am Innenflansch außen liegt, und bringen Sie dann Sägeblatt und Außenflansch an.

- **Abb.17:** 1. Montageachse 2. Innenflansch
3. Kreissägeblatt 4. Außenflansch
5. Innensechskantschraube

⚠️ WARNUNG: ZIEHEN SIE DIE INNENSECHSKANTSCHRAUBE UNBEDINGT FEST AN. Achten Sie auch darauf, die Schraube nicht gewaltsam anzuziehen. Abrutschen Ihrer Hand vom Inbusschlüssel kann einen Personenschaden verursachen.

⚠️ WARNUNG: Vergewissern Sie sich, dass der außen liegende Vorsprung „a“ am Innenflansch genau in die Sägeblattbohrung „a“ passt. Die Montage des Sägeblatts auf der falschen Seite kann zu gefährlichen Vibrationen führen.

Demontieren des Kreissägeblatts

Zum Demontieren des Kreissägeblatts ist das Montageverfahren umgekehrt anzuwenden.

ANMERKUNG: Setzen Sie den Außenflansch und die Innensechskantschraube wieder ein, damit sie nicht verloren gehen.

Reinigung der Sägeblattschutzhaube

Wenn Sie das Kreissägeblatt auswechseln, reinigen Sie auch unbedingt die obere und untere Schutzhaube von angesammeltem Sägemehl, wie im Abschnitt „Wartung“ beschrieben. Solche Arbeiten erübrigen jedoch nicht die Notwendigkeit, die Funktion der unteren Schutzhaube vor jedem Gebrauch zu überprüfen.

Anschließen eines Sauggeräts

Sonderzubehör

HINWEIS: Je nach Modell gehört der Absaugstutzen zum Standardzubehör.

Für größere Sauberkeit bei der Arbeit schließen Sie einen Makita-Staubsauger an Ihr Werkzeug an.

Befestigen Sie den Absaugstutzen mit der Schraube am Werkzeug.

- **Abb.18:** 1. Absaugstutzen 2. Schraube

Schließen Sie den Schlauch des Sauggeräts unter Verwendung der Frontmanschette 24 wie in der Abbildung gezeigt an den Absaugstutzen an.

- **Abb.19:** 1. Absaugstutzen 2. Frontmanschette 24 (Sonderzubehör) 3. Schlauch des Sauggeräts

BETRIEB

Dieses Werkzeug ist nur zum Schneiden von Holzprodukten vorgesehen.

HINWEIS: Besuchen Sie unsere Website, oder wenden Sie sich an Ihren Makita-Händler vor Ort, um zu erfahren, welche Kreissägeblätter für das zu schneidende Material korrekt sind.

Überprüfen der Funktion der Sägeblattschutzhaube

Nehmen Sie den Akku ab.

Stellen Sie den Neigungswinkel auf 0° ein, ziehen Sie dann die untere Messerschutzhaube von Hand bis zum Anschlag ein, und lassen Sie sie los. Die untere Messerschutzhaube funktioniert ordnungsgemäß, wenn:

- sie sich ohne jegliche Behinderung über die Grundplatte einziehen lässt und;
- sie automatisch zurückkehrt und den Stopper berührt.

- **Abb.20:** 1. Obere Messerschutzhaube 2. Untere Messerschutzhaube 3. Grundplatte
4. Stopper 5. Öffnen 6. Schließen

Falls die untere Messerschutzhaube nicht ordnungsgemäß funktioniert, prüfen Sie, ob sich Sägemehl in der oberen und unteren Messerschutzhaube angesammelt hat. Falls die untere Messerschutzhaube selbst nach dem Entfernen von Sägemehl nicht ordnungsgemäß funktioniert, lassen Sie Ihr Werkzeug bei einer Makita-Kundendienststelle warten.

Schneidbetrieb

⚠️ VORSICHT: Tragen Sie eine Staubmaske bei der Durchführung von Schneidarbeiten.

⚠️ VORSICHT: Schieben Sie das Werkzeug unbedingt in einer geraden Linie sachte vor. Zu starkes Drücken oder Verdrehen des Werkzeugs führt zu Überhitzen des Motors und gefährlichem Rückschlag, der möglicherweise schwere Verletzungen verursachen kann.

ANMERKUNG: Bei kaltem Akku entfaltet das Werkzeug eventuell nicht seine volle Kapazität. Benutzen Sie das Werkzeug während dieser Phase eine Zeitlang nur für leichte Schnitte, bis sich der Akku auf Raumtemperatur erwärmt hat. Dann kann das Werkzeug seine volle Kapazität entfalten.

- **Abb.21**

Halten Sie das Werkzeug mit festem Griff. Das Werkzeug ist mit einem vorderen Griff und einem hinteren Handgriff ausgestattet. Benutzen Sie beide Griffe, um das Werkzeug optimal zu halten.

Wenn das Werkzeug mit beiden Händen gehalten wird, können die Hände nicht durch das Kreissägeblatt verletzt werden. Setzen Sie die Grundplatte auf das zu schneidende Werkstück auf, ohne dass das Kreissägeblatt mit dem Werkstück in Berührung kommt. Schalten Sie dann das Werkzeug ein und warten Sie, bis das Kreissägeblatt

die volle Drehzahl erreicht hat. Schieben Sie das Werkzeug nun flach und gleichmäßig über die Werkstückoberfläche vorwärts, bis der Schnitt vollendet ist.

Um saubere Schnitte zu erzielen, halten Sie eine gerade Schnittlinie und eine gleichmäßige Vorschubgeschwindigkeit ein. Falls der Schnitt sich nicht genau mit Ihrer beabsichtigten Schnittlinie deckt, versuchen Sie nicht, das Werkzeug zu drehen oder zur Schnittlinie zurückzudrücken. Dies könnte zu Klemmen des Kreissägeblatts und gefährlichem Rückschlag führen, was schwere Verletzungen verursachen kann. Lassen Sie den Schalter los, und warten Sie, bis das Kreissägeblatt zum Stillstand kommt, bevor Sie das Werkzeug zurückziehen. Richten Sie das Werkzeug auf eine neue Schnittlinie aus, und beginnen Sie einen neuen Schnitt. Vermeiden Sie eine Positionierung, bei der Sie den von der Säge herausgeschleuderten Spänen und dem Holzstaub ausgesetzt sind. Tragen Sie einen Augenschutz, um Augenverletzungen zu verhüten.

Parallelenschlag (Richtlineal)

Sonderzubehör

⚠ VORSICHT: Vergewissern Sie sich vor Gebrauch, dass der Parallelenschlag in der korrekten Position sicher montiert ist. Falsche Anbringung kann gefährlichen Rückschlag verursachen.

Der praktische Parallelenschlag ermöglicht die Ausführung besonders genauer Geradschnitte. Schieben Sie einfach den Parallelenschlag gegen die Seite des Werkstücks, und sichern Sie ihn mit der Schraube an der Vorderseite der Grundplatte. Außerdem ermöglicht er wiederholte Schnitte von gleichförmiger Breite.

- **Abb.22:** 1. Parallelenschlag (Richtlineal)
2. Klemmschraube

Schutzständer

⚠ VORSICHT: Wenn Sie das Werkzeug auf den Schutzständer stellen, gehen Sie dabei langsam vor. Sollte das Werkzeug unachtsam auf den Schutzständer gestellt werden, kann es zu Verletzungen und Fehlfunktionen kommen.

Der Schutzständer kann zur vorübergehenden Aufbewahrung des Werkzeugs während der Arbeit verwendet werden.

Flaches Platzieren des Werkzeugs

Um das Werkzeug anzubringen, schieben Sie es von oben in den Schutzständer, bis es einrastet.

Um das Werkzeug zu entfernen, halten Sie den Schutzständer mit dem Fuß fest und ziehen Sie das Werkzeug wie in der Abbildung gezeigt nach oben.

- **Abb.23:** 1. Schutzständer

Geneigtes Platzieren des Werkzeugs

Um das Werkzeug anzubringen, stellen Sie es wie in der Abbildung gezeigt schräg auf den Schutzständer. Um das Werkzeug zu entfernen, ziehen Sie es nach oben.

- **Abb.24**

FUNK-AKTIVIERUNGS-FUNKTION

Mit der Funk-Aktivierungsfunktion verfügbare Möglichkeiten

Die Funk-Aktivierungsfunktion ermöglicht sauberen und komfortablen Betrieb. Wenn Sie ein unterstütztes Saugergerät an das Werkzeug anschließen, können Sie das Saugergerät automatisch mit der Schalterbetätigung des Werkzeugs betreiben.

► **Abb.25**

Um die Funk-Aktivierungsfunktion zu benutzen, benötigen Sie die folgenden Gegenstände:

- Einen Funk-Adapter (Sonderzubehör)
- Ein Saugergerät, das die Funk-Aktivierungsfunktion unterstützt

Die Übersicht über die Einstellung der Funk-Aktivierungsfunktion ist wie folgt. Ausführliche Verfahren entnehmen Sie bitte dem jeweiligen Abschnitt.

1. Installieren des Funk-Adapters
2. Werkzeugregistrierung für das Saugergerät
3. Starten der Funk-Aktivierungsfunktion

Installieren des Funk-Adapters

Sonderzubehör

⚠ VORSICHT: Legen Sie das Werkzeug zum Installieren des Funk-Adapters auf eine ebene und stabile Oberfläche.

ANMERKUNG: Entfernen Sie Staub und Schmutz vom Werkzeug, bevor Sie den Funk-Adapter installieren. Staub oder Schmutz können eine Funktionsstörung verursachen, falls sie in den Steckplatz des Funk-Adapters gelangen.

ANMERKUNG: Um eine durch statische Entladung verursachte Funktionsstörung zu verhindern, berühren Sie ein Statikentladungsmaterial, wie z. B. ein Metallteil des Werkzeugs, bevor Sie den Funk-Adapter anfassen.

ANMERKUNG: Achten Sie beim Installieren des Funk-Adapters immer darauf, dass der Funk-Adapter in der korrekten Richtung eingeführt wird und der Deckel vollständig geschlossen ist.

1. Öffnen Sie den Deckel am Werkzeug, wie in der Abbildung gezeigt.

- **Abb.26:** 1. Deckel

2. Führen Sie den Funk-Adapter in den Steckplatz ein, und schließen Sie dann den Deckel.

Wenn Sie den Funk-Adapter einführen, richten Sie die Vorsprünge auf die Vertiefungen des Steckplatzes aus.

- **Abb.27:** 1. Funk-Adapter 2. Vorsprung 3. Deckel
4. Vertiefung

Zum Entfernen des Funk-Adapters öffnen Sie den Deckel langsam. Die Haken an der Rückseite des Deckels heben den Funk-Adapter an, wenn Sie den Deckel hochziehen.

► **Abb.28:** 1. Funk-Adapter 2. Haken 3. Deckel

Bewahren Sie den Funk-Adapter nach der Entnahme in der mitgelieferten Schachtel oder einem statikfreien Behälter auf.

ANMERKUNG: Verwenden Sie immer die Haken an der Rückseite des Deckels zum Entfernen des Funk-Adapters. Falls die Haken den Funk-Adapter nicht greifen, schließen Sie den Deckel vollständig, und öffnen Sie ihn dann wieder langsam.

Werkzeugregistrierung für das Sauggerät

HINWEIS: Ein Makita-Sauggerät, das die Funk-Aktivierungsfunktion unterstützt, ist für die Werkzeugregistrierung erforderlich.

HINWEIS: Die Installation des Funk-Adapters im Werkzeug muss vollendet sein, bevor mit der Werkzeugregistrierung begonnen wird.

HINWEIS: Unterlassen Sie während der Werkzeugregistrierung die Betätigung des Auslöseschalters oder das Einschalten des Ein-Aus-Schalters am Sauggerät.

HINWEIS: Nehmen Sie auch auf die Betriebsanleitung des Sauggerätes Bezug.

Wenn Sie das Sauggerät zusammen mit der Schalterbetätigung des Werkzeugs aktivieren möchten, müssen Sie zuvor die Werkzeugregistrierung beenden.

1. Setzen Sie die Akkus in das Sauggerät und das Werkzeug ein.
2. Stellen Sie den Bereitschaftsschalter am Sauggerät auf „AUTO“.
► **Abb.29:** 1. Bereitschaftsschalter
3. Drücken Sie die Funk-Aktivierungstaste am Sauggerät für 3 Sekunden, bis die Funk-Aktivierungslampe in Grün blinkt. Drücken Sie dann die Funk-Aktivierungstaste am Werkzeug in der gleichen Weise.
► **Abb.30:** 1. Funk-Aktivierungstaste
2. Funk-Aktivierungslampe

Wenn Sauggerät und Werkzeug erfolgreich verbunden werden, leuchten die Funk-Aktivierungslampen 2 Sekunden lang in Grün auf und beginnen dann in Blau zu blinken.

HINWEIS: Nach Ablauf von 20 Sekunden hören die Funk-Aktivierungslampen auf, in Grün zu blinken. Drücken Sie die Funk-Aktivierungstaste am Werkzeug, während die Funk-Aktivierungslampe am Staubsauger blinkt. Falls die Funk-Aktivierungslampe nicht in Grün blinkt, drücken Sie die Funk-Aktivierungstaste kurz, und halten Sie sie erneut gedrückt.

HINWEIS: Wenn Sie zwei oder mehr Werkzeugregistrierungen für ein Sauggerät durchführen, beenden Sie die Werkzeugregistrierungen nacheinander.

Starten der Funk-Aktivierungsfunktion

HINWEIS: Beenden Sie die Werkzeugregistrierung für das Sauggerät vor der Funk-Aktivierung.

HINWEIS: Nehmen Sie auch auf die Betriebsanleitung des Sauggerätes Bezug.

Nachdem Sie ein Werkzeug im Sauggerät registriert haben, läuft das Sauggerät automatisch mit der Schalterbetätigung am Werkzeug an.

1. Installieren Sie den Funk-Adapter im Werkzeug.
2. Schließen Sie den Schlauch des Sauggerätes am Werkzeug an.
► **Abb.31**
3. Stellen Sie den Bereitschaftsschalter am Sauggerät auf „AUTO“.
► **Abb.32:** 1. Bereitschaftsschalter
4. Drücken Sie die Funk-Aktivierungstaste am Werkzeug kurz. Die Funk-Aktivierungslampe blinkt in Blau.
► **Abb.33:** 1. Funk-Aktivierungstaste
2. Funk-Aktivierungslampe
5. Schalten Sie das Werkzeug ein. Prüfen Sie, ob das Sauggerät während des Betriebs des Werkzeugs läuft.

Um die Funk-Aktivierung des Sauggerätes zu stoppen, drücken Sie die Funk-Aktivierungstaste am Werkzeug.

HINWEIS: Die Funk-Aktivierungslampe am Werkzeug hört auf, in Blau zu blinken, wenn 2 Stunden lang kein Betrieb erfolgt. Stellen Sie in diesem Fall den Bereitschaftsschalter am Sauggerät auf „AUTO“, und drücken Sie die Funk-Aktivierungstaste am Werkzeug erneut.

HINWEIS: Das Sauggerät startet/stoppt mit einer Verzögerung. Es tritt eine Zeitverzögerung auf, wenn das Sauggerät eine Schalterbetätigung des Werkzeugs erkennt.










HINWEIS: Die Übertragungreichweite des Funk-Adapters kann abhängig vom Ort und den Umgebungsbedingungen schwanken.

HINWEIS: Wenn zwei oder mehr Werkzeuge in einem Sauggerät registriert sind, kann das Sauggerät anlaufen, selbst wenn Sie Ihr Werkzeug nicht einschalten, weil ein anderer Benutzer die Funk-Aktivierungsfunktion benutzt.

Beschreibung des Zustands der Funk-Aktivierungslampe

► Abb.34: 1. Funk-Aktivierungslampe

Die Funk-Aktivierungslampe zeigt den Zustand der Funk-Aktivierungsfunktion an. Die Bedeutung des Lampenzustands ist aus der nachstehenden Tabelle ersichtlich.

Zustand	Funk-Aktivierungslampe				Beschreibung
	Farbe	 Ein	 Blinkend	Dauer	
Bereitschaft	Blau			2 Stunden	Die Funk-Aktivierung des Sauggerätes ist verfügbar. Die Lampe erlischt automatisch, wenn 2 Stunden lang kein Betrieb erfolgt.
				Wenn das Werkzeug läuft.	Die Funk-Aktivierung des Sauggerätes ist verfügbar, und das Werkzeug läuft.
Werkzeugregistrierung	Grün			20 Sekunden	Bereit für die Werkzeugregistrierung. Warten auf die Registrierung durch das Sauggerät.
				2 Sekunden	Die Werkzeugregistrierung ist beendet worden. Die Funk-Aktivierungslampe beginnt, in Blau zu blinken.
Aufheben der Werkzeugregistrierung	Rot			20 Sekunden	Bereit für die Aufhebung der Werkzeugregistrierung. Warten auf die Aufhebung durch das Sauggerät.
				2 Sekunden	Die Aufhebung der Werkzeugregistrierung ist beendet worden. Die Funk-Aktivierungslampe beginnt, in Blau zu blinken.
Sonstiges	Rot			3 Sekunden	Der Funk-Adapter wird mit Strom versorgt, und die Funk-Aktivierungsfunktion wird gestartet.
	Aus	-		-	Die Funk-Aktivierung des Sauggerätes ist gestoppt.

Aufheben der Werkzeugregistrierung für das Sauggerät

Führen Sie das folgende Verfahren durch, um die Werkzeugregistrierung für das Sauggerät aufzuheben.

1. Setzen Sie die Akkus in das Sauggerät und das Werkzeug ein.
2. Stellen Sie den Bereitschaftsschalter am Sauggerät auf „AUTO“.
► **Abb.35:** 1. Bereitschaftsschalter
3. Drücken Sie die Funk-Aktivierungstaste am Sauggerät für 6 Sekunden. Die Funk-Aktivierungslampe blinkt in Grün und wird dann rot. Drücken Sie danach

die Funk-Aktivierungstaste am Werkzeug in der gleichen Weise.

- **Abb.36:** 1. Funk-Aktivierungstaste
2. Funk-Aktivierungslampe

Wenn die Aufhebung erfolgreich war, leuchten die Funk-Aktivierungslampen 2 Sekunden lang in Rot auf und beginnen dann in Blau zu blinken.

HINWEIS: Nach Ablauf von 20 Sekunden hören die Funk-Aktivierungslampen auf, in Rot zu blinken. Drücken Sie die Funk-Aktivierungstaste am Werkzeug, während die Funk-Aktivierungslampe am Staubsauger blinkt. Falls die Funk-Aktivierungslampe nicht in Rot blinkt, drücken Sie die Funk-Aktivierungstaste kurz, und halten Sie sie erneut gedrückt.

Fehlersuche für Funk-Aktivierungsfunktion

Bevor Sie den Reparaturdienst anrufen, führen Sie zunächst Ihre eigene Inspektion durch. Falls Sie ein Problem finden, das nicht in der Anleitung erläutert wird, versuchen Sie nicht, das Werkzeug zu zerlegen. Wenden Sie sich stattdessen an autorisierte Makita-Kundendienstzentren, und achten Sie darauf, dass stets Makita-Ersatzteile für Reparaturen verwendet werden.

Zustand der Unregelmäßigkeit	Wahrscheinliche Ursache (Funktionsstörung)	Abhilfemaßnahme
Die Funk-Aktivierungslampe leuchtet/blinkt nicht.	Es ist kein Funk-Adapter im Werkzeug installiert. Der Funk-Adapter ist falsch im Werkzeug installiert.	Installieren Sie den Funk-Adapter korrekt.
	Die Kontakte des Funk-Adapters und/oder des Steckplatzes sind verschmutzt.	Wischen Sie Staub und Schmutz an den Kontakten des Funk-Adapters sachte ab, und reinigen Sie den Steckplatz.
	Die Funk-Aktivierungstaste am Werkzeug ist nicht gedrückt worden.	Drücken Sie die Funk-Aktivierungstaste am Werkzeug kurz.
	Der Bereitschaftsschalter am Sauggerät ist nicht auf „AUTO“ eingestellt.	Stellen Sie den Bereitschaftsschalter am Sauggerät auf „AUTO“.
	Keine Stromversorgung	Versorgen Sie Werkzeug und Sauggerät mit Strom.

Zustand der Unregelmäßigkeit	Wahrscheinliche Ursache (Funktionsstörung)	Abhilfemaßnahme
Die Werkzeugregistrierung/ Aufhebung der Werkzeugregistrierung kann nicht erfolgreich beendet werden.	Es ist kein Funk-Adapter im Werkzeug installiert. Der Funk-Adapter ist falsch im Werkzeug installiert.	Installieren Sie den Funk-Adapter korrekt.
	Die Kontakte des Funk-Adapters und/oder des Steckplatzes sind verschmutzt.	Wischen Sie Staub und Schmutz an den Kontakten des Funk-Adapters sachte ab, und reinigen Sie den Steckplatz.
	Der Bereitschaftsschalter am Sauggerät ist nicht auf „AUTO“ eingestellt.	Stellen Sie den Bereitschaftsschalter am Sauggerät auf „AUTO“.
	Keine Stromversorgung	Versorgen Sie Werkzeug und Sauggerät mit Strom.
	Falsche Bedienung	Drücken Sie die Funk-Aktivierungstaste kurz, und führen Sie das Verfahren der Werkzeugregistrierung/Aufhebung der Werkzeugregistrierung erneut durch.
	Der Abstand zwischen Werkzeug und Sauggerät ist zu groß (außerhalb der Übertragungreichweite).	Verkleinern Sie den Abstand zwischen Werkzeug und Sauggerät. Die maximale Übertragungreichweite beträgt ungefähr 10 m, sie kann aber je nach den Umständen schwanken.
	Bevor Sie die Werkzeugregistrierung/ Aufhebung der Werkzeugregistrierung beenden; - der Schalter des Werkzeugs wird eingeschaltet, oder; - die Betriebstaste am Sauggerät wird eingeschaltet.	Drücken Sie die Funk-Aktivierungstaste kurz, und führen Sie das Verfahren der Werkzeugregistrierung/Aufhebung der Werkzeugregistrierung erneut durch.
	Die Verfahren der Werkzeugregistrierung für das Werkzeug oder das Sauggerät sind nicht beendet.	Führen Sie die Verfahren der Werkzeugregistrierung sowohl für das Werkzeug als auch das Sauggerät zum selben Zeitpunkt durch.
	Funkstörungen durch andere Geräte, die starke Funkwellen erzeugen.	Halten Sie das Werkzeug und das Sauggerät von solchen Geräten wie WLAN-Geräten und Mikrowellenöfen fern.
Das Sauggerät läuft bei der Schalterbetätigung des Werkzeugs nicht an.	Es ist kein Funk-Adapter im Werkzeug installiert. Der Funk-Adapter ist falsch im Werkzeug installiert.	Installieren Sie den Funk-Adapter korrekt.
	Die Kontakte des Funk-Adapters und/oder des Steckplatzes sind verschmutzt.	Wischen Sie Staub und Schmutz an den Kontakten des Funk-Adapters sachte ab, und reinigen Sie den Steckplatz.
	Die Funk-Aktivierungstaste am Werkzeug ist nicht gedrückt worden.	Drücken Sie die Funk-Aktivierungstaste kurz, und vergewissern Sie sich, dass die Funk- Aktivierungslampe in Blau blinkt.
	Der Bereitschaftsschalter am Sauggerät ist nicht auf „AUTO“ eingestellt.	Stellen Sie den Bereitschaftsschalter am Sauggerät auf „AUTO“.
	Es sind mehr als 10 Werkzeuge im Sauggerät registriert.	Führen Sie die Werkzeugregistrierung erneut durch. Wenn mehr als 10 Werkzeuge im Sauggerät regi- striert werden, wird die Registrierung des ersten Werkzeugs automatisch gelöscht.
	Das Sauggerät hat alle Werkzeugregistrierungen gelöscht.	Führen Sie die Werkzeugregistrierung erneut durch.
	Keine Stromversorgung	Versorgen Sie Werkzeug und Sauggerät mit Strom.
	Der Abstand zwischen Werkzeug und Sauggerät ist zu groß (außerhalb der Übertragungreichweite).	Verkleinern Sie den Abstand zwischen Werkzeug und Sauggerät. Die maximale Übertragungreichweite beträgt ungefähr 10 m, sie kann aber je nach den Umständen schwanken.
	Funkstörungen durch andere Geräte, die starke Funkwellen erzeugen.	Halten Sie das Werkzeug und das Sauggerät von solchen Geräten wie WLAN-Geräten und Mikrowellenöfen fern.
Das Sauggerät läuft, während das Werkzeug außer Betrieb ist.	Andere Benutzer nutzen die Funk- Aktivierung des Sauggerätes mit ihren Werkzeugen.	Schalten Sie die Funk-Aktivierungstaste der anderen Werkzeuge aus, oder heben Sie die Werkzeugregistrierung der anderen Werkzeuge auf.

WARTUNG

⚠ VORSICHT: Vergewissern Sie sich vor der Durchführung von Inspektions- oder Wartungsarbeiten stets, dass das Werkzeug ausgeschaltet und der Akku abgenommen ist.

⚠ VORSICHT: Säubern Sie die obere und untere Messerschutzhaube, um sicherzugehen, dass kein angesammeltes Sägemehl vorhanden ist, das die Funktion des unteren Messerschutzsystems beeinträchtigen kann. Ein verschmutztes Schutzsystem kann die ordnungsgemäße Funktion einschränken, was zu schweren Personenschäden führen kann. Am effektivsten kann diese Reinigung mit Druckluft durchgeführt werden. **Verwenden Sie unbedingt einen geeigneten Augenschutz und eine Atemmaske, um sich vor dem aus den Messerschutzhauben herausgeblasenen Staub zu schützen.**

⚠ VORSICHT: Wischen Sie das Sägemehl nach jedem Gebrauch vom Werkzeug ab. Anderenfalls kann feines Sägemehl in das Werkzeug gelangen und eine Funktionsstörung oder einen Brand verursachen.

ANMERKUNG: Verwenden Sie auf keinen Fall Benzin, Waschbenzin, Verdünnern, Alkohol oder dergleichen. Solche Mittel können Verfärbung, Verformung oder Rissbildung verursachen.

Um die SICHERHEIT und ZUVERLÄSSIGKEIT dieses Produkts zu gewährleisten, sollten Reparaturen und andere Wartungs- oder Einstellarbeiten nur von Makita-Vertragswerkstätten oder Makita-Kundendienstzentren unter ausschließlicher Verwendung von Makita-Originalersatzteilen ausgeführt werden.

Einstellen der 0°-Schnittgenauigkeit

ANMERKUNG: Bevor Sie mit der Einstellung beginnen, stellen Sie sicher, dass die Verriegelung der Schnitttiefe fest sitzt.

Diese Einstellung ist werksseitig durchgeführt worden. Falls sie jedoch verstellt ist, können Sie sie nach dem folgenden Verfahren korrigieren.

1. Lösen Sie die Neigungswinkelsperre, damit der Neigungswinkel geändert werden kann.

HINWEIS: Informationen zum Anziehen bzw. Lösen der Neigungswinkelsperre finden Sie im Abschnitt über den Neigungsschnitt.

2. Halten Sie ein Einstelldreieck oder ein Richtlineal gegen die Seitenfläche des Kreissägeblatts und die Grundplatte.

Während Sie die Seitenfläche des Kreissägeblatts und die Grundplatte im rechten Winkel zueinander halten, drehen Sie die Einstellschraube, um die 0°-Position herzustellen.

► **Abb.37:** 1. Einstelldreieck 2. Einstellschraube

3. Fixieren Sie den Neigungswinkel und führen Sie einen Probeschnitt durch, um die Senkrechte zu überprüfen.

SONDERZUBEHÖR

⚠ VORSICHT: Die folgenden Zubehörteile oder Vorrichtungen werden für den Einsatz mit dem in dieser Anleitung beschriebenen Makita-Werkzeug empfohlen. Die Verwendung anderer Zubehörteile oder Vorrichtungen kann eine Verletzungsgefahr darstellen. Verwenden Sie Zubehörteile oder Vorrichtungen nur für ihren vorgesehenen Zweck.

Wenn Sie weitere Einzelheiten bezüglich dieser Zubehörteile benötigen, wenden Sie sich bitte an Ihre Makita-Kundendienststelle.

- Kreissägeblatt
- Parallelschlag (Richtlineal)
- Absaugstutzen
- Inbusschlüssel
- Funk-Adapter
- Original-Makita-Akku und -Ladegerät

HINWEIS: Manche Teile in der Liste können als Standardzubehör im Werkzeugsatz enthalten sein. Sie können von Land zu Land unterschiedlich sein.

DATI TECNICI

Modello:		HS013G
Diametro lama		415 mm
Profondità di taglio max.	a 0°	158 mm
	a un'inclinazione di taglio a unghia di 45°	106 mm
Velocità a vuoto		2.100 min ⁻¹
Tensione nominale		36 V - 40 V CC max
Lunghezza complessiva		606 mm
Peso netto		11,0 - 12,0 kg

- A causa del nostro programma continuativo di ricerca e sviluppo, i dati tecnici sono soggetti a modifiche senza preavviso.
- I dati tecnici possono variare da nazione a nazione.
- Il peso può variare a seconda dell'accessorio o degli accessori, inclusa la cartuccia della batteria. La combinazione più leggera e quella più pesante, secondo la procedura EPTA 01/2014, sono indicate nella tabella.

Cartuccia della batteria e caricabatterie applicabili

Cartuccia della batteria	BL4040 / BL4040F* / BL4050F* / BL4080F* * : Batteria consigliata
Caricabatterie	DC40RA / DC40RB / DC40RC / DC40WA

- Alcune cartucce delle batterie e alcuni caricabatterie elencati sopra potrebbero non essere disponibili a seconda della propria area geografica di residenza.

⚠AVVERTIMENTO: Utilizzare solo le cartucce delle batterie e i caricabatterie elencati sopra. L'utilizzo di altre cartucce delle batterie e di altri caricabatterie potrebbe causare lesioni personali e/o un incendio.

Utilizzo previsto

Questo utensile è progettato per eseguire tagli diritti in direzione della lunghezza o in direzione trasversale e tagli obliqui ad angolo nel legno, mantenendo un saldo contatto con il pezzo in lavorazione.

Rumore

Livello tipico di rumore pesato A determinato in base allo standard EN62841-2-5:

Livello di pressione sonora (L_{pA}) : 98 dB (A)

Livello di potenza sonora (L_{WA}) : 106 dB (A)

Incertezza (K): 3 dB (A)

NOTA: Il valore o i valori dichiarati delle emissioni di rumori sono stati misurati in conformità a un metodo standard di verifica, e possono essere utilizzati per confrontare un utensile con un altro.

NOTA: Il valore o i valori dichiarati delle emissioni di rumori possono venire utilizzati anche per una valutazione preliminare dell'esposizione.

⚠AVVERTIMENTO: Indossare protezioni per le orecchie.

⚠AVVERTIMENTO: L'emissione di rumori durante l'utilizzo effettivo dell'utensile elettrico può variare rispetto al valore o ai valori dichiarati, a seconda dei modi in cui viene utilizzato l'utensile e specialmente a seconda di che tipo di pezzo venga lavorato.

⚠AVVERTIMENTO: Accertarsi di identificare misure di sicurezza per la protezione dell'operatore che siano basate su una stima dell'esposizione nelle condizioni effettive di utilizzo (tenendo conto di tutte le parti del ciclo operativo, ad esempio del numero di spegnimenti dell'utensile e di quando giri a vuoto, oltre al tempo di attivazione).

Vibrazioni

Valore totale delle vibrazioni (somma vettoriale triassiale) determinato in base allo standard EN62841-2-5: Modalità di lavoro: taglio del legno
Emissione di vibrazioni ($a_{h,W}$) : 2,5 m/s² o inferiore
Incertezza (K): 1,5 m/s²

NOTA: Il valore o i valori complessivi delle vibrazioni dichiarati sono stati misurati in conformità a un metodo standard di verifica, e possono essere utilizzati per confrontare un utensile con un altro.

NOTA: Il valore o i valori complessivi delle vibrazioni dichiarati possono venire utilizzati anche per una valutazione preliminare dell'esposizione.

⚠AVVERTIMENTO: L'emissione delle vibrazioni durante l'utilizzo effettivo dell'utensile elettrico può variare rispetto al valore o ai valori dichiarati, a seconda dei modi in cui viene utilizzato l'utensile, specialmente a seconda di che tipo di pezzo venga lavorato.

⚠AVVERTIMENTO: Accertarsi di identificare misure di sicurezza per la protezione dell'operatore che siano basate su una stima dell'esposizione nelle condizioni effettive di utilizzo (tenendo conto di tutte le parti del ciclo operativo, ad esempio del numero di spegnimenti dell'utensile e di quando giri a vuoto, oltre al tempo di attivazione).

Dichiarazioni di conformità

Solo per i paesi europei

Le Dichiarazioni di conformità sono incluse nell'Allegato A al presente manuale d'uso.

AVVERTENZE DI SICUREZZA

Avvertenze generali relative alla sicurezza dell'utensile elettrico

⚠AVVERTIMENTO Leggere tutte le avvertenze di sicurezza, le istruzioni, le illustrazioni e i dati tecnici forniti insieme a questo utensile elettrico. La mancata osservanza di tutte le istruzioni seguenti potrebbe risultare in scosse elettriche, incendi e/o gravi lesioni personali.

Conservare tutte le avvertenze e le istruzioni come riferimento futuro.

Il termine "utensile elettrico" nelle avvertenze si riferisce sia all'utensile elettrico (cablato) nel funzionamento alimentato da rete elettrica che all'utensile elettrico (a batteria) nel funzionamento alimentato a batteria.

Avvertenze di sicurezza per la sega circolare a batteria

Procedure di taglio

1. **⚠PERICOLO:** Tenere le mani lontane dall'area di taglio e dalla lama. Tenere la mano che non impugna l'utensile sul manico ausiliario o sull'alloggiamento del motore. Se si mantiene la sega con entrambe le mani, queste ultime non possono venire tagliate dalla lama.

2. **Non mettere le mani sotto il pezzo.** La protezione non può proteggere l'operatore dalla lama al di sotto del pezzo.
3. **Regolare la profondità di taglio in base allo spessore del pezzo.** Sotto il pezzo i denti della lama dovrebbero essere visibili per una lunghezza inferiore a un intero dente.
4. **Non mantenere mai tra le mani o appoggiato di traverso sulla gamba il pezzo in lavorazione durante il taglio. Fissare il pezzo in lavorazione su una piattaforma stabile.** È importante sostenere correttamente il pezzo in lavorazione per ridurre al minimo l'esposizione del corpo, gli inceppamenti della lama o la perdita di controllo.

► Fig.1

5. **Mantenere l'utensile elettrico per le superfici di impugnatura isolate quando si esegue un'operazione in cui l'utensile da taglio potrebbe entrare in contatto con fili elettrici nascosti.** Il contatto con un filo elettrico sotto tensione mette sotto tensione anche le parti metalliche esposte dell'utensile elettrico, e potrebbe causare una scossa elettrica all'operatore.
6. **Quando si intende eseguire tagli longitudinali, utilizzare sempre una guida di taglio o una guida per bordi diritti.** In tal modo si migliora la precisione del taglio e si riduce il rischio che la lama si blocchi.
7. **Utilizzare sempre lame con dimensione e forma corretta (a diamante rispetto a quella circolare) dei fori per l'albero.** Le lame che non corrispondono all'attacco di montaggio della sega girano decentrate, causando la perdita di controllo.
8. **Non utilizzare mai rondelle o bulloni per la lama danneggiati o errati.** Le rondelle e i bulloni per la lama sono stati progettati appositamente per le prestazioni ottimali e per la sicurezza d'uso della sega.

Cause dei contraccolpi e avvertenze correlate

- il contraccolpo è una reazione improvvisa dovuta a una lama incastrata, inceppata o disallineata, che causa il sollevamento fuori dal pezzo in lavorazione e verso l'operatore di una sega fuori controllo;
- quando la lama è incastrata o inceppata con forza dal taglio che si chiude, la lama entra in stallo e la reazione del motore spinge rapidamente all'indietro l'unità verso l'operatore;
- qualora la lama si deformi o si disallini nel taglio, i denti sul bordo posteriore della lama possono scavare nella superficie superiore del legno facendola fuoriuscire dal taglio e rimbalzare all'indietro verso l'operatore.

Il contraccolpo è il risultato dell'uso improprio della sega e/o di procedure o condizioni operative errate, e può essere evitato adottando le precauzioni appropriate indicate di seguito.

1. **Mantenere una presa solida con entrambe le mani sulla sega, e posizionare le braccia in modo da resistere alle forze del contraccolpo. Posizionare il corpo da un lato o dall'altro della lama, e non allineato con quest'ultima.** Un contraccolpo potrebbe far saltare all'indietro la sega, ma le sue forze possono essere controllate

dall'operatore, se vengono adottate le precauzioni appropriate.

2. **Quando la lama si sta bloccando, oppure se per un qualsiasi motivo si intende interrompere il taglio, rilasciare l'interruttore e tenere la sega immobile nel materiale fino al suo arresto completo. Non cercare mai di rimuovere la sega dal pezzo o di tirarla all'indietro mentre la lama è in movimento, oppure si potrebbe verificare un contraccolpo.** Indagare e adottare delle misure correttive per eliminare la causa del blocco della lama.
3. **Quando si riavvia una sega all'interno di un pezzo in lavorazione, centrare la lama nel taglio in modo che i denti della sega non siano in contatto con il materiale.** Qualora la lama si inceppi, potrebbe risalire o produrre un contraccolpo dal pezzo in lavorazione quando la sega viene riavviata.
4. **Supportare i pannelli di grandi dimensioni per ridurre al minimo il rischio che la lama resti incastrata e i contraccolpi.** I pannelli di grandi dimensioni tendono a flettersi sotto il loro stesso peso. È necessario sistemare dei sostegni sotto il pannello su entrambi i lati, vicino alla linea di taglio e in prossimità dei bordi del pannello.

► Fig.2

► Fig.3

5. **Non utilizzare lame smussate o danneggiate.** Le lame non affilate o non applicate correttamente producono un taglio stretto che può causare frizione eccessiva, blocchi della lama e contraccolpi.
6. **Le leve di blocco della profondità della lama e di regolazione del taglio a unghia devono essere fissate saldamente prima del taglio.** Qualora la regolazione della lama si sposti durante il taglio, potrebbe causare un blocco o un contraccolpo della lama.
7. **Fare particolarmente attenzione quando si intende segare in pareti esistenti o altre aree cieche.** La lama che sporge potrebbe tagliare oggetti che possono causare contraccolpi.
8. **Tenere SEMPRE saldamente l'utensile con entrambe le mani. Non posizionare MAI una mano, una gamba o qualsiasi altra parte del corpo sotto la base dell'utensile o dietro la sega, specialmente quando si intende eseguire tagli di testa.** Qualora si verifici un contraccolpo, la sega potrebbe facilmente saltare all'indietro sulla mano, causando gravi lesioni personali.

► Fig.4

9. **Non forzare mai la sega. Spingere in avanti la sega a una velocità tale che la lama tagli senza rallentare.** Qualora si forzi la sega, si potrebbero causare tagli irregolari, perdita di precisione e possibili contraccolpi.

Funzione della protezione

1. **Controllare sempre che la protezione inferiore si chiuda correttamente prima dell'uso. Non utilizzare la sega qualora la protezione inferiore non si muova liberamente e non si chiuda istantaneamente. Non bloccare o legare mai la protezione inferiore in posizione di apertura.** Qualora la sega venga fatta cadere

accidentalmente, la protezione inferiore potrebbe deformarsi. Sollevare la protezione inferiore con il manico retrattile e accertarsi che si muova liberamente e che non tocchi la lama o alcuna altra parte, a tutti gli angoli e a tutte le profondità di taglio.

2. **Controllare il funzionamento della molla della protezione inferiore. Qualora la protezione e la molla non funzionino correttamente, è necessario sottoporle a interventi di assistenza prima dell'uso.** La protezione inferiore potrebbe funzionare lentamente a causa di parti danneggiate, depositi gommosi o accumulazione di detriti.
3. **La protezione inferiore può essere fatta rientrare manualmente solo per tagli speciali quali i "tagli a immersione" e i "tagli compositi". Sollevare la protezione inferiore facendo rientrare il manico retrattile e rilasciarla non appena la lama penetra nel materiale.** Per tutti gli altri tagli, la protezione inferiore dovrebbe funzionare automaticamente.
4. **Accertarsi sempre che la protezione inferiore copra la lama prima di posare la sega sul banco di lavoro o sul pavimento.** Una lama non protetta in rotazione inerziale fa muovere all'indietro la sega, tagliando tutto ciò che incontra sul suo percorso. Tenere presente il tempo necessario alla lama per arrestarsi dopo il rilascio dell'interruttore.
5. **Per controllare la protezione inferiore, aprirla manualmente, quindi rilasciarla e osservarla mentre si chiude. Controllare anche che il manico retrattile non tocchi il corpo dell'utensile.** Lasciare la lama esposta È MOLTO PERICOLOSO e può causare gravi lesioni personali.

Avvertenze aggiuntive per la sicurezza

1. **Fare particolarmente attenzione quando si intende tagliare legno umido, legname trattato a pressione o legno contenente nodi.** Mantenere un avanzamento uniforme dell'utensile senza ridurre la velocità della lama, per evitare il surriscaldamento delle punte della lama.
2. **Non cercare di rimuovere il materiale tagliato quando la lama è in movimento. Attendere che la lama si sia arrestata prima di afferrare il materiale tagliato.** Le lame continuano a girare per inerzia dopo lo spegnimento.
3. **Evitare di tagliare i chiodi. Ispezionare il legname e rimuovere tutti i chiodi prima di eseguire tagli.**
4. **Collocare la porzione più ampia della base della sega sulla parte del pezzo supportata saldamente, e non sulla sezione destinata a cadere una volta eseguito il taglio. Qualora il pezzo sia corto o piccolo, bloccarlo con una morsa. NON TENTARE DI TENERE IN MANO I PEZZI CORTI!**

► Fig.5

5. **Prima di posare l'utensile dopo aver completato un taglio, accertarsi che la protezione si sia chiusa e che la lama si sia arrestata completamente.**
6. **Non tentare mai di segare con la sega circolare tenuta capovolta in una morsa. Ciò è estremamente pericoloso e può causare incidenti**

gravi.

► Fig.6

7. Alcuni materiali contengono sostanze chimiche che possono essere tossiche. Fare attenzione per evitare l'inalazione della polvere e il contatto con la pelle. Attenersi ai dati sulla sicurezza del fornitore del materiale.
8. Non arrestare la lama esercitando una pressione laterale sulla lama stessa.
9. Non utilizzare alcun tipo di dischi abrasivi.
10. Utilizzare esclusivamente una lama che abbia il diametro indicato sull'utensile o specificato nel manuale. L'uso di una lama di dimensioni errate potrebbe influire sulla corretta protezione della lama o sul funzionamento della protezione, il che potrebbe risultare in gravi lesioni personali.
11. **Mantenere la lama affilata e pulita.** Collanti e pece di legno induriti sulle lame rallentano la sega e aumentano la possibilità dei contraccolpi. Mantenere pulita la lama, innanzitutto rimuovendola dall'utensile e quindi pulendola con un solvente per collanti e pece di legno, quali acqua calda o cherosene. Non utilizzare mai benzina.
12. **Quando si utilizza l'utensile, indossare una mascherina antipolvere e protezioni acustiche.**
13. **Utilizzare sempre una lama destinata al taglio del materiale che si intende tagliare.**
14. **Utilizzare solo lame che siano contrassegnate con una velocità pari o superiore a quella contrassegnata sull'utensile.**
15. **(Solo per le nazioni europee)** Utilizzare sempre una lama conforme allo standard EN847-1, quando si intende tagliare legno o materiali simili.
16. **Posizionare l'utensile e i pezzi su una superficie piana e stabile.** In caso contrario, l'utensile e i pezzi potrebbero cadere e causare lesioni personali.

CONSERVARE LE PRESENTI ISTRUZIONI.

⚠AVVERTIMENTO: NON lasciare che comodità o la familiarità d'utilizzo con il prodotto (acquisita con l'uso ripetuto) sostituisca la stretta osservanza delle norme di sicurezza per il prodotto in questione. L'USO IMPROPRIO o la mancata osservanza delle norme di sicurezza indicate nel presente manuale di istruzioni potrebbero causare gravi lesioni personali.

Istruzioni di sicurezza importanti per la cartuccia della batteria

1. Prima di utilizzare la cartuccia della batteria, leggere tutte le istruzioni e le avvertenze riportate (1) sul caricabatteria, (2) sulla batteria e (3) sul prodotto che utilizza la batteria.
2. Non smantellare né manomettere la cartuccia della batteria. In caso contrario, si potrebbe causare un incendio, calore eccessivo o un'esplosione.
3. Qualora il tempo di utilizzo si riduca eccessivamente, interrompere immediatamente

l'utilizzo dell'utensile. In caso contrario, si può incorrere nel rischio di surriscaldamento, possibili ustioni e persino un'esplosione.

4. Qualora l'elettrolita entri in contatto con gli occhi, sciacquarli con acqua pulita e richiedere immediatamente assistenza medica. Questa eventualità può risultare nella perdita della vista.
 5. **Non cortocircuitare la cartuccia della batteria:**
 - (1) Non toccare i terminali con alcun materiale conduttivo.
 - (2) Evitare di conservare la cartuccia della batteria in un contenitore insieme ad altri oggetti metallici quali chiodi, monete, e così via.
 - (3) Non esporre la cartuccia della batteria all'acqua o alla pioggia.
- Un cortocircuito della batteria può causare un grande flusso di corrente, un surriscaldamento, possibili ustioni e persino un guasto.**
6. **Non conservare e utilizzare l'utensile e la cartuccia della batteria in ubicazioni in cui la temperatura possa raggiungere o superare i 50 °C.**
 7. **Non incenerire la cartuccia della batteria anche qualora sia gravemente danneggiata o completamente esaurita. La cartuccia della batteria può esplodere se a contatto con il fuoco.**
 8. **Non inchiodare, tagliare, schiacciare, lanciare o far cadere la cartuccia della batteria, né farla urtare con forza contro un oggetto duro.** Questi comportamenti potrebbero risultare in un incendio, calore eccessivo o un'esplosione.
 9. **Non utilizzare una batteria danneggiata.**
 10. **Le batterie a ioni di litio contenute sono soggette ai requisiti del regolamento sul trasporto di merci pericolose (Dangerous Goods Legislation).**

- Per trasporti commerciali, ad esempio da parte di terzi o spedizionieri, è necessario osservare dei requisiti speciali sull'imballaggio e sull'etichetta. Per la preparazione dell'articolo da spedire, è richiesta la consulenza di un esperto in materiali pericolosi. Attenersi anche alle normative nazionali, che potrebbero essere più dettagliate. Nastrire o coprire i contatti aperti e imballare la batteria in modo tale che non si possa muovere liberamente all'interno dell'imballaggio.
11. **Quando si intende smaltire la cartuccia della batteria, rimuoverla dall'utensile e smaltirla in un luogo sicuro. Attenersi alle normative locali relative allo smaltimento della batteria.**
 12. **Utilizzare le batterie esclusivamente con i prodotti specificati da Makita.** L'installazione delle batterie in prodotti non compatibili potrebbe risultare in incendi, calore eccessivo, esplosioni o perdite di liquido elettrolitico.
 13. **Se l'utensile non viene utilizzato per un periodo di tempo prolungato, la batteria deve essere rimossa dall'utensile.**
 14. **Durante e dopo l'uso, la cartuccia della batteria potrebbe assorbire calore, che può causare ustioni o ustioni a bassa temperatura. Fare attenzione a come si maneggiano le cartucce delle batterie estremamente calde.**

15. **Non toccare i terminali dell'utensile subito dopo l'uso, in quanto potrebbero diventare estremamente caldi al punto da causare ustioni.**
16. **Evitare di far incastrare schegge, polveri o terreno nei terminali, nei fori e nelle scanalature della cartuccia della batteria.** In caso contrario, l'utensile o la cartuccia della batteria potrebbero riscaldarsi, prendere fuoco, scoppiare o guastarsi, causando ustioni o lesioni personali.
17. **A meno che l'utensile supporti l'uso in prossimità di linee elettriche ad alta tensione, non utilizzare la cartuccia della batteria in prossimità di linee elettriche ad alta tensione.** In caso contrario, si potrebbe causare un malfunzionamento o la rottura dell'utensile o della cartuccia della batteria.
18. **Tenere la batteria lontana dai bambini.**

CONSERVARE LE PRESENTI ISTRUZIONI.

⚠ATTENZIONE: Utilizzare solo batterie originali Makita. L'utilizzo di batterie Makita non originali, o di batterie che siano state alterate, potrebbe risultare nello scoppio della batteria, causando incendi, lesioni personali e danni. Inoltre, ciò potrebbe invalidare la garanzia Makita per l'utensile e il caricabatterie Makita.

Suggerimenti per preservare la durata massima della batteria

1. **Caricare la cartuccia della batteria prima che si scarichi completamente. Smettere sempre di utilizzare l'utensile e caricare la cartuccia della batteria quando si nota che la potenza dell'utensile è diminuita.**
2. **Non ricaricare mai una cartuccia della batteria completamente carica. La sovraccarica riduce la vita utile della batteria.**
3. **Caricare la cartuccia della batteria a una temperatura ambiente compresa tra 10 °C e 40 °C. Lasciar raffreddare una cartuccia della batteria prima di caricarla.**
4. **Quando non si utilizza la cartuccia della batteria, rimuoverla dall'utensile o dal caricabatterie.**
5. **Caricare la cartuccia della batteria se non la si è utilizzata per un periodo di tempo prolungato (più di sei mesi).**

Istruzioni importanti per la sicurezza dell'unità senza fili

1. **Non smontare né manomettere l'unità senza fili.**
2. **Tenere l'unità senza fili lontana dai bambini piccoli. Qualora venga inghiottita accidentalmente, richiedere immediatamente assistenza medica.**
3. **Utilizzare l'unità senza fili esclusivamente con utensili Makita.**
4. **Non esporre l'unità senza fili alla pioggia o a condizioni di bagnato.**
5. **Non utilizzare l'unità senza fili in luoghi in cui la temperatura superi i 50 °C.**
6. **Non utilizzare l'unità senza fili in luoghi in cui siano presenti strumenti medici, ad esempio pacemaker, nelle vicinanze.**
7. **Non utilizzare l'unità senza fili in luoghi in cui siano presenti dispositivi automatizzati nelle vicinanze.** In caso contrario, i dispositivi automatizzati potrebbero sviluppare un malfunzionamento o un errore.
8. **Non far funzionare l'unità senza fili in ubicazioni con temperatura ambiente elevata o in ubicazioni in cui potrebbero venire generati elettricità statica o disturbi elettrici.**
9. **L'unità senza fili può produrre campi elettromagnetici (EMF) ma questi ultimi non sono dannosi per l'utente.**
10. **L'unità senza fili è uno strumento preciso. Fare attenzione a non far cadere e a non colpire l'unità senza fili.**
11. **Evitare di toccare il terminale dell'unità senza fili a mani nude o con materiali metallici.**
12. **Rimuovere sempre la batteria sul prodotto quando si intende installare su quest'ultimo l'unità senza fili.**
13. **Quando si intende aprire il coperchio dell'alloggiamento, evitare ubicazioni in cui polvere e acqua potrebbero penetrare nell'alloggiamento. Mantenere sempre l'apertura di entrata dell'alloggiamento pulita.**
14. **Inserire sempre l'unità senza fili nella direzione corretta.**
15. **Non premere con forza eccessiva il pulsante di attivazione della comunicazione senza fili sull'unità senza fili, né premere il pulsante con un oggetto dal bordo affilato.**
16. **Chiudere sempre il coperchio dell'alloggiamento durante il funzionamento.**
17. **Non rimuovere l'unità senza fili dall'alloggiamento mentre viene fornita l'alimentazione all'utensile.** In caso contrario, si potrebbe causare un malfunzionamento dell'unità senza fili.
18. **Non rimuovere l'adesivo sull'unità senza fili.**
19. **Non applicare alcun adesivo sull'unità senza fili.**
20. **Non lasciare l'unità senza fili in un'ubicazione in cui potrebbero venire generati elettricità statica o disturbi elettrici.**
21. **Non lasciare l'unità senza fili in ubicazioni soggette a calore elevato, ad esempio in un'auto parcheggiata al sole.**
22. **Non lasciare l'unità senza fili in ubicazioni polverose o in ubicazioni in cui potrebbero venire generati gas corrosivi.**
23. **Una variazione improvvisa di temperatura potrebbe far bagnare di condensa l'unità senza fili. Non utilizzare l'unità senza fili fino alla completa asciugatura della condensa.**
24. **Quando si intende pulire l'unità senza fili, passarvi sopra delicatamente un panno morbido asciutto. Non utilizzare benzina per pulizia, diluenti, grasso conduttivo o simili.**
25. **Quando si intende riporre l'unità senza fili, conservarla nella custodia in dotazione o in un**

contenitore antistatico.

26. **Non inserire alcun dispositivo diverso dall'unità senza fili Makita nell'alloggiamento presente sull'utensile.**
27. **Non utilizzare l'utensile con il coperchio dell'alloggiamento danneggiato.** Qualora nell'alloggiamento penetrino acqua, polvere e sporco, potrebbero causare un malfunzionamento.
28. **Non tirare né attorcigliare il coperchio dell'alloggiamento oltre il necessario.** Qualora il coperchio si stacchi dall'utensile, riapplicarlo.
29. **Qualora il coperchio dell'alloggiamento vada perso o venga danneggiato, sostituirlo.**

CONSERVARE LE PRESENTI ISTRUZIONI.

DESCRIZIONE DELLE FUNZIONI

ATTENZIONE: Accertarsi sempre che l'utensile sia spento e che la cartuccia della batteria sia stata rimossa prima di regolare o di controllare il funzionamento dell'utensile.

Installazione o rimozione della cartuccia della batteria

ATTENZIONE: Spegnerne sempre l'utensile prima di installare o rimuovere la cartuccia della batteria.

ATTENZIONE: Mantenere saldamente lo strumento e la batteria quando si intende installare o rimuovere la cartuccia della batteria. Qualora non si mantengano saldamente lo strumento e la cartuccia della batteria, questi ultimi potrebbero scivolare dalle mani, con la possibilità di causare un danneggiamento dello strumento e della cartuccia della batteria, nonché una lesione personale.

Per installare la cartuccia della batteria, allineare la linguetta sulla cartuccia della batteria con la scanalatura nell'alloggiamento e farla scivolare in sede. Inserirla completamente fino al suo blocco in sede con un leggero scatto. Se è possibile vedere l'indicatore rosso, come indicato nella figura, non è bloccata completamente.

Per rimuovere la cartuccia della batteria, farla scorrere via dall'utensile mentre si fa scorrere allo stesso tempo il pulsante sulla parte anteriore della cartuccia.

► **Fig.7:** 1. Indicatore rosso 2. Pulsante 3. Cartuccia della batteria

ATTENZIONE: Installare sempre fino in fondo la cartuccia della batteria, fino a quando l'indicatore rosso non è più visibile. In caso contrario, la batteria potrebbe cadere accidentalmente dall'utensile, causando lesioni personali all'operatore o a chi gli è vicino.

ATTENZIONE: Non installare forzatamente la cartuccia della batteria. Qualora la batteria non si inserisca scorrendo agevolmente, vuol dire che non viene inserita correttamente.

Indicazione della carica residua della batteria

Premere il pulsante di controllo sulla cartuccia della batteria per indicare la carica residua della batteria. Gli indicatori luminosi si illuminano per alcuni secondi.

► **Fig.8:** 1. Indicatori luminosi 2. Pulsante di controllo

Indicatori luminosi			Carica residua
■ Illuminato	□ Spento	▬ Lampeggiante	
■ ■ ■ ■			Dal 75% al 100%
■ ■ ■ □			Dal 50% al 75%
■ ■ □ □			Dal 25% al 50%
■ □ □ □			Dallo 0% al 25%
▬ □ □ □			Caricare la batteria.
■ ■ □ □			La batteria potrebbe essersi guastata.
□ □ ■ ■			

NOTA: A seconda delle condizioni d'uso e della temperatura ambiente, l'indicazione potrebbe variare leggermente rispetto alla carica effettiva.

NOTA: Il primo indicatore luminoso (all'estremità sinistra) lampeggia quando il sistema di protezione della batteria è in funzione.

Sistema di protezione strumento/batteria

Lo strumento è dotato di un sistema di protezione strumento/batteria. Questo sistema interrompe automaticamente l'alimentazione al motore, per prolungare la vita utile dello strumento e della batteria. L'utensile si arresta automaticamente durante il funzionamento, qualora l'utensile stesso o la batteria vengano a trovarsi in una delle condizioni seguenti: In alcune condizioni, gli indicatori si illuminano.

Protezione dal sovraccarico

Quando l'utensile o la batteria vengono utilizzati in un modo che causi un assorbimento di energia elevato in

modo anomalo, l'utensile si arresta automaticamente. In questa situazione, spegnere l'utensile e interrompere l'applicazione che ha causato il sovraccarico dell'utensile. Quindi, accendere l'utensile per ricominciare.

Protezione dal surriscaldamento

Quando l'utensile o la batteria sono surriscaldati, l'utensile si arresta automaticamente. In questa situazione, lasciar raffreddare l'utensile prima di riaccenderlo.

Protezione dalla sovrascarica

Quando la carica della batteria diventa bassa, l'utensile si arresta automaticamente. Qualora il prodotto non funzioni anche quando si attivano gli interruttori, rimuovere la batteria o le batterie dall'utensile e caricarla o ricaricarle.

Protezione da altre cause

Il sistema di protezione è progettato anche per altre cause che potrebbero danneggiare l'utensile, e consente all'utensile di arrestarsi automaticamente. Adottare tutte le misure seguenti per rimuovere le cause, quando l'utensile è stato portato a un'interruzione temporanea o a un arresto del funzionamento.

1. Accertarsi che tutti gli interruttori siano nella posizione di spegnimento, quindi riaccendere l'utensile per ricominciare.
2. Caricare la batteria o le batterie, o sostituirla/sostituirele con una batteria o delle batterie ricaricate.
3. Lasciar raffreddare l'utensile e la batteria o le batterie.

Qualora non si riscontri alcun miglioramento ripristinando il sistema di protezione, contattare il proprio centro di assistenza locale Makita.

Funzionamento dell'interruttore

AVVERTIMENTO: Prima di inserire la cartuccia della batteria nell'utensile, controllare sempre che l'interruttore a grilletto funzioni correttamente e torni sulla posizione "OFF" quando viene rilasciato.

AVVERTIMENTO: Non rendere MAI inefficace il pulsante di sblocco tenendolo premuto con nastro adesivo o in altri modi. Un interruttore con un pulsante di sblocco che sia stato reso inefficace potrebbe risultare in un funzionamento accidentale e in gravi lesioni personali.

AVVERTIMENTO: Non utilizzare MAI l'utensile qualora si avvii semplicemente premendo l'interruttore a grilletto senza tenere premuto il pulsante di sblocco. Un interruttore che necessiti di riparazione potrebbe risultare in un funzionamento accidentale e in gravi lesioni personali. Riportare l'utensile a un centro di assistenza Makita per le riparazioni necessarie PRIMA di un ulteriore utilizzo.

L'utensile è dotato di un pulsante di sblocco, per evitare di premere accidentalmente l'interruttore a grilletto. Per avviare l'utensile, premere il pulsante di sblocco e premere l'interruttore a grilletto. Rilasciare l'interruttore a grilletto per arrestarlo.

► **Fig.9:** 1. Interruttore a grilletto 2. Pulsante di sblocco

AVVISO: Non premere con forza l'interruttore a grilletto senza aver fatto rientrare il pulsante di sblocco premendolo. In caso contrario, si potrebbe causare la rottura dell'interruttore.

ATTENZIONE: L'utensile inizia a frenare la rotazione della lama per sega circolare subito dopo il rilascio dell'interruttore a grilletto. Mantenere saldamente l'utensile per rispondere alla reazione del freno, quando si intende rilasciare l'interruttore a grilletto. Una reazione improvvisa può far cadere l'utensile dalle mani e può causare lesioni personali.

Regolazione della profondità di taglio

ATTENZIONE: Dopo aver regolato la profondità di taglio, bloccare sempre la base.

1. Sbloccare la base allentando la leva.
2. Impostare la lama per sega circolare sulla profondità di taglio desiderata.
3. Bloccare la base serrando la leva.

► **Fig.10:** 1. Base 2. Profondità di taglio 3. Leva

ATTENZIONE: Per dei tagli più puliti e più sicuri, regolare la profondità di taglio in modo che al di sotto del pezzo in lavorazione non sporga più di un dente della lama. L'utilizzo della profondità di taglio corretta contribuisce a ridurre il rischio potenziale di pericolosi CONTRACCOLPI che possono causare lesioni personali.

Tagli a unghia

ATTENZIONE: Dopo aver regolato l'angolo di taglio a unghia, bloccare sempre la base.

1. Allentare la leva e la vite di fissaggio.
 2. Allineare l'indicatore con l'angolo di taglio desiderato inclinando la base.
 3. Serrare saldamente la leva e la vite di fissaggio.
- **Fig.11:** 1. Leva 2. Vite di fissaggio 3. Indicatore

Allineamento

Per i tagli dritti, allineare la posizione a 0° sulla parte anteriore della base con la linea di taglio desiderata. Per i tagli a unghia a 45°, allineare la posizione a 45° con la linea di taglio.

► **Fig.12:** 1. Linea di taglio (posizione a 0°) 2. Linea di taglio (posizione a 45°)

Dispositivo lama stazionaria

In generale, utilizzare il dispositivo lama stazionaria impostando la leva di blocco nella posizione bloccata. Per bloccare la leva di blocco, premerla e ruotarla in senso antiorario di 90°. Per sbloccare la leva di blocco, ruotarla di 90° in senso orario. Quando si sostituisce una lama per sega circolare, sbloccare la leva di blocco.

► **Fig.13:** 1. Leva di blocco 2. Posizione di blocco 3. Posizione di sblocco

Freno elettrico

Questo utensile è dotato di un freno lama elettrico. Qualora l'utensile non riesca ripetutamente ad arrestare la lama per sega circolare rapidamente dopo il rilascio dell'interruttore a grilletto, far sottoporre a riparazione l'utensile presso un centro di assistenza Makita.

⚠ATTENZIONE: Il sistema del freno lama non rappresenta un sostituto della protezione lama. **NON UTILIZZARE MAI L'UTENSILE SENZA UNA PROTEZIONE LAMA FUNZIONANTE. IN CASO CONTRARIO, SI POTREBBERO CAUSARE GRAVI LESIONI PERSONALI.**

Funzione elettronica

Gli utensili dotati di funzione elettronica sono di semplice utilizzo, grazie alla caratteristica o alle caratteristiche seguenti.

Funzione di avvio morbido

Avvio morbido, grazie alla soppressione dell'impatto di avvio.

MONTAGGIO

⚠ATTENZIONE: Accertarsi sempre che l'utensile sia spento e che la cartuccia della batteria sia stata rimossa, prima di effettuare qualsiasi intervento sull'utensile.

Conservazione della chiave esagonale

Quando non si utilizza la chiave esagonale, riporla come mostrato nella figura per evitare di perderla.

► Fig.14: 1. Chiave esagonale

Installazione e rimozione della lama per sega circolare

⚠ATTENZIONE: Accertarsi di installare la lama per sega circolare con i denti rivolti verso l'alto nella parte anteriore dell'utensile.

⚠ATTENZIONE: Utilizzare solo la chiave Makita per installare o rimuovere la lama per sega circolare.

NOTA: Quando si intende installare o disinstallare la lama per sega circolare, l'operazione viene facilitata portando la base sulla sua posizione originale.

Installazione della lama per sega circolare

NOTA: A seconda dei modelli, la lama per sega circolare è già stata installata al momento della spedizione.

1. Rilasciare la leva di blocco del dispositivo lama stazionaria.

2. Premere a fondo il blocco albero in modo che l'albero di montaggio non possa girare, quindi utilizzare la chiave esagonale per allentare il bullone esagonale. Quindi, rimuovere il bullone esagonale e la flangia esterna.

► Fig.15: 1. Leva di blocco 2. Blocco dell'albero 3. Chiave esagonale 4. Per allentare 5. Per serrare

3. Installare sull'albero di montaggio la flangia interna con il suo lato convesso rivolto verso l'esterno, quindi installare la lama per sega circolare, la flangia esterna e il bullone esagonale. A questo punto, allineare la direzione della freccia sulla lama per sega circolare con la freccia sull'utensile.

► Fig.16: 1. Bullone esagonale 2. Flangia esterna 3. Lama per sega circolare 4. Freccia sulla lama per sega circolare 5. Flangia interna 6. Freccia sull'utensile

4. Premere il blocco albero e serrare il bullone esagonale.

5. Bloccare la leva di blocco del dispositivo lama stazionaria.

Direzione di montaggio della flangia interna

La flangia interna presenta una sporgenza di un determinato diametro da un lato e una sporgenza con un diametro diverso dall'altro lato. Scegliere il lato corretto sul quale la sporgenza entri perfettamente nel foro della lama. Montare la flangia interna sull'albero di montaggio in modo che il lato corretto della sporgenza sulla flangia interna sia rivolto verso l'esterno, quindi applicare la lama e la flangia esterna.

► Fig.17: 1. Albero di montaggio 2. Flangia interna 3. Lama per sega circolare 4. Flangia esterna 5. Bullone esagonale

⚠AVVERTIMENTO: ACCERTARSI DI SERRARE SALDAMENTE IL BULLONE ESAGONALE. Inoltre, fare attenzione a non serrare il bullone applicando forza eccessiva. Qualora la mano scivoli dalla chiave esagonale, si potrebbero causare lesioni personali.

⚠AVVERTIMENTO: Accertarsi che la sporgenza "a" sulla flangia interna che è posizionata all'esterno entri perfettamente nel foro della lama "a". Il montaggio della lama sul lato sbagliato potrebbe risultare in vibrazioni pericolose.

Rimozione della lama per sega circolare

Per rimuovere la lama per sega circolare, eseguire la procedura di installazione al contrario.

AVVISO: Reinstallare la flangia esterna e il bullone esagonale per evitare che si perdano.

Pulizia della protezione lama

Quando si intende sostituire la lama per sega circolare, accertarsi di pulire anche le protezioni superiore e inferiore della lama dalla segatura accumulata, come descritto nella sezione Manutenzione. Tali operazioni non sostituiscono l'esigenza di controllare il funzionamento della protezione inferiore prima di ciascun utilizzo.

Collegamento di un aspiratore

Accessorio opzionale

NOTA: A seconda dei modelli, la bocchetta per le polveri viene fornita come accessorio di serie.

Quando si desidera eseguire operazioni di taglio pulite, collegare un aspirapolvere Makita all'utensile.

Installare sull'utensile la bocchetta per le polveri utilizzando la vite.

► **Fig.18:** 1. Bocchetta per le polveri 2. Vite

Collegare un tubo flessibile dell'aspirapolvere alla bocchetta per le polveri utilizzando il manicotto anteriore 24 come indicato nella figura.

► **Fig.19:** 1. Bocchetta per le polveri 2. Manicotto anteriore 24 (accessorio opzionale) 3. Tubo flessibile dell'aspirapolvere

FUNZIONAMENTO

Questo utensile è destinato esclusivamente al taglio di prodotti in legno.

NOTA: Per informazioni sulle lame per seghe circolari corrette da utilizzare per il materiale da tagliare, consultare il nostro sito web o contattare il proprio rivenditore locale Makita.

Controllo della funzione della protezione lama

Rimuovere la cartuccia della batteria. Impostare l'angolo di taglio a unghia su 0°, quindi ritirare manualmente la protezione lama inferiore fino a fine corsa e rilasciarla. La protezione lama inferiore funziona correttamente se:

- viene ritirata al di sopra della base senza alcun impedimento, e;
- torna automaticamente in posizione ed entra in contatto con il fermo.

► **Fig.20:** 1. Protezione lama superiore 2. Protezione lama inferiore 3. Base 4. Fermo 5. Per aprire 6. Per chiudere

Qualora la protezione lama inferiore non funzioni correttamente, controllare se della segatura si sia accumulata all'interno della protezione lama superiore e di quella inferiore. Qualora la protezione lama inferiore non funzioni correttamente anche dopo aver rimosso la segatura, far sottoporre ad assistenza l'utensile presso un centro di assistenza Makita.

Operazione di taglio

⚠ATTENZIONE: Quando si intende eseguire un'operazione di taglio, indossare una maschera antipolvere.

⚠ATTENZIONE: Accertarsi di spostare l'utensile in avanti procedendo delicatamente in linea retta. La forzatura o la torsione dell'utensile possono causare il surriscaldamento del motore e pericolosi contraccolpi, con la possibilità di causare gravi lesioni personali.

AVVISO: Quando la temperatura della cartuccia della batteria è bassa, l'utensile potrebbe non operare alla massima capacità. In questa eventualità utilizzare l'utensile, ad esempio, per un taglio a carico leggero per un breve periodo di tempo, fino a quando la cartuccia della batteria si riscalda e raggiunge la temperatura ambiente. A questo punto l'utensile può lavorare alla massima capacità.

► **Fig.21**

Mantenere saldamente l'utensile. L'utensile è dotato sia di un'impugnatura anteriore che di una maniglia posteriore. Utilizzarle entrambe per afferrare l'utensile.

Se entrambe le mani mantengono l'utensile, le mani non possono venire tagliate dalla lama per sega circolare. Collocare la base sul pezzo in lavorazione da tagliare senza fare entrare in contatto con quest'ultimo la lama per sega circolare. Quindi, accendere l'utensile e attendere che la lama per sega circolare abbia raggiunto la piena velocità. Ora, far avanzare semplicemente l'utensile sulla superficie del pezzo in lavorazione, procedendo in piano e in modo uniforme fino al completamento del taglio.

Per ottenere dei tagli puliti, mantenere dritta la linea di taglio e avanzare a velocità costante. Qualora il taglio non segua correttamente la linea di taglio desiderata, non tentare di ruotare o forzare l'utensile per riportarlo sulla linea di taglio. In caso contrario, si potrebbe far bloccare la lama per sega circolare e causare pericolosi contraccolpi, con la possibilità di gravi lesioni personali. Rilasciare l'interruttore, attendere che la lama per sega circolare si arresti e quindi rimuovere l'utensile. Riallineare l'utensile sulla nuova linea di taglio e iniziare di nuovo a tagliare. Cercare di evitare posizioni che espungano l'operatore ai trucioli e alla segatura espulsi dalla sega. Come aiuto per evitare lesioni personali, indossare occhiali di protezione.

Guida di taglio (righello guida)

Accessorio opzionale

⚠ATTENZIONE: Accertarsi che la guida di taglio sia installata saldamente nella posizione corretta, prima dell'uso. Un montaggio errato potrebbe causare un pericoloso contraccolpo.

La comoda guida di taglio consente di realizzare tagli dritti della massima precisione. È sufficiente far scorrere la guida di taglio mantenendola aderente al fianco del pezzo in lavorazione e fissarla in posizione con la vite sulla parte anteriore della base. La guida consente anche di realizzare tagli ripetuti di larghezza uniforme.

► **Fig.22:** 1. Guida di taglio (righello guida) 2. Vite di fissaggio

Supporto di protezione

ATTENZIONE: Quando si intende appoggiare l'utensile sul supporto di protezione, appoggiare l'utensile lentamente. Qualora si appoggi sbadatamente l'utensile sul supporto di protezione, si potrebbero causare lesioni personali e malfunzionamenti.

È possibile utilizzare il supporto di protezione per la conservazione temporanea dell'utensile durante il lavoro.

Come posizionare l'utensile orizzontalmente

Per installare l'utensile, premerlo nel supporto di protezione dall'alto fino a sentire uno scatto.

Per rimuovere l'utensile, mentre si tiene fermo il supporto di protezione con il piede, tirare l'utensile verso l'alto come indicato nella figura.

► **Fig.23:** 1. Supporto di protezione

Come posizionare l'utensile inclinato

Per installare l'utensile, posizionare l'utensile angolato sul supporto di protezione, come indicato nella figura.

Per rimuovere l'utensile, tirarlo verso l'alto.

► **Fig.24**

FUNZIONE DI ATTIVAZIONE DELLA COMUNICAZIONE SENZA FILI

Cosa si può fare con la funzione di attivazione della comunicazione senza fili

La funzione di attivazione della comunicazione senza fili consente un funzionamento pulito e comodo. Collegando un aspirapolvere supportato all'utensile, è possibile far funzionare automaticamente l'aspirapolvere insieme all'attivazione dell'interruttore dell'utensile.

► **Fig.25**

Per utilizzare la funzione di attivazione della comunicazione senza fili, preparare gli elementi seguenti:

- Un'unità senza fili (accessorio opzionale)
- Un aspirapolvere che supporti la funzione di attivazione della comunicazione senza fili

L'impostazione della funzione di attivazione della comunicazione senza fili è riepilogata di seguito. Per le procedure dettagliate, consultare ciascuna sezione.

1. Installazione dell'unità senza fili
2. Registrazione dell'utensile per l'aspirapolvere
3. Avvio della funzione di attivazione della comunicazione senza fili

Installazione dell'unità senza fili

Accessorio opzionale

ATTENZIONE: Posizionare l'utensile su una superficie piana e stabile, quando si intende installare l'unità senza fili.

AVVISO: Pulire la polvere e lo sporco sull'utensile prima di installare l'unità senza fili. La polvere o lo sporco potrebbero causare un malfunzionamento, qualora penetrino nell'alloggiamento dell'unità senza fili.

AVVISO: Per evitare il malfunzionamento causato dall'elettricità statica, toccare un materiale per scaricarla, ad esempio una parte metallica dell'utensile, prima di prendere in mano l'unità senza fili.

AVVISO: Quando si installa l'unità senza fili, accertarsi sempre che quest'ultima sia inserita nella direzione corretta e che il coperchio sia completamente chiuso.

1. Aprire il coperchio sull'utensile come indicato nella figura.

► **Fig.26:** 1. Coperchio

2. Inserire l'unità senza fili nell'alloggiamento, quindi chiudere il coperchio.

Quando si inserisce l'unità senza fili, allineare le sporgenze con le rientranze presenti nell'alloggiamento.

► **Fig.27:** 1. Unità senza fili 2. Sporgenza 3. Coperchio 4. Rientranza

Quando si intende rimuovere l'unità senza fili, aprire lentamente il coperchio. I ganci sul retro del coperchio sollevano l'unità senza fili mentre si tira su il coperchio.

► **Fig.28:** 1. Unità senza fili 2. Gancio 3. Coperchio

Dopo aver rimosso l'unità senza fili, conservarla nella custodia in dotazione o in un contenitore antistatico.

AVVISO: Utilizzare sempre i ganci sul retro del coperchio quando si intende rimuovere l'unità senza fili. Qualora i ganci non si inseriscano nell'unità senza fili, chiudere completamente il coperchio e aprirlo lentamente.

Registrazione dell'utensile per l'aspirapolvere

NOTA: È richiesto un aspirapolvere Makita che supporti la funzione di attivazione della comunicazione senza fili per la registrazione dell'utensile.

NOTA: Completare l'installazione dell'unità senza fili nello strumento prima di avviare la registrazione dell'utensile.

NOTA: Durante la registrazione dell'utensile, non premere l'interruttore a grilletto né attivare l'interruttore di accensione sull'aspirapolvere.

NOTA: Fare riferimento anche al manuale d'uso dell'aspirapolvere.

Se si desidera attivare l'aspirapolvere insieme all'attivazione dell'interruttore dell'utensile, completare anticipatamente la registrazione dell'utensile.

1. Installare le batterie nell'aspirapolvere e nell'utensile.

2. Impostare il commutatore di standby sull'aspirapolvere su "AUTO".

► **Fig.29:** 1. Commutatore di standby

3. Premere il pulsante di attivazione della comunicazione senza fili sull'aspirapolvere per 3 secondi, fino a quando l'indicatore luminoso di attivazione della comunicazione senza fili lampeggia in verde. Quindi, premere il pulsante di attivazione della comunicazione senza fili sull'utensile in modo analogo.

► **Fig.30:** 1. Pulsante di attivazione della comunicazione senza fili 2. Indicatore luminoso di attivazione della comunicazione senza fili

Se l'aspirapolvere e l'utensile sono collegati con esito positivo, gli indicatori luminosi di attivazione della comunicazione senza fili si illuminano in verde per 2 secondi, quindi iniziano a lampeggiare in blu.

NOTA: Gli indicatori luminosi di attivazione della comunicazione senza fili smettono di lampeggiare in verde dopo 20 secondi. Premere il pulsante di attivazione della comunicazione senza fili sull'utensile mentre l'indicatore luminoso di attivazione della comunicazione senza fili sull'aspiratore sta lampeggiando. Qualora l'indicatore luminoso di attivazione della comunicazione senza fili non lampeggia in verde, premere brevemente e tenere premuto di nuovo il pulsante di attivazione della comunicazione senza fili.

NOTA: Quando si intende effettuare due o più registrazioni di utensili per un unico aspirapolvere, completare la registrazione degli utensili uno alla volta.

Avvio della funzione di attivazione della comunicazione senza fili

NOTA: Completare la registrazione dell'utensile per l'aspirapolvere prima dell'attivazione della comunicazione senza fili.

NOTA: Fare riferimento anche al manuale d'uso dell'aspirapolvere.

Dopo aver registrato un utensile sull'aspirapolvere, quest'ultimo entra in funzione automaticamente insieme all'attivazione dell'interruttore dell'utensile.

1. Installare l'unità senza fili sull'utensile.

2. Collegare il tubo flessibile dell'aspirapolvere all'utensile.

► **Fig.31**

3. Impostare il commutatore di standby sull'aspirapolvere su "AUTO".

► **Fig.32:** 1. Commutatore di standby

4. Premere brevemente il pulsante di attivazione della comunicazione senza fili sull'utensile. L'indicatore luminoso di attivazione della comunicazione senza fili lampeggia in blu.

► **Fig.33:** 1. Pulsante di attivazione della comunicazione senza fili 2. Indicatore luminoso di attivazione della comunicazione senza fili

5. Accendere l'utensile. Verificare se l'aspirapolvere sia in funzione quando l'utensile sta funzionando.

Per interrompere l'attivazione della comunicazione senza fili dell'aspirapolvere, premere il pulsante di attivazione della comunicazione senza fili sull'utensile.

NOTA: L'indicatore luminoso di attivazione della comunicazione senza fili sull'utensile smette di lampeggiare in blu quando non viene effettuata alcuna operazione per 2 ore. In questo caso, impostare il commutatore di standby sull'aspirapolvere su "AUTO" e premere di nuovo il pulsante di attivazione della comunicazione senza fili sull'utensile.

NOTA: L'aspirapolvere si avvia o si arresta con un ritardo. Si verifica un ritardo temporale quando l'aspirapolvere rileva un'attivazione dell'interruttore sull'utensile.



NOTA: La distanza di trasmissione dell'unità senza fili può variare a seconda dell'ubicazione e della situazione circostante.

NOTA: Quando due o più utensili sono registrati su un unico aspirapolvere, quest'ultimo potrebbe iniziare a funzionare anche se non si accende l'utensile, in quanto un altro utente sta utilizzando la funzione di attivazione della comunicazione senza fili.

Descrizione dello stato dell'indicatore luminoso di attivazione della comunicazione senza fili

► **Fig.34:** 1. Indicatore luminoso di attivazione della comunicazione senza fili

L'indicatore luminoso di attivazione della comunicazione senza fili mostra lo stato della funzione di attivazione della comunicazione senza fili. Per informazioni sul significato dello stato dell'indicatore luminoso, fare riferimento alla tabella seguente.

Stato	Indicatore luminoso di attivazione della comunicazione senza fili			Durata	Descrizione
	Colore	 Accesso	 Lampeggiante		
Standby	Blu	<input checked="" type="checkbox"/>		2 ore	È disponibile l'attivazione della funzione di comunicazione senza fili dell'aspirapolvere. L'indicatore luminoso si spegne automaticamente quando non viene eseguita alcuna operazione per 2 ore.
		<input type="checkbox"/>		Quando l'utensile è in funzione.	È disponibile l'attivazione della funzione di comunicazione senza fili dell'aspirapolvere e l'utensile è in funzione.
Registrazione dell'utensile	Verde	<input checked="" type="checkbox"/>		20 secondi	Pronto alla registrazione dell'utensile. In attesa della registrazione da parte dell'aspirapolvere.
		<input type="checkbox"/>		2 secondi	La registrazione dell'utensile è stata completata. L'indicatore luminoso di attivazione della comunicazione senza fili inizia a lampeggiare in blu.
Annullamento della registrazione dell'utensile	Rosso	<input checked="" type="checkbox"/>		20 secondi	Pronto alla cancellazione della registrazione dell'utensile. In attesa della cancellazione da parte dell'aspirapolvere.
		<input type="checkbox"/>		2 secondi	La cancellazione della registrazione dell'utensile è stata completata. L'indicatore luminoso di attivazione della comunicazione senza fili inizia a lampeggiare in blu.
Altro	Rosso	<input type="checkbox"/>		3 secondi	L'alimentazione è fornita all'unità senza fili e la funzione di attivazione della comunicazione senza fili si sta avviando.
	Spento	-		-	L'attivazione della funzione di comunicazione senza fili dell'aspirapolvere è stata arrestata.

Annullamento della registrazione dell'utensile per l'aspirapolvere

Quando si intende annullare la registrazione dell'utensile per l'aspirapolvere, attenersi alla procedura seguente.

1. Installare le batterie nell'aspirapolvere e nell'utensile.
2. Impostare il commutatore di standby sull'aspirapolvere su "AUTO".

► **Fig.35:** 1. Commutatore di standby

3. Premere il pulsante di attivazione della comunicazione senza fili sull'aspirapolvere per 6 secondi. L'indicatore luminoso di attivazione della comunicazione senza fili lampeggia in verde, quindi diventa rosso. Dopodiché, premere il pulsante di attivazione della comunicazione senza fili sull'utensile in modo analogo.

► **Fig.36:** 1. Pulsante di attivazione della comunicazione senza fili 2. Indicatore luminoso di attivazione della comunicazione senza fili

Se l'annullamento è stato eseguito con esito positivo, gli indicatori luminosi di attivazione della comunicazione senza fili si illuminano in rosso per 2 secondi, quindi iniziano a lampeggiare in blu.

NOTA: Gli indicatori luminosi di attivazione della comunicazione senza fili smettono di lampeggiare in rosso dopo 20 secondi. Premere il pulsante di attivazione della comunicazione senza fili sull'utensile mentre l'indicatore luminoso di attivazione della comunicazione senza fili sull'aspiratore sta lampeggiando. Qualora l'indicatore luminoso di attivazione della comunicazione senza fili non lampeggi in rosso, premere brevemente e tenere premuto di nuovo il pulsante di attivazione della comunicazione senza fili.

Risoluzione dei problemi per la funzione di attivazione della comunicazione senza fili

Prima di richiedere riparazioni, eseguire un'ispezione personalmente. Qualora si rilevi un problema che non è illustrato nel manuale, non tentare di smontare l'utensile. Rivolgersi, invece, a un centro di assistenza autorizzato Makita, utilizzando sempre pezzi di ricambio Makita per le riparazioni.

Stato di anomalia	Causa probabile (guasto)	Azione correttiva
L'indicatore luminoso di attivazione della comunicazione senza fili non si illumina o non lampeggia.	L'unità senza fili non è installata nell'utensile. L'unità senza fili è installata in modo errato nell'utensile.	Installare l'unità senza fili correttamente.
	Il terminale dell'unità senza fili e/o l'alloggiamento sono sporchi.	Asportare delicatamente polvere e sporco presenti sul terminale dell'unità senza fili e pulire l'alloggiamento.
	Il pulsante di attivazione della comunicazione senza fili sull'utensile non è stato premuto.	Premere brevemente il pulsante di attivazione della comunicazione senza fili sull'utensile.
	Il commutatore di standby sull'aspirapolvere non è impostato su "AUTO".	Impostare il commutatore di standby sull'aspirapolvere su "AUTO".
	Alimentazione assente	Fornire l'alimentazione all'utensile e all'aspirapolvere.
Impossibile completare con esito positivo la registrazione dell'utensile o l'annullamento della registrazione dell'utensile.	L'unità senza fili non è installata nell'utensile. L'unità senza fili è installata in modo errato nell'utensile.	Installare l'unità senza fili correttamente.
	Il terminale dell'unità senza fili e/o l'alloggiamento sono sporchi.	Asportare delicatamente polvere e sporco presenti sul terminale dell'unità senza fili e pulire l'alloggiamento.
	Il commutatore di standby sull'aspirapolvere non è impostato su "AUTO".	Impostare il commutatore di standby sull'aspirapolvere su "AUTO".
	Alimentazione assente	Fornire l'alimentazione all'utensile e all'aspirapolvere.
	Funzionamento errato	Premere brevemente il pulsante di attivazione della comunicazione senza fili ed eseguire di nuovo la procedura di registrazione o di annullamento dell'utensile.
	L'utensile e l'aspirapolvere sono lontani l'uno dall'altro (fuori dalla portata di trasmissione).	Avvicinare l'utensile e l'aspirapolvere tra di loro. La distanza massima di trasmissione è di circa 10 m, ma può variare in base alle circostanze.
	Prima di completare la registrazione o l'annullamento dell'utensile: - l'interruttore dell'utensile è attivato, oppure; - il pulsante di accensione sull'aspirapolvere è attivato.	Premere brevemente il pulsante di attivazione della comunicazione senza fili ed eseguire di nuovo la procedura di registrazione o di annullamento dell'utensile.
	Le procedure di registrazione per l'utensile o per l'aspirapolvere non sono state completate.	Eseguire le procedure di registrazione dell'utensile sia per l'utensile che per l'aspirapolvere allo stesso tempo.
	Sono presenti disturbi radio dovuti ad altri apparecchi che generano onde radio ad alta intensità.	Tenere l'utensile e l'aspirapolvere lontani da apparecchi quali dispositivi Wi-Fi e forni a microonde.

Stato di anomalia	Causa probabile (guasto)	Azione correttiva
L'aspirapolvere non entra in funzione insieme all'attivazione dell'interruttore dell'utensile.	L'unità senza fili non è installata nell'utensile. L'unità senza fili è installata in modo errato nell'utensile.	Installare l'unità senza fili correttamente.
	Il terminale dell'unità senza fili e/o l'alloggiamento sono sporchi.	Asportare delicatamente polvere e sporco presenti sul terminale dell'unità senza fili e pulire l'alloggiamento.
	Il pulsante di attivazione della comunicazione senza fili sull'utensile non è stato premuto.	Premere brevemente il pulsante di attivazione della comunicazione senza fili e accertarsi che l'indicatore luminoso di attivazione della comunicazione senza fili stia lampeggiando in blu.
	Il commutatore di standby sull'aspirapolvere non è impostato su "AUTO".	Impostare il commutatore di standby sull'aspirapolvere su "AUTO".
	Sull'aspirapolvere sono registrati più di 10 utensili.	Effettuare di nuovo la registrazione dell'utensile. Qualora sull'aspirapolvere siano registrati più di 10 utensili, l'utensile registrato per primo viene annullato automaticamente.
	L'aspirapolvere ha cancellato tutte le registrazioni degli utensili.	Effettuare di nuovo la registrazione dell'utensile.
	Alimentazione assente	Fornire l'alimentazione all'utensile e all'aspirapolvere.
	L'utensile e l'aspirapolvere sono lontani l'uno dall'altro (fuori dalla portata di trasmissione).	Avvicinare l'utensile e l'aspirapolvere tra di loro. La distanza massima di trasmissione è di circa 10 m, ma può variare in base alle circostanze.
	Sono presenti disturbi radio dovuti ad altri apparecchi che generano onde radio ad alta intensità.	Tenere l'utensile e l'aspirapolvere lontani da apparecchi quali dispositivi Wi-Fi e forni a microonde.
L'aspirapolvere è in funzione mentre l'utensile non sta funzionando.	Altri utenti stanno utilizzando l'attivazione della comunicazione senza fili dell'aspirapolvere con i loro utensili.	Disattivare il pulsante di attivazione della comunicazione senza fili degli altri utensili oppure annullare la registrazione degli altri utensili.

MANUTENZIONE

⚠ATTENZIONE: Accertarsi sempre che l'utensile sia spento e che la cartuccia della batteria sia stata rimossa prima di tentare di eseguire interventi di ispezione o manutenzione.

⚠ATTENZIONE: Pulire le protezioni lama superiore e inferiore per assicurare che non sia presente segatura accumulata che potrebbe impedire il funzionamento del sistema di protezione lama inferiore. Un sistema di protezione sporco potrebbe limitare il funzionamento corretto, il che potrebbe risultare in gravi lesioni personali. Il modo più efficace per ottenere tale pulizia è l'uso di aria compressa. **Qualora la polvere venga soffiata al di fuori dalle protezioni lama, accertarsi di utilizzare protezioni appropriate per occhi e respirazione.**

⚠ATTENZIONE: Dopo l'uso, pulire la segatura presente sull'utensile. Le polveri sottili di segatura potrebbero penetrare all'interno dell'utensile e causare un malfunzionamento o un incendio.

AVVISO: Non utilizzare mai benzina, benzene, solventi, alcol o altre sostanze simili. In caso contrario, si potrebbero causare scolorimenti, deformazioni o crepe.

Per preservare la SICUREZZA e l'AFFIDABILITÀ del prodotto, le riparazioni e qualsiasi altro intervento di manutenzione e di regolazione devono essere eseguiti da un centro di assistenza autorizzato Makita, utilizzando sempre ricambi Makita.

Regolazione della precisione di taglio a 0°

AVVISO: Prima di avviare l'impostazione, accertarsi che il blocco della profondità di taglio sia fissato saldamente.

Questa regolazione è stata effettuata in fabbrica. Tuttavia, qualora non sia corretta, è possibile regolarla attenendosi alla procedura seguente.

1. Allentare il blocco dell'angolo di taglio a unghia, in modo che sia possibile modificare l'angolo di taglio a unghia.

NOTA: Per informazioni su come serrare o allentare il blocco dell'angolo di taglio a unghia, fare riferimento alla sezione relativa al taglio a unghia.

2. Appoggiare un righello triangolare o una squadra per falegname sul lato della lama per sega circolare e sulla base.

Mentre si mantengono il lato della lama per sega circolare e la base perpendicolari tra di loro, ruotare la vite di regolazione per definire la posizione di 0°.

► **Fig.37:** 1. Righello triangolare 2. Vite di regolazione

3. Bloccare l'angolo di taglio a unghia ed effettuare un taglio di prova per controllare la verticalità.

ACCESSORI OPZIONALI

⚠ATTENZIONE: Questi accessori o componenti aggiuntivi sono consigliati per l'uso con l'utensile Makita specificato nel presente manuale.

L'impiego di altri accessori o componenti aggiuntivi può costituire un rischio di lesioni alle persone.

Utilizzare gli accessori o i componenti aggiuntivi solo per il loro scopo prefissato.

Per ottenere ulteriori dettagli relativamente a questi accessori, rivolgersi a un centro di assistenza Makita.

- Lama per sega circolare
- Guida di taglio (righello guida)
- Bocchetta per le polveri
- Chiave esagonale
- Unità senza fili
- Batteria e caricabatterie originali Makita

NOTA: Alcuni articoli nell'elenco potrebbero essere inclusi nell'imballaggio dell'utensile come accessori standard. Tali articoli potrebbero variare da nazione a nazione.

TECHNISCHE GEGEVENS

Model:		HS013G
Zaagbladdiameter		415 mm
Max. zaagdiepte	bij 0°	158 mm
	bij 45° verstek	106 mm
Nullasttoerental		2.100 min ⁻¹
Nominale spanning		Max. 36 V - 40 V gelijkspanning
Totale lengte		606 mm
Nettogewicht		11,0 - 12,0 kg

- In verband met ononderbroken research en ontwikkeling, behouden wij ons het recht voor de bovenstaande technische gegevens zonder voorafgaande kennisgeving te wijzigen.
- De technische gegevens kunnen van land tot land verschillen.
- Het gewicht kan verschillen afhankelijk van de hulpstukken, waaronder de accu. De lichtste en zwaarste combinatie, overeenkomstig de EPTA-procedure 01/2014, worden getoond in de tabel.

Toepasselijke accu's en laders

Accu	BL4040 / BL4040F* / BL4050F* / BL4080F* * : Aanbevolen accu
Lader	DC40RA / DC40RB / DC40RC / DC40WA

- Sommige van de hierboven vermelde accu's en laders zijn mogelijk niet leverbaar afhankelijk van waar u woont.

⚠WAARSCHUWING: Gebruik uitsluitend de accu's en laders die hierboven worden genoemd. Gebruik van enige andere accu of lader kan leiden tot letsel en/of brand.

Gebruiksdoeleinden

Het gereedschap is bedoeld voor het rechtzagen in lengterichting en in dwarsrichting en voor het verstekzagen van hoeken in hout terwijl het gereedschap stevig tegen het werkstuk wordt gehouden.

Geluidsniveau

De typische, A-gewogen geluidsniveaus zijn gemeten volgens EN62841-2-5:

Geluidsdrukniveau (L_{pA}): 98 dB (A)

Geluidsvermogeniveau (L_{WA}): 106 dB (A)

Onzekerheid (K): 3 dB (A)

OPMERKING: De opgegeven geluidsemissiewaarde(n) is/zijn gemeten volgens een standaardtestmethode en kan/kunnen worden gebruikt om dit gereedschap te vergelijken met andere gereedschappen.

OPMERKING: De opgegeven geluidsemissiewaarde(n) kan/kunnen ook worden gebruikt voor een beoordeling vooraf van de blootstelling.

⚠WAARSCHUWING: Draag gehoorbescherming.

⚠WAARSCHUWING: De geluidsemissie tijdens het gebruik van het elektrisch gereedschap in de praktijk kan verschillen van de opgegeven waarde(n) afhankelijk van de manier waarop het gereedschap wordt gebruikt, met name van het soort werkstuk waarmee wordt gewerkt.

⚠WAARSCHUWING: Zorg ervoor dat veiligheidsmaatregelen worden getroffen ter bescherming van de gebruiker die zijn gebaseerd op een schatting van de blootstelling onder praktijkomstandigheden (rekening houdend met alle fasen van de bedrijfscyclus, zoals de tijdsduur gedurende welke het gereedschap is uitgeschakeld en stationair draait, naast de ingeschakelde tijdsduur).

Trilling

De totale trillingswaarde (triaxiale vectorsom) zoals vastgesteld volgens EN62841-2-5:

Gebruikstoepassing: zagen van hout

Trillingsemissie ($a_{h,w}$): 2,5 m/s² of lager

Onzekerheid (K): 1,5 m/s²

OPMERKING: De totale trillingswaarde(n) is/zijn gemeten volgens een standaardtestmethode en kan/kunnen worden gebruikt om dit gereedschap te vergelijken met andere gereedschappen.

OPMERKING: De opgegeven totale trillingswaarde(n) kan/kunnen ook worden gebruikt voor een beoordeling vooraf van de blootstelling.

⚠ WAARSCHUWING: De trillingsemissie tijdens het gebruik van het elektrisch gereedschap in de praktijk kan verschillen van de opgegeven waarde(n) afhankelijk van de manier waarop het gereedschap wordt gebruikt, met name van het soort werkstuk waarmee wordt gewerkt.

⚠ WAARSCHUWING: Zorg ervoor dat veiligheidsmaatregelen worden getroffen ter bescherming van de gebruiker die zijn gebaseerd op een schatting van de blootstelling onder praktijkomstandigheden (rekening houdend met alle fasen van de bedrijfscyclus, zoals de tijdsduur gedurende welke het gereedschap is uitgeschakeld en stationair draait, naast de ingeschakelde tijdsduur).

Verklaringen van conformiteit

Alleen voor Europese landen

De verklaringen van conformiteit zijn bijgevoegd in Bijlage A bij deze gebruiksaanwijzing.

VEILIGHEIDSWAARSCHUWINGEN

Algemene veiligheidswaarschuwingen voor elektrisch gereedschap

⚠ WAARSCHUWING Lees alle veiligheidswaarschuwingen, instructies, afbeeldingen en technische gegevens die bij dit elektrisch gereedschap worden geleverd. Als niet alle onderstaande instructies worden opgevolgd, kan dat leiden tot een elektrische schok, brand en/of ernstig letsel.

Bewaar alle waarschuwingen en instructies om in de toekomst te kunnen raadplegen.

De term "elektrisch gereedschap" in de veiligheidsvoorwaarden duidt op gereedschappen die op stroom van het lichtnet werken (met snoer) of gereedschappen met een accu (snoerloos).

Veiligheidswaarschuwingen voor een accucirkelzaag

Werkwijze bij het zagen

1. **⚠ GEVAAR:** Houd uw handen uit de buurt van het zaaggebied en het zaagblad. Houd met uw

andere hand de voorhandgreep of de behuizing van het gereedschap vast. Als u de zaag met beide handen vasthoudt, kunt u nooit in uw handen zagen.

2. **Reik nooit met uw handen onder het werkstuk.** De beschermkap kan u niet beschermen tegen het zaagblad onder het werkstuk.
3. **Stel de zaagdiepte in overeenkomstig de dikte van het werkstuk.** Minder dan een volledige tandhoogte dient onder het werkstuk uit te komen.
4. **Houd tijdens het zagen het werkstuk nooit vast met uw handen of benen. Zorg dat het werkstuk stabiel is ten opzichte van de ondergrond.** Het is belangrijk het werkstuk goed te ondersteunen om de kans te minimaliseren dat uw lichaam eraan blootgesteld wordt, het zaagblad vastloopt of u de controle over het gereedschap verliest.

► Fig.1

5. **Houd het elektrisch gereedschap vast aan het geïsoleerde oppervlak van de handgrepen wanneer u werkt op plaatsen waar het snijgarntuut met verborgen bedrading in aanraking kan komen.** Door contact met onder spanning staande draden, zullen ook de niet-geïsoleerde metalen delen van het elektrisch gereedschap onder spanning komen te staan zodat de gebruiker een elektrische schok kan krijgen.
6. **Gebruik bij het schulpen altijd de breedtegeleider of de langseleider.** Hierdoor wordt de nauwkeurigheid van het zagen vergroot en de kans op vastlopen van het zaagblad verkleind.
7. **Gebruik altijd zaagbladen met een middengat van de juiste afmetingen en vorm (diamant versus rond).** Zaagbladen die niet goed passen op de bevestigingsmiddelen van de zaag, zullen uit-het-midden draaien waardoor u de controle over het gereedschap verliest.
8. **Gebruik nooit een beschadigde of verkeerde bouten en ringen om het zaagblad te bevestigen.** De bouten en ringen voor de bevestiging van het zaagblad zijn speciaal ontworpen voor gebruik met uw zaag voor optimale prestaties en veilig gebruik.

Oorzaken van terugslag en aanverwante waarschuwingen

- Terugslag is een plotselinge reactie op een bekneld, vastgelopen of niet-uitgelijnd zaagblad, waardoor de oncontroleerbare zaag omhoog, uit het werkstuk en in de richting van de gebruiker gaat.
- Wanneer het zaagblad bekneld raakt of vastloopt doordat de zaagsnede naar beneden toe smaller wordt, komt het zaagblad tot stilstand en komt als reactie de motor snel omhoog in de richting van de gebruiker.
- Als het zaagblad gebogen of niet-uitgelijnd raakt in de zaagsnede, kunnen de tanden aan de achterrand van het zaagblad zich in het bovenoppervlak van het hout vreten, waardoor het zaagblad uit de zaagsnede klimt en omhoog springt in de richting van de gebruiker.

Terugslag is het gevolg van misgebruik van de zaag en/of onjuiste gebruikprocedures of -omstandigheden, en kan worden voorkomen door goede voorzorgsmaatregelen te treffen, zoals hieronder vermeld.

1. **Houd de zaag stevig vast met beide handen en houd uw armen zodanig dat een terugslag wordt opgevangen. Plaats uw lichaam zijwaarts versprongen van het zaagblad en niet in een rechte lijn erachter.** Door terugslag kan de zaag achterwaarts springen, maar de kracht van de terugslag kan met de juiste voorzorgsmaatregelen door de gebruiker worden opgevangen.
2. **Wanneer het zaagblad vastloopt, of wanneer u om een of andere reden het zagen onderbreekt, laat u de aan-uitschakelaar los en houdt u de zaag stil in het materiaal totdat het zaagblad volledig tot stilstand is gekomen. Probeer nooit de zaag uit het werkstuk te halen of de zaag naar achteren te trekken, terwijl het zaagblad nog draait omdat hierdoor een terugslag kan optreden.** Onderzoek waarom het zaagblad is vastgelopen en tref afdoende maatregelen om de oorzaak ervan op te heffen.
3. **Wanneer u de zaag weer inschakelt terwijl het zaagblad in het werkstuk zit, plaatst u het zaagblad in het midden van de zaagsnede zodat de tanden niet in het materiaal grijpen.** Als het zaagblad is vastgelopen, kan wanneer de zaag wordt ingeschakeld het zaagblad uit het werkstuk lopen of terugslaan.
4. **Ondersteun grote platen om de kans te minimaliseren dat het zaagblad bekneld raakt of terugslaat.** Grote platen neigen door te zakken onder hun eigen gewicht. U moet de plaat ondersteunen aan beide zijden, vlakbij de zaaglijn en vlakbij de rand van de plaat.

► Fig.2

► Fig.3

5. **Gebruik een bot of beschadigd zaagblad niet meer.** Niet-geslepen of verkeerd gezette tanden maken een smalle zaagsnede wat leidt tot grote wrijving, vastlopen en terugslag.
6. **De vergrendelhendels voor het instellen van de zaagbladdiepte en verstekhoek moeten vastgezet zijn alvorens te beginnen met zagen.** Als de afstellingen van het zaagblad tijdens het zagen verlopen, kan dit leiden tot vastlopen of terugslag.
7. **Wees extra voorzichtig wanneer u een invalzaagsnede maakt in een bestaande wand of een andere plaats waarvan u de onderkant niet kunt zien.** Het zaagblad zou een hard voorwerp kunnen raken, met als gevolg een gevaarlijke terugslag.
8. **Houd het gereedschap ALTIJD met beide handen stevig vast. Plaats NOOIT een hand, been of een ander lichaamsdeel onder zoolplaat of achter de zaag, speciaal bij het afkorten.** Als een terugslag optreedt, kan de zaag gemakkelijk achteruit en over uw hand springen waardoor ernstig persoonlijk letsel ontstaat.

► Fig.4

9. **Dwing de zaag nooit. Duw de zaag vooruit met een snelheid waarbij het zaagblad niet vertraagt.** Als u de zaag dwingt, kan dat leiden tot een ongelijkmatige zaagsnede, verminderde nauwkeurigheid en mogelijke terugslag.

Functie van de beschermkap

1. **Controleer voor ieder gebruik of de onderste beschermkap goed sluit. Gebruik de zaag niet als de onderste beschermkap niet vrij kan bewegen en onmiddellijk sluit. Zet de onderste beschermkap nooit vast in de geopende stand.** Als u de zaag per ongeluk laat vallen, kan de onderste beschermkap worden verbogen. Til de onderste beschermkap op aan de terugtrekhandel en controleer dat deze vrij kan bewegen en niet het zaagblad of enig ander onderdeel raakt, onder alle verstekhoeken en op alle zaagdiepten.
2. **Controleer de werking van de veer van de onderste beschermkap. Als de beschermkap en de veer niet goed werken, dienen deze vóór gebruik te worden gerepareerd.** De onderste beschermkap kan traag werken als gevolg van beschadigde onderdelen, gom- of harsafzetting, of opeenhoping van vuil.
3. **De onderste beschermkap mag alleen met de hand worden geopend voor het maken van speciale zaagsneden, zoals een invalzaagsnede en gecombineerde zaagsnede. Til de onderste beschermkap op aan de terugtrekhandel en laat deze los zodra het zaagblad in het materiaal zaagt.** Bij alle andere typen zaagsneden, dient de onderste beschermkap automatisch te werken.
4. **Let er altijd op dat de onderste beschermkap het zaagblad bedekt voordat u de zaag op een werkbank of vloer neerlegt.** Een onbeschermd zaagblad dat nog nadraait, zal de zaag achteruit doen lopen waarbij alles op zijn weg wordt gezaagd. Denk aan de tijd die het duurt nadat de schakelaar is losgelaten voordat het zaagblad stilstaat.
5. **U kunt de onderste beschermkap controleren, door deze met de hand te openen, los te laten en te kijken of hij goed sluit. Controleer tevens of de terugtrekhandel de behuizing van het gereedschap niet raakt.** Het zaagblad onbeschermd laten is UITERST GEVAARLIJK en kan leiden tot ernstig persoonlijk letsel.

Aanvullende veiligheidsvoorschriften

1. **Wees extra voorzichtig bij het zagen in nat hout, druk-behandeld timmerhout en hout met knoesten.** Zorg dat het gereedschap steeds soepel vooruit beweegt zonder dat de snelheid van het zaagblad lager wordt, om oververhitting van de zaagtanden te voorkomen.
2. **Probeer niet afgezaagd materiaal te verwijderen terwijl het zaagblad nog draait. Wacht totdat het zaagblad volledig tot stilstand is gekomen voordat u het afgezaagde materiaal vastpakt.** Het zaagblad draait nog na nadat het gereedschap is uitgeschakeld.
3. **Voorkom dat u in spijkers zaagt. Inspecteer het hout op spijkers en verwijder deze zo nodig voordat u begint te zagen.**
4. **Plaats het bredere deel van de zool van de zaag op het deel van het werkstuk dat goed is ondersteund, en niet op het deel dat omlaag valt nadat de zaagsnede gemaakt is. Als het werkstuk kort of smal is, klemt u het vast. PROBEER NOOIT EEN KORT WERKSTUK IN**

UW HANDEN VAST TE HOUDEN!

► Fig.5

5. Voordat u het gereedschap neerlegt na het voltooiën van een zaagsnede, controleert u dat de beschermkap gesloten is en het zaagblad volledig tot stilstand is gekomen.
6. Probeer nooit te zagen waarbij de zaag ondersteboven in een bankschroef is geklemd. Dit is uiterst gevaarlijk en kan leiden tot ernstig persoonlijk letsel.

► Fig.6

7. Sommige materialen bevatten chemische stoffen die giftig kunnen zijn. Neem voorzorgsmaatregelen tegen het inademen van stof en contact met de huid. Volg de veiligheidsinstructies van de leverancier van het materiaal op.
8. Breng het zaagblad niet tot stilstand door zijdelings op het zaagblad te drukken.
9. Gebruik geen slijpschijven.
10. Gebruik uitsluitend een zaagblad met een diameter die is aangegeven op het gereedschap of vermeld in de gebruiksaanwijzing. Het gebruik van een zaagblad met een verkeerde afmeting kan de goede bescherming van het zaagblad of de werking van de beschermkap negatief beïnvloeden, waardoor ernstig persoonlijk letsel kan ontstaan.
11. Houd het zaagblad scherp en schoon. Gom of hars dat op het zaagblad is opgedroogd vertraagt het zaagblad en verhoogt de kans op terugslag. Houd het zaagblad schoon door dit eerst van het gereedschap te demonteren en het vervolgens schoon te maken met een reinigingsmiddel voor gom en hars, heet water of kerosine. Gebruik nooit benzine.
12. Draag een stofmasker en gehoorbescherming tijdens gebruik van het gereedschap.
13. Gebruik altijd het zaagblad dat is bedoeld voor zagen in het materiaal waarin u gaat zagen.
14. Gebruik altijd een zaagblad dat is gemarkeerd met een toerental dat gelijk is aan of hoger is dan het toerental dat is aangegeven op het gereedschap.
15. (Alleen voor Europese landen)
Gebruik altijd een zaagblad dat voldoet aan EN847-1, indien bedoeld voor hout en daarmee gelijk te stellen materialen.
16. Plaats het gereedschap en de onderdelen op een vlakke en stabiele ondergrond. Anders kan het gereedschap of kunnen de onderdelen eraf vallen en letsel veroorzaken.

BEWAAR DEZE INSTRUCTIES.

⚠ WAARSCHUWING: Laat u NIET misleiden door een vals gevoel van comfort en bekendheid met het gereedschap (na veelvuldig gebruik) en neem alle veiligheidsvoorschriften van het betreffende gereedschap altijd strikt in acht. VERKEERD GEBRUIK of het niet naleven van de veiligheidsvoorschriften in deze gebruiksaanwijzing kan leiden tot ernstig persoonlijk letsel.

Belangrijke veiligheidsinstructies voor een accu

1. Lees alle voorschriften en waarschuwingen op (1) de acculader, (2) de accu, en (3) het product waarvoor de accu wordt gebruikt, alvorens de accu in gebruik te nemen.
2. Haal de accu niet uit elkaar en saboteer hem niet. Dit kan leiden tot brand, buitensporige hitte of een explosie.
3. Als de gebruikstijd van een opgeladen accu aanzienlijk korter is geworden, moet u het gebruik ervan onmiddellijk stopzetten. Voortgezet gebruik kan oververhitting, brandwonden en zelfs een ontploffing veroorzaken.
4. Als elektrolyt in uw ogen is terechtgekomen, spoelt u uw ogen met schoon water en roept u onmiddellijk de hulp van een dokter in. Elektrolyt in de ogen kan blindheid veroorzaken.
5. Voorkom kortsluiting van de accu:
 - (1) Raak de accuklemmen nooit aan met een geleidend materiaal.
 - (2) Bewaar de accu niet in een bak waarin andere metalen voorwerpen zoals spijkers, munten e.d. worden bewaard.
 - (3) Stel de accu niet bloot aan water of regen. Kortsluiting van de accu kan oorzaak zijn van een grote stroomafgifte, oververhitting, brandwonden, en zelfs defecten.
6. Bewaar en gebruik het gereedschap en de accu niet op plaatsen waar de temperatuur kan oplopen tot 50 °C of hoger.
7. Werp de accu nooit in het vuur, ook niet wanneer hij zwaar beschadigd of volledig versleten is. De accu kan ontploffen in het vuur.
8. Laat de accu niet vallen, sla er geen spijker in, snijd er niet in, gooi er niet mee en stoot hem niet tegen een hard voorwerp. Dergelijke handelingen kunnen leiden tot brand, buitensporige hitte of een explosie.
9. Gebruik nooit een beschadigde accu.
10. De bijgeleverde lithium-ionbatterijen zijn onderhevig aan de vereisten in de wetgeving omtrent gevaarlijke stoffen.
Voor commercieel transport en dergelijke door derden en transporteurs moeten speciale vereisten ten aanzien van verpakking en etikettering worden nageleefd.
Als voorbereiding van het artikel dat wordt getransporteerd is het noodzakelijk een expert op het gebied van gevaarlijke stoffen te raadplegen. Houd u tevens aan mogelijk strengere nationale regelgeving.
Blijliggende contactpunten moeten worden afgedekt met tape en de accu moet zodanig worden verpakt dat deze niet kan bewegen in de verpakking.
11. Wanneer u de accu wilt weggooien, verwijdert u de accu vanaf het gereedschap en gooit u hem op een veilige manier weg. Volg bij het weggooien van de accu de plaatselijke voorschriften.

12. **Gebruik de accu's uitsluitend met de gereedschappen die door Makita zijn aanbevolen.** Als de accu's worden aangebracht in niet-compatibele gereedschappen, kan dat leiden tot brand, buitensporige warmteontwikkeling, een explosie of lekkage van elektrolyt.
13. **Als u het gereedschap gedurende een lange tijd niet denkt te gaan gebruiken, moet de accu vanaf het gereedschap worden verwijderd.**
14. **Tijdens en na gebruik, kan de accu heet worden waardoor brandwonden of koude brandwonden kunnen worden veroorzaakt. Wees voorzichtig bij het hanteren van een hete accu.**
15. **Raak de aansluitpunten van het gereedschap niet onmiddellijk na gebruik aan omdat deze heet genoeg kunnen zijn om brandwonden te veroorzaken.**
16. **Zorg ervoor dat geen steenslag, stof of grond vast komt te zitten op/in de aansluitpunten, openingen en groeven van de accu.** Hierdoor kan oververhitting, brand, een barst en een storing in het gereedschap of de accu ontstaan waardoor brandwonden of persoonlijk letsel kunnen ontstaan.
17. **Behalve indien gebruik van het gereedschap is toegestaan in de buurt van hoogspanningsleidingen, mag u de accu niet gebruiken in de buurt van een hoogspanningsleiding.** Dit kan leiden tot een storing of een defect van het gereedschap of de accu.
18. **Houd de accu uit de buurt van kinderen.**

BEWAAR DEZE INSTRUCTIES.

⚠ LET OP: Gebruik uitsluitend originele Makita accu's. Het gebruik van niet-originele accu's, of accu's die zijn gewijzigd, kan ertoe leiden dat de accu ontploft en brand, persoonlijk letsel en schade veroorzaakt. Ook vervalt daarmee de garantie van Makita op het gereedschap en de lader van Makita.

Tips voor een maximale levensduur van de accu

1. **Laad de accu op voordat hij volledig ontladen is. Stop het gebruik van het gereedschap en laad de accu op telkens wanneer u vaststelt dat het vermogen van het gereedschap is afgenomen.**
2. **Laad een volledig opgeladen accu nooit opnieuw op. Te lang opladen verkort de levensduur van de accu.**
3. **Laad de accu op bij een omgevingstemperatuur tussen 10 °C en 40 °C. Laat een warme accu afkoelen alvorens hem op te laden.**
4. **Als de accu niet wordt gebruikt, verwijdert u hem vanaf het gereedschap of de lader.**
5. **Laad de accu op als u deze gedurende een lange tijd (meer dan zes maanden) niet gaat gebruiken.**

Belangrijke veiligheidsinstructies voor de draadloos-eenheid

1. **Haal de draadloos-eenheid niet uit elkaar en knoei er niet aan.**
2. **Houd de draadloos-eenheid uit de buurt van kinderen. Indien per ongeluk ingeslikt, raadpleegt u onmiddellijk een arts.**
3. **Gebruik de draadloos-eenheid uitsluitend met Makita-gereedschap.**
4. **Stel de draadloos-eenheid niet bloot aan regen of natte omstandigheden.**
5. **Gebruik de draadloos-eenheid niet op plaatsen waar de temperatuur hoger is dan 50 °C.**
6. **Bedien de draadloos-eenheid niet op plaatsen in de buurt van medische instrumenten, zoals een pacemaker.**
7. **Bedien de draadloos-eenheid niet op plaatsen in de buurt van geautomatiseerde apparaten. Bij bediening ervan kan in de geautomatiseerde apparaten een storing of fout optreden.**
8. **Bedien de draadloos-eenheid niet op plaatsen met een hoge temperatuur of op plaatsen waar statische elektriciteit of elektrische ruis kan worden gegenereerd.**
9. **De draadloos-eenheid kan elektromagnetische velden genereren, maar deze zijn niet schadelijk voor de gebruiker.**
10. **De draadloos-eenheid is een nauwkeurig instrument. Wees voorzichtig dat u de draadloos-eenheid niet laat vallen of ergens tegenaan stoot.**
11. **Raak de aansluitpunten van de draadloos-eenheid niet aan met blote handen of metaalachtige materialen.**
12. **Verwijder altijd de accu uit het apparaat wanneer u de draadloos-eenheid erin aanbrengt.**
13. **Open de afdekking van de gleuf niet op plaatsen waar stof of vocht in de gleuf kan binnendringen. Houd de ingang van de gleuf altijd schoon.**
14. **Breng de draadloos-eenheid altijd in de juiste richting aan.**
15. **Druk niet te hard op de knop voor draadloos inschakelen op de draadloos-eenheid en/of druk niet op de knop met een scherp voorwerp.**
16. **Sluit altijd de afdekking van de gleuf tijdens gebruik.**
17. **Verwijder de draadloos-eenheid niet uit de gleuf terwijl voeding wordt geleverd aan het gereedschap. Als u dit doet, kan een storing optreden in de draadloos-eenheid.**
18. **Verwijder de sticker op de draadloos-eenheid niet.**
19. **Plak geen stickers op de draadloos-eenheid.**
20. **Laat de draadloos-eenheid niet liggen op een plaats waar statische elektriciteit of elektrische ruis kan worden gegenereerd.**
21. **Laat de draadloos-eenheid niet liggen op een plaats die is blootgesteld aan hoge temperaturen, zoals in een auto die in de zon staat geparkeerd.**

22. Laat de draadloos-eenheid niet liggen op een plaats met veel stof of poeder, of op een plaats waar corrosief gas kan worden gegeneerd.
23. Door een plotselinge verandering in temperatuur kan condens op de draadloos-eenheid worden gevormd. Gebruik de draadloos-eenheid niet voordat de condens volledig is verdampt.
24. Veeg de draadloos-eenheid voorzichtig schoon met een droge, zachte doek. Gebruik geen wasbenzine, thinner, geleidend vet en dergelijke.
25. Bewaar de draadloos-eenheid in de bijgeleverde doos of een antistatische container.
26. Breng geen andere apparaten dan een draadloos-eenheid van Makita aan in de gleuf van het gereedschap.
27. Gebruik het gereedschap niet als de afdekking van de gleuf beschadigd is. Water, stof en vuil die in de gleuf binnendringen, kunnen een storing veroorzaken.
28. Trek en draai niet meer dan nodig is aan de afdekking van de gleuf. Plaats de afdekking terug als deze los komt van het gereedschap.
29. Vervang de afdekking van de gleuf als deze verloren of beschadigd is.

BEWAAR DEZE INSTRUCTIES.

BESCHRIJVING VAN DE FUNCTIES

▲LET OP: Zorg altijd dat het gereedschap is uitgeschakeld en de accu ervan is verwijderd alvorens de functies op het gereedschap af te stellen of te controleren.

De accu aanbrengen en verwijderen

▲LET OP: Schakel het gereedschap altijd uit voordat u de accu aanbrengt of verwijdert.

▲LET OP: Houd het gereedschap en de accu stevig vast tijdens het aanbrengen of verwijderen van de accu. Als u het gereedschap en de accu niet stevig vasthoudt, kunnen deze uit uw handen glijpen en het gereedschap of de accu beschadigen, of kan persoonlijk letsel worden veroorzaakt.

Om de accu aan te brengen lijnt u de lip op de accu uit met de groef in de behuizing en duwt u de accu op zijn plaats. Steek de accu zo ver mogelijk in het gereedschap tot u een klikgeluid hoort. Wanneer het rode deel zichtbaar is, zoals aangegeven in de afbeelding, is de accu niet geheel vergrendeld.

Om de accu te verwijderen verschuift u de knop aan de voorkant van de accu en schuift u tegelijkertijd de accu uit het gereedschap.

► Fig.7: 1. Rood deel 2. Knop 3. Accu

▲LET OP: Breng de accu altijd helemaal aan totdat het rode deel niet meer zichtbaar is. Als u dit niet doet, kan de accu per ongeluk uit het gereedschap vallen en u of anderen in uw omgeving verwonden.

▲LET OP: Breng de accu niet met kracht aan. Als de accu niet gemakkelijk in het gereedschap kan worden geschoven, wordt deze niet goed aangebracht.

De resterende acculading controleren

Druk op de testknop op de accu om de resterende acculading te zien. De indicatorlampjes branden gedurende enkele seconden.

► Fig.8: 1. Indicatorlampjes 2. Testknop

Indicatorlampjes			Resterende acculading
Brandt	Uit	Knippert	
■	■	■	75% tot 100%
■	■	□	50% tot 75%
■	□	□	25% tot 50%
■	□	□	0% tot 25%
▬	□	□	Laad de accu op.
■	□	□	Er kan een storing zijn opgetreden in de accu.
□	□	■	

OPMERKING: Afhankelijk van de gebruiksomstandigheden en de omgevingstemperatuur, is het mogelijk dat de aangegeven acculading verschilt van de werkelijke acculading.

OPMERKING: Het eerste (meest linker) indicatorlampje knippert wanneer het accubeveiligingssysteem in werking is getreden.

Gereedschap-/accubeveiligingssysteem

Het gereedschap is uitgerust met een gereedschap-/accubeveiligingssysteem. Dit systeem kan automatisch de stroomtoevoer naar de motor afsluiten om de levensduur van het gereedschap en de accu te verlengen. Het gereedschap zal tijdens gebruik automatisch stoppen wanneer het gereedschap of de accu zich in een van de volgende omstandigheden bevindt: Onder bepaalde omstandigheden gaan de indicatorlampjes branden.

Overbelastingsbeveiliging

Als het gereedschap/de accu wordt bediend op een manier waardoor een abnormaal hoge stroom wordt getrokken, stopt het gereedschap automatisch. Schakel

in die situatie het gereedschap uit en stop het gebruik dat ertoe leidde dat het gereedschap overbelast raakte. Schakel daarna het gereedschap in om het weer te starten.

Oververhittingsbeveiliging

Wanneer het gereedschap/de accu oververhit is, stopt het gereedschap automatisch. In die situatie laat u het gereedschap eerst afkoelen voordat u het gereedschap opnieuw inschakelt.

Beveiliging tegen te ver ontladen

Als de acculading laag is, stopt het gereedschap automatisch. Als het gereedschap niet werkt, ook niet wanneer de schakelaars worden bediend, verwijdert u de accu(s) vanaf het gereedschap en laadt u de accu(s) op.

Beveiliging tegen andere oorzaken

Het beveiligingssysteem is ook ontworpen voor andere oorzaken die het gereedschap kunnen beschadigen, en zorgt ervoor dat het gereedschap automatisch stopt. Voer alle volgende stappen uit om de oorzaken op te heffen, wanneer het gereedschap tijdelijk is onderbroken of tijdens het gebruik is gestopt.

1. Verzeker u ervan dat alle schakelaars in de uitstand staan en schakel vervolgens het gereedschap in om het weer te starten.
2. Laad de accu(s) op of vervang hem/ze door (een) opgeladen accu(s).
3. Laat het gereedschap en de accu(s) afkoelen.

Als geen verbetering optreedt nadat het beveiligingssysteem is gereset, neemt u contact op met uw lokale Makita-servicecentrum.

De trekkerschakelaar gebruiken

WAARSCHUWING: Alvorens de accu in het gereedschap te plaatsen, moet u altijd controleren of de trekkerschakelaar goed werkt en bij het loslaten terugkeert naar de stand "OFF".

WAARSCHUWING: U mag NOOIT de uit-vergrendelknop buiten werking stellen door hem met tape vast te zetten of iets dergelijks. Een schakelaar met een buiten werking gestelde uit-vergrendelknop, kan leiden tot onbedoeld inschakelen en ernstig persoonlijk letsel.

WAARSCHUWING: Gebruik het gereedschap NOOIT als het start door alleen maar de trekkerschakelaar in te knijpen zonder de uit-vergrendelknop in te drukken. Een schakelaar die moet worden gerepareerd, kan leiden tot onbedoeld inschakelen en ernstig persoonlijk letsel. Stuur het gereedschap op naar een Makita-servicecentrum voor reparatie ZONDER het verder te gebruiken.

Om te voorkomen dat de trekkerschakelaar per ongeluk wordt ingeknepen, is een uit-vergrendelknop aangebracht. Om het gereedschap te starten, drukt u de uit-vergrendelknop in en knijpt u de trekkerschakelaar in. Laat de trekkerschakelaar los om te stoppen.

► **Fig.9:** 1. Trekkerschakelaar 2. Uit-vergrendelknop

KENNISGEVING: Druk de trekkerschakelaar niet hard in zonder dat de uit-vergrendelknop is ingedrukt. Hierdoor kan de schakelaar kapot gaan.

ALLET OP: Onmiddellijk nadat u de trekkerschakelaar hebt losgelaten, begint het gereedschap de snelheid van het cirkelzaagblad af te remmen. Houd het gereedschap stevig vast om de reactiekracht van het afremmen te kunnen opvangen nadat de trekkerschakelaar is losgelaten. Door de plotselinge reactiekracht kan het gereedschap uit uw handen vallen en persoonlijk letsel veroorzaken.

De zaagdiepte instellen

ALLET OP: Nadat u de zaagdiepte hebt ingesteld, vergrendelt u altijd de zool.

1. Ontgrendel de zool door de hendel los te draaien.
 2. Stel het cirkelzaagblad in op de gewenste zaagdiepte.
 3. Vergrendel de zool door de hendel vast te draaien.
- **Fig.10:** 1. Zool 2. Zaagdiepte 3. Hendel

ALLET OP: Voor een schonere, veiligere zaagsnede, stelt u de zaagdiepte zodanig in dat niet meer dan een tandhoogte door het werkstuk heen steekt. Door de zaagdiepte goed in te stellen, verkleint u de kans op een potentieel gevaarlijkke TERUGSLAG, en daarmee op persoonlijk letsel.

Schuine zaagsnede

ALLET OP: Nadat u de schuine hoek hebt ingesteld, vergrendelt u altijd de zool.

1. Draai de hendel en klembout los.
 2. Lijn de pijlpunt uit met de gewenste zaaghoek door de zool te kantelen.
 3. Draai de hendel en daarna de klembout vast.
- **Fig.11:** 1. Hendel 2. Klembout 3. Pijlpunt

Zichtlijn

Voor recht zagen lijnt u de positie 0° op de voorkant van de zool uit met de zaaglijn. Voor een schuine zaagsnede onder een hoek van 45°, gebruikt u hiervoor de 45°-stand.

► **Fig.12:** 1. Zaaglijn (0°-stand) 2. Zaaglijn (45°-stand)

Zaagbladstabilisator

Op algemene wijze gebruikt u de zaagbladstabilisator door de vergrendelhendel in de vergrendelde stand te zetten.

Om de vergrendelhendel in de vergrendelde stand te zetten, duwt u deze in en draait u hem 90° linksom. Om de vergrendelhendel in de ontgrendelde stand te zetten, draait u hem 90° rechtsom. Wanneer u een cirkelzaagblad vervangt, zet u de vergrendelhendel in de ontgrendelde stand.

► **Fig.13:** 1. Vergrendelhendel 2. Vergrendelde stand 3. Ontgrendelde stand

Elektrische rem

Dit gereedschap is voorzien van een elektrische zaagbladrem. Als het gereedschap continu het cirkelzaagblad niet snel stil zet na het loslaten van de trekkerschakelaar, laat u het gereedschap onderhouden door een Makita-servicecentrum.

⚠ LET OP: Het zaagbladremstelsysteem is geen vervanging van de beschermkap. **GEBRUIK HET GEREEDSCHAP NOOIT ZONDER EEN WERKENDE BESCHERMKAP. DIT KAN LEIDEN TOT ERNSTIG PERSOONLIJK LETSEL.**

Elektronische functie

Gereedschappen met elektronische functie zijn dankzij de volgende eigenschap(en) gemakkelijk te bedienen.

Zachte-startfunctie

Maakt een zachte start mogelijk door onderdrukking van de startschok.

MONTAGE

⚠ LET OP: Zorg altijd dat het gereedschap is uitgeschakeld en de accu ervan is verwijderd alvorens enig werk aan het gereedschap uit te voeren.

Opbergen van de inbusseutel

Wanneer u de inbusseutel niet gebruikt, bergt u deze op de plaats aangegeven in de afbeelding op, om te voorkomen dat deze wordt verloren.

► Fig.14: 1. Inbusseutel

Het cirkelzaagblad aanbrengen en verwijderen

⚠ LET OP: Verzekert u ervan dat het cirkelzaagblad zodanig wordt aangebracht dat de tanden aan de voorkant van het gereedschap omhoog wijzen.

⚠ LET OP: Gebruik uitsluitend de Makita-inbusseutel voor het aanbrengen en verwijderen van het cirkelzaagblad.

OPMERKING: Het aanbrengen en verwijderen van het cirkelzaagblad gaat gemakkelijker wanneer de zool in zijn oorspronkelijke stand staat.

Het cirkelzaagblad aanbrengen

OPMERKING: Afhankelijk van het model kan het cirkelzaagblad al zijn aangebracht vóór verkoop.

1. Ontgrendel de vergrendelhendel van de zaagbladstabilisator.

2. Druk de asvergrendeling volledig in zodat de montageas niet kan draaien en draai de inbusbout los met de inbusseutel. Verwijder vervolgens de inbusbout en buitenflens.

► Fig.15: 1. Vergrendelhendel 2. Asvergrendeling 3. Inbusseutel 4. Losdraaien 5. Vastdraaien

3. Breng de binnenflens op de montageas aan met zijn bolle zijde naar buiten gericht, en breng daarna het cirkelzaagblad, de buitenflens en de inbusbout aan. Lijn op dat moment de richting van de pijl op het cirkelzaagblad uit met de pijl op het gereedschap.

► Fig.16: 1. Inbusbout 2. Buitenflens 3. Cirkelzaagblad 4. Pijl op het cirkelzaagblad 5. Binnenflens 6. Pijl op het gereedschap

4. Druk de asvergrendeling in en draai de inbusbout vast.

5. Vergrendel de vergrendelhendel van de zaagbladstabilisator.

Plaatsingsrichting van de binnenflens

De binnenflens heeft een uitsteeksel met een bepaalde diameter aan één zijde en een uitsteeksel met een andere diameter aan de andere zijde. Kies de correcte zijde waarvan het uitsteeksel perfect past in het middengat van het zaagblad. Plaats de binnenflens op de montageas zodat de zijde met het juiste uitsteeksel op de binnenflens naar buiten wijst, en breng daarna het zaagblad en de buitenflens aan.

► Fig.17: 1. Montageas 2. Binnenflens 3. Cirkelzaagblad 4. Buitenflens 5. Inbusbout

⚠ WAARSCHUWING: ZORG ERVOOR DAT U DE INBUSBOUT STEVIG VASTDRAAIT. Wees ook voorzichtig de bout niet te strak vast te draaien. Als u met uw hand van de inbusseutel af glijdt, kan persoonlijk letsel ontstaan.

⚠ WAARSCHUWING: Zorg ervoor dat het uitsteeksel "a" op de binnenflens dat aan de buitenzijde zit, perfect past in het middengat "a" van het zaagblad. Als u het zaagblad op de verkeerde kant van de binnenflens aanbrengt, kunnen gevaarlijke trillingen het gevolg zijn.

Het cirkelzaagblad verwijderen

Om het cirkelzaagblad te verwijderen, volgt u de procedure voor het aanbrengen in de omgekeerde volgorde.

KENNISGEVING: Breng de buitenflens en inbusbout weer aan om te voorkomen dat ze kwijtraken.

De beschermkap reinigen

Vergeet niet om tijdens het verwisselen van het cirkelzaagblad tevens de bovenste en onderste beschermkappen te ontdoen van opgehoopt zaagsel, zoals beschreven in het hoofdstuk Onderhoud. Ondanks dergelijk onderhoud blijft het noodzakelijk de werking van de onderste beschermkap voor ieder gebruik te controleren.

Een stofzuiger aansluiten

Optioneel accessoire

OPMERKING: Afhankelijk van het model wordt de stofafzuigaansluitmond als standaard accessoire bijgeleverd.

Om de zaagomgeving schoon te houden, kunt u een Makita-stofzuiger op dit gereedschap aansluiten.

Monteer de stofafzuigaansluitmond op het gereedschap met behulp van de bout.

► **Fig.18:** 1. Stofafzuigaansluitmond 2. Bout

Sluit een stofzuigerslang aan op de stofafzuigaansluitmond met behulp van voorste aansluitstuk 24, zoals aangegeven in de afbeelding.

► **Fig.19:** 1. Stofafzuigaansluitmond 2. Voorste aansluitstuk 24 (optioneel accessoire) 3. Stofzuigerslang

BEDIENING

Dit gereedschap is uitsluitend bedoeld voor het zagen van houtproducten.

OPMERKING: Raadpleeg onze website of neem contact op met uw plaatselijke Makita-dealer voor de correcte cirkelzaagbladen die moeten worden gebruikt voor het te zagen materiaal.

De werking van de beschermkap controleren

Verwijder de accu.

Stel de verstekhoek in op 0° en trek daarna de onderste beschermkap met de hand terug tot aan het einde en laat hem los. De onderste beschermkap werkt correct als:

- deze kan worden teruggetrokken boven de zool zonder enig weerstand, en
- deze automatisch terugkeert tot tegen de aanslag.

► **Fig.20:** 1. Bovenste beschermkap 2. Onderste beschermkap 3. Zool 4. Aanslag 5. Openen 6. Sluiten

Als de onderste beschermkap niet correct werkt, controleert u of zaagsel zich heeft opgehoopt binnenin de onderste en bovenste beschermkappen. Als de onderste beschermkap niet correct werkt, zelfs niet na het verwijderen van zaagsel, laat u het gereedschap onderhouden door een Makita-servicecentrum.

Zagen

⚠ LET OP: Draag een stofmasker wanneer u zaagt.

⚠ LET OP: Duw het gereedschap voorzichtig in een rechte lijn naar voren. Als u het gereedschap dwingt of verdraait, zal de motor oververhit raken en het gereedschap gevaarlijk terugslaan waardoor ernstig letsel kan worden veroorzaakt.

KENNISGEVING: Wanneer de temperatuur van de accu laag is, werkt het gereedschap mogelijk niet op volle capaciteit. Gebruik in dat geval het gereedschap enige tijd voor licht zaagwerk totdat de accu is opgewarmd tot kamertemperatuur. Daarna kan het gereedschap op volle capaciteit werken.

► Fig.21

Houd het gereedschap stevig vast. Het gereedschap is voorzien van zowel een voorhandgreep als een achterhandgreep. Gebruik beide om het gereedschap zo goed mogelijk vast te houden.

Als u het gereedschap met beide handen vasthoudt, kan het cirkelzaagblad nooit in uw handen zagen. Plaats eerst de zool op het werkstuk dat u wilt zagen, zonder dat het cirkelzaagblad het werkstuk raakt. Schakel vervolgens het gereedschap in en wacht totdat het cirkelzaagblad op maximaal toerental draait. Duw het gereedschap nu gewoon naar voren over het oppervlak van het werkstuk, houd het daarbij vlak, en duw gelijkmatig totdat het zagen klaar is.

Zorg voor een schone zaagsnede door een rechte zaaglijn en een constante voortgaande snelheid. Als de zaagsnede niet verloopt volgens de voorgenomen zaaglijn, mag u niet proberen het gereedschap iets te draaien of te dwingen terug te keren naar de zaaglijn. Als u dit doet, kan het cirkelzaagblad vastlopen en een gevaarlijke terugslag optreden met mogelijk ernstig persoonlijk letsel tot gevolg. Laat de schakelaar los, wacht tot het cirkelzaagblad tot stilstand is gekomen en trek vervolgens het gereedschap terug. Lijn het gereedschap uit met een nieuwe zaaglijn en begin weer te zagen. Probeer te vermijden dat door de positie van het gereedschap de gebruiker wordt blootgesteld aan zaagsel en spaanders die door de zaag worden uitgeworpen. Gebruik oogbescherming om verwonding te voorkomen.

Breedtegeleider (liniaal)

Optioneel accessoire

⚠ LET OP: Verzeker u ervan dat de breedtegeleider vóór gebruik stevig is aangebracht in de juiste positie. Een verkeerde bevestiging kan gevaarlijke terugslag veroorzaken.

Met de handige breedtegeleider kunt u extra nauwkeurig recht zagen. Schuif gewoon de breedtegeleider strak tegen de zijkant van het werkstuk en zet deze op zijn plaats vast met behulp van de schroef op de voorkant van de zool van het gereedschap. Op deze manier is het tevens mogelijk een zaagbeweging te herhalen met identieke breedte.

► **Fig.22:** 1. Breedtegeleider (liniaal) 2. Klembout

Beschermstandaard

⚠ LET OP: Wanneer u het gereedschap in de beschermstandaard plaatst, zet u het langzaam erin. Als u het gereedschap onvoorzichtig in de beschermstandaard plaatst, kan letsel of een storing worden veroorzaakt.

De beschermstandaard kan worden gebruikt om het gereedschap tijdelijk op te bergen tijdens de werkzaamheden.

Het gereedschap horizontaal plaatsen

Om het gereedschap in de beschermstandaard te plaatsen, duwt u het gereedschap vanaf de bovenkant erin tot het vastklikt.

Om het gereedschap te verwijderen, houdt u de beschermstandaard met uw voet op zijn plaats en trekt u het gereedschap omhoog, zoals aangegeven in de afbeelding.

► Fig.23: 1. Beschermstandaard

Het gereedschap schuin plaatsen

Om het gereedschap schuin in de beschermstandaard te plaatsen, plaatst u het onder een hoek erin, zoals aangegeven in de afbeelding.

Om het gereedschap te verwijderen, trekt u het gereedschap omhoog.

► Fig.24

FUNCTIE VOOR DRAADLOOS INSCHAKELLEN

Mogelijkheden van de functie voor draadloos inschakelen

Met de functie voor draadloos inschakelen kunt u schoon en comfortabel werken. Door een ondersteunde stofzuiger aan te sluiten op het gereedschap, kunt u de stofzuiger automatisch laten in- en uitschakelen bij bediening van de schakelaar van het gereedschap.

► Fig.25

Om de functie voor draadloos inschakelen te gebruiken, dient u de volgende zaken voor te bereiden:

- Een draadloos-eenheid (optioneel accessoire)
- Een stofzuiger die de functie voor draadloos inschakelen ondersteunt

In het kort bestaat het instellen van de functie voor draadloos inschakelen uit de volgende punten. Raadpleeg elke paragraaf voor informatie over de procedure.

1. De draadloos-eenheid aanbrengen
2. Registratie van het gereedschap op de stofzuiger
3. De functie voor draadloos inschakelen starten

De draadloos-eenheid aanbrengen

Optioneel accessoire

▲ LET OP: Plaats het gereedschap op een vlakke en stabiele ondergrond wanneer u de draadloos-eenheid aanbrengt.

KENNISGEVING: Verwijder het stof en vuil vanaf het gereedschap voordat u de draadloos-eenheid aanbrengt. Stof en vuil kunnen een storing veroorzaken wanneer ze binnendringen in de gleuf voor de draadloos-eenheid.

KENNISGEVING: Om een storing als gevolg van statische elektriciteit te voorkomen, raakt u een materiaal aan dat statische elektriciteit ontleedt, zoals een metalen onderdeel van het gereedschap, voordat u de draadloos-eenheid oppakt.

KENNISGEVING: Let er bij het aanbrengen van de draadloos-eenheid altijd op dat de draadloos-eenheid in de correcte richting wordt aangebracht en dat de afdekking volledig wordt gesloten.

1. Open de afdekking op het gereedschap, zoals aangegeven in de afbeelding.

► Fig.26: 1. Afdekking

2. Breng de draadloos-eenheid aan in de gleuf en sluit vervolgens de afdekking.

Wanneer u de draadloos-eenheid aanbrengt, lijnt u de uitsteeksels uit met de uitsparingen in de gleuf.

► Fig.27: 1. Draadloos-eenheid 2. Uitsteeksel 3. Afdekking 4. Uitsparing

Wanneer u de draadloos-eenheid verwijdert, opent u langzaam de afdekking. De haken op de achterkant van de afdekking, tillen de draadloos-eenheid op terwijl u de afdekking omhoog trekt.

► Fig.28: 1. Draadloos-eenheid 2. Haak 3. Afdekking

Nadat de draadloos-eenheid is verwijderd, bewaart u hem in de bijgeleverde doos of een antistatische container.

KENNISGEVING: Gebruik altijd de haken op de achterkant van de afdekking wanneer u de draadloos-eenheid verwijdert. Als de haken niet aangrijpen op de draadloos-eenheid, sluit u de afdekking volledig en opent u hem weer langzaam.

Registratie van het gereedschap op de stofzuiger

OPMERKING: Een stofzuiger van Makita die de functie voor draadloos inschakelen ondersteunt, is vereist voor registratie van het gereedschap.

OPMERKING: Voltooi het aanbrengen van de draadloos-eenheid in het gereedschap voordat u de registratie van het gereedschap start.

OPMERKING: Gedurende de registratie van het gereedschap mag u de trekkerschakelaar van het gereedschap niet inknippen en de aan-uitknop van de stofzuiger niet bedienen.

OPMERKING: Raadpleeg tevens de gebruiksaanwijzing van de stofzuiger.

Als u wilt dat de stofzuiger wordt ingeschakeld tegelijk met de bediening van de schakelaar van het gereedschap, moet u van tevoren de registratie van het gereedschap voltooien.

1. Breng de accu's aan in de stofzuiger en het gereedschap.
2. Zet de standbyschakelaar op de stofzuiger op "AUTO".
► **Fig.29:** 1. Standbyschakelaar
3. Houd de knop voor draadloos inschakelen op de stofzuiger gedurende 3 seconden ingedrukt totdat de lamp van draadloos inschakelen groen knippert. En houd daarna op dezelfde manier de knop voor draadloos inschakelen op het gereedschap ingedrukt.
► **Fig.30:** 1. Knop voor draadloos inschakelen
2. Lamp van draadloos inschakelen

Nadat de stofzuiger en het gereedschap met succes aan elkaar zijn gekoppeld, zullen de lampen van draadloos inschakelen gedurende 2 seconden groen branden, waarna ze blauw gaan knipperen.

OPMERKING: De lampen van draadloos inschakelen stoppen na 20 seconden met groen knipperen. Druk op de knop voor draadloos inschakelen op het gereedschap terwijl de lamp van draadloos inschakelen op de stofzuiger knippert. Als de lamp van draadloos inschakelen niet groen knippert, drukt u kort op de knop voor draadloos inschakelen en houdt u deze weer ingedrukt.

OPMERKING: Als u twee of meer gereedschappen registreert op één stofzuiger, voltooit u de registratie van de gereedschappen één voor één.

De functie voor draadloos inschakelen starten

OPMERKING: Voltooi de registratie van het gereedschap op de stofzuiger voordat u de functie draadloos inschakelen gebruikt.

OPMERKING: Raadpleeg tevens de gebruiksaanwijzing van de stofzuiger.

Nadat een gereedschap in de stofzuiger is geregistreerd, wordt de stofzuiger automatisch in- en uitgeschakeld door de bediening van de schakelaar van het gereedschap.

1. Breng de draadloos-eenheid aan in het gereedschap.
2. Sluit de slang van de stofzuiger aan op het gereedschap.
► **Fig.31**
3. Zet de standbyschakelaar op de stofzuiger op "AUTO".
► **Fig.32:** 1. Standbyschakelaar
4. Druk kort op de knop voor draadloos inschakelen op het gereedschap. De lamp van draadloos inschakelen knippert blauw.
► **Fig.33:** 1. Knop voor draadloos inschakelen
2. Lamp van draadloos inschakelen

5. Schakel het gereedschap in. Controleer of de stofzuiger is ingeschakeld terwijl het gereedschap in gebruik is.

Om het draadloos inschakelen van de stofzuiger te stoppen, drukt u op de knop voor draadloos inschakelen op het gereedschap.

OPMERKING: De lamp van draadloos inschakelen op het gereedschap stopt met blauw knipperen wanneer gedurende 2 uur geen bediening plaatsvindt. In dat geval zet u de standbyschakelaar van de stofzuiger op "AUTO" en drukt u nogmaals op de knop voor draadloos inschakelen op het gereedschap.

OPMERKING: De stofzuiger wordt met een vertraging in- en uitgeschakeld. Er treedt een tijdsvertraging op wanneer de stofzuiger de bediening van de schakelaar van het gereedschap detecteert.










OPMERKING: Het zendbereik van de draadloos-eenheid kan variëren afhankelijk van de locatie en omgevingsomstandigheden.

OPMERKING: Als twee of meer gereedschappen zijn geregistreerd in één stofzuiger, kan de stofzuiger worden ingeschakeld ondanks dat u uw gereedschap niet inschakelt omdat een andere gebruiker de functie voor draadloos inschakelen gebruikt.

Beschrijving van de status van de lamp van draadloos inschakelen

► Fig.34: 1. Lamp van draadloos inschakelen

De lamp van draadloos inschakelen toont de status van de functie voor draadloos inschakelen. Raadpleeg de onderstaande tabel voor de betekenis van de status van de lamp.

Status	Lamp van draadloos inschakelen				Beschrijving
	Kleur	 Brandt	 Knippert	Duur	
Standby	Blauw			2 uur	Het draadloos inschakelen van de stofzuiger is beschikbaar. De lamp wordt automatisch uitgeschakeld wanneer gedurende 2 uur geen bediening plaatsvindt.
				Bij ingeschakeld gereedschap.	Het draadloos inschakelen van de stofzuiger is beschikbaar en het gereedschap is ingeschakeld.
Registratie van het gereedschap	Groen			20 seconden	Klaar voor registratie van het gereedschap. Wachten op registratie door de stofzuiger.
				2 seconden	De registratie van het gereedschap is voltooid. De lamp van draadloos inschakelen knippert blauw.
Registratie van het gereedschap annuleren	Rood			20 seconden	Klaar om de registratie van het gereedschap te annuleren. Wachten op annuleren door de stofzuiger.
				2 seconden	Het annuleren van de registratie van het gereedschap is voltooid. De lamp van draadloos inschakelen knippert blauw.
Overig	Rood			3 seconden	De draadloos-eenheid wordt van stroom voorzien en de functie voor draadloos inschakelen start nu op.
	Uit	-		-	Het draadloos inschakelen van de stofzuiger is gestopt.

Registratie van het gereedschap op de stofzuiger annuleren

Voer de volgende procedure uit om de registratie van het gereedschap in de stofzuiger te annuleren.

1. Breng de accu's aan in de stofzuiger en het gereedschap.

2. Zet de standbyschakelaar op de stofzuiger op "AUTO".

► Fig.35: 1. Standbyschakelaar

3. Houd de knop voor draadloos inschakelen op de stofzuiger gedurende 6 seconden ingedrukt. De lamp van draadloos inschakelen knippert groen en brandt daarna rood. Houd daarna op dezelfde manier de

knop voor draadloos inschakelen op het gereedschap ingedrukt.

► Fig.36: 1. Knop voor draadloos inschakelen
2. Lamp van draadloos inschakelen

Als het annuleren met succes is uitgevoerd, zullen de lampen van draadloos inschakelen gedurende 2 seconden rood branden, waarna ze blauw gaan knipperen.

OPMERKING: De lampen van draadloos inschakelen stoppen na 20 seconden met rood knipperen. Druk op de knop voor draadloos inschakelen op het gereedschap terwijl de lamp van draadloos inschakelen op de stofzuiger knippert. Als de lamp van draadloos inschakelen niet rood knippert, drukt u kort op de knop voor draadloos inschakelen en houdt u deze weer ingedrukt.

Storingzoeken van de functie voor draadloos inschakelen

Alvorens u verzoekt om reparatie, kunt u zelf als volgt het probleem opsporen en oplossen. Als u met een probleem kampt dat in deze handleiding niet wordt beschreven, probeer dan niet het gereedschap te demonteren. Laat reparaties over aan een erkend Makita-servicecentrum, uitsluitend met gebruik van originele Makita-ervangingsonderdelen.

Probleemomschrijving	Waarschijnlijke oorzaak (storing)	Oplossing
De lamp van draadloos inschakelen brandt/knippert niet.	De draadloos-eenheid is niet aangebracht in het gereedschap. De draadloos-eenheid is verkeerd aangebracht in het gereedschap.	Breng de draadloos-eenheid op de juiste wijze aan.
	De aansluitingen van de draadloos-eenheid en/of de gleuf zijn vuil.	Veeg het stof en vuil op de aansluitingen van de draadloos-eenheid voorzichtig af en reinig de gleuf.
	Er is niet op de knop voor draadloos inschakelen op het gereedschap gedrukt.	Druk kort op de knop voor draadloos inschakelen op het gereedschap.
	De standbyschakelaar op de stofzuiger is niet op "AUTO" gezet.	Zet de standbyschakelaar op de stofzuiger op "AUTO".
	Geen voeding.	Voorzie het gereedschap en de stofzuiger van voeding.

Probleemomschrijving	Waarschijnlijke oorzaak (storing)	Oplossing
De registratie van het gereedschap/het annuleren van de registratie van het gereedschap kan niet met succes worden voltooid.	De draadloos-eenheid is niet aangebracht in het gereedschap. De draadloos-eenheid is verkeerd aangebracht in het gereedschap.	Breng de draadloos-eenheid op de juiste wijze aan.
	De aansluitingen van de draadloos-eenheid en/of de gleuf zijn vuil.	Veeg het stof en vuil op de aansluitingen van de draadloos-eenheid voorzichtig af en reinig de gleuf.
	De standbyschakelaar op de stofzuiger is niet op "AUTO" gezet.	Zet de standbyschakelaar op de stofzuiger op "AUTO".
	Geen voeding.	Voorzie het gereedschap en de stofzuiger van voeding.
	Onjuiste bediening	Druk kort op de knop voor draadloos inschakelen en voer de procedures voor de registratie/het annuleren van de registratie opnieuw uit.
	Het gereedschap en de stofzuiger staan te ver uit elkaar (buiten het zendbereik).	Plaats het gereedschap en de stofzuiger dichterbij elkaar. Het maximale zendbereik is ongeveer 10 meter, echter, dit kan verschillen afhankelijk van de omstandigheden.
	Voordat de registratie van het gereedschap/het annuleren van de registratie van het gereedschap werd voltooid: - de schakelaar van het gereedschap werd aan gezet of; - de aan-uitknop op de stofzuiger werd ingeschakeld.	Druk kort op de knop voor draadloos inschakelen en voer de procedures voor de registratie/het annuleren van de registratie opnieuw uit.
	De procedure voor de registratie van het gereedschap op het gereedschap of de stofzuiger is niet voltooid.	Voer de procedure voor de registratie van het gereedschap tegelijkertijd uit op het gereedschap en de stofzuiger.
	Radiostoring door andere apparaten die sterke radiogolven genereren.	Houd het gereedschap en de stofzuiger uit de buurt van apparaten zoals Wi-Fi-apparaten en magnetrons.
	De stofzuiger wordt niet in- en uitgeschakeld tegelijk met de bediening van de schakelaar van het gereedschap.	De draadloos-eenheid is niet aangebracht in het gereedschap. De draadloos-eenheid is verkeerd aangebracht in het gereedschap.
De aansluitingen van de draadloos-eenheid en/of de gleuf zijn vuil.		Veeg het stof en vuil op de aansluitingen van de draadloos-eenheid voorzichtig af en reinig de gleuf.
Er is niet op de knop voor draadloos inschakelen op het gereedschap gedrukt.		Druk kort op de knop voor draadloos inschakelen en controleer of de lamp van draadloos inschakelen blauw knippert.
De standbyschakelaar op de stofzuiger is niet op "AUTO" gezet.		Zet de standbyschakelaar op de stofzuiger op "AUTO".
Meer dan 10 gereedschappen zijn geregistreerd in de stofzuiger.		Voer de registratie van het gereedschap opnieuw uit. Als meer dan 10 gereedschappen zijn geregistreerd in de stofzuiger, wordt de eerste registratie van een gereedschap automatisch gewist.
De stofzuiger heeft alle registraties van de gereedschappen gewist.		Voer de registratie van het gereedschap opnieuw uit.
Geen voeding.		Voorzie het gereedschap en de stofzuiger van voeding.
Het gereedschap en de stofzuiger staan te ver uit elkaar (buiten het zendbereik).		Plaats het gereedschap en de stofzuiger dichterbij elkaar. Het maximale zendbereik is ongeveer 10 meter, echter, dit kan verschillen afhankelijk van de omstandigheden.
Radiostoring door andere apparaten die sterke radiogolven genereren.		Houd het gereedschap en de stofzuiger uit de buurt van apparaten zoals Wi-Fi-apparaten en magnetrons.
De stofzuiger is ingeschakeld terwijl het gereedschap niet in gebruik is.	Andere gebruikers gebruiken op hun gereedschap de functie voor draadloos inschakelen van de stofzuiger.	Schakel de knop voor draadloos inschakelen van de andere gereedschappen uit of annuleer de registratie van de andere gereedschappen.

ONDERHOUD

⚠ LET OP: Zorg altijd dat het gereedschap is uitgeschakeld en de accu ervan is verwijderd alvorens te beginnen met onderhoud of inspectie.

⚠ LET OP: Reinig de bovenste en onderste beschermkappen om er zeker van te zijn dat er geen opgehoopt zaagsel is dat de werking van de onderste beschermkap kan hinderen. Een vuile beschermkap kan de goede werking hinderen, wat kan leiden tot ernstig persoonlijk letsel. De meest effectieve manier om dit reinigen uit te voeren is met perslucht. **Wanneer het stof uit de beschermkappen wordt geblazen, dient u de geschikte oog- en ademhalingsbescherming te gebruiken.**

⚠ LET OP: Veeg na elk gebruik het zaagsel van het gereedschap af. Fijn zaagsel kan binnendingen in het gereedschap en een storing of brand veroorzaken.

KENNISGEVING: Gebruik nooit benzine, wasbenzine, thinner, alcohol en dergelijke. Hierdoor kunnen verkleuring, vervormingen en barsten worden veroorzaakt.

Om de VEILIGHEID en BETROUWBAARHEID van het gereedschap te handhaven, dienen alle reparaties, onderhoud of afstellingen te worden uitgevoerd bij een erkend Makita-servicecentrum of de Makita-fabriek, en altijd met gebruik van Makita-ervangingsonderdelen.

De nauwkeurigheid van de 0°-stand afstellen

KENNISGEVING: Voordat u begint af te stellen, dient u zich ervan te verzekeren dat de vergrendeling van de zaagdiepte stevig is vastgezet.

Deze afstelling is al in de fabriek uitgevoerd. Maar als deze verlopen is, kunt u het afstellen aan de hand van de volgende procedure.

1. Zet de vergrendeling van de schuine hoek los zodat de schuine hoek kan worden afgesteld.

OPMERKING: Raadpleeg het tekstdeel over de schuine zaagsnede voor instructies over het los- en vastdraaien van de vergrendeling van de schuine hoek.

2. Plaats een geodriehoek of een winkelhaak op de zijkant van het cirkelzaagblad en de zool.

Houd de zijkant van het cirkelzaagblad en de zool haaks ten opzichte van elkaar en draai de stelschroef om de 0°-stand te bepalen.

► **Fig.37: 1.** Geodriehoek **2.** Stelbout

3. Vergrendel de schuine hoek en zaag daarna een testsnede om de verticaalstelling te controleren.

OPTIONELE ACCESSOIRES

⚠ LET OP: Deze accessoires of hulpstukken worden aanbevolen voor gebruik met het Makita gereedschap dat in deze gebruiksaanwijzing is beschreven. Bij gebruik van andere accessoires of hulpstukken bestaat het gevaar van persoonlijke letsel. Gebruik de accessoires of hulpstukken uitsluitend voor hun bestemde doel.

Wenst u meer bijzonderheden over deze accessoires, neem dan contact op met het plaatselijke Makita-servicecentrum.

- Cirkelzaagblad
- Breedtegeleider (liniaal)
- Stofafzuigaansluitmond
- Inbussleutel
- Draadloos-eenheid
- Originele Makita accu's en acculaders

OPMERKING: Sommige items op de lijst kunnen zijn inbegrepen in de doos van het gereedschap als standaard toebehoren. Deze kunnen van land tot land verschillen.

ESPECIFICACIONES

Modelo:		HS013G
Diámetro del disco		415 mm
Profundidad de corte máxima	a 0°	158 mm
	a 45° a bisel	106 mm
Velocidad en vacío		2.100 min ⁻¹
Tensión nominal		CC 36 V - 40 V máx.
Longitud total		606 mm
Peso neto		11,0 - 12,0 kg

- Debido a nuestro continuado programa de investigación y desarrollo, las especificaciones aquí dadas están sujetas a cambios sin previo aviso.
- Las especificaciones pueden ser diferentes de país a país.
- El peso puede variar dependiendo del accesorio(s), incluyendo el cartucho de batería. La combinación menos pesada y la más pesada, de acuerdo con el procedimiento EPTA 01/2014, se muestran en la tabla.

Cartucho de batería y cargador aplicables

Cartucho de batería	BL4040 / BL4040F* / BL4050F* / BL4080F* * : Batería recomendada
Cargador	DC40RA / DC40RB / DC40RC / DC40WA

- Algunos de los cartuchos de batería y cargadores indicados arriba puede que no estén disponibles dependiendo de su región de residencia.

⚠ ADVERTENCIA: Utilice solamente los cartuchos de batería y cargadores indicados arriba. La utilización de cualquier otro cartucho de batería y cargador puede ocasionar heridas y/o un incendio.

Uso previsto

La herramienta ha sido prevista para realizar cortes rectos longitudinales y transversales y cortes en inglete con ángulos en madera mientras es mantenida en firme contacto con la pieza de trabajo.

Ruido

El nivel de ruido A-ponderado típico determinado de acuerdo con la norma EN62841-2-5:

Nivel de presión sonora (L_{pA}) : 98 dB (A)

Nivel de potencia sonora (L_{WA}) : 106 dB (A)

Error (K) : 3 dB (A)

NOTA: El valor (o los valores) de emisión de ruido declarado ha sido medido de acuerdo con un método de prueba estándar y se puede utilizar para comparar una herramienta con otra.

NOTA: El valor (o valores) de emisión de ruido declarado también se puede utilizar en una valoración preliminar de exposición.

⚠ ADVERTENCIA: Póngase protectores para oídos.

⚠ ADVERTENCIA: La emisión de ruido durante la utilización real de la herramienta eléctrica puede variar del valor (o los valores) de emisión declarado dependiendo de las formas en las que la herramienta sea utilizada, especialmente qué tipo de pieza de trabajo se procesa.

⚠ ADVERTENCIA: Asegúrese de identificar medidas de seguridad para proteger al operario que estén basadas en una estimación de la exposición en las condiciones reales de utilización (teniendo en cuenta todas las partes del ciclo operativo como las veces cuando la herramienta está apagada y cuando está funcionando en vacío además del tiempo de gatillo).

Vibración

El valor total de la vibración (suma de vectores triaxiales) determinado de acuerdo con la norma EN62841-2-5:

Modo de trabajo: corte de madera

Emisión de vibración ($a_{h,W}$): 2,5 m/s² o menos

Error (K) : 1,5 m/s²

NOTA: El valor (o los valores) total de emisión de vibración declarado ha sido medido de acuerdo con un método de prueba estándar y se puede utilizar para comparar una herramienta con otra.

NOTA: El valor (o los valores) total de emisión de vibración declarado también se puede utilizar en una valoración preliminar de exposición.

⚠ADVERTENCIA: La emisión de vibración durante la utilización real de la herramienta eléctrica puede variar del valor (o los valores) de emisión declarado dependiendo de las formas en las que la herramienta sea utilizada, especialmente qué tipo de pieza de trabajo se procesa.

⚠ADVERTENCIA: Asegúrese de identificar medidas de seguridad para proteger al operario que estén basadas en una estimación de la exposición en las condiciones reales de utilización (teniendo en cuenta todas las partes del ciclo operativo como las veces cuando la herramienta está apagada y cuando está funcionando en vacío además del tiempo de gatillo).

Declaraciones de conformidad

Para países europeos solamente

Las declaraciones de conformidad están incluidas como Anexo A de este manual de instrucciones.

ADVERTENCIAS DE SEGURIDAD

Advertencias de seguridad para herramientas eléctricas en general

⚠ADVERTENCIA Lea todas las advertencias de seguridad, instrucciones, ilustraciones y especificaciones provistas con esta herramienta eléctrica. Si no sigue todas las instrucciones indicadas abajo, podrá resultar en una descarga eléctrica, un incendio y/o heridas graves.

Guarde todas las advertencias e instrucciones para futuras referencias.

El término "herramienta eléctrica" en las advertencias se refiere a su herramienta eléctrica de funcionamiento con conexión a la red eléctrica (con cable) o herramienta eléctrica de funcionamiento a batería (sin cable).

Advertencias de seguridad para la sierra circular inalámbrica

Procedimientos de corte

1. **⚠PELIGRO:** Mantenga las manos alejadas del área de corte y del disco. Mantenga su segunda mano en el mango auxiliar, o en el alojamiento del motor. Si ambas manos están

sujetando la sierra, no podrán ser cortadas por el disco.

2. **No se ponga debajo de pieza de trabajo.** Debajo de la pieza de trabajo el protector no le puede proteger del disco.
3. **Ajuste la profundidad de corte al grosor de la pieza de trabajo.** Por debajo de la pieza de trabajo deberá verse menos de un diente entero de los dientes del disco.
4. **No sujete nunca con las manos o sobre su pierna la pieza de trabajo durante el corte. Sujete la pieza de trabajo en una plataforma estable.** Es importante apoyar la pieza de trabajo debidamente para minimizar la exposición del cuerpo, el estancamiento del disco, o la pérdida de control.

► Fig.1

5. **Cuando realice una operación en la que el implemento de corte pueda entrar en contacto con cableado oculto, sujete la herramienta eléctrica por las superficies de asiento aisladas solamente.** El contacto con un cable con corriente también hará que la corriente circule por las partes metálicas expuestas de la herramienta eléctrica y podrá soltar una descarga eléctrica al operario.
6. **Cuando haga cortes al hilo, utilice siempre una guía lateral o guía de borde recto.** Esto mejora la precisión del corte y reduce la posibilidad de que el disco se estanque.
7. **Utilice siempre discos con agujero para eje del tamaño y forma correctos (diamante en oposición a redondo).** Los discos que no correspondan con el mecanismo de montaje de la sierra se descentrarán, ocasionando la pérdida de control.
8. **No utilice nunca arandelas o perno de disco dañados o incorrectos.** Las arandelas y el perno de disco han sido diseñados especialmente para su sierra, y con ellos se logran un rendimiento y seguridad de operación óptimos.

Causas de los retrocesos bruscos y advertencias relacionadas

- el retroceso brusco es una reacción repentina al estancamiento, atasco o desalineación del disco, que ocasiona que la sierra descontrolada se levante y salga de la pieza de trabajo hacia el operario;
- cuando el disco queda aprisionado o atascado firmemente debido al cierre de la hendidura, el disco se inmoviliza y la reacción del motor empuja la sierra bruscamente hacia atrás contra el operario;
- si el disco se retuerce o desalinea en el corte, los dientes del borde trasero del disco pueden morder la superficie superior de la madera haciendo que el disco se salga de la hendidura y salte hacia atrás contra el operario.

Los retrocesos bruscos se deben a un mal uso de la sierra y/o a procedimientos o condiciones de trabajo incorrectos y pueden evitarse tomando las precauciones indicadas abajo.

1. **Sujete la sierra firmemente con ambas manos y posicione los brazos de forma que pueda resistir las fuerzas de un retroceso brusco. Posicione su cuerpo a uno de los costados del disco, pero no en línea con el disco.** Los

retrocesos bruscos pueden hacer que la sierra salte hacia atrás, pero las fuerzas de los retrocesos bruscos las puede controlar el operario, si toma las precauciones apropiadas.

2. **Cuando note que el disco se estanca, o cuando quiera interrumpir un corte por cualquier razón, suelte el gatillo y mantenga la sierra inmóvil en el material hasta que el disco se pare completamente. No intente nunca extraer el disco de la pieza de trabajo o tirar de la sierra hacia atrás mientras el disco está moviéndose porque podrá ocasionar un retroceso brusco.** Investigue y tome medidas correctivas para eliminar la causa del estancamiento del disco.
3. **Cuando vuelva a poner en marcha la sierra en la pieza de trabajo, centre el disco en la hendidura de forma que los dientes del mismo no estén enganchados en el material.** Si un disco se estanca, podrá saltar o retroceder brusca-mente desde la pieza de trabajo al volver a poner en marcha la sierra.
4. **Apoye los paneles grandes para minimizar el riesgo de que el disco se estanque y retroceda bruscamente.** Los paneles grandes tienden a combarse con su propio peso. Deberá poner apoyos debajo del panel a ambos lados, cerca de la línea de corte y cerca del borde del panel.

► Fig.2

► Fig.3

5. **No utilice discos mellados o dañados.** Los discos desafilados o mal ajustados producen una hendidura estrecha que ocasiona excesiva fricción, estancamiento del disco y retrocesos bruscos.
6. **Las palancas de bloqueo de los ajustes de profundidad y de bisel del disco deben estar apretadas y sujetadas antes de realizar el corte.** Si el ajuste del disco cambia durante el corte, podrá ocasionar un estancamiento y retroceso brusco.
7. **Extreme las precauciones cuando sierre en paredes existentes u otras áreas ciegas.** La parte sobresaliente del disco podrá cortar objetos que pueden ocasionar un retroceso brusco.
8. **Sujete SIEMPRE la herramienta firmemente con ambas manos. No ponga NUNCA sus manos, piernas o cualquier otra parte de su cuerpo debajo de la base de la herramienta o detrás de la sierra, especialmente cuando haga cortes transversales.** Si se produce un retroceso brusco, la sierra podrá saltar fácilmente hacia atrás sobre su mano, causándole graves heridas personales.

► Fig.4

9. **No fuerce nunca la sierra. Empuje la sierra hacia delante a una velocidad a la que el disco corte sin frenarse.** Si fuerza la sierra podrá ocasionar cortes irregulares, pérdida de precisión, y posibles retrocesos bruscos.

Función del protector

1. **Compruebe el protector inferior para confirmar que se cierra debidamente antes de cada uso. No utilice la sierra si el protector inferior no se mueve libremente y se cierra**

instantáneamente. No sujete ni ate nunca el protector inferior en la posición abierta. Si deja caer accidentalmente la sierra, el protector inferior podrá doblarse. Levante el protector inferior con la manivela retráctil y asegúrese de que se mueve libremente y que no toca el disco o cualquier otra parte, en todos los ángulos y profundidades de corte.

2. **Compruebe la operación del resorte del protector inferior. Si el protector y el resorte no funcionan debidamente, deberán ser servidos antes de la utilización.** El protector inferior podrá funcionar lentamente debido a partes dañadas, sedimentos pegajosos, o una acumulación de residuos.
3. **El protector inferior puede retraerse manualmente sólo para cortes especiales, como “cortes por hundimiento” y “cortes compuestos”.** Levante el protector inferior con la manivela retráctil y tan pronto como el disco entre en el material, deberá liberar el protector inferior. Para todos los demás cortes, el protector inferior deberá funcionar automáticamente.
4. **Antes de dejar la sierra en el banco o en el suelo, observe siempre que el protector inferior está cubriendo el disco.** Un disco des-prottegido, girando por inercia, hará que la sierra se desplace hacia atrás, cortando todo lo que encuentre a su paso. Tenga presente el tiempo que el disco tarda en pararse después de soltar el interruptor.
5. **Para comprobar el protector inferior, abra el protector inferior con la mano, después suéltelo y observe que se cierra. Compruebe también para asegurarse de que la manivela retráctil no toca la carcasa de la herramienta.** Dejar el disco expuesto es MUY PELIGROSO y puede acarrear heridas personales graves.

Advertencias de seguridad adicionales

1. **Preste precaución especial cuando corte madera húmeda, madera tratada a presión, o madera que tenga nudos.** Mantenga uniforme el avance de la herramienta sin que disminuya la velocidad del disco para evitar recalentar los dientes del disco.
2. **No intente retirar material cortado cuando el disco esté moviéndose. Espere hasta que el disco se pare antes de agarrar el material cortado.** Los discos siguen girando por inercia después de apagar la herramienta.
3. **Evite cortar clavos. Inspeccione la madera y quite todos los clavos antes de cortar.**
4. **Ponga la porción más ancha de la base de la sierra en la parte de la pieza de trabajo que esté sólidamente apoyada, no en la sección que caerá cuando se haga el corte. Si la pieza de trabajo es corta o pequeña, amórdacela. ¡NO INTENTE SUJETAR PIEZAS PEQUEÑAS CON LA MANO!**

► Fig.5

5. **Antes de dejar la herramienta después de completar un corte, asegúrese de que el protector se ha cerrado y que el disco se ha parado completamente.**

6. **No intente nunca serrar con la sierra circular sujeta al revés en un tornillo de banco. Es sumamente peligroso y puede ocasionar graves accidentes.**

► Fig.6

7. **Algunos materiales contienen sustancias químicas que pueden ser tóxicas. Tenga precaución para evitar la inhalación de polvo y el contacto con la piel. Siga los datos de seguridad del abastecedor del material.**
8. **No pare los discos haciendo presión lateral en el disco.**
9. **No utilice ningún disco abrasivo.**
10. **Utilice solamente el disco con el diámetro que hay marcado en la herramienta o especificado en el manual.** La utilización de un disco dimensionado incorrectamente puede afectar a la protección del disco o a la operación del protector lo que puede resultar en heridas personales graves.
11. **Mantenga el disco afilado y limpio.** La cola y la resina de madera endurecidas en los discos frenan la sierra y aumentan la posibilidad de que se produzcan retrocesos bruscos. Mantenga el disco limpio desmontándolo primero de la herramienta, y limpiándolo después con un producto para quitar colas y resina, agua caliente o queroseno. No utilice nunca gasolina.
12. **Póngase máscara y protección para los oídos cuando utilice la herramienta.**
13. **Utilice siempre el disco que ha sido previsto para cortar el material que usted va a cortar.**
14. **Utilice solamente discos que tengan marcada una velocidad igual o mayor que la velocidad marcada en la herramienta.**
15. **(Para países de Europa solamente)** Utilice siempre el disco que cumpla con EN847-1, si lo prevé para cortar madera o materiales similares.
16. **Coloque la herramienta y las partes sobre una superficie plana y estable.** De lo contrario, la herramienta o las partes podrán caerse y ocasionar heridas.

GUARDE ESTAS INSTRUCCIONES.

⚠ ADVERTENCIA: NO deje que la comodidad o familiaridad con el producto (a base de utilizarlo repetidamente) sustituya la estricta observancia de las normas de seguridad para el producto en cuestión. El MAL USO o el no seguir las normas de seguridad establecidas en este manual de instrucciones podrá ocasionar graves heridas personales.

Instrucciones de seguridad importantes para el cartucho de batería

1. **Antes de utilizar el cartucho de batería, lea todas las instrucciones e indicaciones de precaución sobre (1) el cargador de baterías, (2) la batería, y (3) el producto con el que se utiliza la batería.**

2. **No desensamble ni manipule el cartucho de batería.** Podrá resultar en un incendio, calor excesivo, o una explosión.
3. **Si el tiempo de uso se acorta demasiado, cese la operación inmediatamente.** Podría resultar en un riesgo de recalentamiento, posibles quemaduras e incluso una explosión.
4. **Si entra electrolito en sus ojos, aclárelos con agua limpia y acuda a un médico inmediatamente.** Existe el riesgo de poder perder la vista.
5. **No cortocircuite el cartucho de batería:**
 - (1) **No toque los terminales con ningún material conductor.**
 - (2) **Evite guardar el cartucho de batería en un cajón junto con otros objetos metálicos, como clavos, monedas, etc.**
 - (3) **No exponga el cartucho de batería al agua ni a la lluvia.****Un cortocircuito en la batería puede producir una gran circulación de corriente, un recalentamiento, posibles quemaduras e incluso una rotura de la misma.**
6. **No guarde ni utilice la herramienta y el cartucho de batería en lugares donde la temperatura pueda alcanzar o exceder los 50 °C.**
7. **Nunca incinere el cartucho de batería incluso en el caso de que esté dañado seriamente o ya no sirva en absoluto.** El cartucho de batería puede explotar si se tira al fuego.
8. **No clave, corte, aplaste, lance, deje caer el cartucho de batería, ni golpee contra un objeto duro el cartucho de batería.** Tal conducta podrá resultar en un incendio, calor excesivo, o una explosión.
9. **No utilice una batería dañada.**
10. **Las baterías de litio-ion contenidas están sujetas a los requisitos de la Legislación para Materiales Peligrosos.**

Para transportes comerciales, p.ej., por terceras personas y agentes de transportes, se deberán observar requisitos especiales para el empaquetado y etiquetado.

Para la preparación del artículo que se va a enviar, se requiere consultar con un experto en materiales peligrosos. Por favor, observe también la posibilidad de reglamentos nacionales más detallados.

Cubra con cinta aislante o enmascare los contactos expuestos y empaquete la batería de tal manera que no se pueda mover alrededor dentro del embalaje.
11. **Para desechar el cartucho de batería, retírelo de la herramienta y deséchelo en un lugar seguro. Siga los reglamentos locales referentes al desecho de la batería.**
12. **Utilice las baterías solamente con los productos especificados por Makita.** La instalación de las baterías en productos no compatibles puede resultar en un incendio, calor excesivo, explosión, o fuga de electrolito.
13. **Si la herramienta no va a ser utilizada durante un periodo de tiempo largo, la batería deberá ser retirada de la herramienta.**

14. Durante y después de la utilización, el cartucho de batería podrá acumular calor, lo cual puede ocasionar quemaduras o quemaduras de baja temperatura. Preste atención al manejo de cartuchos de batería calientes.
15. No toque el terminal de la herramienta inmediatamente después de utilizar, dado que puede calentarse lo suficiente como para ocasionar quemaduras.
16. No permita que virutas, polvo, o tierra se adhieran dentro de los terminales, orificios, y ranuras del cartucho de batería. Esto podría ocasionar calentamiento, que coja fuego, reviente y un mal funcionamiento de la herramienta o el cartucho de batería, resultando en quemaduras o heridas personales.
17. A menos que la herramienta pueda utilizarse cerca de cables eléctricos de alta tensión, no utilice el cartucho de batería cerca de cables eléctricos de alta tensión. Podrá resultar en un mal funcionamiento o rotura de la herramienta o el cartucho de batería.
18. Mantenga la batería alejada de los niños.

GUARDE ESTAS INSTRUCCIONES.

⚠PRECAUCIÓN: Utilice solamente baterías genuinas de Makita. La utilización de baterías no genuinas de Makita, o baterías que han sido alteradas, puede resultar en una explosión de la batería ocasionando incendios, heridas personales y daños. También anulará la garantía de Makita para la herramienta y el cargador de Makita.

Consejos para alargar al máximo la vida de servicio de la batería

1. Cargue el cartucho de batería antes de que se descargue completamente. Detenga siempre la operación y cargue el cartucho de batería cuando note menos potencia en la herramienta.
2. No cargue nunca un cartucho de batería que esté completamente cargado. La sobrecarga acortará la vida de servicio de la batería.
3. Cargue el cartucho de batería a temperatura ambiente de 10 °C - 40 °C. Si un cartucho de batería está caliente, déjelo enfriar antes de cargarlo.
4. Cuando no esté utilizando el cartucho de batería, retírelo de la herramienta o del cargador.
5. Cargue el cartucho de batería si no lo utiliza durante un periodo de tiempo prolongado (más de seis meses).

Instrucciones de seguridad importantes para la unidad inalámbrica

1. No desmonte o manipule la unidad inalámbrica.
2. Mantenga la unidad inalámbrica alejada de niños pequeños. Si se ingiere accidentalmente, solicite atención médica

- inmediatamente.
3. Utilice la unidad inalámbrica solamente con herramientas Makita.
4. No exponga la unidad inalámbrica a la lluvia o a condiciones que se pueda mojar.
5. No utilice la unidad inalámbrica en lugares donde la temperatura exceda los 50 °C.
6. No utilice la unidad inalámbrica en lugares donde se encuentren cerca instrumentos médicos, tales como marcapasos cardiacos.
7. No utilice la unidad inalámbrica en lugares donde se encuentren cerca dispositivos automatizados. Si la utiliza, los dispositivos automatizados podrán desarrollar un mal funcionamiento o error.
8. No utilice la unidad inalámbrica en lugares de temperatura alta o lugares donde se pueda generar electricidad estática o ruido eléctrico.
9. La unidad inalámbrica puede producir campos electromagnéticos (CEM), pero no son perjudiciales para el usuario.
10. La unidad inalámbrica es un instrumento de precisión. Tenga cuidado de no dejar caer o golpear la unidad inalámbrica.
11. Evite tocar el terminal de la unidad inalámbrica con las manos desnudas o materiales metálicos.
12. Retire siempre la batería del producto cuando vaya a instalar la unidad inalámbrica en él.
13. Cuando abra la tapa de la ranura, evite los lugares donde polvo y agua puedan entrar en la ranura. Mantenga siempre limpia la abertura de la ranura.
14. Inserte siempre la unidad inalámbrica en la dirección correcta.
15. No presione el botón de activación inalámbrica en la unidad inalámbrica con fuerza ni presione el botón con un objeto de borde cortante.
16. Cierre siempre la tapa de la ranura cuando esté realizando operaciones.
17. No retire la unidad inalámbrica de la ranura mientras se esté suministrando alimentación a la herramienta. Si lo hace podrá ocasionar un mal funcionamiento de la unidad inalámbrica.
18. No retire la etiqueta adhesiva de la unidad inalámbrica.
19. No ponga ninguna etiqueta adhesiva en la unidad inalámbrica.
20. No deje la unidad inalámbrica en un lugar donde se pueda generar electricidad estática o ruido eléctrico.
21. No deje la unidad inalámbrica en un lugar expuesto a mucho calor, tal como dentro de un automóvil aparcado al sol.
22. No deje la unidad inalámbrica en un lugar polvoriento o polvoroso o en un lugar donde se pueda generar gas corrosivo.
23. Un cambio repentino de la temperatura puede cubrir de rocío la unidad inalámbrica. No utilice la unidad inalámbrica hasta que el rocío se haya secado completamente.

24. Cuando limpie la unidad inalámbrica, frote con cuidado con un paño suave y seco. No utilice bencina, disolvente, grasa conductora o algo similar.
25. Cuando almacene la unidad inalámbrica, manténgala en la funda suministrada o en un contenedor libre de electricidad estática.
26. No inserte ningún dispositivo excepto la unidad inalámbrica de Makita en la ranura de la herramienta.
27. No utilice la herramienta con la tapa de la ranura dañada. Si entra en la ranura agua, polvo o suciedad puede ocasionar un mal funcionamiento.
28. No tire de la tapa de la ranura ni la retuerza más de lo necesario. Vuelva a colocar la tapa si se desprende de la herramienta.
29. Reemplace la tapa de la ranura si se pierde o se daña.

GUARDE ESTAS INSTRUCCIONES.

DESCRIPCIÓN DEL FUNCIONAMIENTO

PRECAUCIÓN: Asegúrese siempre de que la herramienta está apagada y el cartucho de batería retirado antes de realizar cualquier ajuste o comprobación en la herramienta.

Instalación o extracción del cartucho de batería

PRECAUCIÓN: Apague siempre la herramienta antes de instalar o retirar el cartucho de batería.

PRECAUCIÓN: Sujete la herramienta y el cartucho de batería firmemente cuando instale o retire el cartucho de batería. Si no sujeta la herramienta y el cartucho de batería firmemente podrán caérsele de las manos y resultar en daños a la herramienta y al cartucho de batería y heridas personales.

Para instalar el cartucho de batería, alinee la lengüeta del cartucho de batería con la ranura del alojamiento y deslícelo al interior hasta encajarlo en su sitio. Insértelo por completo hasta que se bloquee en su sitio con un pequeño chasquido. Si puede ver el indicador rojo como se muestra en la figura, no estará bloqueado completamente.

Para retirar el cartucho de batería, deslícelo de la herramienta mientras desliza el botón de la parte frontal del cartucho.

► Fig.7: 1. Indicador rojo 2. Botón 3. Cartucho de batería

PRECAUCIÓN: Instale siempre el cartucho de batería completamente hasta que no pueda verse el indicador rojo. En caso contrario, podrá caerse accidentalmente de la herramienta y ocasionarle heridas a usted o a alguien que esté cerca de usted.

PRECAUCIÓN: No instale el cartucho de batería empleando fuerza. Si el cartucho no se desliza al interior fácilmente, será porque no está siendo insertado correctamente.

Modo de indicar la capacidad de batería restante

Presione el botón de comprobación en el cartucho de batería para indicar la capacidad de batería restante. Las lámparas indicadoras se iluminan durante unos pocos segundos.

► Fig.8: 1. Lámparas indicadoras 2. Botón de comprobación

Lámparas indicadoras			Capacidad restante
Iluminada	Apagada	Parpadeando	
			75% a 100%
			50% a 75%
			25% a 50%
			0% a 25%
			Cargue la batería.
			Puede que la batería no esté funcionando bien.

NOTA: Dependiendo de las condiciones de utilización y de la temperatura ambiente, la indicación podrá variar ligeramente de la capacidad real.

NOTA: La primera lámpara indicadora (extremo izquierdo) parpadeará cuando el sistema de protección de la batería esté funcionando.

Sistema de protección de la herramienta / batería

La herramienta está equipada con un sistema de protección de la herramienta/batería. Este sistema corta automáticamente la alimentación del motor para alargar la vida útil de la herramienta y la batería. La herramienta se detendrá automáticamente durante la operación si la herramienta o la batería es puesta en una de las condiciones siguientes. En algunas condiciones, los indicadores se iluminan.

Protección contra sobrecarga

Cuando la herramienta/batería sea operada de una manera que le haga absorber una corriente anormalmente alta, la herramienta se detendrá automáticamente. En esta situación, apague la herramienta y detenga la tarea que ocasiona la sobrecarga de la herramienta. Después encienda la herramienta para volver a empezar.

Protección contra el recalentamiento

Cuando la herramienta/batería se recalienta, la herramienta se detiene automáticamente. En esta situación, deje que la herramienta se enfríe antes de encenderla otra vez.

Protección contra descarga excesiva

Cuando la capacidad de batería sea baja, la herramienta se detendrá automáticamente. Si el producto no funciona aun cuando los interruptores sean accionados, retire la batería (o baterías) de la herramienta y cárguela.

Protecciones contra otras causas

También hay un sistema de protección diseñado para otras causas que pueden dañar la herramienta y permite a la herramienta detenerse automáticamente. Realice todos los pasos siguientes para despejar las causas, cuando la herramienta haya sido llevada a una pausa temporal o a una parada en la operación.

1. Asegúrese de que todos los interruptores están en la posición apagada, y después encienda la herramienta otra vez para volver a empezar.
2. Cargue la(s) batería(s) o reemplácela(s) con una batería(s) recargada(s).
3. Deje que la herramienta y la(s) batería(s) se enfríen.

Si no se nota una mejora al restablecer el sistema de protección, póngase en contacto con el centro de servicio Makita local.

Accionamiento del interruptor

⚠ ADVERTENCIA: Antes de insertar el cartucho de batería en la herramienta, compruebe siempre para cerciorarse de que el gatillo interruptor se acciona debidamente y que vuelve a la posición "OFF" cuando lo suelta.

⚠ ADVERTENCIA: No anule NUNCA la función del botón de desbloqueo sujetándolo con cinta adhesiva o alguna otra manera. Un interruptor con un botón de desbloqueo anulado puede resultar en una puesta en marcha involuntaria y a heridas personales graves.

⚠ ADVERTENCIA: No utilice NUNCA la herramienta si se pone en marcha cuando usted simplemente aprieta el gatillo interruptor sin presionar el botón de desbloqueo. Un interruptor con necesidad de reparación puede resultar en una puesta en marcha involuntaria y a heridas personales graves. Lleve la herramienta a un centro de servicio Makita para que le hagan las reparaciones apropiadas ANTES de seguir utilizándola.

Para evitar que el gatillo pueda accionarse accidentalmente, se ha provisto un botón de desbloqueo. Para poner en marcha la herramienta, presione hacia dentro el botón de desbloqueo y apriete el gatillo interruptor. Suelte el gatillo interruptor para parar.

► Fig.9: 1. Gatillo interruptor 2. Botón de desbloqueo

AVISO: No apriete con fuerza el gatillo interruptor sin presionar hacia dentro el botón de desbloqueo. Podría romper el interruptor.

⚠ PRECAUCIÓN: La herramienta comenzará a frenar el giro del disco de sierra circular inmediatamente después de que libere el gatillo interruptor. Sujete la herramienta firmemente para responder a la reacción del freno cuando libere el gatillo interruptor. La reacción repentina puede hacer caer la herramienta de su mano y ocasionar heridas personales.

Ajuste de la profundidad de corte

⚠ PRECAUCIÓN: Después de ajustar la profundidad de corte, bloquee siempre la base.

1. Desbloquee la base aflojando la palanca.
 2. Ajuste el disco de sierra circular a la profundidad de corte que desee.
 3. Bloquee la base apretando la palanca.
- Fig.10: 1. Base 2. Profundidad de corte 3. Palanca

⚠ PRECAUCIÓN: Para obtener cortes más limpios y seguros, ajuste la profundidad de corte de forma que no sobresalga más de un diente del disco por debajo de la pieza de trabajo. La utilización de una profundidad de corte apropiada ayuda a reducir la posibilidad de que se produzcan peligrosos RETROCESOS BRUSCOS que pueden ocasionar heridas personales.

Corte en bisel

⚠ PRECAUCIÓN: Después de ajustar el ángulo de bisel, bloquee siempre la base.

1. Afloje la palanca y el tornillo de fijación.
 2. Alinee el puntero con el ángulo de corte que desee inclinando la base.
 3. Apriete la palanca y el tornillo de fijación firmemente.
- Fig.11: 1. Palanca 2. Tornillo de fijación 3. Puntero

Guía visual

Para cortes rectos, alinee la posición 0° de la parte delantera de la base con la línea de corte. Para cortes en bisel a 45°, alinee la posición 45° con la misma.

► Fig.12: 1. Línea de corte (posición 0°) 2. Línea de corte (posición 45°)

Dispositivo estabilizador de disco

En general, utilice el dispositivo estabilizador de disco ajustando la palanca de bloqueo en posición bloqueada.

Para bloquear la palanca de bloqueo, empújela hacia abajo y gírela 90° hacia la izquierda. Para liberar la palanca de bloqueo, gírela 90° hacia la derecha. Cuando vaya a sustituir un disco de sierra circular, libere la palanca de bloqueo.

► **Fig.13:** 1. Palanca de bloqueo 2. Posición de bloqueo 3. Posición de liberación

Freno eléctrico

Esta herramienta está equipada con un freno de disco eléctrico. Si la herramienta consistentemente deja de parar rápidamente el disco de sierra circular después de liberar el gatillo interruptor, haga que la herramienta sea servida en un centro de servicio Makita.

⚠PRECAUCIÓN: El sistema de freno de disco no es un sustituto para el protector de disco. **NO UTILICE NUNCA LA HERRAMIENTA SIN UN PROTECTOR DE DISCO QUE FUNCIONE BIEN. PODRÁ RESULTAR EN HERIDAS PERSONALES GRAVES.**

Función electrónica

Las herramientas equipadas con función electrónica son fáciles de utilizar gracias a la(s) característica(s) siguiente(s).

Característica de inicio suave

Inicio suave gracias a la supresión del golpe de arranque.

MONTAJE

⚠PRECAUCIÓN: Asegúrese siempre de que la herramienta está apagada y el cartucho de batería retirado antes de realizar cualquier trabajo en la herramienta.

Para guardar la llave hexagonal

Cuando no la esté utilizando, coloque la llave hexagonal como se muestra en la figura para evitar perderla.

► **Fig.14:** 1. Llave hexagonal

Instalación y desmontaje del disco de sierra circular

⚠PRECAUCIÓN: Asegúrese de que el disco de sierra circular está instalado con los dientes orientados hacia arriba en la parte delantera de la herramienta.

⚠PRECAUCIÓN: Utilice solamente la llave Makita para instalar o retirar el disco de sierra circular.

NOTA: Cuando instale o desinstale el disco de sierra circular, resultará más fácil hacerlo con la base puesta en la posición original.

Instalación del disco de sierra circular

NOTA: Dependiendo de los modelos, puede que el disco de sierra circular ya haya sido instalado en el momento del envío.

1. Libere la palanca de bloqueo del dispositivo estabilizador de disco.
2. Presione el bloqueo del eje completamente de forma que el eje de montaje no pueda girar y utilice la llave hexagonal para aflojar el perno hexagonal. Después retire el perno hexagonal y la brida exterior.
► **Fig.15:** 1. Palanca de bloqueo 2. Bloqueo del eje 3. Llave hexagonal 4. Aflojar 5. Apretar

3. Instale la brida interior con su cara convexa orientada hacia afuera en el eje de montaje, después instale el disco de sierra circular, la brida exterior y el perno hexagonal. En este momento, alinee la dirección de la flecha del disco de sierra circular con la flecha de la herramienta.

► **Fig.16:** 1. Perno hexagonal 2. Brida exterior 3. Disco de sierra circular 4. Flecha del disco de sierra circular 5. Brida interior 6. Flecha de la herramienta

4. Presione el bloqueo del eje y apriete el perno hexagonal.
5. Bloquee la palanca de bloqueo del dispositivo estabilizador de disco.

Dirección de montaje de la brida interior

La brida interior tiene un saliente de cierto diámetro en una cara y un saliente de diámetro diferente en la otra cara. Elija la cara correcta cuyo saliente encaje perfectamente en el agujero del disco. Monte la brida interior en el eje de montaje de forma que la cara correcta del saliente de la brida interior quede orientada hacia afuera y después coloque el disco y la brida exterior.

► **Fig.17:** 1. Eje de montaje 2. Brida interior 3. Disco de sierra circular 4. Brida exterior 5. Perno hexagonal

⚠ADVERTENCIA: ASEGÚRESE DE APRETAR EL PERNO HEXAGONAL FIRMEAMENTE. Tenga también cuidado de no apretar el perno empleando fuerza. Si su mano se desliza de la llave hexagonal puede ocasionar heridas personales.

⚠ADVERTENCIA: Asegúrese de que el saliente "a" de la brida interior que está posicionado hacia afuera encaja en el agujero del disco "a" perfectamente. Montar el disco en la cara incorrecta puede resultar en una vibración peligrosa.

Desmontaje del disco de sierra circular

Para retirar el disco de sierra circular, siga el procedimiento de instalación a la inversa.

AVISO: Vuelva a instalar la brida exterior y el perno hexagonal para evitar que se pierdan.

Limpieza del protector de disco

Cuando vaya a cambiar el disco de sierra circular, asegúrese también de limpiar el serrín acumulado en los protectores superior e inferior como se indica en la sección de mantenimiento. Esta tarea no exime de la necesidad de comprobar la operación del protector inferior antes de cada uso.

Conexión de un aspirador

Accesorios opcionales

NOTA: Dependiendo de los modelos, la boquilla de polvo se suministra como accesorio estándar.

Cuando quiera realizar una operación de corte limpia, conecte un aspirador Makita a su herramienta.

Instale la boquilla de polvo en la herramienta utilizando el tornillo.

► **Fig.18:** 1. Boquilla para el polvo 2. Tornillo

Conecte una manguera del aspirador a la boquilla de polvo utilizando el manguito delantero de 24 como se muestra en la figura.

► **Fig.19:** 1. Boquilla de polvo 2. Manguito delantero de 24 (accesorio opcional) 3. Manguera del aspirador

OPERACIÓN

Esta herramienta ha sido prevista para cortar productos de madera solamente.

NOTA: Consulte nuestro sitio web o póngase en contacto con el distribuidor Makita local para ver los discos de sierra circular correctos que hay que utilizar para el material que se va a cortar.

Comprobación de la función del protector de disco

Retire el cartucho de batería.

Ajuste el ángulo de bisel a 0°, y después retraiga el protector de disco inferior manualmente hasta el final y libérela. El protector de disco inferior estará funcionando debidamente si;

- se retrae por encima de la base sin ningún impedimento y;
- retorna automáticamente y hace contacto con el tope.

► **Fig.20:** 1. Protector de disco superior 2. Protector de disco inferior 3. Base 4. Tope 5. Abrir 6. Cerrar

Si el protector de disco inferior no está funcionando debidamente, compruebe si se ha acumulado serrín dentro de los protectores de disco superior e inferior. Si el protector de disco inferior no está funcionando debidamente después de retirar el polvo, haga que la herramienta sea servida en un centro de servicio Makita.

Operación de corte

PRECAUCIÓN: Póngase máscara contra el polvo cuando realice una operación de corte.

PRECAUCIÓN: Asegúrese de mover la herramienta hacia delante en línea recta y suavemente. Forzar o torcer la herramienta resultará en recalentamiento del motor y un peligroso retroceso brusco, causando posiblemente graves heridas.

AVISO: Cuando la temperatura del cartucho de batería sea baja, es posible que la herramienta no funcione a su plena capacidad. En este momento, por ejemplo, utilice la herramienta para un corte ligero durante un rato hasta que el cartucho de batería se caliente a una temperatura tan alta como la temperatura ambiente. Después, la herramienta funcionará a su plena capacidad.

► **Fig.21**

Sujete la herramienta firmemente. La herramienta está provista de empuñadura delantera y mango trasero. Utilice ambos para sujetar mejor la herramienta.

Si ambas manos están sujetando la herramienta, no habrá peligro de que el disco de sierra circular las corte. Coloque la base sobre la pieza de trabajo a cortar sin que el disco de sierra circular esté haciendo contacto con nada. Después encienda la herramienta y espere hasta que el disco de sierra circular adquiera plena velocidad. Ahora simplemente mueva la herramienta hacia delante sobre la superficie de la pieza de trabajo, manteniéndola plana y avanzando suavemente hasta completar el corte.

Para obtener cortes limpios, mantenga la línea de corte recta y la velocidad de avance uniforme. Si se desvía de la línea de corte prevista, no intente girar o forzar la herramienta de vuelta a la línea de corte. Esta acción podrá inmovilizar el disco de sierra circular y ocasionar un peligroso retroceso brusco y posibles heridas graves. Suelte el interruptor, espere hasta que el disco de sierra circular se pare y después retire la herramienta. Realinee la herramienta en una nueva línea de corte, y comience el corte de nuevo. Intente evitar posturas que expongan el operario a las virutas y el serrín que sale expulsado de la sierra. Utilice protección para los ojos para ayudar a evitar heridas.

Guía lateral (Regla guía)

Accesorios opcionales

PRECAUCIÓN: Asegúrese de que la guía lateral está instalada firmemente en la posición correcta antes de utilizar. Una colocación incorrecta puede ocasionar un peligroso retroceso brusco.

La útil guía lateral le permite hacer cortes rectos extra-precisos. Simplemente deslice la guía lateral hasta ajustarla bien contra el costado de la pieza de trabajo y sujétela en posición con el tornillo de la parte delantera de la base. Con ella también se pueden hacer cortes repetidos de anchura uniforme.

► **Fig.22:** 1. Guía lateral (Regla guía) 2. Tornillo de fijación

Caja de protección

⚠ PRECAUCIÓN: Cuando ponga la herramienta en la caja de protección, póngala despacio. Si pone la herramienta en la caja de protección sin cuidado, podrá ocasionar heridas y un mal funcionamiento.

La caja de protección se puede usar para guardar la herramienta temporalmente durante el trabajo.

Colocación de la herramienta de manera horizontal

Para instalar la herramienta, empújela al interior de la caja de protección desde la parte superior hasta que suene un chasquido.

Para extraer la herramienta, mientras sujeta la caja de protección con el pie, tire de ella hacia arriba como se muestra en la figura.

► **Fig.23:** 1. Caja de protección

Colocación de la herramienta de manera inclinada

Para instalar la herramienta, póngala sobre la caja de protección en ángulo como se muestra en la figura.

Para extraer la herramienta, tire de ella hacia arriba.

► **Fig.24**

FUNCIÓN DE ACTIVACIÓN INALÁMBRICA

Lo que puede hacer con la función de activación inalámbrica

La función de activación inalámbrica permite realizar una operación limpia y cómoda. Conectando un aspirador compatible a la herramienta, puede poner en marcha automáticamente el aspirador junto con la operación del interruptor de la herramienta.

► **Fig.25**

Para utilizar la función de activación inalámbrica, prepare los elementos siguientes:

- Una unidad inalámbrica (accesorio opcional)
- Un aspirador compatible con la función de activación inalámbrica

El resumen del ajuste de la función de activación inalámbrica es como sigue. Consulte cada sección para ver los procedimientos en detalle.

1. Instalación de la unidad inalámbrica
2. Registro de herramienta para el aspirador
3. Inicio de la función de activación inalámbrica

Instalación de la unidad inalámbrica

Accesorios opcionales

⚠ PRECAUCIÓN: Ponga la herramienta sobre una superficie plana y estable cuando instale la unidad inalámbrica.

AVISO: Limpie el polvo y la suciedad de la herramienta antes de instalar la unidad inalámbrica. El polvo o la suciedad puede ocasionar un mal funcionamiento si entra en la ranura de la unidad inalámbrica.

AVISO: Para evitar el mal funcionamiento causado por la electricidad estática, toque un material en el que descarga la electricidad estática, tal como una parte metálica de la herramienta, antes de coger la unidad inalámbrica.

AVISO: Cuando instale la unidad inalámbrica, asegúrese siempre de que la unidad inalámbrica está insertada en la dirección correcta y que la tapa está completamente cerrada.

1. Abra la tapa de la herramienta como se muestra en la figura.

► **Fig.26:** 1. Tapa

2. Inserte la unidad inalámbrica en la ranura y después cierre la tapa.

Cuando inserte la unidad inalámbrica, alinee los salientes con las porciones embutidas de la ranura.

► **Fig.27:** 1. Unidad inalámbrica 2. Saliente 3. Tapa 4. Porción embutida

Cuando retire la unidad inalámbrica, abra la tapa despacio. Los ganchos de la parte trasera de la tapa alzarán la unidad inalámbrica a medida que usted levanta la tapa.

► **Fig.28:** 1. Unidad inalámbrica 2. Gancho 3. Tapa

Después de retirar la unidad inalámbrica, manténgala dentro de la funda suministrada o en un contenedor libre de electricidad estática.

AVISO: Utilice siempre los ganchos de la parte trasera de la tapa cuando retire la unidad inalámbrica. Si los ganchos no agarran la unidad inalámbrica, cierre la tapa completamente y ábrala despacio otra vez.

Registro de herramienta para el aspirador

NOTA: Para el registro de herramienta se requiere un aspirador Makita compatible con la función de activación inalámbrica.

NOTA: Termine de instalar la unidad inalámbrica en la herramienta antes de comenzar el registro de herramienta.

NOTA: Durante el registro de herramienta, no apriete el gatillo interruptor o active el interruptor de alimentación del aspirador.

NOTA: Consulte el manual de instrucciones del aspirador, también.

Si desea activar el aspirador junto con la operación del interruptor de la herramienta, termine el registro de herramienta de antemano.

1. Instale las baterías en el aspirador y la herramienta.
2. Ajuste el interruptor de espera del aspirador a "AUTO".

► **Fig.29:** 1. Interruptor de espera

3. Presione el botón de activación inalámbrica en el aspirador durante 3 segundos hasta que la lámpara de activación inalámbrica parpadee en verde. Y después presione el botón de activación inalámbrica en la herramienta de la misma manera.

- **Fig.30:** 1. Botón de activación inalámbrica
2. Lámpara de activación inalámbrica

Si el aspirador y la herramienta están vinculados correctamente, las lámparas de activación inalámbrica se iluminarán en verde durante 2 segundos y comenzarán a parpadear en azul.

NOTA: Las lámparas de activación inalámbrica dejarán de parpadear en verde después de transcurrir 20 segundos. Presione el botón de activación inalámbrica en la herramienta mientras la lámpara de activación inalámbrica en la aspiradora está parpadeando. Si la lámpara de activación inalámbrica no parpadea en verde, presione el botón de activación inalámbrica brevemente y manténgalo presionado otra vez.

NOTA: Cuando realice dos o más registros de herramienta para un aspirador, termine el registro de herramienta de uno en uno.

Inicio de la función de activación inalámbrica

NOTA: Termine el registro de herramienta para el aspirador antes de la activación inalámbrica.

NOTA: Consulte el manual de instrucciones del aspirador, también.

Después de registrar una herramienta en el aspirador, el aspirador se pondrá en marcha automáticamente junto con la operación del interruptor de la herramienta.

1. Instale la unidad inalámbrica en la herramienta.
2. Conecte la manguera del aspirador a la herramienta.

► **Fig.31**

3. Ajuste el interruptor de espera del aspirador a "AUTO".

► **Fig.32:** 1. Interruptor de espera

4. Presione el botón de activación inalámbrica en la herramienta brevemente. La lámpara de activación inalámbrica parpadeará en azul.

- **Fig.33:** 1. Botón de activación inalámbrica
2. Lámpara de activación inalámbrica

5. Encienda la herramienta. Compruebe si el aspirador está en marcha mientras la herramienta está funcionando.

Para detener la activación inalámbrica del aspirador, presione el botón de activación inalámbrica en la herramienta.

NOTA: La lámpara de activación inalámbrica en la herramienta dejará de parpadear en azul cuando no se realice ninguna operación durante 2 horas. En este caso, ajuste el interruptor de espera del aspirador a "AUTO" y presione el botón de activación inalámbrica en la herramienta otra vez.

NOTA: El aspirador se pone en marcha/se detiene con una demora. Hay un lapso de tiempo cuando el aspirador detecta una operación del interruptor de la herramienta.










NOTA: La distancia de transmisión de la unidad inalámbrica puede variar dependiendo de la ubicación y las circunstancias circundantes.

NOTA: Cuando haya registradas dos o más herramientas en un aspirador, el aspirador podrá ponerse en marcha aunque usted no encienda la herramienta porque otro usuario está utilizando la función de activación inalámbrica.

Descripción del estado de la lámpara de activación inalámbrica

► **Fig.34:** 1. Lámpara de activación inalámbrica

La lámpara de activación inalámbrica muestra el estado de la función de activación inalámbrica. Consulte la tabla de abajo para ver el significado del estado de la lámpara.

Estado	Lámpara de activación inalámbrica			Descripción	
	Color	 Encendida	 Parpadeando		Duración
En espera	Azul			2 horas	La activación inalámbrica del aspirador está disponible. La lámpara se apagará automáticamente cuando no se realice ninguna operación durante 2 horas.
				Cuando la herramienta está en marcha.	La activación inalámbrica del aspirador está disponible y la herramienta está en marcha.
Registro de herramienta	Verde			20 segundos	Preparada para el registro de herramienta. Esperando para el registro en el aspirador.
				2 segundos	El registro de herramienta ha terminado. La lámpara de activación inalámbrica comenzará a parpadear en azul.
Cancelación del registro de herramienta	Rojo			20 segundos	Preparada para la cancelación del registro de herramienta. Esperando para la cancelación en el aspirador.
				2 segundos	La cancelación del registro de herramienta ha terminado. La lámpara de activación inalámbrica comenzará a parpadear en azul.
Otros	Rojo			3 segundos	La alimentación se suministra a la unidad inalámbrica y la función de activación inalámbrica se está poniendo en marcha.
	Apagada	-		-	La activación inalámbrica del aspirador está detenida.

Cancelación del registro de herramienta para el aspirador

Realice el procedimiento siguiente cuando vaya a cancelar el registro de herramienta para el aspirador.

1. Instale las baterías en el aspirador y la herramienta.

2. Ajuste el interruptor de espera del aspirador a "AUTO".

► **Fig.35:** 1. Interruptor de espera

3. Presione el botón de activación inalámbrica en el aspirador durante 6 segundos. La lámpara de activación inalámbrica parpadea en verde y después se vuelve roja. Después de esto, presione el botón de activación inalámbrica en la herramienta de la misma

manera.

► **Fig.36:** 1. Botón de activación inalámbrica
2. Lámpara de activación inalámbrica

Si la cancelación se realiza correctamente, las lámparas de activación inalámbrica se iluminarán en rojo durante 2 segundos y comenzarán a parpadear en azul.

NOTA: Las lámparas de activación inalámbrica dejarán de parpadear en rojo después de transcurrir 20 segundos. Presione el botón de activación inalámbrica en la herramienta mientras la lámpara de activación inalámbrica en la aspiradora está parpadeando. Si la lámpara de activación inalámbrica no parpadea en rojo, presione el botón de activación inalámbrica brevemente y manténgalo presionado otra vez.

Solución de problemas para la función de activación inalámbrica

Antes de solicitar reparaciones, realice su propia inspección en primer lugar. Si encuentra un problema que no está explicado en el manual, no intente desmontar la herramienta. En su lugar, pregunte en los centros de servicio autorizados Makita, utilizando siempre piezas de recambio Makita para las reparaciones.

Estado de anomalía	Causa probable (mal funcionamiento)	Remedio
La lámpara de activación inalámbrica no se ilumina/parpadea.	La unidad inalámbrica no está instalada en la herramienta. La unidad inalámbrica está instalada incorrectamente en la herramienta.	Instale la unidad inalámbrica correctamente.
	El terminal de la unidad inalámbrica y/o la ranura están sucios.	Retire con cuidado el polvo y la suciedad del terminal de la unidad inalámbrica y limpie la ranura.
	El botón de activación inalámbrica en la herramienta no ha sido presionado.	Presione el botón de activación inalámbrica en la herramienta brevemente.
	El interruptor de espera del aspirador no está ajustado a "AUTO".	Ajuste el interruptor de espera del aspirador a "AUTO".
	No se está suministrando alimentación.	Suministre alimentación a la herramienta y al aspirador.

Estado de anomalía	Causa probable (mal funcionamiento)	Remedio
No se puede terminar el registro de herramienta / cancelación del registro de herramienta correctamente.	La unidad inalámbrica no está instalada en la herramienta. La unidad inalámbrica está instalada incorrectamente en la herramienta.	Instale la unidad inalámbrica correctamente.
	El terminal de la unidad inalámbrica y/o la ranura están sucios.	Retire con cuidado el polvo y la suciedad del terminal de la unidad inalámbrica y limpie la ranura.
	El interruptor de espera del aspirador no está ajustado a "AUTO".	Ajuste el interruptor de espera del aspirador a "AUTO".
	No se está suministrando alimentación.	Suministre alimentación a la herramienta y al aspirador.
	Operación incorrecta	Presione el botón de activación inalámbrica brevemente y realice los procedimientos de registro/cancelación de herramienta otra vez.
	La herramienta y el aspirador están alejados uno del otro (fuera del rango de transmisión).	Ponga la herramienta y el aspirador más cerca uno del otro. La distancia de transmisión es de aproximadamente 10 m, sin embargo, podrá variar de acuerdo con las circunstancias.
	Antes de terminar el registro/cancelación de herramienta; - se aprieta el interruptor de la herramienta o; - se activa el botón de alimentación del aspirador.	Presione el botón de activación inalámbrica brevemente y realice los procedimientos de registro/cancelación de herramienta otra vez.
	Los procedimientos de registro de herramienta para la herramienta o el aspirador no han terminado.	Realice los procedimientos de registro de herramienta para la herramienta y el aspirador en el mismo momento.
	Interferencia de radio de otros aparatos que generan ondas de radio de alta intensidad.	Mantenga la herramienta y el aspirador alejados de aparatos tales como dispositivos Wi-Fi y hornos de microondas.
El aspirador no se pone en marcha junto con la operación del interruptor de la herramienta.	La unidad inalámbrica no está instalada en la herramienta. La unidad inalámbrica está instalada incorrectamente en la herramienta.	Instale la unidad inalámbrica correctamente.
	El terminal de la unidad inalámbrica y/o la ranura están sucios.	Retire con cuidado el polvo y la suciedad del terminal de la unidad inalámbrica y limpie la ranura.
	El botón de activación inalámbrica en la herramienta no ha sido presionado.	Presione el botón de activación inalámbrica brevemente y asegúrese de que la lámpara de activación inalámbrica está parpadeando en azul.
	El interruptor de espera del aspirador no está ajustado a "AUTO".	Ajuste el interruptor de espera del aspirador a "AUTO".
	Hay más de 10 herramientas registradas en el aspirador.	Realice el registro de herramienta otra vez. Si hay más de 10 herramientas registradas en el aspirador, la herramienta que más tiempo lleve registrada se cancelará automáticamente.
	El aspirador borró todos los registros de herramienta.	Realice el registro de herramienta otra vez.
	No se está suministrando alimentación.	Suministre alimentación a la herramienta y al aspirador.
	La herramienta y el aspirador están alejados uno del otro (fuera del rango de transmisión).	Ponga la herramienta y el aspirador más cerca uno del otro. La distancia de transmisión es de aproximadamente 10 m, sin embargo, podrá variar de acuerdo con las circunstancias.
	Interferencia de radio de otros aparatos que generan ondas de radio de alta intensidad.	Mantenga la herramienta y el aspirador alejados de aparatos tales como dispositivos Wi-Fi y hornos de microondas.
El aspirador se pone en marcha mientras la herramienta no está funcionando.	Otros usuarios están utilizando la activación inalámbrica del aspirador con sus herramientas.	Desactive el botón de activación inalámbrica de las otras herramientas o cancele el registro de herramienta de las otras herramientas.

MANTENIMIENTO

⚠ PRECAUCIÓN: Asegúrese siempre de que la herramienta está apagada y de que el cartucho de batería está retirado antes de intentar hacer una inspección o mantenimiento.

⚠ PRECAUCIÓN: Limpie los protectores de disco superior e inferior para asegurarse de que no hay serrín acumulado que pueda impedir la operación del sistema de protección de disco inferior. Un sistema de protección sucio puede limitar la protección apropiada, lo que puede resultar en heridas personales graves. La forma más eficaz de lograr esta limpieza es con aire comprimido. Si el polvo sale despedido por los protectores de disco, asegúrese de utilizar la protección de ojos y respiratoria apropiada.

⚠ PRECAUCIÓN: Después de cada utilización, retire el serrín de la herramienta con un paño. El serrín fino puede entrar en la herramienta y ocasionar un mal funcionamiento o un incendio.

AVISO: No utilice nunca gasolina, bencina, disolvente, alcohol o similares. Podría producir descoloración, deformación o grietas.

Para mantener la SEGURIDAD y FIABILIDAD del producto, las reparaciones, y cualquier otra tarea de mantenimiento o ajuste deberán ser realizadas en centros de servicio o de fábrica autorizados por Makita, empleando siempre repuestos Makita.

Ajuste de la precisión de corte a 0°

AVISO: Antes de empezar a hacer el ajuste, asegúrese de que el bloqueo de la profundidad de corte está accionado firmemente.

Este ajuste ha sido hecho en fábrica. Pero si está desalineado, usted puede ajustarlo utilizando el procedimiento siguiente.

1. Afloje el bloqueo del ángulo de bisel para poder cambiar el ángulo de bisel.

NOTA: Consulte la sección sobre corte en bisel para ver cómo apretar o aflojar el bloqueo del ángulo de bisel.

2. Ponga una escuadra o cartabón contra la cara del disco de sierra circular y la base.

Mientras mantiene la cara del disco de sierra circular y la base perpendicular, gire el tornillo de ajuste para crear la posición de 0°.

► **Fig.37:** 1. Escuadra 2. Tornillo de ajuste

3. Bloquee el ángulo de bisel y haga un corte de prueba para comprobar la verticalidad.

ACCESORIOS OPCIONALES

⚠ PRECAUCIÓN: Estos accesorios o aditamentos están recomendados para su uso con la herramienta Makita especificada en este manual. El uso de cualquier otro accesorio o aditamento puede suponer un riesgo de heridas personales. Utilice el accesorio o aditamento solamente con la finalidad indicada para el mismo.

Si necesita cualquier ayuda para más detalles en relación con estos accesorios, pregunte al centro de servicio Makita local.

- Disco de sierra circular
- Guía lateral (Regla guía)
- Boquilla de polvo
- Llave hexagonal
- Unidad inalámbrica
- Batería y cargador genuinos de Makita

NOTA: Algunos elementos de la lista podrán estar incluidos en el paquete de la herramienta como accesorios estándar. Pueden variar de un país a otro.

ESPECIFICAÇÕES

Modelo:		HS013G
Diâmetro da lâmina		415 mm
Profundidade máx. de corte	a 0°	158 mm
	em bisel de 45°	106 mm
Velocidade sem carga		2.100 min ⁻¹
Tensão nominal		C.C. 36 V - 40 V máx.
Comprimento geral		606 mm
Peso líquido		11,0 - 12,0 kg

- Devido a um programa contínuo de pesquisa e desenvolvimento, estas especificações estão sujeitas a alteração sem aviso prévio.
- As especificações podem variar de país para país.
- O peso poderá diferir em função do acessório(s), incluindo a bateria. A combinação mais leve e mais pesada, de acordo com o Procedimento EPTA 01/2014, é apresentada na tabela.

Bateria e carregador aplicável

Bateria	BL4040 / BL4040F* / BL4050F* / BL4080F* *: Bateria recomendada
Carregador	DC40RA / DC40RB / DC40RC / DC40WA

- Algumas das baterias e carregadores listados acima poderão não estar disponíveis, dependendo da sua região de residência.

⚠AVISO: Utilize apenas as baterias e carregadores listados acima. A utilização de quaisquer outras baterias e carregadores pode causar ferimentos e/ou um incêndio.

Utilização a que se destina

A ferramenta foi concebida para executar cortes longitudinais e cruzados retos e de esquadria com ângulos em madeira enquanto se mantém em contacto firme com a peça de trabalho.

Ruído

A característica do nível de ruído A determinado de acordo com a EN62841-2-5:

Nível de pressão acústica (L_{pA}): 98 dB (A)

Nível de potência acústica (L_{WA}): 106 dB (A)

Variabilidade (K): 3 dB (A)

NOTA: O(s) valor(es) da emissão de ruído indicado(s) foi medido de acordo com um método de teste padrão e pode ser utilizado para comparar duas ferramentas.

NOTA: O(s) valor(es) da emissão de ruído indicado(s) pode também ser utilizado na avaliação preliminar da exposição.

⚠AVISO: Utilize protetores auriculares.

⚠AVISO: A emissão de ruído durante a utilização real da ferramenta elétrica pode diferir do(s) valor(es) indicado(s), dependendo das formas como a ferramenta é utilizada, especialmente o tipo de peça de trabalho que é processada.

⚠AVISO: Certifique-se de identificar as medidas de segurança para proteção do operador que sejam baseadas em uma estimativa de exposição em condições reais de utilização (considerando todas as partes do ciclo de operação, tal como quando a ferramenta está desligada e quando está a funcionar em marcha lenta além do tempo de acionamento).

Vibração

Valor total da vibração (soma vetorial tri-axial) determinado de acordo com a EN62841-2-5:

Modo de trabalho: cortar madeira

Emissão de vibração ($a_{h,w}$): 2,5 m/s² ou menos

Variabilidade (K): 1,5 m/s²

NOTA: O(s) valor(es) total(ais) de vibração indicado(s) foi medido de acordo com um método de teste padrão e pode ser utilizado para comparar duas ferramentas.

NOTA: O(s) valor(es) total(ais) de vibração indicado(s) pode também ser utilizado na avaliação preliminar da exposição.

⚠️ AVISO: A emissão de vibração durante a utilização real da ferramenta elétrica pode diferir do(s) valor(es) indicado(s), dependendo das formas como a ferramenta é utilizada, especialmente o tipo de peça de trabalho que é processada.

⚠️ AVISO: Certifique-se de identificar as medidas de segurança para proteção do operador que sejam baseadas em uma estimativa de exposição em condições reais de utilização (considerando todas as partes do ciclo de operação, tal como quando a ferramenta está desligada e quando está a funcionar em marcha lenta além do tempo de acionamento).

Declarações de conformidade

Apenas para os países europeus

As Declarações de conformidade estão incluídas no Anexo A deste manual de instruções.

AVISOS DE SEGURANÇA

Avisos gerais de segurança para ferramentas elétricas

⚠️ AVISO Leia todos os avisos de segurança, instruções, ilustrações e especificações fornecidos com esta ferramenta elétrica. O incumprimento de todas as instruções abaixo enumeradas pode resultar em choque elétrico, incêndio e/ou ferimentos graves.

Guarde todos os avisos e instruções para futuras referências.

O termo “ferramenta elétrica” nos avisos refere-se às ferramentas elétricas ligadas à corrente elétrica (com cabo) ou às ferramentas elétricas operadas por meio de bateria (sem cabo).

Avisos de segurança da serra circular a bateria

Procedimentos de corte

- ⚠️ PERIGO:** Mantenha as mãos afastadas da área de corte e da lâmina. Mantenha a outra mão na pega auxiliar ou na caixa do motor. Se as duas mãos estiverem a pegar na serra, não podem ser cortadas pela lâmina.
- Não toque na superfície inferior da peça de trabalho.** O resguardo não o protege da lâmina debaixo da peça de trabalho.
- Regule a profundidade do corte em relação à espessura da peça de trabalho.** Só deve ser possível ver menos de um dente completo da lâmina sob a peça de trabalho.
- Nunca segure a peça de trabalho nas mãos ou apoiada em sua perna enquanto efetua o corte.** Fixe a peça de trabalho numa plataforma estável. É importante apoiar a peça de trabalho de forma apropriada para minimizar a exposição do corpo, a dobragem da lâmina ou a perda de

controle.

► Fig.1

- Agarre na ferramenta elétrica pelas superfícies isoladas preparadas para esse fim quando executar uma operação em que a ferramenta de corte possa entrar em contacto com cablagem escondida.** O contacto com um fio “sob tensão” também fará com que as partes de metal expostas da ferramenta elétrica fiquem “sob tensão”, provocando um choque elétrico ao operador.
- Em escarificação use sempre uma guia paralela ou uma guia reta.** Melhora a precisão do corte e reduz a possibilidade de a lâmina encravar.
- Use sempre lâminas com o tamanho e forma (diamante versus redonda) corretos de orifícios do eixo.** As lâminas que não correspondem ao equipamento de montagem da serra desviar-se-ão do centro, causando perda de controle.
- Nunca utilize arruelas ou pernos de lâmina estragados ou incorretos.** As arruelas e pernos da lâmina foram concebidos para a sua serra, para maior rendimento e segurança na operação.

Causas e avisos sobre recuos

- o recuo é uma reação súbita a uma lâmina de serra apertada, encravada ou desalinhada, fazendo com que uma serra descontrolada se eleve e saia da peça de trabalho em direção ao operador;
- quando a lâmina é apertada ou encravada pelo fecho do corte, a lâmina para e a reação do motor aciona a unidade rapidamente para trás em direção ao operador;
- se a lâmina ficar torta ou mal alinhada no corte, os dentes na extremidade traseira da lâmina podem perfurar a superfície superior da madeira fazendo com que a lâmina suba no corte e salte em direção ao operador.

O recuo é o resultado de má utilização da serra e/ou de procedimentos ou condições de funcionamento incorretos e pode ser evitado tomando as precauções adequadas como indicado abaixo.

- Mantenha a serra bem agarrada com as duas mãos e posicione os braços para resistir às forças de recuo. Posicione o seu corpo num dos lados da lâmina, mas nunca alinhado com a lâmina.** O recuo pode fazer com que a serra salte para trás, mas as forças de recuo podem ser controladas pelo operador se forem tomadas as precauções apropriadas.
- Se a lâmina está presa ou se, por qualquer razão, interromper o corte, solte o gatilho e agarre na serra parada no material até que a lâmina pare completamente. Nunca tente retirar a serra da peça de trabalho nem puxar a serra para trás enquanto a lâmina está em movimento, pois pode ocorrer recuo.** Investigue e execute as ações corretivas para eliminar as causas de a lâmina encravar.
- Quando efetuar o rearranque de uma serra na peça de trabalho, centre a lâmina da serra no corte, de modo a que os dentes da serra não fiquem engatados no material.** Se uma lâmina de serra dobrar, poderá levantar ou recuar da peça de trabalho à medida que é efetuado o

rearranque da serra.

4. **Suporte os painéis grandes para minimizar o risco de a lâmina prender e recuar.** Os painéis grandes tendem a ceder sob o próprio peso. Os suportes devem ser colocados sob o painel, nos dois lados, perto da linha de corte e perto da extremidade do painel.

► Fig.2

► Fig.3

5. **Não utilize lâminas rombas ou estragadas.** As lâminas não afiadas ou mal colocadas produzem um corte estreito causando fricção excessiva, encravamento da lâmina e recuo.
6. **As alavancas de bloqueio de regulação de profundidade e ângulo de corte devem estar apertadas e presas antes de fazer o corte.** Se a regulação da lâmina se alterar durante o corte, pode causar encravamento e recuo.
7. **Tenha cuidado especialmente ao serrar em paredes existentes ou outras áreas ocultas.** A lâmina saliente pode cortar objetos que podem originar recuo.
8. **Agarre SEMPRE na ferramenta firmemente com as duas mãos. NUNCA coloque as mãos, pernas ou outra parte do corpo por baixo da base da ferramenta ou por trás da serra, especialmente quando executar cortes cruzados.** Se ocorrer recuo, a serra pode facilmente saltar para trás sobre a sua mão, ocasionando ferimentos pessoais graves.

► Fig.4

9. **Nunca force a serra. Empurre a serra para a frente a uma velocidade tal em que a lâmina corte sem perder velocidade.** Forçar a serra pode causar cortes desiguais, perda de precisão e possível recuo.

Função do resguardo

1. **Verifique se o resguardo inferior fecha bem antes de cada utilização. Não utilize a serra se o resguardo inferior não se movimentar livremente e fechar instantaneamente. Nunca fixe nem prenda o resguardo inferior na posição de aberto.** Se deixar cair a serra acidentalmente, o resguardo inferior pode ficar dobrado. Levante o resguardo inferior com a pega retratora e certifique-se de que se movimenta livremente e não toca na lâmina ou em qualquer outra parte, em todos os ângulos e profundidades de corte.
2. **Verifique o funcionamento da mola do resguardo inferior. Se o resguardo e a mola não estiverem a funcionar corretamente, devem ser reparados antes da utilização.** O resguardo inferior pode funcionar mal devido a peças danificadas, depósitos pegajosos ou acumulação de resíduos.
3. **O resguardo inferior pode ser retraído manualmente só para cortes especiais como “cortes penetrantes” e “cortes compostos”.** Levante o resguardo inferior pela pega retratora e assim que a lâmina entrar no material, deve libertar o resguardo inferior. Para todos os restantes tipos de corte, o resguardo inferior deve funcionar automaticamente.

4. **Certifique-se sempre de que o resguardo inferior está a cobrir a lâmina antes de colocar a serra sobre a bancada ou no chão.** Uma lâmina sem proteção, a rodar por inércia, fará com que a serra recue cortando tudo o que estiver no seu caminho. Preste atenção ao tempo que a lâmina leva a parar depois de soltar o gatilho.
5. **Para verificar o resguardo inferior, abra-o à mão, depois solte-o e observe se o resguardo se fecha. Certifique-se também de que a pega retratora não toca na caixa da ferramenta.** Deixar a lâmina exposta é MUITO PERIGOSO e pode originar ferimentos pessoais graves.

Avisos adicionais de segurança

1. **Tenha extremo cuidado quando cortar madeira húmida, madeira prensada ou madeira que contenha nós.** Mantenha o avanço suave da ferramenta sem diminuir a velocidade da lâmina para evitar o superaquecimento das pontas da lâmina.
2. **Não tente retirar material cortado quando a lâmina está em movimento. Espere até que a lâmina esteja completamente parada antes de pegar no material cortado.** A lâmina continua a rodar depois de desligar a ferramenta.
3. **Evite cortar pregos. Inspeção e retire todos os pregos da madeira antes de cortar.**
4. **Coloque a parte mais larga da base da serra na parte da peça de trabalho que está firmemente suportada e não na secção que cairá quando faz o corte. Se a peça de trabalho for curta ou pequena, prenda-a com grampos de fixação. NÃO TENTE AGARRAR PEÇAS PEQUENAS COM A MÃO!**

► Fig.5

5. **Antes de colocar a ferramenta de lado depois de terminar um corte, certifique-se de que o resguardo fechou e que a lâmina está completamente parada.**
6. **Nunca tente serrar com a serra circular presa ao contrário num torno. É extremamente perigoso e pode originar acidentes graves.**

► Fig.6

7. **Alguns materiais contêm químicos que podem ser tóxicos. Tenha cuidado para evitar a inalação de pó e o contacto com a pele. Siga os dados de segurança do fornecedor.**
8. **Não pare as lâminas por meio de pressão lateral na lâmina de serra.**
9. **Não utilize discos abrasivos.**
10. **Utilize apenas uma lâmina de serra que tenha o diâmetro marcado na ferramenta ou especificado no manual.** A utilização de uma lâmina de tamanho incorreto pode afetar a proteção adequada da lâmina ou a operação de resguardo, o que pode resultar em ferimentos pessoais graves.
11. **Mantenha a lâmina afiada e limpa.** Os resíduos acumulados e pastosos tornam a serra mais lenta e aumentam a possibilidade de recuo. Mantenha a lâmina limpa retirando-a primeiro da ferramenta e limpando-a com um produto para remoção de resíduos pastosos, água quente ou querosene. Nunca utilize gasolina.
12. **Use uma máscara contra o pó e proteção auricular quando utilizar a ferramenta.**

13. Use sempre a lâmina de serra prevista para cortar o material que vai cortar.
14. Apenas use lâminas de serra marcadas com uma velocidade igual ou superior à velocidade marcada na ferramenta.
15. **(Apenas para países europeus)**
Utilize sempre a lâmina que esteja em conformidade com a EN847-1, se concebida para madeira e materiais similares.
16. Coloque a ferramenta e as peças numa superfície plana e estável. Caso contrário, a ferramenta ou as peças podem cair e causar ferimentos.
10. **As baterias de íões de lítio contidas na ferramenta são sujeitas aos requisitos da DGL (Dangerous Goods Legislation - Legislação de bens perigosos).**
Para o transporte comercial, por exemplo, por terceiros ou agentes de expedição, têm de ser observados os requisitos referentes à embalagem e etiquetagem.
Para preparação do artigo a ser expedido, é necessário consultar um perito em materiais perigosos. Tenha ainda em conta a possibilidade de existirem regulamentos nacionais mais detalhados.
Coloque fita-cola ou tape os contactos abertos e embale a bateria de tal forma que não possa mover-se dentro da embalagem.

GUARDE ESTAS INSTRUÇÕES.

⚠️ AVISO: NÃO permita que o conforto ou familiaridade com o produto (adquirido com o uso repetido) substitua o cumprimento estrito das regras de segurança da ferramenta. A MÁ INTERPRETAÇÃO ou o não seguimento das regras de segurança estabelecidas neste manual de instruções pode provocar ferimentos pessoais graves.

Instruções de segurança importantes para a bateria

1. Antes de utilizar a bateria, leia todas as instruções e etiquetas de precaução no (1) carregador de bateria (2) bateria e (3) produto que utiliza a bateria.
2. Não desmonte ou manipule a bateria. Pode resultar num incêndio, em calor excessivo ou numa explosão.
3. Se o tempo de funcionamento se tornar excessivamente curto, pare o funcionamento imediatamente. Pode resultar em sobreaquecimento, possíveis queimaduras e mesmo explosão.
4. Se entrar eletrólito nos seus olhos, lave-os com água e consulte imediatamente um médico. Pode resultar em perda de visão.
5. Não coloque a bateria em curto-circuito:
 - (1) Não toque nos terminais com qualquer material condutor.
 - (2) Evite guardar a bateria juntamente com outros objetos metálicos tais como pregos, moedas, etc.
 - (3) Não exponha a bateria à água ou chuva. Um curto-circuito pode ocasionar um enorme fluxo de corrente, sobreaquecimento, possíveis queimaduras e mesmo estragar-se.
6. Não guarde nem utilize a ferramenta e a bateria em locais onde a temperatura pode atingir ou exceder 50 °C.
7. Não queime a bateria mesmo que esteja estragada ou completamente gasta. A bateria pode explodir no fogo.
8. Não pregue, corte, esmague, atire, deixe cair a bateria, nem bata a bateria contra um objeto rijo. Esta conduta pode resultar num incêndio, em calor excessivo ou numa explosão.
9. Não utilize uma bateria danificada.
11. **Quando eliminar a bateria, remova-a da ferramenta e elimine-a num local seguro. Siga os regulamentos locais relacionados com a eliminação de baterias.**
12. **Utilize as baterias apenas com os produtos especificados pela Makita.** Instalar as baterias em produtos não-conformes poderá resultar num incêndio, calor excessivo, explosão ou fuga de eletrólito.
13. **Se a ferramenta não for utilizada durante um período de tempo prolongado, a bateria deve ser removida da ferramenta.**
14. **Durante e após a utilização, a bateria pode aquecer, o que pode provocar queimaduras ou queimaduras a baixa temperatura. Preste atenção ao manuseamento de baterias quentes.**
15. **Não toque no terminal da ferramenta imediatamente após a utilização, pois pode ficar suficientemente quente para provocar queimaduras.**
16. **Não permita a adesão de aparas, pó ou sujidade nos terminais, nos orifícios e nas ranhuras da bateria.** Poderá fazer com que a ferramenta ou a bateria aqueça, incendeie, rebente e avarie, resultando em queimaduras ou ferimentos corporais.
17. **A menos que a ferramenta suporte a utilização perto de linhas elétricas de alta tensão, não utilize a bateria perto de linhas elétricas de alta tensão.** Pode resultar no mau funcionamento ou na avaria da ferramenta ou bateria.
18. **Mantenha a bateria afastada das crianças.**

GUARDE ESTAS INSTRUÇÕES.

⚠️ PRECAUÇÃO: Utilize apenas baterias genuínas da Makita. A utilização de baterias não genuínas da Makita ou de baterias que foram alteradas, pode resultar no rebentamento da bateria provocando incêndios, ferimentos pessoais e danos. Além disso, anulará a garantia da Makita no que se refere à ferramenta e ao carregador Makita.

Conselhos para manter a máxima vida útil da bateria

1. **Carregue a bateria antes que esteja completamente descarregada. Pare sempre o funcionamento da ferramenta e carregue a bateria quando notar menos poder na ferramenta.**

2. Nunca carregue uma bateria completamente carregada. Carregamento excessivo diminui a vida útil da bateria.
3. Carregue a bateria à temperatura ambiente de 10 °C – 40 °C. Deixe que uma bateria quente arrefeça antes de a carregar.
4. Quando não utilizar a bateria, remova-a da ferramenta ou do carregador.
5. Carregue a bateria se não a utilizar durante um longo período de tempo (mais de seis meses).
18. Não remova o adesivo da unidade sem fios.
19. Não coloque qualquer adesivo na unidade sem fios.
20. Não deixe a unidade sem fios num local em que possa ser gerada eletricidade estática ou ruído elétrico.
21. Não deixe a unidade sem fios num local sujeito a calor intenso, tal como um veículo exposto ao sol.
22. Não deixe a unidade sem fios num local poeirento ou pulverulento ou num local onde possa ser gerado gás corrosivo.

Instruções de segurança importantes para a unidade sem fios

1. Não desmonte ou manipule a unidade sem fios.
2. Mantenha a unidade sem fios afastada das crianças. Se ocorrer a ingestão accidental, procure imediatamente cuidados médicos.
3. Utilize a unidade sem fios apenas com ferramentas Makita.
4. Não exponha a unidade sem fios à chuva ou a condições húmidas.
5. Não utilize a unidade sem fios em locais onde a temperatura excede 50 °C.
6. Não utilize a unidade sem fios em locais próximos de instrumentos médicos, tais como estimuladores cardíacos.
7. Não utilize a unidade sem fios em locais próximos de dispositivos automatizados. Se utilizada, os dispositivos automatizados podem desenvolver anomalias ou erros.
8. Não utilize a unidade sem fios em locais sob temperaturas altas ou locais nos quais possa ser gerada eletricidade estática ou ruído elétrico.
9. A unidade sem fios pode produzir campos eletromagnéticos (CEM) mas estes não são nocivos para o utilizador.
10. A unidade sem fios é um instrumento preciso. Tenha cuidado para não deixar cair a unidade sem fios nem bater nesta.
11. Evite tocar no terminal da unidade sem fios com as mãos desprotegidas ou com materiais metálicos.
12. Retire sempre a bateria do produto quando instalar a unidade sem fios.
13. Quando abrir a tampa da ranhura, evite o local no qual a poeira e a água podem entrar para a ranhura. Mantenha sempre a entrada da ranhura limpa.
14. Insira sempre a unidade sem fios na direção correta.
15. Não pressione o botão de ativação sem fios na unidade sem fios com demasiada força e/ou pressione o botão com um objeto com aresta afiada.
16. Feche sempre a tampa da ranhura quando utilizar a ferramenta.
17. Não remova a unidade sem fios da ranhura enquanto estiver a ser fornecida alimentação elétrica à ferramenta. Fazê-lo pode causar a anomalia da unidade sem fios.
23. A mudança súbita da temperatura pode molhar a unidade sem fios com condensação. Não utilize a unidade sem fios até que a condensação esteja completamente seca.
24. Quando limpar a unidade sem fios, limpe-a suavemente com um pano macio e seco. Não utilize benzina, diluente, massa lubrificante condutora ou similar.
25. Quando armazenar a unidade sem fios, guarde-a na caixa fornecida ou num recipiente anti-estática.
26. Não insira quaisquer dispositivos diferentes da unidade sem fios Makita na ranhura na ferramenta.
27. Não utilize a ferramenta com a tampa da ranhura danificada. A entrada de água, poeira e sujidade na ranhura pode causar o mau funcionamento.
28. Não puxe e/ou torça a tampa da ranhura além do necessário. Recoloque a tampa se esta sair da ferramenta.
29. Substitua a tampa da ranhura se a perder ou danificar.

GUARDE ESTAS INSTRUÇÕES.

DESCRIÇÃO FUNCIONAL

⚠PRECAUÇÃO: Certifique-se sempre de que a ferramenta está desligada e a bateria foi retirada antes de regular ou verificar qualquer função na ferramenta.

Instalação ou remoção da bateria

⚠PRECAUÇÃO: Desligue sempre a ferramenta antes de colocar ou retirar a bateria.

⚠PRECAUÇÃO: Segure firmemente a ferramenta e a bateria quando instalar ou remover a bateria. Se não segurar firmemente a ferramenta e a bateria pode fazer com que escorreguem das suas mãos resultando em danos na ferramenta e na bateria e ferimentos pessoais.

Para instalar a bateria, alinhe a lingueta na bateria com a ranhura na caixa e deslize-a para a posição correta. Insira-a por completo até bloquear na posição correta com um pequeno clique. Se conseguir ver o indicador vermelho conforme apresentado na figura, não está completamente bloqueada.

Para retirar a bateria, deslize-a para fora da ferramenta enquanto desliza o botão na frente da bateria.

► **Fig.7:** 1. Indicador vermelho 2. Botão 3. Bateria

⚠PRECAUÇÃO: Instale sempre a bateria até ao fim, até deixar de ver o indicador vermelho.

Caso contrário, a bateria poderá cair da ferramenta acidentalmente e provocar ferimentos em si mesmo ou em alguém próximo.

⚠PRECAUÇÃO: Não instale a bateria à força.

Se a bateria não deslizar facilmente é porque não foi colocada corretamente.

Indicação da capacidade restante da bateria

Prima o botão de verificação na bateria para indicar a capacidade restante da bateria. As luzes indicadoras acendem durante alguns segundos.

► **Fig.8:** 1. Luzes indicadoras 2. Botão de verificação

Luzes indicadoras			Capacidade restante
Acaso	Apagado	A piscar	
			75% a 100%
			50% a 75%
			25% a 50%
			0% a 25%
			Carregar a bateria.
			A bateria pode estar avariada.

NOTA: Dependendo das condições de utilização e da temperatura ambiente, a indicação pode ser ligeiramente diferente da capacidade real.

NOTA: A primeira luz indicadora (extremo esquerdo) pisca quando o sistema de proteção da bateria funciona.

Sistema de proteção da ferramenta/bateria

A ferramenta está equipada com um sistema de proteção da ferramenta/bateria. Este sistema corta automaticamente a corrente ao motor para prolongar a vida útil da ferramenta e da bateria. A ferramenta para automaticamente durante o funcionamento se a ferramenta ou a bateria se encontrarem numa das seguintes condições. Nalgumas condições, a luz indicadora acende.

Proteção contra sobrecarga

Quando a ferramenta/bateria é utilizada de forma a causar a absorção anormalmente elevada de corrente, a ferramenta para automaticamente. Nesta situação, desligue a ferramenta e pare a aplicação que causou a sobrecarga da ferramenta. Em seguida, ligue a ferramenta para reiniciar.

Proteção contra sobreaquecimento

Quando a ferramenta/bateria está sobreaquecida, a ferramenta para automaticamente. Nesta situação, deixe a ferramenta arrefecer antes de voltar a ligar a ferramenta.

Proteção contra descarga excessiva

Quando a capacidade da bateria ficar fraca, a ferramenta para automaticamente. Se o produto não funcionar mesmo quando os interruptores são acionados, remova as baterias da ferramenta e carregue-as.

Proteções contra outras causas

O sistema de proteção foi também concebido para outras causas que possam danificar a ferramenta e permite à ferramenta parar automaticamente. Tome todas as medidas que se seguem para eliminar as causas quando a ferramenta tiver parado ou interrompido temporariamente a operação.

1. Certifique-se de que todos os interruptores estão na posição de desligado e, em seguida, ligue novamente a ferramenta para voltar a arrancar.
2. Carregue a(s) bateria(s) ou substitua-a(s) por bateria(s) recarregada(s).
3. Deixe a ferramenta e a(s) bateria(s) arrefecerem.

Se não for possível constatar qualquer melhoria através do restauro do sistema de proteção, contacte o centro de assistência Makita local.

Ação do interruptor

⚠AVISO: Antes de colocar a bateria na ferramenta, verifique sempre se o gatilho do interruptor funciona corretamente e volta para a posição "OFF" quando libertado.

⚠AVISO: NUNCA tente anular o botão de desbloqueio dando-lhe pancadas para baixo nem por qualquer outro meio. Um interruptor com um botão de desbloqueio anulado pode resultar em operação não intencional e em ferimentos pessoais graves.

⚠AVISO: NUNCA utilize a ferramenta se ela funcionar premindo apenas o gatilho, sem ter de carregar no botão de desbloqueio. Um interruptor que necessita de reparação pode resultar em operação não intencional e em ferimentos pessoais graves. Envie a ferramenta para um centro de assistência da Makita para receber uma reparação adequada ANTES de voltar a utilizá-la.

Para evitar que o gatilho seja acionado acidentalmente, existe um botão de desbloqueio. Para arrancar a ferramenta, prima o botão de desbloqueio e puxe o gatilho. Liberte o gatilho para parar.

► **Fig.9:** 1. Gatilho do interruptor 2. Botão de desbloqueio

OBSERVAÇÃO: Não carregue a fundo o gatilho sem pressionar o botão de segurança. Esta ação pode estragar o interruptor.

PRECAUÇÃO: A ferramenta começa a travar a rotação da lâmina de serra circular imediatamente após soltar o gatilho do interruptor. Segure a ferramenta firmemente para responder à reação do travão quando soltar o gatilho do interruptor. A reação súbita pode causar a queda da ferramenta da sua mão e provocar ferimentos pessoais.

Regulação da profundidade do corte

PRECAUÇÃO: Depois de ajustar a profundidade de corte, bloqueie sempre a base.

1. Desbloqueie a base soltando a alavanca.
 2. Coloque a lâmina de serra circular na profundidade de corte pretendida.
 3. Bloqueie a base apertando a alavanca.
- Fig.10: 1. Base 2. Profundidade de corte 3. Alavanca

PRECAUÇÃO: Para cortes limpos e seguros, regule a profundidade de corte de forma que apenas um dente da serra fique saliente na parte de baixo da peça de trabalho. Utilizar a profundidade de corte correta ajuda a reduzir o risco de RECUOS perigosos, que podem causar ferimentos pessoais.

Corte de bisel

PRECAUÇÃO: Depois de ajustar o ângulo de bisel, bloqueie sempre a base.

1. Solte a alavanca e o parafuso de fixação.
 2. Alinhe o ponteiro com o ângulo de corte pretendido inclinando a base.
 3. Aperte firmemente a alavanca e o parafuso de fixação.
- Fig.11: 1. Alavanca 2. Parafuso de fixação 3. Ponteiro

Mira

Para cortes retos, alinhe a posição dos 0° na frente da base com a linha de corte. Para cortes de bisel de 45°, alinhe a posição dos 45° com a mesma.

- Fig.12: 1. Linha de corte (posição dos 0°) 2. Linha de corte (posição dos 45°)

Dispositivo estável de lâmina

De uma forma geral, utilize o dispositivo estável de lâmina colocando a alavanca de bloqueio na posição bloqueada.

Para bloquear a alavanca de bloqueio, pressione-a e rode-a em 90° para a esquerda. Para soltar a alavanca de bloqueio, rode-a em 90° para a direita. Quando substituir uma lâmina de serra circular, solte a alavanca de bloqueio.

- Fig.13: 1. Alavanca de bloqueio 2. Posição de bloqueio 3. Posição de libertação

Travão elétrico

Esta ferramenta está equipada com um travão elétrico da lâmina. Se a ferramenta consistentemente não parar rapidamente a lâmina de serra circular após libertar o gatilho do interruptor, solicite a reparação da ferramenta num centro de assistência da Makita.

PRECAUÇÃO: O sistema de travão da lâmina não substitui o resguardo da lâmina. NUNCA UTILIZE A FERRAMENTA SEM UM RESGUARDO DA LÂMINA FUNCIONAL. PODEM OCORRER FERIMENTOS CORPORAIS GRAVES.

Função eletrónica

As ferramentas equipadas com função eletrónica são fáceis de usar devido à(s) seguinte(s) característica(s).

Característica de arranque suave

Arranque suave devido a choque de arranque suprimido.

MONTAGEM

PRECAUÇÃO: Certifique-se sempre de que a ferramenta está desligada e a bateria retirada antes de executar qualquer trabalho na ferramenta.

Armazenamento da chave hexagonal

Quando não a estiver a utilizar, guarde a chave hexagonal como indicado na figura para não a perder.

- Fig.14: 1. Chave hexagonal

Instalar e remover a lâmina de serra circular

PRECAUÇÃO: Certifique-se de que a lâmina de serra circular está instalada com os dentes virados para cima na frente da ferramenta.

PRECAUÇÃO: Utilize apenas a chave Makita para instalar ou remover a lâmina de serra circular.

NOTA: Quando instalar/desinstalar a lâmina de serra circular, é fácil de efetuar a colocação da base na posição original.

Instalar a lâmina de serra circular

NOTA: Em função dos modelos, a lâmina de serra circular já foi instalada no momento do envio.

1. Solte a alavanca de bloqueio do dispositivo estável de lâmina.
 2. Pressione o travão do eixo até ao fim de modo que o eixo de montagem não possa rodar e utilize a chave hexagonal para soltar o perno hexagonal. Em seguida, remova o perno hexagonal e a flange exterior.
- Fig.15: 1. Alavanca de bloqueio 2. Travão do eixo 3. Chave hexagonal 4. Soltar 5. Apertar

3. Instale a flange interior com o lado convexo virado para fora sobre o eixo de montagem e, em seguida, instale a lâmina de serra circular, a flange exterior e o perno hexagonal. Neste momento, alinhe o sentido da seta na lâmina de serra circular com a seta na ferramenta.

► **Fig.16:** 1. Perno hexagonal 2. Flange exterior 3. Lâmina de serra circular 4. Setas na lâmina de serra circular 5. Flange interior 6. Setas na ferramenta

4. Pressione o travão do eixo e aperte o perno hexagonal.

5. Bloquee a alavanca de bloqueio do dispositivo estável de lâmina.

Sentido de montagem da flange interior

A flange interior tem uma saliência de um determinado diâmetro num dos seus lados e uma saliência diferente no outro lado. Escolha um lado correto no qual a saliência encaixe perfeitamente no orifício da lâmina de serra. Monte a flange interior sobre o eixo de montagem de forma a que o lado correto da saliência na flange interior fique virado para fora e, depois, coloque a lâmina da serra e a flange exterior.

► **Fig.17:** 1. Eixo de montagem 2. Flange interior 3. Lâmina de serra circular 4. Flange exterior 5. Perno hexagonal

⚠ AVISO: CERTIFIQUE-SE DE QUE APERTA FIRMEMENTE O PERNO HEXAGONAL. Tenha igualmente cuidado para não apertar o perno com força. Se a sua mão escorregar da chave hexagonal, tal pode provocar ferimentos pessoais.

⚠ AVISO: Certifique-se de que a saliência “a” na flange interior, que está posicionada na parte exterior, encaixa perfeitamente no orifício “a” da lâmina da serra. Montar a lâmina no lado errado pode resultar em vibração perigosa.

Remover a lâmina de serra circular

Para remover a lâmina de serra circular, siga o procedimento de instalação pela ordem inversa.

OBSERVAÇÃO: Reinstale a flange exterior e o perno hexagonal para evitar a respetiva perda.

Limpeza do resguardo da lâmina

Quando mudar a lâmina de serra circular, certifique-se de que também limpa a serradura acumulada nos resguardos superior e inferior da lâmina, como indicado na secção Manutenção. Essas providências não invalidam a necessidade de verificar o funcionamento do resguardo inferior antes de cada utilização.

Ligar um aspirador

Acessório opcional

NOTA: Em função dos modelos, o bocal de poeira é fornecido como acessório padrão.

Quando pretender efetuar uma operação de corte limpa, ligue um aspirador da Makita à sua ferramenta. Instale o bocal de poeira na ferramenta utilizando o parafuso.

► **Fig.18:** 1. Bocal de poeira 2. Parafuso

Ligue uma mangueira do aspirador ao bocal de poeira utilizando a bainha frontal 24 conforme apresentado na figura.

► **Fig.19:** 1. Bocal de poeira 2. Bainha frontal 24 (acessório opcional) 3. Mangueira do aspirador

OPERAÇÃO

Esta ferramenta destina-se a cortar exclusivamente produtos de madeira.

NOTA: Consulte o nosso website ou contacte o seu distribuidor Makita local para obter as lâminas de serra circular corretas a utilizar para o material a cortar.

Verificação do funcionamento do resguardo da lâmina

Remova a bateria.

Defina o ângulo de bisel para 0° e, em seguida, retraia completamente o resguardo da lâmina inferior manualmente e solte-o. O resguardo da lâmina inferior está a funcionar adequadamente se:

- estiver retraído acima da base sem qualquer obstáculo e;
- retornar automaticamente e tocar no batente.

► **Fig.20:** 1. Resguardo da lâmina superior 2. Resguardo da lâmina inferior 3. Base 4. Batente 5. Abrir 6. Fechar

Se o resguardo da lâmina inferior não estiver a funcionar corretamente, verifique se poeira de serração se acumula no interior dos resguardos da lâmina superior e inferior. Se o resguardo da lâmina inferior não estiver a funcionar corretamente mesmo após a remoção da poeira, solicite a reparação da ferramenta num centro de assistência da Makita.

Operação de corte

⚠ PRECAUÇÃO: Use máscara antipoeira quando realizar a operação de corte.

⚠ PRECAUÇÃO: Certifique-se de que desloca a ferramenta para a frente, suavemente numa linha direita. Forçar ou torcer a ferramenta resultará no sobreaquecimento do motor e em recuo perigoso, podendo causar ferimentos graves.

OBSERVAÇÃO: Quando a temperatura do cartucho da bateria está baixa, a ferramenta pode não funcionar na sua capacidade total. Nesta altura, por exemplo, utilize a ferramenta para um corte leve, durante algum tempo, até o cartucho da bateria aquecer e atingir a temperatura ambiente. Depois, a ferramenta pode funcionar à sua capacidade total.

► **Fig.21**

Segure firmemente a ferramenta. A ferramenta é fornecida com um punho frontal e uma pega traseira. Utilize os dois para agarrar melhor a ferramenta.

Se as duas mãos estiverem a agarrar a ferramenta, as mãos não poderão ser cortadas pela lâmina de serra circular. Coloque a base na peça de trabalho a cortar sem que a lâmina de serra circular faça qualquer contacto. Em seguida, ligue a ferramenta e espere até que a lâmina de serra circular atinja a velocidade máxima. Agora, basta deslocar a ferramenta para a frente sobre a superfície da peça de trabalho, mantendo-a plana e avançando suavemente até que a serração esteja terminada.

Para obter cortes limpos, mantenha a linha de corte direita e a velocidade de avanço uniforme. Se o corte não seguir corretamente a linha de corte pretendida, não tente rodar nem forçar a ferramenta a voltar atrás na linha de corte. Pode dobrar a lâmina da serra circular e originar recuo perigoso e possíveis ferimentos graves. Liberte o gatilho, espere que a lâmina da serra circular pare e, em seguida, retire a ferramenta. Volte a alinhar a ferramenta numa nova linha de corte, e inicie o corte outra vez. Tente evitar uma posição que exponha o operador às aparas e à serradura ejetadas pela serra. Use protetores oculares para ajudar a evitar ferimentos.

Guia paralela (régua guia)

Acessório opcional

⚠️ PRECAUÇÃO: Certifique-se que a guia paralela está instalada firmemente na posição correta antes de utilizar a ferramenta. A fixação inadequada pode causar o recuo perigoso.

A guia paralela é muito útil e permite-lhe executar cortes retos com extrema precisão. Basta deslizar a guia paralela compactamente para cima contra o lado da peça de trabalho e prendê-la na posição com o parafuso na frente da base. Também torna possível cortes repetidos de espessura uniforme.

► **Fig.22:** 1. Guia paralela (régua guia) 2. Parafuso de fixação

Suporte de proteção

⚠️ PRECAUÇÃO: Quando colocar a ferramenta no suporte de proteção, coloque a ferramenta lentamente. A colocação da ferramenta no suporte de proteção descuidadamente pode provocar ferimentos e avarias.

O suporte de proteção pode ser utilizado para o armazenamento temporário da ferramenta durante o trabalho.

Colocar a ferramenta em posição plana

Para instalar a ferramenta, empurre a ferramenta para o suporte de proteção a partir do topo até clicar. Para remover a ferramenta, enquanto segura o suporte de proteção com o pé, puxe a ferramenta para cima conforme apresentado na figura.

► **Fig.23:** 1. Suporte de proteção

Colocar a ferramenta em posição inclinada

Para instalar a ferramenta, coloque a ferramenta no suporte de proteção num ângulo conforme apresentado na figura.

Para remover a ferramenta, puxe a ferramenta para cima.

► **Fig.24**

FUNÇÃO DE ATIVAÇÃO SEM FIOS

O que pode fazer com a função de ativação sem fios

A função de ativação sem fios possibilita um funcionamento limpo e confortável. Ao ligar um aspirador suportado à ferramenta, pode utilizar o aspirador automaticamente juntamente com o funcionamento por interruptor da ferramenta.

► **Fig.25**

Para utilizar a função de ativação sem fios, prepare os seguintes itens:

- Uma unidade sem fios (acessório opcional)
- Um aspirador que suporta a função de ativação sem fios

A vista geral da definição da função de ativação sem fios é a seguinte. Consulte cada secção para obter os procedimentos detalhados.

1. Instalar a unidade sem fios
2. Registo da ferramenta para o aspirador
3. Iniciar a função de ativação sem fios

Instalar a unidade sem fios

Acessório opcional

⚠️ PRECAUÇÃO: Coloque a ferramenta num superfície plana e estável quando instalar a unidade sem fios.

OBSERVAÇÃO: Limpe a poeira e a sujidade da ferramenta antes de instalar a unidade sem fios. A poeira ou a sujidade podem causar o mau funcionamento caso entrem na ranhura da unidade sem fios.

OBSERVAÇÃO: Para evitar o mau funcionamento causado pela estática, toque num material de descarga estática, tal como uma peça metálica da ferramenta, antes de pegar na unidade sem fios.

OBSERVAÇÃO: Quando instalar a unidade sem fios, certifique-se sempre de que a unidade sem fios é inserida na direção correta e que a tampa está completamente fechada.

1. Abra a tampa da ferramenta conforme ilustrado na figura.

► **Fig.26:** 1. Tampa

2. Insira a unidade sem fios na ranhura e feche a tampa, em seguida.

Quando inserir a unidade sem fios, alinhe as projeções com as partes encaixadas na ranhura.

► **Fig.27:** 1. Unidade sem fios 2. Projeção 3. Tampa 4. Parte encaixada

Quando remover a unidade sem fios, abra a tampa lentamente. Os ganchos na parte traseira da tampa elevam a unidade sem fios à medida que puxa a tampa para cima.

► **Fig.28:** 1. Unidade sem fios 2. Gancho 3. Tampa

Após remover a unidade sem fios, guarde-a na caixa fornecida ou num recipiente anti-estática.

OBSERVAÇÃO: Utilize sempre os ganchos da parte traseira da tampa quando remover a unidade sem fios. Se os ganchos não agarrarem a unidade sem fios, feche a tampa completamente e volte a abri-la lentamente.

Registo da ferramenta para o aspirador

NOTA: O aspirador Makita que suporta a função de ativação sem fios é necessário para o registo da ferramenta.

NOTA: Conclua a instalação da unidade sem fios na ferramenta antes de iniciar o registo da ferramenta.

NOTA: Durante o registo da ferramenta, não puxe o gatilho do interruptor ou ligue o interruptor de alimentação do aspirador.

NOTA: Consulte também o manual de instruções do aspirador.

Se pretender ativar o aspirador juntamente com o funcionamento por interruptor da ferramenta, conclua primeiramente o registo da ferramenta.

1. Instale as baterias no aspirador e na ferramenta.

2. Regule o interruptor do modo de espera no aspirador para "AUTO".

► **Fig.29:** 1. Interruptor do modo de espera

3. Pressione o botão de ativação sem fios do aspirador durante 3 segundos até a lâmpada de ativação sem fios piscar a verde. Em seguida, pressione o botão de ativação sem fios da ferramenta da mesma forma.

► **Fig.30:** 1. Botão de ativação sem fios 2. Lâmpada de ativação sem fios

Se o aspirador e a ferramenta forem ligados com sucesso, as lâmpadas de ativação sem fios acendem a verde durante 2 segundos e começam a piscar a azul.

NOTA: As lâmpadas de ativação sem fios acabam de piscar a verde após decorridos 20 segundos. Pressione o botão de ativação sem fios da ferramenta enquanto a lâmpada de ativação sem fios do aspirador estiver a piscar. Se a lâmpada de ativação sem fios não piscar a verde, pressione o botão de ativação sem fios por breves instantes e mantenha-o pressionado novamente.

NOTA: Quando realizar dois ou mais registos da ferramenta para um aspirador, conclua o registo da ferramenta um por um.

Iniciar a função de ativação sem fios

NOTA: Conclua o registo da ferramenta para o aspirador antes de realizar a ativação sem fios.

NOTA: Consulte também o manual de instruções do aspirador.

Após registar uma ferramenta para o aspirador, o aspirador funciona automaticamente com o funcionamento por interruptor da ferramenta.

1. Instale a unidade sem fios na ferramenta.

2. Ligue a mangueira do aspirador à ferramenta.

► **Fig.31**

3. Regule o interruptor do modo de espera no aspirador para "AUTO".

► **Fig.32:** 1. Interruptor do modo de espera

4. Pressione o botão de ativação sem fios da ferramenta por breves instantes. A lâmpada de ativação sem fios pisca a azul.

► **Fig.33:** 1. Botão de ativação sem fios 2. Lâmpada de ativação sem fios

5. Ligue a ferramenta. Verifique se o aspirador funciona enquanto a ferramenta está a funcionar.

Para parar a ativação sem fios do aspirador, pressione o botão de ativação sem fios da ferramenta.

NOTA: A lâmpada de ativação sem fios da ferramenta para de piscar a azul quando não ocorre qualquer utilização durante 2 horas. Neste caso, regule o interruptor do modo de espera do aspirador para "AUTO" e pressione novamente o botão de ativação sem fios da ferramenta.

NOTA: O aspirador inicia/para com um atraso. Ocorre um atraso temporal quando o aspirador deteta o funcionamento por interruptor da ferramenta.










NOTA: A distância de transmissão da unidade sem fios poderá variar em função do local e das circunstâncias envolventes.

NOTA: Quando duas ou mais ferramentas forem registadas para um aspirador, o aspirador poderá iniciar o seu funcionamento mesmo que não ligue a ferramenta devido ao facto de outro utilizador estar a utilizar a função de ativação sem fios.

Descrição do estado da lâmpada de ativação sem fios

► Fig.34: 1. Lâmpada de ativação sem fios

A lâmpada de ativação sem fios exibe o estado da função de ativação sem fios. Consulte a tabela seguinte para obter o significado do estado da lâmpada.

Estado	Lâmpada de ativação sem fios				Descrição
	Cor	 Ligada	 A piscar	Duração	
Modo de espera	Azul			2 horas	A ativação sem fios do aspirador está disponível. A lâmpada desliga automaticamente quando o aspirador não é utilizado durante 2 horas.
				Quando a ferramenta estiver a funcionar.	A ativação sem fios do aspirador está disponível e a ferramenta está a funcionar.
Registo da ferramenta	Verde			20 segundos	Preparado para o registo da ferramenta. A aguardar o registo pelo aspirador.
				2 segundos	O registo da ferramenta foi concluído. A lâmpada de ativação sem fios começa a piscar a azul.
Cancelar o registo da ferramenta	Vermelho			20 segundos	Preparado para o cancelamento do registo da ferramenta. A aguardar o cancelamento pelo aspirador.
				2 segundos	O cancelamento do registo da ferramenta foi concluído. A lâmpada de ativação sem fios começa a piscar a azul.
Outros	Vermelho			3 segundos	A alimentação elétrica é fornecida à unidade sem fios e a função de ativação sem fios é iniciada.
	Desligada	-		-	A ativação sem fios do aspirador é interrompida.

Cancelar o registo da ferramenta para o aspirador

Realize o procedimento seguinte quando cancelar o registo da ferramenta para o aspirador.

1. Instale as baterias no aspirador e na ferramenta.
2. Regule o interruptor do modo de espera no aspirador para "AUTO".

► Fig.35: 1. Interruptor do modo de espera

3. Pressione o botão de ativação sem fios do aspirador durante 6 segundos. A lâmpada de ativação sem fios pisca a verde e fica vermelha, em seguida. Seguidamente, pressione o botão de ativação sem fios

da ferramenta da mesma forma.

► Fig.36: 1. Botão de ativação sem fios 2. Lâmpada de ativação sem fios

Se o cancelamento for realizado com sucesso, as lâmpadas de ativação sem fios acendem a vermelho durante 2 segundos e começam a piscar a azul.

NOTA: As lâmpadas de ativação sem fios acabam de piscar a vermelho após decorridos 20 segundos. Pressione o botão de ativação sem fios da ferramenta enquanto a lâmpada de ativação sem fios do aspirador estiver a piscar. Se a lâmpada de ativação sem fios não piscar a vermelho, pressione o botão de ativação sem fios por breves instantes e mantenha-o pressionado novamente.

Resolução de problemas para a função de ativação sem fios

Antes de pedir uma reparação, realize primeiro a sua própria inspeção. Se encontrar um problema que não esteja explicado no manual, não tente desmontar a ferramenta. Em vez disso, peça as reparações nos centros de assistência técnica autorizados da Makita, usando sempre peças de substituição da Makita.

Estado da anomalia	Causa provável (avaria)	Correção
A lâmpada de ativação sem fios não acende/pisca.	A unidade sem fios não está instalada na ferramenta. A unidade sem fios está instalada incorretamente na ferramenta.	Instale a unidade sem fios corretamente.
	O terminal da unidade sem fios e/ou a ranhura estão sujos.	Limpe delicadamente a poeira e a sujidade do terminal da unidade sem fios e limpe a ranhura.
	O botão de ativação sem fios da ferramenta não foi pressionado.	Pressione o botão de ativação sem fios da ferramenta por breves instantes.
	O interruptor do modo de espera do aspirador não está regulado para "AUTO".	Regule o interruptor do modo de espera no aspirador para "AUTO".
	Sem fornecimento de alimentação elétrica	Forneça alimentação elétrica à ferramenta e ao aspirador.

Estado da anomalia	Causa provável (avaria)	Correção
Não foi possível concluir o registo da ferramenta / o cancelamento do registo da ferramenta com sucesso.	A unidade sem fios não está instalada na ferramenta. A unidade sem fios está instalada incorretamente na ferramenta.	Instale a unidade sem fios corretamente.
	O terminal da unidade sem fios e/ou a ranhura estão sujos.	Limpe delicadamente a poeira e a sujidade do terminal da unidade sem fios e limpe a ranhura.
	O interruptor do modo de espera do aspirador não está regulado para "AUTO".	Regule o interruptor do modo de espera no aspirador para "AUTO".
	Sem fornecimento de alimentação elétrica	Forneça alimentação elétrica à ferramenta e ao aspirador.
	Funcionamento incorreto	Pressione o botão de ativação sem fios por breves instantes e volte a realizar os procedimentos de registo da ferramenta/cancelamento.
	A ferramenta e o aspirador estão afastados um do outro (fora do alcance da transmissão).	Aproxime a ferramenta do aspirador. A distância máxima de transmissão é aproximadamente 10 m, contudo, poderá variar de acordo com as circunstâncias.
	Antes de terminar o registo/cancelamento da ferramenta; - o interruptor da ferramenta é ativado; ou - o botão de alimentação no aspirador é ativado.	Pressione o botão de ativação sem fios por breves instantes e volte a realizar os procedimentos de registo da ferramenta/cancelamento.
	Os procedimentos de registo da ferramenta para a ferramenta ou aspirador não foram concluídos.	Realize os procedimentos de registo da ferramenta para a ferramenta e para o aspirador ao mesmo tempo.
	Interferência radioelétrica por outros aparelhos que geram ondas de rádio de alta intensidade.	Mantenha a ferramenta e o aspirador afastados de aparelhos como dispositivos Wi-Fi e fornos microondas.
O aspirador não funciona juntamente com o funcionamento por interruptor da ferramenta.	A unidade sem fios não está instalada na ferramenta. A unidade sem fios está instalada incorretamente na ferramenta.	Instale a unidade sem fios corretamente.
	O terminal da unidade sem fios e/ou a ranhura estão sujos.	Limpe delicadamente a poeira e a sujidade do terminal da unidade sem fios e limpe a ranhura.
	O botão de ativação sem fios da ferramenta não foi pressionado.	Pressione o botão de ativação sem fios por breves instantes e certifique-se de que a lâmpada de ativação sem fios está a piscar a azul.
	O interruptor do modo de espera do aspirador não está regulado para "AUTO".	Regule o interruptor do modo de espera no aspirador para "AUTO".
	Estão registadas mais de 10 ferramentas para o aspirador.	Realize o registo da ferramenta novamente. Se estiverem registadas mais de 10 ferramentas para o aspirador, a ferramenta registada mais cedo será cancelada automaticamente.
	O aspirador apagou todos os registos da ferramenta.	Realize o registo da ferramenta novamente.
	Sem fornecimento de alimentação elétrica	Forneça alimentação elétrica à ferramenta e ao aspirador.
	A ferramenta e o aspirador estão afastados um do outro (fora do alcance da transmissão).	Aproxime a ferramenta do aspirador. A distância máxima de transmissão é aproximadamente 10 m, contudo, poderá variar de acordo com as circunstâncias.
	Interferência radioelétrica por outros aparelhos que geram ondas de rádio de alta intensidade.	Mantenha a ferramenta e o aspirador afastados de aparelhos como dispositivos Wi-Fi e fornos microondas.
O aspirador funciona enquanto a ferramenta não está a funcionar.	Outros utilizadores estão a utilizar a ativação sem fios do aspirador com as respetivas ferramentas.	Desligue o botão de ativação sem fios das outras ferramentas ou cancele o registo da ferramenta das outras ferramentas.

MANUTENÇÃO

⚠️ PRECAUÇÃO: Certifique-se sempre de que a ferramenta se encontra desligada e de que a bateria foi retirada antes de executar qualquer inspeção ou manutenção.

⚠️ PRECAUÇÃO: Limpe os resguardos da lâmina superior e inferior para garantir que não há serradura acumulada que possa impedir a operação do sistema de resguardo da lâmina inferior. Um sistema de resguardo sujo pode limitar o funcionamento adequado, o que pode resultar em ferimentos pessoais graves. A forma mais eficaz de conseguir esta limpeza é com ar comprimido. **Se a poeira estiver a ser soprada dos resguardos da lâmina, certifique-se de que utiliza proteções ocular e respiratória adequadas.**

⚠️ PRECAUÇÃO: Após cada utilização, limpe a serragem da ferramenta. A poeira fina pode entrar na ferramenta e causar uma anomalia ou um incêndio.

OBSERVAÇÃO: Nunca utilize gasolina, benzina, diluente, álcool ou produtos semelhantes. Pode ocorrer a descoloração, deformação ou rachaduras.

Para manter a SEGURANÇA e a FIABILIDADE do produto, as reparações e qualquer outra manutenção ou ajuste devem ser levados a cabo pelos centros de assistência Makita autorizados ou pelos centros de assistência de fábrica, utilizando sempre peças de substituição Makita.

Ajustar a precisão do corte de 0°

OBSERVAÇÃO: Antes de iniciar a definição, certifique-se de que o bloqueio da profundidade de corte está firmemente fixado.

Este ajuste foi feito na fábrica. Mas se estiver desalinhada, pode ajustar mediante o seguinte procedimento.

1. Solte o bloqueio do ângulo de bisel de modo que o ângulo de bisel possa ser alterado.

NOTA: Consulte a secção sobre o corte em bisel para saber como apertar ou soltar o bloqueio do ângulo de bisel.

2. Coloque uma régua triangular ou quadrada no lado da lâmina de serra circular e na base.

Enquanto mantém o lado da lâmina de serra circular e a base perpendiculares, rode o parafuso de ajuste para efetuar uma posição de 0°.

► **Fig.37:** 1. Régua triangular 2. Parafuso de ajuste

3. Bloqueie o ângulo de bisel e efetue um corte de teste para verificar a verticalidade.

ACESSÓRIOS OPCIONAIS

⚠️ PRECAUÇÃO: Estes acessórios ou peças são recomendados para utilização com a ferramenta Makita especificada neste manual. A utilização de outros acessórios ou peças pode ser perigosa para as pessoas. Utilize apenas acessórios ou peças para os fins indicados.

Se necessitar de informações adicionais relativas a estes acessórios, solicite-as ao seu centro de assistência Makita.

- Lâmina de serra circular
- Guia paralela (régua guia)
- Bocal de poeira
- Chave sextavada
- Unidade sem fios
- Bateria e carregador genuínos da Makita

NOTA: Alguns itens da lista podem estar incluídos na embalagem da ferramenta como acessórios padrão. Eles podem variar de país para país.

ΠΡΟΔΙΑΓΡΑΦΕΣ

Μοντέλο:		HS013G
Διάμετρος λάμας		415 mm
Μέγιστο βάθος κοπής	σε 0°	158 mm
	σε λοξοτομή 45°	106 mm
Ταχύτητα χωρίς φορτίο		2.100 min ⁻¹
Ονομαστική τάση		D.C. 36 V - 40 V μέγ.
Συνολικό μήκος		606 mm
Καθαρό βάρος		11,0 - 12,0 kg

- Λόγω του συνεχιζόμενου προγράμματος έρευνας και ανάπτυξης, οι προδιαγραφές αυτές υπόκεινται σε αλλαγές χωρίς προειδοποίηση.
- Τα τεχνικά χαρακτηριστικά μπορεί να διαφέρουν από χώρα σε χώρα.
- Το βάρος μπορεί να διαφέρει ανάλογα με τα προσαρτήματα, συμπεριλαμβάνοντας την κασέτα μπαταριών. Ο ελαφρύτερος και ο βαρύτερος συνδυασμός, σύμφωνα με τη διαδικασία ΕΡΤΑ 01/2014, παρουσιάζονται στον πίνακα.

Ισχύουσα κασέτα μπαταριών και φορτιστής

Κασέτα μπαταρίας	BL4040 / BL4040F* / BL4050F* / BL4080F* * : Συνιστώμενη μπαταρία
Φορτιστής	DC40RA / DC40RB / DC40RC / DC40WA

- Ορισμένες από τις κασέτες και τους φορτιστές μπαταριών που αναγράφονται παραπάνω ίσως να μην είναι διαθέσιμοι, ανάλογα με την τοποθεσία κατοικίας σας.

⚠️ ΠΡΟΕΙΔΟΠΟΙΗΣΗ: Να χρησιμοποιείτε μόνο τις κασέτες μπαταριών και τους φορτιστές που παρατίθενται ανωτέρω. Η χρήση οποιασδήποτε άλλης κασέτας μπαταριών ή φορτιστή μπορεί να προκαλέσει τραυματισμό ή/και πυρκαγιά.

Προοριζόμενη χρήση

Το εργαλείο προορίζεται για εκτέλεση, κατά μήκος και εγκάρσιως, ίσιας και λοξής κοπής με γωνίες σε ξύλο ενώ βρίσκεται σε σταθερή επαφή με το τεμάχιο εργασίας.

Θορύβος

Το τυπικό Α επίπεδο καταμετρημένου θορύβου καθορίζεται σύμφωνα με το EN62841-2-5:

Στάθμη ηχητικής πίεσης (L_{PA}): 98 dB (A)
Στάθμη ηχητικής ισχύος (L_{WA}): 106 dB (A)
Αβεβαιότητα (K): 3 dB (A)

ΠΑΡΑΤΗΡΗΣΗ: Η δηλωμένη τιμή(ές) εκπομπής θορύβου έχει μετρηθεί σύμφωνα με την πρότυπη μέθοδο δοκιμής και μπορεί να χρησιμοποιηθεί για τη σύγκριση ενός εργαλείου με κάποιο άλλο.

ΠΑΡΑΤΗΡΗΣΗ: Η δηλωμένη τιμή(ές) εκπομπής θορύβου μπορεί να χρησιμοποιηθεί και στην προκαταρκτική αξιολόγηση της έκθεσης.

⚠️ ΠΡΟΕΙΔΟΠΟΙΗΣΗ: Να φοράτε ωτοασπίδες.

⚠️ ΠΡΟΕΙΔΟΠΟΙΗΣΗ: Η εκπομπή θορύβου κατά τη χρήση του ηλεκτρικού εργαλείου σε πραγματικές συνθήκες μπορεί να διαφέρει από τη δηλωμένη τιμή(ές) ανάλογα με τους τρόπους χρήσης του εργαλείου, ιδιαίτερα το είδος του τεμαχίου εργασίας που υπόκειται επεξεργασία.

⚠️ ΠΡΟΕΙΔΟΠΟΙΗΣΗ: Φροντίστε να λάβετε τα κατάλληλα μέτρα προστασίας του χειριστή βάσει ενός υπολογισμού της έκθεσης σε πραγματικές συνθήκες χρήσης (λαμβάνοντας υπόψη όλες τις συνιστώσες του κύκλου λειτουργίας όπως τους χρόνους που το εργαλείο είναι εκτός λειτουργίας και όταν βρίσκεται σε αδρανή λειτουργία πέραν του χρόνου ενεργοποίησης).

Κραδασμός

Η ολική τιμή δόνησης (άθροισμα τρι-αξονικού διανύσματος) καθορίζεται σύμφωνα με το EN62841-2-5:

Είδος εργασίας: κοπή ξύλου
Εκπομπή δόνησης (a_{h,w}): 2,5 m/s² ή λιγότερο
Αβεβαιότητα (K): 1,5 m/s²

ΠΑΡΑΤΗΡΗΣΗ: Η δηλωμένη τιμή(ές) συνολικών κραδασμών έχει μετρηθεί σύμφωνα με την πρότυπη μέθοδο δοκιμής και μπορεί να χρησιμοποιηθεί για τη σύγκριση ενός εργαλείου με κάποιο άλλο.

ΠΑΡΑΤΗΡΗΣΗ: Η δηλωμένη τιμή(ές) συνολικών κραδασμών μπορεί να χρησιμοποιηθεί και στην προ-καταρκτική αξιολόγηση της έκθεσης.

▲ΠΡΟΕΙΔΟΠΟΙΗΣΗ: Η εκπομπή κραδασμών κατά τη χρήση του ηλεκτρικού εργαλείου σε πραγματικές συνθήκες μπορεί να διαφέρει από τη δηλωμένη τιμή(ές) εκπομπής ανάλογα με τους τρόπους χρήσης του εργαλείου, ιδιαίτερα το είδος του τεμαχίου εργασίας που υπόκειται επεξεργασία.

▲ΠΡΟΕΙΔΟΠΟΙΗΣΗ: Φροντίστε να λάβετε τα κατάλληλα μέτρα προστασίας του χειριστή βάσει ενός υπολογισμού της έκθεσης σε πραγματικές συνθήκες χρήσης (λαμβάνοντας υπόψη όλες τις συνιστώσες του κύκλου λειτουργίας όπως τους χρόνους που το εργαλείο είναι εκτός λειτουργίας και όταν βρίσκεται σε αδρανή λειτουργία πέραν του χρόνου ενεργοποίησης).

Δήλωση Συμμόρφωσης

Μόνο για χώρες της Ευρώπης

Οι Δήλώσεις Συμμόρφωσης περιλαμβάνονται στο Παράρτημα Α στο παρόν εγχειρίδιο οδηγιών.

ΠΡΟΕΙΔΟΠΟΙΗΣΕΙΣ ΑΣΦΑΛΕΙΑΣ

Γενικές προειδοποιήσεις ασφαλείας για το ηλεκτρικό εργαλείο

▲ΠΡΟΕΙΔΟΠΟΙΗΣΗ Διαβάστε όλες τις προειδοποιήσεις ασφάλειας, οδηγίες, εικονογραφήσεις και προδιαγραφές που παρέχονται με αυτό το ηλεκτρικό εργαλείο. Η μη τήρηση όλων των οδηγιών που αναγράφονται κατωτέρω μπορεί να καταλήξει σε ηλεκτροπληξία, πυρκαγιά ή/και σοβαρό τραυματισμό.

Φυλάξτε όλες τις προειδοποιήσεις και τις οδηγίες για μελλοντική παραπομπή.

Στις προειδοποιήσεις, ο όρος «ηλεκτρικό εργαλείο» αναφέρεται σε ηλεκτρικό εργαλείο που τροφοδοτείται από την κύρια παροχή ηλεκτρικού ρεύματος (με ηλεκτρικό καλώδιο) ή σε ηλεκτρικό εργαλείο που τροφοδοτείται από μπαταρία (χωρίς ηλεκτρικό καλώδιο).

Προειδοποιήσεις για την ασφάλεια του φορητού δισκοπρίονου

Διαδικασίες κοπής

- ▲ΚΙΝΔΥΝΟΣ:** Κρατάτε τα χέρια σας μακριά από την περιοχή κοπής και τη λάμα. Κρατάτε το άλλο σας χέρι πάνω στη βοηθητική λαβή, ή

στο περίβλημα μοτέρ. Αν κρατάτε το πριόνι και με τα δύο χέρια, δεν είναι δυνατό να κοπούν από τη λάμα.

- Μην απλώνετε τα χέρια σας κάτω από το τεμάχιο εργασίας.** Το προστατευτικό δεν σας παρέχει προστασία από τη λάμα κάτω από το τεμάχιο εργασίας.
- Ρυθμίστε το βάθος κοπής σύμφωνα με το πάχος του τεμαχίου εργασίας.** Λιγότερο από ένα ολόκληρο δόντι από τα δόντια της λάμας πρέπει να φαίνεται κάτω από το τεμάχιο εργασίας.
- Μην κρατάτε ποτέ το τεμάχιο εργασίας στα χέρια σας ή πάνω στο πόδι σας ενώ το κόβετε. Ασφαλίστε το τεμάχιο εργασίας σε μια σταθερή πλατφόρμα.** Είναι σημαντικό να στηρίζετε το τεμάχιο εργασίας κατάλληλα για να ελαχιστοποιήσετε την έκθεση του σώματός σας, την εμπλοκή της λάμας ή την απώλεια ελέγχου.

► **Εικ.1**

- Κρατάτε το ηλεκτρικό εργαλείο από τις μονωμένες επιφάνειες χειρολαβής όταν εκτελείτε μια εργασία κατά την οποία το κοπτικό εργαλείο μπορεί να έρθει σε επαφή με κρυμμένα καλώδια.** Αν γίνει επαφή με κάποιο ηλεκτροφόρο καλώδιο, τα εκτεθειμένα μεταλλικά μέρη του ηλεκτρικού εργαλείου θα γίνουν και αυτά ηλεκτροφόρα και μπορεί να προκληθεί ηλεκτροπληξία στο χειριστή.
- Όταν τεμαχίζετε, να χρησιμοποιείτε πάντα οδηγό κομματιού ή άλλο οδηγό με ευθύγραμμη ακμή.** Αυτό βελτιώνει την ακρίβεια της κοπής και μειώνει την πιθανότητα εμπλοκής της λάμας.
- Να χρησιμοποιείτε πάντα λάμες με το σωστό μέγεθος και το σωστό σχήμα (σχήμα διαμαντιού έναντι στρογγυλού σχήματος) όπως στερέωσης.** Οι λάμες που δεν ταιριάζουν με τον εξοπλισμό στερέωσης του πριονιού θα λειτουργούν έκκεντρα, προκαλώντας απώλεια ελέγχου.
- Μη χρησιμοποιείτε ποτέ στη λάμα ροδέλες ή μπουλόνια που είναι κατεστραμμένα ή λανθασμένου μεγέθους.** Οι ροδέλες και μπουλόνια λάμας έχουν σχεδιαστεί ειδικά για το πριόνι σας, για βέλτιστη απόδοση και ασφάλεια λειτουργίας.

Αιτίες κλοσσήματος και σχετικές προειδοποιήσεις

- Το κλόσσημα είναι μια ξαφνική αντίδραση όταν η λάμα πριονιού είναι αποκομμένη, μπλοκαρισμένη ή ευθυγραμμισμένη λανθασμένα, και προκαλεί την ανεξέλεγκτη ανύψωση του πριονιού έξω από το τεμάχιο εργασίας και προς τη μεριά του χειριστή.
- Όταν η λάμα είναι αποκομμένη ή μπλοκαρισμένη φοιχτά από την εγκοπή, αυτή ακινητοποιείται και η αντίδραση του μοτέρ οδηγεί το εργαλείο με ταχύτητα προς τη μεριά του χειριστή.
- Αν η λάμα παραμορφωθεί ή ευθυγραμμιστεί λανθασμένα κατά την κοπή, τα δόντια στο πίσω μέρος της λάμας μπορεί να σκάσουν μέσα στην άνω επιφάνεια του ξύλου και έτσι η λάμα να βγει από την εγκοπή και να αναπηδήσει προς τη μεριά του χειριστή.

Το κλόσσημα προκαλείται όταν το πριόνι χρησιμοποιείται λανθασμένα ή/και όταν οι διαδικασίες ή οι συνθήκες λειτουργίας είναι λανθασμένες. Μπορεί να αποφευχθεί αν ληφθούν οι κατάλληλες προφυλάξεις που αναφέρονται παρακάτω.

1. Να κρατάτε το πριόνι γερά και με τα δύο χέρια και να τοποθετείτε τους βραχιόνες σας με τρόπο ώστε να αντιστέκονται στη δύναμη του κλωσήματος. Να τοποθετείτε το σώμα σας πλευρικά της λάμας, αλλά όχι στην ίδια ευθεία με τη λάμα. Το κλότσημα μπορεί να προκαλέσει την αναπήδηση του πριονιού προς τα πίσω, αλλά ο χειριστής μπορεί να ελέγξει το κλότσημα αν λάβει τις κατάλληλες προφυλάξεις.
2. Όταν εμποδίζεται η κίνηση της λάμας ή όταν διακόπεται η κοπή για οποιοδήποτε λόγο, αφήστε τη σκανδάλη και κρατήστε ακίνητο το πριόνι μέσα στο υλικό έως ότου ακινητοποιηθεί η λάμα. Μη δοκιμάσετε ποτέ να βγάλετε το πριόνι από το τεμάχιο εργασίας ούτε να το τραβήξετε προς τα πίσω όταν η λάμα κινείται, επειδή μπορεί να κλωσήσει. Ελέγξτε και πάρτε διορθωτικά μέτρα για να εξαλείψετε την αιτία πιασίματος της λάμας.
3. Όταν ξεκινάτε ξανά την κοπή ενός τεμαχίου εργασίας, κεντράρετε τη λάμα πριονιού στην εγκοπή με τρόπο ώστε τα δόντια της λάμας να μην έχουν πιαστεί μέσα στο υλικό. Αν εμποδίζεται μια λάμα πριονιού, το εργαλείο μπορεί να αναπηδήσει από το τεμάχιο εργασίας ή να κλωσήσει όταν το θέσετε ξανά σε λειτουργία.
4. Πρέπει να στηρίζετε τις μεγάλες πλάκες για να ελαχιστοποιείτε τον κίνδυνο να πιαστεί η λάμα, αλλά και να κλωσήσει. Μεγάλα τεμάχια τείνουν να λυγίζουν κάτω από το βάρος τους. Πρέπει να τοποθετείτε στηρίγματα κάτω από τις πλάκες, και στις δύο πλευρές, κοντά στη γραμμή κοπής και κοντά στην άκρη της πλάκας.

► Εικ.2

► Εικ.3

5. Μη χρησιμοποιείτε λάμες αμβλυμένες ή με ζημιές. Ατρόχιστες λάμες ή ακατάλληλα τοποθετημένες λάμες δημιουργούν στενή τομή προκαλώντας υπερβολική τριβή, πιάσιμο της λάμας και κλότσημα.
6. Οι μοχλοί ασφάλισης του βάθους λάμας και της ρύθμισης λοξοτομής πρέπει να είναι σφιχτοί και ασφαλισμένοι πριν από την κοπή. Αν η ρύθμιση λάμας μετακινείται κατά την κοπή, μπορεί να προκληθεί πιάσιμο και κλότσημα.
7. Δώστε μεγάλη προσοχή όταν πριονίζετε σε υπάρχοντες τοίχους ή άλλες τυφλές περιοχές. Αν η λάμα προεξέχει, μπορεί να κόψει αντικείμενα που θα προκαλέσουν κλότσημα.
8. Κρατήστε ΠΑΝΤΑ το εργαλείο σταθερά με τα δύο χέρια. Μην τοποθετείτε ΠΟΤΕ το χέρι, το πόδι ή οποιοδήποτε μέρος του σώματός σας κάτω από τη βάση του εργαλείου ή πίσω από το πριόνι, ειδικά όταν δημιουργείται εγκάρσιες κοπές. Αν συμβεί κλότσημα, το πριόνι μπορεί εύκολα να πηδήξει προς τα πίσω πάνω από το χέρι σας, οδηγώντας σε σοβαρό προσωπικό τραυματισμό.

► Εικ.4

9. Ποτέ μην εξαναγκάσετε το πριόνι. Να σπρώχνετε το πριόνι προς τα μπροστά με τέτοια ταχύτητα ώστε η λάμα να κόβει χωρίς να επιβραδύνει. Αν ζορίζετε το πριόνι μπορεί να προκληθούν ανομοιομορφες κοπές, απώλεια της ακρίβειας και πιθανώς κλότσημα.

Λειτουργία προστατευτικού

1. Ελέγξτε τον κάτω προφυλακτήρα για κατάλληλο κλείσιμο πριν από κάθε χρήση. Μη θέτετε σε λειτουργία το πριόνι αν ο κάτω προφυλακτήρας δεν κινείται ελεύθερα και δεν κλείνει αμέσως. Μη συγκρατείτε και μη δένετε ποτέ τον κάτω προφυλακτήρα στην ανοιχτή θέση. Αν το πριόνι πέσει τυχαίως, ο κάτω προφυλακτήρας μπορεί να λυγίσει. Σηκώστε τον κάτω προφυλακτήρα με τη βοήθεια της ανασυρόμενης λαβής και βεβαιωθείτε ότι κινείται ελεύθερα και δεν ακουμπά τη λάμα ή κάποιο άλλο μέρος, σε όλες τις γωνίες και βάθη κοπής.
2. Ελέγξτε τη λειτουργία του ελατηρίου του κάτω προφυλακτήρα. Αν ο προφυλακτήρας και το ελατήριο δεν λειτουργούν κατάλληλα, πρέπει να συντηρηθούν πριν από τη χρήση. Ο κάτω προφυλακτήρας μπορεί να λειτουργεί αργά λόγω τμημάτων με ζημιές, αποθέματα κόλλας ή συσσώρευσης απορριμμάτων.
3. Ο κάτω προφυλακτήρας μπορεί να αποσυρθεί χειροκίνητα μόνο για ειδικές κοπές όπως “κοπές βύθισης” και “σύνθετες κοπές”. Σηκώστε τον κάτω προφυλακτήρα αποσυρόντας τη λαβή και μόλις η λάμα εισέλθει στο υλικό, ο κάτω προφυλακτήρας πρέπει να ελευθερωθεί. Για όλα τα άλλα πριονίσματα, ο κάτω προφυλακτήρας πρέπει να λειτουργεί αυτόματα.
4. Να παρατηρείτε πάντα ότι ο κάτω προφυλακτήρας καλύπτει τη λάμα πριν τοποθετήσετε το πριόνι σε πάγκο ή στο πάτωμα. Αν η λάμα δεν προστατεύεται και κινείται ελεύθερα, το πριόνι θα κινηθεί προς τα πίσω, κόβοντας ότι βρεθεί στο δρόμο του. Να είστε ενήμεροι για τον χρόνο που χρειάζεται για τη λάμα να σταματήσει αφού ο διακόπτης έχει απελευθερωθεί.
5. Για να ελέγξετε τον κάτω προφυλακτήρα, ανοίξτε τον κάτω προφυλακτήρα με το χέρι και, στη συνέχεια, αφήστε και παρακολουθήστε το κλείσιμο του προφυλακτήρα. Επίσης, ελέγξτε να δείτε ότι η λαβή απόσυρσης δεν ανιχνίζει το περιβάλλον του εργαλείου. Είναι ΠΟΛΥ ΕΠΙΚΙΝΔΥΝΟ να αφήνετε τη λάμα εκτεθειμένη και μπορεί να οδηγήσει σε σοβαρό προσωπικό τραυματισμό.

Πρόσθετες προειδοποιήσεις ασφάλειας

1. Δώστε μεγάλη προσοχή όταν κόβετε νωπό ξύλο, ξυλεία επεξεργασμένη με πίεση ή ξύλο που περιέχει κόμπους. Διατηρήστε ομαλή προώθηση του εργαλείου χωρίς να μειώνετε την ταχύτητα της λάμας, προκειμένου να αποφύγετε την υπερθέρμανση των άκρων της λάμας.
2. Μην επιχειρήσετε να αφαιρέσετε κομμένο υλικό όταν η λάμα κινείται. Περιμένετε μέχρι να σταματήσει η λάμα πριν πιάσετε κομμένο υλικό. Οι λάμες περιστρέφονται και μετά το σβήσιμο.
3. Αποφεύγετε την κοπή καρφιών. Ελέγξτε και αφαιρέστε όλα τα καρφιά από την ξυλεία πριν από την κοπή.
4. Τοποθετήστε το πλατύτερο τμήμα της βάσης του πριονιού σε εκείνο το τμήμα του τεμαχίου εργασίας που στηρίζεται σταθερά, και όχι στο τμήμα εκείνο που θα πέσει όταν θα γίνει η κοπή. Αν το τεμάχιο εργασίας είναι κοντό ή

Μικρό, συγκρατήστε το. ΜΗ ΠΡΟΣΠΑΘΕΙΤΕ ΝΑ ΚΡΑΤΑΤΕ ΜΙΚΡΑ ΤΕΜΑΧΙΑ ΜΕ ΤΟ ΧΕΡΙ!

► Εικ.5

5. Πριν τοποθετήσετε το εργαλείο κάτω μετά το τέλος της κοπής, βεβαιωθείτε ότι έκλεισε το προστατευτικό και ακινητοποιήθηκε τελείως η λάμα.
6. Μη δοκιμάσετε ποτέ να πριονίσετε όταν το δισκοπρίονο είναι στερεωμένο ανάποδα σε μια μέγκενη. Αυτό είναι εξαιρετικά επικίνδυνο και μπορεί να οδηγήσει σε σοβαρά ατυχήματα.

► Εικ.6

7. Μερικά υλικά περιέχουν χημικά που μπορεί να είναι τοξικά. Προσέχετε ώστε να αποφεύγετε την εισπνοή σκόνης και την επαφή με το δέρμα. Ακολουθείτε τα δεδομένα ασφαλείας υλικού που παρέχονται από τον προμηθευτή.
8. Μη σταματάτε τις λάμες με πλευρική πίεση στη λάμα πριονιού.
9. Μη χρησιμοποιείτε αποξεστικούς τροχούς.
10. Χρησιμοποιείτε μόνο τη λάμα πριονιού με τη διάμετρο που είναι επισημασμένη στο εργαλείο ή που καθορίζεται στο εγχειρίδιο. Η χρήση μιας λάμας λανθασμένου μεγέθους μπορεί να επηρεάσει τη σωστή προστασία της λάμας ή τη λειτουργία του προστατευτικού, γεγονός που μπορεί να έχει ως αποτέλεσμα σοβαρό προσωπικό τραυματισμό.
11. Κρατάτε τη λάμα κοφτερή και καθαρή. Η κόλλα και τα πριονίσματα ξύλου που έχουν ξεραθεί επάνω στις λάμες επιβραδύνουν το πριόνι και αυξάνουν την πιθανότητα κλοσθήματος. Διατηρείτε τη λάμα καθαρή αφού πρώτα τη βγάλετε από το εργαλείο και μετά την καθαρίσετε με καθαριστικό για κόλλα και πριονίσματα, ζεστό νερό ή κηροζίνη. Μη χρησιμοποιήσετε ποτέ βενζίνη.
12. Να φοράτε προσταψίδα κατά της σκόνης και υποσπίδες όταν χρησιμοποιείτε το εργαλείο.
13. Να χρησιμοποιείτε πάντα τη λάμα πριονιού που προορίζεται για την κοπή του υλικού που θα κόψετε.
14. Να χρησιμοποιείτε μόνο λάμες πριονιού που είναι επισημασμένες με ταχύτητα ίση με ή υψηλότερη από την ταχύτητα που είναι επισημασμένη στο εργαλείο.
15. (Για τις Ευρωπαϊκές χώρες μόνο)
Να χρησιμοποιείτε πάντα λάμα που συμμορφώνεται με το πρότυπο EN847-1, αν προορίζεται για ξύλο ή παρόμοια υλικά.
16. Τοποθετήστε το εργαλείο και τα εξαρτήματα σε μια επίπεδη και σταθερή επιφάνεια. Διαφορετικά, το εργαλείο ή τα εξαρτήματα μπορεί να πέσουν και να προκληθεί τραυματισμός.

ΦΥΛΑΞΕΤΕ ΑΥΤΕΣ ΤΙΣ ΟΔΗΓΙΕΣ.

▲ ΠΡΟΕΙΔΟΠΟΙΗΣΗ: ΜΗΝ επιτρέψετε στην άνεση ή στην εξοικείωσή σας με το προϊόν (που αποκτήθηκε από επανειλημμένη χρήση) να αντικαταστήσει την αυστηρή τήρηση των κανόνων ασφαλείας του παρόντος εργαλείου. Η ΛΑΝΘΑΣΜΕΝΗ ΧΡΗΣΗ ή η αμέλεια να ακολουθήσετε τους κανόνες ασφαλείας που διατυπώνονται στο παρόν εγχειρίδιο οδηγιών μπορεί να προκαλέσει σοβαρό προσωπικό τραυματισμό.

Σημαντικές οδηγίες ασφαλείας για κασέτα μπαταριών

1. Πριν χρησιμοποιήσετε την κασέτα μπαταριών, διαβάστε όλες τις οδηγίες και σημειώσεις προφύλαξης (1) στον φορτιστή μπαταριών, (2) στην μπαταρία και (3) στο προϊόν που χρησιμοποιείτε την μπαταρία.
2. Μην αποσυναρμολογήσετε ή παραβιάσετε την κασέτα μπαταριών. Μπορεί να έχει ως αποτέλεσμα πυρκαγιά, υπερθέρμανση ή έκρηξη.
3. Εάν ο χρόνος λειτουργίας έχει γίνει υπερβολικά βραχύς, σταματήστε τη λειτουργία αμέσως. Αλλιώς, μπορεί να έχει ως αποτέλεσμα κίνδυνο υπερθέρμανσης, πιθανά εγκαύματα ή ακόμη και έκρηξη.
4. Εάν ηλεκτρολύτης μπει στα μάτια σας, ξεπλύνετε τα με καθαρό νερό και ζητήστε ιατρική φροντίδα αμέσως. Αλλιώς, μπορεί να έχει ως αποτέλεσμα απώλεια της όρασης σας.
5. Μη βραχυκυκλώνετε την κασέτα μπαταριών:
 - (1) Μη αγγίζετε τους πόλους με οτιδήποτε αγώγιμο υλικό.
 - (2) Αποφεύγετε να αποθηκεύετε την κασέτα μπαταριών μέσα σε ένα δοχείο μαζί με άλλα μεταλλικά αντικείμενα όπως καρφιά, νομίσματα, κλπ.
 - (3) Μη εκθέτετε την κασέτα μπαταριών στο νερό ή στη βροχή.Ένα βραχυκύκλωμα μπαταρίας μπορεί να προκαλέσει μεγάλη ροή ρεύματος, υπερθέρμανση, πιθανά εγκαύματα ακόμη και σοβαρή βλάβη.
6. Μη αποθηκεύετε και μην χρησιμοποιείτε το εργαλείο και την κασέτα μπαταριών σε τοποθεσίες όπου η θερμοκρασία μπορεί να φτάσει ή να ξεπεράσει τους 50 °C.
7. Μην καίτε την κασέτα μπαταριών ακόμη και εάν έχει σοβαρή ζημιά ή είναι εντελώς φθαρμένη. Η κασέτα μπαταριών μπορεί να εκραγεί στη φωτιά.
8. Μην καρφώσετε, κόψετε, συνθλίψετε, πετάξετε ή ρίξετε κάτω την κασέτα μπαταριών, ούτε να χτυπήσετε ένα σκληρό αντικείμενο επάνω στην κασέτα μπαταριών. Τέτοια συμπεριφορά μπορεί να έχει ως αποτέλεσμα πυρκαγιά, υπερθέρμανση ή έκρηξη.
9. Μη χρησιμοποιείτε μπαταρία που έχει υποστεί ζημιά.
10. Οι μπαταρίες ιόντων λιθίου που περιέχονται υποκείμενι στις απαιτήσεις της νομοθεσίας για επικίνδυνα αγαθά.
Για εμπορικές μεταφορές, για παράδειγμα από τρίτα μέρη, πρέπει να τηρούνται οι διαμεταφορές, οι ειδικές απαιτήσεις στη συσκευασία και η επισήμανση.
Για προετοιμασία του στοιχείου που αποστέλλεται, είναι απαραίτητο να συμβουλευτείτε έναν ειδικό για επικίνδυνα υλικά. Επίσης, τηρήστε τους πιθανώς, πιο αναλυτικούς εθνικούς κανονισμούς. Καλύψτε με αυτοκόλλητη ταινία ή κρύψτε τις ανοικτές επαφές και συσκευάστε την μπαταρία με τρόπο που να μην μπορεί να μετακινείται μέσα στη συσκευασία.

Σημαντικές οδηγίες ασφάλειας για την ασύρματη μονάδα

11. Όταν απορρίπτετε την κασέτα μπαταριών, αφαιρέστε την από το εργαλείο και διαθέστε την σε ένα ασφαλές μέρος. Τηρήστε τους τοπικούς κανονισμούς που σχετίζονται με τη διάθεση της μπαταρίας.
12. Χρησιμοποιήστε τις μπαταρίες μόνο με τα προϊόντα που καθορίζει η Makita. Αν τοποθετήσετε τις μπαταρίες σε μη συμβατά προϊόντα μπορεί να έχει ως αποτέλεσμα πυρκαγιά, υπερβολική θερμότητα, έκρηξη ή διαρροή ηλεκτρολύτη.
13. Αν δεν χρησιμοποιείτε το εργαλείο για μεγάλο χρονικό διάστημα, πρέπει να βγάλετε την μπαταρία από το εργαλείο.
14. Κατά τη διάρκεια και μετά τη χρήση, η κασέτα μπαταριών μπορεί να θερμανθεί, γεγονός που μπορεί να προκαλέσει εγκαύματα ή εγκαύματα από χαμηλή θερμοκρασία. Προσέχετε το χειρισμό των ζεστών κασετών μπαταριών.
15. Μην αγγίζετε τον ακροδέκτη του εργαλείου αμέσως μετά τη χρήση επειδή μπορεί να έχει ζεσταθεί αρκετά για να προκαλέσει εγκαύματα.
16. Μην αφήνετε θραύσματα, σκόνη ή βρομιά να κολλήσει στους ακροδέκτες, τις σπές και τις εγκοπές της κασέτας μπαταριών. Μπορεί να προκαλέσει θέρμανση, φωτιά, έκρηξη και δυσλειτουργία του εργαλείου ή της κασέτας μπαταριών, έχοντας ως αποτέλεσμα εγκαύματα ή προσωπικό τραυματισμό.
17. Εκτός αν το εργαλείο υποστηρίζει τη χρήση κοντά σε ηλεκτρικές γραμμές υψηλής τάσης, μην χρησιμοποιείτε την κασέτα μπαταριών κοντά σε ηλεκτρικές γραμμές υψηλής τάσης. Μπορεί να έχει ως αποτέλεσμα δυσλειτουργία ή σπάσιμο του εργαλείου ή της κασέτας μπαταριών.
18. ΚρΦυλάξτε την μπαταρία μακριά από παιδιά.

ΦΥΛΑΞΤΕ ΤΙΣ ΟΔΗΓΙΕΣ ΑΥΤΕΣ.

⚠ ΠΡΟΣΟΧΗ: Να χρησιμοποιείτε μόνο γνήσιες μπαταρίες της Makita. Η χρήση μη γνήσιων μπαταριών Makita, ή μπαταριών που έχουν τροποποιηθεί, μπορεί να έχει ως αποτέλεσμα τη ρήξη της μπαταρίας, προκαλώντας πυρκαγιά, προσωπικό τραυματισμό και βλάβη. Επίσης, θα ακυρωθεί η εγγύηση της Makita για το εργαλείο και φορτιστή Makita.

Συμβουλές για τη διατήρηση της μέγιστης ζωής μπαταρίας

1. Φορτίζετε την κασέτα μπαταριών πριν από την πλήρη αποφόρτισή της. Πάντοτε να σταματάτε τη λειτουργία του εργαλείου και να φορτίζετε την κασέτα μπαταριών όταν παρατηρείτε μειωμένη ισχύ εργαλείου.
2. Ποτέ μην επαναφορτίζετε μια πλήρως φορτισμένη κασέτα μπαταριών. Η υπερφόρτιση μειώνει την ωφέλιμη ζωή της μπαταρίας.
3. Να φορτίζετε την κασέτα μπαταριών σε θερμοκρασία δωματίου, δηλαδή στους 10 °C έως 40 °C. Αφήστε μια θερμή κασέτα μπαταριών να κρυώσει πριν την φορτίσετε.
4. Όταν δεν χρησιμοποιείτε την κασέτα μπαταριών, αφαιρέστε την από το εργαλείο ή τον φορτιστή.
5. Να φορτίζετε την κασέτα μπαταριών εάν δεν τη χρησιμοποιείτε για μεγάλη χρονική περίοδο

1. Μην αποσυναρμολογείτε ή παραβιάζετε την ασύρματη μονάδα.
2. Διατηρείτε την ασύρματη μονάδα μακριά από μικρά παιδιά. Αν καταποθεί κατά λάθος, αναζητήστε αμέσως ιατρική βοήθεια.
3. Να χρησιμοποιείτε την ασύρματη μονάδα μόνο με εργαλεία της Makita.
4. Μην εκθέτετε την ασύρματη μονάδα στη βροχή ή σε υγρές συνθήκες.
5. Μην χρησιμοποιείτε την ασύρματη μονάδα σε μέρη όπου η θερμοκρασία ξεπερνάει τους 50 °C.
6. Μη θέτετε την ασύρματη μονάδα σε λειτουργία σε μέρη όπου υπάρχουν ιατρικά όργανα, όπως καρδιακοί βηματοδότες.
7. Μη θέτετε την ασύρματη μονάδα σε λειτουργία σε μέρη όπου υπάρχουν αυτοματοποιημένες διατάξεις. Αν τεθούν σε λειτουργία, οι αυτοματοποιημένες συσκευές μπορεί να εμφανίσουν δυσλειτουργία ή σφάλμα.
8. Μη θέτετε σε λειτουργία την ασύρματη μονάδα σε μέρη με υψηλή θερμοκρασία ή σε μέρη όπου μπορεί να παραχθεί στατικός ηλεκτρισμός ή ηλεκτρικός θόρυβος.
9. Η ασύρματη μονάδα μπορεί να παράγει ηλεκτρομαγνητικά πεδία (ΗΜΠ) αλλά δεν είναι επιβλαβή για τον χρήστη.
10. Η ασύρματη μονάδα είναι ένα όργανο ακριβείας. Προσέχετε να μη ρίξετε κάτω ή να χτυπήσετε την ασύρματη μονάδα.
11. Αποφύγετε να αγγίζετε τον ακροδέκτη της ασύρματης μονάδας με γυμνά χέρια ή μεταλλικά υλικά.
12. Αφαιρείτε πάντοτε την μπαταρία από το προϊόν όταν τοποθετείτε σε αυτό την ασύρματη μονάδα.
13. Όταν ανοίγετε το καπάκι της σχισμής, αποφύγετε μέρη όπου μπορεί να εισέλθει σκόνη και νερό μέσα στη σχισμή. Να διατηρείτε πάντα καθαρή την είσοδο της σχισμής.
14. Να φορτώνετε πάντα την ασύρματη μονάδα με τη σωστή κατεύθυνση.
15. Μην πατήσετε το κουμπί ασύρματης ενεργοποίησης στην ασύρματη μονάδα πολύ δυνατά ή/και μην πατήσετε το κουμπί με ένα αντικείμενο με αιχμηρό άκρο.
16. Κατά τη λειτουργία, να κλείνετε πάντα το καπάκι της σχισμής.
17. Μην αφαιρείτε την ασύρματη μονάδα από τη σχισμή ενώ παρέχεται ισχύς στο εργαλείο. Αν το κάνετε αυτό, μπορεί να προκληθεί δυσλειτουργία της ασύρματης μονάδας.
18. Μην αφαιρείτε το αυτοκόλλητο στην ασύρματη μονάδα.
19. Μην τοποθετείτε αυτοκόλλητα επάνω στην ασύρματη μονάδα.
20. Μην αφήνετε την ασύρματη μονάδα σε ένα μέρος όπου μπορεί να παραχθεί στατικός ηλεκτρισμός ή ηλεκτρικός θόρυβος.

21. Μην αφήνετε την ασύρματη μονάδα σε ένα μέρος που υπόκειται σε υψηλή θερμοότητα, όπως ένα αυτοκίνητο στον ήλιο.
22. Μην αφήνετε την ασύρματη μονάδα σε ένα μέρος με πολλή σκόνη ή πούδρα ή σε ένα μέρος όπου μπορεί να παραχθεί διαβρωτικό αέριο.
23. Η απότομη αλλαγή της θερμοκρασίας μπορεί να υγραίνει την ασύρματη μονάδα. Μη χρησιμοποιείτε την ασύρματη μονάδα μέχρι να στεγνώσει εντελώς όλη η υγρασία.
24. Όταν καθαρίζετε την ασύρματη μονάδα, σκουπίστε απαλά με ένα στεγνό μαλακό πανί. Μη χρησιμοποιείτε βενζίνη, νέφτι, αγωγίμο γράσο ή παρόμοιες ουσίες.
25. Όταν αποθηκεύετε την ασύρματη μονάδα, να τη διατηρείτε μέσα στην παρεχόμενη θήκη ή μέσα σε δοχείο χωρίς στατικό ηλεκτρισμό.
26. Μην εισαγάγετε καμία συσκευή διαφορετική από την ασύρματη μονάδα Makita μέσα στη σχισμή στο εργαλείο.
27. Μη χρησιμοποιείτε το εργαλείο αν το καπάκι της σχισμής είναι κατεστραμμένο. Αν εισέλθει νερό, σκόνη και βρομιά μέσα στη σχισμή, μπορεί να προκληθεί δυσλειτουργία.
28. Μην τραβάτε ή/και μη συστρέψετε το καπάκι της σχισμής περισσότερο από ότι απαιτείται. Τοποθετήστε ξανά το καπάκι αν βγει από το εργαλείο.
29. Αντικαταστήστε ξανά το καπάκι της σχισμής αν χαθεί ή καταστραφεί.

ΦΥΛΑΞΕΤΕ ΑΥΤΕΣ ΤΙΣ ΟΔΗΓΙΕΣ.

ΠΕΡΙΓΡΑΦΗ ΛΕΙΤΟΥΡΓΙΑΣ

ΠΡΟΣΟΧΗ: Να φροντίζετε πάντα για την απενεργοποίηση του εργαλείου και την αφαίρεση της κασέτας μπαταρίας, πριν από οποιαδήποτε ρύθμιση ή έλεγχο της λειτουργίας του.

Τοποθέτηση ή αφαίρεση της κασέτας μπαταριών

ΠΡΟΣΟΧΗ: Να σβήνετε πάντα το εργαλείο πριν τοποθετήσετε ή αφαιρέσετε την κασέτα μπαταριών.

ΠΡΟΣΟΧΗ: Κρατήστε το εργαλείο και την κασέτα μπαταριών σταθερά κατά την τοποθέτηση ή αφαίρεση της κασέτας μπαταριών. Εάν δεν κρατάτε το εργαλείο και την κασέτα μπαταριών σταθερά μπορεί να γλιστρήσουν από τα χέρια σας και να προκληθεί βλάβη στο εργαλείο και την κασέτα μπαταριών και προσωπικός τραυματισμός.

Για να τοποθετήσετε την κασέτα μπαταριών, ευθυγραμμίστε τη γλώσσα στην κασέτα μπαταριών με την εγκοπή στο περίβλημα και ολισθήστε τη στη θέση της. Τοποθετήστε την μέχρι τέρμα μέχρι να ασφαλίσει στη θέση της, γεγονός που υποδεικνύεται με ένα

χαρακτηριστικό ήχο. Αν μπορείτε να δείτε τον κόκκινο δείκτη όπως απεικονίζεται στην εικόνα, δεν έχει κλειδώσει τελείως.

Για να αφαιρέσετε την κασέτα μπαταριών, ολισθήστε την από το εργαλείο ενώ σύρετε το κουμπί στο μπροστινό μέρος της κασέτας.

► **Εικ.7:** 1. Κόκκινος δείκτης 2. Κουμπί 3. Κασέτα μπαταριών

ΠΡΟΣΟΧΗ: Να τοποθετείτε πάντα την κασέτα μπαταριών πλήρως μέχρι να μη βλέπετε τον κόκκινο δείκτη. Εάν δεν ασφαλιστεί, μπορεί να πέσει από το εργαλείο τυχαία, προκαλώντας σωματική βλάβη σε εσάς ή κάποιον άλλο γύρω σας.

ΠΡΟΣΟΧΗ: Μην τοποθετείτε την κασέτα μπαταριών με βία. Εάν η κασέτα δεν ολισθαίνει με ευκολία, τότε δεν έχει τοποθετηθεί κατάλληλα.

Εμφάνιση υπολειπόμενης χωρητικότητας μπαταρίας

Πιέστε το κουμπί ελέγχου στην κασέτα μπαταριών για να υποδείξετε την υπολειπόμενη χωρητικότητα μπαταρίας. Οι ενδεικτικές λυχνίες ανάβουν για λίγα δευτερόλεπτα.

► **Εικ.8:** 1. Ενδεικτικές λυχνίες 2. Κουμπί ελέγχου

Ενδεικτικές λυχνίες			Υπολειπόμενη χωρητικότητα
Αναμμένες	Σβηστές	Αναβοσβήνουν	
■ ■ ■ ■	□	▧	75% έως 100%
■ ■ ■ □	□	▧	50% έως 75%
■ ■ □ □	□	▧	25% έως 50%
■ □ □ □	□	▧	0% έως 25%
▧	□ □ □ □	▧	Φορτίστε την μπαταρία.
■ ■ □ □	□ □	▧	Μπορεί να προέκυψε δυσλειτουργία στην μπαταρία.
□ □ ■ ■	□ □	▧	

ΠΑΡΑΤΗΡΗΣΗ: Ανάλογα με τις συνθήκες χρήσης και τη θερμοκρασία περιβάλλοντος, η ένδειξη μπορεί να διαφέρει λίγο από την πραγματική χωρητικότητα.

ΠΑΡΑΤΗΡΗΣΗ: Η πρώτη (τέρμα αριστερά) ενδεικτική λυχνία θα αναβοσβήνει όταν λειτουργεί το σύστημα προστασίας μπαταρίας.

Σύστημα προστασίας εργαλείου/μπαταρίας

Το εργαλείο είναι εξοπλισμένο με σύστημα προστασίας εργαλείου/μπαταρίας. Αυτό το σύστημα αποκόπτει αυτόματα την ισχύ προς το μοτέρ για να παραταθεί η διάρκεια λειτουργίας του εργαλείου και της μπαταρίας. Το εργαλείο σταματάει αυτόματα κατά τη διάρκεια της λειτουργίας εάν το εργαλείο ή η μπαταρία βρεθούν κάτω από τις παρακάτω συνθήκες. Σε μερικές συνθήκες, οι ενδείξεις ανάβουν.

Προστασία υπερφόρτωσης

Όταν το εργαλείο/μπαταρία λειτουργεί με τρόπο που προκαλεί την κατανάλωση ενός ασυνήθιστα υψηλού ηλεκτρικού ρεύματος, το εργαλείο σταματάει αυτόματα. Σε αυτή την κατάσταση, σβήστε το εργαλείο και διακόψτε την εφαρμογή που προκαλεί την υπερφόρτωση του εργαλείου. Μετά, ενεργοποιήστε το εργαλείο για επανεκκίνηση.

Προστασία υπερθέρμανσης

Όταν το εργαλείο/μπαταρία υπερθερμαίνεται, το εργαλείο σταματάει αυτόματα. Σε αυτή την κατάσταση, αφήστε να μειωθεί η θερμοκρασία του εργαλείου πριν ενεργοποιήσετε ξανά το εργαλείο.

Προστασία υπερβολικής αποφόρτισης

Όταν η χωρητικότητα μπαταρίας είναι χαμηλή, η λειτουργία του εργαλείου σταματάει αυτόματα. Αν το προϊόν δεν τίθεται σε λειτουργία ακόμα και όταν πραγματοποιείται χειρισμός των διακοπών, βγάλτε την μπαταρία ή τις μπαταρίες από το εργαλείο και φορτίστε τις.

Προστασία και από άλλες αιτίες

Το σύστημα προστασίας έχει επίσης σχεδιάσει για άλλες αιτίες που μπορούν να προκαλέσουν ζημιά στο εργαλείο και επιτρέπει την αυτόματη διακοπή του εργαλείου. Λάβετε όλα τα ακόλουθα βήματα για να διορθώσετε τις αιτίες, όταν το εργαλείο τεθεί σε προσωρινή διακοπή ή διακοπή κατά τη διάρκεια της λειτουργίας.

1. Βεβαιωθείτε ότι όλοι οι διακόπτες βρίσκονται στην ανενεργή θέση και, στη συνέχεια, ενεργοποιήστε ξανά το εργαλείο για επανεκκίνηση.
2. Φορτίστε την μπαταρία ή τις μπαταρίες ή αντικαταστήστε τις με επαναφορτιζόμενες μπαταρίες.
3. Αφήστε το εργαλείο και τις μπαταρίες να ψυχθούν.

Εάν δεν υπάρχει βελτίωση με την επαναφορά του συστήματος προστασίας, επικοινωνήστε με το τοπικό σας κέντρο εξυπηρέτησης της Makita.

Δράση διακοπής

▲ΠΡΟΕΙΔΟΠΟΙΗΣΗ: Πριν βάλετε την κασέτα μπαταρίας μέσα στο εργαλείο, να ελέγχετε πάντα να δείτε αν η σκανδάλη διακοπής ενεργοποιείται κανονικά και επιστρέφει στη θέση «OFF» όταν ελευθερώνεται.

▲ΠΡΟΕΙΔΟΠΟΙΗΣΗ: Μην παρακάμπετε ΠΟΤΕ το κουμπί απασφάλισης συγκρατώντας το πιεσμένο με αυτοκόλλητη ταινία ή άλλο μέσο. Ένας διακόπτης με παραβιασμένο κουμπί απασφάλισης μπορεί να προκαλέσει ακούσια λειτουργία και σοβαρό ατομικό τραυματισμό.

▲ΠΡΟΕΙΔΟΠΟΙΗΣΗ: Μη χρησιμοποιείτε ΠΟΤΕ το εργαλείο αν μπορείτε να το θέσετε σε λειτουργία πιέζοντας απλά τη σκανδάλη διακοπής, χωρίς να πατήσετε και το κουμπί απασφάλισης. Ένας διακόπτης που απαιτεί επισκευή μπορεί να προκαλέσει ακούσια λειτουργία και σοβαρό ατομικό τραυματισμό. Στείλτε το εργαλείο σε κέντρο εξυπηρέτησης της Makita για να το επισκεύασουν σωστά ΠΡΙΝ το χρησιμοποιήσετε ξανά.

Για να μην πιέζεται η σκανδάλη διακοπής κατά λάθος, παρέχεται ένα κουμπί απασφάλισης. Για να ξεκινήσετε τη λειτουργία του εργαλείου, πατήστε το κουμπί απασφάλισης και τραβήξτε τη σκανδάλη διακοπής. Ελευθερώστε τη σκανδάλη διακοπής για να σταματήσει. ► **Εικ.9:** 1. Σκανδάλη διακοπής 2. Κουμπί απασφάλισης

ΕΙΔΟΠΟΙΗΣΗ: Μην τραβάτε τη σκανδάλη διακοπής δυνατά χωρίς να πατήσετε μέσα το κουμπί απασφάλισης. Αυτό μπορεί να προκαλέσει βλάβη του διακόπτη.

▲ΠΡΟΣΟΧΗ: Το εργαλείο αρχίζει να φρενάρει την περιστροφή της λάμας δισκοπριόνου αμέσως μόλις αφήσετε τη σκανδάλη διακοπής. Κρατήστε το εργαλείο σταθερά για να ανταποκριθείτε στην αντίδραση του φρένου όταν αφήσετε τη σκανδάλη διακοπής. Με την αιφνίδια αντίδραση το εργαλείο μπορεί να πέσει από τα χέρια σας και να προκαλέσει προσωπικό τραυματισμό.

Ρύθμιση του βάθους κοπής

▲ΠΡΟΣΟΧΗ: Μόλις ρυθμίσετε το βάθος κοπής, να ασφαλίσετε πάντα τη βάση.

1. Ξεβιδώστε τη βάση ξεσφίγγοντας τον μοχλό.
 2. Ρυθμίστε τη λάμα δισκοπριόνου στο επιθυμητό σας βάθος κοπής.
 3. Ασφαλίστε τη βάση σφίγγοντας τον μοχλό.
- **Εικ.10:** 1. Βάση 2. Βάθος κοπής 3. Μοχλός

▲ΠΡΟΣΟΧΗ: Για πιο καθαρές, ασφαλείς τομές, καθορίστε το βάθος κοπής ώστε να μην προεξέχουν περισσότερα από ένα δόντι της λάμας, κάτω από το τεμάχιο εργασίας. Η χρήση κατάλληλου βάθους κοπής συμβάλλει στη μείωση της πιθανότητας επικίνδυνου ΚΛΟΤΣΗΜΑΤΟΣ που μπορεί να προκαλέσει τραυματισμό.

Κωνική κοπή

▲ ΠΡΟΣΟΧΗ: Μόλις ρυθμίσετε την κωνική γωνία, να ασφαρίζετε πάντα τη βάση.

- Ξεσφίξτε τον μοχλό και τη βίδα σύσφιξης.
 - Ευθυγραμμίστε τον δείκτη με την επιθυμητή σας γωνία κοπής γέροντας τη βάση.
 - Σφίξτε τον μοχλό και τη βίδα σύσφιξης με ασφάλεια.
- **Εικ.11:** 1. Μοχλός 2. Βίδα σύσφιξης 3. Δείκτης

Σκόπευση

Για ίσιες κοπές, ευθυγραμμίστε τη θέση 0° στο εμπρόσθιο της βάσης με τη γραμμή κοπής σας. Για κωνικές κοπές 45°, ευθυγραμμίστε τη θέση 45° με αυτήν.

► **Εικ.12:** 1. Γραμμή κοπής (θέση 0°) 2. Γραμμή κοπής (θέση 45°)

Συσκευή σταθερής λάμας

Γενικά, χρησιμοποιήστε τη συσκευή σταθερής λάμας ρυθμίζοντας τον μοχλό ασφάλισης στην ασφαλισμένη θέση.

Για να ασφαλίσετε τον μοχλό ασφάλισης, σπρώξτε τον προς τα κάτω και περιστρέψτε τον 90° αριστερόστροφα. Για να αποδεσμεύσετε τον μοχλό ασφάλισης, περιστρέψτε τον 90° δεξιόστροφα. Όταν αντικαθιστάτε μια λάμα δισκοπρίονου, αποδεσμεύστε τον μοχλό ασφάλισης.

► **Εικ.13:** 1. Μοχλός ασφάλισης 2. Θέση ασφάλισης 3. Θέση αποδεσμευσης

Ηλεκτρονικό φρένο

Το εργαλείο αυτό είναι εξοπλισμένο με ηλεκτρικό φρένο λάμας. Αν το εργαλείο αποτυγχάνει συνεχώς να σταματάει γρήγορα τη λάμα δισκοπρίονου αφού αφήνεται τη σκανδάλη διακόπτη, ζητήστε την επισκευή του εργαλείου από κέντρο εξυπηρέτησης της Makita.

▲ ΠΡΟΣΟΧΗ: Το σύστημα φρεναρίσματος λάμας δεν αντικαθιστά το προφυλακτήρα λάμας. ΠΟΤΕ ΜΗ ΧΡΗΣΙΜΟΠΟΙΗΣΕΤΕ ΤΟ ΕΡΓΑΛΕΙΟ ΧΩΡΙΣ ΛΕΙΤΟΥΡΓΙΚΟ ΠΡΟΦΥΛΑΚΤΗΡΑ ΛΑΜΑΣ. ΜΠΟΡΕΙ ΝΑ ΠΡΟΚΥΨΕΙ ΣΟΒΑΡΟΣ ΠΡΟΣΩΠΙΚΟΣ ΤΡΑΥΜΑΤΙΣΜΟΣ.

Ηλεκτρονική λειτουργία

Τα εργαλεία που είναι εξοπλισμένα με ηλεκτρονική λειτουργία είναι εύκολα στη χρήση λόγω του(ων) ακόλουθου(ων) χαρακτηριστικού(ών).

Δυνατότητα ομαλής έναρξης

Ομαλή έναρξη επειδή καταστέλλεται η αιφνίδια έναρξη.

ΣΥΝΑΡΜΟΛΟΓΗΣΗ

▲ ΠΡΟΣΟΧΗ: Να βεβαιώνετε πάντα ότι το εργαλείο είναι σβηστό και η κασέτα μπαταρίας έχει αφαιρεθεί πριν εκτελέσετε κάποια εργασία στο εργαλείο.

Φύλαξη εξαγωνικού κλειδιού

Όταν δεν χρησιμοποιείτε το εξαγωνικό κλειδί, αποθηκεύστε το όπως απεικονίζεται, για να μην το χάσετε.

► **Εικ.14:** 1. Εξαγωνικό κλειδί

Τοποθέτηση και αφαίρεση λάμας δισκοπρίονου

▲ ΠΡΟΣΟΧΗ: Βεβαιωθείτε ότι η λάμα δισκοπρίονου έχει τοποθετηθεί με τα δόντια κατευθυνόμενα προς τα πάνω στο μπροστινό μέρος του εργαλείου.

▲ ΠΡΟΣΟΧΗ: Χρησιμοποιείτε μόνο το κλειδί Makita για την τοποθέτηση ή την αφαίρεση της λάμας δισκοπρίονου.

ΠΑΡΑΤΗΡΗΣΗ: Όταν τοποθετείτε/αφαιρείτε τη λάμα δισκοπρίονου, είναι εύκολο να φέρετε τη βάση στην αρχική θέση της.

Τοποθέτηση της λάμας δισκοπρίονου

ΠΑΡΑΤΗΡΗΣΗ: Ανάλογο με τα μοντέλα, η λάμα δισκοπρίονου έχει ήδη τοποθετηθεί την ώρα της αποστολής.

- Αποδεσμεύστε τον μοχλό ασφάλισης της συσκευής σταθερής λάμας.
- Πατήστε πλήρως το κλειδί άξονα έτσι ώστε ο άξονας στερέωσης να μην μπορεί να περιστραφεί και χρησιμοποιήστε το εξαγωνικό κλειδί για να ξεσφίξετε το εξαγωνικό μπουλόνι. Στη συνέχεια, αφαιρέστε το εξαγωνικό μπουλόνι και την εξωτερική φλάντζα.
► **Εικ.15:** 1. Μοχλός ασφάλισης 2. Κλειδί άξονα 3. Εξαγωνικό κλειδί 4. Ξεσφίξτε 5. Σφίξτε
- Τοποθετήστε την εσωτερική φλάντζα στον άξονα στερέωσης ώστε η κυρτή πλευρά να είναι στραμμένη προς τα έξω και, στη συνέχεια, τοποθετήστε τη λάμα δισκοπρίονου, την εξωτερική φλάντζα και το εξαγωνικό μπουλόνι. Αυτή τη στιγμή, ευθυγραμμίστε την κατεύθυνση του βέλους στη λάμα δισκοπρίονου με το βέλος στο εργαλείο.
► **Εικ.16:** 1. Εξαγωνικό μπουλόνι 2. Εξωτερική φλάντζα 3. Λάμα δισκοπρίονου 4. Βέλος στη λάμα δισκοπρίονου 5. Εσωτερική φλάντζα 6. Βέλος στο εργαλείο

- Πατήστε το κλειδί άξονα και σφίξτε το εξαγωνικό μπουλόνι.
- Ασφαλίστε τον μοχλό ασφάλισης της συσκευής σταθερής λάμας.

Κατεύθυνση στερέωσης της εσωτερικής φλάντζας

Η εσωτερική φλάντζα έχει μια προεξοχή ορισμένης διαμέτρου στη μία πλευρά και μια προεξοχή διαφορετικής διαμέτρου στην άλλη πλευρά. Επιλέξτε την κατάλληλη πλευρά στην οποία η προεξοχή ταιριάζει καλά στην οπή της λάμας πριονιού. Στερεώστε την εσωτερική φλάντζα στον άξονα στερέωσης ώστε η σωστή πλευρά της προεξοχής στην εσωτερική φλάντζα να είναι στραμμένη προς τα έξω και μετά τοποθετήστε τη λάμα πριονιού και την εξωτερική φλάντζα.

- **Εικ. 17:** 1. Άξονας στερέωσης 2. Εσωτερική φλάντζα 3. Λάμα δισκοπρίονου 4. Εξωτερική φλάντζα 5. Εξαγωνικό μπουλόνι

⚠ ΠΡΟΕΙΔΟΠΟΙΗΣΗ: ΒΕΒΑΙΩΘΕΙΤΕ ΝΑ ΣΦΙΞΕΤΕ ΚΑΛΑ ΤΟ ΕΞΑΓΩΝΙΚΟ ΜΠΟΥΛΟΝΙ. Επίσης, να προσέχετε να μην σφίξετε το μπουλόνι με δύναμη. Αν το χέρι σας γλιστρήσει από το εξαγωνικό κλειδί, μπορεί να προκληθεί ατομικός τραυματισμός.

⚠ ΠΡΟΕΙΔΟΠΟΙΗΣΗ: Βεβαιωθείτε ότι η προεξοχή «a» στην εσωτερική φλάντζα που είναι τοποθετημένη εξωτερικά ταιριάζει καλά με την οπή «a» της λάμας πριονιού. Η στερέωση της λάμας στη λανθασμένη πλευρά μπορεί να οδηγήσει σε επικίνδυνο κρδασμό.

Αφαίρεση της λάμας δισκοπρίονου

Για να αφαιρέσετε τη λάμα δισκοπρίονου, ακολουθήστε τη διαδικασία τοποθέτησης με αντίστροφη σειρά.

ΕΙΔΟΠΟΙΗΣΗ: Τοποθετήστε ξανά την εξωτερική φλάντζα και το εξαγωνικό μπουλόνι για να μην τα χάσετε.

Καθαρισμός προφυλακτήρα λάμας

Όταν αλλάζετε τη λάμα δισκοπρίονου, φροντίστε να καθαρίσετε επίσης τον άνω και κάτω προφυλακτήρα λάμας από τα συσσωρευμένα πριονίδια όπως συζητήθηκε στην παράγραφο "Συντήρηση". Αυτές οι ενέργειες δεν αντικαθιστούν την ανάγκη ελέγχου της λειτουργίας του κάτω προφυλακτήρα πριν από κάθε χρήση.

Σύνδεση με ηλεκτρική σκούπα

Προαιρετικό εξάρτημα

ΠΑΡΑΤΗΡΗΣΗ: Ανάλογα με τα μοντέλα, το ακροφύσιο σκόνης παρέχεται ως τυπικό εξάρτημα.

Όταν θέλετε να εκτελέσετε κοπές καθαρά, συνδέστε την ηλεκτρική σκούπα της Makita στο εργαλείο που διαθέτετε.

Τοποθετήστε το ακροφύσιο σκόνης στο εργαλείο με τη βοήθεια της βίδας.

- **Εικ. 18:** 1. Ακροφύσιο σκόνης 2. Βίδα

Συνδέστε τον εύκαμπτο σωλήνα της ηλεκτρικής σκούπας στο ακροφύσιο σκόνης χρησιμοποιώντας το μπροστινό στόμιο 24 όπως απεικονίζεται στην εικόνα.

- **Εικ. 19:** 1. Ακροφύσιο σκόνης 2. Μπροστινό στόμιο 24 (προαιρετικό εξάρτημα) 3. Εύκαμπτος σωλήνας της ηλεκτρικής σκούπας

ΛΕΙΤΟΥΡΓΙΑ

Το εργαλείο αυτό προορίζεται για την κοπή ξύλινων προϊόντων μόνο.

ΠΑΡΑΤΗΡΗΣΗ: Ανατρέξτε στον ιστότοπό μας ή επικοινωνήστε με τον τοπικό σας αντιπρόσωπο της Makita για τις σωστές λάμες δισκοπρίονου για χρήση με το υλικό προς κοπή.

Έλεγχος της λειτουργίας προφυλακτικά λάμας

Αφαιρέστε την κασέτα μπαταριών. Ρυθμίστε την κωνική γωνία στις 0° και μετά μαζέψτε χειροκίνητα το κάτω προστατευτικό λάμας μέχρι το άκρο και αφήστε το. Το κάτω προστατευτικό λάμας λειτουργεί σωστά αν,

- μαζεύει πάνω από τη βάση χωρίς εμπόδιο και
- επιστρέφει αυτόματα και έρθει σε επαφή με τον αναστολέα.

- **Εικ. 20:** 1. Άνω προστατευτικό λάμας 2. Κάτω προστατευτικό λάμας 3. Βάση 4. Αναστολέας 5. Ανοιγμα 6. Κλείσιμο

Αν το κάτω προστατευτικό λάμας δεν λειτουργεί σωστά, ελέγξτε αν έχουν συσσωρευτεί πριονίδια στο εσωτερικό των άνω και κάτω προστατευτικών λαμών. Αν το κάτω προστατευτικό λάμας δεν λειτουργεί σωστά, ακόμη και μετά την αφαίρεση της σκόνης, ζητήστε την επισκευή του εργαλείου από κέντρο εξυπηρέτησης της Makita.

Λειτουργία κοπής

⚠ ΠΡΟΣΟΧΗ: Φοράτε μάσκα για τη σκόνη όταν εκτελείτε λειτουργία κοπής.

⚠ ΠΡΟΣΟΧΗ: Βεβαιωθείτε ότι μετακινείτε το εργαλείο απαλά προς τα εμπρός σε μια ευθεία γραμμή. Αν πιέσετε ή συστρέψετε το εργαλείο, θα έχει ως αποτέλεσμα την υπερθέρμανση του μοτέρ και επικίνδυνο κλότσημα, που πιθανώς να προκαλέσει σοβαρό τραυματισμό.

ΕΙΔΟΠΟΙΗΣΗ: Όταν η θερμοκρασία της κασέτας μπαταριών είναι χαμηλή, το εργαλείο μπορεί να μη λειτουργεί με την πλήρη ικανότητά του. Αυτή τη στιγμή, για παράδειγμα, να χρησιμοποιείτε το εργαλείο για ελαφριές κοπές, μέχρι η κασέτα μπαταριών να θερμανθεί μέχρι τη θερμοκρασία δωματίου. Κατόπιν, μπορείτε να χρησιμοποιήσετε το εργαλείο στην πλήρη ικανότητά του.

- **Εικ. 21**

Κρατάτε το εργαλείο σταθερά. Το εργαλείο παρέχεται με εμπρόσθια λαβή και με πίσω χειρολαβή. Χρησιμοποιείτε και τις δύο για καλό κράτημα του εργαλείου.

Αν κρατάτε το εργαλείο και με τα δύο χέρια, δεν είναι δυνατό να κοπούν τα χέρια από τη λάμα δισκοπρίονου. Θέστε τη βάση στο τεμάχιο εργασίας που πρόκειται να κοπεί χωρίς η λάμα δισκοπρίονου να κάνει καμία επαφή. Μετά ανάψτε το εργαλείο και περιμένετε μέχρι η λάμα δισκοπρίονου να αποκτήσει πλήρη ταχύτητα. Τώρα, απλά μετακινήστε το εργαλείο προς τα εμπρός πάνω στην επιφάνεια του τεμαχίου εργασίας,

κρατώντας το επίπεδο και προωθώντας το ομαλά μέχρι να ολοκληρωθεί η κοπή.

Για να έχετε καθαρές κοπές, κρατάτε τη γραμμή κοπής ευθεία και την ταχύτητα προώθησης ομοιόμορφη. Αν η κοπή δεν ακολουθήσει σωστά την προοριζόμενη γραμμή κοπής, μην επιχειρήσετε να γυρίσετε ή να πιέσετε το εργαλείο ξανά στη γραμμή κοπής. Αν το κάνετε αυτό, μπορεί να πιαστεί η λάμα δισκοπρίονου και να προκληθεί επικίνδυνο κλότσημα ή πιθανός σοβαρός τραυματισμός. Αφήστε το διακόπτη, περιμένετε να ακινητοποιηθεί η λάμα δισκοπρίονου και κατόπιν αποσύρετε το εργαλείο. Ευθυγραμμίστε ξανά το εργαλείο σε καινούργια γραμμή κοπής και ξεκινήστε ξανά την κοπή. Προσπαθήστε να αποφύγετε θέσεις που εκθέτουν τον χειριστή στα πριονίδια και την ξυλόσκονη που εκτινάσσονται από το πριόνι. Χρησιμοποιήστε προστασία ματιών για την αποφυγή τραυματισμού.

Οδηγός κομματιού (Κανόνας οδηγός)

Προαιρετικό εξάρτημα

▲ ΠΡΟΣΟΧΗ: Πριν από τη χρήση, βεβαιωθείτε ότι ο οδηγός κομματιού είναι τοποθετημένος στη σωστή θέση. Ένα λανθασμένο εξάρτημα μπορεί να προκαλέσει επικίνδυνο κλότσημα.

Ο πρακτικός οδηγός κομματιού σας επιτρέπει να κάνετε εξαιρετικά ακριβείς ίσιες κοπές. Απλώς σύρτε τον οδηγό κομματιού εφαρμοστά στην πλευρά του τεμαχίου εργασίας και ασφαλίστε το στη θέση του με τη βίδα στο μπροστινό μέρος της βάσης. Επίσης καθιστά δυνατό να εκτελεστούν επαναληπτικές κοπές με ομοιόμορφο πλάτος.

► **Εικ.22:** 1. Οδηγός κομματιού (Κανόνας οδηγός)
2. Βίδα σύσφιξης

Βάση προστασίας

▲ ΠΡΟΣΟΧΗ: Όταν τοποθετείτε το εργαλείο στη βάση προστασίας, τοποθετήστε το εργαλείο αργά. Αν τοποθετήσετε το εργαλείο στη βάση προστασίας απρόσεκτα, μπορεί να προκληθεί τραυματισμός και δυσλειτουργία.

Η βάση προστασίας μπορεί να χρησιμοποιηθεί για προσωρινή αποθήκευση του εργαλείου κατά τη διάρκεια της εργασίας.

Τοποθέτηση του εργαλείου επίπεδα

Για να τοποθετήσετε το εργαλείο, σπρώξτε το εργαλείο στη βάση προστασίας από το πάνω μέρος μέχρι να ασφαλίσει.

Για να αφαιρέσετε το εργαλείο, ενώ κρατάτε τη βάση προστασίας με το πόδι σας, τραβήξτε το εργαλείο προς τα πάνω όπως απεικονίζεται στην εικόνα.

► **Εικ.23:** 1. Βάση προστασίας

Τοποθέτηση του εργαλείου υπό κλίση

Για να τοποθετήσετε το εργαλείο, τοποθετήστε το εργαλείο στη βάση προστασίας υπό γωνία όπως απεικονίζεται στην εικόνα.

Για να αφαιρέσετε το εργαλείο, τραβήξτε το εργαλείο προς τα πάνω.

► **Εικ.24**

ΛΕΙΤΟΥΡΓΙΑ ΑΣΥΡΜΑΤΗΣ ΕΝΕΡΓΟΠΟΙΗΣΗΣ

Τι μπορείτε να κάνετε με τη λειτουργία ασύρματης ενεργοποίησης

Η λειτουργία ασύρματης ενεργοποίησης επιτρέπει την καθαρή και άνετη λειτουργία. Αν συνδέσετε μια υποστηρίξιμη ηλεκτρική σκούπα στο εργαλείο, μπορείτε να χρησιμοποιείτε την ηλεκτρική σκούπα αυτόματα μαζί με τη λειτουργία διακόπτη του εργαλείου.

► **Εικ.25**

Για να χρησιμοποιήσετε τη λειτουργία ασύρματης ενεργοποίησης, προετοιμάστε τα ακόλουθα στοιχεία:

- Μια ασύρματη μονάδα (προαιρετικό εξάρτημα)
- Ηλεκτρική σκούπα που υποστηρίζει τη λειτουργία ασύρματης ενεργοποίησης

Η σύνοψη της ρύθμισης λειτουργίας ασύρματης ενεργοποίησης είναι η εξής. Ανατρέξτε σε κάθε τμήμα για λεπτομερείς διαδικασίες.

1. Εγκατάσταση της ασύρματης μονάδας
2. Καταχώρηση εργαλείου για την ηλεκτρική σκούπα
3. Έναρξη της λειτουργίας ασύρματης ενεργοποίησης

Εγκατάσταση της ασύρματης μονάδας

Προαιρετικό εξάρτημα

▲ ΠΡΟΣΟΧΗ: Τοποθετήστε το εργαλείο σε μια επίπεδη και σταθερή επιφάνεια όταν εγκαθιστάτε την ασύρματη μονάδα.

ΕΙΔΟΠΟΙΗΣΗ: Καθαρίστε τη σκόνη και τη βρομιά στο εργαλείο πριν τοποθετήσετε την ασύρματη μονάδα. Η σκόνη ή η βρομιά μπορεί να προκαλέσει δυσλειτουργία αν έρθει σε επαφή με τη σχισμή της ασύρματης μονάδας.

ΕΙΔΟΠΟΙΗΣΗ: Για να αποτρέψετε τη δυσλειτουργία που προκαλείται από στατικό ηλεκτρισμό, αγγίξτε κάποιο υλικό στατικής εκκένωσης, όπως ένα μεταλλικό εξάρτημα του εργαλείου, πριν σηκώσετε την ασύρματη μονάδα.

ΕΙΔΟΠΟΙΗΣΗ: Όταν τοποθετείτε την ασύρματη μονάδα, να βεβαιώνετε πάντα ότι η ασύρματη μονάδα έχει εισαχθεί με τη σωστή κατεύθυνση και το καπάκι είναι εντελώς κλειστό.

1. Ανοίξτε το καπάκι στο εργαλείο όπως απεικονίζεται στην εικόνα.

► **Εικ.26:** 1. Καπάκι

2. Εισαγάγετε την ασύρματη μονάδα στη σχισμή και μετά κλείστε το καπάκι.

Όταν εισαγάγετε την ασύρματη μονάδα, ευθυγραμμίστε τις προεξοχές με τα βαθουλωτά τμήματα στη σχισμή.

► **Εικ.27:** 1. Ασύρματη μονάδα 2. Προεξοχή 3. Καπάκι
4. Βαθουλωτό τμήμα

Όταν αφαιρείτε την ασύρματη μονάδα, ανοίξτε το καπάκι αργά. Οι γάντζοι στο πίσω μέρος του καπακιού θα σηκώσουν την ασύρματη μονάδα καθώς τραβάτε το καπάκι προς τα πάνω.
► **Εικ.28:** 1. Ασύρματη μονάδα 2. Γάντζος 3. Καπάκι

Αφού αφαιρέσετε την ασύρματη μονάδα, να τη διατηρείτε μέσα στην παρεχόμενη θήκη ή μέσα σε δοχείο χωρίς στατικό ηλεκτρισμό.

ΕΙΔΟΠΟΙΗΣΗ: Να χρησιμοποιείτε πάντα τους γάντζους στο πίσω μέρος του καπακιού όταν αφαιρείτε την ασύρματη μονάδα. Αν οι γάντζοι δεν ασφαλισουν την ασύρματη μονάδα, κλείστε εντελώς το καπάκι και ανοίξτε το ξανά αργά.

Καταχώρηση εργαλείου για την ηλεκτρική σκούπα

ΠΑΡΑΤΗΡΗΣΗ: Για την καταχώρηση εργαλείου, απαιτείται ηλεκτρική σκούπα Makita που υποστηρίζει τη λειτουργία ασύρματης ενεργοποίησης.

ΠΑΡΑΤΗΡΗΣΗ: Ολοκληρώστε την εγκατάσταση της ασύρματης μονάδας στο εργαλείο πριν ξεκινήσετε την καταχώρηση εργαλείου.

ΠΑΡΑΤΗΡΗΣΗ: Κατά την καταχώρηση εργαλείου, μην τραβήξετε τη σκανδάλη διακόπτη ούτε να ενεργοποιήσετε το διακόπτη λειτουργίας στην ηλεκτρική σκούπα.

ΠΑΡΑΤΗΡΗΣΗ: Ανατρέξτε και στο εγχειρίδιο οδηγιών της ηλεκτρικής σκούπας.

Αν επιθυμείτε να ενεργοποιήσετε την ηλεκτρική σκούπα μαζί με τη λειτουργία διακόπτη του εργαλείου, ολοκληρώστε εκ των προτέρων την καταχώρηση εργαλείου.

1. Τοποθετήστε τις μπαταρίες στην ηλεκτρική σκούπα και στο εργαλείο.
2. Θέστε τον διακόπτη αναμονής στην ηλεκτρική σκούπα στη θέση «AUTO».
► **Εικ.29:** 1. Διακόπτης αναμονής
3. Πατήστε το κουμπί ασύρματης ενεργοποίησης στην ηλεκτρική σκούπα για 3 δευτερόλεπτα μέχρι η λυχνία ασύρματης ενεργοποίησης αναβοσβήνει με πράσινο χρώμα. Και μετά πατήστε το κουμπί ασύρματης ενεργοποίησης στο εργαλείο με τον ίδιο τρόπο.
► **Εικ.30:** 1. Κουμπί ασύρματης ενεργοποίησης
2. Λυχνία ασύρματης ενεργοποίησης

Αν η ηλεκτρική σκούπα και το εργαλείο συνδεθούν με επιτυχία, οι λυχνίες ασύρματης ενεργοποίησης θα ανάψουν με πράσινο χρώμα για 2 δευτερόλεπτα και θα αρχίσουν να αναβοσβήνουν με μπλε χρώμα.

ΠΑΡΑΤΗΡΗΣΗ: Οι λυχνίες ασύρματης ενεργοποίησης θα αρχίσουν να αναβοσβήνουν με πράσινο χρώμα αφού περάσουν 20 δευτερόλεπτα. Πατήστε το κουμπί ασύρματης ενεργοποίησης στο εργαλείο ενώ η λυχνία ασύρματης ενεργοποίησης αναβοσβήνει στη σκούπα. Αν η λυχνία ασύρματης ενεργοποίησης δεν αναβοσβήνει με πράσινο χρώμα, πατήστε για λίγο το κουμπί ασύρματης ενεργοποίησης και κρατήστε το ξανά πατημένο.

ΠΑΡΑΤΗΡΗΣΗ: Όταν εκτελείτε δύο ή περισσότερες καταχωρήσεις εργαλείων για μία ηλεκτρική σκούπα, ολοκληρώστε την καταχώρηση εργαλείου ένα τη φορά.

Έναρξη της λειτουργίας ασύρματης ενεργοποίησης

ΠΑΡΑΤΗΡΗΣΗ: Ολοκληρώστε την καταχώρηση εργαλείου για την ηλεκτρική σκούπα πριν από την ασύρματη ενεργοποίηση.

ΠΑΡΑΤΗΡΗΣΗ: Ανατρέξτε και στο εγχειρίδιο οδηγιών της ηλεκτρικής σκούπας.

Αφού καταχωρήσετε ένα εργαλείο με την ηλεκτρική σκούπα, η ηλεκτρική σκούπα θα λειτουργεί αυτόματα μαζί με τη λειτουργία διακόπτη του εργαλείου.

1. Εγκαταστήστε την ασύρματη μονάδα στο εργαλείο.
2. Συνδέστε τον εύκαμπτο σωλήνα της ηλεκτρικής σκούπας με το εργαλείο.
► **Εικ.31**
3. Θέστε τον διακόπτη αναμονής στην ηλεκτρική σκούπα στη θέση «AUTO».
► **Εικ.32:** 1. Διακόπτης αναμονής
4. Πατήστε σύντομα το κουμπί ασύρματης ενεργοποίησης στο εργαλείο. Η λυχνία ασύρματης ενεργοποίησης θα αναβοσβήνει με μπλε χρώμα.
► **Εικ.33:** 1. Κουμπί ασύρματης ενεργοποίησης
2. Λυχνία ασύρματης ενεργοποίησης
5. Ενεργοποιήστε το εργαλείο. Ελέγξτε αν η ηλεκτρική σκούπα λειτουργεί ενώ το εργαλείο λειτουργεί.

Για να σταματήσετε την ασύρματη ενεργοποίηση της ηλεκτρικής σκούπας, πατήστε το κουμπί ασύρματης ενεργοποίησης στο εργαλείο.

ΠΑΡΑΤΗΡΗΣΗ: Η λυχνία ασύρματης ενεργοποίησης στο εργαλείο θα σταματήσει να αναβοσβήνει με μπλε χρώμα όταν δεν υπάρχει λειτουργία για 2 ώρες. Σε αυτή την περίπτωση, θέστε το διακόπτη αναμονής στην ηλεκτρική σκούπα στη θέση «AUTO» και πατήστε ξανά το κουμπί ασύρματης ενεργοποίησης στο εργαλείο.

ΠΑΡΑΤΗΡΗΣΗ: Η ηλεκτρική σκούπα αρχίζει/σταματάει με καθυστέρηση. Υπάρχει χρονική καθυστέρηση όταν η ηλεκτρική σκούπα ανιχνεύει τη λειτουργία διακόπτη του εργαλείου.

ΠΑΡΑΤΗΡΗΣΗ: Η απόσταση μετάδοσης της ασύρματης μονάδας μπορεί να ποικίλλει ανάλογα με την τοποθεσία και τις περιβάλλουσες συνθήκες.

ΠΑΡΑΤΗΡΗΣΗ: Όταν δύο ή περισσότερα εργαλεία καταχωρούνται σε μία ηλεκτρική σκούπα, η ηλεκτρική σκούπα μπορεί να αρχίσει να λειτουργεί ακόμη κι αν δεν ενεργοποιείτε το εργαλείο επειδή κάποιος άλλος χρήστης χρησιμοποίησε τη λειτουργία ασύρματης ενεργοποίησης.

Περιγραφή της κατάστασης της λυχνίας ασύρματης ενεργοποίησης

► Εικ.34: 1. Λυχνία ασύρματης ενεργοποίησης

Η λυχνία ασύρματης ενεργοποίησης δείχνει την κατάσταση της λειτουργίας ασύρματης ενεργοποίησης. Ανατρέξτε στον παρακάτω πίνακα για τη σημασία της κατάστασης λυχνίας.

Κατάσταση	Λυχνία ασύρματης ενεργοποίησης			Περιγραφή	
	Χρώμα	<input type="checkbox"/> Αναμμένη	<input type="checkbox"/> Αναβοσβήνει		Διάρκεια
Αναμονή	Μπλε	<input checked="" type="checkbox"/>		2 ώρες	Η ασύρματη ενεργοποίηση της ηλεκτρικής σκούπας είναι διαθέσιμη. Η λυχνία θα σβήσει αυτόματα όταν δεν εκτελεστεί καμία λειτουργία για 2 ώρες.
		<input type="checkbox"/>		Όταν το εργαλείο λειτουργεί.	Η ασύρματη ενεργοποίηση της ηλεκτρικής σκούπας είναι διαθέσιμη και το εργαλείο λειτουργεί.
Καταχώρηση εργαλείου	Πράσινη	<input checked="" type="checkbox"/>		20 δευτερόλεπτα	Έτοιμο για καταχώρηση εργαλείου. Σε αναμονή για καταχώρηση από την ηλεκτρική σκούπα.
		<input type="checkbox"/>		2 δευτερόλεπτα	Η καταχώρηση εργαλείου έχει ολοκληρωθεί. Η λυχνία ασύρματης ενεργοποίησης θα αρχίσει να αναβοσβήνει με μπλε χρώμα.
Ακύρωση καταχώρησης εργαλείου	Κόκκινη	<input checked="" type="checkbox"/>		20 δευτερόλεπτα	Έτοιμο για ακύρωση της καταχώρησης εργαλείου. Σε αναμονή για ακύρωση από την ηλεκτρική σκούπα.
		<input type="checkbox"/>		2 δευτερόλεπτα	Η ακύρωση της καταχώρησης εργαλείου έχει ολοκληρωθεί. Η λυχνία ασύρματης ενεργοποίησης θα αρχίσει να αναβοσβήνει με μπλε χρώμα.
Άλλες	Κόκκινη	<input type="checkbox"/>		3 δευτερόλεπτα	Η ισχύς παρέχεται στην ασύρματη μονάδα και η λειτουργία ασύρματης ενεργοποίησης εκκινείται.
	Σβηστή	-		-	Η ασύρματη ενεργοποίηση της ηλεκτρικής σκούπας έχει σταματήσει.

Ακύρωση καταχώρησης εργαλείου για την ηλεκτρική σκούπα

Εκτελέστε την ακόλουθη διαδικασία όταν ακυρώνετε την καταχώρηση εργαλείου για την ηλεκτρική σκούπα.

1. Τοποθετήστε τις μπαταρίες στην ηλεκτρική σκούπα και στο εργαλείο.
2. Θέστε τον διακόπτη αναμονής στην ηλεκτρική σκούπα στη θέση «ΑΥΤΟ».

► Εικ.35: 1. Διακόπτης αναμονής

3. Πατήστε το κουμπί ασύρματης ενεργοποίησης στην ηλεκτρική σκούπα για 6 δευτερόλεπτα. Η λυχνία ασύρματης ενεργοποίησης αναβοσβήνει με πράσινο χρώμα και μετά γίνεται κόκκινη. Μετά από αυτό, πατήστε το κουμπί ασύρματης ενεργοποίησης στο εργαλείο με τον ίδιο τρόπο.

- Εικ.36: 1. Κουμπί ασύρματης ενεργοποίησης
2. Λυχνία ασύρματης ενεργοποίησης

Αν η ακύρωση εκτελεστεί με επιτυχία, οι λυχνίες ασύρματης ενεργοποίησης θα ανάψουν με κόκκινο χρώμα για 2 δευτερόλεπτα και θα αρχίσουν να αναβοσβήνουν με μπλε χρώμα.

ΠΑΡΑΤΗΡΗΣΗ: Οι λυχνίες ασύρματης ενεργοποίησης θα αρχίσουν να αναβοσβήνουν με κόκκινο χρώμα αφού περάσουν 20 δευτερόλεπτα. Πατήστε το κουμπί ασύρματης ενεργοποίησης στο εργαλείο ενώ η λυχνία ασύρματης ενεργοποίησης αναβοσβήνει στη σκούπα. Αν η λυχνία ασύρματης ενεργοποίησης δεν αναβοσβήνει με κόκκινο χρώμα, πατήστε για λίγο το κουμπί ασύρματης ενεργοποίησης και κρατήστε το ξανά πατημένο.

Αντιμετώπιση προβλημάτων για τη λειτουργία ασύρματης ενεργοποίησης

Πριν ζητήσετε επισκευές, εκτελέστε αρχικά τη δική σας επιθεώρηση. Αν εντοπίσετε πρόβλημα που δεν επεξηγείται στο εγχειρίδιο, μην επιχειρήσετε να αποσυναρμολογήσετε το εργαλείο. Αντ' αυτού, ζητήστε βοήθεια από εξουσιοδοτημένα κέντρα εξυπηρέτησης της Makita και πάντοτε να χρησιμοποιείτε γνήσια ανταλλακτικά της Makita.

Κατάσταση προβλήματος	Πιθανή αιτία (δυσλειτουργία)	Αποκατάσταση
Η λυχνία ασύρματης ενεργοποίησης δεν ανάβει/αναβοσβήνει.	Η ασύρματη μονάδα δεν είναι εγκατεστημένη στο εργαλείο. Η ασύρματη μονάδα είναι εγκατεστημένη στο εργαλείο λανθασμένα.	Τοποθετήστε σωστά την ασύρματη μονάδα.
	Ο ακροδέκτης της ασύρματης μονάδας ή/και η σχισμή είναι βρόμικα.	Σκουπίστε απαλά τη σκόνη και τη βρομιά από τον ακροδέκτη της ασύρματης μονάδας και καθαρίστε τη σχισμή.
	Το κουμπί ασύρματης ενεργοποίησης στο εργαλείο δεν έχει πατηθεί.	Πατήστε σύντομα το κουμπί ασύρματης ενεργοποίησης στο εργαλείο.
	Ο διακόπτης αναμονής στην ηλεκτρική σκούπα δεν έχει τεθεί στη θέση «AUTO».	Θέστε τον διακόπτη αναμονής στην ηλεκτρική σκούπα στη θέση «AUTO».
	Δεν υπάρχει παροχή ρεύματος	Παρέχετε ισχύ στο εργαλείο και την ηλεκτρική σκούπα.
Δεν είναι δυνατή η ολοκλήρωση της καταχώρησης εργαλείου / ακύρωσης καταχώρησης εργαλείου με επιτυχία.	Η ασύρματη μονάδα δεν είναι εγκατεστημένη στο εργαλείο. Η ασύρματη μονάδα είναι εγκατεστημένη στο εργαλείο λανθασμένα.	Τοποθετήστε σωστά την ασύρματη μονάδα.
	Ο ακροδέκτης της ασύρματης μονάδας ή/και η σχισμή είναι βρόμικα.	Σκουπίστε απαλά τη σκόνη και τη βρομιά από τον ακροδέκτη της ασύρματης μονάδας και καθαρίστε τη σχισμή.
	Ο διακόπτης αναμονής στην ηλεκτρική σκούπα δεν έχει τεθεί στη θέση «AUTO».	Θέστε τον διακόπτη αναμονής στην ηλεκτρική σκούπα στη θέση «AUTO».
	Δεν υπάρχει παροχή ρεύματος	Παρέχετε ισχύ στο εργαλείο και την ηλεκτρική σκούπα.
	Λανθασμένη λειτουργία	Πατήστε σύντομα το κουμπί ασύρματης ενεργοποίησης και πραγματοποιήστε ξανά τις διαδικασίες καταχώρησης/ακύρωσης εργαλείου.
	Το εργαλείο και η ηλεκτρική σκούπα βρίσκονται σε αρκετή απόσταση μεταξύ τους (εκτός του εύρους μετάδοσης).	Φέρετε το εργαλείο και την ηλεκτρική σκούπα πιο κοντά. Η μέγιστη απόσταση μετάδοσης είναι περίπου 10 μέτρα, ωστόσο, μπορεί να διαφέρει ανάλογα με τις συνθήκες.
	Πριν τελειώσετε την καταχώρηση/ακύρωση του εργαλείου, - ο διακόπτης του εργαλείου είναι τραβηγμένος, ή - το κουμπί λειτουργίας στην ηλεκτρική σκούπα είναι ενεργοποιημένο.	Πατήστε σύντομα το κουμπί ασύρματης ενεργοποίησης και πραγματοποιήστε ξανά τις διαδικασίες καταχώρησης/ακύρωσης εργαλείου.
	Δεν έχουν ολοκληρωθεί οι διαδικασίες καταχώρησης εργαλείου για το εργαλείο ή την ηλεκτρική σκούπα.	Εκτελέστε τις διαδικασίες καταχώρησης εργαλείου για το εργαλείο και την ηλεκτρική σκούπα ταυτόχρονα.
	Ραδιοφωνικά παράσιτα από άλλες συσκευές που παράγουν ραδιοκύματα υψηλής έντασης.	Διατηρήστε το εργαλείο και την ηλεκτρική σκούπα μακριά από τις συσκευές, όπως συσκευές Wi-Fi και φούρνους μικροκυμάτων.

Κατάσταση προβλήματος	Πιθανή αιτία (δυσλειτουργία)	Αποκατάσταση
Η ηλεκτρική σκούπα δεν λειτουργεί μαζί με τη λειτουργία διακοπής του εργαλείου.	Η ασύρματη μονάδα δεν είναι εγκατεστημένη στο εργαλείο. Η ασύρματη μονάδα είναι εγκατεστημένη στο εργαλείο λανθασμένα.	Τοποθετήστε σωστά την ασύρματη μονάδα.
	Ο ακροδέκτης της ασύρματης μονάδας ή/και η σχισμή είναι βρόμικα.	Σκουπίστε απαλά τη σκόνη και τη βρομιά από τον ακροδέκτη της ασύρματης μονάδας και καθαρίστε τη σχισμή.
	Το κουμπί ασύρματης ενεργοποίησης στο εργαλείο δεν έχει πατηθεί.	Πατήστε για λίγο το κουμπί ασύρματης ενεργοποίησης και βεβαιωθείτε ότι η λυχνία ασύρματης ενεργοποίησης αναβοσβήνει με μπλε χρώμα.
	Ο διακόπτης αναμονής στην ηλεκτρική σκούπα δεν έχει τεθεί στη θέση «ΑΥΤΟ».	Θέστε τον διακόπτη αναμονής στην ηλεκτρική σκούπα στη θέση «ΑΥΤΟ».
	Περισσότερα από 10 εργαλεία έχουν καταχωρηθεί με την ηλεκτρική σκούπα.	Πραγματοποιήστε ξανά την καταχώρηση εργαλείου. Αν περισσότερα από 10 εργαλεία είναι καταχωρημένα στην ηλεκτρική σκούπα, το εργαλείο που είχε καταχωρηθεί πιο νωρίς θα ακυρωθεί αυτόματα.
	Η ηλεκτρική σκούπα έσβησε όλες τις καταχωρήσεις εργαλείων.	Πραγματοποιήστε ξανά την καταχώρηση εργαλείου.
	Δεν υπάρχει παροχή ρεύματος	Παρέχετε ισχύ στο εργαλείο και την ηλεκτρική σκούπα.
	Το εργαλείο και η ηλεκτρική σκούπα βρίσκονται σε αρκετή απόσταση μεταξύ τους (εκτός του εύρους μετάδοσης).	Φέρετε το εργαλείο και την ηλεκτρική σκούπα πιο κοντά. Η μέγιστη απόσταση μετάδοσης είναι περίπου 10 μέτρα, ωστόσο, μπορεί να διαφέρει ανάλογα με τις συνθήκες.
	Ραδιοφωνικά παράσιτα από άλλες συσκευές που παράγουν ραδιοκύματα υψηλής έντασης.	Διατηρήστε το εργαλείο και την ηλεκτρική σκούπα μακριά από τις συσκευές, όπως συσκευές Wi-Fi και φούρνους μικροκυμάτων.
Η ηλεκτρική σκούπα λειτουργεί ενώ το εργαλείο δεν λειτουργεί.	Άλλοι χρήστες χρησιμοποιούν την ασύρματη ενεργοποίηση της ηλεκτρικής σκούπας με τα εργαλεία τους.	Κλείστε το κουμπί ασύρματης ενεργοποίησης των άλλων εργαλείων ή ακυρώστε την καταχώρηση εργαλείου των άλλων εργαλείων.

ΣΥΝΤΗΡΗΣΗ

▲ ΠΡΟΣΟΧΗ: Πριν την εκτέλεση εργασιών επιθεώρησης ή συντήρησης, πάντοτε να βεβαιώνεται ότι η συσκευή απενεργοποιήθηκε και η κασέτα μπαταριών έχει αφαιρεθεί.

▲ ΠΡΟΣΟΧΗ: Καθαρίστε τον άνω και κάτω προστατευτικό λάμας για να βεβαιωθείτε ότι δεν υπάρχουν συσσωρευμένα πριονίδια, τα οποία μπορεί να εμποδίσουν τη λειτουργία του συστήματος κάτω προστατευτικού. Ένα βρόμικο σύστημα προστατευτικών μπορεί να περιορίσει τη σωστή λειτουργία, γεγονός που μπορεί να έχει ως αποτέλεσμα σοβαρό προσωπικό τραυματισμό. Ο πιο αποτελεσματικός τρόπος για να επιτευχθεί αυτός ο καθαρισμός είναι με πεπιεσμένο αέρα. **Αν η σκόνη φυσείται εκτός των προστατευτικών λαμών, φροντίστε να χρησιμοποιήσετε κατάλληλη προστασία για τα μάτια και το αναπνευστικό σύστημα.**

▲ ΠΡΟΣΟΧΗ: Μετά από κάθε λειτουργία, σκουπίστε τα πριονίδια από το εργαλείο. Μπορεί να εισχωρήσει λεπτό πριονίδι στο εσωτερικό του εργαλείου και να προκληθεί δυσλειτουργία ή πυρκαγιά.

ΕΙΔΟΠΟΙΗΣΗ: Μην χρησιμοποιείτε ποτέ βενζίνη, πετρελαϊκό αιθέρα, διαλυτικό, αλκοόλη ή παρόμοιες ουσίες. Μπορεί να προκληθεί αποχρωματισμός, παραμόρφωση ή ρωγμές.

Για τη διατήρηση της ΑΣΦΑΛΕΙΑΣ και ΑΞΙΟΠΙΣΤΙΑΣ του προϊόντος, οι επισκευές και οποιαδήποτε άλλη εργασία συντήρησης ή ρύθμισης πρέπει να εκτελούνται από εξουσιοδοτημένα ή εργοστασιακά κέντρα εξυπηρέτησης της Makita, χρησιμοποιώντας πάντοτε ανταλλακτικά της Makita.

Ρύθμιση ακρίβειας κοπής 0°

ΕΙΔΟΠΟΙΗΣΗ: Πριν ξεκινήσετε τη ρύθμιση, βεβαιωθείτε ότι το κλειδωμα του βάθους κοπής είναι ασφαλισμένο καλά.

Αυτή η ρύθμιση έχει γίνει στο εργοστάσιο. Αλλά αν δεν είναι ρυθμισμένη, μπορείτε να τη ρυθμίσετε με την ακόλουθη διαδικασία.

1. Ξεφίξτε το κλειδωμα κωνικής γωνίας με τρόπο ώστε να είναι δυνατή η αλλαγή της κωνικής γωνίας.

ΠΑΡΑΤΗΡΗΣΗ: Ανατρέξτε στην ενότητα για τη λοξοτομή για τον τρόπο σύσφιξης ή χαλάρωσης του κλειδώματος κωνικής γωνίας.

2. Τοποθετήστε έναν τριγωνικό κανόνα ή τετράγωνο κανόνα στο πλάι της λάμας δισκοπριονίου και της βάσης.

Ενώ διατηρείτε το πλάι της λάμας δισκοπριονίου και της βάσης κάθετα, γυρίστε τη ρυθμιστική βίδα για να επιτύχετε θέση 0°.

► **Εικ.37:** 1. Τριγωνικός κανόνας 2. Ρυθμιστική βίδα

3. Ασφαλίστε την κωνική γωνία και εκτελέστε μια δοκιμαστική κοπή για να ελέγξετε την καθετότητα.

ΠΡΟΑΙΡΕΤΙΚΑ ΕΞΑΡΤΗΜΑΤΑ

⚠ ΠΡΟΣΟΧΗ: Αυτά τα εξαρτήματα ή προσαρτήματα συνιστώνται για χρήση με το εργαλείο Makita που περιγράφηκε στις οδηγίες αυτές. Η χρήση οποιωνδήποτε άλλων εξαρτημάτων ή προσαρτημάτων μπορεί να προκαλέσει κίνδυνο τραυματισμού σε άτομα. Να χρησιμοποιείτε τα εξαρτήματα ή προσαρτήματα μόνο για την χρήση που προορίζονται.

Εάν χρειάζεστε οποιαδήποτε βοήθεια για περισσότερες πληροφορίες σε σχέση με αυτά τα εξαρτήματα, απευθυνθείτε στο τοπικό σας κέντρο εξυπηρέτησης Makita.

- Λάμα δισκοπρίονου
- Οδηγός κομματιού (Οδηγός χάρακας)
- Ακροφύσιο σκόνης
- Εξαγωνικό κλειδί
- Ασύρματη μονάδα
- Γνήσια μπαταρία και φορτιστής της Makita

ΠΑΡΑΤΗΡΗΣΗ: Μερικά στοιχεία στη λίστα μπορεί να συμπεριλαμβάνονται στη συσκευασία εργαλείου ως στάνταρ εξαρτήματα. Μπορεί να διαφέρουν ανάλογα με τη χώρα.

TEKNİK ÖZELLİKLER

Model:	HS013G		
Bıçak çapı	415 mm		
Maks. kesim derinliği	0°'de	158 mm	
	45° eğimde	106 mm	
Yüksüz hız	2.100 min ⁻¹		
Anma voltajı	D.C. 36 V - 40 V maks.		
Tam uzunluk	606 mm		
Net ağırlık	11,0 - 12,0 kg		

- Sürekli yapılan araştırma ve geliştirmelerden dolayı, burada belirtilen özellikler önceden bildirilmeksizin değiştirilebilir.
- Özellikler ülkeden ülkeye değişebilir.
- Ağırlık, ekli aksesuara/aksesuarlara ve batarya kartuşuna bağlı olarak farklılık gösterebilir. EPTA-Prosedürü 01/2014'e göre en hafif ve en ağır kombinasyonlar tabloda verilmiştir.

Geçerli batarya kartuşu ve şarj aleti

Batarya kartuşu	BL4040 / BL4040F* / BL4050F* / BL4080F* * : Önerilen batarya
Şarj aleti	DC40RA / DC40RB / DC40RC / DC40WA

- Yukarıda listelenen batarya kartuşlarının ve şarj aletlerinin bazıları yaşadığımız bölgeye bağlı olarak mevcut olmayabilir.

UYARI: Sadece yukarıda listelenen batarya kartuşlarını ve şarj aletlerini kullanın. Başka batarya kartuşlarının ve şarj aletlerinin kullanılması yaralanma ve/veya yangına neden olabilir.

Kullanım amacı

Bu alet, iş parçasına sıkı bir şekilde temas ederek tahta üzerinde boylamasına ve çaprazlamasına düz kesimler ve gönye kesme yapmak için tasarlanmıştır.

Gürültü

Tipik A-ağırlıklı gürültü düzeyi (EN62841-2-5 standardına göre belirlenen):

Ses basınç seviyesi (L_{pA}): 98 dB (A)

Ses gücü düzeyi (L_{WA}): 106 dB (A)

Belirsizlik (K): 3 dB (A)

NOT: Beyan edilen gürültü emisyonu değer(ler)i bir standart test yöntemine uygun şekilde ölçülmüştür ve bir aleti bir başkasıyla karşılaştırmak için kullanılabilir.

NOT: Beyan edilen gürültü emisyonu değer(ler)i bir ön maruz kalma değerlendirmesi olarak da kullanılabilir.

UYARI: Kulak koruyucuları takın.

UYARI: Elektrikli aletin gerçek kullanımı sırasındaki gürültü emisyonu, aletin kullanımı biçimlerine, özellikle işlenen iş parçasının türüne bağlı olarak beyan edilen değer(ler)den farklı olabilir.

UYARI: Gerçek kullanım koşullarındaki tahmini maruziyeti baz alan, operatörü koruyacak güvenlik önlemlerini mutlaka belirleyin (çalışma döngüsü içerisinde aletin kapalı olduğu ve aktif durumda olmasının yanı sıra boşta çalıştığı zamanlar gibi, bütün zaman dilimleri göz önünde bulundurarak).

Titreşim

Titreşim toplam değeri (üç eksenli vektör toplamı) (EN62841-2-5 standardına göre hesaplanan):

Çalışma modu: ahşap kesme

Titreşim emisyonu ($a_{h,W}$): 2,5 m/s²'den az

Belirsizlik (K) : 1,5 m/s²

NOT: Beyan edilen titreşim toplam değer(ler)i bir standart test yöntemine uygun şekilde ölçülmüştür ve bir aleti bir başkasıyla karşılaştırmak için kullanılabilir.

NOT: Beyan edilen titreşim toplam değer(ler)i bir ön maruz kalma değerlendirmesi olarak da kullanılabilir.

⚠UYARI: Elektrikli aletin gerçek kullanım sırasındaki titreşim emisyonu, aletin kullanım biçimlerine, özellikle işlenen iş parçasının türüne bağlı olarak beyan edilen değer(ler)den farklı olabilir.

⚠UYARI: Gerçek kullanım koşullarındaki tahmini maruziyeti baz alan, operatörü koruyacak güvenlik önlemlerini mutlaka belirleyin (çalışma döngüsü içerisinde aletin kapalı olduğu ve aktif durumda olmasının yanı sıra boşta çalıştığı zamanlar gibi, bütün zaman dilimleri göz önünde bulundurarak).

Uygunluk Beyanları

Sadece Avrupa ülkeleri için

Uygunluk beyanları bu kullanma kılavuzuna Ek A olarak eklenmiştir.

GÜVENLİK UYARILARI

Genel elektrikli alet güvenliği uyarıları

⚠UYARI Bu elektrikli aletle birlikte verilen tüm güvenlik uyarılarını, talimatları, resimli açıklamaları ve teknik özellikleri okuyun. Aşağıda listelenen talimatların herhangi birine uyulmaması elektrik çarpması, yangın ve/veya ciddi yaralanma ile sonuçlanabilir.

Tüm uyarıları ve talimatları ile-ride başvurmak için saklayın.

Uyarılardaki "elektrikli alet" terimi ile ya prizden çalışan (kordonlu) elektrikli aletinizi ya da kendi aküsü ile çalışan (kordonsuz) elektrikli aletinizi kastedilmektedir.

Akülü sunta kesme güvenlik uyarıları

Kesim prosedürleri

- ⚠TEHLİKE:** Ellerinizi kesme alanından ve bıçaktan uzak tutun. Diğer elinizi yarımcı tutamak veya motor mahfazası üstünde tutun. Her iki el de testereyi tutarsa, bıçaklar tarafından kesilemez.
- İş parçasının altına uzanmayın.** Siper iş parçasının altında sizi bıçaktan koruyamaz.
- Kesme derinliğini iş parçasının kalınlığına göre ayarlayın.** İş parçasının altında bıçak dişlerinin bir tam dişinden daha azı görülmelidir.
- Kesim sırasında iş parçasını asla elinizle ya da bacaklarınızla tutmayın.** İş parçasını sabit bir platforma oturtun. Bedensel zarar gelmesini, bıçağın iş parçasına saplanıp kalmasını ya da kontrolün kaybedilmesini önlemek için yapılan işi uygun şekilde desteklemek oldukça önemlidir.

► Şek.1

- Kesici parçanın görünmeyen kablolarla temas etme olasılığı bulunan yerlerde çalışırken elektrikli aleti yalıtımlı kavrama yüzeylerinden tutun.** "Akımlı" bir telle temas, elektrikli aletin

yalıtımsız metal kısımlarını da "akımlı" hale getirir ve kullanıcıyı elektrik çarpmasına maruz bırakabilir.

- Bıçme yaparken daima bir bıçkı kenarlığı veya düz kenar kılavuzu kullanın.** Bu daha hassas bir kesim sağlar ve bıçağın sıkışması riskini azaltır.
- Her zaman doğru mil delik şekline (elmas ya da yuvarlak) ve boyutuna sahip bıçaklar kullanın.** Testerenin montaj donanımına uymayan bıçaklar eksenden çıkar ve kontrolün kaybedilmesine neden olur.
- Asla hasarlı ya da yanlış bıçak rondelalarını veya civatasını kullanmayın.** Bıçak rondelaları ve civatası testereniz için, optimum performans ve çalışma güvenliği sağlamak amacıyla özel olarak tasarlanmıştır.

Gerit tepme nedenleri ve ilgili uyarılar

- geri tepme, sıkışan, takılan ya da yanlış hizalanan testere bıçağına karşı gösterilen ani bir tepkidir ve kontrol edilemeyen testerenin iş parçasından çıkıp operatöre doğru yukarı kalkmasına neden olur;
 - kesik kapanarak bıçağın takılmasına ya da sıkışmasına neden olduğunda bıçak durur ve motorun tepkisi sonucu ünite hızlı bir şekilde kullanıcıya doğru geri teper;
 - Eğer bıçak kesik içinde bükülür veya yanlış hizalanırsa, bıçağın arka kenarındaki dişler ahşabın üst yüzeyine batarak, kertiğe dışına tırmanıp, operatöre doğru geri zıplamasına neden olabilir.
- Gerit tepme testerenin yanlış kullanılması ve/veya yanlış kullanım usulleri veya koşullarının bir sonucudur ve aşağıda verildiği gibi doğru önlemlerle önlenir.

- Testereyi iki elinizle sıkıca kavramayı sürdürün ve kollarınızı geri tepme kuvvetlerine karşı koyacak bir konumda tutun. Vücutunuzu bıçak ile aynı hatta değil, bıçağın herhangi bir yanında tutun.** Gerit tepme testerenin geriye sıçramasına neden olabilir ama geri tepme kuvvetleri, eğer uygun önlemler alınırsa, operatör tarafından kontrol edilebilir.
- Bıçak takıldığı veya herhangi bir nedenle kesmeyi durdurduğu zaman, tetiği serbest bırakın ve testereyi bıçak tamamen duruncaya kadar malzeme içinde hareketsiz olarak tutun. Bıçak hareket halindeyken asla testereyi iştten çıkarmaya veya geriye çekmeye çalışmayın, aksi takdirde geri tepme meydana gelebilir.** Bıçağın takılma nedenini araştırıp, ortadan kaldırmak için düzeltici işlemleri yapın.
- Testereyi iş parçasının içinde yeniden başlatırken, testere bıçağını kesişe ortalayarak testere dişlerinin malzemenin içine girmemiş olduğundan emin olun.** Testere bıçağı takılırsa, testere yeniden başlatıldığında yukarı kalkabilir ya da geri tepebilir.
- Bıçağın sıkışması ve geri tepmesi riskini en aza indirmek için büyük panelleri destekleyin.** Büyük paneller kendi ağırlıkları altında bel vermeye meyillidirler. Destekler, kesme hattına ve panelin kenarına yakın olarak, panelin her iki tarafının altına yerleştirilmelidirler.

► Şek.2

► Şek.3

5. **Kör veya hasarlı bıçakları kullanmayın.** Keskin olmayan veya yanlış ayarlanmış bıçaklar dar ker-tikler açarak, aşırı sürtünmeye, bıçak takılmasına ve geri tepmeye neden olurlar.
6. **Kesme yapmadan önce bıçak derinliği ve şev ayarı kilitleme levheleri sıkılı ve sabitlenmiş olmalıdır.** Eğer bıçak ayarı kesme sırasında kayarsa, takılmaya ve geri tepmeye neden olabilir.
7. **Mevcut duvarların veya diğer kör alanların içine biçme yaparken daha fazla dikkat gösterin.** Çıkıntı yapan bıçak geri tepmeye neden olabilecek cisimleri kesebilir.
8. **Aleti DAİMA her iki elinizle sıkıca tutun.** Özellikle enine kesim yaparken elinizi, bacağı- nızı ve vücudunuzun hiçbir kısmını **ASLA alet tabanının altına ya da testerenin arkasına koymayın.** Geri tepme olursa, testere kolayca geriye elinizin üstüne sıçrayarak ciddi yaralanmalara neden olabilir.

► Şek.4

9. **Testereyi asla zorlamayın.** Testereyi bıçağın yavaşlamadan keseceği bir hızda iletir doğru itin. Testereyi zorlamak düzgün olmayan kesme- lere, hassaslık kaybına ve olası geri tepmeye neden olabilir.

Siper işlevi

1. **Her kullanımdan önce alt koruma parçasının doğru bir şekilde kapatılıp kapatılmadığını kontrol edin.** Alt koruma parçası serbest bir şekilde hareket etmiyor ve anında kapanmıyorsa sunta kesme aletini kullanmayın. Alt koruma parçasını asla açık konumda kalacak şekilde sıkıştırmayın ve bağlamayın. Sunta kesme aleti kazayla düşerse, alt koruma parçası bükülebilir. Alt koruma parçasını geri çekme kolu ile kaldırın ve tüm açılarda ve tüm kesme derinliklerinde serbest bir şekilde hareket ettiğinden, bıçağa ya da diğer parçalara temas etmediğinden emin olun.
2. **Alt koruma parçasına ait yayın işleyişini kontrol edin.** Koruma parçası ve yay düzgün işle- miyorsa, kullanmadan önce tamir edilmelidir. Hasarlı parçalar, yapışık netelikli artıklar ya da talaş birikmesi alt koruma parçasının yavaş çalış- masına neden olabilir.
3. **Sadece “dalmalı tip kesme” ya da “birleşik kesme” gibi özel kesimlerde alt koruma par- çası elle geri çekilebilir.** Alt koruma parçasını geri çekme kolu ile kaldırın, bıçak malzemeye girer girmez alt koruma parçası serbest kal- maldır. Diğer tüm kesme işlemlerinde alt koruma parçası otomatik olarak çalışmalıdır.
4. **Sunta kesme aletini tezgahın ya da zeminin üstüne yerleştirmeden önce alt koruma parçası- nın bıçağı örttüğünden emin olun.** Korumasız, boşta kalan bir bıçak, sunta kesme aletinin geri hareket ederek önünde ne varsa kesmesine neden olur. Anahtar bırakıldıktan sonra bıçağın durması için gereken zamana dikkat edin.
5. **Alt koruma parçasını kontrol etmek için, alt koruma parçasını elle açın ve ardından koruma parçasını serbest bırakın ve kapanmasını izleyin.** Ayrıca geri çekme kolunun alet muhafaza- sına temas edip etmediğini kontrol edin. Bıçağı açıkta bırakmak ÇOK TEHLİKELİDİR ve ciddi kişisel yaralanmalara neden olabilir.

Ek güvenlik uyarıları

1. **Islak tahtaları, basınçla işlenmiş keresteleri veya budaklı ağaçları keserken daha fazla dikkat gösterin.** Bıçak uçlarının aşırı ısınmasını önlemek için, aletin bıçak hızı düşmeden düzgün ilerlemesini sağlayın.
2. **Bıçak hareket halindeyken kesilen malzemeyi çıkarmaya çalışmayın.** Kesilen materyale elmeden önce bıçağın durmasını bekleyin. Kapatıldıktan sonra bıçaklar bir müddet boşta hareket edebilir.
3. **Çivileri kesmekten kaçının.** Kesmeden önce tahtadaki tüm çivileri bulun ve çıkarın.
4. **Kesme yaparken, testere tabanının daha geniş bölümünü iş parçasının düşecek kıs- mının değil altı sağlam şekilde desteklenen kısmının üstüne yerleştirin.** İş parçası kısa ya da küçükse, mengeneyle sıkıştırın. **KISA PARÇALARI ELLE TUTMAYA ÇALIŞMAYIN!**

► Şek.5

5. **Bir kesimi gerçekleştirdikten sonra aleti bırakırken, siperin kapalı olduğundan ve bıçağın tam olarak durduğundan emin olun.**
6. **Daire testereyi mengeneyle baş aşağı tutarak kesme yapmaya asla çalışmayın.** Bu son dere- cede tehlikelidir ve ciddi kazalara yol açabilir.

► Şek.6

7. **Bazı malzemeler zehirli olabilen kimyasallar içerirler.** Toz yutmayı ve cilt temasını önlemek için tedbir alın. Malzeme sağlayıcısının güven- lik bilgilerine uyun.
8. **Bıçakları testere bıçağına yanal basınç uygula- yarak durdurmayın.**
9. **Aşındırıcı diskleri kullanmayın.**
10. **Sadece alet üzerine basılmış olan ya da kıla- vuzda belirtilmiş olan çapta bir testere bıçağı kullanın.** Yanlış boyuttaki bir bıçağın kullanılması bıçağa karşı doğru bir şekilde siperle koruma yapılmasını veya siperin işleyişini etkileyebilir, bu da ciddi kişisel yaralanmalara neden olabilir.
11. **Bıçağı keskin ve temiz tutun.** Bıçakların üzerinde sertleşen sakız veya zambak, testereyi yavaşlatır ve geri tepme riskini artırır. Bıçağı önce aletten çıkarıp ardından sakız ve zambak çözücü bir madde, sıcak su veya gaz yağı ile temizleyin. Asla benzin kullanmayın.
12. **Bu aleti kullanırken bir toz maskesi ve kulak koruması takın.**
13. **Her zaman keseceğiniz malzeme için tasarlan- mış testere bıçağını kullanın.**
14. **Sadece hızı alet üzerinde işaretli olan hıza eşit ya da ondan daha yüksek olan testere bıçakla- rını kullanın.**
15. **(Yalnızca Avrupa ülkeleri için)** Aşşap veya benzeri malzemeleri kesmeyi planlıyorsanız her zaman EN847-1 standardına uygun bıçak kullanın.
16. **Aleti ve parçaları düz ve dengeli bir yüzeye yerleştirin.** Aksi takdirde alet veya parçalar düşer- rek yaralanmaya neden olabilir.

BU TALİMATLARI MUHAFAZA EDİNİZ.

⚠UYARI: Ürünü kullanırken (defalarca kullanınca kazanılan) rahatlık ve tanıdıklık duygusunun ilgili ürünün güvenlik kurallarına sıkı sıkıya bağlı kalmanın yerine geçmesine İZİN VERMEYİN. YANLIŞ KULLANIM veya bu kullanma kılavuzunda belirtilen emniyet kurallarına uymama ciddi yaralanmaya neden olabilir.

Batarya kartuşu hakkında önemli güvenlik talimatları

1. Batarya kartuşunu kullanmadan önce, tüm talimatları ve (1) batarya kartuşu, (2) batarya ve (3) ürün üzerindeki tüm uyarı işaretlerini okuyun.
2. Batarya kartuşunu parçalarına ayırmayın veya kurcalamayın. Yangın, aşırı ısı veya patlamaya neden olabilir.
3. Çalışma süresi aşırı derecede kısalmışsa kullanmayı derhal bırakın. Aşırı ısınma, yanma riski hatta patlamaya neden olabilir.
4. Gözünüze elektrolit kaçarsa, gözlerinizi temiz suyla durulayın ve hemen tıbbi yardım alın. Görme kaybına yol açabilir.
5. Batarya kartuşuna kısa devre yaptırmayın:
 - (1) Terminallere herhangi bir iletken madde değdirmeyin.
 - (2) Batarya kartuşunu çiviler, madeni paralar, vb. gibi başka metal nesnelere aynı kaba koymaktan kaçınin.
 - (3) Batarya kartuşunu yağmura ya da suya maruz bırakmayın.

Kısa devre, büyük bir akım akışına, aşırı ısınmaya, olası yanıklara hatta bataryanın bozulmasına yol açabilir.
6. Aleti ve batarya kartuşunu sıcaklığın 50 °C ya da daha yüksekçe ulaştığı yerlerde saklamayın ve kullanmayın.
7. Aşırı derecede hasar görmüş ya da tamamen kullanılmaz durumda olsa bile batarya kartuşunu yakmayın. Batarya kartuşu ateşe atılırsa patlayabilir.
8. Batarya kartuşunu çivilememeyin, kesmeyin, ezmeyin, fırlatmayın, düşürmeyin ya da batarya kartuşuna sert bir nesne ile vurmeyin. Bu eylemler yangın, aşırı ısı veya patlamaya neden olabilir.
9. Hasarlı bataryayı kullanmayın.
10. Aletin içerdığı lityum-iyon bataryalar Tehlikeli Eşyalar Yönetmeliğinin gereksinimlerine tabidir. Ticari nakliye işlemleri için, örneğin üçüncü taraflar, nakliye acenteleri tarafından yapılan nakliyelerde, paketleme ve etiketleme gereksinimlerine uyulmalıdır. Nakliyesi yapılacak ürünün hazırlanması için, tehlikeli maddeler konusunda uzman bir kişiye danışın. Lütfen muhtemelen daha ayrıntılı olan ulusal yönetmeliklere de uyun. Açık kontakları bantlayın ya da maskeleyin ve bataryayı paketin içinde hareket etmeyecek şekilde paketleyin.
11. Batarya kartuşunu bertaraf ederken aletten çıkarın ve güvenli bir yerde bertaraf edin. Bataryanın bertaraf edilmesi ile ilgili yerel düzenlemelere uyunuz.

12. Bataryaları sadece Makita tarafından belirtilen ürünlerle kullanın. Bataryaların uyumsuz ürünlere takılması; yangın, aşırı ısınma, patlama ya da elektrolit sızıntısına neden olabilir.
13. Alet uzun süre kullanılmıyacaksa batarya aletten çıkarılmalıdır.
14. Kullanma sırasında ve sonrasında batarya kartuşu ısınarak yanıklara veya düşük sıcaklık yanıklarına yol açabilir. Sıcak batarya kartuşları ile işlem yaparken dikkat edin.
15. Yanıklara neden olabilecek kadar sıcak olabileceğinden kullandıktan hemen sonra aletin terminaline dokunmayın.
16. Batarya kartuşunun terminallerine, deliklerine ve kanallarına mıcır, toz veya toprak girmesine izin vermeyin. Aletin veya batarya kartuşunun ısınmasına, alev almasına, patlamasına ve arızalanmasına neden olarak yanıklara veya yaralanmaya yol açabilir.
17. Alet yüksek gerilim elektrik güç hatları yakınında kullanımı desteklemediği sürece batarya kartuşunu yüksek gerilim elektrik güç hatlarının yakınında kullanmayın. Aletin veya batarya kartuşunun arızalanmasına veya bozulmasına neden olabilir.
18. Bataryayı çocuklardan uzak tutun.

BU TALİMATLARI MUHAFAZA EDİNİZ.

⚠DİKKAT: Sadece orijinal Makita bataryalarını kullanın. Orijinal olmayan Makita bataryaları ya da üzerine değişiklik yapılmış bataryaların kullanımı bataryanın patlamasına ve sonuç olarak yangın, kişisel yaralanma ve hasara neden olabilir. Ayrıca Makita aleti ve şarj aletinin Makita tarafından sunulan garantisi de geçersiz olur.

Maksimum batarya ömrü için ipuçları

1. Batarya kartuşunu tamamen boşalmadan önce şarj edin. Aletin gücünün zayıflamaya başladığını fark ettiğinizde aleti durdurun ve batarya kartuşunu şarj edin.
2. Tam dolu bir batarya kartuşunu asla yeniden şarj etmeyin. Aşırı şarj etme bataryanın hizmet ömrünü kısaltır.
3. Batarya kartuşunu 10 °C - 40 °C oda sıcaklığında şarj edin. Sıcak bir batarya kartuşunu şarj etmeden önce soğumasını bekleyin.
4. Batarya kartuşunu kullanmıyorken aletten veya şarj aletinden çıkarın.
5. Uzun bir süre (altı aydan daha fazla) kullanmadığınız durumlarda batarya kartuşunu şarj edin.

Kablosuz ünitesi için önemli güvenlik talimatları

1. Kablosuz ünitesini parçalarına ayırmayın veya kurcalamayın.
2. Kablosuz ünitesini küçük çocuklardan uzak tutun. Kazara yutulursa derhal tıbbi yardım alın.
3. Kablosuz ünitesini sadece Makita aletlerle kullanın.

4. Kablosuz ünitesini yağmura veya ıslak koşullara maruz bırakmayın.
5. Kablosuz ünitesini sıcaklığın 50 °C'yi aştığı yerlerde kullanmayın.
6. Kablosuz ünitesini, kalp pilleri gibi tıbbi cihazların yakınında bulunan yerlerde kullanmayın.
7. Kablosuz ünitesini, otomatik cihazların yakınında bulunan yerlerde kullanmayın. Kullanılırsa otomatik cihazlar arızalanabilir veya hata verebilir.
8. Kablosuz ünitesini, yüksek sıcaklık altındaki yerlerde veya statik elektrik veya elektrik gürlütüsü üretilebilecek yerlerde kullanmayın.
9. Kablosuz ünitesi elektromanyetik alanlar üretilebilir ancak onlar kullanıcıya zararlı değildir.
10. Kablosuz ünitesi hassas bir cihazdır. Kablosuz ünitesini düşürmemeye veya çarpmamaya dikkat edin.
11. Kablosuz ünitesinin terminaline çıplak ellerle veya metalik malzemelerle dokunmaktan kaçının.
12. Kablosuz ünitesini ürüne takarken ürünün üzerindeki bataryayı mutlaka çıkarın.
13. Yuva kapağını açarken yuvaya toz ve suyun girebileceği yerlerden kaçınin. Yuva girişini daima temiz tutun.
14. Kablosuz ünitesi her zaman doğru yönde takın.
15. Kablosuz ünitesinin üzerindeki kablosuz çalıştırma düğmesine çok sert basmayın ve/veya düğmeye keskin uçlu bir cisim ile basmayın.
16. Kullanırken yuva kapağını mutlaka kapatın.
17. Alete güç beslenirken kablosuz ünitesini yuvadan çıkarmayın. Aksi takdirde kablosuz ünitesi arızalanabilir.
18. Kablosuz ünitesinin üzerindeki etiketi çıkarmayın.
19. Kablosuz ünitesinin üzerine hiçbir etiket koymayın.
20. Kablosuz ünitesini, statik elektrik veya elektrik gürlütüsü üretilebilecek yerlerde bırakmayın.
21. Kablosuz ünitesini, güneşin altında duran bir araba gibi yüksek ısıya maruz yerlerde bırakmayın.
22. Kablosuz ünitesini, tozlu veya aşındırıcı gaz üretilebilecek yerlerde bırakmayın.
23. Ani sıcaklık değişimleri kablosuz ünitesini nemlendirebilir. Nem tamamen kuruyana dek kablosuz ünitesini kullanmayın.
24. Kablosuz ünitesini temizlerken kuru yumuşak bir bezle nazikçe silin. Benzin, tiner, iletken gres veya benzeri maddeler kullanmayın.
25. Kablosuz ünitesini saklarken ürüne verilen kutusunda veya anti-statik bir kaptaki saklayın.
26. Alet üzerindeki yuvaya Makita kablosuz ünitesi dışında başka hiçbir ağıt sokmayın.
27. Aleti, yuvanın kapağı hasarlı iken kullanmayın. Yuvaya giren su, toz ve pislik arızaya neden olabilir.
28. Yuvanın kapağını gerekinden fazla çekmeyin ve/veya bükmeyin. Aletten çıkması durumunda kapağı yeniden takın.
29. Kaybolur veya hasar görürse kapağı değiştirin.

BU TALİMATLARI MUHAFAZA EDİNİZ.

İŞLEVSEL NİTELİKLER

⚠DİKKAT: Alet üzerinde ayarlama veya işleyiş kontrolü yapmadan önce aleti kapalı ve batarya kartuşunun ayrılmış olduğundan daima emin olun.

Batarya kartuşunun takılması ve çıkarılması

⚠DİKKAT: Batarya kartuşunu takmadan ya da çıkarmadan önce aleti daima kapatın.

⚠DİKKAT: Batarya kartuşunu takarken veya çıkarırken aleti ve batarya kartuşunu sıkıca tutun. Aletin ve batarya kartuşunun sıkıca tutulmaması bunların düşürülmesine sebep olabilir ve alet ve batarya kartuşunun zarar görmesine ya da ciddi yaralanmasına yol açabilir.

Batarya kartuşunu takmak için, batarya kartuşu üzerindeki dili yuvanın oluğu ile hizalayın ve kartuşu yerine oturtun. Kartuşu, küçük bir tık sesi ile yerine sabitlenene dek sonuna kadar itinir. Şekilde gösterildiği gibi kırmızı göstergesi görebiliyorsanız tam olarak kilitlenmemiş demektir.

Batarya kartuşunu çıkarmak için, kartuşun ön tarafındaki düğmeyi kaydırarak kartuşu aletten çıkarın.

► **Şek.7:** 1. Kırmızı gösterge 2. Düşme 3. Batarya kartuşu

⚠DİKKAT: Batarya kartuşunu daima kırmızı gösterge görünmeyecek şekilde tam olarak takın. Yerine tam oturmazsa, aletten yanlışlıkla düşebilir, sizin ya da çevrenizdeki kişilerin yaralanmasına neden olabilir.





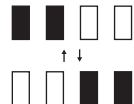
⚠DİKKAT: Batarya kartuşunu zorlayarak takmayın. Kartuş kolay bir şekilde kaymıyorsa doğru yerleştirilmemiş demektir.

Kalan batarya kapasitesinin gösterilmesi

Kalan batarya kapasitesini göstermesi için batarya kartuşu üzerindeki kontrol düğmesine basın. Gösterge lambaları birkaç saniye yanar.

► **Şek.8:** 1. Gösterge lambaları 2. Kontrol düğmesi

Gösterge lambaları			Kalan kapasite
Yanıyor	Kapalı	Yanıp sönyüyor	
■	□	▣	%75 ila %100
■ ■ ■ ■			
■ ■ ■ □			%50 ila %75
■ ■ □ □			%25 ila %50
■ □ □ □			%0 ila %25

Gösterge lambaları			Kalan kapasite
			
			Bataryayı şarj edin.
			Batarya arızalanmış olabilir.

NOT: Kullanım koşullarına ve ortam sıcaklığına bağlı olarak, gösterilen değer gerçek kapasiteden biraz farklılık gösterebilir.

NOT: İlk (en soldaki) gösterge lambası, batarya koruma sistemi çalıştığında yanıp söner.

Alet/batarya koruma sistemi

Bu alet bir alet/batarya koruma sistemi ile donatılmıştır. Bu sistem motora giden gücü otomatik olarak keserek uzun alet ve batarya ömrü sağlar. Alet veya batarya için aşağıdaki durumlardan biri söz konusu olduğunda aletin işleyişi otomatik olarak durur. Bazı durumlarda göstergeler yanar.

Aşırı yük koruması

Alet/batarya, anormal derecede yüksek akım çekmesine neden olacak şekilde kullanıldığında, alet otomatik olarak durur. Bu durumda, aleti kapatın ve aletin aşırı yüklenmesine neden olan uygulamayı durdurun. Daha sonra aleti yeniden başlatması için çalıştırın.

Aşırı ısınma koruması

Alet/batarya aşırı ısındığında, alet otomatik olarak durur. Bu durumda, yeniden çalıştırmadan önce aletin soğumasını bekleyin.

Aşırı deşarj koruması

Batarya kapasitesi düştüğünde, alet otomatik olarak durur. Anahtarlar devredeyken bile ürün çalışmıyorsa, bataryayı/bataryaları aletten çıkarıp şarj edin.

Diğer nedenlere karşı korumalar

Koruma sistemi, alete zarar verebilecek diğer nedenler için de tasarlanmıştır ve aletin otomatik olarak durmasını sağlar. Alet çalışırken geçici duraklama ve durma yaparsa nedenleri ortadan kaldırmak için aşağıdaki tüm adımları uygulayın.

1. Tüm anahtarların kapalı konumunda olduklarından emin olarak yeniden çalıştırmak için aleti açın.
2. Bataryaları şarj edin veya şarjlı bataryalarla değiştirin.
3. Aletin ve bataryaların soğumasını bekleyin.

Koruma sistemi eski haline getirilerek ilerleme kaydedilemezse yerel Makita Servis Merkezimize başvurun.

Anahtar işlemi

⚠UYARI: Batarya kartuşunu alete takmadan önce anahtar tetiğin doğru çalıştığından ve bırakıldığında "OFF" (kapalı) konumuna döndüğünden emin olun.

⚠UYARI: Güvenlik kilidi düğmesini ASLA bantlayarak ya da başka bir yöntemle devre dışı bırakmaya çalışmayın. Güvenlik kilidi düğmesi devre dışı bırakılmış bir anahtar, istem dışı çalışmaya ve ciddi kişisel yaralanmalara neden olabilir.

⚠UYARI: Güvenlik kilidi düğmesine basmadan sadece anahtar tetik çekildiğinde çalışan bir aleti ASLA kullanmayın. Tamir edilmesi gereken bir anahtar, istem dışı çalışmaya ve ciddi kişisel yaralanmalara neden olabilir. Daha fazla kullanmadan ÖNCE doğru bir şekilde tamir ettirmek için aleti bir Makita servisine götürün.

Anahtar tetiğin yanlışlıkla çekilmesini önlemek için bir güvenlik kilidi düğmesi sağlanmıştır. Aleti başlatmak için, güvenlik kilidi düğmesine bastırın ve anahtar tetiği çekin. Durdurmak için anahtar tetiği bırakın.

► **Şek.9:** 1. Anahtar tetik 2. Güvenlik kilidi düğmesi

ÖNEMLİ NOT: Güvenlik kilidi düğmesine basmadan anahtar tetiği sıkıca çekmeyin. Bu, anahtarın kırılmasına neden olabilir.

⚠DİKKAT: Anahtar tetiği bıraktığınızda alet, daire testere bıçağının dönüşünü hemen kesmeye başlar. Anahtar tetiği bırakırken dönüşün kesilmesine karşı oluşacak tepkiyi önlemek için aleti sıkıca tutun. Ani tepki, aleti elinizden düşürmenize ve kişisel yaralanmaya neden olabilir.

Kesimin derinliğini ayarlamak

⚠DİKKAT: Kesim derinliğini ayarladıktan sonra kaideyi mutlaka kilitleyin.

1. Kolu gevşeterek kaidenin kilidini açın.
 2. Sunta kesme bıçağını istediğiniz kesim derinliğine ayarlayın.
 3. Kolu sıkarak kaideyi kilitleyin.
- **Şek.10:** 1. Kaide 2. Kesim derinliği 3. Kol

⚠DİKKAT: Daha temiz ve güvenli kesimler için, kesim derinliğini bıçağın bir dışından fazlası iş parçasının altından çıkmayacak şekilde ayarlayın. Doğru kesim derinliğinin kullanılmasında ciddi yaralanmalara neden olabilecek olası GERİ TEPMELERİN önlenmesini sağlar.

Eğimli kesim

⚠DİKKAT: Eğim açısını ayarladıktan sonra kaideyi mutlaka kilitleyin.

1. Kolu ve sıkıştırma vidasını gevşetin.
2. Kaideyi eğerek ibreyi istediğiniz kesim açısı ile hizalayın.

3. Kolu ve sıkıştırma vidasını iyice sıkın.
► **Şek.11:** 1. Kol 2. Sıkıştırma vidası 3. İbrel

Nişanlama

Düz kesimler için kaidenin önündeki 0° konumunu kesim çizginizle hizalayın. 45° eğimli kesimler için 45° konumunu kesim çizginizle hizalayın.

- **Şek.12:** 1. Kesim çizgisi (0° konumu) 2. Kesim çizgisi (45° konumu)

Bıçak sabitleme aygıtı

Genel olarak bıçak sabitleme aygıtını, kilitleme kolunu kilitleti konuma ayarlayarak kullanın. Kilitleme kolunu kilitlemek için aşağı ittirip saatin aksi yönünde 90° çevirin. Kilitleme kolunu açmak için saat yönünde 90° çevirin. Sunta kesme bıçağını değiştirirken kilitleme kolunu açın.

- **Şek.13:** 1. Kilitleme kolu 2. Kilitleti konum 3. Açık konum

Elektrikli fren

Bu alet bir elektrikli bıçak freni ile donatılmıştır. Anahtar tetik bırakıldıktan sonra alet devamlı bir şekilde, sunta kesme bıçağını çabucak durduramıyorsa alete Makita servis merkezinde bakım yaptırın.

⚠DİKKAT: Bıçak fren sistemi, bıçak sipерinin yerine geçmez. **ÇALIŞAN BİR BIÇAK SİPERİ OLMADAN ALETİ ASLA KULLANMAYIN. CİDDİ YARALANMAYA YOL AÇABİLİR.**

Elektronik fonksiyon

Elektronik fonksiyonlu aletlerin kullanımı aşağıda belirtilen özellik(ler) nedeniyle daha kolaydır.

Yumuşak kalkış özelliği

Bastırılan başlama şoku nedeniyle yumuşak kalkışı.

MONTAJ

⚠DİKKAT: Alet üzerinde herhangi bir iş yapmadan önce aletin kapalı ve batarya kartuşunun ayrılmış olduğundan daima emin olun.

Altıgen anahtarın saklanması

Kullanılmadığı zamanlarda, altıgen anahtarın kaybolmasını önlemek için anahtarı şekilde gösterildiği gibi saklayın.

- **Şek.14:** 1. Altıgen anahtar

Sunta kesme bıçağının takılması ve çıkarılması

⚠DİKKAT: Sunta kesme bıçağının, aletin ön kısmında dişler yukarı bakacak şekilde takıldığından emin olun.

⚠DİKKAT: Sunta kesme bıçağını takmak ve çıkarmak için sadece Makita marka anahtar kullanın.

NOT: Sunta kesme bıçağını takarken/çıkarırken kaideyi orijinal konuma getirme işlemi kolaydır.

Sunta kesme bıçağının takılması

NOT: Modellere bağlı olarak sunta kesme bıçağı sevkıyat sırasında önceden takılmış durumdadır.

1. Bıçak sabitleme aygıtının kilitleme kolunu açın.
2. Şaft kilidine tamamen bastırarak montaj şaftının dönmelerini engelleyin ve altıgen anahtarı kullanarak altıgen civatayı gevşetin. Ardından altıgen civata ve diş flanşı sökün.
► **Şek.15:** 1. Kilitleme kolu 2. Şaft kilidi 3. Altıgen anahtar 4. Gevşet 5. Sıkıştır
3. İç flanşı bombeli tarafı montaj şaftına doğru bakacak şekilde monte edin, ardından sunta kesme bıçağını, dış flanşı ve altıgen civatayı takın. Bu esnada sunta kesme bıçağı üzerindeki ok yönünü aletin üzerindeki okla hizalayın.
► **Şek.16:** 1. Altıgen civata 2. Dış flanş 3. Sunta kesme bıçağı 4. Sunta kesme bıçağı üzerindeki ok 5. İç flanş 6. Aletin üzerindeki ok
4. Şaft kilidine bastırın ve altıgen civatayı sıkın.
5. Bıçak sabitleme aygıtının kilitleme kolunu kilitleyin.

İç flanşın takma yönü

İç flanşın bir tarafında belli bir çapta çıkıntı, diğer tarafında farklı bir çapta çıkıntı mevcuttur. Sunta kesme bıçağı deliğine tam oturacak çıkıntıya sahip olan doğru tarafı seçin. İç flanş üzerindeki çıkıntının doğru tarafı dışarı gelecek şekilde iç flanşı montaj şaftına monte edin ve ardından sunta kesme bıçağını ve dış flanşı yerleştirin.

- **Şek.17:** 1. Montaj şaftı 2. İç flanş 3. Sunta kesme bıçağı 4. Dış flanş 5. Altıgen civata

⚠UYARI: ALTIGEN CIVATAYI İYİCE SIKTIĞINIZDAN EMİN OLUN. Ayrıca, civatayı zorlayarak sıkılamaya dikkat edin. Altıgen anahtarı elinizden kaydırmak yaralanmaya neden olabilir.

⚠UYARI: İç flanş üzerindeki dışarı bakan "a" çıkıntısının sunta kesme bıçağının "a" deliğine tam olarak uyduğundan emin olun. Bıçağın yanlış tarafa monte edilmesi tehlikeli titreşimlere neden olabilir.

Sunta kesme bıçağının çıkarılması

Sunta kesme bıçağını çıkarmak için, takma işlemini tersinden uygulayın.

ÖNEMLİ NOT: Kaybolmasını önlemek için dış flaşı ve altigen civatayı yeniden takın.

Bıçak koruma parçasının temizlenmesi

Sunta kesme bıçağını değiştirirken, Bakım bölümünde açıklandığı şekilde, üst ve alt bıçak koruma parçalarında birikmiş olan talaşı temizlediğinizden emin olun. Bunu yapmanız, her kullanımdan önce alt koruma parçasının işleyişini kontrol etme gereğinin yerine geçmez.

Bir elektrikli süpürgeğin bağlanması

İsteğe bağlı aksesuar

NOT: Modellere bağlı olarak toz toplama başlığı standart aksesuar olarak temin edilir.

Temiz bir kesme işlemi gerçekleştirmek isterseniz, aletinize bir Makita elektrikli süpürge bağlayın.

Toz toplama başlığını vidayı kullanarak alete takın.

► **Şek.18:** 1. Toz toplama başlığı 2. Vida

Elektrikli süpürgeğin hortumunu şekilde gösterildiği gibi ön rakor 24 ile toz toplama başlığına bağlayın.

► **Şek.19:** 1. Toz toplama başlığı 2. Ön rakor 24 (isteğe bağlı aksesuar) 3. Elektrikli süpürge hortumu

KULLANIM

Bu alet, sadece ahşap ürünlerini kesmek için tasarlanmıştır.

NOT: Kesilecek materyalde kullanılacak doğru sunta kesme bıçakları için web sitemize bakın veya yerel Makita satıcınıza başvurun.

Bıçak koruma parçasının çalışmasının kontrol edilmesi

Batarya kartuşunu çıkarın.

Eğim açısını 0°'ye ayarlayın ve ardından alt bıçak koruma parçasını elle sonuna kadar geri çekerek bırakın. Şunları görürseniz alt bıçak koruma parçası düzgün çalışmıyor;

- hiçbir engelleme olmadan kaidenin üzerine geri çekilebiliyor ve;
- otomatik olarak geri dönüp durdurucuya temas ediyor.

► **Şek.20:** 1. Üst bıçak koruma parçası 2. Alt bıçak koruma parçası 3. Kaide 4. Durdurucu 5. Açma 6. Kapama

Alt bıçak koruma parçası düzgün çalışmıyorsa üst ve alt bıçak koruma parçalarının içinde talaş birikip birikmediğini kontrol edin. Talaşlar temizlendikten sonra bile alt bıçak koruma parçası düzgün çalışmıyorsa aletinize bir Makita servis merkezinde bakım yaptırın.

Kesme işlemi

⚠DİKKAT: Kesme işlemi yaparken toz maskesi takın.

⚠DİKKAT: Aleti düz bir çizgi boyunca hafifçe ilerlettiğinizden emin olun. Aleti zorlamak veya bükme motorun aşırı ısınmasına ve tehlikeli geri tepmelere neden olarak ciddi yaralanmalara yol açabilir.

ÖNEMLİ NOT: Batarya kartuşunun sıcaklığı düşük olduğunda, alet tam kapasitede çalışmayabilir. Bu durumda, batarya kartuşu ısınıp oda sıcaklığına ulaşmaya kadar, aleti bir müddet boyunca, örnek vermek gerekirse, hafif güç gerektiren bir işte kullanın. Böylece, alet tam kapasitede çalışabilir.

► Şek.21

Aleti sıkıca tutun. Alet üzerinde hem kavrama kolu hem de arka tutamak mevcuttur. Aleti en iyi şekilde kavramak için ikisini de kullanın.

İki eliniz de aleti tutarsa, ellerinizin sunta kesme bıçağı tarafından kesilme riski olmaz. Kaideyi sunta kesme bıçağına temas etmeyecek şekilde kesilecek iş parçasının üzerine yerleştirin. Ardından aleti çalıştırın ve sunta kesme bıçağı tam hıza ulaşana kadar bekleyin. Şimdi aleti iş parçasının yüzeyi üzerinde ileri doğru ittirip kesim işlemi tamamlanana kadar düz tutarak yumuşak bir şekilde ilerletin.

Temiz bir kesim için, kesim çizginizi düz, ilerletme hızınızı sabit tutmaya özen gösterin. Kesim, istediğiniz kesim çizgisini düzgün bir şekilde takip etmezse geri dönmeye ya da aleti kesim çizgisine zorlamaya çalışmayın. Bunu yapmak, sunta kesme bıçağının takılmasıyla yol açabilir, tehlikeli geri tepmelere ve olası ciddi yaralanmalara neden olabilir. Anahtarını bırakın, sunta kesme bıçağının durmasını bekleyin ve aleti çekin. Aleti yeni kesim çizgisine hizalayın ve kesimi yeniden başlatın. Kullanıcıyı sunta kesme aletinden çıkan kıymık ve çapaklara maruz bırakacak konumlardan kaçının. Yaralanmayı önlemeye yardımcı olması için koruyucu gözlük kullanın.

Destek perdesi (Kılavuz çubuğu)

İsteğe bağlı aksesuar

⚠DİKKAT: Kullanmadan önce destek perdesinin doğru konumda sıkıca monte edildiğinden emin olun. Hatalı montaj tehlikeli geri tepmeye neden olabilir.

Kullanışlı bir aksesuar olan destek perdesi çok daha hassas düz kesimler yapmanızı sağlar. Destek perdesini iş parçasının kenarına yavaşça kaydırın ve kaidenin ön kısmındaki vida ile yerine sabitleyin. Aynı genişlikte ardıl kesimler yapmayı da mümkün kılar.

► **Şek.22:** 1. Destek perdesi (Kılavuz çubuğu) 2. Sıkıştırma vidası

Koruma standı

⚠DİKKAT: Aleti koruma standına koyarken aleti yavaşça koyun. Aletin koruma standına dikkatsizce koyulması yaralanma ve arızaya neden olabilir.

Koruma standı çalışma sırasında aleti geçici olarak depolamak için kullanılabilir.

Aletin düz yerleştirilmesi

Aleti takmak için aleti üstten koruma standının içine tık sesi duyulana kadar ittirin.

Aleti çıkarmak için şekilde gösterildiği gibi koruma standını aşağıya tutarken aleti yukarı doğru çekin.

► **Şek.23:** 1. Koruma standı

Aletin eğimli yerleştirilmesi

Aleti takmak için şekilde gösterildiği gibi aleti koruma standına açılı olarak koyun.

Aleti çıkarmak için aleti yukarı doğru çekin.

► **Şek.24**

KABLOSUZ ÇALIŞTIRMA İŞLEVİ

Kablosuz çalışma işlevi ile yapabileceğiniz

Kablosuz çalışma işlevi temiz ve rahat kullanım sağlar. Alete desteklenen bir elektrikli süpürge bağlayarak elektrikli süpürgeyi aletin anahtarla çalıştırılması ile birlikte çalıştırabilirsiniz.

► **Şek.25**

Kablosuz çalışma işlevini kullanmak için aşağıdaki unsurları hazırlayın:

- Bir kablosuz ünitesi (isteğe bağlı aksesuar)
- Kablosuz çalışma işlevini destekleyen bir elektrikli süpürge

Kablosuz çalışma işlevi ayarına genel bakış aşağıda verilmiştir. Ayrıntılı işlemler için her bir kısma bakın.

1. Kablosuz ünitesinin takılması
2. Elektrikli süpürge için alet kaydı
3. Kablosuz çalışma işlevinin başlatılması

Kablosuz ünitesinin takılması

İsteğe bağlı aksesuar

⚠ DİKKAT: Kablosuz ünitesini takarken aleti düz ve dengeli bir zemine yerleştirin.

ÖNEMLİ NOT: Kablosuz ünitesini takmadan önce aletin üzerindeki toz ve kiri temizleyin. Toz veya kir, kablosuz ünitesinin yuvasına girerse arızaya neden olabilir.

ÖNEMLİ NOT: Statik elektrik kaynaklı arızaları engellemek için kablosuz ünitesini almadan önce aletin metal kısmı gibi statik deşarj özellikli bir materyale dokununuz.

ÖNEMLİ NOT: Kablosuz ünitesini takarken kablosuz ünitesinin doğru yönde sokulduğundan ve kapağın tamamen kapatıldığından mutlaka emin olun.

1. Aletin üzerindeki kapağı şekilde gösterildiği gibi açın.

► **Şek.26:** 1. Kapak

2. Kablosuz ünitesini yuvaya sokun ve daha sonra kapağı kapatın.

Kablosuz ünitesini sokarken çıkıntıları yuva üzerindeki girintili kısımlarla hizalayın.

► **Şek.27:** 1. Kablosuz ünitesi 2. Çıkıntı 3. Kapak 4. Girintili kısım

Kablosuz ünitesini çıkarırken kapağı yavaşça açın. Kapağın arka kısmındaki kancalar, kapağı yukarı çektiğiniz kablosuz ünitesini kaldıracaktır.

► **Şek.28:** 1. Kablosuz ünitesi 2. Kanca 3. Kapak

Kablosuz ünitesini çıkardıktan sonra ürünle verilen kutusunda veya anti-statik bir kaptaki saklayın.

ÖNEMLİ NOT: Kablosuz ünitesini çıkarırken daima kapağın arka kısmındaki kancaları kullanın. Kancalar kablosuz ünitesini yakalamazsa kapağı tamamen kapatın ve yavaşça tekrar açın.

Elektrikli süpürge için alet kaydı

NOT: Alet kaydı için kablosuz çalışma işlevini destekleyen bir Makita elektrikli süpürge gerekir.

NOT: Alet kaydına başlamadan önce kablosuz ünitesini alete takmayı bitirin.

NOT: Alet kaydı sırasında anahtar tetiği çekmeyin veya elektrikli süpürge üzerindeki güç düğmesini açmayın.

NOT: Elektrikli süpürge kullanma kılavuzuna da bakın.

Elektrikli süpürgeyi aletin anahtarla çalıştırılması ile birlikte çalıştırmak isterseniz önceden alet kaydını tamamlayın.

1. Elektrikli süpürge ve alete bataryaları takın.
2. Elektrikli süpürge üzerindeki bekleme düğmesini "AUTO" konumuna alın.

► **Şek.29:** 1. Bekleme düğmesi

3. Kablosuz çalışma lambası yeşil yanıp sönmeye kadar elektrikli süpürge üzerindeki kablosuz çalışma düğmesine 3 saniye süreyle basın. Daha sonra aletin üzerindeki kablosuz çalışma düğmesine aynı şekilde basın.

► **Şek.30:** 1. Kablosuz çalışma düğmesi 2. Kablosuz çalışma lambası

Elektrikli süpürge ve alet başarıyla birbirlerine bağlanırsa kablosuz çalışma lambaları 2 saniye süreyle yeşil yanar ve mavi yanıp sönmeye başlar.

NOT: Kablosuz çalışma lambaları 20 saniye geçtikten sonra yeşil yanıp sönmeyi keser. Süpürge üzerindeki kablosuz çalışma lambası yanıp sönmeye başladığında kablosuz çalışma düğmesine basın. Kablosuz çalışma lambası yeşil yanıp sönmeye başladığında kablosuz çalışma düğmesine kısa süreli basın ve tekrar basılı tutun.

NOT: Tek bir elektrikli süpürge için iki veya daha fazla alet kaydı yaparken alet kaydını birer birer tamamlayın.

Kablosuz çalıştırma işlevinin başlatılması

NOT: Kablosuz çalıştırma öncesinde elektrikli süpürge için alet kaydını tamamlayın.

NOT: Elektrikli süpürge kullanma kılavuzuna da bakın.

Elektrikli süpürgeye bir aleti kaydettikten sonra elektrikli süpürge, aletin anahtarla çalıştırılması ile birlikte otomatik olarak çalışır.

1. Kablosuz ünitesini alete takın.
2. Elektrikli süpürge hortumunu alete bağlayın.
► **Şek.31**

3. Elektrikli süpürge üzerindeki bekleme düğmesini "AUTO" konumuna alın.

- **Şek.32:** 1. Bekleme düğmesi

4. Aletin üzerindeki kablosuz çalıştırma düğmesine kısa süreyle basın. Kablosuz çalıştırma lambası mavi yanıp söner.

- **Şek.33:** 1. Kablosuz çalıştırma düğmesi
2. Kablosuz çalıştırma lambası

5. Aleti açın. Alet çalışırken elektrikli süpürge çalıştığını kontrol edin.

Elektrikli süpürge kablosuz çalıştırılmasını durdurmak için alet üzerindeki kablosuz çalıştırma düğmesine basın.

NOT: Alet üzerindeki kablosuz çalıştırma lambası, 2 saat süreyle işlem yapılmazsa mavi yanıp sönmeyi keser. Bu durumda elektrikli süpürge üzerindeki bekleme düğmesini "AUTO" konumuna alın ve alet üzerindeki kablosuz çalıştırma düğmesine tekrar basın.

NOT: Elektrikli süpürge bir gecikmeyle başlar/durur. Elektrikli süpürge, aletin anahtarla çalıştırıldığını algıladığında bir gecikme söz konusu olur.

NOT: Kablosuz ünitesinin iletim mesafesi konum ve çevre şartlarına bağlı olarak değişebilir.

NOT: Tek bir elektrikli süpürgeye iki veya daha fazla alet kaydedildiğinde başka bir kullanıcı kablosuz çalıştırma işlevini kullandığından aletinizi açmasanız bile elektrikli süpürge çalışmaya başlayabilir.

Kablosuz çalıştırma lambası durumunun açıklanması

- **Şek.34:** 1. Kablosuz çalıştırma lambası

Kablosuz çalıştırma lambası kablosuz çalıştırma işlevinin durumunu gösterir. Lamba durumunun anlamı için aşağıdaki tabloya bakın.

Durum	Kablosuz çalıştırma lambası			Süre	Açıklama
	Renk	Kapalı	Yanıp sönmüyor		
Beklemede	Mavi	<input checked="" type="checkbox"/>	<input checked="" type="checkbox"/>	2 saat	Elektrikli süpürge kablosuz çalıştırılması kullanılabilir. 2 saat süreyle işlem yapılmazsa lamba otomatik olarak söner.
		<input type="checkbox"/>	<input type="checkbox"/>	Alet çalışırken.	Elektrikli süpürge kablosuz çalıştırılması kullanılabilir ve alet çalışıyor.
Alet kaydı	Yeşil	<input checked="" type="checkbox"/>	<input checked="" type="checkbox"/>	20 saniye	Alet kaydı için hazır. Elektrikli süpürge tarafından alet kaydı bekleniyor.
		<input type="checkbox"/>	<input type="checkbox"/>	2 saniye	Alet kaydı tamamlandı. Kablosuz çalıştırma lambası mavi yanıp sönmeye başlar.
Alet kaydının iptal edilmesi	Kırmızı	<input checked="" type="checkbox"/>	<input checked="" type="checkbox"/>	20 saniye	Alet kaydının iptali için hazır. Elektrikli süpürge tarafından iptal bekleniyor.
		<input type="checkbox"/>	<input type="checkbox"/>	2 saniye	Alet kaydı iptali tamamlandı. Kablosuz çalıştırma lambası mavi yanıp sönmeye başlar.
Diğer	Kırmızı	<input type="checkbox"/>	<input type="checkbox"/>	3 saniye	Kablosuz ünitesine güç besleniyor ve kablosuz çalıştırma işlevi başlıyor.
		<input type="checkbox"/>	-	-	Elektrikli süpürge kablosuz çalıştırılması durduruldu.

Elektrikli süpürge için alet kaydının iptal edilmesi

Elektrikli süpürge için alet kaydını iptal ederken aşağıdaki prosedürü uygulayın.

1. Elektrikli süpürge ve alete bataryaları takın.
2. Elektrikli süpürge üzerindeki bekleme düğmesini "AUTO" konumuna alın.
► **Şek.35:** 1. Bekleme düğmesi

3. Elektrikli süpürge üzerindeki kablosuz çalıştırma düğmesine 6 saniye süreyle basın. Kablosuz çalıştırma lambası yeşil yanıp söner ve daha sonra kırmızı olur. Ondan sonra aletin üzerindeki kablosuz çalıştırma düğmesine aynı şekilde basın.

- **Şek.36:** 1. Kablosuz çalıştırma düğmesi
2. Kablosuz çalıştırma lambası

İptal başarıyla yapılırsa kablosuz çalıştırma lambaları 2 saniye süreyle kırmızı yanar ve mavi yanıp sönmeye başlar.

NOT: Kablosuz çalıştırma lambaları 20 saniye geçtikten sonra kırmızı yanıp sönmeyi keser. Süpürge üzerindeki kablosuz çalıştırma lambası yanıp sönerken aletin üzerindeki kablosuz çalıştırma düğmesine basın. Kablosuz çalıştırma lambası kırmızı yanıp sönmeyince kablosuz çalıştırma düğmesine kısa süreli basın ve tekrar basılı tutun.

Kablosuz çalıştırma işlevi için sorun giderme

Onarım için servise gitmeden önce kontrolleri yapın. Kılavuzda açıklanmayan bir problemle karşılaşırsanız aleti demonte etmeyin. Bunun yerine, Makita Yetkili Servis Merkezlerine başvurun ve daima orijinal Makita yedek parçaları kullanın.

Anormal durum	Olası nedeni (arıza)	Çözümü
Kablosuz çalıştırma lambası yanmıyor/yanıp sönmüyor.	Kablosuz ünitesi alete takılmamış. Kablosuz ünitesi alete hatalı takılmış.	Kablosuz ünitesini doğru takın.
	Kablosuz ünitesinin terminali ve/veya yuva kirlil.	Kablosuz ünitesinin terminalindeki tozu ve kiri hafifçe silin ve yuvayı temizleyin.
	Aletin üzerindeki kablosuz çalıştırma düğmesine basılmamış.	Aletin üzerindeki kablosuz çalıştırma düğmesine kısa süreyle basın.
	Elektrikli süpürge üzerindeki bekleme düğmesi "AUTO" konumuna alınmamış.	Elektrikli süpürge üzerindeki bekleme düğmesini "AUTO" konumuna alın.
	Güç beslemesi yok	Alete ve elektrikli süpürgeye güç besleyin.
Alet kaydı / alet kaydı iptali başarıyla tamamlanmıyor.	Kablosuz ünitesi alete takılmamış. Kablosuz ünitesi alete hatalı takılmış.	Kablosuz ünitesini doğru takın.
	Kablosuz ünitesinin terminali ve/veya yuva kirlil.	Kablosuz ünitesinin terminalindeki tozu ve kiri hafifçe silin ve yuvayı temizleyin.
	Elektrikli süpürge üzerindeki bekleme düğmesi "AUTO" konumuna alınmamış.	Elektrikli süpürge üzerindeki bekleme düğmesini "AUTO" konumuna alın.
	Güç beslemesi yok	Alete ve elektrikli süpürgeye güç besleyin.
	Hatalı çalışma	Kablosuz çalıştırma düğmesine kısa süreyle basın ve alet kaydı/iptal prosedürlerini yeniden uygulayın.
	Alet ve elektrikli süpürge birbirlerinden uzakta (iletim aralığının dışında).	Aleti ve elektrikli süpürgeyi birbirlerine yaklaştırın. Maksimum iletim mesafesi yaklaşık 10 m'dir, ancak şartlara bağlı olarak değişebilir.
	Alet kaydını/iptalini tamamlamadan önce; - aletin anahtarları açılıyor veya; - elektrikli süpürge üzerindeki güç düğmesi açılıyor.	Kablosuz çalıştırma düğmesine kısa süreyle basın ve alet kaydı/iptal prosedürlerini yeniden uygulayın.
	Alet veya elektrikli süpürge için alet kaydı prosedürleri tamamlanmamış.	Alet ve elektrikli süpürge için alet kaydı prosedürlerini aynı zamanda uygulayın.
Elektrikli süpürge, aletin anahtarla çalıştırılması ile birlikte çalışmıyor.	Kablosuz ünitesi alete takılmamış. Kablosuz ünitesi alete hatalı takılmış.	Kablosuz ünitesini doğru takın.
	Kablosuz ünitesinin terminali ve/veya yuva kirlil.	Kablosuz ünitesinin terminalindeki tozu ve kiri hafifçe silin ve yuvayı temizleyin.
	Aletin üzerindeki kablosuz çalıştırma düğmesine basılmamış.	Kablosuz çalıştırma düğmesine kısa süreli basın ve kablosuz çalıştırma lambasının mavi yanıp söndüğünü kontrol edin.
	Elektrikli süpürge üzerindeki bekleme düğmesi "AUTO" konumuna alınmamış.	Elektrikli süpürge üzerindeki bekleme düğmesini "AUTO" konumuna alın.
	Elektrikli süpürgeye 10'dan fazla alet kayıtlı.	Alet kaydını yeniden yapın. Elektrikli süpürgeye 10'dan fazla alet kayıtlı ise ilk önce kaydedilen alet otomatik olarak iptal edilir.
	Elektrikli süpürge tüm alet kayıtlarını silmiş.	Alet kaydını yeniden yapın.
	Güç beslemesi yok	Alete ve elektrikli süpürgeye güç besleyin.
	Alet ve elektrikli süpürge birbirlerinden uzakta (iletim aralığının dışında).	Aleti ve elektrikli süpürgeyi birbirlerine yaklaştırın. Maksimum iletim mesafesi yaklaşık 10 m'dir, ancak şartlara bağlı olarak değişebilir.
	Yüksek güçte radyo dalgaları üreten diğer cihazlardan radyo paraziti.	Aleti ve elektrikli süpürgeyi, Wi-Fi cihazları ve mikro-dalga fırınlar gibi cihazlardan uzak tutun.

Anormal durum	Olası nedeni (arıza)	Çözümü
Alet çalışmıyorken elektrikli süpürge çalışıyor.	Diğer kullanıcılar, elektrikli süpürge'nin kablosuz çalıştırılmasını kendi aletleriyle kullanıyor.	Diğer aletlerin kablosuz çalıştırma düğmesini kapatın veya diğer aletlerin alet kaydını iptal edin.

BAKIM

⚠DİKKAT: Muayene ya da bakım yapmadan önce aletin kapalı ve batarya kartuşunun çıkartılmış olduğundan daima emin olun.

⚠DİKKAT: Alt bıçak koruma sisteminin işleyişine engel olabilecek birikmiş talaş olmadığından emin olmak için üst ve alt bıçak koruma parçalarını temizleyin. Kirli bir koruma sistemi düzgün çalışmayı sınırlandırabilir, bu da ciddi yaralanmalara neden olabilir. Bu temizliği gerçekleştirmenin en etkili yolu basınçlı hava kullanmaktır. **Bıçak koruma parçalarının dışarıya toz üfürülüyorsa, uygun göz koruyucu ve solunum korumasını kullandığınızdan emin olun.**

⚠DİKKAT: Her kullanımdan sonra aletin üzerindeki testere tozunu silerek temizleyin. İnce testere tozu aletin içine girerek arıza veya yangına neden olabilir.

ÖNEMLİ NOT: Benzin, tiner, alkol ve benzeri maddeleri kesinlikle kullanmayın. Renk değişimi, deformasyon veya çatlaklar oluşabilir.

Aleti EMNİYETLİ ve ÇALIŞMAYA HAZIR durumda tutmak için onarımlar, başka her türlü bakım ve ayarlamalar daima Makita yedek parçaları kullanılarak Makita yetkili servis merkezleri veya Fabrikanın Servis Merkezleri tarafından yapılmalıdır.

0°-kesim hassasiyetinin ayarlanması

ÖNEMLİ NOT: Ayara başlamadan önce kesim derinliğinin kilidinin sıkıca sabitlendiğinden emin olun.

Bu ayarlama fabrikada yapılmıştır. Fakat bozuksa, aşağıdaki prosedüre göre ayarlama yapabilirsiniz.

1. Eğim açısının değiştirilebilmesi için eğim açısı kilidini gevşetin.

NOT: Eğim açısı kilidinin sıkılması veya gevşetilmesi ile ilgili olarak eğimli kesim kısmına bakın.

2. Sunta kesme bıçağının yan tarafına ve kaide üzerine bir üçgen cetvel veya gönye koyun.

Sunta kesme bıçağının yan tarafını ve kaideyi dik tutarken ayar vidasını 0° konumu elde etmek için çevirin.

► **Şek.37:** 1. Üçgen cetvel 2. Ayar vidası

3. Eğim açısını kilitleyin ve dikeyliği kontrol etmek için bir deneme kesimi yapın.

İSTEĞE BAĞLI AKSESUARLAR

⚠DİKKAT: Bu aksesuarlar ve ek parçalar bu el kitabında belirtilen Makita aletiniz ile kullanılmak için tavsiye edilmektedir. Herhangi başka bir aksesuar ya da ek parça kullanılması insanlar için bir yaralanma riski getirebilir. Aksesuarları ya da ek parçaları yalnızca belirtilmiş olan kullanım amaçlarına uygun olarak kullanın.

Bu aksesuarlarla ilgili daha fazla bilgiye ihtiyaç duyar-sanız bulunduğunuz yerdeki yetkili Makita servisine başvurun.

- Sunta kesme bıçağı
- Bıçme sınırlayıcısı (Kılavuz cetvel)
- Toz toplama başlığı
- Altıgen anahtar
- Kablosuz ünitesi
- Orijinal Makita batarya ve şarj aleti

NOT: Listedeki parçaların bazıları alet paketi içerisinde standart aksesuar olarak dahil edilmiş olabilir. Bunlar ülkeden ülkeye farklılık gösterebilir.

Makita Europe N.V.

Jan-Baptist Vinkstraat 2, 3070 Kortenberg, Belgium

Makita Corporation

3-11-8, Sumiyoshi-cho, Anjo, Aichi 446-8502 Japan

www.makita.com



885A88-992
EN, FR, DE, IT, NL,
ES, PT, EL, TR
20240722