

EN	Battery Powered Concrete Vibrator	INSTRUCTION MANUAL	2
FR	Vibreux à béton Sans fil	MANUEL D'INSTRUCTIONS	16
DE	Akku-Betonverdichter	BETRIEBSANLEITUNG	31
IT	Vibratore per calcestruzzo a batteria	MANUALE D'USO	47
NL	Accubetontriller	GEBRUIKSAANWIJZING	62
ES	Vibrador para Concreto Alimentado a Bateria	MANUAL DE INSTRUCCIONES	76
PT	Vibrador de Concreto a Bateria	MANUAL DE INSTRUÇÕES	92
DA	Batteridreven betonvibrator	BETJENINGSVEJLEDNING	107
EL	Δονητής μπετόν με μπαταρία	ΕΓΧΕΙΡΙΔΙΟ ΟΔΗΓΙΩΝ	121
TR	Akülü Beton Vibratörü	KULLANIM KILAVUZU	137
ZHTW	充電式混凝土震動棒	說明手冊	151
FA	وېبراتور بتون باتری دار	دفترچه راهنما	177
AR	هزاز خرسانة ببطارية	دليل التعليمات	190



## INTENDED USE

The tool is intended for removing bubbles from concrete when casting concrete.

## NOISE

The typical A-weighted noise level determined according to EN60745:

**Model: VR001C, VR002C**

Sound power level ( $L_{WA}$ ): 98.4 dB (A)

Sound pressure level ( $L_{pA}$ ): 87.4 dB (A)

Uncertainty (K): 3 dB (A)

**Model: VR003C, VR004C**

Sound power level ( $L_{WA}$ ): 97.6 dB (A)

Sound pressure level ( $L_{pA}$ ): 86.6 dB (A)

Uncertainty (K): 3 dB (A)

**NOTE:** The declared noise emission value(s) has been measured in accordance with a standard test method and may be used for comparing one tool with another.

**NOTE:** The declared noise emission value(s) may also be used in a preliminary assessment of exposure.

**⚠ WARNING:** Wear ear protection.

**⚠ WARNING:** The noise emission during actual use of the power tool can differ from the declared value(s) depending on the ways in which the tool is used especially what kind of workpiece is processed.

**⚠ WARNING:** Be sure to identify safety measures to protect the operator that are based on an estimation of exposure in the actual conditions of use (taking account of all parts of the operating cycle such as the times when the tool is switched off and when it is running idle in addition to the trigger time).

## VIBRATION

The vibration total value (tri-axial vector sum) determined according to EN60745:

**Model: VR001C, VR002C**

Work mode: operation without load

Vibration emission (ah): 1.9 m/s<sup>2</sup> (Hose)

Vibration emission (ah): 0.7 m/s<sup>2</sup> (Inverter case)

Uncertainty (K): 1.5 m/s<sup>2</sup>

**Model: VR003C, VR004C**

Work mode: operation without load

Vibration emission (ah): 3.1 m/s<sup>2</sup> (Hose)

Vibration emission (ah): 1.7 m/s<sup>2</sup> (Inverter case)

Uncertainty (K): 1.5 m/s<sup>2</sup>

**NOTE:** The declared vibration emission value has been measured in accordance with a standard test method and may be used for comparing one tool with another.

**NOTE:** The declared vibration emission value may also be used in a preliminary assessment of exposure.

**⚠ WARNING:** The vibration emission during actual use of the power tool can differ from the declared emission value depending on the ways in which the tool is used especially what kind of workpiece is processed.

**⚠ WARNING:** Be sure to identify safety measures to protect the operator that are based on an estimation of exposure in the actual conditions of use (taking account of all parts of the operating cycle such as the times when the tool is switched off and when it is running idle in addition to the trigger time).

## EC Declaration of conformity

### For European countries only

The EC declaration of conformity is included as Annex A to this instruction manual.



# GENERAL POWER TOOL SAFETY WARNINGS

**⚠️ WARNING:** Read all safety warnings and all instructions. Failure to follow the warnings and instructions may result in electric shock, fire and/or serious injury.

## Save all warnings and instructions for future reference.

The term “power tool” in the warnings refers to your mains-operated (corded) power tool or battery-operated (cordless) power tool.

### Work area safety

1. Keep work area clean and well lit. Cluttered or dark areas invite accidents.
2. Do not operate power tools in explosive atmospheres, such as in the presence of flammable liquids, gases or dust. Power tools create sparks which may ignite the dust or fumes.
3. Keep children and bystanders away while operating a power tool. Distractions can cause you to lose control.

### Electrical Safety

4. Power tool plugs must match the outlet. Never modify the plug in any way. Do not use any adapter plugs with earthed (grounded) power tools. Unmodified plugs and matching outlets will reduce risk of electric shock.
5. Avoid body contact with earthed or grounded surfaces such as pipes, radiators, ranges and refrigerators. There is an increased risk of electric shock if your body is earthed or grounded.
6. Do not expose power tools to rain or wet conditions. Water entering a power tool will increase the risk of electric shock.
7. Do not abuse the cord. Never use the cord for carrying, pulling or unplugging the power tool. Keep cord away from heat, oil, sharp edges or moving parts. Damaged or entangled cords increase the risk of electric shock.
8. When operating a power tool outdoors, use an extension cord suitable for outdoor use. Use of a cord suitable for outdoor use reduces the risk of electric shock.
9. If operating a power tool in a damp location is unavoidable, use a ground fault circuit interrupter (GFCI) protected supply. Use of a GFCI reduces the risk of electric shock.

### Personal Safety

10. Stay alert, watch what you are doing and use common sense when operating a power tool. Do not use a power tool while you are tired or under the influence of drugs, alcohol or medication. A moment of inattention while operating power tools may result in serious personal injury.
11. Use personal protective equipment. Always wear eye protection. Protective equipment such as dust mask, non-skid safety shoes, hard hat, or hearing protection used for appropriate conditions will reduce personal injuries.
12. Prevent unintentional starting. Ensure the switch is in the off-position before connecting to power source and/or battery pack, picking up or carrying the tool. Carrying power tools with your finger on the switch or energizing power tools that have the switch on invites accidents.
13. Remove any adjusting key or wrench before turning the power tool on. A wrench or a key left attached to a rotating part of the power tool may result in personal injury.
14. Do not overreach. Keep proper footing and balance at all times. This enables better control of the power tool in unexpected situations.
15. Dress properly. Do not wear loose clothing or Jewelry. Keep your hair, clothing, and gloves away from moving parts. Loose clothes, Jewelry or long hair can be caught in moving parts.
16. If devices are provided for the connection of dust extraction and collection facilities, ensure these are connected and properly used. Use of dust collection can reduce dust-related hazards.

### Power tool use and care

17. Do not force the power tool. Use the correct power tool for your application. The correct power tool will do the job better and safer at the rate for which it was designed.
18. Do not use the power tool if the switch does not turn it on and off. Any power tool that cannot be controlled with the switch is dangerous and must be repaired.
19. Disconnect the plug from the power source and/or the battery pack from the power tool before making any adjustments, changing accessories, or storing power tools. Such preventive safety measures reduce the risk of starting the power tool accidentally.
20. Store idle power tools out of the reach of children and do not allow persons unfamiliar with the power tool or these instructions to operate the power tool. Power tools are dangerous in the hands of untrained users.

21. Maintain power tools. Check for misalignment or binding of moving parts, breakage of parts and any other condition that may affect the power tool's operation. If damaged, have the power tool repaired before use. Many accidents are caused by poorly maintained power tools.
22. Keep cutting tools sharp and clean. Properly maintained cutting tools with sharp cutting edges are less likely to bind and are easier to control.
23. Use the power tool, accessories and tool bits etc. in accordance with these instructions, taking into account the working conditions and the work to be performed. Use of the power tool for operations different from those intended could result in a hazardous situation.
24. Recharge only with the charger specified by the manufacturer. A charger that is suitable for one type of battery pack may create a risk of fire when used with another battery pack.
25. Use power tools only with specifically designated battery packs. Use of any other battery packs may create a risk of injury and fire.
26. When battery pack is not in use, keep it away from other metal objects, like paper clips, coins, keys, nails, screws or other small metal objects, that can make a connection from one terminal to another. Shorting the battery terminals together may cause burns or a fire.
27. Under abusive conditions, liquid may be ejected from the battery; avoid contact. If contact accidentally occurs, flush with water. If liquid contacts eyes, additionally seek medical help. Liquid ejected from the battery may cause irritation or burns.

### **Battery tool use and care**

28. Have your power tool serviced by a qualified repair person using only identical replacement parts. This will ensure that the safety of the power tool is maintained.
29. Follow instruction for lubricating and changing accessories.
30. Keep handles dry, clean and free from oil and grease.

### **Service**

## **PRODUCT SAFETY WARNINGS**

1. This product is a vibrator for compacting concrete. Do not use the vibrator for any other purpose.
2. Be sure to read and understand this instruction manual carefully before using the product so that it can be operated safely and efficiently. Improper machine use may result in injury or machine failure. Keep this manual for further reference.
3. This product should be used by connecting it to the Makita portable power pack "PDC01" or "PDC1200." Also, read the instruction manuals for the portable power pack and the battery charger.
4. Never use this product while connected to any other power supply device. Doing so may result in damage to the circuit board or burnout of the motor. The damage or motor burnout may destroy the insulation and cause electric shock.
5. Do not use any battery other than the dedicated battery specified by Makita for the portable power pack. Also, do not use batteries that have been modified (including batteries that have been disassembled and the cells or other internal parts replaced).
6. Do not charge the battery with anything other than the included charger.
7. The term "battery cartridge" in this manual is hereinafter referred to as "battery."
8. Handle and maintain this product appropriately to ensure safe operation.
9. When you lend this product to another person, be sure to provide them the manuals and to fully explain to them the safe and appropriate use of the product.
10. The specifications in this document are subject to change without notice due to modification.
11. This product complies with these EMC standards: EN61000-6-2 / EN61000-6-4.  
This product does not comply with these EMC standards: EN61000-6-3 / EN55014-1.
12. When using this product near other electronic devices, it may cause radio interference.  
At that time, users of this product may need to take appropriate measures.

# Concrete vibrator safety warnings

- Put on a safety helmet, anti-vibration gloves, safety boots, hearing protection, face protection (safety glasses and mask), and safety harness before using the vibrator.



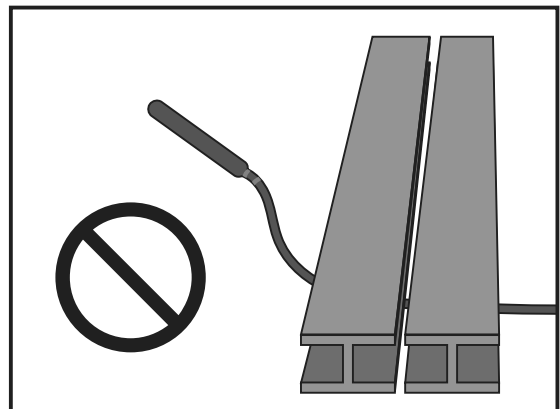
- When working, wear long sleeves and long pants and keep skin exposure to a minimum to avoid skin damage caused by flying concrete adhering to the skin.
- When using the vibrator near feet or in places that are not very deep, concrete may be splattered around. Use face protection (safety glasses and mask) to protect your eyes and mouth. Please wear hearing protector when working in noisy places.
- Ensure a footboard is placed when work on bad footing area such as on a rebar.
- Since this product has a long hose, there is a risk of injury by stumbling or making a false step if the hose gets caught on rebar during work or moving, or movement is limited by putting something on the hose. Also, if the product is left in an area where people pass by when work is suspended, it may catch someone's foot and cause someone to fall or be injured. Be careful when handling hoses and cables.
- Long time use of vibrator or operating the vibrator with unnatural posture may put a strain on a body. Be sure to take appropriate breaks to avoid fatigue or injury. Also, if you feel pain or numbness in your hands, arms, shoulders, or back while using the product, stop using it immediately and receive appropriate treatment.
- The business operator making use of this concrete vibrator has to manage working hours and must make efforts to prevent worker's health impairment comes from vibration.

Refer to the "VIBRATION TOTAL VALUE" section for the details about the vibration strength of the vibrator. Observe the relevant legal requirements and guidelines of the country where the vibrator is used.

- When temporarily stopping work, store the product in a safe place. If it is placed in an aisle, it may catch your foot and cause you to fall or get injured. If any abnormality or malfunction occurs, immediately turn off all power supplies, discontinue use, and detach the portable power pack. For inspection and repair, contact your local Makita Authorized Service Center.
- The head assembly of this product is cooled by insertion into ready-mixed concrete. Thus, do not use it outside the ready-mixed concrete (i.e. in the air). There is a possibility that the motor could burn out.



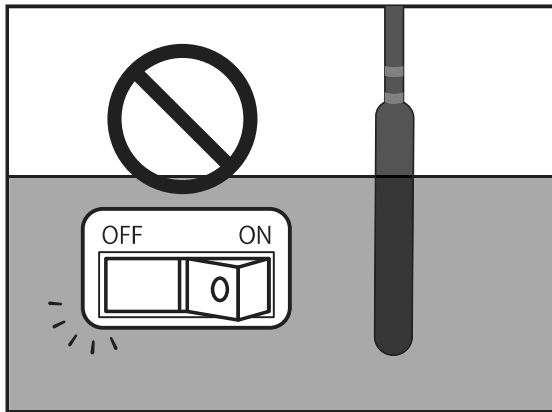
- Do not operate the head assembly in the air. When operating it in the air, the vibrator reaches 100°C (212°F) or higher in a few minutes, and you may get burned upon touching it.
- The head assembly becomes hot during operation. After use, be careful not to touch it. There is a risk of being burned.
- Do not place or drop any heavy objects on the cable or hose. It may damage the cable and cause a malfunction.



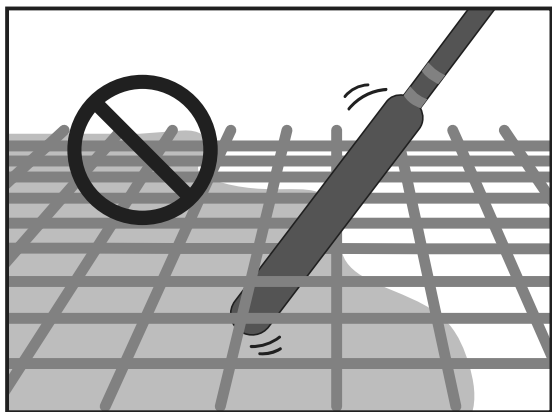
- Do not swing the head assembly by holding the hose or cable. There is a possibility that this could cause injury or damages to objects nearby.

14. The power switch should be turned ON/OFF only when the head assembly is not inserted in the ready-mixed concrete.

If the power is turned OFF while the vibrator is in the ready-mixed concrete, you may not be able to remove the head assembly. Forcibly pulling it out may cause injury.



15. Do not set the vibrator down and switch it on. The head assembly may whip around out of control and cause an accident.
16. Do not pry or twist the vibrator among the rebar or the formwork with the head assembly. Otherwise the head assembly may become abraded and burns the motor.



17. When using a vibrator connected to the portable power pack, be sure to work alone. Two-person operation, where one holds the vibrator and the other holds the portable power pack separately, may cause accidents or injury.
18. When moving or storing the product, be sure to move it with the portable power pack turned off. If the power is left on, it may start up unexpectedly, causing an accident or injury.
19. The head assembly of this product should not be operated on hard surfaces such as hardened concrete or steel plate. There is a possibility that the bearings could burn, and the rotor could break.
20. Do not pull or suspend the cable from anything when placing concrete or moving it, or the plug may be loosened and could cause cable breakage or circuit board failure.
21. The inverter case contains precise electronic devices. Do not drop it, throw it, step on it, or subject it strong shocks.
22. When inserting or removing the connector, be sure to turn the portable power pack to OFF. If the connector is plugged in or unplugged while the power is ON, it may cause a malfunction.

23. To prevent poor contact, clean off any dirt or rust from the plug terminals before inserting them securely into the output socket of the portable power pack. Poor contact with the plug is one of the main causes of failure, such as motor burnout and damage to the circuit board.
24. The portable power pack to be connected to this product uses a lithium-ion battery. Do not give strong shock to the battery, splash water onto the battery, or place the battery near a heat. Doing so may result in malfunction, electric shock, or fire.
25. When an abnormality occurs, please stop operation immediately. Otherwise, it may cause a fire, electric shock, or injury.
26. Do not use the product in the presence of flammable liquids, gases, or dust. Doing so may cause ignition or explosion.
27. Do not attempt to disassemble or modify this product. Doing so may result in electric shock, overheating, rupture, or fire.
28. Do not use the vibrator under the rain.
29. Do not wash the vibrator with water.

# Important safety instructions for portable power pack

1. Before using, portable power pack, read all instructions and cautionary markings on (1) battery charger, (2) battery, and (3) portable power pack.
  2. Do not pick up or carry this portable power pack by holding only the cord. Do not pull the cord while you are wearing or using this portable power pack.
  3. Before wearing or putting off the portable power pack, remove the socket from the vibrator.
  4. When you leave the vibrator, be sure to remove the socket from the vibrator, or remove the portable power pack from your body.
  5. Be careful not to trip over the cord during operation.
  6. Do not use this portable power pack on an unstable surface, or unstable high places.
  7. During operation, keep the cord away from obstacles. The cord caught by obstacles may cause serious injury.
  8. Do not insert the adapters into the charger.
  9. Inspect the portable power pack including cords and harness before use. If they are damaged, ask your local Makita Authorized Service Center for repair.
  10. When attaching the cord to the cord holder, be sure to attach it slowly and securely.
  11. Always make sure that the vibrator is switched off and the socket is removed before attempting to perform inspection or maintenance of the vibrator.
  12. When wearing the portable power pack, do not put on anything, such as safety harness or shoulder belt, which may interfere the emergency detachment function of the portable power pack.
  13. Do not use this portable power pack when you are wearing cordless fan jacket or cordless heated jacket.
  14. Do not expose this portable power pack to sparks.
  15. When using this portable power pack without wearing it, be sure to lay down the portable power pack.
  16. Do not disassemble, repair, or modify the portable power pack.
  17. Be careful not to entangle the harness or belt by the vibrator.
- [ PDC01 ]
1. Do not use multiple portable power packs by connecting one portable power pack to another portable power pack.
  2. Do not install the adapters to the battery ports of this portable power pack.
  3. This portable power pack is designed exclusively for use with 18V batteries. Do not use the batteries other than 18V batteries.
  4. Do not let water enter into the cover.
- [ PDC1200 ]
1. When you stand the portable power pack upright using the battery stand, be sure to place the portable power pack on the flat surface.
  2. Use the charger dedicated to the portable power pack only. Do not use other chargers.
  3. Do not carry the portable power pack by holding the battery stand or width adjustment belt.
  4. Do not put or fix anything between the battery and battery stand.
  5. Do not hang anything from the battery stand.

# Important safety instructions for battery charger

1. Before using battery charger, read all instructions and cautionary markings on (1) battery charger, (2) battery, and (3) portable power pack.
2. Non-rechargeable batteries cannot be charged with this battery charger.
3. Use a power source with the voltage specified on the nameplate of the charger.
4. Do not charge the battery in presence of flammable liquids or gases.
5. Do not expose charger to rain or snow.
6. Never carry charger by cord or yank it to disconnect from receptacle.
7. After charging or before attempting any maintenance or cleaning, unplug the charger from the power source. Pull by plug rather than cord whenever disconnecting charger.
8. Make sure cord is located so that it will not be stepped on, tripped over, or otherwise subjected to damage or stress.
9. Do not operate charger with damaged cord or plug. If the cord or plug is damaged, ask Makita authorized service center to replace it in order to avoid a hazard.
10. Do not operate or disassemble charger if it has received a sharp blow, been dropped, or otherwise damaged in any way; take it to a qualified serviceman. Incorrect use or reassembly may result in a risk of electric shock or fire.
11. When charging the batteries, do so in an indoor environment with an ambient temperature of 10°C (50°F) to 40°C (104°F). Do not charge battery when room temperature is BELOW 10°C (50°F) or ABOVE 40°C (104°F). At cold temperature, charging may not start.
12. Do not attempt to use a step-up transformer, an engine generator or DC power receptacle.
13. The holes of the charger are cooling vents and should not be blocked. Insufficient cooling affects charging time. Periodical inspection of cooling vents is recommended.

**⚠ CAUTION: To reduce risk of injury, charge only Makita type rechargeable batteries. Other types of batteries may burst causing personal injury and damage.**

# Important safety instructions for battery

1. Before using battery, read all instructions and cautionary markings on (1) battery charger, (2) battery, and (3) portable power pack.
2. Do not disassemble or tamper with the battery. It may result in a fire, excessive heat, or explosion.
3. If operating time has become excessively shorter, stop operating immediately. It may result in a risk of overheating, possible burns and even an explosion.
4. Under severe conditions such as high temperature, the battery may leak liquid. Do not carelessly touch the leaked liquid. It may cause irritation or burns. In the unlikely event that battery fluid gets into your eyes or on your skin, immediately rinse with clean water such as tap water, and then seek medical attention.
5. Do not short the battery:
  - (1) Do not touch the terminals with any conductive material.
  - (2) Avoid storing battery in a container with other metal objects such as nails, coins, etc.
  - (3) Do not expose battery to water or rain.

A battery short can cause a large current flow, overheating, possible burns and even a breakdown.
6. Do not enter the battery in a conductive material such as water, and do not put a conductive material such as water inside the battery. Doing so may cause a short circuit, which may result in overheating, fire, rupture, or explosion.
7. Do not charge, store and use the vibrator and the portable power pack and the battery in locations where the temperature may reach or exceed 50 °C (122 °F).
8. Do not incinerate the battery even if it is severely damaged or is completely worn out. The battery can explode in a fire.
9. Do not nail, cut, crush, throw, drop the battery, or hit against a hard object to the battery. Such conduct may result in a fire, excessive heat, or explosion.
10. Do not use a battery that has been dropped or damaged in any way.
11. The contained lithium-ion batteries are subject to the Dangerous Goods Legislation requirements. For commercial transports e.g. by third parties, forwarding agents, special requirement on packaging and labeling must be observed. For preparation of the item being shipped, consulting an expert for hazardous material is required. Please also observe possibly more detailed national regulations. Tape or mask off open contacts and pack up the battery in such a manner that it cannot move around in the packaging.
12. When disposing the battery, remove it from the portable power pack and dispose of it in a safe place. Follow your local regulations relating to disposal of battery.
13. Use the battery only with the products specified by Makita. Installing the battery to non-compliant products may result in a fire, excessive heat, explosion, or leak of electrolyte.
14. If the vibrator is not used for a long period of time, the battery must be removed from the portable power pack.
15. Keep the battery away from children.
16. During and after use, the battery may take on heat which can cause burns or low temperature burns. Pay attention to the handling of hot batteries.
17. Do not touch the terminal of the battery immediately after use as it may get hot enough to cause burns.
18. Do not allow chips, dust, or soil stuck into the terminals, holes, and grooves of the battery. It may result in poor performance or breakdown of the vibrator or battery.
19. Do not contact the terminals of the charging battery with metal or other objects.
20. Do not use the battery near high-voltage electrical power lines. It may result in a malfunction or breakdown of the vibrator or battery.
21. When the battery temperature is high (40 °C (104 °F) or higher), such as after working under the blazing sun, charging may become temporarily Unable. However, this is due to the battery protective function and does not indicate a malfunction. Allow the battery to cool down for a while before recharging.

## SAVE THESE INSTRUCTIONS.

### **CAUTION: Only use genuine Makita batteries.**

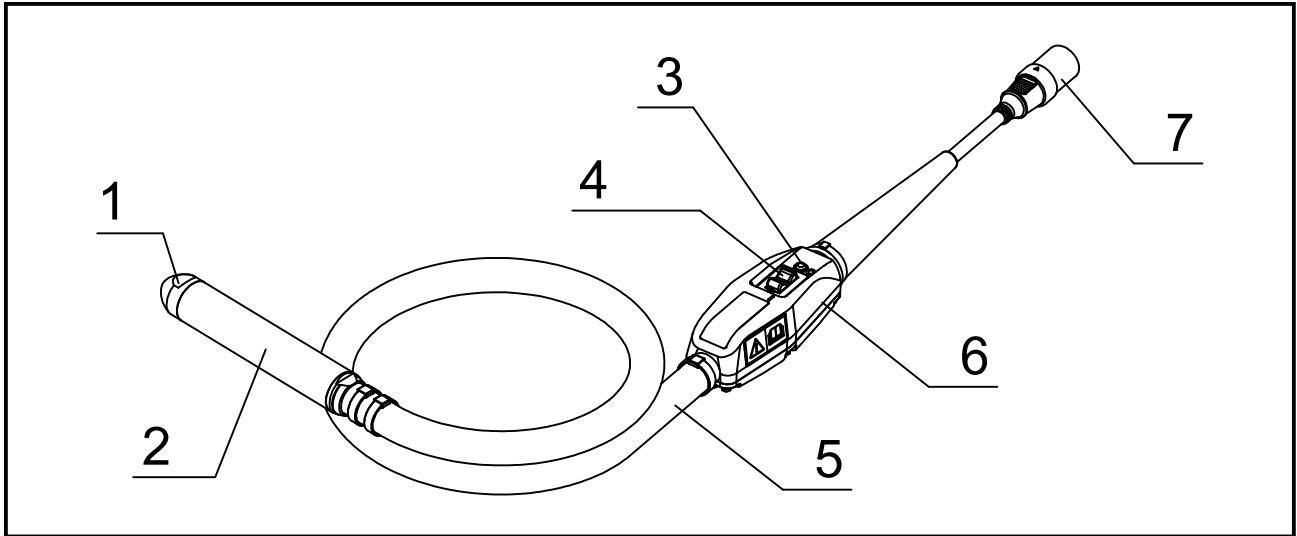
Use of non-genuine Makita batteries, or batteries that have been altered, may result in the battery bursting causing fires, personal injury and damage. It will also void the Makita warranty for the Makita products.

### Tips for maintaining maximum battery life

1. Charge the battery before completely discharged. Always stop tool operation and charge the battery when you notice less tool power.
2. Never recharge a fully charged battery. Overcharging shortens the battery service life.
3. Charge the battery with room temperature at 10 °C - 40 °C (50 °F - 104 °F). Let a hot battery cool down before charging it.
4. When not using the battery, remove it from the portable power pack or the charger.
5. Charge the battery if you do not use it for a long period (more than six months).

# NAMES OF VIBRATOR PARTS

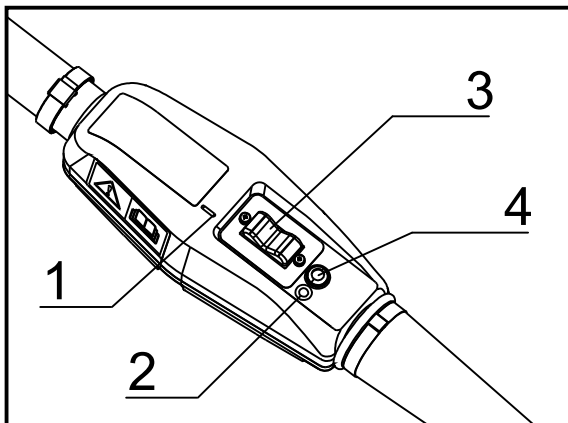
**⚠ CAUTION:** This product is a dedicated device for the Makita Portable Power Pack “PDC01” and “PDC1200.” Do not use other battery-powered devices. Doing so may result in electric shock, overheating, rupture, or fire.



1	Vibrator cap	5	Hose
2	Head assembly	6	Inverter case
3	LED lamp	7	Connector (plug)
4	Switch	-	-

## OPERATIONS

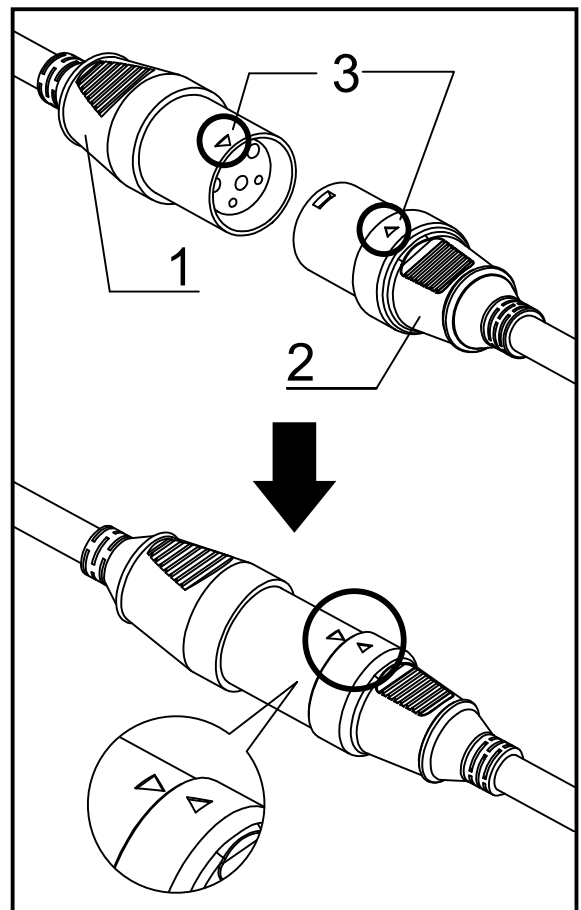
1. Make sure that the vibrator's operation switch is set to OFF.



- ▶ 1. "I" mark 2. "O" mark  
3. Operation switch 4. LED lamp

**NOTE:** The "O" mark means OFF; the "I" mark means ON.

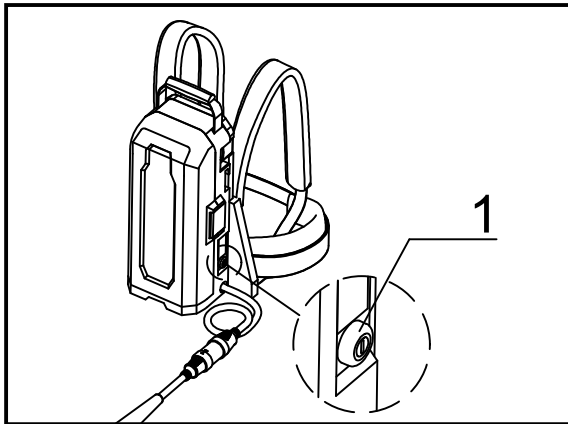
2. Align the arrow mark on the plug of the vibrator with the socket of portable power pack, and insert it all the way in.



- ▶ 1. Socket 2. Plug 3. Arrow mark

- Press the power button on the portable power pack to turn it ON. The main power lamp lights up green. The LED lamp on the vibrator also lights up green.

**NOTE:** When the LED lamp is blinking red, the erroneous start prevention function is activated. Turning the operation switch to OFF cancels the erroneous start prevention function, and the LED lamp of the vibrator will light up green.



► 1. Main power button

- Hold the vibrator hose so that the head assembly is suspended in the air.
  - When you are ready, turn the Operation Switch to ON to start the vibrator.
- NOTE:** Hold the vibrator hose at the point where the vibration to the hand is weak.
- Insert the vibrator perpendicularly into the concrete with a pitch of effective compacting range.

**NOTE:** The effective compacting range for the vibrator is an area having a diameter approximately 10 times the diameter of the vibrating part.

- Guideline of replacing vibrator position is when the concrete stops settling and the mortar floats evenly on the surface and gets shiny.

**NOTE:** Placing the vibrator at one point for a long time may cause aggregate separation.

**NOTE:** If separation occurs during concrete placing, fill coarse aggregate evenly and place the concrete again.

**NOTE:** It is recommended to set the Operation Switch to OFF while the vibrator is not inserted into the concrete. This helps to extend the usage time/product life of the vibrator.

- When pulling up the vibrator, pull it up slowly so that no holes are left.
- After the completion of casting, turn the vibrator Operation Switch to OFF to stop the vibrator.
- Press and hold the power button on the portable power pack to stop the output of power. The power indicator will turn off.
- Remove the connector that connects the portable power pack and vibrator.

**NOTE:** When removing the connector, hold the socket and plug and don't pull the power cord itself.

## HOW TO CHARGE THE BATTERY

**CAUTION:** Before charging the battery, be sure to read the instruction manual for the portable power pack and the battery charger.

- To charge, refer to the portable power pack or battery charger instruction manual.

## CLEANING AFTER USE

- After use, the vibrator should be cleaned well and the hoses and cables neatly wrapped up.
- Remove concrete from the head assembly, hose, inverter case, and cables before it hardens.
  - Do not wash the inverter case with water. Wipe off any adhering dirt with a damp cloth. When wiping, wipe with a dry cloth to remove any remaining moisture.
  - If there is dirt or rust on the terminals of the plug or socket, clean them. The poor contact of terminal may cause malfunction.
  - When carrying the portable power pack, remove the socket of the portable power pack and the plug on the vibrator before moving it.
  - When carrying the unit, hold the vibrator and the handle of the portable power pack. Do not lift or pull by either the vibrator or the portable power pack. Doing so may cause the vibrator to wear out or the power cord to break.
  - When carrying the portable power pack, be sure to turn off the portable power pack before moving it. Press and hold the power button to turn off the power.



# INSPECTION

- Before carrying the vibrator to the worksite and also after use, be sure to check the following.
- It will greatly help prevent problems during operation.

1. Is there any wear, cracks, or loose components on the vibrator?
2. Is there any wear, damage, or scratches on the hose?
3. Is there any wear or cracks in the cable sheath?
4. Is there any deformation of the inverter case, loose screws, or damage on any part of the inverter such as a cover of the operation switch or LED lamp?
5. Is there any dirt or rust on the terminals of the plug or socket?
6. Is the insulation resistance value correct? (DC500V, 10MΩ or more)
  - (1) Use a 500V insulation resistance tester as the measuring instrument.
  - (2) Measure between the terminals of the plug and the inverter case.

**NOTE:** Do not measure among the three connectors. It may damage the inverter board.

7. Are there any cracks, dents, or other damage to the portable power pack?
8. Is the battery fully charged?
9. Can the vibrator be started while held in the air by connecting the vibrator to the portable power pack? When doing so, does the LED lamp on the inverter case light up green?
10. Is there any abnormal noise from the vibrator? Does the vibrator operation sound normal during operation? (It is normal if there is regular and continuous sound.)

# REPLACEMENT PERIOD FOR CONSUMABLES

- Consumables should be replaced periodically according to the table below.

Consumables	Replacement period. (visual and auditory check)	Replacement frequency (in hours)
Head assembly	Determined wear status (visual)	300-500
Vibrator cap		
Bearing	Determined by the noise during operation (auditory)	400-500
Hose	Determined by wear or scratches (visual)	Upon found

- The above replacement time of consumable parts is a rough guide. Because it depends on usage, we recommend replacing consumables earlier than the above.

# LED LAMP

- You can check the output status of the inverter by the lighting or blinking of the LED lamp.
- If it flashes, the protection function is activated and the power output is stopped. Be sure to stop operation and remove the cause of the abnormality before restarting operation.

LED lamp status	Output status of the inverter
1. Solid green light	Normal condition. Vibrator can be used.
2. Blinking green light	The vibrator is overloaded. The vibrator can be used, but the vibration frequency has been lowered to prevent failure due to overload. The vibrator will return to its normal state when the overload condition is resolved.
3. Blinking red light	In this state, the erroneous start prevention function is activated. This function prevents the vibrator from starting up unexpectedly when the power is turned on while the vibrator operation switch is in the ON position. Turning the operation switch to OFF restores the vibrator to its normal state.
4. Solid red light	When an abnormality is detected, the output of the inverter is stopped. When the red light turns on, please check the following. <ul style="list-style-type: none"> <li>• Check the remaining capacity of the battery.</li> <li>• Is there any restraint or excessive load caused by rebar, etc.?</li> </ul> If no problem is found, turn the switch to OFF to return to the normal state (solid green light). If the red light turns on repeatedly, a malfunction has likely occurred. Inspection and repair are required.
5. No lights on	Because there is a problem on the power supply, the vibrator has been stopped. The battery may be dead, the battery may have been inserted incorrectly, or the battery may be defective. Please check the power supply.

# TROUBLESHOOTING

- If any of the following conditions are observed while using the product, stop using the product and check the cause and potential remedies.
- For inspection and repair, contact your local Makita Authorized Service Center.

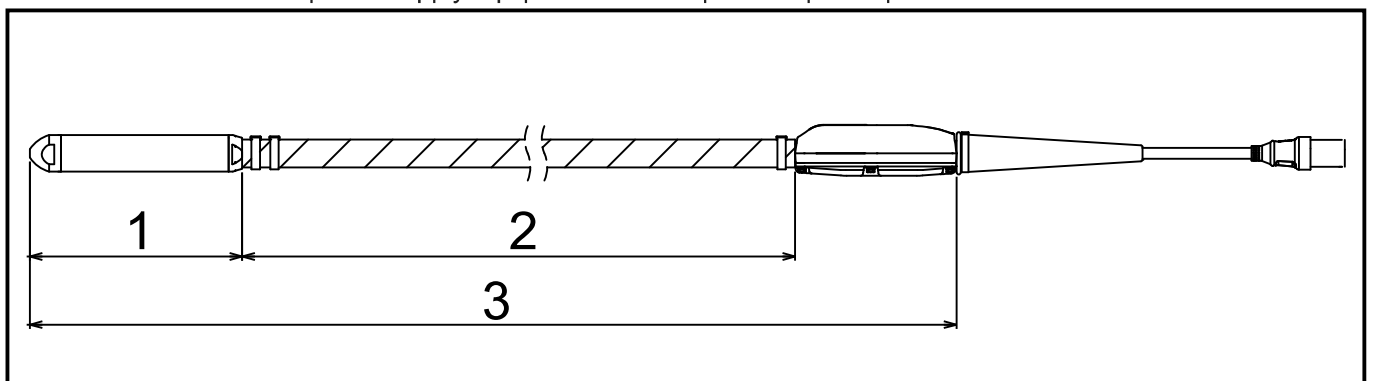
Operation	Symptom 1	Symptom 2	Cause	Remedy
Vibrator operates	Unusual noise from the vibrating part of the vibrator (metallic sound, etc.)		Bearing abnormality (Rough, worn)	Replace the bearings.
	Low vibration	The LED on the inverter case is <b>blinking green.</b>	Bearing abnormality (Rough, worn)	Replace the bearings.
			An overload condition that exceeds the capability of the vibrator.	Reduce the load by pulling the head assembly out of the concrete.
	Stops during operation	The LED on the inverter case is <b>solid red.</b>	The vibrator is significantly overloaded beyond its capacity. The battery power is low and the vibrator's capacity is reduced.	Reduce the load by pulling the head assembly out of the concrete. Then switch on again.  If the red light turns on repeatedly, check the battery. If it is fully charged, it should be checked and repaired.
Vibrator does not start	The LED lamp on the inverter case is not lit.	The power indicator of the portable power pack does not light up.	The portable power pack is not turned on.	Turn on the portable power pack.
			The battery is not installed. Or, the remaining battery capacity is not enough.	Install the battery. Or, charge the batteries or replace the batteries with charged ones.
			The portable power pack is malfunctioning.	Inspection and repair are required.
		The power light on the portable power pack is alternating between <b>blinking green and red.</b>	The portable power pack detected an abnormality.	Turn off the portable power pack and turn it on again.
		The power indicator on the portable power pack is <b>solid green.</b>	The portable power pack is malfunctioning.	Inspection and repair are required.
			The plug on the vibrator is not properly connected to the socket on the portable power pack. Or, the cable is disconnected.	Make sure the plug is firmly connected to the socket. In case of disconnection, inspection and repair are required.
			The inverter board on the vibrator is malfunctioning.	Inspection and repair are required.

Operation	Symptom 1	Symptom 2	Cause	Remedy
Vibrator does not start	The LED lamp on the inverter case is not lit.	The power indicator on the portable power pack is <b>blinking green</b> .	Battery power is low. Or, it is not installed correctly.	Check the battery level indicator. If the battery level is sufficient, check how the battery is installed.
			Portable power pack or power cord is hot.	Cool the portable power pack.
			The plug on the vibrator is not properly connected to the socket on the portable power pack. Or, the cable is disconnected.	Make sure the plug is firmly connected to the socket. In case of disconnection, inspection and repair are required.
	The LED lamp on the inverter case is <b>solid red</b> .	The vibrator has stopped because a fault has been detected.	Turn the portable power pack back on. If the LED lamp lights up red repeatedly, inspection and repair are required.	
	The LED lamp on the inverter case is <b>blinking red</b> .		The vibrator's erroneous start prevention function is activated.	Turn the vibrator Operation Switch to OFF once and then turn it to ON again.

## SPECIFICATIONS

Model	VR001C	VR002C	VR003C	VR004C
Output	250 W		400 W	
Voltage	36 V			
Current	8.7 A		14.0 A	
Frequency	200 Hz			
Total length	1,945 mm (76-9/16")	3,445 mm (135-5/8")	1,977 mm (77-27/32")	3,477 mm (136-7/8")
Head Diameter x Length	43 x 255 mm (1-11/16" x 10-1/32")		52 x 287 mm (2-1/16" x 11-5/16")	
External Hose Diameter x Length	33 x 1,500 mm (1-5/16" x 59-1/16")	33 x 3,000 mm (1-5/16" x 118-1/8")	33 x 1,500 mm (1-5/16" x 59-1/16")	33 x 3,000 mm (1-5/16" x 118-1/8")
Mass	4.8 kg (10.6 lbs)	5.9 kg (13.0 lbs)	5.6 kg (12.4 lbs)	6.7 kg (14.8 lbs)

\* Mass does not include power supply equipment such as portable power pack and batteries.



► 1. Head Length 2. External hose length 3. Total length

## OPERATING TIME

Model	When using PDC01 (min.)	When using PDC1200 (min.)
VR001C / VR002C	approx. 100	approx. 300
VR003C / VR004C	approx. 60	approx. 200

- \* Operating time using PDC01 is based on four BL 1860B batteries installed on the portable power pack.
- \* The operating time is a reference value that represents when each vibrator is operated continuously. It depends on the battery charge status and usage environment.

## VIBRATION TOTAL VALUE

Model	Vibration total value ( m/s <sup>2</sup> )
VR001C / VR002C	Less than 2.5
VR003C / VR004C	2.5

- \* Vibration total value is a value that uses the measuring instrument based on ISO 5349-1, and it was measured by the method found in ISO 5349-2.

## UTILISATION PRÉVUE

L'outil est conçu pour l'élimination des bulles du béton lors du coulage du béton.

## BRUIT

Niveau de bruit pondéré A typique déterminé selon la norme EN60745 :

**Modèle : VR001C, VR002C**

Niveau de puissance acoustique ( $L_{WA}$ ) : 98,4 dB (A)

Niveau de pression acoustique ( $L_{pA}$ ) : 87,4 dB (A)

Incertitude (K) : 3 dB (A)

**Modèle : VR003C, VR004C**

Niveau de puissance acoustique ( $L_{WA}$ ) : 97,6 dB (A)

Niveau de pression acoustique ( $L_{pA}$ ) : 86,6 dB (A)

Incertitude (K) : 3 dB (A)

**REMARQUE** : La ou les valeurs d'émission sonore déclarées ont été mesurées conformément à une méthode de test standard et peuvent être utilisées pour comparer un outil avec un autre.

**REMARQUE** : La ou les valeurs d'émission sonore déclarées peuvent également être utilisées dans une évaluation préliminaire de l'exposition.

**AVERTISSEMENT** : Portez une protection auditive.

**AVERTISSEMENT** : L'émission de bruit lors de l'utilisation réelle de l'outil électrique peut être différente de la ou des valeurs déclarées selon la manière dont l'outil est utilisé, en particulier selon le type de pièce à usiner.

**AVERTISSEMENT** : Veillez à identifier les mesures de sécurité pour protéger l'opérateur en fonction de l'estimation de l'exposition dans les conditions réelles d'utilisation (en tenant compte de toutes les parties du cycle de fonctionnement comme les périodes pendant lesquelles l'outil est éteint et celles où il tourne à vide, en plus du temps de déclenchement).

## VIBRATIONS

Valeur totale des vibrations (somme vectorielle triaxiale) déterminée selon la norme EN60745 :

**Modèle : VR001C, VR002C**

Mode de travail : fonctionnement à vide

Émission de vibrations (ah) : 1,9 m/s<sup>2</sup> (tuyau)

Émission de vibrations (ah) : 0,7 m/s<sup>2</sup> (boîtier de l'onduleur)

Incertitude (K) : 1,5 m/s<sup>2</sup>

**Modèle : VR003C, VR004C**

Mode de travail : fonctionnement à vide

Émission de vibrations (ah) : 3,1 m/s<sup>2</sup> (tuyau)

Émission de vibrations (ah) : 1,7 m/s<sup>2</sup> (boîtier de l'onduleur)

Incertitude (K) : 1,5 m/s<sup>2</sup>

**REMARQUE** : La valeur d'émission de vibrations déclarée a été mesurée conformément à une méthode de test standard et peut être utilisée pour comparer un outil avec un autre.

**REMARQUE** : La valeur d'émission de vibrations déclarée peut également être utilisée dans une évaluation préliminaire de l'exposition.

**AVERTISSEMENT** : L'émission de vibrations lors de l'utilisation réelle de l'outil électrique peut être différente de la valeur d'émission déclarée selon la manière dont l'outil est utilisé, en particulier selon le type de pièce à usiner.

**AVERTISSEMENT** : Veillez à identifier les mesures de sécurité pour protéger l'opérateur en fonction de l'estimation de l'exposition dans les conditions réelles d'utilisation (en tenant compte de toutes les parties du cycle de fonctionnement comme les périodes pendant lesquelles l'outil est éteint et celles où il tourne à vide, en plus du temps de déclenchement).

## Déclaration de conformité CE

**Pour les pays européens uniquement**

La déclaration de conformité CE figure à l'Annexe A de ce manuel d'instructions.

# AVERTISSEMENTS DE SÉCURITÉ GÉNÉRAUX RELATIFS AUX OUTILS ÉLECTRIQUES

**⚠ AVERTISSEMENT** : Lisez tous les avertissements de sécurité et toutes les instructions. Le non-respect des avertissements et des instructions peut entraîner un choc électrique, un incendie et/ou des blessures graves.

## Conservez tous les avertissements et toutes les instructions pour référence ultérieure.

Le terme « outil électrique » dans les avertissements fait référence à votre outil électrique alimenté par le secteur (avec cordon d'alimentation) ou à votre outil électrique fonctionnant sur batterie (sans cordon d'alimentation).

### Sécurité de la zone de travail

1. Maintenez la zone de travail propre et bien éclairée. Les zones encombrées ou sombres favorisent les accidents.
2. N'utilisez pas d'outils électriques dans un environnement explosif, comme en présence de liquides, de gaz ou de poussières inflammables. Les outils électriques produisent des étincelles qui peuvent enflammer la poussière ou les vapeurs.
3. Maintenez les enfants et les personnes présentes à l'écart pendant l'utilisation d'un outil électrique. Les distractions peuvent vous faire perdre le contrôle de l'outil.

### Sécurité électrique

4. Les fiches de l'outil électrique doivent correspondre à la prise de courant. Ne modifiez en aucun cas la fiche. N'utilisez pas de fiches d'adaptation avec des outils électriques mis à la terre (masse). Les fiches non modifiées et les prises de courant adaptées réduisent les risques d'électrocution.
5. Évitez tout contact corporel avec des surfaces reliées à la terre ou à la masse, telles que des tuyaux, des radiateurs, des cuisinières électriques et des réfrigérateurs. Le risque de choc électrique augmente si votre corps est relié à la terre ou à la masse.
6. N'exposez pas les outils électriques à la pluie ou à l'humidité. Le risque de choc électrique augmente si de l'eau pénètre dans l'outil électrique.
7. Ne maltraitez pas le cordon. N'utilisez jamais le cordon pour transporter, tirer ou débrancher l'outil électrique. Tenez le cordon à l'écart de la chaleur, de l'huile, des bords tranchants ou des pièces mobiles. Le risque de choc électrique augmente si le cordon est endommagé ou emmêlé.
8. Lors de l'utilisation d'un outil électrique à l'extérieur, utilisez une rallonge adaptée à une utilisation en extérieur. L'utilisation d'un cordon adapté à une utilisation en extérieur réduit le risque de choc électrique.

9. Si l'utilisation d'un outil électrique dans un endroit humide est inévitable, utilisez une alimentation protégée par un disjoncteur différentiel de fuite à la terre (DDFT). L'utilisation d'un DDFT réduit le risque de choc électrique.

### Sécurité personnelle

10. Restez vigilant, surveillez ce que vous faites et faites preuve de bon sens lors de l'utilisation d'un outil électrique. N'utilisez pas un outil électrique lorsque vous êtes fatigué ou sous l'influence de drogues, d'alcool ou de médicaments. Un moment d'inattention lors de l'utilisation d'outils électriques peut entraîner des blessures corporelles graves.
11. Utilisez un équipement de protection individuelle. Portez toujours des lunettes de protection. Les équipements de protection tels que les masques anti-poussière, les chaussures de sécurité antidérapantes, les casques ou les protections auditives utilisés pour les conditions appropriées permettent de réduire les blessures corporelles.
12. Évitez tout démarrage involontaire. Assurez-vous que l'interrupteur est en position arrêt avant de brancher l'outil sur une source d'alimentation et/ou sur la batterie, de le ramasser ou de le porter. Le transport d'outils électriques avec le doigt sur l'interrupteur ou le branchement d'outils électriques dont l'interrupteur est en position marche est source d'accidents.
13. Retirez toute clé de réglage avant de mettre l'outil électrique sous tension. Une clé laissée fixée sur une pièce mobile de l'outil électrique peut entraîner des blessures corporelles.
14. Ne travaillez pas hors de portée. Maintenez un bon appui et restez en équilibre en tout temps. Cela permet un meilleur contrôle de l'outil électrique dans des situations inattendues.
15. Portez des vêtements appropriés. Ne portez pas de vêtements amples ou de bijoux. Gardez vos cheveux, vêtements et gants à distance des pièces mobiles. Les vêtements amples, les bijoux ou les cheveux longs peuvent être pris dans les pièces mobiles.
16. Si des dispositifs sont fournis pour le raccordement d'équipements d'extraction et de collecte de poussière, assurez-vous qu'ils sont raccordés et correctement utilisés. L'utilisation de dispositifs de collecte de poussière peut réduire les risques dus aux poussières.

### Utilisation et entretien des outils électriques

17. Ne forcez pas l'outil électrique. Utilisez l'outil électrique adapté à votre application. L'outil électrique approprié fonctionnera de manière plus efficace et plus sûre à la vitesse pour laquelle il a été conçu.

18. N'utilisez pas l'outil électrique s'il est impossible de l'allumer ou de l'éteindre avec l'interrupteur. Tout outil électrique qui ne peut pas être commandé par l'interrupteur est dangereux et doit être réparé.
19. Débranchez la fiche de la source d'alimentation et/ou de la batterie de l'outil électrique avant tout réglage, changement d'accessoires ou avant de ranger l'outil. De telles mesures de sécurité préventives réduisent le risque de démarrage accidentel de l'outil électrique.
20. Rangez les outils électriques non utilisés hors de la portée des enfants et ne permettez pas à des personnes ne connaissant pas l'outil électrique ou ces instructions d'utiliser l'outil. Les outils électriques sont dangereux dans les mains d'utilisateurs inexpérimentés.
21. Entretenez les outils électriques. Vérifiez la présence d'un désalignement ou blocage des pièces mobiles, de pièces cassées ou de tout autre état pouvant affecter le fonctionnement de l'outil électrique. En cas de dommage, faites réparer l'outil électrique avant de l'utiliser. De nombreux accidents sont causés par des outils électriques mal entretenus.
22. Maintenez les outils de coupe propres et tranchants. Des outils de coupe bien entretenus avec des bords tranchants risquent moins de se bloquer et sont plus faciles à contrôler.
23. Utilisez l'outil électrique, les accessoires, les embouts, etc. conformément à ces instructions, en tenant compte des conditions de travail et de la tâche à effectuer. L'utilisation de l'outil électrique pour des opérations différentes de celles prévues peut entraîner une situation dangereuse.

## Utilisation et entretien de la batterie

24. Rechargez uniquement avec le chargeur spécifié par le fabricant. Un chargeur adapté à un type de batterie peut présenter un risque d'incendie s'il est utilisé avec un autre type de batterie.
25. Utilisez les outils électriques uniquement avec les batteries spécifiquement désignées. L'utilisation de toute autre batterie peut présenter un risque de blessure et d'incendie.
26. Lorsque la batterie n'est pas utilisée, tenez-la à l'écart des objets métalliques, tels que des trombones, des pièces de monnaie, des clés, des clous, des vis ou d'autres petits objets métalliques, susceptibles de créer une connexion entre les deux bornes. Court-circuiter les bornes de la batterie peut provoquer des brûlures ou un incendie.
27. Dans des conditions d'utilisation inadéquate, du liquide peut s'échapper de la batterie. Évitez tout contact avec ce liquide. En cas de contact accidentel, rincez à l'eau. Si le liquide entre en contact avec les yeux, consultez également un médecin. Le liquide qui s'échappe de la batterie peut provoquer une irritation et des brûlures.

## Entretien

28. L'entretien de l'outil électrique doit être effectué par un réparateur qualifié, qui ne devra utiliser que des pièces de rechange identiques. Cela permet de garantir la sécurité d'utilisation de l'outil électrique.
29. Respectez les instructions pour la lubrification et le remplacement des accessoires.
30. Maintenez les poignées sèches, propres et exemptes d'huile et de graisse.

# AVERTISSEMENTS DE SÉCURITÉ RELATIFS AU PRODUIT

1. Ce produit est un vibreur pour le compactage du béton. N'utilisez pas le vibreur à d'autres fins.
2. Assurez-vous de lire attentivement et de comprendre ce manuel d'instructions avant d'utiliser le produit afin de garantir une utilisation efficace et en toute sécurité. Une mauvaise utilisation de la machine peut entraîner des blessures ou une panne de la machine. Conservez ce manuel pour référence ultérieure.
3. Ce produit doit être raccordé au support d'alimentation portable Makita « PDC01 » ou « PDC1200 » pour être utilisé. Lisez également les manuels d'instructions du support d'alimentation portable et du chargeur de batterie.
4. N'utilisez jamais ce produit lorsqu'il est raccordé à un autre dispositif d'alimentation. Cela peut endommager le circuit imprimé ou entraîner une surchauffe du moteur. Les dommages ou la surchauffe du moteur peuvent détruire l'isolation et provoquer un choc électrique.
5. N'utilisez aucune batterie autre que la batterie dédiée spécifiée par Makita pour le support d'alimentation portable. En outre, n'utilisez pas de batteries qui ont été modifiées (y compris les batteries qui ont été démontées et dont les cellules ou autres pièces internes ont été remplacées).
6. Chargez la batterie uniquement avec le chargeur inclus.
7. Dans ce manuel, le terme « cartouche de batterie » est ci-après dénommé « batterie ».
8. Manipulez et entretenez ce produit de manière appropriée afin de garantir un fonctionnement sûr.
9. Lorsque vous prêtez ce produit à une autre personne, veillez à lui fournir les manuels et à lui expliquer en détail l'utilisation sûre et appropriée du produit.
10. Les spécifications contenues dans ce document sont susceptibles d'être modifiées sans préavis en raison de modifications.
11. Ce produit est conforme aux normes CEM : EN61000-6-2 / EN61000-6-4.  
Ce produit n'est pas conforme aux normes CEM suivantes : EN61000-6-3 / EN55014-1.
12. L'utilisation de ce produit à proximité d'autres appareils électroniques peut provoquer des interférences radio.  
Dans ce cas, les utilisateurs de ce produit devront peut-être prendre des mesures appropriées.



# Avertissements de sécurité relatifs au vibreur à béton

1. Portez un casque de sécurité, des gants anti-vibrations, des bottes de sécurité, une protection auditive, une protection faciale (lunettes de sécurité et masque) et un harnais de sécurité avant d'utiliser le vibreur.



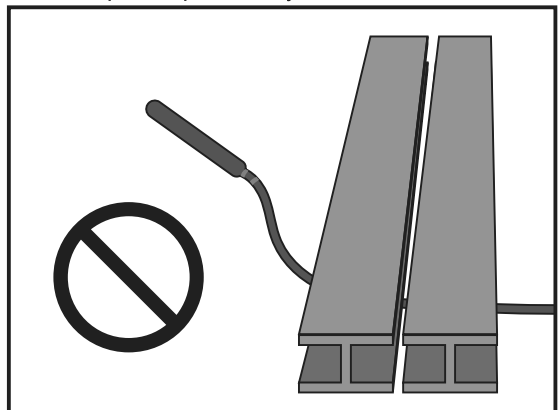
2. Lorsque vous travaillez, portez des manches longues et des pantalons longs pour limiter au maximum l'exposition de votre peau et ainsi éviter les dommages cutanés causés par les projections de béton adhérant à la peau.
3. Lors de l'utilisation du vibreur à proximité des pieds ou dans des endroits peu profonds, du béton peut être éclaboussé. Utilisez une protection faciale (lunettes de sécurité et masque) pour protéger vos yeux et votre bouche. Portez une protection auditive lorsque vous travaillez dans des endroits bruyants.
4. Assurez-vous qu'un repose-pied est placé lorsque vous travaillez sur mauvaise surface d'appui, comme sur une barre d'armature.
5. Ce produit ayant un long tuyau, il existe un risque de blessure en trébuchant ou en faisant un faux pas si le tuyau se prend dans une barre d'armature pendant le travail ou le déplacement, ou si le mouvement est limité en posant quelque chose sur le tuyau. En outre, si le produit est laissé dans une zone de passage alors que le travail est suspendu, quelqu'un peut tomber ou se blesser en se prenant les pieds dedans. Soyez prudent lorsque vous manipulez des tuyaux et des câbles.
6. L'utilisation prolongée du vibreur ou l'utilisation du vibreur dans une posture incorrecte peut entraîner des contraintes physiques. Veillez à prendre des pauses appropriées pour éviter la fatigue ou les blessures. En outre, en cas de douleur ou d'engourdissement au niveau des mains, des bras, des épaules ou du dos lors de l'utilisation du produit, arrêtez immédiatement de l'utiliser et recevez un traitement approprié.
7. L'exploitant utilisant ce vibreur à béton doit gérer les heures de travail et doit veiller à ce que la santé des travailleurs ne soit pas affectée par les vibrations. Reportez-vous à la section « VALEUR TOTALE DES VIBRATIONS » pour plus d'informations sur la force de vibration du vibreur.

Respectez les exigences légales et les directives pertinentes du pays où le vibreur est utilisé.

8. En cas d'arrêt temporaire du travail, rangez le produit dans un endroit sûr. S'il est mis dans une allée, vous pouvez tomber ou vous blesser en vous prenant les pieds dedans. En cas d'anomalie ou de dysfonctionnement, coupez immédiatement toutes les sources d'alimentation, arrêtez l'utilisation et détachez le support d'alimentation portable. Pour l'inspection et la réparation, contactez votre centre de service agréé Makita local.
9. La tête de ce produit refroidit lors de l'insertion dans du béton prêt à l'emploi. Ainsi, ne l'utilisez pas en dehors du béton prêt à l'emploi (c'est-à-dire dans l'air). Le moteur risquerait de surchauffer.



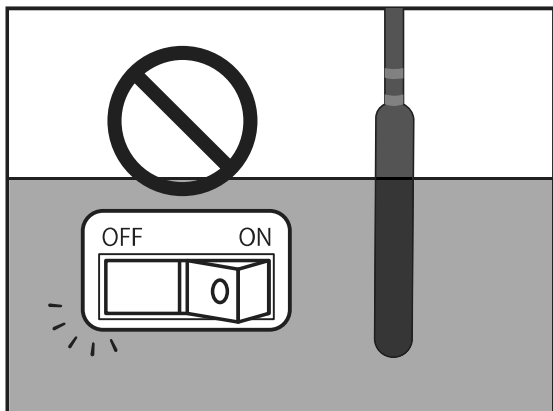
10. Ne faites pas fonctionner la tête dans l'air. Lors de l'utilisation dans l'air, le vibreur atteint 100 °C (212 °F) ou plus en quelques minutes et vous risquez de vous brûler en le touchant.
11. La tête devient chaude pendant le fonctionnement. Après utilisation, veillez à ne pas la toucher. Il existe un risque de brûlure.
12. Ne placez pas ou ne faites pas tomber d'objets lourds sur le câble ou le tuyau. Cela peut endommager le câble et provoquer un dysfonctionnement.



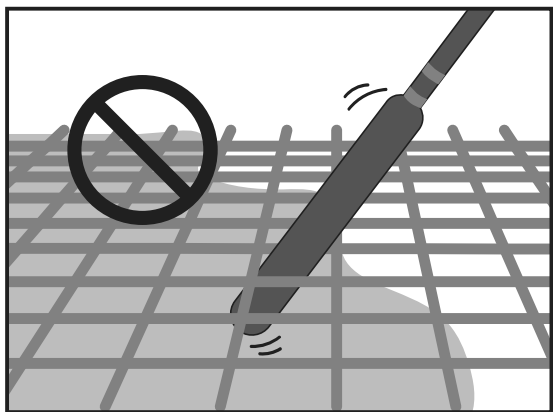
13. Ne balancez pas la tête en tenant le tuyau ou le câble. Cela pourrait entraîner des blessures ou endommager les objets à proximité.

14. L'interrupteur d'alimentation ne doit être activé/désactivé que lorsque la tête n'est pas insérée dans le béton prêt à l'emploi.

Si l'alimentation est coupée alors que le vibreur est dans le béton prêt à l'emploi, vous risquez de ne plus pouvoir retirer la tête. Le retirer de force peut entraîner des blessures.



15. N'allumez pas le vibreur s'il est posé sur le sol. La tête peut devenir incontrôlable et provoquer un accident.
16. Ne forcez pas ou ne tordez pas le vibreur entre les barres d'armature ou le coffrage avec la tête. Sinon, la tête risque de s'abîmer et peut entraîner une surchauffe du moteur.



17. Lors de l'utilisation d'un vibreur raccordé au support d'alimentation portable, assurez-vous de travailler seul. L'utilisation par deux personnes, avec l'une qui tient le vibreur et l'autre le support d'alimentation portable, peut provoquer des accidents ou des blessures.
18. Lors du déplacement ou du stockage du produit, veillez à le déplacer avec le support d'alimentation portable éteint. Si l'alimentation n'est pas coupée, il peut démarrer de manière inattendue, provoquant un accident ou des blessures.
19. La tête de ce produit ne doit pas être utilisée sur des surfaces dures telles que du béton durci ou des plaques en acier. Cela pourrait entraîner une surchauffe des roulements et endommager le rotor.
20. Ne tirez pas ou ne suspendez pas le câble lors de la pose du béton ou lors du déplacement du câble, car la fiche pourrait se desserrer et provoquer une rupture du câble ou une défaillance du circuit imprimé.
21. Le boîtier de l'onduleur contient des dispositifs électroniques précis. Ne le faites pas tomber, ne le jetez pas, ne marchez pas dessus et ne le soumettez pas à des chocs violents.

22. Lors de l'insertion ou du retrait du connecteur, veillez à éteindre le support d'alimentation portable. Si le connecteur est branché ou débranché alors que le produit est sous tension, cela peut provoquer un dysfonctionnement.
23. Pour éviter tout mauvais contact, nettoyez la saleté ou la rouille des bornes de la fiche avant de les insérer correctement dans la prise de sortie du support d'alimentation portable. Un mauvais contact avec la fiche est l'une des principales causes de panne, comme la surchauffe du moteur et l'endommagement du circuit imprimé.
24. Le support d'alimentation portable à raccorder à ce produit utilise une batterie lithium-ion. Ne soumettez pas la batterie à des chocs violents, ne l'éclaboussez pas d'eau ou ne la placez pas à proximité d'une source de chaleur. Cela peut entraîner un dysfonctionnement, un choc électrique ou un incendie.
25. En cas d'anomalie, arrêtez immédiatement l'utilisation. Sinon, cela peut provoquer un incendie, un choc électrique ou des blessures.
26. N'utilisez pas le produit en présence de liquides, gaz ou poussières inflammables. Cela peut provoquer une inflammation ou une explosion.
27. N'essayez pas de démonter ou de modifier ce produit. Cela peut entraîner un choc électrique, une surchauffe, une rupture ou un incendie.
28. N'utilisez pas le vibreur sous la pluie.
29. Ne lavez pas le vibreur avec de l'eau.

# Consignes de sécurité importantes pour le support d'alimentation portable

1. Avant d'utiliser le support d'alimentation portable, lisez toutes les instructions et les mises en garde sur (1) le chargeur de batterie, (2) la batterie et (3) le support d'alimentation portable.
2. Ne ramassez pas ou ne transportez pas ce support d'alimentation portable en le tenant uniquement par le cordon. Ne tirez pas sur le cordon lorsque vous portez ou utilisez ce support d'alimentation portable.
3. Avant de porter ou d'enlever le support d'alimentation portable, débranchez la prise du vibreur.
4. Lorsque vous laissez le vibreur sans surveillance, veillez à débrancher la prise du vibreur ou à enlever le support d'alimentation portable de sur vous.
5. Veillez à ne pas trébucher sur le cordon pendant le fonctionnement.
6. N'utilisez pas ce support d'alimentation portable sur une surface instable ou dans des endroits en hauteur instables.
7. Pendant le fonctionnement, éloignez le cordon de tout obstacle. Si le cordon se coince dans des obstacles, cela peut entraîner des blessures graves.
8. N'insérez pas les adaptateurs dans le chargeur.
9. Inspectez le support d'alimentation portable, y compris les cordons et le harnais, avant utilisation. S'ils sont endommagés, contactez votre centre de service agréé Makita local pour la réparation.
10. Lors de la fixation du cordon au support de cordon, veillez à le fixer lentement et solidement.
11. Assurez-vous toujours que le vibreur est éteint et que la prise est débranchée avant d'effectuer l'inspection ou l'entretien du vibreur.
12. Lorsque vous portez le support d'alimentation portable, ne mettez rien, tel qu'un harnais de sécurité ou une sangle d'épaule, qui pourrait interférer avec la fonction de détachement d'urgence du support d'alimentation portable.
13. N'utilisez pas ce support d'alimentation portable lorsque vous portez une veste avec ventilateur sans fil ou une veste chauffante sans fil.
14. N'exposez pas ce support d'alimentation portable à des étincelles.
15. Lorsque vous utilisez ce support d'alimentation portable sans le porter, veillez à le coucher au sol.
16. Ne démontez pas, ne réparez pas ou ne modifiez pas le support d'alimentation portable.
17. Veillez à ne pas emmêler le harnais ou la sangle avec le vibreur.

## [ PDC01 ]

1. N'utilisez pas plusieurs supports d'alimentation portables en raccordant un support d'alimentation portable à un autre support d'alimentation portable.
2. N'installez pas les adaptateurs sur les ports de batterie de ce support d'alimentation portable.
3. Ce support d'alimentation portable est conçu exclusivement pour une utilisation avec des batteries 18 V. N'utilisez pas de batteries autres que des batteries 18 V.
4. Ne laissez pas l'eau pénétrer dans le couvercle.

## [ PDC1200 ]

1. Lorsque vous placez le support d'alimentation portable à la verticale à l'aide du support de batterie, veillez à poser le support d'alimentation portable sur une surface plane.
2. Utilisez uniquement le chargeur dédié au support d'alimentation portable. N'utilisez pas d'autres chargeurs.
3. Ne transportez pas le support d'alimentation portable en tenant le support de batterie ou la courroie de réglage de la largeur.
4. Ne placez ou ne fixez rien entre la batterie et le support de batterie.
5. Ne suspendez rien au support de batterie.

# Consignes de sécurité importantes pour le chargeur de batterie

1. Avant d'utiliser le chargeur de batterie, lisez toutes les instructions et les mises en garde sur (1) le chargeur de batterie, (2) la batterie et (3) le support d'alimentation portable.
2. Les batteries non rechargeables ne peuvent pas être chargées avec ce chargeur de batterie.
3. Utilisez une source d'alimentation avec la tension indiquée sur la plaque signalétique du chargeur.
4. Ne chargez pas la batterie en présence de liquides ou de gaz inflammables.
5. N'exposez pas le chargeur à la pluie ou à la neige.
6. Ne transportez jamais le chargeur par le cordon et ne tirez jamais dessus pour le débrancher de la prise.
7. Après la charge ou avant d'effectuer l'entretien ou le nettoyage, débranchez le chargeur de la source d'alimentation. Tirez sur la fiche plutôt que sur le cordon pour débrancher le chargeur.
8. Assurez-vous que le cordon est placé de manière à ce qu'il ne soit pas possible de marcher ou trébucher dessus, de l'endommager ou de le soumettre à toute autre contrainte.

**⚠ ATTENTION : Pour réduire le risque de blessures, chargez uniquement des batteries rechargeables Makita. Les autres types de batteries peuvent exploser et causer des blessures corporelles et des dommages.**

9. N'utilisez pas le chargeur avec un cordon ou une fiche endommagé. Si le cordon ou la fiche est endommagé, contactez le centre de service agréé Makita pour le remplacement afin d'éviter tout danger.
10. N'utilisez pas ou ne démontez pas le chargeur en cas de choc violent, de chute ou de tout autre dommage ; confiez-le à un technicien qualifié. Une utilisation ou un remontage incorrect peut entraîner un risque de choc électrique ou d'incendie.
11. La charge des batteries doit être effectuée à l'intérieur avec une température ambiante de 10 °C (50 °F) à 40 °C (104 °F). Ne chargez pas la batterie lorsque la température ambiante est INFÉRIEURE À 10 °C (50 °F) ou SUPÉRIEURE À 40 °C (104 °F). À basse température, la charge peut ne pas démarrer.
12. N'essayez pas d'utiliser un transformateur élévateur, un générateur de moteur ou une prise d'alimentation CC.
13. Les trous du chargeur sont des événements de refroidissement et ne doivent pas être obstrués. Un refroidissement insuffisant affecte le temps de charge. Une inspection périodique des événements de refroidissement est recommandée.

## Consignes de sécurité importantes pour la batterie

1. Avant d'utiliser la batterie, lisez toutes les instructions et les mises en garde sur (1) le chargeur de batterie, (2) la batterie et (3) le support d'alimentation portable.
2. Ne démontez pas ou ne modifiez pas la batterie. Cela peut entraîner un incendie, une chaleur excessive ou une explosion.
3. Arrêtez immédiatement l'utilisation si le temps de fonctionnement devient excessivement court. Il existe un risque de surchauffe, de brûlures, voire d'explosion.
4. Dans des conditions sévères telles qu'une température élevée, du liquide peut s'échapper de la batterie. Ne touchez pas le liquide qui s'en échappe par inadvertance. Cela peut provoquer une irritation ou des brûlures. En cas de contact avec la peau ou les yeux, rincez immédiatement à l'eau claire comme l'eau du robinet, puis consultez un médecin.
5. Ne court-circuitez pas la batterie :
  - (1) Ne touchez les bornes avec aucun matériau conducteur.
  - (2) Évitez de ranger la batterie dans un conteneur avec d'autres objets métalliques, tels que des clous, des pièces de monnaie, etc.
  - (3) N'exposez pas la batterie à l'eau ou à la pluie. Un court-circuit de la batterie peut provoquer une intensité de courant élevée, une surchauffe, de possibles brûlures et même une panne.
6. Ne plongez pas la batterie dans un matériau conducteur tel que de l'eau et ne placez pas de matériau conducteur tel que de l'eau à l'intérieur de la batterie. Cela peut provoquer un court-circuit et entraîner une surchauffe, un incendie, une rupture ou une explosion.
7. Ne chargez pas, ne stockez pas et n'utilisez pas le vibreur, le support d'alimentation portable et la batterie dans des endroits où la température peut atteindre ou dépasser 50 °C (122 °F).
8. N'incinerez pas la batterie même si elle est sérieusement endommagée ou complètement épuisée. La batterie peut exploser au contact du feu.
9. Ne clouez pas, ne coupez pas, n'écrasez pas, ne lancez pas, ne faites pas tomber la batterie ou ne la heurtez pas contre un objet dur. Un tel comportement peut entraîner un incendie, une chaleur excessive ou une explosion.
10. N'utilisez en aucun cas une batterie qui est tombée ou qui a été endommagée.
11. Les batteries lithium-ion fournies sont soumises aux exigences de la législation sur les marchandises dangereuses.
 

Lors du transport commercial par des tiers ou des transitaires par exemple, des exigences spécifiques en matière d'emballage et d'étiquetage doivent être respectées. Pour la préparation de l'article à expédier, il est nécessaire de consulter un expert en matériaux dangereux. Veuillez également respecter les réglementations nationales susceptibles d'être plus détaillées. Recouvrez les contacts exposés avec du ruban isolant et emballez la batterie de sorte qu'elle ne puisse pas bouger dans l'emballage.
12. Lors de la mise au rebut de la batterie, retirez-la du support d'alimentation portable et jetez-la dans un endroit sûr. Respectez les réglementations locales en matière de mise au rebut des batteries.
13. Utilisez la batterie uniquement avec les produits spécifiés par Makita. L'installation de la batterie sur des produits non conformes peut entraîner un incendie, une chaleur excessive, une explosion ou une fuite d'électrolyte.
14. Si le vibreur n'est pas utilisé pendant une période prolongée, la batterie doit être retirée du support d'alimentation portable.
15. Gardez la batterie hors de portée des enfants.
16. Pendant et après l'utilisation, la batterie peut être chaude, ce qui peut provoquer des brûlures ou des brûlures à basse température. Faites attention lors de la manipulation de batteries chaudes.
17. Ne touchez pas la borne de la batterie immédiatement après utilisation car elle peut devenir suffisamment chaude pour provoquer des brûlures.

18. Ne laissez pas les copeaux, la poussière ou la saleté s'accumuler dans les bornes, les trous et les rainures de la batterie. Cela peut entraîner de mauvaises performances ou une panne du vibreur ou de la batterie.
19. Ne touchez pas les bornes de la batterie en charge avec des objets métalliques ou autres.
20. N'utilisez pas la batterie à proximité de lignes électriques à haute tension. Cela peut entraîner un dysfonctionnement ou une panne du vibreur ou de la batterie.
21. Lorsque la température de la batterie est élevée (40 °C (104 °F) ou plus), comme après avoir travaillé sous un soleil de plomb, la charge peut devenir temporairement impossible. Toutefois, cela est dû à la fonction de protection de la batterie et il ne s'agit pas d'un dysfonctionnement. Laissez la batterie refroidir un moment avant de la recharger.

### Conseils pour maintenir une durée de service maximale de la batterie

1. Rechargez la batterie avant qu'elle ne soit complètement déchargée. Arrêtez toujours l'outil et rechargez la batterie quand vous remarquez que la puissance de l'outil diminue.
2. Ne rechargez jamais une batterie complètement chargée. La surcharge réduit la durée de service de la batterie.
3. Chargez la batterie à une température ambiante comprise entre 10 °C et 40 °C (50 °F et 104 °F). Si la batterie est chaude, laissez-la refroidir avant de la charger.
4. Lorsque vous n'utilisez pas la batterie, retirez-la du support d'alimentation portable ou du chargeur.
5. Chargez la batterie si vous ne prévoyez pas de l'utiliser pendant une période prolongée (plus de six mois).

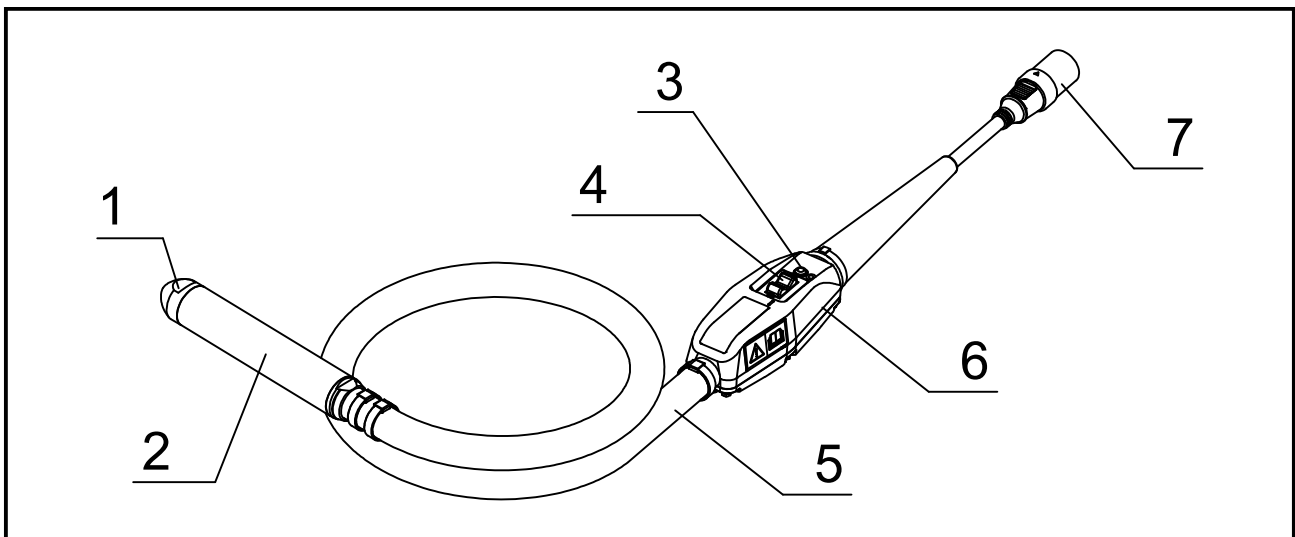
### CONSERVEZ CES INSTRUCTIONS.

**⚠ ATTENTION : N'utilisez que des batteries Makita d'origine.**

L'utilisation de batteries de marque autre que Makita ou de batteries modifiées peut provoquer l'explosion des batteries, ce qui présente un risque d'incendie, de blessures corporelles et de dommages. Cela annule également la garantie Makita pour les produits Makita.

## NOMS DES PIÈCES DU VIBREUR

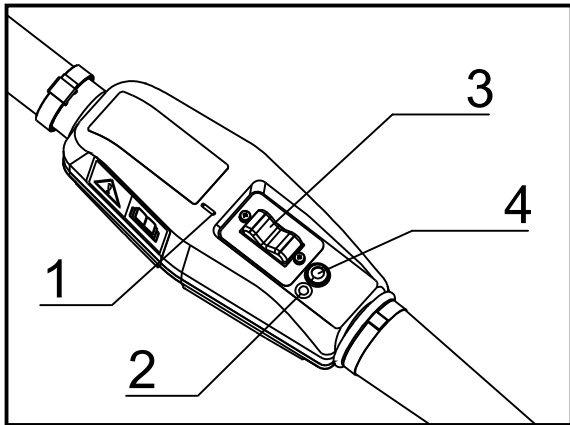
**⚠ ATTENTION : Ce produit est un appareil dédié aux supports d'alimentation portables Makita « PDC01 » et « PDC1200 ». N'utilisez pas d'autres appareils alimentés par batterie. Cela peut entraîner un choc électrique, une surchauffe, une rupture ou un incendie.**



1	Capuchon de vibreur	5	Tuyau
2	Tête	6	Boîtier de l'onduleur
3	Voyant LED	7	Connecteur (fiche)
4	Interrupteur	-	-

# FUNCTIONNEMENT

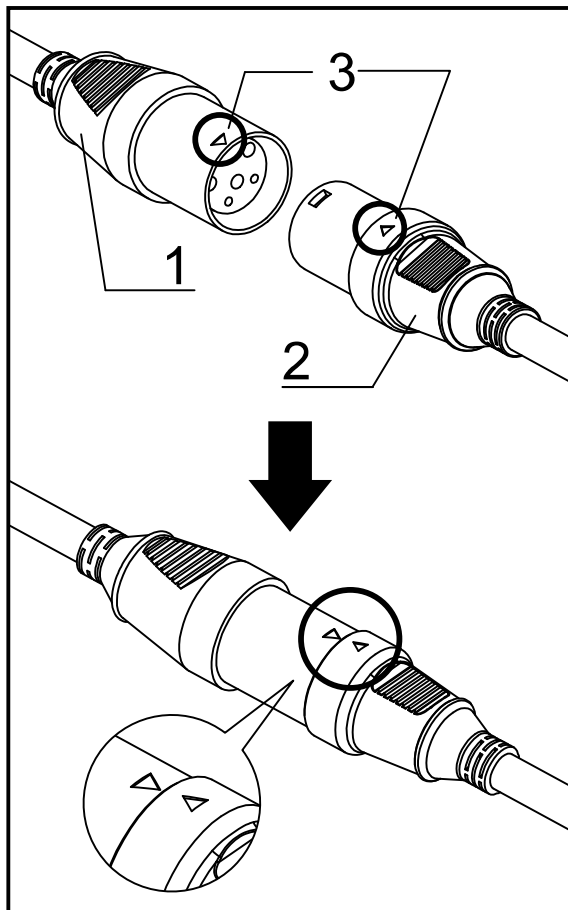
1. Assurez-vous que l'interrupteur de fonctionnement du vibreur est en position arrêt.



- 1. Repère « I » 2. Repère « O »  
3. Interrupteur de fonctionnement 4. Voyant LED

**REMARQUE :** Le repère « O » signifie OFF ; le repère « I » signifie ON.

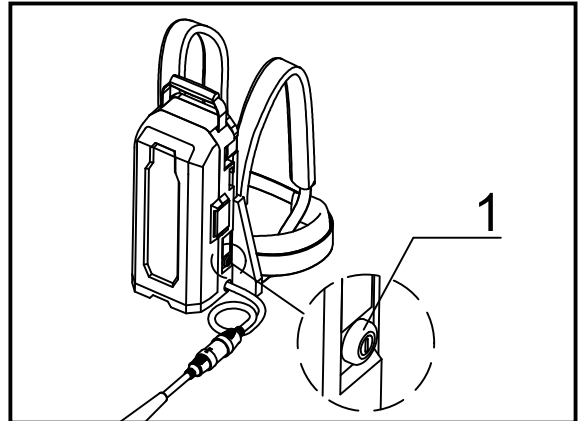
2. Alignez la flèche sur la fiche du vibreur avec la prise du support d'alimentation portable et insérez-la à fond.



- 1. Prise 2. Fiche 3. Flèche

3. Appuyez sur le bouton d'alimentation du support d'alimentation portable pour l'allumer. Le voyant d'alimentation secteur s'allume en vert. Le voyant LED du vibreur s'allume également en vert.

**REMARQUE :** Lorsque le voyant LED clignote en rouge, la fonction de prévention de démarrage intempestif est activée. Tourner l'interrupteur de fonctionnement sur OFF annule la fonction de prévention de démarrage intempestif et le voyant LED du vibreur s'allume en vert.



- 1. Bouton d'alimentation secteur

4. Tenez le tuyau du vibreur de manière à ce que la tête soit suspendue dans l'air.
5. Lorsque vous êtes prêt, tournez l'interrupteur de fonctionnement sur ON pour démarrer le vibreur.

**REMARQUE :** Tenez le tuyau du vibreur à l'endroit où la vibration au niveau de la main est faible.

6. Insérez le vibreur perpendiculairement dans le béton avec un pas de plage de compactage efficace.

**REMARQUE :** La plage de compactage efficace du vibreur est une zone d'un diamètre d'environ 10 fois le diamètre de la partie vibrante.

7. La consigne de remplacement de la position du vibreur est à suivre lorsque le béton cesse de se tasser et que le mortier flotte uniformément sur la surface et devient brillant.

**REMARQUE :** Laisser le vibreur à une même position pendant longtemps peut provoquer une séparation des granulats.

**REMARQUE :** Si une séparation se produit pendant la mise en place du béton, remplissez uniformément les granulats grossiers et placez à nouveau le béton.

**REMARQUE :** Il est recommandé de régler l'interrupteur de fonctionnement sur OFF lorsque le vibreur n'est pas inséré dans le béton. Cela permet de prolonger la durée d'utilisation/durée de vie du vibreur.

8. Lorsque vous tirez le vibreur vers le haut, tirez-le lentement afin qu'il ne reste aucun trou.

9. Une fois le coulage terminé, tournez l'interrupteur de fonctionnement du vibreur sur OFF pour arrêter le vibreur.
10. Appuyez de façon prolongée sur le bouton d'alimentation du support d'alimentation portable pour couper l'alimentation.  
Le voyant d'alimentation s'éteint.
11. Retirez le connecteur qui relie le support d'alimentation portable et le vibreur.

**REMARQUE** : Lors du retrait du connecteur, tenez la prise et la fiche et ne tirez pas directement sur le cordon d'alimentation.

## COMMENT CHARGER LA BATTERIE

**⚠ ATTENTION** : Avant de charger la batterie, assurez-vous de lire le manuel d'instructions du support d'alimentation portable et du chargeur de batterie.

- Pour en savoir plus sur la charge, reportez-vous au manuel d'instructions du support d'alimentation portable ou du chargeur de batterie.

## NETTOYAGE APRÈS UTILISATION

- Après utilisation, le vibreur doit être bien nettoyé et les tuyaux et câbles soigneusement enroulés.
1. Retirez le béton de la tête, du tuyau, du boîtier de l'onduleur et des câbles avant qu'il ne durcisse.
  2. Ne lavez pas le boîtier de l'onduleur avec de l'eau. Essuyez toute saleté y adhérant avec un chiffon humide. Pour l'essuyage, utilisez un chiffon sec pour éliminer toute trace d'humidité.
  3. En cas de saleté ou de rouille sur les bornes de la fiche ou de la prise, nettoyez-les. Un mauvais contact de la borne peut provoquer un dysfonctionnement.
  4. Lorsque vous transportez le support d'alimentation portable, débranchez la prise du support d'alimentation portable et la fiche du vibreur avant de le déplacer.
  5. Lorsque vous transportez l'appareil, tenez le vibreur et la poignée du support d'alimentation portable. Ne soulevez pas ou ne tirez pas sur le vibreur ou le support d'alimentation portable. Cela peut entraîner l'usure du vibreur ou la rupture du cordon d'alimentation.
  6. Lorsque vous transportez le support d'alimentation portable, veillez à éteindre le support d'alimentation portable avant de le déplacer. Appuyez de façon prolongée sur le bouton d'alimentation pour mettre hors tension.

## INSPECTION

- Avant de transporter le vibreur sur le chantier ainsi qu'après son utilisation, veillez à vérifier les points suivants.
  - Cela permettra d'éviter les problèmes lors de l'utilisation.
1. Le vibreur présente-t-il des signes d'usure, des fissures ou des composants desserrés ?
  2. Le tuyau présente-t-il des signes d'usure, des dommages ou des rayures ?
  3. La gaine du câble présente-t-elle des signes d'usure ou des fissures ?
  4. Y a-t-il une déformation du boîtier de l'onduleur, des vis desserrées ou des dommages sur une des pièces de l'onduleur, comme le couvercle de l'interrupteur de fonctionnement ou le voyant LED ?
  5. Y a-t-il de la saleté ou de la rouille sur les bornes de la fiche ou de la prise ?
  6. La valeur de la résistance d'isolement est-elle correcte ? (500 V CC, 10 MΩ ou plus)
    - (1) Utilisez un testeur de résistance d'isolement de 500 V comme instrument de mesure.
    - (2) Mesurez entre les bornes de la fiche et le boîtier de l'onduleur.
  7. Le support d'alimentation portable présente-t-il des fissures, des bosses ou d'autres dommages ?
  8. La batterie est-elle complètement chargée ?

**REMARQUE** : Ne mesurez pas entre les trois connecteurs. Cela peut endommager la carte de l'onduleur.

9. Le vibreur peut-il être démarré en étant maintenu dans l'air lorsqu'il est raccordé au support d'alimentation portable ?

En faisant cela, le voyant LED du boîtier de l'onduleur s'allume-t-il en vert ?

10. Le vibreur fait-il un bruit anormal ? Le son de fonctionnement du vibreur semble-t-il normal pendant le fonctionnement ? (Un son régulier et continu est un son normal.)

## PÉRIODE DE REMPLACEMENT DES CONSOMMABLES

- Les consommables doivent être remplacés périodiquement selon le tableau ci-dessous.

Consommables	Période de remplacement (contrôle visuel et auditif)	Fréquence de remplacement (en heures)
Tête	Déterminée par l'état d'usure (contrôle visuel)	300-500
Capuchon de vibreur		
Roulement	Déterminée par le bruit pendant le fonctionnement (contrôle auditif)	400-500
Tuyau	Déterminée par l'usure ou les rayures (contrôle visuel)	Dès la présence d'usure ou de rayures

- Les délais de remplacement des pièces consommables ci-dessus sont donnés à titre indicatif. Étant donné que cela dépend de l'utilisation, nous vous recommandons de remplacer les consommables avant les délais indiqués ci-dessus.

## VOYANT LED

- Vous pouvez vérifier l'état de sortie de l'onduleur selon si le voyant LED est allumé ou s'il clignote.
- S'il clignote, la fonction de protection est activée et la sortie de l'alimentation est coupée. Veuillez à arrêter l'utilisation et à éliminer la cause de l'anomalie avant de redémarrer.

État du voyant LED	État de sortie de l'onduleur
1. Voyant vert fixe	Condition normale. Le vibreur peut être utilisé.
2. Voyant vert clignotant	Le vibreur est surchargé. Le vibreur peut être utilisé, mais la fréquence de vibration a été abaissée pour éviter les pannes dues à une surcharge. Le vibreur revient à son état normal lorsque la condition de surcharge est résolue.
3. Voyant rouge clignotant	Dans cet état, la fonction de prévention de démarrage intempestif est activée. Cette fonction empêche le vibreur de démarrer de manière inattendue lorsque l'alimentation est allumée alors que l'interrupteur de fonctionnement du vibreur est en position ON. Tourner l'interrupteur de fonctionnement sur OFF permet de ramener le vibreur à son état normal.
4. Voyant rouge fixe	En cas de détection d'une anomalie, la sortie de l'onduleur est coupée. Lorsque le voyant rouge s'allume, veuillez vérifier ce qui suit. <ul style="list-style-type: none"> <li>Vérifiez la capacité restante de la batterie.</li> <li>Une contrainte ou une charge excessive est-elle causée par les barres d'armature, etc. ?</li> </ul> Si aucun problème n'est détecté, tournez l'interrupteur sur OFF pour revenir à l'état normal (voyant vert fixe). Si le voyant rouge s'allume à plusieurs reprises, un dysfonctionnement s'est probablement produit. Une inspection et une réparation sont nécessaires.
5. Voyant éteint	Le vibreur s'est arrêté en raison d'un problème au niveau de l'alimentation. La batterie est peut-être déchargée, mal insérée ou défectueuse. Vérifiez l'alimentation.



# DÉPANNAGE

- Si l'une des conditions suivantes est observée lors de l'utilisation du produit, arrêtez de l'utiliser et vérifiez la cause et les solutions potentielles.
- Pour l'inspection et la réparation, contactez votre centre de service agréé Makita local.

Opération	Symptôme 1	Symptôme 2	Cause	Solution
Le vibreur fonctionne	Bruit inhabituel provenant de la partie vibrante du vibreur (bruit métallique, etc.)		Anomalie de roulement (rugosité, usure)	Remplacez les roulements.
	Faible vibration	Le voyant LED sur le boîtier de l'onduleur <b>clignote en vert.</b>	Anomalie de roulement (rugosité, usure)	Remplacez les roulements.
			Condition de surcharge supérieure à la capacité du vibreur.	Réduisez la charge en sortant la tête hors du béton.
	Arrêt en cours de fonctionnement	Le voyant LED sur le boîtier de l'onduleur est <b>rouge fixe.</b>	Le vibreur est considérablement surchargé au-delà de sa capacité. La batterie est faible et la capacité du vibreur est réduite.	Réduisez la charge en sortant la tête hors du béton. Puis rallumez.  Si le voyant rouge s'allume à plusieurs reprises, vérifiez la batterie. Si elle est complètement chargée, elle doit être vérifiée et réparée.

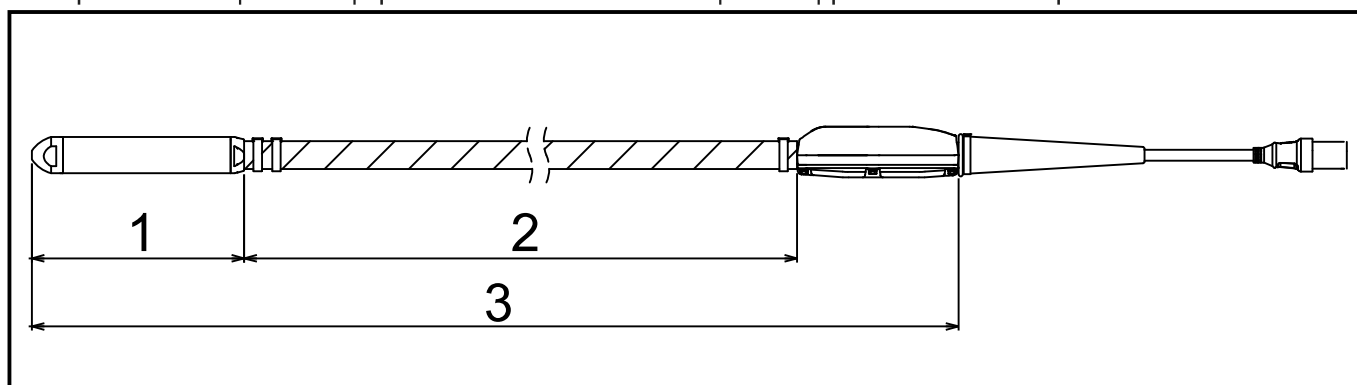
Opération	Symptôme 1	Symptôme 2	Cause	Solution
Le vibreur ne démarre pas	Le voyant LED sur le boîtier de l'onduleur est éteint.	Le voyant d'alimentation du support d'alimentation portable ne s'allume pas.	Le support d'alimentation portable n'est pas allumé.	Allumez le support d'alimentation portable.
			La batterie n'est pas installée. Ou, la capacité restante de la batterie est insuffisante.	Installez la batterie. Ou, chargez les batteries ou remplacez les batteries par des batteries chargées.
			Le support d'alimentation portable ne fonctionne pas correctement.	Une inspection et une réparation sont nécessaires.
		Le voyant d'alimentation du support d'alimentation portable <b><u>clignote alternativement en vert et en rouge.</u></b>	Le support d'alimentation portable a détecté une anomalie.	Éteignez le support d'alimentation portable et rallumez-le.
			Le support d'alimentation portable ne fonctionne pas correctement.	Une inspection et une réparation sont nécessaires.
		Le voyant d'alimentation du support d'alimentation portable est <b><u>vert fixe.</u></b>	La fiche du vibreur n'est pas correctement connectée à la prise du support d'alimentation portable. Ou, le câble est débranché.	Assurez-vous que la fiche est fermement connectée à la prise. En cas de déconnexion, une inspection et une réparation sont nécessaires.
			La carte de l'onduleur sur le vibreur est défectueuse.	Une inspection et une réparation sont nécessaires.

Opération	Symptôme 1	Symptôme 2	Cause	Solution
Le vibreur ne démarre pas	Le voyant LED sur le boîtier de l'onduleur est éteint.	Le voyant d'alimentation du support d'alimentation portable <b>clignote en vert.</b>	La batterie est faible. Ou, elle n'est pas installée correctement.	Vérifiez l'indicateur de niveau de la batterie. Si le niveau de la batterie est suffisant, vérifiez comment la batterie est installée.
			Le support d'alimentation portable ou le cordon d'alimentation est chaud.	Laissez le support d'alimentation portable refroidir.
			La fiche du vibreur n'est pas correctement connectée à la prise du support d'alimentation portable. Ou, le câble est débranché.	Assurez-vous que la fiche est fermement connectée à la prise. En cas de déconnexion, une inspection et une réparation sont nécessaires.
	Le voyant LED sur le boîtier de l'onduleur est <b>rouge fixe.</b>		Le vibreur s'est arrêté car un défaut a été détecté.	Rallumez le support d'alimentation portable. Si le voyant LED s'allume en rouge à plusieurs reprises, une inspection et une réparation sont nécessaires.
	Le voyant LED sur le boîtier de l'onduleur <b>clignote en rouge.</b>		La fonction de prévention de démarrage intempestif du vibreur est activée.	Tournez l'interrupteur de fonctionnement du vibreur sur OFF, puis tournez-le sur ON.

# SPÉCIFICATIONS

Modèle	VR001C	VR002C	VR003C	VR004C
Puissance	250 W		400 W	
Tension	36 V			
Courant	8,7 A		14,0 A	
Fréquence	200 Hz			
Longueur totale	1 945 mm (76-9/16")	3 445 mm (135-5/8")	1 977 mm (77-27/32")	3 477 mm (136-7/8")
Tête Diamètre x Longueur	43 x 255 mm (1-11/16" x 10-1/32")		52 x 287 mm (2-1/16" x 11-5/16")	
Tuyau externe Diamètre x Longueur	33 x 1 500 mm (1-5/16" x 59-1/16")	33 x 3 000 mm (1-5/16" x 118-1/8")	33 x 1 500 mm (1-5/16" x 59-1/16")	33 x 3 000 mm (1-5/16" x 118-1/8")
Poids	4,8 kg (10,6 lb)	5,9 kg (13,0 lb)	5,6 kg (12,4 lb)	6,7 kg (14,8 lb)

\* Le poids n'inclut pas les équipements d'alimentation tels que le support d'alimentation portable et les batteries.



► 1. Longueur de la tête 2. Longueur du tuyau externe 3. Longueur totale

## TEMPS DE FONCTIONNEMENT

Modèle	Lors de l'utilisation de PDC01 (en min)	Lors de l'utilisation de PDC1200 (en min)
VR001C / VR002C	environ 100	environ 300
VR003C / VR004C	environ 60	environ 200

\* Le temps de fonctionnement avec le support d'alimentation portable PDC01 est basé sur quatre batteries BL 1860B installées.

\* Le temps de fonctionnement est une valeur de référence qui représente le temps de fonctionnement en continu de chaque vibreur. Il dépend de l'état de charge de la batterie et de l'environnement d'utilisation.

## VALEUR TOTALE DES VIBRATIONS

Modèle	Valeur totale des vibrations ( m/s <sup>2</sup> )
VR001C / VR002C	Moins de 2,5
VR003C / VR004C	2,5

\* La valeur totale des vibrations est une valeur déterminée par l'instrument de mesure selon la norme ISO 5349-1 et elle a été mesurée selon la méthode de la norme ISO 5349-2.

## VERWENDUNGSZWECK

Das Werkzeug ist für das Entlüften von Beton beim Betongießen vorgesehen.

## GERÄUSCH

Typischer A-bewerteter Geräuschpegel ermittelt gemäß EN60745:

**Modell: VR001C, VR002C**

Schallleistungspegel ( $L_{WA}$ ): 98,4 dB (A)

Schalldruckpegel ( $L_{pA}$ ): 87,4 dB (A)

Ungewissheit (K): 3 dB (A)

**Modell: VR003C, VR004C**

Schallleistungspegel ( $L_{WA}$ ): 97,6 dB (A)

Schalldruckpegel ( $L_{pA}$ ): 86,6 dB (A)

Ungewissheit (K): 3 dB (A)

**HINWEIS:** Der (Die) angegebene(n) Schallemissionswert(e) wurde(n) im Einklang mit der Standardprüfmethode gemessen und kann (können) für den Vergleich zwischen Werkzeugen herangezogen werden.

**HINWEIS:** Der (Die) angegebene(n) Schallemissionswert(e) kann (können) auch für eine Vorbewertung des Gefährdungsgrads verwendet werden.

**⚠️ WARNUNG:** Einen Gehörschutz tragen.

**⚠️ WARNUNG:** Die Schallemission während der tatsächlichen Benutzung des Elektrowerkzeugs kann je nach der Benutzungsweise des Werkzeugs, insbesondere nach Art des zu bearbeitenden Werkstücks von dem (den) angegebenen Wert(en) abweichen.

**⚠️ WARNUNG:** Identifizieren Sie unbedingt Sicherheitsmaßnahmen zum Schutz des Benutzers anhand einer Schätzung des Gefährdungsgrads unter den tatsächlichen Benutzungsbedingungen (unter Berücksichtigung aller Phasen des Arbeitszyklus, wie z. B. Ausschalt- und Leerlaufzeiten des Werkzeugs zusätzlich zur Betriebszeit).

## SCHWINGUNGEN

Schwingungsgesamtwert (Drei-Achsen-Vektorsumme) ermittelt gemäß EN60745:

**Modell: VR001C, VR002C**

Arbeitsmodus: Betrieb ohne Last

Vibrationsemission (ah): 1,9 m/s<sup>2</sup> (Schlauch)

Vibrationsemission (ah): 0,7 m/s<sup>2</sup> (Umrichtergehäuse)

Ungewissheit (K): 1,5 m/s<sup>2</sup>

**Modell: VR003C, VR004C**

Arbeitsmodus: Betrieb ohne Last

Vibrationsemission (ah): 3,1 m/s<sup>2</sup> (Schlauch)

Vibrationsemission (ah): 1,7 m/s<sup>2</sup> (Umrichtergehäuse)

Ungewissheit (K): 1,5 m/s<sup>2</sup>

**HINWEIS:** Der angegebene Schwingungsemissionswert wurde im Einklang mit einer Standardprüfmethode gemessen und kann für den Vergleich zwischen Werkzeugen herangezogen werden.

**HINWEIS:** Der angegebene Schwingungsemissionswert kann auch für eine Vorbewertung des Gefährdungsgrads verwendet werden.

**⚠️ WARNUNG:** Die Schwingungsemission während der tatsächlichen Benutzung des Elektrowerkzeugs kann je nach der Benutzungsweise des Werkzeugs, insbesondere nach Art des zu bearbeitenden Werkstücks von dem angegebenen Emissionswert abweichen.

**⚠️ WARNUNG:** Identifizieren Sie unbedingt Sicherheitsmaßnahmen zum Schutz des Benutzers anhand einer Schätzung des Gefährdungsgrads unter den tatsächlichen Benutzungsbedingungen (unter Berücksichtigung aller Phasen des Arbeitszyklus, wie z. B. Ausschalt- und Leerlaufzeiten des Werkzeugs zusätzlich zur Betriebszeit).

## EG-Konformitätserklärung

### Nur für europäische Länder

Die EG-Konformitätserklärung ist als Anhang A in dieser Bedienungsanleitung enthalten.

# ALLGEMEINE SICHERHEITSWARNUNGEN FÜR ELEKTROWERKZEUGE

**⚠️ WARNUNG:** Lesen Sie alle Sicherheitswarnungen und Anweisungen durch. Eine Missachtung der unten aufgeführten Warnungen und Anweisungen kann zu einem elektrischen Schlag, Brand und/oder schweren Verletzungen führen.

## Bewahren Sie alle Warnungen und Anweisungen für spätere Bezugnahme auf.

Der Ausdruck „Elektrowerkzeug“ in den Warnhinweisen bezieht sich auf Ihr mit Netzstrom (mit Kabel) oder Akku (ohne Kabel) betriebenes Elektrowerkzeug.

### Sicherheit im Arbeitsbereich

1. Halten Sie den Arbeitsbereich sauber und gut beleuchtet. Unaufgeräumte oder dunkle Bereiche führen zu Unfällen.
2. Betreiben Sie Elektrowerkzeuge nicht in explosiven Umgebungen, wie z. B. in Gegenwart von brennbaren Flüssigkeiten, Gasen oder Staub. Elektrowerkzeuge erzeugen Funken, die den Staub oder die Dämpfe entzünden können.
3. Halten Sie Kinder und Umstehende während der Benutzung eines Elektrowerkzeugs vom Arbeitsbereich fern. Ablenkungen können dazu führen, dass Sie die Kontrolle verlieren.

### Elektrische Sicherheit

4. Der Stecker des Elektrowerkzeugs muss an die Buchse angepasst sein. Der Stecker darf auf keinen Fall in irgendeiner Form abgeändert werden. Verwenden Sie keine Adapterstecker mit geerdeten Elektrowerkzeugen. Vorschriftsmäßige Stecker und passende Buchsen reduzieren die Stromschlaggefahr.
5. Vermeiden Sie Körperkontakt mit geerdeten Gegenständen (z. B. Rohre, Kühler, Herde, Kühlschränke). Es besteht erhöhte Stromschlaggefahr, falls Ihr Körper Erdkontakt hat.
6. Setzen Sie Elektrowerkzeuge keinem Regen oder Nässe aus. Wasser, das in ein Elektrowerkzeug eindringt, erhöht die Stromschlaggefahr.
7. Behandeln Sie das Kabel sorgfältig. Benutzen Sie das Kabel niemals zum Tragen, Ziehen oder Abtrennen des Elektrowerkzeugs. Halten Sie das Kabel von Hitze, Öl, scharfen Kanten oder beweglichen Teilen fern. Ein beschädigtes oder verheddertes Kabel erhöht die Stromschlaggefahr.
8. Wenn Sie ein Elektrowerkzeug im Freien betreiben, verwenden Sie ein für Freiluftbenutzung geeignetes Verlängerungskabel. Die Verwendung eines für Freiluftbenutzung geeigneten Kabels reduziert die Stromschlaggefahr.

9. Lässt sich der Einsatz eines Elektrowerkzeugs in feuchter Umgebung nicht vermeiden, verwenden Sie eine Stromquelle, die mit einem Fehlerstrom-Schutzschalter (GFCI) geschützt ist. Der GFCI verringert die Gefahr eines elektrischen Schlags.

### Persönliche Sicherheit

10. Bleiben Sie wachsam, und lassen Sie beim Umgang mit einem Elektrowerkzeug Vorsicht und gesunden Menschenverstand walten. Benutzen Sie keine Elektrowerkzeuge, wenn Sie müde sind oder unter dem Einfluss von Drogen, Alkohol oder Medikamenten stehen. Ein Augenblick der Unachtsamkeit während der Benutzung von Elektrowerkzeugen kann zu schweren Verletzungen führen.
11. Benutzen Sie persönliche Schutzausrüstung. Tragen Sie stets einen Augenschutz. Sachgemäßer Gebrauch von Schutzausrüstung (z. B. Staubmaske, rutschfeste Sicherheitsschuhe, Helm und Gehörschutz) trägt zu einer Reduzierung der Verletzungsgefahr bei.
12. Verhüten Sie unbeabsichtigtes Einschalten. Vergewissern Sie sich, dass sich der Ein-Aus-Schalter in der Aus-Stellung befindet, bevor Sie die Stromquelle und/oder den Akku anschließen bzw. das Werkzeug aufheben oder tragen. Das Tragen von Elektrowerkzeugen mit dem Finger am Ein-Aus-Schalter oder das Anschließen bei eingeschaltetem Ein-Aus-Schalter führt zu Unfällen.
13. Etwaige Einstell- oder Schraubenschlüssel sind vor dem Einschalten des Elektrowerkzeugs zu entfernen. Ein Schrauben- oder Einstellschlüssel, der auf einem rotierenden Teil des Elektrowerkzeugs stecken gelassen wird, kann zu einer Verletzung führen.
14. Strecken Sie sich bei der Arbeit nicht zu weit vor. Achten Sie bei der Arbeit stets auf sicheren Stand. Sie haben dann in unerwarteten Situationen eine bessere Kontrolle über das Elektrowerkzeug.
15. Zweckmäßige Kleidung tragen. Tragen Sie keine lose Kleidung oder Schmuckstücke. Halten Sie Haare, Kleidung und Handschuhe von beweglichen Teilen fern. Lose Kleidung, Schmuck oder langes Haar kann sich in beweglichen Teilen verfangen.
16. Wenn Anschlussvorrichtungen für Staubabsaug- und Staubsammelgeräte vorhanden sind, sollten diese montiert und sachgerecht verwendet werden. Durch Staubabsaugung können staubbezogene Gefahren reduziert werden.

## Gebrauch und Pflege von Elektrowerkzeugen

17. Setzen Sie Elektrowerkzeuge keiner Gewaltanwendung aus. Verwenden Sie das korrekte Elektrowerkzeug für Ihre Anwendung. Ein korrektes Elektrowerkzeug verrichtet die anstehende Arbeit bei sachgemäßer Handhabung besser und sicherer.
18. Benutzen Sie das Elektrowerkzeug nicht, wenn es sich nicht mit dem Ein-Aus-Schalter ein- und ausschalten lässt. Ein Elektrowerkzeug, das nicht auf die Schalterbetätigung reagiert, ist gefährlich und muss repariert werden.
19. Trennen Sie den Stecker von der Stromquelle und/oder den Akku vom Elektrowerkzeug, bevor Sie Einstellungen durchführen, Zubehör auswechseln oder das Elektrowerkzeug lagern. Solche vorbeugenden Sicherheitsmaßnahmen reduzieren die Gefahr eines versehentlichen Einschaltens des Elektrowerkzeugs.
20. Bewahren Sie unbenutzte Elektrowerkzeuge außer Reichweite von Kindern auf, und lassen Sie nicht zu, dass Personen, die nicht mit dem Elektrowerkzeug oder diesen Anweisungen vertraut sind, das Elektrowerkzeug benutzen. Elektrowerkzeuge in den Händen unerfahrener Benutzer sind gefährlich.
21. Pflegen Sie Elektrowerkzeuge. Überprüfen Sie Elektrowerkzeuge auf Fehlausrichtung oder Verklemmen beweglicher Teile, Beschädigung von Teilen und andere Zustände, die ihren Betrieb beeinträchtigen können. Lassen Sie das Elektrowerkzeug bei Beschädigung vor Gebrauch reparieren. Viele Unfälle werden durch schlecht gewartete Elektrowerkzeuge verursacht.
22. Halten Sie Schneidwerkzeuge scharf und sauber. Gut instand gehaltene Schneidwerkzeuge mit scharfen Schneiden sind weniger anfällig für Klemmen und lassen sich leichter handhaben.
23. Benutzen Sie das Elektrowerkzeug, das Zubehör und die Werkzeugeinsätze usw. gemäß diesen Anweisungen unter Berücksichtigung der Arbeitsbedingungen und der durchzuführenden Arbeit. Unsachgemäßer Gebrauch des Elektrowerkzeugs kann zu einer Gefahrensituation führen.

## Gebrauch und Pflege von Akkwerkzeugen

24. Laden Sie den Akku nur mit dem vom Hersteller vorgeschriebenen Ladegerät. Ein Ladegerät, das für einen bestimmten Akkutyp geeignet ist, kann bei Verwendung mit einem anderen Akku eine Brandgefahr darstellen.
25. Benutzen Sie Elektrowerkzeuge nur mit den ausdrücklich vorgeschriebenen Akkus. Bei Verwendung irgendwelcher anderer Akkus besteht Verletzungs- und Brandgefahr.
26. Bewahren Sie den Akku bei Nichtgebrauch nicht zusammen mit Metallgegenständen, wie Büroklammern, Münzen, Schlüsseln, Nägeln, Schrauben, und anderen kleinen Metallteilen auf, welche die Kontakte kurzschließen können. Kurzschließen der Akkukontakte kann Verbrennungen oder einen Brand verursachen.
27. Bei Missbrauch kann Flüssigkeit aus dem Akku austreten. Vermeiden Sie Kontakt mit dieser Flüssigkeit. Falls Sie versehentlich mit der Flüssigkeit in Berührung kommen, spülen Sie die betroffenen Stellen mit Wasser ab. Falls die Flüssigkeit in die Augen gelangt, suchen Sie zusätzlich ärztliche Hilfe auf. Die vom Akku austretende Flüssigkeit kann Hautreizungen oder Verätzungen verursachen.

## Wartung

28. Lassen Sie Ihr Elektrowerkzeug nur unter Verwendung identischer Ersatzteile von einem qualifizierten Wartungstechniker warten. Dadurch wird die Aufrechterhaltung der Sicherheit des Elektrowerkzeugs gewährleistet.
29. Befolgen Sie die Anweisungen für die Schmierung und den Austausch von Zubehör.
30. Halten Sie Handgriffe trocken, sauber und frei von Öl und Fett.

# PRODUKT-SICHERHEITSWARNUNGEN

1. Dieses Produkt ist ein Verdichter zum Verdichten von Beton. Benutzen Sie den Verdichter nicht für andere Zwecke.
2. Lesen Sie diese Betriebsanleitung sorgfältig durch, bevor Sie das Produkt verwenden, damit es sicher und effizient betrieben werden kann. Unsachgemäße Verwendung der Maschine kann zu Verletzungen oder zum Ausfall der Maschine führen. Bewahren Sie diese Anleitung für späteres Nachschlagen auf.
3. Dieses Produkt sollte mit der rückentragbaren Akku-Bank „PDC01“ oder „PDC1200“ von Makita verbunden werden. Lesen Sie auch die Betriebsanleitungen für die rückentragbare Akku-Bank und das Ladegerät durch.
4. Benutzen Sie dieses Produkt niemals, während es an eine andere Stromversorgungseinrichtung angeschlossen ist. Dies kann zu einer Beschädigung der Platine oder zum Durchbrennen des Motors führen. Die Beschädigung oder das Durchbrennen des Motors kann die Isolierung zerstören und einen elektrischen Schlag verursachen.
5. Benutzen Sie keine anderen Akkus als die von Makita für die rückentragbare Akku-Bank vorgeschriebenen Akkus. Verwenden Sie auch keine Batterien, die verändert wurden (einschließlich Batterien, die zerlegt worden sind, und deren Zellen oder andere interne Teile ersetzt wurden).
6. Laden Sie den Akku nur mit dem mitgelieferten Ladegerät auf.

7. Der Begriff „Batterie“ wird in dieser Anleitung als „Akku“ bezeichnet.
8. Behandeln und warten Sie dieses Produkt sachgemäß, um einen sicheren Betrieb zu gewährleisten.
9. Wenn Sie dieses Produkt an eine andere Person verleihen, stellen Sie sicher, dass Sie ihr die Anleitungen zur Verfügung stellen und ihr den sicheren und angemessenen Gebrauch des Produkts ausführlich erklären.
10. Die Angaben in diesem Dokument können aufgrund von Modifikationen ohne vorherige Ankündigung geändert werden.
11. Dieses Produkt entspricht diesen EMV-Normen: EN61000-6-2 / EN61000-6-4.  
Dieses Produkt entspricht nicht diesen EMV-Normen: EN61000-6-3 / EN55014-1.
12. Wenn Sie dieses Produkt in der Nähe anderer elektronischer Geräte verwenden, kann es Funkstörungen verursachen.  
In diesem Fall müssen die Benutzer dieses Produkts möglicherweise geeignete Maßnahmen ergreifen.

## Sicherheitswarnungen für Betonverdichter

1. Tragen Sie einen Schutzhelm, vibrationshemmende Handschuhe, Sicherheitsschuhe, Gehörschutz, Gesichtsschutz (Schutzbrille und Maske) und einen Sicherheitsgurt, bevor Sie den Verdichter benutzen.



2. Tragen Sie bei der Arbeit lange Ärmel und lange Hosen, und beschränken Sie den Kontakt mit der Haut auf ein Minimum, um Hautschäden durch auf der Haut haftenden Flugbeton zu vermeiden.
3. Wenn Sie den Verdichter in Fußnähe oder an Stellen einsetzen, die nicht sehr tief sind, können Betonspritzer entstehen. Tragen Sie einen Gesichtsschutz (Schutzbrille und Mundschutz), um Ihre Augen und Ihren Mund zu schützen. Bitte tragen Sie einen Gehörschutz, wenn Sie an lauten Orten arbeiten.
4. Stellen Sie sicher, dass ein Trittbrett platziert ist, wenn Sie auf einer Fläche mit schlechter Trittsicherheit arbeiten, z. B. auf Bewehrungsstäben.
5. Da dieses Produkt einen langen Schlauch hat, besteht Verletzungsgefahr durch Stolpern oder einen Fehltritt, wenn sich der Schlauch während der Arbeit oder beim Transport an Bewehrungsstäben verfängt oder die Bewegung durch Ablegen von Gegenständen auf dem Schlauch eingeschränkt wird. Wenn das Produkt bei unterbrochener Arbeit in einem Bereich abgestellt wird, in dem Personen vorbeigehen, kann es außerdem den Fuß einer Person einklemmen und zu einem Sturz oder einer Verletzung führen. Seien Sie vorsichtig beim Umgang mit Schläuchen und Kabeln.

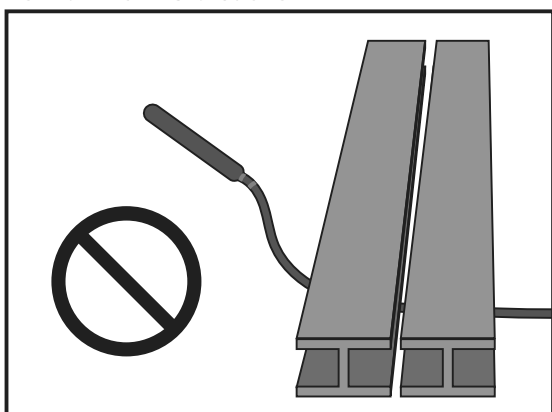
6. Langfristiger Gebrauch des Verdichters oder Betrieb des Verdichters in unnatürlicher Haltung kann den Körper belasten. Achten Sie darauf, dass Sie angemessene Pausen einlegen, um Ermüdung oder Verletzungen zu vermeiden. Wenn Sie während der Anwendung des Produkts Schmerzen oder Taubheitsgefühle in den Händen, Armen, Schultern oder im Rücken verspüren, stellen Sie die Anwendung sofort ein, und lassen Sie sich entsprechend behandeln.
7. Der Unternehmer, der diesen Betonverdichter einsetzt, muss die Arbeitszeiten regeln und sich bemühen, gesundheitliche Beeinträchtigungen der Arbeitnehmer durch Vibrationen zu vermeiden.  
Einzelheiten über die Vibrationsstärke des Verdichters finden Sie im Abschnitt „SCHWINGUNGSGESAMTWERT“.  
Beachten Sie die einschlägigen gesetzlichen Bestimmungen und Richtlinien des Landes, in dem der Verdichter verwendet wird.
8. Wenn Sie die Arbeit vorübergehend unterbrechen, lagern Sie das Produkt an einem sicheren Ort. Wenn es in einem Gang steht, kann es Ihren Fuß einklemmen und Sie zu Fall bringen oder verletzen. Sollten Unregelmäßigkeiten oder Fehlfunktionen auftreten, schalten Sie sofort alle Stromversorgungen aus, stellen Sie die Verwendung ein, und nehmen Sie die rückentragbare Akku-Bank ab. Wenden Sie sich für Inspektionen und Reparaturen an ein autorisiertes Makita-Servicecenter in Ihrer Nähe.



9. Die Kopfeinheit dieses Produkts wird durch Eintauchen in Transportbeton gekühlt. Verwenden Sie es daher nicht außerhalb des Transportbetons (d. h. in der Luft). Es besteht die Möglichkeit, dass der Motor durchbrennt.



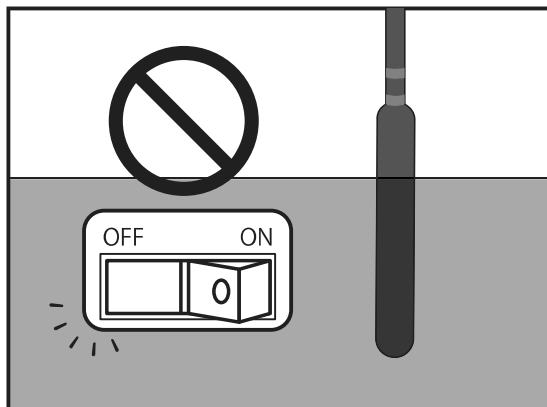
10. Betreiben Sie die Kopfeinheit nicht in der Luft. Bei Betrieb in der Luft erreicht der Verdichter in wenigen Minuten 100°C (212°F) oder mehr, und Sie können sich bei Berührung verbrennen.
11. Die Kopfeinheit wird während des Betriebs heiß. Achten Sie darauf, dass Sie sie nach dem Gebrauch nicht berühren. Es besteht Verbrennungsgefahr.
12. Stellen Sie keine schweren Gegenstände auf das Kabel oder den Schlauch und lassen Sie sie nicht fallen. Dies kann das Kabel beschädigen und eine Fehlfunktion verursachen.



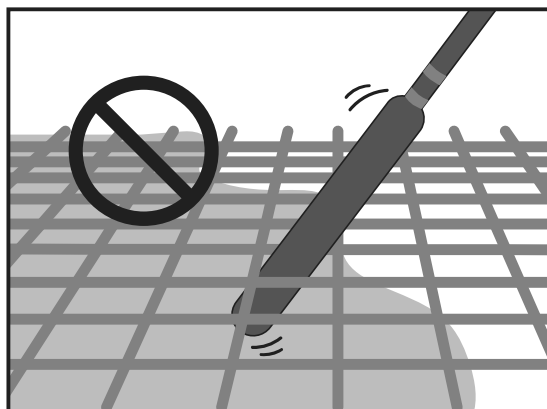
13. Schwenken Sie die Kopfeinheit nicht, indem Sie den Schlauch oder das Kabel festhalten. Es besteht die Möglichkeit, dass dadurch Verletzungen oder Schäden an Gegenständen in der Nähe verursacht werden.

14. Der Netzschalter sollte nur dann ein- und ausgeschaltet werden, wenn die Kopfeinheit nicht in den Transportbeton eingetaucht ist.

Wenn der Strom abgeschaltet wird, während sich der Verdichter im Transportbeton befindet, können Sie die Kopfeinheit möglicherweise nicht entfernen. Gewaltames Herausziehen kann zu Verletzungen führen.



15. Setzen Sie den Verdichter nicht im eingeschalteten Zustand ab. Die Kopfeinheit kann unkontrolliert herumschleudern und einen Unfall verursachen.
16. Der Verdichter darf nicht mit der Kopfeinheit zwischen den Bewehrungsstäben oder der Schalung eingedrückt oder verdreht werden. Anderenfalls kann die Kopfeinheit abgeschweuert werden und den Motor verbrennen.



17. Wenn Sie einen Verdichter verwenden, der an die rückentragbare Akku-Bank angeschlossen ist, sollten Sie allein arbeiten. Die Bedienung durch zwei Personen, wobei eine den Verdichter und die andere die rückentragbare Akku-Bank separat hält, kann zu Unfällen oder Verletzungen führen.
18. Wenn Sie das Produkt transportieren oder lagern, achten Sie darauf, dass es bei ausgeschalteter rückentragbarer Akku-Bank transportiert wird. Wenn das Produkt eingeschaltet bleibt, kann es unerwartet anlaufen und einen Unfall oder Verletzungen verursachen.
19. Die Kopfeinheit dieses Produkts sollte nicht auf harten Oberflächen wie gehärtetem Beton oder Stahlplatten betrieben werden. Es besteht die Möglichkeit, dass die Lager verbrennen und der Rotor bricht.
20. Unterlassen Sie Ziehen oder Aufhängen des Kabels an irgendeinem Gegenstand, wenn Sie Beton platzieren oder transportieren, da sich sonst der Stecker lösen kann, was zu einem Kabelbruch oder einem Ausfall der Platine führen kann.

21. Das Gehäuse des Wechselrichters enthält präzise elektronische Vorrichtungen. Vermeiden Sie Fallenlassen, Werfen, Drauffreten, und setzen Sie es keinen starken Erschütterungen aus.
22. Wenn Sie den Stecker einstecken oder abziehen, schalten Sie die rückentragbare Akku-Bank unbedingt auf AUS. Wenn der Stecker bei eingeschaltetem Gerät eingesteckt oder abgezogen wird, kann dies zu einer Fehlfunktion führen.
23. Um schlechten Kontakt zu vermeiden, sollten Sie die Steckerkontakte von Schmutz und Rost befreien, bevor Sie sie fest in die Ausgangsbuchse der rückentragbaren Akku-Bank einstecken. Schlechter Kontakt mit dem Stecker ist eine der Hauptursachen für Ausfälle, wie z. B. Durchbrennen des Motors und Beschädigung der Platine.
24. Die rückentragbare Akku-Bank, die an dieses Produkt angeschlossen wird, verwendet einen Lithium-Ionen-Akku. Setzen Sie den Akku keinen starken Stößen aus, spritzen Sie kein Wasser auf den Akku, und legen Sie ihn nicht in die Nähe einer Wärmequelle ab. Anderenfalls besteht die Gefahr einer Fehlfunktion, eines elektrischen Schlags oder eines Brands.
25. Wenn eine Unregelmäßigkeit auftritt, stellen Sie den Betrieb bitte sofort ein. Anderenfalls kann es zu einem Brand, einem elektrischen Schlag oder Verletzungen kommen.
26. Betreiben Sie das Produkt nicht in Gegenwart von brennbaren Flüssigkeiten, Gasen oder Staub. Anderenfalls kann es zu einer Entflammung oder Explosion kommen.
27. Versuchen Sie nicht, dieses Produkt zu zerlegen oder zu modifizieren. Anderenfalls besteht die Gefahr eines elektrischen Schlags, einer Überhitzung, eines Bruchs oder eines Brands.
28. Benutzen Sie den Verdichter nicht im Regen.
29. Waschen Sie den Verdichter nicht in Wasser.

## Wichtige Sicherheitsanweisungen für die rückentragbare Akku-Bank

1. Bevor Sie die rückentragbare Akku-Bank benutzen, sollten Sie alle Anweisungen und Warnhinweise an (1) Ladegerät, (2) Akku und (3) rückentragbarer Akku-Bank lesen.
  2. Unterlassen Sie Anheben oder Tragen dieser rückentragbaren Akku-Bank nur am Kabel. Ziehen Sie nicht am Kabel, während Sie diese rückentragbare Akku-Bank tragen oder benutzen.
  3. Entfernen Sie die Buchse vom Verdichter, bevor Sie die rückentragbare Akku-Bank tragen oder absetzen.
  4. Entfernen Sie beim Verlassen des Verdichters unbedingt die Buchse vom Verdichter, oder legen Sie die rückentragbare Akku-Bank von Ihrem Körper ab.
  5. Achten Sie darauf, dass Sie während der Arbeit nicht über das Kabel stolpern.
  6. Benutzen Sie diese rückentragbare Akku-Bank nicht auf einer instabilen Oberfläche oder an einem instabilen, hohen Ort.
  7. Halten Sie das Kabel während der Arbeit von Hindernissen fern. Falls das Kabel an Hindernissen hängen bleibt, kann es zu ernsthaften Verletzungen kommen.
  8. Führen Sie die Adapter nicht in das Ladegerät ein.
  9. Überprüfen Sie die rückentragbare Akku-Bank einschließlich der Kabel und des Tragegurtes vor der Benutzung. Falls sie beschädigt sind, wenden Sie sich für eine Reparatur an Ihr autorisiertes Makita-Servicecenter vor Ort.
  10. Wenn Sie das Kabel am Kabelhalter befestigen, achten Sie darauf, dass Sie es langsam und sicher befestigen.
  11. Vergewissern Sie sich stets, dass der Verdichter ausgeschaltet und die Buchse entfernt ist, bevor Sie mit einer Inspektion oder Wartung des Verdichters beginnen.
  12. Legen Sie beim Tragen der rückentragbaren Akku-Bank keine Gegenstände an, wie z. B. Sicherheitsgurt oder Schultergurt, die die Notfall-Loslösungsfunktion der rückentragbaren Akku-Bank beeinträchtigen könnten.
  13. Verwenden Sie diese rückentragbare Akku-Bank nicht, wenn Sie eine Akku-Klimajacke oder eine Akku-Thermojacke tragen.
  14. Setzen Sie diese rückentragbare Akku-Bank keinen Funken aus.
  15. Wenn Sie die rückentragbare Akku-Bank verwenden, ohne sie zu tragen, müssen Sie die rückentragbare Akku-Bank ablegen.
  16. Unterlassen Sie Zerlegen, Reparieren oder Modifizieren der rückentragbaren Akku-Bank.
  17. Achten Sie darauf, dass sich der Tragegurt oder der Gürtel nicht im Verdichter verheddert.
- [ PDC01 ]
1. Verwenden Sie nicht mehrere rückentragbare Akku-Banken, indem Sie eine rückentragbare Akku-Bank mit einer anderen rückentragbaren Akku-Bank verbinden.
  2. Bringen Sie die Adapter nicht an den Akkuanschlüssen dieser rückentragbaren Akku-Bank an.
  3. Diese rückentragbare Akku-Bank ist ausschließlich für die Verwendung mit 18-V-Akkus vorgesehen. Verwenden Sie keine anderen Akkus außer 18-V-Akkus.

4. Achten Sie darauf, dass kein Wasser in die Abdeckung eindringt.

[ PDC1200 ]

1. Wenn Sie die rückentragbare Akku-Bank mit dem Akkuständer aufrecht stellen, achten Sie darauf, dass die rückentragbare Akku-Bank auf einer ebenen Fläche steht.

2. Verwenden Sie nur das für die rückentragbare Akku-Bank vorgesehene Ladegerät. Verwenden Sie keine anderen Ladegeräte.
3. Tragen Sie die rückentragbare Akku-Bank nicht am Akkuständer oder am Breiteneinstellriemen.
4. Stecken oder befestigen Sie keine Gegenstände zwischen Akku und Akkuständer.
5. Hängen Sie keine Gegenstände an den Akkuständer.

## Wichtige Sicherheitsanweisungen für das Ladegerät

1. Lesen Sie vor der Benutzung des Ladegerätes alle Anweisungen und Warnhinweise, die an (1) Ladegerät, (2) Akku und (3) rückentragbarer Akku-Bank angebracht sind.

**⚠ VORSICHT: Um die Verletzungsgefahr zu reduzieren, dürfen nur aufladbare Akkus von Makita aufgeladen werden. Andere Akkutypen können platzen und Personen- oder Sachschäden verursachen.**

2. Nicht aufladbare Batterien können mit diesem Ladegerät nicht aufgeladen werden.
3. Achten Sie darauf, dass die Spannung der Stromquelle mit der auf dem Typenschild des Ladegerätes angegebenen Spannung übereinstimmt.
4. Laden Sie den Akku nicht in Gegenwart von brennbaren Flüssigkeiten oder Gasen.
5. Setzen Sie das Ladegerät weder Regen noch Schnee aus.
6. Tragen Sie das Ladegerät niemals am Netzkabel, und reißen Sie niemals daran, um es von der Steckdose zu trennen.
7. Trennen Sie das Ladegerät nach dem Laden oder vor jedem Versuch einer Wartung oder Reinigung von der Stromquelle. Ziehen Sie immer am Stecker, niemals am Kabel, um das Ladegerät von der Stromquelle zu trennen.
8. Verlegen Sie das Netzkabel so, dass niemand darauf tritt oder darüber stolpert, und dass es keinen sonstigen schädlichen Einflüssen oder Belastungen ausgesetzt wird.
9. Betreiben Sie das Ladegerät nicht mit einem beschädigten Kabel oder Stecker. Falls das Kabel oder der Stecker beschädigt ist, lassen Sie das betreffende Teil von einem autorisierten Makita-Servicecenter austauschen, um eine Gefahr zu vermeiden.
10. Benutzen oder zerlegen Sie das Ladegerät nicht, wenn es einen harten Schlag erlitten hat, fallen gelassen oder sonst wie beschädigt worden ist, sondern bringen Sie es zu einem qualifizierten Kundendiensttechniker. Falscher Gebrauch oder Zusammenbau kann die Ursache für elektrische Schläge oder einen Brand sein.
11. Laden Sie die Akkus nur in Innenräumen mit einer Umgebungstemperatur von 10 °C (50 °F) bis 40 °C (104 °F) auf und nicht, wenn die Raumtemperatur UNTER 10 °C (50 °F) oder ÜBER 40 °C (104 °F) liegt. Bei niedrigen Temperaturen startet der Ladevorgang möglicherweise nicht.
12. Das Ladegerät darf nicht an einen Aufwärtstransformator, Generator oder eine Gleichstrom-Steckdose angeschlossen werden.
13. Die Öffnungen des Ladegerätes dienen der Kühlung und sollten nicht blockiert werden. Unzureichende Kühlung beeinträchtigt die Ladezeit. Es wird empfohlen, die Kühlluftöffnungen regelmäßig zu überprüfen.

## Wichtige Sicherheitsanweisungen für den Akku

1. Lesen Sie vor der Benutzung des Akkus alle Anweisungen und Warnhinweise, die an (1) Ladegerät, (2) Akku und (3) rückentragbarer Akku-Bank angebracht sind.
2. Unterlassen Sie Zerlegen oder Manipulieren des Akkus. Es kann sonst zu einem Brand, übermäßiger Hitzeentwicklung oder einer Explosion kommen.
3. Falls die Betriebszeit beträchtlich kürzer geworden ist, stellen Sie den Betrieb sofort ein. Anderenfalls besteht die Gefahr von Überhitzung, möglichen Verbrennungen und sogar einer Explosion.
4. Unter erschwerten Bedingungen, z. B. bei hohen Temperaturen, kann Flüssigkeit aus dem Akku austreten. Unterlassen Sie leichtfertiges Berühren der ausgelaufenen Flüssigkeit. Sie kann Reizungen oder Verbrennungen verursachen. In dem unwahrscheinlichen Fall, dass Batterieflüssigkeit in Ihre Augen oder auf Ihre Haut gelangt, spülen Sie sie sofort mit sauberem Wasser, z. B. Leitungswasser, aus, und suchen Sie dann einen Arzt auf.
5. Der Akku darf nicht kurzgeschlossen werden:
  - (1) Berühren Sie die Kontakte nicht mit leitfähigem Material.
  - (2) Bewahren Sie den Akku nicht in einem Behälter mit anderen metallischen Objekten wie Nägeln, Münzen usw. auf.

- (3) Setzen Sie den Akku weder Wasser noch Regen aus.  
Ein Kurzschluss des Akkus verursacht starken Stromfluss, Überhitzung, mögliche Verbrennungen und sogar eine Betriebsstörung zur Folge haben kann.
6. Tauchen Sie den Akku nicht in ein leitfähiges Material, wie z. B. Wasser, ein, und bringen Sie kein leitfähiges Material, wie z. B. Wasser, in das Innere des Akkus. Anderenfalls kann es zu einem Kurzschluss kommen, der zu Überhitzung, Brand, Bruch oder Explosion führen kann.
  7. Unterlassen Sie Laden, Lagern und Benutzen des Verdichters, der rückentragbaren Akku-Bank und des Akkus an Orten, an denen die Temperatur 50 °C (122 °F) erreichen oder überschreiten kann.
  8. Versuchen Sie niemals, den Akku zu verbrennen, selbst wenn er stark beschädigt oder vollkommen verbraucht ist. Der Akku kann im Feuer explodieren.
  9. Unterlassen Sie Nageln, Schneiden, Zerquetschen, Werfen, Fallenlassen des Akkus oder Schlagen des Akkus mit einem harten Gegenstand. Eine solche Handlung kann zu einem Brand, übermäßiger Hitzeentwicklung oder einer Explosion führen.
  10. Verwenden Sie keinen Akku, der heruntergefallen ist oder in irgendeiner Weise beschädigt wurde.
  11. Die enthaltenen Lithium-Ionen-Akkus unterliegen den Anforderungen der Gefahrgut-Gesetzgebung. Für kommerzielle Transporte, z. B. durch Dritte oder Spediteure, müssen besondere Anforderungen zu Verpackung und Etikettierung beachtet werden. Zur Vorbereitung des zu transportierenden Artikels ist eine Beratung durch einen Experten für Gefahrgut erforderlich. Bitte beachten Sie auch möglicherweise ausführlichere nationale Vorschriften. Überkleben oder verdecken Sie offene Kontakte, und verpacken Sie den Akku so, dass er sich in der Verpackung nicht umher bewegen kann.
  12. Wenn Sie den Akku entsorgen, nehmen Sie ihn aus der rückentragbaren Akku-Bank heraus, und entsorgen Sie ihn an einem sicheren Ort. Befolgen Sie die örtlichen Vorschriften bezüglich der Entsorgung von Akkus.
  13. Verwenden Sie den Akku nur mit den von Makita angegebenen Produkten. Der Einbau des Akkus in nicht konforme Produkte kann zu einem Brand, übermäßiger Hitze, Explosion oder Auslaufen von Elektrolyt führen.
  14. Wenn der Verdichter über einen längeren Zeitraum nicht benutzt wird, muss der Akku aus der rückentragbaren Akku-Bank entfernt werden.
  15. Halten Sie den Akku von Kindern fern.
  16. Während und nach dem Gebrauch kann der Akku Hitze entwickeln, die Verbrennungen oder Niedertemperaturverbrennungen verursachen kann. Behandeln Sie heiße Akkus mit Vorsicht.
  17. Berühren Sie die Pole des Akkus nicht unmittelbar nach dem Gebrauch, da sie heiß genug sein können, um Verbrennungen zu verursachen.
  18. Achten Sie darauf, dass keine Späne, Staub oder Erde in die Pole, Löcher und Rillen des Akkus gelangen. Dies kann zu schlechter Leistung oder zum Ausfall des Verdichters oder des Akkus führen.
  19. Berühren Sie die Pole des ladenden Akkus nicht mit Metallgegenständen oder anderen Objekten.
  20. Benutzen Sie den Akku nicht in der Nähe von Hochspannungs-Stromleitungen. Dies kann zu einer Fehlfunktion oder einem Ausfall des Verdichters oder des Akkus führen.
  21. Wenn die Temperatur des Akkus hoch ist (40 °C (104 °F) oder höher), z. B. nach der Arbeit in der prallen Sonne, kann der Ladevorgang vorübergehend nicht möglich sein. Dies ist jedoch auf die Akku-Schutzfunktion zurückzuführen und deutet nicht auf eine Fehlfunktion hin. Lassen Sie den Akku eine Weile abkühlen, bevor Sie ihn wieder aufladen.

## **DIESE ANWEISUNGEN AUFBEWAHREN.**

### **⚠ VORSICHT: Verwenden Sie nur Original-Makita-Akkus.**

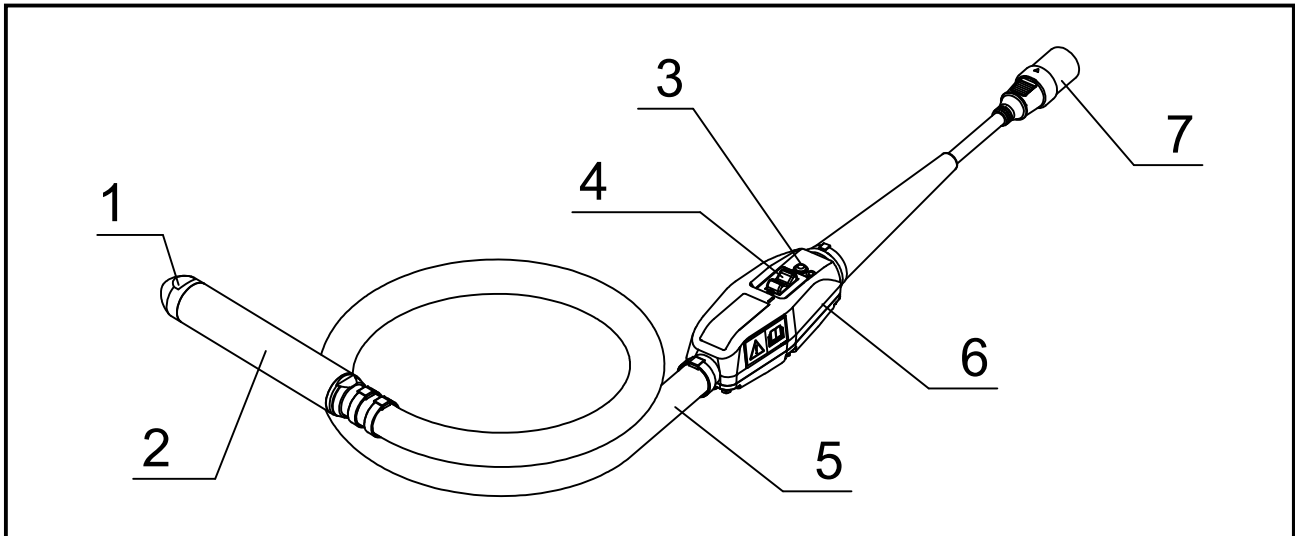
Die Verwendung von nicht originalen Makita-Akkus oder von Akkus, die verändert wurden, kann dazu führen, dass der Akku explodiert und Brände, Verletzungen und Schäden verursacht. Außerdem erlischt dadurch die Makita-Garantie für die Makita-Produkte.

### **Hinweise zur Aufrechterhaltung der maximalen Akku-Nutzungsdauer**

1. Laden Sie den Akku auf, bevor er vollkommen entladen ist. Brechen Sie den Werkzeugbetrieb stets ab, und laden Sie den Akku auf, wenn Sie ein Nachlassen der Werkzeugleistung feststellen.
2. Unterlassen Sie erneutes Laden eines voll aufgeladenen Akkus. Überladen führt zu einer Verkürzung der Nutzungsdauer des Akkus.
3. Laden Sie den Akku bei einer Raumtemperatur von 10 °C - 40 °C (50 °F - 104 °F) auf. Lassen Sie einen heißen Akku abkühlen, bevor Sie ihn aufladen.
4. Wenn Sie den Akku nicht benutzen, entfernen Sie ihn von der rückentragbaren Akku-Bank oder dem Ladegerät.
5. Laden Sie den Akku auf, wenn Sie ihn über einen längeren Zeitraum (mehr als sechs Monate) nicht benutzen.

# BEZEICHNUNGEN VON VERDICHTERTEILEN

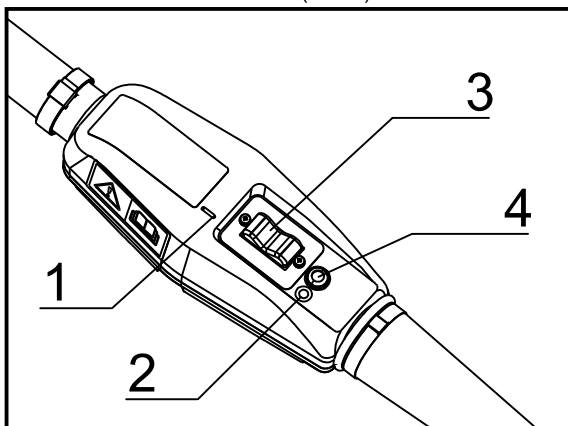
**⚠ VORSICHT:** Dieses Produkt ist ein spezielles Gerät für die rückentragbare Akku-Bank „PDC01“ und „PDC1200“ von Makita. Verwenden Sie keine anderen batteriebetriebenen Geräte. Anderenfalls besteht die Gefahr eines elektrischen Schlags, einer Überhitzung, eines Bruchs oder eines Brands.



1	Verdichterkappe	5	Schlauch
2	Kopfeinheit	6	Wechselrichtergehäuse
3	LED-Lampe	7	Verbinder (Stecker)
4	Schalter	-	-

## BEDIENUNGSVORGÄNGE

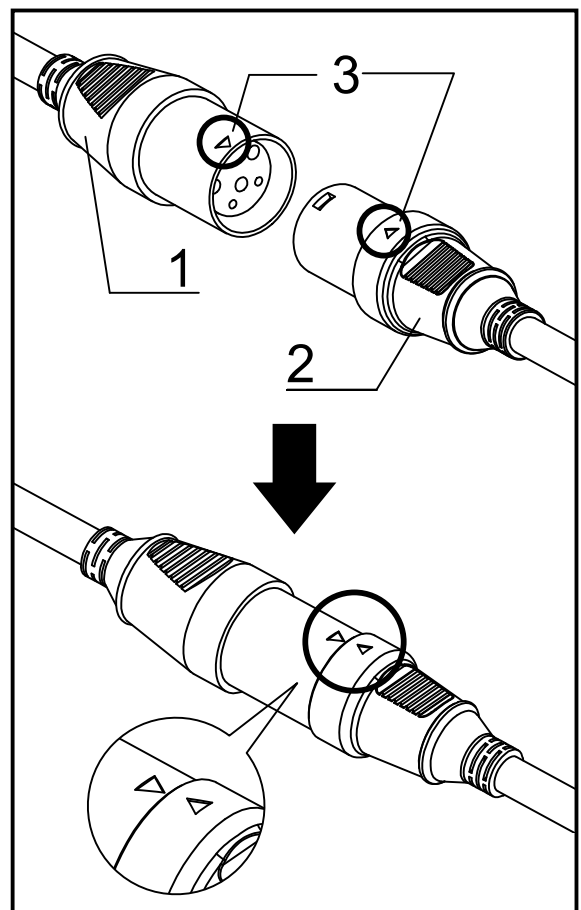
1. Vergewissern Sie sich, dass der Betriebsschalter des Verdichters auf OFF (AUS) steht.



- 1. Zeichen „I“ 2. Zeichen „O“  
3. Betriebsschalter 4. LED-Lampe

**HINWEIS:** Das Zeichen „O“ bedeutet AUS, das Zeichen „I“ bedeutet EIN.

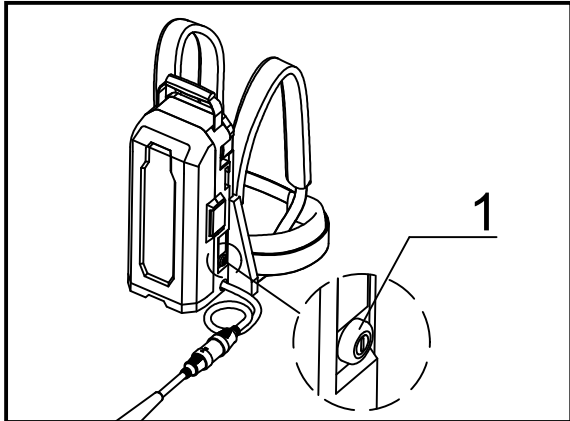
2. Richten Sie die Pfeilmarkierung am Stecker des Verdichters auf die Buchse der rückentragbaren Akku-Bank aus, und führen Sie ihn bis zum Anschlag ein.



- 1. Buchse 2. Stecker 3. Pfeilmarkierung

- Drücken Sie die Ein-Aus-Taste der rückentragbaren Akku-Bank, um sie einzuschalten. Die Hauptbetriebslampe leuchtet grün auf. Die LED-Lampe am Verdichter leuchtet ebenfalls grün auf.

**HINWEIS:** Wenn die LED-Lampe rot blinkt, ist die Fehlstart-Verhinderungsfunktion aktiviert. Wenn Sie den Betriebsschalter auf OFF stellen, wird die Fehlstart-Verhinderungsfunktion aufgehoben, und die LED-Lampe des Verdichters leuchtet grün.



► 1. Hauptbetriebslampe

- Halten Sie den Verdichterschlauch so, dass die Kopfeinheit in der Luft hängt.
- Wenn Sie bereit sind, stellen Sie den Betriebsschalter auf ON, um den Verdichter zu starten.

**HINWEIS:** Halten Sie den Schlauch des Verdichters an die Stelle, an der die Vibration in der Hand schwach ist.

- Führen Sie den Verdichter senkrecht in den Beton ein, mit einer Neigung im effektiven Verdichtungsbereich.

**HINWEIS:** Der effektive Verdichtungsbereich des Verdichters ist ein Bereich mit einem Durchmesser, der ungefähr dem 10-fachen des Durchmessers des vibrierenden Teils entspricht.

- Als Richtwert für den Wechsel der Verdichterposition gilt, dass sich der Beton nicht mehr absetzt und der Mörtel gleichmäßig auf der Oberfläche schwimmt und glänzt.

**HINWEIS:** Wird der Verdichter über einen längeren Zeitraum an einer Stelle platziert, kann es zu einer Körnungsentmischung kommen.

**HINWEIS:** Wenn es beim Einbringen des Betons zu einer Entmischung kommt, füllen Sie die grobe Gesteinskörnung gleichmäßig auf, und bringen Sie den Beton erneut ein.

**HINWEIS:** Es wird empfohlen, den Betriebsschalter auf OFF zu stellen, wenn der Verdichter nicht in den Beton eingeführt ist. Dies trägt zu einer Verlängerung der Nutzungsdauer/Produktlebensdauer des Verdichters bei.

- Ziehen Sie den Verdichter beim Herausziehen langsam nach oben, so dass keine Löcher zurückbleiben.
- Stellen Sie den Betriebsschalter des Verdichters nach Abschluss des Gießens auf OFF, um den Verdichter anzuhalten.
- Halten Sie die Ein-Aus-Taste der rückentragbaren Akku-Bank gedrückt, um die Stromabgabe zu stoppen. Die Betriebsanzeige erlischt.
- Entfernen Sie den Stecker, der die rückentragbare Akku-Bank und den Verdichter verbindet.

**HINWEIS:** Wenn Sie den Verbinder abziehen, halten Sie die Buchse und den Stecker fest, und ziehen Sie nicht am Stromkabel selbst.

## LADEVERFAHREN DES AKKUS

**⚠ VORSICHT:** Lesen Sie vor dem Aufladen des Akkus unbedingt die Gebrauchsanleitung der rückentragbaren Akku-Bank und des Ladegerätes durch.

- Informationen zum Aufladen finden Sie in der Gebrauchsanleitung der rückentragbaren Akku-Bank oder des Ladegerätes.

# REINIGUNG NACH GEBRAUCH

- Nach dem Gebrauch sollte der Verdichter gut gereinigt werden, und die Schläuche und Kabel sollten ordentlich verpackt werden.

1. Entfernen Sie Beton von Kopfeinheit, Schlauch, Wechselrichtergehäuse und Kabeln, bevor er aushärtet.
2. Das Wechselrichtergehäuse darf nicht mit Wasser gewaschen werden. Wischen Sie anhaftenden Schmutz mit einem feuchten Tuch ab. Wischen Sie beim Abwischen mit einem trockenen Tuch nach, um Restfeuchtigkeit zu entfernen.
3. Reinigen Sie die Kontakte des Steckers oder der Buchse, wenn sie verschmutzt oder verrostet sind. Schlechter Kontakt der Kontakte kann zu Fehlfunktionen führen.
4. Wenn Sie die rückentragbare Akku-Bank tragen, ziehen Sie die Buchse der rückentragbaren Akku-Bank und den Stecker des Verdichters ab, bevor Sie sie bewegen.
5. Wenn Sie das Gerät tragen, halten Sie den Verdichter und den Handgriff der rückentragbaren Akku-Bank fest. Heben Sie weder nur den Verdichter noch die rückentragbare Akku-Bank an, und ziehen Sie nicht daran.  
Anderenfalls kann der Verdichter verschleifen oder das Netzkabel reißen.
6. Wenn Sie die rückentragbare Akku-Bank tragen, schalten Sie sie unbedingt aus, bevor Sie sie bewegen. Halten Sie die Ein-Aus-Taste gedrückt, um die Stromversorgung auszuschalten.

# INSPEKTION

- Überprüfen Sie unbedingt Folgendes, bevor Sie den Verdichter zur Baustelle tragen, und auch nachdem Sie ihn benutzt haben.
- Dies trägt wesentlich zur Vermeidung von Problemen während des Betriebs bei.

1. Weist der Verdichter Abnutzungserscheinungen, Risse oder lose Teile auf?
2. Weist der Schlauch Abnutzungserscheinungen, Schäden oder Kratzer auf?
3. Weist der Kabelmantel Abnutzungserscheinungen oder Risse auf?
4. Ist das Wechselrichtergehäuse verformt, sind Schrauben locker oder ist ein Teil des Wechselrichters, z. B. die Abdeckung des Betriebsschalters oder die LED-Lampe, beschädigt?
5. Weisen die Kontakte des Steckers oder der Buchse Schmutz oder Rost auf?
6. Ist der Wert des Isolationswiderstands korrekt? (DC 500 V, 10 MΩ oder mehr)
  - (1) Verwenden Sie einen 500-V-Isolationswiderstandsprüfer als Messinstrument.
  - (2) Messen Sie zwischen den Kontakten des Steckers und dem Wechselrichtergehäuse.
7. Weist die rückentragbare Akku-Bank Risse, Beulen oder andere Schäden auf?
8. Ist der Akku vollständig geladen?
9. Kann der Verdichter durch Anschließen an die rückentragbare Akku-Bank gestartet werden, während er in der Luft gehalten wird?  
Leuchtet dabei die LED-Lampe am Wechselrichtergehäuse grün auf?
10. Gibt der Verdichter ungewöhnliche Geräusche ab? Ist das Betriebsgeräusch des Verdichters während des Betriebs normal? (Es ist normal, wenn ein regelmäßiger und kontinuierlicher Ton zu hören ist.)

**HINWEIS:** Messen Sie nicht zwischen den drei Verbindern. Dadurch kann die Wechselrichterplatine beschädigt werden.

# AUSTAUSCHZEITRAUM FÜR VERBRAUCHSMATERIAL

- Das Verbrauchsmaterial sollte in regelmäßigen Abständen gemäß der nachstehenden Tabelle ausgetauscht werden.

Verbrauchsmaterial	Austauschzeitraum. (visuelle und akustische Kontrolle)	Häufigkeit des Austauschs (in Stunden)
Kopfeinheit	Bestimmt durch Verschleißzustand (visuell)	300-500
Verdichterkappe		
Lager	Bestimmt durch das Geräusch während des Betriebs (akustisch)	400-500
Schlauch	Bestimmt durch Abnutzung oder Kratzer (visuell)	Nach dem Fund

- Die oben angegebene Austauschzeit für Verbrauchsmaterial ist ein grober Richtwert. Da dies von der Nutzung abhängt, empfehlen wir, die Verbrauchsmaterialien früher als oben angegeben auszutauschen.

## LED-LAMPE

- Sie können den Ausgangsstatus des Wechselrichters durch das Leuchten oder Blinken der LED-Lampe überprüfen.
- Wenn sie blinkt, ist die Schutzfunktion aktiviert, und die Leistungsabgabe ist gestoppt. Brechen Sie unbedingt den Betrieb ab, und beseitigen Sie die Ursache der Unregelmäßigkeit, bevor Sie den Betrieb wieder aufnehmen.

Status der LED-Lampe	Ausgangsstatus des Wechselrichters
1. Grünes Dauerlicht	Normalzustand. Der Verdichter kann benutzt werden.
2. Blinkendes grünes Licht	Der Verdichter ist überlastet. Der Verdichter kann weiter verwendet werden, aber die Vibrationsfrequenz wurde herabgesetzt, um einen Ausfall durch Überlastung zu vermeiden. Der Verdichter kehrt in den Normalzustand zurück, wenn die Überlastungsbedingung beseitigt ist.
3. Blinkendes rotes Licht	In diesem Zustand ist die Fehlstart-Verhinderungsfunktion aktiviert. Diese Funktion verhindert, dass der Verdichter unerwartet startet, wenn die Stromversorgung eingeschaltet wird, während sich der Verdichter-Betriebsschalter in der Position ON befindet. Wenn Sie den Betriebsschalter auf OFF stellen, kehrt der Verdichter in seinen Normalzustand zurück.
4. Rotes Dauerlicht	Wenn eine Unregelmäßigkeit erkannt wird, wird die Ausgabe des Wechselrichters gestoppt. Wenn das rote Licht aufleuchtet, überprüfen Sie bitte Folgendes. <ul style="list-style-type: none"> <li>• Überprüfen Sie die Restkapazität des Akkus.</li> <li>• Gibt es Beschränkungen oder übermäßige Belastungen durch Bewehrungsstäbe usw.?</li> </ul> Wenn kein Problem gefunden wird, stellen Sie den Schalter auf OFF, um in den Normalzustand zurückzukehren (grünes Dauerlicht). Wenn das rote Licht wiederholt aufleuchtet, liegt wahrscheinlich eine Fehlfunktion vor. Inspektion und Reparatur sind erforderlich.
5. Keine Lichter leuchten	Der Verdichter ist wegen eines Problems mit der Stromversorgung angehalten worden. Es kann sein, dass der Akku leer ist, falsch eingesetzt worden ist oder defekt ist. Bitte überprüfen Sie die Stromversorgung.



# FEHLERSUCHE

- Wenn eine der folgenden Bedingungen während der Verwendung des Produkts beobachtet wird, stellen Sie die Verwendung des Produkts ein, und überprüfen Sie die Ursache und mögliche Abhilfemaßnahmen.
- Wenden Sie sich für eine Inspektion und Reparatur an Ihr autorisiertes Makita-Servicecenter vor Ort.

Betrieb	Symptom 1	Symptom 2	Ursache	Abhilfemaßnahme
Verdichter funktioniert	Ungewöhnliche Geräusche vom vibrierenden Teil des Verdichters (metallisches Geräusch usw.)		Unregelmäßigkeit des Lagers (Rauheit, Abnutzung)	Tauschen Sie die Lager aus.
	Geringe Vibration	Die LED am Wechselrichtergehäuse <b>blinkt grün.</b>	Unregelmäßigkeit des Lagers (Rauheit, Abnutzung)	Tauschen Sie die Lager aus.
			Ein Überlastungszustand, der die Leistungsfähigkeit des Verdichters übersteigt.	Verringern Sie die Last, indem Sie die Kopfeinheit aus dem Beton ziehen.
	Stoppen während des Betriebs	Die LED am Wechselrichtergehäuse leuchtet <b>durchgehend rot.</b>	Der Verdichter ist erheblich über seine Kapazität hinaus belastet. Die Akkuleistung ist schwach und die Kapazität des Verdichters ist reduziert.	Verringern Sie die Last, indem Sie die Kopfeinheit aus dem Beton ziehen. Schalten Sie dann wieder ein.  Wenn das rote Licht wiederholt aufleuchtet, überprüfen Sie den Akku. Wenn er voll aufgeladen ist, sollte er überprüft und repariert werden.

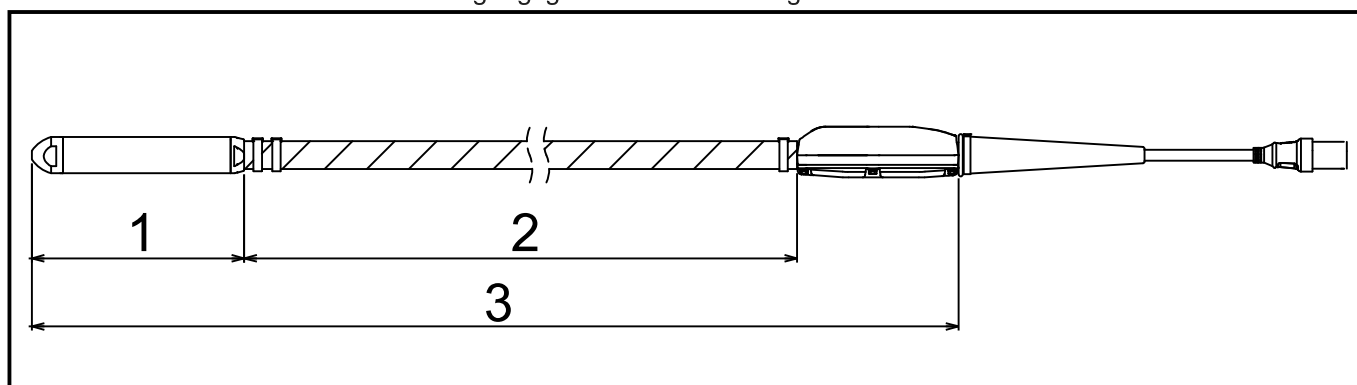
Betrieb	Symptom 1	Symptom 2	Ursache	Abhilfemaßnahme
Der Verdichter startet nicht	Die LED-Lampe am Wechselrichtergehäuse leuchtet nicht.	Die Betriebsanzeige der rückentragbaren Akku-Bank leuchtet nicht auf.	Die rückentragbare Akku-Bank ist nicht eingeschaltet.	Schalten Sie die rückentragbare Akku-Bank ein.
			Es ist kein Akku eingesetzt. Oder die Akku-Restkapazität ist unzureichend.	Installieren Sie den Akku. Oder laden Sie die Akkus auf, oder ersetzen Sie die Akkus durch aufgeladene.
			Es liegt eine Fehlfunktion in der rückentragbaren Akku-Bank vor.	Inspektion und Reparatur sind erforderlich.
		Die Betriebsleuchte der rückentragbaren Akku-Bank blinkt abwechselnd <b>grün und rot.</b>	Die rückentragbare Akku-Bank hat eine Unregelmäßigkeit festgestellt.	Schalten Sie die rückentragbare Akku-Bank aus und wieder ein.
			Es liegt eine Fehlfunktion in der rückentragbaren Akku-Bank vor.	Inspektion und Reparatur sind erforderlich.
		Die Betriebsanzeige der rückentragbaren Akku-Bank leuchtet <b>durchgehend grün.</b>	Der Stecker des Verdichters ist nicht richtig mit der Buchse der rückentragbaren Akku-Bank verbunden. Oder das Kabel ist abgetrennt.	Vergewissern Sie sich, dass der Stecker fest mit der Buchse verbunden ist. Im Falle einer Abtrennung sind Inspektion und Reparatur erforderlich.
			Die Wechselrichterplatine des Verdichters ist defekt.	Inspektion und Reparatur sind erforderlich.

Betrieb	Symptom 1	Symptom 2	Ursache	Abhilfemaßnahme
Der Verdichter startet nicht	Die LED-Lampe am Wechselrichtergehäuse leuchtet nicht.	Die Betriebsanzeige der rückentragbaren Akku-Bank <b>blinkt grün.</b>	Der Ladezustand des Akkus ist niedrig. Oder er ist nicht richtig installiert.	Überprüfen Sie die Ladestandanzeige des Akkus. Wenn der Ladestand ausreichend ist, prüfen Sie, wie der Akku installiert ist.
			Die rückentragbare Akku-Bank oder das Stromkabel ist heiß.	Kühlen Sie die rückentragbare Akku-Bank.
			Der Stecker des Verdichters ist nicht richtig mit der Buchse der rückentragbaren Akku-Bank verbunden. Oder das Kabel ist abgetrennt.	Vergewissern Sie sich, dass der Stecker fest mit der Buchse verbunden ist. Im Falle einer Abtrennung sind Inspektion und Reparatur erforderlich.
	Die LED-Lampe am Wechselrichtergehäuse leuchtet <b>durchgehend rot.</b>		Der Verdichter ist stehen geblieben, weil ein Fehler festgestellt wurde.	Schalten Sie die rückentragbare Akku-Bank wieder ein. Wenn die LED-Lampe wiederholt rot aufleuchtet, sind Inspektion und Reparatur erforderlich.
	Die LED-Lampe am Wechselrichtergehäuse <b>blinkt rot.</b>		Die Fehlstart-Verhinderungsfunktion des Verdichters ist aktiviert.	Stellen Sie den Betriebsschalter des Verdichters einmal auf OFF und dann wieder auf ON.

# TECHNISCHE DATEN

Modell	VR001C	VR002C	VR003C	VR004C
Ausgangsleistung	250 W		400 W	
Spannung	36 V			
Stromstärke	8,7 A		14,0 A	
Frequenz	200 Hz			
Gesamtlänge	1.945 mm (76-9/16")	3.445 mm (135-5/8")	1.977 mm (77-27/32")	3.477 mm (136-7/8")
Kopf Durchmesser x Länge	43 x 255 mm (1-11/16" x 10-1/32")		52 x 287 mm (2-1/16" x 11-5/16")	
Externer Schlauch Durchmesser x Länge	33 x 1.500 mm (1-5/16" x 59-1/16")	33 x 3.000 mm (1-5/16" x 118-1/8")	33 x 1.500 mm (1-5/16" x 59-1/16")	33 x 3.000 mm (1-5/16" x 118-1/8")
Masse	4,8 kg (10,6 lbs)	5,9 kg (13,0 lbs)	5,6 kg (12,4 lbs)	6,7 kg (14,8 lbs)

\* Die Masse schließt keine Stromversorgungsgeräte wie rückentragbare Akku-Banken und Akkus ein.



► 1. Länge des Kopfes 2. Länge des externen Schlauchs 3. Gesamtlänge

# BETRIEBSZEIT

Modell	Bei Verwendung von PDC01 (Min.)	Bei Verwendung von PDC1200 (Min.)
VR001C / VR002C	ca. 100	ca. 300
VR003C / VR004C	ca. 60	ca. 200

\* Die Betriebszeit des PDC01 basiert auf vier Akkus BL 1860B, die in der rückentragbaren Akku-Bank installiert sind.

\* Die Betriebszeit ist ein Referenzwert, der angibt, wann jeder Verdichter kontinuierlich betrieben wird. Dies hängt vom Ladezustand des Akkus und der Benutzungsumgebung ab.

# SCHWINGUNGSGESAMTWERT

Modell	Schwingungsgesamtwert (m/s <sup>2</sup> )
VR001C / VR002C	Weniger als 2,5
VR003C / VR004C	2,5

\* Der Schwingungsgesamtwert ist ein Wert, der mit einem Messgerät nach ISO 5349-1 gemessen wurde, und zwar nach der Methode in ISO 5349-2.

## UTILIZZO PREVISTO

L'utensile è destinato alla rimozione di bolle dal calcestruzzo durante il getto del calcestruzzo.

## RUMORE

Livello tipico di rumore pesato A determinato in base allo standard EN60745:

**Modello: VR001C, VR002C**

Livello di potenza sonora ( $L_{WA}$ ): 98,4 dB (A)

Livello di pressione sonora ( $L_{pA}$ ): 87,4 dB (A)

Incertezza (K): 3 dB (A)

**Modello: VR003C, VR004C**

Livello di potenza sonora ( $L_{WA}$ ): 97,6 dB (A)

Livello di pressione sonora ( $L_{pA}$ ): 86,6 dB (A)

Incertezza (K): 3 dB (A)

**NOTA:** il valore o i valori dichiarati delle emissioni di rumori sono stati misurati in conformità a un metodo standard di verifica, e potrebbero venire utilizzati per confrontare un utensile con un altro.

**NOTA:** il valore o i valori dichiarati delle emissioni di rumori potrebbero venire utilizzati anche per una valutazione preliminare dell'esposizione.

**AVVERTENZA:** indossare protezioni per le orecchie.

**AVVERTENZA:** l'emissione di rumori durante l'utilizzo effettivo dell'utensile elettrico può variare rispetto al valore o ai valori dichiarati, a seconda dei modi in cui viene utilizzato l'utensile e specialmente a seconda di che tipo di pezzo venga lavorato.

**AVVERTENZA:** accertarsi di identificare misure di sicurezza per la protezione dell'operatore che siano basate su una stima dell'esposizione nelle condizioni effettive di utilizzo (tenendo conto di tutte le parti del ciclo operativo, ad esempio dei periodi di tempo durante i quali l'utensile è spento e di quando gira a vuoto, oltre al tempo di attivazione).

## VIBRAZIONI

Valore complessivo delle vibrazioni (somma vettoriale triassiale) determinato in base allo standard EN60745:

**Modello: VR001C, VR002C**

Modalità di lavoro: funzionamento senza carico

Emissione di vibrazioni (ah): 1,9 m/s<sup>2</sup> (tubo flessibile)

Emissione di vibrazioni (ah): 0,7 m/s<sup>2</sup> (carcassa dell'inverter)

Incertezza (K): 1,5 m/s<sup>2</sup>

**Modello: VR003C, VR004C**

Modalità di lavoro: funzionamento senza carico

Emissione di vibrazioni (ah): 3,1 m/s<sup>2</sup> (tubo flessibile)

Emissione di vibrazioni (ah): 1,7 m/s<sup>2</sup> (carcassa dell'inverter)

Incertezza (K): 1,5 m/s<sup>2</sup>

**NOTA:** il valore dichiarato dell'emissione di vibrazioni è stato misurato in conformità a un metodo standard di verifica, e potrebbe venire utilizzato per confrontare un utensile con un altro.

**NOTA:** il valore dichiarato dell'emissione di vibrazioni potrebbe venire utilizzato anche per una valutazione preliminare dell'esposizione.

**AVVERTENZA:** l'emissione di vibrazioni durante l'utilizzo effettivo dell'utensile elettrico può variare rispetto al valore dichiarato, a seconda dei modi in cui viene utilizzato l'utensile e specialmente a seconda di che tipo di pezzo venga lavorato.

**AVVERTENZA:** accertarsi di identificare misure di sicurezza per la protezione dell'operatore che siano basate su una stima dell'esposizione nelle condizioni effettive di utilizzo (tenendo conto di tutte le parti del ciclo operativo, ad esempio dei periodi di tempo durante i quali l'utensile è spento e di quando gira a vuoto, oltre al tempo di attivazione).

## Dichiarazione di conformità CE

### Solo per le nazioni europee

La dichiarazione di conformità CE è inclusa come Allegato A al presente manuale d'uso.

# AVVERTENZE DI SICUREZZA GENERALI RELATIVE AGLI UTENSILI ELETTRICI

**⚠AVVERTENZA:** leggere tutte le avvertenze e tutte le istruzioni di sicurezza. La mancata conformità alle avvertenze e alle istruzioni potrebbe causare scosse elettriche, incendi e/o gravi lesioni personali.

## Conservare tutte le avvertenze e le istruzioni come riferimento futuro.

Il termine "utensile elettrico" nelle avvertenze si riferisce all'utensile elettrico (cablato) alimentato da corrente di rete utilizzato o all'utensile elettrico (senza fili) alimentato a batteria utilizzato.

### Sicurezza dell'area di lavoro

1. Mantenere l'area di lavoro pulita e ben illuminata. Aree ingombre o scarsamente illuminate facilitano gli incidenti.
2. Non utilizzare utensili elettrici in atmosfere esplosive, ad esempio in presenza di liquidi, gas o polveri infiammabili. Gli utensili elettrici creano scintille che potrebbero incendiare le polveri o i fumi.
3. Tenere bambini e astanti lontani durante l'utilizzo di un utensile elettrico. Le distrazioni possono causare la perdita di controllo da parte dell'operatore.

### Sicurezza elettrica

4. Le spine degli utensili elettrici devono essere del tipo corrispondente alla presa elettrica. Non modificare mai la spina in alcun modo. Non utilizzare spinotti adattatori di alcun genere con utensili elettrici collegati a massa (messi a terra). Spine non modificate e prese elettriche che siano del tipo corrispondente riducono il rischio di scosse elettriche.
5. Evitare il contatto del corpo con superfici collegate a massa o messe a terra, quali tubazioni, radiatori, cucine e frigoriferi. Qualora il corpo dell'operatore sia collegato a massa o messo a terra, sussiste un maggior rischio di scosse elettriche.
6. Non esporre gli utensili elettrici alla pioggia o a condizioni di bagnato. La penetrazione dell'acqua in un utensile elettrico incrementa il rischio di scosse elettriche.
7. Non sottoporre il cavo elettrico a utilizzi impropri. Non utilizzare mai il cavo elettrico per trasportare, tirare o scollegare dall'alimentazione l'utensile elettrico. Tenere il cavo elettrico lontano da fonti di calore, olio, bordi affilati o parti in movimento. Cavi elettrici danneggiati o attorcigliati incrementano il rischio di scosse elettriche.
8. Durante l'utilizzo di un utensile elettrico all'aperto, utilizzare un cavo di prolunga appropriato per l'utilizzo all'aperto. L'uso di un cavo appropriato per l'utilizzo all'aperto riduce il rischio di scosse elettriche.

9. Qualora non sia possibile evitare di utilizzare un utensile elettrico in un'ubicazione umida, utilizzare un'alimentazione protetta da un interruttore differenziale (GFCI - Ground Fault Circuit Interrupter). L'utilizzo di un GFCI riduce il rischio di scosse elettriche.

### Sicurezza personale

10. Restare ben attenti, fare attenzione a cosa si sta facendo e utilizzare il buon senso durante l'uso di un utensile elettrico. Non utilizzare un utensile elettrico quando si è stanchi o sotto l'influenza di droghe, alcool o farmaci. Un attimo di disattenzione durante l'utilizzo di utensili elettrici può risultare in gravi lesioni personali.
11. Utilizzare attrezzature di protezione personale. Indossare sempre occhiali di protezione. Attrezzature di protezione quali maschere antipolvere, scarpe di sicurezza antiscivolo, elmetti o protezioni per le orecchie utilizzati per le condizioni appropriate riducono le lesioni personali.
12. Evitare l'avvio accidentale. Assicurarsi che l'interruttore sia sulla posizione di spegnimento prima di collegare la fonte di alimentazione elettrica e/o la batteria e prima di sollevare o trasportare l'utensile. Il trasporto di utensili elettrici con il dito appoggiato sull'interruttore o il collegamento all'alimentazione elettrica di utensili elettrici con l'interruttore di accensione attivato favoriscono gli incidenti.
13. Rimuovere qualsiasi brugola o chiave di regolazione prima di accendere l'utensile elettrico. Una chiave o una brugola lasciate agganciate a una parte rotante dell'utensile elettrico potrebbero risultare in lesioni personali.
14. Non allungarsi eccessivamente. Mantenere sempre un punto d'appoggio e un equilibrio appropriati. Ciò consente un migliore controllo dell'utensile elettrico in situazioni impreviste.
15. Vestirsi in modo adeguato. Non indossare indumenti abbondanti o gioielli. Tenere capelli, indumenti e guanti lontani dalle parti in movimento. Indumenti abbondanti, gioielli o capelli lunghi possono restare impigliati nelle parti movimento.
16. Qualora vengano forniti dispositivi per il collegamento di strumenti di estrazione e raccolta delle polveri, assicurarsi che tali strumenti siano collegati e utilizzati correttamente. L'utilizzo della raccolta delle polveri può ridurre i pericoli relativi alle polveri.

### Uso e manutenzione degli utensili elettrici

17. Non forzare l'utensile elettrico. Utilizzare l'utensile elettrico appropriato per la propria applicazione. L'utensile elettrico appropriato consente di svolgere il lavoro in modo migliore e più sicuro alla velocità per la quale è stato progettato.

18. Non utilizzare l'utensile elettrico qualora l'interruttore non consenta di accenderlo e spegnerlo. Qualsiasi utensile elettrico che non possa essere controllato mediante l'interruttore è pericoloso e deve essere riparato.
19. Prima di effettuare qualsiasi regolazione, sostituire gli accessori o riporre gli utensili elettrici, scollegare la spina dalla fonte di alimentazione e/o rimuovere la batteria dall'utensile elettrico. Tali misure di sicurezza preventive riducono il rischio di avviare accidentalmente l'utensile elettrico.
20. Conservare gli utensili elettrici inutilizzati fuori dalla portata dei bambini, e non consentire a persone che non abbiano familiarità con l'utensile elettrico o con il presente manuale di utilizzare l'utensile elettrico. Gli utensili elettrici sono pericolosi nelle mani di utenti inesperti.
21. Sottoporre a manutenzione gli utensili elettrici. Controllare l'eventuale presenza di disallineamenti o inceppamenti delle parti mobili, rottura delle parti e qualsiasi altra condizione che potrebbe influenzare il funzionamento dell'utensile elettrico. Qualora l'utensile elettrico sia danneggiato, farlo riparare prima di utilizzarlo. Numerosi incidenti vengono causati da utensili elettrici sottoposti a manutenzione insufficiente.
22. Mantenere gli utensili da taglio affilati e puliti. Gli utensili da taglio sottoposti a manutenzione appropriata e con taglienti affilati hanno una minore probabilità di incepparsi, e sono più facili da controllare.
23. Utilizzare l'utensile elettrico, gli accessori, le punte degli utensili, e così via, in conformità alle presenti istruzioni, tenendo conto delle condizioni di lavoro e del lavoro da eseguire. L'utilizzo dell'utensile elettrico per operazioni diverse da quelle previste può risultare in una situazione di pericolo.

## Uso e manutenzione degli utensili a batteria

24. Ricaricare solo con il caricabatterie specificato dal produttore. Un caricabatterie appropriato per un tipo di batteria potrebbe creare un rischio di incendio, se utilizzato con un'altra batteria.
25. Utilizzare gli utensili elettrici solo con le batterie specificamente designate. L'uso di qualsiasi altra batteria potrebbe creare un rischio di lesioni personali e incendi.
26. Quando la batteria non è in uso, tenerla lontana da altri oggetti metallici, quali graffette, monete, chiavi, chiodi, viti o altri piccoli oggetti metallici, che potrebbero fare contatto tra terminali diversi. Il cortocircuito dei terminali della batteria può causare ustioni o incendi.
27. In condizioni di uso improprio, la batteria potrebbe emettere un liquido; evitare il contatto con tale liquido. Qualora si verifichi un contatto accidentale con il liquido, lavare abbondantemente con acqua. Qualora il liquido entri in contatto con gli occhi, richiedere anche assistenza medica. Il liquido espulso dalla batteria può causare irritazioni o ustioni.

## Assistenza tecnica

28. Per l'assistenza tecnica relativa all'utensile elettrico, rivolgersi a un riparatore qualificato che utilizzi solo pezzi di ricambio identici. In tal modo, si garantisce che la sicurezza dell'utensile elettrico venga preservata.
29. Seguire le istruzioni per la lubrificazione e la sostituzione degli accessori.
30. Mantenere i manici asciutti, puliti e privi di olio e grasso.

# AVVERTENZE DI SICUREZZA RELATIVE AL PRODOTTO

1. Questo prodotto è un vibratore per il compattamento del calcestruzzo. Non utilizzare il vibratore per altri scopi di alcun genere.
2. Accertarsi di aver letto e compreso le presenti istruzioni per l'uso con attenzione prima di utilizzare il prodotto, in modo che quest'ultimo possa venire utilizzato in modo sicuro ed efficiente. Un utilizzo improprio della macchina potrebbe risultare in lesioni personali o guasti della macchina. Conservare il presente manuale come riferimento futuro.
3. Questo prodotto va utilizzato collegandolo al gruppo di alimentazione portatile Makita "PDC01" o "PDC1200". Inoltre, leggere le istruzioni per l'uso del gruppo di alimentazione portatile e del caricabatterie.
4. Non utilizzare mai questo prodotto quando è collegato a qualsiasi altra fonte di alimentazione. In caso contrario, si potrebbe causare il danneggiamento della scheda elettronica o far bruciare il motore. Tale danneggiamento o la bruciatura del motore potrebbero distruggere l'isolamento e causare scosse elettriche.
5. Non usare batterie di alcun genere che siano diverse dalla batteria dedicata specificata da Makita per il gruppo di alimentazione portatile. Inoltre, non utilizzare batterie che siano state modificate (incluse batterie che siano state smontate e in cui le celle o altre parti interne siano state sostituite).
6. Non caricare la batteria con alcunché di diverso dal caricabatterie fornito in dotazione.
7. D'ora in avanti, nel presente manuale il termine "cartuccia della batteria" verrà citato come "batteria".
8. Maneggiare e sottoporre a manutenzione in modo appropriato questo prodotto, per assicurarne un utilizzo sicuro.
9. Quando si intende prestare questo prodotto ad altre persone, accertarsi di fornire loro i manuali e spiegargli completamente l'utilizzo sicuro e appropriato del prodotto.
10. Le caratteristiche tecniche nel presente documento sono soggette a modifiche senza preavviso, a causa di variazioni.

11. Questo prodotto è conforme alle normative sulla compatibilità elettromagnetica (EMC) seguenti: EN61000-6-2/EN61000-6-4.

Questo prodotto non è conforme alle normative sulla compatibilità elettromagnetica (EMC) seguenti: EN61000-6-3/EN55014-1.

12. Quando si utilizza questo prodotto in prossimità di altri apparecchi elettronici, il prodotto potrebbe causare interferenze radio.

In questa circostanza, gli utenti di questo prodotto potrebbero dover adottare delle misure correttive appropriate.

## Avvertenze per la sicurezza del vibratore per calcestruzzo

1. Indossare un elmetto di sicurezza, guanti antivibrazioni, stivali di sicurezza, protezioni per l'udito, protezioni per il viso (occhiali di sicurezza e maschera) e un'imbracatura di sicurezza, prima di utilizzare il vibratore.



2. Quando si lavora, indossare maniche lunghe e pantaloni lunghi, e mantenere al minimo l'esposizione della pelle, per evitare danni alla pelle causati da frammenti di calcestruzzo volanti che aderiscano alla pelle.
3. Quando si utilizza il vibratore in prossimità dei piedi o in ubicazioni che non siano molto profonde, il calcestruzzo potrebbe venire schizzato nell'area circostante. Utilizzare protezioni per il viso (occhiali di sicurezza e maschera) per proteggere gli occhi e la bocca. Indossare protezioni per l'udito quando si lavora in ubicazioni rumorose.
4. Quando si lavora in un'area con un cattivo appoggio sui piedi, ad esempio su ferri d'armatura, accertarsi di utilizzare una pedana.
5. Poiché questo prodotto è dotato di un lungo tubo flessibile, sussiste il rischio di lesioni personali inciampando o facendo un passo falso, qualora il tubo flessibile resti impigliato su ferri d'armatura durante il lavoro o lo spostamento, o qualora il movimento venga limitato da qualcosa che sia appoggiato sul tubo flessibile. Inoltre, qualora il prodotto venga lasciato in un'area di passaggio delle persone quando il lavoro è sospeso, potrebbe restare impigliato tra i piedi di qualcuno e causarne la caduta o lesioni personali. Fare attenzione quando si maneggiano tubi flessibili e cavi.
6. Un lungo periodo di utilizzo del vibratore, o l'utilizzo del vibratore con una postura innaturale, potrebbero causare un affaticamento corporeo. Accertarsi di fare delle pause appropriate per evitare l'affaticamento o lesioni personali. Inoltre, qualora si avverta dolore o intorpidimento delle mani, delle braccia, delle spalle o della schiena durante l'utilizzo del prodotto, interromperne immediatamente l'uso e sottoporsi alle cure appropriate.

7. L'operatore commerciale che utilizza questo vibratore per calcestruzzo ha il compito di gestire le ore di lavoro, e deve impegnarsi onde evitare la compromissione della salute degli operai dovuta alle vibrazioni.

Per i dettagli relativi alla forza delle vibrazioni prodotte dal vibratore, fare riferimento alla sezione "VALORE TOTALE DELLE VIBRAZIONI".

Attenersi alle normative legali e alle linee guida pertinenti della nazione in cui viene utilizzato il vibratore.

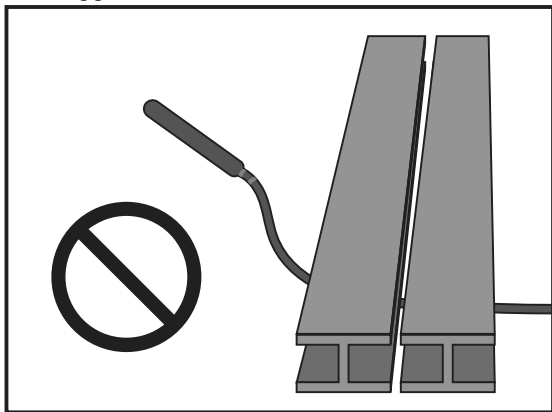
8. Quando si intende arrestare temporaneamente il lavoro, riporre il prodotto in un luogo sicuro. Qualora venga collocato in una navata laterale, potrebbe restare impigliato nei piedi e causare la caduta o lesioni personali dell'operatore. In caso di anomalie o malfunzionamenti di qualsiasi genere, spegnere immediatamente tutte le fonti di alimentazione, interrompere l'utilizzo e staccare il gruppo di alimentazione portatile. Per l'ispezione e la riparazione, contattare il proprio centro di assistenza autorizzato locale Makita.
9. Il gruppo di testa di questo prodotto viene raffreddato mediante l'inserimento in calcestruzzo premiscelato. Pertanto, non utilizzarlo fuori dal calcestruzzo premiscelato (vale a dire in aria). In caso contrario, sussiste la probabilità che il motore possa bruciarsi.



10. Non far funzionare il gruppo di testa in aria. Quando si utilizza il vibratore in aria, quest'ultimo raggiunge una temperatura di 100°C (212°F) o superiore in pochi minuti, e si potrebbe subire un'ustione toccandolo.
11. Il gruppo di testa diventa estremamente caldo durante l'uso. Dopo l'uso, fare attenzione a non toccarlo. In caso contrario, sussiste il rischio di ustioni.



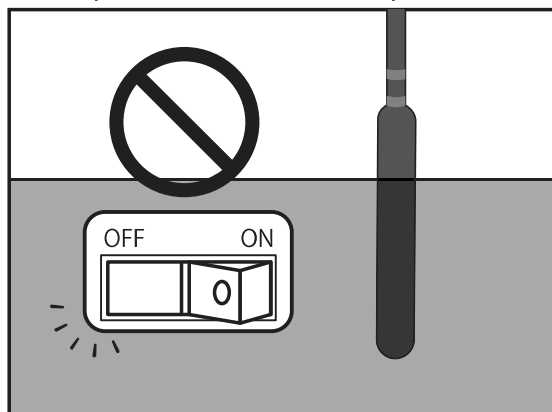
12. Non collocare né far cadere oggetti pesanti sul cavo o sul tubo flessibile. In caso contrario, si potrebbe danneggiare il cavo e causare un malfunzionamento.



13. Non far oscillare il gruppo di testa afferrando il tubo flessibile o il cavo. Sussiste la possibilità che in tal modo si possano causare lesioni personali o danni agli oggetti circostanti.

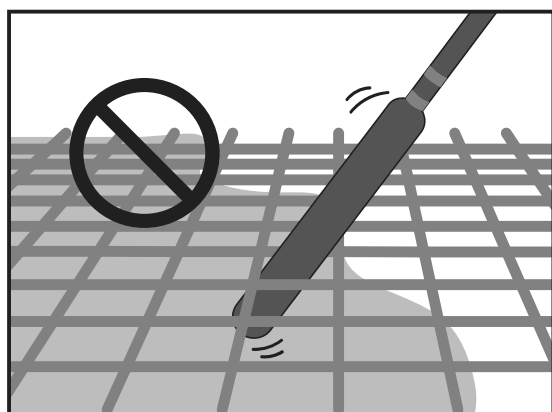
14. L'interruttore di accensione va attivato o disattivato solo quando il gruppo di testa non è inserito nel calcestruzzo premiscelato.

Qualora l'apparecchio venga spento mentre il vibratore si trova all'interno di calcestruzzo premiscelato, l'operatore potrebbe non riuscire a rimuovere il gruppo di testa. Una sua estrazione forzata potrebbe causare lesioni personali.



15. Non appoggiare al suolo il vibratore e accenderlo. In caso contrario, il gruppo di testa potrebbe sferzare come una frusta l'area circostante fuori controllo, e causare un incidente.

16. Non forzare né torcere il vibratore tra i ferri di armatura o la cassaforma con il gruppo di testa. In caso contrario, il gruppo di testa potrebbe venire raschiato e bruciare il motore.



17. Quando si intende utilizzare un vibratore collegato al gruppo di alimentazione portatile, accertarsi di lavorare da soli. L'utilizzo in due persone, con una che mantiene il vibratore e l'altra che mantiene il gruppo di alimentazione portatile separatamente, potrebbe causare incidenti o lesioni personali.

18. Quando si intende spostare o riporre il prodotto, accertarsi di spostarlo con il gruppo di alimentazione portatile spento. Qualora venga lasciato acceso, il vibratore potrebbe avviarsi improvvisamente, causando un incidente o lesioni personali.

19. Il gruppo di testa di questo prodotto non va utilizzato su superfici dure, quali calcestruzzo indurito o piastre in acciaio. Sussiste la possibilità che i cuscinetti a sfere possano bruciare e che il rotore si rompa.

20. Non tirare né appendere il cavo ad alcunché quando si posiziona il calcestruzzo o lo si sposta; in caso contrario, la spina potrebbe venire allentata e potrebbe causare la rottura del cavo o il guasto della scheda elettronica.

21. La carcassa dell'inverter contiene dispositivi elettronici di precisione. Non farla cadere, non lanciairla, non calpestarla, né sottoporla a forti urti.

22. Quando si intende inserire o rimuovere il connettore, accertarsi di spegnere il gruppo di alimentazione portatile. Qualora il connettore venga collegato o scollegato mentre l'apparecchio è acceso, si potrebbe causare un malfunzionamento.

23. Per evitare un contatto scadente, pulire via eventuale sporco o ruggine dai terminali della spina, prima di inserirli saldamente nella presa volante di uscita del gruppo di alimentazione portatile. Un contatto scadente con la spina è una delle cause principali di guasti, quali, ad esempio, la bruciatura del motore e il danneggiamento della scheda elettronica.

24. Il gruppo di alimentazione portatile da collegare a questo prodotto utilizza una batteria agli ioni di litio. Non sottoporre a forti urti la batteria, non schizzare acqua sulla batteria, né collocare la batteria in prossimità di fonti di calore. In caso contrario, si potrebbero causare malfunzionamenti, scosse elettriche o incendi.

25. Quando si verifica un'anomalia, interrompere immediatamente l'utilizzo. In caso contrario, si potrebbero causare incendi, scosse elettriche o lesioni personali.

26. Non utilizzare il prodotto in presenza di liquidi, gas o polveri infiammabili. In caso contrario, si potrebbero causare inneschi o esplosioni.

27. Non tentare di smontare o modificare questo prodotto. In caso contrario, si potrebbero causare scosse elettriche, surriscaldamenti, rotture o incendi.

28. Non utilizzare il vibratore sotto la pioggia.

29. Non lavare il vibratore con acqua.

# Istruzioni di sicurezza importanti relative al gruppo di alimentazione portatile

1. Prima dell'uso del gruppo di alimentazione portatile, leggere tutte le istruzioni e le indicazioni delle avvertenze riportate (1) sul caricabatterie, (2) sulla batteria e (3) sul gruppo di alimentazione portatile.
  2. Non sollevare né trasportare questo gruppo di alimentazione portatile afferrandone solo il cavo elettrico. Non tirare il cavo elettrico mentre si indossa o si utilizza questo gruppo di alimentazione portatile.
  3. Prima di indossare o rimuovere il gruppo di alimentazione portatile, rimuovere la presa volante dal vibratore.
  4. Quando si lascia il vibratore, accertarsi di rimuovere la presa volante dal vibratore, oppure rimuovere il gruppo di alimentazione portatile dal proprio corpo.
  5. Fare attenzione a non inciampare sul cavo elettrico durante l'uso.
  6. Non utilizzare questo gruppo di alimentazione portatile su superfici instabili o in ubicazioni elevate instabili.
  7. Durante l'uso, tenere il cavo elettrico lontano dagli ostacoli. Qualora il cavo elettrico resti impigliato negli ostacoli, potrebbe causare gravi lesioni personali.
  8. Non inserire gli alimentatori nel caricabatterie.
  9. Ispezionare il gruppo di alimentazione portatile, compresi i cavi elettrici e l'imbracatura, prima dell'uso. Qualora siano danneggiati, richiedere la riparazione al proprio centro di assistenza autorizzato locale Makita.
  10. Quando si intende agganciare il cavo elettrico al portacavo, accertarsi di agganciarlo lentamente e saldamente.
  11. Accertarsi sempre che il vibratore sia spento e che la presa volante sia stata rimossa, prima di tentare di eseguire interventi di ispezione e manutenzione sul vibratore.
  12. Quando si indossa il gruppo di alimentazione portatile, non indossare alcun oggetto, ad esempio un'imbracatura di sicurezza o una tracolla, che potrebbe interferire con la funzione di sgancio di emergenza del gruppo di alimentazione portatile.
  13. Non utilizzare questo gruppo di alimentazione portatile quando si indossano giacche ventilate a batteria o giacche riscaldate a batteria.
  14. Non esporre questo gruppo di alimentazione portatile a scintille.
  15. Quando si intende utilizzare questo gruppo di alimentazione portatile senza indossarlo, accertarsi di appoggiarlo a terra.
  16. Non smontare, riparare o modificare il gruppo di alimentazione portatile.
  17. Fare attenzione a non far impigliare l'imbracatura o la cintura nel vibratore.
- [ PDC01 ]
1. Non utilizzare più gruppi di alimentazione portatili collegandoli tra di loro.
  2. Non installare alimentatori nelle porte delle batterie di questo gruppo di alimentazione portatile.
  3. Questo gruppo di alimentazione portatile è progettato esclusivamente per l'utilizzo con batterie a 18 V. Non utilizzare batterie diverse da quelle a 18 V.
  4. Non consentire la penetrazione di acqua all'interno del coperchio.
- [ PDC1200 ]
1. Quando si colloca in posizione verticale il gruppo di alimentazione portatile utilizzando il supporto della batteria, accertarsi di posizionare il gruppo di alimentazione portatile su una superficie piana.
  2. Utilizzare esclusivamente il caricabatterie dedicato al gruppo di alimentazione portatile. Non utilizzare altri caricabatterie.
  3. Non trasportare il gruppo di alimentazione portatile afferrando il supporto della batteria o la cinghia di regolazione della larghezza.
  4. Non collocare né fissare alcunché tra la batteria e il supporto della batteria.
  5. Non appendere alcunché al supporto della batteria.

## Istruzioni importanti per la sicurezza del caricabatterie

1. Prima dell'uso del caricabatterie, leggere tutte le istruzioni e le indicazioni delle avvertenze riportate (1) sul caricabatterie, (2) sulla batteria e (3) sul gruppo di alimentazione portatile.
2. Non è possibile caricare batterie non ricaricabili con questo caricabatterie.
3. Utilizzare una fonte di alimentazione con la tensione specificata sulla targhetta dei dati identificativi del caricabatterie.
4. Non caricare la batteria in presenza di liquidi o gas infiammabili.
5. Non esporre il caricabatterie alla pioggia o alla neve.
6. Non trasportare mai il caricabatterie tenendolo per il cavo elettrico, né tirarlo per scollegarlo dalla presa elettrica.

**⚠ATTENZIONE:** per ridurre il rischio di lesioni personali, caricare solo batterie ricaricabili Makita. Altri tipi di batterie potrebbero scoppiare, causando lesioni personali e danni alle cose.

7. Dopo la ricarica, o prima di tentare qualsiasi intervento di manutenzione o pulizia, scollegare il caricabatterie dalla fonte di alimentazione. Ogni volta che si intende scollegare il caricabatterie, tirare la spina, anziché il cavo elettrico.
8. Accertarsi che il cavo elettrico sia collocato in modo da evitare di calpestarlo, inciamparvi sopra o sottoporlo in altro modo a danni o sollecitazioni.
9. Non utilizzare il caricabatterie con un cavo o una spina danneggiati. Qualora il cavo o la spina siano danneggiati, richiedere a un centro di assistenza autorizzato Makita di sostituirli, al fine di evitare pericoli.
10. Non utilizzare né smontare un caricabatterie qualora abbia ricevuto un forte colpo, sia stato fatto cadere o sia danneggiato in qualsiasi modo; portarlo a un tecnico di assistenza qualificato. L'utilizzo o il riassetto errati potrebbero risultare in un rischio di scosse elettriche o incendi.
11. Quando si intende ricaricare le batterie, eseguire questa operazione in un ambiente al chiuso con una temperatura ambiente compresa tra 10°C (50°F) e 40°C (104°F). Non caricare la batteria quando la temperatura ambiente è INFERIORE A 10°C (50°F) o SUPERIORE A 40°C (104°F). A temperature molto basse, la ricarica potrebbe non avviarsi.
12. Non tentare di utilizzare un trasformatore elevatore di tensione, un gruppo elettrogeno o una presa elettrica in CC.
13. I fori del caricabatterie sono feritoie di ventilazione, e non vanno ostruiti. Una ventilazione insufficiente influenza il tempo di ricarica. Si consiglia l'ispezione periodica delle feritoie di ventilazione.

## Istruzioni importanti per la sicurezza della batteria

1. Prima dell'uso della batteria, leggere tutte le istruzioni e le indicazioni delle avvertenze riportate (1) sul caricabatterie, (2) sulla batteria e (3) sul gruppo di alimentazione portatile.
2. Non smontare né manomettere la batteria. In caso contrario, si potrebbe causare un incendio, calore eccessivo o un'esplosione.
3. Qualora il tempo di utilizzo sia diventato eccessivamente breve, interrompere immediatamente l'uso. Questa circostanza potrebbe risultare in un rischio di surriscaldamento, possibili ustioni e persino di esplosione.
4. In condizioni difficili, ad esempio in presenza di temperatura elevata, dalla batteria potrebbe fuoriuscire del liquido. Non toccare incautamente il liquido fuoriuscito. Quest'ultimo potrebbe causare irritazioni o ustioni. Nell'improbabile circostanza che il liquido della batteria penetri negli occhi o entri in contatto con la pelle, sciacquare immediatamente con acqua pulita, ad esempio acqua di rubinetto, quindi richiedere assistenza medica.
5. Non cortocircuitare la batteria:
  - (1) Non toccare i terminali con alcun materiale conduttivo.
  - (2) Evitare di riporre la batteria in un contenitore insieme ad altri oggetti metallici, quali chiodi, monete, e così via.
  - (3) Non esporre la batteria ad acqua o alla pioggia. Un cortocircuito della batteria potrebbe causare un ampio flusso di corrente, surriscaldamenti, possibili ustioni e anche una rottura.
6. Non immettere la batteria in un materiale conduttivo quale l'acqua, e non immettere materiale conduttivo, quale l'acqua, all'interno della batteria. In caso contrario si potrebbe causare un cortocircuito, che potrebbe risultare in surriscaldamenti, incendi, spaccature o esplosioni.
7. Non caricare, riporre o utilizzare il vibratore e il gruppo di alimentazione portatile e la batteria in ubicazioni in cui la temperatura possa raggiungere o superare i 50°C (122°F).
8. Non incenerire la batteria, anche qualora sia gravemente danneggiata o completamente esaurita. La batteria può esplodere nel fuoco.
9. Non inchiodare, tagliare, schiacciare, lanciare o far cadere la batteria, né farla urtare con forza contro un oggetto duro. Tali azioni potrebbero causare un incendio, calore eccessivo o un'esplosione.
10. Non utilizzare una batteria che sia stata fatta cadere o che sia danneggiata in alcun modo.
11. Le batterie agli ioni di litio contenute sono soggette ai requisiti della normativa sulle merci pericolose (Dangerous Goods Legislation).  
Per i trasporti commerciali, ad esempio da parte di terzi e spedizionieri, è necessario osservare requisiti speciali sull'imballaggio e sull'etichettatura. Per la preparazione dell'articolo da spedire, è richiesta la consulenza di un esperto sui materiali pericolosi. Attenersi anche alle normative nazionali, che potrebbero essere più dettagliate. Nastrare o coprire i contatti aperti e imballare la batteria in modo tale che non si possa muovere liberamente all'interno dell'imballaggio.
12. Quando si intende smaltire la batteria, rimuoverla dal gruppo di alimentazione portatile e smaltirla in un luogo sicuro. Attenersi alle normative locali relative allo smaltimento della batteria.
13. Utilizzare le batterie esclusivamente con i prodotti specificati da Makita. L'installazione delle batterie in prodotti non compatibili potrebbe risultare in incendi, calore eccessivo, esplosioni o perdite di liquido elettrolitico.
14. Qualora il vibratore non debba essere utilizzato per un periodo di tempo prolungato, la batteria deve essere rimossa dal gruppo di alimentazione portatile.
15. Tenere la batteria lontano dai bambini.

16. Durante e dopo l'uso, la batteria potrebbe assorbire calore, che può causare ustioni o ustioni a bassa temperatura. Fare attenzione a come si maneggiano le batterie estremamente calde.
17. Non toccare i terminali della batteria subito dopo l'uso, in quanto potrebbero diventare estremamente caldi, al punto da causare ustioni.
18. Evitare di far incastrare schegge, polveri o terreno nei terminali, nei fori e nelle scanalature della batteria. In caso contrario, si potrebbero causare prestazioni scadenti o la rottura del vibratore o della batteria.
19. Non far entrare in contatto con metallo o altri oggetti i terminali della batteria in carica.
20. Non utilizzare la batteria in prossimità di linee elettriche ad alto voltaggio. In caso contrario, si potrebbe causare un malfunzionamento o la rottura del vibratore o della batteria.
21. Quando la temperatura della batteria è elevata (40 °C (104 °F) o superiore), ad esempio dopo aver lavorato sotto un sole rovente, la ricarica potrebbe diventare temporaneamente impossibile. Tuttavia, ciò è dovuto alla funzione di protezione della batteria, e non denota un malfunzionamento. Prima della ricarica, lasciar raffreddare la batteria per un po' di tempo.

## CONSERVARE LE PRESENTI ISTRUZIONI.

### **⚠ ATTENZIONE: utilizzare esclusivamente batterie Makita originali.**

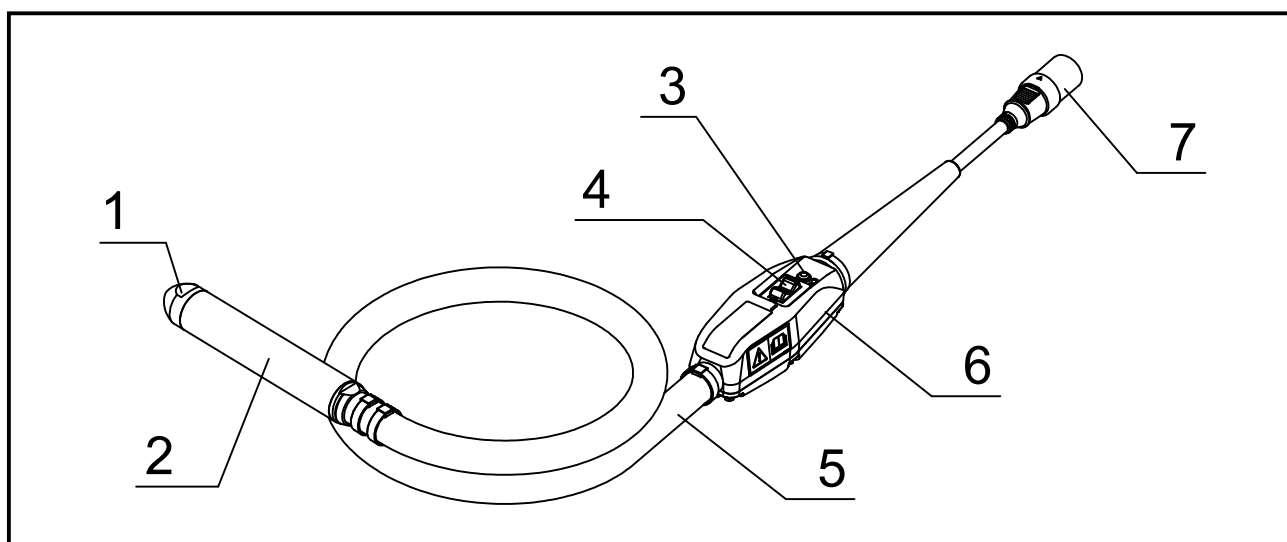
L'utilizzo di batterie Makita non originali, o di batterie che siano state alterate, potrebbe risultare nello scoppio delle batterie, causando incendi, lesioni personali e danni alle cose. Inoltre, tale utilizzo invalida la garanzia Makita per i prodotti Makita.

### **Suggerimenti per preservare la massima vita utile della batteria**

1. Caricare la batteria prima che sia completamente scarica. Quando si nota una minore potenza dell'utensile, interrompere sempre l'utilizzo dell'utensile e caricare la batteria.
2. Non ricaricare mai una batteria completamente carica. La sovraccarica riduce la vita utile della batteria.
3. Caricare la batteria a una temperatura ambiente compresa tra 10 °C e 40 °C (tra 50 °F e 104 °F). Lasciare che una batteria molto calda si raffreddi, prima di caricarla.
4. Quando non si intende utilizzare la batteria, rimuoverla dal gruppo di alimentazione portatile o dal caricabatterie.
5. Caricare la batteria se non la si è utilizzata per un periodo di tempo prolungato (più di sei mesi).

## NOMI DELLE PARTI DEL VIBRATORE

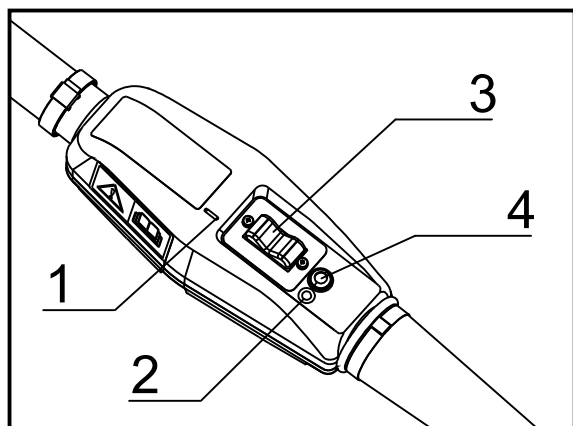
**⚠ ATTENZIONE:** questo prodotto è un apparecchio dedicato per i gruppi di alimentazione portatile Makita "PDC01" e "PDC1200". Non utilizzare altri apparecchi alimentati a batteria. In caso contrario, si potrebbero causare scosse elettriche, surriscaldamenti, rotture o incendi.



1	Cappuccio del vibratore	5	Tubo flessibile
2	Gruppo di testa	6	Carcassa dell'inverter
3	Indicatore luminoso a LED	7	Connettore (spina)
4	Interruttore	-	-

# OPERAZIONI

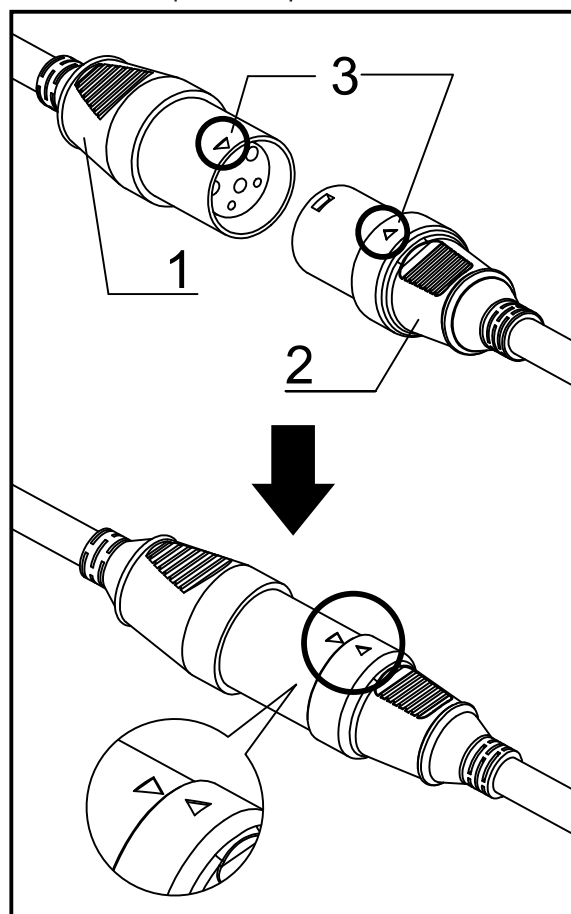
1. Accertarsi che l'interruttore di accensione del vibratore sia disattivato.



- 1. Simbolo "I" 2. Simbolo "O"  
3. Interruttore di accensione  
4. Indicatore luminoso a LED

**NOTA:** il simbolo "O" significa OFF (spento); il simbolo "I" significa ON (acceso).

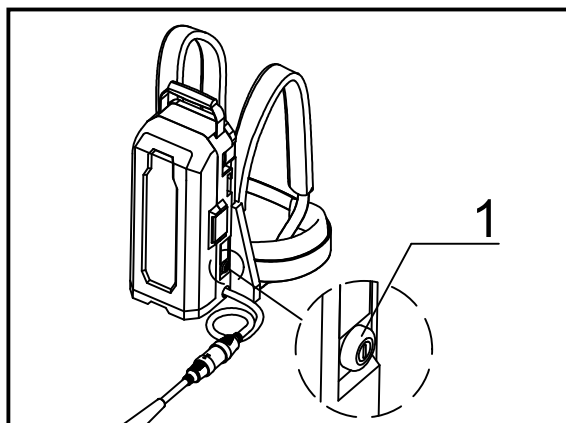
2. Allineare il simbolo della freccia sulla spina del vibratore con quello sulla presa volante del gruppo di alimentazione portatile, quindi inserirla fino in fondo.



- 1. Presa 2. Spina 3. Simbolo della freccia

3. Premere il pulsante di accensione sul gruppo di alimentazione portatile per accendere quest'ultimo. L'indicatore luminoso di accensione principale si illumina in verde. Anche l'indicatore luminoso a LED sul vibratore si illumina in verde.

**NOTA:** quando l'indicatore luminoso a LED sta lampeggiando in rosso, si è attivata la funzione di prevenzione dell'avvio accidentale. Disattivando l'interruttore di funzionamento, si annulla l'attivazione erronea della funzione di prevenzione dell'avvio accidentale, e l'indicatore luminoso a LED del vibratore si illumina in verde.



- 1. Pulsante di accensione principale

4. Afferrare il tubo flessibile del vibratore in modo che il gruppo di testa sia sospeso in aria.
5. Quando si è pronti, attivare l'interruttore di accensione per avviare il vibratore.

**NOTA:** mantenere il tubo flessibile del vibratore in un punto in cui le vibrazioni trasmesse alla mano siano deboli.

6. Inserire il vibratore perpendicolarmente nel calcestruzzo, con una distanza tra i punti di inserimento equivalente all'escursione di compattamento efficace.

**NOTA:** l'escursione di compattamento efficace per il vibratore è un'area dal diametro pari a circa 10 volte il diametro della parte vibrante.

7. L'indicazione di massima per cambiare la posizione del vibratore consiste nel farlo quando il calcestruzzo smette di assestarsi e la malta fluttua in modo omogeneo sulla superficie e diventa lucida.

**NOTA:** qualora si posizioni il vibratore nello stesso punto per un lungo periodo di tempo, si potrebbe causare la separazione dell'aggregato.

**NOTA:** qualora si verifichi la separazione durante il posizionamento nel calcestruzzo, riempire in modo omogeneo con aggregato grezzo, quindi riposizionare il calcestruzzo.

**NOTA:** si consiglia di disattivare l'interruttore di funzionamento mentre il vibratore non è inserito nel calcestruzzo. In tal modo si contribuisce ad aumentare il tempo di utilizzo e la vita utile del vibratore.

8. Quando si intende tirare su il vibratore, farlo lentamente, in modo che non restino fori.

9. Dopo il completamento della gettata, disattivare l'interruttore di funzionamento per arrestare il vibratore.
10. Premere e tenere premuto il pulsante di accensione sul gruppo di alimentazione portatile per arrestare l'uscita di corrente.
11. Rimuovere il connettore che collega il gruppo di alimentazione portatile al vibratore.

L'indicatore di accensione si spegne.

**NOTA:** quando si intende rimuovere il connettore, afferrare la presa e la spina, e non tirare il cavo.

## COME CARICARE LA BATTERIA

**⚠ATTENZIONE:** prima di caricare la batteria, accertarsi di leggere il manuale d'uso del gruppo di alimentazione portatile e del caricabatterie.

- Per la ricarica, fare riferimento al manuale del gruppo di alimentazione portatile o del caricabatterie.

## PULIZIA DOPO L'USO

- Dopo l'uso, il vibratore va pulito bene, e i tubi flessibili e i cavi vanno avvolti in modo ordinato.
1. Rimuovere il calcestruzzo dal gruppo di testa, dal tubo flessibile, dalla carcassa dell'inverter e dai cavi, prima che si indurisca.
  2. Non lavare la carcassa dell'inverter con acqua. Pulire via eventuale sporco aderito con un panno umido. Quando si pulisce, passare un panno asciutto per rimuovere eventuale umidità residua.
  3. In presenza di eventuale sporco o ruggine sui terminali della spina o della presa, pulirli. Un contatto scadente dei terminali potrebbe causare un malfunzionamento.
  4. Quando si intende trasportare il gruppo di alimentazione portatile, rimuovere la presa del gruppo di alimentazione portatile e la spina del vibratore, prima di spostarlo.
  5. Quando si intende trasportare l'unità, afferrare il vibratore e la maniglia del gruppo di alimentazione portatile. Non sollevare né tirare per i cavi il vibratore o il gruppo di alimentazione portatile. In caso contrario, si potrebbe causare l'usura del vibratore o la rottura del cavo di alimentazione.
  6. Quando si intende trasportare il gruppo di alimentazione portatile, accertarsi di spegnerlo prima di spostarlo. Per spegnere l'apparecchio, premere e tenere premuto il pulsante di accensione.

## ISPEZIONE

- Prima di trasportare il vibratore nella sede di lavoro e anche dopo l'uso, accertarsi di controllare quanto segue.
  - Questa procedura contribuisce notevolmente a evitare problemi durante l'uso.
1. Sono presenti segni di usura, spaccature o componenti allentati sul vibratore?
  2. Sono presenti segni di usura, danni o graffi sul tubo flessibile?
  3. Sono presenti segni di usura o spaccature nella guaina del cavo?
  4. Sono presenti deformazioni della carcassa dell'inverter, viti allentate o danni di qualsiasi parte dell'inverter, ad esempio un coperchio dell'interruttore di funzionamento o dell'indicatore luminoso a LED?
  5. Sono presenti sporco o ruggine sui terminali della spina o della presa?
  6. Il valore della resistenza di isolamento è corretto? (500 V in CC, 10 MΩ o superiore)
    - (1) Utilizzare un misuratore della resistenza di isolamento da 500 V come strumento di misurazione.
    - (2) Eseguire la misura tra i terminali della spina e la carcassa dell'inverter.
  7. Sono presenti spaccature, ammaccature o altri danni di alcun genere al gruppo di alimentazione portatile?
  8. La batteria è completamente carica?

**NOTA:** non eseguire misurazioni tra i tre connettori. In caso contrario, si potrebbe danneggiare la scheda elettronica dell'inverter.

9. È possibile avviare il vibratore mentre viene mantenuto in aria, collegandolo al gruppo di alimentazione portatile?  
Nell'eseguire questa operazione, l'indicatore luminoso a LED sulla carcassa dell'inverter si illumina in verde?
10. Si sente un rumore anomalo provenire dal vibratore? Il funzionamento del vibratore produce un suono normale durante l'uso? (Se si sente un suono regolare e continuo, è normale.)

## PERIODO DI SOSTITUZIONE PER LE PARTI CONSUMABILI

- Le parti consumabili vanno sostituite periodicamente in base alla tabella seguente.

Parti consumabili	Periodo di sostituzione. (controllo visivo e uditivo)	Frequenza di sostituzione (in ore)
Gruppo di testa	Stato di usura stabilito (visivo)	300-500
Cappuccio del vibratore		
Cuscinetto a sfere	Stabilito in base al rumore durante l'uso (uditivo)	400-500
Tubo flessibile	Stabilito in base alla presenza di segni di usura o graffi (visivo)	Laddove rilevati

- Il tempo di sostituzione indicato sopra per le parti consumabili rappresenta un'indicazione di massima. Poiché dipende dall'utilizzo, si consiglia di sostituire le parti consumabili prima dei tempi indicati sopra.

## INDICATORE LUMINOSO A LED

- È possibile controllare lo stato di uscita dell'inverter mediante l'illuminazione o il lampeggiamento dell'indicatore luminoso a LED.
- Qualora lampeggi, la funzione di protezione si è attivata, e l'uscita di corrente viene arrestata. Accertarsi di interrompere l'utilizzo e rimuovere la causa dell'anomalia, prima di riprendere l'utilizzo.

Indicatore luminoso a LED	Stato di uscita dell'inverter
1. Luce verde fissa	Condizione normale. È possibile utilizzare il vibratore.
2. Luce verde lampeggiante	Il vibratore è sovraccarico. È possibile utilizzare il vibratore, ma la frequenza delle vibrazioni è stata abbassata per evitare guasti a causa del sovraccarico. Il vibratore torna allo stato normale quando la condizione di sovraccarico viene risolta.
3. Luce rossa lampeggiante	In questa condizione, si è attivata la funzione di prevenzione dell'avvio accidentale. Questa funzione evita che il vibratore si avvii improvvisamente quando si accende l'apparecchio mentre l'interruttore di funzionamento del vibratore è sulla posizione di attivazione. La disattivazione dell'interruttore di funzionamento ripristina lo stato normale del vibratore.
4. Luce rossa fissa	Quando viene rilevata un'anomalia, l'uscita dell'inverter viene arrestata. Quando la luce rossa si accende, controllare quanto segue. <ul style="list-style-type: none"> <li>Controllare la carica residua della batteria.</li> <li>Sussiste una limitazione o un carico eccessivo causati da ferri di armatura, e così via?</li> </ul> Qualora non venga rilevato alcun problema, disattivare l'interruttore per tornare allo stato normale (luce verde fissa). Qualora la luce rossa si accenda ripetutamente, è probabile che si sia verificato un malfunzionamento. Sono necessarie l'ispezione e la riparazione.
5. Nessuna luce accesa	Poiché sussiste un problema nell'alimentazione, il vibratore si è arrestato. La batteria potrebbe essere completamente scarica, potrebbe essere stata inserita in modo errato o potrebbe essere difettosa. Controllare l'alimentazione.

# RISOLUZIONE DEI PROBLEMI

- Qualora si osservi una delle condizioni seguenti durante l'utilizzo del prodotto, interrompere l'utilizzo del prodotto e controllare la causa e le possibili misure correttive.
- Per l'ispezione e la riparazione, contattare il proprio centro di assistenza autorizzato locale Makita.

Funzionamento	Sintomo 1	Sintomo 2	Causa	Misura correttiva
Il vibratore è in funzione	Rumore insolito proveniente dalla parte vibrante del vibratore (rumore metallico, e così via)		Anomalia dei cuscinetti a sfere (Ruvidi, usurati)	Sostituire i cuscinetti a sfere.
	Bassa vibrazione	Il LED sulla carcassa dell'inverter sta <b>lampeggiando in verde.</b>	Anomalia dei cuscinetti a sfere (Ruvidi, usurati)	Sostituire i cuscinetti a sfere.
			Condizione di sovraccarico che supera la capacità del vibratore.	Ridurre il carico tirando il gruppo di testa fuori dal calcestruzzo.
	Si arresta durante l'uso	Il LED sulla carcassa dell'inverter è acceso <b>in rosso fisso.</b>	Il vibratore è sovraccaricato notevolmente oltre la sua capacità. La carica della batteria è bassa, e la capacità del vibratore è ridotta.	Ridurre il carico tirando il gruppo di testa fuori dal calcestruzzo. Quindi, riaccenderlo.  Qualora la luce rossa si accenda ripetutamente, controllare la batteria. Se è completamente carica, andrebbe controllata e riparata.



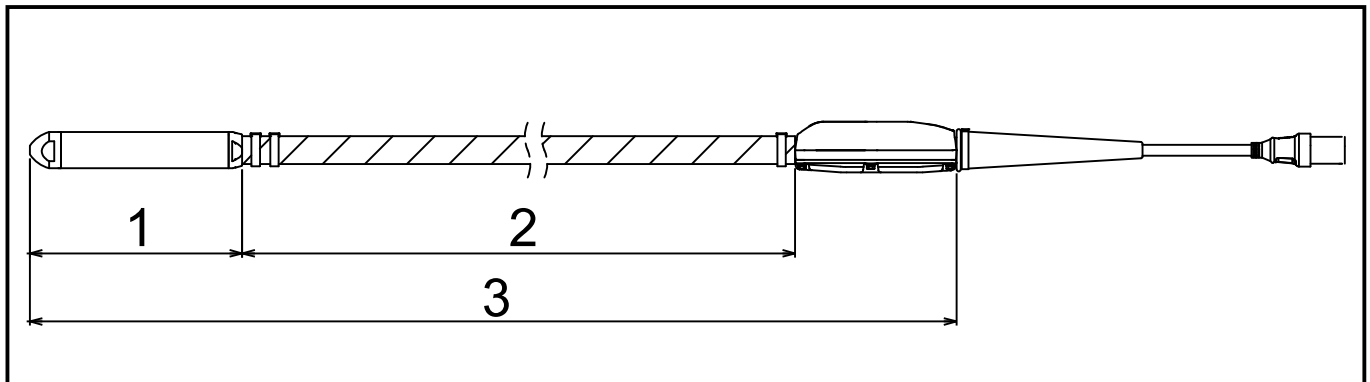
Funzionamento	Sintomo 1	Sintomo 2	Causa	Misura correttiva
Il vibratore non si avvia	L'indicatore luminoso a LED sulla carcassa dell'inverter non è acceso.	L'indicatore di accensione del gruppo di alimentazione portatile non si illumina.	Il gruppo di alimentazione portatile non è acceso.	Accendere il gruppo di alimentazione portatile.
			La batteria non è installata. Oppure, la carica residua della batteria non è sufficiente.	Installare la batteria. Oppure, caricare le batterie o sostituirle con batterie cariche.
			Il gruppo di alimentazione portatile sta subendo un malfunzionamento.	Sono necessarie l'ispezione e la riparazione.
		L'indicatore luminoso di accensione sul gruppo di alimentazione portatile alterna tra <b><u>verde e rosso lampeggianti.</u></b>	Il gruppo di alimentazione portatile ha rilevato un'anomalia.	Spegnere e riaccendere il gruppo di alimentazione portatile.
			Il gruppo di alimentazione portatile sta subendo un malfunzionamento.	Sono necessarie l'ispezione e la riparazione.
		L'indicatore di accensione sul gruppo di alimentazione portatile è acceso <b><u>in verde fisso.</u></b>	La spina sul vibratore non è collegata correttamente alla presa sul gruppo di alimentazione portatile. Oppure, il cavo è scollegato.	Accertarsi che la spina sia collegata saldamente alla presa. In caso di scollegamento, sono necessarie l'ispezione e la riparazione.
			La scheda dell'inverter sul vibratore non sta funzionando correttamente.	Sono necessarie l'ispezione e la riparazione.

Funzionamento	Sintomo 1	Sintomo 2	Causa	Misura correttiva	
Il vibratore non si avvia	L'indicatore luminoso a LED sulla carcassa dell'inverter non è acceso.	L'indicatore di accensione sul gruppo di alimentazione portatile sta <b>lampeggiando in verde.</b>	La carica della batteria è bassa. Oppure, non è installata correttamente.	Controllare l'indicatore del livello della batteria. Qualora il livello della batteria sia sufficiente, controllare il modo in cui è installata la batteria.	
			Il gruppo di alimentazione portatile o il cavo di alimentazione sono estremamente caldi.	Far raffreddare il gruppo di alimentazione portatile.	
			La spina sul vibratore non è collegata correttamente alla presa sul gruppo di alimentazione portatile. Oppure, il cavo è scollegato.	Accertarsi che la spina sia collegata saldamente alla presa. In caso di scollegamento, sono necessarie l'ispezione e la riparazione.	
	L'indicatore luminoso a LED sulla carcassa dell'inverter è acceso <b>in rosso fisso.</b>			Il vibratore si è arrestato poiché è stato rilevato un guasto.	Riaccendere il gruppo di alimentazione portatile. Qualora l'indicatore luminoso a LED si illumini ripetutamente in rosso, sono necessarie l'ispezione e la riparazione.
				Si è attivata la funzione di prevenzione dell'avvio accidentale del vibratore.	Disattivare una volta l'interruttore di funzionamento del vibratore, quindi riattivarlo.

## DATI TECNICI

Modello	VR001C	VR002C	VR003C	VR004C
Potenza in uscita	250 W		400 W	
Tensione	36 V			
Corrente	8,7 A		14,0 A	
Frequenza	200 Hz			
Lunghezza complessiva	1.945 mm (76-9/16")	3.445 mm (135-5/8")	1.977 mm (77-27/32")	3.477 mm (136-7/8")
Testa Diametro x lunghezza	43 x 255 mm (1-11/16" x 10-1/32")		52 x 287 mm (2-1/16" x 11-5/16")	
Tubo flessibile esterno Diametro x lunghezza	33 x 1.500 mm (1-5/16" x 59-1/16")	33 x 3.000 mm (1-5/16" x 118-1/8")	33 x 1.500 mm (1-5/16" x 59-1/16")	33 x 3.000 mm (1-5/16" x 118-1/8")
Peso	4,8 kg (10,6 libbre)	5,9 kg (13,0 libbre)	5,6 kg (12,4 libbre)	6,7 kg (14,8 libbre)

\* Il peso non comprende gli apparecchi di alimentazione, quali il gruppo di alimentazione portatile e le batterie.



► 1. Lunghezza della testa 2. Lunghezza del tubo flessibile esterno 3. Lunghezza complessiva

## TEMPO DI FUNZIONAMENTO

Modello	Quando si utilizza il modello PDC01 (min.)	Quando si utilizza il modello PDC1200 (min.)
VR001C/VR002C	circa 100	circa 300
VR003C/VR004C	circa 60	circa 200

\* Il tempo di funzionamento utilizzando il modello PDC01 è basato su quattro batterie BL 1860B installate nel gruppo di alimentazione portatile.

\* Il tempo di funzionamento è un valore di riferimento che rappresenta la situazione in cui ciascun vibratore viene fatto funzionare in modo continuativo. Dipende dallo stato di carica della batteria e dall'ambiente di utilizzo.

## VALORE TOTALE DELLE VIBRAZIONI

Modello	Valore totale delle vibrazioni (m/s <sup>2</sup> )
VR001C/VR002C	Inferiore a 2,5
VR003C/VR004C	2,5

\* Il valore totale delle vibrazioni è un valore che utilizza uno strumento di misura basato sullo standard ISO 5349-1, ed è stato misurato mediante il metodo descritto nello standard ISO 5349-2.

## BEOOGD GEBRUIK

Het gereedschap is bedoeld voor het verwijderen van bellen uit beton bij het gieten van beton.

## GELUID

Het typische A-gewogen geluidsniveau bepaald volgens EN60745:

**Model: VR001C, VR002C**

Geluidsvermogeniveau ( $L_{WA}$ ): 98,4 dB (A)

Geluidsdrukniveau ( $L_{pA}$ ): 87,4 dB (A)

Onzekerheid (K): 3 dB (A)

**Model: VR003C, VR004C**

Geluidsvermogeniveau ( $L_{WA}$ ): 97,6 dB (A)

Geluidsdrukniveau ( $L_{pA}$ ): 86,6 dB (A)

Onzekerheid (K): 3 dB (A)

**OPMERKING:** De opgegeven geluidsemissiewaarde(n) is/zijn gemeten volgens een standaard testmethode en kan/kunnen worden gebruikt om gereedschappen met elkaar te vergelijken.

**OPMERKING:** De opgegeven geluidsemissiewaarde(n) kan/kunnen ook worden gebruikt voor een voorlopige beoordeling van de blootstelling.

**WAARSCHUWING:** Draag gehoorbescherming.

**WAARSCHUWING:** De geluidsemisatie tijdens het daadwerkelijke gebruik van het elektrisch gereedschap kan verschillen van de opgegeven waarde(n), afhankelijk van de manier waarop het gereedschap wordt gebruikt en vooral van het soort werkstuk dat wordt bewerkt.

**WAARSCHUWING:** Zorg ervoor dat er veiligheidsmaatregelen ter bescherming van de bediener worden vastgesteld die gebaseerd zijn op een schatting van de blootstelling in de werkelijke gebruiksomstandigheden (rekening houdend met alle delen van de gebruikscyclus, zoals de tijd dat het gereedschap is uitgeschakeld en de tijd dat het stationair draait, naast de inschakeltijd).

## TRILLING

De totale trillingswaarde (tri-axiale vectorsom) bepaald volgens EN60745:

**Model: VR001C, VR002C**

Werkmodus: gebruik zonder belasting

Trillingsemisatie (ah): 1,9 m/s<sup>2</sup> (slang)

Trillingsemisatie (ah): 0,7 m/s<sup>2</sup> (behuizing van de omvormer)

Onzekerheid (K): 1,5 m/s<sup>2</sup>

**Model: VR003C, VR004C**

Werkmodus: gebruik zonder belasting

Trillingsemisatie (ah): 3,1 m/s<sup>2</sup> (slang)

Trillingsemisatie (ah): 1,7 m/s<sup>2</sup> (behuizing van de omvormer)

Onzekerheid (K): 1,5 m/s<sup>2</sup>

**OPMERKING:** De opgegeven trillingsemisatie waarde is gemeten volgens een standaard testmethode en kan worden gebruikt om gereedschappen met elkaar te vergelijken.

**OPMERKING:** De opgegeven trillingsemisatie waarde kan ook worden gebruikt voor een voorlopige beoordeling van de blootstelling.

**WAARSCHUWING:** De trillingsemisatie tijdens het werkelijke gebruik van het elektrisch gereedschap kan verschillen van de opgegeven emissiewaarde, afhankelijk van de manier waarop het gereedschap wordt gebruikt en vooral van het soort werkstuk dat wordt bewerkt.

**WAARSCHUWING:** Zorg ervoor dat er veiligheidsmaatregelen ter bescherming van de bediener worden vastgesteld die gebaseerd zijn op een schatting van de blootstelling in de werkelijke gebruiksomstandigheden (rekening houdend met alle delen van de gebruikscyclus, zoals de tijd dat het gereedschap is uitgeschakeld en de tijd dat het stationair draait, naast de inschakeltijd).

## EG-verklaring van conformiteit

### Alleen voor Europese landen

De EG-verklaring van conformiteit is opgenomen als Aanhangsel A bij deze gebruiksaanwijzing.

# ALGEMENE VEILIGHEIDSWAARSCHUWINGEN VOOR ELEKTRISCH GEREEDSCHAP

**⚠ WAARSCHUWING:** Lees alle veiligheidswaarschuwingen en alle instructies. Het niet opvolgen van de waarschuwingen en instructies kan leiden tot elektrische schokken, brand en/of ernstig letsel.

## Bewaar alle waarschuwingen en instructies voor toekomstig gebruik.

De term “elektrisch gereedschap” in de waarschuwingen verwijst naar elektrisch gereedschap dat op netstroom (met snoer) of op accu (zonder snoer) werkt.

### Veiligheid op de werkplek

1. Zorg voor een schone en goed verlichte werkplek. Rommelige of donkere plaatsen kunnen tot ongevallen leiden.
2. Gebruik geen elektrisch gereedschap in een explosieve atmosfeer, zoals in de aanwezigheid van ontvlambare vloeistoffen, gassen of stof. Elektrisch gereedschap veroorzaakt vonken, die het stof of de dampen kunnen doen ontbranden.
3. Houd kinderen en omstanders uit de buurt terwijl u elektrisch gereedschap bedient. Door afleiding kunt u de controle verliezen.

### Elektrische veiligheid

4. De stekkers van elektrisch gereedschap moet geschikt zijn voor de aansluiting. Wijzig de stekker op geen enkele manier. Gebruik geen adapterstekkers met geaard elektrisch gereedschap. Onaangepaste stekkers en passende aansluitingen verminderen het risico op elektrische schokken.
5. Vermijd lichamelijk contact met geaarde oppervlakken, zoals leidingen, radiatoren, fornuizen en koelkasten. Er is een verhoogd risico op elektrische schokken als uw lichaam geaard is.
6. Stel elektrisch gereedschap niet bloot aan regen of natte omstandigheden. Als er water in elektrisch gereedschap komt, neemt het risico op elektrische schokken toe.
7. Gebruik het snoer niet verkeerd. Gebruik het snoer nooit voor het dragen, trekken of loskoppelen van het elektrische gereedschap. Houd het snoer uit de buurt van hitte, olie, scherpe randen of bewegende delen. Beschadigde of in de war geraakte snoeren verhogen het risico op elektrische schokken.
8. Wanneer u elektrisch gereedschap buitenshuis gebruikt, gebruik dan een verlengsnoer dat geschikt is voor buitengebruik. Gebruik van een snoer dat geschikt is voor buitengebruik vermindert het risico op elektrische schokken.

9. Als het gebruik van elektrisch gereedschap op een vochtige plaats onvermijdelijk is, gebruik dan een voeding met aardlekschakelaar (GFCI). Het gebruik van een GFCI vermindert het risico op elektrische schokken.

### Persoonlijke veiligheid

10. Blijf alert, kijk uit wat u doet en gebruik uw gezond verstand wanneer u elektrisch gereedschap bedient. Gebruik geen elektrisch gereedschap terwijl u moe bent of onder invloed van drugs, alcohol of medicijnen bent. Een moment van onoplettendheid bij het bedienen van elektrisch gereedschap kan ernstig lichamelijk letsel tot gevolg hebben.
11. Gebruik persoonlijke beschermingsmiddelen. Draag altijd oogbescherming. Beschermingsmiddelen zoals een stofmasker, antislip veiligheidsschoenen, een helm, of gehoorbescherming die onder de juiste omstandigheden gebruikt worden, beperken persoonlijke verwondingen.
12. Voorkom onbedoeld starten. Zorg ervoor dat de schakelaar in de uit-stand staat voordat u het gereedschap op de stroombron en/of de accu aansluit, oppakt of draagt. Het dragen van elektrisch gereedschap met uw vinger op de schakelaar of het onder spanning zetten van elektrisch gereedschap met de schakelaar aan leidt tot ongevallen.
13. Verwijder een eventuele stelsleutel of moersleutel voordat u het elektrische gereedschap aanzet. Een moersleutel of sleutel die aan een draaiend deel van het elektrische gereedschap blijft hangen, kan persoonlijk letsel tot gevolg hebben.
14. Reik niet te ver. Zorg dat u altijd stevig staat en uw evenwicht bewaart. Zo kunt u het elektrische gereedschap beter onder controle houden in onverwachte situaties.
15. Draag geschikte kleding. Draag geen losse kleding of juwelen. Houd uw haar, kleding en handschoenen uit de buurt van bewegende delen. Losse kleren, juwelen of lang haar kunnen in bewegende delen verstrikt raken.
16. Als er toestellen voorzien zijn voor de aansluiting van installaties voor het afzuigen en opvangen van stof, moet u ervoor zorgen dat die op de juiste manier aangesloten en gebruikt worden. Het gebruik van stofopvang kan de gevaren in verband met stof verminderen.

### Gebruik en onderhoud van elektrisch gereedschap

17. Forceer het elektrische gereedschap niet. Gebruik het juiste elektrische gereedschap voor uw toepassing. Het juiste elektrische gereedschap doet het werk beter en veiliger met de snelheid waarvoor het ontworpen is.

18. Gebruik het elektrische gereedschap niet als de schakelaar het niet aan en uit zet. Elk elektrisch gereedschap dat niet met de schakelaar bediend kan worden, is gevaarlijk en moet worden gerepareerd.
19. Koppel de stekker los van de stroombron en/of de accu van het elektrische gereedschap voordat u aanpassingen doet, accessoires verwisselt of het elektrische gereedschap opbergt. Dergelijke preventieve veiligheidsmaatregelen verminderen het risico dat het elektrische gereedschap per ongeluk wordt gestart.
20. Berg ongebruikt elektrisch gereedschap buiten het bereik van kinderen op en sta niet toe dat personen die niet bekend zijn met het elektrische gereedschap of met deze gebruiksaanwijzing het elektrische gereedschap bedienen. Elektrisch gereedschap is gevaarlijk in de handen van ongetrainde gebruikers.
21. Onderhoud elektrisch gereedschap. Controleer op verkeerde uitlijning of binding van bewegende delen, op breuk van onderdelen en op elke andere omstandigheid die de werking van het elektrische gereedschap kan beïnvloeden. Als het elektrische gereedschap beschadigd is, laat het dan repareren voordat u het gebruikt. Veel ongevallen worden veroorzaakt door slecht onderhouden elektrisch gereedschap.
22. Houd snijgereedschap scherp en schoon. Goed onderhouden snijgereedschap met scherpe snijkanten loopt minder snel vast en is gemakkelijker te controleren.
23. Gebruik het elektrische gereedschap, de accessoires en de gereedschapsbits enz. volgens deze gebruiksaanwijzing, rekening houdend met de werkomstandigheden en het uit te voeren werk. Als u het elektrische gereedschap voor andere dan de bedoelde bewerkingen gebruikt, kan dat tot een gevaarlijke situatie leiden.

## Gebruik en onderhoud van accugereedschap

24. Laad alleen op met de door de fabrikant voorgeschreven lader. Een lader die geschikt is voor een bepaald type accu, kan brandgevaar opleveren bij gebruik met een ander type accu.
25. Gebruik elektrisch gereedschap alleen met speciaal daarvoor bestemde accu's. Het gebruik van andere accu's kan gevaar voor letsel en brand opleveren.
26. Als de accu niet in gebruik is, houd hem dan uit de buurt van andere metalen voorwerpen, zoals paperclips, munten, sleutels, spijkers, schroeven of andere kleine metalen voorwerpen, die een verbinding van de ene naar de andere pool kunnen maken. Kortsluiten van de accupolen kan brandwonden of brand veroorzaken.
27. Bij verkeerd gebruik kan er vloeistof uit de accu komen; vermijd contact. Spoel met water als er per ongeluk contact is. Roep bovendien medische hulp in als de vloeistof in de ogen komt. Vloeistof die uit de accu komt, kan irritatie of brandwonden veroorzaken.

## Onderhoud

28. Laat uw elektrische gereedschap onderhouden door een gekwalificeerde reparateur die uitsluitend identieke vervangingsonderdelen gebruikt. Zo blijft de veiligheid van het elektrische gereedschap gewaarborgd.
29. Volg de instructies voor het smeren en vervangen van de accessoires.
30. Houd de handgrepen droog, schoon en vrij van olie en vet.

# VEILIGHEIDSWAARSCHUWINGEN VOOR DIT PRODUCT

1. Dit product is een triller voor het verdichten van beton. Gebruik de triller niet voor andere doeleinden.
2. Zorg ervoor dat u deze gebruiksaanwijzing zorgvuldig leest en begrijpt voordat u het product gebruikt, zodat het veilig en efficiënt gebruikt kan worden. Onjuist gebruik van de machine kan leiden tot letsel of defecten aan de machine. Bewaar deze gebruiksaanwijzing voor toekomstig gebruik.
3. Dit product moet gebruikt worden door het aan te sluiten op het Makita ruggedragen accupack "PDC01" of "PDC1200". Lees ook de gebruiksaanwijzingen van het ruggedragen accupack en de acculader.
4. Gebruik dit product nooit terwijl het op een ander voedingsapparaat aangesloten is. Doet u dat toch, dan kan dat leiden tot beschadiging van de printplaat of doorbranden van de motor. De beschadiging of het doorbranden van de motor kan de isolatie vernietigen en elektrische schokken veroorzaken.
5. Gebruik geen andere accu dan de specifieke accu die door Makita voor het ruggedragen accupack is gespecificeerd. Gebruik ook geen accu's die gemodificeerd zijn (met inbegrip van accu's die uit elkaar gehaald zijn en waarvan de cellen of andere interne onderdelen vervangen zijn).
6. Laad de accu niet op met iets anders dan de bijgeleverde lader.
7. De term "accupatroon" in deze gebruiksaanwijzing wordt hierna "accu" genoemd.
8. Behandel en onderhoud dit product op de juiste wijze om een veilige werking te verzekeren.
9. Als u dit product uitleent aan iemand anders, zorg er dan voor dat u deze persoon de handleidingen geeft en volledige uitleg geeft over het veilige en juiste gebruik van het product.
10. De specificaties in dit document kunnen zonder voorafgaande kennisgeving worden gewijzigd als gevolg van aanpassingen.

11. Dit product voldoet aan deze EMC-normen: EN61000-6-2 / EN61000-6-4.  
Dit product voldoet niet aan deze EMC-normen: EN61000-6-3 / EN55014-1.

12. Wanneer u dit product in de buurt van andere elektronische apparaten gebruikt, kan het radiostoringen veroorzaken.  
In dat geval moeten gebruikers van dit product mogelijk passende maatregelen nemen.

## Veiligheidswaarschuwingen voor betontrillers

1. Draag een veiligheidshelm, antivibratiehandschoenen, veiligheidslaarzen, gehoorbescherming, gezichtsbescherming (veiligheidsbril en -masker) en veiligheidsharnas voordat u de triller gebruikt.



2. Draag bij het werken lange mouwen en een lange broek en beperk de blootstelling van de huid tot een minimum om huidbeschadiging te voorkomen als gevolg van rondvliegend beton dat aan de huid blijft kleven.
3. Wanneer u de triller gebruikt in de buurt van voeten of op plaatsen die niet erg diep zijn, kan er beton rondspatten. Gebruik gezichtsbescherming (veiligheidsbril en -masker) om uw ogen en mond te beschermen. Draag gehoorbescherming als u op lawaaiërigere plaatsen werkt.
4. Zorg ervoor dat een voetplank wordt geplaatst wanneer u op een onstabiele ondergrond werkt, zoals op betonijzer.
5. Aangezien dit product een lange slang heeft, bestaat er gevaar voor letsel door struikelen of een verkeerde stap zetten als de slang tijdens het werk of het verplaatsen aan betonijzer blijft haken, of de beweging wordt beperkt doordat er iets op de slang wordt gelegd. Ook kan het product, als het wordt achtergelaten op een plaats waar mensen voorbijlopen terwijl het werk is opgeschort, aan iemands voet blijven haken, waardoor iemand kan vallen of gewond raken. Wees voorzichtig bij het hanteren van slangen en kabels.
6. Langdurig gebruik van de triller of het bedienen van de triller in een onnatuurlijke houding kan een belasting vormen voor een lichaam. Neem de nodige pauzes om vermoeidheid of letsel te voorkomen. Ook als u pijn of een doof gevoel in uw handen, armen, schouders of rug voelt terwijl u het product gebruikt, moet u onmiddellijk stoppen met het gebruik ervan en u passend laten behandelen.
7. De ondernemer die gebruikmaakt van deze betontriller moet de werktijden beheren en moet inspanningen doen om te voorkomen dat de gezondheid van de werknemer wordt geschaad door trillingen.

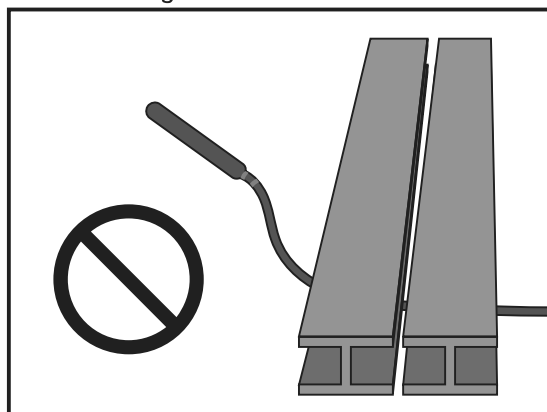
Raadpleeg het gedeelte "TOTALE TRILLINGSWAARDE" voor meer informatie over de trillingssterkte van de triller.

Houd u aan de relevante wettelijke voorschriften en richtlijnen van het land waar de triller gebruikt wordt.

8. Wanneer u tijdelijk stopt met werken, berg het product dan op een veilige plaats op. Als het in een gangpad staat, kan het aan uw voet blijven haken, waardoor u kunt vallen of gewond kunt raken. Als er zich een abnormaliteit of storing voordoet, schakel het gebruik en maak het ruggedragen accupack los. Neem voor inspectie en reparatie contact op met uw plaatselijke erkende Makita-servicecentrum.
9. De kop van dit product wordt gekoeld door het in te brengen in stortklaar beton. Gebruik het dus niet buiten het stortklare beton (d.w.z. in de lucht). Er bestaat een mogelijkheid dat de motor doorbrandt.

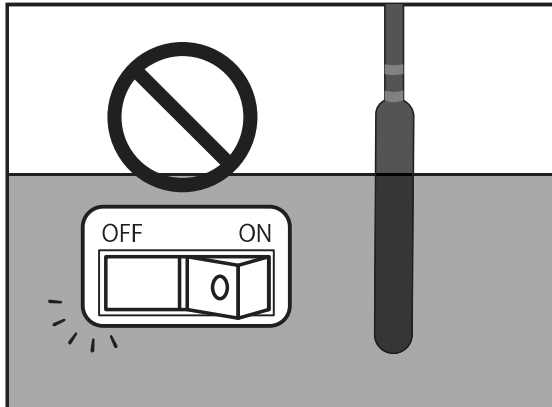


10. Bedien de kop niet in de lucht. Als u hem in de lucht gebruikt, bereikt de triller in een paar minuten 100 °C (212 °F) of meer en u kunt zich verbranden als u hem aanraakt.
11. De kop wordt heet tijdens het gebruik. Raak hem na gebruik niet aan. Het risico bestaat dat u zich verbrandt.
12. Plaats of laat geen zware voorwerpen op de kabel of de slang vallen. Dat kan de kabel beschadigen en een storing veroorzaken.

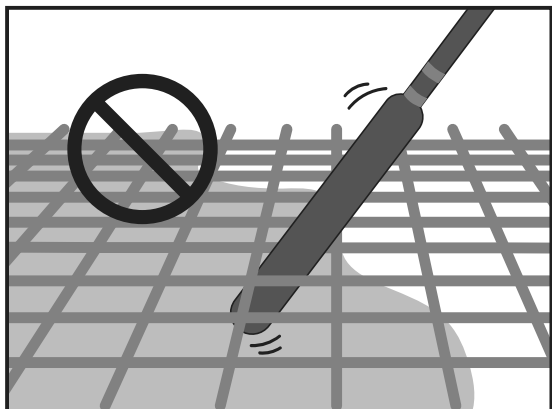


13. Laat de kop niet slingeren door de slang of de kabel vast te houden. Er bestaat een mogelijkheid dat dit letsel of schade aan voorwerpen in de buurt veroorzaakt.
14. De aan/uit-schakelaar mag alleen op ON/OFF gezet worden als de kop niet in het stortklare beton is geplaatst.

Als de stroom op OFF wordt gezet terwijl de triller in het stortklare beton staat, is het mogelijk dat u de kop niet kunt verwijderen. Als u hem er met geweld uittrekt, kan dat letsel veroorzaken.



15. Zet de triller niet aan als hij op de grond ligt. De kop kan oncontroleerbaar rondzweven en een ongeval veroorzaken.
16. Wrik of draai de triller niet tussen het betonijzer of de bekisting met de kop. Anders kan de kop afgeschuurd raken en de motor verbranden.



17. Wanneer u een triller gebruikt die op het ruggedragen accupack is aangesloten, moet u alleen werken. Gebruik door twee personen, waarbij de één de triller vasthoudt en de ander het ruggedragen accupack, kan ongevallen of letsel veroorzaken.

18. Als u het product verplaatst of opbergt, zorg er dan voor dat u het verplaatst met het ruggedragen accupack uitgeschakeld. Als de stroom ingeschakeld blijft, kan het product onverwacht opstarten, wat een ongeval of letsel kan veroorzaken.
19. De kop van dit product mag niet gebruikt worden op harde oppervlakken, zoals verhard beton of staalplaat. De mogelijkheid bestaat dat de lagers verbranden en dat de rotor breekt.
20. Trek niet aan de kabel en hang de kabel nergens aan wanneer u beton plaatst of deze verplaatst, anders kan de stekker losraken en een kabelbreuk of een storing in de printplaat veroorzaken.
21. De behuizing van de omvormer bevat nauwkeurige elektronische apparaten. Laat hem niet vallen, gooi er niet mee, stap er niet op en stel hem niet bloot aan hevige schokken.
22. Wanneer u de connector plaatst of verwijdert, moet u het ruggedragen accupack op OFF zetten. Als de stekker in de connector gestoken of uit de connector gehaald wordt terwijl de stroom op ON staat, kan dat een storing veroorzaken.
23. Om slecht contact te voorkomen, dient u vuil of roest van de stekkeraansluitingen te verwijderen voordat u ze stevig in de uitgangsaansluiting van het ruggedragen accupack steekt. Slecht contact met de stekker is een van de belangrijkste oorzaken van storingen, zoals het doorbranden van de motor en beschadiging van de printplaat.
24. Het ruggedragen accupack dat op dit product moet worden aangesloten, gebruikt een lithium-ionaccu. Stel de accu niet bloot aan sterke schokken, spat geen water op de accu en plaats de accu niet in de buurt van een warmtebron. Doet u dat toch, dan kan dat leiden tot storingen, elektrische schokken of brand.
25. Wanneer zich een abnormaliteit voordoet, moet u het gebruik onmiddellijk stopzetten. Anders kan dit brand, elektrische schokken of letsel veroorzaken.
26. Gebruik het product niet in de aanwezigheid van ontvlambare vloeistoffen, gassen of stof. Doet u dat toch, dan kan dat ontbranding of een explosie veroorzaken.
27. Probeer het product niet te demonteren of te wijzigen. Doet u dat toch, dan kan dat leiden tot elektrische schokken, oververhitting, een breuk of brand.
28. Gebruik de triller niet in de regen.
29. Was de triller niet met water.

## Belangrijke veiligheidsvoorschriften voor ruggedragen accupacks

1. Voordat u het ruggedragen accupack gebruikt, dient u alle instructies en waarschuwingen op (1) de acculader, (2) de accu en (3) het ruggedragen accupack te lezen.
2. Pak het ruggedragen accupack niet op en draag het niet door alleen het snoer vast te houden. Trek niet aan het snoer terwijl u het ruggedragen accupack draagt of gebruikt.
3. Alvorens het ruggedragen accupack te dragen of uit te doen, koppelt u de aansluiting los van de triller.



4. Als u de triller achterlaat, zorg er dan voor dat u de aansluiting loskoppelt van de triller of dat u het ruggedragen accupack van uw lichaam haalt.
5. Wees voorzichtig dat u tijdens het gebruik niet over het snoer struikelt.
6. Gebruik het ruggedragen accupack niet op een onstabiele ondergrond of op onstabiele hoge plaatsen.
7. Houd het snoer tijdens het gebruik uit de buurt van obstakels. Als het snoer door obstakels gegrepen wordt, kan dat ernstig letsel veroorzaken.
8. Steek de adapters niet in de lader.
9. Inspecteer het ruggedragen accupack, inclusief de snoeren en het harnas, vóór gebruik. Als ze beschadigd zijn, vraag dan uw plaatselijke erkende Makita-servicecentrum om reparatie.
10. Wanneer u het snoer aan de snoerhouder bevestigt, moet u erop letten dat u het langzaam en stevig vastmaakt.
11. Zorg er altijd voor dat de triller uitgeschakeld is en dat de aansluiting losgekoppeld is voordat u inspectie of onderhoud aan de triller probeert uit te voeren.
12. Wanneer u het ruggedragen accupack draagt, doe dan niets om, zoals een veiligheidsharnas of een schouderriem, dat de noodontkoppelingsfunctie van het ruggedragen accupack kan belemmeren.
13. Gebruik het ruggedragen accupack niet wanneer u een snoerloos ventilatorjack of een snoerloos verwarmd jack draagt.
14. Stel het ruggedragen accupack niet bloot aan vonken.
15. Wanneer u het ruggedragen accupack gebruikt zonder het te dragen, moet u het ruggedragen accupack neerleggen.
16. Haal het ruggedragen accupack niet uit elkaar, repareer het niet en breng er geen wijzigingen in aan.
17. Pas op dat het harnas of de riem niet verstrikt raken door de triller.

[ PDC01 ]

1. Gebruik niet meerdere ruggedragen accupacks door een ruggedragen accupack op een ander ruggedragen accupack aan te sluiten.
2. Installeer de adapters niet op de accupoorten van dit ruggedragen accupack.
3. Dit ruggedragen accupack is uitsluitend ontworpen voor gebruik met 18 V-accu's. Gebruik geen andere accu's dan 18 V-accu's.
4. Zorg dat er geen water in de behuizing komt.

[ PDC1200 ]

1. Wanneer u het ruggedragen accupack rechtop zet met behulp van de accuhouder, zorg er dan voor dat u het ruggedragen accupack op het vlakke oppervlak plaatst.
2. Gebruik alleen de lader die voor het ruggedragen accupack bestemd is. Gebruik geen andere laders.
3. Draag het ruggedragen accupack niet door de accuhouder of de breedte-instelriem vast te houden.
4. Zet of bevestig niets tussen de accu en de accuhouder.
5. Hang niets aan de accuhouder.

## Belangrijke veiligheidsvoorschriften voor de acculader

1. Voordat u de acculader gebruikt, dient u alle instructies en waarschuwingen op (1) de acculader, (2) de accu en (3) het ruggedragen accupack te lezen.
- ⚠ LET OP: Om het risico op letsel te verminderen, mag u alleen oplaadbare accu's van Makita opladen. Andere soorten accu's kunnen barsten, wat persoonlijk letsel en schade kan veroorzaken.**
2. Niet-oplaadbare accu's kunnen niet met deze acculader worden opgeladen.
  3. Gebruik een stroombron met het voltage dat op het typeplaatje van de lader vermeld staat.
  4. Laad de accu niet op in aanwezigheid van ontvlambare vloeistoffen of gassen.
  5. Stel de lader niet bloot aan regen of sneeuw.
  6. Draag de lader nooit aan het snoer en ruk er nooit aan om de stekker uit de aansluiting te trekken.
  7. Na het opladen of voordat u onderhoud of reiniging gaat uitvoeren, moet u de lader uit de stroombron halen. Trek aan de stekker in plaats van aan het snoer wanneer u de lader loskoppelt.
  8. Zorg ervoor dat het snoer zo ligt dat er niet op gestapt kan worden, dat er niet over gestruikeld kan worden en dat het niet op een andere manier beschadigd kan raken of onder spanning kan komen te staan.
  9. Gebruik geen oplader met een beschadigd snoer of beschadigde stekker. Als het snoer of de stekker beschadigd is, vraag dan een door Makita erkend servicecentrum om het te vervangen, om gevaar te voorkomen.
  10. Gebruik de lader niet en haal hem niet uit elkaar als hij een harde klap heeft gekregen, gevallen is of op een andere manier beschadigd is; breng hem naar een gekwalificeerde vakman. Onjuist gebruik of onjuiste montage kan leiden tot gevaar voor elektrische schokken of brand.
  11. Wanneer u de accu's oplaadt, doe dat dan in een binnenomgeving met een omgevingstemperatuur van 10 °C (50 °F) tot 40 °C (104 °F). Laad de accu niet op wanneer de kamertemperatuur ONDER 10 °C (50 °F) of BOVEN 40 °C (104 °F) is. Bij koude temperaturen is het mogelijk dat het laden niet start.
  12. Probeer niet een spanningstransformator, een motorgenerator of een gelijkstroomcontactdoos te gebruiken.
  13. De gaatjes van de lader zijn koelopeningen en mogen niet worden geblokkeerd. Onvoldoende koeling beïnvloedt de laadtijd. Een periodieke controle van de koelopeningen wordt aanbevolen.

# Belangrijke veiligheidsvoorschriften voor de accu

1. Voordat u de accu gebruikt, dient u alle instructies en waarschuwingen op (1) de acculader, (2) de accu en (3) het ruggedragen accupack te lezen.
2. Haal de accu niet uit elkaar en breng er geen wijzigingen in aan. Dat kan leiden tot brand, overmatige hitte of een explosie.
3. Als de bedrijfstijd abnormaal korter is geworden, moet u onmiddellijk stoppen met werken. Dat kan leiden tot gevaar voor oververhitting, mogelijke brandwonden en zelfs een explosie.
4. Onder extreme omstandigheden, zoals hoge temperatuur, kan de accuvloeistof lekken. Raak de gelekte vloeistof niet zomaar aan. Dat kan irritatie of brandwonden veroorzaken. In het onwaarschijnlijke geval dat er accuvloeistof in uw ogen of op uw huid komt, onmiddellijk spoelen met schoon water, zoals kraanwater, en daarna medische hulp inroepen.
5. Sluit de accu niet kort:
  - (1) Raak de polen niet aan met geleidend materiaal.
  - (2) Bewaar de accu niet in een houder met andere metalen voorwerpen, zoals spijkers, munten, enz.
  - (3) Stel de accu niet bloot aan water of regen.  
Een kortsluiting in de accu kan een grote stroomsterkte, oververhitting, mogelijke brandwonden en zelfs een panne veroorzaken.
6. Plaats de accu niet in geleidend materiaal, zoals water, en doe geen geleidend materiaal, zoals water, in de accu. Doet u dat toch, dan kan er kortsluiting ontstaan, wat kan leiden tot oververhitting, brand, een breuk of een explosie.
7. Laad, bewaar en gebruik de triller, het ruggedragen accupack en de accu niet op plaatsen waar de temperatuur 50 °C (122 °F) kan bereiken of overschrijden.
8. Verbrand de accu niet, zelfs niet als hij ernstig beschadigd is of helemaal versleten is. De accu kan ontploffen in vuur.
9. U mag de accu niet nagelen, snijden, pletten, gooien, laten vallen of tegen een hard voorwerp aan slaan. Dergelijk gedrag kan leiden tot brand, overmatige hitte of een explosie.
10. Gebruik geen accu die gevallen of op een of andere manier beschadigd is.
11. De aanwezige lithium-ionaccu's zijn onderworpen aan de wetgeving inzake gevaarlijke goederen. Voor commerciële transporten, bv. door externe expediteurs, moeten speciale voorschriften voor verpakking en labeling in acht worden genomen. Voor de voorbereiding van het te verzenden item moet een deskundige voor gevaarlijke stoffen geraadpleegd worden. Houd ook rekening met eventuele meer gedetailleerde nationale voorschriften. Plak open contacten af of dek ze af, en pak de accu zo in dat hij niet kan verschuiven in de verpakking.
12. Als u de accu wegdoet, haal hem dan uit het ruggedragen accupack en doe hem op een veilige plaats weg. Volg de plaatselijke voorschriften met betrekking tot het verwijderen van de accu.
13. Gebruik de accu alleen met de door Makita gespecificeerde producten. Het installeren van de accu op niet-conforme producten kan leiden tot brand, overmatige hitte, een explosie of lekkage van elektrolyt.
14. Als de triller lange tijd niet gebruikt wordt, moet de accu uit het ruggedragen accupack worden verwijderd.
15. Houd de accu uit de buurt van kinderen.
16. Tijdens en na het gebruik kan de accu warmte opnemen, die brandwonden of verbranding bij lage temperatuur kan veroorzaken. Wees voorzichtig bij het hanteren van hete accu's.
17. Raak de pool van de accu niet onmiddellijk na gebruik aan, want die kan heet genoeg worden om brandwonden te veroorzaken.
18. Zorg dat er geen spanen, stof of aarde in de polen, gaten en groeven van de accu komen. Dit kan leiden tot slechte prestaties of defecten aan de triller of de accu.
19. Raak de polen van de opladende accu niet aan met metaal of andere voorwerpen.
20. Gebruik de accu niet in de buurt van hoogspanningsleidingen. Dit kan leiden tot een defect of uitvallen van de triller of de accu.
21. Wanneer de temperatuur van de accu hoog is (40 °C (104 °F) of hoger), zoals na werken onder de blakende zon, kan het laden tijdelijk onmogelijk worden. Dit is echter te wijten aan de beveiligingsfunctie van de accu en wijst niet op een defect. Laat de accu een tijdje afkoelen voordat u hem weer oplaadt.

## BEWAAR DEZE INSTRUCTIES.

### **LET OP: Gebruik alleen originele Makita-accu's.**

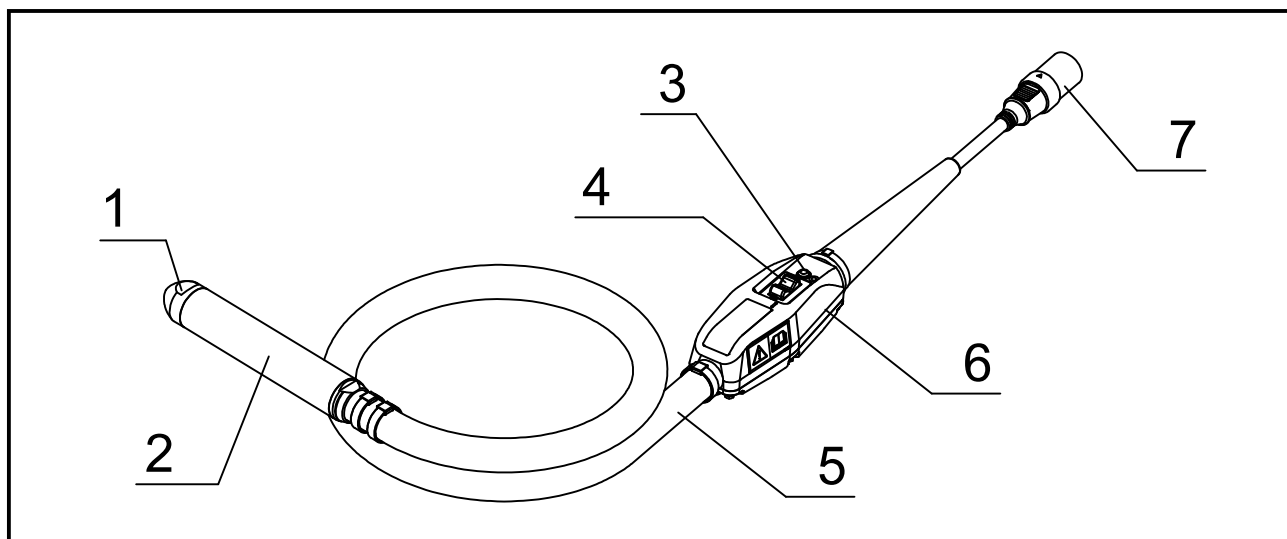
Gebruik van niet-originele Makita-accu's of accu's die gewijzigd zijn, kan ertoe leiden dat de accu barst, wat brand, persoonlijk letsel en schade kan veroorzaken. Daardoor vervalt ook de garantie voor de Makita-producten.

### **Tips voor een maximale levensduur van de accu**

1. Laad de accu op voordat hij helemaal leeg is. Stop altijd met het gebruik van het gereedschap en laad de accu op als u merkt dat het gereedschap minder vermogen heeft.
2. Laad nooit een volledig opgeladen accu op. Overladen verkort de levensduur van de accu.
3. Laad de accu op bij kamertemperatuur van 10 °C - 40 °C (50 °F - 104 °F). Laat een hete accu afkoelen voordat u hem oplaadt.
4. Als u de accu niet gebruikt, verwijder hem dan uit het ruggedragen accupack of de lader.
5. Laad de accu op als u hem lange tijd niet gebruikt (meer dan zes maanden).

# NAMEN VAN DE ONDERDELEN VAN DE TRILLER

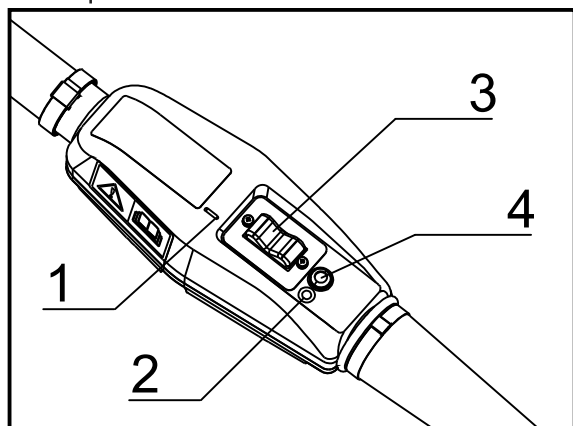
**⚠ LET OP:** Dit product is een speciaal toestel voor het Makita ruggedragen accupack “PDC01” en “PDC1200”. Gebruik geen andere toestellen die op accu’s werken. Doet u dat toch, dan kan dat leiden tot elektrische schokken, oververhitting, een breuk of brand.



1	Trillerkap	5	Slang
2	Kop	6	Behuizing van de omvormer
3	Ledlampje	7	Connector (stekker)
4	Schakelaar	-	-

## BEDIENING

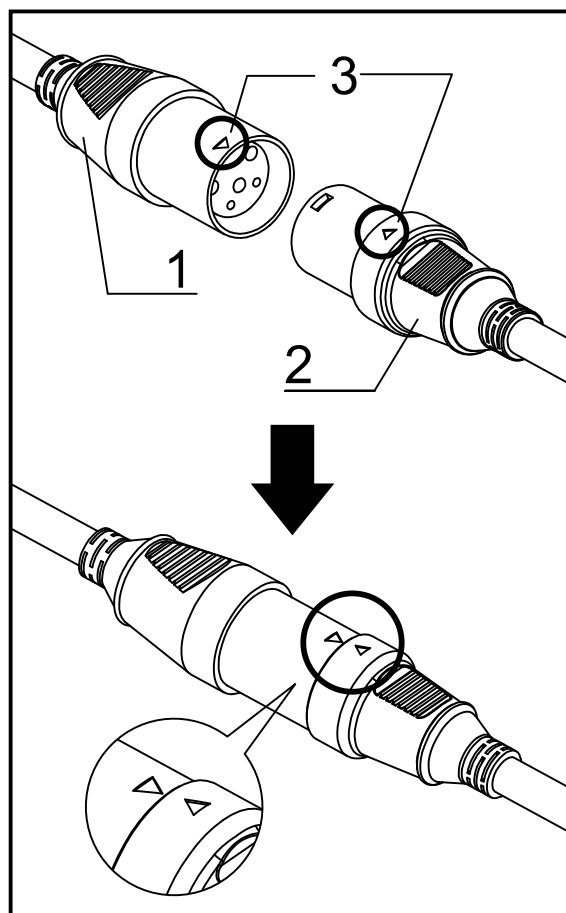
- Zorg ervoor dat de bedieningsschakelaar van de triller op OFF staat.



- ▶ 1. “I”-markering 2. “O”-markering  
3. Bedieningsschakelaar 4. Ledlampje

**OPMERKING:** De markering “O” betekent OFF; de markering “I” betekent ON.

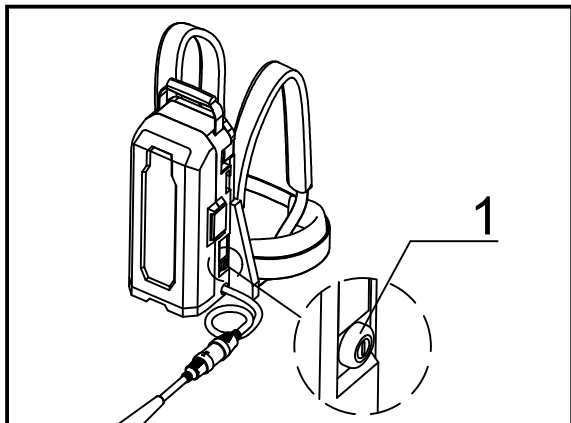
- Breng de pijlmarkering op de stekker van de triller in lijn met de aansluiting van het ruggedragen accupack en steek hem er helemaal in.



- ▶ 1. Aansluiting 2. Stekker 3. Pijlmarkering

3. Druk op de aan-uitknop van het ruggedragen accupack om deze op ON te zetten. Het lampje van de hoofdvoeding brandt groen. Het ledlampje op de triller licht ook groen op.

**OPMERKING:** Als het ledlampje rood knippert, is de functie voor het voorkomen van een foutieve start geactiveerd. Door de bedieningsschakelaar op OFF te zetten, wordt de functie voor het voorkomen van een foutieve start geannuleerd en gaat het ledlampje van de triller groen branden.



► 1. Hoofd-aan-uitknop

4. Houd de slang van de triller zo vast dat de kop in de lucht hangt.
5. Als u klaar bent, zet u de bedieningsschakelaar op ON om de triller te starten.

**OPMERKING:** Houd de slang van de triller vast op het punt waar de trilling naar de hand zwak is.

6. Steek de triller loodrecht in het beton met een steek van het effectieve verdichtingsbereik.

**OPMERKING:** Het effectieve verdichtingsgebied van de triller is een gebied met een diameter van ongeveer 10 maal de diameter van het trillende deel.

7. De richtlijn voor het veranderen van de stand van de triller is wanneer het beton ophoudt te zakken en de mortel gelijkmatig op het oppervlak drijft en glanzend wordt.

**OPMERKING:** Als u de triller gedurende lange tijd op één punt plaatst, kan het aggregaat loskomen.

**OPMERKING:** Als er tijdens het plaatsen van beton segregatie optreedt, vult u het grove toeslagmateriaal gelijkmatig op en plaatst u het beton opnieuw.

**OPMERKING:** Het is aan te bevelen de bedieningsschakelaar op OFF te zetten terwijl de triller niet in het beton is gestoken. Dit helpt om de gebruikstijd/productlevensduur van de triller te verlengen.

8. Wanneer u de triller omhoog trekt, trek hem dan langzaam omhoog, zodat er geen gaten achterblijven.
9. Nadat het gieten voltooid is, zet u de bedieningsschakelaar van de triller op OFF om de triller te stoppen.
10. Houd de aan-uitknop op het ruggedragen accupack ingedrukt om de stroomtoevoer te stoppen. Het voedingslampje gaat uit.
11. Verwijder de connector die het ruggedragen accupack en de triller verbindt.

**OPMERKING:** Wanneer u de connector verwijdert, moet u de aansluiting en de stekker vasthouden en niet aan het netsnoer zelf trekken.

## HOE DE ACCU OPLADEN

**⚠ LET OP:** Lees voordat u de accu oplaadt, eerst de gebruiksaanwijzing van het ruggedragen accupack en de acculader.

- Raadpleeg voor het opladen de gebruiksaanwijzing van het ruggedragen accupack of de acculader.

## REINIGEN NA GEBRUIK

- Na gebruik moet de triller goed gereinigd worden en moeten de slangen en kabels netjes worden ingepakt.

1. Verwijder beton van de kop, de slang, de behuizing van de omvormer en de kabels voordat het hard wordt.
2. Was de behuizing van de omvormer niet met water. Veeg eventueel vastzittend vuil weg met een vochtige doek. Veeg na met een droge doek om eventueel achtergebleven vocht te verwijderen.
3. Als er vuil of roest op de polen van de stekker of de aansluiting zit, maak ze dan schoon. Een slecht contact van de pool kan storingen veroorzaken.
4. Wanneer u het ruggedragen accupack vervoert, verwijdert u de aansluiting van het ruggedragen accupack en de stekker van de triller voordat u het verplaatst.

5. Als u het toestel draagt, houdt u de triller en het handvat van het ruggedragen accupack vast. Niet optillen of trekken aan de triller of het ruggedragen accupack.  
Als u dat doet, kan de triller verslijten of het netsnoer breken.
6. Wanneer u het ruggedragen accupack vervoert, zorg er dan voor dat u het ruggedragen accupack uitzet voordat u het verplaatst. Houd de aan-uitknop ingedrukt om de stroom uit te schakelen.

## INSPECTIE

- Alvorens de triller naar de werkplek te dragen en ook na gebruik, moet u het volgende controleren.
- Zo kunt u problemen tijdens het gebruik grotendeels voorkomen.

1. Is er sprake van slijtage, scheuren of losse onderdelen aan de triller?
2. Is er sprake van slijtage, beschadiging of krassen op de slang?
3. Is er sprake van slijtage of scheurtjes in de kabelmantel?
4. Is er vervorming van de behuizing van de omvormer, zijn er losse schroeven of is er schade aan een onderdeel van de omvormer, zoals de afdekking van de bedieningsschakelaar of het ledlampje?
5. Zit er vuil of roest op de polen van de stekker of de aansluiting?
6. Is de waarde van de isolatieweerstand juist? (DC 500 V, 10 MΩ of meer)
  - (1) Gebruik een 500 V isolatieweerstandtester als meetinstrument.
  - (2) Meet tussen de polen van de stekker en de behuizing van de omvormer.

**OPMERKING:** Meet niet tussen de drie connectoren. Dat kan de printplaat van de omvormer beschadigen.

7. Zijn er barsten, deuken of andere beschadigingen aan het ruggedragen accupack?
8. Is de accu volledig opgeladen?
9. Kan de triller gestart worden terwijl hij in de lucht gehouden wordt, door hem op het ruggedragen accupack aan te sluiten?  
Brandt het ledlampje op de behuizing van de omvormer daarbij groen?
10. Komt er een abnormaal geluid uit de triller? Klinkt de werking van de triller normaal tijdens de werking? (Het is normaal als er regelmatig en continu geluid is.)

## VERVANGINGSPERIODE VOOR VERBRUIKSARTIKELEN

- Verbruiksartikelen moeten regelmatig worden vervangen volgens de onderstaande tabel.

Verbruiksartikelen	Vervangingsperiode (visuele en auditieve controle)	Vervangingsfrequentie (in uren)
Kop	Bepaald door slijtagestatus (visueel)	300-500
Trillerkap		
Lager	Bepaald door het geluid tijdens de werking (auditief)	400-500
Slang	Bepaald door slijtage of krassen (visueel)	Bij het vaststellen

- De bovenstaande vervangingstijd van verbruiksartikelen is een ruwe richtlijn. Omdat het van het gebruik afhangt, raden wij aan de verbruiksartikelen eerder te vervangen dan hierboven aangegeven.

# LEDLAMPJE

- U kunt de uitgangstatus van de omvormer controleren door het branden of knipperen van het ledlampje.
- Als het lampje knippert, wordt de beveiligingsfunctie geactiveerd en wordt de stroomtoevoer gestopt. Zorg ervoor dat u de bediening stopt en de oorzaak van de abnormaliteit verwijdert voordat u de bediening opnieuw start.

Status ledlampje	Uitgangstatus van de omvormer
1. Continu groen lampje	Normale toestand. De triller kan worden gebruikt.
2. Knipperend groen lampje	De triller is overbelast. De triller kan worden gebruikt, maar de trillingsfrequentie is verlaagd om uitval door overbelasting te voorkomen. De triller keert terug naar zijn normale toestand wanneer de overbelastingstoestand is opgelost.
3. Knipperend rood lampje	In deze toestand is de functie voor het voorkomen van een foutieve start geactiveerd. Deze functie voorkomt dat de triller onverwacht opstart als de stroom wordt ingeschakeld terwijl de bedieningsschakelaar van de triller in de stand ON staat. Door de bedieningsschakelaar op OFF te zetten wordt de triller weer in zijn normale toestand teruggebracht.
4. Continu rood lampje	<p>Wanneer een abnormaliteit wordt ontdekt, wordt de uitvoer van de omvormer gestopt. Wanneer het rode lampje gaat branden, moet u het volgende controleren.</p> <ul style="list-style-type: none"> <li>• Controleer de resterende capaciteit van de accu.</li> <li>• Is er sprake van een beperking of overmatige belasting door betonijzer, enz.?</li> </ul> <p>Als er geen probleem gevonden wordt, zet u de schakelaar op OFF om terug te keren naar de normale toestand (continu groen lampje).</p> <p>Als het rode lampje herhaaldelijk gaat branden, is er waarschijnlijk een storing opgetreden. Inspectie en reparatie zijn vereist.</p>
5. Geen lampjes aan	Omdat er een probleem is met de stroomtoevoer, is de triller gestopt. De accu kan leeg zijn, de accu kan verkeerd geplaatst zijn of de accu kan defect zijn. Controleer de stroomtoevoer.

# PROBLEMEN OPLOSSEN

- Als tijdens het gebruik van het product een van de volgende toestanden wordt waargenomen, stop dan met het gebruik van het product en controleer de oorzaak en de mogelijke oplossingen.
- Neem voor inspectie en reparatie contact op met uw plaatselijke erkende Makita-servicecentrum.

Gebruik	Symptoom 1	Symptoom 2	Oorzaak	Oplossing
Triller werkt	Ongewoon geluid van het trillende deel van de triller (metaalachtig geluid, enz.)		Lagerafwijking (Ruw, versleten)	Vervang de lagers.
	Lage trilling	Het ledlampje op de behuizing van de omvormer <b>knippert groen.</b>	Lagerafwijking (Ruw, versleten)	Vervang de lagers.
			Een overbelastings-toestand die het vermogen van de triller overschrijdt.	Verminder de belasting door de kop uit het beton te trekken.
	Stopt tijdens gebruik	Het ledlampje op de behuizing van de omvormer <b>brandt continu rood.</b>	De triller is aanzienlijk overbelast boven zijn capaciteit. De accu is bijna leeg en de capaciteit van de triller is verminderd.	Verminder de belasting door de kop uit het beton te trekken. Schakel de triller daarna weer in.  Als het rode lampje herhaaldelijk gaat branden, moet u de accu controleren. Als de accu opgeladen is, moet hij nagekeken en gerepareerd worden.
Triller start niet	Het ledlampje op de behuizing van de omvormer brandt niet.	Het voedingslampje van het ruggedragen accupack licht niet op.	Het ruggedragen accupack is niet ingeschakeld.	Zet het ruggedragen accupack aan.
			De accu is niet geplaatst. Of de resterende accucapaciteit is niet voldoende.	Plaats de accu. Of laad de accu's op of vervang de accu's door opgeladen exemplaren.
			Het ruggedragen accupack werkt niet goed.	Inspectie en reparatie zijn vereist.
		Het voedingslampje op het ruggedragen accupack <b>knippert afwisselend groen en rood.</b>	Het ruggedragen accupack heeft een abnormaliteit gedetecteerd.	Zet het ruggedragen accupack uit en weer aan.
			Het ruggedragen accupack werkt niet goed.	Inspectie en reparatie zijn vereist.
		Het voedingslampje op het ruggedragen accupack <b>brandt continu groen.</b>	De stekker van de triller is niet goed aangesloten op de aansluiting van het ruggedragen accupack. Of de kabel is losgekoppeld.	Zorg ervoor dat de stekker stevig in de aansluiting zit. In geval van een losgekoppelde kabel zijn inspectie en reparatie vereist.
			De printplaat van de omvormer op de triller is defect.	Inspectie en reparatie zijn vereist.

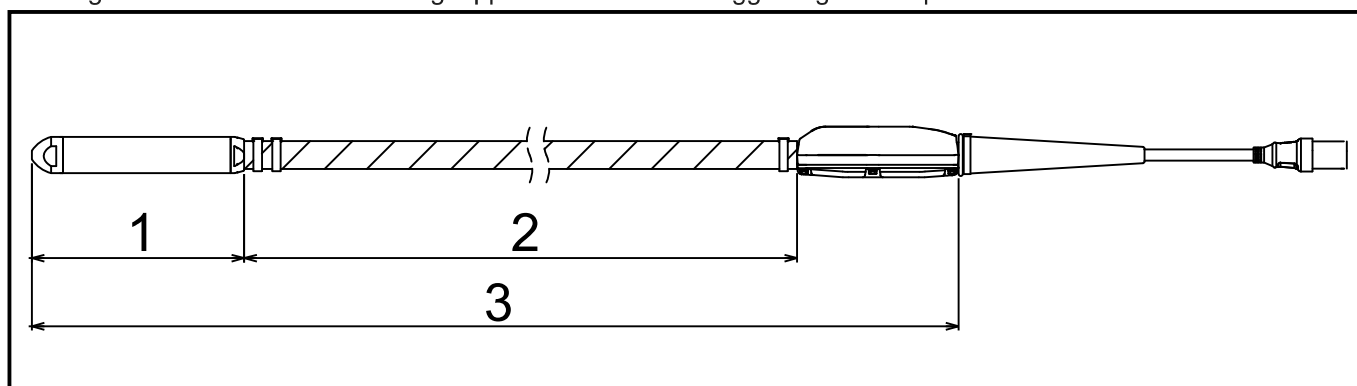
Gebruik	Symptoom 1	Symptoom 2	Oorzaak	Oplossing
Triller start niet	Het ledlampje op de behuizing van de omvormer brandt niet.	Het voedingslampje op het ruggedragen accupack <b><u>knippert groen.</u></b>	De accu is bijna leeg. Of de accu is niet juist geplaatst.	Controleer het accuniveau. Als het accuniveau voldoende is, controleer dan hoe de accu geplaatst is.
			Ruggedragen accupack of netsnoer is heet.	Koel het ruggedragen accupack.
			De stekker van de triller is niet goed aangesloten op de aansluiting van het ruggedragen accupack. Of de kabel is losgekoppeld.	Zorg ervoor dat de stekker stevig in de aansluiting zit. In geval van een losgekoppelde kabel zijn inspectie en reparatie vereist.
	Het ledlampje op de behuizing van de omvormer <b><u>brandt continu rood.</u></b>		De triller is gestopt omdat er een storing is gedetecteerd.	Zet het ruggedragen accupack weer aan. Als het ledlampje herhaaldelijk rood oplicht, zijn inspectie en reparatie nodig.
	Het ledlampje op de behuizing van de omvormer <b><u>knippert rood.</u></b>		De functie voor het voorkomen van een foutieve start van de triller is geactiveerd.	Zet de bedieningsschakelaar van de triller eenmaal op OFF en zet hem dan weer op ON.



## SPECIFICATIES

Model	VR001C	VR002C	VR003C	VR004C
Vermogen	250 W		400 W	
Spanning	36 V			
Stroom	8,7 A		14,0 A	
Frequentie	200 Hz			
Totale lengte	1.945 mm (76-9/16")	3.445 mm (135-5/8")	1.977 mm (77-27/32")	3.477 mm (136-7/8")
Kop Diameter x lengte	43 x 255 mm (1-11/16" x 10-1/32")		52 x 287 mm (2-1/16" x 11-5/16")	
Externe slang Diameter x lengte	33 x 1.500 mm (1-5/16" x 59-1/16")	33 x 3.000 mm (1-5/16" x 118-1/8")	33 x 1.500 mm (1-5/16" x 59-1/16")	33 x 3.000 mm (1-5/16" x 118-1/8")
Gewicht	4,8 kg (10,6 lbs)	5,9 kg (13,0 lbs)	5,6 kg (12,4 lbs)	6,7 kg (14,8 lbs)

\* Het gewicht omvat niet de voedingsapparatuur zoals het ruggedragen accupack en accu's.



► 1. Lengte kop 2. Lengte externe slang 3. Totale lengte

## BEDRIJFSTIJD

Model	Bij gebruik van PDC01 (min.)	Bij gebruik van PDC1200 (min.)
VR001C / VR002C	ca. 100	ca. 300
VR003C / VR004C	ca. 60	ca. 200

\* De bedrijfstijd bij gebruik van de PDC01 is gebaseerd op vier BL 1860B-accu's die in het ruggedragen accupack geplaatst zijn.

\* De bedrijfstijd is een referentiewaarde die aangeeft wanneer elke triller continu in werking is. Dit hangt af van de laadtoestand en de gebruiksomgeving van de accu.

## TOTALE TRILLINGSWAARDE

Model	Totale trillingswaarde (m/s <sup>2</sup> )
VR001C / VR002C	Minder dan 2,5
VR003C / VR004C	2,5

\* De totale trillingswaarde is een waarde die het meetinstrument gebruikt die gebaseerd is op ISO 5349-1 en die gemeten is volgens de methode die ISO 5349-2 voorschrijft.

## USO PREVISTO

La herramienta está concebida para eliminar burbujas del concreto durante la operación de moldeo del hormigón.

## RUIDO

El nivel de ruido de ponderación A típico determinado de acuerdo con EN60745:

**Modelo: VR001C, VR002C**

Nivel de potencia acústica ( $L_{WA}$ ): 98,4 dB (A)

Nivel de presión acústica ( $L_{pA}$ ): 87,4 dB (A)

Incertidumbre (K): 3 dB (A)

**Modelo: VR003C, VR004C**

Nivel de potencia acústica ( $L_{WA}$ ): 97,6 dB (A)

Nivel de presión acústica ( $L_{pA}$ ): 86,6 dB (A)

Incertidumbre (K): 3 dB (A)

**NOTA:** El (los) valor(es) de emisión de ruido declarado(s) ha(n) sido medido(s) conforme al método de prueba estándar empleado en la industria y puede(n) utilizarse para efectuar comparaciones entre herramientas.

**NOTA:** El (los) valor(es) de emisión de ruido declarado(s) puede(n) utilizarse asimismo para llevar a cabo una evaluación preliminar de la exposición.

**⚠ADVERTENCIA:** Lleve siempre protecciones auditivas.

**⚠ADVERTENCIA:** Las emisiones de ruido durante la utilización real de la herramienta eléctrica por parte del usuario podrían diferir del (de los) valor(es) declarado(s) en función de las distintas maneras en que se utilice la herramienta, especialmente del tipo de pieza de trabajo procesada.

**⚠ADVERTENCIA:** Asegúrese de identificar las medidas de seguridad para proteger al usuario basándose en una estimación de exposición en condiciones reales de uso (tomando en consideración todas las acciones durante el uso de la herramienta, tales como los intervalos de tiempo cuando la herramienta está apagada o parada y cuando está funcionando en vacío, así como el tiempo que está accionada).

## VIBRACIÓN

El valor total de vibraciones (suma vectorial triaxial) determinado de acuerdo con EN60745:

**Modelo: VR001C, VR002C**

Modo de funcionamiento: funcionamiento sin carga

Emisión de vibraciones (ah): 1,9 m/s<sup>2</sup> (Manguera)

Emisión de vibraciones (ah): 0,7 m/s<sup>2</sup> (Carcasa del inversor)

Incertidumbre (K): 1,5 m/s<sup>2</sup>

**Modelo: VR003C, VR004C**

Modo de funcionamiento: funcionamiento sin carga

Emisión de vibraciones (ah): 3,1 m/s<sup>2</sup> (Manguera)

Emisión de vibraciones (ah): 1,7 m/s<sup>2</sup> (Carcasa del inversor)

Incertidumbre (K): 1,5 m/s<sup>2</sup>

**NOTA:** El valor de emisión de vibraciones declarado ha sido medido conforme al método de prueba estándar empleado en la industria y puede utilizarse para efectuar comparaciones entre herramientas.

**NOTA:** El valor de emisión de vibraciones declarado puede utilizarse asimismo para llevar a cabo una evaluación preliminar de exposición.

**⚠ADVERTENCIA:** Las emisiones de vibraciones durante la utilización real de la herramienta eléctrica por parte del usuario podrían diferir del valor de emisiones declarado en función de las distintas maneras en que se utilice la herramienta, especialmente del tipo de pieza de trabajo procesada.

**⚠ADVERTENCIA:** Asegúrese de identificar las medidas de seguridad para proteger al usuario basándose en una estimación de exposición en condiciones reales de uso (tomando en consideración todas las acciones durante el uso de la herramienta, tales como los intervalos de tiempo cuando la herramienta está apagada o parada y cuando está funcionando en vacío, así como el tiempo que está accionada).

# Declaración CE de conformidad

## Para países europeos únicamente

La declaración de conformidad CE se incluye como Anexo A al presente manual de instrucciones.

## ADVERTENCIAS DE SEGURIDAD GENERALES SOBRE LAS HERRAMIENTAS ELÉCTRICAS

**⚠ ADVERTENCIA:** Lea todas las instrucciones y advertencias de seguridad. El incumplimiento de las advertencias e instrucciones podría tener como resultado descargas eléctricas, incendio y/o lesiones personales graves.

### Guarde todas las advertencias e instrucciones para referencia en el futuro.

El término “herramienta eléctrica” que aparece en las advertencias se refiere tanto a herramientas eléctricas alimentadas mediante corriente de red (con cable) como por batería (inalámbricas).

### Seguridad del área de trabajo

1. Mantenga el área de trabajo limpia y bien iluminada. Los lugares desordenados o poco iluminados favorecen los accidentes.
2. No use herramientas eléctricas en entornos explosivos, por ejemplo en presencia de líquidos, gases o polvos inflamables. Las herramientas eléctricas generan chispas que podrían causar la ignición de los vapores y partículas de polvo inflamables.
3. Mantenga a los niños y a los transeúntes alejados cuando esté utilizando una herramienta eléctrica. Las distracciones podrían hacerle perder el control de la herramienta.

### Seguridad eléctrica

4. El tipo de enchufe de las herramientas eléctricas deberá coincidir con el de la toma de corriente. No modifique en modo alguno el enchufe. No utilice nunca enchufes adaptadores con herramientas eléctricas con conexión a tierra (masa). Los enchufes sin modificar y que coincidan perfectamente con sus correspondientes tomas de corriente reducirán los riesgos de descargas eléctricas.
5. Evite el contacto corporal con superficies conductoras o con conexión a tierra, tales como tuberías, radiadores, fogones eléctricos o frigoríficos. Existe un mayor riesgo de sufrir una descarga eléctrica si su cuerpo hace de conductor a tierra.
6. No exponga las herramientas eléctricas a la acción de la lluvia ni a entornos húmedos. El riesgo de electrocución aumentará al penetrar agua en una herramienta eléctrica.

7. No maltrate el cable de alimentación. No utilice nunca el cable para transportar, arrastrar o desenchufar la herramienta eléctrica. Mantenga el cable apartado de fuentes de calor, aceites, aristas vivas o piezas móviles. Los cables dañados o enredados aumentarán el riesgo de electrocución.
8. Cuando utilice una herramienta eléctrica al aire libre, utilice un alargador de corriente adecuado para uso en exteriores. La utilización de un cable apropiado para uso en exteriores reducirá el riesgo de electrocución.
9. De no poderse evitar la utilización de una herramienta eléctrica en un entorno húmedo, asegúrese de que esté conectada a una instalación eléctrica equipada con un interruptor de circuito de fallo en la conexión a tierra (GFCI, disyuntor). La utilización de un GFCI diferencial reducirá el riesgo de descarga eléctrica.

### Seguridad personal

10. Manténgase alerta, preste atención a lo que está haciendo y use el sentido común cuando esté utilizando una herramienta eléctrica. No utilice herramientas eléctricas cuando esté cansado o si se encontrara bajo los efectos de drogas, alcohol o fármacos. Cualquier momento de descuido durante el uso de las herramientas eléctricas podría dar lugar a lesiones personales graves.
11. Utilice un equipo de protección personal. Utilice siempre protección ocular. La utilización correcta de equipos de protección que incluyan, por ejemplo, una máscara antipolvo, calzado de seguridad antideslizante, casco o protección auditiva, en las circunstancias que así lo requieran, reducirá el riesgo de lesiones personales.
12. Procure evitar la activación fortuita de la herramienta. Asegúrese de que el interruptor de alimentación se encuentre en la posición de apagado antes de conectar la herramienta al suministro eléctrico y/o a la batería, así como al levantar o transportar la herramienta. El transporte de herramientas eléctricas con el dedo en el gatillo o con el interruptor en la posición de encendido puede producir accidentes.
13. Retire cualquier llave de ajuste antes de poner en marcha la herramienta. Una llave inglesa o una llave de ajuste enganchada a una pieza móvil de la herramienta podría tener como resultado lesiones personales.

14. No intente estirarse cuando realice algún trabajo. Mantenga una posición firme y equilibrada en todo momento. De esta manera, tendrá un mejor control de la herramienta eléctrica en situaciones inesperadas.
15. Utilice ropa adecuada. No lleve puesta ropa holgada o joyas. Mantenga el cabello, la ropa y los guantes apartados de las piezas móviles. La ropa holgada, las joyas o el pelo largo podrían quedar atrapados en las piezas móviles.
16. De suministrarse dispositivos de conexión a extractores de polvo y de recolección de residuos, asegúrese de conectarlos y utilizarlos adecuadamente. La utilización de dispositivos colectores de polvo podrá reducir notablemente los peligros ocasionados por el polvo.

### **Utilización y cuidado de las herramientas eléctricas**

17. No fuerce las herramientas eléctricas. Utilice la herramienta eléctrica apropiada para el trabajo que vaya a realizar. La herramienta correcta desempeñará mejor el trabajo para el que ha sido diseñada y lo hará de forma más segura.
18. No utilice ninguna herramienta eléctrica cuyo interruptor de encendido/apagado no funcione como es debido. Cualquier herramienta que no se pueda controlar con el interruptor será peligrosa y deberá repararse.
19. Desconecte el enchufe de la toma de corriente y/o la batería de la herramienta eléctrica antes de realizar ajustes, cambiar los accesorios o guardar la herramienta. Estas medidas preventivas de seguridad reducirán el riesgo de que la herramienta eléctrica pueda activarse de manera accidental.
20. Guarde las herramientas eléctricas que no utilice en un lugar fuera del alcance de los niños y no permita que sean utilizadas por personas que no estén familiarizadas con las herramientas o con estas instrucciones. Las herramientas eléctricas son extremadamente peligrosas en manos de personas que no cuenten con la debida formación.
21. Mantenga las herramientas eléctricas en buen estado. Compruebe que no haya piezas móviles desalineadas o trabadas, piezas rotas o cualquier otra condición que pudiera afectar al funcionamiento de la herramienta. En caso de daños, asegúrese de llevar a reparar la herramienta eléctrica antes de utilizarla. Muchos de los accidentes son causados por herramientas eléctricas mal cuidadas.
22. Mantenga las herramientas de corte limpias y afiladas. Las herramientas de corte bien cuidadas y afiladas son menos propensas a trabarse y más fáciles de controlar.
23. Utilice la herramienta eléctrica, así como sus accesorios, brocas, puntas de destornillador, etc., en conformidad con lo indicado en estas instrucciones y teniendo siempre en cuenta las condiciones de trabajo, así como la tarea a efectuar. La utilización de herramientas eléctricas para fines distintos a aquellos para los que han sido diseñadas podría suponer un peligro.

### **Utilización y cuidado de las herramientas alimentadas por batería**

24. Recargue únicamente con el cargador especificado por el fabricante. Un cargador que sea adecuado para un tipo de batería podría crear un riesgo de incendio si se utiliza con otra batería.
25. Utilice las herramientas eléctricas únicamente con las baterías indicadas específicamente. El uso de otras baterías podría crear un riesgo de lesiones e incendio.
26. Cuando la batería no se encuentre en uso, manténgala alejada de otros objetos metálicos, como pueden ser clips para papel, monedas, llaves, clavos, tornillos y otros objetos metálicos pequeños que pudieran crear una conexión entre los terminales. El cortocircuitado de los terminales de la batería podría causar quemaduras o un incendio.
27. En condiciones de uso inadecuadas, podría salir líquido de la batería. Evite el contacto con el mismo. Si se produjera un contacto accidental, lave con agua. Si el líquido entrara en contacto con los ojos, busque además ayuda médica. El líquido de la batería puede causar irritación o quemaduras.


### **Reparaciones**

28. Asegúrese de que las reparaciones que deban efectuarse en su herramienta las lleve a cabo personal técnico cualificado utilizando únicamente piezas de recambio idénticas a las originales. Solamente de este modo, podrá garantizarse la seguridad de uso de las herramientas eléctricas.
29. Siga las instrucciones para la lubricación y el cambio de los accesorios.
30. Mantenga las empuñaduras secas, limpias y libres de aceites y grasas.

# PRECAUCIONES DE SEGURIDAD SOBRE EL PRODUCTO

1. Este producto es un vibrador para compactar concreto (hormigón). No utilice el vibrador para ningún otro fin.
2. Asegúrese de leer y comprender este manual de instrucciones antes de utilizar el producto para poderlo usar de un modo seguro y eficaz. El uso inadecuado de la máquina podría tener como resultado lesiones personales o fallos de la máquina. Guarde este manual para referencia en el futuro.
3. Este producto deberá utilizarse conectándolo a la unidad de alimentación portátil Makita "PDC01" o "PDC1200". Lea asimismo los manuales de instrucciones de la unidad de alimentación portátil y del cargador de baterías.
4. No utilice nunca este producto conectado a ningún otro dispositivo de alimentación. Esto podría tener como resultado daños a la placa de circuitos o el recalentamiento del motor. Los daños o el recalentamiento del motor podrían destruir el aislamiento y causar descargas eléctricas.
5. No utilice ninguna otra batería que no sea la batería especial especificada por Makita para la unidad de alimentación portátil. Tampoco use baterías que hayan sido modificadas (incluyendo baterías que se hayan desmontado y en las que se hayan sustituido las celdas u otras piezas internas).
6. No cargue la batería con un cargador distinto del cargador incluido.
7. El término "cartucho de batería" que aparece en este manual se denominará en adelante "batería".
8. Manipule y mantenga el producto apropiadamente para garantizar un funcionamiento seguro.
9. Si prestara este producto a otra persona, asegúrese de suministrarle los manuales y explicarle perfectamente el uso apropiado y seguro del producto.
10. Las especificaciones del presente documento están sujetas a cambios sin previo aviso debido a modificaciones.
11. Este producto es conforme con las siguientes normas sobre compatibilidad electromagnética (EMC): EN61000-6-2 / EN61000-6-4.  
Este producto no es conforme con las siguientes normas sobre compatibilidad electromagnética (EMC): EN61000-6-3 / EN55014-1.
12. Cuando use este producto cerca de otros dispositivos electrónicos, este podría causar radiointerferencias. En dicho caso, los usuarios de este producto deberán adoptar las medidas apropiadas.

## Advertencias de seguridad sobre el vibrador para concreto

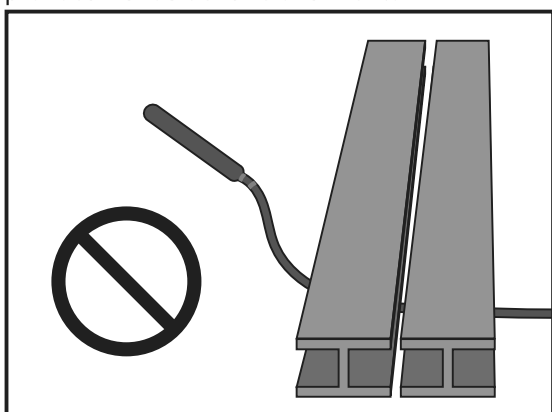
1. Utilice un casco de seguridad, guantes antivibraciones, botas de seguridad, protección auditiva, protección para la cara (gafas de seguridad y máscara) y un arnés de seguridad antes de usar el vibrador.  

2. Cuando trabaje, emplee manga larga y pantalones largos y procure que la exposición de la piel sea la mínima posible para evitar daños dérmicos causados por la adherencia a la piel de las proyecciones de hormigón.
3. Cuando utilice el vibrador cerca de los pies o en lugares que no sean muy profundos, el hormigón podría salpicar. Emplee protección para la cara (gafas de seguridad y máscara) para protegerse los ojos y la boca. Utilice protección auditiva cuando trabaje en lugares ruidosos.
4. Asegúrese de colocar una plancha para pisar cuando trabaje en áreas con mala cimentación como, por ejemplo, sobre una varilla.
5. Este producto tiene una manguera larga, por lo que existe el riesgo de lesiones por tropiezo o traspies si la manguera quedara atrapada en la varilla durante el trabajo o el movimiento, o que el movimiento se vea limitado por colocar algo sobre la manguera. Asimismo, si se dejara el producto en una zona por la que pasa gente cuando se suspenda el trabajo, este podría atrapar los pies y causar la caída o lesiones de alguna persona. Tenga cuidado al utilizar mangueras y cables.
6. El uso del vibrador durante un tiempo prolongado o en una postura no natural puede causar tensiones corporales. Asegúrese de realizar descansos adecuados para evitar la fatiga o las lesiones. Asimismo, si sintiera dolor o adormecimiento de las manos, los brazos, los hombros o la espalda durante la utilización del producto, deje de usarlo inmediatamente y solicite un tratamiento adecuado.
7. La empresa que ponga a disposición este vibrador para concreto deberá gestionar las horas de trabajo y hacer todos los esfuerzos posibles para evitar el deterioro de la salud de los trabajadores como consecuencia de la vibración.

Consulte el apartado “VALOR TOTAL DE VIBRACIÓN” para obtener una información detallada sobre la potencia de vibración del vibrador. Respete la normativa legal aplicable y las directrices del país en el que se utilice el vibrador.

8. Cuando interrumpa temporalmente el trabajo, almacene el producto en un lugar seguro. Si lo colocara en un pasillo, podría atraparle los pies y provocar su caída o lesiones personales. Si se produjera una anomalía o un fallo de funcionamiento, apague inmediatamente cualquier alimentación eléctrica, interrumpa el uso y desconecte la unidad de alimentación portátil. Para la inspección y la reparación, póngase en contacto con su Centro de servicio autorizado local de Makita.
9. La unidad del cabezal de este producto se enfría mediante inserción en hormigón premezclado. Así pues, no lo utilice fuera del hormigón premezclado (por ej., en el aire). Existe la posibilidad de que el motor pueda quemarse.

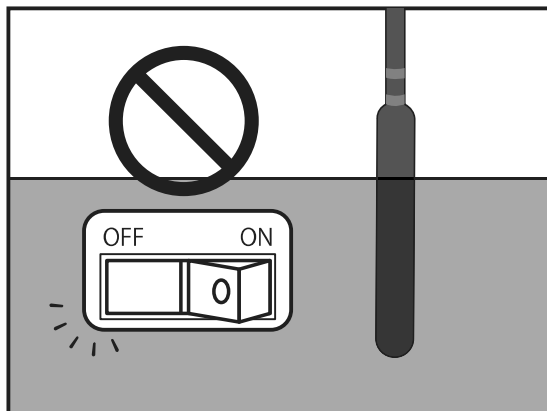


10. No haga funcionar la unidad del cabezal en el aire. Cuando se utilice en el aire, el vibrador alcanzará 100 °C (212 °F) o más al cabo de unos minutos, y podría causar quemaduras al tocarlo.
11. La unidad del cabezal se pone muy caliente durante el funcionamiento. Después del uso, asegúrese de no tocarla. Existe riesgo de quemaduras.
12. No coloque ni deje caer objetos pesados sobre el cable o la manguera. Esto podría dañar el cable y provocar fallos de funcionamiento.

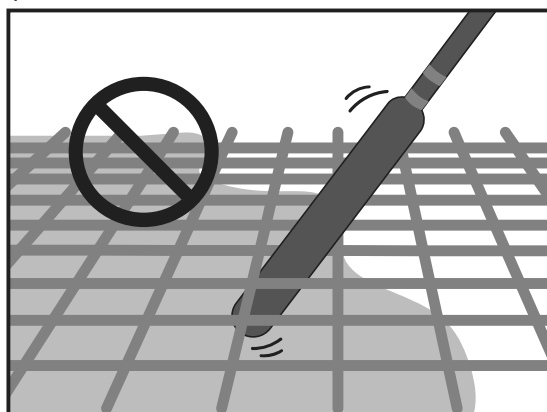


13. No balancee la unidad del cabezal mediante la manguera o el cable. Existe la posibilidad de que pudieran producirse lesiones o daños a los objetos cercanos.

14. El interruptor de alimentación solamente deberá encenderse/apagarse cuando la unidad del cabezal no esté insertada en el hormigón premezclado. Si se apagara mientras el vibrador se encuentra dentro del hormigón premezclado, tal vez no pueda extraer la unidad del cabezal. La extracción a la fuerza podría causar lesiones.



15. No coloque el vibrador en el suelo y lo encienda. La unidad del cabezal podría crear un efecto látigo, descontrolarse y causar un accidente.
16. No haga palanca ni tuerza el vibrador entre la varilla o el encofrado con la unidad del cabezal. De otro modo, la unidad del cabezal podría erosionarse y quemar el motor.



17. Cuando utilice un vibrador conectado a la unidad de alimentación portátil, asegúrese de trabajar solo. El uso entre dos personas, donde una sujeta el vibrador y la otra sujeta la unidad de alimentación portátil por separado, podría causar accidentes o lesiones.
18. Cuando traslade o almacene el producto, asegúrese de desplazarlo con la unidad de alimentación portátil apagada. Si se dejara encendida la alimentación, este podría ponerse en marcha intempestivamente, provocando un accidente o lesiones personales.
19. La unidad del cabezal de este producto no deberá utilizarse sobre superficies duras como, por ejemplo, hormigón endurecido o una plancha de acero. Existe la posibilidad de que los rodamientos se quemen o que se rompa el rotor.
20. No tire del cable ni lo suspenda de ningún sitio cuando eche o mueva hormigón; el enchufe podría aflojarse y causar la rotura del cable o un fallo de la placa de circuitos.
21. La carcasa del inversor contiene dispositivos electrónicos precisos. No la deje caer al suelo, ni la lance, ni la pise o la someta a golpes fuertes.

22. Cuando inserte o extraiga el conector, asegúrese de apagar la unidad de alimentación portátil. Si se enchufara o desenchufara el conector con la alimentación encendida, se podrían producir fallos de funcionamiento.
23. Para evitar un contacto incorrecto, limpie cualquier suciedad de los terminales del enchufe antes de insertarlos de modo seguro en la toma de salida de la unidad de alimentación portátil. El contacto inadecuado con el enchufe es una de las principales causas de fallo, como pueden ser sobrecalentamiento del motor y daños en la placa de circuitos.
24. La unidad de alimentación portátil que ha de conectarse a este producto utiliza una batería de iones de litio. No someta la batería a golpes fuertes, no salpique agua sobre la misma ni la coloque cerca de fuentes de calor. Esto podría tener como resultado fallos de funcionamiento, descargas eléctricas o incendio.
25. Cuando se produzca una anomalía, deje de utilizar el producto inmediatamente. De otro modo, podría producirse un incendio, descargas eléctricas o lesiones personales.
26. No utilice el producto en presencia de líquidos, gases o polvos inflamables. Esto podría causar una inflamación o explosión.
27. No intente desmontar ni modificar el producto. Esto podría tener como resultado descargas eléctricas, sobrecalentamiento, rotura o incendio.
28. No use el vibrador bajo la lluvia.
29. No lave el vibrador con agua.

## Instrucciones de seguridad importantes para la unidad de alimentación portátil

1. Antes de utilizar la unidad de alimentación portátil, lea todas las instrucciones y las etiquetas de precaución que se encuentran sobre (1) el cargador de baterías, (2) la batería y (3) la unidad de alimentación portátil.
  2. No levante ni transporte la unidad de alimentación portátil agarrándola únicamente por el cable. No tire del cable mientras lleva puesta o utiliza la unidad de alimentación portátil.
  3. Antes de ponerse o quitarse la unidad de alimentación portátil, retire el conector del vibrador.
  4. Cuando abandone el vibrador, asegúrese de retirar el conector del vibrador, o retire la unidad de alimentación portátil de su cuerpo.
  5. Tenga cuidado de no tropezar con el cable durante el uso.
  6. No utilice esta unidad de alimentación portátil sobre una superficie inestable, ni en lugares elevados inestables.
  7. Durante el uso, mantenga el cable alejado de cualquier obstáculo. Si el cable quedara atrapado por los obstáculos, podría causar lesiones personales graves.
  8. No inserte los adaptadores en el cargador.
  9. Inspeccione la unidad de alimentación portátil, incluidos los cables y el arnés, antes del uso. Si estuvieran dañados, solicite la reparación a su Centro de servicio autorizado local de Makita.
  10. Cuando acople el cable al soporte del cable, asegúrese de acoplarlo con cuidado y de forma segura.
  11. Asegúrese siempre de apagar el vibrador y retirar el conector antes de intentar llevar a cabo la inspección o el mantenimiento del vibrador.
  12. Cuando lleve puesta la unidad de alimentación portátil, no coloque nada encima, por ejemplo un arnés de seguridad o un cinturón para los hombros, que pudiera interferir con la función de desconexión de emergencia de la unidad de alimentación portátil.
  13. No utilice la unidad de alimentación portátil cuando lleve un chaleco de ventilación inalámbrica o un chaleco calefactado inalámbrico.
  14. No exponga la unidad de alimentación portátil a chispas.
  15. Cuando utilice la unidad de alimentación portátil sin llevarla puesta, asegúrese de colocarla en el suelo.
  16. No desmonte, repare ni modifique la unidad de alimentación portátil.
  17. Tenga cuidado de no enredar el arnés o el cinturón con el vibrador.
- [ PDC01 ]
1. No utilice múltiples unidades de alimentación portátiles conectando unas a otras.
  2. No instale los adaptadores en los puertos de batería de la unidad de alimentación portátil.
  3. Esta unidad de alimentación portátil está diseñada exclusivamente para uso con baterías de 18 V. No utilice baterías que no sean de 18 V.
  4. No permita que entre agua en la cubierta.
- [ PDC1200 ]
1. Cuando mantenga la unidad de alimentación portátil en posición vertical empleando el soporte de batería, asegúrese de colocar la unidad de alimentación portátil sobre una superficie plana.
  2. Utilice únicamente el cargador especial para la unidad de alimentación portátil. No emplee otros cargadores.
  3. No transporte la unidad de alimentación portátil agarrando el soporte de batería o el cinturón de ajuste de anchura.

4. No coloque ni fije nada entre la batería y el soporte de batería.
5. No cuelgue nada del soporte de batería.

## Instrucciones de seguridad importantes para el cargador de baterías

1. Antes de utilizar el cargador de baterías, lea todas las instrucciones y las etiquetas de precaución que se encuentran sobre (1) el cargador de baterías, (2) la batería y (3) la unidad de alimentación portátil.

**⚠ PRECAUCIÓN:** Para reducir el riesgo de lesiones, cargue únicamente baterías recargables de tipo Makita. Otros tipos de baterías podrían estallar y causar lesiones personales y daños materiales.

2. No podrán cargarse baterías no recargables con este cargador de baterías.
3. Utilice una alimentación con el voltaje especificado en la placa de especificaciones técnicas del cargador.
4. No cargue la batería en presencia de líquidos o gases inflamables.
5. No exponga el cargador a la lluvia o la nieve.
6. No transporte nunca el cargador sujetándolo por el cable ni tire del cable para desconectarlo de la toma de corriente.
7. Después de la carga o antes de intentar cualquier operación de mantenimiento o limpieza, desenchufe el cargador de la alimentación. Tire del enchufe en lugar del cable siempre que desconecte el cargador.
8. Asegúrese de que el cable no pueda pisarse, tropezarse con él ni se vea sometido de cualquier otro modo a daños o tensiones.
9. No utilice el cargador con un cable o un enchufe dañado. Si el cable o el enchufe estuviera dañado, solicite la sustitución a un centro de servicio autorizado de Makita para evitar peligros.
10. No utilice ni desmonte el cargador si este hubiera recibido golpes fuertes, se hubiera caído al suelo o hubiera resultado dañado de cualquier otro modo; llévelo a un técnico de servicio cualificado. El uso o el montaje incorrectos podrían tener como resultado un riesgo de descargas eléctricas o incendio.
11. Cuando cargue las baterías, hágalo en interiores, con una temperatura ambiente de 10 °C (50 °F) a 40 °C (104 °F). No cargue la batería cuando la temperatura ambiente sea INFERIOR a 10 °C (50 °F) o SUPERIOR a 40 °C (104 °F). En una temperatura demasiado fría, la carga podría no iniciarse.
12. No intente utilizar un transformador gradual, un motor generador o una toma de corriente de CC.
13. Los orificios del cargador son respiraderos de refrigeración y no deberán bloquearse. La refrigeración insuficiente afectará al tiempo de carga. Se recomienda llevar a cabo una inspección periódica de los respiraderos de refrigeración.

## Instrucciones de seguridad importantes para la batería

1. Antes de utilizar la batería, lea todas las instrucciones y las etiquetas de precaución que se encuentran sobre (1) el cargador de baterías, (2) la batería y (3) la unidad de alimentación portátil.
2. No desmonte ni modifique la batería. Esto podría tener como resultado un incendio, calor excesivo o explosión.
3. Si el tiempo de funcionamiento se acortara excesivamente, deje de utilizar inmediatamente. Esto podría resultar en un riesgo de sobrecalentamiento, posibles quemaduras e incluso una explosión.
4. En condiciones severas, por ejemplo una temperatura elevada, la batería podría presentar fugas de líquido. No toque imprudentemente el líquido derramado. Podría causar irritación o quemaduras. En el improbable caso de que el líquido de la batería entrara en contacto con los ojos o la piel, lávese inmediatamente con agua corriente abundante y busque atención médica.
5. No cortocircuite la batería.
  - (1) No toque los terminales con ningún material conductor.
  - (2) Evite almacenar la batería en un recipiente con otros objetos metálicos, como pueden ser clavos, monedas, etc.
  - (3) No exponga la batería al agua o a la lluvia. El cortocircuitado de la batería podría causar un gran flujo de corriente, sobrecalentamiento, posibles quemaduras e incluso una avería.
6. No introduzca la batería en un material conductor, como puede ser el agua, y no meta materiales conductores, por ejemplo agua, dentro de la batería. Esto podría causar un cortocircuito y resultar en sobrecalentamiento, incendio, rotura o explosión.
7. No cargue, almacene ni use el vibrador, la unidad de alimentación portátil y la batería en lugares en los que la temperatura pudiera alcanzar o sobrepasar los 50 °C (122 °F).
8. No incinere la batería, ni siquiera si estuviera gravemente dañada o totalmente gastada. La batería podría explotar en el fuego.



9. No clave, corte, aplaste, arroje, deje caer la batería, ni la golpee con objetos duros. Dicha conducta podrá tener como resultado un incendio, calor excesivo o explosión.
10. No utilice una batería que hubiera caído al suelo o se hubiera dañado en cualquier forma.
11. Las baterías de iones de litio incluidas están sujetas a los requisitos de la Legislación sobre productos peligrosos.

Para transportes comerciales, por ej. por parte de terceros y agentes de transporte, deberán respetarse requisitos especiales sobre el embalaje y el etiquetado. Para la preparación del artículo que desee enviar, deberá consultar a un experto en materias peligrosas. Respete asimismo las posibles normativas nacionales más detalladas. Cubra con cinta o tape los contactos abiertos y embale la batería de modo que no pueda moverse dentro del embalaje.

12. Cuando deseche la batería, retírela de la unidad de alimentación portátil y deposítela en un lugar seguro. Respete la normativa local relativa al desecho de baterías.
13. Utilice la batería únicamente con los productos especificados por Makita. La instalación de la batería en productos no conformes podría tener como resultado incendio, calor excesivo, explosión o fugas del electrolito.
14. Si no pensara utilizar el vibrador durante un período de tiempo prolongado, deberá retirar la batería de la unidad de alimentación portátil.
15. Mantenga la batería fuera del alcance de los niños.
16. Durante y después del uso, la batería podría estar lo suficientemente caliente para causar quemaduras o quemaduras por baja temperatura. Preste atención a la manipulación de baterías calientes.
17. No toque los terminales de la batería inmediatamente después del uso, ya que podrían estar lo suficientemente calientes para causar quemaduras.
18. No permita la entrada de esquirlas, polvo o suciedad en los terminales, los orificios y las ranuras de la batería. Esto podría tener como resultado un rendimiento inadecuado o una avería del vibrador o de la batería.
19. No toque los terminales de la batería en carga con objetos metálicos o de otro tipo.
20. No utilice la batería cerca de líneas eléctricas de alta tensión. Esto podría tener como resultado un fallo de funcionamiento o una avería del vibrador o de la batería.
21. Cuando la temperatura de la batería sea alta (40 °C (104 °F) o superior), por ejemplo después de funcionar bajo un sol abrasador, la carga podría desactivarse temporalmente. No obstante, esto se debe a la función de protección de la batería y no indica un fallo de funcionamiento. Permita que la batería se enfríe durante un rato antes de volver a cargarla.

**⚠ PRECAUCIÓN: Emplee únicamente baterías originales de Makita.**

El uso de baterías Makita no originales o de baterías que hayan sido alteradas podría tener como resultado explosión de las mismas, causando incendios, lesiones personales y daños materiales. Esto también anulará la garantía de los productos Makita.

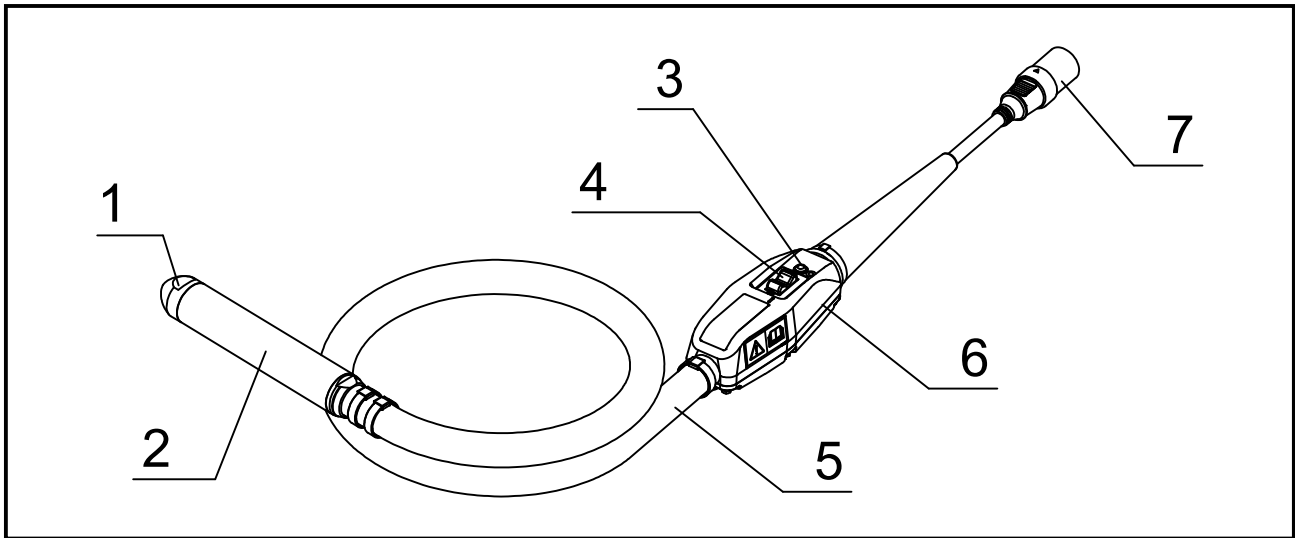
**Consejos para mantener una vida útil máxima de la batería**

1. Cargue la batería antes de que esté totalmente descargada. Interrumpa siempre el uso de la herramienta y cargue la batería cuando observe una pérdida de potencia de la herramienta.
2. No recargue nunca una batería totalmente cargada. La sobrecarga acortará la vida útil de la batería.
3. Cargue la batería con una temperatura ambiente de 10 °C - 40 °C (50 °F - 104 °F). Deje enfriar una batería caliente antes de cargarla.
4. Cuando no utilice la batería, retírela de la unidad de alimentación portátil o del cargador.
5. Cargue la batería si no la utilizara durante un período de tiempo prolongado (superior a seis meses).

**GUARDE ESTAS INSTRUCCIONES.**

# DENOMINACIÓN DE LAS PIEZAS DEL VIBRADOR

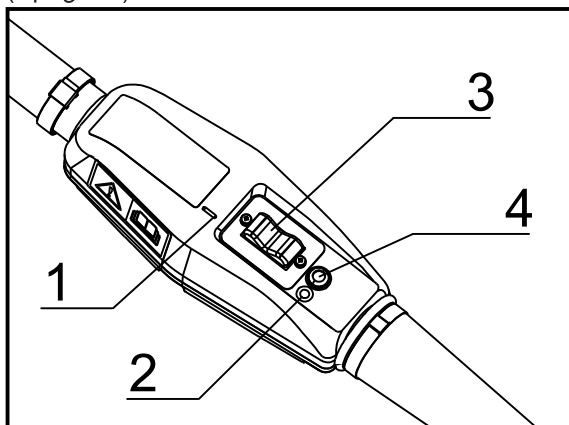
**⚠ PRECAUCIÓN:** Este producto es un dispositivo especial para la Unidad de alimentación portátil Makita "PDC01" y "PDC1200." No utilice otros dispositivos alimentados por batería. Esto podría tener como resultado descargas eléctricas, sobrecalentamiento, rotura o incendio.



1	Tapa del vibrador	5	Manguera
2	Unidad del cabezal	6	Carcasa del inversor
3	Indicador de LED	7	Conector (enchufe)
4	Interruptor	-	-

## OPERACIONES

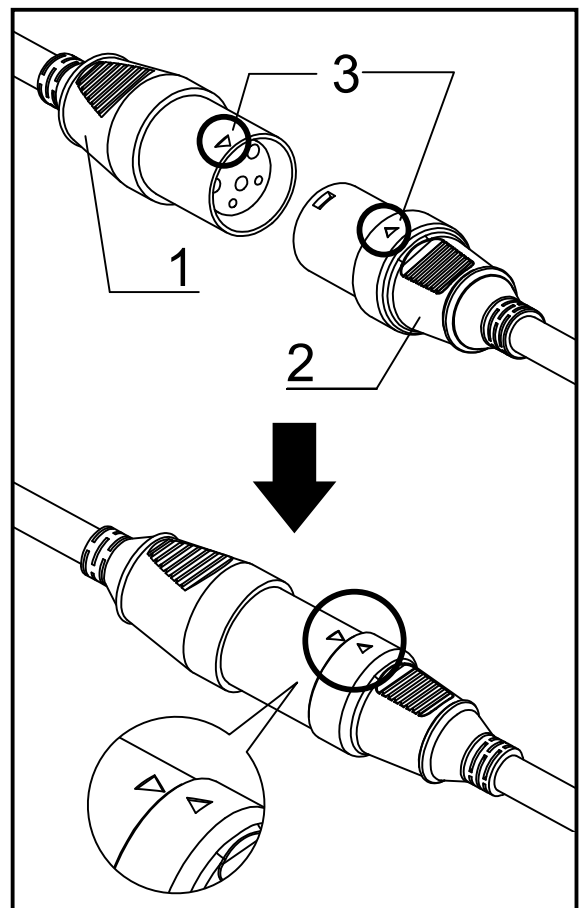
1. Asegúrese de que el interruptor de funcionamiento del vibrador esté colocado en la posición OFF (Apagado).



- ▶ 1. Marca "I" 2. Marca "O"
- 3. Interruptor de funcionamiento
- 4. Indicador de LED

**NOTA:** La marca "O" significa OFF (Apagado); la marca "I" significa ON (Encendido).

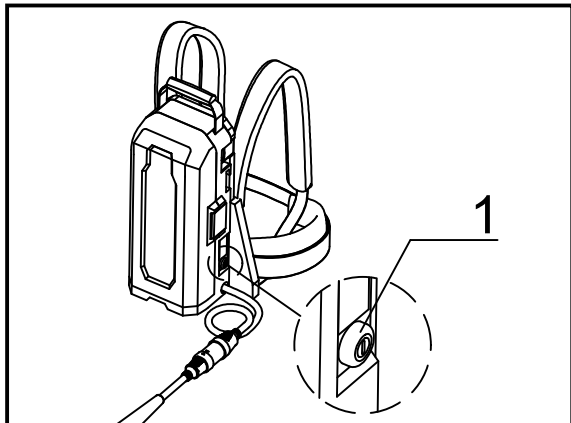
2. Alinee la marca de flecha del enchufe del vibrador con el conector de la unidad de alimentación portátil e insértelo completamente.



- ▶ 1. Conector 2. Enchufe 3. Marca de flecha

3. Pulse el botón de alimentación de la unidad de alimentación portátil para encenderla. El indicador de alimentación principal se iluminará en verde. El indicador de LED del vibrador también se iluminará en verde.

**NOTA:** Cuando el indicador de LED esté parpadeando en rojo, la función de prevención de puesta en marcha errónea estará activada. La colocación del interruptor de funcionamiento en la posición OFF (Apagado) cancelará la función de prevención de puesta en marcha errónea, y el indicador de LED del vibrador se iluminará en verde.



► 1. Botón de alimentación principal

4. Sujete la manguera del vibrador de modo que la unidad del cabezal quede suspendida en el aire.
  5. Cuando esté listo, coloque el interruptor de funcionamiento en la posición ON (Encendido) para poner en marcha el vibrador.
- NOTA:** Sujete la manguera del vibrador en el punto en el que la vibración para la mano sea baja.
6. Inserte el vibrador perpendicularmente en el hormigón con un paso de intervalo de compactación eficaz.

**NOTA:** El rango efectivo de compactación para el vibrador es un área con un diámetro de aproximadamente 10 veces el diámetro de la parte de vibración.

7. La pauta para recolocar la posición del vibrador es cuando el hormigón deja de asentarse y el mortero flota uniformemente en la superficie y se pone brillante.

**NOTA:** La colocación del vibrador en un punto durante un tiempo prolongado podría causar separación del conglomerado.

**NOTA:** Si se produjera separación durante la colocación del hormigón, llene con conglomerado grueso uniformemente y coloque el concreto de nuevo.

**NOTA:** Se recomienda colocar el interruptor de funcionamiento en la posición OFF (Apagado) mientras el vibrador no esté insertado en el concreto. Esto ayudará a alargar el tiempo de uso/la vida útil del vibrador.

8. Cuando tire del vibrador hacia arriba, hágalo despacio para que no queden agujeros.
9. Tras la finalización del moldeado, coloque el interruptor de funcionamiento del vibrador en la posición OFF (Apagado) para detener el vibrador.
10. Pulse y mantenga presionado el botón de alimentación de la unidad de alimentación portátil para detener la salida de alimentación. El indicador de alimentación se apagará.
11. Retire el conector que conecta la unidad de alimentación portátil y el vibrador.

**NOTA:** Cuando retire el conector, agarre el conector y el enchufe y no tire del cable de alimentación.

## CÓMO CARGAR LA BATERÍA

**⚠ PRECAUCIÓN:** Antes de cargar la batería, asegúrese de leer el manual de instrucciones de la unidad de alimentación portátil y del cargador de baterías.

- Para cargar, consulte el manual de instrucciones de la unidad de alimentación portátil o del cargador de baterías.

## LIMPIEZA DESPUÉS DEL USO

- Después de su uso deberá limpiarse bien el vibrador y enrollarse perfectamente las mangueras y los cables.
1. Retire el concreto de la unidad del cabezal, de la manguera, de la carcasa del inversor y de los cables antes de que se endurezca.
  2. No lave la carcasa del inversor con agua. Limpie cualquier suciedad adherida con un paño húmedo. Cuando realice la limpieza, seque con un paño seco para eliminar cualquier humedad restante.

3. Si hubiera suciedad u óxido en los terminales del enchufe o del conector, límpielos. El contacto inadecuado de los terminales podría causar un fallo de funcionamiento.
4. Cuando transporte la unidad de alimentación portátil, retire el conector de la misma y el enchufe del vibrador antes de moverla.
5. Cuando transporte el producto, agarre el vibrador y el asa de la unidad de alimentación portátil. No levante ni tire del vibrador ni de la unidad de alimentación portátil.
6. Cuando transporte la unidad de alimentación portátil, asegúrese de apagarla antes de desplazarla. Pulse y mantenga presionado el botón de alimentación para apagar la alimentación.

## INSPECCIÓN

- Antes de transportar el vibrador al lugar de trabajo y también después de su uso, asegúrese de comprobar lo siguiente.
- Esto ayudará en gran medida a evitar problemas durante el uso.

1. ¿Existe algún desgaste, grietas o componentes sueltos en el vibrador?
2. ¿Existe algún desgaste, daño o arañazo en la manguera?
3. ¿Existe algún desgaste o grietas en la vaina del cable?
4. ¿Existe alguna deformación de la carcasa del inversor, tornillos sueltos o daños en cualquier parte del inversor, como puede ser una cubierta del interruptor de funcionamiento o un indicador de LED?
5. ¿Existe suciedad u óxido en los terminales del enchufe o del conector?
6. ¿El valor de resistencia de aislamiento es correcto? (CC 500 V, 10 MΩ o más)
  - (1) Utilice un comprobador de resistencia de aislamiento de 500 V como instrumento de medición.
  - (2) Mida entre los terminales del enchufe y la carcasa del inversor.
7. ¿Existen grietas, abolladuras u otros daños en la unidad de alimentación portátil?
8. ¿Está la batería completamente cargada?
9. ¿Puede ponerse en marcha el vibrador mientras se sujeta en el aire mediante la conexión del vibrador a la unidad de alimentación portátil?  
Al hacerlo, ¿se ilumina en verde el indicador de LED de la carcasa del inversor?
10. ¿Existe algún ruido anómalo del vibrador? ¿El sonido del vibrador es normal durante el funcionamiento? (Será normal si se produce un sonido homogéneo y continuo.)

**NOTA:** No mida entre los tres conectores. Esto podría dañar la placa del inversor.

## PERÍODO DE SUSTITUCIÓN DE LOS CONSUMIBLES

- Los consumibles deberán sustituirse periódicamente de acuerdo con la siguiente tabla.

Consumibles	Período de sustitución (inspección visual y acústica)	Frecuencia de sustitución (en horas)
Unidad del cabezal	Estado de desgaste determinado (visual)	300-500
Tapa del vibrador		
Rodamiento	Determinado por el ruido durante el funcionamiento (acústica)	400-500
Manguera	Determinado por desgaste o arañazos (visual)	Tras encontrarse

- El tiempo de sustitución anterior de componentes consumibles es una guía aproximada. Este depende del uso, por lo que recomendamos sustituir los consumibles antes de los tiempos indicados anteriormente.

# INDICADOR DE LED

- Podrá comprobar el estado de salida del inversor mediante la iluminación o el parpadeo del indicador de LED.
- Si parpadea, la función de protección estará activada y la salida de alimentación estará detenida. Asegúrese de detener el funcionamiento y eliminar la causa de la anomalía antes de reiniciar el uso.

Estado del indicador de LED	Estado de salida del inversor
1. Luz verde fija	Estado normal. Podrá utilizarse el vibrador.
2. Luz verde parpadeante	El vibrador está sobrecargado. Podrá utilizarse el vibrador, pero la frecuencia de vibración se ha reducido para evitar fallos debido a sobrecarga. El vibrador volverá a su estado normal cuando se resuelva la condición de sobrecarga.
3. Luz roja parpadeante	En este estado, la función de prevención de puesta en marcha errónea está activada. Esta función impide que el vibrador se ponga en marcha inesperadamente cuando se active la alimentación mientras el interruptor de funcionamiento del vibrador está en la posición ON (Encendido). La colocación del interruptor de funcionamiento en la posición OFF (Apagado), restablecerá el vibrador a su estado normal.
4. Luz roja fija	<p>Cuando se detecte una anomalía, la salida del inversor se detendrá.</p> <p>Cuando se ilumine la luz roja, compruebe lo siguiente.</p> <ul style="list-style-type: none"> <li>• Compruebe la capacidad restante de la batería.</li> <li>• ¿Existe alguna restricción o una carga excesiva causada por una varilla, etc.?</li> </ul> <p>Si no se encontrara ningún problema, coloque el interruptor en la posición OFF (Apagado) para volver al estado normal (luz verde fija).</p> <p>Si la luz roja se iluminara de forma repetida, es probable que se haya producido un fallo de funcionamiento. Será necesario llevar a cabo una operación de inspección y reparación.</p>
5. Ninguna luz iluminada	El vibrador se ha parado debido a un problema del suministro eléctrico. La batería podría estar gastada, haberse insertado de forma incorrecta o ser defectuosa. Compruebe el suministro eléctrico.

# SOLUCIÓN DE PROBLEMAS

- Si se observara cualquiera de las siguientes condiciones durante el uso del producto, deje de utilizarlo e investigue la causa y las posibles soluciones.
- Para la inspección y la reparación, póngase en contacto con su Centro de servicio autorizado local de Makita.

Funcionamiento	Síntoma 1	Síntoma 2	Causa	Solución
El vibrador funciona	Ruido inusual de la parte de vibración del vibrador (sonido metálico, etc.)		Anomalía de los rodamientos (desbastados, gastados)	Sustituya los rodamientos.
	Vibración baja	El LED de la carcasa del inversor <b>parpadea en verde.</b>	Anomalía de los rodamientos (desbastados, gastados)	Sustituya los rodamientos.
			Condición de sobrecarga que supera la capacidad del vibrador.	Reduzca la carga extrayendo la unidad del cabezal del hormigón.
	Paradas durante el funcionamiento	El LED de la carcasa del inversor <b>está iluminado en rojo fijo.</b>	El vibrador está sobrecargado de forma importante más allá de su capacidad. La alimentación de la batería es baja y la capacidad del vibrador es reducida.	Reduzca la carga extrayendo la unidad del cabezal del hormigón. A continuación, encienda de nuevo.  Si la luz roja se ilumina repetidamente, compruebe la batería. Si estuviera totalmente cargada, deberá comprobarse y repararse.

Funcionamiento	Síntoma 1	Síntoma 2	Causa	Solución
El vibrador no se pone en marcha	El indicador de LED de la carcasa del inversor no está iluminado.	El indicador de alimentación de la unidad de alimentación portátil no se ilumina.	La unidad de alimentación portátil no está encendida.	Encienda la unidad de alimentación portátil.
			La batería no está instalada. O bien, la capacidad restante de la batería no es suficiente.	Instale la batería. O bien, cargue las baterías o sustituya las baterías por unas cargadas.
			La unidad de alimentación portátil tiene un fallo de funcionamiento.	Será necesario llevar a cabo una operación de inspección y reparación.
		El indicador de alimentación de la unidad de alimentación portátil alterna entre <b>verde y rojo parpadeante.</b>	La unidad de alimentación portátil ha detectado una anomalía.	Apague la unidad de alimentación portátil y vuelva a encenderla de nuevo.
			La unidad de alimentación portátil tiene un fallo de funcionamiento.	Será necesario llevar a cabo una operación de inspección y reparación.
		El indicador de alimentación de la unidad de alimentación portátil está <b>iluminado en verde fijo.</b>	El enchufe del vibrador no está conectado correctamente al conector de la unidad de alimentación portátil. O bien, el cable está desconectado.	Asegúrese de que el enchufe esté firmemente conectado al conector. En caso de desconexión, será necesario llevar a cabo una operación de inspección y reparación.
			La placa del inversor del vibrador tiene un fallo de funcionamiento.	Será necesario llevar a cabo una operación de inspección y reparación.

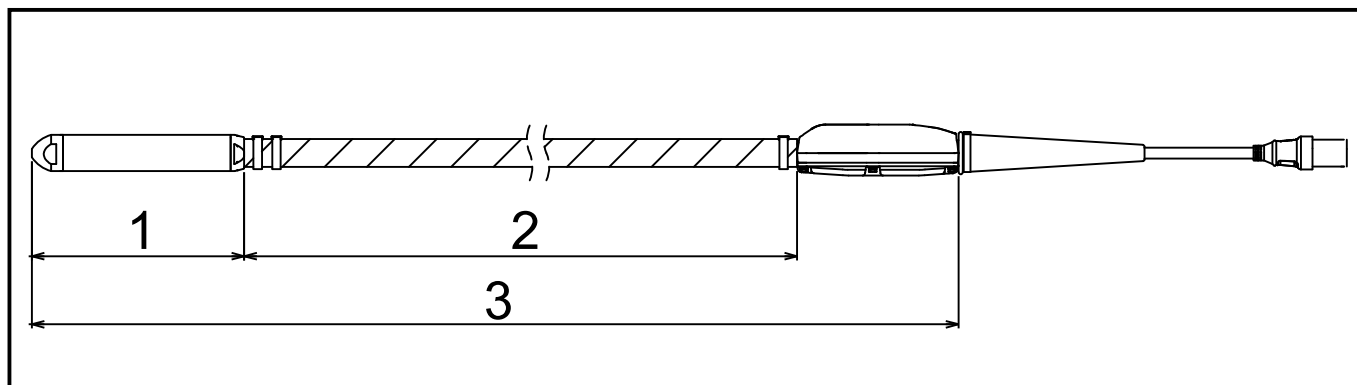
Funcionamiento	Síntoma 1	Síntoma 2	Causa	Solución
El vibrador no se pone en marcha	El indicador de LED de la carcasa del inversor no está iluminado.	El indicador de alimentación de la unidad de alimentación portátil está <b><u>parpadeando en verde.</u></b>	La potencia de la batería es baja. O bien, esta no está instalada correctamente.	Verifique el indicador de nivel de la batería. Si el nivel de la batería fuera suficiente, compruebe cómo está instalada la batería.
			La unidad de alimentación portátil o el cable de alimentación están calientes.	Enfríe la unidad de alimentación portátil.
			El enchufe del vibrador no está conectado correctamente al conector de la unidad de alimentación portátil. O bien, el cable está desconectado.	Asegúrese de que el enchufe esté firmemente conectado al conector. En caso de desconexión, será necesario llevar a cabo una operación de inspección y reparación.
	El indicador de LED de la carcasa del inversor <b><u>está iluminado en rojo fijo.</u></b>		El vibrador se ha detenido debido a que se ha detectado un fallo.	Vuelva a encender la unidad de alimentación portátil. Si el indicador de LED se iluminara en rojo repetidamente, será necesario llevar a cabo una operación de inspección y reparación.
	El indicador de LED de la carcasa del inversor <b><u>está parpadeando en rojo.</u></b>		La función de prevención de puesta en marcha errónea del vibrador está activada.	Coloque el interruptor de funcionamiento del vibrador en OFF (Apagado) una vez y luego vuélvalo a colocar en ON (Encendido).



# ESPECIFICACIONES

Modelo	VR001C	VR002C	VR003C	VR004C
Salida	250 W		400 W	
Tensión	36 V			
Corriente	8,7 A		14,0 A	
Frecuencia	200 Hz			
Longitud total	1.945 mm (76-9/16")	3.445 mm (135-5/8")	1.977 mm (77-27/32")	3.477 mm (136-7/8")
Diámetro y longitud del cabezal	43 x 255 mm (1-11/16" x 10-1/32")		52 x 287 mm (2-1/16" x 11-5/16")	
Diámetro y longitud de la manguera externa	33 x 1.500 mm (1-5/16" x 59-1/16")	33 x 3.000 mm (1-5/16" x 118-1/8")	33 x 1.500 mm (1-5/16" x 59-1/16")	33 x 3.000 mm (1-5/16" x 118-1/8")
Peso	4,8 kg (10,6 lbs)	5,9 kg (13,0 lbs)	5,6 kg (12,4 lbs)	6,7 kg (14,8 lbs)

\* El peso no incluye el equipo de suministro eléctrico como, por ejemplo, la unidad de alimentación portátil y las baterías.



► 1. Longitud del cabezal 2. Longitud de la manguera externa 3. Longitud total

# TIEMPO DE FUNCIONAMIENTO

Modelo	Cuando se utilice PDC01 (min.)	Cuando se utilice PDC1200 (min.)
VR001C / VR002C	aprox. 100	aprox. 300
VR003C / VR004C	aprox. 60	aprox. 200

\* El tiempo de funcionamiento cuando se utiliza PDC01 está basado en cuatro baterías BL 1860B instaladas en la unidad de alimentación portátil.

\* El tiempo de funcionamiento es un valor de referencia que representa cuando cada vibrador se utiliza de forma continua. Depende del estado de carga de la batería y del entorno de uso.

# VALOR TOTAL DE VIBRACIÓN

Modelo	Valor total de vibración (m/s <sup>2</sup> )
VR001C / VR002C	Inferior a 2,5
VR003C / VR004C	2,5

\* El valor total de vibración es un valor que utiliza el instrumento de medición basándose en ISO 5349-1, y se ha medido mediante el método que se encuentra en ISO 5349-2.

## UTILIZAÇÃO PREVISTA

A ferramenta foi concebida para remover bolhas do concreto durante a aplicação de concreto.

## RUÍDO

O típico nível de ruído ponderado A determinado de acordo com a norma EN60745:

**Modelo: VR001C, VR002C**

Nível de potência sonora ( $L_{WA}$ ): 98,4 dB (A)

Nível de pressão sonora ( $L_{pA}$ ): 87,4 dB (A)

Incerteza (K): 3 dB (A)

**Modelo: VR003C, VR004C**

Nível de potência sonora ( $L_{WA}$ ): 97,6 dB (A)

Nível de pressão sonora ( $L_{pA}$ ): 86,6 dB (A)

Incerteza (K): 3 dB (A)

**NOTA:** Os valores de emissão de ruído declarados foram medidos de acordo com um método de ensaio normalizado e podem ser utilizados para comparar uma ferramenta com a outra.

**NOTA:** Os valores de emissão de ruído declarados também podem ser utilizados numa avaliação preliminar da exposição.

**AVISO:** Utilize proteção auditiva.

**AVISO:** A emissão de ruído durante a utilização efetiva da ferramenta elétrica pode diferir dos valores declarados dependendo das formas em que a ferramenta é utilizada, especialmente do tipo de peça de trabalho que é processada.

**AVISO:** Certifique-se de que identifica as medidas de segurança para proteger o operador que se baseiam numa estimativa da exposição nas condições reais de utilização (tendo em conta todas as partes do ciclo operacional, tais como as vezes em que a ferramenta é desligada e em que está a funcionar ao ralenti além do tempo de acionamento).

## VIBRAÇÃO

O valor total de vibração (soma vetorial triaxial) determinado de acordo com a norma EN60745:

**Modelo: VR001C, VR002C**

Modo de trabalho: operação sem carga

Emissão de vibração (ah): 1,9 m/s<sup>2</sup> (Mangueira)

Emissão de vibração (ah): 0,7 m/s<sup>2</sup> (Caixa do inversor)

Incerteza (K): 1,5 m/s<sup>2</sup>

**Modelo: VR003C, VR004C**

Modo de trabalho: operação sem carga

Emissão de vibração (ah): 3,1 m/s<sup>2</sup> (Mangueira)

Emissão de vibração (ah): 1,7 m/s<sup>2</sup> (Caixa do inversor)

Incerteza (K): 1,5 m/s<sup>2</sup>

**NOTA:** O valor de emissão de vibração declarado foi medido de acordo com um método de ensaio normalizado e pode ser utilizado para comparar uma ferramenta com a outra.

**NOTA:** O valor de emissão de vibração declarado também pode ser utilizado numa avaliação preliminar da exposição.

**AVISO:** A emissão de vibração durante a utilização efetiva da ferramenta elétrica pode diferir do valor de emissão declarado dependendo das formas em que a ferramenta é utilizada, especialmente do tipo de peça de trabalho que é processada.

**AVISO:** Certifique-se de que identifica as medidas de segurança para proteger o operador que se baseiam numa estimativa da exposição nas condições reais de utilização (tendo em conta todas as partes do ciclo operacional, tais como as vezes em que a ferramenta é desligada e em que está a funcionar ao ralenti além do tempo de acionamento).

## Declaração de conformidade da CE

### Apenas para países europeus

A Declaração de conformidade da CE está incluída como Anexo A a este manual de instruções.

# AVISOS GERAIS DE SEGURANÇA DA FERRAMENTA ELÉTRICA

**⚠️ AVISO:** Leia todos os avisos de segurança e todas as instruções. O incumprimento dos avisos e instruções pode resultar em choque elétrico, incêndio e/ou ferimentos graves.

## Guarde todos os avisos e instruções para futura referência.

O termo “ferramenta elétrica” nos avisos diz respeito à ferramenta elétrica alimentada pela rede (com fio) ou ferramenta elétrica a bateria (sem fio).

## Segurança da área de trabalho

1. Mantenha a área de trabalho limpa e bem iluminada. As áreas desorganizadas ou escuras são propícias a acidentes.
2. Não opere ferramentas elétricas em atmosferas explosivas, tais como na presença de líquidos, gases ou poeiras inflamáveis. As ferramentas elétricas provocam faíscas que podem inflamar as poeiras ou os fumos.
3. Mantenha as crianças e as pessoas nas proximidades afastadas durante a operação de uma ferramenta elétrica. As distrações podem causar a sua perda de controlo.

## Segurança elétrica

4. As fichas da ferramenta elétrica têm de corresponder à tomada. Nunca modifique a ficha de forma alguma. Não utilize quaisquer fichas adaptadoras com ferramentas elétricas ligadas à terra (massa). As fichas não modificadas e as tomadas correspondentes reduzirão o risco de choque elétrico.
5. Evite o contacto corporal com superfícies ligadas à terra ou à massa, tais como tubos, radiadores, fogões de cozinha e frigoríficos. Há um risco aumentado de choque elétrico se o seu corpo estiver ligado à terra ou à massa.
6. Não exponha as ferramentas elétricas à chuva ou a condições húmidas. A entrada de água numa ferramenta elétrica aumenta o risco de choque elétrico.
7. Não force o cabo. Nunca utilize o cabo para transportar, puxar ou desligar a ferramenta elétrica da tomada. Mantenha o cabo afastado do calor, óleo, extremidades afiadas ou peças móveis. Os cabos danificados ou emaranhados aumentam o risco de choque elétrico.
8. Quando operar uma ferramenta elétrica no exterior, utilize um cabo de extensão adequado para utilização no exterior. A utilização de um cabo adequado para utilização no exterior reduz o risco de choque elétrico.

9. Se for inevitável utilizar uma ferramenta elétrica num local húmido, utilize uma alimentação protegida por um interruptor de circuito de falha de terra (GFCI). A utilização de um GFCI reduz o risco de choque elétrico.

## Segurança pessoal

10. Mantenha-se alerta, tome atenção ao que está a fazer e utilize o bom senso quando operar uma ferramenta elétrica. Não utilize uma ferramenta elétrica se estiver cansado ou sob a influência de estupefacientes, álcool ou medicamentos. Um momento de falta de atenção durante a operação de ferramentas elétricas pode resultar em ferimentos pessoais graves.
11. Utilize equipamento de proteção individual. Utilize sempre proteção ocular. Os equipamentos de proteção, como uma máscara contra a poeira, calçado de segurança antiderrapante, capacete ou proteção auditiva, utilizados para as condições adequadas reduzirão os ferimentos pessoais.
12. Evite o arranque não intencional. Certifique-se de que o interruptor está na posição de desligado antes de ligar a uma fonte de alimentação e/ou à bateria, assim como antes de pegar ou transportar a ferramenta. Transportar as ferramentas elétricas com o dedo no interruptor ou dar energia a ferramentas elétricas que tenham o interruptor ligado é propício a acidentes.
13. Remova qualquer chave de ajuste antes de ligar a ferramenta elétrica. Uma chave deixada ligada a uma peça rotativa da ferramenta elétrica pode resultar em ferimentos pessoais.
14. Não se estique demasiado. Mantenha sempre os pés firmes e em equilíbrio. Tal permite um melhor controlo da ferramenta elétrica em situações inesperadas.
15. Vista-se de forma adequada. Não utilize vestuário solto nem joias. Mantenha o seu cabelo, vestuário e luvas afastados das peças móveis. O vestuário solto, as joias ou o cabelo comprido podem ficar presos nas peças móveis.
16. Se forem fornecidos dispositivos para a ligação de equipamentos de extração e recolha de poeiras, certifique-se de que estes estão ligados e que são utilizados adequadamente. A utilização de recolha de poeiras pode reduzir os perigos relacionados com as poeiras.

## Utilização e cuidados a ter com a ferramenta elétrica

17. Não force a ferramenta elétrica. Utilize a ferramenta elétrica correta para a aplicação. A ferramenta elétrica correta fará o serviço melhor e de forma mais segura à velocidade para a qual foi concebida.

18. Não utilize a ferramenta elétrica se o interruptor não a ligar e desligar. Qualquer ferramenta elétrica que não possa ser controlada com o interruptor é perigosa e tem de ser reparada.
19. Desligue a ficha da fonte de alimentação e/ou a bateria da ferramenta elétrica antes de efetuar quaisquer ajustes, mudar os acessórios ou guardar as ferramentas elétricas. Estas medidas preventivas de segurança reduzem o risco de arrancar acidentalmente a ferramenta elétrica.
20. Guarde as ferramentas elétricas que não estão a ser utilizadas fora do alcance das crianças e não permita que as pessoas que não estão familiarizadas com a ferramenta elétrica ou com estas instruções utilizem a ferramenta elétrica. As ferramentas elétricas são perigosas nas mãos de utilizadores sem formação.
21. Efetue a manutenção das ferramentas elétricas. Verifique se as peças móveis estão desalinhadas ou presas, se as peças estão partidas, bem como se há outras condições que possam afetar o funcionamento da ferramenta elétrica. Se estiver danificada, solicite a reparação da ferramenta elétrica antes da utilização. Muitos acidentes são provocados por ferramentas elétricas com uma má manutenção.
22. Mantenha as ferramentas de corte afiadas e limpas. As ferramentas de corte com extremidades de corte afiadas que recebem uma manutenção adequada têm menos probabilidade de prender e são mais fáceis de controlar.
23. Utilize a ferramenta elétrica, os acessórios e as brocas da ferramenta, etc., de acordo com estas instruções, tendo em conta as condições de trabalho e o trabalho a ser efetuado. A utilização da ferramenta elétrica para operações diferentes das pretendidas pode resultar numa situação perigosa.

## Utilização e cuidados a ter com a ferramenta a bateria

24. Recarregue apenas com o carregador especificado pelo fabricante. Um carregador que é adequado para um tipo de bateria poderá criar um risco de incêndio quando utilizado com outra bateria.
25. Utilize as ferramentas elétricas apenas com baterias especificamente designadas. A utilização de quaisquer outras baterias poderá criar um risco de ferimentos e incêndio.
26. Quando a bateria não está a ser utilizada, mantenha-a afastada de outros objetos metálicos como cliques, moedas, chaves, pregos, parafusos ou outros objetos metálicos pequenos que possam estabelecer uma ligação entre os dois terminais. Colocar os terminais da bateria em curto-circuito um com o outro pode provocar queimaduras ou um incêndio.
27. Mediante condições abusivas, o líquido poderá ser ejetado da bateria; evite o contacto. Caso ocorra um contacto acidentalmente, lave com água. Se o líquido entrar em contacto com os olhos, procure também ajuda médica. O líquido ejetado da bateria pode provocar irritação ou queimaduras.

## Serviço

28. Solicite a manutenção da ferramenta elétrica por parte de um técnico de reparação qualificado utilizando apenas peças de substituição idênticas. Tal garante que a segurança da ferramenta elétrica é mantida.
29. Siga as instruções para lubrificação e mudança de acessórios.
30. Mantenha as peças secas, limpas e sem óleo ou massa lubrificante.

# AVISOS DE SEGURANÇA DO PRODUTO

1. Este produto é um vibrador para a compactação de concreto. Não utilize o vibrador para qualquer outra finalidade.
2. Certifique-se de que lê e compreende criteriosamente este manual de instruções antes de utilizar o produto para que este possa ser utilizado de forma segura e eficiente. A utilização indevida da máquina pode resultar em ferimentos ou em falha da máquina. Guarde este manual para futura referência.
3. Este produto deve ser utilizado ligando-o ao adaptador de baterias tipo mochila da Makita "PDC01" ou "PDC1200". Além disso, leia os manuais de instruções do adaptador de baterias tipo mochila e do carregador de bateria.
4. Nunca utilize este produto enquanto estiver ligado a qualquer outro dispositivo de alimentação. Se o fizer, tal pode resultar em danos na placa de circuitos ou em motor queimado. Os danos ou o motor queimado podem destruir o isolamento e causar choque elétrico.
5. Não utilize qualquer bateria que não a bateria dedicada especificada pela Makita para o adaptador de baterias tipo mochila. Além disso, não utilize baterias que tenham sido modificadas (incluindo as baterias que tenham sido desmontadas e as células ou outras peças internas substituídas).
6. Não carregue a bateria com qualquer outra coisa que não o carregador incluído.
7. O termo "cartucho da bateria" neste manual é daqui para a frente designado por "bateria".
8. Manuseie e mantenha este produto de forma adequada para assegurar um funcionamento seguro.
9. Quando emprestar este produto a outra pessoa, certifique-se de que lhe faculte os manuais e que lhe explica em pormenor a utilização segura e adequada do produto.
10. As especificações neste documento estão sujeitas a alteração sem aviso prévio devido a modificações.
11. Este produto está em conformidade com estas normas de CEM: EN61000-6-2 / EN61000-6-4.  
Este produto não está em conformidade com estas normas de CEM: EN61000-6-3 / EN55014-1.

12. A utilização deste produto perto de outros dispositivos eletrónicos pode provocar interferência radioelétrica.

Nesse caso, os utilizadores deste produto podem precisar de tomar medidas adequadas.

## Avisos de segurança do vibrador de concreto

1. Utilize capacete de segurança, luvas antivibração, botas de segurança, proteção auditiva, proteção da cara (óculos de proteção e máscara) e cinto de segurança antes de utilizar o vibrador.



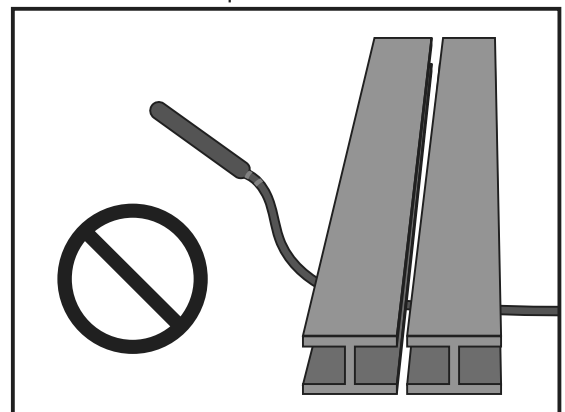
2. Quando estiver a trabalhar, utilize mangas compridas e calças compridas e mantenha a exposição da pele num nível mínimo para evitar danos na pele causados pelo concreto projetado que possa aderir à pele.
3. Quando utilizar o vibrador perto dos pés ou em locais que não sejam muito profundos, o concreto pode ficar espalhado. Utilize proteção da cara (óculos de proteção e máscara) para proteger os olhos e a boca. Utilize um protetor auditivo quando trabalhar em locais barulhentos.
4. Certifique-se de que está colocada uma plataforma quando trabalhar em áreas com uma base instável, tais como um vergalhão.
5. Uma vez que este produto tem uma mangueira comprida, existe o risco de ferimentos ao tropeçar ou dar um passo errado se a mangueira ficar presa no vergalhão durante o trabalho ou em movimento, ou o movimento fica limitado pela colocação de algo na mangueira. Além disso, se o produto for deixado numa área em que passem pessoas quando o trabalho estiver suspenso, tal pode prender o pé de alguém e fazer com que alguém caia ou fique ferido. Tenha cuidado quando manusear mangueiras e cabos.
6. A utilização prolongada do vibrador ou a utilização do vibrador com uma postura não natural pode colocar tensão sobre um corpo. Certifique-se de que faz as pausas necessárias para evitar a fadiga ou os ferimentos. Além disso, se sentir dores ou dormência nas mãos, nos braços, nos ombros ou nas costas enquanto utilizar o produto, deixe de o utilizar imediatamente e receba o tratamento adequado.
7. O operador da empresa que utiliza este vibrador de concreto tem de gerir as horas de trabalho e tem de se esforçar para evitar os problemas de saúde do trabalhador provenientes da vibração. Consulte a secção “VALOR TOTAL DE VIBRAÇÃO” para obter as informações necessárias sobre a força de vibração do vibrador.

Respeite os requisitos legais relevantes e as diretrizes do país em que o vibrador é utilizado.

8. Quando deixar de trabalhar de modo temporário, guarde o produto num local seguro. Se este for colocado numa passagem, pode prender o pé e fazer com que caia ou fique ferido. Se ocorrer qualquer anomalia ou avaria, desligue imediatamente todas as fontes de alimentação, interrompa a utilização e retire o adaptador de baterias tipo mochila. Para efeitos de inspeção e reparação, contacte o seu centro de assistência autorizado da Makita local.
9. O conjunto da cabeça deste produto é arrefecido através da inserção no concreto pronto. Por isso, não o utilize fora do concreto pronto (ou seja, no ar). Há a possibilidade de o motor ficar queimado.



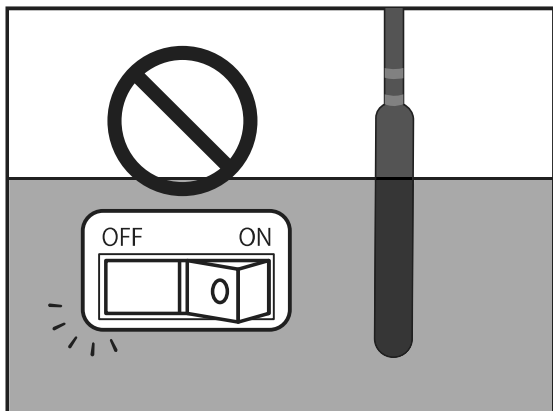
10. Não utilize o conjunto da cabeça no ar. Quando o utiliza no ar, o vibrador alcança uma temperatura de 100 °C (212 °F) ou superior em poucos minutos e pode queimar-se se o tocar.
11. O conjunto da cabeça fica quente durante o funcionamento. Após a utilização, tenha cuidado para não o tocar. Existe o risco de ficar queimado.
12. Não coloque nem deixe cair quaisquer objetos pesados sobre o cabo ou a mangueira. Tal pode danificar o cabo e provocar uma avaria.



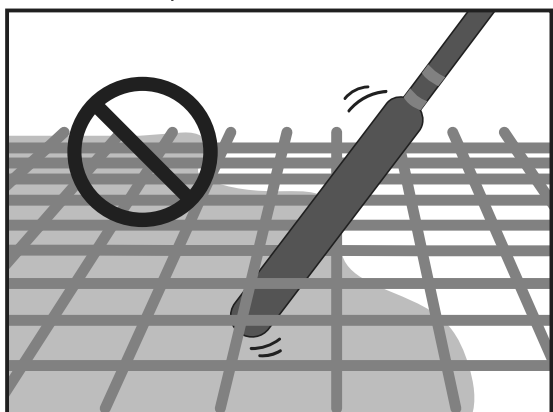
13. Não oscile o conjunto da cabeça segurando a mangueira ou o cabo. Existe a possibilidade de esta situação provocar ferimentos ou danos nos objetos que estão por perto.

14. O interruptor de alimentação apenas pode ser ligado/desligado quando o conjunto da cabeça não está inserido no concreto pronto.

Se a alimentação estiver desligada enquanto o vibrador estiver no concreto pronto, pode não conseguir remover o conjunto da cabeça. A respetiva remoção à força pode provocar ferimentos.



15. Não ligue o vibrador quando este estiver pousado. O conjunto da cabeça pode chicotear fora de controlo e provocar um acidente.
16. Não se intrometa nem rode o vibrador entre o vergalhão ou a cofragem com o conjunto da cabeça. Caso contrário, o conjunto da cabeça pode ficar friccionado e queimar o motor.



17. Quando utilizar um vibrador ligado ao adaptador de baterias tipo mochila, certifique-se de que trabalha sozinho. A operação com duas pessoas, em que uma segura o vibrador e a outra segura o adaptador de baterias tipo mochila em separado, pode provocar acidentes ou ferimentos.
18. Quando mover ou guardar o produto, certifique-se de que o move com o adaptador de baterias tipo mochila desligado. Se a alimentação for deixada ligada, este pode arrancar inesperadamente, provocando um acidente ou ferimentos.
19. O conjunto da cabeça deste produto não deve ser operado em superfícies duras, tais como concreto endurecido ou placa de aço. Existe a possibilidade de os rolamentos queimarem e o rotor se partir.
20. Não puxe nem suspenda o cabo a partir de qualquer coisa quando colocar concreto ou o mover; caso contrário, a ficha pode ficar solta e provocar a quebra do cabo ou a falha da placa de circuitos.
21. A caixa do inversor contém dispositivos eletrónicos precisos. Não a deixe cair, não a atire, não a pise nem a sujeite a choques fortes.

22. Quando inserir ou remover o conector, certifique-se de que desliga o adaptador de baterias tipo mochila. Se o conector estiver ligado ou desligado enquanto a alimentação estiver ligada, tal pode provocar uma avaria.
23. Para evitar um mau contacto, limpe qualquer sujidade ou ferrugem dos terminais da ficha antes de os inserir firmemente na tomada de saída do adaptador de baterias tipo mochila. O mau contacto com a ficha é uma das principais causas de falha, tais como o motor queimado e os danos na placa de circuitos.
24. O adaptador de baterias tipo mochila a ligar a este produto utiliza uma bateria de iões de lítio. Não submeta a bateria a um choque forte, não salpique água na bateria nem coloque a bateria perto do calor. Se o fizer, tal pode provocar uma avaria, um choque elétrico ou um incêndio.
25. Quando ocorrer uma anomalia, interrompa imediatamente a operação. Caso contrário, tal pode provocar um incêndio, um choque elétrico ou ferimentos.
26. Não utilize o produto na presença de líquidos, gases ou poeiras inflamáveis. Se o fizer, tal pode provocar uma ignição ou uma explosão.
27. Não tente desmontar nem modificar este produto. Se o fizer, tal pode provocar choque elétrico, sobreaquecimento, rutura ou incêndio.
28. Não utilize o vibrador à chuva.
29. Não lave o vibrador com água.

# Instruções de segurança importantes para o adaptador de baterias tipo mochila

1. Antes de utilizar o adaptador de baterias tipo mochila, leia todas as instruções e etiquetas de precaução (1) no carregador de bateria, (2) na bateria e (3) no adaptador de baterias tipo mochila.
  2. Não pegue nem transporte este adaptador de baterias tipo mochila segurando apenas o cabo. Não puxe o cabo enquanto tiver este adaptador de baterias tipo mochila colocado ou o estiver a utilizar.
  3. Antes de colocar ou retirar o adaptador de baterias tipo mochila, remova a tomada do vibrador.
  4. Quando deixar o vibrador, certifique-se de que remove a tomada do vibrador, ou remova o adaptador de baterias tipo mochila do seu corpo.
  5. Tenha cuidado para não tropeçar no cabo durante a operação.
  6. Não utilize este adaptador de baterias tipo mochila numa superfície instável ou em locais altos instáveis.
  7. Durante a operação, mantenha o cabo afastado dos obstáculos. O cabo preso por obstáculos pode provocar ferimentos graves.
  8. Não insira os adaptadores no carregador.
  9. Inspeção o adaptador de baterias tipo mochila incluindo os cabos e o arnês antes da utilização. Se estes estiverem danificados, solicite a reparação ao seu centro de assistência autorizado da Makita local.
  10. Quando prender o cabo no suporte do cabo, certifique-se de que o prende lenta e firmemente.
  11. Certifique-se sempre de que o vibrador está desligado e que a tomada foi removida antes de tentar efetuar as tarefas de inspeção ou manutenção do vibrador.
  12. Quando colocar o adaptador de baterias tipo mochila, não coloque nada, como um cinto de segurança ou uma faixa para o ombro, que possa interferir com a função de desprendimento de emergência do adaptador de baterias tipo mochila.
  13. Não utilize este adaptador de baterias tipo mochila quando tiver colocado a jaqueta ventilada a bateria ou a jaqueta térmica a bateria.
  14. Não exponha este adaptador de baterias tipo mochila a faíscas.
  15. Quando utilizar este adaptador de baterias tipo mochila sem o colocar, certifique-se de que pousa o adaptador de baterias tipo mochila.
  16. Não desmonte, repare nem modifique o adaptador de baterias tipo mochila.
  17. Tenha cuidado para que o arnês ou o cinto não fique emaranhado pelo vibrador.
- [ PDC01 ]
1. Não utilize vários adaptadores de baterias tipo mochila ligando um adaptador de baterias tipo mochila a outro adaptador de baterias tipo mochila.
  2. Não instale os adaptadores nas entradas da bateria deste adaptador de baterias tipo mochila.
  3. Este adaptador de baterias tipo mochila foi concebido exclusivamente para a utilização com baterias de 18 V. Não utilize outras baterias que não as baterias de 18 V.
  4. Não deixe entrar água na cobertura.
- [ PDC1200 ]
1. Quando suporta o adaptador de baterias tipo mochila na vertical utilizando o suporte de bateria, certifique-se de que coloca o adaptador de baterias tipo mochila numa superfície plana.
  2. Utilize apenas o carregador dedicado para o adaptador de baterias tipo mochila. Não utilize outros carregadores.
  3. Não transporte o adaptador de baterias tipo mochila segurando o suporte de bateria ou o cinto de ajuste da largura.
  4. Não coloque nem fixe qualquer coisa entre a bateria e o suporte de bateria.
  5. Não pendure algo a partir do suporte de bateria.

# Instruções de segurança importantes para o carregador de bateria

1. Antes de utilizar o carregador de bateria, leia todas as instruções e etiquetas de precaução (1) no carregador de bateria, (2) na bateria e (3) no adaptador de baterias tipo mochila.
2. As baterias não recarregáveis não podem ser carregadas com este carregador de bateria.
3. Utilize uma fonte de alimentação com a tensão especificada na placa de identificação do carregador.
4. Não carregue a bateria na presença de líquidos ou gases inflamáveis.
5. Não exponha o carregador à chuva nem à neve.
6. Nunca transporte o carregador pelo cabo nem lhe dê um puxão para desligar da tomada elétrica.
7. Após o carregamento ou antes de tentar efetuar quaisquer tarefas de manutenção ou limpeza, desligue o carregador da fonte de alimentação. Puxe pela ficha em vez de o fazer através do cabo sempre que desligar o carregador.

**⚠ PRECAUÇÃO: Para reduzir o risco de ferimentos, carregue apenas baterias de tipo recarregável da Makita. Outros tipos de baterias podem rebentar causando ferimentos pessoais e danos.**

8. Certifique-se de que o cabo está localizado de modo que não seja possível pisá-lo, tropeçar no mesmo ou este ficar sujeito de outra forma a danos ou tensão.
9. Não opere o carregador com o cabo ou a ficha danificados. Se o cabo ou a ficha estiverem danificados, solicite a respetiva substituição ao centro de assistência autorizado da Makita para evitar uma situação de perigo.
10. Não opere nem desmonte o carregador se este tiver recebido uma forte pancada, se tiver caído ou se não se tiver sido danificado de alguma forma; leve-o a um técnico qualificado. A utilização ou a remontagem incorreta pode dar origem a um risco de choque elétrico ou incêndio.
11. Quando carregar as baterias, faça-o num ambiente interior a uma temperatura ambiente entre 10 °C (50 °F) e 40 °C (104 °F). Não carregue a bateria quando a temperatura ambiente é INFERIOR a 10 °C (50 °F) ou SUPERIOR a 40 °C (104 °F). A baixas temperaturas, o carregamento pode não começar.
12. Não tente utilizar um transformador elevador, um grupo eletrogéneo ou uma tomada elétrica CC.
13. Os orifícios do carregador são aberturas de refrigeração e não devem ser bloqueados. Uma refrigeração insuficiente afeta o tempo de carregamento. É recomendada a inspeção periódica das aberturas de refrigeração.

## Instruções de segurança importantes para a bateria

1. Antes de utilizar a bateria, leia todas as instruções e etiquetas de precaução (1) no carregador de bateria, (2) na bateria e (3) no adaptador de baterias tipo mochila.
2. Não desmonte nem modifique a bateria. Tal pode resultar num incêndio, em calor excessivo ou numa explosão.
3. Se o tempo de funcionamento se tiver tornado excessivamente inferior, interrompa imediatamente a operação. Tal pode resultar em risco de sobreaquecimento, possíveis queimaduras e mesmo explosão.
4. Em caso de condições extremas, tais como altas temperaturas, a bateria pode vaziar líquido. Não toque descuidadamente no líquido vazado. Tal pode provocar irritação ou queimaduras. No caso improvável de o fluido da bateria entrar nos olhos ou entrar em contacto com a pele, lave imediatamente com água limpa, como água da torneira, e depois procure assistência médica.
5. Não sujeite a bateria a curto-circuito:
  - (1) Não toque nos terminais com qualquer material condutor.
  - (2) Evite guardar a bateria num recipiente com outros objetos metálicos como pregos, moedas, etc.
  - (3) Não exponha a bateria à água ou à chuva.  
Um curto-circuito da bateria pode provocar um grande fluxo de corrente, sobreaquecimento, possíveis queimaduras e mesmo uma avaria.
6. Não introduza a bateria num material condutor, como a água, e não coloque um material condutor como a água no interior da bateria. Se o fizer, tal pode provocar um curto-circuito, que pode resultar em sobreaquecimento, incêndio, rutura ou explosão.
7. Não carregue, guarde nem utilize o vibrador, o adaptador de baterias tipo mochila e a bateria em locais em que a temperatura possa atingir ou exceder os 50 °C (122 °F).
8. Não queime a bateria mesmo que esta esteja gravemente danificada ou completamente gasta. A bateria pode explodir num incêndio.
9. Não pree, corte, esmague, atire ou deixe cair a bateria nem bata com um objeto duro contra a bateria. Tal conduta pode resultar em incêndio, calor excessivo ou explosão.
10. Não utilize uma bateria que tenha sido deixada cair ou que tenha ficado danificada de alguma forma.
11. As baterias de íões de lítio contidas estão sujeitas aos requisitos da Legislação de bens perigosos. No caso dos transportes comerciais, ou seja, por terceiros e agentes transitários, devem ser respeitados os requisitos especiais relativamente ao embalamento e à etiquetagem. Para a preparação do artigo a ser enviado, é necessário consultar um especialista em materiais perigosos. Respeite também as regulamentações nacionais eventualmente mais pormenorizadas. Revista com fita ou encubra os contactos abertos e acondicione a bateria de modo que esta não consiga mover-se na embalagem.
12. Quando eliminar a bateria, remova-a do adaptador de baterias tipo mochila e elimine-a num local seguro. Cumpra os regulamentos locais relativos à eliminação da bateria.
13. Utilize apenas a bateria com os produtos especificados pela Makita. A instalação da bateria em produtos incompatíveis pode resultar em incêndio, calor excessivo, explosão ou fuga de eletrólitos.
14. Se o vibrador não for utilizado durante um longo período de tempo, a bateria tem de ser removida do adaptador de baterias tipo mochila.
15. Mantenha a bateria afastada das crianças.
16. Durante e após a utilização, a bateria pode ficar quente, o que pode provocar queimaduras ou queimaduras a baixas temperaturas. Preste atenção ao manuseamento de baterias quentes.
17. Não toque no terminal da bateria imediatamente após a utilização, uma vez que este pode ficar suficientemente quente para provocar queimaduras.
18. Não permita que aparas, poeiras ou pedaços de solo fiquem presos nos terminais, nos orifícios e nas ranhuras da bateria. Tal pode resultar em mau desempenho ou em avaria do vibrador ou da bateria.
19. Não permita o contacto dos terminais da bateria em carregamento com metal ou outros objetos.



20. Não utilize a bateria perto de linhas elétricas de alta tensão. Tal pode resultar em avaria ou falha do vibrador ou da bateria.
21. Quando a temperatura da bateria é elevada (40 °C (104 °F) ou superior), como após trabalhar sob um sol escaldante, o carregamento pode ficar temporariamente impedido. No entanto, tal deve-se à função de proteção da bateria e não indica uma avaria. Deixe a bateria arrefecer durante algum tempo antes do recarregamento.

### Dicas para manter a vida útil máxima da bateria

1. Carregue a bateria antes de ficar totalmente descarregada. Interrompa sempre a operação da ferramenta e carregue a bateria quando notar uma potência inferior da ferramenta.
2. Nunca recarregue uma bateria totalmente carregada. A sobrecarga encurta a vida útil da bateria.
3. Carregue a bateria a uma temperatura ambiente entre 10 °C e 40 °C (50 °F a 104 °F). Deixe uma bateria quente arrefecer antes de a carregar.
4. Quando não estiver a utilizar a bateria, remova-a do adaptador de baterias tipo mochila ou do carregador.
5. Carregue a bateria se não a utilizar durante um longo período (mais de seis meses).

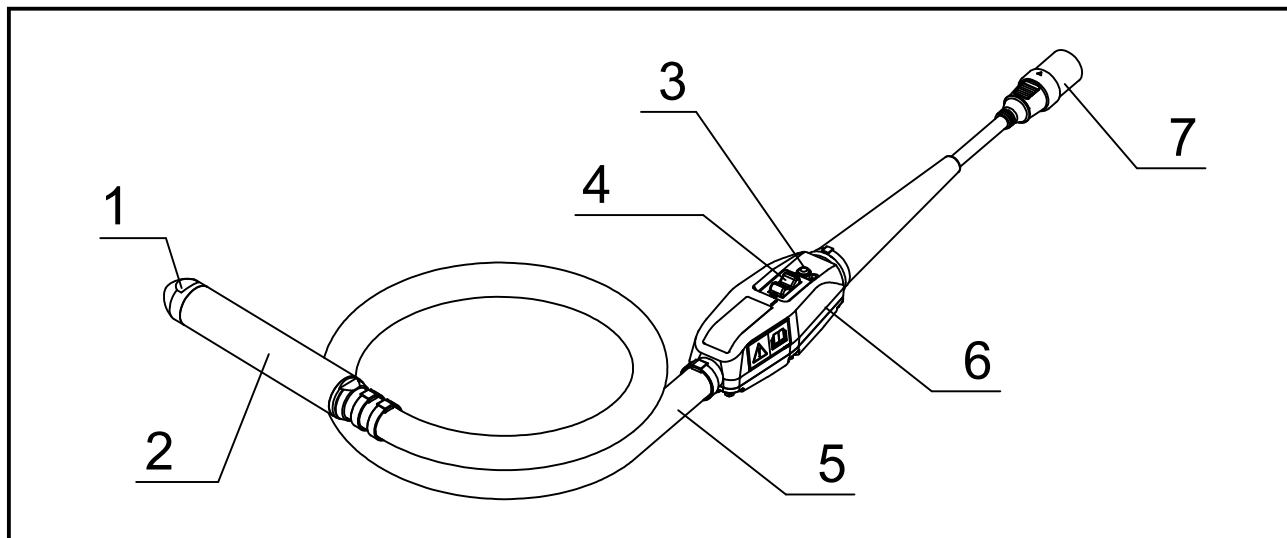
### GUARDE ESTAS INSTRUÇÕES.

**⚠ PRECAUÇÃO: Utilize apenas baterias genuínas da Makita.**

A utilização de baterias não genuínas da Makita, ou de baterias que tenham sido alteradas, pode resultar no rebentamento da bateria provocando incêndios, ferimentos pessoais e danos. Tal irá também anular a garantia da Makita no que se refere aos produtos da Makita.

## NOMES DAS PEÇAS DO VIBRADOR

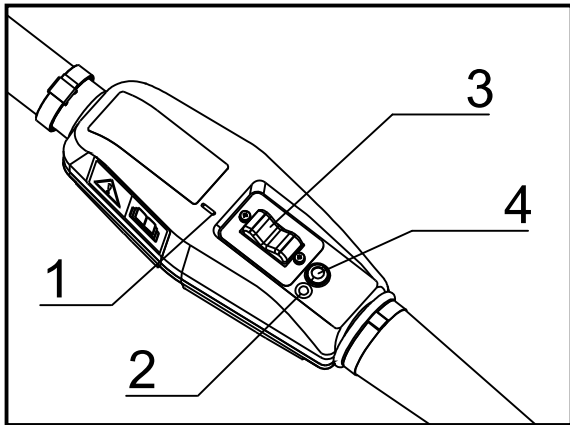
**⚠ PRECAUÇÃO: Este produto é um dispositivo dedicado para os adaptadores de baterias tipo mochila da Makita “PDC01” e “PDC1200”. Não utilize outros dispositivos a bateria. Se o fizer, tal pode provocar choque elétrico, sobreaquecimento, rutura ou incêndio.**



1	Tampa do vibrador	5	Mangueira
2	Conjunto da cabeça	6	Caixa do inversor
3	Lâmpada LED	7	Conector (ficha)
4	Interruptor	–	–

# OPERAÇÕES

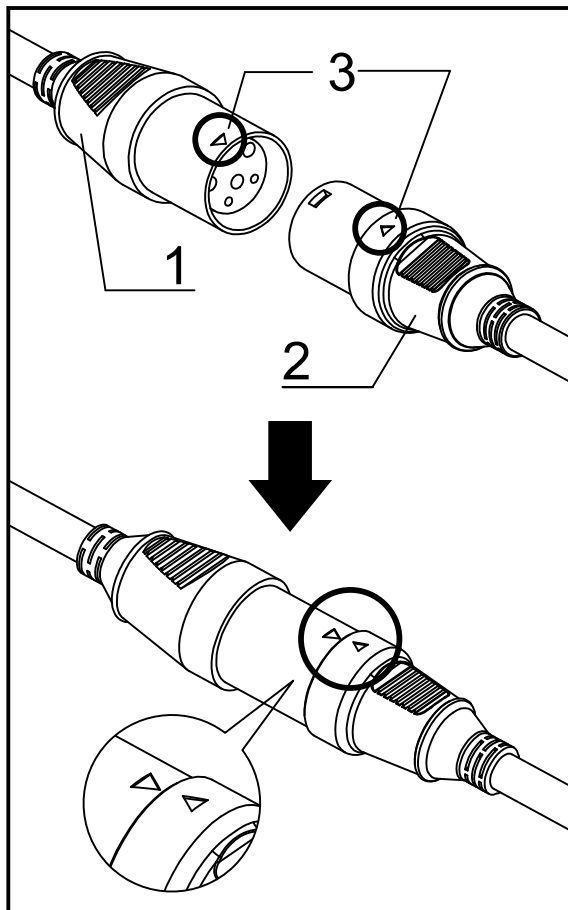
1. Certifique-se de que o interruptor de operação do vibrador está definido para DESLIGADO.



- 1. Marca "I" 2. Marca "O"  
3. Interruptor de operação 4. Lâmpada LED

**NOTA:** A marca "O" significa DESLIGADO; a marca "I" significa LIGADO.

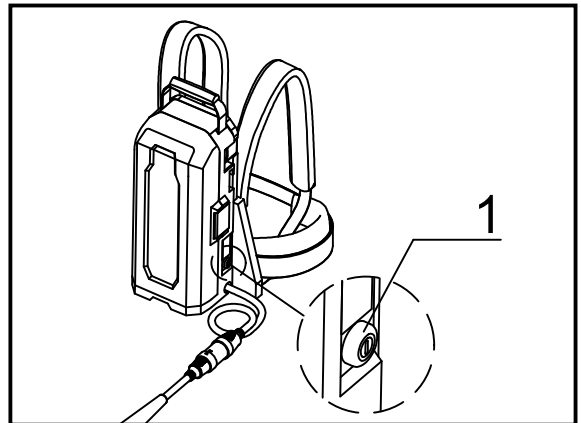
2. Alinhe a marca de seta na ficha do vibrador com a tomada do adaptador de baterias tipo mochila e insira-a até ao fim.



- 1. Tomada 2. Ficha 3. Marca de seta

3. Pressione o botão de alimentação no adaptador de baterias tipo mochila para o ligar. A lâmpada de alimentação principal acende a verde. A lâmpada LED no vibrador também acende a verde.

**NOTA:** Quando a lâmpada LED tem uma luz vermelha intermitente, é ativada a função de prevenção de arranque incorreto. Ao desligar o interruptor de operação cancela a função de prevenção de arranque incorreto, e a lâmpada LED do vibrador acende a verde.



- 1. Botão de alimentação principal

4. Segure a mangueira do vibrador de modo que o conjunto da cabeça fique suspenso no ar.
5. Quando estiver pronto, ligue o interruptor de operação para ligar o vibrador.

**NOTA:** Segure a mangueira do vibrador no ponto em que a vibração para a mão é fraca.

6. Insira o vibrador perpendicularmente no concreto com um nível de intervalo de compactação eficaz.

**NOTA:** O intervalo de compactação eficaz para o vibrador corresponde a uma área com um diâmetro com aproximadamente 10 vezes o diâmetro da peça vibratória.

7. A diretriz para trocar a posição do vibrador é quando o concreto deixa de assentar e a argamassa flutua uniformemente na superfície e fica brilhante.

**NOTA:** A colocação do vibrador num ponto durante muito tempo pode provocar a separação do agregado.

**NOTA:** Se ocorrer uma separação durante a colocação de concreto, encha o agregado grosso de modo uniforme e volte a colocar o concreto.

**NOTA:** Recomenda-se que coloque o interruptor de operação em DESLIGADO enquanto o vibrador não estiver inserido no concreto. Tal ajuda a aumentar o tempo de utilização/a vida útil de produto do vibrador.

8. Quando levantar o vibrador, levante-o lentamente de modo a não serem deixados quaisquer orifícios.
9. Após a conclusão da aplicação, desligue o interruptor de operação do vibrador para parar o vibrador.

10. Pressione sem soltar o botão de alimentação no adaptador de baterias tipo mochila para interromper a saída de alimentação.  
O indicador de alimentação irá desligar-se.

11. Remova o conector que liga o adaptador de baterias tipo mochila e o vibrador.

**NOTA:** Quando remover o conector, segure a tomada e a ficha e não puxe pelo próprio cabo de alimentação.

## COMO CARREGAR A BATERIA

**⚠PRECAUÇÃO:** Antes de carregar a bateria, certifique-se de que lê o manual de instruções do adaptador de baterias tipo mochila e do carregador de bateria.

- Para carregar, consulte o manual de instruções do adaptador de baterias tipo mochila ou do carregador de bateria.

## LIMPEZA APÓS A UTILIZAÇÃO

- Após a utilização, o vibrador deve ser bem limpo e as mangueiras e os cabos devem ser ordenadamente enrolados.

1. Remova o concreto do conjunto da cabeça, da mangueira, da caixa do inversor e dos cabos antes de este endurecer.
2. Não lave a caixa do inversor com água. Limpe qualquer sujidade que tenha aderido com um pano húmido. Quando limpar, limpe com um pano seco para remover qualquer humidade restante.
3. Se houver sujidade ou ferrugem nos terminais da ficha ou da tomada, limpe-os. O mau contacto do terminal pode provocar uma avaria.
4. Quando transportar o adaptador de baterias tipo mochila, remova a tomada do adaptador de baterias tipo mochila e a ficha no vibrador antes de o mover.
5. Quando transportar a unidade, segure o vibrador e a pega do adaptador de baterias tipo mochila. Não levante nem puxe pelo vibrador ou pelo adaptador de baterias tipo mochila.  
Se o fizer, tal pode fazer com que o vibrador fique desgastado ou com que o cabo de alimentação se parta.
6. Quando transportar o adaptador de baterias tipo mochila, certifique-se de que desliga o adaptador de baterias tipo mochila antes de o mover. Pressione sem soltar o botão de alimentação para desligar a alimentação.

## INSPEÇÃO

- Antes de transportar o vibrador para o local de trabalho e também após a utilização, certifique-se de que verifica os seguintes aspetos.
- Tal irá ajudar muito a evitar problemas durante a operação.

1. Existem alguns sinais de desgaste, fissuras ou componentes soltos no vibrador?
2. Existem alguns sinais de desgaste, danos ou riscos na mangueira?
3. Existem alguns sinais de desgaste ou fissuras no revestimento dos cabos?
4. Existem alguns sinais de deformação da caixa do inversor, parafusos soltos ou danos em qualquer peça do inversor como uma cobertura do interruptor de operação ou lâmpada LED?
5. Existe alguma sujidade ou ferrugem nos terminais da ficha ou da tomada?
6. O valor de resistência do isolamento está correto? (500 V CC, 10 MΩ ou mais)
  - (1) Utilize um dispositivo de teste de resistência do isolamento de 500 V como o instrumento de medição.
  - (2) Meça entre os terminais da ficha e a caixa do inversor.
7. Existem algumas fissuras, amolgadelas ou outros danos no adaptador de baterias tipo mochila?
8. A bateria está totalmente carregada?

**NOTA:** Não meça entre os três conectores. Tal pode danificar a placa do inversor.

9. É possível ligar o vibrador enquanto o segura no ar ligando o vibrador ao adaptador de baterias tipo mochila?  
Quando o faz, a lâmpada LED na caixa do inversor acende a verde?
10. Existe algum ruído anormal proveniente do vibrador? O funcionamento do vibrador soa normal durante a operação? (É normal se existir um som regular e contínuo.)

## PERÍODO DE SUBSTITUIÇÃO DOS CONSUMÍVEIS

- Os consumíveis devem ser substituídos periodicamente de acordo com a tabela abaixo.

Consumíveis	Período de substituição (verificação visual e auditiva)	Frequência de substituição (em horas)
Conjunto da cabeça	Determinado pelo estado de desgaste (visual)	300-500
Tampa do vibrador		
Rolamento	Determinado pelo ruído emitido durante a operação (auditivo)	400-500
Mangueira	Determinado pelo desgaste ou pelos riscos (visual)	Mediante constatação

- O período de substituição acima indicado das peças consumíveis constitui um guia geral. Uma vez que tal depende da utilização, recomendamos a substituição de consumíveis antes do acima indicado.

## LÂMPADA LED

- Pode verificar o estado de saída do inversor através da iluminação ou da intermitência da lâmpada LED.
- Se piscar, a função de proteção é ativada e a saída de alimentação é interrompida. Certifique-se de que interrompe a operação e elimina a causa de anomalia antes de reiniciar a operação.

Estado da lâmpada LED	Estado de saída do inversor
1. Luz verde contínua	Condição normal. O vibrador pode ser utilizado.
2. Luz verde intermitente	O vibrador está sobrecarregado. O vibrador pode ser utilizado, mas a frequência de vibração foi reduzida para evitar a falha devido a sobrecarga. O vibrador vai retornar ao seu estado normal quando a condição de sobrecarga estiver resolvida.
3. Luz vermelha intermitente	Neste estado, é ativada a função de prevenção de arranque incorreto. Esta função evita que o vibrador arranque inesperadamente quando a alimentação é ligada enquanto o interruptor de operação do vibrador está na posição LIGADO. Desligar o interruptor de operação volta a colocar o vibrador no seu estado normal.
4. Luz vermelha contínua	Quando é detetada uma anomalia, a saída do inversor é interrompida. Quando a luz vermelha acende, verifique os seguintes aspetos. <ul style="list-style-type: none"> <li>Verifique a restante capacidade da bateria.</li> <li>Existe alguma restrição ou carga excessiva causada pelo vergalhão, etc.?</li> </ul> Se não for identificado qualquer problema, desligue o interruptor para voltar ao estado normal (luz verde contínua). Se a luz vermelha acender repetidamente, é provável que tenha ocorrido uma avaria. É necessário efetuar tarefas de inspeção e reparação.
5. Sem luzes acesas	Uma vez que existe um problema na fonte de alimentação, o vibrador foi parado. A bateria pode ter acabado, a bateria pode ter sido incorretamente inserida ou a bateria pode estar com defeito. Verifique a fonte de alimentação.

# RESOLUÇÃO DE PROBLEMAS

- Se alguma das seguintes condições for observada durante a utilização do produto, interrompa a utilização do produto e verifique a causa e as potenciais soluções.
- Para as tarefas de inspeção e reparação, contacte o seu centro de assistência autorizado da Makita local.

Operação	Sintoma 1	Sintoma 2	Causa	Solução
O vibrador funciona	Ruído invulgar proveniente da peça vibratória do vibrador (som metálico, etc.)		Anomalia dos rolamentos (irregulares e gastos)	Substitua os rolamentos.
	Vibração reduzida	O LED na caixa do inversor está a <b>piscar a verde</b> .	Anomalia dos rolamentos (irregulares e gastos)	Substitua os rolamentos.
			Uma condição de sobrecarga que excede a capacidade do vibrador.	Reduza a carga puxando o conjunto da cabeça para fora do concreto.
	Para durante a operação	O LED na caixa do inversor tem uma <b>luz vermelha contínua</b> .	O vibrador está significativamente sobrecarregado para além da sua capacidade. A carga da bateria é baixa e a capacidade do vibrador é reduzida.	Reduza a carga puxando o conjunto da cabeça para fora do concreto. Em seguida, volte a ligar.  Se a luz vermelha acender repetidamente, verifique a bateria. Se estiver totalmente carregada, esta deve ser verificada e reparada.

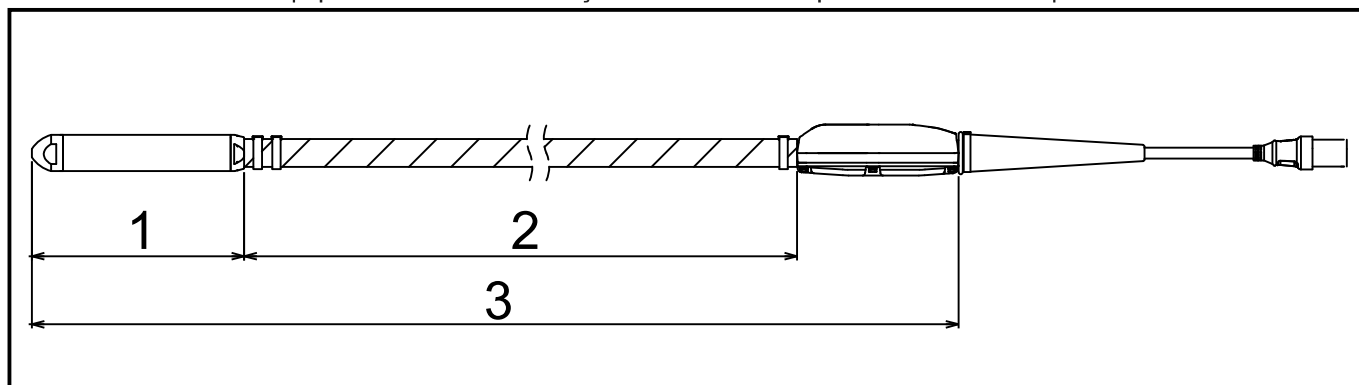
Operação	Sintoma 1	Sintoma 2	Causa	Solução
O vibrador não arranca	A lâmpada LED na caixa do inversor não está acesa.	O indicador de alimentação do adaptador de baterias tipo mochila não se acende.	O adaptador de baterias tipo mochila não está ligado.	Ligue o adaptador de baterias tipo mochila.
			A bateria não está instalada. Ou a restante capacidade da bateria não é suficiente.	Instale a bateria. Ou carregue as baterias ou substitua as baterias por baterias carregadas.
			O adaptador de baterias tipo mochila está a funcionar incorretamente.	É necessário efetuar tarefas de inspeção e reparação.
		A luz de alimentação no adaptador de baterias tipo mochila está a alternar entre <b>luz intermitente verde e vermelha</b> .	O adaptador de baterias tipo mochila detetou uma anomalia.	Desligue o adaptador de baterias tipo mochila e volte a ligá-lo.
			O adaptador de baterias tipo mochila está a funcionar incorretamente.	É necessário efetuar tarefas de inspeção e reparação.
		O indicador de alimentação no adaptador de baterias tipo mochila tem uma <b>luz verde contínua</b> .	A ficha no vibrador não está corretamente ligada à tomada no adaptador de baterias tipo mochila. Ou o cabo está desligado.	Certifique-se de que a ficha está firmemente ligada à tomada. Em caso de desconexão, é necessário efetuar tarefas de inspeção e reparação.
			A placa do inversor no vibrador está a funcionar incorretamente.	É necessário efetuar tarefas de inspeção e reparação.

Operação	Sintoma 1	Sintoma 2	Causa	Solução
O vibrador não arranca	A lâmpada LED na caixa do inversor não está acesa.	O indicador de alimentação no adaptador de baterias tipo mochila tem uma <b>luz verde intermitente</b> .	A carga da bateria é reduzida. Ou esta não está corretamente instalada.	Verifique o indicador de nível da bateria. Se o nível da bateria for suficiente, verifique a forma como a bateria está instalada.
			O adaptador de baterias tipo mochila ou o cabo de alimentação está quente.	Arrefeça o adaptador de baterias tipo mochila.
			A ficha no vibrador não está corretamente ligada à tomada no adaptador de baterias tipo mochila. Ou o cabo está desligado.	Certifique-se de que a ficha está firmemente ligada à tomada. Em caso de desconexão, é necessário efetuar tarefas de inspeção e reparação.
	A lâmpada LED na caixa do inversor tem uma <b>luz vermelha contínua</b> .		O vibrador parou porque foi detetada uma falha.	Volte a ligar o adaptador de baterias tipo mochila. Se a lâmpada LED acender a vermelho repetidamente, é necessário efetuar tarefas de inspeção e reparação.
	A lâmpada LED na caixa do inversor tem uma <b>luz vermelha intermitente</b> .		É ativada a função de prevenção de arranque incorreto do vibrador.	Desligue o interruptor de operação do vibrador uma vez e depois volte a ligá-lo.

# ESPECIFICAÇÕES

Modelo	VR001C	VR002C	VR003C	VR004C
Saída	250 W		400 W	
Tensão	36 V			
Corrente	8,7 A		14,0 A	
Frequência	200 Hz			
Comprimento total	1.945 mm (76-9/16")	3.445 mm (135-5/8")	1.977 mm (77-27/32")	3.477 mm (136-7/8")
Cabeça Diâmetro x Comprimento	43 x 255 mm (1-11/16" x 10-1/32")		52 x 287 mm (2-1/16" x 11-5/16")	
Mangueira externa Diâmetro x Comprimento	33 x 1.500 mm (1-5/16" x 59-1/16")	33 x 3.000 mm (1-5/16" x 118-1/8")	33 x 1.500 mm (1-5/16" x 59-1/16")	33 x 3.000 mm (1-5/16" x 118-1/8")
Massa	4,8 kg (10,6 lbs)	5,9 kg (13,0 lbs)	5,6 kg (12,4 lbs)	6,7 kg (14,8 lbs)

\* A massa não inclui equipamentos de alimentação tais como o adaptador de baterias tipo mochila e as baterias.



► 1. Comprimento da cabeça 2. Comprimento da mangueira externa 3. Comprimento total

## TEMPO DE FUNCIONAMENTO

Modelo	Quando utilizar PDC01 (min.)	Quando utilizar PDC1200 (min.)
VR001C / VR002C	aprox. 100	aprox. 300
VR003C / VR004C	aprox. 60	aprox. 200

\* O tempo de funcionamento utilizando PDC01 baseia-se em quatro baterias BL 1860B instaladas no adaptador de baterias tipo mochila.

\* O tempo de funcionamento constitui um valor de referência que representa o momento em que cada vibrador é operado de forma contínua. Tal depende do estado de carga da bateria e do ambiente de utilização.

## VALOR TOTAL DE VIBRAÇÃO

Modelo	Valor total de vibração (m/s <sup>2</sup> )
VR001C / VR002C	Inferior a 2,5
VR003C / VR004C	2,5

\* O valor total de vibração é um valor que utiliza o instrumento de medição com base na ISO 5349-1, e foi medido através do método presente na ISO 5349-2.



## TILSIGTET BRUG

Denne maskine er beregnet til fjernelse af bobler fra beton ved støbning af beton.

## STØJ

Det typiske A-vægtede støjniveau bestemt i overensstemmelse med EN60745:

**Model: VR001C, VR002C**

Lydeffektniveau ( $L_{WA}$ ): 98,4 dB (A)

Lydtrykniveau ( $L_{pA}$ ): 87,4 dB (A)

Usikkerhed (K): 3 dB (A)

**Model: VR003C, VR004C**

Lydeffektniveau ( $L_{WA}$ ): 97,6 dB (A)

Lydtrykniveau ( $L_{pA}$ ): 86,6 dB (A)

Usikkerhed (K): 3 dB (A)

**BEMÆRK:** Den/de erklærede støjemissionsværdi(er) er blevet målt i overensstemmelse med en standardtestmetode og kan anvendes til at sammenligne én maskine med en anden.

**BEMÆRK:** Den/de erklærede støjemissionsværdi(er) kan også anvendes i en foreløbig vurdering af eksponering.

**⚠ ADVARSEL:** Bær høreværn.

**⚠ ADVARSEL:** Støjemissionen under faktisk brug af maskinen kan afvige fra den/de erklærede værdi(er) afhængigt af de måder, som maskinen anvendes på, især hvilken slags arbejdsemne der bearbejdes.

**⚠ ADVARSEL:** Sørg for at identificere sikkerhedsforanstaltninger for at beskytte operatøren, som er baseret på en estimering af eksponering i de faktiske anvendelsesforhold (hvor alle dele i anvendelsescyklussen er indregnet, som fx antallet af gange maskinen slukkes, og når den kører i tomgang, udover tiden der trykkes på udløseren).

## VIBRATION

Den samlede vibrationsværdi (triaksial vektorsum) bestemt i overensstemmelse med EN60745:

**Model: VR001C, VR002C**

Arbejdstilstand: betjening uden belastning

Vibrationsemission (ah): 1,9 m/s<sup>2</sup> (Slange)

Vibrationsemission (ah): 0,7 m/s<sup>2</sup> (Vekslerterhus)

Usikkerhed (K): 1,5 m/s<sup>2</sup>

**Model: VR003C, VR004C**

Arbejdstilstand: betjening uden belastning

Vibrationsemission (ah): 3,1 m/s<sup>2</sup> (Slange)

Vibrationsemission (ah): 1,7 m/s<sup>2</sup> (Vekslerterhus)

Usikkerhed (K): 1,5 m/s<sup>2</sup>

**BEMÆRK:** Den erklærede vibrationsemissionsværdi er blevet målt i overensstemmelse med en standardtestmetode og kan anvendes til at sammenligne én maskine med en anden.

**BEMÆRK:** Den erklærede vibrationsemissionsværdi kan også anvendes i en foreløbig vurdering af eksponering.

**⚠ ADVARSEL:** Vibrationsemissionen under faktisk brug af maskinen kan afvige fra den erklærede emissionsværdi afhængigt af de måder, som maskinen anvendes på, især hvilken slags arbejdsemne der bearbejdes.

**⚠ ADVARSEL:** Sørg for at identificere sikkerhedsforanstaltninger for at beskytte operatøren, som er baseret på en estimering af eksponering i de faktiske anvendelsesforhold (hvor alle dele i anvendelsescyklussen er indregnet, som fx antallet af gange maskinen slukkes, og når den kører i tomgang, udover tiden der trykkes på udløseren).

## EF-konformitetserklæring

### Kun for europæiske lande

EF-konformitetserklæringen er inkluderet som Tillæg A til denne betjeningsvejledning.

# GENERELLE SIKKERHEDSADVARSLER FOR MASKINER

**⚠ ADVARSEL:** Læs alle sikkerhedsadvarsler og alle instruktioner. Det kan muligvis resultere i elektrisk stød, brand og/eller alvorlig tilskadekomst, hvis advarslerne og instruktionerne ikke overholdes.

## Gem alle advarsler og instruktioner så du kan referere til dem fremover.

Termen "maskine" i advarslerne refererer til din stikkontaktbetjente (ledningsførte) maskine eller batteridrevne (akku) maskine.

### Sikkerhed for arbejdsområde

1. Hold arbejdsområdet rent og ordentligt belyst. Rodede eller mørke områder indbyder til ulykker.
2. Anvend ikke maskiner i eksplosive atmosfærer, som fx hvor der er brændbare væsker, gasser eller støv til stede. Maskiner kan skabe gnister, som muligvis kan antænde støvet eller dampene.
3. Hold børn og folk i nærheden på afstand, mens der anvendes en maskine. Distractioner kan få dig til at miste kontrollen.

### Elektrisk sikkerhed

4. Maskinens stik skal matche stikkontakten. Modificer aldrig stikket på nogen måde. Brug ikke nogen adapterstik med jordede maskiner. Umodificerede stik og matchende stikkontakter vil reducere risikoen for elektrisk stød.
5. Undgå kropkontakt med jordede overflader som fx rør, radiatorer, komfurer og køleskabe. Der er en forøget risiko for elektrisk stød, hvis din krop er jordet.
6. Udsæt ikke maskiner for regn eller våde forhold. Vand, som trænger ind i en maskine, vil forøge risikoen for elektrisk stød.
7. Misbrug ikke ledningen. Brug aldrig ledningen til at bære, trække i eller frakoble maskinen. Hold ledningen væk fra varme, olie, skarpe kanter eller dele i bevægelse. Beskadigede eller indviklede ledninger forøger risikoen for elektrisk stød.
8. Når du anvender en maskine udendørs, skal du anvende en forlængerledning, som er egnet til udendørs brug. Brug af en ledning, som er egnet til udendørs brug, reducerer risikoen for elektrisk stød.
9. Hvis anvendelse af en maskine på et fugtigt sted ikke kan undgås, skal der anvendes en strømforsyning beskyttet med en fejlstrømsafbryder (GFCI). Brug af en fejlstrømsafbryder reducerer risikoen for elektrisk stød.

### Personlig sikkerhed

10. Vær opmærksom, se hvad du foretager dig og brug sund fornuft, når du anvender en maskine. Brug ikke en maskine, når du er træt eller under påvirkning af stoffer, alkohol eller medicin. Et øjeblikks uopmærksomhed under anvendelse af maskiner kan resultere i alvorlig personskade.
11. Brug personligt beskyttelsesudstyr. Bær altid øjenbeskyttelse. Beskyttelsesudstyr som fx støvmaske, skridsikre sikkerhedssko, hjelm eller høreværn brugt til passende forhold vil reducere personskader.
12. Forhindring af utilsigtet start. Sørg for, at kontakten er i den slukkede position, inden du tilslutter strømkilden og/eller batteripakken, tager maskinen op eller bærer på den. Bæring af maskiner med fingeren på kontakten eller tænding for maskiner, med kontakten tændt, inviterer til uheld.
13. Fjern alle justeringsnøgler eller skruenøgler, inden maskinen tændes. En skruenøgle eller en nøgle, som forbliver fastgjort til en roterende del af maskinen, kan resultere i personskade.
14. Undgå at række ud over evne. Bevar til enhver tid et ordentligt fodfæste og en god balance. Dette muliggør bedre kontrol af maskinen i uventede situationer.
15. Anvend korrekt påklædning. Bær ikke løst tøj eller smykker. Hold hår, tøj og handsker væk fra dele i bevægelse. Løst tøj, smykker eller langt hår kan sidde fast i dele i bevægelse.
16. Hvis der medfølger udstyr til tilslutningen af støvudsugning og opsamlingsfaciliteter, skal det sikres, at disse tilsluttes og anvendes korrekt. Brug af støvopsamling kan reducere støvrelaterede farer.

### Anvendelse og behandling af maskiner

17. Anvend ikke kraft på maskinen. Brug den rigtige maskine til anvendelsen. Den rigtige maskine vil udføre arbejdet bedre og mere sikkert ved den hastighed, som den er beregnet til.
18. Brug ikke maskinen, hvis kontakten ikke tænder og slukker for den. Enhver maskine, som ikke kan betjenes med kontakten, er farlig og skal repareres.
19. Afbryd stikket fra strømkilden og/eller batteripakken fra maskinen, inden du udfører nogen justeringer, skifter tilbehør eller opbevarer maskiner. Sådanne præventive sikkerhedsforanstaltninger reducerer risikoen for utilsigtet start af maskinen.
20. Opbevar ubenyttede maskiner uden for børns rækkevidde og tillad ikke personer, som ikke er bekendte med maskinen eller disse instruktioner, at anvende maskinen. Maskiner er farlige i hænderne på utrænede brugere.

21. Vedligehold maskiner. Kontroller dele i bevægelse for misjustering eller fastklemning, brud på dele eller nogen andre forhold, som muligvis kan påvirke anvendelsen af maskinen. Hvis den er beskadiget, skal maskinen repareres inden brug. Mange uheld er forårsaget af dårligt vedligeholdte maskiner.
22. Hold skæreværktøjer skarpe og rene. Korrekt vedligeholdte skæreværktøjer med skarpe skær har mindre sandsynlighed for at sidde fast og er nemmere at kontrollere.
23. Brug maskiner, tilbehør og værktøjsbits osv. i overensstemmelse med disse instruktioner, og tag hensyn til arbejdsforholdene og det arbejde, som skal udføres. Brug af maskinen til andre anvendelser end de tilsigtede kan resultere i en farlig situation.
26. Når batteripakken ikke anvendes, skal den opbevares væk fra andre metalgenstande som fx papirclips, mønter, nøgler, søm, skruer eller andre små metalgenstande, som kan lave en forbindelse fra den ene terminal til den anden. Kortslutning af batteriterminalerne kan muligvis forårsage forbrændinger eller en brand.
27. Under forhold med forkert anvendelse kan der muligvis komme væske ud af batteriet. Undgå kontakt. Hvis der ved et uheld opstår kontakt, skal der skylles med vand. Hvis væske kommer i kontakt med øjnene, skal der desuden opsøges lægehjælp. Væske, der kommer ud fra batteriet, kan muligvis forårsage irritation eller forbrændinger.

### Anvendelse og behandling af batteriværktøj

24. Genoplad kun med den oplader, som er angivet af producenten. En oplader, som er egnet til én type batteripakke, kan muligvis skabe risiko for brand, når den anvendes med en anden batteripakke.
25. Brug kun maskiner med specifikt designede batteripakker. Brug af andre batteripakker kan muligvis skabe risiko for tilskadekomst og brand.

### Service

28. Få din maskine serviceret af en kvalificeret reparatør, som udelukkende anvender identiske reservedele. Dette vil sikre, at sikkerheden af maskinen bevares.
29. Følg instruktionen for smøring og udskiftning af tilbehør.
30. Hold håndtag tørre, rene og fri for olie og fedt.

## SIKKERHEDSADVARSLER FOR PRODUKT

1. Dette produkt er en vibrator til komprimering af beton. Brug ikke vibratoren til noget andet formål.
2. Sørg for omhyggeligt at læse og forstå denne betjeningsvejledning, inden du anvender produktet, så det kan anvendes sikkert og effektivt. Forkert maskinbrug kan muligvis resultere i tilskadekomst eller maskinfejl. Gem denne vejledning til yderligere reference.
3. Dette produkt skal anvendes ved at tilslutte det til Makitas transportable strømpakke "PDC01" eller "PDC1200". Læs endvidere betjeningsvejledningerne til den transportable strømpakke og batteriopladeren.
4. Brug aldrig dette produkt, mens det er tilsluttet noget andet strømforsyningsudstyr. I så fald kan det resultere i beskadigelse af printpladen eller udbrænding af motoren. Beskadigelsen eller motorudbrændingen kan muligvis ødelægge isoleringen og forårsage elektrisk stød.
5. Brug ikke noget andet batteri end det dedikerede batteri, som er specificeret af Makita, til den transportable strømpakke. Brug endvidere ikke batterier, som er blevet modificeret (inklusive batterier, som er blevet adskilt, og hvor cellerne eller andre interne dele er skiftet ud).
6. Oplad ikke batteriet med noget andet end den inkluderede oplader.
7. Termen "batteripatron" i denne vejledning omtales herefter som "batteri".
8. Håndter og vedligehold dette produkt på korrekt vis for at sikre sikker betjening.
9. Når du låner dette produkt ud til en anden person, skal du sørge for udstyre dem med vejledningerne og forklare fuldt ud, hvordan produktet anvendes sikkert og korrekt.
10. Specifikationerne i dette dokument kan blive ændret uden varsel pga. modificering.
11. Dette produkt er i overensstemmelse med disse EMC-standarder: EN61000-6-2 / EN61000-6-4. Dette produkt er ikke i overensstemmelse med disse EMC-standarder: EN61000-6-3 / EN55014-1.
12. Når du anvender dette produkt i nærheden af andet elektronisk udstyr kan det forårsage radiointerferens. På dette tidspunkt er brugere af dette produkt muligvis nødt til at træffe passende foranstaltninger.

# Sikkerhedsadvarsler for betonvibrator

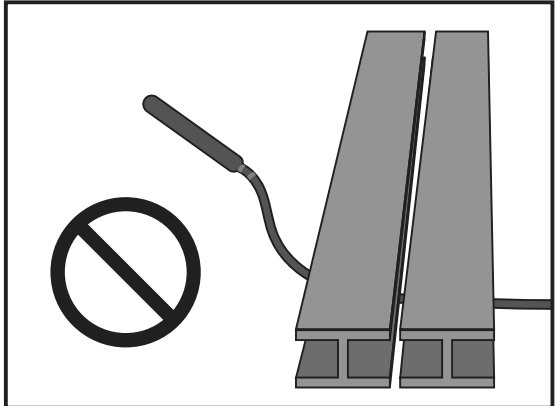
1. Anvend en sikkerhedshjelm, antivibrationshandsker, sikkerhedsstøvler, høreværn, ansigtsbeskyttelse (sikkerhedsbriller og maske) samt sikkerhedssele inden brug af vibratoren.



2. Under arbejde skal du have lange ærmer og lange bukser på og holde hudexponering til et minimum for at undgå hudskader forårsaget af flyvende beton, som klæber sig til huden.
3. Når du anvender vibratoren i nærheden af fædder, eller på steder, som ikke er særlig dybe, kan betonen muligvis sprøjtes rundt. Brug ansigtsbeskyttelse (sikkerhedsbriller og maske) til at beskytte dine øjne og mund. Anvend høreværn når du arbejder på steder med støj.
4. Sørg for, at der er placeret et fodbræt, når der arbejdes i områder med dårligt fodfæste, som fx på en armeringsstang.
5. Eftersom dette produkt har en lang slange, er der risiko for tilskadekomst pga. snublen eller et forkert trin, hvis slangen sætter sig fast i armeringsstangen under arbejde eller bevægelse, eller bevægelse er begrænset, fordi der er placeret noget på slangen. Hvis produktet endvidere efterlades i et område, hvor folk passerer forbi, mens der ikke arbejdes, kan den vikles om nogens fod og forårsage, at nogen falder eller kommer til skade. Vær forsigtig ved håndtering af slanger og kabler.
6. Længerevarende brug af vibrator eller anvendelse af vibratoren i en unaturlig stilling kan være belastende for kroppen. Sørg for at holde passende pauser for at undgå træthed eller tilskadekomst. Hvis du endvidere føler smerte eller følelsesløshed i dine hænder, arme, skuldre eller ryg, mens du anvender produktet, skal du straks stoppe anvendelsen af det og få den nødvendige behandling.
7. Virksomhedslederen, som gør brug af denne betonvibrator, skal have styr på arbejdstimer, og skal bestræbe sig på at forebygge forringelse af arbejdstagernes helbred pga. vibration. Se "SAMLET VIBRATIONSVÆRDI"-afsnittet angående detaljerne for vibratorens vibrationsstyrke. Overhold de relevante lovkrav og retningslinjer for det land, hvor vibratoren anvendes.

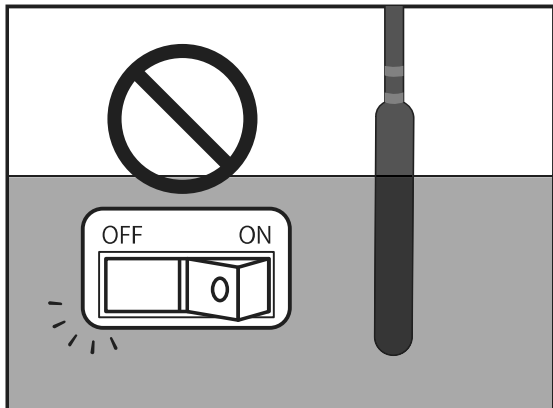
8. Når du stopper arbejdet midlertidigt, skal produktet opbevares på et sikkert sted. Hvis den placeres i en gang, kan foden sidde fast i den og forårsage, at du falder eller kommer til skade. Hvis der opstår nogen unormalitet eller funktionsfejl, skal du straks slukke for alle strømforsyninger, afbryde anvendelsen og afmontere den transportable strømpakke. Kontakt dit lokale Makita-autoriserede servicecenter angående eftersyn og reparation.
9. Hovedkomponenten på dette produkt afkøles vha. indsættelse i færdigblandet beton. Forsøg derfor ikke at anvende den uden for færdigblandet beton (dvs. i luften). Det er muligt, at motoren kunne udbrænde.



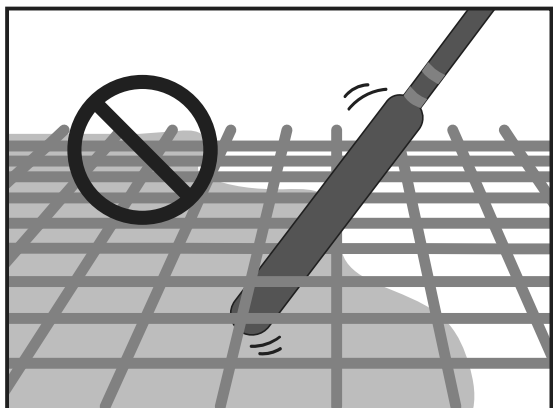
10. Anvend ikke hovedkomponenten i luften. Ved anvendelse af den i luften når vibratoren op på 100°C (212°F) eller højere i løbet af få minutter, og du kan blive forbrændt, hvis du rører ved den.
  11. Hovedkomponenten bliver varm under anvendelse. Vær påpasselig med ikke at røre den efter brug. Der er en risiko for at blive forbrændt.
  12. Placer eller tab ikke tunge genstande på kablet eller slangen. Det kan beskadige kablet og forårsage en funktionsfejl.
- 
13. Sving ikke hovedkomponenten rundt ved at holde i slangen eller kablet. Det er muligt, at dette kan forårsage tilskadekomst eller skade på genstande i nærheden.

14. Tænd/sluk-kontakten bør kun slås TIL/FRA, når hovedkomponenten ikke er indsat i den færdigblandede beton.

Hvis strømmen slås FRA, mens vibratoren er i den færdigblandede beton, vil du muligvis ikke være i stand til at fjerne hovedkomponenten. Trækkes den ud med kraft, kan det muligvis forårsage tilskadekomst.



15. Sæt ikke vibratoren ned og tænd for den. Hovedkomponenten kan muligvis snurre rundt ude af kontrol og forårsage en ulykke.
16. Forsøg ikke at vippe eller dreje vibratoren mellem armeringsstangen eller forskallingen med hovedkomponenten. Ellers kan hovedkomponenten muligvis blive afslebet, og det afbrænder motoren.



17. Når der anvendes en vibrator tilsluttet til den transportable strømpakke, skal du sørge for at arbejde alene. Tomandsbetjening, hvor den ene holder vibratoren og den anden holder den transportable strømpakke særskilt, kan muligvis forårsage ulykker eller tilskadekomst.
18. Når produktet transporteres eller opbevares, skal du sørge for at flytte det med den transportable strømpakke slukket. Hvis strømmen forbliver slået til, kan det starte utilsigtet og forårsage et uheld eller tilskadekomst.
19. Hovedkomponenten på dette produkt bør ikke anvendes på hårde overflader som fx hærdet beton eller stålplade. Det er muligt, at lejerne kan brændes af, og at rotoren kan gå i stykker.
20. Træk eller hæng ikke kablet i noget ved placering af beton eller under transport af den, ellers kan stikket muligvis løsnes, og det kan forårsage beskadigelse af kabel eller printpladefejl.
21. Vekselretterhuset indeholder præcist elektronisk udstyr. Det må ikke tabes, kastes, trædes på eller udsættes for kraftige stød.

22. Når stikforbindelsen sættes i eller fjernes, skal du sørge for at slå den transportable strømpakke FRA. Hvis stikforbindelsen forbindes eller frakobles, mens strømmen er slået TIL, kan det forårsage en funktionsfejl.
23. For at forhindre dårlig tilslutning skal du rense eventuelt snavs eller rust fra stikterminalerne, inden de sættes ordentligt ind i udgangsfatningen på den transportable strømpakke. Dårlig tilslutning med stikket er en af hovedårsagerne til funktionsfejl, som fx motorudbrænding og beskadigelse af printpladen.
24. Den transportable strømpakke, som skal tilsluttes til dette produkt, anvender et lithium-ion-batteri. Udsæt ikke batteriet for kraftigt stød, vandsprøjt på batteriet, og placer ikke batteriet i nærheden af en varmekilde. I så fald kan det muligvis resultere i funktionsfejl, elektrisk stød eller brand.
25. Når der opstår en unormalitet, skal du straks stoppe anvendelsen. Ellers kan det muligvis forårsage en brand, elektrisk stød eller tilskadekomst.
26. Brug ikke produktet ved tilstedeværelse af brændbare væsker, gasser eller støv. I så fald kan det forårsage antændelse eller eksplosion.
27. Forsøg ikke at adskille eller modificere dette produkt. I så fald kan det muligvis resultere i elektrisk stød, overophedning, brud eller brand.
28. Brug ikke vibratoren i regnvejr.
29. Vask ikke vibratoren med vand.

# Vigtige sikkerhedsinstruktioner for transportabel strømpakke

1. Inden brug af transportabel strømpakke skal du læse alle instruktioner og advarselsskiltninger på (1) batterioplader, (2) batteri og (3) transportabel strømpakke.
2. Saml ikke denne transportable strømpakke op, og bær den ikke, ved kun at holde i ledningen. Træk ikke i ledningen, mens du har denne transportable strømpakke på eller anvender den.
3. Inden du tager den transportable strømpakke på eller af, skal du fjerne fatningen fra vibratoren.
4. Når du efterlader vibratoren, skal du sørge for at fjerne fatningen fra vibratoren, eller fjerne den transportable strømpakke fra din krop.
5. Pas på ikke at falde over ledningen under anvendelse.
6. Brug ikke denne transportable strømpakke på en ustabil overflade eller ustabile høje steder.
7. Under anvendelse skal ledningen holdes væk fra forhindringer. Hvis ledningen sætter sig fast i forhindringer, kan det forårsage alvorlig tilskadecomst.
8. Isæt ikke adapterne i opladeren.
9. Efterse den transportable strømpakke, herunder ledninger og sele inden anvendelse. Hvis de beskadiges, skal du anmode dit lokale Makita-autoriserede servicecenter om reparation.
10. Når du fastgør ledningen til ledningsholderen, skal du sørge for at fastgøre den langsomt og sikkert.
11. Sikr dig altid, at vibratoren er slukket, og at fatningen er fjernet, inden du forsøger at udføre eftersyn eller vedligeholdelse på vibratoren.
12. Når du har den transportable strømpakke på, må du ikke putte noget på, som fx en sikkerhedssele eller skuldersele, som muligvis kan være til hinder for nødaftagningsfunktionen på den transportable strømpakke.
13. Brug ikke denne transportable strømpakke, når du har en batteridrevet ventilatorjakke eller batteridrevet opvarmet jakke på.
14. Udsæt ikke denne transportable strømpakke for gnister.
15. Når du anvender denne transportable strømpakke uden at have den på, skal du sørge for at lægge den transportable strømpakke ned.
16. Adskil, reparer eller modificer ikke den transportable strømpakke.
17. Vær påpasselig med at selen eller bæltet ikke vikles ind i vibratoren.

## [ PDC01 ]

1. Brug ikke flere transportable strømpakker ved at tilslutte en transportabel strømpakke til en anden transportabel strømpakke.
2. Monter ikke adapterne på batteriportene på denne transportable strømpakke.
3. Denne transportable strømpakke er udelukkende beregnet til brug med 18 V-batterier. Brug ikke andre batterier end 18 V-batterier.
4. Undgå at der kommer vand ind i dækslet.

## [ PDC1200 ]

1. Når du stiller den transportable strømpakke oprejst vha. batteristanderen, skal du sørge for at placere den transportable strømpakke på en jævn overflade.
2. Brug kun den oplader, som er beregnet til den transportable strømpakke. Brug ikke andre opladere.
3. Bær ikke den transportable strømpakke ved at holde i batteristanderen eller i breddejusteringsbæltet.
4. Placer eller fastgør ikke noget mellem batteriet og batteristanderen.
5. Hæng ikke noget fra batteristanderen.

# Vigtige sikkerhedsinstruktioner for batterioplader

1. Inden brug af batterioplader skal du læse alle instruktioner og advarselsskiltninger på (1) batterioplader, (2) batteri og (3) transportabel strømpakke.
2. Ikke-genopladelige batterier kan ikke oplades med denne batterioplader.
3. Brug en strømkilde med den spænding, som er angivet på navnepladen på opladeren.
4. Oplad ikke batteriet ved tilstedeværelse af brændbare væsker eller gasser.
5. Udsæt ikke opladeren for regn eller sne.
6. Bær aldrig opladeren i ledningen og ryk ikke i den for at frakoble den fra koblingsstikket.
7. Efter opladning eller inden der udføres nogen vedligeholdelse eller rengøring, skal opladeren afbrydes fra strømkilden. Træk i stikket frem for i ledningen når opladeren afbrydes.
8. Sørg for, at ledningen er placeret, så der ikke trædes på den, faldes over den, eller den på anden måde udsættes for beskadigelse og belastning.
9. Anvend ikke opladeren med beskadiget ledning eller stik. Hvis ledningen eller stikket er beskadiget, skal du anmode et Makita-autoriseret servicecenter om at udskifte den/det for at undgå en fare.

**⚠ FORSIGTIG: For at reducere risikoen for tilskadecomst skal du kun oplade genopladelige batterier af Makita-typen. Andre typer batterier kan muligvis sprænge og forårsage personskade og materialeskade.**

10. Anvend eller adskil ikke opladeren, hvis den har været udsat for et hårdt slag, har været tabt eller på anden måde er blevet beskadiget. Tag den med hen til en kvalificeret fagmand. Forkert anvendelse eller genmontering kan resultere i en risiko for elektrisk stød eller brand.
11. Når batterierne oplades, skal det udføres i et indendørs miljø med en omgivelsestemperatur på 10°C (50°F) til 40°C (104°F). Oplad ikke batteriet, når rumtemperaturen er UNDER 10°C (50°F) eller OVER 40°C (104°F). Opladning starter muligvis ikke ved en kold temperatur.
12. Forsøg ikke at anvende en transformer til optransformering, en motorgenerator eller et jævnstrømsstik.
13. Hullerne i opladeren er køleventilationsåbninger og må ikke blokeres. Utilstrækkelig køling påvirker opladningstiden. Det anbefales, at køleventilationsåbningerne efterses med mellemrum.

## Vigtige sikkerhedsinstruktioner for batteri

1. Inden brug af batteri skal du læse alle instruktioner og advarselmarkeringer på (1) batterioplader, (2) batteri og (3) transportabel strømpakke.
2. Adskil eller ændr ikke på batteriet. Det kan muligvis resultere i en brand, overdreven varme eller eksplosion.
3. Hvis driftstiden er blevet væsentligt kortere, skal du straks stoppe anvendelsen. Det kan muligvis resultere i en risiko for overophedning, mulige forbrændinger og endda en eksplosion.
4. Under svære forhold, som fx høj temperatur, lækker batteriet muligvis væske. Rør ikke uagtsomt ved den lækkede væske. Den kan forårsage irritation eller forbrændinger. I det usandsynlige tilfælde at du får batterivæske i øjnene eller på huden, skal du straks skylle med rent vand, som fx postevand, og derefter opsøge lægehjælp.
5. Kortslut ikke batteriet:
  - (1) Rør ikke ved terminalerne med noget ledende materiale.
  - (2) Undgå opbevaring af batteri i en beholder med andre metalgenstande som fx søm, mønter osv.
  - (3) Udsæt ikke batteri for vand eller regn.  
En batterikortslutning kan forårsage en stor strømgennemstrømning, overophedning, mulige forbrændinger og endda et sammenbrud.
6. Put ikke batteriet ned i et ledende materiale som fx vand og put ikke et ledende materiale, som fx vand, ind i batteriet. Dette kan muligvis forårsage en kortslutning, hvilket muligvis kan resultere i overophedning, brand, brud eller eksplosion.
7. Oplad, opbevar og brug ikke vibratoren og den transportable strømpakke og batteriet på steder, hvor temperaturen muligvis når eller overstiger 50°C (122°F).
8. Afbrænd ikke batteriet, selv hvis det er alvorligt beskadiget eller fuldstændigt udslidt. Batteriet kan eksplodere i en brand.
9. Slå ikke søm i, skær i, kast eller tab batteriet, og slå ikke batteriet med en hård genstand. Sådant handling kan muligvis resultere i en brand, overdreven varme eller eksplosion.
10. Brug ikke et batteri, som har været tabt eller beskadiget på nogen måde.
11. De indeholdte lithium-ion-batterier er underlagt lovgivningen vedrørende farligt gods.  
For kommercielle transportere, fx af tredjeparter, speditører, skal særlige krav til indpakning og afmærkning overholdes. Der kræves konsultation med en ekspert i farligt gods ved klargøring til forsendelse af emnet. Overhold også eventuelt mere detaljerede nationale bestemmelser. Tape til eller afdæk åbne kontakter og pak batteriet ind på en sådan måde, at det ikke kan bevæge sig rundt inde i indpakningen.
12. Når batteriet afskaffes, skal du fjerne det fra den transportable strømpakke og bortskaffe det på et sikkert sted. Overhold de lokale bestemmelser relateret til bortskaffelse af batteri.
13. Brug kun batteriet med de produkter, som er angivet af Makita. Installation af batteriet i ikke-kompatible produkter kan muligvis resultere i en brand, overdreven varme, eksplosion eller læk af elektrolyt.
14. Hvis vibratoren ikke anvendes i en længere tidsperiode, skal batteriet fjernes fra den transportable strømpakke.
15. Hold batteriet væk fra børn.
16. Under og efter brug kan batteriet være varmt, hvilket kan forårsage forbrændinger eller forbrændinger ved lav temperatur. Vær opmærksom ved håndtering af varme batterier.
17. Rør ikke ved terminalen på batteriet lige efter brug eftersom den kan blive så varm, at den forårsager forbrændinger.
18. Lad ikke spåner, støv eller jord være inde i terminalerne, hullerne og rillerne på batteriet. Dette kan muligvis resultere i dårlig ydelse eller sammenbrud af vibratoren eller batteriet.
19. Rør ikke terminalerne på batteriet, som er ved at oplade, med metal eller andre genstande.
20. Brug ikke batteriet i nærheden af højspændingsledninger. Dette kan muligvis resultere i en funktionsfejl eller sammenbrud af vibratoren eller batteriet.
21. Når batteritemperaturen er høj (40°C (104°F) eller højere), som fx efter arbejde under den brændende sol, kan det midlertidigt være umuligt at oplade. Men dette er pga. batteribeskyttelsesfunktionen og indikerer ikke en funktionsfejl. Lad batteriet køle af et stykke tid, inden du genoplader.

**GEM DISSE INSTRUKTIONER.**

**⚠ FORSIGTIG: Brug kun originale Makita-batterier.**

Brug af uoriginale Makita-batterier, eller batterier, som er blevet ændret, kan medføre, at batteriet sprænger og forårsager brande, personskade og materialeskade. Det vil også ugyldiggøre Makita-garantien for Makita-produkterne.

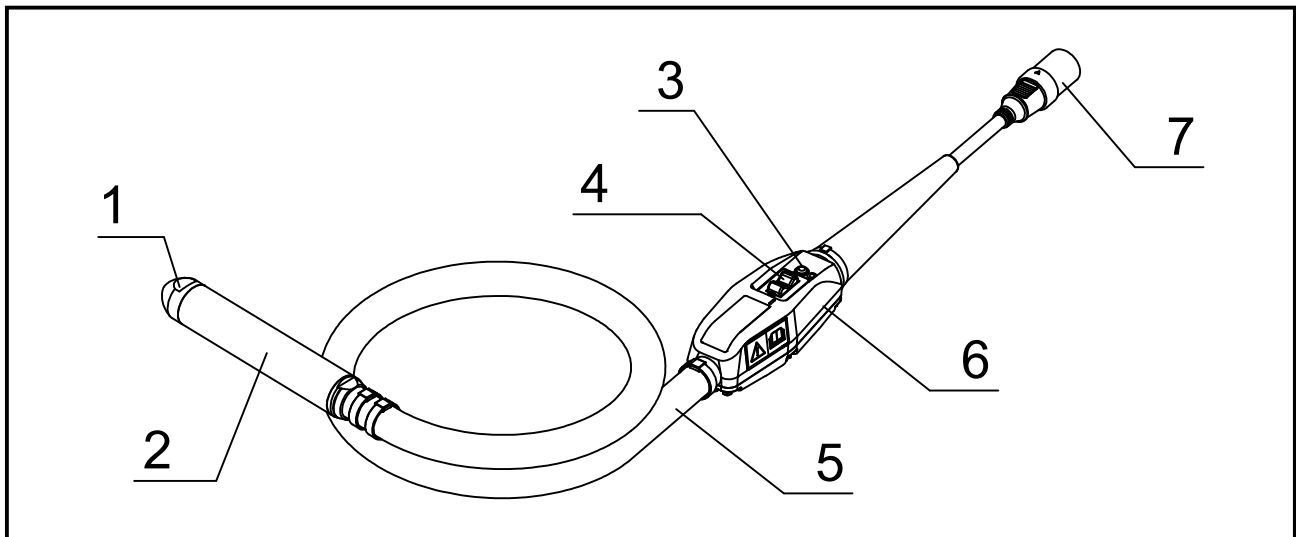
**Tips til bevaring af maksimal batteritid**

1. Oplad batteriet inden det bliver helt afladet. Stop altid maskinanvendelse og oplad batteriet, når du oplever mindre maskinkraft.

2. Genoplad aldrig et fuldt opladet batteri. Overopladning forkorter batteriets levetid.
3. Oplad batteriet i en rumtemperatur på 10 °C - 40 °C (50 °F - 104 °F). Lad et varmt batteri køle af inden du oplader det.
4. Når du ikke anvender batteriet, skal du fjerne det fra den transportable strømpakke eller opladeren.
5. Oplad batteriet, hvis du ikke anvender det i en længere periode (mere end seks måneder).

## BETEGNELSER FOR VIBRATORDELE

**⚠ FORSIGTIG:** Dette produkt er et dedikeret udstyr til Makitas transportable strømpakke "PDC01" og "PDC1200". Brug ikke noget andet batteridrevet udstyr. I så fald kan det muligvis resultere i elektrisk stød, overophedning, brud eller brand.

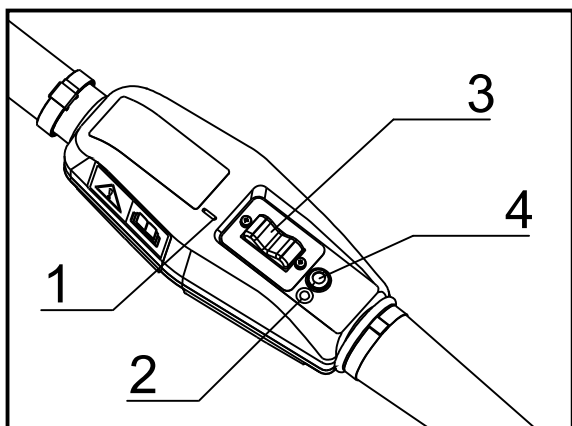


1	Vibratorlåg	5	Slange
2	Hovedkomponent	6	Vekselretterhus
3	LED-lampe	7	Stikforbindelse (stik)
4	Kontakt	-	-



# BETJENINGER

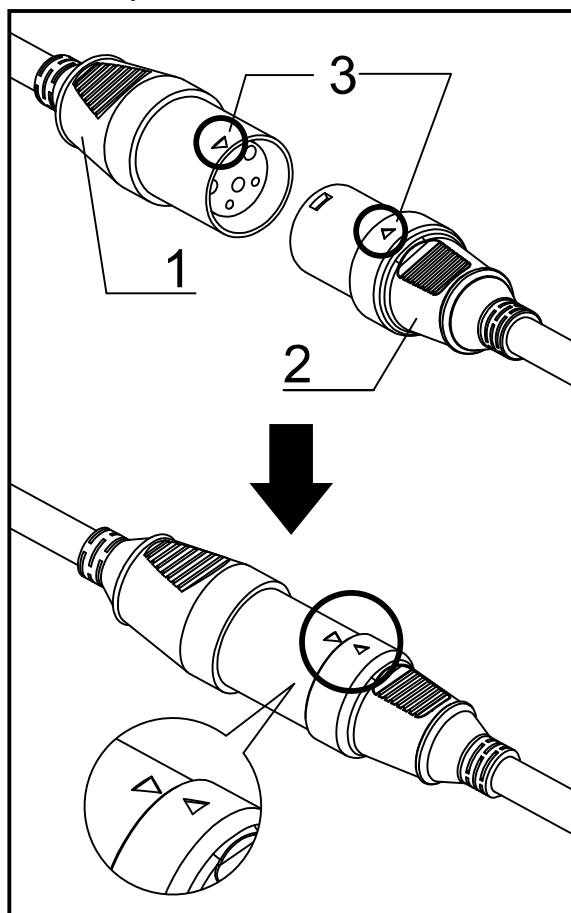
1. Sørg for at vibratorens betjeningskontakt er sat til FRA.



- 1. "I"-mærke 2. "O"-mærke  
3. Betjeningskontakt 4. LED-lampe

**BEMÆRK:** "O"-mærket betyder FRA; "I"-mærket betyder TIL.

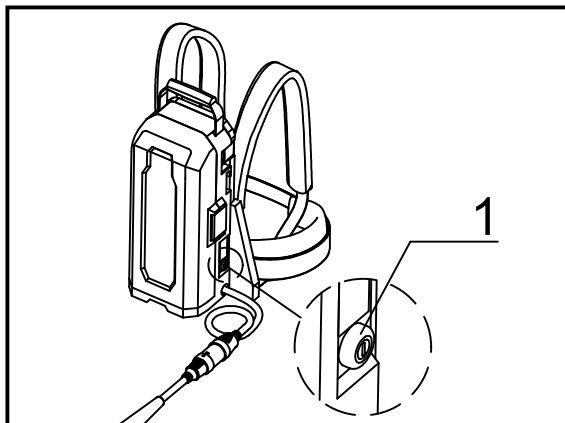
2. Ret pilemærket på stikket på vibratoren ind med fatningen på den transportable strømpakke, og sæt det hele vejen ind.



- 1. Fatning 2. Stik 3. Pilemærke

3. Tryk på tænd/sluk-knappen på den transportable strømpakke for at slå den TIL. Hovedstrømlampen lyser grønt. LED-lampen på vibratoren lyser også grønt.

**BEMÆRK:** Når LED-lampen blinker rødt, er funktionen til forhindring af fejlstart aktiveret. Drejes betjeningskontakten hen på FRA, annulleres funktionen til forhindring af fejlstart, og LED-lampen på vibratoren lyser grønt.



- 1. Hovedstrømlampe

4. Hold vibratorslangen, så hovedkomponenten hænger i luften.
5. Når du er klar, skal du slå betjeningskontakten TIL for at starte vibratoren.

**BEMÆRK:** Hold vibratorslangen på det punkt, hvor vibrationen til hånden er svag.

6. Indsæt vibratoren lodret ned i betonen, så den kommer ned i det effektive komprimeringsområde.

**BEMÆRK:** Det effektive komprimeringsområde for vibratoren er et område, som har en diameter på ca. 10 gange diameteren på den vibrerende del.

7. Retningslinjen for skift af vibratorpositionen er, når betonen stopper med at sætte sig, og mørtelen flyder jævnt på overfladen og bliver skinnende.

**BEMÆRK:** Placering af vibratoren på et sted i lang tid kan muligvis forårsage aggregatadskillelse.

**BEMÆRK:** Hvis der opstår adskillelse under betonplacering, skal der fyldes jævnt med groft aggregat, og betonen skal placeres igen.

**BEMÆRK:** Det anbefales at indstille betjeningskontakten til FRA, mens vibratoren ikke er indsat i betonen. Dette hjælper med at forlænge anvendelsestiden/produktlevetiden for vibratoren.

8. Når du trækker vibratoren op, skal du gøre det langsomt, så der ikke efterlades nogen huller.
9. Efter fuldendt støbning skal du sætte vibratorens betjeningskontakt på FRA for at stoppe vibratoren.
10. Tryk og hold på tænd/sluk-knappen på den transportable strømpakke for at stoppe udgang af strøm.

Strømindikatoren slukker.

11. Fjern stikforbindelsen, som forbinder den transportable strømpakke og vibratoren.

**BEMÆRK:** Når du fjerner stikforbindelsen, skal du holde i fatningen og stikket og ikke trække i selve strømledningen.

## SÅDAN OPLADES BATTERIET

**⚠FORSIGTIG:** Sørg for at læse betjeningsvejledningen til den transportable strømpakke og batteriopladeren inden opladning af batteriet.

- For at oplade skal du se betjeningsvejledningen til den transportable strømpakke eller batteriopladeren.

## RENGØRING EFTER BRUG

- Efter brug skal vibratoren rengøres grundigt, og slanger og kabler rulles ordentligt op.
1. Fjern beton fra hovedkomponenten, slangen, veksleretterhuset og kablerne inden den hærder.
  2. Vask ikke veksleretterhuset med vand. Tør snavs, som eventuelt sidder på, af med en fugtig klud. Når der tørres af, skal der tørres af med en tør klud for at fjerne enhver resterende fugt.
  3. Hvis der er snavs eller rust på terminalerne på stikket eller fatningen, skal de rengøres. Dårlig terminalkontakt kan muligvis forårsage funktionsfejl.
  4. Når du transporterer den transportable strømpakke, skal du fjerne fatningen på den transportable strømpakke og stikket på vibratoren, inden du flytter den.
  5. Når du transporterer enheden, skal du holde i vibratoren og håndtaget på den transportable strømpakke. Løft eller træk ikke med hverken vibratoren eller den transportable strømpakke. I så fald kan det forårsage nedslidning af vibratoren eller brud på strømledningen.
  6. Når den transportable strømpakke transporteres, skal du sørge for at slukke for den transportable strømpakke, inden den flyttes. Tryk og hold på tænd/sluk-knappen for at slukke for strømmen.

## EFTERSYN

- Inden transport af vibratoren til arbejdsstedet, samt efter anvendelse, skal du sørge for at kontrollere følgende.
- Det vil i høj grad hjælpe med til at forhindre problemer under anvendelsen.

1. Er der noget slid, nogen revner eller løse komponenter på vibratoren?
2. Er der noget slid, nogen skader eller ridser på slangen?
3. Er der noget slid eller revner i kabelkappen?
4. Er der nogen form for deformation af veksleretterhuset, løse skruer eller skade på nogen som helst del af veksleretteren, som fx et dæksel på betjeningskontakten eller LED-lampen?
5. Er der noget snavs eller rust på terminalerne på stikket eller fatningen?
6. Er isolationsmodstandsværdien korrekt? (DC 500 V, 10 MΩ eller mere)
  - (1) Brug en 500 V isolationsmodstandstester som måleinstrumentet.
  - (2) Mål mellem terminalerne på stikket og veksleretterhuset.
7. Er der nogen revner, buler eller anden skade på den transportable strømpakke?
8. Er batteriet fuldt opladet?
9. Kan vibratoren startes, mens den holdes i luften, ved at tilslutte vibratoren til den transportable strømpakke?

Når du gør således, lyser LED-lampen på veksleretterhuset grønt?
10. Kommer der nogen unormal lyd fra vibratoren? Lyder vibratorens betjeningslyd normal under anvendelse? (Den er normal, hvis der er en regelmæssig og kontinuerlig lyd.)

**BEMÆRK:** Mål ikke mellem de tre fatninger. Det kan muligvis beskadige veksleretterkortet.

# UDSKIFTNINGSPERIODE FOR FORBRUGSVARER

- Forbrugsvarer bør udskiftes regelmæssigt i overensstemmelse med tabellen nedenfor.

Forbrugsvarer	Udskiftningsperiode. (visuel og auditiv kontrol)	Udskiftningsfrekvens (i timer)
Hovedkomponent	Bestemt slidstatus (visuel)	300-500
Vibratorlåg		
Leje	Bestemt vha. lyden under anvendelse (auditiv)	400-500
Slange	Bestemt vha. slid eller ridser (visuel)	Ved opdagelse

- Den ovenstående udskiftningstid for forbrugsvarer er en grov retningslinje. Eftersom den afhænger af brugen, anbefaler vi udskiftning af forbrugsvarer tidligere end ovenstående.

## LED-LAMPE

- Du kan kontrollere udgangsstatussen for vekselretteren vha. lys eller blink fra LED-lampen.
- Hvis den blinker, er beskyttelsesfunktionen aktiveret, og strømudgangen er stoppet. Sørg for at stoppe anvendelsen og fjerne årsagen til unormaliteten, inden du genoptager anvendelsen.

LED-lampestatus	Udgangsstatus for vekselretteren
1. Konstant grønt lys	Normal tilstand. Vibrator kan anvendes.
2. Blinkende grønt lys	Vibratoren er overbelastet. Vibratoren kan anvendes, men vibrationsfrekvensen er blevet reduceret for at forhindre nedbrud pga. overbelastning. Vibratoren vil vende tilbage til dens normale tilstand, når overbelastningssituationen er afhjulpet.
3. Blinkende rødt lys	I denne tilstand er funktionen til forhindring af fejlstart aktiveret. Denne funktion forhindrer vibratoren i at starte utilsigtet, når strømmen slås til, mens vibratorens betjeningskontakt er i TIL-positionen. Slås betjeningskontakten FRA, genoprettes vibratoren til dens normale tilstand.
4. Konstant rødt lys	Når der detekteres en unormalitet, stoppes udgangen fra vekselretteren. Når det røde lys tænder, skal du kontrollere følgende. <ul style="list-style-type: none"> <li>• Kontroller den resterende kapacitet på batteriet.</li> <li>• Er der nogen immobiliserende eller overdreven belastning forårsaget af armeringsstang osv.?</li> </ul> Hvis der opdages et problem, skal kontakten slås FRA for at vende tilbage til den normale tilstand (konstant grønt lys). Hvis det røde lys tænder gentagne gange, er der sandsynligvis opstået en funktionsfejl. Der kræves eftersyn og reparation.
5. Ingen tændte lys	Da der er et problem med strømforsyningen, er vibratoren blevet stoppet. Batteriet er muligvis dødt, batteriet er muligvis indsat forkert, eller batteriet er muligvis defekt. Kontroller strømforsyningen.

# FEJLFINDING

- Hvis nogen af følgende forhold observeres under brug af produktet, skal du stoppe brugen af produktet og kontrollere årsagen og mulige afhjælpninger.
- Kontakt dit lokale Makita-autoriserede servicecenter angående eftersyn og reparation.

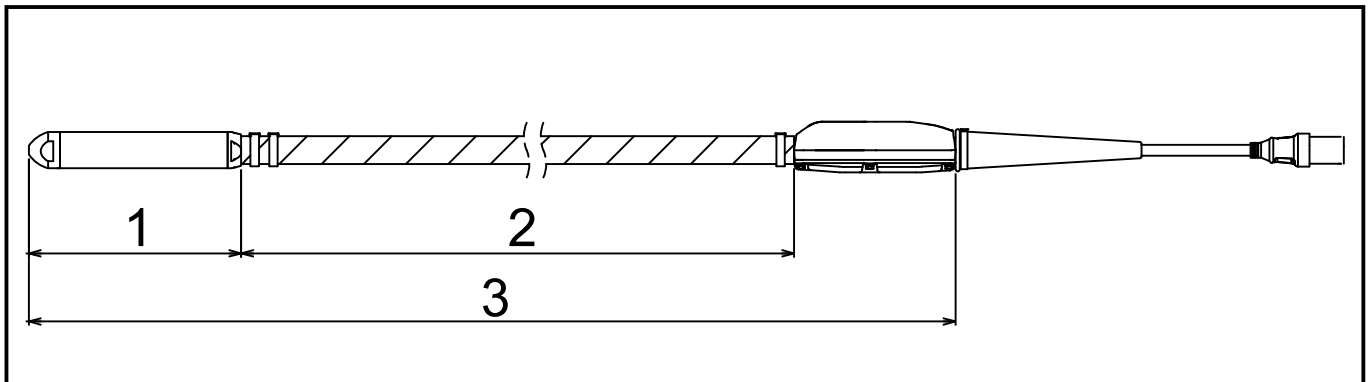
Betjening	Symptom 1	Symptom 2	Årsag	Afhjælpning
Vibrator fungerer	Unormal lyd fra den vibrerende del af vibratoren (metallisk lyd osv.)		Lejeunormalitet (Ru, slidt)	Udskift lejerne.
	Lav vibration	LED'en på veksleretterhuset <b>blinker grønt.</b>	Lejeunormalitet (Ru, slidt)	Udskift lejerne.
			En overbelastnings-tilstand, som overstiger vibratorens kapacitet.	Reducer belastningen ved at trække hovedkomponenten ud af betonen.
Stopper under anvendelse		LED'en på veksleretterhuset er <b>konstant rød.</b>	Vibratoren er væsentligt overbelastet over dens kapacitet. Batteristrømmen er lav og vibratorens kapacitet er reduceret.	Reducer belastningen ved at trække hovedkomponenten ud af betonen. Tænd derefter igen.  Hvis det røde lys tænder gentagne gange, skal du kontrollere batteriet. Hvis det er fuldt opladet, skal det kontrolleres og repareres.
Vibrator starter ikke	LED-lampen på veksleretterhuset lyser ikke.	Strømindikatoren på den transportable strømpakke lyser ikke.	Den transportable strømpakke er ikke tændt.	Tænd for den transportable strømpakke.
			Batteriet er ikke installeret. Eller den resterende batterikapacitet er ikke tilstrækkelig.	Installer batteriet. Eller oplad batterierne eller udskift batterierne med nogen, som er opladet.
			Der er funktionsfejl på den transportable strømpakke.	Der kræves eftersyn og reparation.
		Strømlampen på den transportable strømpakke skifter mellem at <b>blinke grønt og rødt.</b>	Den transportable strømpakke detekterede en unormalitet.	Sluk for den transportable strømpakke og tænd for den igen.
			Der er funktionsfejl på den transportable strømpakke.	Der kræves eftersyn og reparation.
		Strømindikatoren på den transportable strømpakke er <b>konstant grøn.</b>	Stikket på vibratoren er ikke tilsluttet ordentligt til fatningen på den transportable strømpakke. Eller kablet er afbrudt.	Sørg for at stikket er ordentligt tilsluttet til fatningen. I tilfælde af afbrydelse kræves eftersyn og reparation.
Der er funktionsfejl på veksleretterkortet på vibratoren.	Der kræves eftersyn og reparation.			

Betjening	Symptom 1	Symptom 2	Årsag	Afhjælpning
Vibrator starter ikke	LED-lampen på veksleretterhuset lyser ikke.	Strømindikatoren på den transportable strømpakke <b>blinker grønt.</b>	Batteristrømmen er lav. Eller det er ikke installeret korrekt.	Kontroller indikatoren for batteriniveau. Hvis batteriniveauet er utilstrækkeligt, skal du kontrollere, hvordan batteriet er installeret.
			Transportabel strømpakke eller strømledning er varm.	Lad den transportable strømpakke køle af.
			Stikket på vibratoren er ikke tilsluttet ordentligt til fatningen på den transportable strømpakke. Eller kablet er afbrudt.	Sørg for at stikket er ordentligt tilsluttet til fatningen. I tilfælde af afbrydelse kræves eftersyn og reparation.
	LED-lampen på veksleretterhuset er <b>konstant rød.</b>		Vibratoren er stoppet, fordi der er blevet detekteret en fejl.	Tænd for den transportable strømpakke igen. Hvis LED-lampen gentagne gange lyser rødt, kræves der eftersyn og reparation.
	LED-lampen på veksleretterhuset <b>blinker rød.</b>		Vibratorens funktionen til forhindring af fejlstart er aktiveret.	Slå en gang vibratorens betjeningskontakt hen på FRA og slå den derefter TIL igen.

# SPECIFICATIONER

Model	VR001C	VR002C	VR003C	VR004C
Udgang	250 W		400 W	
Spænding	36 V			
Strøm	8,7 A		14,0 A	
Frekvens	200 Hz			
Længde i alt	1.945 mm (76-9/16")	3.445 mm (135-5/8")	1.977 mm (77-27/32")	3.477 mm (136-7/8")
Hoved Diameter x længde	43 x 255 mm (1-11/16" x 10-1/32")		52 x 287 mm (2-1/16" x 11-5/16")	
Ekstern slange Diameter x længde	33 x 1.500 mm (1-5/16" x 59-1/16")	33 x 3.000 mm (1-5/16" x 118-1/8")	33 x 1.500 mm (1-5/16" x 59-1/16")	33 x 3.000 mm (1-5/16" x 118-1/8")
Vægt	4,8 kg (10,6 lbs)	5,9 kg (13,0 lbs)	5,6 kg (12,4 lbs)	6,7 kg (14,8 lbs)

\* Vægt omfatter ikke strømforsyningsudstyr som fx transportabel strømpakke og batterier.



► 1. Længde af hoved 2. Længde af ekstern slange 3. Længde i alt

# DRIFTSTID

Model	Ved anvendelse af PDC01 (min.)	Ved anvendelse af PDC1200 (min.)
VR001C / VR002C	ca. 100	ca. 300
VR003C / VR004C	ca. 60	ca. 200

\* Driftstid ved brug af PDC01 er baseret på fire BL 1860B-batterier installeret på den transportable strømpakke.

\* Driftstiden er en referenceværdi, som beskriver, når hver vibrator anvendes kontinuerligt. Den afhænger af batteriopladningsstatus og anvendelsesmiljø.

# SAMLET VIBRATIONSVERDI

Model	Samlet vibrationsværdi ( m/s <sup>2</sup> )
VR001C / VR002C	Mindre end 2,5
VR003C / VR004C	2,5

\* Samlet vibrationsværdi er en værdi, som anvender måleinstrumentet baseret på ISO 5349-1, og den blev målt vha. den metode, som findes i ISO 5349-2.

## ΠΡΟΟΡΙΖΟΜΕΝΗ ΧΡΗΣΗ

Το εργαλείο προορίζεται για την απομάκρυνση φυσαλίδων από σκυροδέμα κατά τη χύτευση σκυροδέματος.

## ΘΟΡΥΒΟΣ

Το τυπικό A επίπεδο μετρημένου θορύβου καθορίζεται σύμφωνα με το EN60745:

**Μοντέλο: VR001C, VR002C**

Στάθμη ηχητικής ισχύος ( $L_{WA}$ ): 98,4 dB (A)

Στάθμη ηχητικής πίεσης ( $L_{pA}$ ): 87,4 dB (A)

Αβεβαιότητα (K): 3 dB (A)

**Μοντέλο: VR003C, VR004C**

Στάθμη ηχητικής ισχύος ( $L_{WA}$ ): 97,6 dB (A)

Στάθμη ηχητικής πίεσης ( $L_{pA}$ ): 86,6 dB (A)

Αβεβαιότητα (K): 3 dB (A)

**ΣΗΜΕΙΩΣΗ:** Η δηλωμένη τιμή(ές) εκπομπής θορύβου έχει μετρηθεί σύμφωνα με την πρότυπη μέθοδο δοκιμής και μπορεί να χρησιμοποιηθεί για τη σύγκριση ενός εργαλείου με κάποιο άλλο.

**ΣΗΜΕΙΩΣΗ:** Η δηλωμένη τιμή(ές) εκπομπής θορύβου μπορεί να χρησιμοποιηθεί και στην προκαταρκτική αξιολόγηση της έκθεσης.

**ΠΡΟΕΙΔΟΠΟΙΗΣΗ:** Φοράτε ωτοασπίδες.

**ΠΡΟΕΙΔΟΠΟΙΗΣΗ:** Η εκπομπή θορύβου κατά τη χρήση του ηλεκτρικού εργαλείου σε πραγματικές συνθήκες μπορεί να διαφέρει από τη δηλωμένη τιμή(ές) ανάλογα με τους τρόπους χρήσης του εργαλείου, ιδιαίτερα το είδος του τεμαχίου εργασίας που υπόκειται επεξεργασία.

**ΠΡΟΕΙΔΟΠΟΙΗΣΗ:** Φροντίστε να αναγνωρίσετε τα κατάλληλα μέτρα προστασίας του χειριστή βάσει ενός υπολογισμού της έκθεσης σε πραγματικές συνθήκες χρήσης (λαμβάνοντας υπόψη όλες τις συνιστώσες του κύκλου λειτουργίας όπως τους χρόνους που το εργαλείο είναι εκτός λειτουργίας και όταν βρίσκεται σε αδρανή λειτουργία πέραν του χρόνου ενεργοποίησης).

## ΚΡΑΔΑΣΜΟΣ

Η ολική τιμή δόνησης (άθροισμα τρι-αξονικού διανύσματος) καθορίζεται σύμφωνα με το EN60745:

**Μοντέλο: VR001C, VR002C**

Τρόπος εργασίας: λειτουργία χωρίς φορτίο

Εκπομπή κραδασμών (ah): 1,9 m/s<sup>2</sup> (Εύκαμπτος σωλήνας)

Εκπομπή κραδασμών (ah): 0,7 m/s<sup>2</sup> (Θήκη μετατροπέα)

Αβεβαιότητα (K): 1,5 m/s<sup>2</sup>

**Μοντέλο: VR003C, VR004C**

Τρόπος εργασίας: λειτουργία χωρίς φορτίο

Εκπομπή κραδασμών (ah): 3,1 m/s<sup>2</sup> (Εύκαμπτος σωλήνας)

Εκπομπή κραδασμών (ah): 1,7 m/s<sup>2</sup> (Θήκη μετατροπέα)

Αβεβαιότητα (K): 1,5 m/s<sup>2</sup>

**ΣΗΜΕΙΩΣΗ:** Η δηλωμένη τιμή εκπομπής κραδασμών έχει μετρηθεί σύμφωνα με μια πρότυπη μέθοδο δοκιμής και μπορεί να χρησιμοποιηθεί για τη σύγκριση ενός εργαλείου με άλλο.

**ΣΗΜΕΙΩΣΗ:** Η δηλωμένη τιμή εκπομπής κραδασμών μπορεί να χρησιμοποιηθεί και στην προκαταρκτική αξιολόγηση έκθεσης.

**ΠΡΟΕΙΔΟΠΟΙΗΣΗ:** Η εκπομπή κραδασμών κατά τη χρήση του ηλεκτρικού εργαλείου σε πραγματικές συνθήκες μπορεί να διαφέρει από τη δηλωμένη τιμή εκπομπής ανάλογα με τους τρόπους χρήσης του εργαλείου, ιδιαίτερα το είδος του τεμαχίου εργασίας που υπόκειται επεξεργασία.

**ΠΡΟΕΙΔΟΠΟΙΗΣΗ:** Φροντίστε να αναγνωρίσετε τα κατάλληλα μέτρα προστασίας του χειριστή βάσει ενός υπολογισμού της έκθεσης σε πραγματικές συνθήκες χρήσης (λαμβάνοντας υπόψη όλες τις συνιστώσες του κύκλου λειτουργίας όπως τους χρόνους που το εργαλείο είναι εκτός λειτουργίας και όταν βρίσκεται σε αδρανή λειτουργία πέραν του χρόνου ενεργοποίησης).

## Δήλωση Συμμόρφωσης ΕΚ

**Μόνο για χώρες της Ευρώπης**

Η δήλωση συμμόρφωσης ΕΚ περιλαμβάνεται ως Παράρτημα Α στο παρόν εγχειρίδιο οδηγιών.

# ΓΕΝΙΚΕΣ ΠΡΟΕΙΔΟΠΟΙΗΣΕΙΣ ΑΣΦΑΛΕΙΑΣ ΓΙΑ ΤΟ ΗΛΕΚΤΡΙΚΟ ΕΡΓΑΛΕΙΟ

**⚠️ ΠΡΟΕΙΔΟΠΟΙΗΣΗ:** Διαβάστε όλες τις προειδοποιήσεις για την ασφάλεια και όλες τις οδηγίες. Η μη τήρηση των προειδοποιήσεων και οδηγιών μπορεί να οδηγήσει σε ηλεκτροπληξία, φωτιά ή/και σοβαρό τραυματισμό.

## Φυλάξτε όλες τις προειδοποιήσεις και τις οδηγίες για μελλοντική αναφορά.

Στις προειδοποιήσεις, ο όρος «ηλεκτρικό εργαλείο» αναφέρεται σε ηλεκτρικό εργαλείο που τροφοδοτείται από την κύρια παροχή ηλεκτρικού ρεύματος (με ηλεκτρικό καλώδιο) ή σε ηλεκτρικό εργαλείο που τροφοδοτείται από μπαταρία (χωρίς ηλεκτρικό καλώδιο).

## Ασφάλεια στον χώρο εργασίας

1. Να διατηρείτε τον χώρο εργασίας καθαρό και καλά φωτισμένο. Σε ακατάστατους ή σκοτεινούς χώρους προκαλούνται ατυχήματα.
2. Μην θέτετε τα ηλεκτρικά εργαλεία σε λειτουργία σε εκρηκτικές ατμόσφαιρες, όπως παρουσία εύφλεκτων υγρών, αερίων ή σκόνης. Τα ηλεκτρικά εργαλεία δημιουργούν σπινθήρες που μπορεί να προκαλέσουν ανάφλεξη της σκόνης ή των αναθυμιάσεων.
3. Να απομακρύνετε τα παιδιά και τους μη έχοντες εργασία όταν χειρίζεστε ένα ηλεκτρικό εργαλείο. Εάν αποσπαστεί η προσοχή σας, μπορεί να χάσετε τον έλεγχο.

## Ηλεκτρική ασφάλεια

4. Τα φως του ηλεκτρικού εργαλείου πρέπει να ταιριάζουν στην πρίζα. Μην τροποποιείτε ποτέ το φως, με οποιονδήποτε τρόπο. Μην χρησιμοποιείτε προσαρμογείς σε γειωμένα ηλεκτρικά εργαλεία. Τα φως που δεν έχουν τροποποιηθεί και οι πρίζες που ταιριάζουν στα φως μειώνουν το κίνδυνο πρόκλησης ηλεκτροπληξίας.
5. Αποφεύγετε την επαφή του σώματος με γειωμένες επιφάνειες, όπως σωλήνες, καλοριφέρ, φούρνους και ψυγεία. Υπάρχει αυξημένος κίνδυνος πρόκλησης ηλεκτροπληξίας εάν το σώμα σας είναι γειωμένο.
6. Μην εκθέτετε τα ηλεκτρικά εργαλεία στη βροχή ή σε υγρές συνθήκες. Εάν εισέλθει νερό σε κάποιο ηλεκτρικό εργαλείο, αυξάνεται ο κίνδυνος πρόκλησης ηλεκτροπληξίας.
7. Μην κακομεταχειρίζεστε το ηλεκτρικό καλώδιο. Μην χρησιμοποιείτε ποτέ το ηλεκτρικό καλώδιο για να μεταφέρετε ή να τραβήξετε το ηλεκτρικό εργαλείο, αλλά ούτε για να βγάλετε το φως του ηλεκτρικού εργαλείου από την πρίζα. Να διατηρείτε το ηλεκτρικό καλώδιο μακριά από θερμότητα, λάδι, αιχμηρά άκρα και κινούμενα μέρη. Τα ηλεκτρικά καλώδια που έχουν υποστεί ζημιά και τα μπλεγμένα ηλεκτρικά καλώδια αυξάνουν τον κίνδυνο πρόκλησης ηλεκτροπληξίας.

8. Όταν χειρίζεστε κάποιο ηλεκτρικό εργαλείο σε εξωτερικούς χώρους, να χρησιμοποιείτε προέκταση ηλεκτρικού καλωδίου (μπαλαντέζα) κατάλληλη για εξωτερική χρήση. Εάν χρησιμοποιείτε ηλεκτρικό καλώδιο κατάλληλο για εξωτερική χρήση, μειώνεται ο κίνδυνος πρόκλησης ηλεκτροπληξίας.
9. Εάν δεν είναι δυνατό να αποφευχθεί η λειτουργία ενός ηλεκτρικού εργαλείου σε μέρος με υγρασία, χρησιμοποιήστε ηλεκτρική παροχή που προστατεύεται από διακόπτη κυκλώματος ζημιάς γείωσης (GFCI). Η χρήση GFCI μειώνει τον κίνδυνο ηλεκτροπληξίας.

## Προσωπική ασφάλεια

10. Όταν χειρίζεστε κάποιο ηλεκτρικό εργαλείο, να είσαστε σε ετοιμότητα, να προσέχετε τι κάνετε και να χρησιμοποιείτε κοινή λογική. Μην χειρίζεστε κάποιο ηλεκτρικό εργαλείο όταν είσαστε κουρασμένοι ούτε όταν βρίσκεστε κάτω από την επίρροια ναρκωτικών ουσιών, αλκοόλ ή φαρμάκων. Μια στιγμή απροσεξίας κατά τη διάρκεια χειρισμού των ηλεκτρικών εργαλείων μπορεί να προκαλέσει σοβαρό προσωπικό τραυματισμό.
11. Να χρησιμοποιείτε μέσα ατομικής προστασίας. Πάντα να φοράτε προστασία ματιών. Εάν χρησιμοποιείτε το σωστό προστατευτικό εξοπλισμό, όπως προσωπίδα κατά της σκόνης, αντιολισθητικά παπούτσια ασφάλειας, κράνος ή προστατευτικό ακοής, ανάλογα με τις συνθήκες, θα μειωθεί ο κίνδυνος πρόκλησης προσωπικών τραυματισμών.
12. Να αποφεύγετε την αθέλητη ενεργοποίηση του εργαλείου. Βεβαιωθείτε ότι ο διακόπτης βρίσκεται στην ανενεργή θέση πριν συνδέετε την ηλεκτρική παροχή ή/και μπαταρία, σηκώνετε ή μεταφέρετε το εργαλείο. Εάν φέρετε ηλεκτρικά εργαλεία με το δάχτυλό σας στον διακόπτη ή εάν ενεργοποιείτε ηλεκτρικά εργαλεία όταν ο διακόπτης είναι στην ενεργή θέση, μπορεί να προκληθούν ατυχήματα.
13. Να απομακρύνετε τυχόν ρυθμιζόμενο κλειδί ή γαλλικό κλειδί πριν θέτετε το ηλεκτρικό εργαλείο σε λειτουργία. Ένα κλειδί που έχει μείνει προσκολλημένο σε κάποιο περιστρεφόμενο μέρος του ηλεκτρικού εργαλείου μπορεί να προκαλέσει προσωπικό τραυματισμό.
14. Μην τεντώνετε υπερβολικά. Κρατάτε πάντα σταθερό πάτημα και την ισορροπία σας. Έτσι, θα έχετε καλύτερο έλεγχο του ηλεκτρικού εργαλείου σε απρόσμενες καταστάσεις.
15. Να ντύνεστε κατάλληλα. Μην φοράτε φαρδιά ρούχα ή κοσμήματα. Κρατάτε τα μαλλιά, τα ρούχα και τα γάντια σας μακριά από κινούμενα μέρη. Υπάρχει κίνδυνος να εμπλακούν τα φαρδιά ρούχα, τα κοσμήματα ή τα μακριά μαλλιά σε κινούμενα μέρη.
16. Εάν παρέχονται συσκευές για τη σύνδεση διατάξεων εξαγωγής και συλλογής σκόνης, να βεβαιώνεστε ότι αυτές είναι συνδεδεμένες και χρησιμοποιούνται σωστά. Η συλλογή σκόνης μπορεί να μειώσει τον κίνδυνο που σχετίζεται με τη σκόνη.



## Χρήση και φροντίδα ηλεκτρικού εργαλείου

- Μην ασκείτε πίεση στο ηλεκτρικό εργαλείο. Να χρησιμοποιείτε το σωστό ηλεκτρικό εργαλείο για την εφαρμογή σας. Με το σωστό ηλεκτρικό εργαλείο θα πραγματοποιήσετε την εργασία καλύτερα και ασφαλέστερα, στον βαθμό για τον οποίο έχει σχεδιαστεί.
- Μην χρησιμοποιείτε το ηλεκτρικό εργαλείο εάν ο διακόπτης δεν το ενεργοποιεί και δεν το απενεργοποιεί. Κάθε ηλεκτρικό εργαλείο που δεν μπορείτε να ελέγξετε με τον διακόπτη λειτουργίας είναι επικίνδυνο και πρέπει να επισκευαστεί.
- Να αποσυνδέετε το φις από την πηγή τροφοδοσίας ή/και να βγάζετε την μπαταρία από το ηλεκτρικό εργαλείο πριν κάνετε οποιεσδήποτε ρυθμίσεις ή αλλαγές εξαρτημάτων και πριν αποθηκεύετε τα ηλεκτρικά εργαλεία. Τέτοια προληπτικά μέτρα ασφαλείας μειώνουν τον κίνδυνο τυχαίας ενεργοποίησης του ηλεκτρικού εργαλείου.
- Να αποθηκεύετε τα αδρανή ηλεκτρικά εργαλεία μακριά από παιδιά και να μην αφήνετε άτομα που δεν γνωρίζουν το ηλεκτρικό εργαλείο και αυτές τις οδηγίες να χειρίζονται το ηλεκτρικό εργαλείο. Τα ηλεκτρικά εργαλεία αποτελούν κίνδυνο στα χέρια ανειδίκευτων χειριστών.
- Να συντηρείτε τα ηλεκτρικά εργαλεία. Να ελέγχετε εάν είναι ευθυγραμμισμένα σωστά τα κινούμενα μέρη, εάν εμποδίζεται η ελεύθερη κίνηση τους, εάν έχουν σπάει κάποια εξαρτήματα, αλλά και κάθε άλλη κατάσταση που μπορεί να επηρεάσει τη λειτουργία του ηλεκτρικού εργαλείου. Εάν το ηλεκτρικό εργαλείο υποστεί ζημιά, να φροντίζετε να επισκευαστεί πριν το χρησιμοποιήσετε. Πολλά ατυχήματα προκαλούνται από ηλεκτρικά εργαλεία που δεν έχουν συντηρηθεί σωστά.
- Να διατηρείτε τα κοπτικά εργαλεία αιχμηρά και καθαρά. Τα κοπτικά εργαλεία που έχουν συντηρηθεί σωστά είναι λιγότερο πιθανό να εμπλακούν και πιο εύκολο να ελεγχθούν.

- Να χρησιμοποιείτε το ηλεκτρικό εργαλείο, τα εξαρτήματα και τις μύτες του εργαλείου, κτλ. σύμφωνα με αυτές τις οδηγίες, λαμβάνοντας υπόψη τις συνθήκες εργασίας και την εργασία που πρέπει να εκτελεστεί. Εάν χρησιμοποιείτε το ηλεκτρικό εργαλείο για λειτουργίες διαφορετικές από αυτές για τις οποίες προορίζεται, μπορεί να προκληθεί κάποια επικίνδυνη κατάσταση.

## Χρήση και φροντίδα του εργαλείου με μπαταρία

- Να επαναφορτίζετε μόνο με το φορτιστή που καθορίζεται από τον κατασκευαστή. Ένας φορτιστής που είναι κατάλληλος για μια συγκεκριμένη κασέτα μπαταριών μπορεί να δημιουργήσει κίνδυνο φωτιάς όταν χρησιμοποιείται με μια άλλη κασέτα μπαταριών.
- Να χρησιμοποιείτε ηλεκτρικά εργαλεία μόνο με ειδικά καθορισμένες κασέτες μπαταριών. Η χρήση κάθε άλλης κασέτας μπαταριών μπορεί να δημιουργήσει κίνδυνο τραυματισμού ή φωτιάς.
- Όταν δεν χρησιμοποιείται η κασέτα μπαταριών, διατηρήστε τη μακριά από άλλα μεταλλικά αντικείμενα, όπως συνδετήρες, κέρματα, κλειδιά, καρφιά, βίδες ή άλλα μικρά μεταλλικά αντικείμενα, με τα οποία μπορεί να δημιουργηθεί σύνδεση από τον έναν ακροδέκτη στον άλλον. Το βραχυκύκλωμα των ακροδεκτών της μπαταρίας μπορεί να προκαλέσει εγκαύματα ή φωτιά.
- Υπό συνθήκες κατάχρησης, μπορεί να εξαχθεί υγρό από την μπαταρία. Να αποφεύγετε την επαφή. Εάν συμβεί επαφή κατά λάθος, εκπλύνετε με νερό. Εάν το υγρό έρθει σε επαφή με τα μάτια, αναζητήστε ιατρική βοήθεια. Το υγρό που εξάγεται από την μπαταρία μπορεί να προκαλέσει ερεθισμό ή εγκαύματα.

## Σέρβις

- Να φροντίζετε το σέρβις του ηλεκτρικού εργαλείου σας να γίνεται από αρμόδιο επαγγελματία χρησιμοποιώντας μόνο γνήσια ανταλλακτικά. Έτσι θα είστε σίγουροι για τη διατήρηση της ασφάλειας του ηλεκτρικού εργαλείου.
- Να ακολουθείτε τις οδηγίες για τη λίπανση και την αλλαγή των εξαρτημάτων.
- Να διατηρείτε τις λαβές στεγνές, καθαρές, χωρίς λάδι και γράσο.

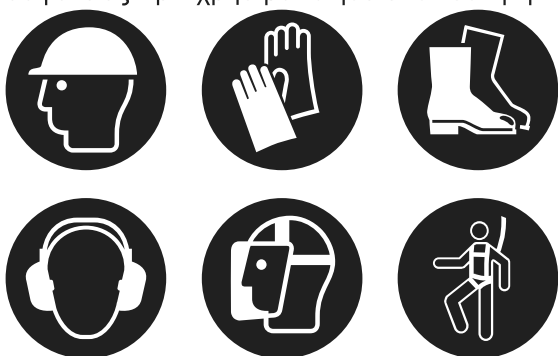
## ΠΡΟΕΙΔΟΠΟΙΗΣΕΙΣ ΑΣΦΑΛΕΙΑΣ ΓΙΑ ΤΟ ΠΡΟΪΟΝ

- Το προϊόν αυτό είναι ένας δονητής για τη συμπίεση σκυροδέματος. Μην χρησιμοποιείτε τον δονητή για οποιονδήποτε άλλο σκοπό.
- Βεβαιωθείτε να διαβάσετε και να κατανοήσετε το παρόν εγχειρίδιο οδηγιών προσεκτικά πριν χρησιμοποιήσετε το προϊόν, για να μπορεί η λειτουργία του να είναι ασφαλής και αποδοτική. Η λανθασμένη χρήση του μηχανήματος μπορεί να έχει ως αποτέλεσμα τον τραυματισμό και την αστοχία του μηχανήματος. Φυλάξτε αυτό το εγχειρίδιο για περαιτέρω αναφορά.
- Αυτό το προϊόν θα πρέπει να χρησιμοποιηθεί συνδέοντάς το στη φορητή ηλεκτρική τροφοδότηση «PDC01» ή «PDC1200» της Makita. Επίσης, διαβάστε τα εγχειρίδια οδηγιών για τη φορητή ηλεκτρική τροφοδότηση και τον φορτιστή μπαταριών.
- Μην χρησιμοποιείτε ποτέ αυτό το προϊόν ενώ είναι συνδεδεμένο σε οποιαδήποτε άλλη διάταξη ηλεκτρικής παροχής. Εάν το κάνετε αυτό, μπορεί να προκληθεί ζημιά στην πλακέτα κυκλώματος ή να καεί το μοτέρ. Η ζημιά ή το κάψιμο του μοτέρ μπορεί να καταστρέψει τη μόνωση και να προκληθεί ηλεκτροπληξία.
- Για τη φορητή ηλεκτρική τροφοδότηση, μην χρησιμοποιήσετε οποιαδήποτε άλλη μπαταρία εκτός από την αποκλειστική μπαταρία που καθορίζει η Makita. Επίσης, μην χρησιμοποιείτε μπαταρίες που έχουν τροποποιηθεί (συμπεριλαμβανομένων μπαταριών που έχουν αποσυναρμολογηθεί και μπαταριών των οποίων τα κελιά ή τα άλλα εσωτερικά μέρη έχουν αντικατασταθεί).

6. Μην φορτίσετε την μπαταρία με οτιδήποτε άλλο εκτός από τον φορτιστή που περιλαμβάνεται.
7. Εφεξής, ο όρος «κασέτα μπαταριών» στο παρόν εγχειρίδιο αναφέρεται ως «μπαταρία».
8. Χειριστείτε και συντηρήστε αυτό το προϊόν σωστά για να εξασφαλίσετε την ασφαλή λειτουργία.
9. Όταν δανείζετε αυτό το προϊόν σε άλλο άτομο, βεβαιωθείτε να του δώσετε τα εγχειρίδια και να εξηγήσετε πλήρως σε αυτό την ασφαλή και σωστή χρήση του προϊόντος.
10. Οι προδιαγραφές στο παρόν έγγραφο υπόκεινται σε αλλαγές χωρίς ειδοποίηση λόγω τροποποιήσεων.
11. Το προϊόν αυτό συμμορφώνεται με τα παρακάτω πρότυπα ΗΜΣ: EN61000-6-2 / EN61000-6-4.  
Το προϊόν αυτό δεν συμμορφώνεται με τα παρακάτω πρότυπα ΗΜΣ: EN61000-6-3 / EN55014-1.
12. Όταν χρησιμοποιείτε αυτό το προϊόν κοντά σε άλλες ηλεκτρονικές συσκευές, μπορεί να προκαλέσει ραδιοπαρεμβολές.  
Όταν συμβεί αυτό, οι χρήστες αυτού του προϊόντος μπορεί να χρειαστεί να λάβουν κατάλληλα μέτρα.

## Προειδοποιήσεις ασφάλειας για τον δονητή μπετόν

1. Φορέστε ένα κράνος ασφαλείας, γάντια προστασίας από τους κραδασμούς, μπότες ασφαλείας, προστασία ακοής, προστασία προσώπου (προστατευτικά γυαλιά και μάσκα) και εξάρτηση ασφαλείας πριν χρησιμοποιήσετε τον δονητή.



2. Όταν εργάζεστε, φορέστε μακρυμάνικη μπλούζα και μακρύ παντελόνι και διατηρήστε την έκθεση του δέρματος στο ελάχιστο, για να αποφύγετε τη βλάβη του δέρματος που προκαλείται από την προσκόλληση του εκτοξευόμενου σκυροδέματος στο δέρμα.
3. Όταν χρησιμοποιείτε τον δονητή κοντά στα πόδια ή σε μέρη που δεν είναι πολύ βαθιά, το σκυρόδεμα μπορεί να πιτσιλιστεί τριγύρω. Χρησιμοποιήστε προστασία προσώπου (προστατευτικά γυαλιά και μάσκα) για να προστατεύσετε τα μάτια και το στόμα σας. Φοράτε προστασία ακοής όταν εργάζεστε σε θορυβώδεις χώρους.
4. Βεβαιωθείτε ότι έχει τοποθετηθεί μια ποδοσανίδα όταν εργάζεστε σε περιοχή με ανεπαρκές πάτημα, όπως σε μια ράβδο οπλισμού.
5. Επειδή αυτό το προϊόν έχει μακρύ εύκαμπτο σωλήνα, υπάρχει κίνδυνος τραυματισμού λόγω παραπατήματος ή λόγω ενός λάθους βήματος εάν ο εύκαμπτος σωλήνας πιαστεί στη ράβδο οπλισμού κατά τη διάρκεια της εργασίας ή της κίνησης, ή εάν η κίνηση περιοριστεί στην περίπτωση που τοποθετηθεί κάτι επάνω στον εύκαμπτο σωλήνα. Επίσης, εάν το προϊόν αφεθεί σε μια περιοχή όπου περνούν άνθρωποι όταν δεν γίνονται εργασίες, μπορεί να πιάσει το πόδι κάποιου και να προκαλέσει την πτώση ή τον τραυματισμό του. Προσέχετε κατά τον χειρισμό εύκαμπτων σωλήνων και καλωδίων.

6. Η πολύωρη χρήση του δονητή ή η λειτουργία του δονητή με αφύσικη στάση μπορεί να ασκήσει καταπόνηση στο σώμα. Φροντίστε να κάνετε τα κατάλληλα διαλείμματα για να αποφύγετε την κούραση ή τον τραυματισμό. Επίσης, εάν αισθάνεστε πόνο ή μούδιασμα στα χέρια, στους βραχίονες, στους ώμους ή στην πλάτη σας ενώ χρησιμοποιείτε το προϊόν, σταματήστε να το χρησιμοποιείτε αμέσως και λάβετε την κατάλληλη θεραπεία.

7. Ο επιχειρηματίας που κάνει χρήση αυτού του δονητή σκυροδέματος πρέπει να διαχειρίζεται τις ώρες εργασίας και πρέπει να καταβάλλει προσπάθειες για την πρόληψη της βλάβης της υγείας των εργατών που προέρχεται από τους κραδασμούς.

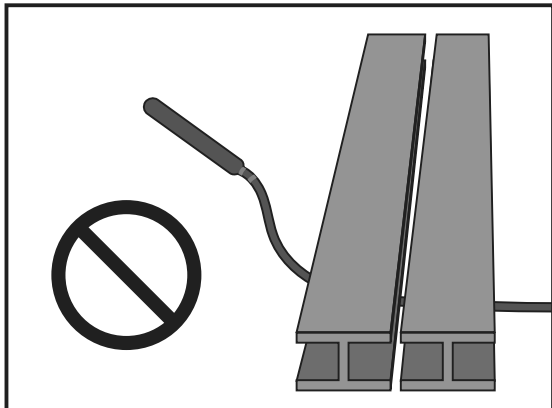
Για λεπτομέρειες σχετικά με την αντοχή κραδασμών του δονητή, ανατρέξτε στην παράγραφο «ΣΥΝΟΛΙΚΗ ΤΙΜΗ ΤΗΣ ΔΟΝΗΣΗΣ».

Τηρείτε τις σχετικές νομικές απαιτήσεις και κατευθυντήριες γραμμές της χώρας όπου χρησιμοποιείται ο δονητής.

8. Όταν σταματάτε προσωρινά την εργασία, αποθηκεύστε το προϊόν σε ένα ασφαλές μέρος. Εάν τοποθετηθεί σε διάδρομο, μπορεί να πιαστεί το πόδι σας και να προκαλέσει πτώση ή τραυματισμό. Εάν παρουσιαστεί οποιαδήποτε ανωμαλία ή δυσλειτουργία, απενεργοποιήστε αμέσως όλες τις ηλεκτρικές παροχές, διακόψτε τη χρήση και αποσυνδέστε τη φορητή ηλεκτρική τροφοδότηση. Για επιθεώρηση και επισκευή, επικοινωνήστε με το τοπικό σας εξουσιοδοτημένο κέντρο σέρβις της Makita.
9. Η διάταξη κεφαλής αυτού του προϊόντος ψύχεται με την εισαγωγή σε έτοιμο σκυρόδεμα. Συνεπώς, μην τη χρησιμοποιείτε έξω από το έτοιμο σκυρόδεμα (δηλαδή στον αέρα). Υπάρχει πιθανότητα να καεί το μοτέρ.

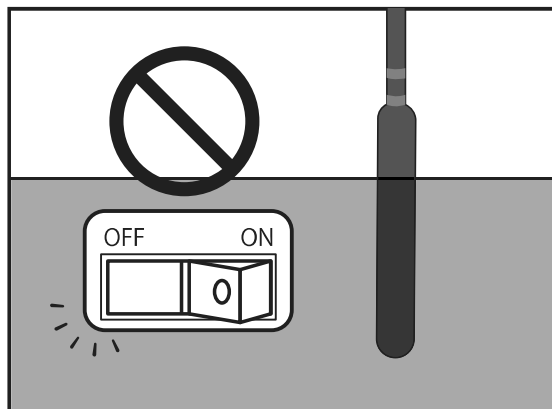


10. Μη θέτετε τη διάταξη κεφαλής σε λειτουργία στον αέρα. Όταν λειτουργεί στον αέρα, ο δονητής φτάνει τους 100°C (212°F) ή υψηλότερα σε λίγα λεπτά και μπορεί να καεί μόλις τον αγγίξετε.
11. Η διάταξη κεφαλής ζεσταίνεται κατά τη διάρκεια της λειτουργίας. Μετά τη χρήση, προσέχετε να μην την αγγίξετε. Υπάρχει κίνδυνος εγκαύματος.
12. Μην τοποθετείτε και μην ρίχνετε βαριά αντικείμενα επάνω στο καλώδιο ή στον εύκαμπτο σωλήνα. Μπορεί να προκληθεί ζημιά στο καλώδιο και να προκληθεί δυσλειτουργία.



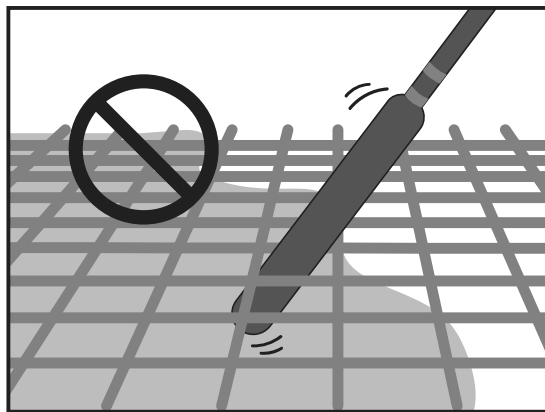
13. Μην περιστρέφετε τη διάταξη κεφαλής κρατώντας τον εύκαμπτο σωλήνα ή το καλώδιο. Υπάρχει πιθανότητα αυτό να προκαλέσει τραυματισμό ή ζημιές σε κοντινά αντικείμενα.
14. Ο διακόπτης λειτουργίας πρέπει να είναι ΕΝΕΡΓΟΠΟΙΗΜΕΝΟΣ/ΑΠΕΝΕΡΓΟΠΟΙΗΜΕΝΟΣ μόνο όταν η διάταξη κεφαλής δεν έχει εισαχθεί στο έτοιμο σκυρόδεμα.

Εάν η ισχύς είναι ΑΠΕΝΕΡΓΟΠΟΙΗΜΕΝΗ ενώ ο δονητής είναι μέσα στο έτοιμο σκυρόδεμα, μπορεί να μην είναι δυνατόν να αφαιρέσετε τη διάταξη κεφαλής. Το βίαιο τράβηγμα μπορεί να προκαλέσει τραυματισμό.



15. Μην αφήνετε τον δονητή κάτω και να τον ενεργοποιήσετε. Η διάταξη κεφαλής μπορεί να εκτιναχθεί εκτός ελέγχου και να προκαλέσει ατύχημα.

16. Μην αναμοχλεύετε και μην περιστρέφετε τον δονητή μεταξύ της ράβδου οπλισμού ή του καλουπιού με τη διάταξη κεφαλής. Διαφορετικά, η διάταξη κεφαλής ενδέχεται να γρατσουνιστεί και να καεί το μοτέρ.



17. Όταν χρησιμοποιείτε δονητή συνδεδεμένο στη φορητή ηλεκτρική τροφοδότηση, βεβαιωθείτε ότι εργάζεστε μόνοι σας. Η λειτουργία δύο ατόμων, όπου το ένα συγκρατεί τον δονητή και το άλλο συγκρατεί τη φορητή ηλεκτρική τροφοδότηση ξεχωριστά, μπορεί να προκαλέσει ατυχήματα ή τραυματισμούς.
18. Όταν μετακινείτε ή αποθηκεύετε το προϊόν, βεβαιωθείτε ότι το μετακινείτε με τη φορητή ηλεκτρική τροφοδότηση απενεργοποιημένη. Εάν η ισχύς παραμένει ενεργοποιημένη, μπορεί να εκκινηθεί απρόσμενα, προκαλώντας ατύχημα ή τραυματισμό.
19. Η διάταξη κεφαλής αυτού του προϊόντος δεν πρέπει να λειτουργεί σε σκληρές επιφάνειες, όπως σκληρυμένο σκυρόδεμα ή χαλύβδινη πλάκα. Υπάρχει πιθανότητα να καούν τα ρουλεμάν και να σπάσει ο ρότορας.
20. Μην τραβάτε και μην κρεμάτε το καλώδιο από οτιδήποτε κατά την τοποθέτηση σκυροδέματος ή την κίνησή του, διαφορετικά το φισ μπορεί να χαλαρώσει και μπορεί να προκαλέσει θραύση του καλωδίου ή βλάβη στην πλακέτα κυκλώματος.
21. Η θήκη αναστροφής περιέχει ακριβείς ηλεκτρονικές συσκευές. Μην τη ρίξετε κάτω, μην την πετάξετε, μην την πατήσετε και μην την υποβάλετε σε ισχυρούς κραδασμούς.
22. Όταν εισαγάγετε ή αφαιρείτε τον σύνδεσμο, βεβαιωθείτε να ΑΠΕΝΕΡΓΟΠΟΙΗΣΕΤΕ τη φορητή ηλεκτρική τροφοδότηση. Εάν ο σύνδεσμος είναι συνδεδεμένος ή αποσυνδεδεμένος ενώ το ρεύμα είναι ΕΝΕΡΓΟΠΟΙΗΜΕΝΟ, μπορεί να προκληθεί δυσλειτουργία.
23. Για να αποφύγετε την κακή επαφή, καθαρίστε τυχόν ακαθαρσίες ή σκουριές από τους ακροδέκτες του φισ πριν τους εισαγάγετε με ασφάλεια στην υποδοχή εξόδου της φορητής ηλεκτρικής τροφοδότησης. Η κακή επαφή με το φισ είναι μία από τις κύριες αιτίες αστοχίας, όπως το κάψιμο του μοτέρ και η πρόκληση ζημιάς στην πλακέτα κυκλώματος.
24. Η φορητή ηλεκτρική τροφοδότηση που συνδέεται με αυτό το προϊόν χρησιμοποιεί μπαταρία ιόντων λιθίου. Μην υποβάλετε την μπαταρία σε ισχυρούς κραδασμούς, μην ρίχνετε νερό στην μπαταρία και μην τοποθετείτε την μπαταρία κοντά σε θερμότητα. Εάν το κάνετε αυτό, μπορεί να έχει ως αποτέλεσμα δυσλειτουργία, ηλεκτροπληξία ή φωτιά.
25. Όταν συμβεί μια ανωμαλία, διακόψτε αμέσως τη λειτουργία. Διαφορετικά, μπορεί να προκαλέσει φωτιά, ηλεκτροπληξία ή τραυματισμό.

26. Μην χρησιμοποιείτε το προϊόν παρουσία εύφλεκτων υγρών, αερίων ή σκόνης. Εάν το κάνετε αυτό, μπορεί να προκληθεί ανάφλεξη ή έκρηξη.
27. Μην προσπαθήσετε να αποσυναρμολογήσετε ή να τροποποιήσετε αυτό το προϊόν. Εάν το κάνετε αυτό, μπορεί να έχει ως αποτέλεσμα ηλεκτροπληξία, υπερθέρμανση, ρήξη ή φωτιά.
28. Μην χρησιμοποιείτε τον δονητή στη βροχή.
29. Μην πλένετε τον δονητή με νερό.

## Σημαντικές οδηγίες ασφάλειας για τη φορητή ηλεκτρική τροφοδότηση

1. Πριν χρησιμοποιήσετε τη φορητή ηλεκτρική τροφοδότηση, διαβάστε όλες τις οδηγίες και σημειώσεις προφύλαξης (1) στον φοριστή μπαταριών, (2) στην μπαταρία και (3) στη φορητή ηλεκτρική τροφοδότηση.
  2. Μην σηκώνετε και μην μεταφέρετε αυτή τη φορητή ηλεκτρική τροφοδότηση κρατώντας μόνο το καλώδιο. Μην τραβάτε το καλώδιο ενώ φοράτε ή χρησιμοποιείτε αυτή τη φορητή ηλεκτρική τροφοδότηση.
  3. Πριν φορέσετε ή βγάλετε τη φορητή ηλεκτρική τροφοδότηση, αφαιρέστε την υποδοχή από τον δονητή.
  4. Όταν αφήνετε τον δονητή, φροντίστε να αφαιρέσετε την υποδοχή από τον δονητή ή να αφαιρέσετε τη φορητή ηλεκτρική τροφοδότηση από το σώμα σας.
  5. Προσέχετε να μην σκοντάψετε στο καλώδιο κατά τη διάρκεια της λειτουργίας.
  6. Μην χρησιμοποιείτε αυτή τη φορητή ηλεκτρική τροφοδότηση σε μια ασταθή επιφάνεια ή ασταθή ψηλά μέρη.
  7. Κατά τη λειτουργία, κρατήστε το καλώδιο μακριά από εμπόδια. Ένα καλώδιο που έχει τυλιχτεί σε εμπόδια μπορεί να προκαλέσει σοβαρό τραυματισμό.
  8. Μην εισαγάγετε τους προσαρμογείς στον φοριστή.
  9. Επιθεωρήστε τη φορητή ηλεκτρική τροφοδότηση, μαζί με τα καλώδια και την πλεξούδα καλωδίωσης, πριν από τη χρήση. Εάν παρουσιάζουν ζημιά, απευθυνθείτε στο τοπικό σας εξουσιοδοτημένο κέντρο σέρβις της Makita για επισκευή.
  10. Όταν στερεώνετε το καλώδιο στον υποδοχέα καλωδίου, φροντίστε να το στερεώσετε αργά και καλά.
  11. Πάντα να βεβαιώνετε ότι ο δονητής είναι απενεργοποιημένος και η υποδοχή έχει αφαιρεθεί πριν επιχειρήσετε να εκτελέσετε κάποια εργασία επιθεώρησης ή συντήρησης στο δονητή.
  12. Όταν φοράτε τη φορητή ηλεκτρική τροφοδότηση, μην φοράτε τίποτα, όπως ιμάντα ασφαλείας ή ζώνη ώμου, που μπορεί να παρέμβει με τη λειτουργία απόσπασης έκτακτης ανάγκης της φορητής ηλεκτρικής τροφοδότησης.
  13. Μην χρησιμοποιείτε αυτή τη φορητή ηλεκτρική τροφοδότηση όταν φοράτε ζακέτα με φορητό ανεμιστήρα ή φορητή θερμαινόμενη ζακέτα.
  14. Μην εκθέτετε αυτή τη φορητή ηλεκτρική τροφοδότηση σε σπινθήρες.
  15. Όταν χρησιμοποιείτε αυτή τη φορητή ηλεκτρική τροφοδότηση χωρίς να τη φοράτε, φροντίστε να απλώσετε τη φορητή ηλεκτρική τροφοδότηση.
  16. Μην αποσυναρμολογήσετε, μην επισκευάσετε και μην τροποποιήσετε τη φορητή ηλεκτρική τροφοδότηση.
  17. Προσέχετε να μην μπλέξετε την πλεξούδα καλωδίωσης ή τον ιμάντα με τον δονητή.
- [ PDC01 ]
1. Μην χρησιμοποιείτε πολλαπλές φορητές ηλεκτρικές τροφοδοτήσεις συνδέοντας μία φορητή ηλεκτρική τροφοδότηση σε μια άλλη φορητή ηλεκτρική τροφοδότηση.
  2. Μην τοποθετείτε τους προσαρμογείς στις θύρες μπαταριών αυτής της φορητής ηλεκτρικής τροφοδότησης.
  3. Αυτή η φορητή ηλεκτρική τροφοδότηση έχει σχεδιαστεί αποκλειστικά για χρήση με μπαταρίες 18V. Μην χρησιμοποιείτε άλλες μπαταρίες εκτός από μπαταρίες 18V.
  4. Μην αφήσετε το νερό να εισχωρήσει μέσα στο κάλυμμα.
- [ PDC1200 ]
1. Όταν ακουμπάτε τη φορητή ηλεκτρική τροφοδότηση όρθια χρησιμοποιώντας τη βάση μπαταρίας, βεβαιωθείτε να τοποθετήσετε τη φορητή ηλεκτρική τροφοδότηση σε επίπεδη επιφάνεια.
  2. Χρησιμοποιήστε τον φοριστή που είναι αποκλειστικός της φορητής ηλεκτρικής τροφοδότησης. Μην χρησιμοποιείτε άλλους φοριστές.
  3. Μην μεταφέρετε τη φορητή ηλεκτρική τροφοδότηση ενώ κρατάτε τη βάση μπαταρίας ή τον ιμάντα ρύθμισης πλάτους.
  4. Μην τοποθετείτε ούτε να στερεώνετε τίποτα μεταξύ της μπαταρίας και της βάσης μπαταρίας.
  5. Μην κρεμάτε τίποτα από τη βάση μπαταρίας.

# Σημαντικές οδηγίες ασφάλειας για τον φορτιστή μπαταριών

1. Πριν χρησιμοποιήσετε τον φορτιστή μπαταριών, διαβάστε όλες τις οδηγίες και τις ενδείξεις προφύλαξης (1) στον φορτιστή μπαταριών, (2) στην μπαταρία και (3) στη φορητή ηλεκτρική τροφοδότηση.

**⚠ ΠΡΟΣΟΧΗ:** Για να μειώσετε τον κίνδυνο τραυματισμού, να φορτίζετε μόνο επαναφορτιζόμενες μπαταρίες της Makita. Άλλοι τύποι μπαταριών μπορεί να εκραγούν προκαλώντας προσωπικό τραυματισμό και ζημιά.

2. Δεν είναι δυνατό να φοριστούν μη επαναφορτιζόμενες μπαταρίες με αυτό τον φορτιστή μπαταριών.
3. Να χρησιμοποιείτε παροχή ρεύματος ίδιας τάσης με την αναγραφόμενη στην πινακίδα ονομαστικών τιμών του φορτιστή.
4. Μην φορτίζετε την μπαταρία παρουσία εύφλεκτων υγρών ή αερίων.
5. Μην εκθέτετε τον φορτιστή σε βροχή ή χιόνι.
6. Μην μεταφέρετε τον φορτιστή κρατώντας τον από το ηλεκτρικό καλώδιο και μην τραβάτε το καλώδιο απότομα για να το αποσυνδέσετε από την πρίζα.
7. Μετά το πέρας της φόρτισης ή πριν επιχειρήσετε οποιαδήποτε εργασία συντήρησης ή καθαρισμού, αποσυνδέστε τον φορτιστή από την παροχή ρεύματος. Τραβήξτε το φως του ηλεκτρικού καλωδίου και όχι το καλώδιο, κάθε φορά που αποσυνδέετε τον φορτιστή.
8. Φροντίστε ώστε το καλώδιο να βρίσκεται σε θέση όπου δεν θα το πατήσετε, δεν θα σκοντάψετε πάνω του, ούτε θα υποστεί καταπόνηση ή ζημιά με άλλο τρόπο.
9. Μην θέτετε τον φορτιστή σε λειτουργία εάν το καλώδιο ή το φως είναι κατεστραμμένο. Εάν το καλώδιο ή το φως είναι κατεστραμμένο, ζητήστε από ένα εξουσιοδοτημένο κέντρο σέρβις της Makita να το αντικαταστήσει ώστε να αποφευχθεί τυχόν κίνδυνος.
10. Μην θέσετε σε λειτουργία τον φορτιστή ούτε να τον αποσυναρμολογήσετε εάν έχει χτυπηθεί βίαια, έχει υποστεί πτώση ή οποιαδήποτε ζημιά. Φροντίστε για την προσκόμιση ή του σε πιστοποιημένο τεχνικό σέρβις. Η ασφαλισμένη χρήση ή εκ νέου συναρμολόγηση μπορεί να έχει ως αποτέλεσμα ηλεκτροπληξία ή φωτιά.
11. Όταν φορτίζετε τις μπαταρίες, κάντε το σε εσωτερικό περιβάλλον με θερμοκρασία περιβάλλοντος 10°C (50°F) έως 40°C (104°F). Μην φορτίζετε την μπαταρία όταν η θερμοκρασία δωματίου είναι ΚΑΤΩ ΑΠΟ 10°C (50°F) ή ΠΑΝΩ ΑΠΟ 40°C (104°F). Σε χαμηλές θερμοκρασίες, η φόρτιση μπορεί να μην ξεκινάει.
12. Μην επιχειρήσετε να χρησιμοποιήσετε μετασχηματιστή πολλαπλασιασμού, γεννήτρια κινητήρα ή ρευματοδότη συνεχούς ρεύματος.
13. Οι οπές του φορτιστή είναι αεραγωγοί ψύξης και δεν πρέπει να είναι φραγμένες. Η ανεπαρκής ψύξη επηρεάζει τον χρόνο φόρτισης. Συνιστάται περιοδική επιθεώρηση των αεραγωγών ψύξης.

## Σημαντικές οδηγίες ασφάλειας για την μπαταρία

1. Πριν χρησιμοποιήσετε την μπαταρία, διαβάστε όλες τις οδηγίες και τις ενδείξεις προφύλαξης (1) στον φορτιστή μπαταριών, (2) στην μπαταρία και (3) στη φορητή ηλεκτρική τροφοδότηση.
2. Μην αποσυναρμολογήσετε ή παραβιάσετε την μπαταρία. Μπορεί να έχει ως αποτέλεσμα φωτιά, υπερθέρμανση ή έκρηξη.
3. Εάν ο χρόνος λειτουργίας έχει γίνει υπερβολικά σύντομος, σταματήστε αμέσως τη λειτουργία. Αλλιώς, μπορεί να έχει ως αποτέλεσμα κίνδυνο υπερθέρμανσης, πιθανά εγκαύματα ή ακόμη και έκρηξη.
4. Υπό σοβαρές συνθήκες, όπως υψηλή θερμοκρασία, η μπαταρία μπορεί να διαρρέυσει υγρό. Μην αγγίζετε απρόσεκτα το υγρό που έχει διαρρεύσει. Μπορεί να προκαλέσει ερεθισμό ή εγκαύματα. Στην απίθανη περίπτωση που το υγρό μπαταρίας μπει στα μάτια σας ή επάνω στο δέρμα σας, ξεπλύνετε αμέσως με καθαρό νερό, όπως νερό βρύσης και, στη συνέχεια, ζητήστε ιατρική φροντίδα.
5. Μην βραχυκυκλώνετε την μπαταρία:
  - (1) Μην αγγίζετε τους ακροδέκτες με αγώγιμο υλικό.
  - (2) Αποφεύγετε να αποθηκεύετε την μπαταρία μέσα σε ένα δοχείο μαζί με άλλα μεταλλικά αντικείμενα όπως καρφιά, νομίσματα, κ.λπ.
  - (3) Μην εκθέτετε την μπαταρία σε νερό ή βροχή. Ένα βραχυκύκλωμα μπαταρίας μπορεί να προκαλέσει μεγάλη ροή ρεύματος, υπερθέρμανση, πιθανά εγκαύματα ακόμη και σοβαρή ζημιά.
6. Μην εισαγάγετε την μπαταρία σε αγώγιμο υλικό, όπως το νερό, και μην τοποθετείτε αγώγιμο υλικό, όπως το νερό, μέσα στην μπαταρία. Εάν το κάνετε αυτό, μπορεί να προκληθεί βραχυκύκλωμα, το οποίο μπορεί να έχει ως αποτέλεσμα υπερθέρμανση, φωτιά, ρήξη ή έκρηξη.
7. Μην φορτίζετε, μην αποθηκεύετε και μην χρησιμοποιείτε τον δονητή και τη φορητή ηλεκτρική τροφοδότηση και την μπαταρία σε τοποθεσίες όπου η θερμοκρασία μπορεί να φτάσει ή να ξεπεράσει τους 50 °C (122 °F).
8. Μην αποτεφρώνετε την μπαταρία ακόμη κι αν παρουσιάζει σοβαρή ζημιά ή είναι εντελώς φθαρμένη. Η μπαταρία μπορεί να εκραγεί σε φωτιά.

9. Μην καρφώσετε, μην κόψετε, μην συνθλίψετε, μην πετάξετε και μην ρίξετε κάτω την μπαταρία, ούτε να χτυπήσετε ένα σκληρό αντικείμενο επάνω στην μπαταρία. Τέτοια συμπεριφορά μπορεί να έχει ως αποτέλεσμα φωτιά, υπερθέρμανση ή έκρηξη.
10. Μην χρησιμοποιείτε μια μπαταρία που έχει πέσει ή καταστραφεί με οποιονδήποτε τρόπο.
11. Οι μπαταρίες ιόντων λιθίου που περιέχονται υπόκεινται στις απαιτήσεις της νομοθεσίας για επικίνδυνα αγαθά.  
Για εμπορικές μεταφορές, για παράδειγμα από τρίτα μέρη, πρέπει να τηρούνται οι διαμεταφορείς, οι ειδικές απαιτήσεις στη συσκευασία και η επισήμανση. Για προετοιμασία του στοιχείου που αποστέλλεται, είναι απαραίτητο να συμβουλευτείτε έναν ειδικό για επικίνδυνα υλικά. Επίσης, τηρήστε τους πιθανούς, πιο αναλυτικούς εθνικούς κανονισμούς. Καλύψτε με αυτοκόλλητη ταινία ή κρύψτε τις ανοικτές επαφές και συσκευάστε την μπαταρία με τρόπο που να μην μπορεί να μετακινείται μέσα στη συσκευασία.
12. Όταν απορρίπτετε την μπαταρία, αφαιρέστε την από τη φορητή ηλεκτρική τροφοδότηση και διαθέστε την σε ένα ασφαλές μέρος. Τηρήστε τους τοπικούς κανονισμούς που σχετίζονται με τη διάθεση της μπαταρίας.
13. Να χρησιμοποιείτε την μπαταρία μόνο με τα προϊόντα που καθορίζονται από την Makita. Η τοποθέτηση της μπαταρίας σε μη συμβατά προϊόντα μπορεί να έχει ως αποτέλεσμα φωτιά, υπερβολική θερμότητα, έκρηξη ή διαρροή του ηλεκτρολύτη.
14. Εάν δεν χρησιμοποιείτε τον δονητή για μεγάλο χρονικό διάστημα, πρέπει να βγάλετε την μπαταρία από τη φορητή ηλεκτρική τροφοδότηση.
15. Φυλάξτε την μπαταρία μακριά από παιδιά.
16. Κατά τη διάρκεια και μετά τη χρήση, η μπαταρία μπορεί να θερμανθεί, γεγονός που μπορεί να προκαλέσει εγκαύματα ή εγκαύματα από χαμηλή θερμοκρασία. Προσέχετε τον χειρισμό των ζεστών μπαταριών.
17. Μην αγγίξετε τον ακροδέκτη της μπαταρίας αμέσως μετά τη χρήση επειδή μπορεί να έχει ζεσταθεί αρκετά για να προκαλέσει εγκαύματα.
18. Μην αφήνετε θραύσματα, σκόνη ή βρομιά να κολλήσει στους ακροδέκτες, τις οπές και τις εγκοπές της μπαταρίας. Μπορεί να έχει ως αποτέλεσμα κακή απόδοση ή σπάσιμο του δονητή ή της μπαταρίας.
19. Μην φέρνετε τους ακροδέκτες της μπαταρίας που φορτίζει σε επαφή με μέταλλο ή άλλα αντικείμενα.
20. Μην χρησιμοποιείτε την μπαταρία κοντά σε ηλεκτρικές γραμμές υψηλής τάσης. Μπορεί να έχει ως αποτέλεσμα δυσλειτουργία ή σπάσιμο του δονητή ή της μπαταρίας.
21. Όταν η θερμοκρασία της μπαταρίας είναι υψηλή (40 °C (104 °F) ή υψηλότερη), όπως μετά από εργασία κάτω από τον καυτό ήλιο, η φόρτιση μπορεί να είναι προσωρινά αδύνατη. Ωστόσο, αυτό οφείλεται στη λειτουργία προστασίας της μπαταρίας και δεν υποδεικνύει δυσλειτουργία. Αφήστε την μπαταρία να κρυώσει για λίγο πριν την επαναφορτίσετε.

**⚠ ΠΡΟΣΟΧΗ: Να χρησιμοποιείτε μόνο γνήσιες μπαταρίες της Makita.**

Η χρήση μη γνήσιων μπαταριών Makita, ή μπαταριών που έχουν τροποποιηθεί, μπορεί να έχει ως αποτέλεσμα την έκρηξη της μπαταρίας, προκαλώντας φωτιά, προσωπικό τραυματισμό και ζημιά. Θα ακυρώσει επίσης την εγγύηση της Makita για τα προϊόντα Makita.

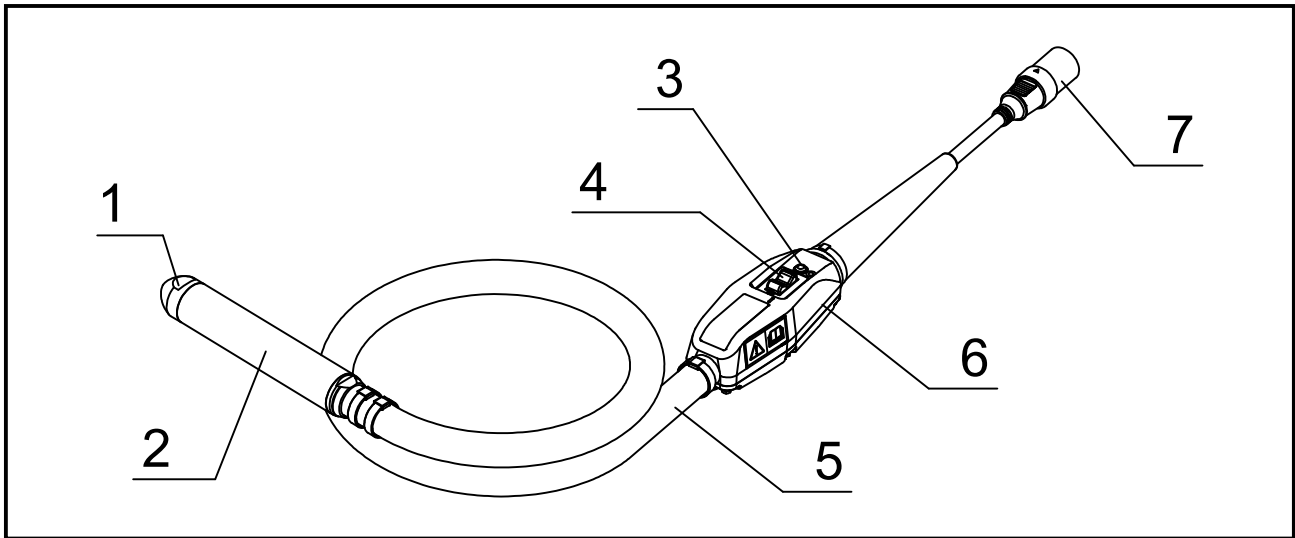
**Συμβουλές για τη διατήρηση της μέγιστης διάρκειας μπαταρίας**

1. Να φορτίζετε την μπαταρία πριν αποφορτιστεί πλήρως. Πάντα να σταματάτε τη λειτουργία του εργαλείου και να φορτίζετε την μπαταρία όταν παρατηρείτε μειωμένη ισχύ εργαλείου.
2. Ποτέ μην επαναφορτίζετε μια πλήρως φορτισμένη μπαταρία. Η υπερφόρτιση μειώνει την ωφέλιμη ζωή της μπαταρίας.
3. Να φορτίζετε την μπαταρία σε θερμοκρασία δωματίου στους 10 °C - 40 °C (50 °F - 104 °F). Να αφήνετε μια ζεστή μπαταρία να κρυώσει πριν τη φορτίσετε.
4. Όταν δεν χρησιμοποιείτε την μπαταρία, αφαιρέστε την από τη φορητή ηλεκτρική τροφοδότηση ή τον φορτιστή.
5. Φορτίστε την μπαταρία εάν δεν θα την χρησιμοποιήσετε για μεγάλη χρονική περίοδο (περισσότερο από έξι μήνες).

**ΦΥΛΑΞΤΕ ΑΥΤΕΣ ΤΙΣ ΟΔΗΓΙΕΣ.**

# ΟΝΟΜΑΣΙΕΣ ΤΩΝ ΕΞΑΡΤΗΜΑΤΩΝ ΔΟΝΗΤΗ

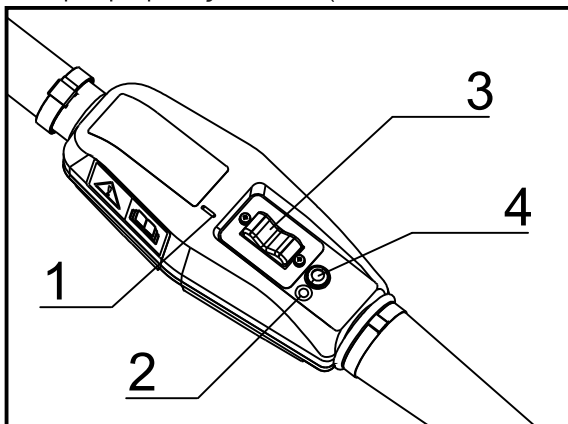
**⚠ ΠΡΟΣΟΧΗ:** Το προϊόν αυτό είναι μια ειδική συσκευή για τις φορητές ηλεκτρικές τροφοδοτήσεις «PDC01» και «PDC1200» της Makita. Μην χρησιμοποιείτε άλλες συσκευές που λειτουργούν με μπαταρία. Εάν το κάνετε αυτό, μπορεί να έχει ως αποτέλεσμα ηλεκτροπληξία, υπερθέρμανση, ρήξη ή φωτιά.



1	Καπάκι δονητή	5	Εύκαμπτος σωλήνας
2	Διάταξη κεφαλής	6	Θήκη αναστροφέα
3	Λυχνία LED	7	Σύνδεσμος (φίς)
4	Διακόπτης	-	-

## ΕΡΓΑΣΙΕΣ

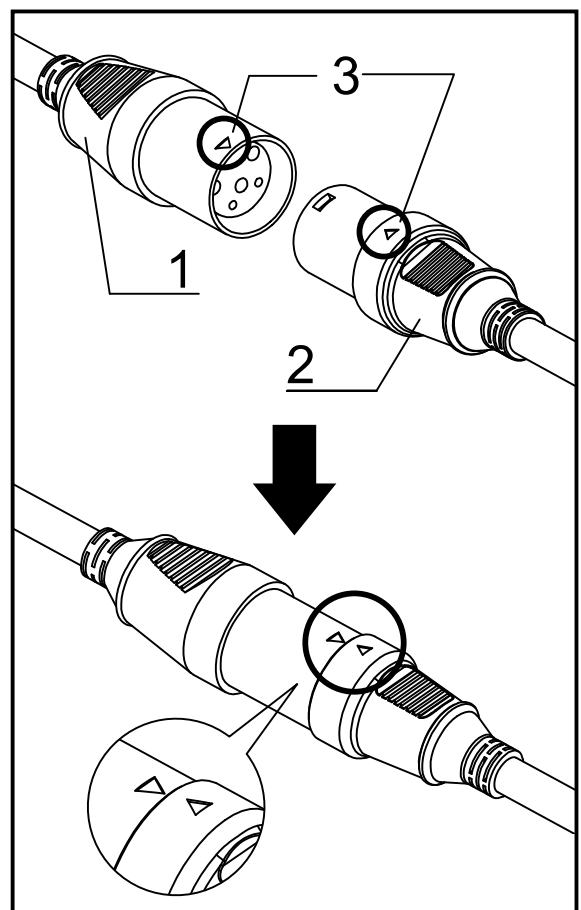
- Βεβαιωθείτε ότι ο διακόπτης λειτουργίας του δονητή είναι ρυθμισμένος στο OFF (ΑΠΕΝΕΡΓΟΠΟΙΗΣΗ).



- 1. Ένδειξη «I» 2. Ένδειξη «O»  
3. Διακόπτης λειτουργίας 4. Λυχνία LED

**ΣΗΜΕΙΩΣΗ:** Η ένδειξη «O» σημαίνει OFF (ΑΠΕΝΕΡΓΟΠΟΙΗΣΗ), η ένδειξη «I» σημαίνει ON (ΕΝΕΡΓΟΠΟΙΗΣΗ).

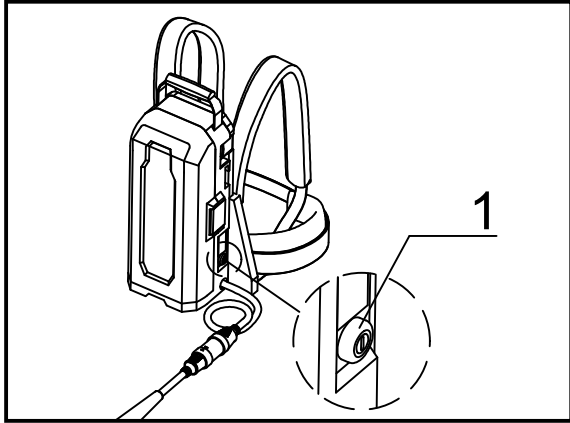
- Ευθυγραμμίστε το σημάδι βέλους στο φίς του δονητή με την υποδοχή της φορητής ηλεκτρικής τροφοδότησης και εισαγάγετέ το μέχρι τέρμα.



- 1. Υποδοχή 2. Φίς 3. Σημάδι βέλους

3. Πατήστε το κουμπί λειτουργίας στη φορητή ηλεκτρική τροφοδότηση για να την ΕΝΕΡΓΟΠΟΙΗΣΕΤΕ. Η λυχνία κύριας λειτουργίας ανάβει με πράσινο χρώμα. Η λυχνία LED στον δονητή επίσης ανάβει με πράσινο χρώμα.

**ΣΗΜΕΙΩΣΗ:** Όταν η λυχνία LED αναβοσβήνει με κόκκινο χρώμα, ενεργοποιείται η λειτουργία πρόληψης λανθασμένης έναρξης. Εάν θέσετε τον διακόπτη λειτουργίας στη θέση OFF (ΑΠΕΝΕΡΓΟΠΟΙΗΣΗ), ακυρώνεται η λειτουργία πρόληψης λανθασμένης έναρξης και η λυχνία LED του δονητή θα ανάψει με πράσινο χρώμα.



► 1. Κουμπί κύριας λειτουργίας

4. Κρατήστε τον εύκαμπτο σωλήνα του δονητή με τρόπο ώστε η διάταξη κεφαλής να αιωρείται στον αέρα.
5. Όταν είστε έτοιμοι, γυρίστε τον διακόπτη λειτουργίας στο ON (ΕΝΕΡΓΟΠΟΙΗΣΗ) για να ξεκινήσετε τον δονητή.

**ΣΗΜΕΙΩΣΗ:** Κρατήστε τον εύκαμπτο σωλήνα του δονητή στο σημείο όπου η δόνηση στο χέρι είναι ασθενής.

6. Εισαγάγετε τον δονητή κάθετα μέσα στο σκυρόδεμα με ένα βήμα για αποδοτική εμβέλειας συμπίεσης.

**ΣΗΜΕΙΩΣΗ:** Η αποδοτική εμβέλεια συμπίεσης για τον δονητή είναι μια περιοχή με διάμετρο περίπου 10 φορές τη διάμετρο του δονούμενου μέρους.

7. Θα πρέπει να αλλάξετε τη θέση δονητή όταν το σκυρόδεμα σταματήσει να κατακάθεται και το κονίαμα επιπλέει ομοιόμορφα στην επιφάνεια και γίνεται λαμπερό.

**ΣΗΜΕΙΩΣΗ:** Εάν τοποθετήσετε τον δονητή σε ένα σημείο για μεγάλο χρονικό διάστημα, μπορεί να προκληθεί διαχωρισμός αδρανούς υλικού.

**ΣΗΜΕΙΩΣΗ:** Εάν ο διαχωρισμός πραγματοποιείται κατά την τοποθέτηση σκυροδέματος, γεμίστε το χονδρόκοκκο αδρανές υλικό ομοιόμορφα και τοποθετήστε ξανά το σκυρόδεμα.

**ΣΗΜΕΙΩΣΗ:** Συνιστάται να ρυθμίσετε τον διακόπτη λειτουργίας στη θέση OFF (ΑΠΕΝΕΡΓΟΠΟΙΗΣΗ) ενώ ο δονητής δεν έχει εισαχθεί στο σκυρόδεμα. Αυτό βοηθά στην παράταση του χρόνου χρήσης/διάρκειας ζωής του προϊόντος του δονητή.

8. Όταν τραβάτε τον δονητή προς τα πάνω, τραβήξτε τον προς τα πάνω αργά, ώστε να μην έχουν απομείνει οπές.
9. Μετά την ολοκλήρωση της χύτευσης, θέστε τον διακόπτη λειτουργίας του δονητή στη θέση OFF (ΑΠΕΝΕΡΓΟΠΟΙΗΣΗ) για να διακόψετε τη λειτουργία του δονητή.
10. Πατήστε παρατεταμένα το κουμπί λειτουργίας στη φορητή ηλεκτρική τροφοδότηση για να διακόψετε την έξοδο ισχύος.  
Η ένδειξη λειτουργίας θα σβήσει.
11. Αφαιρέστε τον σύνδεσμο που συνδέει τη φορητή ηλεκτρική τροφοδότηση και τον δονητή.

**ΣΗΜΕΙΩΣΗ:** Όταν αφαιρείτε τον σύνδεσμο, κρατήστε την υποδοχή και το φως και μην τραβάτε το ηλεκτρικό καλώδιο.

## ΤΡΟΠΟΣ ΦΟΡΤΙΣΗΣ ΤΗΣ ΜΠΑΤΑΡΙΑΣ

**⚠ ΠΡΟΣΟΧΗ:** Πριν φορτίσετε την μπαταρία, βεβαιωθείτε να διαβάσετε το εγχειρίδιο οδηγιών για τη φορητή ηλεκτρική τροφοδότηση και τον φορτιστή μπαταριών.

- Για τη φόρτιση, ανατρέξτε στο εγχειρίδιο οδηγιών της φορητής ηλεκτρικής τροφοδότησης ή του φορτιστή μπαταριών.



## ΚΑΘΑΡΙΣΜΟΣ ΜΕΤΑ ΤΗ ΧΡΗΣΗ

- Μετά τη χρήση, ο δονητής πρέπει να καθαρίζεται καλά και οι εύκαμπτοι σωλήνες και τα καλώδια να τυλίγονται τακτοποιημένα.

1. Αφαιρέστε το σκυρόδεμα από τη διάταξη κεφαλής, τον εύκαμπτο σωλήνα, τη θήκη αναστροφέα και τα καλώδια πριν σκληρύνει.
2. Μην πλένετε τη θήκη αναστροφέα με νερό. Σκουπίστε τυχόν προσκολλημένες ακαθαρσίες με ένα υγρό πανί. Κατά το σκούπισμα, σκουπίστε με ένα στεγνό πανί για να αφαιρέσετε τυχόν υπολείμματα υγρασίας.
3. Εάν υπάρχει βρομιά ή σκουριά στους ακροδέκτες του φισ ή της υποδοχής, καθαρίστε τους. Η κακή επαφή του ακροδέκτη μπορεί να προκαλέσει δυσλειτουργία.
4. Κατά τη μεταφορά της φορητής ηλεκτρικής τροφοδότησης, αφαιρέστε την υποδοχή της φορητής ηλεκτρικής τροφοδότησης και το φισ του δονητή πριν την μετακινήσετε.
5. Όταν μεταφέρετε τη μονάδα, κρατήστε τον δονητή και τη λαβή της φορητής ηλεκτρικής τροφοδότησης. Μην σηκώνετε και μην τραβάτε από τον δονητή ή τη φορητή ηλεκτρική τροφοδότηση. Εάν το κάνετε αυτό, μπορεί να προκληθεί φθορά του δονητή ή θραύση του ηλεκτρικού καλωδίου.
6. Κατά τη μεταφορά της φορητής ηλεκτρικής τροφοδότησης, φροντίστε να απενεργοποιήσετε τη φορητή ηλεκτρική τροφοδότηση πριν τη μετακινήσετε. Πατήστε παρατεταμένα το κουμπί λειτουργίας για να απενεργοποιήσετε την ισχύ.

## ΕΠΙΘΕΩΡΗΣΗ

- Πριν από τη μεταφορά του δονητή στο εργοτάξιο και επίσης μετά τη χρήση, βεβαιωθείτε να ελέγξετε τα ακόλουθα.
- Θα βοηθήσει σημαντικά στην πρόληψη προβλημάτων κατά τη διάρκεια της λειτουργίας.

1. Υπάρχουν φθορές, ρωγμές ή χαλαρά εξαρτήματα στον δονητή;
2. Υπάρχει κάποια φθορά, ζημιά, ή γρατσουνιές στον εύκαμπτο σωλήνα;
3. Υπάρχει φθορά ή ρωγμές στο περίβλημα καλωδίου;
4. Υπάρχει οποιαδήποτε παραμόρφωση της θήκης αναστροφέα, χαλαρές βίδες ή ζημιά σε οποιοδήποτε μέρος του αναστροφέα, όπως ένα κάλυμμα του διακόπτη λειτουργίας ή λυχνίας LED;
5. Υπάρχει βρομιά ή σκουριά στους ακροδέκτες του φισ ή της υποδοχής;
6. Είναι σωστή η τιμή αντίστασης μόνωσης; (DC500V, 10MΩ ή περισσότερο)
  - (1) Χρησιμοποιήστε μια συσκευή μέτρησης αντίστασης μόνωσης 500V ως όργανο μέτρησης.
  - (2) Μετρήστε μεταξύ των ακροδεκτών του φισ και της θήκης αναστροφέα.
10. Ακούγεται κάποιος αφύσικος θόρυβος από τον δονητή; Ακούγεται φυσιολογική η λειτουργία του δονητή κατά τη διάρκεια της λειτουργίας; (Είναι φυσιολογικό εάν υπάρχει κανονικός και συνεχής ήχος.)

**ΣΗΜΕΙΩΣΗ:** Μην μετρήσετε μεταξύ των τριών συνδέσεων. Μπορεί να προκληθεί ζημιά στην πλακέτα αναστροφέα.

7. Υπάρχουν ρωγμές, βαθουλώματα ή άλλες ζημιές στη φορητή ηλεκτρική τροφοδότηση;
8. Είναι η μπαταρία πλήρως φορτισμένη;
9. Μπορεί ο δονητής να εκκινήσει ενώ κρατιέται στον αέρα συνδέοντας τον δονητή με τη φορητή ηλεκτρική τροφοδότηση;  
Όταν το κάνετε αυτό, η λυχνία LED στη θήκη αναστροφέα ανάβει με πράσινο χρώμα;

# ΠΕΡΙΟΔΟΣ ΑΝΤΙΚΑΤΑΣΤΑΣΗΣ ΓΙΑ ΑΝΑΛΩΣΙΜΑ

- Τα αναλώσιμα θα πρέπει να αντικαθίστανται περιοδικά σύμφωνα με τον παρακάτω πίνακα.

Αναλώσιμα	Περίοδος αντικατάστασης. (οπτικός και ακουστικός έλεγχος)	Συχνότητα αντικατάστασης (σε ώρες)
Διάταξη κεφαλής Καπάκι δονητή	Καθορισμένη κατάσταση φθοράς (οπτικά)	300-500
Ρουλεμάν	Καθορίζεται από τον θόρυβο κατά τη διάρκεια της λειτουργίας (ακουστικά)	400-500
Εύκαμπτος σωλήνας	Καθορίζεται από τη φθορά ή γρατσουνιές (οπτικά)	Όταν βρεθεί

- Ο παραπάνω χρόνος της αντικατάστασης των αναλώσιμων μερών είναι ένας πρόχειρος οδηγός. Επειδή εξαρτάται από τη χρήση, σας συνιστούμε να αντικαταστήσετε τα αναλώσιμα νωρίτερα από τα παραπάνω.

## ΛΥΧΝΙΑ LED

- Μπορείτε να ελέγξετε την κατάσταση εξόδου του αναστροφέα από το άναμμα ή την αναλαμπή της λυχνίας LED.
- Εάν αναβοσβήνει, η λειτουργία προστασίας ενεργοποιείται και διακόπτεται η έξοδος ισχύος. Φροντίστε να διακόψετε τη λειτουργία και να αφαιρέσετε την αιτία της ανωμαλίας πριν από την επανεκκίνηση της λειτουργίας.

Κατάσταση λυχνίας LED	Κατάσταση εξόδου του αναστροφέα
1. Σταθερή πράσινη λυχνία	Κανονική κατάσταση. Ο δονητής μπορεί να χρησιμοποιηθεί.
2. Πράσινη λυχνία που αναβοσβήνει	Ο δονητής έχει υπερφορτωθεί. Ο δονητής μπορεί να χρησιμοποιηθεί, αλλά η συχνότητα δόνησης έχει μειωθεί για να αποφευχθεί η αστοχία λόγω υπερφόρτωσης. Ο δονητής θα επιστρέψει στην κανονική κατάσταση όταν επιλυθεί η κατάσταση υπερφόρτωσης.
3. Κόκκινη λυχνία που αναβοσβήνει	Σε αυτή την κατάσταση, ενεργοποιείται η λειτουργία πρόληψης λανθασμένης έναρξης. Αυτή η λειτουργία αποτρέπει την απροσδόκητη έναρξη του δονητή όταν η ισχύς είναι ενεργοποιημένη ενώ ο διακόπτης λειτουργίας του δονητή είναι στη θέση ON (ΕΝΕΡΓΟΠΟΙΗΣΗ). Εάν θέσετε τον διακόπτη λειτουργίας στη θέση OFF (ΑΠΕΝΕΡΓΟΠΟΙΗΣΗ), ο δονητής επιστρέφει στην κανονική κατάσταση.
4. Σταθερή κόκκινη λυχνία	Όταν ανιχνευτεί μια ανωμαλία, η έξοδος του αναστροφέα διακόπτεται. Όταν ανάψει η κόκκινη λυχνία, ελέγξτε τα ακόλουθα. <ul style="list-style-type: none"> <li>• Ελέγξτε την υπολειπόμενη χωρητικότητα της μπαταρίας.</li> <li>• Υπάρχει κάποια καταστολή ή υπερβολικό φορτίο που προκαλείται από την ράβδο οπλισμού, κτλ.;</li> </ul> Εάν δεν βρεθεί πρόβλημα, θέστε τον διακόπτη στη θέση OFF (ΑΠΕΝΕΡΓΟΠΟΙΗΣΗ) για να επιστρέψετε στην κανονική κατάσταση (σταθερή πράσινη λυχνία). Εάν η κόκκινη λυχνία ανάβει επανειλημμένα, πιθανόν να έχει προκύψει δυσλειτουργία. Απαιτούνται επιθεώρηση και επισκευή.
5. Δεν ανάβει καμία λυχνία	Επειδή υπάρχει πρόβλημα με την ηλεκτρική παροχή, ο δονητής έχει διακοπεί. Η μπαταρία μπορεί να είναι νεκρή, η μπαταρία μπορεί να έχει τοποθετηθεί λανθασμένα ή η μπαταρία μπορεί να είναι ελαττωματική. Ελέγξτε την ηλεκτρική παροχή.

# ΑΝΤΙΜΕΤΩΠΙΣΗ ΠΡΟΒΛΗΜΑΤΩΝ

- Εάν παρατηρήσετε οποιαδήποτε από τις παρακάτω καταστάσεις κατά τη χρήση του προϊόντος, διακόψτε τη χρήση του προϊόντος και ελέγξτε την αιτία και τις πιθανές θεραπείες.
- Για επιθεώρηση και επισκευή, επικοινωνήστε με το τοπικό σας εξουσιοδοτημένο κέντρο σέρβις της Makita.

Λειτουργία	Σύμπτωμα 1	Σύμπτωμα 2	Αιτία	Αποκατάσταση
Ο δονητής λειτουργεί	Ασυνήθιστος θόρυβος από το δονούμενο μέρος του δονητή (μεταλλικός ήχος, κτλ.)		Ανωμαλία ρουλεμάν (Σκληρά, φθαρμένα)	Αντικαταστήστε τα ρουλεμάν.
	Χαμηλή δόνηση	Η λυχνία LED στη θήκη αναστροφέα <b><u>αναβοσβήνει με πράσινο χρώμα.</u></b>	Ανωμαλία ρουλεμάν (Σκληρά, φθαρμένα)	Αντικαταστήστε τα ρουλεμάν.
			Κατάσταση υπερφόρτωσης που υπερβαίνει την ικανότητα του δονητή.	Μειώστε το φορτίο, τραβώντας τη διάταξη κεφαλής έξω από το σκυρόδεμα.
Σταματάει κατά τη λειτουργία		Η λυχνία LED στη θήκη αναστροφέα <b><u>ανάβει με σταθερό κόκκινο χρώμα.</u></b>	Ο δονητής είναι σημαντικά υπερφορτωμένος πέραν της ικανότητάς του. Η ισχύς μπαταρίας είναι χαμηλή και η ικανότητα του δονητή μειωμένη.	Μειώστε το φορτίο, τραβώντας τη διάταξη κεφαλής έξω από το σκυρόδεμα. Στη συνέχεια, ενεργοποιήστε ξανά.  Εάν η κόκκινη λυχνία ανάβει επανειλημμένα, ελέγξτε την μπαταρία. Εάν είναι πλήρως φορτισμένη, θα πρέπει να ελεγχθεί και να επισκευαστεί.

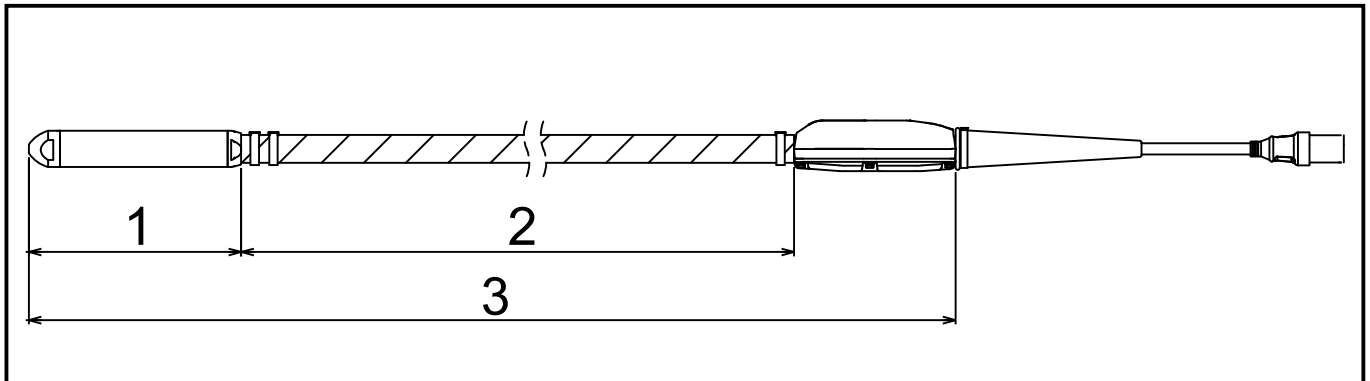
Λειτουργία	Σύμπτωμα 1	Σύμπτωμα 2	Αιτία	Αποκατάσταση
Ο δονητής δεν εκκινείται	Η λυχνία LED στη θήκη αναστροφέα δεν είναι αναμμένη.	Η ένδειξη λειτουργίας της φορητής ηλεκτρικής τροφοδότησης δεν ανάβει.	Η φορητή ηλεκτρική τροφοδότηση δεν είναι ενεργοποιημένη.	Ενεργοποιήστε τη φορητή ηλεκτρική τροφοδότηση.
			Η μπαταρία δεν είναι τοποθετημένη. Ή, η υπολειπόμενη χωρητικότητα μπαταρίας δεν είναι αρκετή.	Τοποθετήστε την μπαταρία. Εναλλακτικά, φορτίστε τις μπαταρίες ή αντικαταστήστε τις μπαταρίες με φορτισμένες.
			Η φορητή ηλεκτρική τροφοδότηση δυσλειτουργεί.	Απαιτούνται επιθεώρηση και επισκευή.
		Η λυχνία λειτουργίας στη φορητή ηλεκτρική τροφοδότηση εναλλάσσεται μεταξύ <b><u>πράσινου και κόκκινου που αναβοσβήνει.</u></b>	Η φορητή ηλεκτρική τροφοδότηση ανίχνευσε κάποια ανωμαλία.	Απενεργοποιήστε τη φορητή ηλεκτρική τροφοδότηση και ενεργοποιήστε την ξανά.
			Η φορητή ηλεκτρική τροφοδότηση δυσλειτουργεί.	Απαιτούνται επιθεώρηση και επισκευή.
		Η ένδειξη λειτουργίας στη φορητή ηλεκτρική τροφοδότηση <b><u>ανάβει με σταθερό πράσινο χρώμα.</u></b>	Το φως στον δονητή δεν είναι σωστά συνδεδεμένο στην υποδοχή στη φορητή ηλεκτρική τροφοδότηση. Ή, το καλώδιο είναι αποσυνδεδεμένο.	Βεβαιωθείτε ότι το φως είναι καλά συνδεδεμένο στην υποδοχή. Σε περίπτωση αποσύνδεσης, απαιτούνται επιθεώρηση και επισκευή.
			Η πλακέτα αναστροφέα στον δονητή δυσλειτουργεί.	Απαιτούνται επιθεώρηση και επισκευή.

Λειτουργία	Σύμπτωμα 1	Σύμπτωμα 2	Αιτία	Αποκατάσταση
Ο δονητής δεν εκκινείται	Η λυχνία LED στη θήκη αναστροφέα δεν είναι αναμμένη.	Η ένδειξη λειτουργίας στη φορητή ηλεκτρική τροφοδότηση <b><u>αναβοσβήνει με πράσινο χρώμα.</u></b>	Η ισχύς της μπαταρίας είναι χαμηλή. Ή, δεν έχει εγκατασταθεί σωστά.	Ελέγξτε την ένδειξη στάθμης μπαταρίας. Εάν η στάθμη μπαταρίας είναι επαρκής, ελέγξτε τον τρόπο εγκατάστασης της μπαταρίας.
			Η φορητή ηλεκτρική τροφοδότηση ή το ηλεκτρικό καλώδιο είναι ζεστά.	Κρυώστε τη φορητή ηλεκτρική τροφοδότηση.
			Το φις στον δονητή δεν είναι σωστά συνδεδεμένο στην υποδοχή στη φορητή ηλεκτρική τροφοδότηση. Ή, το καλώδιο είναι αποσυνδεδεμένο.	Βεβαιωθείτε ότι το φις είναι καλά συνδεδεμένο στην υποδοχή. Σε περίπτωση αποσύνδεσης, απαιτούνται επιθεώρηση και επισκευή.
	Η λυχνία LED στη θήκη αναστροφέα <b><u>ανάβει με σταθερό κόκκινο χρώμα.</u></b>		Ο δονητής έχει σταματήσει επειδή έχει εντοπιστεί σφάλμα.	Ενεργοποιήστε ξανά τη φορητή ηλεκτρική τροφοδότηση. Εάν η λυχνία LED ανάψει με κόκκινο χρώμα επανειλημμένα, απαιτούνται επιθεώρηση και επισκευή.
	Η λυχνία LED στη θήκη αναστροφέα <b><u>αναβοσβήνει με κόκκινο χρώμα.</u></b>		Ενεργοποιείται η λειτουργία πρόληψης λανθασμένης έναρξης.	Θέστε τον διακόπτη λειτουργίας του δονητή στη θέση OFF (ΑΠΕΝΕΡΓΟΠΟΙΗΣΗ) μία φορά και μετά θέστε τον ξανά σε λειτουργία.

# ΤΕΧΝΙΚΑ ΧΑΡΑΚΤΗΡΙΣΤΙΚΑ

Μοντέλο	VR001C	VR002C	VR003C	VR004C
Έξοδος	250 W		400 W	
Τάση	36 V			
Ρεύμα	8,7 A		14,0 A	
Συχνότητα	200 Hz			
Συνολικό μήκος	1.945 mm (76-9/16")	3.445 mm (135-5/8")	1.977 mm (77-27/32")	3.477 mm (136-7/8")
Κεφαλή Διάμετρος x Μήκος	43 x 255 mm (1-11/16" x 10-1/32")		52 x 287 mm (2-1/16" x 11-5/16")	
Εξωτερικός εύκαμπτος σωλήνας Διάμετρος x Μήκος	33 x 1.500 mm (1-5/16" x 59-1/16")	33 x 3.000 mm (1-5/16" x 118-1/8")	33 x 1.500 mm (1-5/16" x 59-1/16")	33 x 3.000 mm (1-5/16" x 118-1/8")
Βάρος	4,8 kg (10,6 lbs)	5,9 kg (13,0 lbs)	5,6 kg (12,4 lbs)	6,7 kg (14,8 lbs)

\* Το βάρος δεν περιλαμβάνει τον εξοπλισμό ηλεκτρικής παροχής όπως τη φορητή ηλεκτρική τροφοδότηση και τις μπαταρίες.



► 1. Μήκος κεφαλής 2. Μήκος εξωτερικού εύκαμπτου σωλήνα 3. Συνολικό μήκος

## ΧΡΟΝΟΣ ΛΕΙΤΟΥΡΓΙΑΣ

Μοντέλο	Όταν χρησιμοποιείται PDC01 (min.)	Όταν χρησιμοποιείται PDC1200 (min.)
VR001C / VR002C	περίπου 100	περίπου 300
VR003C / VR004C	περίπου 60	περίπου 200

\* Ο χρόνος λειτουργίας με τη χρήση του PDC01 βασίζεται σε τέσσερις μπαταρίες BL 1860B που είναι εγκατεστημένες στη φορητή ηλεκτρική τροφοδότηση.

\* Ο χρόνος λειτουργίας είναι μια τιμή αναφοράς που αντιπροσωπεύει πότε κάθε δονητής λειτουργεί συνεχώς. Εξαρτάται από την κατάσταση φόρτισης της μπαταρίας και το περιβάλλον χρήσης.

## ΣΥΝΟΛΙΚΗ ΤΙΜΗ ΤΗΣ ΔΟΝΗΣΗΣ

Μοντέλο	Συνολική τιμή δόνησης ( m/s <sup>2</sup> )
VR001C / VR002C	Λιγότερο από 2,5
VR003C / VR004C	2,5

\* Η συνολική τιμή δόνησης είναι μια τιμή που χρησιμοποιεί το όργανο μέτρησης βάσει του προτύπου ISO 5349-1, και μετρήθηκε με τη μέθοδο που βρίσκεται στο πρότυπο ISO 5349-2.

## KULLANIM AMACI

Bu alet beton dökerken beton içinde hava kabarcıklarını gidermek için kullanılır.

## GÜRÜLTÜ

EN60745'e göre belirlenen tipik A ağırlıklı gürültü seviyesi:

**Model: VR001C, VR002C**

Ses güç düzeyi ( $L_{WA}$ ): 98,4 dB (A)

Ses basınç düzeyi ( $L_{pA}$ ): 87,4 dB (A)

Belirsizlik (K): 3 dB (A)

**Model: VR003C, VR004C**

Ses güç düzeyi ( $L_{WA}$ ): 97,6 dB (A)

Ses basınç düzeyi ( $L_{pA}$ ): 86,6 dB (A)

Belirsizlik (K): 3 dB (A)

**NOT:** Beyan edilen gürültü emisyon değeri/değerleri standart bir test yöntemine göre ölçülmüştür ve bir aleti diğeriyle karşılaştırmak için kullanılabilir.

**NOT:** Beyan edilen gürültü emisyon değeri/değerleri, maruz kalmanın ön değerlendirmesinde de kullanılabilir.

**UYARI:** Kulak koruyucu kullanın.

**UYARI:** Elektrikli aletin fiili kullanımı sırasındaki gürültü emisyonu, aletin kullanılma şekillerine, özellikle ne tür iş parçasının işlendiğine bağlı olarak beyan edilen değer(ler)den farklı olabilir.

**UYARI:** Gerçek kullanım koşullarındaki maruz kalma tahminine dayalı olarak operatörü korumak için güvenlik önlemlerini belirlediğinizden emin olun. Bunu yaparken, alet kapatıldığı zaman, boşta çalıştığı zaman, tetikleme süresi gibi çalışma döngüsünün tüm bölümlerini hesaba katın.

## TİTREŞİM

EN60745'e göre belirlenen titreşim toplam değeri (üç eksenli vektör toplamı):

**Model: VR001C, VR002C**

Çalışma modu: yüksüz çalışma

Titreşim emisyonu (ah): 1,9 m/s<sup>2</sup> (Hortum)

Titreşim emisyonu (ah): 0,7 m/s<sup>2</sup> (İnverter kasası)

Belirsizlik (K): 1,5 m/s<sup>2</sup>

**Model: VR003C, VR004C**

Çalışma modu: yüksüz çalışma

Titreşim emisyonu (ah): 3,1 m/s<sup>2</sup> (Hortum)

Titreşim emisyonu (ah): 1,7 m/s<sup>2</sup> (İnverter kasası)

Belirsizlik (K): 1,5 m/s<sup>2</sup>

**NOT:** Beyan edilen titreşim emisyon değeri standart bir test yöntemine göre ölçülmüştür ve bir aleti diğeriyle karşılaştırmak için kullanılabilir.

**NOT:** Beyan edilen titreşim emisyon değeri, maruz kalmanın ön değerlendirmesinde de kullanılabilir.

**UYARI:** Elektrikli aletin fiili kullanımı sırasındaki titreşim emisyonu, aletin kullanılma şekillerine, özellikle ne tür iş parçasının işlendiğine bağlı olarak beyan edilen emisyon değerinden farklı olabilir.

**UYARI:** Gerçek kullanım koşullarındaki maruz kalma tahminine dayalı olarak operatörü korumak için güvenlik önlemlerini belirlediğinizden emin olun. Bunu yaparken, alet kapatıldığı zaman, boşta çalıştığı zaman, tetikleme süresi gibi çalışma döngüsünün tüm bölümlerini hesaba katın.

## AT Uygunluk beyanı

**Sadece Avrupa ülkeleri için**

AT uygunluk beyanı bu kullanım kılavuzunun Ek A bölümünde sunulmuştur.

# GENEL ELEKTRİKLİ ALET GÜVENLİK UYARILARI

**⚠ UYARI:** Tüm güvenlik uyarılarını ve tüm talimatları okuyun. Uyarılara ve talimatlara uyulmaması elektrik çarpmasına, yangına ve/veya ciddi yaralanmaya neden olabilir.

## Tüm uyarıları ve talimatları ileride başvurmak üzere saklayın.

Uyarılardaki “elektrikli alet” terimi, elektrikle çalışan (kablolu) elektrikli aletinizi veya pille çalışan (kablesiz) elektrikli aletinizi ifade eder.

### Çalışma alanı güvenliği

1. Çalışma alanı temiz ve iyi aydınlatılmış olmalıdır. Dağınık veya karanlık alanlar kazalara davetiye çıkarır.
2. Elektrikli aletleri; yanıcı sıvıların, gazların veya tozun bulunduğu yerler gibi patlayıcı ortamlarda çalıştırmayın. Elektrikli aletler, tozu veya dumanı ateşleyebilecek kıvılcımlar oluşturur.
3. Elektrikli aleti çalıştırırken çocukları ve etraftaki kişileri uzak tutun. Dikkatinizin dağılması, kontrolü kaybetmenize neden olabilir.

### Elektrik Güvenliği

4. Elektrikli alet fişleri prize uygun olmalıdır. Fiş üzerinde hiçbir değişiklik yapmayın. Topraklı elektrikli aletleri adaptör fişleriyle kullanmayın. Değiştirilmemiş fişler ve uygun prizler elektrik çarpması riskini azaltacaktır.
5. Borular, radyatörler, ocaklar ve buzdolapları gibi topraklanmış yüzeylerle vücut temasından kaçının. Vücudunuz topraklanmışsa elektrik çarpması riski artar.
6. Elektrikli aletleri yağmura veya ıslak koşullara maruz bırakmayın. Elektrikli alete su girmesi, elektrik çarpması riskini artıracaktır.
7. Kabloyu amacı dışında kullanmayın. Elektrikli aleti taşımak, çekmek veya fişini çekmek için asla kabloyu kullanmayın. Kabloyu ısıdan, yağdan, keskin kenarlardan ya da hareketli parçalardan uzak tutun. Hasarlı veya dolaşmış kablolar elektrik çarpması riskini artırır.
8. Elektrikli aleti açık havada kullanırken açık havada kullanıma uygun bir uzatma kablosu kullanın. Dış mekanda kullanıma uygun bir kablonun kullanılması elektrik çarpması riskini azaltır.
9. Elektrikli aleti nemli bir yerde çalıştırmak kaçınılmazsa toprak kaçağı kesicisi (GFCI) korumalı bir güç kaynağı kullanın. Toprak kaçağı kesicisi kullanımı elektrik çarpması riskini azaltır.

### Kişisel güvenlik

10. Bir elektrikli aleti çalıştırırken tetikte olun, ne yaptığınıza dikkat edin ve sağduyulu davranın. Yorgunken veya uyuşturucu, alkol ya da ilaç etkisi altındayken elektrikli alet kullanmayın. Elektrikli aletleri çalıştırırken bir anlık dikkatsizlik ciddi kişisel yaralanmalara neden olabilir.

11. Kişisel koruyucu ekipman kullanın. Daima göz koruması kullanın. Uygun koşullar için kullanılan toz maskesi, kaymaz güvenlik ayakkabıları, baret veya kulak koruyucu gibi koruyucu ekipmanlar kişisel yaralanmaları azaltacaktır.
12. İstem dışı çalıştırmayı önleyin. Güç kaynağına ve/veya pil takımına bağlamadan, aleti kaldırmadan veya taşımadan önce anahtarın kapalı konumunda olduğundan emin olun. Parmağınız anahtarı üzerindeyken elektrikli aletleri taşımak veya anahtar açık olan elektrikli aletlere enerji vermek kazalara davetiye çıkarır.
13. Elektrikli aleti açmadan önce herhangi bir ayar anahtarı varsa çıkarın. Elektrikli aletin dönen bir parçasına takılı bir anahtar kişisel yaralanmaya neden olabilir.
14. Erişemediğiniz bir yere uzanmaya çalışarak iş yapmayın. Her zaman zemine sağlam basın ve dengeyi koruyun. Bu, beklenmedik durumlarda elektrikli aletin daha iyi kontrol edilmesini sağlar.
15. Yaptığınız işe uygun giysiler giyin. Bol giysiler giymeyin veya bol takılar kullanmayın. Saçınızı, giysilerinizi ve eldivenlerinizi hareketli parçalardan uzak tutun. Bol giysiler, takılar veya uzun saçlar hareketli parçalara takılabilir.
16. Toz emme ve toplama ekipmanlarını bağlamak için cihazlar sağlanmışsa, bunların bağlı olduğundan ve uygun şekilde kullanıldığından emin olun. Toz toplamanın kullanılması tozla ilgili tehlikeleri azaltabilir.

### Elektrikli alet kullanımı ve bakımı

17. Elektrikli aleti zorlamayın. Uygulamanız için doğru elektrikli aleti kullanın. Doğru elektrikli alet, tasarlandığı hızda işi daha iyi ve daha güvenli yapacaktır.
18. Açma kapama anahtarı çalışmıyorsa elektrikli aleti kullanmayın. Anahtarla kontrol edilemeyen herhangi bir elektrikli alet tehlikelidir ve onarılmalıdır.
19. Herhangi bir ayarlama yapmadan, aksesuarları değiştirmeden veya elektrikli aletleri saklamadan önce fişi güç kaynağından ve/veya pil takımını elektrikli aletten çıkarın. Bu tür önleyici güvenlik önlemleri, elektrikli aletin yanlışlıkla çalıştırılması riskini azaltır.
20. Kullanılmayan elektrikli aletleri çocukların erişemeyeceği bir yerde saklayın ve elektrikli alete veya bu talimatlara aşına olmayan kişilerin elektrikli aleti kullanmasına izin vermeyin. Elektrikli aletler, eğitimsiz kullanıcıların elinde tehlikelidir.
21. Elektrikli aletlerin bakımını yapın. Hareketli parçaların yanlış hizalanmasını veya sıkışıp sıkışmadıklarını, parçaların kırılmasını ve elektrikli aletin çalışmasını etkileyebilecek diğer koşulları kontrol edin. Hasarlıysa, kullanmadan önce elektrikli aleti tamir ettirin. Birçok kaza, bakımı yapılmayan elektrikli aletlerden kaynaklanır.



22. Kesici aletleri keskin ve temiz tutun. Düzgün bakımı yapılmış, keskin kesme kenarları olan kesici takımların sıkışma olasılığı daha düşüktür ve kontrol edilmesi daha kolaydır.
23. Elektrikli aleti, aksesuarları ve alet uçlarını vs. bu talimatlara uygun olarak, çalışma koşullarını ve yapılacak işi dikkate alarak kullanın. Elektrikli aletin amaçlanandan farklı işlemler için kullanılması tehlikeli bir duruma neden olabilir.

### Pilli alet kullanımı ve bakımı

24. Yalnızca üretici tarafından belirtilen şarj cihazıyla şarj edin. Bir pil takımı için uygun olan bir şarj cihazı, başka bir pil takımı ile kullanıldığında yangın riski oluşturabilir.
25. Elektrikli aletleri yalnızca özel olarak belirlenmiş pil takımları ile kullanın. Diğer pil takımlarının kullanılması yaralanma ve yangın riski oluşturabilir.

26. Pil takımı kullanılmadığında ataş, madeni para, anahtar, çivi, vida veya bir terminalden diğerine bağlantı kurabilecek diğer küçük metal nesnelere uzak tutun. Pil terminallerini birbirine kısa devre yapmak yanıklara veya yangına neden olabilir.
27. Olumsuz koşullar altında pilden sıvı sızabilir; bu sıvıya temastan kaçınınız. Yanlışlıkla temas ederseniz suyla yıkayınız. Sıvı göze temas ederse ayrıca tıbbi yardım alın. Pilden çıkan sıvı tahrişe veya yanıklara neden olabilir.

### Servis

28. Elektrikli aletinizin servisini yalnızca aynı yedek parçaları kullanan kalifiye bir tamirciye yaptırınız. Bu, elektrikli aletin güvenliğinin korunmasını sağlayacaktır.
29. Aksesuarları yağlamak ve değiştirmek için talimatları izleyiniz.
30. Kolları kuru, temiz ve yağdan ve gresten uzak tutunuz.

## ÜRÜN GÜVENLİĞİ UYARILARI

1. Bu ürün betonu sıkıştırmak için kullanılan bir vibratördür. Vibratörü başka bir amaç için kullanmayınız.
2. Güvenli ve verimli bir şekilde çalıştırılabilmesi için ürünü kullanmadan önce bu kullanım kılavuzunu dikkatlice okuyup anladığınızdan emin olun. Yanlış makine kullanımı yaralanmaya veya makine arızasına neden olabilir. Daha fazla referans için bu kılavuzu saklayınız.
3. Bu ürün, Makita taşınabilir güç paketi "PDC01" veya "PDC1200"e bağlanarak kullanılmalıdır. Ayrıca, taşınabilir güç paketi ve pil şarj cihazının kullanım kılavuzlarını okuyunuz.
4. Bu ürünü asla başka bir güç kaynağı cihazına bağlıyken kullanmayınız. Bunu yapmak devre kartına zarar verebilir veya motorun yanmasına neden olabilir. Hasar veya motorun yanması, yalıtımı bozabilir ve elektrik çarpmasına neden olabilir.
5. Makita tarafından taşınabilir güç paketi için belirtilen özel pil dışında herhangi bir pil kullanmayınız. Ayrıca, üzerinde değişiklik yapılmış pilleri kullanmayınız (demonte edilmiş piller ve hücreleri ya da diğer dahili parçaları değiştirilen piller dahil).
6. Pili birlikte verilen şarj cihazı dışında herhangi bir şeyle şarj etmeyiniz.
7. Bu kılavuzdaki "pil kartuşu" terimi bundan böyle "pil" olarak anılacaktır.
8. Güvenli çalışmayı sağlamak için bu ürünü uygun şekilde kullanınız ve bakımını yapınız.
9. Bu ürünü başka bir kişiye ödünç verdiğinizde, kılavuzları da verdiğinizden ve ürünün güvenli ve uygun kullanımını tam olarak anlattığınızdan emin olun.
10. Bu belgedeki özellikler, üründe yapılabilecek modifikasyonlarla haber verilmeksizin değiştirilebilir.
11. Bu ürün şu EMC standartlarına uygundur: EN61000-6-2 / EN61000-6-4.  
Bu ürün şu EMC standartlarına uygun değildir: EN61000-6-3 / EN55014-1.
12. Bu ürünün diğer elektronik cihazların yakınında kullanılması radyo parazitine neden olabilir. Bu durumda ürünün kullanıcılarının uygun önlemleri alması gerekebilir.

# Beton vibratörü güvenlik uyarıları

1. Vibratörü kullanmadan önce bir baret, titreşim önleyici eldivenler, güvenlik botları, işitme koruması, yüz koruması (koruyucu gözlük ve maske) ve emniyet kemeri takın.

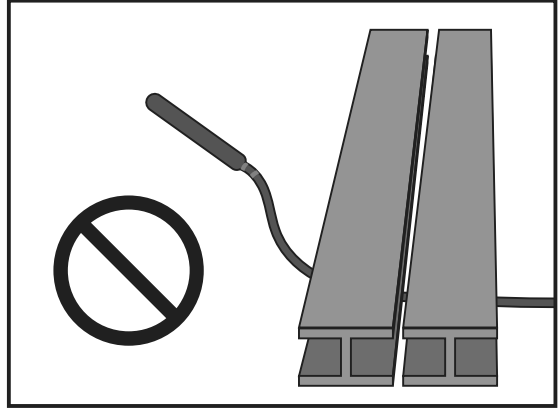


2. Çalışırken, uzun kollu kıyafetler ve uzun pantolon giyin, sıçrayan beton parçalarının neden olabileceği cilt hasarını önlemek için cilt maruziyetini minimumda tutun.
3. Vibratörü ayakların yakınında veya çok derin olmayan yerlerde kullanırken etrafa beton sıçrayabilir. Gözlerinizi ve ağzınızı korumak için yüz koruması (koruyucu gözlük ve maske) kullanın. Gürültülü yerlerde çalışırken lütfen işitme koruyucusu kullanın.
4. İnşaat demiri gibi kötü bir zemin üzerinde çalışırken bir ayak tahtası yerleştirildiğinden emin olun.
5. Bu ürün uzun bir hortuma sahip olduğundan, çalışma veya hareket sırasında hortumun inşaat demirine takılması veya hortumun üzerine bir şey konularak hareketinin kısıtlanması durumunda tökezleme veya yalpalama nedeniyle yaralanma riski vardır. Ayrıca, iş durdurulduğunda ürün insanların geçtiği bir alanda bırakılırsa birinin ayağına takılarak düşmesine veya yaralanmasına neden olabilir. Hortumlara dikkat edin.
6. Vibratörün uzun süre kullanılması veya vibratörün doğal olmayan bir duruşla çalıştırılması vücudu zorlayabilir. Yorgunluk veya yaralanmayı önlemek için uygun molalar verdiğinizden emin olun. Ayrıca ürünü kullanırken ellerinizde, kollarınızda, omuzlarınızda veya sırtınızda ağrı veya uyuşma hissederseniz, ürünü kullanmayı hemen bırakın ve uygun tedaviyi alın.
7. Bu beton vibratöründen faydalanan işletmeci, çalışma saatlerini yönetmeli ve işçinin vibrasyondan kaynaklanan sağlık bozulmalarını önlemek için çaba göstermelidir.
- Vibratörün titreşim gücü ile ilgili ayrıntılar için "TİTREŞİM TOPLAM DEĞERİ" bölümüne bakın.
- Vibratörün kullanıldığı ülkenin ilgili yasal gerekliliklerine ve yönergelerine uyun.
8. Çalışmayı geçici olarak durdurduğunuzda ürünü güvenli bir yerde saklayın. Bir koridora yerleştirilirse ayağınıza takılarak düşmenize veya yaralanmanıza neden olabilir. Herhangi bir anormallik veya arıza meydana gelirse, tüm güç kaynaklarını derhal kapatın, kullanımı durdurun ve taşınabilir güç paketini çıkarın. İnceleme ve onarım için yerel Makita Yetkili Servis Merkezinizle iletişime geçin.

9. Bu ürünün kafa tertibatı hazır betonun içindeyken soğur. Bu nedenle hazır beton dışında (yani havada) kullanmayınız. Motorun yanma ihtimali vardır.

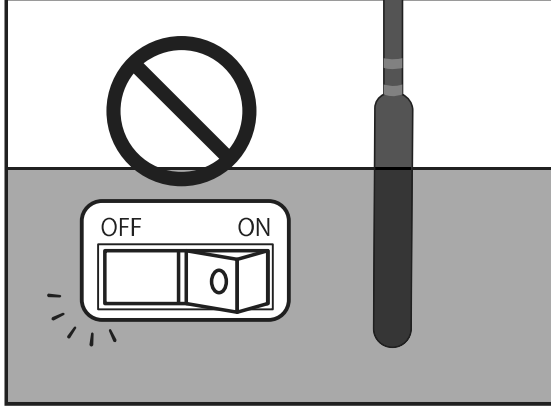


10. Kafa tertibatını havada çalıştırmayın. Havada çalıştırırken, vibratör birkaç dakika içinde 100°C (212°F) veya daha yüksek bir sıcaklığa ulaşır ve dokunduğunuzda yanabilirsiniz.
11. Çalışma sırasında kafa tertibatı ısınır. Kullandıktan sonra dokunmamaya özen gösteriniz. Yanma riski vardır.
12. Kablo veya hortum üzerine ağır nesnelere koymayın veya düşürmeyin. Aksi takdirde kablo zarar görebilir ve arızaya neden olabilir.

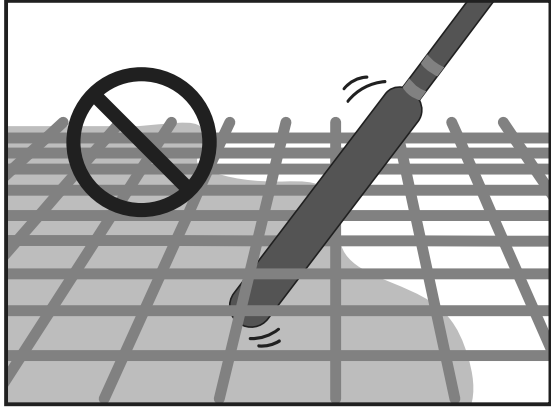


13. Hortumu veya kabloyu tutarak kafa tertibatını sallamayın. Bunun yaralanmaya veya yakındaki nesnelere hasara neden olma olasılığı vardır.

14. Güç anahtarı, sadece kafa tertibatı hazır betonun içinde değilken AÇIK/KAPALI konuma getirilmelidir. Vibratör hazır beton içindeyken güç kapatılırsa kafa tertibatını çıkaramayabilirsiniz. Zorla çekip çıkarmak yaralanmaya neden olabilir.



15. Vibratörü zemine koyup çalıştırmayın. Kafa tertibatı kontrolden çıkıp kazaya neden olabilir.
16. İnşaat demiri veya kalıp arasında çalışırken kafa tertibatı ile vibratörü manivela gibi kullanmayın ve döndürmeyin. Aksi takdirde kafa tertibatı aşınabilir ve motoru yakabilir.



17. Taşınabilir güç paketine bağlı bir vibratör kullanırken yalnız çalıştığınızdan emin olun. Bir kişi vibratörü, diğeri taşınabilir güç paketini tutacak şekilde iki kişinin birlikte çalışması kazalara veya yaralanmalara neden olabilir.
18. Ürünü taşıırken veya saklarken, taşınabilir güç paketi kapalı şekilde taşıdığınızdan emin olun. Güç açık bırakılırsa alet beklenmedik bir şekilde çalışabilir, kazaya veya yaralanmaya neden olabilir.
19. Bu ürünün kafa tertibatı, sertleştirilmiş beton veya çelik levha gibi sert yüzeylerde çalıştırılmamalıdır. Rulmanların yanması ve rotorun kırılması olasılığı vardır.
20. Beton yerleştirirken veya taşıırken kabloyu çekmeyin veya asmayın, aksi takdirde fiş gevşeyebilir ve kablo kırılmasına veya devre kartı arızasına neden olabilir.
21. İnverter kasası hassas elektronik cihazlar içerir. Kasayı düşürmeyin, atmayın, üzerine basmayın veya güçlü darbelere maruz bırakmayın.
22. Konektörü takarken veya çıkarırken, taşınabilir güç paketini KAPALI konuma getirdiğinizden emin olun. Güç AÇIK iken konektör takılırsa ya da çıkarılırsa bu işlem arızaya neden olabilir.

23. Zayıf teması önlemek için, portatif güç paketinin çıkış prizine güvenli bir şekilde takmadan önce fiş terminallerindeki kiri veya pası temizleyin. Fişle zayıf temas, motorun yanması ve devre kartının zarar görmesi gibi ana arıza nedenlerinden biridir.
24. Bu ürüne bağlanacak taşınabilir güç paketi bir lityum iyon pil kullanır. Pile güçlü bir darbe uygulamayın, pilin üzerine su sıçratmayın veya pili bir ısı kaynağının yakınına koymayın. Bunu yapmak arızaya, elektrik çarpmasına veya yangına neden olabilir.
25. Bir anormallik meydana geldiğinde, lütfen işlemi hemen durdurun. Aksi takdirde yangın, elektrik çarpması veya yaralanma riski vardır.
26. Ürünü yanıcı sıvıların, gazların veya tozun bulunduğu ortamlarda kullanmayın. Bunu yapmak tutuşmaya veya patlamaya neden olabilir.
27. Bu ürünü sökmeye veya değiştirmeye çalışmayın. Bunu yapmak elektrik çarpmasına, aşırı ısınmaya, kırılmaya veya yangına neden olabilir.
28. Vibratörü yağmur altında kullanmayınız.
29. Vibratörü suyla yıkamayın.

# Taşınabilir güç paketi için önemli güvenlik talimatları

1. Taşınabilir güç paketini kullanmadan önce (1) pil şarj cihazı, (2) pil ve (3) taşınabilir güç paketi üzerindeki tüm talimatları ve uyarıcı işaretleri okuyun.
2. Bu taşınabilir güç paketini yalnızca kablosundan tutarak kaldırmayın veya taşımayın. Bu taşınabilir güç paketini takarken veya kullanırken kabloyu çekmeyin.
3. Taşınabilir güç paketini takmadan veya çıkarmadan önce prizi vibratörden çıkarın.
4. Vibratörden ayrılırken mutlaka prizi vibratörden çıkarın veya portatif güç paketini vücudunuzdan çıkarın.
5. Çalışma sırasında kabloya takılmamaya dikkat edin.
6. Bu taşınabilir güç paketini dengesiz bir yüzeyde veya dengesiz yüksek yerlerde kullanmayın.
7. Çalıştırma sırasında kabloyu engellerden uzak tutun. Engellere takılan kablo ciddi yaralanmalara neden olabilir.
8. Adaptörleri şarj cihazına takmayın.
9. Kullanmadan önce kablolar ve kablo demeti dahil olmak üzere taşınabilir güç paketini inceleyin. Hasar görmüşlerse, onarım için yerel Makita Yetkili Servis Merkezine başvurun.
10. Kabloyu kablo tutucuya takarken, yavaşça ve güvenli bir şekilde taktığınızdan emin olun.
11. Vibratörün muayenesini veya bakımını yapmadan önce daima vibratörün kapalı olduğundan ve prizin çıkarıldığından emin olun.
12. Taşınabilir güç paketini takarken, taşınabilir güç paketinin acil durum çıkarma işlevini engelleyebilecek emniyet kemeri veya omuz kemeri gibi herhangi bir şey takmayın.
13. Bu taşınabilir güç paketini kablosuz soğutuculu ceket veya kablosuz ısıtıcı ceket giydiğinizde kullanmayın.
14. Bu taşınabilir güç paketini kıvılcımlara maruz bırakmayın.
15. Bu taşınabilir güç paketini üzerinize takmadan kullanırken yere koyduğunuzdan emin olun.
16. Taşınabilir güç paketini sökmeyin, tamir etmeye çalışmayın veya üzerinde modifikasyon yapmayın.
17. Kemerini veya kayışı vibratöre dolaştırmamaya dikkat edin.

## [ PDC01 ]

1. Taşınabilir güç paketini başka bir taşınabilir güç paketine bağlayarak birden fazla taşınabilir güç paketi kullanmayın.
2. Adaptörleri bu taşınabilir güç paketinin pil bağlantı noktalarına takmayın.
3. Bu taşınabilir güç paketi, yalnızca 18V pillerle kullanım için tasarlanmıştır. 18V piller dışındaki pilleri kullanmayınız.
4. Kapağın içine su girmesine izin vermeyin.

## [ PDC1200 ]

1. Taşınabilir güç paketini pil standını kullanarak dik tuttuğunuzda paketi düz bir yüzeye yerleştirdiğinizden emin olun.
2. Yalnızca taşınabilir güç paketine özel şarj cihazını kullanın. Başka şarj cihazları kullanmayın.
3. Taşınabilir güç paketini pil standından veya genişlik ayar kayışından tutarak taşımayın.
4. Pil ve pil standı arasına herhangi bir şey koymayın veya sabitlemeyin.
5. Pil standına hiçbir şey asmayın.

# Pil şarj cihazı için önemli güvenlik talimatları

1. Pil şarj cihazını kullanmadan önce (1) pil şarj cihazı, (2) pil ve (3) taşınabilir güç paketi üzerindeki tüm talimatları ve uyarı işaretlerini okuyun .
2. Şarj edilemeyen piller bu pil şarj cihazıyla şarj edilemez.
3. Şarj cihazının isim plakasında belirtilen voltaja sahip bir güç kaynağı kullanın.
4. Pili yanıcı sıvıların veya gazların bulunduğu ortamlarda şarj etmeyin.
5. Şarj cihazını yağmura veya kara maruz bırakmayın.
6. Şarj cihazını asla kablosuyla taşımayın veya prizden çıkarmak için birden çekmeyin.
7. Şarj ettikten sonra veya herhangi bir bakım veya temizlik yapmadan önce şarj cihazını güç kaynağından çıkarın. Şarj cihazını çıkarırken kablo yerine fişten çekin.
8. Kablonun üzerine basılmayacak, takılmayacak veya herhangi bir şekilde hasar veya strese maruz kalmayacak şekilde yerleştirildiğinden emin olun.
9. Şarj cihazını hasarlı kablo veya fişle çalıştırmayın. Kablo veya fiş hasarlıysa, herhangi bir tehlikeyi önlemek için Makita yetkili servis merkezinden değiştirmesini isteyin.
10. Keskin bir darbe almış, düşmüş veya herhangi bir şekilde hasar görmüşse şarj cihazını çalıştırmayın veya sökmeyin; kalifiye bir servise götürün. Yanlış kullanım veya yeniden montaj, elektrik çarpması veya yangın riskine neden olabilir.
11. Pilleri şarj ederken, bunu ortam sıcaklığı 10°C (50°F) ila 40°C (104°F) olan bir iç mekanda yapın. Oda sıcaklığı 10°C'nin (50°F) ALTINDA veya 40°C (104°F) ÜZERİNDE olduğunda pili şarj etmeyin. Soğuk havalarda şarj başlamayabilir.
12. Yükseltici transformatör, motorlu jeneratör veya DC güç prizi kullanmaya çalışmayın.

**⚠ DİKKAT: Yaralanma riskini azaltmak için yalnızca Makita tipi şarj edilebilir pilleri şarj edin. Diğer pil türleri, kişisel yaralanmalara ve hasara neden olacak şekilde patlayabilir.**

13. Şarj cihazının delikleri soğutma delikleridir ve kapatılmamalıdır. Yetersiz soğutma, şarj süresini etkiler. Soğutma deliklerinin periyodik olarak kontrol edilmesi önerilir.

## Pil için önemli güvenlik talimatları

1. Pili kullanmadan önce (1) pil şarj cihazı, (2) pil ve (3) taşınabilir güç paketi üzerindeki tüm talimatları ve uyarı işaretlerini okuyun.
2. Pili sökmeyin veya kurcalamayın. Yangına, aşırı ısınmaya veya patlamaya neden olabilir.
3. Çalışma süresi aşırı derecede kısaltırsa, çalışmayı hemen durdurun. Aşırı ısınma, olası yanıklar ve hatta patlama riskine neden olabilir.
4. Yüksek sıcaklık gibi ağır koşullar altında pil sıvı sızdırabilir. Sızan sıvıya dikkatsizce dokunmayın. Tahrişe veya yanıklara neden olabilir. Çok düşük bir ihtimalle olsa da pil sıvısının gözünüze veya cildinize kaçması durumunda, hemen musluk suyu gibi temiz suyla yıkayın ve ardından tıbbi yardım isteyin.
5. Pili kısa devre yapmayın:
  - (1) Terminallere herhangi bir iletken malzemeyle dokunmayın.
  - (2) Pili çivi, bozuk para vb. gibi diğer metal nesnelere birlikte bir kapta saklamaktan kaçının.
  - (3) Pili suya veya yağmura maruz bırakmayın. Pilin kısa devre olması, büyük bir akım akışına, aşırı ısınmaya, olası yanıklara ve hatta arızaya neden olabilir.
6. Pili su gibi iletken bir malzemenin içine sokmayın ve pilin içine su gibi iletken bir malzeme koymayın. Bunu yapmak, aşırı ısınmaya, yangına, kırılmaya veya patlamaya neden olabilecek bir kısa devreye neden olabilir.
7. Vibratörü, taşınabilir güç paketini ve pili; sıcaklığın 50 °C'ye (122 °F) ulaşabileceği veya bu sıcaklığı aşabileceği yerlerde şarj etmeyin, saklamayın ve kullanmayın.
8. Pili ciddi şekilde hasar görmüş veya tamamen yıpranmış olsa bile yakmayın. Pil ateşte patlayabilir.
9. Pili çivilemeyin, kesmeyin, ezmeyin, atmayın, düşürmeyin veya pile sert bir nesneye vurmeyin. Bu tür davranışlar yangına, aşırı ısınmaya veya patlamaya neden olabilir.
10. Düşmüş veya herhangi bir şekilde hasar görmüş bir pili kullanmayın.
11. İçerdiği lityum iyon piller, Tehlikeli Maddeler Mevzuatı gerekliliklerine tabidir. Örneğin üçüncü şahıslar, nakliye acenteleri tarafından yapılan ticari taşımalarda, paketleme ve etiketleme ile ilgili özel gereksinimlere uyulmalıdır. Sevk edilecek öğenin hazırlanması için tehlikeli madde konusunda bir uzmana danışılması gerekir. Lütfen ayrıca muhtemelen daha ayrıntılı ulusal düzenlemelere de uyun. Açık kontakları bantlayın veya maskeleyin ve pili ambalajın içinde hareket etmeyecek şekilde pakitleyin.
12. Pili atarken, taşınabilir güç paketinden çıkarın ve güvenli bir yerde atın. Pilin atılmasıyla ilgili yerel düzenlemelerinize uyun.
13. Pili yalnızca Makita tarafından belirtilen ürünlerle kullanın. Pilin uygun olmayan ürünlere takılması yangına, aşırı ısınmaya, patlamaya veya elektrolit sızıntısına neden olabilir.
14. Vibratör uzun süre kullanılmayacaksa, pil taşınabilir güç paketinden çıkarılmalıdır.
15. Pili çocuklardan uzak tutun.
16. Kullanım sırasında ve sonrasında pil, yanıklara veya düşük sıcaklık yanıklarına neden olabilecek şekilde ısınabilir. Sıcak pilleri kullanırken dikkat edin.
17. Kullanımdan hemen sonra pilin terminaline dokunmayın çünkü yanıklara neden olacak kadar ısınabilir.
18. Pilin terminallerine, deliklerine ve oyuklarına talaş, toz veya kir girmesine izin vermeyin. Düşük performans veya vibratör veya pilin bozulmasına neden olabilir.
19. Şarj olan pilin terminallerine metal veya başka nesnelere temas etmeyin.
20. Pili yüksek voltajlı elektrik hatlarının yakınında kullanmayın. Bu durum vibratör veya pilin arızalanmasına veya bozulmasına neden olabilir.
21. Pil sıcaklığı yüksek olduğunda (40 °C (104 °F) veya daha yüksek), örneğin yakıcı güneş altında çalıştıktan sonra, şarj işlemi geçici olarak yapılamaz hale gelebilir. Ancak bu, pil koruma işlevinden kaynaklanmaktadır ve bir arıza olduğunu göstermez. Yeniden şarj etmeden önce pilin bir süre soğumasını bekleyin.

### BU TALİMATLARI SAKLAYIN.

#### **⚠ DİKKAT: Yalnızca orijinal Makita pilleri kullanın.**

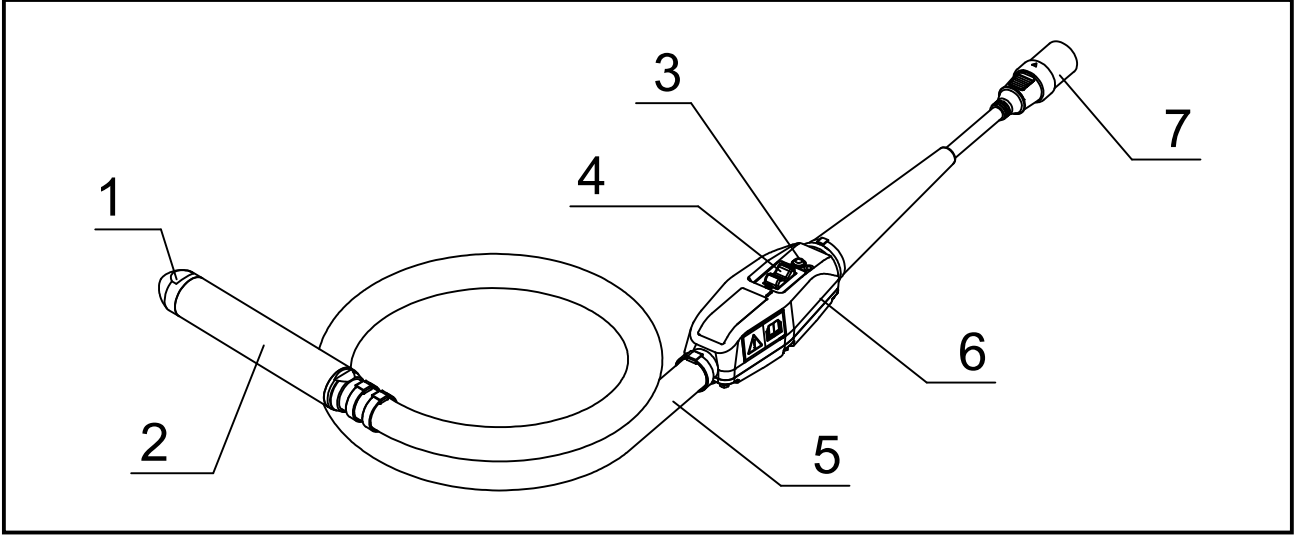
Orijinal olmayan Makita pillerinin veya değiştirilmiş pillerin kullanılması, pilin patlamasına, yangına, kişisel yaralanmaya ve hasara neden olabilir. Ayrıca, Makita ürünleri için Makita garantisini de geçersiz kılacaktır.

### Maksimum pil ömrünü korumak için ipuçları

1. Pili tamamen boşalmadan şarj edin. Alet gücünün azaldığını fark ettiğinizde aletin çalışmasını mutlaka durdurun ve pili şarj edin.
2. Tam olarak şarj edilmiş bir pili asla şarj etmeyin. Aşırı şarj pil ömrünü kısaltır.
3. Pili oda sıcaklığında 10 °C - 40 °C (50 °F - 104 °F) arasında şarj edin. Sıcak pili şarj etmeden önce soğumasını bekleyin.
4. Pili kullanmadığınızda, taşınabilir güç paketinden veya şarj cihazından çıkarın.
5. Pili uzun süre kullanmayacaksanız (altı aydan fazla) şarj edin.

# VİBRATÖR PARÇALARININ ADLARI

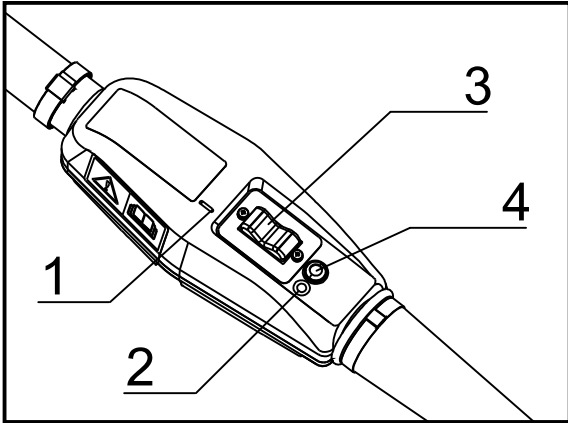
**⚠ DİKKAT:** Bu ürün, Makita Taşınabilir Güç Paketi "PDC01" ve "PDC1200" için özel bir cihazdır. Pille çalışan diğer cihazları kullanmayın. Bunu yapmak elektrik çarpmasına, aşırı ısınmaya, kırılmaya veya yangına neden olabilir.



1	Vibratör başlığı	5	Hortum
2	Kafa tertibatı	6	İnverter kasası
3	LED lamba	7	Konektör (fiş)
4	Anahtar	-	-

## OPERASYONLAR

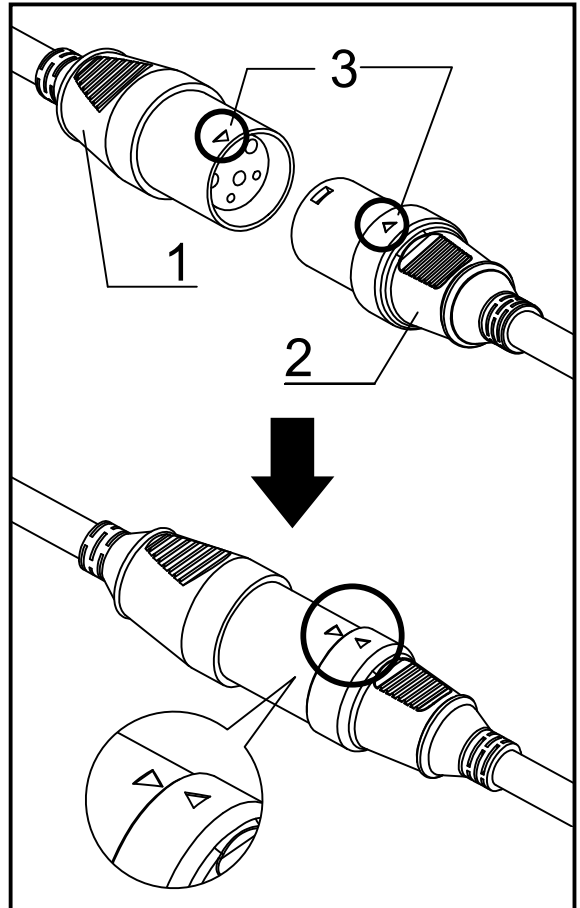
1. Vibratörün çalıştırma anahtarının KAPALI konumunda olduğundan emin olun .



- 1. "I" işareti 2. "O" işareti  
3. Çalıştırma anahtarı 4. LED lamba

**NOT:** "O" işareti KAPALI anlamına gelir; "I" işareti AÇIK anlamına gelir.

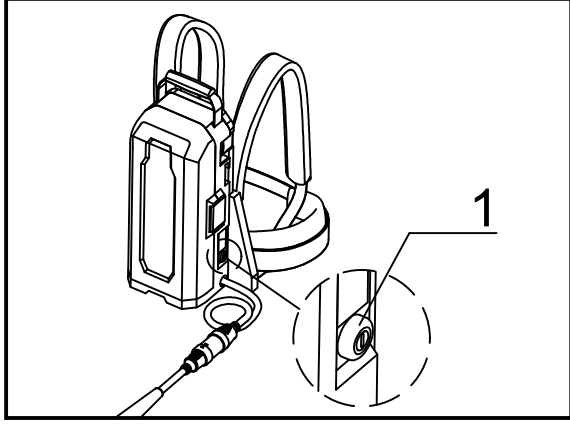
2. Vibratörün fişindeki ok işaretini taşınabilir güç paketinin prizine hizalayın ve tamamen içeri sokun.



- 1. Priz 2. Fiş 3. Ok işareti

3. Taşınabilir güç paketindeki güç düğmesine basarak AÇIK konuma getirin. Ana güç lambası yeşil renkte yanar. Vibratör üzerindeki LED lamba da yeşil renkte yanar.

**NOT:** LED lambası kırmızı renkte yanıp söndüğünde hatalı başlatma önleme işlevi etkinleştirilir. Çalıştırma anahtarının KAPALI konumuna getirilmesi hatalı başlatma önleme işlevini iptal eder ve vibratörün LED lambası yeşil renkte yanar.



► 1. Ana güç düğmesi

4. Kafa tertibatı havada asılı kalacak şekilde vibratör hortumunu tutun.
5. Hazır olduğunuzda, vibratörü başlatmak için Çalıştırma Anahtarını AÇIK konuma getirin.

**NOT:** Vibratör hortumunu ele gelen titreşimin zayıf olduğu noktada tutun.

6. Vibratörü, etkili sıkıştırma aralığına sahip bir şekilde dik olarak betona yerleştirin.

**NOT:** Vibratör için etkili sıkıştırma aralığı, titreşen parçanın çapının yaklaşık 10 katı çapa sahip bir alandır.

7. Vibratör konumunu değiştirmek için uygun zaman, betonun oturmasının durduğu ve harcın yüzeyde eşit olarak yüzdüğü ve parladığı zamandır.

**NOT:** Vibratörün uzun süre bir noktaya yerleştirilmesi agrega ayrılmasına neden olabilir.

**NOT:** Beton yerleştirme sırasında ayrılma meydana gelirse, iri agregayı eşit şekilde doldurun ve betonu tekrar yerleştirin.

**NOT:** Vibratör betona sokulu değilken Çalıştırma Anahtarının KAPALI konumuna getirilmesi tavsiye edilir. Bu, vibratörün kullanım süresinin/ürün ömrünün uzatılmasına yardımcı olur.

8. Vibratörü yukarı çekerken, delik kalmayacak şekilde yavaşça yukarı çekin.
9. Döküm tamamlandıktan sonra vibratörü durdurmak için vibratör Çalıştırma Anahtarını KAPALI konumuna getirin.
10. Güç çıkışını durdurmak için taşınabilir güç paketindeki güç düğmesini basılı tutun. Güç göstergesi kapanacaktır.
11. Taşınabilir güç paketini ve vibratörü bağlayan konektörü çıkarın.

**NOT:** Konektörü çıkarırken prizi ve fişi tutun ve güç kablosunun kendisini çekmeyin.

## PİL NASIL ŞARJ EDİLİR

**⚠ DİKKAT:** Pili şarj etmeden önce, taşınabilir güç paketi ve pil şarj cihazının kullanım kılavuzunu okuduğunuzdan emin olun.

- Şarj etmek için taşınabilir güç paketi veya pil şarj cihazı kullanım kılavuzuna bakın.

## KULLANIM SONRASI TEMİZLİK

- Kullanımdan sonra vibratör iyice temizlenmeli, hortumlar ve kablolar düzgünce sarılmalıdır.

1. Beton sertleşmeden önce kafa tertibatında, hortumda, inverter kasasında ve kablolarda bulunan betonu giderin.
2. İnverter kasasını suyla yıkamayın. Yapışan kirleri nemli bir bezle silin. Silerken, kalan nemi gidermek için kuru bir bezle silin.
3. Fiş veya prizin terminallerinde kir veya pas varsa bunları temizleyin. Terminalin zayıf teması arızaya neden olabilir.
4. Taşınabilir güç paketini taşıırken, taşımadan önce taşınabilir güç paketinin prizini ve vibratör üzerindeki fişi çıkarın.
5. Üniteyi taşıırken vibratörü ve taşınabilir güç paketinin tutamağını tutun. Vibratörden veya taşınabilir güç paketinden kaldırmayın veya çekmeyin. Bunu yapmak vibratörün yıpranmasına veya güç kablosunun kırılmasına neden olabilir.
6. Taşınabilir güç paketini taşıırken, taşımadan önce taşınabilir güç paketini kapattığınızdan emin olun. Gücü kapatmak için güç düğmesini basılı tutun.

# İNCELEME

- Vibratörü şantiyeye taşımadan önce ve kullanımdan sonra mutlaka aşağıdakileri kontrol edin.
- Bunu yapmak, çalışma sırasında oluşabilecek problemlerin önlenmesine büyük ölçüde yardımcı olacaktır.

1. Vibratörde herhangi bir aşınma, çatlak veya gevşek parça var mı?
2. Hortumda herhangi bir aşınma, hasar veya çizik var mı?
3. Kablo kılıfında herhangi bir aşınma veya çatlak var mı?
4. İnverter kasasında herhangi bir deformasyon, gevşek vidalar veya inverterin herhangi bir parçasında, örneğin çalıştırma anahtarının kapağı veya LED lambası gibi hasar var mı?
5. Fiş veya prizin terminallerinde kir veya pas var mı?
6. Yalıtım direnci değeri doğru mu? (DC500 V, 10 MΩ veya daha fazla)
  - (1) Ölçüm cihazı olarak bir 500 V yalıtım direnci test cihazı kullanın.

(2) Fişin terminalleri ile inverter kasası arasını ölçün.

**NOT:** Üç konektör arasında ölçüm yapmayın. İnverter kartına zarar verebilir.

7. Taşınabilir güç paketinde herhangi bir çatlak, oyuk veya başka bir hasar var mı?
8. Pil tamamen şarj oldu mu?
9. Vibratör havada tutulurken taşınabilir güç paketine bağlanarak çalıştırılabilir mi?  
Bunu yaparken inverter kasasındaki LED lamba yeşil yanıyor mu?
10. Vibratörden anormal bir ses geliyor mu? Çalışma sırasında vibratör çalışması sesi normal mi? (Düzenli ve sürekli ses varsa normaldir.)

## SARF MALZEMELERİ DEĞİŞİM SÜRESİ

- Sarf malzemeleri aşağıdaki tabloya göre periyodik olarak değiştirilmelidir.

Sarf malzemeleri	Değiştirme dönemi. (görsel ve işitsel kontrol)	Değiştirme sıklığı (saat)
Kafa tertibatı	Aşınma durumu ile belirlenir (görsel)	300-500
Vibratör başlığı		
Rulman	Çalışma sırasındaki gürültü ile belirlenir (işitsel)	400-500
Hortum	Aşınma veya çiziklerle belirlenir (görsel)	Bulduğunda

- Sarf malzemelerinin yukarıdaki değiştirme süresi kaba bir kılavuздur. Kullanıma bağlı olduğundan, sarf malzemelerini yukarıdakilerden daha önce değiştirmenizi öneririz.



# LED LAMBA

- LED lambanın yanması veya yanıp sönmesi ile inverterin çıkış durumunu kontrol edebilirsiniz.
- Yanıp sönerse, koruma işlevi etkinleştirilir ve güç çıkışı durdurulur. Çalışmayı durdurduğunuzdan ve çalışmaya yeniden başlatmadan önce anormalliğin nedenini ortadan kaldırdığınızdan emin olun.

LED lamba durumu	İnverterin çıkış durumu
1. Sabit yeşil ışık	Normal durum. Vibratör kullanılabilir.
2. Yanıp sönen yeşil ışık	Vibratör aşırı yüklenmiş. Vibratör kullanılabilir, ancak aşırı yüklenmeden kaynaklanan arızaları önlemek için titreşim frekansı düşürülmüştür. Aşırı yük durumu çözüldüğünde vibratör normal durumuna dönecektir.
3. Yanıp sönen kırmızı ışık	Bu durumda, hatalı başlatma önleme işlevi etkinleştirilir. Bu işlev, vibratör çalıştırma anahtarı AÇIK konumundayken güç açıldığında vibratörün beklenmedik bir şekilde çalışmasını engeller. Çalıştırma anahtarının KAPALI konuma getirilmesi, vibratörü normal durumuna geri döndürür.
4. Sabit kırmızı ışık	Bir anormallik tespit edildiğinde, inverterin çıkışı durdurulur. Kırmızı ışık yandığında, lütfen aşağıdakileri kontrol edin. • Pilin kalan kapasitesini kontrol edin. • İnşaat demiri vb. kaynaklı herhangi bir kısıtlama veya aşırı yük var mı? Herhangi bir sorun bulunmazsa, normal duruma (sürekli yeşil ışık) dönmek için anahtarı KAPALI konuma getirin. Kırmızı ışık tekrar tekrar yanarsa, büyük olasılıkla bir arıza meydana gelmiştir. Kontrol ve onarım gereklidir.
5. Hiçbir ışık yanmıyor	Güç kaynağında bir sorun olduğu için vibratör durdurulmuştur. Pil bitmiş olabilir, pil yanlış takılmış olabilir veya pil arızalı olabilir. Lütfen güç kaynağını kontrol edin.

# SORUN GİDERME

- Ürünü kullanırken aşağıdaki durumlardan herhangi biri gözlemlenirse, ürünü kullanmayı bırakın ve nedenini ve olası çözümleri kontrol edin.
- İnceleme ve onarım için yerel Makita Yetkili Servis Merkezinizle iletişime geçin.

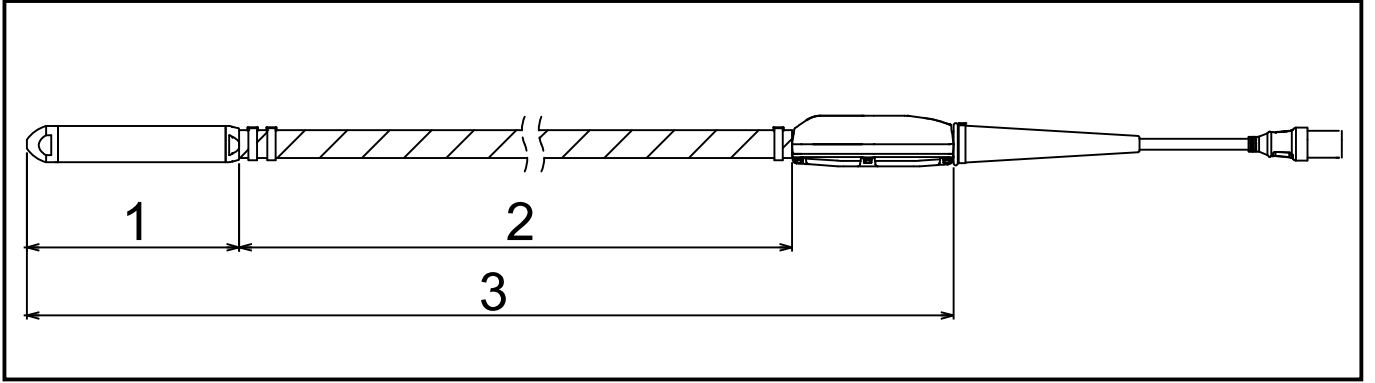
Durum	Belirti 1	Belirti 2	Neden	Çözüm
Vibratör çalışıyor	Vibratörün titreşen kısmından olağan dışı ses (metalik ses vb.) gelmesi		Rulman anormalliği (Kaba, yıpranmış)	Rulmanları değiştirin.
	Düşük titreşim	İnverter kasasındaki LED <b>yeşil renkte yanıp sönüyor.</b>	Rulman anormalliği (Kaba, yıpranmış)	Rulmanları değiştirin.
			Vibratörün kapasitesini aşan aşırı yük durumu.	Kafa tertibatını betondan çekerek yükü azaltın.
	Çalışma sırasında duruyor		Vibratör kapasitesinin üzerinde önemli ölçüde aşırı yüklenmiştir. Pil gücü düşüktür ve vibratörün kapasitesi azalır.	Kafa tertibatını betondan çekerek yükü azaltın. Ardından tekrar açın. Kırmızı ışık tekrar tekrar yanarsa pili kontrol edin. Tamamen şarj olmuşsa kontrol edilip onarılmalıdır.
Vibratör çalışmıyor	İnverter kasasındaki LED lamba yanmıyor.	Taşınabilir güç paketinin güç göstergesi yanmıyor.	Taşınabilir güç paketi açık değil.	Taşınabilir güç paketini açın.
			Pil takılı değil. Veya kalan pil kapasitesi yeterli değildir.	Pili takın. Veya pilleri şarj edin veya pilleri şarjlı olanlarla değiştirin.
			Taşınabilir güç paketi arızalı.	Kontrol ve onarım gereklidir.
		Taşınabilir güç paketindeki güç ışığı, <b>yanıp sönen yeşil ve kırmızı arasında değişiyor.</b>	Taşınabilir güç paketi bir anormallik algıladı.	Taşınabilir güç paketini kapatın ve yeniden açın.
		Taşınabilir güç paketindeki güç göstergesi <b>sabit yeşil.</b>	Taşınabilir güç paketi arızalı.	Kontrol ve onarım gereklidir.
		Taşınabilir güç paketindeki güç göstergesi <b>sabit yeşil.</b>	Vibratör üzerindeki fiş, taşınabilir güç paketindeki prize doğru şekilde bağlanmamıştır. Veya kablo ayrılmıştır.	Fişin prize sıkıca takıldığından emin olun. Ayrılma durumunda, kontrol ve onarım gereklidir.
			Vibratör üzerindeki inverter kartı arızalı.	Kontrol ve onarım gereklidir.

Durum	Belirti 1	Belirti 2	Neden	Çözüm
Vibratör çalışmıyor	İnverter kasasındaki LED lamba yanmıyor.	Taşınabilir güç paketindeki güç göstergesi <b>yeşil renkte yanıp sönüyor.</b>	Pil gücü düşük. Veya doğru takılmamıştır.	Pil seviyesi göstergesini kontrol edin. Pil seviyesi yeterliyse pilin nasıl takıldığını kontrol edin.
			Taşınabilir güç paketi veya güç kablosu sıcak.	Taşınabilir güç paketini soğutun.
			Vibratör üzerindeki fiş, taşınabilir güç paketindeki prize doğru şekilde bağlanmamıştır. Veya kablo ayrılmıştır.	Fişin prize sıkıca takıldığından emin olun. Ayrılma durumunda, kontrol ve onarım gereklidir.
	İnverter kasasındaki LED lamba <b>sabit kırmızıdır.</b>		Vibratör bir arıza tespit edildiğinden durmuştur.	Taşınabilir güç paketini tekrar açın. LED lamba art arda kırmızı yanarsa, inceleme ve onarım gerekir.
İnverter kasasındaki LED lamba <b>kırmızı renkte yanıp sönüyor.</b>		Vibratörün hatalı başlatma önleme işlevi etkinleştirildi.	Vibratör Çalıştırma Anahtarını bir kez KAPALI konuma getirin ve ardından tekrar AÇIK konuma getirin.	

## ÖZELLİKLER

Model	VR001C	VR002C	VR003C	VR004C
Çıkış	250 W		400 W	
Voltaj	36 V			
Akım	8,7 A		14,0 A	
Frekans	200 Hz			
Toplam uzunluk	1.945 mm (76-9/16")	3.445 mm (135-5/8")	1.977 mm (77-27/32")	3.477 mm (136-7/8")
Kafa Çap x Uzunluk	43 x 255 mm (1-11/16" x 10-1/32")		52 x 287 mm (2-1/16" x 11-5/16")	
Dış Hortum Çap x Uzunluk	33 x 1.500 mm (1-5/16" x 59-1/16")	33 x 3.000 mm (1-5/16" x 118-1/8")	33 x 1.500 mm (1-5/16" x 59-1/16")	33 x 3.000 mm (1-5/16" x 118-1/8")
Ağırlık	4,8 kg (10,6 libre)	5,9 kg (13,0 libre)	5,6 kg (12,4 libre)	6,7 kg (14,8 libre)

\* Ağırlık, taşınabilir güç paketi ve piller gibi güç kaynağı ekipmanlarını içermez.



► 1. Kafa uzunluğu 2. Dış hortum uzunluğu 3. Toplam uzunluk

## ÇALIŞMA SÜRESİ

Model	PDC01 kullanırken (dak)	PDC1200 kullanırken (dak)
VR001C / VR002C	yaklaşık 100	yaklaşık 300
VR003C / VR004C	yaklaşık 60	yaklaşık 200

\* PDC01 kullanılarak çalışma süresi, taşınabilir güç paketine takılı dört BL 1860B pile dayanmaktadır.

\* Çalışma süresi, her bir vibratörün sürekli olarak çalıştırıldığında süreyi gösteren bir referans değeridir. Pil şarj durumuna ve kullanım ortamına bağlıdır.

## TİTREŞİM TOPLAM DEĞERİ

Model	Titreşim toplam değeri (m/s <sup>2</sup> )
VR001C / VR002C	2,5'ten az
VR003C / VR004C	2,5

\* Titreşim toplam değeri, ISO 5349-1'e dayalı ölçüm cihazını kullanan bir değerdir ve ISO 5349-2'de bulunan yöntemle ölçülmüştür.

## 用途

本工具使用在澆鑄混凝土時去除混凝土的泡泡。

## 噪音

典型的 A 加權音壓位準 EN60745 判斷：

型號：VR001C, VR002C

聲音功率位準 ( $L_{WA}$ )：98.4 dB (A)

聲音壓力位準 ( $L_{pA}$ )：87.4 dB (A)

不確定性 (K)：3 dB (A)

型號：VR003C, VR004C

聲音功率位準 ( $L_{WA}$ )：97.6 dB (A)

聲音壓力位準 ( $L_{pA}$ )：86.6 dB (A)

不確定性 (K)：3 dB (A)

**注意：**聲明的噪音產生值以標準測試方法測量，而且可能使用於在兩個工具之間比較。

**注意：**聲明的噪音產生值也可能使用在初步的暴露評估中。

**警告：**請戴上耳罩。

**警告：**實際使用電動工具期間的噪音產生和聲明的產生值是否不同視工具使用的用途而定，特別是處理的工件種類。

**警告：**根據實際使用情況下的暴露估計，請務必採取安全措施保護操作人員（請考量所有零件的運轉周期，例如工具的電源關閉，以及觸發時間外的閒置時）。

## 震動

總震動值（三軸向量總和）依 EN60745 判斷：

型號：VR001C, VR002C

工作模式：無負載運轉

震動產生 (ah)：1.9 m/s<sup>2</sup>（軟管）

震動產生 (ah)：0.7 m/s<sup>2</sup>（變流器盒）

不確定性 (K)：1.5 m/s<sup>2</sup>

型號：VR003C, VR004C

工作模式：無負載運轉

震動產生 (ah)：3.1 m/s<sup>2</sup>（軟管）

震動產生 (ah)：1.7 m/s<sup>2</sup>（變流器盒）

不確定性 (K)：1.5 m/s<sup>2</sup>

**注意：**聲明的震動產生值以標準測試方法測量，而且可能使用於在兩個工具之間比較。

**注意：**聲明的震動產生值也可能使用在初步的暴露評估中。

**警告：**實際使用電動工具期間的震動產生和聲明的產生值是否不同視工具使用的用途而定，特別是處理的工件種類。

**警告：**根據實際使用情況下的暴露估計，請務必採取安全措施保護操作人員（請考量所有零件的運轉周期，例如工具的電源關閉，以及觸發時間外的閒置時）。

## EC 符合性聲明

僅適用於歐洲國家

EC 符合性聲明包括在本說明手冊的附錄A中。

# 一般電動工具安全警告

**▲警告：**請詳讀所有安全警告和所有說明。未遵守警告和說明可能導致觸電、起火和/或嚴重的人身傷害。

## 保留所有警告和說明供將來參考時使用。

警告中的「電動工具」一詞指使用電源（有線）或電池（無線）的電動工具。

### 工作區域安全

1. 請保持工作區的清潔和採光充足。雜亂或昏暗的區域會導致發生意外。
2. 請勿在容易爆炸的環境中操作電動工具，例如有可燃性液體、氣體或粉塵的環境。電動工具產生的火花可能引燃灰塵或煙霧。
3. 操作電動工具時，請和兒童與旁人保持距離。注意力不集中可能導致失去對電動工具的控制。

### 電氣安全

4. 電動工具插頭必須能和電源插座搭配。切勿以任何方式改裝插頭。請勿將任何變壓器插頭和與地面接觸（接地）的電動工具搭配使用。未經過改裝的插頭及能互相搭配的插座可降低觸電的風險。
5. 避免身體接觸到管路、散熱器、爐具和冰箱等與土地或地面接觸的物品表面。如果您的身體接觸到地表或地面，將會增加觸電的風險。
6. 請勿將電動工具暴露在下雨或潮濕的環境中。水進入電動工具會增加觸電的風險。
7. 請勿濫用電線。切勿以電線吊掛、拖拉電動工具或拔除插電動工具頭。電線應避開熱源、油、銳利邊緣或可動零件。損壞或纏繞的電線會增加觸電的風險。
8. 在室外操作電動工具時，請使用室外適用的延長線。使用適合室外使用的電線可降低觸電的風險。
9. 如果無法避免在潮濕位置操作電動工具，請使用接地故障斷路器(GFCI)保護電源。使用GFCI可降低觸電的風險。

### 人員安全

10. 操作電動工具時，請保持警覺、注意您正在進行的工作並運用常識。請勿在感到疲勞或受到毒品、酒精或藥物影響的情況下使用電動工具。操作電動工具時，稍不注意即可能造成嚴重的人身傷害。
11. 佩戴個人防護配備。請務必戴上護目鏡。適當使用防塵面罩、防滑安全鞋、安全帽或耳罩等防護配備可減少人身傷害。
12. 防止意外啟動。連接電源和/或電池組、拿起或攜帶工具前，請確保開關在關閉位置。把手指放在開關上攜帶電動工具，或在開關開啟時將電動工具通電容易發生意外。
13. 開啟電動工具電源前，卸下所有調整鑰匙或扳手。將扳手或鑰匙留在電動工具的旋轉零件中可能會造成人身傷害。
14. 請勿將手伸出過遠。時刻保持正確的站姿和平衡。這可讓您在意外情況發生時，對電動工具有較好的控制。
15. 穿著適當的服裝。請勿穿著寬鬆的衣服或佩戴飾品。頭髮、衣服與手套應遠離可動零件。可動零件可能會夾到寬鬆的衣服、飾品或長髮。
16. 如果電動工具可連接吸塵裝置與集塵設備，請連接並適當使用這些設備。使用集塵裝置可降低與粉塵有關的危險。

### 電動工具的使用和保養

17. 請勿強制使用電動工具。依據用途使用正確的電動工具。根據設計的速率使用正確的電動工具可更好、更安全的完成工作。
18. 若開關無法啟動或關閉電動工具時，請勿使用電動工具。任何無法以開關控制的電動工具都很危險且需要維修。
19. 在進行任何調整、更換配件、或貯放電動工具前，請先將插頭拔離插座，和/或將電池組自電動工具卸下。此類預防安全措施可降低意外啟動電動工具的風險。

20. 將閒置的電動工具保存在兒童拿不到的地方，請勿讓不熟悉或未詳閱本說明的人員操作本電動工具。電動工具在未經訓練的使用者手中很危險。
21. 維護電動工具。請檢查可動零件有無偏移或黏合的情形、零件有無破損，以及任何會影響電動工具運轉的狀況。如果損壞，使用前請修復電動工具。很多意外都是因電動工具的維護不當所造成。
22. 保持切割工具的銳利與清潔。如果有銳利切割邊緣的切割工具得到適當的維護，較不會發生黏合的現象且較容易控制。
23. 遵守本說明手冊的指示使用電動工具、配件和工具組等，並考量工作條件與待執行的工作。將電動工具用在原目的外之用途可能會造成危險。
24. 僅限使用製造商指定的充電器進行充電。適用於一種類型的電池組的充電器搭配其他電池組使用時可能有導致起火的風險。
25. 電動工具僅限使用特別指定的電池組。使用任何其他電池組可能有導致人身傷害和起火的風險。
26. 不使用電池組時，保存在遠離其他可將一個端子與另一個端子連接的金屬物體，例如迴紋針、硬幣、鑰匙、釘子、螺絲或其他小金屬物體。電池端子短路可能造成灼傷或起火。
27. 在濫用的情況下，可能從電池中噴出液體。請避免接觸該液體。如果意外接觸，應用水沖洗。如果電池液沾到眼睛，應盡快就醫。噴出的電池液可能造成刺激或灼傷。

## 維修

28. 僅限由合格的維修人員使用相同的更換零件維修您的電動工具。這將確保維持電動工具的安全。
29. 請遵照潤滑和更換配件的指示。
30. 保持把手乾燥、乾淨和沒有油脂和潤滑脂。

## 充電工具的使用和保養

24. 僅限使用製造商指定的充電器進行充電。適用於一種類型的電池組的充電器搭配其他電池組使用時可能有導致起火的風險。
25. 電動工具僅限使用特別指定的電池組。使用任何其他電池組可能有導致人身傷害和起火的風險。

## 產品安全警告

1. 本產品是用於壓實混凝土的震動棒。請勿將本震動棒使用在任何其他用途。
2. 使用本產品前，請務必詳讀和理解本說明手冊的內容，以便安全和有效率的操作本產品。不當使用機器可能導致人身傷害或機器故障。請保留本手冊供將來參考。
3. 本產品的使用應搭配Makita背式電池組“PDC01”或“PDC1200”。此外，請閱讀背式電池組和電池充電器的說明手冊。
4. 連接任何其他電源裝置時，切勿使用本產品。否則可能導致電路板損壞或馬達燒毀。電路板損壞或馬達燒毀可能破壞絕緣並造成觸電。
5. 請勿在背式電池組上使用非Makita指定的專用電池。此外，請勿使用經過改裝的電池（包括已拆解和更換電池芯或其他內部零件的電池）。
6. 請勿使用非隨附的充電器將電池充電。
7. 本手冊中的「電池盒」一詞指「電池」。
8. 適當處理和維護本產品以確保安全運作。
9. 當您將本產品借給他人時，請務必要提供手冊並充份說明本產品的安全與適當使用方式。
10. 本文件的規格如果變更，恕不另行通知。
11. 本產品符合這些EMC標準：EN61000-6-2 / EN61000-6-4。  
本產品不符合這些EMC標準：EN61000-6-3 / EN55014-1。
12. 在靠近電子裝置的地方使用本產品時，可能造成無線電干擾。  
此時，本產品的使用者可能需要採取適當的措施。

# 混凝土震動棒安全警告

1. 使用震動棒前，請穿戴安全帽、防震手套、安全鞋、耳罩、臉部防護配備（護目鏡和面罩）和安全帶。

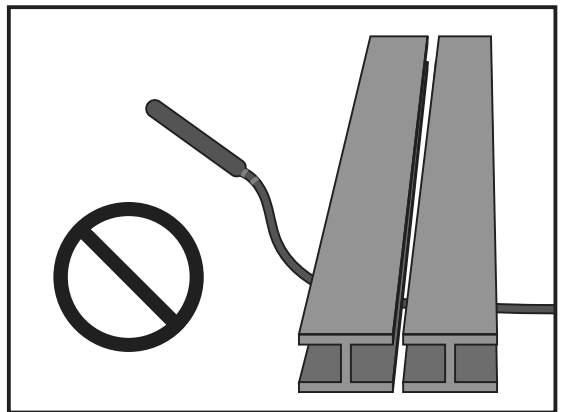


2. 工作時，請穿長袖衣服和長褲，盡量不要使皮膚暴露在外，避免飛濺的混凝土黏在皮膚上造成皮膚受傷。
3. 在雙腳旁邊或不是很深的位置使用震動棒時，混凝土可能濺到周圍。請使用臉部防護配備（護目鏡和面罩）保護您的眼睛和嘴巴。在嘈雜的地方工作時，請戴上耳罩。
4. 在鋼筋等站立不便的區域工作時，請確保放置腳踏板。
5. 本產品有長軟管，如果軟管在工作或移動時卡在鋼筋上，則有絆倒人或使人踩錯腳步的風險，如果在軟管上放上某樣物品，則移動會受到限制。此外，如果當工作暫停時產品留在人們經過的區域，可能絆住某人的腳並導致該人員跌倒或受傷。請小心處理軟管和纜線。
6. 長時間以不自然的姿勢使用或操作震動棒可能導致肌肉拉傷。請務必適當休息以避免身體疲勞或受傷。此外，如果使用本產品時覺得手、手臂、肩膀或背部疼痛或麻木，應立刻停止使用並接受適當的治療。
7. 營業操作員善用此混凝土震動棒管理工時，並且必須努力防止工人的健康受到震動的傷害。  
如需有關震動棒震動強度的詳細資料，請參閱「總震動值」一節。  
請遵守使用震動棒所在國家的相關法律規定和指導方針。

8. 暫時停止工作時，請將本產品保存在安全位置。如果放在走道上，可能絆住您的腳並造成您跌倒或受傷。如有任何異常或故障情況，應立刻關閉所有電源、停止使用並卸下背式電池組。關於檢查和維修，請洽詢您當地的Makita授權服務中心。
9. 將本產品插入攪拌好的混凝土中可冷卻本產品的頭部組件。因此，請勿在攪拌好的混凝土外使用本產品（例如在空氣中）。否則馬達可能燒毀。



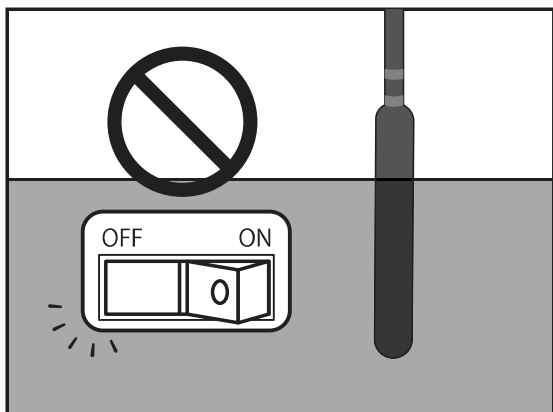
10. 請勿在空氣中操作頭部組件。在空氣中操作時，震動棒在幾分鐘內就會達到 100° C (212° F) 或更高的溫度，您若碰觸到可能會灼傷。
11. 頭部組件在操作期間會變燙。使用後，小心不要碰觸。否則有遭到灼傷的風險。
12. 請勿放置或掉落重物在纜線或軟管上。否則可能損壞纜線並造成故障。



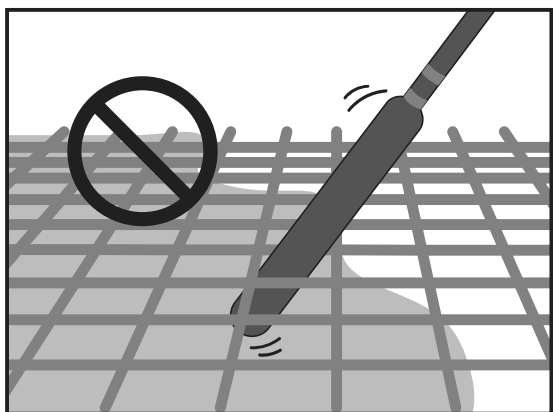
13. 請勿在握住軟管或纜線時晃動頭部組件。這樣可能造成附近人員受傷或物體損壞。



14. 電源開關應僅限在頭部組件未插入攪拌好的混凝土時開啟/關閉。  
如果電源在震動棒位於攪拌好的混凝土中時「關閉」，您可能無法卸下頭部組件。強制拉出可能造成人身傷害。



15. 請勿放下震動棒並開啟其電源。頭部組件可能失控地四處震動並導致發生意外。  
16. 請勿以頭部組件在鋼筋或板模之間撬動或纏繞震動棒。否則頭部組件可能磨損並燒壞馬達。



17. 使用連接背式電池組的的震動棒時，務必單人作業。兩個人操作時，一個人拿著震動棒，一個人另外拿著背式電池組時，可能導致意外事件或人身傷害。  
18. 移動或保存本產品時，請務必關閉背式電池組的電源。如果電源保持開啟，可能會意外啟動本產品，導致發生意外或人身傷害。  
19. 本產品的頭部組件不應在硬化的混凝土或鋼板等堅硬表面上操作。否則軸承可能燒毀，以及轉子可能破裂。  
20. 放置混凝土或移動時，請勿從任何物品拉動或吊掛纜線，否則插頭可能鬆脫，並可能導致纜線斷裂或電路板故障。  
21. 變流器盒內有精密的電子裝置。請勿掉落、丟擲、踩踏或強力撞擊變流器。

22. 插入或卸下接頭時，請務必將背式電池組的電源「關閉」。如果在電源「開啟」時接頭已插入或拔出，可能會造成故障。  
23. 若要避免接觸不良，將插頭牢牢插入背式電池組的輸出插座前，清除插頭端子的所有髒汙或鐵鏽。插頭接觸不良是馬達燒毀和電路板損壞等故障的主因之一。  
24. 連接本產品的背式電池組使用鋰電池。請勿強力撞擊電池、讓電池濺到水或將電池放在靠近熱源的位置。否則可能導致故障、觸電或起火。  
25. 發生異常情況時，請立刻停止操作。否則可能導致起火、觸電或人身傷害。  
26. 請勿在有易燃液體、氣體或多灰塵處使用本產品。否則可能導致起火或爆炸。  
27. 請勿嘗試拆解或改裝本產品。否則可能導致觸電、過熱、破裂或起火。  
28. 請勿在雨中使用震動棒。  
29. 請勿水洗震動棒。

## 背式電池組重要安全說明

1. 使用背式電池組前，請詳讀(1)電池充電器、(2)電池和(3)背式電池組上的所有說明和注意標記。
2. 拾起或攜帶本背式電池組時，請勿僅握住電線。穿戴著或使用此背式電池組時，請勿拉扯電線。
3. 穿戴或脫下背式電池組前，從震動棒上卸下插座。
4. 留下震動棒時，請務必從震動棒上卸下插座，或從您身上卸下背式電池組。
5. 操作期間小心不要被電線絆倒。
6. 請勿在不穩定的表面或不穩定的高處使用此背式電池組。
7. 操作時，保持電線遠離障礙物。障礙物絆住電線可能導致嚴重的人身傷害。
8. 請勿將轉接器插入充電器中。
9. 使用前請檢查背式電池組，包括電線和安全帶。如果損壞，請洽詢Makita授權服務中心進行維修。
10. 將電線固定在電線座時，請務必緩慢並安全的固定。
11. 嘗試檢查或維護震動棒前，請務必確定震動棒的電源已關閉並已卸下插座。
12. 穿戴背式電池組時，請勿穿任何物品，例如安全帶或肩帶，否則可能干擾背式電池組的緊急拆卸功能。
13. 穿著無線風扇外套或無線保暖外套時，請勿使用此背式電池組。
14. 請勿將此背式電池組暴露在火花下。
15. 在不穿戴此背式電池組的情況下使用它時，請務必放下背式電池組。
16. 請勿拆解、自行維修或改裝背式電池組。
17. 小心不要讓安全帶或安全皮帶纏繞震動棒。

### [ PDC01 ]

1. 請勿以連接背式電池組到另一個背式電池組的方式同時使用多個背式電池組。
2. 請勿將轉接器安裝到此背式電池組的電池插孔。
3. 此背式電池組專為使用18V電池而設計。請勿使用非18V的電池。
4. 請勿讓水進入蓋子內。

### [ PDC1200 ]

1. 使用電池座垂直放置背式電池組時，請務必將背式電池組放在平坦的表面上。
2. 僅限使用背式電池組專用的充電器。請勿使用其他充電器。
3. 請勿以握住電池座或寬度調整帶的方式攜帶背式電池組。
4. 請勿在電池和電池座之間放置或固定任何物品。
5. 請勿在電池座上懸掛任何物品。

## 電池充電器重要安全說明

1. 使用電池充電器前，請詳讀(1)電池充電器、(2)電池和(3)背式電池組上的所有說明和注意標記。
- ⚠️ 小心：若要降低人身傷害的風險，僅限使用Makita原廠充電式電池。其他類型的電池可能爆炸，導致人身傷害和損壞。**
2. 此電池充電器無法為非充電式電池充電。
  3. 使用充電器的銘牌上指定電壓的電源。
  4. 請勿在有易燃液體或氣體處將電池充電。
  5. 請勿將充電器暴露在下雨或下雪的環境中。
  6. 切勿以電線提著充電器或從插座上用力拔起。
  7. 充電後或嘗試維護或清潔前，請從電源上拔下充電器的電源插頭。每次拔除充電器的插頭時，請拉插頭而不是電線。
  8. 確定電線不是位於會被踩到、絆到人或受到損壞或壓住位置。
  9. 請勿操作電線或電源插頭損壞的充電器。如果電線或電源插頭損壞，請洽詢Makita授權服務中心進行更換以避免危險。
  10. 如果受到激烈撞擊、掉落或任何損壞，請勿操作或拆解充電器。將充電器交給合格的維修人員。錯誤的使用或重新組裝可能有觸電或起火的風險。

11. 請在周遭環境溫度為10° C (50° F)到40° C (104° F)的室內將電池充電。室溫「低於」10° C (50° F)或「高於」40° C (104° F)時，請勿將電池充電。在寒冷溫度下，可能無法開始充電。
12. 請勿嘗試使用升壓變壓器、引擎發電機或直流電源插座。
13. 充電器的孔是冷卻口且不應堵塞。冷卻不足會影響充電時間。建議定期檢查冷卻口。

## 電池重要安全說明

1. 使用電池前，請詳讀(1)電池充電器、(2)電池和(3)背式電池組上的所有說明和注意標記。
  2. 請勿拆解或改裝電池。否則可能導致起火、過熱或爆炸。
  3. 如果操作時間變得極短，應立即停止操作。否則可能有過熱、灼傷和甚至爆炸的風險。
  4. 在高溫等惡劣條件下，電池可能漏液。請勿粗心大意地碰觸到洩漏的電池液。否則可能導致刺激皮膚或灼傷。如果您的眼睛或皮膚沾到電池液，應立即用自來水等清水沖洗，然後就醫。
  5. 請勿將電池短路。
    - (1) 請勿以任何導電材料碰觸端子。
    - (2) 避免將電池保存在有釘子、硬幣等其他金屬物體的容器中。
    - (3) 請勿將電池暴露在水或雨水中。

電池短路會產生大電流、過熱、灼傷和甚至是故障。
  6. 請勿將電池放入導電材質中，例如水，並且請勿將水等導電材質放入電池內。否則可能造成電路短路，導致過熱、起火、破裂或爆炸。
  7. 請勿在溫度可能達到或超過50° C (122° F)的位置充電、保存和使用震動棒、背式電池組和電池。
  8. 即使電池嚴重損壞或電量完全用盡也不可以將其焚燒。電池在火中會爆炸。
  9. 請勿釘上、切割、粉碎、丟擲或擊打硬物到電池上。這類行為可能導致起火、過熱或爆炸。
  10. 請勿以任何方式使用已掉落或損壞的電池。
  11. 內部的鋰電池符合「危險物品規則」(Dangerous Goods Legislation)的規定。
- 第三方、貨運商等商業運輸必須遵守特別的包裝和標示規定。關於準備運送的品項，請洽詢有害物質的專家。另請遵守更詳細的國內法規。將開放接點貼上膠帶或遮住，並以無法在包裝內四處移動的方式包裝電池。
12. 廢棄電池時，將電池從背式電池組卸下，然後棄置在安全的位置。請遵守您當地有關報廢電池的法規。
  13. 僅限將電池使用在Makita指定的產品。將電池安裝不合法規的產品中可能導致起火、過熱、爆炸或電解液洩漏。
  14. 如果長時間不使用震動棒，必須將電池從背式電池組上卸下。
  15. 請將電池放置在兒童無法觸及之處。
  16. 使用時和使用後，電池可能產生熱量，導致灼傷或低溫灼傷。請注意高溫電池的處理。
  17. 使用後請勿立刻碰觸電池端子，因為可能很燙導致灼傷。
  18. 請勿讓碎屑、灰塵或土壤卡在電池的端子、孔或溝槽中。否則可導致震動棒或電池的性能不良或故障。
  19. 請勿以金屬或其他物體接觸充電電池的端子。
  20. 請勿在高壓電線附近使用電池。否則可能導致震動棒或電池故障。
  21. 電池溫度高(40° C (104° F)或更高)(例如在烈日下工作後)，可能暫時無法充電。這是電池保護功能所造成，並不代表故障。重新充電前，讓電池冷卻一段時間。

### 保存說明書

**▲ 小心：僅限使用Makita原廠電池。**

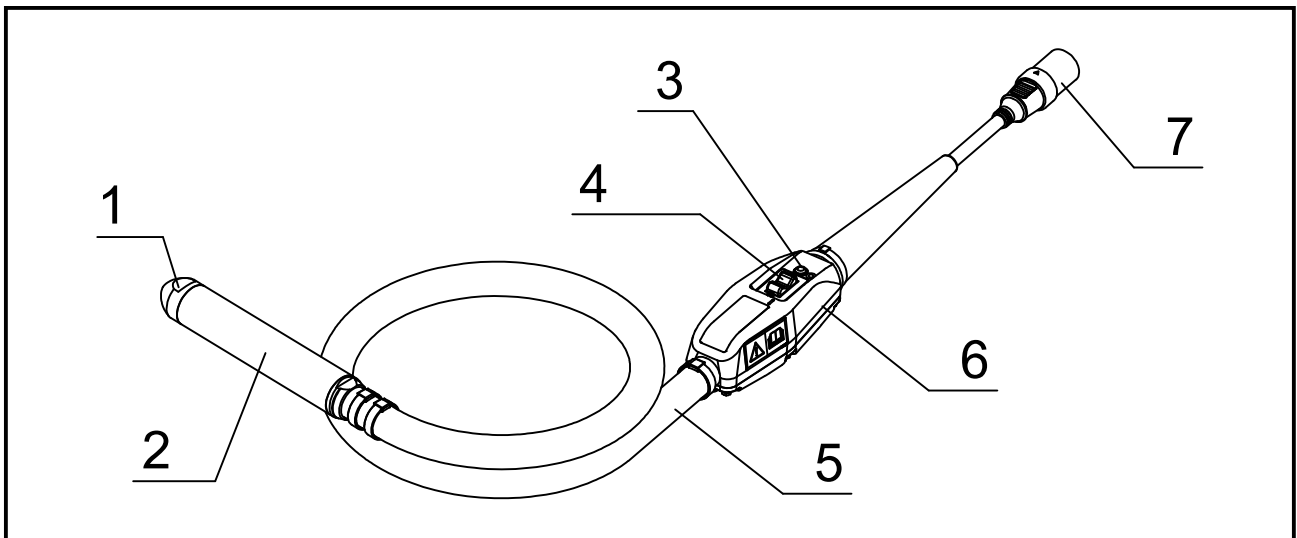
使用非Makita原廠電池或經過改裝的電池可能使電池發生爆炸，導致起火、人身傷害和損壞。而且也會使Makita產品的Makita保固失效。

## 保持最長電池使用壽命的要訣

1. 在完全放電前將電池充電。注意到工具動力變弱時，停止操作工具，然後將電池充電。
2. 切勿將充滿電的電池重新充電。過充會縮短電池的使用壽命。
3. 在10° C - 40° C (50° F - 104° F)的室溫下將電池充電。充電前，請讓發燙的電池冷卻。
4. 不使用電池時，將電池從背式電池組或充電器上卸下。
5. 如果長時間不使用電池（超過六個月），請將電池充電。

## 震動棒各部位名稱

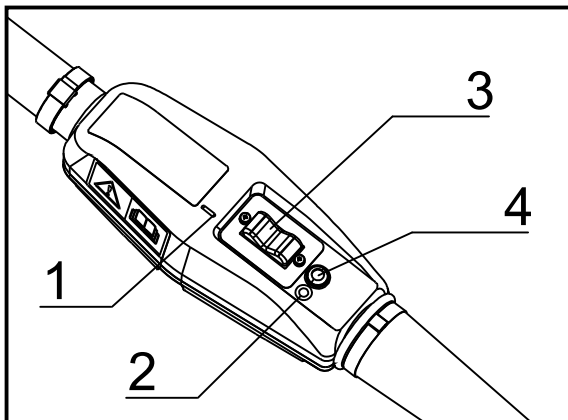
**⚠️小心：**此產品是Makita背式電池組“PDC01”和“PDC1200”的專用裝置。請勿使用其他電池供電的裝置。否則可能導致觸電、過熱、破裂或起火。



1	震動棒蓋子	5	軟管
2	頭部組件	6	變流器盒
3	LED燈	7	接頭（插頭）
4	開關	-	-

## 操作

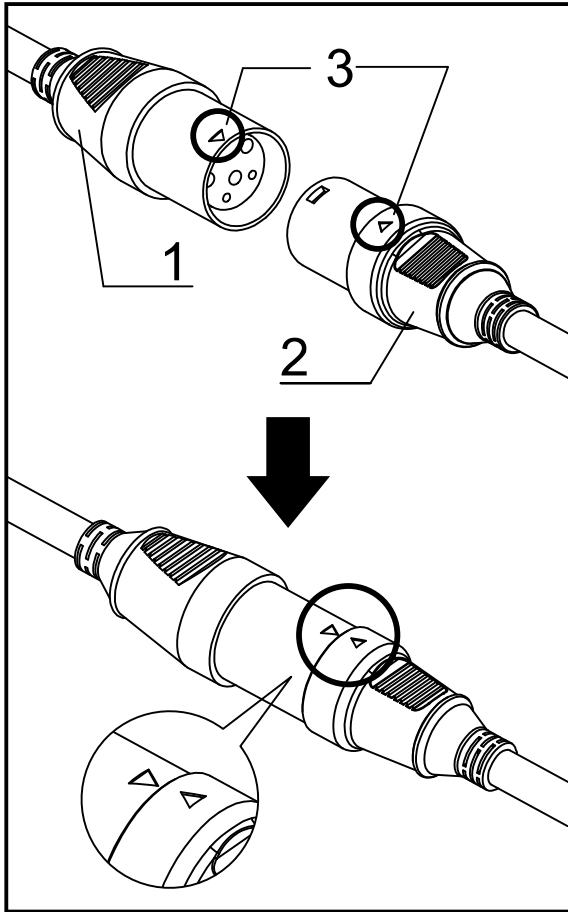
1. 確定震動棒的操作開關設定為「關閉」。



- ▶ 1. “ I ” 標記 2. “ O ” 標記  
3. 操作開關 4. LED燈

**注意：**“O”標記代表關閉，“I”標記代表開啟。

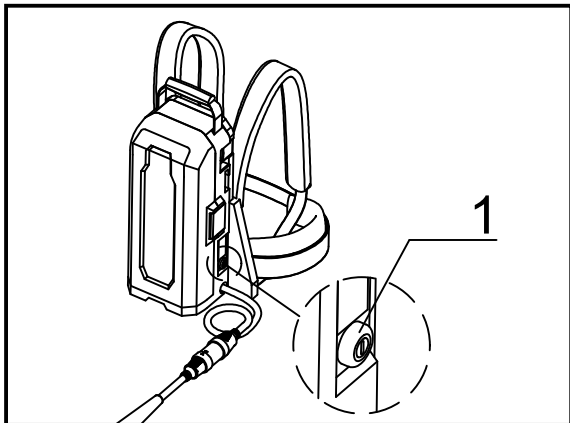
- 將震動棒插頭的箭頭標記對準背式電池組的插座，然後插入到底。



► 1. 插座 2. 插頭 3. 箭頭標記

- 按下背式電池組上的電源按鈕，然後將電源開啟。主電源燈亮起綠燈。震動棒上的LED燈也會亮起綠燈。

**注意：**LED 燈閃爍紅燈時，防止錯誤開始功能啟動。將操作關閉切換到「關閉」會取消錯誤開始功能，而且震動棒的 LED 燈會亮起綠燈。



► 1. 主電源按鈕

- 握住震動棒軟管，使頭部組件懸停在空中。

- 準備好時，將操作開關轉到「開啟」位置以啟動震動棒。

**注意：**握住震動棒軟管上對手部震動微弱的位置。

- 將震動棒垂直插入有效衝擊範圍的混凝土中。

**注意：**震動棒的有效衝擊範圍是直徑約為震動零件的直徑 10 倍大的區域。

- 在混凝土停止凝固和砂漿平均漂浮在表面上並發亮時，更換震動棒位置。

**注意：**將震動棒長時間放在同一個位置可能導致骨材分離。

**注意：**如果分離發生在放置混凝土時，請平均加入粗骨材，然後重新放置混凝土。

**注意：**建議在震動棒未插入混凝土時，將操作開關設定為「關閉」。這樣有助於延長震動棒的使用時間 / 產品壽命。

- 拉出震動棒時，緩慢往上拉，不要留下任何孔。

- 完成澆鑄後，將震動棒操作開關轉到「關閉」位置以停止震動棒。

- 按住背式電池組上的電源按鈕以停止電力輸入。電源指示燈將熄滅。

- 拔除連接背式電池組和震動棒的接頭。

**注意：**卸下接頭時，握住插座和插頭且不要拉扯電線。

# 如何將電池充電

**⚠️小心：** 將電池充電前，請務必閱讀背式電池組和電池充電器的說明手冊。

- 若要充電，請參閱背式電池組或電池充電器說明書。

## 使用後清潔

- 使用後，請將震動棒清潔乾淨並整齊地包好軟管和纜線。
1. 硬化前，去除頭部組件、軟管、變流器盒與纜線中的混凝土。
  2. 請勿水洗變流器盒。使用濕布擦掉任何黏住的髒汙。擦拭時使用乾布以去除任何殘餘水份。
  3. 請清潔插頭或插座的端子上的髒汙或鐵鏽。端子接觸不良可能導致故障。
  4. 攜帶背式電池組時，請在移動前卸下背式電池組的插座和震動棒上插頭。
  5. 攜帶本產品時，握住震動棒和背式電池組的把手。請勿抬起或拉扯震動棒或背式電池組。  
否則可能導致震動棒磨損或電線斷裂。
  6. 攜帶背式電池組時，請務必在移動前關閉背式電池組的電源。按住電源按鈕以關閉電源。

## 檢查

- 將震動棒帶到工地前和使用後，請務必檢查以下事項。
  - 這樣對預防操作期間發生問題有很大的幫助。
1. 震動器的組件是否有任何磨損、裂痕或鬆脫？
  2. 軟管是否有任何磨損、損壞或刮傷？
  3. 纜線護套是否有任何磨損或裂痕？
  4. 變流器盒是否有任何變形、螺絲鬆動或變流器的任何零件（例如操作開關或 LED 燈的蓋子）是否有任何損壞？
  5. 插頭或插座的端子是否有任何髒汙或鐵鏽？
  6. 絕緣電阻值是否正確？（DC500V、10M $\Omega$  或以上）
    - (1) 使用 500V 絕緣電阻測試儀作為測量儀器。
    - (2) 測量插頭和變流器盒的端子之間的電阻。
  7. 背式電池組是否有任何裂痕、凹陷或其他損壞？
  8. 電池是否充滿電？
  9. 將震動棒與背式電池組連接，在空氣中拿著震動棒時是否可以啟動？  
這樣做時，變流器盒上的 LED 燈是否亮起綠燈？
  10. 震動棒是否有任何異常噪音？操作間的震動棒運轉聲音是否正常？（如有規律和連續聲音是正常情況。）

**注意：** 請勿測量三個接頭之間。否則可能損壞變流器板。

## 耗材更換期

- 根據下表應定期更換耗材。

耗材	更換期。 (目視和聽聲音檢查)	更換頻率 (小時)
頭部組件	依磨損狀態判斷 (目視)	300-500
震動棒蓋子		
軸承	依操作期間的噪音判斷 (聽聲音)	400-500
軟管	依磨損或刮傷判斷 (目視)	發現時

- 上述更換耗材零件的時間是大略的說明。視使用情況而定，建議比上述時間更早更換耗材。

## LED 燈

- 您可以用使LED燈亮起或閃爍的方式檢查變流器的輸出狀態。
- 如果閃爍，表示保護功能已啟用，而且電源輸出停止。重新開始操作前，請務必停止操作並消除異常的原因。

LED 燈狀態	變流器的輸出狀態
1. 恆亮綠燈	正常情況。可使用震動棒。
2. 閃爍綠燈	震動棒過載。可使用震動棒，但震動頻率降低以防止過載導致故障。過載情況解決時，震動棒回復正常狀態。
3. 閃爍紅燈	在此狀態中，防止錯誤開始功能啟動。 此功能防止震動棒在震動棒操作開關位於「開啟」位置時開啟電源導致意外啟動。將操作開關切換到「關閉」位置使震動棒回復正常狀態。
4. 恆亮紅燈	偵測到異常，停止變流器的輸出。 亮起紅燈時，請檢查以下事項。 <ul style="list-style-type: none"> <li>• 檢查電池的剩餘電量。</li> <li>• 是否有任何因鋼筋等物品造成的阻礙或超載？</li> </ul> 如果沒有任何問題，請將開關切換到「關閉」位置以回復正常狀態（恆亮綠燈）。 如果紅燈反覆亮起，表示可能發生故障。此時需要檢查和維修。
5. 沒有燈亮起	電源有問題，因此震動棒已停止。電池可能已耗盡電量、電池的插入可能不正確或電池可能有瑕疵。請檢查電源。

## 故障排除

- 如果使用本產品發現有以下任何情況，應停止使用本產品並檢查原因和可能的解決方法。
- 關於檢查和維修，請洽詢您當地的Makita授權服務中心。

操作	症狀 1	症狀 2	原因	解決方法
震動棒操作	震動棒的震動零件有異常噪音（金屬聲等）		軸承異常（變粗糙、磨損）	更換軸承
	震動減弱	變流器盒的 LED 燈閃爍綠燈。	軸承異常（變粗糙、磨損）	更換軸承
			超過震動棒能力的過載情況。	將頭部組件拉出混凝土外以降低負載。
	操作中停止	變流器盒的 LED 燈恆亮紅燈。	震動棒的負載嚴重超過其能力。電池電量不足且震動棒的能力降低。	將頭部組件拉出混凝土外以降低負載。然後重新開啟電源。  如果紅燈反覆亮起時，請檢查電池。如果已充滿電，應進行檢查和維修。
震動棒不啟動	變流器盒的 LED 燈不亮起。	背式電池組的電源指示燈不亮起。	背式電池組的電源未開啟。	請開啟背式電池組的電源。
			未安裝電池。或電池的剩餘電量不足。	請安裝電池。或將電池充電或換上充滿電的電池。
			背式電池組故障。	此時需要檢查和維修。
		背式電池組的電源燈輪流閃爍綠燈和紅燈。	偵測到背式電池組偵測異常。	請關閉背式電池組的電源，然後再重新開啟電源。
			背式電池組故障。	此時需要檢查和維修。
		背式電池組的電源指示燈恆亮綠燈。	震動棒的插頭未正確插入背式電池組的插座中。或纜線斷開。	請確定插頭牢牢地插入插座中。若斷開，需要進行檢查和維修。
			震動棒的變流器板故障。	此時需要檢查和維修。

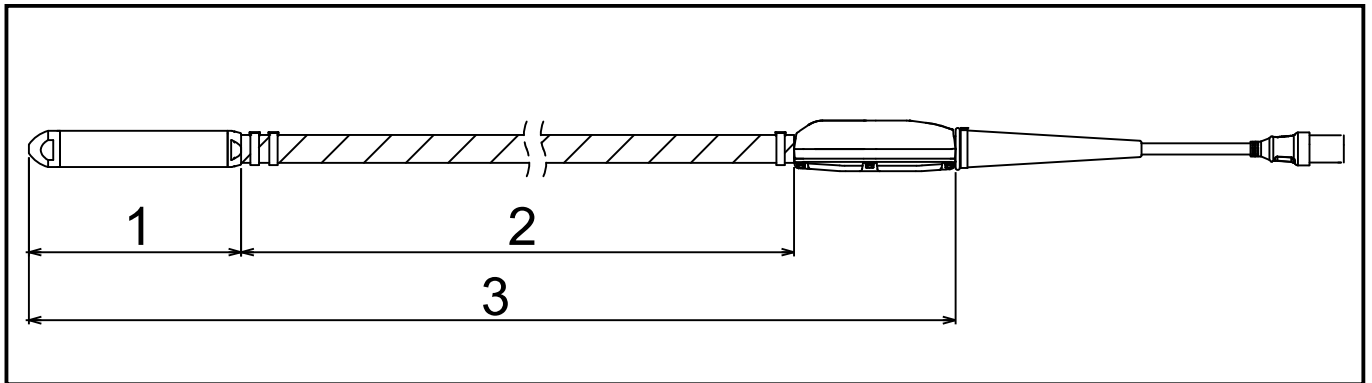


操作	症狀 1	症狀 2	原因	解決方法
震動棒不啟動	變流器盒的 LED 燈不亮起。	背式電池組的電源指示燈閃爍綠燈。	電池電量不足。或未正確安裝。	請檢查電池電量指示燈。如果電池電量充足，請檢查電池的安裝方式。
			背式電池組或電線發燙。	請冷卻背式電池組。
			震動棒的插頭未正確插入背式電池組的插座中。或纜線斷開。	請確定插頭牢牢地插入插座中。若斷開，需要進行檢查和維修。
	變流器盒的 LED 燈恆亮紅燈。		偵測到錯誤，因此震動棒停止運作。	請重新開啟背式電池組的電源。如果 LED 燈反覆亮起紅燈，此時需要檢查和維修。
	變流器盒的 LED 燈閃爍紅燈。		震動棒的防止錯誤開始功能啟動。	將震動棒操作開關切換到「關閉」位置，然後再重新「開啟」。

## 規格

型號	VR001C	VR002C	VR003C	VR004C
輸出	250 W		400 W	
電壓	36 V			
電流	8.7 A		14.0 A	
頻率	200 Hz			
總長度	1,945 公釐 (76-9/16 吋)	3,445 公釐 (135-5/8 吋)	1,977 公釐 (77-27/32 吋)	3,477 公釐 (136-7/8 吋)
頭部 直徑 x 長度	43 x 255 公釐 (1-11/16 吋 x 10-1/32 吋)		52 x 287 公釐 (2-1/16 吋 x 11-5/16 吋)	
外部軟管 直徑 x 長度	33 x 1,500 公釐 (1-5/16 吋 x 59-1/16 吋)	33 x 3,000 公釐 (1-5/16 吋 x 118-1/8 吋)	33 x 1,500 公釐 (1-5/16 吋 x 59-1/16 吋)	33 x 3,000 公釐 (1-5/16 吋 x 118-1/8 吋)
重量	4.8 公斤 (10.6 磅)	5.9 公斤 (13.0 磅)	5.6 公斤 (12.4 磅)	6.7 公斤 (14.8 磅)

\* 重量不包括電源設備，例如背式池組和電池。



► 1. 頭部長度 2. 外部軟管長度 3. 總長度

## 運轉時間

型號	使用 PDC01 時 (分鐘)	使用 PDC1200 時 (分鐘)
VR001C / VR002C	約 100	約 300
VR003C / VR004C	約 60	約 200

\* 使用PDC01的運轉時間取決於安裝在背式電池組上的四顆BL 1860B電池。

\* 運轉時間是參考值，代表每次震動棒連續運轉的時間。這取決於電池充電狀態和使用環境。

## 總震動值

型號	總震動值 ( m/s <sup>2</sup> )
VR001C / VR002C	小於 2.5
VR003C / VR004C	2.5

\* 總震動值是根據ISO 5349-1使用測量儀器的值，並且以ISO 5349-2中發現的方法測量。

## زمان کاری

مدل	هنگام استفاده از PDC01 (min.)	هنگام استفاده از PDC1200 (min.)
VR002C / VR001C	حدوداً 100	حدوداً 300
VR004C / VR003C	حدوداً 60	حدوداً 200

\* زمان کار با استفاده از PDC01 بر اساس چهار باتری BL 1860B نصب شده در پاور پک پرتابل است.

\* زمان کار یک مقدار مرجع است که بیانگر مدت کار پیوسته هر ویراتور می باشد. این مدت به وضعیت شارژ باتری و محیط استفاده بستگی دارد.

## میزان کل لرزش و ارتعاشات

مدل	میزان کل لرزش و ارتعاشات (m/s <sup>2</sup> )
VR002C / VR001C	کمتر از 2.5
VR004C / VR003C	2.5

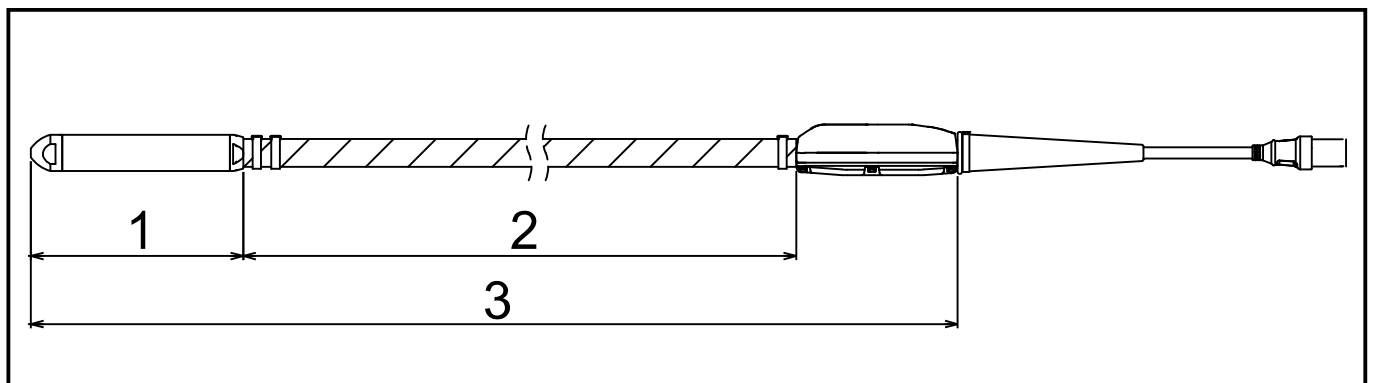
\* میزان کل لرزش و ارتعاشات مقداری است که از وسیله سنجش میبندی بر ISO 5349-1 استفاده کرده و با روش شرح داده شده در ISO 5349-2 اندازه گیری می گردد.

طرز کار	نشانه 1	نشانه 2	دلیل	راه حل
ویبراتور روشن نمی شود	چراغ LED روی قاب اینورتور روشن نیست.	نشانگر توان روی پاور پک پرتابل به رنگ سبز چشمک می زند.	توان باتری کم است. یا، درست قرار داده نشده است.	نشانگر شارژ باتری را کنترل کنید. اگر شارژ باتری کافی است، باید نحوه قرار دادن باتری را کنترل کنید.
			فیش روی ویبراتور درست به سوکت روی پاور پک پرتابل وصل نشده است. یا، کابل قطع شده است.	اطمینان حاصل کنید که فیش محکم به سوکت وصل شده باشد. در صورت قطع شدن، نیاز به بازدید و تعمیر می باشد.
	چراغ LED روی قاب اینورتور بطور بیوسته به رنگ قرمز روشن است.	ویبراتور به دلیل تشخیص داده شدن یک خطا متوقف شده است.	پاور پک پرتابل را دوباره روشن کنید. اگر چراغ LED مکرراً به رنگ قرمز روشن می شود، نیاز به بازدید و تعمیر می باشد.	
	چراغ LED روی قاب اینورتور به رنگ قرمز چشمک می زند.	قابلیت جلوگیری از شروع بکار اتفاقی ویبراتور فعال شده است.	کلید کارکرد ویبراتور را یک بار روی خاموش چرخانده و سپس آنرا دوباره روی روشن بچرخانید.	

## مشخصات فنی

مدل	VR004C	VR003C	VR002C	VR001C
خروجی	400 W		250 W	
ولتاژ	36 V			
جریان	14.0 A		8.7 A	
فرکانس	200 Hz			
طول کامل	3,477 mm (136-7/8")	1,977 mm (77-27/32")	3,445 mm (135-5/8")	1,945 mm (76-9/16")
سر ابزار قطر x طول	287 x 52 mm (11-5/16" x 2-1/16")		255 x 43 mm (10-1/32" x 1-11/16")	
شلنگ بیرونی قطر x طول	3,000 x 33 mm (118-1/8" x 1-5/16")	1,500 x 33 mm (59-1/16" x 1-5/16")	3,000 x 33 mm (118-1/8" x 1-5/16")	1,500 x 33 mm (59-1/16" x 1-5/16")
وزن	6.7 kg (14.8 lbs)	5.6 kg (12.4 lbs)	5.9 kg (13.0 lbs)	4.8 kg (10.6 lbs)

\* جرم شامل تجهیزات منبع تغذیه مانند پاور پک پرتابل و باتری ها نیست.



◀ 1. طول سر 2. طول شلنگ بیرونی 3. طول کامل

## عیب یابی

- اگر در حین استفاده از دستگاه هریک از شرایط زیر را مشاهده کردید، استفاده از دستگاه را متوقف کرده و دلیل و راه حل های احتمالی را بررسی کنید.
- برای بازدید و تعمیرات با مرکز محلی خدمات مجاز ماکیتا تماس بگیرید.

طرز کار	نشانه 1	نشانه 2	دلیل	راه حل
ویبراتور کار می کند	صدای غیرعادی از بخش ارتعاش کننده ویبراتور (صدای فلزی، غیره)	ناهنجاری در یاتاقان (غیر نرم، فرسوده)	یاتاقان ها را عوض کنید.	
	ارتعاش کم	LED روی قاب اینورتور به رنگ سبز چشمک می زند.	ناهنجاری در یاتاقان (غیر نرم، فرسوده)	یاتاقان ها را عوض کنید.
		شرایط اضافه بار که از حد توان ویبراتور فرا است.	با بیرون کشیدن مجموعه سر از بتون بار را کاهش دهید.	
ویبراتور کار می کند	در طول کار متوقف می شود	LED روی قاب اینورتور بطور پیوسته به رنگ قرمز روشن است.	ویبراتور تحت اضافه بار فراتر از حد توان آن قرار دارد. توان باتری کم است و ظرفیت ویبراتور کاهش یافته است.	با بیرون کشیدن مجموعه سر از بتون بار را کاهش دهید. سپس دوباره روشن کنید. اگر چراغ قرمز مکرراً روشن می شود، باتری را کنترل کنید. اگر شارژ کامل دارد، باید آنرا بررسی و تعمیر نمود.
	ویبراتور روشن نمی شود	پاور پک پرتابل را روشن نشده است.	پاور پک پرتابل روشن	پاور پک پرتابل را روشن کنید.
نشانگر توان پاور پک پرتابل روشن نمی شود.		باتری قرار داده نشده است. یا، ظرفیت باقیمانده باتری کافی نیست.	باتری را نصب کنید. یا باتری ها را شارژ کرده یا باتری ها را با باتری هایی که شارژ کامل دارند عوض کنید.	
		پاور پک پرتابل اشکال کاری دارد.	نیاز به بازدید و تعمیر می باشد.	
چراغ LED روی قاب اینورتور روشن نیست.		چراغ توان روی پاور پک پرتابل بطور تناوبی به رنگ سبز و قرمز چشمک می زند.	پاور پک پرتابل اشکال کاری دارد.	پاور پک پرتابل را خاموش کرده و دوباره آن را روشن کنید.
		پاور پک پرتابل اشکال کاری دارد.	نیاز به بازدید و تعمیر می باشد.	
ویبراتور روشن نمی شود	نشانگر توان روی پاور پک پرتابل بطور پیوسته به رنگ سبز روشن است.	فیش روی ویبراتور درست به سوکت روی پاور پک پرتابل وصل نشده است. یا، کابل قطع شده است.	اطمینان حاصل کنید که فیش محکم به سوکت وصل شده باشد. در صورت قطع شدن، نیاز به بازدید و تعمیر می باشد.	
		بورد اینورتور روی ویبراتور اشکال کاری دارد.	نیاز به بازدید و تعمیر می باشد.	

# چراغ LED

- شما می توانید وضعیت خروجی اینورتور را با روشن شدن یا چشمک زدن چراغ LED کنترل کنید.
- اگر چشمک می زند، قابلیت محافظت فعال شده و خروجی توان قطع شده است. حتماً باید کار را متوقف کرده و پیش از سرگرفتن کار، دلیل بوجود آوردن شرایط غیر عادی را برطرف کنید.

وضعیت چراغ LED	وضعیت خروجی اینورتور
1. روشن پیوسته به رنگ سبز	شرایط عادی. می توان از ویراتور استفاده کرد.
2. چشمک زن به رنگ سبز	اضافه بار به ویراتور وارد شده است. می توان از ویراتور استفاده کرد اما فرکانس ارتعاشات برای جلوگیری از خرابی ناشی از اضافه بار کاهش داده شده است. هرگاه شرایط بوجود آورنده اضافه بار برطرف شد، ویراتور به وضعیت عادی خود باز خواهد گشت.
3. چشمک زن به رنگ قرمز	در این وضعیت، قابلیت جلوگیری از شروع بکار اتفاقی فعال شده است. این قابلیت جلوی شروع بکار ناخواسته ویراتور را در شرایطی می گیرد که ویراتور هنگامی روشن شده است که کلید کارکرد در وضعیت روشن قرار دارد. چرخاندن کلید کارکرد بروی خاموش، ویراتور را به حالت عادی آن بر می گرداند.
4. روشن پیوسته به رنگ قرمز	زمانی که یک وضعیت غیر عادی تشخیص داده شود، خروجی اینورتور متوقف می گردد. اگر چراغ قرمز روشن شده است، لطفاً موارد زیر را کنترل کنید. • ظرفیت باقیمانده باتری را کنترل کنید. • آیا هیچگونه محدودیت یا بار اضافه ای توسط آرماتور، غیره ایجاد شده است؟ اگر هیچ مشکلی یافت نشد، کلید را روی خاموش قرار دهید تا به وضعیت عادی برگردید (روشن پیوسته به رنگ سبز). اگر چراغ قرمز مکرراً روشن می شود، احتمالاً یک اشکال کاری رخ داده است. نیاز به بازدید و تعمیر می باشد.
5. هیچ چراغی روشن نیست	ویراتور به دلیل وقوع مشکلی در منبع تغذیه متوقف شده است. امکان دارد باتری خالی شده باشد، باتری بطور نادرست قرار داده شده یا باتری معیوب باشد. منبع تغذیه را بررسی کنید.

## بازدید

- پیش از حمل و بیبراتور به محل کار و نیز بعد از استفاده، باید حتماً موارد زیر را چک کنید.
- این قویاً به جلوگیری از مشکلات در طول کار کمک خواهد کرد.

**تذکر:** در بین سه رابط اندازه گیری نکنید. این کار می تواند به خورد اینورتر آسیب برساند.

1. آیا هیچگونه فرسودگی، ترک یا اجزاء و قطعات شل روی و بیبراتور دیده می شود؟
  2. آیا هیچگونه فرسودگی، آسیب دیدی یا خراشیدگی روی شلنگ دیده می شود؟
  3. آیا هیچگونه فرسودگی یا ترک در غلاف کابل دیده می شود؟
  4. آیا هیچگونه تغییر شکلی روی قاب اینورتر، پیچ های شل، یا آسیب دیدگی در هیچکدام از بخش های اینورتر مانند قاب کلید کارکرد یا چراغ LED دیده می شود؟
  5. آیا روی پایانه های فیش یا سوکت خاک و الودگی یا زنگ زدگی دیده می شود؟
  6. آیا مقدار مقاومت عایق صحیح است؟ ( $10\text{ M}\Omega$ ، DC500 V یا بیشتر) (1) از یک تست کننده مقاومت عایق 500 V بعنوان ابزار سنجش استفاده کنید.
  - (2) بین پایانه های فیش و قاب اینورتر اندازه گیری کنید.
  7. آیا هیچگونه ترک، تورفتگی یا آسیب دیگری در پاور پک پرتابل دیده می شود؟
  8. آیا باتری شارژ کامل دارد؟
  9. آیا با وصل کردن و بیبراتور به پاور پک پرتابل می تواند و بیبراتور را در حینی که در هوا گرفته شده روشن کرد؟
  10. در حین انجام این کار، آیا چراغ LED قاب اینورتر به رنگ سبز روشن می شود؟
- آیا صدای غیر عادی از و بیبراتور به گوش می رسد؟ آیا صدای کارکرد و بیبراتور در طول کار عادی است؟ (وجود صدای پیوسته و عادی طبیعی است.)

## دوره تعویض اقلام مصرفی

- لوازم مصرفی باید بصورت دوره ای و بر اساس جدول زیر تعویض شوند.

فاصله زمانی تعویض (به ساعت)	دوره تعویض. (بازدید چشمی و شنیداری)	اقلام مصرفی
500-300	وضعیت فرسودگی و استهلاک مشخص شده (چشمی)	مجموعه سر درپوش و بیبراتور
500-400	تعیین شده بر اساس میزان صدا در طول کار (شنیداری)	یاتاقان
در صورت یافته شده	تعیین شده بر اساس فرسودگی یا خراشیدگی ها (چشمی)	شلنگ

- زمان تعویض درج شده برای قطعه مصرفی در بالا یک راهنمای تقریبی است. از آنجائیکه به مصرف بستگی دارد، توصیه می شود اقلام مصرفی را زودتر از زمان درج شده در بالا تعویض کنید.

ویبراتور را عمودی و با یک شیب دامنه فشرده سازی مؤثر داخل بتون قرار دهید.

**تذکر:** دامنه فشرده سازی مؤثر ویبراتور یک ناحیه به قطر تقریبی 10 برابر قطر بخش ارتعاش کننده است.

راهنما و معیار تعویض جای ویبراتور زمانی است که بتون از نشستن بازایستاده و ملات بصورت یکنواخت روی سطح شناور شده و براق می باشد.

**تذکر:** قرار دادن ویبراتور روی یک نقطه برای مدت طولانی می تواند باعث جدا شدن دانه سنگ شود.

**تذکر:** اگر جدا شدن از طول بتون ریزی رخ داد، دانه سنگ درشت را بصورت یکنواخت پر کرده و دوباره بتون بریزید.

**تذکر:** هنگامی که ویبراتور در داخل بتون قرار داده نشده توصیه می شود کلید کارکرد را روی خاموش تنظیم کنید. این کار به طولانی کردن زمان کار/عمر دستگاه ویبراتور کمک می کند.

هنگام بالا کشیدن ویبراتور، آنرا به آرامی بالا بکشید تا سوراخی بر جا نماند.

بعد از تکمیل قالب بندی، کلید کارکرد ویبراتور را روی خاموش بچرخانید تا ویبراتور متوقف شود.

دکمه روشن خاموش روی پاور پک پرتابل را فشار داده و نگه دارید تا خروجی توان قطع گردد.

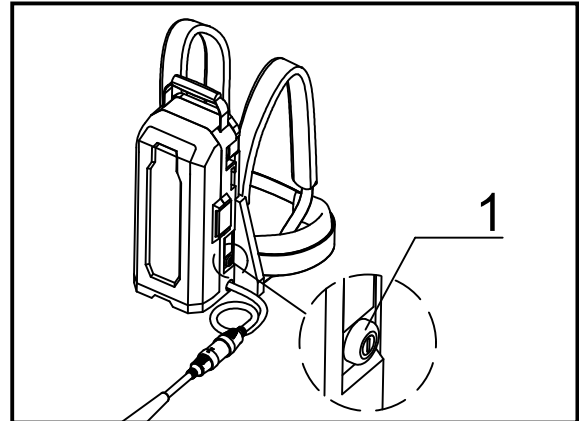
نشانگر توان خاموش خواهد شد.

رابطی که پاور پک پرتابل و ویبراتور را بهم وصل کرده بردارید.

**تذکر:** هنگام برداشتن رابط، سوکت و فیش را گرفته و از خود سیم برق نکشید.

3. دکمه روشن خاموش روی پاور پک پرتابل را فشار دهید تا روشن شود. چراغ اصلی روشن خاموش به رنگ سبز روشن می شود. چراغ LED روی ویبراتور نیز به رنگ سبز روشن می شود.

**تذکر:** هنگامی که چراغ LED به رنگ قرمز چشمک می زند، قابلیت جلوگیری از شروع بکار اتفاقی فعال شده است. چرخاندن کلید کارکرد بروی خاموش قابلیت جلوگیری از شروع بکار اتفاقی را لغو می کند، و چراغ LED ویبراتور به رنگ سبز روشن خواهد شد.



1. کلید اصلی روشن خاموش

4. شلنگ ویبراتور را طوری نگه دارید که مجموعه سر در هوا معلق شود.

5. هرگاه آماده بودید، کلید کارکرد را روی روشن بچرخانید تا ویبراتور شروع به کار کند.

**تذکر:** شلنگ ویبراتور را در نقطه ای بگیرید که ارتعاشات وارده به دست ضعیف است.

## طرز شارژ کردن باتری

**⚠ احتیاط:** پیش از شارژ کردن باتری، باید حتماً دفترچه های راهنمای پاور پک پرتابل و شارژر باتری را مطالعه کنید.

• برای شارژ کردن به دفترچه راهنمای پاور پک پرتابل یا شارژر باتری رجوع کنید.

## تمیز کردن بعد از استفاده

• بعد از استفاده، ویبراتور باید خوب تمیز شده و شلنگ ها و کابل ها مرتب جمع شوند.

5. هنگام حمل واحد، ویبراتور و دسته پاور پک پرتابل را بگیرد. با ویبراتور یا پاور پک پرتابل بلند نکرده یا با آنها نکشید.

این کار می تواند باعث استهلاک ویبراتور یا پاره شده سیم برق شود.

6. هنگام حمل پاور پک پرتابل باید اطمینان حاصل کنید که پاور پک پرتابل را پیش از حمل خاموش کرده اید. برای خاموش کردن بتون، دکمه روشن خاموش را فشار داده و نگه دارید.

1. بتون را پیش از اینکه سخت شود از مجموعه سر، شلنگ، قاب اینورتور و کابل ها پاک کنید.

2. قاب اینورتور را با آب نشویید. هرگونه خاک و آلودگی چسبیده را با یک پارچه نمدار پاک کنید. هنگام پاک کردن، با یک پارچه خشک بکشید تا هرگونه رطوبت باقیمانده را پاک کنید.

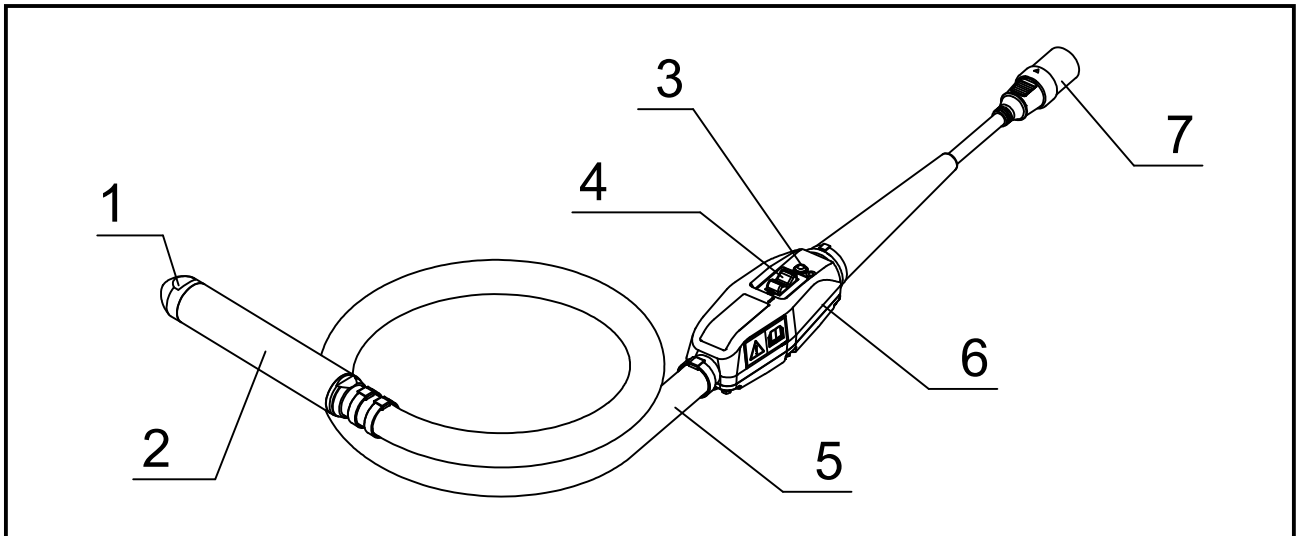
3. اگر روی پایانه های فیش یا سوکت خاک و آلودگی یا زنگ زدگی هست، آنها را پاک کنید. اتصال نامناسب پایانه می تواند باعث بروز اشکال کاری شود.

4. هنگام حمل پاور پک پرتابل، سوکت پاور پک پرتابل و فیش ویبراتور را پیش از حمل بردارید.



# نام اجزاء و قطعات و بیراتور

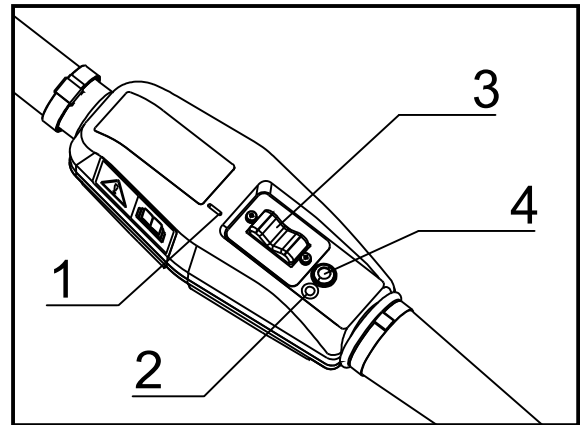
**⚠ احتیاط:** این محصول یک وسیله اختصاصی برای پاور پک پرتابل "PDC01" و "PDC1200" ماکیتا می باشد. از سایر تجهیزات توان یافته با باتری استفاده نکنید. این کار می تواند موجب برق گرفتگی، گرم شدن بیش از حد، ترکیدن یا آتش سوزی شود.



1	درپوش و بیراتور	5	شلنگ
2	مجموعه سر	6	قاب اینورتور
3	چراغ LED	7	رابط (فیش)
4	کلید قطع و وصل	-	-

## طرز کار

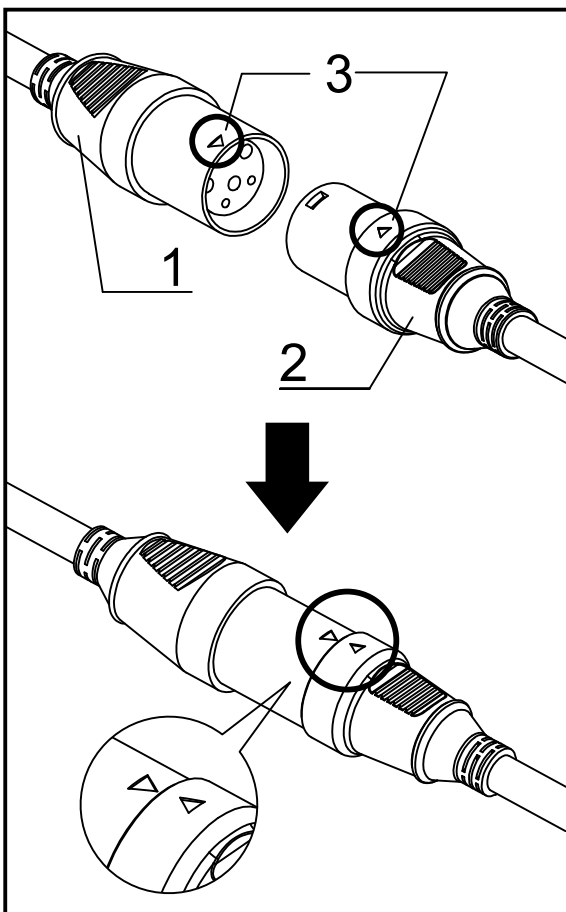
1. اطمینان حاصل کنید که کلید کارکردو بیراتور روی خاموش باشد.



1. علامت "I" 2. علامت "O"  
3. کلید کارکرد 4. چراغ LED

تذکر: علامت "O" به معنی خاموش است؛ علامت "I" به معنی روشن می باشد.

2. علامت پیکان فیش و بیراتور را با سوکت پاور پک پرتابل میزان کرده و آنرا کامل در داخل قرار دهید.



1. سوکت 2. فیش 3. علامت پیکان

# راهنمایی های مهم ایمنی برای باتری

1. پیش از اینکه از باتری استفاده کنید، کلیه دستورالعمل ها و علائم هشداردهنده (1) شارژر باتری، (2) باتری و (3) پاور پک پرتابل را مطالعه نمایید.
2. باتری را از هم باز نکرده یا آنرا دستکاری نکنید. این کار می تواند موجب آتش سوزی، گرمای بیش از حد یا انفجار شود.
3. اگر زمان کارکرد بیش از اندازه کوتاه شده است، فوراً کار را متوقف کنید. در این حالت خطر داغ شدن بیش از حد، سوختگی احتمالی و حتی انفجار وجود دارد.
4. در شرایط شدید مانند دمای بالا، امکان نشت مایع از باتری وجود دارد. نسنجیده به مایع نشت شده دست نزنید. می تواند باعث تحریک یا سوختگی شود. در صورت بروز شرایط نادری که مایع باتری وارد چشم ها شده یا روی پوست شما ریخته است، فوراً با آب تمیز مانند آب شیر شستشو داده و در پی درمان پزشکی باشید.
5. باتری را اتصال کوتاه نکنید:
  - (1) پایانه ها را با مواد هادی لمس نکنید.
  - (2) باتری را نباید در کنار اشیای فلزی دیگر مانند میخ، سکه و غیره در یک جعبه یا قوطی کنار هم نگهداری کنید.
  - (3) باتری را در معرض آب یا باران قرار ندهید.
6. اتصال کوتاه باتری می تواند باعث برقراری جریان قوی، گرم شدن بیش از حد، سوختگی احتمالی و حتی خرابی شود.
7. باتری را وارد مواد رسانا مانند آب نکنید و مواد رسانا مانند آب داخل باتری قرار ندهید. این کار می تواند باعث اتصال کوتاه شده و می تواند منجر به گرم شدن بیش از حد، آتش سوزی، ترکیدن یا انفجار شود.
8. ویراتور و پاور پک پرتابل را نباید در مکانی که دمای آن به  $50^{\circ}\text{C}$  ( $122^{\circ}\text{F}$ ) می رسد یا از آن بالاتر می رود شارژ، نگهداری و استفاده کنید.
9. باتری را تحت هیچ شرایطی حتی اگر به شدت آسیب دیده یا بطور کامل از رده خارج شده باشد، نسوزانید. باتری در آتش منفجر خواهد شد.
10. به باتری میخ نزنید، آنرا نبرید، له نکنید، پرتاب نکرده و آنرا نیاندازید، یا با یک جسم سخت به باتری ضربه وارد نکنید. این کارها می تواند موجب آتش سوزی، گرمای بیش از حد یا انفجار شود.
11. از یک باتری که افتاده یا به هر ترتیبی آسیب دیده است استفاده نکنید.
12. باتری های یون لیتیم موجود مشمول الزامات قوانین کالاهای خطرناک می باشند.
13. الزامات ویژه بسته بندی و برچسب زدن باید در حمل های تجاری، بعنوان مثال توسط طرف های ثالث و شرکت های حمل رعایت گردند. برای آماده ساختن وسیله جهت حمل باید حتماً با یک متخصص مواد خطرناک مشورت کرد. در صورت وجود قوانین مشروح تر کشوری باید آنها را نیز رعایت کنید. روی کنتاکت های باز نوار چسبانده یا آنها را ببوشانید و باتری را طوری بسته بندی کنید که نتواند در بسته بندی به اطراف جابجا شود.
14. هنگام دور انداختن باتری، آنرا از پاور پک پرتابل خارج کرده و در مکانی امن دور بباندازید. قوانین و مقررات محلی خود در ارتباط با دور انداختن باتری را رعایت کنید.
15. باتری را فقط با دستگاه های مشخص شده توسط ماکیتا استفاده کنید. قرار دادن باتری در دستگاه های فاقد سازگاری می تواند منجر به آتش سوزی، گرم شدن بیش از حد، انفجار، یا نشتی الکترولیت شود.
16. اگر از ویراتور برای مدت طولانی استفاده نمی شود، باید باتری را از پاور پک پرتابل خارج سازید.
17. باتری را از دسترس کودکان خارج سازید.
18. باتری ممکن است در طول استفاده و بعد از آن گرم باشد و باعث سوختگی یا سوختگی های دما پایین شود. موقع دست زدن به باتری های داغ توجه داشته باشید.
19. درست بعد از استفاده نباید به پایانه باتری دست بزنید چون می تواند آنقدر داغ باشد که باعث سوختگی شود.
20. اجازه ندهید تراشه ها، گرد و غبار یا خاک در پایانه ها، سوراخ ها و شیارهای باتری جمع شوند. این امر می تواند باعث افت عملکرد یا خرابی ویراتور یا باتری شود.
21. پایانه های شارژ کردن باتری را با فلزات یا سایر اجسام تماس ندهید.
20. از باتری در مجاورت خطوط برق استفاده نکنید. این امر می تواند باعث افت عملکرد یا خرابی ویراتور یا باتری شود.
21. هنگامی که دمای باتری خیلی بالا است ( $40^{\circ}\text{C}$  ( $104^{\circ}\text{F}$ ) یا بالاتر)، مانند شرایطی که بعد از کار کردن در زیر نور خورشید پیش می آید، شارژ کردن ممکن است موقتاً قابل انجام نباشد. اما این به دلیل قابلیت محافظت باتری است و یک اشکال یا خطای کاری محسوب نمی شود. پیش از شارژ کردن دوباره بگذارید باتری برای مدتی خنک شود.

## این راهنمایی ها را نگهداری کنید.

### **⚠ احتیاط: فقط از باتری های اصل ماکیتا استفاده کنید.**

استفاده کردن از باتری های غیر اصل ماکیتا، یا باتری هائی که دستکاری شده اند می تواند باعث ترکیدن باتری و ایجاد آتش سوزی، جراحت شخصی و خسارت شود. همچنین گارانتی ماکیتا را برای محصولات ماکیتا باطل خواهد کرد.

### نکاتی برای به حداکثر رساندن عمر باتری

1. باتری را پیش از اینکه کاملاً تخلیه شود شارژ کنید. اگر متوجه افت توان ابزار شدید، همیشه باید کار با ابزار را متوقف کرده و باتری را شارژ کنید.
2. هرگز یک باتری را که شارژ کامل دارد دوباره شارژ نکنید. شارژ بیش از حد عمر مفید باتری را کاهش می دهد.
3. باتری را در دمای اتاق بین  $10^{\circ}\text{C}$  تا  $40^{\circ}\text{C}$  درجه سانتیگراد ( $50^{\circ}\text{F}$  تا  $104^{\circ}\text{F}$ ) درجه فارنهایت) شارژ کنید. اگر باتری داغ است ابتدا بگذارید خنک شود بعد آنرا شارژ کنید.
4. هنگامی که از باتری استفاده نمی کنید، آنرا از پاور پک پرتابل یا شارژر خارج کنید.
5. اگر از باتری برای مدت طولانی استفاده نمی کنید (بیشتر از شش ماه) آنرا شارژ کنید.

## دستورالعمل های مهم ایمنی برای پاور پک پرتابل

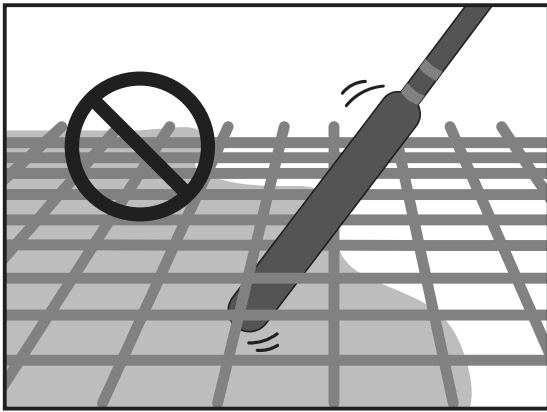
1. پیش از اینکه از پاور پک پرتابل استفاده کنید، کلیه دستورالعمل ها و علائم هشداردهنده روی (1) شارژر باتری، (2) باتری و (3) پاور پک پرتابل را مطالعه نمایید.
  2. در حالی که پاور پک پرتابل را فقط سیم آن گرفته اید نباید آنرا بلند کرده یا حمل کنید. هنگامی که این پاور پک پرتابل را پوشیده اید یا از آن استفاده می کنید نباید سیم را بکشید.
  3. پیش از پوشیدن یا در آوردن پاور پک پرتابل، سوکت را از ویراتور جدا کنید.
  4. هنگامی که ویراتور را رها می کنید، باید حتماً سوکت را از ویراتور برداشته یا پاور پک پرتابل را از بدن خود جدا کنید.
  5. مراقب باشید که در طول کار پای شما به سیم گیر نکند و زمین نخورید.
  6. این پاور پک پرتابل را روی سطوح نامتعادل یا در مکان های مرتفع فاقد تعادل استفاده نکنید.
  7. در طول کار سیم را از موانع دور نگه دارید. اگر سیم به موانع گیر کند می تواند باعث بروز جراحت های شدید شود.
  8. تبدیل ها را در شارژر قرار ندهید.
  9. پیش از استفاده باید پاور پک پرتابل، شامل سیم ها و بند را بازدید و کنترل کنید. اگر آسیب دیده اند، برای تعمیر آنها با مرکز محلی خدمات مجاز ماکیتا تماس بگیرید.
  10. هنگامی که سیم را به نگهدارنده سیم وصل می کنید، دقت کنید که آنرا آهسته و محکم وصل کنید.
  11. همیشه پیش از بازدید با انجام هرگونه کار نگهداری بر ویراتور، باید مطمئن شوید که ویراتور خاموش بوده و سوکت را برداشته باشید.
  12. هنگام پوشیدن پاور پک پرتابل نباید هیچ چیز دیگری مانند بند ایمنی یا بند شانه بر تن کنید که بر قابلیت جدا کردن اضطراری پاور پک پرتابل تأثیر بگذارد.
13. اگر یک کاپشن فن دار شارژی با کاپشن گرم شونده شارژی پوشیده اید نباید از این پاور پک پرتابل استفاده نمایید.
  14. پاور پک پرتابل را در معرض جرقه قرار ندهید.
  15. اگر پاور پک پرتابل را بدون پوشیدن آن استفاده می کنید، باید حتماً پاور پک پرتابل را روی زمین بگذارید.
  16. سعی نکنید این پاور پک پرتابل را باز کرده، تعمیر نموده یا تغییراتی در آن بدهید.
  17. مراقب باشید که بند یا کمر بند در ویراتور گیر نکنند.
- [ PDC01 ]
1. با وصل کردن یک پاور پک پرتابل به یک پاور پک پرتابل از چندین پاور پک پرتابل استفاده نکنید.
  2. تبدیل ها را در درگاه های باتری این پاور پک پرتابل قرار ندهید.
  3. این پاور پک پرتابل بطور انحصاری برای کار با باتری های 18 V طراحی شده است. از هیچ باتری دیگری بغیر از باتری های 18 V استفاده نکنید.
  4. اجازه ندهید آب وارد قاب شود.
- [ PDC1200 ]
1. هنگامی که پاور پک پرتابل را با استفاده از پایه باتری ایستاده قرار می دهید، باید اطمینان حاصل کنید که پاور پک پرتابل را روی سطحی تخت قرار می دهید.
  2. فقط از شارژر مخصوص پاور پک پرتابل استفاده کنید. از شارژرهای دیگر استفاده نکنید.
  3. برای حمل پاور پک پرتابل از پایه باتری یا تسمه تنظیم عرض نگیرید.
  4. چیزی بین باتری و پایه باتری قرار ندهد یا ثابت نکنید.
  5. از پایه باتری هیچ چیزی آویزان نکنید.

## راهنمایی های مهم ایمنی برای شارژر باتری

1. پیش از اینکه از شارژر باتری استفاده کنید، کلیه دستورالعمل ها و علائم هشداردهنده روی (1) شارژر باتری، (2) باتری و (3) پاور پک پرتابل را مطالعه نمایید.
- ⚠ احتیاط: به منظور کاستن از خطر جراحت، فقط باتری های قابل شارژ ماکیتا را شارژ کنید. امکان دارد سایر انواع باتری ها منفجر شده و باعث جراحت فردی و یا خسارت شوند.**
2. امکان شارژ کردن باتری های غیر قابل شارژ با این شارژر باتری وجود ندارد.
  3. ولتاژ منبع تغذیه مورد استفاده باید با آنچه که روی پلاک شارژر نوشته شده است برابر باشد.
  4. در مکان هایی که مایعات یا گازهای قابل اشتعال وجود دارد از شارژ کردن باتری خودداری کنید.
  5. شارژر را در معرض باران یا برف قرار ندهید.
  6. هرگز شارژر را با گرفتن سیم آن حمل نکرده و یا آنرا برای جدا کردن از پریز نکشید.
  7. بعد از شارژ کردن و یا پیش از انجام هرگونه کار نگهداری یا تمیز کردن، شارژر را از منبع تغذیه جدا کنید. برای جدا کردن شارژر، دوشاخه آنرا بکشید و از کشیدن سیم آن خودداری کنید.
8. اطمینان حاصل کنید که سیم در جایی نباشد که زیر پا قرار بگیرد، به پای کسی گیر کند و یا در معرض آسیب دیدن یا کشیده شدن قرار گیرد.
  9. اگر سیم یا دوشاخه شارژر آسیب دیده است از آن استفاده نکنید. اگر سیم یا دوشاخه آسیب دیده است، برای جلوگیری از ایجاد خطرات از یک مرکز خدمات مجاز ماکیتا بخواهید آنرا برای شما عوض کنند.
  10. اگر ضربه محکمی به شارژر وارد شده، شارژر به زمین افتاده، یا به هر ترتیب دیگری آسیب دیده است نباید با آن کار کنید و یا آنرا باز کنید؛ آنرا نزد یک سرویس کار واجد صلاحیت ببرید. استفاده نادرست یا دوباره جمع کردن قطعات باز شده می تواند باعث بروز خطر برق گرفتگی یا آتش سوزی شود.
  11. هنگام شارژ کردن باتری ها، این کار را در محیط داخل ساختمان با دمای محیطی 10°C (50°F) تا 40°C (104°F) انجام دهید. از شارژ کردن باتری وقتی که دما زیر 10°C (50°F) یا بالای 40°C (104°F) است خودداری کنید. عمل شارژ ممکن است در دماهای پایین آغاز نشود.
  12. از ترانس های افزایشنده یا موتور برق یا پریز برق مستقیم استفاده نکنید.
  13. سوراخ های شارژر مجراهای خنک کننده هستند و نباید آنها را مسدود کنید. خنک کردن ناکافی بر زمان شارژ اثر می گذارد. بازدید دوره ای مجراهای خنک کننده توصیه می شود.

اگر وایر اتور را زمین گذاشته اید آنرا روشن نکنید. امکان دارد مجموعه سر بدون اینکه کنترلی روی آن داشته باشید به اطراف پرتاب شده و حادثه ساز گردد.

سعی نکنید وایر اتور را در داخل آرماتور یا قالب بندی با مجموعه سر بلند کرده یا بیچانید. در غیر اینصورت امکان دارد مجموعه سر ساییده شده و موتور بسوزد.



هنگام استفاده از وایر اتور متصل به پاور پک پرتابل، اطمینان حاصل کنید که تنها کار می کنید. کار دو نفره، در حالتی که یک نفر وایر اتور را گرفته و دیگری جداگانه پاور پک پرتابل را می گیرد می تواند منجر به حوادث یا جراحت شود.

هنگام جابجا کردن یا قرار دادن دستگاه در محل نگهداری، اطمینان حاصل کنید که آنرا با پاور پک پرتابل خاموش حرکت می دهید. اگر توان روشن باقی مانده باشد امکان شروع به کار ناخواسته وجود دارد که نتیجه آن می تواند حادثه یا جراحت باشد.

مجموعه سر این دستگاه را نباید روی سطوح سخت مانند بتون سخت شده یا ورق های فولاد استفاده کرد. احتمال سوختن باتاقان ها و شکستن روتور وجود دارد.

هنگام بتون ریزی یا حمل نباید کابل را کشیده یا به چیزی آویزان کنید چون امکان شل شدن فیش و پاره شدن کابل یا خرابی تخته مدار وجود خواهد داشت.

قاب این روتور محتوی تجهیزات الکترونیکی دقیق است. آنرا به زمین نیندازید، پرتاب نکنید، روی آن پا نگذارید یا آن را در معرض شوک های قوی قرار ندهید.

هنگام قرار دادن یا برداشتن رابط، اطمینان حاصل کنید که پاور پک پرتابل را خاموش می کنید. اگر موقعی که توان روشن است رابط را وصل یا جدا کنید ممکن است باعث بروز اشکال کاری شود.

برای جلوگیری از اتصال نامناسب باید پیش از وصل کردن پایانه های فیش بصورت محکم در سوکت خروجی پاور پک پرتابل، هرگونه زنگ زدگی و گرد و خاک را از روی آنها پاک کنید. اتصال نامناسب با فیش یکی از دلایل اصلی خرابی، مانند سوختن موتور و آسیب دیدن تخته مدار است.

پاور پک پرتابل که به این دستگاه وصل می شود از یک باتری یون لیتیم استفاده می کند. شوک قوی به باتری وارد نکنید، آب روی باتری نپاشیده یا باتری را در مجاورت گرم قرار ندهید. این کار می تواند باعث بروز اشکالات کاری، برق گرفتگی یا آتش سوزی شود.

در صورت وقوع موارد غیرعادی فوراً کار را متوقف کنید. در غیر اینصورت، امکان بروز آتش سوزی، برق گرفتگی یا جراحت وجود دارد.

اگر مایعات قابل اشتعال، گاز یا گرد و غبار در محیط وجود دارد از دستگاه استفاده نکنید. این کار ممکن است باعث احتراق یا انفجار شود.

سعی نکنید این دستگاه را از هم باز کرده یا اصلاح کنید. این کار می تواند موجب برق گرفتگی، گرم شدن بیش از حد، ترکیدن یا آتش سوزی شود.

از وایر اتور در باران استفاده نکنید.

وایر اتور را با آب نشویید.

8. هنگام متوقف کردن موقتی کار باید دستگاه را در مکانی امن نگهداری کنید. اگر آن را در یک راهرو قرار داده باشید امکان دارد به پای شما گیر کرده و باعث افتادن یا جراحت دیدن شما شود. در صورت وقوع هرگونه مورد غیرعادی یا خطای کاری، فوراً کلیه منابع تغذیه توان را خاموش کرده، استفاده را متوقف و پاور پک پرتابل را جدا کنید. برای بازدید و تعمیرات با مرکز محلی خدمات مجاز ماکیتا تماس بگیرید.

9. مجموعه سر این دستگاه با قرار دادن در داخل بتون مخلوط شده آماده خنک می شود. بنابراین نباید از آن در خارج از بتون مخلوط شده آماده استفاده کنید. احتمال سوختن موتور وجود دارد.



17.

18.

19.

20.

21.

22.

23.

24.

25.

26.

27.

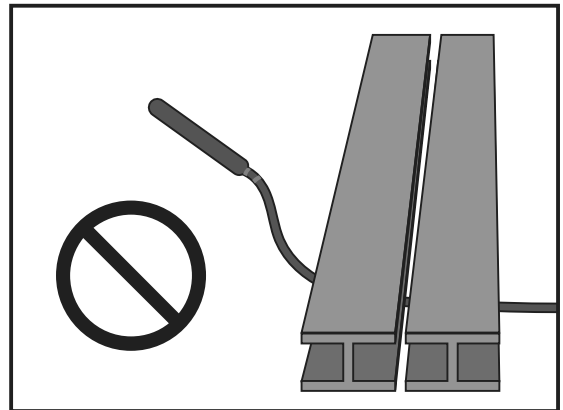
28.

29.

10. مجموعه سر را در هوا بکار نبرید. هنگام به کار آن در هوا، وایر اتور ظرف چند دقیقه به دماهای  $100^{\circ}\text{C}$  ( $212^{\circ}\text{F}$ ) یا بالاتر می رسد و ممکن است با لمس آن دچار سوختگی شوید.

11. مجموعه سر در طول کار گرم می شود. بعد از استفاده باید مراقب باشید که آنرا لمس نکنید. خطر سوختگی وجود دارد.

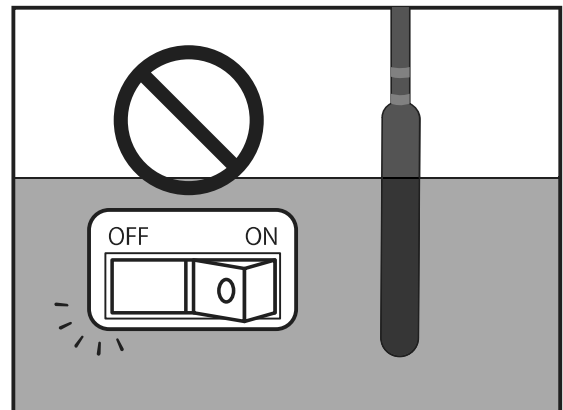
12. هیچگونه جسم سنگینی نباید روی کابل یا شلنگ قرار داده شده یا انداخته شود. می تواند به کابل آسیب رسانده و باعث بروز اشکال کاری شود.



13. مجموعه سر را با نگه داشتن شلنگ یا کابل تاب ندهید. احتمال دارد با این کار باعث جراحت یا آسیب دیدن اجسام نزدیک شوید.

14. کلید روشن خاموش فقط زمانی که مجموعه سر در داخل بتون مخلوط شده آماده قرار داده نشده باید روشن/خاموش شود.

اگر زمانی که وایر اتور در داخل بتون مخلوط شده آماده است، توان را خاموش کنید شاید نتوانید مجموعه سر را بردارید. بیرون کشیدن آن با توسل به زور شاید باعث جراحت شود.



25. ابزارهای الکتریکی را فقط با بسته های باتری تعیین شده اختصاصی آنها استفاده کنید. استفاده کردن از بسته های باتری دیگر می تواند به بروز خطر جراحت یا آتش سوزی منجر شود.
26. هنگامی که بسته باتری تحت استفاده نیست، آنرا از سایر اشیای فلزی مانند گیره کاغذ، سکه، کلید، میخ، پیچ یا سایر اشیای فلزی کوچک که می توانند باعث اتصال دو پایانه بهم شوند دور نگه دارید. اتصال کوتاه پایانه های باتری می تواند باعث سوختگی یا آتش سوزی شود.
27. در شرایط نامناسب، امکان دارد مایعی از باتری به بیرون تراوش کند؛ از تماس با آن احتراز کنید. اگر تصادفاً تماس حاصل شد، با آب بشویید. اگر این مایع با چشمان شما تماس پیدا کرد، علاوه بر آن به پزشک مراجعه کنید. مایعی که از باتری تراوش می کند می تواند باعث تحریک و یا سوختگی شود.
28. سرویس ابزار الکتریکی خود را به تعمیرکاران حرفه ای بسپارید و فقط از قطعات یدکی اصل استفاده کنید. توجه به این نکته تضمین کننده ایمنی ابزار الکتریکی شماست.
29. راهنمایی های مربوط به روغن کاری و عوض کردن متعلقات را رعایت کنید.
30. دسته ها را خشک، تمیز و عاری از روغن و گریس نگه دارید.

## هشدارهای مهم ایمنی دستگاه

- این دستگاه یک ویراتور برای فشرده کردن بتون است. از ویراتور برای هیچ منظور دیگری استفاده نکنید.
- پیش از استفاده از این دستگاه باید حتماً این دفترچه راهنما را مطالعه کرده و درک کنید تا امکان کار ایمن و مؤثر با دستگاه وجود داشته باشد. استفاده نادرست از دستگاه می تواند موجب جراحت یا خرابی دستگاه شود. این دفترچه راهنما را برای ارجاع آتی نگه دارید.
- این دستگاه باید با وصل کردن آن به پاور پک پرتابل ماکیتا مدل "PDC01" یا "PDC1200" بکار برده شود. همچنین، دفترچه های راهنمای پاور پک پرتابل و شارژر باتری را مطالعه کنید.
- هرگز از این دستگاه در حالیکه به سایر تجهیزات تغذیه توان وصل است استفاده نکنید. این کار می تواند موجب آسیب دیدن تخته مدار یا سوختن موتور شود. آسیب دیدن یا سوختن موتور می تواند عایق را از بین برده و باعث برق گرفتگی شود.
- از هیچ باتری دیگری بجز باتری اختصاصی مشخص شده توسط ماکیتا برای پاور پک پرتابل استفاده نکنید. همچنین نباید از باتری هایی که اصلاح و دستکاری شده اند استفاده کنید (شامل باتری هایی که از هم باز شده و سلول ها یا سایر بخش های داخلی آن تعویض شده است).
- باتری را با هیچ چیز دیگری بجز شارژر همراه شارژر نکنید.
- هرگونه اشاره به «کارتریج باتری» در این دفترچه راهنما از این پس به معنی «باتری» است.
- با کار و نگهداری مناسب از دستگاه می توانید عملکرد ایمن آن را تضمین کنید.
- هنگامی که این دستگاه را به دیگران امانت می دهید، باید حتماً دفترچه های راهنما را به آنها بدهید و نحوه استفاده ایمن و مؤثر از دستگاه را کامل به آنها توضیح دهید.
- امکان تغییر مشخصات و جزئیات مندرج در این نوشتار بدون اعلام قبلی وجود دارد.
- این دستگاه با استانداردهای EMC زیر سازگاری و مطابقت دارد: EN61000-6-4 / EN61000-6-2.
- این دستگاه با استانداردهای EMC زیر سازگاری و مطابقت ندارد: EN55014-1 / EN61000-6-3.
- هنگام استفاده از این دستگاه در مجاورت سایر تجهیزات الکترونیکی، امکان بروز تداخل رادیویی وجود دارد.
- در این زمان، استفاده کنندگان این دستگاه شاید لازم باشد اقدامات متناسب را انجام دهند.

## هشدارهای ایمنی ویراتور بتون

- پیش از استفاده از ویراتور باید کلاه ایمنی، دستکشهای ضد ارتعاش، چکمه ایمنی، محافظ گوش، محافظ صورت (عینک ایمنی و ماسک) و بند ایمنی بگذارید.
- هنگام کار، پیراهن آستین بلند و شلوار بلند بپوشید و برای جلوگیری از آسیب دیدگی پوست حاصل از جسیبیدن ذرات بتون بلند شده در هوا به پوست، میزان پوست آشکار را به حداقل ممکن کاهش دهید.
- هنگام استفاده از ویراتور نزدیک پاها یا در مکان هایی که خیلی عمیق نیستند، امکان پاشیده شدن بتون به اطراف وجود دارد. برای محافظت از چشم ها و دهان خود از محافظ صورت (عینک ایمنی و ماسک) استفاده کنید. هنگام کار در مکان های پرسروصدا از محافظ گوش استفاده کنید.
- اگر جای پای شما مناسب نیست، مثلاً روی آرماتور، اطمینان حاصل کنید که یک تخته زیرپا قرار می دهید.
- از آنجائیکه این دستگاه دارای یک شلنگ بلند است، در صورتیکه شلنگ در طول کار یا جابجایی به آرماتور گیر کند یا حرکت آن بخاطر قرار دادن چیزی روی شلنگ محدود شود خطر جراحت بر اثر برداشتن گام اشتباه یا گیر کردن وجود دارد. همچنین اگر دستگاه در جایی رها شود که افراد بعد از قطع کار از آنجا عبور می کنند، امکان دارد پای یک شخص به آن گیر کرده و باعث افتادن یا جراحت دیدن شخص شود. موقع کار با شلنگ ها و کابل ها دقت داشته باشید.
- استفاده طولانی مدت از ویراتور یا کار با ویراتور در وضعیت بدنی غیرطبیعی می تواند به بدن فشار وارد کند. برای جلوگیری از خستگی یا جراحت باید حتماً در وقت مقتضی به کار استراحت بدهید. همچنین اگر موقع استفاده از دستگاه در دست ها، بازوها، شانه ها یا کمر خود احساس درد یا کرختی کردید فوراً استفاده را متوقف کرده و در پی درمان مناسب باشید.
- راهبر شرکتی که از این ویراتور بتون استفاده می کند باید ساعات کاری را مدیریت کرده و با اتخاذ تدابیری از وارد آمدن صدمات سلامتی ناشی از ارتعاشات به کارگران جلوگیری کند.
- برای کسب اطلاعات بیشتر درباره قدرت ارتعاشی ویراتور به بخش «میزان کل لرزش و ارتعاشات» رجوع نمایید.
- موازین و الزامات قانونی مربوطه را در کشوری که ویراتور در آنجا استفاده می شود رعایت کنید.



# هشدارهای ایمنی عمومی برای ابزارهای الکتریکی

**⚠ هشدار:** همه هشدارهای ایمنی و راهنمایی‌ها را بخوانید. بی‌توجهی و رعایت نکردن هشدارها و دستورالعمل‌ها می‌تواند سبب برق‌گرفتگی، آتش‌سوزی و/یا جراحت‌های جدی شود.

## همه هشدارها و راهنمایی‌ها را برای استفاده آتی نگهداری کنید.

در این هشدارها عبارت «ابزار الکتریکی» به معنی ابزارهای الکتریکی فاقد باتری (با سیم برق) و یا ابزارهای الکتریکی باتری دار (شارژی) است.

### ایمنی محل کار

1. محل کار باید کاملاً تمیز و دارای نور کافی و مناسب باشد. نامرتب بودن و یا کم نور بودن محیط کار احتمال بروز سوانح و حوادث را افزایش می‌دهد.
2. ابزار الکتریکی را در محیط‌هایی که حاوی مایعات، گازها یا غبارهای قابل اشتعال بوده و خطر انفجار دارند، بکار نبرید. ابزارهای الکتریکی در طول کار جرقه‌هایی تولید می‌کنند که می‌تواند غبارها یا بخارها را شعله‌ور سازد.
3. هنگام کار با یک ابزار الکتریکی، کودکان و سایر افراد را از دستگاه دور نگه دارید. اگر حواس شما پرت شود کنترل ابزار را از دست خواهید داد.

### ایمنی الکتریکی

4. دوشاخه ابزار الکتریکی باید با پریز مطابقت داشته باشد. هرگز سعی نکنید دوشاخه را اصلاح کرده یا تغییری در آن بدهید. اگر ابزار الکتریکی دارای اتصال زمین است نباید از تبدیل دوشاخه استفاده کنید. با دوشاخه‌های اصل و دستکاری نشده و پریزهای مناسب، خطر برق‌گرفتگی کاهش داده می‌شود.
5. از تماس بدنی با سطوح و قطعات دارای اتصال زمین مانند لوله، شوفاژ، اجاق برقی و یخچال خودداری کنید. اگر بدن شما با سطوح و قطعات دارای اتصال زمین تماس پیدا کند، خطر برق‌گرفتگی افزایش خواهد یافت.
6. ابزارهای الکتریکی را از باران یا رطوبت دور نگهدارید. نفوذ آب به ابزار الکتریکی خطر برق‌گرفتگی را افزایش می‌دهد.
7. از سیم استفاده غیر معقول نکنید. هرگز از سیم ابزار برای کارهایی چون حمل ابزار، کشیدن ابزار و یا خارج ساختن دوشاخه ابزار از پریز استفاده نکنید. سیم را از گرما، روغن، لبه‌های تیز یا اجزا و بخشهای متحرک دور نگهدارید. سیم‌های آسیب دیده یا گره خورده خطر برق‌گرفتگی را افزایش می‌دهند.
8. در صورت کار با ابزار الکتریکی در محیط باز، از یک سیم رابط مناسب برای فضای باز استفاده کنید. استفاده از سیم مناسب برای فضای باز خطر برق‌گرفتگی را کاهش خواهد داد.
9. اگر کار با ابزار الکتریکی در محیط مرطوب غیرقابل اجتناب است، از یک منبع تغذیه محافظت شده با کلید حفاظتی جریان خطا و نشستی زمین (کلید قطع کننده اتصال زمین - GFCI) استفاده کنید. استفاده از کلید حفاظتی جریان خطا و نشستی زمین خطر برق‌گرفتگی را کاهش خواهد داد.

### ایمنی شخصی

10. هوشیار و دقیق باشید، به کار خود دقت کنید و با توجه و حواس جمعی کامل با ابزار الکتریکی کار کنید. اگر خسته هستید یا از مواد مخدر، مشروبات الکلی یا دارو استفاده کرده‌اید، نباید با یک ابزار الکتریکی کار کنید. یک لحظه غفلت و بی‌توجهی هنگام کار با ابزار الکتریکی می‌تواند سبب وارد آمدن جراحت‌های شدید شخصی شود.
11. از لوازم و تجهیزات ایمنی شخصی استفاده کنید. همیشه از عینک ایمنی استفاده کنید. استفاده از تجهیزات ایمنی مانند ماسک ایمنی، کفش‌های ایمنی ضد لغزش، کلاه ایمنی یا گوشی ایمنی مناسب با نوع کار، خطر بروز جراحت شخصی را کاهش خواهد داد.

12. از شروع بکار ناخواسته جلوگیری کنید. قبل از زدن دوشاخه ابزار به پریز برق و/یا وصل کردن بسته باتری، برداشتن یا حمل ابزار باید همیشه دقت کنید که ابزار خاموش باشد. اگر هنگام حمل ابزار الکتریکی انگشت شما روی کلید قطع و وصل باشد یا ابزار را در حالت روشن به برق بزنید یا باتری به آن وصل کنید، بروز حادثه بسیار محتمل خواهد بود.
13. هرگونه ابزار تنظیم و یا آچار را پیش از روشن کردن ابزار الکتریکی از روی آن بردارید. اگر ابزار تنظیم یا آجاری روی بخشهای دوار ابزار الکتریکی باقی بماند می‌تواند ایجاد جراحت‌های شخصی کند.
14. بیش از اندازه بدن خود را نکشید تا به نقاط دورتر برسید. همیشه باید جایگاه و وضعیت مطمئنی برای ایستادن انتخاب کرده و تعادل خود را حفظ کنید. به این ترتیب در شرایط غیر منتظره بهتر خواهید توانست ابزار الکتریکی را کنترل کنید.
15. لباس مناسب بپوشید. از پوشیدن لباس‌های خیلی گشاد و یا استفاده از زیورآلات خودداری کنید. مو، لباس و دستکش‌ها را از بخشهای متحرک دور نگهدارید. امکان گیر کردن لباس‌های خیلی گشاد، زیورآلات و یا موی بلند در بخش‌های متحرک وجود دارد.
16. اگر می‌توانید وسایل مکش و جمع‌آوری گرد و غبار نصب کنید، باید مطمئن شوید که این وسایل وصل شده و به درستی از آنها استفاده می‌شود. استفاده از وسایل جمع‌آوری گرد و غبار می‌تواند خطرات ناشی از گرد و غبار را کاهش دهد.

### استفاده و نگهداری از ابزار الکتریکی

17. به ابزار الکتریکی فشار بیش از حد وارد نکنید. برای هر کار از ابزار الکتریکی مناسب برای آن استفاده کنید. اگر از ابزار الکتریکی مناسب استفاده کنید، کار خیلی بهتر و با ایمنی مطابق با آنچه که برای آن طراحی شده است انجام خواهد شد.
18. اگر کلید قطع و وصل ابزار کار نمی‌کند از ابزار الکتریکی استفاده نکنید. یک ابزار الکتریکی که کنترل روشن و خاموش آن در اختیار شما نیست بسیار خطرناک بوده و باید تعمیر شود.
19. پیش از هرگونه تنظیم، عوض کردن متعلقات و/یا کنار گذاشتن ابزار الکتریکی باید دوشاخه آنرا از برق کشیده و یا بسته باتری آنرا خارج کنید. رعایت این نکات پیشگیرانه ایمنی از روشن شدن ناخواسته و اتفاقی ابزار الکتریکی جلوگیری خواهد کرد.
20. اگر از ابزار الکتریکی استفاده نمی‌کنید آنرا دور از دسترس کودکان قرار دهید. اجازه ندهید افراد ناآشنا با ابزار الکتریکی و یا افرادی که این دفترچه راهنما را نخوانده‌اند با ابزار الکتریکی کار کنند. کار کردن افراد ناوارد و بی‌تجربه با ابزارهای الکتریکی بسیار خطرناک است.
21. از ابزارهای الکتریکی بخوبی نگهداری کنید. دقت داشته باشید که بخش‌های متحرک هم تراز بوده یا گیر نداشته باشند، ابزار را بررسی کنید تا مطمئن شوید هیچ قسمتی از آن نشکسته باشد و یا هیچ شرایط دیگری وجود نداشته باشد که بر کار ابزار الکتریکی تأثیر بگذارد. اگر ابزار الکتریکی آسیب دیده است باید قبل از استفاده آنرا تعمیر کنید. علت رخ دادن بسیار از حوادث کاری، عدم نگهداری مناسب از ابزارهای الکتریکی است.
22. ابزارهای برش را تیز و تمیز نگهدارید. ابزارهای برش که بخوبی نگهداری شده‌اند و لبه‌های آنها تیز است، کمتر گیر می‌کنند و کنترل آنها آسان‌تر است.
23. هنگام کار با این ابزار الکتریکی، متعلقات، ابزارهایی که روی آن سوار می‌شود و غیره، راهنمایی‌های این دفترچه را دقیقاً رعایت کرده و شرایط محیط کار و نوع کار در دست انجام را مد نظر قرار دهید. استفاده کردن از ابزارهای الکتریکی در کارهایی که برای آن طراحی نشده‌اند می‌تواند بسیار خطرناک باشد.
24. **استفاده و نگهداری از ابزار باتری دار**  
عمل شارژ را فقط با شارژی که سازنده تعیین کرده است انجام بدهید. شارژی که برای یک نوع بسته باتری مناسب باشد می‌تواند در صورت استفاده با یک بسته باتری دیگر خطر آتش‌سوزی ایجاد نماید.

## موارد استفاده

ابزار برای خارج ساختن حباب ها از بتون موقع قالب گیری بتون طراحی شده است.

## میزان صدا

**هشدار:** از گوشی محافظ استفاده کنید.

**هشدار:** میزان انتشار صدا در طول استفاده واقعی از ابزار الکتریکی می تواند بسته به روش استفاده از ابزار، بخصوص نوع قطعه کار تحت پردازش با مقدار(های) اعلام شده متفاوت باشد.

**هشدار:** دقت کنید که با توجه به تخمین میزان در معرض قرارگیری بر اساس شرایط واقعی استفاده (با در نظر گرفتن کلیه بخش های سیکل کاری مانند مواقعی که ابزار خاموش می شود و مواقعی که جدای از زمان کار، در حال درجا روشن است) معیارهای ایمنی لازم را برای محافظت از اپراتور مشخص کنید.

تراز صوتی وزن یافته A مطابق با EN60745:

**مدل: VR002C ، VR001C**

میزان توان صوتی  $(L_{WA})$ : 98.4 dB (A)

میزان فشار صوتی  $(L_{pA})$ : 87.4 dB (A)

عدم قطعیت (K): 3 dB (A)

**مدل: VR004C ، VR003C**

میزان توان صوتی  $(L_{WA})$ : 97.6 dB (A)

میزان فشار صوتی  $(L_{pA})$ : 86.6 dB (A)

عدم قطعیت (K): 3 dB (A)

**تذکر:** مقدار(های) انتشار صدای اعلام شده مطابق با یک شیوه آزمون استاندارد سنجیده شده و برای مقایسه یک ابزار با ابزار دیگر قابل استفاده می باشد.

**تذکر:** مقدار(های) انتشار صدای اعلام شده برای ارزیابی اولیه میزان در معرض قرارگیری نیز قابل استفاده است.

## ارتعاش

**تذکر:** میزان انتشار ارتعاشات اعلام شده برای ارزیابی اولیه میزان در معرض قرارگیری نیز قابل استفاده است.

**هشدار:** میزان انتشار ارتعاشات در طول استفاده واقعی از ابزار الکتریکی می تواند بسته به روش استفاده از ابزار، بخصوص نوع قطعه کار تحت پردازش با مقدار اعلام شده متفاوت باشد.

**هشدار:** دقت کنید که با توجه به تخمین میزان در معرض قرارگیری بر اساس شرایط واقعی استفاده (با در نظر گرفتن کلیه بخش های سیکل کاری مانند مواقعی که ابزار خاموش می شود و مواقعی که جدای از زمان کار، در حال درجا روشن است) معیارهای ایمنی لازم را برای محافظت از اپراتور مشخص کنید.

میزان کل لرزش و ارتعاشات (مجموع بردار سه محوری) بر اساس EN60745 تعیین می شود:

**مدل: VR002C ، VR001C**

حالت کاری: کار بدون بار

انتشار ارتعاش (ah):  $1.9 \text{ m/s}^2$  (شلنگ)

انتشار ارتعاش (ah):  $0.7 \text{ m/s}^2$  (قاب اینورتور)

عدم قطعیت (K):  $1.5 \text{ m/s}^2$

**مدل: VR004C ، VR003C**

حالت کاری: کار بدون بار

انتشار ارتعاش (ah):  $3.1 \text{ m/s}^2$  (شلنگ)

انتشار ارتعاش (ah):  $1.7 \text{ m/s}^2$  (قاب اینورتور)

عدم قطعیت (K):  $1.5 \text{ m/s}^2$

**تذکر:** مقدار انتشار ارتعاشات اعلام شده مطابق با شیوه آزمون استاندارد سنجیده شده و برای مقایسه یک ابزار با ابزار دیگر قابل استفاده می باشد.

## اعلامیه سازگاری EC

فقط برای کشورهای اروپایی

اعلامیه سازگاری EC بعنوان ضمیمه A در این دفترچه راهنما گنجانده شده است.

## أوقات التشغيل

الموديل	عند استخدام PDC01 (دقيقة)	عند استخدام PDC1200 (دقيقة)
VR002C / VR001C	حوالي 100	حوالي 300
VR004C / VR003C	حوالي 60	حوالي 200

- \* يعتمد وقت التشغيل باستخدام PDC01 على أربع بطاريات BL 1860B مُركّبة في مجموعة الطاقة المحمولة.
- \* وقت التشغيل هو قيمة مرجعية تمثل الحال عندما يتم تشغيل كل هزاز بشكل مستمر. وهو يعتمد على حالة شحن البطارية وبيئة الاستخدام.

## القيمة الإجمالية للاهتزاز

الموديل	القيمة الإجمالية للاهتزاز ( متر/ثانية <sup>2</sup> )
VR002C / VR001C	أقل من 2.5
VR004C / VR003C	2.5

- \* القيمة الإجمالية للاهتزاز هي قيمة تستخدم أداة القياس اعتمادا على معيار ISO 5349-1، وقد تم قياسها بالطريقة الموجودة في معيار ISO 5349-2.

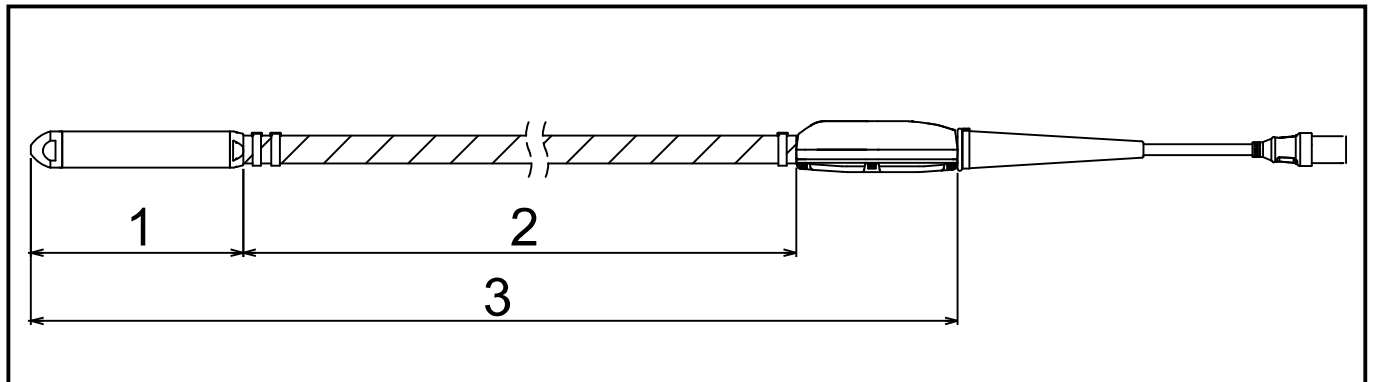


التشغيل	العرض 1	العرض 2	السبب	العلاج
الهزاز لا يبدأ بالتشغيل	مصباح LED الموجود على علبة عاكس التيار غير مضاء.	مؤشر الطاقة الموجود على مجموعة الطاقة المحمولة <b>يومض باللون الأخضر.</b>	طاقة البطارية منخفضة. أو، لم يتم تركيبها بشكل صحيح.	تحقق من مؤشر مستوى البطارية. إذا كان مستوى البطارية كاف، فتتحقق من كيفية تركيب البطارية.
			مجموعة الطاقة المحمولة أو سلك الطاقة ساخنان.	قم بتبريد مجموعة الطاقة المحمولة.
	مصباح LED الموجود على علبة العاكس <b>أحمر ثابت.</b>	مؤشر الطاقة الموجود على مجموعة الطاقة المحمولة <b>يومض باللون الأحمر ثابت.</b>	القابس الموجود على الهزاز غير متصل بشكل صحيح بالمقبس الموجود على مجموعة الطاقة المحمولة. أو، الكابل مفصول.	تأكد من توصيل القابس بإحكام بالمقبس. في حالة الانفصال، يلزم الفحص والإصلاح.
			توقف الهزاز لأنه قد تم اكتشاف خطأ.	قم بإعادة تشغيل مجموعة الطاقة المحمولة مرة أخرى. في حالة إضاءة مصباح LED باللون الأحمر بشكل متكرر، يلزم الفحص والإصلاح.
	مصباح LED الموجود على علبة العاكس <b>يومض باللون الأحمر.</b>	تم تفعيل وظيفة منع بدء التشغيل الخاطئ للهزاز.	قم بتحويل مفتاح تشغيل الهزاز إلى وضعية إيقاف التشغيل OFF مرة ومن ثم قم بتحويله إلى وضعية التشغيل ON مرة أخرى.	

## المواصفات

الموديل	VR001C	VR002C	VR003C	VR004C
الخرج	250 وات	250 وات	400 وات	400 وات
الجهد	36 فولت			
التيار	8.7 أمبير	14.0 أمبير	8.7 أمبير	14.0 أمبير
التردد	200 هرتز			
الطول الكلي	1945 مم (بوصة 16/9-76)	3445 مم (بوصة 8/5-135)	1977 مم (بوصة 32/27-77)	3477 مم (بوصة 8/7-136)
الرأس القطر × الطول	255 × 43 مم (بوصة 32/1-10 × بوصة 16/11-1)	255 × 43 مم (بوصة 32/1-10 × بوصة 16/11-1)	287 × 52 مم (بوصة 16/5-11 × بوصة 16/1-2)	287 × 52 مم (بوصة 16/5-11 × بوصة 16/1-2)
الخرطوم الخارجي القطر × الطول	1500 × 33 مم (بوصة 16/5-1 × بوصة 16/1-59)	3000 × 33 مم (بوصة 16/5-1 × بوصة 8/1-118)	1500 × 33 مم (بوصة 16/5-1 × بوصة 16/1-59)	3000 × 33 مم (بوصة 16/5-1 × بوصة 8/1-118)
الكتلة	4.8 كجم (رطل 10.6)	5.9 كجم (رطل 13.0)	5.6 كجم (رطل 12.4)	6.7 كجم (رطل 14.8)

\* لا تشمل الكتلة تجهيزات الإمداد بالطاقة مثل مجموعة الطاقة المحمولة والبطاريات.



1. طول الرأس 2. طول الخرطوم الخارجي 3. الطول الكلي

## تحري الأعطال وإصلاحها

- إذا تم ملاحظة أي من الحالات التالية أثناء استخدام المنتج، توقف عن استخدام المنتج وتحقق من السبب والعلاجات المحتملة.
- للفحص والإصلاح، اتصل بمركز خدمة Makita المحلي المعتمد لديك.

التشغيل	العرض 1	العرض 2	السبب	العلاج
الهزاز يعمل	ضوضاء غير عادية من الجزء المهتز في الهزاز (صوت معدني، الخ)	خلل بالمحامل (خشونة، متآكلة)	استبدل المحامل.	
	اهتزاز منخفض	مصباح LED الموجود على علبة العاكس <b>يومض باللون الأخضر</b> .	خلل بالمحامل (خشونة، متآكلة)	استبدل المحامل.
	يتوقف أثناء التشغيل	تم تحميل الهزاز بشكل كبير يفوق قدرته. طاقة البطارية منخفضة وقدرة الهزاز انخفضت.	حالة حمل زائد يتجاوز قدرة الهزاز.	قم بتقليل الحمل عن طريق سحب مجموعة الرأس خارج الخرسانة.
الهزاز لا يبدأ بالتشغيل	مؤشر الطاقة الخاص بمجموعة الطاقة المحمولة لا يضيء.	لم يتم تشغيل مجموعة الطاقة المحمولة.	قم بتشغيل مجموعة الطاقة المحمولة.	قم بتشغيل مجموعة الطاقة المحمولة.
	مصباح LED الموجود على علبة العاكس غير مضاء.	لم يتم تركيب البطارية. أو، سعة البطارية المتبقية ليست كافية.	قم بتركيب البطارية. أو، اشحن البطاريات أو استبدل البطاريات بأخرى مشحونة.	قم بإيقاف تشغيل مجموعة الطاقة المحمولة وتشغيلها مرة أخرى.
	مؤشر الطاقة الموجود على مجموعة الطاقة المحمولة <b>أخضر ثابت</b> .	مجموعة الطاقة المحمولة <b>مُعطلة</b> .	يلزم الفحص والإصلاح.	يلزم الفحص والإصلاح.
	مؤشر الطاقة الموجود على مجموعة الطاقة المحمولة <b>أخضر ثابت</b> .	مؤشر الطاقة الموجود على مجموعة الطاقة المحمولة <b>أخضر ثابت</b> .	مؤشر الطاقة الموجود على مجموعة الطاقة المحمولة <b>أخضر ثابت</b> .	مؤشر الطاقة الموجود على مجموعة الطاقة المحمولة <b>أخضر ثابت</b> .
	مؤشر الطاقة الموجود على مجموعة الطاقة المحمولة <b>أخضر ثابت</b> .	مؤشر الطاقة الموجود على مجموعة الطاقة المحمولة <b>أخضر ثابت</b> .	مؤشر الطاقة الموجود على مجموعة الطاقة المحمولة <b>أخضر ثابت</b> .	مؤشر الطاقة الموجود على مجموعة الطاقة المحمولة <b>أخضر ثابت</b> .
	مؤشر الطاقة الموجود على مجموعة الطاقة المحمولة <b>أخضر ثابت</b> .	مؤشر الطاقة الموجود على مجموعة الطاقة المحمولة <b>أخضر ثابت</b> .	مؤشر الطاقة الموجود على مجموعة الطاقة المحمولة <b>أخضر ثابت</b> .	مؤشر الطاقة الموجود على مجموعة الطاقة المحمولة <b>أخضر ثابت</b> .
	مؤشر الطاقة الموجود على مجموعة الطاقة المحمولة <b>أخضر ثابت</b> .	مؤشر الطاقة الموجود على مجموعة الطاقة المحمولة <b>أخضر ثابت</b> .	مؤشر الطاقة الموجود على مجموعة الطاقة المحمولة <b>أخضر ثابت</b> .	مؤشر الطاقة الموجود على مجموعة الطاقة المحمولة <b>أخضر ثابت</b> .

## مصباح LED

- يمكنك التحقق من حالة الخرج للعاكس عن طريق إضاءة أو وميض مصباح LED.
- في حالة الوميض، يتم تفعيل وظيفة الحماية ويتوقف خرج الطاقة. تأكد من إيقاف التشغيل وإزالة سبب الخلل قبل إعادة التشغيل.

حالة مصباح LED	حالة خرج العاكس
1. ضوء أخضر ثابت	الحالة طبيعية. يمكن استخدام الهزاز.
2. ضوء أخضر وامض	يوجد تحميل زائد على الهزاز. يمكن استخدام الهزاز، لكن قد تم خفض تردد الاهتزاز للحيلولة دون التعطل بسبب الحمل الزائد. سيعود الهزاز إلى حالته الطبيعية عندما يتم حل حالة الحمل الزائد.
3. ضوء أحمر وامض	في هذه الحالة، يتم تفعيل وظيفة منع بدء التشغيل الخاطئ. تمنع هذه الوظيفة بدء تشغيل الهزاز على نحو مفاجئ عند تشغيل الطاقة عندما يكون مفتاح تشغيل الهزاز في وضع التشغيل ON. يؤدي تحويل مفتاح التشغيل إلى وضع إيقاف التشغيل OFF إلى إعادة الهزاز إلى حالته الطبيعية.
4. ضوء أحمر ثابت	عند اكتشاف وجود خلل، يتم إيقاف خرج العاكس. عندما يضيء الضوء الأحمر، يرجى التحقق مما يلي. <ul style="list-style-type: none"> <li>• تحقق من السعة المتبقية للبطارية.</li> <li>• هل هناك أي إعاقة أو حمل زائد بسبب حديد التسليح، وما إلى ذلك؟</li> </ul> إذا لم يتم العثور على أي مشكلة، قم بتحويل المفتاح على وضعية إيقاف التشغيل OFF للعودة إلى الحالة الطبيعية (ضوء أخضر ثابت). إذا كان الضوء الأحمر يضيء بشكل متكرر، فمن المحتمل أن عُطل قد حدث. يلزم الفحص والإصلاح.
5. لا توجد أضواء مضاءة	نظرًا لوجود مشكلة في مصدر الطاقة، فقد توقف الهزاز. قد تكون البطارية فارغة تمامًا، أو ربما قد تم إدخال البطارية بشكل غير صحيح، أو قد تكون البطارية معيبة. يرجى التحقق من مصدر الطاقة.

## الفحص

- قبل حمل الهزاز لموقع العمل وكذلك بعد الاستخدام، تأكد من التحقق مما يلي.
- سوف يساعد بشكل كبير في منع المشاكل أثناء التشغيل.

**ملاحظة:** لا تقم بالقياس بين الموصلات الثلاثة. فقد يؤدي إلى تلف لوحة العاكس.

7. هل توجد أي تشققات، انبعاجات، أو أضرار أخرى في مجموعة الطاقة المحمولة؟
8. هل البطارية مشحونة بالكامل؟
9. هل يمكن بدء تشغيل الهزاز أثناء حمله في الهواء عن طريق توصيل الهزاز بمجموعة الطاقة المحمولة؟
- عند القيام بذلك، هل يضيء مصباح LED الموجود على علبة العاكس باللون الأخضر؟
10. هل هناك أي ضوضاء غير طبيعية من الهزاز؟ هل يبدو تشغيل الهزاز طبيعيًا أثناء التشغيل؟ (يكون طبيعيًا إذا كان هناك صوتًا منتظمًا ومستمر.)

1. هل يوجد أي تآكل، تشققات، أو مكونات مفكوكة على الهزاز؟
2. هل يوجد أي تآكل، تلف، أو خدوش على الخرطوم؟
3. هل يوجد أي تآكل أو تشققات غلاف الكابل؟
4. هل يوجد أي تشوه في علبة العاكس أو براغي مفكوكة أو تلف في أي جزء من العاكس مثل غطاء مفتاح التشغيل أو مصباح LED؟
5. هل توجد أي أوساخ أو صدأ على أطراف توصيل القابس أو المقبس؟
6. هل قيمة مقاومة العزل صحيحة؟ (500 فولت تيار مستمر، 10 ميغا أوم أو أكثر)
- (1) استخدم جهاز اختبار مقاومة العزل بجهد 500 فولت كأداة قياس.
- (2) قم بالقياس بين أطراف توصيل القابس وعلبة العاكس.

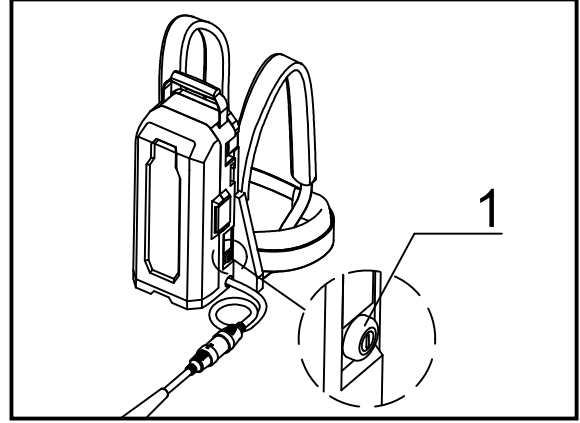
## فترة الاستبدال للأجزاء المستهلكة

- يجب استبدال الأجزاء المستهلكة بشكل دوري وفقًا للجدول الوارد أدناه.

عدد مرات الاستبدال (بالساعات)	فترة الاستبدال. (الفحص البصري والسمعي)	الأجزاء المستهلكة
500-300	تحدد حالة التآكل (بصريًا)	مجموعة الرأس قلنسوة الهزاز
500-400	تحدد بواسطة الضجيج أثناء التشغيل (سمعيًا)	المحامل
عند العثور عليها	تحدد بواسطة التآكل أو الخدوش (بصريًا)	الخرطوم

- وقت استبدال الأجزاء المستهلكة الوارد أعلاه يُعد دليلاً تقريبياً. ولأنه يعتمد على الاستخدام، نوصي باستبدال الأجزاء المستهلكة في وقت أبكر من المذكور أعلاه.

3. اضغط على زر الطاقة الموجود على مجموعة الطاقة المحمولة لتحويله إلى وضع التشغيل ON. يضيء مصباح الطاقة الرئيسي باللون الأخضر. يضيء مصباح LED الموجود على الجهاز أيضًا باللون الأخضر.
6. **ملاحظة:** عندما يومض مصباح LED باللون الأحمر، يتم تفعيل وظيفة منع بدء التشغيل الخاطئ. يؤدي تحويل مفتاح التشغيل إلى وضعية إيقاف التشغيل OFF إلى إلغاء وظيفة منع بدء التشغيل الخاطئ، وسوف يضيء مصباح LED الخاص بالجهاز باللون الأخضر.
7. **ملاحظة:** إذا حدث انفصال أثناء صب الخرسانة، املاً ركام خشن بالتساوي وضع الخرسانة مرة أخرى.
8. **ملاحظة:** يوصى بضبط مفتاح التشغيل على وضعية إيقاف التشغيل OFF حينما يكون الجهاز غير موضوع في الخرسانة. يساعد هذا في إطالة وقت الاستخدام/عمر المنتج الخاص بالجهاز.
9. عند سحب الجهاز لأعلى، اسحبه لأعلى ببطء حتى لا تترك أي ثقوب.
10. بعد انتهاء الصب، قم بتحويل مفتاح التشغيل الخاص بالجهاز إلى وضعية إيقاف التشغيل OFF لإيقاف الجهاز.
11. اضغط مع الاستمرار بالضغط على زر الطاقة الموجود على مجموعة الطاقة المحمولة لإيقاف طاقة الخرج.
12. سيتم إيقاف تشغيل مؤشر الطاقة.
13. قم بإزالة الموصل الذي يربط مجموعة الطاقة المحمولة والجهاز.
14. **ملاحظة:** عند إزالة الموصل، أمسك بالمقبس والقابس ولا تسحب سلك الطاقة نفسه.



1. زر الطاقة الرئيسي

4. امسك خرطوم الجهاز بحيث تكون مجموعة الرأس معلقة في الهواء.
5. عندما تكون جاهزًا، قم بتحويل مفتاح التشغيل إلى وضع التشغيل ON وليبدء تشغيل الجهاز.

**ملاحظة:** أمسك خرطوم الجهاز عند النقطة التي يكون فيها اهتزاز اليد ضعيفًا.

## كيفية شحن البطارية

**⚠ تنبيه:** قبل شحن البطارية، تأكد من قراءة دليل التعليمات الخاص بمجموعة الطاقة المحمولة وشاحن البطارية.

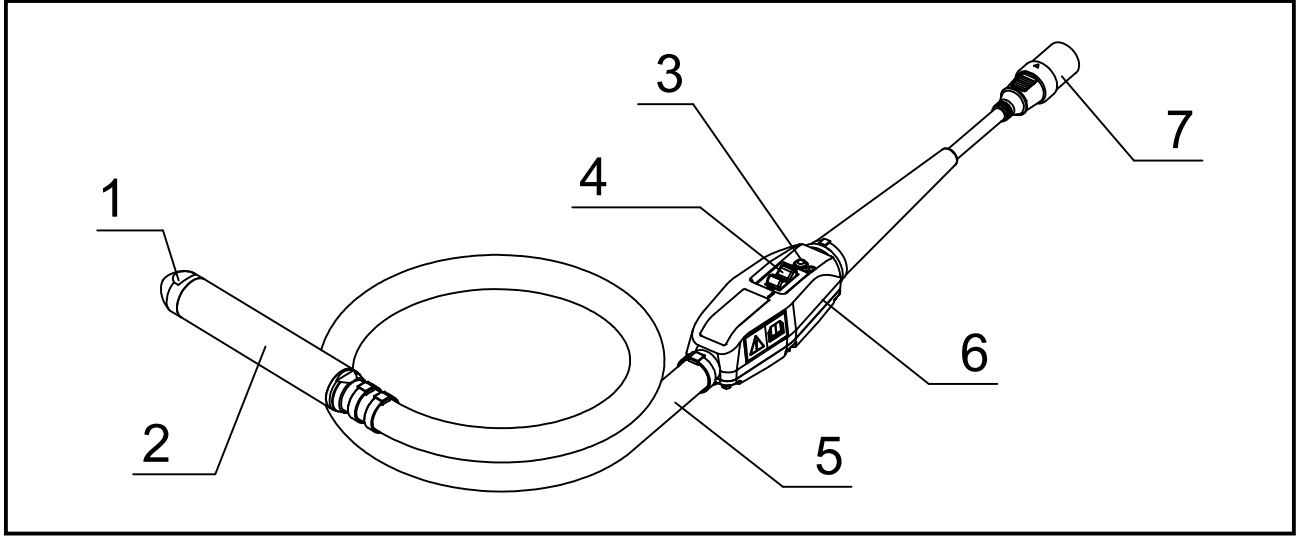
- للشحن، راجع دليل التعليمات الخاص بمجموعة الطاقة المحمولة أو شاحن البطارية.

## التنظيف بعد الاستخدام

- بعد الاستخدام، يجب تنظيف الجهاز جيدًا ولف الخراطيم والكابلات بعناية.
1. قم بإزالة الخرسانة من مجموعة الرأس، الخرطوم، علبة العاكس، والكابلات قبل أن تتصلب.
  2. لا تغسل علبة العاكس بالماء. امسح أي أوساخ ملتصقة بقطعة قماش مبللة. عند المسح، امسح بقطعة قماش جافة لإزالة أي رطوبة متبقية.
  3. في حالة وجود أوساخ أو صدأ على أطراف توصيل القابس أو المقبس، قم بتنظيفها. قد يؤدي الاتصال السيء لأطراف التوصيل إلى حدوث عطل.
  4. عند حمل مجموعة الطاقة المحمولة، قم بإزالة المقبس الخاص بمجموعة الطاقة المحمولة والقابس الموجود على الجهاز قبل تحريكها.
5. عند حمل الوحدة، أمسك الجهاز ومقبض مجموعة الطاقة المحمولة. لا ترفع أو تسحب بواسطة أي من الجهاز أو مجموعة الطاقة المحمولة. قد يتسبب القيام بذلك في تلف الجهاز أو انقطاع سلك الطاقة.
  6. عند حمل مجموعة الطاقة المحمولة، تأكد من إيقاف تشغيل مجموعة الطاقة المحمولة قبل تحريكها. اضغط مع الاستمرار بالضغط على زر الطاقة لإيقاف تشغيل الطاقة.

## أسماء أجزاء الهزاز

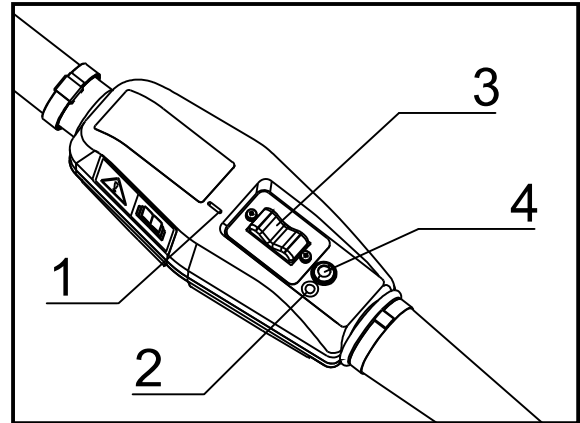
**تنبيه:** هذا المنتج هو جهاز مخصص لمجموعة الطاقة المحمولة Makita طراز "PDC01" و "PDC1200". لا تستخدم أجهزة أخرى تعمل بالبطارية. قد يؤدي القيام بذلك إلى حدوث صدمة كهربائية، سخونة زائدة، تصدع، أو حريق.



1	قلنسوة الهزاز	5	الخرطوم
2	مجموعة الرأس	6	علبة العاكس
3	مصباح LED	7	موصل (قابس)
4	مفتاح	-	-

## التشغيل

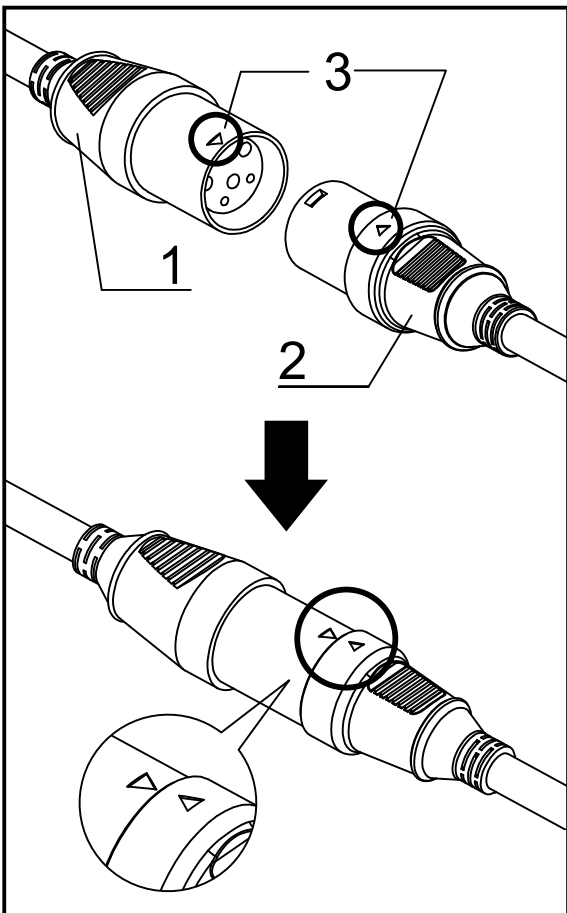
1. تأكد من ضبط مفتاح تشغيل الهزاز على وضعية إيقاف التشغيل OFF.



1. علامة "I" 2. علامة "O"  
3. مفتاح التشغيل 4. مصباح LED

ملاحظة: العلامة "O" تعني إيقاف التشغيل (OFF)؛ العلامة "I" تعني التشغيل (ON).

2. قم بمحاذاة علامة السهم الموجودة على القابس الخاص بالهزاز مع المقبس الخاص بمجموعة الطاقة المحمولة، وقم بإدخاله بالكامل.



1. المقبس 2. القابس 3. علامة السهم

# تعليمات سلامة هامة للبطارية

1. قبل استخدام البطارية، اقر جميع التعليمات والعلامات التحذيرية الموجودة على (1) شاحن البطارية، (2) البطارية، و (3) مجموعة الطاقة المحمولة.
2. لا تقم بتفكيك البطارية أو العبث بها. قد يؤدي ذلك إلى نشوب حريق، سخونة زائدة، أو انفجار.
3. إذا أصبح وقت التشغيل أقصر بشكل مفرط، توقف عن التشغيل فوراً. فإنه قد يؤدي إلى خطر السخونة المفرطة واحتمال حدوث حروق وحتى الانفجار.
4. في ظل الظروف القاسية مثل درجة الحرارة المرتفعة، قد يتسرب سائل من البطارية. لا تلمس السائل المتسرب بغير مبالاة. فقد يُسبب تهيجاً أو حروق. في حالة وصول سائل البطارية إلى عينيك أو جلدك، اشطفه فوراً بماء نظيف مثل ماء الصنبور، ثم التمس العناية الطبية.
5. لا تقصر البطارية:  
(1) لا تلمس أطراف التوصيل بأي مادة موصلة.  
(2) تجنب تخزين البطارية في حاوية مع أشياء معدنية أخرى مثل المسامير، العملات المعدنية، وما إلى ذلك.  
(3) لا تُعرض البطارية للماء أو المطر.
- يمكن أن يتسبب قصر البطارية في تدفق كبير للتيار، سخونة زائدة، احتمال حدوث حروق وحتى عطل.
6. لا تُدخل البطارية في مادة موصلة مثل الماء، ولا تضع مادة موصلة مثل الماء داخل البطارية. قد يتسبب القيام بذلك في حدوث قصر بالدائرة، والذي قد يؤدي إلى سخونة زائدة، حريق، تصدع، أو انفجار.
7. لا تقم بشحن وتخزين واستخدام الهزاز ومجموعة الطاقة المحمولة والبطارية في الأماكن التي قد تصل درجة الحرارة فيها أو تتجاوز 50 درجة مئوية (122 درجة فهرنهايت).
8. لا تحرق البطارية حتى لو كانت تالفة بشدة أو بالية تماماً. يمكن أن تنفجر البطارية في النار.
9. لا تدق مسامير في البطارية أو تقم بقطعها أو سحقها أو رميها أو إسقاطها أو ضربها على جسم صلب. قد يؤدي هذا التصرف إلى نشوب حريق، سخونة زائدة، أو انفجار.
10. لا تستخدم بطارية قد سقطت أو تعرضت للتلف بأي شكل من الأشكال.
11. تخضع بطاريات أيون الليثيوم المُضمنة لمتطلبات قانون البضائع الخطرة. بالنسبة لعمليات النقل التجاري على سبيل المثال بواسطة أطراف خارجية، وكلاء الشحن، تجب مراعاة متطلبات خاصة في التغليف ووضع البطاقات التعريفية. لتجهيز البند الذي سيتم شحنه، تلزم استشارة خبير للمواد الخطرة. يرجى أيضاً مراعاة اللوائح الوطنية التي ربما تكون أكثر تفصيلاً. ضع شريطاً لاصقاً على أطراف التوصيل المفتوحة أو قم بتغطيتها وقم بتغليف البطارية بطريقة تمنعها من التحرك في العبوة.
12. عند التخلص من البطارية، قم بإزالتها من مجموعة الطاقة المحمولة وتخلص منها في مكان آمن. اتبع اللوائح المحلية لديك فيما يتعلق بالتخلص من البطارية.
13. استخدم البطارية فقط مع المنتجات المحددة من قبل Makita. قد يؤدي تركيب البطارية في منتجات غير متوافقة إلى نشوب حريق، سخونة زائدة، انفجار، أو تسرب الإلكترونيات.
14. في حالة عدم استخدام الهزاز لفترة طويلة من الوقت، يجب إزالة البطارية من مجموعة الطاقة المحمولة.
15. احفظ البطارية بعيداً عن الأطفال.
16. أثناء وبعد الاستخدام، قد تكتسب البطارية حرارة والتي يمكن أن تتسبب في حروق أو حروق عند درجات حرارة منخفضة. انتبه للتعامل مع البطاريات الساخنة.
17. لا تلمس طرف التوصيل الخاص بالبطارية بعد الاستخدام مباشرة لأنه قد يصبح ساخناً بما فيه الكفاية لإحداث حروق.
18. لا تدع الشظايا، الغبار، أو الأتربة تعلق في أطراف التوصيل، الثقوب، والأخاديد الخاصة بالبطارية. فقد يؤدي ذلك إلى ضعف الأداء أو تعطل الهزاز أو البطارية.
19. لا تلمس أطراف التوصيل للبطارية التي يجري شحنها بمعدن أو أشياء أخرى.
20. لا تستخدم البطارية بالقرب من خطوط الطاقة الكهربائية عالية الجهد. فقد يؤدي ذلك إلى حدوث خلل أو غطل بالهزاز أو البطارية.
21. عندما تكون درجة حرارة البطارية عالية (40 درجة مئوية (104 درجة فهرنهايت) أو أعلى)، كما هو الحال بعد العمل تحت أشعة الشمس الحارقة، قد يصبح الشحن غير ممكن مؤقتاً. مع ذلك، فإن هذا يرجع إلى وظيفة حماية البطارية ولا يشير إلى وجود غطل. اسمح للبطارية بأن تبرد لفترة من الوقت قبل إعادة شحنها.

## احتفظ بهذه التعليمات.

### ⚠ تنبيه: استخدم فقط بطاريات Makita الأصلية.

قد يؤدي استخدام بطاريات غير أصلية ليست من Makita، أو بطاريات تم تعديلها، إلى انفجار البطارية مما يؤدي إلى نشوب حرائق، إصابة شخصية وضرر. سيؤدي هذا أيضاً إلى إلغاء ضمان Makita الخاص بمنتجات Makita.

### نصائح للحفاظ على أقصى عمر للبطارية

1. اشحن البطارية قبل أن تفرغ تماماً. دائماً أوقف تشغيل المعدة واشحن البطارية عند ملاحظة نقص قدرة المعدة.
2. لا تعيد أبداً شحن بطارية مشحونة بالكامل. يُقصر الشحن الزائد عمر الخدمة للبطارية.
3. اشحن البطارية في درجة حرارة الغرفة عند 10 درجة مئوية - 40 درجة مئوية (50 درجة فهرنهايت - 104 درجة فهرنهايت). دع البطارية الساخنة تبرد قبل شحنها.
4. عند عدم استخدام البطارية، قم بإزالتها من مجموعة الطاقة المحمولة أو الشاحن.
5. اشحن البطارية إذا كنت لن تستخدمها لمدة طويلة (أكثر من ستة أشهر).

## تعليمات سلامة هامة لمجموعة الطاقة المحمولة

1. قبل استخدام، مجموعة الطاقة المحمولة، اقرأ جميع التعليمات والعلامات التحذيرية الموجودة على (1) شاحن البطارية، (2) البطارية، و (3) مجموعة الطاقة المحمولة.
  2. لا تلتقط أو تحمل مجموعة الطاقة المحمولة هذه عن طريق إمسك السلك فقط. لا تسحب السلك أثناء ارتداء أو استخدام مجموعة الطاقة المحمولة هذه.
  3. قبل ارتداء أو خلع مجموعة الطاقة المحمولة، قم بإزالة المقبس من الهزاز.
  4. عندما تترك الهزاز، تأكد من إزالة المقبس من الهزاز، أو قم بإزالة مجموعة الطاقة المحمولة من جسمك.
  5. احرص على عدم التعثر في السلك أثناء التشغيل.
  6. لا تستخدم مجموعة الطاقة المحمولة هذه على سطح غير مستقر، أو أماكن مرتفعة غير مستقرة.
  7. أثناء التشغيل، ابق السلك بعيدًا عن العوائق. قد يتسبب السلك العالق بالعوائق في إصابة خطيرة.
  8. لا تُدخل المحولات في الشاحن.
  9. افحص مجموعة الطاقة المحمولة بما في ذلك الأسلاك والحزام قبل الاستخدام. إذا كانت تالفة، اطلب مركز خدمة Makita المحلي المعتمد لديك من أجل الإصلاح.
  10. عند تركيب السلك في حامل السلك، تأكد من تركيبه ببطء وبإحكام.
  11. تأكد دائمًا من إيقاف تشغيل الهزاز ومن إزالة المقبس قبل محاولة إجراء الفحص أو الصيانة للهزاز.
  12. عند ارتداء مجموعة الطاقة المحمولة، لا ترتدي أي شيء، مثل حزام السلامة أو حزام الكتف، والذي قد يتعارض مع وظيفة الفصل في حالات الطوارئ لمجموعة الطاقة المحمولة.
- [ PDC01 ]
1. لا تستخدم مجموعات طاقة محمولة متعددة عن طريق توصيل مجموعة طاقة محمولة بمجموعة طاقة محمولة أخرى.
  2. لا تقم بتركيب المحولات بمنافذ البطارية الخاصة بمجموعة الطاقة المحمولة هذه.
  3. تم تصميم مجموعة الطاقة المحمولة هذه حصريًا للاستخدام مع بطاريات 18 فولت. لا تستخدم بطاريات أخرى خلاف بطاريات 18 فولت.
  4. لا تدع الماء يدخل إلى الغطاء.
- [ PDC1200 ]
1. عندما توقف مجموعة الطاقة المحمولة منتصبًا باستخدام حامل البطارية، تأكد من وضع مجموعة الطاقة المحمولة على سطح مستو.
  2. استخدم الشاحن المخصص لمجموعة الطاقة المحمولة فقط. لا تستخدم شواحن أخرى.
  3. لا تحمل مجموعة الطاقة المحمولة عن طريق الإمساك بحامل البطارية أو حزام تعديل الاتساع.
  4. لا تقم بوضع أو تثبيت أي شيء بين البطارية وحامل البطارية.
  5. لا تُعلق أي شيء من حامل البطارية.

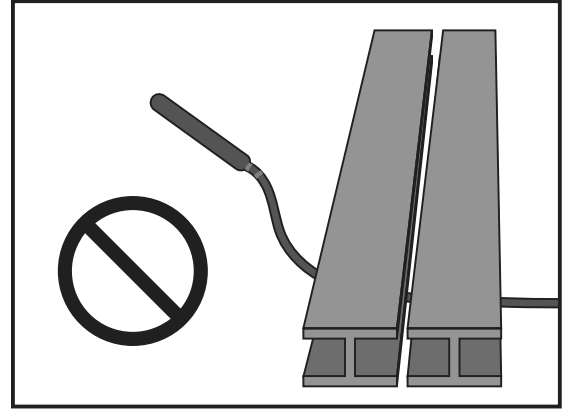
## تعليمات سلامة هامة لشاحن البطارية

1. قبل استخدام شاحن البطارية، اقرأ جميع التعليمات والعلامات التحذيرية الموجودة على (1) شاحن البطارية، (2) البطارية، و (3) مجموعة الطاقة المحمولة.
- تنبيه: للحد من خطر الإصابة، قم فقط بشحن البطاريات القابلة لإعادة الشحن من نوع Makita. قد تنفجر الأنواع الأخرى من البطاريات مسببة إصابة شخصية وضرر.**
2. لا يمكن شحن البطاريات غير القابلة لإعادة الشحن باستخدام شاحن البطارية هذا.
  3. استخدم مصدر قدرة بالفولتية المحددة على اللافتة الخاصة بالشاحن.
  4. لا تشحن البطارية في وجود سوائل أو غازات ملتهبة.
  5. لا تُعرض الشاحن للمطر أو الثلج.
  6. لا تحمل الشاحن مطلقًا من السلك أو تنتزعه بعنف لفصله من المقبس.
  7. بعد الشحن أو قبل محاولة أي صيانة أو تنظيف، افصل الشاحن من مصدر القدرة. اسحب بواسطة القابس بدلًا من السلك كلما قمت بفصل الشاحن.
8. تأكد من أن السلك موضوع بحيث لن يتم الدوس عليه، أو التعثر فيه، أو بطريقة أخرى معرض للضرر أو الإجهاد.
  9. لا تقم بتشغيل شاحن ذو سلك أو قابس متضرر. إذا كان السلك أو القابس متضررًا، اطلب استبداله من مركز خدمة Makita معتمد لتجنب الخطر.
  10. لا تقم بتشغيل أو تفكيك الشاحن إذا كان قد تلقى ضربة قوية، أو تم إسقاطه، أو بطريقة أخرى تضرر بأي شكل من الأشكال؛ خذه إلى فني صيانة مؤهل. قد يؤدي الاستخدام غير الصحيح أو إعادة التجميع إلى خطر الصدمة الكهربائية أو الحريق.
  11. عند شحن البطاريات، افعل ذلك في بيئة داخلية بدرجة حرارة محيطية من 10 درجة مئوية (50 درجة فهرنهايت) إلى 40 درجة مئوية (104 درجة فهرنهايت). لا تشحن البطارية عندما تكون درجة حرارة الغرفة أقل من 10 درجة مئوية (50 درجة فهرنهايت) أو أعلى من 40 درجة مئوية (104 درجة فهرنهايت). في درجات الحرارة الباردة، قد لا يبدأ الشحن.
  12. لا تحاول استخدام محول رافع للجهد، مولد كهربائي ذو محرك أو مقبس قدرة ذو تيار مستمر.
  13. فتحات الشاحن هي فتحات تبريد وينبغي عدم سدها. يؤثر التبريد غير الكافي على زمن الشحن. يوصى بفحص فتحات التبريد بشكل دوري.

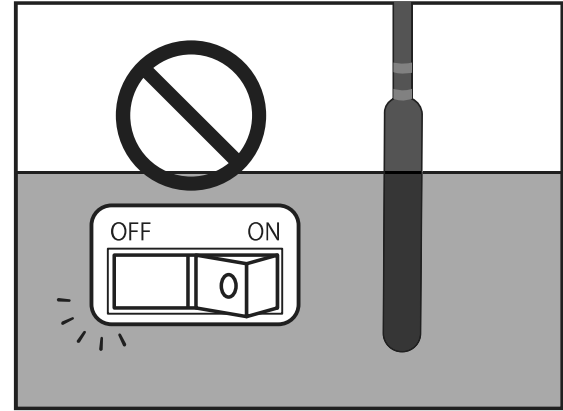


20. لا تسحب أو تُعَلَّق الكابل من أي شيء عند وضع الخرسانة أو تحريكها، وإلا فقد ينخلع القابس ويمكن أن يسبب تمزق الكابل أو تعطل لوحة الدائرة.
21. تحتوي علبة العاكس على أجهزة إلكترونية دقيقة. لا تُسقطها أو ترميها أو تخطو عليها أو تُعرضها لصدمات قوية.
22. عند إدخال أو نزع الموصل، تأكد من إيقاف تشغيل مجموعة الطاقة المحمولة. إذا تم توصيل أو فصل الموصل أثناء تشغيل الطاقة، فقد يتسبب ذلك في حدوث عُطل.
23. للحيلولة دون الاتصال السيئ، قم بتنظيف أي أوساخ أو صدأ من أطراف التوصيل الخاصة بالقابس قبل إدخالها بإحكام في مقبس الخرج الخاص بمجموعة الطاقة المحمولة. يُعد الاتصال السيئ مع القابس أحد الأسباب الرئيسية للأعطال، مثل احتراق المحرك وتلف لوحة الدائرة.
24. تستخدم مجموعة الطاقة المحمولة التي يتم توصيلها بهذا المنتج بطاريات أيون الليثيوم. لا تُعرض البطارية لصدمة قوية، أو ترش الماء على البطارية، أو تضع البطارية بالقرب من الحرارة. قد يؤدي القيام بذلك إلى حدوث عُطل، صدمة كهربائية، أو حريق.
25. عند حدوث خلل، يرجى إيقاف التشغيل فورًا. وإلا، قد يتسبب في نشوب حريق، صدمة كهربائية، أو إصابة.
26. لا تستخدم المنتج في وجود السوائل أو الغازات أو الغبار سريري الاشتعال. قد يؤدي القيام بذلك إلى الاشتعال أو الانفجار.
27. لا تحاول تفكيك أو تعديل هذا المنتج. قد يؤدي القيام بذلك إلى حدوث صدمة كهربائية، سخونة زائدة، تصدع، أو حريق.
28. لا تستخدم الهزاز تحت المطر.
29. لا تغسل الهزاز بالماء.

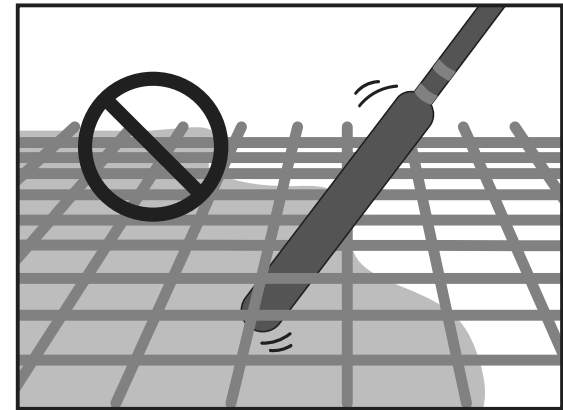
12. لا تضع أو تُسقط أي أشياء ثقيلة على الكابل أو الخرطوم. فقد تُتلف الكابل وتتسبب في عُطل.



13. لا تُأرجح مجموعة الرأس عن طريق الإمساك بالخرطوم أو الكابل. فهناك احتمالية أن يتسبب هذا في إصابة أو تلف للأشياء القريبة.
14. ينبغي تشغيل/إيقاف تشغيل مفتاح الطاقة فقط عندما تكون مجموعة الرأس غير موضوعة في الخرسانة سابقة التجهيز.
- إذا تم إيقاف تشغيل الطاقة في أثناء وجود الهزاز في الخرسانة سابقة التجهيز، فقد لا تتمكن من إزالة مجموعة الرأس. وقد يتسبب سحبها بالقوة في حدوث إصابة.



15. لا تضع الهزاز على الأرض وتقوم بتشغيله. فقد تلتف مجموعة الرأس وتخرج عن السيطرة وتتسبب في وقوع حادث.
16. لا تنتزع أو تلف الهزاز بين حديد التسليح أو قوالب الصب باستخدام مجموعة الرأس. وإلا فقد تتآكل مجموعة الرأس وتحرق المحرك.



17. عند استخدام هزاز متصل بمجموعة الطاقة المحمولة، تأكد من العمل بمفردك. قد يؤدي تشغيل شخصين، حيث يُمسك أحدهما بالهزاز والآخر يُمسك بمجموعة الطاقة المحمولة بشكل منفصل، إلى وقوع حوادث أو إصابة.
18. عند نقل أو تخزين المنتج، تأكد من نقله مع إيقاف تشغيل مجموعة الطاقة المحمولة. إذا تركت الطاقة قيد التشغيل، فقد يبدأ التشغيل فجأة، مما يتسبب في حادث أو إصابة.
19. ينبغي عدم تشغيل مجموعة الرأس الخاصة بهذا المنتج على سطوح صلبة مثل الخرسانة المتصلبة أو ألواح الفولاذ. فهناك احتمالية أن تحترق المحامل، ويمكن أن ينكسر الدوار.

## تحذيرات السلامة للمنتج

1. هذا المنتج هو هزاز لدمك الخرسانة. لا تستخدم الهزاز لأي غرض آخر.
  2. تأكد من قراءة وفهم دليل التعليمات هذا بعناية قبل استخدام المنتج حتى يمكن تشغيله بأمان وفعالية. قد يؤدي الاستخدام غير الصحيح للماكينة إلى حدوث إصابة أو تعطل الماكينة. احتفظ بهذا الدليل للرجوع إليه في وقت لاحق.
  3. ينبغي استخدام هذا المنتج من خلال توصيله بمجموعة الطاقة المحمولة "PDC01" أو "PDC1200" من Makita. كذلك، قم بقراءة أدلة التعليمات الخاصة بمجموعة الطاقة المحمولة وشاحن البطارية.
  4. لا تستخدم هذا المنتج أبدًا أثناء توصيله بأي جهاز آخر للإمداد بالطاقة. فقد يؤدي القيام بذلك إلى تلف لوحة الدائرة أو احتراق المحرك. قد يؤدي التلف أو احتراق المحرك إلى تدمير العزل ويسبب في حدوث صدمة كهربائية.
  5. لا تستخدم أي بطارية غير البطارية المخصصة المحددة من قبل Makita لمجموعة الطاقة المحمولة. كذلك، لا تستخدم بطاريات قد تم تعديلها (بما في ذلك البطاريات التي قد تم تفكيكها واستبدال الخلايا أو أجزائها الداخلية الأخرى).
  6. لا تشحن البطارية باستخدام أي شيء آخر غير الشاحن المرفق.
  7. يشار إلى مصطلح "خرطوشة البطارية" في هذا الدليل فيما بعد باسم "البطارية".
  8. تعامل مع هذا المنتج وقم بصيانتها بشكل مناسب لضمان التشغيل الآمن.
  9. عند إعاره هذا المنتج لشخص آخر، تأكد من تزويده بالأدلة والشرح الكامل عن الاستخدام الآمن والمناسب للمنتج.
  10. المواصفات الواردة في هذه الوثيقة عرضة للتغيير دون إشعار بسبب التعديل.
  11. يتوافق هذا المنتج مع معايير التوافق الكهرومغناطيسي (EMC) التالية: EN61000-6-4 / EN61000-6-2.
  12. لا يتوافق هذا المنتج مع معايير التوافق الكهرومغناطيسي (EMC) التالية: EN55014-1 / EN61000-6-3.
- عند استخدام هذا المنتج بالقرب من أجهزة إلكترونية أخرى، فقد يتسبب في حدوث تداخل لاسلكي.
- في ذلك الوقت، قد يحتاج مستخدمو هذا المنتج إلى اتخاذ التدابير المناسبة.

## تحذيرات السلامة لهزاز الخرسانة

1. ارتدي خوذة السلامة، القفازات المضادة للاهتزاز، أذنية السلامة الطويلة، حماية السمع، حماية الوجه (نظارات وقناع السلامة)، وحزام السلامة قبل استخدام الهزاز.
2. عند العمل، ارتد أكمام طويلة وسراويل طويلة وحافظ على تعرض الجلد لأدنى حد لتجنب تضرر الجلد الناتج عن الخرسانة المتطايرة التي تلتصق بالجلد.
3. عند استخدام الهزاز بالقرب من القدمين أو في أماكن ليست عميقة جدًا، فقد تتناثر الخرسانة حوله. استخدم حماية الوجه (نظارات وقناع السلامة) لحماية عينيك وفمك. يرجى ارتداء واقى السمع عند العمل في الأماكن كثيرة الضوضاء.
4. تأكد من وضع دواصة عند العمل في منطقة يصعب الوقوف عليها مثل على حديد التسليح.
5. نظرًا لأن هذا المنتج يحتوي على خرطوم طويل، فهناك خطر التعرض للإصابة عن طريق التعثر أو اتخاذ خطوة خاطئة إذا علق الخرطوم في حديد التسليح أثناء العمل أو التحرك، أو أن يتم تقييد الحركة عن طريق وضع شيء ما على الخرطوم. كذلك، إذا ترك المنتج في منطقة يمر بها الناس عند توقف العمل، فقد يعلق بقدم شخص ما ويتسبب في سقوطه أو إصابته. كن حذرًا عند التعامل مع الخراطيم والكابلات.
6. قد يؤدي استخدام الهزاز لوقت طويل أو تشغيل الهزاز بوضعية غير طبيعية إلى وضع إجهاد على الجسم. تأكد من أخذ فترات راحة مناسبة لتجنب الإرهاق أو الإصابة. كذلك، إذا شعرت بالألم أو الخدر في يديك، زراعيك، أكتافك، أو ظهرك أثناء استخدام المنتج، فتوقف عن استخدامه فورًا وتلقى العلاج المناسب.
7. يجب على مشغل المشروع الذي يستخدم هزاز الخرسانة هذا إدارة ساعات العمل ويجب عليه بذل الجهود لمنع حدوث الاعتلال الصحي للعمال الذي يأتي من الاهتزاز.
8. راجع قسم "القيمة الإجمالية للاهتزاز" للحصول على التفاصيل حول قوة الاهتزاز الخاصة بالهزاز.
9. عليك مراعاة المتطلبات والتوجيهات القانونية ذات الصلة الخاصة بالدولة التي يُستخدم بها الهزاز.
10. عند التوقف عن العمل مؤقتًا، قم بتخزين المنتج في مكان آمن. إذا تم وضعه في ممشى، فقد يعلق بقدمك ويتسبب في سقوطك أو إصابتك. في حالة حدوث أي خلل أو غطل، قم بإيقاف تشغيل جميع مصادر الإمداد بالطاقة فورًا، وتوقف عن الاستخدام، وافصل مجموعة الطاقة المحمولة. للفحص والإصلاح، اتصل بمركز خدمة Makita المحلي المعتمد لديك.
11. يتم تبريد مجموعة الرأس لهذا المنتج بواسطة الوضع في الخرسانة سابقة التجهيز. لذلك، لا تستخدمه خارج الخرسانة سابقة التجهيز (أي في الهواء). فهناك احتمالية أن يحترق المحرك.



# تحذيرات السلامة العامة للمعدات الآلية

**تحذير:** اقرأ جميع تحذيرات السلامة وجميع التعليمات. قد يؤدي الإخفاق في اتباع التحذيرات والتعليمات إلى صدمة كهربائية، حريق و/أو إصابة خطيرة.

## احفظ جميع التحذيرات والتعليمات كمرجع في المستقبل.

يشير مصطلح "معدة آلية" في التحذيرات إلى المعدة الآلية التي تعمل بالتيار الكهربائي (ذات السلك) أو المعدة الآلية التي تعمل على البطارية (اللاسلكية).

### سلامة منطقة العمل

1. حافظ على منطقة العمل نظيفة ومضاءة بشكل جيد. المناطق التي تعمها الفوضى أو المظلمة تدعو لوقوع حوادث.
2. لا تقم بتشغيل المعدات الآلية في الأجواء القابلة للانفجار، مثل في وجود السوائل أو الغازات أو الغبار سريع الاشتعال. فالمعدات الآلية تنتج الشرر الذي قد يشعل الغبار أو الأبخرة.
3. احرص على بقاء الأطفال والمارة بعيدين أثناء تشغيل المعدة الآلية. فصرف الانتباه قد يؤدي إلى فقدان السيطرة.

### السلامة الكهربائية

4. يجب أن تتوافق قوايس المعدة الآلية مع منفذ التيار. لا تقم بتعديل القابس أبداً بأي شكل من الأشكال. لا تستخدم أي قوايس مهيأة مع المعدات الآلية ذات التاريز (الموصولة بالأرضي). سوف تقلل القوايس غير المُعتلة ومنافذ التيار المتوافقة من خطر الصدمة الكهربائية.
5. تجنب ملامسة الجسم للسطوح ذات التاريز أو الموصولة بالأرضي مثل الأنابيب، المبردات، الموافد والثلاجات. تزيد خطورة الصدمة الكهربائية إذا كان جسمك مريض أو متصل بالأرضي.
6. لا تُعرض المعدات الآلية للأمطار أو الظروف الرطبة. سوف تزيد المياه التي تدخل المعدة الآلية من خطر الصدمة الكهربائية.
7. لا تسئ استخدام السلك. لا تستخدم السلك أبداً لحمل، سحب أو فصل المعدة الآلية. حافظ على السلك بعيداً عن الحرارة، الزيت، الحواف الحادة أو الأجزاء المتحركة. تزيد الأسلاك التالفة أو المتشابكة من خطر الصدمة الكهربائية.
8. عند تشغيل معدة آلية في الهواء الطلق، استخدم سلك تمديد مناسب للاستخدام في الهواء الطلق. يقلل استخدام سلك مناسب للاستخدام في الهواء الطلق من خطر الصدمة الكهربائية.
9. إذا كان تشغيل المعدة الآلية في مكان مبلل أمر محتوم، فاستخدم مصدر إمداد محمي بقاطع دائرة العطل الأرضي (GFCI). يُقلل استخدام قاطع الدائرة GFCI من خطر الصدمة الكهربائية.

### السلامة الشخصية

10. ابق متاهباً، راقب ما تقوم به واستخدم الحس السليم عند تشغيل المعدة الآلية. لا تستخدم معدة آلية حينما تكون متعب أو تحت تأثير المخدرات، الكحول أو الأدوية. قد تؤدي لحظة من عدم الانتباه أثناء تشغيل المعدات الآلية إلى إصابة شخصية خطيرة.
11. استخدم معدات الحماية الشخصية. احرص دائماً على ارتداء واقى العينين. معدات الحماية مثل قناع الغبار، أحذية السلامة غير الزلقة، الخوذة، أو واقى السمع المستخدمة للظروف المناسبة سوف تقلل الإصابات الشخصية.
12. امنع بدء التشغيل غير المقصود. تأكد من أن المفتاح في وضعية إيقاف التشغيل قبل التوصيل بمصدر الطاقة و/أو مجموعة البطارية أو التقاط أو حمل الأداة. فحمل المعدات الآلية وإصبعك على المفتاح أو توصيل التيار الكهربائي للمعدات الآلية والمفتاح يعمل يكون مدعاة لوقوع الحوادث.
13. قم بإزالة أي مفتاح تعديل أو مفتاح ربط قبل تشغيل المعدة الآلية. قد يتسبب مفتاح ربط أو مفتاح تُرك معلقاً بجزء دوار من المعدة الآلية في حدوث إصابة شخصية.
14. لا تتبلع. حافظ على رسوخ القدمين والتوازن بشكل صحيح في جميع الأوقات. يتبع هذا سيطرة أفضل على المعدة الآلية في الظروف غير المتوقعة.

15. البس بشكل صحيح. لا ترتدي ملابس فضفاضة أو مجوهرات. ابق شعرك، ملابسك، وقفاتك بعيدة عن الأجزاء المتحركة. يمكن أن تعلق الملابس الفضفاضة، المجوهرات أو الشعر الطويل بالأجزاء المتحركة.
16. في حالة توفر أجهزة لتوصيل مرافق استخلاص وتجميع الغبار، تأكد من أن تلك الأجهزة موصولة وتستخدم بشكل صحيح. يمكن أن يقلل استخدام تجميع الغبار من المخاطر المرتبطة بالغبار.

### استخدام المعدة الآلية والاعتناء بها

17. لا تجبر المعدة الآلية على العمل. استخدم المعدة الآلية الملائمة لاستخدامك. سوف تقوم المعدة الآلية الملائمة بالعمل على نحو أفضل وأكثر أماناً بالمعدل الذي صممت من أجله.
18. لا تستخدم المعدة الآلية إذا كان المفتاح لا يقوم بتشغيلها وإيقاف تشغيلها. أي معدة آلية لا يمكن التحكم فيها باستخدام المفتاح تكون خطيرة ويجب إصلاحها.
19. افصل القابس من مصدر القدرة و/أو مجموعة البطارية من المعدة الآلية قبل إجراء أي عمليات ضبط، تغيير للملحقات، أو تخزين للمعدات الآلية. تقلل تدابير السلامة الوقائية هذه من خطر بدء تشغيل المعدة الآلية عن طريق الخطأ.
20. قم بتخزين المعدات الآلية الخاملة بعيداً عن متناول الأطفال ولا تسمح للأشخاص غير المعتادين على المعدة الآلية أو هذه التعليمات بتشغيل المعدة الآلية. المعدات الآلية خطيرة في أيدي المستخدمين غير المدربين.
21. صنُ المعدات الآلية. تحقق من عدم محاذاة أو إعاقة الأجزاء المتحركة، انكسار الأجزاء وأي حالة قد تؤثر على تشغيل المعدة الآلية. في حالة التلف، قم بإصلاح المعدة الآلية قبل الاستخدام. تحدث الكثير من الحوادث بسبب سوء صيانة المعدات الآلية.
22. حافظ على معدات القطع حادة ونظيفة. معدات القطع ذات حواف القطع الحادة المصانة بشكل صحيح أقل عُرضة لإعاقة الحركة وأسهل في التحكم.
23. استخدم المعدة الآلية، الملحقات ولقم المعدة وما إلى ذلك وفقاً لهذه التعليمات، أخذاً في الاعتبار ظروف العمل والعمل الذي يتعين القيام به. قد يؤدي استخدام المعدة الآلية لعمليات تختلف عن تلك المخصصة لها إلى مواقف خطيرة.

### استخدام المُعدة ذات البطارية والاعتناء بها

24. اعد الشحن فقط بالشاحن المحدد من قبل الشركة المُصنعة. قد يتسبب الشاحن المناسب لأحد أنواع مجموعة البطارية في خطر نشوب الحريق عند استخدامه مع مجموعة بطارية أخرى.
25. استخدم المعدات الآلية فقط مع مجموعات البطارية المخصصة على وجه التحديد. قد يتسبب استخدام أي مجموعات بطارية أخرى في خطر الإصابة والحرق.
26. عند عدم استخدام مجموعة البطارية، أبقها بعيداً عن الأشياء المعدنية الأخرى، مثل مشابك الورق، العملات المعدنية، المفاتيح، المسامير، البراغي أو الأشياء المعدنية الصغيرة الأخرى، التي يمكن أن تصنع اتصال من أحد الأطراف إلى الأخر. قد يتسبب قصر أطراف البطارية معاً في حدوث حروق أو نشوب حريق.
27. في ظل الظروف المسببة، قد يتم إخراج سائل من البطارية؛ فتجنب ملامسته. إذا حدثت الملامسة بطريق الخطأ، اغتسل بماء وفير. إذا لامس السائل العينين، اطلب المساعدة الطبية بالإضافة لذلك. قد يسبب السائل الخارج من البطارية تهيج أو حروق.

### الصيانة

28. قم بصيانة مُعدتك الآلية بواسطة فني إصلاح مؤهل باستخدام قطع غيار متطابقة فقط. سوف يضمن ذلك الحفاظ على سلامة المُعدة الآلية.
29. اتبع التعليمات الخاصة بالتشحيم وتغيير الملحقات.
30. حافظ على المقابض جافة، نظيفة وخالية من الزيت والشحم.

## الاستخدام المقصود

المعدة مخصصة لإزالة الفقاعات من الخرسانة عند صب الخرسانة.

## الضوضاء

**تحذير:** ارتدي واقي الأذنين.

**تحذير:** يمكن أن تختلف انبعاثات الضوضاء أثناء الاستخدام الفعلي للمعدة الآلية عن القيمة (القيم) المعلنة اعتمادًا على الطرق التي تستخدم بها المعدة وخصوصًا نوعية قطعة العمل التي تتم معالجتها.

**تحذير:** تأكد من تحديد تدابير سلامة لحماية المشغل تستند إلى تقدير التعرض في الظروف الفعلية للاستخدام (مع الأخذ في الاعتبار جميع أجزاء دورة التشغيل مثل الأوقات التي تكون فيها المعدة متوقفة عن التشغيل وعند تشغيلها في وضع الخمول بالإضافة إلى وقت التشغيل).

مستوى الضوضاء النموذجي المرجح-A المحدد وفقًا لـ EN60745:

الموديل: **VR001C، VR002C**

مستوى طاقة الصوت ( $L_{WA}$ ): 98.4 ديسيبل (A)

مستوى ضغط الصوت ( $L_{pA}$ ): 87.4 ديسيبل (A)

التشكك (K): 3 ديسيبل (A)

الموديل: **VR003C، VR004C**

مستوى طاقة الصوت ( $L_{WA}$ ): 97.6 ديسيبل (A)

مستوى ضغط الصوت ( $L_{pA}$ ): 86.6 ديسيبل (A)

التشكك (K): 3 ديسيبل (A)

**ملاحظة:** تم قياس قيمة (قيم) انبعاثات الضوضاء المعلنة وفقًا لطريقة اختبار قياسية ويمكن استخدامها لمقارنة إحدى المعدات بأخرى.

**ملاحظة:** يمكن استخدام قيمة (قيم) انبعاثات الضوضاء المعلنة أيضًا في التقييم الأولي للتعرض.

## الاهتزاز

**ملاحظة:** يمكن استخدام قيمة انبعاثات الاهتزاز المعلنة أيضًا في التقييم الأولي للتعرض.

**تحذير:** يمكن أن تختلف انبعاثات الاهتزاز أثناء الاستخدام الفعلي للمعدة الآلية عن قيمة (قيم) الانبعاثات المعلنة اعتمادًا على الطرق التي تستخدم بها المعدة وخصوصًا نوعية قطعة العمل التي تتم معالجتها.

**تحذير:** تأكد من تحديد تدابير سلامة لحماية المشغل تستند إلى تقدير التعرض في الظروف الفعلية للاستخدام (مع الأخذ في الاعتبار جميع أجزاء دورة التشغيل مثل الأوقات التي تكون فيها المعدة متوقفة عن التشغيل وعند تشغيلها في وضع الخمول بالإضافة إلى وقت التشغيل).

إجمالي قيمة الاهتزاز (مجموع الكميات الموجهة ثلاثية المحاور) المحددة وفقًا لـ EN60745:

الموديل: **VR001C، VR002C**

نمط العمل: تشغيل بدون تحميل

انبعاثات الاهتزاز (ah): 1.9 متر/ثانية<sup>2</sup> (الخرطوم)

انبعاثات الاهتزاز (ah): 0.7 متر/ثانية<sup>2</sup> (علبة العاكس)

التشكك (K): 1.5 متر/ثانية<sup>2</sup>

الموديل: **VR003C، VR004C**

نمط العمل: تشغيل بدون تحميل

انبعاثات الاهتزاز (ah): 3.1 متر/ثانية<sup>2</sup> (الخرطوم)

انبعاثات الاهتزاز (ah): 1.7 متر/ثانية<sup>2</sup> (علبة العاكس)

التشكك (K): 1.5 متر/ثانية<sup>2</sup>

**ملاحظة:** تم قياس قيمة انبعاثات الاهتزاز المعلنة وفقًا لطريقة اختبار قياسية ويمكن استخدامها لمقارنة إحدى المعدات بأخرى.

## إعلان المطابقة لدول الاتحاد الأوروبي

للدول الأوروبية فقط

تم إدراج إعلان المطابقة لدول الاتحاد الأوروبي في الملحق A لدليل التعليمات هذا.



**Makita Europe N.V.** Jan-Baptist Vinkstraat 2,  
3070 Kortenberg, Belgium

**Makita Corporation** 3-11-8, Sumiyoshi-cho,  
Anjo, Aichi 446-8502 Japan

VR001C-13L-2201  
803939000

[www.makita.com](http://www.makita.com)