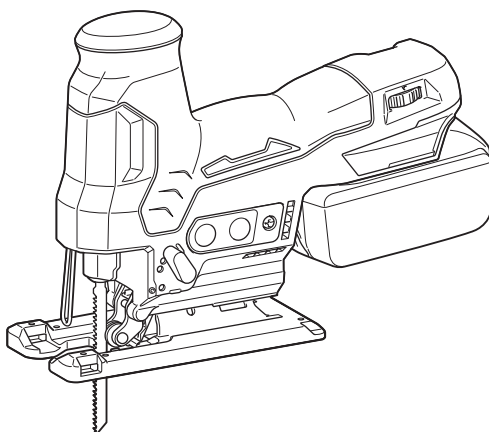




EN	Cordless Jig Saw	INSTRUCTION MANUAL	7
FR	Scie sauteuse sans fil	MANUEL D'INSTRUCTIONS	15
DE	Akku-Stichsäge	BETRIEBSANLEITUNG	24
IT	Seghetto alternativo a batteria	ISTRUZIONI PER L'USO	33
NL	Accudecoupeerzaag	GEBRUIKSAANWIJZING	42
ES	Sierra Caladora Inalámbrica	MANUAL DE INSTRUCCIONES	51
PT	Serra Tico-Tico a Bateria	MANUAL DE INSTRUÇÕES	60
DA	Akku stiksav	BRUGSANVISNING	68
EL	Φορητό παλινδρομικό πριόνι	ΕΓΧΕΙΡΙΔΙΟ ΟΔΗΓΙΩΝ	76
TR	Akülü Dekupaj Testere	KULLANMA KILAVUZU	85

DJV185



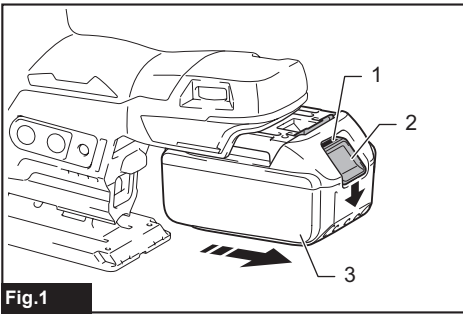


Fig.1

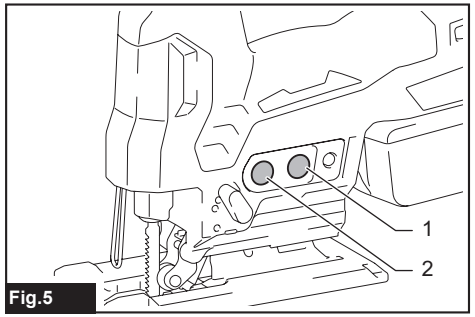


Fig.5

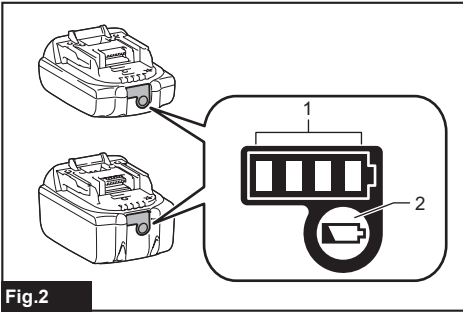


Fig.2

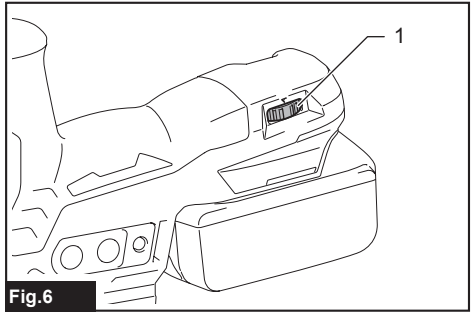


Fig.6

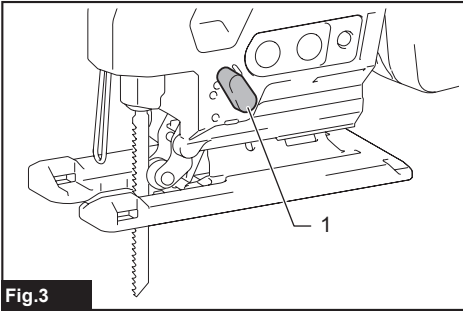


Fig.3

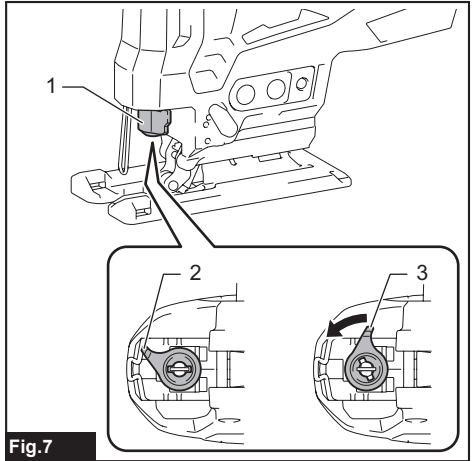


Fig.7

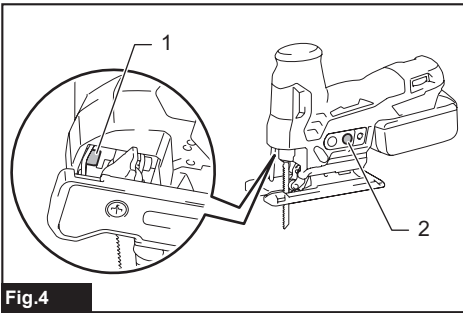


Fig.4

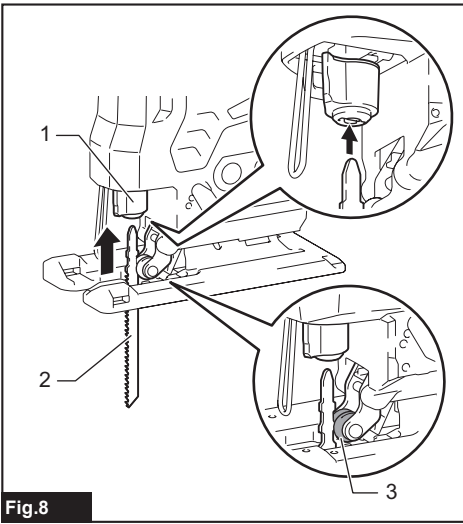


Fig.8

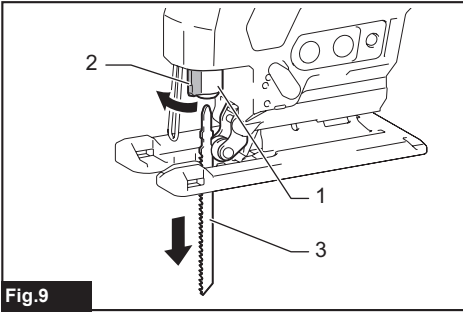


Fig.9

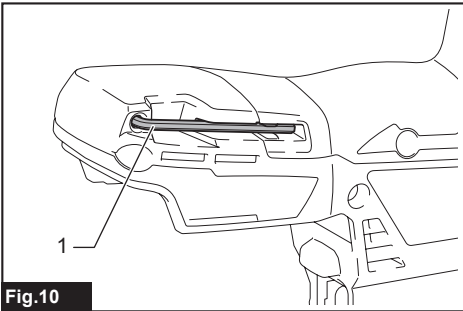


Fig.10

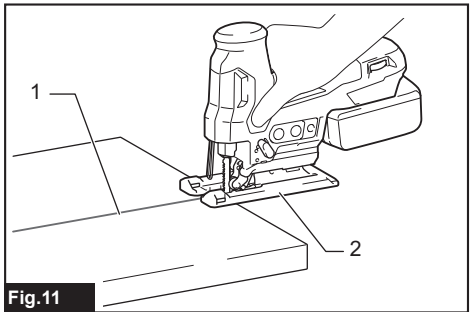


Fig.11

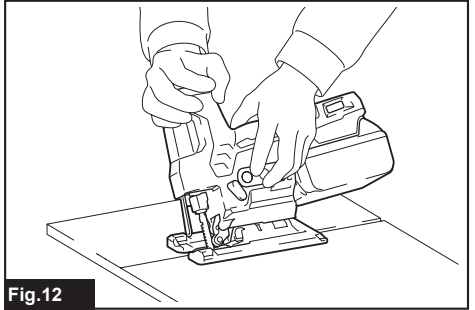


Fig.12

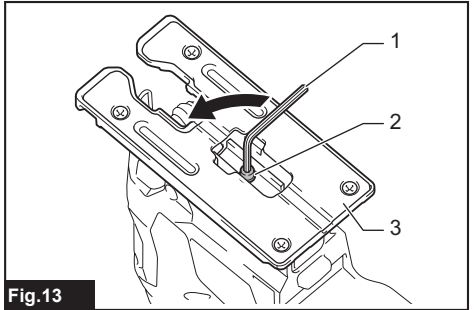


Fig.13

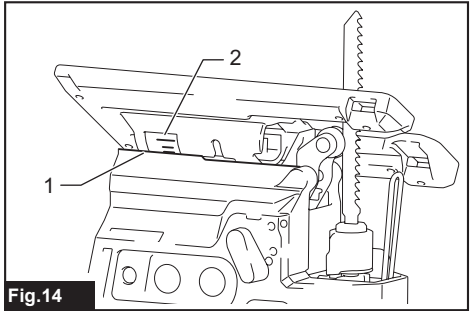
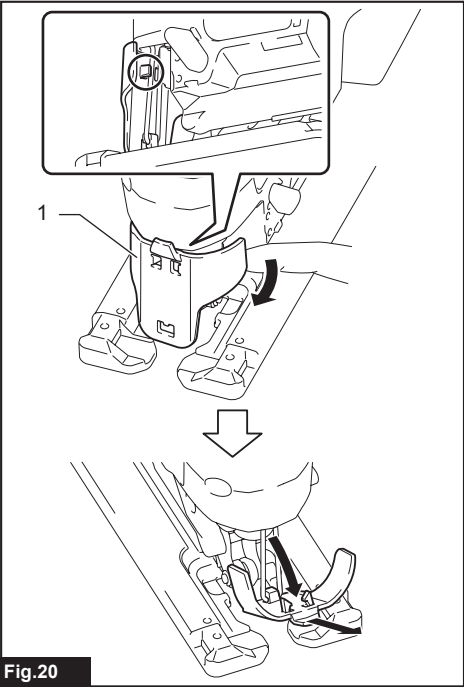
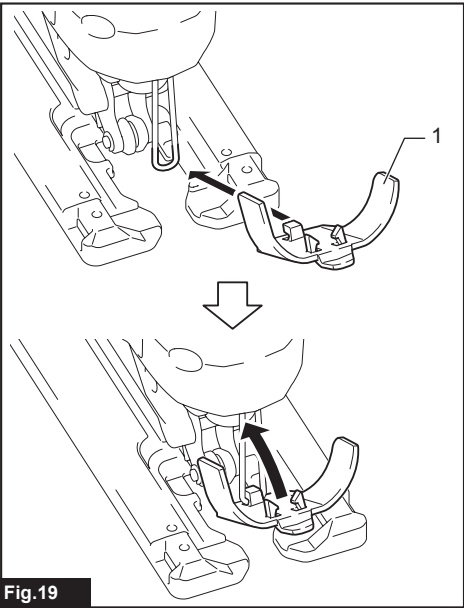
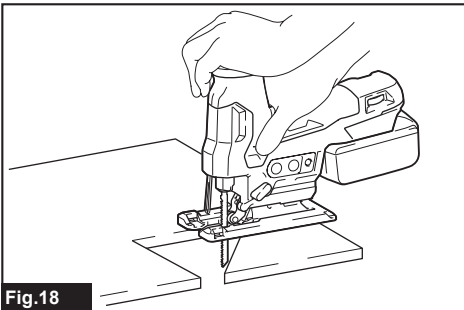
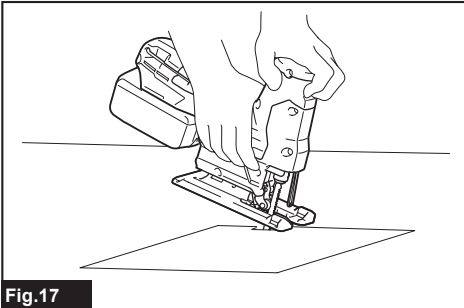
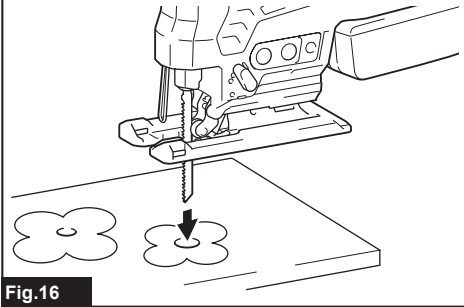
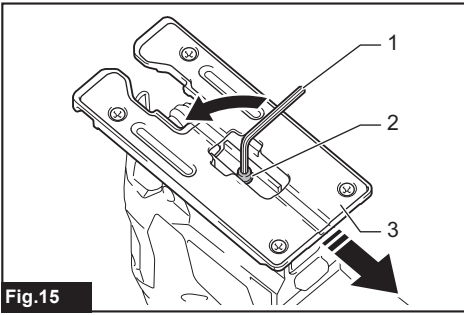
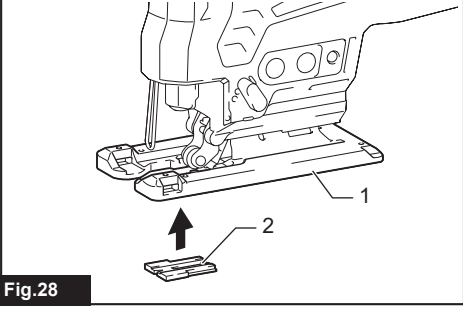
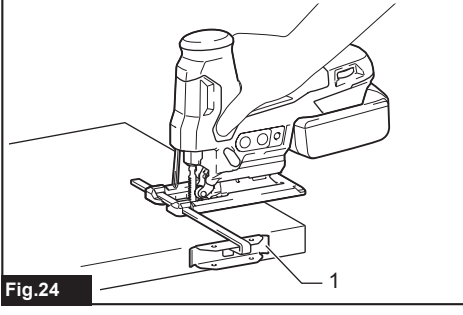
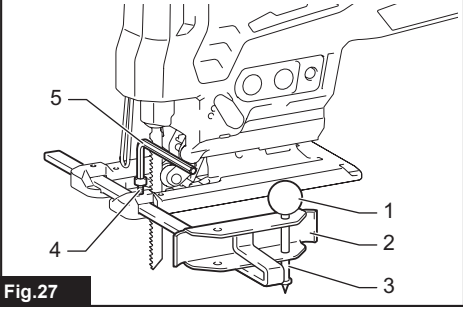
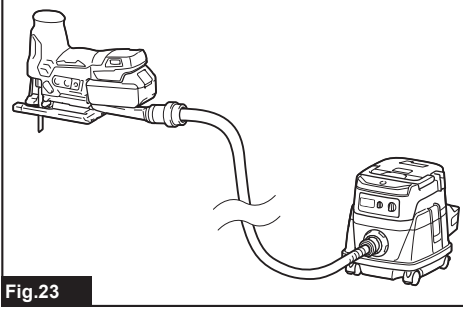
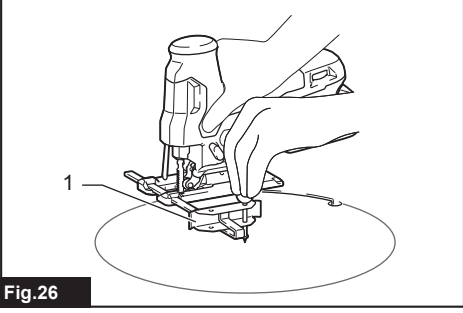
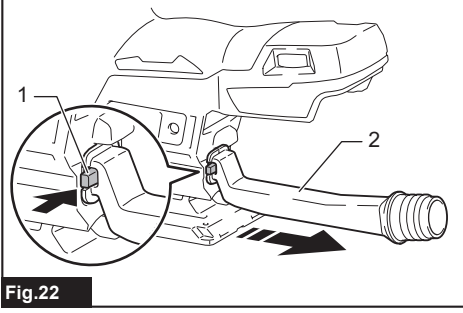
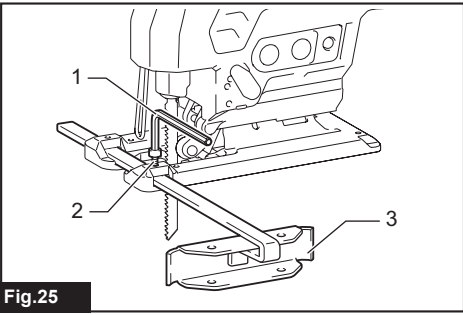
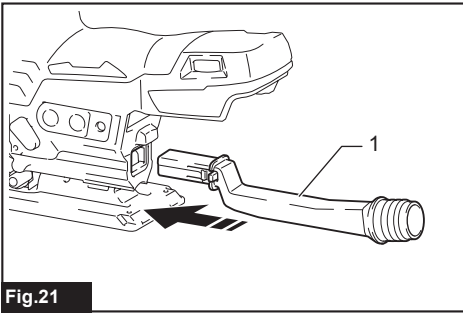
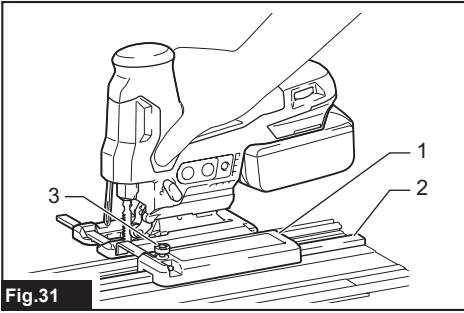
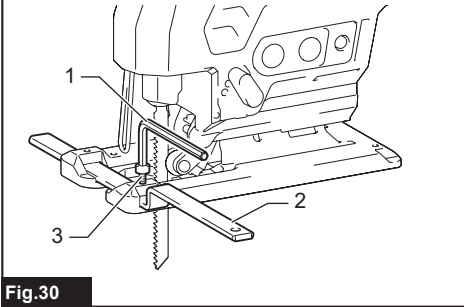
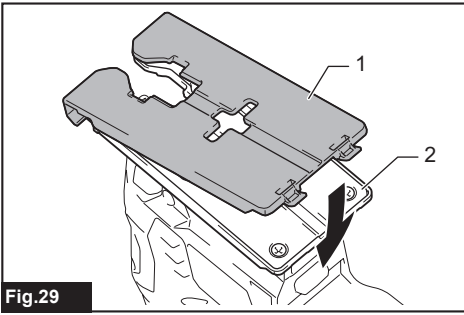


Fig.14







SPECIFICATIONS

Model:		DJV185
Length of stroke		23 mm
Strokes per minute		800 - 3,000 min ⁻¹
Blade type		B type
Max. cutting capacities	Wood	135 mm
	Mild steel	10 mm
	Aluminum	20 mm
Overall length (with BL1860B)		259 mm
Rated voltage		D.C. 18 V
Net weight		2.0 - 2.3 kg

- Due to our continuing program of research and development, the specifications herein are subject to change without notice.
- Specifications may differ from country to country.
- The weight may differ depending on the attachment(s), including the battery cartridge. The lightest and heaviest combinations, according to EPTA-Procedure 01/2014, are shown in the table.

Applicable battery cartridge and charger

Battery cartridge	BL1815N / BL1820B / BL1830B / BL1840B / BL1850B / BL1860B
Charger	DC18RC / DC18RD / DC18RE / DC18SD / DC18SE / DC18SF / DC18SH / DC18WC

- Some of the battery cartridges and chargers listed above may not be available depending on your region of residence.

⚠WARNING: Only use the battery cartridges and chargers listed above. Use of any other battery cartridges and chargers may cause injury and/or fire.

Intended use

The tool is intended for the sawing of wood, plastic and metal materials.

Noise

The typical A-weighted noise level determined according to EN62841-2-11:

Sound pressure level (L_{pA}) : 87 dB (A)

Sound power level (L_{WA}) : 95 dB (A)

Uncertainty (K) : 3 dB (A)

NOTE: The declared noise emission value(s) has been measured in accordance with a standard test method and may be used for comparing one tool with another.

NOTE: The declared noise emission value(s) may also be used in a preliminary assessment of exposure.

⚠WARNING: Wear ear protection.

⚠WARNING: The noise emission during actual use of the power tool can differ from the declared value(s) depending on the ways in which the tool is used especially what kind of workpiece is processed.

⚠WARNING: Be sure to identify safety measures to protect the operator that are based on an estimation of exposure in the actual conditions of use (taking account of all parts of the operating cycle such as the times when the tool is switched off and when it is running idle in addition to the trigger time).

Vibration

The vibration total value (tri-axial vector sum) determined according to EN62841-2-11:

Work mode: cutting boards

Vibration emission ($a_{h,B}$) : 10.3 m/s²

Uncertainty (K) : 1.7 m/s²

Work mode: cutting sheet metal

Vibration emission ($a_{h,M}$) : 9.0 m/s²

Uncertainty (K) : 1.5 m/s²

NOTE: The declared vibration total value(s) has been measured in accordance with a standard test method and may be used for comparing one tool with another.

NOTE: The declared vibration total value(s) may also be used in a preliminary assessment of exposure.

⚠WARNING: The vibration emission during actual use of the power tool can differ from the declared value(s) depending on the ways in which the tool is used especially what kind of workpiece is processed.

⚠WARNING: Be sure to identify safety measures to protect the operator that are based on an estimation of exposure in the actual conditions of use (taking account of all parts of the operating cycle such as the times when the tool is switched off and when it is running idle in addition to the trigger time).

Declarations of Conformity

For European countries only

The Declarations of conformity are included in Annex A to this instruction manual.

SAFETY WARNINGS

General power tool safety warnings

⚠WARNING Read all safety warnings, instructions, illustrations and specifications provided with this power tool. Failure to follow all instructions listed below may result in electric shock, fire and/or serious injury.

Save all warnings and instructions for future reference.

The term "power tool" in the warnings refers to your mains-operated (corded) power tool or battery-operated (cordless) power tool.

Cordless jig saw safety warnings

1. **Hold the power tool by insulated gripping surfaces, when performing an operation where the cutting accessory may contact hidden wiring.** Cutting accessory contacting a "live" wire may make exposed metal parts of the power tool "live" and could give the operator an electric shock.
2. **Use clamps or another practical way to secure and support the workpiece to a stable platform.** Holding the workpiece by hand or against your body leaves it unstable and may lead to loss of control.
3. **Always use safety glasses or goggles.** Ordinary eye or sun glasses are NOT safety glasses.
4. **Avoid cutting nails. Inspect workpiece for any nails and remove them before operation.**
5. **Do not cut oversize workpiece.**

6. **Check for the proper clearance around the workpiece before cutting so that the jig saw blade will not strike the floor, workbench, etc.**
7. **Hold the tool firmly.**
8. **Make sure the jig saw blade is not contacting the workpiece before the switch is turned on.**
9. **Keep hands away from moving parts.**
10. **Do not leave the tool running. Operate the tool only when hand-held.**
11. **Always switch off and wait for the jig saw blade to come to a complete stop before removing the jig saw blade from the workpiece.**
12. **Do not touch the jig saw blade or the workpiece immediately after operation; they may be extremely hot and could burn your skin.**
13. **Do not operate the tool at no-load unnecessarily.**
14. **Some material contains chemicals which may be toxic. Take caution to prevent dust inhalation and skin contact. Follow material supplier safety data.**
15. **Always use the correct dust mask/respirator for the material and application you are working with.**

SAVE THESE INSTRUCTIONS.

⚠WARNING: DO NOT let comfort or familiarity with product (gained from repeated use) replace strict adherence to safety rules for the subject product. MISUSE or failure to follow the safety rules stated in this instruction manual may cause serious personal injury.

Important safety instructions for battery cartridge

1. **Before using battery cartridge, read all instructions and cautionary markings on (1) battery charger, (2) battery, and (3) product using battery.**
2. **Do not disassemble or tamper with the battery cartridge.** It may result in a fire, excessive heat, or explosion.
3. **If operating time has become excessively shorter, stop operating immediately. It may result in a risk of overheating, possible burns and even an explosion.**
4. **If electrolyte gets into your eyes, rinse them out with clear water and seek medical attention right away. It may result in loss of your eyesight.**
5. **Do not short the battery cartridge:**
 - (1) **Do not touch the terminals with any conductive material.**
 - (2) **Avoid storing battery cartridge in a container with other metal objects such as nails, coins, etc.**
 - (3) **Do not expose battery cartridge to water or rain.**

A battery short can cause a large current flow, overheating, possible burns and even a breakdown.

6. **Do not store and use the tool and battery cartridge in locations where the temperature may reach or exceed 50 °C (122 °F).**
7. **Do not incinerate the battery cartridge even if it is severely damaged or is completely worn out. The battery cartridge can explode in a fire.**
8. **Do not nail, cut, crush, throw, drop the battery cartridge, or hit against a hard object to the battery cartridge.** Such conduct may result in a fire, excessive heat, or explosion.
9. **Do not use a damaged battery.**
10. **The contained lithium-ion batteries are subject to the Dangerous Goods Legislation requirements.**
For commercial transports e.g. by third parties, forwarding agents, special requirement on packaging and labeling must be observed.
For preparation of the item being shipped, consulting an expert for hazardous material is required.
Please also observe possibly more detailed national regulations.
Tape or mask off open contacts and pack up the battery in such a manner that it cannot move around in the packaging.
11. **When disposing the battery cartridge, remove it from the tool and dispose of it in a safe place. Follow your local regulations relating to disposal of battery.**
12. **Use the batteries only with the products specified by Makita.** Installing the batteries to non-compliant products may result in a fire, excessive heat, explosion, or leak of electrolyte.
13. **If the tool is not used for a long period of time, the battery must be removed from the tool.**
14. **During and after use, the battery cartridge may take on heat which can cause burns or low temperature burns. Pay attention to the handling of hot battery cartridges.**
15. **Do not touch the terminal of the tool immediately after use as it may get hot enough to cause burns.**
16. **Do not allow chips, dust, or soil stuck into the terminals, holes, and grooves of the battery cartridge.** It may cause heating, catching fire, burst and malfunction of the tool or battery cartridge, resulting in burns or personal injury.
17. **Unless the tool supports the use near high-voltage electrical power lines, do not use the battery cartridge near high-voltage electrical power lines.** It may result in a malfunction or breakdown of the tool or battery cartridge.
18. **Keep the battery away from children.**

SAVE THESE INSTRUCTIONS.

CAUTION: Only use genuine Makita batteries. Use of non-genuine Makita batteries, or batteries that have been altered, may result in the battery bursting causing fires, personal injury and damage. It will also void the Makita warranty for the Makita tool and charger.

Tips for maintaining maximum battery life

1. **Charge the battery cartridge before completely discharged. Always stop tool operation and charge the battery cartridge when you notice less tool power.**
2. **Never recharge a fully charged battery cartridge. Overcharging shortens the battery service life.**
3. **Charge the battery cartridge with room temperature at 10 °C - 40 °C (50 °F - 104 °F). Let a hot battery cartridge cool down before charging it.**
4. **When not using the battery cartridge, remove it from the tool or the charger.**
5. **Charge the battery cartridge if you do not use it for a long period (more than six months).**

FUNCTIONAL DESCRIPTION

CAUTION: Always be sure that the tool is switched off and the battery cartridge is removed before adjusting or checking function on the tool.

Installing or removing battery cartridge

CAUTION: Always switch off the tool before installing or removing of the battery cartridge.

CAUTION: Hold the tool and the battery cartridge firmly when installing or removing battery cartridge. Failure to hold the tool and the battery cartridge firmly may cause them to slip off your hands and result in damage to the tool and battery cartridge and a personal injury.

To install the battery cartridge, align the tongue on the battery cartridge with the groove in the housing and slip it into place. Insert it all the way until it locks in place with a little click. If you can see the red indicator as shown in the figure, it is not locked completely.

To remove the battery cartridge, slide it from the tool while sliding the button on the front of the cartridge.

► **Fig.1:** 1. Red indicator 2. Button 3. Battery cartridge

CAUTION: Always install the battery cartridge fully until the red indicator cannot be seen. If not, it may accidentally fall out of the tool, causing injury to you or someone around you.

CAUTION: Do not install the battery cartridge forcibly. If the cartridge does not slide in easily, it is not being inserted correctly.

Tool / battery protection system

The tool is equipped with a tool/battery protection system. This system automatically cuts off power to the motor to extend tool and battery life. The tool will automatically stop during operation if the tool or battery is placed under one of the following conditions:

Overload protection

When the tool or battery is operated in a manner that causes it to draw an abnormally high current, the tool automatically stops without any indication. In this situation, turn the tool off and stop the application that caused the tool to become overloaded. Then turn the tool on to restart.

Overheat protection

When the tool or battery is overheated, the tool stops automatically and the lamp blinks. In this case, let the tool and battery cool before turning the tool on again.

Overdischarge protection

When the battery capacity is not enough, the tool stops automatically. In this case, remove the battery from the tool and charge the battery.

Protections against other causes

Protection system is also designed for other causes that could damage the tool and allows the tool to stop automatically. Take all the following steps to clear the causes, when the tool has been brought to a temporary halt or stop in operation.

1. Turn the tool off, and then turn it on again to restart.
2. Charge the battery(ies) or replace it/them with recharged battery(jies).
3. Let the tool and battery(ies) cool down.

If no improvement can be found by restoring protection system, then contact your local Makita Service Center.

Indicating the remaining battery capacity

Only for battery cartridges with the indicator

Press the check button on the battery cartridge to indicate the remaining battery capacity. The indicator lamps light up for a few seconds.

► **Fig.2:** 1. Indicator lamps 2. Check button

Indicator lamps			Remaining capacity
Lighted	Off	Blinking	
■	□	▣	75% to 100%
■ ■ ■ ■			
■ ■ ■ □			
■ ■ □ □			
■ □ □ □			
▣ □ □ □			
▣ □ □ □			
■ ■ □ □			50% to 75%
■ ■ □ □			25% to 50%
■ □ □ □			0% to 25%
▣ □ □ □			Charge the battery.
■ ■ □ □			The battery may have malfunctioned.
□ □ ■ ■			

NOTE: Depending on the conditions of use and the ambient temperature, the indication may differ slightly from the actual capacity.

NOTE: The first (far left) indicator lamp will blink when the battery protection system works.

Selecting the cutting action

This tool can be operated with an orbital or a straight line (up and down) cutting action. The orbital cutting action thrusts the jig saw blade forward and increases cutting speed.

► **Fig.3:** 1. Cutting action changing lever

To change the cutting action, turn the cutting action changing lever to the desired cutting action position. Refer to the table to select the appropriate cutting action.

Position	Cutting action	Applications
0	Straight line cutting action	For cutting mild steel, stainless steel and plastics. For clean cuts in wood and plywood.
I	Small orbital cutting action	For cutting mild steel, aluminum and hard wood.
II	Medium orbital cutting action	For cutting wood and plywood. For fast cutting in aluminum and mild steel.
III	Large orbital cutting action	For fast cutting in wood and plywood.

Lighting up the front lamp

CAUTION: Do not look in the light or see the source of light directly.

To turn on the lamp, press the lock/unlock button. To turn off the lamp, press the lock/unlock button again.

► **Fig.4:** 1. Lamp 2. Lock/unlock button

NOTICE: When the tool is overheated, the lamp blinks. Cool down the tool fully before operating the tool again.

NOTE: Use a dry cloth to wipe the dirt off the lens of the lamp. Be careful not to scratch the lens of lamp, or it may lower the illumination.

Switch action

To turn on the tool, press the lock/unlock button. The tool turns into the standby mode. To start the tool, press the start/stop button in the standby mode. To stop the tool, press the start/stop button again. The tool turns into the standby mode. To turn off the tool, press the lock/unlock button in the standby mode.

► **Fig.5:** 1. Lock/unlock button 2. Start/stop button

NOTE: If the tool is left for 10 seconds without any operation in the standby mode, the tool automatically turns off and the lamp goes off.

NOTE: You can also stop and turn off the tool by pressing the lock/unlock button while the tool is operating.

To decrease the brightness of the lamp, press and hold the lock/unlock button when turning into the standby mode. About 1 second after you start pressing the lock/unlock button, the brightness of the lamp will start to decrease, so release the lock/unlock button when you reach the desired brightness. It turns the tool into the standby mode, too. About 3 seconds after you start pressing the lock/unlock button, the brightness of the lamp will be minimized and the brightness will not change after that.

NOTE: The brightness of the lamp cannot be adjusted while the tool is in standby mode. To adjust the brightness of the lamp, turn off the tool.

NOTE: There is no memory function for the brightness of the lamp. If you turn the lamp off and then turn it on, the brightness of the lamp will be maximized each time.

Speed adjusting dial

The tool speed can be adjusted by turning the speed adjusting dial. You can get the highest speed at 5 and the lowest speed at 1.

► **Fig.6:** 1. Speed adjusting dial

Refer to the table to select the proper speed for the workpiece to be cut. However, the appropriate speed may differ with the type or thickness of the workpiece. In general, higher speeds will allow you to cut workpieces faster but the service life of the jig saw blade will be reduced.

Workpiece	Number
Wood	4 - 5
Mild steel	3 - 5
Stainless steel	3 - 4
Aluminum	3 - 5
Plastics	1 - 4

NOTICE: The speed adjusting dial can be turned only as far as 5 and back to 1. Do not force it past 5 or 1, or the speed adjusting function may no longer work.

Electronic function

The tool is equipped with the electronic functions for easy operation.

Soft start

The soft-start function minimizes start-up shock, and makes the tool start smoothly.

Constant speed control

Electronic speed control for obtaining constant speed. Possible to get fine finish, because the tool speed is kept constant even under load condition.

Soft no-load rotation function

To reduce the vibration and align the jig saw blade with the cutting line easily, the tool automatically reduces the tool speed until the tool starts cutting the workpiece when the speed adjusting dial is set at 2 or higher. Once the tool starts cutting the workpiece, the tool speed reaches the preset speed and keeps the speed until the tool stops.

NOTE: When the temperature is low, this function may not be available. Also, depending on the material, jig saw blade, and tool speed, this feature may not be available.

Disabling or enabling the soft no-load rotation function

To disable or enable the soft no-load rotation function, follow the steps below.

1. Make sure that the tool is turned off.
2. Set the speed adjusting dial to "1".
3. Press the lock/unlock button to turn on the tool.
4. Set the speed adjusting dial to "5" by turning it, and then set it to "1" by turn it back.

The lamp blinks twice to indicate that the soft no-load rotation function is disabled. To enable this function again, perform the same procedure again.

NOTE: If the soft no-load rotation function is disabled, the lamp blinks twice when the tool is turned on.

NOTE: You can also disable or enable the soft no-load rotation function by changing the speed adjusting dial from "5" to "1" and changing it from "1" to "5".

Electric brake

This tool is equipped with an electric brake. If the tool consistently fails to quickly stop after the start/stop button or the lock/unlock button is pressed, have the tool serviced at a Makita service center.

ASSEMBLY

⚠ CAUTION: Always be sure that the tool is switched off and the battery cartridge is removed before carrying out any work on the tool.

Installing or removing jig saw blade

⚠ CAUTION: Always clean out all chips or foreign matter adhering to the jig saw blade and/or blade holder. Failure to do so may cause insufficient tightening of the jig saw blade, resulting in a serious personal injury.

⚠ CAUTION: Do not touch the jig saw blade or the workpiece immediately after operation. They may be extremely hot and could burn your skin.

⚠ CAUTION: Always secure the jig saw blade firmly. Insufficient tightening of the jig saw blade may cause the blade breakage or serious personal injury.

⚠ CAUTION: Use only B type jig saw blades. Using blades other than B type causes insufficient tightening of the jig saw blade, resulting in a serious personal injury.

⚠ CAUTION: When you remove the jig saw blade, be careful not to hurt your fingers with the top of the jig saw blade or the tips of workpiece.

Before installing the jig saw blade, make sure that the blade clamp lever is in the released position.

To install the jig saw blade, insert the jig saw blade (teeth facing forward) into the jig saw blade holder. The blade clamp lever moves to the fixed position and the jig saw blade is locked. Make sure that the back edge of the jig saw blade fits into the roller. Pull the jig saw blade lightly to make sure that the jig saw blade does not fall off during operation.

► **Fig.7:** 1. Jig saw blade holder 2. Blade clamp lever (released position) 3. Blade clamp lever (fixed position)

► **Fig.8:** 1. Jig saw blade holder 2. Jig saw blade 3. Roller

⚠ CAUTION: If the blade clamp lever does not move to the fixed position, the jig saw blade is not installed completely. Do not press the blade clamp lever by hand to the fixed position. It may damage the tool.

To remove the jig saw blade, push the blade clamp lever forward as far as it will go. This allows the jig saw blade to be released.

► **Fig.9:** 1. Jig saw blade holder 2. Blade clamp lever 3. Jig saw blade

NOTE: If it is difficult to remove the jig saw blade, turn the cutting action changing lever to the position "III" and move the jig saw blade holder to the bottom. To move the jig saw blade holder to the bottom, return the blade clamp lever fully to the fixed position once and slightly switch on the tool several times.

NOTE: Occasionally lubricate the roller.

Hex wrench storage

When not in use, store the hex wrench as shown in the figure to keep it from being lost.

► **Fig.10:** 1. Hex wrench

OPERATION

⚠ CAUTION: Always hold the base flush with the workpiece. Failure to do so may cause jig saw blade breakage, resulting in a serious injury.

⚠ CAUTION: Advance the tool very slowly when cutting curves or scrolling. Forcing the tool may cause a slanted cutting surface and jig saw blade breakage.

Turn the tool on without the jig saw blade making any contact and wait until the jig saw blade attains full speed. Then rest the base flat on the workpiece and gently move the tool forward along the previously marked cutting line.

► **Fig.11:** 1. Cutting line 2. Base

Bevel cutting

⚠ CAUTION: Always be sure that the tool is switched off and the battery cartridge is removed before tilting the base.

With the base tilted, you can make bevel cuts at any angle between 0° and 45° (left or right).

► **Fig.12**

Loosen the bolt on the back of the base with the hex wrench. Move the base so that the bolt is positioned in the center of the cross-shaped slot in the base.

► **Fig.13:** 1. Hex wrench 2. Bolt 3. Base

Tilt the base until the desired bevel angle is obtained. The edge of the motor housing indicates the bevel angle by graduations. Then tighten the bolt to secure the base.

► **Fig.14:** 1. Edge 2. Graduation

Front flush cuts

Loosen the bolt on the bottom of the base with the hex wrench and slide the base all the way back. Then tighten the bolt to secure the base.

► **Fig.15:** 1. Hex wrench 2. Bolt 3. Base

Cutouts

Cutouts can be made with either of two methods: "Boring a starting hole" or "Plunge cutting".

Boring a starting hole

For internal cutouts without a lead-in cut from an edge, pre-drill a starting hole 12 mm or more in diameter. Insert the jig saw blade into this hole to start your cut.

► **Fig.16**

Plunge cutting

You need not bore a starting hole or make a lead-in cut if you carefully do as follows.

1. Touch the front edge of the base to the workpiece, and tilt the tool with the jig saw blade point positioned just above the workpiece surface.
 2. Apply pressure to the tool so that the front edge of the base will not move when you switch on the tool and gently lower the back end of the tool slowly.
 3. As the jig saw blade pierces the workpiece, slowly lower the base of the tool down onto the workpiece surface.
 4. Complete the cut in the normal manner.
- Fig.17

Finishing edges

To trim edges or make dimensional adjustments, run the jig saw blade lightly along the cut edges.

► Fig.18

Metal cutting

Always use a suitable coolant (cutting oil) when cutting metal. Failure to do so will cause significant jig saw blade wear. The underside of the workpiece can be greased instead of using a coolant.

Dust extraction

Installing or removing the dust cover

Install the dust cover as shown in the figure.

► Fig.19: 1. Dust cover

To remove the dust cover, press one side of the cover, and then remove it as shown in the figure.

► Fig.20: 1. Dust cover

Installing or removing the dust nozzle

You can connect this tool to a Makita vacuum cleaner by attaching the dust nozzle.

Insert the dust nozzle all the way into the tool.

► Fig.21: 1. Dust nozzle

To remove the dust nozzle, pull out the dust nozzle while pressing the button on the dust nozzle.

► Fig.22: 1. Button 2. Dust nozzle

Connecting the tool to the vacuum cleaner

Connect the hose of the vacuum cleaner to the dust nozzle.

► Fig.23

Rip fence

Optional accessory

CAUTION: Always be sure that the tool is switched off and the battery cartridge is removed before installing or removing accessories.

Straight cuts

When repeatedly cutting widths of 160 mm or less, use of the rip fence will assure fast, clean, straight cuts.

► Fig.24: 1. Rip fence (Guide rule)

To install, insert the bar part into the square hole of the base with the fence part facing down. Slide the rip fence to the desired cutting width position, then tighten the bolt to secure it.

► Fig.25: 1. Hex wrench 2. Bolt 3. Rip fence (Guide rule)

Circular cuts

When cutting circles or arcs of 170 mm or less in radius, install the rip fence as follows.

► Fig.26: 1. Rip fence (Guide rule)

CAUTION: Do not touch the tip of the circular guide pin. The sharp tip of the circular guide pin can cause injury.

1. Insert the bar part into the square hole of the base with the fence part facing up.

2. Insert the circular guide pin through either of the two holes on the fence part. Screw the threaded knob onto the circular guide pin to secure the circular guide pin.

► Fig.27: 1. Threaded knob 2. Rip fence (Guide rule) 3. Circular guide pin 4. Bolt 5. Hex wrench

3. Slide the rip fence to the desired cutting radius, and tighten the bolt to secure it in place.

NOTE: Always use jig saw blades No. B-17, B-18, B-26 or B-27 when cutting circles or arcs.

Anti-splintering device

Optional accessory

CAUTION: The anti-splintering device cannot be used when making bevel cuts.

For splinter-free cuts, the anti-splintering device can be used. To install the anti-splintering device, move the tool base all the way forward and fit it from the back of tool base.

When you use the cover plate, install the anti-splintering device onto the cover plate.

► Fig.28: 1. Base 2. Anti-splintering device

Cover plate

Use the cover plate when cutting decorative veneers, plastics, etc. It protects sensitive or delicate surfaces from damage. Fit it on the bottom of the tool base.

► Fig.29: 1. Cover plate 2. Base

Guide rail adapter set

Optional accessory

When cutting parallel and uniform width or cutting straight, the use of the guide rail and the guide rail adapter will assure the production of fast and clean cuts. To install the guide rail adapter, insert the rule bar into the square hole of the base as far as it goes. Secure the bolt with the hex wrench securely.

► **Fig.30:** 1. Hex wrench 2. Rule bar 3. Bolt

Insert the rule bar into the square hole of the guide rail adapter, and secure the screw firmly. Place the guide rail adapter on the guide rail.

► **Fig.31:** 1. Guide rail adapter 2. Guide rail 3. Screw

NOTICE: Always use jig saw blades No. B-8, B-13, B-16, B-17 or 58 when using the guide rail and the guide rail adapter.

MAINTENANCE

CAUTION: Always be sure that the tool is switched off and the battery cartridge is removed before attempting to perform inspection or maintenance.

NOTICE: Never use gasoline, benzine, thinner, alcohol or the like. Discoloration, deformation or cracks may result.

To maintain product SAFETY and RELIABILITY, repairs, any other maintenance or adjustment should be performed by Makita Authorized or Factory Service Centers, always using Makita replacement parts.

OPTIONAL ACCESSORIES

CAUTION: These accessories or attachments are recommended for use with your Makita tool specified in this manual. The use of any other accessories or attachments might present a risk of injury to persons. Only use accessory or attachment for its stated purpose.

If you need any assistance for more details regarding these accessories, ask your local Makita Service Center.

- Jig saw blades
- Rip fence (guide rule) set
- Guide rail adapter set
- Anti-splintering device
- Cover plate
- Dust nozzle
- Dust cover
- Makita genuine battery and charger

NOTE: Some items in the list may be included in the tool package as standard accessories. They may differ from country to country.

SPÉCIFICATIONS

Modèle :		DJV185
Longueur de la course		23 mm
Nombre de courses par minute		800 - 3 000 min ⁻¹
Type de lame		Type B
Capacités de coupe maximales	Bois	135 mm
	Acier doux	10 mm
	Aluminium	20 mm
Longueur totale (avec BL1860B)		259 mm
Tension nominale		18 V CC
Poids net		2,0 - 2,3 kg

- Étant donné l'évolution constante de notre programme de recherche et de développement, les spécifications contenues dans ce manuel sont sujettes à modification sans préavis.
- Les spécifications peuvent varier suivant les pays.
- Le poids peut être différent selon les accessoires, notamment la batterie. Les associations la plus légère et la plus lourde, conformément à la procédure EPTA 01/2014, sont indiquées dans le tableau.

Batterie et chargeur applicables

Batterie	BL1815N / BL1820B / BL1830B / BL1840B / BL1850B / BL1860B
Chargeur	DC18RC / DC18RD / DC18RE / DC18SD / DC18SE / DC18SF / DC18SH / DC18WC

- Certains chargeurs et batteries répertoriés ci-dessus peuvent ne pas être disponibles selon la région où vous résidez.

⚠ AVERTISSEMENT : N'utilisez que les batteries et les chargeurs répertoriés ci-dessus. L'utilisation d'autres batteries et chargeurs peut provoquer des blessures et/ou un incendie.

Utilisations

L'outil est conçu pour scier le bois, le plastique et les métaux.

Bruit

Niveau de bruit pondéré A typique, déterminé selon EN62841-2-11 :

Niveau de pression sonore (L_{pA}) : 87 dB (A)

Niveau de puissance sonore (L_{WA}) : 95 dB (A)

Incertitude (K) : 3 dB (A)

NOTE : La ou les valeurs d'émission de bruit déclarées ont été mesurées conformément à la méthode de test standard et peuvent être utilisées pour comparer les outils entre eux.

NOTE : La ou les valeurs d'émission de bruit déclarées peuvent aussi être utilisées pour l'évaluation préliminaire de l'exposition.

⚠ AVERTISSEMENT : Portez un serre-tête antibruit.

⚠ AVERTISSEMENT : L'émission de bruit lors de l'usage réel de l'outil électrique peut être différente de la ou des valeurs déclarées, suivant la façon dont l'outil est utilisé, particulièrement selon le type de pièce usinée.

⚠ AVERTISSEMENT : Les mesures de sécurité à prendre pour protéger l'utilisateur doivent être basées sur une estimation de l'exposition dans des conditions réelles d'utilisation (en tenant compte de toutes les composantes du cycle d'utilisation, comme par exemple le moment de sa mise hors tension, lorsqu'il tourne à vide et le moment de son déclenchement).

Vibrations

Valeur totale de vibrations (somme de vecteur triaxial) déterminée selon EN62841-2-11 :

Mode de travail : coupe de planches

Émission de vibrations ($a_{h,B}$) : 10,3 m/s²

Incertitude (K) : 1,7 m/s²

Mode de travail : Découpe de tôle

Émission de vibrations ($a_{h,M}$) : 9,0 m/s²

Incertitude (K) : 1,5 m/s²

NOTE : La ou les valeurs de vibration totales déclarées ont été mesurées conformément à la méthode de test standard et peuvent être utilisées pour comparer les outils entre eux.

NOTE : La ou les valeurs de vibration totales déclarées peuvent aussi être utilisées pour l'évaluation préliminaire de l'exposition.

⚠️ AVERTISSEMENT : L'émission de vibrations lors de l'usage réel de l'outil électrique peut être différente de la ou des valeurs déclarées, suivant la façon dont l'outil est utilisé, particulièrement selon le type de pièce usinée.

⚠️ AVERTISSEMENT : Les mesures de sécurité à prendre pour protéger l'utilisateur doivent être basées sur une estimation de l'exposition dans des conditions réelles d'utilisation (en tenant compte de toutes les composantes du cycle d'utilisation, comme par exemple le moment de sa mise hors tension, lorsqu'il tourne à vide et le moment de son déclenchement).

Déclarations de conformité

Pour les pays européens uniquement

Les déclarations de conformité sont fournies en Annexe A à ce mode d'emploi.

CONSIGNES DE SÉCURITÉ

Consignes de sécurité générales pour outils électriques

⚠️ AVERTISSEMENT Veuillez lire toutes les consignes de sécurité, instructions, illustrations et spécifications qui accompagnent cet outil électrique. Le non-respect de toutes les instructions indiquées ci-dessous peut entraîner une électrocution, un incendie et/ou de graves blessures.

Conservez toutes les mises en garde et instructions pour référence ultérieure.

Le terme « outil électrique » dans les avertissements fait référence à l'outil électrique alimenté par le secteur (avec cordon d'alimentation) ou à l'outil électrique fonctionnant sur batterie (sans cordon d'alimentation).

Consignes de sécurité pour scie sauteuse sans fil

1. **Tenez l'outil électrique par des surfaces de prise isolées lorsque vous effectuez une tâche au cours de laquelle l'accessoire de coupe peut entrer en contact avec des fils cachés.**
Le contact de l'accessoire de découpe avec un fil sous tension peut transmettre du courant dans les pièces métalliques exposées de l'outil électrique et électrocuter l'utilisateur.

2. **Utilisez des dispositifs de serrage ou un autre moyen pratique pour fixer la pièce sur une surface de travail stable.** La pièce sera instable et vous risquez d'en perdre la maîtrise si vous la tenez dans vos mains ou l'appuyez contre votre corps.
3. **Portez toujours des lunettes de sécurité ou des lunettes à coques. Les lunettes ordinaires et les lunettes de soleil NE sont PAS des lunettes de sécurité.**
4. **Prenez garde aux clous pendant la coupe. Avant de commencer le travail, inspectez la pièce et retirez tous les clous.**
5. **Ne coupez pas des pièces trop grandes.**
6. **Avant d'effectuer la coupe, assurez-vous que le dégagement autour de la pièce est adéquat pour que la lame de scie sauteuse ne heurte pas le sol, l'établi, etc.**
7. **Tenez l'outil fermement.**
8. **Assurez-vous que la lame de scie sauteuse ne touche pas la pièce avant de mettre l'outil sous tension.**
9. **Gardez vos mains à l'écart des pièces en mouvement.**
10. **N'abandonnez pas l'outil alors qu'il tourne. Ne faites fonctionner l'outil qu'une fois que vous l'avez bien en main.**
11. **Avant de retirer la lame de scie sauteuse de la pièce, mettez toujours l'outil hors tension et attendez que la lame de scie sauteuse soit complètement immobilisée.**
12. **Ne touchez ni la lame de scie sauteuse ni la pièce immédiatement après la coupe ; elles peuvent être très chaudes et vous risquez de vous brûler.**
13. **Ne faites pas tourner l'outil à vide inutilement.**
14. **Certains matériaux contiennent des produits chimiques susceptibles d'être toxiques. Prenez garde de ne pas avaler la poussière et évitez tout contact avec la peau. Suivez les données de sécurité du fournisseur du matériau.**
15. **Portez toujours un masque antipoussières/un masque filtrant adapté au matériau travaillé et à l'application utilisée.**

CONSERVEZ CES INSTRUCTIONS.

⚠️ AVERTISSEMENT : NE vous laissez PAS tromper (au fil d'une utilisation répétée) par un sentiment d'aisance et de familiarité avec le produit, en négligeant le respect rigoureux des consignes de sécurité qui accompagnent le produit en question. La MAUVAISE UTILISATION de l'outil ou l'ignorance des consignes de sécurité indiquées dans ce mode d'emploi peut entraîner de graves blessures.

Consignes de sécurité importantes pour la batterie

1. **Avant d'utiliser la batterie, lisez toutes les instructions et précautions relatives (1) au chargeur de batterie, (2) à la batterie, et (3) au produit utilisant la batterie.**
2. **Ne désassemblez pas et ne modifiez pas la batterie.** Cela pourrait entraîner un incendie, une chaleur excessive ou une explosion.
3. **Cessez immédiatement l'utilisation si le temps de fonctionnement devient excessivement court.** Il y a risque de surchauffe, de brûlures, voire d'explosion.
4. **Si l'électrolyte pénètre dans vos yeux, rincez-les à l'eau claire et consultez immédiatement un médecin.** Il y a risque de perte de la vue.
5. **Ne court-circuitez pas la batterie :**
 - (1) **Ne touchez les bornes avec aucun matériau conducteur.**
 - (2) **Évitez de ranger la batterie dans un conteneur avec d'autres objets métalliques, par exemple des clous, des pièces de monnaie, etc.**
 - (3) **N'exposez pas la batterie à l'eau ou à la pluie.**

Un court-circuit de la batterie peut provoquer une intensité de courant élevée, une surchauffe, parfois des brûlures et même une panne.

6. **Ne rangez ni n'utilisez l'outil et la batterie dans un endroit où la température risque d'atteindre ou de dépasser 50 °C.**
7. **Ne jetez pas la batterie au feu même si elle est sérieusement endommagée ou complètement épuisée.** La batterie peut exploser au contact du feu.
8. **Abstenez-vous de clouer, couper, écraser, jeter, laisser tomber la batterie, ou de la heurter contre un objet dur.** Cela pourrait entraîner un incendie, une chaleur excessive ou une explosion.
9. **N'utilisez pas la batterie si elle est endommagée.**
10. **Les batteries au lithium-ion contenues sont soumises aux exigences de la législation sur les marchandises dangereuses.**

Lors du transport commercial par des tierces parties ou des transitaires par exemple, des exigences spécifiques en matière d'étiquetage et d'emballage doivent être respectées.

Pour la préparation de l'article expédié, il est nécessaire de consulter un expert en matériau dangereux. Veuillez également respecter les réglementations nationales susceptibles d'être plus détaillées.

Recouvrez les contacts exposés avec du ruban adhésif ou du ruban de masquage et emballez la batterie de telle sorte qu'elle ne puisse pas bouger dans l'emballage.

11. **Lors de la mise au rebut de la batterie, retirez-la de l'outil et jetez-la en lieu sûr.** Suivez les réglementations locales en matière de mise au rebut des batteries.
12. **Utilisez les batteries uniquement avec les produits spécifiés par Makita.** L'insertion de batteries dans des produits non conformes peut provoquer un incendie, une chaleur excessive, une explosion ou une fuite de l'électrolyte.
13. **Lorsque vous n'utilisez pas l'outil pendant une période prolongée, la batterie doit être retirée de l'outil.**
14. **Pendant et après l'utilisation, la batterie peut chauffer, ce qui peut entraîner des brûlures, y compris en cas de température relativement basse.** Manipulez les batteries chaudes avec précaution.
15. **Ne touchez pas la borne de l'outil immédiatement après utilisation car elle peut être assez chaude pour provoquer des brûlures.**
16. **Évitez que des copeaux, de la poussière ou du sol adhèrent aux bornes, aux trous et aux rainures de la batterie.** Cela peut provoquer un échauffement, un incendie, une explosion ou un dysfonctionnement de l'outil ou de la batterie, ce qui peut entraîner des brûlures ou des blessures.
17. **À moins que l'outil prenne en charge un tel usage, n'utilisez pas la batterie à proximité de lignes électriques haute tension.** Cela pourrait entraîner un dysfonctionnement ou casser l'outil ou la batterie.
18. **Conservez la batterie hors de portée des enfants.**

CONSERVEZ CES INSTRUCTIONS.

⚠ ATTENTION : N'utilisez que des batteries Makita d'origine. L'utilisation de batteries de marque autre que Makita ou de batteries modifiées peut provoquer l'explosion des batteries, ce qui présente un risque d'incendie, de dommages matériels et corporels. Cela annulera également la garantie Makita pour l'outil et le chargeur Makita.

Conseils pour assurer la durée de vie optimale de la batterie

1. **Chargez la batterie avant qu'elle ne soit complètement déchargée.** Arrêtez toujours l'outil et rechargez la batterie quand vous remarquez que la puissance de l'outil diminue.
2. **Ne rechargez jamais une batterie complètement chargée.** La surcharge réduit la durée de service de la batterie.
3. **Chargez la batterie à une température ambiante comprise entre 10 °C et 40 °C.** Avant de charger une batterie chaude, laissez-la refroidir.
4. **Lorsque vous n'utilisez pas la batterie, retirez-la de l'outil ou du chargeur.**
5. **Rechargez la batterie si elle est restée inutilisée pendant une période prolongée (plus de six mois).**

DESCRIPTION DU FONCTIONNEMENT

ATTENTION : Assurez-vous toujours que l'outil est hors tension et que sa batterie est retirée avant de l'ajuster ou de vérifier son fonctionnement.

Insertion ou retrait de la batterie

ATTENTION : Éteignez toujours l'outil avant de mettre en place ou de retirer la batterie.

ATTENTION : Tenez fermement l'outil et la batterie lors de la mise en place ou du retrait de la batterie. Si vous ne tenez pas fermement l'outil et la batterie, ils peuvent vous glisser des mains, et s'abîmer ou vous blesser.

Pour mettre la batterie en place, alignez la languette de la batterie avec la rainure du compartiment puis insérez la batterie. Insérez-la entièrement jusqu'à entendre un léger déclic indiquant qu'elle est bien en place. Si vous pouvez voir l'indicateur rouge comme illustré sur la figure, c'est qu'elle n'est pas bien verrouillée.

Pour retirer la batterie, faites-la glisser hors de l'outil tout en faisant glisser le bouton à l'avant de la batterie.

► Fig.1: 1. Indicateur rouge 2. Bouton 3. Batterie

ATTENTION : Insérez toujours complètement la batterie jusqu'à ce que l'indicateur rouge ne soit plus visible. Sinon, elle pourrait tomber accidentellement de l'outil, au risque de vous blesser ou de blesser quelqu'un se trouvant près de vous.

ATTENTION : N'insérez pas la batterie de force. Si elle ne glisse pas facilement, c'est que vous ne l'insérez pas correctement.

Système de protection de l'outil/la batterie

L'outil est équipé d'un système de protection de l'outil/la batterie. Ce système coupe automatiquement l'alimentation vers le moteur pour prolonger la durée de vie de l'outil et de la batterie. Si l'outil ou la batterie se trouve dans l'une des situations suivantes, l'outil cessera automatiquement de fonctionner.

Protection contre la surcharge

Lorsque l'outil ou la batterie est utilisé d'une manière provoquant un appel de courant anormalement élevé, l'outil s'arrête automatiquement sans indication. Dans cette situation, éteignez l'outil et arrêtez la tâche ayant provoqué la surcharge de l'outil. Puis rallumez l'outil pour reprendre la tâche.

Protection contre la surchauffe

En cas de surchauffe de l'outil ou de la batterie, l'outil s'arrête automatiquement et la lampe clignote. Dans ce cas, laissez l'outil et la batterie refroidir avant de rallumer l'outil.

Protection contre la décharge totale de la batterie

Lorsque la charge de la batterie est insuffisante, l'outil s'arrête automatiquement. Dans ce cas, retirez la batterie de l'outil et chargez-la.

Protections contre d'autres causes

Le système de protection est également conçu pour d'autres causes qui pourraient endommager l'outil et lui permet de s'arrêter automatiquement. Suivez toutes les étapes ci-dessous pour éliminer les causes, lorsque l'outil a été arrêté provisoirement ou a cessé de fonctionner.

1. Éteignez l'outil, puis rallumez-le pour le redémarrer.
2. Chargez la ou les batteries ou remplacez-les par des batteries rechargées.
3. Laissez l'outil et la ou les batteries refroidir.

En l'absence d'amélioration après avoir rétabli le système de protection, contactez votre centre de service Makita local.

Indication de la charge restante de la batterie

Uniquement pour les batteries avec voyant lumineux

Appuyez sur le bouton de vérification sur la batterie pour indiquer la charge restante de la batterie. Les témoins s'allument pendant quelques secondes.

► Fig.2: 1. Témoins 2. Bouton de vérification

Témoins			Charge restante
Allumé	Éteint	Clignotant	
■	□	◐	75 % à 100 %
■	■	□	50 % à 75 %
■	■	□	25 % à 50 %
■	□	□	0 % à 25 %
◐	□	□	Chargez la batterie.
■	■	□	Anomalie possible de la batterie.
□	□	■	

NOTE : Selon les conditions d'utilisation et la température ambiante, l'indication peut être légèrement différente de la capacité réelle.

NOTE : Le premier témoin (complètement à gauche) clignotera pendant le fonctionnement du système de protection de la batterie.

Sélection du mouvement de coupe

Cet outil peut fonctionner avec un mouvement de coupe orbital ou rectiligne (de haut en bas). Le mouvement de coupe orbital propulse la lame de scie sauteuse vers l'avant et augmente la vitesse de coupe.

► **Fig.3:** 1. Levier de changement du mouvement de coupe

Pour changer de mouvement de coupe, tournez le levier de changement du mouvement de coupe sur la position de mouvement de coupe souhaitée. Consultez le tableau pour sélectionner le mouvement de coupe approprié.

Position	Mouvement de coupe	Applications
0	Mouvement de coupe rectiligne	Pour couper l'acier doux, l'acier inoxydable et le plastique.
		Pour des coupes propres dans le bois et le contreplaqué.
I	Petit mouvement de coupe orbital	Pour couper l'acier doux, l'aluminium et le bois franc.
II	Mouvement de coupe orbital moyen	Pour couper le bois et le contreplaqué.
		Pour une coupe rapide de l'aluminium et l'acier doux.
III	Mouvement de coupe orbital grand	Pour une coupe rapide du bois et du contreplaqué.

Allumage de la lampe avant

ATTENTION : Évitez de regarder directement le faisceau lumineux ou sa source.

Pour allumer le voyant, appuyez sur le bouton verrouiller/déverrouiller. Pour éteindre le voyant, appuyez à nouveau sur le bouton verrouiller/déverrouiller.

► **Fig.4:** 1. Lampe 2. Bouton verrouiller/déverrouiller

REMARQUE : Si l'outil surchauffe, la lampe clignote. Laissez l'outil refroidir totalement avant de le réutiliser.

NOTE : Retirez la saleté sur la lentille de la lampe avec un chiffon sec. Prenez soin de ne pas érafler la lentille de la lampe sous peine de diminuer son éclairage.

Fonctionnement de la gâchette

Pour mettre sous tension l'outil, appuyez sur le bouton verrouiller/déverrouiller. L'outil passe en mode veille. Pour démarrer l'outil, appuyez sur le bouton marche/arrêt en mode veille. Pour arrêter l'outil, appuyez à nouveau sur le bouton marche/arrêt. L'outil passe en mode veille. Pour mettre hors tension l'outil, appuyez sur le bouton verrouiller/déverrouiller en mode veille.

► **Fig.5:** 1. Bouton verrouiller/déverrouiller 2. Bouton marche/arrêt

NOTE : Si l'outil n'est pas utilisé pendant 10 secondes en mode veille, il se met automatiquement hors tension et le voyant s'éteint.

NOTE : Vous pouvez également arrêter et mettre hors tension l'outil en appuyant sur le bouton verrouiller/déverrouiller lorsque l'outil fonctionne.

Pour diminuer la luminosité de la lampe, maintenez enfoncé le bouton de blocage/déblocage lorsque vous passez en mode veille. Environ une seconde après avoir commencé à appuyer sur le bouton de blocage/déblocage, la luminosité de la lampe se met à diminuer, vous n'avez plus qu'à relâcher le bouton de blocage/déblocage lorsque vous atteignez la luminosité souhaitée. L'outil se met également en mode veille. Environ trois secondes après avoir commencé à appuyer sur le bouton de blocage/déblocage, la luminosité de la lampe sera réduite au minimum et elle ne changera plus par la suite.

NOTE : La luminosité de la lampe ne peut pas être ajustée alors que l'outil est en mode veille. Pour ajuster la luminosité de la lampe, éteignez l'outil.

NOTE : Il n'y a pas de fonction de mémoire pour la luminosité de la lampe. Si vous éteignez, puis rallumez la lampe, sa luminosité sera chaque fois augmentée au maximum.

Cadran de réglage de la vitesse

La vitesse de l'outil peut être réglée en tournant le cadran de réglage de la vitesse. Vous pouvez obtenir la vitesse la plus élevée en sélectionnant 5 et la vitesse la plus basse en sélectionnant 1.

► **Fig.6:** 1. Cadran de réglage de la vitesse

Reportez-vous au tableau pour sélectionner la vitesse qui convient à la pièce à couper. La vitesse adéquate peut toutefois varier suivant le type de matériau ou l'épaisseur de la pièce. En général, les vitesses rapides permettent de couper les pièces plus rapidement, mais cela réduit la durée de service de la lame de scie sauteuse.

Pièce	Número
Bois	4 - 5
Acier doux	3 - 5
Acier inoxydable	3 - 4
Aluminium	3 - 5
Plastique	1 - 4

REMARQUE : Le cadran de réglage de la vitesse ne peut pas être tourné plus haut que 5 ou plus bas que 1. N'essayez pas de le placer au-delà de 5 ou en dessous de 1, sinon la fonction de réglage de la vitesse risque de ne plus fonctionner.

Fonctions électroniques

L'outil est muni de fonctions électroniques pour faciliter l'utilisation.

Démarrage en douceur

La fonction de démarrage en douceur minimise le choc au démarrage et permet de démarrer l'outil en douceur.

Commande de vitesse constante

Commande électronique de la vitesse pour obtenir une vitesse constante. Permet d'obtenir une finition précise puisque la vitesse de l'outil est maintenue constante même en condition de charge.

Fonction de rotation progressive à vide

Pour réduire les vibrations et aligner facilement la lame de scie sauteuse sur le trait de coupe, l'outil réduit automatiquement sa vitesse jusqu'à ce qu'il commence la coupe de la pièce lorsque le cadran de réglage de la vitesse est placé sur 2 ou plus. Une fois que l'outil commence la coupe de la pièce, sa vitesse atteint la vitesse programmée et la maintient jusqu'à ce qu'il s'arrête.

NOTE : Cette fonction peut ne pas être disponible à basse température. De plus, selon le matériau, la lame de scie sauteuse et la vitesse de l'outil, cette fonction peut ne pas être disponible.

Désactivation ou activation de la fonction de rotation progressive à vide

Pour désactiver ou activer la fonction de rotation progressive à vide, procédez comme indiqué ci-dessous.

1. Assurez-vous que l'outil est éteint.
2. Placez le cadran de réglage de la vitesse sur « 1 ».
3. Appuyez sur le bouton de blocage/déblocage pour allumer l'outil.
4. Placez le cadran de réglage de la vitesse sur « 5 » en le tournant, puis placez-le sur « 1 » en le tournant à l'envers.

La lampe clignote deux fois pour indiquer que la fonction de rotation progressive à vide est désactivée. Pour réactiver cette fonction, répétez la même procédure.

NOTE : Si la fonction de rotation progressive à vide est désactivée, la lampe clignote deux fois lorsque l'outil est allumé.

NOTE : Vous pouvez également désactiver ou activer la fonction de rotation progressive à vide en faisant passer le cadran de réglage de la vitesse de « 5 » à « 1 » et de « 1 » à « 5 ».

Frein électrique

Cet outil est équipé d'un frein électrique. Si systématiquement l'outil n'arrive pas à s'arrêter rapidement après enfoncement du bouton marche/arrêt ou du bouton de blocage/déblocage, faites réparer l'outil dans un centre de service Makita.

ASSEMBLAGE

ATTENTION : Assurez-vous toujours que l'outil est hors tension et que sa batterie est retirée avant d'effectuer toute tâche dessus.

Pose ou dépose de la lame de scie sauteuse

ATTENTION : Enlevez toujours tous les copeaux ou les corps étrangers qui adhèrent à la lame de scie sauteuse et/ou au porte-lame. Sinon, la lame de scie sauteuse risque de ne pas être assez serrée, ce qui pourrait entraîner de graves blessures corporelles.

ATTENTION : Ne touchez pas la lame de scie sauteuse ou la pièce immédiatement après le fonctionnement. Elles peuvent être extrêmement chaudes et brûler votre peau.

ATTENTION : Fixez toujours solidement la lame de scie sauteuse. Si vous ne serrez pas assez la lame de scie sauteuse, elle risque de se briser ou vous pourriez gravement vous blesser.

ATTENTION : N'utilisez qu'une lame de scie sauteuse de type B. Si vous utilisez une lame d'un autre type que B, la lame de scie sauteuse risque de ne pas être assez serrée, ce qui pourrait entraîner de graves blessures corporelles.

ATTENTION : Lorsque vous retirez la lame de scie sauteuse, prenez garde de ne pas vous blesser les doigts avec le haut de la lame de scie sauteuse ou les pointes de la pièce.

Avant d'installer la lame de scie sauteuse, veillez à ce que le taquet du serre-lame soit sur la position ouverte. Pour installer la lame de scie sauteuse, insérez la lame de scie sauteuse (dents tournées vers l'avant) dans le porte-lame de scie sauteuse. Le taquet du serre-lame bascule sur la position fermée et la lame de scie sauteuse est bloquée. Assurez-vous que le bord arrière de la lame de scie sauteuse s'engage dans le rouleau. Tirez légèrement sur la lame de scie sauteuse pour vérifier qu'elle ne risque pas de tomber en cours d'utilisation.

► **Fig.7:** 1. Porte-lame de scie sauteuse 2. Taquet du serre-lame (position ouverte) 3. Taquet du serre-lame (position fermée)

► **Fig.8:** 1. Porte-lame de scie sauteuse 2. Lame de scie sauteuse 3. Rouleau

ATTENTION : Si le taquet du serre-lame ne bascule pas sur la position fermée, la lame de scie sauteuse n'est pas complètement installée. Ne poussez pas manuellement le taquet du serre-lame sur la position fermée. Vous risqueriez d'endommager l'outil.

Pour retirer la lame de scie sauteuse, poussez le taquet du serre-lame à fond vers l'avant. Ceci permettra de déloger la lame de scie sauteuse.

► **Fig.9:** 1. Porte-lame de scie sauteuse 2. Taquet du serre-lame 3. Lame de scie sauteuse

NOTE : S'il est difficile de retirer la lame de scie sauteuse, tournez le levier de changement du mouvement de coupe sur la position « III » et déplacez le porte-lame de scie sauteuse vers le bas. Pour déplacer le porte-lame de scie sauteuse vers le bas, ramenez complètement le taquet du serre-lame en position fermée une fois et mettez légèrement l'outil sous tension plusieurs fois.

NOTE : Lubrifiez de temps en temps le rouleau.

Rangement de la clé hexagonale

Après utilisation, rangez la clé hexagonale comme indiqué sur la figure pour éviter de l'égarer.

► **Fig.10**: 1. Clé hexagonale

UTILISATION

⚠ ATTENTION : Tenez toujours la base au ras de la pièce. Sinon, la lame de scie sauteuse risque de se briser, ce qui pourrait entraîner de graves blessures.

⚠ ATTENTION : Faites progresser l'outil très lentement lors de coupes courbe ou en spirale. La lame de scie sauteuse risque de se briser et la surface de coupe risque d'être oblique si vous forcez sur l'outil.

Mettez l'outil sous tension alors que la lame de scie sauteuse ne touche à rien et attendez qu'elle atteigne sa pleine vitesse. Puis posez la base à plat sur la pièce et faites avancer délicatement l'outil le long du trait de coupe préalablement marqué.

► **Fig.11**: 1. Trait de coupe 2. Base

Coupe en biseau

⚠ ATTENTION : Assurez-vous toujours que l'outil est hors tension et que la batterie est retirée avant d'incliner la base.

En inclinant la base, vous pouvez réaliser des coupes en biseau dans un angle compris entre 0 et 45° (à gauche ou à droite).

► **Fig.12**

Desserrez le boulon au dos de la base avec la clé hexagonale. Déplacez la base de sorte que le boulon se trouve au centre de la fente en forme de croix dans la base.

► **Fig.13**: 1. Clé hexagonale 2. Boulon 3. Base

Inclinez la base jusqu'à ce que vous obteniez l'angle de coupe en biseau souhaité. Le bord du carter du moteur indique l'angle de coupe en biseau par des graduations. Puis serrez le boulon pour fixer la base.

► **Fig.14**: 1. Bord 2. Graduation

Coupes à ras avant

Desserrez le boulon au bas de la base avec la clé hexagonale et faites glisser complètement la base en arrière. Puis serrez le boulon pour fixer la base.

► **Fig.15**: 1. Clé hexagonale 2. Boulon 3. Base

Découpes

Deux méthodes s'offrent à vous pour effectuer des découpes : « Alésage d'un trou de départ » ou « Coupe en plongée ».

Alésage d'un trou de départ

Pour les découpes internes sans coupe initiale depuis un bord, percez d'abord un trou de départ de 12 mm ou plus de diamètre. Insérez la lame de scie sauteuse dans ce trou pour commencer votre coupe.

► **Fig.16**

Coupe en plongée

Il n'est pas nécessaire d'aléser un trou de départ ou de faire une coupe initiale si vous procédez avec soin comme suit.

1. Mettez en contact le bord avant de la base avec la pièce et inclinez l'outil avec la pointe de la lame de scie sauteuse placée juste au-dessus de la surface de la pièce.

2. Exercez une pression sur l'outil de sorte que le bord avant de la base ne bouge pas lorsque vous mettez l'outil sous tension et abaissez délicatement et lentement l'arrière de l'outil.

3. À mesure que la lame de scie sauteuse perce la pièce, abaissez lentement la base de l'outil sur la surface de la pièce.

4. Terminez la coupe normalement.

► **Fig.17**

Finition des bords

Pour profiler des bords ou ajuster les dimensions, passez légèrement la lame de scie sauteuse le long des bords coupés.

► **Fig.18**

Coupe du métal

Utilisez toujours un réfrigérant adapté (huile de coupe) quand vous sciez du métal. Sinon, la lame de scie sauteuse s'usera considérablement. Le dessous de la pièce peut être lubrifié au lieu d'utiliser un réfrigérant.

Aspiration de la poussière

Pose ou dépose du pare-poussière

Installez le pare-poussière comme illustré sur la figure.

► **Fig.19**: 1. Pare-poussière

Pour retirer le pare-poussière, appuyez sur un de ses côtés, puis retirez-le comme illustré sur la figure.

► **Fig.20**: 1. Pare-poussière

Pose ou dépose du raccord à poussière

Vous pouvez connecter cet outil à un aspirateur Makita en fixant le raccord à poussière.

Insérez le raccord à poussière à fond dans l'outil.

► **Fig.21:** 1. Raccord à poussière

Pour retirer le raccord à poussière, tirez dessus tout en appuyant sur le bouton du raccord à poussière.

► **Fig.22:** 1. Bouton 2. Raccord à poussière

Raccordement de l'outil à l'aspirateur

Raccordez le tuyau de l'aspirateur au raccord à poussière.

► **Fig.23**

Guide parallèle

Accessoire en option

⚠ATTENTION : Assurez-vous toujours que l'outil est hors tension et que la batterie est retirée avant de poser ou de retirer des accessoires.

Coupes rectilignes

Lorsque vous coupez de manière répétée des largeurs de 160 mm ou moins, l'utilisation du guide parallèle garantira des coupes rapides, propres et rectilignes.

► **Fig.24:** 1. Guide parallèle (règle de guidage)

Pour l'installer, insérez la partie barre dans l'orifice carré de la base avec la partie guide tournée vers le bas.

Faites glisser le guide parallèle sur la position de largeur de coupe souhaitée, puis serrez le boulon pour le fixer.

► **Fig.25:** 1. Clé hexagonale 2. Boulon 3. Guide parallèle (règle de guidage)

Coupes circulaires

Lorsque vous coupez des cercles ou des arcs de 170 mm ou moins de rayon, installez le guide parallèle comme suit.

► **Fig.26:** 1. Guide parallèle (règle de guidage)

⚠ATTENTION : Ne touchez pas la pointe de la goupille du guide circulaire. La pointe acérée de la goupille du guide circulaire est source de blessure.

1. Insérez la partie barre dans l'orifice carré de la base avec la partie guide tournée vers le haut.
2. Insérez la goupille du guide circulaire par l'un des deux orifices sur la partie guide. Vissez le pommeau fileté sur la goupille du guide circulaire afin de maintenir en place la goupille du guide circulaire.
► **Fig.27:** 1. Pommeau fileté 2. Guide parallèle (règle de guidage) 3. Goupille du guide circulaire 4. Boulon 5. Clé hexagonale

3. Faites glisser le guide parallèle sur le rayon de coupe souhaité, puis serrez le boulon pour le fixer en place.

NOTE : Utilisez toujours des lames de scie sauteuse numéro B-17, B-18, B-26 ou B-27 lors de la coupe de cercles ou arcs.

Dispositif anti-éclatement

Accessoire en option

⚠ATTENTION : Le dispositif anti-éclatement ne peut pas être utilisé si vous réalisez des coupes en biseau.

Utilisez le dispositif anti-éclatement pour garantir des coupes sans éclats. Pour installer le dispositif anti-éclatement, déplacez la base de l'outil complètement vers l'avant et insérez-le par l'arrière de la base de l'outil. Lorsque vous utilisez la semelle, installez le dispositif anti-éclatement sur la semelle.

► **Fig.28:** 1. Base 2. Dispositif anti-éclatement

Semelle

Utilisez la semelle pour découper des placages décoratifs, du plastique, etc. Elle protège les surfaces sensibles ou délicates des dommages. Placez-la au bas de la base de l'outil.

► **Fig.29:** 1. Semelle 2. Base

Ensemble de l'adaptateur pour rail de guidage

Accessoire en option

Lors de coupes de largeurs parallèles et uniformes ou de coupes droites, l'utilisation du rail de guidage et de l'adaptateur pour rail de guidage garantit des coupes rapides et propres. Pour installer l'adaptateur pour rail de guidage, insérez la règle à fond dans l'orifice carré de la base. Fixez solidement le boulon avec la clé hexagonale.

► **Fig.30:** 1. Clé hexagonale 2. Règle 3. Boulon

Insérez la règle dans l'orifice carré de l'adaptateur pour rail de guidage et fixez fermement la vis. Placez l'adaptateur pour rail de guidage sur le rail de guidage.

► **Fig.31:** 1. Adaptateur pour rail de guidage 2. Rail de guidage 3. Vis

REMARQUE : Utilisez toujours des lames de scie sauteuse N° B-8, B-13, B-16, B-17 ou 58 lorsque vous utilisez le rail de guidage et l'adaptateur pour rail de guidage.

ENTRETIEN

⚠ATTENTION : Assurez-vous toujours que l'outil est hors tension et que la batterie est retirée avant d'y effectuer tout travail d'inspection ou d'entretien.

REMARQUE : N'utilisez jamais d'essence, benzine, diluant, alcool ou autre produit similaire. Cela risquerait de provoquer la décoloration, la déformation ou la fissuration de l'outil.

Pour assurer la SÉCURITÉ et la FIABILITÉ du produit, toute réparation, tout travail d'entretien ou de réglage doivent être effectués par un centre d'entretien Makita agréé, avec des pièces de rechange Makita.

ACCESSOIRES EN OPTION

⚠ ATTENTION : Ces accessoires ou pièces complémentaires sont recommandés pour l'utilisation avec l'outil Makita spécifié dans ce mode d'emploi. L'utilisation de tout autre accessoire ou pièce complémentaire peut comporter un risque de blessure. N'utilisez les accessoires ou pièces complémentaires qu'aux fins auxquelles ils ont été conçus.

Pour obtenir plus de détails sur ces accessoires, contactez votre centre d'entretien local Makita.

- Lames de scie sauteuse
- Ensemble du guide parallèle (règle de guidage)
- Ensemble de l'adaptateur pour rail de guidage
- Dispositif anti-éclatement
- Semelle
- Raccord à poussière
- Pare-poussière
- Batterie et chargeur Makita d'origine

NOTE : Il se peut que certains éléments de la liste soient compris dans l'emballage de l'outil en tant qu'accessoires standard. Ils peuvent varier d'un pays à l'autre.

TECHNISCHE DATEN

Modell:		DJV185
Hublänge		23 mm
Hubzahl pro Minute		800 - 3.000 min ⁻¹
Sägeblatttyp		Typ B
Max. Schnitttiefen	Holz	135 mm
	Weichstahl	10 mm
	Aluminium	20 mm
Gesamtlänge (mit BL1860B)		259 mm
Nennspannung		Gleichstrom 18 V
Nettogewicht		2,0 - 2,3 kg

- Wir behalten uns vor, Änderungen der technischen Daten im Zuge der Entwicklung und des technischen Fortschritts ohne vorherige Ankündigung vorzunehmen.
- Die technischen Daten können von Land zu Land unterschiedlich sein.
- Das Gewicht kann abhängig von dem Aufsatz (den Aufsätzen), einschließlich des Akkus, unterschiedlich sein. Die leichteste und die schwerste Kombination, gemäß dem EPTA-Verfahren 01/2014, sind in der Tabelle angegeben.

Zutreffende Akkus und Ladegeräte

Akku	BL1815N / BL1820B / BL1830B / BL1840B / BL1850B / BL1860B
Ladegerät	DC18RC / DC18RD / DC18RE / DC18SD / DC18SE / DC18SF / DC18SH / DC18WC

- Einige der oben aufgelisteten Akkus und Ladegeräte sind je nach Ihrem Wohngebiet eventuell nicht erhältlich.

⚠️ WARNUNG: Verwenden Sie nur die oben aufgeführten Akkus und Ladegeräte. Bei Verwendung irgendwelcher anderer Akkus und Ladegeräte besteht Verletzungs- und/oder Brandgefahr.

Verwendungszweck

Das Werkzeug ist zum Sägen von Holz, Kunststoff und Metallmaterial vorgesehen.

Geräusch

Typischer A-bewerteter Geräuschpegel ermittelt gemäß EN62841-2-11:

Schalldruckpegel (L_{pA}): 87 dB (A)

Schallleistungspegel (L_{WA}): 95 dB (A)

Messunsicherheit (K): 3 dB (A)

HINWEIS: Der (Die) angegebene(n) Schallemissionswert(e) wurde(n) im Einklang mit der Standardprüfmethode gemessen und kann (können) für den Vergleich zwischen Werkzeugen herangezogen werden.

HINWEIS: Der (Die) angegebene(n) Schallemissionswert(e) kann (können) auch für eine Vorbewertung des Gefährdungsgrads verwendet werden.

⚠️ WARNUNG: Einen Gehörschutz tragen.

⚠️ WARNUNG: Die Schallemission während der tatsächlichen Benutzung des Elektrowerkzeugs kann je nach der Benutzungsweise des Werkzeugs, und speziell je nach der Art des bearbeiteten Werkstücks, von dem (den) angegebenen Wert(en) abweichen.

⚠️ WARNUNG: Identifizieren Sie Sicherheitsmaßnahmen zum Schutz des Benutzers anhand einer Schätzung des Gefährdungsgrads unter den tatsächlichen Benutzungsbedingungen (unter Berücksichtigung aller Phasen des Arbeitszyklus, wie z. B. Ausschalt- und Leerlaufzeiten des Werkzeugs zusätzlich zur Betriebszeit).

Schwingungen

Schwingungsgesamtwert (Drei-Achsen-Vektorsumme) ermittelt gemäß EN62841-2-11:

Arbeitsmodus: Schneiden von Brettern

Schwingungsemission ($a_{h,B}$): 10,3 m/s²

Messunsicherheit (K): 1,7 m/s²

Arbeitsmodus: Schneiden von Blechen

Schwingungsemission ($a_{h,M}$): 9,0 m/s²

Messunsicherheit (K): 1,5 m/s²

HINWEIS: Der (Die) angegebene(n) Vibrationsgesamtwert(e) wurde(n) im Einklang mit der Standardprüfmethode gemessen und kann (können) für den Vergleich zwischen Werkzeugen herangezogen werden.

HINWEIS: Der (Die) angegebene(n) Vibrationsgesamtwert(e) kann (können) auch für eine Vorbewertung des Gefährdungsgrads verwendet werden.

⚠️ WARNUNG: Die Vibrationsemission während der tatsächlichen Benutzung des Elektrowerkzeugs kann je nach der Benutzungsweise des Werkzeugs, und speziell je nach der Art des bearbeiteten Werkstücks, von dem (den) angegebenen Emissionswert(en) abweichen.

⚠️ WARNUNG: Identifizieren Sie Sicherheitsmaßnahmen zum Schutz des Benutzers anhand einer Schätzung des Gefährdungsgrads unter den tatsächlichen Benutzungsbedingungen (unter Berücksichtigung aller Phasen des Arbeitszyklus, wie z. B. Ausschalt- und Leerlaufzeiten des Werkzeugs zusätzlich zur Betriebszeit).

Konformitätserklärungen

Nur für europäische Länder

Die Konformitätserklärungen sind in Anhang A dieser Betriebsanleitung enthalten.

SICHERHEITSWARNUNGEN

Allgemeine Sicherheitswarnungen für Elektrowerkzeuge

⚠️ WARNUNG Lesen Sie alle Sicherheitshinweise, Anweisungen, Abbildungen und Spezifikationen, die diesem Elektrowerkzeug beiliegen. Eine Missachtung der unten aufgeführten Anweisungen kann zu einem elektrischen Schlag, Brand und/oder schweren Verletzungen führen.

Bewahren Sie alle Warnungen und Anweisungen für spätere Bezugnahme auf.

Der Ausdruck „Elektrowerkzeug“ in den Warnhinweisen bezieht sich auf Ihr mit Netzstrom (mit Kabel) oder Akku (ohne Kabel) betriebenes Elektrowerkzeug.

Sicherheitswarnungen für Akku-Stichsäge

1. Halten Sie das Elektrowerkzeug an den isolierten Griffflächen, wenn Sie Arbeiten ausführen, bei denen die Gefahr besteht, dass das Schneidwerkzeug verborgene Kabel kontaktiert. Bei Kontakt mit einem Strom führenden Kabel können die freiliegenden Metallteile des Elektrowerkzeugs ebenfalls Strom führend werden, so dass der Benutzer einen elektrischen Schlag erleiden kann.

2. Verwenden Sie Klemmen oder eine andere praktische Methode, um das Werkstück auf einer stabilen Unterlage zu sichern und abzustützen. Wenn Sie das Werkstück nur von Hand oder gegen Ihren Körper halten, befindet es sich in einer instabilen Lage, die zum Verlust der Kontrolle führen kann.
3. Tragen Sie stets eine Sicherheits- oder Schutzbrille. Eine gewöhnliche Brille oder Sonnenbrille ist KEIN Ersatz für eine Sicherheitsbrille.
4. Vermeiden Sie das Schneiden von Nägeln. Untersuchen Sie das Werkstück auf Nägel, und entfernen Sie diese vor der Bearbeitung.
5. Schneiden Sie keine übergroßen Werkstücke.
6. Vergewissern Sie sich vor dem Schneiden, dass genügend Platz um das Werkstück vorhanden ist, damit das Stichsägeblatt nicht auf den Boden, die Werkbank usw. trifft.
7. Halten Sie das Werkzeug mit festem Griff.
8. Vergewissern Sie sich vor dem Einschalten des Schalters, dass das Stichsägeblatt nicht das Werkstück berührt.
9. Halten Sie die Hände von beweglichen Teilen fern.
10. Lassen Sie das Werkzeug nicht unbeaufsichtigt laufen. Benutzen Sie das Werkzeug nur im handgeführten Einsatz.
11. Schalten Sie das Werkzeug stets aus, und warten Sie, bis das Stichsägeblatt zum vollständigen Stillstand kommt, bevor Sie das Stichsägeblatt aus dem Werkstück entfernen.
12. Vermeiden Sie eine Berührung des Stichsägeblatts oder des Werkstücks unmittelbar nach der Bearbeitung, weil sie dann möglicherweise noch sehr heiß sind und Hautverbrennungen verursachen können.
13. Lassen Sie das Werkzeug nicht unnötig im Leerlauf laufen.
14. Manche Materialien können giftige Chemikalien enthalten. Treffen Sie Vorsichtsmaßnahmen, um das Einatmen von Arbeitsstaub und Hautkontakt zu verhindern. Befolgen Sie die Sicherheitsdaten des Materiallieferanten.
15. Verwenden Sie stets die korrekte Staubschutz-/Atemmaske für das jeweilige Material und die Anwendung.

BEWAHREN SIE DIESE ANLEITUNG AUF.

⚠️ WARNUNG: Lassen Sie sich NICHT durch Bequemlichkeit oder Vertrautheit mit dem Produkt (durch wiederholten Gebrauch erworben) von der strikten Einhaltung der Sicherheitsregeln für das vorliegende Produkt abhalten. MISSBRAUCH oder Missachtung der Sicherheitsvorschriften in dieser Anleitung können schwere Personenschäden verursachen.

Wichtige Sicherheitsanweisungen für Akku

1. **Lesen Sie vor der Benutzung des Akkus alle Anweisungen und Warnhinweise, die an (1) Ladegerät, (2) Akku und (3) Akkuwerkzeuge angebracht sind.**
2. **Unterlassen Sie Zerlegen oder Manipulieren des Akkus.** Es kann sonst zu einem Brand, übermäßiger Hitzeentwicklung oder einer Explosion kommen.
3. **Falls die Betriebszeit beträchtlich kürzer geworden ist, stellen Sie den Betrieb sofort ein.** Andernfalls besteht die Gefahr von Überhitzung, möglichen Verbrennungen und sogar einer Explosion.
4. **Falls Elektrolyt in Ihre Augen gelangt, waschen Sie sie mit sauberem Wasser aus, und begeben Sie sich unverzüglich in ärztliche Behandlung.** Andernfalls können Sie Ihre Sehkraft verlieren.
5. **Der Akku darf nicht kurzgeschlossen werden:**
 - (1) **Die Kontakte dürfen nicht mit leitfähigem Material berührt werden.**
 - (2) **Lagern Sie den Akku nicht in einem Behälter zusammen mit anderen Metallgegenständen, wie z. B. Nägel, Münzen usw.**
 - (3) **Setzen Sie den Akku weder Wasser noch Regen aus.**

Ein Kurzschluss des Akkus verursacht starken Stromfluss, der Überhitzung, mögliche Verbrennungen und einen Defekt zur Folge haben kann.

6. **Lagern und benutzen Sie das Werkzeug und den Akku nicht an Orten, an denen die Temperatur 50 °C erreichen oder überschreiten kann.**
7. **Versuchen Sie niemals, den Akku zu verbrennen, selbst wenn er stark beschädigt oder vollkommen verbraucht ist. Der Akku kann im Feuer explodieren.**
8. **Unterlassen Sie Nageln, Schneiden, Zerquetschen, Werfen, Fallenlassen des Akkus oder Schlagen des Akkus mit einem harten Gegenstand.** Eine solche Handlung kann zu einem Brand, übermäßiger Hitzeentwicklung oder einer Explosion führen.
9. **Benutzen Sie keine beschädigten Akkus.**
10. **Die enthaltenen Lithium-Ionen-Akkus unterliegen den Anforderungen der Gefahrgut-Gesetzgebung.** Für kommerzielle Transporte, z. B. durch Dritte oder Spediteure, müssen besondere Anforderungen zu Verpackung und Etikettierung beachtet werden. Zur Vorbereitung des zu transportierenden Artikels ist eine Beratung durch einen Experten für Gefahrgut erforderlich. Bitte beachten Sie möglicherweise ausführlichere nationale Vorschriften. Überkleben oder verdecken Sie offene Kontakte, und verpacken Sie den Akku so, dass er sich in der Verpackung nicht umher bewegen kann.
11. **Entfernen Sie den Akku zum Entsorgen vom Werkzeug, und entsorgen Sie ihn an einem sicheren Ort. Befolgen Sie die örtlichen Vorschriften bezüglich der Entsorgung von Akkus.**

12. **Verwenden Sie die Akkus nur mit den von Makita angegebenen Produkten.** Das Einsetzen der Akkus in nicht konforme Produkte kann zu einem Brand, übermäßiger Hitzebildung, einer Explosion oder Auslaufen von Elektrolyt führen.
13. **Soll das Werkzeug längere Zeit nicht benutzt werden, muss der Akku vom Werkzeug entfernt werden.**
14. **Bei und nach dem Gebrauch kann der Akku heiß werden, was Verbrennungen oder Niedertemperaturverbrennungen verursachen kann.** Beachten Sie die Handhabung von heißen Akkus.
15. **Berühren Sie nicht den Anschlusskontakt des Werkzeugs unmittelbar nach dem Gebrauch, da er heiß genug werden kann, um Verbrennungen zu verursachen.**
16. **Achten Sie darauf, dass sich keine Späne, Staub oder Schmutz in den Anschlusskontakten, Löchern und Nuten des Akkus absetzen.** Es könnte sonst zu Erhitzung, Brandauslösung, Bersten und Funktionsstörungen des Werkzeugs oder des Akkus kommen, was zu Verbrennungen oder Personenschäden führen kann.
17. **Wenn das Werkzeug den Einsatz in der Nähe einer Hochspannungs-Stromleitung nicht unterstützt, benutzen Sie den Akku nicht in der Nähe einer Hochspannungs-Stromleitung.** Dies kann zu einer Funktionsstörung oder Betriebsstörung des Werkzeugs oder des Akkus führen.
18. **Halten Sie die Batterie von Kindern fern.**

DIESE ANWEISUNGEN AUFBEWAHREN.

⚠ VORSICHT: Verwenden Sie nur Original-Makita-Akkus. Die Verwendung von Nicht-Original-Makita-Akkus oder von Akkus, die abgeändert worden sind, kann zum Bersten des Akkus und daraus resultierenden Bränden, Personenschäden und Beschädigung führen. Außerdem wird dadurch die Makita-Garantie für das Makita-Werkzeug und -Ladegerät ungültig.

Hinweise zur Aufrechterhaltung der maximalen Akku-Nutzungsdauer

1. **Laden Sie den Akku, bevor er vollkommen erschöpft ist. Schalten Sie das Werkzeug stets aus, und laden Sie den Akku, wenn Sie ein Nachlassen der Werkzeugleistung feststellen.**
2. **Unterlassen Sie erneutes Laden eines voll aufgeladenen Akkus. Überladen führt zu einer Verkürzung der Nutzungsdauer des Akkus.**
3. **Laden Sie den Akku bei Raumtemperatur zwischen 10 – 40 °C. Lassen Sie einen heißen Akku abkühlen, bevor Sie ihn laden.**
4. **Wenn Sie den Akku nicht benutzen, nehmen Sie ihn vom Werkzeug oder Ladegerät ab.**
5. **Der Akku muss geladen werden, wenn er lange Zeit (länger als sechs Monate) nicht benutzt wird.**

FUNKTIONSBESCHREIBUNG

⚠ VORSICHT: Vergewissern Sie sich vor der Durchführung von Einstellungen oder Funktionsprüfungen des Werkzeugs stets, dass das Werkzeug ausgeschaltet und der Akku abgenommen ist.

Anbringen und Abnehmen des Akkus

⚠ VORSICHT: Schalten Sie das Werkzeug stets aus, bevor Sie den Akku anbringen oder abnehmen.

⚠ VORSICHT: Halten Sie das Werkzeug und den Akku beim Anbringen oder Abnehmen des Akkus sicher fest. Wenn Sie das Werkzeug und den Akku nicht sicher festhalten, können sie Ihnen aus der Hand rutschen, was zu einer Beschädigung des Werkzeugs und des Akkus und zu Körperverletzungen führen kann.

Richten Sie zum Anbringen des Akkus dessen Führungsfeder auf die Nut im Gehäuse aus, und schieben Sie den Akku hinein. Schieben Sie ihn vollständig ein, bis er mit einem leisen Klicken einrastet. Wenn Sie die rote Anzeige sehen können, wie in der Abbildung gezeigt, ist der Akku nicht vollständig verriegelt.

Ziehen Sie den Akku zum Abnehmen vom Werkzeug ab, während Sie den Knopf an der Vorderseite des Akkus verschieben.

► **Abb.1:** 1. Rote Anzeige 2. Knopf 3. Akku

⚠ VORSICHT: Schieben Sie den Akku stets bis zum Anschlag ein, bis die rote Anzeige nicht mehr sichtbar ist. Anderenfalls kann er aus dem Werkzeug herausfallen und Sie oder umstehende Personen verletzen.

⚠ VORSICHT: Unterlassen Sie Gewaltanwendung beim Anbringen des Akkus. Falls der Akku nicht reibungslos hineingleitet, ist er nicht richtig ausgerichtet.

Werkzeug/Akku-Schutzsystem

Das Werkzeug ist mit einem Werkzeug/Akku-Schutzsystem ausgestattet. Dieses System schaltet die Stromversorgung des Motors automatisch ab, um die Lebensdauer von Werkzeug und Akku zu verlängern. Das Werkzeug bleibt während des Betriebs automatisch stehen, wenn das Werkzeug oder der Akku einer der folgenden Bedingungen unterliegt:

Überlastschutz

Wird das Werkzeug oder der Akku auf eine Weise benutzt, die eine ungewöhnlich hohe Stromaufnahme bewirkt, bleibt das Werkzeug ohne jegliche Anzeige automatisch stehen. Schalten Sie in dieser Situation das Werkzeug aus, und brechen Sie die Anwendung ab, die eine Überlastung des Werkzeugs verursacht hat. Schalten Sie dann das Werkzeug wieder ein, um es neu zu starten.

Überhitzungsschutz

Wenn das Werkzeug oder der Akku überhitzt wird, bleibt das Werkzeug automatisch stehen, und die Lampe beginnt zu blinken. Lassen Sie das Werkzeug und den Akku in diesem Fall abkühlen, bevor Sie das Werkzeug wieder einschalten.

Überentladungsschutz

Wenn die Akkukapazität unzureichend wird, bleibt das Werkzeug automatisch stehen. Nehmen Sie in diesem Fall den Akku vom Werkzeug ab, und laden Sie ihn auf.

Schutz gegen andere Ursachen

Das Schutzsystem ist auch für andere Ursachen ausgelegt, die eine Beschädigung des Werkzeugs bewirken könnten, und lässt das Werkzeug automatisch anhalten. Ergreifen Sie alle folgenden Maßnahmen, um die Ursachen zu beseitigen, wenn das Werkzeug vorübergehend zum Stillstand gekommen ist oder im Betrieb stehen geblieben ist.

1. Schalten Sie das Werkzeug aus und dann wieder ein, um es neu zu starten.
2. Laden Sie den/die Akku(s) auf oder tauschen Sie ihn/sie durch einen aufgeladenen Akku/aufgeladene Akkus aus.
3. Lassen Sie das Werkzeug und den/die Akku(s) abkühlen.

Falls durch die Wiederherstellung des Schutzsystems keine Besserung eintritt, wenden Sie sich an Ihre lokale Makita-Kundendienststelle.

Anzeigen der Akku-Restkapazität

Nur für Akkus mit Anzeige

Drücken Sie die Prüftaste am Akku, um die Akku-Restkapazität anzuzeigen. Die Anzeigelampen leuchten wenige Sekunden lang auf.

► **Abb.2:** 1. Anzeigelampen 2. Prüftaste

Anzeigelampen			Restkapazität
Erleuchtet	Aus	Blinkend	
			75% bis 100%
			50% bis 75%
			25% bis 50%
			0% bis 25%
			Den Akku aufladen.
			Möglicherweise liegt eine Funktionsstörung im Akku vor.

HINWEIS: Abhängig von den Benutzungsbedingungen und der Umgebungstemperatur kann die Anzeige geringfügig von der tatsächlichen Kapazität abweichen.

HINWEIS: Die erste (äußerste linke) Anzeigelampe blinkt, wenn das Akku-Schutzsystem aktiv ist.

Wahl der Schnittbewegung

Dieses Werkzeug kann mit einer kreisförmigen oder geradlinigen (auf und ab) Schnittbewegung betrieben werden. Bei kreisförmiger Schnittbewegung wird das Sticksägeblatt vorgeschoben, wodurch die Schnittgeschwindigkeit erhöht wird.

► **Abb.3:** 1. Schnittbewegungs-Umschalthebel

Um die Schnittbewegung zu wechseln, stellen Sie den Schnittbewegungs-Umschalthebel auf die Position der gewünschten Schnittbewegung. Wählen Sie die geeignete Schnittbewegung anhand der Tabelle aus.

Position	Schnittbewegung	Anwendungen
0	Geradlinige Schnittbewegung	Zum Schneiden von Weichstahl, Edelstahl und Kunststoffen. Für saubere Schnitte in Holz und Sperrholz.
I	Kleine kreisförmige Schnittbewegung	Zum Schneiden von Weichstahl, Aluminium und Hartholz.
II	Mittelgroße kreisförmige Schnittbewegung	Zum Schneiden von Holz und Sperrholz. Für schnelles Schneiden in Aluminium und Weichstahl.
III	Große kreisförmige Schnittbewegung	Für schnelles Schneiden in Holz und Sperrholz.

Einschalten der Frontlampe

⚠ VORSICHT: Blicken Sie nicht direkt in die Lampe oder die Lichtquelle.

Zum Einschalten der Lampe drücken Sie die Ver-/Entriegelungstaste. Zum Ausschalten der Lampe drücken Sie die Ver-/Entriegelungstaste erneut.

► **Abb.4:** 1. Lampe 2. Ver-/Entriegelungstaste

ANMERKUNG: Bei Überhitzung des Werkzeugs blinkt die Lampe. Lassen Sie das Werkzeug vollständig abkühlen, bevor Sie es wieder in Betrieb nehmen.

HINWEIS: Wischen Sie Schmutz auf der Lampenlinse mit einem trockenen Tuch ab. Achten Sie sorgfältig darauf, dass Sie die Lampenlinse nicht verkratzen, weil sich sonst die Lichtstärke verringert.

Schalterfunktion

Drücken Sie zum Einschalten des Werkzeugs die Ver-/Entriegelungstaste. Das Werkzeug wird in den Bereitschaftsmodus versetzt. Drücken Sie zum Starten des Werkzeugs die Start/Stopp-Taste im Bereitschaftsmodus. Zum Stoppen des Werkzeugs drücken Sie die Start/Stopp-Taste erneut. Das Werkzeug wird in den Bereitschaftsmodus versetzt. Drücken Sie zum Ausschalten des Werkzeugs die Ver-/Entriegelungstaste im Bereitschaftsmodus.

► **Abb.5:** 1. Ver-/Entriegelungstaste 2. Start/Stopp-Taste

HINWEIS: Bleibt das Werkzeug etwa 10 Sekunden lang ohne Bedienung im Bereitschaftsmodus, schaltet es sich automatisch aus, und die Lampe erlischt.

HINWEIS: Sie können das Werkzeug auch anhalten und ausschalten, indem Sie die Ver-/Entriegelungstaste während des Betriebs des Werkzeugs drücken.

Um die Helligkeit der Lampe zu verringern, halten Sie die Ver-/Entriegelungstaste gedrückt, wenn Sie in den Bereitschaftsmodus wechseln. Etwa 1 Sekunde nach Beginn des Drückens der Ver-/Entriegelungstaste beginnt die Helligkeit der Lampe abzunehmen. Lassen Sie die Ver-/Entriegelungstaste los, wenn Sie die gewünschte Helligkeit erreicht haben. Dadurch wird das Werkzeug auch in den Bereitschaftsmodus versetzt. Etwa 3 Sekunden nach Beginn des Drückens der Ver-/Entriegelungstaste wird die Helligkeit der Lampe auf ein Minimum reduziert, und danach ändert sich die Helligkeit nicht mehr.

HINWEIS: Die Helligkeit der Lampe kann nicht eingestellt werden, wenn sich das Werkzeug im Bereitschaftsmodus befindet. Schalten Sie das Werkzeug aus, um die Helligkeit der Lampe einzustellen.

HINWEIS: Es gibt keine Speicherfunktion für die Helligkeit der Lampe. Wenn Sie die Lampe aus- und wieder einschalten, wird die Helligkeit der Lampe jedes Mal maximiert.

Hubzahl-Stellrad

Die Hubzahl kann durch Drehen des Hubzahl-Stellrads eingestellt werden. Die höchste Hubzahl erhalten Sie bei „5“, und die niedrigste bei „1“.

► **Abb.6:** 1. Hubzahl-Stellrad

Wählen Sie anhand der Tabelle eine für das zu schneidende Werkstück geeignete Hubzahl aus. Die korrekte Hubzahl kann jedoch je nach der Art oder Dicke des Werkstücks unterschiedlich sein. Im Allgemeinen erlauben höhere Hubzahlen schnelleres Schneiden von Werkstücken, aber die Lebensdauer des Sticksägeblatts wird verringert.

Werkstück	Nummer
Holz	4 - 5
Weichstahl	3 - 5
Edelstahl	3 - 4
Aluminium	3 - 5
Kunststoffe	1 - 4

ANMERKUNG: Das Hubzahl-Stellrad lässt sich nur bis 5 und zurück auf 1 drehen. Wird es gewaltsam über 5 oder 1 hinaus gedreht, kann die Hubzahleinstellfunktion unbrauchbar werden.

Elektronikfunktionen

Das Werkzeug ist für komfortablen Betrieb mit Elektronikfunktionen ausgestattet.

Sanftanlauf

Die Sanftanlauf-Funktion reduziert Anlaufstöße auf ein Minimum und bewirkt ruckfreies Anlaufen des Werkzeugs.

Konstanthubzahlregelung

Elektronische Hubzahlregelung zur Aufrechterhaltung einer konstanten Hubzahl. Feine Oberflächengüte wird ermöglicht, weil die Hubzahl selbst unter Belastung konstant gehalten wird.

Nulllast-Sanfthubfunktion

Um die Vibrationen zu verringern und das Sticksägeblatt problemlos auf die Schnittlinie auszurichten, verringert das Werkzeug die Hubzahl automatisch, bis das Werkzeug mit dem Schneiden des Werkstücks beginnt, wenn das Hubzahl-Stellrad auf 2 oder höher eingestellt ist. Sobald das Werkzeug mit dem Schneiden des Werkstücks beginnt, erreicht die Hubzahl den voreingestellten Wert, der bis zum Anhalten des Werkzeugs beibehalten wird.

HINWEIS: Bei niedriger Temperatur ist diese Funktion eventuell nicht verfügbar. Je nach Material, Sticksägeblatt und Hubzahl kann diese Funktion auch nicht verfügbar sein.

Deaktivieren oder Aktivieren der Nulllast-Sanfthubfunktion

Um die Nulllast-Sanfthubfunktion zu deaktivieren oder zu aktivieren, folgen Sie den nachstehenden Schritten.

1. Vergewissern Sie sich, dass das Werkzeug ausgeschaltet ist.
2. Stellen Sie das Hubzahl-Stellrad auf „1“.
3. Drücken Sie die Ver-/Entriegelungstaste, um das Werkzeug einzuschalten.
4. Stellen Sie das Hubzahl-Stellrad durch Vorwärtsdrehen auf „5“, und dann durch Zurückdrehen auf „1“.

Die Lampe blinkt zweimal, um anzuzeigen, dass die Nulllast-Sanfthubfunktion deaktiviert ist. Um diese Funktion wieder zu aktivieren, führen Sie das gleiche Verfahren erneut durch.

HINWEIS: Ist die Nulllast-Sanfthubfunktion deaktiviert, blinkt die Lampe beim Einschalten des Werkzeugs zweimal.

HINWEIS: Sie können die Nulllast-Sanfthubfunktion auch deaktivieren oder aktivieren, indem Sie das Hubzahl-Stellrad von „5“ auf „1“ und von „1“ auf „5“ drehen.

Elektrische Bremse

Dieses Werkzeug ist mit einer elektrischen Bremse ausgestattet. Falls das Werkzeug ständig nicht sofort anhält, nachdem die Start/Stopp-Taste oder die Ver-/Entriegelungstaste gedrückt wurde, lassen Sie das Werkzeug in einem Makita Service-Center warten.

MONTAGE

⚠ VORSICHT: Vergewissern Sie sich vor der Ausführung von Arbeiten am Werkzeug stets, dass das Werkzeug ausgeschaltet und der Akku abgenommen ist.

Montieren und Demontieren des Sticksägeblatts

⚠ VORSICHT: Säubern Sie das Sticksägeblatt und/oder den Sägeblatthalter stets von anhaftenden Spänen oder Fremdkörpern. Anderenfalls lässt sich das Sticksägeblatt möglicherweise nicht fest genug einspannen, was schwere Personenschäden zur Folge haben kann.

⚠ VORSICHT: Berühren Sie das Sticksägeblatt oder das Werkstück nicht unmittelbar nach dem Arbeitsvorgang. Die Teile können sehr heiß sein und Hautverbrennungen verursachen.

⚠ VORSICHT: Ziehen Sie das Sticksägeblatt stets fest an. Unzureichendes Anziehen des Sticksägeblatts kann zu Sägeblattbruch oder schweren Personenschäden führen.

⚠ VORSICHT: Verwenden Sie nur Sticksägeblätter des Typs B. Die Verwendung von anderen Sägeblättern außer solchen des Typs B verursacht unzureichende Befestigung des Sticksägeblatts, was zu schweren Personenschäden führen kann.

⚠ VORSICHT: Achten Sie beim Entfernen des Sticksägeblatts darauf, dass Sie sich nicht die Finger an der Oberkante des Sticksägeblatts oder den Spitzen des Werkstücks verletzen.

Vergewissern Sie sich vor dem Anbringen des Sticksägeblatts, dass sich der Sägeblatt-Spannhebel in der gelösten Stellung befindet.

Führen Sie das Sticksägeblatt zum Anbringen (mit den Zähnen nach vorn gerichtet) in den Sticksägeblatthalter ein. Der Sägeblatt-Spannhebel bewegt sich auf die fixierte Stellung, und das Sticksägeblatt wird verriegelt. Vergewissern Sie sich, dass die Hinterkante des Sticksägeblatts in der Rolle sitzt. Ziehen Sie leicht am Sticksägeblatt, um sicherzugehen, dass es während des Betriebs nicht herausfällt.

► **Abb.7:** 1. Sticksägeblatthalter 2. Sägeblatt-Spannhebel (gelöste Stellung) 3. Sägeblatt-Spannhebel (fixierte Stellung)

► **Abb.8:** 1. Sticksägeblatthalter 2. Sticksägeblatt 3. Rolle

⚠ VORSICHT: Falls sich der Sägeblatt-Spannhebel nicht auf die fixierte Stellung bewegt, ist das Sticksägeblatt nicht vollständig montiert. Drücken Sie den Sägeblatt-Spannhebel nicht von Hand auf die fixierte Stellung. Dadurch kann das Werkzeug beschädigt werden.

Um das Sticksägeblatt zu entfernen, schieben Sie den Sägeblatt-Spannhebel bis zum Anschlag nach vorn. Dadurch wird das Sticksägeblatt freigegeben.

► **Abb.9:** 1. Sticksägeblatthalter 2. Sägeblatt-Spannhebel 3. Sticksägeblatt

HINWEIS: Falls sich das Sticksägeblatt nur schwer entfernen lässt, drehen Sie den Schnittbewegungs-Umschalthebel auf die Position „III“, und schieben Sie den Sticksägeblatthalter nach unten. Um den Sticksägeblatthalter nach unten zu bewegen, stellen Sie den Sägeblatt-Spannhebel einmal vollständig auf die fixierte Stellung zurück, und schalten Sie das Werkzeug mehrmals leicht ein.

HINWEIS: Die Rolle ist gelegentlich zu schmieren.

Aufbewahrung des Inbusschlüssels

Wenn der Inbusschlüssel nicht benutzt wird, kann er an der in der Abbildung gezeigten Stelle aufbewahrt werden, damit er nicht verloren geht.

► **Abb.10:** 1. Inbusschlüssel

BETRIEB

⚠ VORSICHT: Halten Sie die Grundplatte stets bündig mit dem Werkstück. Anderenfalls kann es zu einem Bruch des Sticksägeblatts kommen, was eine schwere Verletzung zur Folge haben kann.

⚠ VORSICHT: Schieben Sie das Werkzeug beim Kurvenschneiden oder Dekupieren sehr langsam vor. Gewaltames Vorschieben des Werkzeugs kann zu einer schiefen Schnittfläche und Bruch des Sticksägeblatts führen.

Schalten Sie das Werkzeug ein, ohne dass das Sticksägeblatt Kontakt hat, und warten Sie, bis das Sticksägeblatt seine volle Hubzahl erreicht. Setzen Sie dann die Grundplatte flach auf das Werkstück auf, und schieben Sie das Werkzeug entlang der vorher angezeichneten Schnittlinie sachte vor.

► **Abb.11:** 1. Schnittlinie 2. Grundplatte

Neigungsschnitt

⚠ VORSICHT: Vergewissern Sie sich vor dem Neigen der Grundplatte stets, dass das Werkzeug ausgeschaltet und der Akku abgenommen ist.

Bei geneigter Grundplatte können Sie Neigungsschnitte in jedem Winkel zwischen 0° und 45° (links oder rechts) ausführen.

► **Abb.12**

Lösen Sie die Schraube auf der Unterseite der Grundplatte mit dem Inbusschlüssel. Verschieben Sie die Grundplatte so, dass sich die Schraube in der Mitte des kreuzförmigen Schlitzes in der Grundplatte befindet.

► **Abb.13:** 1. Inbusschlüssel 2. Schraube 3. Grundplatte

Neigen Sie die Grundplatte, bis der gewünschte Neigungswinkel erreicht ist. Die Kante des Motorgehäuses kennzeichnet den Neigungswinkel mit Teilstrichen. Ziehen Sie dann die Schraube zur Sicherung der Grundplatte fest.

► **Abb.14:** 1. Kante 2. Teilstrich

Frontbündige Schnitte

Lösen Sie die Schraube auf der Unterseite der Grundplatte mit dem Inbusschlüssel, und schieben Sie die Grundplatte bis zum Anschlag zurück. Ziehen Sie dann die Schraube zur Sicherung der Grundplatte fest.

► **Abb.15:** 1. Inbusschlüssel 2. Schraube 3. Grundplatte

Ausschnitte

Ausschnitte können nach einem von zwei Verfahren gemacht werden: „Bohren eines Startlochs“ oder „Tauschschneiden“.

Bohren eines Startlochs

Um interne Ausschnitte ohne Zulaufschnitt von einer Kante durchzuführen, bohren Sie ein Startloch mit einem Durchmesser von 12 mm oder mehr vor. Führen Sie das Sticksägeblatt in dieses Loch ein, um Ihren Schnitt zu beginnen.

► **Abb.16**

Tauschschneiden

Sie brauchen kein Startloch zu bohren oder einen Zulaufschnitt auszuführen, wenn Sie den folgenden Vorgang sorgfältig ausführen.

1. Berühren Sie das Werkstück mit der Vorderkante der Grundplatte, und kippen Sie das Werkzeug so, dass die Spitze des Sticksägeblatts knapp über der Oberfläche des Werkstücks positioniert ist.

2. Üben Sie Druck auf das Werkzeug aus, so dass sich die Vorderkante der Grundplatte nicht bewegt, wenn Sie das Werkzeug einschalten und das Hinterende des Werkzeugs sachte absenken.

3. Wenn das Sticksägeblatt das Werkstück durchbohrt, senken Sie die Grundplatte des Werkzeugs langsam auf die Werkstückoberfläche ab.

4. Vollenden Sie den Schnitt auf normale Weise.

► **Abb.17**

Versäubern von Kanten

Um Kanten zu trimmen oder Maßkorrekturen vorzunehmen, führen Sie das Sticksägeblatt leicht an den Schnittkanten entlang.

► **Abb.18**

Schneiden von Metall

Verwenden Sie beim Schneiden von Metall immer ein geeignetes Kühlmittel (Schneidöl). Andernfalls kommt es zu erheblichem Verschleiß des Stichtsägeblatts. Die Unterseite des Werkstücks kann eingefettet werden, anstatt ein Kühlmittel zu verwenden.

Staubabsaugung

Montieren und Demontieren des Staubfängers

Montieren Sie den Staubfänger, wie in der Abbildung gezeigt.

► **Abb.19:** 1. Staubfänger

Um den Staubfänger zu entfernen, drücken Sie auf eine Seite des Staubfängers, und nehmen Sie ihn dann ab, wie in der Abbildung gezeigt.

► **Abb.20:** 1. Staubfänger

Montieren und Demontieren des Absaugstutzens

Durch Anbringen des Absaugstutzens können Sie dieses Werkzeug an ein Makita-Sauggerät anschließen. Führen Sie den Absaugstutzen bis zum Anschlag in das Werkzeug ein.

► **Abb.21:** 1. Absaugstutzen

Um den Absaugstutzen abzunehmen, ziehen Sie ihn heraus, während Sie den Knopf am Absaugstutzen drücken.

► **Abb.22:** 1. Knopf 2. Absaugstutzen

Anschließen des Werkzeugs an das Sauggerät

Schließen Sie den Schlauch des Sauggeräts an den Absaugstutzen an.

► **Abb.23**

Parallelanschlag

Sonderzubehör

⚠ VORSICHT: Vergewissern Sie sich vor dem Anbringen oder Abnehmen von Zubehör stets, dass das Werkzeug ausgeschaltet und der Akku abgenommen ist.

Geradschnitte

Sollen Breiten von 160 mm oder weniger wiederholt geschnitten werden, gewährleistet der Parallelanschlag schnelle, saubere und gerade Schnitte.

► **Abb.24:** 1. Parallelanschlag (Richtlineal)

Zum Installieren führen Sie das Stangenteil in das Vierkantloch der Grundplatte ein, wobei der Anschlagteil nach unten zeigt. Schieben Sie den Parallelanschlag auf die gewünschte Schnittbreitenposition, und ziehen Sie dann die Schraube zur Sicherung fest.

► **Abb.25:** 1. Inbusschlüssel 2. Schraube
3. Parallelanschlag (Richtlineal)

Kreisschnitte

Um Kreise oder Bögen mit einem Radius von 170 mm oder weniger zu schneiden, installieren Sie den Parallelanschlag wie folgt.

► **Abb.26:** 1. Parallelanschlag (Richtlineal)

⚠ VORSICHT: Berühren Sie nicht die Spitze des Kreisführungsstifts. Die scharfe Spitze des Kreisführungsstifts kann eine Verletzung verursachen.

1. Führen Sie den Stangenteil in das Vierkantloch der Grundplatte ein, wobei der Anschlagteil nach oben zeigt.

2. Führen Sie den Kreisführungsstift in eines der beiden Löcher im Anschlagteil ein. Schrauben Sie den Gewindeknopf auf den Kreisführungsstift, um den Kreisführungsstift zu sichern.

► **Abb.27:** 1. Gewindeknopf 2. Parallelanschlag (Richtlineal) 3. Kreisführungsstift
4. Schraube 5. Inbusschlüssel

3. Schieben Sie den Parallelanschlag auf den gewünschten Schnittradius, und ziehen Sie die Schraube zur Sicherung fest.

HINWEIS: Verwenden Sie zum Schneiden von Kreisen oder Bögen stets die Stichtsägeblätter Nr. B-17, B-18, B-26 oder B-27.

Splitterschutz

Sonderzubehör

⚠ VORSICHT: Bei der Durchführung von Neigungsschnitten kann der Splitterschutz nicht verwendet werden.

Für splitterfreie Schnitte kann der Splitterschutz verwendet werden. Zum Montieren des Splitterschutzes schieben Sie die Grundplatte ganz nach vorn, und führen Sie die Vorrichtung von der Unterseite der Grundplatte ein.

Wenn Sie die Deckplatte verwenden, montieren Sie den Splitterschutz auf die Deckplatte.

► **Abb.28:** 1. Grundplatte 2. Splitterschutz

Deckplatte

Benutzen Sie die Deckplatte beim Schneiden von Zierfurnieren, Kunststoffen usw. Sie schützt empfindliche oder feine Oberflächen vor Beschädigung. Bringen Sie sie an der Unterseite der Grundplatte an.

► **Abb.29:** 1. Deckplatte 2. Grundplatte

Führungsschienenadaptersatz

Sonderzubehör

Wenn Sie Parallelschnitte von gleichmäßiger Breite oder Geradschnitte ausführen, gewährleistet die Verwendung der Führungsschiene und des Führungsschienenadapters die Erzeugung von schnellen und sauberen Schnitten. Um den Führungsschienenadapter zu montieren, führen Sie die Richtstange bis zum Anschlag in das Vierkantloch der Grundplatte ein. Ziehen Sie die Schraube mit dem Inbusschlüssel sicher fest.

- **Abb.30:** 1. Inbusschlüssel 2. Richtstange
3. Schraube

Führen Sie die Richtstange in das Vierkantloch des Führungsschienenadapters ein, und ziehen Sie die Schraube sicher fest. Setzen Sie den Führungsschienenadapter auf die Führungsschiene.

- **Abb.31:** 1. Führungsschienenadapter
2. Führungsschiene 3. Schraube

ANMERKUNG: Verwenden Sie stets Stichsägeblätter Nr. B-8, B-13, B-16, B-17 oder 58, wenn Sie die Führungsschiene und den Führungsschienenadapter benutzen.

WARTUNG

⚠VORSICHT: Vergewissern Sie sich vor der Durchführung von Inspektions- oder Wartungsarbeiten stets, dass das Werkzeug ausgeschaltet und der Akku abgenommen ist.

ANMERKUNG: Verwenden Sie auf keinen Fall Benzin, Waschbenzin, Verdünner, Alkohol oder dergleichen. Solche Mittel können Verfärbung, Verformung oder Rissbildung verursachen.

Um die SICHERHEIT und ZUVERLÄSSIGKEIT dieses Produkts zu gewährleisten, sollten Reparaturen und andere Wartungs- oder Einstellarbeiten nur von Makita-Vertragswerkstätten oder Makita-Kundendienstzentren unter ausschließlicher Verwendung von Makita-Originalersatzteilen ausgeführt werden.

SONDERZUBEHÖR

⚠VORSICHT: Die folgenden Zubehörteile oder Vorrichtungen werden für den Einsatz mit dem in dieser Anleitung beschriebenen Makita-Werkzeug empfohlen. Die Verwendung anderer Zubehörteile oder Vorrichtungen kann eine Verletzungsgefahr darstellen. Verwenden Sie Zubehörteile oder Vorrichtungen nur für ihren vorgesehenen Zweck.

Wenn Sie weitere Einzelheiten bezüglich dieser Zubehörteile benötigen, wenden Sie sich bitte an Ihre Makita-Kundendienststelle.

- Stichsägeblätter
- Parallelschlag-(Richtlineal)-Satz
- Führungsschienenadaptersatz
- Splitterschutz
- Deckplatte
- Absaugstutzen
- Staubfänger
- Original-Makita-Akku und -Ladegerät

HINWEIS: Manche Teile in der Liste können als Standardzubehör im Werkzeugsatz enthalten sein. Sie können von Land zu Land unterschiedlich sein.

DATI TECNICI

Modello:		DJV185
Lunghezza della corsa		23 mm
Corse al minuto		Da 800 a 3.000 min ⁻¹
Tipo lama		Tipo B
Capacità massime di taglio	Legno	135 mm
	Acciaio dolce	10 mm
	Alluminio	20 mm
Lunghezza complessiva (con BL1860B)		259 mm
Tensione nominale		18 V CC
Peso netto		Da 2,0 a 2,3 kg

- A causa del nostro programma continuativo di ricerca e sviluppo, i dati tecnici sono soggetti a modifiche senza preavviso.
- I dati tecnici possono variare da nazione a nazione.
- Il peso può variare a seconda dell'accessorio o degli accessori, inclusa la cartuccia della batteria. La combinazione più leggera e quella più pesante, secondo la procedura EPTA 01/2014, sono indicate nella tabella.

Cartuccia della batteria e caricabatterie applicabili

Cartuccia della batteria	BL1815N / BL1820B / BL1830B / BL1840B / BL1850B / BL1860B
Caricabatterie	DC18RC / DC18RD / DC18RE / DC18SD / DC18SE / DC18SF / DC18SH / DC18WC

- Alcune cartucce delle batterie e alcuni caricabatterie elencati sopra potrebbero non essere disponibili a seconda della propria area geografica di residenza.

⚠AVVERTIMENTO: Utilizzare solo le cartucce delle batterie e i caricabatterie elencati sopra. L'utilizzo di altre cartucce delle batterie e di altri caricabatterie potrebbe causare lesioni personali e/o un incendio.

Utilizzo previsto

Questo utensile è progettato per il taglio di legno, plastica e materiali metallici.

Rumore

Livello tipico di rumore pesato A determinato in base allo standard EN62841-2-11:

Livello di pressione sonora (L_{pA}): 87 dB (A)

Livello di potenza sonora (L_{WA}): 95 dB (A)

Incertezza (K): 3 dB (A)

NOTA: Il valore o i valori dichiarati delle emissioni di rumori sono stati misurati in conformità a un metodo standard di verifica, e possono essere utilizzati per confrontare un utensile con un altro.

NOTA: Il valore o i valori dichiarati delle emissioni di rumori possono venire utilizzati anche per una valutazione preliminare dell'esposizione.

⚠AVVERTIMENTO: Indossare protezioni per le orecchie.

⚠AVVERTIMENTO: L'emissione di rumori durante l'utilizzo effettivo dell'utensile elettrico può variare rispetto al valore o ai valori dichiarati, a seconda dei modi in cui viene utilizzato l'utensile e specialmente a seconda di che tipo di pezzo venga lavorato.

⚠AVVERTIMENTO: Accertarsi di identificare misure di sicurezza per la protezione dell'operatore che siano basate su una stima dell'esposizione nelle condizioni effettive di utilizzo (tenendo conto di tutte le parti del ciclo operativo, ad esempio del numero di spegnimenti dell'utensile e di quando giri a vuoto, oltre al tempo di attivazione).

Vibrazioni

Valore totale delle vibrazioni (somma vettoriale triassiale) determinato in base allo standard EN62841-2-11:

Modalità di lavoro: taglio di pannelli

Emissione di vibrazioni ($a_{h,B}$): 10,3 m/s²

Incertezza (K): 1,7 m/s²

Modalità di lavoro: taglio di lamiera sottile

Emissione di vibrazioni ($a_{h,M}$): 9,0 m/s²

Incertezza (K): 1,5 m/s²

NOTA: Il valore o i valori complessivi delle vibrazioni dichiarati sono stati misurati in conformità a un metodo standard di verifica, e possono essere utilizzati per confrontare un utensile con un altro.

NOTA: Il valore o i valori complessivi delle vibrazioni dichiarati possono venire utilizzati anche per una valutazione preliminare dell'esposizione.

⚠AVVERTIMENTO: L'emissione delle vibrazioni durante l'utilizzo effettivo dell'utensile elettrico può variare rispetto al valore o ai valori dichiarati, a seconda dei modi in cui viene utilizzato l'utensile, specialmente a seconda di che tipo di pezzo venga lavorato.

⚠AVVERTIMENTO: Accertarsi di identificare misure di sicurezza per la protezione dell'operatore che siano basate su una stima dell'esposizione nelle condizioni effettive di utilizzo (tenendo conto di tutte le parti del ciclo operativo, ad esempio del numero di spegnimenti dell'utensile e di quando giri a vuoto, oltre al tempo di attivazione).

Dichiarazioni di conformità

Solo per i paesi europei

Le Dichiarazioni di conformità sono incluse nell'Allegato A al presente manuale d'uso.

AVVERTENZE DI SICUREZZA

Avvertenze generali relative alla sicurezza dell'utensile elettrico

⚠AVVERTIMENTO Leggere tutte le avvertenze di sicurezza, le istruzioni, le illustrazioni e i dati tecnici forniti insieme a questo utensile elettrico. La mancata osservanza di tutte le istruzioni seguenti potrebbe risultare in scosse elettriche, incendi e/o gravi lesioni personali.

Conservare tutte le avvertenze e le istruzioni come riferimento futuro.

Il termine "utensile elettrico" nelle avvertenze si riferisce sia all'utensile elettrico (cablato) nel funzionamento alimentato da rete elettrica che all'utensile elettrico (a batteria) nel funzionamento alimentato a batteria.

Avvertenze relative alla sicurezza del seghetto alternativo a batteria

1. **Tenere l'utensile elettrico per le superfici di impugnatura isolate, quando si esegue un'operazione in cui l'accessorio da taglio potrebbe entrare in contatto con fili elettrici nascosti.**
Un accessorio da taglio che entri in contatto con un filo elettrico sotto tensione potrebbe mettere sotto tensione le parti metalliche esposte dell'utensile elettrico e causare una scossa elettrica all'operatore.

2. **Utilizzare una morsa o un altro sistema pratico per fissare e supportare il pezzo in lavorazione su un piano stabile.** Il pezzo mantenuto con la mano o contro il corpo resta instabile, e potrebbe causare una perdita di controllo.
3. **Utilizzare sempre occhiali oppure occhialoni di protezione.** I comuni occhiali da vista o da sole **NON** sono occhiali di protezione.
4. **Evitare di tagliare chiodi.** Ispezionare il pezzo in lavorazione e, in presenza di eventuali chiodi, rimuoverli prima di procedere.
5. **Non tagliare pezzi eccessivamente grandi.**
6. **Verificare che sia presente uno spazio appropriato intorno al pezzo in lavorazione prima di tagliarlo, in modo che la lama per seghetto alternativo non urti contro il pavimento, il banco da lavoro, e così via.**
7. **Mantenere saldamente l'utensile.**
8. **Prima di accendere l'utensile, accertarsi che la lama per seghetto alternativo non sia a contatto con il pezzo in lavorazione.**
9. **Tenere le mani lontane dalle parti mobili.**
10. **Non lasciare l'utensile mentre è in funzione.** Far funzionare l'utensile solo mentre viene tenuto in mano.
11. **Spegnere sempre l'utensile e attendere l'arresto completo della lama per seghetto alternativo, prima di rimuoverla dal pezzo in lavorazione.**
12. **Non toccare la lama per seghetto alternativo o il pezzo in lavorazione subito dopo l'uso dell'utensile;** la loro temperatura potrebbe essere estremamente elevata e potrebbero causare ustioni.
13. **Non far funzionare inutilmente l'utensile a vuoto.**
14. **Alcuni materiali contengono sostanze chimiche che potrebbero essere tossiche.** Fare attenzione a evitare l'inalazione delle polveri e il loro contatto con la pelle. Attenersi ai dati sulla sicurezza del fornitore dei materiali.
15. **Usare sempre la mascherina antipolvere o il respiratore adatti al materiale e all'applicazione con cui si intende lavorare.**

CONSERVARE LE PRESENTI ISTRUZIONI.

⚠AVVERTIMENTO: **NON** lasciare che comodi o la familiarità d'utilizzo con il prodotto (acquisita con l'uso ripetuto) sostituisca la stretta osservanza delle norme di sicurezza per il prodotto in questione. L'USO IMPROPRIO o la mancata osservanza delle norme di sicurezza indicate nel presente manuale di istruzioni potrebbero causare gravi lesioni personali.

Istruzioni di sicurezza importanti per la cartuccia della batteria

1. **Prima di utilizzare la cartuccia della batteria, leggere tutte le istruzioni e le avvertenze riportate (1) sul caricabatteria, (2) sulla batteria e (3) sul prodotto che utilizza la batteria.**
2. **Non smantellare né manomettere la cartuccia della batteria.** In caso contrario, si potrebbe causare un incendio, calore eccessivo o un'esplosione.
3. **Qualora il tempo di utilizzo si riduca eccessivamente, interrompere immediatamente l'utilizzo dell'utensile.** In caso contrario, si può incorrere nel rischio di surriscaldamento, possibili ustioni e persino un'esplosione.
4. **Qualora l'elettrolita entri in contatto con gli occhi, sciacquarli con acqua pulita e richiedere immediatamente assistenza medica.** Questa eventualità può risultare nella perdita della vista.
5. **Non cortocircuitare la cartuccia della batteria:**
 - (1) **Non toccare i terminali con alcun materiale conduttivo.**
 - (2) **Evitare di conservare la cartuccia della batteria in un contenitore insieme ad altri oggetti metallici quali chiodi, monete, e così via.**
 - (3) **Non esporre la cartuccia della batteria all'acqua o alla pioggia.**

Un cortocircuito della batteria può causare un grande flusso di corrente, un surriscaldamento, possibili ustioni e persino un guasto.

6. **Non conservare e utilizzare l'utensile e la cartuccia della batteria in ubicazioni in cui la temperatura possa raggiungere o superare i 50°C.**
7. **Non incenerire la cartuccia della batteria anche qualora sia gravemente danneggiata o completamente esaurita. La cartuccia della batteria può esplodere se a contatto con il fuoco.**
8. **Non inchiodare, tagliare, schiacciare, lanciare o far cadere la cartuccia della batteria, né farla urtare con forza contro un oggetto duro.** Questi comportamenti potrebbero risultare in un incendio, calore eccessivo o un'esplosione.
9. **Non utilizzare una batteria danneggiata.**
10. **Le batterie a ioni di litio contenute sono soggette ai requisiti del regolamento sul trasporto di merci pericolose (Dangerous Goods Legislation).**

Per trasporti commerciali, ad esempio da parte di terzi o spedizionieri, è necessario osservare dei requisiti speciali sull'imballaggio e sull'etichetta. Per la preparazione dell'articolo da spedire, è richiesta la consulenza di un esperto in materiali pericolosi. Attenersi anche alle normative nazionali, che potrebbero essere più dettagliate. Nasstrare o coprire i contatti aperti e imballare la batteria in modo tale che non si possa muovere liberamente all'interno dell'imballaggio.

11. **Quando si intende smaltire la cartuccia della batteria, rimuoverla dall'utensile e smaltirla in un luogo sicuro. Attenersi alle normative locali relative allo smaltimento della batteria.**

12. **Utilizzare le batterie esclusivamente con i prodotti specificati da Makita.** L'installazione delle batterie in prodotti non compatibili potrebbe risultare in incendi, calore eccessivo, esplosioni o perdite di liquido elettrolitico.
13. **Se l'utensile non viene utilizzato per un periodo di tempo prolungato, la batteria deve essere rimossa dall'utensile.**
14. **Durante e dopo l'uso, la cartuccia della batteria potrebbe assorbire calore, che può causare ustioni o ustioni a bassa temperatura. Fare attenzione a come si maneggiano le cartucce delle batterie estremamente calde.**
15. **Non toccare i terminali dell'utensile subito dopo l'uso, in quanto potrebbero diventare estremamente caldi al punto da causare ustioni.**
16. **Evitare di far incastrare schegge, polveri o terreno nei terminali, nei fori e nelle scanalature della cartuccia della batteria.** In caso contrario, l'utensile o la cartuccia della batteria potrebbero riscaldarsi, prendere fuoco, scoppiare o guastarsi, causando ustioni o lesioni personali.
17. **A meno che l'utensile supporti l'uso in prossimità di linee elettriche ad alta tensione, non utilizzare la cartuccia della batteria in prossimità di linee elettriche ad alta tensione.** In caso contrario, si potrebbe causare un malfunzionamento o la rottura dell'utensile o della cartuccia della batteria.
18. **Tenere la batteria lontana dai bambini.**

CONSERVARE LE PRESENTI ISTRUZIONI.

ATTENZIONE: Utilizzare solo batterie originali Makita. L'utilizzo di batterie Makita non originali, o di batterie che siano state alterate, potrebbe risultare nello scoppio della batteria, causando incendi, lesioni personali e danni. Inoltre, ciò potrebbe invalidare la garanzia Makita per l'utensile e il caricabatterie Makita.

Suggerimenti per preservare la durata massima della batteria

1. **Caricare la cartuccia della batteria prima che si scarichi completamente. Smettere sempre di utilizzare l'utensile e caricare la cartuccia della batteria quando si nota che la potenza dell'utensile è diminuita.**
2. **Non ricaricare mai una cartuccia della batteria completamente carica. La sovraccarica riduce la vita utile della batteria.**
3. **Caricare la cartuccia della batteria a una temperatura ambiente compresa tra 10 °C e 40 °C. Lasciar raffreddare una cartuccia della batteria prima di caricarla.**
4. **Quando non si utilizza la cartuccia della batteria, rimuoverla dall'utensile o dal caricabatterie.**
5. **Caricare la cartuccia della batteria se non la si è utilizzata per un periodo di tempo prolungato (più di sei mesi).**

DESCRIZIONE DELLE FUNZIONI

⚠ATTENZIONE: Accertarsi sempre che l'utensile sia spento e che la cartuccia della batteria sia stata rimossa prima di regolare o di controllare il funzionamento dell'utensile.

Installazione o rimozione della cartuccia della batteria

⚠ATTENZIONE: Spegner sempre l'utensile prima di installare o rimuovere la cartuccia della batteria.

⚠ATTENZIONE: Mantenere saldamente lo strumento e la batteria quando si intende installare o rimuovere la cartuccia della batteria. Qualora non si mantengono saldamente lo strumento e la cartuccia della batteria, questi ultimi potrebbero scivolare dalle mani, con la possibilità di causare un danneggiamento dello strumento e della cartuccia della batteria, nonché una lesione personale.

Per installare la cartuccia della batteria, allineare la linguetta sulla cartuccia della batteria con la scanalatura nell'alloggiamento e farla scivolare in sede. Inseririla completamente fino al suo blocco in sede con un leggero scatto. Se è possibile vedere l'indicatore rosso, come indicato nella figura, non è bloccata completamente.

Per rimuovere la cartuccia della batteria, farla scorrere via dall'utensile mentre si fa scorrere allo stesso tempo il pulsante sulla parte anteriore della cartuccia.

► **Fig.1:** 1. Indicatore rosso 2. Pulsante 3. Cartuccia della batteria

⚠ATTENZIONE: Installare sempre fino in fondo la cartuccia della batteria, fino a quando l'indicatore rosso non è più visibile. In caso contrario, la batteria potrebbe cadere accidentalmente dall'utensile, causando lesioni personali all'operatore o a chi gli è vicino.

⚠ATTENZIONE: Non installare forzatamente la cartuccia della batteria. Qualora la batteria non si inserisca scorrendo agevolmente, vuol dire che non viene inserita correttamente.

Sistema di protezione strumento/batteria

L'utensile è dotato di un sistema di protezione dell'utensile stesso e della batteria. Tale sistema interrompe automaticamente l'alimentazione al motore per prolungare la vita utile dell'utensile e della batteria. L'utensile si arresta automaticamente durante il funzionamento, qualora l'utensile o la batteria vengano a trovarsi in una delle condizioni seguenti:

Protezione dal sovraccarico

Quando l'utensile o la batteria vengono fatti funzionare in un modo che causi un assorbimento di corrente elevato in modo anomalo, l'utensile si arresta automaticamente senza alcuna indicazione. In questa circostanza, spegnere l'utensile e interrompere l'applicazione che ha causato il sovraccarico dell'utensile. Quindi, accendere l'utensile per ricominciare.

Protezione dal surriscaldamento

Quando l'utensile o la batteria sono surriscaldati, l'utensile si arresta automaticamente e la lampada lampeggia. In tal caso, lasciar raffreddare l'utensile e la batteria prima di riaccendere l'utensile.

Protezione dalla sovrascarica

Quando la carica della batteria non è sufficiente, l'utensile si arresta automaticamente. In questo caso, rimuovere la batteria dall'utensile e caricarla.

Protezione da altre cause

Il sistema di protezione è progettato anche per altre cause che potrebbero danneggiare l'utensile, e consente a quest'ultimo di arrestarsi automaticamente. Quando l'utensile è stato portato a un'interruzione temporanea o a un arresto del funzionamento, adottare tutte le misure seguenti per rimuovere le cause.

1. Spegner l'utensile, quindi riaccenderlo per ricominciare.
2. Caricare la batteria o le batterie, oppure sostituirla/le sostituirlle con una batteria o delle batterie ricaricate.
3. Lasciar raffreddare l'utensile e la batteria o le batterie.

Qualora non si riscontrano alcun miglioramento ripristinando il sistema di protezione, contattare il proprio centro di assistenza Makita locale.

Indicazione della carica residua della batteria

Solo per cartucce delle batterie dotate di indicatore

Premere il pulsante di controllo sulla cartuccia della batteria per indicare la carica residua della batteria. Gli indicatori luminosi si illuminano per alcuni secondi.

► **Fig.2:** 1. Indicatori luminosi 2. Pulsante di controllo

Indicatori luminosi			Carica residua
■ Illuminato	□ Spento	◐ Lampeggiante	
■	■	■	Dal 75% al 100%
■	■	□	Dal 50% al 75%
■	□	□	Dal 25% al 50%
■	□	□	Dallo 0% al 25%
◐	□	□	Caricare la batteria.
■	■	□	La batteria potrebbe essersi guastata.
□	□	■	

NOTA: A seconda delle condizioni d'uso e della temperatura ambiente, l'indicazione potrebbe variare leggermente rispetto alla carica effettiva.

NOTA: Il primo indicatore luminoso (all'estremità sinistra) lampeggia quando il sistema di protezione della batteria è in funzione.

Selezione della modalità di taglio

È possibile far funzionare questo utensile con una modalità di taglio orbitale o in linea retta (in su e in giù). La modalità di taglio orbitale spinge la lama per seghetto alternativo in avanti e incrementa la velocità di taglio.

► **Fig.3:** 1. Leva di modifica della modalità di taglio

Per modificare la modalità di taglio, ruotare la leva di modifica della modalità di taglio sulla posizione della modalità di taglio desiderata. Per selezionare la modalità di taglio appropriata, fare riferimento alla tabella.

Posizione	Modalità di taglio	Applicazioni
0	Modalità di taglio in linea retta	Per tagliare acciaio dolce, acciaio inossidabile e materiali plastici. Per tagli puliti di legno e compensato.
I	Modalità di taglio a orbita piccola	Per tagliare acciaio dolce, alluminio e legno duro.
II	Modalità di taglio a orbita media	Per tagliare legno e compensato. Per tagliare velocemente alluminio e acciaio dolce.
III	Modalità di taglio a orbita grande	Per tagliare velocemente legno e compensato.

Accensione della lampadina anteriore

ATTENZIONE: Non osservare né guardare direttamente la fonte di luce.

Per accendere la lampadina, premere il pulsante di blocco/sblocco. Per spegnere la lampadina, premere di nuovo il pulsante di blocco/sblocco.

► **Fig.4:** 1. Lampadina 2. Pulsante di blocco/sblocco

AVVISO: Quando l'utensile è surriscaldato, la lampadina lampeggia. Far raffreddare completamente l'utensile prima di riutilizzarlo.

NOTA: Per pulire la sporcizia dalla lente della lampadina, utilizzare un panno asciutto. Fare attenzione a non graffiare la lente della lampadina, altrimenti si potrebbe ridurre l'illuminazione.

Funzionamento dell'interruttore

Per accendere l'utensile, premere il pulsante di blocco/sblocco. L'utensile si accende in modalità standby. Per avviare l'utensile, premere il pulsante di avvio/arresto in modalità standby. Per arrestare l'utensile, premere di nuovo il pulsante di avvio/arresto. L'utensile si accende in modalità standby. Per spegnere l'utensile, premere il pulsante di blocco/sblocco in modalità standby.

► **Fig.5:** 1. Pulsante di blocco/sblocco 2. Pulsante di avvio/arresto

NOTA: Qualora l'utensile venga lasciato per 10 secondi senza effettuare alcuna operazione in modalità standby, l'utensile si spegne automaticamente e la lampadina si spegne.

NOTA: È anche possibile arrestare e spegnere l'utensile premendo il pulsante di blocco/sblocco mentre l'utensile è in funzione.

Per ridurre la luminosità della lampada, premere e tenere premuto il pulsante di blocco/sblocco quando si commuta sulla modalità standby. Circa 1 secondo dopo aver iniziato a premere il pulsante di blocco/sblocco, la luminosità della lampada inizia a ridursi; quindi, rilasciare il pulsante di blocco/sblocco quando si raggiunge la luminosità desiderata. In tal modo si dispone anche l'utensile nella modalità standby. Circa 3 secondi dopo aver iniziato a premere il pulsante di blocco/sblocco, la luminosità della lampada viene ridotta al minimo, dopodiché la luminosità non cambia.

NOTA: Non è possibile regolare la luminosità della lampada mentre l'utensile è in modalità standby.

Per regolare la luminosità della lampada, spegnere l'utensile.

NOTA: Non è disponibile una funzione di memoria per la luminosità della lampada. Se si spegne la lampada e poi la si accende, la luminosità della lampada viene incrementata al massimo ogni volta.

Selettore di regolazione della velocità

È possibile regolare la velocità dell'utensile ruotando il selettore di regolazione della velocità. È possibile ottenere la velocità massima all'impostazione 5 e la velocità minima all'impostazione 1.

► **Fig.6:** 1. Selettore di regolazione della velocità

Per selezionare la velocità appropriata per il pezzo in lavorazione da tagliare, fare riferimento alla tabella. Tuttavia, la velocità appropriata potrebbe variare in base al tipo o allo spessore del pezzo in lavorazione. In generale, velocità più elevate consentono di tagliare più rapidamente i pezzi in lavorazione, ma la vita utile della lama per seghetto alternativo si riduce.

Pezzo in lavorazione	Numero
Legno	4 - 5
Acciaio dolce	3 - 5
Acciaio inox	3 - 4
Alluminio	3 - 5
Plastiche	1 - 4

AVVISO: È possibile ruotare il selettore di regolazione della velocità solo fino a 5 e indietro fino a 1. Non forzarlo oltre 5 o 1; in caso contrario, la funzione di regolazione della velocità potrebbe non operare più.

Funzione elettronica

L'utensile è dotato di funzioni elettroniche per facilitare l'uso.

Avvio morbido

La funzione di avvio morbido riduce al minimo l'impatto all'avvio, e fa avviare delicatamente l'utensile.

Controllo della velocità costante

Controllo elettronico della velocità per ottenere una velocità costante. È possibile ottenere una finitura precisa, poiché la velocità dell'utensile viene mantenuta costante anche in condizioni di carico.

Funzione di rotazione morbida a vuoto

Per ridurre le vibrazioni e allineare facilmente la lama per seghetto alternativo con la linea di taglio, l'utensile riduce automaticamente la propria velocità fino a quando inizia a tagliare il pezzo in lavorazione, quando il selettore di regolazione della velocità è impostato su 2 o un valore superiore. Una volta che l'utensile inizia a tagliare il pezzo in lavorazione, la velocità dell'utensile raggiunge quella preimpostata e viene mantenuta fino all'arresto dell'utensile.

NOTA: Quando la temperatura è bassa, questa funzione potrebbe non essere disponibile. Inoltre, a seconda del materiale, della lama per seghetto alternativo e della velocità dell'utensile, questa funzione potrebbe non essere disponibile.

Disattivazione o attivazione della funzione di rotazione morbida a vuoto

Per disattivare o attivare la funzione di rotazione morbida a vuoto, attenersi alla procedura seguente.

1. Accertarsi che l'utensile sia spento.
2. Impostare il selettore di regolazione della velocità su "1".
3. Premere il pulsante di blocco/sblocco per accendere l'utensile.
4. Impostare il selettore di regolazione della velocità su "5" ruotandolo, quindi impostarlo su "1" ruotandolo in senso inverso.

La lampada lampeggia due volte per indicare che la funzione di rotazione morbida a vuoto è disattivata. Per riattivare questa funzione, effettuare di nuovo la stessa procedura.

NOTA: Se la funzione di rotazione morbida a vuoto è disattivata, la lampada lampeggia due volte, quando si accende l'utensile.

NOTA: È anche possibile disattivare o attivare la funzione di rotazione morbida a vuoto modificando l'impostazione del selettore di regolazione della velocità da "5" a "1" e da "1" a "5".

Freno elettrico

Questo utensile è dotato di un freno elettrico. Qualora l'utensile non riesca ripetutamente ad arrestarsi rapidamente dopo aver premuto il pulsante di avvio/arresto o il pulsante di blocco/sblocco, far sottoporre a riparazione l'utensile presso un centro di assistenza Makita.

MONTAGGIO

ATTENZIONE: Accertarsi sempre che l'utensile sia spento e che la cartuccia della batteria sia stata rimossa, prima di effettuare qualsiasi intervento sull'utensile.

Installazione o rimozione della lama per seghetto alternativo

ATTENZIONE: Rimuovere sempre tutti i trucioli o il materiale estraneo che restino attaccati alla lama per seghetto alternativo e/o al portalama. In caso contrario, si potrebbe causare un serraggio insufficiente della lama per seghetto alternativo, e di conseguenza gravi lesioni personali.

ATTENZIONE: Non toccare la lama per seghetto alternativo o il pezzo in lavorazione subito dopo l'operazione. La loro temperatura potrebbe essere estremamente elevata e potrebbero causare ustioni.

ATTENZIONE: Fissare sempre saldamente la lama per seghetto alternativo. Un serraggio insufficiente della lama per seghetto alternativo potrebbe causarne la rottura o provocare gravi lesioni personali.

ATTENZIONE: Utilizzare esclusivamente lame per seghetto alternativo di tipo B. L'utilizzo di lame diverse dal tipo B causa un serraggio insufficiente della lama per seghetto alternativo, e di conseguenza gravi lesioni personali.

ATTENZIONE: Quando si rimuove la lama per seghetto alternativo, fare attenzione a non farsi male alle dita con la parte superiore della lama per seghetto alternativo o le punte del pezzo in lavorazione.

Prima di installare la lama per seghetto alternativo, accertarsi che la leva del morsetto della lama si trovi nella posizione sbloccata.

Per installare la lama per seghetto alternativo, inserirla (con i denti rivolti in avanti) nel portalama del seghetto alternativo. La leva del morsetto della lama si sposta sulla posizione di fissaggio, e la lama per seghetto alternativo viene bloccata. Accertarsi che il bordo posteriore della lama per seghetto alternativo entri nel rullo. Tirare leggermente la lama per seghetto alternativo, per accertarsi che quest'ultima non cada fuori dall'utensile durante l'uso.

- **Fig.7:** 1. Portalama del seghetto alternativo
2. Leva del morsetto della lama (posizione di sblocco) 3. Leva del morsetto della lama (posizione di fissaggio)

- **Fig.8:** 1. Portalama del seghetto alternativo
2. Lama per seghetto alternativo 3. Rullo

ATTENZIONE: Qualora la leva del morsetto della lama non si sposti sulla posizione di fissaggio, questo indica che la lama per seghetto alternativo non è installata completamente. Non premere la leva del morsetto della lama con la mano sulla posizione di fissaggio. In caso contrario, si potrebbe danneggiare l'utensile.

Per rimuovere la lama per seghetto alternativo, spingere la leva del morsetto della lama in avanti fino a fine corsa. Questa operazione consente lo sbocco della lama per seghetto alternativo.

► **Fig.9:** 1. Portalama del seghetto alternativo 2. Leva del morsetto della lama 3. Lama per seghetto alternativo

NOTA: Nel caso in cui risulti difficile rimuovere la lama per seghetto alternativo, ruotare la leva di modifica della modalità di taglio sulla posizione "III" e spostare il portalama del seghetto alternativo verso il basso. Per spostare il portalama del seghetto alternativo verso il basso, riportare completamente la leva del fermo lama sulla posizione di fissaggio una volta, quindi accendere leggermente l'utensile svariate volte.

NOTA: Di tanto in tanto, lubrificare il rullo.

Conservazione della chiave esagonale

Quando non si utilizza la chiave esagonale, conservarla come indicato nella figura per evitare di perderla.

► **Fig.10:** 1. Chiave esagonale

FUNZIONAMENTO

⚠ATTENZIONE: Mantenere sempre la base a filo con il pezzo in lavorazione. In caso contrario, si potrebbe causare la rottura della lama per seghetto alternativo, causando gravi lesioni personali.

⚠ATTENZIONE: Far avanzare l'utensile molto lentamente durante il taglio di curve o volute. La forzatura dell'utensile potrebbe causare una superficie di taglio storta e la rottura della lama per seghetto alternativo.

Accendere l'utensile senza far entrare in contatto la lama per seghetto alternativo con il pezzo in lavorazione, e attendere che la lama per seghetto alternativo raggiunga la piena velocità. Quindi, appoggiare la base di piatto sul pezzo in lavorazione e spostare delicatamente l'utensile in avanti lungo la linea di taglio segnata in precedenza.

► **Fig.11:** 1. Linea di taglio 2. Base

Taglio a unghia (inclinato)

⚠ATTENZIONE: Accertarsi sempre che l'utensile sia spento e che la cartuccia della batteria sia stata rimossa, prima di inclinare la base.

Con la base inclinata, è possibile effettuare tagli a unghia a qualsiasi angolazione compresa tra 0° e 45° (a sinistra o a destra).

► **Fig.12**

Allentare il bullone sul retro della base con la chiave esagonale. Spostare la base in modo che il bullone sia posizionato al centro dell'apertura a forma di croce sulla base.

► **Fig.13:** 1. Chiave esagonale 2. Bullone 3. Base

Inclinare la base fino a ottenere l'angolo di taglio a unghia desiderato. Il bordo dell'alloggiamento del motore indica l'angolo di taglio a unghia mediante dei segni graduati. Quindi, serrare il bullone per fissare la base.

► **Fig.14:** 1. Bordo 2. Segno graduato

Tagli frontali a filo

Allentare il bullone sul lato inferiore della base con la chiave esagonale, quindi far scivolare la base completamente all'indietro. Quindi, serrare il bullone per fissare la base.

► **Fig.15:** 1. Chiave esagonale 2. Bullone 3. Base

Fori sagomati

È possibile realizzare fori sagomati con due metodi: "Perforazione di un foro iniziale" o "Taglio a tuffo".

Perforazione di un foro iniziale

Per fori sagomati interni senza un taglio di ingresso dal bordo, praticare prima un foro di inizio di 12 mm o più di diametro. Per iniziare a tagliare, inserire la lama per seghetto alternativo in tale foro.

► **Fig.16**

Taglio a tuffo

Non è necessario praticare un foro di inizio o effettuare un taglio di ingresso se si procede con cura nel modo seguente.

1. Toccare il pezzo in lavorazione con il bordo anteriore della base, quindi inclinare l'utensile con la punta della lama per seghetto alternativo posizionata immediatamente al di sopra della superficie del pezzo in lavorazione.
2. Esercitare una pressione sull'utensile in modo che il bordo anteriore della base non si sposti quando si accende l'utensile, quindi abbassare delicatamente e lentamente l'estremità posteriore dell'utensile.
3. Man mano che la lama per seghetto alternativo perfora il pezzo in lavorazione, abbassare lentamente la base dell'utensile sulla superficie del pezzo in lavorazione.
4. Completare il taglio nel modo normale.

► **Fig.17**

Finitura dei bordi

Per rifinire i bordi o effettuare regolazioni alle dimensioni, passare leggermente la lama per seghetto alternativo lungo i bordi di taglio.

► **Fig.18**

Taglio dei metalli

Quando si intende tagliare metalli, utilizzare sempre un refrigerante adatto (olio da taglio). La mancata osservanza di questa avvertenza causa una notevole usura della lama per seghetto alternativo. È possibile ingrassare la parte inferiore del pezzo in lavorazione, anziché utilizzare un refrigerante.

Estrazione delle polveri

Installazione o rimozione della protezione antipolvere

Installare la protezione antipolvere come indicato nella figura.

► **Fig.19:** 1. Protezione antipolvere

Per rimuovere la protezione antipolvere, premere un lato della protezione, quindi rimuoverla come indicato nella figura.

► **Fig.20:** 1. Protezione antipolvere

Installazione o rimozione della bocchetta polveri

È possibile collegare questo utensile a un aspirapolvere Makita montando la bocchetta polveri.

Inserire la bocchetta polveri fino in fondo nell'utensile.

► **Fig.21:** 1. Bocchetta polveri

Per rimuovere la bocchetta polveri, tirarla fuori mentre si tiene premuto il pulsante presente sulla bocchetta polveri.

► **Fig.22:** 1. Pulsante 2. Bocchetta polveri

Collegamento dell'utensile all'aspirapolvere

Collegare il tubo flessibile dell'aspirapolvere alla bocchetta polveri.

► **Fig.23**

Guida di taglio

Accessorio opzionale

⚠ATTENZIONE: Accertarsi sempre che l'utensile sia spento e che la cartuccia della batteria sia stata rimossa, prima di installare o rimuovere gli accessori.

Tagli diritti

Quando si intende effettuare dei tagli ripetuti di larghezza pari a 160 mm o inferiore, utilizzare la guida di taglio per assicurare dei tagli rapidi, puliti e diritti.

► **Fig.24:** 1. Guida di taglio (righello guida)

Per installarla, inserire la parte della barra nel foro quadrato della base con la parte guida rivolta verso il basso. Far scivolare la guida di taglio sulla posizione della larghezza di taglio desiderata, quindi serrare il bullone per fissarla.

► **Fig.25:** 1. Chiave esagonale 2. Bullone 3. Guida di taglio (righello guida)

Tagli circolari

Quando si intende effettuare tagli circolari o ad arco con raggio pari o inferiore a 170 mm, installare la guida di taglio nel modo seguente.

► **Fig.26:** 1. Guida di taglio (righello guida)

⚠ATTENZIONE: Non toccare la punta del perno della guida circolare. La punta affilata del perno della guida circolare può causare lesioni personali.

1. Inserire la parte della barra nel foro quadrato della base con la parte guida rivolta verso l'alto.

2. Inserire il perno della guida circolare attraverso uno dei due fori sulla parte guida. Avvitare il pomello filettato sul perno della guida circolare per fissare il perno di quest'ultima.

► **Fig.27:** 1. Pomello filettato 2. Guida di taglio (righello guida) 3. Perno della guida circolare 4. Bullone 5. Chiave esagonale

3. Far scivolare la guida di taglio sul raggio di taglio desiderato, quindi serrare il bullone per fissarla in sede.

NOTA: Utilizzare sempre lame per seghetto alternativo N. B-17, B-18, B-26 o B-27 quando si intende effettuare tagli circolari o ad arco.

Dispositivo antisceggiatura

Accessorio opzionale

⚠ATTENZIONE: Non è possibile utilizzare il dispositivo antisceggiatura quando si intende effettuare tagli a unghia.

Per effettuare tagli senza produrre schegge, è possibile utilizzare il dispositivo antisceggiatura. Per installare il dispositivo antisceggiatura, spostare la base dell'utensile completamente in avanti e inserirlo dal retro della base dell'utensile.

Quando si utilizza la piastra di protezione, installare il dispositivo antisceggiatura sulla piastra di protezione.

► **Fig.28:** 1. Base 2. Dispositivo antisceggiatura

Piastra di protezione

Utilizzare la piastra di protezione quando si intende tagliare impiallaccature decorative, materiali plastici, e così via. La copertura protegge le superfici sensibili o delicate dal danneggiamento. Inserirla sul lato inferiore della base dell'utensile.

► **Fig.29:** 1. Piastra di protezione 2. Base

Kit adattatore per binario guida

Accessorio opzionale

Quando si intende effettuare tagli in parallelo e di larghezza uniforme o tagli diritti, l'utilizzo del binario guida e dell'adattatore per binario guida assicura la produzione di tagli rapidi e puliti. Per installare l'adattatore per binario guida, inserire fino in fondo la barra a righello nel foro quadrato presente sulla base. Fissare il bullone saldamente con la chiave esagonale.

► **Fig.30:** 1. Chiave esagonale 2. Barra a righello 3. Bullone

Inserire la barra a righello nel foro quadrato dell'adattatore per binario guida e fissare saldamente la vite. Posizionare l'adattatore per binario guida sul binario guida.

► **Fig.31:** 1. Adattatore per binario guida 2. Binario guida 3. Vite

AVVISO: Utilizzare sempre lame per seghetto alternativo N. B-8, B-13, B-16, B-17 o 58, quando si intende utilizzare il binario guida e l'adattatore per binario guida.

MANUTENZIONE

⚠ATTENZIONE: Accertarsi sempre che l'utensile sia spento e che la cartuccia della batteria sia stata rimossa prima di tentare di eseguire interventi di ispezione o manutenzione.

AVVISO: Non utilizzare mai benzina, benzene, solventi, alcol o altre sostanze simili. In caso contrario, si potrebbero causare scolorimenti, deformazioni o crepe.

Per preservare la SICUREZZA e l'AFFIDABILITÀ del prodotto, le riparazioni e qualsiasi altro intervento di manutenzione e di regolazione devono essere eseguiti da un centro di assistenza autorizzato Makita, utilizzando sempre ricambi Makita.

ACCESSORI OPZIONALI

⚠ATTENZIONE: Questi accessori o componenti aggiuntivi sono consigliati per l'uso con l'utensile Makita specificato nel presente manuale. L'impiego di altri accessori o componenti aggiuntivi può costituire un rischio di lesioni alle persone. Utilizzare gli accessori o i componenti aggiuntivi solo per il loro scopo prefissato.

Per ottenere ulteriori dettagli relativamente a questi accessori, rivolgersi a un centro di assistenza Makita.

- Lame per seghetto alternativo
- Kit della guida di taglio (righello guida)
- Kit adattatore per binario guida
- Dispositivo antisceggiatura
- Piastra di protezione
- Bocchetta polveri
- Protezione antipolvere
- Batteria e caricabatterie originali Makita

NOTA: Alcuni articoli nell'elenco potrebbero essere inclusi nell'imballaggio dell'utensile come accessori standard. Tali articoli potrebbero variare da nazione a nazione.

TECHNISCHE GEGEVENS

Model:		DJV185
Slaglengte		23 mm
Slagen per minuut		800 - 3.000 min ⁻¹
Type zaagblad		Type B
Max. zaagcapaciteiten	Hout	135 mm
	Zacht staal	10 mm
	Aluminium	20 mm
Totale lengte (met BL1860B)		259 mm
Nominale spanning		18 V gelijkspanning
Nettogewicht		2,0 - 2,3 kg

- In verband met ononderbroken research en ontwikkeling, behouden wij ons het recht voor de bovenstaande technische gegevens zonder voorafgaande kennisgeving te wijzigen.
- De technische gegevens kunnen van land tot land verschillen.
- Het gewicht kan verschillen afhankelijk van de hulpstukken, waaronder de accu. De lichtste en zwaarste combinatie, overeenkomstig de EPTA-procedure 01/2014, worden getoond in de tabel.

Toepasselijke accu's en laders

Accu	BL1815N / BL1820B / BL1830B / BL1840B / BL1850B / BL1860B
Lader	DC18RC / DC18RD / DC18RE / DC18SD / DC18SE / DC18SF / DC18SH / DC18WC

- Sommige van de hierboven vermelde accu's en laders zijn mogelijk niet leverbaar afhankelijk van waar u woont.

⚠WAARSCHUWING: Gebruik uitsluitend de accu's en laders die hierboven worden genoemd. Gebruik van enige andere accu of lader kan leiden tot letsel en/of brand.

Bedoeld gebruik

Het gereedschap is bedoeld voor het zagen van hout, kunststof en metaal.

Geluidsniveau

De typische, A-gewogen geluidsniveaus zijn gemeten volgens EN62841-2-11:

Geluidsdrukniveau (L_{pA}): 87 dB (A)

Geluidsvermogeniveau (L_{WA}): 95 dB (A)

Onzekerheid (K): 3 dB (A)

OPMERKING: De opgegeven geluidsemissiewaarde(n) is/zijn gemeten volgens een standaardtestmethode en kan/kunnen worden gebruikt om dit gereedschap te vergelijken met andere gereedschappen.

OPMERKING: De opgegeven geluidsemissiewaarde(n) kan/kunnen ook worden gebruikt voor een beoordeling vooraf van de blootstelling.

⚠WAARSCHUWING: Draag gehoorbescherming.

⚠WAARSCHUWING: De geluidsemissie tijdens het gebruik van het elektrisch gereedschap in de praktijk kan verschillen van de opgegeven waarde(n) afhankelijk van de manier waarop het gereedschap wordt gebruikt, met name van het soort werkstuk waarmee wordt gewerkt.

⚠WAARSCHUWING: Zorg ervoor dat veiligheidsmaatregelen worden getroffen ter bescherming van de gebruiker die zijn gebaseerd op een schatting van de blootstelling onder praktijkomstandigheden (rekening houdend met alle fasen van de bedrijfscyclus, zoals de tijdsduur gedurende welke het gereedschap is uitgeschakeld en stationair draait, naast de ingeschakelde tijdsduur).

Trilling

De totale trillingswaarde (triaxiale vectorsom) zoals vastgesteld volgens EN62841-2-11:

Gebruikstoepassing: zagen van platen

Trillingsemissie ($a_{h,B}$): 10,3 m/s²

Onzekerheid (K): 1,7 m/s²

Gebruikstoepassing: zagen van plaatstaal

Trillingsemissie ($a_{h,M}$): 9,0 m/s²

Onzekerheid (K): 1,5 m/s²

OPMERKING: De totale trillingswaarde(n) is/zijn gemeten volgens een standaardtestmethode en kan/kunnen worden gebruikt om dit gereedschap te vergelijken met andere gereedschappen.

OPMERKING: De opgegeven totale trillingswaarde(n) kan/kunnen ook worden gebruikt voor een beoordeling vooraf van de blootstelling.

⚠️WAARSCHUWING: De trillingsemissie tijdens het gebruik van het elektrisch gereedschap in de praktijk kan verschillen van de opgegeven waarde(n) afhankelijk van de manier waarop het gereedschap wordt gebruikt, met name van het soort werkstuk waarmee wordt gewerkt.

⚠️WAARSCHUWING: Zorg ervoor dat veiligheidsmaatregelen worden getroffen ter bescherming van de gebruiker die zijn gebaseerd op een schatting van de blootstelling onder praktijkomstandigheden (rekening houdend met alle fasen van de bedrijfscyclus, zoals de tijdsduur gedurende welke het gereedschap is uitgeschakeld en stationair draait, naast de ingeschakelde tijdsduur).

Verklaringen van conformiteit

Alleen voor Europese landen

De verklaringen van conformiteit zijn bijgevoegd in Bijlage A bij deze gebruiksaanwijzing.

VEILIGHEIDSWAARSCHUWINGEN

Algemene veiligheidswaarschuwingen voor elektrisch gereedschap

⚠️WAARSCHUWING Lees alle veiligheidswaarschuwingen, instructies, afbeeldingen en technische gegevens die bij dit elektrisch gereedschap worden geleverd. Als niet alle onderstaande instructies worden opgevolgd, kan dat leiden tot een elektrische schok, brand en/of ernstig letsel.

Bewaar alle waarschuwingen en instructies om in de toekomst te kunnen raadplegen.

De term "elektrisch gereedschap" in de veiligheidsvoorschriften duidt op gereedschappen die op stroom van het lichtnet werken (met snoer) of gereedschappen met een accu (snoerloos).

Veiligheidswaarschuwingen voor een accudecoupeerzaag

1. **Houd het elektrisch gereedschap vast aan het geïsoleerde oppervlak van de handgrepen wanneer u werkt op plaatsen waar het accessoire met verborgen bedrading in aanraking kan komen.** Wanneer het accessoire in aanraking komt met onder spanning staande draden, zullen de niet-geïsoleerde metalen delen van het gereedschap onder spanning komen te staan zodat de gebruiker een elektrische schok kan krijgen.
2. **Gebruik klemmen of andere bevestigingsmiddelen om het werkstuk op een stabiel platform te bevestigen en te ondersteunen.** Het werkstuk is onstabiel en er is gevaar voor controleverlies wanneer u het werkstuk met de hand vasthoudt of het tegen uw lichaam houdt.
3. **Draag altijd een veiligheidsbril of een beschermbril. Een gewone bril of een zonnebril is GEEN veiligheidsbril.**
4. **Vermijd het zagen op spijkers.** Inspecteer het werkstuk op eventuele spijkers en verwijder ze voordat u begint.
5. **Zaag geen werkstukken die te groot zijn.**
6. **Controleer vooraf of er voldoende ruimte rondom het werkstuk is, zodat het decoupeerzaagblad niet tegen de vloer, een werkbank e.d. zal stoten.**
7. **Houd het gereedschap stevig vast.**
8. **Zorg dat het decoupeerzaagblad het werkstuk niet raakt voordat u op de schakelaar drukt.**
9. **Houd uw handen uit de buurt van bewegende delen.**
10. **Laat het gereedschap niet onnodig ingeschakeld. Bedien het gereedschap alleen terwijl u het vasthoudt.**
11. **Schakel eerst het gereedschap uit en wacht tot het decoupeerzaagblad volledig tot stilstand is gekomen, voordat u het decoupeerzaagblad vanaf het werkstuk verwijdert.**
12. **Raak het decoupeerzaagblad of het werkstuk niet aan onmiddellijk na het werk. Deze kunnen zeer heet zijn en brandwonden veroorzaken.**
13. **Laat het gereedschap niet onbelast draaien wanneer zulks niet nodig is.**
14. **Sommige materialen bevatten chemische stoffen die giftig kunnen zijn. Wees voorzichtig dat u geen stof inademt en het stof niet op uw huid komt. Volg de veiligheidsinstructies van de leverancier van het materiaal op.**
15. **Draag altijd het stofmasker/gasmasker dat geschikt is voor het materiaal en de toepassing waarmee u werkt.**

BEWAAR DEZE INSTRUCTIES.

⚠️WAARSCHUWING: Laat u NIET misleiden door een vals gevoel van comfort en bekendheid met het gereedschap (na veelvuldig gebruik) en neem alle veiligheidsvoorschriften van het betreffende gereedschap altijd strikt in acht. **VERKEERD GEBRUIK** of het niet naleven van de veiligheidsvoorschriften in deze gebruiksaanwijzing kan leiden tot ernstig persoonlijk letsel.

Belangrijke veiligheidsinstructies voor een accu

1. Lees alle voorschriften en waarschuwingen op (1) de acculader, (2) de accu, en (3) het product waarvoor de accu wordt gebruikt, alvorens de accu in gebruik te nemen.
2. Haal de accu niet uit elkaar en saboteer hem niet. Dit kan leiden tot brand, buitensporige hitte of een explosie.
3. Als de gebruiktijd van een opgeladen accu aanzienlijk korter is geworden, moet u het gebruik ervan onmiddellijk stopzetten. Voortgezet gebruik kan oververhitting, brandwonden en zelfs een ontploffing veroorzaken.
4. Als elektrolyt in uw ogen is terechtgekomen, spoelt u uw ogen met schoon water en roept u onmiddellijk de hulp van een dokter in. Elektrolyt in de ogen kan blindheid veroorzaken.
5. Voorkom kortsluiting van de accu:
 - (1) Raak de accuklemmen nooit aan met een geleidend materiaal.
 - (2) Bewaar de accu niet in een bak waarin andere metalen voorwerpen zoals spijkers, munten e.d. worden bewaard.
 - (3) Stel de accu niet bloot aan water of regen. Kortsluiting van de accu kan oorzaak zijn van een grote stroomafgifte, oververhitting, brandwonden, en zelfs defecten.
6. Bewaar en gebruik het gereedschap en de accu niet op plaatsen waar de temperatuur kan oplopen tot 50 °C of hoger.
7. Werp de accu nooit in het vuur, ook niet wanneer hij zwaar beschadigd of volledig versleten is. De accu kan ontploffen in het vuur.
8. Laat de accu niet vallen, sla er geen spijker in, snijd er niet in, gooi er niet mee en stoot hem niet tegen een hard voorwerp. Dergelijke handelingen kunnen leiden tot brand, buitensporige hitte of een explosie.
9. Gebruik nooit een beschadigde accu.
10. De bijgeleverde lithium-ionbatterijen zijn onderhevig aan de vereisten in de wetgeving omtrent gevaarlijke stoffen.

Voor commercieel transport en dergelijke door derden en transporteurs moeten speciale vereisten ten aanzien van verpakking en etikettering worden nageleefd.

Als voorbereiding van het artikel dat wordt getransporteerd is het noodzakelijk een expert op het gebied van gevaarlijke stoffen te raadplegen. Houd u tevens aan mogelijk strengere nationale regelgeving.

Blootliggende contactpunten moeten worden afgedekt met tape en de accu moet zodanig worden verpakt dat deze niet kan bewegen in de verpakking.
11. Wanneer u de accu wilt weggooiden, verwijdert u de accu vanaf het gereedschap en gooit u hem op een veilige manier weg. Volg bij het weggooiden van de accu de plaatselijke voorschriften.
12. Gebruik de accu's uitsluitend met de gereedschappen die door Makita zijn aanbevolen. Als de accu's worden aangebracht in niet-compatibele gereedschappen, kan dat leiden tot brand, buitensporige warmteontwikkeling, een explosie of lekkage van elektrolyt.
13. Als u het gereedschap gedurende een lange tijd niet denkt te gaan gebruiken, moet de accu vanaf het gereedschap worden verwijderd.
14. Tijdens en na gebruik, kan de accu heet worden waardoor brandwonden of koude brandwonden kunnen worden veroorzaakt. Wees voorzichtig bij het hanteren van een hete accu.
15. Raak de aansluitpunten van het gereedschap niet onmiddellijk na gebruik aan omdat deze heet genoeg kunnen zijn om brandwonden te veroorzaken.
16. Zorg ervoor dat geen steenslag, stof of grond vast komt te zitten op/in de aansluitpunten, openingen en groeven van de accu. Hierdoor kan oververhitting, brand, een barst en een storing in het gereedschap of de accu ontstaan waardoor brandwonden of persoonlijk letsel kunnen ontstaan.
17. Behalve indien gebruik van het gereedschap is toegestaan in de buurt van hoogspanningsleidingen, mag u de accu niet gebruiken in de buurt van een hoogspanningsleiding. Dit kan leiden tot een storing of een defect van het gereedschap of de accu.
18. Houd de accu uit de buurt van kinderen.

BEWAAR DEZE INSTRUCTIES.

⚠ LET OP: Gebruik uitsluitend originele Makita accu's. Het gebruik van niet-originele accu's, of accu's die zijn gewijzigd, kan ertoe leiden dat de accu ontploft en brand, persoonlijk letsel en schade veroorzaakt. Ook vervalt daarmee de garantie van Makita op het gereedschap en de lader van Makita.

Tips voor een maximale levensduur van de accu

1. Laad de accu op voordat hij volledig ontladen is. Stop het gebruik van het gereedschap en laad de accu op telkens wanneer u vaststelt dat het vermogen van het gereedschap is afgenomen.
2. Laad een volledig opgeladen accu nooit opnieuw op. Te lang opladen verkort de levensduur van de accu.
3. Laad de accu op bij een omgevingstemperatuur tussen 10 °C en 40 °C. Laat een warme accu afkoelen alvorens hem op te laden.
4. Als de accu niet wordt gebruikt, verwijdert u hem vanaf het gereedschap of de lader.
5. Laad de accu op als u deze gedurende een lange tijd (meer dan zes maanden) niet gaat gebruiken.

BESCHRIJVING VAN DE FUNCTIES

⚠ LET OP: Zorg altijd dat het gereedschap is uitgeschakeld en de accu ervan is verwijderd alvorens de functies op het gereedschap af te stellen of te controleren.

De accu aanbrengen en verwijderen

⚠ LET OP: Schakel het gereedschap altijd uit voordat u de accu aanbrengt of verwijderd.

⚠ LET OP: Houd het gereedschap en de accu stevig vast tijdens het aanbrengen of verwijderen van de accu. Als u het gereedschap en de accu niet stevig vasthoudt, kunnen deze uit uw handen glijpen en het gereedschap of de accu beschadigen, of kan persoonlijk letsel worden veroorzaakt.

Om de accu aan te brengen lijnt u de lip op de accu uit met de groef in de behuizing en duwt u de accu op zijn plaats. Steek de accu zo ver mogelijk in het gereedschap tot u een klinkgeluid hoort. Wanneer het rode deel zichtbaar is, zoals aangegeven in de afbeelding, is de accu niet geheel vergrendeld.

Om de accu te verwijderen verschuift u de knop aan de voorkant van de accu en schuift u tegelijkertijd de accu uit het gereedschap.

► Fig. 1: 1. Rood deel 2. Knop 3. Accu

⚠ LET OP: Breng de accu altijd helemaal aan totdat het rode deel niet meer zichtbaar is. Als u dit niet doet, kan de accu per ongeluk uit het gereedschap vallen en u of anderen in uw omgeving verwonden.

⚠ LET OP: Breng de accu niet met kracht aan. Als de accu niet gemakkelijk in het gereedschap kan worden geschoven, wordt deze niet goed aangebracht.

Gereedschap-/accubeveiligingssysteem

Het gereedschap is voorzien van een gereedschap-/accubeveiligingssysteem. Dit systeem schakelt automatisch de voeding naar de motor uit om de levensduur van het gereedschap en de accu te verlengen. Het gereedschap kan tijdens het gebruik automatisch stoppen als het gereedschap of de accu aan één van de volgende omstandigheden wordt blootgesteld:

Overbelastingsbeveiliging

Wanneer het gereedschap of de accu wordt gebruikt op een wijze die ertoe leidt dat een abnormaal hoge stroomsterkte wordt getrokken, stopt het gereedschap automatisch zonder indicatie. Schakel in dat geval het gereedschap uit en stop het gebruik dat ertoe leidde dat het gereedschap overbelast raakte. Schakel vervolgens het gereedschap in om het weer te starten.

Oververhittingsbeveiliging

Wanneer het gereedschap of de accu oververhit is, stopt het gereedschap automatisch en knippert de lamp. In dat geval laat u het gereedschap en de accu afkoelen, voordat u het gereedschap opnieuw inschakelt.

Beveiliging tegen te ver ontladen

Als de acculading onvoldoende is, stopt het gereedschap automatisch. Verwijder in dat geval de accu vanaf het gereedschap en laad de accu op.

Beveiliging tegen andere oorzaken

Het beveiligingssysteem is ook ontworpen voor andere oorzaken die het gereedschap kunnen beschadigen, en zorgt ervoor dat het gereedschap automatisch stopt. Voer alle volgende stappen uit om de oorzaken op te heffen, wanneer het gereedschap tijdelijk is onderbroken of tijdens het gebruik is gestopt.

1. Schakel het gereedschap uit en schakel het daarna weer in om het opnieuw te starten.
2. Laad de accu(s) op of vervang hem/ze door (een) opgeladen accu(s).
3. Laat het gereedschap en de accu(s) afkoelen.

Als geen verbetering optreedt nadat het beveiligingssysteem is gereset, neemt u contact op met uw lokale Makita-servicecentrum.

De resterende acculading controleren

Alleen voor accu's met indicatorlampjes

Druk op de testknop op de accu om de resterende acculading te zien. De indicatorlampjes branden gedurende enkele seconden.

► Fig. 2: 1. Indicatorlampjes 2. Testknop

Indicatorlampjes			Resterende acculading
Brandt	Uit	Knippert	
■ ■ ■ ■			75% tot 100%
■ ■ ■ □			50% tot 75%
■ ■ □ □			25% tot 50%
■ □ □ □			0% tot 25%
▧ □ □ □			Laad de accu op.
■ ■ □ □			Er kan een storing zijn opgetreden in de accu.
□ □ ■ ■			

OPMERKING: Afhankelijk van de gebruiksomstandigheden en de omgevingstemperatuur, is het mogelijk dat de aangegeven acculading verschilt van de werkelijke acculading.

OPMERKING: Het eerste (meest linker) indicatorlampje knippert wanneer het accubeveiligingssysteem in werking is getreden.

De zaagmethode selecteren

Dit gereedschap kan worden ingesteld op een rechte (op- en neergaande) of pendelende zaagmethode. Bij de pendelende zaagmethode wordt het decoupeerzaagblad naar voren geduwd waardoor de zaagsnelheid toeneemt.

► **Fig.3:** 1. Zaagmethode-keuzehendel

Om de zaagmethode te veranderen, draait u de zaagmethode-keuzehendel naar de gewenste zaagmethodestand. Raadpleeg de tabel om de juiste zaagmethode te kiezen.

Stand	Zaagmethode	Toepassingen
0	Zagen langs rechte lijn	Voor het zagen van zacht staal, roestvrij staal en kunststoffen.
		Voor schone zaagsneden in hout en multiplex.
I	Zagen in een scherpe bocht	Voor het zagen van zacht staal, aluminium en hardhout.
II	Zagen in een normale bocht	Voor het zagen van hout en multiplex.
		Voor snel zagen in aluminium en zacht staal.
III	Zagen in een flauwe bocht	Voor het snel zagen van hout en multiplex.

De lamp op de voorkant gebruiken

⚠ LET OP: Kijk niet direct in het lamplicht of in de lichtbron.

Om de lamp in te schakelen, drukt u op de vergrendel-ontgrendelknop. Om de lamp uit te schakelen, drukt u nogmaals op de vergrendel-ontgrendelknop.

► **Fig.4:** 1. Lamp 2. Vergrendel-ontgrendelknop

KENNISGEVING: Wanneer het gereedschap oververhit is, knippert de lamp. Laat het gereedschap afkoelen voordat u het weer gebruikt.

OPMERKING: Gebruik een droge doek om vuil van de lens van de lamp af te vegen. Wees voorzichtig dat u de lens van de lamp niet bekrast omdat dan de verlichting minder wordt.

De trekkerschakelaar gebruiken

Om het gereedschap in te schakelen, drukt u op de vergrendel-ontgrendelknop. Het gereedschap wordt op standby gezet. Om het gereedschap te starten, drukt u in standby op de aan-uitknop. Om het gereedschap te stoppen, drukt u nogmaals op de aan-uitknop. Het gereedschap wordt op standby gezet. Om het gereedschap uit te schakelen, drukt u in standby op de vergrendel-ontgrendelknop.

► **Fig.5:** 1. Vergrendel-ontgrendelknop 2. Aan-uitknop

OPMERKING: Als het gereedschap gedurende 10 seconden op standby blijft staan zonder bediend te worden, wordt het gereedschap automatisch uitgeschakeld en gaat de lamp uit.

OPMERKING: U kunt het gereedschap ook stoppen en uitschakelen, door tijdens gebruik op de vergrendel-ontgrendelknop te drukken.

Om de helderheid van de lamp te verlagen, houdt u de vergrendel-/ontgrendelknop ingedrukt wanneer u het gereedschap in de standby-stand zet. Ongeveer 1 seconde nadat u op de vergrendel-/ontgrendelknop begon te drukken, zal de helderheid van de lamp beginnen af te nemen. Laat de vergrendel-/ontgrendelknop los bij de gewenste helderheid. Hierdoor wordt tevens het gereedschap in de standby-stand gezet. Ongeveer 3 seconden nadat u op de vergrendel-/ontgrendelknop begon te drukken, is de helderheid van de lamp minimaal en zal de helderheid niet verder afnemen.

OPMERKING: De helderheid van de lamp kan niet worden verlaagd terwijl het gereedschap in de standby-stand staat. Om de helderheid van de lamp in te stellen, schakelt u het gereedschap uit.

OPMERKING: De helderheid van de lamp kan niet worden onthouden. Als u de lamp uitschakelt en vervolgens weer inschakelt, zal de helderheid van de lamp weer maximaal zijn.

Snelheidsregelaar

De snelheid van het gereedschap kan worden ingesteld door de snelheidsregelaar te draaien. Op stand 5 is de snelheid het hoogst en op stand 1 het laagst.

► **Fig.6:** 1. Snelheidsregelaar

Zie de tabel om de juiste snelheid te kiezen voor het werkstuk dat u wilt zagen. De juiste snelheid is echter ook afhankelijk van de soort en de dikte van het werkstuk. Over het algemeen kunt u op een hogere snelheid een werkstuk sneller zagen, maar gaat de levensduur van het decoupeerzaagblad achteruit.

Werkstuk	Cijfer
Hout	4 - 5
Zacht staal	3 - 5
Roestvrij staal	3 - 4
Aluminium	3 - 5
Kunststof	1 - 4

KENNISGEVING: De snelheidsregelaar kan slechts tot stand 5 worden gedraaid en worden teruggedraaid tot stand 1. Forceer de regelaar niet voorbij stand 5 of stand 1 omdat de snelheidsregeling daardoor defect kan raken.

Elektronische aansturing

Het gereedschap is uitgerust met elektronische aansturing voor een gemakkelijke bediening.

Zachte start

De zachte-startfunctie minimaliseert de opstartschok en zorgt ervoor dat het gereedschap soepel opstart.

Constance-snelheidsregeling

Elektronische snelheidsregeling voor het handhaven van een constante snelheid. Maakt een gladde afwerking mogelijk omdat de snelheid van het gereedschap zelfs onder belasting constant blijft.

Functie zacht onbelast draaien

Om de trillingen te verminderen en het decoupeerzaagblad gemakkelijk uit te lijnen met de zaaglijn, verlaagt het gereedschap automatisch de snelheid van het gereedschap tot het gereedschap in het werkstuk begint te zagen wanneer de snelheidsregelaar op stand 2 of hoger staat. Zodra het gereedschap in het werkstuk begint te zagen, wordt de snelheid van het gereedschap verhoogd naar de ingestelde snelheid en wordt deze snelheid gehandhaafd totdat het gereedschap stopt.

OPMERKING: Als de temperatuur laag is, is deze functie mogelijk niet beschikbaar. Tevens, afhankelijk van het materiaal, het decoupeerzaagblad en de snelheid van het gereedschap, is deze functie mogelijk niet beschikbaar.

De functie zacht onbelast draaien uitschakelen of inschakelen

Om de functie zacht onbelast draaien uit of in te schakelen, volgt u de onderstaande stappen.

1. Verzekert u ervan dat het gereedschap is uitgeschakeld.
2. Zet de snelheidsregelaar in stand "1".
3. Druk op de vergrendel-/ontgrendelknop om het gereedschap in te schakelen.
4. Zet de snelheidsregelaar in stand "5" door hem te draaien, en zet hem daarna weer in stand "1" door hem terug te draaien.

De lamp knippert twee keer om aan te geven dat de functie zacht onbelast draaien is uitgeschakeld. Om deze functie weer in te schakelen, voert u dezelfde procedure opnieuw uit.

OPMERKING: Als de functie zacht onbelast draaien is uitgeschakeld, knippert de lamp twee keer wanneer het gereedschap wordt ingeschakeld.

OPMERKING: U kunt de functie zacht onbelast draaien ook uitschakelen of inschakelen door de snelheidsregelaar van stand "5" naar stand "1" te draaien, en daarna van stand "1" naar stand "5" te draaien.

Elektrische rem

Dit gereedschap is voorzien van een elektrische rem. Als het gereedschap continu niet snel stilstaat nadat op de aan-uitknop of de vergrendel-/ontgrendelknop is gedrukt, laat u het gereedschap onderhouden door een Makita-servicecentrum.

MONTAGE

⚠ LET OP: Zorg altijd dat het gereedschap is uitgeschakeld en de accu ervan is verwijderd alvorens enig werk aan het gereedschap uit te voeren.

Het decoupeerzaagblad aanbrengen en verwijderen

⚠ LET OP: Verwijder altijd eerst alle houtsnippers en vreemde stoffen die aan het decoupeerzaagblad en/of de decoupeerzaagbladhouder kleven. Als u dat niet doet is het mogelijk dat het decoupeerzaagblad onvoldoende wordt vastgeklemd, wat kan leiden tot ernstig persoonlijk letsel.

⚠ LET OP: Raak de decoupeerzaagblad of het werkstuk niet onmiddellijk na gebruik aan. Deze kunnen bijzonder heet zijn en brandwonden op uw huid veroorzaken.

⚠ LET OP: Zet het decoupeerzaagblad altijd goed vast. Als het decoupeerzaagblad onvoldoende goed is vastgezet, kan het breken en ernstig persoonlijk letsel ontstaan.

⚠ LET OP: Gebruik uitsluitend type B decoupeerzaagbladen. Als u een ander decoupeerzaagblad dan type B gebruikt, wordt het zaagblad onvoldoende goed vastgezet, waardoor ernstig persoonlijk letsel kan worden veroorzaakt.

⚠ LET OP: Wees voorzichtig bij het verwijderen van het decoupeerzaagblad dat u uw vingers niet bezeert aan de punt van het decoupeerzaagblad of de uiteinden van het werkstuk.

Alvorens het decoupeerzaagblad te monteren, zorgt u ervoor dat de zaagbladklemhendel in de ontgrendelde stand staat. Om het decoupeerzaagblad aan te brengen, steekt u het decoupeerzaagblad (met de tanden naar voren gericht) in de decoupeerzaagbladhouder. De zaagbladklemhendel beweegt naar de vergrendelde stand en het decoupeerzaagblad is vergrendeld. Zorg ervoor dat de achterrand van het decoupeerzaagblad in de rol past. Trek zacht aan het decoupeerzaagblad om er zeker van te zijn dat het decoupeerzaagblad er niet uit valt tijdens gebruik.

- **Fig.7:**
1. Decoupeerzaagbladhouder
 2. Zaagbladklemhendel (ontgrendelde stand)
 3. Zaagbladklemhendel (vergrendelde stand)

- **Fig.8:**
1. Decoupeerzaagbladhouder
 2. Decoupeerzaagblad
 3. Rol

⚠ LET OP: Als de zaagbladklemhendel niet naar de vergrendelde stand beweegt, is het decoupeerzaagblad niet volledig aangebracht. Beweeg de zaagbladklemhendel niet met de hand naar de vergrendelde stand. Hierdoor kan het gereedschap beschadigd worden.

Om het decoupeerzaagblad te verwijderen, duwt u de zaagbladklemhendel zo ver mogelijk naar voren. Hierdoor wordt het decoupeerzaagblad ontgrendeld.

- **Fig.9:**
1. Decoupeerzaagbladhouder
 2. Zaagbladklemhendel
 3. Decoupeerzaagblad

OPMERKING: Als het moeilijk is om het decoupeerzaagblad te verwijderen, draait u de zaagmethode-keuzehendel naar de stand "III" en beweegt u de decoupeerzaagbladhouder naar onderen. Om de decoupeerzaagbladhouder naar onderen te bewegen, zet u de zaagbladklemhendel helemaal in de vergrendelde stand en schakelt u het gereedschap meerdere keren kort in.

OPMERKING: Smeer af en toe de rol.

Opbergplaats voor de inbussleutel

Wanneer de inbussleutel niet wordt gebruikt, bergt u hem op zoals aangegeven in de afbeelding zodat u hem niet verliest.

► Fig.10: 1. Inbussleutel

BEDIENING

▲LET OP: Houd de zool altijd vlak met het oppervlak van het werkstuk. Als u dat niet doet bestaat de kans dat het decoupeerzaagblad breekt, wat kan leiden tot ernstig persoonlijk letsel.

▲LET OP: Beweeg het gereedschap zeer langzaam vooruit tijdens het zagen van bochten en bij ornamentzagen. Als u het gereedschap dwingt, kan een schuin zaagoppervlak ontstaan en het decoupeerzaagblad breken.

Schakel het gereedschap in zonder dat het decoupeerzaagblad iets raakt en wacht tot het decoupeerzaagblad op volle snelheid is. Plaats daarna de zool vlak op het werkstuk en beweeg het gereedschap rustig naar voren langs een eerder aangebrachte zaaglijn.

► Fig.11: 1. Zaaglijn 2. Zool

Verticaal verstekzagen

▲LET OP: Zorg er altijd voor dat het gereedschap is uitgeschakeld en de accu is verwijderd, voordat u de zool kantelt.

Met een gekantelde zool kunt u verstekzagen onder elke hoek tussen 0° en 45° (links of rechts).

► Fig.12

Draai de bout op de achterkant van de zool los met behulp van de inbussleutel. Verplaats de zool zodat de bout zich in het midden van de kruisvormige gleuf in de zool bevindt.

► Fig.13: 1. Inbussleutel 2. Bout 3. Zool

Kantel de zool tot de gewenste verstekhoek is bereikt. De zijrand van het motorhuis geeft de verstekhoek aan op een schaalverdeling. Draai daarna de bout vast om de zool vast te zetten.

► Fig.14: 1. Zijrand 2. Schaalverdeling

Zaagsneden tot aan de voorrand

Draai met de inbussleutel de bout op de onderkant van de zool los en schuif de zool helemaal naar achteren. Draai daarna de bout vast om de zool vast te zetten.

► Fig.15: 1. Inbussleutel 2. Bout 3. Zool

Uitsnijdingen

U kunt uitsnijdingen maken op de volgende twee manieren: "Een begingat boren" of een "Invalzaagsnede".

Een begingat boren

Voor uitsnijdingen midden in een werkstuk zonder in te zagen vanaf de rand, boort u vooraf een gat met een diameter van 12 mm of meer. Steek het decoupeerzaagblad in dit gat voordat u begint te zagen.

► Fig.16

Invalzaagsnede

U hoeft geen begingat te boren of vanaf de rand in te zagen als u voorzichtig te volgt te werk gaat.

1. Raak met de voorrand van de zool het werkstuk aan en kantel het gereedschap met de punt van het decoupeerzaagblad vlak boven het oppervlak van het werkstuk.

2. Oefen druk uit op het gereedschap zodat de voorrand van de zool niet beweegt wanneer u het gereedschap inschakelt, en laat de achterkant van het gereedschap voorzichtig zakken.

3. Naarmate het decoupeerzaagblad het werkstuk doorboort, laat u de zool van het gereedschap langzaam zakken tot op het oppervlak van het werkstuk.

4. Maak de zaagsnede op de normale manier af.

► Fig.17

Randen afwerken

Om randen af te werken of afmetingen iets bij te zagen, beweegt u het decoupeerzaagblad licht langs de reeds gezaagde randen van het werkstuk.

► Fig.18

Zagen van metaal

Gebruik voor zagen in metaal altijd een geschikt koelmiddel (snijolie). Als u dat niet doet, zal het decoupeerzaagblad sterk slijten. De onderkant van het werkstuk kan met vet worden ingesmeerd in plaats van een koelvloeistof te gebruiken.

Stofafzuiging

Het stofscherm aanbrengen en verwijderen

Breng het stofscherm aan zoals aangegeven in de afbeelding.

► Fig.19: 1. Stofscherm

Om het stofscherm te verwijderen, duwt u tegen één zijkant van het stofscherm en verwijdert u het zoals aangegeven in de afbeelding.

► Fig.20: 1. Stofscherm

De stofafzuigaansluitmond aanbrengen en verwijderen

U kunt dit gereedschap aansluiten op een Makita-stofzuiger door de stofafzuigaansluitmond aan te brengen. Steek de stofafzuigaansluitmond helemaal in het gereedschap.

► **Fig.21:** 1. Stofafzuigaansluitmond

Om de stofafzuigaansluitmond te verwijderen, trekt u de stofafzuigaansluitmond eruit terwijl u op de knop op de stofafzuigaansluitmond drukt.

► **Fig.22:** 1. Knop 2. Stofafzuigaansluitmond

Het gereedschap aansluiten op een stofzuiger

Sluit de stofzuigerslang aan op de stofafzuigaansluitmond.

► **Fig.23**

Breedtegeleider

Optioneel accessoire

⚠ LET OP: Zorg er altijd voor dat het gereedschap is uitgeschakeld en de accu is verwijderd, voordat u accessoires aanbrengt of verwijderd.

Rechte zaagsneden

Als u herhaaldelijk een breedte van minder dan 160 mm moet afzagen, kunt u door de breedtegeleider te gebruiken snel, schoon en recht zagen.

► **Fig.24:** 1. Breedtegeleider (liniaal)

Om aan te brengen, steekt u het staaf-gedeelte in het vierkante gat in de zool met het geleider-gedeelte omlaag gericht. Schuif de breedtegeleider naar de gewenste zaagbreedte en draai daarna de bout vast om hem vast te zetten.

► **Fig.25:** 1. Inbussleutel 2. Bout 3. Breedtegeleider (liniaal)

Gebogen zaagsneden

Als u cirkels of bogen met een straal van 170 mm of minder wilt zagen, brengt u de breedtegeleider als volgt aan.

► **Fig.26:** 1. Breedtegeleider (liniaal)

⚠ LET OP: Raak de punt van de cirkelgeleiderpen niet aan. De scherpe punt van de cirkelgeleiderpen kan letsel veroorzaken.

1. Steek het staaf-gedeelte in het vierkante gat in de zool met het geleider-gedeelte omhoog gericht.

2. Steek de cirkelgeleiderpen in een van de twee gaten in het geleider-gedeelte. Draai de knop met schroefdraad op de cirkelgeleiderpen om de cirkelgeleiderpen te bevestigen.

► **Fig.27:** 1. Knop met schroefdraad
2. Breedtegeleider (liniaal)
3. Cirkelgeleiderpen 4. Bout 5. Inbussleutel

3. Schuif de breedtegeleider naar de gewenste zaagstraal en draai de bout vast om hem vast te zetten.

OPMERKING: Gebruik altijd decoupeerzaagblad nr. B-17, B-18, B-26 of B-27 voor het zagen van cirkels of bogen.

Antisplinterhulpstuk

Optioneel accessoire

⚠ LET OP: Het antisplinterhulpstuk kan niet worden gebruikt bij verstekzagen.

Voor zagen zonder splinters kunt u het antisplinterhulpstuk gebruiken. Om het antisplinterhulpstuk te monteren, zet u de zool in de voorste stand en brengt u het hulpstuk eerst aan op de onderkant van de zool.

Als u de dekplaat gebruikt, brengt u het antisplinterhulpstuk aan op de dekplaat.

► **Fig.28:** 1. Zool 2. Antisplinterhulpstuk

Dekplaat

Gebruik de dekplaat wanneer u decoratieve fineer, kunststof e.d. zaagt. Deze beschermt kwetsbare of delicate oppervlakken tegen beschadiging. Breng hem aan op de onderkant van de zool.

► **Fig.29:** 1. Dekplaat 2. Zool

Geleiderailadapterset

Optioneel accessoire

Als u een parallelle en uniforme breedte of recht wilt zagen, kunt u door de geleiderail en geleiderailadapter te gebruiken snelle en schone zaagsneden produceren. Om de geleiderailadapter aan te brengen, steekt u de bevestigingsstang zo ver mogelijk in de rechthoekige opening in de zool. Draai de bout stevig vast met de inbussleutel.

► **Fig.30:** 1. Inbussleutel 2. Bevestigingsstang 3. Bout

Steek de bevestigingsstang in de rechthoekige opening in de geleiderailadapter en draai de schroef stevig vast. Plaats de geleiderailadapter op de geleiderail.

► **Fig.31:** 1. Geleiderailadapter 2. Geleiderail
3. Schroef

KENNISGEVING: Gebruik altijd decoupeerzaagblad nr. B-8, B-13, B-16, B-17 of 58 wanneer u de geleiderail en de geleiderailadapter gebruikt.

ONDERHOUD

⚠ LET OP: Zorg altijd dat het gereedschap is uitgeschakeld en de accu ervan is verwijderd alvorens te beginnen met onderhoud of inspectie.

KENNISGEVING: Gebruik nooit benzine, wasbenzine, thinner, alcohol en dergelijke. Hierdoor kunnen verkleuring, vervormingen en barsten worden veroorzaakt.

Om de VEILIGHEID en BETROUWBAARHEID van het gereedschap te handhaven, dienen alle reparaties, onderhoud of afstellingen te worden uitgevoerd bij een erkend Makita-servicecentrum of de Makita-fabriek, en altijd met gebruik van Makita-vervangingsonderdelen.

OPTIONELE ACCESSOIRES

⚠ LET OP: Deze accessoires of hulpstukken worden aanbevolen voor gebruik met het Makita gereedschap dat in deze gebruiksaanwijzing is beschreven. Bij gebruik van andere accessoires of hulpstukken bestaat het gevaar van persoonlijke letsel. Gebruik de accessoires of hulpstukken uitsluitend voor hun bestemde doel.

Wenst u meer bijzonderheden over deze accessoires, neem dan contact op met het plaatselijke Makita-servicecentrum.

- Decoupeerzaagbladen
- Breedtegeleider (liniaal), set
- Geleiderailadapterset
- Antisplinterhulpstuk
- Dekplaat
- Stofafzuigaansluitmond
- Stofschermb
- Originele Makita accu's en acculaders

OPMERKING: Sommige items op de lijst kunnen zijn inbegrepen in de doos van het gereedschap als standaard toebehoren. Deze kunnen van land tot land verschillen.

ESPECIFICACIONES

Modelo:	DJV185	
Longitud de carrera	23 mm	
Carreras por minuto	800 - 3.000 min ⁻¹	
Tipo de hoja de sierra	Tipo B	
Capacidades máximas de corte	Madera	135 mm
	Acero suave	10 mm
	Aluminio	20 mm
Longitud total (con BL1860B)	259 mm	
Tensión nominal	18 V CC	
Peso neto	2,0 - 2,3 kg	

- Debido a nuestro continuado programa de investigación y desarrollo, las especificaciones aquí dadas están sujetas a cambios sin previo aviso.
- Las especificaciones pueden ser diferentes de país a país.
- El peso puede variar dependiendo del accesorio(s), incluyendo el cartucho de batería. La combinación menos pesada y la más pesada, de acuerdo con el procedimiento EPTA 01/2014, se muestran en la tabla.

Cartucho de batería y cargador aplicables

Cartucho de batería	BL1815N / BL1820B / BL1830B / BL1840B / BL1850B / BL1860B
Cargador	DC18RC / DC18RD / DC18RE / DC18SD / DC18SE / DC18SF / DC18SH / DC18WC

- Algunos de los cartuchos de batería y cargadores indicados arriba puede que no estén disponibles dependiendo de su región de residencia.

⚠ADVERTENCIA: Utilice solamente los cartuchos de batería y cargadores listados arriba. La utilización de cualquier otro cartucho de batería y cargador puede ocasionar heridas y/o un incendio.

Uso previsto

La herramienta ha sido prevista para el serrado de materiales de madera, plástico y metal.

Ruido

El nivel de ruido A-ponderado típico determinado de acuerdo con la norma EN62841-2-11:

Nivel de presión sonora (L_{pA}) : 87 dB (A)

Nivel de potencia sonora (L_{WA}) : 95 dB (A)

Error (K) : 3 dB (A)

NOTA: El valor (o los valores) de emisión de ruido declarado ha sido medido de acuerdo con un método de prueba estándar y se puede utilizar para comparar una herramienta con otra.

NOTA: El valor (o valores) de emisión de ruido declarado también se puede utilizar en una valoración preliminar de exposición.

⚠ADVERTENCIA: Póngase protectores para oídos.

⚠ADVERTENCIA: La emisión de ruido durante la utilización real de la herramienta eléctrica puede variar del valor (o los valores) de emisión declarado dependiendo de las formas en las que la herramienta sea utilizada, especialmente qué tipo de pieza de trabajo se procesa.

⚠ADVERTENCIA: Asegúrese de identificar medidas de seguridad para proteger al operario que estén basadas en una estimación de la exposición en las condiciones reales de utilización (teniendo en cuenta todas las partes del ciclo operativo como las veces cuando la herramienta está apagada y cuando está funcionando en vacío además del tiempo de gatillo).

Vibración

El valor total de la vibración (suma de vectores triaxiales) determinado de acuerdo con la norma EN62841-2-11:

Modo de trabajo: corte de tableros

Emisión de vibración ($a_{h,B}$): 10,3 m/s²

Error (K) : 1,7 m/s²

Modo de trabajo: corte de chapas de metal

Emisión de vibración ($a_{h,M}$): 9,0 m/s²

Error (K) : 1,5 m/s²

NOTA: El valor (o los valores) total de emisión de vibración declarado ha sido medido de acuerdo con un método de prueba estándar y se puede utilizar para comparar una herramienta con otra.

NOTA: El valor (o los valores) total de emisión de vibración declarado también se puede utilizar en una valoración preliminar de exposición.

⚠️ ADVERTENCIA: La emisión de vibración durante la utilización real de la herramienta eléctrica puede variar del valor (o los valores) de emisión declarado dependiendo de las formas en las que la herramienta sea utilizada, especialmente qué tipo de pieza de trabajo se procesa.

⚠️ ADVERTENCIA: Asegúrese de identificar medidas de seguridad para proteger al operario que estén basadas en una estimación de la exposición en las condiciones reales de utilización (teniendo en cuenta todas las partes del ciclo operativo como las veces cuando la herramienta está apagada y cuando está funcionando en vacío además del tiempo de gatillo).

Declaraciones de conformidad

Para países europeos solamente

Las declaraciones de conformidad están incluidas como Anexo A de este manual de instrucciones.

ADVERTENCIAS DE SEGURIDAD

Advertencias de seguridad para herramientas eléctricas en general

⚠️ ADVERTENCIA Lea todas las advertencias de seguridad, instrucciones, ilustraciones y especificaciones provistas con esta herramienta eléctrica. Si no sigue todas las instrucciones indicadas abajo, podrá resultar en una descarga eléctrica, un incendio y/o heridas graves.

Guarde todas las advertencias e instrucciones para futuras referencias.

El término "herramienta eléctrica" en las advertencias se refiere a su herramienta eléctrica de funcionamiento con conexión a la red eléctrica (con cable) o herramienta eléctrica de funcionamiento a batería (sin cable).

Advertencias de seguridad para la sierra caladora inalámbrica

1. Cuando realice una operación en la que el accesorio de corte pueda entrar en contacto con cableado oculto, sujete la herramienta eléctrica por las superficies de asimiento aisladas. El contacto del accesorio de corte con un cable con corriente puede hacer que la corriente circule por las partes metálicas expuestas de la herramienta eléctrica y soltar una descarga eléctrica al operario.

2. Utilice mordazas u otros medios de sujeción prácticos para sujetar y apoyar la pieza de trabajo en una plataforma estable. Sujetada con la mano o contra su cuerpo, la pieza de trabajo estará inestable y podrá ocasionar la pérdida del control.
3. Utilice siempre gafas de seguridad o gafas de protección. Las gafas normales o de sol NO son gafas de seguridad.
4. Evite cortar clavos. Inspeccione la pieza de trabajo por si tiene algún clavo y retírelos antes de empezar la operación.
5. No corte piezas de trabajo sobredimensionadas.
6. Compruebe que hay espacio suficiente alrededor de la pieza de trabajo antes de cortar, de forma que la hoja de sierra de calar no golpee contra el suelo, el banco de trabajo, etc.
7. Sujete la herramienta firmemente.
8. Asegúrese de que la hoja de sierra de calar no está tocando la pieza de trabajo antes de activar el interruptor.
9. Mantenga las manos alejadas de las partes en movimiento.
10. No deje la herramienta en marcha. Opere la herramienta solamente cuando la tenga sujeta con las manos.
11. Apague siempre la herramienta y espere hasta que la hoja de sierra de calar se haya parado completamente antes de retirar la hoja de sierra de calar de la pieza de trabajo.
12. No toque la hoja de sierra de calar ni la pieza de trabajo inmediatamente después de la operación; podrán estar muy caliente y quemarle la piel.
13. No utilice la herramienta sin carga innecesariamente.
14. Algunos materiales contienen sustancias químicas que podrán ser tóxicas. Tenga precaución para evitar la inhalación de polvo y el contacto con la piel. Siga los datos de seguridad del abastecedor del material.
15. Utilice siempre la mascarilla contra el polvo/ respirador correcto para el material y la aplicación con que esté trabajando.

GUARDE ESTAS INSTRUCCIONES.

⚠️ ADVERTENCIA: NO deje que la comodidad o familiaridad con el producto (a base de utilizarlo repetidamente) sustituya la estricta observancia de las normas de seguridad para el producto en cuestión. El MAL USO o el no seguir las normas de seguridad establecidas en este manual de instrucciones podrá ocasionar graves heridas personales.

Instrucciones de seguridad importantes para el cartucho de batería

- Antes de utilizar el cartucho de batería, lea todas las instrucciones e indicaciones de precaución sobre (1) el cargador de baterías, (2) la batería, y (3) el producto con el que se utiliza la batería.**
- No desensamble ni manipule el cartucho de batería.** Podrá resultar en un incendio, calor excesivo, o una explosión.
- Si el tiempo de uso se acorta demasiado, cese la operación inmediatamente.** Podría resultar en un riesgo de recalentamiento, posibles quemaduras e incluso una explosión.
- Si entra electrolito en sus ojos, aclárelos con agua limpia y acuda a un médico inmediatamente.** Existe el riesgo de poder perder la vista.
- No cortocircuite el cartucho de batería:**
 - No toque los terminales con ningún material conductor.**
 - Evite guardar el cartucho de batería en un cajón junto con otros objetos metálicos, como clavos, monedas, etc.**
 - No exponga el cartucho de batería al agua ni a la lluvia.**

Un cortocircuito en la batería puede producir una gran circulación de corriente, un recalentamiento, posibles quemaduras e incluso una rotura de la misma.
- No guarde ni utilice la herramienta y el cartucho de batería en lugares donde la temperatura pueda alcanzar o exceder los 50 °C.**
- Nunca incinere el cartucho de batería incluso en el caso de que esté dañado seriamente o ya no sirva en absoluto. El cartucho de batería puede explotar si se tira al fuego.**
- No clave, corte, aplaste, lance, deje caer el cartucho de batería, ni golpee contra un objeto duro el cartucho de batería.** Tal conducta podrá resultar en un incendio, calor excesivo, o una explosión.
- No utilice una batería dañada.**
- Las baterías de litio-ion contenidas están sujetas a los requisitos de la Legislación para Materiales Peligrosos.**

Para transportes comerciales, p.ej., por terceras personas y agentes de transportes, se deberán observar requisitos especiales para el empaquetado y etiquetado.

Para la preparación del artículo que se va a enviar, se requiere consultar con un experto en materiales peligrosos. Por favor, observe también la posibilidad de reglamentos nacionales más detallados.

Cubra con cinta aislante o enmascare los contactos expuestos y empaquete la batería de tal manera que no se pueda mover alrededor dentro del embalaje.
- Para desechar el cartucho de batería, retírelo de la herramienta y deséchelo en un lugar seguro. Siga los reglamentos locales referentes al desecho de la batería.**
- Utilice las baterías solamente con los productos especificados por Makita.** La instalación de las baterías en productos no compatibles puede resultar en un incendio, calor excesivo, explosión, o fuga de electrolito.
- Si la herramienta no va a ser utilizada durante un periodo de tiempo largo, la batería deberá ser retirada de la herramienta.**
- Durante y después de la utilización, el cartucho de batería podrá acumular calor, lo cual puede ocasionar quemaduras o quemaduras de baja temperatura. Preste atención al manejo de cartuchos de batería calientes.**
- No toque el terminal de la herramienta inmediatamente después de utilizar, dado que puede calentarse lo suficiente como para ocasionar quemaduras.**
- No permita que virutas, polvo, o tierra se adhieran dentro de los terminales, orificios, y ranuras del cartucho de batería.** Esto podría ocasionar calentamiento, que coja fuego, reviente y un mal funcionamiento de la herramienta o el cartucho de batería, resultando en quemaduras o heridas personales.
- A menos que la herramienta pueda utilizarse cerca de cables eléctricos de alta tensión, no utilice el cartucho de batería cerca de cables eléctricos de alta tensión.** Podrá resultar en un mal funcionamiento o rotura de la herramienta o el cartucho de batería.
- Mantenga la batería alejada de los niños.**

GUARDE ESTAS INSTRUCCIONES.

⚠PRECAUCIÓN: Utilice solamente baterías genuinas de Makita. La utilización de baterías no genuinas de Makita, o baterías que han sido alteradas, puede resultar en una explosión de la batería ocasionando incendios, heridas personales y daños. También anulará la garantía de Makita para la herramienta y el cargador de Makita.

Consejos para alargar al máximo la vida de servicio de la batería

- Cargue el cartucho de batería antes de que se descargue completamente. Detenga siempre la operación y cargue el cartucho de batería cuando note menos potencia en la herramienta.**
- No cargue nunca un cartucho de batería que esté completamente cargado. La sobrecarga acortará la vida de servicio de la batería.**
- Cargue el cartucho de batería a temperatura ambiente de 10 °C - 40 °C. Si un cartucho de batería está caliente, déjelo enfriar antes de cargarlo.**
- Cuando no esté utilizando el cartucho de batería, retírelo de la herramienta o del cargador.**
- Cargue el cartucho de batería si no lo utiliza durante un periodo de tiempo prolongado (más de seis meses).**

DESCRIPCIÓN DEL FUNCIONAMIENTO

⚠️ PRECAUCIÓN: Asegúrese siempre de que la herramienta esté apagada y el cartucho de batería retirado antes de realizar cualquier ajuste o comprobación en la herramienta.

Instalación o extracción del cartucho de batería

⚠️ PRECAUCIÓN: Apague siempre la herramienta antes de instalar o retirar el cartucho de batería.

⚠️ PRECAUCIÓN: Sujete la herramienta y el cartucho de batería firmemente cuando instale o retire el cartucho de batería. Si no sujeta la herramienta y el cartucho de batería firmemente podrán caérsele de las manos y resultar en daños a la herramienta y al cartucho de batería y heridas personales.

Para instalar el cartucho de batería, alinee la lengüeta del cartucho de batería con la ranura del alojamiento y deslícelo al interior hasta encajarlo en su sitio. Insértelo por completo hasta que se bloquee en su sitio con un pequeño chasquido. Si puede ver el indicador rojo como se muestra en la figura, no estará bloqueado completamente.

Para retirar el cartucho de batería, deslícelo de la herramienta mientras desliza el botón de la parte frontal del cartucho.

► **Fig.1:** 1. Indicador rojo 2. Botón 3. Cartucho de batería

⚠️ PRECAUCIÓN: Instale siempre el cartucho de batería completamente hasta que no pueda verse el indicador rojo. En caso contrario, podrá caerse accidentalmente de la herramienta y ocasionarle heridas a usted o a alguien que esté cerca de usted.

⚠️ PRECAUCIÓN: No instale el cartucho de batería empleando fuerza. Si el cartucho no se desliza al interior fácilmente, será porque no está siendo insertado correctamente.

Sistema de protección de la herramienta / batería

La herramienta está equipada con un sistema de protección de la herramienta/batería. Este sistema corta automáticamente la alimentación al motor para alargar la vida de servicio de la herramienta y la batería. La herramienta se detendrá automáticamente durante la operación si la herramienta o la batería es puesta en una de las condiciones siguientes:

Protección contra sobrecarga

Cuando la herramienta o la batería sea operada de manera que tenga que absorber una corriente anormalmente alta, la herramienta se detendrá automáticamente sin ninguna indicación. En esta situación, apague la herramienta y detenga la aplicación que ocasiona la sobrecarga de la herramienta. Después encienda la herramienta para volver a empezar.

Protección contra el recalentamiento

Cuando la herramienta o la batería se recalienta, la herramienta se detiene automáticamente y la lámpara parpadea. En este caso, deje que la herramienta y la batería se enfríen antes de encender la herramienta otra vez.

Protección contra descarga excesiva

Cuando la capacidad de batería no es suficiente, la herramienta se detiene automáticamente. En este caso, retire la batería de la herramienta y cargue la batería.

Protección contra otras causas

El sistema de protección también ha sido diseñado para otras causas que pueden dañar la herramienta y permite a la herramienta detenerse automáticamente. Realice todos los pasos siguientes para despejar las causas, cuando la herramienta haya sido llevada a una pausa temporal o a una parada en la operación.

1. Apague la herramienta, y después vuelva a encenderla para volver a comenzar.
2. Cargue la batería(s) o reemplácela(s) con una batería(s) regargada(s).
3. Deje que la herramienta y la batería(s) se enfríen.

Si no se nota una mejora al restablecer el sistema de protección, póngase en contacto con el centro de servicio Makita local.

Modo de indicar la capacidad de batería restante

Solamente para cartuchos de batería con el indicador

Presione el botón de comprobación en el cartucho de batería para indicar la capacidad de batería restante. Las lámparas indicadoras se iluminan durante unos pocos segundos.

► **Fig.2:** 1. Lámparas indicadoras 2. Botón de comprobación

Lámparas indicadoras			Capacidad restante
Iluminada	Apagada	Parpadeando	
			75% a 100%
			50% a 75%
			25% a 50%
			0% a 25%
			Cargue la batería.
			Puede que la batería no esté funcionando bien.

NOTA: Dependiendo de las condiciones de utilización y de la temperatura ambiente, la indicación podrá variar ligeramente de la capacidad real.

NOTA: La primera lámpara indicadora (extremo izquierdo) parpadeará cuando el sistema de protección de la batería esté funcionando.

Selección de la acción de corte

Esta herramienta se puede operar con una acción de corte orbital o en línea recta (hacia arriba y hacia abajo). La acción de corte orbital empuja la hoja de sierra de calar hacia adelante y aumenta la velocidad de corte.

► **Fig.3:** 1. Palanca de cambio de la acción de corte

Para cambiar la acción de corte, gire la palanca de cambio de la acción de corte a la posición de la acción de corte deseada. Consulte la tabla para seleccionar la acción de corte apropiada.

Posición	Acción de corte	Aplicaciones
0	Acción de corte en línea recta	Para cortar acero suave, acero inoxidable y plásticos.
		Para cortes limpios en madera y contrachapado.
I	Acción de corte de órbita pequeña	Para cortar acero suave, aluminio y madera dura.
II	Acción de corte de órbita media	Para cortar madera y contrachapado.
		Para cortar rápido en aluminio y acero suave.
III	Acción de corte de órbita grande	Para cortar rápido en madera y contrachapado.

Encendido de la lámpara delantera

PRECAUCIÓN: No mire a la luz ni vea la fuente de luz directamente.

Para encender la lámpara, presione el botón de bloqueo/desbloqueo. Para apagar la lámpara, vuelva a presionar el botón de bloqueo/desbloqueo.

► **Fig.4:** 1. Lámpara 2. Botón de bloqueo/desbloqueo

AVISO: Cuando la herramienta está recalentada, la lámpara parpadea. Deje enfriar la herramienta por completo antes de volver a utilizarla.

NOTA: Utilice un paño seco para quitar la suciedad de la lente de la lámpara. Tenga cuidado de no rayar la lente de la lámpara, porque podrá disminuir la iluminación.

Accionamiento del interruptor

Para encender la herramienta, presione el botón de bloqueo/desbloqueo. La herramienta se enciende y queda en modo de espera. Para poner en marcha la herramienta, presione el botón de inicio/detención en el modo de espera. Para detener la herramienta, vuelva a presionar el botón de inicio/detención. La herramienta se enciende y queda en modo de espera. Para apagar la herramienta, presione el botón de bloqueo/desbloqueo en el modo de espera.

► **Fig.5:** 1. Botón de bloqueo/desbloqueo 2. Botón de inicio/detención

NOTA: Si la herramienta permanece 10 segundos sin ser utilizada en el modo de espera, tanto la herramienta como la lámpara se apagan automáticamente.

NOTA: También puede detener y apagar la herramienta presionando el botón de bloqueo/desbloqueo mientras la herramienta está en funcionamiento.

Para reducir la luminosidad de la lámpara, mantenga presionado el botón de bloqueo/desbloqueo cuando vaya a poner en modo de espera. Aproximadamente 1 segundo después de comenzar a presionar el botón de bloqueo/desbloqueo, la luminosidad de la lámpara comenzará a reducirse, así que suelte el botón de bloqueo/desbloqueo cuando alcance la luminosidad deseada. Esto también pone la herramienta en el modo de espera. Unos 3 segundos después de que comience a presionar el botón de bloqueo/desbloqueo, la luminosidad de la lámpara se reducirá al mínimo y la luminosidad ya no cambiará.

NOTA: La luminosidad de la lámpara no se puede ajustar mientras la herramienta está en el modo de espera. Para ajustar la luminosidad de la lámpara, apague la herramienta.

NOTA: No hay una función de memoria para la luminosidad de la lámpara. Si apaga la lámpara y después la enciende, la luminosidad de la lámpara aumentará al máximo cada vez.

Dial de ajuste de velocidad

La velocidad de la herramienta se puede ajustar girando el dial de ajuste de velocidad. Puede obtener la velocidad más alta en 5 y la velocidad más baja en 1.

► **Fig.6:** 1. Dial de ajuste de velocidad

Consulte la tabla para seleccionar la velocidad apropiada para la pieza de trabajo que va a cortar. Sin embargo, la velocidad apropiada podrá variar con el tipo o grosor de la pieza de trabajo. En general, las velocidades más altas le permitirán cortar piezas de trabajo de forma más rápida pero la vida de servicio de la hoja de sierra de calar se reducirá.

Pieza de trabajo	Número
Madera	4 - 5
Acero suave	3 - 5
Acero inoxidable	3 - 4
Aluminio	3 - 5
Plásticos	1 - 4

AVISO: El dial de ajuste de velocidad se puede girar solamente hasta 5 y de vuelta hasta 1. No lo fuerce más allá de 5 o 1, o la función de ajuste de velocidad podrá dejar de funcionar.

Función electrónica

La herramienta está equipada con funciones electrónicas para facilitar la operación.

Inicio suave

La función de inicio suave minimiza el golpe del arranque, y hace que la herramienta se ponga en marcha suavemente.

Control de velocidad constante

Control de velocidad electrónico para obtener una velocidad constante. Se puede obtener un acabado fino, porque la velocidad de la herramienta se mantiene constante incluso en condición de carga.

Función de giro suave sin carga

Para reducir la vibración y alinear la hoja de sierra de calar con la línea de corte fácilmente, la herramienta reduce la velocidad automáticamente hasta que la herramienta comienza a cortar la pieza de trabajo cuando el dial de ajuste de velocidad está ajustado a 2 o más alto. Una vez que la herramienta comienza a cortar la pieza de trabajo, la velocidad de la herramienta alcanza la velocidad predeterminada y mantiene la velocidad hasta que la herramienta se para.

NOTA: Cuando la temperatura sea baja, puede que esta función no esté disponible. Además, dependiendo del material, la hoja de sierra de calar y la velocidad de la herramienta, puede que esta característica no esté disponible.

Inhabilitación o habilitación de la función de giro suave sin carga

Para inhabilitar o habilitar la función de giro suave sin carga, siga los pasos se abajo.

1. Asegúrese de que la herramienta está apagada.
2. Ajuste el dial de ajuste de velocidad a "1".
3. Presione el botón de bloqueo/desbloqueo para encender la herramienta.
4. Ajuste el dial de ajuste de velocidad a "5" girándolo, y después ajústelo a "1" girándolo hacia atrás.

La lámpara parpadea dos veces para indicar que la función de giro suave sin carga está inhabilitada. Para habilitar esta función otra vez, realice el mismo procedimiento otra vez.

NOTA: Si la función de giro suave sin carga está inhabilitada, la lámpara parpadeará dos veces cuando se encienda la herramienta.

NOTA: También puede inhabilitar o habilitar la función de giro suave sin carga cambiando el dial de ajuste de velocidad de "5" a "1" y cambiándolo de "1" a "5".

Freno eléctrico

Esta herramienta está equipada con un freno eléctrico. Si la herramienta consistentemente deja de pararse rápidamente después de presionar el botón de inicio/detención o el botón de bloqueo/desbloqueo, haga que la herramienta sea servida en un centro de servicio Makita.

MONTAJE

PRECAUCIÓN: Asegúrese siempre de que la herramienta está apagada y el cartucho de batería retirado antes de realizar cualquier trabajo en la herramienta.

Instalación o desmontaje de la hoja de sierra de calar

PRECAUCIÓN: Retire siempre todas las virutas y materias extrañas adheridas a la hoja de sierra de calar y/o el porta hoja de sierra. En caso contrario, la hoja de sierra de calar podrá quedar insuficientemente apretada, pudiendo resultar en heridas personales graves.

PRECAUCIÓN: No toque la hoja de sierra de calar o la pieza de trabajo inmediatamente después de la operación. Podrán estar muy calientes y quemarle la piel.

PRECAUCIÓN: Sujete siempre la hoja de sierra de calar firmemente. Un apretado insuficiente de la hoja de sierra de calar podrá ocasionar la rotura de la hoja de sierra o heridas personales graves.

PRECAUCIÓN: Utilice solamente hojas de sierra de calar de tipo B. La utilización de hojas de sierra distintas de las de tipo B puede ocasionar un apretado insuficiente de la hoja de sierra de calar, resultando en heridas personales graves.

PRECAUCIÓN: Cuando retire la hoja de sierra de calar, tenga cuidado de no herirse los dedos con la parte superior de la hoja de sierra de calar o las puntas de la pieza de trabajo.

Antes de instalar la hoja de sierra de calar, asegúrese de que la palanca de la abrazadera de la hoja de sierra está en la posición liberada.

Para instalar la hoja de sierra de calar, inserte la hoja de sierra de calar (con los dientes orientados hacia adelante) en el porta hoja de sierra de calar. La palanca de la abrazadera de la hoja de sierra se mueve hasta la posición fija y la hoja de sierra de calar se bloquea. Asegúrese de que el borde trasero de la hoja de sierra de calar encaja en el rodillo. Tire de la hoja de sierra de calar ligeramente para asegurarse de que la hoja de sierra de calar no se cae durante la operación.

► **Fig.7:** 1. Porta hoja de sierra de calar 2. Palanca de la abrazadera de la hoja de sierra (posición liberada) 3. Palanca de la abrazadera de la hoja de sierra (posición fija)

► **Fig.8:** 1. Porta hoja de sierra de calar 2. Hoja de sierra de calar 3. Rodillo

PRECAUCIÓN: Si la palanca de la abrazadera de la hoja de sierra no se mueve hasta la posición fija, la hoja de sierra de calar no estará instalada completamente. No presione la palanca de la abrazadera de la hoja de sierra a mano hasta la posición fija. Podría dañar la herramienta.

Para retirar la hoja de sierra de calar, empuje la palanca de la abrazadera de la hoja de sierra hacia adelante a tope. Esto permite a la hoja de sierra de calar ser liberada.

► **Fig.9:** 1. Porta hoja de sierra de calar 2. Palanca de la abrazadera de la hoja de sierra 3. Hoja de sierra de calar

NOTA: Si es difícil retirar la hoja de sierra de calar, gire la palanca de cambio de la acción de corte hasta la posición "III" y mueva el porta hoja de sierra de calar hasta la parte inferior. Para mover el porta hoja de sierra de calar hasta la parte inferior, retorne completamente la palanca de la abrazadera de la hoja de sierra a la posición fija una vez y encienda la herramienta ligeramente varias veces.

NOTA: Lubrique el rodillo de vez en cuando.

Para guardar la llave hexagonal

Cuando no la esté utilizando, guarde la llave hexagonal como se muestra en la figura para evitar perderla.

► **Fig.10:** 1. Llave hexagonal

OPERACIÓN

⚠PRECAUCIÓN: Sujete siempre la base al ras con la pieza de trabajo. En caso contrario podrá ocasionar la rotura de la hoja de sierra de calar, resultando en heridas graves.

⚠PRECAUCIÓN: Avance la herramienta muy despacio cuando corte curvas o en vertical. Si fuerza la herramienta podrá ocasionar una superficie de corte sesgada y la rotura de la hoja de sierra de calar.

Encienda la herramienta sin que la hoja de sierra de calar esté haciendo contacto alguno y espere hasta que la hoja de sierra de calar alcance plena velocidad. Después apoye la base nivelada sobre la pieza de trabajo y mueva la herramienta despacio hacia adelante a lo largo de la línea de corte marcada previamente.

► **Fig.11:** 1. Línea de corte 2. Base

Corte en bisel

⚠PRECAUCIÓN: Asegúrese siempre de que la herramienta está apagada y el cartucho de batería retirado antes de inclinar la base.

Con la base inclinada, usted puede hacer cortes en bisel a cualquier ángulo entre 0° y 45° (izquierdo o derecho).

► **Fig.12**

Afije el perno de la parte trasera de la base con la llave hexagonal. Mueva la base de forma que el perno quede posicionado en el centro de la ranura con forma de cruz en la base.

► **Fig.13:** 1. Llave hexagonal 2. Perno 3. Base

Incline la base hasta obtener el ángulo de bisel deseado. El borde del alojamiento del motor indica el ángulo de bisel en graduaciones. Después apriete el perno para sujetar la base.

► **Fig.14:** 1. Borde 2. Graduación

Cortes a ras delantero

Afije el perno de la parte inferior de la base con la llave hexagonal y deslice la base hacia atrás a tope. Después apriete el perno para sujetar la base.

► **Fig.15:** 1. Llave hexagonal 2. Perno 3. Base

Recortes

Se pueden hacer recortes con uno cualquiera de dos métodos: "Perforando un agujero de inicio" o "corte por hundimiento".

Perforando un agujero de inicio

Para recortes internos sin un corte de entrada desde un borde, perforo previamente un agujero de inicio de 12 mm o más de diámetro. Inserte la hoja de sierra de calar en este agujero para comenzar el corte.

► **Fig.16**

Corte por hundimiento

No necesita hacer un agujero de inicio o un corte de entrada si hace cuidadosamente lo siguiente.

1. Apoye el borde delantero de la base sobre la pieza de trabajo, e incline la herramienta con la punta de la hoja de sierra de calar situada justo por encima de la superficie de la pieza de trabajo.
2. Aplique presión a la herramienta de forma que el borde delantero de la base no se mueva cuando usted encienda la herramienta y baje suavemente y con cuidado el extremo trasero de la herramienta.
3. A medida que la hoja de sierra de calar atraviesa la pieza de trabajo, vaya bajando despacio la base de la herramienta sobre la superficie de la pieza de trabajo.
4. Complete el corte de la manera normal.

► **Fig.17**

Acabado de bordes

Para recortar los bordes o hacer ajustes dimensionales, pase la hoja de sierra de calar ligeramente a lo largo de los bordes del corte.

► **Fig.18**

Corte de metal

Utilice siempre un refrigerante apropiado (aceite para cortar) cuando corte metal. De no hacerlo ocasionará un desgaste significativo de la hoja de sierra de calar. Se puede poner grasa en la parte inferior de la pieza de trabajo en lugar de utilizar un refrigerante.

Extracción de polvo

Instalación o desmontaje del guardapolvo

Instale el guardapolvo como se muestra en la figura.

► **Fig.19:** 1. Guardapolvo

Para retirar el guardapolvo, presione un lado del guardapolvo, y después retírelo como se muestra en la figura.

► **Fig.20:** 1. Guardapolvo

Instalación o desmontaje de la boquilla de polvo

Puede conectar esta herramienta a un aspirador Makita colocando la boquilla de polvo.

Inserte la boquilla de polvo a tope en la herramienta.

► **Fig.21:** 1. Boquilla de polvo

Para retirar la boquilla de polvo, extraiga la boquilla de polvo mientras presiona el botón de la boquilla de polvo.

► **Fig.22:** 1. Botón 2. Boquilla de polvo

Conexión de la herramienta a un aspirador

Conecte la manguera del aspirador a la boquilla de polvo.

► **Fig.23**

Guía lateral

Accesorios opcionales

⚠PRECAUCIÓN: Asegúrese siempre de que la herramienta está apagada y el cartucho de batería retirado antes de instalar o retirar accesorios.

Cortes rectos

Cuando se hagan cortes repetidos de anchuras de 160 mm o menos, la utilización de la guía lateral garantizará cortes rápidos, limpios y rectos.

► **Fig.24:** 1. Guía lateral (Regla guía)

Para instalar, inserte la parte de la barra en el agujero cuadrado de la base con la parte de la guía orientada hacia abajo. Deslice la guía lateral hasta la posición de la anchura de corte deseada, después apriete el perno para sujetarla.

► **Fig.25:** 1. Llave hexagonal 2. Perno 3. Guía lateral (Regla guía)

Cortes circulares

Cuando corte círculos o arcos de 170 mm o menos de radio, instale la guía lateral de la forma siguiente.

► **Fig.26:** 1. Guía lateral (Regla guía)

⚠PRECAUCIÓN: No toque la punta del pasador de la guía circular. La punta punzante del pasador de la guía circular puede ocasionar heridas.

1. Inserte la parte de la barra en el agujero cuadrado de la base con la parte de la guía orientada hacia arriba.

2. Inserte el pasador de la guía circular a través de uno de los dos agujeros de la parte de la guía.

Enrosque el pomo roscado en el pasador de la guía circular para sujetar el pasador de la guía circular.

► **Fig.27:** 1. Pomo roscado 2. Guía lateral (Regla guía) 3. Pasador de la guía circular 4. Perno 5. Llave hexagonal

3. Deslice la guía lateral hasta el radio de corte deseado, y apriete el perno para sujetarla en su sitio.

NOTA: Utilice siempre hojas de sierra de calar N.º B-17, B-18, B-26 o B-27 cuando corte círculos o arcos.

Dispositivo anti astillado

Accesorio opcional

⚠PRECAUCIÓN: El dispositivo anti astillado no se puede utilizar cuando se hacen cortes en bisel.

Para cortes libres de astillado, se puede utilizar el dispositivo anti astillado. Para instalar el dispositivo anti astillado, mueva la base de la herramienta hacia adelante a tope y encájelo desde la parte trasera de la base de la herramienta.

Cuando utilice la placa copertera, instale el dispositivo anti astillado sobre la placa copertera.

► **Fig.28:** 1. Base 2. Dispositivo anti astillado

Placa copertera

Utilice la placa copertera cuando corte enchapados decorativos, plásticos, etc. Protege de daños las superficies sensibles o delicadas. Encájela en la parte inferior de la base de la herramienta.

► **Fig.29:** 1. Placa copertera 2. Base

Juego de adaptador de riel guía

Accesorio opcional

Cuando corte anchuras paralelas y uniformes o corte en línea recta, la utilización del riel guía y el adaptador de riel guía garantizará la producción de cortes rápidos y limpios. Para instalar el adaptador de riel guía, inserte la regla en el agujero cuadrado de la base a tope. Sujete el perno firmemente con la llave hexagonal.

► **Fig.30:** 1. Llave hexagonal 2. Regla 3. Perno

Inserte la regla en el agujero cuadrado del adaptador de riel guía, y sujete el tornillo firmemente. Ponga el adaptador de riel guía en el riel guía.

► **Fig.31:** 1. Adaptador de riel guía 2. Riel guía 3. Tornillo

AVISO: Utilice siempre hojas de sierra de calar del N.º B-8, B-13, B-16, B-17 o 58 cuando utilice el riel guía y el adaptador de riel guía.

MANTENIMIENTO

⚠PRECAUCIÓN: Asegúrese siempre de que la herramienta está apagada y de que el cartucho de batería está retirado antes de intentar hacer una inspección o mantenimiento.

AVISO: No utilice nunca gasolina, bencina, disolvente, alcohol o similares. Podría producir descoloración, deformación o grietas.

Para mantener la SEGURIDAD y FIABILIDAD del producto, las reparaciones, y cualquier otra tarea de mantenimiento o ajuste deberán ser realizadas en centros de servicio o de fábrica autorizados por Makita, empleando siempre repuestos Makita.

ACCESORIOS OPCIONALES

⚠PRECAUCIÓN: Estos accesorios o aditamentos están recomendados para su uso con la herramienta Makita especificada en este manual.

El uso de cualquier otro accesorio o aditamento puede suponer un riesgo de heridas personales. Utilice el accesorio o aditamento solamente con la finalidad indicada para el mismo.

Si necesita cualquier ayuda para más detalles en relación con estos accesorios, pregunte al centro de servicio Makita local.

- Hojas de sierra de calar
- Conjunto de guía lateral (regla guía)
- Juego de adaptador de riel guía
- Dispositivo anti astillado
- Placa cobertera
- Boquilla de polvo
- Guardapolvo
- Batería y cargador genuinos de Makita

NOTA: Algunos elementos de la lista podrán estar incluidos en el paquete de la herramienta como accesorios estándar. Pueden variar de un país a otro.

ESPECIFICAÇÕES

Modelo:		DJV185
Comprimento de corte		23 mm
Golpes por minuto		800 - 3.000 min ⁻¹
Tipo de serra		Tipo B
Capacidade máx. de corte	Madeira	135 mm
	Aço macio	10 mm
	Alumínio	20 mm
Comprimento total (com BL1860B)		259 mm
Tensão nominal		C.C. 18 V
Peso líquido		2,0 - 2,3 kg

- Devido a um programa contínuo de pesquisa e desenvolvimento, estas especificações estão sujeitas a alteração sem aviso prévio.
- As especificações podem variar de país para país.
- O peso poderá diferir em função do acessório(s), incluindo a bateria. A combinação mais leve e mais pesada, de acordo com o Procedimento EPTA 01/2014, é apresentada na tabela.

Bateria e carregador aplicável

Bateria	BL1815N / BL1820B / BL1830B / BL1840B / BL1850B / BL1860B
Carregador	DC18RC / DC18RD / DC18RE / DC18SD / DC18SE / DC18SF / DC18SH / DC18WC

- Algumas das baterias e carregadores listados acima poderão não estar disponíveis, dependendo da sua região de residência.

⚠AVISO: Utilize apenas as baterias e carregadores listados acima. A utilização de quaisquer outras baterias e carregadores pode causar ferimentos e/ou um incêndio.

Utilização pretendida

A ferramenta destina-se ao corte de madeira, plástico e materiais metálicos.

Ruído

A característica do nível de ruído A determinado de acordo com a EN62841-2-11:

Nível de pressão acústica (L_{pA}): 87 dB (A)

Nível de potência acústica (L_{WA}): 95 dB (A)

Variabilidade (K): 3 dB (A)

NOTA: O(s) valor(es) da emissão de ruído indicado(s) foi medido de acordo com um método de teste padrão e pode ser utilizado para comparar duas ferramentas.

NOTA: O(s) valor(es) da emissão de ruído indicado(s) pode também ser utilizado na avaliação preliminar da exposição.

⚠AVISO: Utilize protetores auriculares.

⚠AVISO: A emissão de ruído durante a utilização real da ferramenta elétrica pode diferir do(s) valor(es) indicado(s), dependendo das formas como a ferramenta é utilizada, especialmente o tipo de peça de trabalho que é processada.

⚠AVISO: Certifique-se de identificar as medidas de segurança para proteção do operador que sejam baseadas em uma estimativa de exposição em condições reais de utilização (considerando todas as partes do ciclo de operação, tal como quando a ferramenta está desligada e quando está a funcionar em marcha lenta além do tempo de acionamento).

Vibração

Valor total da vibração (soma vetorial tri-axial) determinado de acordo com a EN62841-2-11:

Modo de trabalho: cortar tábuas

Emissão de vibração ($a_{h,B}$): 10,3 m/s²

Variabilidade (K): 1,7 m/s²

Modo de trabalho: cortar folha metálica

Emissão de vibração ($a_{h,M}$): 9,0 m/s²

Variabilidade (K): 1,5 m/s²

NOTA: O(s) valor(es) total(ais) de vibração indicado(s) foi medido de acordo com um método de teste padrão e pode ser utilizado para comparar duas ferramentas.

NOTA: O(s) valor(es) total(ais) de vibração indicado(s) pode também ser utilizado na avaliação preliminar da exposição.

⚠️ AVISO: A emissão de vibração durante a utilização real da ferramenta elétrica pode diferir do(s) valor(es) indicado(s), dependendo das formas como a ferramenta é utilizada, especialmente o tipo de peça de trabalho que é processada.

⚠️ AVISO: Certifique-se de identificar as medidas de segurança para proteção do operador que sejam baseadas em uma estimativa de exposição em condições reais de utilização (considerando todas as partes do ciclo de operação, tal como quando a ferramenta está desligada e quando está a funcionar em marcha lenta além do tempo de acionamento).

Declarações de conformidade

Apenas para os países europeus

As Declarações de conformidade estão incluídas no Anexo A deste manual de instruções.

AVISOS DE SEGURANÇA

Avisos gerais de segurança para ferramentas elétricas

⚠️ AVISO Leia todos os avisos de segurança, instruções, ilustrações e especificações fornecidos com esta ferramenta elétrica. O incumprimento de todas as instruções abaixo enumeradas pode resultar em choque elétrico, incêndio e/ou ferimentos graves.

Guarde todos os avisos e instruções para futuras referências.

O termo "ferramenta elétrica" nos avisos refere-se às ferramentas elétricas ligadas à corrente elétrica (com cabo) ou às ferramentas elétricas operadas por meio de bateria (sem cabo).

Avisos de segurança da serra tico-tico a bateria

1. **Segure na ferramenta elétrica pelas superfícies de aderência isoladas quando executar uma operação em que o acessório de corte possa entrar em contacto com fios ocultos.** O contacto do acessório de corte com um fio elétrico "sob tensão" pode tornar as partes metálicas expostas da ferramenta elétrica "sob tensão" e pode causar um choque elétrico ao operador.
2. **Utilize grampos ou qualquer outro modo prático para prender e suportar a peça de trabalho numa superfície estável.** Segurar na peça de trabalho com a mão ou contra o corpo deixa-a instável e pode levar à perda de controlo.

3. **Utilize sempre óculos de segurança.** Os óculos normais ou de sol **NÃO** são óculos de segurança.
4. **Evite cortar pregos.** Inspeccione a peça de trabalho e se tiver pregos, tire-os antes da operação.
5. **Não corte peças de trabalho de tamanho muito grande.**
6. **Verifique se tem a folga adequada à volta da peça de trabalho antes de cortar, de modo que a serra para contornar não bata no chão, na bancada, etc.**
7. **Segure firmemente na ferramenta.**
8. **Certifique-se de que a serra para contornar não está em contacto com a peça de trabalho antes de ligar o interruptor.**
9. **Mantenha as mãos afastadas das partes em movimento.**
10. **Não deixe a ferramenta a funcionar.** Utilize a ferramenta apenas quando estiver na sua mão.
11. **Desligue sempre e espere que a serra para contornar pare completamente antes de remover a serra para contornar da peça de trabalho.**
12. **Não toque na serra para contornar ou na peça de trabalho imediatamente a seguir à operação, pois podem estar extremamente quentes e provocar queimaduras de pele.**
13. **Não utilize com a ferramenta em vazio desnecessariamente.**
14. **Alguns materiais contêm químicos que podem ser tóxicos.** Tome todas as precauções para impedir a inalação de poeiras e o contacto com a pele. Siga os dados de segurança do fornecedor do material.
15. **Utilize sempre a máscara de pó/respirador correto para o material e a aplicação com que está a trabalhar.**

GUARDE ESTAS INSTRUÇÕES.

⚠️ AVISO: NÃO permita que o conforto ou familiaridade com o produto (adquirido com o uso repetido) substitua o cumprimento estrito das regras de segurança da ferramenta. A MÁ INTERPRETAÇÃO ou o não seguimento das regras de segurança estabelecidas neste manual de instruções pode provocar ferimentos pessoais graves.

Instruções de segurança importantes para a bateria

1. **Antes de utilizar a bateria, leia todas as instruções e etiquetas de precaução no (1) carregador de bateria (2) bateria e (3) produto que utiliza a bateria.**
2. **Não desmonte ou manipule a bateria.** Pode resultar num incêndio, em calor excessivo ou numa explosão.
3. **Se o tempo de funcionamento se tornar excessivamente curto, pare o funcionamento imediatamente.** Pode resultar em sobreaquecimento, possíveis queimaduras e mesmo explosão.
4. **Se entrar eletrólito nos seus olhos, lave-os com água e consulte imediatamente um médico.** Pode resultar em perda de visão.

5. Não coloque a bateria em curto-circuito:
 - (1) Não toque nos terminais com qualquer material condutor.
 - (2) Evite guardar a bateria juntamente com outros objetos metálicos tais como pregos, moedas, etc.
 - (3) Não exponha a bateria à água ou chuva. Um curto-circuito pode ocasionar um enorme fluxo de corrente, sobreaquecimento, possíveis queimaduras e mesmo estragar-se.
6. Não guarde nem utilize a ferramenta e a bateria em locais onde a temperatura pode atingir ou exceder 50 °C.
7. Não queime a bateria mesmo que esteja estragada ou completamente gasta. A bateria pode explodir no fogo.
8. Não pregue, corte, esmague, atire, deixe cair a bateria, nem bata a bateria contra um objeto rijo. Esta conduta pode resultar num incêndio, em calor excessivo ou numa explosão.
9. Não utilize uma bateria danificada.
10. As baterias de íões de lítio contidas na ferramenta são sujeitas aos requisitos da DGL (Dangerous Goods Legislation - Legislação de bens perigosos). Para o transporte comercial, por exemplo, por terceiros ou agentes de expedição, têm de ser observados os requisitos referentes à embalagem e etiquetagem. Para preparação do artigo a ser expedido, é necessário consultar um perito em materiais perigosos. Tenha ainda em conta a possibilidade de existirem regulamentos nacionais mais detalhados. Coloque fita-cola ou tape os contactos abertos e embale a bateria de tal forma que não possa mover-se dentro da embalagem.
11. Quando eliminar a bateria, remova-a da ferramenta e elimine-a num local seguro. Siga os regulamentos locais relacionados com a eliminação de baterias.
12. Utilize as baterias apenas com os produtos especificados pela Makita. Instalar as baterias em produtos não-conformes poderá resultar num incêndio, calor excessivo, explosão ou fuga de eletrólito.
13. Se a ferramenta não for utilizada durante um período de tempo prolongado, a bateria deve ser removida da ferramenta.
14. Durante e após a utilização, a bateria pode aquecer, o que pode provocar queimaduras ou queimaduras a baixa temperatura. Preste atenção ao manuseamento de baterias quentes.
15. Não toque no terminal da ferramenta imediatamente após a utilização, pois pode ficar suficientemente quente para provocar queimaduras.
16. Não permita a adesão de aparas, pó ou sujidade nos terminais, nos orifícios e nas ranhuras da bateria. Poderá fazer com que a ferramenta ou a bateria aqueça, incendeie, rebente e avarie, resultando em queimaduras ou ferimentos corporais.
17. A menos que a ferramenta suporte a utilização perto de linhas elétricas de alta tensão, não utilize a bateria perto de linhas elétricas de alta tensão. Pode resultar no mau funcionamento ou na avaria da ferramenta ou bateria.
18. Mantenha a bateria afastada das crianças.

GUARDE ESTAS INSTRUÇÕES.

⚠PRECAUÇÃO: Utilize apenas baterias genuínas da Makita. A utilização de baterias não genuínas da Makita ou de baterias que foram alteradas, pode resultar no reventamento da bateria provocando incêndios, ferimentos pessoais e danos. Além disso, anulará da garantia da Makita no que se refere à ferramenta e ao carregador Makita.

Conselhos para manter a máxima vida útil da bateria

1. Carregue a bateria antes que esteja completamente descarregada. Pare sempre o funcionamento da ferramenta e carregue a bateria quando notar menos poder na ferramenta.
2. Nunca carregue uma bateria completamente carregada. Carregamento excessivo diminui a vida útil da bateria.
3. Carregue a bateria à temperatura ambiente de 10 °C – 40 °C. Deixe que uma bateria quente arrefeça antes de a carregar.
4. Quando não utilizar a bateria, remova-a da ferramenta ou do carregador.
5. Carregue a bateria se não a utilizar durante um longo período de tempo (mais de seis meses).

DESCRIÇÃO FUNCIONAL

⚠PRECAUÇÃO: Certifique-se sempre de que a ferramenta está desligada e a bateria foi retirada antes de regular ou verificar qualquer função na ferramenta.

Instalação ou remoção da bateria

⚠PRECAUÇÃO: Desligue sempre a ferramenta antes de colocar ou retirar a bateria.

⚠PRECAUÇÃO: Segure firmemente a ferramenta e a bateria quando instalar ou remover a bateria. Se não segurar firmemente a ferramenta e a bateria pode fazer com que escorreguem das suas mãos resultando em danos na ferramenta e na bateria e ferimentos pessoais.

Para instalar a bateria, alinhe a lingueta na bateria com a ranhura na caixa e deslize-a para a posição correta. Insira-a por completo até bloquear na posição correta com um pequeno clique. Se conseguir ver o indicador vermelho conforme apresentado na figura, não está completamente bloqueada.

Para retirar a bateria, deslize-a para fora da ferramenta enquanto desliza o botão na frente da bateria.

► Fig.1: 1. Indicador vermelho 2. Botão 3. Bateria

⚠PRECAUÇÃO: Instale sempre a bateria até ao fim, até deixar de ver o indicador vermelho. Caso contrário, a bateria poderá cair da ferramenta acidentalmente e provocar ferimentos em si mesmo ou em alguém próximo.

⚠PRECAUÇÃO: Não instale a bateria à força. Se a bateria não deslizar facilmente é porque não foi colocada corretamente.

Sistema de proteção da ferramenta/bateria

A ferramenta está equipada com um sistema de proteção da ferramenta/bateria. Este sistema corta automaticamente a corrente para o motor para aumentar a vida da ferramenta e da bateria. A ferramenta para automaticamente durante o funcionamento se a ferramenta ou bateria for colocada mediante uma das seguintes condições:

Proteção contra sobrecarga

Quando a ferramenta ou a bateria é operada de uma forma que causa a absorção de uma corrente anormalmente alta, a ferramenta para automaticamente sem qualquer indicação. Nesta situação, desligue a ferramenta e pare a aplicação que causou a sobrecarga da ferramenta. De seguida, ligue a ferramenta para reiniciar.

Proteção contra sobreaquecimento

Quando a ferramenta ou a bateria estiver sobreaquecida, a ferramenta para automaticamente e a lâmpada pisca. Neste caso, deixe a ferramenta e a bateria arrefecerem antes de ligar novamente a ferramenta.

Proteção contra descarga excessiva

Quando a capacidade da bateria não for suficiente, a ferramenta para automaticamente. Neste caso, remova a bateria da ferramenta e carregue-a.

Proteções contra outras causas

O sistema de proteção também foi concebido para outras causas que possam danificar a ferramenta e permite que a ferramenta pare automaticamente. Tome todas as medidas que se seguem para eliminar as causas quando a ferramenta tiver parado ou interrompido temporariamente a operação.

1. Desligue a ferramenta e, em seguida, volte a ligá-la para reiniciar.
2. Carregue a(s) bateria(s) ou substitua-a(s) por bateria(s) recarregada(s).
3. Deixe a ferramenta e a(s) bateria(s) arrefecerem.

Se não for possível constatar qualquer melhoria através do restauro do sistema de proteção, contacte o centro de assistência Makita local.

Indicação da capacidade restante da bateria

Apenas para baterias com indicador

Prima o botão de verificação na bateria para indicar a capacidade restante da bateria. As luzes indicadoras acendem durante alguns segundos.

► **Fig.2:** 1. Luzes indicadoras 2. Botão de verificação

Luzes indicadoras			Capacidade restante
Aceso	Apagado	A piscar	
■ ■ ■ ■	□ □ □ □	▧ ▨	75% a 100%
■ ■ ■ □	□ □ □ □	▧ ▨	50% a 75%
■ ■ □ □	□ □ □ □	▧ ▨	25% a 50%
■ □ □ □	□ □ □ □	▧ ▨	0% a 25%
▧ ▨ □ □	□ □ □ □	▧ ▨	Carregar a bateria.
■ ■ □ □	□ □ □ □	▧ ▨	A bateria pode estar avariada.
□ □ ■ ■	□ □ □ □	▧ ▨	

NOTA: Dependendo das condições de utilização e da temperatura ambiente, a indicação pode ser ligeiramente diferente da capacidade real.

NOTA: A primeira luz indicadora (extremo esquerdo) pisca quando o sistema de proteção da bateria funciona.

Selecionar a ação de corte

Esta ferramenta pode ser operada com uma ação de corte orbital ou em linha reta (para cima e para baixo). A ação de corte orbital impulsiona a serra para contornar para a frente e aumenta a velocidade de corte.

► **Fig.3:** 1. Alavanca de mudança da ação de corte

Para mudar a ação de corte, rode a alavanca de mudança da ação de corte para a posição de ação de corte pretendida. Consulte a tabela para selecionar a ação de corte adequada.

Posição	Ação de corte	Aplicações
0	Ação de corte em linha reta	Para cortar aço macio, aço inoxidável e plásticos. Para cortes simples em madeira e madeira prensada.
I	Ação de corte orbital pequeno	Para cortar aço macio, alumínio e madeira dura.
II	Ação de corte orbital médio	Para cortar madeira e madeira prensada. Para cortes rápidos em alumínio e aço macio.
III	Ação de corte orbital grande	Para cortes rápidos em madeira e madeira prensada.

Acender a lâmpada da frente

⚠️ PRECAUÇÃO: Não olhe para a luz ou para a fonte de iluminação diretamente.

Para ligar a lâmpada, pressione o botão bloquear/desbloquear. Para desligar a lâmpada, pressione novamente o botão bloquear/desbloquear.

► **Fig.4:** 1. Lâmpada 2. Botão bloquear/desbloquear

OBSERVAÇÃO: Quando a ferramenta estiver sobreaquecida, a lâmpada fica intermitente. Arrefeça a ferramenta completamente antes de operá-la novamente.

NOTA: Utilize um pano seco para limpar a sujidade da lente da lâmpada. Tenha cuidado para não riscar a lente da lâmpada ou a iluminação pode ficar enfraquecida.

Ação do interruptor

Para ligar a ferramenta, pressione o botão bloquear/desbloquear. A ferramenta muda para o modo de espera. Para pôr a ferramenta a funcionar, pressione o botão iniciar/parar no modo de espera. Para parar a ferramenta, pressione novamente o botão iniciar/parar. A ferramenta muda para o modo de espera. Para desligar a ferramenta, pressione o botão bloquear/desbloquear no modo de espera.

► **Fig.5:** 1. Botão bloquear/desbloquear 2. Botão iniciar/parar

NOTA: Se a ferramenta for deixada no modo de espera durante 10 segundos sem realizar qualquer operação, esta desliga automaticamente e a lâmpada apaga.

NOTA: Também pode parar e desligar a ferramenta ao pressionar o botão bloquear/desbloquear enquanto a ferramenta estiver a funcionar.

Para diminuir a luminosidade da lâmpada, pressione e mantenha pressionado o botão bloquear/desbloquear quando mudar para o modo de espera. Cerca de 1 segundo após começar a pressionar o botão bloquear/desbloquear, a luminosidade da lâmpada vai começar a diminuir, por isso, solte o botão bloquear/desbloquear quando alcançar a luminosidade pretendida. Esta ação também muda a ferramenta para o modo de espera. Cerca de 3 segundos após começar a pressionar o botão bloquear/desbloquear, a luminosidade da lâmpada vai ser minimizada e a luminosidade não vai mudar depois disso.

NOTA: A luminosidade da lâmpada não pode ser ajustada enquanto a ferramenta estiver em modo de espera. Para ajustar a luminosidade da lâmpada, desligue a ferramenta.

NOTA: Não existe uma função de memória para a luminosidade da lâmpada. Se desligar a lâmpada e, em seguida, a ligar, a luminosidade da lâmpada vai ser sempre maximizada.

Indicador de ajuste da velocidade

A velocidade da ferramenta pode ser ajustada ao rodar o indicador de ajuste da velocidade. Pode obter a velocidade mais alta no 5 e a velocidade mais baixa no 1.

► **Fig.6:** 1. Indicador de ajuste da velocidade

Consulte a tabela para selecionar a velocidade apropriada para a peça de trabalho a ser cortada. Contudo, a velocidade apropriada poderá diferir com o tipo ou espessura da peça de trabalho. Em geral, as velocidades mais altas permitem-lhe cortar peças de trabalho mais rapidamente, mas a vida útil da serra para contornar será reduzida.

Peça de trabalho	Número
Madeira	4 - 5
Aço macio	3 - 5
Aço inoxidável	3 - 4
Alumínio	3 - 5
Plástico	1 - 4

OBSERVAÇÃO: O indicador de ajuste da velocidade só pode ser rodado até 5 e de volta ao 1. Não o force além de 5 ou 1 ou a função de ajuste da velocidade pode deixar de funcionar.

Função eletrónica

A ferramenta está equipada com as funções eletrónicas para operação fácil.

Arranque suave

A função de arranque suave minimiza o choque de arranque e faz com que a ferramenta arranque suavemente.

Controlo de velocidade constante

Controlo de velocidade eletrónico para obtenção da velocidade constante. É possível obter um acabamento fino porque a velocidade da ferramenta é mantida constante mesmo sob a condição de carga.

Função de rotação sem carga suave

Para reduzir a vibração e alinhar facilmente a serra para contornar com a linha de corte, a ferramenta reduz automaticamente a velocidade da ferramenta até a ferramenta começar a cortar a peça de trabalho quando o indicador de ajuste da velocidade estiver definido no 2 ou superior. Logo que a ferramenta começa a cortar a peça de trabalho, a velocidade da ferramenta atinge a velocidade predefinida e mantém a velocidade até a ferramenta parar.

NOTA: Quando a temperatura estiver baixa, esta função pode não estar disponível. Além disso, dependendo do material, da serra para contornar e da velocidade da ferramenta, esta funcionalidade pode não estar disponível.

Desativar ou ativar a função de rotação sem carga suave

Para desativar ou ativar a função de rotação sem carga suave, siga os passos abaixo.

1. Certifique-se de que a ferramenta está desligada.
2. Regule o indicador de ajuste da velocidade para "1".
3. Pressione o botão bloquear/desbloquear para ligar a ferramenta.
4. Regule o indicador de ajuste da velocidade para "5" rodando-o e, de seguida, regule-o para "1" rodando-o novamente.

A lâmpada pisca duas vezes para indicar que a função de rotação sem carga suave está desativada. Para ativar novamente esta função, efetue novamente o mesmo procedimento.

NOTA: Se a função de rotação sem carga suave estiver desativada, a lâmpada pisca duas vezes quando a ferramenta estiver ligada.

NOTA: Também pode desativar ou ativar a função de rotação sem carga suave ao mudar o indicador de ajuste da velocidade de "5" para "1" e mudando-o de "1" para "5".

Travão elétrico

Esta ferramenta está equipada com um travão elétrico. Se a ferramenta consistentemente não parar rapidamente após o botão iniciar/parar ou o botão bloquear/desbloquear ser pressionado, solicite a reparação da ferramenta num centro de assistência da Makita.

MONTAGEM

⚠PRECAUÇÃO: Certifique-se sempre de que a ferramenta está desligada e a bateria retirada antes de executar qualquer trabalho na ferramenta.

Instalar ou remover a serra para contornar

⚠PRECAUÇÃO: Limpe sempre todas as aparas ou matérias estranhas que tenham aderido à serra para contornar e/ou ao suporte da serra. O incumprimento desta recomendação pode causar aperto insuficiente da serra para contornar, resultando em ferimentos pessoais graves.

⚠PRECAUÇÃO: Não toque na serra para contornar nem na peça de trabalho imediatamente a seguir à operação. Podem estar extremamente quentes e provocar queimaduras na pele.

⚠PRECAUÇÃO: Fixe sempre a serra para contornar firmemente. Um aperto insuficiente da serra para contornar pode provocar a quebra da serra ou ferimentos pessoais graves.

⚠PRECAUÇÃO: Utilize apenas serras para contornar do tipo B. A utilização de serras sem ser do tipo B provoca um aperto insuficiente da serra para contornar, resultando em ferimentos pessoais graves.

⚠PRECAUÇÃO: Quando remover a serra para contornar, tenha cuidado para não magoar os dedos com o topo da serra para contornar ou as pontas da peça de trabalho.

Antes de instalar a serra para contornar, certifique-se de que a alavanca de fixação da lâmina está na posição desbloqueada. Para instalar a serra para contornar, insira a serra para contornar (dentes virados para a frente) no suporte da serra para contornar. A alavanca de fixação da serra move-se para a posição fixa e a serra para contornar fica bloqueada. Certifique-se de que a extremidade traseira da serra para contornar encaixa no rolo. Puxe ligeiramente a serra para contornar para garantir que a serra para contornar não cai durante o funcionamento.

► **Fig.7:** 1. Suporte da serra para contornar 2. Alavanca de fixação da serra (posição solta) 3. Alavanca de fixação da serra (posição fixa)

► **Fig.8:** 1. Suporte da serra para contornar 2. Serra para contornar 3. Rolo

⚠PRECAUÇÃO: Se a alavanca de fixação da serra não se mover para a posição fixa, a serra para contornar não está completamente instalada. Não pressione a alavanca de fixação da serra manualmente para a posição fixa. Tal pode danificar a ferramenta.

Para remover a serra para contornar, empurre a alavanca de fixação da serra para a frente até ao fim. Tal permite que a serra para contornar seja desbloqueada.

► **Fig.9:** 1. Suporte da serra para contornar 2. Alavanca de fixação da serra 3. Serra para contornar

NOTA: Se for difícil remover a serra para contornar, rode a alavanca de mudança da ação de corte para a posição "III" e mova o suporte da serra para contornar para a parte inferior. Para mover o suporte da serra para contornar para a parte inferior, volte a colocar a alavanca de fixação da lâmina totalmente na posição fixa mais uma vez e ligue a ferramenta ligeiramente várias vezes.

NOTA: Lubrifique o rolo ocasionalmente.

Guardar a chave sextavada

Quando não estiver a ser usada, guarde a chave sextavada como indicado na figura, para evitar que se perca.

► **Fig.10:** 1. Chave sextavada

OPERAÇÃO

⚠PRECAUÇÃO: Segure sempre a base à face da peça de trabalho. O não cumprimento desta recomendação, pode provocar a quebra da serra para contornar resultando em ferimentos graves.

⚠PRECAUÇÃO: Avance a ferramenta muito lentamente quando cortar curvas ou rolos. Forçar a ferramenta pode provocar uma superfície de corte inclinada e a quebra da serra para contornar.

Ligue a ferramenta sem que a serra para contornar estabeleça qualquer contacto e aguarde até que a serra para contornar atinja a velocidade máxima. Depois, encoste a base nivelada na peça de trabalho e mova suavemente a ferramenta para a frente ao longo da linha de corte marcada previamente.

► **Fig.11:** 1. Linha de corte 2. Base

Corte em bisel

⚠️ PRECAUÇÃO: Certifique-se sempre de que a ferramenta está desligada e que a bateria foi retirada antes de inclinar a base.

Com a base inclinada, pode fazer cortes em bisel em qualquer ângulo entre 0° e 45° (esquerda ou direita).

► Fig.12

Solte o perno na parte de trás da base com a chave sextavada. Mova a base de forma a que o perno fique posicionado no centro da ranhura em cruz na base.

► Fig.13: 1. Chave sextavada 2. Perno 3. Base

Incline a base até obter o ângulo de bisel pretendido. A extremidade da caixa do motor indica o ângulo de bisel por graduação. Depois, aperte o perno para fixar a base.

► Fig.14: 1. Extremidade 2. Graduação

Cortes à face dianteiros

Solte o perno no fundo da base com a chave sextavada e deslize a base para trás até ao fim. Em seguida, aperte o perno para fixar a base.

► Fig.15: 1. Chave sextavada 2. Perno 3. Base

Recortes

Os recortes podem ser efetuados com um dos dois métodos: "Perfurar um orifício para início" ou "Corte penetrante".

Perfurar um orifício para início

Para recortes internos sem um corte de entrada a partir de uma extremidade, fure previamente um orifício para início com 12 mm de diâmetro ou mais. Insira a serra para contornar dentro deste furo para iniciar o corte.

► Fig.16

Corte penetrante

Não é necessário furar um orifício para início nem fazer um corte de entrada se fizer cuidadosamente o seguinte.

1. Toque com a extremidade dianteira da base na peça de trabalho e incline a ferramenta com a ponta da serra para contornar posicionada logo acima da superfície da peça de trabalho.

2. Aplique pressão na ferramenta para que a extremidade dianteira da base não se mova quando ligar a ferramenta, e baixe suave e lentamente a extremidade traseira da ferramenta.

3. À medida que a serra para contornar fura a peça de trabalho, baixe lentamente a base da ferramenta em direção à superfície da peça de trabalho.

4. Complete o corte da forma normal.

► Fig.17

Acabamento das extremidades

Para fazer o acabamento das extremidades ou para fazer ajustes dimensionais, passe a serra para contornar levemente ao longo das extremidades do corte.

► Fig.18

Corte de metal

Utilize sempre um refrigerante adequado (óleo de corte) quando cortar metal. O não cumprimento desta recomendação pode provocar um desgaste significativo da serra para contornar. A parte inferior da peça de trabalho pode ser oleada, em vez de utilizar refrigerante.

Extração de poeira

Instalar ou remover a tampa contra poeira

Instale a tampa contra poeira conforme apresentado na figura.

► Fig.19: 1. Tampa contra poeira

Para remover a tampa contra poeira, pressione um lado da tampa e, de seguida, remova-a conforme apresentado na figura.

► Fig.20: 1. Tampa contra poeira

Instalar ou remover o bocal para poeira

Pode ligar esta ferramenta a um aspirador Makita prendendo o bocal para poeira.

Insira o bocal para poeira até ao fim na ferramenta.

► Fig.21: 1. Bocal para poeira

Para remover o bocal para poeira, remova o bocal para poeira enquanto pressiona o botão no bocal para poeira.

► Fig.22: 1. Botão 2. Bocal para poeira

Ligar a ferramenta ao aspirador

Ligue a mangueira do aspirador dentro ao bocal para poeira.

► Fig.23

Guia paralela

Acessório opcional

⚠️ PRECAUÇÃO: Certifique-se sempre de que a ferramenta está desligada e que a bateria foi retirada antes de instalar ou remover acessórios.

Cortes retos

Quando cortar repetidamente larguras de corte com 160 mm ou menos, a utilização da guia paralela assegura cortes rápidos, limpos e retos.

► Fig.24: 1. Guia paralela (régua guia)

Para instalar, insira a parte da barra no orifício quadrado da base com a parte da guia virada para baixo. Deslize a guia paralela para a posição de largura de corte pretendida e, em seguida, aperte o perno para a prender.

► Fig.25: 1. Chave sextavada 2. Perno 3. Guia paralela (régua guia)

Cortes circulares

Quando cortar círculos ou arcos com 170 mm ou menos de raio, instale a guia paralela como se segue.

► **Fig.26:** 1. Guia paralela (régua guia)

⚠PRECAUÇÃO: Não toque na ponta do pino da guia circular. A ponta afiada do pino da guia circular pode causar ferimentos.

1. Insira a parte da barra no orifício quadrado da base com a parte da guia virada para cima.
2. Insira o pino da guia circular através de qualquer um dos dois orifícios na parte da guia. Aparafuse o botão roscado no pino da guia circular para fixar o pino da guia circular.

► **Fig.27:** 1. Botão roscado 2. Guia paralela (régua guia)
3. Pino da guia circular 4. Perno 5. Chave sextavada

3. Deslize a guia paralela para o raio de corte pretendido e aperte o perno para a prender no devido lugar.

NOTA: Utilize sempre serra para contornar n.º B-17, B-18, B-26 ou B-27 quando cortar círculos ou arcos.

Dispositivo anti-farpas

Acessório opcional

⚠PRECAUÇÃO: O dispositivo anti-farpas não pode ser utilizado quando se realizam cortes em bisel.

Para obter cortes sem farpas, pode utilizar o dispositivo anti-farpas. Para instalar o dispositivo anti-farpas, mova a base da ferramenta para a frente até ao fim e insira-o a partir de trás da base da ferramenta.

Quando utilizar a chapa de cobertura, instale o dispositivo anti-farpas sobre a chapa de cobertura.

► **Fig.28:** 1. Base 2. Dispositivo anti-farpas

Chapa de cobertura

Utilize a chapa de cobertura quando cortar folhas de madeira decorativas, plásticos, etc. Esta protege as superfícies sensíveis ou delicadas da ocorrência de danos. Coloque-a no fundo da base da ferramenta.

► **Fig.29:** 1. Chapa de cobertura 2. Base

Conjunto do adaptador da calha de guia

Acessório opcional

Quando efetuar cortes com largura paralela e uniforme ou corte reto, a utilização da calha de guia e do adaptador da calha de guia asseguram a produção de cortes rápidos e limpos. Para instalar o adaptador da calha de guia, insira a barra da régua no orifício quadrado da base até ao fim. Fixe o perno firmemente com a chave sextavada.

► **Fig.30:** 1. Chave sextavada 2. Barra da régua 3. Perno

Insira a barra da régua no orifício quadrado do adaptador da calha de guia e aperte o parafuso firmemente.

Coloque o adaptador da calha de guia na calha de guia.

► **Fig.31:** 1. Adaptador da calha de guia 2. Calha de guia 3. Parafuso

OBSERVAÇÃO: Utilize sempre serras para contornar n.º B-8, B-13, B-16, B-17 ou 58 quando utilizar a calha de guia e o adaptador da calha de guia.

MANUTENÇÃO

⚠PRECAUÇÃO: Certifique-se sempre de que a ferramenta se encontra desligada e de que a bateria foi retirada antes de executar qualquer inspeção ou manutenção.

OBSERVAÇÃO: Nunca utilize gasolina, benzina, diluente, álcool ou produtos semelhantes. Pode ocorrer a descoloração, deformação ou rachaduras.

Para manter a SEGURANÇA e a FIABILIDADE do produto, as reparações e qualquer outra manutenção ou ajuste devem ser levados a cabo pelos centros de assistência Makita autorizados ou pelos centros de assistência de fábrica, utilizando sempre peças de substituição Makita.

ACESSÓRIOS OPCIONAIS

⚠PRECAUÇÃO: Estes acessórios ou peças são recomendados para utilização com a ferramenta Makita especificada neste manual. A utilização de outros acessórios ou peças pode ser perigosa para as pessoas. Utilize apenas acessórios ou peças para os fins indicados.

Se necessitar de informações adicionais relativas a estes acessórios, solicite-as ao seu centro de assistência Makita.

- Serras para contornar
- Conjunto da guia paralela (régua guia)
- Conjunto do adaptador da calha de guia
- Dispositivo anti-farpas
- Chapa de cobertura
- Bocal para poeira
- Tampa contra poeira
- Bateria e carregador genuínos da Makita

NOTA: Alguns itens da lista podem estar incluídos na embalagem da ferramenta como acessórios padrão. Eles podem variar de país para país.

SPECIFIKATIONER

Model:		DJV185
Slaglængde		23 mm
Antal slag pr. minut		800 - 3.000 min ⁻¹
Klingetype		Type B
Maks. skærekapacitet	Træ	135 mm
	Almindeligt stål	10 mm
	Aluminium	20 mm
Samlet længde (med BL1860B)		259 mm
Mærkespænding		DC 18 V
Nettovægt		2,0 - 2,3 kg

- På grund af vores kontinuerlige forsknings- og udviklingsprogrammer kan hosstående specifikationer blive ændret uden varsel.
- Specifikationer kan variere fra land til land.
- Vægten kan være anderledes afhængigt af tilbehøret, inklusive akkuen. Den letteste og tungeste kombination i henhold til EPTA-procedure 01/2014 er vist i tabellen.

Anvendelig akku og oplader

Akku	BL1815N / BL1820B / BL1830B / BL1840B / BL1850B / BL1860B
Oplader	DC18RC / DC18RD / DC18RE / DC18SD / DC18SE / DC18SF / DC18SH / DC18WC

- Nogle af de akkuer og opladere, der er angivet ovenfor, er muligvis ikke tilgængelige, afhængigt af hvilket område du bor i.

⚠ ADVARSEL: Brug kun de akkuer og opladere, der er angivet ovenfor. Brug af andre akkuer og opladere kan medføre personskaade og/eller brand.

Tilsigtet brug

Maskinen er beregnet til savning af træ, plast- og metalmaterialer.

Støj

Det typiske A-vægtede støjniveau bestemt i overensstemmelse med EN62841-2-11:
 Lydtryksniveau (L_{pA}): 87 dB (A)
 Lydeffektniveau (L_{WA}): 95 dB (A)
 Usikkerhed (K): 3 dB (A)

BEMÆRK: De(n) angivne støjemissionsværdi(er) er målt i overensstemmelse med en standardtestmetode og kan anvendes til at sammenligne en maskine med en anden.

BEMÆRK: De(n) angivne støjemissionsværdi(er) kan også anvendes i en præliminær eksponeringsvurdering.

⚠ ADVARSEL: Bær høreværn.

⚠ ADVARSEL: Støjemissionen under den faktiske anvendelse af maskinen kan være forskellig fra de(n) angivne værdi(er), afhængigt af den måde hvorpå maskinen anvendes, især den type arbejdsemne der behandles.

⚠ ADVARSEL: Sørg for at identificere de sikkerhedsforskrifter til beskyttelse af operatøren, som er baseret på en vurdering af eksponering under de faktiske brugsforhold (med hensyntagen til alle dele i brugscyklussen, f.eks. de gange, hvor maskinen er slukket, og når den kører i tomgang i tilgift til afbrydertiden).

Vibration

Vibrationens totalværdi (tre-aksial vektorsum) bestemt i overensstemmelse med EN62841-2-11:
 Arbejdstilstand: skæring af brædder
 Vibrationsafgivelse ($a_{h,B}$): 10,3 m/s²
 Usikkerhed (K): 1,7 m/s²
 Arbejdstilstand: skæring af tynde metalplader
 Vibrationsafgivelse ($a_{h,M}$): 9,0 m/s²
 Usikkerhed (K): 1,5 m/s²

BEMÆRK: De(n) angivne totalværdi(er) for vibration er målt i overensstemmelse med en standardtestmetode og kan anvendes til at sammenligne en maskine med en anden.

BEMÆRK: De(n) angivne totalværdi(er) for vibration kan også anvendes i en præliminær eksponeringsvurdering.

⚠ ADVARSEL: Vibrationsemissionen under den faktiske anvendelse af maskinen kan være forskellig fra de(n) angivne værdi(er), afhængigt af den måde hvorpå maskinen anvendes, især den type arbejdsemne der behandles.

⚠ ADVARSEL: Sørg for at identificere de sikkerhedsforskrifter til beskyttelse af operatøren, som er baseret på en vurdering af eksponering under de faktiske brugsforhold (med hensyntagen til alle dele i brugscyklussen, f.eks. de gange, hvor maskinen er slukket, og når den kører i tomgang i tilgift til afbrydertiden).

Overensstemmelseserklæringer

Kun for lande i Europa

Overensstemmelseserklæringerne er inkluderet i Bilag A i denne brugsanvisning.

SIKKERHEDSADVARSLER

Almindelige sikkerhedsregler for el-værktøj

⚠ ADVARSEL Læs alle sikkerhedsadvarsler, instruktioner, illustrationer og specifikationer, der følger med denne maskine. Hvis du ikke følger alle nedenstående instruktioner, kan det medføre elektrisk stød, brand og/eller alvorlig personskade.

Gem alle advarsler og instruktioner til fremtidig reference.

Ordet "el-værktøj" i advarslerne henviser til det netforsyede (netledning) el-værktøj eller batteriforsyede (akku) el-værktøj.

Sikkerhedsadvarsler for akku stiksav

1. Hold maskinen i de isolerede håndtagsflader, når der udføres et arbejde, hvor det skærende tilbehør kan komme i kontakt med skjulte ledninger. Skærende tilbehør, som kommer i kontakt med en strømførende ledning, kan bevirke, at udsatte metaldele på maskinen bliver strømførende, hvorved operatøren kan få elektrisk stød.
2. Anvend spændestykker eller en anden praktisk måde til at fastspænde og støtte arbejdsemnet til en stabil flade. Hvis arbejdsemnet holdes med hånden eller støttes mod kroppen, vil det være ustabil, hvilket kan medføre, at De mister kontrollen over det.
3. Anvend altid sikkerhedsbriller eller beskyttelsesbriller. Almindelige briller eller solbriller er IKKE sikkerhedsbriller.

4. Undgå at save i søm. Tjek arbejdsemnet for søm, og fjern dem, før arbejdet påbegyndes.
5. Sav ikke i for store arbejdsemner.
6. Kontrollér, at der er korrekt afstand rundt om arbejdsemnet, før savningen foretages, så stiksavklingen ikke rammer gulvet, arbejdsbænken osv.
7. Hold godt fast i maskinen.
8. Sørg for, at stiksavklingen ikke kommer i kontakt med arbejdsemnet, før kontakten tændes.
9. Hold hænderne væk fra bevægelige dele.
10. Lad ikke maskinen køre. Anvend kun maskinen, når den holdes i hænderne.
11. Sluk altid for maskinen, og vent på, at stiksavklingen standser helt, før du fjerner stiksavklingen fra arbejdsemnet.
12. Undlad at berøre stiksavklingen eller arbejdsemnet umiddelbart efter anvendelse; De kan være ekstremt varme og kan forårsage forbrænding af huden.
13. Anvend ikke maskinen unødigt uden belastning.
14. Nogle materialer indeholder kemikalier, der kan være giftige. Sørg for at undgå at indånde støv samt kontakt med huden. Overhold materialeleverandørens sikkerhedsdata.
15. Anvend altid korrekt støvmaske/ånde-rætsvørn i henhold til det materiale og den anvendelse, De arbejder med.

GEM DISSE FORSKRIFTER.

⚠ ADVARSEL: LAD IKKE bekvemmelighed eller kendskab til produktet (opnået gennem gentagen brug) forhindre, at sikkerhedsforskrifterne for produktet nøje overholdes. MISBRUG eller forsømmelse af at følge de i denne brugsvejledning givne sikkerhedsforskrifter kan medføre alvorlig personskade.

Vigtige sikkerhedsinstruktioner for akkuen

1. Læs alle instruktioner og advarselsmærkater på (1) akku-opladeren, (2) akkuen og (3) produktet, som anvender akku.
2. Adskil eller ændr ikke akkuen. Det kan muligvis resultere i en brand, overdreven varme eller eksplosion.
3. Hold straks op med anvendelsen, hvis brugstiden er blevet stærkt afkortet. Fortsat anvendelse kan resultere i risiko for overophedning, forbrændinger og endog eksplosion.
4. Hvis De har fået elektrolytvæske i øjnene, skal De straks skylle den ud med rent vand og derefter øjeblikkeligt søge lægehjælp. I modsat fald kan De miste synet.
5. Vær påpasselig med ikke at komme til at kortslutte akkuen:
 - (1) Rør ikke ved terminalerne med noget ledende materiale.
 - (2) Undgå at opbevare akkuen i en beholder sammen med andre genstande af metal, for eksempel søm, mønter og lignende.
 - (3) Udsæt ikke akkuen for vand eller regn.

Kortslutning af akkuen kan forårsage en kraftig øgning af strømmen, overophedning, mulige forbrændinger og endog værktøjstop.

- Opbevar og brug ikke maskinen og akkuen på steder, hvor temperaturen muligvis kan nå eller overstige 50 °C.
- Lad være med at brænde akkuen, selv ikke i tilfælde, hvor den har lidt alvorlig skade eller er fuldstændig udtjent. Akkuen kan eksplodere, hvis man forsøger at brænde den.
- Slå ikke søm i, skær ikke i, knus, kast, tab ikke akkuen og stød ikke akkuen mod en hård genstand. Sådanne adfærd kan muligvis resultere i en brand, overdreven varme eller eksplosion.
- Anvend ikke en beskadiget akku.
- De indbyggede litium-ion-batterier er underlagt lovkrav vedrørende farligt gods. Ved kommerciel transport, f.eks. af tredjeparts transportselskaber, skal særlige krav til forpakning og mærkning overholdes. Ved forberedelse af udstyret til forsendelse skal du kontakte en ekspert i farligt gods. Overhold også eventuel mere detaljeret national lovgivning. Tape eller tildæk åbne kontakter, og pak batteriet på en måde, så det ikke kan flytte sig rundt i pakningen.
- Når akkuen bortskaffes, skal du fjerne den fra maskinen og bortskaffe den på et sikkert sted. Følg de lokale love vedrørende bortskaffelsen af batterier.
- Brug kun batterierne med de produkter, som Makita specificerer. Hvis batterierne installeres i ikke-kompatible produkter, kan det medføre brand, kraftig varme, eksplosion eller udsivning af elektrolyt.
- Hvis maskinen ikke skal bruges i længere tid ad gangen, skal du fjerne batteriet fra maskinen.
- Akkuen kan muligvis under og efter brug være varm, hvilket kan forårsage forbrændinger eller lavtemperaturforbrændinger. Vær påpasselig med håndtering af varme akkuer.
- Rør ikke terminalen på maskinen straks efter brug, da den bliver varm nok til at forårsage forbrændinger.
- Sørg for, at spåner, støv eller jord ikke sætter sig fast i akkuens terminaler, huller og riller. Det kan forårsage opvarmning, antændelse, sprængning og funktionsfejl i maskinen eller akkuen, hvilket kan medføre forbrændinger eller personskade.
- Medmindre maskinen understøtter brugen i nærheden af elektriske højspændingsledninger, skal du ikke anvende akkuen i nærheden af elektriske højspændingsledninger. Det kan muligvis medføre funktionsfejl på eller nedbrud af maskinen eller akkuen.
- Opbevar batteriet utilgængeligt for børn.

GEM DENNE BRUGSANVISNING.

⚠FORSIGTIG: Brug kun originale batterier fra Makita. Brug af uoriginale Makita-batterier, eller batterier som er blevet ændret, kan muligvis medføre brud på batteriet, hvilket kan forårsage brand, personskade eller beskadigelse. Det ugyldiggør også Makita-garantien for Makita-maskinen og opladeren.

Tips til opnåelse af maksimal akku-levetid

- Oplad akkuen, inden den er helt afladet. Stop altid værktøjet, og oplad akkuen, hvis De bemærker, at værktøjeffekten er aftagende.
- Genoplad aldrig en fuldt opladet akku. Overopladning vil afkorte akkuens levetid.
- Oplad akkuen ved stuetemperatur ved 10 °C - 40 °C. Lad altid en varm akku få tid til at køle af, inden den oplades.
- Når du ikke anvender akkuen, skal du fjerne den fra maskinen eller opladeren.
- Oplad akkuen, hvis De ikke skal bruge den i længere tid (mere end seks måneder).

FUNKTIONSBESKRIVELSE

⚠FORSIGTIG: Sørg altid for at maskinen er slukket, og at akkuen er taget ud, før der udføres justering eller kontrol af funktioner på maskinen.

Isætning eller fjernelse af akkuen

⚠FORSIGTIG: Sluk altid for værktøjet, før De monterer eller fjerner akkuen.

⚠FORSIGTIG: Hold værktøjet og akkuen fast ved montering eller fjernelse af akkuen. Hvis De ikke holder værktøjet og akkuen fast, kan de glide ud af hænderne på Dem og forårsage beskadigelse af værktøjet og akkuen eller personskade.

For at montere akkuen skal du justere tungen på akkuen med rillen i huset og skubbe den på plads. Indsæt den hele vejen, indtil den låses på plads med et lille klik. Hvis du kan se den røde indikator, som vist i figuren, er den ikke helt låst.

Akkuen fjernes ved, at De trækker den ud af værktøjet, idet De skyder knappen på forsiden af akkuen i stilling.

► Fig.1: 1. Rød indikator 2. Knap 3. Akku

⚠FORSIGTIG: Monter altid akkuen helt, indtil den røde indikator ikke længere er synlig. Hvis dette ikke gøres, kan den falde ud af værktøjet ved et uheld, hvorved De selv eller personer i nærheden kan komme til skade.

⚠FORSIGTIG: Brug ikke magt ved montering af akkuen. Hvis akkuen ikke glider på plads uden problemer, betyder det, at den ikke sættes i på korrekt vis.

Beskyttelsessystem til værktøj/batteri

Maskinen er udstyret med et beskyttelsessystem til maskinen/batteriet. Dette system afbryder automatisk strømmen til motoren for at forlænge maskinens og batteriets levetid. Maskinen stopper automatisk under brugen, hvis maskinen eller batteriet udsættes for et af følgende forhold:

Overbelastningsbeskyttelse

Når maskinen eller batteriet betjenes på en måde, der får den/det til at bruge unormalt meget strøm, stopper maskinen automatisk uden nogen indikation. I denne situation skal du slukke for maskinen og stoppe den anvendelse, der medførte, at maskinen blev overbelastet. Tænd derefter maskinen for at starte igen.

Beskyttelse mod overophedning

Hvis maskinen eller batteriet er overophedet, stopper maskinen automatisk, og lampen blinker. Lad i så fald maskinen og batteriet køle ned, før der tændes for maskinen igen.

Beskyttelse mod overafledning

Når batteriladningen ikke er tilstrækkelig, stopper maskinen automatisk. I så fald skal du afmontere batteriet fra maskinen og oplade batteriet.

Beskyttelse mod andre årsager

Beskyttelsessystemet er også designet til andre årsager, der kan beskadige maskinen og giver maskinen mulighed for at stoppe automatisk. Benyt alle nedenstående trin for at fjerne årsagerne, når maskinen midlertidigt er blevet bragt til standsning eller sat ud af drift.

1. Sluk for maskinen, og tænd den derefter igen for at genstarte.
2. Genoplad batteriet/batterierne, eller udskift det/dem med genopladet batteri/genopladede batterier.
3. Lad maskinen og batteriet/batterierne køle ned.
















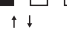
Hvis der ikke sker nogen forbedring ved at gen-danne beskyttelsessystemet, kontaktes det lokale Makita-servicecenter.

Indikation af den resterende batteriladning

Kun til akuer med indikatoren

Tryk på kontrolknappen på akkuen for at få vist den resterende batteriladning. Indikatorlampen lyser i nogle sekunder.

► **Fig.2:** 1. Indikatorlamper 2. Kontrolknap

Indikatorlamper			Resterende ladning
 Tændt	 Slukket	 Blinker	
			75% til 100%
			50% til 75%
			25% til 50%
			0% til 25%
			Genoplad batteriet.
			Der er muligvis fejl i batteriet.
			

BEMÆRK: Afhængigt af brugsforholdene og den omgivende temperatur kan indikationen afvige en smule fra den faktiske ladning.

BEMÆRK: Den første indikatorlampe (længst mod venstre) vil blinke, når batteribeskyttelsessystemet aktiveres.

Valg af skæremåde

Denne maskine kan anvendes med en roterende skæremåde eller i en lige linje (op og ned). Den roterende skæremåde kaster stiksavklingen fremad og øger skærehastigheden.

► **Fig.3:** 1. Omskifter til valg af skæremåde

Hvis du vil ændre skæremåden, skal du dreje omskifteren til valg af skæremåde til den ønskede skæremådeposition. Se tabellen for at vælge den egnede skæremåde.

Position	Skæremåde	Anvendelser
0	Lige skæremåde	Til skæring i almindeligt stål, rustfrit stål og plast. Til rene snit i træ og krydsfiner.
I	Skæremåde med lille penduludsving	Til skæring i almindeligt stål, aluminium og hårdt træ.
II	Skæremåde med middelstort penduludsving	Til skæring i træ og krydsfiner. Til hurtig skæring i aluminium og almindeligt stål.
III	Skæremåde med stort penduludsving	Til hurtig skæring i træ og krydsfiner.

Tænding af lampen foran

⚠FORSIGTIG: Kig aldrig direkte på lyskilden. Lad ikke lyset falde i Deres øjne.

Tryk på lås/oplås-knappen for at tænde for lampen. Tryk på lås/oplås-knappen igen for at slukke for lampen.

► **Fig.4:** 1. Lampe 2. Lås/oplås-knap

BEMÆRKNING: Når maskinen er overophedet, blinker lampen. Køl maskinen helt ned, før du bruger maskinen igen.

BEMÆRK: Brug en tør klud til at tørre snavset af lampens linse. Pas på ikke at ridse lampens linse, da dette muligvis kan dæmpe belysningen.

Afbryderbetjening

Tryk på lås/oplås-knappen for at tænde for maskinen. Maskinen går i standbytilstand. Maskinen startes ved at trykke på start/stop-knappen i standbytilstand. Tryk på start/stop-knappen igen for at stoppe maskinen. Maskinen går i standbytilstand. Tryk på lås/oplås-knappen i standbytilstand for at slukke for maskinen.

► **Fig.5:** 1. Lås/oplås-knap 2. Start/stop-knap

BEMÆRK: Hvis maskinen efterlades i standbytilstand i 10 sekunder uden nogen betjening, slukker maskinen automatisk, og lampen går ud.

BEMÆRK: Du kan også stoppe maskinen og slukke for den ved at trykke på lås/oplås-knappen, mens maskinen kører.

Hvis du vil reducere lampens lysstyrke, skal du trykke på lås/oplås-knappen og holde den nede, når du skifter til standbytilstand. Ca. 1 sekund efter at du begynder at trykke på lås/oplås-knappen, begynder lampens lysstyrke at falde, så slip lås/oplås-knappen, når du når den ønskede lysstyrke. Den sætter også maskinen i standbytilstand. Ca. 3 sekunder efter at du begynder at trykke på lås/oplås-knappen, minimeres lampens lysstyrke, og derefter ændres lysstyrken ikke.

BEMÆRK: Lampens lysstyrke kan ikke justeres, mens maskinen er i standbytilstand. Hvis du vil justere lampens lysstyrke, skal du slukke for maskinen.

BEMÆRK: Der er ingen hukommelsesfunktion for lampens lysstyrke. Hvis du slukker lampen og derefter tænder den, maksimeres lampens lysstyrke hver gang.

Hastighedsvælger

Maskinens hastighed kan ændres ved at dreje hastighedsvælgeren. Du kan opnå den største hastighed ved 5 og den laveste hastighed ved 1.

► **Fig.6: 1.** Hastighedsvælger

Se tabellen for at vælge den korrekte hastighed til det arbejdsemne, der skal skæres. Den korrekte hastighed kan dog variere med arbejdsemnets type eller tykkelse. Generelt vil højere hastigheder give dig mulighed for at skære arbejdsemner hurtigere, men levetiden for stik-savklingen vil blive reduceret.

Arbejdsemne	Tal
Træ	4 - 5
Almindeligt stål	3 - 5
Rustfrit stål	3 - 4
Aluminium	3 - 5
Plastik	1 - 4

BEMÆRKNING: Hastighedsvælgeren kan kun drejes så langt som 5 og tilbage til 1. Undlad at tvinge den forbi 5 eller 1, da hastighedsjusteringsfunktionen muligvis ikke længere fungerer.

Elektronisk funktion

Maskinen er udstyret med elektroniske funktioner for nem betjening.

Blød start

Funktionen blød start minimerer startstød, og får maskinen til at starte problemfrit.

Konstant hastighedskontrol

Elektronisk hastighedskontrol til opnåelse af konstant hastighed. Det er muligt at få en pæn finish, fordi maskinens hastighed holdes konstant, selv under belastning.

Funktion til blød rotation uden belastning

For at reducere vibrationen og nemt justere stiksavklingen ind efter skærelinjen reducerer maskinen automatisk maskinens hastighed, indtil maskinen begynder at skære i arbejdsemnet, når hastighedsvælgeren er indstillet til 2 eller højere. Når maskinen begynder at skære i arbejdsemnet, når maskinhastigheden når den forudindstillede hastighed og holder hastigheden, indtil maskinen stopper.

BEMÆRK: Hvis temperaturen er lav, er denne funktion muligvis ikke tilgængelig. Desuden, afhængigt af materialet, stiksavklingen og maskinhastigheden, er denne funktion muligvis ikke tilgængelig.

Deaktivering eller aktivering af funktionen til blød rotation uden belastning

Følg nedenstående trin for at deaktivere eller aktivere funktionen til blød rotation uden belastning.

1. Sørg for, at maskinen er slukket.
2. Indstil hastighedsvælgeren til "1".
3. Tryk på lås/oplås-knappen for at tænde for maskinen.
4. Indstil hastighedsvælgeren til "5" ved at dreje den, og indstil den derefter til "1" ved at dreje den tilbage.

Lampen blinker to gange for at angive, at funktionen til blød rotation uden belastning er deaktiveret. Udfør den samme fremgangsmåde igen for at aktivere denne funktion igen.

BEMÆRK: Hvis funktionen til blød rotation uden belastning er deaktiveret, blinker lampen to gange, når maskinen tændes.

BEMÆRK: Du kan også deaktivere eller aktivere funktionen til blød rotation uden belastning ved at ændre hastighedsvælgeren fra "5" til "1" og ændre den fra "1" til "5".

Elektrisk bremse

Denne maskine er udstyret med en elektrisk bremse. Hvis maskinen konsekvent ikke stopper hurtigt efter at have trykket på start/stop-knappen eller lås/oplås-knappen, skal maskinen serviceres hos et Makita-servicecenter.

SAMLING

⚠FORSIGTIG: Sørg altid for at maskinen er slukket, og at akkuen er taget ud, før der udføres noget arbejde på maskinen.

Montering eller afmontering af stiksavklingen

⚠FORSIGTIG: Rens altid alle spåner eller fremmedlegemer, der klæber til stiksavklingen og/eller klingeholderen. Hvis dette ikke sker, kan det medføre en utilstrækkelig tilspænding af stiksavklingen, hvilket kan medføre alvorlig personskade.

⚠FORSIGTIG: Undlad at berøre stiksavklingen eller arbejdsemnet umiddelbart efter anvendelse. De kan være meget varme og forårsage forbrænding af huden.

⚠FORSIGTIG: Fastgør altid stiksavklingen ordentligt. Utilstrækkelig tilspænding af stiksavklingen kan forårsage brud på klingens eller alvorlig personskade.

⚠FORSIGTIG: Anvend kun stiksavklinger af type B. Anvendelse af andre klinger end B-typen forårsager utilstrækkelig tilspænding af stiksavklingen, hvilket resulterer i alvorlig personskade.

⚠FORSIGTIG: Når du afmonterer stiksavklingen, skal du passe på ikke at skære fingrene på toppen af stiksavklingen eller på spidserne af arbejdsemnet.

Før stiksavklingen monteres, skal du sikre dig, at håndtaget til klingefastholderen er i den frigjorte position. For at montere stiksavklingen skal du indsætte stiksavklingen (tænderne vender fremad) i stiksavklingeholderen. Håndtaget til klingefastholderen bevæger sig til den fastgjorte position, og stiksavklingen låses fast. Sørg for, at bagkanten af stiksavklingen passer ind i rullen. Træk let i stiksavklingen for at sikre, at stiksavklingen ikke falder af under anvendelse.

► **Fig. 7:** 1. Stiksavklingeholder 2. Håndtag til klingefastholder (frigjort position) 3. Håndtag til klingefastholder (fastgjort position)

► **Fig. 8:** 1. Stiksavklingeholder 2. Stiksavklinge 3. Rulle

⚠FORSIGTIG: Hvis håndtaget til klingefastholderen ikke bevæger sig til den fastgjorte position, er stiksavklingen ikke monteret helt. Undlad at trykke håndtaget til klingefastholderen i den fastgjorte position med hånden. Dette kan beskadige maskinen.

Hvis du vil afmontere stiksavklingen, skal du skubbe håndtaget til klingefastholderen fremad så langt, som det kan komme. Dette gør det muligt at frigøre stiksavklingen.

► **Fig. 9:** 1. Stiksavklingeholder 2. Håndtag til klingefastholder 3. Stiksavklinge

BEMÆRK: Hvis det er vanskeligt at afmontere stiksavklingen, skal du dreje omskifteren til valg af skæremåde til positionen "III" og flytte stiksavklingeholderen til bunden. For at flytte stiksavklingeholderen til bunden skal du sætte håndtaget til klingefastholderen helt tilbage til den faste position én gang og tænde maskinen let flere gange.

BEMÆRK: Smør regelmæssigt rullen.

Opbevaring af unbrakonøgle

Når unbrakonøglen ikke bruges, opbevares den som vist i figuren for at forhindre, at den bliver væk.

► **Fig. 10:** 1. Unbrakonøgle

ANVENDELSE

⚠FORSIGTIG: Sørg altid for, at sålen flugter med arbejdsemnet. Forsømmelse af dette kan resultere i, at stiksavklingen knækker, hvilket kan føre til alvorlig personskade.

⚠FORSIGTIG: Før maskinen meget langsomt fremad, når De skærer kurver eller ruller. Brug af magt på maskinen kan medføre en skæv skæreflade, og at stiksavklingen knækker.

Tænd for maskinen, uden at stiksavklingen har kontakt, og vent, indtil stiksavklingen opnår fuld hastighed. Læg derefter sålen fladet på arbejdsemnet, og bevæg forsigtigt maskinen fremad langs den tidligere markerede skærelinje.

► **Fig. 11:** 1. Skærelinje 2. Sål

Skråsnit

⚠FORSIGTIG: Sørg altid for, at der er slukket for maskinen, og at akkuen er fjernet, før sålen vippes.

Når sålen er vippet, kan De foretage skråsnit i enhver vinkel mellem 0° og 45° (venstre eller højre).

► **Fig. 12**

Løsn boltens bag på sålen ved hjælp af unbrakonøglen. Flyt sålen, så boltens midt sidder på det krydsformede hul i sålen.

► **Fig. 13:** 1. Unbrakonøgle 2. Bolt 3. Sål

Vip sålen, til den ønskede skråvinkel er indstillet. Kanten af motorhuset viser skråvinklen med gradinddelinger. Stram derefter boltens for at fastgøre sålen.

► **Fig. 14:** 1. Kant 2. Gradinddeling

Snit i niveau med fronten

Løsn boltens i bunden af sålen med unbrakonøglen, og skub sålen hele vejen tilbage. Tilspænd derefter boltens for at fastgøre sålen.

► **Fig. 15:** 1. Unbrakonøgle 2. Bolt 3. Sål

Udskæringer

Udskæringer kan foretages med en af to metoder: "Boring af et starthul" eller "Stikskæring".

Boring af et starthul

For interne udskæringer uden et indløbsnit fra kanten bores et starthul med en diameter på 12 mm eller der- over. Indfør stiksavklingen i hullet for at starte snittet.

► Fig.16

Stikskæring

De behøver ikke at bore et starthul eller at foretage et indløbsnit, hvis De forsigtigt gør som følger.

1. Rør ved sålens forkant med arbejdsemnet, og vip maskinen med spidsen af stiksavklingen placeret lige over arbejdsemnets overflade.
2. Tryk på maskinen, så forkanten af sålen ikke bevæger sig, når De tænder for maskinen, og sænk langsomt og forsigtigt bagenden af maskinen.
3. Når stiksavklingen trænger ind i arbejdsemnet, sænkes maskinens sålen langsomt ned på arbejdsemnets overflade.
4. Fuldfør snittet på normal vis.

► Fig.17

Færdiggørelse af kanter

Hvis De vil beskære kanter eller foretage størrelsesjusteringer, skal De føre stiksavklingen forsigtigt langs de skarpe kanter.

► Fig.18

Skæring i metal

Ved skæring i metal bør De altid anvende et egnet kølemiddel (skæreolie). Hvis De ikke gør det, medfører det et betydeligt slid på stiksavklingen. Undersiden af arbejdsemnet kan smøres med fedt i stedet for at bruge et kølemiddel.

Fjernelse af støv

Montering eller afmontering af støvdækslet

Monter støvdækslet som vist i figuren.

► Fig.19: 1. Støvdæksel

For at fjerne støvdækslet skal du trykke på den ene side af dækslet og derefter fjerne det som vist i figuren.

► Fig.20: 1. Støvdæksel

Montering eller afmontering af støvmundstykket

Du kan tilslutte denne maskine til en Makita-støvsuger ved at fastgøre støvmundstykket.

Sæt støvmundstykket hele vejen ind i maskinen.

► Fig.21: 1. Støvmundstykke

For at fjerne støvmundstykket trækkes støvmundstykket ud, idet der trykkes på knappen på støvmundstykket.

► Fig.22: 1. Knap 2. Støvmundstykke

Tilslutning af maskinen til støvsugeren

Slut støvsugerens slange til støvmundstykket.

► Fig.23

Parallelanslag

Ekstraudstyr

⚠FORSIGTIG: Sørg altid for, at der er slukket for maskinen, og at akkuen er fjernet, før tilbehør monteres eller fjernes.

Lige snit

Hvis De gentagne gange foretager snit af bredder på 160 mm eller mindre, sikrer brug af parallelanslaget hurtige, rene og lige snit.

► Fig.24: 1. Parallelanslag (støtteføringssæt)

Monter ved at indsætte stangdelen ind i det firkantede hul på sålen med anslagsdelen vendt nedad. Skub parallelanslaget til den ønskede skærebreddeposition, og tilspænd derefter bolten for at fastgøre det.

► Fig.25: 1. Unbrakonøgle 2. Bolt 3. Parallelanslag (støtteføringssæt)

Cirkulære snit

Ved udskæring af cirkler eller buer med en radius på 170 mm eller derunder monteres parallelanslaget på følgende måde.

► Fig.26: 1. Parallelanslag (støtteføringssæt)

⚠FORSIGTIG: Undlad at berøre spidsen af den cirkulære føringssstift. Den skarpe spids på den cirkulære føringssstift kan forårsage personskade.

1. Indsæt stangdelen i det firkantede hul i sålen med anslagsdelen vendt opad.

2. Indsæt den cirkulære føringssstift gennem et af de to huller på anslagsdelen. Skru knoppen med gevind på den cirkulære føringssstift for at fastgøre den cirkulære føringssstift.

► Fig.27: 1. Knop med gevind 2. Parallelanslag (støtteføringssæt) 3. Cirkulær føringssstift 4. Bolt 5. Unbrakonøgle

3. Skub parallelanslaget til den ønskede skæreradius, og tilspænd bolten for at fastgøre det forsvarligt.

BEMÆRK: Brug altid stiksavklinger nr. B-17, B-18, B-26 eller B-27 ved skæring af cirkler eller buer.

Antisplint-anordning

Ekstraudstyr

⚠ FORSIGTIG: Antisplint-anordningen kan ikke anvendes, når der foretages skråsnit.

For splintfri snit kan antisplint-anordningen benyttes. For at montere antisplint-anordningen skal du flytte maskinens fod hele vejen frem og montere den fra bagsiden af maskinens sål.

Hvis du bruger dækpladen, skal du montere antisplint-anordningen på dækpladen.

► **Fig.28:** 1. Sål 2. Antisplint-anordning

Dækplade

Brug dækpladen, når du skærer i dekorativ finér, plast osv. Den beskytter følsomme eller sarte overflader mod skader. Monter den i bunden af maskinens sål.

► **Fig.29:** 1. Dækplade 2. Sål

Styreskinneadaptersæt

Ekstraudstyr

Når der skæres parallelt og med ens bredde eller ved lige snit, sikrer brug af styreskinne og styreskinneadapteren frembringelse af hurtige og rene snit. For at montere styreskinneadapteren skal du indsætte styrestangen så langt ind i det firkantede hul ind på maskinens sål, som den kan komme. Fastgør bolten forsvarligt med unbrakonøglen.

► **Fig.30:** 1. Unbrakonøgle 2. Styrestang 3. Bolt

Indsæt styrestangen i det firkantede hul ind på styreskinneadapteren, og fastgør skruen forsvarligt. Placer styreskinneadapteren på styreskinne.

► **Fig.31:** 1. Styreskinneadapter 2. Styreskinne 3. Skruer

BEMÆRKNING: Brug altid stiksavklinger nr. B-8, B-13, B-16, B-17 eller 58, når du bruger styreskinne og styreskinneadapteren.

VEDLIGEHOJDELSE

⚠ FORSIGTIG: Vær altid sikker på, at værktøjet er slukket, og at akkuen er taget ud, inden De begynder at udføre inspektion eller vedligeholdelse.

BEMÆRKNING: Anvend aldrig benzin, rensebenzin, fortynder, alkohol og lignende. Det kan medføre misfarvning, deformation eller revner.

For at opretholde produktets SIKKERHED og PALIDELIGHED må reparation, vedligeholdelse eller justering kun udføres af et autoriseret Makita servicecenter eller fabrikksservicecenter med anvendelse af Makita reservedele.

EKSTRAUDSTYR

⚠ FORSIGTIG: Det følgende tilbehør og ekstraudstyr er anbefalet til brug med Deres Makita maskine, der er beskrevet i denne brugsanvisning. Anvendelse af andet tilbehør eller ekstraudstyr kan udgøre en risiko for personskaade. Anvend kun tilbehør og ekstraudstyr til det beskrevne formål.

Hvis De behøver hjælp ved valg af tilbehør eller ønsker yderligere informationer, bedes De kontakte Deres lokale Makita servicecenter.

- Stiksavklinger
- Parallellanslagssæt (støtteføjringssæt)
- Styreskinneadaptersæt
- Antisplint-anordning
- Dækplade
- Støvmundstykke
- Støvdæksel
- Original Makita-akku og oplader

BEMÆRK: Nogle ting på denne liste kan være inkluderet i værktøjspakken som standardtilbehør. Det kan være forskellige fra land til land.

ΠΡΟΔΙΑΓΡΑΦΕΣ

Μοντέλο:		DJV185
Μήκος διαδρομής		23 mm
Διαδρομές ανά λεπτό		800 - 3.000 min ⁻¹
Τύπος λεπίδας		Τύπος B
Μέγιστες ικανότητες κοπής	Ξύλο	135 mm
	Μαλακό ασάλι	10 mm
	Αλουμίνιο	20 mm
Συνολικό μήκος (με BL1860B)		259 mm
Ονομαστική τάση		D.C. 18 V
Καθαρό βάρος		2,0 - 2,3 kg

- Λόγω του συνεχιζόμενου προγράμματος έρευνας και ανάπτυξης, οι προδιαγραφές αυτές υπόκεινται σε αλλαγές χωρίς προειδοποίηση.
- Τα τεχνικά χαρακτηριστικά μπορεί να διαφέρουν από χώρα σε χώρα.
- Το βάρος μπορεί να διαφέρει ανάλογα με τα προσαρτήματα, συμπεριλαμβάνοντας την κασέτα μπαταριών. Ο ελαφρύτερος και ο βαρύτερος συνδυασμός, σύμφωνα με τη διαδικασία EPTA 01/2014, παρουσιάζονται στον πίνακα.

Ισχύουσα κασέτα μπαταριών και φορτιστής

Κασέτα μπαταρίας	BL1815N / BL1820B / BL1830B / BL1840B / BL1850B / BL1860B
Φορτιστής	DC18RC / DC18RD / DC18RE / DC18SD / DC18SE / DC18SF / DC18SH / DC18WC

- Ορισμένες από τις κασέτες και τους φορτιστές μπαταριών που αναγράφονται παραπάνω ίσως να μην είναι διαθέσιμοι, ανάλογα με την τοποθεσία κατοικίας σας.

⚠ ΠΡΟΕΙΔΟΠΟΙΗΣΗ: Να χρησιμοποιείτε μόνο τις κασέτες μπαταριών και τους φορτιστές που παρατίθενται ανωτέρω. Η χρήση οποιασδήποτε άλλης κασέτας μπαταριών ή φορτιστή μπορεί να προκαλέσει τραυματισμό ή/και πυρκαγιά.

Προοριζόμενη χρήση

Το εργαλείο προορίζεται για πρίονισμα ξύλινων, πλαστικών και μεταλλικών υλικών.

Θορύβος

Το τυπικό Α επίπεδο καταμετρημένου θορύβου καθορίζεται σύμφωνα με το EN62841-2-11:
 Στάθμη ηχητικής πίεσης (L_{PA}): 87 dB (A)
 Στάθμη ηχητικής ισχύος (L_{WA}): 95 dB (A)
 Αβεβαιότητα (K): 3 dB (A)

ΠΑΡΑΤΗΡΗΣΗ: Η δηλωμένη τιμή(ές) εκπομπής θορύβου έχει μετρηθεί σύμφωνα με την πρότυπη μέθοδο δοκιμής και μπορεί να χρησιμοποιηθεί για τη σύγκριση ενός εργαλείου με κάποιο άλλο.

ΠΑΡΑΤΗΡΗΣΗ: Η δηλωμένη τιμή(ές) εκπομπής θορύβου μπορεί να χρησιμοποιηθεί και στην προκαταρκτική αξιολόγηση της έκθεσης.

⚠ ΠΡΟΕΙΔΟΠΟΙΗΣΗ: Να φοράτε υποασπίδες.

⚠ ΠΡΟΕΙΔΟΠΟΙΗΣΗ: Η εκπομπή θορύβου κατά τη χρήση του ηλεκτρικού εργαλείου σε πραγματικές συνθήκες μπορεί να διαφέρει από τη δηλωμένη τιμή(ές) ανάλογα με τους τρόπους χρήσης του εργαλείου, ιδιαίτερα το είδος του τεμαχίου εργασίας που υπόκειται επεξεργασία.

⚠ ΠΡΟΕΙΔΟΠΟΙΗΣΗ: Φροντίστε να λάβετε τα κατάλληλα μέτρα προστασίας του χειριστή βάσει ενός υπολογισμού της έκθεσης σε πραγματικές συνθήκες χρήσης (λαμβάνοντας υπόψη όλες τις συνιστώσες του κύκλου λειτουργίας όπως τους χρόνους που το εργαλείο είναι εκτός λειτουργίας και όταν βρίσκεται σε αδρανή λειτουργία πέραν του χρόνου ενεργοποίησης).

Κραδασμός

Η ολική τιμή δόνησης (άθροισμα τρι-αξονικού διανύσματος) καθορίζεται σύμφωνα με το EN62841-2-11:
 Είδος εργασίας: κοπή σανίδων
 Εκπομπή δόνησης (a_{h,B}): 10,3 m/s²
 Αβεβαιότητα (K): 1,7 m/s²
 Είδος εργασίας: κοπή μεταλλικών φύλλων
 Εκπομπή δόνησης (a_{h,M}): 9,0 m/s²
 Αβεβαιότητα (K): 1,5 m/s²

ΠΑΡΑΤΗΡΗΣΗ: Η δηλωμένη τιμή(ές) συνολικών κραδασμών έχει μετρηθεί σύμφωνα με την πρότυπη μέθοδο δοκιμής και μπορεί να χρησιμοποιηθεί για τη σύγκριση ενός εργαλείου με κάποιο άλλο.

ΠΑΡΑΤΗΡΗΣΗ: Η δηλωμένη τιμή(ές) συνολικών κραδασμών μπορεί να χρησιμοποιηθεί και στην προ-καταρκτική αξιολόγηση της έκθεσης.

⚠️ΠΡΟΕΙΔΟΠΟΙΗΣΗ: Η εκπομπή κραδασμών κατά τη χρήση του ηλεκτρικού εργαλείου σε πραγματικές συνθήκες μπορεί να διαφέρει από τη δηλωμένη τιμή(ές) εκπομπής ανάλογα με τους τρόπους χρήσης του εργαλείου, ιδιαίτερα τον είδος του τεμαχίου εργασίας που υπόκειται επεξεργασία.

⚠️ΠΡΟΕΙΔΟΠΟΙΗΣΗ: Φροντίστε να λάβετε τα κατάλληλα μέτρα προστασίας του χειριστή βάσει ενός υπολογισμού της έκθεσης σε πραγματικές συνθήκες χρήσης (λαμβάνοντας υπόψη όλες τις συνιστώσες του κύκλου λειτουργίας όπως τους χρόνους που το εργαλείο είναι εκτός λειτουργίας και όταν βρίσκεται σε αδρανή λειτουργία πέραν του χρόνου ενεργοποίησης).

Δήλωση Συμμόρφωσης

Μόνο για χώρες της Ευρώπης

Οι Δήλώσεις Συμμόρφωσης περιλαμβάνονται στο Παράρτημα Α στο παρόν εγχειρίδιο οδηγίων.

ΠΡΟΕΙΔΟΠΟΙΗΣΕΙΣ ΑΣΦΑΛΕΙΑΣ

Γενικές προειδοποιήσεις ασφαλείας για το ηλεκτρικό εργαλείο

⚠️ΠΡΟΕΙΔΟΠΟΙΗΣΗ Διαβάστε όλες τις προειδοποιήσεις ασφάλειας, οδηγίες, εικονογραφήσεις και προδιαγραφές που παρέχονται με αυτό το ηλεκτρικό εργαλείο. Η μη τήρηση όλων των οδηγιών που αναγράφονται κατωτέρω μπορεί να καταλήξει σε ηλεκτροπληξία, πυρκαγιά ή/και σοβαρό τραυματισμό.

Φυλάξτε όλες τις προειδοποιήσεις και τις οδηγίες για μελλοντική παραπομπή.

Στις προειδοποιήσεις, ο όρος «ηλεκτρικό εργαλείο» αναφέρεται σε ηλεκτρικό εργαλείο που τροφοδοτείται από την κύρια παροχή ηλεκτρικού ρεύματος (με ηλεκτρικό καλώδιο) ή σε ηλεκτρικό εργαλείο που τροφοδοτείται από μπαταρία (χωρίς ηλεκτρικό καλώδιο).

Προειδοποιήσεις ασφάλειας για το φορητό παλινδρομικό πριόνι

1. Να κρατάτε το ηλεκτρικό εργαλείο από τις μονωμένες επιφάνειες λαβής όταν εκτελείτε εργασίες κατά τις οποίες το εξάρτημα κοπής μπορεί να έρθει σε επαφή με κρυμμένα καλώδια. Σε περίπτωση επαφής του εξαρτήματος κοπής με ηλεκτροφόρο καλώδιο, μπορεί τα εκτεθειμένα μεταλλικά εξάρτηματα του ηλεκτρικού εργαλείου να καταστούν τα ίδια ηλεκτροφόρα και να προκαλέσουν ηλεκτροπληξία στο χειριστή.

2. Να χρησιμοποιείτε σφιγκτήρες ή κάποιο άλλο πρακτικό μέσο για να ασφαλίσετε και να στηρίξετε το τεμάχιο εργασίας σε μια σταθερή πλατφόρμα. Αν κρατάτε το τεμάχιο εργασίας με το χέρι σας ή επάνω στο σώμα σας, θα είναι ασταθές και μπορεί να χάσετε τον έλεγχο.
3. Να χρησιμοποιείτε πάντα γυαλιά ασφαλείας ή προστατευτικά γυαλιά. Τα συνηθισμένα γυαλιά οράσεως ή γυαλιά ηλίου ΔΕΝ είναι γυαλιά ασφαλείας.
4. Να αποφεύγετε την κοπή καρφιών. Να επιθεωρείτε το τεμάχιο εργασίας για καρφιά και αφαιρέστε τα πριν από τη λειτουργία.
5. Μην κόβετε υπερμεγέθη τεμάχια εργασίας.
6. Πριν από την κοπή, να ελέγχετε ότι υπάρχει επαρκής απόσταση γύρω από το τεμάχιο εργασίας ώστε η λάμα παλινδρομικού πριονιού να μη χτυπήσει το δάπεδο, τον πάγκο εργασίας, κτλ.
7. Κρατάτε το εργαλείο σταθερά.
8. Να βεβαιώνετε ότι η λάμα παλινδρομικού πριονιού δεν αγγίζει το τεμάχιο εργασίας πριν την ενεργοποίηση του διακόπτη.
9. Μην πλησιάζετε τα χέρια σας σε κινούμενα μέρη.
10. Μην αφήνετε το εργαλείο αναμμένο. Να χειρίζεστε το εργαλείο μόνο όταν το κρατάτε στο χέρι.
11. Να σβήνετε πάντα το εργαλείο και να περιμένετε να σταματήσει να κινείται εντελώς η λάμα παλινδρομικού πριονιού πριν τη βγάξετε από το τεμάχιο εργασίας.
12. Μην αγγίζετε τη λάμα παλινδρομικού πριονιού ή το τεμάχιο εργασίας αμέσως μετά τη λειτουργία. Μπορεί να είναι εξαιρετικά ζεστά και να σας προκαλέσουν εγκαύματα.
13. Μη θέτετε το εργαλείο σε λειτουργία χωρίς φορτίο όταν αυτό δεν είναι απαραίτητο.
14. Μερικά υλικά περιέχουν χημικά που μπορεί να είναι τοξικά. Να προσέχετε ώστε να αποφεύγετε την εισπνοή σκόνης και την επαφή με το δέρμα. Να ακολουθείτε τα δεδομένα ασφάλειας του προμηθευτή υλικού.
15. Να χρησιμοποιείτε πάντα προσωπίδα κατά της σκόνης/αναπνευστήρα που είναι κατάλληλα για το υλικό και την εφαρμογή σας.

ΦΥΛΑΞΕΤΕ ΑΥΤΕΣ ΤΙΣ ΟΔΗΓΙΕΣ.

⚠️ΠΡΟΕΙΔΟΠΟΙΗΣΗ: ΜΗΝ επιτρέψετε στην άνεση ή στην εξοικειώσή σας με το προϊόν (που αποκτήθηκε από επανειλημμένη χρήση) να αντικαταστήσει την αυστηρή τήρηση των κανόνων ασφαλείας του παρόντος εργαλείου. Η ΛΑΝΘΑΣΜΕΝΗ ΧΡΗΣΗ ή η αμέλεια να ακολουθήσετε τους κανόνες ασφαλείας που διατυπώνονται στο παρόν εγχειρίδιο οδηγίων μπορεί να προκαλέσει σοβαρό προσωπικό τραυματισμό.

Σημαντικές οδηγίες ασφάλειας για κασέτα μπαταριών

1. Πριν χρησιμοποιήσετε την κασέτα μπαταριών, διαβάστε όλες τις οδηγίες και σημειώσεις προφύλαξης (1) στον φορτιστή μπαταριών, (2) στην μπαταρία και (3) στο προϊόν που χρησιμοποιείτε την μπαταρία.
2. Μην απουναρμολογήσετε ή παραβιάσετε την κασέτα μπαταριών. Μπορεί να έχει ως αποτέλεσμα πυρκαγιά, υπερθέρμανση ή έκρηξη.
3. Εάν ο χρόνος λειτουργίας έχει γίνει υπερβολικά βραχύς, σταματήστε τη λειτουργία αμέσως. Αλλιώς, μπορεί να έχει ως αποτέλεσμα κίνδυνο υπερθέρμανσης, πιθανά εγκαύματα ή ακόμη και έκρηξη.
4. Εάν ηλεκτρολύτης μπει στα μάτια σας, ξεπλύνετε τα με καθαρό νερό και ζητήστε ιατρική φροντίδα αμέσως. Αλλιώς, μπορεί να έχει ως αποτέλεσμα απώλεια της όρασης σας.
5. Μην βραχυκυκλώνετε την κασέτα μπαταριών:
 - (1) Μην αγγίζετε τους πόλους με οτιδήποτε αγώγιμο υλικό.
 - (2) Αποφεύγετε να αποθηκεύετε την κασέτα μπαταριών μέσα σε ένα δοχείο μαζί με άλλα μεταλλικά αντικείμενα όπως καρφιά, νομίσματα, κλπ.
 - (3) Μην εκθέτετε την κασέτα μπαταριών στο νερό ή στη βροχή.Ένα βραχυκύκλωμα μπαταρίας μπορεί να προκαλέσει μεγάλη ροή ρεύματος, υπερθέρμανση, πιθανά εγκαύματα ακόμη και σοβαρή βλάβη.
6. Μην αποθηκεύετε και μην χρησιμοποιείτε το εργαλείο και την κασέτα μπαταριών σε τοποθεσίες όπου η θερμοκρασία μπορεί να φτάσει ή να ξεπεράσει τους 50°C.
7. Μην καίτε την κασέτα μπαταριών ακόμη και εάν έχει σοβαρή ζημιά ή είναι εντελώς φθαρμένη. Η κασέτα μπαταριών μπορεί να εκραγεί στη φωτιά.
8. Μην καρφώσετε, κόψετε, συνθλίψετε, πετάξετε ή ρίξετε κάτω την κασέτα μπαταριών, ούτε να χτυπήσετε ένα σκληρό αντικείμενο επάνω στην κασέτα μπαταριών. Τέτοια συμπεριφορά μπορεί να έχει ως αποτέλεσμα πυρκαγιά, υπερθέρμανση ή έκρηξη.
9. Μην χρησιμοποιείτε μπαταρία που έχει υποστεί ζημιά.
10. Οι μπαταρίες ιόντων λιθίου που περιέχονται υπόκεινται στις απαιτήσεις της νομοθεσίας για επικίνδυνα αγαθά.

Για εμπορικές μεταφορές, για παράδειγμα από τρίτα μέρη, πρέπει να τηρούνται οι διαμεταφορές, οι ειδικές απαιτήσεις στη συσκευασία και η επισήμανση.

Για προετοιμασία του στοιχείου που αποστέλλεται, είναι απαραίτητο να συμβουλευτείτε έναν ειδικό για επικίνδυνα υλικά. Επίσης, τηρήστε τους πιθανούς, πιο αναλυτικούς εθνικούς κανονισμούς. Καλύψτε με αυτοκόλλητη ταινία ή κρύψτε τις ανοικτές επαφές και συσκευάστε την μπαταρία με τρόπο που να μην μπορεί να μετακινείται μέσα στη συσκευασία.

11. Όταν απορρίπτετε την κασέτα μπαταριών, αφαιρέστε την από το εργαλείο και διαθέστε τη σε ένα ασφαλές μέρος. Τηρήστε τους τοπικούς κανονισμούς που σχετίζονται με τη διάθεση της μπαταρίας.
12. Χρησιμοποιήστε τις μπαταρίες μόνο με τα προϊόντα που καθορίζει η Makita. Αν τοποθετήσετε τις μπαταρίες σε μη συμβατά προϊόντα μπορεί να έχει ως αποτέλεσμα πυρκαγιά, υπερβολική θερμότητα, έκρηξη ή διαρροή ηλεκτρολύτη.
13. Αν δεν χρησιμοποιείτε το εργαλείο για μεγάλο χρονικό διάστημα, πρέπει να βγάλετε την μπαταρία από το εργαλείο.
14. Κατά τη διάρκεια και μετά τη χρήση, η κασέτα μπαταριών μπορεί να θερμανθεί, γεγονός που μπορεί να προκαλέσει εγκαύματα ή εγκαύματα από χαμηλή θερμοκρασία. Προσέχετε το χειρισμό των ζεστών κασετών μπαταριών.
15. Μην αγγίζετε τον ακροδέκτη του εργαλείου αμέσως μετά τη χρήση επειδή μπορεί να έχει ζεσταθεί αρκετά για να προκαλέσει εγκαύματα.
16. Μην αφήνετε θραύσματα, σκόνη ή βρομιά να κολλήσει στους ακροδέκτες, τις σπές και τις εγκαψές της κασέτας μπαταριών. Μπορεί να προκαλέσει θέρμανση, φωτιά, έκρηξη και δυσλειτουργία του εργαλείου ή της κασέτας μπαταριών, έχοντας ως αποτέλεσμα εγκαύματα ή προσωπικό τραυματισμό.
17. Εκτός αν το εργαλείο υποστηρίζει τη χρήση κοντά σε ηλεκτρικές γραμμές υψηλής τάσης, μην χρησιμοποιείτε την κασέτα μπαταριών κοντά σε ηλεκτρικές γραμμές υψηλής τάσης. Μπορεί να έχει ως αποτέλεσμα δυσλειτουργία ή στάσιμο του εργαλείου ή της κασέτας μπαταριών.
18. ΚρΦυλάξτε την μπαταρία μακριά από παιδιά.

ΦΥΛΑΞΤΕ ΤΙΣ ΟΔΗΓΙΕΣ ΑΥΤΕΣ.

▲ΠΡΟΣΟΧΗ: Να χρησιμοποιείτε μόνο γνήσιες μπαταρίες της Makita. Η χρήση μη γνήσιων μπαταριών Makita, ή μπαταριών που έχουν τροποποιηθεί, μπορεί να έχει ως αποτέλεσμα τη ρήξη της μπαταρίας, προκαλώντας πυρκαγιά, προσωπικό τραυματισμό και βλάβη. Επίσης, θα ακυρωθεί η εγγύηση της Makita για το εργαλείο και φορτιστή Makita.

Συμβουλές για τη διατήρηση της μέγιστης ζωής μπαταρίας

1. Φορτίζετε την κασέτα μπαταριών πριν από την πλήρη αποφόρτίσή της. Πάντοτε να σταματάτε τη λειτουργία του εργαλείου και να φορτίζετε την κασέτα μπαταριών όταν παρατηρήσετε μειωμένη ισχύ εργαλείου.
2. Ποτέ μην επαναφορτίζετε μια πλήρως φορτισμένη κασέτα μπαταριών. Η υπερφόρτιση μειώνει την ωφέλιμη ζωή της μπαταρίας.
3. Να φορτίζετε την κασέτα μπαταριών σε θερμοκρασία δωματίου, δηλαδή στους 10 °C έως 40 °C. Αφήστε μια θερμή κασέτα μπαταριών να κρΰσει πριν την φορτίσετε.
4. Όταν δεν χρησιμοποιείτε την κασέτα μπαταριών, αφαιρέστε την από το εργαλείο ή τον φορτιστή.
5. Να φορτίζετε την κασέτα μπαταριών εάν δεν τη χρησιμοποιείτε για μεγάλη χρονική περίοδο (περισσότερο από έξι μήνες).

ΠΕΡΙΓΡΑΦΗ ΛΕΙΤΟΥΡΓΙΑΣ

▲ ΠΡΟΣΟΧΗ: Να φροντίζετε πάντα για την απενεργοποίηση του εργαλείου και την αφαίρεση της κασέτας μπαταρίας, πριν από οποιαδήποτε ρύθμιση ή έλεγχο της λειτουργίας του.

Τοποθέτηση ή αφαίρεση της κασέτας μπαταριών

▲ ΠΡΟΣΟΧΗ: Να σβήνετε πάντα το εργαλείο πριν τοποθετήσετε ή αφαιρέσετε την κασέτα μπαταριών.

▲ ΠΡΟΣΟΧΗ: Κρατήστε το εργαλείο και την κασέτα μπαταριών σταθερά κατά την τοποθέτηση ή αφαίρεση της κασέτας μπαταριών. Εάν δεν κρατάτε το εργαλείο και την κασέτα μπαταριών σταθερά μπορεί να γλιστρήσουν από τα χέρια σας και να προκληθεί βλάβη στο εργαλείο και την κασέτα μπαταριών και προσωπικός τραυματισμός.

Για να τοποθετήσετε την κασέτα μπαταριών, ευθυγραμμίστε τη γλώσσα στην κασέτα μπαταριών με την εγκοπή στο περίβλημα και ολισθήστε τη στη θέση της. Τοποθετήστε την μέχρι τέρμα μέχρι να ασφαλίσει στη θέση της, γεγονός που υποδεικνύεται με ένα χαρακτηριστικό ήχο. Αν μπορείτε να δείτε τον κόκκινο δείκτη όπως απεικονίζεται στην εικόνα, δεν έχει κλειδωθεί τελείως.

Για να αφαιρέσετε την κασέτα μπαταριών, ολισθήστε την από το εργαλείο ενώ σύρετε το κουμπί στο μπροστινό μέρος της κασέτας.

► **Εικ.1:** 1. Κόκκινος δείκτης 2. Κουμπί 3. Κασέτα μπαταριών

▲ ΠΡΟΣΟΧΗ: Να τοποθετείτε πάντα την κασέτα μπαταριών πλήρως μέχρι να μη βλέπετε τον κόκκινο δείκτη. Εάν δεν ασφαλιστεί, μπορεί να πέσει από το εργαλείο τυχαία, προκαλώντας σημαντική βλάβη σε εσάς ή κάποιον άλλο γύρω σας.

▲ ΠΡΟΣΟΧΗ: Μην τοποθετείτε την κασέτα μπαταριών με βία. Εάν η κασέτα δεν ολισθαίνει με ευκολία, τότε δεν έχει τοποθετηθεί κατάλληλα.

Σύστημα προστασίας εργαλείου/ μπαταρίας

Το εργαλείο είναι εξοπλισμένο με σύστημα προστασίας εργαλείου/μπαταρίας. Αυτό το σύστημα αποκόπτει αυτόματα την ισχύ προς το μοτέρ για να παραταθεί η διάρκεια λειτουργίας του εργαλείου και της μπαταρίας. Το εργαλείο σταματάει αυτόματα κατά τη διάρκεια της λειτουργίας εάν το εργαλείο ή η μπαταρία βρεθούν κάτω από τις παρακάτω συνθήκες:

Προστασία υπερφόρτωσης

Αν χειριστείτε το εργαλείο ή την μπαταρία με τρόπο που να τραβά αφύσικα υψηλό ρεύμα, το εργαλείο θα σταματήσει αυτόματα χωρίς προειδοποίηση. Σε αυτή την κατάσταση, απενεργοποιήστε το εργαλείο και διακόψτε την εφαρμογή που προκαλεί την υπερφόρτωση του εργαλείου. Μετά, ενεργοποιήστε το εργαλείο για επανεκκίνηση.

Προστασία υπερθέρμανσης

Όταν το εργαλείο ή η μπαταρία υπερθερμανθεί, η λειτουργία του εργαλείου σταματάει αυτόματα και η λάμπα αναβοσβήνει. Σε αυτή την περίπτωση, αφήστε το εργαλείο και την μπαταρία να ψυχθούν πριν ενεργοποιηθείτε ξανά το εργαλείο.

Προστασία υπερβολικής αποφόρτισης

Όταν η χωρητικότητα μπαταρίας δεν είναι αρκετή, το εργαλείο σταματάει αυτόματα. Σε αυτή την περίπτωση, βγάλτε την μπαταρία από το εργαλείο και φορτίστε την μπαταρία.

Προστασία και από άλλες αιτίες

Το σύστημα προστασίας έχει επίσης σχεδιαστεί για άλλες αιτίες που μπορούν να προκαλέσουν ζημιά στο εργαλείο και επιτρέπει την αυτόματη διακοπή του εργαλείου. Λάβετε όλα τα ακόλουθα βήματα για να διορθώσετε τις αιτίες, όταν το εργαλείο τεθεί σε προσωρινή διακοπή ή διακοπή κατά τη διάρκεια της λειτουργίας.

1. Απενεργοποιήστε το εργαλείο και, στη συνέχεια, ενεργοποιήστε το ξανά για επανεκκίνηση.
2. Φορτίστε την μπαταρία ή τις μπαταρίες ή αντικαταστήστε τις με επαναφορτιζόμενες μπαταρίες.
3. Αφήστε το εργαλείο και τις μπαταρίες να ψυχθούν.

Αν δεν υπάρχει βελτίωση με την επαναφορά του συστήματος προστασίας, επικοινωνήστε με το τοπικό σας κέντρο εξυπηρέτησης της Makita.

Εμφάνιση υπολειπόμενης χωρητικότητας μπαταρίας

Μόνο για κασέτες μπαταρίας με την ενδεικτική λυχνία

Πιέστε το κουμπί ελέγχου στην κασέτα μπαταριών για να υποδείξετε την υπολειπόμενη χωρητικότητα μπαταρίας. Οι ενδεικτικές λυχνίες ανάβουν για λίγα δευτερόλεπτα.

► **Εικ.2:** 1. Ενδεικτικές λυχνίες 2. Κουμπί ελέγχου

Ενδεικτικές λυχνίες			Υπολειπόμενη χωρητικότητα
■ Αναμμένες	□ Σβηστές	▧ Αναβοσβήνουν	
■ ■ ■ ■			75% έως 100%
■ ■ ■ □			50% έως 75%
■ ■ □ □			25% έως 50%
■ □ □ □			0% έως 25%
▧ □ □ □			Φορτίστε την μπαταρία.
■ ■ □ □			Μπορεί να προέκυψε δυσλειτουργία στην μπαταρία.
□ □ ■ ■			

ΠΑΡΑΤΗΡΗΣΗ: Ανάλογα με τις συνθήκες χρήσης και τη θερμοκρασία περιβάλλοντος, η ένδειξη μπορεί να διαφέρει λίγο από την πραγματική χωρητικότητα.

ΠΑΡΑΤΗΡΗΣΗ: Η πρώτη (τέρμα αριστερά) ενδεικτική λυχνία θα αναβοσβήνει όταν λειτουργεί το σύστημα προστασίας μπαταρίας.

Επιλογή της κοπτικής λειτουργίας

Μπορείτε να χρησιμοποιείτε το εργαλείο αυτό με κοπτική λειτουργία καμπύλης ή ευθείας (πάνω και κάτω). Με την κοπτική λειτουργία καμπύλης, η λάμα παλινδρομικού πριονιού ωθείται προς τα εμπρός και αυξάνεται πολύ η ταχύτητα κοπής.

► **Εικ.3:** 1. Μοχλός αλλαγής κοπτικής λειτουργίας

Για να αλλάξετε την κοπτική λειτουργία, θέστε τον μοχλό αλλαγής κοπτικής λειτουργίας στην επιθυμητή θέση κοπτικής λειτουργίας. Ανατρέξτε στον πίνακα για να επιλέξετε την κατάλληλη κοπτική λειτουργία.

Θέση	Κοπτική λειτουργία	Εφαρμογές
0	Κοπτική λειτουργία ευθείας	Για την κοπή μαλακού ατσάλιου, ανοξείδωτο ατσάλιου και πλαστικών. Για την καθαρή κοπή ξύλου και κοντραπλακέ.
I	Κοπτική λειτουργία μικρής καμπύλης	Για την κοπή μαλακού ατσάλιου, αλουμινίου και σκληρού ξύλου.
II	Κοπτική λειτουργία μέτριας καμπύλης	Για την κοπή ξύλου και κοντραπλακέ. Για γρήγορη κοπή αλουμινίου και μαλακού ατσάλιου.
III	Κοπτική λειτουργία μεγάλης καμπύλης	Για γρήγορη κοπή ξύλου και κοντραπλακέ.

Άναμμα της μπροστινής λάμπας

ΠΡΟΣΟΧΗ: Μην κοιτάζετε κατευθείαν μέσα στο φως ή στην πηγή φωτός.

Για να ανάψετε τη λάμπα, πατήστε το κουμπί κλειδώματος/ξεκλειδώματος. Για να σβήσετε τη λάμπα, πατήστε ξανά το κουμπί κλειδώματος/ξεκλειδώματος.

► **Εικ.4:** 1. Λάμπα 2. Κουμπί κλειδώματος/ξεκλειδώματος

ΕΙΔΟΠΟΙΗΣΗ: Όταν το εργαλείο υπερθερμαίνεται, η λυχνία αναβοσβήνει. Αφήστε τη θερμοκρασία του εργαλείου να μειωθεί πριν θέσετε ξανά το εργαλείο σε λειτουργία.

ΠΑΡΑΤΗΡΗΣΗ: Χρησιμοποιήστε ένα στεγνό πανί για να σκουπίσετε τη σκόνη από το φακό της λάμπας. Προσέχετε να μη γρατζουνίσετε το φακό της λάμπας, επειδή μπορεί να μειωθεί η ένταση του φωτισμού.

Δράση διακόπτη

Για να ενεργοποιήσετε το εργαλείο, πατήστε το κουμπί κλειδώματος/ξεκλειδώματος. Το εργαλείο μεταβαίνει σε τρόπο λειτουργίας αναμονής. Για να ξεκινήσετε τη λειτουργία του εργαλείου, πατήστε το κουμπί εκκίνησης/διακοπής στον τρόπο λειτουργίας αναμονής. Για να σταματήσετε τη λειτουργία του εργαλείου, πατήστε ξανά το κουμπί εκκίνησης/διακοπής. Το εργαλείο μεταβαίνει σε τρόπο λειτουργίας αναμονής. Για να απενεργοποιήσετε το εργαλείο, πατήστε το κουμπί κλειδώματος/ξεκλειδώματος στον τρόπο λειτουργίας αναμονής.

► **Εικ.5:** 1. Κουμπί κλειδώματος/ξεκλειδώματος
2. Κουμπί εκκίνησης/διακοπής

ΠΑΡΑΤΗΡΗΣΗ: Αν αφήσετε το εργαλείο για 10 δευτερόλεπτα χωρίς καμία λειτουργία στον τρόπο λειτουργίας αναμονής, το εργαλείο απενεργοποιείται αυτόματα και η λάμπα σβήνει.

ΠΑΡΑΤΗΡΗΣΗ: Επίσης, μπορείτε να σταματήσετε και να απενεργοποιήσετε το εργαλείο αν πατήσετε το κουμπί κλειδώματος/ξεκλειδώματος ενώ το εργαλείο λειτουργεί.

Για να μειώσετε τη φωτεινότητα της λάμπας, πατήστε παρατεταμένα το κουμπί κλειδώματος/ξεκλειδώματος κατά τη μετάβαση στον τρόπο λειτουργίας αναμονής. Περίπου 1 δευτερόλεπτο αφού ξεκινήσετε να πατάτε το κουμπί κλειδώματος/ξεκλειδώματος, η φωτεινότητα της λάμπας θα αρχίσει να μειώνεται, για τον λόγο αυτό αφήστε το κουμπί κλειδώματος/ξεκλειδώματος όταν φτάσετε την επιθυμητή φωτεινότητα. Επίσης, θέτει το εργαλείο σε λειτουργία αναμονής. Περίπου 3 δευτερόλεπτα αφού ξεκινήσετε να πατάτε το κουμπί κλειδώματος/ξεκλειδώματος, η φωτεινότητα της λάμπας θα ελαχιστοποιηθεί και η φωτεινότητα δεν θα αλλάξει μετά από αυτό.

ΠΑΡΑΤΗΡΗΣΗ: Η φωτεινότητα της λάμπας δεν μπορεί να προσαρμοστεί ενώ το εργαλείο βρίσκεται σε λειτουργία αναμονής. Για να ρυθμίσετε τη φωτεινότητα της λάμπας, απενεργοποιήστε το εργαλείο.

ΠΑΡΑΤΗΡΗΣΗ: Δεν υπάρχει λειτουργία απομνημόνευσης για τη φωτεινότητα της λάμπας. Αν σβήσετε τη λάμπα και μετά την ανάψετε ξανά, η φωτεινότητα της λάμπας θα μεγιστοποιείται κάθε φορά.

Επιλογές ρύθμισης ταχύτητας

Εάν περιστρέψετε τον επιλογέα ρύθμισης ταχύτητας, μπορείτε να ρυθμίσετε την ταχύτητα του εργαλείου. Μπορείτε να έχετε την υψηλότερη ταχύτητα στο 5 και τη χαμηλότερη ταχύτητα στο 1.

► **Εικ.6:** 1. Επιλογέας ρύθμισης ταχύτητας

Ανατρέξτε στον πίνακα για να επιλέξετε τη σωστή ταχύτητα για το τεμάχιο εργασίας που θα κόψετε. Η κατάλληλη ταχύτητα, όμως, μπορεί να διαφέρει ανάλογα με τον τύπο ή το πάχος του τεμαχίου εργασίας. Σε γενικές γραμμές, αν χρησιμοποιείτε υψηλότερες ταχύτητες, θα κόβετε τα τεμάχια εργασίας πιο γρήγορα, αλλά θα μειωθεί η διάρκεια λειτουργίας της λάμπα παλινδρομικού πριονιού.

Τεμάχιο εργασίας	Αριθμός
Ξύλο	4 - 5
Μαλακό ατσάλι	3 - 5
Ανοξείδωτο ατσάλι	3 - 4
Αλουμίνιο	3 - 5
Πλαστικό	1 - 4

ΕΙΔΟΠΟΙΗΣΗ: Ο επιλογέας ρύθμισης ταχύτητας μπορεί να γυρίσει μόνο μέχρι το 5 και ξανά στο 1. Μην τον γυρίζετε βεβιασμένα μετά το 5 ή το 1, επειδή μπορεί να χαλάσει η λειτουργία ρύθμισης ταχύτητας.

Ηλεκτρονική λειτουργία

Το εργαλείο είναι εξοπλισμένο με ηλεκτρονικές λειτουργίες για εύκολη λειτουργία.

Ομαλή εκκίνηση

Η λειτουργία ομαλής εκκίνησης ελαχιστοποιεί τον κραδασμό κατά την εκκίνηση και καθιστά την εκκίνηση του εργαλείου ομαλή.

Έλεγχος σταθερής ταχύτητας

Ηλεκτρονικός έλεγχος ταχύτητας για επίτευξη σταθερής ταχύτητας. Μπορείτε να έχετε ένα κομψό αποτέλεσμα επειδή η ταχύτητα εργαλείου διατηρείται σταθερή ακόμα και όταν το εργαλείο υποβάλλεται σε φόρτο.

Λειτουργία ομαλής περιστροφής χωρίς φορτίο

Για να μειωθεί η δόνηση και να ευθυγραμμιστεί η λάμα παλινδρομικού πριονιού με τη γραμμή κοπής πιο εύκολα, το εργαλείο μειώνει αυτόματα την ταχύτητα εργαλείου μέχρι το εργαλείο να αρχίσει να κόβει το τεμάχιο εργασίας, όταν ο επιλογέας ρύθμισης ταχύτητας έχει τεθεί στο 2 ή υψηλότερα. Μόλις το εργαλείο αρχίσει να κόβει το τεμάχιο εργασίας, η ταχύτητα εργαλείου φτάνει την προκαθορισμένη ταχύτητα και διατηρεί την ταχύτητα μέχρι να σταματήσει το εργαλείο.

ΠΑΡΑΤΗΡΗΣΗ: Όταν η θερμοκρασία είναι χαμηλή, αυτή η λειτουργία μπορεί να μην είναι διαθέσιμη. Επίσης, ανάλογα με το υλικό, τη λάμα παλινδρομικού πριονιού και την ταχύτητα εργαλείου, αυτή η δυνατότητα μπορεί να μην είναι διαθέσιμη.

Απενεργοποίηση ή ενεργοποίηση της λειτουργίας ομαλής περιστροφής χωρίς φορτίο

Για να απενεργοποιήσετε ή να ενεργοποιήσετε τη λειτουργία ομαλής περιστροφής χωρίς φορτίο, ακολουθήστε τα παρακάτω βήματα.

1. Βεβαιωθείτε ότι το εργαλείο είναι απενεργοποιημένο.
2. Θέστε τον επιλογέα ρύθμισης ταχύτητας στο «1».
3. Πατήστε το κουμπί κλειδώματος/ξεκλειδώματος για να ενεργοποιήσετε το εργαλείο.
4. Θέστε τον επιλογέα ρύθμισης ταχύτητας στο «5» περιστρέφοντάς τον και μετά θέστε τον στο «1» περιστρέφοντάς τον αντίστροφα.

Η λάμπα αναβοσβήνει δύο φορές για να υποδείξει ότι η λειτουργία ομαλής περιστροφής χωρίς φορτίο είναι απενεργοποιημένη. Για να ενεργοποιήσετε ξανά αυτή τη λειτουργία, εκτελέστε ξανά την ίδια διαδικασία.

ΠΑΡΑΤΗΡΗΣΗ: Αν η λειτουργία ομαλής περιστροφής χωρίς φορτίο είναι απενεργοποιημένη, η λάμπα αναβοσβήνει δύο φορές όταν το εργαλείο ενεργοποιείται.

ΠΑΡΑΤΗΡΗΣΗ: Επίσης, μπορείτε να απενεργοποιήσετε ή να ενεργοποιήσετε τη λειτουργία ομαλής περιστροφής χωρίς φορτίο εάν αλλάξετε τον επιλογέα ρύθμισης ταχύτητας από το «5» στο «1» και το αλλάξετε από το «1» στο «5».

Ηλεκτρονικό φρένο

Το εργαλείο αυτό είναι εξοπλισμένο με ηλεκτρικό φρένο. Αν το εργαλείο αποτυγχάνει συνεχώς να σταματάει γρήγορα αφού πατήσετε το κουμπί εκκίνησης/διακοπής ή το κουμπί κλειδώματος/ξεκλειδώματος, ζητήστε την επισκευή του εργαλείου από κέντρο εξυπηρέτησης της Makita.

ΣΥΝΑΡΜΟΛΟΓΗΣΗ

▲ΠΡΟΣΟΧΗ: Να βεβαιώνεστε πάντα ότι το εργαλείο είναι σβηστό και η κασέτα μπαταρίας έχει αφαιρεθεί πριν εκτελέσετε κάποια εργασία στο εργαλείο.

Τοποθέτηση ή αφαίρεση της λάμας παλινδρομικού πριονιού

▲ΠΡΟΣΟΧΗ: Να καθαρίζετε πάντα όλα τα θραύσματα και τα ξένα σώματα που έχουν προσκολληθεί στη λάμα παλινδρομικού πριονιού ή και στη θήκη λάμας. Αν δεν το κάνετε αυτό, μπορεί να μην είναι αρκετά σφιγμένη η λάμα παλινδρομικού πριονιού και να προκληθεί σοβαρός ατομικός τραυματισμός.

▲ΠΡΟΣΟΧΗ: Μην αγγίζετε τη λάμα παλινδρομικού πριονιού ή το τεμάχιο εργασίας αμέσως μετά τη λειτουργία. Μπορεί να είναι εξαιρετικά καυτά και να προκαλέσει έγκαιμα στο δέρμα σας.

▲ΠΡΟΣΟΧΗ: Να ασφαρίζετε πάντα τη λάμα παλινδρομικού πριονιού σταθερά. Αν δεν σφίξετε καλά τη λάμα παλινδρομικού πριονιού, μπορεί να προκληθεί σπάσιμο της λάμας ή σοβαρός ατομικός τραυματισμός.

▲ΠΡΟΣΟΧΗ: Να χρησιμοποιείτε μόνο λάμες παλινδρομικού πριονιού τύπου B. Αν χρησιμοποιήσετε λάμες διαφορετικές από τύπου B, θα προκληθεί ανεπαρκές σφίξιμο της λάμας παλινδρομικού πριονιού, έχοντας ως αποτέλεσμα σοβαρό ατομικό τραυματισμό.

▲ΠΡΟΣΟΧΗ: Όταν βγάξετε τη λάμα παλινδρομικού πριονιού, προσέχετε να μην τραυματίσετε τα δάκτυλα σας με την άκρη της λάμας παλινδρομικού πριονιού ή τις μύτες του τεμαχίου εργασίας.

Πριν εγκαταστήσετε τη λάμα παλινδρομικού πριονιού, βεβαιωθείτε ότι ο μοχλός συγκράτησης λάμας βρίσκεται στη ελευθερωμένη θέση.

Για να τοποθετήσετε τη λάμα παλινδρομικού πριονιού, εισαγάγετε τη λάμα παλινδρομικού πριονιού (με τα δόντια στραμμένα προς τα μπροστά) μέσα στην υποδοχή λάμας παλινδρομικού πριονιού. Ο μοχλός συγκράτησης λάμας μετακινείται στη σταθεροποιημένη θέση και η λάμα παλινδρομικού πριονιού ασφαλίζει. Βεβαιωθείτε ότι το πίσω άκρο της λάμας παλινδρομικού πριονιού ταιριάζει μέσα στον κύλινδρο. Τραβήξτε ελαφρά τη λάμα παλινδρομικού πριονιού για να βεβαιωθείτε ότι η λάμα παλινδρομικού πριονιού δεν θα πέσει κατά τη λειτουργία.

- **Εικ.7:** 1. Υποδοχή λάμας παλινδρομικού πριονιού 2. Μοχλός συγκράτησης λάμας (ελευθερωμένη θέση) 3. Μοχλός συγκράτησης λάμας (σταθεροποιημένη θέση)
- **Εικ.8:** 1. Υποδοχή λάμας παλινδρομικού πριονιού 2. Λάμα παλινδρομικού πριονιού 3. Κύλινδρος

▲ ΠΡΟΣΟΧΗ: Εάν ο μοχλός συγκράτησης λάμας δεν μετακινήθει στη σταθεροποιημένη θέση, η λάμα παλινδρομικού πριονιού δεν έχει τοποθετηθεί πλήρως. Μην πιέξετε το μοχλό συγκράτησης λάμας στη σταθεροποιημένη θέση με το χέρι σας. Μπορεί να προκληθεί ζημιά στο εργαλείο.

Για να αφαιρέσετε τη λάμα παλινδρομικού πριονιού, σπρώξτε το μοχλό συγκράτησης λάμας προς τα μπροστά μέχρι τέρμα. Αυτό επιτρέπει την ελευθέρωση της λάμας παλινδρομικού πριονιού.

- **Εικ.9:** 1. Υποδοχή λάμας παλινδρομικού πριονιού 2. Μοχλός συγκράτησης λάμας 3. Λάμα παλινδρομικού πριονιού

ΠΑΡΑΤΗΡΗΣΗ: Αν είναι δύσκολο να αφαιρέσετε τη λάμα παλινδρομικού πριονιού, θέστε τον μοχλό αλλαγής κοπτικής λειτουργίας στη θέση «III» και μετακινήστε την υποδοχή λάμας παλινδρομικού πριονιού προς το κάτω. Για να μετακινήσετε την υποδοχή λάμας παλινδρομικού πριονιού προς το κάτω μέρος, επιστρέψτε τον μοχλό συγκράτησης λάμας πλήρως στη σταθερή θέση μία φορά και ενεργοποιήστε ελαφρώς το εργαλείο αρκετές φορές.

ΠΑΡΑΤΗΡΗΣΗ: Να λιπαίνετε περιστασιακά τον κύλινδρο.

Φύλαξη εξαγωνικού κλειδιού

Όταν δεν χρησιμοποιείται, φυλάξτε το εξαγωνικό κλειδί όπως απεικονίζεται στην εικόνα, για να μην το χάσετε.

- **Εικ.10:** 1. Εξαγωνικό κλειδί

ΛΕΙΤΟΥΡΓΙΑ

▲ ΠΡΟΣΟΧΗ: Κρατήστε πάντα τη βάση ευθύγραμμη με το τεμάχιο εργασίας. Αν δεν το κάνετε αυτό, μπορεί να σπάσει η λάμα παλινδρομικού πριονιού, έχοντας ως αποτέλεσμα σοβαρό τραυματισμό.

▲ ΠΡΟΣΟΧΗ: Προχωρήστε το εργαλείο πολύ αργά κατά την κοπή καμπύλων ή το κύλισμα. Αν εξαναγκάσετε την κίνηση του εργαλείου, μπορεί να προκληθεί λοξή επιφάνεια κοπής και σπάσιμο της λάμας παλινδρομικού πριονιού.

Ενεργοποιήστε το εργαλείο χωρίς η λάμα παλινδρομικού πριονιού να κάνει οποιαδήποτε επαφή και περιμένετε μέχρι η λάμα παλινδρομικού πριονιού να αποκτήσει πλήρη ταχύτητα. Μετά, ακουμπήστε τη βάση επίπεδα επάνω στο τεμάχιο εργασίας και μετακινήστε απαλά το εργαλείο προς τα μπροστά, κατά μήκος μιας γραμμής κοπής που έχετε σχεδιάσει από πριν.

- **Εικ.11:** 1. Γραμμή κοπής 2. Βάση

Λοξοτομή

▲ ΠΡΟΣΟΧΗ: Να βεβαιώνετε πάντοτε ότι το εργαλείο είναι σθηστό και έχετε βγάλει την κασέτα μπαταριών πριν γείρετε τη βάση.

Με τη βάση υπό κλίση, μπορείτε να πραγματοποιήσετε λοξοτομές σε οποιαδήποτε γωνία μεταξύ 0° και 45° (αριστερά ή δεξιά).

- **Εικ.12**

Χαλαρώστε το μπουλόνι στο πίσω μέρος της βάσης με το εξαγωνικό κλειδί. Μετακινήστε τη βάση ώστε το μπουλόνι να τοποθετηθεί στο κέντρο της εγκοπής, σε σχήμα σταυρού, στη βάση.

- **Εικ.13:** 1. Εξαγωνικό κλειδί 2. Μπουλόνι 3. Βάση

Γείρτε τη βάση μέχρι να ληφθεί η επιθυμητή γωνία λοξοτομής. Η άκρη του περιβλήματος μοτέρ υποδεικνύει τη γωνία λοξοτομής με διαβαθμίσεις. Κατόπιν σφίξτε το μπουλόνι για να ασφαλίσετε τη βάση.

- **Εικ.14:** 1. Άκρο 2. Διαβαθμίσεις

Εμπρόσθιες ισόπεδες κοπές

Χαλαρώστε το μπουλόνι στο κάτω μέρος της βάσης με το εξαγωνικό κλειδί και σύρετε τη βάση τέρμα πίσω.

Μετά, σφίξτε το μπουλόνι για να ασφαλίσετε τη βάση.

- **Εικ.15:** 1. Εξαγωνικό κλειδί 2. Μπουλόνι 3. Βάση

Αποκοπές

Μπορούν να γίνουν αποκοπές με μία από δύο μεθόδους: «Διάτρηση μιας οπής έναρξης» ή «Βαθιά κοπή».

Διάτρηση μιας οπής έναρξης

Για εσωτερικές αποκοπές με αρχική κοπή εντός ενός άκρου, προ-τρυπανίστε μια οπή έναρξης με διάμετρο 12 mm ή μεγαλύτερη. Εισαγάγετε τη λάμα παλινδρομικού πριονιού μέσα σε αυτή την οπή για να ξεκινήσετε την κοπή σας.

- **Εικ.16**

Βαθιά κοπή

Δεν χρειάζεται να ανοίξετε μια οπή έναρξης ή να δημιουργήσετε μια αρχική κοπή αν ενεργήσετε προσεκτικά όπως περιγράφεται στη συνέχεια.

1. Αγγίξτε το μπροστινό άκρο της βάσης στο τεμάχιο εργασίας και γείρτε το εργαλείο με το σημείο της λάμας παλινδρομικού πριονιού τοποθετημένο μόλις πάνω από την επιφάνεια του τεμαχίου εργασίας.
2. Ασκήστε πίεση στο εργαλείο με τρόπο ώστε το μπροστινό άκρο της βάσης να μην μετακινηθεί όταν ενεργοποιήσετε το εργαλείο και χαμηλώστε απαλά και αργά το πίσω άκρο του εργαλείου.
3. Καθώς η λάμα παλινδρομικού πριονιού διατρύπα το τεμάχιο εργασίας, χαμηλώστε αργά τη βάση του εργαλείου επάνω στην επιφάνεια του τεμαχίου εργασίας.
4. Ολοκληρώστε την κοπή με τον συνηθισμένο τρόπο.
▶ **Εικ.17**

Άκρα τελειώματος

Για την περικοπή άκρων ή τη ρύθμιση διαστάσεων, περάστε τη λάμα παλινδρομικού πριονιού ελαφρά κατά μήκος των άκρων κοπής.

▶ **Εικ.18**

Κοπή μετάλλων

Όταν κόβετε μέταλλο, να χρησιμοποιείτε πάντα ένα κατάλληλο ψυκτικό υγρό (λάδι κοπής). Αν δεν το κάνετε αυτό, θα προκληθεί σημαντική φθορά της λάμας παλινδρομικού πριονιού. Αντί για τη χρήση ψυκτικού, μπορείτε να γρασάρετε το κάτω μέρος του τεμαχίου εργασίας.

Εξαγωγή σκόνης

Τοποθέτηση ή αφαίρεση του καλύμματος σκόνης

Τοποθετήστε το κάλυμμα σκόνης όπως απεικονίζεται στην εικόνα.

▶ **Εικ.19:** 1. Κάλυμμα σκόνης

Για να αφαιρέσετε το κάλυμμα σκόνης, πατήστε τη μία πλευρά του καλύμματος και μετά αφαιρέστε το όπως απεικονίζεται στην εικόνα.

▶ **Εικ.20:** 1. Κάλυμμα σκόνης

Τοποθέτηση ή αφαίρεση του ακροφυσίου σκόνης

Μπορείτε να συνδέσετε αυτό το εργαλείο σε ηλεκτρική σκούπα Makita αν προσαρτήσετε το ακροφύσιο σκόνης. Εισαγάγετε το ακροφύσιο σκόνης μέχρι τέρμα στο εργαλείο.

▶ **Εικ.21:** 1. Ακροφύσιο σκόνης

Για να αφαιρέσετε το ακροφύσιο σκόνης, τραβήξτε το ακροφύσιο σκόνης προς τα έξω ενώ πατάτε το κουμπί στο ακροφύσιο σκόνης.

▶ **Εικ.22:** 1. Κουμπί 2. Ακροφύσιο σκόνης

Σύνδεση του εργαλείου στην ηλεκτρική σκούπα

Συνδέστε τον εύκαμπο σωλήνα της ηλεκτρικής σκούπας στο ακροφύσιο σκόνης.

▶ **Εικ.23**

Οδηγός κομματιού

Προαιρετικό εξάρτημα

▲ΠΡΟΣΟΧΗ: Να βεβαιώνεστε πάντοτε ότι το εργαλείο είναι σβηστό και έχετε βγάλει την κασέτα μπαταριών πριν τοποθετήσετε ή αφαιρέσετε εξαρτήματα.

Ευθείες κοπές

Όταν κόβετε επανειλημμένα πλάτη 160 mm ή λιγότερο, η χρήση ενός οδηγού κομματιού θα εξασφαλίσει γρήγορες, καθαρές και ευθείες κοπές.

▶ **Εικ.24:** 1. Οδηγός κομματιού (κανόνας οδηγός)

Για εγκατάσταση, εισαγάγετε το εξάρτημα ράβδου στην τετράγωνη οπή της βάσης με το εξάρτημα οδηγού στραμμένο προς τα κάτω. Σύρετε τον οδηγό κομματιού στη θέση για το επιθυμητό πλάτος κοπής και μετά σφίξτε το μπουλόνι για να το ασφαλίσετε.

▶ **Εικ.25:** 1. Εξαγωνικό κλειδί 2. Μπουλόνι 3. Οδηγός κομματιού (κανόνας οδηγός)

Κυκλικές κοπές

Όταν κόβετε κύκλους ή τόξα με ακτίνα 170 mm ή μικρότερη, τοποθετήστε τον οδηγό κομματιού όπως περιγράφεται στη συνέχεια.

▶ **Εικ.26:** 1. Οδηγός κομματιού (κανόνας οδηγός)

▲ΠΡΟΣΟΧΗ: Μην αγγίζετε τη μύτη του πείρου κυκλικού οδηγού. Η αιχμηρή μύτη του πείρου κυκλικού οδηγού μπορεί να προκαλέσει τραυματισμό.

1. Εισαγάγετε το εξάρτημα ράβδου στην τετράγωνη οπή της βάσης με το εξάρτημα οδηγού στραμμένο προς τα πάνω.

2. Εισαγάγετε τον πείρο κυκλικού οδηγού μέσα από οποιαδήποτε από τις δύο οπές στο εξάρτημα οδηγού. Βιδώστε το κοχλιωτό κομβίο στον πείρο κυκλικού οδηγού για να ασφαλίσετε τον πείρο κυκλικού οδηγού.

▶ **Εικ.27:** 1. Κοχλιωτό κομβίο 2. Οδηγός κομματιού (κανόνας οδηγός) 3. Πείρος κυκλικού οδηγού 4. Μπουλόνι 5. Εξαγωνικό κλειδί

3. Σύρετε τον οδηγό κομματιού στη θέση για την επιθυμητή ακτίνα κοπής και μετά σφίξτε το μπουλόνι για να το ασφαλίσετε.

ΠΑΡΑΤΗΡΗΣΗ: Να χρησιμοποιείτε πάντα λάμες παλινδρομικού πριονιού αρ. B-17, B-18, B-26 ή B-27 όταν κόβετε κύκλους ή τόξα.

Διάταξη αποφυγής σκλήθρων

Προαιρετικό εξάρτημα

▲ΠΡΟΣΟΧΗ: Δεν είναι δυνατή η χρήση της διάταξης αποφυγής σκλήθρων όταν πραγματοποιούνται λοξοτομές.

Για κοπές χωρίς σκλήθρες, μπορείτε να χρησιμοποιήσετε τη διάταξη αποφυγής σκλήθρων. Για να τοποθετήσετε τη διάταξη αποφυγής σκλήθρων, μετακινήστε τη βάση του εργαλείου πλήρως προς τα εμπρός και προσαρμόστε την από το πίσω μέρος της βάσης εργαλείου. Όταν χρησιμοποιείτε την πλάκα καλύμματος, τοποθετήστε τη διάταξη αποφυγής σκλήθρων επάνω στην πλάκα καλύμματος.

▶ **Εικ.28:** 1. Βάση 2. Διάταξη αποφυγής σκλήθρων

Πλάκα καλύμματος

Χρησιμοποιήστε την πλάκα καλύμματος όταν κόβετε διακοσμητικά ξυλόφυλλα, πλαστικά, κτλ. Προστατεύει ευαίσθητες ή εύθραυστες επιφάνειες από τη ζημιά. Προσαρμόστε την στο κάτω μέρος της βάσης εργαλείου.

► **Εικ.29:** 1. Πλάκα καλύμματος 2. Βάση

Σετ προσαρμογέα ράγας οδήγησης

Προαιρετικό εξάρτημα

Όταν κόβετε παράλληλο και ομοιόμορφο πλάτος ή κόβετε ίσια, η χρήση της ράγας οδήγησης και του προσαρμογέα ράγας οδήγησης θα εξασφαλίσουν τη δημιουργία γρήγορων και καθαρών κοπών. Για να τοποθετήσετε τον προσαρμογέα ράγας οδήγησης, εισαγάγετε τη ράβδο κανόνα μέσα στην τετράγωνη οπή της βάσης μέχρι τέρμα. Ασφαλίστε καλά το μπουλόνι με το εξαγωνικό κλειδί.

► **Εικ.30:** 1. Εξαγωνικό κλειδί 2. Ράβδος κανόνα 3. Μπουλόνι

Εισαγάγετε τη ράβδο κανόνα μέσα στην τετράγωνη οπή του προσαρμογέα ράγας οδήγησης και ασφαλίστε σταθερά τη βίδα. Τοποθετήστε τον προσαρμογέα ράγας οδήγησης στη ράγα οδήγησης.

► **Εικ.31:** 1. Προσαρμογέας ράγας οδήγησης 2. Ράγα οδήγησης 3. Βίδα

ΕΙΔΟΠΟΙΗΣΗ: Να χρησιμοποιείτε πάντα λάμες παλινδρομικού πριονιού αρ. B-8, B-13, B-16, B-17 ή 58 όταν χρησιμοποιείτε τη ράγα οδήγησης και τον προσαρμογέα ράγας οδήγησης.

ΣΥΝΤΗΡΗΣΗ

ΠΡΟΣΟΧΗ: Πριν την εκτέλεση εργασιών επιθεώρησης ή συντήρησης, πάντοτε να βεβαιώνεστε ότι η συσκευή απενεργοποιήθηκε και η κασέτα μπαταριών έχει αφαιρεθεί.

ΕΙΔΟΠΟΙΗΣΗ: Μην χρησιμοποιείτε ποτέ βενζίνη, πετρελαϊκό αιθέρα, διαλυτικό, αλκοόλη ή παρόμοιες ουσίες. Μπορεί να προκληθεί αποχρωματισμός, παραμόρφωση ή ρωγμές.

Για τη διατήρηση της ΑΣΦΑΛΕΙΑΣ και ΑΞΙΟΠΙΣΤΙΑΣ του προϊόντος, οι επισκευές και οποιαδήποτε άλλη εργασία συντήρησης ή ρύθμισης πρέπει να εκτελούνται από εξουσιοδοτημένα ή εργοστασιακά κέντρα εξυπηρέτησης της Makita, χρησιμοποιώντας πάντοτε ανταλλακτικά της Makita.

ΠΡΟΑΙΡΕΤΙΚΑ ΕΞΑΡΤΗΜΑΤΑ

ΠΡΟΣΟΧΗ: Αυτά τα εξαρτήματα ή προσαρτήματα συνιστώνται για χρήση με το εργαλείο Makita που περιγράφηκε στις οδηγίες αυτές. Η χρήση οποιωνδήποτε άλλων εξαρτημάτων ή προσαρτημάτων μπορεί να προκαλέσει κίνδυνο τραυματισμού σε άτομα. Να χρησιμοποιείτε τα εξαρτήματα ή προσαρτήματα μόνο για την χρήση που προορίζονται.

Εάν χρειάζεστε οποιαδήποτε βοήθεια για περισσότερες πληροφορίες σε σχέση με αυτά τα εξαρτήματα, απευθυνθείτε στο τοπικό σας κέντρο εξυπηρέτησης Makita.

- Λάμες παλινδρομικού πριονιού
- Σύνολο οδηγού κομματιού (κανόνας οδηγός)
- Σετ προσαρμογέα ράγας οδήγησης
- Διάταξη αποφυγής σκλήθρων
- Πλάκα καλύμματος
- Ακροφύσιο σκόνης
- Κάλυμμα σκόνης
- Γνήσια μπαταρία και φορτιστής της Makita

ΠΑΡΑΤΗΡΗΣΗ: Μερικά στοιχεία στη λίστα μπορεί να συμπεριλαμβάνονται στη συσκευασία εργαλείου ως στάνταρ εξαρτήματα. Μπορεί να διαφέρουν ανάλογα με τη χώρα.

TEKNİK ÖZELLİKLER

Model:	DJV185	
Vuruş uzunluğu	23 mm	
Dakikadaki darbe sayısı	800 - 3.000 min ⁻¹	
Bıçak tipi	B tipi	
Maksimum kesme kapasiteleri	Ahşap	135 mm
	Yumuşak çelik	10 mm
	Alüminyum	20 mm
Toplam uzunluk (BL1860B ile)	259 mm	
Anma voltajı	D.C. 18 V	
Net ağırlık	2,0 - 2,3 kg	

- Sürekli yapılan araştırma ve geliştirmelerden dolayı, burada belirtilen özellikler önceden bildirilmeksizin değiştirilebilir.
- Özellikler ülkeden ülkeye değişebilir.
- Ağırlık, ekli aksesuar/aksesuarlara ve batarya kartuşuna bağlı olarak farklılık gösterebilir. EPTA-Prosedürü 01/2014'e göre en hafif ve en ağır kombinasyonlar tabloda verilmiştir.

Geçerli batarya kartuşu ve şarj aleti

Batarya kartuşu	BL1815N / BL1820B / BL1830B / BL1840B / BL1850B / BL1860B
Şarj aleti	DC18RC / DC18RD / DC18RE / DC18SD / DC18SE / DC18SF / DC18SH / DC18WC

- Yukarıda listelenen batarya kartuşlarının ve şarj aletlerinin bazıları yaşadığınız bölgeye bağlı olarak mevcut olmayabilir.

UYARI: Sadece yukarıda listelenen batarya kartuşlarını ve şarj aletlerini kullanın. Başka batarya kartuşlarının ve şarj aletlerinin kullanılması yaralanma ve/veya yangına neden olabilir.

Kullanım amacı

Bu alet ahşap, plastik ve metal malzemeleri kesmek amacıyla kullanılır.

Gürültü

Tipik A-ağırlıklı gürültü düzeyi (EN62841-2-11 standardına göre belirlenen):
Ses basınç seviyesi (L_{pA}): 87 dB (A)
Ses gücü düzeyi (L_{WA}): 95 dB (A)
Belirsizlik (K): 3 dB (A)

NOT: Beyan edilen gürültü emisyonu değer(ler) bir standart test yöntemine uygun şekilde ölçülmüştür ve bir aleti bir başkasıyla karşılaştırmak için kullanılabilir.

NOT: Beyan edilen gürültü emisyonu değer(ler) i bir ön maruz kalma değerlendirmesi olarak da kullanılabilir.

UYARI: Kulak koruyucuları takın.

UYARI: Elektrikli aletin gerçek kullanımı sırasındaki gürültü emisyonu, aletin kullanım biçimlerine, özellikle işlenen iş parçasının türüne bağlı olarak beyan edilen değer(ler)den farklı olabilir.

UYARI: Gerçek kullanım koşullarındaki tahmini maruziyeti baz alan, operatörü koruyacak güvenlik önlemlerini mutlaka belirleyin (çalışma döngüsü içerisinde aletin kapalı olduğu ve aktif durumda olmasının yanı sıra boşta çalıştığı zamanlar gibi, bütün zaman dilimleri göz önünde bulundurarak).

Titreşim

Titreşim toplam değeri (üç eksenli vektör toplamı) (EN62841-2-11 standardına göre hesaplanan):
Çalışma modu: tahtaları kesme
Titreşim emisyonu ($a_{h,B}$): 10,3 m/s²
Belirsizlik (K) : 1,7 m/s²
Çalışma modu: sac levha kesme
Titreşim emisyonu ($a_{h,M}$): 9,0 m/s²
Belirsizlik (K) : 1,5 m/s²

NOT: Beyan edilen titreşim toplam değer(ler)i bir standart test yöntemine uygun şekilde ölçülmüştür ve bir aleti bir başkasıyla karşılaştırmak için kullanılabilir.

NOT: Beyan edilen titreşim toplam değer(ler)i bir ön maruz kalma değerlendirmesi olarak da kullanılabilir.

UYARI: Elektrikli aletin gerçek kullanımı sırasındaki titreşim emisyonu, aletin kullanımı biçimlerine, özellikle işlenen iş parçasının türüne bağlı olarak beyan edilen değer(ler)den farklı olabilir.

UYARI: Gerçek kullanım koşullarındaki tahmini maruziyeti baz alan, operatörü koruyacak güvenlik önlemlerini mutlaka belirleyin (çalışma döngüsü içerisinde aletin kapalı olduğu ve aktif durumda olmasının yanı sıra boşta çalıştığı zamanlar gibi, bütün zaman dilimleri göz önünde bulundurarak).

Uygunluk Beyanları

Sadece Avrupa ülkeleri için

Uygunluk beyanları bu kullanma kılavuzuna Ek A olarak eklenmiştir.

GÜVENLİK UYARILARI

Genel elektrikli alet güvenliği uyarıları

UYARI Bu elektrikli aletle birlikte verilen tüm güvenlik uyarılarını, talimatları, resimli açıklamaları ve teknik özelliklerini okuyun. Aşağıda listelenen talimatların herhangi birine uyulmaması elektrik çarpması, yangın ve/veya ciddi yaralanma ile sonuçlanabilir.

Tüm uyarıları ve talimatları ile-ride başvurmak için saklayın.

Uyarılardaki "elektrikli alet" terimi ile ya prizden çalışan (kordonlu) elektrikli aletiniz ya da kendi aküsü ile çalışan (kordonsuz) elektrikli aletiniz kastedilmektedir.

Akülü dekupaj testere için güvenlik uyarıları

- Kesici aksesuarın görünmeyen kabloları temas etme olasılığı bulunan yerlerde çalışırken elektrikli aleti yalıtımlı kavrama yüzeylerinden tutun.** Kesici aksesuarın "akımlı" bir telle temas etmesi elektrikli aletin yalıtımsız metal kısımlarını "akımlı" hale getirebilir ve kullanıcıyı elektrik şokuna maruz bırakabilir.
- İş parçasını sabit bir platforma bağlamak ve desteklemek için mengene veya başka bir pratik yol kullanın.** İş parçasını elle veya vücudunuza dayayarak tutma onu dengesiz bırakır ve kontrol kaybına yol açabilir.
- Daima koruyucu gözlükler kullanın. Normal gözlükler veya güneş gözlükleri koruyucu gözlük DEĞİLDİR.**
- Çivi kesmekten kaçının. İşleme başlamadan önce iş parçasını kontrol edip çivi varsa çıkarın.**
- Çok büyük parçaları kesmeyin.**

- Kesmeden önce iş parçasının etrafında dekupaj testere bıçağının zemine, çalışma tezgahına vs. çarpmaması için yeterli boşluk bulunduğundan emin olun.**
- Aleti sıkı tutun.**
- Anahtarı açmadan önce dekupaj testere bıçağının iş parçasına değmediğinden emin olun.**
- Ellerinizi hareketli parçalardan uzak tutun.**
- Aleti çalışır durumda bırakmayın. Aleti sadece elinizde tutarken çalıştırın.**
- Dekupaj testere bıçağını iş parçasından çıkarmadan önce daima anahtarı kapatın ve dekupaj testere bıçağının tamamen durmasını bekleyin.**
- Çalıştıktan hemen sonra dekupaj testere bıçağına ya da iş parçasına dokunmayın; çok sıcak olabilir ve cildinizi yakabilirler.**
- Bu aleti gereksiz yere yüksüz çalıştırmayın.**
- Bazı malzemeler zehirli olabilen kimyasallar içerir. Todd yutmayı ve cilt temasını önlemek için temiz alın. Malzeme sağlayıcısının güvenlik bilgilerine uyun.**
- Daima çalıştığınız malzeme ve yaptığınız iş uygun maske/respiratör kullanın.**

BU TALİMATLARI MUHAFAZA EDİNİZ.

UYARI: Ürünü kullanırken (defalarca kullanınca kazanılan) rahatlık ve tanıdıklık duygusunun ilgili ürünün güvenlik kurallarına sıkı sıkıya bağlı kalmanın yerine geçmesine İZİN VERMEYİN. YANLIŞ KULLANIM veya bu kullanma kılavuzunda belirtilen emniyet kurallarına uymama ciddi yaralanmaya neden olabilir.

Batarya kartuşu hakkında önemli güvenlik talimatları

- Batarya kartuşunu kullanmadan önce, tüm talimatları ve (1) batarya kartuşu, (2) batarya ve (3) ürün üzerindeki tüm uyarı işaretlerini okuyun.**
- Batarya kartuşunu parçalarına ayırmayın veya kurcalamayın.** Yangın, aşırı ısı veya patlamaya neden olabilir.
- Çalışma süresi aşırı derecede kısalırsa kullanmayı derhal bırakın. Aşırı ısınma, yanma riski hatta patlamaya neden olabilir.**
- Gözünüze elektrolit kaçarsa, gözlerinizi temiz suyla durulayın ve hemen tıbbi yardım alın. Görme kaybına yol açabilir.**
- Batarya kartuşuna kısa devre yaptırmayın:**
 - Terminallere herhangi bir iletken madde değdirmeyin.**
 - Batarya kartuşunu çiviler, madeni paralar, vb. gibi başka metal nesnelere aynı kaba koymaktan kaçının.**
 - Batarya kartuşunu yağmura ya da suya maruz bırakmayın.****Kısa devre, büyük bir akım akışına, aşırı ısınmaya, olası yanıklara hatta bataryanın bozulmasına yol açabilir.**
- Aleti ve batarya kartuşunu sıcaklığın 50°C ya da daha yükseğe ulaştığı yerlerde saklamayın ve kullanmayın.**

7. Aşırı derecede hasar görmüş ya da tamamen kullanılamaz durumda olsa bile batarya kartuşunu yakmayın. Batarya kartuşu ateşe atılırsa patlayabilir.

8. Batarya kartuşunu çivilemeyin, kesmeyin, ezmeyin, fırlatmayın, düşürmeyin ya da batarya kartuşuna sert bir nesne ile vurmuyun. Bu eylemler yangın, aşırı ısı veya patlamaya neden olabilir.

9. Hasarlı bataryayı kullanmayın.

10. Aletin içerdiği lityum-iyon bataryalar Tehlikeli Eşyalar Yönetmeliğinin gereksinimlerine tabidir.

Ticari nakliye işlemleri için, örneğin üçüncü taraf- lar, nakliye acenteleri tarafından yapılan nakliye- lerde, paketleme ve etiketleme gereksinimlerine uyulmalıdır.

Nakliyesi yapılacak ürünün hazırlanması için, tehlikeli maddeler konusunda uzman bir kişiye danışın. Lütfen muhtemelen daha ayrıntılı olan ulusal yönetmeliklere de uyun.

Açık kontakları bantlayın ya da maskeleyin ve bataryayı paketin içinde hareket etmeyecek şekilde paketleyin.

11. Batarya kartuşunu bertaraf ederken aletten çıkarın ve güvenli bir yerde bertaraf edin. Bataryanın bertaraf edilmesi ile ilgili yerel düzenlemelere uyunuz.

12. Bataryaları sadece Makita tarafından belirtilen ürünlerle kullanın. Bataryaların uyumsuz ürünlere takılması; yangın, aşırı ısınma, patlama ya da elektrolit sızıntısına neden olabilir.

13. Alet uzun süre kullanılmıyacaksa batarya aletten çıkarılmalıdır.

14. Kullanma sırasında ve sonrasında batarya kartuşu ısınarak yanıklara veya düşük sıcaklık yanıklarına yol açabilir. Sıcak batarya kartuşları ile işlem yaparken dikkat edin.

15. Yanıklara neden olabilecek kadar sıcak olabileceğinden kullandıktan hemen sonra aletin terminaline dokunmayın.

16. Batarya kartuşunun terminallerine, deliklerine ve kanallarına micir, toz veya toprak girmesine izin vermeyin. Aletin veya batarya kartuşunun ısınmasına, alev almasına, patlamasına ve arızalanmasına neden olarak yanıklara veya yaralanmaya yol açabilir.

17. Alet yüksek gerilim elektrik güç hatları yakınında kullanımı desteklemediği sürece batarya kartuşunu yüksek gerilim elektrik güç hatlarının yakınında kullanmayın. Aletin veya batarya kartuşunun arızalanmasına veya bozulmasına neden olabilir.

18. Bataryayı çocuklardan uzak tutun.

BU TALİMATLARI MUHAFAZA EDİNİZ.

⚠DİKKAT: Sadece orijinal Makita bataryalarını kullanın. Orijinal olmayan Makita bataryaları ya da üzerine değişiklik yapılmış bataryaların kullanımı bataryanın patlamasına ve sonuç olarak yangın, kişisel yaralanma ve hasara neden olabilir. Ayrıca Makita aleti ve şarj aletinin Makita tarafından sunulan garantisi de geçersiz olur.

Maksimum batarya ömrü için ipuçları

1. Batarya kartuşunu tamamen boşalmadan önce şarj edin. Aletin gücünün zayıflamaya başladığını fark ettiğinizde aleti durdurun ve batarya kartuşunu şarj edin.
2. Tam dolu bir batarya kartuşunu asla yeniden şarj etmeyin. Aşırı şarj etme bataryanın hizmet ömrünü kısaltır.
3. Batarya kartuşunu 10 °C - 40 °C oda sıcaklığında şarj edin. Sıcak bir batarya kartuşunu şarj etmeden önce soğumasını bekleyin.
4. Batarya kartuşunu kullanmıyorken aletten veya şarj aletinden çıkarın.
5. Uzun bir süre (altı aydan daha fazla) kullanmadığınız durumlarda batarya kartuşunu şarj edin.

İŞLEVSEL NİTELİKLER

⚠DİKKAT: Alet üzerinde ayarlama veya işleyiş kontrolü yapmadan önce aletin kapalı ve batarya kartuşunun ayrılmış olduğundan daima emin olun.

Batarya kartuşunun takılması ve çıkarılması

⚠DİKKAT: Batarya kartuşunu takmadan ya da çıkarmadan önce aleti daima kapatın.

⚠DİKKAT: Batarya kartuşunu takarken veya çıkarırken aleti ve batarya kartuşunu sıkıca tutun. Aletin ve batarya kartuşunun sıkıca tutulmaması bunların düşürülmesine sebep olabilir ve alet ve batarya kartuşunun zarar görmesine ya da ciddi yaralanmasına yol açabilir.

Batarya kartuşunu takmak için, batarya kartuşu üzerindeki dili yuvanın oluğu ile hizalayın ve kartuşu yerine oturtun. Kartuşu, küçük bir tık sesi ile yerine sabitlenene dek sonuna kadar itin. Şekilde gösterildiği gibi kırmızı göstergiyi görebiliyorsanız tam olarak kilitlememiş demektir.

Batarya kartuşunu çıkarmak için, kartuşun ön tarafındaki düğmeyi kaydırarak kartuşu aletten çıkarın.

► **Şek.1:** 1. Kırmızı gösterge 2. Düğme 3. Batarya kartuşu

⚠DİKKAT: Batarya kartuşunu daima kırmızı gösterge görünmeyecek şekilde tam olarak takın. Yerine tam oturmazsa, aletten yanlışlıkla düşebilir, sizin ya da çevrenizdeki kişilerin yaralanmasına neden olabilir.

⚠DİKKAT: Batarya kartuşunu zorlayarak takmayın. Kartuş kolay bir şekilde kaymıyorsa doğru yerleştirilmemiş demektir.

Alet/batarya koruma sistemi

Bu alet bir alet/batarya koruma sistemi ile donatılmıştır. Bu sistem motora giden gücü otomatik olarak keserek uzun alet ve batarya ömrü sağlar. Alet veya batarya için aşağıdaki durumlardan biri söz konusu olduğunda aletin işleyişi otomatik olarak durur:

Aşırı yük koruması

Alet veya batarya, anormal yüksek akım çekmesine neden olacak şekilde çalıştırılırsa alet hiçbir belirti vermeden otomatik olarak durur. Bu durumda, aleti kapatın ve aletin aşırı yüklenmesine neden olan uygulamayı durdurun. Daha sonra aleti yeniden çalıştırmak için açın.

Aşırı ısınma koruması

Alet veya batarya aşırı ısındığında otomatik olarak durur ve lamba yanıp söner. Bu durumda, yeniden çalıştırmadan önce aletin ve bataryanın soğumasını bekleyin.

Aşırı deşarj koruması

Batarya kapasitesi yeterli olmadığında alet otomatik olarak durur. Bu durumda, bataryayı aletten çıkarın ve bataryayı şarj edin.

Diğer nedenlere karşı korumalar

Koruma sistemi, alete zarar verebilecek diğer nedenler için de tasarlanmıştır ve aletin otomatik olarak durmasını sağlar. Alet çalışırken geçici duraklama ve durma yaparsa nedenleri ortadan kaldırmak için aşağıdaki tüm adımları uygulayın.

1. Aleti kapatın ve ardından tekrar açarak yeniden çalıştırın.
2. Bataryaları şarj edin veya şarjlı bataryalarla değiştirin.
3. Cihazın ve bataryaların soğumasını bekleyin.

















Koruma sistemi eski haline getirilerek ilerleme kaydedilemezse yerel Makita Servis Merkezimize başvurun.

Kalan batarya kapasitesinin gösterilmesi

Sadece göstergeli batarya kartuşları için

Kalan batarya kapasitesini göstermesi için batarya kartuşu üzerindeki kontrol düğmesine basın. Göstergelambaları birkaç saniye yanar.

► **Şek.2:** 1. Göstergelambaları 2. Kontrol düğmesi

Göstergelambaları			Kalan kapasite
			
			%75 ila %100
			%50 ila %75
			%25 ila %50
			%0 ila %25
			Bataryayı şarj edin.
 	 		Batarya arızalanmış olabilir.

NOT: Kullanım koşullarına ve ortam sıcaklığına bağlı olarak, gösterilen değer gerçek kapasiteden biraz farklılık gösterebilir.

NOT: İlk (en soldaki) göstergelambası, batarya koruma sistemi çalıştığında yanıp söner.

Kesme eylemini seçme

Bu alet yörgünel ya da düz bir hatta (yukarı ve aşağı) kesme eylemi için kullanılabilir. Yörgünel kesme eylemi dekupaj testere bıçağının ileri doğru iter ve kesme hızını artırır. ► **Şek.3:** 1. Kesme eylemi değiştirme kolu

Kesme eylemini değiştirmek için, kesme eylemi değiştirme kolunu istenen kesme eylemi konumuna döndürün. Uygun kesme eylemini seçmek için aşağıdaki tabloya başvurun.

Konum	Kesme eylemi	Uygulamalar
0	Düz hatta kesme eylemi	Yumuşak çelik, paslanmaz çelik ve plastik kesmek için. Ahşap ve kontrplakta temiz kesimler için.
I	Küçük yörgünel kesme eylemi	Yumuşak çelik, alüminyum ve sert ahşap kesmek için.
II	Orta yörgünel kesme eylemi	Ahşap ve kontrplak kesmek için. Alüminyum ve yumuşak çelikte hızlı kesimler için.
III	Geniş yörgünel kesme eylemi	Ahşap ve kontrplakta hızlı kesimler için.

Ön lambanın yakılması

⚠ DİKKAT: Işığa bakmayın ya da ışık kaynağını doğrudan görmeyin.

Lambayı açmak için kilitleme/açma düğmesine basın. Lambayı kapatmak için kilitleme/açma düğmesine tekrar basın.

► **Şek.4:** 1. Lamba 2. Kilitleme/açma düğmesi

ÖNEMLİ NOT: Alet aşırı ısındığında lamba yanıp söner. Aleti yeniden çalıştırmadan önce tamamen soğutun.

NOT: Lamba lensini temizlemek için kuru bir bez kullanın. Aydınlatmayı azaltacağı için lamba lensinin çizilmemesine dikkat edin.

Anahtar işlemi

Aleti açmak için kilitleme/açma düğmesine basın. Alet bekleme moduna geçer. Aleti çalıştırmak için bekleme modunda başlatma/durdurma düğmesine basın. Aleti durdurmak için başlatma/durdurma düğmesine tekrar basın. Alet bekleme moduna geçer. Aleti kapatmak için bekleme modunda kilitleme/açma düğmesine basın.

► **Şek.5:** 1. Kilitleme/açma düğmesi 2. Başlatma/durdurma düğmesi

NOT: Alet bekleme modunda hiçbir işlem yapılmadan 10 saniye bırakılırsa alet otomatik olarak kapanır ve lamba söner.

NOT: Aleti, çalışırken kilitleme/açma düğmesine basarak da durdurabilir ve kapatabilirsiniz.

Lambanın parlaklığını azaltmak için bekleme moduna dönerken kilitleme/açma düğmesine basın ve basılı tutun. Kilitleme/açma düğmesine basmaya başladıktan yaklaşık 1 saniye sonra lambanın parlaklığı azalmaya başlar, bu yüzden istenen parlaklığa ulaştığınızda kilitleme/açma düğmesini bırakın. Aleti ayrıca bekleme moduna döndürür. Kilitleme/açma düğmesine basmaya başladıktan yaklaşık 3 saniye sonra lambanın parlaklığı en alt düzeye iner ve ondan sonra parlaklık değişmez.

NOT: Alet bekleme modundayken lambanın parlaklığı ayarlanamaz. Lambanın parlaklığını ayarlamak için aleti kapatın.

NOT: Lambanın parlaklığı için hafıza işlevi yoktur. Lambayı kapatır ve daha sonra açarsanız lambanın parlaklığı her seferinde en üst düzeye çıkar.

Hız ayar kadranı

Aletin hızı, hız ayar kadranı çevrilererek ayarlanabilir. 5 ile en yüksek hızı ve 1 ile en düşük hızı elde edebilirsiniz.

► **Şek.6:** 1. Hız ayar kadranı

Kesilecek iş parçasına uygun hızı seçmek için tabloya bakın. Bununla birlikte uygun hız, iş parçasının türü veya kalınlığına göre değişebilir. Genellikle yüksek hızlar iş parçalarını daha hızlı kesmenizi sağlar ancak dekupaj testere bıçağının hizmet ömrü kısılır.

İş parçası	Rakam
Ahşap	4 - 5
Yumuşak çelik	3 - 5
Paslanmaz çelik	3 - 4
Alüminyum	3 - 5
Plastik	1 - 4

ÖNEMLİ NOT: Hız ayar kadranı, yalnızca 5'e kadar ve geriye 1'e kadar çevrilebilir. 5'i veya 1'i geçirmeye zorlamayın, aksi takdirde hız ayarlama işlevi artık çalışmayabilir.

Elektronik fonksiyon

Alet, kolay kullanım için elektronik fonksiyonlarla donatılmıştır.

Yumuşak başlatma

Yumuşak başlatma fonksiyonu başlangıç şokunu en alt düzeye indirir ve aletin daha rahat başlamasını sağlar.

Sabit hız kontrolü

Sabit hız elde etmek için elektronik hız kontrolü. Yüksek şartları altında bile aletin hızı sabit tutulduğundan ince bir yüzey elde etmek mümkündür.

Yumuşak yüksüz dönüş fonksiyonu

Hız ayar kadranı 2 veya daha yükseğe ayarlandığında titreşimi azaltmak ve dekupaj testere bıçağını kesme hattı ile kolayca hizalamak için alet iş parçasını kesmeye başlayana kadar aletin hızını otomatik olarak azaltır. Alet iş parçasını kesmeye başladığında aletin hızı önceden ayarlanmış hıza çıkar ve alet durana kadar hız korunur.

NOT: Sıcaklık düşüken bu fonksiyon kullanılamaz. Ayrıca, malzemeye, dekupaj testere bıçağına ve aletin hızına bağlı olarak bu özellik kullanılamaz.

Yumuşak yüksüz dönüş fonksiyonunun devre dışı bırakılması veya devreye alınması

Yumuşak yüksüz dönüş fonksiyonunu devre dışı bırakmak veya devreye almak için aşağıdaki adımları izleyin.

1. Aletin kapalı olduğunu kontrol edin.
2. Hız ayar kadranını "1"e ayarlayın.
3. Aleti açmak için kilitleme/açma düğmesine basın.
4. Hız ayar kadranını çevirerek "5"e ayarlayın ve daha sonra geri çevirerek "1"e ayarlayın.

Yumuşak yüksüz dönüş fonksiyonunun devre dışı bırakıldığını göstermek üzere lamba iki kez yanıp söner. Bu fonksiyonu yeniden devreye almak için aynı prosedürü tekrar uygulayın.

NOT: Yumuşak yüksüz dönüş fonksiyonu devre dışı bırakılırsa alet açıldığında lamba iki kez yanıp söner.

NOT: Yumuşak yüksüz dönüş fonksiyonunu, hız ayar kadranını "5"ten "1"e ve ardından "1"den "5"e alarak da devre dışı bırakabilir veya devreye alabilirsiniz.

Elektrikli fren

Bu alet bir elektrikli fren ile donatılmıştır. Başlatma/durdurma düğmesine veya kilitleme/açma düğmesine basıldıktan sonra alet sürekli olarak çabucak durmuyorsa alete Makita servis merkezinde bakım yaptırın.

MONTAJ

⚠DİKKAT: Alet üzerinde herhangi bir iş yapmadan önce aletin kapalı ve batarya kartuşunun ayrılmış olduğundan daima emin olun.

Dekupaj testere bıçağının takılması veya çıkarılması

⚠DİKKAT: Her zaman dekupaj testere bıçağına ve/veya bıçak tutucuya yapışmış tüm talaş veya yabancı maddeleri temizleyin. Böyle yapılmaması dekupaj testere bıçağının gevşek kalmasına neden olarak, ciddi yaralanmalara yol açabilir.

⚠DİKKAT: İşlemin hemen ardından dekupaj testere bıçağına ya da iş parçasına dokunmayın. Bu parçalar aşırı derecede sıcak olabilir ve cilt yanıklarına yol açabilir.

⚠DİKKAT: Dekupaj testere bıçağını daima sıkıca sabitleyin. Dekupaj testere bıçağının yeterince sıkılmaması bıçağın kırılmasına ya da ciddi yaralanmalara neden olabilir.

⚠DİKKAT: Sadece B tipi dekupaj testere bıçağı kullanın. B tipi dışındaki bıçakların kullanılması dekupaj testere bıçağının yeterince sıkılmamasına neden olarak, ciddi yaralanmalara yol açabilir.

⚠DİKKAT: Dekupaj testere bıçağını çıkarırken dekupaj testere bıçağının üst kısmı veya iş parçasının uçları ile parmaklarınızı yaralamamaya dikkat edin.

Dekupaj testere bıçağını takmadan önce bıçak sabitleme kolunun boş konumda olduğunu kontrol edin. Dekupaj testere bıçağını takmak için dekupaj testere bıçağını (dişleri ileri bakacak şekilde) dekupaj testere bıçağı tutucusuna sokun. Bıçak sabitleme kolu sabit konuma gelir ve dekupaj testere bıçağı kilitletir. Dekupaj testere bıçağının arka kenarının silindire geçtiğinden emin olun. Çalışma sırasında dekupaj testere bıçağının düşmeyeceğinden emin olmak için dekupaj testere bıçağını hafifçe çekin.

- **Şek.7:** 1. Dekupaj testere bıçağı tutucusu 2. Bıçak sabitleme kolu (boş konum) 3. Bıçak sabitleme kolu (sabit konum)
- **Şek.8:** 1. Dekupaj testere bıçağı tutucusu 2. Dekupaj testere bıçağı 3. Silindire

⚠DİKKAT: Bıçak sabitleme kolu sabit konuma gelmezse dekupaj testere bıçağı tam olarak takılmaz. Bıçak sabitleme kolunu elle bastırarak sabit konuma almayın. Alete hasar verebilir.

Dekupaj testere bıçağını çıkarmak için bıçak sabitleme kolunu ileri doğru sonuna kadar ittirin. Bu, dekupaj testere bıçağının bırakılmasını sağlar.

- **Şek.9:** 1. Dekupaj testere bıçağı tutucusu 2. Bıçak sabitleme kolu 3. Dekupaj testere bıçağı

NOT: Dekupaj testere bıçağının çıkarılması zorsa kesme eylemi değiştirme kolunu "III" konumuna çevirin ve dekupaj testere bıçağı tutucusunu alta alın. Dekupaj testere bıçağı tutucusunu alta almak için bıçak sabitleme kolunu bir kez sonuna kadar sabitlemiş konuma geri getirin ve aleti birkaç kez hafifçe açın.

NOT: Silindire ara sıra yağlayın.

Altıgen anahtarın saklanması

Kullanılmadığı zamanlarda, altıgen anahtarın kaybolmasını önlemek için anahtarları şekilde gösterildiği gibi saklayın.

- **Şek.10:** 1. Altıgen anahtar

KULLANIM

⚠DİKKAT: Tabanı daima iş parçasına dayalı tutun. Böyle yapılmaması dekupaj testere bıçağının kırılmasına neden olarak, ciddi bir yaralanmaya yol açabilir.

⚠DİKKAT: Eğimli yerleri keserken veya kaydırarak keserken aleti çok yavaş bir şekilde ilerletin. Aleti zorlamak kesim yüzeyinin eğri olmasına ve dekupaj testere bıçağının kırılmasına yol açabilir.

Dekupaj testere bıçağı hiçbir şeyle temas etmeyecek konumdayken aleti çalıştırın ve dekupaj testere bıçağının tam hızına ulaşmasını bekleyin. Ardından tabanı iş parçasının üzerine düz olarak yerleştirin ve aleti önceden işaretlenen kesme hattı üzerinde yavaşça ilerletin.

- **Şek.11:** 1. Kesme hattı 2. Taban

Eğimli kesim

⚠DİKKAT: Tabanı eğmeden önce aletin kapalı ve batarya kartuşunun çıkartılmış olduğundan daima emin olun.

Tabanı eğimli bir şekilde tutarak 0° ve 45° arasında (sol veya sağ) istediğiniz açıda eğimli kesimler yapabilirsiniz.

- **Şek.12**

Tabanın arka kısmı üzerindeki civatayı altıgen anahtarla gevşetin. Civata, tabanda yer alan artı şekilli yarığın merkezinde konumlanacak şekilde tabanı hareket ettirin.

- **Şek.13:** 1. Altıgen anahtar 2. Civata 3. Taban

İstenen eğimli açı elde edilene kadar tabanı eğin. Motor yuvasının kenarında eğim açılarını derecelendirmelerle belirtilir. Ardından, tabanı sabitlemek için civatayı sıkılayın.

- **Şek.14:** 1. Kenar 2. Derecelendirme

Önden dayanılarak yapılan kesimler

Tabanın alt kısmındaki civatayı altıgen anahtarla gevşetin ve tabanı geriye doğru sonuna kadar kaydırın. Ardından, tabanı sabitlemek için civatayı sıkın.

- **Şek.15:** 1. Altıgen anahtar 2. Civata 3. Taban

Kesimler

Kesimler iki yöntemden biri kullanılarak yapılabilir: "Başlangıç deliği açma" veya "Dik kesim".

Başlangıç deliği açma

Bir kenardan giriş kesimi yapılmayan dahili kesimler için, önce çapı 12 mm veya üzerinde olan bir başlangıç deliği açın. Kesiminize başlamak için dekupaj testere bıçağını bu deliğe yerleştirin.

- **Şek.16**

Dik kesim

Aşağıda anlatılanları dikkatlice uygularsanız bir başlangıç deliği delmeniz ya da bir giriş kesimi yapmanız gerekmez.

1. Dekupaj testere bıçağı noktasının iş parçası yüzeyinin hemen üzerinde olduğu konumda, tabanın ön kenarını iş parçasına değdirin ve alete eğim verin.
2. Aleti çalıştırdığınızda tabanın ön kenarı hareket etmeyecek şekilde alete basınç uygulayın ve aletin arka ucunu yavaşça ve nazikçe indirin.
3. Dekupaj testere bıçağı iş parçasını delerken aletin tabanını yavaşça iş parçasının yüzeyine doğru indirin.
4. Kesimi normal şekilde tamamlayın.

- **Şek.17**

Kenarların finişinin yapılması

Kenarları düzeltmek veya boyut ayarlamaları yapmak için, dekupaj testere bıçağını kesim kenarları boyunca hafifçe gezdirin.

- **Şek.18**

Metal kesme

Metal keserken her zaman uygun bir soğutucu (kesme yağı) kullanın. Böyle yapmamak, dekupaj testere bıçağında belirgin aşınmaya sebep olur. Soğutucu kullanmak yerine iş parçasının alt tarafı yağlanabilir.

Toz çekme

Toz kapağının takılması veya çıkarılması

Toz kapağını şekilde gösterildiği gibi takın.

► **Şek.19:** 1. Toz kapağı

Toz kapağını çıkarmak için şekilde gösterildiği gibi kapağın bir tarafına bastırın ve daha sonra çıkarın.

► **Şek.20:** 1. Toz kapağı

Toz ağızlığının takılması veya çıkarılması

Toz ağızlığını bağlayarak bu aleti bir Makita elektrikli süpürgeye bağlayabilirsiniz.

Toz ağızlığını alete sonuna kadar sokun.

► **Şek.21:** 1. Toz ağızlığı

Toz ağızlığını çıkarmak için toz ağızlığının üzerindeki düğmeye basarak toz ağızlığını dışarı çekin.

► **Şek.22:** 1. Düğme 2. Toz ağızlığı

Aletin elektrikli süpürgeye bağlanması

Elektrikli süpürgeye hortumunu toz ağızlığına bağlayın.

► **Şek.23**

Destek perdesi

İsteğe bağlı aksesuar

⚠DİKKAT: Aksesuarları takmadan ya da çıkarmadan önce aletin kapalı ve batarya kartuşunun çıkartılmış olduğundan daima emin olun.

Düz kesimler

Art arda 160 mm veya daha küçük genişliğe sahip kesimler yaparken, destek perdesi kullanılmalı hızlı, temiz düz kesimler yapılmasını sağlar.

► **Şek.24:** 1. Destek perdesi (Kılavuz çubuğu)

Takmak için, perde kısmı aşağı bakar durumda çubuk kısmını tabanın kare deliğine sokun. Destek perdesini istenen kesim genişliği konumuna kaydırın ve ardından sabitlemek için civatayı sıkın.

► **Şek.25:** 1. Altıgen anahtar 2. Civata 3. Destek perdesi (Kılavuz çubuğu)

Dairesel kesimler

Çapı 170 mm ya da daha düşük daireler veya yaylar keserken, destek perdesini aşağıdaki gibi takın.

► **Şek.26:** 1. Destek perdesi (Kılavuz çubuğu)

⚠DİKKAT: Dairesel kılavuz piminin ucuna dokunmayın. Dairesel kılavuz piminin sivri ucu yaralanmaya neden olabilir.

1. Perde kısmı yukarı bakar durumda çubuk kısmını tabanın kare deliğine sokun.

2. Dairesel kılavuz pimini perde kısmı üzerindeki iki delikten birine takın. Dairesel kılavuz pimini sabitlemek için dişli düğmeyi dairesel kılavuz piminin üzerine vidalayın.

► **Şek.27:** 1. Dişli düğme 2. Destek perdesi (Kılavuz çubuğu) 3. Dairesel kılavuz pimi 4. Civata 5. Altıgen anahtar

3. Destek perdesini istenen kesim çapına kaydırın ve yerine sabitlemek için civatayı sıkılayın.

NOT: Daireler veya yaylar keserken daima B-17, B-18, B-26 veya B-27 numaralı dekupaj testere bıçaklarını kullanın.

Kıymık önleyici cihaz

İsteğe bağlı aksesuarlar

⚠DİKKAT: Eğimli kesimler yaparken kıymık önleyici cihaz kullanılamaz.

Kıymıksız kesimler için kıymık önleyici cihaz kullanılabilir. Kıymık önleyici cihazı takmak için alet tabanını tamamen öne itin ve alet tabanının arkasından yerleştirin. Kapak plakasını kullandığınızda, kıymık önleyici cihazı kapak plakasına takın.

► **Şek.28:** 1. Taban 2. Kıymık önleyici cihaz

Kapak plakası

Decoratif kaplama, plastik, vb. keserken kapak plakasını kullanın. Hassas veya narin yüzeyleri hasara karşı korur. Alet tabanının altına yerleştirin.

► **Şek.29:** 1. Kapak plakası 2. Taban

Kılavuz ray adaptör seti

İsteğe bağlı aksesuarlar

Paralel ve eşit genişlikte kesim yaparken veya düz kesim yaparken kılavuz rayın ve kılavuz ray adaptörünün kullanılması hızlı ve temiz kesimler yapılmasını sağlar. Kılavuz ray adaptörünü takmak için cetvel çubuğu tabanın dört köşe deliğine sonuna kadar sokun. Civatayı altıgen anahtarla iyice sıkın.

► **Şek.30:** 1. Altıgen anahtar 2. Cetvel çubuk 3. Civata

Cetvel çubuğu kılavuz ray adaptörünün dört köşe deliğine sokun ve vidayı iyice sıkın. Kılavuz ray adaptörünü kılavuz rayın üzerinde yerleştirin.

► **Şek.31:** 1. Kılavuz ray adaptörü 2. Kılavuz ray 3. Vida

ÖNEMLİ NOT: Kılavuz ray ve kılavuz ray adaptörünü kullanırken daima B-8, B-13, B-16, B-17 veya B-58 numaralı dekupaj testere bıçaklarını kullanın.

BAKIM

⚠ DİKKAT: Muayene ya da bakım yapmadan önce aletin kapalı ve batarya kartuşunun çıkartılmış olduğundan daima emin olun.

ÖNEMLİ NOT: Benzin, tiner, alkol ve benzeri maddeleri kesinlikle kullanmayın. Renk değişimi, deformasyon veya çatlaklar oluşabilir.

Aleti EMNİYETLİ ve ÇALIŞMAYA HAZIR durumda tutmak için onarımlar, başka her türlü bakım ve ayarlamalar daima Makita yedek parçaları kullanılarak Makita yetkili servis merkezleri veya Fabrikanın Servis Merkezleri tarafından yapılmalıdır.

İSTEĞE BAĞLI AKSESUARLAR

⚠ DİKKAT: Bu aksesuarlar ve ek parçalar bu el kitabında belirtilen Makita aletiniz ile kullanılmak için tavsiye edilmektedir. Herhangi başka bir aksesuar ya da ek parça kullanılması insanlar için bir yaralanma riski getirebilir. Aksesuarları ya da ek parçaları yalnızca belirtilmiş olan kullanım amaçlarına uygun olarak kullanın.

Bu aksesuarlarla ilgili daha fazla bilgiye ihtiyaç duyar-sanız bulunduğunuz yerdeki yetkili Makita servisine başvurun.

- Dekupaj testere bıçakları
- Destek perdesi (kılavuz çubuğu) seti
- Kılavuz ray adaptör seti
- Kıymık önleyici cihaz
- Kapak plakası
- Toz ağızlığı
- Toz kapağı
- Orijinal Makita batarya ve şarj aleti

NOT: Listedeki parçaların bazıları alet paketi içeri-sinde standart aksesuar olarak dahil edilmiş olabilir. Bunlar ülkeden ülkeye farklılık gösterebilir.

Makita Europe N.V.

Jan-Baptist Vinkstraat 2, 3070 Kortenberg, Belgium

Makita Corporation

3-11-8, Sumiyoshi-cho, Anjo, Aichi 446-8502 Japan

www.makita.com



885A23A990
EN, FR, DE, IT, NL,
ES, PT, DA, EL, TR
20221109