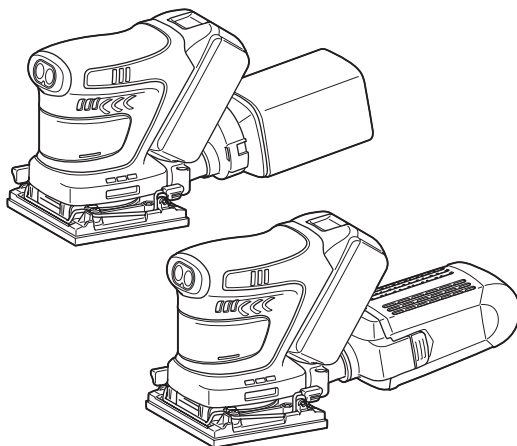




EN	Cordless Finishing Sander	INSTRUCTION MANUAL	7
FR	Ponceuse vibrante Sans Fil	MANUEL D'INSTRUCTIONS	14
DE	Akku-Schwingschleifer	BETRIEBSANLEITUNG	22
IT	Levigatrice di finitura a batteria	ISTRUZIONI PER L'USO	30
NL	Accuafwerkschuurmachine	GEBRUIKSAANWIJZING	38
ES	Lijadora de Acabado Inalámbrica	MANUAL DE INSTRUCCIONES	46
PT	Lixadeira Orbital a Bateria	MANUAL DE INSTRUÇÕES	54
DA	Akku svingsliber	BRUGSANVISNING	61
EL	Φορητό παλμικό τριβεΐο	ΕΓΧΕΙΡΙΔΙΟ ΟΔΗΓΙΩΝ	68
TR	Akülü Titreşimli Zımpara Makinası	KULLANMA KILAVUZU	76

DBO484



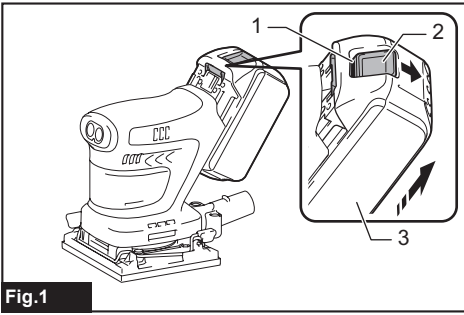


Fig. 1

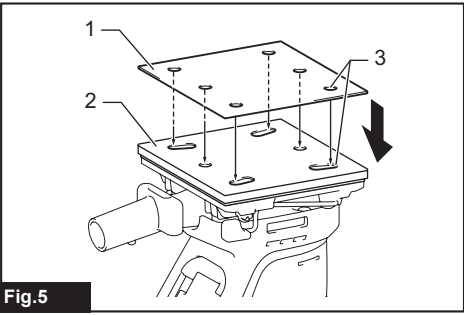


Fig. 5

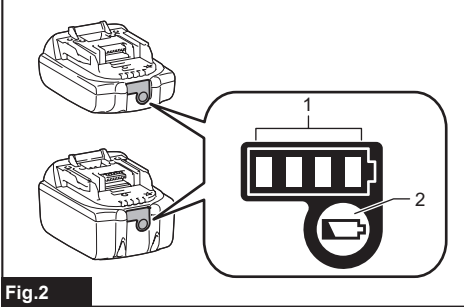


Fig. 2

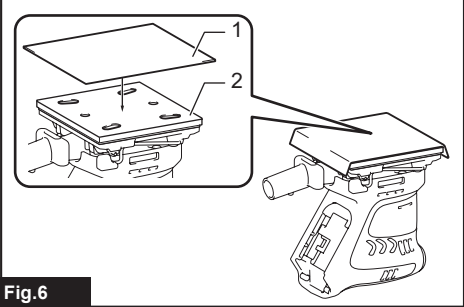


Fig. 6

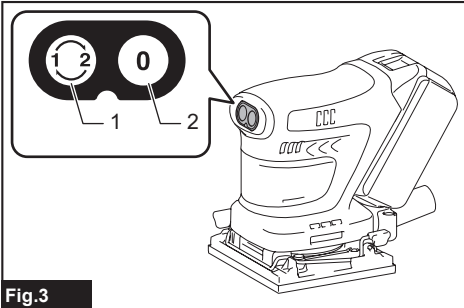


Fig. 3

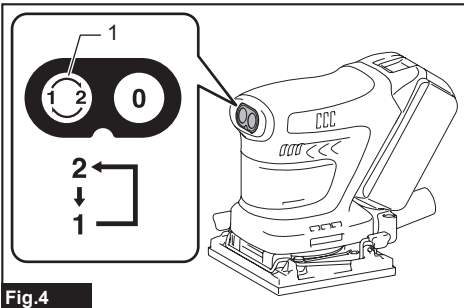
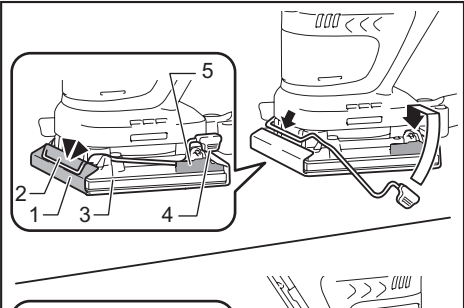


Fig. 4

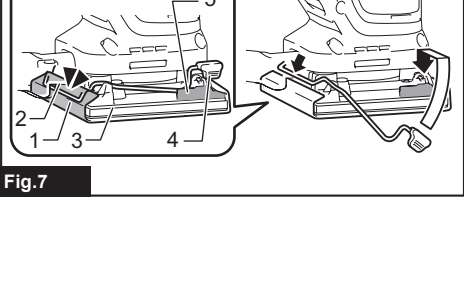
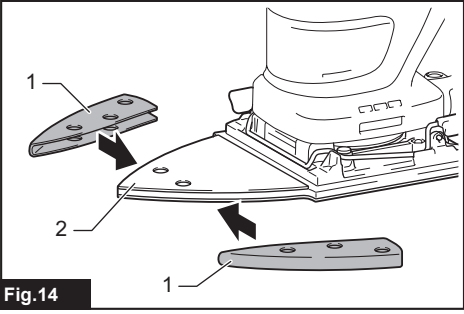
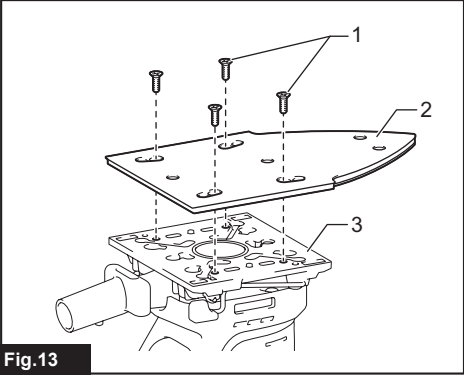
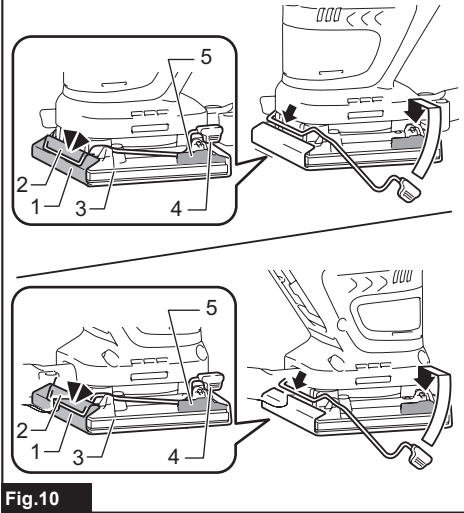
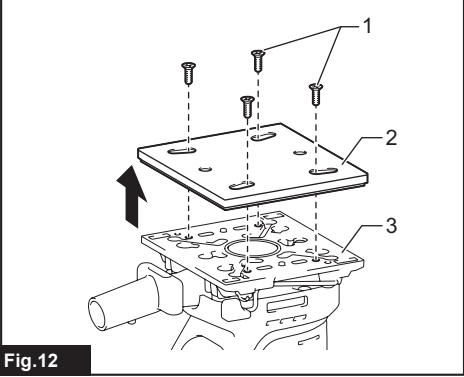
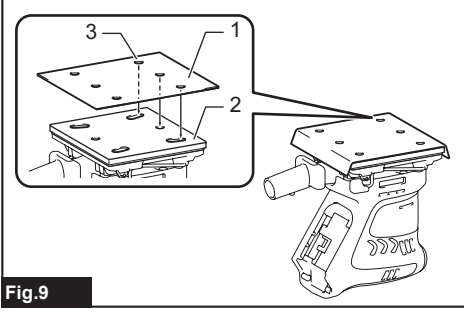
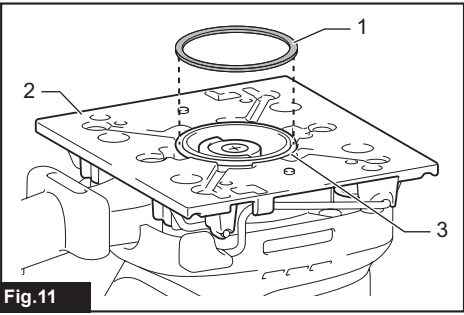
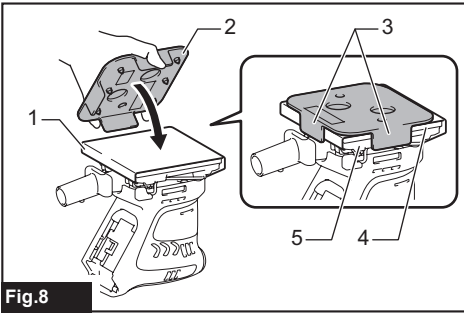
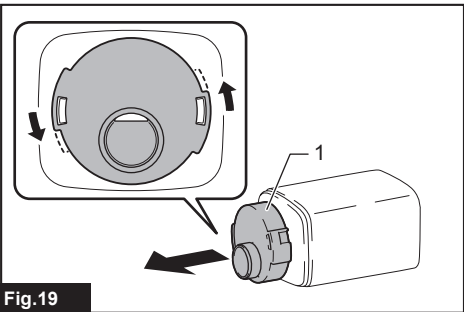
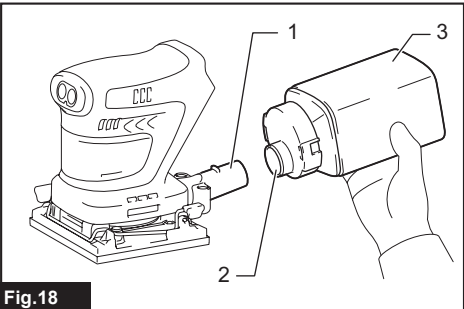
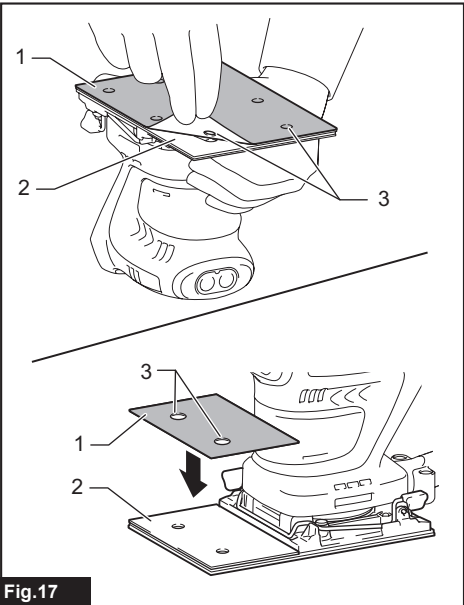
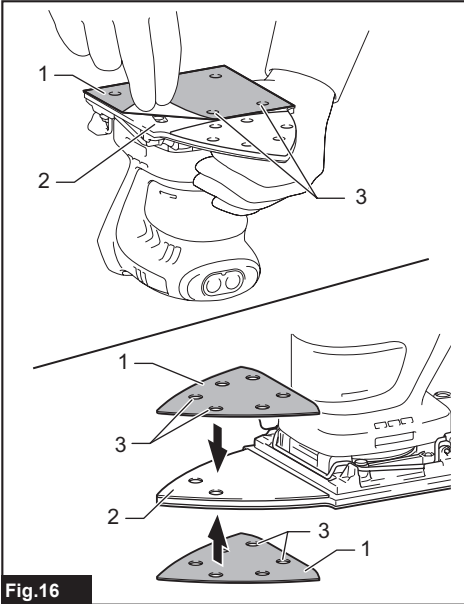
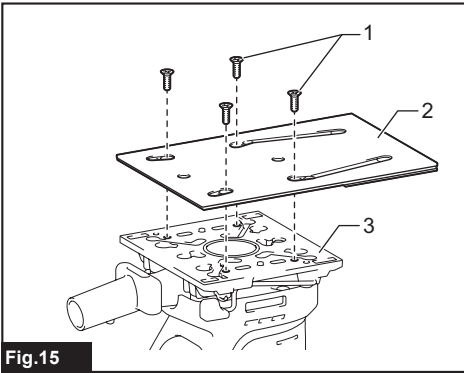


Fig. 7





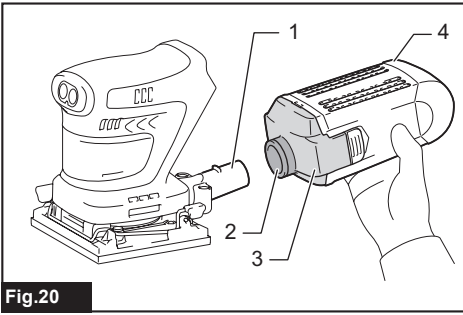


Fig.20

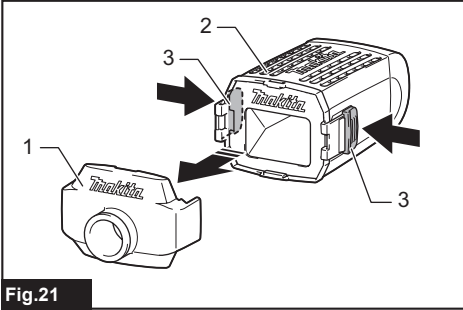


Fig.21

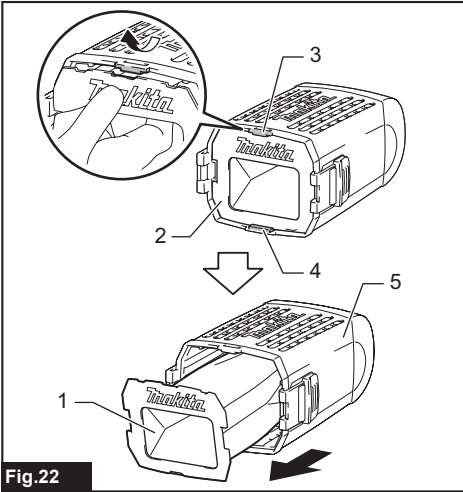


Fig.22

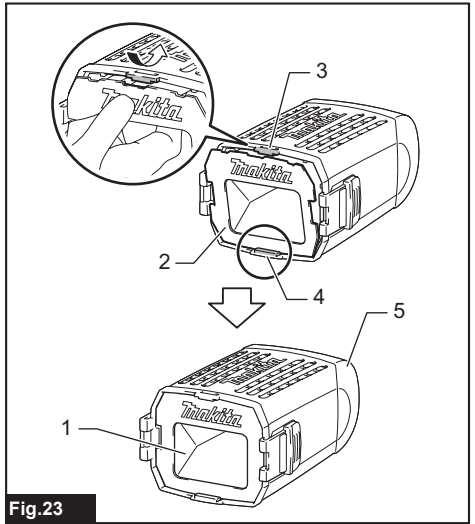


Fig.23

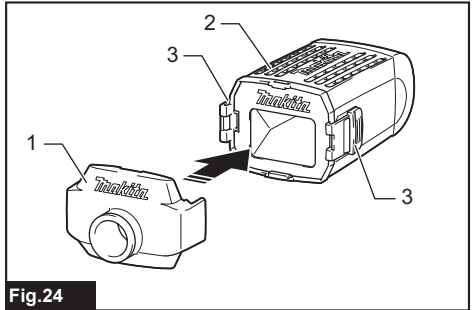


Fig.24

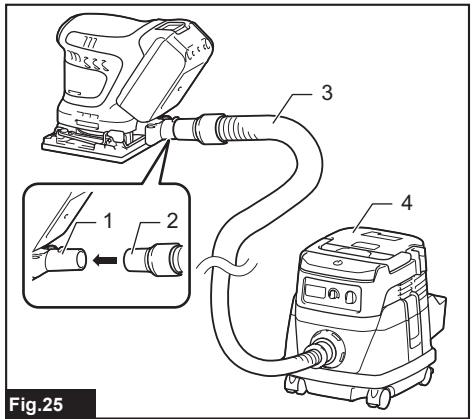


Fig.25

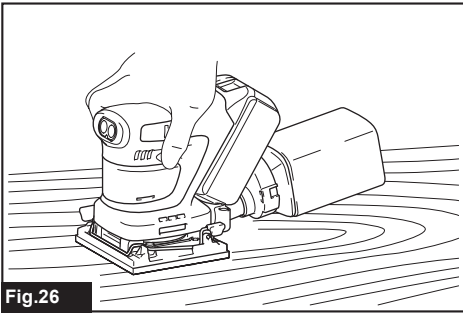


Fig.26

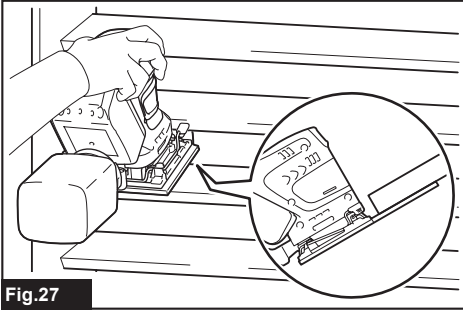


Fig.27

SPECIFICATIONS

Model:		DBO484
Pad size	Square pad	112 mm x 102 mm
	Triangular pad	112 mm x 190 mm
	Rectangular pad	112 mm x 168.5 mm
Abrasive paper	For square pad (Hook and loop)	114 mm x 102 mm
	For square pad (Clamp)	114 mm x 140 mm
	For triangular pad	Rectangular paper: 114 mm x 102 mm Triangular paper: 96 mm
	For rectangular pad	112 mm x 168.5 mm, 112 mm x 66 mm
Orbits per minute	High	14,000 min ⁻¹
	Low	11,000 min ⁻¹
Overall length (with BL1860B)		171 mm
Rated voltage		D.C. 18 V
Net weight		1.4 - 1.8 kg

- * The standard pad differs from country to country.
- Due to our continuing program of research and development, the specifications herein are subject to change without notice.
- Specifications and battery cartridge may differ from country to country.
- The weight may differ depending on the attachment(s), including the battery cartridge. The lightest and heaviest combinations, according to EPTA-Procedure 01/2014, are shown in the table.

Applicable battery cartridge and charger

Battery cartridge	BL1815N / BL1820B / BL1830B / BL1840B / BL1850B / BL1860B
Charger	DC18RC / DC18RD / DC18RE / DC18SD / DC18SE / DC18SF / DC18SH / DC18WC

- Some of the battery cartridges and chargers listed above may not be available depending on your region of residence.

⚠ WARNING: Only use the battery cartridges and chargers listed above. Use of any other battery cartridges and chargers may cause injury and/or fire.

Intended use

The tool is intended for the sanding of large surface of wood, plastic and metal materials as well as painted surfaces.

Noise

The typical A-weighted noise level determined according to EN62841-2-4:

Sound pressure level (L_{pA}): 78 dB(A)

Uncertainty (K): 3 dB(A)

The noise level under working may exceed 80 dB (A).

NOTE: The declared noise emission value(s) has been measured in accordance with a standard test method and may be used for comparing one tool with another.

NOTE: The declared noise emission value(s) may also be used in a preliminary assessment of exposure.

⚠ WARNING: Wear ear protection.

⚠ WARNING: The noise emission during actual use of the power tool can differ from the declared value(s) depending on the ways in which the tool is used especially what kind of workpiece is processed.

⚠ WARNING: Be sure to identify safety measures to protect the operator that are based on an estimation of exposure in the actual conditions of use (taking account of all parts of the operating cycle such as the times when the tool is switched off and when it is running idle in addition to the trigger time).

Vibration

The vibration total value (tri-axial vector sum) determined according to EN62841-2-4:

Work mode: sanding metal plate (square base)

Vibration emission (a_{hv}): 2.5 m/s² or less

Uncertainty (K): 1.5 m/s²

NOTE: The declared vibration total value(s) has been measured in accordance with a standard test method and may be used for comparing one tool with another.

NOTE: The declared vibration total value(s) may also be used in a preliminary assessment of exposure.

⚠WARNING: The vibration emission during actual use of the power tool can differ from the declared value(s) depending on the ways in which the tool is used especially what kind of workpiece is processed.

⚠WARNING: Be sure to identify safety measures to protect the operator that are based on an estimation of exposure in the actual conditions of use (taking account of all parts of the operating cycle such as the times when the tool is switched off and when it is running idle in addition to the trigger time).

Declarations of Conformity

For European countries only

The Declarations of conformity are included in Annex A to this instruction manual.

SAFETY WARNINGS

General power tool safety warnings

⚠WARNING: Read all safety warnings, instructions, illustrations and specifications provided with this power tool. Failure to follow all instructions listed below may result in electric shock, fire and/or serious injury.

Save all warnings and instructions for future reference.

The term "power tool" in the warnings refers to your mains-operated (corded) power tool or battery-operated (cordless) power tool.

Sander safety warnings

1. Always use safety glasses or goggles. Ordinary eye or sun glasses are NOT safety glasses.
2. Hold the tool firmly.
3. Do not leave the tool running. Operate the tool only when hand-held.
4. This tool has not been waterproofed, so do not use water on the workpiece surface.
5. Ventilate your work area adequately when you perform sanding operations.
6. Some material contains chemicals which may be toxic. Take caution to prevent dust inhalation and skin contact. Follow material supplier safety data.
7. Use of this tool to sand some products, paints and wood could expose user to dust containing hazardous substances. Use appropriate respiratory protection.

8. Be sure that there are no cracks or breakage on the pad before use. Cracks or breakage may cause a personal injury.
9. Watch your footing and maintain your balance with the tool. Make sure there is no one below when working in high locations.

SAVE THESE INSTRUCTIONS.

⚠WARNING: DO NOT let comfort or familiarity with product (gained from repeated use) replace strict adherence to safety rules for the subject product. MISUSE or failure to follow the safety rules stated in this instruction manual may cause serious personal injury.

Important safety instructions for battery cartridge

1. Before using battery cartridge, read all instructions and cautionary markings on (1) battery charger, (2) battery, and (3) product using battery.
2. Do not disassemble or tamper with the battery cartridge. It may result in a fire, excessive heat, or explosion.
3. If operating time has become excessively shorter, stop operating immediately. It may result in a risk of overheating, possible burns and even an explosion.
4. If electrolyte gets into your eyes, rinse them out with clear water and seek medical attention right away. It may result in loss of your eyesight.
5. Do not short the battery cartridge:
 - (1) Do not touch the terminals with any conductive material.
 - (2) Avoid storing battery cartridge in a container with other metal objects such as nails, coins, etc.
 - (3) Do not expose battery cartridge to water or rain.

A battery short can cause a large current flow, overheating, possible burns and even a breakdown.

6. Do not store and use the tool and battery cartridge in locations where the temperature may reach or exceed 50 °C (122 °F).
7. Do not incinerate the battery cartridge even if it is severely damaged or is completely worn out. The battery cartridge can explode in a fire.
8. Do not nail, cut, crush, throw, drop the battery cartridge, or hit against a hard object to the battery cartridge. Such conduct may result in a fire, excessive heat, or explosion.
9. Do not use a damaged battery.
10. The contained lithium-ion batteries are subject to the Dangerous Goods Legislation requirements. For commercial transports e.g. by third parties, forwarding agents, special requirement on packaging and labeling must be observed. For preparation of the item being shipped, consulting an expert for hazardous material is required. Please also observe possibly more detailed national regulations. Tape or mask off open contacts and pack up the battery in such a manner that it cannot move around in the packaging.

11. When disposing the battery cartridge, remove it from the tool and dispose of it in a safe place. Follow your local regulations relating to disposal of battery.
12. Use the batteries only with the products specified by Makita. Installing the batteries to non-compliant products may result in a fire, excessive heat, explosion, or leak of electrolyte.
13. If the tool is not used for a long period of time, the battery must be removed from the tool.
14. During and after use, the battery cartridge may take on heat which can cause burns or low temperature burns. Pay attention to the handling of hot battery cartridges.
15. Do not touch the terminal of the tool immediately after use as it may get hot enough to cause burns.
16. Do not allow chips, dust, or soil stuck into the terminals, holes, and grooves of the battery cartridge. It may cause heating, catching fire, burst and malfunction of the tool or battery cartridge, resulting in burns or personal injury.
17. Unless the tool supports the use near high-voltage electrical power lines, do not use the battery cartridge near high-voltage electrical power lines. It may result in a malfunction or breakdown of the tool or battery cartridge.
18. Keep the battery away from children.

SAVE THESE INSTRUCTIONS.

CAUTION: Only use genuine Makita batteries. Use of non-genuine Makita batteries, or batteries that have been altered, may result in the battery bursting causing fires, personal injury and damage. It will also void the Makita warranty for the Makita tool and charger.

Tips for maintaining maximum battery life

1. Charge the battery cartridge before completely discharged. Always stop tool operation and charge the battery cartridge when you notice less tool power.
2. Never recharge a fully charged battery cartridge. Overcharging shortens the battery service life.
3. Charge the battery cartridge with room temperature at 10 °C - 40 °C (50 °F - 104 °F). Let a hot battery cartridge cool down before charging it.
4. When not using the battery cartridge, remove it from the tool or the charger.
5. Charge the battery cartridge if you do not use it for a long period (more than six months).

FUNCTIONAL DESCRIPTION

CAUTION: Always be sure that the tool is switched off and the battery cartridge is removed before adjusting or checking function on the tool.

Installing or removing battery cartridge

CAUTION: Always switch off the tool before installing or removing of the battery cartridge.

CAUTION: Hold the tool and the battery cartridge firmly when installing or removing battery cartridge. Failure to hold the tool and the battery cartridge firmly may cause them to slip off your hands and result in damage to the tool and battery cartridge and a personal injury.

► Fig.1: 1. Red indicator 2. Button 3. Battery cartridge

To remove the battery cartridge, slide it from the tool while sliding the button on the front of the cartridge.

To install the battery cartridge, align the tongue on the battery cartridge with the groove in the housing and slip it into place. Insert it all the way until it locks in place with a little click. If you can see the red indicator as shown in the figure, it is not locked completely.

CAUTION: Always install the battery cartridge fully until the red indicator cannot be seen. If not, it may accidentally fall out of the tool, causing injury to you or someone around you.



















CAUTION: Do not install the battery cartridge forcibly. If the cartridge does not slide in easily, it is not being inserted correctly.

Indicating the remaining battery capacity

Only for battery cartridges with the indicator

► Fig.2: 1. Indicator lamps 2. Check button

Press the check button on the battery cartridge to indicate the remaining battery capacity. The indicator lamps light up for a few seconds.

Indicator lamps			Remaining capacity
 Lighted	 Off	 Blinking	
			75% to 100%
			50% to 75%
			25% to 50%
			0% to 25%
			Charge the battery.
 	 	 	The battery may have malfunctioned.

NOTE: Depending on the conditions of use and the ambient temperature, the indication may differ slightly from the actual capacity.

NOTE: The first (far left) indicator lamp will blink when the battery protection system works.

Tool / battery protection system

The tool is equipped with a tool/battery protection system. This system automatically cuts off power to the motor to extend tool and battery life. The tool will automatically stop during operation if the tool or battery is placed under one of the following conditions:

Overload protection

When the tool or battery is operated in a manner that causes it to draw an abnormally high current, the tool automatically stops without any indication. In this situation, turn the tool off and stop the application that caused the tool to become overloaded. Then turn the tool on to restart.

Overheat protection

When the tool or battery is overheated, the tool stops automatically. In this case, let the tool and battery cool before turning the tool on again.

Overdischarge protection

When the battery capacity is not enough, the tool stops automatically. In this case, remove the battery from the tool and charge the battery.

Protections against other causes

Protection system is also designed for other causes that could damage the tool and allows the tool to stop automatically. Take all the following steps to clear the causes, when the tool has been brought to a temporary halt or stop in operation.

1. Turn the tool off, and then turn it on again to restart.
2. Charge the battery(ies) or replace it/them with recharged battery(ies).
3. Let the tool and battery(ies) cool down.

If no improvement can be found by restoring protection system, then contact your local Makita Service Center.

Switch action

CAUTION: Avoid turning the tool on while it is placed on the workpiece or on your workbench. It may cause personal injury or damage.

Turning the tool on and off

Press the power/speed select button to start the tool. The tool starts to run at its highest orbital speed.

Press the stop button to stop the tool.

► **Fig.3:** 1. Power/speed select button 2. Stop button

Changing the tool speed

The orbital speed can be changed in two modes; high and low. Choose either mode depending on the application and workload. Press the power/speed select button to switch speed mode while the tool is running.

► **Fig.4:** 1. Power/speed select button

Speed settings table

Speed level	Orbital per minute
2 (High)	14,000 min ⁻¹ (/min)
1 (Low)	11,000 min ⁻¹ (/min)

NOTICE: If the tool is operated continuously at low speeds for a long time, the motor will get overloaded, resulting in tool malfunction.

NOTICE: Select an appropriate speed range for your sanding operations to avoid overheating and melting the workpiece. Sanding at high orbital speed may heat workpiece and melt it at the point of contact.

ASSEMBLY

CAUTION: Always be sure that the tool is switched off and the battery cartridge is removed before carrying out any work on the tool.

Installing and removing abrasive paper

CAUTION: Always make sure that a sheet of abrasive paper is installed securely before use. The paper may otherwise be loosened, removed easily and subject to slippage, resulting in uneven sanding operation.

NOTE: Bending the paper beforehand makes attachment easier.

Using hook-and-loop abrasive paper

CAUTION: Make sure to install a hook-and-loop pad correctly and securely. A loose attachment will run out of balance and cause an excessive vibration resulting in loss of control.

CAUTION: Be sure that a hook-and-loop pad and abrasive paper are aligned and securely attached.

CAUTION: Only use hook-and-loop abrasive papers. Never use pressure-sensitive abrasive papers.

1. Remove all dirt and foreign matter from the hook-and-loop pad.
2. Attach a sheet of optional hook-and-loop abrasive paper to the pad, aligning the dust-suction holes in the paper with those in the pad.
► **Fig.5:** 1. Abrasive paper 2. Pad 3. Dust-suction holes
3. To remove the abrasive paper, peel it off from the edge.

Using abrasive paper without dust-suction hole

Optional accessory

1. Cut a sheet of abrasive paper down to an appropriate size.
▶ **Fig.6:** 1. Abrasive paper 2. Pad
2. Push and hold down the clamp lever on either front or rear end of the pad, and slide it away from the stopper so the clamp is released from its locked position.
3. Pull the clamp lever outwards as far as possible to create a space between the clamp and side wall of the sanding base in which one end of abrasive paper can be inserted.
4. Slip one end of the abrasive paper into the space between the clamp and sanding base.
5. Reposition the abrasive paper so it is finely overlaid on the pad surface.
6. Set the clamp lever back in a locked position to clamp the end of abrasive paper securely.
7. Release the clamp on the other end, and have the other end of abrasive paper ready to be clamped.
8. Maintain a proper tension on abrasive paper, and then set the clamp lever on the other end in a locked position.
▶ **Fig.7:** 1. Abrasive paper 2. Clamp 3. Sanding base 4. Clamp lever 5. Stopper
9. Cover the abrasive paper with the punch plate with its positioning stoppers adjacent to the corner well fit onto two of the side edges of the pad and sanding base.
▶ **Fig.8:** 1. Abrasive paper 2. Punch plate 3. Positioning stoppers 4. Pad 5. Sanding base
10. Push the punch plate over the abrasive paper to make dust-suction holes.
11. To remove the abrasive paper, release the clamps on both ends and take the paper off the pad.

Using abrasive paper with dust-suction hole

Optional accessory

1. Push and hold down the clamp lever on either front or rear end of the pad, and slide it away from the stopper so the clamp is released from its locked position.
2. Pull the clamp lever outwards as far as possible to create a space between the clamp and side wall of the sanding base in which one end of abrasive paper can be inserted.
3. Place a sheet of abrasive paper over the pad, aligning the dust-suction holes in the paper with those in the pad.
▶ **Fig.9:** 1. Abrasive paper 2. Pad 3. Dust-suction hole
4. Slip one end of the abrasive paper into the space between the clamp and sanding base.
5. Set the clamp lever back in a locked position so the end of abrasive paper is clamped securely.

6. Release the clamp on the other end, and have the other end of abrasive paper ready to be clamped.
7. Maintain a proper tension on abrasive paper, and then set the clamp lever on the other end in a locked position.
▶ **Fig.10:** 1. Abrasive paper 2. Clamp 3. Sanding base 4. Clamp lever 5. Stopper
8. To remove the abrasive paper, release the clamps on both ends and take the paper off the pad.

Using triangular/rectangular abrasive paper

Optional accessory

CAUTION: Make sure to install a hook-and-loop pad correctly and securely. A loose attachment will run out of balance and cause an excessive vibration resulting in loss of control.

CAUTION: Be sure that a hook-and-loop pad and abrasive paper are aligned and securely attached.

CAUTION: Only use hook-and-loop abrasive papers. Never use pressure-sensitive abrasive papers.

NOTICE: The cap or the O-ring may come out of the sanding base while replacing the pad. Be sure to set the cap or the O-ring back in the circular hole or the circular groove around the center of the base before installing the optional pad.

- ▶ **Fig.11:** 1. O-ring 2. Sanding base 3. Circular groove
1. Loosen and remove the four screws securing the pad to the sanding base.
▶ **Fig.12:** 1. Screws 2. Pad 3. Sanding base
 2. Replace the standard-equipped pad with a triangular/rectangular pad.
 3. Re-tighten the screws firmly to secure the triangular/rectangular pad.

Triangular pad

- ▶ **Fig.13:** 1. Screws 2. Triangular pad 3. Sanding base

You can install the abrasive paper on the side of the pad as illustrated.

- ▶ **Fig.14:** 1. Abrasive paper 2. Pad

Rectangular pad

- ▶ **Fig.15:** 1. Screws 2. Rectangular pad 3. Sanding base

4. Remove all dirt and foreign matter from the triangular/rectangular pad.
5. Attach a sheet of optional hook-and-loop abrasive paper to the triangular/rectangular pad, aligning the dust-suction holes in the paper with those in the pad.

Triangular pad

- ▶ **Fig.16:** 1. Abrasive paper 2. Triangular pad 3. Dust-suction holes

Rectangular pad

- ▶ **Fig.17:** 1. Abrasive paper 2. Rectangular pad 3. Dust-suction holes

6. To remove the abrasive paper, peel it off from the edge.

Installing and removing dust bag

Optional accessory

Attach the dust bag over the tapered dust spout at the back end of the motor housing. Put the dust inlet of the bag onto the dust spout as far as it will go to avoid it from coming off during operation.

► **Fig.18:** 1. Dust spout 2. Dust inlet 3. Dust bag

NOTICE: Do not hold the dust bag when carrying the tool. Otherwise, the tool may fall and be damaged.

NOTE: To ensure optimal dust collecting, empty the dust bag when it becomes filled to approximately half of its capacity.

Remove the dust bag from the tool and remove the dust nozzle. Then gently shake or tap the dust bag to empty.

► **Fig.19:** 1. Dust nozzle

Installing and removing dust box

Optional accessory

Attach the dust box over the tapered dust spout at the back end of the motor housing. Put the dust inlet onto the dust spout as far as it will go to avoid it from coming off during operation.

► **Fig.20:** 1. Dust spout 2. Dust inlet 3. Dust nozzle
4. Dust box

NOTICE: Do not hold the dust box when carrying the tool. Otherwise, the tool may fall and be damaged.

NOTE: To ensure optimal dust collecting, empty the dust box when it becomes filled to approximately half of its capacity.

1. Remove the dust box from the tool.
2. Detach the dust nozzle from the box while pressing and holding the locking latches on both sides of the box.
3. Gently shake or tap the dust box to empty.

Replacing paper filter

NOTICE: Be aware to align the logos on all the dust box, paper filter and dust nozzle in a consistent orientation when reassembling components.

1. Remove the dust box from the tool.
2. Detach the dust nozzle from the box while pressing and holding the locking latches on both sides of the box.
► **Fig.21:** 1. Dust nozzle 2. Dust box 3. Locking latch
3. Hold the inner top edge of the cardboard opening, and pull it off downwards to disengage the outer top edge of the cardboard opening from the upper hooking tab on the lip of the dust box.

4. Take the paper filter out of the dust box while pulling the outer bottom edge of the cardboard opening free from the lower hooking tab.

► **Fig.22:** 1. Paper filter 2. Cardboard opening
3. Upper hooking tab 4. Lower hooking tab
5. Dust box

5. Replace a paper filter by engaging the bottom edge of the cardboard opening in the lower hooking tab and push the top edge inwards until it clips into the upper hooking tab.

► **Fig.23:** 1. Paper filter 2. Cardboard opening
3. Upper hooking tab 4. Lower hooking tab
5. Dust box

6. Snap the dust nozzle into place while pressing and holding the locking latches on both sides of the dust box.

► **Fig.24:** 1. Dust nozzle 2. Dust box 3. Locking latch

Connecting with vacuum cleaner

Optional accessory

When you wish to perform clean sanding operation, connect a Makita vacuum cleaner to your tool. Use either an optional hose 28 mm or a combination of the front cuff 22 and hose provided with the cleaner to establish a connection.

► **Fig.25:** 1. Dust spout 2. Front cuff 3. Hose
4. Vacuum cleaner

OPERATION

Sanding operation

CAUTION: Always be sure that the workpiece is secured firmly.

NOTICE: Never run the tool without the abrasive paper. You may seriously damage the pad.

NOTICE: Never force the tool. Excessive pressure may decrease the sanding efficiency, damage the abrasive paper and/or shorten tool life.

Hold the tool firmly. Turn the tool on and wait until it attains full speed. Then gently place the tool on the workpiece surface. A finishing sander is generally used to remove only a small amount of material at a time. Since the quality of the surface is more important than the amount of stock removed, do not bear down on the tool. Keep the base flush with the workpiece at all times.

► **Fig.26**

You can sand the material with upper and down side of the pad when you sand with the triangular/rectangular pad. It is convenient when you sand an object such as louver.

► **Fig.27**

MAINTENANCE

⚠ CAUTION: Always be sure that the tool is switched off and the battery cartridge is removed before attempting to perform inspection or maintenance.

NOTICE: Never use gasoline, benzine, thinner, alcohol or the like. Discoloration, deformation or cracks may result.

To maintain product SAFETY and RELIABILITY, repairs, any other maintenance or adjustment should be performed by Makita Authorized or Factory Service Centers, always using Makita replacement parts.

After use

Wipe off the tool using a dry cloth or cloth slightly moistened with soapy water at regular intervals.

OPTIONAL ACCESSORIES

⚠ CAUTION: These accessories or attachments are recommended for use with your Makita tool specified in this manual. The use of any other accessories or attachments might present a risk of injury to persons. Only use accessory or attachment for its stated purpose.

If you need any assistance for more details regarding these accessories, ask your local Makita Service Center.

- Abrasive paper (hook and loop)
- Abrasive paper (clamp)
- Square pad (hook and loop)
- Square pad (clamp)
- Rectangular pad
- Triangular pad
- Dust bag
- Dust box
- Filter
- Paper filter
- Makita genuine battery and charger

NOTE: Some items in the list may be included in the tool package as standard accessories. They may differ from country to country.

SPÉCIFICATIONS

Modèle :		DBO484
Dimensions du plateau	Plateau carré	112 mm x 102 mm
	Plateau triangulaire	112 mm x 190 mm
	Plateau rectangulaire	112 mm x 168,5 mm
Papier abrasif	Pour plateau carré (autoagrippant)	114 mm x 102 mm
	Pour plateau carré (dispositif de serrage)	114 mm x 140 mm
	Pour plateau triangulaire	Papier rectangulaire : 114 mm x 102 mm Papier triangulaire : 96 mm
	Pour plateau rectangulaire	112 mm x 168,5 mm, 112 mm x 66 mm
Nombre d'oscillations par minute	Élevé	14 000 min ⁻¹
	Faible	11 000 min ⁻¹
Longueur totale (avec BL1860B)		171 mm
Tension nominale		18 V CC
Poids net		1,4 - 1,8 kg

- * Le plateau standard varie d'un pays à l'autre.
- Étant donné l'évolution constante de notre programme de recherche et de développement, les spécifications contenues dans ce manuel sont sujettes à modification sans préavis.
- Les spécifications et la batterie peuvent être différentes suivant les pays.
- Le poids peut être différent selon les accessoires, notamment la batterie. Les associations la plus légère et la plus lourde, conformément à la procédure EPTA 01/2014, sont indiquées dans le tableau.

Batterie et chargeur applicables

Batterie	BL1815N / BL1820B / BL1830B / BL1840B / BL1850B / BL1860B
Chargeur	DC18RC / DC18RD / DC18RE / DC18SD / DC18SE / DC18SF / DC18SH / DC18WC

- Certains chargeurs et batteries répertoriés ci-dessus peuvent ne pas être disponibles selon la région où vous résidez.

⚠ AVERTISSEMENT : N'utilisez que les batteries et les chargeurs répertoriés ci-dessus. L'utilisation d'autres batteries et chargeurs peut provoquer des blessures et/ou un incendie.

Utilisations

L'outil est conçu pour le ponçage des grandes surfaces de bois, de plastique et de métal, ainsi que des surfaces peintes.

Bruit

Niveau de bruit pondéré A typique, déterminé selon EN62841-2-4 :

Niveau de pression sonore (L_{pA}) : 78 dB (A)

Incertitude (K) : 3 dB (A)

Le niveau de bruit en fonctionnement peut dépasser 80 dB (A).

NOTE : La ou les valeurs d'émission de bruit déclarées ont été mesurées conformément à la méthode de test standard et peuvent être utilisées pour comparer les outils entre eux.

NOTE : La ou les valeurs d'émission de bruit déclarées peuvent aussi être utilisées pour l'évaluation préliminaire de l'exposition.

⚠ AVERTISSEMENT : Portez un serre-tête antibruit.

⚠ AVERTISSEMENT : L'émission de bruit lors de l'usage réel de l'outil électrique peut être différente de la ou des valeurs déclarées, suivant la façon dont l'outil est utilisé, particulièrement selon le type de pièce usinée.

⚠ AVERTISSEMENT : Les mesures de sécurité à prendre pour protéger l'utilisateur doivent être basées sur une estimation de l'exposition dans des conditions réelles d'utilisation (en tenant compte de toutes les composantes du cycle d'utilisation, comme par exemple le moment de sa mise hors tension, lorsqu'il tourne à vide et le moment de son déclenchement).

Vibrations

Valeur totale de vibrations (somme de vecteur triaxial) déterminée selon EN62841-2-4 :

Mode de travail : ponçage de la tôle (socle carré)

Émission de vibrations (a_h) : 2,5 m/s² ou moins

Incertitude (K) : 1,5 m/s²

NOTE : La ou les valeurs de vibration totales déclarées ont été mesurées conformément à la méthode de test standard et peuvent être utilisées pour comparer les outils entre eux.

NOTE : La ou les valeurs de vibration totales déclarées peuvent aussi être utilisées pour l'évaluation préliminaire de l'exposition.

⚠ AVERTISSEMENT : L'émission de vibrations lors de l'usage réel de l'outil électrique peut être différente de la ou des valeurs déclarées, suivant la façon dont l'outil est utilisé, particulièrement selon le type de pièce usinée.

⚠ AVERTISSEMENT : Les mesures de sécurité à prendre pour protéger l'utilisateur doivent être basées sur une estimation de l'exposition dans des conditions réelles d'utilisation (en tenant compte de toutes les composantes du cycle d'utilisation, comme par exemple le moment de sa mise hors tension, lorsqu'il tourne à vide et le moment de son déclenchement).

Déclarations de conformité

Pour les pays européens uniquement

Les déclarations de conformité sont fournies en Annexe A à ce mode d'emploi.

CONSIGNES DE SÉCURITÉ

Consignes de sécurité générales pour outils électriques

⚠ AVERTISSEMENT : Veuillez lire les consignes de sécurité, instructions, illustrations et spécifications qui accompagnent cet outil électrique. Le non-respect de toutes les instructions indiquées ci-dessous peut entraîner une électrocution, un incendie et/ou de graves blessures.

Conservez toutes les mises en garde et instructions pour référence ultérieure.

Le terme « outil électrique » dans les avertissements fait référence à l'outil électrique alimenté par le secteur (avec cordon d'alimentation) ou à l'outil électrique fonctionnant sur batterie (sans cordon d'alimentation).

Consignes de sécurité pour ponçeuse

1. **Utilisez toujours des lunettes de protection ou des lunettes à coques. Des lunettes ordinaires ou de soleil NE sont PAS des lunettes de protection.**
2. **Tenez l'outil fermement.**
3. **Ne vous éloignez pas de l'outil quand il fonctionne. Ne faites fonctionner l'outil que lorsque vous le tenez en main.**
4. **L'outil n'étant pas étanche, n'utilisez pas d'eau sur la surface de travail.**
5. **Ventilez bien l'aire de travail quand vous effectuez un ponçage.**
6. **Certains matériaux contiennent des produits chimiques qui peuvent être toxiques. Prenez les précautions nécessaires pour ne pas inhaler les poussières qu'ils dégagent et pour éviter tout contact avec la peau. Conformez-vous aux consignes de sécurité du fournisseur du matériau.**
7. **L'utilisation de cet outil pour poncer certains types de produit, peinture et bois peut exposer l'utilisateur à des poussières contenant des substances dangereuses. Utilisez une protection des voies respiratoires adéquate.**
8. **Avant l'utilisation, assurez-vous que le plateau n'est ni fissuré ni cassé. Il y a risque de blessure s'il est fissuré ou cassé.**
9. **Regardez où vous posez les pieds et maintenez un bon équilibre pendant l'utilisation de l'outil. Assurez-vous que personne ne se trouve dessous lorsque vous utilisez l'outil en hauteur.**

CONSERVEZ CES INSTRUCTIONS.

⚠ AVERTISSEMENT : NE vous laissez PAS tromper (au fil d'une utilisation répétée) par un sentiment d'aisance et de familiarité avec le produit, en négligeant le respect rigoureux des consignes de sécurité qui accompagnent le produit en question. La MAUVAISE UTILISATION de l'outil ou l'ignorance des consignes de sécurité indiquées dans ce mode d'emploi peut entraîner de graves blessures.

Consignes de sécurité importantes pour la batterie

1. **Avant d'utiliser la batterie, lisez toutes les instructions et précautions relatives (1) au chargeur de batterie, (2) à la batterie, et (3) au produit utilisant la batterie.**
2. **Ne désassemblez pas et ne modifiez pas la batterie. Cela pourrait entraîner un incendie, une chaleur excessive ou une explosion.**
3. **Cessez immédiatement l'utilisation si le temps de fonctionnement devient excessivement court. Il y a un risque de surchauffe, de brûlures, voire d'explosion.**

4. **Si l'électrolyte pénètre dans vos yeux, rincez-les à l'eau claire et consultez immédiatement un médecin. Il y a risque de perte de la vue.**
5. **Ne court-circuitez pas la batterie :**
 - (1) **Ne touchez les bornes avec aucun matériau conducteur.**
 - (2) **Évitez de ranger la batterie dans un conteneur avec d'autres objets métalliques, par exemple des clous, des pièces de monnaie, etc.**
 - (3) **N'exposez pas la batterie à l'eau ou à la pluie.**

Un court-circuit de la batterie peut provoquer une intensité de courant élevée, une surchauffe, parfois des brûlures et même une panne.
6. **Ne rangez ni n'utilisez l'outil et la batterie dans un endroit où la température risque d'atteindre ou de dépasser 50 °C.**
7. **Ne jetez pas la batterie au feu même si elle est sérieusement endommagée ou complètement épuisée. La batterie peut exploser au contact du feu.**
8. **Abstenez-vous de clouer, couper, écraser, jeter, laisser tomber la batterie, ou de la heurter contre un objet dur.** Cela pourrait entraîner un incendie, une chaleur excessive ou une explosion.
9. **N'utilisez pas la batterie si elle est endommagée.**
10. **Les batteries au lithium-ion contenues sont soumises aux exigences de la législation sur les marchandises dangereuses.**
Lors du transport commercial par des tierces parties ou des transitaires par exemple, des exigences spécifiques en matière d'étiquetage et d'emballage doivent être respectées.
Pour la préparation de l'article expédié, il est nécessaire de consulter un expert en matériau dangereux. Veuillez également respecter les réglementations nationales susceptibles d'être plus détaillées.
Recouvrez les contacts exposés avec du ruban adhésif ou du ruban de masquage et emballez la batterie de telle sorte qu'elle ne puisse pas bouger dans l'emballage.
11. **Lors de la mise au rebut de la batterie, retirez-la de l'outil et jetez-la en lieu sûr. Suivez les réglementations locales en matière de mise au rebut des batteries.**
12. **Utilisez les batteries uniquement avec les produits spécifiés par Makita.** L'insertion de batteries dans des produits non conformes peut provoquer un incendie, une chaleur excessive, une explosion ou une fuite de l'électrolyte.
13. **Lorsque vous n'utilisez pas l'outil pendant une période prolongée, la batterie doit être retirée de l'outil.**
14. **Pendant et après l'utilisation, la batterie peut chauffer, ce qui peut entraîner des brûlures, y compris en cas de température relativement basse. Manipulez les batteries chaudes avec précaution.**
15. **Ne touchez pas la borne de l'outil immédiatement après utilisation car elle peut être assez chaude pour provoquer des brûlures.**
16. **Évitez que des copeaux, de la poussière ou du sol adhèrent aux bornes, aux trous et aux rainures de la batterie.** Cela peut provoquer un échauffement, un incendie, une explosion ou un dysfonctionnement de l'outil ou de la batterie, ce qui peut entraîner des brûlures ou des blessures.
17. **À moins que l'outil prenne en charge un tel usage, n'utilisez pas la batterie à proximité de lignes électriques haute tension.** Cela pourrait entraîner un dysfonctionnement ou casser l'outil ou la batterie.
18. **Conservez la batterie hors de portée des enfants.**

CONSERVEZ CES INSTRUCTIONS.

⚠ATTENTION : N'utilisez que des batteries **Makita d'origine.** L'utilisation de batteries de marque autre que Makita ou de batteries modifiées peut provoquer l'explosion des batteries, ce qui présente un risque d'incendie, de dommages matériels et corporels. Cela annulera également la garantie Makita pour l'outil et le chargeur Makita.

Conseils pour assurer la durée de vie optimale de la batterie

1. **Chargez la batterie avant qu'elle ne soit complètement déchargée. Arrêtez toujours l'outil et rechargez la batterie quand vous remarquez que la puissance de l'outil diminue.**
2. **Ne rechargez jamais une batterie complètement chargée. La surcharge réduit la durée de service de la batterie.**
3. **Chargez la batterie à une température ambiante comprise entre 10 °C et 40 °C. Avant de charger une batterie chaude, laissez-la refroidir.**
4. **Lorsque vous n'utilisez pas la batterie, retirez-la de l'outil ou du chargeur.**
5. **Rechargez la batterie si elle est restée inutilisée pendant une période prolongée (plus de six mois).**

DESCRIPTION DU FONCTIONNEMENT

ATTENTION : Assurez-vous toujours que l'outil est hors tension et que sa batterie est retirée avant de l'ajuster ou de vérifier son fonctionnement.

Insertion ou retrait de la batterie

ATTENTION : Éteignez toujours l'outil avant de mettre en place ou de retirer la batterie.

ATTENTION : Tenez fermement l'outil et la batterie lors de la mise en place ou du retrait de la batterie. Si vous ne tenez pas fermement l'outil et la batterie, ils peuvent vous glisser des mains, et s'abîmer ou vous blesser.

► Fig.1: 1. Indicateur rouge 2. Bouton 3. Batterie

Pour retirer la batterie, faites-la glisser hors de l'outil tout en faisant glisser le bouton à l'avant de la batterie.

Pour mettre la batterie en place, alignez la languette de la batterie avec la rainure du compartiment puis insérez la batterie. Insérez-la entièrement jusqu'à entendre un léger dé clic indiquant qu'elle est bien en place. Si vous pouvez voir l'indicateur rouge comme illustré sur la figure, c'est qu'elle n'est pas bien verrouillée.

ATTENTION : Insérez toujours complètement la batterie jusqu'à ce que l'indicateur rouge ne soit plus visible. Sinon, elle pourrait tomber accidentellement de l'outil, au risque de vous blesser ou de blesser quelqu'un se trouvant près de vous.

ATTENTION : N'insérez pas la batterie de force. Si elle ne glisse pas facilement, c'est que vous ne l'insérez pas correctement.

Indication de la charge restante de la batterie

Uniquement pour les batteries avec voyant lumineux

► Fig.2: 1. Témoins 2. Bouton de vérification

Appuyez sur le bouton de vérification sur la batterie pour indiquer la charge restante de la batterie. Les témoins s'allument pendant quelques secondes.

Témoins			Charge restante
Allumé	Éteint	Cignotant	
			75 % à 100 %
			50 % à 75 %
			25 % à 50 %
			0 % à 25 %
			Chargez la batterie.
			Anomalie possible de la batterie.

NOTE : Selon les conditions d'utilisation et la température ambiante, l'indication peut être légèrement différente de la capacité réelle.

NOTE : Le premier témoin (complètement à gauche) clignotera pendant le fonctionnement du système de protection de la batterie.

Système de protection de l'outil/la batterie

L'outil est équipé d'un système de protection de l'outil/la batterie. Ce système coupe automatiquement l'alimentation vers le moteur pour prolonger la durée de vie de l'outil et de la batterie. Si l'outil ou la batterie se trouve dans l'une des situations suivantes, l'outil cessera automatiquement de fonctionner.

Protection contre la surcharge

Lorsque l'outil ou la batterie est utilisé d'une manière provoquant un appel de courant anormalement élevé, l'outil s'arrête automatiquement sans indication. Dans ce cas, éteignez l'outil et arrêtez la tâche ayant provoqué la surcharge de l'outil. Puis rallumez l'outil pour reprendre la tâche.

Protection contre la surchauffe

En cas de surchauffe de l'outil ou de la batterie, l'outil s'arrête automatiquement. Dans ce cas, laissez l'outil et la batterie refroidir avant de rallumer l'outil.

Protection contre la décharge totale de la batterie

Lorsque la charge de la batterie est insuffisante, l'outil s'arrête automatiquement. Dans ce cas, retirez la batterie de l'outil et chargez-la.

Protections contre d'autres causes

Le système de protection est également conçu pour d'autres causes qui pourraient endommager l'outil et lui permet de s'arrêter automatiquement. Suivez toutes les étapes ci-dessous pour éliminer les causes, lorsque l'outil a été arrêté provisoirement ou a cessé de fonctionner.

1. Éteignez l'outil, puis rallumez-le pour le redémarrer.
2. Chargez la ou les batteries ou remplacez-les par des batteries rechargées.
3. Laissez l'outil et la ou les batteries refroidir.

En l'absence d'amélioration après avoir rétabli le système de protection, contactez votre centre de service Makita local.

Fonctionnement de la gâchette

⚠ ATTENTION : Évitez de mettre l'outil sous tension alors qu'il est placé sur la pièce ou sur un établi. Cela pourrait provoquer des dommages corporels ou matériels.

Mise sous et hors tension de l'outil

Appuyez sur le bouton d'alimentation/de sélection de la vitesse pour démarrer l'outil. L'outil démarre à sa vitesse orbitale la plus élevée.

Appuyez sur le bouton d'arrêt pour arrêter l'outil.

► **Fig.3:** 1. Bouton d'alimentation/de sélection de la vitesse 2. Bouton d'arrêt

Changement de vitesse de l'outil

La vitesse orbitale peut être changée selon deux modes : élevé et faible. Choisissez l'un des modes en fonction de l'application et de la charge de travail.

Appuyez sur le bouton d'alimentation/de sélection de la vitesse pour changer de mode de vitesse pendant que l'outil tourne.

► **Fig.4:** 1. Bouton d'alimentation/de sélection de la vitesse

Tableau des réglages de la vitesse

Niveau de vitesse	Orbital par minute
2 (Élevé)	14 000 min ⁻¹
1 (Faible)	11 000 min ⁻¹

REMARQUE : Si l'outil est utilisé de manière continue à vitesse basse sur une période prolongée, le moteur surchauffera, entraînant un dysfonctionnement de l'outil.

REMARQUE : Sélectionnez une plage de vitesse appropriée pour vos opérations de ponçage afin d'éviter la surchauffe et la fonte de la pièce. Poncer à une vitesse orbitale élevée peut chauffer la pièce et la faire fondre au point de contact.

ASSEMBLAGE

⚠ ATTENTION : Assurez-vous toujours que l'outil est hors tension et que sa batterie est retirée avant d'effectuer toute tâche dessus.

Pose et dépose du papier abrasif

⚠ ATTENTION : Assurez-vous toujours qu'une feuille de papier abrasif est posée solidement avant utilisation. Le papier pourrait autrement bouger, se retirer facilement et glisser, provoquant un ponçage inégal.

NOTE : Il est plus facile d'accrocher le papier en le pliant au préalable.

Utilisation de papier abrasif autoagrippant

⚠ ATTENTION : Assurez-vous d'installer le plateau autoagrippant correctement et solidement. Une mauvaise fixation entraînera un déséquilibre et des vibrations excessives, provoquant une perte de contrôle.

⚠ ATTENTION : Assurez-vous que le plateau autoagrippant et le papier abrasif sont alignés et solidement fixés.

⚠ ATTENTION : Utilisez uniquement du papier abrasif autoagrippant. L'utilisation de papier abrasif sensible à la pression est à exclure.

1. Enlevez toute la saleté et tout corps étranger du plateau autoagrippant.
2. Collez une feuille de papier abrasif autoagrippant en option sur le plateau, en alignant les orifices d'aspiration de la poussière du papier avec ceux sur le plateau.
► **Fig.5:** 1. Papier abrasif 2. Plateau 3. Orifices d'aspiration de la poussière
3. Pour retirer le papier abrasif, décollez-le du bord.

Utilisation de papier abrasif sans orifice d'aspiration de la poussière

Accessoire en option

1. Découpez une feuille de papier abrasif à la taille appropriée.
► **Fig.6:** 1. Papier abrasif 2. Plateau
2. Maintenez enfoncé le levier de serrage sur l'avant ou l'arrière du plateau, et éloignez-le de la butée en le faisant glisser, de sorte que le dispositif de serrage soit libéré de sa position verrouillée.
3. Tirez le levier de serrage vers l'extérieur aussi loin que possible pour créer un espace entre le dispositif de serrage et la paroi latérale du socle de ponçage dans lequel une extrémité du papier abrasif peut être insérée.
4. Insérez une extrémité du papier abrasif dans l'espace entre le dispositif de serrage et le socle de ponçage.
5. Remplacez le papier abrasif de sorte qu'il recouvre parfaitement la surface du plateau.
6. Remettez le levier de serrage dans la position verrouillée pour serrer solidement l'extrémité du papier abrasif.
7. Dégagez le dispositif de serrage sur l'autre extrémité et préparez-vous à serrer l'autre extrémité du papier abrasif.
8. Maintenez une tension adéquate sur le papier abrasif, puis placez le levier de serrage sur l'autre extrémité en position verrouillée.
► **Fig.7:** 1. Papier abrasif 2. Dispositif de serrage 3. Socle de ponçage 4. Levier de serrage 5. Butée
9. Couvrez le papier abrasif avec le porte-poinçon en plaçant ses butées de positionnement adjacentes au coin bien insérées dans les deux bords latéraux du plateau et du socle de ponçage.
► **Fig.8:** 1. Papier abrasif 2. Porte-poinçon 3. Butées de positionnement 4. Plateau 5. Socle de ponçage

10. Poussez le porte-poinçon sur le papier abrasif pour faire des orifices d'aspiration de la poussière.
11. Pour retirer le papier abrasif, dégagez les dispositifs de serrage des deux extrémités et décollez le papier du plateau.

Utilisation de papier abrasif avec orifice d'aspiration de la poussière

Accessoire en option

1. Maintenez enfoncé le levier de serrage sur l'avant ou l'arrière du plateau, et éloignez-le de la butée en le faisant glisser, de sorte que le dispositif de serrage soit libéré de sa position verrouillée.
2. Tirez le levier de serrage vers l'extérieur aussi loin que possible pour créer un espace entre le dispositif de serrage et la paroi latérale du socle de ponçage dans lequel une extrémité du papier abrasif peut être insérée.

3. Placez une feuille de papier abrasif sur le plateau, en alignant les orifices d'aspiration de la poussière du papier avec ceux sur le plateau.

► **Fig.9:** 1. Papier abrasif 2. Plateau 3. Orifice d'aspiration de la poussière

4. Insérez une extrémité du papier abrasif dans l'espace entre le dispositif de serrage et le socle de ponçage.
5. Remplacez le levier de serrage dans la position verrouillée de sorte que l'extrémité du papier abrasif soit solidement serrée.

6. Dégagez le dispositif de serrage sur l'autre extrémité et préparez-vous à serrer l'autre extrémité du papier abrasif.

7. Maintenez une tension adéquate sur le papier abrasif, puis placez le levier de serrage sur l'autre extrémité en position verrouillée.

► **Fig.10:** 1. Papier abrasif 2. Dispositif de serrage 3. Socle de ponçage 4. Levier de serrage 5. Butée

8. Pour retirer le papier abrasif, dégagez les dispositifs de serrage des deux extrémités et décollez le papier du plateau.

Utilisation de papier abrasif triangulaire/rectangulaire

Accessoire en option

⚠ATTENTION : Assurez-vous d'installer le plateau autoagrippant correctement et solidement. Une mauvaise fixation entraînera un déséquilibre et des vibrations excessives, provoquant une perte de contrôle.

⚠ATTENTION : Assurez-vous que le plateau autoagrippant et le papier abrasif sont alignés et solidement fixés.

⚠ATTENTION : Utilisez uniquement du papier abrasif autoagrippant. L'utilisation de papier abrasif sensible à la pression est à exclure.

REMARQUE : Le capuchon ou le joint torique peut se détacher du socle de ponçage pendant le remplacement du plateau. Veillez à remettre le capuchon ou le joint torique dans l'orifice circulaire ou la rainure circulaire autour du centre du socle avant d'installer le plateau en option.

► **Fig.11:** 1. Joint torique 2. Socle de ponçage 3. Rainure circulaire

1. Desserrez et retirez les quatre vis maintenant en place le plateau et le socle de ponçage.

► **Fig.12:** 1. Vis 2. Plateau 3. Socle de ponçage

2. Remplacez le plateau équipé en série par un plateau triangulaire/rectangulaire.

3. Resserrez fermement les vis pour maintenir en place le plateau triangulaire/rectangulaire.

Plateau triangulaire

► **Fig.13:** 1. Vis 2. Plateau triangulaire 3. Socle de ponçage

Vous pouvez poser le papier abrasif sur le côté du plateau comme illustré.

► **Fig.14:** 1. Papier abrasif 2. Plateau

Plateau rectangulaire

► **Fig.15:** 1. Vis 2. Plateau rectangulaire 3. Socle de ponçage

4. Enlevez toute la saleté et tout corps étranger du plateau triangulaire/rectangulaire.

5. Collez une feuille de papier abrasif autoagrippant en option sur le plateau triangulaire/rectangulaire, en alignant les orifices d'aspiration de la poussière du papier avec ceux sur le plateau.

Plateau triangulaire

► **Fig.16:** 1. Papier abrasif 2. Plateau triangulaire 3. Orifices d'aspiration de la poussière

Plateau rectangulaire

► **Fig.17:** 1. Papier abrasif 2. Plateau rectangulaire 3. Orifices d'aspiration de la poussière

6. Pour retirer le papier abrasif, décollez-le du bord.

Mise en place et retrait du sac à poussière

Accessoire en option

Fixez le sac à poussière sur le bec à poussière en forme de cône au dos du carter du moteur. Insérez à fond l'orifice d'admission de la poussière du sac sur le bec à poussière pour éviter qu'il ne se détache pendant le fonctionnement.

► **Fig.18:** 1. Bec à poussière 2. Orifice d'admission de la poussière 3. Sac à poussière

REMARQUE : Ne tenez pas le sac à poussière lorsque vous transportez l'outil. Autrement, l'outil pourrait tomber et être endommagé.

NOTE : Pour garantir une collecte optimale des poussières, videz le sac à poussière lorsqu'il est plein à environ la moitié de sa capacité.

Retirez le sac à poussière de l'outil et retirez la buse d'aspiration de la poussière. Ensuite, secouez ou tapotez légèrement le sac à poussière pour le vider.

► **Fig.19:** 1. Buse d'aspiration de la poussière

Mise en place et retrait du récipient à sciure

Accessoire en option

Fixez le récipient à sciure sur le bec à poussière en forme de cône au dos du carter du moteur. Insérez à fond l'orifice d'admission de la poussière sur le bec à poussière pour éviter qu'il ne se détache pendant le fonctionnement.

► **Fig.20:** 1. Bec à poussière 2. Orifice d'admission de la poussière 3. Buse d'aspiration de la poussière 4. Récipient à sciure

REMARQUE : Ne tenez pas le récipient à sciure lorsque vous transportez l'outil. Autrement, l'outil pourrait tomber et être endommagé.

NOTE : Pour garantir une collecte optimale des poussières, videz le récipient à sciure lorsqu'il est plein à environ la moitié de sa capacité.

1. Retirez le récipient à sciure de l'outil.
2. Détachez la buse d'aspiration de la poussière du récipient tout en maintenant enfoncés les loquets de verrouillage des deux côtés du récipient.
3. Secouez ou tapotez légèrement le récipient à sciure pour le vider.

Remplacement du filtre papier

REMARQUE : Lorsque vous réassemblez les composants, veillez à aligner les logos sur le récipient à sciure, le filtre papier et la buse d'aspiration de la poussière dans une orientation cohérente.

1. Retirez le récipient à sciure de l'outil.
 2. Détachez la buse d'aspiration de la poussière du récipient tout en maintenant enfoncés les loquets de verrouillage des deux côtés du récipient.
- **Fig.21:** 1. Buse d'aspiration de la poussière
2. Récipient à sciure 3. Loquet de verrouillage
3. Tenez le bord supérieur intérieur de l'ouverture en carton et tirez-le vers le bas pour dégager le bord supérieur extérieur de l'ouverture en carton de la languette d'accrochage supérieure sur le rebord du récipient à sciure.

4. Retirez le filtre papier du récipient à sciure tout en tirant le bord inférieur extérieur de l'ouverture en carton pour le dégager de la languette d'accrochage inférieure.
- **Fig.22:** 1. Filtre papier 2. Ouverture en carton
3. Languette d'accrochage supérieure
4. Languette d'accrochage inférieure
5. Récipient à sciure

5. Remplacez un filtre papier en engageant le bord inférieur de l'ouverture en carton dans la languette d'accrochage inférieure et poussez le bord supérieur vers l'intérieur jusqu'à ce qu'il s'enclenche dans la languette d'accrochage supérieure.

► **Fig.23:** 1. Filtre papier 2. Ouverture en carton
3. Languette d'accrochage supérieure
4. Languette d'accrochage inférieure
5. Récipient à sciure

6. Enclenchez la buse d'aspiration de la poussière tout en maintenant enfoncés les loquets de verrouillage des deux côtés du récipient à sciure.

► **Fig.24:** 1. Buse d'aspiration de la poussière
2. Récipient à sciure 3. Loquet de verrouillage

Raccordement à un aspirateur

Accessoire en option

Pour un ponçage propre, raccordez un aspirateur Makita à votre outil. Utilisez un tuyau de 28 mm en option ou une combinaison du manchon avant 22 et du tuyau fourni avec l'aspirateur pour établir un raccordement.

► **Fig.25:** 1. Bec à poussière 2. Manchon avant
3. Tuyau 4. Aspirateur

UTILISATION

Opération de ponçage

ATTENTION : Assurez-vous toujours que la pièce à travailler est solidement fixée.

REMARQUE : Ne faites jamais fonctionner l'outil sans papier abrasif. Vous risqueriez de gravement endommager le plateau.

REMARQUE : Ne forcez jamais sur l'outil. Une pression trop importante peut diminuer l'efficacité du ponçage, endommager le papier abrasif et/ou réduire la durée de service de l'outil.

Tenez l'outil fermement. Mettez l'outil sous tension et attendez qu'il atteigne sa pleine vitesse. Puis placez délicatement l'outil sur la surface de la pièce. Une ponceuse orbitale sert généralement à retirer seulement une petite quantité de matériau à la fois. Étant donné que la qualité de la surface prime sur la quantité de matériau retiré, n'appuyez pas sur l'outil. Tenez constamment la base au ras de la pièce.

► **Fig.26**

Vous pouvez poncer le matériau avec les côtés supérieur et inférieur du plateau lorsque vous poncez avec le plateau triangulaire/rectangulaire. Cela est pratique pour le ponçage d'un objet tel qu'une persienne.

► **Fig.27**

ENTRETIEN

ATTENTION : Assurez-vous toujours que l'outil est hors tension et que la batterie est retirée avant d'y effectuer tout travail d'inspection ou d'entretien.

REMARQUE : N'utilisez jamais d'essence, benzine, diluant, alcool ou autre produit similaire. Cela risquerait de provoquer la décoloration, la déformation ou la fissuration de l'outil.

Pour assurer la SÉCURITÉ et la FIABILITÉ du produit, toute réparation, tout travail d'entretien ou de réglage doivent être effectués par un centre d'entretien Makita agréé, avec des pièces de rechange Makita.

Après l'utilisation

Essuyez l'outil à intervalles réguliers au moyen d'un chiffon sec ou légèrement imbibé d'eau savonneuse.

ACCESSOIRES EN OPTION

⚠ ATTENTION : Ces accessoires ou pièces complémentaires sont recommandés pour l'utilisation avec l'outil Makita spécifié dans ce mode d'emploi. L'utilisation de tout autre accessoire ou pièce complémentaire peut comporter un risque de blessure. N'utilisez les accessoires ou pièces complémentaires qu'aux fins auxquelles ils ont été conçus.

Pour obtenir plus de détails sur ces accessoires, contactez votre centre d'entretien local Makita.

- Papier abrasif (autoagrippant)
- Papier abrasif (dispositif de serrage)
- Plateau carré (autoagrippant)
- Plateau carré (dispositif de serrage)
- Plateau rectangulaire
- Plateau triangulaire
- Sac à poussière
- Récipient à sciure
- Filtre
- Filtre papier
- Batterie et chargeur Makita d'origine

NOTE : Il se peut que certains éléments de la liste soient compris dans l'emballage de l'outil en tant qu'accessoires standard. Ils peuvent varier d'un pays à l'autre.

TECHNISCHE DATEN

Modell:		DBO484
Schleiftellergröße	Quadratischer Schleifteller	112 mm x 102 mm
	Dreieckiger Schleifteller	112 mm x 190 mm
	Rechteckiger Schleifteller	112 mm x 168,5 mm
Schleifpapier	Für quadratischen Schleifteller (Klettverschluss)	114 mm x 102 mm
	Für quadratischen Schleifteller (Klemme)	114 mm x 140 mm
	Für dreieckigen Schleifteller	Rechteckiges Schleifpapier: 114 mm x 102 mm Dreieckiges Schleifpapier: 96 mm
	Für rechteckigen Schleifteller	112 mm x 168,5 mm, 112 mm x 66 mm
Umdrehungen pro Minute	Hoch	14.000 min ⁻¹
	Niedrig	11.000 min ⁻¹
Gesamtlänge (mit BL1860B)		171 mm
Nennspannung		18 V Gleichstrom
Nettogewicht		1,4 - 1,8 kg

- * Der Standard-Schleifteller ist von Land zu Land unterschiedlich.
- Wir behalten uns vor, Änderungen der technischen Daten im Zuge der Entwicklung und des technischen Fortschritts ohne vorherige Ankündigung vorzunehmen.
- Die technischen Daten und der Akku können von Land zu Land unterschiedlich sein.
- Das Gewicht kann abhängig von dem Aufsatz (den Aufsätzen), einschließlich des Akkus, unterschiedlich sein. Die leichteste und die schwerste Kombination, gemäß dem EPTA-Verfahren 01/2014, sind in der Tabelle angegeben.

Zutreffende Akkus und Ladegeräte

Akku	BL1815N / BL1820B / BL1830B / BL1840B / BL1850B / BL1860B
Ladegerät	DC18RC / DC18RD / DC18RE / DC18SD / DC18SE / DC18SF / DC18SH / DC18WC

- Einige der oben aufgelisteten Akkus und Ladegeräte sind je nach Ihrem Wohngebiet eventuell nicht erhältlich.

⚠️ WARNUNG: Verwenden Sie nur die oben aufgeführten Akkus und Ladegeräte. Bei Verwendung irgendwelcher anderer Akkus und Ladegeräte besteht Verletzungs- und/oder Brandgefahr.

Vorgesehene Verwendung

Das Werkzeug ist für das Schleifen großer Flächen von Holz, Kunststoff und Metallmaterial sowie von lackierten Oberflächen vorgesehen.

Geräusch

Typischer A-bewerteter Geräuschpegel ermittelt gemäß EN62841-2-4:

Schalldruckpegel (L_{pA}): 78 dB (A)
Messunsicherheit (K): 3 dB (A)

Der Geräuschpegel kann während des Betriebs 80 dB (A) überschreiten.

HINWEIS: Der (Die) angegebene(n) Schallemissionswert(e) wurde(n) im Einklang mit der Standardprüfmethode gemessen und kann (können) für den Vergleich zwischen Werkzeugen herangezogen werden.

HINWEIS: Der (Die) angegebene(n) Schallemissionswert(e) kann (können) auch für eine Vorbewertung des Gefährdungsgrads verwendet werden.

⚠️ WARNUNG: Einen Gehörschutz tragen.

⚠️ WARNUNG: Die Schallemission während der tatsächlichen Benutzung des Elektrowerkzeugs kann je nach der Benutzungsweise des Werkzeugs, und speziell je nach der Art des bearbeiteten Werkstücks, von dem (den) angegebenen Wert(en) abweichen.

⚠️ WARNUNG: Identifizieren Sie Sicherheitsmaßnahmen zum Schutz des Benutzers anhand einer Schätzung des Gefährdungsgrads unter den tatsächlichen Benutzungsbedingungen (unter Berücksichtigung aller Phasen des Arbeitszyklus, wie z. B. Ausschalt- und Leerlaufzeiten des Werkzeugs zusätzlich zur Betriebszeit).

Schwingungen

Schwingungsgesamtwert (Drei-Achsen-Vektorsumme) ermittelt gemäß EN62841-2-4:

Arbeitsmodus: Schleifen von Metallplatten (quadratische Grundplatte)

Schwingungsemission (a_v): 2,5 m/s² oder weniger
Messunsicherheit (K): 1,5 m/s²

HINWEIS: Der (Die) angegebene(n)

Vibrationsgesamtwert(e) wurde(n) im Einklang mit der Standardprüfungsmethode gemessen und kann (können) für den Vergleich zwischen Werkzeugen herangezogen werden.

HINWEIS: Der (Die) angegebene(n)

Vibrationsgesamtwert(e) kann (können) auch für eine Vorbewertung des Gefährdungsgrads verwendet werden.

⚠️ WARNUNG: Die Vibrationsemission während der tatsächlichen Benutzung des Elektrowerkzeugs kann je nach der Benutzungsweise des Werkzeugs, und speziell je nach der Art des bearbeiteten Werkstücks, von dem (den) angegebenen Emissionswert(en) abweichen.

⚠️ WARNUNG: Identifizieren Sie Sicherheitsmaßnahmen zum Schutz des Benutzers anhand einer Schätzung des Gefährdungsgrads unter den tatsächlichen Benutzungsbedingungen (unter Berücksichtigung aller Phasen des Arbeitszyklus, wie z. B. Ausschalt- und Leerlaufzeiten des Werkzeugs zusätzlich zur Betriebszeit).

Konformitätserklärungen

Nur für europäische Länder

Die Konformitätserklärungen sind in Anhang A dieser Betriebsanleitung enthalten.

SICHERHEITSWARNUNGEN

Allgemeine Sicherheitswarnungen für Elektrowerkzeuge

⚠️ WARNUNG: Lesen Sie alle mit diesem Elektrowerkzeug gelieferten Sicherheitswarnungen, Anweisungen, Abbildungen und technischen Daten durch. Eine Missachtung der unten aufgeführten Anweisungen kann zu einem elektrischen Schlag, Brand und/oder schweren Verletzungen führen.

Bewahren Sie alle Warnungen und Anweisungen für spätere Bezugnahme auf.

Der Ausdruck „Elektrowerkzeug“ in den Warnhinweisen bezieht sich auf Ihr mit Netzstrom (mit Kabel) oder Akku (ohne Kabel) betriebenes Elektrowerkzeug.

Sicherheitswarnungen für Schleifer

1. **Tragen Sie stets eine Sicherheits- oder Schutzbrille. Eine gewöhnliche Brille oder Sonnenbrille ist KEIN Ersatz für eine Sicherheitsbrille.**
2. **Halten Sie das Werkzeug mit festem Griff.**
3. **Lassen Sie das Werkzeug nicht unbeaufsichtigt laufen. Benutzen Sie das Werkzeug nur im handgeführten Einsatz.**
4. **Dieses Werkzeug ist nicht wasserdicht. Benutzen Sie daher die Bearbeitungsfläche nicht mit Wasser.**
5. **Sorgen Sie für ausreichende Belüftung des Arbeitsplatzes beim Schleifen.**
6. **Manche Materialien können giftige Chemikalien enthalten. Treffen Sie Vorsichtsmaßnahmen, um das Einatmen von Arbeitsstaub und Hautkontakt zu verhindern. Befolgen Sie die Sicherheitsdaten des Materialherstellers.**
7. **Der Gebrauch dieses Werkzeugs zum Schleifen bestimmter Produkte, Lacke und Holz kann den Benutzer Staub aussetzen, der gefährliche Substanzen enthält. Verwenden Sie einen geeigneten Atemschutz.**
8. **Vergewissern Sie sich vor dem Gebrauch, dass der Schleifteller keine Risse oder Brüche aufweist. Risse oder Brüche können Personenschäden verursachen.**
9. **Achten Sie beim Arbeiten mit dem Werkzeug auf sicheren Stand und Gleichgewicht. Vergewissern Sie sich bei Arbeiten an hohen Orten, dass sich niemand unterhalb aufhält.**

BEWAHREN SIE DIESE ANLEITUNG AUF.

⚠️ WARNUNG: Lassen Sie sich NICHT durch Bequemlichkeit oder Vertrautheit mit dem Produkt (durch wiederholten Gebrauch erworben) von der strikten Einhaltung der Sicherheitsregeln für das vorliegende Produkt abhalten. MISSBRAUCH oder Missachtung der Sicherheitsvorschriften in dieser Anleitung können schwere Personenschäden verursachen.

Wichtige Sicherheitsanweisungen für Akku

1. **Lesen Sie vor der Benutzung des Akkus alle Anweisungen und Warnhinweise, die an (1) Ladegerät, (2) Akku und (3) Akkuwerkzeug angebracht sind.**
2. **Unterlassen Sie Zerlegen oder Manipulieren des Akkus.** Es kann sonst zu einem Brand, übermäßiger Hitzeentwicklung oder einer Explosion kommen.
3. **Falls die Betriebszeit beträchtlich kürzer geworden ist, stellen Sie den Betrieb sofort ein. Anderenfalls besteht die Gefahr von Überhitzung, möglichen Verbrennungen und sogar einer Explosion.**

4. Falls Elektrolyt in Ihre Augen gelangt, waschen Sie sie mit sauberem Wasser aus, und begeben Sie sich unverzüglich in ärztliche Behandlung. Anderenfalls können Sie Ihre Sehkraft verlieren.
5. Der Akku darf nicht kurzgeschlossen werden:
 - (1) Die Kontakte dürfen nicht mit leitfähigem Material berührt werden.
 - (2) Lagern Sie den Akku nicht in einem Behälter zusammen mit anderen Metallgegenständen, wie z. B. Nägel, Münzen usw.
 - (3) Setzen Sie den Akku weder Wasser noch Regen aus.

Ein Kurzschluss des Akkus verursacht starken Stromfluss, der Überhitzung, mögliche Verbrennungen und einen Defekt zur Folge haben kann.

6. Lagern und benutzen Sie das Werkzeug und den Akku nicht an Orten, an denen die Temperatur 50 °C erreichen oder überschreiten kann.

7. Versuchen Sie niemals, den Akku zu verbrennen, selbst wenn er stark beschädigt oder vollkommen verbraucht ist. Der Akku kann im Feuer explodieren.

8. Unterlassen Sie Nageln, Schneiden, Zerquetschen, Werfen, Fallenlassen des Akkus oder Schlagen des Akkus mit einem harten Gegenstand. Eine solche Handlung kann zu einem Brand, übermäßiger Hitzeentwicklung oder einer Explosion führen.

9. Benutzen Sie keine beschädigten Akkus.

10. Die enthaltenen Lithium-Ionen-Akkus unterliegen den Anforderungen der Gefahrgut-Gesetzgebung.

Für kommerzielle Transporte, z. B. durch Dritte oder Spediteure, müssen besondere Anforderungen zu Verpackung und Etikettierung beachtet werden.

Zur Vorbereitung des zu transportierenden Artikels ist eine Beratung durch einen Experten für Gefahrgut erforderlich. Bitte beachten Sie möglicherweise ausführlichere nationale Vorschriften. Überkleben oder verdecken Sie offene Kontakte, und verpacken Sie den Akku so, dass er sich in der Verpackung nicht umher bewegen kann.

11. Entfernen Sie den Akku zum Entsorgen vom Werkzeug, und entsorgen Sie ihn an einem sicheren Ort. Befolgen Sie die örtlichen Vorschriften bezüglich der Entsorgung von Akkus.
12. Verwenden Sie die Akkus nur mit den von Makita angegebenen Produkten. Das Einsetzen der Akkus in nicht konforme Produkte kann zu einem Brand, übermäßiger Hitzebildung, einer Explosion oder Auslaufen von Elektrolyt führen.
13. Soll das Werkzeug längere Zeit nicht benutzt werden, muss der Akku vom Werkzeug entfernt werden.
14. Bei und nach dem Gebrauch kann der Akku heiß werden, was Verbrennungen oder Niedertemperaturverbrennungen verursachen kann. Beachten Sie die Handhabung von heißen Akkus.

15. Berühren Sie nicht den Anschlusskontakt des Werkzeugs unmittelbar nach dem Gebrauch, da er heiß genug werden kann, um Verbrennungen zu verursachen.
16. Achten Sie darauf, dass sich keine Späne, Staub oder Schmutz in den Anschlusskontakten, Löchern und Nuten des Akkus absetzen. Es könnte sonst zu Erhitzung, Brandauslösung, Bersten und Funktionsstörungen des Werkzeugs oder des Akkus kommen, was zu Verbrennungen oder Personenschäden führen kann.
17. Wenn das Werkzeug den Einsatz in der Nähe einer Hochspannungs-Stromleitung nicht unterstützt, benutzen Sie den Akku nicht in der Nähe einer Hochspannungs-Stromleitung. Dies kann zu einer Funktionsstörung oder Betriebsstörung des Werkzeugs oder des Akkus führen.
18. Halten Sie die Batterie von Kindern fern.

DIESE ANWEISUNGEN AUFBEWAHREN.

⚠ VORSICHT: Verwenden Sie nur Original-Makita-Akkus. Die Verwendung von Nicht-Original-Makita-Akkus oder von Akkus, die abgeändert worden sind, kann zum Bersten des Akkus und daraus resultierenden Bränden, Personenschäden und Beschädigung führen. Außerdem wird dadurch die Makita-Garantie für das Makita-Werkzeug und -Ladegerät ungültig.

Hinweise zur Aufrechterhaltung der maximalen Akku-Nutzungsdauer

1. Laden Sie den Akku, bevor er vollkommen erschöpft ist. Schalten Sie das Werkzeug stets aus, und laden Sie den Akku, wenn Sie ein Nachlassen der Werkzeugeistung feststellen.
2. Unterlassen Sie erneutes Laden eines voll aufgeladenen Akkus. Überladen führt zu einer Verkürzung der Nutzungsdauer des Akkus.
3. Laden Sie den Akku bei Raumtemperatur zwischen 10 – 40 °C. Lassen Sie einen heißen Akku abkühlen, bevor Sie ihn laden.
4. Wenn Sie den Akku nicht benutzen, nehmen Sie ihn vom Werkzeug oder Ladegerät ab.
5. Der Akku muss geladen werden, wenn er lange Zeit (länger als sechs Monate) nicht benutzt wird.

FUNKTIONSBESCHREIBUNG

⚠ VORSICHT: Vergewissern Sie sich vor der Durchführung von Einstellungen oder Funktionsprüfungen des Werkzeugs stets, dass das Werkzeug ausgeschaltet und der Akku abgenommen ist.

Anbringen und Abnehmen des Akkus

⚠ VORSICHT: Schalten Sie das Werkzeug stets aus, bevor Sie den Akku anbringen oder abnehmen.

⚠ VORSICHT: Halten Sie das Werkzeug und den Akku beim Anbringen oder Abnehmen des Akkus sicher fest. Wenn Sie das Werkzeug und den Akku nicht sicher festhalten, können sie Ihnen aus der Hand rutschen, was zu einer Beschädigung des Werkzeugs und des Akkus und zu Körperverletzungen führen kann.

► **Abb.1:** 1. Rote Anzeige 2. Knopf 3. Akku

Ziehen Sie den Akku zum Abnehmen vom Werkzeug ab, während Sie den Knopf an der Vorderseite des Akkus verschieben.

Richten Sie zum Anbringen des Akkus dessen Führungsfeder auf die Nut im Gehäuse aus, und schieben Sie den Akku hinein. Schieben Sie ihn vollständig ein, bis er mit einem leisen Klicken einrastet. Wenn Sie die rote Anzeige sehen können, wie in der Abbildung gezeigt, ist der Akku nicht vollständig verriegelt.

⚠ VORSICHT: Schieben Sie den Akku stets bis zum Anschlag ein, bis die rote Anzeige nicht mehr sichtbar ist. Andernfalls kann er aus dem Werkzeug herausfallen und Sie oder umstehende Personen verletzen.

⚠ VORSICHT: Unterlassen Sie Gewaltanwendung beim Anbringen des Akkus. Falls der Akku nicht reibungslos hineingleitet, ist er nicht richtig ausgerichtet.

Anzeigen der Akku-Restkapazität

Nur für Akkus mit Anzeige

► **Abb.2:** 1. Anzeigelampen 2. Prüftaste

Drücken Sie die Prüftaste am Akku, um die Akku-Restkapazität anzuzeigen. Die Anzeigelampen leuchten wenige Sekunden lang auf.

Anzeigelampen			Restkapazität
Erleuchtet	Aus	Blinkend	
■	□	◐	75% bis 100%
■ ■ ■ ■	□ □ □ □		50% bis 75%
■ ■ ■ □	□ □ □ □		25% bis 50%
■ □ □ □	□ □ □ □		0% bis 25%
◐ □ □ □	□ □ □ □		Den Akku aufladen.
■ ■ □ □	□ □ □ □		Möglicherweise liegt eine Funktionsstörung im Akku vor.
□ □ ■ ■	□ □ □ □		

HINWEIS: Abhängig von den Benutzungsbedingungen und der Umgebungstemperatur kann die Anzeige geringfügig von der tatsächlichen Kapazität abweichen.

HINWEIS: Die erste (äußerste linke) Anzeigelampe blinkt, wenn das Akku-Schutzsystem aktiv ist.

Werkzeug/Akku-Schutzsystem

Das Werkzeug ist mit einem Werkzeug/Akku-Schutzsystem ausgestattet. Dieses System schaltet die Stromversorgung des Motors automatisch ab, um die Lebensdauer von Werkzeug und Akku zu verlängern. Das Werkzeug bleibt während des Betriebs automatisch stehen, wenn das Werkzeug oder der Akku einer der folgenden Bedingungen unterliegt:

Überlastschutz

Wird das Werkzeug oder der Akku auf eine Weise benutzt, die eine ungewöhnlich hohe Stromaufnahme bewirkt, bleibt das Werkzeug ohne jegliche Anzeige automatisch stehen. Schalten Sie in dieser Situation das Werkzeug aus, und brechen Sie die Arbeit ab, die eine Überlastung des Werkzeugs verursacht hat. Schalten Sie dann das Werkzeug wieder ein, um es neu zu starten.

Überhitzungsschutz

Wenn das Werkzeug oder der Akku überhitzt wird, bleibt das Werkzeug automatisch stehen. Lassen Sie das Werkzeug und den Akku in diesem Fall abkühlen, bevor Sie das Werkzeug wieder einschalten.

Überentladungsschutz

Wenn die Akkukapazität unzureichend wird, bleibt das Werkzeug automatisch stehen. Nehmen Sie in diesem Fall den Akku vom Werkzeug ab, und laden Sie ihn auf.

Schutz gegen andere Ursachen

Das Schutzsystem ist auch für andere Ursachen ausgelegt, die eine Beschädigung des Werkzeugs bewirken könnten, und lässt das Werkzeug automatisch anhalten. Ergreifen Sie alle folgenden Maßnahmen, um die Ursachen zu beseitigen, wenn das Werkzeug vorübergehend zum Stillstand gekommen ist oder im Betrieb stehen geblieben ist.

1. Schalten Sie das Werkzeug aus und dann wieder ein, um es neu zu starten.
2. Laden Sie den/die Akku(s) auf oder tauschen Sie ihn/sie durch einen aufgeladenen Akku/aufgeladene Akkus aus.
3. Lassen Sie das Werkzeug und den/die Akku(s) abkühlen.

Falls durch die Wiederherstellung des Schutzsystems keine Besserung eintritt, wenden Sie sich an Ihre lokale Makita-Kundendienststelle.

Schalterfunktion

⚠ VORSICHT: Vermeiden Sie das Einschalten des Werkzeugs, während es sich auf dem Werkstück oder auf Ihrer Werkbank befindet. Anderenfalls kann es zu Personenschäden oder Beschädigung kommen.

Ein- und Ausschalten des Werkzeugs

Drücken Sie die Leistungs-/Drehzahlwahltaste, um das Werkzeug zu starten. Das Werkzeug läuft mit der höchsten Orbitaldrehzahl an. Drücken Sie die Stoptaste, um das Werkzeug anzuhalten.

► **Abb.3:** 1. Leistungs-/Drehzahlwahltaste 2. Stoptaste

Ändern der Werkzeugdrehzahl

Die Orbitaldrehzahl kann zwischen zwei Modi umgeschaltet werden: hoch und niedrig. Wählen Sie einen der beiden Modi je nach Anwendung und Arbeitslast. Drücken Sie die Leistungs-/Drehzahlwahltaste bei laufendem Werkzeug, um den Drehzahlmodus umzuschalten.

► **Abb.4:** 1. Leistungs-/Drehzahlwahltaste

Tabelle der Drehzahleinstellungen

Drehzahlstufe	Orbitaldrehzahl pro Minute
2 (Hoch)	14.000 min ⁻¹
1 (Niedrig)	11.000 min ⁻¹

ANMERKUNG: Wird das Werkzeug über längere Zeitspannen im Dauerbetrieb mit niedriger Drehzahl betrieben, führt das zu einer Überlastung des Motors, die eine Funktionsstörung zur Folge haben kann.

ANMERKUNG: Wählen Sie einen geeigneten Drehzahlbereich für Ihre Schleifarbeiten, um Überhitzung und Schmelzen des Werkstücks zu vermeiden. Schleifen mit hoher Orbitaldrehzahl kann das Werkstück erhitzen und an der Kontaktstelle schmelzen.

MONTAGE

⚠ VORSICHT: Vergewissern Sie sich vor der Ausführung von Arbeiten am Werkzeug stets, dass das Werkzeug ausgeschaltet und der Akku abgenommen ist.

Anbringen und Abnehmen des Schleifpapiers

⚠ VORSICHT: Vergewissern Sie sich vor Gebrauch immer, dass ein Schleifpapierbogen fest installiert ist. Anderenfalls kann sich das Papier lockern, leicht entfernt werden und verrutschen, was zu einem ungleichmäßigen Schleifvorgang führt.

HINWEIS: Vorheriges Biegen des Schleifpapiers erleichtert die Anbringung.

Verwendung von Klett-Schleifpapier

⚠ VORSICHT: Achten Sie darauf, dass Sie einen Klett-Schleifteller korrekt und sicher montieren. Lockere Anbringung verursacht eine Unwucht und übermäßige Vibrationen, die zum Verlust der Kontrolle führen können.

⚠ VORSICHT: Achten Sie darauf, dass Klett-Schleifteller und Schleifpapier ausgerichtet und sicher befestigt sind.

⚠ VORSICHT: Verwenden Sie nur Klett-Schleifpapier. Verwenden Sie niemals druckempfindliches Schleifpapier.

- Entfernen Sie alle Verschmutzungen und Fremdkörper vom Klett-Schleifteller.
- Bringen Sie ein Blatt optionales Klett-Schleifpapier am Schleifteller an, und richten Sie dabei die Staubabsauglöcher im Papier auf diejenigen im Schleifteller aus.
► **Abb.5:** 1. Schleifpapier 2. Schleifteller 3. Staubabsauglöcher
- Um das Schleifpapier zu entfernen, ziehen Sie es von der Kante ab.

Verwendung von Schleifpapier ohne Staubabsauglöcher

Sonderzubehör

- Schneiden Sie ein Blatt Schleifpapier auf eine geeignete Größe zu.
► **Abb.6:** 1. Schleifpapier 2. Schleifteller
- Halten Sie den Klemmhebel am vorderen oder hinteren Ende des Schleiftellers gedrückt, und schieben Sie ihn vom Stopper weg, so dass die Klemme aus ihrer verriegelten Position gelöst wird.
- Ziehen Sie den Klemmhebel so weit wie möglich nach außen, um einen Raum zwischen der Klemme und der Seitenwand der Schleifbasis zu schaffen, in den ein Ende des Schleifpapiers eingeführt werden kann.
- Schieben Sie ein Ende des Schleifpapiers in den Zwischenraum zwischen Klemme und Schleifbasis.
- Positionieren Sie das Schleifpapier so, dass es fein auf der Oberfläche des Schleiftellers aufliegt.
- Stellen Sie den Klemmhebel wieder in eine verriegelte Position, um das Ende des Schleifpapiers sicher festzuklemmen.
- Lösen Sie die Klemme am anderen Ende, und halten Sie das andere Ende des Schleifpapiers zum Festklemmen bereit.
- Behalten Sie eine korrekte Spannung des Schleifpapiers bei, und stellen Sie dann den Klemmhebel am anderen Ende in eine verriegelte Position.
► **Abb.7:** 1. Schleifpapier 2. Klemme 3. Schleifbasis 4. Klemmhebel 5. Stopper
- Bedecken Sie das Schleifpapier mit der Lochungsplatte, die mit ihren Positionierungsstoppern neben der Ecke gut auf zwei der Seitenkanten des Schleiftellers und der Schleifbasis passt.
► **Abb.8:** 1. Schleifpapier 2. Lochungsplatte 3. Positionierungsstopper 4. Schleifteller 5. Schleifbasis

10. Schieben Sie die Lochungsplatte über das Schleifpapier, um Staubabsauglöcher zu erzeugen.

11. Um das Schleifpapier zu entfernen, lösen Sie die Klemmen an beiden Enden, und nehmen Sie das Papier vom Schleifteller ab.

Verwendung von Schleifpapier mit Staubabsauglöchern

Sonderzubehör

1. Halten Sie den Klemmhebel am vorderen oder hinteren Ende des Schleiftellers gedrückt, und schieben Sie ihn vom Stopper weg, so dass die Klemme aus ihrer verriegelten Position gelöst wird.

2. Ziehen Sie den Klemmhebel so weit wie möglich nach außen, um einen Raum zwischen der Klemme und der Seitenwand der Schleifbasis zu schaffen, in den ein Ende des Schleifpapiers eingeführt werden kann.

3. Legen Sie ein Blatt Schleifpapier über den Schleifteller und richten Sie dabei die Staubabsauglöcher im Papier auf diejenigen im Schleifteller aus.

► **Abb.9:** 1. Schleifpapier 2. Schleifteller
3. Staubabsaugloch

4. Schieben Sie ein Ende des Schleifpapiers in den Zwischenraum zwischen Klemme und Schleifbasis.

5. Stellen Sie den Klemmhebel wieder in eine verriegelte Position, so dass das Ende des Schleifpapiers sicher festgeklemmt ist.

6. Lösen Sie die Klemme am anderen Ende, und halten Sie das andere Ende des Schleifpapiers zum Festklemmen bereit.

7. Behalten Sie eine korrekte Spannung des Schleifpapiers bei, und stellen Sie dann den Klemmhebel am anderen Ende in eine verriegelte Position.

► **Abb.10:** 1. Schleifpapier 2. Klemme 3. Schleifbasis
4. Klemmhebel 5. Stopper

8. Um das Schleifpapier zu entfernen, lösen Sie die Klemmen an beiden Enden, und nehmen Sie das Papier vom Schleifteller ab.

Verwendung von dreieckigem/rechteckigem Schleifpapier

Sonderzubehör

⚠ VORSICHT: Achten Sie darauf, dass Sie einen Klett-Schleifteller korrekt und sicher montieren. Lockere Anbringung verursacht eine Unwucht und übermäßige Vibrationen, die zum Verlust der Kontrolle führen können.

⚠ VORSICHT: Achten Sie darauf, dass Klett-Schleifteller und Schleifpapier ausgerichtet und sicher befestigt sind.

⚠ VORSICHT: Verwenden Sie nur Klett-Schleifpapier. Verwenden Sie niemals druckempfindliches Schleifpapier.

ANMERKUNG: Die Kappe oder der O-Ring kann aus der Schleifbasis herauskommen, während der Schleifteller ausgetauscht wird. Setzen Sie unbedingt die Kappe bzw. den O-Ring wieder in das Rundloch bzw. die Ringnut um die Mitte der Basis ein, bevor Sie den optionalen Schleifteller montieren.

► **Abb.11:** 1. O-Ring 2. Schleifbasis 3. Ringnut

1. Lösen und entfernen Sie die vier Schrauben, mit denen der Schleifteller an der Schleifbasis befestigt ist.

► **Abb.12:** 1. Schrauben 2. Schleifteller
3. Schleifbasis

2. Ersetzen Sie den serienmäßigen Schleifteller durch einen dreieckigen/rechteckigen Schleifteller.

3. Ziehen Sie die Schrauben wieder fest an, um den dreieckigen/rechteckigen Schleifteller zu sichern.

Dreieckiger Schleifteller

► **Abb.13:** 1. Schrauben 2. Dreieckiger Schleifteller
3. Schleifbasis

Sie können das Schleifpapier wie dargestellt an der Seite des Schleiftellers installieren.

► **Abb.14:** 1. Schleifpapier 2. Schleifteller

Rechteckiger Schleifteller

► **Abb.15:** 1. Schrauben 2. Rechteckiger Schleifteller
3. Schleifbasis

4. Entfernen Sie alle Verschmutzungen und Fremdkörper vom dreieckigen/rechteckigen Schleifteller.

5. Bringen Sie ein Blatt optionales Klett-Schleifpapier am dreieckigen/rechteckigen Schleifteller an, und richten Sie dabei die Staubabsauglöcher im Schleifpapier auf diejenigen im Schleifteller aus.

Dreieckiger Schleifteller

► **Abb.16:** 1. Schleifpapier 2. Dreieckiger Schleifteller
3. Staubabsauglöcher

Rechteckiger Schleifteller

► **Abb.17:** 1. Schleifpapier 2. Rechteckiger Schleifteller 3. Staubabsauglöcher

6. Um das Schleifpapier zu entfernen, ziehen Sie es von der Kante ab.

Montieren und Demontieren des Staubsacks

Sonderzubehör

Befestigen Sie den Staubsack auf dem konischen Absaugstutzen am hinteren Ende des Motorgehäuses. Stecken Sie den Staubeinlass des Sackes bis zum Anschlag auf den Absaugstutzen, damit er sich während des Betriebs nicht löst.

► **Abb.18:** 1. Absaugstutzen 2. Staubeinlass
3. Staubsack

ANMERKUNG: Halten Sie nicht den Staubsack beim Tragen des Werkzeugs. Anderenfalls kann das Werkzeug herunterfallen und beschädigt werden.

HINWEIS: Um eine optimale Staubabscheidung zu gewährleisten, leeren Sie den Staubsack, wenn er etwa bis zur Hälfte seiner Kapazität gefüllt ist.

Nehmen Sie den Staubsack vom Werkzeug ab, und entfernen Sie die Staubabsaugdüse. Schütteln oder klopfen Sie dann den Staubsack sachte, um ihn zu entleeren.

► **Abb.19:** 1. Staubabsaugdüse

Montieren und Demontieren des Staubsammelbehälters

Sonderzubehör

Befestigen Sie den Staubsammelbehälter auf dem konischen Absaugstutzen am hinteren Ende des Motorgehäuses. Stecken Sie den Staubeinlass bis zum Anschlag auf den Absaugstutzen, damit er sich während des Betriebs nicht löst.

► **Abb.20:** 1. Absaugstutzen 2. Staubeinlass
3. Staubabsaugdüse
4. Staubsammelbehälter

ANMERKUNG: Halten Sie nicht den Staubsammelbehälter beim Tragen des Werkzeugs. Andernfalls kann das Werkzeug herunterfallen und beschädigt werden.

HINWEIS: Um eine optimale Staubabscheidung zu gewährleisten, leeren Sie den Staubsammelbehälter, wenn er etwa bis zur Hälfte seiner Kapazität gefüllt ist.

1. Nehmen Sie den Staubsammelbehälter vom Werkzeug ab.
2. Nehmen Sie die Staubabsaugdüse vom Behälter ab, während Sie die Sperrklinken an beiden Seiten des Behälters drücken und halten.
3. Schütteln oder klopfen Sie den Staubsammelbehälter sanft, um ihn zu entleeren.

Austauschen des Papierfilters

ANMERKUNG: Achten Sie beim Zusammenbau der Komponenten darauf, dass die Logos auf Staubsammelbehälter, Papierfilter und Staubabsaugdüse einheitlich ausgerichtet sind.

1. Nehmen Sie den Staubsammelbehälter vom Werkzeug ab.
2. Nehmen Sie die Staubabsaugdüse vom Behälter ab, während Sie die Sperrklinken an beiden Seiten des Behälters drücken und halten.

► **Abb.21:** 1. Staubabsaugdüse
2. Staubsammelbehälter 3. Sperrklinke

3. Halten Sie die innere Oberkante der Kartonöffnung fest, und ziehen Sie sie nach unten ab, um die äußere Oberkante der Kartonöffnung von der oberen Einhängelasche an der Lippe des Staubsammelbehälters zu lösen.

4. Nehmen Sie den Papierfilter aus dem Staubsammelbehälter heraus, und ziehen Sie dabei die äußere Unterkante der Kartonöffnung von der unteren Einhängelasche frei.

► **Abb.22:** 1. Papierfilter 2. Kartonöffnung 3. Obere Einhängelasche 4. Untere Einhängelasche
5. Staubsammelbehälter

5. Tauschen Sie einen Papierfilter aus, indem Sie die untere Kante der Kartonöffnung in die untere Einhängelasche einrasten und die obere Kante nach innen schieben, bis sie in die obere Einhängelasche einrastet.

► **Abb.23:** 1. Papierfilter 2. Kartonöffnung 3. Obere Einhängelasche 4. Untere Einhängelasche
5. Staubsammelbehälter

6. Rasten Sie die Staubabsaugdüse ein, während Sie die Sperrklinken auf beiden Seiten des Staubsammelbehälters drücken und halten.

► **Abb.24:** 1. Staubabsaugdüse
2. Staubsammelbehälter 3. Sperrklinke

Anschließen eines Saugergerätes

Sonderzubehör

Um saubere Schleifarbeiten durchzuführen, schließen Sie ein Makita-Sauggerät an Ihr Werkzeug an. Verwenden Sie entweder einen optionalen Schlauch von 28 mm Durchmesser oder eine Kombination aus Frontmanschette 22 und Schlauch, die mit dem Saugergerät geliefert werden, um eine Verbindung herzustellen.

► **Abb.25:** 1. Absaugstutzen 2. Frontmanschette
3. Schlauch 4. Saugergerät

BETRIEB

Schleifbetrieb

⚠ VORSICHT: Achten Sie immer darauf, dass das Werkstück fest gesichert ist.

ANMERKUNG: Benutzen Sie das Werkzeug niemals ohne Schleifpapier. Der Schleifteller könnte sonst schwer beschädigt werden.

ANMERKUNG: Üben Sie niemals Gewalt auf das Werkzeug aus. Übermäßiger Druck kann die Schleifleistung verschlechtern, das Schleifpapier beschädigen und/oder die Lebensdauer des Werkzeugs verkürzen.

Halten Sie das Werkzeug mit festem Griff. Schalten Sie das Werkzeug ein, und warten Sie, bis es seine volle Drehzahl erreicht. Setzen Sie dann das Werkzeug sachte auf die Werkstück-Oberfläche. Ein Schwingenschleifer wird normalerweise benutzt, um nur jeweils eine kleine Materialmenge abzutragen. Da die Qualität der Oberfläche wichtiger als die Menge des abgetragenen Materials ist, sollten Sie das Werkzeug nicht niederdrücken. Achten Sie stets darauf, dass die Grundplatte flach auf dem Werkstück aufliegt.

► **Abb.26**

Sie können das Material mit der Ober- und Unterseite des Schleiftellers schleifen, wenn Sie mit dem dreieckigen/rechteckigen Schleifteller schleifen. Dies ist praktisch, wenn Sie ein Objekt wie z. B. eine Jalousie schleifen.

► **Abb.27**

WARTUNG

⚠ VORSICHT: Vergewissern Sie sich vor der Durchführung von Inspektions- oder Wartungsarbeiten stets, dass das Werkzeug ausgeschaltet und der Akku abgenommen ist.

ANMERKUNG: Verwenden Sie auf keinen Fall Benzin, Waschbenzin, Verdünnern, Alkohol oder dergleichen. Solche Mittel können Verfärbung, Verformung oder Rissbildung verursachen.

Um die SICHERHEIT und ZUVERLÄSSIGKEIT dieses Produkts zu gewährleisten, sollten Reparaturen und andere Wartungs- oder Einstellarbeiten nur von Makita-Vertragswerkstätten oder Makita-Kundendienstzentren unter ausschließlicher Verwendung von Makita-Originalersatzteilen ausgeführt werden.

Nach der Benutzung

Wischen Sie das Werkzeug in regelmäßigen Abständen mit einem trockenen oder leicht mit Seifenwasser angefeuchteten Tuch ab.

SONDERZUBEHÖR

⚠ VORSICHT: Die folgenden Zubehörteile oder Vorrichtungen werden für den Einsatz mit dem in dieser Anleitung beschriebenen Makita-Werkzeug empfohlen. Die Verwendung anderer Zubehörteile oder Vorrichtungen kann eine Verletzungsgefahr darstellen. Verwenden Sie Zubehörteile oder Vorrichtungen nur für ihren vorgesehenen Zweck.

Wenn Sie weitere Einzelheiten bezüglich dieser Zubehörteile benötigen, wenden Sie sich bitte an Ihre Makita-Kundendienststelle.

- Schleifpapier (Klettverschluss)
- Schleifpapier (Klemme)
- Quadratischer Schleifteller (Klettverschluss)
- Quadratischer Schleifteller (Klemme)
- Rechteckiger Schleifteller
- Dreieckiger Schleifteller
- Staubbeutel
- Staubbox
- Filter
- Papierfilter
- Original-Makita-Akku und -Ladegerät

HINWEIS: Manche Teile in der Liste können als Standardzubehör im Werkzeugsatz enthalten sein. Sie können von Land zu Land unterschiedlich sein.

DATI TECNICI

Modello:		DBO484
Dimensioni platorello	Platorello quadrato	112 mm x 102 mm
	Platorello triangolare	112 mm x 190 mm
	Platorello rettangolare	112 mm x 168,5 mm
Carta abrasiva	Per il platorello quadrato (con velcro)	114 mm x 102 mm
	Per il platorello quadrato (con morsetto)	114 mm x 140 mm
	Per il platorello triangolare	Carta rettangolare: 114 mm x 102 mm Carta triangolare: 96 mm
	Per il platorello rettangolare	112 mm x 168,5 mm, 112 mm x 66 mm
Orbite al minuto	Alta	14.000 min ⁻¹
	Bassa	11.000 min ⁻¹
Lunghezza complessiva (con BL1860B)		171 mm
Tensione nominale		18 V CC
Peso netto		Da 1,4 a 1,8 kg

- * Il platorello di serie varia da una nazione all'altra.
- A causa del nostro programma continuativo di ricerca e sviluppo, i dati tecnici sono soggetti a modifiche senza preavviso.
- I dati tecnici e la cartuccia della batteria potrebbero differire da nazione a nazione.
- Il peso può variare a seconda dell'accessorio o degli accessori, inclusa la cartuccia della batteria. La combinazione più leggera e quella più pesante, secondo la procedura EPTA 01/2014, sono indicate nella tabella.

Cartuccia della batteria e caricabatterie applicabili

Cartuccia della batteria	BL1815N / BL1820B / BL1830B / BL1840B / BL1850B / BL1860B
Caricabatterie	DC18RC / DC18RD / DC18RE / DC18SD / DC18SE / DC18SF / DC18SH / DC18WC

- Alcune cartucce delle batterie e alcuni caricabatterie elencati sopra potrebbero non essere disponibili a seconda della propria area geografica di residenza.

⚠AVVERTIMENTO: Utilizzare solo le cartucce delle batterie e i caricabatterie elencati sopra. L'utilizzo di altre cartucce delle batterie e di altri caricabatterie potrebbe causare lesioni personali e/o un incendio.

Utilizzo previsto

Questo utensile serve alla smerigliatura di grandi superfici di legno, plastica e metallo, nonché di superfici verniciate.

Rumore

Livello tipico di rumore pesato A determinato in base allo standard EN62841-2-4:

Livello di pressione sonora (L_{pA}): 78 dB (A)

Incertezza (K): 3 dB (A)

Il livello del rumore nelle condizioni di lavoro può superare gli 80 dB (A).

NOTA: Il valore o i valori dichiarati delle emissioni di rumori sono stati misurati in conformità a un metodo standard di verifica, e possono essere utilizzati per confrontare un utensile con un altro.

NOTA: Il valore o i valori dichiarati delle emissioni di rumori possono venire utilizzati anche per una valutazione preliminare dell'esposizione.

⚠AVVERTIMENTO: Indossare protezioni per le orecchie.

⚠AVVERTIMENTO: L'emissione di rumori durante l'utilizzo effettivo dell'utensile elettrico può variare rispetto al valore o ai valori dichiarati, a seconda dei modi in cui viene utilizzato l'utensile e specialmente a seconda di che tipo di pezzo venga lavorato.

⚠AVVERTIMENTO: Accertarsi di identificare misure di sicurezza per la protezione dell'operatore che siano basate su una stima dell'esposizione nelle condizioni effettive di utilizzo (tenendo conto di tutte le parti del ciclo operativo, ad esempio del numero di spegnimenti dell'utensile e di quando giri a vuoto, oltre al tempo di attivazione).

Vibrazioni

Valore totale delle vibrazioni (somma vettoriale triassiale) determinato in base allo standard EN62841-2-4: Modalità di lavoro: smerigliatura di piastre metalliche (base quadrata)
Emissione di vibrazioni (a_h): 2,5 m/s² o inferiore
Incertezza (K): 1,5 m/s²

NOTA: Il valore o i valori complessivi delle vibrazioni dichiarati sono stati misurati in conformità a un metodo standard di verifica, e possono essere utilizzati per confrontare un utensile con un altro.

NOTA: Il valore o i valori complessivi delle vibrazioni dichiarati possono venire utilizzati anche per una valutazione preliminare dell'esposizione.

⚠AVVERTIMENTO: L'emissione delle vibrazioni durante l'utilizzo effettivo dell'utensile elettrico può variare rispetto al valore o ai valori dichiarati, a seconda dei modi in cui viene utilizzato l'utensile, specialmente a seconda di che tipo di pezzo venga lavorato.

⚠AVVERTIMENTO: Accertarsi di identificare misure di sicurezza per la protezione dell'operatore che siano basate su una stima dell'esposizione nelle condizioni effettive di utilizzo (tenendo conto di tutte le parti del ciclo operativo, ad esempio del numero di spegnimenti dell'utensile e di quando giri a vuoto, oltre al tempo di attivazione).

Dichiarazioni di conformità

Solo per i paesi europei

Le Dichiarazioni di conformità sono incluse nell'Allegato A al presente manuale d'uso.

AVVERTENZE DI SICUREZZA

Avvertenze generali relative alla sicurezza dell'utensile elettrico

⚠AVVERTIMENTO: Leggere tutte le avvertenze di sicurezza, le istruzioni, le illustrazioni e i dati tecnici forniti con il presente utensile elettrico. La mancata osservanza di tutte le istruzioni elencate di seguito potrebbe risultare in scosse elettriche, incendi e/o gravi lesioni personali.

Conservare tutte le avvertenze e le istruzioni come riferimento futuro.

Il termine "utensile elettrico" nelle avvertenze si riferisce sia all'utensile elettrico (cablato) nel funzionamento alimentato da rete elettrica che all'utensile elettrico (a batteria) nel funzionamento alimentato a batteria.

Avvertenze di sicurezza relative alla levigatrice

1. Utilizzare sempre occhiali oppure occhialoni di sicurezza. I normali occhiali o gli occhiali da sole **NON** sono occhiali di sicurezza.
2. Tenere saldamente l'utensile.
3. Non lasciare l'utensile mentre è in funzione. Far funzionare l'utensile solo mentre viene tenuto in mano.
4. Questo utensile non è impermeabile, pertanto non utilizzare acqua sulla superficie del pezzo.
5. Ventilare adeguatamente l'area di lavoro durante le operazioni di smerigliatura.
6. Alcuni materiali contengono sostanze chimiche che potrebbero essere tossiche. Adottare delle precauzioni per evitare l'inalazione o il contatto con la pelle delle polveri. Attenersi ai dati relativi alla sicurezza forniti dal produttore del materiale.
7. L'utilizzo del presente utensile per smerigliare alcuni prodotti, vernici e legni potrebbe esporre l'utente a polveri contenenti sostanze pericolose. Utilizzare protezioni appropriate per le vie respiratorie.
8. Accertarsi che sul platorello non siano presenti fessurazioni o spaccature prima di utilizzarlo. Un pezzo che presenti fessurazioni o spaccature potrebbe causare lesioni personali.
9. Fare attenzione all'appoggio sui piedi e mantenere l'equilibrio con l'utensile. Quando si intende lavorare in ubicazioni elevate, accertarsi che non siano presenti persone sotto di sé.

CONSERVARE LE PRESENTI ISTRUZIONI.

⚠AVVERTIMENTO: NON lasciare che comodità o la familiarità d'utilizzo con il prodotto (acquisita con l'uso ripetuto) sostituisca la stretta osservanza delle norme di sicurezza per il prodotto in questione. L'USO IMPROPRIO o la mancata osservanza delle norme di sicurezza indicate nel presente manuale di istruzioni potrebbero causare gravi lesioni personali.

Istruzioni di sicurezza importanti per la cartuccia della batteria

1. Prima di utilizzare la cartuccia della batteria, leggere tutte le istruzioni e le avvertenze riportate (1) sul caricabatteria, (2) sulla batteria e (3) sul prodotto che utilizza la batteria.
2. Non smantellare né manomettere la cartuccia della batteria. In caso contrario, si potrebbe causare un incendio, calore eccessivo o un'esplosione.
3. Qualora il tempo di utilizzo si riduca eccessivamente, interrompere immediatamente l'utilizzo dell'utensile. In caso contrario, si può incorrere nel rischio di surriscaldamento, possibili ustioni e persino un'esplosione.

4. Qualora l'elettrolita entri in contatto con gli occhi, sciacquarli con acqua pulita e richiedere immediatamente assistenza medica. Questa eventualità può risultare nella perdita della vista.
5. Non cortocircuitare la cartuccia della batteria:
 - (1) Non toccare i terminali con alcun materiale conduttivo.
 - (2) Evitare di conservare la cartuccia della batteria in un contenitore insieme ad altri oggetti metallici quali chiodi, monete, e così via.
 - (3) Non esporre la cartuccia della batteria all'acqua o alla pioggia.

Un cortocircuito della batteria può causare un grande flusso di corrente, un surriscaldamento, possibili ustioni e persino un guasto.
6. Non conservare e utilizzare l'utensile e la cartuccia della batteria in ubicazioni in cui la temperatura possa raggiungere o superare i 50°C.
7. Non incenerire la cartuccia della batteria anche qualora sia gravemente danneggiata o completamente esaurita. La cartuccia della batteria può esplodere se a contatto con il fuoco.
8. Non inchiodare, tagliare, schiacciare, lanciare o far cadere la cartuccia della batteria, né farla urtare con forza contro un oggetto duro. Questi comportamenti potrebbero risultare in un incendio, calore eccessivo o un'esplosione.
9. Non utilizzare una batteria danneggiata.
10. Le batterie a ioni di litio contenute sono soggette ai requisiti del regolamento sul trasporto di merci pericolose (Dangerous Goods Legislation).
Per trasporti commerciali, ad esempio da parte di terzi o spedizionieri, è necessario osservare dei requisiti speciali sull'imballaggio e sull'etichetta. Per la preparazione dell'articolo da spedire, è richiesta la consulenza di un esperto in materiali pericolosi. Attenersi anche alle normative nazionali, che potrebbero essere più dettagliate. Nastrare o coprire i contatti aperti e imballare la batteria in modo tale che non si possa muovere liberamente all'interno dell'imballaggio.
11. Quando si intende smaltire la cartuccia della batteria, rimuoverla dall'utensile e smaltirla in un luogo sicuro. Attenersi alle normative locali relative allo smaltimento della batteria.
12. Utilizzare le batterie esclusivamente con i prodotti specificati da Makita. L'installazione delle batterie in prodotti non compatibili potrebbe risultare in incendi, calore eccessivo, esplosioni o perdite di liquido elettrolitico.
13. Se l'utensile non viene utilizzato per un periodo di tempo prolungato, la batteria deve essere rimossa dall'utensile.
14. Durante e dopo l'uso, la cartuccia della batteria potrebbe assorbire calore, che può causare ustioni o ustioni a bassa temperatura. Fare attenzione a come si maneggiano le cartucce delle batterie estremamente calde.
15. Non toccare i terminali dell'utensile subito dopo l'uso, in quanto potrebbero diventare estremamente caldi al punto da causare ustioni.
16. Evitare di far incastrare schegge, polveri o terreno nei terminali, nei fori e nelle scanalature della cartuccia della batteria. In caso contrario, l'utensile o la cartuccia della batteria potrebbero riscaldarsi, prendere fuoco, scoppiare o guastarsi, causando ustioni o lesioni personali.
17. A meno che l'utensile supporti l'uso in prossimità di linee elettriche ad alta tensione, non utilizzare la cartuccia della batteria in prossimità di linee elettriche ad alta tensione. In caso contrario, si potrebbe causare un malfunzionamento o la rottura dell'utensile o della cartuccia della batteria.
18. Tenere la batteria lontana dai bambini.

CONSERVARE LE PRESENTI ISTRUZIONI.

⚠ATTENZIONE: Utilizzare solo batterie originali Makita. L'utilizzo di batterie Makita non originali, o di batterie che siano state alterate, potrebbe risultare nello scoppio della batteria, causando incendi, lesioni personali e danni. Inoltre, ciò potrebbe invalidare la garanzia Makita per l'utensile e il caricabatterie Makita.

Suggerimenti per preservare la durata massima della batteria

1. Caricare la cartuccia della batteria prima che si scarichi completamente. Smettere sempre di utilizzare l'utensile e caricare la cartuccia della batteria quando si nota che la potenza dell'utensile è diminuita.
2. Non ricaricare mai una cartuccia della batteria completamente carica. La sovraccarica riduce la vita utile della batteria.
3. Caricare la cartuccia della batteria a una temperatura ambiente compresa tra 10 °C e 40 °C. Lasciar raffreddare una cartuccia della batteria prima di caricarla.
4. Quando non si utilizza la cartuccia della batteria, rimuoverla dall'utensile o dal caricabatterie.
5. Caricare la cartuccia della batteria se non la si è utilizzata per un periodo di tempo prolungato (più di sei mesi).

DESCRIZIONE DELLE FUNZIONI

ATTENZIONE: Accertarsi sempre che l'utensile sia spento e che la cartuccia della batteria sia stata rimossa prima di regolare o di controllare il funzionamento dell'utensile.

Installazione o rimozione della cartuccia della batteria

ATTENZIONE: Spegnerne sempre l'utensile prima di installare o rimuovere la cartuccia della batteria.

ATTENZIONE: Mantenere saldamente lo strumento e la batteria quando si intende installare o rimuovere la cartuccia della batteria. Qualora non si mantengano saldamente lo strumento e la cartuccia della batteria, questi ultimi potrebbero scivolare dalle mani, con la possibilità di causare un danneggiamento dello strumento e della cartuccia della batteria, nonché una lesione personale.

► **Fig. 1:** 1. Indicatore rosso 2. Pulsante 3. Cartuccia della batteria

Per rimuovere la cartuccia della batteria, farla scorrere via dall'utensile mentre si fa scorrere allo stesso tempo il pulsante sulla parte anteriore della cartuccia.

Per installare la cartuccia della batteria, allineare la linguetta sulla cartuccia della batteria con la scanalatura nell'alloggiamento e farla scivolare in sede. Inserirli completamente fino al suo blocco in sede con un leggero scatto. Se è possibile vedere l'indicatore rosso, come indicato nella figura, non è bloccata completamente.

ATTENZIONE: Installare sempre fino in fondo la cartuccia della batteria, fino a quando l'indicatore rosso non è più visibile. In caso contrario, la batteria potrebbe cadere accidentalmente dall'utensile, causando lesioni personali all'operatore o a chi gli è vicino.

ATTENZIONE: Non installare forzatamente la cartuccia della batteria. Qualora la batteria non si inserisca scorrendo agevolmente, vuol dire che non viene inserita correttamente.

Indicazione della carica residua della batteria

Solo per cartucce delle batterie dotate di indicatore

► **Fig. 2:** 1. Indicatori luminosi 2. Pulsante di controllo

Premere il pulsante di controllo sulla cartuccia della batteria per indicare la carica residua della batteria. Gli indicatori luminosi si illuminano per alcuni secondi.

Indicatori luminosi			Carica residua
■ Illuminato	□ Spento	◐ Lampeggiante	
■	■	■	Dal 75% al 100%
■	■	□	Dal 50% al 75%
■	□	□	Dal 25% al 50%
■	□	□	Dallo 0% al 25%
◐	□	□	Caricare la batteria.
■	■	□	La batteria potrebbe essersi guastata.
□	□	■	

NOTA: A seconda delle condizioni d'uso e della temperatura ambiente, l'indicazione potrebbe variare leggermente rispetto alla carica effettiva.

NOTA: Il primo indicatore luminoso (all'estremità sinistra) lampeggia quando il sistema di protezione della batteria è in funzione.

Sistema di protezione strumento/batteria

L'utensile è dotato di un sistema di protezione dell'utensile stesso e della batteria. Tale sistema interrompe automaticamente l'alimentazione al motore per prolungare la vita utile dell'utensile e della batteria. L'utensile si arresta automaticamente durante il funzionamento, qualora l'utensile o la batteria vengano a trovarsi in una delle condizioni seguenti:

Protezione dal sovraccarico

Quando l'utensile o la batteria vengono fatti funzionare in un modo che causi un assorbimento di corrente elevato in modo anomalo, l'utensile si arresta automaticamente senza alcuna indicazione. In questa circostanza, spegnere l'utensile e interrompere l'applicazione che ha causato il sovraccarico dell'utensile. Quindi, accendere l'utensile per ricominciare.

Protezione dal surriscaldamento

Quando l'utensile o la batteria sono surriscaldati, l'utensile si arresta automaticamente. In questo caso, lasciar raffreddare l'utensile e la batteria prima di riaccendere l'utensile.

Protezione dalla sovraccarica

Quando la carica della batteria non è sufficiente, l'utensile si arresta automaticamente. In tal caso, rimuovere la batteria dall'utensile e caricarla.

Protezione da altre cause

Il sistema di protezione è progettato anche per altre cause che potrebbero danneggiare l'utensile, e consente a quest'ultimo di arrestarsi automaticamente. Quando l'utensile è stato portato a un'interruzione temporanea o a un arresto del funzionamento, adottare tutte le misure seguenti per rimuovere le cause.

1. Spegnerne l'utensile, quindi riaccenderlo per ricominciare.
2. Caricare la batteria o le batterie, oppure sostituirla/sostituirla con una batteria o delle batterie ricaricate.
3. Lasciar raffreddare l'utensile e la batteria o le batterie.

Qualora non si riscontri alcun miglioramento ripristinando il sistema di protezione, contattare il proprio centro di assistenza Makita locale.

Funzionamento dell'interruttore

ATTENZIONE: Evitare di accendere l'utensile mentre è appoggiato sul pezzo in lavorazione o sul banco da lavoro utilizzato. In caso contrario, si potrebbero causare lesioni personali o danni alle cose.

Accensione e spegnimento dell'utensile

Per avviare l'utensile, premere il pulsante di accensione/selezione velocità. L'utensile inizia a funzionare alla sua velocità orbitale più alta.

Per arrestare l'utensile, premere il pulsante di arresto.

- **Fig.3:** 1. Pulsante di accensione/selezione velocità
2. Pulsante di arresto

Modifica della velocità dell'utensile

È possibile cambiare la velocità orbitale tra due modalità: alta e bassa. Scegliere una delle modalità a seconda dell'applicazione e del carico di lavoro.

Per commutare la modalità di velocità mentre l'utensile è in funzione, premere il pulsante di accensione/selezione velocità.

- **Fig.4:** 1. Pulsante di accensione/selezione velocità

Tabella delle impostazioni di velocità

Livello di velocità	Orbite al minuto
2 (alta)	14.000 min ⁻¹
1 (bassa)	11.000 min ⁻¹

AVVISO: Qualora l'utensile venga fatto funzionare in maniera continuativa a basse velocità per un periodo di tempo prolungato, il motore si sovraccarica, causando il malfunzionamento dell'utensile.

AVVISO: Selezionare una gamma di velocità appropriata alle operazioni di smerigliatura da effettuare, per evitare il surriscaldamento e la fusione del pezzo in lavorazione. La smerigliatura a un'elevata velocità orbitale potrebbe riscaldare il pezzo in lavorazione e fonderlo nel punto di contatto.

MONTAGGIO

ATTENZIONE: Accertarsi sempre che l'utensile sia spento e che la cartuccia della batteria sia stata rimossa, prima di effettuare qualsiasi intervento sull'utensile.

Installazione e rimozione della carta abrasiva

ATTENZIONE: Prima dell'uso, accertarsi sempre che un foglio di carta abrasiva sia installato saldamente. In caso contrario, la carta potrebbe allentarsi, staccarsi facilmente ed essere soggetta a scivolamenti, causando operazioni di smerigliatura non uniformi.

NOTA: se si piega la carta anticipatamente, si facilita il montaggio.

Uso della carta abrasiva con velcro

ATTENZIONE: Accertarsi di installare correttamente e saldamente un platorello con velcro. Un montaggio allentato causa il funzionamento sbilanciato e una vibrazione eccessiva, con conseguente perdita di controllo.

ATTENZIONE: Accertarsi che un platorello e carta abrasiva con velcro siano allineati e montati saldamente.

ATTENZIONE: Utilizzare esclusivamente carte abrasive con velcro. Non utilizzare mai carte abrasive sensibili alla pressione.

1. Rimuovere tutto lo sporco e i corpi estranei dal platorello con velcro.
2. Montare un foglio di carta abrasiva con velcro opzionale sul platorello, allineando i fori di aspirazione delle polveri nella carta con quelli presenti nel platorello.
► **Fig.5:** 1. Carta abrasiva 2. Platorello 3. Fori di aspirazione delle polveri
3. Per rimuovere la carta abrasiva, staccarla dal bordo sollevandola.

Uso di carta abrasiva priva del foro di aspirazione delle polveri

Accessorio opzionale

1. Tagliare un foglio di carta abrasiva alle dimensioni appropriate.
► **Fig.6:** 1. Carta abrasiva 2. Platorello
2. Premere e tenere premuta verso il basso la leva del morsetto all'estremità anteriore o posteriore del platorello, quindi farla scorrere per allontanarla dal fermo, in modo da sbloccare il morsetto dalla posizione bloccata.
3. Tirare la leva del morsetto verso l'esterno il più possibile, per creare uno spazio tra il morsetto e la parete laterale della base di smerigliatura, in cui sia possibile inserire un'estremità della carta abrasiva.

4. Far scivolare un'estremità della carta abrasiva nello spazio tra il morsetto e la base di smerigliatura.

5. Riposizionare la carta abrasiva in modo che si sovrapponga con precisione sulla superficie del platorello.

6. Disporre nuovamente la leva del morsetto su una posizione bloccata, in modo da serrare saldamente l'estremità della carta abrasiva.

7. Sbloccare il morsetto sull'altra estremità, e preparare l'altra estremità della carta abrasiva per serrarla.

8. Mantenere una tensione corretta sulla carta abrasiva, quindi disporre su una posizione bloccata la leva del morsetto all'altra estremità.

► **Fig.7:** 1. Carta abrasiva 2. Morsetto 3. Base di smerigliatura 4. Leva del morsetto 5. Fermo

9. Coprire la carta abrasiva con la piastra perforatrice, con i fermi di posizionamento di quest'ultima adiacenti all'angolo applicati correttamente su due dei bordi laterali del platorello e della base di smerigliatura.

► **Fig.8:** 1. Carta abrasiva 2. Piastra perforatrice 3. Fermi di posizionamento 4. Platorello 5. Base di smerigliatura

10. Premere la piastra perforatrice sopra la carta abrasiva per praticare i fori di aspirazione delle polveri.

11. Per rimuovere la carta abrasiva, sbloccare i morsetti su entrambe le estremità e rimuovere la carta dal platorello.

Uso di carta abrasiva dotata di foro di aspirazione delle polveri

Accessorio opzionale

1. Premere e tenere premuta verso il basso la leva del morsetto all'estremità anteriore o posteriore del platorello, quindi farla scorrere per allontanarla dal fermo, in modo da sbloccare il morsetto dalla posizione bloccata.

2. Tirare la leva del morsetto verso l'esterno il più possibile, per creare uno spazio tra il morsetto e la parete laterale della base di smerigliatura, in cui sia possibile inserire un'estremità della carta abrasiva.

3. Posizionare un foglio di carta abrasiva sul platorello, allineando i fori di aspirazione delle polveri nella carta con quelli presenti nel platorello.

► **Fig.9:** 1. Carta abrasiva 2. Platorello 3. Foro di aspirazione delle polveri

4. Far scivolare un'estremità della carta abrasiva nello spazio tra il morsetto e la base di smerigliatura.

5. Disporre nuovamente la leva del morsetto su una posizione bloccata, in modo da serrare saldamente l'estremità della carta abrasiva.

6. Sbloccare il morsetto sull'altra estremità, e preparare l'altra estremità della carta abrasiva per serrarla.

7. Mantenere una tensione corretta sulla carta abrasiva, quindi disporre su una posizione bloccata la leva del morsetto all'altra estremità.

► **Fig.10:** 1. Carta abrasiva 2. Morsetto 3. Base di smerigliatura 4. Leva del morsetto 5. Fermo

8. Per rimuovere la carta abrasiva, sbloccare i morsetti su entrambe le estremità e rimuovere la carta dal platorello.

Uso di carta abrasiva triangolare o rettangolare

Accessorio opzionale

ATTENZIONE: Accertarsi di installare correttamente e saldamente un platorello con velcro. Un montaggio allentato causa il funzionamento sbilanciato e una vibrazione eccessiva, con conseguente perdita di controllo.

ATTENZIONE: Accertarsi che un platorello e carta abrasiva con velcro siano allineati e montati saldamente.

ATTENZIONE: Utilizzare esclusivamente carte abrasive con velcro. Non utilizzare mai carte abrasive sensibili alla pressione.

AVVISO: Il tappo o la guarnizione circolare potrebbero fuoriuscire dalla base di smerigliatura, mentre si sostituisce il platorello. Prima di installare il platorello opzionale, accertarsi di inserire di nuovo il tappo o la guarnizione circolare nel foro circolare o nella scanalatura circolare intorno al centro della base.

► **Fig.11:** 1. Guarnizione circolare 2. Base di smerigliatura 3. Scanalatura circolare

1. Allentare e rimuovere le quattro viti che fissano il platorello alla base di smerigliatura.

► **Fig.12:** 1. Viti 2. Platorello 3. Base di smerigliatura

2. Sostituire il platorello installato di serie con un platorello triangolare o rettangolare.

3. Serrare di nuovo le viti saldamente per fissare il platorello triangolare o rettangolare.

Platorello triangolare

► **Fig.13:** 1. Viti 2. Platorello triangolare 3. Base di smerigliatura

È possibile installare la carta abrasiva sul lato del platorello, come illustrato nella figura.

► **Fig.14:** 1. Carta abrasiva 2. Platorello

Platorello rettangolare

► **Fig.15:** 1. Viti 2. Platorello rettangolare 3. Base di smerigliatura

4. Rimuovere tutto lo sporco e i corpi estranei dal platorello triangolare o rettangolare.

5. Posizionare un foglio di carta abrasiva con velcro opzionale sopra il platorello triangolare o rettangolare, allineando i fori di aspirazione delle polveri nella carta con quelli presenti nel platorello.

Platorello triangolare

► **Fig.16:** 1. Carta abrasiva 2. Platorello triangolare 3. Fori di aspirazione delle polveri

Platorello rettangolare

► **Fig.17:** 1. Carta abrasiva 2. Platorello rettangolare 3. Fori di aspirazione delle polveri

6. Per rimuovere la carta abrasiva, staccarla dal bordo sollevandola.

Installazione e rimozione del sacchetto per le polveri

Accessorio opzionale

Montare il sacchetto per le polveri sul beccuccio di scarico delle polveri conico presente all'estremità posteriore dell'alloggiamento del motore. Inserire la presa di entrata delle polveri del sacchetto fino in fondo nel beccuccio di scarico delle polveri, per evitare che si stacchi durante l'uso.

- **Fig.18:** 1. Beccuccio di scarico delle polveri
2. Presa di entrata delle polveri 3. Sacchetto per le polveri

AVVISO: Non afferrare il sacchetto per le polveri, quando si intende trasportare l'utensile. In caso contrario, l'utensile potrebbe cadere e venire danneggiato.

NOTA: Per assicurare una raccolta ottimale delle polveri, svuotare il sacchetto per le polveri quando si è riempito fino a circa la metà della sua capacità.

Rimuovere il sacchetto per le polveri dall'utensile e rimuovere la bocchetta polveri. Quindi, scuotere delicatamente o dare dei colpetti al sacchetto per le polveri per svuotarlo.

- **Fig.19:** 1. Bocchetta polveri

Installazione e rimozione del contenitore polveri

Accessorio opzionale

Montare il contenitore polveri sul beccuccio di scarico delle polveri conico presente all'estremità posteriore dell'alloggiamento del motore. Inserire la presa di entrata delle polveri fino in fondo sul beccuccio di scarico delle polveri, per evitare che si stacchi durante l'uso.

- **Fig.20:** 1. Beccuccio di scarico delle polveri
2. Presa di entrata delle polveri 3. Bocchetta polveri 4. Contenitore polveri

AVVISO: Non afferrare il contenitore polveri, quando si intende trasportare l'utensile. In caso contrario, l'utensile potrebbe cadere e venire danneggiato.

NOTA: Per assicurare una raccolta ottimale delle polveri, svuotare il contenitore polveri quando si è riempito fino a circa la metà della sua capacità.

1. Rimuovere il contenitore polveri dall'utensile.
2. Staccare la bocchetta polveri dal contenitore mentre si tengono premuti i dispositivi di chiusura su entrambi i lati del contenitore.
3. Scuotere delicatamente o dare dei colpetti al contenitore polveri per svuotarlo.

Sostituzione del filtro di carta

AVVISO: Fare attenzione ad allineare i loghi sul contenitore polveri, sul filtro di carta e sulla bocchetta polveri con lo stesso orientamento, quando si rimontano i componenti.

1. Rimuovere il contenitore polveri dall'utensile.
2. Staccare la bocchetta polveri dal contenitore mentre si tengono premuti i dispositivi di chiusura su entrambi i lati del contenitore.
► **Fig.21:** 1. Bocchetta polveri 2. Contenitore polveri 3. Dispositivo di chiusura
3. Afferrare il bordo superiore interno dell'apertura in cartone, quindi staccarlo tirandolo verso il basso per sganciare il bordo superiore esterno dell'apertura in cartone dalla linguetta di aggancio superiore sul labbro del contenitore polveri.
4. Estrarre il filtro di carta dal contenitore polveri mentre si tira il bordo inferiore esterno dell'apertura in cartone per liberarlo dalla linguetta di aggancio inferiore.
► **Fig.22:** 1. Filtro di carta 2. Apertura in cartone 3. Linguetta di aggancio superiore 4. Linguetta di aggancio inferiore 5. Contenitore polveri
5. Reinstallare un filtro di carta agganciando il bordo inferiore dell'apertura in cartone nella linguetta di aggancio inferiore e premendo il bordo superiore verso l'interno fino a quando si innesta nella linguetta di aggancio superiore.
► **Fig.23:** 1. Filtro di carta 2. Apertura in cartone 3. Linguetta di aggancio superiore 4. Linguetta di aggancio inferiore 5. Contenitore polveri
6. Innestare la bocchetta polveri in sede mentre si tengono premuti i dispositivi di chiusura su entrambi i lati del contenitore polveri.
► **Fig.24:** 1. Bocchetta polveri 2. Contenitore polveri 3. Dispositivo di chiusura

Collegamento con un aspirapolvere

Accessorio opzionale

Quando si desidera eseguire operazioni di smerigliatura pulite, collegare un aspirapolvere Makita all'utensile. Utilizzare un tubo flessibile da 28 mm opzionale o una combinazione del manicotto anteriore 22 e del tubo flessibile forniti in dotazione con l'aspirapolvere per realizzare un raccordo.

- **Fig.25:** 1. Beccuccio di scarico delle polveri
2. Manicotto anteriore 3. Tubo flessibile
4. Aspirapolvere

FUNZIONAMENTO

Operazione di smerigliatura

⚠ATTENZIONE: Accertarsi sempre che il pezzo in lavorazione sia fissato saldamente.

AVVISO: Non far funzionare mai l'utensile senza la carta abrasiva. Si potrebbe danneggiare seriamente il platorello.

AVVISO: Non forzare mai l'utensile. Una pressione eccessiva potrebbe ridurre l'efficienza della smerigliatura, danneggiare la carta abrasiva e/o ridurre la vita utile dell'utensile.

Mantenere l'utensile saldamente. Accendere l'utensile e attendere che raggiunga la piena velocità. Quindi, appoggiare delicatamente l'utensile sulla superficie del pezzo in lavorazione. Una levigatrice di finitura in genere è utilizzata per rimuovere solo una piccola quantità di materiale alla volta. Poiché la qualità della superficie è più importante della quantità di materiale rimosso, non premere con forza sull'utensile. Mantenere sempre la base a filo con il pezzo in lavorazione.

► Fig.26

Quando si leviga con il platorello triangolare o rettangolare, è possibile levigare il materiale con il lato superiore e quello inferiore del platorello. Questa funzionalità è pratica quando si levigano oggetti quali, ad esempio, le stecche delle persiane.

► Fig.27

MANUTENZIONE

⚠ATTENZIONE: Accertarsi sempre che l'utensile sia spento e che la cartuccia della batteria sia stata rimossa prima di tentare di eseguire interventi di ispezione o manutenzione.

AVVISO: Non utilizzare mai benzina, benzene, solventi, alcol o altre sostanze simili. In caso contrario, si potrebbero causare scolorimenti, deformazioni o crepe.

Per preservare la SICUREZZA e l'AFFIDABILITÀ del prodotto, le riparazioni e qualsiasi altro intervento di manutenzione e di regolazione devono essere eseguiti da un centro di assistenza autorizzato Makita, utilizzando sempre ricambi Makita.

Dopo l'uso

Pulire l'utensile passandovi sopra un panno asciutto o un panno leggermente inumidito con acqua saponata a intervalli regolari.

ACCESSORI OPZIONALI

⚠ATTENZIONE: Questi accessori o componenti aggiuntivi sono consigliati per l'uso con l'utensile Makita specificato nel presente manuale. L'impiego di altri accessori o componenti aggiuntivi può costituire un rischio di lesioni alle persone. Utilizzare gli accessori o i componenti aggiuntivi solo per il loro scopo prefissato.

Per ottenere ulteriori dettagli relativamente a questi accessori, rivolgersi a un centro di assistenza Makita.

- Carta abrasiva (con velcro)
- Carta abrasiva (con morsetto)
- Platorello quadrato (con velcro)
- Platorello quadrato (con morsetto)
- Platorello rettangolare
- Platorello triangolare
- Sacchetto per le polveri
- Contenitore polveri
- Filtro
- Filtro di carta
- Batteria e caricabatterie originali Makita

NOTA: Alcuni articoli nell'elenco potrebbero essere inclusi nell'imballaggio dell'utensile come accessori standard. Tali articoli potrebbero variare da nazione a nazione.

TECHNISCHE GEGEVENS

Model:		DBO484
Afmetingen steunblok	Vierkant steunblok	112 mm x 102 mm
	Driehoekig steunblok	112 mm x 190 mm
	Rechthoekig steunblok	112 mm x 168,5 mm
Schuurpapier	Voor vierkant steunblok (klittenband)	114 mm x 102 mm
	Voor vierkant steunblok (klem)	114 mm x 140 mm
	Voor driehoekig steunblok	Rechthoekig schuurpapier: 114 mm x 102 mm Driehoekig schuurpapier: 96 mm
	Voor rechthoekig steunblok	112 mm x 168,5 mm, 112 mm x 66 mm
Omwentelingen per minuut	Hoog	14.000 min ⁻¹
	Laag	11.000 min ⁻¹
Totale lengte (met BL1860B)		171 mm
Nominale spanning		18 V gelijkspanning
Nettogewicht		1,4 - 1,8 kg

- * Het standaard steunblok verschilt van land tot land.
- In verband met ononderbroken research en ontwikkeling, behouden wij ons het recht voor de bovenstaande technische gegevens zonder voorafgaande kennisgeving te wijzigen.
- De technische gegevens van de accu kunnen van land tot land verschillen.
- Het gewicht kan verschillen afhankelijk van de hulpstukken, waaronder de accu. De lichtste en zwaarste combinatie, overeenkomstig de EPTA-procedure 01/2014, worden getoond in de tabel.

Toepasselijke accu's en laders

Accu	BL1815N / BL1820B / BL1830B / BL1840B / BL1850B / BL1860B
Lader	DC18RC / DC18RD / DC18RE / DC18SD / DC18SE / DC18SF / DC18SH / DC18WC

- Sommige van de hierboven vermelde accu's en laders zijn mogelijk niet leverbaar afhankelijk van waar u woont.

⚠️ WAARSCHUWING: Gebruik uitsluitend de accu's en laders die hierboven worden genoemd. Gebruik van enige andere accu of lader kan leiden tot letsel en/of brand.

Gebruiksdoelinden

Dit gereedschap is bedoeld voor het schuren van grote oppervlakken van hout-, kunststof- en metaalmaterialen, en ook geschilderde oppervlakken.

Geluidsniveau

De typische, A-gewogen geluidsniveaus zijn gemeten volgens EN62841-2-4:

Geluidsdruk niveau (L_{pA}): 78 dB (A)

Onzekerheid (K): 3 dB (A)

Het geluidsniveau kan tijdens gebruik hoger worden dan 80 dB (A).

OPMERKING: De opgegeven geluidsemisiewaarde(n) is/zijn gemeten volgens een standaardtestmethode en kan/kunnen worden gebruikt om dit gereedschap te vergelijken met andere gereedschappen.

OPMERKING: De opgegeven geluidsemisiewaarde(n) kan/kunnen ook worden gebruikt voor een beoordeling vooraf van de blootstelling.

⚠️ WAARSCHUWING: Draag gehoorbescherming.

⚠️ WAARSCHUWING: De geluidsemisatie tijdens het gebruik van het elektrisch gereedschap in de praktijk kan verschillen van de opgegeven waarde(n) afhankelijk van de manier waarop het gereedschap wordt gebruikt, met name van het soort werkstuk waarmee wordt gewerkt.

⚠️ WAARSCHUWING: Zorg ervoor dat veiligheidsmaatregelen worden getroffen ter bescherming van de gebruiker die zijn gebaseerd op een schatting van de blootstelling onder praktijkomstandigheden (rekening houdend met alle fasen van de bedrijfscyclus, zoals de tijdsduur gedurende welke het gereedschap is uitgeschakeld en stationair draait, naast de ingeschakelde tijdsduur).

Trilling

De totale trillingswaarde (triaxiale vectorsom) zoals vastgesteld volgens EN62841-2-4:
Gebruikstoepassing: schuren van metalen plaat (standaard zool)
Trillingsemissie (a_h): 2,5 m/s² of lager
Onzekerheid (K): 1,5 m/s²

OPMERKING: De totale trillingswaarde(n) is/zijn gemeten volgens een standaardtestmethode en kan/kunnen worden gebruikt om dit gereedschap te vergelijken met andere gereedschappen.

OPMERKING: De opgegeven totale trillingswaarde(n) kan/kunnen ook worden gebruikt voor een beoordeling vooraf van de blootstelling.

⚠️ WAARSCHUWING: De trillingsemissie tijdens het gebruik van het elektrisch gereedschap in de praktijk kan verschillen van de opgegeven waarde(n) afhankelijk van de manier waarop het gereedschap wordt gebruikt, met name van het soort werkstuk waarmee wordt gewerkt.

⚠️ WAARSCHUWING: Zorg ervoor dat veiligheidsmaatregelen worden getroffen ter bescherming van de gebruiker die zijn gebaseerd op een schatting van de blootstelling onder praktijkomstandigheden (rekening houdend met alle fasen van de bedrijfscyclus, zoals de tijdsduur gedurende welke het gereedschap is uitgeschakeld en stationair draait, naast de ingeschakelde tijdsduur).

Verklaringen van conformiteit

Alleen voor Europese landen

De verklaringen van conformiteit zijn bijgevoegd in Bijlage A bij deze gebruiksaanwijzing.

VEILIGHEIDSWAARSCHUWINGEN

Algemene veiligheidswaarschuwingen voor elektrisch gereedschap

⚠️ WAARSCHUWING: Lees alle veiligheidswaarschuwingen, aanwijzingen, afbeeldingen en technische gegevens behorend bij dit elektrische gereedschap aandachtig door. Als u niet alle onderstaande aanwijzingen naleeft, kan dat resulteren in brand, elektrische schokken en/of ernstig letsel.

Bewaar alle waarschuwingen en instructies om in de toekomst te kunnen raadplegen.

De term "elektrisch gereedschap" in de veiligheidsvoorschriften duidt op gereedschappen die op stroom van het lichtnet werken (met snoer) of gereedschappen met een accu (snoerloos).

Veiligheidswaarschuwingen voor schuurmachines

1. Draag altijd een veiligheidsbril. Een gewone bril of een zonnebril is GEEN veiligheidsbril.
2. Houd het gereedschap stevig vast.
3. Laat het gereedschap niet ingeschakeld achter. Schakel het gereedschap alleen in wanneer u het vasthoudt.
4. Dit gereedschap is niet waterdicht. Besprenkel derhalve het werkstukoppervlak niet met water.
5. Zorg dat uw werkplaats goed geventileerd is wanneer u gaat schuren.
6. Sommige materialen bevatten chemische stoffen die giftig kunnen zijn. Neem voorzorgsmaatregelen tegen het inademen van stof en contact met de huid. Volg de veiligheidsinstructies van de leverancier van het materiaal op.
7. Als dit gereedschap wordt gebruikt voor het schuren van bepaalde producten, verflagen en hout, kan de gebruiker worden blootgesteld aan stof waarin gevaarlijke bestanddelen zitten. Gebruik geschikte ademhalingbeschermingsapparatuur.
8. Controleer voor het gebruik of de steunschijf niet gescheurd of gebroken is. Een gescheurde of gebroken steunschijf kan persoonlijk letsel veroorzaken.
9. Zorg ervoor dat u tijdens het gebruik van het gereedschap stevig staat en uw evenwicht goed bewaart. Controleer of er zich niemand beneden u bevindt wanneer u op hoge plaatsen gaat werken.

BEWAAR DEZE INSTRUCTIES.

⚠️ WAARSCHUWING: Laat u NIET misleiden door een vals gevoel van comfort en bekendheid met het gereedschap (na veelvuldig gebruik) en neem alle veiligheidsvoorschriften van het betreffende gereedschap altijd strikt in acht. **VERKEERD GEBRUIK** of het niet naleven van de veiligheidsvoorschriften in deze gebruiksaanwijzing kan leiden tot ernstig persoonlijk letsel.

Belangrijke veiligheidsinstructies voor een accu

1. Lees alle voorschriften en waarschuwingen op (1) de acculader, (2) de accu, en (3) het product waarvoor de accu wordt gebruikt, alvorens de accu in gebruik te nemen.
2. Haal de accu niet uit elkaar en saboteer hem niet. Dit kan leiden tot brand, buitensporige hitte of een explosie.
3. Als de gebruikstijd van een opgeladen accu aanzienlijk korter is geworden, moet u het gebruik ervan onmiddellijk stopzetten. Voortgezet gebruik kan oververhitting, brandwonden en zelfs een ontploffing veroorzaken.
4. Als elektrolyt in uw ogen is terechtgekomen, spoelt u uw ogen met schoon water en roept u onmiddellijk de hulp van een dokter in. Elektrolyt in de ogen kan blindheid veroorzaken.

5. **Voorkom kortsluiting van de accu:**
 - (1) Raak de accuklemmen nooit aan met een geleidend materiaal.
 - (2) Bewaar de accu niet in een bak waarin andere metalen voorwerpen zoals spijkers, munten e.d. worden bewaard.
 - (3) Stel de accu niet bloot aan water of regen.
- Kortsluiting van de accu kan oorzaak zijn van een grote stroomafgifte, oververhitting, brandwonden, en zelfs defecten.**
6. **Bewaar en gebruik het gereedschap en de accu niet op plaatsen waar de temperatuur kan oplopen tot 50 °C of hoger.**
7. **Werp de accu nooit in het vuur, ook niet wanneer hij zwaar beschadigd of volledig versleten is. De accu kan ontploffen in het vuur.**
8. **Laat de accu niet vallen, sla er geen spijker in, snij er niet in, gooi er niet mee en stoot hem niet tegen een hard voorwerp. Dergelijke handelingen kunnen leiden tot brand, buitensporige hitte of een explosie.**
9. **Gebruik nooit een beschadigde accu.**
10. **De bijgeleverde lithium-ionbatterijen zijn onderhevig aan de vereisten in de wetgeving omtrent gevaarlijke stoffen.**

Voor commercieel transport en dergelijke door derden en transporteurs moeten speciale vereisten ten aanzien van verpakking en etikettering worden nageleefd. Als voorbereiding van het artikel dat wordt getransporteerd is het noodzakelijk een expert op het gebied van gevaarlijke stoffen te raadplegen. Houd u tevens aan mogelijk strengere nationale regelgeving. Blootliggende contactpunten moeten worden afgedekt met tape en de accu moet zodanig worden verpakt dat deze niet kan bewegen in de verpakking.
11. **Wanneer u de accu wilt weggooien, verwijdert u de accu vanaf het gereedschap en gooit u hem op een veilige manier weg. Volg bij het weggoeien van de accu de plaatselijke voorschriften.**
12. **Gebruik de accu's uitsluitend met de gereedschappen die door Makita zijn aanbevolen. Als de accu's worden aangebracht in niet-compatibele gereedschappen, kan dat leiden tot brand, buitensporige warmteontwikkeling, een explosie of lekkage van elektrolyt.**
13. **Als u het gereedschap gedurende een lange tijd niet denkt te gaan gebruiken, moet de accu vanaf het gereedschap worden verwijderd.**
14. **Tijdens en na gebruik, kan de accu heet worden waardoor brandwonden of koude brandwonden kunnen worden veroorzaakt. Wees voorzichtig bij het hanteren van een hete accu.**
15. **Raak de aansluitpunten van het gereedschap niet onmiddellijk na gebruik aan omdat deze heet genoeg kunnen zijn om brandwonden te veroorzaken.**
16. **Zorg ervoor dat geen steenslag, stof of grond vast komt te zitten op/in de aansluitpunten, openingen en groeven van de accu. Hierdoor kan oververhitting, brand, een barst en een storing in het gereedschap of de accu ontstaan waardoor brandwonden of persoonlijk letsel kunnen ontstaan.**
17. **Behalve indien gebruik van het gereedschap is toegestaan in de buurt van hoogspanningsleidingen, mag u de accu niet gebruiken in de buurt van een hoogspanningsleiding. Dit kan leiden tot een storing of een defect van het gereedschap of de accu.**

18. **Houd de accu uit de buurt van kinderen.**

BEWAAR DEZE INSTRUCTIES.

▲LET OP: Gebruik uitsluitend originele Makita accu's. Het gebruik van niet-originele accu's, of accu's die zijn gewijzigd, kan ertoe leiden dat de accu ontploft en brand, persoonlijk letsel en schade veroorzaakt. Ook vervalt daarmee de garantie van Makita op het gereedschap en de lader van Makita.

Tips voor een maximale levensduur van de accu

1. **Laad de accu op voordat hij volledig ontladen is. Stop het gebruik van het gereedschap en laad de accu op telkens wanneer u vaststelt dat het vermogen van het gereedschap is afgenomen.**
2. **Laad een volledig opgeladen accu nooit opnieuw op. Te lang opladen verkort de levensduur van de accu.**
3. **Laad de accu op bij een omgevingstemperatuur tussen 10 °C en 40 °C. Laat een warme accu afkoelen alvorens hem op te laden.**
4. **Als de accu niet wordt gebruikt, verwijder u hem vanaf het gereedschap of de lader.**
5. **Laad de accu op als u deze gedurende een lange tijd (meer dan zes maanden) niet gaat gebruiken.**

BESCHRIJVING VAN DE FUNCTIES

▲LET OP: Zorg altijd dat het gereedschap is uitgeschakeld en de accu ervan is verwijderd alvorens de functies op het gereedschap af te stellen of te controleren.

De accu aanbrengen en verwijderen

▲LET OP: Schakel het gereedschap altijd uit voordat u de accu aanbrengt of verwijdert.

▲LET OP: Houd het gereedschap en de accu stevig vast tijdens het aanbrengen of verwijderen van de accu. Als u het gereedschap en de accu niet stevig vasthoudt, kunnen deze uit uw handen glippen en het gereedschap of de accu beschadigen, of kan persoonlijk letsel worden veroorzaakt.

► Fig. 1: 1. Rood deel 2. Knop 3. Accu

Om de accu te verwijderen verschuift u de knop aan de voorkant van de accu en schuift u tegelijkertijd de accu uit het gereedschap.

Om de accu aan te brengen lijnt u de lip op de accu uit met de groef in de behuizing en duwt u de accu op zijn plaats. Steek de accu zo ver mogelijk in het gereedschap tot u een klinkgeluid hoort. Wanneer het rode deel zichtbaar is, zoals aangegeven in de afbeelding, is de accu niet geheel vergrendeld.

⚠ LET OP: Breng de accu altijd helemaal aan totdat het rode deel niet meer zichtbaar is. Als u dit niet doet, kan de accu per ongeluk uit het gereedschap vallen en u of anderen in uw omgeving verwonden.

⚠ LET OP: Breng de accu niet met kracht aan. Als de accu niet gemakkelijk in het gereedschap kan worden geschoven, wordt deze niet goed aangebracht.

De resterende acculading controleren

Alleen voor accu's met indicatorlampjes

► Fig.2: 1. Indicatorlampjes 2. Testknop

Druk op de testknop op de accu om de resterende acculading te zien. De indicatorlampjes branden gedurende enkele seconden.

Indicatorlampjes			Resterende acculading
Brandt	Uit	Knippert	
■	□	▧	75% tot 100%
■	■	■	
■	■	□	50% tot 75%
■	□	□	25% tot 50%
■	□	□	0% tot 25%
▧	□	□	Laad de accu op.
■	■	□	Er kan een storing zijn opgetreden in de accu.
□	□	■	

OPMERKING: Afhankelijk van de gebruiksomstandigheden en de omgevingstemperatuur, is het mogelijk dat de aangegeven acculading verschilt van de werkelijke acculading.

OPMERKING: Het eerste (meest linker) indicatorlampje knippert wanneer het accubeveiligingssysteem in werking is getreden.

Gereedschap-/accubeveiligingssysteem

Het gereedschap is voorzien van een gereedschap-/accubeveiligingssysteem. Dit systeem schakelt automatisch de voeding naar de motor uit om de levensduur van het gereedschap en de accu te verlengen. Het gereedschap kan tijdens het gebruik automatisch stoppen als het gereedschap of de accu aan één van de volgende omstandigheden wordt blootgesteld:

Overbelastingsbeveiliging

Wanneer het gereedschap of de accu wordt gebruikt op een wijze die ertoe leidt dat er een abnormaal sterke stroom wordt onttrokken, stopt het gereedschap automatisch zonder indicatie. Schakel in dit geval het gereedschap uit en stop de toepassing die ertoe geleid heeft dat het gereedschap overbelast is geraakt. Schakel vervolgens het gereedschap in om het opnieuw op te starten.

Oververhittingsbeveiliging

Wanneer het gereedschap of de accu oververhit raakt, stopt het gereedschap automatisch. Laat in dit geval het gereedschap en de accu afkoelen voordat u het gereedschap weer inschakelt.

Beveiliging tegen te ver ontladen

Als de acculading onvoldoende is, stopt het gereedschap automatisch. In dit het geval verwijdert u de accu vanaf het gereedschap en laadt u de accu op.

Beveiliging tegen andere oorzaken

Het beveiligingssysteem is ook ontworpen voor andere oorzaken die het gereedschap kunnen beschadigen, en zorgt ervoor dat het gereedschap automatisch stopt. Voer alle volgende stappen uit om de oorzaken op te heffen, wanneer het gereedschap tijdelijk is onderbroken of tijdens het gebruik is gestopt.

1. Schakel het gereedschap uit en schakel het daarna weer in om het opnieuw te starten.
2. Laad de accu(s) op of vervang hem/ze door (een) opgeladen accu(s).
3. Laat het gereedschap en de accu(s) afkoelen.

Als geen verbetering optreedt nadat het beveiligingssysteem is gereset, neemt u contact op met uw lokale Makita-servicecentrum.

De trekkerschakelaar gebruiken

⚠ LET OP: Voorkom dat het gereedschap wordt ingeschakeld terwijl het op het werkstuk of op uw werkbank staat. Dit kan persoonlijk letsel of schade veroorzaken.

Het gereedschap in- en uitschakelen

Druk op de aan-uit-/toerentalkeuzeknop om het gereedschap in te schakelen. Het gereedschap begint te draaien op het hoogste toerental. Druk op de stopknop om het gereedschap uit te schakelen.

► Fig.3: 1. Aan-uit-/toerentalkeuzeknop 2. Stopknop

Het toerental van het gereedschap veranderen

Het toerental kan worden ingesteld op twee niveaus: hoog en laag. Kies de instelling afhankelijk van de toepassing en werklast.

Druk terwijl het gereedschap is ingeschakeld op de aan-uit-/toerentalkeuzeknop om de toerentalinstelling te veranderen.

► Fig.4: 1. Aan-uit-/toerentalkeuzeknop

Tabel met toerentalinstellingen

Toerentalinstelling	Toerental per minuut
2 (Hoog)	14.000 min ⁻¹
1 (Laag)	11.000 min ⁻¹

KENNISGEVING: Als het gereedschap gedurende een lange tijd continu op een laag toerental wordt gebruikt, wordt de motor overbelast, waardoor het gereedschap defect raakt.

KENNISGEVING: Selecteer een geschikt toerentalbereik voor uw schuurwerkzaamheden om te voorkomen dat uw werkstuk oververhit raakt en smelt. Bij schuren op een hoog toerental kan het werkstuk heet worden en smelten op het aanrakingspunt.

MONTAGE

⚠ LET OP: Zorg altijd dat het gereedschap is uitgeschakeld en de accu ervan is verwijderd alvorens enig werk aan het gereedschap uit te voeren.

Het schuurpapier aanbrengen en verwijderen

⚠ LET OP: Zorg er altijd voor dat vóór gebruik een vel schuurpapier stevig is aangebracht. Anders kan het papier loslaten, gemakkelijk eraf komen en verschuiven waardoor een ongelijkmatige schuurwerking ontstaat.

OPMERKING: Als u van tevoren het schuurpapier buigt, kunt u het gemakkelijker aanbrengen.

Klittenbandschuurpapier gebruiken

⚠ LET OP: Verzeker u ervan dat het klittenbandsteunblok correct en stevig wordt aangebracht. Een loszittende bevestiging zal leiden tot een ongebalanceerde werking en buitensporige trillingen, wat leidt tot verlies van controle over het gereedschap.

⚠ LET OP: Verzeker u ervan dat het klittenbandsteunblok en -schuurpapier zijn uitgelijnd en stevig zijn bevestigd.

⚠ LET OP: Gebruik uitsluitend klittenband-schuurpapier. Gebruik nooit drukgevoelig schuurpapier.

1. Verwijder al het vuil en vreemd materiaal vanaf het klittenbandsteunblok.
2. Bevestig een optioneel vel klittenbandschuurpapier op het steunblok en lijn daarbij de stofafzuigpaten in het papier uit met die in het steunblok.
▶ **Fig.5:** 1. Schuurpapier 2. Steunblok 3. Stofafzuigpat
3. Om het schuurpapier te verwijderen, trekt u het vanaf de rand eraf.

Schuurpapier zonder stofafzuigpaten gebruiken

Optioneel accessoire

1. Knip een vel schuurpapier af van de juiste afmetingen.
▶ **Fig.6:** 1. Schuurpapier 2. Steunblok
2. Houd de klemhendel omlaag gedruwd aan de voor- of achterkant van het steunblok en schuif deze weg van de aanslag zodat de klem wordt ontgrendeld uit zijn vergrendelde stand.
3. Trek de klemhendel zo ver mogelijk naar buiten om ruimte te creëren tussen de klem en de zijkant van de schuurzool zodat een uiteinde van het schuurpapier daarin kan worden gestoken.
4. Steek één uiteinde van het schuurpapier op zijn plaats tussen de klem en de schuurzool.
5. Verschuif het schuurpapier zodat het precies het oppervlak van het steunblok bedekt.
6. Zet de klemhendel terug in zijn vergrendelde stand om het uiteinde van het schuurpapier stevig vast te klemmen.
7. Ontgrendel de klem aan de andere kant en breng het andere uiteinde van het schuurpapier in positie, klaar om te worden vastgeklemd.
8. Breng het schuurpapier op de juiste spanning en zet daarna de klemhendel aan de andere kant in de vergrendelde stand.
▶ **Fig.7:** 1. Schuurpapier 2. Klem 3. Schuurzool 4. Klemhendel 5. Aanslag
9. Plaats de perforereerplaat op het schuurpapier met zijn pasranden goed aansluitend op twee zijden van het steunblok en de schuurzool.
▶ **Fig.8:** 1. Schuurpapier 2. Perforeerplaat 3. Pasranden 4. Steunblok 5. Schuurzool
10. Duw de perforereerplaat op het schuurpapier om stofafzuigpaten te maken.
11. Om het schuurpapier te verwijderen, ontgrendelt u de klemmen aan beide kanten en verwijdert u het schuurpapier vanaf het steunblok.

Schuurpapier met stofafzuigpaten gebruiken

Optioneel accessoire

1. Houd de klemhendel omlaag gedruwd aan de voor- of achterkant van het steunblok en schuif deze weg van de aanslag zodat de klem wordt ontgrendeld uit zijn vergrendelde stand.
2. Trek de klemhendel zo ver mogelijk naar buiten om ruimte te creëren tussen de klem en de zijkant van de schuurzool zodat een uiteinde van het schuurpapier daarin kan worden gestoken.
3. Plaats een vel schuurpapier op het steunblok en lijn daarbij de stofafzuigpaten in het papier uit met die in het steunblok.
▶ **Fig.9:** 1. Schuurpapier 2. Steunblok 3. Stofafzuigpat
4. Steek één uiteinde van het schuurpapier op zijn plaats tussen de klem en de schuurzool.
5. Zet de klemhendel terug in zijn vergrendelde stand zodat het uiteinde van het schuurpapier stevig wordt vastgeklemd.

6. Ontgrendel de klem aan de andere kant en breng het andere uiteinde van het schuurpapier in positie, klaar om te worden vastgeklemd.

7. Breng het schuurpapier op de juiste spanning en zet daarna de klemhendel aan de andere kant in de vergrendelde stand.

► **Fig.10:** 1. Schuurpapier 2. Klem 3. Schuurzool
4. Klemhendel 5. Aanslag

8. Om het schuurpapier te verwijderen, ontgrendelt u de klemmen aan beide kanten en verwijdert u het schuurpapier vanaf het steunblok.

Driehoekig/rechthoekig schuurpapier gebruiken

Optioneel accessoire

⚠ LET OP: Verzeker u ervan dat het klittenbandsteunblok correct en stevig wordt aangebracht. Een loszittende bevestiging zal leiden tot een ongebalanceerde werking en buitensporige trillingen, wat leidt tot verlies van controle over het gereedschap.

⚠ LET OP: Verzeker u ervan dat het klittenbandsteunblok en -schuurpapier zijn uitgelijnd en stevig zijn bevestigd.

⚠ LET OP: Gebruik uitsluitend klittenband-schuurpapier. Gebruik nooit drukgevoelig schuurpapier.

KENNISGEVING: Bij het vervangen van het steunblok kan de dop of de O-ring uit de schuurzool losraken. Verzeker u ervan de dop of de O-ring terug te plaatsen in het cirkelvormige gat of de cirkelvormige groef in het midden van de schuurzool voordat u het optionele steunblok aanbrengt.

► **Fig.11:** 1. O-ring 2. Schuurzool 3. Cirkelvormige groef

1. Draai de vier schroeven los waarmee het steunblok is bevestigd aan de schuurzool.

► **Fig.12:** 1. Schroeven 2. Steunblok 3. Schuurzool

2. Vervang het standaard bevestigde steunblok door een driehoekig/rechthoekig steunblok.

3. Draai de schroeven weer stevig vast om het driehoekig/rechthoekig steunblok te bevestigen.

Driehoekig steunblok

► **Fig.13:** 1. Schroeven 2. Driehoekig steunblok
3. Schuurzool

U kunt schuurpapier bevestigen op de zijkant van het steunblok, zoals afgebeeld.

► **Fig.14:** 1. Schuurpapier 2. Steunblok

Rechthoekig steunblok

► **Fig.15:** 1. Schroeven 2. Rechthoekig steunblok
3. Schuurzool

4. Verwijder al het vuil en vreemd materiaal vanaf het driehoekig/rechthoekig steunblok.

5. Bevestig een optioneel vel klittenbandschuurpapier op het driehoekig/rechthoekig steunblok en lijn daarbij de stofafzuigaten in het papier uit met die in het steunblok.

Driehoekig steunblok

► **Fig.16:** 1. Schuurpapier 2. Driehoekig steunblok
3. Stofafzuigat

Rechthoekig steunblok

► **Fig.17:** 1. Schuurpapier 2. Rechthoekig steunblok
3. Stofafzuigat

6. Om het schuurpapier te verwijderen, trekt u het vanaf de rand eraf.

De stofzak aanbrengen en verwijderen

Optioneel accessoire

Bevestig de stofzak over de tapse stofuitwerpmond aan de achterkant van het motorhuis. Plaats de stofinlaatopening van de stofzak zo ver mogelijk over de stofuitwerpmond om te voorkomen dat deze tijdens gebruik eraf komt.

► **Fig.18:** 1. Stofuitwerpmond 2. Stofinlaatopening
3. Stofzak

KENNISGEVING: Draag het gereedschap niet door het aan de stofzak vast te houden. Anders kan het gereedschap vallen en beschadigd raken.

OPMERKING: Om zeker te zijn van een optimale stofafvang, maakt u de stofzak leeg wanneer deze ongeveer halfvol zit.

Verwijder de stofzak vanaf het gereedschap en verwijder het stofmondstuk. Maak de stofzak vervolgens leeg door hem voorzichtig te schudden of ertegen te tikken.

► **Fig.19:** 1. Stofmondstuk

De stofopvangdoos aanbrengen en verwijderen

Optioneel accessoire

Bevestig de stofopvangdoos over de tapse stofuitwerpmond aan de achterkant van het motorhuis. Plaats stofinlaatopening zo ver mogelijk over de stofuitwerpmond om te voorkomen dat deze tijdens gebruik eraf komt.

► **Fig.20:** 1. Stofuitwerpmond 2. Stofinlaatopening
3. Stofmondstuk 4. Stofopvangdoos

KENNISGEVING: Draag het gereedschap niet door het aan de stofopvangdoos vast te houden. Anders kan het gereedschap vallen en beschadigd raken.

OPMERKING: Om zeker te zijn van een optimale stofafvang, maakt u de stofopvangdoos leeg wanneer deze ongeveer halfvol zit.

1. Verwijder de stofopvangdoos vanaf het gereedschap.
2. Maak het stofmondstuk los van de stofopvangdoos terwijl u de vergrendelingen aan beide zijkanten van de stofopvangdoos ingedrukt houdt.
3. Maak de stofopvangdoos vervolgens leeg door hem te schudden of ertegen te tikken.

De papieren stofzak vervangen

KENNISGEVING: Let erop dat bij het weer aanbrengen van de componenten alle logo's op de stofopvangdoos, de papieren stofzak en het stofmondstuk in dezelfde richting wijzen.

1. Verwijder de stofopvangdoos vanaf het gereedschap.
2. Maak het stofmondstuk los van de stofopvangdoos terwijl u de vergrendelingen aan beide zijanten van de stofopvangdoos ingedrukt houdt.
► **Fig.21:** 1. Stofmondstuk 2. Stofopvangdoos
3. Vergrendeling
3. Houd de binnenzijde van de bovenrand van de kartonnen opening vast en trek deze omlaag en eraf om de buitenzijde van de bovenrand van de kartonnen opening los te maken van de vergrendeling op de bovenrand van de stofopvangdoos.
4. Haal de papieren stofzak uit de stofopvangdoos terwijl u de buitenzijde van de onderrand van de kartonnen opening los maakt van de vergrendeling op de onderrand van de stofopvangdoos.
► **Fig.22:** 1. Papieren stofzak 2. Kartonnen opening 3. Vergrendeling op de bovenrand
4. Vergrendeling op de onderrand
5. Stofopvangdoos
5. Plaats de nieuwe papieren stofzak door de onderrand van de kartonnen opening vast te maken achter de vergrendeling op de onderrand van de stofopvangdoos, en vervolgens de bovenrand van de kartonnen opening naar binnen te drukken tot deze wordt vergrendeld achter de vergrendeling op de bovenrand van de stofopvangdoos.
► **Fig.23:** 1. Papieren stofzak 2. Kartonnen opening 3. Vergrendeling op de bovenrand
4. Vergrendeling op de onderrand
5. Stofopvangdoos
6. Klik het stofmondstuk op zijn plaats terwijl u de vergrendelingen aan beide zijanten van de stofopvangdoos ingedrukt houdt.
► **Fig.24:** 1. Stofmondstuk 2. Stofopvangdoos
3. Vergrendeling

Een stofzuiger aansluiten

Optioneel accessoire

Wanneer u tijdens het schuren schoon wilt werken, sluit u een Makita-stofzuiger aan op uw gereedschap. Gebruik een optionele slang van 28 mm of een combinatie van voorste aansluitstuk 22 en de slang die bij de stofzuiger werd geleverd om het gereedschap aan te sluiten.

- **Fig.25:** 1. Stofuitwerpmond 2. Voorste aansluitstuk
3. Slang 4. Stofzuiger

BEDIENING

Schuren

▲LET OP: Zorg er altijd voor dat het werkstuk stevig is vastgezet.

KENNISGEVING: Schakel het gereedschap nooit in zonder dat schuurpapier is aangebracht. Hierdoor kan de schuurzool ernstig worden beschadigd.

KENNISGEVING: Forceer het gereedschap nooit. Door buitensporige druk kan de efficiëntie van het schuren lager worden, het schuurpapier beschadigd worden en/of de levensduur van het gereedschap verkort worden.

Houd het gereedschap stevig vast. Schakel het gereedschap in en wacht totdat het op volle snelheid werkt. Plaats daarna voorzichtig het gereedschap op het oppervlak van het werkstuk. Een afwerkschuurmachine wordt doorgaans gebruikt om slechts een kleine hoeveelheid materiaal tegelijkertijd te verwijderen. Aangezien de kwaliteit van het oppervlak belangrijker is dan de hoeveelheid verwijderd materiaal, mag u geen grote druk uitoefenen op het gereedschap. Houd de schuurzool te allen tijde vlak met het oppervlak van het werkstuk.

► **Fig.26**

U kunt het materiaal schuren met zowel de boven- als onderkant van het steunblok wanneer u schuurt met het driehoekige/rechthoekige steunblok. Dit is handig wanneer u voorwerpen schuurt zoals een jaloezie.

► **Fig.27**

ONDERHOUD

▲LET OP: Zorg altijd dat het gereedschap is uitgeschakeld en de accu ervan is verwijderd alvorens te beginnen met onderhoud of inspectie.

KENNISGEVING: Gebruik nooit benzine, wasbenzine, thinner, alcohol en dergelijke. Hierdoor kunnen verkleuring, vervormingen en barsten worden veroorzaakt.

Om de VEILIGHEID en BETROUWBAARHEID van het gereedschap te handhaven, dienen alle reparaties, onderhoud of afstellingen te worden uitgevoerd bij een erkend Makita-servicecentrum of de Makita-fabriek, en altijd met gebruik van Makita-vervangingsonderdelen.

Na het gebruik

Veeg met regelmatige intervallen het gereedschap af met een droge doek of een doek die licht bevochtigd is met zeepwater.

OPTIONELE ACCESSOIRES

⚠ LET OP: Deze accessoires of hulpstukken worden aanbevolen voor gebruik met het Makita gereedschap dat in deze gebruiksaanwijzing is beschreven. Bij gebruik van andere accessoires of hulpstukken bestaat het gevaar van persoonlijke letsel. Gebruik de accessoires of hulpstukken uitsluitend voor hun bestemde doel.

Wenst u meer bijzonderheden over deze accessoires, neem dan contact op met het plaatselijke Makita-servicecentrum.

- Klittenbandschuurpapier
- Schuurpapier (klem)
- Vierkant steunblok (klittenband)
- Vierkant steunblok (klem)
- Rechthoekig steunblok
- Driehoekig steunblok
- Stofzak
- Stofopvangdoos
- Filter
- Papieren stofzak
- Originele Makita accu's en acculaders

OPMERKING: Sommige items op de lijst kunnen zijn inbegrepen in de doos van het gereedschap als standaard toebehoren. Deze kunnen van land tot land verschillen.

ESPECIFICACIONES

Modelo:		DBO484
Tamaño de la almohadilla	Almohadilla cuadrada	112 mm x 102 mm
	Almohadilla triangular	112 mm x 190 mm
	Almohadilla rectangular	112 mm x 168,5 mm
Papel abrasivo	Para almohadilla cuadrada (Gancho y bucle)	114 mm x 102 mm
	Para almohadilla cuadrada (Abrazadera)	114 mm x 140 mm
	Para almohadilla triangular	Papel rectangular: 114 mm x 102 mm Papel triangular: 96 mm
	Para almohadilla rectangular	112 mm x 168,5 mm, 112 mm x 66 mm
Órbitas por minuto	Alta	14.000 min ⁻¹
	Baja	11.000 min ⁻¹
Longitud total (con BL1860B)		171 mm
Tensión nominal		CC 18 V
Peso neto		1,4 - 1,8 kg

- * La almohadilla estándar varía de un país a otro.
- Debido a nuestro continuado programa de investigación y desarrollo, las especificaciones aquí dadas están sujetas a cambios sin previo aviso.
- Las especificaciones y el cartucho de batería pueden diferir de país a país.
- El peso puede variar dependiendo del accesorio(s), incluyendo el cartucho de batería. La combinación menos pesada y la más pesada, de acuerdo con el procedimiento EPTA 01/2014, se muestran en la tabla.

Cartucho de batería y cargador aplicables

Cartucho de batería	BL1815N / BL1820B / BL1830B / BL1840B / BL1850B / BL1860B
Cargador	DC18RC / DC18RD / DC18RE / DC18SD / DC18SE / DC18SF / DC18SH / DC18WC

- Algunos de los cartuchos de batería y cargadores indicados arriba puede que no estén disponibles dependiendo de su región de residencia.

⚠ ADVERTENCIA: Utilice solamente los cartuchos de batería y cargadores listados arriba. La utilización de cualquier otro cartucho de batería y cargador puede ocasionar heridas y/o un incendio.

Uso previsto

La herramienta ha sido diseñada para lijar superficies grandes de madera, plástico y materiales metálicos, así como también superficies pintadas.

Ruido

El nivel de ruido A-ponderado típico determinado de acuerdo con la norma EN62841-2-4:

Nivel de presión sonora (L_{pA}) : 78 dB (A)

Error (K) : 3 dB (A)

El nivel de ruido en situación de trabajo puede exceder 80 dB (A).

NOTA: El valor (o los valores) de emisión de ruido declarado ha sido medido de acuerdo con un método de prueba estándar y se puede utilizar para comparar una herramienta con otra.

NOTA: El valor (o valores) de emisión de ruido declarado también se puede utilizar en una valoración preliminar de exposición.

⚠ ADVERTENCIA: Póngase protectores para oídos.

⚠ ADVERTENCIA: La emisión de ruido durante la utilización real de la herramienta eléctrica puede variar del valor (o los valores) de emisión declarado dependiendo de las formas en las que la herramienta sea utilizada, especialmente qué tipo de pieza de trabajo se procesa.

⚠ ADVERTENCIA: Asegúrese de identificar medidas de seguridad para proteger al operario que estén basadas en una estimación de la exposición en las condiciones reales de utilización (teniendo en cuenta todas las partes del ciclo operativo como las veces cuando la herramienta está apagada y cuando está funcionando en vacío además del tiempo de gatillo).

Vibración

El valor total de la vibración (suma de vectores triaxiales) determinado de acuerdo con la norma EN62841-2-4:

Modo de trabajo: lijado de placas metálicas (base cuadrada)

Emisión de vibración (a_{h1}): 2,5 m/s² o menos

Error (K): 1,5 m/s²

NOTA: El valor (o los valores) total de emisión de vibración declarado ha sido medido de acuerdo con un método de prueba estándar y se puede utilizar para comparar una herramienta con otra.

NOTA: El valor (o los valores) total de emisión de vibración declarado también se puede utilizar en una valoración preliminar de exposición.

⚠ ADVERTENCIA: La emisión de vibración durante la utilización real de la herramienta eléctrica puede variar del valor (o los valores) de emisión declarado dependiendo de las formas en las que la herramienta sea utilizada, especialmente qué tipo de pieza de trabajo se procesa.

⚠ ADVERTENCIA: Asegúrese de identificar medidas de seguridad para proteger al operario que estén basadas en una estimación de la exposición en las condiciones reales de utilización (teniendo en cuenta todas las partes del ciclo operativo como las veces cuando la herramienta está apagada y cuando está funcionando en vacío además del tiempo de gatillo).

Declaraciones de conformidad

Para países europeos solamente

Las declaraciones de conformidad están incluidas como Anexo A de este manual de instrucciones.

ADVERTENCIAS DE SEGURIDAD

Advertencias de seguridad para herramientas eléctricas en general

⚠ ADVERTENCIA: Lea todas las advertencias de seguridad, instrucciones, ilustraciones y especificaciones provistas con esta herramienta eléctrica. Si no sigue todas las instrucciones indicadas abajo podrá resultar en una descarga eléctrica, un incendio y/o heridas graves.

Guarde todas las advertencias e instrucciones para futuras referencias.

El término "herramienta eléctrica" en las advertencias se refiere a su herramienta eléctrica de funcionamiento con conexión a la red eléctrica (con cable) o herramienta eléctrica de funcionamiento a batería (sin cable).

Advertencias de seguridad para la lijadora

1. Utilice siempre gafas de seguridad o gafas de protección. Las gafas normales o de sol NO son gafas de seguridad.
2. Sujete la herramienta firmemente.
3. No deje la herramienta en funcionamiento. Téngala encendida solamente cuando la tenga en las manos.
4. Esta herramienta no es a prueba de agua; por lo tanto no utilice agua en la superficie de la pieza de trabajo.
5. Ventile adecuadamente su área de trabajo cuando realice operaciones de lijado.
6. Algunos materiales contienen sustancias químicas que podrán ser tóxicas. Tenga precaución para evitar la inhalación de polvo y el contacto con la piel. Siga los datos de seguridad del abastecedor del material.
7. La utilización de esta herramienta para lijar algunos productos, pinturas y madera podrá exponer al usuario a polvo que contenga sustancias peligrosas. Utilice protección respiratoria apropiada.
8. Asegúrese de que no hay grietas o roturas en la almohadilla antes de utilizarla. Las grietas o roturas pueden ocasionar heridas personales.
9. Observe el suelo donde pisa y mantenga su equilibrio con la herramienta. Asegúrese de que no haya nadie debajo cuando trabaje en lugares altos.

GUARDE ESTAS INSTRUCCIONES.

⚠ ADVERTENCIA: NO deje que la comodidad o familiaridad con el producto (a base de utilizarlo repetidamente) sustituya la estricta observancia de las normas de seguridad para el producto en cuestión. El MAL USO o el no seguir las normas de seguridad establecidas en este manual de instrucciones podrá ocasionar graves heridas personales.

Instrucciones de seguridad importantes para el cartucho de batería

1. Antes de utilizar el cartucho de batería, lea todas las instrucciones e indicaciones de precaución sobre (1) el cargador de baterías, (2) la batería, y (3) el producto con el que se utiliza la batería.
2. No desensamble ni manipule el cartucho de batería. Podrá resultar en un incendio, calor excesivo, o una explosión.
3. Si el tiempo de uso se acorta demasiado, cese la operación inmediatamente. Podría resultar en un riesgo de recalentamiento, posibles quemaduras e incluso una explosión.
4. Si entra electrolito en sus ojos, aclárelos con agua limpia y acuda a un médico inmediatamente. Existe el riesgo de poder perder la vista.

5. **No cortocircuite el cartucho de batería:**
 - (1) **No toque los terminales con ningún material conductor.**
 - (2) **Evite guardar el cartucho de batería en un cajón junto con otros objetos metálicos, como clavos, monedas, etc.**
 - (3) **No exponga el cartucho de batería al agua ni a la lluvia.**
Un cortocircuito en la batería puede producir una gran circulación de corriente, un recalentamiento, posibles quemaduras e incluso una rotura de la misma.
6. **No guarde ni utilice la herramienta y el cartucho de batería en lugares donde la temperatura pueda alcanzar o exceder los 50 °C.**
7. **Nunca incinere el cartucho de batería incluso en el caso de que esté dañado seriamente o ya no sirva en absoluto. El cartucho de batería puede explotar si se tira al fuego.**
8. **No clave, corte, aplaste, lance, deje caer el cartucho de batería, ni golpee contra un objeto duro el cartucho de batería.** Tal conducta podrá resultar en un incendio, calor excesivo, o una explosión.
9. **No utilice una batería dañada.**
10. **Las baterías de litio-ion contenidas están sujetas a los requisitos de la Legislación para Materiales Peligrosos.**
 Para transportes comerciales, p.ej., por terceras personas y agentes de transportes, se deberán observar requisitos especiales para el empaquetado y etiquetado.
 Para la preparación del artículo que se va a enviar, se requiere consultar con un experto en materiales peligrosos. Por favor, observe también la posibilidad de reglamentos nacionales más detallados.
 Cubra con cinta aislante o enmascare los contactos expuestos y empaquete la batería de tal manera que no se pueda mover alrededor dentro del embalaje.
11. **Para desechar el cartucho de batería, retírelo de la herramienta y deséchelo en un lugar seguro. Siga los reglamentos locales referentes al desecho de la batería.**
12. **Utilice las baterías solamente con los productos especificados por Makita.** La instalación de las baterías en productos no compatibles puede resultar en un incendio, calor excesivo, explosión, o fuga de electrolito.
13. **Si la herramienta no va a ser utilizada durante un periodo de tiempo largo, la batería deberá ser retirada de la herramienta.**
14. **Durante y después de la utilización, el cartucho de batería podrá acumular calor, lo cual puede ocasionar quemaduras o quemaduras de baja temperatura. Preste atención al manejo de cartuchos de batería calientes.**
15. **No toque el terminal de la herramienta inmediatamente después de utilizar, dado que puede calentarse lo suficiente como para ocasionar quemaduras.**
16. **No permita que virutas, polvo, o tierra se adhieran dentro de los terminales, orificios, y ranuras del cartucho de batería.** Esto podría ocasionar calentamiento, que coja fuego, reviente y un mal funcionamiento de la herramienta o el cartucho de batería, resultando en quemaduras o heridas personales.
17. **A menos que la herramienta pueda utilizarse cerca de cables eléctricos de alta tensión, no utilice el cartucho de batería cerca de cables eléctricos de alta tensión.** Podrá resultar en un mal funcionamiento o rotura de la herramienta o el cartucho de batería.
18. **Mantenga la batería alejada de los niños.**

GUARDE ESTAS INSTRUCCIONES.

⚠PRECAUCIÓN: Utilice solamente baterías genuinas de Makita. La utilización de baterías no genuinas de Makita, o baterías que han sido alteradas, puede resultar en una explosión de la batería ocasionando incendios, heridas personales y daños. También anulará la garantía de Makita para la herramienta y el cargador de Makita.

Consejos para alargar al máximo la vida de servicio de la batería

1. **Cargue el cartucho de batería antes de que se descargue completamente. Detenga siempre la operación y cargue el cartucho de batería cuando note menos potencia en la herramienta.**
2. **No cargue nunca un cartucho de batería que esté completamente cargado. La sobrecarga acortará la vida de servicio de la batería.**
3. **Cargue el cartucho de batería a temperatura ambiente de 10 °C - 40 °C. Si un cartucho de batería está caliente, déjelo enfriar antes de cargarlo.**
4. **Cuando no esté utilizando el cartucho de batería, retírelo de la herramienta o del cargador.**
5. **Cargue el cartucho de batería si no lo utiliza durante un periodo de tiempo prolongado (más de seis meses).**

DESCRIPCIÓN DEL FUNCIONAMIENTO

⚠ PRECAUCIÓN: Asegúrese siempre de que la herramienta esté apagada y el cartucho de batería retirado antes de realizar cualquier ajuste o comprobación en la herramienta.

Instalación o extracción del cartucho de batería

⚠ PRECAUCIÓN: Apague siempre la herramienta antes de instalar o retirar el cartucho de batería.

⚠ PRECAUCIÓN: Sujete la herramienta y el cartucho de batería firmemente cuando instale o retire el cartucho de batería. Si no sujeta la herramienta y el cartucho de batería firmemente podrán caérsele de las manos y resultar en daños a la herramienta y al cartucho de batería y heridas personales.

► Fig.1: 1. Indicador rojo 2. Botón 3. Cartucho de batería

Para retirar el cartucho de batería, deslícelo de la herramienta mientras desliza el botón de la parte frontal del cartucho.

Para instalar el cartucho de batería, alinee la lengüeta del cartucho de batería con la ranura del alojamiento y deslícelo al interior hasta encajarlo en su sitio. Insértelo por completo hasta que se bloquee en su sitio con un pequeño chasquido. Si puede ver el indicador rojo como se muestra en la figura, no estará bloqueado completamente.

⚠ PRECAUCIÓN: Instale siempre el cartucho de batería completamente hasta que no pueda verse el indicador rojo. En caso contrario, podrá caerse accidentalmente de la herramienta y ocasionarle heridas a usted o a alguien que esté cerca de usted.



















⚠ PRECAUCIÓN: No instale el cartucho de batería empleando fuerza. Si el cartucho no se desliza al interior fácilmente, será porque no está siendo insertado correctamente.

Modo de indicar la capacidad de batería restante

Solamente para cartuchos de batería con el indicador

► Fig.2: 1. Lámparas indicadoras 2. Botón de comprobación

Presione el botón de comprobación en el cartucho de batería para indicar la capacidad de batería restante. Las lámparas indicadoras se iluminan durante unos pocos segundos.

Lámparas indicadoras			Capacidad restante
 Iluminada	 Apagada	 Parpadeando	
			75% a 100%
			50% a 75%
			25% a 50%
			0% a 25%
			Cargue la batería.
			Puede que la batería no esté funcionando bien.
			

NOTA: Dependiendo de las condiciones de utilización y de la temperatura ambiente, la indicación podrá variar ligeramente de la capacidad real.

NOTA: La primera lámpara indicadora (extremo izquierdo) parpadeará cuando el sistema de protección de la batería esté funcionando.

Sistema de protección de la herramienta / batería

La herramienta está equipada con un sistema de protección de la herramienta/batería. Este sistema corta automáticamente la alimentación al motor para alargar la vida de servicio de la herramienta y la batería. La herramienta se detendrá automáticamente durante la operación si la herramienta o la batería es puesta en una de las condiciones siguientes:

Protección contra sobrecarga

Cuando la herramienta o la batería sea operada de manera que le haga absorber una corriente anormalmente alta, la herramienta se detendrá automáticamente sin ninguna indicación. En esta situación, apague la herramienta y detenga la tarea que ocasiona la sobrecarga de la herramienta. Después encienda la herramienta para volver a empezar.

Protección contra el recalentamiento

Cuando la herramienta o la batería se recalienta, la herramienta se detiene automáticamente. En este caso, deje que la herramienta y la batería se enfríen antes de encender la herramienta otra vez.

Protección contra descarga excesiva

Cuando la capacidad de batería no es suficiente, la herramienta se detiene automáticamente. En este caso, retire la batería de la herramienta y cargue la batería.

Protección contra otras causas

El sistema de protección también ha sido diseñado para otras causas que pueden dañar la herramienta y permite a la herramienta detenerse automáticamente. Realice todos los pasos siguientes para despejar las causas, cuando la herramienta haya sido llevada a una pausa temporal o a una parada en la operación.

1. Apague la herramienta, y después vuelva a encenderla para volver a comenzar.
2. Cargue la batería(s) o reemplácela(s) con una batería(s) recargada(s).
3. Deje que la herramienta y la batería(s) se enfríen.

Si no se nota una mejora al restablecer el sistema de protección, póngase en contacto con el centro de servicio Makita local.

Accionamiento del interruptor

PRECAUCIÓN: Evite encender la herramienta mientras esté colocada encima de una pieza de trabajo o encima de su banco de trabajo. Podrá ocasionar heridas personales o daños.

Encendido y apagado de la herramienta

Presione el botón de selección de potencia/velocidad para poner en marcha la herramienta. La herramienta se pondrá en marcha a su velocidad orbital más alta. Presione el botón de parada para parar la herramienta.

- **Fig.3:** 1. Botón de selección de potencia/velocidad
2. Botón de parada

Cambio de la velocidad de la herramienta

La velocidad orbital se puede cambiar en dos modos; alta y baja. Elija uno u otro modo en función de la aplicación y la carga de trabajo.

Presione el botón de selección de potencia/velocidad para cambiar el modo de velocidad mientras la herramienta está en marcha.

- **Fig.4:** 1. Botón de selección de potencia/velocidad

Tabla de ajustes de velocidad

Nivel de velocidad	Órbitas por minuto
2 (Alta)	14.000 min ⁻¹
1 (Baja)	11.000 min ⁻¹

AVISO: Si la herramienta es utilizada continuamente a velocidades bajas durante largo tiempo, el motor se sobrecargará, resultando en un mal funcionamiento de la herramienta.

AVISO: Seleccione un rango de velocidad apropiado para sus operaciones de lijado para evitar recalentar y derretir la pieza de trabajo. El lijado a velocidad orbital alta puede calentar la pieza de trabajo y derretirla en el punto de contacto.

MONTAJE

PRECAUCIÓN: Asegúrese siempre de que la herramienta está apagada y el cartucho de batería retirado antes de realizar cualquier trabajo en la herramienta.

Instalación y desmontaje del papel abrasivo

PRECAUCIÓN: Asegúrese siempre de que hay una hoja de papel abrasivo instalada firmemente antes de utilizar. De lo contrario, el papel se podrá aflojar, desprender fácilmente y quedar expuesto a deslizamiento, resultando en una operación de lijado desigual.

NOTA: Si dobla antes el papel le resultará más fácil colocarlo.

Utilización de papel abrasivo de gancho y bucle

PRECAUCIÓN: Asegúrese de instalar la almohadilla de gancho y bucle correcta y firmemente. Un accesorio flojo se desequilibrará y ocasionará una vibración excesiva resultando en la pérdida del control.

PRECAUCIÓN: Asegúrese de que la almohadilla y el papel abrasivo de gancho y bucle estén alineados y sujetos firmemente.

PRECAUCIÓN: Utilice solamente papeles abrasivos de gancho y bucle. No utilice nunca papeles abrasivos autoadhesivos.

1. Retire toda la suciedad y materia extraña de la almohadilla de gancho y bucle.
2. Coloque una hoja de papel abrasivo de gancho y bucle opcional en la almohadilla, y alinee los agujeros de succión de polvo del papel con los de la almohadilla.
► **Fig.5:** 1. Papel abrasivo 2. Almohadilla 3. Agujeros de succión de polvo

3. Para retirar el papel abrasivo, despréndalo por el borde.

Utilización de papel abrasivo sin agujero de succión de polvo

Accesorios opcionales

1. Corte una hoja de papel abrasivo del tamaño apropiado.
► **Fig.6:** 1. Papel abrasivo 2. Almohadilla

2. Mantenga presionada la palanca de sujeción del extremo delantero o bien del extremo trasero de la almohadilla, y deslícela alejándola del tope de manera que la abrazadera se libere de su posición bloqueada.

3. Tire de la palanca de sujeción hacia afuera tanto como sea posible para crear un espacio entre la abrazadera y la pared lateral de la base lijado en el que se pueda insertar un extremo del papel abrasivo.

4. Deslice un extremo del papel abrasivo al interior del espacio entre la abrazadera y la base lijado.
 5. Reposicione el papel abrasivo de manera que quede bien superpuesto en la superficie de la almohadilla.
 6. Vuelva a poner la palanca de sujeción en una posición bloqueada para sujetar el extremo del papel abrasivo firmemente.
 7. Libere la abrazadera del otro extremo, y tenga el otro extremo del papel abrasivo listo para ser sujetado.
 8. Mantenga el papel abrasivo apropiadamente tensado, y después ponga la palanca de sujeción del otro extremo en una posición bloqueada.
- **Fig.7:** 1. Papel abrasivo 2. Abrazadera 3. Base lijado 4. Palanca de sujeción 5. Tope

9. Cubra el papel abrasivo con la placa de perforación con sus topes de posicionamiento adyacentes a la esquina bien encajados en dos de los bordes laterales de la almohadilla y la base lijado.
- **Fig.8:** 1. Papel abrasivo 2. Placa de perforación 3. Topes de posicionamiento 4. Almohadilla 5. Base lijado

10. Presione la placa de perforación sobre el papel abrasivo para hacer agujeros de succión de polvo.
11. Para retirar el papel abrasivo, libere las abrazaderas de ambos extremos y quite el papel de la almohadilla.

Utilización de papel abrasivo con agujero de succión de polvo

Accesorios opcionales

1. Mantenga presionada la palanca de sujeción del extremo delantero o bien del extremo trasero de la almohadilla, y deslícela alejándola del tope de manera que la abrazadera se libere de su posición bloqueada.
 2. Tire de la palanca de sujeción hacia afuera tanto como sea posible para crear un espacio entre la abrazadera y la pared lateral de la base lijado en el que se pueda insertar un extremo del papel abrasivo.
 3. Coloque una hoja de papel abrasivo encima de la almohadilla, alineando los agujeros de succión de polvo del papel con los de la almohadilla.
- **Fig.9:** 1. Papel abrasivo 2. Almohadilla 3. Agujero de succión de polvo
4. Deslice un extremo del papel abrasivo al interior del espacio entre la abrazadera y la base lijado.
 5. Vuelva a poner la palanca de sujeción en una posición bloqueada de manera que el extremo del papel abrasivo quede sujetado firmemente.
 6. Libere la abrazadera del otro extremo, y tenga el otro extremo del papel abrasivo listo para ser sujetado.
 7. Mantenga el papel abrasivo apropiadamente tensado, y después ponga la palanca de sujeción del otro extremo en una posición bloqueada.
- **Fig.10:** 1. Papel abrasivo 2. Abrazadera 3. Base lijado 4. Palanca de sujeción 5. Tope

8. Para retirar el papel abrasivo, libere las abrazaderas de ambos extremos y quite el papel de la almohadilla.

Utilización de papel abrasivo triangular/rectangular

Accesorios opcionales

PRECAUCIÓN: Asegúrese de instalar la almohadilla de gancho y bucle correcta y firmemente. Un accesorio flojo se desequilibrará y ocasionará una vibración excesiva resultando en la pérdida del control.

PRECAUCIÓN: Asegúrese de que la almohadilla y el papel abrasivo de gancho y bucle estén alineados y sujetos firmemente.

PRECAUCIÓN: Utilice solamente papeles abrasivos de gancho y bucle. No utilice nunca papeles abrasivos autoadhesivos.

AVISO: La tapa o la junta tórica se puede salir de la base lijado al reemplazar la almohadilla. Asegúrese de volver a poner la tapa o la junta tórica en el agujero circular o en la ranura circular alrededor del centro de la base antes de instalar la almohadilla opcional.

- **Fig.11:** 1. Junta tórica 2. Base lijado 3. Ranura circular

1. Afloje y retire los cuatro tornillos que sujetan la almohadilla a la base lijado.

- **Fig.12:** 1. Tornillos 2. Almohadilla 3. Base lijado

2. Reemplace la almohadilla equipada de serie con una almohadilla triangular/rectangular.

3. Vuelva a apretar los tornillos firmemente para sujetar la almohadilla triangular/rectangular.

Almohadilla triangular

- **Fig.13:** 1. Tornillos 2. Almohadilla triangular 3. Base lijado

Puede instalar el papel abrasivo en el costado de la almohadilla como se muestra en la ilustración.

- **Fig.14:** 1. Papel abrasivo 2. Almohadilla

Almohadilla rectangular

- **Fig.15:** 1. Tornillos 2. Almohadilla rectangular 3. Base lijado

4. Retire toda la suciedad y materia extraña de la almohadilla triangular/rectangular.

5. Coloque una hoja de papel abrasivo de gancho y bucle opcional en la almohadilla triangular/rectangular, y alinee los agujeros de succión de polvo del papel con los de la almohadilla.

Almohadilla triangular

- **Fig.16:** 1. Papel abrasivo 2. Almohadilla triangular 3. Agujeros de succión de polvo

Almohadilla rectangular

- **Fig.17:** 1. Papel abrasivo 2. Almohadilla rectangular 3. Agujeros de succión de polvo

6. Para retirar el papel abrasivo, despréndalo por el borde.

Instalación y desmontaje de la bolsa de polvo

Accesorios opcionales

Coloque la bolsa de polvo sobre el conducto de polvo cónico del extremo trasero del alojamiento del motor. Ponga la boca de entrada de polvo de la bolsa en el conducto de polvo a fondo para evitar que se salga durante la operación.

► **Fig.18:** 1. Conducto de polvo 2. Boca de entrada de polvo 3. Bolsa de polvo

AVISO: No agarre la bolsa de polvo cuando transporte la herramienta. De lo contrario, la herramienta podrá caerse y dañarse.

NOTA: Para garantizar una recogida de polvo óptima, vacíe la bolsa de polvo cuando se llene hasta aproximadamente la mitad de su capacidad.

Retire la bolsa de polvo de la herramienta y retire la tobera de polvo. Después agite o golpee suavemente la bolsa de polvo para vaciarla.

► **Fig.19:** 1. Tobera de polvo

Instalación y desmontaje de la caja de polvo

Accesorios opcionales

Coloque la caja de polvo sobre el conducto de polvo cónico del extremo trasero del alojamiento del motor. Ponga la boca de entrada de polvo en el conducto de polvo a fondo para evitar que se salga durante la operación.

► **Fig.20:** 1. Conducto de polvo 2. Boca de entrada de polvo 3. Tobera de polvo 4. Caja de polvo

AVISO: No agarre la caja de polvo cuando transporte la herramienta. De lo contrario, la herramienta podrá caerse y dañarse.

NOTA: Para garantizar una recogida de polvo óptima, vacíe la caja de polvo cuando se llene hasta aproximadamente la mitad de su capacidad.

1. Retire la caja de polvo de la herramienta.
2. Retire la tobera de polvo de la caja mientras mantiene presionados los seguros bloqueo de ambos costados de la caja.
3. Agite o golpee suavemente la caja de polvo para vaciarla.

Reemplazo del filtro de papel

AVISO: Tenga en cuenta alinear los logotipos de todos, la caja de polvo, el filtro de papel y la tobera de polvo, en una orientación consistente cuando vuelva a montar los componentes.

1. Retire la caja de polvo de la herramienta.
2. Retire la tobera de polvo de la caja mientras mantiene presionados los seguros bloqueo de ambos costados de la caja.
► **Fig.21:** 1. Tobera de polvo 2. Caja de polvo 3. Seguro bloqueo
3. Sujete el borde superior interior de la abertura del cartón, y tire de él hacia abajo para desenganchar el borde superior exterior de la abertura del cartón de la lengüeta de enganche superior del reborde de la caja de polvo.

4. Extraiga el filtro de papel de la caja de polvo mientras tira del borde inferior exterior de la abertura del cartón y lo libera de la lengüeta de enganche inferior.

► **Fig.22:** 1. Filtro de papel 2. Abertura del cartón 3. Lengüeta de enganche superior 4. Lengüeta de enganche inferior 5. Caja de polvo

5. Reemplace el filtro de papel enganchando el borde inferior de la abertura del cartón en la lengüeta de enganche inferior y empuje el borde superior hacia adentro hasta que se enganche en la lengüeta de enganche superior.

► **Fig.23:** 1. Filtro de papel 2. Abertura del cartón 3. Lengüeta de enganche superior 4. Lengüeta de enganche inferior 5. Caja de polvo

6. Encaje la tobera de polvo en su sitio a presión mientras mantiene presionados los seguros bloqueo de ambos costados de la caja de polvo.

► **Fig.24:** 1. Tobera de polvo 2. Caja de polvo 3. Seguro bloqueo

Conexión a un aspirador

Accesorio opcional

Cuando quiera realizar una operación de lijado limpia, conecte un aspirador Makita a su herramienta. Utilice una manguera de 28 mm opcional o bien una combinación de manguito delantero de 22 y manguera provistos con el aspirador para hacer la conexión.

► **Fig.25:** 1. Conducto de polvo 2. Manguito delantero 3. Manguera 4. Aspirador

OPERACIÓN

Operación de lijado

⚠PRECAUCIÓN: Asegúrese siempre de que la pieza de trabajo está sujeta firmemente.

AVISO: No utilice nunca la herramienta sin el papel abrasivo. Podrá dañar seriamente la almohadilla.

AVISO: No fuerce nunca la herramienta. Una presión excesiva podrá reducir la eficacia del lijado, dañar el papel abrasivo y/o acortar la vida de servicio de la herramienta.

Sujete la herramienta firmemente. Encienda la herramienta y espere hasta que adquiera plena velocidad. Después coloque la herramienta con cuidado sobre la superficie de la pieza de trabajo. Generalmente, la lijadora de acabado se utiliza para quitar solamente una pequeña cantidad de material por pasada. Como la calidad del acabado de la superficie es más importante que la cantidad de material a quitar, no ejerza presión sobre la herramienta. Mantenga la base a ras con la pieza de trabajo en todo momento.

► **Fig.26**

Puede lijar el material con la parte superior e inferior de la almohadilla cuando lija con la almohadilla triangular/rectangular. Le resultará conveniente cuando lije un objeto tal como una celosía.

► **Fig.27**

MANTENIMIENTO

⚠️ PRECAUCIÓN: Asegúrese siempre de que la herramienta está apagada y de que el cartucho de batería está retirado antes de intentar hacer una inspección o mantenimiento.

AVISO: No utilice nunca gasolina, bencina, disolvente, alcohol o similares. Podría producir descoloración, deformación o grietas.

Para mantener la SEGURIDAD y FIABILIDAD del producto, las reparaciones, y cualquier otra tarea de mantenimiento o ajuste deberán ser realizadas en centros de servicio o de fábrica autorizados por Makita, empleando siempre repuestos Makita.

Después de la utilización

Limpie la herramienta con un paño seco o con un paño ligeramente humedecido con agua jabonosa a intervalos regulares.

ACCESORIOS OPCIONALES

⚠️ PRECAUCIÓN: Estos accesorios o aditamentos están recomendados para su uso con la herramienta Makita especificada en este manual.

El uso de cualquier otro accesorio o aditamento puede suponer un riesgo de heridas personales. Utilice el accesorio o aditamento solamente con la finalidad indicada para el mismo.

Si necesita cualquier ayuda para más detalles en relación con estos accesorios, pregunte al centro de servicio Makita local.

- Papel abrasivo (gancho y bucle)
- Papel abrasivo (abrazadera)
- Almohadilla cuadrada (gancho y bucle)
- Almohadilla cuadrada (abrazadera)
- Almohadilla rectangular
- Almohadilla triangular
- Bolsa colectora de polvo
- Caja de polvo
- Filtro
- Filtro de papel
- Batería y cargador genuinos de Makita

NOTA: Algunos elementos de la lista podrán estar incluidos en el paquete de la herramienta como accesorios estándar. Pueden variar de un país a otro.

ESPECIFICAÇÕES

Modelo:		DBO484
Tamanho da almofada	Almofada quadrada	112 mm x 102 mm
	Almofada triangular	112 mm x 190 mm
	Almofada retangular	112 mm x 168,5 mm
Papel de lixa	Para almofada quadrada (Fecho de gancho e laço)	114 mm x 102 mm
	Para almofada quadrada (Dispositivo de fixação)	114 mm x 140 mm
	Para almofada triangular	Papel retangular: 114 mm x 102 mm Papel triangular: 96 mm
	Para almofada retangular	112 mm x 168,5 mm, 112 mm x 66 mm
Órbitas por minuto	Alto	14.000 min ⁻¹
	Baixo	11.000 min ⁻¹
Comprimento total (com BL1860B)		171 mm
Tensão nominal		C.C. 18 V
Peso líquido		1,4 - 1,8 kg

- * A almofada padrão difere de país para país.
- Devido a um programa contínuo de pesquisa e desenvolvimento, estas especificações estão sujeitas a alteração sem aviso prévio.
- As especificações e a bateria podem variar de país para país.
- O peso poderá diferir em função do acessório(s), incluindo a bateria. A combinação mais leve e mais pesada, de acordo com o Procedimento EPTA 01/2014, é apresentada na tabela.

Bateria e carregador aplicável

Bateria	BL1815N / BL1820B / BL1830B / BL1840B / BL1850B / BL1860B
Carregador	DC18RC / DC18RD / DC18RE / DC18SD / DC18SE / DC18SF / DC18SH / DC18WC

- Algumas das baterias e carregadores listados acima poderão não estar disponíveis, dependendo da sua região de residência.

⚠AVISO: Utilize apenas as baterias e carregadores listados acima. A utilização de quaisquer outras baterias e carregadores pode causar ferimentos e/ou um incêndio.

Utilização a que se destina

A ferramenta foi concebida para lixamento de grandes superfícies de materiais de madeira, plástico e metal assim como de superfícies pintadas.

Ruído

A característica do nível de ruído A determinado de acordo com a EN62841-2-4:

Nível de pressão acústica (L_{pA}): 78 dB (A)

Variabilidade (K): 3 dB (A)

O nível de ruído durante o funcionamento pode exceder 80 dB (A).

NOTA: O(s) valor(es) da emissão de ruído indicado(s) foi medido de acordo com um método de teste padrão e pode ser utilizado para comparar duas ferramentas.

NOTA: O(s) valor(es) da emissão de ruído indicado(s) pode também ser utilizado na avaliação preliminar da exposição.

⚠AVISO: Utilize protetores auriculares.

⚠AVISO: A emissão de ruído durante a utilização real da ferramenta elétrica pode diferir do(s) valor(es) indicado(s), dependendo das formas como a ferramenta é utilizada, especialmente o tipo de peça de trabalho que é processada.

⚠AVISO: Certifique-se de identificar as medidas de segurança para proteção do operador que sejam baseadas em uma estimativa de exposição em condições reais de utilização (considerando todas as partes do ciclo de operação, tal como quando a ferramenta está desligada e quando está a funcionar em marcha lenta além do tempo de acionamento).

Vibração

Valor total da vibração (soma vetorial tri-axial) determinado de acordo com a EN62841-2-4:

Modo de trabalho: lixamento de chapa metálica (base quadrada)

Emissão de vibração (a_h): 2,5 m/s² ou menos

Variabilidade (K): 1,5 m/s²

NOTA: O(s) valor(es) total(ais) de vibração indicado(s) foi medido de acordo com um método de teste padrão e pode ser utilizado para comparar duas ferramentas.

NOTA: O(s) valor(es) total(ais) de vibração indicado(s) pode também ser utilizado na avaliação preliminar da exposição.

⚠️ AVISO: A emissão de vibração durante a utilização real da ferramenta elétrica pode diferir do(s) valor(es) indicado(s), dependendo das formas como a ferramenta é utilizada, especialmente o tipo de peça de trabalho que é processada.

⚠️ AVISO: Certifique-se de identificar as medidas de segurança para proteção do operador que sejam baseadas em uma estimativa de exposição em condições reais de utilização (considerando todas as partes do ciclo de operação, tal como quando a ferramenta está desligada e quando está a funcionar em marcha lenta além do tempo de acionamento).

Declarações de conformidade

Apenas para os países europeus

As Declarações de conformidade estão incluídas no Anexo A deste manual de instruções.

AVISOS DE SEGURANÇA

Avisos gerais de segurança para ferramentas elétricas

⚠️ AVISO: Leia todos os avisos de segurança, instruções, ilustrações e especificações fornecidos com esta ferramenta elétrica. O não cumprimento de todas as instruções indicadas em baixo pode resultar em choque elétrico, incêndio e/ou ferimentos graves.

Guarde todos os avisos e instruções para futuras referências.

O termo "ferramenta elétrica" nos avisos refere-se às ferramentas elétricas ligadas à corrente elétrica (com cabo) ou às ferramentas elétricas operadas por meio de bateria (sem cabo).

Avisos de segurança sobre a lixadeira

1. Use sempre óculos de segurança ou de proteção. Os óculos normais ou de sol **NÃO** são óculos de segurança.
2. Segure a ferramenta com firmeza.
3. Não deixe a ferramenta a funcionar. Utilize a ferramenta apenas quando a estiver a segurar com a mão.
4. Esta ferramenta não é à prova de água, por isso, não utilize água na superfície da peça de trabalho.
5. Ventile a área de trabalho adequadamente quando executar operações de lixamento.
6. Alguns materiais contêm químicos que podem ser tóxicos. Tenha cuidado para evitar a inalação de pó e o contacto com a pele. Cumpra os dados de segurança do fornecedor do material.
7. A utilização da ferramenta para lixar determinados produtos, tintas e madeira pode expor o utilizador ao pó contendo substâncias nocivas. Use proteção respiratória adequada.
8. Antes de utilizar a ferramenta, verifique se a almofada não apresenta fendas ou rachas. As fendas ou rachas podem provocar ferimentos pessoais.
9. Tenha cuidado e mantenha-se numa posição firme e equilibrada ao utilizar a ferramenta. Certifique-se de que ninguém está por baixo quando trabalha em locais altos.

GUARDE ESTAS INSTRUÇÕES.

⚠️ AVISO: NÃO permita que o conforto ou familiaridade com o produto (adquirido com o uso repetido) substitua o cumprimento estrito das regras de segurança da ferramenta. A **MÁ INTERPRETAÇÃO** ou o não seguimento das regras de segurança estabelecidas neste manual de instruções pode provocar ferimentos pessoais graves.

Instruções de segurança importantes para a bateria

1. Antes de utilizar a bateria, leia todas as instruções e etiquetas de precaução no (1) carregador de bateria (2) bateria e (3) produto que utiliza a bateria.
2. Não desmonte ou manipule a bateria. Pode resultar num incêndio, em calor excessivo ou numa explosão.
3. Se o tempo de funcionamento se tornar excessivamente curto, pare o funcionamento imediatamente. Pode resultar em sobreaquecimento, possíveis queimaduras e mesmo explosão.
4. Se entrar eletrólito nos seus olhos, lave-os com água e consulte imediatamente um médico. Pode resultar em perda de visão.
5. Não coloque a bateria em curto-circuito:
 - (1) Não toque nos terminais com qualquer material condutor.
 - (2) Evite guardar a bateria juntamente com outros objetos metálicos tais como pregos, moedas, etc.
 - (3) Não exponha a bateria à água ou chuva.

Um curto-circuito pode ocasionar um enorme fluxo de corrente, sobreaquecimento, possíveis queimaduras e mesmo estragar-se.

6. Não guarde nem utilize a ferramenta e a bateria em locais onde a temperatura pode atingir ou exceder 50 °C.
7. Não queime a bateria mesmo que esteja estragada ou completamente gasta. A bateria pode explodir no fogo.
8. Não pregue, corte, esmague, atire, deixe cair a bateria, nem bata a bateria contra um objeto rijo. Esta conduta pode resultar num incêndio, em calor excessivo ou numa explosão.
9. Não utilize uma bateria danificada.
10. As baterias de íons de lítio contidas na ferramenta são sujeitas aos requisitos da DGL (Dangerous Goods Legislation - Legislação de bens perigosos).
Para o transporte comercial, por exemplo, por terceiros ou agentes de expedição, têm de ser observados os requisitos referentes à embalagem e etiquetagem.
Para preparação do artigo a ser expedido, é necessário consultar um perito em materiais perigosos. Tenha ainda em conta a possibilidade de existirem regulamentos nacionais mais detalhados.
Coloque fita-cola ou tape os contactos abertos e embale a bateria de tal forma que não possa mover-se dentro da embalagem.
11. Quando eliminar a bateria, remova-a da ferramenta e elimine-a num local seguro. Siga os regulamentos locais relacionados com a eliminação de baterias.
12. Utilize as baterias apenas com os produtos especificados pela Makita. Instalar as baterias em produtos não-conformes poderá resultar num incêndio, calor excessivo, explosão ou fuga de eletrólito.
13. Se a ferramenta não for utilizada durante um período de tempo prolongado, a bateria deve ser removida da ferramenta.
14. Durante e após a utilização, a bateria pode aquecer, o que pode provocar queimaduras ou queimaduras a baixa temperatura. Preste atenção ao manuseamento de baterias quentes.
15. Não toque no terminal da ferramenta imediatamente após a utilização, pois pode ficar suficientemente quente para provocar queimaduras.
16. Não permita a adesão de aparas, pó ou sujidade nos terminais, nos orifícios e nas ranhuras da bateria. Poderá fazer com que a ferramenta ou a bateria aqueça, incendeie, rebente e avarie, resultando em queimaduras ou ferimentos corporais.
17. A menos que a ferramenta suporte a utilização perto de linhas elétricas de alta tensão, não utilize a bateria perto de linhas elétricas de alta tensão. Pode resultar no mau funcionamento ou na avaria da ferramenta ou bateria.
18. Mantenha a bateria afastada das crianças.

GUARDE ESTAS INSTRUÇÕES.

⚠PRECAUÇÃO: Utilize apenas baterias genuínas da Makita. A utilização de baterias não genuínas da Makita ou de baterias que foram alteradas, pode resultar no reben-tamento da bateria provocando incêndios, ferimentos pessoais e danos. Além disso, anulará da garantia da Makita no que se refere à ferramenta e ao carregador Makita.

Conselhos para manter a máxima vida útil da bateria

1. Carregue a bateria antes que esteja completamente descarregada. Pare sempre o funcionamento da ferramenta e carregue a bateria quando notar menos poder na ferramenta.
2. Nunca carregue uma bateria completamente carregada. Carregamento excessivo diminui a vida útil da bateria.
3. Carregue a bateria à temperatura ambiente de 10 °C – 40 °C. Deixe que uma bateria quente arrefeça antes de a carregar.
4. Quando não utilizar a bateria, remova-a da ferramenta ou do carregador.
5. Carregue a bateria se não a utilizar durante um longo período de tempo (mais de seis meses).

DESCRIÇÃO FUNCIONAL

⚠PRECAUÇÃO: Certifique-se sempre de que a ferramenta está desligada e a bateria foi retirada antes de regular ou verificar qualquer função na ferramenta.

Instalação ou remoção da bateria

⚠PRECAUÇÃO: Desligue sempre a ferramenta antes de colocar ou retirar a bateria.

⚠PRECAUÇÃO: Segure firmemente a ferramenta e a bateria quando instalar ou remover a bateria. Se não segurar firmemente a ferramenta e a bateria pode fazer com que escorreguem das suas mãos resultando em danos na ferramenta e na bateria e ferimentos pessoais.

► Fig.1: 1. Indicador vermelho 2. Botão 3. Bateria

Para retirar a bateria, deslize-a para fora da ferramenta enquanto desliza o botão na frente da bateria.

Para instalar a bateria, alinhe a lingueta na bateria com a ranhura na caixa e deslize-a para a posição correta. Insira-a por completo até bloquear na posição correta com um pequeno clique. Se conseguir ver o indicador vermelho conforme apresentado na figura, não está completamente bloqueada.

⚠PRECAUÇÃO: Instale sempre a bateria até ao fim, até deixar de ver o indicador vermelho. Caso contrário, a bateria poderá cair da ferramenta acidentalmente e provocar ferimentos em si mesmo ou em alguém próximo.

⚠PRECAUÇÃO: Não instale a bateria à força. Se a bateria não deslizar facilmente é porque não foi colocada corretamente.

Indicação da capacidade restante da bateria

Apenas para baterias com indicador

► **Fig. 2:** 1. Luzes indicadoras 2. Botão de verificação

Prima o botão de verificação na bateria para indicar a capacidade restante da bateria. As luzes indicadoras acendem durante alguns segundos.

Luzes indicadoras			Capacidade restante
Aceso	Apagado	A piscar	
■	□	◐	75% a 100%
■	■	■	
■	■	□	50% a 75%
■	■	□	25% a 50%
■	□	□	0% a 25%
◐	□	□	Carregar a bateria.
■	■	□	A bateria pode estar avariada.
□	□	■	

NOTA: Dependendo das condições de utilização e da temperatura ambiente, a indicação pode ser ligeiramente diferente da capacidade real.

NOTA: A primeira luz indicadora (extremo esquerdo) pisca quando o sistema de proteção da bateria funciona.

Sistema de proteção da ferramenta/bateria

A ferramenta está equipada com um sistema de proteção da ferramenta/bateria. Este sistema corta automaticamente a corrente para o motor para aumentar a vida da ferramenta e da bateria. A ferramenta para automaticamente durante o funcionamento se a ferramenta ou bateria for colocada mediante uma das seguintes condições:

Proteção contra sobrecarga

Quando a ferramenta ou a bateria é operada de tal forma que a faça retirar uma corrente anormalmente alta, a ferramenta para automaticamente sem qualquer indicação. Nesta situação, desligue a ferramenta e pare a aplicação que fez com que a ferramenta ficasse sobrecarregada. Depois, ligue a ferramenta para reiniciar.

Proteção contra sobreaquecimento

Quando a ferramenta ou a bateria estiver sobreaquecida, a ferramenta para automaticamente. Nesta situação, deixe a ferramenta e a bateria arrefecerem antes de voltar a ligar a ferramenta.

Proteção contra descarga excessiva

Quando a capacidade da bateria não é suficiente, a ferramenta para automaticamente. Neste caso, retire a bateria da ferramenta e carregue-a.

Proteções contra outras causas

O sistema de proteção também foi concebido para outras causas que possam danificar a ferramenta e permite que a ferramenta pare automaticamente. Tome todas as medidas que se seguem para eliminar as causas quando a ferramenta tiver parado ou interrompido temporariamente a operação.

1. Desligue a ferramenta e, em seguida, volte a ligá-la para reiniciar.
2. Carregue a(s) bateria(s) ou substitua-a(s) por bateria(s) recarregada(s).
3. Deixe a ferramenta e a(s) bateria(s) arrefecerem.

Se não for possível constatar qualquer melhoria através do restauro do sistema de proteção, contacte o centro de assistência Makita local.

Ação do interruptor

⚠PRECAUÇÃO: Evite ligar a ferramenta enquanto estiver colocada na peça de trabalho ou na sua bancada de trabalho. Tal pode causar ferimentos pessoais ou danos.

Ligar e desligar a ferramenta

Pressione o botão de seleção de alimentação/velocidade para efetuar o arranque da ferramenta. A ferramenta arranca para funcionar à sua velocidade orbital mais elevada.

Pressione o botão de paragem para parar a ferramenta.

► **Fig. 3:** 1. Botão de seleção de alimentação/velocidade 2. Botão de paragem

Alterar a velocidade da ferramenta

A velocidade orbital pode ser alterada em dois modos: alto e baixo. Escolha um dos modos em função da aplicação e carga de trabalho.

Pressione o botão de seleção de alimentação/velocidade para mudar o modo de velocidade enquanto a ferramenta estiver a funcionar.

► **Fig. 4:** 1. Botão de seleção de alimentação/velocidade

Tabela das definições da velocidade

Nível de velocidade	Orbital por minuto
2 (Alto)	14.000 min ⁻¹
1 (Baixo)	11.000 min ⁻¹

OBSERVAÇÃO: Se a ferramenta for utilizada continuamente em velocidades baixas durante muito tempo, o motor fica sobrecarregado resultando em avaria da ferramenta.

OBSERVAÇÃO: Selecione uma gama de velocidades adequada para as operações de lixamento para evitar o sobreaquecimento e derretimento da peça de trabalho. O lixamento a uma velocidade orbital elevada pode aquecer a peça de trabalho e derretê-la no ponto de contacto.

MONTAGEM

⚠️ PRECAUÇÃO: Certifique-se sempre de que a ferramenta está desligada e a bateria retirada antes de executar qualquer trabalho na ferramenta.

Instalar e remover o papel de lixa

⚠️ PRECAUÇÃO: Certifique-se sempre de que está firmemente instalada uma folha de papel de lixa antes da utilização. Caso contrário, o papel pode ficar solto, ser facilmente removido e estar sujeito a deslizamento, resultando numa operação de lixamento irregular.

NOTA: Dobrar previamente o papel torna a sua fixação mais fácil.

Utilizar papel de lixa com fecho de gancho e laço

⚠️ PRECAUÇÃO: Certifique-se de que instala uma almofada com fecho de gancho e laço de forma correta e firme. Uma fixação solta ficará desequilibrada e provocará uma vibração excessiva resultando em perda de controlo.

⚠️ PRECAUÇÃO: Certifique-se de que uma almofada com fecho de gancho e laço e o papel de lixa estão alinhados e firmemente fixados.

⚠️ PRECAUÇÃO: Utilize apenas papéis de lixa com fecho de gancho e laço. Nunca utilize papéis de lixa sensíveis à pressão.

1. Remova toda a sujidade e matérias estranhas da almofada com fecho de gancho e laço.
2. Fixe uma folha de papel de lixa com fecho de gancho e laço opcional na almofada, alinhando os orifícios de sucção de pó no papel com os orifícios de sucção de pó na almofada.
▶ **Fig.5:** 1. Papel de lixa 2. Almofada 3. Orifícios de sucção de pó
3. Para remover o papel de lixa, descole-o a partir da extremidade.

Utilizar papel de lixa sem orifício de sucção de pó

Acessório opcional

1. Corte uma folha de papel de lixa para um tamanho adequado.
▶ **Fig.6:** 1. Papel de lixa 2. Almofada
2. Pressione e mantenha pressionada a alavanca de fixação na extremidade dianteira ou traseira da almofada e deslize-a afastando do batente de modo que o dispositivo de fixação seja libertado da respetiva posição de bloqueio.
3. Puxe a alavanca de fixação para fora tanto quanto possível para criar um espaço entre o dispositivo de fixação e a parede lateral da base de lixamento em que pode ser inserida uma extremidade do papel de lixa.
4. Deslize uma extremidade do papel de lixa para o espaço entre o dispositivo de fixação e a base de lixamento.

5. Reposicione o papel de lixa de modo que fique minuciosamente sobreposto na superfície da almofada.
6. Volte a colocar a alavanca de fixação numa posição de bloqueio para fixar firmemente a extremidade do papel de lixa.
7. Solte o dispositivo de fixação na outra extremidade e prepare a outra extremidade do papel de lixa para ser fixada.

8. Mantenha uma tensão adequada no papel de lixa e, em seguida, coloque a alavanca de fixação na outra extremidade numa posição de bloqueio.

▶ **Fig.7:** 1. Papel de lixa 2. Dispositivo de fixação 3. Base de lixamento 4. Alavanca de fixação 5. Batente

9. Cubra o papel de lixa com a placa de punção com os respetivos batentes de posicionamento adjacentes ao canto bem encaixados em duas das extremidades laterais da almofada e da base de lixamento.

▶ **Fig.8:** 1. Papel de lixa 2. Placa de punção 3. Batentes de posicionamento 4. Almofada 5. Base de lixamento

10. Pressione a placa de punção sobre o papel de lixa para efetuar orifícios de sucção de pó.

11. Para remover o papel de lixa, solte os dispositivos de fixação em ambas as extremidades e tire o papel da almofada.

Utilizar papel de lixa com orifício de sucção de pó

Acessório opcional

1. Pressione e mantenha pressionada a alavanca de fixação na extremidade dianteira ou traseira da almofada e deslize-a afastando do batente de modo que o dispositivo de fixação seja libertado da respetiva posição de bloqueio.
2. Puxe a alavanca de fixação para fora tanto quanto possível para criar um espaço entre o dispositivo de fixação e a parede lateral da base de lixamento em que pode ser inserida uma extremidade do papel de lixa.
3. Coloque uma folha de papel de lixa sobre a almofada, alinhando os orifícios de sucção de pó no papel com os orifícios de sucção de pó na almofada.
▶ **Fig.9:** 1. Papel de lixa 2. Almofada 3. Orifício de sucção de pó
4. Deslize uma extremidade do papel de lixa para o espaço entre o dispositivo de fixação e a base de lixamento.
5. Volte a colocar a alavanca de fixação numa posição de bloqueio de forma que a extremidade do papel de lixa fique firmemente fixada.
6. Solte o dispositivo de fixação na outra extremidade e prepare a outra extremidade do papel de lixa para ser fixada.
7. Mantenha uma tensão adequada no papel de lixa e, em seguida, coloque a alavanca de fixação na outra extremidade numa posição de bloqueio.
▶ **Fig.10:** 1. Papel de lixa 2. Dispositivo de fixação 3. Base de lixamento 4. Alavanca de fixação 5. Batente
8. Para remover o papel de lixa, solte os dispositivos de fixação em ambas as extremidades e tire o papel da almofada.

Utilizar papel de lixa triangular/retangular

Acessório opcional

⚠️ PRECAUÇÃO: Certifique-se de que instala uma almofada com fecho de gancho e laço de forma correta e firme. Uma fixação solta ficará desequilibrada e provocará uma vibração excessiva resultando em perda de controle.

⚠️ PRECAUÇÃO: Certifique-se de que uma almofada com fecho de gancho e laço e o papel de lixa estão alinhados e firmemente fixados.

⚠️ PRECAUÇÃO: Utilize apenas papéis de lixa com fecho de gancho e laço. Nunca utilize papéis de lixa sensíveis à pressão.

OBSERVAÇÃO: A tampa ou o anel em O pode sair da base de lixamento aquando da substituição da almofada. Certifique-se de que volta a colocar a tampa ou o anel em O no orifício circular ou na ranhura circular em volta do centro da base antes de instalar a almofada opcional.

► Fig.11: 1. Anel em O 2. Base de lixamento 3. Ranhura circular

1. Solte e remova os quatro parafusos que fixam a almofada na base de lixamento.

► Fig.12: 1. Parafusos 2. Almofada 3. Base de lixamento

2. Substitua a almofada equipada de série por uma almofada triangular/retangular.

3. Volte a apertar os parafusos firmemente para fixar a almofada triangular/retangular.

Almofada triangular

► Fig.13: 1. Parafusos 2. Almofada triangular 3. Base de lixamento

Pode instalar o papel de lixa na parte lateral da almofada conforme ilustrado.

► Fig.14: 1. Papel de lixa 2. Almofada

Almofada retangular

► Fig.15: 1. Parafusos 2. Almofada retangular 3. Base de lixamento

4. Remova toda a sujidade e matérias estranhas da almofada triangular/retangular.

5. Fixe uma folha de papel de lixa com fecho de gancho e laço opcional na almofada triangular/retangular, alinhando os orifícios de sucção de pó no papel com os orifícios de sucção de pó na almofada.

Almofada triangular

► Fig.16: 1. Papel de lixa 2. Almofada triangular 3. Orifícios de sucção de pó

Almofada retangular

► Fig.17: 1. Papel de lixa 2. Almofada retangular 3. Orifícios de sucção de pó

6. Para remover o papel de lixa, descole-o a partir da extremidade.

Instalar e remover o saco para pó

Acessório opcional

Fixe o saco para pó sobre o bico para pó cónico na extremidade traseira da caixa do motor. Coloque a entrada de pó do saco no bico para pó até ao fim para evitar que se solte durante a operação.

► Fig.18: 1. Bico para pó 2. Entrada de pó 3. Saco para pó

OBSERVAÇÃO: Não segure o saco para pó quando transportar a ferramenta. Caso contrário, a ferramenta pode cair e ficar danificada.

NOTA: Para garantir uma recolha de pó ideal, esvazie o saco para pó quando este ficar cheio em aproximadamente metade da sua capacidade.

Remova o saco para pó da ferramenta e remova o bocal para pó. Em seguida, sacuda ou toque suavemente no saco para pó para o esvaziar.

► Fig.19: 1. Bocal para pó

Instalar e remover a caixa do pó

Acessório opcional

Fixe a caixa do pó sobre o bico para pó cónico na extremidade traseira da caixa do motor. Coloque a entrada de pó no bico para pó até ao fim para evitar que se solte durante a operação.

► Fig.20: 1. Bico para pó 2. Entrada de pó 3. Bocal para pó 4. Caixa do pó

OBSERVAÇÃO: Não segure a caixa do pó quando transportar a ferramenta. Caso contrário, a ferramenta pode cair e ficar danificada.

NOTA: Para garantir uma recolha de pó ideal, esvazie a caixa do pó quando esta ficar cheia em aproximadamente metade da sua capacidade.

1. Remova a caixa do pó da ferramenta.
2. Desprenda o bocal para pó da caixa enquanto pressiona sem soltar as linguetas de bloqueio em ambos os lados da caixa.
3. Sacuda ou toque suavemente na caixa do pó para a esvaziar.

Substituir o filtro de papel

OBSERVAÇÃO: Tenha o cuidado de alinhar os logótipos na caixa do pó, no filtro de papel e no bocal para pó numa orientação consistente quando voltar a montar os componentes.

1. Remova a caixa do pó da ferramenta.
2. Desprenda o bocal para pó da caixa enquanto pressiona sem soltar as linguetas de bloqueio em ambos os lados da caixa.
- Fig.21: 1. Bocal para pó 2. Caixa do pó 3. Lingueta de bloqueio
3. Segure a extremidade superior interior da abertura do papelão e retire-a para baixo para soltar a extremidade superior exterior da abertura do papelão da patilha de encaixe superior na borda da caixa do pó.

4. Retire o filtro de papel da caixa do pó enquanto liberta a extremidade inferior exterior da abertura do papelão da patilha de encaixe inferior.

► **Fig.22:** 1. Filtro de papel 2. Abertura do papelão 3. Patilha de encaixe superior 4. Patilha de encaixe inferior 5. Caixa do pó

5. Substitua um filtro de papel engatando a extremidade inferior da abertura do papelão na patilha de encaixe inferior e pressione a extremidade superior para dentro até prender na patilha de encaixe superior.

► **Fig.23:** 1. Filtro de papel 2. Abertura do papelão 3. Patilha de encaixe superior 4. Patilha de encaixe inferior 5. Caixa do pó

6. Encaixe o bocal para pó no devido lugar enquanto pressiona sem soltar as linguetas de bloqueio em ambos os lados da caixa do pó.

► **Fig.24:** 1. Bocal para pó 2. Caixa do pó 3. Lingueta de bloqueio

Ligar ao aspirador

Acessório opcional

Quando pretender efetuar uma operação de lixamento limpa, ligue um aspirador Makita à sua ferramenta. Utilize uma mangueira opcional de 28 mm ou uma combinação da bainha frontal 22 e mangueira fornecida com o aspirador para estabelecer uma ligação.

► **Fig.25:** 1. Bico para pó 2. Bainha frontal 3. Mangueira 4. Aspirador

OPERAÇÃO

Operação de lixamento

⚠PRECAUÇÃO: Certifique-se sempre de que a peça de trabalho está firmemente fixada.

OBSERVAÇÃO: Nunca utilize a ferramenta sem o papel de lixa. Pode danificar gravemente a almofada.

OBSERVAÇÃO: Nunca force a ferramenta. Uma pressão excessiva pode diminuir a eficiência do lixamento, danificar o papel de lixa e/ou diminuir a vida da ferramenta.

Segure a ferramenta com firmeza. Ligue a ferramenta e aguarde até esta atingir a velocidade máxima. Depois, coloque suavemente a ferramenta sobre a superfície da peça de trabalho. Geralmente, utiliza-se uma lixadeira orbital para remover apenas pequenas quantidades do material de cada vez. Uma vez que a qualidade da superfície é mais importante do que a quantidade de material removido, não faça pressão sobre a ferramenta. Mantenha sempre a base nivelada com a peça de trabalho.

► **Fig.26**

Pode lixar o material com os lados superior e inferior da almofada quando lixa com a almofada triangular/retangular. Tal é conveniente quando lixa um objeto como uma persiana.

► **Fig.27**

MANUTENÇÃO

⚠PRECAUÇÃO: Certifique-se sempre de que a ferramenta se encontra desligada e de que a bateria foi retirada antes de executar qualquer inspeção ou manutenção.

OBSERVAÇÃO: Nunca utilize gasolina, benzina, diluente, álcool ou produtos semelhantes. Pode ocorrer a descoloração, deformação ou rachaduras.

Para manter a SEGURANÇA e a FIABILIDADE do produto, as reparações e qualquer outra manutenção ou ajuste devem ser levados a cabo pelos centros de assistência Makita autorizados ou pelos centros de assistência de fábrica, utilizando sempre peças de substituição Makita.

Após a utilização

Limpe a ferramenta regularmente com um pano seco ou um pano ligeiramente humedecido com água com sabão.

ACESSÓRIOS OPCIONAIS

⚠PRECAUÇÃO: Estes acessórios ou peças são recomendados para utilização com a ferramenta Makita especificada neste manual. A utilização de outros acessórios ou peças pode ser perigosa para as pessoas. Utilize apenas acessórios ou peças para os fins indicados.

Se necessitar de informações adicionais relativas a estes acessórios, solicite-as ao seu centro de assistência Makita.

- Papel de lixa (fecho de gancho e laço)
- Papel de lixa (dispositivo de fixação)
- Almofada quadrada (fecho de gancho e laço)
- Almofada quadrada (dispositivo de fixação)
- Almofada retangular
- Almofada triangular
- Saco para pó
- Caixa do pó
- Filtro
- Filtro de papel
- Bateria e carregador genuínos da Makita

NOTA: Alguns itens da lista podem estar incluídos na embalagem da ferramenta como acessórios padrão. Eles podem variar de país para país.

SPECIFIKATIONER

Model:		DBO484
Slibetallerkenens størrelse	Firkantet tallerken	112 mm x 102 mm
	Trekantet tallerken	112 mm x 190 mm
	Rektangulær tallerken	112 mm x 168,5 mm
Slibepapir	Til firkantet tallerken (krog og løkke)	114 mm x 102 mm
	Til firkantet tallerken (klemme)	114 mm x 140 mm
	Til trekantet tallerken	Rektangulært papir: 114 mm x 102 mm Trekantet papir: 96 mm
	Til rektangulær tallerken	112 mm x 168,5 mm, 112 mm x 66 mm
Omdrejninger per minut	Høj	14.000 min ⁻¹
	Lav	11.000 min ⁻¹
Samlet længde (med BL1860B)		171 mm
Nominal spænding		DC 18 V
Nettovægt		1,4 - 1,8 kg

- * Standard slibetallerken er forskellig fra land til land.
- På grund af vores kontinuerlige forsknings- og udviklingsprogrammer kan hosstående specifikationer blive ændret uden varsel.
- Specifikationer og akku kan variere fra land til land.
- Vægten kan være anderledes afhængigt af tilbehøret, inklusive akkuen. Den letteste og tungeste kombination i henhold til EPTA-procedure 01/2014 er vist i tabellen.

Anvendelig akku og oplader

Akku	BL1815N / BL1820B / BL1830B / BL1840B / BL1850B / BL1860B
Oplader	DC18RC / DC18RD / DC18RE / DC18SD / DC18SE / DC18SF / DC18SH / DC18WC

- Nogle af de akkuer og opladere, der er angivet ovenfor, er muligvis ikke tilgængelige, afhængigt af hvilket område du bor i.

⚠ ADVARSEL: Brug kun de akkuer og opladere, der er angivet ovenfor. Brug af andre akkuer og opladere kan medføre personskaade og/eller brand.

Tilsigtet anvendelse

Denne maskine er beregnet til slibning af større flader af træ, plast- og metalmaterialer samt malede overflader.

Støj

Det typiske A-vægtede støjniveau bestemt i overensstemmelse med EN62841-2-4:
Lydtrykniveau (L_{pA}): 78 dB (A)
Usikkerhed (K): 3 dB (A)

Støjniveauet under arbejdet kan overskride 80 dB (A).

BEMÆRK: De(n) angivne støjemissionsværdi(er) er målt i overensstemmelse med en standardtestmetode og kan anvendes til at sammenligne en maskine med en anden.

BEMÆRK: De(n) angivne støjemissionsværdi(er) kan også anvendes i en præliminær eksponeringsvurdering.

⚠ ADVARSEL: Bær høreværn.

⚠ ADVARSEL: Støjemissionen under den faktiske anvendelse af maskinen kan være forskellig fra de(n) angivne værdi(er), afhængigt af den måde hvorpå maskinen anvendes, især den type arbejdsemne der behandles.

⚠ ADVARSEL: Sørg for at identificere de sikkerhedsforskrifter til beskyttelse af operatøren, som er baseret på en vurdering af eksponering under de faktiske brugsforhold (med hensyntagen til alle dele i brugscyklussen, f.eks. de gange, hvor maskinen er slukket, og når den kører i tomgang i tilgift til afbrydertiden).

Vibration

Vibrationens totalværdi (tre-aksial vektorsum) bestemt i overensstemmelse med EN62841-2-4:

Arbejdsstilling: slibning af metalplader (firkantet bund)

Vibrationsemission (a_{h1}): 2,5 m/s² eller mindre

Usikkerhed (K): 1,5 m/s²

BEMÆRK: De(n) angivne totalværdi(er) for vibration er målt i overensstemmelse med en standardtestmetode og kan anvendes til at sammenligne en maskine med en anden.

BEMÆRK: De(n) angivne totalværdi(er) for vibration kan også anvendes i en præliminær eksponeringsvurdering.

⚠ ADVARSEL: Vibrationsemissionen under den faktiske anvendelse af maskinen kan være forskellig fra de(n) angivne værdi(er), afhængigt af den måde hvorpå maskinen anvendes, især den type arbejdsemne der behandles.

⚠ ADVARSEL: Sørg for at identificere de sikkerhedsforskrifter til beskyttelse af operatøren, som er baseret på en vurdering af eksponering under de faktiske brugsforhold (med hensyntagen til alle dele i brugscyklussen, f.eks. de gange, hvor maskinen er slukket, og når den kører i tomgang i tilgift til afbrydertiden).

Overensstemmelseserklæringer

Kun for lande i Europa

Overensstemmelseserklæringerne er inkluderet i Bilag A i denne brugsanvisning.

SIKKERHEDSADVARSLER

Almindelige sikkerhedsregler for el-værktøj

⚠ ADVARSEL: Læs alle de sikkerhedsadvarsler, instruktioner, illustrationer og specifikationer, der følger med denne maskine. Forsømmelse af at overholde alle nedenstående instruktioner kan medføre elektrisk stød, brand og/eller alvorlig personskade.

Gem alle advarsler og instruktioner til fremtidig reference.

Ordet "el-værktøj" i advarslerne henviser til det netforsynede (netledning) el-værktøj eller batteriforsynede (akku) el-værktøj.

Sikkerhedsadvarsler for sliber

1. Anvend altid sikkerhedsbriller eller beskyttelsesbriller. Almindelige briller og solbriller er IKKE sikkerhedsbriller.
2. Hold godt fast i maskinen.
3. Maskinen må ikke køre uden opsyn. Maskinen må kun være i gang, når den holdes i hånden.
4. Denne maskine er ikke vandtæt. Anvend derfor aldrig vand på emnets overflade.
5. Hold arbejdsområdet tilstrækkeligt udluftet, når De udfører slibearbejde.
6. En del materialer indeholder kemikalier, som kan være giftige. Sørg for at forhindre inhalering af støv og kontakt med huden. Følg materialefabrikantens sikkerhedsforskrifter.

7. Anvendelse af denne maskine til slibning af visse produkter, maling og træ kan udsætte brugeren for støv, som indeholder farlige substanser. Brug passende åndedrætsbeskyttelse.
8. Forvis Dem om, inden maskinen tages i brug, at der ikke er nogen revner eller brud i slibetallerkenen. Revner eller brud kan medføre personskade.
9. Sørg for solidt fodfæste, og hold altid balancen med maskinen. Sørg for, at der ikke befinder sig nogen under dig, når du arbejder på højtliggende steder.

GEM DISSE FORSKRIFTER.

⚠ ADVARSEL: LAD IKKE bekvemmelighed eller kendskab til produktet (opnået gennem gentagen brug) forhindre, at sikkerhedsforskrifterne for produktet nøje overholdes. MISBRUG eller forsømmelse af at følge de i denne brugsvejledning givne sikkerhedsforskrifter kan medføre alvorlig personskade.

Vigtige sikkerhedsinstruktioner for akkuen

1. Læs alle instruktioner og advarselmærkater på (1) akku-opladeren, (2) akkuen og (3) produktet, som anvender akku.
2. Adskil eller ændr ikke akkuen. Det kan muligvis resultere i en brand, overdreven varme eller eksplosion.
3. Hold straks op med anvendelsen, hvis brugstiden er blevet stærkt afkortet. Fortsat anvendelse kan resultere i risiko for overophedning, forbrændinger og endog eksplosion.
4. Hvis De har fået elektrolytvæske i øjnene, skal De straks skylle den ud med rent vand og derefter øjeblikkeligt søge lægehjælp. I modsat fald kan De miste synet.
5. Vær påpasselig med ikke at komme til at kortslutte akkuen:
 - (1) Rør ikke ved terminalerne med noget ledende materiale.
 - (2) Undgå at opbevare akkuen i en beholder sammen med andre genstande af metal, for eksempel søm, mønter og lignende.
 - (3) Udsæt ikke akkuen for vand eller regn. Kortslutning af akkuen kan forårsage en kraftig øgning af strømmen, overophedning, mulige forbrændinger og endog værktøjstop.
6. Opbevar og brug ikke maskinen og akkuen på steder, hvor temperaturen muligvis kan nå eller overstige 50 °C.
7. Lad være med at brænde akkuen, selv ikke i tilfælde, hvor den har lidt alvorlig skade eller er fuldstændig udtjent. Akkuen kan eksplodere, hvis man forsøger at brænde den.
8. Slå ikke søm i, skær ikke i, knus, kast, tab ikke akkuen og stød ikke akkuen mod en hård genstand. Sådan adfærd kan muligvis resultere i en brand, overdreven varme eller eksplosion.
9. Anvend ikke en beskadiget akku.

- De indbyggede litium-ion-batterier er underlagt lovkrav vedrørende farligt gods. Ved kommerciel transport, f.eks. af tredjeparts transportselskaber, skal særlige krav til forpakning og mærkning overholdes. Ved forberedelse af udstyret til forsendelse skal du kontakte en ekspert i farligt gods. Overhold også eventuel mere detaljeret national lovgivning. Tape eller tildæk åbne kontakter, og pak batteriet på en måde, så det ikke kan flytte sig rundt i pakningen.
- Når akkuen bortskaftes, skal du fjerne den fra maskinen og bortskafe den på et sikkert sted. Følg de lokale love vedrørende bortskaftelsen af batterier.
- Brug kun batterierne med de produkter, som Makita specificerer. Hvis batterierne installeres i ikke-kompatible produkter, kan det medføre brand, kraftig varme, eksplosion eller udsivning af elektrolyt.
- Hvis maskinen ikke skal bruges i længere tid ad gangen, skal du fjerne batteriet fra maskinen.
- Akkuen kan muligvis under og efter brug være varm, hvilket kan forårsage forbrændinger eller lavtemperaturforbrændinger. Vær påpasselig med håndtering af varme akkuer.
- Rør ikke terminalen på maskinen straks efter brug, da den bliver varm nok til at forårsage forbrændinger.
- Sørg for, at spåner, støv eller jord ikke sætter sig fast i akkuens terminaler, huller og riller. Det kan forårsage opvarmning, antændelse, sprængning og funktionsfejl i maskinen eller akkuen, hvilket kan medføre forbrændinger eller personskafe.
- Medmindre maskinen understøtter brugen i nærheden af elektriske højspændingsledninger, skal du ikke anvende akkuen i nærheden af elektriske højspændingsledninger. Det kan muligvis medføre funktionsfejl på eller nedbrud af maskinen eller akkuen.
- Opbevar batteriet utilgængeligt for børn.

GEM DENNE BRUGSANVISNING.

⚠FORSIGTIG: Brug kun originale batterier fra Makita. Brug af uoriginale Makita-batterier, eller batterier som er blevet ændret, kan muligvis medføre brud på batteriet, hvilket kan forårsage brand, personskafe eller beskafigelse. Det ugyldiggør også Makita-garantien for Makita-maskinen og opladeren.

Tips til opnåelse af maksimal akku-levetid

- Oplad akkuen, inden den er helt afladet. Stop altid værktøjet, og oplad akkuen, hvis De bemærker, at værktøjeffekten er aftagende.
- Genoplad aldrig en fuldt opladet akku. Overopladning vil afkorte akkuens levetid.
- Oplad akkuen ved stuetemperatur ved 10 °C - 40 °C. Lad altid en varm akku få tid til at køle af, inden den oplades.
- Når du ikke anvender akkuen, skal du fjerne den fra maskinen eller opladeren.
- Oplad akkuen, hvis De ikke skal bruge den i længere tid (mere end seks måneder).

FUNKTIONSBESKRIVELSE

⚠FORSIGTIG: Sørg altid for at maskinen er slukket, og at akkuen er taget ud, før der udføres justering eller kontrol af funktioner på maskinen.

Isætning eller fjernelse af akkuen

⚠FORSIGTIG: Sluk altid for værktøjet, før De monterer eller fjerner akkuen.

⚠FORSIGTIG: Hold værktøjet og akkuen fast ved montering eller fjernelse af akkuen. Hvis De ikke holder værktøjet og akkuen fast, kan de glide ud af hænderne på Dem og forårsage beskafigelse af værktøjet og akkuen eller personskafe.

► Fig.1: 1. Rød indikator 2. Knap 3. Akku

Akkuen fjernes ved, at De trækker den ud af værktøjet, idet De skyder knappen på forsiden af akkuen i stilling.

For at montere akkuen skal du justere tungen på akkuen med rillen i huset og skubbe den på plads. Indsæt den hele vejen, indtil den låses på plads med et lille klik. Hvis du kan se den røde indikator, som vist i figuren, er den ikke helt låst.

⚠FORSIGTIG: Monter altid akkuen helt, indtil den røde indikator ikke længere er synlig. Hvis dette ikke gøres, kan den falde ud af værktøjet ved et uheld, hvorved De selv eller personer i nærheden kan komme til skade.

⚠FORSIGTIG: Brug ikke magt ved montering af akkuen. Hvis akkuen ikke glider på plads uden problemer, betyder det, at den ikke sættes i på korrekt vis.

Indikation af den resterende batteriladning

Kun til akkuer med indikatoren

► Fig.2: 1. Indikatorlamper 2. Kontrolknap

Tryk på kontrolknappen på akkuen for at få vist den resterende batteriladning. Indikatorlampen lyser i nogle sekunder.

Indikatorlamper			Resterende ladning
Tændt	Slukket	Blinker	
■ ■ ■ ■			75% til 100%
■ ■ ■ □			50% til 75%
■ ■ □ □			25% til 50%
■ □ □ □			0% til 25%
▬ □ □ □			Genoplad batteriet.
■ ■ □ □			Der er muligvis fejl i batteriet.
□ □ ■ ■			

BEMÆRK: Afhængigt af brugsforholdene og den omgivende temperatur kan indikationen afvige en smule fra den faktiske ladning.

BEMÆRK: Den første indikatorlampe (længst mod venstre) vil blinke, når batteribeskyttelsessystemet aktiveres.

Beskyttelsessystem til værktøj/batteri

Maskinen er udstyret med et beskyttelsessystem til maskinen/batteriet. Dette system afbryder automatisk strømmen til motoren for at forlænge maskinens og batteriets levetid. Maskinen stopper automatisk under brugen, hvis maskinen eller batteriet udsættes for et af følgende forhold:

Overbelastningsbeskyttelse

Hvis maskinen eller batteriet bruges på en måde, der får den/det til at trække en unormalt høj strøm, stopper maskinen automatisk uden indikation. Sluk i så fald for maskinen, og ophør med den anvendelse, som medførte, at maskinen blev overbelastet. Tænd derefter for maskinen for at starte den igen.

Beskyttelse mod overophedning

Hvis maskinen eller batteriet bliver overophedet, stopper maskinen automatisk. Lad i så fald maskinen og batteriet køle ned, før der tændes for maskinen igen.

Beskyttelse mod overafledning

Når batteriladningen er utilstrækkelig, stopper maskinen automatisk. Tag i så fald akkuen ud af maskinen, og oplad akkuen.

Beskyttelse mod andre årsager

Beskyttelsessystemet er også designet til andre årsager, der kan beskadige maskinen og giver maskinen mulighed for at stoppe automatisk. Benyt alle nedenstående trin for at fjerne årsagerne, når maskinen midlertidigt er blevet bragt til standsning eller sat ud af drift.

1. Sluk for maskinen, og tænd den derefter igen for at genstarte.
2. Genoplad batteriet/batterierne, eller udskift det/dem med genopladet batteri/genopladede batterier.
3. Lad maskinen og batteriet/batterierne køle ned.

Hvis der ikke sker nogen forbedring ved at gen-danne beskyttelsessystemet, kontaktes det lokale Makita-servicecenter.

Afbryderbetjening

⚠FORSIGTIG: Undgå at tænde maskinen, mens den er placeret på arbejdsemnet eller på arbejdsbænken. Det kan forårsage personskade eller skade.

Sådan tændes og slukkes maskinen

Tryk på tænd/sluk-/hastighedsvælgerknappen for at starte maskinen. Maskinen begynder at køre med sin højeste omløbshastighed.

Tryk på stop-knappen for at stoppe maskinen.

- **Fig.3:** 1. Tænd/sluk-/hastighedsvælgerknap
2. Stopknop

Ændring af maskinhastigheden

Omløbshastigheden kan skiftes mellem to indstillinger; høj og lav. Væg en af disse indstillinger afhængigt af brug og driftsbelastning.

Tryk på tænd/sluk-/hastighedsvælgerknappen for at skifte hastighedstilstand mens maskinen kører.

- **Fig.4:** 1. Tænd/sluk-/hastighedsvælgerknop

Tablet med hastighedsindstillinger

Hastighedsniveau	Omløb pr. minut
2 (Høj)	14.000 min ⁻¹
1 (Lav)	11.000 min ⁻¹

BEMÆRKNING: Hvis maskinen anvendes kontinuerligt ved lav hastighed i længere tid ad gangen, bliver motoren overbelastet med funktionsforstyrrelser til følge.

BEMÆRKNING: Væg et egnet hastighedsområde til slibe-anvendelserne for at undgå overophedning og smeltning af arbejdsemnet. Slibning ved høj omløbshastighed kan opvarme arbejdsemnet og smelte det på berøringspunktet.

SAMLING

⚠FORSIGTIG: Sørg altid for at maskinen er slukket, og at akkuen er taget ud, før der udføres noget arbejde på maskinen.

Montering og afmontering af slibepapir

⚠FORSIGTIG: Sørg altid for, at et ark slibepapir er monteret sikkert før anvendelse. Ellers kan papiret løsne sig, let afmonteres og udsættes for glidning, hvilket resulterer i ujævn slibning.

BEMÆRK: Monteringen er lettere, hvis papiret bøjes på forhånd.

Brug af slibepapir med krog og løkke

⚠FORSIGTIG: Sørg for at montere en slibetallerken med krog og løkke korrekt og sikkert. Et løst monteret tilbehør vil komme ud af balance og forårsage en overdreven vibration, hvilket medfører tab af kontrol.

⚠FORSIGTIG: Sørg for, at en slibetallerken med krog og løkke og slibepapir er justeret og sikkert fastgjort.

⚠FORSIGTIG: Brug kun slibepapir med krog og løkke. Brug aldrig trykfølsomt slibepapir.

1. Fjern alt snavs og fremmedlegemer fra slibetallerkenen med krog og løkke.
2. Fastgør et ark valgfrit slibepapir med krog og løkke på slibetallerkenen, mens du juster støvsugningshullerne i papiret med dem på tallerkenen.
► **Fig.5:** 1. Slibepapir 2. Slibetallerken 3. Støvsugningshuller
3. Hvis du vil afmontere slibepapiret, skal du trække det af fra kanten.

Brug af slibepapir uden støvsugningshul

Ekstraudstyr

1. Skær et ark slibepapir til en passende størrelse.
► **Fig.6:** 1. Slibepapir 2. Slibetallerken
2. Skub og hold klemmehåndtaget nede på enten for- eller bagsiden af slibetallerkenen, og tryk det væk fra stopperen, så klemmen frigøres fra sin låste position.
3. Træk klemmehåndtaget så langt ud som muligt for at skabe et mellemrum mellem klemmen og sidevæggen på slibebasen, hvor den ene ende af slibepapiret kan indsættes.
4. Skub den ene ende af slibepapiret ind i rummet mellem klemmen og slibebasen.
5. Flyt slibepapiret, så det er fint overlejret på slibetallerkenens overflade.
6. Sæt klemmehåndtaget tilbage i en låst position for at fastspænde enden af slibepapiret forsvarligt.
7. Frigør klemmen i den anden ende, og hold den anden ende af slibepapiret klar til at blive fastspændt.
8. Opbehold en korrekt spænding på slibepapiret, og sæt derefter klemmehåndtaget i den anden ende i en låst position.
► **Fig.7:** 1. Slibepapir 2. Klemme 3. Slibebase 4. Klemmehåndtag 5. Stopper
9. Tildæk slibepapiret med hulpladen mens dens placeringsstoppere, der støder op til hjørnet, passer godt ind i to af sidekanterne på slibetallerkenen og slibebasen
► **Fig.8:** 1. Slibepapir 2. Hulplade 3. Placeringsstoppere 4. Slibetallerken 5. Slibebase
10. Skub hulpladen over slibepapiret for at lave støvsugningshuller.
11. For at afmontere slibepapiret løsnes klemmerne i begge ender, og papiret tages af slibetallerkenen.

Brug af slibepapir uden støvsugningshul

Ekstraudstyr

1. Skub og hold klemmehåndtaget nede på enten for- eller bagsiden af slibetallerkenen, og tryk det væk fra stopperen, så klemmen frigøres fra sin låste position.
2. Træk klemmehåndtaget så langt ud som muligt for at skabe et mellemrum mellem klemmen og sidevæggen på slibebasen, hvor den ene ende af slibepapiret kan indsættes.
3. Anbring et ark slibepapir over slibetallerkenen, mens du juster støvsugningshullerne i papiret med dem på slibetallerkenen.
► **Fig.9:** 1. Slibepapir 2. Slibetallerken 3. Støvsugningshul
4. Skub den ene ende af slibepapiret ind i rummet mellem klemmen og slibebasen.
5. Sæt klemmehåndtaget tilbage i en låst position, så enden af slibepapiret er sikkert fastspændt.
6. Frigør klemmen i den anden ende, og hold den anden ende af slibepapiret klar til at blive fastspændt.

7. Opbehold en korrekt spænding på slibepapiret, og sæt derefter klemmehåndtaget i den anden ende i en låst position.

- **Fig.10:** 1. Slibepapir 2. Klemme 3. Slibebase 4. Klemmehåndtag 5. Stopper

8. For at afmontere slibepapiret løsnes klemmerne i begge ender, og papiret tages af slibetallerkenen.

Brug af trekantet/rektangulært slibepapir

Ekstraudstyr

▲FORSIGTIG: Sørg for at montere en slibetallerken med krog og løkke korrekt og sikkert. Løst monteret tilbehør vil komme ud af balance og forårsage en overdreven vibration, hvilket medfører tab af kontrol.

▲FORSIGTIG: Sørg for, at en slibetallerken med krog og løkke og slibepapir er justeret og sikkert fastgjort.

▲FORSIGTIG: Brug kun slibepapir med krog og løkke. Brug aldrig trykfølsomt slibepapir.

BEMÆRKNING: Hætten eller O-ringen kan komme ud af slibebasen, mens slibetallerkenen udskiftes. Sørg for at sætte hætten eller O-ringen tilbage i det cirkulære hul eller den cirkulære rille omkring midten af basen, før den valgfrie slibetallerken monteres.

- **Fig.11:** 1. O-ring 2. Slibebase 3. Cirkulær rille

1. Løsn og afmonter de fire skruer, der fastgør slibetallerkenen til slibebasen.
- **Fig.12:** 1. Skruer 2. Slibetallerken 3. Slibebase
2. Udskift den standardudstyrede slibetallerken med en trekantet/rektangulær tallerken.
3. Spænd skruerne godt fast igen for at fastgøre den trekantede/rektangulære tallerken.

Trekantet tallerken

- **Fig.13:** 1. Skruer 2. Trekantet tallerken 3. Slibebase

Du kan installere slibepapiret på siden af tallerkenen som illustreret.

- **Fig.14:** 1. Slibepapir 2. Slibetallerken

Rektangulær tallerken

- **Fig.15:** 1. Skruer 2. Rektangulær tallerken 3. Slibebase

4. Fjern alt snavs og fremmedlegemer fra den trekantede/rektangulære tallerken.
5. Fastgør et ark valgfrit slibepapir med krog og løkke på den trekantede/rektangulære tallerken, mens du juster støvsugningshullerne i papiret med dem på tallerkenen.

Trekantet tallerken

- **Fig.16:** 1. Slibepapir 2. Trekantet tallerken 3. Støvsugningshuller

Rektangulær tallerken

- **Fig.17:** 1. Slibepapir 2. Rektangulær tallerken 3. Støvsugningshuller

6. Hvis du vil afmontere slibepapiret, skal du trække det af fra kanten.

Montering og afmontering af støvpose

Ekstraudstyr

Fastgør støvposen over den tilspidsede støvåbning i motorhusets bagende. Sæt posens støvindløb på støvåbningen så langt som den kan komme for at undgå, at den falder af under anvendelse.

► **Fig.18:** 1. Støvåbning 2. Støvindløb 3. Støvpose

BEMÆRKNING: Tag ikke fast i støvposen, når du bærer maskinen. Ellers kan maskinen falde eller blive beskadiget.

BEMÆRK: For at sikre optimal støvopsamling skal støvposen tømmes, når den fyldes op til ca. halvdelen af sin kapacitet.

Fjern støvposen fra maskinen og fjern støvdysen. Ryst eller bank derefter forsigtigt på støvposen for at tømme den.

► **Fig.19:** 1. Støvdyse

Montering og afmontering af støvkasse

Ekstraudstyr

Fastgør støvkassen over den tilspidsede støvåbning i motorhusets bagende. Sæt støvindløbet på støvåbningen så langt som det kan komme for at undgå, at det falder af under drift.

► **Fig.20:** 1. Støvåbning 2. Støvindløb 3. Støvdyse 4. Støvkasse

BEMÆRKNING: Tag ikke fast i støvkassen, når du bærer maskinen. Ellers kan maskinen falde eller blive beskadiget.

BEMÆRK: For at sikre optimal støvopsamling skal støvkassen tømmes, når den fyldes op til ca. halvdelen af sin kapacitet.

1. Afmonter støvkassen fra maskinen.
2. Afmonter støvdysen fra kassen, mens du trykker på og holder låseknapperne nede på begge sider af kassen.
3. Ryst eller tryk forsigtigt på støvkassen for at tømme den.

Udskift papirfilteret.

BEMÆRKNING: Vær opmærksom på at justere alle logoerne på støvkassen, papirfilteret og støvdysen i en ensartet retning, når komponenterne monteres igen.

1. Afmonter støvkassen fra maskinen.
2. Afmonter støvdysen fra kassen, mens du trykker på og holder låseknapperne nede på begge sider af kassen.
- **Fig.21:** 1. Støvdyse 2. Støvkasse 3. Låseknop
3. Hold i den inderste øverste kant af papåbningen, og træk den nedad for at frigøre den ydre øverste kant af papåbningen fra den øverste tilslutningstap på støvkassens læbe.

4. Tag papirfilteret ud af støvkassen, mens du trækker den ydre nederste kant af papåbningen fri af den nederste tilslutningstap.

► **Fig.22:** 1. Papirfilter 2. Papåbning 3. Øverste tilslutningstap 4. Nederste tilslutningstap 5. Støvkasse

5. Udskift et papirfilter ved at tage fat i den nederste kant af papåbningen i den nederste tilslutningstap og skubbe den øverste kant indad, indtil den klipper ind i den øverste tilslutningstap.

► **Fig.23:** 1. Papirfilter 2. Papåbning 3. Øverste tilslutningstap 4. Nederste tilslutningstap 5. Støvkasse

6. Sæt støvdysen på plads, mens du trykker på og holder låseknapperne på begge sider af støvkassen.

► **Fig.24:** 1. Støvdyse 2. Støvkasse 3. Låseknop

Tilslutning med støvsuger

Ekstraudstyr

Når du ønsker at udføre ren slibning, skal du tilkoble en Makita-støvsuger til din maskine. Brug enten en valgfri slange på 28 mm eller en kombination af frontmanchetter 22 og slange, der følger med støvsugeren, for at etablere en forbindelse.

► **Fig.25:** 1. Støvåbning 2. Forreste manchetter 3. Slange 4. Støvsuger

ANVENDELSE

Slibning

⚠FORSIGTIG: Sørg altid for, at arbejdsemnet er forsvarligt fastgjort.

BEMÆRKNING: Brug aldrig maskinen uden slibepapir. Du kan beskadige slibetallerkenen alvorligt.

BEMÆRKNING: Brug aldrig for stort et pres på maskinen. For stort et pres kan mindske slibeeffektiviteten, beskadige slibepapiret og/eller reducere maskinens levetid.

Hold godt fast i maskinen. Tænd for maskinen, og vent, til den når fuld hastighed. Placer derefter forsigtigt maskinen ned på overfladen af arbejdsemnet. En svingsliber bruges generelt til kun at fjerne en lille mængde materiale ad gangen. Da kvaliteten af overfladen er vigtigere end den fjernede mængde materiale, må du ikke trykke ned på maskinen. Sørg for, at basen til enhver tid flugter med arbejdsemnet.

► **Fig.26**

Du kan slibe materialet med over- og under-side af tallerkenen når du sliber med den trekantede/rektangulære tallerken. Det er praktisk når du sliber materiale som for eksempel lameller.

► **Fig.27**

VEDLIGEHOOLDELSE

⚠FORSIGTIG: Vær altid sikker på, at værktøjet er slukket, og at akkuen er taget ud, inden De begynder at udføre inspektion eller vedligeholdelse.

BEMÆRKNING: Anvend aldrig benzin, rensebenzin, fortynder, alkohol og lignende. Det kan medføre misfarvning, deformation eller revner.

For at opretholde produktets SIKKERHED og PÅLIDELIGHED må reparation, vedligeholdelse eller justering kun udføres af et autoriseret Makita servicecenter eller fabrikksservicecenter med anvendelse af Makita reservedele.

Efter anvendelse

Aftør maskinen med en tør klud eller en klud, der er let fugtet med sæbevand med jævne mellemrum.

EKSTRAUDSTYR

⚠FORSIGTIG: Det følgende tilbehør og ekstraudstyr er anbefalet til brug med Deres Makita maskine, der er beskrevet i denne brugsanvisning. Anvendelse af andet tilbehør eller ekstraudstyr kan udgøre en risiko for personskade. Anvend kun tilbehør og ekstraudstyr til det beskrevne formål.

Hvis De behøver hjælp ved valg af tilbehør eller ønsker yderligere informationer, bedes De kontakte Deres lokale Makita servicecenter.

- Slibepapir (krog og løkke)
- Slibepapir (klemme)
- Firkantet tallerken (krog og løkke)
- Firkantet tallerken (klemme)
- Rektangulær tallerken
- Trekantet tallerken
- Støvpose
- Støvkasse
- Filter
- Papirfilter
- Original Makita-akku og oplader

BEMÆRK: Nogle ting på denne liste kan være inkluderet i værktøjspakken som standardtilbehør. Det kan være forskellige fra land til land.

ΠΡΟΔΙΑΓΡΑΦΕΣ

Μοντέλο:		DB0484
Μέγεθος πέλματος	Τετραγωνικό πέλμα	112 mm x 102 mm
	Τριγωνικό πέλμα	112 mm x 190 mm
	Ορθογώνιο πέλμα	112 mm x 168,5 mm
Λειαντικό χαρτί	Για τετραγωνικό πέλμα (Αγκιστρο και βρόχος)	114 mm x 102 mm
	Για τετραγωνικό πέλμα (Σφιγκτήρας)	114 mm x 140 mm
	Για τριγωνικό πέλμα	Ορθογώνιο χαρτί: 114 mm x 102 mm Τριγωνικό χαρτί: 96 mm
	Για ορθογώνιο πέλμα	112 mm x 168,5 mm, 112 mm x 66 mm
Περιστροφές ανά λεπτό	Υψηλές	14.000 min ⁻¹
	Χαμηλές	11.000 min ⁻¹
Συνολικό μήκος (με BL1860B)		171 mm
Ονομαστική τάση		D.C. 18 V
Καθαρό βάρος		1,4 - 1,8 kg

- * Το τυπικό πέλμα διαφέρει ανάλογα με τη χώρα.
- Λόγω του συνεχιζόμενου προγράμματος έρευνας και ανάπτυξης, οι προδιαγραφές αυτές υπόκεινται σε αλλαγές χωρίς προειδοποίηση.
- Οι προδιαγραφές και η κασέτα μπαταριών μπορεί να διαφέρουν ανάλογα με τη χώρα.
- Το βάρος μπορεί να διαφέρει ανάλογα με τα προσαρτήματα, συμπεριλαμβανοντας την κασέτα μπαταριών. Ο ελαφρύτερος και ο βαρύτερος συνδυασμός, σύμφωνα με τη διαδικασία ΕΡΤΑ 01/2014, παρουσιάζονται στον πίνακα.

Ισχύουσα κασέτα μπαταριών και φορτιστής

Κασέτα μπαταρίας	BL1815N / BL1820B / BL1830B / BL1840B / BL1850B / BL1860B
Φορτιστής	DC18RC / DC18RD / DC18RE / DC18SD / DC18SE / DC18SF / DC18SH / DC18WC

- Ορισμένες από τις κασέτες και τους φορτιστές μπαταριών που αναγράφονται παραπάνω ίσως να μην είναι διαθέσιμοι, ανάλογα με την τοποθεσία κατοικίας σας.

⚠ ΠΡΟΕΙΔΟΠΟΙΗΣΗ: Να χρησιμοποιείτε μόνο τις κασέτες μπαταριών και τους φορτιστές που παρατίθενται ανωτέρω. Η χρήση οποιασδήποτε άλλης κασέτας μπαταριών ή φορτιστή μπορεί να προκαλέσει τραυματισμό ή/και πυρκαγιά.

Προοριζόμενη χρήση

Το εργαλείο προορίζεται για λείανση μεγάλων επιφανειών από ξύλο, πλαστικά και μεταλλικά υλικά καθώς και βαμμένων επιφανειών.

Θόρυβος

Το τυπικό Α επίπεδο καταμετρημένου θορύβου καθορίζεται σύμφωνα με το EN62841-2-4:
Στάθμη ηχητικής πίεσης (L_{PA}): 78 dB (A)
Αβεβαιότητα (K): 3 dB (A)

Η ένταση θορύβου υπό συνθήκες εργασίας μπορεί να υπερβεί τα 80 dB (A).

ΠΑΡΑΤΗΡΗΣΗ: Η δηλωμένη τιμή(ές) εκπομπής θορύβου έχει μετρηθεί σύμφωνα με την πρότυπη μέθοδο δοκιμής και μπορεί να χρησιμοποιηθεί για τη σύγκριση ενός εργαλείου με κάποιο άλλο.

ΠΑΡΑΤΗΡΗΣΗ: Η δηλωμένη τιμή(ές) εκπομπής θορύβου μπορεί να χρησιμοποιηθεί και στην προκαταρκτική αξιολόγηση της έκθεσης.

⚠ ΠΡΟΕΙΔΟΠΟΙΗΣΗ: Να φοράτε ωτοασπίδες.

⚠ ΠΡΟΕΙΔΟΠΟΙΗΣΗ: Η εκπομπή θορύβου κατά τη χρήση του ηλεκτρικού εργαλείου σε πραγματικές συνθήκες μπορεί να διαφέρει από τη δηλωμένη τιμή(ές) ανάλογα με τους τρόπους χρήσης του εργαλείου, ιδιαίτερα το είδος του τεμαχίου εργασίας που υπόκειται επεξεργασία.

⚠ ΠΡΟΕΙΔΟΠΟΙΗΣΗ: Φροντίστε να λάβετε τα κατάλληλα μέτρα προστασίας του χειριστή βάσει ενός υπολογισμού της έκθεσης σε πραγματικές συνθήκες χρήσης (λαμβάνοντας υπόψη όλες τις συνιστώσες του κύκλου λειτουργίας όπως τους χρόνους που το εργαλείο είναι εκτός λειτουργίας και όταν βρίσκεται σε αδρανή λειτουργία πέραν του χρόνου ενεργοποίησης).

Κραδασμός

Η ολική τιμή δόνησης (άθροισμα τρι-αξονικού διανύσματος) καθορίζεται σύμφωνα με το EN62841-2-4:

Είδος εργασίας: λείανση μεταλλικής πλάκας (τετραγωνική βάση)

Εκπομπή δόνησης (a_{h1}): 2,5 m/s^2 ή λιγότερο

Αβεβαιότητα (K): 1,5 m/s^2

ΠΑΡΑΤΗΡΗΣΗ: Η δηλωμένη τιμή(ές) συνολικών κραδασμών έχει μετρηθεί σύμφωνα με την πρότυπη μέθοδο δοκιμής και μπορεί να χρησιμοποιηθεί για τη σύγκριση ενός εργαλείου με κάποιο άλλο.

ΠΑΡΑΤΗΡΗΣΗ: Η δηλωμένη τιμή(ές) συνολικών κραδασμών μπορεί να χρησιμοποιηθεί και στην προκαταρκτική αξιολόγηση της έκθεσης.

▲ ΠΡΟΕΙΔΟΠΟΙΗΣΗ: Η εκπομπή κραδασμών κατά τη χρήση του ηλεκτρικού εργαλείου σε πραγματικές συνθήκες μπορεί να διαφέρει από τη δηλωμένη τιμή(ές) εκπομπής ανάλογα με τους τρόπους χρήσης του εργαλείου, ιδιαίτερα ο είδος του τεμαχίου εργασίας που υπόκειται επεξεργασία.

▲ ΠΡΟΕΙΔΟΠΟΙΗΣΗ: Φροντίστε να λάβετε τα κατάλληλα μέτρα προστασίας του χειριστή βάσει ενός υπολογισμού της έκθεσης σε πραγματικές συνθήκες χρήσης (λαμβάνοντας υπόψη όλες τις συνιστώσες του κύκλου λειτουργίας όπως τους χρόνους που το εργαλείο είναι εκτός λειτουργίας και όταν βρίσκεται σε αδρανή λειτουργία πέραν του χρόνου ενεργοποίησης).

Δήλωση Συμμόρφωσης

Μόνο για χώρες της Ευρώπης

Οι Δηλώσεις Συμμόρφωσης περιλαμβάνονται στο Παράρτημα Α στο παρόν εγχειρίδιο οδηγιών.

ΠΡΟΕΙΔΟΠΟΙΗΣΕΙΣ ΑΣΦΑΛΕΙΑΣ

Γενικές προειδοποιήσεις ασφαλείας για το ηλεκτρικό εργαλείο

▲ ΠΡΟΕΙΔΟΠΟΙΗΣΗ: Διαβάστε όλες τις προειδοποιήσεις ασφαλείας, οδηγίες, εικονογραφήσεις και προδιαγραφές που παρέχονται με αυτό το ηλεκτρικό εργαλείο. Η μη τήρηση όλων των οδηγιών που αναγράφονται κατωτέρω μπορεί να καταλήξει σε ηλεκτροπληξία, πυρκαγιά ή/και σοβαρό τραυματισμό.

Φυλάξτε όλες τις προειδοποιήσεις και τις οδηγίες για μελλοντική παραπομπή.

Στις προειδοποιήσεις, ο όρος «ηλεκτρικό εργαλείο» αναφέρεται σε ηλεκτρικό εργαλείο που τροφοδοτείται από την κύρια παροχή ηλεκτρικού ρεύματος (με ηλεκτρικό καλώδιο) ή σε ηλεκτρικό εργαλείο που τροφοδοτείται από μπαταρία (χωρίς ηλεκτρικό καλώδιο).

Προειδοποιήσεις ασφαλείας για το λειαντήρα

1. Να χρησιμοποιείτε πάντα γυαλιά ασφαλείας ή προστατευτικά γυαλιά. Τα συνθισμένα γυαλιά οράσεως ή γυαλιά ηλίου ΔΕΝ είναι γυαλιά ασφαλείας.
2. Κρατήστε το εργαλείο σταθερό.
3. Μην αφήνετε το εργαλείο σε λειτουργία. Να χειρίζεστε το εργαλείο μόνο όταν το κρατάτε με τα χέρια σας.
4. Το εργαλείο αυτό δεν είναι αδιάβροχο, για αυτό το λόγο μη χρησιμοποιείτε νερό στην επιφάνεια του τεμαχίου εργασίας.
5. Να αερίζετε το χώρο εργασίας επαρκώς όταν εκτελείτε εργασίες λείανσης.
6. Μερικά υλικά περιέχουν χημικές ουσίες που μπορεί να είναι τοξικές. Προσέχετε να μην εισπνεύσετε σκόνη και να μην έχετε δερματική επαφή. Ακολουθείτε τα δεδομένα ασφαλείας υλικού που παρέχονται από τον προμηθευτή.
7. Η χρήση του εργαλείου αυτού για λείανση μερικών προϊόντων, χρωμάτων και ξύλου, μπορεί να εκθέσει τον χρήστη σε σκόνη που περιέχει επικίνδυνες ουσίες. Να χρησιμοποιείτε κατάλληλη αναπνευστική προστασία.
8. Βεβαιωθείτε ότι δεν υπάρχουν ρωγμές ή σπάσιμο στο πέλαμα πριν από τη χρήση. Οι ρωγμές ή τα σπασίματα μπορεί να προκαλέσουν σοβαρό προσωπικό τραυματισμό.
9. Προσέχετε το στήριγμα των ποδιών σας και διατηρείτε την ισορροπία σας με το εργαλείο. Βεβαιωθείτε ότι δεν υπάρχει κανείς από κάτω όταν εργάζεστε σε υψηλές τοποθεσίες.

ΦΥΛΑΞΤΕ ΑΥΤΕΣ ΤΙΣ ΟΔΗΓΙΕΣ.

▲ ΠΡΟΕΙΔΟΠΟΙΗΣΗ: ΜΗΝ επιτρέψετε στην άνεση ή στην εξοικειωσή σας με το προϊόν (που αποκτήθηκε από επανειλημμένη χρήση) να αντικαταστήσει την αυστηρή τήρηση των κανόνων ασφαλείας του παρόντος εργαλείου. Η ΛΑΝΘΑΣΜΕΝΗ ΧΡΗΣΗ ή η αμέλεια να ακολουθήσετε τους κανόνες ασφαλείας που διατυπώνονται στο παρόν εγχειρίδιο οδηγιών μπορεί να προκαλέσει σοβαρό προσωπικό τραυματισμό.

Σημαντικές οδηγίες ασφαλείας για κασέτα μπαταριών

1. Πριν χρησιμοποιήσετε την κασέτα μπαταριών, διαβάστε όλες τις οδηγίες και σημειώσεις προφύλαξης (1) στον φορτιστή μπαταριών, (2) στην μπαταρία και (3) στο προϊόν που χρησιμοποιεί την μπαταρία.
2. Μην αποσυρμαρμολογήσετε ή παραβιάσετε την κασέτα μπαταριών. Μπορεί να έχει ως αποτέλεσμα πυρκαγιά, υπερθέρμανση ή έκρηξη.
3. Εάν ο χρόνος λειτουργίας έχει γίνει υπερβολικά βραχύς, σταματήστε τη λειτουργία αμέσως. Αλλιώς, μπορεί να έχει ως αποτέλεσμα κίνδυνο υπερθέρμανσης, πιθανά εγκαύματα ή ακόμη και έκρηξη.

4. Εάν ηλεκτρολύτης μπει στα μάτια σας, ξεπλύνετέ τα με καθαρό νερό και ζητήστε ιατρική φροντίδα αμέσως. Αλλιώς, μπορεί να έχει ως αποτέλεσμα απώλεια της όρασης σας.
5. Μην βραχυκυκλώνετε την κασέτα μπαταριών:
 - (1) Μην αγγίζετε τους πόλους με οτιδήποτε αγώγιμο υλικό.
 - (2) Αποφεύγετε να αποθηκεύετε την κασέτα μπαταριών μέσα σε ένα δοχείο μαζί με άλλα μεταλλικά αντικείμενα όπως καρφιά, νομίσματα, κλπ.
 - (3) Μην εκθέτετε την κασέτα μπαταριών στο νερό ή στη βροχή.
- Ένα βραχυκύκλωμα μπαταρίας μπορεί να προκαλέσει μεγάλη ροή ρεύματος, υπερθέρμανση, πιθανά εγκαύματα ακόμη και σοβαρή βλάβη.
6. Μην αποθηκεύετε και μην χρησιμοποιείτε το εργαλείο και την κασέτα μπαταριών σε τοποθεσίες όπου η θερμοκρασία μπορεί να φτάσει ή να ξεπεράσει τους 50°C.
7. Μην καίτε την κασέτα μπαταριών ακόμη και εάν έχει σοβαρή ζημιά ή είναι εντελώς φθαρμένη. Η κασέτα μπαταριών μπορεί να εκραγεί στη φωτιά.
8. Μην καρφώσετε, κόψετε, συνθλίψετε, πετάξετε ή ρίξετε κάτω την κασέτα μπαταριών, ούτε να χτυπήσετε ένα σκληρό αντικείμενο επάνω στην κασέτα μπαταριών. Τέτοια συμπεριφορά μπορεί να έχει ως αποτέλεσμα πυρκαγιά, υπερθέρμανση ή έκρηξη.
9. Μην χρησιμοποιείτε μπαταρία που έχει υποστεί ζημιά.
10. Οι μπαταρίες ιόντων λιθίου που περιέχονται υπόκεινται στις απαιτήσεις της νομοθεσίας για επικίνδυνα αγαθά.

Για εμπορικές μεταφορές, για παράδειγμα από τρίτα μέρη, πρέπει να τηρούνται οι διαμεταφορές, οι ειδικές απαιτήσεις στη συσκευασία και η επισήμανση.

Για προετοιμασία του στοιχείου που αποστέλλεται, είναι απαραίτητο να συμβουλευτείτε έναν ειδικό για επικίνδυνα υλικά. Επίσης, τηρήστε τους πιθανούς, πιο αναλυτικούς εθνικούς κανονισμούς. Καλύψτε με αυτοκόλλητη ταινία ή κρύψτε τις ανοικτές επαφές και συσκευάστε την μπαταρία με τρόπο που να μην μπορεί να μετακινείται μέσα στη συσκευασία.

11. Όταν απορρίπτετε την κασέτα μπαταριών, αφαιρέστε την από το εργαλείο και διαθέστε την σε ένα ασφαλές μέρος. Τηρήστε τους τοπικούς κανονισμούς που σχετίζονται με τη διάθεση της μπαταρίας.
12. Χρησιμοποιήστε τις μπαταρίες μόνο με τα προϊόντα που καθορίζει η Makita. Αν τοποθετήσετε τις μπαταρίες σε μη συμβατά προϊόντα μπορεί να έχει ως αποτέλεσμα πυρκαγιά, υπερβολική θερμότητα, έκρηξη ή διαρροή ηλεκτρολύτη.
13. Αν δεν χρησιμοποιείτε το εργαλείο για μεγάλο χρονικό διάστημα, πρέπει να βγάλετε την μπαταρία από το εργαλείο.
14. Κατά τη διάρκεια και μετά τη χρήση, η κασέτα μπαταριών μπορεί να θερμανθεί, γεγονός που μπορεί να προκαλέσει εγκαύματα ή εγκαύματα από χαμηλή θερμοκρασία. Προσέχετε το χειρισμό των ζεστών κασετών μπαταριών.
15. Μην αγγίζετε τον ακροδέκτη του εργαλείου αμέσως μετά τη χρήση επειδή μπορεί να έχει ζεσταθεί αρκετά για να προκαλέσει εγκαύματα.
16. Μην αφήνετε θραύσματα, σκόνη ή βρομιά να κολλήσει στους ακροδέκτες, τις σπές και τις εγχοπές της κασέτας μπαταριών. Μπορεί να προκαλέσει θέρμανση, φωτιά, έκρηξη και δυσλειτουργία του εργαλείου ή της κασέτας μπαταριών, έχοντας ως αποτέλεσμα εγκαύματα ή προσωπικό τραυματισμό.
17. Εκτός αν το εργαλείο υποστηρίζει τη χρήση κοντά σε ηλεκτρικές γραμμές υψηλής τάσης, μην χρησιμοποιείτε την κασέτα μπαταριών κοντά σε ηλεκτρικές γραμμές υψηλής τάσης. Μπορεί να έχει ως αποτέλεσμα δυσλειτουργία ή σπάσιμο του εργαλείου ή της κασέτας μπαταριών.
18. ΚρΦυλάξτε την μπαταρία μακριά από παιδιά.

ΦΥΛΑΞΤΕ ΤΙΣ ΟΔΗΓΙΕΣ ΑΥΤΕΣ.

▲ΠΡΟΣΟΧΗ: Να χρησιμοποιείτε μόνο γνήσιες μπαταρίες της Makita. Η χρήση μη γνήσιων μπαταριών Makita, ή μπαταριών που έχουν τροποποιηθεί, μπορεί να έχει ως αποτέλεσμα τη ρήξη της μπαταρίας, προκαλώντας πυρκαγιά, προσωπικό τραυματισμό και βλάβη. Επίσης, θα ακυρωθεί η εγγύηση της Makita για το εργαλείο και φορτιστή Makita.

Συμβουλές για τη διατήρηση της μέγιστης ζωής μπαταρίας

1. Φορτίζετε την κασέτα μπαταριών πριν από την πλήρη αποφόρτισή της. Πάντοτε να σταματάτε τη λειτουργία του εργαλείου και να φορτίζετε την κασέτα μπαταριών όταν παρατηρείτε μειωμένη ισχύ εργαλείου.
2. Ποτέ μην επαναφορτίζετε μια πλήρως φορτισμένη κασέτα μπαταριών. Η υπερφόρτιση μειώνει την ωφέλιμη ζωή της μπαταρίας.
3. Να φορτίζετε την κασέτα μπαταριών σε θερμοκρασία δωματίου, δηλαδή στους 10 °C έως 40 °C. Αφήστε μια θερμή κασέτα μπαταριών να κρυώσει πριν την φορτίσετε.
4. Όταν δεν χρησιμοποιείτε την κασέτα μπαταριών, αφαιρέστε την από το εργαλείο ή τον φορτιστή.
5. Να φορτίζετε την κασέτα μπαταριών εάν δεν τη χρησιμοποιείτε για μεγάλη χρονική περίοδο (περισσότερο από έξι μήνες).

ΠΕΡΙΓΡΑΦΗ ΛΕΙΤΟΥΡΓΙΑΣ

⚠ ΠΡΟΣΟΧΗ: Να φροντίζετε πάντα για την απενεργοποίηση του εργαλείου και την αφαίρεση της κασέτας μπαταρίας, πριν από οποιαδήποτε ρύθμιση ή έλεγχο της λειτουργίας του.

Τοποθέτηση ή αφαίρεση της κασέτας μπαταριών

⚠ ΠΡΟΣΟΧΗ: Να σβήνετε πάντα το εργαλείο πριν τοποθετήσετε ή αφαιρέσετε την κασέτα μπαταριών.

⚠ ΠΡΟΣΟΧΗ: Κρατήστε το εργαλείο και την κασέτα μπαταριών σταθερά κατά την τοποθέτηση ή αφαίρεση της κασέτας μπαταριών. Εάν δεν κρατάτε το εργαλείο και την κασέτα μπαταριών σταθερά μπορεί να γλιστρήσουν από τα χέρια σας και να προκληθεί βλάβη στο εργαλείο και την κασέτα μπαταριών και προσωπικός τραυματισμός.

► **Εικ.1:** 1. Κόκκινος δείκτης 2. Κουμπτί 3. Κασέτα μπαταριών

Για να αφαιρέσετε την κασέτα μπαταριών, ολισθήστε την από το εργαλείο ενώ σύρετε το κουμπτί στο μπροστινό μέρος της κασέτας.

Για να τοποθετήσετε την κασέτα μπαταριών, ευθυγραμμίστε τη γλώσσα στην κασέτα μπαταριών με την εγκοπή στο περίβλημα και ολισθήστε τη στη θέση της. Τοποθετήστε την μέχρι τέρμα μέχρι να ασφαλίσει στη θέση της, γεγονός που υποδεικνύεται με ένα χαρακτηριστικό ήχο. Αν μπορείτε να δείτε τον κόκκινο δείκτη όπως απεικονίζεται στην εικόνα, δεν έχει κλειδωθεί τελείως.

⚠ ΠΡΟΣΟΧΗ: Να τοποθετείτε πάντα την κασέτα μπαταριών πλήρως μέχρι να μη βλέπετε τον κόκκινο δείκτη. Εάν δεν ασφαλιστεί, μπορεί να πέσει από το εργαλείο τυχαία, προκαλώντας σωματική βλάβη σε εσάς ή κάποιον άλλο γύρω σας.

⚠ ΠΡΟΣΟΧΗ: Μην τοποθετείτε την κασέτα μπαταριών με βία. Εάν η κασέτα δεν ολισθαίνει με ευκολία, τότε δεν έχει τοποθετηθεί κατάλληλα.

Εμφάνιση υπολειπόμενης χωρητικότητας μπαταρίας

Μόνο για κασέτες μπαταρίας με την ενδεικτική λυχνία

► **Εικ.2:** 1. Ενδεικτικές λυχνίες 2. Κουμπτί ελέγχου

Πίστετε το κουμπτί ελέγχου στην κασέτα μπαταριών για να υποδείξετε την υπολειπόμενη χωρητικότητα μπαταρίας. Οι ενδεικτικές λυχνίες ανάβουν για λίγα δευτερόλεπτα.

Ενδεικτικές λυχνίες			Υπολειπόμενη χωρητικότητα
Αναμμένες	Σβηστές	Αναβοσβήνουν	
■ ■ ■ ■	□		75% έως 100%
■ ■ ■ □	□		50% έως 75%
■ ■ □ □	□		25% έως 50%
■ □ □ □	□		0% έως 25%
▣ □ □ □	□		Φορτίστε την μπαταρία.
■ ■ □ □	□		Μπορεί να προέκυψε δυσλειτουργία στην μπαταρία.
□ □ ■ ■	□	↑ ↓	

ΠΑΡΑΤΗΡΗΣΗ: Ανάλογα με τις συνθήκες χρήσης και τη θερμοκρασία περιβάλλοντος, η ένδειξη μπορεί να διαφέρει λίγο από την πραγματική χωρητικότητα.

ΠΑΡΑΤΗΡΗΣΗ: Η πρώτη (τέρμα αριστερά) ενδεικτική λυχνία θα αναβοσβήνει όταν λειτουργεί το σύστημα προστασίας μπαταρίας.

Σύστημα προστασίας εργαλείου/ μπαταρίας

Το εργαλείο είναι εξοπλισμένο με σύστημα προστασίας εργαλείου/μπαταρίας. Αυτό το σύστημα αποκόπτει αυτόματα την ισχύ προς το μοτέρ για να παραταθεί η διάρκεια λειτουργίας του εργαλείου και της μπαταρίας. Το εργαλείο σταματάει αυτόματα κατά τη διάρκεια της λειτουργίας εάν το εργαλείο ή η μπαταρία βρεθούν κάτω από τις παρακάτω συνθήκες:

Προστασία υπερφόρτωσης

Αν χειριστείτε το εργαλείο ή την μπαταρία με τρόπο που να τραβά αφύσικα υψηλό ρεύμα, το εργαλείο θα σταματήσει αυτόματα χωρίς προειδοποίηση. Σε αυτήν την περίπτωση, απενεργοποιήστε το εργαλείο και διακόψτε την εργασία που προκάλεσε την υπερφόρτωση του εργαλείου. Στη συνέχεια, ενεργοποιήστε το εργαλείο για να ξεκινήσει και πάλι.

Προστασία υπερθέρμανσης

Σε περίπτωση υπερθέρμανσης του εργαλείου ή της μπαταρίας, το εργαλείο σταματάει αυτόματα. Σε αυτήν την περίπτωση, αφήστε το εργαλείο και την μπαταρία να κρυώσουν πριν ενεργοποιήσετε ξανά το εργαλείο.

Προστασία υπερβολικής αποφόρτισης

Όταν η φόρτιση μπαταρίας δεν είναι αρκετή, το εργαλείο σταματάει αυτόματα. Σε αυτή την περίπτωση, βγάλτε την μπαταρία από το εργαλείο και φορτίστε την μπαταρία.

Προστασία και από άλλες αιτίες

Το σύστημα προστασίας έχει επίσης σχεδιαστεί για άλλες αιτίες που μπορούν να προκαλέσουν ζημιά στο εργαλείο και επιτρέπει την αυτόματη διακοπή του εργαλείου. Λάβετε όλα τα ακόλουθα βήματα για να διορθώσετε τις αιτίες, όταν το εργαλείο τεθεί σε προσωρινή διακοπή ή διακοπή κατά τη διάρκεια της λειτουργίας.

1. Απενεργοποιήστε το εργαλείο και, στη συνέχεια, ενεργοποιήστε το ξανά για επανεκκίνηση.
2. Φορίστε την μπαταρία ή τις μπαταρίες ή αντικαταστήστε τις με επαναφορτιζόμενες μπαταρίες.
3. Αφήστε το εργαλείο και τις μπαταρίες να ψυχθούν.

Αν δεν υπάρχει βελτίωση με την επαναφορά του συστήματος προστασίας, επικοινωνήστε με το τοπικό σας κέντρο εξυπηρέτησης της Makita.

Δράση διακόπτη

ΠΡΟΣΟΧΗ: Αποφεύγετε να ενεργοποιείτε το εργαλείο ενώ είναι τοποθετημένο επάνω στο τεμάχιο εργασίας ή επάνω στον πάγκο σας. Μπορεί να προκληθεί προσωπικός τραυματισμός ή ζημιά.

Ενεργοποίηση και απενεργοποίηση του εργαλείου

Πατήστε το κουμπί λειτουργίας/επιλογής ταχύτητας για να ξεκινήσετε το εργαλείο. Το εργαλείο ξεκινάει να λειτουργεί στην υψηλότερη περιστροφική ταχύτητα.

Πατήστε το κουμπί διακοπής για να σταματήσετε το εργαλείο.

- **Εικ.3:** 1. Κουμπί λειτουργίας/επιλογής ταχύτητας
2. Κουμπί διακοπής

Αλλαγή της ταχύτητας εργαλείου

Η περιστροφική ταχύτητα μπορεί να αλλάξει σε δύο τρόπους λειτουργίας: υψηλή και χαμηλή. Επιλέξτε οποιονδήποτε τρόπο λειτουργίας ανάλογα με την εφαρμογή και φόρτο εργασίας.

Πατήστε το κουμπί λειτουργίας/επιλογής ταχύτητας για να αλλάξετε τον τρόπο λειτουργίας ταχύτητας ενώ το εργαλείο λειτουργεί.

- **Εικ.4:** 1. Κουμπί λειτουργίας/επιλογής ταχύτητας

Πίνακας ρυθμίσεων ταχύτητας

Επίπεδο ταχύτητας	Περιστροφές ανά λεπτό
2 (Υψηλές)	14.000 min ⁻¹
1 (Χαμηλές)	11.000 min ⁻¹

ΕΙΔΟΠΟΙΗΣΗ: Αν το εργαλείο λειτουργεί συνεχόμενα σε χαμηλές ταχύτητες για μεγάλο χρονικό διάστημα, το μοτέρ θα υπερφορτωθεί και θα προκαλέσει δυσλειτουργία του εργαλείου.

ΕΙΔΟΠΟΙΗΣΗ: Επιλέξτε ένα κατάλληλο εύρος ταχύτητας για τις εργασίες λείανσής σας, ώστε να αποφύγετε την υπερθέρμανση και το λιώσιμο του τεμαχίου εργασίας. Η λείανση με υψηλή περιστροφική ταχύτητα μπορεί να θερμάνει το τεμάχιο εργασίας και να το λιώσει στο σημείο επαφής.

ΣΥΝΑΡΜΟΛΟΓΗΣΗ

ΠΡΟΣΟΧΗ: Να βεβαιώνετε πάντα ότι το εργαλείο είναι σβηστό και η κασέτα μπαταρίας έχει αφαιρεθεί πριν εκτελέσετε κάποια εργασία στο εργαλείο.

Τοποθέτηση και αφαίρεση λειαντικού χαρτιού

ΠΡΟΣΟΧΗ: Να βεβαιώνετε πάντα ότι έχει τοποθετηθεί με ασφάλεια ένα φύλλο λειαντικού χαρτιού πριν από τη χρήση. Διαφορετικά, το χαρτί μπορεί να χαλαρώσει, να αφαιρεθεί εύκολα και να γλιστράει, με αποτέλεσμα ανομοιόμορφη λειτουργία λείανσης.

ΠΑΡΑΤΗΡΗΣΗ: Αν λυγίσετε το χαρτί από πριν, η τοποθέτηση είναι πιο εύκολη.

Χρήση λειαντικού χαρτιού με άγκιστρο και βρόχο

ΠΡΟΣΟΧΗ: Βεβαιωθείτε να τοποθετήσετε το πέλαμα με άγκιστρο και βρόχο με σωστό και ασφαλή τρόπο. Ένα χαλαρό εξάρτημα θα παρουσιάσει υποβαθμισμένη ζυγοστάθμιση και θα προκαλέσει υπερβολικούς κραδασμούς με αποτέλεσμα την απώλεια ελέγχου.

ΠΡΟΣΟΧΗ: Βεβαιωθείτε ότι το πέλαμα και λειαντικό χαρτί με άγκιστρο και βρόχο είναι ευθυγραμμισμένα και στερεωμένα με ασφάλεια.

ΠΡΟΣΟΧΗ: Να χρησιμοποιείτε μόνο λειαντικά χαρτιά με άγκιστρο και βρόχο. Μη χρησιμοποιήσετε ποτέ λειαντικά χαρτιά που είναι ευαίσθητα στην πίεση.

1. Αφαιρέστε όλη τη βρομιά και ξένο υλικό από το πέλαμα με άγκιστρο και βρόχο.
2. Προσαρτήστε ένα φύλλο προαιρετικού λειαντικού χαρτιού με άγκιστρο και βρόχο στο πέλαμα, ευθυγραμμίζοντας τις σπές αναρρόφησης σκόνης στο χαρτί με αυτές στο πέλαμα.
► **Εικ.5:** 1. Λειαντικό χαρτί 2. Πέλαμα 3. Σπές αναρρόφησης σκόνης
3. Για να αφαιρέσετε το λειαντικό χαρτί, ξεκολλήστε το από το άκρο.

Χρήση λειαντικού χαρτιού χωρίς σπείρα αναρρόφησης σκόνης

Προαιρετικό αξεσουάρ

1. Κόψτε ένα φύλλο λειαντικού χαρτιού στο κατάλληλο μέγεθος.
► **Εικ.6:** 1. Λειαντικό χαρτί 2. Πέλαμα
2. Πατήστε παρατεταμένα τον μοχλό συγκράτησης είτε στο μπροστινό είτε στο πίσω άκρο του πέλαματος, και σύρετέ το μακριά από τον αναστολέα ώστε ο σφινγκτήρας να αποδεσμευτεί από την κλειδωμένη θέση.
3. Τραβήξτε τον μοχλό συγκράτησης προς τα έξω μέχρι τέρμα, για να δημιουργήσετε έναν χώρο μεταξύ του σφινγκτήρα και του πλαισίου τοιχώματος της βάσης λείανσης, στο ένα άκρο της οποίας μπορεί να εισαχθεί το λειαντικό χαρτί.

- Σύρετε το ένα άκρο του λειαντικού χαρτιού στον χώρο μεταξύ του σφιγκτήρα και της βάσης λείανσης.
 - Επανατοποθετήστε το λειαντικό χαρτί ώστε να καλύπτει σωστά την επιφάνεια του πέλματος.
 - Θέστε τον μοχλό συγκράτησης ξανά σε μια κλειδωμένη θέση, για να συσφίξετε το άκρο του λειαντικού χαρτιού με ασφάλεια.
 - Αποδεσμεύστε τον σφιγκτήρα στο άλλο άκρο και ετοιμάστε το άλλο άκρο του λειαντικού χαρτιού για σύσφιξη.
 - Διατηρήστε σωστό τέντωμα του λειαντικού χαρτιού και, στη συνέχεια, θέστε τον μοχλό συγκράτησης στο άλλο άκρο στην κλειδωμένη θέση.
- **Εικ.7:** 1. Λειαντικό χαρτί 2. Σφιγκτήρας 3. Βάση λείανσης 4. Μοχλός συγκράτησης 5. Αναστολέας

- Καλύψτε το λειαντικό χαρτί με την πλάκα διάνοιξης οπών, με τους αναστολείς τοποθέτησης που βρίσκονται παρακείμενα στη γωνία να ταιριάζουν καλά με δύο από τα πλαϊνά άκρα του πέλματος και βάσης λείανσης.
- **Εικ.8:** 1. Λειαντικό χαρτί 2. Πλάκα διάνοιξης οπών 3. Αναστολείς τοποθέτησης 4. Πέλημα 5. Βάση λείανσης

- Σπρώξτε την πλάκα διάνοιξης οπών πάνω από το λειαντικό χαρτί για να δημιουργήσετε τις οπές αναρρόφησης σκόνης.
- Για να αφαιρέσετε το λειαντικό χαρτί, αποδεσμεύστε τους σφιγκτήρες και στα δύο άκρα και βγάλτε το χαρτί από το πέγμα.

Χρήση λειαντικού χαρτιού με οπή αναρρόφησης σκόνης

Προαιρετικό αξεσουάρ

- Πατήστε παρατεταμένα τον μοχλό συγκράτησης είτε στο μπροστινό είτε στο πίσω άκρο του πέλματος, και σύρετέ το μακριά από τον αναστολέα ώστε ο σφιγκτήρας να αποδεσμευτεί από την κλειδωμένη θέση.
 - Τραβήξτε τον μοχλό συγκράτησης προς τα έξω μέχρι τέρμα, για να δημιουργήσετε έναν χώρο μεταξύ του σφιγκτήρα και του πλαϊνού τοιχώματος της βάσης λείανσης, στο ένα άκρο της οποίας μπορεί να εισαχθεί το λειαντικό χαρτί.
 - Τοποθετήστε ένα φύλλο λειαντικού χαρτιού πάνω από το πέγμα, ευθυγραμμίζοντας τις οπές αναρρόφησης σκόνης στο χαρτί με αυτές στο πέγμα.
- **Εικ.9:** 1. Λειαντικό χαρτί 2. Πέγμα 3. Οπή αναρρόφησης σκόνης
- Σύρετε το ένα άκρο του λειαντικού χαρτιού στον χώρο μεταξύ του σφιγκτήρα και της βάσης λείανσης.
 - Θέστε τον μοχλό συγκράτησης ξανά σε μια κλειδωμένη θέση, ώστε το άκρο του λειαντικού χαρτιού να έχει συσφιχθεί με ασφάλεια.
 - Αποδεσμεύστε τον σφιγκτήρα στο άλλο άκρο και ετοιμάστε το άλλο άκρο του λειαντικού χαρτιού για σύσφιξη.
 - Διατηρήστε σωστό τέντωμα του λειαντικού χαρτιού και, στη συνέχεια, θέστε τον μοχλό συγκράτησης στο άλλο άκρο στην κλειδωμένη θέση.
- **Εικ.10:** 1. Λειαντικό χαρτί 2. Σφιγκτήρας 3. Βάση λείανσης 4. Μοχλός συγκράτησης 5. Αναστολέας

- Για να αφαιρέσετε το λειαντικό χαρτί, αποδεσμεύστε τους σφιγκτήρες και στα δύο άκρα και βγάλτε το χαρτί από το πέγμα.

Χρήση τριγωνικού/ορθογώνιου λειαντικού χαρτιού

Προαιρετικό αξεσουάρ

▲ **ΠΡΟΣΟΧΗ:** Βεβαιωθείτε να τοποθετήσετε το πέγμα με άγκιστρο και βρόχο με σωστό και ασφαλές τρόπο. Ένα χαλαρό εξάρτημα θα παρουσιάσει υποβαθμισμένη ζυγοστάθμιση και θα προκαλέσει υπερβολικούς κραδασμούς με αποτέλεσμα την απώλεια ελέγχου.

▲ **ΠΡΟΣΟΧΗ:** Βεβαιωθείτε ότι το πέγμα και λειαντικό χαρτί με άγκιστρο και βρόχο είναι ευθυγραμμισμένα και στερεωμένα με ασφάλεια.

▲ **ΠΡΟΣΟΧΗ:** Να χρησιμοποιείτε μόνο λειαντικά χαρτιά με άγκιστρο και βρόχο. Μη χρησιμοποιήσετε ποτέ λειαντικά χαρτιά που είναι ευαίσθητα στην πίεση.

ΕΙΔΟΠΟΙΗΣΗ: Το καπάκι ή ο στρογγυλός δακτύλιος μπορεί να βγει από τη βάση λείανσης ενώ αντικαθιστάτε το πέγμα. Βεβαιωθείτε να προσαρμόσετε το καπάκι ή τον στρογγυλό δακτύλιο ξανά στην κυκλική οπή ή την κυκλική εγκοπή γύρω από το κέντρο της βάσης πριν τοποθετήσετε το προαιρετικό πέγμα.

- **Εικ.11:** 1. Στρογγυλός δακτύλιος 2. Βάση λείανσης 3. Κυκλική εγκοπή

- Χαλαρώστε και αφαιρέστε τις τέσσερις βίδες που ασφαλίζουν το πέγμα στη βάση λείανσης.
- **Εικ.12:** 1. Βίδες 2. Πέγμα 3. Βάση λείανσης

- Αντικαταστήστε το τυπικό πέγμα με ένα τριγωνικό/ορθογώνιο πέγμα.
- Σφίξτε ξανά και καλά τις βίδες για να ασφαλίσετε το τριγωνικό/ορθογώνιο πέγμα.

Τριγωνικό πέγμα

- **Εικ.13:** 1. Βίδες 2. Τριγωνικό πέγμα 3. Βάση λείανσης

Μπορείτε να τοποθετήσετε το λειαντικό χαρτί στο πλάι του πέματος όπως απεικονίζεται.

- **Εικ.14:** 1. Λειαντικό χαρτί 2. Πέγμα

Ορθογώνιο πέγμα

- **Εικ.15:** 1. Βίδες 2. Ορθογώνιο πέγμα 3. Βάση λείανσης

- Αφαιρέστε όλη τη βρομιά και ξένο υλικό από το τριγωνικό/ορθογώνιο πέγμα.

- Προσαρτήστε ένα φύλλο προαιρετικού λειαντικού χαρτιού με άγκιστρο και βρόχο στο τριγωνικό/ορθογώνιο πέγμα, ευθυγραμμίζοντας τις οπές αναρρόφησης σκόνης στο χαρτί με αυτές στο πέγμα.

Τριγωνικό πέγμα

- **Εικ.16:** 1. Λειαντικό χαρτί 2. Τριγωνικό πέγμα 3. Οπές αναρρόφησης σκόνης

Ορθογώνιο πέγμα

- **Εικ.17:** 1. Λειαντικό χαρτί 2. Ορθογώνιο πέγμα 3. Οπές αναρρόφησης σκόνης

- Για να αφαιρέσετε το λειαντικό χαρτί, ξεκολλήστε το από το άκρο.

Τοποθέτηση και αφαίρεση του σάκου συλλογής σκόνης

Προαιρετικό αξεσουάρ

Προσαρτήστε τον σάκο συλλογής σκόνης πάνω από το κωνικό στόμιο απαγωγής σκόνης στο πίσω μέρος του περιβλήματος μοτέρ. Τοποθετήστε την είσοδο σκόνης του σάκου στο στόμιο απαγωγής σκόνης μέχρι τέρμα, για να μην αποσυνδεθεί κατά τη διάρκεια της λειτουργίας.

► **Εικ.18:** 1. Στόμιο απαγωγής σκόνης 2. Είσοδος σκόνης 3. Σάκος συλλογής σκόνης

ΕΙΔΟΠΟΙΗΣΗ: Μην κρατάτε τον σάκο συλλογής σκόνης όταν μεταφέρετε το εργαλείο. Διαφορετικά, το εργαλείο μπορεί να πέσει και να υποστεί βλάβη.

ΠΑΡΑΤΗΡΗΣΗ: Για να εξασφαλιστεί η βέλτιστη συλλογή σκόνης, αδειάστε τον σάκο συλλογής σκόνης όταν γεμίσει σχεδόν στη μισή χωρητικότητά του.

Αφαιρέστε τον σάκο συλλογής σκόνης από το εργαλείο και αφαιρέστε το ακροφύσιο σκόνης. Στη συνέχεια, ανακινήστε απαλά ή κτυπήστε τον σάκο συλλογής σκόνης για να τον αδειάσετε.

► **Εικ.19:** 1. Ακροφύσιο σκόνης

Τοποθέτηση και αφαίρεση του κουτιού συλλογής σκόνης

Προαιρετικό αξεσουάρ

Προσαρτήστε το κουτί συλλογής σκόνης πάνω από το κωνικό στόμιο απαγωγής σκόνης στο πίσω μέρος του περιβλήματος μοτέρ. Τοποθετήστε την είσοδο σκόνης στο στόμιο απαγωγής σκόνης μέχρι τέρμα, για να μην αποσυνδεθεί κατά τη διάρκεια της λειτουργίας.

► **Εικ.20:** 1. Στόμιο απαγωγής σκόνης 2. Είσοδος σκόνης 3. Ακροφύσιο σκόνης 4. Κουτί συλλογής σκόνης

ΕΙΔΟΠΟΙΗΣΗ: Μην κρατάτε το κουτί συλλογής σκόνης όταν μεταφέρετε το εργαλείο. Διαφορετικά, το εργαλείο μπορεί να πέσει και να υποστεί βλάβη.

ΠΑΡΑΤΗΡΗΣΗ: Για να εξασφαλιστεί η βέλτιστη συλλογή σκόνης, αδειάστε το κουτί συλλογής σκόνης όταν γεμίσει σχεδόν στη μισή χωρητικότητά της.

1. Αφαιρέστε το κουτί συλλογής σκόνης από το εργαλείο.
2. Αποδεσμεύστε το ακροφύσιο σκόνης από το κουτί ενώ πατάτε παρατεταμένα τα μάνδαλα κλειδώματος και στις δύο πλευρές του κουτιού.
3. Ανακινήστε απαλά ή κτυπήστε το κουτί συλλογής σκόνης για να το αδειάσετε.

Αντικατάσταση του χάρτινου φίλτρου

ΕΙΔΟΠΟΙΗΣΗ: Προσέχετε ώστε να ευθυγραμμίσετε τα λογότυπα στο κουτί συλλογής σκόνης, το χάρτινο φίλτρο και το ακροφύσιο σκόνης με συνεπή προσανατολισμό όταν συναρμολογήσετε ξανά τα εξαρτήματα.

1. Αφαιρέστε το κουτί συλλογής σκόνης από το εργαλείο.
2. Αποδεσμεύστε το ακροφύσιο σκόνης από το κουτί ενώ πατάτε παρατεταμένα τα μάνδαλα κλειδώματος και στις δύο πλευρές του κουτιού.

► **Εικ.21:** 1. Ακροφύσιο σκόνης 2. Κουτί συλλογής σκόνης 3. Μάνδαλο κλειδώματος

3. Κρατήστε το εσωτερικό άνω άκρο του ανοίγματος χαρτονιού και τραβήξτε και βγάλτε το προς τα κάτω, για να αποδεσμεύσετε το εξωτερικό άνω άκρο του ανοίγματος χαρτονιού από την άνω γλωττίδα αγκύρωσης στο χείλος του κουτιού συλλογής σκόνης.

4. Βγάλτε το χάρτινο φίλτρο από το κουτί συλλογής σκόνης ενώ τραβάτε το εξωτερικό κάτω άκρο του ανοίγματος χαρτονιού από την κάτω γλωττίδα αγκύρωσης.

► **Εικ.22:** 1. Χάρτινο φίλτρο 2. Άνοιγμα χαρτονιού 3. Άνω γλωττίδα αγκύρωσης 4. Κάτω γλωττίδα αγκύρωσης 5. Κουτί συλλογής σκόνης

5. Αντικαταστήστε ένα χάρτινο φίλτρο δεσμευοντας το κάτω άκρο του ανοίγματος χαρτονιού στην κάτω γλωττίδα αγκύρωσης και στρώξτε το άνω άκρο προς τα μέσα μέχρι να ασφαλίσει στην άνω γλωττίδα αγκύρωσης.

► **Εικ.23:** 1. Χάρτινο φίλτρο 2. Άνοιγμα χαρτονιού 3. Άνω γλωττίδα αγκύρωσης 4. Κάτω γλωττίδα αγκύρωσης 5. Κουτί συλλογής σκόνης

6. Ασφαλίστε το ακροφύσιο σκόνης στη θέση του ενώ πατάτε παρατεταμένα τα μάνδαλα κλειδώματος και στις δύο πλευρές του κουτιού συλλογής σκόνης.

► **Εικ.24:** 1. Ακροφύσιο σκόνης 2. Κουτί συλλογής σκόνης 3. Μάνδαλο κλειδώματος

Σύνδεση με ηλεκτρική σκούπα

Προαιρετικό αξεσουάρ

Όταν θέλετε να εκτελέσετε καθαρή λείανση, συνδέστε μια ηλεκτρική σκούπα της Makita στο εργαλείο σας. Χρησιμοποιήστε είτε έναν προαιρετικό εύκαμπτο σωλήνα 28 mm ή έναν συνδυασμό του μπροστινού συνδέσμου 22 και του εύκαμπτου σωλήνα που παρέχεται με τη σκούπα για τη σύνδεση.

► **Εικ.25:** 1. Στόμιο απαγωγής σκόνης 2. Μπροστινό στόμιο 3. Εύκαμπτος σωλήνας 4. Ηλεκτρική σκούπα

ΛΕΙΤΟΥΡΓΙΑ

Λειτουργία λείανσης

▲ ΠΡΟΣΟΧΗ: Να βεβαιώνετε πάντα ότι το τεμάχιο εργασίας είναι σταθερά στερεωμένο.

ΕΙΔΟΠΟΙΗΣΗ: Μη θέτετε ποτέ το εργαλείο σε λειτουργία χωρίς το λειαντικό χαρτί. Μπορεί να προκαλέσετε σοβαρή ζημία στο πέλμα.

ΕΙΔΟΠΟΙΗΣΗ: Μη ζορίζετε ποτέ το εργαλείο. Η υπερβολική πίεση μπορεί να μειώσει την αποδοτικότητα της λείανσης, να καταστρέψει το λειαντικό χαρτί ή/και να μειώσει τη διάρκεια ζωής του εργαλείου.

Κρατάτε το εργαλείο σταθερά. Ενεργοποιήστε το εργαλείο και περιμένετε έως ότου αποκτήσει την πλήρη ταχύτητά του. Στη συνέχεια, τοποθετήστε απαλά το εργαλείο στην επιφάνεια του τεμαχίου εργασίας. Ένα παλμικό τριβείο χρησιμοποιείται γενικά για την αφαίρεση μόνο μιας μικρής ποσότητας υλικού κάθε φορά. Επειδή η ποιότητα της επιφάνειας είναι πιο σημαντική από την ποσότητα του υλικού που θα αφαιρεθεί, μην εξασκείτε δύναμη στο εργαλείο. Να κρατάτε πάντα τη βάση ευθυγραμμισμένη με το τεμάχιο εργασίας.

► **Εικ.26**

Μπορείτε να λειάνετε το υλικό με την άνω και κάτω πλευρά του πέλματος όταν λειάνετε με το τριγωνικό/ορθογώνιο πέλμα. Αυτό είναι βολικό όταν λειάνετε ένα αντικείμενο όπως μια περσίδα.

► **Εικ.27**

ΣΥΝΤΗΡΗΣΗ

▲ ΠΡΟΣΟΧΗ: Πριν την εκτέλεση εργασιών επιθεώρησης ή συντήρησης, πάντοτε να βεβαιώνετε ότι η συσκευή απενεργοποιήθηκε και η κασέτα μπαταριών έχει αφαιρεθεί.

ΕΙΔΟΠΟΙΗΣΗ: Μην χρησιμοποιείτε ποτέ βενζίνη, πετρελαϊκό αιθέρα, διαλυτικό, αλκοόλη ή παρόμοιες ουσίες. Μπορεί να προκληθεί αποχρωματισμός, παραμόρφωση ή ρωγμές.

Για τη διατήρηση της ΑΣΦΑΛΕΙΑΣ και ΑΞΙΟΠΙΣΤΙΑΣ του προϊόντος, οι επισκευές και οποιαδήποτε άλλη εργασία συντήρησης ή ρύθμισης πρέπει να εκτελούνται από εξουσιοδοτημένα ή εργοστασιακά κέντρα εξυπηρέτησης της Makita, χρησιμοποιώντας πάντοτε ανταλλακτικά της Makita.

Μετά τη χρήση

Σκουπίστε το εργαλείο χρησιμοποιώντας ένα στεγνό πανί ή ένα πανί λίγο υγραμένο με σαπουνό νερο σε τακτά χρονικά διαστήματα.

ΠΡΟΑΙΡΕΤΙΚΑ ΕΞΑΡΤΗΜΑΤΑ

▲ ΠΡΟΣΟΧΗ: Αυτά τα εξαρτήματα ή προσαρτήματα συνιστώνται για χρήση με το εργαλείο Makita που περιγράφηκε στις οδηγίες αυτές. Η χρήση οποιωνδήποτε άλλων εξαρτημάτων ή προσαρτημάτων μπορεί να προκαλέσει κίνδυνο τραυματισμού σε άτομα. Να χρησιμοποιείτε τα εξαρτήματα ή προσαρτήματα μόνο για την χρήση που προορίζονται.

Εάν χρειάζεστε οποιαδήποτε βοήθεια για περισσότερες πληροφορίες σε σχέση με αυτά τα εξαρτήματα, αποτανθείτε στο τοπικό σας κέντρο εξυπηρέτησης Makita.

- Λειαντικό χαρτί (άγκιστρο και βρόχος)
- Λειαντικό χαρτί (σφιγκτήρας)
- Τετραγωνικό πέλμα (άγκιστρο και βρόχος)
- Τετραγωνικό πέλμα (σφιγκτήρας)
- Ορθογώνιο πέλμα
- Τριγωνικό πέλμα
- Σάκος συλλογής σκόνης
- Κουτί συλλογής σκόνης
- Φίλτρο
- Χάρτινο φίλτρο
- Γνήσια μπαταρία και φορτιστής της Makita

ΠΑΡΑΤΗΡΗΣΗ: Μερικά στοιχεία στη λίστα μπορεί να συμπεριλαμβάνονται στη συσκευασία εργαλείου ως στάνταρ εξαρτήματα. Μπορεί να διαφέρουν ανάλογα με τη χώρα.

TEKNİK ÖZELLİKLER

Model:	DBO484	
Ped boyutu	Kare ped	112 mm x 102 mm
	Üçgen ped	112 mm x 190 mm
	Dikdörtgen ped	112 mm x 168,5 mm
Zımpara kağıdı	Kare ped (Cırt cırt) için	114 mm x 102 mm
	Kare ped (Kıskaç) için	114 mm x 140 mm
	Üçgen ped için	Dikdörtgen kağıt: 114 mm x 102 mm Üçgen kağıt: 96 mm
	Dikdörtgen ped için	112 mm x 168,5 mm, 112 mm x 66 mm
Dakikada devir	Yüksek	14.000 min ⁻¹
	Düşük	11.000 min ⁻¹
Toplam uzunluk (BL1860B ile)	171 mm	
Nominal voltaj	D.C. 18 V	
Net ağırlık	1,4 - 1,8 kg	

- * Standart ped ülkeden ülkeye farklılık gösterir.
- Sürekli yapılan araştırma ve geliştirmelerden dolayı, burada belirtilen özellikler önceden bildirilmeksizin değiştirilebilir.
- Özellikler ve batarya kartuşu ülkeden ülkeye değişebilir.
- Ağırlık, ekli aksesuara/aksesuarlara ve batarya kartuşuna bağlı olarak farklılık gösterebilir. EPTA-Prosedürü 01/2014'e göre en hafif ve en ağır kombinasyonlar tabloda verilmiştir.

Geçerli batarya kartuşu ve şarj aleti

Batarya kartuşu	BL1815N / BL1820B / BL1830B / BL1840B / BL1850B / BL1860B
Şarj aleti	DC18RC / DC18RD / DC18RE / DC18SD / DC18SE / DC18SF / DC18SH / DC18WC

- Yukarıda listelenen batarya kartuşlarının ve şarj aletlerinin bazıları yaşadığımız bölgeye bağlı olarak mevcut olmayabilir.

UYARI: Sadece yukarıda listelenen batarya kartuşlarını ve şarj aletlerini kullanın. Başka batarya kartuşlarının ve şarj aletlerinin kullanılması yaralanma ve/veya yangına neden olabilir.

Kullanım amacı

Bu alet ahşap, plastik ve metal malzemelerin geniş yüzeyleriyle boyalı yüzeylerin zımparalanması amacıyla kullanılır.

Gürültü

Tipik A-ağırlıklı gürültü düzeyi (EN62841-2-4 standardına göre belirlenen):
Ses basınç seviyesi (L_{pA}): 78 dB (A)
Belirsizlik (K): 3 dB (A)
İşlem sırasında gürültü seviyesi 80 dB (A)'yi geçebilir.

NOT: Beyan edilen gürültü emisyonu değer(ler)i bir standart test yöntemine uygun şekilde ölçülmüştür ve bir aleti bir başkasıyla karşılaştırmak için kullanılabilir.

NOT: Beyan edilen gürültü emisyonu değer(ler)i bir ön maruz kalma değerlendirmesi olarak da kullanılabilir.

UYARI: Kulak koruyucuları takın.

UYARI: Elektrikli aletin gerçek kullanımı sırasındaki gürültü emisyonu, aletin kullanım biçimlerine, özellikle işlenen iş parçasının türüne bağlı olarak beyan edilen değer(ler)den farklı olabilir.

UYARI: Gerçek kullanım koşullarındaki tahmini maruziyeti baz alan, operatörü koruyacak güvenlik önlemlerini mutlaka belirleyin (çalışma döngüsü içerisinde aletin kapalı olduğu ve aktif durumda olmasının yanı sıra boşta çalıştığı zamanlar gibi, bütün zaman dilimleri göz önünde bulundurarak).

Titreşim

Titreşim toplam değeri (üç eksenli vektör toplamı) (EN62841-2-4 standardına göre hesaplanan):
Çalışma modu: metal levha zımparalama (kare taban)
Titreşim emisyonu (a_{h1}): 2,5 m/s²den az
Belirsizlik (K): 1,5 m/s²

NOT: Beyan edilen titreşim toplam değer(ler)i bir standart test yöntemine uygun şekilde ölçülmüştür ve bir aleti bir başkasıyla karşılaştırmak için kullanılabilir.

NOT: Beyan edilen titreşim toplam değer(ler)i bir ön maruz kalma değerlendirmesi olarak da kullanılabilir.

UYARI: Elektrikli aletin gerçek kullanımı sırasındaki titreşim emisyonu, aletin kullanımı biçimlerine, özellikle işlenen iş parçasının türüne bağlı olarak beyan edilen değer(ler)den farklı olabilir.

UYARI: Gerçek kullanım koşullarındaki tahmini maruziyeti baz alan, operatörü koruyacak güvenlik önlemlerini mutlaka belirleyin (çalışma döngüsü içerisinde aletin kapalı olduğu ve aktif durumda olmasının yanı sıra boşta çalıştığı zamanlar gibi, bütün zaman dilimleri göz önünde bulundurarak).

Uygunluk Beyanları

Sadece Avrupa ülkeleri için

Uygunluk beyanları bu kullanma kılavuzuna Ek A olarak eklenmiştir.

GÜVENLİK UYARILARI

Genel elektrikli alet güvenliği uyarıları

UYARI: Bu elektrikli aletle birlikte sunulan tüm güvenlik uyarılarını, talimatları, çizimleri ve teknik özellikleri okuyun. Aşağıda verilen talimatlara uyulmaması elektrik şoku, yangın ve/veya ciddi yaralanmalar ile sonuçlanabilir.

Tüm uyarıları ve talimatları ile-ride başvurmak için saklayın.

Uyarılardaki "elektrikli alet" terimi ile ya prizden çalışan (kordonlu) elektrikli aletiniz ya da kendi aküsü ile çalışan (kordonsuz) elektrikli aletiniz kastedilmektedir.

Zımpara makinası güvenlik uyarıları

1. Daima koruyucu gözlükler kullanın. Normal gözlükler veya güneş gözlükleri koruyucu gözlük DEĞİLDİR.
2. Aleti sıkı tutun.
3. Aleti çalışır durumda bırakmayın. Aleti sadece elinizde tutarken çalıştırın.
4. Bu alet su geçirmez değildir, bu nedenle iş parçasının yüzeyinde su kullanmayın.
5. Zımparalama işlemi yaparken çalışma yerinizi iyi havalandırın.
6. Bazı malzemeler zehirli olabilen kimyasallar içerirler. Toz yutmayı ve cilt temasını önlemek için tedbir alın. Malzeme sağlayıcısının güvenlik bilgilerine uyun.
7. Bu aletin bazı ürünleri, boyaları ve ahşabı zımparalamak için kullanımı kullanıcıyı tehlikeli maddeler içeren toza maruz bırakabilir. Uygun solunum koruması kullanın.

8. Kullanmadan önce yastıkta çatlak veya kırık olmadığından emin olun. Çatlaklar veya kırıklar yaranlamaya neden olabilirler.
9. Duruşunuza dikkat edin ve aleti dengeli tutun. Yüksek yerlerde çalışırken aşağıda kimse olmadığından emin olun.

BU TALİMATLARI MUHAFAZA EDİNİZ.

UYARI: Ürünü kullanırken (defalarca kullanınca kazanılan) rahatlık ve tanıdıklık duygusunun ilgili ürünün güvenlik kurallarına sıkı sıkıya bağlı kalmanın yerine geçmesine İZİN VERMEYİN. YANLIŞ KULLANIM veya bu kullanma kılavuzunda belirtilen emniyet kurallarına uymama ciddi yaranlamaya neden olabilir.

Batarya kartuşu hakkında önemli güvenlik talimatları

1. Batarya kartuşunu kullanmadan önce, tüm talimatları ve (1) batarya kartuşu, (2) batarya ve (3) ürün üzerindeki tüm uyarı işaretlerini okuyun.
2. Batarya kartuşunu parçalarına ayırmayın veya kurcalamayın. Yangın, aşırı ısı veya patlamaya neden olabilir.
3. Çalışma süresi aşırı derecede kısalırsa kullanmayı derhal bırakın. Aşırı ısınma, yanma riski hatta patlamaya neden olabilir.
4. Gözünüze elektrolit kaçarsa, gözlerinizi temiz suyla durulayın ve hemen tıbbi yardım alın. Görmeye kaybına yol açabilir.
5. Batarya kartuşuna kısa devre yaptırmayın:
 - (1) Terminallere herhangi bir iletken madde değdirmeyin.
 - (2) Batarya kartuşunu çiviler, madeni paralar, vb. gibi başka metal nesnelere aynı kaba koymaktan kaçının.
 - (3) Batarya kartuşunu yağmura ya da suya maruz bırakmayın.

Kısa devre, büyük bir akım akışına, aşırı ısınmaya, olası yangınlara hatta bataryanın bozulmasına yol açabilir.

6. Aleti ve batarya kartuşunu sıcaklığın 50°C ya da daha yükseğe ulaştığı yerlerde saklamayın ve kullanmayın.
7. Aşırı derecede hasar görmüş ya da tamamen kullanılamaz durumda olsa bile batarya kartuşunu yakmayın. Batarya kartuşu ateşe atılırsa patlayabilir.
8. Batarya kartuşunu çivilemeyin, kesmeyin, ezmeyin, fırlatmayın, düşürmeyin ya da batarya kartuşuna sert bir nesne ile vurmayın. Bu eylemler yangın, aşırı ısı veya patlamaya neden olabilir.
9. Hasarlı bataryayı kullanmayın.
10. Aletin içerdığı lityum-iyon bataryalar Tehlikeli Eşyalar Yönetmeliğinin gereksinimlerine tabidir. Ticari nakliye işlemleri için, örneğin üçüncü taraflar, nakliye acenteleri tarafından yapılan nakliyelerde, paketleme ve etiketleme gereksinimlerine uyulmalıdır.

Nakliyesi yapılacak ürünün hazırlanması için, tehlikeli maddeler konusunda uzman bir kişiye danışın. Lütfen muhtemelen daha ayrıntılı olan ulusal yönetmeliklere de uyun. Açık kontakları bantlayın ya da maskeleyin ve bataryayı paketin içinde hareket etmeyecek şekilde pakitleyin.

11. **Batarya kartuşunu bertaraf ederken aletten çıkarın ve güvenli bir yerde bertaraf edin. Bataryanın bertaraf edilmesi ile ilgili yerel düzenlemelere uyunuz.**
12. **Bataryaları sadece Makita tarafından belirtilen ürünlerle kullanın.** Bataryaların uyumsuz ürünlere takılması; yangın, aşırı ısınma, patlama ya da elektrolit sızıntısına neden olabilir.
13. **Alet uzun süre kullanılmıyacaksa batarya aletten çıkarılmalıdır.**
14. **Kullanma sırasında ve sonrasında batarya kartuşu ısınarak yanıklara veya düşük sıcaklık yanıklarına yol açabilir. Sıcak batarya kartuşları ile işlem yaparken dikkat edin.**
15. **Yanıklara neden olabilecek kadar sıcak olabileceğinden kullandıktan hemen sonra aletin terminaline dokunmayın.**
16. **Batarya kartuşunun terminallerine, deliklerine ve kanallarına micir, toz veya toprak girmesine izin vermeyin.** Aletin veya batarya kartuşunun ısınmasına, alev almasına, patlamasına ve arızalanmasına neden olarak yanıklara veya yaralanmaya yol açabilir.
17. **Alet yüksek gerilim elektrik güç hatlarına yakınında kullanımı desteklemediği sürece batarya kartuşunu yüksek gerilim elektrik güç hatlarının yakınında kullanmayın.** Aletin veya batarya kartuşunun arızalanmasına veya bozulmasına neden olabilir.
18. **Bataryayı çocuklardan uzak tutun.**

BU TALİMATLARI MUHAFAZA EDİNİZ.

⚠DİKKAT: Sadece orijinal Makita bataryalarını kullanın. Orijinal olmayan Makita bataryaları ya da üzerine değişiklik yapılmış bataryaların kullanımı bataryanın patlamasına ve sonuç olarak yangın, kişisel yaralanma ve hasara neden olabilir. Ayrıca Makita aleti ve şarj aletinin Makita tarafından sunulan garantisi de geçersiz olur.

Maksimum batarya ömrü için ipuçları

1. **Batarya kartuşunu tamamen boşalmadan önce şarj edin.** Aletin gücünün zayıflamaya başladığını fark ettiğinizde aleti durdurun ve batarya kartuşunu şarj edin.
2. **Tam dolu bir batarya kartuşunu asla yeniden şarj etmeyin.** Aşırı şarj etme bataryanın hizmet ömrünü kısaltır.
3. **Batarya kartuşunu 10 °C - 40 °C oda sıcaklığında şarj edin.** Sıcak bir batarya kartuşunu şarj etmeden önce soğumasını bekleyin.
4. **Batarya kartuşunu kullanılmıyorken aletten veya şarj aletinden çıkarın.**
5. **Uzun bir süre (altı aydan daha fazla) kullanmadığınız durumlarda batarya kartuşunu şarj edin.**

İŞLEVSEL NİTELİKLER

⚠DİKKAT: Alet üzerinde ayarlama veya işleyiş kontrolü yapmadan önce aletin kapalı ve batarya kartuşunun ayrılmış olduğundan daima emin olun.

Batarya kartuşunun takılması ve çıkarılması

⚠DİKKAT: Batarya kartuşunu takmadan ya da çıkarmadan önce aleti daima kapatın.

⚠DİKKAT: Batarya kartuşunu takarken veya çıkarırken aleti ve batarya kartuşunu sıkıca tutun. Aletin ve batarya kartuşunun sıkıca tutulmaması bunların düşürülmesine sebep olabilir ve alet ve batarya kartuşunun zarar görmesine ya da ciddi yaralanmasına yol açabilir.

► **Şek.1:** 1. Kırmızı gösterge 2. Düğme 3. Batarya kartuşu

Batarya kartuşunu çıkarmak için, kartuşun ön tarafındaki düğmeyi kaydırarak kartuşu aletten çıkarın.

Batarya kartuşunu takmak için, batarya kartuşu üzerindeki dili yuvanın oluşu ile hizalayın ve kartuşu yerine oturtun. Kartuş, küçük bir tık sesi ile yerine sabitlenene dek sonuna kadar itirin. Şekilde gösterildiği gibi kırmızı göstergeli görebiliyorsanız tam olarak kilitlenmemiş demektir.

⚠DİKKAT: Batarya kartuşunu daima kırmızı gösterge görünmeyecek şekilde tam olarak takın. Yerine tam oturmazsa, aletten yanlışlıkla düşebilir, sizin ya da çevrenizdeki kişilerin yaralanmasına neden olabilir.

⚠DİKKAT: Batarya kartuşunu zorlayarak takmayın. Kartuş kolay bir şekilde kaymıyorsa doğru yerleştirilmemiş demektir.

Kalan batarya kapasitesinin gösterilmesi

Sadece göstergeli batarya kartuşları için

► **Şek.2:** 1. Gösterge lambaları 2. Kontrol düğmesi

Kalan batarya kapasitesini göstermesi için batarya kartuşu üzerindeki kontrol düğmesine basın. Gösterge lambaları birkaç saniye yanar.

Gösterge lambaları			Kalan kapasite
Yanıyor	Kapalı	Yanıp sönmüyor	
■ ■ ■ ■			%75 ila %100
■ ■ ■ □			%50 ila %75
■ ■ □ □			%25 ila %50
■ □ □ □			%0 ila %25
▤ □ □ □			Bataryayı şarj edin.
■ ■ □ □			Batarya arızalanmış olabilir.
□ □ ■ ■			

NOT: Kullanım koşullarına ve ortam sıcaklığına bağlı olarak, gösterilen değer gerçek kapasiteden biraz farklılık gösterebilir.

NOT: İlk (en soldaki) gösterge lambası, batarya koruma sistemi çalıştığında yanıp söner.

Alet/batarya koruma sistemi

Bu alet bir alet/batarya koruma sistemi ile donatılmıştır. Bu sistem motora giden gücü otomatik olarak keserek uzun alet ve batarya ömrü sağlar. Alet veya batarya için aşağıdaki durumlardan biri söz konusu olduğunda aletin işleyişi otomatik olarak durur:

Aşırı yük koruması

Alet veya batarya, anormal yüksek akım çekmesine neden olacak şekilde çalıştırılırsa alet hiçbir belirti vermeden otomatik olarak durur. Bu durumda aleti kapatın ve aletin aşırı yüklenmesine neden olan uygulamayı durdurun. Daha sonra aleti yeniden başlatın.

Aşırı ısınma koruması

Alet veya batarya aşırı ısındığında alet otomatik olarak durur. Bu durumda aleti yeniden açmadan önce aletin ve bataryanın soğumasını bekleyin.

Aşırı deşarj koruması

Batarya kapasitesi yeterli olmadığında, alet otomatik olarak durur. Bu durumda, bataryayı aletten çıkarın ve bataryayı tekrar şarj edin.

Diğer nedenlere karşı korumalar

Koruma sistemi, alete zarar verebilecek diğer nedenler için de tasarlanmıştır ve aletin otomatik olarak durmasını sağlar. Alet çalışırken geçici duraklama ve durma yaparsa nedenleri ortadan kaldırmak için aşağıdaki tüm adımları uygulayın.

1. Aleti kapatın ve ardından tekrar açarak yeniden çalıştırın.
2. Bataryaları şarj edin veya şarjlı bataryalarla değiştirin.
3. Cihazın ve bataryaların soğumasını bekleyin.

Koruma sistemi eski haline getirilerek ilerleme kaydedilemezse yerel Makita Servis Merkezimize başvurun.

Anahtar işlemi

⚠DİKKAT: Alet iş parçasının üzerine veya tezgahınıza yerleştirilmiş durumdayken aleti açmaktan kaçının. Yaralanmaya veya hasara neden olabilir.

Aletin açılması ve kapatılması

Aleti çalıştırmak için güç/hız seçme düğmesine basın. Alet en yüksek titreşim hızında çalışmaya başlar. Aleti durdurmak için durdurma düğmesine basın.

► **Şek.3:** 1. Güç/hız seçme düğmesi 2. Durdurma düğmesi

Alet hızının değiştirilmesi

Titreşim hızı iki moda değiştirilebilir; yüksek ve düşük. Uygulamaya ve iş yüküne bağlı olarak iki moddan birini seçin.

Alet çalışırken hız modunu değiştirmek için güç/hız seçme düğmesine basın.

► **Şek.4:** 1. Güç/hız seçme düğmesi

Hız ayarları tablosu

Hız seviyesi	Dakikadaki titreşim sayısı
2 (Yüksek)	14.000 min ⁻¹
1 (Düşük)	11.000 min ⁻¹

ÖNEMLİ NOT: Eğer alet uzun süre devamlı düşük hızlarda çalıştırılırsa, motor aşırı yüklenir ve bozulmaya neden olur.

ÖNEMLİ NOT: Aşırı ısınmayı ve iş parçasının erimesini önlemek için zımparalama işlemlerinizi için uygun bir hız aralığı seçin. Yüksek titreşim hızında zımparalamak iş parçasını ısıtabilir ve temas noktasında eritebilir.

MONTAJ

⚠DİKKAT: Alet üzerinde herhangi bir iş yapmadan önce aletin kapalı ve batarya kartuşunun ayrılmış olduğundan daima emin olun.

Zımpara kağıdının takılması ve çıkarılması

⚠DİKKAT: Kullanmadan önce bir zımpara kağıdı tabakasının güvenli bir şekilde takıldığından mutlaka emin olun. Aksi takdirde kağıt gevşeyebilir, kolayca çıkabilir ve kayabilir, bu da zımparalamanın düzensiz bir şekilde yapılmasına neden olur.

NOT: Kağıdı önceden bükme takmayı kolaylaştırır.

Cırt cırt zımpara kağıdının kullanılması

⚠DİKKAT: Cırt cırt pedi düzgün ve güvenli bir şekilde taktığınızdan emin olun. Gevşek bir ek parça dengesini kaybedecek ve aşırı titreşime neden olarak kontrol kaybına yol açacaktır.

⚠DİKKAT: Cırt cırt ped ve zımpara kağıdının hizalandığından ve sıkıca takıldığından emin olun.

⚠DİKKAT: Sadece cırt cırt zımpara kağıtları kullanın. Hiç bir zaman basınca hassas zımpara kağıtları kullanmayın.

1. Cırt cırt ped üzerindeki tüm kir ve yabancı maddeleri temizleyin.

2. Kağıttaki toz emme deliklerini peddekilerle hizalayarak bir isteğe bağlı cırt cırt zımpara kağıdı tabakasını pede yerleştirin.

► **Şek.5:** 1. Zımpara kağıdı 2. Ped 3. Toz emme delikleri

3. Zımpara kağıdını çıkarmak için kenardan sıyrarak kaldırın.

Toz emme deliği olmayan zımpara kağıdı kullanma

İsteğe bağlı aksesuar

1. Uygun boyutta bir zımpara kağıdı tabakası kesin.
► **Şek.6:** 1. Zımpara kağıdı 2. Ped

2. Pedin ön veya arka ucundaki kısıkaç kolunu ittirip basılı tutun ve kısıkaçın kilitleti konumundan kurtulması için durdurucudan uzağa kaydırın.

3. Kısıkaç ile zımparalama tabanının yan cidarı arasında, zımpara kağıdının bir ucunun sokulabileceği bir boşluk oluşturmak için kısıkaç kolunu mümkün olduğu kadar dışa doğru çekin.

4. Zımpara kağıdının bir ucunu, kısıkaç ile zımparalama tabanı arasındaki boşluğa geçirin.

5. Zımpara kağıdını, ped yüzeyine güzel bir şekilde binecek şekilde yeniden konumlandırın.

6. Zımpara kağıdının ucunu sıkıca kenetlemek için kısıkaç kolunu kilitleti konuma geri alın.

7. Diğer uçtaki kısıkaçı kurtarın ve zımpara kağıdının diğer ucunu kenetlenmeye hazır hale getirin.

8. Zımpara kağıdı üzerinde uygun bir gerginliği koruyun ve ardından diğer uçtaki kısıkaç kolunu kilitleti konuma alın.

► **Şek.7:** 1. Zımpara kağıdı 2. Kısıkaç 3. Zımparalama tabanı 4. Kısıkaç kolu 5. Durdurucu

9. Zımba levhasının köşeye bitişik konumlandırma durdurucuları ped ve zımparalama tabanının yan kenarlarının ikisine tam olarak oturmuş halde zımpara kağıdını zımba levhası ile örtün.

► **Şek.8:** 1. Zımpara kağıdı 2. Zımba levhası
3. Konumlandırma durdurucuları 4. Ped
5. Zımparalama tabanı

10. Toz emme deliklerini açmak için zımba levhasını zımpara kağıdının üzerine bastırın.

11. Zımpara kağıdını çıkarmak için her iki uçtaki kısıkaçları kurtarın ve kağıdı pedden kaldırın.

Toz emme deliği olan zımpara kağıdı kullanma

İsteğe bağlı aksesuar

1. Pedin ön veya arka ucundaki kısıkaç kolunu ittirip basılı tutun ve kısıkaçın kilitleti konumundan kurtulması için durdurucudan uzağa kaydırın.

2. Kısıkaç ile zımparalama tabanının yan cidarı arasında, zımpara kağıdının bir ucunun sokulabileceği bir boşluk oluşturmak için kısıkaç kolunu mümkün olduğu kadar dışa doğru çekin.

3. Kağıttaki toz emme deliklerini peddekilerle hizalayarak bir zımpara kağıdı tabakasını pedin üzerine yerleştirin.

► **Şek.9:** 1. Zımpara kağıdı 2. Ped 3. Toz emme deliği

4. Zımpara kağıdının bir ucunu, kısıkaç ile zımparalama tabanı arasındaki boşluğa geçirin.

5. Zımpara kağıdının ucu sıkıca kenetlenecek şekilde kısıkaç kolunu kilitleti konuma geri alın.

6. Diğer uçtaki kısıkaçı kurtarın ve zımpara kağıdının diğer ucunu kenetlenmeye hazır hale getirin.

7. Zımpara kağıdı üzerinde uygun bir gerginliği koruyun ve ardından diğer uçtaki kısıkaç kolunu kilitleti konuma alın.

► **Şek.10:** 1. Zımpara kağıdı 2. Kısıkaç
3. Zımparalama tabanı 4. Kısıkaç kolu
5. Durdurucu

8. Zımpara kağıdını çıkarmak için her iki uçtaki kısıkaçları kurtarın ve kağıdı pedden kaldırın.

Üçgen/dikdörtgen zımpara kağıdını kullanma

İsteğe bağlı aksesuar

⚠DİKKAT: Cırt cırt pedi düzgün ve güvenli bir şekilde taktığınızdan emin olun. Gevşek bir ek parça dengesini kaybedecek ve aşırı titreşime neden olarak kontrol kaybına yol açacaktır.

⚠DİKKAT: Cırt cırt ped ve zımpara kağıdının hizalandığından ve sıkıca takıldığından emin olun.

⚠DİKKAT: Sadece cırt cırt zımpara kağıtları kullanın. Hiç bir zaman basınca hassas zımpara kağıtları kullanmayın.

ÖNEMLİ NOT: Pedi değiştirirken başlık veya O halka conta zımparalama tabanından çıkabilir. İsteğe bağlı pedi takmadan önce başlık veya O halka contayı, tabanın merkezinin etrafındaki dairesel deliğe veya dairesel kanala tekrar yerleştirdiğinizden emin olun.

► **Şek.11:** 1. O halka conta 2. Zımparalama tabanı
3. Dairesel kanal

1. Pedi zımparalama tabanına sabitleyen dört vidayı gevşetip çıkarın.

► **Şek.12:** 1. Vidalar 2. Ped 3. Zımparalama tabanı

2. Standart olarak takılı pedi üçgen/dikdörtgen ped ile değiştirin.

3. Vidaları iyice yeniden sıkarak üçgen/dikdörtgen pedi sabitleyin.

Üçgen ped

► **Şek.13:** 1. Vidalar 2. Üçgen ped 3. Zımparalama tabanı

Pedin kenarına şekilde gösterildiği gibi zımpara kağıdını takabilirsiniz.

► **Şek.14:** 1. Zımpara kağıdı 2. Ped

Dikdörtgen ped

► **Şek.15:** 1. Vidalar 2. Dikdörtgen ped
3. Zımparalama tabanı

4. Üçgen/dikdörtgen ped üzerindeki tüm kir ve yabancı maddeleri temizleyin.

5. Kağıttaki toz emme deliklerini peddekilerle hizalayarak bir isteğe bağlı cırt cırt zımpara kağıdı tabakasını üçgen/dikdörtgen pede yerleştirin.

Üçgen ped

► **Şek.16:** 1. Zımpara kağıdı 2. Üçgen ped 3. Toz emme delikleri

Dikdörtgen ped

► **Şek.17:** 1. Zımpara kağıdı 2. Dikdörtgen ped 3. Toz emme delikleri

6. Zımpara kağıdını çıkarmak için kenardan sıyrarak kaldırın.

Toz torbasının takılması ve çıkarılması

İsteğe bağlı aksesuar

Toz torbasını, motor gövdesinin arka ucundaki konik toz ağzına takın. Çalışma sırasında çıkmasını önlemek için torbanın toz girişini toz ağzına sonuna kadar sokun.

► **Şek.18:** 1. Toz ağzı 2. Toz girişi 3. Toz torbası

ÖNEMLİ NOT: Aleti taşırken toz torbasından tutmayın. Aksi takdirde alet düşebilir ve hasar görebilir.

NOT: Optimum toz toplama sağlamak için kapasitesinin yaklaşık yarısına kadar dolduğunda toz torbasını boşaltın.

Toz torbasını aletten çıkarın ve toz ağızlığını sökün. Ardından toz torbasını hafifçe sallayarak veya vuruşarak boşaltın.

► **Şek.19:** 1. Toz ağızlığı

Toz kutusunun takılması ve çıkarılması

İsteğe bağlı aksesuar

Toz kutusunu, motor gövdesinin arka ucundaki konik toz ağzına takın. Çalışma sırasında çıkmasını önlemek için toz girişini toz ağzına sonuna kadar sokun.

► **Şek.20:** 1. Toz ağzı 2. Toz girişi 3. Toz ağızlığı 4. Toz kutusu

ÖNEMLİ NOT: Aleti taşırken toz kutusundan tutmayın. Aksi takdirde alet düşebilir ve hasar görebilir.

NOT: Optimum toz toplama sağlamak için kapasitesinin yaklaşık yarısına kadar dolduğunda toz kutusunu boşaltın.

1. Toz kutusunu aletten çıkarın.
2. Kutunun her iki tarafındaki kilitleme mandallarına bastırıp basılı tutarken toz ağızlığını kutudan ayırın.
3. Toz kutusunu hafifçe sallayarak veya vuruşarak boşaltın.

Kağıt filtreyi değiştirme

ÖNEMLİ NOT: Bileşenleri yeniden monte ederken tüm toz kutusu, kağıt filtre ve toz ağızlığı üzerindeki logoları tutarlı bir yönde hizalamaya dikkat edin.

1. Toz kutusunu aletten çıkarın.
2. Kutunun her iki tarafındaki kilitleme mandallarına bastırıp basılı tutarken toz ağızlığını kutudan ayırın.
► **Şek.21:** 1. Toz ağızlığı 2. Toz kutusu 3. Kilitleme mandalı
3. Karton açıklığın iç üst kenarını tutun ve karton açıklığın dış üst kenarını toz kutusunun kapağındaki üst geçirme tırnağından ayırmak için aşağıda doğru çekip çıkarın.

4. Karton açıklığın dış alt kenarını çekip alt geçirme tırnağından kurtararak kağıt filtreyi toz kutusundan çıkarın.

► **Şek.22:** 1. Kağıt filtre 2. Karton açıklık 3. Üst geçirme tırnağı 4. Alt geçirme tırnağı 5. Toz kutusu

5. Karton açıklığın alt kenarını alt geçirme tırnağına geçirip üst kenarı, üst geçirme tırnağına oturana kadar içeri doğru ittirerek kağıt filtreyi değiştirin.

► **Şek.23:** 1. Kağıt filtre 2. Karton açıklık 3. Üst geçirme tırnağı 4. Alt geçirme tırnağı 5. Toz kutusu

6. Toz kutusunun her iki tarafındaki kilitleme mandallarına bastırıp basılı tutarken toz ağızlığını yerine oturtun.

► **Şek.24:** 1. Toz ağızlığı 2. Toz kutusu 3. Kilitleme mandalı

Elektrikli süpürgeyi bağlanması

İsteğe bağlı aksesuar

Temiz zımparalama işlemi yapmak istediğinizde aletimize bir Makita elektrikli süpürge bağlayın. Bağlantı kurmak için isteğe bağlı 28 mm hortum veya süpürge ile verilen ön rakor 22 ve hortum kombinasyonunu kullanın.

► **Şek.25:** 1. Toz ağzı 2. Ön rakor 3. Hortum 4. Elektrikli süpürge

KULLANIM

Zımparalama işlemi

⚠ DİKKAT: İş parçasının sıcak sabitlendiğinden daima emin olun.

ÖNEMLİ NOT: Aleti zımpara kağıdı olmadan asla çalıştırma. Pede ciddi şekilde zarar verebilirsiniz.

ÖNEMLİ NOT: Aleti hiç bir zaman zorlamayın. Aşırı basınç zımparalama verimliliğini azaltabilir, zımpara kağıdına zarar verebilir ve/veya aletin kullanım ömrünü kısaltabilir.

Aleti sıkı tutun. Aleti çalıştırın ve tam hıza ulaşmasını bekleyin. Sonra aleti hafifçe iş parçasının yüzeyine yerleştirin. Titreşim zımpara, genellikle bir seferde az bir miktar malzemeyi kaldırmak için kullanılır. Yüzey kalitesi zımparayla kaldırılan miktardan daha önemli olduğu için alete çok fazla bastırma. Tabanı daima iş parçasına dayalı tutun.

► **Şek.26**

Üçgen/dikdörtgen ped ile zımparalama yaparken malzemeyi pedin üst ve alt tarafı ile zımparalayabilirsiniz. Panjur gibi bir cismi zımparalarken kullanışlıdır.

► **Şek.27**

BAKIM

⚠ DİKKAT: Muayene ya da bakım yapmadan önce aletin kapalı ve batarya kartuşunun çıkartılmış olduğundan daima emin olun.

ÖNEMLİ NOT: Benzin, tiner, alkol ve benzeri maddeleri kesinlikle kullanmayın. Renk değişimi, deformasyon veya çatlaklar oluşabilir.

Aleti EMNİYETLİ ve ÇALIŞMAYA HAZIR durumda tutmak için onarımlar, başka her türlü bakım ve ayarlamalar daima Makita yedek parçaları kullanılarak Makita yetkili servis merkezleri veya Fabrikanın Servis Merkezleri tarafından yapılmalıdır.

Kullanım sonrası

Aleti düzenli aralıklarla kuru bir bez veya sabunlu su ile hafifçe nemlendirilmiş bir bez kullanılarak silin.

İSTEĞE BAĞLI AKSESUARLAR

⚠ DİKKAT: Bu aksesuarlar ve ek parçalar bu el kitabında belirtilen Makita aletiniz ile kullanılmak için tavsiye edilmektedir. Herhangi başka bir aksesuar ya da ek parça kullanılması insanlar için bir yaralanma riski getirebilir. Aksesuarları ya da ek parçaları yalnızca belirtilmiş olan kullanım amaçlarına uygun olarak kullanın.

Bu aksesuarlarla ilgili daha fazla bilgiye ihtiyaç duyarsanız bulunduğunuz yerdeki yetkili Makita servisine başvurun.

- Zımpara kağıdı (cırt cırt)
- Zımpara kağıdı (kısaç)
- Kare ped (cırt cırt)
- Kare ped (kısaç)
- Dikdörtgen ped
- Üçgen ped
- Toz torbası
- Toz kutusu
- Filtre
- Kağıt filtre
- Orijinal Makita batarya ve şarj aleti

NOT: Listedeki parçaların bazıları alet paketi içerisinde standart aksesuar olarak dahil edilmiş olabilir. Bunlar ülkeden ülkeye farklılık gösterebilir.

Makita Europe N.V.

Jan-Baptist Vinkstraat 2, 3070 Kortenberg, Belgium

Makita Corporation

3-11-8, Sumiyoshi-cho, Anjo, Aichi 446-8502 Japan

www.makita.com



885A03A996
EN, FR, DE, IT, NL,
ES, PT, DA, EL, TR
20220627